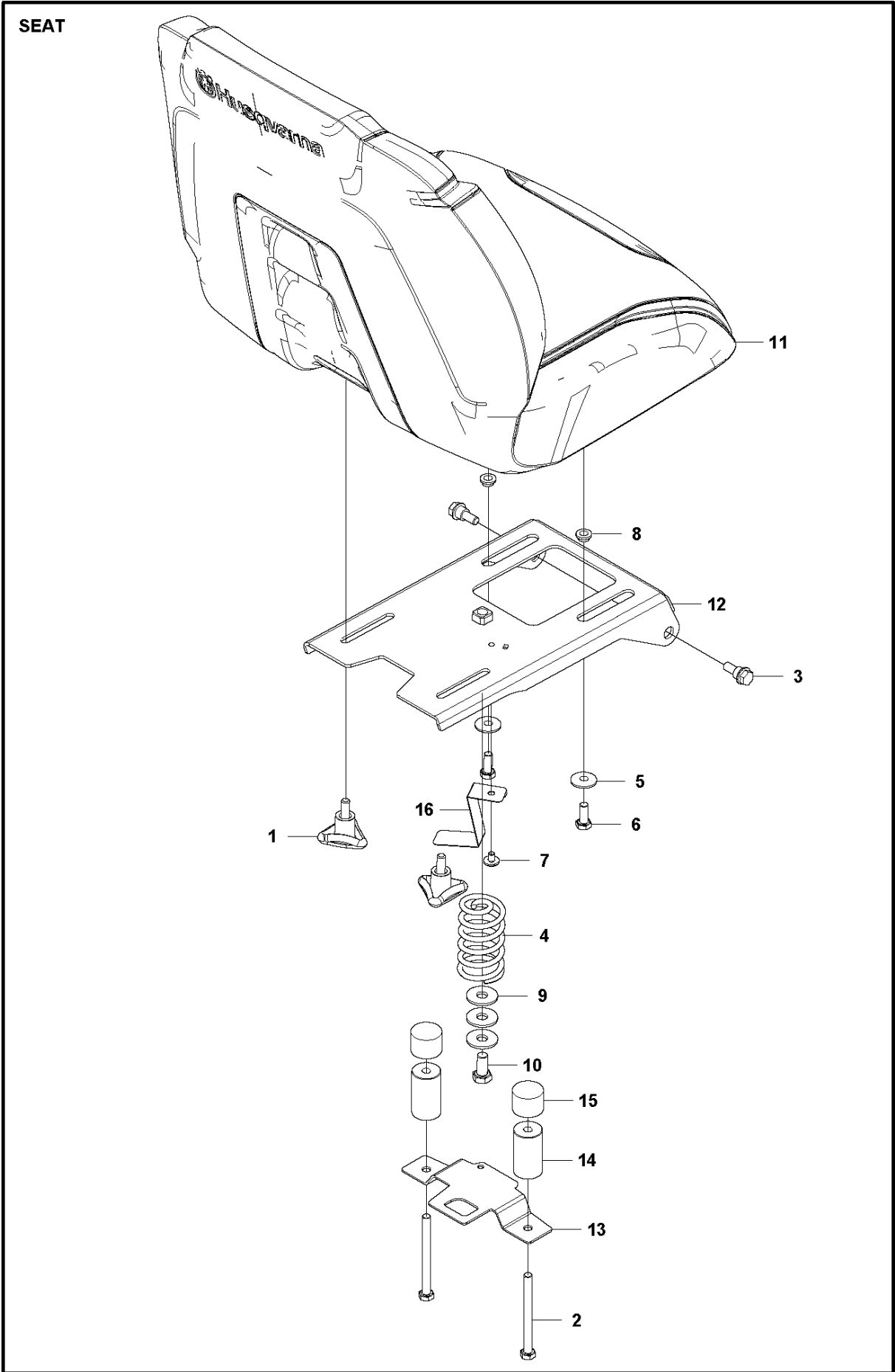




SPARE PARTS LIST

RIDERS

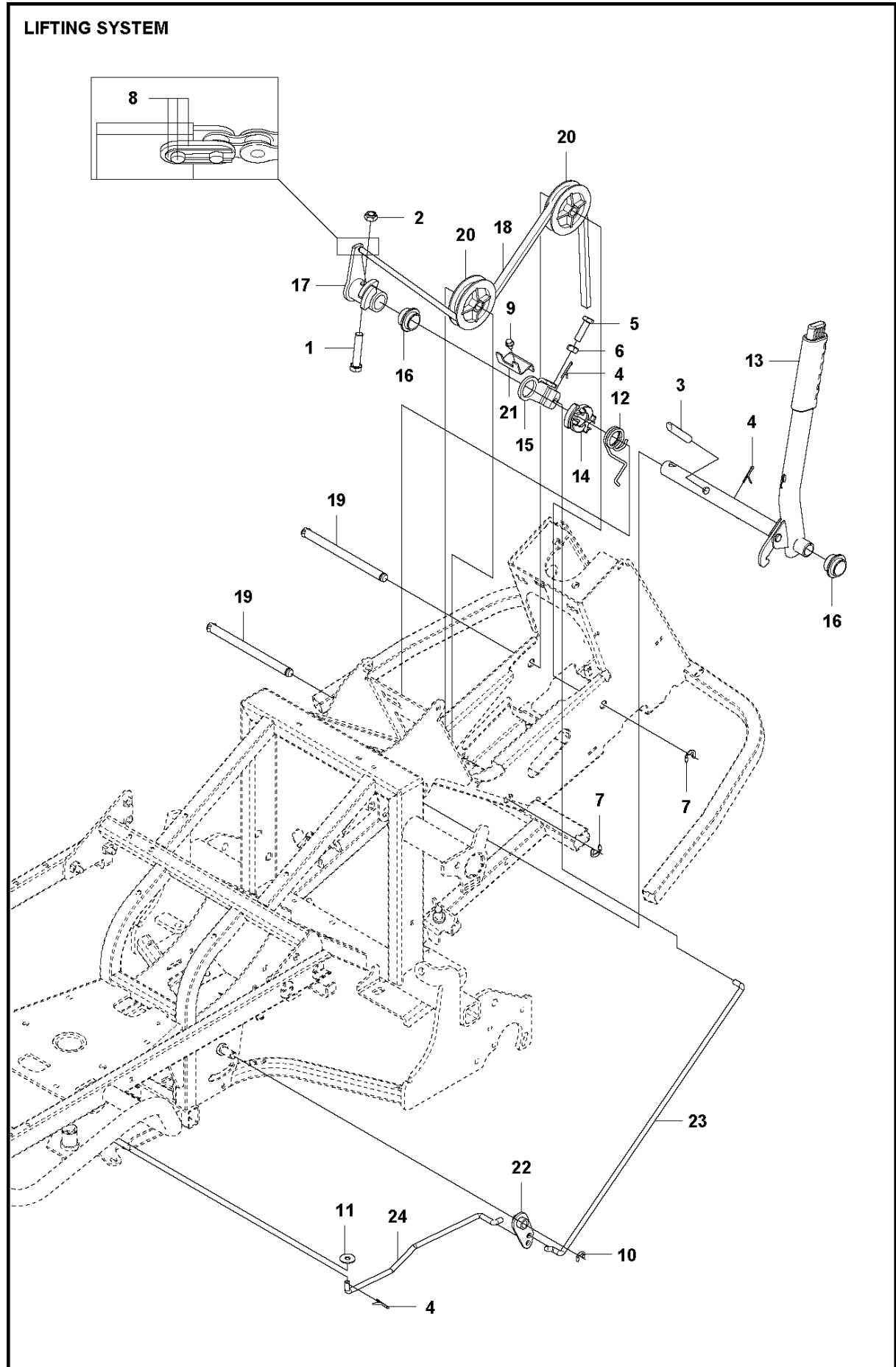
RC 320Ts AWD, 967628802



SEAT

RC 320Ts AWD, 967628802

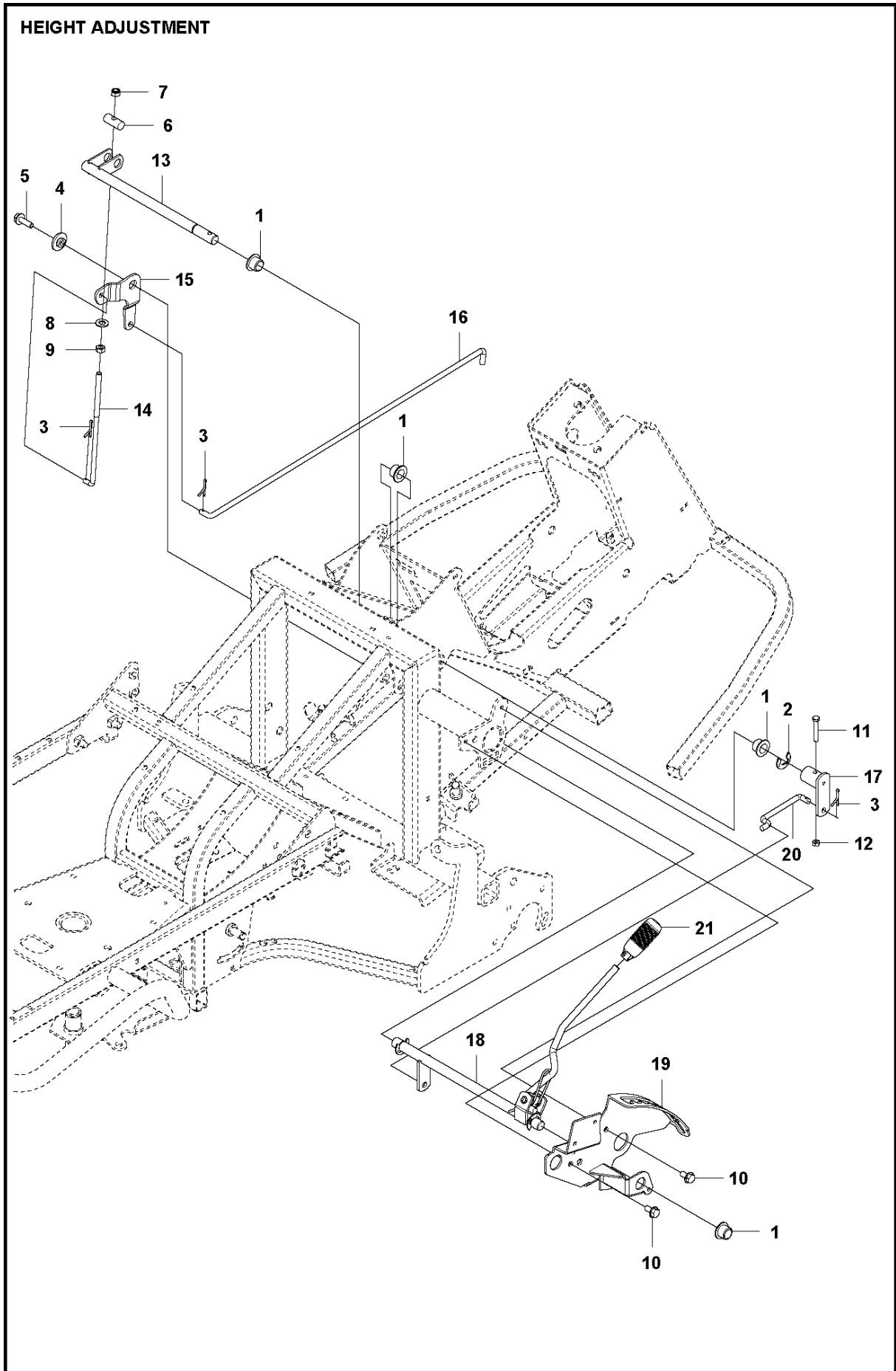
| Ref | Part No | Description | Remark | QTY KIT |
|-----|--------------|-----------------------|--------|---------|
| 1 | 585 06 52-02 | KNOB | | 2 |
| 2 | 725 24 69-51 | SCREW EHHM | | 2 |
| 3 | 506 59 74-01 | SCREW EHHFM | | 2 |
| 4 | 582 26 17-01 | COMPRESSION SPRING | | 1 |
| 5 | 734 11 64-41 | WASHER | | 2 |
| 6 | 725 24 51-71 | SCREW EHHM | | 2 |
| 7 | 522 55 73-01 | SCREW | | 1 |
| 8 | 506 56 53-01 | BUSHING | | 2 |
| 9 | 734 11 74-41 | WASHER | | 3 |
| 10 | 725 24 93-71 | SCREW EHHM | | 1 |
| 11 | 589 34 58-01 | SEAT | | 1 |
| 12 | 589 00 51-01 | SEAT BRACKET | | 1 |
| 13 | 589 00 52-01 | BRACKET | | 1 |
| 14 | 588 87 83-01 | SLEEVE | | 2 |
| 15 | 544 25 21-02 | ANTIVIBRATION ELEMENT | | 2 |
| 16 | 588 87 89-01 | BRACKET | | 1 |



MOWER LIFT / DECK LIFT

RC 320Ts AWD, 967628802

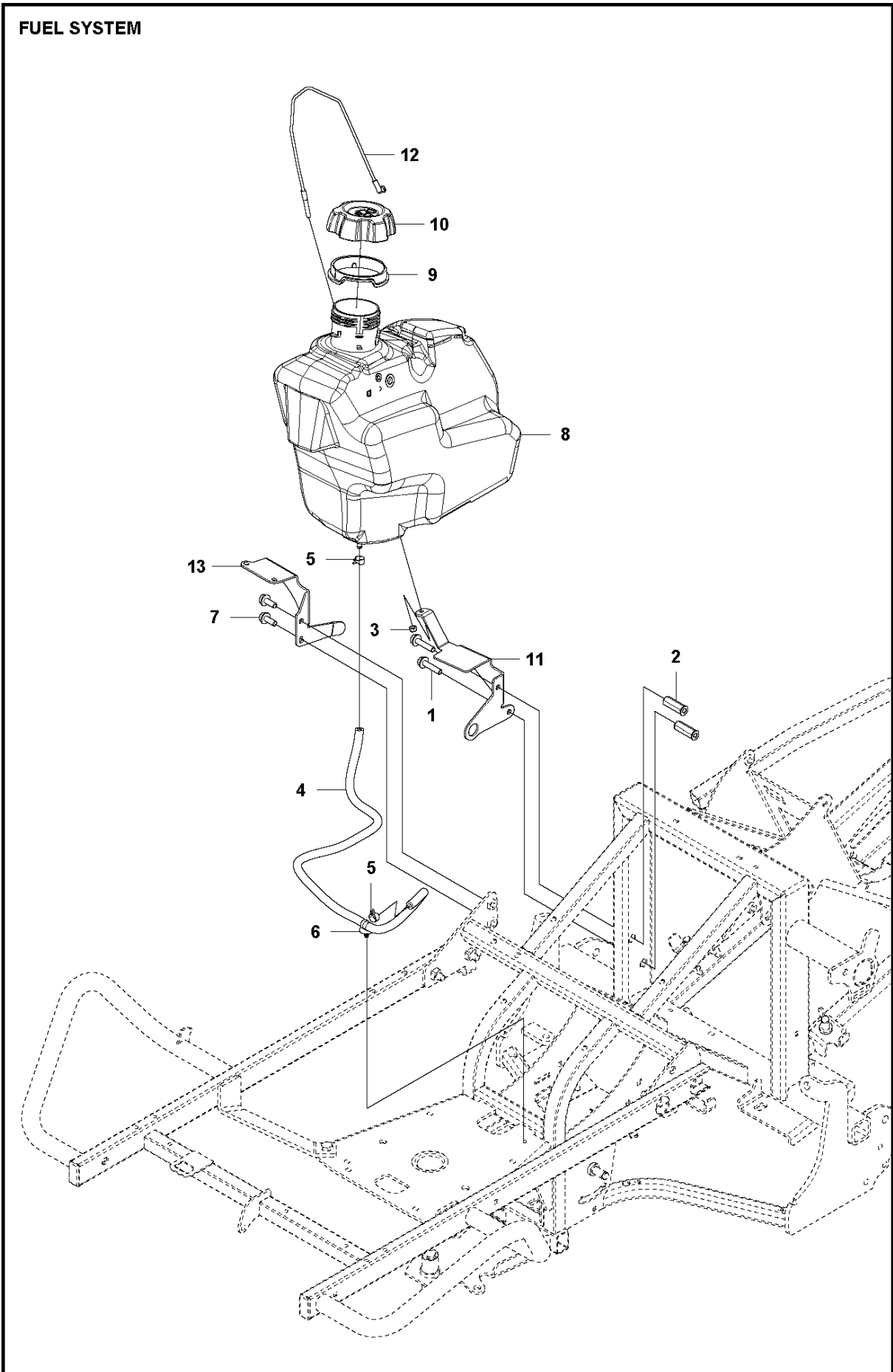
| Ref | Part No | Description | Remark | QTY KIT |
|-----|--------------|---------------------|--------|---------|
| 1 | 725 25 44-71 | SCREW EHHM | | 1 |
| 2 | 732 25 22-01 | HEXAGON LOCKING NUT | | 1 |
| 3 | 525 40 66-01 | PEN | | 1 |
| 4 | 721 61 83-01 | SPLIT PIN | | 3 |
| 5 | 725 24 97-51 | SCREW | | 1 |
| 6 | 731 23 20-51 | HEXAGON NUT | | 1 |
| 7 | 735 31 18-20 | E-CLIP | | 2 |
| 8 | 506 55 47-01 | LINKAGE | | 1 |
| 9 | 725 23 64-61 | SCREW EHHFT | | 1 |
| 10 | 735 31 14-20 | E-CLIP | | 1 |
| 11 | 734 11 64-41 | WASHER | | 1 |
| 12 | 589 28 42-01 | SPRING | | 1 |
| 13 | 582 19 08-01 | LIFTING LEVER ASSY | | 1 |
| 14 | 588 92 71-01 | ANVIL | | 1 |
| 15 | 588 92 70-01 | LIFTING ARM | | 1 |
| 16 | 588 92 69-02 | BEARING | | 2 |
| 17 | 588 97 34-01 | LIFTING ARM | | 1 |
| 18 | 506 55 46-12 | CHAIN | | 1 |
| 19 | 582 87 19-02 | SHAFT | | 2 |
| 20 | 506 90 56-01 | OFFSET PULLEY | | 2 |
| 21 | 501 09 29-01 | BRACKET | | 1 |
| 22 | 588 97 40-01 | LINK ASSY | | 1 |
| 23 | 588 97 44-01 | ROD | | 1 |
| 24 | 588 97 45-01 | ROD | | 1 |



HEIGHT ADJUSTMENT

RC 320Ts AWD, 967628802

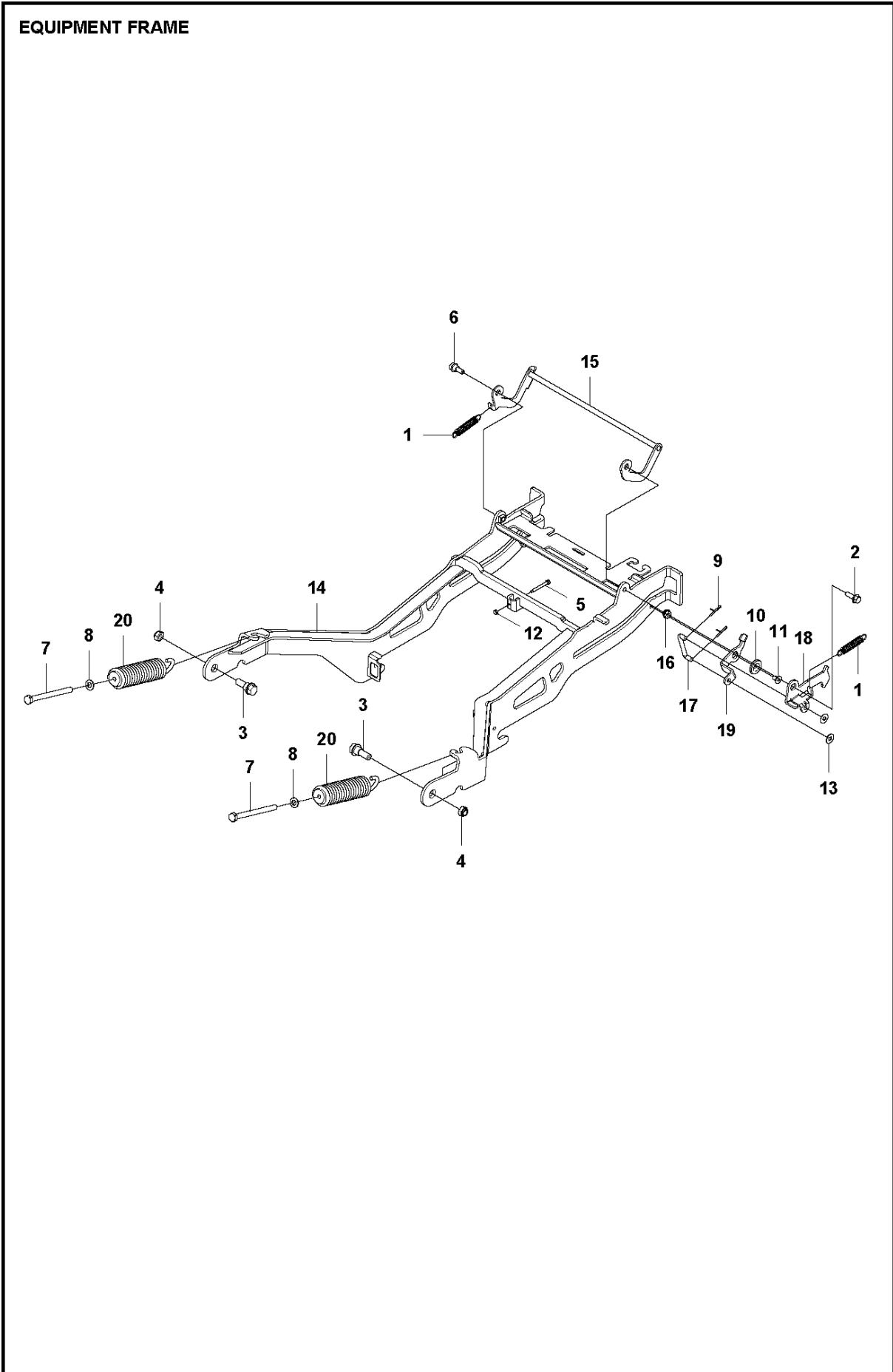
| Ref | Part No | Description | Remark | QTY KIT |
|-----|--------------|---------------------|--------|---------|
| 1 | 584 87 13-02 | BEARING | | 4 |
| 2 | 735 31 22-20 | E-CLIP | | 1 |
| 3 | 721 61 83-01 | SPLIT PIN | | 3 |
| 4 | 574 87 41-01 | WASHER | | 1 |
| 5 | 506 57 01-05 | SCREW EHHFM | | 1 |
| 6 | 506 78 46-01 | PEN | | 1 |
| 7 | 732 21 18-01 | LOCK NUT | | 1 |
| 8 | 734 11 72-01 | WASHER | | 1 |
| 9 | 731 23 18-01 | HEXAGON NUT | | 1 |
| 10 | 506 57 01-03 | SCREW EHHFM | | 2 |
| 11 | 725 23 78-51 | SCREW EHHM | | 1 |
| 12 | 732 25 16-01 | HEXAGON LOCKING NUT | | 1 |
| 13 | 588 93 32-01 | SHAFT ASSY | | 1 |
| 14 | 588 93 57-01 | ROD | | 1 |
| 15 | 588 93 55-01 | LINK | | 1 |
| 16 | 588 93 56-01 | CONNECTION ROD | | 1 |
| 17 | 588 93 38-01 | LINK ASSY | | 1 |
| 18 | 582 19 82-01 | HEIGHT ADJUSTER | | 1 |
| 19 | 588 68 10-01 | BRACKET | | 1 |
| 20 | 588 93 58-01 | ROD | | 1 |
| 21 | 506 54 20-01 | HANDLE | | 1 |



FUEL SYSTEM

RC 320Ts AWD, 967628802

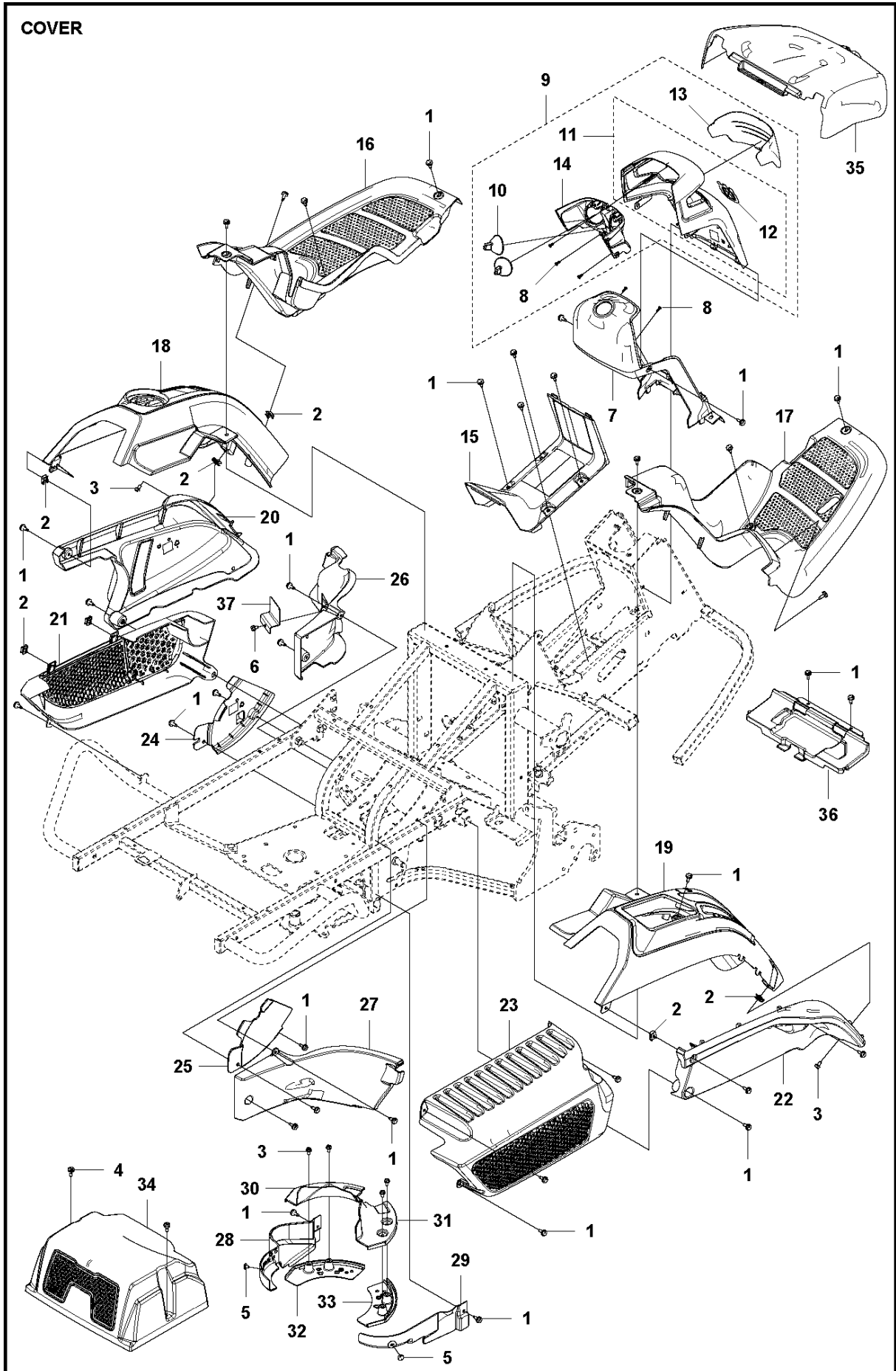
| Ref | Part No | Description | Remark | QTY KIT |
|-----|--------------|-------------|--------|---------|
| 1 | 506 57 01-06 | SCREW EHHFM | | 2 |
| 2 | 576 43 42-01 | HEXAGON NUT | | 2 |
| 3 | 732 21 16-01 | LOCK NUT | | 1 |
| 4 | 504 80 00-09 | FUEL HOSE | | 1 |
| 5 | 535 46 97-01 | HOSE BRACE | | 2 |
| 6 | 579 31 74-01 | STRAP | | 1 |
| 7 | 506 57 01-04 | SCREW EHHFM | | 2 |
| 8 | 501 10 40-01 | FUEL TANK | | 1 |
| 9 | 577 76 45-01 | LOCKING NUT | | 1 |
| 10 | 584 24 87-02 | CAP | | 1 |
| 11 | 589 24 06-01 | BRACKET | | 1 |
| 12 | 578 26 15-02 | WIRE | | 1 |
| 13 | 589 21 40-01 | BRACKET | | 1 |



FRAME

RC 320Ts AWD, 967628802

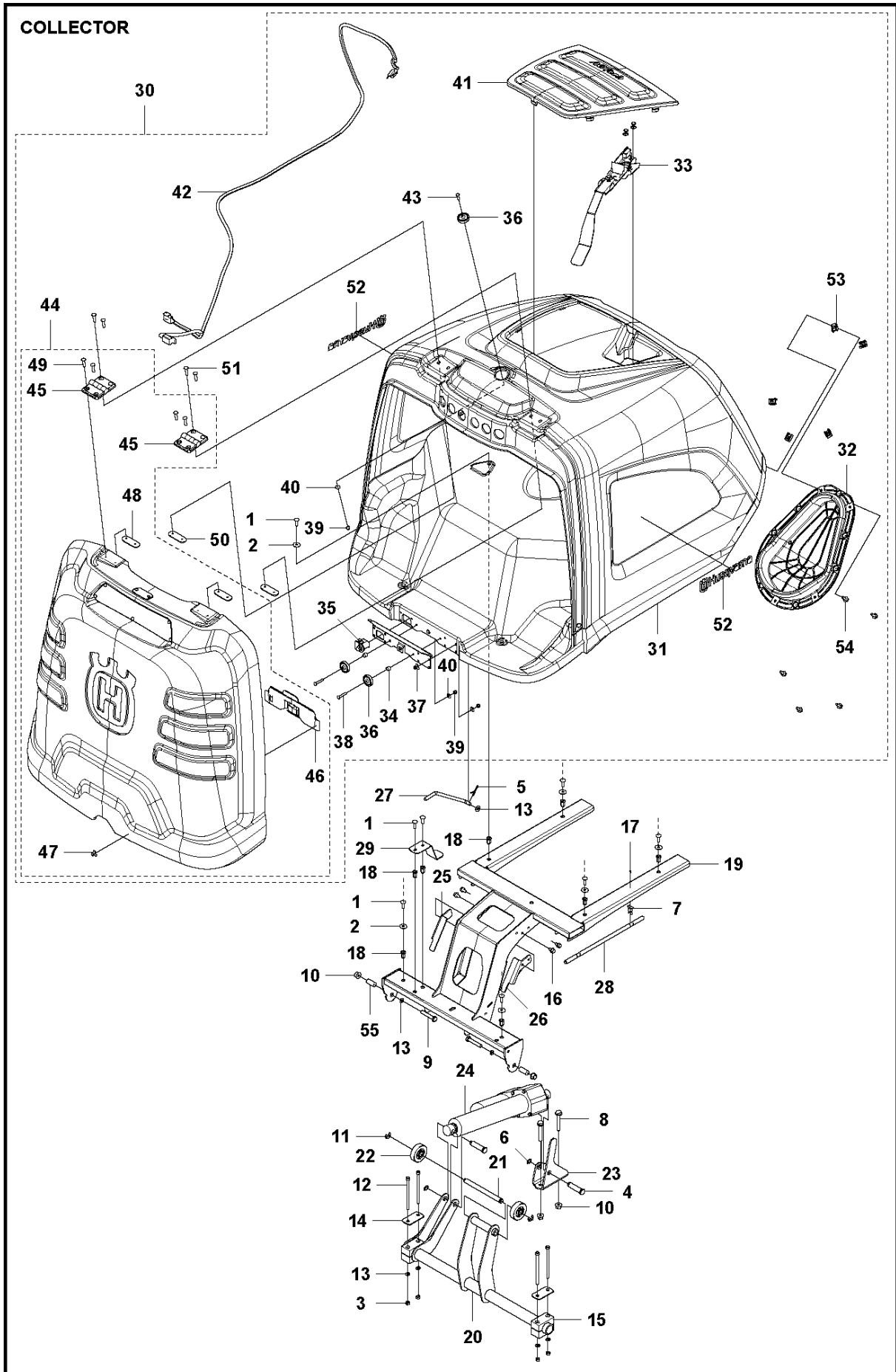
| Ref | Part No | Description | Remark | QTY KIT |
|-----|--------------|---------------------|--------|---------|
| 1 | 544 13 36-01 | DRAW SPRING | | 2 |
| 2 | 506 57 01-05 | SCREW EHHFM | | 1 |
| 3 | 506 89 58-01 | COLLAR SCREW | | 2 |
| 4 | 732 25 22-01 | HEXAGON LOCKING NUT | | 2 |
| 5 | 577 10 31-01 | SCREW ITXSCFM | | 1 |
| 6 | 506 59 74-01 | SCREW EHHFM | | 1 |
| 7 | 725 25 15-71 | SCREW EHHM | | 2 |
| 8 | 734 11 72-01 | WASHER | | 2 |
| 9 | 721 61 83-01 | SPLIT PIN | | 2 |
| 10 | 581 76 52-01 | WASHER | | 1 |
| 11 | 725 64 48-01 | SCREW IHCSFM | | 1 |
| 12 | 732 21 14-01 | LOCK NUT | | 1 |
| 13 | 503 23 01-16 | WASHER | | 2 |
| 14 | 588 85 08-01 | EQUIPMENT FRAME | | 1 |
| 15 | 588 88 96-01 | HOOK | | 1 |
| 16 | 588 93 81-01 | SLEEVE | | 1 |
| 17 | 588 89 00-01 | ROD | | 1 |
| 18 | 588 89 01-01 | SHEET | | 1 |
| 19 | 588 89 02-01 | SHEET | | 1 |
| 20 | 505 42 09-01 | SPRING | | 2 |



COVER

RC 320Ts AWD, 967628802

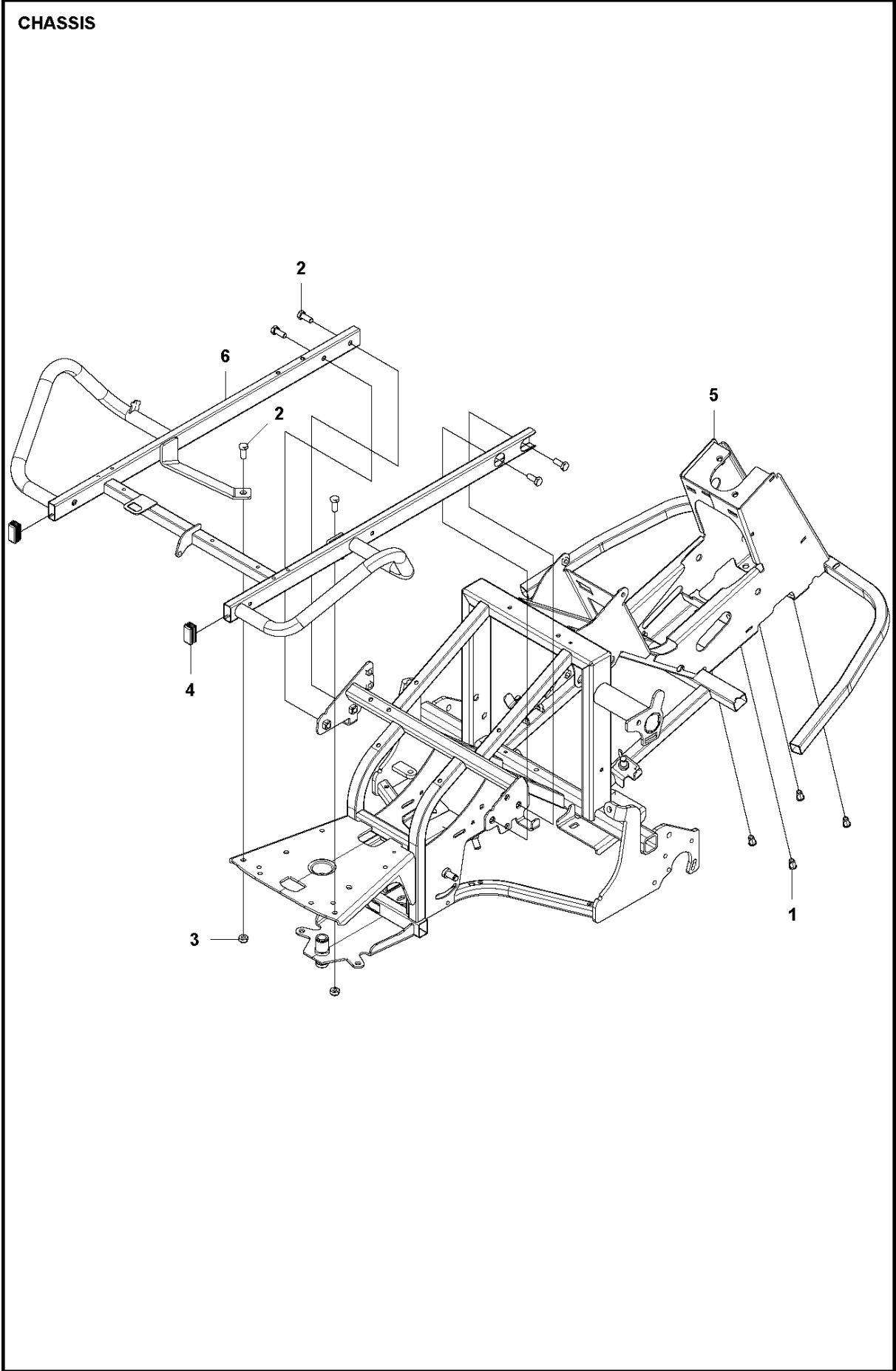
| Ref | Part No | Description | Remark | QTY | KIT |
|-----|--------------|------------------|--------|-----|-------|
| 1 | 544 40 05-01 | SCREW | | 36 | |
| 2 | 535 42 91-01 | SPRING NUT | | 8 | |
| 3 | 535 47 52-12 | SCREW EHHFM | | 6 | |
| 4 | 574 85 62-01 | SCREW | | 2 | |
| 5 | 522 55 73-01 | SCREW | | 2 | |
| 6 | 725 23 64-61 | SCREW EHHFT | | 1 | |
| 7 | 589 21 15-01 | COVER | | 1 | |
| 8 | 504 61 09-01 | SCREW ITXPANT | | 5 | 9 |
| 9 | 589 21 14-01 | COVER | | 1 | |
| 10 | 582 21 42-01 | LAMP | LED | 2 | 9 |
| 11 | 501 05 63-01 | COVER | | 1 | 9 |
| 12 | 576 97 34-01 | DECAL | | 1 | 9, 11 |
| 13 | 589 21 10-01 | COVER | | 1 | 9 |
| 14 | 589 21 09-01 | COVER | | 1 | 9 |
| 15 | 589 21 11-01 | COVER | | 1 | |
| 16 | 589 22 46-01 | COVER | | 1 | |
| 17 | 589 22 45-01 | COVER | | 1 | |
| 18 | 582 27 76-01 | COVER ASSY | | 1 | |
| 19 | 582 27 75-01 | COVER ASSY | | 1 | |
| 20 | 589 22 54-01 | COVER | | 1 | |
| 21 | 589 22 56-01 | COVER | | 1 | |
| 22 | 589 22 53-01 | COVER | | 1 | |
| 23 | 589 22 55-01 | COVER | | 1 | |
| 24 | 589 22 58-01 | COVER | | 1 | |
| 25 | 589 22 57-01 | COVER | | 1 | |
| 26 | 589 22 60-01 | COVER | | 1 | |
| 27 | 589 22 59-01 | COVER | | 1 | |
| 28 | 589 22 62-01 | COVER | | 1 | |
| 29 | 589 22 61-01 | COVER | | 1 | |
| 30 | 589 22 63-02 | COVER | | 1 | |
| 31 | 589 22 63-01 | COVER | | 1 | |
| 32 | 589 22 64-02 | COVER | | 1 | |
| 33 | 589 22 64-01 | COVER | | 1 | |
| 34 | 574 88 60-01 | COVER | | 1 | |
| 35 | 589 22 43-01 | COVER | | 1 | |
| 36 | 589 22 44-01 | COVER | | 1 | |
| 37 | 589 94 88-01 | PROTECTIVE PLATE | | 1 | |



COLLECTOR

RC 320Ts AWD, 967628802

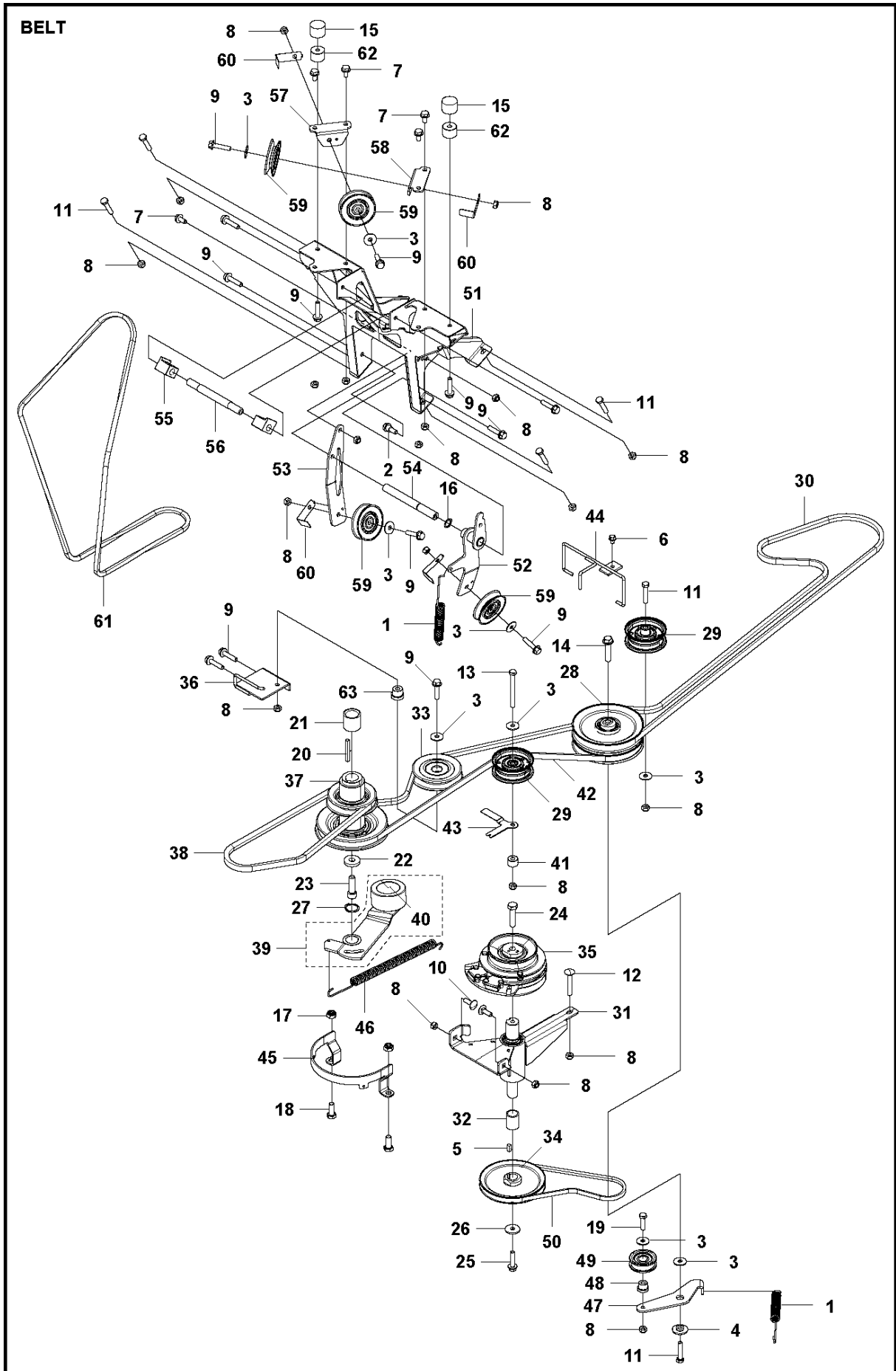
| Ref | Part No | Description | Remark | QTY | KIT |
|-----|--------------|---------------------|--------|-----|--------|
| 1 | 535 42 58-02 | SCREW IHANM | | 8 | |
| 2 | 504 45 99-01 | WASHER | | 6 | |
| 3 | 732 25 16-01 | HEXAGON LOCKING NUT | | 4 | |
| 4 | 589 01 94-01 | PIN | | 2 | |
| 5 | 721 61 83-01 | SPLIT PIN | | 1 | |
| 6 | 735 31 14-01 | CIRCLIP | | 2 | |
| 7 | 582 75 22-01 | CLIP | | 1 | |
| 8 | 506 57 01-07 | SCREW EHHFM | | 2 | |
| 9 | 725 24 60-71 | SCREW EHHM | | 2 | |
| 10 | 576 64 57-04 | NUT FLANGE | | 4 | |
| 11 | 735 31 14-20 | E-CLIP | | 2 | |
| 12 | 535 43 28-01 | SCREW IHSCM | | 4 | |
| 13 | 734 11 64-01 | WASHER | | 7 | |
| 14 | 506 81 38-01 | REINFORCING PLATE | | 2 | |
| 15 | 501 10 22-01 | BEARING | | 2 | |
| 16 | 725 23 64-61 | SCREW EHHFT | | 4 | |
| 17 | 722 78 05-03 | BLIND RIVET | | 1 | |
| 18 | 506 91 62-04 | NUT | | 8 | |
| 19 | 589 00 69-01 | BAG FRAME | | 1 | |
| 20 | 501 06 61-01 | LINK ARM | | 1 | |
| 21 | 501 06 67-01 | SHAFT | | 1 | |
| 22 | 501 06 68-01 | SUPPORT WHEEL | | 2 | |
| 23 | 589 21 38-01 | BRACKET | | 1 | |
| 24 | 501 10 80-01 | ACTUATOR | | 1 | |
| 25 | 589 01 05-01 | BRACKET | | 1 | |
| 26 | 589 01 05-02 | BRACKET | | 1 | |
| 27 | 501 10 21-01 | ROD | | 1 | |
| 28 | 582 38 36-01 | TOOL | | 1 | |
| 29 | 589 00 75-01 | BRACKET | | 1 | |
| 30 | 582 15 94-01 | BAG | | 1 | |
| 31 | 582 58 85-01 | BAG | | 1 | 30 |
| 32 | 582 57 93-01 | SEALING | | 1 | 30 |
| 33 | 582 54 71-01 | INDICATOR | | 1 | 30 |
| 34 | 582 60 42-01 | SLEEVE | | 2 | 30 |
| 35 | 532 40 75-68 | SWITCH | | 1 | 30 |
| 36 | 501 09 81-01 | MAGNET | | 3 | 30 |
| 37 | 577 01 39-01 | RIVET | | 8 | 30 |
| 38 | 725 63 35-01 | SCREW | | 2 | 30 |
| 39 | 732 25 14-01 | HEXAGON LOCKING NUT | | 3 | 30 |
| 40 | 504 45 60-01 | WASHER, 5X13X1 | | 3 | 30 |
| 41 | 589 22 71-01 | COVER | | 1 | 30 |
| 42 | 589 02 12-01 | WIRING | | 1 | 30 |
| 43 | 593 12 23-01 | SCREW | | 1 | 30 |
| 44 | 582 36 97-01 | HATCH | | 1 | 30 |
| 45 | 501 10 70-01 | HINGE | | 2 | 30, 44 |
| 46 | 582 41 33-01 | HANDLE | | 1 | 30, 44 |
| 47 | 577 01 39-01 | RIVET | | 11 | 30, 44 |
| 48 | 501 17 59-01 | REINFORCEMENT PLATE | | 2 | 30, 44 |
| 49 | 593 12 21-01 | SCREW | | 4 | 30, 44 |
| 50 | 501 17 59-01 | REINFORCEMENT PLATE | | 2 | 30 |
| 51 | 593 12 21-01 | SCREW | | 4 | 30 |
| 52 | 577 46 90-01 | DECAL | | 2 | 30 |
| 53 | 582 70 11-01 | RIVET | | 7 | 30 |
| 54 | 725 23 68-61 | SCREW EHHFT | | 5 | 30 |
| 55 | 582 49 45-01 | TUBE | | 2 | |



CHASSIS

RC 320Ts AWD, 967628802

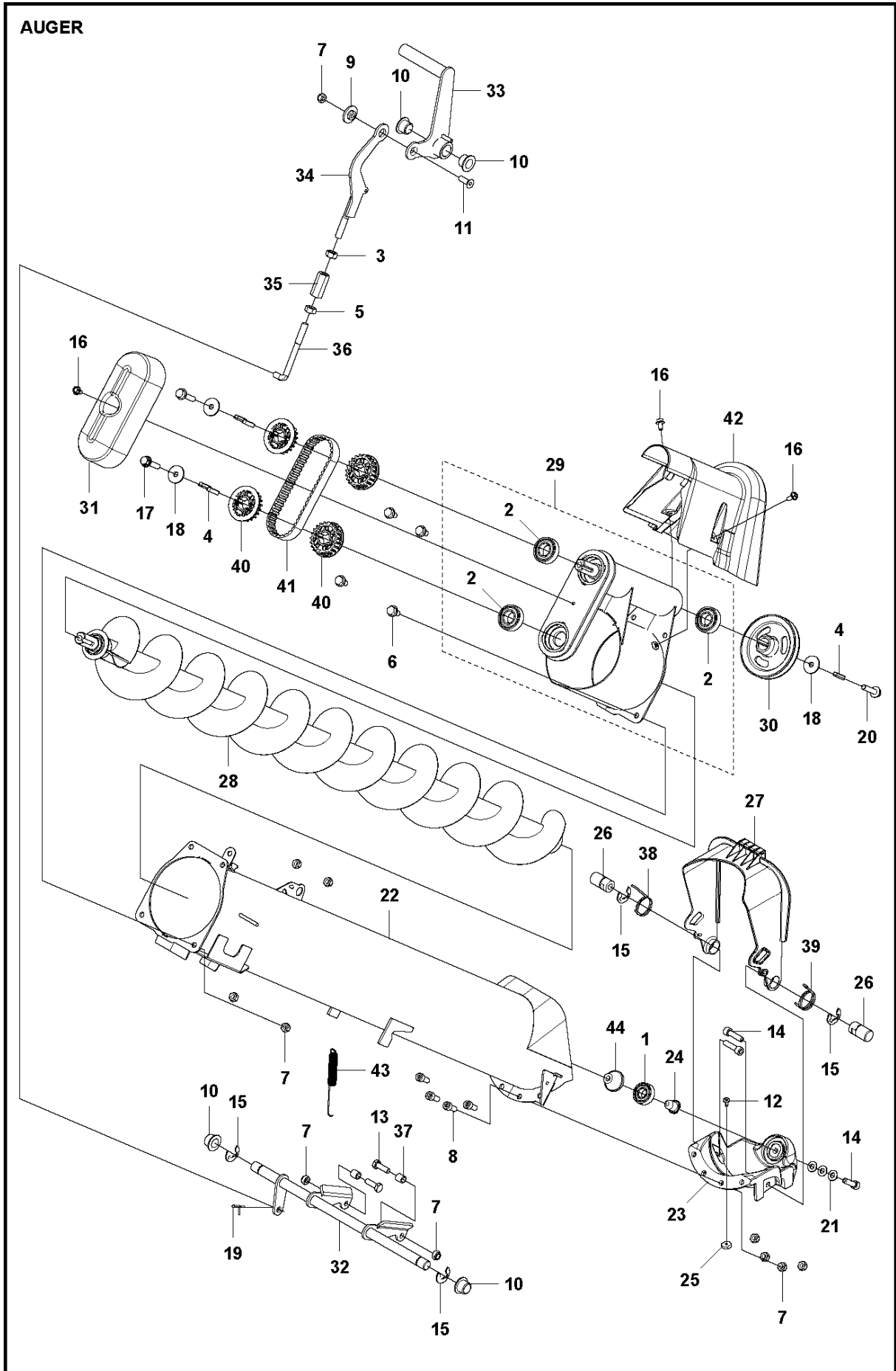
| Ref | Part No | Description | Remark | QTY KIT |
|-----|--------------|--------------|--------|---------|
| 1 | 506 91 62-01 | NUT | | 4 |
| 2 | 725 24 93-71 | SCREW EHHM | | 6 |
| 3 | 732 21 20-51 | NUT | | 2 |
| 4 | 589 73 58-01 | PLUG | | 2 |
| 5 | 588 87 92-02 | CHASSIS | | 1 |
| 6 | 588 98 26-01 | ENGINE FRAME | | 1 |



BELT

RC 320Ts AWD, 967628802

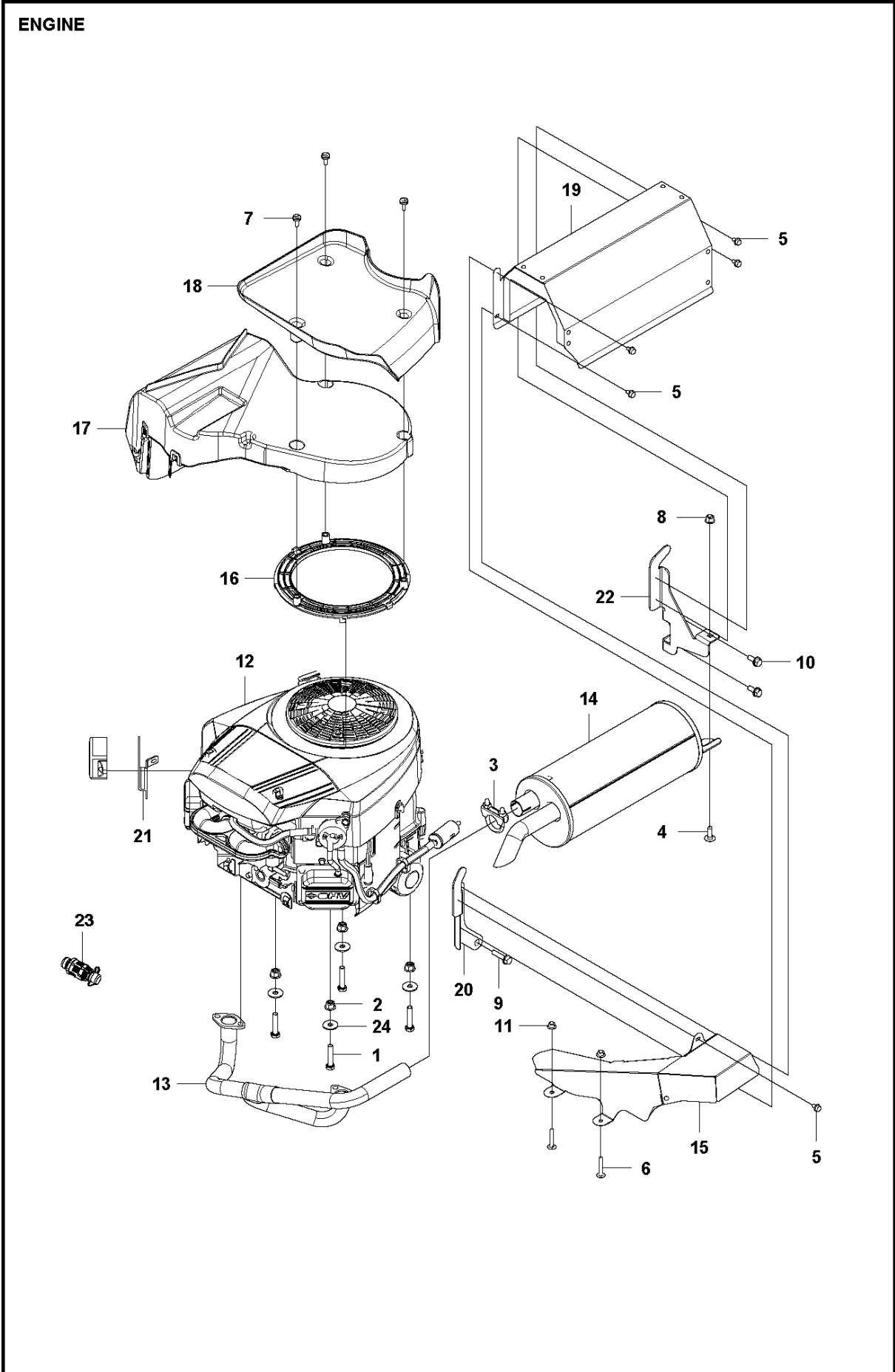
| Ref | Part No | Description | Remark | QTY KIT |
|-----|--------------|-----------------------|--------|---------|
| 1 | 582 38 14-01 | SPRING | | 2 |
| 2 | 506 59 74-01 | SCREW EHHFM | | 1 |
| 3 | 734 11 64-41 | WASHER | | 9 |
| 4 | 574 87 41-01 | WASHER | | 1 |
| 5 | 506 53 35-01 | PARALLEL KEY | | 1 |
| 6 | 725 23 64-61 | SCREW EHHFT | | 1 |
| 7 | 506 57 01-03 | SCREW EHHFM | | 5 |
| 8 | 732 21 18-01 | LOCK NUT | | 21 |
| 9 | 506 57 01-06 | SCREW EHHFM | | 13 |
| 10 | 535 42 38-01 | SCREW RSQM | | 2 |
| 11 | 725 24 59-51 | SCREW EHHM | | 6 |
| 12 | 535 42 38-02 | SCREW RSQM | | 1 |
| 13 | 725 24 67-51 | SCREW EHHM | | 1 |
| 14 | 506 67 54-03 | SCREW EHHFM | | 1 |
| 15 | 544 25 21-02 | ANTIVIBRATION ELEMENT | | 2 |
| 16 | 735 31 17-00 | CIRCLIP | | 1 |
| 17 | 732 21 20-51 | NUT | | 2 |
| 18 | 725 24 93-71 | SCREW EHHM | | 2 |
| 19 | 725 24 55-71 | SCREW EHHM | | 1 |
| 20 | 506 55 59-01 | WEDGE | | 1 |
| 21 | 506 50 92-01 | SPACING SLEEVE | | 1 |
| 22 | 506 59 75-01 | WASHER | | 1 |
| 23 | 506 55 60-02 | SCREW UNC | | 1 |
| 24 | 588 79 32-01 | SCREW | | 1 |
| 25 | 582 50 85-01 | SCREW | | 1 |
| 26 | 544 22 16-01 | WASHER | | 1 |
| 27 | 735 31 26-00 | CIRCLIP | | 1 |
| 28 | 582 17 65-01 | PULLEY ASSY | | 1 |
| 29 | 539 91 90-78 | PULLEY | | 2 |
| 30 | 593 66 74-01 | BELT | | 1 |
| 31 | 590 04 00-01 | BRACKET | | 1 |
| 32 | 589 02 63-01 | SPACING SLEEVE | | 1 |
| 33 | 506 97 48-01 | PULLEY | | 1 |
| 34 | 588 83 09-01 | PULLEY ASSY | | 1 |
| 35 | 589 24 34-01 | CLUTCH | | 1 |
| 36 | 582 19 90-01 | BRACKET | | 1 |
| 37 | 535 48 24-01 | PULLEY | | 1 |
| 38 | 589 56 23-01 | BELT | | 1 |
| 39 | 535 48 44-03 | BELT TENSIONER ASSY | | 1 |
| 40 | 535 48 50-01 | SEALING | | 1 39 |
| 41 | 588 86 73-01 | BUSHING | | 1 |
| 42 | 589 97 39-01 | BELT | | 1 |
| 43 | 588 97 98-01 | BELT GUIDE | | 1 |
| 44 | 588 98 00-01 | BELT GUIDE | | 1 |
| 45 | 587 42 52-01 | BELT GUIDE | | 1 |
| 46 | 506 66 56-01 | SPRING | | 1 |
| 47 | 588 87 88-01 | BELT TENSIONER | | 1 |
| 48 | 588 82 01-01 | BUSHING | | 1 |
| 49 | 589 24 37-01 | PULLEY | | 1 |
| 50 | 589 97 40-01 | BELT | | 1 |
| 51 | 588 83 90-01 | BRACKET | | 1 |
| 52 | 588 97 83-01 | BELT TENSIONER | | 1 |
| 53 | 582 22 16-01 | SHEET | | 1 |
| 54 | 588 97 93-01 | SHAFT | | 1 |
| 55 | 589 73 43-01 | SUPPORT | | 2 |
| 56 | 588 97 94-01 | SHAFT | | 1 |
| 57 | 589 03 22-01 | BRACKET | | 1 |
| 58 | 589 03 22-02 | BRACKET | | 1 |
| 59 | 506 94 69-01 | BELT TENS WHEEL ASSY | | 4 |
| 60 | 588 97 88-01 | BELT GUIDE | | 4 |
| 61 | 589 97 41-01 | BELT | | 1 |
| 62 | 588 87 83-02 | SLEEVE | | 2 |
| 63 | 590 08 79-01 | SLEEVE | | 1 |



AUGER

RC 320Ts AWD, 967628802

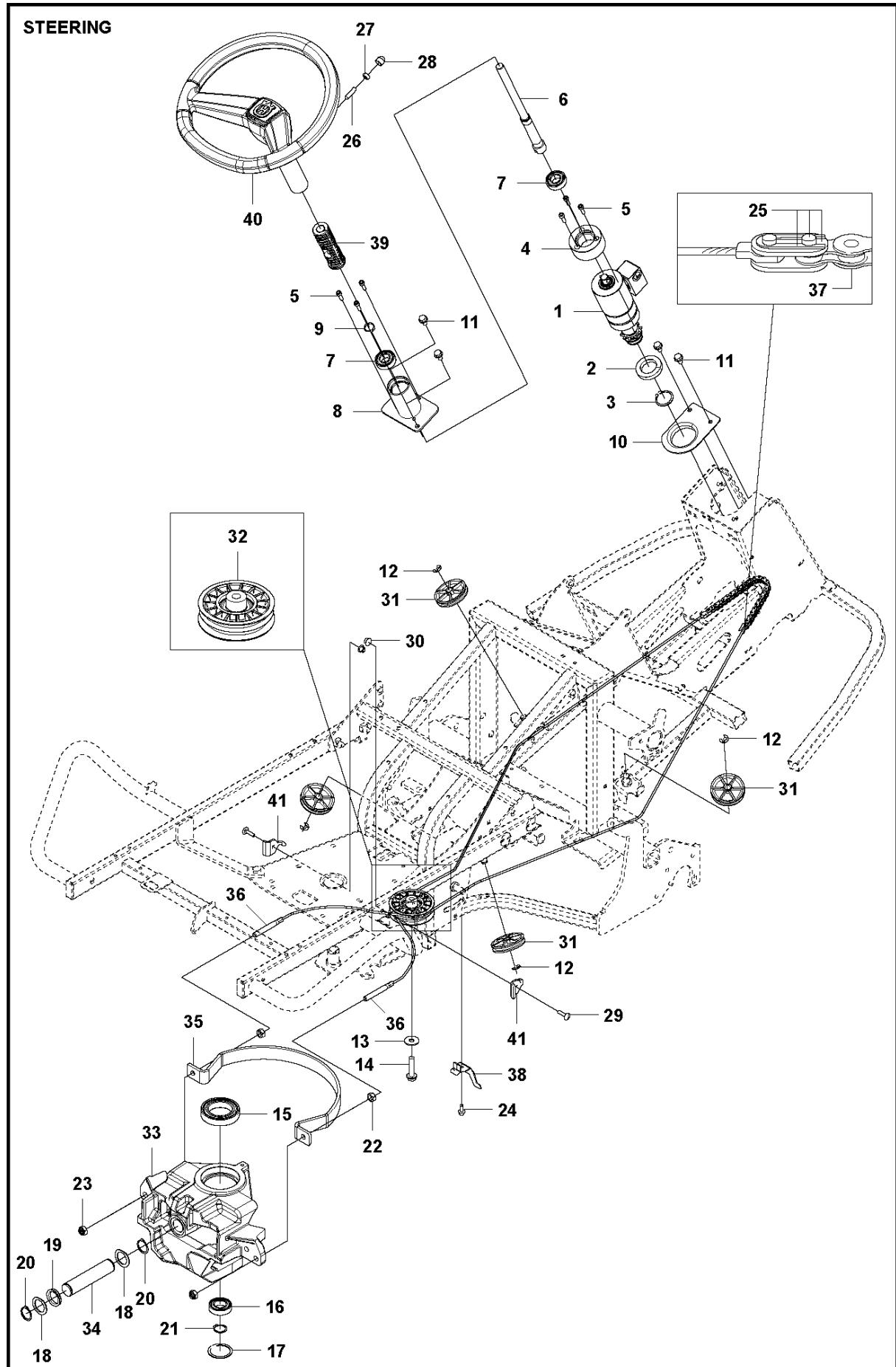
| Ref | Part No | Description | Remark | QTY KIT |
|-----|--------------|----------------|--------|---------|
| 1 | 738 22 02-19 | BALL BEARING | | 1 |
| 2 | 582 50 81-01 | BALL BEARING | | 3 |
| 3 | 506 89 76-01 | NUT | | 1 |
| 4 | 506 53 35-03 | PARALLEL KEY | | 5 |
| 5 | 731 23 20-51 | HEXAGON NUT | | 1 |
| 6 | 506 57 01-03 | SCREW EHHFM | | 4 |
| 7 | 732 21 18-01 | LOCK NUT | | 11 |
| 8 | 725 54 51-01 | SCREW IHSCM | | 4 |
| 9 | 574 87 41-01 | WASHER | | 1 |
| 10 | 584 87 13-02 | BEARING | | 4 |
| 11 | 725 64 53-01 | SCREW IHCSFM | | 1 |
| 12 | 502 43 52-01 | SCREW ITXPANTT | | 1 |
| 13 | 725 24 53-51 | SCREW EHHM | | 2 |
| 14 | 725 54 55-01 | SCREW IHSCM | | 3 |
| 15 | 735 31 22-20 | E-CLIP | | 4 |
| 16 | 535 47 52-12 | SCREW EHHFM | | 3 |
| 17 | 582 50 85-01 | SCREW | | 1 |
| 18 | 544 22 16-01 | WASHER | | 3 |
| 19 | 721 61 83-01 | SPLIT PIN | | 1 |
| 20 | 506 57 01-06 | SCREW EHHFM | | 1 |
| 21 | 734 11 64-01 | WASHER | | 3 |
| 22 | 588 97 23-01 | TUBE | | 1 |
| 23 | 588 68 74-01 | SUPPORT | | 1 |
| 24 | 588 97 31-01 | SLEEVE | | 1 |
| 25 | 588 97 33-01 | SLEEVE | | 1 |
| 26 | 588 97 32-01 | SLEEVE | | 2 |
| 27 | 589 25 83-01 | CAP | | 1 |
| 28 | 590 02 99-01 | AUGER | | 1 |
| 29 | 590 03 85-01 | AUGER | | 1 |
| 30 | 588 83 14-01 | PULLEY ASSY | | 1 |
| 31 | 589 25 84-01 | LID | | 1 |
| 32 | 589 19 67-01 | SHAFT ASSY | | 1 |
| 33 | 589 19 64-01 | LEVER ASSY | | 1 |
| 34 | 589 19 59-01 | LINK ASSY | | 1 |
| 35 | 544 45 15-01 | ADJUSTMENT ROD | | 1 |
| 36 | 589 19 71-01 | ROD | | 1 |
| 37 | 589 28 35-01 | TUBE | | 2 |
| 38 | 501 08 21-01 | SPRING | | 1 |
| 39 | 501 08 21-02 | SPRING | | 1 |
| 40 | 501 09 09-01 | PULLEY | | 4 |
| 41 | 589 97 37-01 | BELT | | 1 |
| 42 | 501 09 91-01 | COVER | | 1 |
| 43 | 582 00 00-01 | SPRING | | 1 |
| 44 | 589 03 23-01 | SLEEVE | | 1 |



ENGINE

RC 320Ts AWD, 967628802

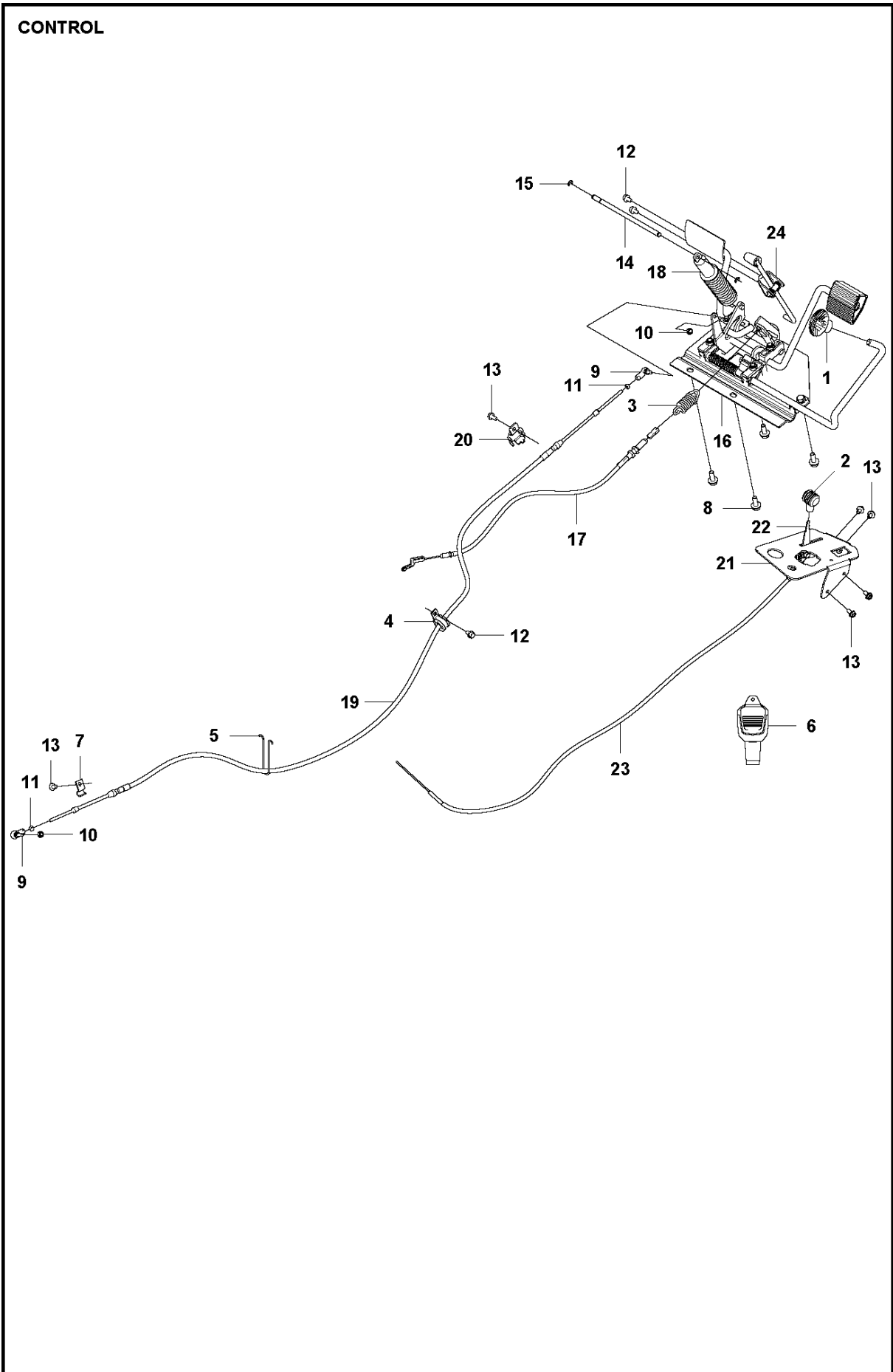
| Ref | Part No | Description | Remark | QTY KIT |
|-----|--------------|--------------|--------|---------|
| 1 | 725 24 59-51 | SCREW EHHM | | 4 |
| 2 | 576 64 57-04 | NUT FLANGE | | 4 |
| 3 | 501 15 22-01 | CLAMP ASSY | | 1 |
| 4 | 535 42 38-01 | SCREW RSQM | | 1 |
| 5 | 725 23 64-61 | SCREW EHHFT | | 5 |
| 6 | 727 63 78-01 | SCREW RSQM | | 2 |
| 7 | 574 85 62-02 | SCREW | | 3 |
| 8 | 576 64 57-04 | NUT FLANGE | | 1 |
| 9 | 506 57 01-06 | SCREW EHHFM | | 1 |
| 10 | 506 57 01-04 | SCREW EHHFM | | 2 |
| 11 | 576 64 57-03 | NUT FLANGE | | 2 |
| 12 | 582 28 62-01 | ENGINE | | 1 |
| 13 | 588 91 27-01 | MANIFOLD | | 1 |
| 14 | 590 44 36-01 | MUFFLER ASSY | | 1 |
| 15 | 589 28 38-01 | HEAT SHIELD | | 1 |
| 16 | 501 09 67-01 | AIR INTAKE | | 1 |
| 17 | 582 15 32-01 | AIR DUCT | | 1 |
| 18 | 582 40 60-01 | PLATE | | 1 |
| 19 | 582 32 34-01 | HEAT SHIELD | | 1 |
| 20 | 588 98 37-01 | BRACKET | | 1 |
| 21 | 582 61 07-01 | BRACKET | | 1 |
| 22 | 589 50 91-01 | BRACKET | | 1 |
| 23 | 532 42 82-87 | PLUG | | 1 |
| 24 | 734 11 64-41 | WASHER | | 4 |



STEERING

RC 320Ts AWD, 967628802

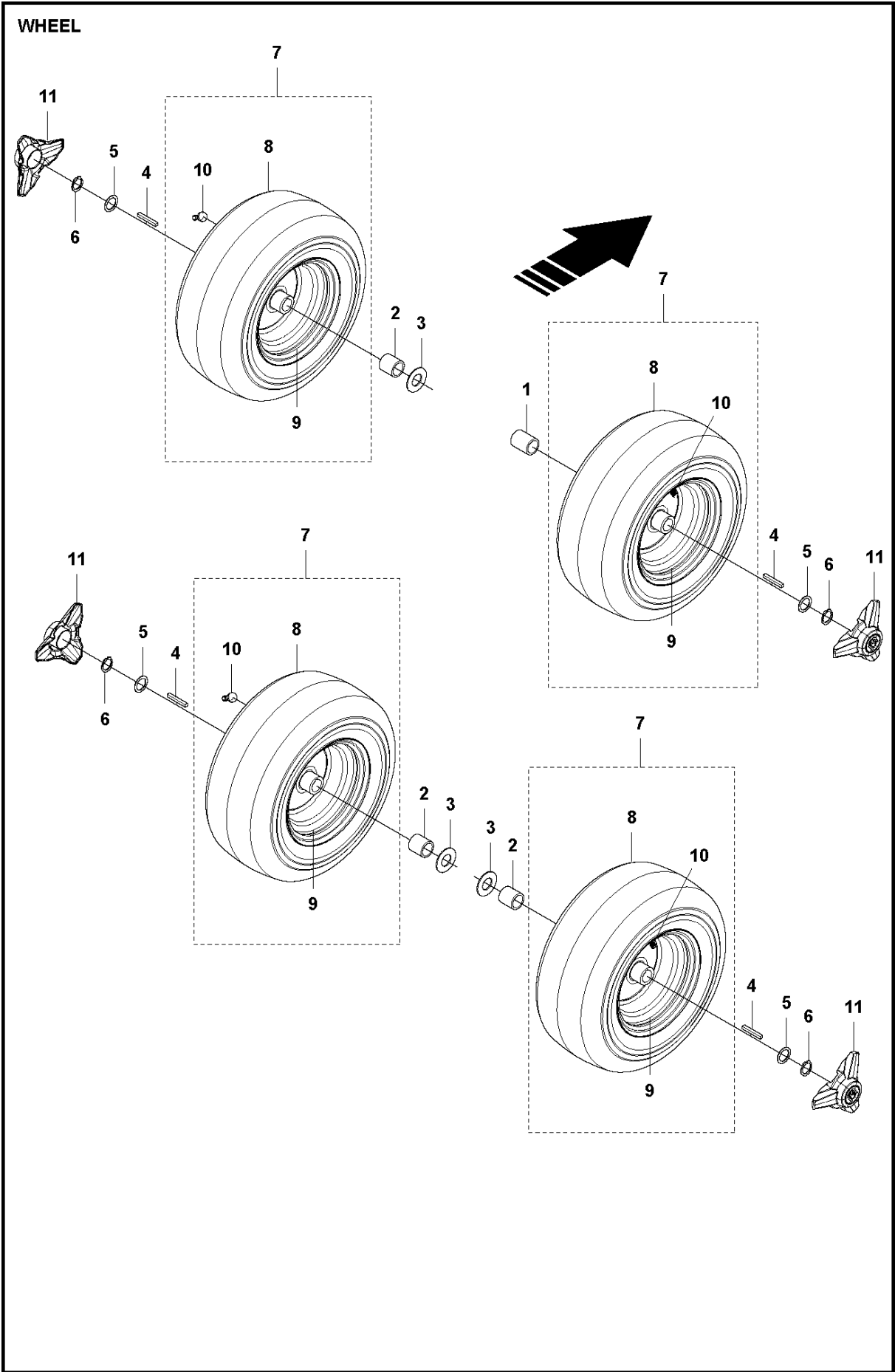
| Ref | Part No | Description | Remark | QTY KIT |
|-----|--------------|------------------|--------|---------|
| 1 | 535 45 71-03 | COMFORT STEERING | | 1 |
| 2 | 535 42 78-01 | BALL BEARING | | 1 |
| 3 | 735 31 33-00 | CIRCLIP | | 1 |
| 4 | 578 15 05-01 | BEARING HOUSING | | 1 |
| 5 | 725 53 70-01 | SCREW IHSCM | | 6 |
| 6 | 578 12 98-01 | STEERING ROD | | 1 |
| 7 | 738 21 04-04 | BALL BEARING | | 1 |
| 8 | 578 15 09-01 | BEARING SUPPORT | | 1 |
| 9 | 735 31 22-00 | CIRCLIP | | 1 |
| 10 | 504 53 82-01 | BEARING CAGE | | 1 |
| 11 | 506 57 01-04 | SCREW EHHFM | | 4 |
| 12 | 735 31 14-20 | E-CLIP | | 4 |
| 13 | 734 11 74-41 | WASHER | | 1 |
| 14 | 506 67 54-03 | SCREW EHHFM | | 1 |
| 15 | 738 21 10-04 | BALL BEARING | | 1 |
| 16 | 738 21 05-04 | BALL BEARING | | 1 |
| 17 | 735 31 40-10 | CIRCLIP | | 1 |
| 18 | 582 10 46-01 | WASHER | | 2 |
| 19 | 740 68 15-21 | V-RING | | 1 |
| 20 | 735 31 28-00 | CIRCLIP | | 2 |
| 21 | 735 31 26-00 | CIRCLIP | | 1 |
| 22 | 731 23 20-51 | HEXAGON NUT | | 2 |
| 23 | 732 21 20-51 | NUT | | 2 |
| 24 | 725 23 64-61 | SCREW EHHFT | | 1 |
| 25 | 506 55 47-01 | LINKAGE | | 2 |
| 26 | 728 74 55-05 | SCREW IHSETM | | 1 |
| 27 | 731 23 18-01 | HEXAGON NUT | | 1 |
| 28 | 544 43 32-01 | PROTECTIVE COVER | | 1 |
| 29 | 727 63 72-51 | SCREW | | 2 |
| 30 | 576 64 57-03 | NUT FLANGE | | 2 |
| 31 | 506 52 24-01 | STARTER PULLEY | | 4 |
| 32 | 576 49 25-03 | PULLEY | | 1 |
| 33 | 501 67 94-01 | SPINDLE | | 1 |
| 34 | 535 46 30-02 | SWING AXLE | | 1 |
| 35 | 582 17 86-01 | WIRE GUIDE | | 1 |
| 36 | 501 60 48-05 | CABLE ASSY | | 2 |
| 37 | 506 55 46-14 | CHAIN | | 1 |
| 38 | 588 97 47-01 | WIRE GUIDE | | 1 |
| 39 | 587 08 09-01 | DRIVER | | 1 |
| 40 | 577 96 04-01 | STEERING WHEEL | | 1 |
| 41 | 582 38 45-01 | BRACKET | | 2 |



CONTROLS

RC 320Ts AWD, 967628802

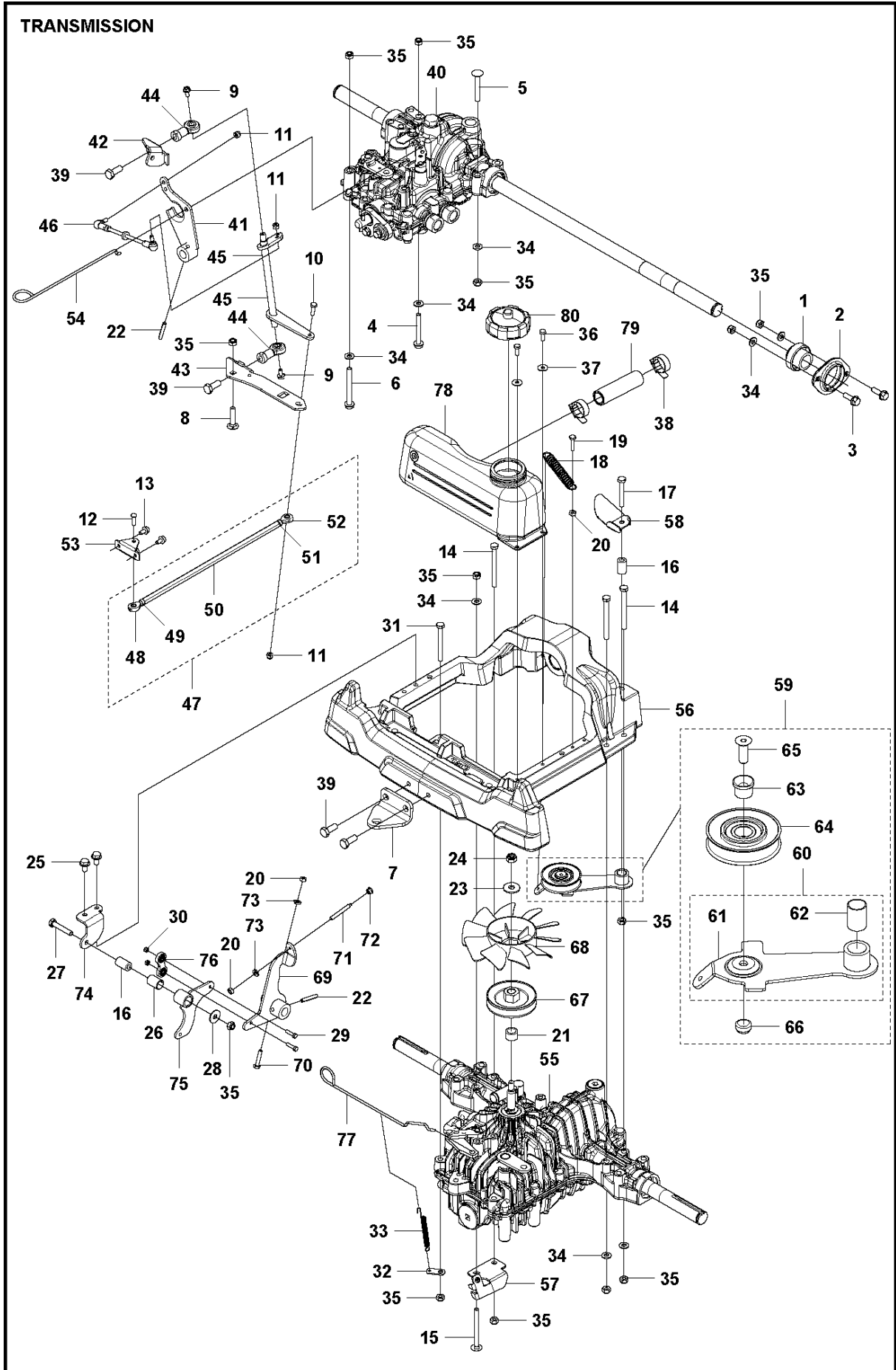
| Ref | Part No | Description | Remark | QTY KIT |
|-----|--------------|-----------------------|--------|---------|
| 1 | 586 72 74-01 | KNOB | | 1 |
| 2 | 506 88 91-01 | KNOB | | 1 |
| 3 | 506 94 63-01 | BRAKE SPRING | | 1 |
| 4 | 574 53 12-03 | HOSE CLAMP | | 1 |
| 5 | 506 57 64-02 | CABLE HOLDER | | 1 |
| 6 | 586 37 94-01 | LEVER | | 1 |
| 7 | 506 56 65-01 | CLIP | | 1 |
| 8 | 506 57 01-04 | SCREW EHHFM | | 4 |
| 9 | 578 77 68-01 | BALL JOINT | | 2 |
| 10 | 732 21 16-01 | LOCK NUT | | 2 |
| 11 | 731 23 14-01 | HEXAGON NUT | | 2 |
| 12 | 725 23 64-61 | SCREW EHHFT | | 3 |
| 13 | 535 47 52-12 | SCREW EHHFM | | 6 |
| 14 | 589 77 49-01 | SHAFT | | 1 |
| 15 | 735 31 09-20 | E-CLIP | | 2 |
| 16 | 586 96 93-01 | PEDAL PLATE ASSY | | 1 |
| 17 | 589 25 86-01 | BRAKE WIRE | | 1 |
| 18 | 506 93 83-01 | DAMPING PIECE | | 1 |
| 19 | 574 41 12-03 | CONTROL CABLE | | 1 |
| 20 | 589 02 65-01 | BRACKET | | 1 |
| 21 | 588 83 46-01 | SHEET | | 1 |
| 22 | 582 65 62-01 | THROTTLE CONTROL ASSY | | 1 |
| 23 | 544 30 17-11 | WIRE | | 1 |
| 24 | 544 40 31-01 | BRAKE LEVER ASSY | | 1 |



WHEELS & TIRES

RC 320Ts AWD, 967628802

| Ref | Part No | Description | Remark | QTY | KIT |
|-----|--------------|-------------|--------|-----|-----|
| 1 | 506 80 09-02 | SLEEVE | | 1 | |
| 2 | 506 80 09-10 | SLEEVE | | 3 | |
| 3 | 506 94 58-01 | WASHER | | 3 | |
| 4 | 506 55 59-01 | WEDGE | | 4 | |
| 5 | 506 50 48-06 | WASHER | | 4 | |
| 6 | 574 45 88-01 | CIRCLIP | | 4 | |
| 7 | 501 08 23-01 | WHEEL | | 4 | |
| 8 | 589 39 55-01 | TIRE | | 1 | 7 |
| 9 | 588 87 81-01 | RIM | | 1 | 7 |
| 10 | 523 03 47-01 | VALVE | | 1 | 7 |
| 11 | 544 35 35-04 | HUB CAP | | 4 | |



TRANSMISSION

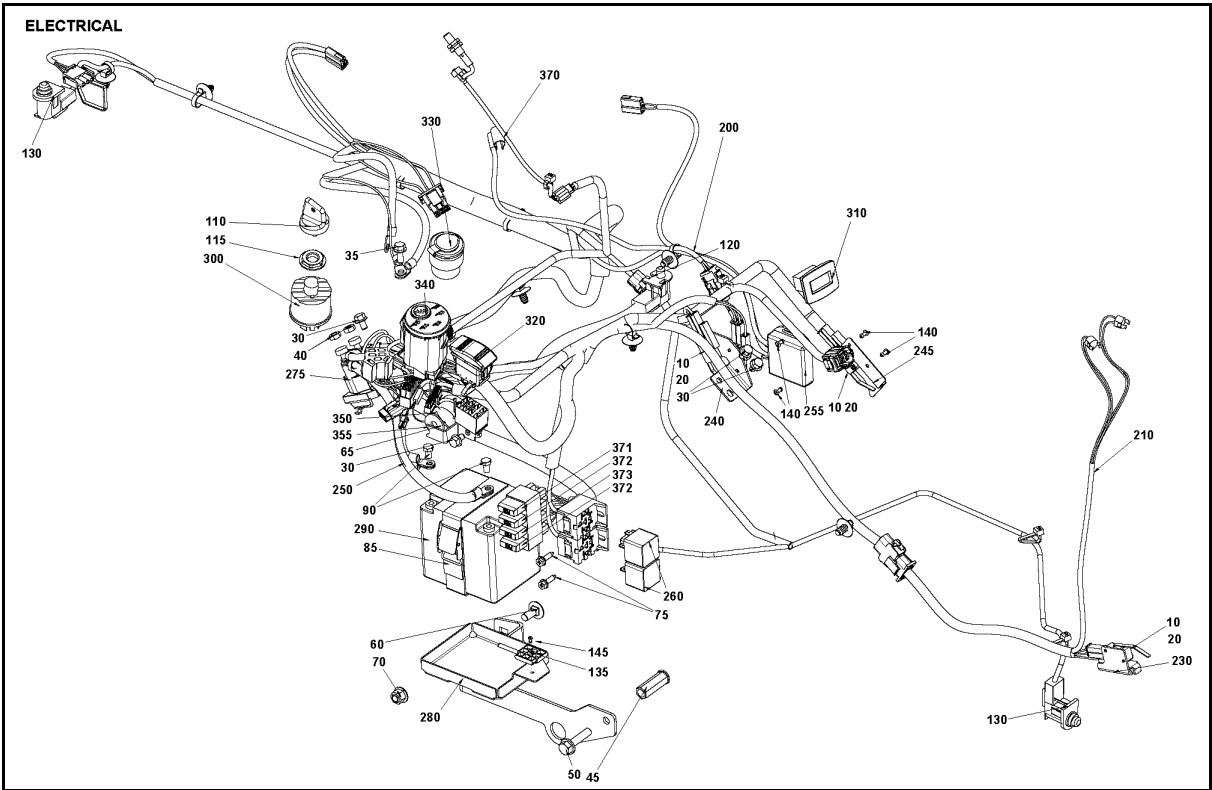
RC 320Ts AWD, 967628802

| Ref | Part No | Description | Remark | QTY | KIT |
|-----|--------------|-----------------------|--------|-----|--------|
| 1 | 544 00 89-02 | BEARING | | 1 | |
| 2 | 544 00 90-02 | BEARING HOUSING | | 2 | |
| 3 | 506 57 01-05 | SCREW EHHFM | | 2 | |
| 4 | 725 24 64-51 | SCREW EHHM | | 1 | |
| 5 | 535 42 38-03 | SCREW RSQM | | 1 | |
| 6 | 725 24 67-51 | SCREW EHHM | | 1 | |
| 7 | 506 88 99-01 | HITCH | | 1 | |
| 8 | 727 64 59-51 | SCREW | | 1 | |
| 9 | 535 47 52-12 | SCREW EHHFM | | 2 | |
| 10 | 725 23 70-71 | SCREW EHHM | | 1 | |
| 11 | 732 25 16-01 | HEXAGON LOCKING NUT | | 3 | |
| 12 | 544 84 17-01 | SCREW | | 1 | |
| 13 | 725 23 66-51 | HEXAGONAL SCREW M6X12 | | 2 | |
| 14 | 504 62 82-01 | SCREW EHHM | | 3 | |
| 15 | 535 42 38-08 | SCREW RSQM | | 1 | |
| 16 | 506 99 20-01 | PIPE | | 2 | |
| 17 | 725 24 62-51 | SCREW EHHM | | 1 | |
| 18 | 506 54 25-01 | SPRING | | 1 | |
| 19 | 725 23 72-71 | SCREW EHHM | | 1 | |
| 20 | 731 23 16-01 | HEXAGON NUT | | 3 | |
| 21 | 502 43 38-01 | SLEEVE | | 1 | |
| 22 | 721 43 47-01 | SPRING PIN | | 2 | |
| 23 | 734 11 74-41 | WASHER | | 1 | |
| 24 | 732 21 20-51 | NUT | | 1 | |
| 25 | 506 57 01-03 | SCREW EHHFM | | 2 | |
| 26 | 506 98 61-03 | BUSHING | | 1 | |
| 27 | 725 24 60-51 | SCREW EHHM | | 1 | |
| 28 | 734 11 64-41 | WASHER | | 1 | |
| 29 | 725 23 31-51 | SCREW | | 2 | |
| 30 | 732 21 14-01 | LOCK NUT | | 2 | |
| 31 | 725 24 66-51 | SCREW | | 1 | |
| 32 | 506 59 93-01 | LINK | | 1 | |
| 33 | 506 83 43-01 | SPRING | | 1 | |
| 34 | 734 11 64-01 | WASHER | | 8 | |
| 35 | 732 21 18-01 | LOCK NUT | | 13 | |
| 36 | 725 23 68-71 | SCREW EHHM | | 2 | |
| 37 | 734 11 54-41 | WASHER | | 2 | |
| 38 | 505 44 36-01 | HOSE CLAMP | | 2 | |
| 39 | 725 24 93-71 | SCREW EHHM | | 4 | |
| 40 | 501 11 09-01 | TRANSMISSION | | 1 | |
| 41 | 578 29 19-01 | LEVER | | 1 | |
| 42 | 588 97 46-01 | BRACKET | | 1 | |
| 43 | 588 97 48-01 | BRACKET | | 1 | |
| 44 | 506 95 17-01 | ROD END | | 2 | |
| 45 | 535 49 74-02 | LEVER | | 1 | |
| 46 | 544 44 19-03 | ADJUSTMENT ROD | | 1 | |
| 47 | 544 45 67-03 | ROD | | 1 | |
| 48 | 535 48 66-02 | ROD END | | 1 | 47 |
| 49 | 503 22 10-18 | HEXAGON NUT | | 1 | 47 |
| 50 | 535 48 65-03 | ROD | | 1 | 47 |
| 51 | 731 23 16-01 | HEXAGON NUT | | 1 | 47 |
| 52 | 535 48 66-01 | ROD END | | 1 | 47 |
| 53 | 535 49 28-02 | BRACKET | | 1 | |
| 54 | 582 38 13-01 | ARM | | 1 | |
| 55 | 501 11 40-01 | TRANSMISSION | | 1 | |
| 56 | 501 75 08-01 | FRAME ASSY | | 1 | |
| 57 | 544 38 81-01 | BRACKET | | 1 | |
| 58 | 522 52 17-02 | SHEET | | 1 | |
| 59 | 506 99 30-01 | BELT TENSIONER ASSY | | 1 | |
| 60 | 535 40 63-01 | BELT TENSIONER ASSY | | 1 | 59 |
| 61 | 506 99 31-01 | BELT TENSIONER ASSY | | 1 | 59, 60 |
| 62 | 506 98 61-03 | BUSHING | | 1 | 59, 60 |
| 63 | 506 99 33-01 | SLEEVE | | 1 | 59 |
| 64 | 506 94 70-01 | BELT TENSIONER WHEEL | | 1 | 59 |

TRANSMISSION

RC 320Ts AWD, 967628802

| Ref | Part No | Description | Remark | QTY | KIT |
|-----|--------------|----------------|--------|-----|-----|
| 65 | 725 64 53-01 | SCREW IHCSFM | | 1 | 59 |
| 66 | 732 21 18-01 | LOCK NUT | | 1 | 59 |
| 67 | 506 99 14-01 | PULLEY | | 1 | |
| 68 | 506 94 81-01 | FAN | | 1 | |
| 69 | 582 77 95-01 | LEVER | | 1 | |
| 70 | 725 23 74-71 | SCREW EHHM | | 1 | |
| 71 | 589 40 40-01 | SCREW | | 1 | |
| 72 | 589 40 33-01 | PAD | | 1 | |
| 73 | 503 23 04-05 | WASHER | | 2 | |
| 74 | 544 38 85-01 | BRACKET | | 1 | |
| 75 | 582 77 96-01 | LEVER | | 1 | |
| 76 | 544 88 84-01 | LINK RODS | | 1 | |
| 77 | 505 49 01-01 | ARM | | 1 | |
| 78 | 544 38 86-01 | EXPANSION TANK | | 1 | |
| 79 | 535 45 83-02 | HOSE | | 1 | |
| 80 | 506 67 33-01 | TANK CAP ASSY | | 1 | |

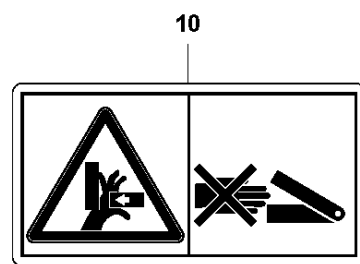
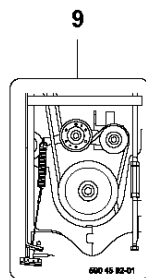
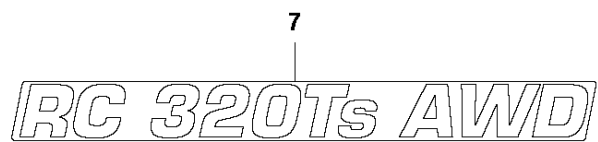
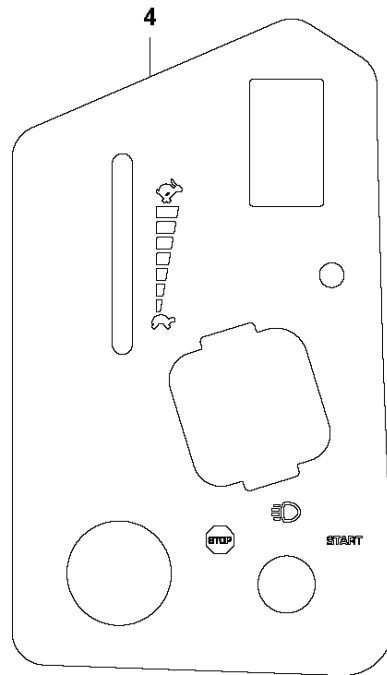
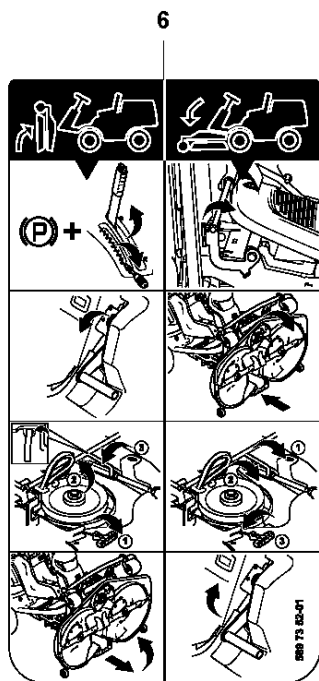
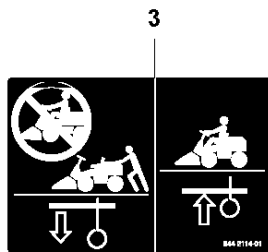
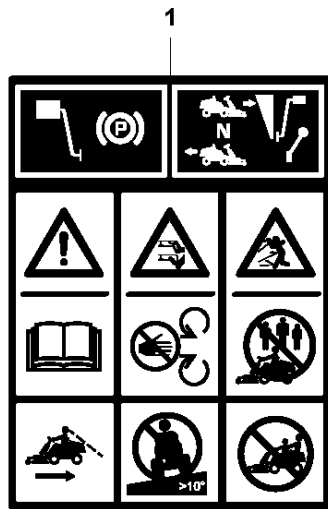


ELECTRICAL

RC 320Ts AWD, 967628802

| Ref | Part No | Description | Remark | QTY KIT |
|-----|--------------|-----------------|------------|---------|
| 10 | 574 31 61-01 | SWITCH | | 4 |
| 20 | 544 44 07-01 | RIVET | | 8 |
| 30 | 725 23 64-61 | SCREW EHHFT | | 4 |
| 35 | 725 23 68-01 | SCREW | | 1 |
| 40 | 506 89 98-01 | NUT | | 2 |
| 45 | 576 43 42-01 | HEXAGON NUT | | 1 |
| 50 | 506 57 01-06 | SCREW EHHFM | | 1 |
| 60 | 727 64 51-51 | SCREW | | 1 |
| 65 | 734 11 64-41 | WASHER | | 1 |
| 70 | 576 64 57-04 | NUT FLANGE | | 1 |
| 75 | 535 41 56-19 | SCREW | | 2 |
| 85 | 506 83 68-05 | BELT | | 1 |
| 90 | 522 62 21-02 | SCREW EHHM | | 2 |
| 110 | 544 44 24-01 | IGNITION KEY | | 1 |
| 115 | 544 44 23-01 | NUT | | 1 |
| 120 | 506 90 96-01 | SWITCH | SEAT | 1 |
| 130 | 532 40 75-68 | SWITCH | | 2 |
| 135 | 501 00 75-01 | CLIP | | 1 |
| 140 | 722 79 29-09 | BLIND RIVET | | 4 |
| 145 | 722 79 26-09 | RIVET | | 1 |
| 150 | 579 31 74-01 | STRAP | | 11 |
| 160 | 535 47 58-01 | TIE WRAP | | 3 |
| 165 | 535 47 58-04 | TIE WRAP | | 1 |
| 170 | 535 47 58-02 | TIE WRAP | | 2 |
| 200 | 589 02 11-01 | WIRING | | 1 |
| 210 | 578 32 89-01 | WIRING | | 1 |
| 215 | 582 05 04-01 | WIRING | | 1 |
| 230 | 544 41 57-01 | BRACKET | | 1 |
| 240 | 588 91 49-01 | BRACKET | | 1 |
| 245 | 582 15 28-01 | BRACKET | | 1 |
| 250 | 582 11 56-01 | CABLE | | 1 |
| 255 | 585 90 53-02 | THERMOSTAT | | 1 |
| 260 | 582 04 96-01 | RELAY | BAG | 2 |
| 275 | 544 43 98-01 | RELAY | START | 1 |
| 280 | 588 93 02-01 | BRACKET | | 1 |
| 290 | 589 39 28-01 | BATTERY | | 1 |
| 300 | 578 26 17-01 | IGNITION SWITCH | | 1 |
| 310 | 587 76 43-01 | HOUR METER | | 1 |
| 320 | 589 31 45-01 | SWITCH | OPEN/CLOSE | 1 |
| 330 | 535 47 48-01 | POWER SOCKET | 12v Socket | 1 |
| 340 | 582 68 39-02 | SWITCH | | 1 |
| 350 | 501 18 21-01 | BUZZER | | 1 |
| 355 | 589 41 17-01 | BRACKET | | 1 |
| 360 | 582 67 39-01 | WIRING ASSY | | 1 |
| 370 | 582 60 67-01 | WIRING ASSY | RPM Sensor | 1 |
| 371 | 590 73 77-01 | FUSE | 15A | 1 |
| 372 | 590 73 75-01 | FUSE | 7,5A | 2 |
| 373 | 590 73 80-01 | FUSE | 30A | 1 |

DECALS



DECALS

RC 320Ts AWD, 967628802

| Ref | Part No | Description | Remark | QTY KIT |
|-----|--------------|-------------|--------|---------|
| 1 | 582 57 00-01 | LABEL | | 1 |
| 2 | 581 78 40-06 | LABEL | | 1 |
| 3 | 544 21 14-01 | LABEL | | 2 |
| 4 | 589 74 02-01 | DECAL | | 1 |
| 5 | 582 57 01-01 | LABEL | | 1 |
| 6 | 589 73 52-01 | DECAL | | 1 |
| 7 | 578 36 45-16 | DECAL | | 2 |
| 8 | 579 09 15-01 | DECAL | | 2 |
| 9 | 590 45 92-01 | LABEL | | 1 |
| 10 | 580 71 29-01 | LABEL | | 1 |

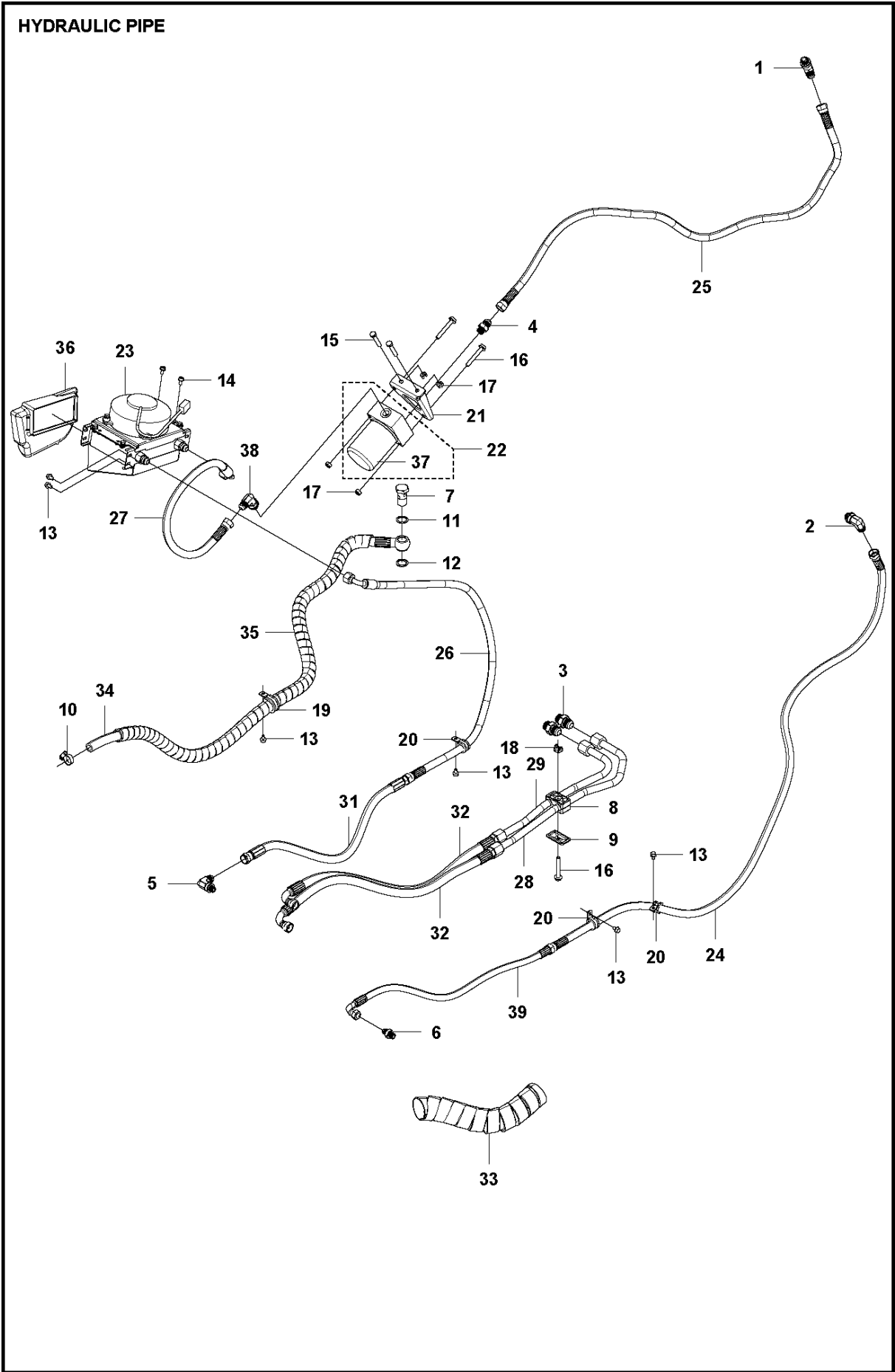
FREQUENTLY USED PARTS

- 1 Air filter**
- 2 Battery**
- 3 Belt cutting deck**
- 4 Belt drive**
- 5 Belt engine-intermediate pulley**
- 6 Belt intermediate pulley-cutting deck**
- 7 Belt auger**
- 8 Belt auger-electric clutch**
- 9 Belt electric clutch-intermediate pulley**
- 10 Blade**
- 11 Blade**
- 12 Blade**
- 13 Blade bolt**
- 14 Blade bolt**
- 15 Fuel Filter**
- 16 Fuel cap**
- 17 Hydraulic Oil Filter**
- 18 Oil Filter**
- 19 Spark plug**
- 20 Starter key**

FREQUENTLY USED PARTS

RC 320Ts AWD, 967628802

| Ref | Part No | Description | Remark | QTY KIT |
|-----|--------------|--------------|--------|---------|
| 1 | 585 44 99-01 | AIR FILTER | | 1 |
| 2 | 589 39 28-01 | BATTERY | | 1 |
| 3 | 589 97 42-01 | BELT | | 1 |
| 4 | 589 56 23-01 | BELT | | 1 |
| 5 | 589 97 39-01 | BELT | | 1 |
| 6 | 593 66 74-01 | BELT | | 1 |
| 7 | 589 97 37-01 | BELT | | 1 |
| 8 | 589 97 41-01 | BELT | | 1 |
| 9 | 589 97 40-01 | BELT | | 1 |
| 10 | 588 82 43-10 | BLADE | | 1 |
| 11 | 588 82 43-20 | BLADE | | 1 |
| 12 | 588 82 44-10 | BLADE | | 1 |
| 13 | 588 79 32-01 | SCREW | | 1 |
| 14 | 544 11 41-01 | SCREW EHHM | | 1 |
| 15 | 582 28 83-41 | FUEL FILTER | | 1 |
| 16 | 584 24 87-02 | CAP | | 1 |
| 17 | 574 86 71-01 | OIL FILTER | | 1 |
| 18 | 581 84 12-01 | OIL FILTER | | 1 |
| 19 | 589 66 98-70 | SPARK PLUG | | 1 |
| 20 | 544 44 24-01 | IGNITION KEY | | 1 |



HYDRAULIC PIPE

RC 320Ts AWD, 967628802

| Ref | Part No | Description | Remark | QTY KIT |
|-----|--------------|----------------|--------|---------|
| 1 | 535 42 69-01 | PIPE FITTING | | 1 |
| 2 | 535 43 73-01 | PIPE FITTING | | 2 |
| 3 | 535 42 68-06 | PIPE FITTING | | 2 |
| 4 | 535 42 68-01 | PIPE FITTING | | 1 |
| 5 | 535 43 73-05 | PIPE FITTING | | 1 |
| 6 | 535 42 68-05 | PIPE FITTING | | 1 |
| 7 | 544 02 05-01 | PIPE FITTING | | 1 |
| 8 | 544 37 33-02 | PIPE CLAMP | | 1 |
| 9 | 544 37 38-02 | COVER PLATE | | 1 |
| 10 | 505 13 11-01 | HOSE CLAMP | | 1 |
| 11 | 544 01 00-01 | GASKET | | 1 |
| 12 | 544 01 00-03 | GASKET | | 2 |
| 13 | 725 23 64-61 | SCREW EHHFT | | 6 |
| 14 | 535 47 52-12 | SCREW EHHFM | | 2 |
| 15 | 725 24 60-71 | SCREW EHHM | | 2 |
| 16 | 506 57 01-07 | SCREW EHHFM | | 3 |
| 17 | 732 21 18-01 | LOCK NUT | | 4 |
| 18 | 544 81 17-01 | CAGE NUT | | 1 |
| 19 | 574 53 12-01 | HOSE CLAMP | | 1 |
| 20 | 574 53 12-03 | HOSE CLAMP | | 3 |
| 21 | 588 97 95-01 | BRACKET | | 1 |
| 22 | 580 65 33-01 | FILTER UNIT | | 1 |
| 23 | 505 45 90-01 | OIL COOLER | | 1 |
| 24 | 501 08 73-01 | HOSE ASSY | | 1 |
| 25 | 501 08 73-02 | HOSE ASSY | | 1 |
| 26 | 501 08 76-01 | HYDRAULIC HOSE | | 1 |
| 27 | 501 08 76-02 | HYDRAULIC HOSE | | 1 |
| 28 | 588 88 72-01 | HYDRAULIC PIPE | | 1 |
| 29 | 588 88 70-01 | HYDRAULIC PIPE | | 1 |
| 31 | 575 41 53-01 | HYDRAULIC HOSE | | 1 |
| 32 | 544 45 64-01 | HYDRAULIC HOSE | | 2 |
| 33 | 544 02 66-03 | HOSE GUARD | | 1 |
| 34 | 578 29 50-04 | HYDRAULIC HOSE | | 1 |
| 35 | 544 02 66-07 | HOSE GUARD | | 1 |
| 36 | 589 22 75-01 | AIR INTAKE | | 1 |
| 37 | 574 86 71-01 | OIL FILTER | | 1 |
| 38 | 535 43 73-01 | PIPE FITTING | | 1 |
| 39 | 535 45 03-02 | HYDRAULIC HOSE | | 1 |