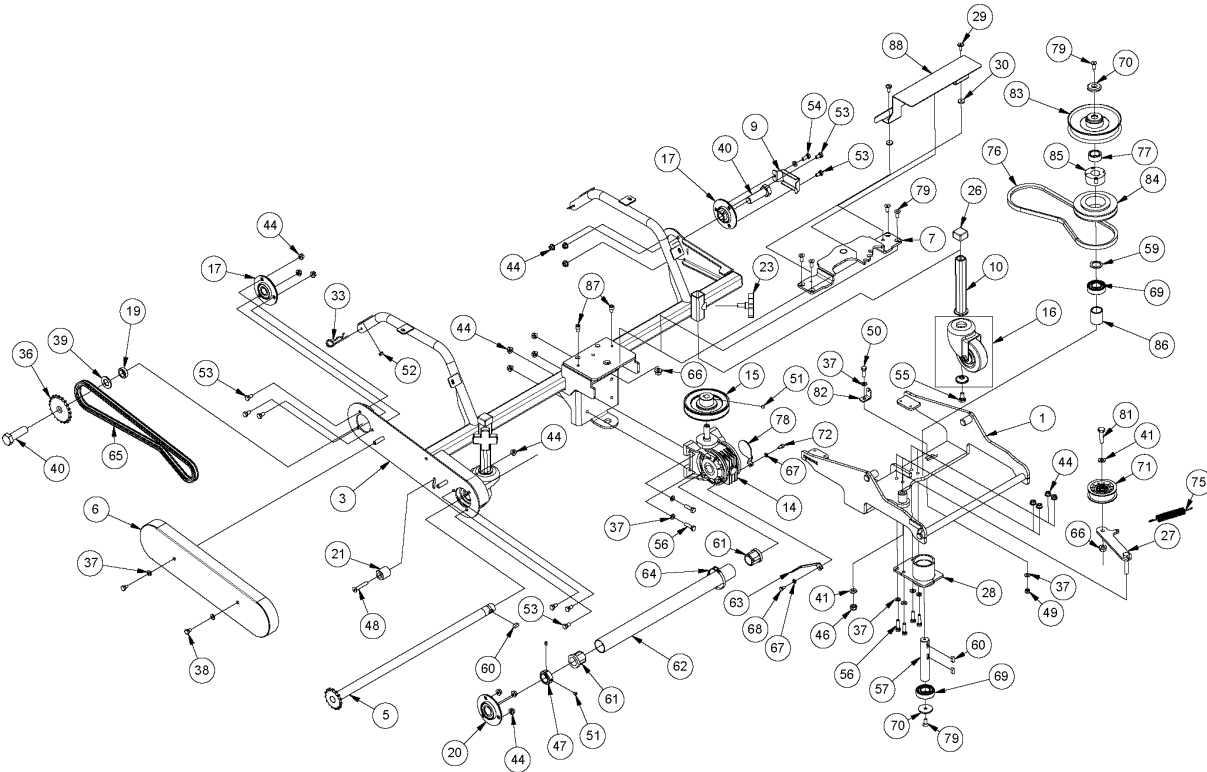




SPARE PARTS LIST

ACCESSORIES FOR RIDE-ON

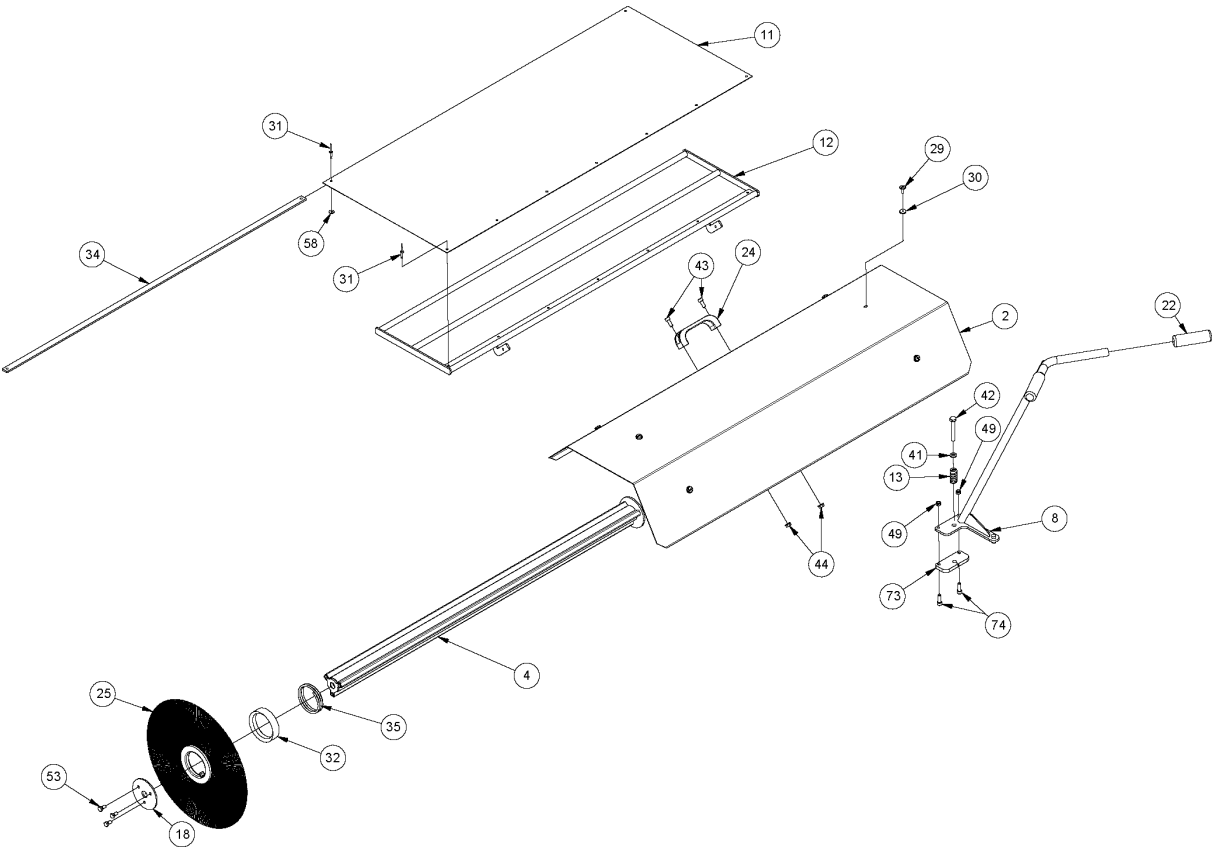
BROOM, T-20448, 596288701, RIDER
400, 2019-05



PRODUCT COMPLETE

BROOM, T-20448, 596288701, RIDER 400, 2019-05

Ref	Part No	Description	Remark	QTY KIT
1	597 91 47-01	FRAME	Mounting frame	1
3	597 91 48-01	FRAME	Mounting frame	1
5	580 93 65-01	DRIVE SHAFT		1
6	597 91 33-01	COVER	Chain Cover	1
7	597 91 75-01	PLATE	Upper	1
9	587 30 96-01	COVER		1
10	580 93 71-01	TUBE		2
14	535 46 66-83	GEARBOX ASSY	Spiral Gear Box	1
15	580 93 74-01	PULLEY	SPB122	1
16	576 90 74-01	SUPPORT WHEEL		2
17	531 00 52-59	BEARING		2
19	576 90 65-01	COLLAR		1
20	576 48 96-01	BEARING		1
21	576 90 64-01	ADJUSTER	Chain Tightener	1
23	535 41 50-24	WINGSCREW	Adjusting knob	2
26	535 46 66-01	DUST CAP		2
27	597 91 29-01	ARM		1
28	597 91 44-01	HOUSING	Drive Shaft	1
29	506 98 26-01	SCREW	Special	8
30	506 55 97-01	WASHER		8
33	580 93 75-01	COTTER PIN	Spring	2
36	576 91 99-01	WHEEL	Chain	1
37	531 02 11-84	WASHER		13
38	531 02 11-44	SCREW		2
39	531 00 52-25	WASHER		1
40	576 92 02-01	SCREW		2
41	531 02 11-37	WASHER		3
44	576 91 96-01	NUT LOCKING	Tensilock	20
46	531 02 11-30	NUT	Lock	1
47	501 69 44-01	COLLAR		1
48	587 31 01-01	SCREW		1
49	531 02 12-19	NUT	Lock	3
50	531 02 11-99	SCREW	Set	1
51	531 02 11-69	SCREW		3
53	531 02 11-46	SCREW		15
52	577 60 78-01	NUT	Serrated flange	6
54	535 41 50-45	SCREW		1
55	531 02 11-73	SCREW		2
56	531 02 12-59	BOLT		8
57	597 91 56-01	SHAFT	25 - 137	1
59	597 91 62-01	WASHER	35/25 - 2, DIN 988	1
60	535 46 66-27	KEY		3
61	580 93 79-01	BEARING	Plastic	2
62	580 93 80-01	GUARD	Drive Shaft	1
63	580 93 81-01	SUPPORT		1
64	580 93 82-01	CLAMP		1
65	597 91 37-01	CHAIN	Drive Chain	1
66	578 85 40-01	NUT	Special	2
67	535 41 50-11	WASHER		2
68	531 02 11-96	SCREW		1
69	597 91 30-01	BEARING		2
70	535 46 66-26	WASHER		2
71	576 49 16-01	PULLEY		1
72	535 46 66-49	SCREW	Hex Socket Cap	1
75	531 00 52-03	SPRING		1
76	535 41 50-48	BELT		1
77	597 91 34-01	COLLAR		1
78	501 69 40-01	COVER		1
79	725 64 53-01	SCREW IHCSFM		6
81	597 91 54-01	SCREW	Screw M10 x 40, DIN933	1
82	597 91 42-01	HOLDER	Holder	1
83	597 91 52-01	PULLEY	SPA 119	1
84	597 91 50-01	PULLEY	SPA 118-1/1610	1
85	597 91 46-01	HUB	1610 x 25	1
86	597 91 35-01	COLLAR	33,7x3,25, L=40,5mm	1
87	584 27 38-01	SCREW	Hex Socket Cap	2
88	597 91 31-01	GUARD	Belt Guard	1
89	577 46 90-01	DECAL	Husqvarna	1



GUARDS

BROOM, T-20448, 596288701, RIDER 400, 2019-05

Ref	Part No	Description	Remark	QTY KIT
2	580 93 62-01	GUARD	Brush Roller	1
4	580 93 64-01	SHAFT	Roller	1
8	597 91 26-01	TUBE	Angle Control	1
11	535 46 66-47	PROTECTION	Tarpaulin	1
12	580 93 72-01	SUPPORT		1
13	580 73 73-01	COVER		1
18	576 90 69-01	FLANGE		1
22	576 90 75-01	GRIP		2
24	576 90 76-01	GRIP		1
25	535 41 48-03	BRUSHRING		33
29	506 98 26-01	SCREW	Special	8
30	506 55 97-01	WASHER		8
31	535 46 66-54	POP RIVET		9
32	535 41 48-04	SPACER	Collar, Plastic	31
34	535 46 66-45	ROD		1
35	535 41 48-52	SPRING		1
41	531 02 11-37	WASHER		3
42	580 93 77-01	SCREW		1
43	576 91 95-01	SOCKET	Hex Socket Cap Screw	2
44	576 91 96-01	NUT LOCKING		20
49	531 02 12-19	NUT	Lock	3
53	531 02 11-46	SCREW		15
58	535 46 66-55	WASHER		2
73	593 85 73-01	SPACER PLATE		1
74	593 85 77-01	SCREW	Hex Socket Cap Screw	2