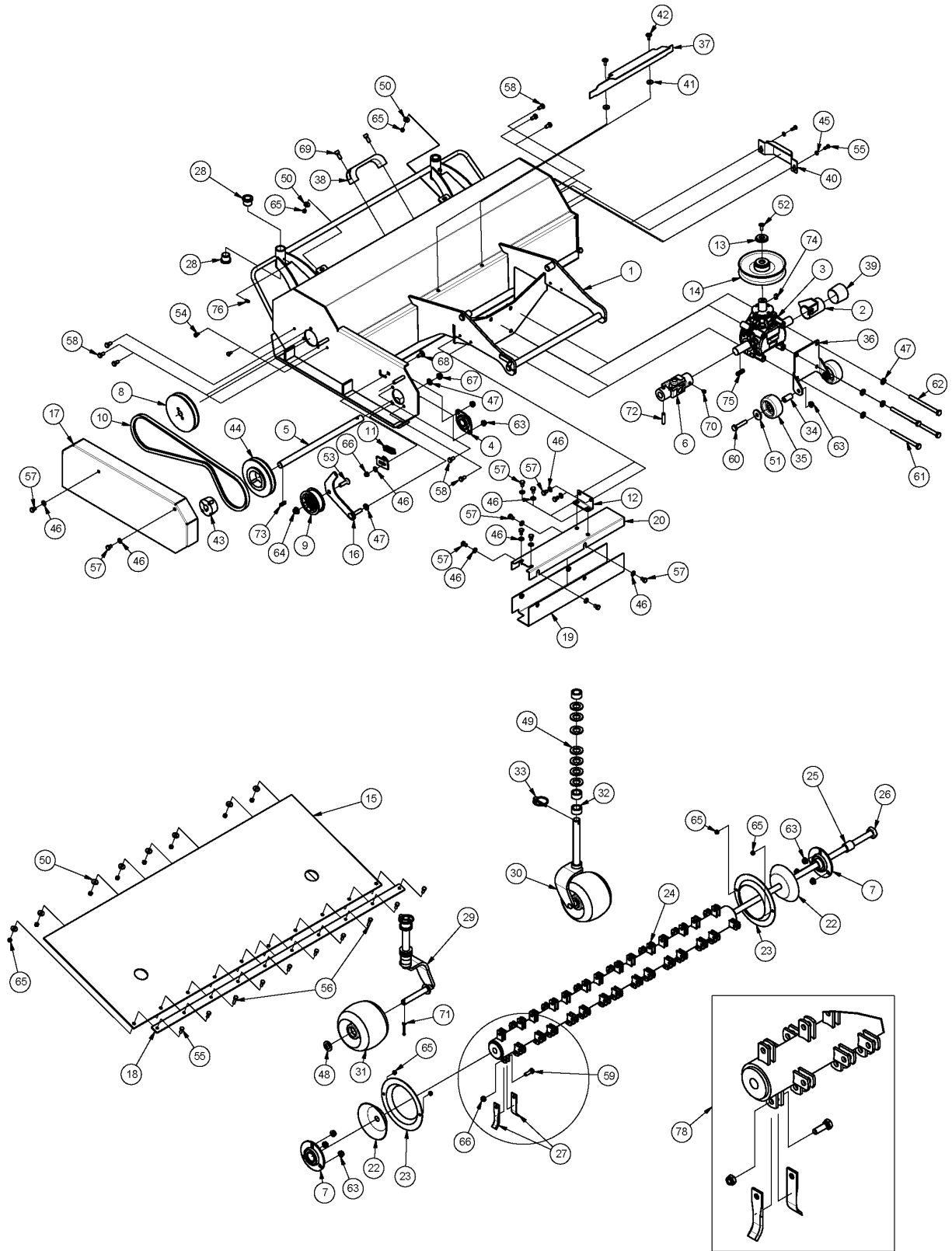




SPARE PARTS LIST

ACCESSORIES FOR RIDE-ON

FLAIL MOWER, T-60369, 596289201,
Rider 400, 2019-05



PRODUCT COMPLETE

FLAIL MOWER, T-60369, 596289201, Rider 400, 2019-05

Ref	Part No	Description	Remark	QTY KIT
1	597 91 38-01	FRAME		1
2	576 48 99-01	GUARD	Shaft	1
3	535 46 66-10	GEARBOX		1
4	531 00 51-81	BEARING		1
5	535 41 50-64	SHAFT		1
6	535 41 50-25	LINK	Universal Joint	1
7	576 48 96-01	BEARING		2
8	535 41 50-59	PULLEY		1
9	576 49 16-01	PULLEY		1
10	597 91 60-01	BELT	V-Belt, X13 x 1232	1
11	535 41 50-57	SPRING	6T43	1
12	597 91 59-01	SPRING		1
13	535 46 66-26	WASHER	Mounting	1
14	597 91 52-01	PULLEY	SPA119	1
15	597 91 53-01	RUBBER SHOE	3x400x103	1
16	597 91 74-01	ARM		1
17	597 91 27-01	ARM		1
18	597 91 32-01	FRAME	Belt Guard Frame	1
19	597 91 40-01	GUARD	Guard Plate, lower	1
20	597 91 41-01	GUARD	Guard Plate, upper	1
22	535 41 50-67	PROTECTOR		1
23	535 41 50-68	PLATE		2
24	535 46 66-76	SHAFT		2
25	535 41 50-65	SPACER	Collar	1
26	535 41 50-69	SCREW	Special	1
27	535 41 50-63	BLADE	Flail, Flail Mower	1
28	535 41 50-82	BUSHING	Plastic	112
29	576 49 01-01	WELDMENT		4
30	576 49 02-01	WELDMENT		1
31	506 96 30-01	WHEEL ASSY	Support Wheel	1
32	576 49 14-01	COLLAR		2
33	576 49 15-01	PEN	Pin Set	6
34	576 48 92-01	COLLAR	Collar	2
35	576 48 94-01	SUPPORT WHEEL		2
36	597 91 49-01	PLATE	Mounting	2
37	597 91 39-01	GUARD		1
38	576 90 76-01	GRIP		1
39	576 49 00-01	DUST COVER		1
40	535 41 50-72	HAND GUARD		1
41	506 55 97-01	WASHER		1
42	506 98 26-01	SCREW	Special	2
43	597 91 45-01	HUB		2
44	597 91 51-01	PULLEY		1
45	535 41 50-11	WASHER		1
46	531 02 11-84	WASHER		2
47	531 02 11-37	WASHER		13
48	535 41 50-31	WASHER		6
49	531 00 52-25	WASHER		2
50	531 02 11-97	WASHER		14
51	576 49 17-01	WASHER		10
52	725 64 53-01	SCREW IHCSFM		2
53	578 85 39-01	SCREW		2
54	531 02 11-96	SCREW		1
55	535 41 50-36	SCREW		2
56	576 49 18-01	SCREW		10
57	531 02 11-44	SCREW		2
58	531 02 11-46	SCREW		12
59	531 02 11-99	SCREW		8
60	531 02 12-39	SCREW		56
61	535 41 50-43	SCREW		2
62	597 91 55-01	SCREW	M10x130	3
63	576 91 96-01	NUT LOCKING	Tensilock	1
64	578 85 40-01	NUT	Special	11
65	531 02 11-98	NUT	Lock	6

PRODUCT COMPLETE

FLAIL MOWER, T-60369, 596289201, Rider 400, 2019-05

Ref	Part No	Description	Remark	QTY KIT
66	531 02 12-19	NUT	Lock	14
67	531 02 11-30	NUT	Lock	58
68	535 41 50-43	SCREW	Lock	1
69	576 91 95-01	SOCKET	Hex Socket Cap Screw	1
70	535 41 50-29	SCREW	Set	2
71	535 41 50-83	SPLIT PIN		1
72	531 02 11-70	PIN RETAINING SCREW		2
73	531 00 52-20	KEY		1
74	535 46 66-27	KEY		1
75	535 41 50-28	KEY		1
76	535 41 50-86	NIPPLE	Crease	1
77	535 46 66-67	KEY		1
78	597 91 57-01	SHAFT		1