

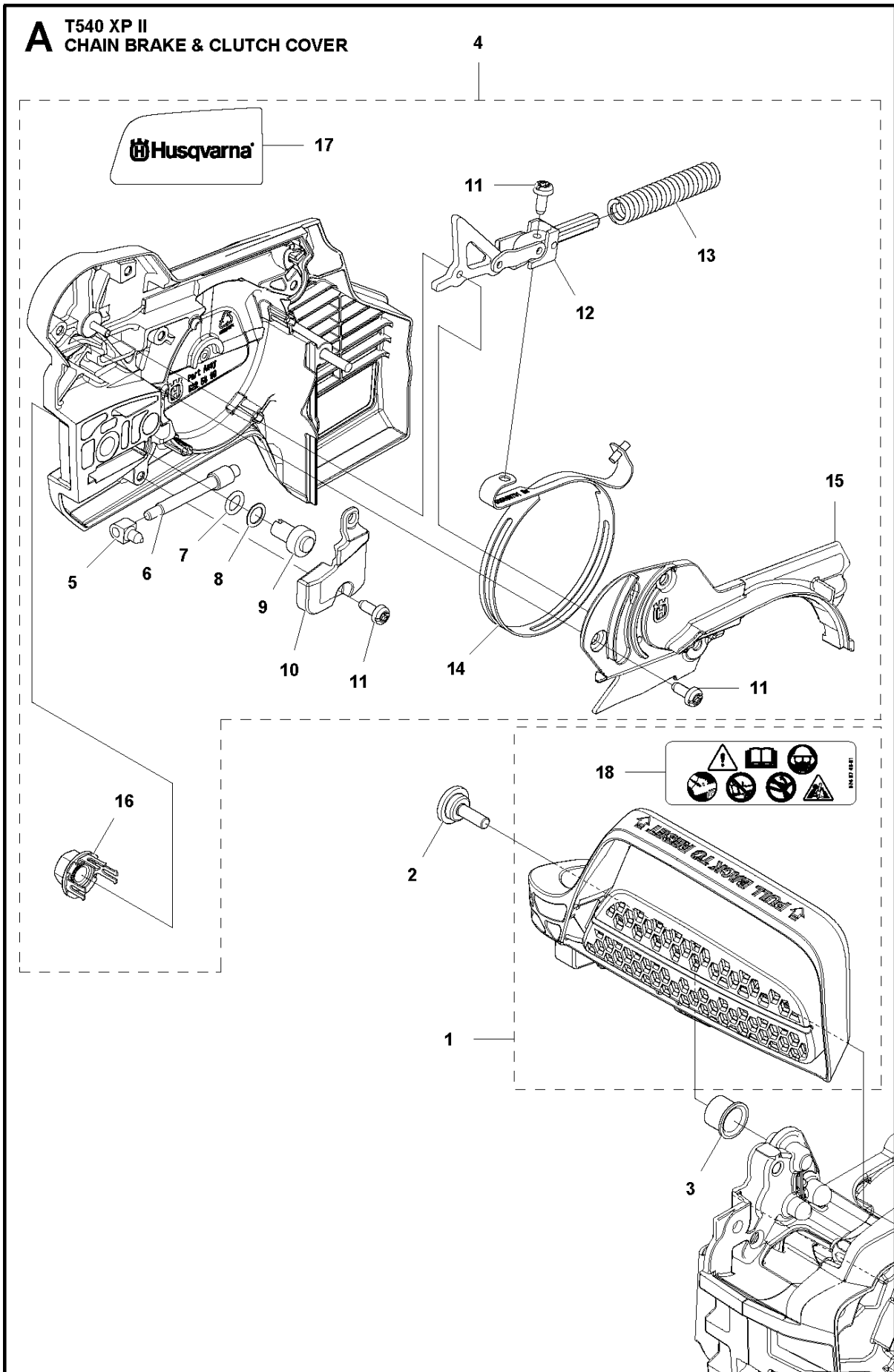


SPARE PARTS LIST

CHAIN SAWS

T540 XP II

A T540 XP II
CHAIN BRAKE & CLUTCH COVER

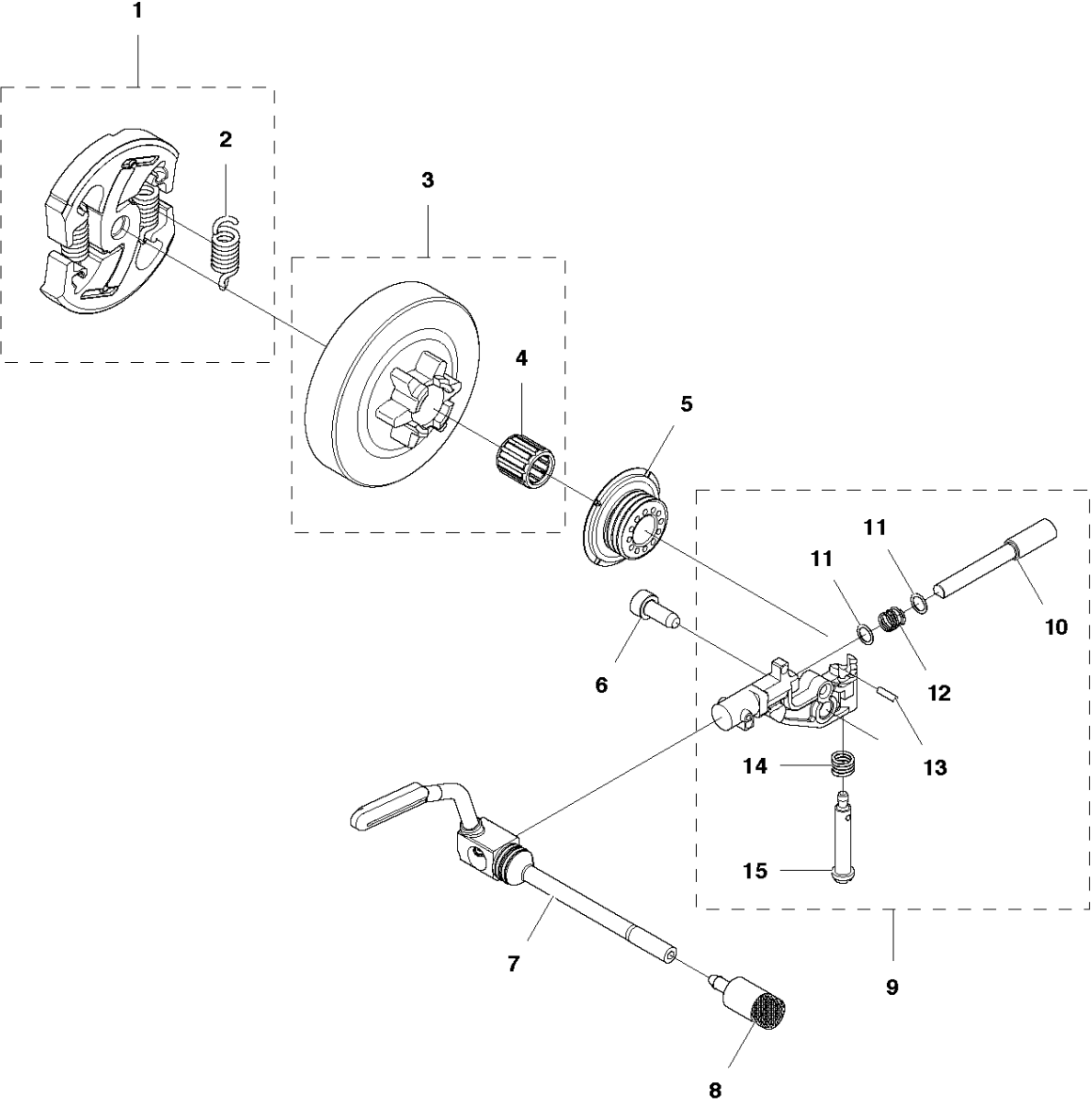


CHAIN BRAKE & CLUTCH COVER

T540 XP II

Ref	Part No	Description	Remark	QTY	KIT
1	577 82 97-01	HAND GUARD ASSY		1	
2	526 83 45-01	SCREW		1	
3	537 20 28-01	BUSHING		1	
4	505 54 31-03	CLUTCH COVER ASSY		1	
5	588 85 03-01	PIN		1	4
6	537 39 70-01	WORM SCREW		1	4
7	740 48 07-02	O-RING		1	4
8	503 23 00-63	WASHER		1	4
9	537 07 94-02	WORM WHEEL		1	4
10	505 21 45-01	COVER LID		1	4
11	526 22 20-01	SCREW CITXPANT		7	4
12	505 19 93-01	KNEE JOINT ASSY		1	4
13	529 27 93-01	BRAKE SPRING		1	4
14	505 56 67-01	BRAKE BAND ASSY		1	4
15	505 54 33-02	COVER		1	4
16	505 19 73-01	NUT		1	4
17	515 99 67-01	DECAL		1	4
18	586 24 90-01	LABEL		1	1

B T540 XP II
CLUTCH & OIL PUMP

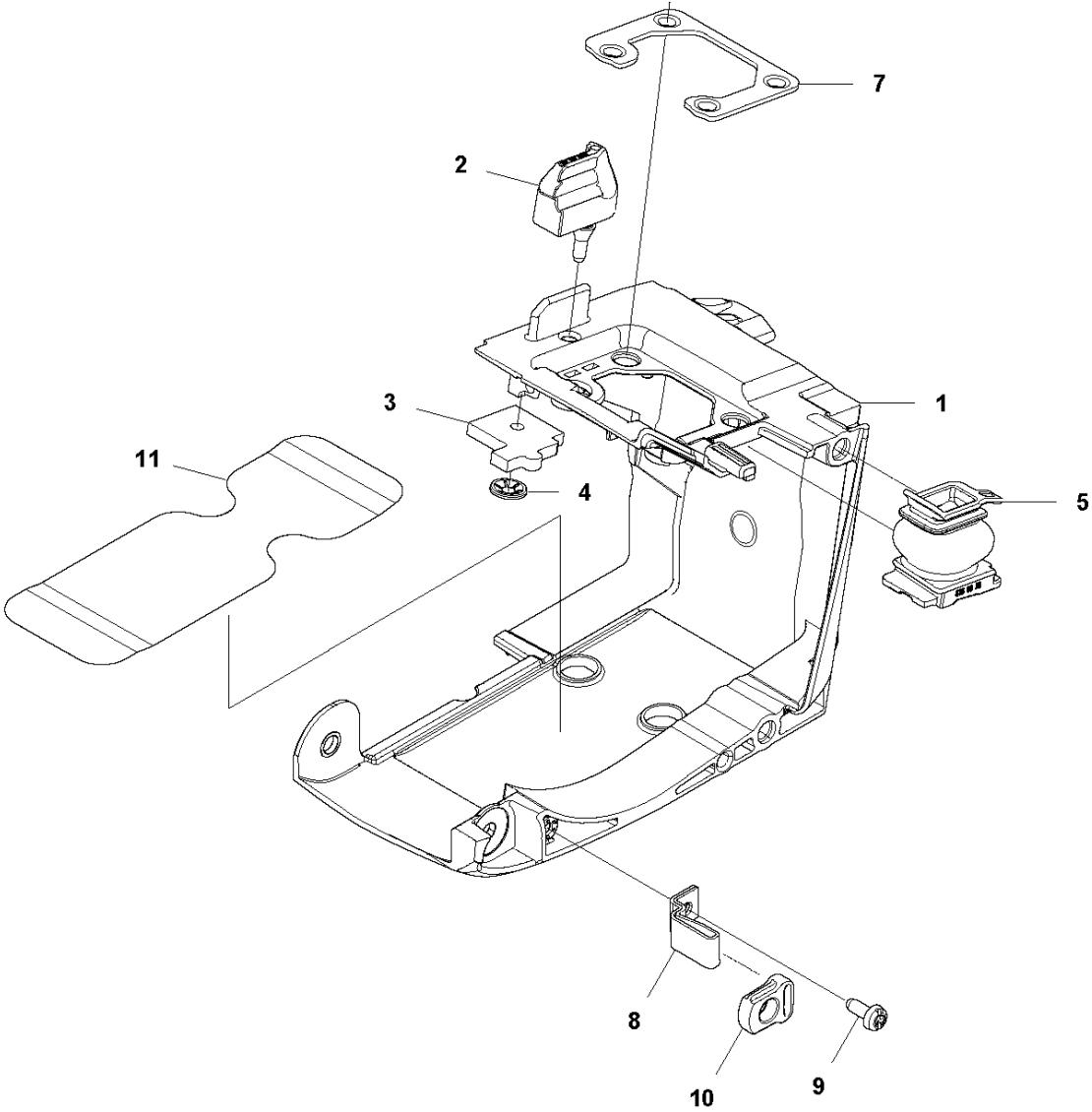


CLUTCH & OIL PUMP

T540 XP II

Ref	Part No	Description	Remark	QTY	KIT
1	586 86 40-01	CLUTCH ASSY		1	
2	574 71 88-01	CLUTCH SPRING		2	1
3	577 38 97-01	CLUTCH DRUM		1	
4	503 25 46-01	NEEDLE BEARING		1	3
5	504 78 60-01	WORM WHEEL		1	
6	525 76 46-01	SCREW ITXSCT		1	
7	504 73 60-01	OIL HOSE		1	
8	503 96 75-01	OIL PLUMMET		1	
9	544 18 01-03	OIL PUMP ASSY		1	
10	537 06 91-02	PUMP PISTON		1	9
11	503 23 00-60	WASHER		2	9
12	503 89 16-01	SPRING		1	9
13	721 11 64-30	GROOVED PIN		1	9
14	503 89 15-01	SPRING		1	9
15	537 02 71-01	ADJUSTER		1	9

C T540 XP II
CYLINDER COVER

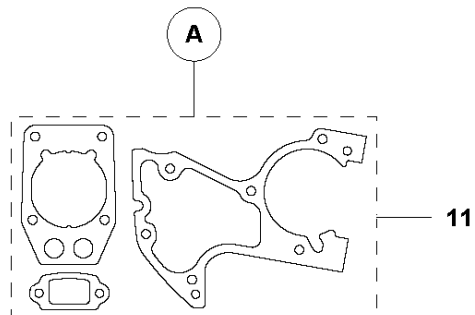
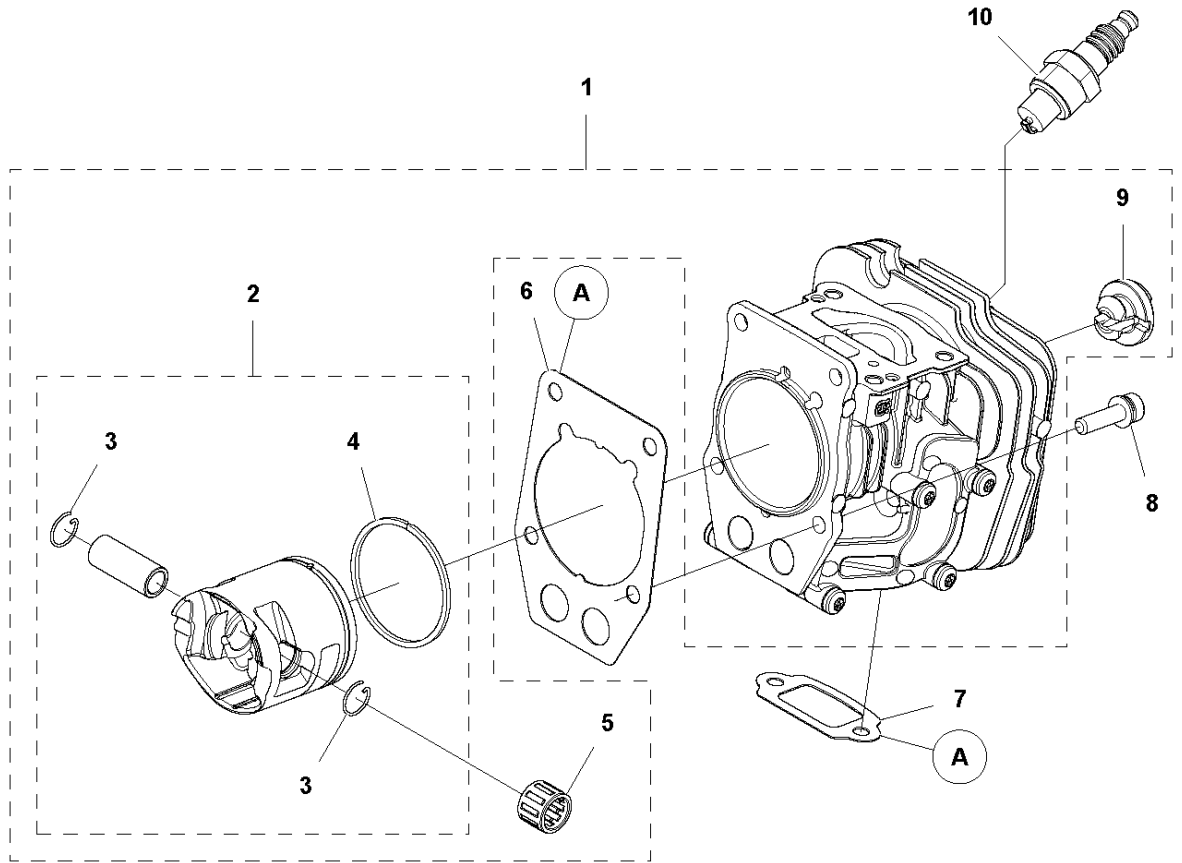


CYLINDER COVER

T540 XP II

Ref	Part No	Description	Remark	QTY KIT
1	516 03 46-03	CYLINDER COVER ASSY		1
2	576 88 46-01	SUPPORT		1
3	575 55 02-01	SEAL		1
4	735 58 30-00	WASHER		1
5	515 99 73-01	BELLOWS		1
7	579 17 31-01	PLATE		1
8	579 73 31-01	STRAP		1
9	526 22 20-01	SCREW CITXPANT		1
10	584 95 29-01	WEDGE		1
11	586 69 16-01	HEAT DEFLECTOR		1

D T540 XP II
CYLINDER & PISTON

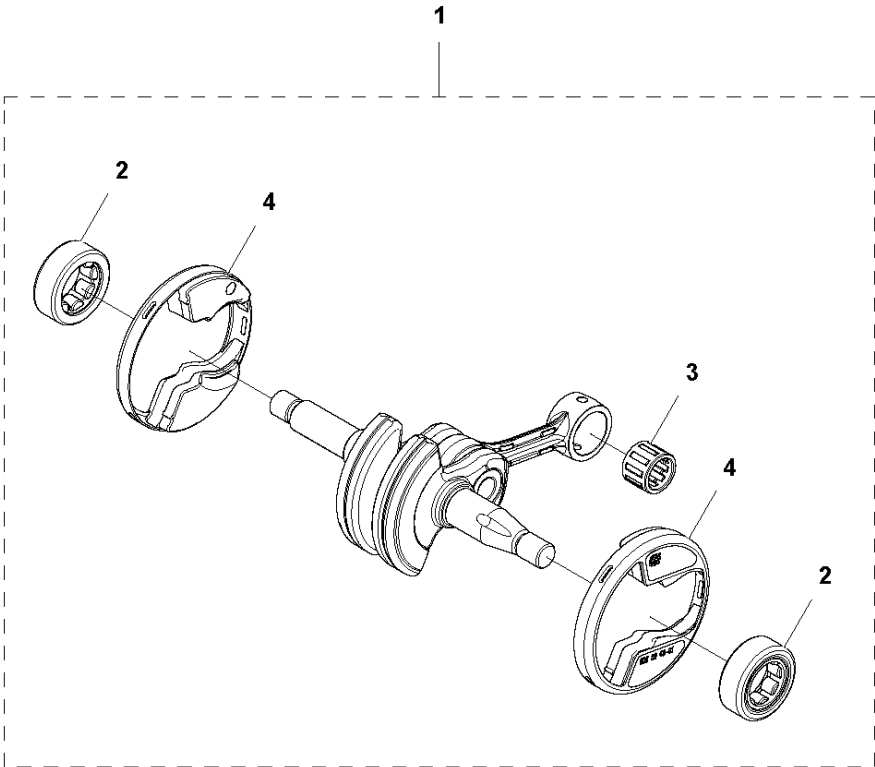


CYLINDER PISTON

T540 XP II

Ref	Part No	Description	Remark	QTY	KIT
1	576 67 62-02	CYLINDER ASSY		1	
2	586 44 62-02	PISTON ASSY		1	1
3	737 44 10-00	SNAP RING		2	1,2
4	577 96 05-01	PISTON RING		1	1,2
5	503 25 55-01	NEEDLE BEARING		1	1
6	505 45 70-01	GASKET		1	11
7	505 40 83-01	GASKET		1	11
9	576 35 59-02	SUPPORT		1	1
8	577 40 12-02	SCREW ITXSCM		4	
10	574 51 96-01	SPARK PLUG		1	
11	576 66 61-01	GASKET KIT	A=Set of gaskets	1	

E T540 XP II
CRANK SHAFT

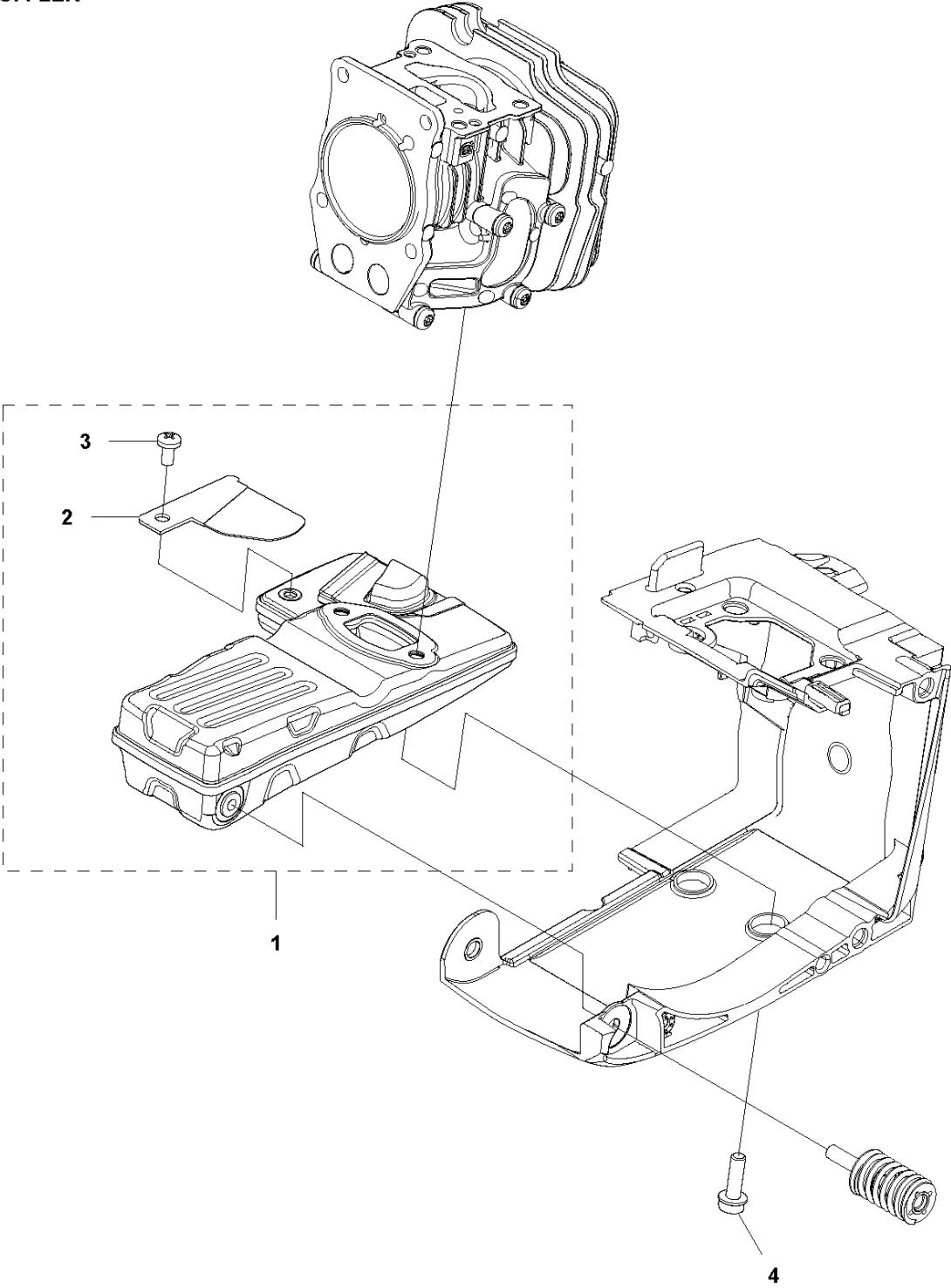


CRANKSHAFT

T540 XP II

Ref	Part No	Description	Remark	QTY	KIT
1	576 66 59-01	CRANKSHAFT ASSY		1	
2	505 39 47-01	ROLLER BEARING		2	1
3	503 25 55-01	NEEDLE BEARING		1	1
4	505 39 48-01	CUP		2	1

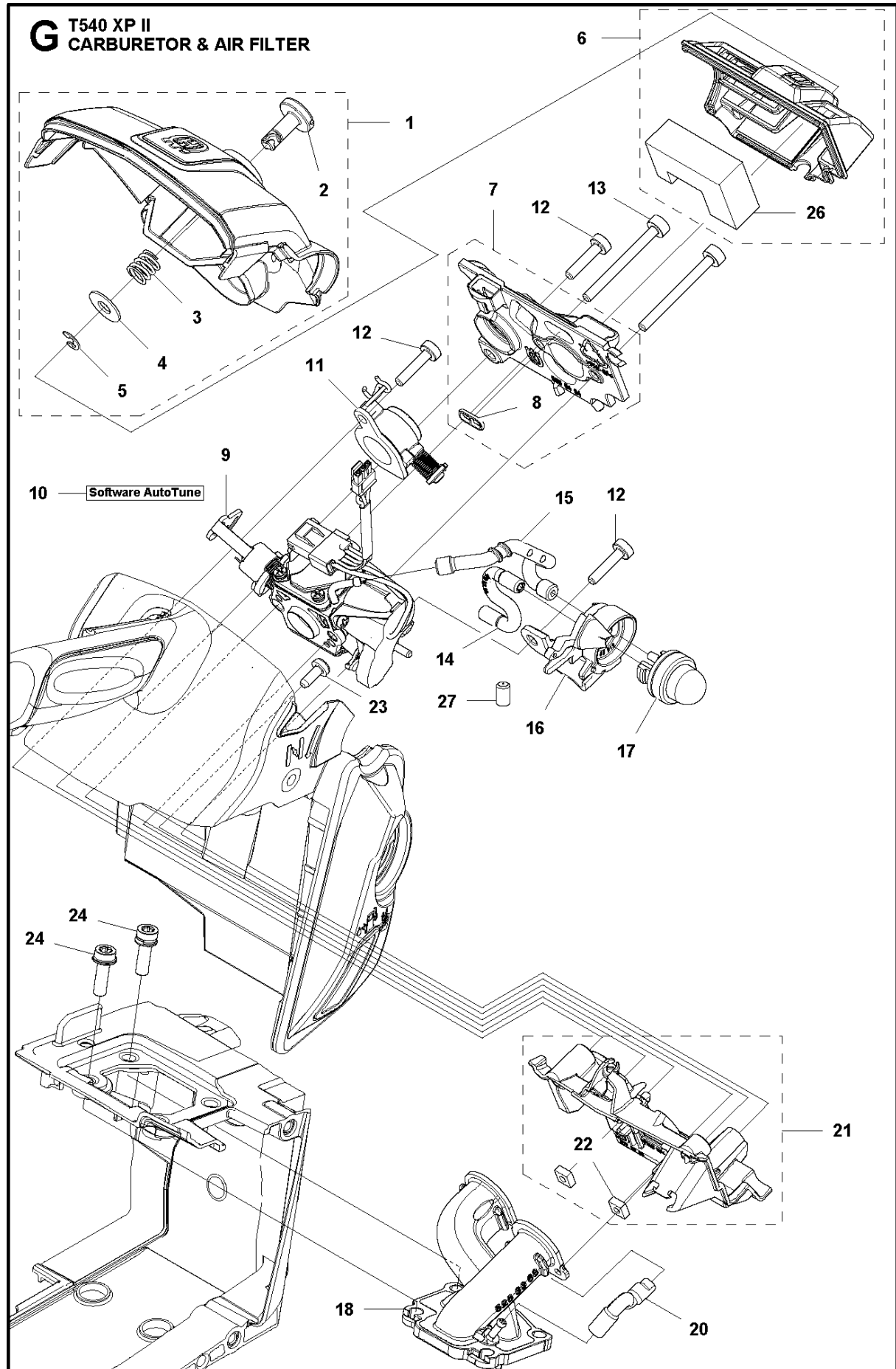
F T540 XP II
MUFFLER



MUFFLER

T540 XP II

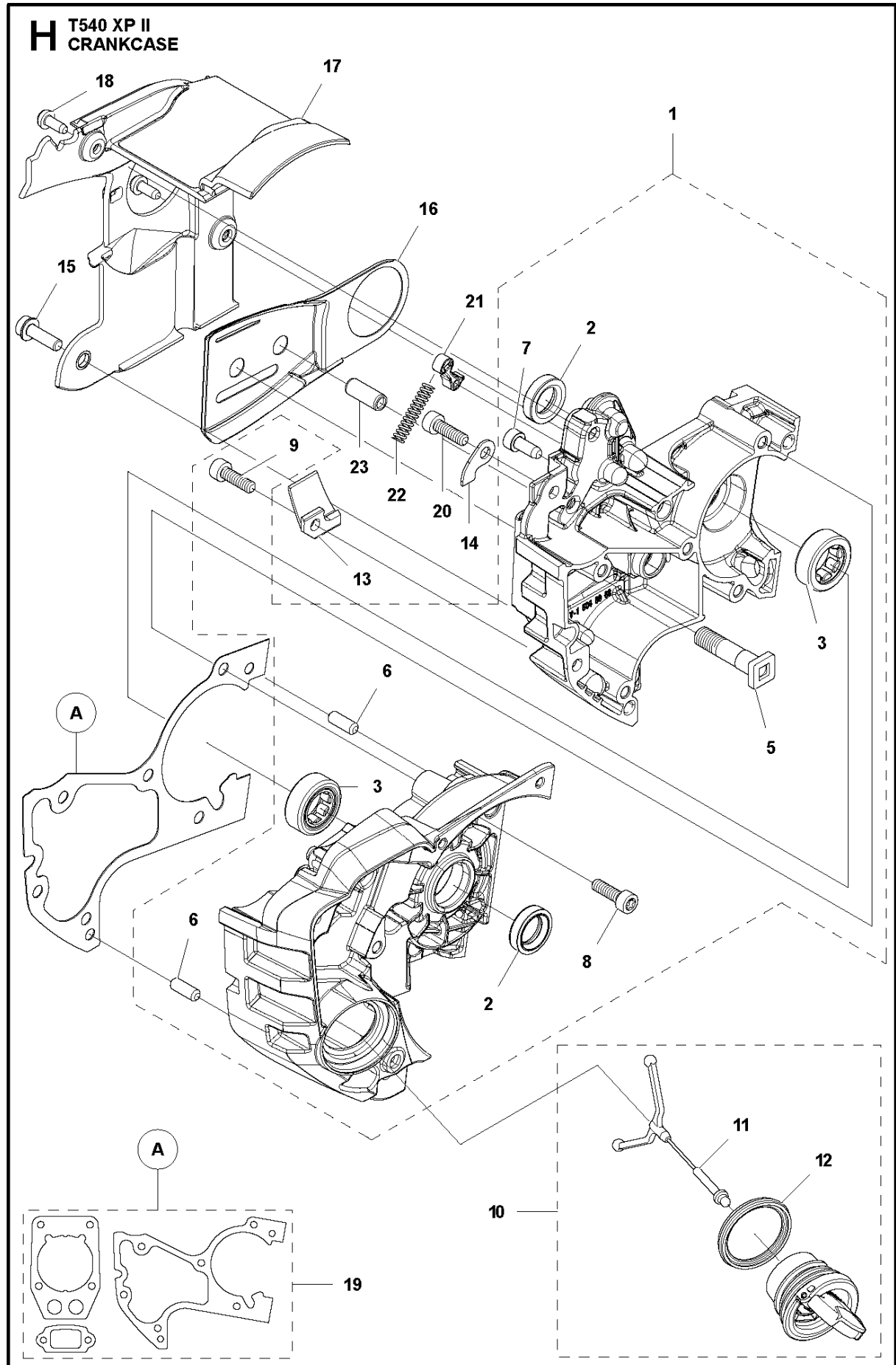
Ref	Part No	Description	Remark	QTY	KIT
1	505 40 79-01	MUFFLER ASSY		1	
2	505 40 85-01	SPARK ARRESTER SCREEN		1	1
3	724 12 87-59	SCREW CRPANM		1	1
4	525 75 52-02	SCREW ITXSCFM		2	



CARBURETOR & AIR FILTER

T540 XP II

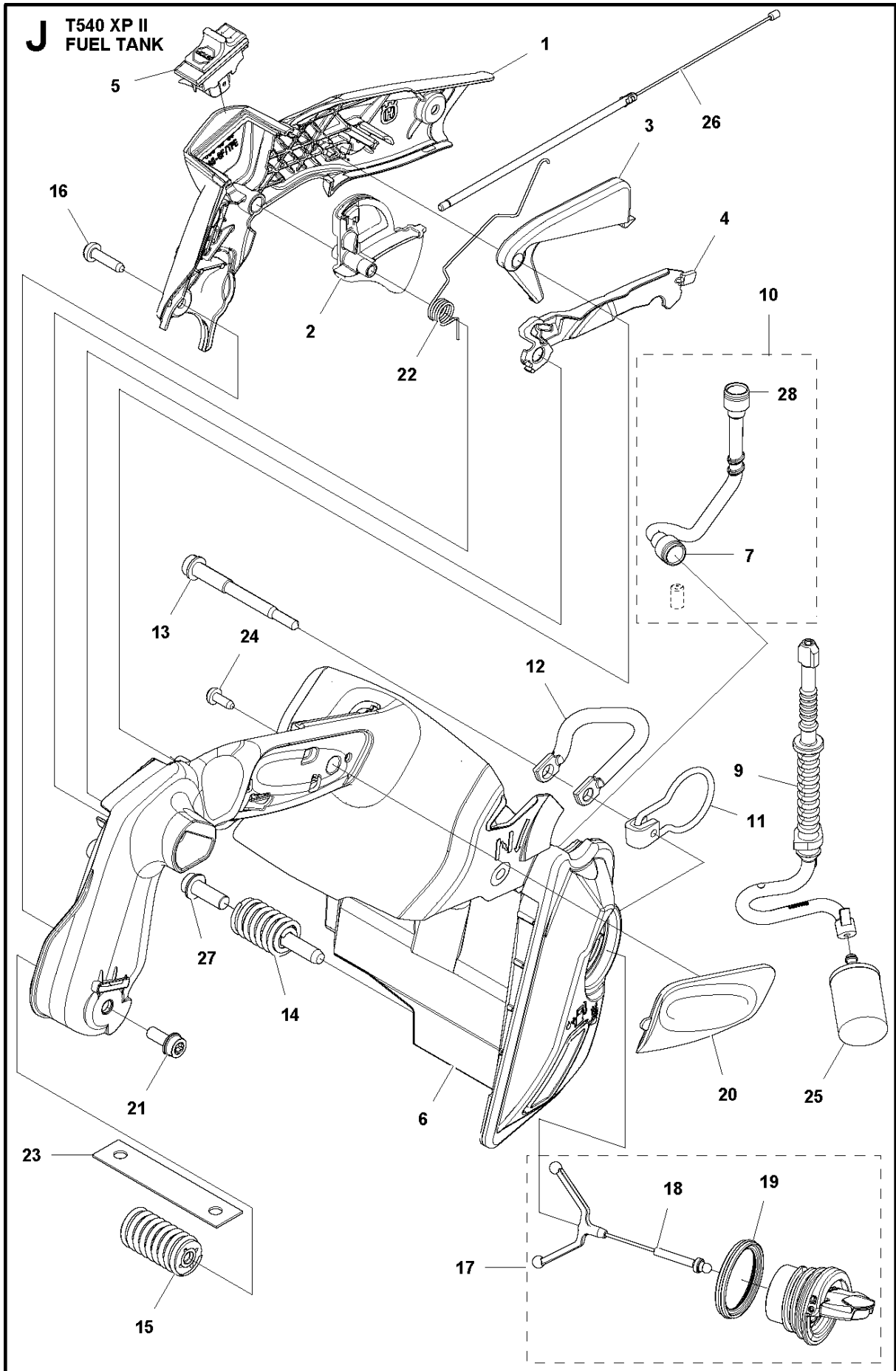
Ref	Part No	Description	Remark	QTY	KIT
1	576 35 36-01	FILTER COVER ASSY		1	
2	575 41 54-01	KNOB		1	1
3	575 48 76-01	SPRING		1	1
4	576 04 98-01	WASHER		1	1
5	735 31 08-20	E-CLIP		1	1
6	574 45 31-04	AIR FILTER ASSY	80my	1	
6	574 45 31-03	AIR FILTER ASSY	52my	1	
6	586 09 24-01	AIR FILTER ASSY	Non-woven	1	
7	506 94 84-02	FILTER HOLDER ASSY		1	
8	525 61 92-01	SEALING		1	7
9	591 49 53-01	CARBURETTOR	Walbro AT-14	1	
10	.	TBD	Download from your local support site		
11	574 43 76-01	THROTTLE ASSY		1	
12	525 82 48-01	SCREW ITXSCT		3	
13	574 35 35-02	SCREW ITXSCM		2	
14	523 05 68-01	FUEL HOSE		1	
15	516 00 33-01	SUCTION HOSE		1	
16	574 36 64-01	CHOKE CONTROL ASSY		1	
17	503 93 66-01	PURGE		1	
18	525 39 68-02	INLET PIPE ASSY		1	
20	577 40 64-01	HOSE		1	
21	522 89 03-01	CARBURETTOR BRACKET		1	
22	574 62 04-01	NUT SQUARE		2	21
23	526 22 20-01	SCREW CITXPANT		1	
24	577 40 12-02	SCREW ITXSCM		4	
26	574 44 45-02	FOAMING FILTER		1	6
27	537 05 18-01	PLUG		1	



CRANKCASE

T540 XP II

Ref	Part No	Description	Remark	QTY	KIT
1	574 61 80-02	CRANKCASE ASSY		1	
2	588 13 97-01	RADIAL SEAL		2	1
3	505 39 47-01	ROLLER BEARING		2	1
5	505 21 73-01	BAR BOLT		1	1
6	720 13 07-10	PARALLEL PIN		2	1
7	525 76 46-01	SCREW ITXSCT		1	1
8	525 82 49-01	SCREW ITXSCM		6	1
9	505 57 41-16	SCREW ITXSCM		1	1
10	577 87 86-03	TANK CAP ASSY		1	
11	503 57 89-01	HOLDER		1	10
12	589 24 13-01	GASKET		1	10
13	505 28 85-01	CHAIN CATCHER		1	
14	580 25 04-01	WASHER		1	
15	525 75 51-01	SCREW ITXSFCM		1	
16	505 52 14-01	CHAIN GUIDE PLATE		1	
17	516 03 45-01	COVER		1	
18	526 22 20-01	SCREW CITXPANT		2	
19	576 66 61-01	GASKET KIT	A=Set of gaskets	1	
20	505 57 41-16	SCREW ITXSCM		1	
21	505 20 12-01	CATCH		1	
22	503 43 65-01	POSITION SPRING		1	
23	501 62 33-01	SPRING PIN		1	

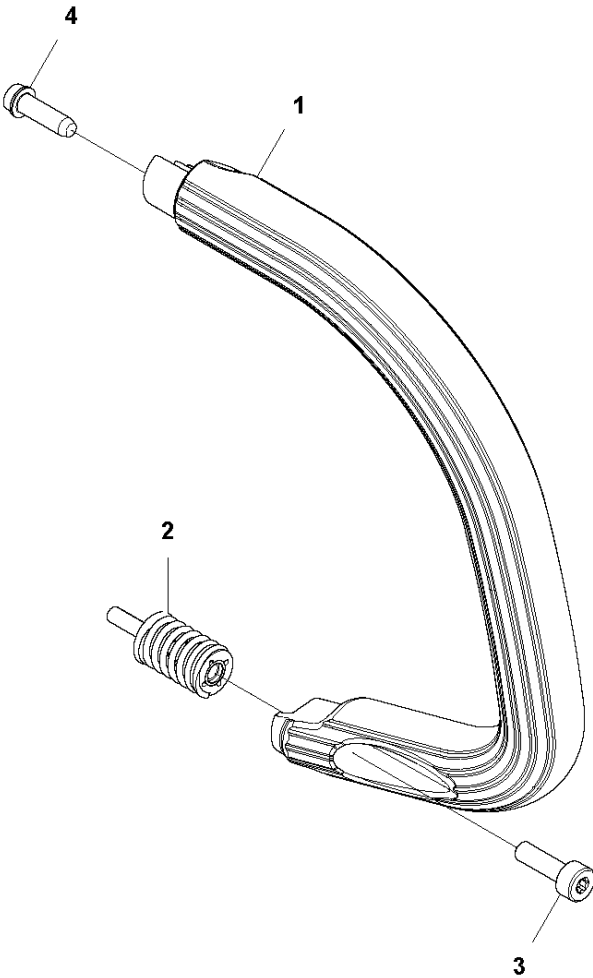


FUEL TANK

T540 XP II

Ref	Part No	Description	Remark	QTY	KIT
1	506 49 98-01	LID	Medium	1	
1	506 49 99-01	LID	Large	1	
1	506 51 98-01	LID	X-Large	1	
2	506 49 56-01	THROTTLE CONTROL		1	
3	506 49 57-01	THROTTLE LOCKOUT		1	
4	522 62 09-02	CABLE COVER		1	
5	522 79 82-01	STOP SWITCH		1	
6	522 59 02-05	FUEL TANK		1	
7	501 15 29-02	TANK VENT ASSY		1	10
9	523 05 52-02	FUEL HOSE		1	
10	590 04 26-01	TANK VENT ASSY		1	
11	580 86 00-02	LOOP		1	
12	576 38 13-01	LOOP		1	
13	522 84 79-01	SCREW ITXSCFM		1	
14	588 69 22-01	ANTIVIBRATION ELEMENT		1	
15	510 05 84-01	ANTIVIBRATION ELEMENT		1	
16	526 22 20-02	SCREW CITXPANT		4	
17	577 87 86-03	TANK CAP ASSY		1	
18	503 57 89-01	HOLDER		1	17
19	589 24 13-01	GASKET		1	17
20	506 49 97-01	HANDLE INSERT		1	
21	525 75 51-05	SCREW ITXSCFM		1	
22	506 49 89-01	SPRING		1	
23	576 94 96-01	STRAP		1	
24	525 88 74-02	SCREW CITXPANT		1	
25	503 44 32-01	FUEL FILTER		1	
26	506 49 58-01	THROTTLE CABLE ASSY		1	
27	522 75 19-01	SCREW ITXSCFM		1	
28	589 86 07-01	FUEL FILTER ASSY		1	10

K T540 XP II
HANDLE

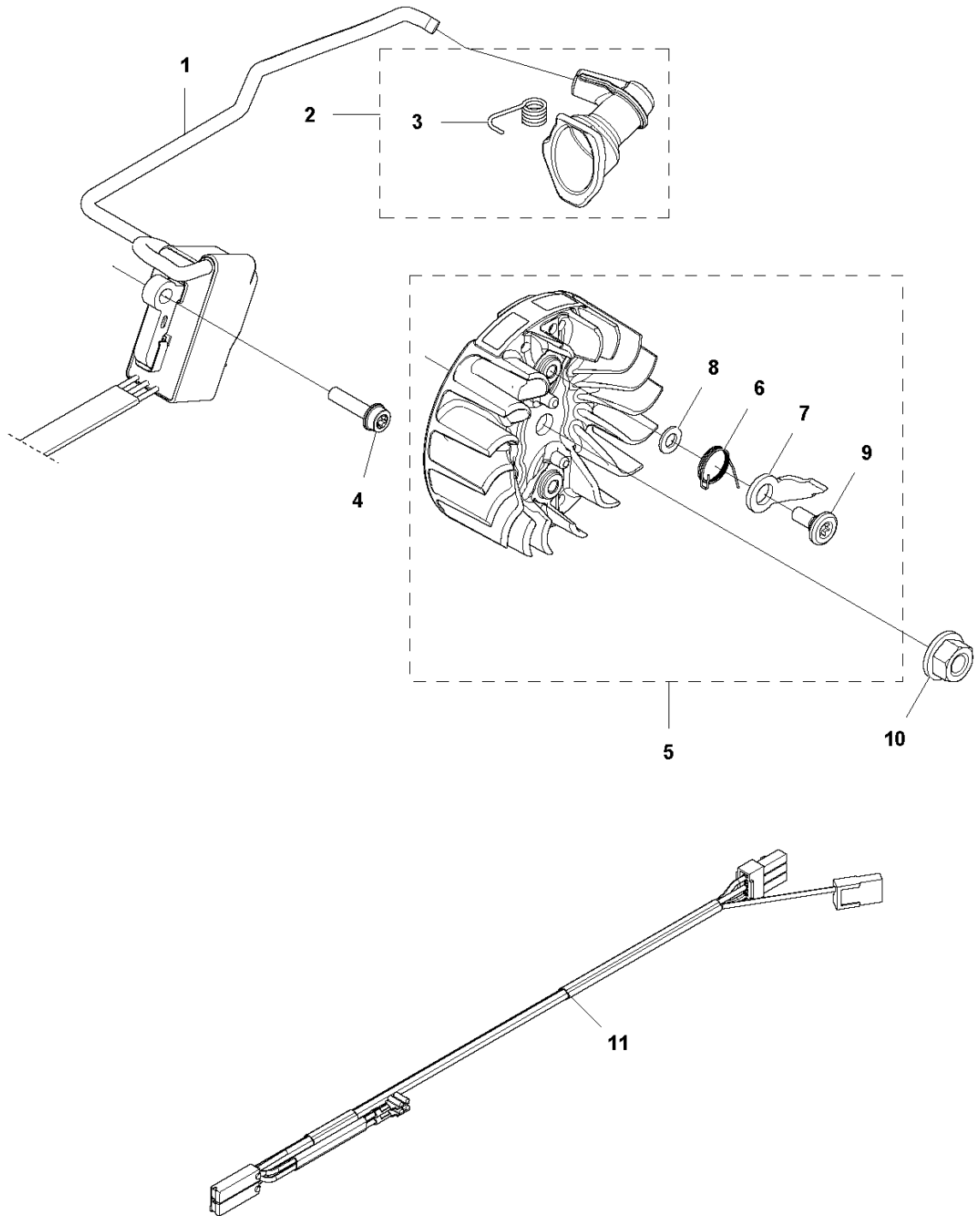


HANDLE

T540 XP II

Ref	Part No	Description	Remark	QTY KIT
1	506 49 52-03	FRONT HANDLE		1
2	510 36 34-01	ANTIVIBRATION ELEMENT		1
3	525 76 25-01	SCREW ITXSCM		1
4	525 79 81-02	SCREW ITXSCFT		1

M T540 XP II
IGNITION SYSTEM

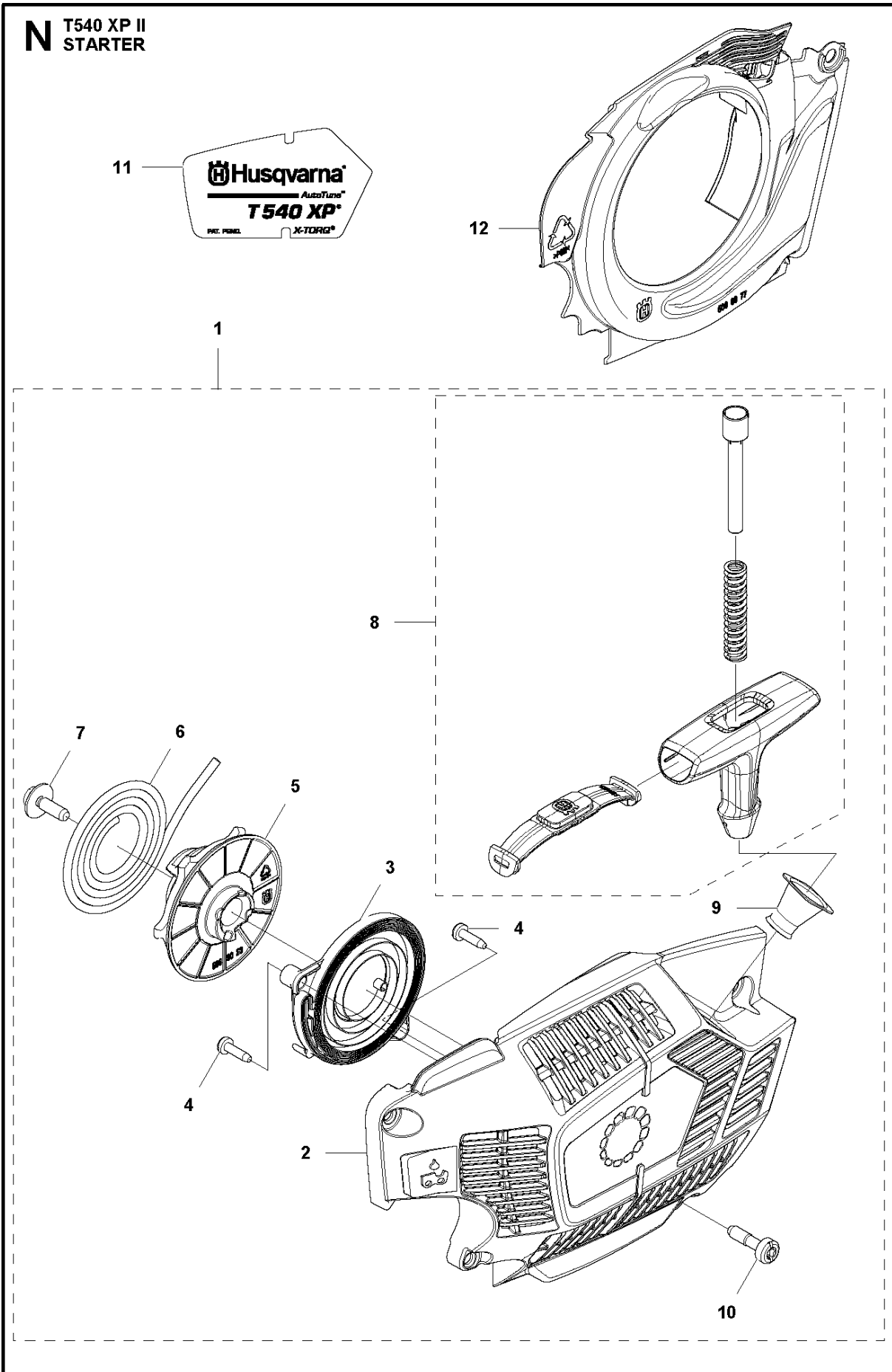


IGNITION SYSTEM

T540 XP II

Ref	Part No	Description	Remark	QTY	KIT
1	587 30 68-04	IGNITION MODULE		1	
2	578 11 16-01	SPARK PLUG CAP		1	
3	501 48 56-01	CONTACT SPRING		1	2
4	525 75 52-03	SCREW ITXSCFM		2	
5	510 16 98-02	FLYWHEEL ASSY		1	
6	529 27 11-01	SPRING		2	5
7	537 24 56-01	STARTER PAWL		2	5
8	503 23 00-42	WASHER		2	5
9	506 00 69-02	SCREW		2	5
10	503 22 04-01	NUT		1	
11	587 89 21-01	WIRING		1	

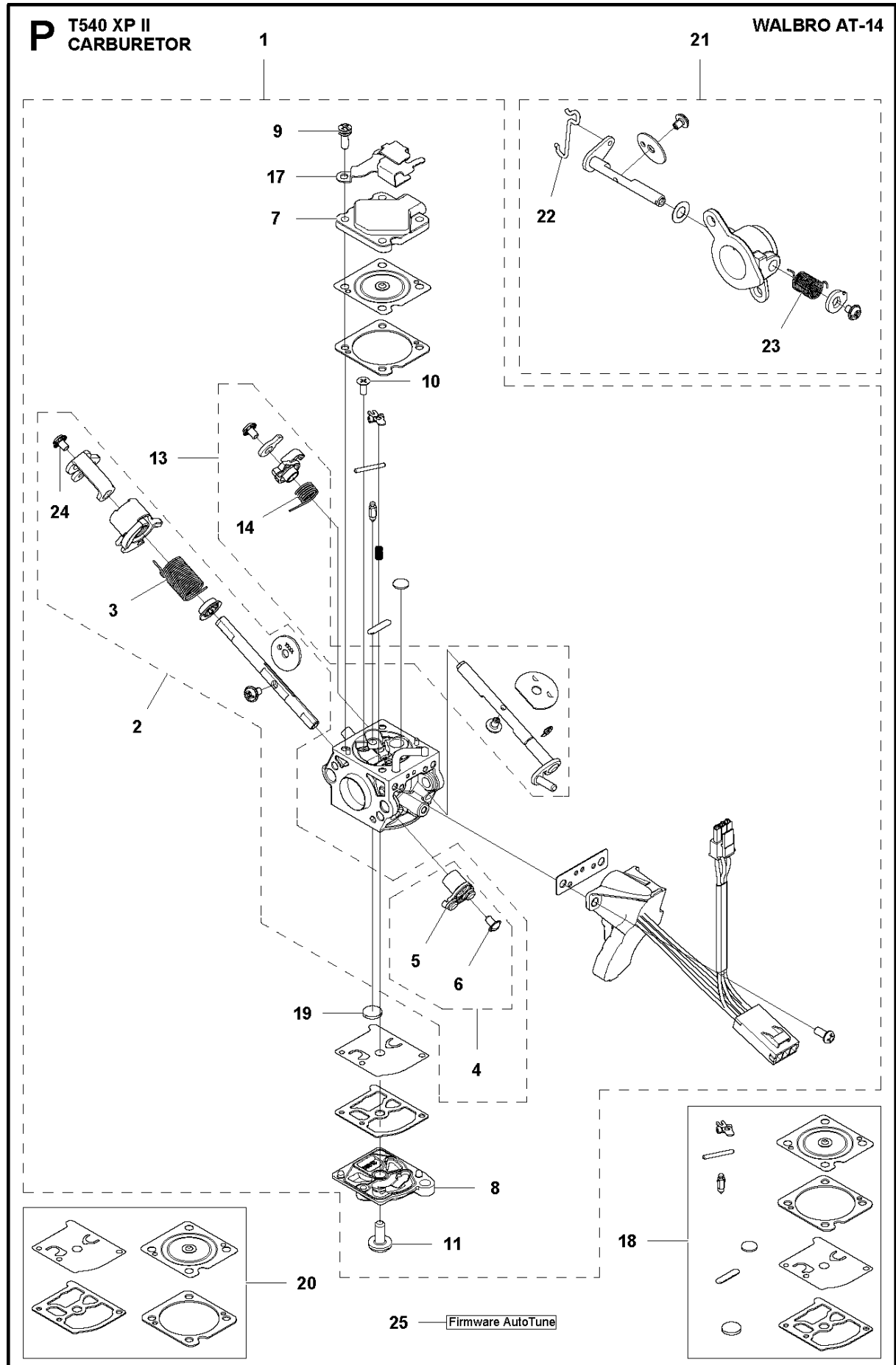
N T540 XP II
STARTER



STARTER

T540 XP II

Ref	Part No	Description	Remark	QTY	KIT
1	506 90 21-04	STARTER ASSY		1	
2	506 90 22-01	STARTER COVER		1	1
3	506 91 00-01	SPRING CASSETTE ASSY		1	1
4	525 88 74-01	SCREW CITXPANT		2	1
5	506 90 23-02	STARTER PULLEY		1	1
6	505 30 51-03	STARTER CORD		1	1
7	525 76 47-01	SCREW CITXSCT		1	1
8	584 15 62-01	STARTER HANDLE ASSY		1	1
9	537 28 32-01	REINFORCEMENT SLEEVE		1	1
10	525 82 45-01	SCREW CITXPANMO		4	1
11	506 94 19-01	DECAL		1	
12	506 60 77-02	AIR CONDUCTOR		1	

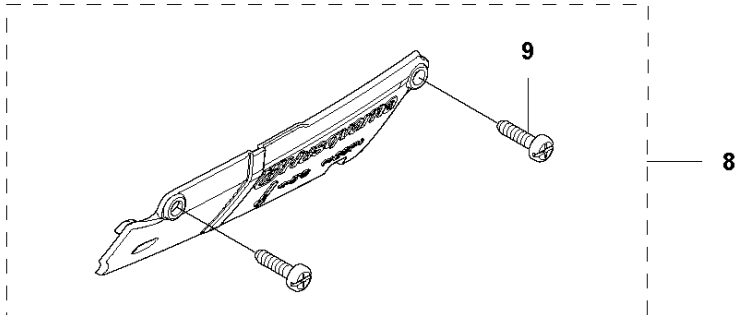
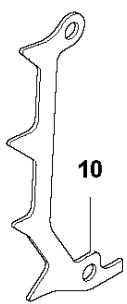
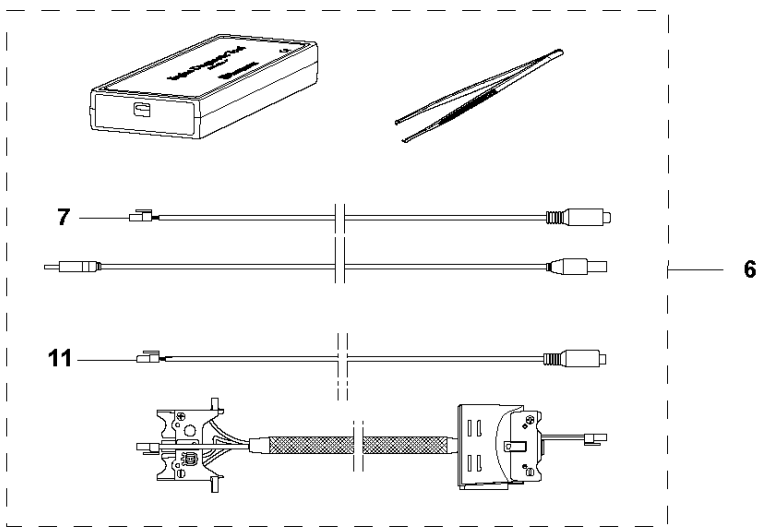
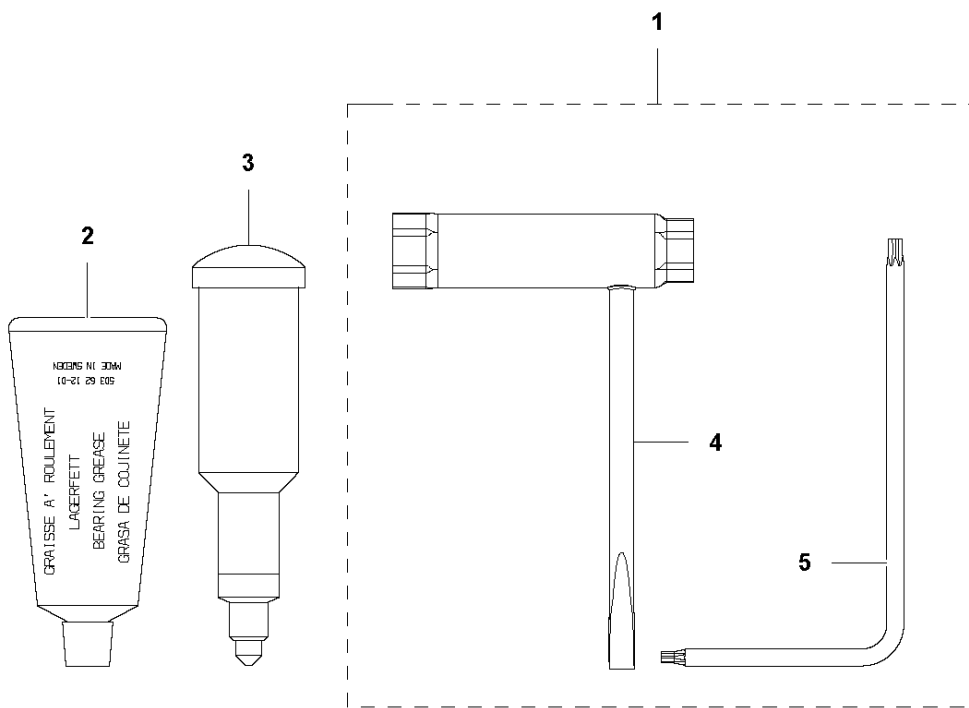


CARBURETOR

T540 XP II

Ref	Part No	Description	Remark	QTY	KIT
1	591 49 53-01	CARBURETTOR	Walbro AT-14	1	
2	577 95 49-01	KIT		1	1
3	574 35 94-01	SPRING		1	1,2
4	577 75 34-01	THROTTLE LEVER ASSY		1	1,2
5	577 21 92-01	THROTTLE LEVER ASSY		1	1,2,4
6	544 11 15-01	SCREW		1	1,2,4
7	574 35 81-01	COVER		1	1
8	576 66 68-01	PUMP COVER		1	1
9	537 00 31-01	SCREW		4	1
10	502 84 71-01	SCREW		1	1
11	574 35 90-01	SCREW		1	1
13	577 95 50-01	KIT		1	1
14	574 35 93-01	SPRING		1	1,13
17	588 09 38-01	BRACKET		1	1
18	580 69 99-01	REPAIR KIT	Walbro K2-AT. Repair kit	1	
19	501 66 61-01	SCREEN		1	1,18
20	580 70 00-01	GASKET KIT	Walbro D2-AT. Set of gaskets	1	
21	574 43 76-01	THROTTLE ASSY		1	
22	574 52 11-01	LINK		1	21
23	576 67 02-01	SPRING		1	21
24	544 11 15-01	SCREW		1	1,2
25	.	TBD	Download from your local support site	1	

Q T540 XP II
ACCESSORIES



ACCESSORIES

T540 XP II

Ref	Part No	Description	Remark	QTY	KIT
1	503 55 85-10	TOOL		1	
2	503 62 12-01	GREASE		1	
3	501 91 14-01	GREASE GUN		1	
4	522 52 11-02	COMBINATION WRENCH		1	1
5	575 88 07-01	WRENCH		1	1
6	583 89 71-01	DIAGNOSTIC TOOL KIT		1	
7	576 18 34-01	CABLE ASSY		1	6
8	579 38 48-01	WINTER KIT		1	
9	503 21 70-16	SCREW CCRPANT		2	8
10	515 99 72-01	SPIKE		1	
11	576 95 22-01	CABLE ASSY		1	6

Illustrated Parts List - IPL Update



EM-OSUC/AIf_2019-04-11

**Husqvarna
Group**

Product Name(s)

T540XP II

Description of change

T540XP II_2019-04 red

#1. Page crankcase:

Pos 23: Spring Pin 501 62 33-01 added.

#2. Page Ignition system:

Pos 1: Ignition module (Walbro) 587 30 68-04 was 587 30 68-03.

#3. Page Carburettor & air filter:

Pos 9: Carburettor 591 49 53-01 (Walbro AT-14) was 588 04 41-01 (Walbro AT-11).

#4. Page Carburettor:

Pos 18: Repair kit 597 79 97-01 was 580 69 99-01.

#5. Page Carburettor:

Pos 20: Gasket kit 597 79 98-01 was 580 70 00-01.

Comments

The products goes slightly smoother / cleaner at high speed.
This due to new carburettor (AT-14) and new Ignition Module.

Introduced from

Serial number / Date	Remark
From production start	Spring Pin 501 62 33-01
s/n 2019 12 00576	Ignition module 587 30 68-04
s/n 2019 05 00001	Carburettor 591 49 53-01
s/n 2019 17 00001	Repair kit 597 79 97-01
s/n 2019 17 00001	Gasket kit 597 79 98-01

IPL updates

Page Title	Ref. no	New part no	Name	Excl. part no.	Remark
Page H Crankcase	Pos 23	501 62 33-01	Spring Pin		Picture changed. Article added to the page.
Page M Ignition M	Pos 1	587 30 68-04	Ignition module	587 30 68-03	
Page G Carb & air	Pos 9	591 49 53-01	Carburettor	588 04 41-01	Walbro AT-14
Page P Carburettor	Pos 18	597 79 97-01	Repair kit	580 69 99-01	
Page P Carburettor	Pos 20	597 79 98-01	Gasket kit	580 70 00-01	