

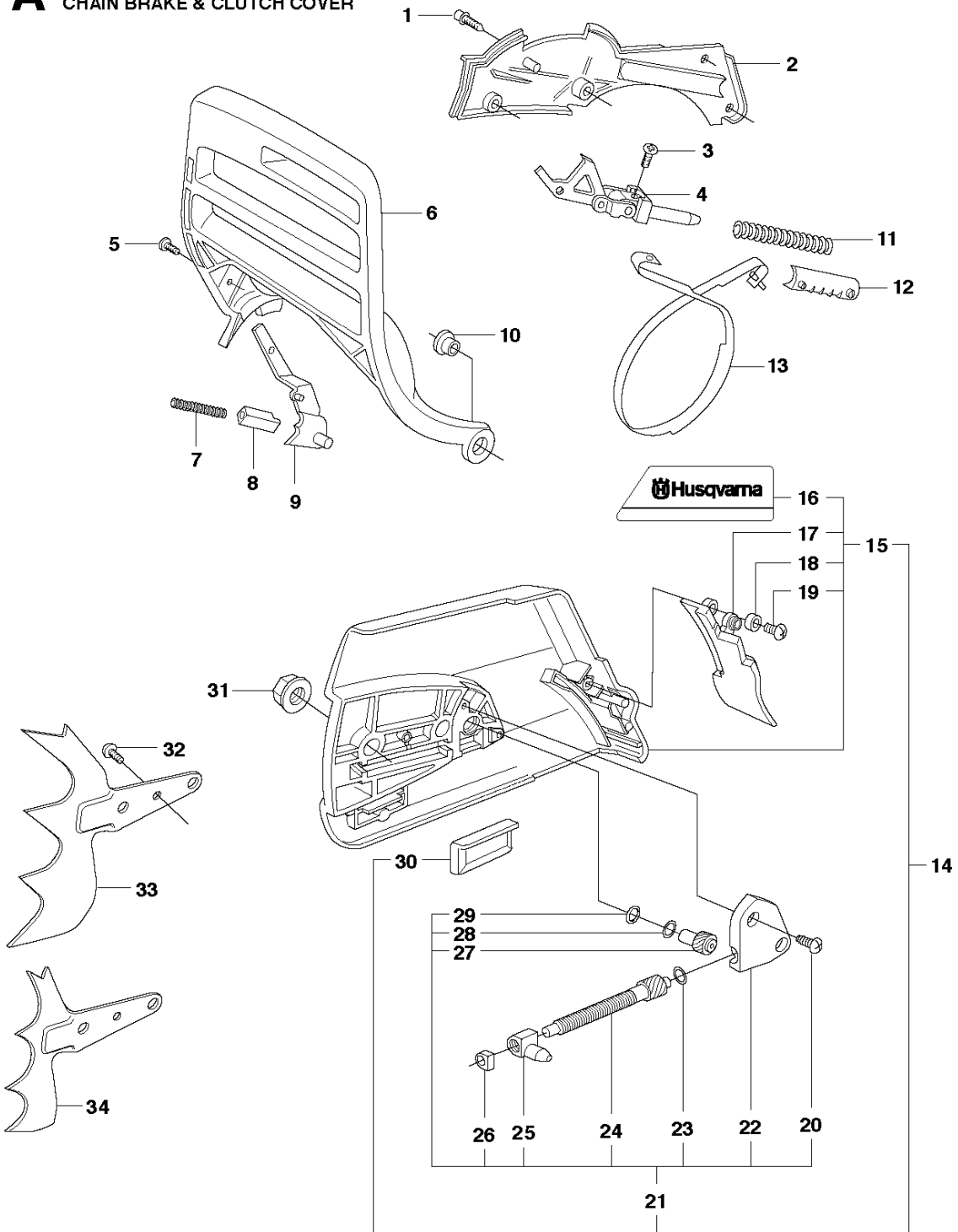


SPARE PARTS LIST

CHAIN SAWS

372 XP from 2019-10

A 372XP
CHAIN BRAKE & CLUTCH COVER

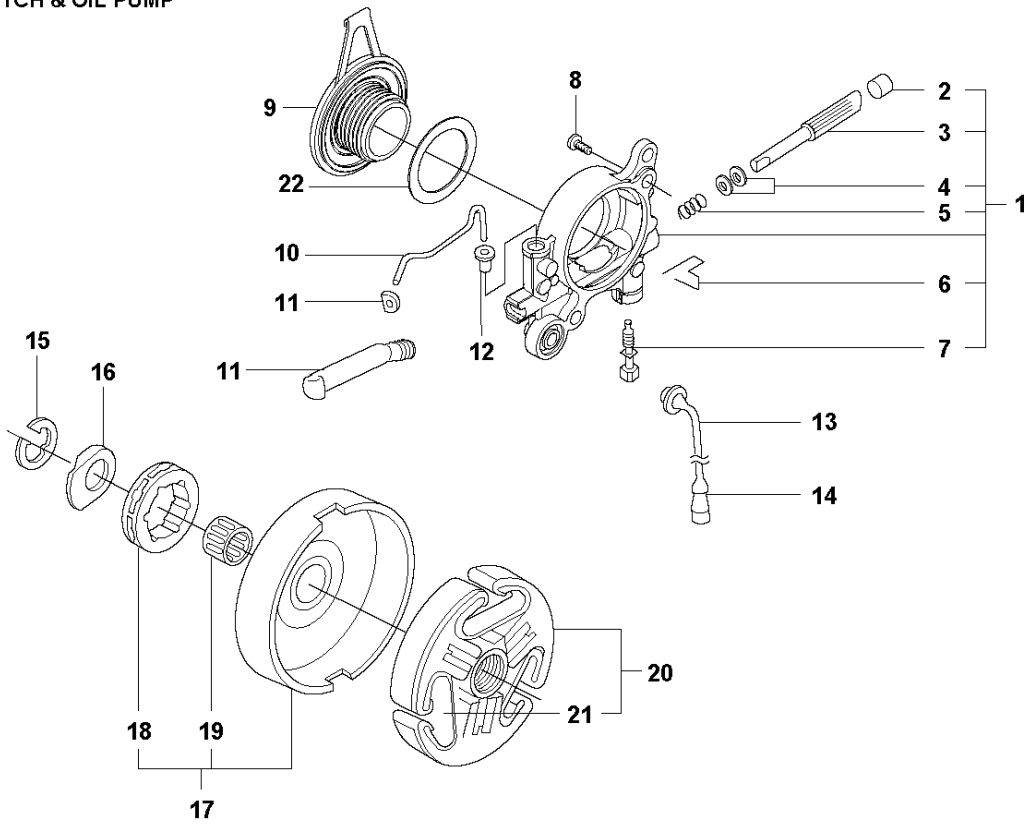


CHAIN BRAKE & CLUTCH COVER

372 XP from 2019-10

Ref	Part No	Description	Remark	QTY	KIT
1	525 75 52-01	SCREW ITXSCFM		4	
2	503 75 11-03	HUB CAP		1	
3	525 88 74-02	SCREW CITXPANT		1	
4	501 87 53-03	KNEE JOINT		1	
5	586 43 85-01	SCREW ITXSCM		1	
6	503 76 49-03	HAND GUARD		1	
7	503 43 65-01	POSITION SPRING		1	
8	503 83 81-02	LOCK		1	
9	537 00 87-01	BRAKE LEVER		1	
10	503 77 52-01	BUSHING		1	
11	503 70 99-02	BRAKE SPRING		1	
12	503 79 27-02	SUPPORT		1	
13	503 75 22-02	BRAKE BAND ASSY		1	
14	537 03 35-01	CLUTCH COVER ASSY		1	
15	537 03 35-71	CLUTCH COVER ASSY		1	14
16	537 03 38-03	LABEL		1	14, 15
17	503 76 29-02	CHIP GUARD		1	14, 15
18	503 89 70-01	SLEEVE		1	14, 15
19	525 88 74-02	SCREW CITXPANT		1	14, 15
20	525 88 74-02	SCREW CITXPANT		2	21
21	537 04 41-02	CHAIN TENSIONER		1	14
22	537 01 68-01	COVER		1	14, 21
23	503 23 00-66	WASHER		1	14, 21
24	537 07 95-02	WORM SCREW		1	14, 21
25	503 99 83-01	PAWL		1	14, 21
26	537 01 74-01	BEARING SLEEVE		1	14, 21
27	537 07 94-02	WORM WHEEL		1	14, 21
28	503 23 00-63	WASHER		1	14, 21
29	740 48 07-02	O-RING		1	14, 21
30	501 51 72-01	CHAIN GUIDE		1	14
31	503 22 00-01	HEXAGON NUT		2	
32	525 88 74-02	SCREW CITXPANT		1	
33	503 92 27-01	SPIKE	372 WRAP	1	
34	503 71 97-01	SPIKE		1	

B 372XP
CLUTCH & OIL PUMP

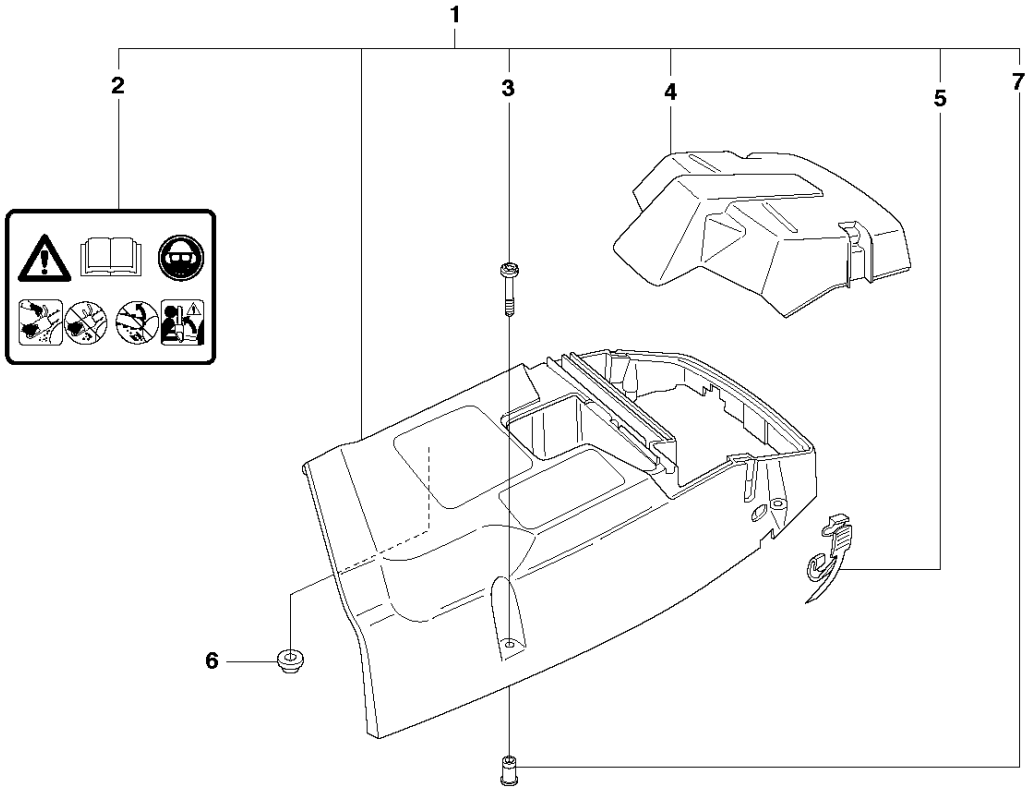


CLUTCH & OIL PUMP

372 XP from 2019-10

Ref	Part No	Description	Remark	QTY	KIT
1	503 52 13-03	OIL PUMP ASSY		1	
2	503 62 49-01	SEALING PLUG		1	1
3	503 52 15-01	PUMP PISTON		1	1
4	503 23 00-04	WASHER		2	1
5	501 61 58-01	SPRING		1	1
6	503 81 30-01	SPRING		1	1
7	503 81 13-01	SCREW		1	1
8	525 82 49-12	SCREW ITXSCM		2	
9	537 20 78-07	PUMP PINION		1	
10	503 77 43-01	OIL PIPE		1	
11	503 64 47-01	BUSHING	Up to serial number 20182009999	1	
11	587 29 18-01	OIL PRESSURE HOSE	From serial number 20182100001	1	
12	504 30 00-26	SEALING		1	
13	503 42 67-01	OIL HOSE		1	
14	501 54 41-02	OIL SCREEN		1	
15	503 27 21-01	E-CLIP		1	
16	503 75 24-01	WASHER		1	
17	586 98 06-01	CLUTCH DRUM ASSY	"3/8"x7T"	1	
17	586 98 06-02	CLUTCH DRUM ASSY	"3/8"x8T"	1	
18	501 59 80-02	RIM	"3/8"x7T"	1	17
18	505 30 36-61	RIM	"3/8"x8T"	1	17
19	503 43 20-01	NEEDLE HOLDER	"3/8"	1	17
20	586 79 84-01	CLUTCH ASSY		1	
21	537 36 06-01	CLUTCH SPRING		3	
22	503 23 00-59	WASHER		1	

C 372XP
CYLINDER COVER

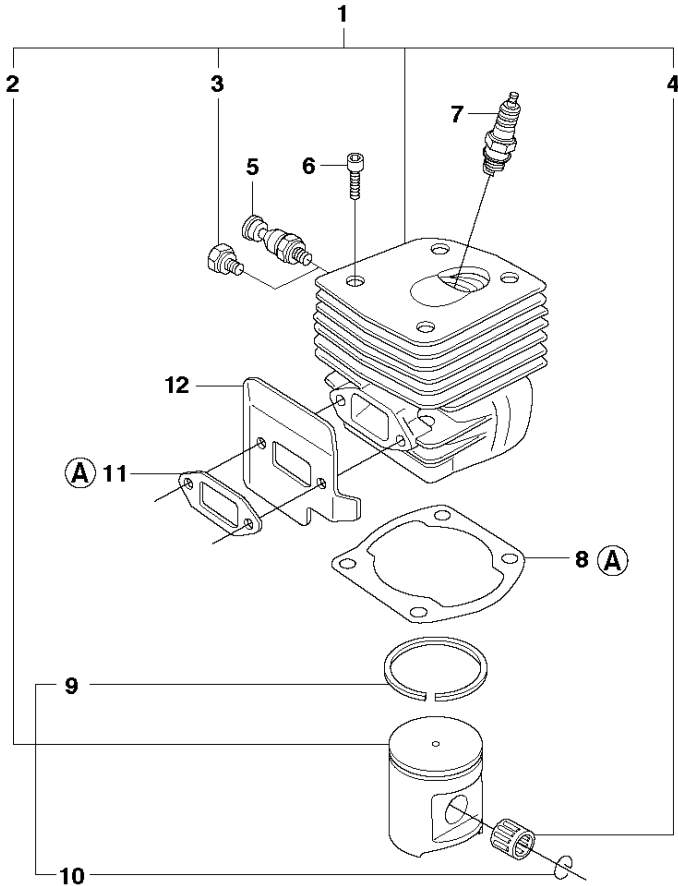


CYLINDER COVER

372 XP from 2019-10

Ref	Part No	Description	Remark	QTY KIT	
1	503 62 78-07	CYLINDER COVER ASSY	Std	1	
1	503 62 78-08	CYLINDER COVER ASSY	Hd	1	
2	503 98 74-01	LABEL		1	1
3	525 88 70-01	SCREW CITXPANMO		3	1
4	503 62 80-01	FILTER COVER	Std	1	1
4	503 81 77-01	FILTER COVER	Hd	1	1
5	503 74 01-02	SNAP LOCKING		2	1
6	537 01 65-01	SUPPORT		1	
7	537 05 59-03	SLEEVE		3	1

D 372
CYLINDER PISTON



13

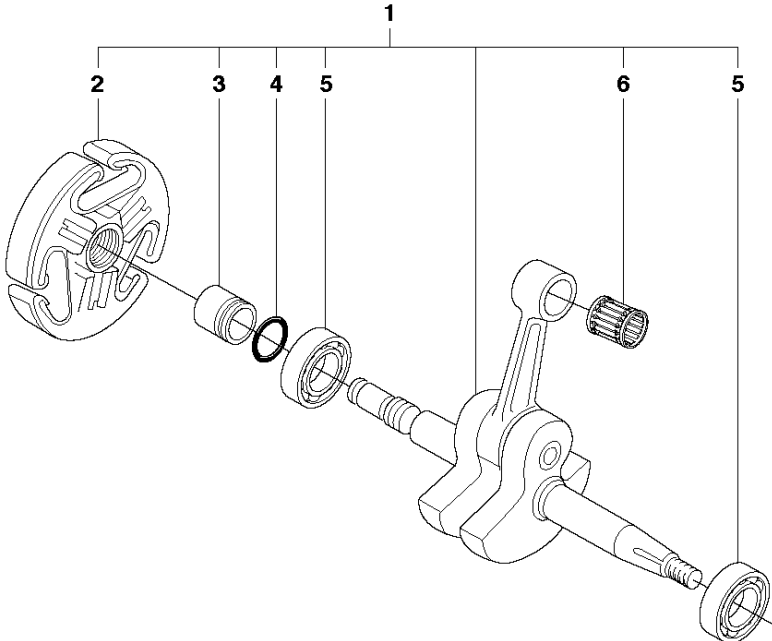
(A) 503 64 72-01
Set of gaskets

CYLINDER PISTON

372 XP from 2019-10

Ref	Part No	Description	Remark	QTY	KIT
1	503 62 64-73	CYLINDER ASSY		1	
1	503 93 93-72	CYLINDER ASSY	EPA	1	
2	503 69 12-71	PISTON ASSY		1	1
2	503 93 92-71	PISTON ASSY	EPA	1	1
3	503 55 22-01	PLUG		1	1
4	577 57 24-01	NEEDLE BEARING		1	1
5	503 71 53-01	DECOMPRESSION VALVE		1	
6	525 82 49-03	SCREW ITXSCM		4	
7	503 23 51-11	SPARK PLUG	BPMR7A	1	
8	503 96 15-01	GASKET		1	13
9	503 28 90-42	PISTON RING		1	1, 2
9	503 28 90-36	PISTON RING	EPA	2	1, 2
10	737 43 12-00	SNAP RING		2	1, 2
11	503 77 59-01	GASKET		1	13
12	503 77 58-02	HEAT DEFLECTOR		1	
13	503 64 72-01	GASKET KIT	A = Set of gaskets	1	

E 372
CRANKSHAFT

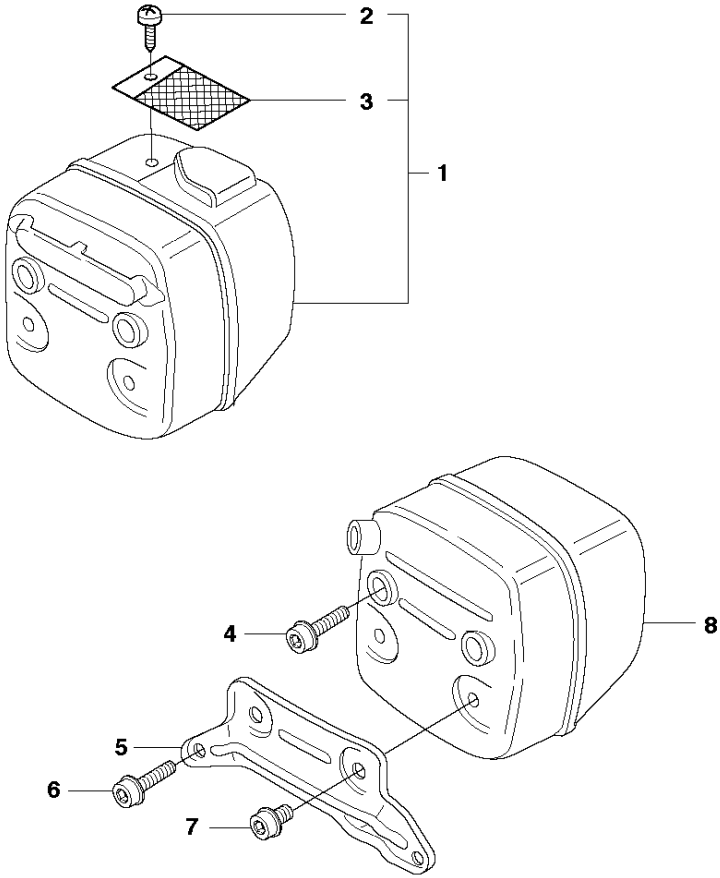


CRANKSHAFT

372 XP from 2019-10

Ref	Part No	Description	Remark	QTY	KIT
1	503 74 87-05	CRANKSHAFT ASSY		1	
2	586 79 84-01	CLUTCH ASSY		1	1
3	503 77 91-01	SLEEVE		1	1
4	503 26 30-19	O-RING		1	1
5	585 97 50-01	BALL BEARING		2	1
6	577 57 24-01	NEEDLE BEARING		1	1

F 372XP
MUFFLER

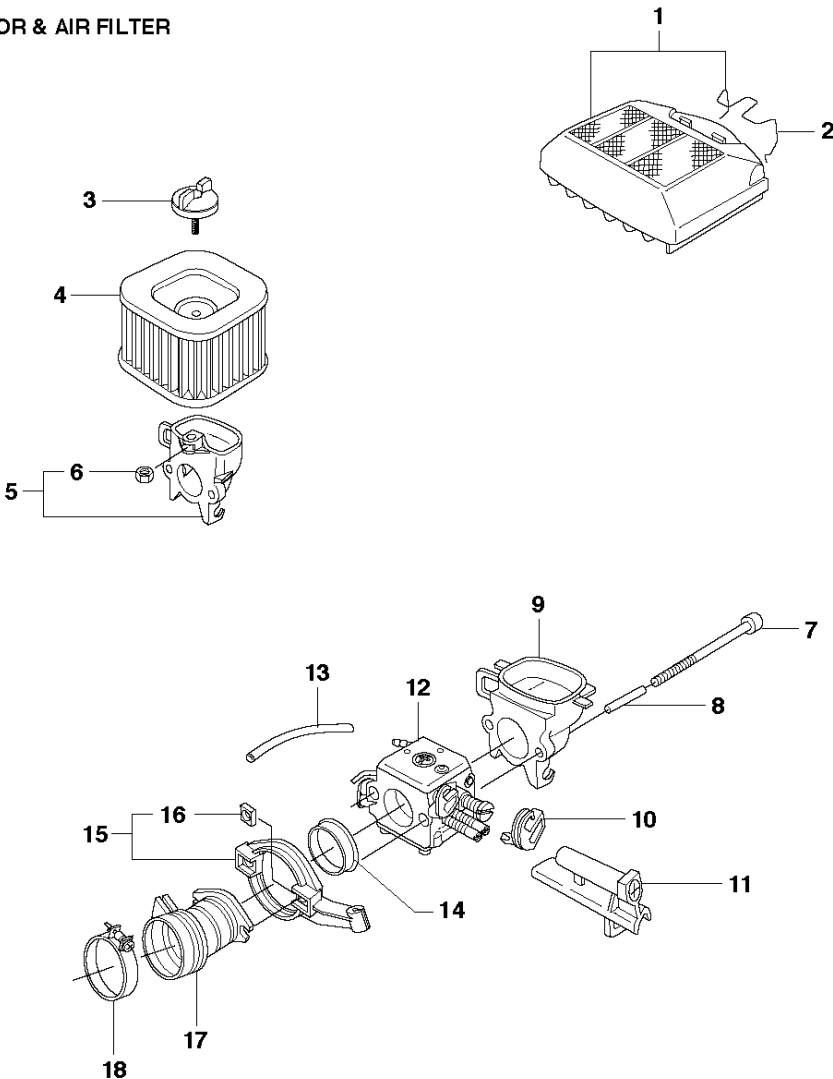


MUFFLER

372 XP from 2019-10

Ref	Part No	Description	Remark	QTY	KIT
1	544 02 97-02	MUFFLER ASSY	DF	1	
2	724 12 87-59	SCREW CRPANM		1	1
3	503 76 64-02	SPARK ARRESTER SCREEN		1	1
4	525 82 51-01	SCREW ITXSCM		2	
5	579 02 59-01	SUPPORT		1	
6	503 20 07-74	SCREW IHSCFM		2	
7	503 20 07-02	SCREW IHSCFM		2	
8	544 02 95-01	MUFFLER ASSY	Tube	1	
8	544 02 95-02	MUFFLER ASSY	Jungle	1	

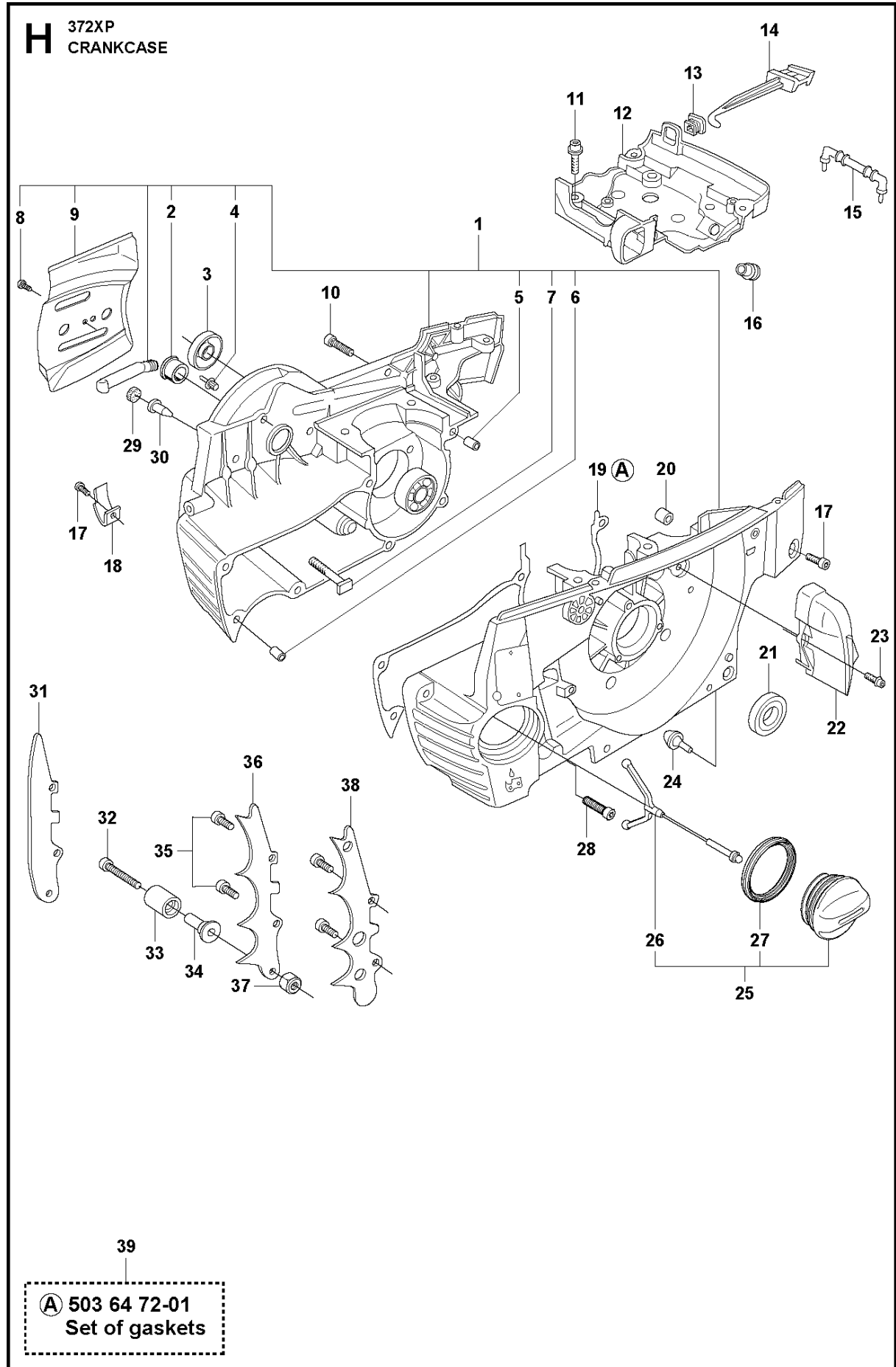
G 372
CARBURETOR & AIR FILTER



CARBURETOR & AIR FILTER

372 XP from 2019-10

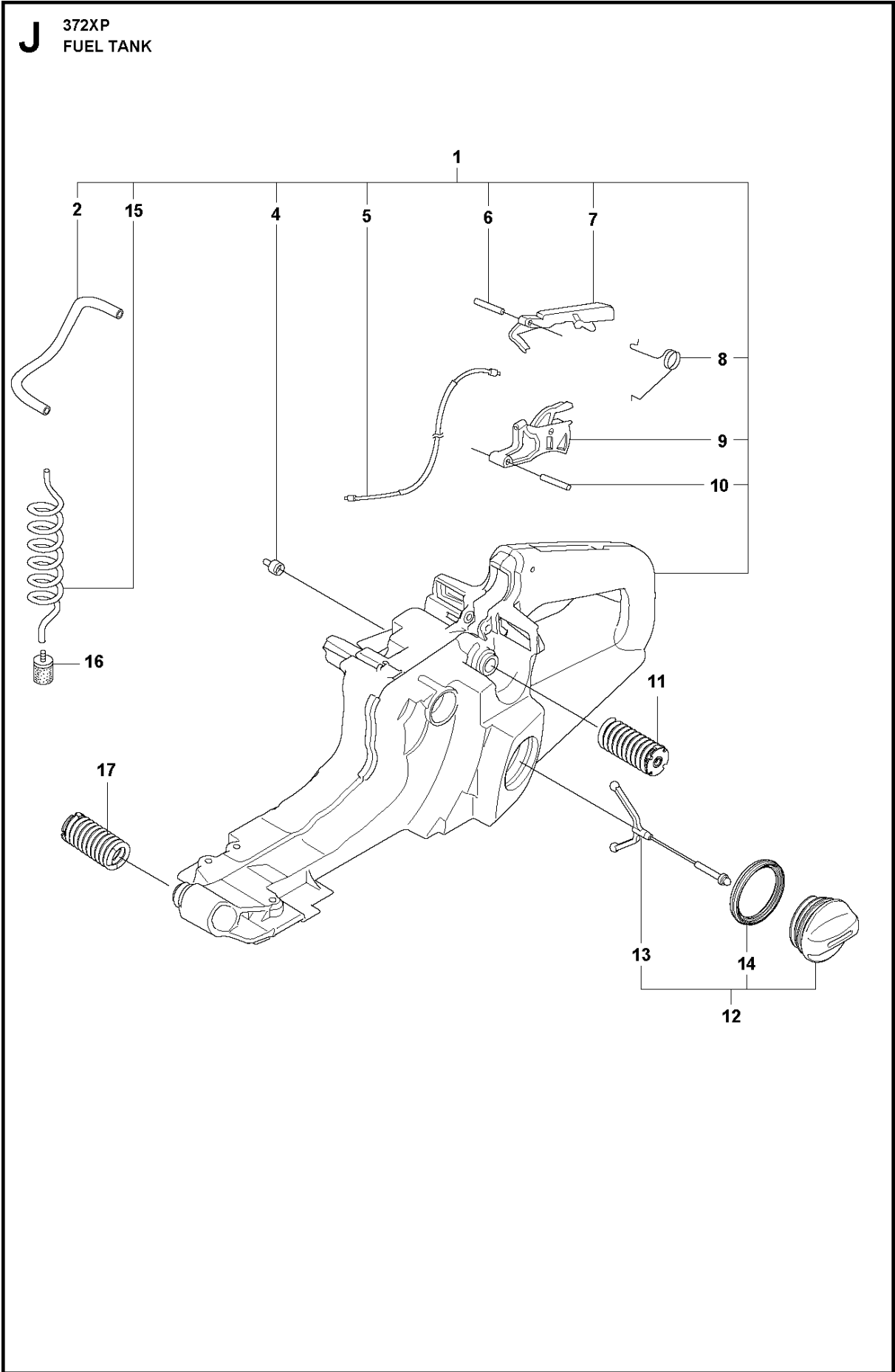
Ref	Part No	Description	Remark	QTY	KIT
1	575 26 91-01	AIR FILTER ASSY	80μ	1	
1	575 26 91-02	AIR FILTER ASSY	44μ	1	
1	575 26 91-03	AIR FILTER ASSY	Felt	1	
2	503 73 54-01	CLAMP		1	
3	537 21 32-04	KNOB		1	
4	503 81 80-05	AIR FILTER	80μ	1	
4	503 81 80-06	AIR FILTER	44μ	1	
4	503 81 80-04	AIR FILTER	Felt	1	
5	503 81 78-01	FILTER HOLDER		1	
6	731 23 14-01	HEXAGON NUT		1	5
7	581 14 30-01	SCREW ITXSCM		2	
8	503 70 11-01	TUBE		2	
9	503 62 75-02	FILTER HOLDER		1	
10	503 68 41-01	LEVER		1	
11	503 66 53-01	GUIDE BUSHING	Walbro HD-6B	1	
11	503 66 74-01	GUIDE BUSHING	Walbro HD-12B	1	
12	503 28 18-04	CARBURETTOR	Walbro HD-6B	1	
12	503 28 18-05	CARBURETTOR	Walbro HD-12B	1	
13	503 40 06-06	IMPULSE HOSE		1	
14	503 43 18-01	SUPPORT SLEEVE		1	
15	503 71 27-01	FLANGE		1	
16	503 22 65-03	SQUARE NUT		2	15
17	503 96 45-02	INLET PIPE	For cold conditions	1	
17	503 96 45-01	INLET PIPE		1	
18	505 28 33-09	HOSE CLAMP		1	



CRANKCASE

372 XP from 2019-10

Ref	Part No	Description	Remark	QTY	KIT
1	503 62 68-19	CRANKCASE ASSY		1	
2	503 96 70-01	BUSHING		1	1
3	503 26 03-01	SEALING RING		1	
4	503 75 18-01	PIN		1	1
5	501 27 08-01	GUIDE BUSHING		1	1
6	501 27 08-01	GUIDE BUSHING		1	1
7	537 05 13-01	BAR BOLT		2	1
8	525 88 74-02	SCREW CITXPANT		1	1
9	537 01 37-02	CHAIN GUIDE PLATE	From serial number 20182100001	1	1
9	537 04 66-01	KIT	Up to serial number 20182009999	1	
10	586 44 54-01	SCREW ITXSCM		1	
11	525 75 52-01	SCREW ITXSCFM		4	
12	588 09 37-01	CARBURETTOR AREA BASE		1	
13	503 73 44-01	GROMMET		1	
14	503 62 77-01	CHOKE CONTROL		1	
15	579 46 89-01	SUPPORT		1	
16	537 09 54-01	GROMMET		1	
17	525 82 49-13	SCREW ITXSCM		2	
18	501 68 68-01	CHAIN CATCHER		1	
19	503 62 72-01	GASKET		1	39
20	503 85 73-01	COVER		1	
21	505 27 57-19	SEALING RING		1	
22	503 62 84-01	AIR NOZZLE		1	
23	525 75 52-01	SCREW ITXSCFM		1	
24	503 84 61-01	BUFFER		1	
25	537 21 52-07	TANK CAP ASSY		1	
26	503 57 89-01	HOLDER		1	25
27	589 24 11-01	GASKET		1	25
28	575 79 12-02	SCREW ITXSCM		6	
29	537 40 35-01	FILTER		1	
30	530 02 61-19	CHECK VALVE		1	
31	537 04 29-01	BUMPER		1	
32	525 75 51-03	SCREW ITXSCFM		1	
33	537 02 44-01	WEAR PROTECTION		1	
34	537 08 92-01	CHAIN CATCHER		1	
35	575 79 35-01	SCREW ITXPANM		2	
36	537 01 71-01	SPIKE		1	
37	503 22 24-01	LOCK NUT		1	
38	503 64 79-02	SPIKE		1	
39	503 64 72-01	GASKET KIT	A = Set of gaskets	1	

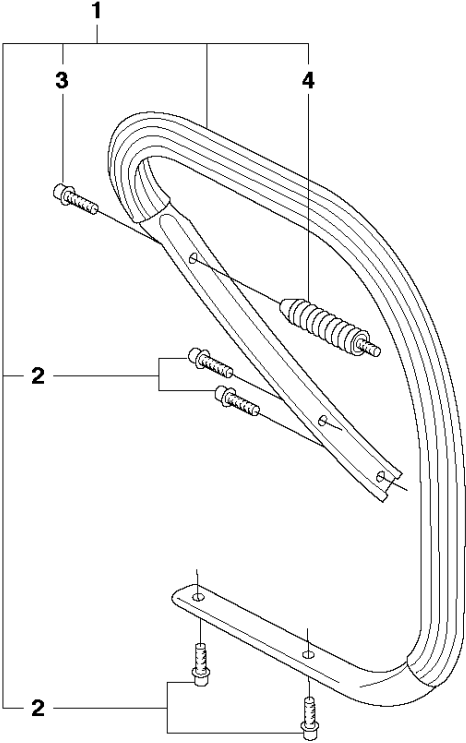


FUEL TANK

372 XP from 2019-10

Ref	Part No	Description	Remark	QTY	KIT
1	544 11 40-13	FUEL TANK		1	1
2	581 75 61-06	FUEL HOSE		1	1
3	537 09 93-01	CONNECTION BEND	Up to serial number 20184700378	1	1
4	501 15 29-01	TANK VENT ASSY	From serial number 20184700379	1	
4	537 09 22-01	TANK VENT ASSY	Up to serial number 20184700378	1	1
5	503 71 76-01	THROTTLE CABLE ASSY		1	1
6	720 12 40-20	PARALLEL PIN		1	1
7	503 55 66-01	THROTTLE LOCKOUT		1	1
8	503 73 64-01	SPRING		1	1
9	503 82 98-01	TRIGGER		1	1
10	720 12 72-20	PARALLEL PIN		1	
11	503 89 56-01	ANTIVIBRATION ELEMENT	Std	1	
11	503 89 56-02	ANTIVIBRATION ELEMENT	Hard	1	
12	537 21 52-07	TANK CAP ASSY		1	
13	503 57 89-01	HOLDER		1	12
14	589 24 11-01	GASKET		1	12
15	581 75 62-02	FUEL HOSE		1	1
16	503 44 32-01	FUEL FILTER		1	
17	503 63 76-03	ANTIVIBRATION ELEMENT	Std	1	
17	503 63 76-04	ANTIVIBRATION ELEMENT	Hard	1	

K1 372
HANDLE

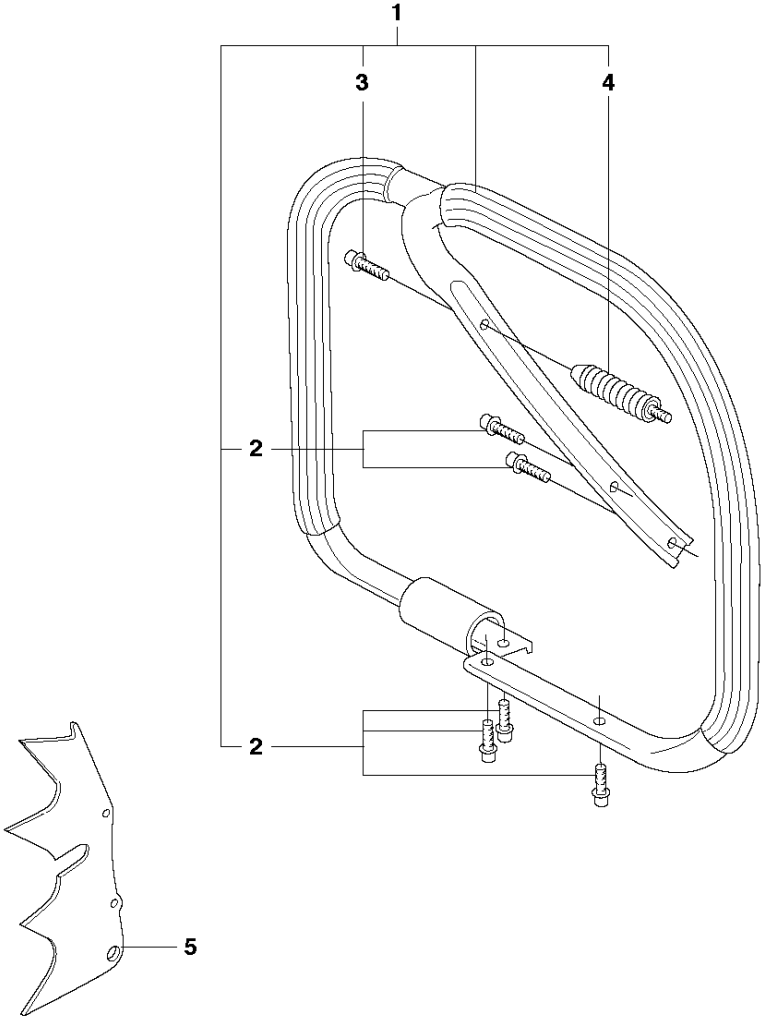


HANDLE

372 XP from 2019-10

Ref	Part No	Description	Remark	QTY	KIT
1	503 62 67-71	FRONT HANDLE ASSY		1	
2	586 44 30-01	SCREW ITXSCFT		4	1
3	586 44 00-01	SCREW ITXSCFT		1	1
4	503 63 75-04	ANTIVIBRATION ELEMENT	Std	1	1
4	503 63 75-05	ANTIVIBRATION ELEMENT	Hard	1	

K2 372XP
HANDLE

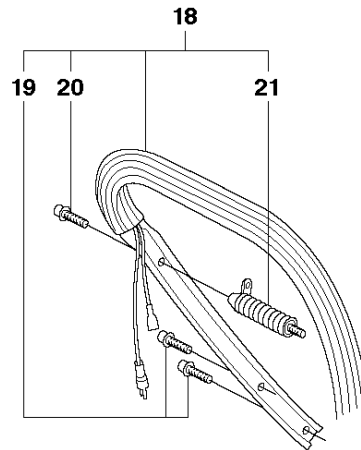
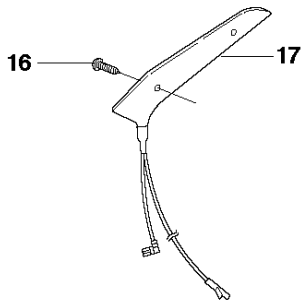
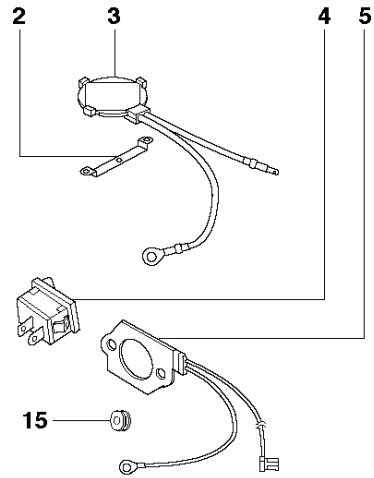
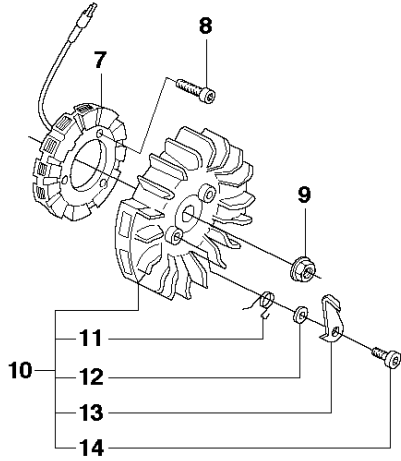


HANDLE

372 XP from 2019-10

Ref	Part No	Description	Remark	QTY KIT	
1	503 62 86-71	HANDLE	WRAP	1	
1	503 62 86-02	HANDLE	WRAP G No screws or antivibration element included.	1	
2	586 44 30-01	SCREW ITXSCFT		5	1
3	586 44 00-01	SCREW ITXSCFT		1	1
4	503 63 75-04	ANTIVIBRATION ELEMENT	Wrap	1	1
4	503 68 45-04	ANTIVIBRATION ELEMENT	WRAP G	1	
5	537 01 72-01	SPIKE		1	

L1 372XP
HEATED HANDLES/HEATED CARB. THERMOSTAT

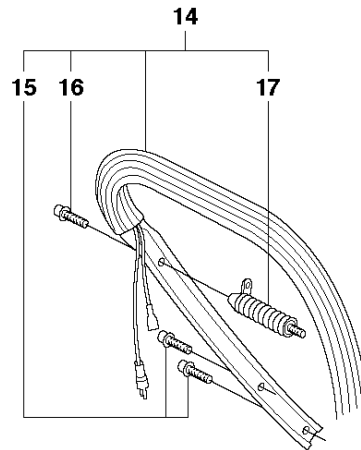
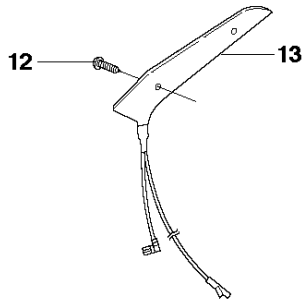
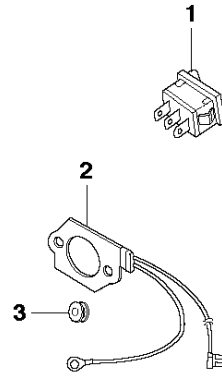
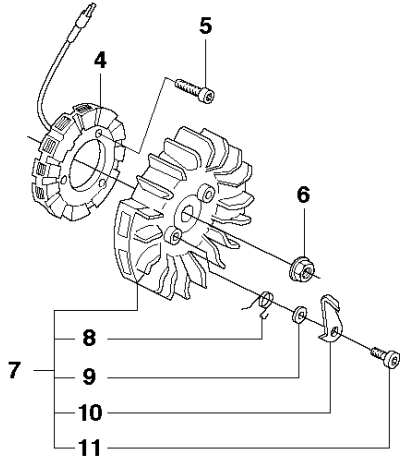


HANDLES HEATED

372 XP from 2019-10

Ref	Part No	Description	Remark	QTY	KIT
2	537 06 04-01	RETAINER		1	
3	537 18 98-01	THERMOSTAT ASSY		1	
4	503 55 49-01	SWITCH		1	
5	537 07 14-02	FOIL ELEMENT		1	
7	537 07 18-02	STATOR ASSY		1	
8	586 43 85-02	SCREW ITXSCM		3	
9	503 22 04-01	NUT		1	
10	537 05 16-06	FLYWHEEL ASSY		1	
11	501 67 35-01	SPRING		2	10
12	503 23 00-42	WASHER		2	10
13	537 01 55-01	STARTER PAWL		2	10
14	506 00 69-01	SCREW		2	10
15	501 43 00-01	CABLE GROMMET		1	
16	503 21 38-01	SCREW CRCSRT		2	
17	503 70 59-01	HEATING PLATE		1	
18	503 62 67-72	FRONT HANDLE ASSY	G	1	
19	503 21 49-72	SCREW IHSCFT		4	18
20	586 44 00-01	SCREW ITXSCFT		1	18
21	503 68 45-04	ANTIVIBRATION ELEMENT	G	1	18

L2 372XP
HEATED HANDLES/HEATED CARB. MANUAL

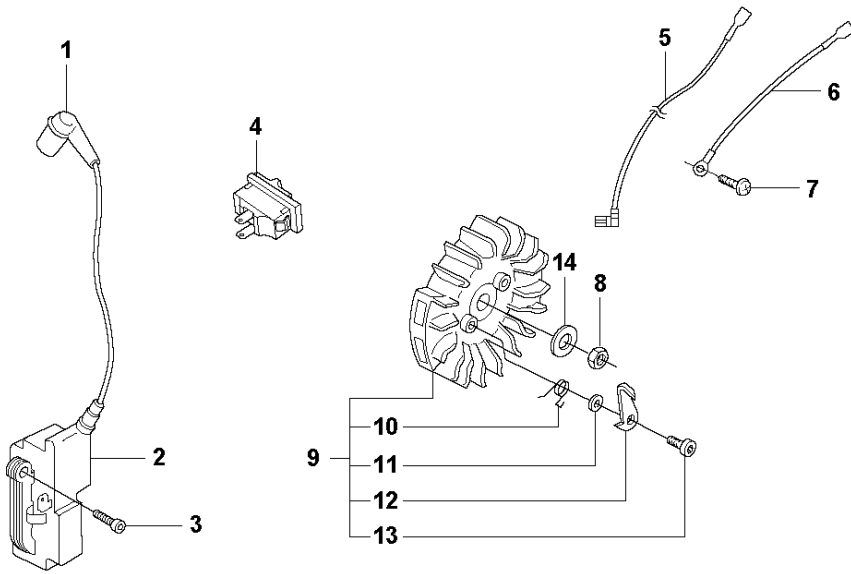


HANDLES HEATED

372 XP from 2019-10

Ref	Part No	Description	Remark	QTY KIT	
1	503 64 02-01	SWITCH		1	
2	537 15 37-01	FOIL ELEMENT		1	
3	501 43 00-01	CABLE GROMMET		1	
4	501 80 24-03	STATOR ASSY		1	
5	586 43 85-02	SCREW ITXSCM		3	
6	503 22 04-01	NUT		1	
7	537 05 16-04	FLYWHEEL ASSY		1	
8	501 67 35-01	SPRING		2	7
9	503 23 00-42	WASHER		2	7
10	537 01 55-01	STARTER PAWL		2	7
11	506 00 69-01	SCREW		2	7
12	586 50 54-01	SCREW ITXCSRT		2	
13	503 70 59-01	HEATING PLATE		1	
14	503 62 67-72	FRONT HANDLE ASSY	G	1	
15	586 44 30-01	SCREW ITXSCFT		4	14
16	586 44 00-01	SCREW ITXSCFT		1	14
17	503 68 45-04	ANTIVIBRATION ELEMENT	G	1	14

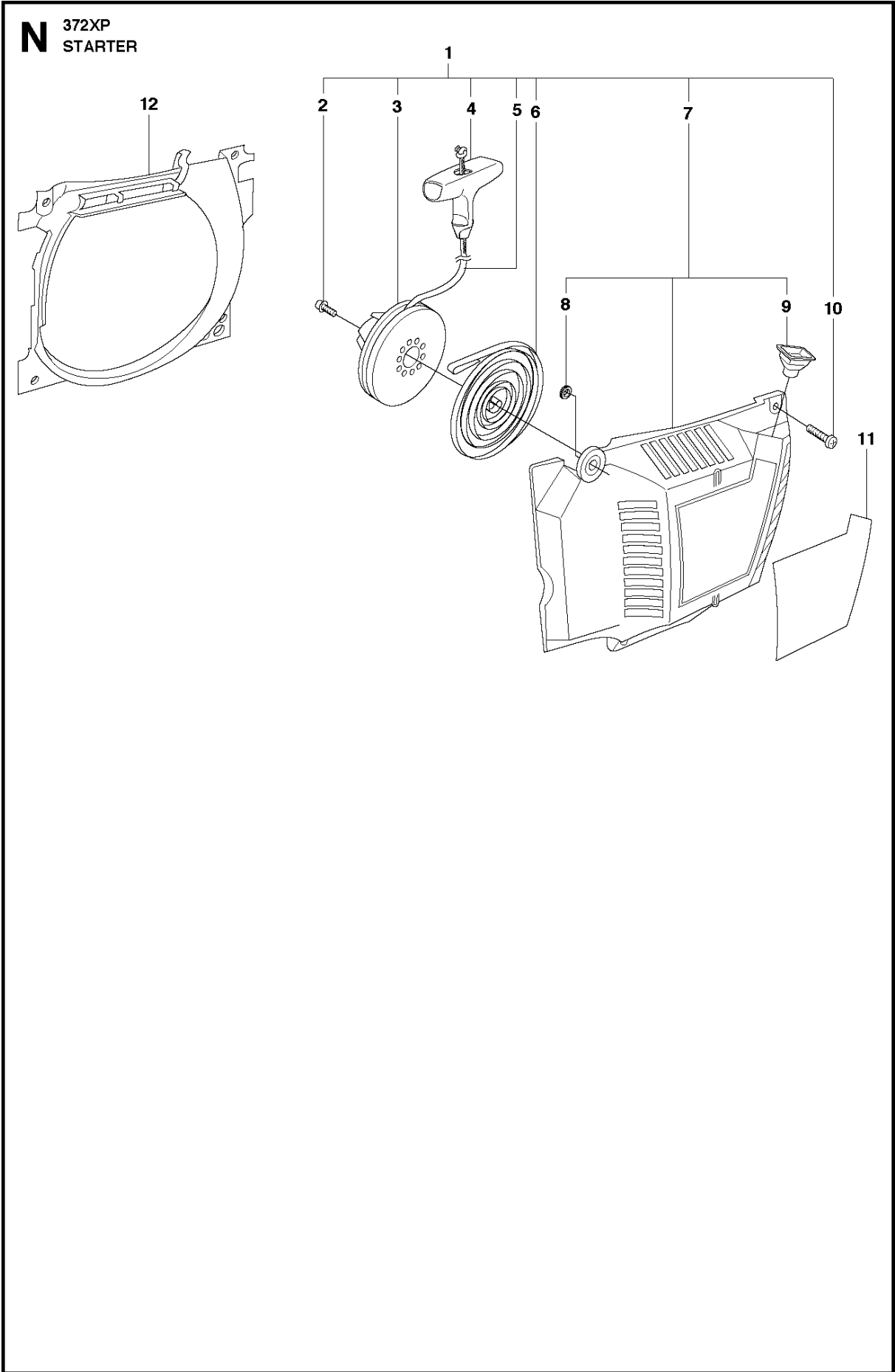
M 372XP
IGNITION SYSTEM



IGNITION SYSTEM

372 XP from 2019-10

Ref	Part No	Description	Remark	QTY	KIT
1	501 48 54-02	SPARK PLUG CAP		1	
2	586 88 03-04	IGNITION MODULE		1	
3	582 02 97-01	SCREW ITXSCM		2	
4	503 71 82-01	SWITCH		1	
5	503 62 61-01	CABLE		1	
6	503 89 76-01	CABLE		1	
7	525 88 74-02	SCREW CITXPANT		1	
8	503 22 10-11	HEXAGON NUT		1	
9	537 05 16-05	FLYWHEEL ASSY		1	
10	501 67 35-01	SPRING		2	9
11	503 23 00-42	WASHER		2	9
12	537 01 55-01	STARTER PAWL		2	9
13	506 00 69-01	SCREW		2	9
14	503 23 01-01	WASHER		1	



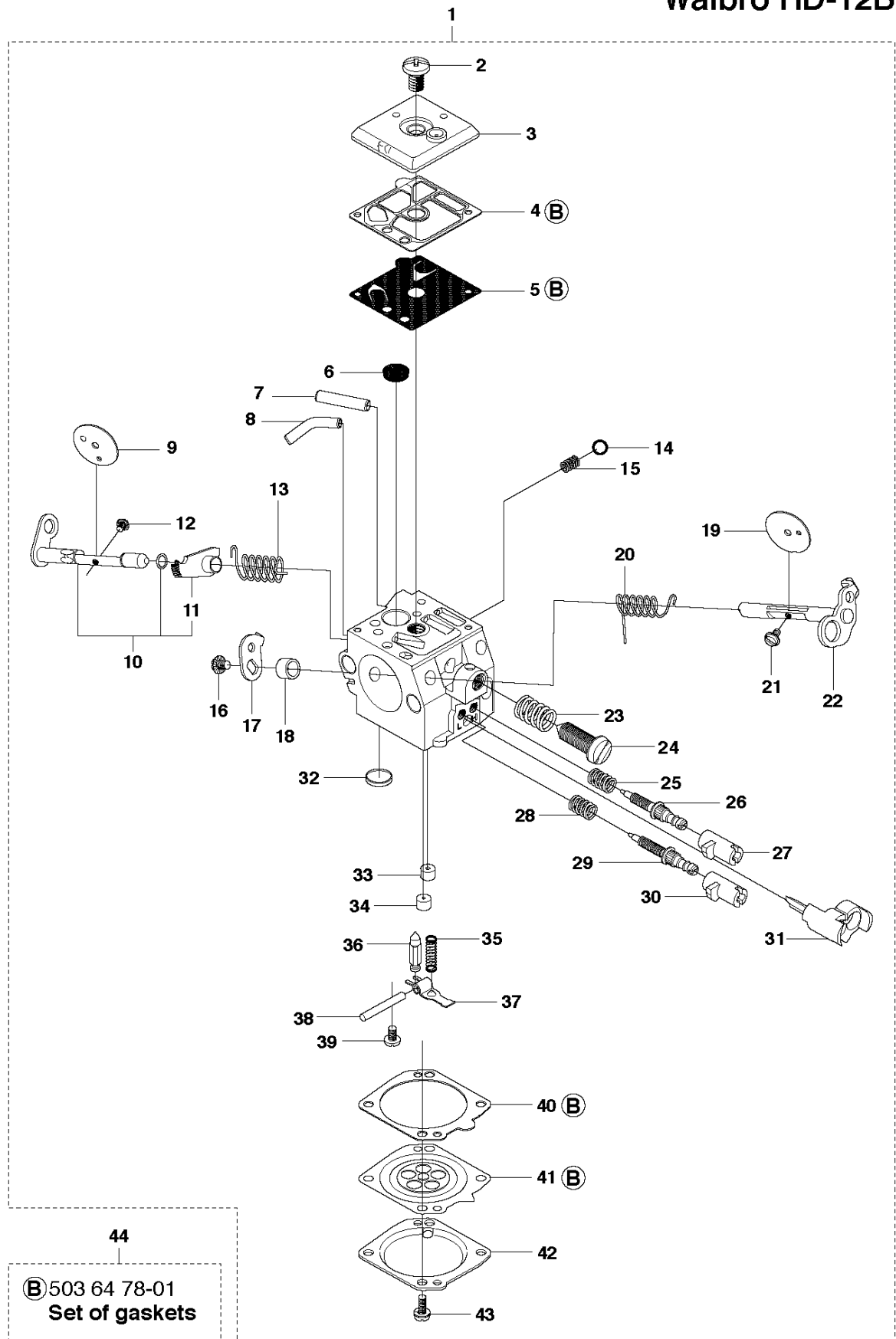
STARTER

372 XP from 2019-10

Ref	Part No	Description	Remark	QTY	KIT
1	503 62 81-71	STARTER ASSY		1	
2	586 44 31-01	SCREW ITXSCFT		1	1
3	503 85 96-01	STARTER PULLEY		1	1
4	522 03 73-01	STARTER HANDLE		1	1
5	503 43 29-02	STARTER CORD		1	1
6	537 28 36-02	RECOIL SPRING		1	1
7	503 62 82-02	STARTER HOUSING		1	1
8	537 08 67-01	BUSHING		1	1, 7
9	501 63 06-01	SLEEVE		1	1, 7
10	525 82 45-01	SCREW CITXPANMO		4	1, 7
11	537 23 02-01	LABEL	XP	1	1, 7
11	537 23 02-06	LABEL	XPG	1	1, 7
12	503 62 83-01	AIR CONDUCTOR		1	

P 372XP
CARBURETOR

**Walbro HD-6B
Walbro HD-12B**



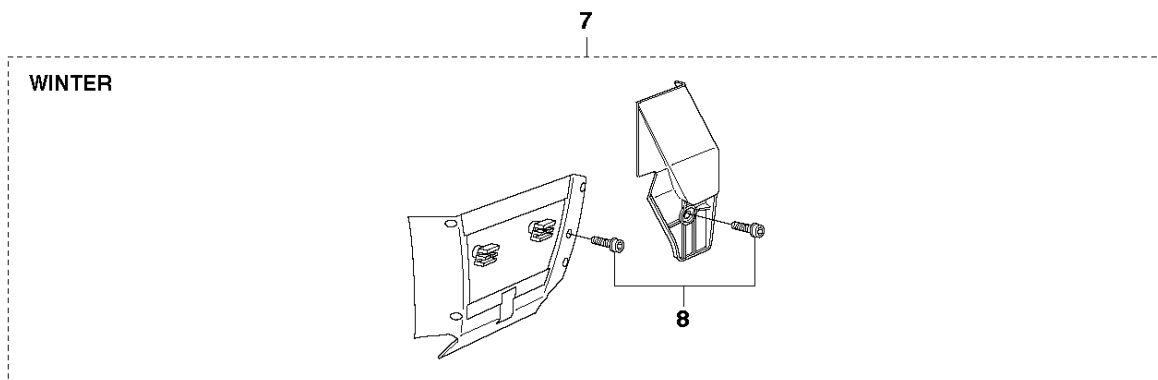
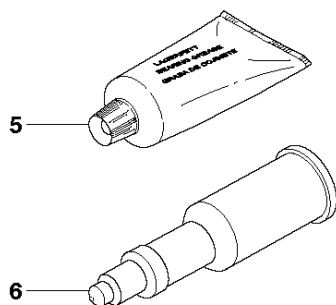
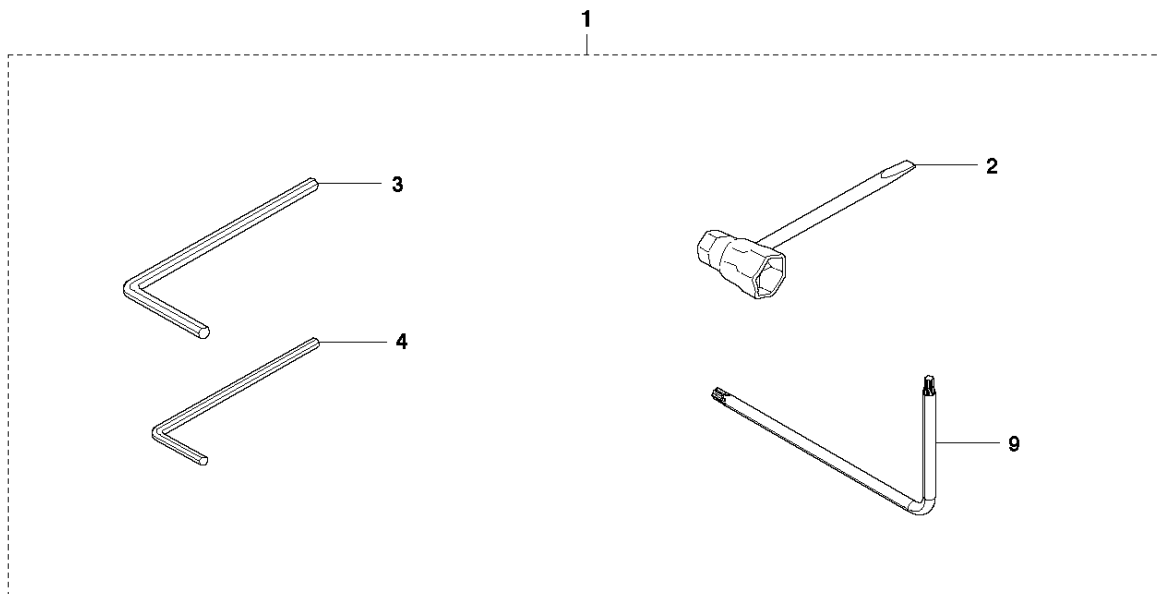
44
503 64 78-01
Set of gaskets

CARBURETOR

372 XP from 2019-10

Ref	Part No	Description	Remark	QTY	KIT
1	503 28 18-04	CARBURETTOR	Walbro HD-6B	1	
1	503 28 18-05	CARBURETTOR	Walbro HD-12B	1	
2	501 46 69-01	SCREW		1	
3	503 79 98-01	COVER		1	
4	501 66 69-01	GASKET		1	1, 44
5	502 25 47-01	DIAPHRAGM PUMP		1	1, 44
6	501 66 61-01	SCREEN		1	
7	503 85 59-01	FITTING		1	
8	503 80 14-01	FITTING		1	
9	503 85 58-01	VALVE		1	
10	537 01 91-01	SHAFT ASSY		1	
11	537 01 89-01	LEVER		1	1, 10
12	501 46 87-01	SCREW		1	
13	537 01 90-01	SPRING		1	
14	501 46 85-01	BALL		1	
15	501 46 84-01	SPRING		1	
16	501 46 87-01	SCREW		1	
17	503 79 96-01	LEVER		1	
18	503 80 15-01	WASHER		1	
19	503 80 00-01	VALVE		1	
20	503 80 09-01	SPRING		1	
21	530 03 50-15	SCREW		1	
22	503 79 99-01	SHAFT		1	
23	501 66 78-01	SPRING		1	
24	503 80 08-01	SCREW		1	
25	501 66 77-01	SPRING		1	
26	503 80 11-01	NEEDLE	H Walbro HD-6B	1	
26	503 94 39-01	NEEDLE	H Walbro HD-12B	1	
27	503 91 39-01	LIMITER CAP	Walbro HD-12B	1	
28	501 66 77-01	SPRING		1	
29	504 02 72-13	NEEDLE-IDLE SPEED	L Walbro HD-6B	1	
29	503 94 38-01	NEEDLE	Walbro HD-12B	1	
30	503 91 40-01	LIMITER CAP	Walbro HD-12B	1	
31	503 91 54-01	RETAINER	Walbro HD-12B	1	
32	503 57 42-01	PLUG		1	
33	503 80 04-01	NOZZLE	Walbro HD-6B	1	
33	503 94 36-01	NOZZLE ASSY	Walbro HD-12B	1	
34	503 68 82-01	JET	Walbro HD-6B	1	
34	537 00 33-01	JET	Walbro HD-12B	1	
35	503 56 24-01	SPRING	Walbro HD-6B	1	
35	503 94 37-01	SPRING	Walbro HD-12B	1	
36	503 56 34-01	NEEDLE VALVE		1	
37	501 66 83-01	LEVER		1	
38	505 52 01-25	PIN		1	
39	505 31 67-17	SCREW		1	
40	504 13 09-05	GASKET		1	1, 44
41	503 80 07-01	DIAPHRAGM		1	1, 44
42	537 07 76-01	COVER		1	
43	503 10 87-01	SCREW		4	
44	503 64 78-01	REPAIR KIT	B = Set of gaskets	1	

Q 372XP
ACCESSORIES



ACCESSORIES

372 XP from 2019-10

Ref	Part No	Description	Remark	QTY	KIT
1	588 79 74-01	TOOL		1	
2	501 69 17-01	COMBINATION WRENCH		1	1
3	503 55 86-02	SPANNER	NV5	1	1
4	503 55 86-01	SPANNER	NV4	1	1
5	503 62 12-01	GREASE		1	
6	501 91 14-01	GREASE GUN		1	
7	503 96 90-11	WINTER KIT	WINTER	1	
8	586 50 52-01	SCREW CITXPANT		1	7
9	575 88 07-01	WRENCH	TORX T27/T20	1	1

Illustrated Parts List - IPL Update



Product Name(s)

372 XP

Description of change

New Antivibration element with ground top on the metal spring. The plastic plug is changed. This gives longer thread length and therefor better fastening of spring in plastic plug.

Reason: Improved durability of antivibration element.

Comments

New articles Antivibration element 503 63 76-03 and 503 63 76-04(hard)

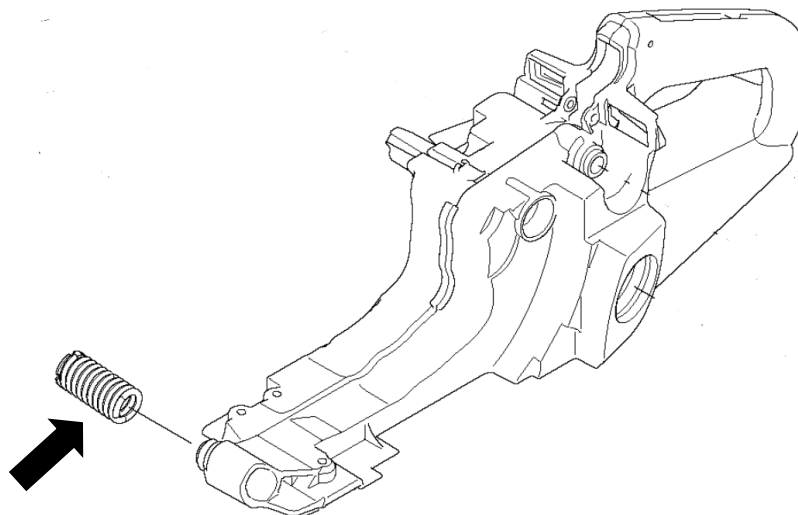
Introduced from

Serial number / Date	Remark
20194200001	ANTIVIBRATION ELEMENT 503 63 76-03
20194200001	ANTIVIBRATION ELEMENT 503 63 76-04

IPL updates

Page Title	Ref.No	New part no	Name	Excl. part no.	Remark
FUEL TANK	17	503 63 76-03	ANTIVIBRATON ELEMENT	503 63 76-01	New spare part, std
	17	503 63 76-04	ANTIVIBRATON ELEMENT	503 63 76-02	New spare part, Hard

FUEL TANK



503 63 76-03/04