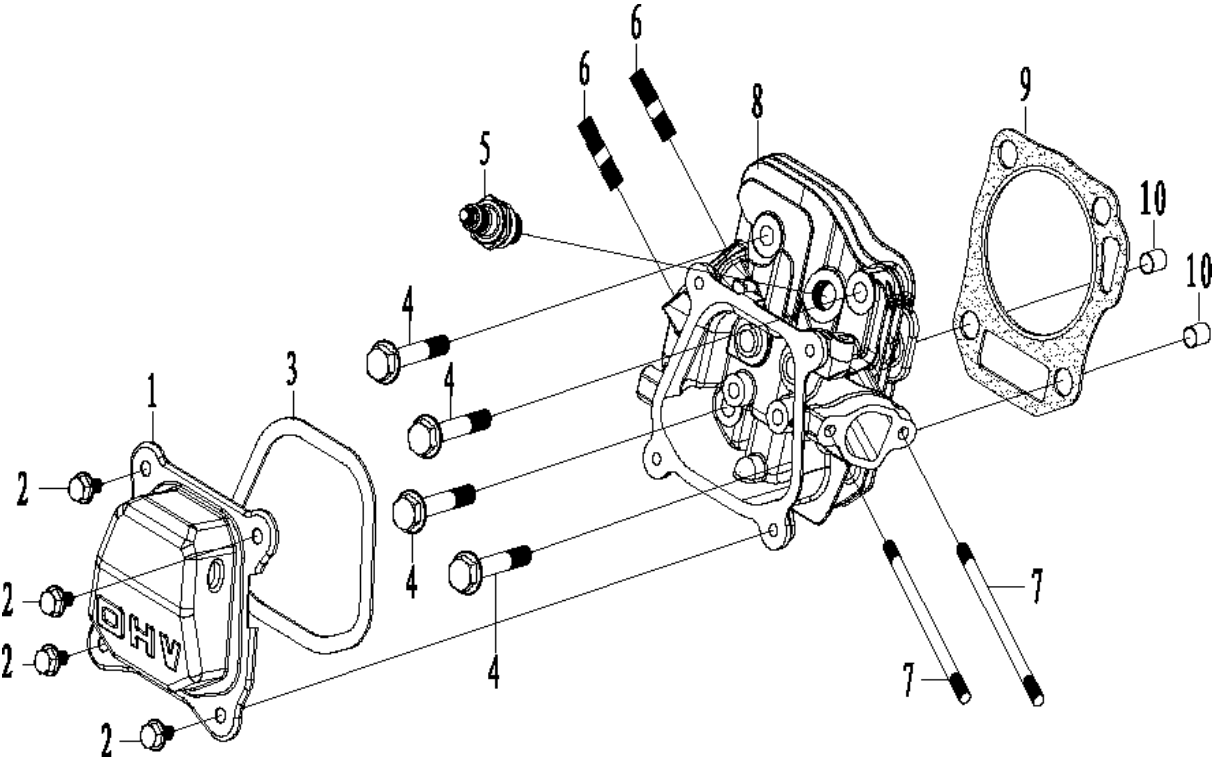




SPARE PARTS LIST

CULTIVATORS/TILLERS

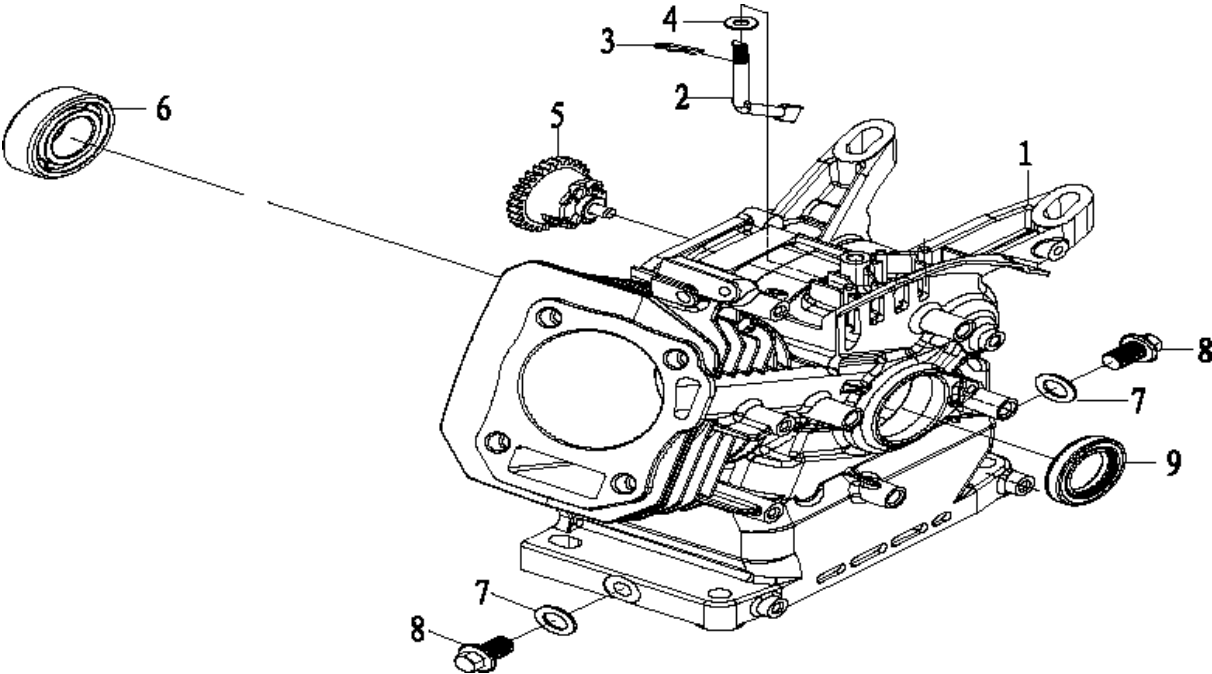
TR262, 2019-09



HEAD ASSY

TR262, 2019-09

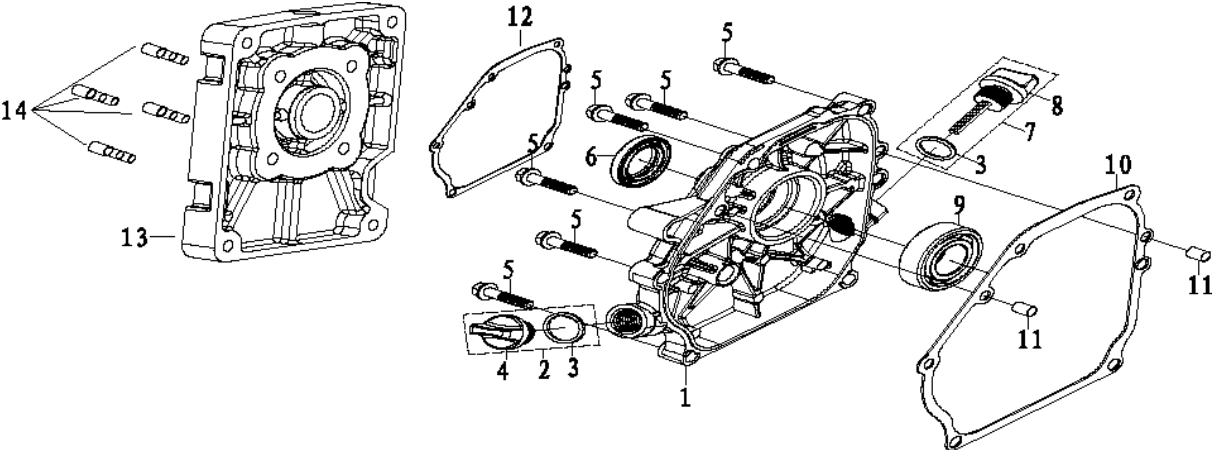
Ref	Part No	Description	Remark	QTY KIT
2	587 97 94-01	BOLT	BOLT GB/T5789 M6×16	4
3	587 99 95-01	GASKET	GASKET, HEAD COVER	1
5	598 68 43-46	PLUG	PLUG, SPARK F7TC	1
6	587 99 98-01	BOLT	BOLT, STUD, M8×35	1
7	587 99 99-01	BOLT	BOLT, STUD, M6×113	1
8	588 01 45-01	CYLINDER HEAD	CYLINDER HEAD ASSY	1
9	588 01 46-01	GASKET	GASKET, CYLINDER HEAD	1
10	588 00 07-01	PIN	PIN, DOWEL Ø10×16	2



CRANKCASE

TR262, 2019-09

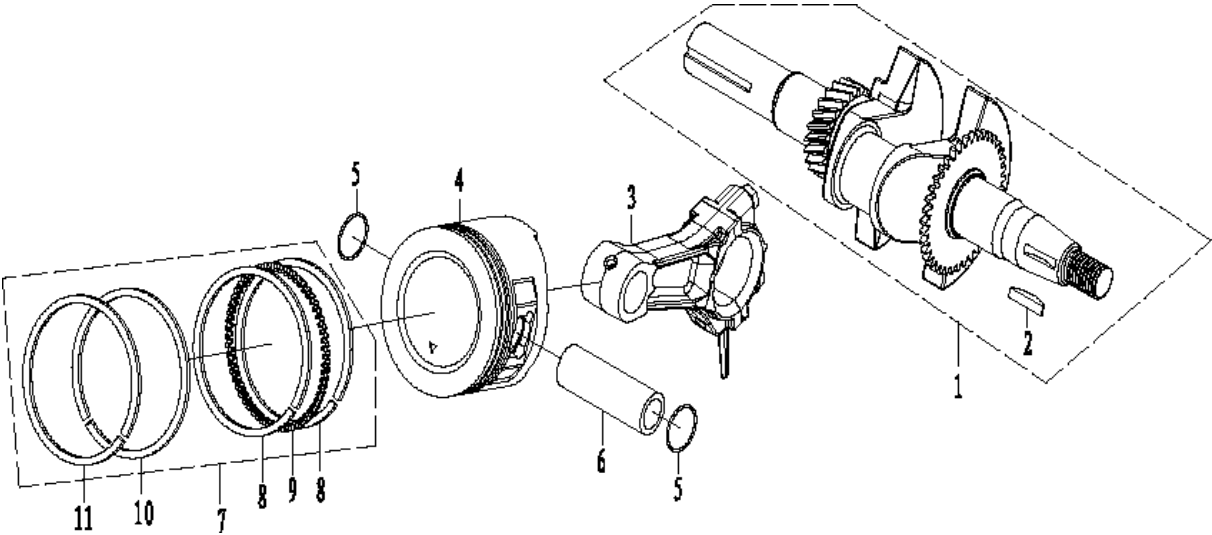
Ref	Part No	Description	Remark	QTY KIT
1	589 90 95-01	CRANKCASE ASSY	CRANKCASE COMP	1
2	598 68 43-59	SHAFT	GOVERNOR ARM SHAFT	1
3	588 00 11-01	KEEPER	LOCKER,GOVERNOR ARM SHAFT	1
5	598 68 42-93	GOVERNOR	GOVERNOR KIT	1
6	587 94 21-01	BEARING	BEARING 6205	1
8	590 83 32-01	BOLT	BOLT, DRAIN PLUG M10×1.25	2
9	596 60 44-01	SEAL	OIL SEALØ25×Ø41.25×6	1



CRANKCASE COVER

TR262, 2019-09

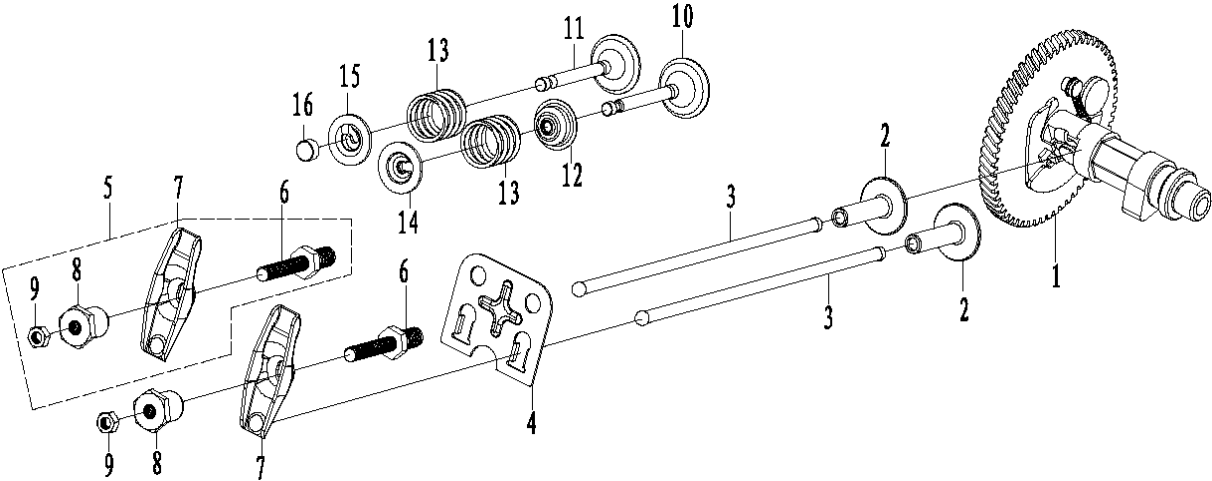
Ref	Part No	Description	Remark	QTY KIT
1	588 00 20-01	COVER	COVER, CRANKCASE	1
2	588 00 21-01	PLUG	OIL FILLER PLUG ASSY	1
3	590 83 27-01	O-RING	DIPSTICK SEALING RING	1
4	598 68 43-45	PLUG	OIL FILLER PLUG	2
5	589 91 16-01	BOLT	BOLT M8×32	6
6	596 60 44-01	SEAL	OIL SEAL	1
7	588 00 24-01	DIPSTICK	DIPSTICK ASSY	1
8	590 83 26-01	DIPSTICK	DIPSTICK	1
9	587 94 21-01	BEARING	BEARING GB/T276/6205	1
10	588 00 27-01	GASKET	GASKET, CASE COVER	1
12	598 68 42-79	GASKET	GASKET	1



CRANK-CONNECTING ROD ASSY

TR262, 2019-09

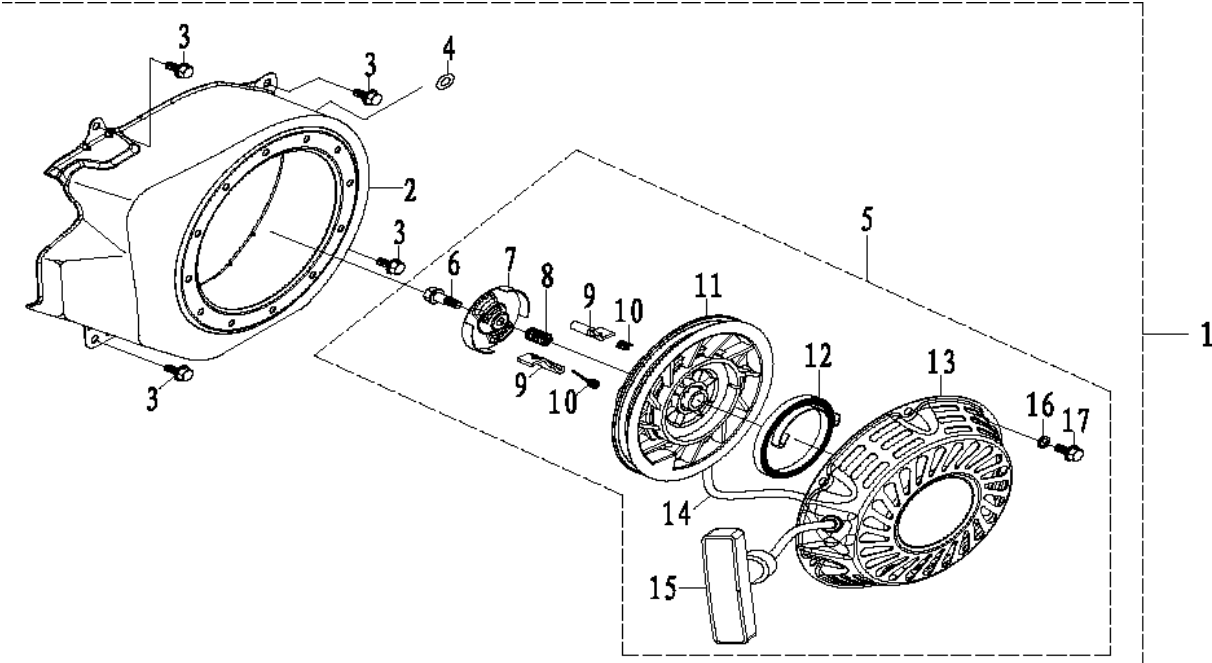
Ref	Part No	Description	Remark	QTY KIT
1	598 68 42-65	CRANKSHAFT	CRANK SHAFT ASSY	1
2	588 00 30-01	WOODRUFF KEY	SPECIAL WOODRUFF KEY	1
4	588 01 51-01	PISTON	PISTON	1
7	588 01 52-01	PISTON RING	PISTON RING ASSY	1



VALVE TRAIN ASSY

TR262, 2019-09

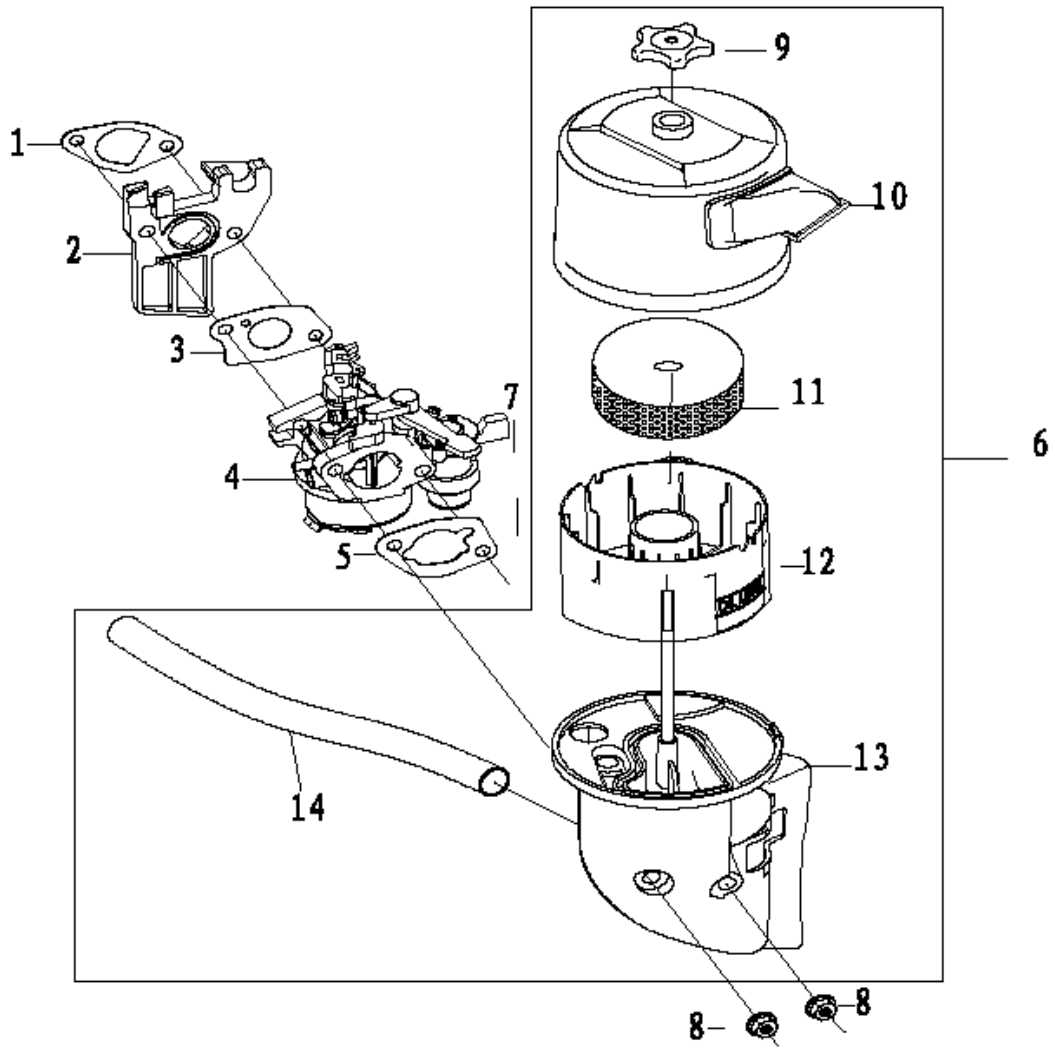
Ref	Part No	Description	Remark	QTY KIT
1	588 00 41-01	CAMSHAFT	CAMSHAFT ASSY	1
5	588 00 45-01	ARM	ARM ASSY, VALVE ROCKER	2
6	588 00 46-01	BOLT	BOLT, PIVOT	2
7	588 00 47-01	ARM	ARM, VALVE ROCKER	2
8	588 00 48-01	NUT	ADJUSTING NUT , VALVE	2
9	588 00 50-01	NUT	NUTT, PIVOT LOCKING	2
11	588 01 57-01	VALVE	VALVE, EXHAUST	1
12	588 00 53-01	SEAL	VALVE SEAL	1



STARTER

TR262, 2019-09

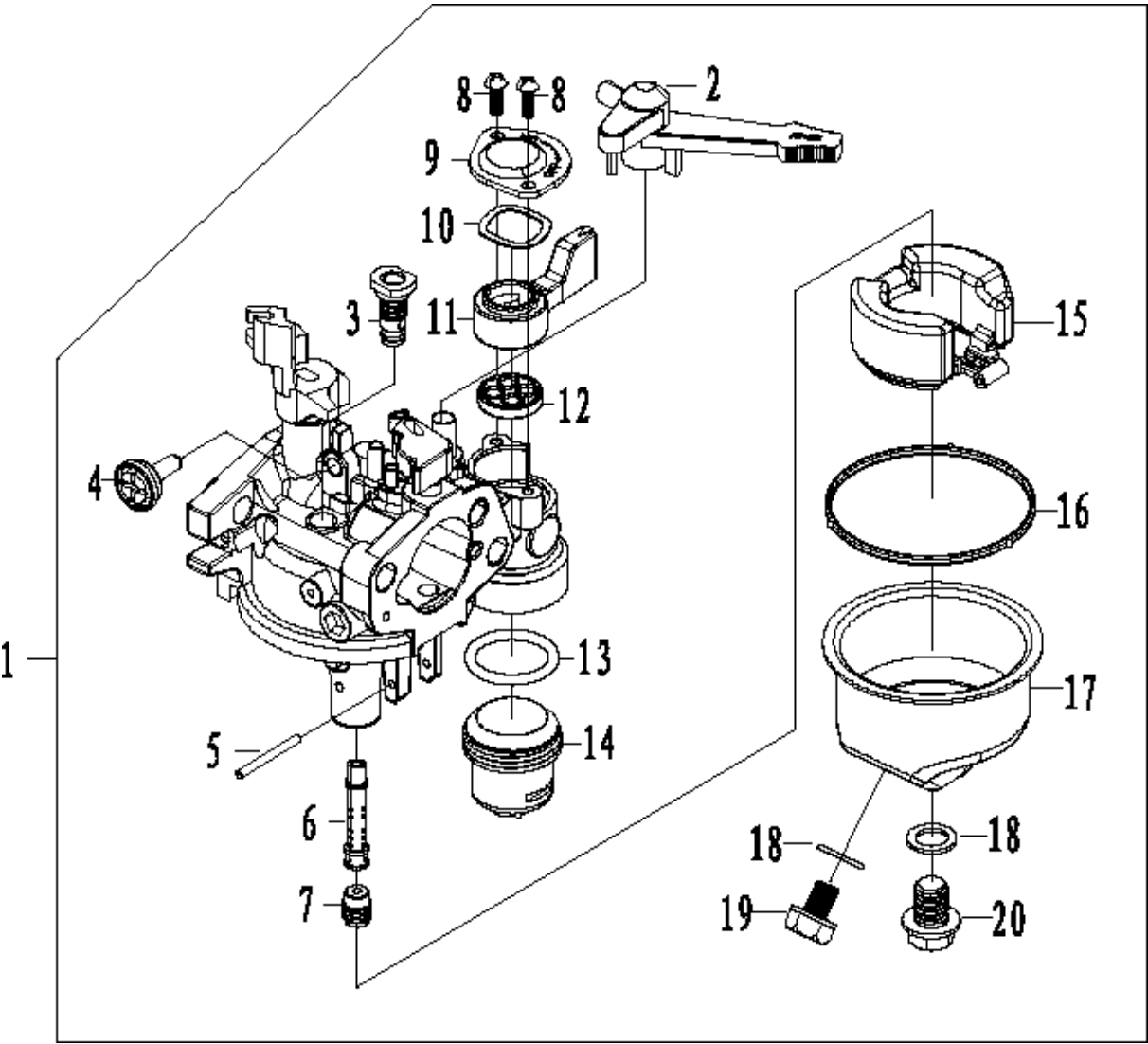
Ref	Part No	Description	Remark	QTY KIT
1	588 00 59-01	STARTER	RECOIL STARTER ASSY	1
7	589 91 32-01	GUIDE	RATCHET, GUIDE	1
8	589 91 33-01	SPRING	CENTER POSITION SPRING	1
9	589 91 34-01	RATCHET	RATCHET, STARTER	2
10	589 91 36-01	SPRING	SPRING, RETURN	2
15	589 91 41-01	HANDLE	HANDLE, STARTER	1



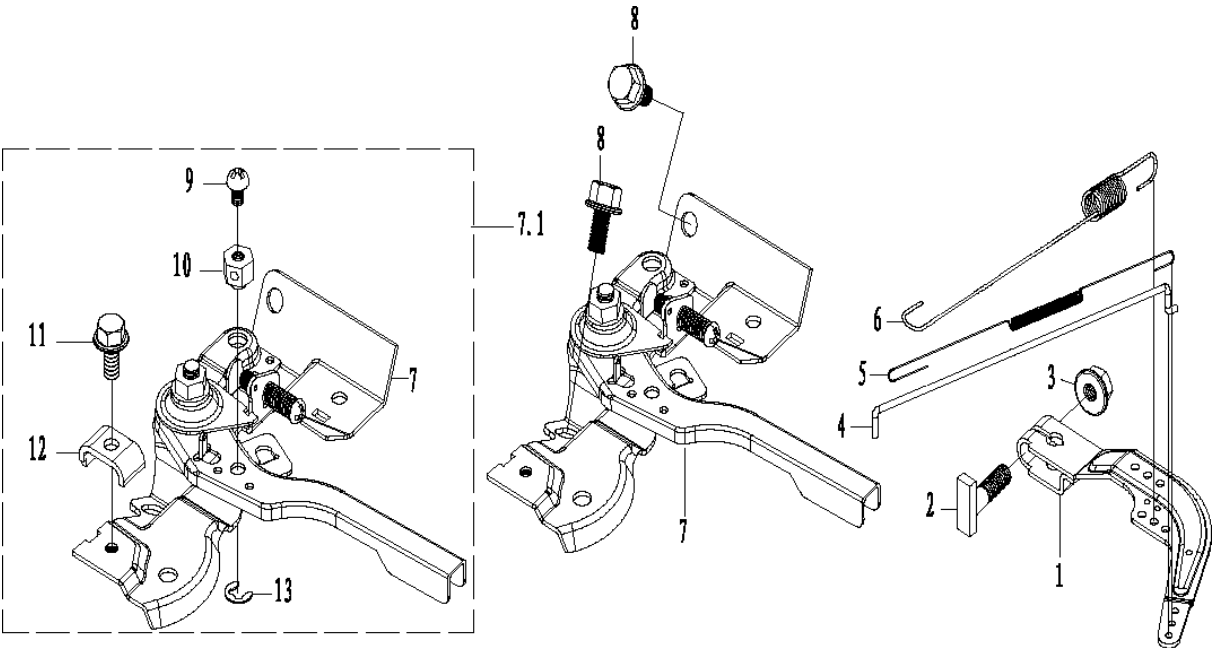
INTAKE SYSTEM

TR262, 2019-09

Ref	Part No	Description	Remark	QTY KIT
1	588 00 63-01	WASHER	AIR INTAKE WASHER	1
2	598 68 43-06	INSULATOR	INSULATOR	1
3	588 01 68-01	GASKET	PACKING, CARBURETOR	1
4	588 00 65-01	CARBURETTOR	CARBURETOR	1
5	598 68 42-73	GASKET	GASKET, AIR CLEANER	1
6	588 00 67-01	AIR CLEANER	AIR CLEANER ASSY	1
7	590 40 14-01	BOLT	BOLT GB/T5789/M6*22	1
8	587 98 05-01	NUT	NUT GB/T6177/M6	2
11	598 68 43-40	PLATE	FILTER ELEMENT SUPPORT PLATE	1



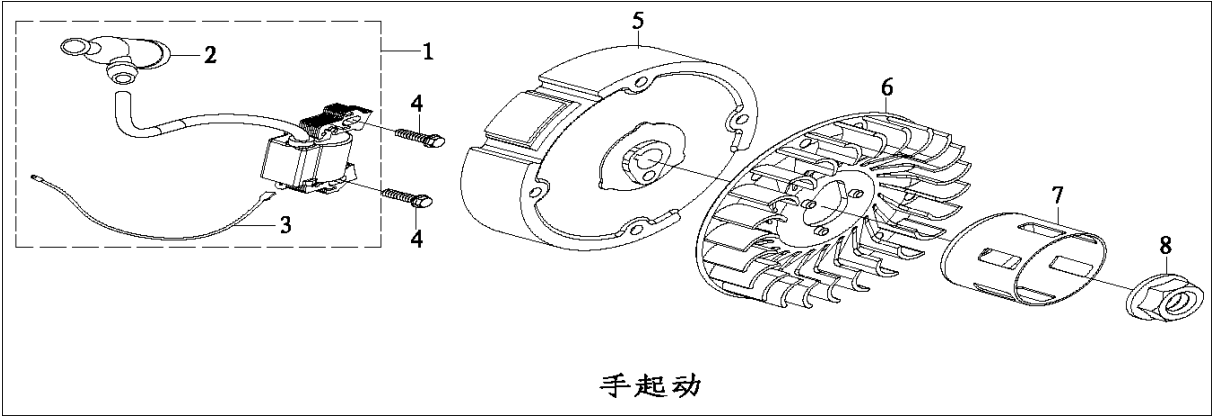
Ref	Part No	Description	Remark	QTY KIT
1	588 00 65-01	CARBURETTOR	CARBURETOR	1



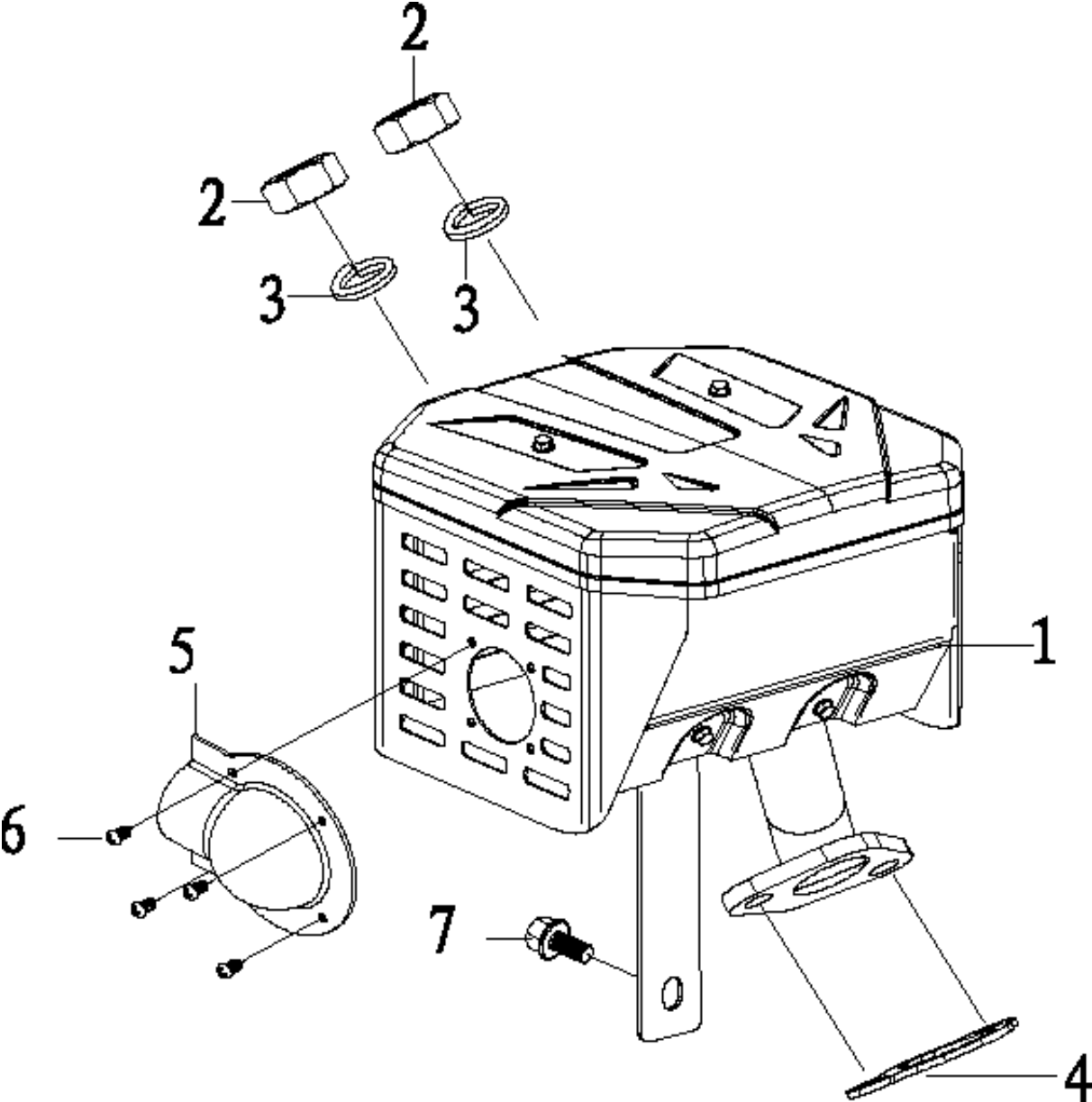
THROTTLE CONTROL

TR262, 2019-09

Ref	Part No	Description	Remark	QTY KIT
1	589 92 46-01	ARM	ARM, GOVERNOR	1
3	588 00 70-01	NUT	NUT M6	1
4	589 92 48-01	TIE ROD	TIE ROD	1
5	588 00 74-01	SPRING	FINE ADJUSTMENT SPRING	1
6	588 00 75-01	SPRING	GOVERNING SPRING	1
7	588 00 76-01	CONTROL	CONTROL ASSY	1
9	588 00 78-01	SCREW	SCREW M4×6	1
10	588 01 70-01	CLAMP	WIRE TERMINAL	1
11	588 00 79-01	BOLT	BOLT M5×16	1
12	588 01 69-01	CONNECTION	PRESS LINE BOARD	1
13	588 00 80-01	WASHER	SPLIT WASHER	1



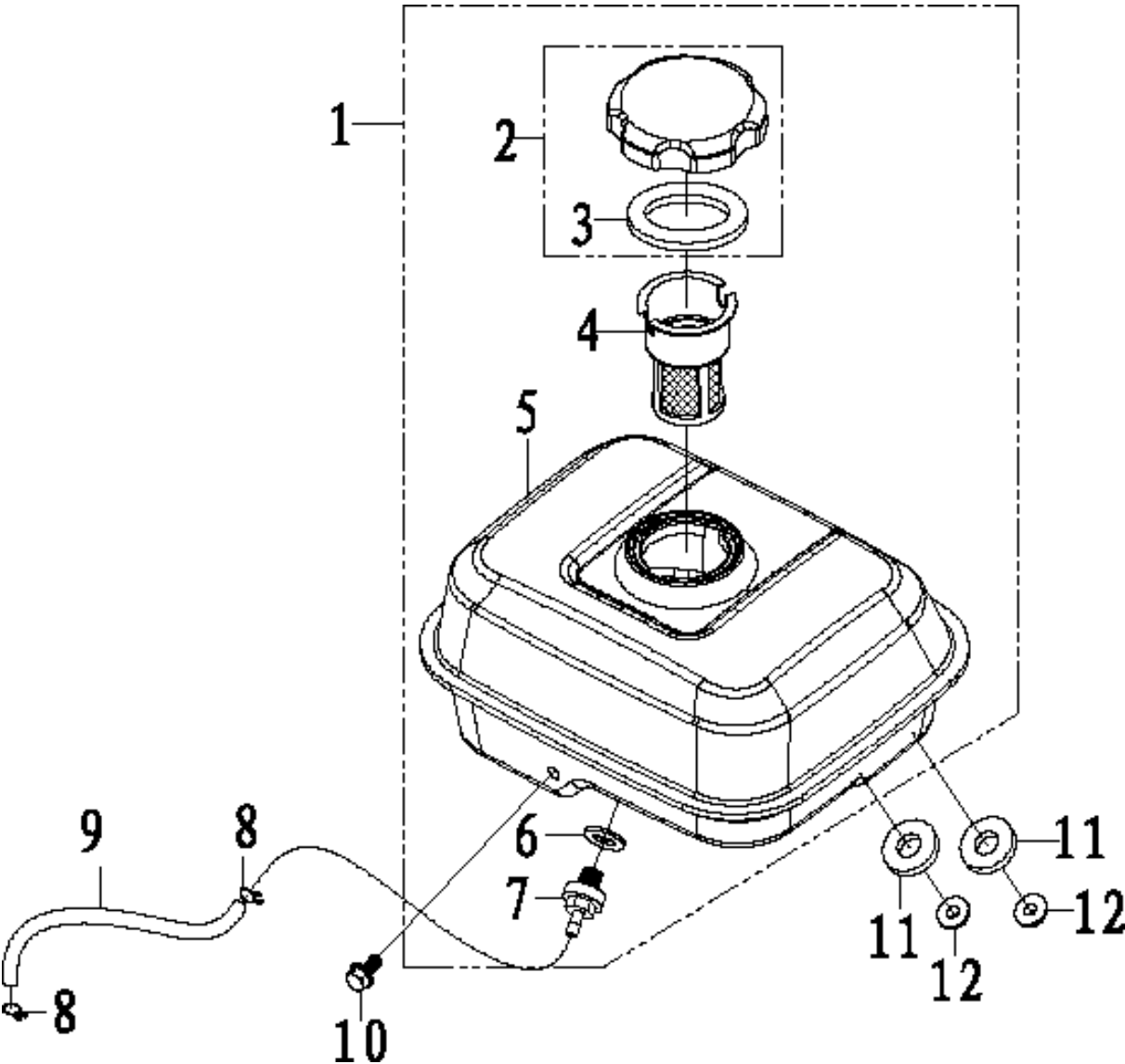
Ref	Part No	Description	Remark	QTY KIT
1	598 68 43-05	IGNITION COIL ASSY	IGNITION	1
2	598 68 42-38	CAP	CAP, IGNITION	1
6	588 00 84-01	FAN	FAN, COOLING	1
7	588 00 85-01	PULLEY	PULLEY, STARTER	1



EXHAUST

TR262, 2019-09

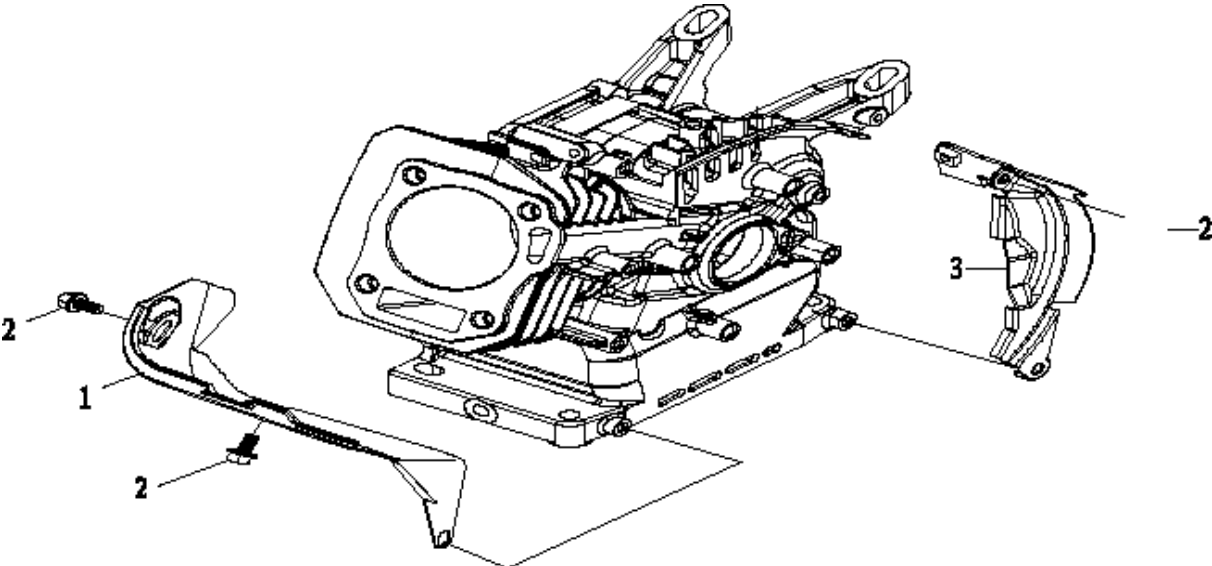
Ref	Part No	Description	Remark	QTY KIT
1	590 82 05-01	MUFFLER ASSY	MUFFLER COMP	1
2	587 93 74-01	NUT	NUT M8	2
3	587 94 91-01	WASHER	SPRING WASHER 8	2
4	588 00 90-01	WASHER	AIR EXHAUST WASHER	1
5	588 47 63-01	HOUSING	GUIDING COVER	1
6	588 00 89-01	SCREW	SCREW ST4.2×5	4
7	587 95 15-01	BOLT	BOLT M6×12	1



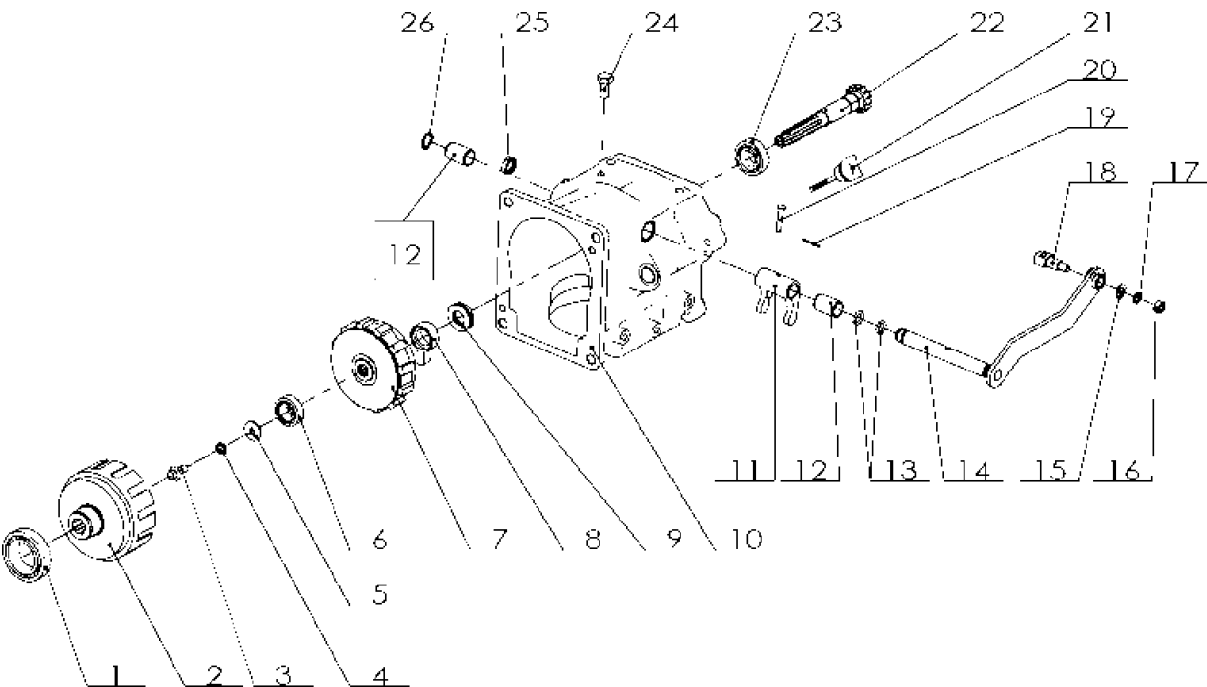
FUEL TANK

TR262, 2019-09

Ref	Part No	Description	Remark	QTY KIT
2	588 17 74-01	CAP	CAP COMP,FUEL FILLER	1
4	588 17 76-01	FUEL FILTER	FILTER FUEL	1
5	588 17 78-01	FUEL TANK	FUEL TANK	1
6	588 17 79-01	GASKET	PACKING	1
7	588 17 80-01	JOINT	JOINT,FUEL TANK	1
9	588 17 84-01	FUEL HOSE	TUBE,FUEL	1
10	589 93 22-01	BOLT	BOLT M6×30	1
11	589 93 23-01	WASHER	WASHER,	1
12	587 98 05-01	NUT	NUT M6	1



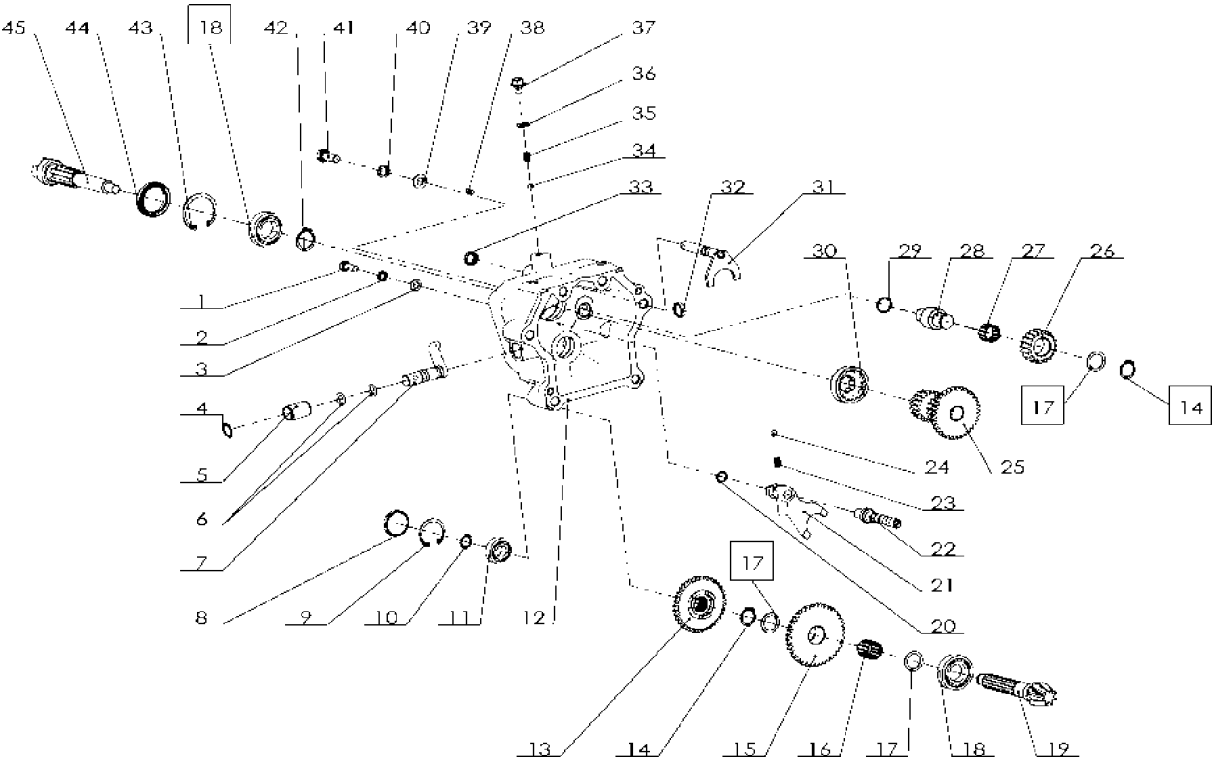
Ref	Part No	Description	Remark	QTY KIT
2	587 95 15-01	BOLT	BOLT M6×12	4



TRANSMISSION

TR262, 2019-09

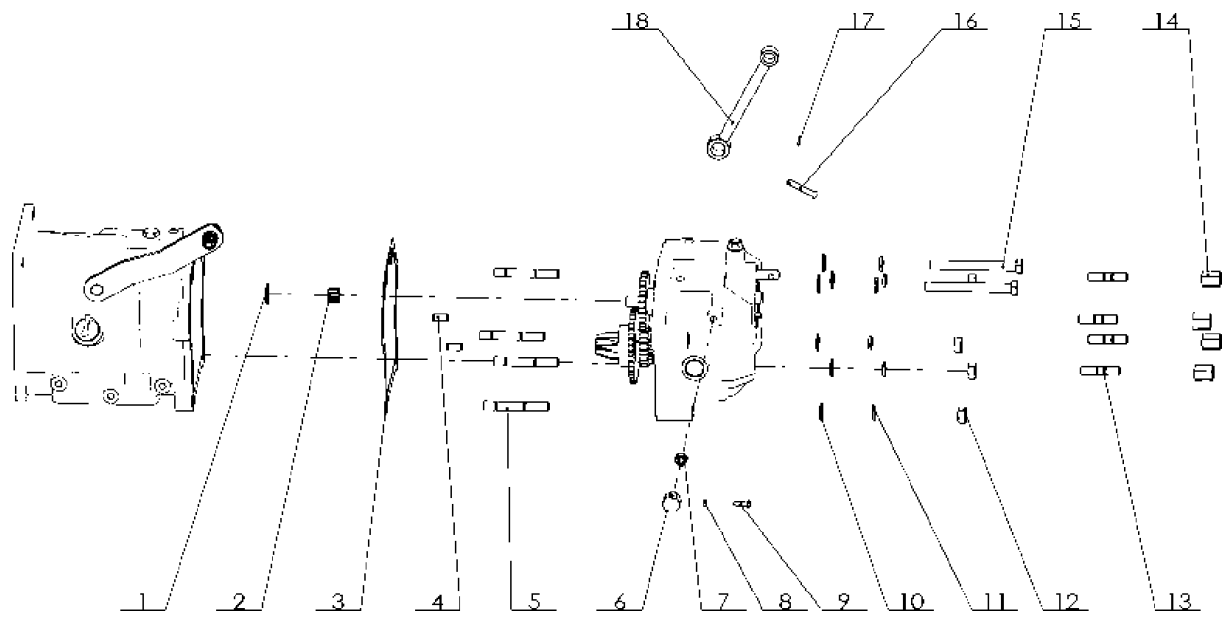
Ref	Part No	Description	Remark	QTY KIT
1	588 41 30-01	BALL BEARING	Deep groove ball bearing 6007	1
2	598 68 42-51	COVER	Clutch cover assy	1
3	598 68 42-11	BOLT	Bolt M8×20	1
4	588 41 32-01	LOCKWASHER	Washer 8	1
5	588 41 33-01	WASHER	Big washer 8	1
6	587 94 02-01	BEARING	Bearing 6202	1
8	598 68 42-52	COVER	Clutch core assy	1
9	598 68 43-71	SLEEVE	Pad sleeve	1
10	598 68 42-67	DISC	T26 friction disc	1
11	598 68 42-27	BOX	Front gear box	1
12	588 41 70-01	FORK	Clutch shift fork	1
13	590 34 95-01	BUSH	Sleeve 16×20×30	2
14	598 68 43-27	O-RING	O-ring 11×2.8	2
15	598 68 41-77	AXLE	Fork axle	1
16	588 41 33-01	WASHER	Big washer 8	1
17	588 00 91-01	NUT	Nut M8	1
18	588 00 92-01	WASHER	Spring washer 8	1
19	598 68 42-97	HOLDER	Wire holder	1
20	598 68 43-33	PIN	Split pin 2×20	1
21	588 41 69-01	PIN	Pin 6×30	1
22	598 68 42-66	DIPSTICK	Dipstick Assy	1
23	598 68 41-76	AXLE	Main axle	1
24	598 68 41-84	BEARING	Deep groove ball bearing 6004	1
25	598 68 42-09	BOLT	Bolt M10×20	1
26	598 68 43-50	PLUG	Oil plug 20x6	1
27	588 44 42-01	CIRCLIP	Circlip 16	1



TRANSMISSION

TR262, 2019-09

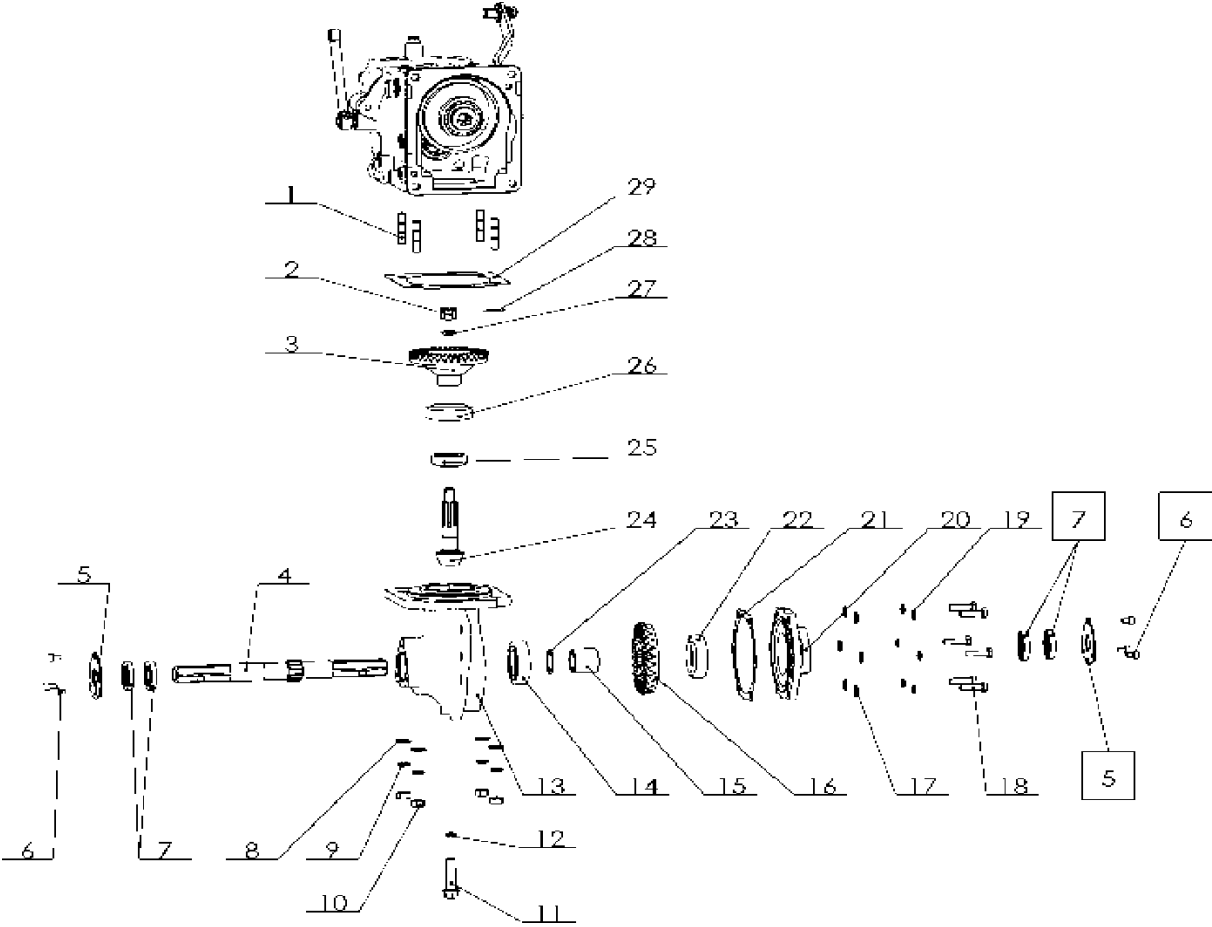
Ref	Part No	Description	Remark	QTY KIT
1	598 68 42-04	BOLT	Bolt M8×20	1
2	588 00 92-01	WASHER	Spring washer 8	1
3	598 68 43-94	WASHER	Flat washer 8	1
4	588 44 42-01	CIRCLIP	Circlip 16	1
5	590 34 95-01	BUSH	Sleeve 16×20×30	1
6	598 68 43-27	O-RING	O-ring 11×2.8	2
7	598 68 43-09	LEVER	Rocker Lever	1
8	598 68 43-48	PLUG	Oil plug 35×6	1
9	587 97 96-01	CIRCLIP	Circlip 35	1
10	590 03 84-01	SNAP RING	Circlip 15	1
11	587 94 02-01	BEARING	Bearing 6202	1
12	598 68 42-57	COVER	Back gearbox cover	1
13	598 68 42-84	GEAR	Shifting gear A	1
14	598 68 42-46	CIRCLIP	Circlip 20	2
15	598 68 42-87	GEAR	Transmission dual gear	1
16	598 68 41-92	BEARING	Needle bearing K20×24×20	1
17	598 68 43-84	WASHER	Adjustment washer 20×27×1	3
18	587 94 18-01	BEARING	Deep groove ball bearing 6005	2
19	598 68 43-62	SHAFT	Vice shaft	1
20	598 68 43-25	O-RING	O-ring 11.8×1.8	1
21	598 68 42-72	FORK	Shift gear fork	1
22	598 68 43-60	SHAFT	Shift gear fork shaft	1
23	598 68 43-76	SPRING	Shift gear spring	1
24	590 35 25-01	BALL	Ø8 steel ball	1
25	598 68 42-91	GEAR	Triple gear	1
26	598 68 42-82	GEAR	Reverse gear	1
27	598 68 41-91	BEARING	Needle bearing K20×24×13	1
28	598 68 43-61	SHAFT	Reverse gear shaft	1
29	598 68 43-28	O-RING	O-ring 18×1.8	1
30	598 68 42-68	DISC	PTO driven disk	1
31	598 68 43-63	SHAFT	PTO fork shaft assy	1
32	598 68 43-50	PLUG	Oil plug 20×6	1
33	598 68 43-53	SEAL	Oil seal WD12×18×4	1
34	587 94 53-01	BALL	Ø6.35 steel ball	1
35	587 94 52-01	SPRING	Spring	1
36	598 68 43-86	WASHER	Ø8 Washer	1
37	598 68 42-10	BOLT	Bolt M8×20	1
38	598 68 43-30	PIN	Pin 5×10	1
39	598 68 43-96	WASHER	Flat washer 10	1
40	598 68 43-89	WASHER	Spring washer 10	1
41	598 68 42-14	BOLT	Bolt M10×25	1
42	598 68 42-44	CIRCLIP	Circlip 25	1
43	598 68 42-42	CIRCLIP	Circlip 47	1
44	598 68 43-58	SEAL	Oil seal 35×47×7	1
45	598 68 43-66	SHAFT	PTO output shaft	1



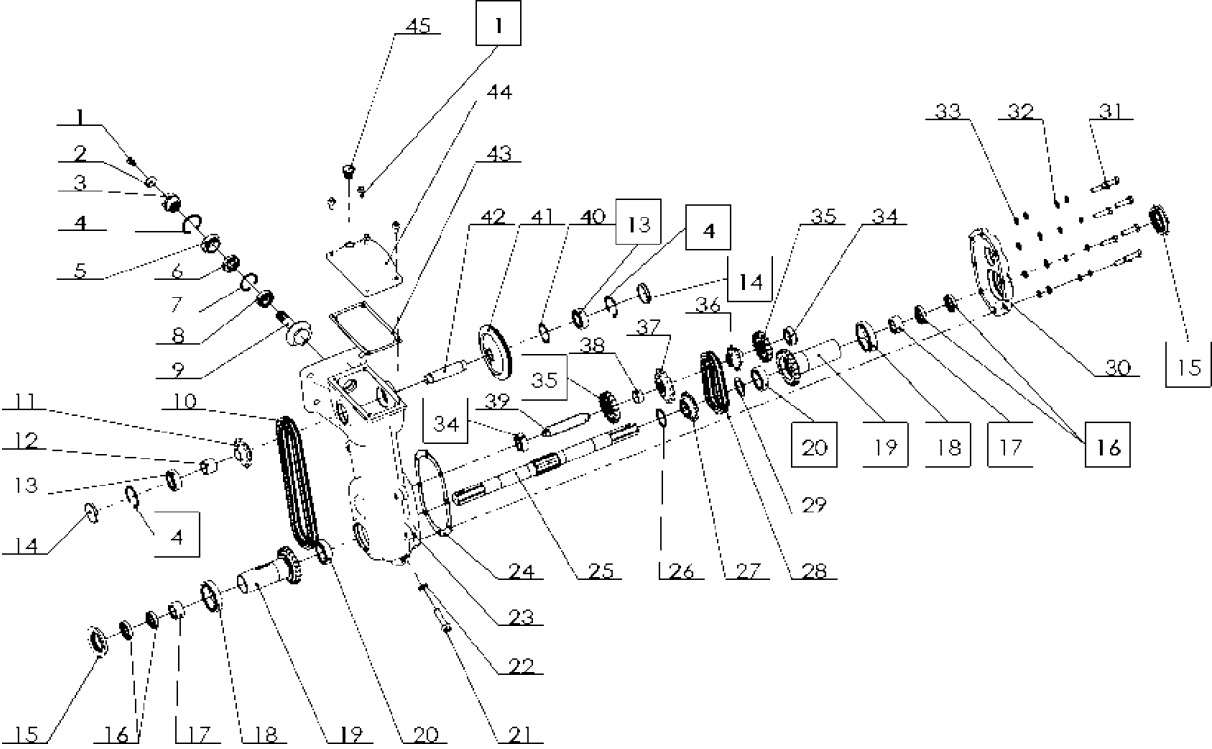
TRANSMISSION

TR262, 2019-09

Ref	Part No	Description	Remark	QTY KIT
1	598 68 43-99	WASHER	Wear washer12.5×23×2	1
2	598 68 41-89	BEARING	Needle bearingK12×16×13	1
3	598 68 42-75	GASKET	Combination gasket	1
4	598 68 43-35	PIN	PIN, DOWEL, Ø8×14	2
5	598 68 42-22	BOLT	Stud bolt b=1.5d M10×60	4
6	598 68 42-96	HOLDER	Clutch cable holder	1
7	598 68 43-17	SCREW	Nut M8	1
8	598 68 43-13	SCREW	Nut M5	1
9	598 68 44-05	BOLT	Bolt M5X20	1
10	598 68 43-96	WASHER	Flat washer 10	6
11	598 68 43-89	WASHER	Spring washer 10	6
12	598 68 43-15	SCREW	Nut M10	4
13	598 68 42-23	BOLT	Stud bolt=1.5d M10×60	4
14	598 68 43-12	SCREW	Nut M10x21	4
15	598 68 42-03	BOLT	Bolt M10x95	2
16	598 68 43-36	PIN	Pin 6×35	1
17	598 68 42-48	CLIP	Clip A	1
18	598 68 43-11	LINKAGE	Shift linkage	1



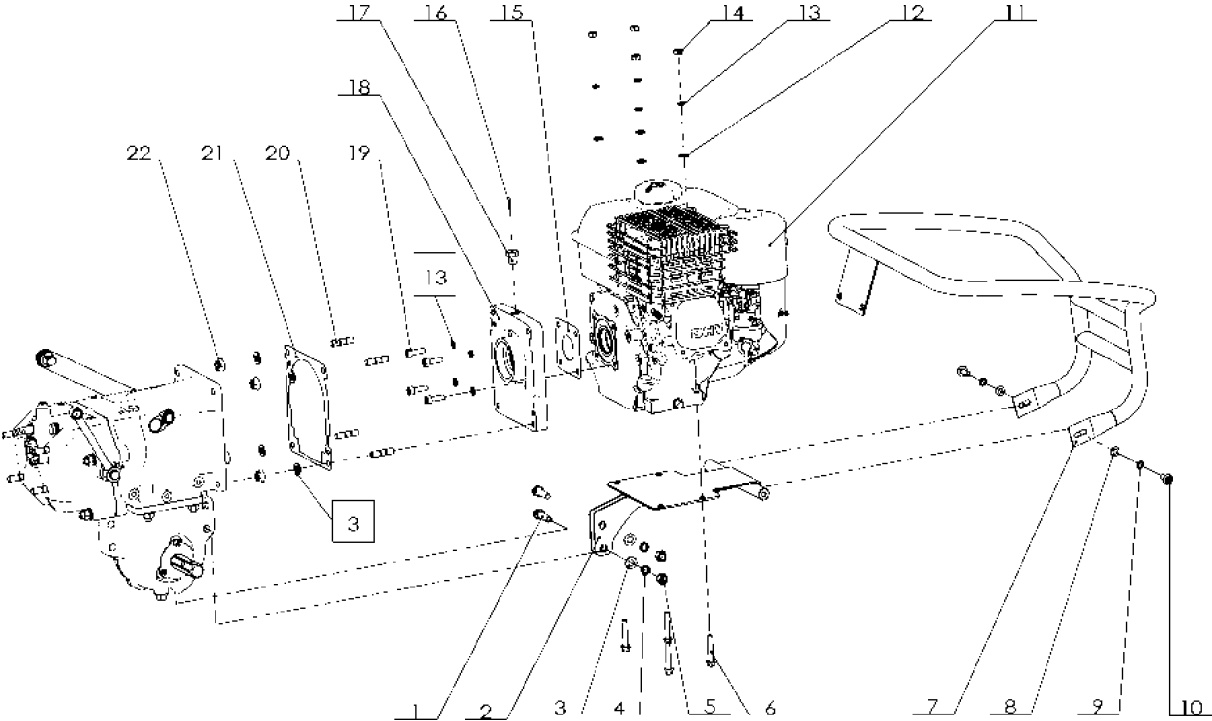
Ref	Part No	Description	Remark	QTY KIT
1	598 68 42-25	BOLT	Stud bolt M10×45	4
2	598 68 43-19	SCREW	Nut M12	1
3	598 68 42-85	GEAR	Driven umbrella gear	1
4	598 68 43-67	SHAFT	Hexagonal Output Shaft	1
5	598 68 43-42	PLATE	Pressing plate	2
6	598 68 43-52	SCREW	Screw M6x10	6
7	598 68 43-55	SEAL	Oil seal 25×42×7	4
8	598 68 43-96	WASHER	Flat washer 10	4
9	598 68 43-89	WASHER	Spring washer 10	4
10	598 68 43-15	SCREW	Nut M10	4
11	598 68 41-97	BOLT	Drain bolt M12×1.25-12	1
12	598 68 43-26	O-RING	O-ring 10.2×2.65	1
13	598 68 42-39	CASE	Walking case	1
14	598 68 41-87	BEARING	Deep groove ball bearing 6305	1
15	598 68 42-31	BUSH	Spacer bush	1
16	598 68 42-86	GEAR	Walking umbrella gear	1
17	598 68 43-94	WASHER	Flat washer 8	6
18	598 68 42-06	BOLT	Bolt M10×30	6
19	588 00 92-01	WASHER	Spring washer 8	6
20	598 68 42-54	COVER	Walking case end cover	1
21	598 68 42-76	GASKET	End cover gasket	1
23	588 45 60-01	WASHER	Washer	1
24	598 68 41-80	AXLE	Umbrella gear axles	1
25	598 68 41-90	BEARING	Tapered roller bearings 30204	1
26	588 44 70-01	BALL BEARING	Tapered roller bearings 30206	1
27	598 68 43-90	WASHER	Spring washer 12	1
28	598 68 43-32	PIN	Cotter Pin 2×25	1
29	598 68 42-74	GASKET	Combination gasket	1



ROTARY TILLER BOX

TR262, 2019-09

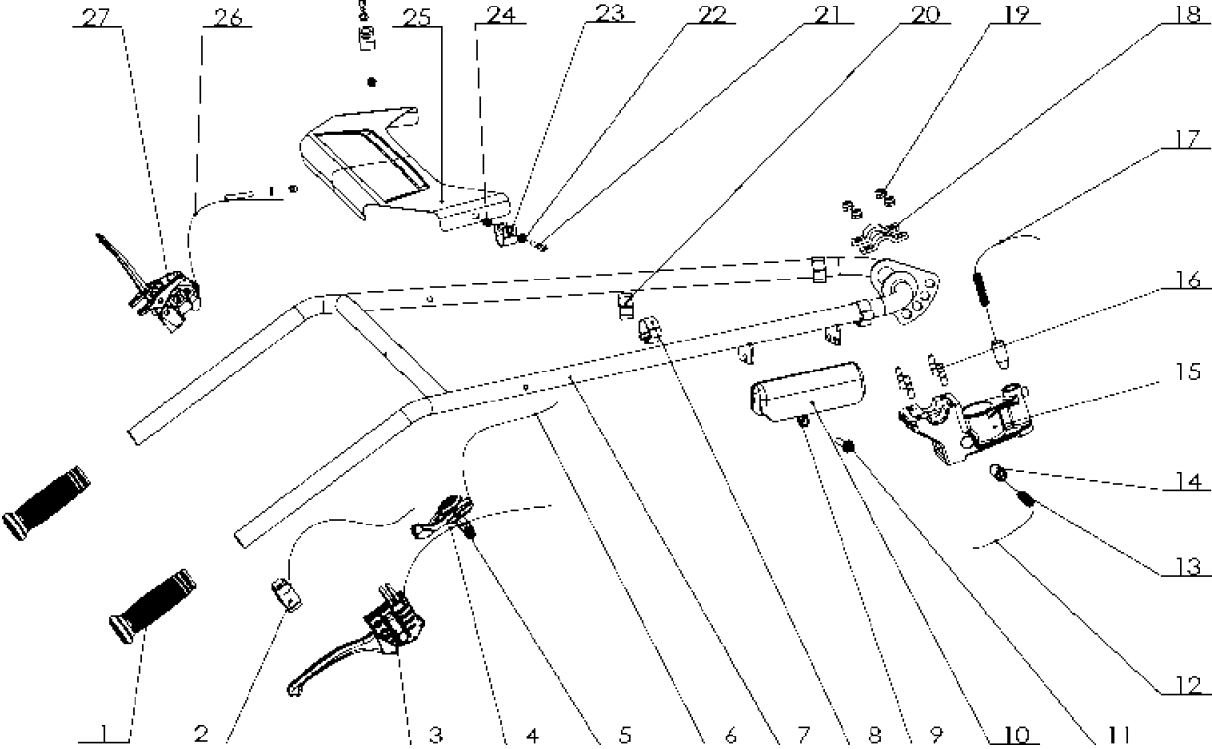
Ref	Part No	Description	Remark	QTY KIT
1	598 68 42-17	BOLT	Bolt M6×10	5
2	598 68 43-88	WASHER	Big washer 6	1
3	598684269	TBD	Clutch pusher dog	1
4	598 68 42-43	CIRCLIP	Circlip 40	3
5	598 68 41-86	BEARING	Deep groove ball bearing 6203-2RS	1
6	598 68 43-54	SEAL	Oil seal 17×35×7	1
7	587 97 96-01	CIRCLIP	Circlip 35	1
8	598 68 41-83	BEARING	Deep groove ball bearing 6003	1
9	598 68 42-90	GEAR	Driving bevel gear	1
10	598 68 42-40	CHAIN	Chain (520HF3-1-38)	1
11	598 68 42-88	GEAR	Driving chain gear 11	1
12	598 68 43-72	SLEEVE	Sleeve 20.5×26×21.5	1
13	590 83 16-01	BEARING	Deep groove ball bearing 6203	2
14	598 68 43-49	PLUG	Oil plug 40x6	2
15	598 68 43-57	SEAL	Oil seal 40×55×10	2
16	598 68 43-56	SEAL	Oil seal 25×35×7	4
17	598 68 41-93	BEARING	Needle bearing HK25×32×16	2
18	598 68 41-88	BEARING	Deep groove ball bearing 61908	2
19	598 68 43-64	SHAFT	Tilling output half shaft	2
20	587 94 18-01	BEARING	Deep groove ball bearing 6005	2
21	587 98 01-01	BOLT	Drain bolt M10×12-1.25	1
22	598 68 43-85	WASHER	Ø10 Washer	1
23	598 68 42-28	BOX	Tilling box	1
24	598 68 42-77	GASKET	Tilling box gasket	1
25	598 68 43-65	SHAFT	Tilling shaft	1
26	598 68 42-45	CIRCLIP	Circlip 32	1
27	598 68 43-80	SPROCKET	Tilling output sprocket	1
28	598 68 42-41	CHAIN	Chain (520HF3-1-38)	1
29	598 68 44-01	WASHER	Washer 25×38×2	1
30	598 68 42-56	COVER	Tilling box end cover	1
31	598 68 42-06	BOLT	Bolt M10×30	8
32	588 00 92-01	WASHER	Spring washer 8	8
33	598 68 43-94	WASHER	Flat washer 8	8
34	587 94 02-01	BEARING	Bearing 6202	2
35	598 68 42-89	GEAR	Tilling driving gear	2
36	598 68 43-79	SPROCKET	Tilling driving sprocket	1
37	598 68 43-78	SPROCKET	Driven sprocket	1
38	598 68 42-32	BUSH	Spacer bush 20×25×12	1
39	598 68 43-69	SHAFT	Tilling transmission shaft	1
40	598 68 43-87	WASHER	Washer 32×39.5×0.2	1
41	598 68 42-92	GEAR	Driven bevel gear	1
42	598 68 43-68	SHAFT	Transmission shaft	1
43	598 68 42-80	GASKET	Combination gasket	1
44	598 68 42-55	COVER	Tilling box cover	1
45	598 68 43-47	PLUG	Oil fill rubber plug	1



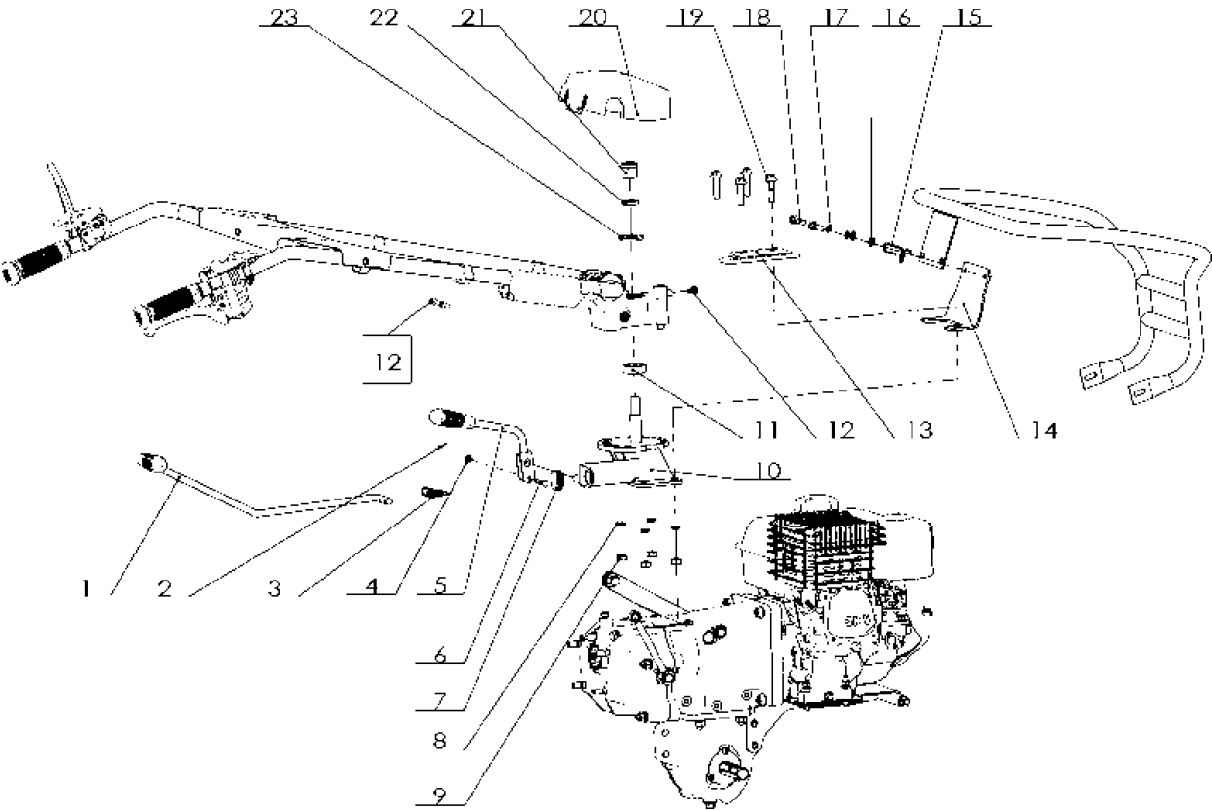
ENGINE

TR262, 2019-09

Ref	Part No	Description	Remark	QTY KIT
1	598 68 42-01	BOLT	Bolt M10×35	2
2	598 68 42-29	BRACKET	Engine bracket	1
3	598 68 43-96	WASHER	Flat washer 10	6
4	598 68 43-89	WASHER	Spring washer 10	2
5	598 68 43-15	SCREW	Nut M10	2
6	598 68 42-13	BOLT	Bolt M8x40	4
7	598 68 42-30	BUMPER	Bumper	1
8	598 68 43-95	WASHER	Flat washer 8	2
9	589 01 72-01	WASHER	Spring washer 8	2
10	598 68 41-98	BOLT	Bolt M8×20	2
11	598 68 42-71	ENGINE	Engine	1
12	598 68 43-94	WASHER	Flat washer 8	4
13	588 00 92-01	WASHER	Spring washer 8	8
14	588 00 91-01	NUT	Nut M8	4
15	598 68 42-79	GASKET	GASKET	1
16	598 68 43-32	PIN	Cotter Pin 2×25	1
17	598 68 42-26	BOLT	Drain bolt M12×1.25x15	1
18	598 68 43-29	PIN	PIN, DOWEL, Ø8×14	1
19	598 68 43-51	SCREW	Screw M8x25	4
20	598 68 42-24	BOLT	Bolt 10x35	4
21	598 68 42-78	GASKET	Gasket	1
22	598 68 43-18	SCREW	Nut M10	4



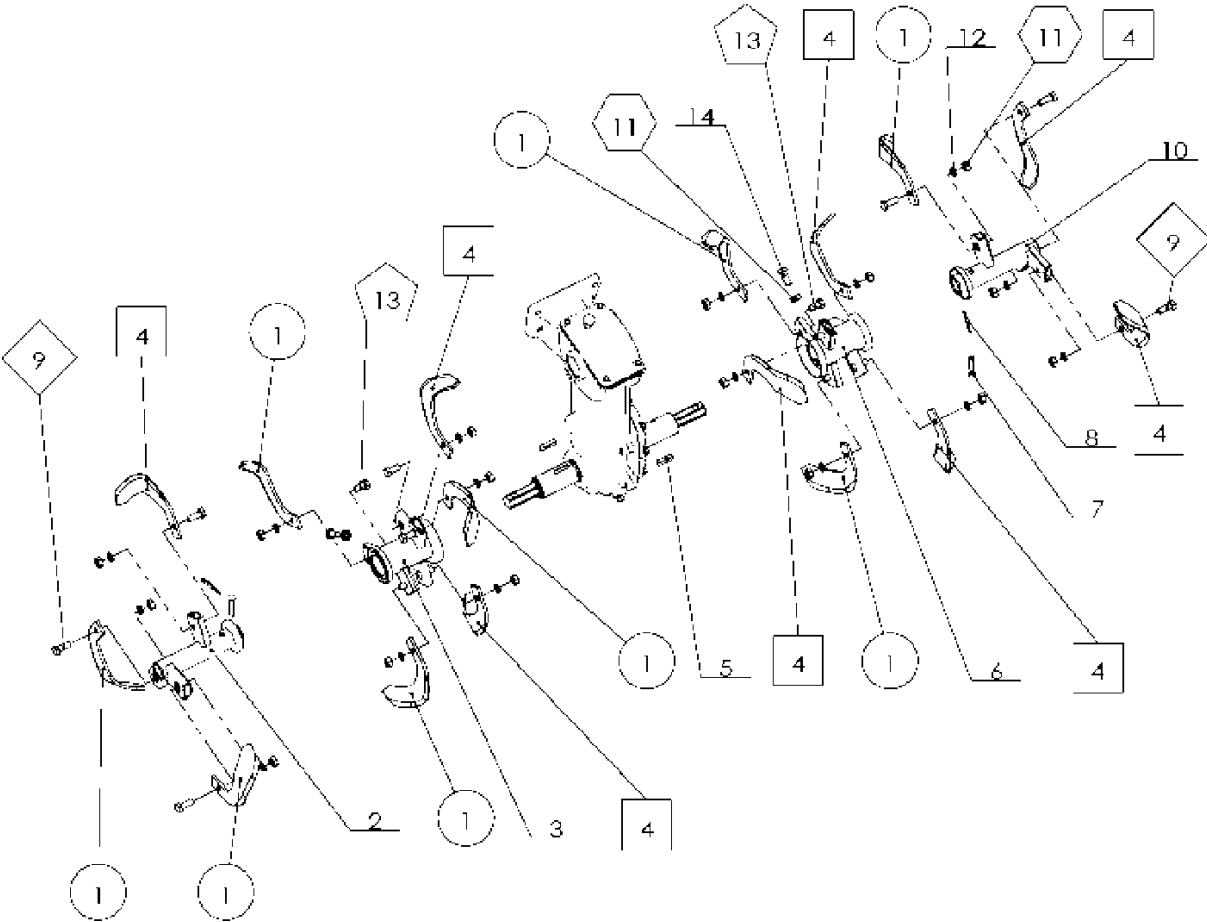
Ref	Part No	Description	Remark	QTY KIT
1	587 95 08-01	HANDLE GRIP	Grip Ø25	2
2	598 68 43-83	SWITCH	Stop Switch	1
3	588 41 06-01	CONTROL	Clutch handle	1
4	598 68 42-34	CABLE	Adjustment cable	1
5	587 95 07-01	THROTTLE CONTROL	Throttle control	1
6	598 68 42-33	CABLE	Throttle cable	1
7	598 68 42-94	HANDLEBAR	Handlebar	1
8	598684303	TBD	Hoop Ø25	3
9	598 68 43-23	SCREW	Nut M8	1
10	598 68 42-58	COVER	Side tidy cover	1
11	598 68 42-12	BOLT	Bolt M8×25	1
12	598 68 42-36	CABLE	Height adjusting cable	1
13	598 68 43-77	SPRING	Spring	2
14	598684270	TBD	Dowel	2
15	598 68 41-82	BASE	Handle rotary base	1
16	598 68 42-21	BOLT	Stud bolt b=1.5d M8×24	4
17	598 68 42-37	CABLE	Left right adjusting cable	1
18	598 68 41-96	BLOCK	Handlebar pressing block	2
19	598 68 43-20	SCREW	Nut M8	4
20	598684304	TBD	Hoop	1
21	588 08 92-01	BOLT	Screw M6x35	3
22	590 05 44-01	WASHER	Flat washer 6	3
23	598 68 43-41	PLATE	Limited plate	2
24	589 93 44-01	HEXAGON LOCKING NUT	Nut M6	3
25	598 68 42-53	COVER	Upper tidy cover	1
26	598 68 42-35	CABLE	Clutch cable	1
27	587 95 09-01	CLUTCH	Clutch Control	1



HANDLE & CONTROLS

TR262, 2019-09

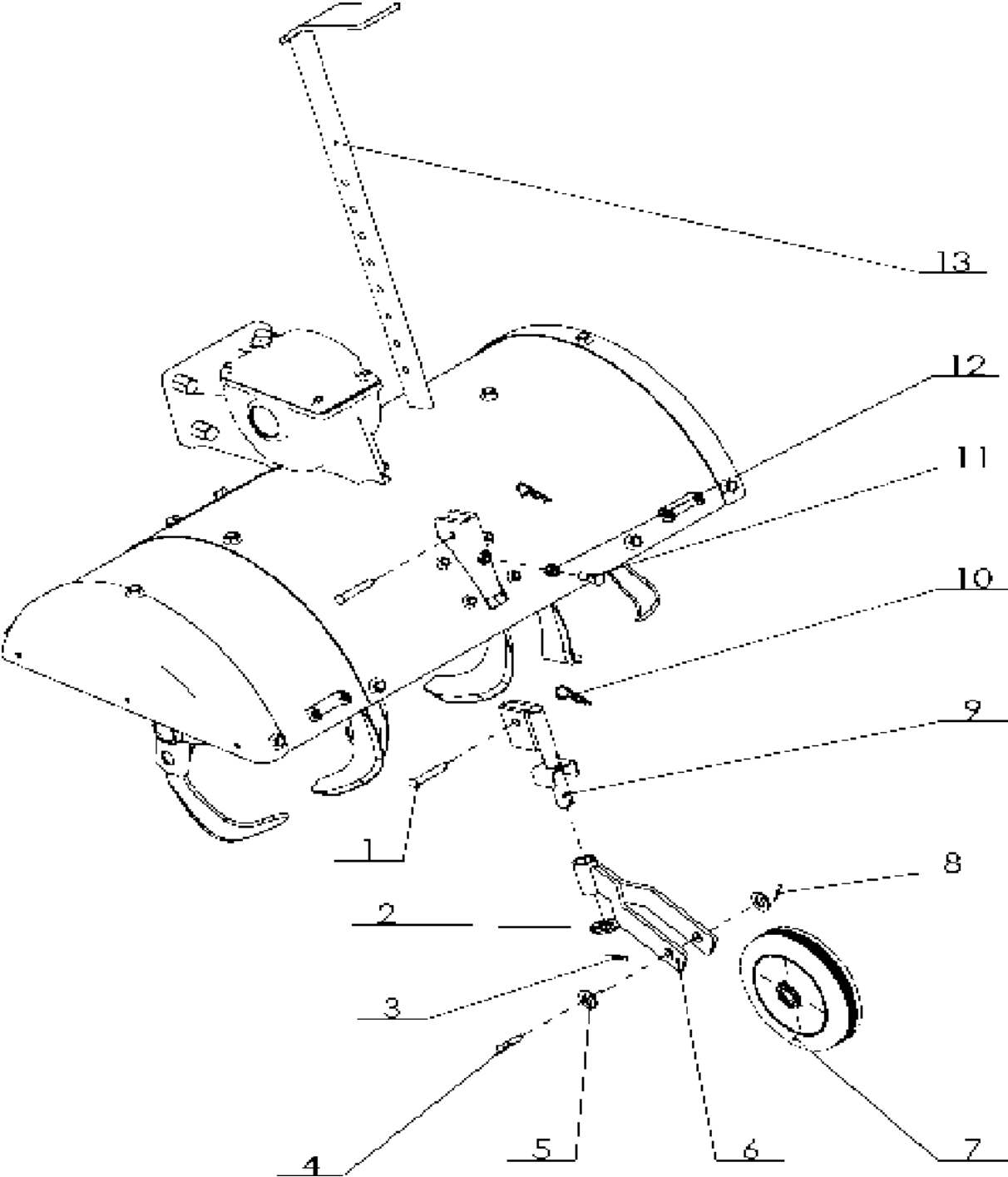
Ref	Part No	Description	Remark	QTY KIT
1	598 68 43-08	LEVER	Speed control lever	1
2	598 68 43-31	PIN	Cotter Pin 1.6×20	1
3	587 95 26-01	CLIP	Circlip B	2
4	598 68 43-92	WASHER	Flat washer 6	1
5	598 68 43-10	LEVER	PTO control lever	1
6	598 68 43-36	PIN	Pin 6×35	1
7	598 68 43-70	SLEEVE	Wear sleeve	1
8	598 68 43-89	WASHER	Spring washer 10	4
9	598 68 43-15	SCREW	Nut M10	4
10	598 68 42-95	HANDLEBAR	Handlebar seat A	1
11	598 68 41-85	BEARING	Deep groove ball bearing 6004-2Z	2
12	598 68 42-16	BOLT	Bolt M6×12	3
13	598 68 42-83	GEAR	Gear indicator	1
14	598 68 43-82	SUPPORT	Bumper support	1
15	598 68 42-47	CLIP	Clip	1
16	598 68 43-95	WASHER	Flat washer 8	2
17	589 01 72-01	WASHER	Spring washer 8	2
18	598 68 41-98	BOLT	Bolt M8×20	2
19	598 68 42-15	BOLT	Bolt M10×30	4
20	598 68 42-64	COVER	Handlebar cover	1
21	598 68 43-24	SCREW	Nut M20	1
22	598 68 43-91	WASHER	Spring washer 20	1
23	598 68 42-81	GASKET	Gasket 20.5×45×4	1



TINE ASSEMBLY

TR262, 2019-09

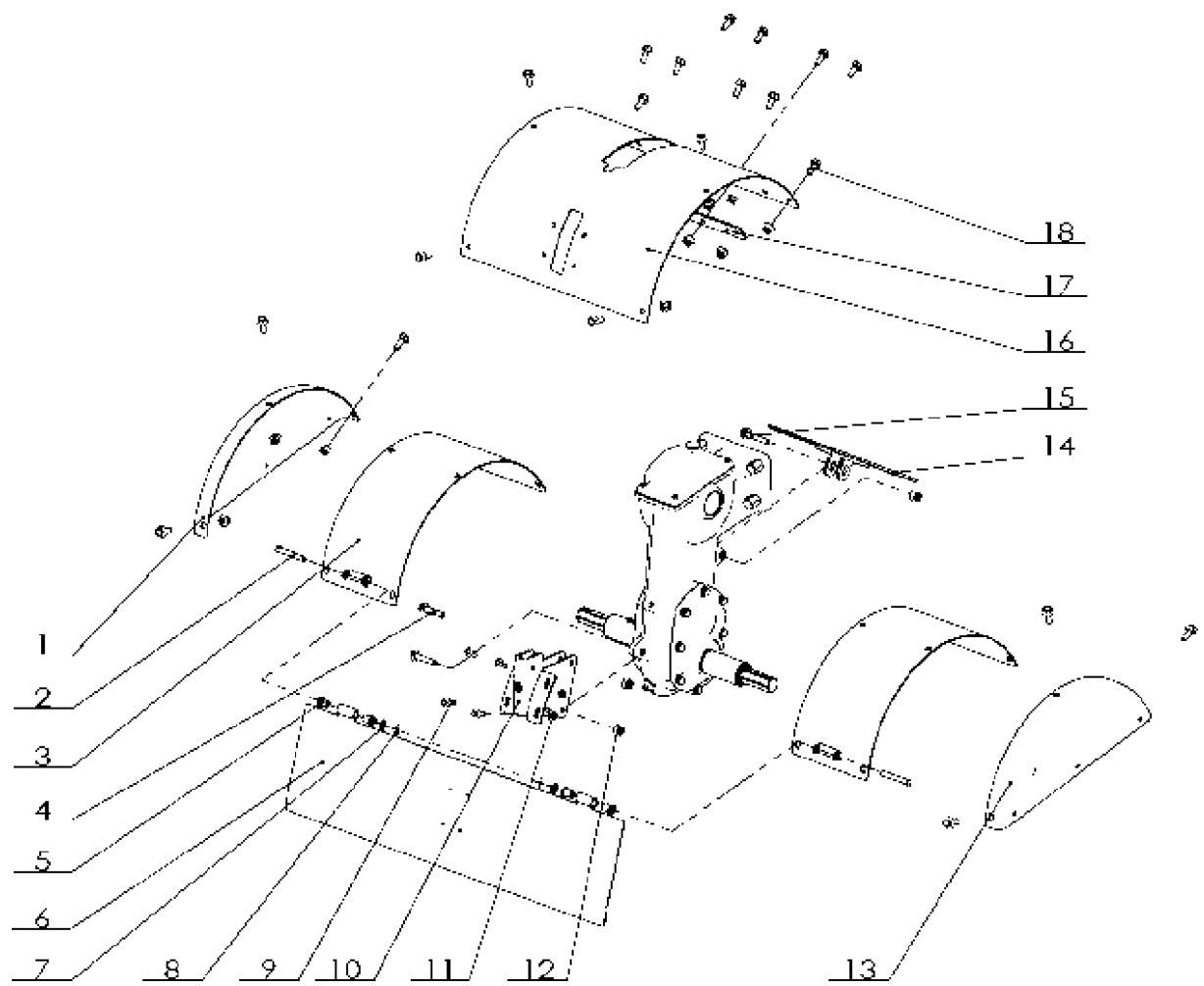
Ref	Part No	Description	Remark	QTY KIT
1	598 68 41-94	BLADE	Rotary blade, left	8
2	598 68 42-98	HOLDER	Back rotary blade holder, left	1
3	598 68 43-01	HOLDER	Forward rotary blade holder, left	1
4	598 68 41-95	BLADE	Rotary blade, right	8
5	598 68 43-07	KEY	Flat key 8×7×32	2
6	598 68 43-02	HOLDER	Forward rotary blade holder, right	1
7	598 68 43-37	PIN	Pin 8×43	2
8	587 95 26-01	CLIP	Circlip B	2
9	598 68 42-07	BOLT	Bolt M10x25	6
10	598 68 42-99	HOLDER	Back rotary blade holder, right	1
11	598 68 43-15	SCREW	Nut M10	18
12	598 68 43-89	WASHER	Spring washer 10	16
13	598 68 42-02	BOLT	Bolt M10×20	10
14	598 68 42-08	BOLT	Bolt M10×30	2



REAR WHEEL

TR262, 2019-09

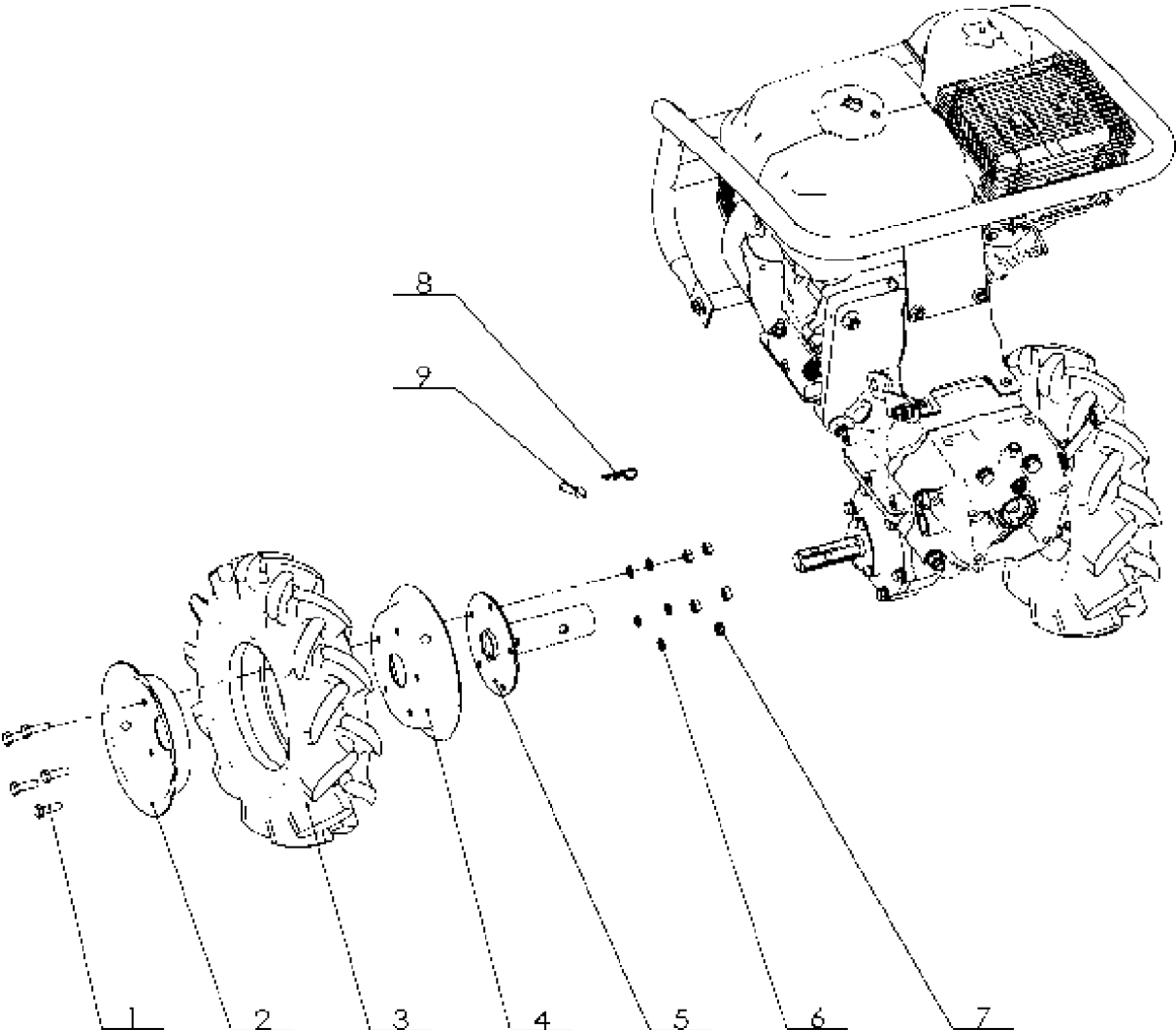
Ref	Part No	Description	Remark	QTY KIT
1	598 68 43-37	PIN	Pin 8x43	2
2	598 68 43-97	WASHER	Flat washer 16	1
3	598 68 43-34	PIN	Cotter Pin 2.5x30	1
4	598 68 43-39	PIN	Pin 12x60	1
5	598 68 43-93	WASHER	Flat washer 12	2
6	598 68 42-49	CONNECTOR	Back wheel connector	1
7	598 68 44-02	WHEEL	Back wheel	1
8	598 68 43-33	PIN	Split pin 2x20	1
9	598 68 43-81	SUPPORT	Back wheel support	1
10	587 95 26-01	CLIP	Circlip B	2
11	598 68 41-99	BOLT	Bolt M8x25	1
12	588 00 91-01	NUT	Nut M8	1
13	598 68 41-81	BAR	Drag bar	1



TINE SHIELD

TR262, 2019-09

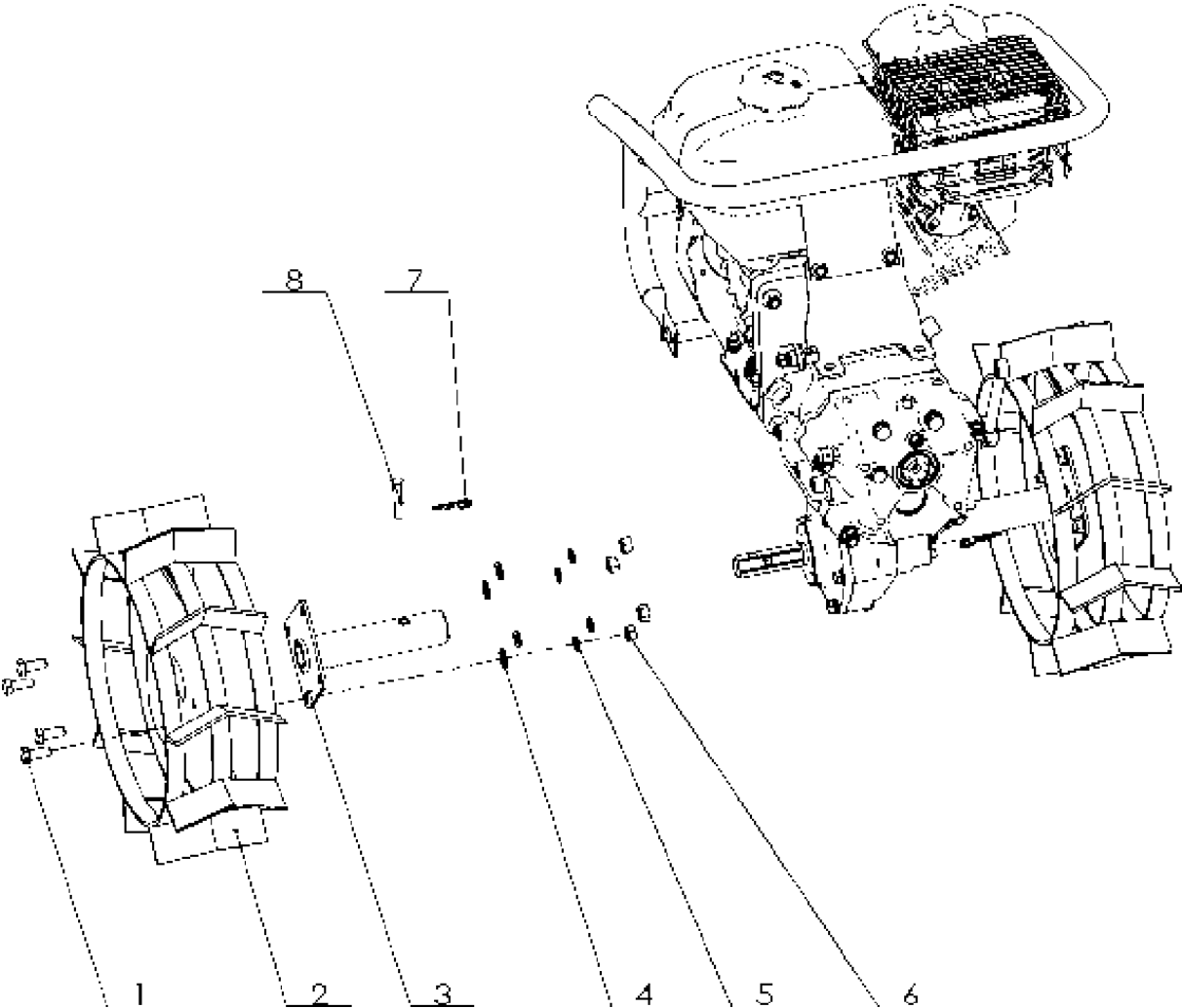
Ref	Part No	Description	Remark	QTY KIT
1	598 68 42-59	COVER	Left tine cover	1
2	598 68 43-38	PIN	Pin 8x55	2
3	598 68 42-61	COVER	Connecting Plate,Side Cover	2
4	598 68 42-19	BOLT	Bolt M8x40	2
5	598 68 43-73	SLEEVE	Spacer sleeve	4
6	598 68 42-63	COVER	Back tine cover	1
7	598 68 43-94	WASHER	Flat washer 8	2
8	598 68 43-33	PIN	Split pin 2x20	2
9	598 68 42-18	BOLT	Bolt M6x20	4
10	598 68 42-50	CONNECTOR	Connector	1
11	598 68 43-21	SCREW	Nut M6	4
12	598 68 43-22	SCREW	Nut M8	23
13	598 68 42-60	COVER	Right tine cover	1
14	598 68 43-43	PLATE	Tine cover plate	1
15	598 68 42-20	BOLT	Bolt M8x45	1
16	598 68 42-62	COVER	Tine cover	1
17	598 68 43-44	PLATE	Connecting plate	1
18	598 68 41-98	BOLT	Bolt M8x20	20



WHEELS & TIRES

TR262, 2019-09

Ref	Part No	Description	Remark	QTY KIT
1	598 68 42-05	BOLT	Bolt M8×22	10
2	598 68 43-75	RIM	Outer spoke	2
3	598 68 44-04	WHEEL	Wheels	2
4	598 68 43-74	RIM	Inner spoke	2
5	598 68 41-79	AXLE	Wheel axle	2
6	589 01 72-01	WASHER	Spring washer 8	10
7	598 68 43-14	SCREW	Nut M8	10
8	587 95 26-01	CLIP	Circlip B	2
9	598 68 43-37	PIN	Pin 8×43	2



IRON WHEEL PARTS

TR262, 2019-09

Ref	Part No	Description	Remark	QTY KIT
1	587 95 82-01	BOLT	Bolt M10×25	8
2	598 68 44-03	WHEEL	Iron wheel	1
3	598 68 41-78	AXLE	Wheel axle	2
4	598 68 43-98	WASHER	Flat washer 10	8
5	587 93 68-01	SPRING WASHER	Spring washer 10	8
6	598 68 43-16	SCREW	Nut M10	8
7	598 68 43-37	PIN	Pin 8×43	2
8	587 95 26-01	CLIP	Circlip B	2