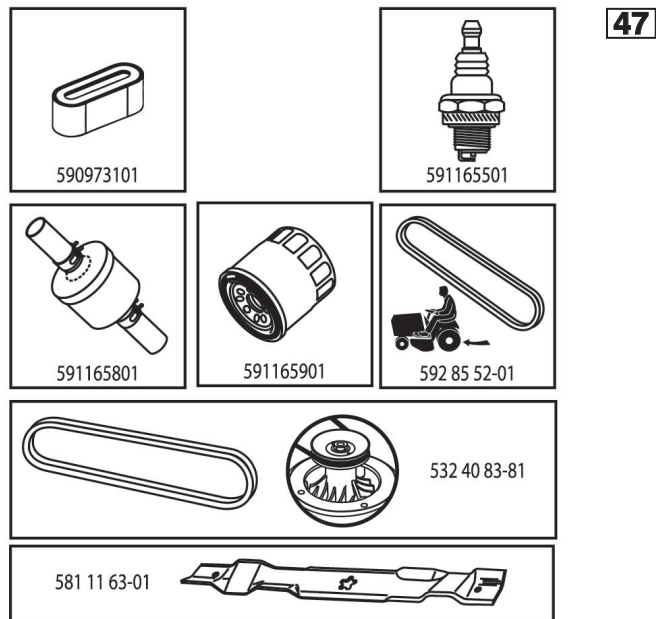


ILLUSTRATED PARTS LIST

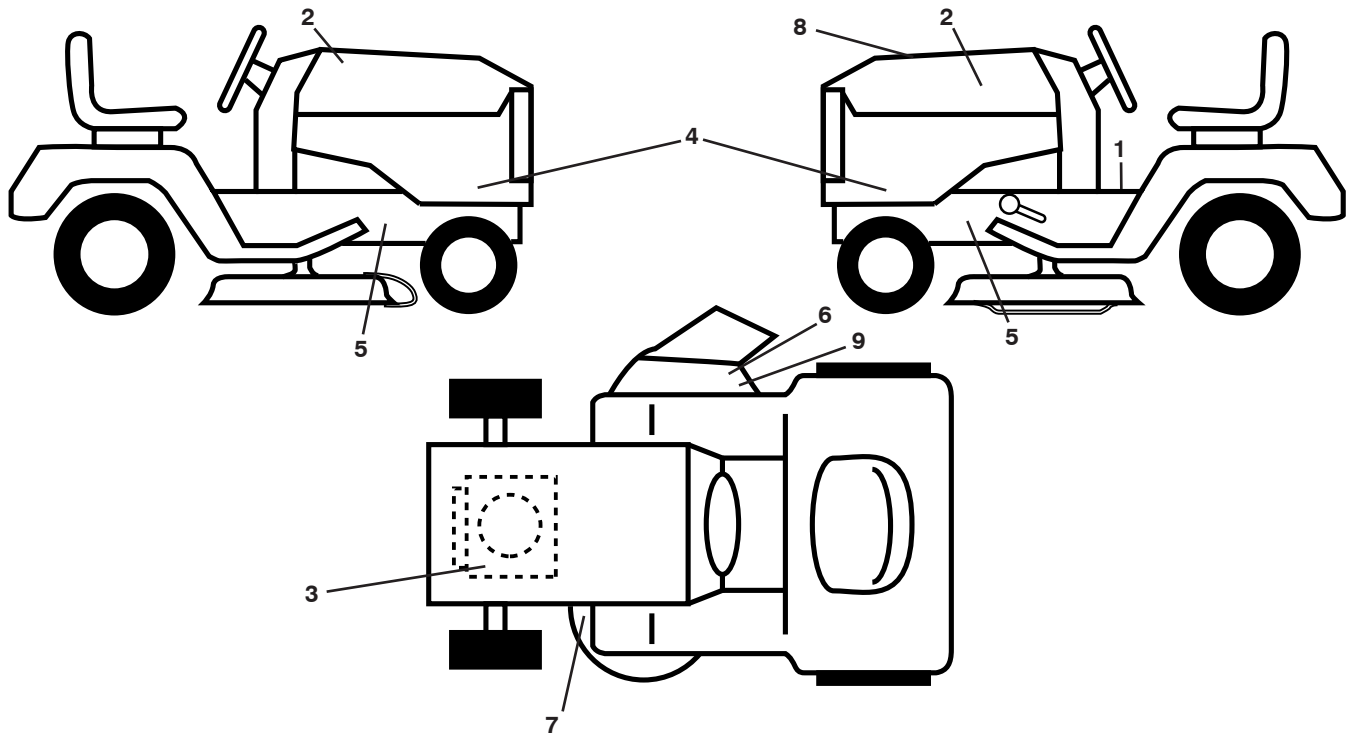
MODEL NO. 96041042900

CUSTOMER CATALOG NO. TS 138

PRODUCT NO. 960 41 04-29



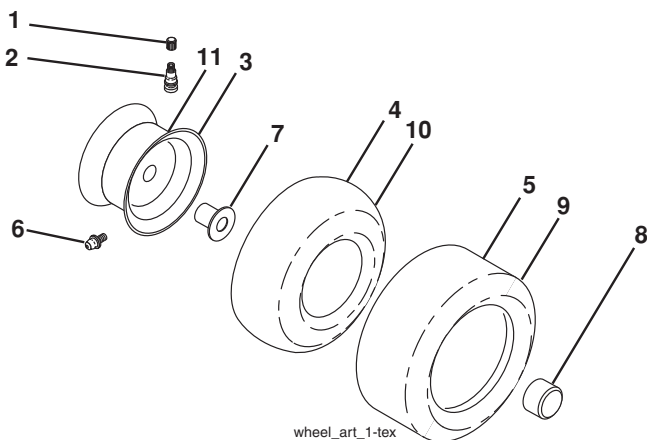
**TRACTOR - - MODEL NO. TS 138 (96041042900), PRODUCT NO. 960 41 04-29
DECALS 27**



KEY PART NO.	PART NO.	DESCRIPTION
1	586 04 73-02	Decal, Operators
2	501 13 14-01	Decal, Husq
3	581 57 97-01	Decal, Warning Eng. Symbols
4	587 40 73-01	Decal, Hood Panel
5	581 57 96-01	Decal, Chassis Hot Muffler
6	584 90 46-01	Decal, Deflect. Warning
7	581 58 00-03	Decal, Mower V-Belt Schematic

KEY PART NO.	PART NO.	DESCRIPTION
8	597 57 08-01	Decal, Rpl.
9	581 57 92-01	Decal, Warning
--	581 72 48-01	Decal, Bypass
--	581 72 46-01	Decal, Drawbar Load Limit
--	532 43 96-81	Pad, Footrest, LH
--	532 43 96-82	Pad, Footrest, RH
--	114 13 44-28	Manual Oper. English

WHEELS AND TIRES

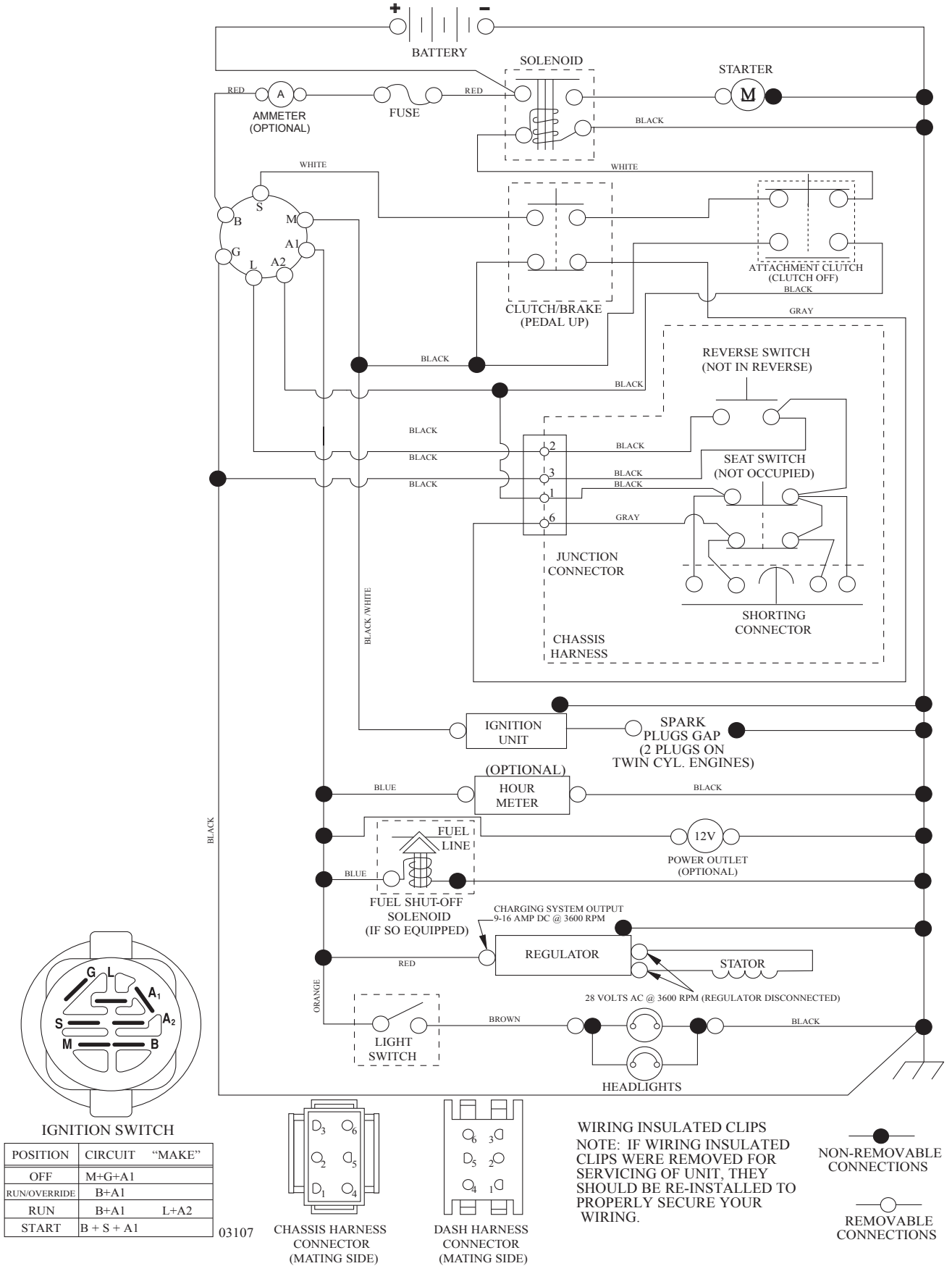


KEY PART NO.	PART NO.	DESCRIPTION
1	532 05 91-92	Cap Valve Tire
2	532 06 51-39	Stem Valve
3	532 13 83-36	Rim Asm. 6" Front
4	532 05 99-04	Tube Front (Service Item Only)
5	532 10 62-22	Tire Front 15 x 6-6
6	532 00 02-78	Fitting Grease (Front Wheel Only)
7	532 00 90-40	Bearing Flange (Front Wheel Only)
8	532 17 50-39	Cap Axle Blk. 1.50 x 1.00
9	532 42 05-31	Tire Rear 18 x 9.5-8
10	532 00 71-52	Tube Rear (Service Item Only)
11	532 13 83-37	Rim Asm. 8" Rear
--	532 14 43-34	Sealant, Tire (10 oz. Tube)

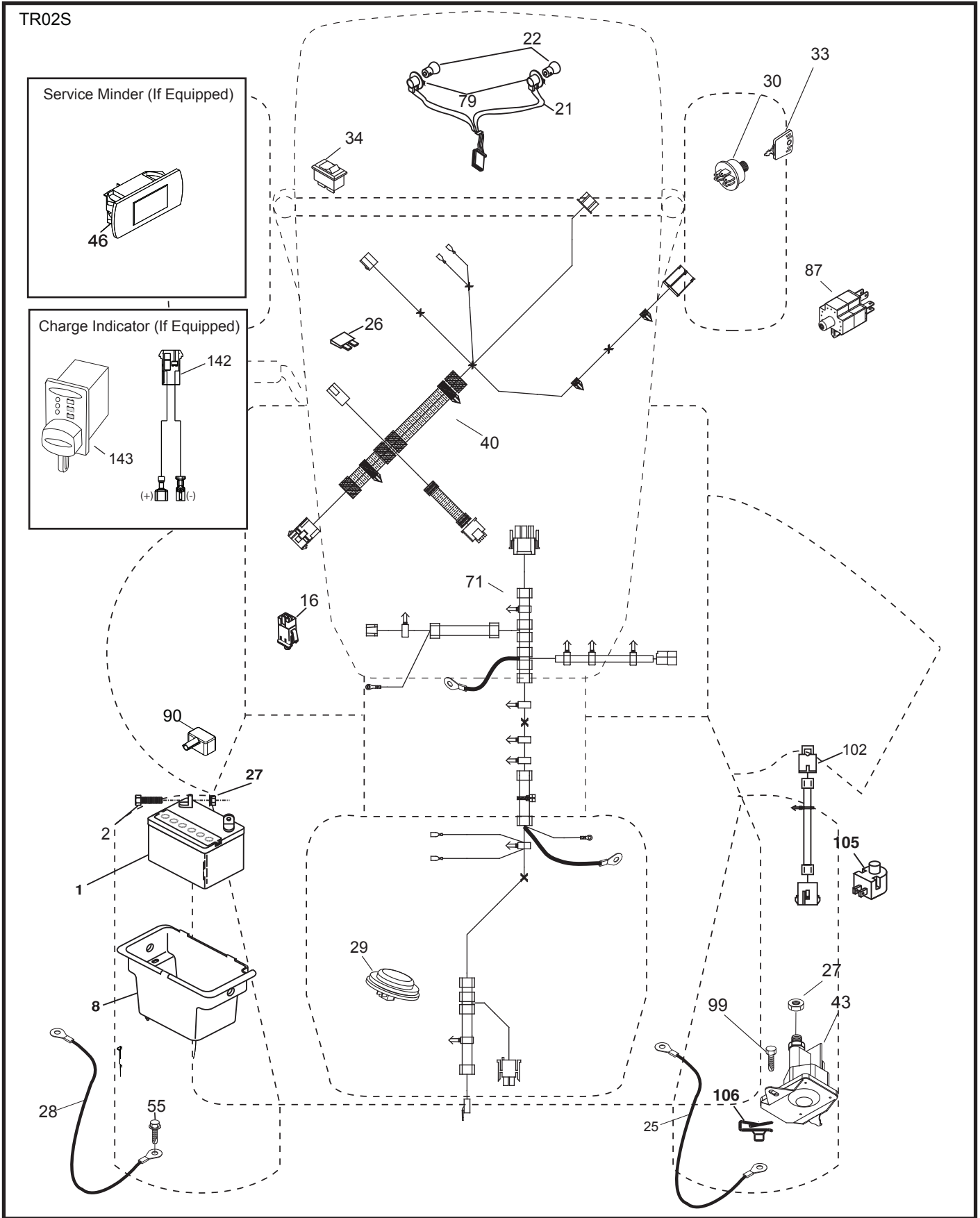
NOTE: All component dimensions given in U.S. inches.
1 inch = 25.4 mm

TRACTOR - - MODEL NO. TS 138 (96041042900), PRODUCT NO. 960 41 04-29 SCHEMATIC **38**

SCH10



TRACTOR - - MODEL NO. TS 138 (96041042900), PRODUCT NO. 960 41 04-29
ELECTRICAL 32

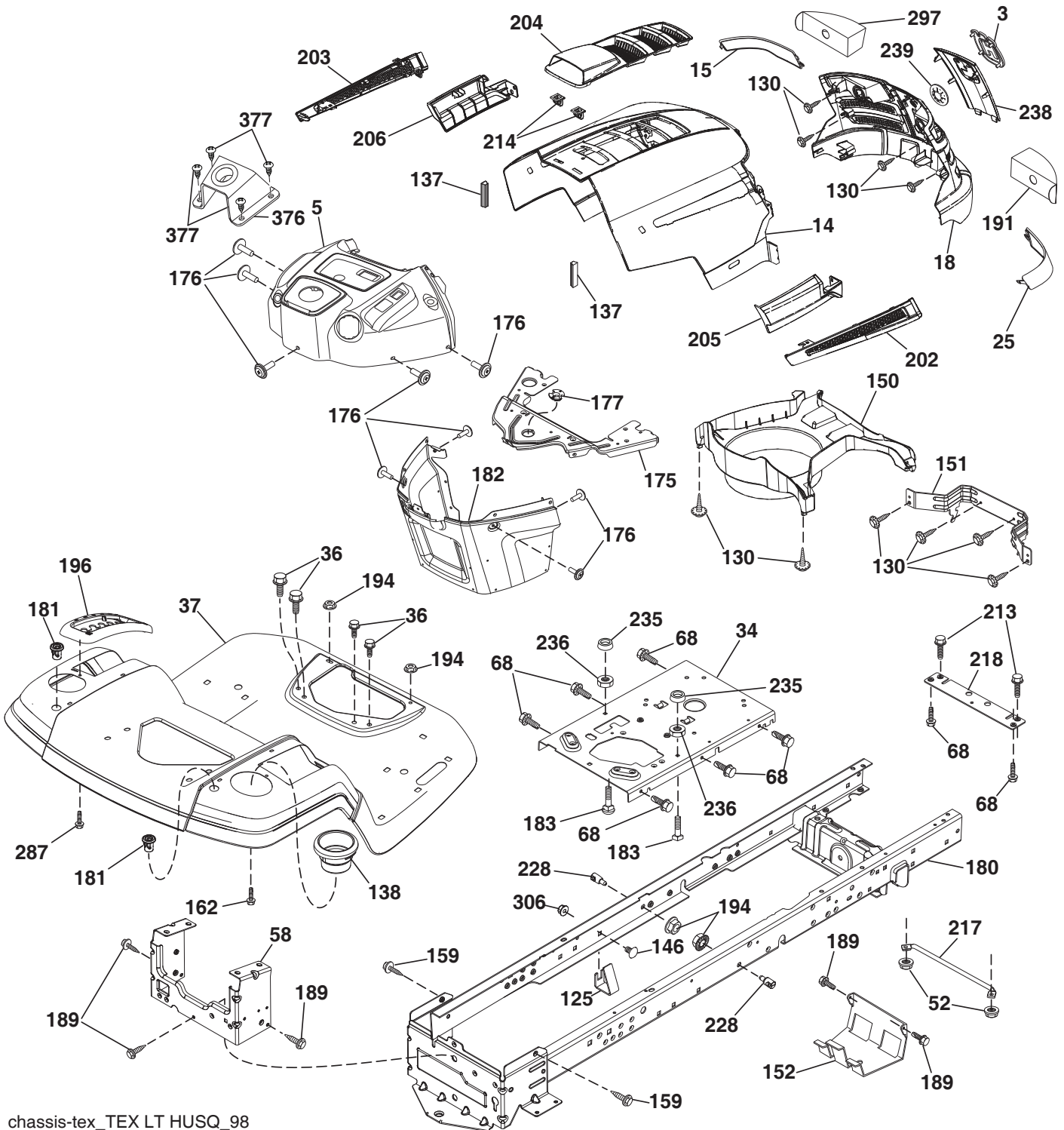


**TRACTOR - - MODEL NO. TS 138 (96041042900), PRODUCT NO. 960 41 04-29
ELECTRICAL 32**

KEY NO.	PART NO.	DESCRIPTION
1	532 16 34-65	Battery
2	874 76 04-12	Bolt Hex Head 1/4-20 x 3/4
8	532 19 32-28	Box Battery
16	532 17 61-38	Switch Interlock Push-In
21	532 40 02-52	Harness Socket Light w/4152J
22	532 00 41-52	Bulb Light
25	581 49 80-01	Cable Starter
26	532 17 51-58	Fuse
27	596 13 36-01	Locknut, Keps. 1/4-20
28	532 42 16-86	Cable, Ground
29	532 40 15-45	Switch, Seat
30	532 19 33-50	Switch, Ign.
33	532 41 19-35	Key/Chain
34	532 11 07-12	Switch Light/Reset
40	581 02 31-01	Harness Ign. Dash
43	582 04 28-02	Solenoid
46	594 91 91-01	Hourmeter, Delta Snapin
55	817 06 05-12	Screw Thdrol. 5/16-18 x 3/4 TYTT
71	501 13 37-01	Harness Chassis
79	532 17 52-42	Socket Asm. Bulb Twistlock
87	532 19 78-02	Switch Interlock Clutch Cable
90	532 43 53-95	Cover Terminal
99	817 67 04-12	Screw 1/4-20 x 3/4
102	532 40 44-54	Harness Pigtail
105	532 40 75-68	Switch Reverse
106	532 17 48-14	Palnut 1/4 Lugs

NOTE: All component dimensions given in U.S. inches.
1 inch = 25.4 mm

TRACTOR - - MODEL NO. TS 138 (96041042900), PRODUCT NO. 960 41 04-29
CHASSIS AND ENCLOSURES **39**



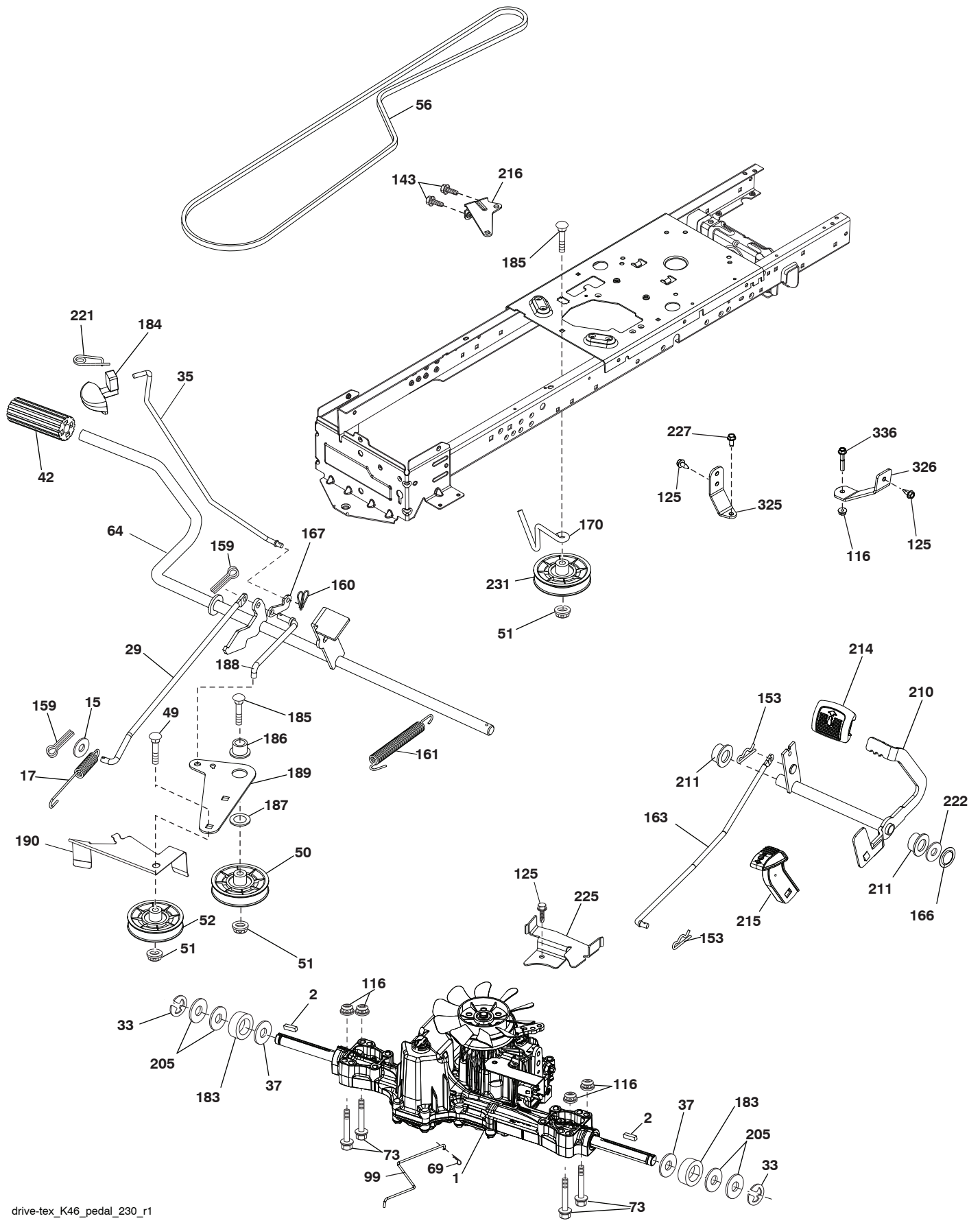
chassis-tex_TEX LT HUSQ_98

**TRACTOR - - MODEL NO. TS 138 (96041042900), PRODUCT NO. 960 41 04-29
CHASSIS AND ENCLOSURES 39**

KEY NO.	PART NO.	DESCRIPTION	KEY NO.	PART NO.	DESCRIPTION
3	581 05 63-01	Logo	189	817 00 05-12	Screw 5/16-18 x 3/4
5	532 43 89-64	Dash	191	532 41 65-01	Insert Reflective RH
14	532 44 12-67	Hood	194	596 13 57-01	Nutlock, Prvl, Torq. 5/16-18 x .68
15	532 44 14-28	Lens LH	196	532 43 96-47	Console Asm. Deck Lift
18	532 44 13-68	Grille	202	532 44 13-42	Vent Side Hood RH
25	532 44 14-27	Lens RH	203	532 44 13-43	Vent Side Hood LH
34	580 91 08-01	Plate Engine	204	532 44 13-75	Vent Top Hood
36	817 06 05-12	Screw 5/16-18 x 3/4	205	532 44 13-44	Skirt Side RH
37	532 44 12-06	Fender	206	532 44 13-45	Skirt Side LH
52	596 04 05-01	Nutlock, Hex. Prvl. 5/16-18	213	596 03 05-01	Bolt, Hex. Hd. 5/16-18 unc x 3/4
58	532 41 22-80	Drawbar Upper	214	532 19 91-45	Clip Retainer
68	596 03 07-01	Screw, Hexagon, 5/16-18 x 1/2	217	532 40 91-67	Rod Pivot Hood
125	581 68 48-01	Clip Fuel Line	218	532 19 63-95	X-Piece Hood Stop
130	596 32 17-01	Screw, #10 x 0.750 BOS Thread	228	532 19 51-61	Stud Fastener
137	532 40 75-90	Bumper Dash	235	596 56 42-01	Spacer, Fender, Clr. Zn
138	532 43 97-47	Cupholder	236	873 93 05-00	Nut Lock 5/16-18 unc
146	581 85 79-01	Bolt RDHD SHT SQNK 3/8-16 x 5/8	238	532 44 13-74	Trim
150	532 40 66-62	Air Duct	239	532 40 48-83	Clip Tinnerman
151	532 40 78-07	Bracket Pivot	287	817 60 04-06	Screw Hex WASHEAD 1/4-20 x 3/8
152	532 19 95-35	Shield Browning	297	532 40 66-65	Insert Reflective LH
159	817 00 06-12	Screw 3/8 - 16 x 3/4	306	873 90 06-00	Nut Lock Flg 3/8-16 unc
162	596 13 41-01	Screw, Hex. Tap. 1/4-15 x 1/2	376	589 45 87-01	Mount Asm Huslt. Upper Strng
175	532 19 94-72	Crossmember	377	589 45 53-01	Screw .10 x 1/2 . Zn Pl Phil. Ab
176	532 40 07-76	Screw 10-24 x 5/8			
177	532 19 52-28	Bushing Steering			
180	532 41 50-63	Chassis			
181	532 43 97-46	Bushing Mtg. Fender Cargo			
182	532 40 71-76	Dash Lower			
183	595 30 57-01	Screw, Hexagon, 5/16-18 x 1-1/4			

NOTE: All component dimensions given in U.S. inches.
1 inch = 25.4 mm

**TRACTOR - - MODEL NO. TS 138 (96041042900), PRODUCT NO. 960 41 04-29
DRIVE **40****

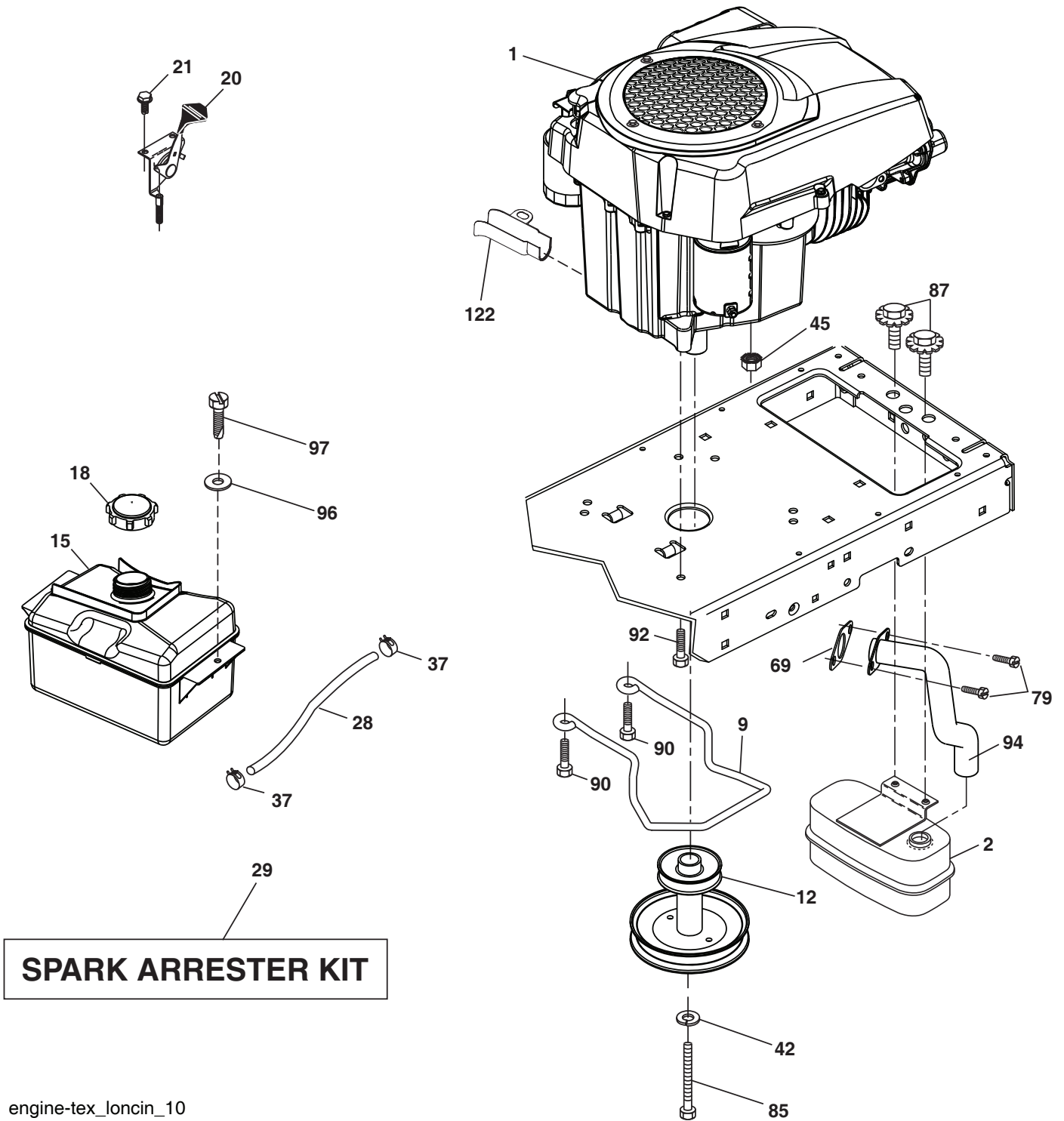


drive-tex_K46_pedal_230_r1

**TRACTOR - - MODEL NO. TS 138 (96041042900), PRODUCT NO. 960 41 04-29
DRIVE **40****

KEY NO.	PART NO.	DESCRIPTION	KEY NO.	PART NO.	DESCRIPTION
1	---	Transaxle, Tuff Torq K46BT (426120)(Order parts from transaxle manufacturer.)	167	532 40 52-57	Latch Brake Parking
2	532 12 35-83	Key	170	532 41 34-30	Keeper Belt Centerspan
15	819 13 13-16	Washer 13/32 x 13/16 x 16 Ga.	183	532 13 70-57	Spacer Axle
17	532 41 36-78	Spring, Brake	184	532 41 14-84	Handle Parking Brake
29	532 40 38-06	Rod, Brake	185	872 11 06-22	Bolt RDHD SQNK 3/8-16 unc x 2
33	812 00 00-01	Ring E	186	532 19 43-21	Spacer Retainer
35	596 57 48-01	Rod, Control, Park, Txlt. Clr. Zinc	187	596 13 55-01	Washer, 13/32 x 2 Clear, Zinc
37	532 18 89-67	Washer Harden	188	582 21 70-01	Link Clutch Ground Drive, Long
42	532 00 88-83	Cover, Foot Pedal	189	532 19 43-17	Bellcrank Ground Drive
49	596 13 62-01	Bolt, Cup Head, 3/8-16 x 3/4	190	532 19 43-18	Keeper Bellcrank Ground Drive
50	532 19 43-27	Pulley Idler Flat	205	532 12 17-48	Washer
51	873 90 06-00	Lock Nut 3/8-16	210	532 40 09-80	Rocker Asm Pedal Control
52	532 19 43-26	Idler V-Groove	211	532 12 01-83	Bushing Shaft
56	592 85 52-01	V-Belt, Drive	214	532 42 12-63	Pedal Forward Pad Tex
64	532 19 78-65	Shaft Asm. Pedal Brake Control	215	586 60 65-02	Pedal Reverse
69	532 42 33-03	Hairpin Soft Zink .059 x 1.125	216	532 19 61-31	Bracket Pulley Idler
73	596 13 65-01	Bolt, Hex. Head, 5/16-18 x 1-1/2	221	532 40 31-87	Retainer Spring Clip Handle
99	582 40 45-01	Rod Bypass	222	879 21 20-10	Washer 21/32 x 1-1/4
116	596 13 57-01	Nutlock, Prvl. Torq. 5/16-18 x .68	225	532 40 33-19	Keeper Belt Transaxle
125	817 00 05-12	Screw 5/16-18 x 3/4	227	596 13 59-01	Bolt, Hex. 5/16-18 x 3/4 Clr. Znc.
143	596 03 07-01	Screw, Hexagon, 5/16-18 x 1/2	231	532 40 72-87	Idler V-Groove
153	532 00 44-97	Retainer Spring	325	586 43 12-02	Bracket Torque Strap LH
159	596 02 95-01	Pin, Cotter, 1/8 Dia. x 3/4	326	586 00 11-02	Bracket Torque Strap RH
160	596 02 94-01	Clip, Retainer, "M-Shape"	336	587 25 96-02	Bolt 5/16-18 x 1-3/4 Flanged Hex
161	532 10 57-09	Spring, Return, Clutch			
163	593 86 10-01	Rod, Control, K46/K57R			
166	532 42 91-64	Nut Push			

NOTE: All component dimensions given in U.S. inches
1 inch = 25.4 mm



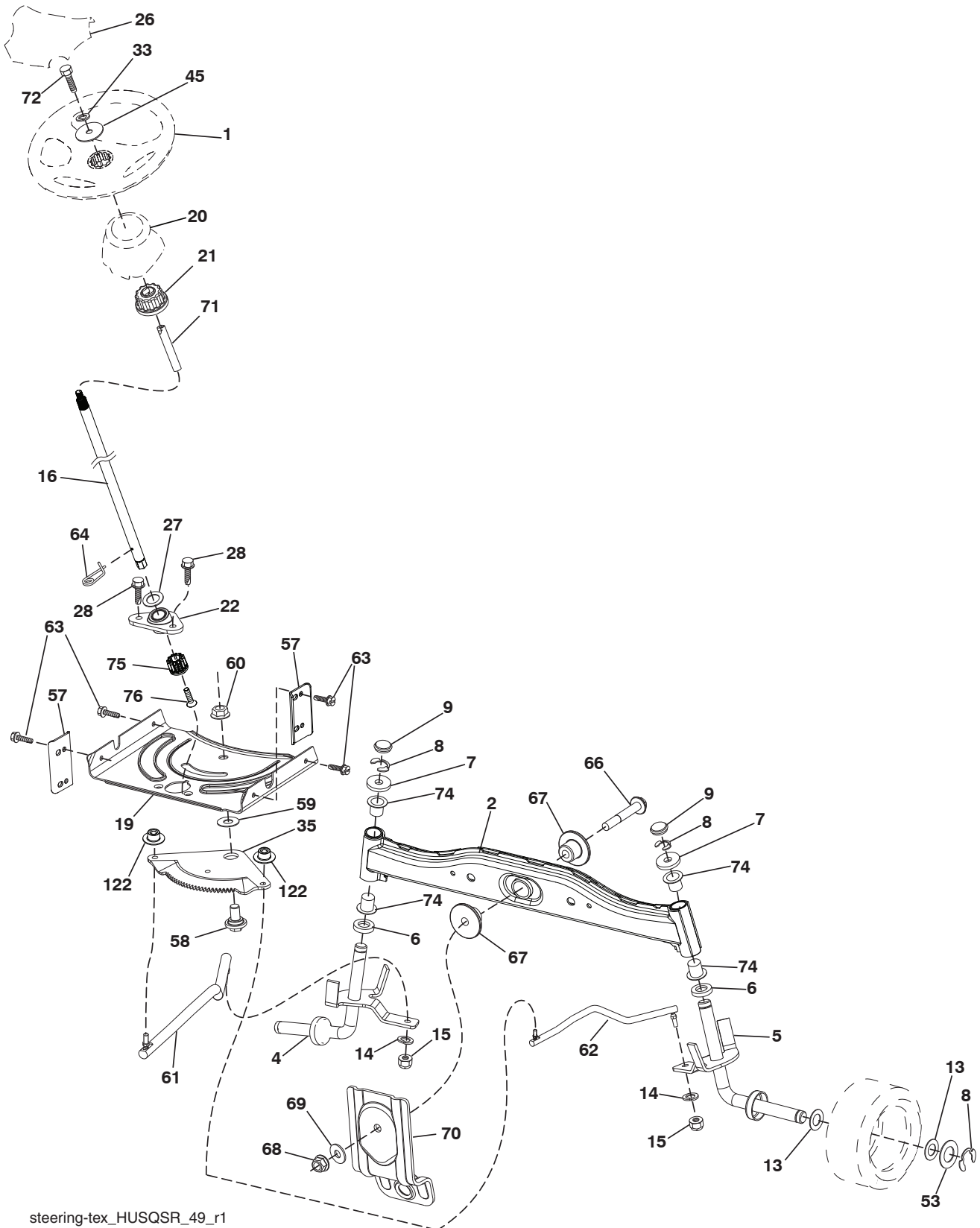
engine-tex_loncin_10

**TRACTOR - - MODEL NO. TS 138 (96041042900), PRODUCT NO. 960 41 04-29
ENGINE 24**

KEY NO.	PART NO.	DESCRIPTION
1	— — — — —	Engine Husqvarna SVC. LLC (593230401)
2	590 64 53-01	Muffler
9	501 83 26-02	Keeper Belt Engine
12	586 47 85-01	Pulley Engine
15	581 28 99-01	Tank Fuel
18	532 43 02-20	Cap Fuel
20	532 18 38-97	Control Throttle/Choke
21	596 32 17-01	Screw, #10 x 0.750 BOS Thread
28	532 40 11-37	Fuel Line
29	532 13 71-80	Spark Arrester Kit
37	532 12 34-87	Clamp Hose
42	596 23 89-01	Washer, 7/16 in. Clr. Zn
45	593 35 64-01	Hexagon Flange Serrated
69	590 86 35-01	Gasket
79	596 13 42-02	Washer, Plain, 9/32 x 7/8 Clr. ZN
85	501 60 65-01	Bolt Hex 7/16-20 x 4 Gr. 5 1.5
87	532 17 18-77	Bolt 5/16-18 unc x 3/4
90	817 00 06-16	Screw 3/8-16 x 1
92	817 12 06-16	Screw 3/8-16 x 1
94	590 86 47-01	Exhaust Tube
96	596 13 53-01	Washer, Plain, 9/32 x 7/8 Clr. Zn
97	817 67 04-12	Screw 1/4-20 x 3/4
122	532 42 19-22	Extension Drain Oil

NOTE: All component dimensions given in U.S. inches
1 inch = 25.4 mm

TRACTOR - - MODEL NO. TS 138 (96041042900), PRODUCT NO. 960 41 04-29
STEERING ASSEMBLY **41**



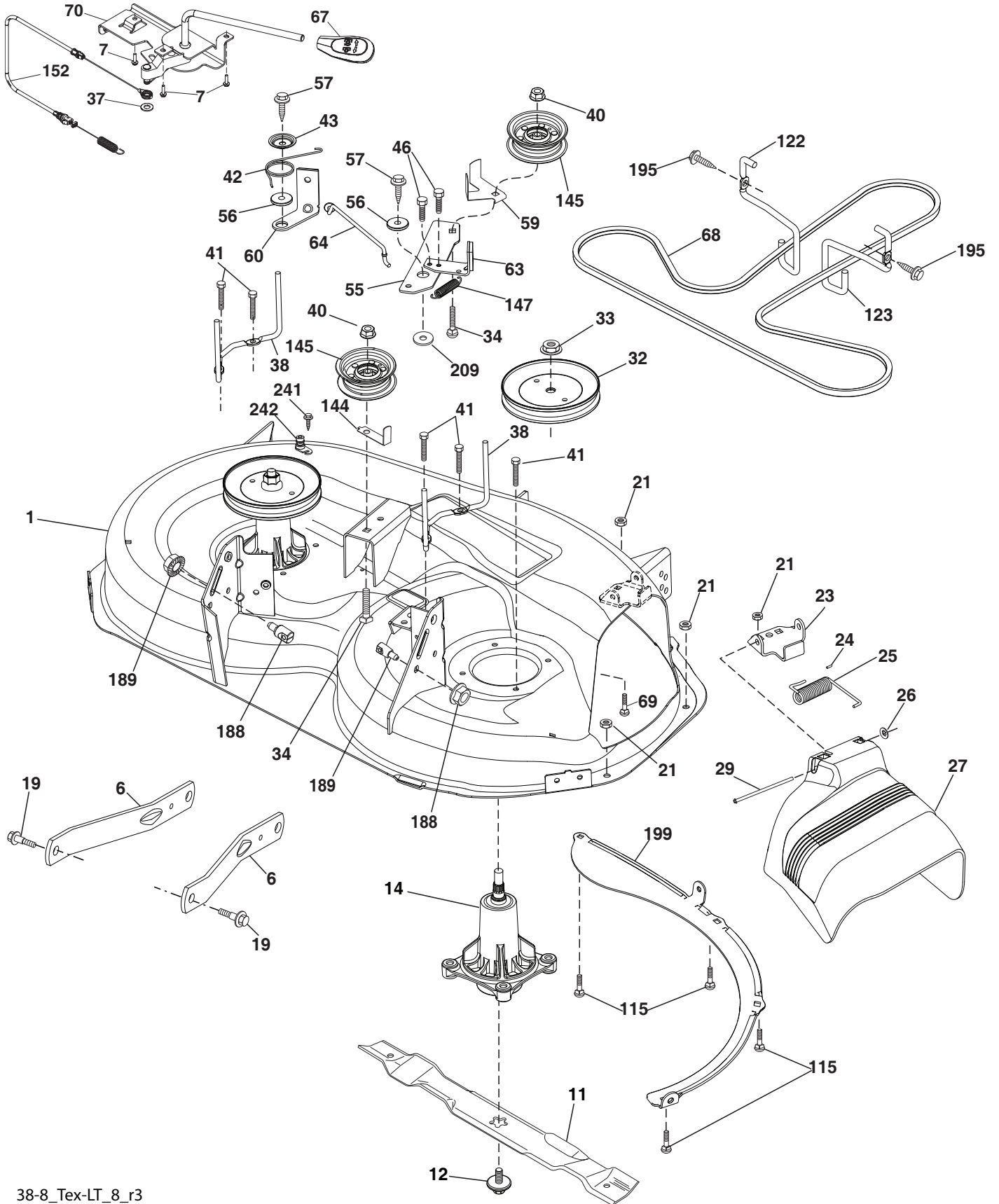
steering-tex_HUSQSR_49_r1

**TRACTOR - - MODEL NO. TS 138 (96041042900), PRODUCT NO. 960 41 04-29
STEERING ASSEMBLY 41**

KEY NO.	PART NO.	DESCRIPTION
1	532 43 99-97	Wheel, Steering Husq SR
2	532 41 81-68	Axle Asm., Front
4	532 40 30-87	Spindle Asm., LH
5	532 40 30-88	Spindle Asm., RH
6	532 00 62-66	Washer, Thrust, .75 x 1.230
7	532 12 17-48	Washer 25/32 x 1-5/8 x 16 Ga.
8	812 00 00-29	Ring, Clip #T5304-75
9	532 12 12-32	Cap, Spindle
13	532 12 17-49	Washer 25/32 x 1-1/4 x 16 Ga.
14	596 23 87-01	Washer, Spring, Lock, .381 ID x .680
15	873 54 06-00	Nut, Crown Lock 3/8-24 unf
16	585 86 92-02	Steering Shaft
19	532 19 47-29	Plate Steering
20	532 44 14-25	Boot, Steering
21	532 18 67-37	Adapter, Wheel Steering
22	585 02 98-02	Bearing
26	532 43 97-43	Insert, Wheel Steering Husq SR
27	596 93 34-01	Washer, Plain
28	817 00 06-12	Screw 3/8-16 x 3/4
33	539 99 01-87	Washer Lock 5/16
35	532 19 47-32	Gear, Sector Plate
45	596 04 00-01	Washer, 11/32 x 2-3/8 Clr. Zn
53	532 18 89-67	Washer Hardened .793 x 1.637 x .060
57	532 40 74-65	Bracket Upstop
58	532 19 47-47	Bolt Shoulder Sector Pivot CFM
59	532 19 47-48	Washer Thrust Sector Steering
60	873 97 10-00	Nut Flange Lock 5/8-11
61	597 04 78-02	Draglink, LH. Ballstud, Std. Raw
62	597 04 79-02	Draglink, RH. Ballstud, Std. Raw
63	817 00 05-12	Screw 5/16-18 x 3/4
64	532 19 98-49	Retainer Clip Spring Steering
66	871 02 07-48	Bolt Hex Fghd. 7/16-14 x 3 Serr.
67	532 19 47-37	Bushing PM Front Axle
68	873 90 07-00	Nut Lock Flange 7/16-14 Gr. 5
69	532 19 91-62	Washer 1.5 x .505 x .118
70	585 33 88-01	Bracket Deck Susp. Front
71	532 19 07-52	Shaft Extension Steering
72	596 03 97-01	Bolt, Hex Head, 5/16-18 unc x 4" Gr. 5
74	532 00 33-66	Bearing Col. STRG
75	580 68 37-01	Pinion
76	580 68 36-01	Screw Head Sock
122	532 44 49-62	Cap Gear Sector

NOTE: All component dimensions given in U.S. inches.
1 inch = 25.4 mm

TRACTOR - - MODEL NO. TS 138 (96041042900), PRODUCT NO. 960 41 04-29
MOWER DECK 44



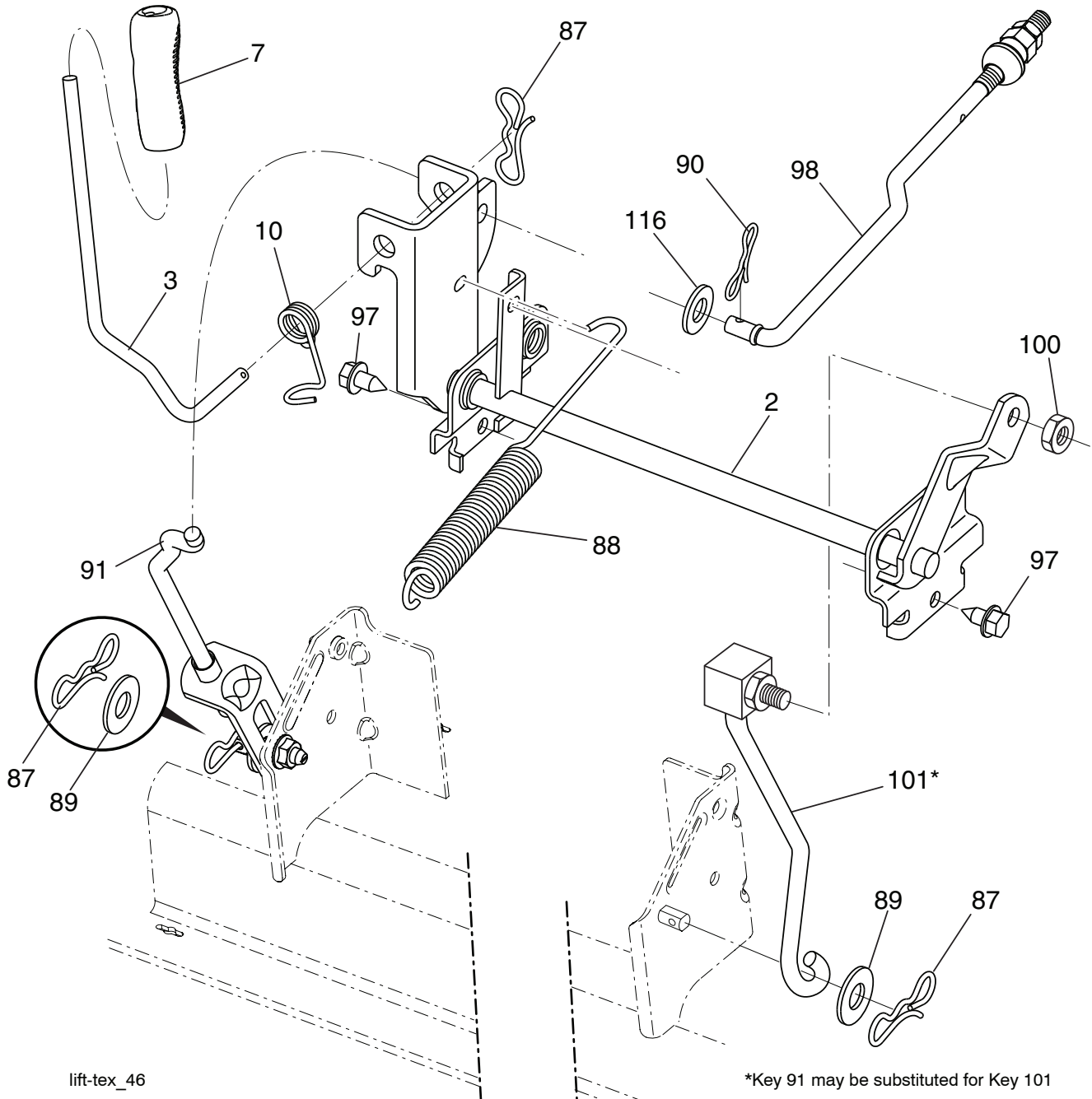
38-8_Tex-LT_8_r3

**TRACTOR - - MODEL NO. TS 138 (96041042900), PRODUCT NO. 960 41 04-29
MOWER DECK 44**

KEY PART NO. NO.	DESCRIPTION	KEY PART NO. NO.	DESCRIPTION
1	532 43 44-63	59	532 14 10-43
6	532 19 51-86	60	532 19 94-71
7	596 32 17-01	63	532 19 94-70
11	581 11 63-02	64	532 19 97-90
12	584 30 93-01	67	532 40 30-12
14	587 81 97-01	68	532 40 83-81
		69	596 13 64-01
19	532 19 65-39	70	532 40 12-46
21	596 04 05-01	115	872 11 05-05
23	532 19 25-57	122	532 19 72-58
24	532 10 53-04	123	532 19 72-59
25	532 19 70-26	144	532 19 34-14
26	532 11 04-52	145	532 19 31-97
27	532 19 39-68	147	532 40 18-72
29	595 29 70-01	152	532 43 51-11
32	532 19 97-89	188	532 19 51-61
33	596 13 48-01	189	596 13 57-01
34	596 13 61-01	195	817 00 06-12
37	819 13 13-16	199	532 40 00-95
38	532 19 95-41	209	596 13 55-01
40	873 90 06-00	241	532 15 29-27
41	584 95 39-01	242	532 41 55-98
42	532 19 84-10	--	532 43 44-67
43	532 19 72-56		
46	532 13 77-29		
55	532 19 72-49		
56	532 19 90-92		
57	817 00 06-16		

NOTE: All component dimensions given in U.S. inches.
1 inch = 25.4 mm

TRACTOR - - MODEL NO. TS 138 (96041042900), PRODUCT NO. 960 41 04-29
MOWER LIFT 45

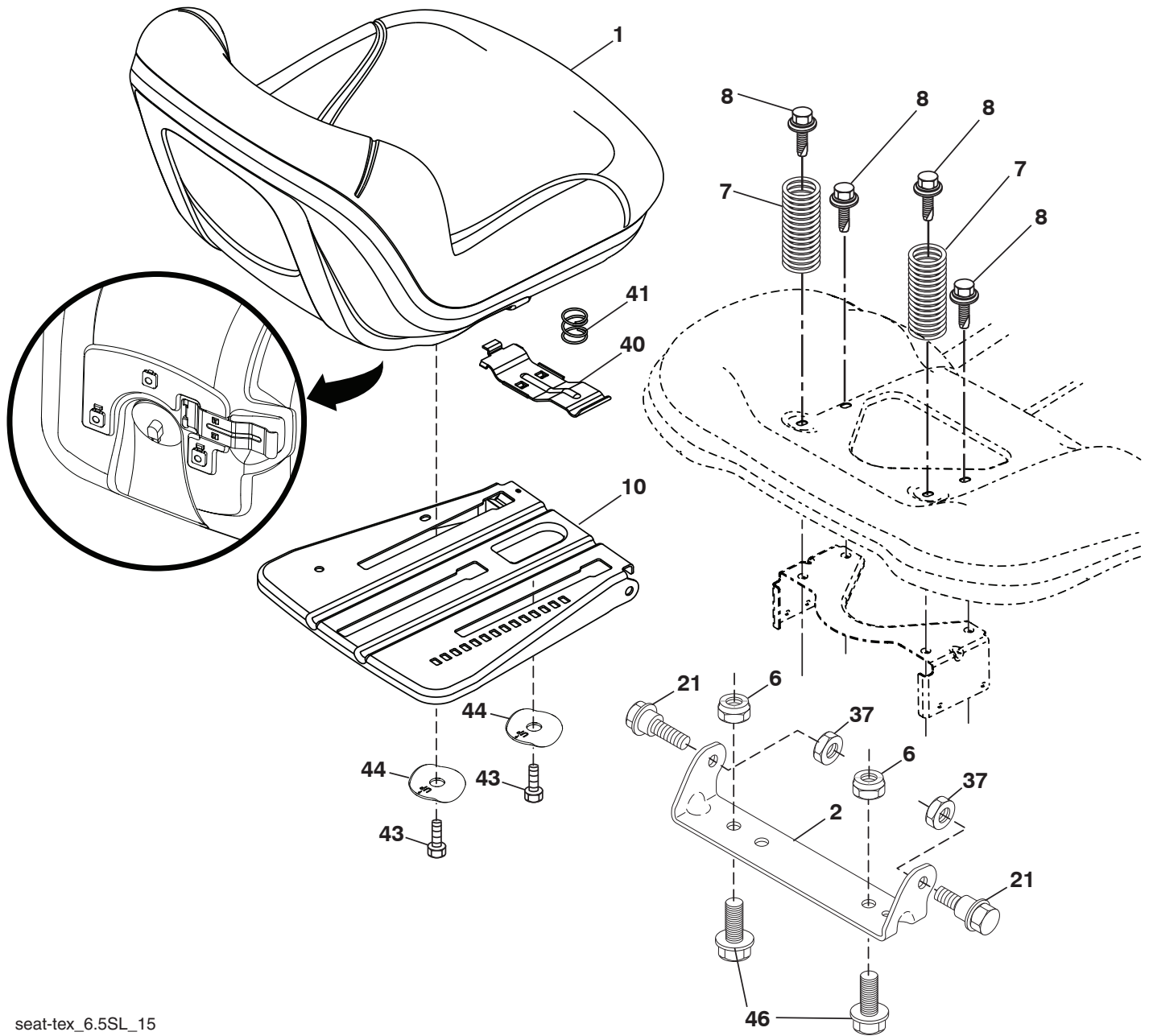


KEY NO.	PART NO.	DESCRIPTION
2	532 42 20-27	Shaft Asm., Lift
3	532 19 52-31	Lever Asm., Lift RH
7	580 96 23-01	Grip, Lever
10	532 19 63-14	Spring Torsion
87	532 19 42-09	Pin Cotter 7/16 Bow Tie Lock
88	532 41-07-10	Spring Lift Assist
89	819 19 19-12	Washer Clear Zinc
90	532 19 42-08	Pin Cotter 5/16 Bow Tie Lock
91	532 19 51-81	Link Lift Susp. Mower Rear

KEY NO.	PART NO.	DESCRIPTION
97	817 00 06-12	Screw 3/8-16 x .75 Smgml. Tap/R.Z
98	532 19 52-70	Link Lift Susp. Front Mower
100	595 30 59-01	Nut, Hex. Locknut, 3/8-16
101	532 40 70-03	Link Asm. Lift Fixed
116	594 97 65-01	Washer, Round 15/32x15/16x.065

NOTE: All component dimensions given in U.S. inches.
 1 inch = 25.4 mm

**TRACTOR - - MODEL NO. TS 138 (96041042900), PRODUCT NO. 960 41 04-29
SEAT ASSEMBLY 42**



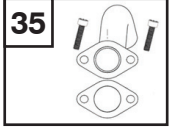
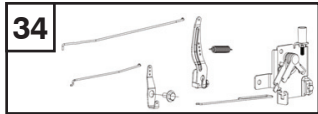
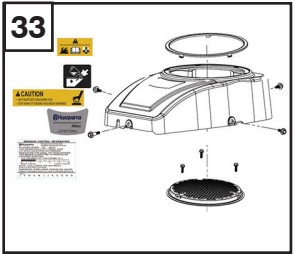
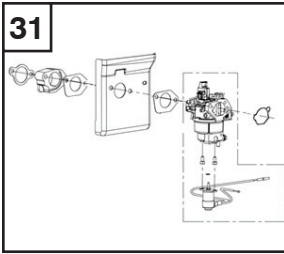
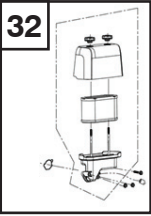
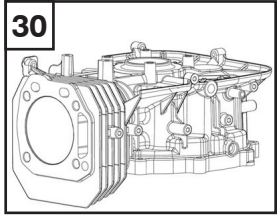
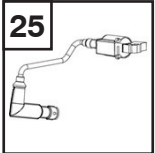
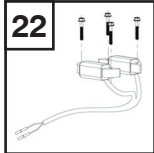
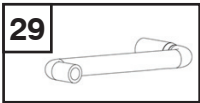
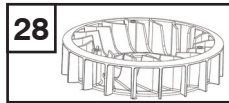
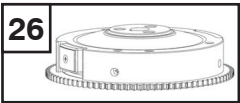
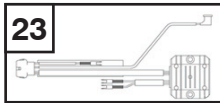
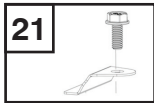
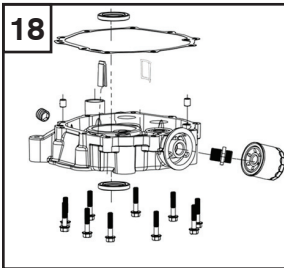
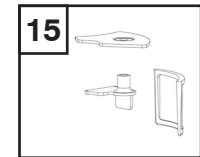
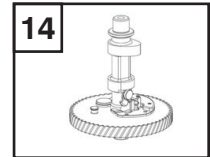
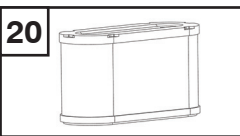
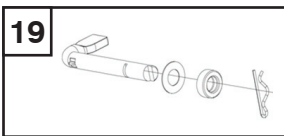
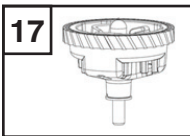
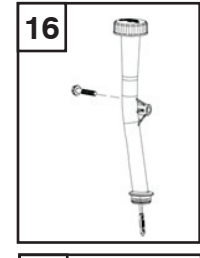
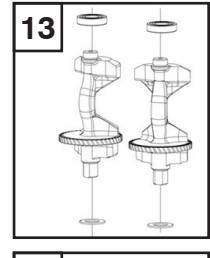
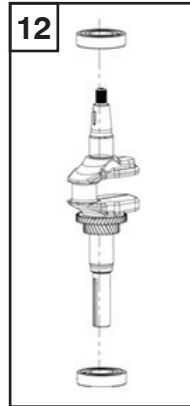
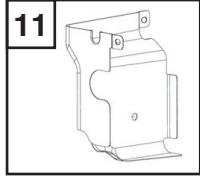
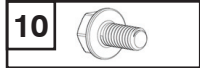
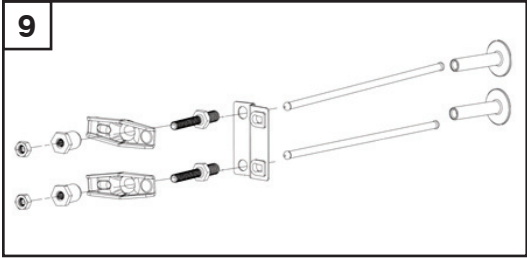
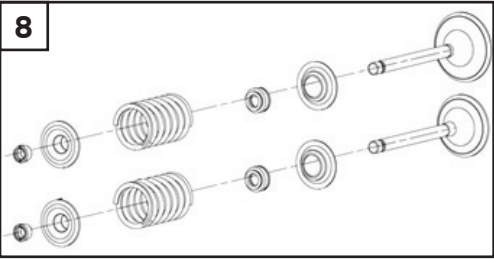
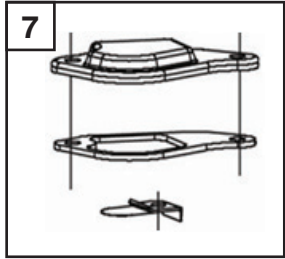
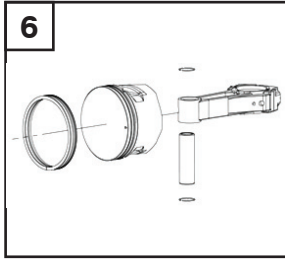
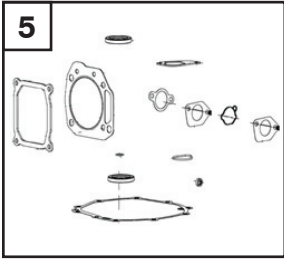
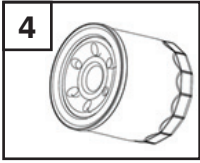
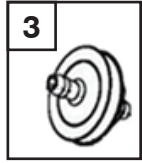
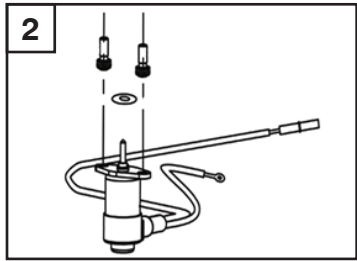
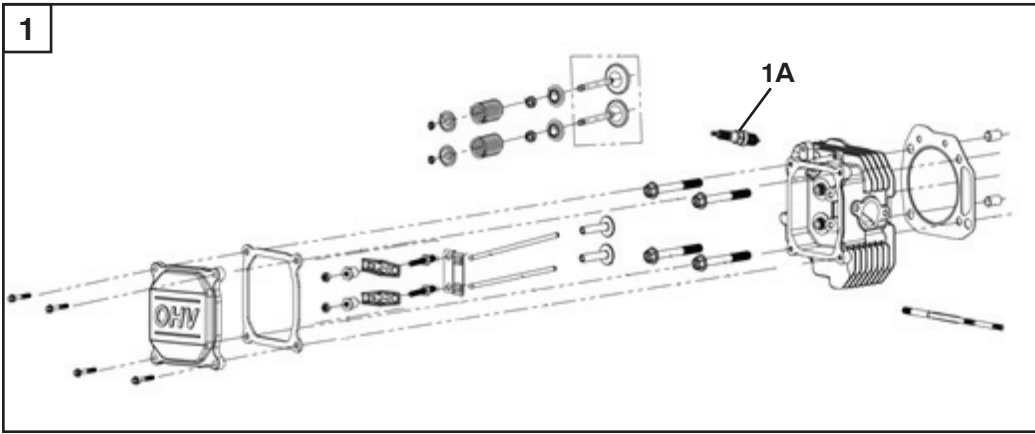
seat-tex_6.5SL_15

KEY NO.	PART NO.	DESCRIPTION
1	532 43 98-19	Seat
2	532 18 01-66	Bracket Pivot Fender
6	873 80 06-00	Nut, Lock w/Ins. 3/8-16 unc
7	589 48 35-01	Spring, Seat Cprsn.
8	532 17 18-77	Bolt 5/16-18 unc x 3/4 w/Sems.
10	596 65 74-02	Seat, Plate, Slide
21	587 90 78-01	Bolt, Shoulder 5/16-18 x 5/8
37	596 58 37-02	Nut, W/Nonmetal, Ins. Blk. Zinc
40	595 08 81-02	Handle, Seat, Slide, E-Dip x 431

KEY NO.	PART NO.	DESCRIPTION
41	532 19 82-00	Spring
43	874 76 06-12	Bolt 3/8-16 unc x 3/4
44	501 05 18-01	Washer Winged
46	588 09 04-01	Bolt 3/8-16 x 1, 1.25

NOTE: All component dimensions given in U.S. inches.
1 inch = 25.4 mm

**TRACTOR - - MODEL NO. TS 138 (96041042900), PRODUCT NO. 960 41 04-29
HUSQVARNA ENGINE (452 CC)**



**TRACTOR - - MODEL NO. TS 138 (96041042900), PRODUCT NO. 960 41 04-29
HUSQVARNA ENGINE (452 CC)**

ITEM NO.	PART NO.	DESCRIPTION	QTY.
1	590904901	CYLINDER HEAD COMP KIT	1
1A	591165501	SPARK PLUG	1
2	590905101	SOLENOID KIT	1
3	591165801	FUEL FILTER	1
4	591165901	OIL FILTER	1
5	590905401	GASKET AND SEAL KIT	1
6	590905501	PISTON AND RING SET, PISTON KIT	1
7	590905601	COVER COMP BREATHER AND STRAINER FUEL KIT	1
8	590971701	VALVE KIT	1
9	590971801	ROCKER ARM KIT	1
10	590971901	HEXAGON BOLT WITH FLANGE	1
11	590972101	AIR DEFLECTOR	1
12	590972201	CRANKSHAFT KIT	1
13	590972301	BALANCING SHAFT KIT	1
14	590972401	CAMSHAFT ASSY	1
15	590972501	OIL STRAINER KIT	1
16	590972601	FILL TUBE KIT	1
17	590972701	GOVERNER GEAR KIT	1
18	590972801	CRANKCASE COVER KIT	1
19	590972901	SPEED REGULATING ARM KIT	1
20	590973101	AIR FILTER	1
21	590973501	PRESSING PLATE KIT	1
22	590973601	CHARGING ARMATURE KIT	1
23	590973801	VOLTAGE RECTIFIER	1
24	590974301	STARTER MOTOR KIT	1
25	590975801	IGNITION COIL ASSEMBLY	1
26	590978001	FLYWHEEL COMP	1
27	590992201	STARTING DISC KIT	1
28	590992301	IMPELLER	1
29	590965901	BREATHER TUBE	1
30	592951101	CRANKCASE BODY KIT	1
31	593098301	CARBURETOR KIT - US	1
32	593098501	AIR CLEANER KIT	1
33	593098601	START COVER KIT	1
34	593098801	THROTTLE LEVER KIT - US	1
35	592952001	EXHAUST PIPE KIT	1

