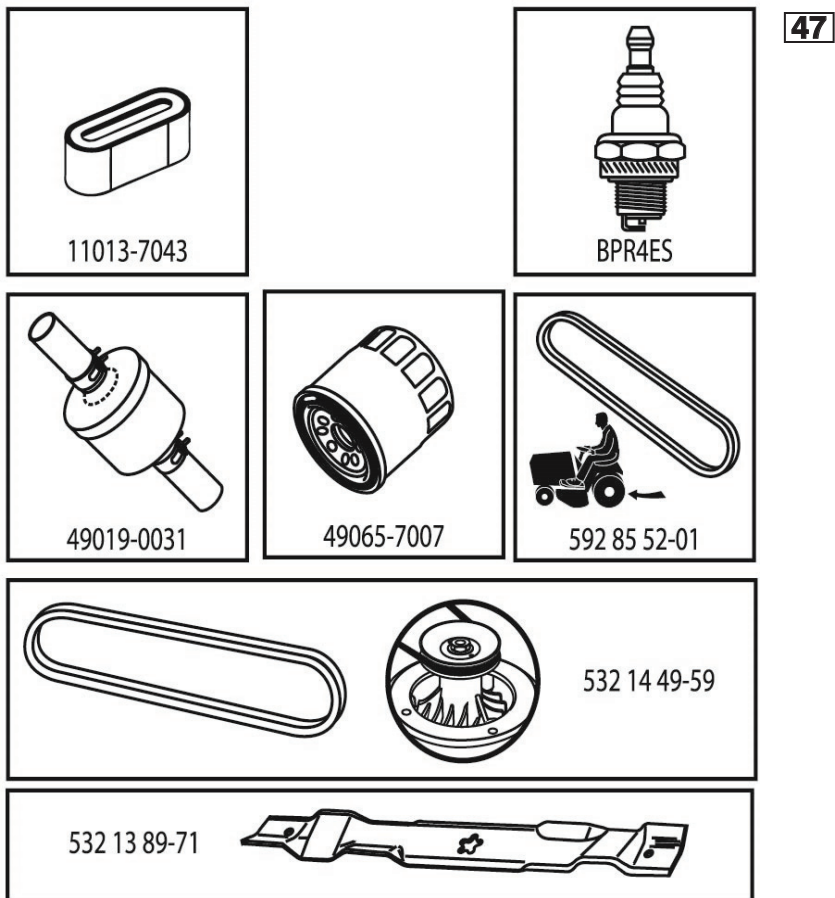


# ILLUSTRATED PARTS LIST

**MFG. ID NO. 96041044700**

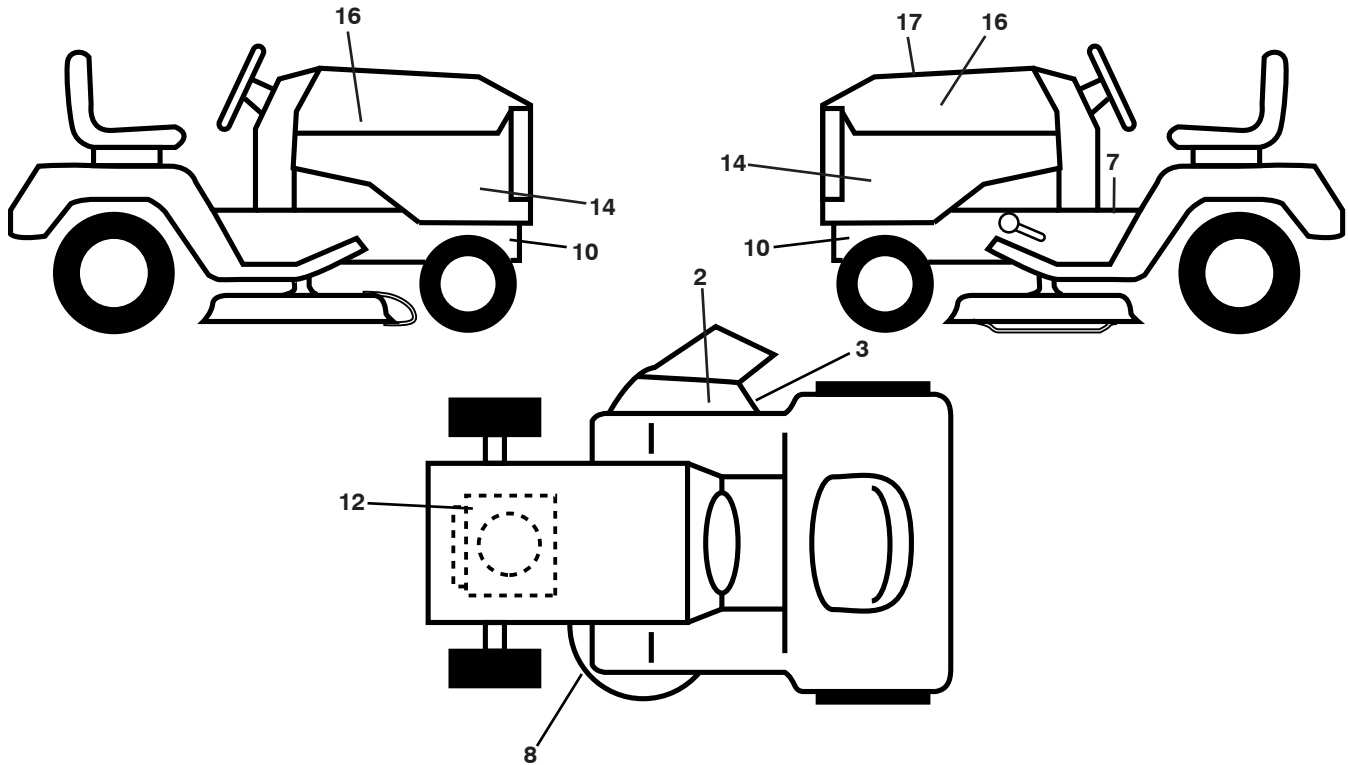
**CUSTOMER CATALOG NO. TS 242D**

**PRODUCT NO. 960 41 04-47**



**597797101**

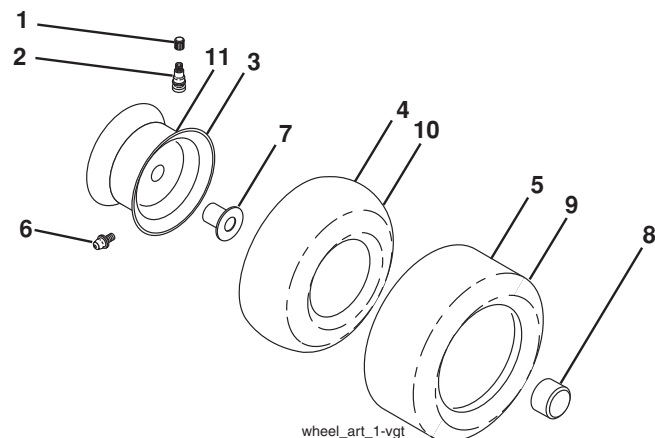
**TRACTOR - - MODEL NO. TS 242D (96041044700), PRODUCT NO. 960 41 04-47  
DECALS 27**



KEY NO.	PART NO.	DESCRIPTION
2	584 90 46-01	Decal, Deflect. Warning
3	581 57 92-01	Decal, Warning Symbol
7	586 04 73-02	Decal, Tac Fnrd
8	581 58 00-01	Decal, Mower Sch.
10	581 57 96-01	Decal, Hot Muffler
12	581 57 97-01	Decal, Warning Eng. Symbol
14	597 87 85-01	Decal, Panel Side
16	501 13 14-01	Decal, Husq
17	597 79 71-01	Decal, Replacement

KEY NO.	PART NO.	DESCRIPTION
--	501 74 90-01	Decal, Drawbar Locking Differential
--	581 72 48-01	Decal, Bypass
--	581 72 46-01	Decal, Load Limit
--	532 43 96-81	Pad, Footrest, LH
--	532 43 96-82	Pad, Footrest, RH
--	114 14 45-28	Manual Operator's English
--	114 14 46-79	Manual Operator's Japanese

**WHEELS AND TIRES**

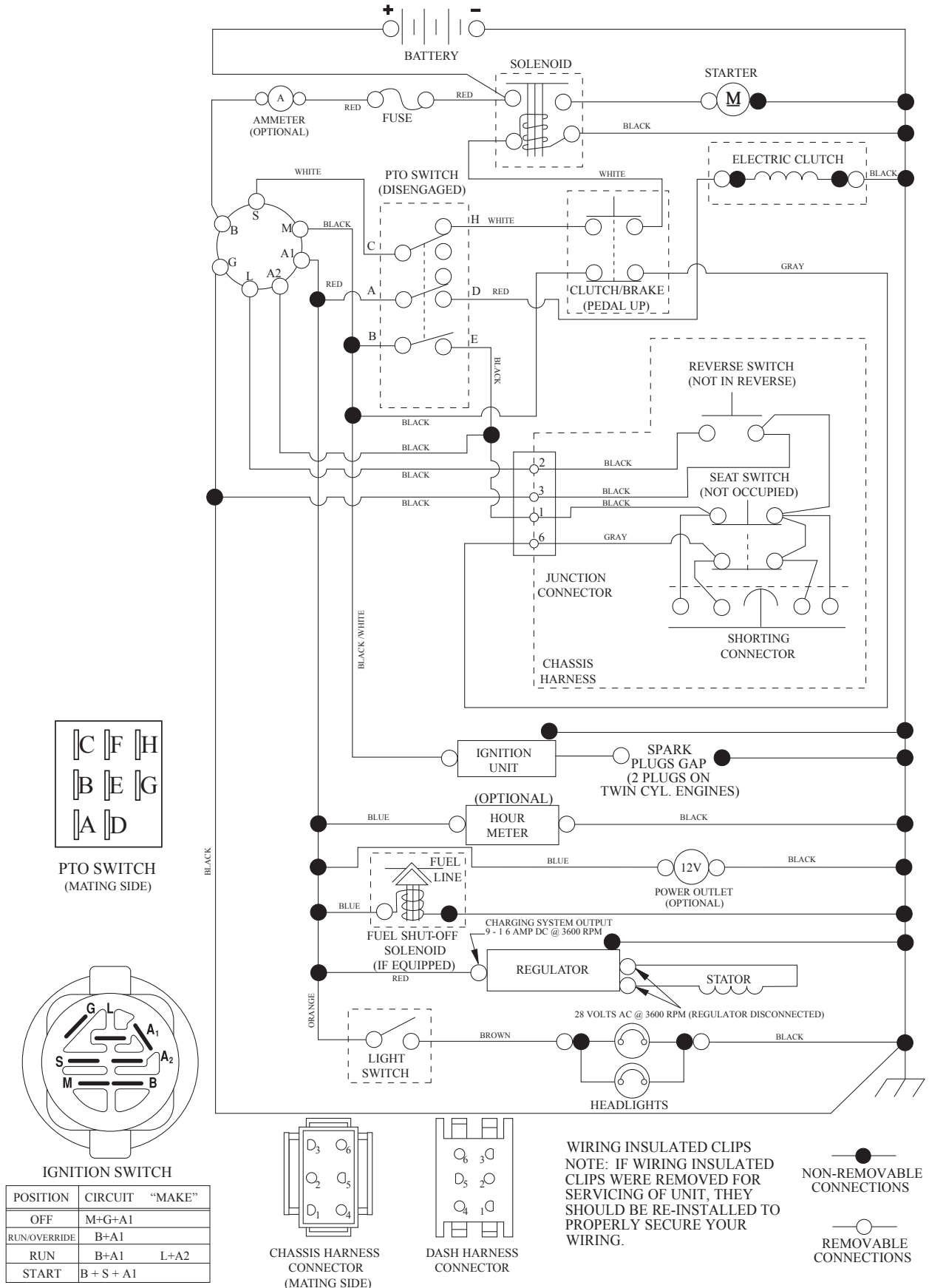


KEY NO.	PART NO.	DESCRIPTION
1	532 05 91-92	Cap, Valve, Tire
2	532 06 51-39	Stem, Valve
3	532 13 83-36	Rim Assembly, Front
4	532 05 99-04	Tube, Front (Service Item Only)
5	532 10 62-22	Tire, Front 15 x 6-6
6	532 00 02-78	Fitting, Grease (Front Wheel Only)
7	532 00 90-40	Bearing, Flange (Front Wheel Only)
8	532 17 50-39	Cap, Axle (Front Wheel Only)
9	532 12 20-82	Tire, Rear 20 x 10-8
10	532 00 71-52	Tube, Rear (Service Item Only)
11	532 13 83-37	Rim Assembly, Rear
--	532 14 43-34	Sealant, Tire (10 oz. Tube)

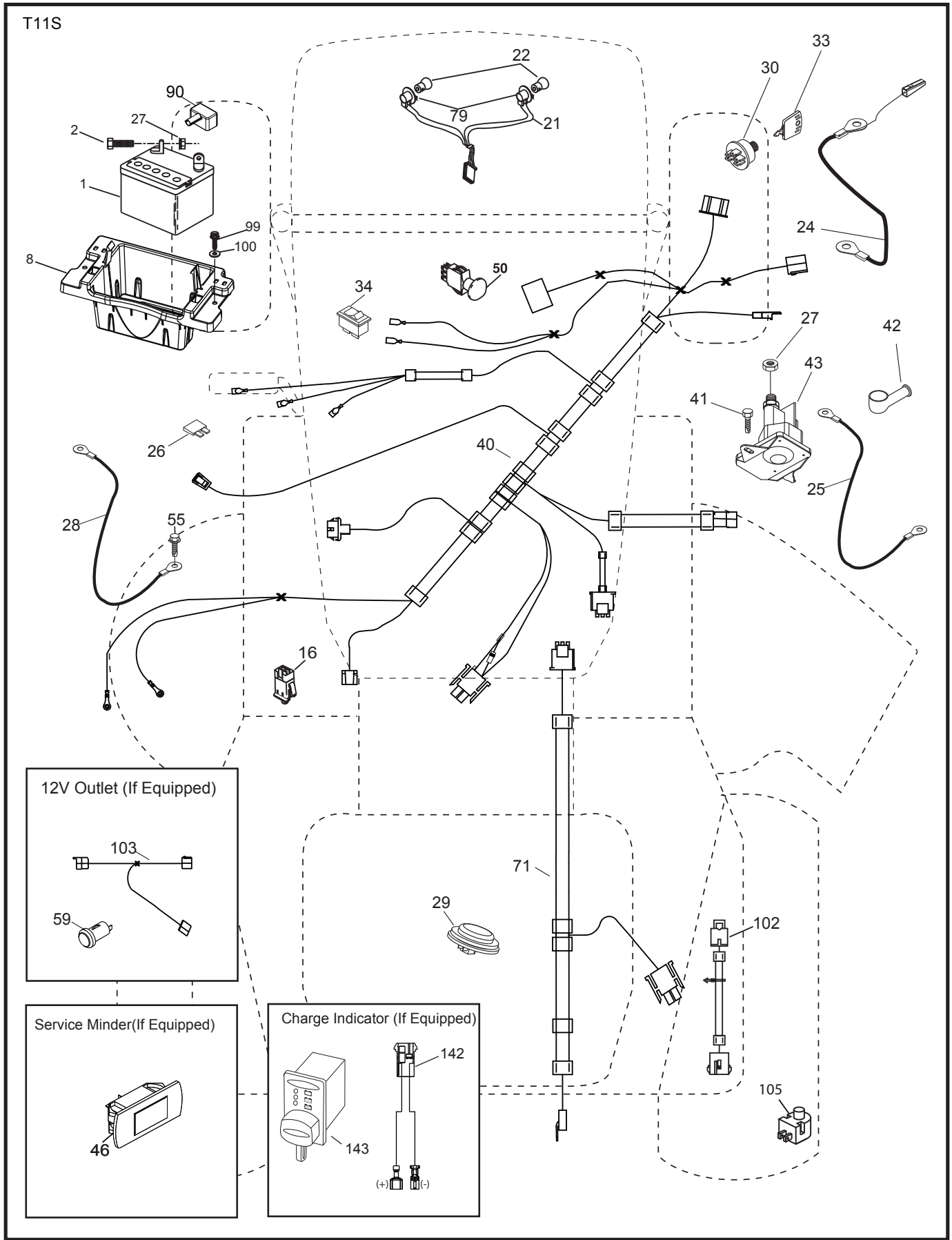
**NOTE:** All component dimensions given in U.S. inches  
1 inch = 25.4 mm

# TRACTOR - - MODEL NO. TS 242D (96041044700), PRODUCT NO. 960 41 04-47 SCHEMATIC 38

SCH12



**TRACTOR - - MODEL NO. TS 242D (96041044700), PRODUCT NO. 960 41 04-47**  
**ELECTRICAL 32**

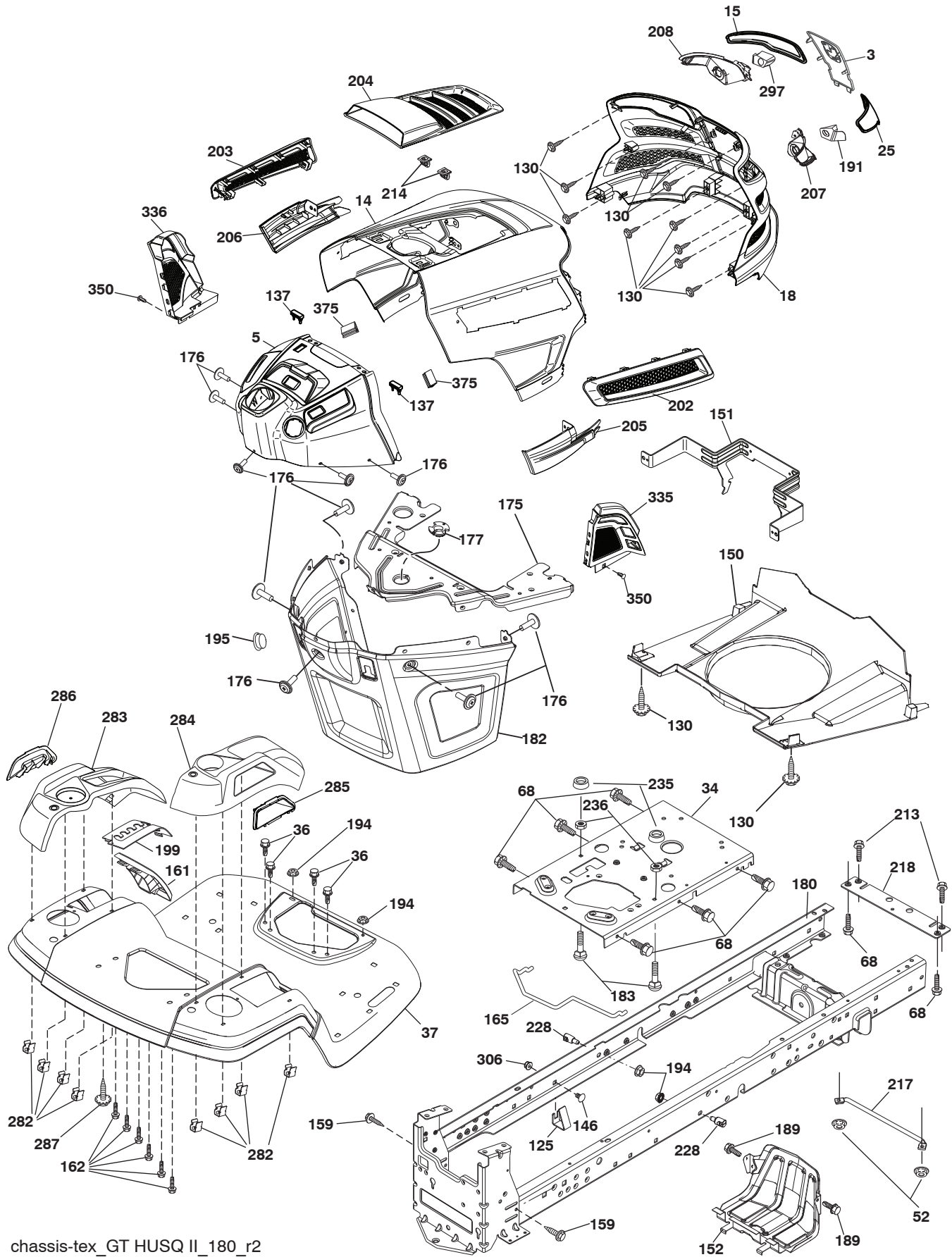


**TRACTOR - - MODEL NO. TS 242D (96041044700), PRODUCT NO. 960 41 04-47  
ELECTRICAL 32**

<b>KEY NO.</b>	<b>PART NO.</b>	<b>DESCRIPTION</b>
1	532 16 34-65	Battery
2	874 76 04-12	Bolt Hex Hd 1/4-20 unc x 3/4
8	587 20 51-01	Battery Box
16	532 17 61-38	Switch Interlock
21	532 40 02-52	Harness Socket Light
22	532 00 41-52	Bulb, Light #1156
24	585 55 56-01	Cable Battery
25	585 55 55-01	Cable Starter
26	532 17 51-58	Fuse
27	596 13 36-01	Locknut, Keps. 1/4-20
28	532 41 65-88	Cable Ground 21" Blk 8 Ga.
29	532 40 15-45	Switch Seat
30	532 19 33-50	Switch Ign.
33	532 41 19-33	Key/Chain
34	532 11 07-12	Switch Light
40	501 13 29-01	Harness Dash
41	817 72 04-08	Screw Thd Cut 1/4-20 x 1/2
42	532 13 15-63	Cover Terminal Red
43	582 04 28-02	Solenoid
46	594 91 91-01	Hourmeter
50	582 10 76-02	Switch PTO
55	817 06 05-12	Screw Thdrol 5/16-18 x 3/4
71	532 19 42-76	Harness Chassis
79	532 17 52-42	Socket Asm. Bulb
90	532 43 53-95	Cover Terminal Battery
99	817 67 04-12	Screw Hexwsh Thdrol 1/4-20 x 3/4
100	596 13 53-01	Washer, Plain 9/32 x 7/8 Clr. Zn.
102	532 40 75-68	Switch Reverse
105	532 40 44-54	Harness Pigtail

**NOTE:** All component dimensions given in U.S. inches  
1 inch = 25.4 mm

TRACTOR - - MODEL NO. TS 242D (96041044700), PRODUCT NO. 960 41 04-47  
CHASSIS AND ENCLOSURES **39**



chassis-tex\_GT HUSQ II\_180\_r2

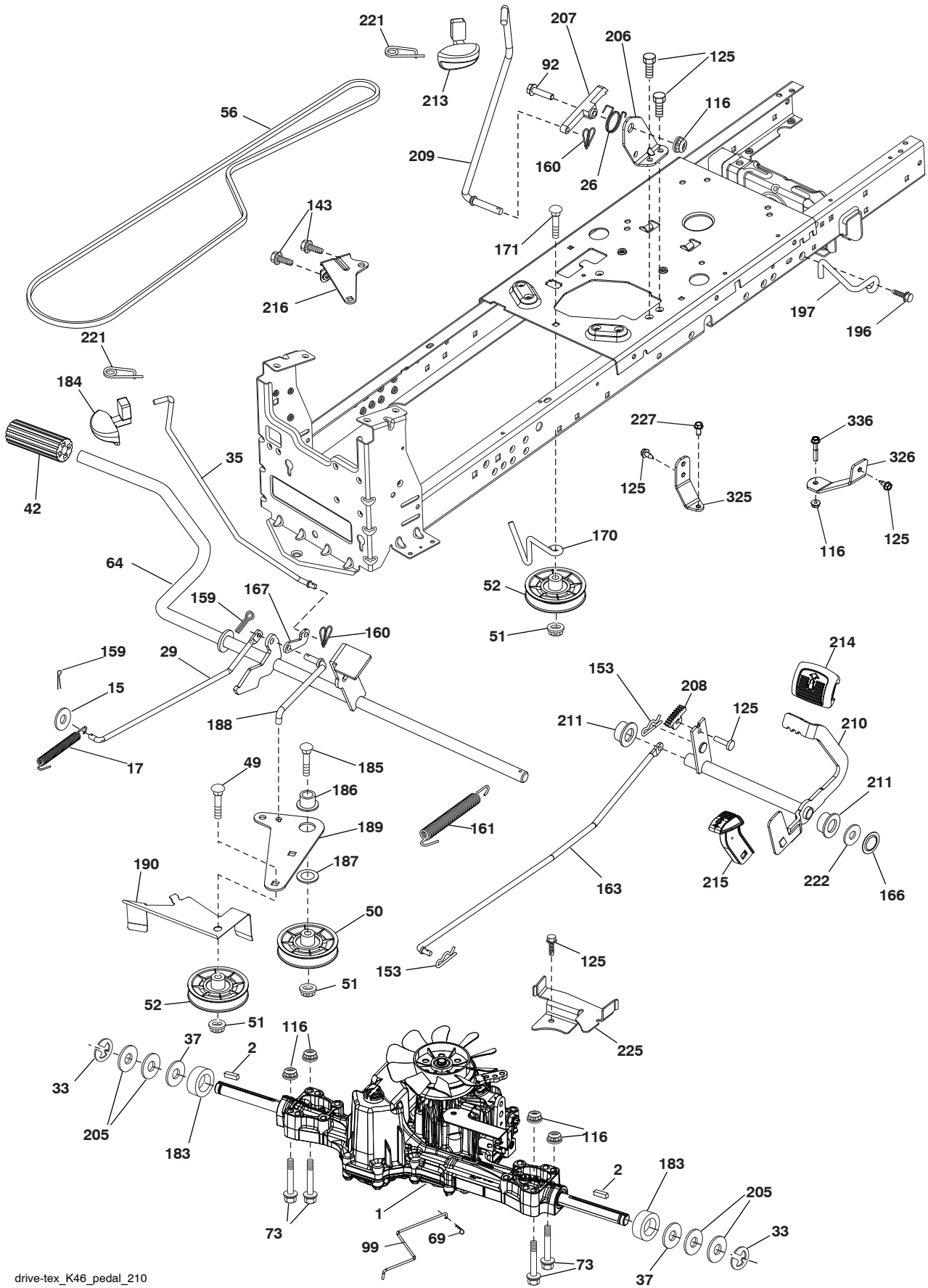
**TRACTOR - - MODEL NO. TS 242D (96041044700), PRODUCT NO. 960 41 04-47  
CHASSIS AND ENCLOSURES **39****

<b>KEY NO.</b>	<b>PART NO.</b>	<b>DESCRIPTION</b>	<b>KEY NO.</b>	<b>PART NO.</b>	<b>DESCRIPTION</b>
3	532 44 44-81	Logo	199	532 41 34-85	Plate Deck Lift
5	590 74 88-11	Dash	202	532 43 97-28	Vent Side Hood RH
14	532 44 11-77	Hood	203	532 43 97-27	Vent Side Hood LH
15	532 43 97-33	Lens LH	204	587 48 58-01	Vent, Top Asm., Husq Gt2
18	587 52 34-01	Grille	205	532 43 97-30	Trim Hood Side RH
25	532 44 33-85	Lens RH	206	532 43 97-29	Trim Hood Side LH
34	580 91 08-01	Plate Engine	207	587 46 48-01	Bezel RH
36	817 06 05-12	Screw 5/16-18 x 3/4	208	587 46 45-01	Bezel LH
37	532 44 11-78	Fender	213	596 03 05-01	Bolt, Hex. Hd. 5/16-18 unc x 3/4
52	596 04 05-01	Nutlock, Hex. Prvl. 5/16-18	214	532 19 91-45	Clip Retainer
68	596 03 07-01	Screw, Hexagon, 5/16-18 x 1/2	217	532 40 91-67	Rod Pivot
125	581 68 48-01	Clip Fuel Line	218	532 19 63-95	Hood Stop
130	596 32 17-01	Screw, #10 x 0.750 BOS Thread	228	532 19 51-61	Stud Fastner
137	532 40 75-90	Bumper Hood/Dash	235	596 56 42-01	Spacer, Fender, Clr. Zn
146	581 85 79-01	Bolt	236	873 93 05-00	Nut Center Lock 5/16-18 unc
150	532 43 97-74	Duct Air	282	532 41 41-10	Clip Retainer Console
151	532 43 66-70	Bracket Pivot	283	532 44 20-39	Console Deck Lift
152	532 43 98-70	Shield Browning	284	532 43 98-23	Console Control Pedal
159	817 00 06-12	Screw Hexwsh Thdr 3/8-16 x 3/4	285	532 41 63-15	Console Insert RH
161	532 43 97-81	Console Fuel Window	286	532 41 63-17	Console Insert LH
162	596 13 41-01	Screw, Hex. Tap. 1/4-15 x 1/2	287	817 60 04-06	Screw Hex Wsh Hd 1/4-20 x 3/8
165	532 19 68-26	Bracket Support Tank	297	532 43 74-56	Insert Reflective LH
175	590 60 77-02	Crossmember	306	873 90 06-00	Nut 3/8-16
176	532 40 07-76	Screw 10-24 x 5/8 Rnd Qdrx	335	532 44 82-04	Cover Dash RH
177	532 19 52-28	Bushing Steering	336	532 44 53-09	Cover Dash LH
180	532 19 54-57	Chassis	350	532 44 51-43	Clip X-mas Tree
182	532 40 68-59	Dash Lower	375	586 90 82-01	Dash Clip-On Bumper
183	595 30 57-01	Screw, Hexagon, 5/16-18 x 1-1/4	--	532 43 18-82	Bumper Kit Asm.
189	817 00 05-12	Screw 5/16-18 x 3/4			
191	532 43 74-55	Insert Reflective RH			
194	596 13 57-01	Nutlock, Prvl, Torq. 5/16-18 x .68			
195	532 40 41-37	Plug 12v Adapter			

**NOTE:** All component dimensions given in U.S. inches  
1 inch = 25.4 mm



**TRACTOR - - MODEL NO. TS 242D (96041044700), PRODUCT NO. 960 41 04-47**  
**DRIVE 40**



drive-tex\_K46\_pedal\_210

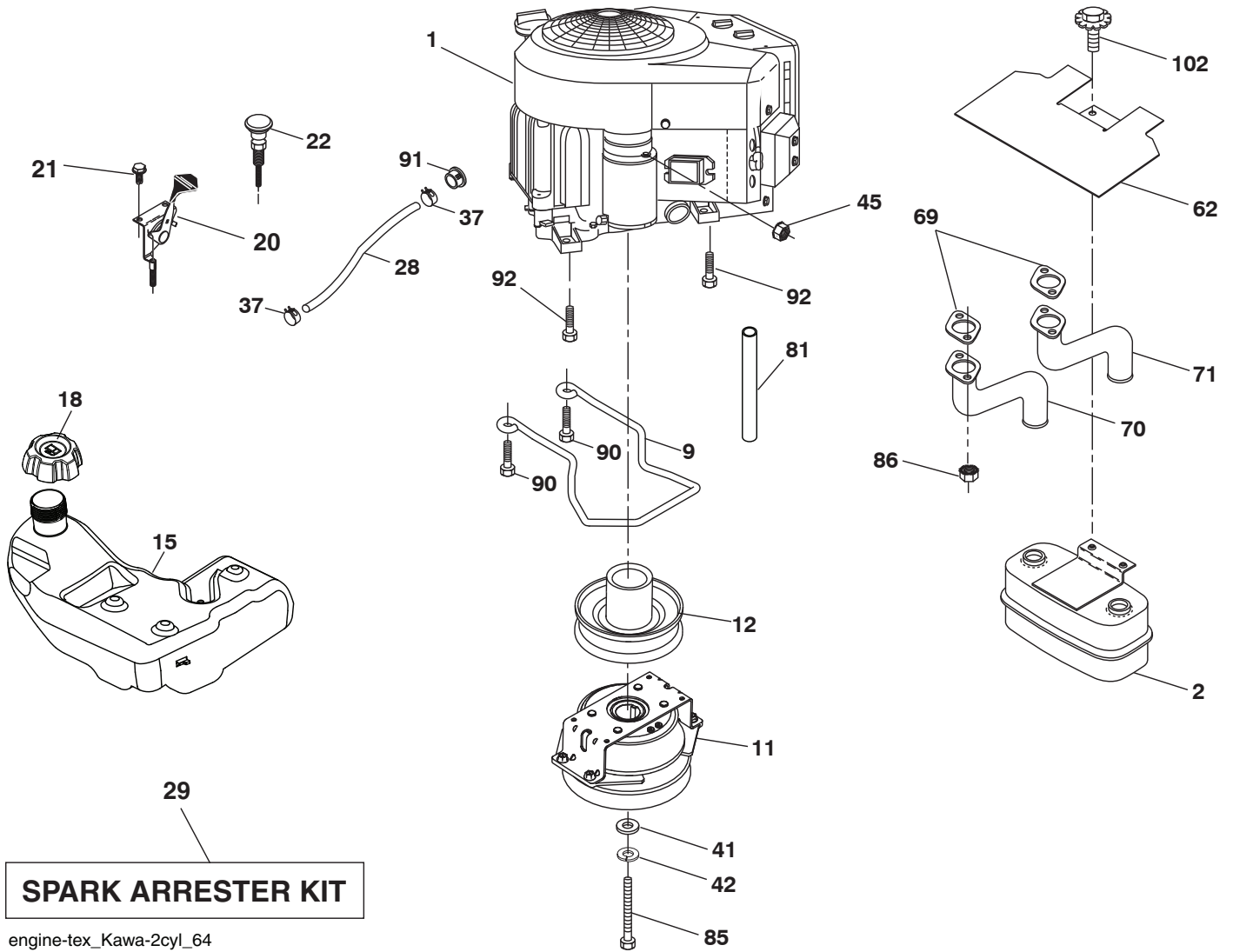


**TRACTOR - - MODEL NO. TS 242D (96041044700), PRODUCT NO. 960 41 04-47  
DRIVE **40****

KEY NO.	PART NO.	DESCRIPTION	KEY NO.	PART NO.	DESCRIPTION
1	-----	Transaxle, TUFFTORQ K46 CR (501051401) (Order parts from transaxle manufacturer.)	183	532 13 70-57	Spacer Split
2	532 12 35-83	Key 1/4 x 2.5	184	587 65 37-01	Handle Parking Brake
15	819 13 13-16	Washer 13/32 x 13/16 x 16 Ga.	185	872 11 06-22	Bolt RDHD 3/8-16 x 2-3/4 Gr. 5
17	532 41 36-78	Spring, Brake	186	532 19 43-21	Spacer Retainer
26	532 19 96-79	Spring Return Cruise	187	596 13 55-01	Washer, 13/32 x 2 Clear, Zinc
29	532 40 38-06	Rod, Brake	188	582 21 70-01	Link Clutch Ground Drive, Long
33	812 00 00-01	Ring E	189	532 19 43-17	Bellcrank Ground Drive
35	583 86 45-02	Rod, Brake, Park	190	532 19 43-18	Keeper Bellcrank Ground Drive
37	532 18 89-67	Washer Hardened	196	817 00 06-16	Screw 3/8-16 x 1
42	532 00 88-83	Cover, Foot Pedal	197	585 65 86-02	Link Clutch Anti-Rotation
49	596 13 62-01	Bolt, Cup Head, 3/8-16 x 3/4	205	532 12 17-48	Washer
50	532 19 43-27	Pulley Idler Flat	206	532 44 85-96	Bracket Mount Latch Cruise
51	873 90 06-00	Lock Nut 3/8-16	207	587 03 14-02	Latch Control Cruise
52	532 19 43-26	Idler V-Groove	208	596 56 41-01	Gear
56	592 85 52-01	V-Belt, Drive	209	596 86 98-01	Rod, Control, Cruise, Husq. Tex.
64	532 19 78-65	Shaft Asm. Pedal Brake Control	210	532 40 09-80	Rocker Asm. Pedal Control
69	532 42 33-03	Hairpin Soft Zink .059 x 1.125	211	532 12 01-83	Bearing Nylon
73	596 13 65-01	Bolt, Hex. Head, 5/16-18 x 1-1/2	213	532 40 31-19	Knob Control Cruise
92	595 30 57-01	Screw, Hexagon, 5/16-18 x 1-1/4	214	532 42 12-63	Pedal Forward
99	582 40 45-01	Rod Spring Bypass	215	586 60 65-02	Pedal Reverse
116	596 13 57-01	Nutlock, Prvl. Torq. 5/16-18 x .68	216	532 19 61-31	Bracket Pulley Idler
125	817 00 05-12	Screw 5/16-18 x 3/4	221	532 40 31-87	Retainer Spring Clip Handle
143	596 03 07-01	Screw, Hexagon, 5/16-18 x 1/2	222	879 21 20-10	Washer 21/32 x 1-1/4 x 10 Ga.
153	532 00 44-97	Retainer Spring	225	532 40 33-19	Keeper Belt Trans.
159	596 02 95-01	Pin, Cotter, 1/8 Dia. x 3/4	227	596 13 59-01	Bolt, Hex. 5/16-18 x 3/4 Clr. Znc.
160	596 02 94-01	Clip, Retainer, "M-Shape"	325	585 66 85-02	Torque Strap K46 LT RH
161	532 10 57-09	Spring, Return, Clutch	326	585 67 08-02	Bracket TRQ STP 46 20" Tire RH
163	593 86 10-01	Rod, Control, K46/K57R	336	587 25 96-02	Bolt, 5/16 x 1-3/4 Flanged
166	532 42 91-64	Nut Push .625			
167	532 40 52-57	Latch Brake Parking			
170	532 19 43-22	Keeper Belt Centerspan			
171	596 13 63-01	Bolt, Cup Head, 3/8-16 x 2			

**NOTE:** All component dimensions given in U.S. inches:  
1 inch = 25.4 mm.

TRACTOR - - MODEL NO. TS 242D (96041044700), PRODUCT NO. 960 41 04-47  
ENGINE **24**



**TRACTOR - - MODEL NO. TS 242D (96041044700), PRODUCT NO. 960 41 04-47  
ENGINE 24**

KEY NO.	PART NO.	DESCRIPTION
1	- - - - -	Engine KAWA Model No. FR651V (593006001) (Order parts from engine manufacturer.)
2	589 81 87-01	Muffler
9	501 83 26-02	Keeper Belt Engine
11	587 24 15-01	Clutch Electric
12	532 40 50-97	Pulley Engine
15	532 43 80-27	Tank Fuel 3.0
18	585 12 48-01	Cap Asm
20	532 41 21-65	Control Throttle
21	596 32 17-01	Screw, #10 x 0.750 BOS Thread
22	532 18 95-41	Control Choke
28	587 04 48-60	Fuel Line
29	532 13 71-80	Spark Arrester Kit
37	532 12 34-87	Clamp Hose
41	532 12 61-97	Washer 1-1/2 OD x 15/32 ID x .250
42	596 23 89-01	Washer, 7/16 in. Clr. Zn
45	596 13 36-01	Locknut, Keps. 1/4-20
62	532 43 40-17	Shield Heat Muffler
69	532 17 81-51	Gasket
70	583 95 56-01	Tube Exhaust LH
71	583 95 57-01	Tube Exhaust RH
81	532 14 84-56	Tube Drain Oil Easy
85	581 33 28-04	Bolt 7/16-20 x 3.5 Gr. 5
86	532 18 43-62	Nut Hx Flg Toplock M8-1.25
90	817 00 06-16	Screw 3/8-16 x 1
91	532 18 74-95	Bushing
92	817 12 06-16	Screw 3/8-16 x 1
102	817 00 05-12	Screw 5/16-18 x 3/4

**NOTE:** All component dimensions given in U.S. inches  
1 inch = 25.4 mm

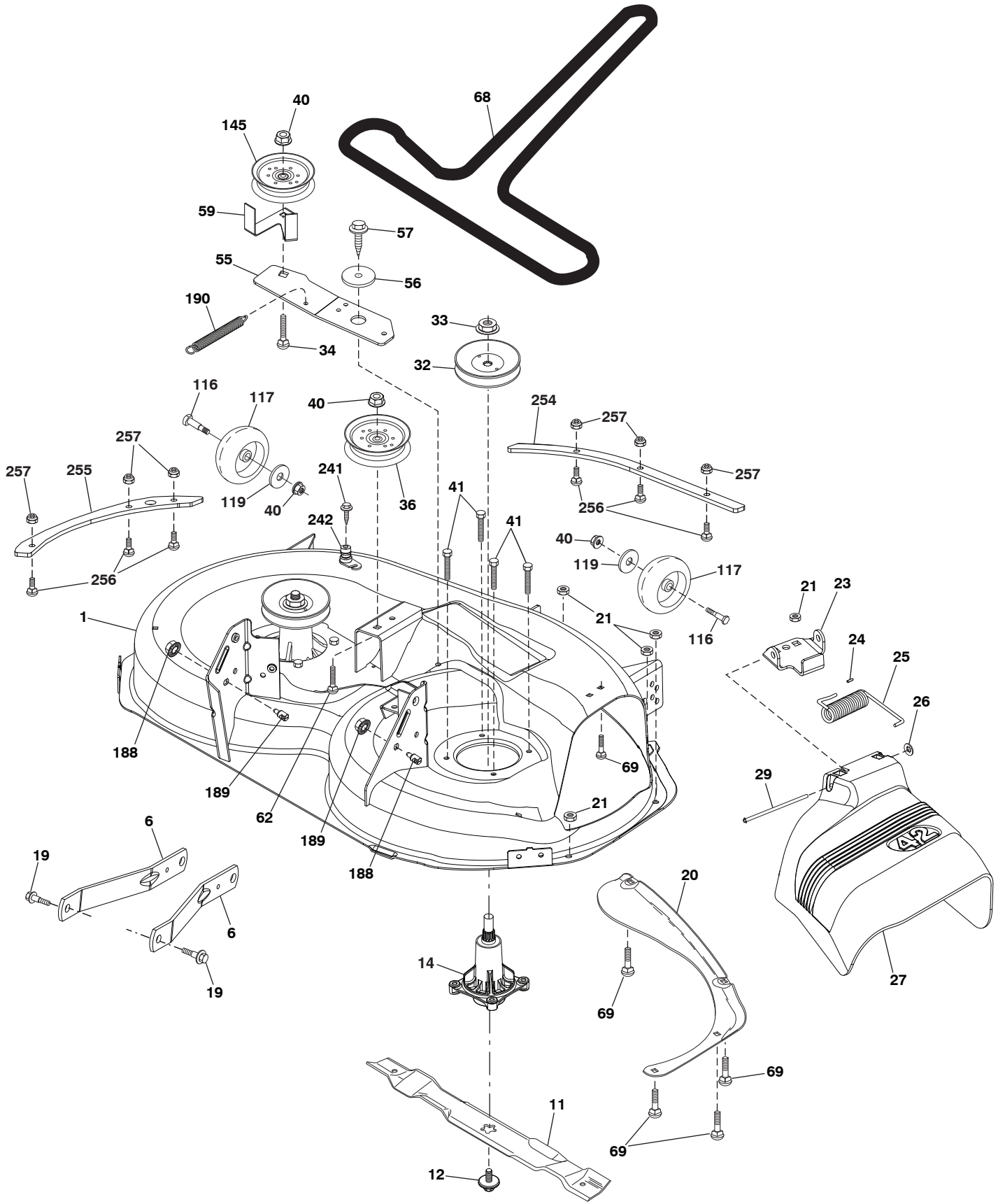


**TRACTOR - - MODEL NO. TS 242D (96041044700), PRODUCT NO. 960 41 04-47  
STEERING ASSEMBLY **41****

<b>KEY NO.</b>	<b>PART NO.</b>	<b>DESCRIPTION</b>
1	532 43 97-40	Wheel, Steering
2	532 41 35-91	Axle Asm., Front
4	532 40 30-87	Spindle Asm., LH
5	532 40 30-88	Spindle Asm., RH
6	532 00 62-66	Washer Thrust .75 x 1.230
7	532 12 17-48	Washer 25/32 x 1-5/8 x 16 Ga.
8	812 00 00-29	Ring, Klip #T5304-75
9	532 12 12-32	Cap, Spindle
13	532 12 17-49	Washer 25/32 x 1-1/4 x 16 Ga.
14	596 23 87-01	Washer, Spring, Lock, .381 ID x .680
15	873 54 06-00	Nut, Crown Lock 3/8-24 unf
16	587 01 60-02	Steering Shaft
19	532 19 47-29	Plate Steering
21	586 84 02-01	Adapter Wheel Steering
22	585 02 98-02	Bearing
26	532 43 97-43	Insert, Wheel Steering
27	596 93 34-01	Washer, Plain
28	817 00 06-12	Screw 3/8-16 x 3/4
35	532 19 47-32	Gear, Sector Plate
45	587 01 64-01	Washer 3/8 ID 2-3/8 OD 12 Ga. PLTD
50	873 90 06-00	Nut Lock Flg 3/8-16 unc
53	532 18 89-67	Washer Hardened .793 x 1.637 x .060
57	532 40 74-65	Bracket Upstop
58	532 19 47-47	Bolt Shoulder Sector Pivot CFM
59	532 19 47-48	Washer Thrust Sector Steering
60	873 97 10-00	Nut Flange Lock 5/8-11
61	597 07 02-02	Draglink, LH. Adj. Std. Clrzn.
62	597 07 03-02	Draglink, RH. Adj. Std. Clrzn.
63	817 00 05-12	Screw 5/16-18 x 3/4
64	532 19 98-49	Retainer Clip Spring Steering
66	871 02 07-48	Bolt Hex Fghd 7/16-14 x 3 Serr
67	532 19 47-37	Bushing PM Front Axle
68	873 90 07-00	Nut Lock Flange 7/16-14 Gr. 5
69	532 19 91-62	Washer 1.5 x .505 x .118
70	585 33 88-01	Bracket Deck Susp. Front
75	580 68 37-01	Pinion
76	580 68 36-01	Screw Head Sock
118	532 40 60-13	Bushing
122	532 44 49-62	Cap Gear

**NOTE:** All component dimensions given in U.S. inches:  
1 inch = 25.4 mm.

**TRACTOR - - MODEL NO. TS 242D (96041044700), PRODUCT NO. 960 41 04-47  
MOWER DECK 44**



42\_D\_elec-tex\_46\_r1

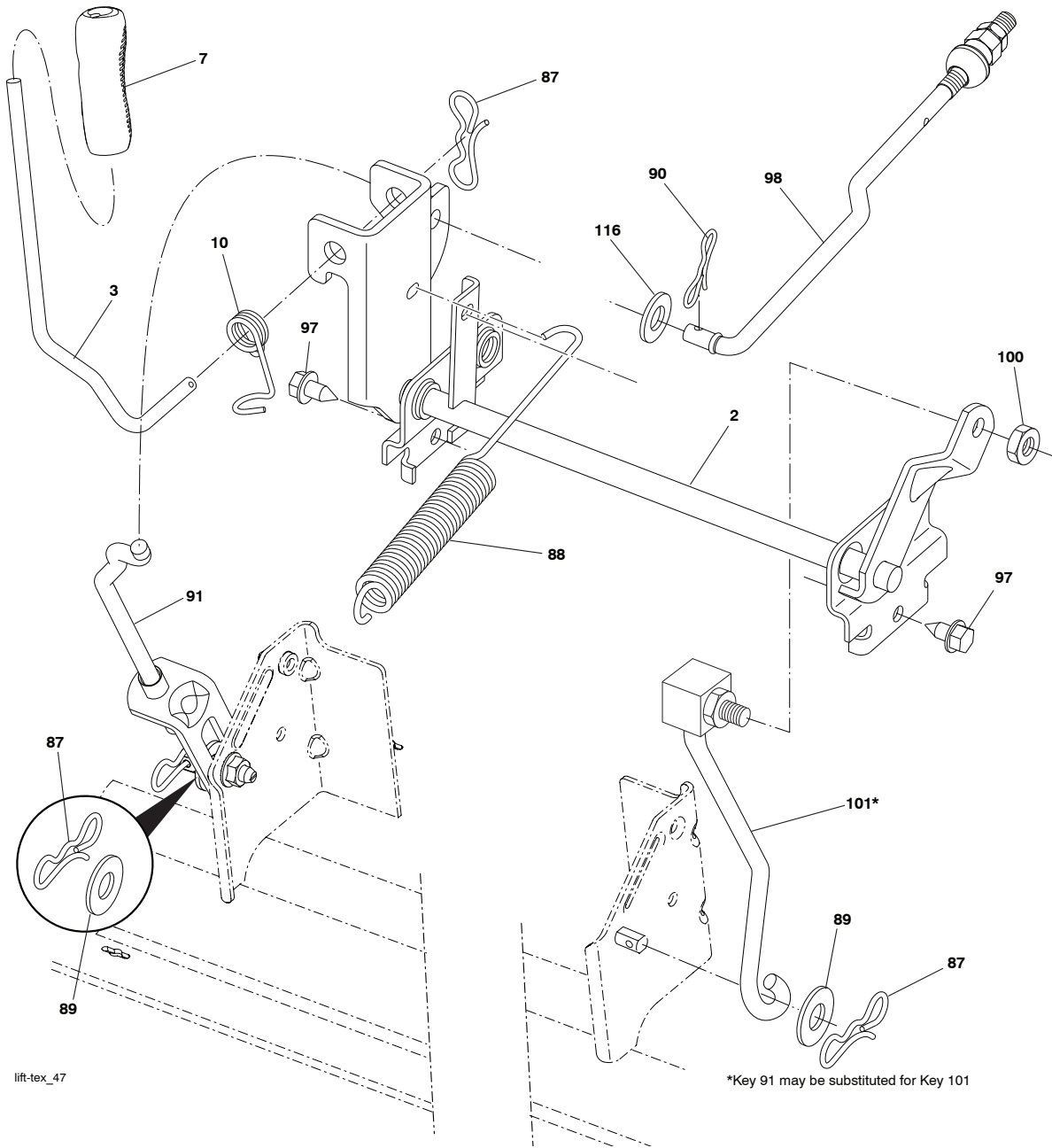
**TRACTOR - - MODEL NO. TS 242D (96041044700), PRODUCT NO. 960 41 04-47  
MOWER DECK 44**

<b>KEY NO.</b>	<b>PART NO.</b>	<b>DESCRIPTION</b>
1	532 44 81-43	Kit SVC Weldment
6	532 19 51-86	Arm Susp. Rear
11	532 13 89-71	Blade Revolution 42"
12	584 30 93-01	Screw Sems 7/16-20 x 1 Hex Hd
14	587 81 97-01	Kit, Madrel, Nongrease, Tall (includes mandrel and bolts)
19	532 19 65-39	Bolt, Shoulder
20	532 15 97-70	Baffle, Vortex
21	596 04 05-01	Nutlock, Hex. Prvl. 5/16-18
23	532 19 25-57	Bracket, Deflector Mower 42"
24	532 10 53-04	Cap, Sleeve 80 x 112 Blk Mower
25	532 19 70-26	Spring, Torsion, Deflector
26	532 11 04-52	Nut, Push Phos & Oil
27	532 40 30-04	Shield, Deflector
29	595 29 70-01	Rod, Hinge
32	532 15 35-35	Pulley, Mandrel
33	596 13 48-01	Nut, Hex. 9/16-18 x 1.010
34	596 13 61-01	Bolt, Cup Head, 3/8-16 x 1-1/2
36	532 19 73-79	Pulley, Idler, Flat
40	873 90 06-00	Nut Lock 3/8-16
41	584 95 39-01	Bolt Hex Wsh Hd 3/8-18 x 1.19
55	532 43 71-10	Arm, Idler
56	532 19 90-92	Spacer, Retainer
57	817 00 06-16	Screw 3/8-16 x 1
59	532 14 10-43	Guard TUV Idler
62	596 13 63-01	Bolt, Cup Head, 3/8-16 x 2
68	532 14 49-59	V-Belt, 42" Mower
69	596 13 64-01	Bolt, Cup Head, 5/16-18 x 5/8
116	596 43 44-02	Bolt, Shldr. 2.41 x 1.66 x 5" Clr. Zn.
117	589 52 74-01	Wheel, Gauge
119	596 13 49-01	Washer, Plain, 3/8 x 7/8
145	532 19 31-97	Pulley Idler Primary
188	532 19 51-61	Stud Fastner w/D Anti-Rotation
189	596 13 57-01	Nutlock, Prvl. Torq. 5/16-18 x .68
190	532 19 72-51	Spring Mower Drive
241	532 15 29-27	Screw TT #10-32.5. 3/8
242	532 41 55-98	Port Washout
254	585 31 68-05	Reinforcement Plate Front
255	585 31 70-05	Reinforcement Plate Side
256	592 80 78-01	Bolt 1/4-20 x 1
257	873 90 04-00	Nut 1/4-20 unc
--	589 88 69-01	Replacement, Mower

**NOTE:** All component dimensions given in U.S. inches  
1 inch = 25.4 mm



**TRACTOR - - MODEL NO. TS 242D (96041044700), PRODUCT NO. 960 41 04-47**  
**MOWER LIFT 45**



lift-tex\_47

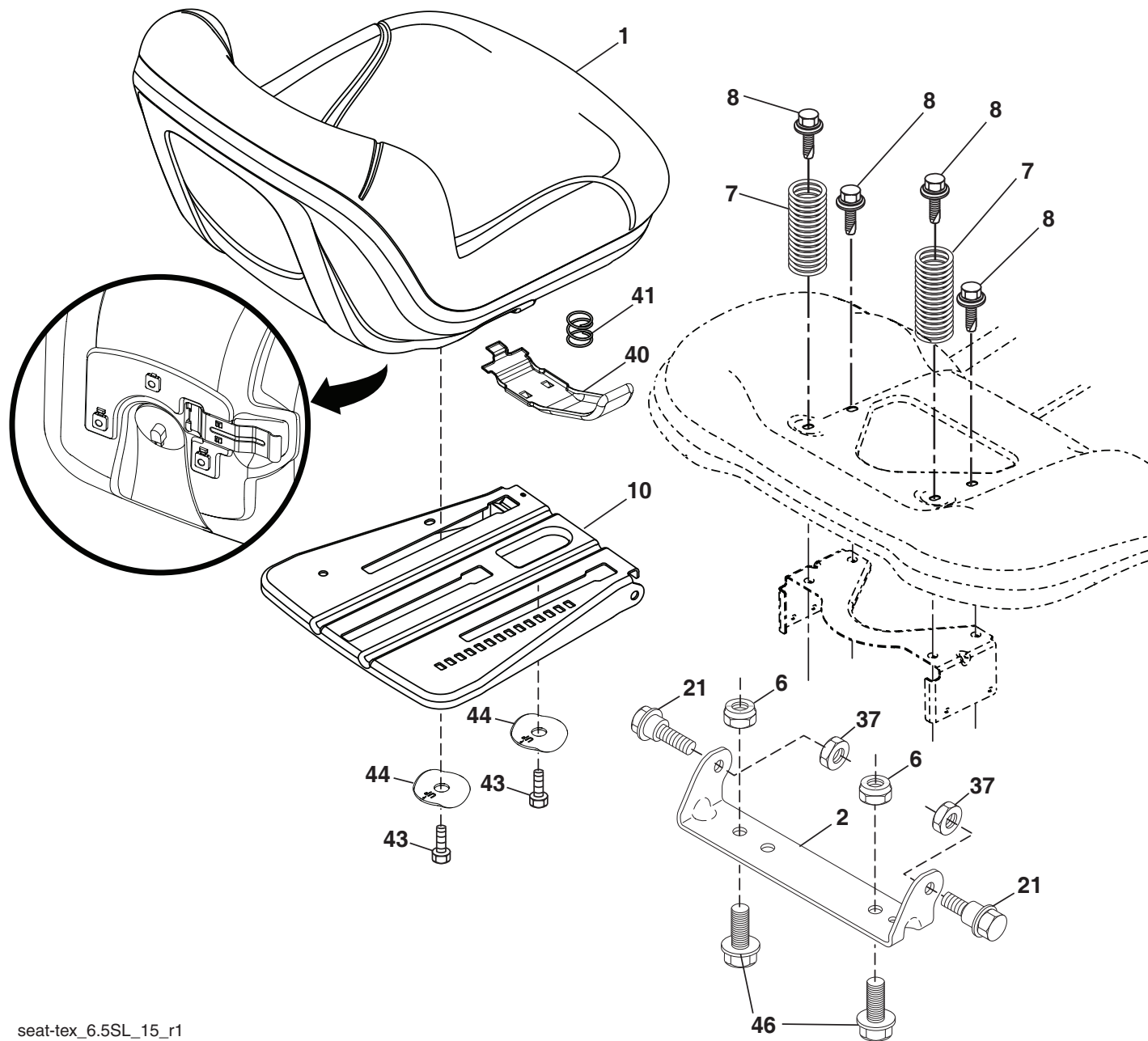
\*Key 91 may be substituted for Key 101

KEY NO.	PART NO.	DESCRIPTION
2	532 42 20-27	Shaft Asm., Lift
3	532 19 52-31	Lever Asm., Lift
7	580 96 23-01	Grip, Lever
10	532 19 63-14	Spring Torsion
87	532 19 42-09	Pin Cotter 7/16 Bow Tie Lock
88	532 41 07-10	Spring Lift Assist
89	819 19 19-12	Washer Clear Zinc
90	532 19 42-08	Pin Cotter 5/16 Bow Tie Lock
91	589 46 48-03	Link, Assy. Lift, Rear

KEY NO.	PART NO.	DESCRIPTION
97	817 00 06-12	Screw 3/8-16 x 3/4
98	532 19 52-70	Link Lift Susp. Front Mower
100	595 30 59-01	Nut, Hex. Locknut, 3/8-16
101	532 40 70-03	Link Asm. Lift FXD
116	594 97 65-01	Washer 15/32 x 15/16 x .065

**NOTE:** All component dimensions given in U.S. inches:  
 1 inch = 25.4 mm.

**TRACTOR - - MODEL NO. TS 242D (96041044700), PRODUCT NO. 960 41 04-47  
SEAT ASSEMBLY 42**



seat-tex\_6.5SL\_15\_r1

KEY NO.	PART NO.	DESCRIPTION
1	532 43 98-22	Seat
2	532 18 01-66	Bracket Pivot Fender
6	873 80 06-00	Nut, Lock w/Ins. 3/8-16 unc
7	589 48 35-01	Spring, Seat Cprsn
8	532 17 18-77	Bolt 5/16-18 unc x 3/4 w/Sems
10	596 65 74-02	Plate
21	587 90 78-01	Bolt, Shoulder 5/16-18 x 5/8
37	596 58 37-02	Nut, W/Nonmetal, Ins. Blk. Zinc
40	595 08 81-02	Handle, Seat, Slide, E-Dip, x 431

KEY NO.	PART NO.	DESCRIPTION
41	532 19 82-00	Spring Latch Seat
43	874 76 06-12	Bolt 3/8-16 x 3/4
44	501 05 18-01	Washer Winged 3/8 ID 1.5 OD
46	588 09 04-01	Bolt 3/8-16 x 1, 1.25 OD

**NOTE:** All component dimensions given in U.S. inches  
1 inch = 25.4 mm

