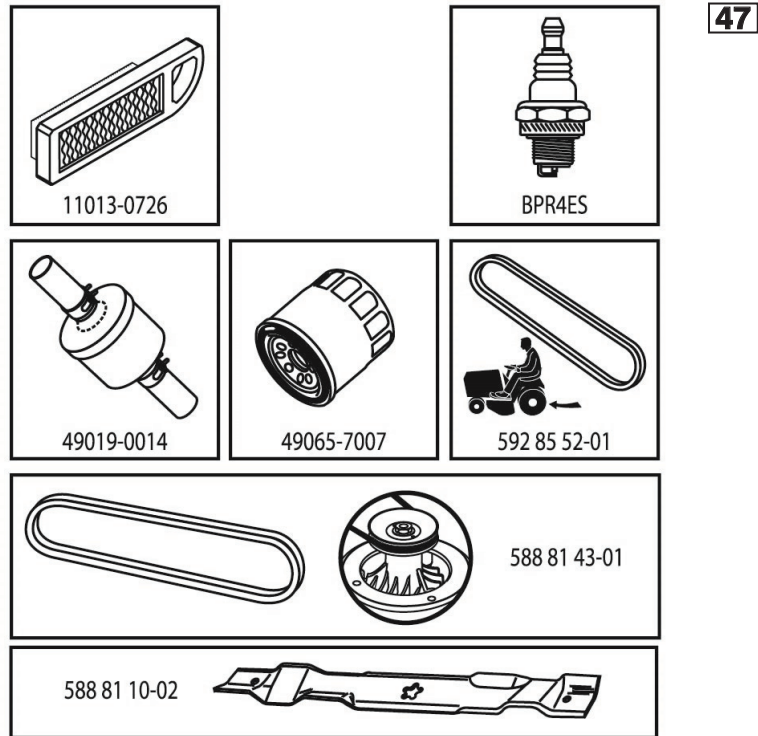


ILLUSTRATED PARTS LIST

MFG. ID NO. 96041039800

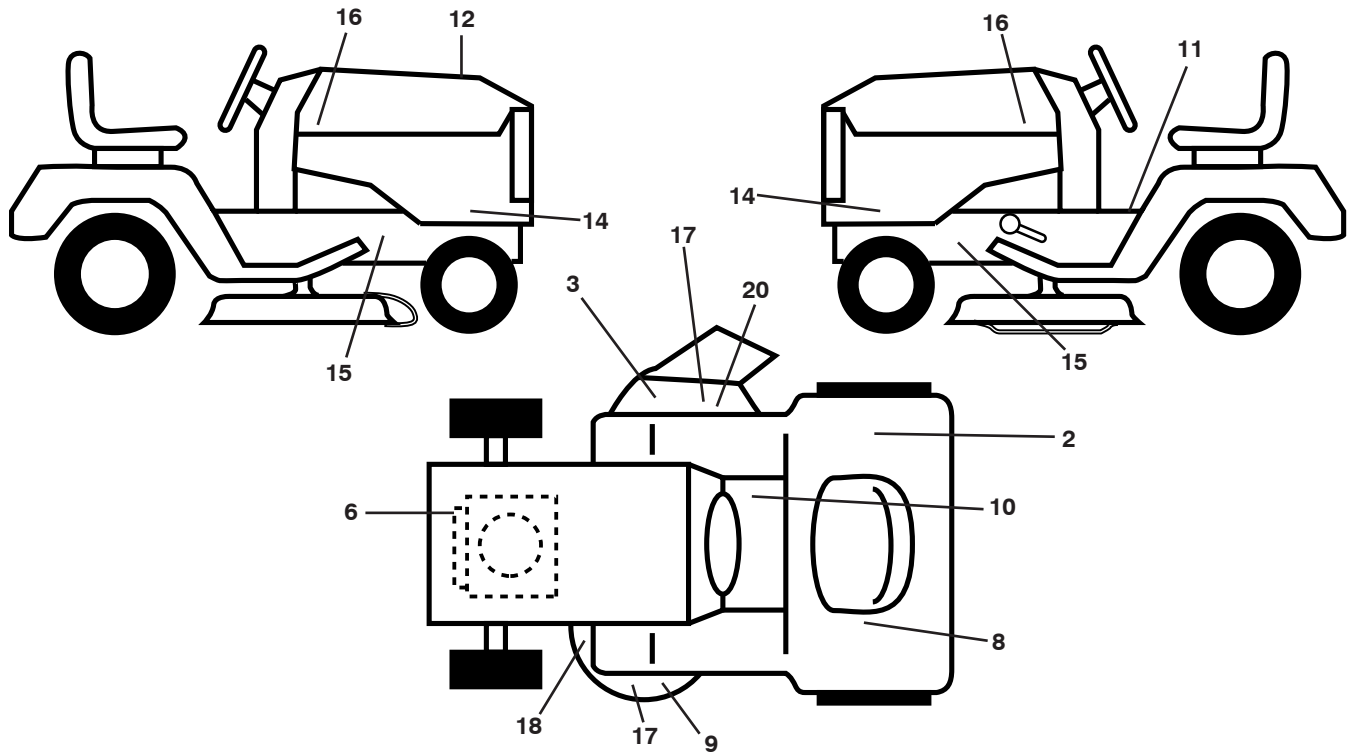
CUSTOMER CATALOG NO. TS 348

PRODUCT NO. 960 41 03-98



590412301

**TRACTOR - - MODEL NO. TS 348 (96041039800), PRODUCT NO. 960 41 03-98
DECALS 27**



**KEYPART
NO. NO.**

DESCRIPTION

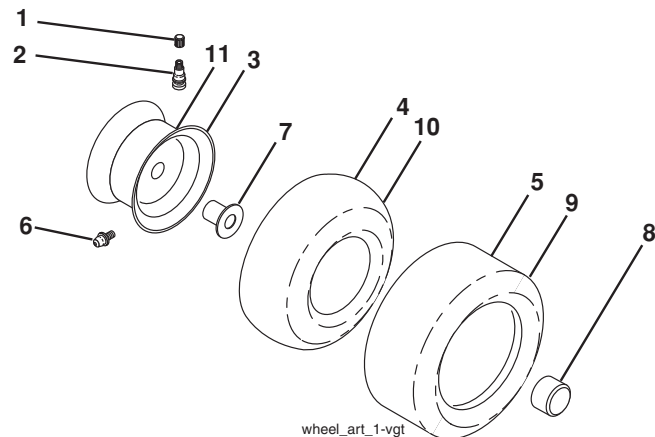
2	501 08 26-01	Decal, ECM Australia
3	586 97 88-01	Decal, TR/ZTR Deck Warning
6	581 57 97-01	Decal, Warning Eng. Syms.
8	587 01 51-01	Decal, Warn. Reserve Fuel
9	590 88 50-01	Decal, Clearcut
10	586 80 03-01	Decal, Oper. Cruise Sym.
11	586 04 73-02	Decal, Warning Sym.
12	590 41 23-01	Decal, RPL
14	588 77 47-01	Decal, Panel Side
15	581 57 96-01	Decal, Chassis Hot Muffler
16	581 62 73-01	Decal, Badge Logo

**KEYPART
NO. NO.**

DESCRIPTION

17	589 35 79-01	Decal, No Step
18	581 58 00-02	Decal, Mower DFLCTR Warning CTFNGR
20	579 81 79-01	Decal, Warning
--	501 74 90-01	Decal, Drawbar Locking Differential
--	581 72 48-01	Decal, Bypass
--	532 43 98-82	Pad, Footrest, LH
--	532 43 98-81	Pad, Footrest, RH
--	581 72 46-01	Decal, Drawbar Load
--	115 87 97-28	Manual, Operator's English

WHEELS AND TIRES



**KEYPART
NO. NO.**

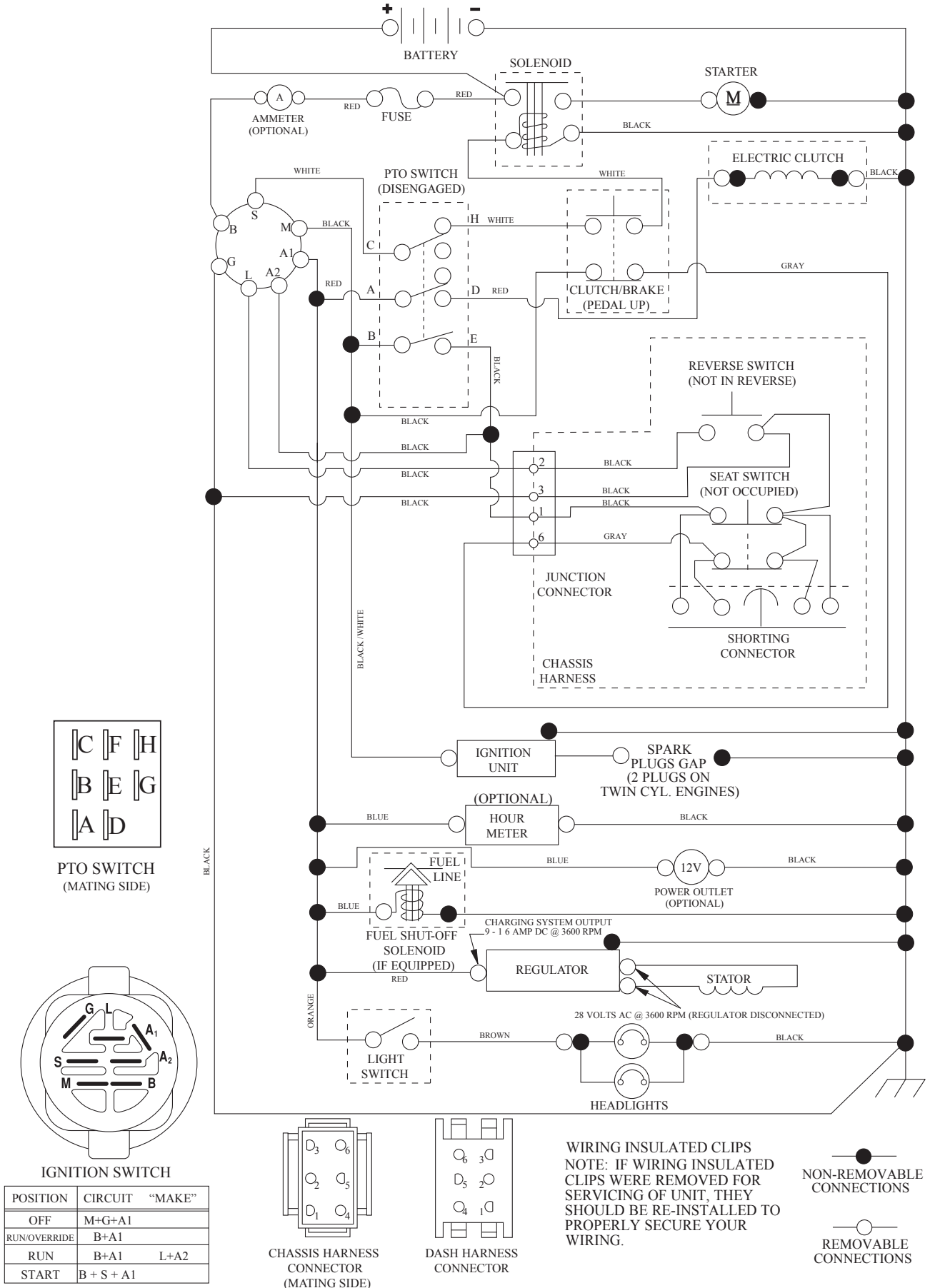
DESCRIPTION

1	532 05 91-92	Cap, Valve, Tire
2	532 06 51-39	Stem, Valve
3	532 18 18-39	Rim Assembly, Front
4	532 05 99-04	Tube, Front (Service Item Only)
5	532 16 10-24	Tire, Front 16 x 6.5-8
6	532 00 02-78	Fitting, Grease (Front Wheel Only)
7	532 00 90-40	Bearing, Flange (Front Wheel Only)
8	532 17 50-39	Cap, Axle
9	532 17 04-56	Tire, Rear 20 x 10-8
10	532 00 71-52	Tube, Rear (Service Item Only)
11	532 13 83-37	Rim Assembly, Rear
--	532 14 43-34	Sealant, Tire (10 oz. Tube)

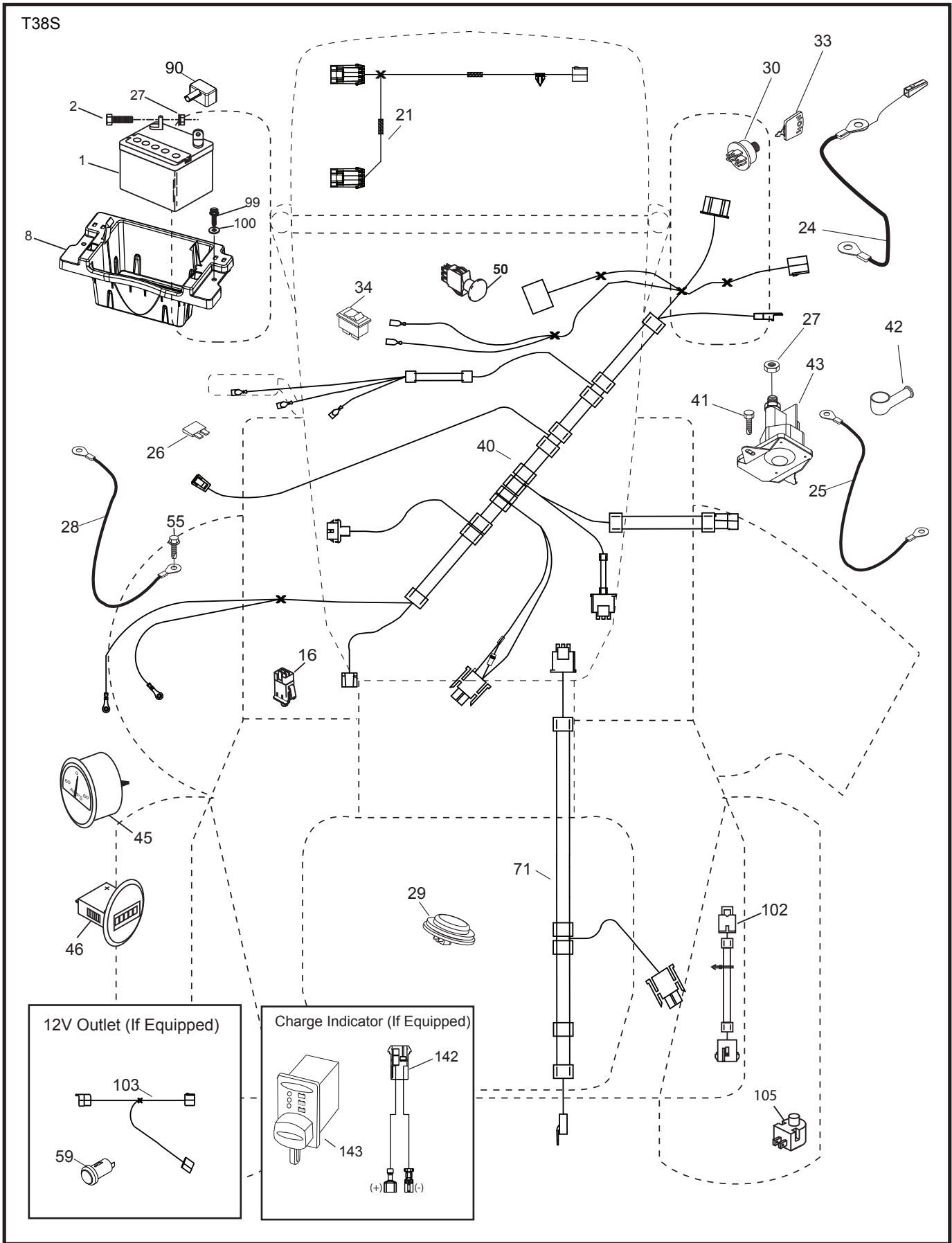
NOTE: All component dimensions given in U.S. inches
1 inch = 25.4 mm

TRACTOR - - MODEL NO. TS 348 (96041039800), PRODUCT NO. 960 41 03-98 SCHEMATIC 38

SCH12



TRACTOR - - MODEL NO. TS 348 (96041039800), PRODUCT NO. 960 41 03-98
ELECTRICAL 32

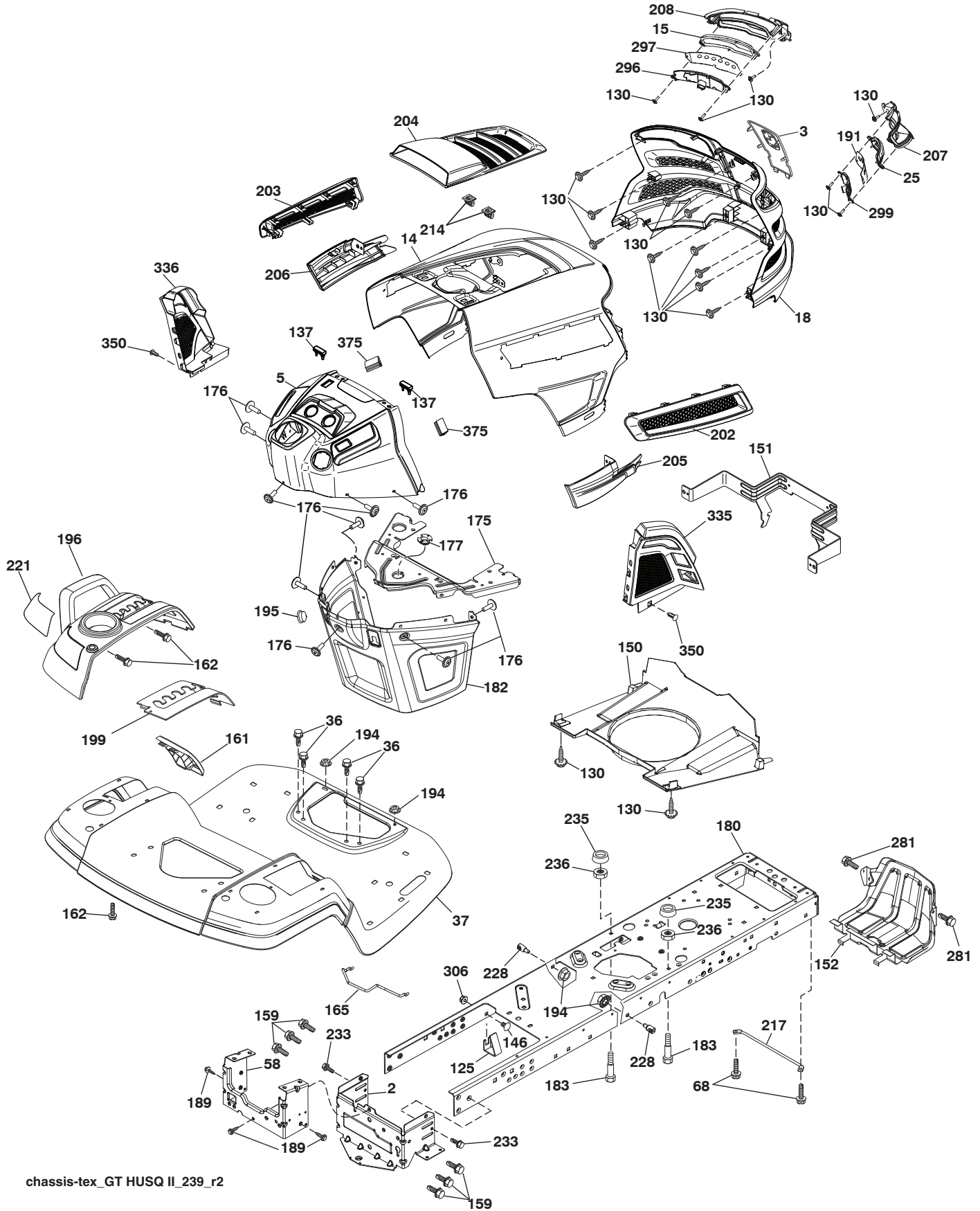


**TRACTOR - - MODEL NO. TS 348 (96041039800), PRODUCT NO. 960 41 03-98
ELECTRICAL 32**

KEY PART NO. NO.	DESCRIPTION
1 532 16 34-65	Battery
2 874 76 04-12	Bolt Hex Hd. 1/4-20 unc x 3/4
8 587 20 51-01	Battery Box
16 532 17 61-38	Switch Interlock
21 585 43 64-01	Harness Light
24 585 55 56-01	Cable Battery
25 585 55 55-01	Cable Starter
26 532 17 51-58	Fuse
27 873 51 04 00	Nut Keps Hex 1/4-20 unc
28 532 41 65-88	Cable Ground
29 532 40 15-45	Switch Seat
30 532 19 33-50	Switch Ign.
33 532 41 19-35	Key/Chain
34 532 11 07-12	Switch Light
40 501 13 31-01	Harness Ign. Dash
41 817 72 04-08	Screw 1/4-20 x 1/2
42 532 13 15-63	Cover Terminal
43 582 04 28-01	Solenoid
45 587 55 39-03	Ammeter Guage Round
46 587 55 40-03	Hourmeter Gauge
50 582 10 76-01	Switch PTO
55 817 06 05-12	Screw 5/16-18 x 3/4
71 532 19 42-76	Harness Ign. Chassis
90 532 43 53-95	Cover Terminal Battery
99 817 67 04-12	Screw Hex Wsh. Thdrol. 1/4-20 x 3/4
100 819 09 14-16	Washer 9/32 x 7/8 x 16 Ga.
102 532 40 44-54	Harness Pigtail Tex ROS Tufftorq
105 532 40 75-68	Switch Reverse

NOTE: All component dimensions given in U.S. inches
1 inch = 25.4 mm

TRACTOR - - MODEL NO. TS 348 (96041039800), PRODUCT NO. 960 41 03-98
CHASSIS AND ENCLOSURES 39



chassis-tex_GT HUSQ II_239_r2

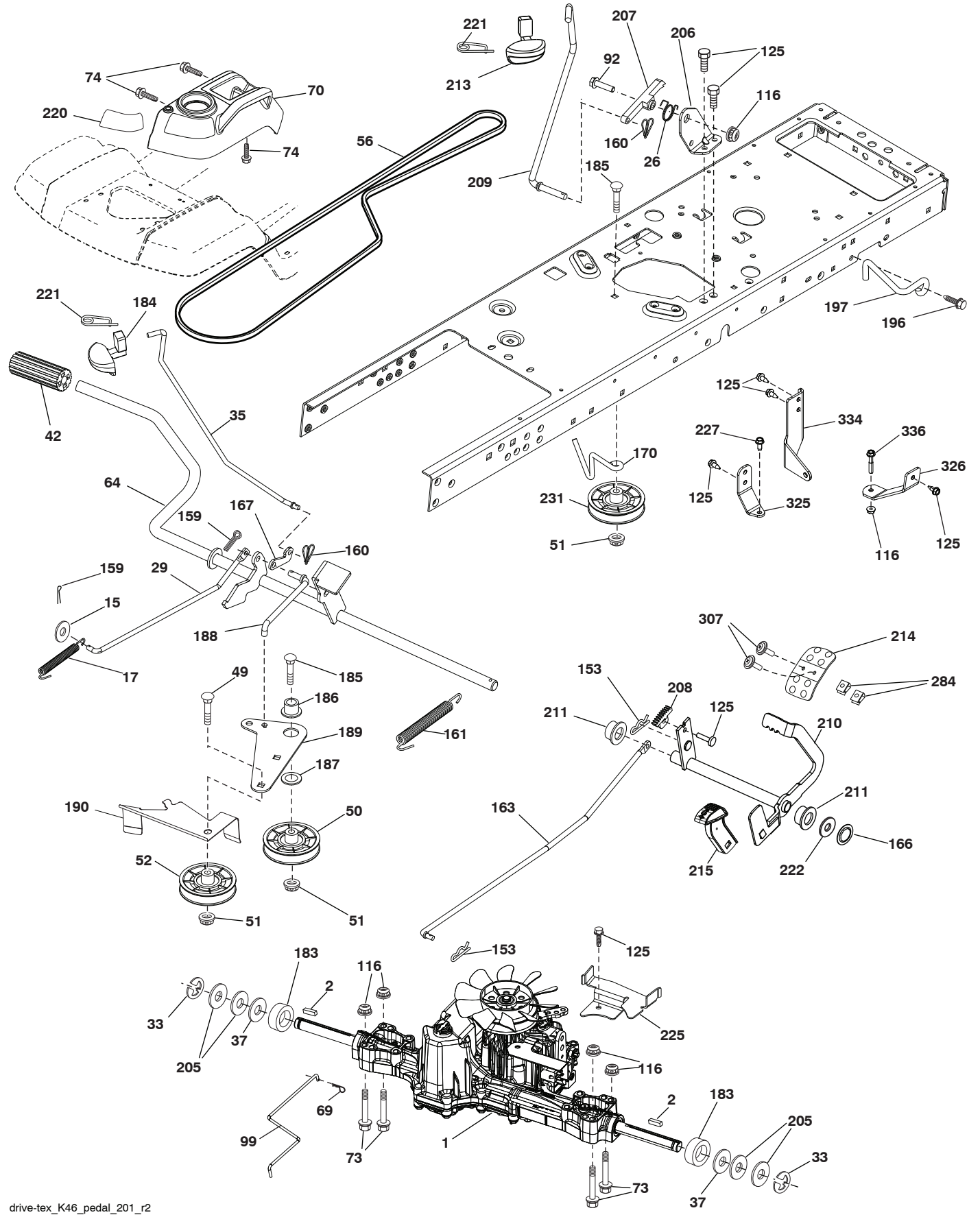
**TRACTOR - - MODEL NO. TS 348 (96041039800), PRODUCT NO. 960 41 03-98
CHASSIS AND ENCLOSURES 39**

KEY NO.	PART NO.	DESCRIPTION
2	532 41 22-82	Drawbar Lower
3	532 44 44-81	Applique
5	590 74 88-17	Dash
14	532 44 11-77	Hood
15	585 42 03-01	Lens LH
18	587 52 34-01	Grille
25	585 42 02-01	Lens RH
36	817 06 05-12	Screw 5/16-18 x 3/4
37	532 44 12-08	Fender
58	532 41 22-81	Drawbar Upper
68	539 99 08-58	Screw 5/16-18 x 1/2
125	581 68 48-01	Clip Fuel Line
130	532 41 63-58	Screw #10 x 0.750 BOS Thread
137	532 40 75-90	Bumper Dash
146	581 85 79-01	Bolt
150	532 43 97-74	Air Duct
151	532 43 66-70	Bracket Pivot
152	532 43 98-70	Shield Browning
159	817 00 06-12	Screw Hexwsh THDR 3/8 - 16x3/4
161	532 43 99-29	Window Fuel
162	532 14 24-32	Screw
165	532 19 43-30	Support Tank Rear
175	590 60 77-02	Crossmember
176	532 40 07-76	Screw 10-24 x 5/8
177	532 19 52-28	Bushing Steering
180	593 34 63-01	Chassis
182	532 40 68-59	Dash Lower
183	874 52 05-20	Bolt 5/16-18 x 1-1/4 Full Thread
189	817 00 05-12	Screw 5/16-18 x 3/4
191	586 18 28-01	Insert RH
194	873 90 05-00	Nut Lock Hex Flange 5/16-18

KEY NO.	PART NO.	DESCRIPTION
195	532 40 41-37	Plug Hole Dash Lower
196	532 43 97-16	Console Asm. Deck Lift
199	532 19 82-59	Plate Deck Lift
202	532 43 97-28	Vent Side Hood RH
203	532 43 97-27	Vent Side Hood LH
204	532 44 44-84	Vent Top Hood
205	532 43 97-30	Trim Hood Side RH
206	532 43 97-29	Trim Hood Side LH
207	585 42 00-02	Bezel RH
208	585 42 01-02	Bezel LH
214	532 19 91-45	Clip Retainer Tinner
217	532 40 91-67	Rod Pivot
221	532 19 89-09	Reflector LH
228	532 19 51-61	Stud Fastner
233	532 19 65-39	Bolt Shoulder
235	532 40 61-29	Spacer Fender
236	873 93 05-00	Nut Lock 5/16-18 unc
281	817 00 06-16	Screw 3/8-16 x 1
296	585 42 05-01	LED Light LH
297	586 18 29-01	Insert LH
299	585 42 04-01	LED Light RH
306	873 90 06-00	Nut Lock
335	532 44 82-04	Cover Dash RH
336	532 44 53-09	Cover Dash LH
350	532 44 51-43	Clip X-mas Tree
375	586 90 82-01	Dash Clip-On Bumper
--	532 43 18-82	Kit Guard Brush

NOTE: All component dimensions given in U.S. inches
1 inch = 25.4 mm

TRACTOR - - MODEL NO. TS 348 (96041039800), PRODUCT NO. 960 41 03-98
DRIVE 40



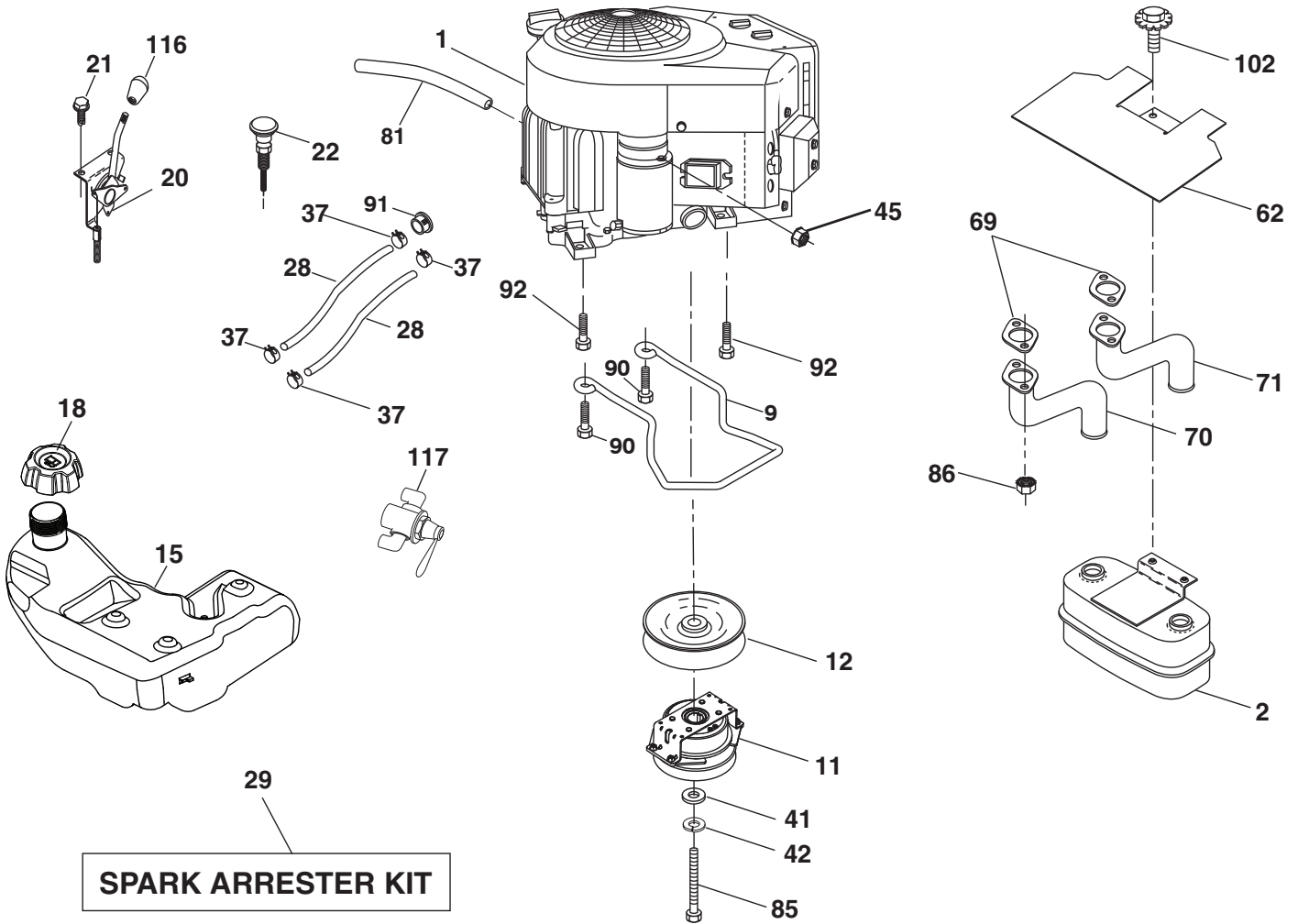
drive-tex_K46_pedal_201_r2

**TRACTOR - - MODEL NO. TS 348 (96041039800), PRODUCT NO. 960 41 03-98
DRIVE 40**

KEY NO.	PART NO.	DESCRIPTION	KEY NO.	PART NO.	DESCRIPTION
1	-----	Transaxle, TUFFTORQ K46 CR (501051401) (Order parts from transaxle manufacturer.)	184	587 65 37-01	Handle Parking Brake
2	532 12 35-83	Key	185	872 11 06-22	Bolt Rdhd Sqnk 3/8-16 x 2-1/2
15	819 13 13-16	Washer 13/32 x 13/16 x 16 Ga.	186	532 19 43-21	Spacer Retainer
17	532 41 36-78	Spring, Brake	187	819 13 32-10	Washer
26	532 19 96-79	Spring Return Cruise	188	582 21 70-01	Link Clutch Ground Drive, Long
29	532 40 38-06	Rod, Brake	189	532 19 43-17	Bellcrank Ground Drive
33	812 00 00-01	Ring E	190	532 19 43-18	Keeper Bellcrank Ground Drive
35	583 86 45-02	Rod, Brake, Park	196	817 00 06-16	Screw 3/8-16 x 1
37	532 18 89-67	Washer Hardened	197	587 40 20-01	Link Clutch Anti-Rotation
42	532 00 88-83	Cover, Foot Pedal	205	532 12 17-48	Washer
49	872 11 06-14	Bolt	206	532 44 85-96	Bracket Mount Latch Cruise
50	532 19 43-27	Pulley Idler Flat	207	587 03 14-01	Latch Control Cruise
51	873 90 06-00	Lock Nut 3/8-16	208	532 19 78-69	Gear Sector Control Cruise
52	532 19 43-26	Idler V-Groove	209	532 19 95-92	Rod Control Cruise
56	532 13 09-69	V-Belt, Drive	210	532 19 78-60	Rocker Asm. Pedal Control
64	532 19 78-65	Shaft Asm. Pedal Brake Control	211	532 12 01-83	Bearing Nylon
69	532 42 33-03	Hairpin Soft Zink .059 x 1.125	213	532 40 31-19	Knob Control Cruise
70	532 43 96-61	Console Shift	214	532 41 68-63	Pedal Forward
73	874 49 05-40	Bolt Hex Flghd 5/16-18 Gr. 5	215	586 60 65-02	Pedal Reverse
74	532 14 24-32	Screw Hex Wsh. Hi-Lo 1/4 x 1/2 unc	220	532 19 89-08	Reflector RH
92	874 76 05-20	Bolt Fin Hex 5/16-18 unc x 1.25	221	532 40 31-87	Retainer Spring Clip Handle
99	582 40 45-01	Rod Spring Bypass	222	879 21 20-10	Washer 21/32 x 1-1/4 x 10 Ga.
116	873 90 05-00	Nut Lock Hex Flange 5/16-18	225	532 40 33-19	Keeper Belt Trans.
125	817 00 05-12	Screw 5/16-18 x 3/4	227	817 49 05-12	Screw Thdrol 5/16-18 x 3/4
153	532 00 44-97	Retainer Spring	231	532 40 72-87	Idler V-Groove
159	876 02 04-12	Pin Cotter 1/8 x 3/4	284	532 41 76-93	Nut U-CHNL 1/4-20
160	532 16 94-84	Retainer Clip	307	874 18 04-12	Screw MACH CR 1/4-20 x 3/4
161	532 10 57-09	Spring, Return, Clutch	325	586 43 12-02	Torque Strap K46 LT LH
163	532 44 82-75	Rod Pedal Control	326	586 00 11-02	Bracket TRQ STP 46 20" Tire RH
166	532 42 91-64	Nut Push	334	585 88 22-01	Sway Rod Bracket
167	532 40 52-57	Latch Brake Parking	336	587 25 96-01	Bolt 5/16-18 x 1-3/4 Flanged
170	532 41 34-30	Keeper Belt Centerspan			
183	532 13 70-57	Spacer Split			

NOTE: All component dimensions given in U.S. inches
1 inch = 25.4 mm

**TRACTOR - - MODEL NO. TS 348 (96041039800), PRODUCT NO. 960 41 03-98
ENGINE [24]**



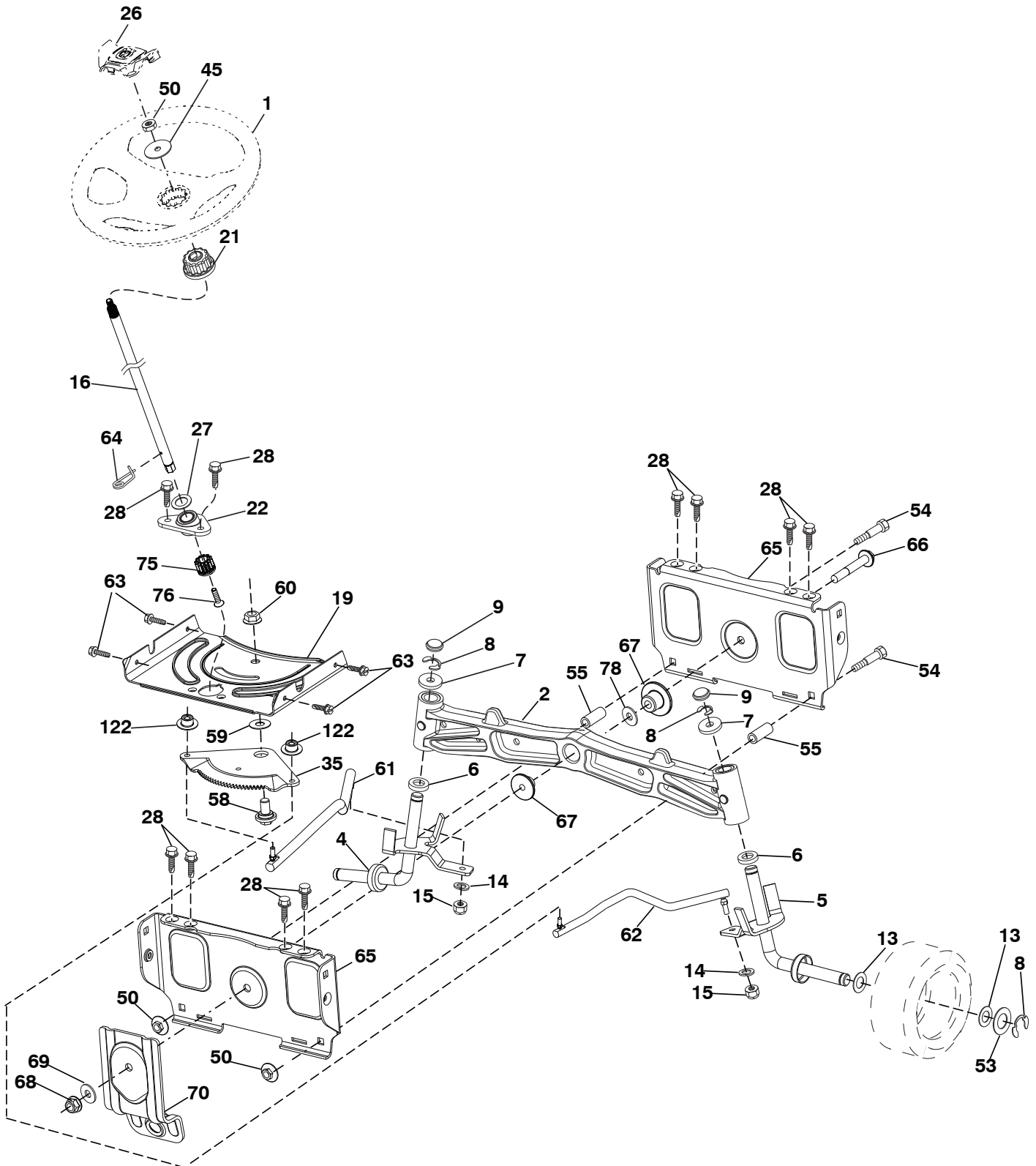
engine-tex_Kawa-2cyl_45_r3

**TRACTOR - - MODEL NO. TS 348 (96041039800), PRODUCT NO. 960 41 03-98
ENGINE 24**

KEY NO.	PART NO.	DESCRIPTION
1	-----	Engine Kawa Model No. FR691-DS15 (581557501) (Order parts from engine manufacturer.)
2	589 81 87-01	Muffler
9	501 83 26-02	Keeper Belt Engine
11	587 25 50-01	Clutch Electric
12	586 89 96-01	Pulley Engine
15	532 42 28-04	Tank Fuel
18	584 24 87-02	Cap
20	532 42 43-41	Control Throttle
21	532 41 63-58	Screw #10 x .750 BOS Thread
22	532 18 95-41	Control Choke
28	587 04 48-61	Fuel Line
29	532 13 71-80	Spark Arrester Kit
37	532 12 34-87	Clamp Hose
41	532 12 61-97	Washer 1-1/2 OD x 15/32 ID x .250
42	539 99 02-47	Washer Lock 7/16
45	873 51 04-00	Nut Keps Hex 1/4-20 unc
62	532 43 40-17	Heat Shield
69	532 17 81-51	Gasket
70	583 95 56-01	Tube Exhaust LH
71	583 95 57-01	Tube Exhaust RH
81	532 14 84-56	Tube Drain Oil
85	501 60 67-01	Bolt 7/16-20 x 5 Gr. 5
86	532 18 43-62	Nut Hex Flange TopLock M8-1.25
90	817 00 06-16	Screw 3/8-16 x 1
91	532 18 74-95	Bushing 1.375 OD
92	817 12 06-16	Screw 3/8-16 x 1
102	817 00 05-12	Screw 5/16-18 x 3/4
116	539 13 26-24	Knob-Shift
117	532 42 08-28	Valve Fuel Reserve

NOTE: All component dimensions given in U.S. inches
1 inch = 25.4 mm

TRACTOR - - MODEL NO. TS 348 (96041039800), PRODUCT NO. 960 41 03-98
STEERING ASSEMBLY [41]



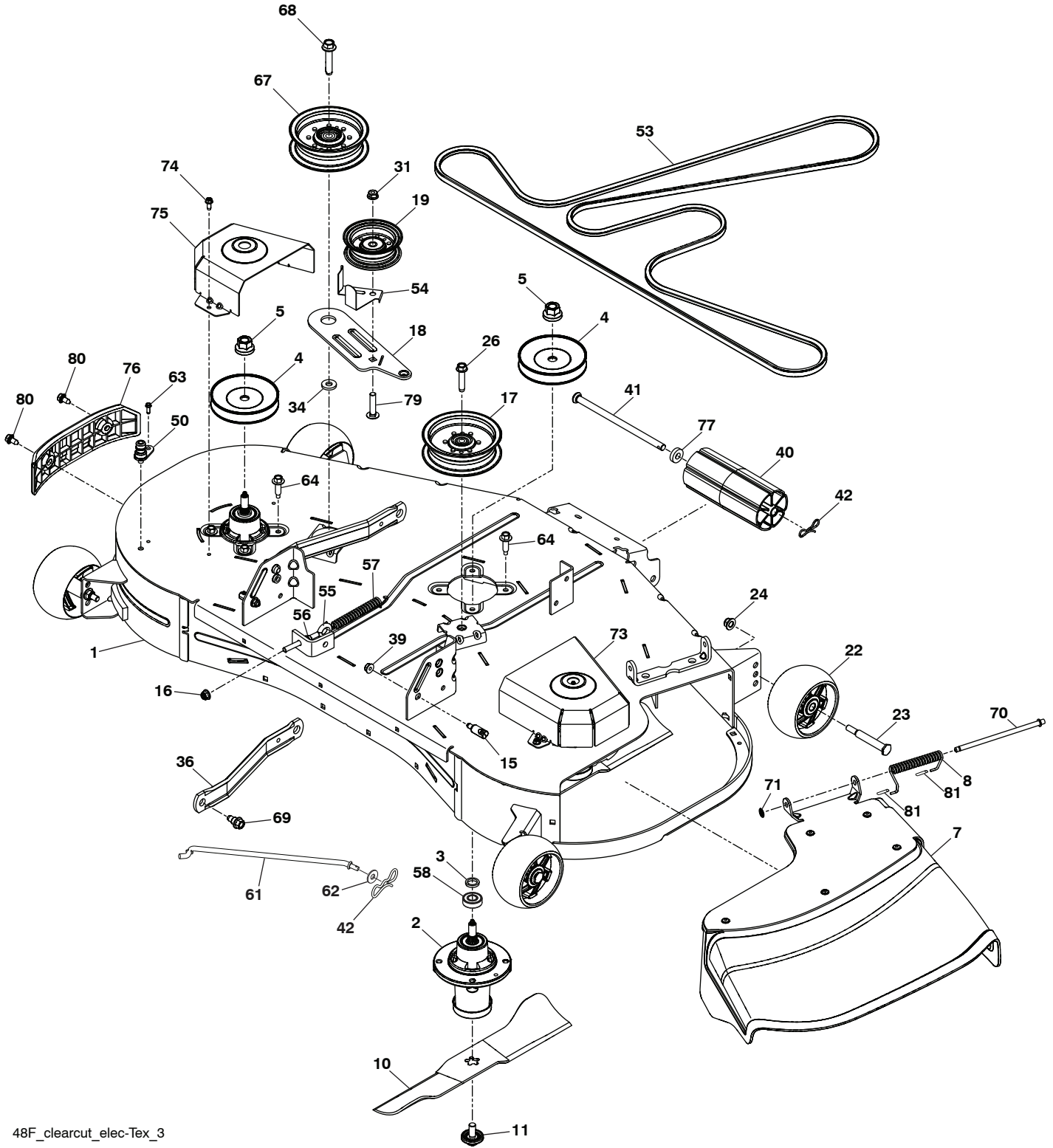
steering-tex_HUSQSR_63_r1

**TRACTOR - - MODEL NO. TS 348 (96041039800), PRODUCT NO. 960 41 03-98
STEERING ASSEMBLY 41**

KEY NO.	PART NO.	DESCRIPTION
1	532 43 97-40	Wheel, Steering
2	532 19 59-68	Axle Asm., Front
4	532 40 30-89	Spindle Asm., LH
5	532 40 30-90	Spindle Asm., RH
6	532 00 62-66	Bearing, Race Thrust Harden
7	532 12 17-48	Washer 25/32 x 1-5/8 x 16 Ga.
8	812 00 00-29	Ring, Clip #T5304-75
9	532 12 12-32	Cap, Spindle
13	532 12 17-49	Washer 25/32 x 1-1/4 x 16 Ga.
14	539 99 01-18	Washer, SLW ZD 3/8
15	873 54 06-00	Nut, Crown Lock 3/8-24 unf
16	587 01 60-02	Steering Shaft
19	532 19 47-29	Plate Steering
21	586 84 02-01	Adapter Wheel Steering
22	585 02 98-02	Bearing
26	532 43 97-43	Insert, Wheel Steering
27	819 21 16-16	Washer
28	817 00 06-12	Screw 3/8-16 x 3/4
35	532 19 47-32	Gear, Sector Plate
45	587 01 64-01	Washer 3/8 ID 2-3/8 OD 12 Ga. PLTD
50	873 90 06-00	Nut Lock Flg 3/8-16 unc
53	532 18 89-67	Washer Hardened .793 x 1.637 x .060
54	874 76 06-36	Bolt Hex 3/8-16 unc x 2-1/4
55	532 41 47-36	Spacer Brace Axle
58	532 19 47-47	Bolt Shoulder Sector Pivot CFM
59	532 19 47-48	Washer Thrust Sector Steering
60	873 97 10-00	Nut Flange Lock 5/8-11
61	588 79 44-02	Draglink, LH
62	588 79 45-02	Draglink, RH
63	817 00 05-12	Screw 5/16-18 x 3/4
64	532 19 98-49	Retainer Clip Spring Steering
65	532 19 47-34	Brace Axle Front
66	871 02 07-48	Bolt Hex Fghd 7/16-14 x 3 Serr
67	532 19 47-37	Bushing PM Front Axle
68	873 90 07-00	Nut Lock Flange 7/16-14 Gr. 5
69	532 19 91-62	Washer 1.5 x .505 x .118
70	585 33 88-01	Bracket Deck Susp. Front
75	580 68 37-01	Pinion
76	580 68 36-01	Screw Head Sock
78	532 05 70-79	Washer Thrust
122	532 44 49-62	Cap Gear

NOTE: All component dimensions given in U.S. inches
1 inch = 25.4 mm.

TRACTOR - - MODEL NO. TS 348 (96041039800), PRODUCT NO. 960 41 03-98
MOWER DECK 44



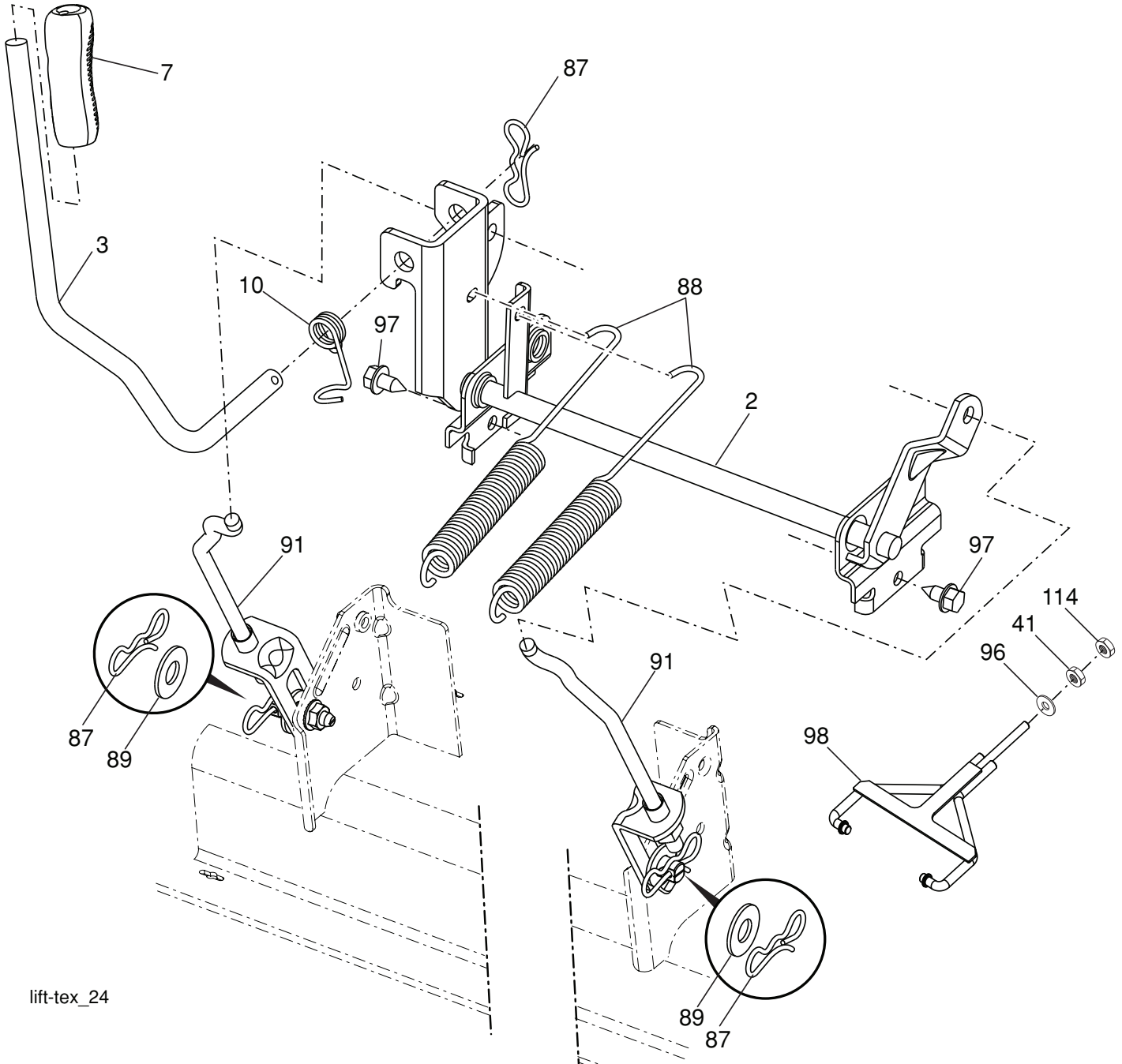
48F_clearcut_elec-TeX_3

**TRACTOR - - MODEL NO. TS 348 (96041039800), PRODUCT NO. 960 41 03-98
MOWER DECK 44**

KEY NO.	PART NO.	DESCRIPTION	KEY NO.	PART NO.	DESCRIPTION
1	583 81 00-03	Deck	54	532 14 10-43	Guard, Belt
2	539 11 21-70	Housing Assembly	55	539 11 55-74	Eyebolt 5/16 x 3-1/2
3	532 18 76-90	Washer-Spacer	56	539 99 05-85	Nut 5/16-18 Hex Whizlock
4	532 17 34-34	Pulley, Mandrel	57	587 35 84-01	Spring Extension
5	532 40 02-34	Nut, Flange Lock Top	58	532 11 04-85	Ball Bearing
7	588 98 07-03	Discharge Chute	61	532 44 32-37	Rod Anti Sway
8	587 35 47-01	Spring - Torsion	62	819 13 13-12	Washer 13/32 x 13/16 x 12 Ga.
10	588 81 10-02	Blade	63	817 49 04-10	Screw 1/4-20 x 5/8 Hx Self Tap
11	532 19 30-03	Bolt, Washer Asm 7/16-20	64	584 95 39-01	Bolt Hx Wrshrhd 313-18 x 1.19
15	532 19 51-61	Stud, Fasten w/ Anti- Rotate	67	532 19 61-06	Pulley Idler
16	539 11 28-99	Nut 5/16-18 Hx Flg. Nyloc	68	817 49 06-28	Screw Thdrl 3/8-16 x 1-3/4 TT
17	532 19 61-04	Pulley, Idler Spec. Hub	69	532 19 65-39	Bolt Shoulder
18	588 81 22-02	Arm, Idler, Blk	70	532 13 14-91	Rod Hinge
19	532 19 31-97	Pulley, Idler	71	532 11 04-52	Nut Push
22	589 52 73-01	Wheel, Gauge	73	588 81 24-02	Cover Mandrel RH
23	532 19 34-06	Bolt, Shoulder 3/8 16 x 3-5/8	74	532 13 77-29	Screw Thdrl 1/4-20 x 5/8
24	521 99 65-01	Nut 3/8-16 Hex Flg Nyloc	75	588 81 31-02	Cover Mandrel LH
26	588 43 83-01	Screw 7/16-14 x 2.125 Washer	76	582 54 11-03	Bumper Asm.
31	873 90 06-00	Nut Lock Flg.	77	582 36 05-01	Bushing Nose Roller
34	532 17 85-15	Washer, Flat Hardened	79	872 11 06-14	Bolt RdHd 3/8-16 unc x 1-3/4 G5
36	587 14 05-02	Arm, Susp., Rear	80	532 17 01-65	Bolt Shoulder 5/16-18
39	873 90 05-00	Nut 5/16-18 Lock Hx Flg.	81	532 10 53-04	Cap Sleeve
40	532 17 60-66	Roller, Nose			
41	532 17 91-27	Rod, Roller, Nose, Narrow			
42	532 19 42-08	Pin Cotter 5/16 Bow Tie Lock			
50	532 41 55-98	Washout Port			
53	588 81 43-01	Belt, Deck			

NOTE: All component dimensions given in U.S. inches
1 inch = 25.4 mm

TRACTOR - - MODEL NO. TS 348 (96041039800), PRODUCT NO. 960 41 03-98
MOWER LIFT 45



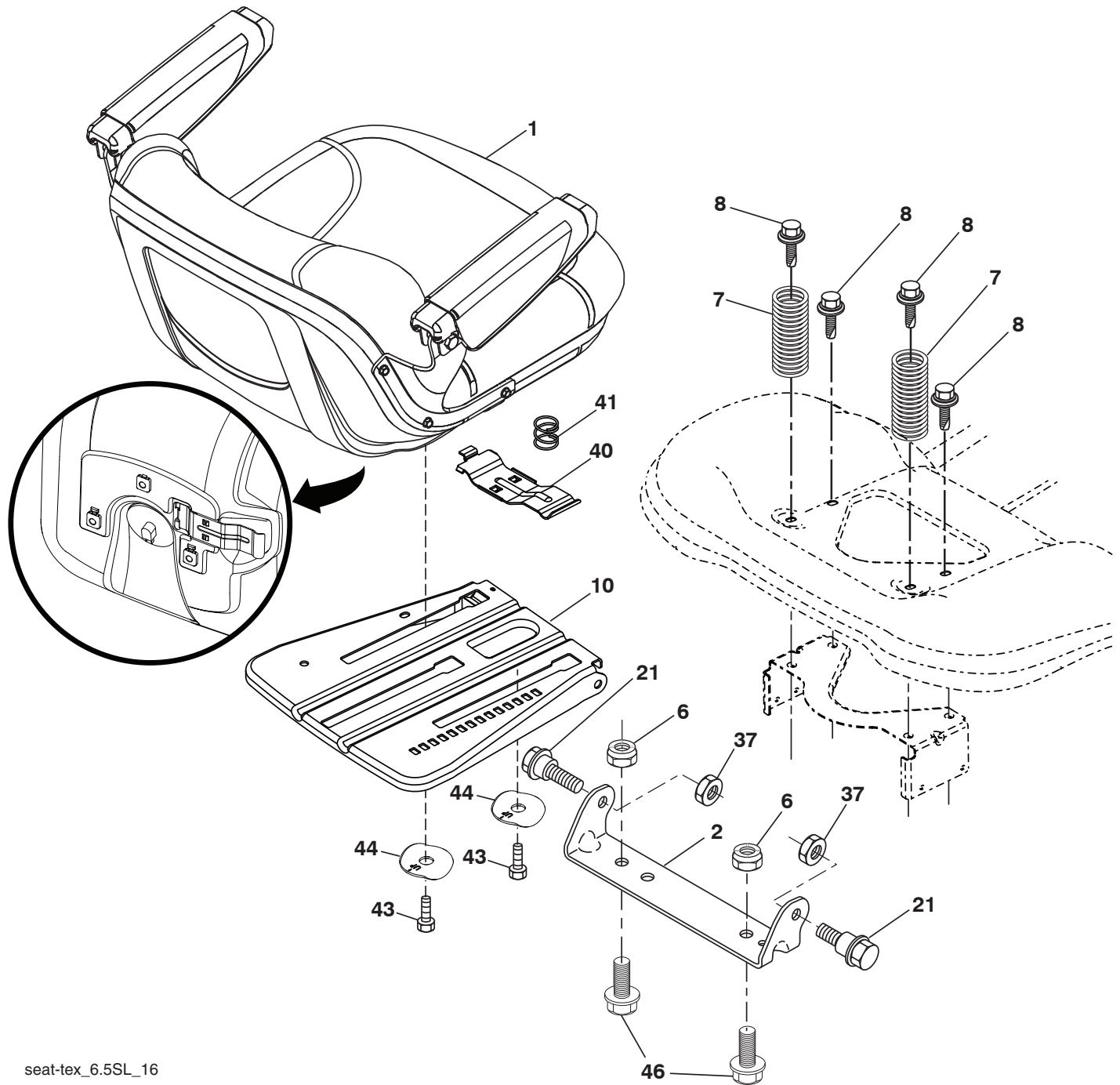
lift-tex_24

KEY NO.	PART NO.	DESCRIPTION
2	532 42 20-27	Shaft Asm., Lift
3	532 19 52-30	Lever Asm., Lift RH
7	580 96 23-01	Grip, Lever
10	532 19 63-14	Spring Torsion
41	532 17 59-94	Nut, Lift Link
87	532 19 42-09	Pin Cotter 7/16 Bow Tie Lock
88	532 41 07-10	Spring Lift Assist
89	819 19 19-12	Washer Clear Zinc

KEY NO.	PART NO.	DESCRIPTION
91	532 40 34-07	Link Lift Susp Mower Rear
96	532 19 52-63	Bushing, Spherical
97	817 00 06-12	Screw 3/8-16 x .75
98	574 82 25-01	Link Lift Susp. Front Mower
114	873 36 07-00	Nut Jam 7/16-20

NOTE: All component dimensions given in U.S. inches
 1 inch = 25.4 mm

**TRACTOR - - MODEL NO. TS 348 (96041039800), PRODUCT NO. 960 41 03-98
SEAT ASSEMBLY 42**



seat-tex_6.5SL_16

KEY NO.	PART NO.	DESCRIPTION
1	588 55 67-01	Seat
2	532 18 01-66	Bracket Pivot Fender
6	873 80 06-00	Nut, Lock W/Ins. 3/8-16 unc
7	589 48 35-01	Spring, Seat Cprsn
8	532 17 18-77	Bolt 5/16-18 unc x 3/4 w/Sems
10	596 65 74-02	Plate, Seat
21	587 90 78-01	Bolt, Shoulder 5/16-18 x 5/8
37	873 80 05-00	Nut, Lock 5/16-18 unc

KEY NO.	PART NO.	DESCRIPTION
40	595 08 81-02	Handle Slide Seat
41	532 19 82-00	Spring Latch Seat
43	874 76 06-12	Bolt Fin Hex 3/8-16 unc x 3/4
44	501 05 18-01	Washer Winged 3/8 ID 1.5 OD
46	588 09 04-01	Bolt 3/8-16x1, 1.25 OD Wshr Sems

NOTE: All component dimensions given in U.S. inches
1 inch = 25.4 mm

