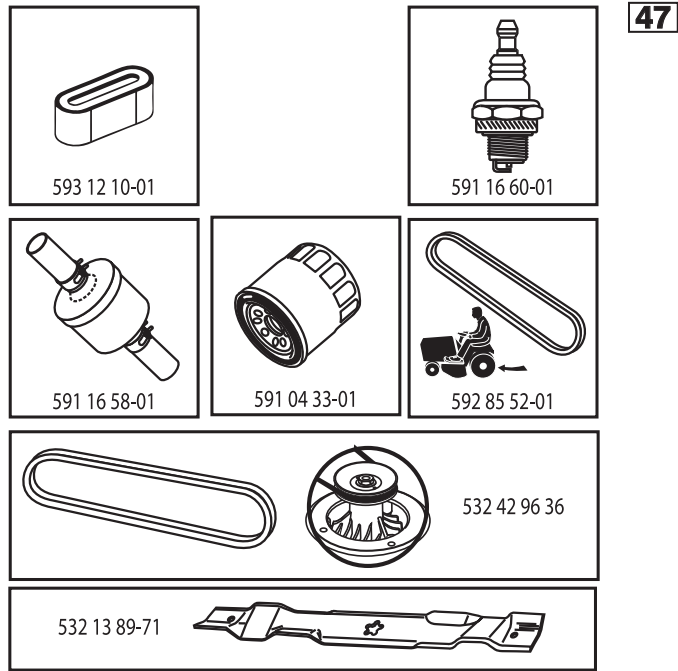


ILLUSTRATED PARTS LIST

MODEL NO. 96041043000

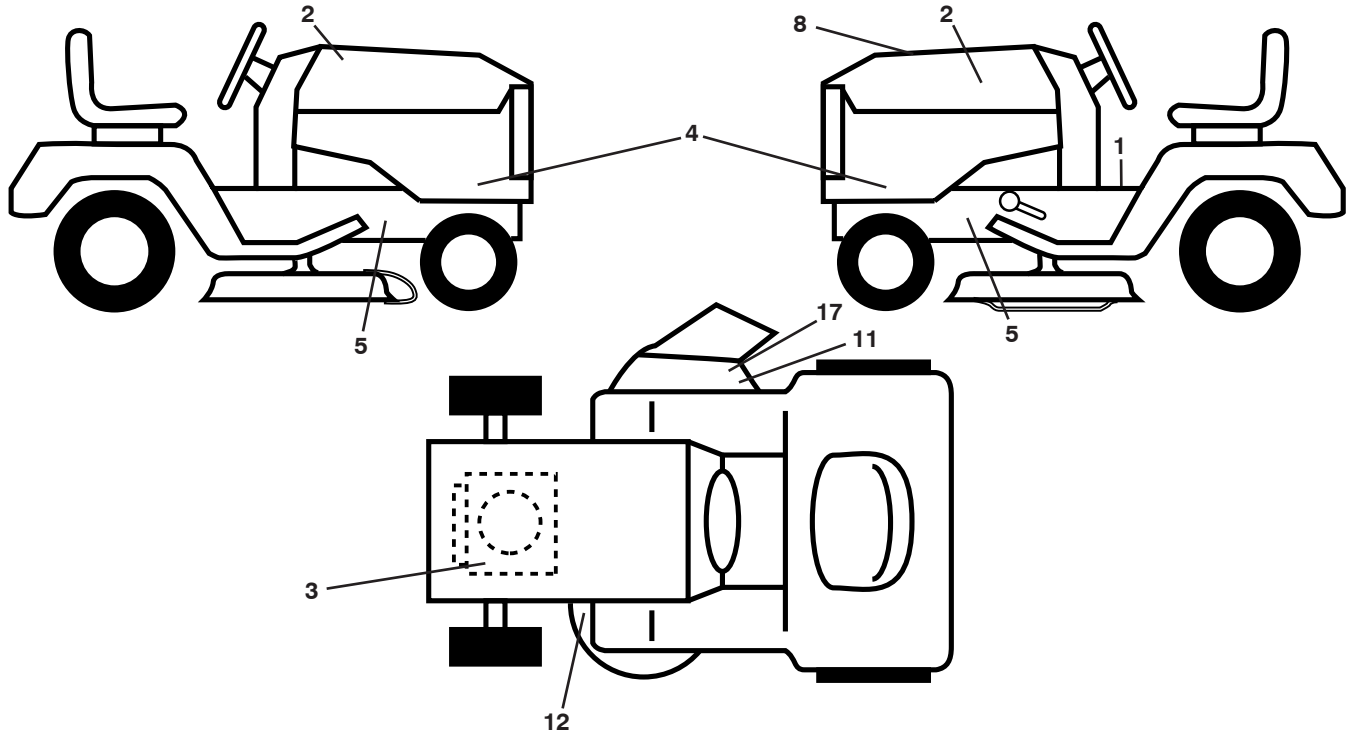
CUSTOMER CATALOG NO. TS 142

PRODUCT NO. 960 41 04-30



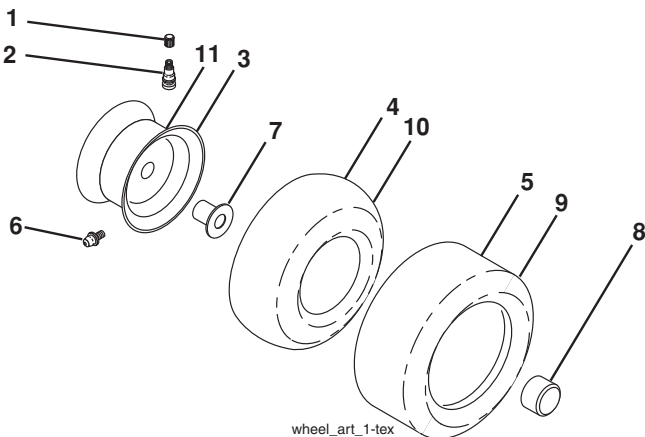
597772501

**TRACTOR - - MODEL NO. TS 142 (96041043000), PRODUCT NO. 960 41 04-30
DECALS 27**



KEY PART NO.	NO.	DESCRIPTION	KEY PART NO.	NO.	DESCRIPTION
1	586 04 73-02	Decal, Operators	12	581 58 00-01	Decal, Mower V-Belt Schematic
2	501 13 14-01	Decal, Husq	17	584 90 46-01	Decal, Deflect. Warning
3	581 57 97-01	Decal, Warning Eng. Symbols	--	581 72 48-01	Decal, Bypass
4	587 40 72-01	Decal, Hood Panel	--	581 72 46-01	Decal, Drawbar Load Limit
5	581 57 96-01	Decal, Chassis Hot Muffler	--	532 43 96-81	Pad, Footrest, LH
8	597 77 25-01	Decal, Rpl.	--	532 43 96-82	Pad, Footrest, RH
11	581 57 92-01	Decal, Warning	--	114 14 52-28	Manual Oper. English

WHEELS AND TIRES



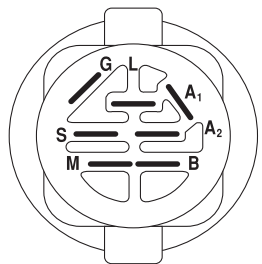
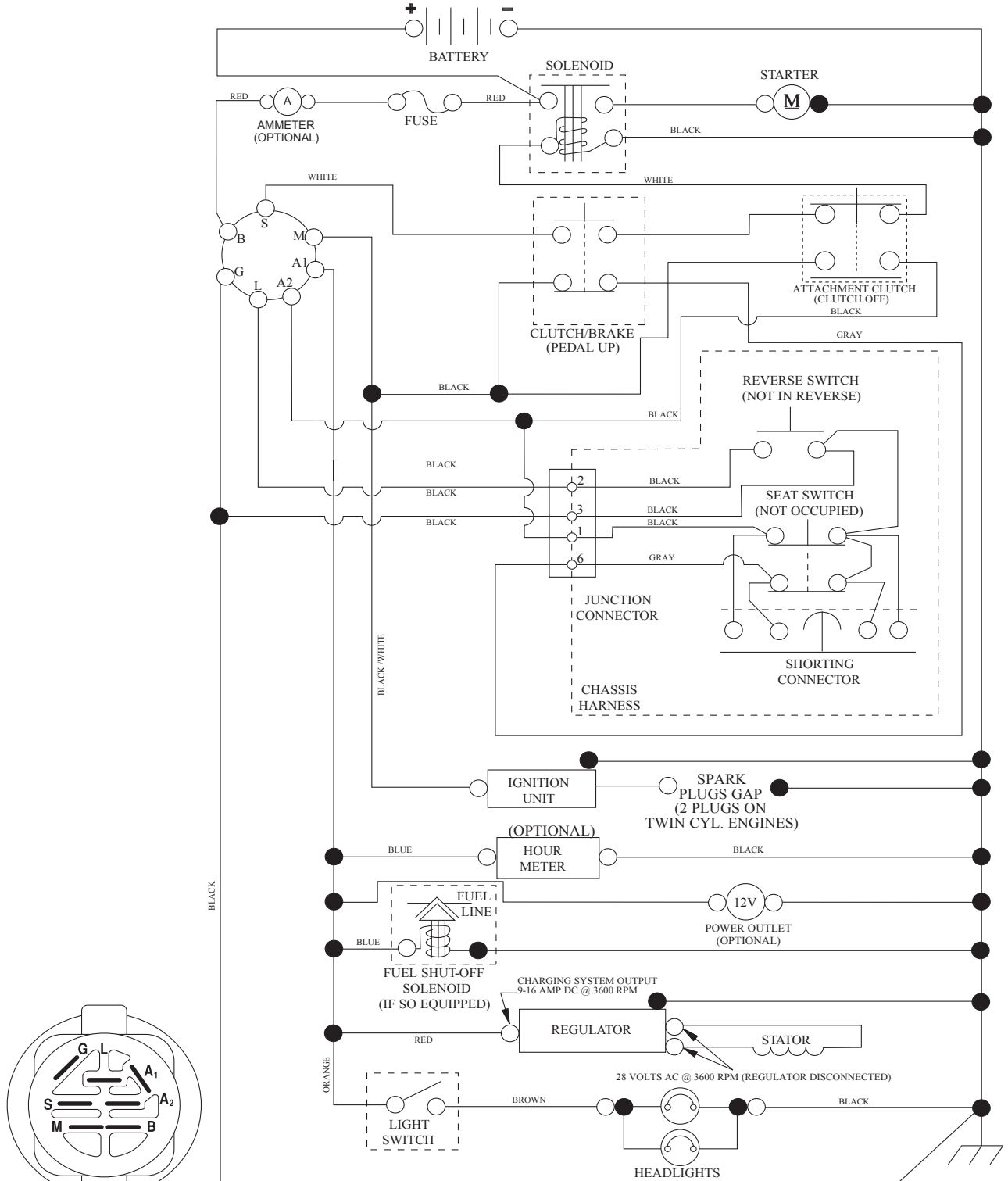
KEY PART NO.	NO.	DESCRIPTION
1	532 05 91-92	Cap Valve Tire
2	532 06 51-39	Stem Valve
3	532 13 83-36	Rim Asm. 6" Front
4	532 05 99-04	Tube Front (Service Item Only)
5	532 10 62-22	Tire Front 15 x 6-6
6	532 00 02-78	Fitting Grease (Front Wheel Only)
7	532 00 90-40	Bearing Flange (Front Wheel Only)
8	532 17 50-39	Cap Axle Blk. 1 50 x 1 00
9	532 42 05-31	Tire Rear 18 x 9.5-8
10	532 00 71-52	Tube Rear (Service Item Only)
11	532 13 83-37	Rim Asm. 8" Rear
--	532 14 43-34	Sealant, Tire (10 oz. Tube)

NOTE: All component dimensions given in U.S. inches.
1 inch = 25.4 mm

TRACTOR - - MODEL NO. TS 142 (96041043000), PRODUCT NO. 960 41 04-30

SCHEMATIC 38

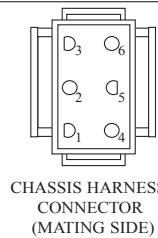
SCH10



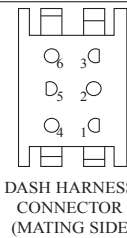
IGNITION SWITCH

POSITION	CIRCUIT	"MAKE"
OFF	M+G+A1	
RUN/OVERRIDE	B+A1	
RUN	B+A1	L+A2
START	B + S + A1	

03107



CHASSIS HARNESS CONNECTOR (MATING SIDE)



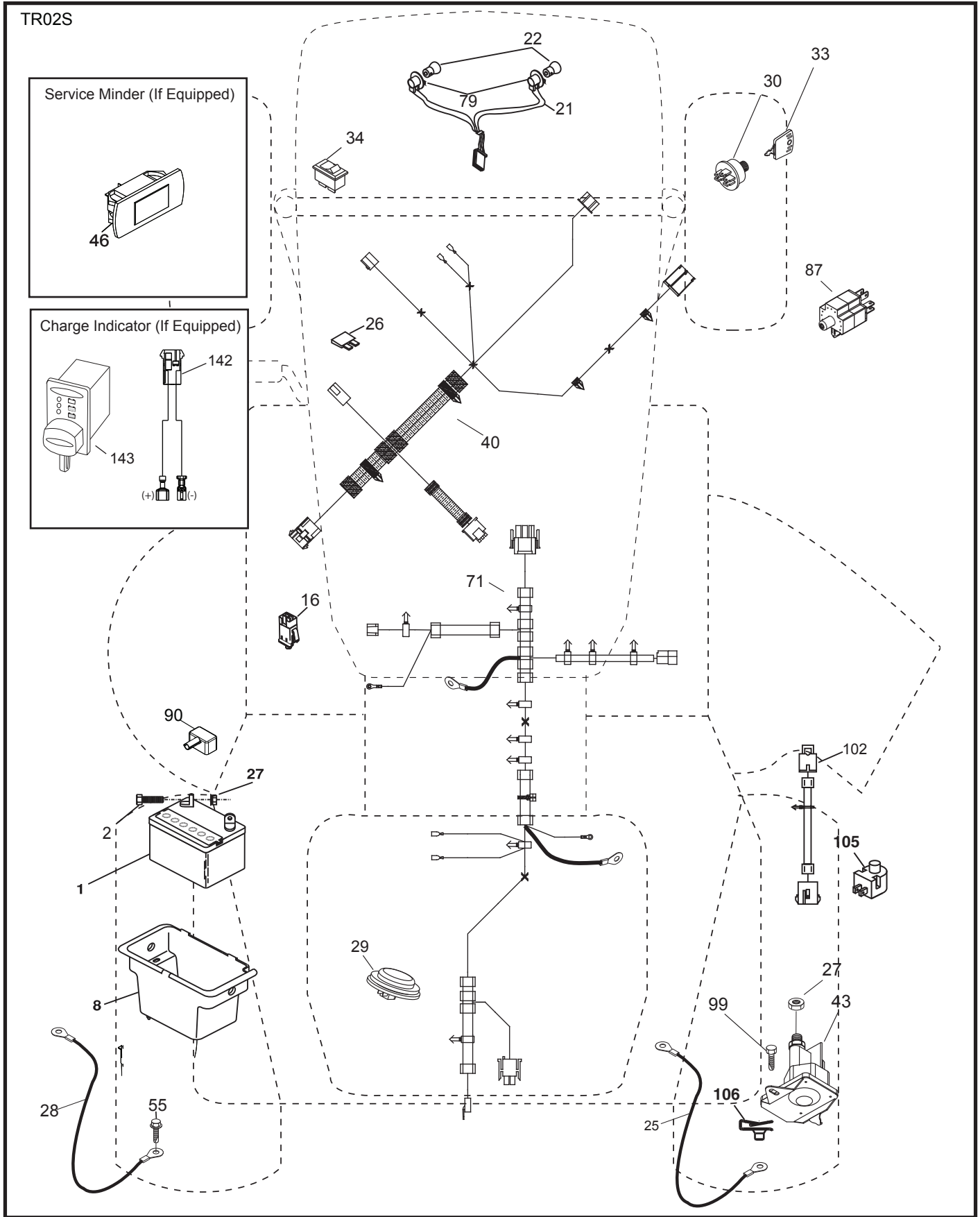
DASH HARNESS CONNECTOR (MATING SIDE)

WIRING INSULATED CLIPS
NOTE: IF WIRING INSULATED CLIPS WERE REMOVED FOR SERVICING OF UNIT, THEY SHOULD BE RE-INSTALLED TO PROPERLY SECURE YOUR WIRING.

NON-REMOVABLE CONNECTIONS

REMOVABLE CONNECTIONS

TRACTOR - - MODEL NO. TS 142 (96041043000), PRODUCT NO. 960 41 04-30
ELECTRICAL 32



**TRACTOR - - MODEL NO. TS 142 (96041043000), PRODUCT NO. 960 41 04-30
ELECTRICAL 32**

KEY NO.	PART NO.	DESCRIPTION
1	532 16 34-65	Battery
2	874 76 04-12	Bolt Hex Head 1/4-20 x 3/4
8	532 19 32-28	Box Battery
16	532 17 61-38	Switch Interlock Push-In
21	532 40 02-52	Harness Socket Light w/4152J
22	532 00 41-52	Bulb Light
25	581 49 80-01	Cable Starter
26	532 17 51-58	Fuse
27	596 13 36-01	Locknut, Keps. 1/4-20
28	532 42 16-86	Cable, Ground
29	532 40 15-45	Switch, Seat
30	532 19 33-50	Switch, Ign.
33	532 41 19-33	Key/Chain
34	532 11 07-12	Switch Light/Reset
40	581 02 31-01	Harness Ign. Dash
43	582 04 28-02	Solenoid
46	594 91 91-01	Hourmeter SRV Minder
55	817 06 05-12	Screw Thdrol. 5/16-18 x 3/4 TYTT
71	501 13 37-01	Harness Chassis
79	532 17 52-42	Socket Asm. Bulb Twistlock
87	532 19 78-02	Switch Interlock Clutch Cable
90	532 43 53-95	Cover Terminal
99	817 67 04-12	Screw 1/4-20 x 3/4
102	532 40 44-54	Harness Pigtail
105	532 40 75-68	Switch Reverse
106	532 17 48-14	Palnut 1/4 Lugs

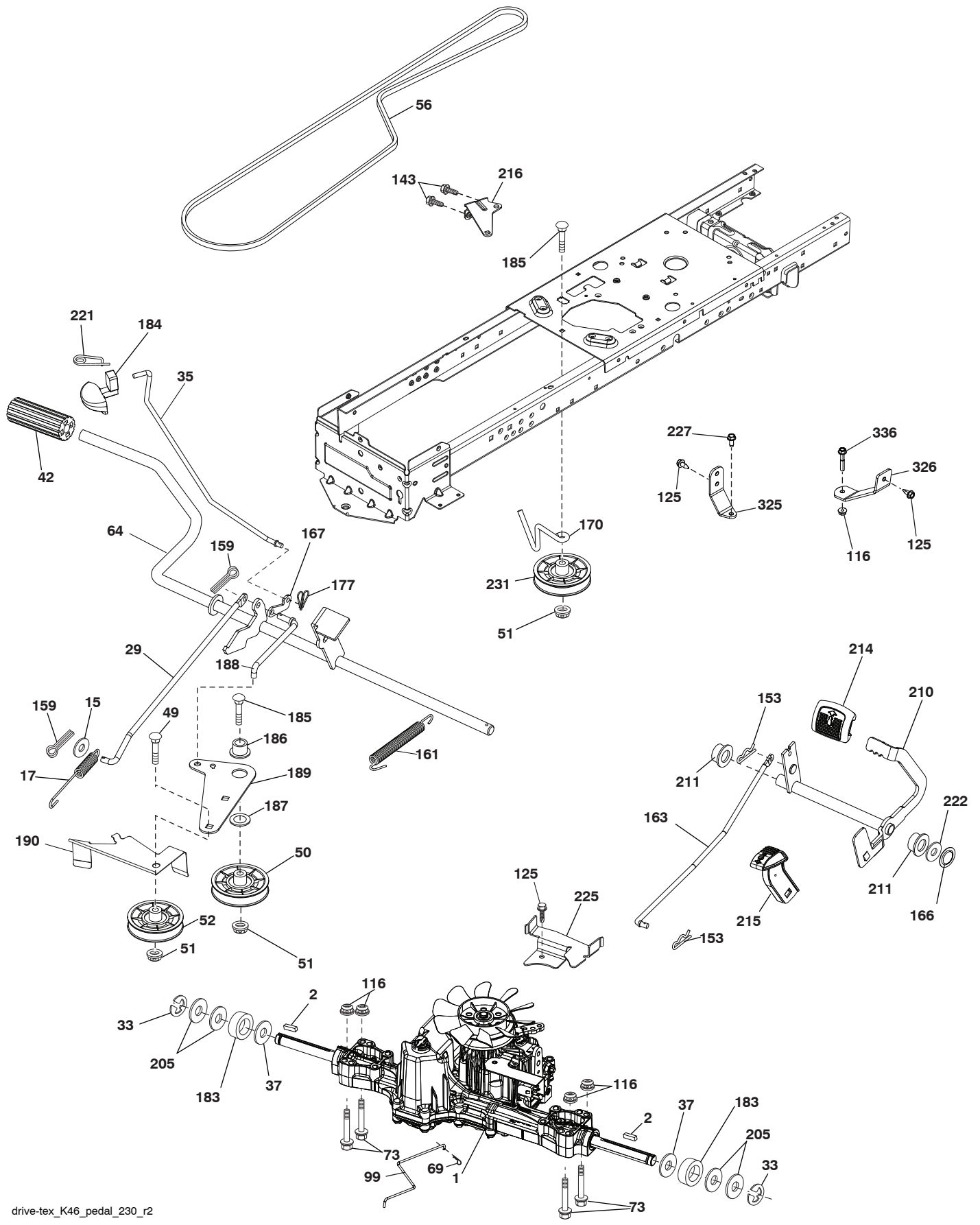
NOTE: All component dimensions given in U.S. inches.
1 inch = 25.4 mm

**TRACTOR - - MODEL NO. TS 142 (96041043000), PRODUCT NO. 960 41 04-30
CHASSIS AND ENCLOSURES 39**

KEY NO.	PART NO.	DESCRIPTION	KEY NO.	PART NO.	DESCRIPTION
3	581 05 63-01	Logo	189	817 00 05-12	Screw 5/16-18 x 3/4
5	532 43 89-64	Dash	191	532 41 65-01	Insert Reflective RH
14	532 44 12-67	Hood	194	596 13 57-01	Nutlock, Prvl, Torq. 5/16-18 x .68
15	532 44 14-28	Lens LH	196	532 43 96-47	Console Asm. Deck Lift
18	532 43 94-21	Grille, LT, .498	202	532 44 13-42	Vent Side Hood RH
25	532 44 14-27	Lens RH	203	532 44 13-43	Vent Side Hood LH
34	580 91 08-01	Plate Engine	204	532 44 13-75	Vent Top Hood
36	817 06 05-12	Screw 5/16-18 x 3/4	205	532 44 13-44	Skirt Side RH
37	532 44 12-06	Fender	206	532 44 13-45	Skirt Side LH
52	596 04 05-01	Nutlock, Hex. Prvl. 5/16-18	213	596 03 05-01	Bolt, Hex. Hd. 5/16-18 unc x 3/4
58	532 41 22-80	Drawbar Upper	214	532 19 91-45	Clip Retainer
68	596 03 07-01	Screw, Hexagon, 5/16-18 x 1/2	217	532 40 91-67	Rod Pivot Hood
125	581 68 48-01	Clip Fuel Line	218	532 19 63-95	X-Piece Hood Stop
130	596 32 17-01	Screw, #10 x 0.750 BOS Thread	228	593 82 40-01	Stud, W/"D"Anti-rotation
137	532 40 75-90	Bumper Dash	235	596 56 42-01	Spacer, Fender, Clr. Zn
138	532 43 97-47	Cupholder	236	873 93 05-00	Nut Lock 5/16-18 unc
146	581 85 79-01	Bolt RDHD SHT SQNK 3/8-16 x 5/8	238	532 44 13-74	Trim
150	532 40 75-37	Air Duct	239	532 40 48-83	Clip Tinnerman
151	532 40 78-07	Bracket Pivot	287	817 60 04-06	Screw Hex WASHEAD 1/4-20 x 3/8
152	532 19 95-35	Shield Browning	297	532 40 66-65	Insert Reflective LH
159	817 00 06-12	Screw 3/8 - 16 x 3/4	306	873 90 06-00	Nut Lock Flg 3/8-16 unc
162	596 13 41-01	Screw, Hex. Tap. 1/4-15 x 1/2	376	589 45 87-01	Mount Asm Huslt. Upper Strng
175	532 19 94-72	Crossmember	377	589 45 53-01	Screw .10 x 1/2 . Zn Pl Phil. Ab
176	532 40 07-76	Screw 10-24 x 5/8			
177	532 19 52-28	Bushing Steering			
180	532 41 50-63	Chassis			
181	532 43 97-46	Bushing Mtg. Fender Cargo			
182	532 40 71-76	Dash Lower			
183	595 30 57-01	Screw, Hexagon, 5/16-18 x 1-1/4			

NOTE: All component dimensions given in U.S. inches.
1 inch = 25.4 mm

**TRACTOR - - MODEL NO. TS 142 (96041043000), PRODUCT NO. 960 41 04-30
DRIVE **40****



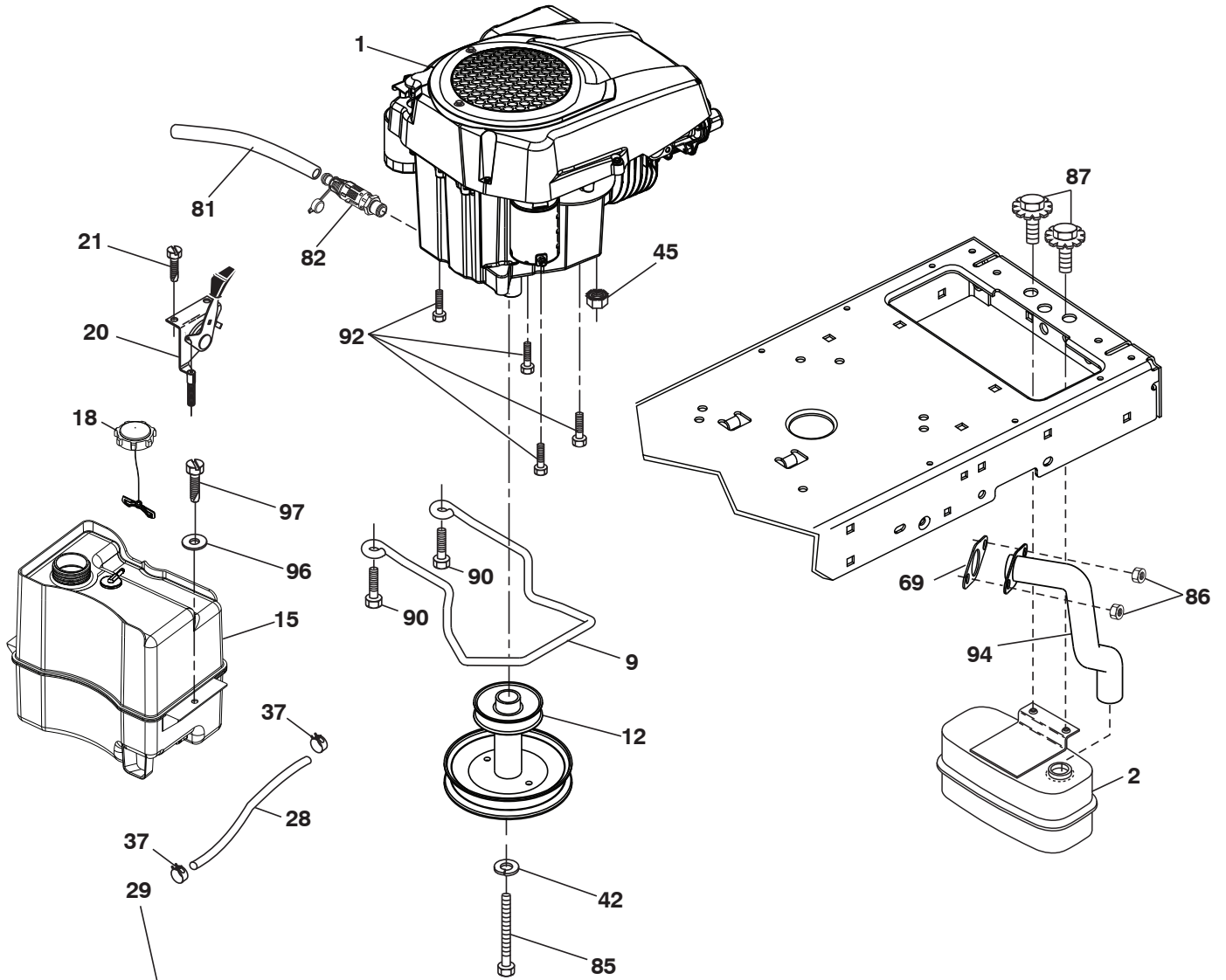
drive-tex_K46_pedal_230_r2

**TRACTOR - - MODEL NO. TS 142 (96041043000), PRODUCT NO. 960 41 04-30
DRIVE **40****

KEY NO.	PART NO.	DESCRIPTION	KEY NO.	PART NO.	DESCRIPTION
1	---	Transaxle, Tuff Torq K46BT (426120)(Order parts from transaxle manufacturer.)	170	532 41 34-30	Keeper Belt Centerspan
2	532 12 35-83	Key	177	587 22 53-01	Pin Cotter, Locking, Bowtie, 1 in
15	596 56 53-01	Washer 3/8 x 0.08 In. St.Clr. Zinc	183	532 13 70-57	Spacer Axle
17	532 41 36-78	Spring, Brake	184	532 41 14-84	Handle Parking Brake
29	532 40 38-06	Rod, Brake	185	872 11 06-22	Bolt RDHD SQNK 3/8-16 unc x 2
33	812 00 00-01	Ring E	186	532 19 43-21	Spacer Retainer
35	596 87 48-01	Rod, Control, Park, Txlt. Clr. Zinc	187	596 13 55-01	Washer, 13/32 x 2 Clear, Zinc
37	532 18 89-67	Washer Harden	188	582 21 70-01	Link Clutch Ground Drive, Long
42	532 00 88-83	Cover, Foot Pedal	189	532 19 43-17	Bellcrank Ground Drive
49	596 13 62-01	Bolt, Cup Head, 3/8-16 x 3/4	190	532 19 43-18	Keeper Bellcrank Ground Drive
50	532 19 43-27	Pulley Idler Flat	205	532 12 17-48	Washer
51	873 90 06-00	Lock Nut 3/8-16	210	532 40 09-80	Rocker Asm Pedal Control
52	532 19 43-26	Idler V-Groove	211	532 12 01-83	Bushing Shaft
56	592 85 52-01	V-Belt, Drive	214	532 42 12-63	Pedal Forward Pad Tex
64	532 19 78-65	Shaft Asm. Pedal Brake Control	215	586 60 65-02	Pedal Reverse
69	532 42 33-03	Hairpin Soft Zink .059 x 1.125	216	532 19 61-31	Bracket Pulley Idler
73	596 13 65-01	Bolt, Hex. Head, 5/16-18 x 1-1/2	221	532 40 31-87	Retainer Spring Clip Handle
99	582 40 45-01	Rod Bypass	222	879 21 20-10	Washer 21/32 x 1-1/4
116	596 13 57-01	Nutlock, Prvl. Torq. 5/16-18 x .68	225	532 40 33-19	Keeper Belt Transaxle
125	817 00 05-12	Screw 5/16-18 x 3/4	231	532 40 72-87	Idler V-Groove
143	596 03 07-01	Screw, Hexagon, 5/16-18 x 1/2	325	586 43 12-02	Bracket Torque Strap LH
153	532 00 44-97	Retainer Spring	227	596 13 59-01	Bolt, Hex. 5/16-18 x 3/4 Clr. Znc.
159	596 02 95-01	Pin, Cotter, 1/8 Dia. x 3/4	326	586 00 11-02	Bracket Torque Strap RH
160	596 02 94-01	Clip, Retainer, "M-Shape"	336	587 25 96-02	Bolt 5/16-18 x 1-3/4 Flanged Hex
161	532 10 57-09	Spring, Return, Clutch			
163	593 86 10-01	Rod, Control, K46/K57R			
166	532 42 91-64	Nut Push			
167	532 40 52-57	Latch Brake Parking			

NOTE: All component dimensions given in U.S. inches
1 inch = 25.4 mm

TRACTOR - - MODEL NO. TS 142 (96041043000), PRODUCT NO. 960 41 04-30
ENGINE 24



OPTIONAL EQUIPMENT
SPARK ARRESTER

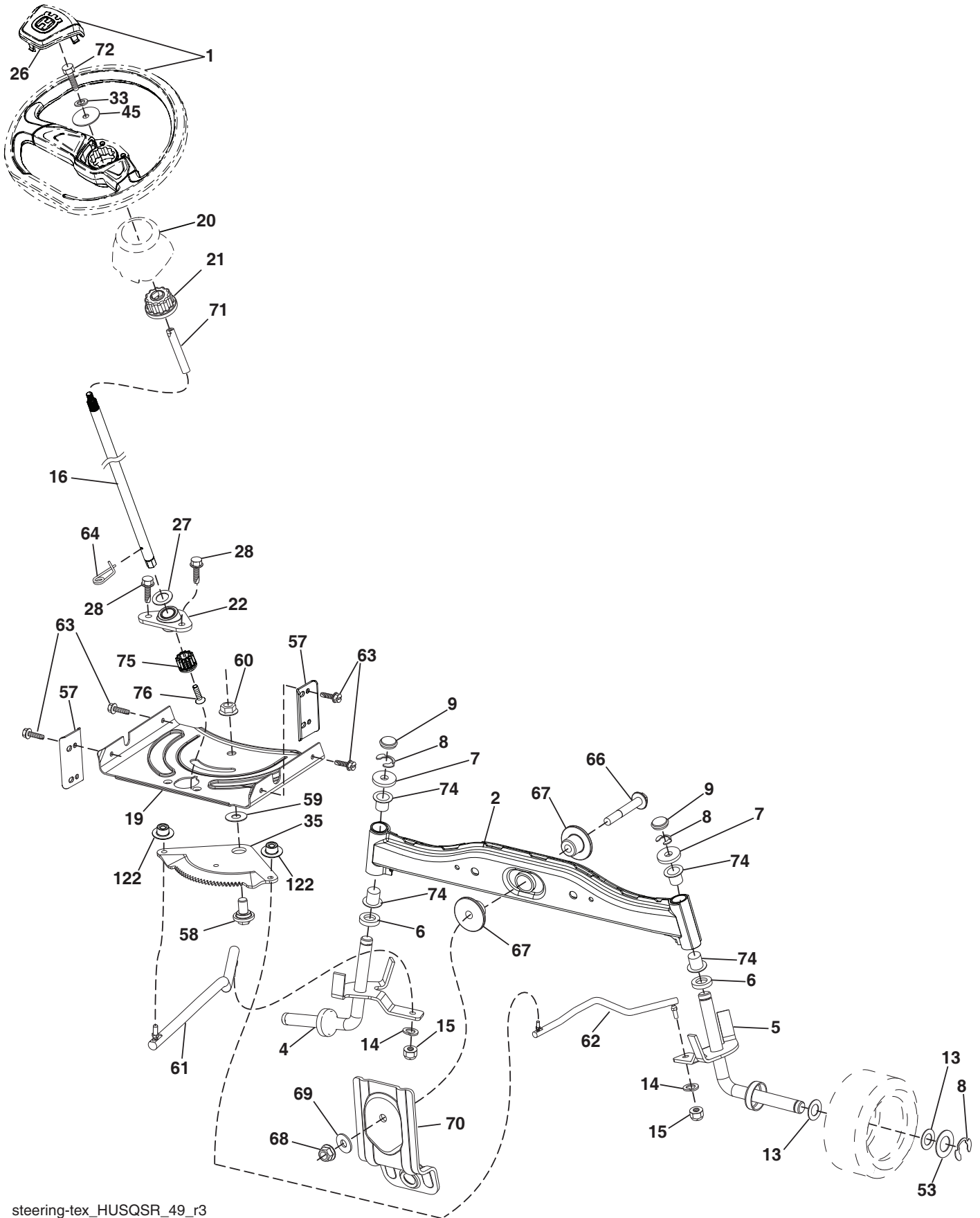
engine-tex_loncin_11

**TRACTOR - - MODEL NO. TS 142 (96041043000), PRODUCT NO. 960 41 04-30
ENGINE 24**

KEY NO.	PART NO.	DESCRIPTION
1	-----	Husqvarna Model No. LC1P96F (593230101)
2	590 64 53-01	Muffler
9	501 83 26-02	Keeper Belt Engine
12	586 47 85-01	Pulley Engine
15	581 28 99-01	Tank Fuel
18	532 43 02-20	Cap Fuel
20	532 18 38-97	Control Throttle
21	596 32 17-01	Screw, #10 x 0.750 BOS Thread
28	532 13 70-40	Fuel Line
29	532 13 71-80	Spark Arrester Kit
37	532 12 34-87	Clamp Hose
42	596 23 89-01	Washer, 7/16 in. Clr. Zn
45	593 35 64-01	Hexagon Flange Serrated
69	590 86 36-01	Gasket
81	532 14 84-56	Tube Drain Oil Easy
82	532 42 82-87	Valve Drain Oil
85	501 60 65-01	Bolt Hex 7/16-20 x 4 Gr. 5
86	532 18 43-62	Nut Hex Flange
87	532 17 18-77	Bolt 5/16-18 unc x 3/4 w/sems
90	817 00 06-16	Screw 3/8-16 x 1
92	817 12 06-16	Screw 3/8 x 1
94	590 86 48-01	Exhaust Tube
96	596 13 53-01	Washer, Plain, 9/32 x 7/8 Clr. Zn
97	817 67 04-12	Screw 1/4-20 x 3/4

NOTE: All component dimensions given in U.S. inches
1 inch = 25.4 mm

TRACTOR - - MODEL NO. TS 142 (96041043000), PRODUCT NO. 960 41 04-30
STEERING ASSEMBLY [41]



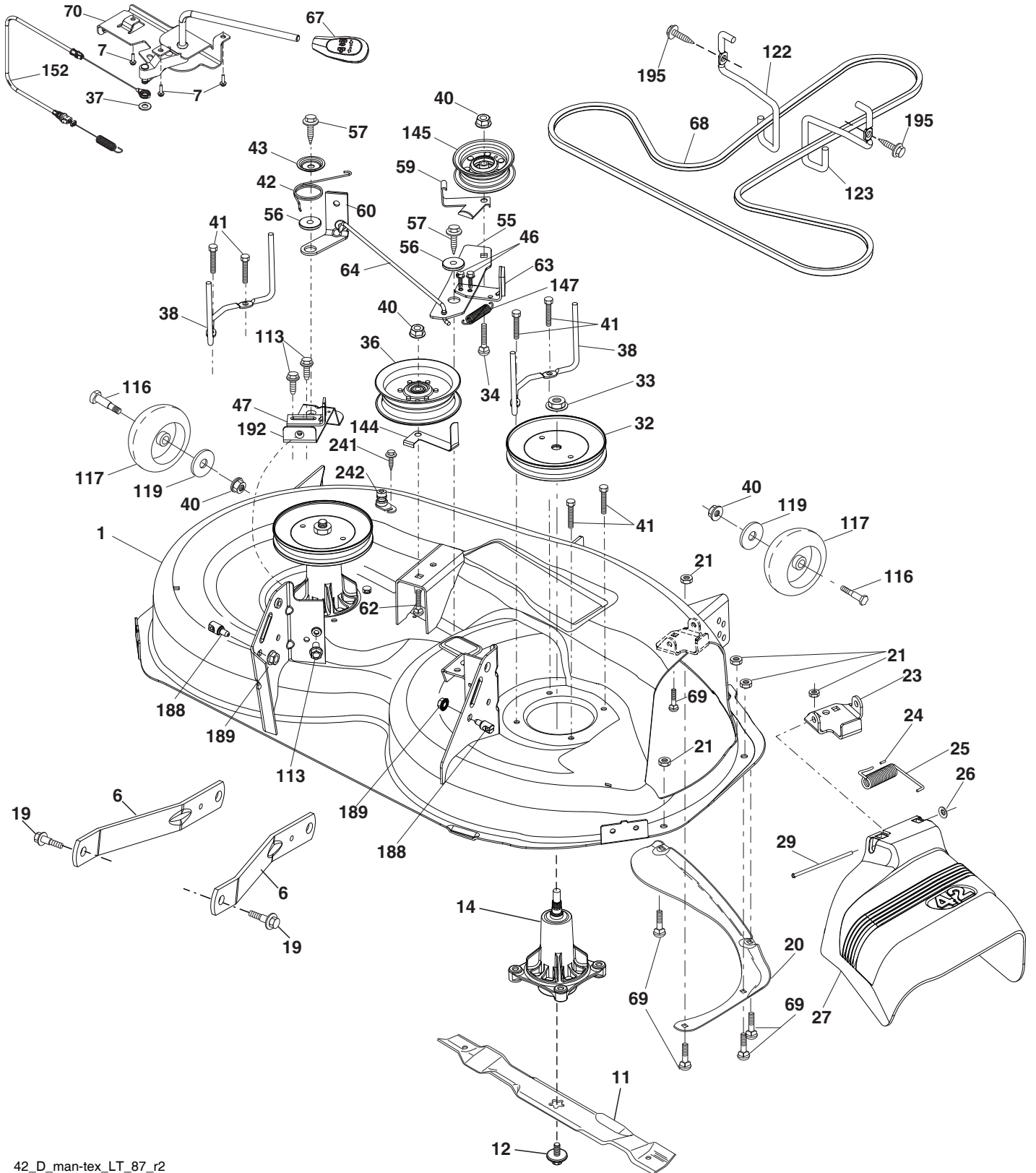
steering-tex_HUSQSR_49_r3

TRACTOR - - MODEL NO. TS 142 (96041043000), PRODUCT NO. 960 41 04-30
STEERING ASSEMBLY 41

KEY NO.	PART NO.	DESCRIPTION
1	597 86 61-01	Kit, Strng, Wheel, Softrim. Husq 2
2	532 41 81-68	Axle Asm., Front
4	532 40 30-87	Spindle Asm., LH
5	532 40 30-88	Spindle Asm., RH
6	532 00 62-66	Washer Thrust .75 x 1.230
7	532 12 17-48	Washer 25/32 x 1-5/8 x 16 Ga.
8	812 00 00-29	Ring, Clip #T5304-75
9	532 12 12-32	Cap, Spindle
13	532 12 17-49	Washer 25/32 x 1-1/4 x 16 Ga.
14	596 23 87-01	Washer, Spring, Lock, .381 ID x .680
15	873 54 06-00	Nut, Crown Lock 3/8-24 unf
16	585 86 92-02	Steering Shaft
19	532 19 47-29	Plate Steering
20	532 44 14-25	Boot, Steering
21	532 18 67-37	Adapter, Wheel Steering
22	585 02 98-02	Bearing
26	594 94 91-01	Cap, Steering Wheel, Husq 2. Gray 498
27	596 93 34-01	Washer, Plain
28	817 00 06-12	Screw 3/8-16 x 3/4
33	596 23 88-01	Washer, Lock, 5/16 Sqr. End. ZN
35	532 19 47-32	Gear, Sector Plate
45	596 04 00-01	Washer, 11/32 x 2-3/8" Clr, Zn
53	532 18 89-67	Washer Hardened .793 x 1.637 x .060
57	532 40 74-65	Bracket Upstop
58	532 19 47-47	Bolt Shoulder Sector Pivot CFM
59	532 19 47-48	Washer Thrust Sector Steering
60	873 97 10-00	Nut Flange Lock 5/8-11
61	597 04 78-02	Draglink, LH. Ballstud, Std.
62	597 04 79-02	Draglink, RH. Ballstud, Std.
63	817 00 05-12	Screw 5/16-18 x 3/4
64	532 19 98-49	Retainer Clip Spring Steering
66	871 02 07-48	Bolt Hex Fghd. 7/16-14 x 3 Serr.
67	532 19 47-37	Bushing PM Front Axle
68	873 90 07-00	Nut Lock Flange 7/16-14 Gr. 5
69	532 19 91-62	Washer 1.5 x .505 x .118
70	585 33 88-01	Bracket Deck Susp. Front
71	532 19 07-52	Shaft Extension Steering
72	596 03 97-01	Bolt, Hex Head, 5/16-18 unc x 4" Gr. 5
74	532 00 33-66	Bearing Col. STRG
75	580 68 37-01	Pinion
76	580 68 36-01	Screw Head Sock
122	532 44 49-62	Cap Gear Sector

NOTE: All component dimensions given in U.S. inches.
1 inch = 25.4 mm

TRACTOR - - MODEL NO. TS 142 (96041043000), PRODUCT NO. 960 41 04-30
MOWER DECK 44



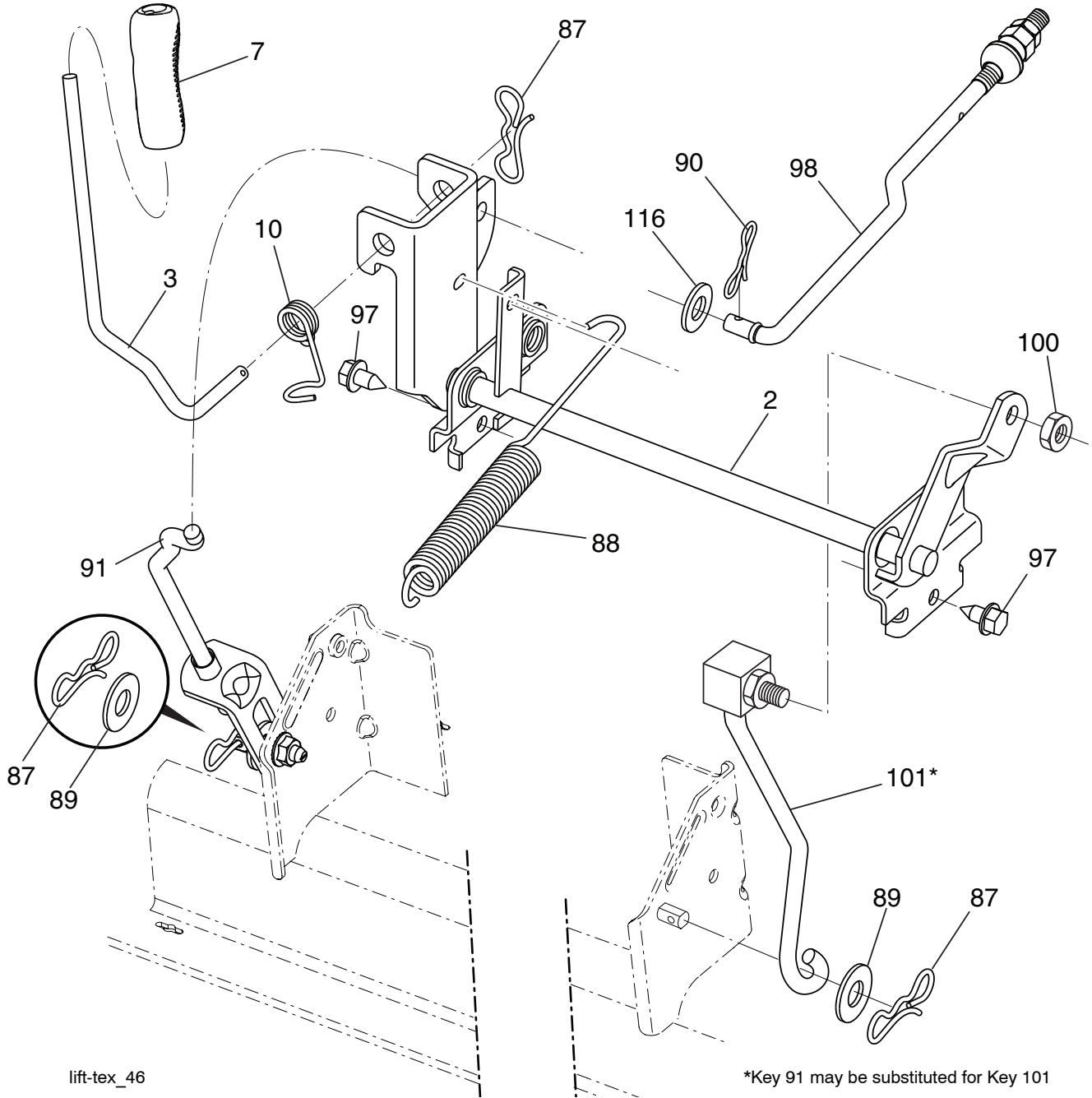
42_D_man-tex_LT_87_r2

**TRACTOR - - MODEL NO. TS 142 (96041043000), PRODUCT NO. 960 41 04-30
MOWER DECK 44**

KEY PART NO. NO.	DESCRIPTION	KEY PART NO. NO.	DESCRIPTION
1	532 43 91-04 Kit, SVC, Weldment	63	532 19 94-77 Arm Brake Mower
6	532 19 51-86 Arm Suspension	64	532 19 99-18 Link Brake
7	596 32 17-01 Screw, #10 x 0.750 BOS Thread	67	532 40 30-12 Handle Clutch Cable
11	532 13 89-71 Blade 42" Hi-lift	68	532 42 96-36 V-Belt
12	584 30 93-01 Screw 7/16-20 x 1 Hx	69	596 13 64-01 Bolt, Cup Head, 5/16-18 x 5/8
14	587 81 97-01 Kit, Mandrel, Nongrease, Tall	70	532 40 12-46 Clutch Asm. Manual
19	532 19 65-39 Bolt, Shoulder	113	817 00 05-10 Screw 5/16-18
20	532 15 97-70 Baffle, Vortex	116	596 43 44-02 Bolt, Shldr. 2.41 x 1.66 x 5" Clr. Zn.
21	596 04 05-01 Nutlock, Hex. Prvl. 5/16-18	117	589 52 74-01 Wheel Guage
23	532 19 25-57 Bracket, Deflector	119	596 13 49-01 Washer, Plain, 3/8 x 7/8
24	532 10 53-04 Cap, Sleeve	122	532 19 72-58 Keeper Belt Engine LH
25	532 19 70-26 Spring, Torsion, Deflector	123	532 19 72-59 Keeper Belt Engine RH
26	532 11 04-52 Nut, Push	144	532 19 92-04 Keeper Belt
27	532 40 30-04 Shield, Deflector	145	532 19 31-97 Pulley, Idler, Flat
29	595 29 70-01 Rod, Hinge	147	532 40 19-71 Spring Return
32	532 19 74-73 Pulley, Mandrel	152	584 24 35-01 Manual Clutch Cable
33	596 13 48-01 Nut, Hex. 9/16-18 x 1.010	188	593 82 40-01 Stud W/"D" Anti-rotation
34	596 13 61-01 Bolt, Cup Head, 3/8-16 x 1-1/2	189	596 13 57-01 Nut, Lock, Prvl. Torq. 5/16-19 x .68
36	532 19 73-79 Pulley, Idler	192	532 19 72-60 Bracket, Brakd Stnd LH
37	596 56 53-01 Washer 3/8 x 0.08 In. St. Clr. Zinc	195	817 00 06-12 Screw 3/8-16 x 3/4
38	589 67 61-02 Keeper Belt LH Mandrel	241	532 15 29-27 Screw TT #10-32.5 3/8 Flange
40	873 90 06-00 Nut, Lock Flg. 3/8-16 unc	242	532 41 55-98 Port Washout
41	584 95 39-01 Bolt Hex 313 - 18 x 1.19	--	532 43 29-37 Replacement Mower, Complete
42	532 19 84-10 Spring Torsion Brake		
43	532 19 72-56 Spring Torsion Retainer		
46	532 13 77-29 Screw 1/4-20 x 5/8		
47	532 19 72-50 Bracket, Clutch Cable		
55	532 43 71-10 Arm, Idler		
56	532 19 90-92 Spacer, Retainer		
57	817 00 06-16 Screw 3/8-16 x 1		
59	532 14 10-43 Guard, Tuv. Idler		
60	532 19 72-61 Arm Brake Mower		
62	596 13 63-01 Bolt, Cup Head, 3/8-16 x 2		

NOTE: All component dimensions given in U.S. inches.
1 inch = 25.4 mm

TRACTOR - - MODEL NO. TS 142 (96041043000), PRODUCT NO. 960 41 04-30
MOWER LIFT 45

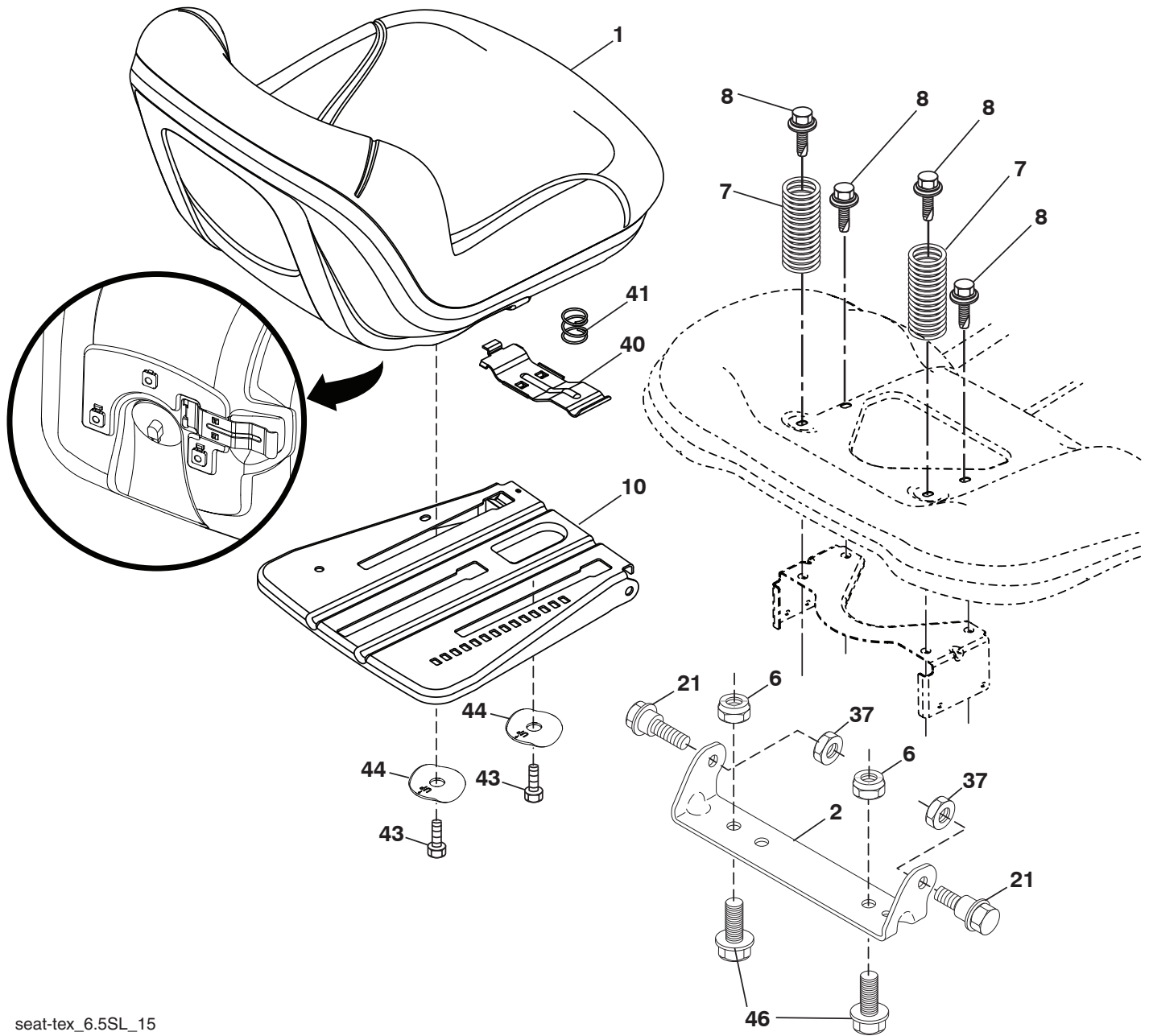


KEY NO.	PART NO.	DESCRIPTION
2	532 42 20-27	Shaft Asm., Lift
3	594 01 80-01	Handle, Liftlever, Lt. Std. Wide
7	580 96 23-01	Grip, Lever
10	532 19 63-14	Spring Torsion
87	532 19 42-09	Pin Cotter 7/16 Bow Tie Lock
88	532 41-07-10	Spring Lift Assist
89	819 19 19-12	Washer Clear Zinc
90	532 19 42-08	Pin Cotter 5/16 Bow Tie Lock
91	589 46 48-03	Link, Assy. Lift, Rear

KEY NO.	PART NO.	DESCRIPTION
97	817 00 06-12	Screw 3/8-16 x .75 Smgml. Tap/R.Z
98	581 50 69-03	Link, Assy. Front, Mwr. Susp
100	595 30 59-01	Nut, Hex. Locknut, 3/8-16
101	532 40 70-03	Link Asm. Lift Fixed
116	594 97 65-01	Washer, Round 15/32x15/16x.065

NOTE: All component dimensions given in U.S. inches.
 1 inch = 25.4 mm

**TRACTOR - - MODEL NO. TS 142 (96041043000), PRODUCT NO. 960 41 04-30
SEAT ASSEMBLY 42**



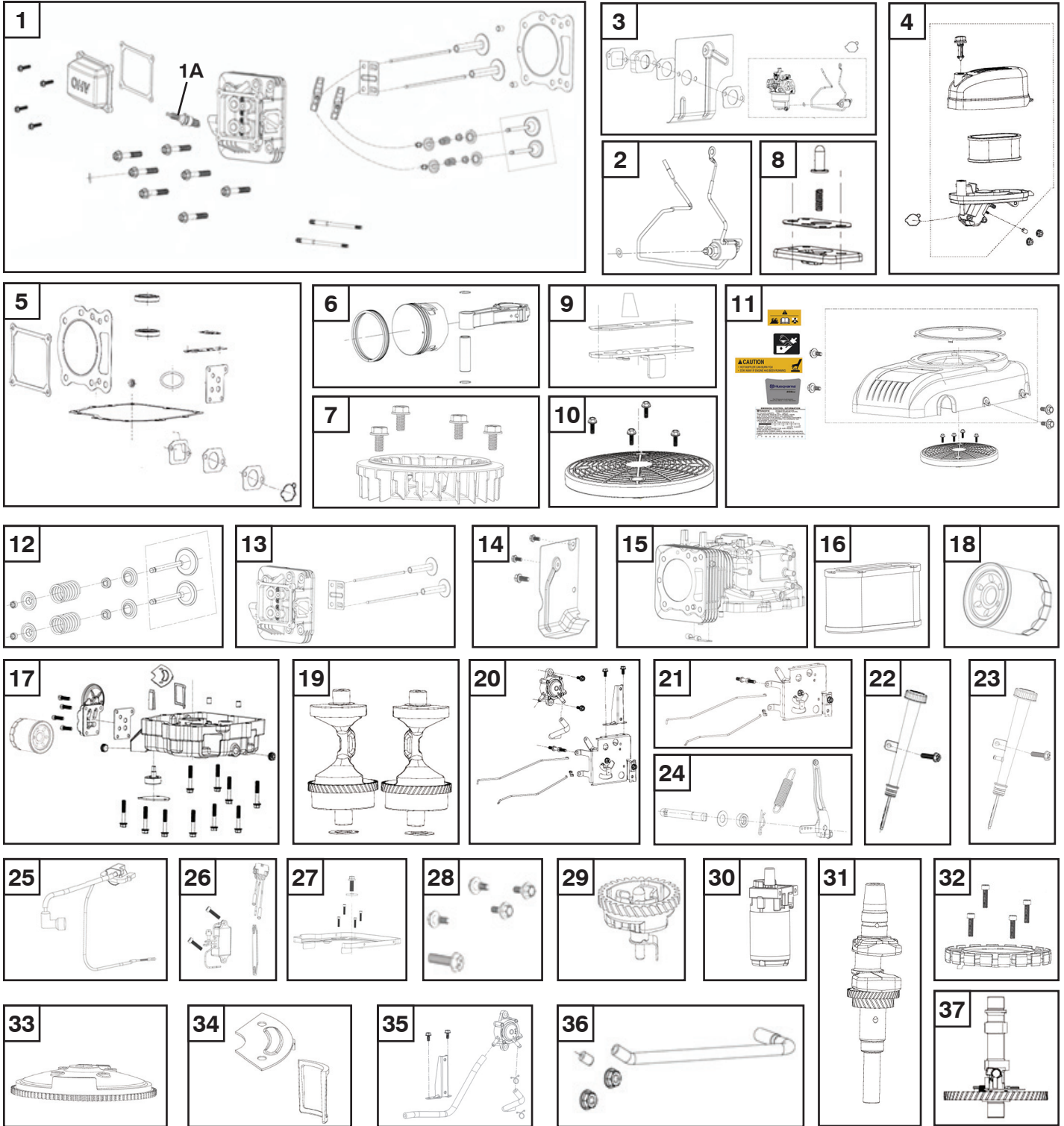
seat-tex_6.5SL_15

KEY NO.	PART NO.	DESCRIPTION
1	532 43 98-19	Seat
2	532 18 01-66	Bracket Pivot Fender
6	873 80 06-00	Nut, Lock w/Ins. 3/8-16 unc
7	589 48 35-01	Spring, Seat Cprsn.
8	532 17 18-77	Bolt 5/16-18 unc x 3/4 w/Sems.
10	596 65 74-02	Seat Plate, Slide
21	587 90 78-01	Bolt, Shoulder 5/16-18 x 5/8
37	596 58 37-02	Nut, W/Nonmetal, Ins. Blk. Zinc
40	595 08 81-02	Handle, Seat, Slide, E-Dip x 431

KEY NO.	PART NO.	DESCRIPTION
41	532 19 82-00	Spring
43	874 76 06-12	Bolt 3/8-16 unc x 3/4
44	501 05 18-01	Washer Winged
46	588 09 04-01	Bolt 3/8-16 x 1, 1.25

NOTE: All component dimensions given in U.S. inches.
1 inch = 25.4 mm

**TRACTOR - - MODEL NO. TS 142 (96041043000), PRODUCT NO. 960 41 04-30
HUSQVARNA ENGINE (608 CC)**



**TRACTOR - - MODEL NO. TS 142 (96041043000), PRODUCT NO. 960 41 04-30
HUSQVARNA ENGINE (608 CC)**

ITEM NO.	PART NO.	DESCRIPTION	QTY.
1	591166101	CYLINDER HEAD COMP KIT	1
1A	591166001	SPARK PLUG	1
2	590901901	SOLENOID KIT	1
3	590902001	CARBURETOR KIT TRACTOR WITHOUT FUEL PUMP	1
--	593240101	CARBURETOR KIT TRACTOR WITH FUEL PUMP	1
4	593230701	AIR CLEANER KIT	1
5	590902201	GASKET AND SEAL KIT	1
6	590903001	PISTON AND RING SET,PISTON KIT	1
7	590903101	IMPELLER KIT	1
8	590903201	REED VALVE KIT	1
9	590903301	VALVE, BREATHER KIT	1
10	592964601	COOLING FAN COVER KIT	1
11	593230901	START COVER KIT	1
12	591042401	VALVE KIT	1
13	591042501	CYLINDER HEAD KIT	1
14	591042701	AIR DEFLECTOR KIT	1
15	591042801	CRANKCASE BODY KIT	1
16	593231001	AIR FILTER	1
17	591043201	CRANKCASE COVER KIT	1
18	591043301	OIL FILTER	1
19	591043401	BALANCING SHAFT KIT	1
20	593104101	THROTTLE LEVER KIT - TRACTOR WITH FUEL PUMP	1
21	591043501	THROTTLE LEVER KIT - TRACTOR WITHOUT FUEL PUMP	1
22	591043801	FILLER TUBE KIT WITHOUT FUEL PUMP	1
23	593146701	FILLER TUBE KIT WITH FUEL PUMP	1
24	591043901	SPEED REGULATING ARM KIT	1
25	591044001	IGNITION COIL ASSY	1
26	591044101	VOLTAGE RECTIFIER KIT	1
27	591044201	SIDE PLATE KIT	1
28	591044301	BOLT KIT	1
29	591044501	GOVENOR GEAR	1
30	591044701	STARTER MOTOR KIT	1
31	592950701	CRANK SHAFT KIT	1
32	592950801	CHARGING ARMATURE KIT	1
33	592950901	FLYWHEEL KIT	1
34	592951001	OIL STRAIN KIT	1
35	593168501	FUEL SYSTEM KIT	1
36	591043101	BREATHER TUBE KIT	1
37	591044601	CAM SHAFT KIT	1

