

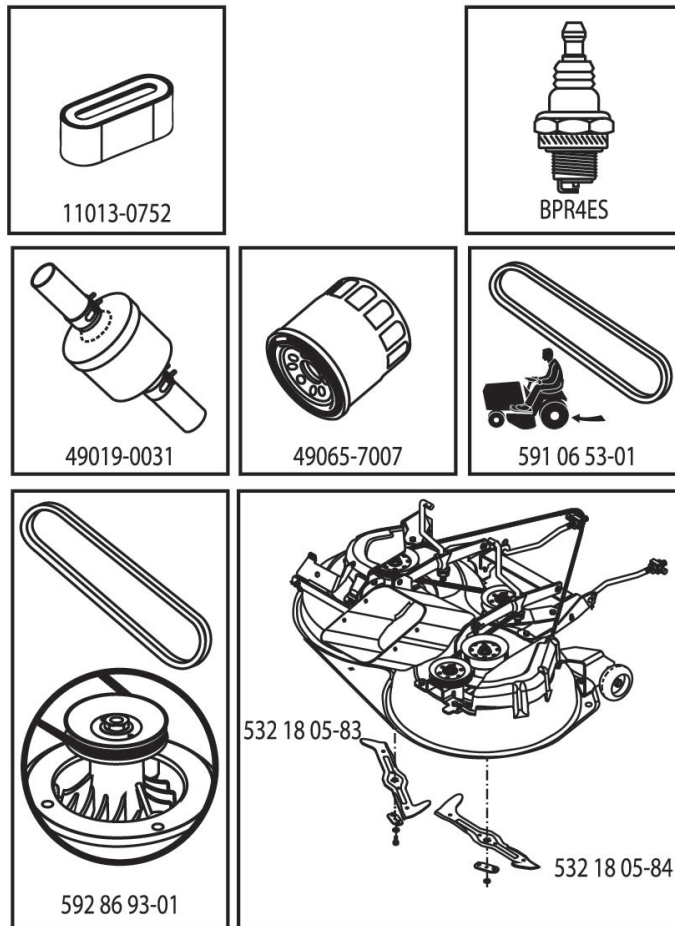
ILLUSTRATED PARTS LIST

MFG. ID NO. 96051018400

CUSTOMER CATALOG NO. TC 342T

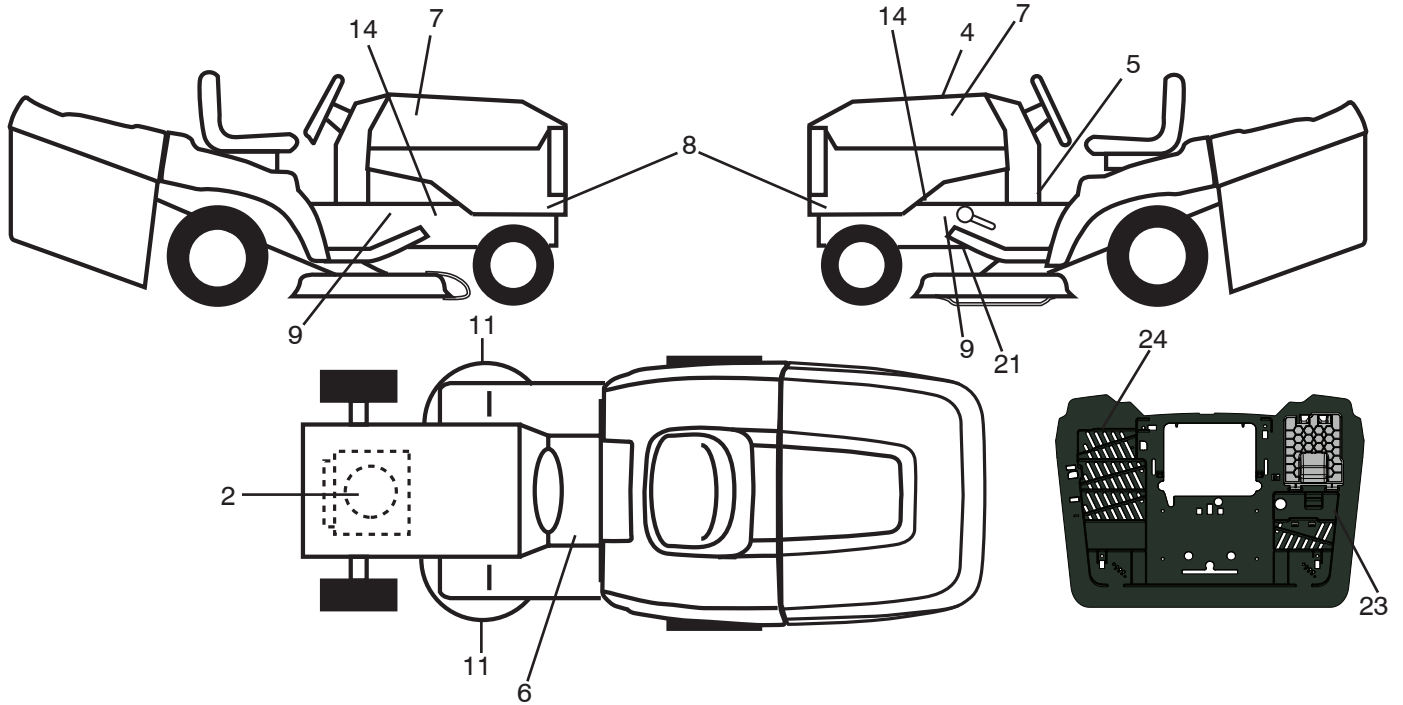
PRODUCT NO. 960 51 01-84

47



596706801

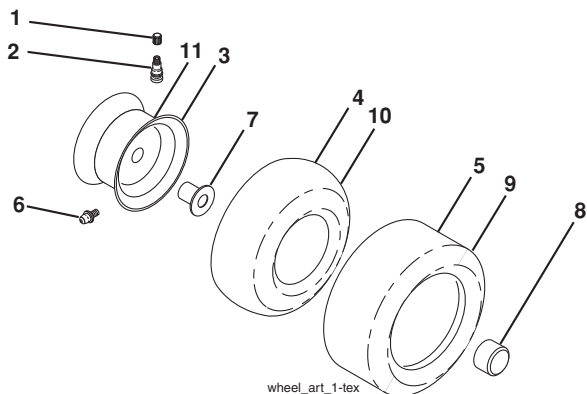
**TRACTOR - MODEL NO. TC 342T (96051018400), PRODUCT NO. 960 51 01-84
DECALS 27**



KEY NO.	PART NO.	DESCRIPTION
2	581 57 97-01	Decal, Warning Eng.
4	596 70 68-01	Decal, Replacement
5	581 57 84-01	Decal, Lower Dash
6	581 57 83-01	Decal, Warning
7	581 62 73-01	Decal, Hood
8	589 51 47-01	Decal, Side Panel
9	581 57 98-01	Decal, Warning
11	581 57 91-01	Decal, Mower Cut Finger Symbol
14	581 57 96-01	Decal, Chassis Hot Muffler
21	592 98 02-01	Decal, Belt Schematic

KEY NO.	PART NO.	DESCRIPTION
23	532 44 46-19	Decal, Bypass
24	532 44 54-93	Decal, Warning Combined
--	532 44 14-09	Pad Footrest LH
--	532 44 14-10	Pad Footrest RH
--	114 08 21-20	Manual Operator's (Euro)
--	114 08 22-10	Manual Operator's (Scan)
--	114 08 24-50	Manual Operator's (E-Bloc)
--	114 08 23-40	Manual Operator's (Baltic)
--	114 12 29-53	Manual Operator's (UK)

WHEELS AND TIRES



wheel_art_1-tex

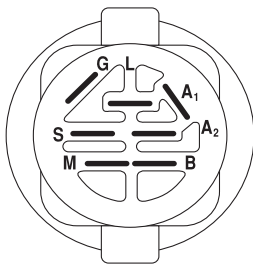
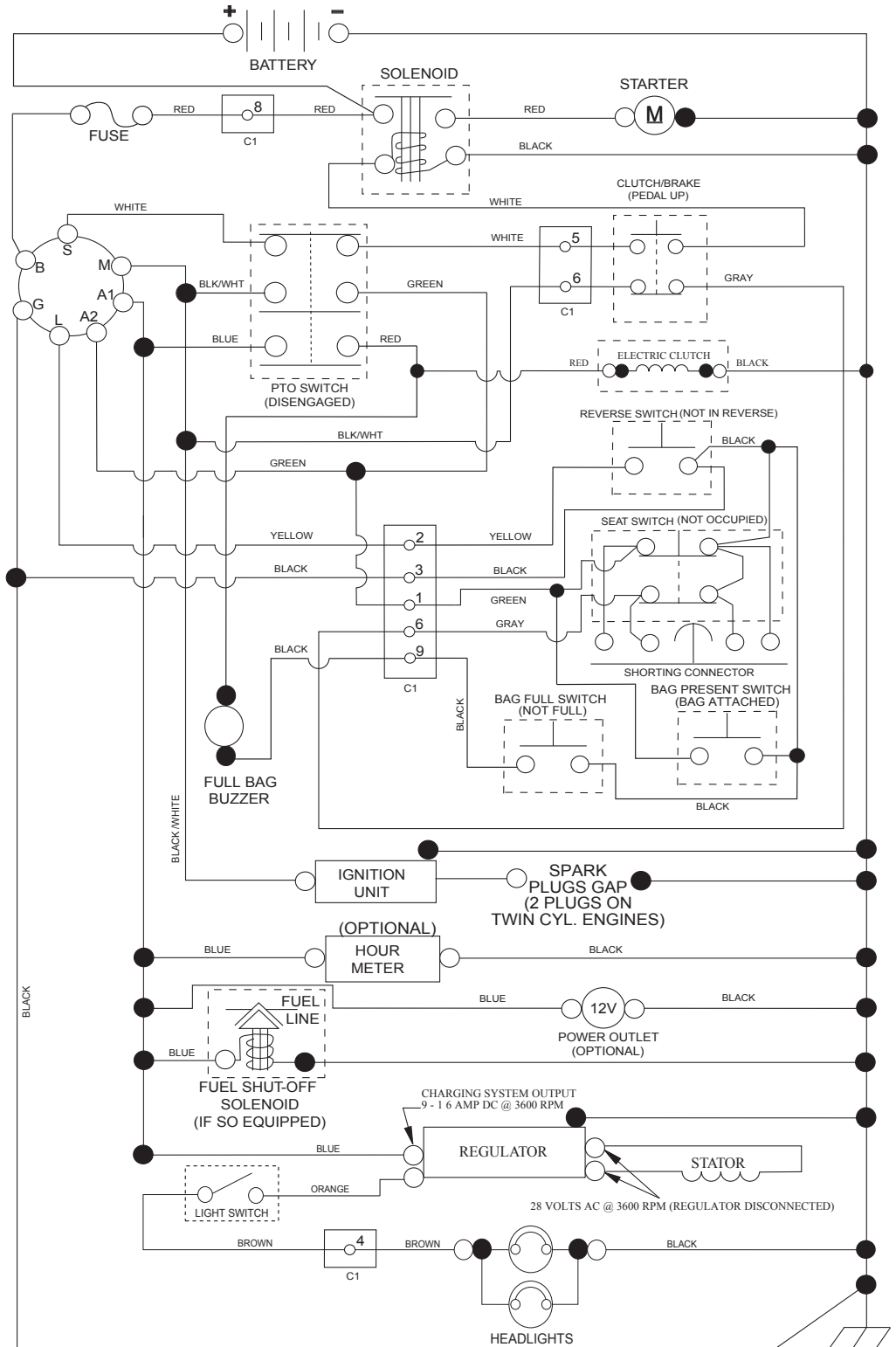
KEY NO.	PART NO.	DESCRIPTION
1	532 05 91-92	Cap Valve Tire
2	532 06 51-39	Stem Valve
3	532 13 83-36	Rim Front
4	532 05 99-04	Tube Front (Service Item Only)
5	532 17 04-55	Tire Front 15 x 6-6
6	532 00 02-78	Fitting Grease (Front Wheel Only)
7	532 00 90-40	Bearing Flange (Front Wheel Only)
8	532 17 50-39	Cap Axle Blk 1 50 x 1 00
9	588 69 19-01	Tire Rear 18 x 9.5-8
10	532 00 71-52	Tube Rear (Service Item Only)
11	532 13 83-37	Rim Asm 8" Rear
--	532 14 43-34	Sealant, Tire (10 oz. Tube)

NOTE: All component dimensions given in U.S. inches
1 inch = 25.4 mm

TRACTOR - MODEL NO. TC 342T (96051018400), PRODUCT NO. 960 51 01-84

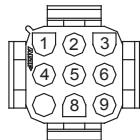
SCHEMATIC **38**

SCH19

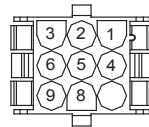


IGNITION SWITCH

POSITION	CIRCUIT	"MAKE"
OFF	M+G+A1	
RUN/OVERRIDE	B+A1	
RUN	B+A1	L+A2
START	B + S + A1	



CHASSIS HARNESS CONNECTOR (C1) (MATING SIDE)



DASH HARNESS CONNECTOR (C1) (MATING SIDE)

WIRING INSULATED CLIPS
NOTE: IF WIRING INSULATED CLIPS WERE REMOVED FOR SERVICING OF UNIT, THEY SHOULD BE RE-INSTALLED TO PROPERLY SECURE YOUR WIRING.

● NON-REMOVABLE CONNECTIONS

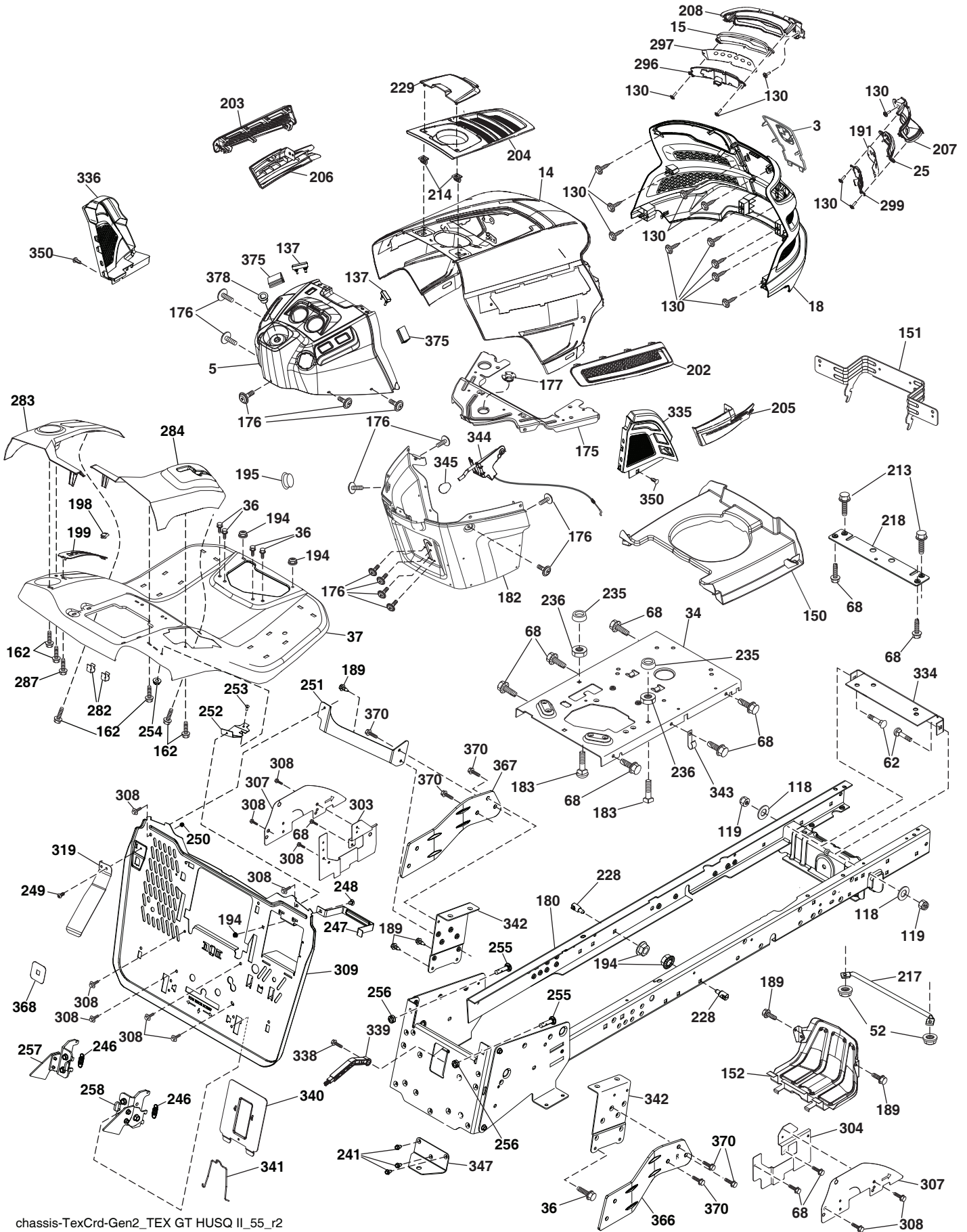
○ REMOVABLE CONNECTIONS

**TRACTOR - MODEL NO. TC 342T (96051018400), PRODUCT NO. 960 51 01-84
ELECTRICAL 32**

KEY NO.	PART NO.	DESCRIPTION
1	532 43 71-57	Battery
2	596 32 01-01	Bolt Hex M6 x 1 x 12.4mm 8.8
16	532 17 61-38	Switch Interlock Push-In
21	585 43 64-01	Harness Light
25	589 32 37-01	Cable Batt., 8 Ga., Red 9, CRD
26	532 17 51-58	Fuse
27	596 13 36-01	Lock Nut Keps 1/4-20
28	589 32 36-01	Cable, Batt. BLK10
29	532 40 15-45	Switch, Seat
30	532 19 33-50	Switch, Ign DLTA
33	532 41 19-35	Key/Chain Blisterpack
34	532 11 07-12	Switch, Light Reset
40	587 30 48-01	Harness Ign. Dash
42	532 13 15-63	Cover Terminal, Red
43	582 04 28-02	Solenoid W/Brass Plunger Zn
45	587 55 39-06	Gauge Ammeter Prime Round
46	587 55 40-06	Gauge Hourmeter Prime Round
50	582 10 76-02	Switch, PTO 8 Terminal STD Red
55	817 06 05-12	Screw Thdrol 5/16-18 x 3/4 TYTT
71	532 44 08-20	Harness Ignition Chassis
83	594 08 65-01	Nut Square M6 x 1
99	817 00 05-12	Screw 5/16-18 x 3/4 Thrdl
102	532 44 12-62	Harness Jumper
105	532 40 75-68	Switch Reverse
107	532 18 03-79	Switch Full Bagger
108	589 50 03-01	Switch Snapmount
142	583 85 78-01	Charge Port Pigtail
143	532 44 80-59	Charge Port

NOTE: All component dimensions given in U.S. inches
1 inch = 25.4 mm

TRACTOR - MODEL NO. TC 342T (96051018400), PRODUCT NO. 960 51 01-84
CHASSIS AND ENCLOSURES 39



chassis-TeXCrd-Gen2_TEX GT HUSQ II_55_r2

**TRACTOR - MODEL NO. TC 342T (96051018400), PRODUCT NO. 960 51 01-84
CHASSIS AND ENCLOSURES 39**

KEY NO.	PART NO.	DESCRIPTION	KEY NO.	PART NO.	DESCRIPTION
3	532 44 44-81	Applique	247	582 55 26-02	Strap Battery TCRD Gen 2.5 x .431
5	590 74 88-19	Dash UPR GT2 Dual RD PTO MC	248	872 11 05-04	Bolt Carr. 5/16 unc x 1/2
14	532 44 11-77	Hood	249	586 93 60-01	Screw Button 10-24 x 1/2 PTCHD
15	585 42 03-01	Lens LH	250	596 04 08-01	LockNut Washer #10-24 in Gr. 2
18	587 52 34-01	Grille	251	589 31 89-04	Backplate Support Bracket
25	585 42 02-01	Lens RH	252	581 99 22-04	Backplate Support Bracket
34	593 94 44-02	Plate Engine WeldedChas 127"	253	596 23 84-01	Bolt Carr. 1/4-20 x 3/4 Gr. 5 CLRZN
36	817 06 05-12	Screw 5/16-18 x 3/4	254	873 90 04-00	Nut, Hex Flange 1/4-20 unc
37	532 44 13-69	Fender	255	589 39 22-03	Bolt CrssDrIld 3/8-16 x 1 3/4 Gr. 2
52	596 04 05-01	Nut Lock Hex PRVL 5/16-18	256	596 21 90-01	Nut Hex Jam Nut Top 3/8 x 9/16
62	596 72 82-01	Bolt Carri 3/8-16 x 1 Gr. 5	257	589 74 66-02	Bagger Latch Assembly LH
68	596 03 07-01	Screw Hexagon 5/16-18 x 1/2	258	589 74 67-02	Bagger Latch Assembly RH
118	596 56 53-01	Washer 3/8 x .08 in ST CLR ZC	282	532 41 41-10	Clip Retainer
119	596 32 26-01	Nut Crownlock 3/8-16 unc	283	532 44 72-12	Console Deck Lift LH
130	596 32 17-01	Screw #10 x 0.750 BOS Thread	284	532 44 72-20	Console Shft RH
137	532 40 75-90	Bumper Dash	287	817 60 04-06	Screw 1/4-20 x 3/8
150	532 43 97-74	Air Duct	296	585 42 05-01	LED Light LH
151	532 43 66-70	Bracket Pivot	297	586 18 29-01	Insert Reflective LH
152	532 43 98-70	Shield Browning	299	585 42 04-01	LED Light RH
162	596 13 41-01	Screw Hex Tap 1/4-15 x 1/2	303	589 00 76-02	Shield, Chassis French LH
175	590 60 77-02	Crossmember Plate	304	589 00 68-02	Shield, Chassis French RH
176	532 40 07-76	Screw 10-24 x 5/8	307	587 49 45-01	Shield Upper French
177	532 19 52-28	Bushing Steering	308	532 17 18-77	Bolt 5/16-18 unc x 3/4 w/Sems
180	593 89 88-01	Chassis	309	582 55 25-02	Backplate
182	532 40 68-59	Dash Lower	319	581 31 39-07	Lever Bag
183	595 30 57-01	Screw Hex 5/16-18 x 1-1/4	334	532 44 25-37	Bracket Engine
189	817 00 05-12	Screw 5/16-18 x 3/4	335	532 44 82-04	Cover RH Lower Close Out
191	586 18 28-01	Insert Reflective RH	336	532 44 53-09	Cover LH Lower Close Out
194	596 13 57-01	NutLock PRVL TORQ 5/16-18 x .68	338	594 09 39-01	Bolt Shoulder 5/16-18 x .88
195	532 40 41-37	Plug Hole Dash Lower	339	532 43 66-41	Lever Bagger Full
198	532 44 15-52	Indicator Deck Lift	340	582 55 27-02	Door Battery
199	532 41 87-39	Plate Deck Lift	341	582 06 08-01	Latch Battery Door Tex CRD
202	532 43 97-28	Vent Side Hood RH	342	582 82 68-02	Supprt Fender
203	532 43 97-27	Vent Side Hood LH	343	532 44 07-49	Clip
204	587 48 58-01	Vent Top Asm.	344	532 43 89-70	Control Ex Mulch Tex/CRD
205	532 43 97-30	Skirt Hood Side RH	345	532 44 06-39	Knob, Oval, Tapered 3/8-16 BLK
206	532 43 97-29	Skirt Hood Side LH	347	532 44 28-87	Hitch Tow
207	585 42 00-02	Bezel RH	350	532 44 51-43	Clip X-Mas Tree
208	585 42 01-02	Bezel LH	366	599 36 16-02	Bracket RH Front Support Bagger
213	596 03 05-01	Screw Hex HD 5/16-18 unc x 3/4	367	599 36 19-02	Bracket LH Front Support Bagger
214	532 19 91-45	Clip Retainer Tinner	368	581 42 48-01	Shroud Bag Full Lever
217	532 40 91-67	Rod Pivot	370	817 12 06-16	Screw, 3/8-16 x 1, Smgml, T
218	532 19 63-95	X-Piece Hood Stop	375	586 90 82-01	Dash Clip-On Bumper
228	593 82 40-01	Stud W/"D" Anti-Rotation	378	590 84 98-01	Bushing Flange Plastic
229	532 44 14-63	Lid Ext	--	532 43 18-82	Guard Brush
235	596 56 42-01	Spacer Fender CLR ZN			
236	873 93 05-00	Nut Lock 5/16-18 unc			
241	593 33 76-01	Screw 5/16-18 x 1 HWH TRS			
246	591 44 90-01	Spring TCRD Gen 2.5 Bagger Ext			

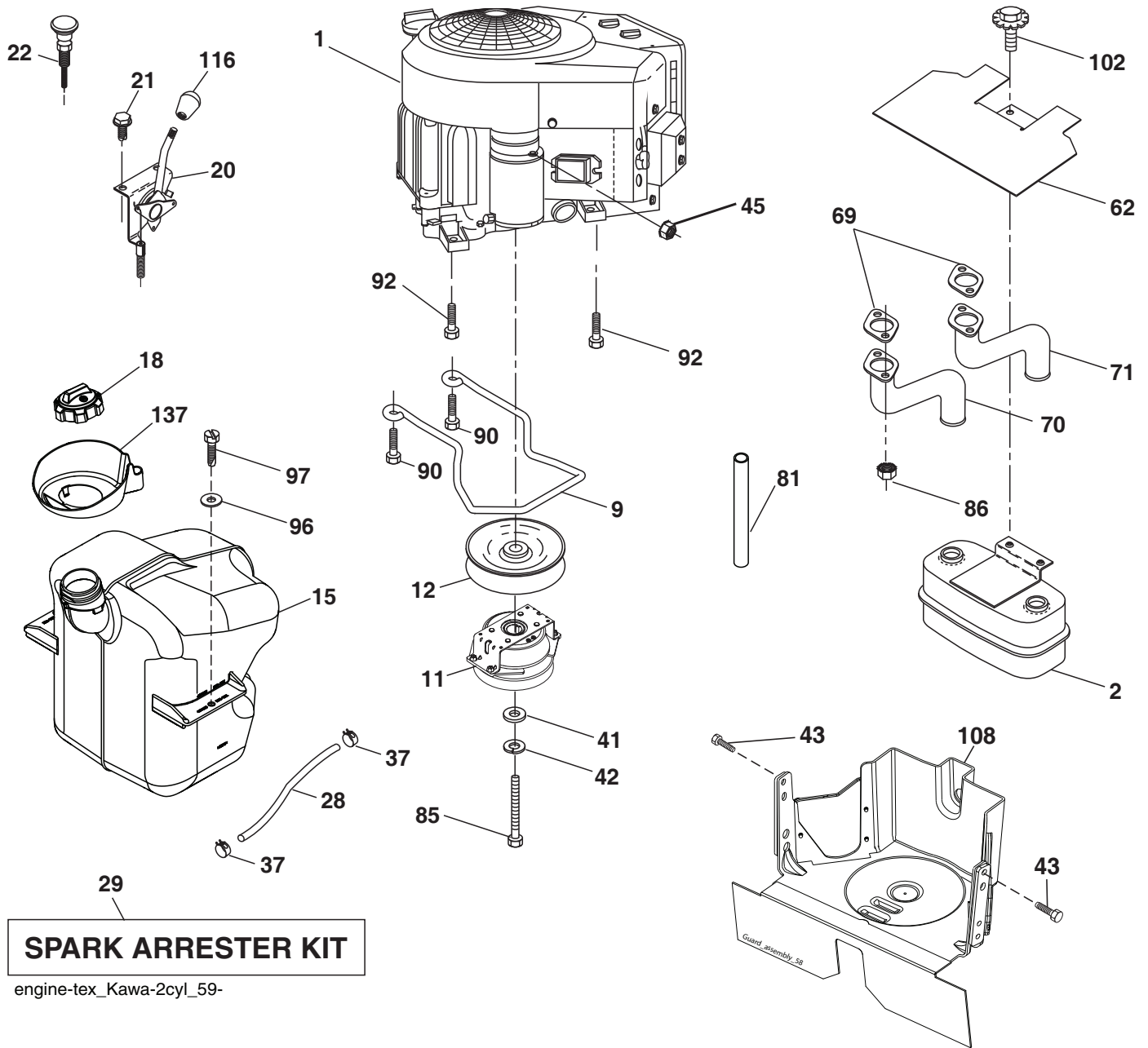
NOTE: All component dimensions given in U.S. inches
1 inch = 25.4 mm

**TRACTOR - MODEL NO. TC 342T (96051018400), PRODUCT NO. 960 51 01-84
DRIVE **40****

KEY NO.	PART NO.	DESCRIPTION	KEY NO.	PART NO.	DESCRIPTION
1	---	Transaxle, Tufftorq K57AH (585743601) (Order parts from transaxle manufacturer.)	195	580 45 69-01	Bracket Rod Brake CRD Tex
2	532 12 35-83	Key Square	196	817 00 06-16	Screw 3/8-16 x 1 Smgml Tap/R Blk
6	532 12 40-28	Bushing Snap	197	585 65 86-02	Wireform Clutch Anti-Rotation
17	532 43 62-27	Spring Brake K46	203	596 20 41-01	Washer 11/32 x 11/16 x 14
26	532 19 96-79	Spring Return Cruise	205	532 12 17-48	Washer 25/32 x 1-5/8 x 16 Ga.
27	596 24 10-01	Screw Hex Thd Roll 5/16 x 18	206	532 44 85-96	Bracket Mount Latch Cruise
29	532 44 27-95	Rod, Brake	207	587 03 14-02	Latch Control Cruise Tex CLR
30	596 14 02-01	Washer 406ID x OD x .065	208	596 56 41-01	Gear
33	812 00 00-01	Ring E	209	596 86 98-01	Rod Control Cruise HUSQ Tex
35	583 86 45-02	Rod, Brake, Parking GT, HUSQ	210	532 40 09-80	Rocker Asm. Pedal Control
37	532 18 89-67	Washer Harden .793 x 1.063 x .060	211	532 12 01-83	Bearing Nylon
38	532 16 96-13	Nyliner Bushing	213	532 40 31-19	Knob Control Cruise
42	532 00 88-83	Cover, Pedal Blk Round	214	532 42 12-63	Pedalpad Forward Tex STD
49	596 13 62-01	Bolt Cup Head 3/8-16 x 3/4 Gr. 5	215	586 60 65-02	Pedal Reverse
50	532 19 43-27	Idler Flat	221	532 40 31-87	Retainer Spring Clip Handle
51	873 90 06-00	Lock Nut 3/8-16	222	879 21 20-10	Washer 21/32 x 1-1/4 10 Ga.
52	532 19 43-26	Idler V-Groove	226	532 40 15-64	Bracket Strap Torque
56	591 06 53-01	V-Belt, Drive	227	596 13 59-01	Bolt Hex 5/16-18 x 3/4 CLR ZNC
64	532 19 78-65	Shaft Asm. Pedal Brake Control	279	593 89 84-01	Link & Stud - Link SubAsm.
73	595 31 66-01	Bolt HHD W/Flange 5/16-18 Gr. 5	280	596 03 99-01	Washer Plain 11/32 x 5/8 CLR
90	532 44 36-05	Keeper Belt Clutching	309	532 16 55-81	Plate Fstnr Cross Shf
92	595 30 57-01	Screw Hex. 5/16-18 unc x 1-1/4	311	532 16 98-45	Washer Nylon
99	532 44 39-47	Rod Spring Bypass	312	532 16 56-14	Hub Tapered
103	596 43 63-01	Nut Hex 5/16-18 x .577" Gr. 5 ZN	313	596 04 07-01	Bolt Hex 1/4-20 x 1
116	596 13 57-01	Nut Lock Prvl Torq 5/16-18 x .68	314	532 44 47-13	Keeper Belt
125	817 00 05-12	Screw 5/16-18 x 3/4	315	817 58 05-20	Screw Thdrol 5/16-18 x 4.25
140	596 02 98-01	Spring Lock Washer Square Ends	335	532 19 95-34	Pulley V-Idler
143	596 03 07-01	Screw Hex. 5/16-18 x 1/2	336	587 25 96-02	Bolt 5/16-18 x 1-3/4 Flanged
159	596 02 95-01	Pin Cotter 1/8 Dia. x 3/4	339	532 43 68-67	Strap Torque K46 CRD Tex
160	596 02 94-01	Clip, Retainer, "M-Shape"	342	532 18 26-82	Keeper Belt 2.5" STL V-Idlr CRD
161	532 10 57-09	Spring, Return, Clutch	343	594 94 44-01	Nut Hex Flanged 5/16-18 Nyloc CLR
163	594 08 41-02	Rod Control Pedalshift CRD 2	351	532 43 69-98	Bracket 97 CRD Deck Sway
166	532 42 91-64	Nut Push	352	532 43 56-45	Bracket Idler CRD Tex
167	532 40 52-57	Latch Brake Parking	355	532 43 56-69	Strap Torque K46 CRD Tex
175	532 42 93-59	Shaft Asm Crossshift Rear CRD	359	596 56 40-02	Bolt HHD 3/8-16 x .655 CLR ZN
177	587 22 53-01	Pin Cotter, Locking, Bowtie, 1"	360	532 44 47-14	Nut 5/16-24 unf
183	532 13 70-57	Spacer Axle	362	532 43 68-12	Idler Flat
184	587 65 37-01	Handle Parking Brake	363	532 44 27-80	Spacer .343 x .63 x .62
185	872 11 06-22	Bolt 3/8-16 unc x 2-3/4 Gr. 5	364	532 44 30-32	Bracket Idler CRD Tex
186	532 19 43-21	Spacer Retainer	372	582 65 49-01	Keeper Belt Transaxle
188	582 21 70-01	Link Clutch, Long			
189	532 43 36-11	Bellcrank Ground Drive			

NOTE: All component dimensions given in U.S. inches
1 inch = 25.4 mm

TRACTOR - MODEL NO. TC 342T (96051018400), PRODUCT NO. 960 51 01-84
ENGINE **24**

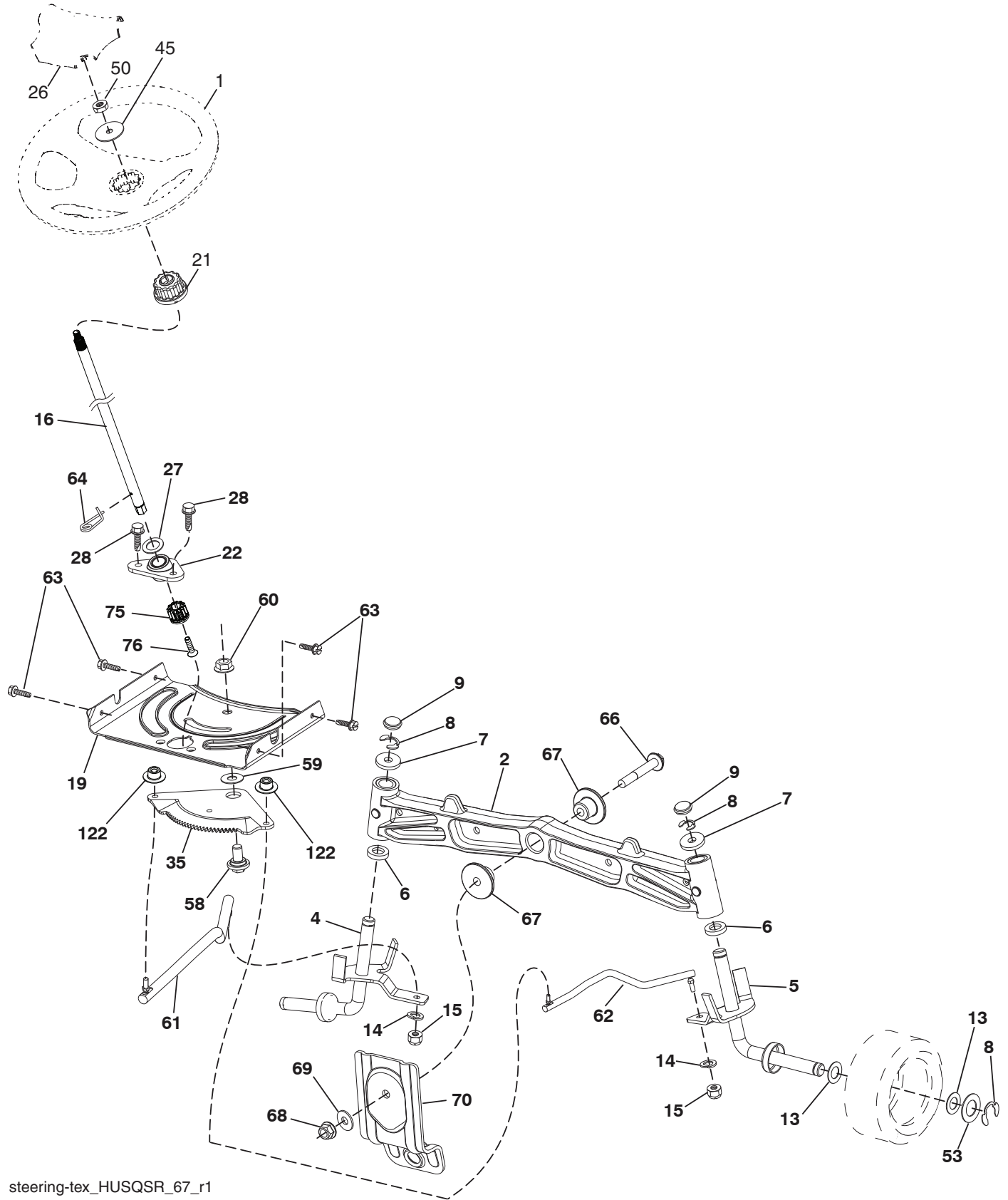


**TRACTOR - MODEL NO. TC 342T (96051018400), PRODUCT NO. 960 51 01-84
ENGINE 24**

KEY NO.	PART NO.	DESCRIPTION
1	-----	Engine KAWA Model No. FR651V (589493201) (Order parts from engine manufacturer.)
2	589 81 87-01	Muffler
9	501 83 26-02	Keeper Belt Engine
11	592 82 17-01	Clutch Electric
12	532 40 50-97	Pulley Engine
15	532 43 58-16	Tank Fuel
18	532 44 14-62	Fuel Cap
20	532 42 43-41	Control Throttle
21	596 32 17-01	Screw # 10 x 0.750 BOS Thread
22	532 18 95-41	Control Choke
28	587 04 48-20	Fuel Line
29	532 13 71-80	Spark Arrester Kit
37	532 12 34-87	Clamp Hose
41	532 12 61-97	Washer 1-1/2 OD x 15/32 ID x .250
42	596 23 89-01	Washer 7/16" CLR ZN
43	593 33 76-01	Screw 5/16-18 x 1 HWH TRS
45	596 13 36-01	Locknut Keps 1/4-20
62	532 43 40-17	Shield Heat Muffler
69	532 17 81-51	Gasket
70	583 95 56-01	Tube Exhaust LH
71	583 95 57-01	Tube Exhaust RH
81	532 14 84-56	Tube Drain Oil Easy
85	501 60 66-01	Bolt Hex 7/16-20 x 3.75 Gr. 5
86	532 18 43-62	Nut Hex Flanged Toplock
90	817 00 06-16	Screw 3/8-16 x 1
92	817 12 06-16	Screw 3/8-16 x 1 SMGML Tap/R
96	596 13 53-01	Washer Plain 9/32 x 7/8 CLR ZN
97	817 67 04-12	Screw 1/4-20 x 3/4
102	817 00 05-12	Screw 5/16-18 x 3/4
108	587 17 95-10	Cover Pulley Engine
116	539 13 26-24	Knob Shift
137	532 44 14-61	Spill Cup

NOTE: All component dimensions given in U.S. inches
1 inch = 25.4 mm

TRACTOR - MODEL NO. TC 342T (96051018400), PRODUCT NO. 960 51 01-84
STEERING ASSEMBLY 41



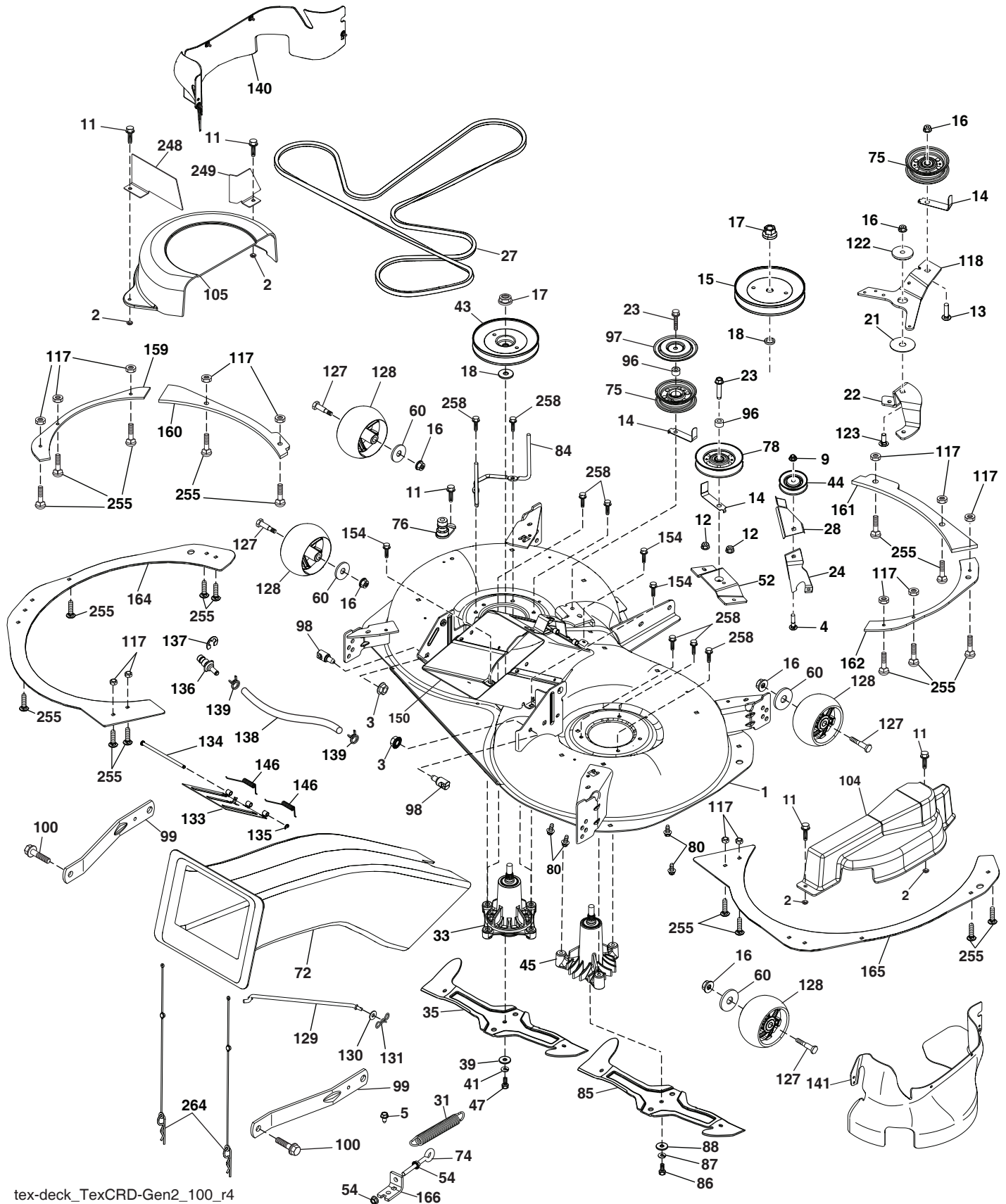
steering-tex_HUSQSR_67_r1

**TRACTOR - MODEL NO. TC 342T (96051018400), PRODUCT NO. 960 51 01-84
STEERING ASSEMBLY 41**

KEY NO.	PART NO.	DESCRIPTION
1	532 43 97-40	Wheel, Steering
2	532 19 59-68	Axle Cast Iron
4	532 40 30-87	Spindle Asm., LH
5	532 40 30-88	Spindle Asm., RH
6	532 00 62-66	Washer Thrust 0.75 x 1.23
7	532 12 17-48	Washer 25/32 x 1-5/8 x 16 Ga.
8	812 00 00-29	Ring, Klip #T5304-75
9	532 12 12-32	Cap, Spindle
13	532 12 17-49	Washer 25/32 x 1-1/4 x 16 Ga.
14	596 23 87-01	Washer, Spring Lock .381 ID x .680
15	873 54 06-00	Nut, Crown Lock 3/8-24 unf
16	587 01 60-02	Shaft Steering
19	532 19 47-29	Plate Steering
21	586 84 02-01	Adapter, Wheel Steering Splnd Alum
22	585 02 98-02	Bearing Shaft Steer Low
26	532 43 97-43	Cap, Wheel Steering HUSQ 498
27	596 93 34-01	Washer, Plain
28	817 00 06-12	Screw 3/8-16 x 3/4
35	532 19 47-32	Gear, Sector Plate
45	587 01 64-01	Washer 3/8 ID 2-3/8OD 12 Ga. PLTD
50	873 90 06-00	Nut Lock Flg. 3/8-16 unc
53	532 18 89-67	Washer Hardened .793 x 1.637 x .060
58	532 19 47-47	Bolt Shoulder Sector Pivot CFM
59	532 19 47-48	Washer Thrust Sector Steering
60	873 97 10-00	Nut Flange Lock 5/8-11
61	597 07 02-02	Draglink, LH Adj. STD. CLRZN
62	597 07 03-02	Draglink, RH Adj. STD. CLRZN
63	817 00 05-12	Screw 5/16-18 x 3/4
64	532 19 98-49	Retainer Clip Spring Steering
66	871 02 07-48	Bolt Hex Fghd 7/16-14 x 3 Serr
67	532 19 47-37	Bushing PM Front Axle
68	873 90 07-00	Nut Lock Flange 7/16-14 Gr. 5
69	532 19 91-62	Washer 1.5 x .505 x .118
70	585 33 88-01	Bracket Deck Susp. Front
75	580 68 37-01	Pinion
76	580 68 36-01	Screw Head Sock
122	532 44 49-62	Cap Gear Sector

NOTE: All component dimensions given in U.S. inches
1 inch = 25.4 mm

TRACTOR - MODEL NO. TC 342T (96051018400), PRODUCT NO. 960 51 01-84
MOWER DECK 44



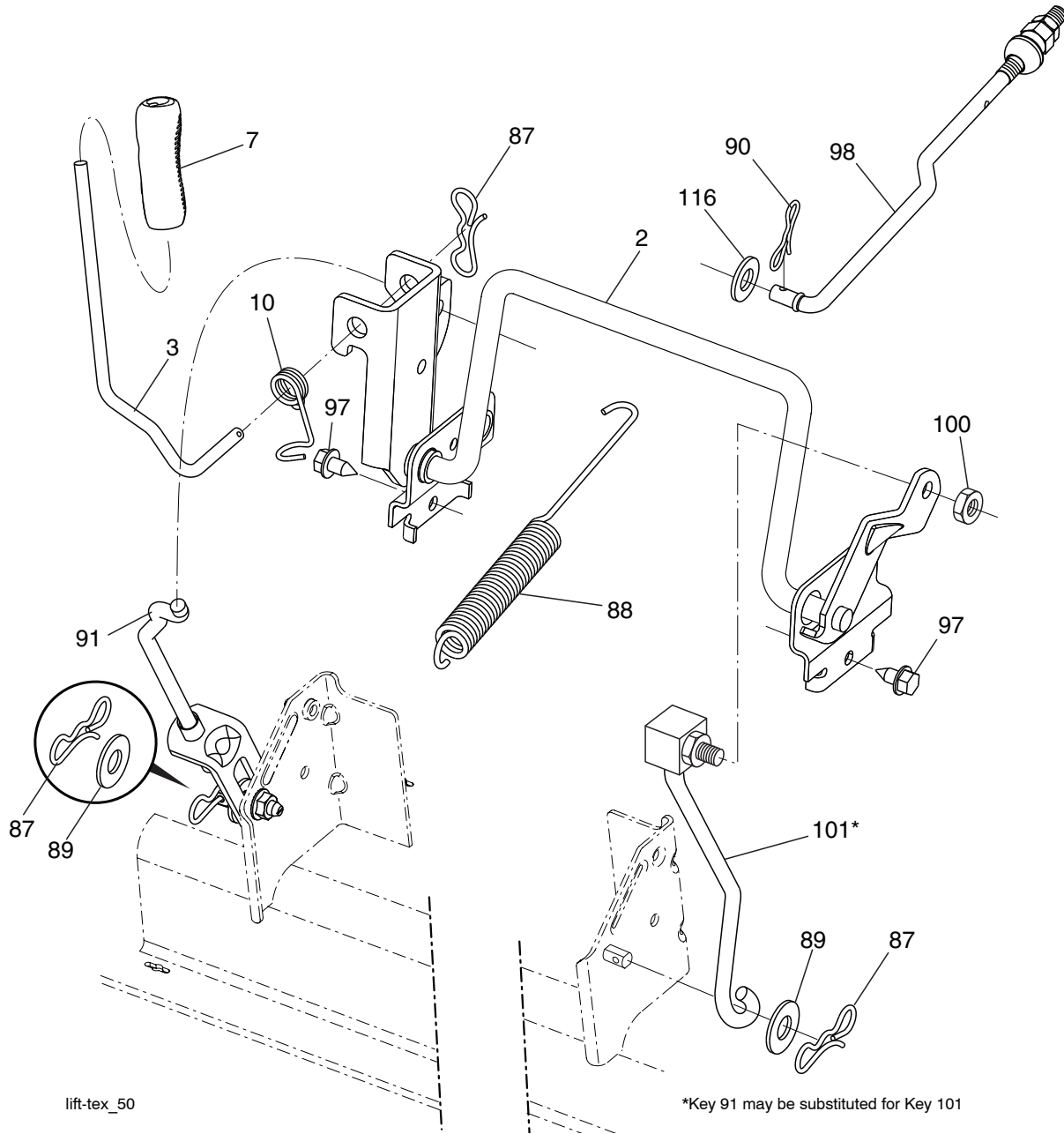
tex-deck_TexCRD-Gen2_100_r4

**TRACTOR - MODEL NO. TC 342T (96051018400), PRODUCT NO. 960 51 01-84
MOWER DECK 44**

KEY NO.	PART NO.	DESCRIPTION	KEY NO.	PART NO.	DESCRIPTION
1	596 76 28-01	Deck SVC Kit	97	532 18 20-61	Shield Idler Mower
2	532 42 30-62	Palnut 1/4	98	593 82 40-01	Stud W/"D" Anti-Rotation
3	596 13 57-01	Nut Lock PRVL Torq 5/16-18 x .68	99	532 19 51-86	Arm Suspension Mower Rear
4	872 11 05-10	Bolt Carr. 5/16-18 x 1-1/4 Gr. 5	100	532 19 65-39	Bolt Shoulder
5	817 00 05-10	Bolt 5/16-18 Hex Whs Hd Lckserr	104	592 86 57-01	Mandrel Cover RH
9	585 69 13-01	Nut Hex Flg 5/16-18	105	532 44 47-55	Mandrel Cover LH
11	532 13 77-29	Screw Thd Roll 1/4-20 x 5/8	117	873 90 04-00	Nut Hex Flange 1/4-20 unc
12	594 94 44-01	Nut Hex Flg 5/16-18 Nyloc CLR	118	592 86 58-02	Arm Clutching
13	596 13 61-01	Bolt Cup Head 3/8-16 x 1-1/2	122	532 16 57-23	Spacer Retainer
14	532 15 60-85	Keeper Belt Idler	123	596 98 75-01	Bolt 3/8 x 1-1/4 Gr. 5 CLR ZN
15	532 19 59-45	Pulley Mandrel	127	596 43 44-04	Bolt Shoulder 3/8-16 x 3-5/8
16	873 90 06-00	Nut Lock FIG 3/8-16 unc	128	589 52 73-01	Wheel Gauge
17	596 13 48-01	Nut Hex 9/16-18 x 1.010	129	532 44 32-37	Rod Anti-Sway
18	532 18 76-90	Washer, Spacer, Mandrel	130	596 13 32-01	Washer 13/32 x 13/16 x 12 Ga.
21	532 17 85-15	Washer Flat Hardened	131	532 19 42-08	Pin Cotter 5/16 Bow Tie Lock
22	592 85 47-02	Bracket Clutching Arm	133	532 43 81-97	EZ Mulch Door
23	596 56 40-03	Bolt Hex 3/8-16 x 1.78 CLR Zinc	134	593 88 95-01	Pin Grooved Hinge
24	594 97 29-03	Bracket Angles V-Idler	135	532 43 79-88	E-Ring 5/16
27	592 86 93-01	V-Belt Drive	136	532 43 96-39	Washout Port Remote Hookup
28	592 86 59-02	Idler Keeper	137	812 00 00-29	Ring Klip
31	587 35 84-01	Spring Ext.	138	582 82 66-01	Hose Washout Port
33	587 81 97-01	Kit, Mandrel, NonGrease, Tall (Includes Shaft and Bolt)	139	596 86 74-01	Hose 3/8 Clamp Clear Zinc
35	532 18 05-83	Blade Mower LH	140	501 58 00-01	Guard Asm. LH
39	581 52 65-01	Washer 7/16 Flat	141	501 57 96-02	Guard Asm. LH
41	596 23 89-01	Washer 7/16" CLR ZN	146	532 44 58-96	Spring Tex CRD EZ Mulch
43	532 44 32-39	Pulley Mandrel	150	596 01 30-02	Weldment Chute Lower 107 CRD
44	532 19 95-34	Pulley V-Idler Ground	154	532 19 98-55	Screw 1/4-20 Panhead
45	532 16 55-79	Kit, Mandrel Asm. (Includes Bear- ing, Housing, Shaft, Nut, Washer and Bolt)	159	585 30 94-05	Plate LH Side
47	584 30 93-01	Screw Sems 7/16-20 x 1 Hex Head	160	585 30 95-05	Plate LH Front
52	594 97 26-03	Bracket Center V-Idler	161	585 31 60-05	Plate RH Front
54	596 03 92-01	Nut Ser. Flange, Locknut 5/16-18	162	585 31 61-05	Plate RH Side
60	596 13 49-01	Washer Plain 3/8 x 7/8	164	589 35 86-02	Baffle Plate LH
72	581 45 41-03	Chute Upper	165	587 42 61-02	Baffle Plate RH
74	596 24 08-01	Bolt Eyelet 5/16 x 3-1/2	166	592 85 60-01	Bracket Tension Adjustment
75	597 02 50-01	Pulley Idler Flat CLR ZN	248	589 00 98-02	LH Rear Steel Guard
76	532 43 96-40	Washout Port	249	589 00 97-02	LH Front Steel Guard
78	532 17 39-02	Pulley Idler	255	592 80 78-01	Bolt 1/4-20 x 3/4 Short Neck
80	595 90 16-01	Bolt Cup 5/16-18 x 3/4 CLR ZNC	258	584 95 39-01	Bolt Hex Wsh Hd .316-18 x 1.19
84	532 44 32-35	Keeper Belt Mandrel	264	589 39 29-02	Retainer Asm. Chute CRD 2.5 TEX
85	532 18 05-84	Blade Mower RH	--	596 76 29-01	Replacement Mower Complete
86	532 18 17-13	Bolt 3/8-24 x 1.50 Gr.8			
87	596 23 87-01	Washer Spring Lock .381ID x .680			
88	532 14 02-96	Washer, Hard, Blade, Mover			
96	532 40 02-71	Spacer			

NOTE: All component dimensions given in U.S. inches
1 inch = 25.4 mm

TRACTOR - MODEL NO. TC 342T (96051018400), PRODUCT NO. 960 51 01-84
MOWER LIFT 45

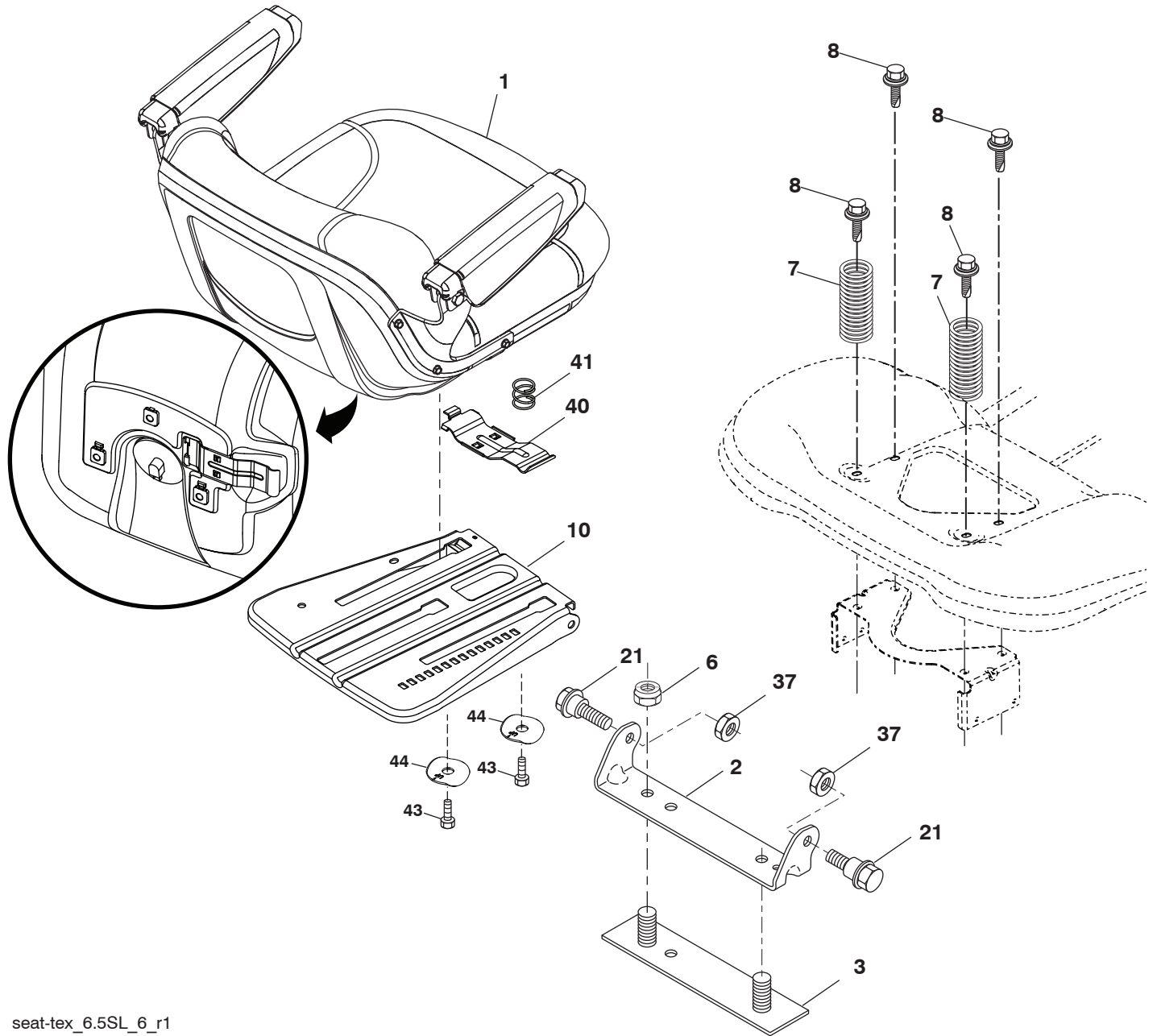


KEY NO.	PART NO.	DESCRIPTION
2	532 43 69-96	Deck Lift Weldment
3	594 01 80-01	Handle Lift Lever LT STD Wide
7	580 96 23-01	Grip, Lever
10	532 19 63-14	Spring Torsion
87	532 19 42-09	Pin Cotter 7/16 Bow Tie Lock
88	532 44 54-96	Spring Lift Assist
89	819 19 19-12	Washer Clear Zinc
90	532 19 42-08	Pin Cotter 5/16 Bow Tie Lock
91	589 46 48-03	Link Assy. Lift Rear

KEY NO.	PART NO.	DESCRIPTION
97	596 56 40-01	Hex Bolt W/Collar 3/8-16 x 0.53
98	581 50 69-03	Link Assy. Front MWR Susp.
100	595 30 59-01	Nut Hex Locknut 3/8-16
101	532 40 70-03	Link Asm. Lift
116	594 97 65-01	Washer Round 15/32 x 15/16 x .065

NOTE: All component dimensions given in U.S. inches
 1 inch = 25.4 mm

**TRACTOR - MODEL NO. TC 342T (96051018400), PRODUCT NO. 960 51 01-84
SEAT ASSEMBLY 42**



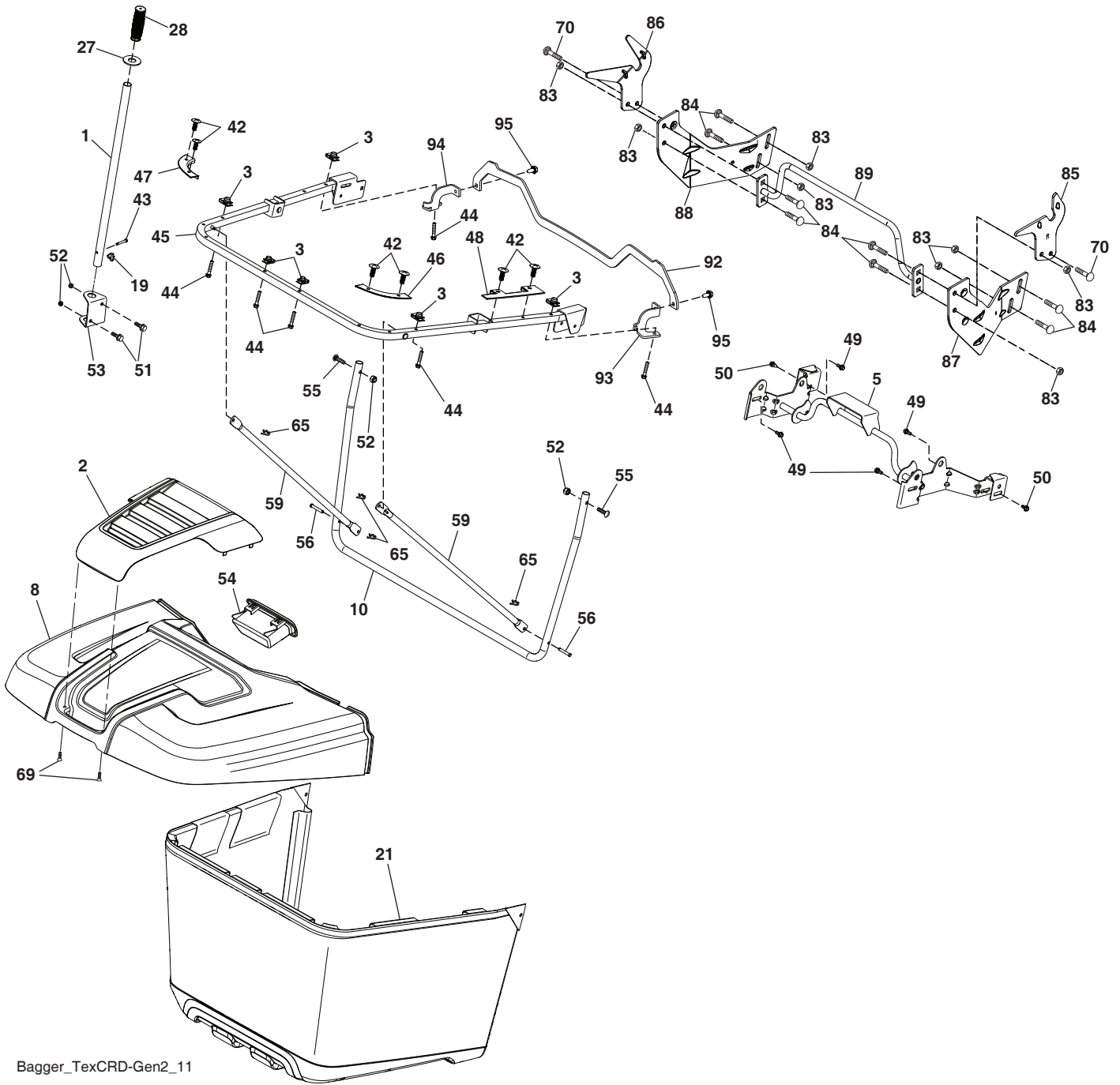
seat-tex_6.5SL_6_r1

KEY NO.	PART NO.	DESCRIPTION
1	588 55 67-01	Seat
2	532 18 01-66	Bracket Pivot Fender
3	532 14 06-75	Strap, Asm Fender
6	873 80 06-00	Nut, Lock W/Ins. 3/8-16 unc
7	589 48 35-01	Spring, Seat Cprsn
8	532 17 18-77	Bolt 5/16-18 unc x 3/4 w/Sems
10	596 65 74-02	Plate, Seat Slide 3 PT MS431
21	587 90 78-01	Bolt, Shoulder 5/16-18 x 5/8
37	596 58 37-02	Nut, Hex 5/16-18 Nyloc Blk Zinc

KEY NO.	PART NO.	DESCRIPTION
40	595 08 81-02	Handle Seat Slide E-Dip x 431
41	532 19 82-00	Spring Latch Seat
43	874 76 06-12	Bolt Fin Hex 3/8-16 unc x 3/4
44	501 05 18-01	Washer 13/32 x 2-3/8 x 12 Ga.

NOTE: All component dimensions given in U.S. inches
1 inch = 25.4 mm

TRACTOR - MODEL NO. TC 342T (96051018400), PRODUCT NO. 960 51 01-84
BAGGER **46**



Bagger_TexCRD-Gen2_11

**TRACTOR - MODEL NO. TC 342T (96051018400), PRODUCT NO. 960 51 01-84
BAGGER 46**

KEY NO.	PART NO.	DESCRIPTION
1	532 42 86-10	Tube Handle Bagger
2	532 44 75-72	Applique
3	532 17 48-14	Clip
5	532 44 37-62	Upper Pivot Tube
8	532 44 75-75	Bagger Top
10	532 44 37-55	Frame Front
19	532 19 42-08	Cotter Pin 5/16 Bow Tie
21	581 33 71-03	Bag Asm
27	532 44 55-29	Grommet Rubber
28	532 16 57-87	Grip Handle
42	532 44 04-28	Clip
43	532 12 68-75	Clevis Pin
44	532 19 96-87	Bolt 1/4-20
45	532 44 37-54	Upper Frame
46	532 44 55-41	Bag Corner Close Out RH
47	532 44 40-79	Bag Corner Close Out LH
48	532 44 40-80	Top Bagger Side Close Out
49	532 17 18-73	Bolt Shoulder 5/16-18
50	532 17 18-77	Bolt 5/16-18 x 3/4 W/Sems
51	872 11 05-06	Bolt 5/16 x 18 x 3/4
52	596 58 37-02	Nut Hex 5/16-18 Nyloc Blk Zinc
53	532 44 41-95	Bracket Dump Handle
54	532 44 72-18	Bagger Top Front Handle
55	596 03 08-01	Bolt RDHD SQ 5/16-18 x 1-1/2 Gr. 5
56	532 42 03-06	Pin Clevis .183 x 1.26
59	532 44 47-63	Bagger Sprd Tube
65	532 00 44-97	Retainer Spring 1" Zinc/CAD
69	532 42 18-01	Screw #8 Flat Head Drill
70	817 00 06-12	Screw 3/8-16 x 3/4
83	873 80 06-00	Nut Lock Hex w/Ins. 3/8-16 unc
84	596 72 82-01	Bolt Carri. 3/8-16 x 1 Gr. 5
85	581 31 44-02	Bracket RH Pivot
86	581 31 43-02	Bracket LH Pivot
87	581 31 48-02	Bracket RH
88	581 31 47-02	Bracket LH
89	581 31 51-04	Weldment Offset Strut
92	586 05 23-02	Bracket Top Support
93	586 05 24-02	Bracket Support RH
94	586 05 25-02	Bracket Support LH
95	817 00 05-12	Screw 5/16-18 x 3/4

NOTE: All component dimensions given in U.S. inches
1 inch = 25.4 mm

