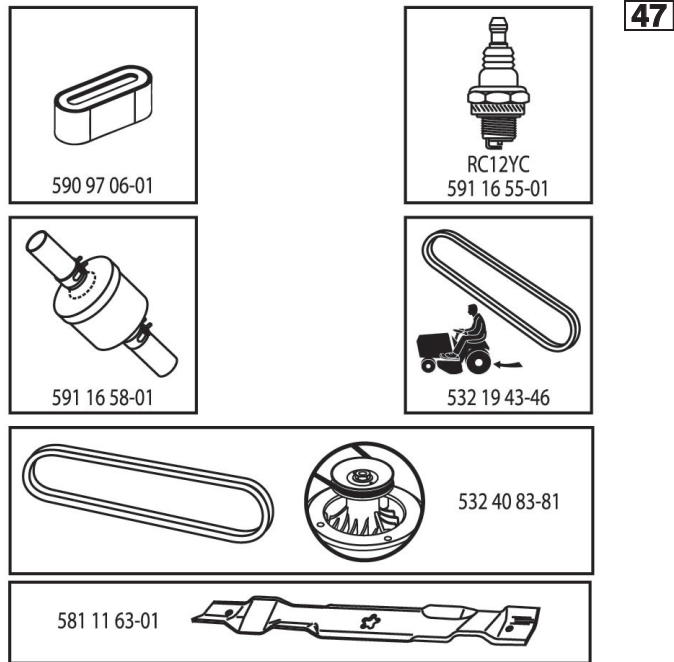


ILLUSTRATED PARTS LIST

MODEL NO. 96041042000

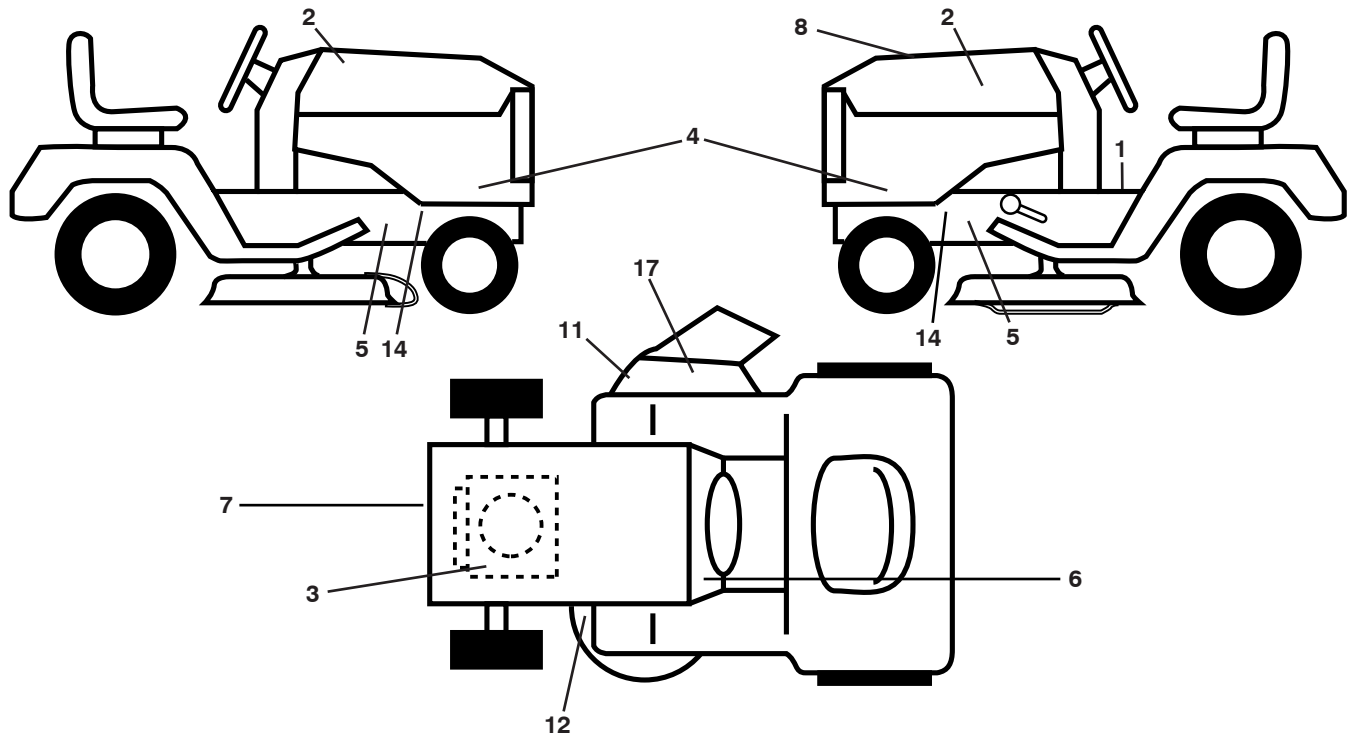
CUSTOMER CATALOG NO. TS 138M

PRODUCT NO. 960 41 04-20



591171201

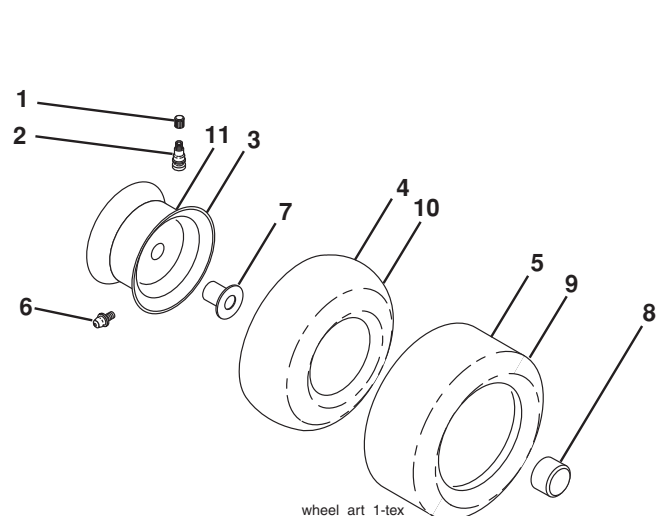
**TRACTOR - - MODEL NO. TS 138M (96041042000), PRODUCT NO. 960 41 04-20
DECALS 27**



KEY NO.	PART NO.	DESCRIPTION
1	586 04 73-02	Decal, Saddle
2	501 13 14-01	Hood Emblem
3	581 57 97-01	Decal, Warning Eng. Symbols
4	596 69 40-01	Decal, Hood Panel
5	581 57 96-01	Decal, Chassis Hot Muffler
6	586 06 62-01	Decal, Snowflake
7	587 38 50-01	Decal, Engine Warning
8	596 91 02-01	Decal, Rpl.
11	581 57 92-01	Decal, Warning

KEY NO.	PART NO.	DESCRIPTION
12	581 58 00-03	Decal, Mower V-Belt Schematic
14	581 57 98-01	Decal, Warning-Service/Fire
17	584 90 46-01	Decal, Deflect. Warning
--	581 72 46-01	Decal, Drawbar Load Limit
--	532 43 96-81	Pad, Footrest, LH
--	532 43 99-66	Pad, Footrest, RH
--	114 10 50-20	Manual Oper. Euro
--	114 10 50-10	Manual Oper. Scan
--	114 10 52-50	Manual Oper. Ebloc
--	114 10 53-40	Manual Oper. Baltic

WHEELS AND TIRES



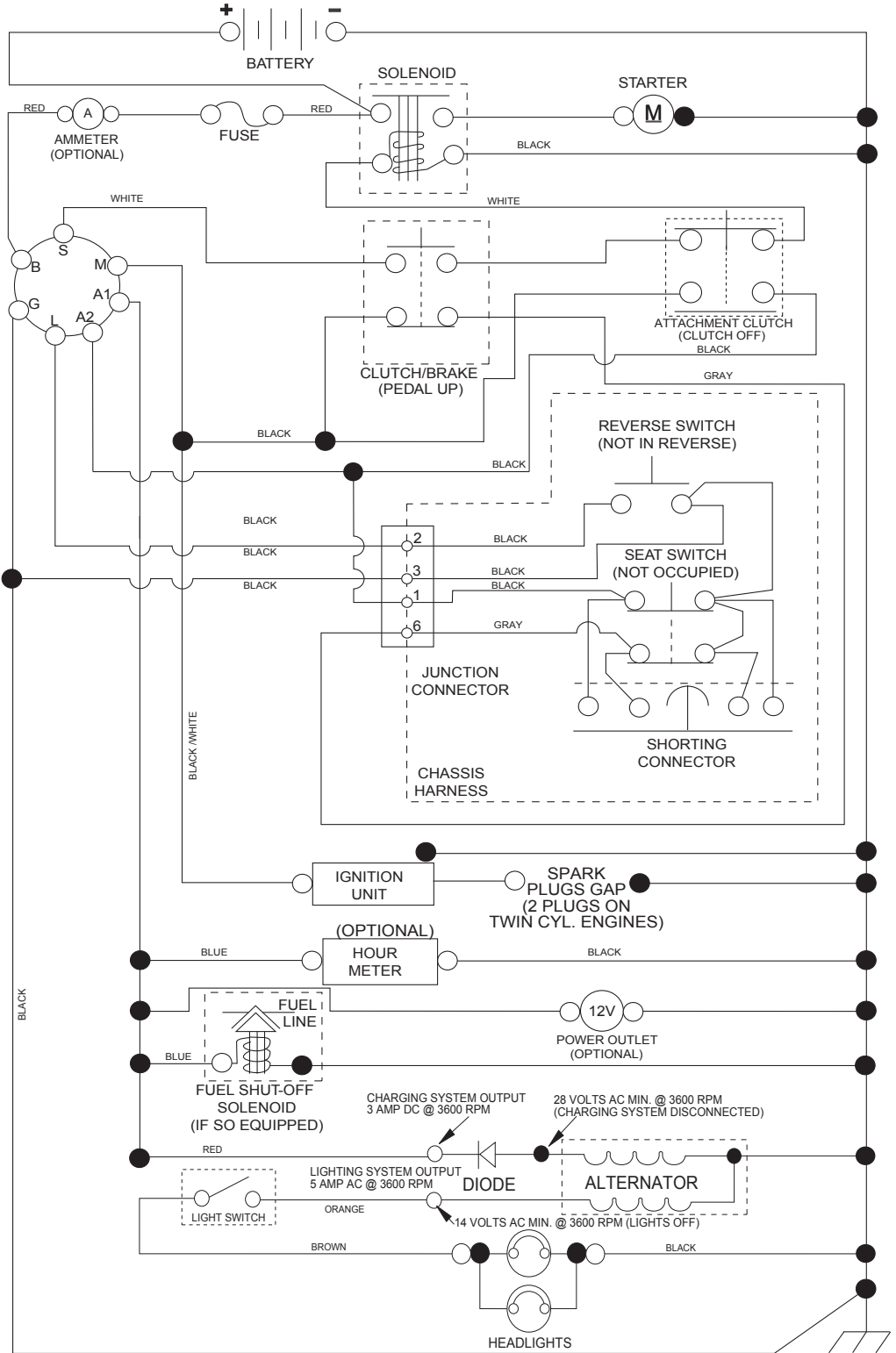
KEY NO.	PART NO.	DESCRIPTION
1	532 05 91-92	Cap Valve Tire
2	532 06 51-39	Stem Valve
3	532 13 83-36	Rim Asm. 6" Front
4	532 05 99-04	Tube Front (Service Item Only)
5	532 10 62-22	Tire Front 15 x 6-6
6	532 00 02-78	Fitting Grease (Front Wheel Only)
7	532 00 90-40	Bearing Flange (Front Wheel Only)
8	532 17 50-39	Cap Axle Blk. 1 50 x 1 00
9	532 12 46-35	Tire Rear 18 x 8.5-8
10	532 00 71-52	Tube Rear 9.5 x 8 Service
11	532 13 83-37	Rim Asm. 8" Rear
--	532 14 43-34	Sealant, Tire (10 oz. Tube)

NOTE: All component dimensions given in U.S. inches
1 inch = 25.4 mm

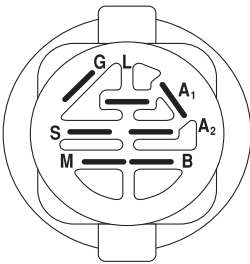
TRACTOR - - MODEL NO. TS 138M (9604104200), PRODUCT NO. 960 41 04-20

SCHEMATIC **38**

SCH11

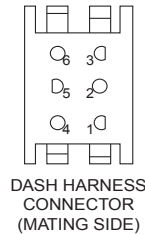
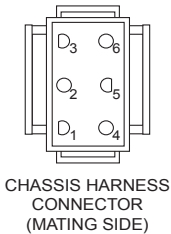


NOTE
YOUR TRACTOR IS EQUIPPED WITH A SPECIAL ALTERNATOR SYSTEM. THE LIGHTS ARE NOT CONNECTED TO THE BATTERY, BUT HAVE THEIR OWN ELECTRICAL SOURCE. BECAUSE OF THIS, THE BRIGHTNESS OF THE LIGHTS WILL CHANGE WITH ENGINE SPEED. AT IDLE THE LIGHTS WILL DIM. AS THE ENGINE IS SPEEDED UP, THE LIGHTS WILL BECOME THEIR BRIGHTEST.

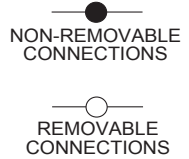


IGNITION SWITCH

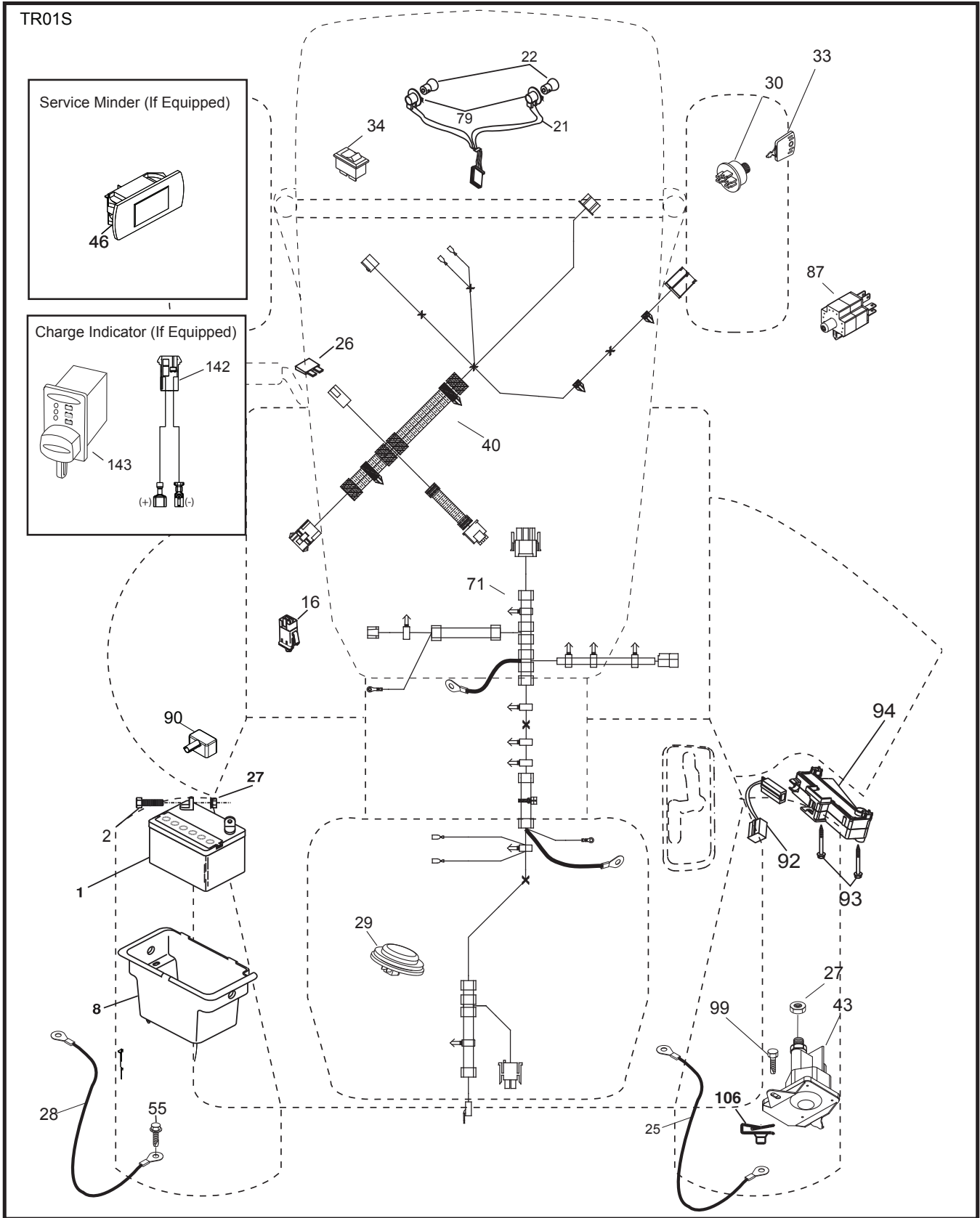
POSITION	CIRCUIT	"MAKE"
OFF	M+G+A1	
RUN/OVERRIDE	B+A1	
RUN	B+A1	L+A2
START	B+S+A1	



WIRING INSULATED CLIPS
NOTE: IF WIRING INSULATED CLIPS WERE REMOVED FOR SERVICING OF UNIT, THEY SHOULD BE RE-INSTALLED TO PROPERLY SECURE YOUR WIRING.



TRACTOR - - MODEL NO. TS 138M (96041042000), PRODUCT NO. 960 41 04-20
ELECTRICAL **32**

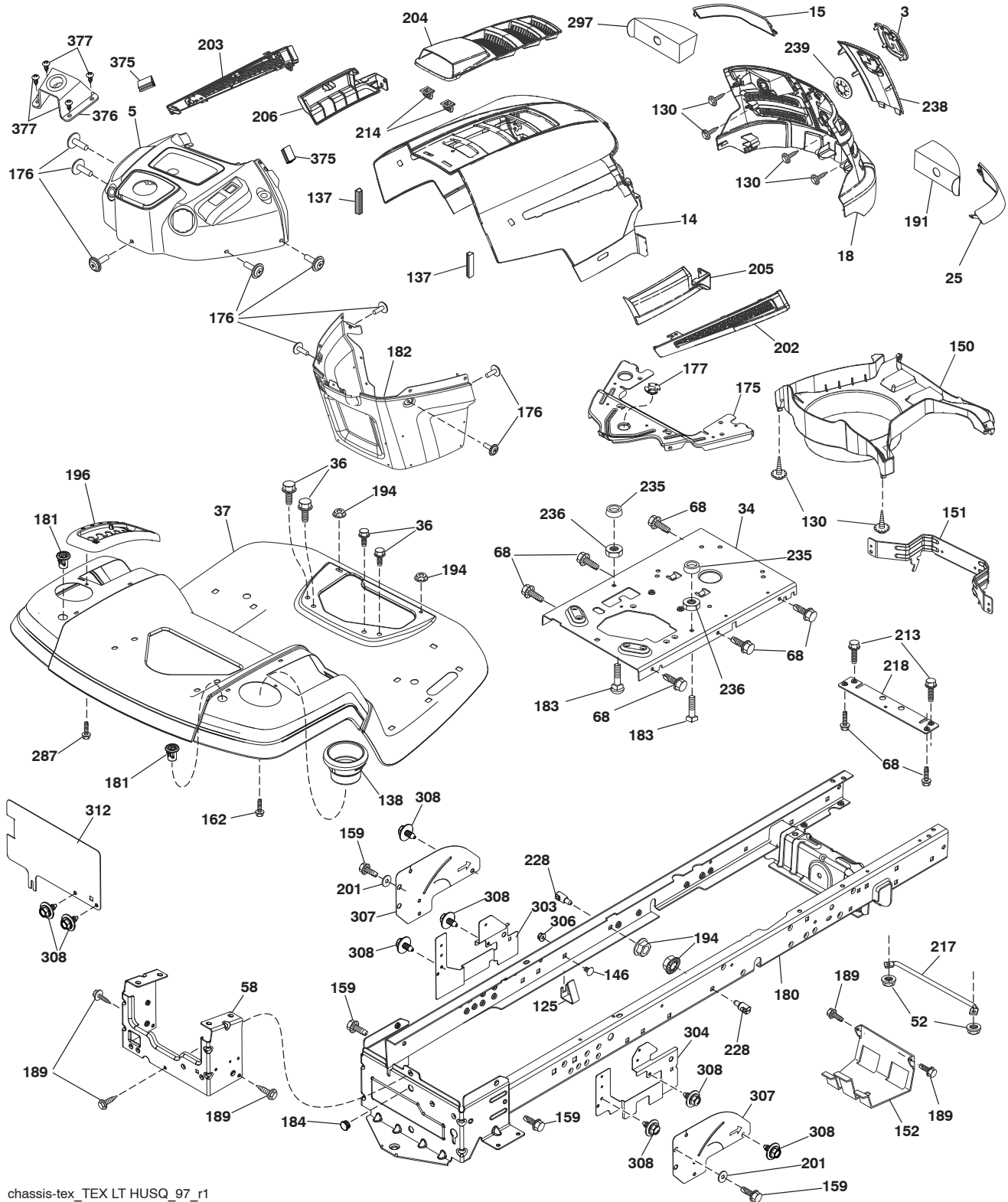


**TRACTOR - - MODEL NO. TS 138M (96041042000), PRODUCT NO. 960 41 04-20
ELECTRICAL 32**

KEY NO.	PART NO.	DESCRIPTION
1	532 16 34-65	Battery
2	874 76 04-12	Bolt Hex Head 1/4-20 x 3/4
8	532 19 32-28	Box Battery
16	532 17 61-38	Switch Interlock Push-In
21	532 40 02-52	Harness Socket Light W/4152J
22	532 00 41-52	Bulb Light
25	581 49 80-01	Cable Starter
27	596 13 36-01	Locknut, Keps, 1/4-20
28	532 42 16-86	Cable, Ground
29	532 40 15-45	Switch, Seat
30	532 19 33-50	Switch, Ign.
33	532 41 19-35	Key/Chain
34	532 11 07-12	Switch Light/Reset
40	581 02 31-01	Harness Ign. Dash
43	582 04 28-02	Solenoid W/Brass Plunger, Zn
46	594 91 91-01	Hourmeter, Srvminder, Rect
55	817 06 05-12	Screw Thdrol. 5/16-18 x 3/4 TYTT
71	501 13 37-01	Harness Chassis
79	532 17 52-42	Socket Asm. Bulb Twistlock
87	532 19 78-02	Switch Interlock Clutch Cable
90	532 43 53-95	Cover Terminal
92	532 19 66-15	Harness Pigtail Reverse Switch
93	596 03 96-01	Bolt, Hex, 10-14 x 2-1/8
94	532 19 18-34	Module Reverse ROS
99	817 67 04-12	Screw 1/4-20 x 3/4
106	532 17 48-14	Palnut 1/4 Lugs

NOTE: All component dimensions given in U.S. inches
1 inch = 25.4 mm

TRACTOR - - MODEL NO. TS 138M (96041042000), PRODUCT NO. 960 41 04-20
CHASSIS AND ENCLOSURES 39



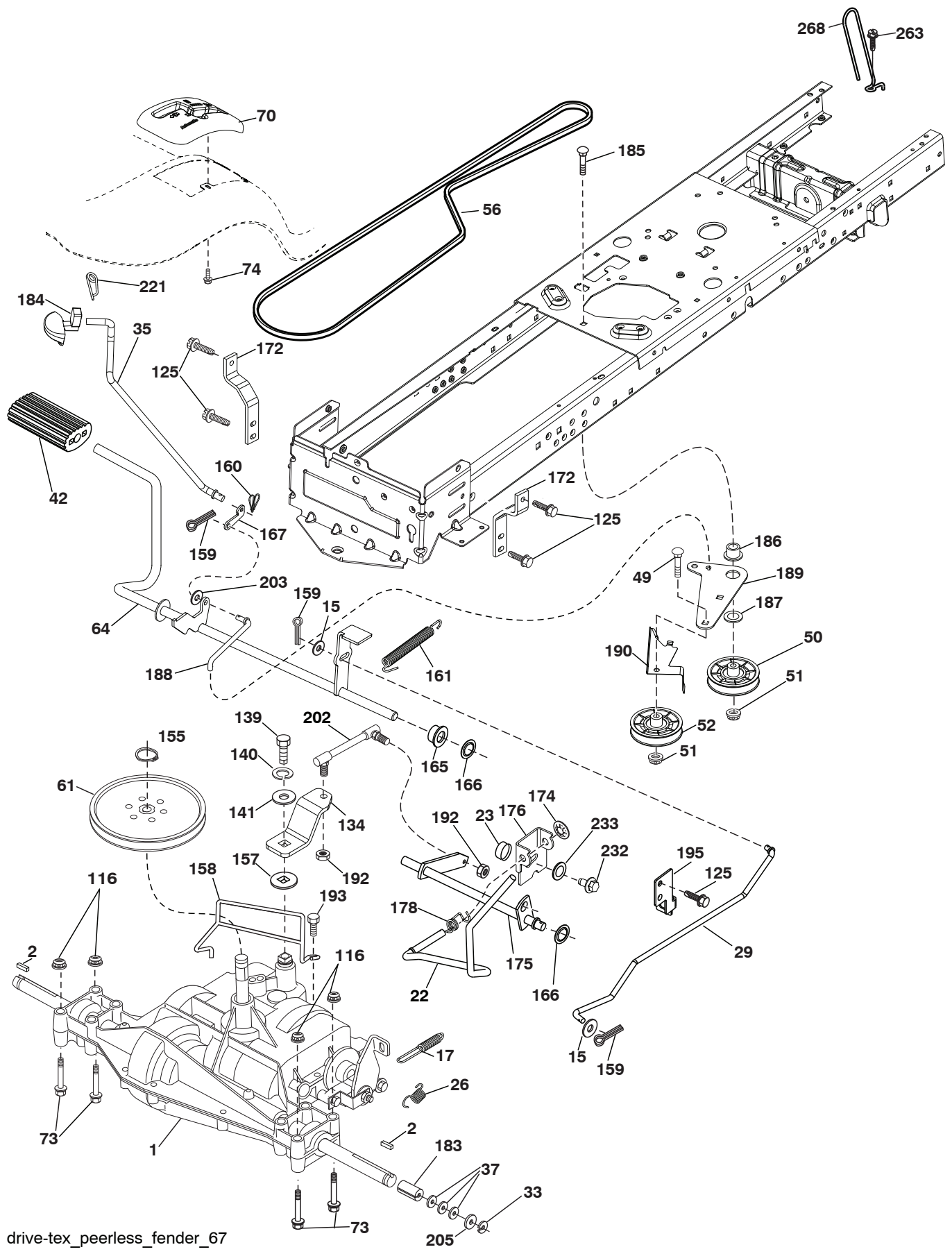
chassis-tex_TEX LT HUSQ_97_r1

**TRACTOR - - MODEL NO. TS 138M (96041042000), PRODUCT NO. 960 41 04-20
CHASSIS AND ENCLOSURES 39**

KEY NO.	PART NO.	DESCRIPTION	KEY NO.	PART NO.	DESCRIPTION
3	581 05 63-01	Logo	201	819 13 20-16	Washer 13/32 x 1-1/4 x 16 Ga.
5	585 52 98-05	Dash, Upper	202	532 44 13-42	Vent Side Hood RH
14	532 44 12-67	Hood	203	532 44 13-43	Vent Side Hood LH
15	532 44 14-28	Lens LH	204	532 44 13-75	Vent Top Hood
18	532 44 13-68	Grille	205	532 44 13-44	Skirt Side RH
25	532 44 14-27	Lens RH	206	532 44 13-45	Skirt Side LH
34	580 91 08-01	Plate Engine	213	596 03 05-01	Bolt, Hex Head, 5/16-18 unc x 3/4
36	817 06 05-12	Screw 5/16-18 x 3/4	214	532 19 91-45	Clip Retainer
37	532 44 12-66	Fender	217	532 40 91-67	Rod Pivot Hood
52	596 04 05-01	Nut, Lock, Hex, Prvl, 5/16-18	218	532 19 63-95	X-Piece Hood Stop
58	532 41 22-80	Drawbar Upper	228	532 19 51-61	Stud Fastener
68	596 03 07-01	Screw, Hexagon, 5/16-18 x 1/2	235	596 56 42-01	Spacer, Fender, Clr, Zn
125	581 68 48-01	Clip Fuel Line	236	873 93 05-00	Nut Lock 5/16-18 unc
130	596 32 17-01	Screw, #10 x 0.750, Bos, Thread	238	532 44 13-74	Trim
137	532 40 75-90	Bumper Dash	239	532 40 48-83	Clip Tinnerman
138	532 43 97-47	Cupholder	287	817 60 04-06	Screw Hex Washhead 1/4-20 x 3/8
146	581 85 79-01	Bolt	297	532 40 66-65	Insert Reflective LH
150	532 40 66-62	Air Duct	303	589 00 81-02	Shield Chassis French LH
151	532 40 78-07	Bracket Pivot	304	589 00 90-02	Shield Chassis French RH
152	532 19 95-35	Shield Browning	306	873 90 06-00	Nut Lock FLG 3/8-16 unc
159	817 00 06-12	Screw, 3/8 - 16 x 3/4	307	587 49 46-01	Shield Upper
162	596 13 41-01	Screw, Hex, Tap, 1/4-15 x 1/2	308	532 17 18-77	Bolt 5/16-18 unc x 3/4
175	532 19 94-72	Crossmember	312	589 00 67-02	Shield Drawbar French
176	532 40 07-76	Screw 10-24 x 5/8	375	586 90 82-01	Dash Clip-On Bumper
177	532 19 52-28	Bushing Steering	376	589 45 87-01	Upper Steering Mount
180	532 41 50-63	Chassis	377	589 45 53-01	Screw 10 x 1/2
181	532 43 97-46	Bushing			
182	532 40 71-76	Dash Lower			
183	595 30 57-01	Screw, Hexagon, 5/16-18 x 1-1/4			
184	587 55 41-01	Plug			
189	817 00 05-12	Screw 5/16-18 x 3/4			
191	532 41 65-01	Insert Reflective RH			
194	596 13 57-01	Nut, Prvl, Torq, 5/16-18 x .68			
196	532 43 96-47	Console Deck Lift			

NOTE: All component dimensions given in U.S. inches
1 inch = 25.4 mm

TRACTOR - - MODEL NO. TS 138M (96041042000), PRODUCT NO. 960 41 04-20
DRIVE **40**



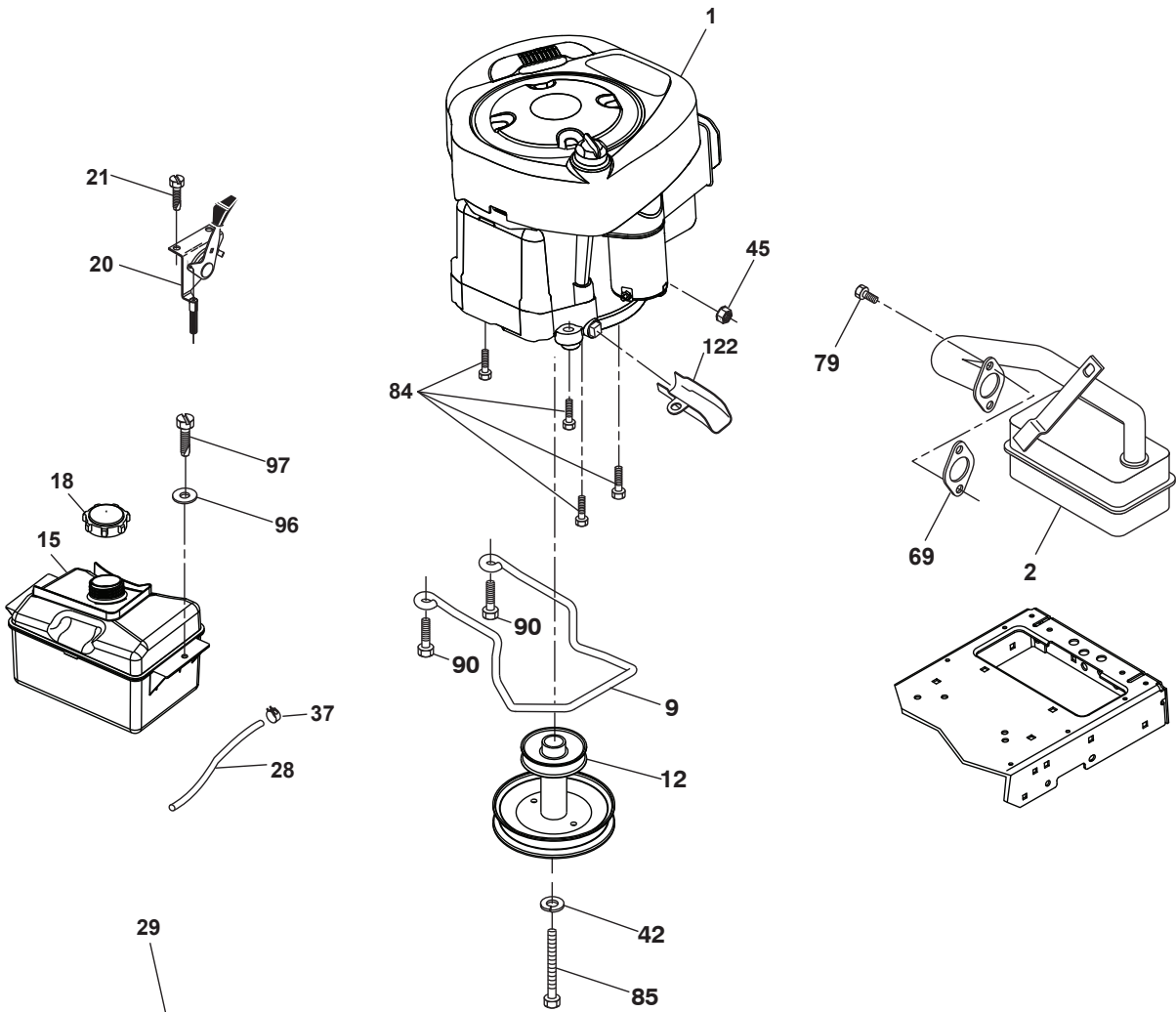
drive-tex_peerless_fender_67

**TRACTOR - - MODEL NO. TS 138M (96041042000), PRODUCT NO. 960 41 04-20
DRIVE 40**

KEY NO.	PART NO.	DESCRIPTION	KEY NO.	PART NO.	DESCRIPTION
1	- - - - -	Transaxle, Peerless 206-565 (197941) (Order parts from trans-axle manufacturer.)	165	532 19 62-12	Bushing Shaft Brake Hand Control
2	532 12 35-83	Key Square	166	532 42 91-64	Nut Push .625
15	819 13 13-16	Washer 13/32 x 13/16 x 16 Ga.	167	532 40 52-57	Latch Brake Parking
17	532 19 72-97	Spring, Brake	172	532 19 76-57	Strap Torque LH
22	532 19 76-60	Rod Shift	174	532 19 72-89	Nut Push
23	532 12 12-74	Knob Duckhead 1/2-13	175	532 19 78-58	Shaft Asm. Shift
26	532 19 74-55	Spring Brake Return	176	532 19 62-14	Arm Clevis Rod Shift
29	593 87 49-01	Rod, Brakes, Peerless	178	532 19 74-56	Spring Shift
33	812 00 00-01	Ring E	183	532 13 70-57	Spacer Axle
35	596 87 48-01	Rod, Control, Park, Txit, Clr, Zinc	184	532 41 14-84	Knob
37	532 12 17-49	Washer 25/32 x 1-1/4 x 16 Ga.	185	872 11 06-22	Bolt Rdhd 3/8-16 unc x 2-3/4 Gr. 5
42	532 00 88-83	Cover, Pedal, Blk, Round	186	532 19 43-21	Spacer Retainer
49	596 13 62-01	Bolt, Cup Head, 3/8-16 x 3/4	187	596 13 55-01	Washer, 13/32 x 2, Clear, Zinc
50	532 19 43-27	Pulley Idler Flat	188	582 21 70-01	Link Clutch Ground Drive, Long
51	873 90 06-00	Lock Nut 3/8-16	189	532 19 43-17	Bellcrank Ground Drive
52	532 19 43-26	Idler V-Groove	190	532 19 43-18	Keeper Bellcrank Ground Drive
56	532 19 43-46	V-Belt, Drive	192	532 15 03-60	Nut Lock Center 1/4-28 Frnthd.
61	532 12 36-66	Pulley Transaxle	193	817 06 05-12	Screw 5/16-18 x 3/4
64	532 19 62-00	Shaft Asm. Pedal Brake Control	195	532 19 73-32	Bracket Brake Rod
70	581 45 43-01	Console Shift	202	597 07 94-01	Link, Trans, Shift, Pmst, 18
73	596 13 65-01	Bolt, Hex Head, 5/16-18 x 1-1/2	203	596 20 41-01	Washer, 11/32 x 11/16 x 14
74	596 13 41-01	Screw, Hex, Tap, 1/4-15 x 1/2	205	532 12 17-48	Washer 25/32 x 1-5/8 16 Ga.
116	596 13 57-01	Nut, Loc, Prvl, Torq, 5/16-18 x .68	221	532 40 31-87	Retainer Spring Clip Handle
125	817 00 05-12	Screw 5/16-18 x 3/4	232	596 23 86-01	Bolt, Hex, 7/16-14 x Clr, Zinc
134	532 19 78-57	Asm. Shift	233	596 13 52-01	Washer, Lock, 0.47 x 1, Clear, Zinc
139	596 13 66-01	Bolt, Hex Head, 1/4-28 x 3/4	263	817 00 06-12	Screw Hexwsh Thdr 3/8-16 x 3/4
140	596 02 98-01	Spring, Lock, Washer, Square Ends	268	596 88 78-01	Guard, Muffler, B&S, OHV
141	596 03 98-01	Washer, 9/32 x 3/4, Clear, Zinc			
155	812 00 00-28	Ring Retainer			
157	532 10 57-01	Washer Plate Shift			
158	593 85 35-01	Keeper, Belt, Pmst, New			
159	596 02 95-01	Pin, Cotter, 1/8 Dia x 3/4			
160	596 02 94-01	Clip, Retainer, "M-Shape"			
161	532 10 57-09	Spring, Return, Clutch			

NOTE: All component dimensions given in U.S. inches
1 inch = 25.4 mm

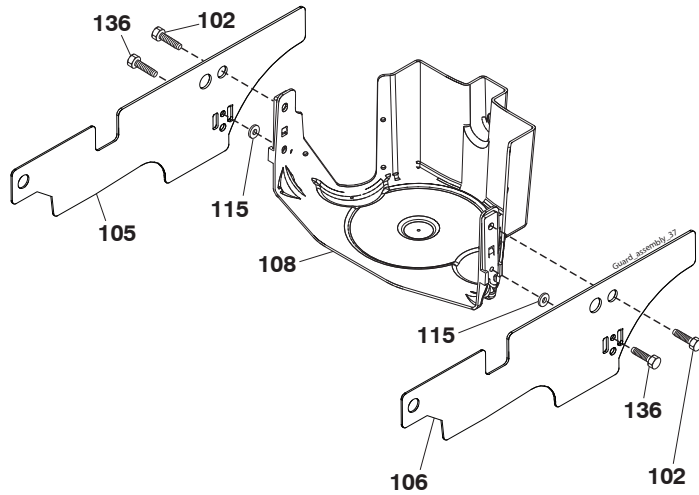
TRACTOR - - MODEL NO. TS 138M (96041042000), PRODUCT NO. 960 41 04-20
ENGINE 24



29

OPTIONAL EQUIPMENT
Spark Arrester

engine-tex_BS_150

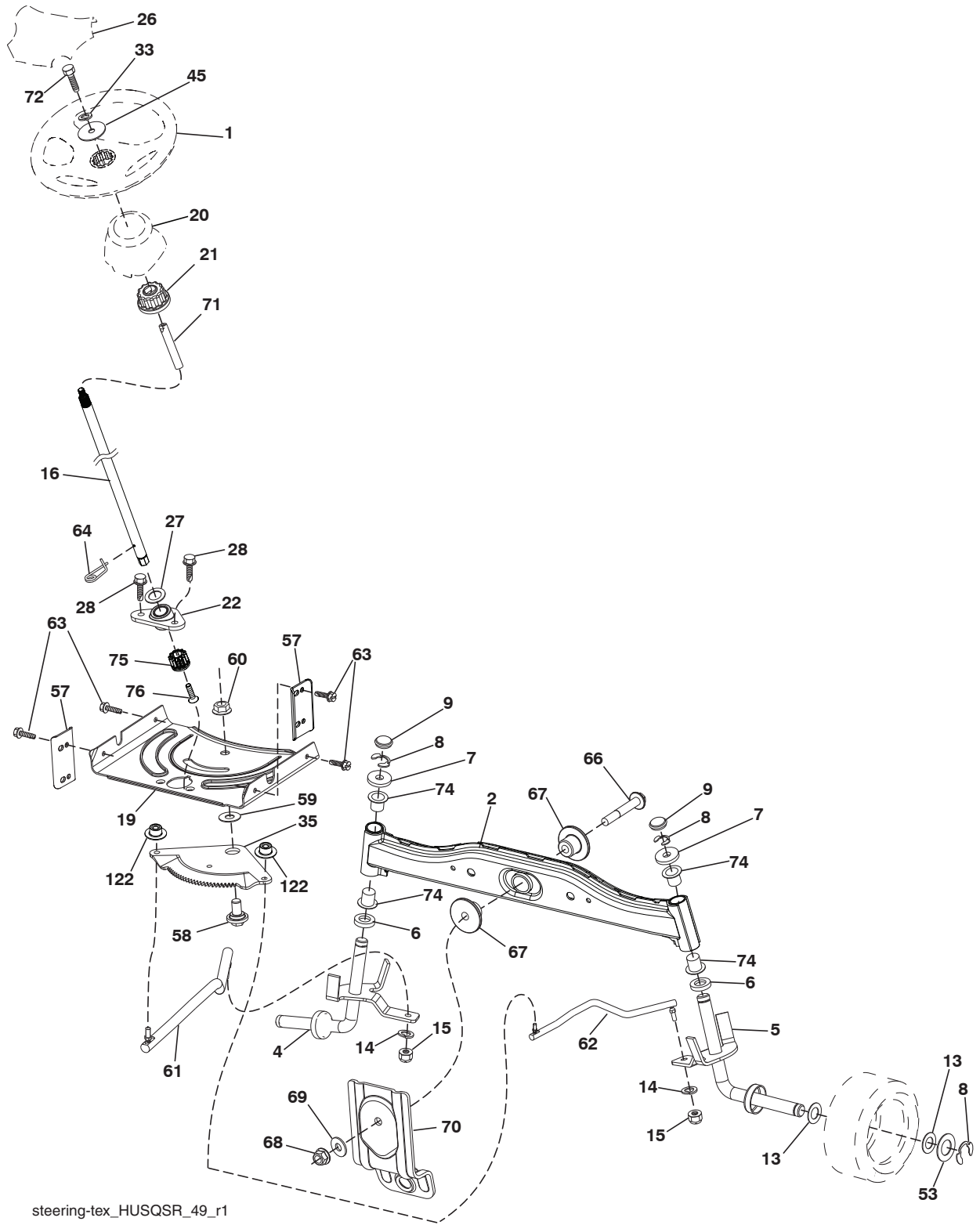


**TRACTOR - - MODEL NO. TS 138M (96041042000), PRODUCT NO. 960 41 04-20
ENGINE 24**

KEY NO.	PART NO.	DESCRIPTION
1	— — — — —	Engine B&S 21R707-0147-B1 (596944301)
2	532 17 97-58	Muffler
9	582 54 03-02	Keeper Belt Engine
12	586 72 90-01	Pulley Engine
15	581 28 99-01	Tank Fuel
18	532 43 02-20	Cap Asm
20	587 24 26-01	Control Throttle
21	596 32 17-01	Screw, #10 x 0.750, Bos, Thread
28	532 13 70-40	Fuel Line
29	532 13 71-80	Spark Arrester Kit
37	532 12 34-87	Clamp Hose
42	596 23 89-01	Washer, 7/16 in., Clr, Zn
45	596 13 36-01	Locknut, Keps, 1/4-20
69	532 16 52-91	Gasket
79	596 13 42-01	Screw, Hex, Socket, 5/16-18 x 3/4
84	817 06 06-20	Screw 3/8-16 x 1-1/4
85	501 60 65-01	Bolt Hex 7/16-20 x 4 Gr. 5-1.5 Blue
90	817 00 06-16	Screw 3/8-16 x 1
96	596 13 53-01	Washer, Plain, 3/32 x 7/8, Clr, Zn
97	817 67 04-12	Screw 1/4-20 x 3/4
102	817 00 05-12	Screw
105	501 26 72-02	Shield Side LH
106	501 26 82-02	Shield Side RH
108	587 17 95-09	Cover, Pulley, Eng W/Shld, 38", 42"
115	532 43 17-61	Palnut #10
122	532 42 19-22	Extension Drain Oil
136	596 43 40-01	Screw, #10 x 0.500, Bos, Thread

NOTE: All component dimensions given in U.S. inches
1 inch = 25.4 mm

TRACTOR - - MODEL NO. TS 138M (96041042000), PRODUCT NO. 960 41 04-20
STEERING ASSEMBLY **41**



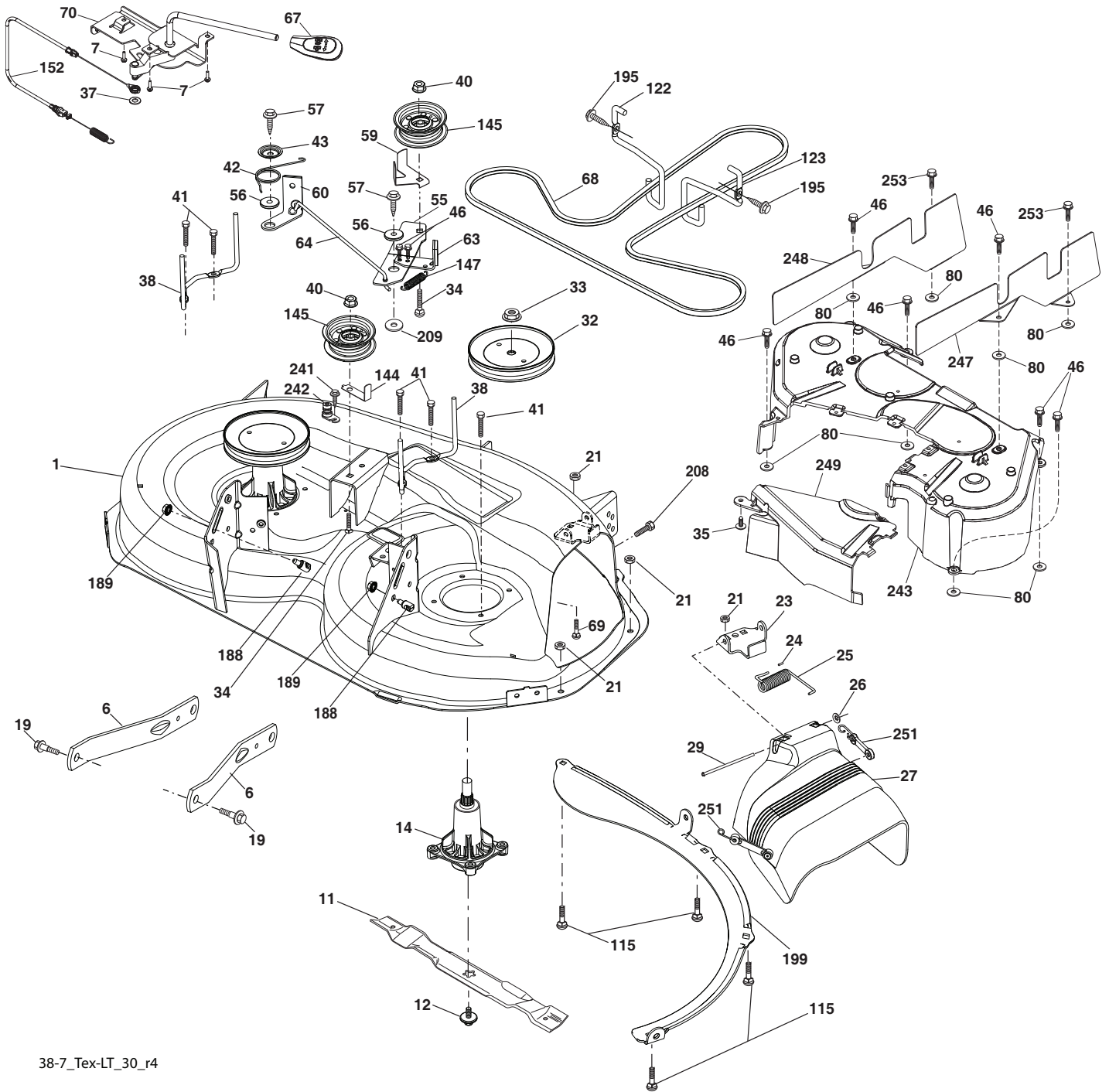
steering-tex_HUSQSR_49_r1

TRACTOR - - MODEL NO. TS 138M (96041042000), PRODUCT NO. 960 41 04-20
STEERING ASSEMBLY 41

KEY NO.	PART NO.	DESCRIPTION
1	532 43 99-97	Wheel, Steering Husq SR
2	532 41 81-68	Axle Asm., Front
4	532 40 30-87	Spindle Asm., LH
5	532 40 30-88	Spindle Asm., RH
6	532 00 62-66	Washer, Thrust, .75 x 1.230
7	532 12 17-48	Washer 25/32 x 1-5/8 x 16 Ga.
8	812 00 00-29	Ring, Clip #T5304-75
9	532 12 12-32	Cap, Spindle
13	532 12 17-49	Washer 25/32 x 1-1/4 x 16 Ga.
14	596 23 87-01	Washer, Spring, Lock, 381 ID x .680
15	873 54 06-00	Nut, Crown Lock 3/8-24 unc
16	585 86 92-02	Steering Shaft
19	532 19 47-29	Plate Steering
20	532 44 14-25	Boot, Steering
21	532 18 67-37	Adapter, Wheel Steering
22	585 02 98-02	Bearing
26	532 43 97-43	Insert, Wheel Steering Husq SR
27	596 93 34-01	Washer, Plain
28	817 00 06-12	Screw 3/8-16 x 3/4
33	539 99 01-87	Washer Lock 5/16
35	532 19 47-32	Gear, Sector Plate
45	596 04 00-01	Washer, 11/32 x 2-3/8", Clr, Zn
53	532 18 89-67	Washer Hardened .793 x 1.637 x .060
57	532 40 74-65	Bracket Upstop
58	532 19 47-47	Bolt Shoulder Sector Pivot CFM
59	532 19 47-48	Washer Thrust Sector Steering
60	873 97 10-00	Nut Flange Lock 5/8-11
61	597 04 78-02	Draglink, LH, Ballstud, Std, Raw
62	597 04 79-02	Draglink, RH, Ballstud, Std, Raw
63	817 00 05-12	Screw 5/16-18 x 3/4
64	532 19 98-49	Retainer Clip Spring Steering
66	871 02 07-48	Bolt Hex Fghd. 7/16-14 x 3 Serr.
67	532 19 47-37	Bushing PM Front Axle
68	873 90 07-00	Nut Lock Flange 7/16-14 Gr. 5
69	532 19 91-62	Washer 1.5 x .505 x .118
70	585 33 88-01	Bracket Deck Susp. Front
71	532 19 07-52	Shaft Extension Steering
72	596 03 97-01	Bolt, Hex Head, 5/16-18 unc x 4", Gr. 5
74	532 00 33-66	Bearing, Col, Strg, Blk
75	580 68 37-01	Pinion
76	580 68 36-01	Screw Head Sock
122	532 44 49-62	Cap Gear Sector

NOTE: All component dimensions given in U.S. inches
1 inch = 25.4 mm

TRACTOR - - MODEL NO. TS 138M (96041042000), PRODUCT NO. 960 41 04-20
MOWER DECK **44**



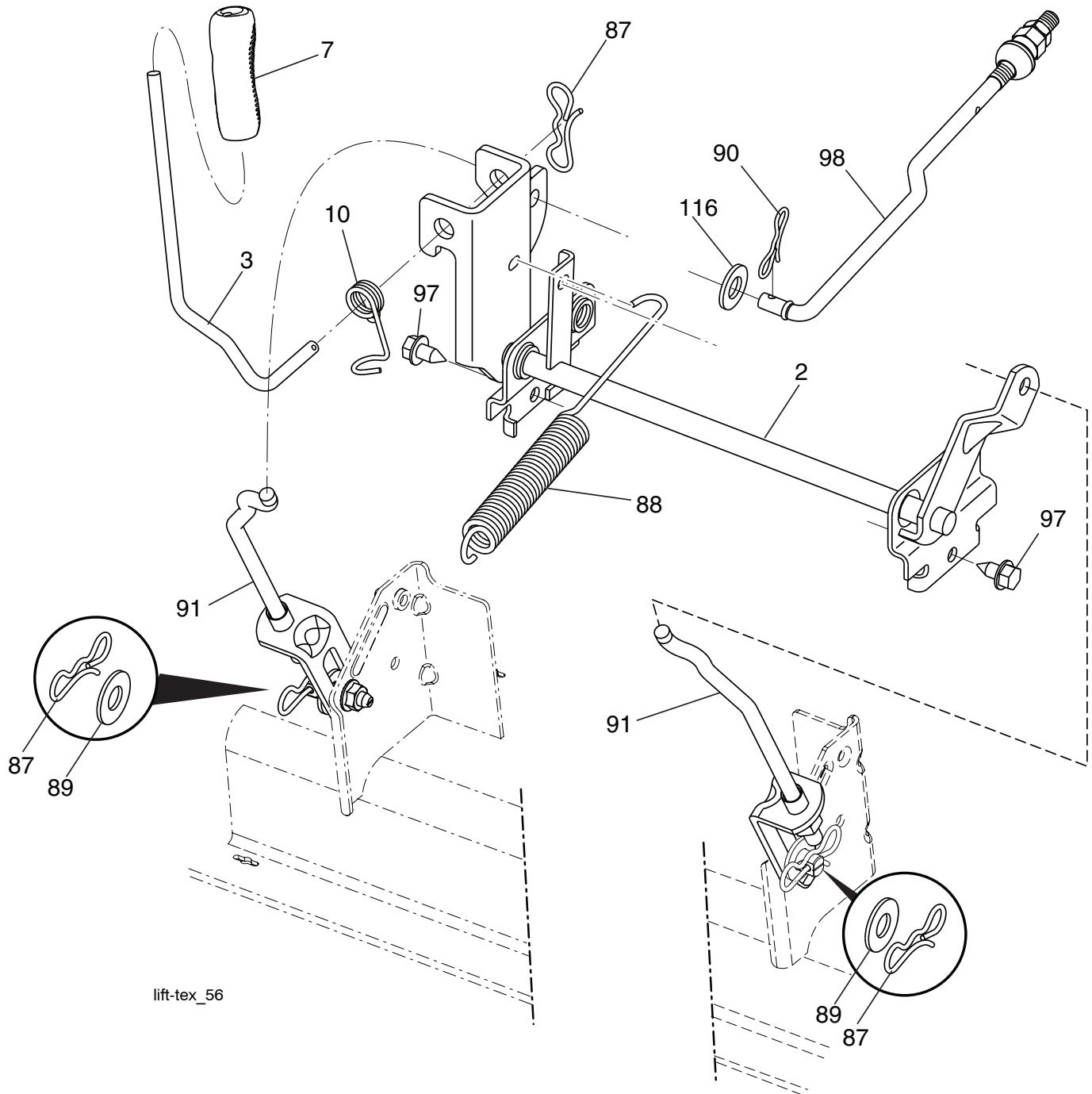
38-7_Tex-LT_30_r4

**TRACTOR - - MODEL NO. TS 138M (96041042000), PRODUCT NO. 960 41 04-20
MOWER DECK 44**

KEY NO.	PART NO.	DESCRIPTION	KEY NO.	PART NO.	DESCRIPTION
1	532 43 44-63	Kit, SVC, Weldment, 38 No, GWHL, 498	68	532 40 83-81	V-Belt
6	532 19 51-86	Arm Suspension	69	596 13 64-01	Bolt, Cup Head, 5/16-18 x 5/8
7	596 32 17-01	Screw, #10 x 0.750, Bos, Thread	70	532 40 12-46	Clutch Asm. Manual
11	581 11 63-01	Blade 38"	80	532 42 30-62	Pal Nut
12	584 30 93-01	Screw Sems 7/16-20 x 1	115	872 11 05-05	Bolt Carr. 5/16-18 x 5 18 Short
14	587 81 97-01	Kit, Mandrel, Nongreaseable, Tall (includes mandrel asm. and bolts)	122	532 19 72-58	Keeper Belt Engine LH
19	532 19 65-39	Bolt, Shoulder	123	532 19 72-59	Keeper Belt Engine RH
21	596 04 05-01	Nut, Lock, Hex, Prvl, 5/16-18	144	532 19 34-14	Keeper Belt
23	532 19 25-57	Bracket, Deflector	145	532 19 31-97	Pulley, Idler, Flat
24	532 10 53-04	Cap, Sleeve	147	532 40 18-72	Spring Return
25	532 19 70-26	Spring, Torsion, Deflector	152	532 43 51-11	Manual Clutch Cable
26	532 11 04-52	Nut, Push	188	532 19 51-61	Stud Fastener
27	597 31 66-01	Shield, Asm. Deflctr	189	596 13 57-01	Nut, Lock, Prvl, Torq, 5/16-18 x .68
29	595 29 70-01	Rod, Hinge	195	817 00 06-12	Screw 3/8-16 x 3/4
32	532 19 97-89	Pulley, Mandrel	199	532 40 00-95	Baffle Vortex
33	596 13 48-01	Nut, Hex, 9/16-18 x 1.010	208	817 67 06-08	Screw 3/8-16 x 1/2
34	596 13 61-01	Bolt, Cup Head, 3/8-16 x 1-1/2"	209	596 13 55-01	Washer, 13/32 x 2, Clear, Zinc
35	532 13 38-35	Fastener, Christmas Tree	241	532 15 29-27	Screw TT #10-32.5 3/8 Flange
37	596 56 53-01	Washer, 3/8 x 0.08 In. St. Clr. Zinc	242	532 41 55-98	Port Washout
38	532 19 95-41	Keeper Belt LH Mandrel	243	532 40 65-10	Cover Assy
40	873 90 06-00	Nut, Lock Flg. 3/8-16 unc	247	589 00 94-02	Shield Deck RH Assy
41	584 95 39-01	Bolt Hex	248	589 00 95-02	Shield Deck LH Assy
42	532 19 84-10	Spring Torsion Brake	249	532 40 65-14	Cover Cable Clutch
43	532 19 72-56	Spring Torsion Retainer	251	532 43 60-87	Kit Bungee (Includes Phillips head screw, weld nut, screw, bungee latch, and bungee strap)
46	532 13 77-29	Screw 1/4-20 x 5/8	253	532 42 73-50	Rivet
55	532 19 72-49	Arm, Idler	--	532 44 33-58	Replacement Mower, Complete
56	532 19 90-92	Spacer, Retainer			
57	817 00 06-16	Screw 3/8-16 x 1			
59	532 14 10-43	Guard, Tuv. Idler			
60	532 19 94-71	Arm Brake Mower			
63	532 19 94-70	Arm Brake Mower			
64	532 19 97-90	Link Brake			
67	532 40 30-12	Handle Clutch Cable			

NOTE: All component dimensions given in U.S. inches
1 inch = 25.4 mm

TRACTOR - - MODEL NO. TS 138M (96041042000), PRODUCT NO. 960 41 04-20
MOWER LIFT 45



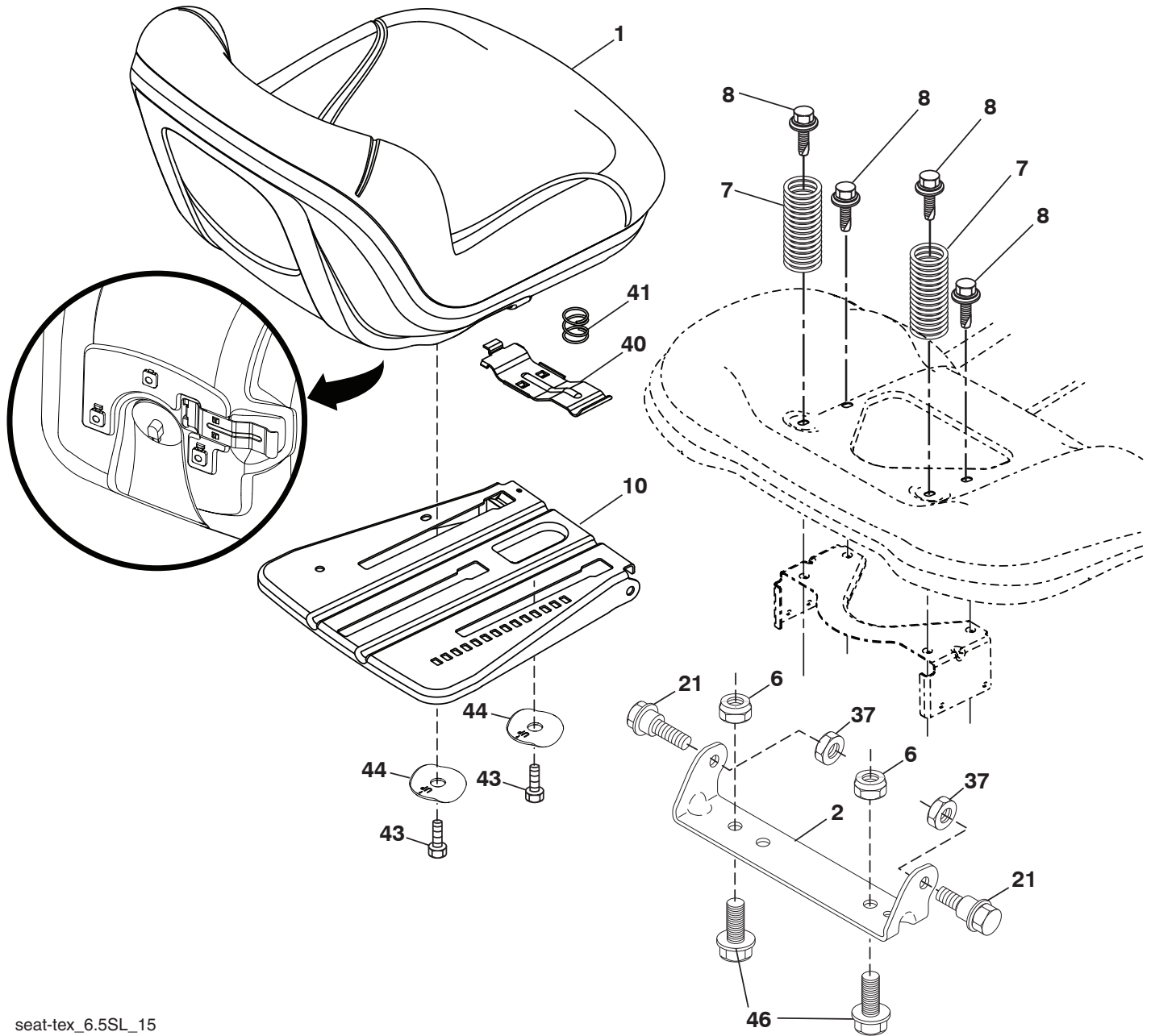
lift-tex_56

KEY NO.	PART NO.	DESCRIPTION
2	532 42 20-27	Shaft Asm., Lift
3	532 19 52-31	Lever Asm., Lift RH
7	580 96 23-01	Grip, Lever
10	532 19 63-14	Spring Torsion
87	532 19 42-09	Pin Cotter 7/16 Bow Tie Lock
88	532 41-07-10	Spring Lift Assist
89	819 19 19-12	Washer Clear Zinc
90	532 19 42-08	Pin Cotter 5/16 Bow Tie Lock

KEY NO.	PART NO.	DESCRIPTION
91	532 19 51-81	Link Lift Susp. Mower Rear
97	817 00 06-12	Screw 3/8-16 x .75 Smgml. Tap/R.Z
98	532 19 52-70	Link Lift Susp. Front Mower
116	819 15 15-16	Washer 15/32 x 15/16 x 16 Ga.

NOTE: All component dimensions given in U.S. inches
 1 inch = 25.4 mm

**TRACTOR - - MODEL NO. TS 138M (96041042000), PRODUCT NO. 960 41 04-20
SEAT ASSEMBLY 42**



seat-tex_6.5SL_15

KEY NO.	PART NO.	DESCRIPTION
1	532 43 97-09	Seat
2	532 18 01-66	Bracket Pivot Fender
6	873 80 06-00	Nut, Lock w/Ins. 3/8-16 unc
7	589 48 35-01	Spring, Seat Cprsn.
8	532 17 18-77	Bolt 5/16-18 unc x 3/4 w/Sems.
10	596 65 74-02	Plate, Seat, Slide, 3 Pt, MS431
21	587 90 78-01	Bolt 5/16-18 x 5/8
37	596 58 37-02	Nut, W/Nonmetal, Ins, Blk, Zinc

KEY NO.	PART NO.	DESCRIPTION
40	595 08 81-02	Handle, Seat, E-Dip x 431
41	532 19 82-00	Spring
43	874 76 06-12	Bolt 3/8-16 unc x 3/4
44	501 05 18-01	Washer Winged 3/8 ID 1.5 OD
46	588 09 04-01	Bolt 3/8-18 x 1

NOTE: All component dimensions given in U.S. inches
1 inch = 25.4 mm

