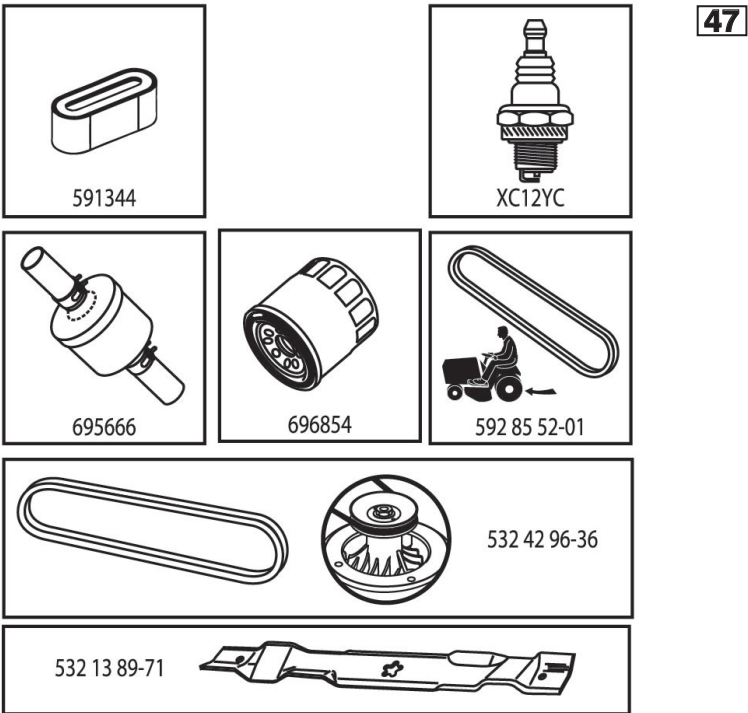


ILLUSTRATED PARTS LIST

MODEL NO. 96041043200

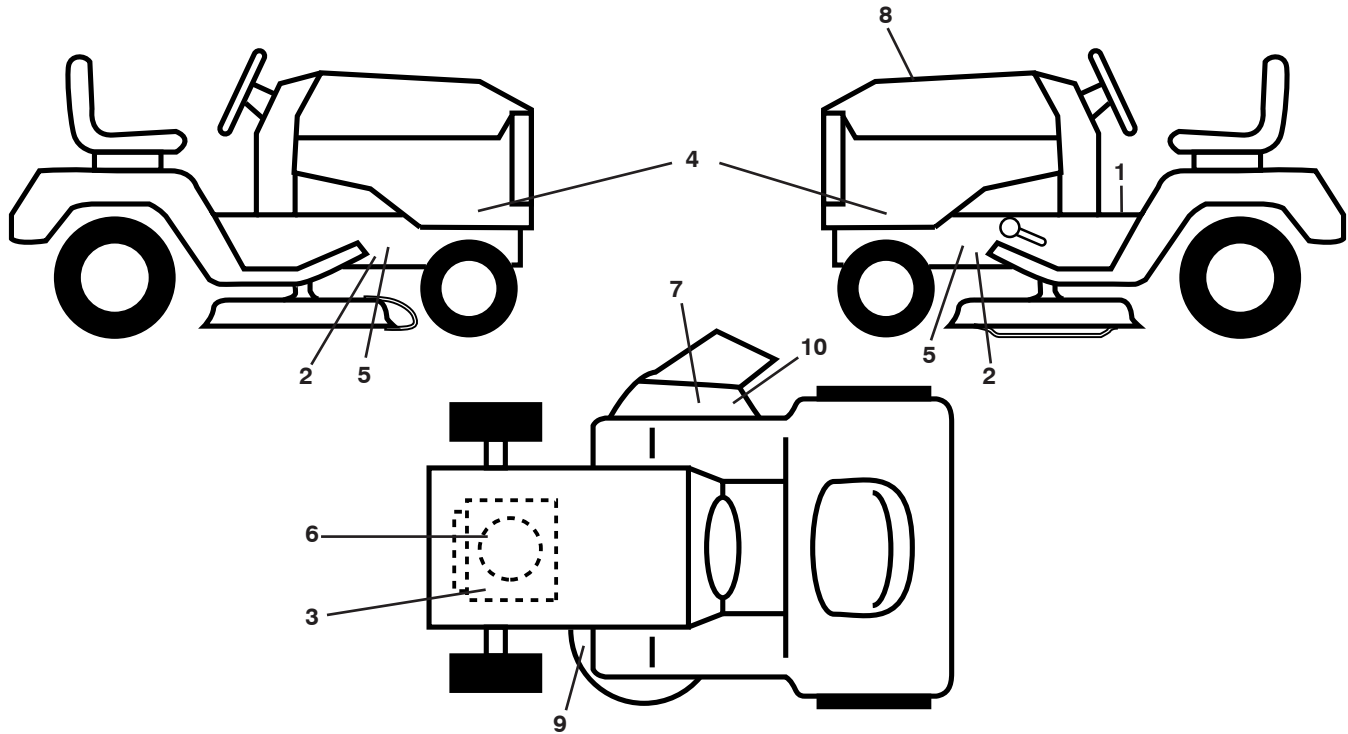
CUSTOMER CATALOG NO. TS 142T

PRODUCT NO. 960 41 04-32



597941901

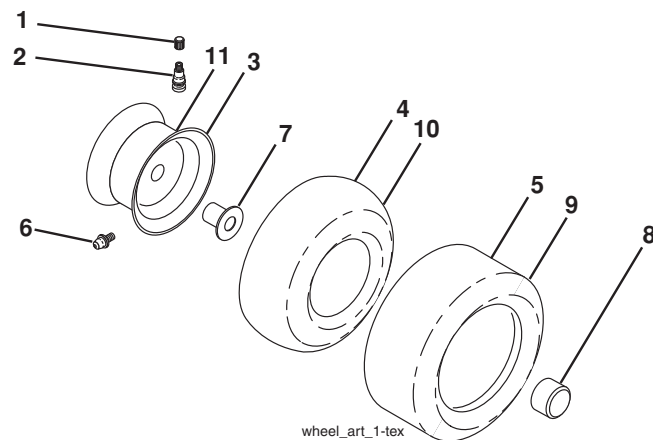
**TRACTOR - - MODEL NO. TS 142T (96041043200), PRODUCT NO. 960 41 04-32
DECALS 27**



KEY NO.	PART NO.	DESCRIPTION
1	586 35 06-01	Decal, Operators
2	581 57 98-01	Decal, Warning Service/Fire
3	581 57 97-01	Decal, Warning Eng. Warn.
4	597 90 88-01	Decal, Panel Side
5	581 57 96-01	Decal, Chassis Hot Muffler
6	587 38 53-01	Decal, Engine
7	584 90 46-01	Decal, Deflect. Warning
8	597 94 19-01	Decal, Rpl
9	581 58 00-01	Decal, Mower V-Belt Schematic
10	581 57 92-01	Decal, Warning

KEY NO.	PART NO.	DESCRIPTION
--	581 72 48-01	Decal, Bypass
--	581 72 46-01	Decal, Drawbar Load Limit
--	532 43 96-81	Pad, Footrest, LH
--	532 43 96-82	Pad, Footrest, RH
--	114 20 33-20	Manual Oper. Euro
--	114 20 34-10	Manual Oper. Scan
--	114 20 35-50	Manual Oper. E-Bloc
--	114 20 36-40	Manual Oper. Baltic
--	114 20 37-76	Manual Oper. Turk
--	114 20 38-53	Manual Oper. Ukr

WHEELS AND TIRES



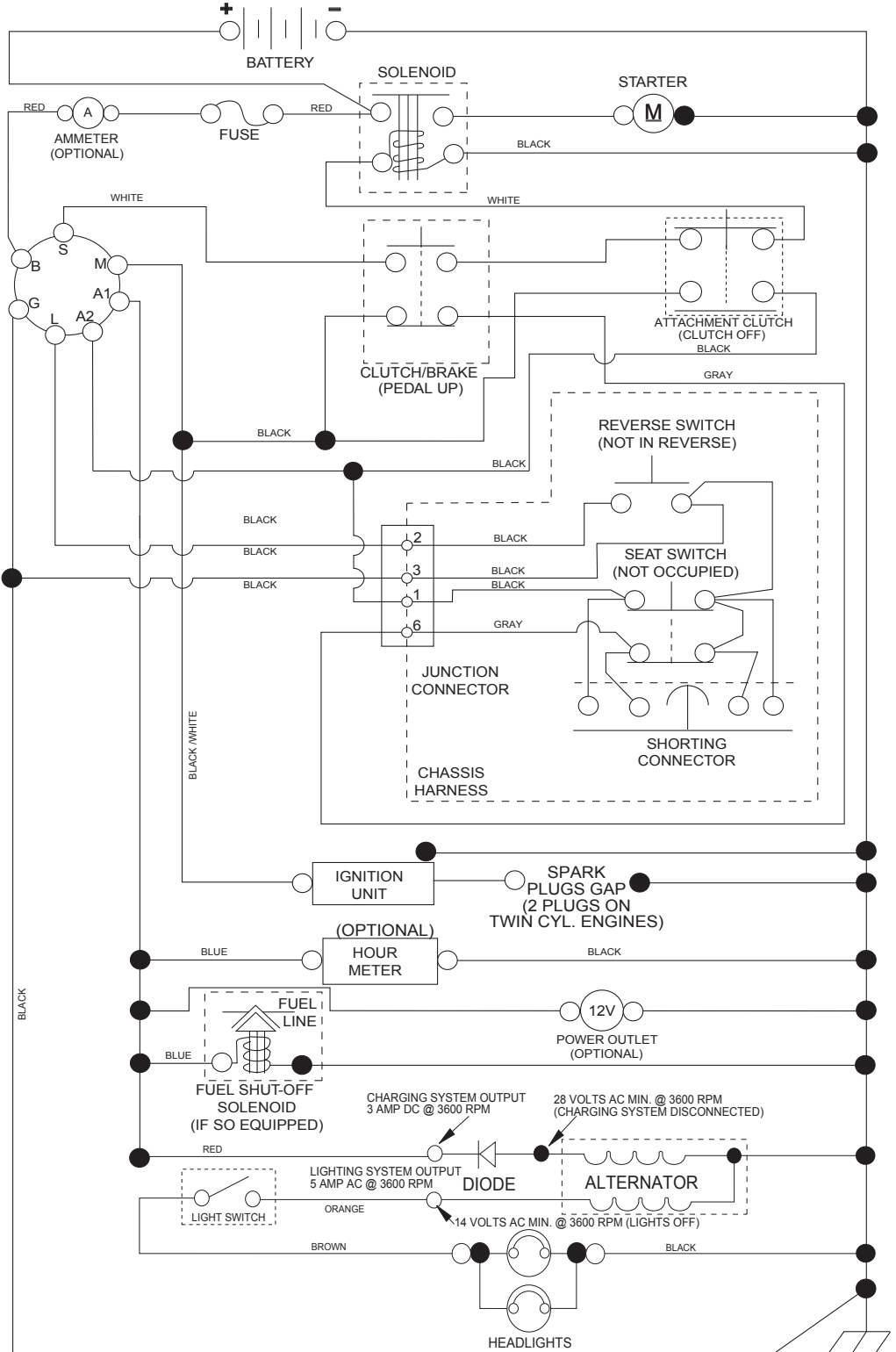
KEY NO.	PART NO.	DESCRIPTION
1	532 05 91-92	Cap Valve Tire
2	532 06 51-39	Stem Valve
3	532 13 83-36	Rim Asm Front
4	532 05 99-04	Tube Front (Service Item Only)
5	532 10 62-22	Tire Front 15 x 6-6
6	532 00 02-78	Fitting Grease (Front Wheel Only)
7	532 00 90-40	Bearing Flange (Front Wheel Only)
8	532 17 50-39	Cap Axle Blk 1 50 x 1 00
9	532 13 84-68	Tire Rear 20 x 8-8
10	532 00 71-52	Tube Rear (Service Item Only)
11	532 13 83-37	Rim Asm Rear
--	532 14 43-34	Sealant, Tire (10 oz. Tube)

NOTE: All component dimensions given in U.S. inches
1 inch = 25.4 mm

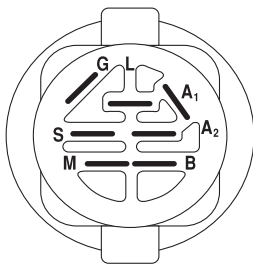
TRACTOR - - MODEL NO. TS 142T (96041043200), PRODUCT NO. 960 41 04-32

SCHEMATIC 38

SCH11

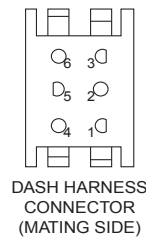
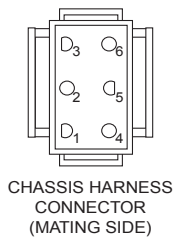


NOTE
 YOUR TRACTOR IS EQUIPPED WITH A SPECIAL ALTERNATOR SYSTEM. THE LIGHTS ARE NOT CONNECTED TO THE BATTERY, BUT HAVE THEIR OWN ELECTRICAL SOURCE. BECAUSE OF THIS, THE BRIGHTNESS OF THE LIGHTS WILL CHANGE WITH ENGINE SPEED. AT IDLE THE LIGHTS WILL DIM. AS THE ENGINE IS SPEEDED UP, THE LIGHTS WILL BECOME THEIR BRIGHTEST.

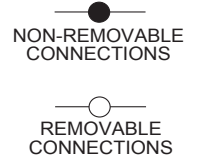


IGNITION SWITCH

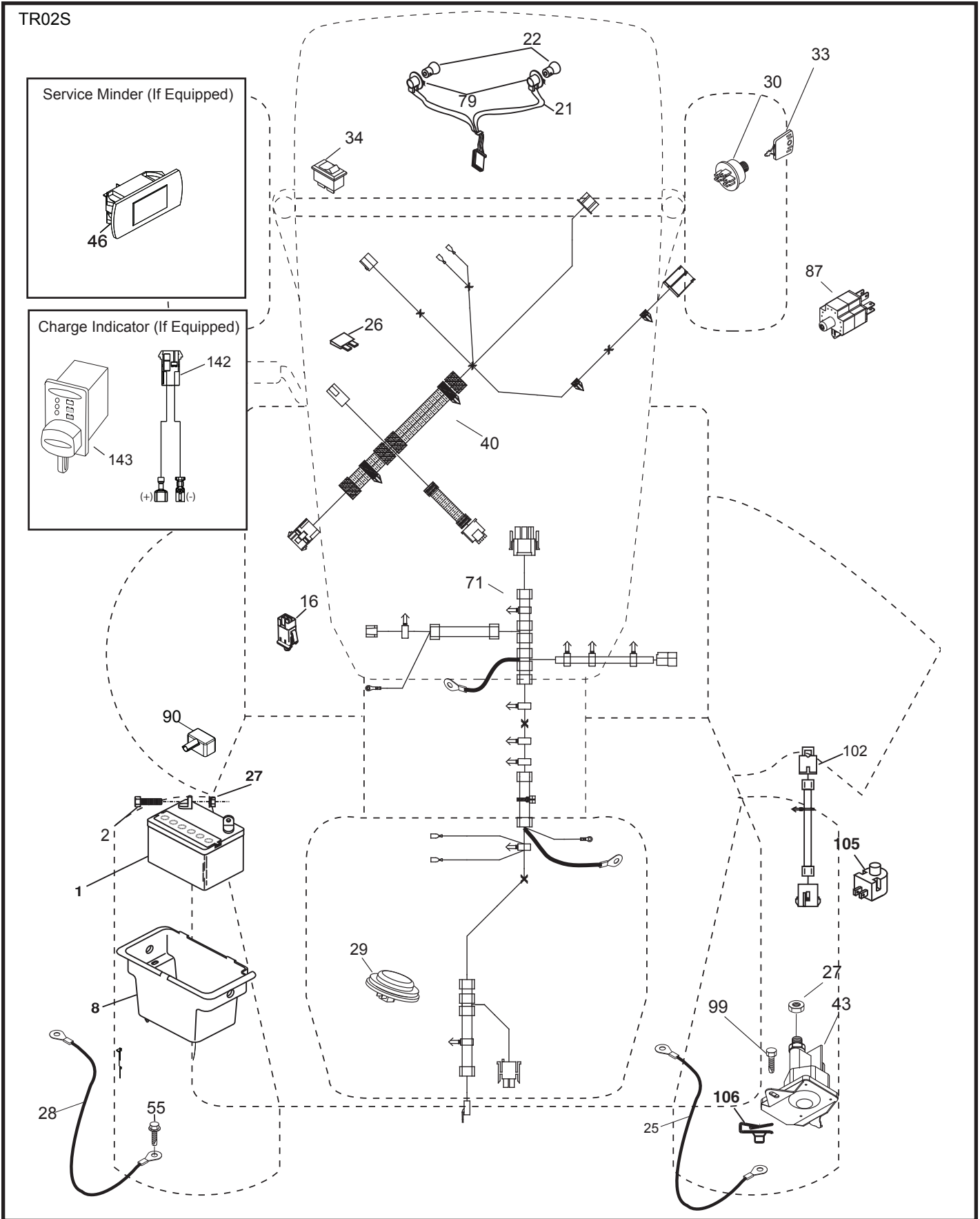
POSITION	CIRCUIT "MAKE"
OFF	M+G+A1
RUN/OVERRIDE	B+A1
RUN	B+A1 L+A2
START	B + S + A1



WIRING INSULATED CLIPS
 NOTE: IF WIRING INSULATED CLIPS WERE REMOVED FOR SERVICING OF UNIT, THEY SHOULD BE RE-INSTALLED TO PROPERLY SECURE YOUR WIRING.



TRACTOR - - MODEL NO. TS 142T (96041043200), PRODUCT NO. 960 41 04-32
ELECTRICAL 32

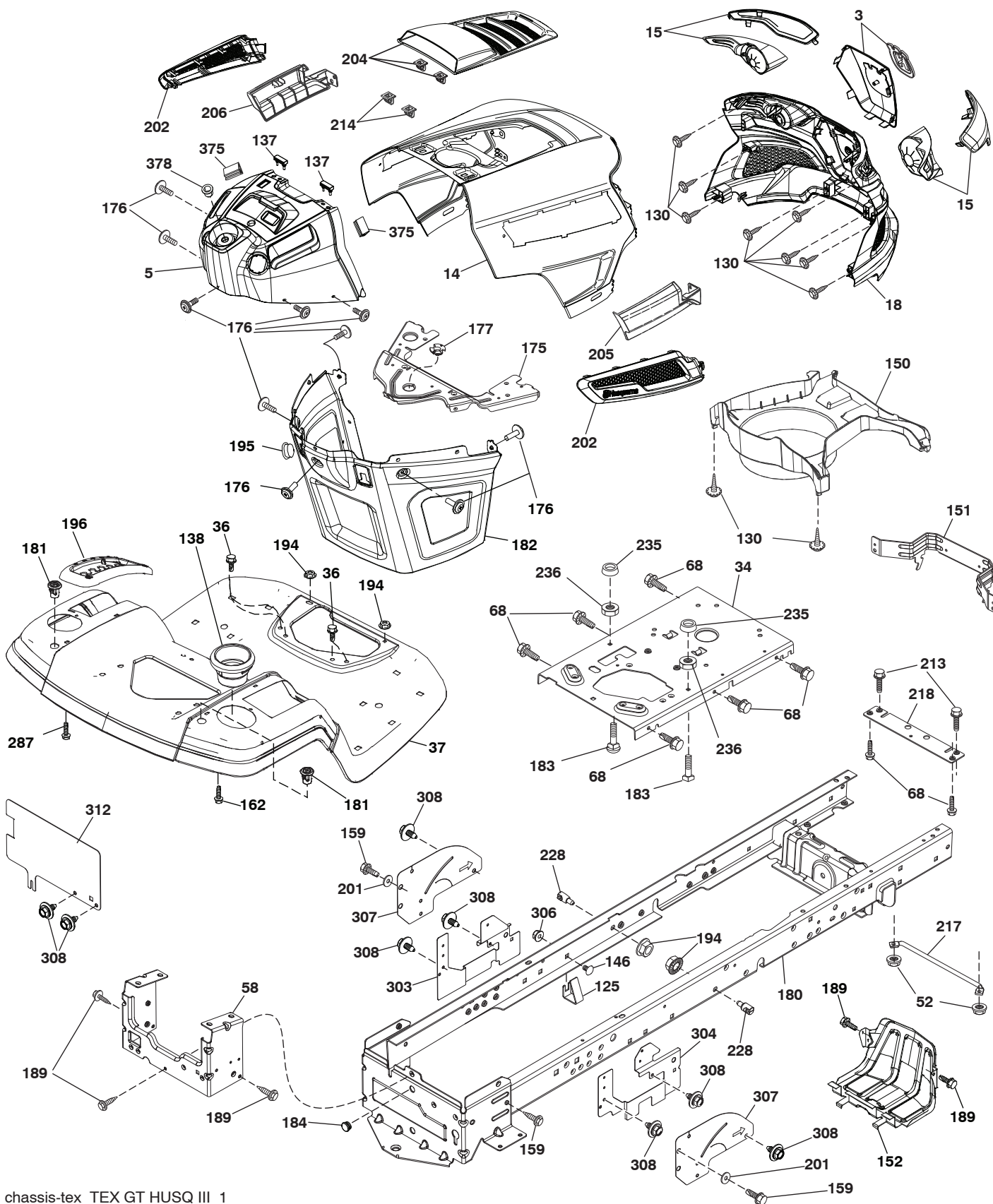


**TRACTOR - - MODEL NO. TS 142T (96041043200), PRODUCT NO. 960 41 04-32
ELECTRICAL 32**

KEY NO.	PART NO.	DESCRIPTION
1	532 16 34-65	Battery
2	874 76 04-12	Bolt Hex Head 1/4-20 x 3/4
8	532 19 32-28	Box Battery
16	532 17 61-38	Switch Interlock Push-In
21	532 40 02-52	Harness Socket Light W/4152J
22	532 00 41-52	Bulb Light
25	581 49 80-01	Cable Starter
26	532 17 51-58	Fuse
27	596 13 36-01	Locknut, KEPS, 1/4-20
28	532 42 16-86	Cable, Ground
29	532 40 15-45	Switch, Seat
30	532 19 33-50	Switch, Ign
33	532 41 19-35	Key/Chain
34	532 11 07-12	Switch Light / Reset
40	581 02 31-01	Harness Ign. Dash
43	582 04 28-02	Solenoid
46	594 91 91-01	Hour meter
55	817 06 05-12	Screw Thdrol 5/16-18 x 3/4 TYTT
71	501 13 37-01	Harness Ign. Chassis
79	532 17 52-42	Socket Asm.
87	532 19 78-02	Switch.Intrlck.Clutch
90	532 43 53-95	Cover Terminal
99	817 67 04-12	Screw 1/4-20 x 3/4
102	532 40 44-54	Harness Pigtail Tex ROS Tufftorq
105	532 40 75-68	Switch Reverse
106	532 17 48-14	Palnut 1/4 Lugs

NOTE: All component dimensions given in U.S. inches
1 inch = 25.4 mm

TRACTOR - - MODEL NO. TS 142T (96041043200), PRODUCT NO. 960 41 04-32
CHASSIS AND ENCLOSURES **39**



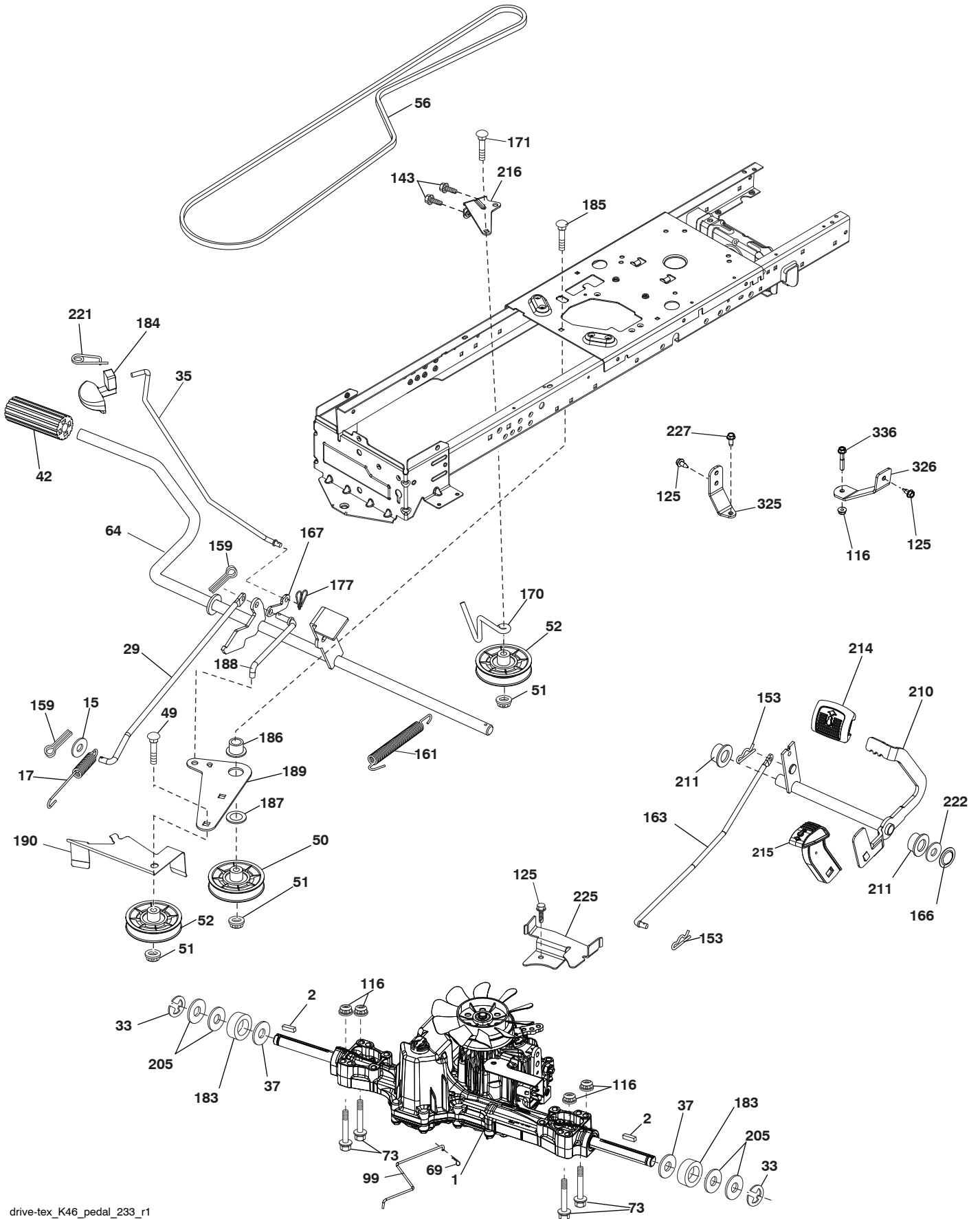
chassis-tex_TEX GT HUSQ III_1

**TRACTOR - - MODEL NO. TS 142T (96041043200), PRODUCT NO. 960 41 04-32
CHASSIS AND ENCLOSURES **39****

KEY NO.	PART NO.	DESCRIPTION	KEY NO.	PART NO.	DESCRIPTION
3	597 68 82-01	Kit, Grille Applique, (includes applique cover and emblem badge)	184	587 55 41-01	Plug
5	590 74 88-23	Dash, Asm.	189	817 00 05-12	Screw 5/16-18 x 3/4
14	532 44 11-77	Hood	194	596 13 57-01	Nut, Lock, PRVL, Torq, 5/16-18 x .68
15	597 86 78-01	Kit, Headlight Lens and Reflectors, RH/LH (kit includes RH/LH headlight lens and RH/LH reflectors)	195	532 40 41-37	Plug, Hole, Dash
18	597 40 71-01	Grille, Asm.	196	532 43 96-47	Console, Deck, Lift, Asm.
34	580 91 08-01	Plate, Engine	201	819 13 20-16	Washer 13/32 x 1-1/4 x 16 Ga.
36	817 06 05-12	Screw 5/16-18 x 3/4	202	597 86 77-01	Kit, Side Vent, RH/LH (kit includes RH and LH side Vents)
37	532 44 12-06	Fender	204	597 40 80-01	Vent, Top Hood.Asm
52	596 04 05-01	Nut, Lock, Hex, PRVL, 5/16-18	205	532 43 97-30	Side, RH, Trim
58	532 41 22-80	Drawbar	206	532 43 97-29	Side, LH, Trim
68	596 03 07-01	Screw, Hexagon, 5/16-18 x 1/2	213	596 03 05-01	Bolt, Hex HD, 5/16-18 unc x 3/4
125	581 68 48-01	Clip, Fuel Line	214	532 19 91-45	Clip, Retainer
130	596 32 17-01	Screw #10 x 0.75 BOS Thread	217	532 40 91-67	Rod, Pivot, Hood
137	532 40 75-90	Bumper, Dash	218	532 19 63-95	X-Piece Hood Stop
138	532 43 97-47	Cupholder	228	593 82 40-01	Stud w/"D"Anti-Rotation
146	581 85 79-01	Bolt	235	596 56 42-01	Spacer, Fender, Clr, Zn
150	532 43 97-74	Air Duct	236	873 93 05-00	Nut Lock 5/16-18 unc
151	532 43 66-70	Bracket, Pivot	287	817 60 04-06	Screw Hex WASHEAD 1/4-20 x 3/8
152	532 43 98-70	Shield, Browning	303	589 00 81-02	Shield, Lower LH
159	817 00 06-12	Screw Hexwsh Thrd 3/8-16 x 3/4	304	589 00 90-02	Shield, Lower RH
162	596 13 41-01	Screw, Hex, Tap, 1/4-15 x 1/2	306	873 90 06-00	Nut, Lock Flg. 3/8-16 unc
175	590 60 77-02	Crossmember	307	587 49 46-01	Shield, Upper
176	532 40 07-76	Screw 10-24 x 5/8	308	532 17 18-77	Bolt 5/16-18 unc x 3/4 w/SEMS
177	532 19 52-28	Bushing, Steering	312	589 00 67-02	Cover, Drawbar
180	532 41 50-64	Chassis	375	586 90 82-01	Dash, Clip-On, Bumper
181	532 43 97-46	Bushing	378	590 84 98-01	Bushing, Flange
182	586 73 86-02	Dash, Lower			
183	595 30 57-01	Screw, Hexagon, 5/16-18 x 1-1/4			

NOTE: All component dimensions given in U.S. inches
1 inch = 25.4 mm

TRACTOR - - MODEL NO. TS 142T (96041043200), PRODUCT NO. 960 41 04-32
DRIVE **40**



drive-tex_K46_pedal_233_r1

**TRACTOR - - MODEL NO. TS 142T (96041043200), PRODUCT NO. 960 41 04-32
DRIVE **40****

KEY NO.	PART NO.	DESCRIPTION	KEY NO.	PART NO.	DESCRIPTION
1	---	Transaxle, Tuff Torq K46BT (426120)(Order parts from transaxle manufacturer.)	170	532 19 43-22	Keeper Belt Centerspan
2	532 12 35-83	Key	171	596 13 63-01	Bolt, Cup Head, 3/8-16 x 2
15	596 56 53-01	Washer, 3/8 x 0.08 in, St. Clr, Zinc	177	587 22 53-01	Pin, Cotter, Locking, Bowtie, 1 in.
17	532 41 36-78	Spring, Brake	183	532 13 70-57	Spacer Axle
29	532 40 38-06	Rod, Brake	184	587 65 37-01	Handle Parking Brake
33	812 00 00-01	Ring E	185	872 11 06-22	Bolt RDHD SQNK 3/8-16 unc x 2
35	583 86 45-02	Rod, Brake, Park	186	532 19 43-21	Spacer Retainer
37	532 18 89-67	Washer Harden	187	596 13 55-01	Washer, 13/32 x 2, Clear, Zinc
42	532 00 88-83	Cover, Foot Pedal	188	582 21 70-01	Link Clutch Ground Drive, Long
49	596 13 62-01	Bolt, Cup Head, 3/8-16 x 3/4	189	532 19 43-17	Bellcrank Ground Drive
50	532 19 43-27	Pulley Idler Flat	190	532 19 43-18	Keeper Bellcrank Ground Drive
51	873 90 06-00	Lock Nut 3/8-16	205	532 12 17-48	Washer
52	532 19 43-26	Idler V-Groove	210	532 40 09-80	Rocker Asm Pedal Control
56	592 85 52-01	V-Belt, Drive	211	532 12 01-83	Bushing Shaft
64	532 19 78-65	Shaft Asm. Pedal Brake Control	214	532 42 12-63	Pedal Forward Pad Tex
69	532 42 33-03	Hairpin Soft Zink .059 x 1.125	215	586 60 65-02	Pedal Reverse
73	596 13 65-01	Bolt, Hex Head, 5/16-18 x 1-1/2	216	532 19 61-31	Bracket Pulley Idler
99	582 40 45-01	Rod Bypass	221	532 40 31-87	Retainer Spring Clip Handle
116	596 13 57-01	Nut, Lock, Prvl, Torq, 5/16-18 x .68	222	879 21 20-10	Washer 21/32 x 1-1/4
125	817 00 05-12	Screw 5/16-18 x 3/4	225	532 40 33-19	Keeper Belt Transaxle
143	596 03 07-01	Screw, Hexagon, 5/16-18 x 1/2	227	596 13 59-01	Bolt, Hex, 5/16-18 x 3/4, CLR, Zinc
153	532 00 44-97	Retainer Spring	325	585 66 85-02	Bracket Torque Strap LH
159	596 02 95-01	Pin, Cotter, 1/8 Dia x 3/4	326	585 67 08-02	Bracket Torque Strap RH
161	532 10 57-09	Spring, Return, Clutch	336	587 25 96-02	Bolt, 5/16-18 x 1-3/4, Flanged
163	593 86 10-01	Rod, Ctrl, K57R, K46			
166	532 42 91-64	Nut Push			
167	532 40 52-57	Latch Brake Parking			

NOTE: All component dimensions given in U.S. inches
1 inch = 25.4 mm

**TRACTOR - - MODEL NO. TS 142T (96041043200), PRODUCT NO. 960 41 04-32
ENGINE 24**

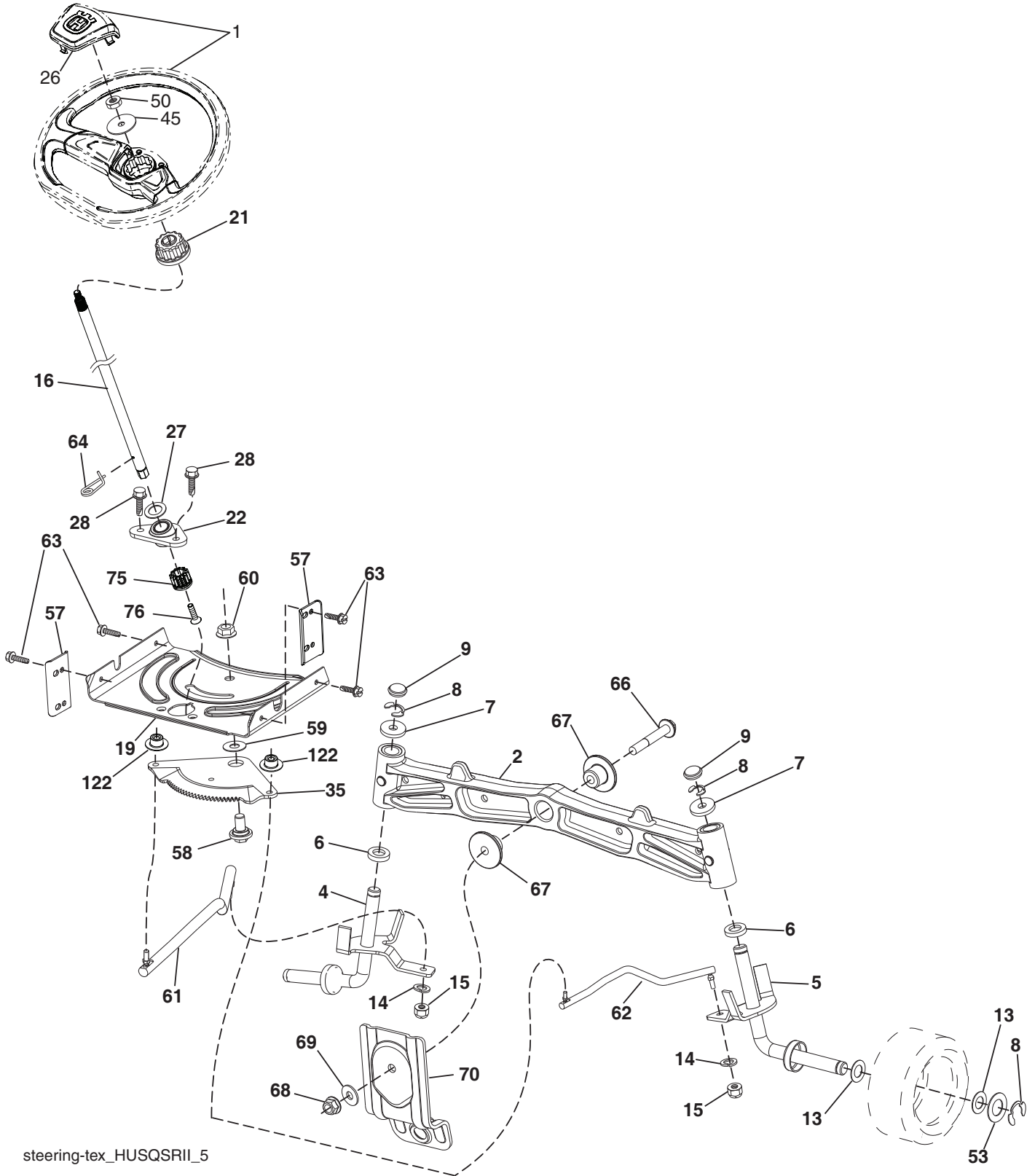
KEY NO.	PART NO.	DESCRIPTION
1	-----	Engine Briggs Model No. 40N777-0009-BS (597818301) (Order parts from engine manufacturer.)
2	589 81 87-01	Muffler
9	501 83 26-02	Keeper Belt Engine
12	586 47 85-01	Pulley Engine
15	581 28 99-01	Tank Fuel
18	532 43 02-20	Cap Asm. Fuel
20	587 24 25-01	Control Throttle
21	596 32 17-01	Screw #10 x .075, BOS Thread
28	532 13 70-40	Fuel Line
29	532 13 71-80	Spark Arrester Kit
37	532 12 34-87	Clamp Hose
42	596 23 89-01	Washer 7/16 in, CLR, Zn
45	596 13 36-01	Locknut, KEPS, 1/4-20
62	532 43 40-17	Shield, Heat
69	532 16 53-91	Gasket
70	581 88 11-01	Exhaust Tube, LH
71	581 88 10-01	Exhaust Tube, RH
79	596 13 42-02	Screw, Socket 5/16-18 x 1, CLR, Zn
81	532 14 84-56	Tube Oil Drain
82	532 42 82-87	Valve Oil Drain
84	817 06 06-20	Screw 3/8-16 x 1-1/4
85	501 60 65-01	Bolt, Hex. 7/16-20 x 4 Gr.5
90	817 00 06-16	Screw 3/8-16 x 1
96	596 13 53-01	Washer, Plain, 9/32 x 7/8, Clr, Zn
97	817 67 04-12	Screw 1/4-20 x 3/4
102	817 00 05-12	Screw
105	501 26 72-02	Shield Side LH
106	501 26 82-02	Shield Side RH
108	587 17 95-09	Cover Eng. Pulley w/SHLD 38", 42"
115	532 43 17-61	Palnut #10
136	596 43 40-01	Screw #10 x 0.500, BOS Thread

NOTE: All component dimensions given in U.S. inches
1 inch = 25.4 mm

Engine Power Rating Information

The gross power rating for individual gas engine models is labeled in accordance with SAE (Society of Automotive Engineers) code J1940 (Small Engine Power & Torque Rating Procedure), and rating performance has been obtained and corrected in accordance with SAE J1995 (Revision 2002-05). Torque values are derived at 3060 RPM; horsepower values are derived at 3600 RPM. Actual gross engine power will be lower and is affected by, among other things, ambient operating conditions and engine-to-engine variability. Given both the wide array of products on which engines are placed and the variety of environmental issues applicable to operating the equipment, the gas engine will not develop the rated gross power when used in a given piece of power equipment (actual "on-site" or net power). This difference is due to a variety of factors including, but not limited to, accessories (air cleaner, exhaust, charging, cooling, carburetor, fuel pump, etc.), application limitations, ambient operating conditions (temperature, humidity, altitude), and engine-to-engine variability. Due to manufacturing and capacity limitations, Briggs & Stratton may substitute an engine of higher rated power for this Series engine.

TRACTOR - - MODEL NO. TS 142T (96041043200), PRODUCT NO. 960 41 04-32
STEERING ASSEMBLY [41]



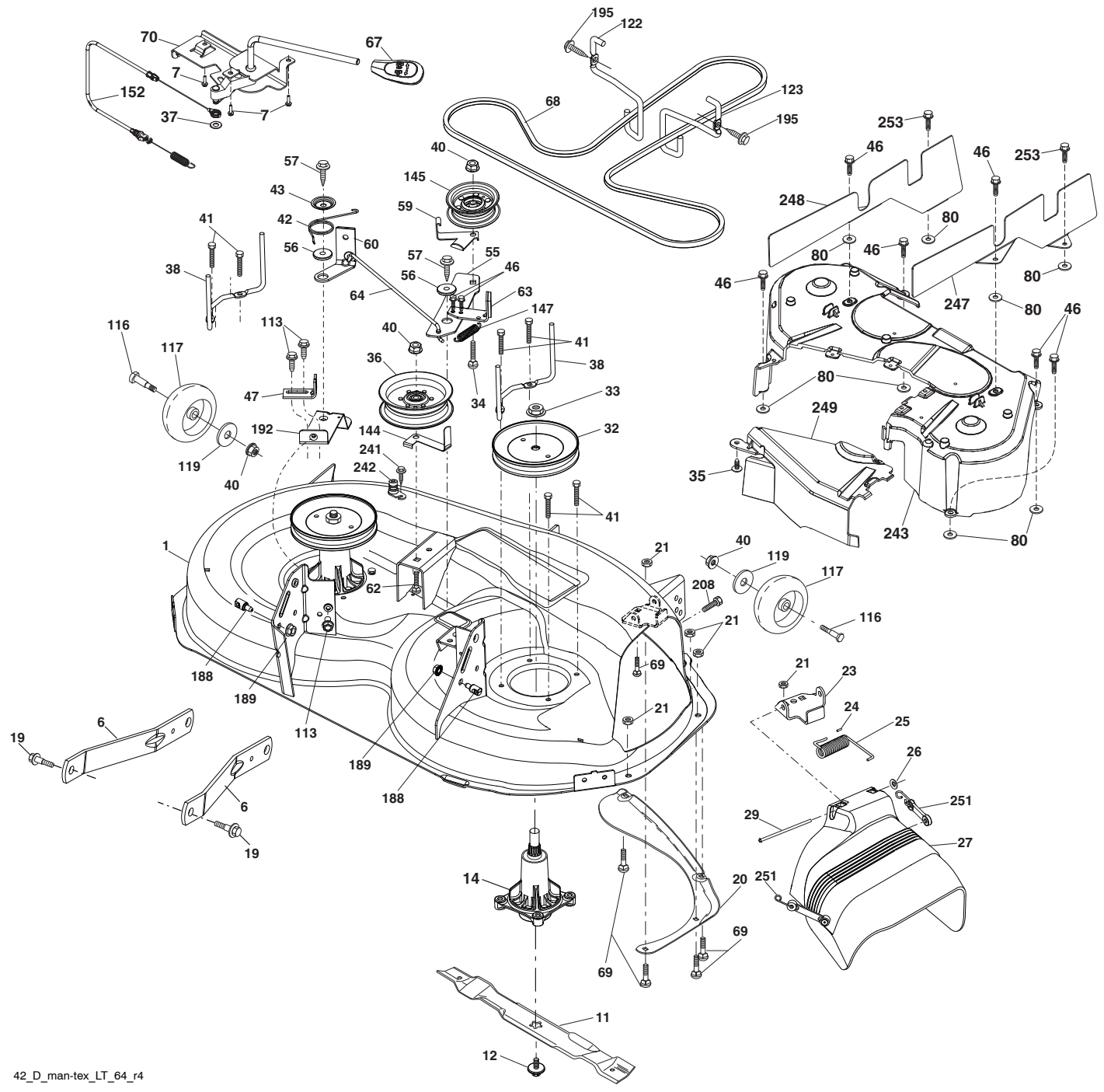
steering-tex_HUSQSRII_5

**TRACTOR - - MODEL NO. TS 142T (96041043200), PRODUCT NO. 960 41 04-32
STEERING ASSEMBLY 41**

KEY NO.	PART NO.	DESCRIPTION
1	597 86 61-01	Wheel, Steering, Kit (includes steering wheel and cap)
2	532 19 59-68	Axle Asm., Cast Iron
4	532 40 30-87	Spindle Asm., LH
5	532 40 30-88	Spindle Asm., RH
6	532 00 62-66	Washer Thrust 0.75 x 1.23
7	532 12 17-48	Washer 25/32 x 1-5/8 x 16 Ga.
8	812 00 00-29	Ring, Klip #T5304-75
9	532 12 12-32	Cap, Spindle
13	532 12 17-49	Washer 25/32 x 1-1/4 x 16 Ga.
14	596 23 87-01	Washer, Spring Lock .381 ID x .680
15	873 54 06-00	Nut, Crown Lock 3/8-24 unf
16	587 01 60-02	Shaft Steering
19	532 19 47-29	Plate Steering
21	586 84 02-01	Adapter, Wheel Steering
22	585 02 98-02	Bearing, Shaft
26	594 94 91-01	Cap.Wheel.Steering
27	596 93 34-01	Washer, Plain
28	817 00 06-12	Screw 3/8-16 x 3/4
35	532 19 47-32	Gear, Sector Plate
45	587 01 64-01	Washer, 3/8 ID. 2-3/8 OD. 12 Ga.
50	873 90 06-00	Nut, Lock Flg. 3/8-16 unc.
53	532 18 89-67	Washer Hardened .793 x 1.637 x .060
57	532 40 74-65	Bracket Upstop
58	532 19 47-47	Bolt Shoulder Sector Pivot CFM
59	532 19 47-48	Washer Thrust Sector Steering
60	873 97 10-00	Nut Flange Lock 5/8-11
61	597 07 02-02	Linkage, Draglink, ADJ, LH, CLR, ZN
62	597 07 03-02	Linkage, Draglink, RH, STNDRD, CLR
63	817 00 05-12	Screw 5/16-18 x 3/4
64	532 19 98-49	Retainer Clip Spring Steering
66	871 02 07-48	Bolt Hex Fghd 7/16-14 x 3 Serr
67	532 19 47-37	Bushing PM Front Axle
68	873 90 07-00	Nut Lock Flange 7/16-14 Gr. 5
69	532 19 91-62	Washer 1.5 x .505 x .118
70	585 33 88-01	Bracket Deck Susp. Front
75	580 68 37-01	Pinion
76	580 68 36-01	Screw
122	532 44 49-62	Cap Gear

NOTE: All component dimensions given in U.S. inches
1 inch = 25.4 mm

TRACTOR - - MODEL NO. TS 142T (96041043200), PRODUCT NO. 960 41 04-32
MOWER DECK 44



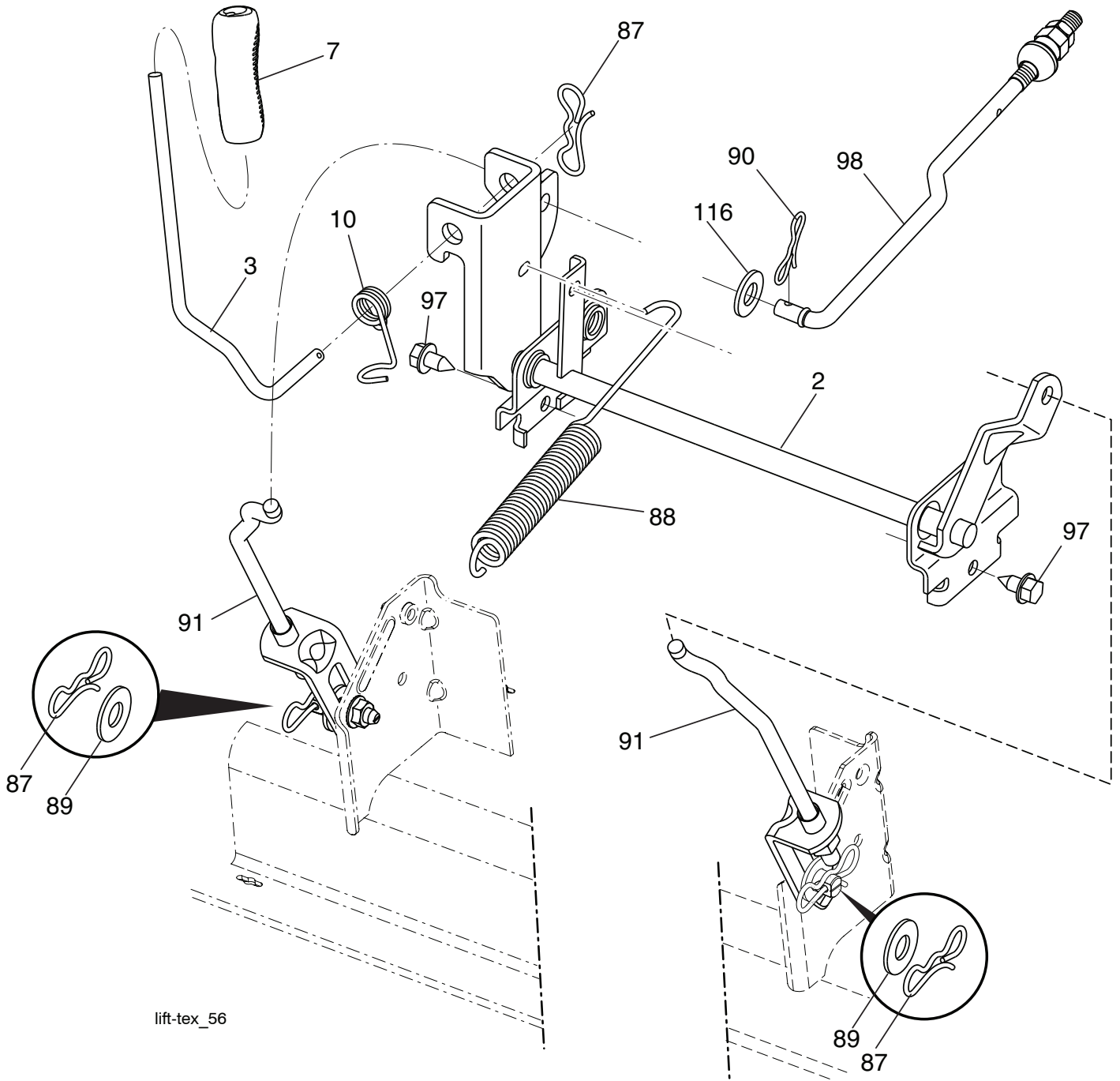
42_D_man-tex_LT_64_r4

**TRACTOR - - MODEL NO. TS 142T (96041043200), PRODUCT NO. 960 41 04-32
MOWER DECK 44**

KEY NO.	PART NO.	DESCRIPTION	KEY NO.	PART NO.	DESCRIPTION
1	532 43 96-58	Kit, SVC, Weldmnt, 42" 196495 x 498	62	596 13 63-01	Bolt, Cup Head, 3/8-16 x 2
6	532 19 51-86	Arm, Suspension, Mower, Rear, Ld	63	532 19 94-77	Arm, Brake, Mower
7	596 32 17-01	Screw #10 x 0.750, Bos, Thread	64	532 19 99-18	Linkage, Brake Asm, Zinc
11	532 13 89-71	Blade, Mower 42" Hi Lift Premium	67	532 40 30-12	Handle, Clutch Cable
12	584 30 93-01	Screw, Sems, 7/16-20 x 1, Hex Head	68	532 42 96-36	Belt, Deck, Drive 42"
14	587 81 97-01	Kit, Mandrel, Nongrease, Tall (Includes Mandrel And Bolts)	69	596 13 64-01	Bolt, Cup Head, 5/16-18 x 5/8
19	532 19 65-39	Bolt, Shoulder	70	532 19 99-72	Clutch Asm, Manual
20	532 15 97-70	Baffle, Vortex 42, Std/Heavy Dty	80	532 42 30-62	Palnut, 1/4
21	596 04 05-01	Nut, Lock, Hex, Prvl, 5/16-18	113	817 00 05-10	Bolt, 5/16-18Hex, Whs, Hd, Lck serr
23	532 19 25-57	Bracket, Deflector, 38/42" 2005	116	596 43 44-02	Bolt, Shldr, 2.41 x 1.66 x .5" Clr, Zn
24	532 10 53-04	Cap, Sleeve, 80 x .112, Blk, Mower	117	589 52 74-01	Wheel, Gauge, Narrow (Semi)
25	532 19 70-26	Spring, Torsion, Dfl, 38/42/46, Gr	119	596 13 49-01	Washer, Plain.3/8 x 7/8
26	532 11 04-52	Nut, Push, Pin, Hinge, Phos & Oil	122	532 19 72-58	Keeper Belt Eng, LH
27	532 41 14-85	Deflector Asm, 42" Tex, French	123	532 19 72-59	Keeper Belt Eng, RH
29	595 29 70-01	Rod, Hinge	144	532 19 92-04	Keeper.deckbelt.fixed, Idler
32	532 19 74-73	Pulley, Mandrel, 5.438 Pd	145	532 19 31-97	Pulley, Idler, 48"Primary
33	596 13 48-01	Nut, Hex, 9/16-18 x 1.010	147	532 40 19-71	Spring, Return
34	596 13 61-01	Bolt, Cup Head, 3/8-16 x 1-1/2"	152	584 24 35-01	Cable, Mech, Clutch, 42/46
35	532 13 38-35	Fastner, Christmas Tree	188	593 82 40-01	Stud Fastner W/'D' Anti-Rotatio
36	532 19 73-79	Pulley, Idler, 4.5"	189	596 13 57-01	Nut, Lock, Prvl, Torq, 5/16-18 x .68
37	596 56 53-01	Washer, 3/8 x 0.08In, St, Clr, Zinc	192	532 19 72-60	Bracket, Brake, Stand, Lh
38	589 67 61-02	Keeper, Bit, Pnt, Mndrl, Pull, 6.25	195	817 00 06-12	Screw Hexwsh Thdr 3/8-16 x 1/2
40	873 90 06-00	Nut, Lock, Flg, 3/8-16 Unc	208	817 67 06-08	Screw, Thdrol, 3/8-16 x 1/2, Tyt, Bl
41	584 95 39-01	Bolt, Hex, Wshrhd, 3/13-18 x 1.19	241	532 15 29-27	Screw, TT, #10-32.5.3/8, Flange
42	532 19 84-10	Spring, Torsion, Brake	242	532 41 55-98	Port, Washout
43	532 19 72-56	Retainer, Torsion, Spring	243	532 43 23-94	Cover Asm, Tex, Deck 42"
46	532 13 77-29	Screw, Thd, Roll, 1/4-20 x 5/8	247	532 43 02-61	Shield, Deck, Rh, 42" Tex, Fren .010
47	532 19 72-50	Bracket, Clutch, Cable	248	532 43 02-60	Shield, Deck, Lh, 42" Tex, Fren .010
55	532 43 71-10	Idler Arm, 42"	249	532 40 65-14	Cover, Cable, Clutch, 38/42" Tex
56	532 19 90-92	Spacer, Retainer	251	532 43 60-87	Kit Bungee
57	817 00 06-16	Screw 3/8-16 x 1, Smgml, Tap/R Blk	253	532 42 73-50	Rivet, Tuflok .25 x .24
59	532 14 10-43	Guard, Idler, Tuv 42	--	588 62 21-01	Replacement Mower, Complete
60	532 19 72-61	Arm, Brake, Mower 42"			

NOTE: All component dimensions given in U.S. inches
1 inch = 25.4 mm

**TRACTOR - - MODEL NO. TS 142T (96041043200), PRODUCT NO. 960 41 04-32
MOWER LIFT 45**



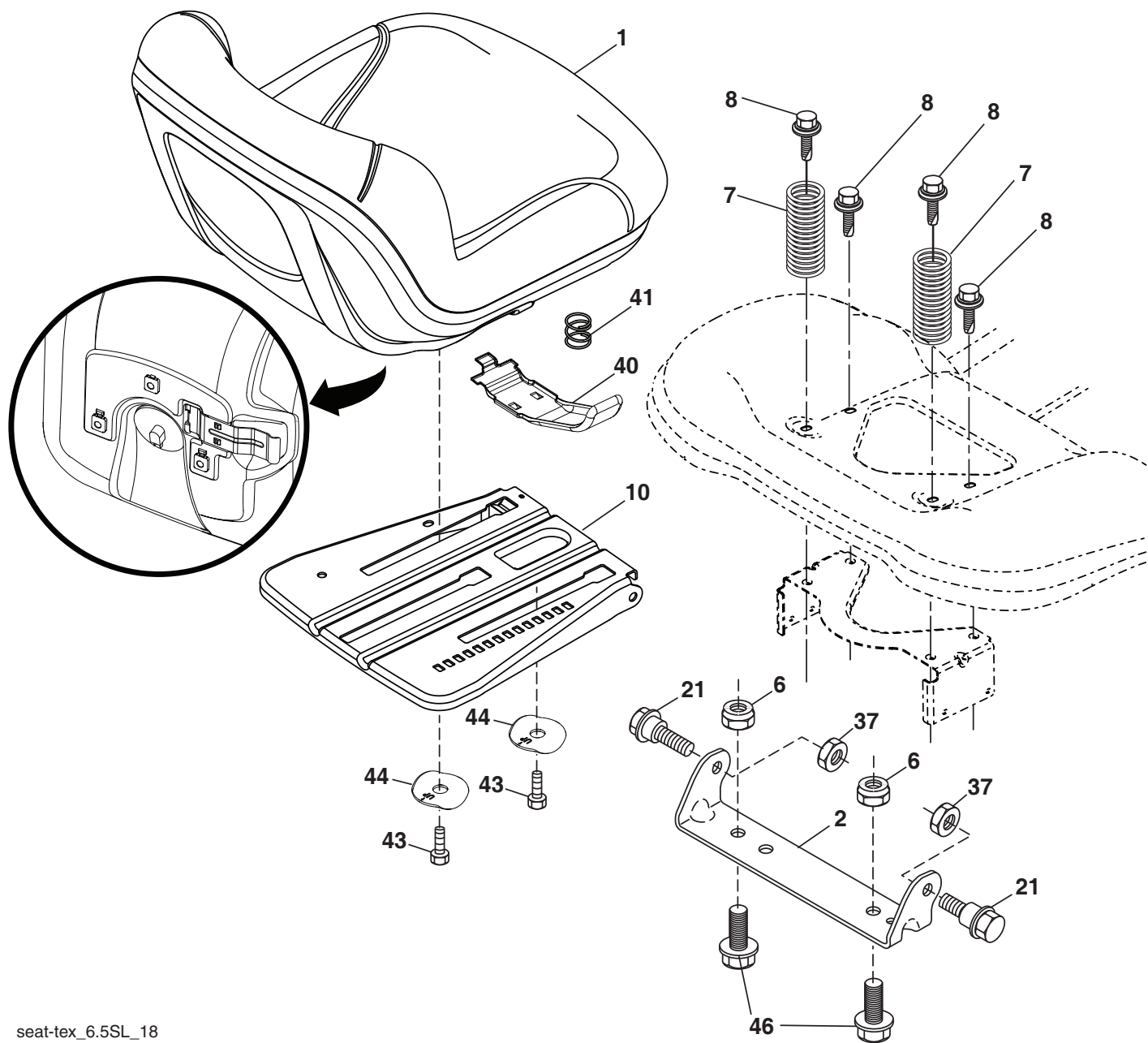
lift-tex_56

KEY NO.	PART NO.	DESCRIPTION
2	532 42 20-27	Shaft Asm., Lift
3	594 01 80-01	Lever, Lift, Handle
7	580 96 23-01	Grip, Lever
10	532 19 63-14	Spring Torsion
87	532 19 42-09	Pin Cotter 7/16 Bow Tie Lock
88	532 41-07-10	Spring Lift Assist
89	819 19 19-12	Washer Clear Zinc
90	532 19 42-08	Pin Cotter 5/16 Bow Tie Lock

KEY NO.	PART NO.	DESCRIPTION
91	589 46 48-03	Link Assy, Lift, Rear
97	817 00 06-12	Screw 3/8-16 x .75 Smgml Tap/R.Z
98	581 50 69-03	Link Assy, Front, Mwr, Susp
116	594 97 65-01	Washer 15/32 x 15/16 x .065

NOTE: All component dimensions given in U.S. inches
1 inch = 25.4 mm

**TRACTOR - - MODEL NO. TS 142T (96041043200), PRODUCT NO. 960 41 04-32
SEAT ASSEMBLY 42**



seat-tex_6.5SL_18

KEY NO.	PART NO.	DESCRIPTION
1	532 43 98-22	Seat
2	532 18 01-66	Bracket Pivot Fender
6	873 80 06-00	Nut, Lock w/Ins. 3/8-16 unc
7	589 48 35-01	Spring, Seat Cprsn
8	532 17 18-77	Bolt 5/16-18 unc x 3/4 w/Sems
10	596 65 74-02	Seat, Plate, Slide
21	587 90 78-01	Bolt, Shoulder 5/16-18 x 5/8
37	596 58 37-02	Nut, w/Nonmetal Ins, Blk, Zinc

KEY NO.	PART NO.	DESCRIPTION
40	595 08 81-02	Handle Slide
41	532 19 82-00	Spring Latch
43	874 76 06-12	Bolt 3/8-16 unc x 3/4
44	501 05 18-01	Washer Winged
46	588 09 04-01	Bolt 3/8 - 16 x 1, 1.25

NOTE: All component dimensions given in U.S. inches
1 inch = 25.4 mm

