

Repair Parts Manual

TS 248G / 96041044400



English

114 18 05-26



Please read the operator's manual carefully and make sure you understand the instructions before using the machine.

HOW TO USE THIS MANUAL

This manual is designed to provide the customer with a means to identify the parts on his/her tractor when ordering repair parts. The illustrations may or may not represent the actual assemblies; therefore, it is not recommended to use this manual as a guide to assemble or disassemble the tractor. Some hardware and parts are drawn larger in order to more readily identify them.

Each tractor has its own model number. The model number for your tractor can be found on the fender under the seat.

Support / Help

If you require assistance or have questions concerning the application, operation, maintenance or parts for your product:

- Visit our website: www.husqvarna.com
- Call Us Toll Free: 1-800-487-5951

When ordering parts, always give the following information:

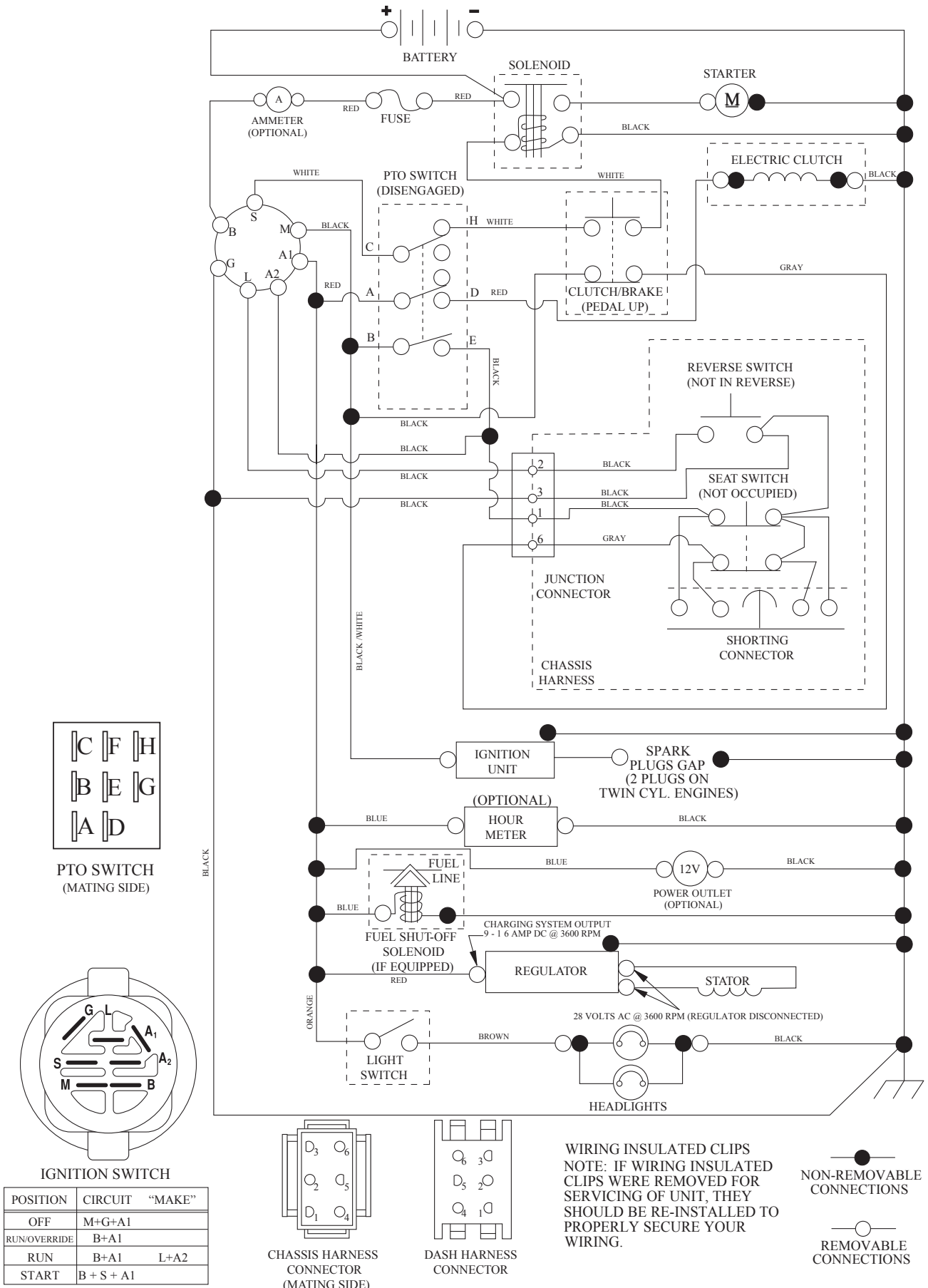
- Product - "TRACTOR"
- MODEL NUMBER - "TS 248G" (96041044400)"
- Part Number
- Part Description

TABLE OF CONTENTS

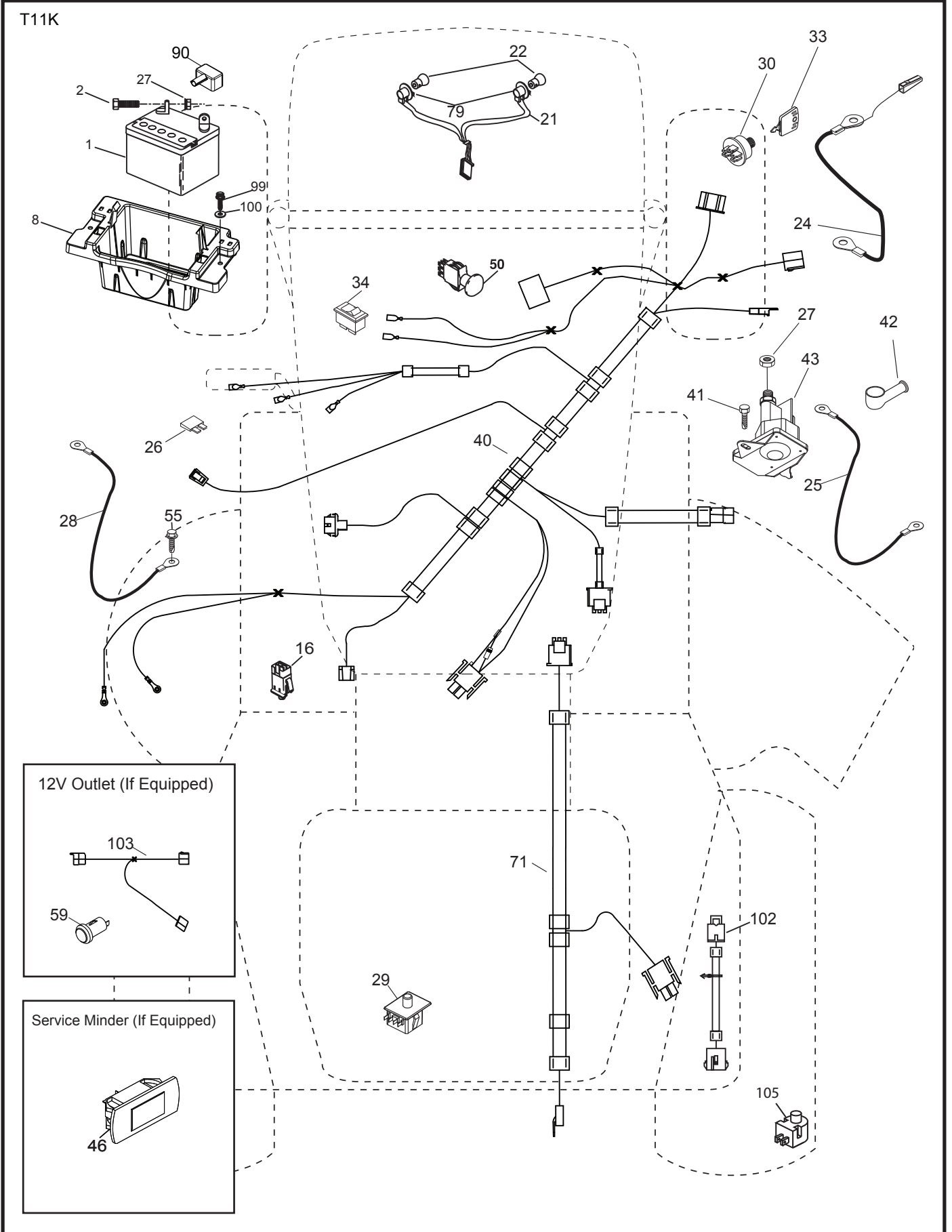
SCHEMATIC	3
ELECTRICAL	4-5
CHASSIS	6-7
DRIVE	8-9
ENGINE	10-11
STEERING	12-13
MOWER DECK	14-15
MOWER LIFT	16
SEAT	17
DECALS	18

TRACTOR - MODEL NO. TS 248G (96041044400), PRODUCT NO. 960 41 04-44 SCHEMATIC

SCH12



**TRACTOR - MODEL NO. TS 248G (96041044400), PRODUCT NO. 960 41 04-44
ELECTRICAL**

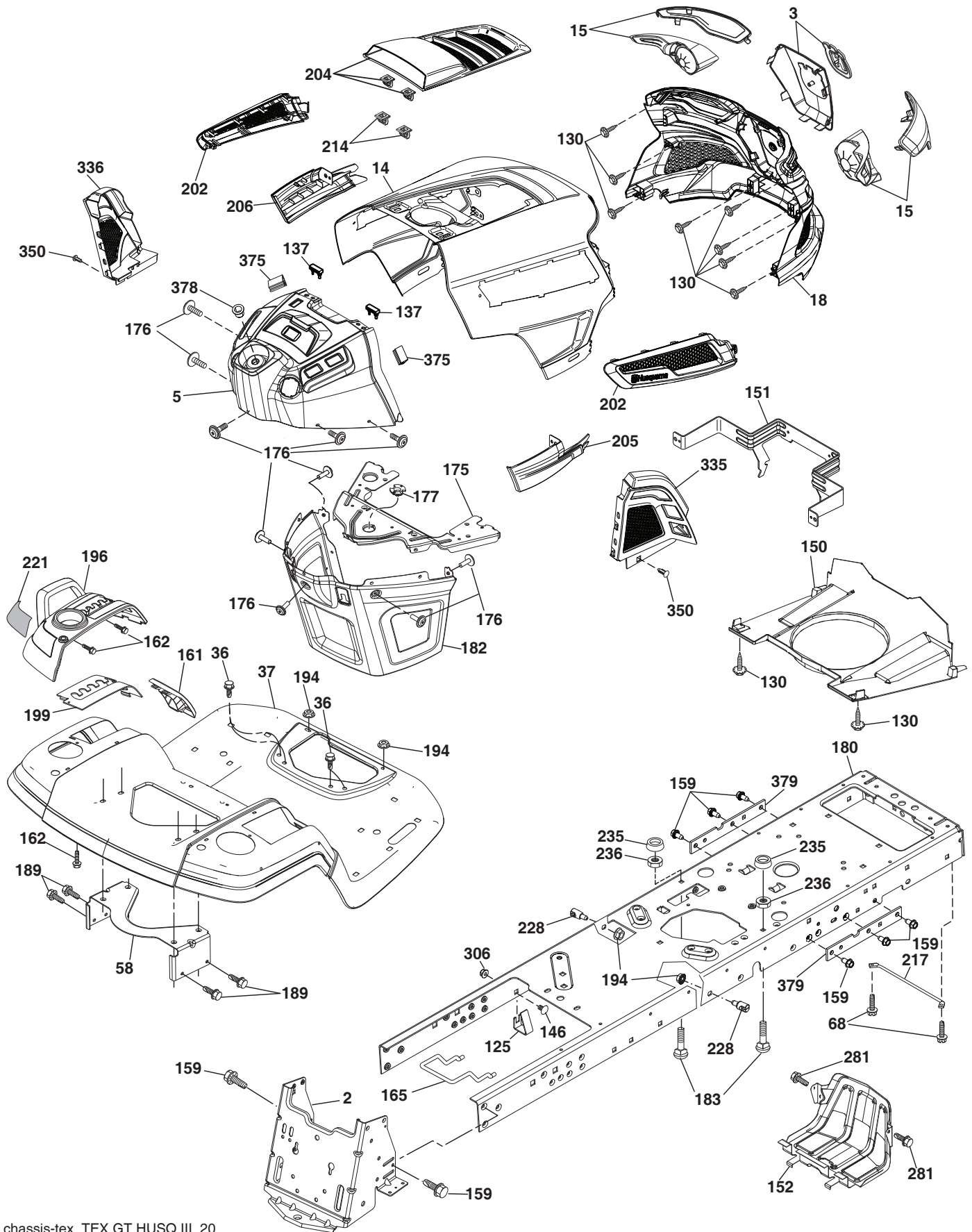


**TRACTOR - MODEL NO. TS 248G (96041044400), PRODUCT NO. 960 41 04-44
ELECTRICAL**

KEY NO.	PART NO.	DESCRIPTION
1	532 16 34-65	Battery
2	874 76 04-12	Bolt Hex Hd 1/4-20 unc x 3/4
8	587 20 51-01	Battery Box
16	532 17 61-38	Switch Interlock
21	532 40 02-52	Harness Socket Light
22	532 00 41-52	Bulb, Light #1156
24	585 55 56-01	Cable Battery
25	585 55 55-01	Cable Starter
26	532 17 51-58	Fuse
27	596 13 36-01	Locknut 1/4-20
28	532 41 65-88	Cable Ground 21" Blk 6 Ga.
29	532 19 27-49	Switch Seat
30	532 19 33-50	Switch Ign
33	532 41 19-35	Key/Chain
34	532 11 07-12	Switch Light/Reset
40	501 13 29-01	Harness Ign. Dash
41	817 72 04-08	Screw Thd Cut 1/4-20 x 1/2
42	532 13 15-63	Cover Terminal Red
43	582 04 28-02	Solenoid
46	594 91 91-01	Srvminder Hourmeter
50	582 10 76-01	Switch PTO
55	817 06 05-12	Screw Thdrol 5/16-18 x 3/4
59	596 94 10-01	Receptacle 12V Snap
71	532 19 42-76	Harness Ign Chassis
79	532 17 52-42	Socket Asm Bulb
90	532 43 53-95	Cover Terminal Battery
99	817 67 04-12	Screw Hexwsh Thdrol 1/4-20 x 3/4
100	596 13 53-01	Washer 9/32 x 7/8
102	532 40 44-54	Harness, Pigtail
103	532 40 79-62	Harness Pigtail 12 V Outlet
105	532 40 75-68	Switch, Reverse

NOTE: All component dimensions given in U.S. inches
1 inch = 25.4 mm

**TRACTOR - MODEL NO. TS 248G (96041044400), PRODUCT NO. 960 41 04-44
CHASSIS**

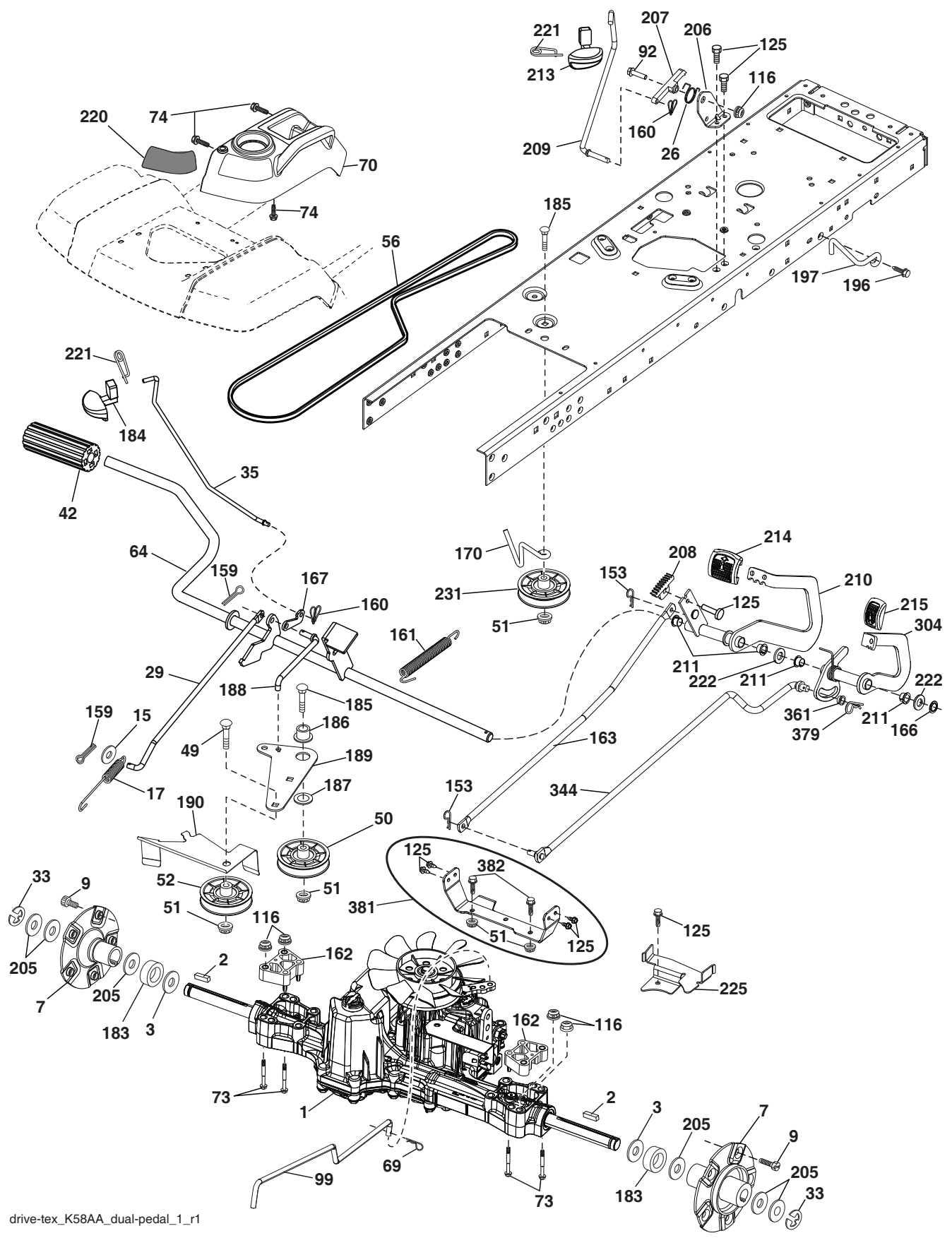


TRACTOR - MODEL NO. TS 248G (96041044400), PRODUCT NO. 960 41 04-44 CHASSIS

KEY NO.	PART NO.	DESCRIPTION	KEY NO.	PART NO.	DESCRIPTION
2	580 43 44-01	Drawbar	189	817 00 05-12	Screw 5/16-18 x 3/4
3	597 68 82-01	Kit, Grille Applique, (includes applique cover and emblem badge)	194	596 13 57-01	Nut Lock 5/16-18 x .68
5	590 74 88-13	Dash	196	532 43 97-16	Console Asm. Deck Lift
14	532 44 11-77	Hood	199	532 19 82-59	Plate Deck Lift
15	597 86 78-01	Kit, SVC, Hus GT3, LED Headlights (includes LH/RH lens and LH/RH housing)	202	597 86 77-01	Kit, Side Vents, LH/RH (includes LH/RH side vents)
18	597 40 71-01	Grille Asm.	204	597 40 80-01	Kit, Top Vent (includes top vent and clip retainers)
36	817 06 05-12	Screw 5/16-18 x 3/4	205	532 43 97-30	Skirt Side RH
37	532 44 12-08	Fender	206	532 43 97-29	Skirt Side LH
58	532 19 43-14	Bracket Fender	214	532 19 91-45	Clip Retainer
68	596 03 07-01	Screw 5/16-18 x 1/2	217	532 40 91-67	Rod Pivot
125	581 68 48-01	Clip Fuel Line	221	532 19 89-09	Reflector LH
130	596 32 17-01	Screw #10 x 0.750	228	593 82 40-01	Stud Fastener
137	532 40 75-90	Bumper Dash	235	596 56 42-01	Spacer Fender
146	581 85 79-01	Bolt	236	873 93 05-00	Nut Center Lock 5/16-18 unc
150	532 43 97-74	Air Duct	281	817 00 06-16	Screw 3/8-16 x 1 Smgml. Top
151	532 43 66-70	Bracket Pivot	306	873 90 06-00	Nut Lock
152	532 43 98-70	Shield Browning	335	532 44 82-04	Cover RH Lower Close Out
159	817 00 06-12	Screw 3/8-16 x 3/4	336	532 44 53-09	Cover Lower Dash LH
161	532 43 99-29	Console Fuel Window	350	532 44 51-43	Clip X-mas Tree
162	596 13 41-01	Screw, Hex, Tap, 1/4-15 x 1/2	375	586 90 82-01	Dash Clip-On Bumper
165	532 19 43-30	Bracket Support Tank	378	590 84 98-01	Bushing, Flange
175	590 60 77-02	Crossmember	379	593 20 69-02	Chassis Plate Reinforcement
176	532 40 07-76	Screw 10-24 x 5/8	--	597 33 48-01	Bumper
177	532 19 52-28	Bushing Steering			
180	593 34 63-01	Chassis			
182	532 40 68-59	Dash Lower			
183	595 30 57-01	Screw 5/16-18 x 1-1/4			

NOTE: All component dimensions given in U.S. inches
1 inch = 25.4 mm

**TRACTOR - MODEL NO. TS 248G (96041044400), PRODUCT NO. 960 41 04-44
DRIVE**



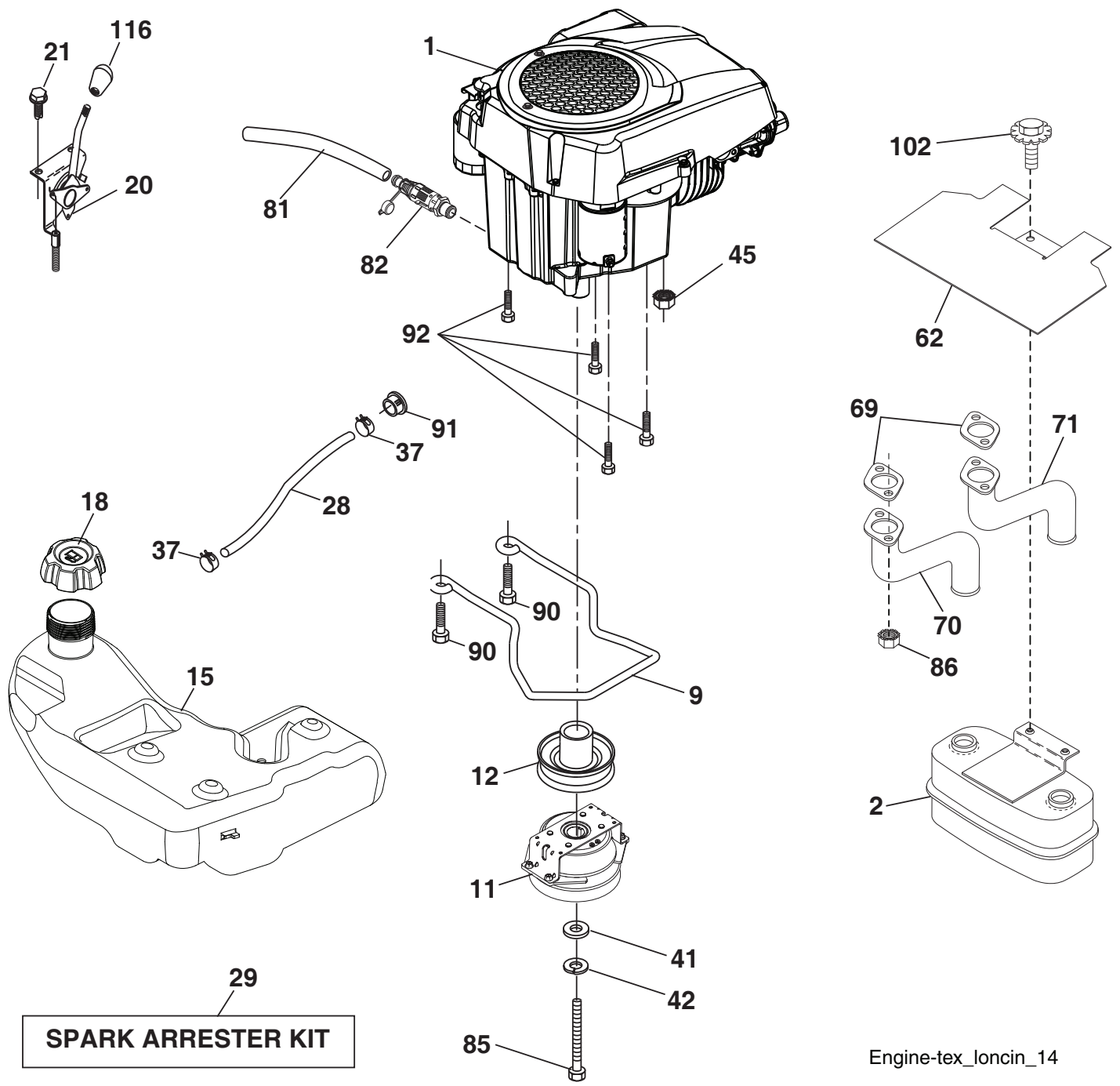
drive-tex_K58AA_dual-pedal_1_r1

TRACTOR - MODEL NO. TS 248G (96041044400), PRODUCT NO. 960 41 04-44 DRIVE

KEY NO.	PART NO.	DESCRIPTION	KEY NO.	PART NO.	DESCRIPTION
1	---	Transaxle, TUFFTORQ K58AA (596038601) (Order parts from transaxle manufacturer.)	184	587 65 37-01	Handle Parking Brake
2	539 91 27-57	Key, Sq 1/4 x 1-1/4	185	872 11 06-22	Bolt Rdhd Sqnk 3/8-16 x 2-3/4 Gr. 5
3	532 00 75-63	Washer, Thrust, Axle, Harden	186	532 19 43-21	Spacer Retainer
7	586 93 54-02	Hub, Pnt. GT, Pm. 1" Axle, E-Dip	187	596 13 55-01	Washer 13/32 x 2, Clr, Zn
9	596 21 87-01	Bolt 7/16-14 x 1-3/8	188	582 21 70-01	Link Clutch Ground Drive, Long
15	596 56 53-01	Washer 3/8 x 0.08	189	532 19 43-17	Bellcrank Ground Drive
17	532 41 36-78	Spring Brake	190	532 19 43-18	Keeper Bellcrank Ground Drive
26	532 19 96-79	Spring, Return, Cruise	196	817 00 06-16	Screw 3/8-16 x 1
29	532 40 38-06	Rod, Brake	197	585 65 86-02	Link Clutch Anti-Rotation
33	812 00 00-53	Ring E	205	532 12 38-00	Washer 11/32 x 1 5/8 x 16 Ga
35	583 86 45-02	Rod, Brk, Parking	206	532 44 85-96	Bracket, Mount, Cruise, Latch
42	532 00 88-83	Cover Foot Pedal	207	587 03 14-02	Latch, Cruise Control, Tex. Clr Gear
49	596 13 62-01	Bolt, Cup Head, 3/8-16 x 3/4	208	596 56 41-01	Rod, Control, Cruise
50	532 19 43-27	Pulley Idler Flat	209	596 86 98-01	Rod, Control, Cruise
51	873 90 06-00	Lock Nut 3/8-16	210	588 98 72-02	Dual Pedal, Asm. Forward, Tex
52	532 19 43-26	Idler V-Groove	211	532 12 01-83	Bearing, Nylon, Blk. 629 ID
56	592 85 52-01	V-Belt Drive	213	532 40 31-19	Handle, Cruise Control, Hus/Prd .428
64	532 19 78-65	Shaft, Asm, Pedal, Brk. Cntrl. Pch	214	532 42 12-63	Pedal Pad, Forward, Tex. Std
69	532 42 33-03	Hairpin, Soft, Zinc	215	596 90 83-01	Pedal Pad, Square, reverse
70	532 43 96-61	Console Asm.	220	532 19 89-08	Reflector RH
73	874 49 05-60	Bolt Hex Flghd 5/16-18 3.75	221	532 40 31-87	Retainer Spring Clip Handle
74	596 13 41-01	Screw, Hex, Tap, 1/4-15 x 1/2	222	879 21 20-10	Washer 21/32 x 1-1/4 10 Ga. N/ Pltd
92	595 30 57-01	Screw, Hexagon, 5/16-18 x 1-1/4	225	532 40 33-19	Keeper Belt Trans.
99	593 98 25-01	Rod Bypass	231	532 40 72-87	Idler V-Groove 1.688" Offset
116	596 13 57-01	Nut Lock 5/16-18 x 3.75	304	588 98 73-02	Dual Pedal, Asm. Reverse, Tex
125	817 00 05-12	Screw 5/16-18 x 3/4	344	597 64 72-01	Rod, Dp. Rvs. 48 F/54F/K46/K58
153	532 00 44-97	Retainer Spring	361	597 13 67-01	Bushing, Dual Pedal, Rvs. Slide
159	596 02 95-01	Pin Cotter 1/8 x 3/4	379	596 58 06-01	Pin, Retaining 1-7/16 x 0.073
160	596 02 94-01	Retainer Clip	381	597 91 13-01	Service, Kit - Torque Strap (includes bracket , bolts, nuts and screws)
161	532 10 57-09	Spring Return Clutch	382	596 43 83-01	Bolt, Hex, W/Collar 3/8-16 x 2-1/4
162	580 45 74-01	Spacer Transaxle 1"			
163	588 56 63-01	Rod, Dual Pedal Fwd. K46/K57/K58			
166	532 42 91-64	Nut, Push 625			
167	532 40 52-57	Latch Brake Parking			
170	532 41 34-30	Keeper Belt Centerspan			
183	587 58 74-01	Spacer Split			

NOTE: All component dimensions given in U.S. inches
1 inch = 25.4 mm

**TRACTOR - MODEL NO. TS 248G (96041044400), PRODUCT NO. 960 41 04-44
ENGINE**



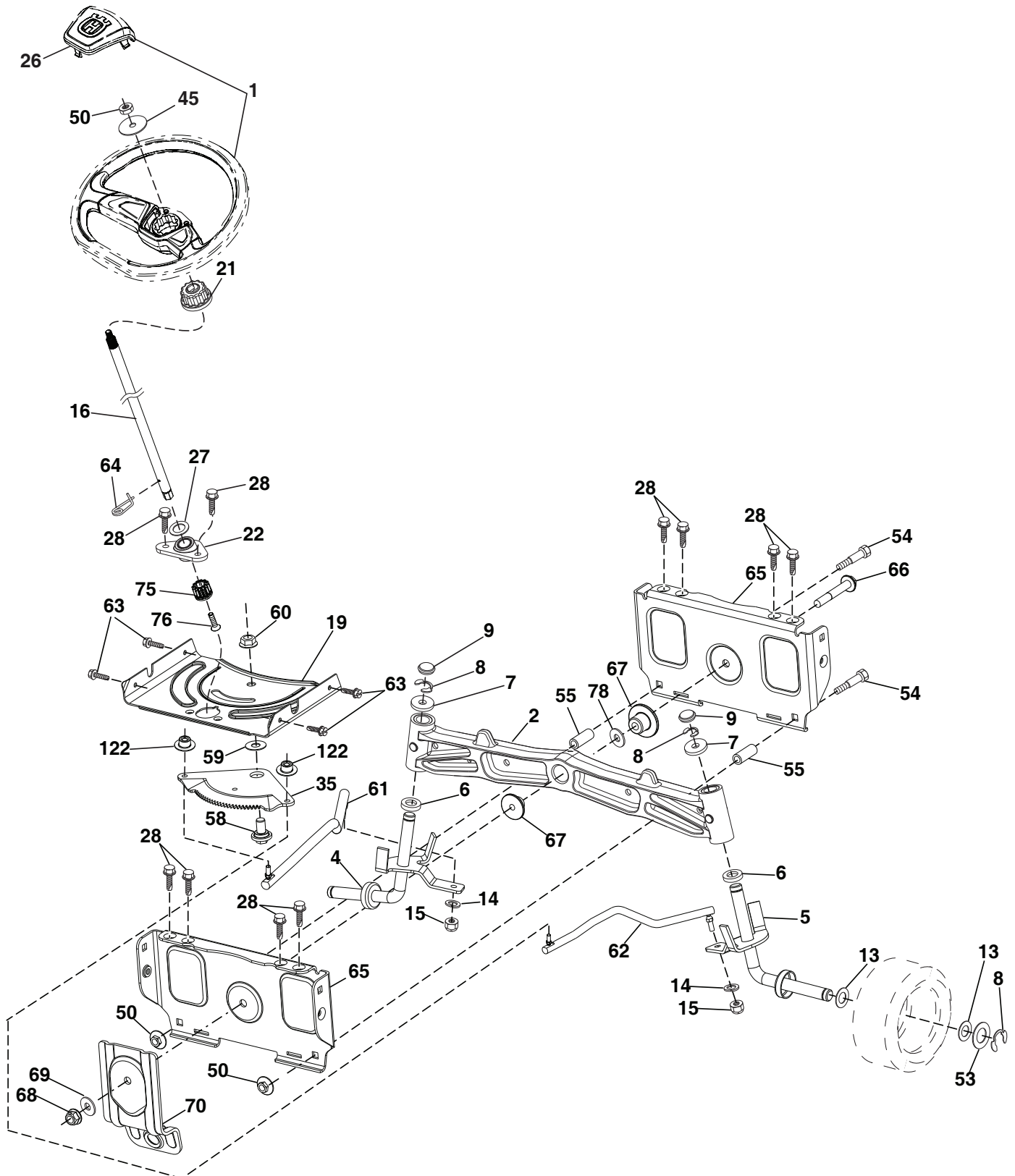
Engine-tex_loncin_14

**TRACTOR - MODEL NO. TS 248G (96041044400), PRODUCT NO. 960 41 04-44
ENGINE**

KEY PART NO.	PART NO.	DESCRIPTION
1	---	Engine Husqvarna Model No. LC2P80 (598632103)
2	589 81 87-01	Muffler
9	501 83 26-02	Keeper Belt Engine
11	587 24 14-01	Clutch Electric
12	532 19 43-43	Pulley Engine
15	532 19 34-99	Tank Fuel 4.0
18	584 24 87-02	Cap Fuel
20	586 21 96-01	Control Throttle/Chk
21	596 32 17-01	Screw #10 x .750 BOS Thread
28	532 40 11-35	Fuel Line
29	532 13 71-80	Spark Arrester Kit
37	532 12 34-87	Clamp Hose
41	532 12 61-97	Washer 1-1/2 OD x 15/32 ID x .250
42	596 23 89-01	Washer 7/16
45	593 35 64-01	Nut, Hexagon
62	532 43 40-17	Shield Heat Muffler
69	597 90 51-01	Gasket
70	597 88 89-01	Tube Exhaust LH
71	597 88 90-01	Tube Exhaust RH
81	532 14 84-56	Tube Drain Oil Easy
82	532 42 82-87	Valve Drain Oil
85	501 60 69-01	Bolt Hex 7/16-20 x 3.0 Gr. 5
86	532 18 43-62	Nut. Hex.Flange
90	817 00 06-16	Screw 3/8-16 x 1
91	532 18 74-95	Bushing 1.375 OD HEYCO 2210
92	817 12 06-16	Screw 3/8-16 x 1
102	817 00 05-12	Screw 5/16-18 x 3/4
116	539 13 26-24	Knob-Shift

NOTE: All component dimensions given in U.S. inches
1 inch = 25.4 mm

**TRACTOR - MODEL NO. TS 248G (96041044400), PRODUCT NO. 960 41 04-44
STEERING ASSEMBLY**



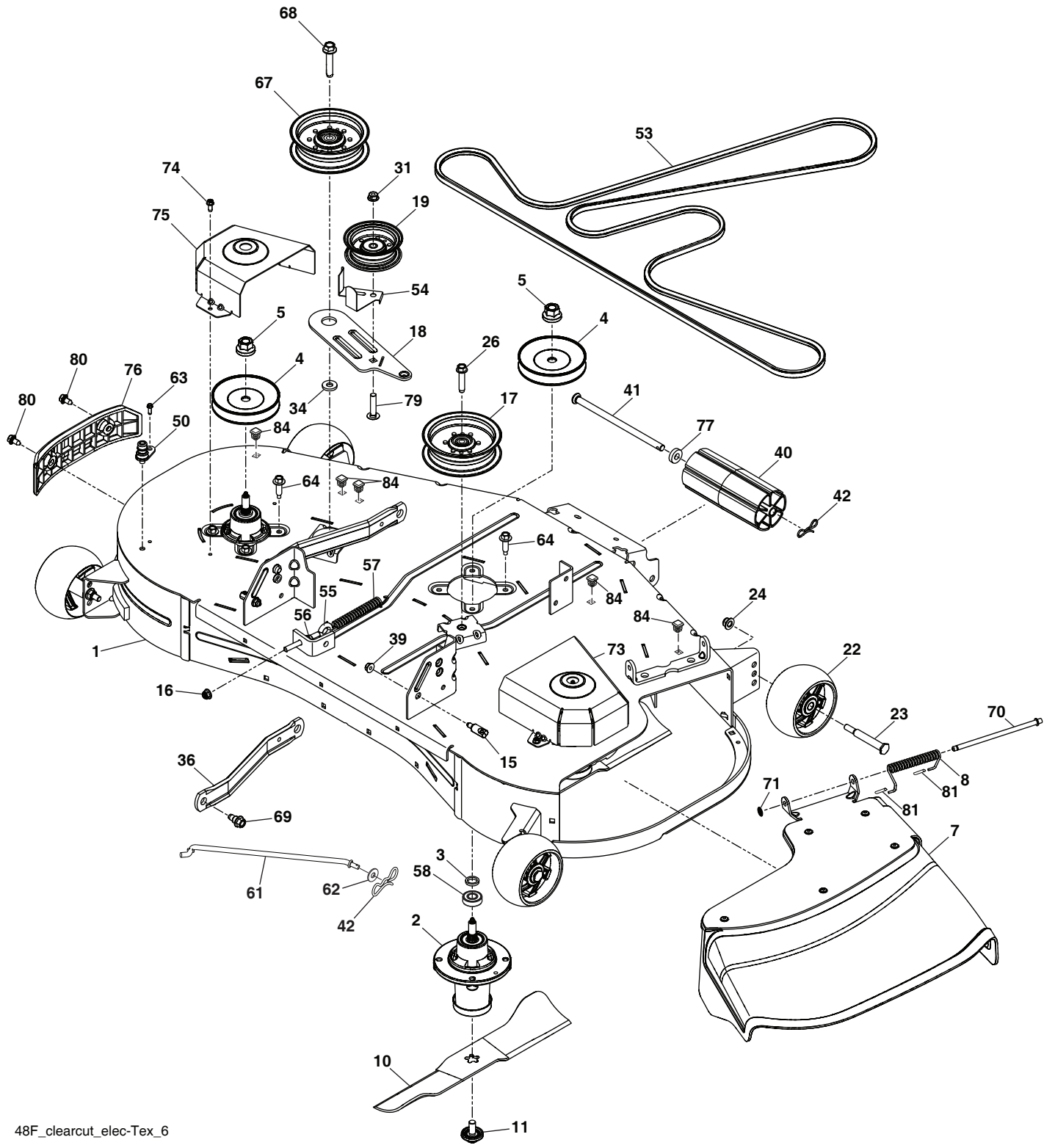
steering-tex_HUSQSR11_10

**TRACTOR - MODEL NO. TS 248G (96041044400), PRODUCT NO. 960 41 04-44
STEERING ASSEMBLY**

KEY NO.	PART NO.	DESCRIPTION
1	597 86 61-01	Wheel, Steering, Kit
2	532 19 59-68	Axle Asm., Front
4	532 40 30-89	Spindle Asm., LH
5	532 40 30-90	Spindle Asm., RH
6	532 00 62-66	Washer Thrust .75 x 1.230
7	532 12 17-48	Washer 25/32 x 1-5/8 x 16 Ga.
8	812 00 00-29	Ring, Klip #T5304-75
9	532 12 12-32	Cap, Spindle
13	532 12 17-49	Washer 25/32 x 1-1/4 x 16 Ga.
14	596 23 87-01	Washer, Spring
15	873 54 06-00	Nut, Crown Lock 3/8-24 unf
16	587 01 60-02	Shaft Steering
19	532 19 47-29	Plate Steering
21	586 84 02-01	Adapter, Wheel Steering
22	585 02 99-01	Bearing, Shaft, Lower
26	594 94 91-01	Wheel Steering, Cap
27	596 93 34-01	Washer Plain
28	817 00 06-12	Screw 3/8-16 x 3/4
35	532 19 47-32	Gear, Sector Plate
45	587 01 64-01	Washer 3/8 ID x 2-3/8 OD 12 Ga.
50	873 90 06-00	Nut Lock Flg. 3/8-16
53	532 18 89-67	Washer Hardened .793 x 1.637 x .060
54	874 76 06-36	Bolt Hex 3/8-16 x 2-1/4
55	532 41 47-36	Spacer Axle Brace
58	532 19 47-47	Bolt Shoulder Sector Pivot CFM
59	532 19 47-48	Washer Thrust Sector Steering
60	873 97 10-00	Nut Flange Lock 5/8-11
61	597 07 02-02	Draglink, LH
62	597 07 03-02	Draglink, RH
63	817 00 05-12	Screw 5/16-18 x 3/4
64	532 19 98-49	Retainer Clip Spring Steering
65	532 19 47-34	Brace Axle Front
66	871 02 07-48	Bolt Hex Fghd 7/16-14 x 3 Serr
67	532 19 47-37	Bushing Front Axle
68	873 90 07-00	Nut Lock Flange 7/16-14 Gr. 5
69	532 19 91-62	Washer 1.5 x .505 x .118
70	585 33 88-01	Bracket Deck Susp. Front
75	580 68 37-01	Pinion Steering Shaft
76	580 68 36-01	Screw Head Socket Flat
78	532 05 70-79	Washer Thrust
122	532 44 49-62	Cap Gear Sector

NOTE: All component dimensions given in U.S. inches
1 inch = 25.4 mm

TRACTOR - MODEL NO. TS 248G (96041044400), PRODUCT NO. 960 41 04-44
MOWER DECK



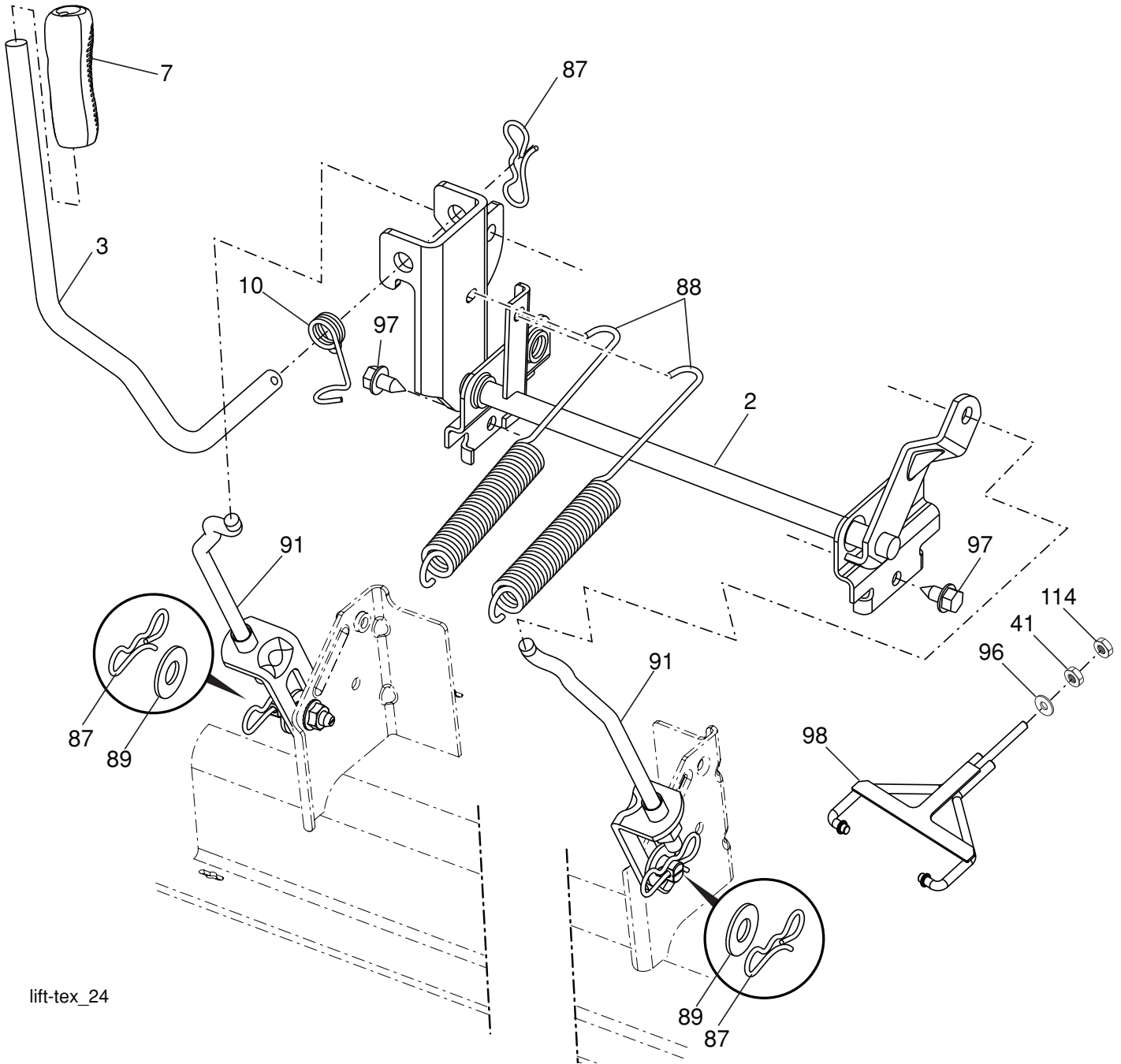
48F_clearcut_elec-Tex_6

**TRACTOR - MODEL NO. TS 248G (96041044400), PRODUCT NO. 960 41 04-44
MOWER DECK**

KEY NO.	PART NO.	DESCRIPTION	KEY NO.	PART NO.	DESCRIPTION
1	583 81 00-01	Kit, SVC, Weldment	55	539 11 55-74	Eyebolt 5/18 x 3-1/2
2	539 13 18-98	Housing Assembly	56	596 03 92-01	Nut, Lock, 5/16-18 Hx
3	532 18 76-90	Washer-Spacer	57	587 35 84-01	Spring Extn.
4	532 17 34-34	Pulley, Mandrel	58	532 11 04-85	Ball Bearing
5	596 13 48-01	Nut 9/16-18 x 1.010	61	596 27 44-01	Rod Anti-Sway
7	593 64 97-01	Deflector Asm. 48"	62	596 13 32-01	Washer 13/32 x 13/16 x 12 Ga.
8	587 35 47-01	Spring - Torsion	63	596 63 73-01	Screw 1/4-20 x 5/8
10	588 81 10-02	Blade	64	584 95 39-01	Bolt Hex Washer Head .313-18 x 1.19
11	532 19 30-03	Bolt Washer Assy 7/16-20	67	532 19 61-06	Pulley Idler
15	593 82 40-01	Stud, Fasten w/ Anti- Rotate	68	596 56 40-03	Bolt, Hex, 3/8-16 x 1.78
16	594 94 44-01	Nut 5/16-18 Hx	69	532 19 65-39	Bolt Shoulder
17	532 19 61-04	Pulley, Idler Spec. Hub	70	595 29 70-01	Rod Hinge
18	588 81 22-02	Arm Idler	71	532 11 04-52	Nut Push
19	532 19 31-97	Pulley, Idler	73	588 81 24-02	Cover Mandrel RH
22	589 52 73-01	Wheel, Gauge	74	532 13 77-29	Screw Thdrl 1/4-20 x 5/8
23	596 43 44-04	Bolt Shoulder 3/8-16 x 3-5/8	75	588 81 31-02	Cover Mandrel LH
24	521 99 65-02	Nut 3/8-16 Hex Flg Nyloc	76	582 54 11-03	Bumper Side Trim
26	588 43 83-01	Screw 7/16-14 x 2.125 Wsh	77	582 36 05-01	Bushing Nose Roller
31	873 90 06-00	Nut Lock Flng 3/8-16 unc	79	596 13 62-01	Bolt, Cup Head, 3/8-16 x 3/4
34	532 17 85-15	Washer, Flat Hardened	80	532 17 01-65	Bolt 5/16
36	587 14 05-02	Arm, Susp., Rear	81	532 10 53-04	Cap Sleeve
39	596 13 57-01	Nut Lock 5/16-18 x .68	84	596 95 22-01	Plug, Hole, Square
40	532 17 60-66	Roller, Nose, 48"	--	589 42 88-01	Replacement Mower, Complete
41	594 09 25-01	Rod, Roller, Nose, Narrow			
42	532 19 42-08	Pin Cotter			
50	532 41 55-98	Washout Port			
53	588 81 43-01	Belt, Deck			
54	532 14 10-43	Guard, Belt			

NOTE: All component dimensions given in U.S. inches
1 inch = 25.4 mm

**TRACTOR - MODEL NO. TS 248G (96041044400), PRODUCT NO. 960 41 04-44
MOWER LIFT**



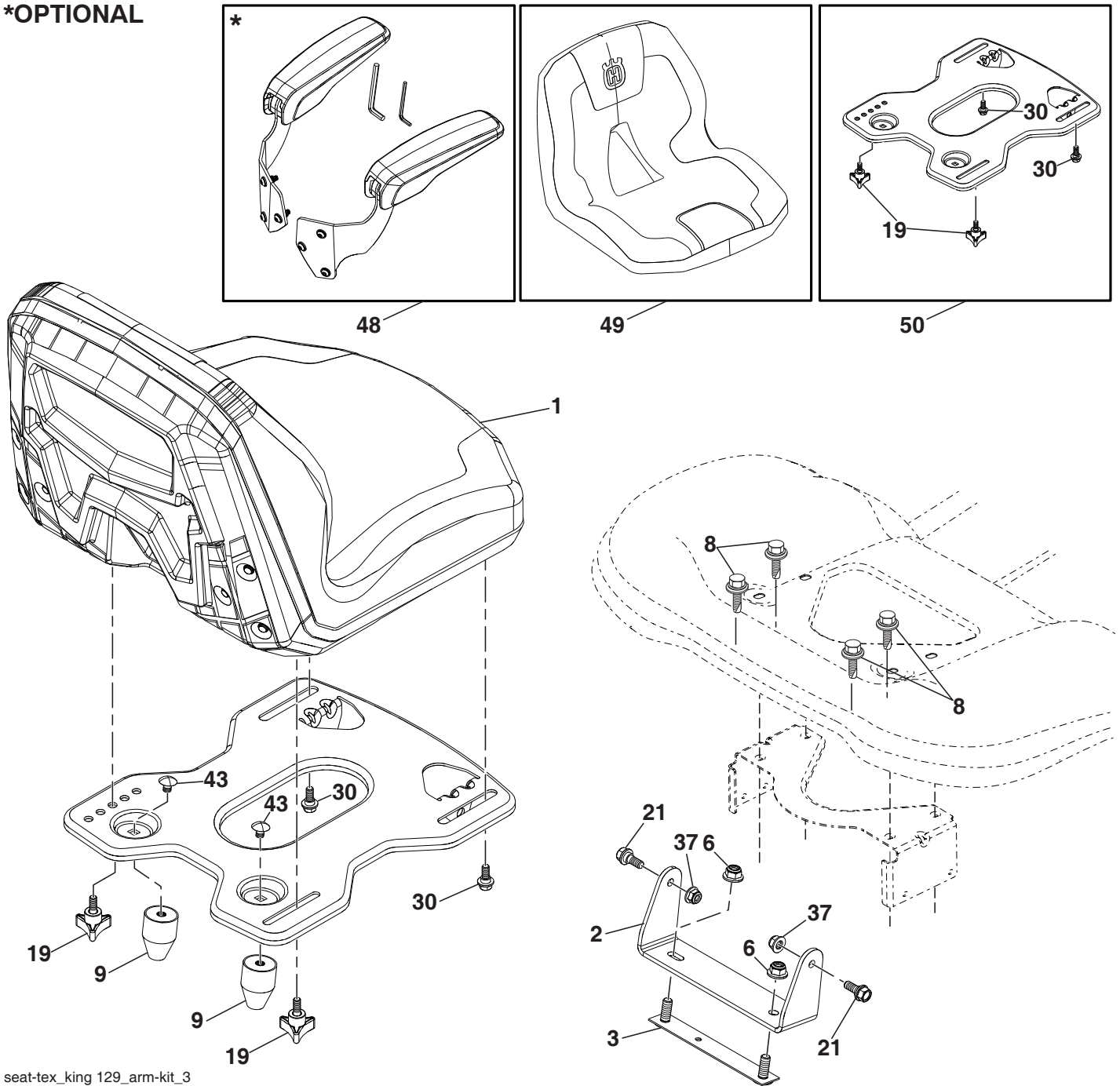
KEY NO.	PART NO.	DESCRIPTION
2	532 42 20-27	Shaft Asm., Lift
3	596 27 06-01	Lever Asm., Lift RH
7	580 96 23-01	Grip, Lever
10	532 19 63-14	Spring Torsion
41	589 46 49-02	Nut Lift Link
87	532 19 42-09	Pin Cotter 7/16 Bow Tie Lock
88	532 19 53-04	Spring Lift Assist
89	819 19 19-12	Washer Clear Zinc

KEY NO.	PART NO.	DESCRIPTION
91	589 46 48-05	Link Lift Susp Mower Rear
96	593 84 21-01	Bushing Spherical
97	817 00 06-12	Screw 3/8-16 x 3/4
98	574 82 25-01	Link Asm. Susp. Front Mower
114	873 36 07-00	Nut Jam 7/16-20

NOTE: All component dimensions given in U.S. inches
1 inch = 25.4 mm

TRACTOR - MODEL NO. TS 248G (96041044400), PRODUCT NO. 960 41 04-44 SEAT ASSEMBLY

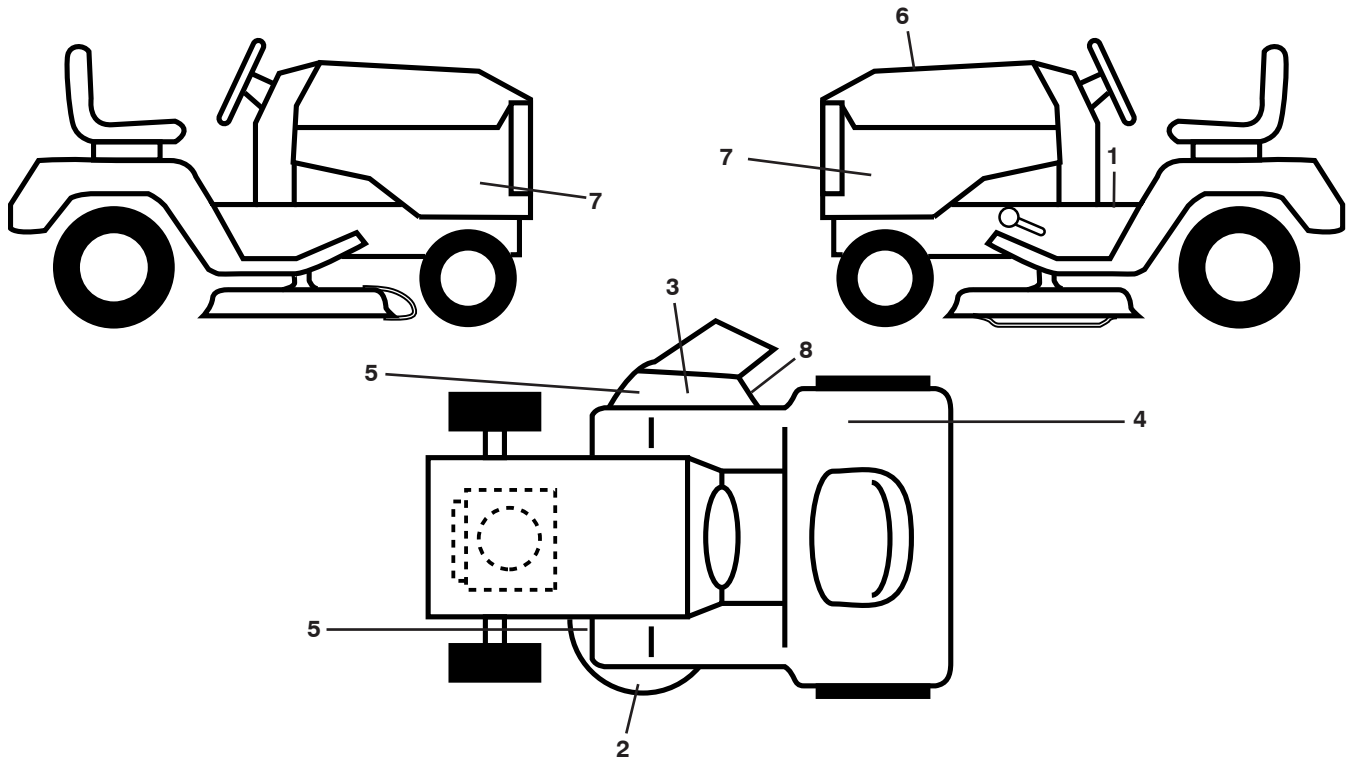
***OPTIONAL**



seat-tex_king 129_arm-kit_3

KEY NO.	PART NO.	DESCRIPTION	KEY NO.	PART NO.	DESCRIPTION
1	597 65 81-01	Seat, SK150/129 w/o Armrests (includes seat cover key# 49)	30	597 78-18-01	Bolt, Hex, Should 5/16-18 unc ZPB
2	597 32 99-02	Bracket, PNT, PVT, FNDR, Seat EDIP	37	594 94 44-01	Nut, Hexagon, Flange 5/16-18
3	590 77 76-02	Bracket Asm, Reinfor FNDR, EDIP	43	597 86 93-01	Bolt, Carri, Cqur 3/8 x .45, CLR, ZN
6	521 99 65-02	Nut, Hex, Lock w/Flange 3/8-16	48	597 65 82-03	Service Kit, 15", Seat Arm
8	532 17 18-77	Bolt 5/16-18 unc x 3/4 w/Sems	49	597 95 94-01	Cover, Husq. 15", (SK129) Seat
9	597 78 51-01	Bumper, Rubber, Isolator	50	598 00 16-01	Seat Service, Kit, Seat Pan (includes all components illustrated in box for Key# 50)
19	597 78 31-01	Knob, 3 Wing 5/16-18, CLR, ZN			
21	596 24 07-01	Bolt, Hex 5/16-18 x 21/32			

**TRACTOR - MODEL NO. TS 248G (96041044400), PRODUCT NO. 960 41 04-44
DECALS**



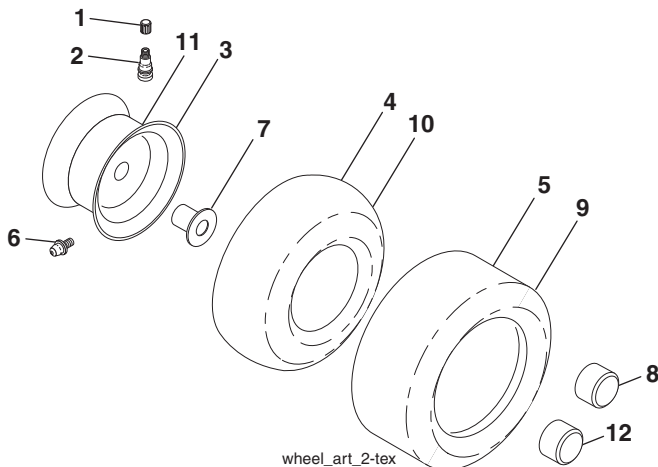
**KEY PART
NO. NO.**

KEY PART NO.	NO.	DESCRIPTION
1	586 04 73-02	Decal, Warning
2	590 88 50-01	Decal, Clear Cut
3	586 97 88-01	Decal, Deflect. Warning
4	598 46 35-01	Decal, Consumption
5	589 35 79-01	Decal, Clear Cut No Step
6	598 58 95-01	Decal, Replacement
7	597 90 91-01	Decal, Panel Side
8	581 58 00-02	Decal, Mower Sch.

**KEY PART
NO. NO.**

KEY PART NO.	NO.	DESCRIPTION
--	581 72 48-01	Decal, Bypass
--	532 43 98-82	Pad, Footrest, LH
--	532 44 15-42	Pad, Footrest, RH
--	114 20 69-49	Manual, Operator's (English/Spanish)
--	114 20 70-32	Manual, Operator's (French)
--	114 20 71-70	Manual, Operator's (Portugues)
--	114 18 05-26	Manual, Parts

WHEELS AND TIRES



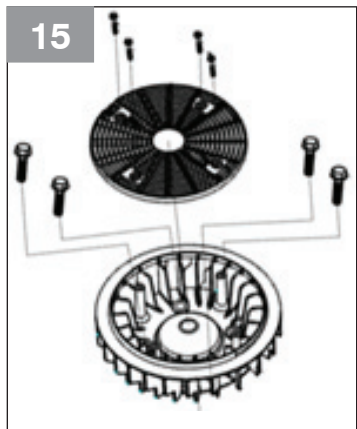
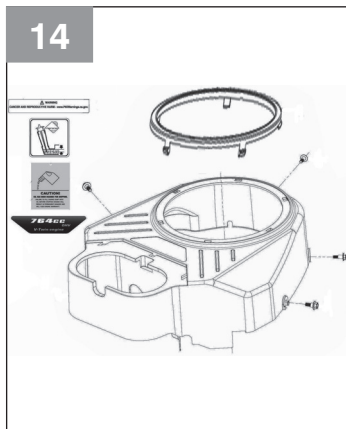
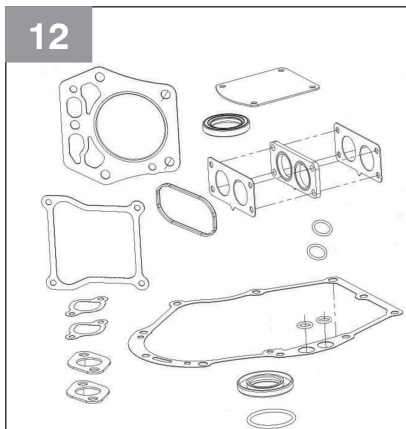
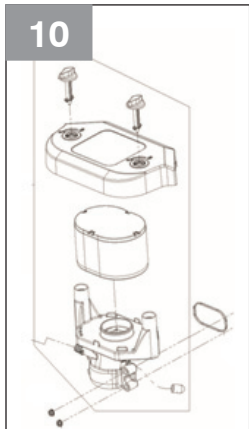
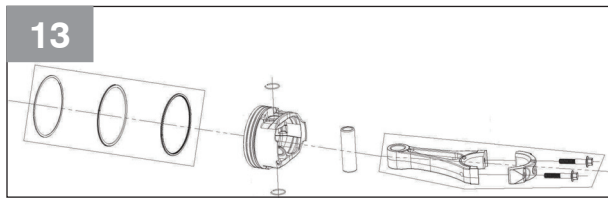
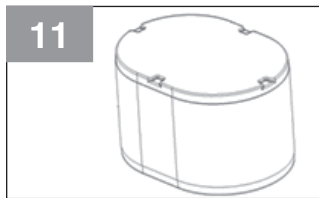
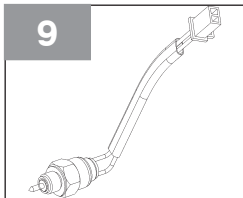
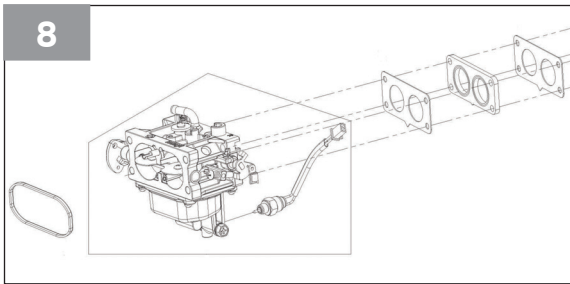
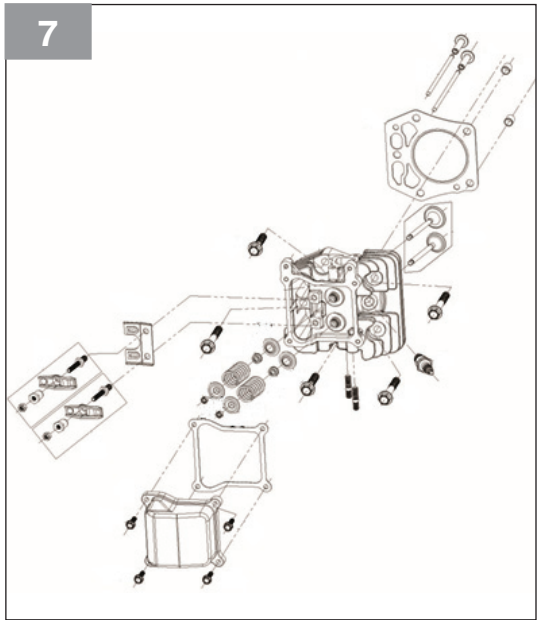
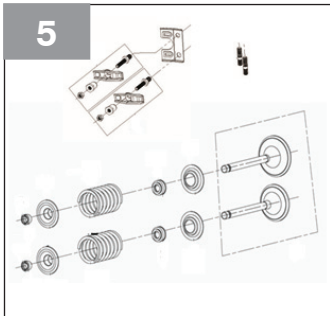
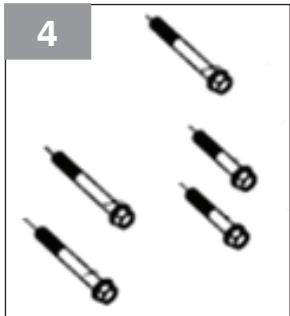
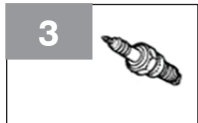
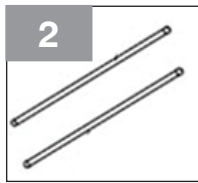
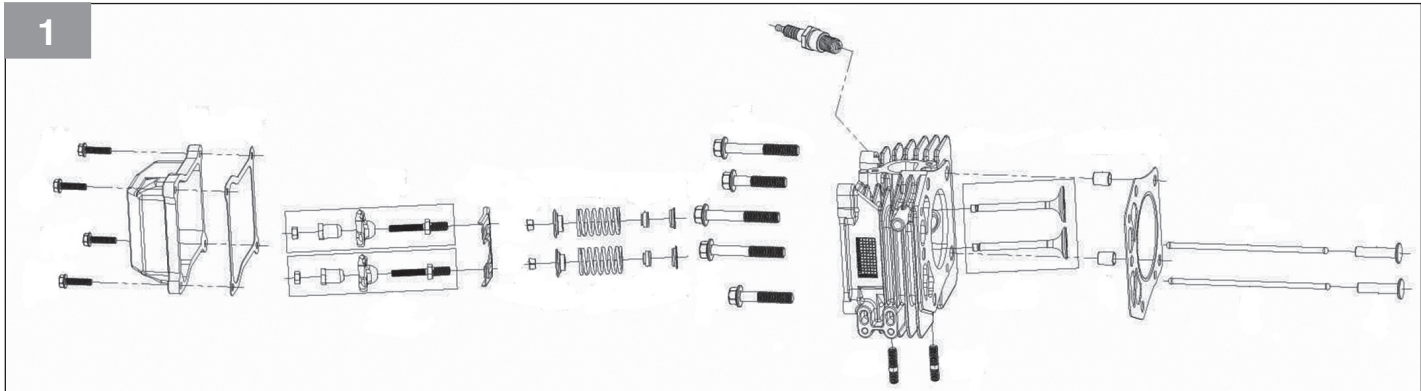
wheel_art_2-tex

**KEY PART
NO. NO.**

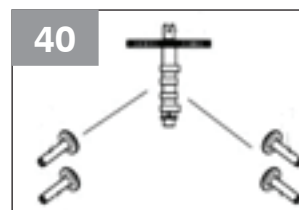
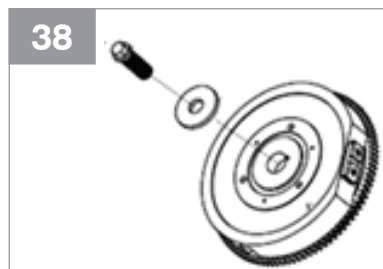
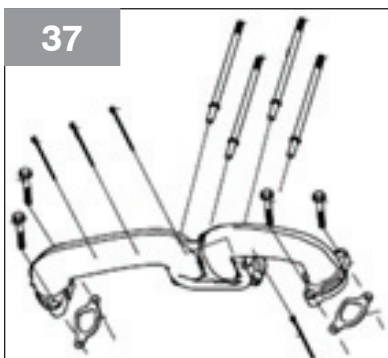
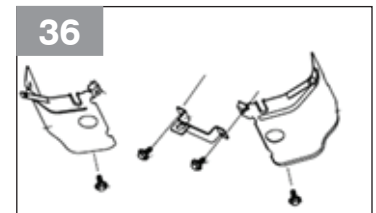
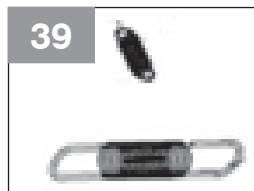
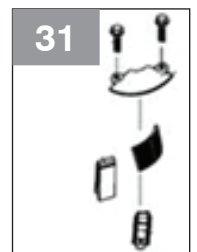
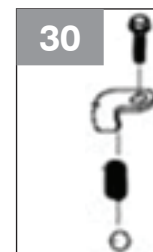
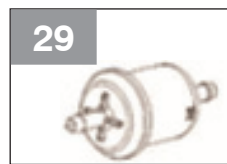
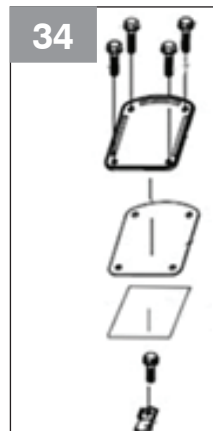
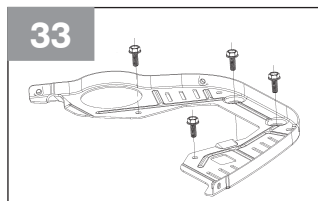
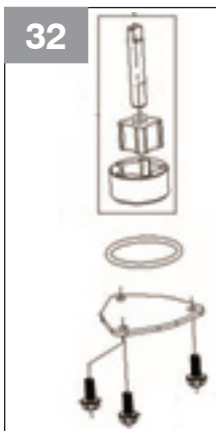
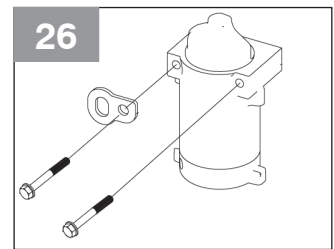
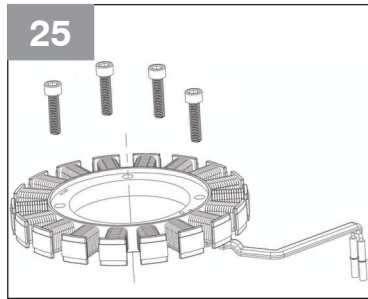
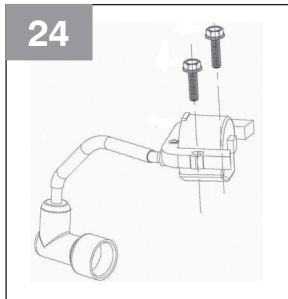
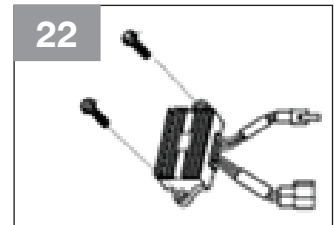
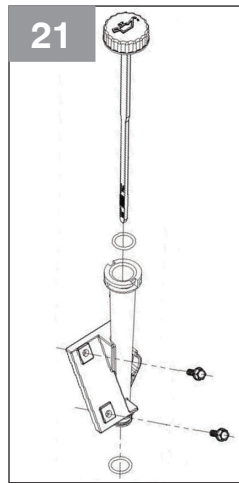
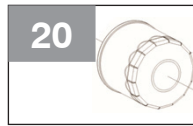
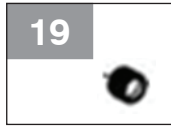
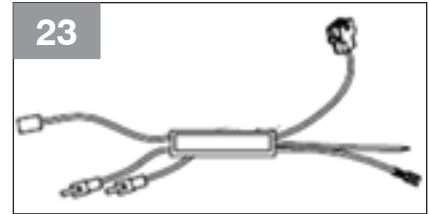
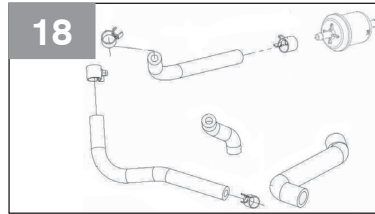
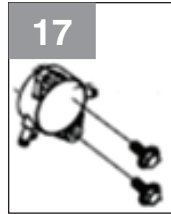
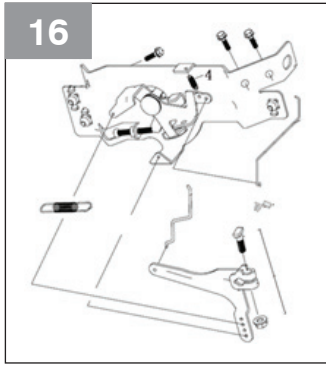
KEY PART NO.	NO.	DESCRIPTION
1	532 05 91-92	Cap, Valve, Tire
2	532 06 51-39	Stem, Valve
3	532 18 18-39	Rim Assembly, Front
4	532 00 81-34	Tube, Front (Service Item Only)
5	532 16 10-24	Tire, Front
6	532 00 02-78	Fitting, Grease (Front Wheel Only)
7	532 00 90-40	Bearing, Flange (Front Wheel Only)
8	532 17 50-39	Cap, Hub
9	591 18 79-01	Tire, Rear
10	532 00 71-54	Tube, Rear (Service Item Only)
11	532 40 17-82	Rim Assembly, Rear
12	501 50 31-01	Cap, Hub
--	532 14 43-34	Sealant, Tire (10 oz. Tube)

NOTE: All component dimensions given in U.S. inches
1 inch = 25.4 mm

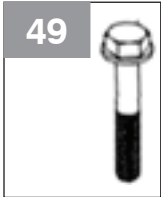
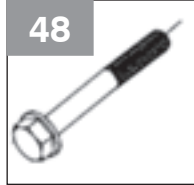
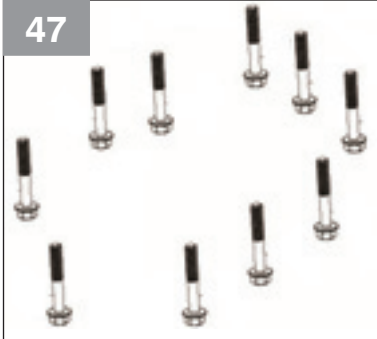
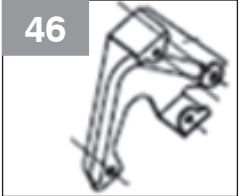
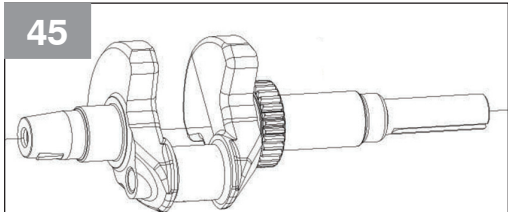
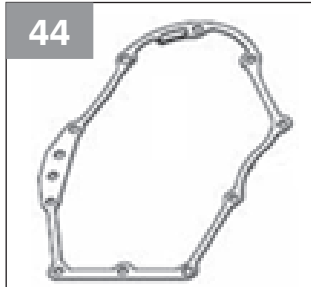
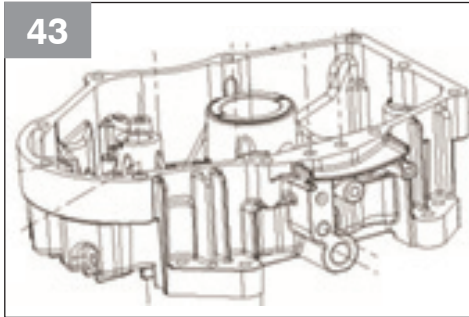
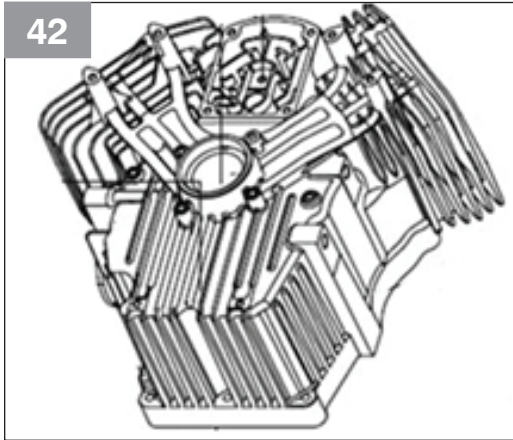
**TRACTOR - MODEL NO. TS 248G (96041044400), PRODUCT NO. 960 41 04-44
HUSQVARNA ENGINE (764 CC)**



**TRACTOR - MODEL NO. TS 248G (96041044400), PRODUCT NO. 960 41 04-44
HUSQVARNA ENGINE (764 CC)**



**TRACTOR - MODEL NO. TS 248G (96041044400), PRODUCT NO. 960 41 04-44
HUSQVARNA ENGINE (764 CC)**



**TRACTOR - MODEL NO. TS 248G (96041044400), PRODUCT NO. 960 41 04-44
HUSQVARNA ENGINE (764 CC)**

ITEM NO.	PART NO.	DESCRIPTION	QTY.
1	598598501	COMPLETE CYLINDER HEAD KIT (R)	1
2	598598601	PUSHROD SET	1
3	591166001	SPARK PLUG	1
4	598598701	CYLINDER HEAD BOLT KIT	1
5	598598801	CYLINDER HEAD SERVICE KIT	1
6	598598901	VALVE COVER KIT	1
7	598599001	COMPLETE CYLINDER HEAD KIT (L)	1
8	598599101	CARBURETOR KIT	1
9	598599201	CARB SOLENOID	1
10	598599301	CARB ADAPTER KIT	1
11	598581901	AIR FILTER	1
12	598599401	GASKET KIT	1
13	598599501	PISTON/CONNECTING ROD KIT	1
14	598599601	TOP ENGINE COVER KIT	1
15	598599701	FAN AND SCREEN KIT	1
16	598599801	THROTTLE/GOVERNOR KIT	1
17	598599901	FUEL PUMP	1
18	598600001	HOSE KIT	1
19	598600101	OIL PLUG	1
20	591043301	OIL FILTER	1
21	598600201	DIPSTICK AND TUBE	1
22	598600301	RECTIFIER	1
23	598601001	ENGINE HARNESS	1
24	598600401	COIL KIT	1
25	598600501	ARMATURE KIT	1
26	598600601	STARTER	1
29	598581801	FUEL FILTER	1
30	598604801	OIL GROOVE PRESSING PLATE KIT	1
31	598604901	OIL STRAINER KIT	1
32	598605001	OIL PUMP KIT	1
33	598605101	SIDE PLATE KIT	1
34	598605201	BREATHER CHAMBER KIT	1
35	598605301	SPEED REGULATING ARM KIT	1
36	598605401	AIR DEFLECTOR KIT	1
37	598605501	COMPLETE INTAKE KIT	1
38	598605601	FLYWHEEL KIT	1
39	598606301	GOVERNOR SPRINGS KIT	1
40	598606401	CAMSHAFT KIT	1
41	598606601	COMPONENTS OF GOVERNOR GEAR	1
42	598606701	CRANKCASE BODY	1
43	598606801	CRANKCASE COVER	1
44	598606901	CRANKCASE COVER GASKET	1
45	598607101	CRANKSHAFT 1" (Engine 59713301 & 59713302)	1
--	598607101	CRANKSHAFT 1 1/8" (Engine 59713303)	1
46	598607201	GASOLINE PUMP BRACKET	1
47	598607301	HEXAGON BOLT WITH FLANGE (Pack of 10)	1
48	598607401	HEXAGON BOLT WITH FLANGE	1
49	598607501	HEXAGON BOLT WITH FLANGE	1
50	598607701	LOCATION PIN	1
51	598607601	OIL FILTER MOUNTING BOLTS	1
52	598607801	OIL SEAL	1
53	598607901	STUD	1

SERVICE NOTES



www.husqvarna.com