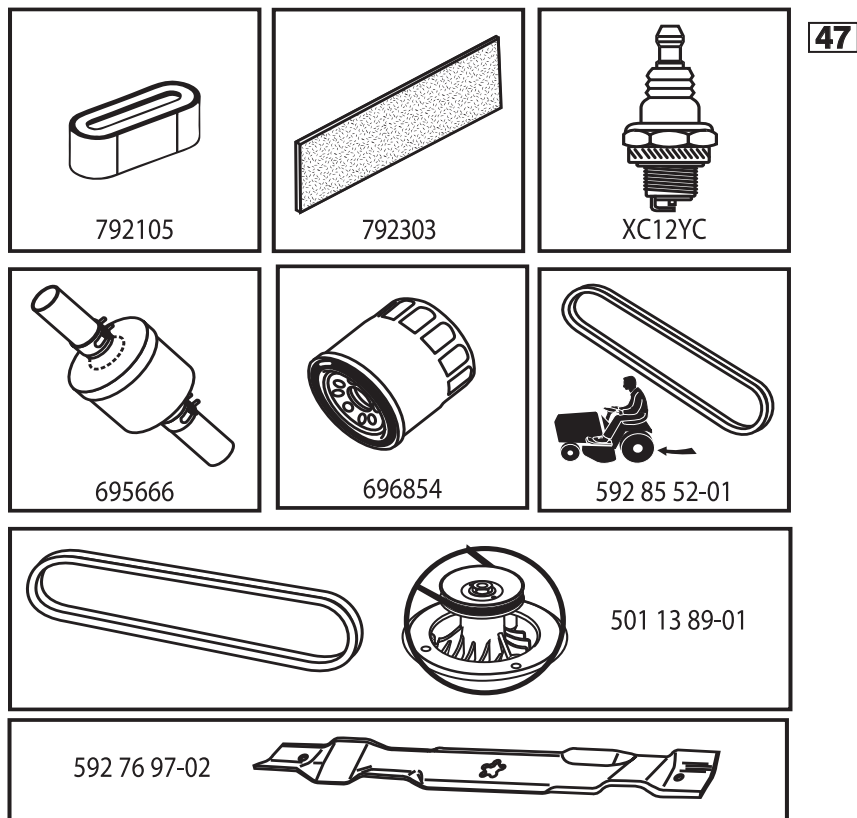


ILLUSTRATED PARTS LIST

MFG. ID NO. 96041043500

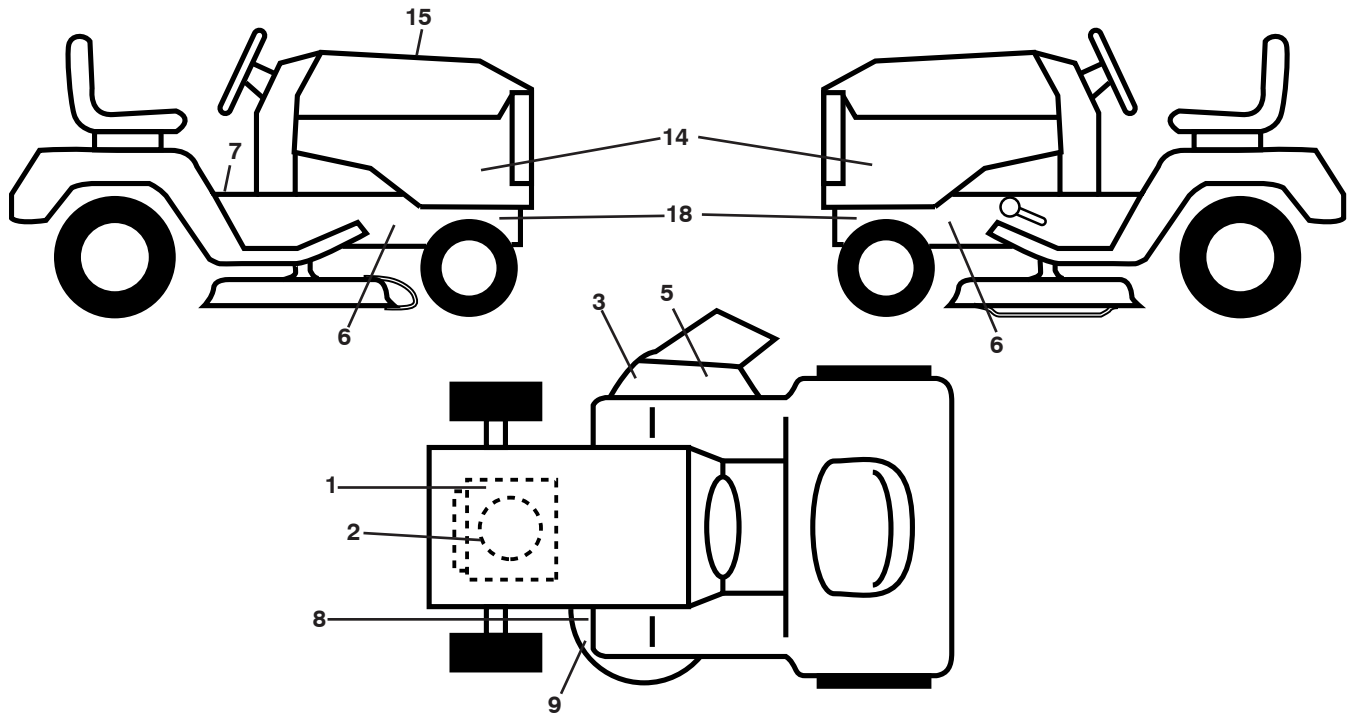
CUSTOMER CATALOG NO. TS 242TXD

PRODUCT NO. 960 41 04-35



597917001

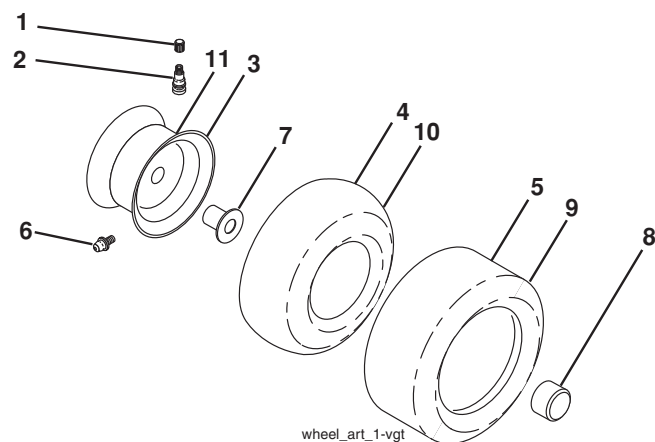
**TRACTOR -- MODEL NO. TS 242TXD (96041043500), PRODUCT NO. 960 41 04-35
DECALS 27**



KEY NO.	PART NO.	DESCRIPTION
1	581 57 97-01	Decal, Engine Warning
2	594 72 71-01	Decal, Engine
3	590 88 49-01	Decal, 42" Deck
5	586 97 88-01	Decal, Deflect. Warning
6	581 57 98-01	Decal, Warning
7	586 04 73-02	Decal, Warning Symbols
8	581 58 00-01	Decal, Mower Sch.
9	589 35 79-01	Decal, Deck No Step
14	597 95 16-01	Decal, Panel Side
15	597 91 70-01	Decal, Replacement Parts
18	581 57 96-01	Decal, Chassis Hot Muffler

KEY NO.	PART NO.	DESCRIPTION
--	581 72 46-01	Decal, Drawbar Load Limit
--	581 72 48-01	Decal, Bypass
--	501 74 90-01	Decal, Drawbar, Locking Diff.
--	532 43 98-82	Pad, Footrest, LH
--	532 43 98-81	Pad, Footrest, RH
--	114 20 21-20	Manual, Operator's (Euro)
--	114 20 23-10	Manual, Operator's (Scan)
--	114 20 22-50	Manual, Operator's (E-bloc)
--	114 20 24-40	Manual, Operator's (Baltic)
--	114 20 25-76	Manual, Operator's (Turkish)
--	114 20 26-53	Manual, Operator's (Ukrainian)

WHEELS AND TIRES

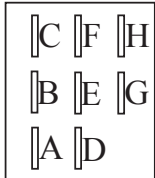
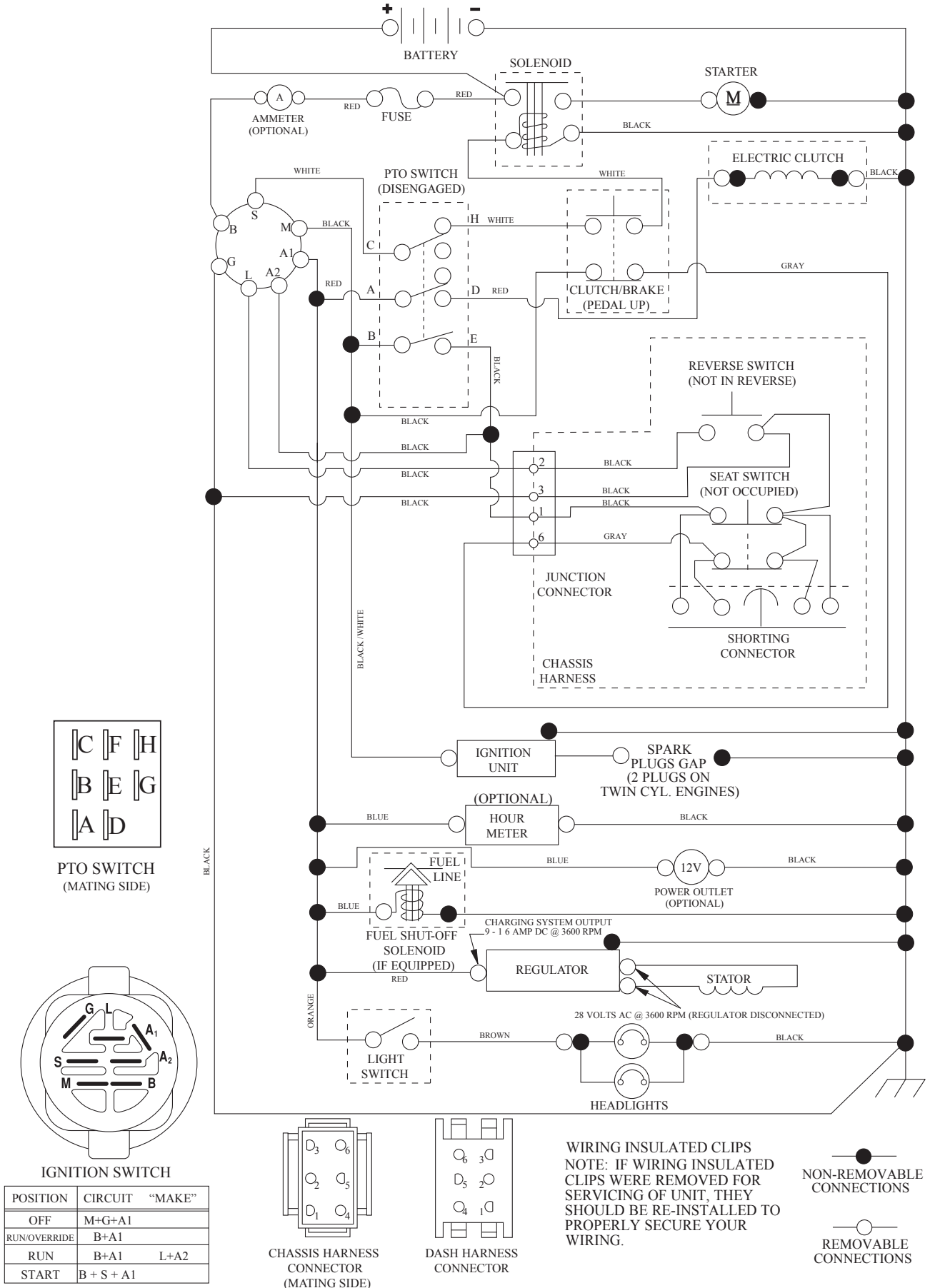


KEY NO.	PART NO.	DESCRIPTION
1	532 05 91-92	Cap, Valve, Tire
2	532 06 51-39	Stem, Valve
3	532 13 83-36	Rim Assembly, Front
4	532 05 99-04	Tube, Front (Service Item Only)
5	532 17 04-55	Tire, Front 15 x 6-6
6	532 00 02-78	Fitting, Grease (Front Wheel Only)
7	532 00 90-40	Bearing, Flange (Front Wheel Only)
8	532 17 50-39	Cap, Axle (Front Wheel Only)
9	532 17 04-56	Tire, Rear 20 x 10-8
10	532 00 71-52	Tube, Rear (Service Item Only)
11	532 13 83-37	Rim Assembly, Rear
--	532 14 43-34	Sealant, Tire (10 oz. Tube)

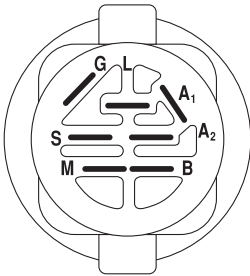
NOTE: All component dimensions given in U.S. inches
1 inch = 25.4 mm

TRACTOR -- MODEL NO. TS 242TXD (96041043500), PRODUCT NO. 960 41 04-35 SCHEMATIC 38

SCH12

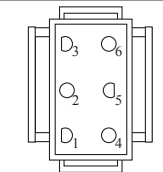


PTO SWITCH (MATING SIDE)

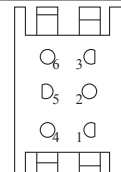


IGNITION SWITCH

POSITION	CIRCUIT	"MAKE"
OFF	M+G+A1	
RUN/OVERRIDE	B+A1	
RUN	B+A1	L+A2
START	B + S + A1	

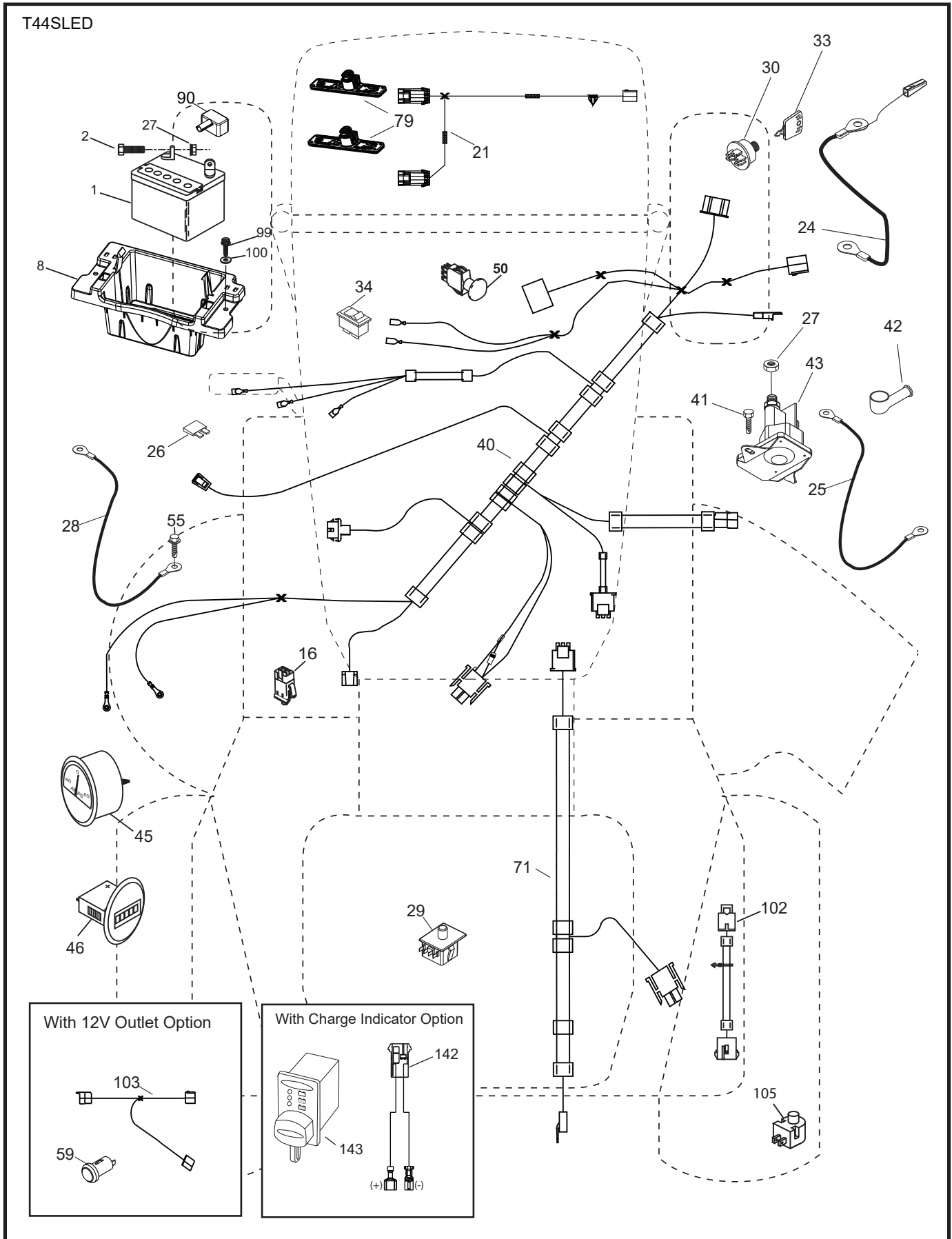


CHASSIS HARNESS CONNECTOR (MATING SIDE)



DASH HARNESS CONNECTOR

TRACTOR -- MODEL NO. TS 242TXD (96041043500), PRODUCT NO. 960 41 04-35
ELECTRICAL 32

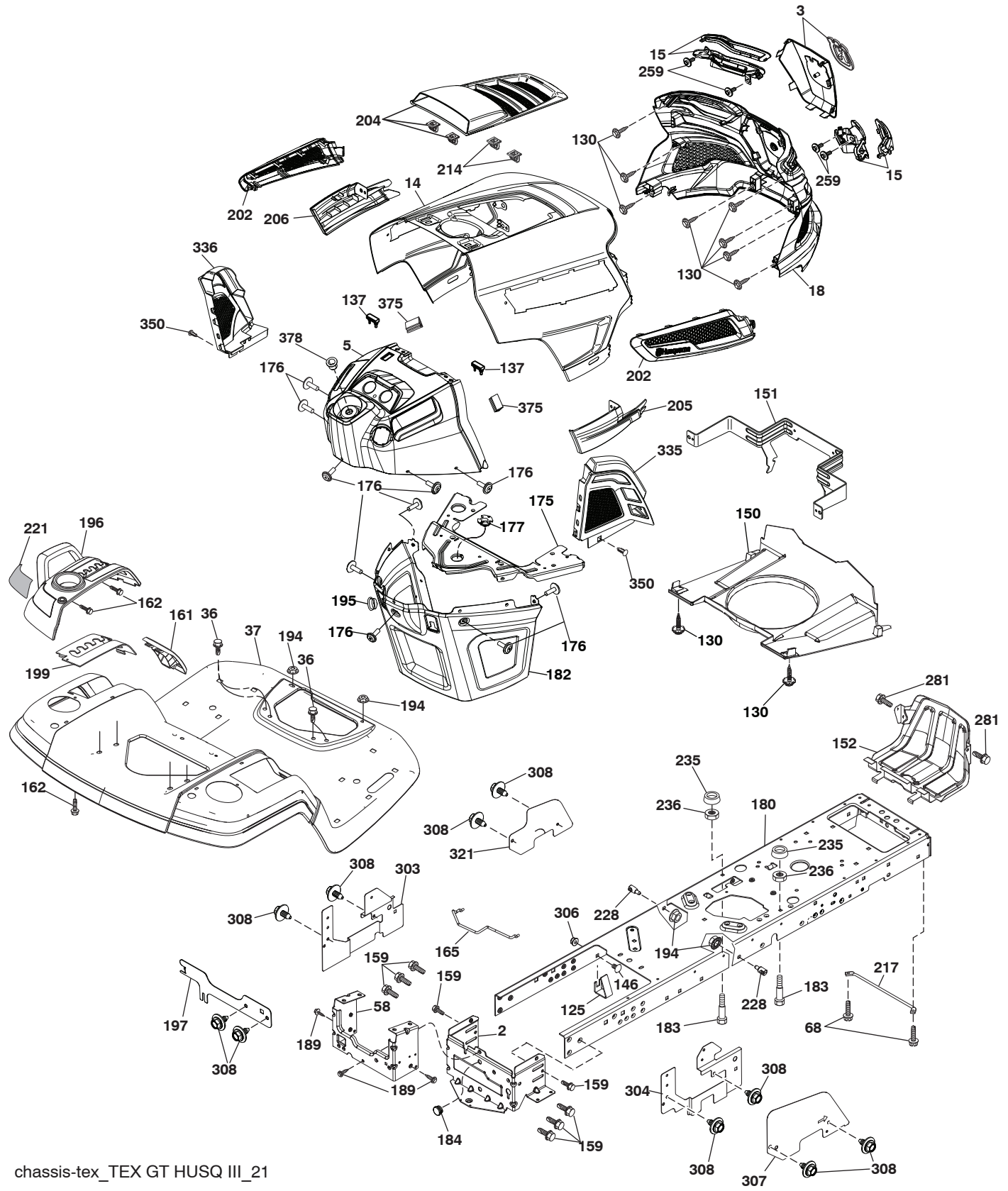


**TRACTOR - - MODEL NO. TS 242TXD (96041043500), PRODUCT NO. 960 41 04-35
ELECTRICAL 32**

KEY NO.	PART NO.	DESCRIPTION
1	532 16 34-65	Battery
2	874 76 04-12	Bolt Hex Hd. 1/4-20 unc x 3/4
8	587 20 51-01	Battery Box
16	532 17 61-38	Switch Interlock
21	585 43 64-02	Harness Light
24	585 55 56-01	Cable Battery
25	585 55 55-01	Cable Starter
26	532 17 51-58	Fuse
27	596 13 36-01	Locknut, Keps, 1/4-20
28	532 41 65-88	Cable Ground
29	532 19 27-49	Switch Seat
30	532 19 33-50	Switch Asm. Smart
33	532 41 19-35	Key/Chain
34	532 11 07-12	Switch, Light
40	532 42 90-83	Harness Ign. Dash
41	817 72 04-08	Screw 1/4-20 x 1/2
42	532 13 15-63	Cover Terminal
43	582 04 28-02	Solenoid w/Brass, Plunger, An
45	587 55 39-06	Ammeter Gauge Round
46	587 55 40-06	Hourmeter Gauge
50	582 10 76-02	Switch PTO
55	817 06 05-12	Screw 5/16-18 x 3/4
71	532 19 42-76	Harness Ign. Chassis
79	597 52 30-01	Light, Hus., GT3, LED Bar
90	532 43 53-95	Cover Terminal Battery
99	817 67 04-12	Screw Hex Wsh. Thdrol. 1/4-20 x 3/4
100	596 13 53-01	Washer, Plain, 9/32 x 7/8, Clr, Zn
102	532 40 44-54	Harness Pigtail Tex ROS Tufftorq
105	532 40 75-68	Switch Reverse

NOTE: All component dimensions given in U.S. inches
1 inch = 25.4 mm

TRACTOR -- MODEL NO. TS 242TXD (96041043500), PRODUCT NO. 960 41 04-35
CHASSIS AND ENCLOSURES **39**



chassis-tex_TEX GT HUSQ III_21

**TRACTOR - - MODEL NO. TS 242TXD (96041043500), PRODUCT NO. 960 41 04-35
CHASSIS AND ENCLOSURES 39**

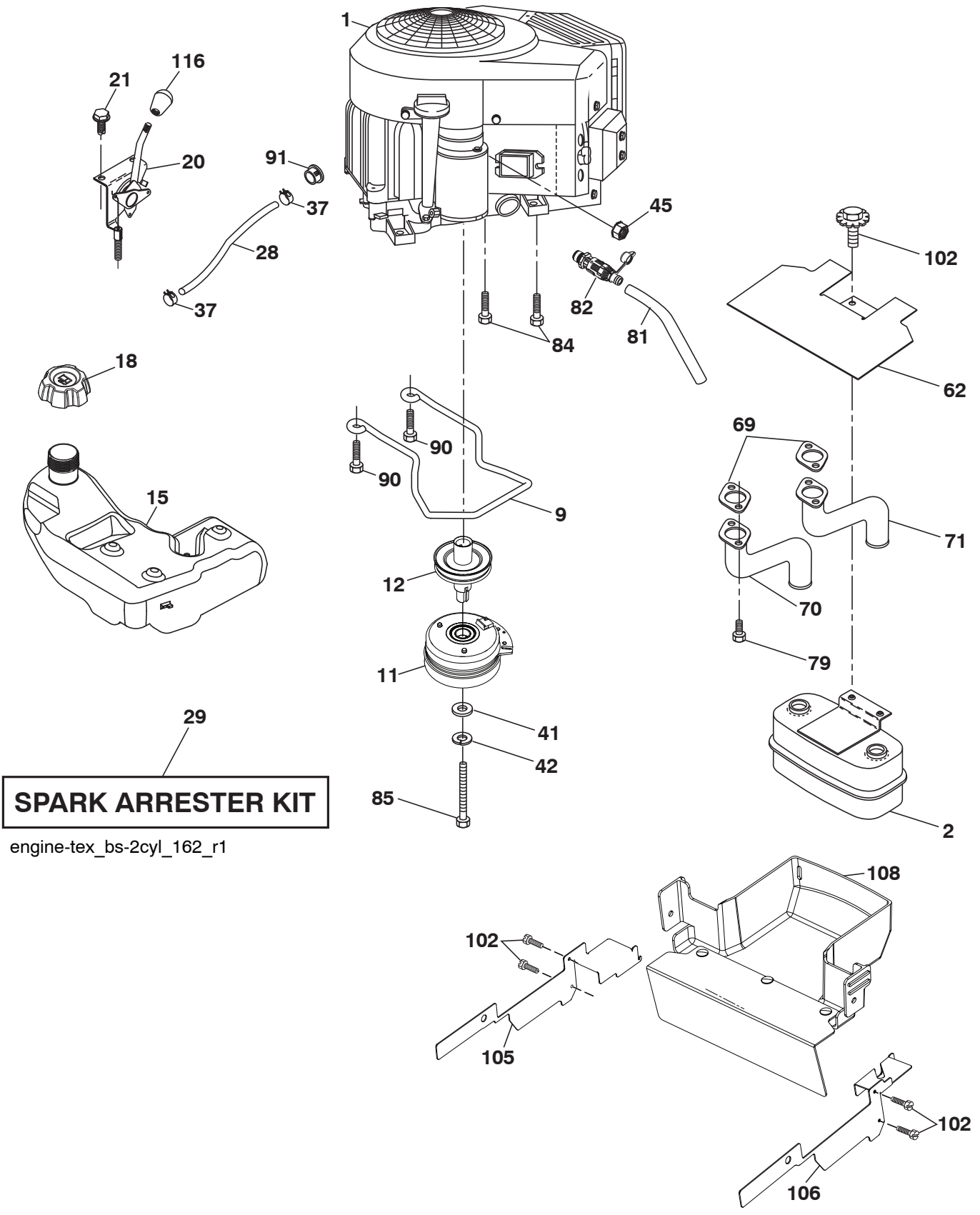
KEY NO.	PART NO.	DESCRIPTION	KEY NO.	PART NO.	DESCRIPTION
2	532 41 22-82	Drawbar Lower 2pc	194	596 13 57-01	Nut, Lock, Prvl, Torq, 5/16-18 x .68
3	597 68 82-01	Kit, Grille Applique, (includes applique cover and emblem badge).	195	532 40 41-37	Plug 12 V Adapter
5	590 74 88-29	Dash	196	532 43 97-16	Console Asm. Deck Lift
14	532 44 11-77	Hood	197	589 20 46-02	Shield Drawbar
15	597 86 79-01	Kit, SVC, Hus GT3, LED Headlights (includes LH/RH lens and LH/RH housing)	199	532 19 82-59	Plate Deck Lift
18	597 40 71-02	Grille	202	597 86 77-01	Kit, Side Vents, LH/RH (includes LH/RH side vents)
36	817 06 05-12	Screw 5/16-18 x 3/4	204	597 40 80-01	Kit, Top Vent (includes top vent and clip retainers)
37	532 44 12-08	Fender	205	532 43 97-30	Trim Hood Side RH
58	532 41 22-81	Drawbar Upper	206	532 43 97-29	Trim Hood Side LH
68	596 03 07-01	Screw, Hexagon, 5/16-18 x 1 /2	214	532 19 91-45	Clip Retainer
125	581 68 48-01	Clip Fuel Line	217	532 40 91-67	Rod Pivot
130	596 32 17-01	Screw #10 x 0.750 BOS Thread	221	532 19 89-09	Reflector LH
137	532 40 75 90	Bumper Dash	228	593 82 40-01	Stud w/"D" Anti-Rotation
146	581 85 79-01	Bolt	235	596 56 42-01	Spacer, Fender, Clr, Zn
150	532 43 97-74	Duct Heat Hood	236	873 93 05-00	Nut 5/16-18 unc
151	532 43 66-70	Pivot Bracket	259	596 43 40-01	Screw, #10 x 0.500, Bos, Thread
152	532 43 98-70	Shield Browning/Debris	281	817 00 06-16	Screw 3/8-16 x 1
159	817 00 06-12	Screw 3/8-16 x 3/4 BL	303	589 00 81-02	Shield Lower LH
161	532 43 99-29	Console Fuel Window	304	589 00 90-02	Shield Lower RH
162	596 13 41-01	Screw, Hex, Tap, 1/4-15 x 1/2	306	873 90 06-00	Nut 3/8-16 unc
165	532 19 43-30	Bracket Support Tank	307	587 52 03-01	Shield Upper RH
175	590 60 77-02	Crossmember	308	532 17 18-77	Bolt 5/16-18 unc x 3/4
176	532 40 07-76	Screw #10-24 x 5/8	321	587 52 02-01	Shield Upper LH
177	532 19 52-28	Bushing Steering	335	532 44 82-04	Lower Dash Cover RH
180	593 34 63-01	Chassis	336	532 44 53-09	Lower Dash Cover LH
182	532 40 68-59	Dash Lower	350	532 44 51-43	Clip X-mas Tree
183	595 30 57-01	Screw, Hexagon, 5/16-18 x 1-1/4	375	586 90 82-01	Dash Clip-On Bumper
184	587 55 41-01	Plug Demo	378	590 84 98-01	Bushing, Flange, Plastic
189	817 00 05-12	Screw 5/16-18 x 3/4			

NOTE: All component dimensions given in U.S. inches
1 inch = 25.4 mm

**TRACTOR -- MODEL NO. TS 242TXD (96041043500), PRODUCT NO. 960 41 04-35
DRIVE **40****

KEY NO.	PART NO.	DESCRIPTION	KEY NO.	PART NO.	DESCRIPTION
1	---	Transaxle, TuffTorq K46LD (501051401) (Order parts from transaxle manufacturer.)	183	532 13 70-57	Spacer Axle
2	532 12 35-83	Key	184	587 65 37-01	Handle Parking Brake
15	596 56 53-01	Washer, 3/8 x 0.08 in., St, Clr, Zinc	185	872 11 06-22	Bolt
17	532 41 36-78	Spring, Brake	186	532 19 43-21	Spacer Retainer
26	532 19 96-79	Spring Return Cruise	187	596 13 55-01	Washer, 13/32 x 2, Clear, Zinc
29	532 40 38-06	Rod, Brake	188	582 21 70-01	Link Clutch Ground Drive, Long
33	812 00 00-01	Ring E	189	532 19 43-17	Bellcrank Ground Drive
35	583 86 45-02	Rod, Brk, Parking, GT Husq	190	532 19 43-18	Keeper Bellcrank Ground Drive
42	532 00 88-83	Cover, Foot Pedal	196	817 00 06-16	Screw 3/8-16 x 1
49	596 13 62-01	Bolt, Cup, Head, 3/8-16 x 3/4	197	587 40 20-01	Link Clutch Anti-Rotation
50	532 19 43-27	Pulley Idler Flat	205	532 12 17-48	Washer 25/32 x 1-5/8 x 16 Ga.
51	873 90 06-00	Lock Nut 3/8-16	206	532 44 85-96	Bracket Mount Latch Cruise
52	532 19 43-26	Idler V-Groove	207	587 03 14-02	Latch Control Cruise
56	592 85 52-01	V-Belt, Drive	208	596 56 41-01	Gear
64	532 19 78-65	Shaft Asm. Pedal Brake Control	209	596 86 98-01	Rod, Control, Cruise G
69	532 42 33-03	Hairpin	210	532 19 78-60	Rocker Asm Cruise
70	532 43 96-61	Console Asm.	211	532 12 01-83	Bearing Nylon
73	596 13 65-01	Bolt, Hex, Head, 5/16-18 x 1-1/2	213	532 40 31-19	Handle Parking Brake
74	596 13 41-01	Screw, Hex, Tap, 1/4-15 x 1/2	214	532 42 12-63	Pedal Forward
92	595 30 57-01	Screw, Hexagon, 5/16-18 x 1-1/4	215	586 60 65-02	Pedal Reverse
99	582 40 45-01	Rod Bypass	220	532 19 89-08	Reflector RH
116	596 13 57-01	Nut, Lock, Prvl, Torq, 5/16-18 x .68	221	532 40 31-87	Retainer Spring Clip Handle
125	817 00 05-12	Screw 5/16-18 x 3/4	222	879 21 20-10	Washer 21/32 x 1-1/4 10 Ga.
153	532 00 44-97	Retainer Spring	225	532 40 33-19	Keeper Belt Trans.
159	596 02 95-01	Pin, Cotter, 1/8 Dia x 3/4	227	596 13 59-01	Bolt, Hex, 5/16-18 x 3/4, Clr, Zinc
160	596 02 94-01	Clip, Retainer "M"	230	532 18 89-67	Washer Hardened
161	532 10 57-09	Spring, Return, Clutch	231	532 40 72-87	Idler Groove
163	593 86 10-01	Rod, Ctrl, K57R x 46	325	586 43 12-02	Bracket
166	532 42 91-64	Nut Push .625	326	586 00 11-02	Bracket
167	532 40 52-57	Latch Brake Parking	336	587 25 96-02	Bolt, 5/16-18 x 1-3/4, Flanged
170	532 41 34-30	Keeper Belt Centerspan			

NOTE: All component dimensions given in U.S. inches
1 inch = 25.4 mm



**TRACTOR - - MODEL NO. TS 242TXD (96041043500), PRODUCT NO. 960 41 04-35
ENGINE 24**

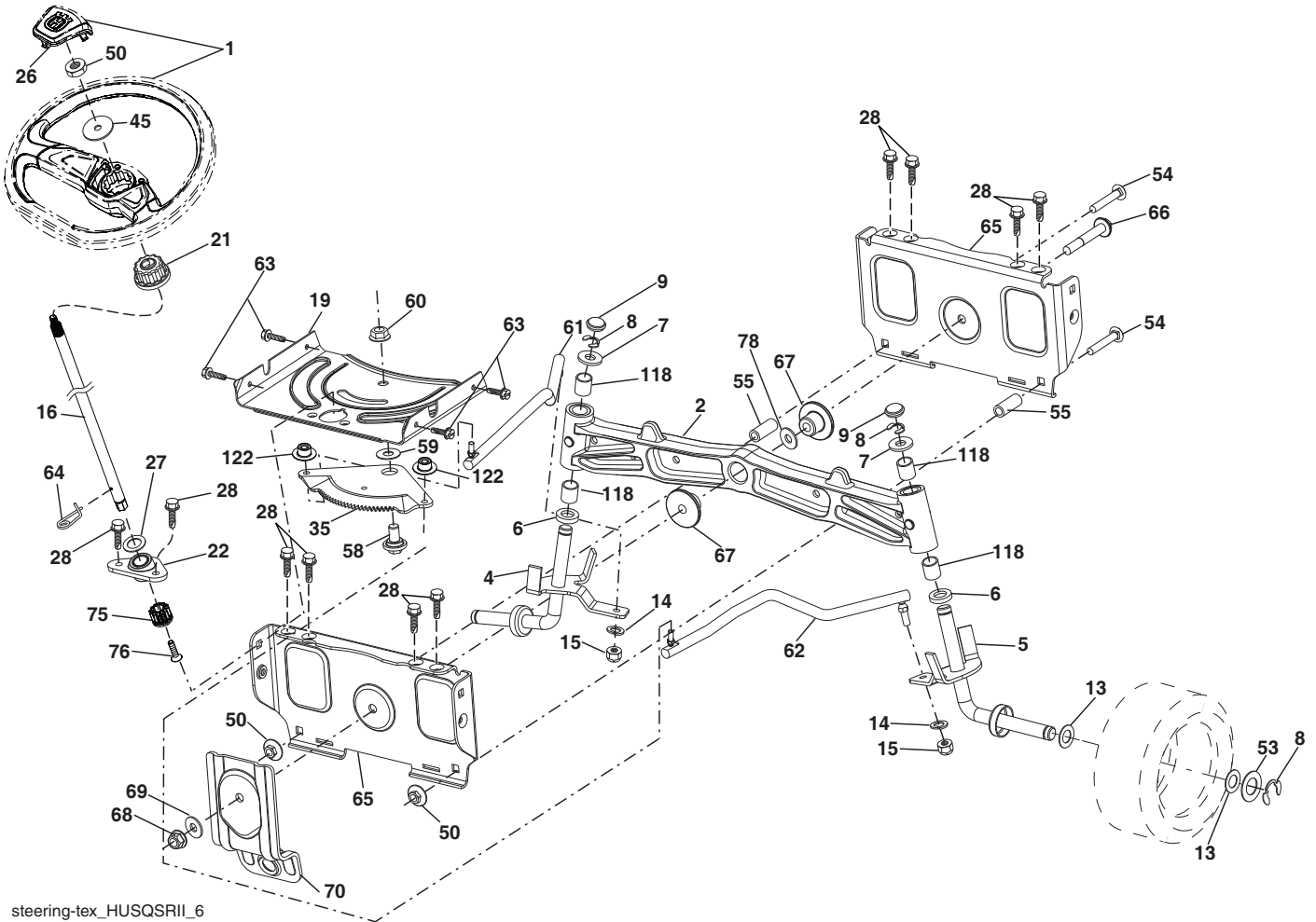
KEY NO.	PART NO.	DESCRIPTION
1	-----	Briggs&Stratton 44U677-0018-B5 (597367101) (Order parts from engine manufacturer.)
2	589 81 87-01	Muffler
9	501 83 26-02	Keeper Belt Engine
11	587 25 50-01	Clutch
12	586 89 96-01	Pulley Engine
15	532 19 34-99	Tank Fuel 4.0
18	584 24 87-02	Cap Fuel
20	532 42 43-41	Control Throttle/Choke
21	596 32 17-01	Screw #10 x .075, Bos, Thread
28	532 40 11-35	Fuel Line
29	532 13 71-80	Spark Arrester Kit
37	532 12 34-87	Clamp Hose
41	532 12 61-97	Washer 1-1/2 OD x 15/32 ID x .250
42	596 23 89-01	Washer, 7/16 in., Clr, Zn
45	596 13 36-01	Locknut, Keps, 1/4-20
62	532 43 40-17	Shield Heat Muffler
69	532 16 53-91	Gasket
70	581 88 11-01	Tube Exhaust LH
71	581 88 10-01	Tube Exhaust RH
79	596 13 42-02	Screw, Socket, 5/16-18 x 1, Clr, Zn
81	532 14 84-56	Tube Drain Oil Easy
82	532 42 82-87	Valve Oil Drain
84	817 06 06-20	Screw
85	501 60 67-01	Bolt Hex 7/16-20 x 5
90	817 00 06-16	Screw 3/8-16 x 1
91	532 19 74-95	Bushing, 1.375 OD, Hexco2210
102	817 00 05-12	Screw 5/16-18 x 3/4
105	591 20 49-02	Shield Chassis LH
106	591 20 50-02	Shield Chassis RH
108	592 72 71-01	Cover Asm. Engine
116	539 13 26-24	Knob Shift

NOTE: All component dimensions given in U.S. inches
1 inch = 25.4 mm

Engine Power Rating Information

The gross power rating for individual gas engine models is labeled in accordance with SAE (Society of Automotive Engineers) code J1940 (Small Engine Power & Torque Rating Procedure), and rating performance has been obtained and corrected in accordance with SAE J1995 (Revision 2002-05). Torque values are derived at 3060 RPM; horsepower values are derived at 3600 RPM. Actual gross engine power will be lower and is affected by, among other things, ambient operating conditions and engine-to-engine variability. Given both the wide array of products on which engines are placed and the variety of environmental issues applicable to operating the equipment, the gas engine will not develop the rated gross power when used in a given piece of power equipment (actual "on-site" or net power). This difference is due to a variety of factors including, but not limited to, accessories (air cleaner, exhaust, charging, cooling, carburetor, fuel pump, etc.), application limitations, ambient operating conditions (temperature, humidity, altitude), and engine-to-engine variability. Due to manufacturing and capacity limitations, Briggs & Stratton may substitute an engine of higher rated power for this Series engine.

TRACTOR -- MODEL NO. TS 242TXD (96041043500), PRODUCT NO. 960 41 04-35
STEERING ASSEMBLY **41**



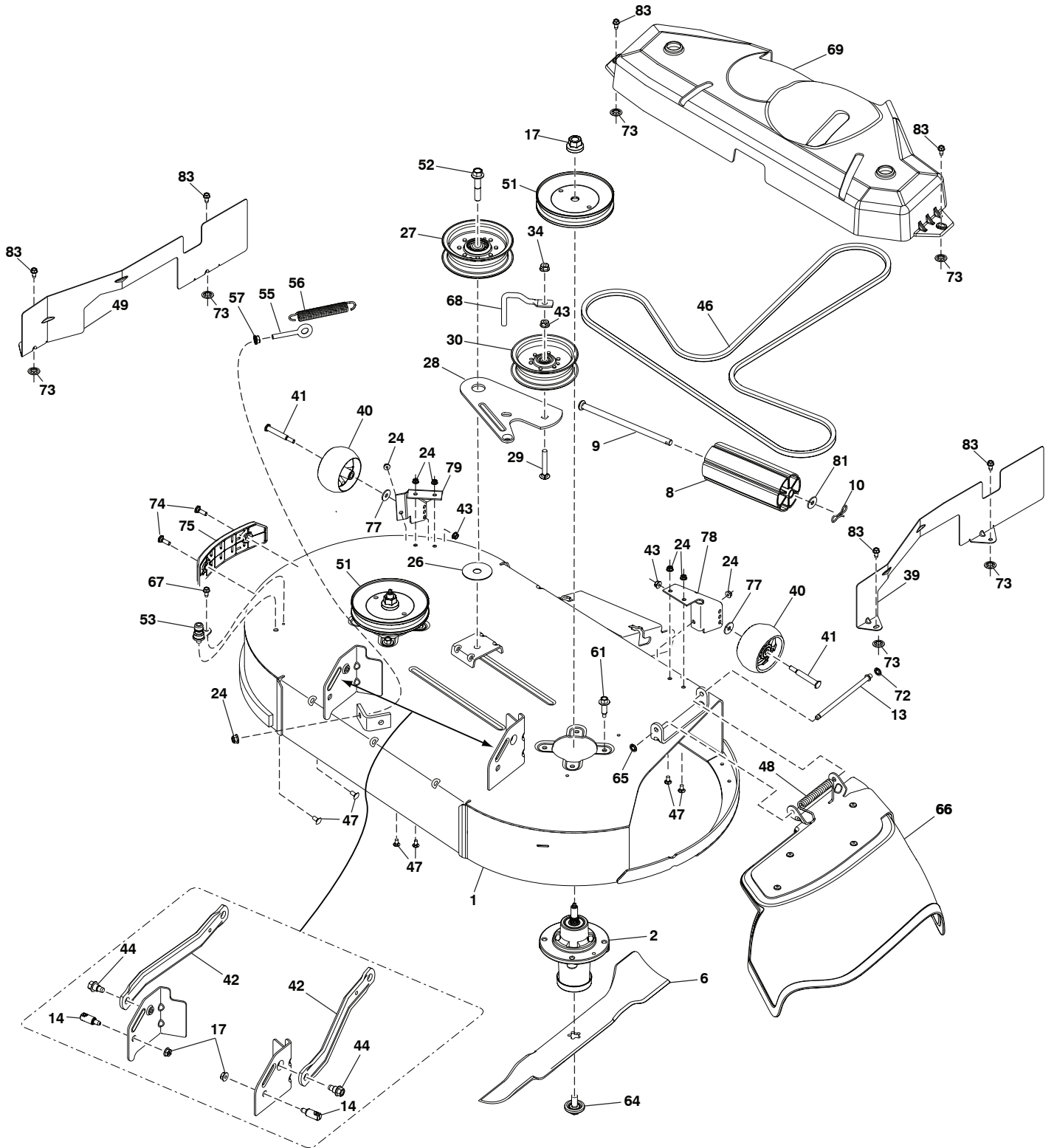
steering-tex_HUSQSRII_6

**TRACTOR - - MODEL NO. TS 242TXD (96041043500), PRODUCT NO. 960 41 04-35
STEERING ASSEMBLY **41****

KEY NO.	PART NO.	DESCRIPTION
1	597 86 61-01	Wheel, Steering, Kit (includes steering wheel and cap)
2	532 41 35-91	Axle Asm.
4	586 72 40-01	Spindle Asm., LH
5	586 72 41-01	Spindle Asm., RH
6	532 00 62-66	Washer, Thrust .75 x 1.230
7	532 12 17-48	Washer 25/32 x 1-5/8 x 16 Ga.
8	812 00 00-29	Ring, Clip #T5304-75
9	532 12 12-32	Cap, Spindle
13	532 12 17-49	Washer 25/32 x 1-1/4 x 16 Ga.
14	596 23 87-01	Washer, Spring, Lock, 381ID x .680
15	873 54 06-00	Nut, Crown Lock 3/8-24 unf
16	587 01 60-02	Steering Shaft
19	532 19 47-29	Plate Steering
21	586 84 02-01	Adapter Wheel Steering
22	585 02 99-01	Bearing
26	594 94 91-01	Cap, Steering Wheel
27	596 93 34-01	Washer, Plain
28	817 00 06-12	Screw 3/8-16 x 3/4
35	532 19 47-32	Gear, Sector Plate
45	587 01 64-01	Washer 3/8 ID 2-3/8 OD 12 Ga. PLTD
50	873 90 06-00	Nut Lock Flg 3/8-16 unc
53	532 18 89-67	Washer Hardened .793 x 1.637 x .060
54	874 76 06-36	Bolt Hex 3/8-16 unc x 2-1/4
55	532 41 47-36	Spacer Brace Axle
58	532 19 47-47	Bolt Shoulder Sector Pivot CFM
59	532 19 47-48	Washer Thrust Sector Steering
60	873 97 10-00	Nut Flange Lock 5/8-11
61	597 07 02-02	Linkage Asm, Draglink, LH
62	597 07 03-02	Linkage Asm, Draglink, RH
63	817 00 05-12	Screw 5/16-18 x 3/4
64	532 19 98-49	Retainer Clip Spring Steering
65	532 19 47-34	Brace Axle Front
66	871 02 07-48	Bolt Hex Fghd 7/16-14 x 3 Serr
67	532 19 47-37	Bushing PM Front Axle
68	873 90 07-00	Nut Lock Flange 7/16-14 Gr. 5
69	532 19 91-62	Washer 1.5 x .505 x .118
70	585 33 88-01	Bracket Deck Susp. Front
75	580 68 37-01	Pinion
76	580 68 36-01	Screw Head Sock
78	532 05 70-79	Washer Thrust
118	532 40 60-13	Bushing Axle
122	532 44 49-62	Cap Gear Sector Tex

NOTE: All component dimensions given in U.S. inches
1 inch = 25.4 mm

TRACTOR - - MODEL NO. TS 242TXD (96041043500), PRODUCT NO. 960 41 04-35
MOWER DECK **44**



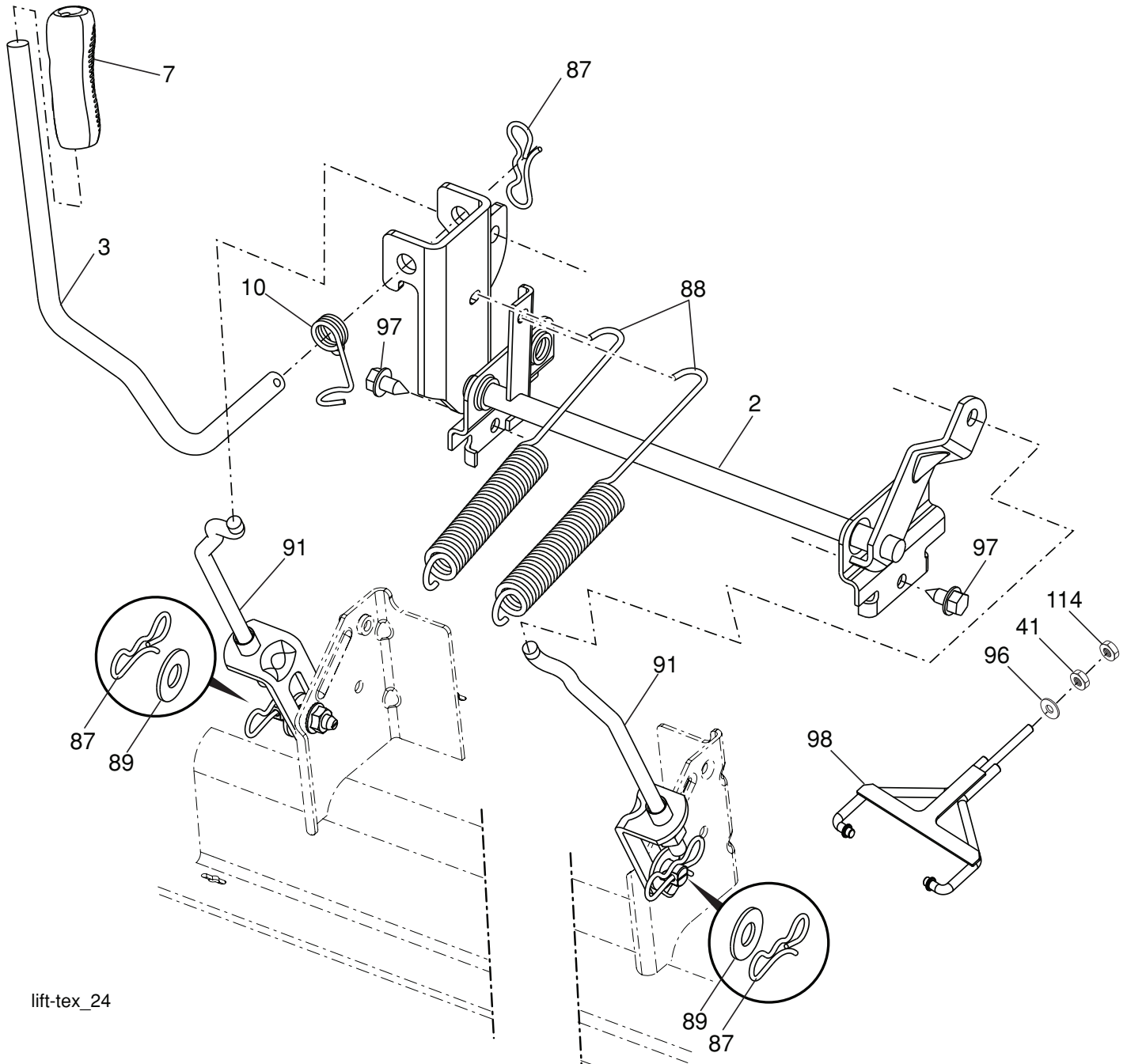
Mower Deck-tex_42F Flat_elec_9

TRACTOR - - MODEL NO. TS 242TXD (96041043500), PRODUCT NO. 960 41 04-35
MOWER DECK 44

KEY NO.	PART NO.	DESCRIPTION
1	501 58 88-01	Kit SVC Weldment
2	539 13 18-98	Housing, Assembly
6	592 76 97-02	Blade 42 Clearcut Euro
8	532 17 60-66	Nose Roller
9	594 09 25-01	Rod Roller Nose
10	532 19 42-08	Pin Locking Cotter
13	595 29 70-01	Deflector Hinge Pin
14	593 82 40-01	Stud, Fastner, w/"D" Anti-Rotatio
17	596 13 57-01	Nut, Lock, Prvl, Torq, 5/16-18 x .68
24	594 94 44-01	Nut, Hexagon, Flange, 5/16-18
26	532 17 85-15	Washer, Flat Hardened Steel
27	532 19 61-04	Pulley, Idler 4.50
28	586 87 40-02	Arm 42 FCS Clutching
29	596 33 78-01	Bolt, Carriage, 3/8-16 x 2-1/2
30	532 19 61-06	Pulley 4.50 Idler
34	596 32 26-01	Nut, Crownlock, 3/8-16 Unc
39	588 90 75-02	Shield 42 Clearcut RH
40	589 52 73-01	Gauge Wheel
41	596 43 44-04	Bolt, Shoulder, 3/8-16 x 3-5/8"
42	532 19 51-85	Arm, Suspension RR
43	873 90 06-00	Nut Lock Flg 3/8-15 unc
44	532 19 65-39	Screw, Shoulder
46	501 13 89-01	Belt 42 Clearcut Euro
47	595 90 16-01	Bolt, Cup, 5/16-18 x 3/4, Clr, Znc
48	587 35 47-01	Spring, 42 FCS Deflector
49	588 90 74-02	Shield 42 Clearcut LH Deck
51	532 19 74-73	Pulley, Mandrel
52	588 43 83-01	Screw 7/16-14 x 2.125 Hex
53	532 41 55-98	Plate Washout Port
55	596 24 08-01	Bolt, Eyelet, 5/16-18 x 3-1/2
56	587 35 84-01	Spring, 42 FCS Tractor DK DRV
57	596 03 92-01	Nut, Lock, Hex, 5/16-18, Clear, Zin
61	584 95 39-01	Bolt Hex 5/16-18 x 1.310
64	532 19 30-03	Bolt/Washer 7/16-20
65	532 11 04-52	Hinge Pin Push Nut
66	587 30 57-01	Deflector Assembly
67	532 13 77-29	Screw 1/4-20 x 5/8
68	532 19 84-68	Keep Belt
69	588 90 76-01	42 Clearcut Euro Mandrel Cover
72	532 10 53-04	Cap Sleeve
73	532 42 30-62	Palnut 1/4
74	532 17 01-65	Bolt 5/16-18
75	582 68 32-03	Bumper
77	596 13 49-01	Washer, Plain, 3/8 x 7/8
78	501 80 83-02	Gauge Wheel Breacket RH
79	590 43 90-02	Gauge Wheel Breacket LH
81	582 36 05-01	Bushing Nose Roller
83	596 63 73-01	Screw, Hex, w/Collar, 1/4-20 x 5/8
--	597 13 45-01	Deck SVC 42F
--	589 65 96-01	Kit 42FCS Mulch w/o Blades

NOTE: All component dimensions given in U.S. inches
1 inch = 25.4 mm

TRACTOR -- MODEL NO. TS 242TXD (96041043500), PRODUCT NO. 960 41 04-35
MOWER LIFT 45



lift-tex_24

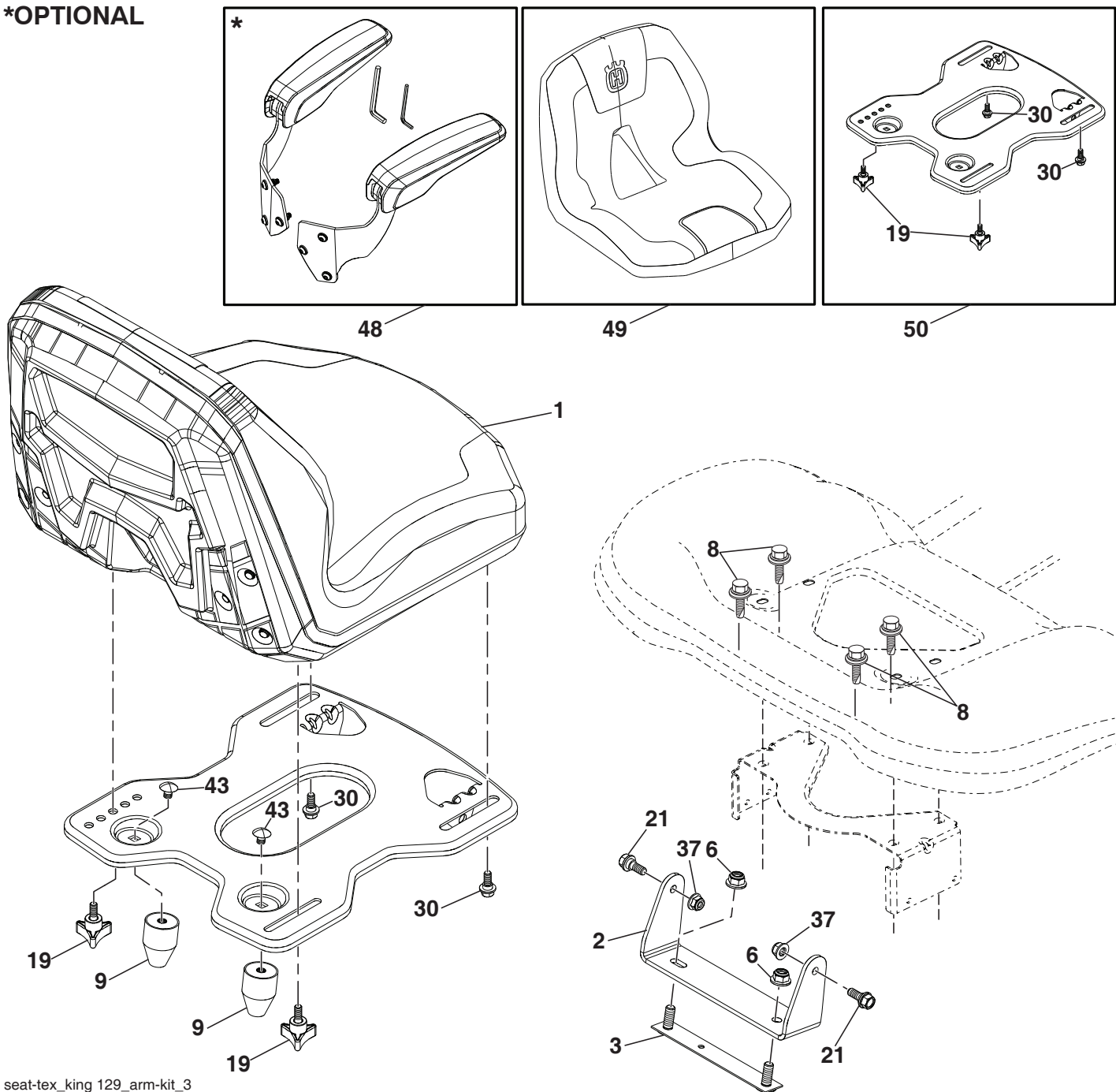
KEY PART NO.	PART NO.	DESCRIPTION
2	532 42 20-27	Shaft Asm., Lift
3	596 27 06-01	Lever, Lift Handle, Clear, Zinc
7	580 96 23-01	Grip, Lever
10	532 19 63-14	Spring Torsion
41	589 46 49-02	Nut, Lift, Link, Clr, Zn
87	532 19 42-09	Pin Cotter 7/16 Bow Tie Lock
88	532 41 07-10	Spring Lift Assist
89	819 19 19-12	Washer Clear Zinc

KEY PART NO.	PART NO.	DESCRIPTION
91	589 46 48-05	Link Asm, Lift, Rear, 10.540
96	593 84 21-01	Bushing
97	817 00 06-12	Screw 3/8-16 x .75
98	574 82 25-01	Link Lift Susp. Front Mower
114	873 36 07-00	Nut Jam 7/16-20

NOTE: All component dimensions given in U.S. inches
 1 inch = 25.4 mm

**TRACTOR - - MODEL NO. TS 242TXD (96041043500), PRODUCT NO. 960 41 04-35
SEAT ASSEMBLY 42**

***OPTIONAL**



seat-tex_king 129_arm-kit_3

KEY NO.	PART NO.	DESCRIPTION
1	597 65 81-01	Seat, SK150/129 w/o Armrests (includes seat cover key# 49)
2	597 32 99-02	Bracket, PNT, PVT, FNDR, Seat EDIP
3	590 77 76-02	Bracket Asm, Reinfor FNDR, EDIP
6	521 99 65-02	Nut, Hex, Lock w/Flange 3/8-16
8	532 17 18-77	Bolt 5/16-18 unc x 3/4 w/Sems
9	597 78 51-01	Bumper, Rubber, Isolator
19	597 78 31-01	Knob, 3 Wing 5/16-18, CLR, ZN
21	596 24 07-01	Bolt, Hex 5/16-18 x 21/32

KEY NO.	PART NO.	DESCRIPTION
30	597 78-18-01	Bolt, Hex, Should 5/16-18 unc ZPB
37	594 94 44-01	Nut, Hexagon, Flange 5/16-18
43	597 86 93-01	Bolt, Carri, Cqur 3/8 x .45, CLR, ZN
48	597 65 82-03	Service Kit, 15", Seat Arm
49	597 95 94-01	Cover, Husq. 15", (SK129) Seat
50	598 00 16-01	Service, Kit, Seat Pan (includes all components illustrated in box for Key# 50)

NOTE: All component dimensions given in U.S. inches
1 inch = 25.4 mm

