

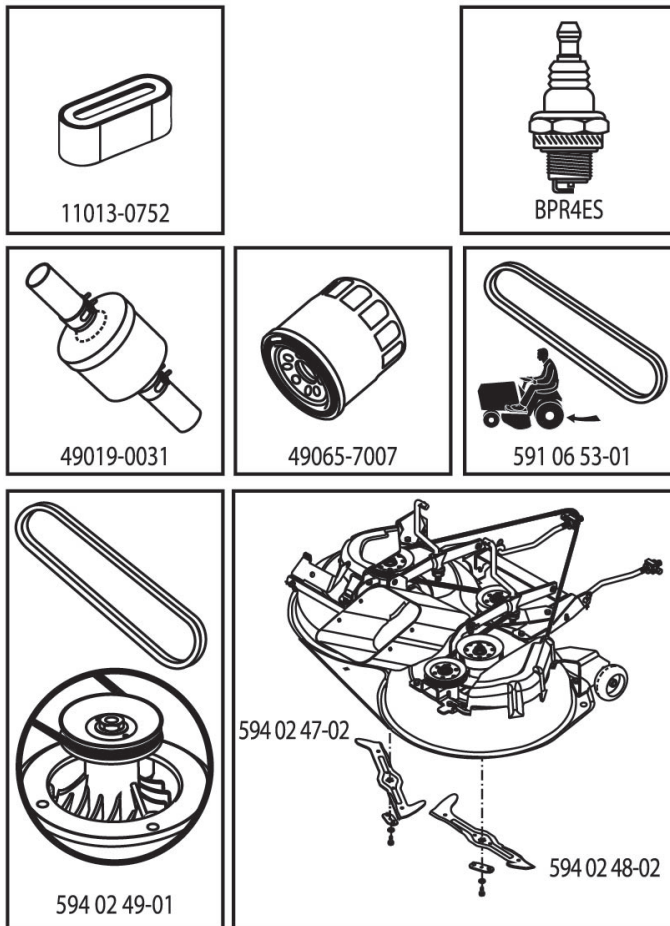
ILLUSTRATED PARTS LIST

MFG. ID NO. 96051019300

CUSTOMER CATALOG NO. TC 242TX

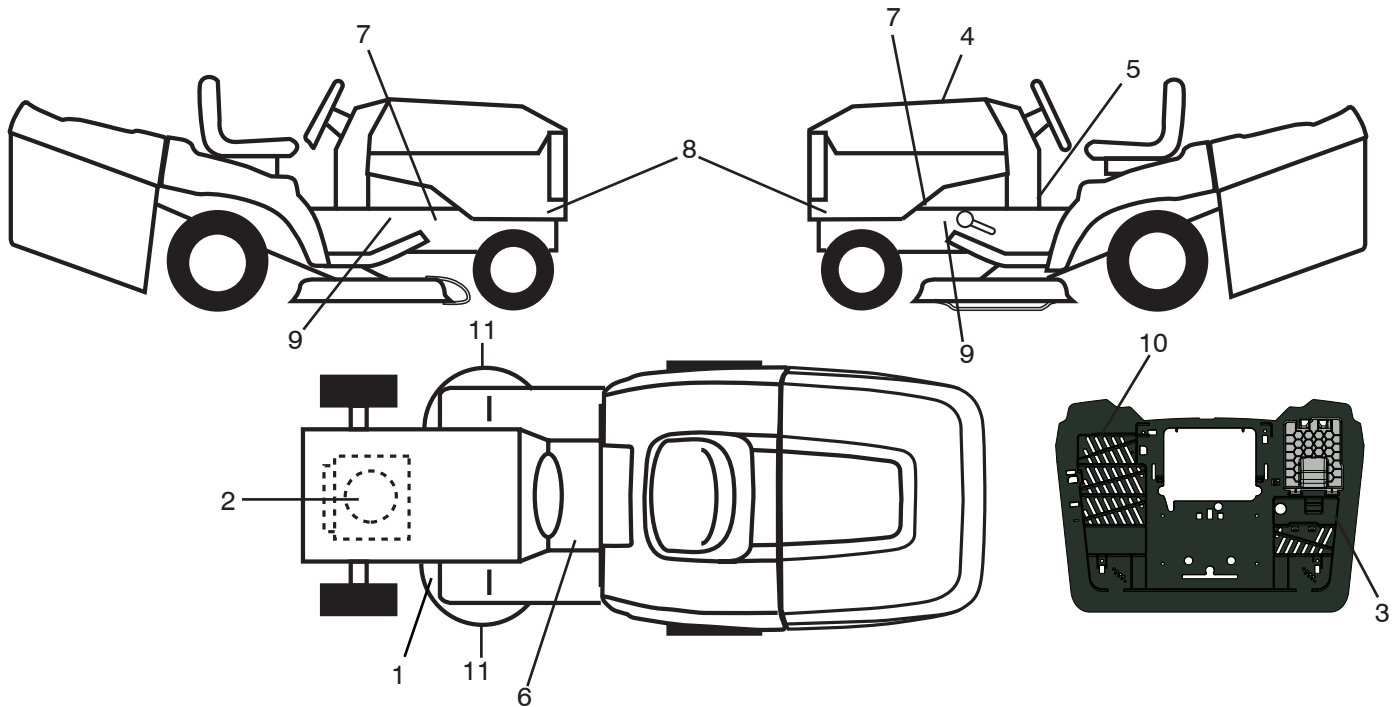
PRODUCT NO. 960 51 01-93

47



598374901

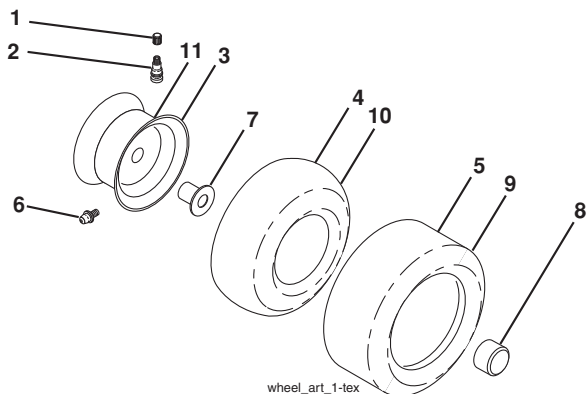
TRACTOR - MODEL NO. TC 242TX (96051019300), PRODUCT NO. 96051 01-93
DECALS 27



KEY NO.	PART NO.	DESCRIPTION
1	597 47 53-01	Decal, Deck, Belt Routing
2	581 57 97-01	Decal, Warning Eng.
3	532 44 46-19	Decal, Bypass
4	598 37 49-01	Decal, Replacement
5	581 57 84-01	Decal, Lower Dash
6	586 04 73-02	Decal, Warning
7	581 57 96-01	Decal, Chassis Hot Muffler
8	598 43 90-01	Decal, Side Panel
9	581 57 98-01	Decal, Warning

KEY NO.	PART NO.	DESCRIPTION
10	532 44 54-93	Decal, Warning Combined
11	581 57 91-01	Decal, Mower Cut Finger Symbol
--	532 44 14-09	Pad Footrest LH
--	532 44 14-10	Pad Footrest RH
--	114 19 05-20	Manual Operator's (Euro)
--	114 19 06-10	Manual Operator's (Scan)
--	114 19 10-50	Manual Operator's (E-Bloc)
--	114 19 07-40	Manual Operator's (Baltic)
--	114 19 08-76	Manual Operator's (Turkish)
--	114 19 09-53	Manual Operator's (Ukrainian)

WHEELS AND TIRES



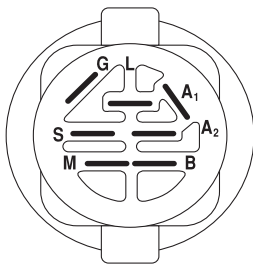
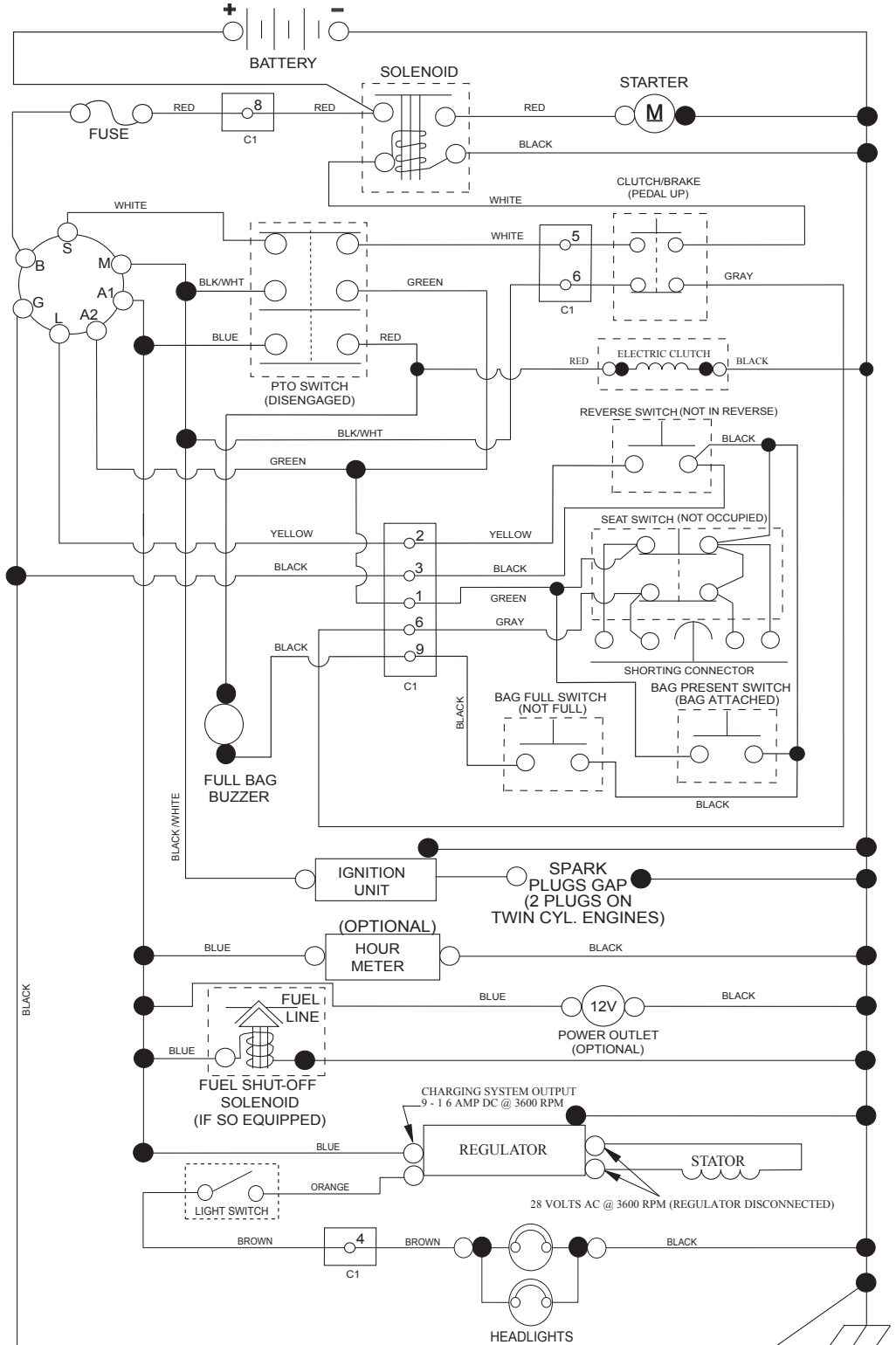
KEY NO.	PART NO.	DESCRIPTION
1	532 05 91-92	Cap Valve Tire
2	532 06 51-39	Stem Valve
3	532 13 83-36	Rim Front
4	532 05 99-04	Tube Front (Service Item Only)
5	532 17 04-55	Tire Front 15 x 6-6
6	532 00 02-78	Fitting Grease (Front Wheel Only)
7	532 00 90-40	Bearing Flange (Front Wheel Only)
8	532 17 50-39	Cap Axle Blk 1 50 x 1 00
9	588 69 19-01	Tire Rear 18 x 9.5-8
10	532 00 71-52	Tube Rear (Service Item Only)
11	532 13 83-37	Rim Asm 8" Rear
--	532 14 43-34	Sealant, Tire (10 oz. Tube)

NOTE: All component dimensions given in U.S. inches
 1 inch = 25.4 mm

TRACTOR - MODEL NO. TC 242TX (96051019300), PRODUCT NO. 960 51 01-93

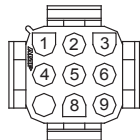
SCHEMATIC **38**

SCH19

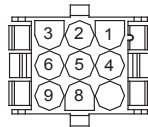


IGNITION SWITCH

POSITION	CIRCUIT	"MAKE"
OFF	M+G+A1	
RUN/OVERRIDE	B+A1	
RUN	B+A1	L+A2
START	B + S + A1	



CHASSIS HARNESS CONNECTOR (C1) (MATING SIDE)



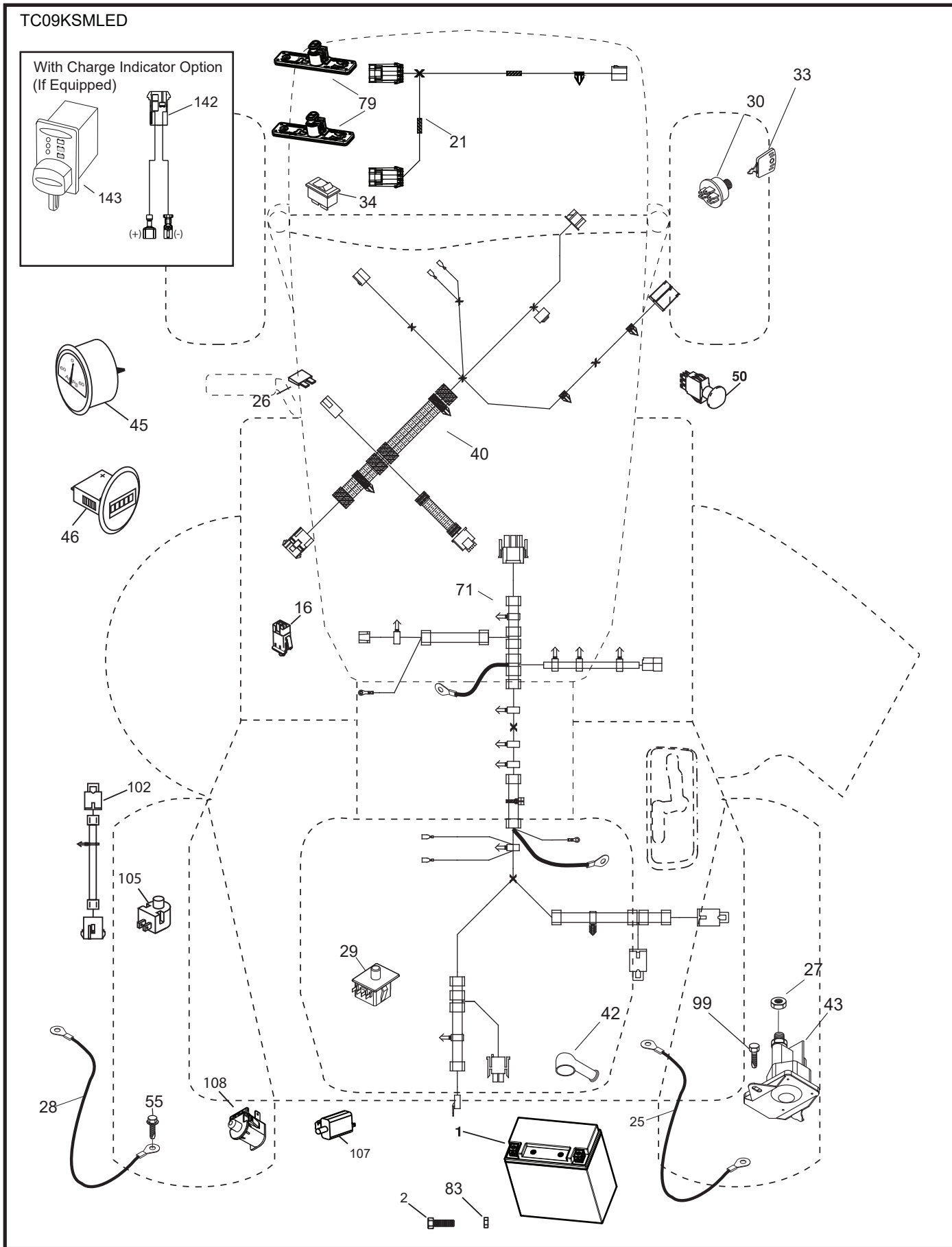
DASH HARNESS CONNECTOR (C1) (MATING SIDE)

WIRING INSULATED CLIPS
NOTE: IF WIRING INSULATED CLIPS WERE REMOVED FOR SERVICING OF UNIT, THEY SHOULD BE RE-INSTALLED TO PROPERLY SECURE YOUR WIRING.

●
NON-REMOVABLE CONNECTIONS

○
REMOVABLE CONNECTIONS

TRACTOR - MODEL NO. TC 242TX (96051019300), PRODUCT NO. 96051 01-93
ELECTRICAL 32

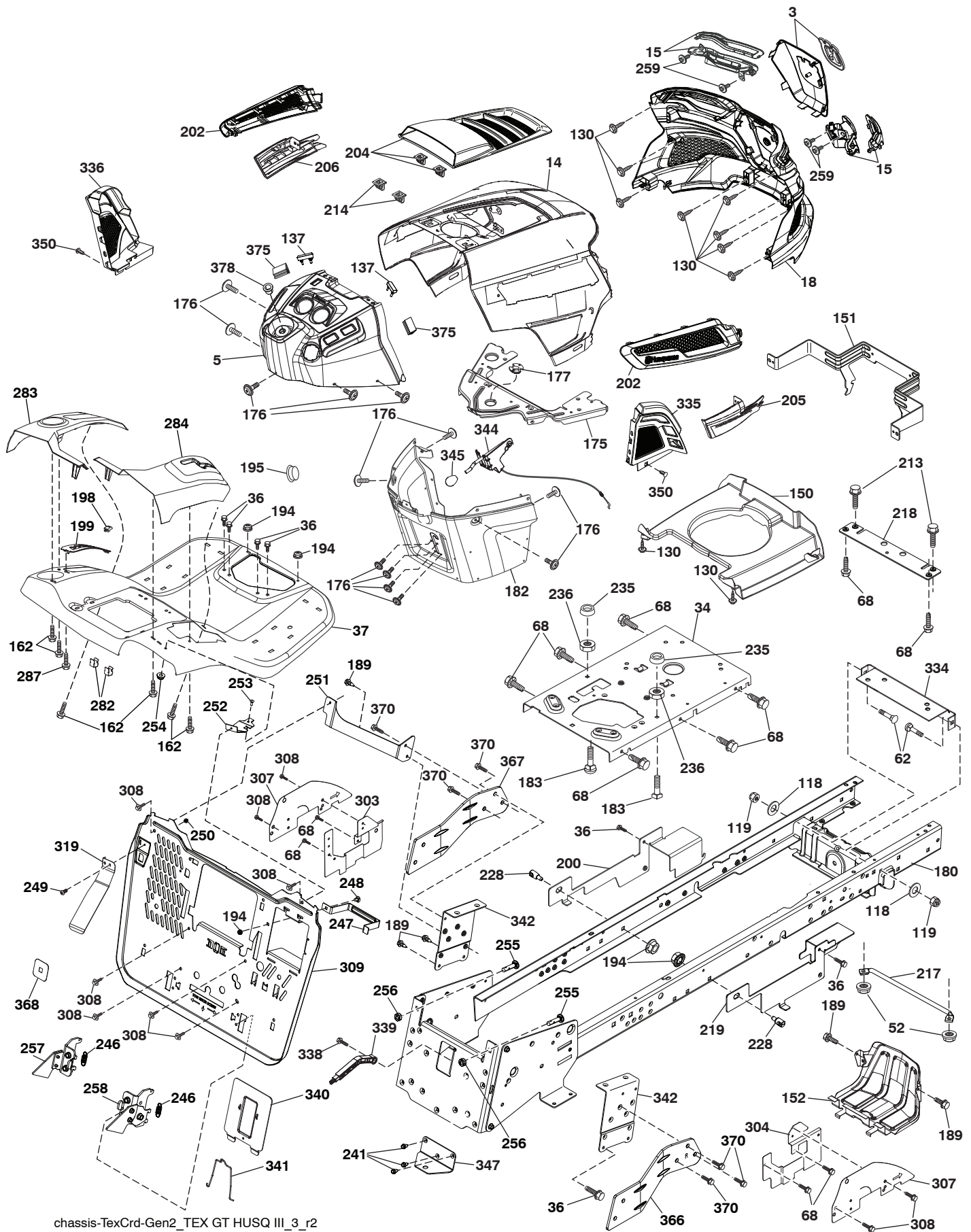


**TRACTOR - MODEL NO. TC 242TX (96051019300), PRODUCT NO. 960 51 01-93
ELECTRICAL 32**

KEY NO.	PART NO.	DESCRIPTION
1	532 43 71-57	Battery
2	596 32 01-01	Bolt, Hex M6 x 1 x 12.4 mm 8.8
16	532 17 61-38	Switch Interlock Push-In
21	585 43 64-02	Harness, LED Lights
25	589 32 37-01	Cable Batt 8 Ga. Red 9
26	532 17 51-58	Fuse
27	596 13 36-01	Locknut, Keps, 1/4-20
28	589 32 36-01	Cable, Ground
29	532 19 27-49	Switch, Seat
30	532 19 33-50	Switch, Ign
33	532 41 19-35	Key/Chain Blister Pack
34	532 11 07-12	Switch Light Blk Red
40	587 30 48-01	Harness Dash
42	532 13 15-63	Cover Terminal Red
43	582 04 28-02	Solenoid w/Brass Plunger, AN
45	587 55 39-06	Gauge, Ammeter, Round
46	587 55 40-06	Hourmeter, Service
50	582 10 76-02	Switch PTO
55	817 06 05-12	Screw Thdrol 5/16-18 x 3/4 TYTT
71	532 44 08-20	Harness Ignition Chassis
79	597 52 30-01	Light, LED, Bar
83	594 08 65-01	Nut, Square, M6 x 1
99	817 00 05-12	Screw Thdrol 5/16-18 x 3/4
102	532 44 12-62	Harness Jumper
105	532 40 75-68	Switch Reverse
107	532 18 03-79	Switch Full Bagger
108	589 50 03-01	Switch Snapmount

NOTE: All component dimensions given in U.S. inches
1 inch = 25.4 mm

TRACTOR - MODEL NO. TC 242TX (96051019300), PRODUCT NO. 96051 01-93
CHASSIS AND ENCLOSURES 39



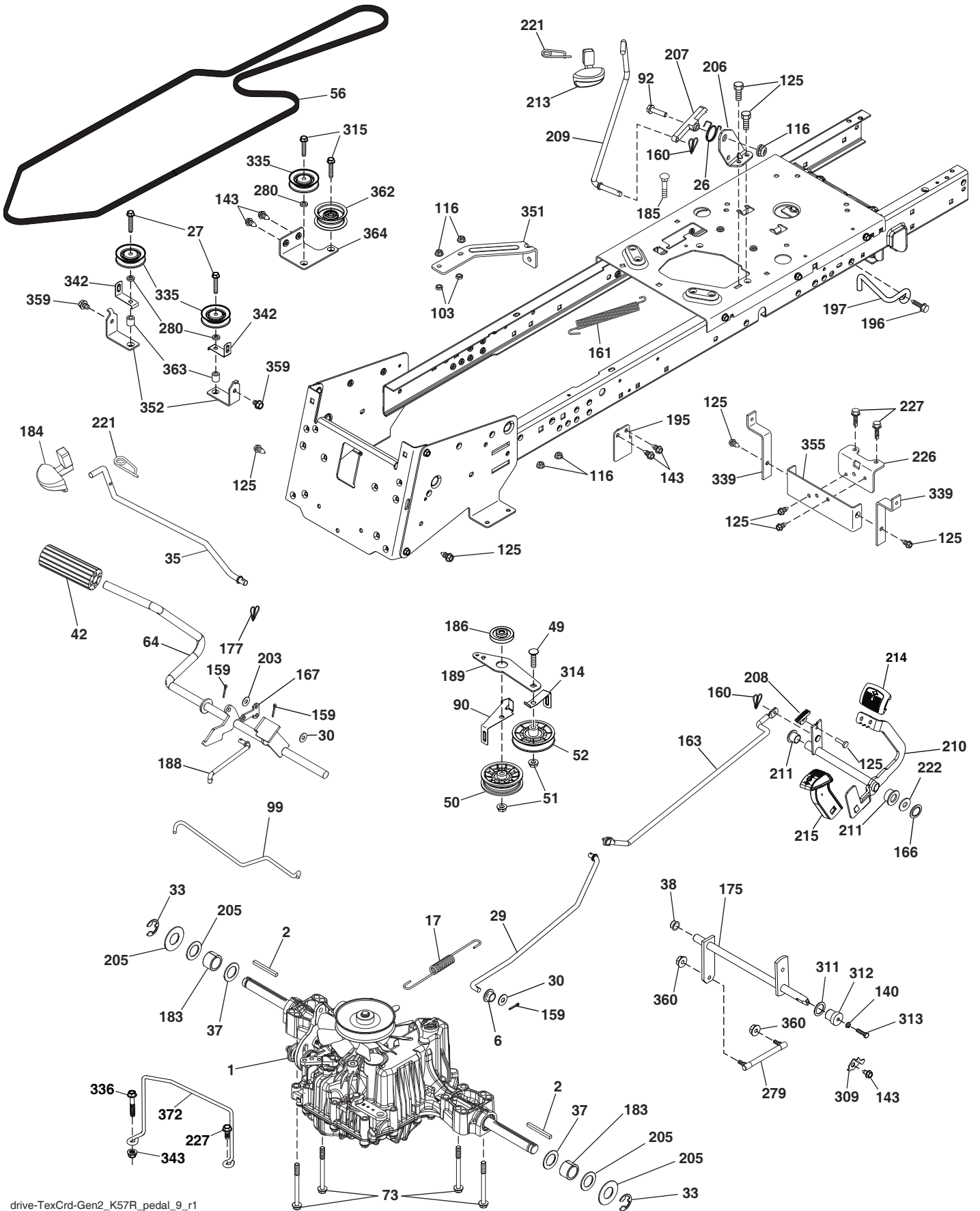
chassis-TexCrd-Gen2_TEX GT HUSQ III_3_r2

TRACTOR - MODEL NO. TC 242TX (96051019300), PRODUCT NO. 960 51 01-93
CHASSIS AND ENCLOSURES 39

KEY NO.	PART NO.	DESCRIPTION	KEY NO.	PART NO.	DESCRIPTION
3	597 68 82-01	Kit, Grille Applique, (includes applique cover and emblem badge)	241	593 33 76-01	Screw, 5/16-18 x 1.00, HWH, TRS
5	590 74 88-17	Dash	246	591 44 90-01	Spring TCRD Gen 2.5 Bagger Ext
14	532 44 11-77	Hood	247	582 55 26-02	Strap Battery TCRD Gen 2.5 x .431
15	597 86 79-01	Kit, SVC, Hus GT3, LED Headlights (includes LH/RH lens and LH/RH housing)	248	872 11 05-04	Bolt Carr. 5/16 unc x 1/2
18	597 40 71-02	Grille	249	586 93 60-01	Screw Button 10-24 x 1/2 PTCHD
34	593 94 44-02	Plate Engine	250	596 04 08-01	Lock Nut, Washer, #10-24in., Gr. 2
36	817 06 05-12	Screw 5/16-18 x 3/4	251	589 31 89-04	Backplate Support Bracket
37	532 44 14-19	Fender	252	581 99 22-04	Backplate Support Bracket
52	596 04 05-01	Nut, Lock, Hex, PRVL, 5/16-18	253	596 23 84-01	1/4-20 x 3/4in., Gr. 5, Bolt
62	596 72 82-01	Bolt, Carri, 3/8-16 x 1" Gr. 5	254	873 90 04-00	Nut, Hex Flange 1/4-20 unc
68	596 03 07-01	Screw, Hexagon, 5/16-18 x 1/2	255	589 39 22-03	Bolt Cross Drilled 3/8/16 x 1-3/4 Gr. 2
118	596 56 53-01	Washer, 3/8 x 0.08in., ST, CLR, Zinc	256	596 21 90-01	Nut Jam 3/8 x 9/16
119	596 32 26-01	Nut, Crownlock, 3/80, 16 unc	257	589 74 66-02	Bagger Latch Assembly LH
130	596 32 17-01	Screw #10 x 0.750	258	589 74 67-02	Bagger Latch Assembly RH
137	532 40 75-90	Bumper Dash	259	596 43 40-01	Screw, #10 X 0.500, Bos Thread
150	532 43 97-74	Air Duct	282	532 41 41-10	Clip Retainer
151	532 43 66-70	Bracket Pivot	283	532 44 72-12	Console Deck Lift LH
152	532 43 98-70	Shield Browning	284	532 44 72-20	Console Shft RH
162	596 13 41-01	Screw, Hex, TAP, 1/4-15 x 1/2	287	817 60 04-06	Screw 1/4-20 x 3/8
175	590 60 77-02	Crossmember Plate	303	597 72 39-02	Shield, Chassis LH
176	532 40 07-76	Screw 10-24 x 5/8	304	597 72 40-02	Shield, Chassis RH
177	532 19 52-28	Bushing Steering	307	587 49 45-01	Shield Upper French
180	593 89 88-01	Chassis	308	532 17 18-77	Bolt 5/16-18 unc x 3/4 w/Sems
182	532 40 68-59	Dash Lower	309	582 55 25-02	Backplate
183	595 30 57-01	Screw, Hexagon, 5/16-18 x 1-1/4	319	581 31 39-07	Lever Bag
189	817 00 05-12	Screw 5/16-18 x 3/4	334	532 44 25-37	Bracket Engine
194	596 13 57-01	Nut, Lock, PRVL, Torq, 5/16-18 x .68	335	532 44 82-04	Cover RH Lower Close Out
195	532 40 41-37	Plug Hole Dash Lower	336	532 44 53-09	Cover LH Lower Close Out
198	532 44 15-52	Indicator Deck Lift	338	594 09 39-01	Bolt Shoulder 5/16-18 x .88
199	532 41 87-39	Plate Deck Lift	339	532 43 66-41	Lever Bagger Full
200	594 02 62-02	Sheild, LH, Chassis	340	582 55 27-02	Door Battery
202	597 86 77-01	Kit, Side Vents, LH/RH (includes LH/RH side vents)	341	582 06 08-01	Latch Battery Door Tex CRD
204	597 40 80-01	Kit, Top Vent (includes top vent and clip retainers)	342	582 82 68-02	Supprt Fender
205	532 43 97-30	Skirt Hood Side RH	344	532 43 89-70	Control Ex Mulch Tex/CRD
206	532 43 97-29	Skirt Hood Side LH	345	532 44 06-39	Knob, Oval, Tapered 3/8-16 BLK
213	596 03 05-01	Bolt, Hex, HD, 5/16-18 unc x 3/4	347	532 44 28-87	Hitch Tow
214	532 19 91-45	Clip Retainer Tinner	350	532 44 51-43	Clip X-Mas Tree
217	532 40 91-67	Rod Pivot	366	581 31 46-02	Bracket RH Front Bagger
219	594 02 63-02	Sheild, RH, Chassis	367	581 31 45-02	Bracket LH Front Bagger
218	532 19 63-95	X-Piece Hood Stop	368	581 42 48-01	Shroud Bag Full Lever
228	593 82 40-01	Stud w/"D" Anti-Rotation	370	817 12 06-16	Screw, 3/8-16 x 1, Smgml, T
235	596 56 42-01	Spacer, Fender, CLR, Zn	375	586 90 82-01	Dash Clip-On Bumper
236	873 93 05-00	Nut Lock 5/16-18 unc	378	590 84 98-01	Bushing Flange Plastic
			--	597 33 48-01	Bumper

NOTE: All component dimensions given in U.S. inches
1 inch = 25.4 mm

TRACTOR - MODEL NO. TC 242TX (96051019300), PRODUCT NO. 96051 01-93
DRIVE **40**



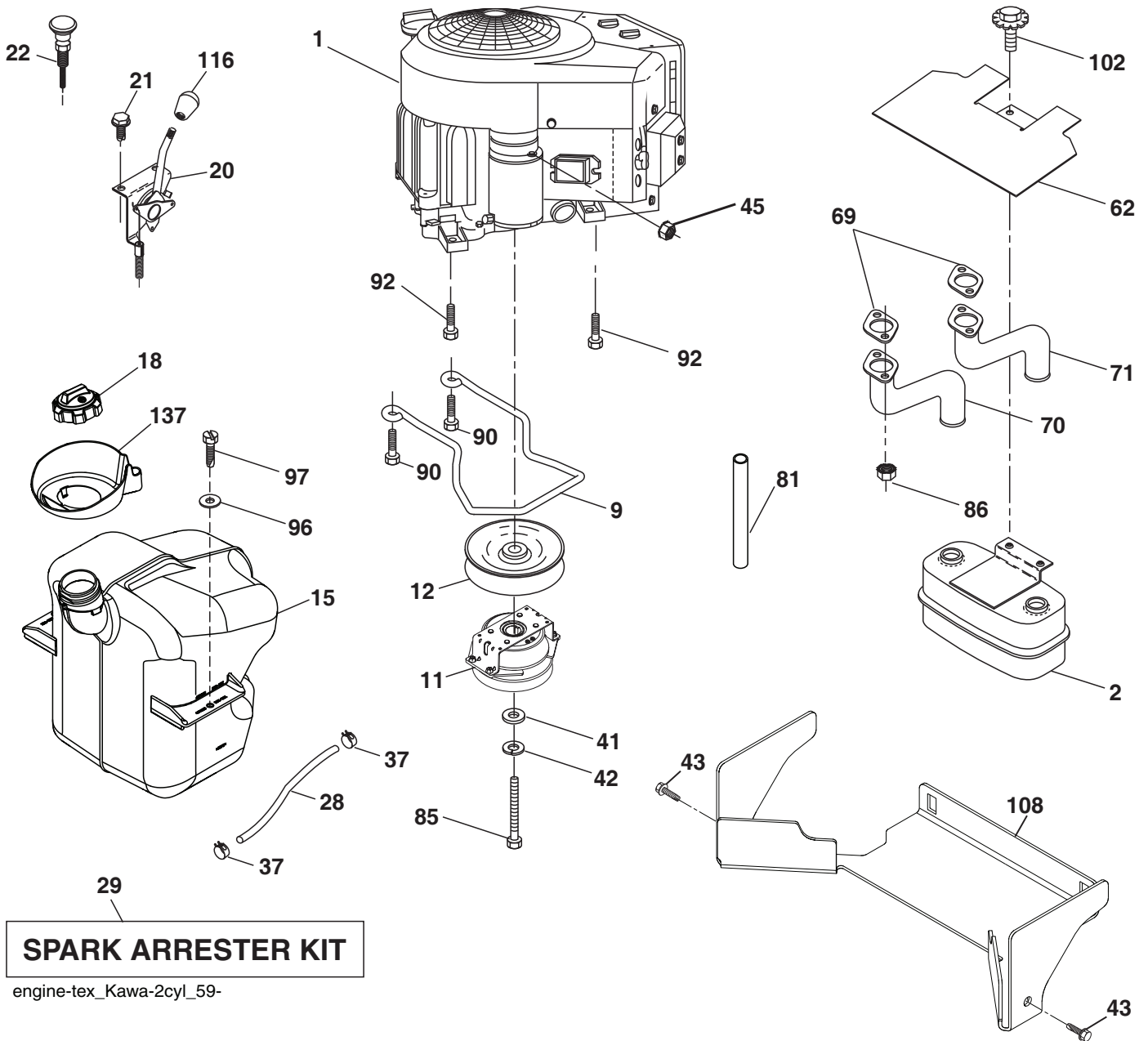
drive-TexCrd-Gen2_K57R_pedal_9_r1

**TRACTOR - MODEL NO. TC 242TX (96051019300), PRODUCT NO. 960 51 01-93
DRIVE **40****

KEY NO.	PART NO.	DESCRIPTION	KEY NO.	PART NO.	DESCRIPTION
1	---	Transaxle, Tufftorq K57AH (585743601) (Order parts from transaxle manufacturer.)	195	580 45 69-01	Bracket Rod Brake CRD Tex
2	532 12 35-83	Key Square	196	817 00 06-16	Screw 3/8-16 x 1 Smgml Tap/R Blk
6	532 12 40-28	Bushing Snap	197	585 65 86-02	Clutch, Antirotaion, Wireform
17	532 43 62-27	Spring Brake K46	203	596 20 41-01	Washer 11/32 x 11/16 x 14
26	532 19 96-79	Spring Return Cruise	205	532 12 17-48	Washer 25/32 x 1-5/8 x 16 Ga.
27	596 24 10-01	Screw, Hex, Threadroll, 5-16 x 18	206	532 44 85-96	Bracket Mount Latch Cruise
29	532 44 27-95	Rod, Brake	207	587 03 14-02	Latch Control Cruise
30	596 14 02-01	Washer 406 ID x OD x .065	208	596 56 41-01	Gear Sector Control Cruise
33	812 00 00-01	Ring E	209	596 86 98-01	Rod, Control, Cruise G
35	583 86 45-02	Rod, Brk, Parking, GT HUSQ	210	532 40 09-80	Rocker Asm. Pedal Control
37	532 18 89-67	Washer Harden .793 x 1.063 x .060	211	532 12 01-83	Bearing Nylon
38	532 16 96-13	Nyliner Bushing	213	532 40 31-19	Knob Control Cruise
42	532 00 88-83	Cover, Foot Pedal	214	532 42 12-63	Pedal Forward
49	596 13 62-01	Bolt, Cup, Head, 3/8-16 x 3/4	215	586 60 65-02	Pedal Reverse
50	532 19 43-27	Idler Flat	221	532 40 31-87	Retainer Spring Clip Handle
51	873 90 06-00	Lock Nut 3/8-16	222	879 21 20-10	Washer 21/32 x 1-1/4 10 Ga.
52	532 19 43-26	Idler V-Groove	226	532 40 15-64	Bracket Strap Torque
56	591 06 53-01	V-Belt, Drive	227	596 13 59-01	Bolt, Hex, 5/16-18 x 3/4, CLR, Zinc
64	532 19 78-65	Shaft Asm. Pedal Brake Control	279	593 89 84-01	Link & Stud-Link, Subasm
73	595 31 66-01	Bolt, HHD w/Flange, 5/16-18 Gr. 5	280	596 03 99-01	Washer, Plain 11/32 x 5/8, CLR
90	532 44 36-05	Keeper Belt Clutching	309	532 16 55-81	Plate Fstnr Cross Shf
92	595 30 57-01	Screw, Hexagon, 5/16-18 x 1-1/4	311	532 16 98-45	Washer Nylon
99	532 44 39-47	Rod Spring Bypass	312	532 16 56-14	Hub Tapered
103	596 43 63-01	Nut, Hex, 5/16-18 x 0.577" Gr. 5 Zn	313	596 04 07-01	Bolt, Hex, 1/4-20 x 1
116	596 13 57-01	Nut, Lock, PRVL. Torq, 5/16-18 x .68	314	532 44 47-13	Keeper Belt
125	817 00 05-12	Screw 5/16-18 x 3/4	315	817 58 05-20	Screw Thdrol 5/16-18 x 4.25
140	596 02 98-01	Spring, Lock Washer, Square Ends	335	532 19 95-34	Pulley V-Idler
143	596 03 07-01	Screw, Hexagon, 5/16-18 x 1/2	336	587 25 96-02	Bolt, 5/16-18 x 1-3/4, Flanged
159	596 02 95-01	Pin, Cotter, 1/8 DIA x 3/4	339	532 43 68-67	Strap Torque K46 CRD Tex
160	596 02 94-01	Clip, Retainer "M"	342	532 18 26-82	Keeper Belt 2.5" STL V-Idlr CRD
161	532 10 57-09	Spring, Return, Clutch	343	594 94 44-01	Nut, Hexagon, Flange, 5/16-18
163	594 08 41-02	Rod, Cntrl, Shift, Pedal	351	532 43 69-98	Bracket 97 CRD Deck Sway
166	532 42 91-64	Nut Push	352	532 43 56-45	Bracket Idler CRD Tex
167	532 40 52-57	Latch Brake Parking	355	532 43 56-69	Bracket
175	532 42 93-59	Shaft Asm Crossshift Rear CRD	359	596 56 40-02	Bolt, HHD, 3/8-16 x 0.655 CLR, ZN
177	587 22 53-01	Pin, Cotter, Locking, Bowtie, 1 In.	360	532 44 47-14	Nut 5/16-24 unf
183	532 13 70-57	Spacer Axle	362	532 43 68-12	Idler Flat
184	587 65 37-01	Handle Parking Brake	363	532 44 27-80	Spacer .343 x .63 x .62
185	872 11 06-22	Bolt 3/8-16 unc x 2-3/4 Gr. 5	364	532 44 30-32	Bracket Idler CRD Tex
186	532 19 43-21	Spacer Retainer	372	582 65 49-01	Keeper Belt Transaxle
188	582 21 70-01	Link Clutch, Long			
189	532 43 36-11	Bellcrank Ground Drive			

NOTE: All component dimensions given in U.S. inches
1 inch = 25.4 mm

TRACTOR - MODEL NO. TC 242TX (96051019300), PRODUCT NO. 96051 01-93
ENGINE [24]

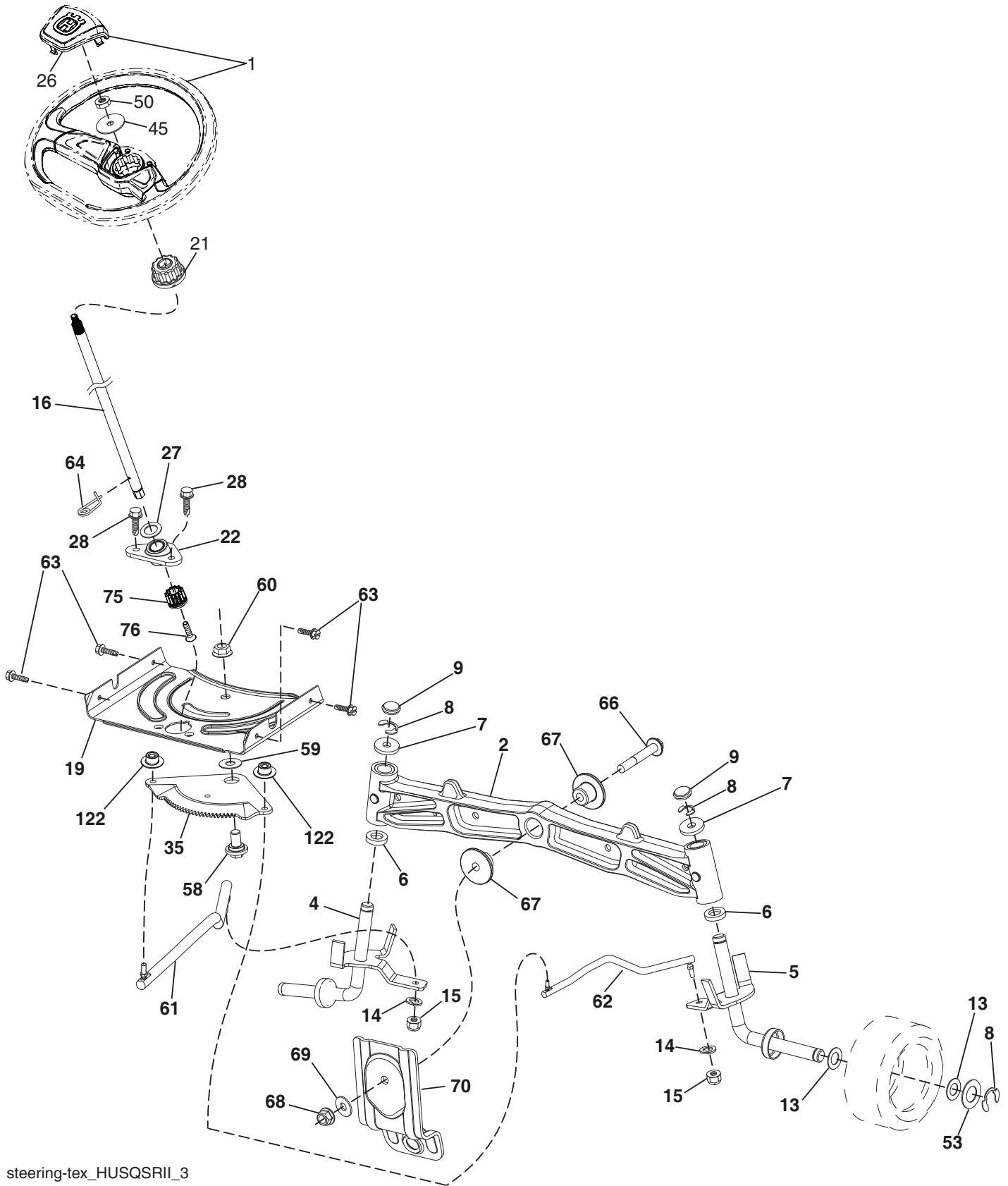


**TRACTOR - MODEL NO. TC 242TX (96051019300), PRODUCT NO. 960 51 01-93
ENGINE 24**

KEY NO.	PART NO.	DESCRIPTION
1	-----	Engine KAWA Model No. FR651V (589493201) (Order parts from engine manufacturer.)
2	589 81 87-01	Muffler
9	501 83 26-02	Keeper Belt Engine
11	592 82 17-01	Clutch Electric
12	532 40 50-97	Pulley Engine
15	532 43 58-16	Tank Fuel
18	532 44 14-62	Fuel Cap
20	532 42 43-41	Control Throttle
21	596 32 17-01	Screw #10 x .075, BOS, Thread
22	532 18 95-41	Control Choke
28	532 13 70-40	Fuel Line
29	532 13 71-80	Spark Arrester Kit
37	532 12 34-87	Clamp Hose
41	532 12 61-97	Washer 1-1/2 OD x 15/32 ID x .250
42	596 23 89-01	Washer 7/16 in., CLR, ZN
43	817 06 05-12	Screw 5/16-18 x 3/4 Thdrol
45	596 13 36-01	Locknut, KEPS, 1/4-20
62	532 43 40-17	Shield Heat Muffler
69	532 17 81-51	Gasket
70	583 95 56-01	Tube Exhaust LH
71	583 95 57-01	Tube Exhaust RH
81	532 14 84-56	Tube Drain Oil Easy
85	501 60 66-01	Bolt Hex 7/16-20 x 3.75 Gr. 5
86	532 18 43-62	Nut Hex Flanged Toplock
90	817 00 06-16	Screw 3/8-16 x 1
92	817 12 06-16	Screw 3/8-16 x 1 SMGML Tap/R
96	596 13 53-01	Washer, Plain, 9/32 x 7/8, CLR, ZN
97	817 67 04-12	Screw 1/4-20 x 3/4
102	817 00 05-12	Screw 5/16-18 x 3/4
108	594 02 64-02	Shield, Clutch
116	539 13 26-24	Knob Shift
137	532 44 14-61	Spill Cup

NOTE: All component dimensions given in U.S. inches
1 inch = 25.4 mm

TRACTOR - MODEL NO. TC 242TX (96051019300), PRODUCT NO. 96051 01-93
STEERING ASSEMBLY 41



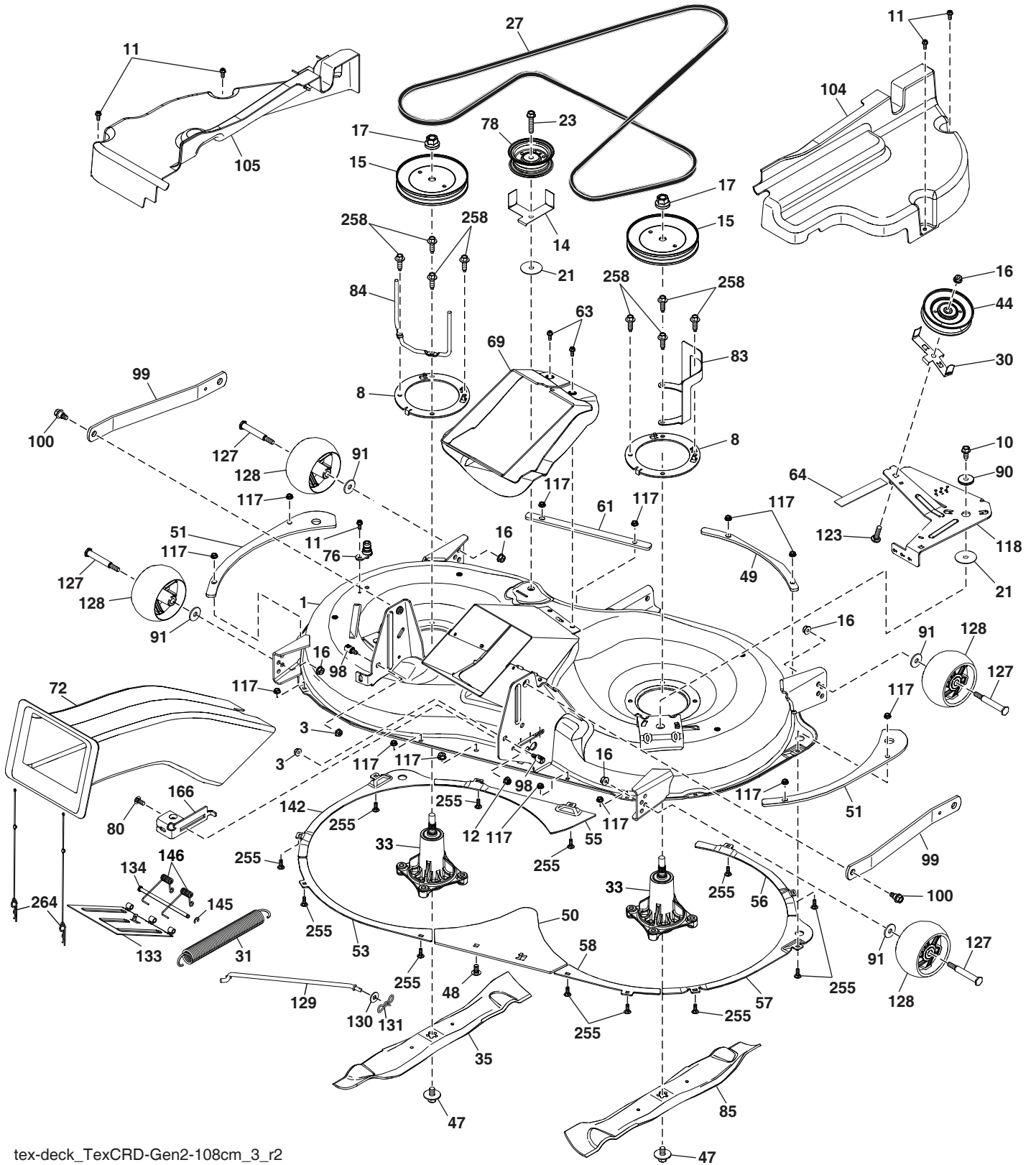
steering-tex_HUSQSR11_3

TRACTOR - MODEL NO. TC 242TX (96051019300), PRODUCT NO. 960 51 01-93
STEERING ASSEMBLY 41

KEY NO.	PART NO.	DESCRIPTION
1	597 86 61-01	Wheel, Steering, Kit (includes steering wheel and cap)
2	532 19 59-68	Axle Asm.
4	532 40 30-87	Spindle, LH
5	532 40 30-88	Spindle, RH
6	532 00 62-66	Washer Thrust 0.75 x 1.23
7	532 12 17-48	Washer 25/32 x 1-5/8 x 16 Ga.
8	812 00 00-29	Ring, Klip #T5304-75
9	532 12 12-32	Cap, Spindle
13	532 12 17-49	Washer 25/32 x 1-1/4 x 16 Ga.
14	596 23 87-01	Washer, Spring Lock, 381 ID x .680
15	873 54 06-00	Nut, Crown Lock 3/8-24 unf
16	587 01 60-02	Steering Shaft
19	532 19 47-29	Plate Steering
21	586 84 02-01	Adapter Wheel Steering
22	585 02 98-02	Bearing
26	594 94 91-01	Cap, Wheel, Steering
27	596 93 34-01	Washer, Plain
28	817 00 06-12	Screw 3/8-16 x 3/4
35	532 19 47-32	Gear, Sector Plate
45	587 01 64-01	Washer 3/8 ID 2-3/8 OD 12 Ga. PLTD
50	873 90 06-00	Nut Lock Flg 3/8-16 unc
53	532 18 89-67	Washer Hardened .793 x 1.637 x .060
58	532 19 47-47	Bolt Shoulder Sector Pivot CFM
59	532 19 47-48	Washer Thrust Sector Steering
60	873 97 10-00	Nut Flange Lock 5/8-11
61	597 07 02-02	Linkage Asm, Draglink, LH
62	597 07 03-02	Linkage Asm, Draglink, RH
63	817 00 05-12	Screw 5/16-18 x 3/4
64	532 19 98-49	Retainer Clip Spring Steering
66	871 02 07-48	Bolt Hex Fghd 7/16-14 x 3 Serr
67	532 19 47-37	Bushing PM Front Axle
68	873 90 07-00	Nut Lock Flange 7/16-14 Gr. 5
69	532 19 91-62	Washer 1.5 x .505 x .118
70	585 33 88-01	Bracket Deck Susp. Front
75	580 68 37-01	Pinion
76	580 68 36-01	Screw Head Sock
122	532 44 49-62	Cap Gear

NOTE: All component dimensions given in U.S. inches
1 inch = 25.4 mm

TRACTOR - MODEL NO. TC 242TX (96051019300), PRODUCT NO. 96051 01-93
MOWER DECK 44



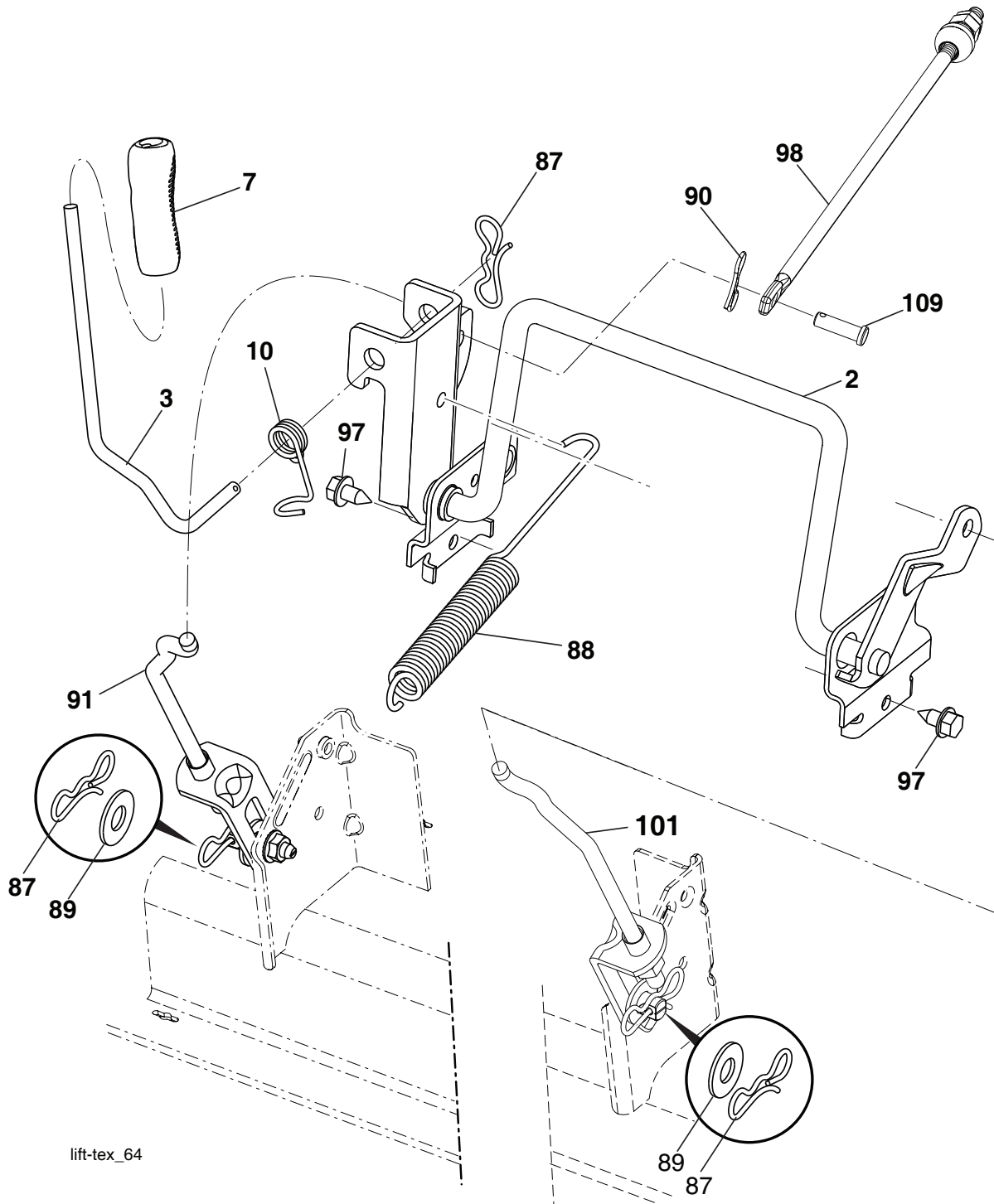
tex-deck_TexCRD-Gen2-108cm_3_r2

TRACTOR - MODEL NO. TC 242TX (96051019300), PRODUCT NO. 960 51 01-93
MOWER DECK 44

KEY NO.	PART NO.	DESCRIPTION	KEY NO.	PART NO.	DESCRIPTION
1	597 95 92-03	Kit, SVC, Deck Weldment	80	595 90 16-01	Bolt, Cup, 5/16-18 x 3/4, Clr, Znc
3	596 13 57-01	Nut, Lock, Prvl, Torq, 5/16-18 x .68	83	595 53 33-02	Belt Keeper
8	595 96 02-02	Mandrel Reinforcement Plate	84	589 67 61-02	Belt Keeper
10	817 00 06-16	Screw, 3/8-16 x 1, Smgml, Tap/R, Blk	85	594 02 48-02	Blade RH
11	532 13 77-29	Screw , Thd, Roll, 1 /4-20 x 5/8	90	532 19 90-92	Spacer, Retainer
12	594 94 44-01	Nut, Hexagon, Flange, 5/16-18	91	596 13 49-01	Washer, Plain, 3/8 x 7/8
14	532 43 68-58	Guard, Paint, Tuv, Idler, 42, Black	98	593 82 40-01	Stud, w /"D"Anti-Rotation
15	532 19 59-45	Pulley, Mandrel, 5.438 Pd, Zinc	99	594 92 82-02	Arm, Deck, Suspension, MS 431
16	873 90 06-00	Nut , Lock, Flg , 3/8-16 unc	100	532 19 65-39	Bolt Shoulder
17	596 13 48-01	Nut, Hex, 9/16-18 x 1 .010	104	594 02 59-01	Cover, Mandrel, Assy, RH
21	532 10 65-13	Washer, Wear, 16 Ga, Harden	105	594 02 58-01	Cover, Mandrel, Assy, LH
23	596 56 40-03	Bolt, Hex, 3/8-16 x 1.78, Clrzinc	117	873 90 04-00	Nut, Hex, Flange, 1/4-20
27	594 02 49-01	Belt	118	594 02 45-02	Arm, Tensioner MS 431
30	597 35 12-02	Keeper, Belt, Ecoat x 431	123	596 13 61-01	Bolt, Cup, Head, 3/8-16 x 1-1/2"
31	582 50 40-01	Spring, Extension	127	596 43 44-04	Bolt, Shoulder, 3/8-16 x 3-5/8"
33	598 85 62-01	Kit, Mandrel, Non Grease, Rev (includes mandrel and bolts)	128	589 52 73-01	Wheel, Gauge, Wide (Rally)
35	594 02 47-02	Blade LH	129	532 44 32-37	Rod Anti-Sway
44	532 19 31-95	Pulley V Idler	130	596 13 32-01	Washer 13/32 x 13/16 x 12 Ga
47	584 30 93-01	Screw, Sems, 7/16-20 x 1, Hex, Head	131	532 19 42-08	Pin Cotter 5/16 Bow Tie Lock
48	596 13 60-01	Bolt, Cup, Head, 3/8-16 x 3/4	133	594 02 55-02	Door, Pnt., Mulch
49	594 02 51-02	Plate, 108cm, FR, RR, Reinforcment	134	593 88 95-01	Pin, Grooved, Hinged
50	595 83 96-02	Plate, Rear, Containment, MS 431	142	597 25 23-02	Plate, 108cm, LH, Containmentx431
51	594 02 50-02	Plate, 108cm, Side, Reinforcement	145	532 43 79-88	E-Ring 5/16
53	597 25 25-02	Plate, 108cm, LH, RR, Containment	146	532 44 58-96	Spring, EZ Mulch Door
55	597 25 27-02	Plate, 108cm, LH, FR, Containment	166	594 02 46-02	Bracket, Tension, Adjmnt x 431
56	597 25 28-02	Plate, 108cm, RH, FR, Containment	255	596 23 84-01	1/4-20 x 3/4, Carr, Blt
57	597 25 24-02	Plate, 108cm, RH, Containment, 431	258	584 95 39-01	Bolt, Hex, Washr, Hed, .313-18x1, 19
58	597 25 26-02	Plate, 108cm, RH, RR, Containment	264	589 39 29-02	Retainer Asm, Chute, CRD 2.5, TEX
61	594 02 52-02	Plate, 108cm, FR, LH, reinfor, 431	- -	597 95 93-03	Replacement Mower Complete
63	585 51 78-01	Screw , Thd, Roll, 1 /4-20 x 5/8			
64	532 42 54-17	Vibration, Pad			
69	597 25 22-01	Lower, Chute, Sealing Collar			
72	581 45 41-04	Chute, Slotted, Holes, Tex, CRD, II			
76	532 41 55-98	Washout Port			
78	532 19 31-97	Pulley, Idler 48" Primary			

NOTE: All component dimensions given in U.S. inches
1 inch = 25.4 mm

TRACTOR - MODEL NO. TC 242TX (96051019300), PRODUCT NO. 96051 01-93
MOWER LIFT 45



lift-tex_64

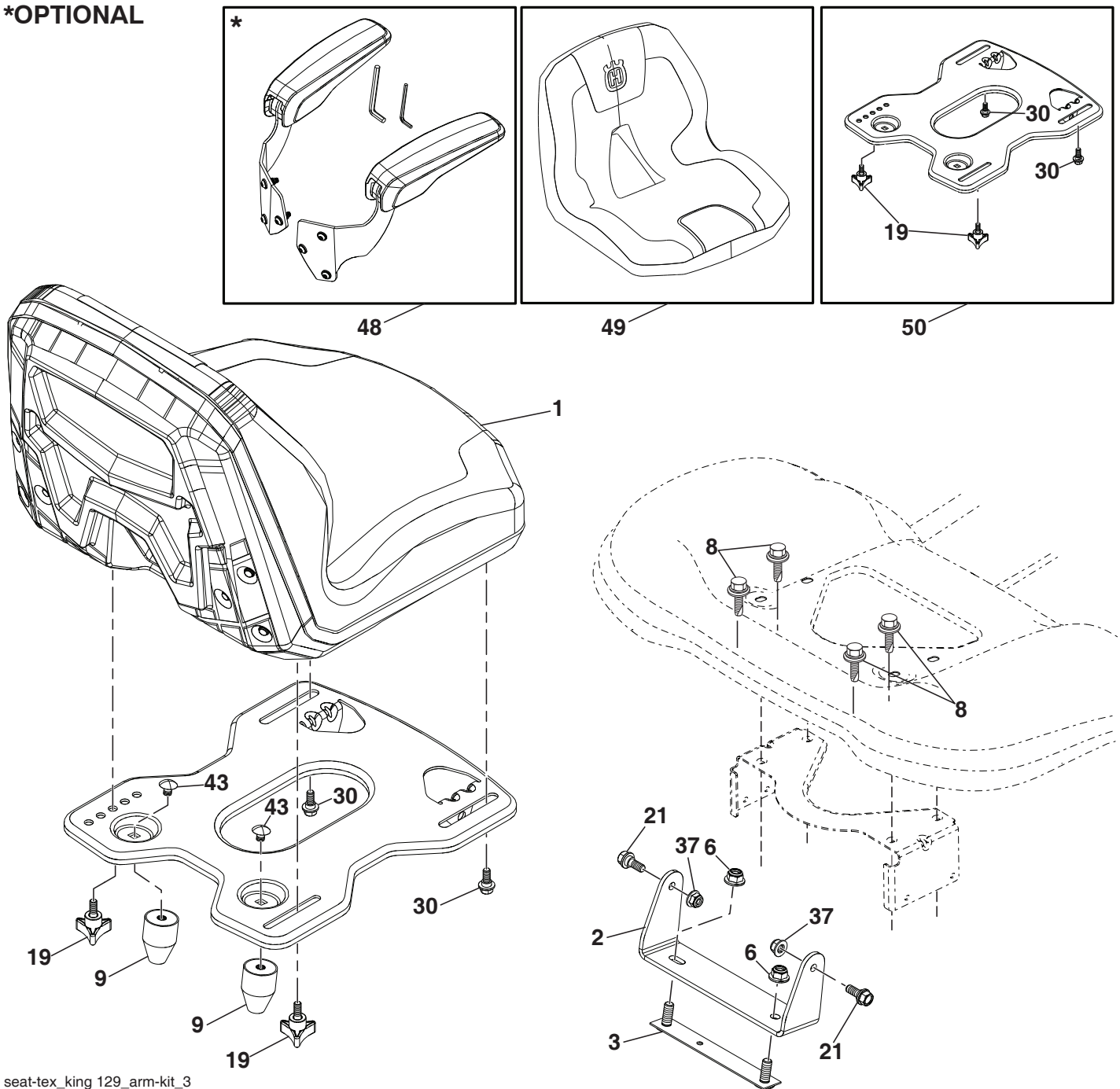
KEY NO.	PART NO.	DESCRIPTION
2	532 43 69-96	Deck Lift Weldment
3	594 01 80-01	Lever, Lift, Handle
7	580 96 23-01	Grip, Lever
10	532 19 63-14	Spring Torsion
87	532 19 42-09	Pin Cotter 7/16 Bow Tie Lock
88	532 44 54-96	Spring Lift Assist
89	819 19 19-12	Washer Clear Zinc
90	532 19 42-08	Pin Cotter 5/16 Bow Tie Lock

KEY NO.	PART NO.	DESCRIPTION
91	589 46 48-06	Link Assy, Lift, Rear
97	596 56 40-01	Hex Bolt w/Collar, 3/8-16 x 0.53
98	595 96 07-02	Link, Asm., Mwr, Frt
101	589 46 48-07	Link, Asm. Lift, Rear
109	539 10 92-32	Pin, Clevis 3/8 x 1 1/4

NOTE: All component dimensions given in U.S. inches
 1 inch = 25.4 mm

**TRACTOR - MODEL NO. TC 242TX (96051019300), PRODUCT NO. 960 51 01-93
SEAT ASSEMBLY 42**

***OPTIONAL**



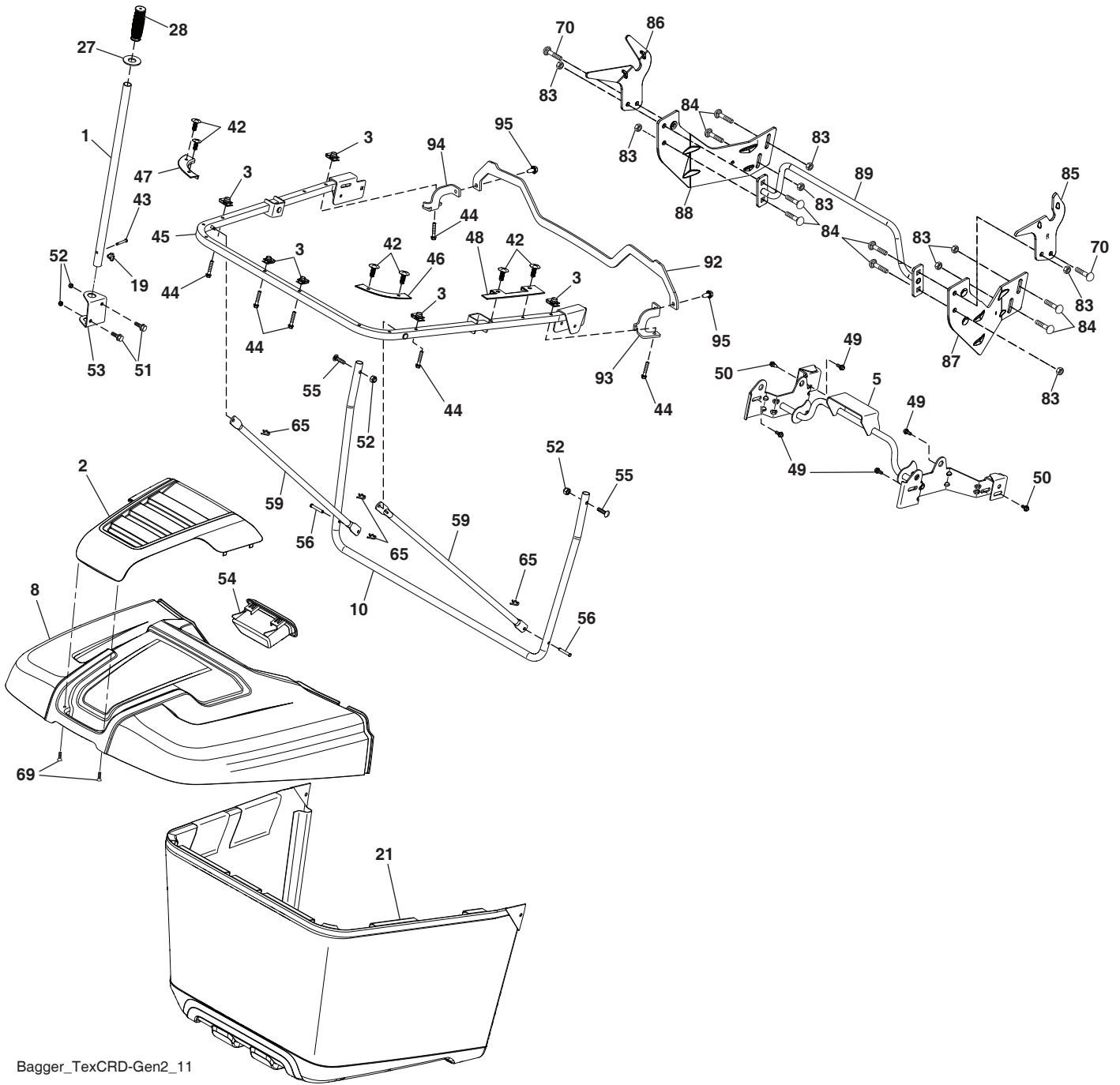
seat-tex_king 129_arm-kit_3

KEY NO.	PART NO.	DESCRIPTION
1	597 65 81-01	Seat, SK150/129 w/o Armrests (includes seat cover key# 49)
2	597 32 99-02	Bracket, PNT, PVT, FNDR, Seat EDIP
3	532 14 06-75	Strap, Asm, Reinfor FNDR
6	521 99 65-02	Nut, Hex, Lock w/Flange 3/8-16
8	532 17 18-77	Bolt 5/16-18 unc x 3/4 w/Sems
9	597 78 51-01	Bumper, Rubber, Isolator
19	597 78 31-01	Knob, 3 Wing 5/16-18, CLR, ZN
21	596 24 07-01	Bolt, Hex 5/16-18 x 21/32
30	597 78-18-01	Bolt, Hex, Should 5/16-18 unc ZPB

KEY NO.	PART NO.	DESCRIPTION
37	594 94 44-01	Nut, Hexagon, Flange 5/16-18
43	597 86 93-01	Bolt, Carri, Cqur 3/8 x .45, CLR, ZN
48	597 65 82-03	Service Kit, 15", Seat Arm
49	597 95 94-01	Cover, Husq. 15", (SK129) Seat
50	598 00 16-01	Seat Service, Kit, Seat Pan (includes all components illustrated in box for Key# 50)

NOTE: All component dimensions given in U.S. inches
1 inch = 25.4 mm

TRACTOR - MODEL NO. TC 242TX (96051019300), PRODUCT NO. 96051 01-93
BAGGER **46**



Bagger_TexCRD-Gen2_11

**TRACTOR - MODEL NO. TC 242TX (96051019300), PRODUCT NO. 960 51 01-93
BAGGER 46**

KEY NO.	PART NO.	DESCRIPTION
1	532 42 86-10	Tube Handle Bagger
2	532 44 75-72	Applique
3	532 17 48-14	Clip
5	532 44 37-62	Upper Pivot Tube
8	532 44 75-75	Bagger Top
10	532 44 37-55	Frame Front
19	532 19 42-08	Cotter Pin 5/16 Bow Tie
21	581 33 71-03	Bag Asm
27	532 44 55-29	Grommet Rubber
28	532 16 57-87	Grip Handle
42	532 44 04-28	Clip
43	532 12 68-75	Clevis Pin
44	532 19 96-87	Bolt 1/4-20
45	532 44 37-54	Upper Frame
46	532 44 55-41	Bag Corner Close Out RH
47	532 44 40-79	Bag Corner Close Out LH
48	532 44 40-80	Top Bagger Side Close Out
49	532 17 18-73	Bolt Shoulder 5/16-18
50	532 17 18-77	Bolt 5/16-18 x 3/4 W/Sems
51	872 11 05-06	Bolt 5/16 x 18 x 3/4
52	596 58 37-02	Nut w/Nonmetal Ins, Blk, Zinc
53	532 44 41-95	Bracket Dump Handle
54	532 44 72-18	Bagger Top Front Handle
55	596 03 08-01	Bolt, Rdhd. Sq. 5/16-18 x 1 1/2 Gr. 5
56	532 42 03-06	Pin Clevis .183 x 1.26
59	532 44 47-63	Bagger Sprd Tube
65	532 00 44-97	Retainer Spring
69	532 42 18-01	Screw #8 Flat Head Drill
70	817 00 06-12	Screw 3/8-16 x 3/4
83	873 80 06-00	Nut Lock Hex w/Ins. 3/8-16 unc
84	596 72 82-01	Bolt, Carri, 3/8-16 x 1" Gr. 5
85	581 31 44-02	Bracket RH Pivot
86	581 31 43-02	Bracket LH Pivot
87	581 31 48-02	Bracket RH
88	581 31 47-02	Bracket LH
89	581 31 51-04	Weldment Offset Strut
92	586 05 23-02	Bracket Top Support
93	586 05 24-02	Bracket Support RH
94	586 05 25-02	Bracket Support LH
95	817 00 05-12	Screw 5/16-18 x 3/4
--	501 70 56-01	Bagger Dump Kit (Includes Key#'s 85, 86, 87, 88, & 89)
--	586 74 49-01	Bagger Complete Kit (Includes Key#'s 1, 5, 10, 19, 21, 27, 28, 42, 43, 46, 47, 48, 49, 50, 52, 54, 56, 59, 65)

NOTE: All component dimensions given in U.S. inches
1 inch = 25.4 mm

