

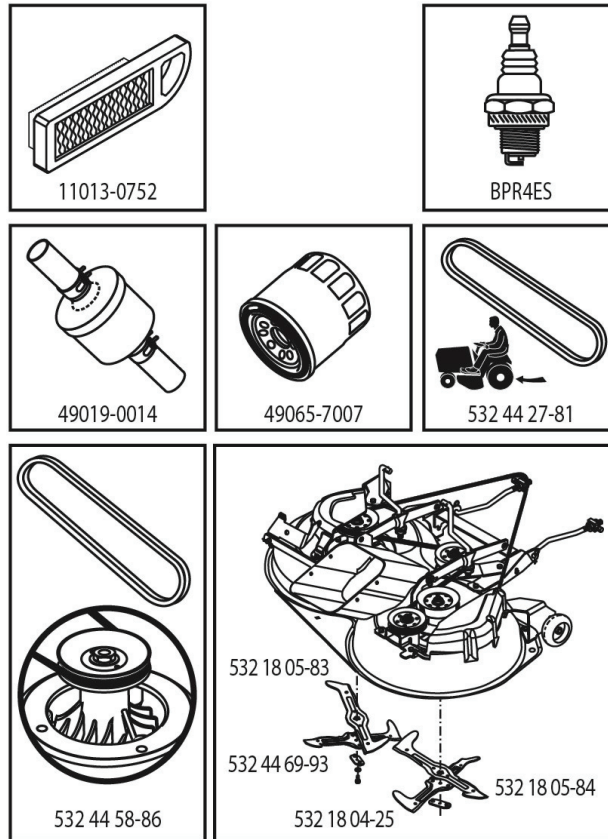
ILLUSTRATED PARTS LIST

MFG. ID NO. 96051014801

CUSTOMER CATALOG NO. TC 342T

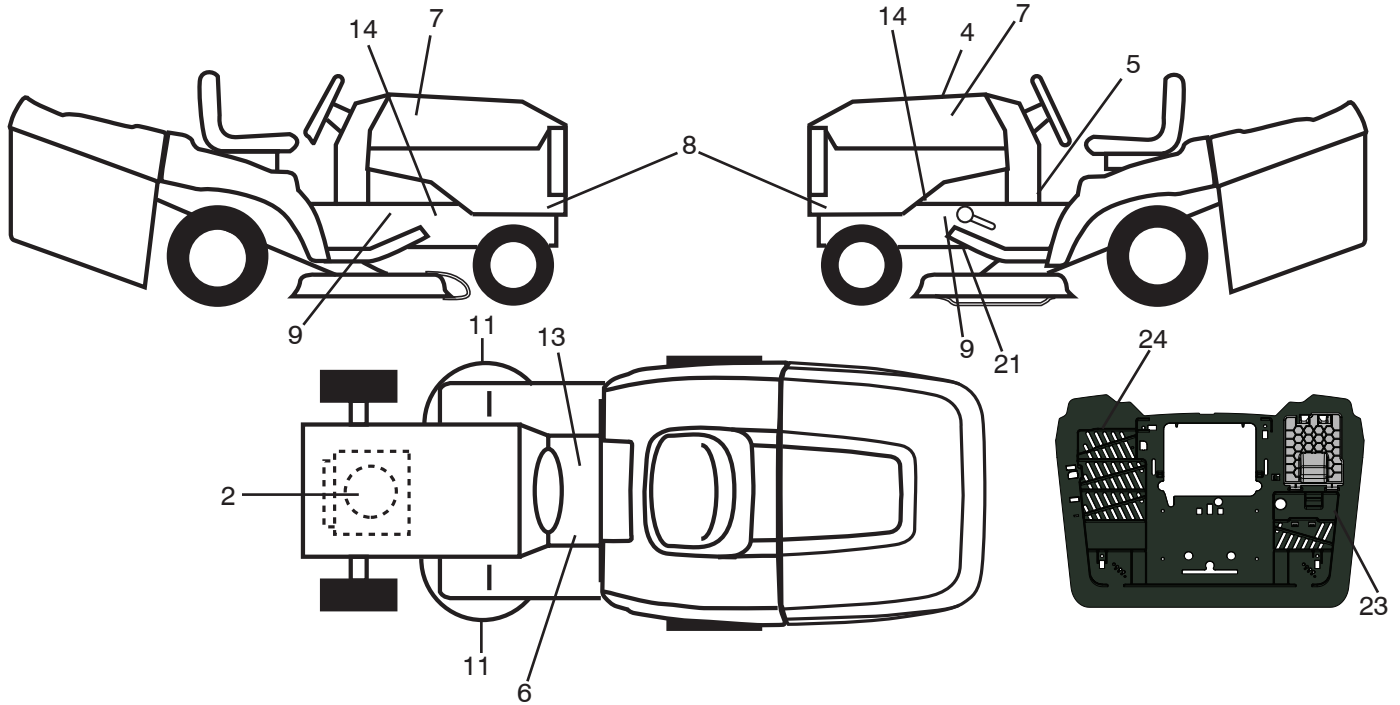
PRODUCT NO. 960 51 14-80

47



589494301

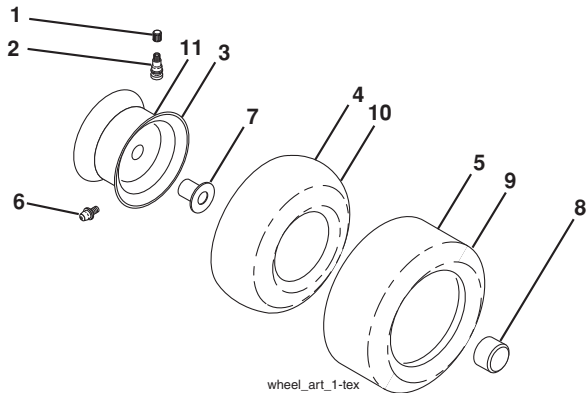
TRACTOR - MODEL NO. TC 342T (96051014801), PRODUCT NO. 960 51 01-48
DECALS 27



| KEY NO. | PART NO. | DESCRIPTION |
|---------|--------------|--------------------------------|
| 2 | 581 57 97-01 | Decal, Warning Eng. |
| 4 | 592 94 99-01 | Decal, Replacement |
| 5 | 581 57 84-01 | Decal, Lower Dash |
| 6 | 581 57 83-01 | Decal, Warning |
| 7 | 581 62 73-01 | Decal, Hood |
| 8 | 589 51 47-01 | Decal, Side Panel |
| 9 | 581 57 98-01 | Decal, Warning |
| 11 | 581 57 91-01 | Decal, Mower Cut Finger Symbol |
| 13 | 586 80 03-01 | Decal, Tractor Saddle |
| 14 | 581 57 96-01 | Decal, Chassis Hot Muffler |
| 21 | 532 44 11-89 | Decal, Belt Schematic |

| KEY NO. | PART NO. | DESCRIPTION |
|---------|--------------|----------------------------|
| 23 | 532 44 46-19 | Decal, Bypass |
| 24 | 532 44 54-93 | Decal, Warning Combined |
| -- | 532 44 14-09 | Pad Footrest LH |
| -- | 532 44 14-10 | Pad Footrest RH |
| -- | 115 94 34-20 | Manual Operator's (Euro) |
| -- | 115 94 36-10 | Manual Operator's (Scan) |
| -- | 115 94 35-50 | Manual Operator's (E-Bloc) |
| -- | 115 94 37-40 | Manual Operator's (Baltic) |

WHEELS AND TIRES



wheel_art_1-tex

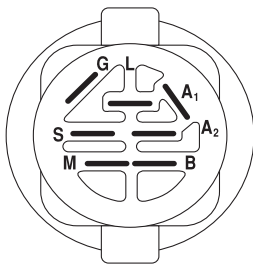
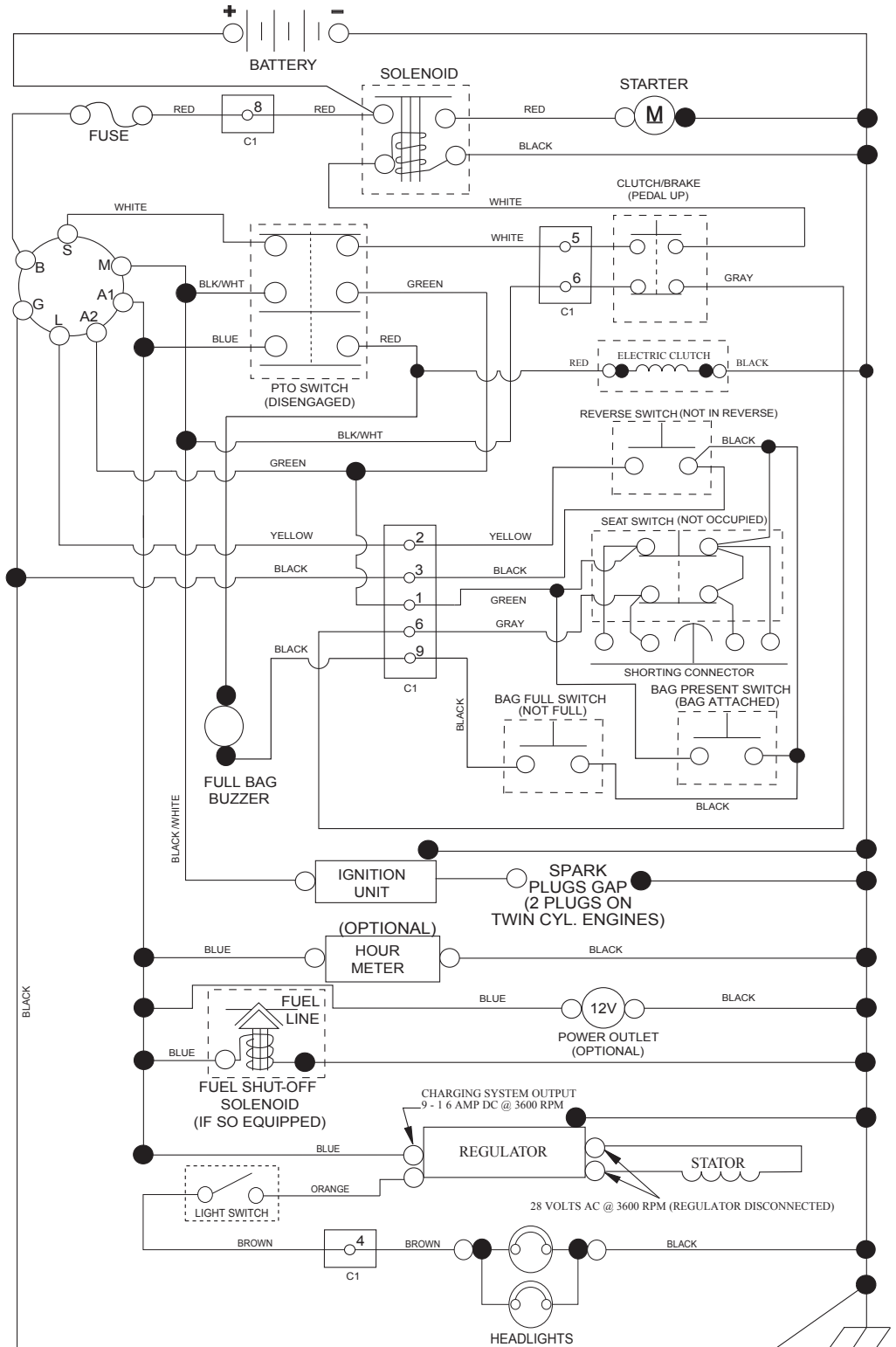
| KEY NO. | PART NO. | DESCRIPTION |
|---------|--------------|-----------------------------------|
| 1 | 532 05 91-92 | Cap Valve Tire |
| 2 | 532 06 51-39 | Stem Valve |
| 3 | 532 13 83-36 | Rim Front |
| 4 | 532 05 99-04 | Tube Front (Service Item Only) |
| 5 | 532 17 04-55 | Tire Front 15 x 6-6 |
| 6 | 532 12 49-57 | Fitting Grease (Front Wheel Only) |
| 7 | 532 12 49-59 | Bearing Flange (Front Wheel Only) |
| 8 | 532 17 50-39 | Cap Axle Blk 1 50 x 1 00 |
| 9 | 588 69 19-01 | Tire Rear 18 x 9.5-8 |
| 10 | 532 12 49-26 | Tube Rear (Service Item Only) |
| 11 | 532 13 83-37 | Rim Asm 8" Rear |
| -- | 532 14 43-34 | Sealant, Tire (10 oz. Tube) |

NOTE: All component dimensions given in U.S. inches
 1 inch = 25.4 mm

TRACTOR - MODEL NO. TC 342T (96051014801), PRODUCT NO. 960 51 01-48

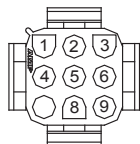
SCHEMATIC 38

SCH19

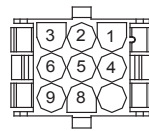


IGNITION SWITCH

| POSITION | CIRCUIT | "MAKE" |
|--------------|------------|--------|
| OFF | M+G+A1 | |
| RUN/OVERRIDE | B+A1 | |
| RUN | B+A1 | L+A2 |
| START | B + S + A1 | |



CHASSIS HARNESS CONNECTOR (C1) (MATING SIDE)



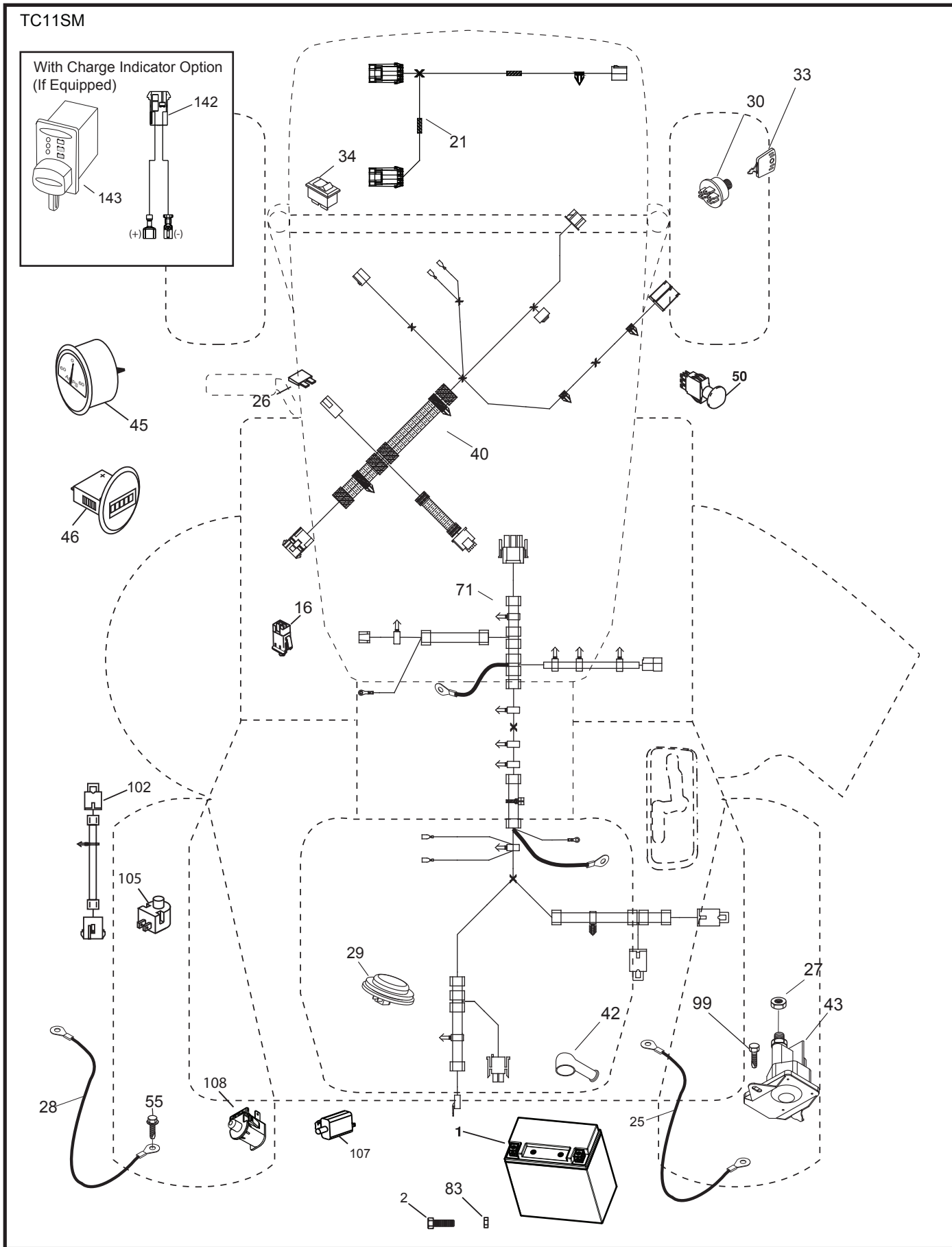
DASH HARNESS CONNECTOR (C1) (MATING SIDE)

WIRING INSULATED CLIPS
NOTE: IF WIRING INSULATED CLIPS WERE REMOVED FOR SERVICING OF UNIT, THEY SHOULD BE RE-INSTALLED TO PROPERLY SECURE YOUR WIRING.

●
NON-REMOVABLE CONNECTIONS

○
REMOVABLE CONNECTIONS

TRACTOR - MODEL NO. TC 342T (96051014801), PRODUCT NO. 960 51 01-48
ELECTRICAL 32



**TRACTOR - MODEL NO. TC 342T (96051014801), PRODUCT NO. 960 51 01-48
ELECTRICAL 32**

| KEY NO. | PART NO. | DESCRIPTION |
|----------------|-----------------|---------------------------------|
| 1 | 532 43 71-57 | Battery |
| 2 | 532 44 09-23 | Screw Hex Hd Cap M6 x 1.12mm |
| 16 | 532 17 61-38 | Switch Interlock Push-In |
| 21 | 585 43 64-01 | Harness Light |
| 25 | 589 32 37-01 | Cable Batt., 8 Ga., Red 9, CRD |
| 26 | 532 17 51-58 | Fuse |
| 27 | 873 51 04-00 | Nut Keps Hex 1/4-20 unc |
| 28 | 589 32 36-01 | Cable, Batt. BLK10 |
| 29 | 532 40 15-45 | Switch, Seat |
| 30 | 532 19 33-50 | Switch, Ign DLTA |
| 33 | 532 41 19-35 | Key/Chain Blisterpack |
| 34 | 532 11 07-12 | Switch, Light Reset |
| 40 | 587 30 48-01 | Harness Ign. Dash |
| 42 | 532 13 15-63 | Cover Terminal, Red |
| 43 | 582 04 28-01 | Solenoid |
| 45 | 587 55 39-03 | Ammeter Guage Round |
| 46 | 587 55 40-03 | Gauge Serviceminder HRMTR |
| 50 | 582 10 76-01 | Switch, PTO 8 Terminal |
| 55 | 817 06 05-12 | Screw Thdrol 5/16-18 x 3/4 TYTT |
| 71 | 532 44 08-20 | Harness Ignition Chassis |
| 83 | 532 43 67-74 | Nut Square M6 x 1.8.5 x 11mm |
| 99 | 817 00 05-12 | Screw 5/16-18 x 3/4 Thrdl |
| 102 | 532 44 12-62 | Harness Jumper |
| 105 | 532 40 75-68 | Switch Reverse |
| 107 | 532 18 03-79 | Switch Full Bagger |
| 108 | 589 50 03-01 | Switch Snapmount |
| 142 | 583 85 78-01 | Charge Port Pigtail |
| 143 | 532 44 80-59 | Charge Port |

NOTE: All component dimensions given in U.S. inches
1 inch = 25.4 mm

TRACTOR - MODEL NO. TC 342T (96051014801), PRODUCT NO. 960 51 01-48
CHASSIS AND ENCLOSURES 39

| KEY NO. | PART NO. | DESCRIPTION | KEY NO. | PART NO. | DESCRIPTION |
|---------|--------------|---------------------------------|---------|--------------|-----------------------------------|
| 3 | 532 44 44-81 | Applique | 246 | 591 44 90-01 | Spring TCRD Gen 2.5 Bagger Ext |
| 5 | 590 74 00-19 | Dash | 247 | 582 55 26-02 | Strap Battery TCRD Gen 2.5 x .431 |
| 14 | 532 44 11-77 | Hood | 248 | 872 11 05-04 | Bolt Carr. 5/16 unc x 1/2 |
| 15 | 585 42 03-01 | Lens LH | 249 | 586 93 60-01 | Screw Button 10-24 x 1/2 PTCHD |
| 18 | 587 52 34-01 | Grille | 250 | 539 97 69-77 | Nut #10-24 Hex, Nylon Ring ZD |
| 25 | 585 42 02-01 | Lens RH | 251 | 589 31 89-04 | Backplate Support Bracket |
| 34 | 580 91 09-01 | Plate Engine | 252 | 581 99 22-04 | Backplate Support Bracket |
| 36 | 817 06 05-12 | Screw 5/16-18 x 3/4 | 253 | 539 11 56-20 | Bolt Carr. 1/4-20 x 3/4 |
| 37 | 532 44 13-69 | Fender | 254 | 873 90 04-00 | Nut, Hex Flange 1/4-20 unc |
| 52 | 873 68 05-00 | Nut Lock 5/16-18 | 255 | 589 39 22-02 | Bolt Cross Drilled 3 8/16 x 1.75 |
| 62 | 872 11 06-08 | Bolt RdHd Sqnk 3/8-16 x 1 Gr. 5 | 256 | 532 19 70-33 | Nut Jam 3/8-16 |
| 68 | 539 99 08-58 | Screw Thdrol 5/16-18 x 1/2 | 257 | 589 74 66-02 | Bagger Latch Assembly LH |
| 118 | 819 13 13-16 | Washer 13/32 x 13/16 x 16 Ga. | 258 | 589 74 67-02 | Bagger Latch Assembly RH |
| 119 | 873 68 06-00 | Nut Crownlock 3/8-16 unc | 282 | 532 41 41-10 | Clip Retainer |
| 130 | 532 41 63-58 | Screw #10 x 0.750 | 283 | 532 44 72-12 | Console Deck Lift LH |
| 137 | 532 40 75-90 | Bumper Dash | 284 | 532 44 72-20 | Console Shft RH |
| 150 | 532 43 97-74 | Air Duct | 287 | 817 60 04-06 | Screw 1/4-20 x 3/8 |
| 151 | 532 43 66-70 | Bracket Pivot | 296 | 585 42 05-01 | LED Light LH |
| 152 | 532 43 98-70 | Shield Browning | 297 | 586 18 29-01 | Insert Reflective LH |
| 159 | 817 00 06-12 | Screw Hexwsh Thrd 3/8-16 x 3/4 | 299 | 585 42 04-01 | LED Light RH |
| 162 | 532 14 24-32 | Screw | 303 | 587 49 31-02 | Shield LWR LH |
| 175 | 590 60 77-02 | Crossmember Plate | 304 | 589 41 30-02 | Shield LWR RH |
| 176 | 532 40 07-76 | Screw 10-24 x 5/8 | 307 | 587 49 45-01 | Shield Upper French |
| 177 | 532 19 52-28 | Bushing Steering | 308 | 532 17 18-77 | Bolt 5/16-18 unc x 3/4 w/Sems |
| 180 | 583 90 27-01 | Chassis | 309 | 582 55 25-02 | Backplate |
| 182 | 532 40 68-59 | Dash Lower | 319 | 581 31 39-07 | Lever Bag |
| 183 | 874 52 05-20 | Bolt 5/16-18 x 1-1/4 | 334 | 532 44 25-37 | Bracket Engine |
| 189 | 817 00 05-12 | Screw 5/16-18 x 3/4 | 335 | 532 44 82-04 | Cover RH Lower Close Out |
| 191 | 586 18 28-01 | Insert Reflective RH | 336 | 532 44 53-09 | Cover LH Lower Close Out |
| 194 | 873 90 05-00 | Nut Lock Hex Flange 5/16-18 | 338 | 532 43 66-40 | Bolt Shoulder |
| 195 | 532 40 41-37 | Plug Hole Dash Lower | 339 | 532 43 66-41 | Lever Bagger Full |
| 198 | 532 44 15-52 | Indicator Deck Lift | 340 | 582 55 27-02 | Door Battery |
| 199 | 532 41 87-39 | Plate Deck Lift | 341 | 582 06 08-01 | Latch Battery Door Tex CRD |
| 202 | 532 43 97-28 | Vent Side Hood RH | 342 | 582 82 68-02 | Supprt Fender |
| 203 | 532 43 97-27 | Vent Side Hood LH | 343 | 532 44 07-49 | Clip |
| 204 | 532 44 06-65 | Vent Top Hood | 344 | 532 43 89-70 | Control Ex Mulch Tex/CRD |
| 205 | 532 43 97-30 | Skirt Hood Side RH | 345 | 532 44 06-39 | Knob, Oval, Tapered 3/8-16 BLK |
| 206 | 532 43 97-29 | Skirt Hood Side LH | 347 | 532 44 28-87 | Hitch Tow |
| 207 | 585 42 00-02 | Bezel RH | 350 | 532 44 51-43 | Clip X-Mas Tree |
| 208 | 585 42 01-02 | Bezel LH | 366 | 581 31 46-02 | Bracket RH Front Bagger |
| 213 | 874 76 05-12 | Bolt 5/16-18 x 3/4 | 367 | 581 31 45-02 | Bracket LH Front Bagger |
| 214 | 532 19 91-45 | Clip Retainer Tinner | 368 | 581 42 48-01 | Shroud Bag Full Lever |
| 217 | 532 40 91-67 | Rod Pivot | 375 | 586 90 82-01 | Dash Clip-On Bumper |
| 218 | 532 19 63-95 | X-Piece Hood Stop | 378 | 590 84 98-01 | Bushing Flange Plastic |
| 228 | 532 19 51-61 | Stud Fastner | -- | 532 43 18-82 | Guard Brush |
| 229 | 532 44 14-63 | Lid Ext | | | |
| 235 | 532 40 61-29 | Spacer Fender | | | |
| 236 | 873 93 05-00 | Nut Lock 5/16-18 unc | | | |
| 241 | 817 06 05-16 | Screw 5/16-18 x 1 SMGML Tap/R | | | |

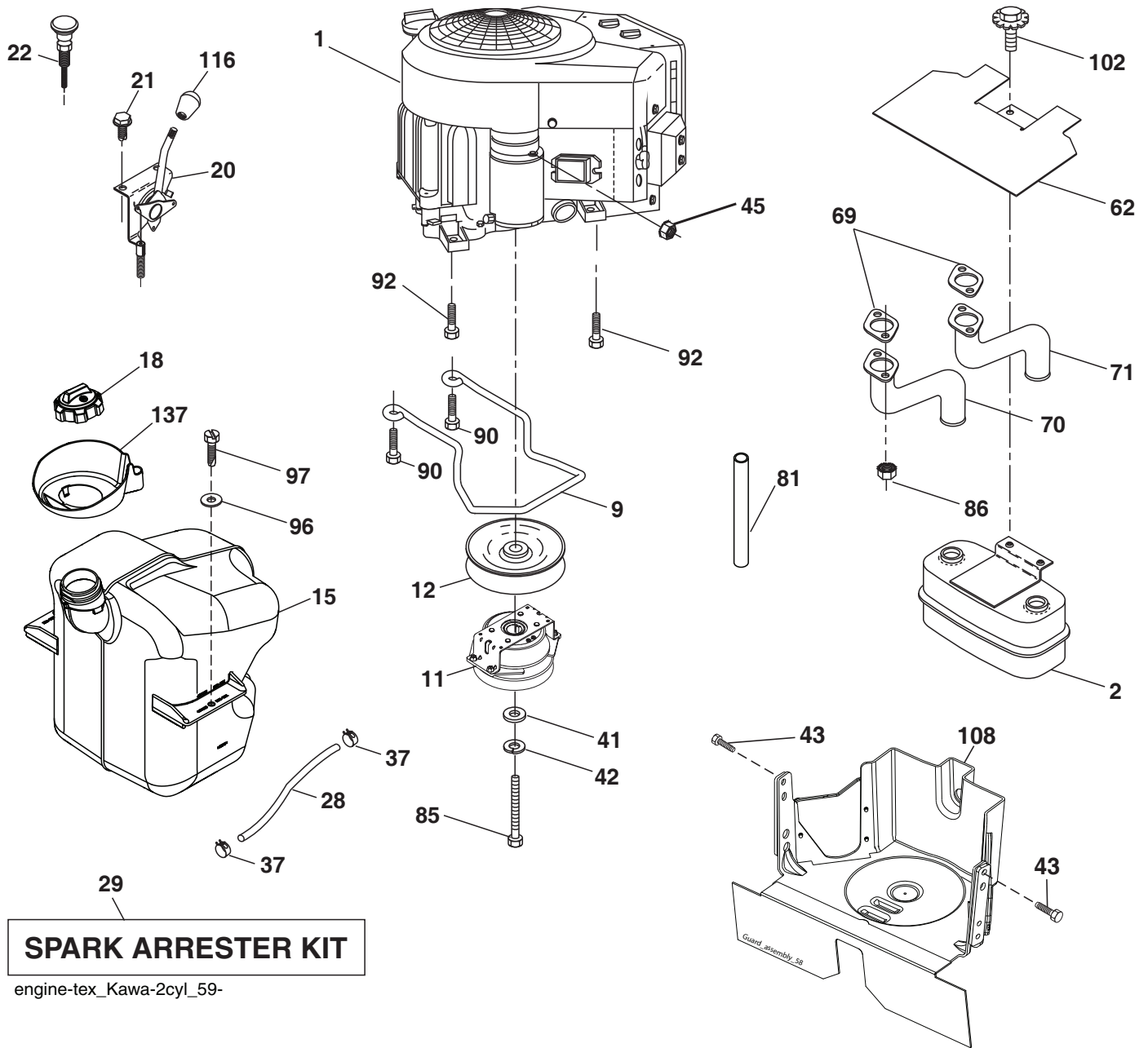
NOTE: All component dimensions given in U.S. inches
1 inch = 25.4 mm

**TRACTOR - MODEL NO. TC 342T (96051014801), PRODUCT NO. 960 51 01-48
DRIVE **40****

| KEY NO. | PART NO. | DESCRIPTION | KEY NO. | PART NO. | DESCRIPTION |
|---------|--------------|--|---------|--------------|-----------------------------------|
| 1 | --- | Transaxle, Tufftorq K57AH (585743601) (Order parts from transaxle manufacturer.) | 197 | 585 65 86-01 | Link Clutch Anti-Rotation |
| 2 | 532 12 35-83 | Key Square | 203 | 819 11 11-16 | Washer 11/32 x 11/16 x 16 Ga. |
| 6 | 532 12 40-28 | Bushing Snap | 205 | 532 12 17-48 | Washer 25/32 x 1-5/8 x 16 Ga. |
| 17 | 532 43 62-27 | Spring Brake K46 | 206 | 532 44 85-96 | Bracket Mount Latch Cruise |
| 26 | 532 19 96-79 | Spring Return Cruise | 207 | 587 03 14-01 | Latch Control Cruise |
| 27 | 817 49 05-28 | Screw Hexwsh Thd 5/16-18 x 1-3/4 | 208 | 532 19 78-69 | Gear Sector Control Cruise |
| 29 | 532 44 27-95 | Rod, Brake | 209 | 532 19 95-92 | Rod Control Cruise |
| 30 | 819 13 16-16 | Washer | 210 | 532 40 09-80 | Rocker Asm. Pedal Control |
| 33 | 812 00 00-01 | Ring E | 211 | 532 12 01-83 | Bearing Nylon |
| 35 | 583 86 45-01 | Rod, Brake, Park | 213 | 532 40 31-19 | Knob Control Cruise |
| 37 | 532 18 89-67 | Washer Harden .793 x 1.063 x .060 | 214 | 532 41 68-63 | Pedal Forward |
| 38 | 532 16 96-13 | Nyliner Bushing | 215 | 586 60 65-02 | Pedal Reverse |
| 42 | 532 12 48-72 | Cover, Foot Pedal | 221 | 532 40 31-87 | Retainer Spring Clip Handle |
| 49 | 872 11 06-14 | Bolt Rdhd 3/8-16 unc x 3/4 Gr. 5 | 222 | 879 21 20-10 | Washer 21/32 x 1-1/4 10 Ga. |
| 50 | 532 19 43-27 | Idler Flat | 226 | 532 40 15-64 | Bracket Strap Torque |
| 51 | 873 90 06-00 | Lock Nut 3/8-16 | 227 | 817 49 05-12 | Screw |
| 52 | 532 19 43-26 | Idler V-Groove | 279 | 532 44 42-83 | Link Shift |
| 56 | 532 44 27-81 | V-Belt, Drive | 280 | 819 11 10-12 | Washer 11/32 x 5/8 x 12 Ga. |
| 64 | 532 19 78-65 | Shaft Asm. Pedal Brake Control | 284 | 532 41 76-93 | Nut |
| 73 | 874 49 05-44 | Bolt Flanged | 285 | 874 18 04-12 | Screw |
| 90 | 532 44 36-05 | Keeper Belt Clutching | 309 | 532 16 55-81 | Plate Fstnr Cross Shf |
| 92 | 874 76 05-20 | Bolt Fin Hex 5/16-18 unc x 1.25 | 311 | 532 16 98-45 | Washer Nylon |
| 99 | 532 44 39-47 | Rod Spring Bypass | 312 | 532 16 56-14 | Hub Tapered |
| 103 | 873 35 05-00 | Nut Hex Jam 5/16-18 | 313 | 874 78 04-16 | Bolt Hex Fin 1/4-20 unc x 1 Gr. 5 |
| 116 | 873 90 05-00 | Nut Lock Hex Flange 5/16-18 | 314 | 532 44 47-13 | Keeper Belt |
| 125 | 817 00 05-12 | Screw 5/16-18 x 3/4 | 315 | 817 58 05-20 | Screw Thdrol 5/16-18 x 4.25 |
| 140 | 810 04 04-00 | Washer Lock Hvy Helical 1/4 | 335 | 532 19 95-34 | Pulley V-Idler |
| 143 | 539 99 08-58 | Screw 5/16-18 x 1/2 | 336 | 587 25 96-01 | Bolt 5/16-18 x 1-3/4 Flanged hex |
| 159 | 876 02 04-12 | Pin Cotter 1/8 x 3/4 | 339 | 532 43 68-67 | Strap Torque K46 CRD Tex |
| 160 | 532 16 94-84 | Retainer Clip | 342 | 532 18 26-82 | Keeper Belt 2.5" STL V-Idlr CRD |
| 161 | 532 10 57-09 | Spring, Return, Clutch | 343 | 539 11 28-99 | Nut 5/16-18 Hex Flanged Nyloc |
| 163 | 532 44 27-93 | Rod Control | 351 | 532 43 69-98 | Bracket 97 CRD Deck Sway |
| 166 | 532 42 91-64 | Nut Push | 352 | 532 43 56-45 | Bracket Idler CRD Tex |
| 167 | 532 40 52-57 | Latch Brake Parking | 355 | 532 43 56-69 | Bracket |
| 175 | 532 42 93-59 | Shaft Asm Crossshift Rear CRD | 359 | 817 49 06-10 | Screw Thdrol 3/8-16 x 5/8 |
| 183 | 532 13 70-57 | Spacer Axle | 360 | 532 44 47-14 | Nut 5/16-24 unf |
| 184 | 587 65 37-01 | Handle Parking Brake | 362 | 532 43 68-12 | Idler Flat |
| 185 | 872 11 06-22 | Bolt 3/8-16 unc x 2-3/4 Gr. 5 | 363 | 532 44 27-80 | Spacer .343 x .63 x .62 |
| 186 | 532 19 43-21 | Spacer Retainer | 364 | 532 44 30-32 | Bracket Idler CRD Tex |
| 188 | 582 21 70-01 | Link Clutch, Long | 372 | 582 65 49-01 | Keeper Belt Transaxle |
| 189 | 532 43 36-11 | Bellcrank Ground Drive | | | |
| 195 | 580 45 69-01 | Bracket Rod Brake CRD Tex | | | |
| 196 | 817 00 06-16 | Screw 3/8-16 x 1 Smgml Tap/R Blk | | | |

NOTE: All component dimensions given in U.S. inches
1 inch = 25.4 mm

TRACTOR - MODEL NO. TC 342T (96051014801), PRODUCT NO. 960 51 01-48
ENGINE 24

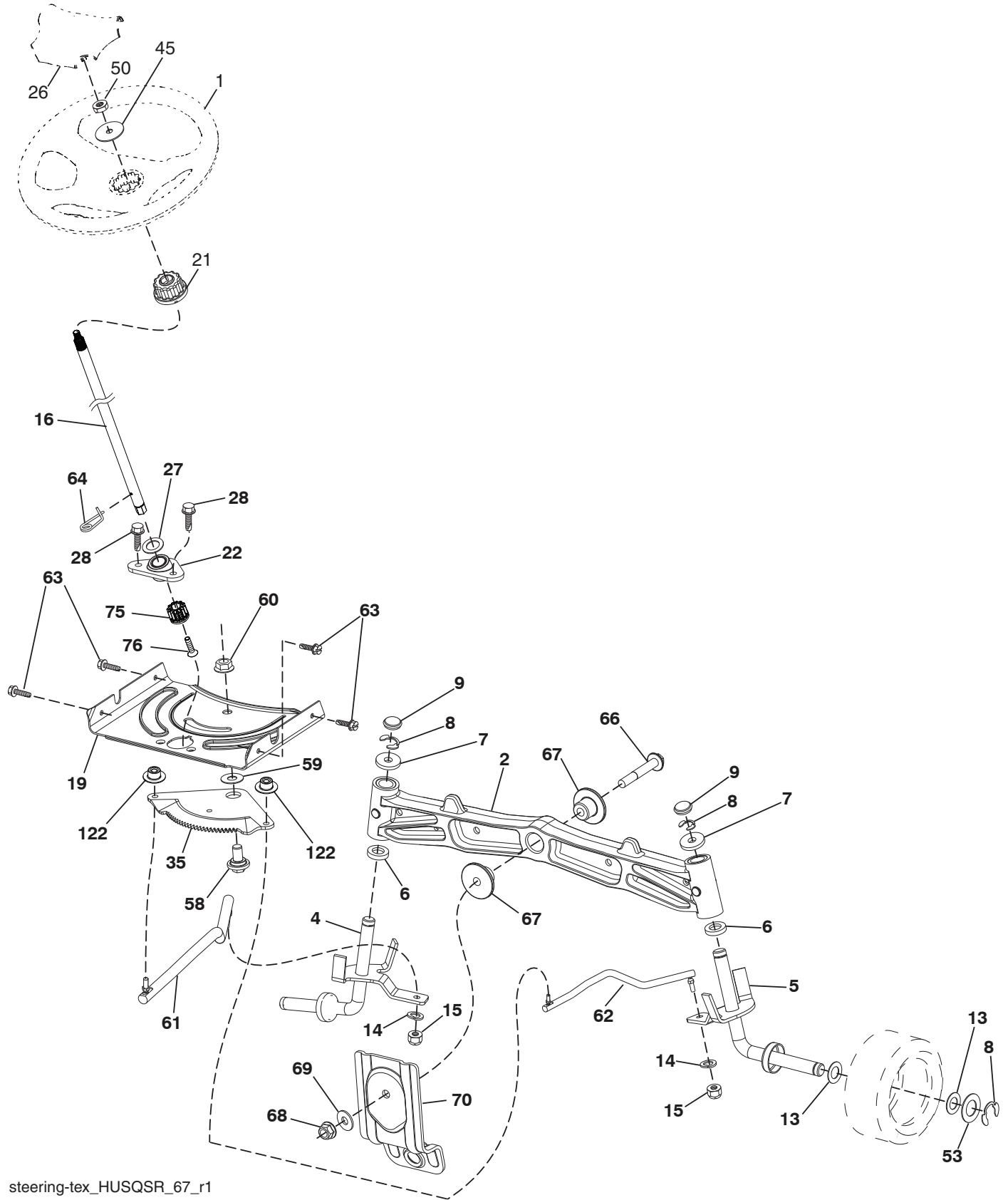


**TRACTOR - MODEL NO. TC 342T (96051014801), PRODUCT NO. 960 51 01-48
ENGINE 24**

| KEY NO. | PART NO. | DESCRIPTION |
|---------|--------------|---|
| 1 | ----- | Engine KAWA Model No. FR651V (589493201) (Order parts from engine manufacturer.) |
| 2 | 589 81 87-01 | Muffler |
| 9 | 501 83 26-02 | Keeper Belt Engine |
| 11 | 587 24 16-01 | Clutch Electric |
| 12 | 532 40 50-97 | Pulley Engine |
| 15 | 532 43 58-16 | Tank Fuel |
| 18 | 532 44 14-62 | Fuel Cap |
| 20 | 532 42 43-41 | Control Throttle |
| 21 | 532 41 63-58 | Screw # 10 x 0.750 |
| 22 | 532 18 95-41 | Control Choke |
| 28 | 587 04 48-20 | Fuel Line |
| 29 | 532 13 71-80 | Spark Arrester Kit |
| 37 | 532 12 34-87 | Clamp Hose |
| 41 | 532 12 61-97 | Washer 1-1/2 OD x 15/32 ID x .250 |
| 42 | 539 99 02-47 | Washer Lock 7/16 |
| 43 | 817 06 05-16 | Screw 5/16-18 x 1 SMGML Tap |
| 45 | 873 51 04-00 | Nut Keps Hex 1/4-20 unc |
| 62 | 532 43 40-17 | Shield Heat Muffler |
| 69 | 532 17 81-51 | Gasket |
| 70 | 583 95 56-01 | Tube Exhaust LH |
| 71 | 583 95 57-01 | Tube Exhaust RH |
| 81 | 532 14 84-56 | Tube Drain Oil Easy |
| 85 | 501 60 66-01 | Bolt Hex 7/16-20 x 3.75 Gr. 5 |
| 86 | 532 18 43-62 | Nut Hex Flanged Toplock |
| 90 | 817 00 06-16 | Screw 3/8-16 x 1 |
| 92 | 817 12 06-16 | Screw 3/8-16 x 1 SMGML Tap/R |
| 96 | 819 09 14-16 | Washer 9/32 x 7/8 x 16 Ga. |
| 97 | 817 67 04-12 | Screw 1/4-20 x 3/4 |
| 102 | 817 00 05-12 | Screw 5/16-18 x 3/4 |
| 108 | 587 17 95-10 | Cover Pulley Engine |
| 116 | 539 13 26-24 | Knob Shift |
| 137 | 532 44 14-61 | Spill Cup |

NOTE: All component dimensions given in U.S. inches
1 inch = 25.4 mm

TRACTOR - MODEL NO. TC 342T (96051014801), PRODUCT NO. 960 51 01-48
STEERING ASSEMBLY 41



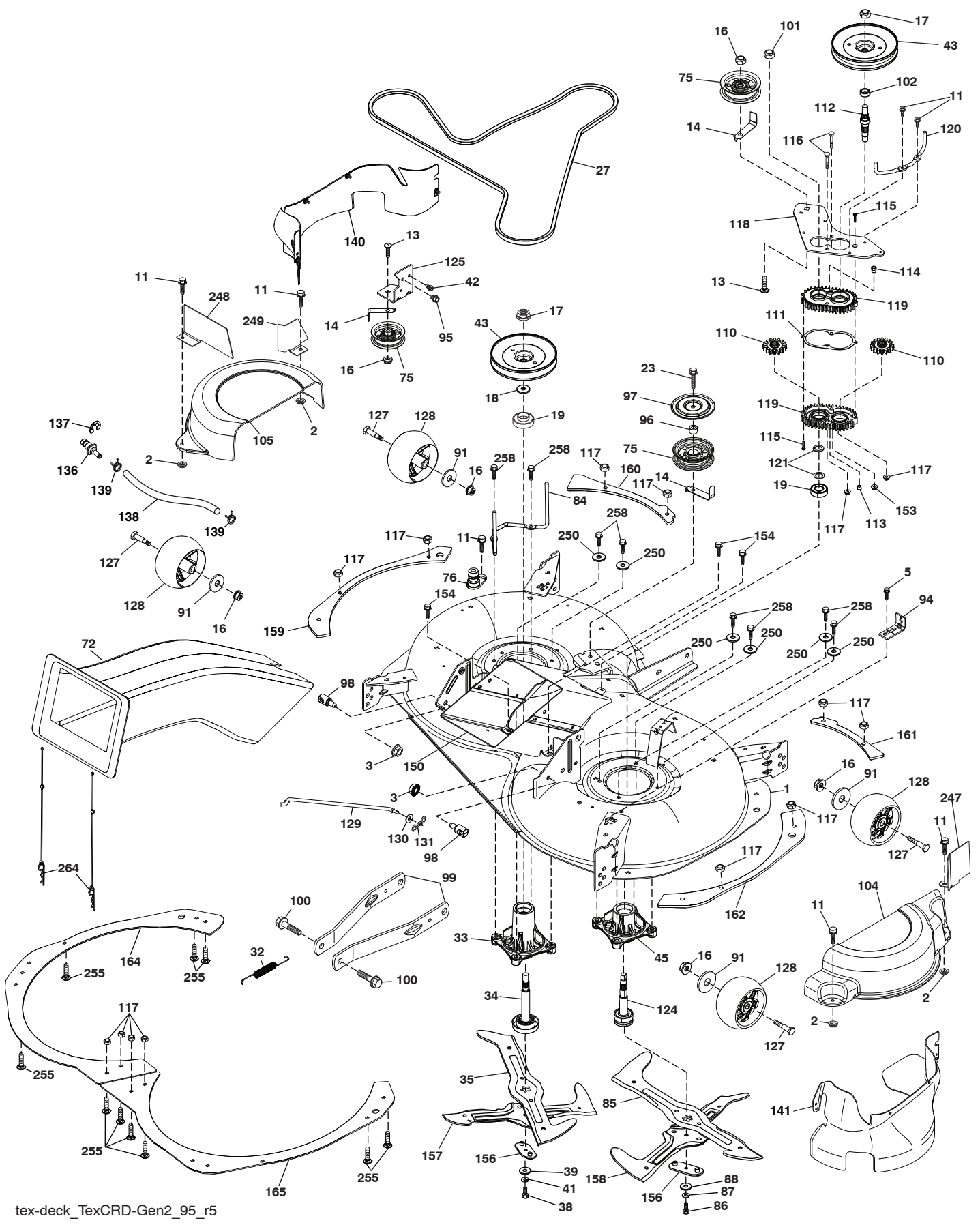
steering-tex_HUSQSR_67_r1

TRACTOR - MODEL NO. TC 342T (96051014801), PRODUCT NO. 960 51 01-48
STEERING ASSEMBLY 41

| KEY NO. | PART NO. | DESCRIPTION |
|----------------|-----------------|-------------------------------------|
| 1 | 532 43 97-40 | Wheel, Steering |
| 2 | 532 19 59-68 | Axle Cast Iron |
| 4 | 532 40 30-87 | Spindle Asm., LH |
| 5 | 532 40 30-88 | Spindle Asm., RH |
| 6 | 532 12 49-31 | Washer Thrust 0.75 x 1.23 |
| 7 | 532 12 17-48 | Washer 25/32 x 1-5/8 x 16 Ga. |
| 8 | 812 00 00-29 | Ring, Klip #T5304-75 |
| 9 | 532 12 12-32 | Cap, Spindle |
| 13 | 532 12 17-49 | Washer 25/32 x 1-1/4 x 16 Ga. |
| 14 | 539 99 01-18 | Washer, Lock 3/8 |
| 15 | 873 54 06-00 | Nut, Crown Lock 3/8-24 unf |
| 16 | 587 01 60-02 | Shaft Steering |
| 19 | 532 19 47-29 | Plate Steering |
| 21 | 586 84 02-01 | Adapter, Wheel Steering Splnd Alum |
| 22 | 585 02 98-02 | Bearing Shaft Steer Low |
| 26 | 532 43 97-43 | Insert, Wheel Steering |
| 27 | 819 21 16-16 | Washer 21/32 x 1 x 16 Ga. |
| 28 | 817 00 06-12 | Screw 3/8-16 x 3/4 |
| 35 | 532 19 47-32 | Gear, Sector Plate |
| 45 | 587 01 64-01 | Washer 3/8 ID 2-3/8OD 12 Ga. PLTD |
| 50 | 873 90 06-00 | Nut Lock Flg. 3/8-16 unc |
| 53 | 532 18 89-67 | Washer Hardened .793 x 1.637 x .060 |
| 58 | 532 19 47-47 | Bolt Shoulder Sector Pivot CFM |
| 59 | 532 19 47-48 | Washer Thrust Sector Steering |
| 60 | 873 97 10-00 | Nut Flange Lock 5/8-11 |
| 61 | 588 79 44-02 | Draglink, LH |
| 62 | 588 79 45-02 | Draglink, RH |
| 63 | 817 00 05-12 | Screw 5/16-18 x 3/4 |
| 64 | 532 19 98-49 | Retainer Clip Spring Steering |
| 66 | 871 02 07-48 | Bolt Hex Fghd 7/16-14 x 3 Serr |
| 67 | 532 19 47-37 | Bushing PM Front Axle |
| 68 | 873 90 07-00 | Nut Lock Flange 7/16-14 Gr. 5 |
| 69 | 532 19 91-62 | Washer 1.5 x .505 x .118 |
| 70 | 585 33 88-01 | Bracket Deck Susp. Front |
| 75 | 580 68 37-01 | Pinion |
| 76 | 580 68 36-01 | Screw Head Sock |
| 122 | 532 44 49-62 | Cap Gear Sector |

NOTE: All component dimensions given in U.S. inches
1 inch = 25.4 mm

TRACTOR - MODEL NO. TC 342T (96051014801), PRODUCT NO. 960 51 01-48
MOWER DECK 44



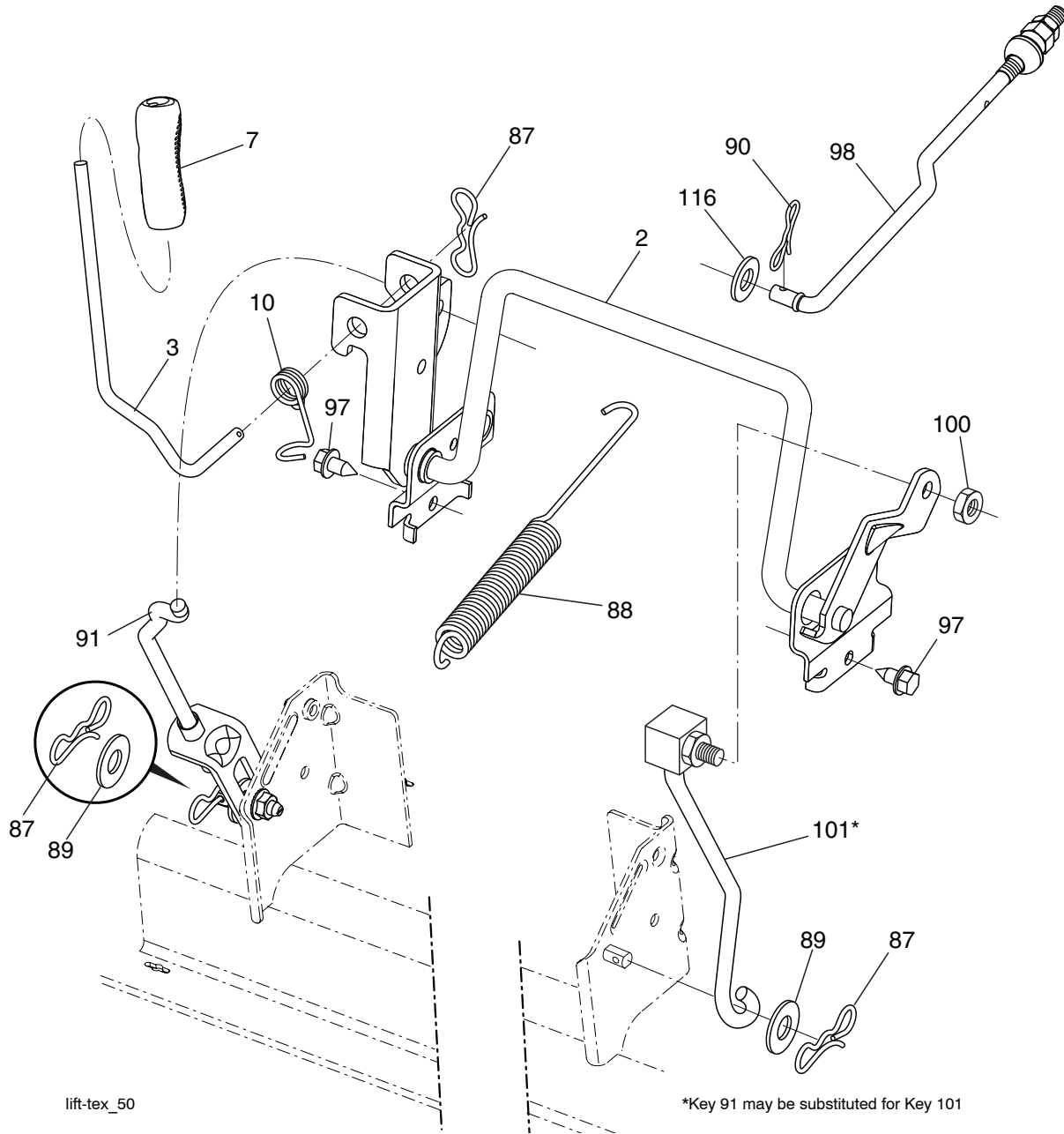
tex-deck_TexCRD-Gen2_95_r5

TRACTOR - MODEL NO. TC 342T (96051014801), PRODUCT NO. 960 51 01-48
MOWER DECK 44

| KEY NO. | PART NO. | DESCRIPTION | KEY NO. | PART NO. | DESCRIPTION |
|---------|--------------|-----------------------------------|---------|--------------|---|
| 1 | 580 97 33-01 | Deck Weldment | 121 | 532 43 69-85 | Washer |
| 2 | 532 42 30-62 | Palnut 1/4 | 124 | 532 43 69-86 | Non Greasable Mandrel Shaft |
| 3 | 873 90 05-00 | Nut Lock Hex Flange 5/16-18 | 125 | 532 43 69-94 | Bracket Idler Chassis |
| 5 | 817 00 05-10 | Bolt 5/16-18 Hex Whs Hd Lckserr | 127 | 532 19 34-06 | Bolt Shoulder 3/8-16 x 3-5/8 Gr. 5 |
| 11 | 532 13 77-29 | Screw Thd Roll 1/4-20 x 5/8 | 128 | 589 52 73-01 | Wheel Gauge |
| 13 | 872 11 06-12 | Bolt Carr Sh 3/8-16 x 1-1/2 Gr. 5 | 129 | 532 44 32-37 | Rod Anti-Sway |
| 14 | 532 15 60-85 | Keeper Belt Idler | 130 | 819 13 13-12 | Washer 13/32 x 13/16 x 12 Ga. |
| 16 | 873 90 06-00 | Nut Lock FIG 3/8-16 unc | 131 | 532 19 42-08 | Pin Cotter 5/16 Bow Tie Lock |
| 17 | 532 40 02-34 | Nut Flange Lock Top | 133 | 532 43 81-97 | EZ Mulch Door |
| 18 | 532 18 76-90 | Washer, Spacer, Mandrel | 134 | 532 43 58-61 | Pin Hinge |
| 19 | 585 32 39-01 | Bearing Mandrel | 135 | 532 43 79-88 | E-Ring 5/16 |
| 23 | 817 49 06-28 | Screw Thdrol 3/8-16 x 1-3/4 | 136 | 532 43 96-39 | Washout Port Remote Hookup |
| 27 | 532 44 58-87 | V-Belt Drive | 137 | 812 00 00-29 | Ring Klip |
| 32 | 532 44 62-05 | Spring Return Deck | 138 | 532 44 76-67 | Hose Washout Port |
| 33 | 532 18 72-81 | Mandrel Asm. Tall | 139 | 532 44 07-42 | Hose 3/8 Clamp |
| 34 | 587 25 65-01 | Shaft Asm Mndrl | 140 | 501 58 00-01 | Guard Asm. LH |
| 35 | 532 18 05-83 | Blade Mower LH | 141 | 501 57 96-02 | Guard Asm. LH |
| 38 | 590 88 40-01 | Bolt Blade 7/16-20 x 1.5 Gr. 8 | 146 | 532 44 58-96 | Spring Tex CRD EZ Mulch |
| 39 | 581 52 65-01 | Washer 7/16 Flat | 150 | 596 01 23-02 | Weldment Chute Lower 107 CRD |
| 41 | 539 99 02-47 | Washer lock 7/16 | 154 | 532 19 98-55 | Screw 1/4-20 Panhead |
| 42 | 817 00 05-12 | Screw 5/16-18 x 3/4 | 153 | 593 27 46-01 | Nut Hex 9/16-18 unf w/HD Epoxy-Lock |
| 43 | 532 44 32-39 | Pulley Mandrel | | | |
| 45 | 532 13 71-52 | Mandrel Asm. Short | 156 | 532 44 69-95 | Adapter Weldment Blade |
| 72 | 581 45 41-03 | Chute Upper | 157 | 532 44 69-93 | Blade Cross LH 107 |
| 75 | 532 13 14-94 | Pulley Idler Flat | 158 | 532 18 04-25 | Blade Cross RH 107 |
| 76 | 532 43 96-40 | Washout Port | 159 | 585 30 94-05 | Plate LH Side |
| 84 | 532 44 32-35 | Keeper Belt Mandrel | 160 | 585 30 95-05 | Plate LH Front |
| 85 | 532 18 05-84 | Blade Mower RH | 161 | 585 31 60-05 | Plate RH Front |
| 86 | 532 18 17-13 | Bolt 3/8-24 x 1.50 Gr.8 | 162 | 585 31 61-05 | Plate RH Side |
| 87 | 539 99 01-18 | Washer Lock Hvy 3/8 | 164 | 589 35 85-02 | Baffle Plate LH |
| 88 | 532 14 02-96 | Washer, Hard, Blade, Mover | 165 | 587 42 61-02 | Baffle Plate RH |
| 91 | 819 13 20-12 | Washer 13/32 x 1-1/4 x 12 Ga. | 247 | 589 00 96-02 | Guard Steel Mandrel Cover RH |
| 94 | 532 19 72-50 | Bracket Clutch Cable | 248 | 581 26 36-02 | LH Rear Steel Guard |
| 95 | 817 00 06-12 | Screw 3/8-16 x 3/4 | 249 | 581 26 35-02 | LH Front Steel Guard |
| 96 | 532 40 02-71 | Spacer | 250 | 819 11 12-12 | Washer 11/32 x 3/4 x 12 Ga. |
| 97 | 532 18 20-61 | Shield Idler Mower | 255 | 539 10 98-00 | Carriage Bolt 1/4-20 x 1 Gr. 5 |
| 98 | 532 19 51-61 | Stud Fastener | 258 | 584 95 39-01 | Bolt Hex Wsh Hd .316-18 x 1.19 |
| 99 | 532 19 51-86 | Arm Suspension Mower Rear | 264 | 589 39 29-01 | Retainer Asm. Upper Chute |
| 100 | 532 19 65-39 | Bolt Shoulder | -- | 587 25 33-01 | Mandrel Assembly Tall (Includes Housing (key #33), Shaft Assembly (key #34), And Bearing Only (key #19) - Pulley/Nut/Washer And Blade Bolt/Washers Not Included) |
| 101 | 873 68 09-00 | Nut Crownlock 9/16-18 unc | | | |
| 102 | 532 40 25-11 | Spacer Bearing Swing Plate | -- | 589 64 84-01 | Replacement Mower Complete |
| 104 | 581 71 40-01 | Mandrel Cover RH | -- | 532 44 81-32 | Gear Case Kit – Use .75 oz. Shell 460 oil (Include Gear Output (key #110), Gasket Gearcase (key #111), Shaft Gearcase (key #112), Plug Oil (key #113), Vent Breather 1/8 NPT (key #114), Screw Torx (key #115), Gearcase Subasm (key #119)) |
| 105 | 532 44 47-55 | Mandrel Cover LH | | | |
| 110 | 587 93 48-01 | Gear Output | | | |
| 111 | 532 43 69-79 | Gasket Gearcase | | | |
| 112 | 532 44 38-52 | Shaft Gearcase | | | |
| 113 | 532 43 85-33 | Plug Oil | | | |
| 114 | 588 17 05-01 | Valve Relief | | | |
| 115 | 818 03 10-16 | Screw Torx #10-24 x 1 | | | |
| 116 | 872 11 04-14 | Bolt 1/4-20 x 1.75 Gr. 5 | | | |
| 117 | 873 90 04-00 | Nut Hex Flange 1/4-20 unc | | | |
| 118 | 532 44 32-32 | Arm Clutching | | | |
| 119 | 532 43 81-66 | Gearcase Subasm | | | |
| 120 | 532 44 32-36 | Keeper Belt RH | | | |

NOTE: All component dimensions given in U.S. inches
1 inch = 25.4 mm

TRACTOR - MODEL NO. TC 342T (96051014801), PRODUCT NO. 960 51 01-48
MOWER LIFT 45

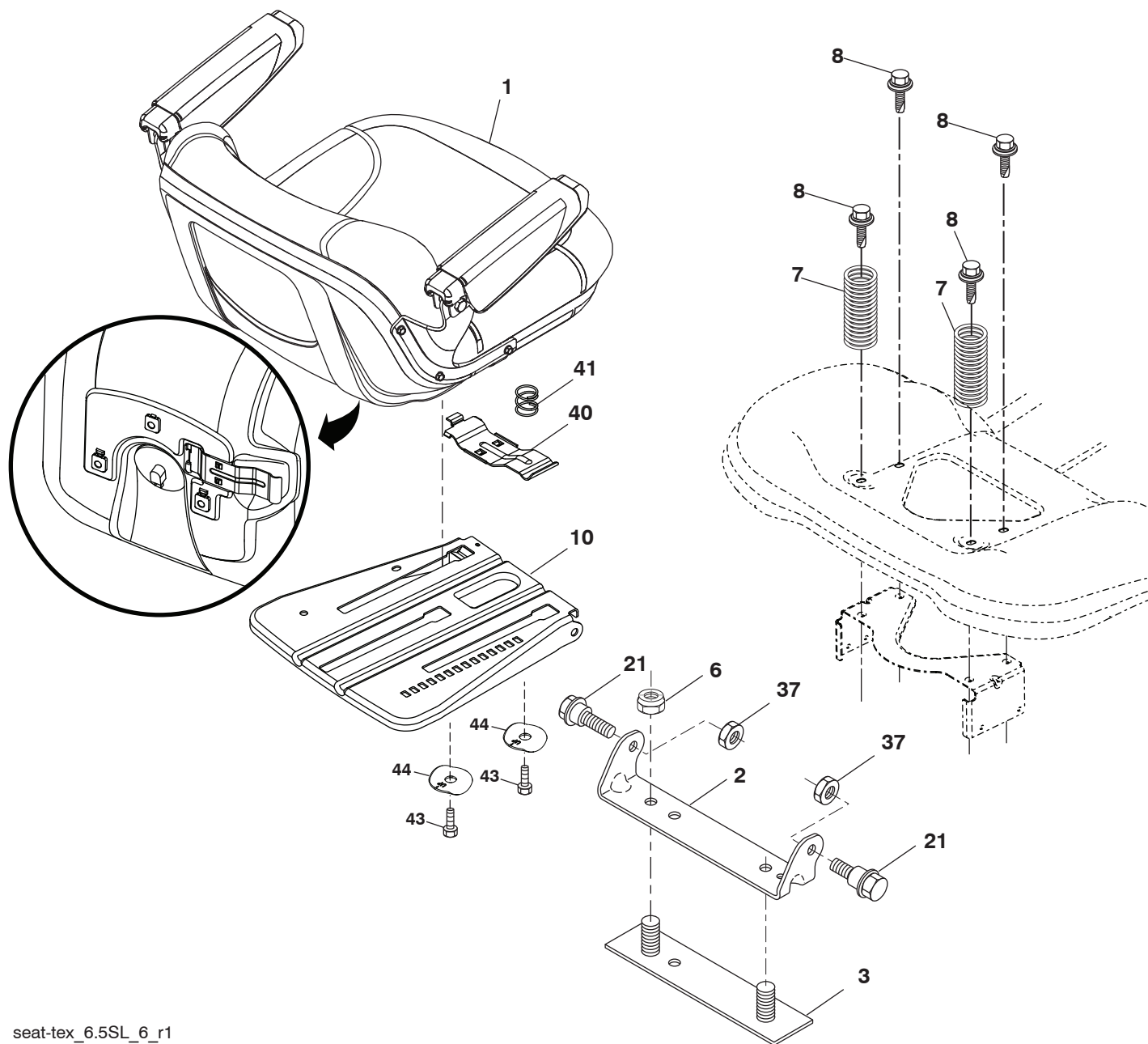


| KEY NO. | PART NO. | DESCRIPTION |
|---------|--------------|------------------------------|
| 2 | 532 43 69-96 | Deck Lift Weldment |
| 3 | 532 19 52-31 | Lever Asm., Lift RH |
| 7 | 580 96 23-01 | Grip, Lever |
| 10 | 532 19 63-14 | Spring Torsion |
| 87 | 532 19 42-09 | Pin Cotter 7/16 Bow Tie Lock |
| 88 | 532 44 54-96 | Spring Lift Assist |
| 89 | 819 19 19-12 | Washer Clear Zinc |
| 90 | 532 19 42-08 | Pin Cotter 5/16 Bow Tie Lock |
| 91 | 532 19 51-81 | Link Lift Susp Mower Rear |

| KEY NO. | PART NO. | DESCRIPTION |
|---------|--------------|-------------------------------|
| 97 | 817 49 06-08 | Screw 3/8-16 x 1/2 |
| 98 | 532 19 52-70 | Link Lift Susp. Front Mower |
| 100 | 873 93 06-00 | Nut Centerlock |
| 101 | 532 40 70-03 | Link Asm. Lift |
| 116 | 819 15 15-16 | Washer 15/32 x 15/16 x 16 Ga. |

NOTE: All component dimensions given in U.S. inches
 1 inch = 25.4 mm

**TRACTOR - MODEL NO. TC 342T (96051014801), PRODUCT NO. 960 51 01-48
SEAT ASSEMBLY 42**



seat-tex_6.5SL_6_r1

| KEY NO. | PART NO. | DESCRIPTION |
|---------|--------------|-------------------------------|
| 1 | 588 55 67-01 | Seat |
| 2 | 532 18 01-66 | Bracket Pivot Fender |
| 3 | 532 14 06-75 | Strap, Asm Fender |
| 6 | 873 80 06-00 | Nut, Lock W/Ins. 3/8-16 unc |
| 7 | 589 48 35-01 | Spring, Seat Cprsn |
| 8 | 532 17 18-77 | Bolt 5/16-18 unc x 3/4 w/Sems |
| 10 | 587 23 20-02 | Pan, Seat Plate |
| 21 | 587 90 78-01 | Bolt, Shoulder 5/16-18 x 5/8 |
| 37 | 873 80 05-00 | Nut, Lock 5/16-18 unc |

| KEY NO. | PART NO. | DESCRIPTION |
|---------|--------------|-------------------------------|
| 40 | 532 19 76-61 | Handle Slide Seat |
| 41 | 532 19 82-00 | Spring Latch Seat |
| 43 | 874 76 06-12 | Bolt Fin Hex 3/8-16 unc x 3/4 |
| 44 | 501 05 18-01 | Washer 13/32 x 2-3/8 x 12 Ga. |

NOTE: All component dimensions given in U.S. inches
1 inch = 25.4 mm

**TRACTOR - MODEL NO. TC 342T (96051014801), PRODUCT NO. 960 51 01-48
BAGGER 46**

| KEY NO. | PART NO. | DESCRIPTION |
|----------------|-----------------|--|
| 1 | 532 42 86-10 | Tube Handle Bagger |
| 2 | 532 44 75-72 | Applique |
| 3 | 532 17 48-14 | Clip |
| 5 | 532 44 37-62 | Upper Pivot Tube |
| 8 | 532 44 75-75 | Bagger Top |
| 10 | 532 44 37-55 | Frame Front |
| 19 | 532 19 42-08 | Cotter Pin 5/16 Bow Tie |
| 21 | 581 33 71-03 | Bag Asm |
| 27 | 532 44 55-29 | Grommet Rubber |
| 28 | 532 16 57-87 | Grip Handle |
| 42 | 532 44 04-28 | Clip |
| 43 | 532 12 68-75 | Clevis Pin |
| 44 | 532 19 96-87 | Bolt 1/4-20 |
| 45 | 532 44 37-54 | Upper Frame |
| 46 | 532 44 55-41 | Bag Corner Close Out RH |
| 47 | 532 44 40-79 | Bag Corner Close Out LH |
| 48 | 532 44 40-80 | Top Bagger Side Close Out |
| 49 | 532 17 18-73 | Bolt Shoulder 5/16-18 |
| 50 | 532 17 18-77 | Bolt 5/16-18 x 3/4 W/Sems |
| 51 | 872 11 05-06 | Bolt 5/16 x 18 x 3/4 |
| 52 | 873 80 05-00 | Nut Lock Hex W/Ins 5/16-18 unc |
| 53 | 532 44 41-95 | Bracket Dump Handle |
| 54 | 532 44 72-18 | Bagger Top Front Handle |
| 55 | 539 10 29-33 | Bolt 5/16-18 x 1-1/2 |
| 56 | 532 42 03-06 | Pin Clevis .183 x 1.26 |
| 59 | 532 44 47-63 | Bagger Sprd Tube |
| 65 | 532 12 47-88 | Retainer Spring |
| 69 | 532 42 18-01 | Screw #8 Flat Head Drill |
| 70 | 817 00 06-12 | Screw 3/8-16 x 3/4 |
| 83 | 873 80 06-00 | Nut Lock Hex w/Ins. 3/8-16 unc |
| 84 | 872 11 06-08 | Bolt 3/8-16 x 1 Gr. 5 |
| 85 | 581 31 44-02 | Bracket RH Pivot |
| 86 | 581 31 43-02 | Bracket LH Pivot |
| 87 | 581 31 48-02 | Bracket RH |
| 88 | 581 31 47-02 | Bracket LH |
| 89 | 581 31 51-04 | Weldment Offset Strut |
| 92 | 586 05 23-02 | Bracket Top Support |
| 93 | 586 05 24-02 | Bracket Support RH |
| 94 | 586 05 25-02 | Bracket Support LH |
| 95 | 817 00 05-12 | Screw 5/16-18 x 3/4 |
| -- | 501 70 56-01 | Bagger Dump Kit (Includes Key#'s 85, 86, 87, 88, & 89) |
| -- | 586 74 49-01 | Bagger Complete Kit (Includes Key#'s 1, 5, 10, 19, 21, 27, 28, 42, 43, 46, 47, 48, 49, 50, 52, 54, 56, 59, 65) |

NOTE: All component dimensions given in U.S. inches
1 inch = 25.4 mm

