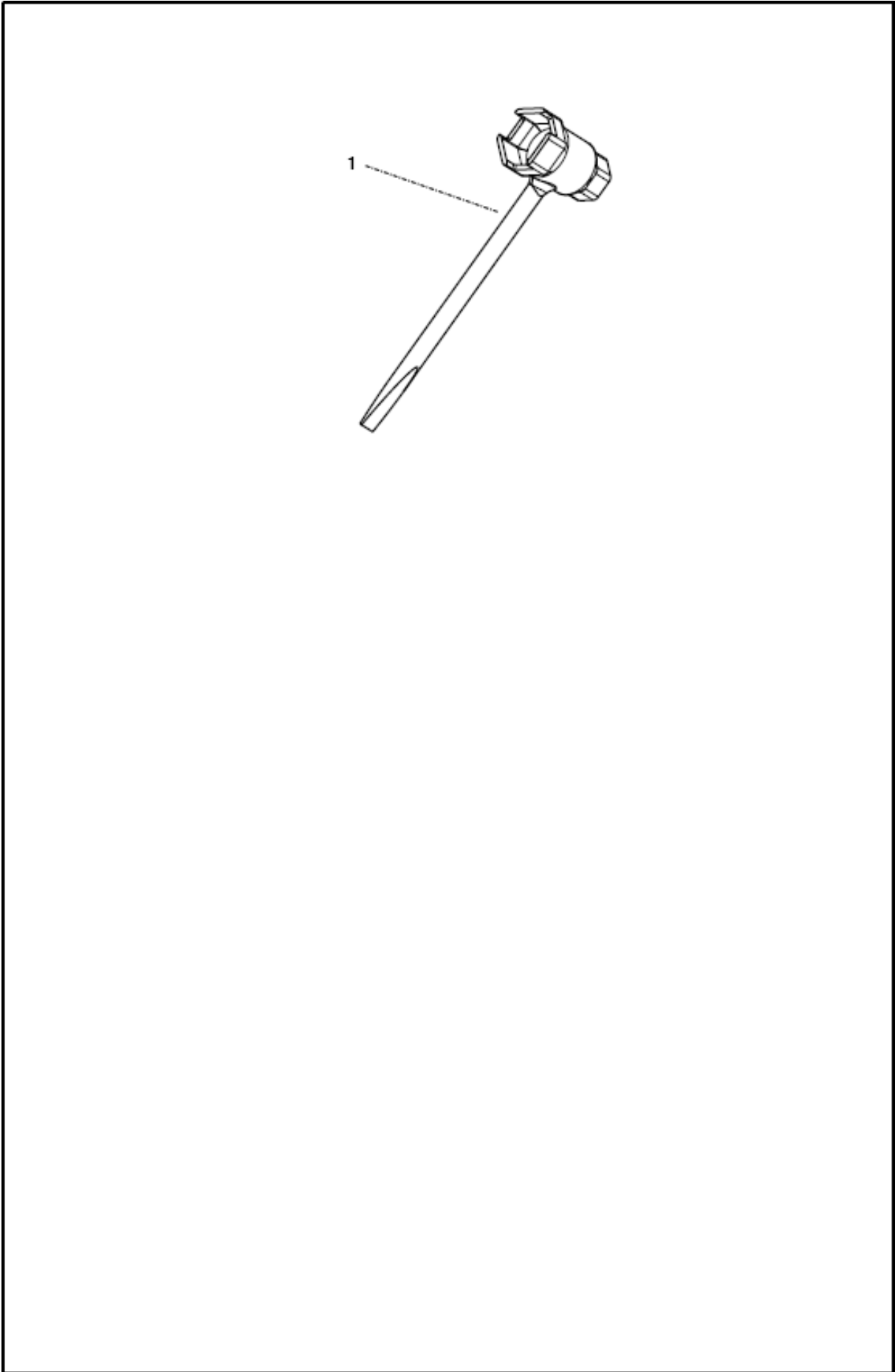




# SPARE PARTS LIST

## CHAIN SAWS

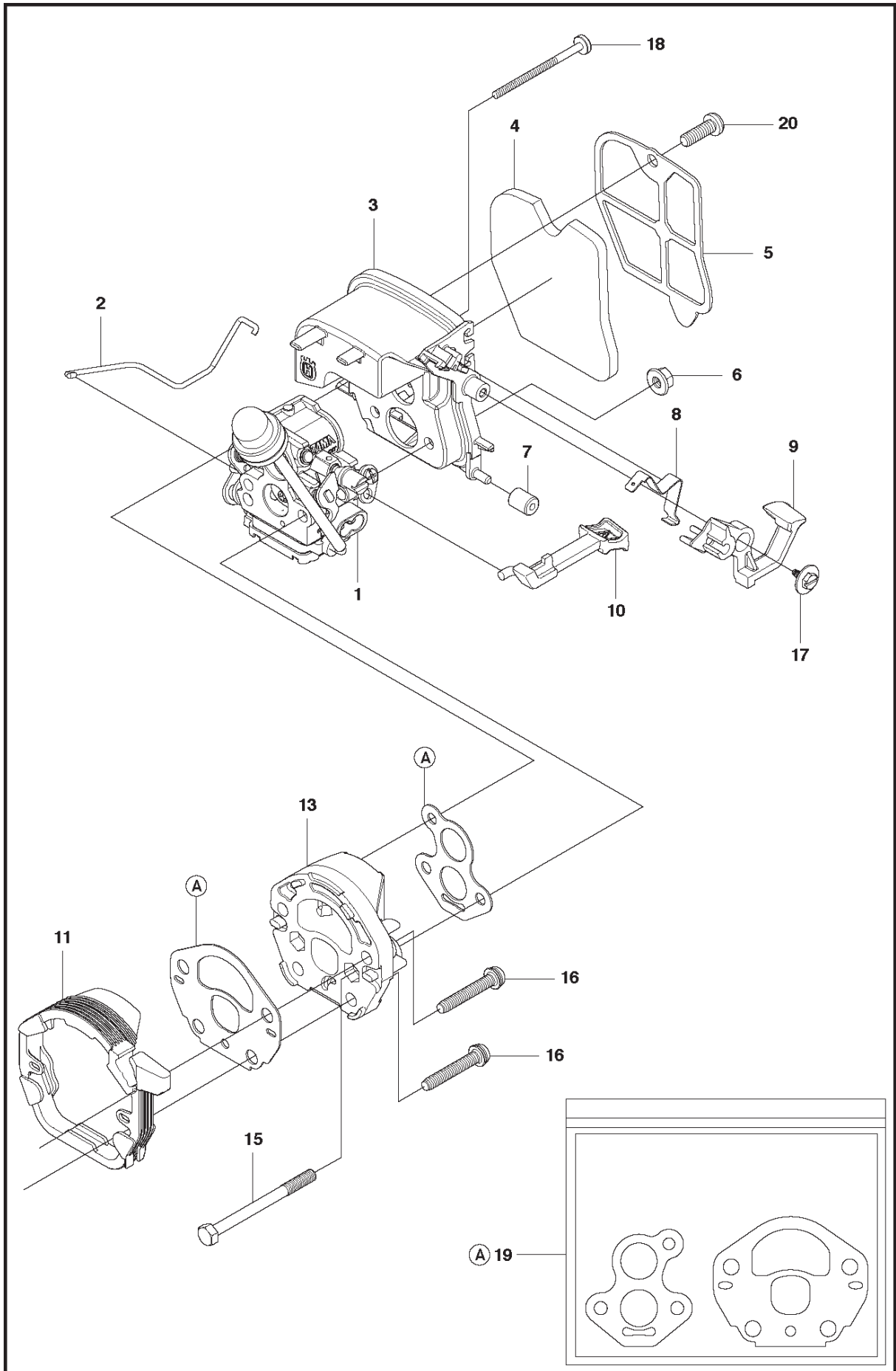
120 MARK II, 967861934, 967861936,  
2019-04



ACCESSORIES

120 MARK II, 967861934, 967861936, 2019-04

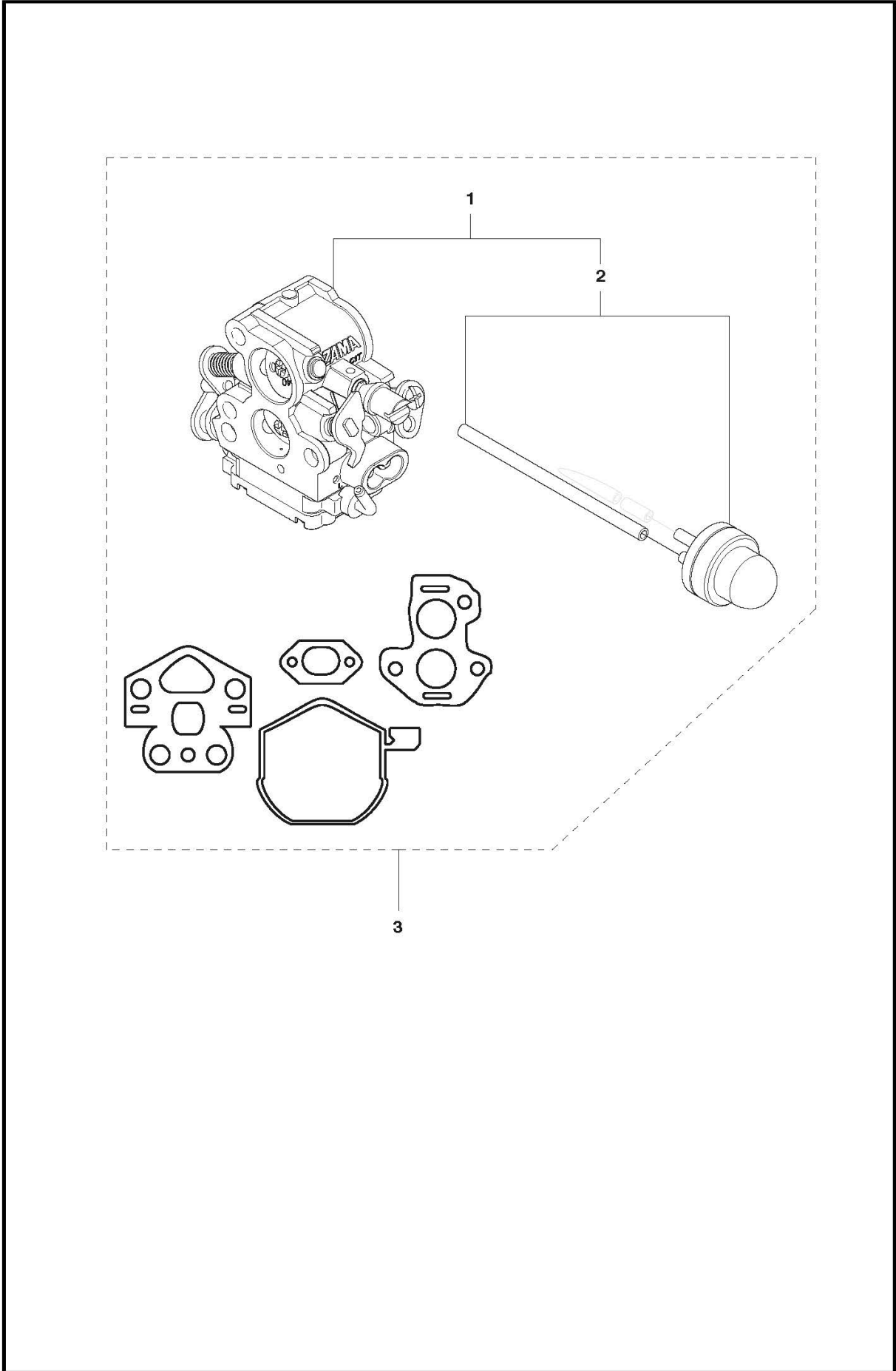
| Ref | Part No      | Description | Remark | QTY KIT |
|-----|--------------|-------------|--------|---------|
| 1   | 587 41 72-01 | WRENCH      |        | 1       |



## CARBURETOR &amp; AIR FILTER

120 MARK II, 967861934, 967861936, 2019-04

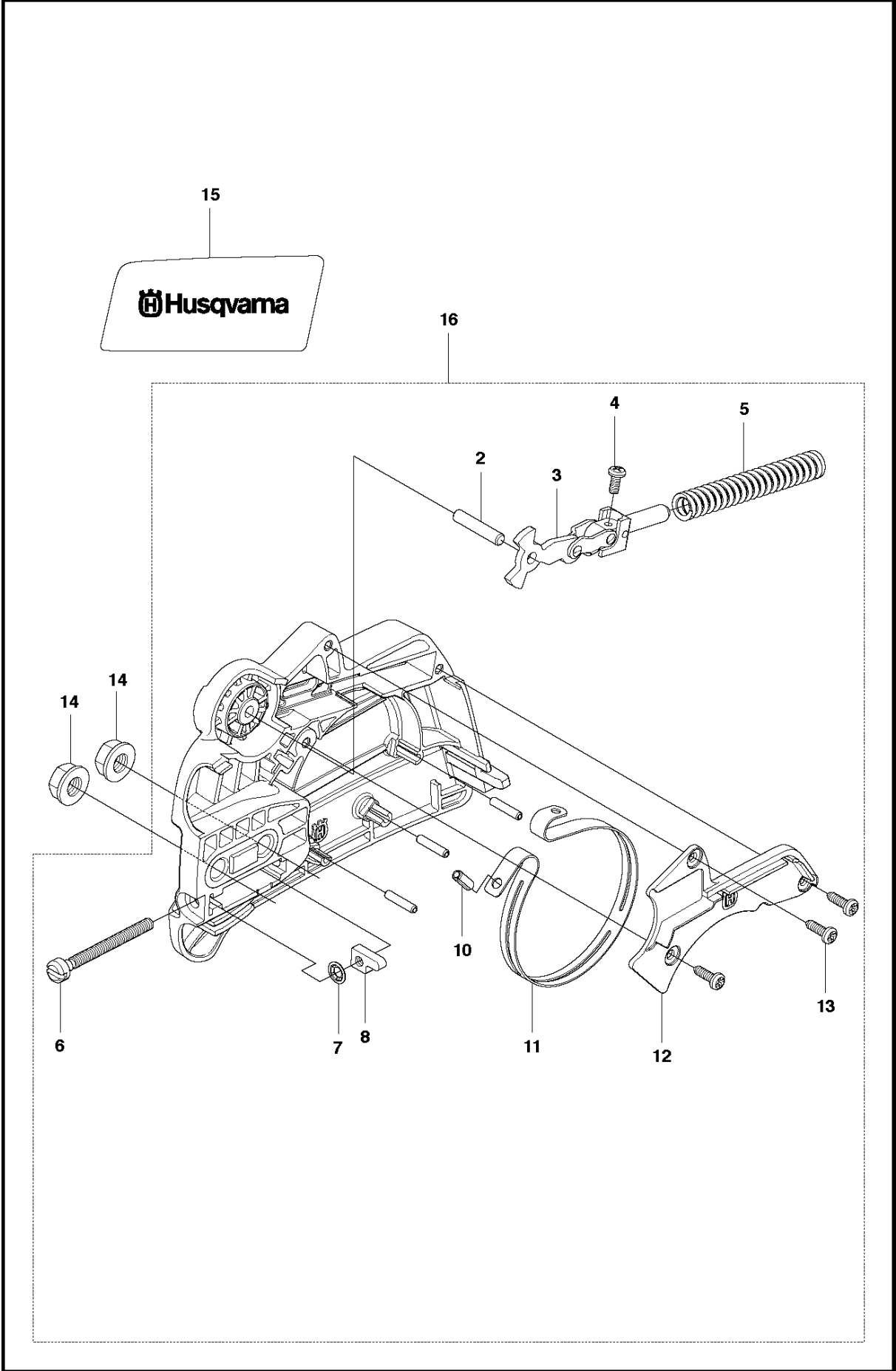
| Ref | Part No      | Description         | Remark                        | QTY KIT |
|-----|--------------|---------------------|-------------------------------|---------|
| 1   | 586 93 62-02 | CARBURETTOR         | CARBURETOR WITH<br>PURGE BULB | 1       |
| 2   | 577 81 52-01 | THROTTLE            | THROTTLE WIRE                 | 1       |
| 3   | 575 49 34-01 | AIR FILTER          | HOUSING                       | 1       |
| 4   | 545 06 18-01 | AIR FILTER          | AIR FILTER                    | 1       |
| 5   | 545 15 18-01 | FILTER              | FILTER PLATE                  | 1       |
| 6   | 530 01 61-01 | NUT                 | NUT                           | 2       |
| 7   | 545 06 19-01 | ISOLATOR            | ISOLATOR FILTER<br>HOUSING    | 1       |
| 8   | 545 06 34-01 | SWITCH. SPRING      | SWITCH SPRING                 | 1       |
| 9   | 545 06 17-01 | SWITCH LEVER        | SWITCH LEVER                  | 1       |
| 10  | 545 06 16-01 | CHOKE KNOB          | CHOKE KNOB                    | 1       |
| 11  | 545 06 15-01 | CARB ADAPTOR SEAL   | CARB ADAPTOR SEAL             | 1       |
| 13  | 577 63 65-01 | ADAPTOR             | ADAPTOR CARBURETOR            | 1       |
| 15  | 545 03 37-01 | STUD-CARBURETOR     | STUD-CARBURETOR               | 2       |
| 16  | 545 15 83-01 | CARB ADAPTOR SCREW  | CARB ADAPTOR SCREW            | 4       |
| 17  | 530 01 60-80 | SCREW               | SCREW                         | 1       |
| 18  | 545 07 49-01 | TOP STUD-CARBURETOR | TOP STUD-<br>CARBURETOR       | 1       |
| 19  | 545 08 18-92 | GASKET KIT          | GASKET KIT                    | 1       |
| 20  | 530 01 63-49 | SCREW               | SCREW                         | 1       |



CARBURETOR DETAILS

120 MARK II, 967861934, 967861936, 2019-04

| Ref | Part No      | Description             | Remark                     | QTY KIT |
|-----|--------------|-------------------------|----------------------------|---------|
| 1   | 586 93 62-02 | CARBURETTOR             | CARBURETOR WITH PURGE BULB | 1       |
| 2   | 545 00 80-30 | PURGE AND LINE ASSEMBLY | PURGE AND LINE ASSEMBLY    | 1       |
| 3   | 545 00 80-32 | KIT                     | KIT CARB REPAIR            | 1       |

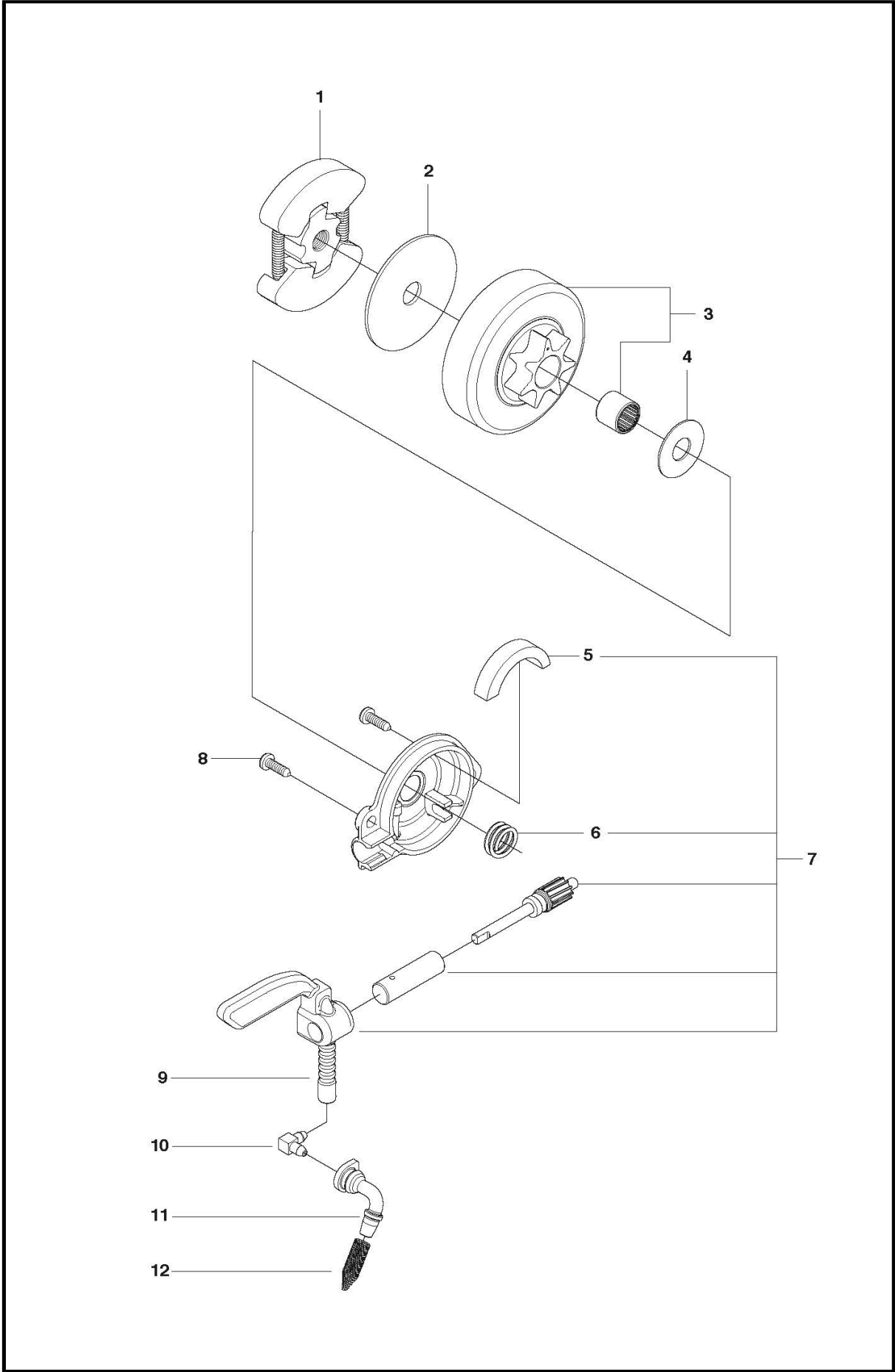




## CHAIN BRAKE

120 MARK II, 967861934, 967861936, 2019-04

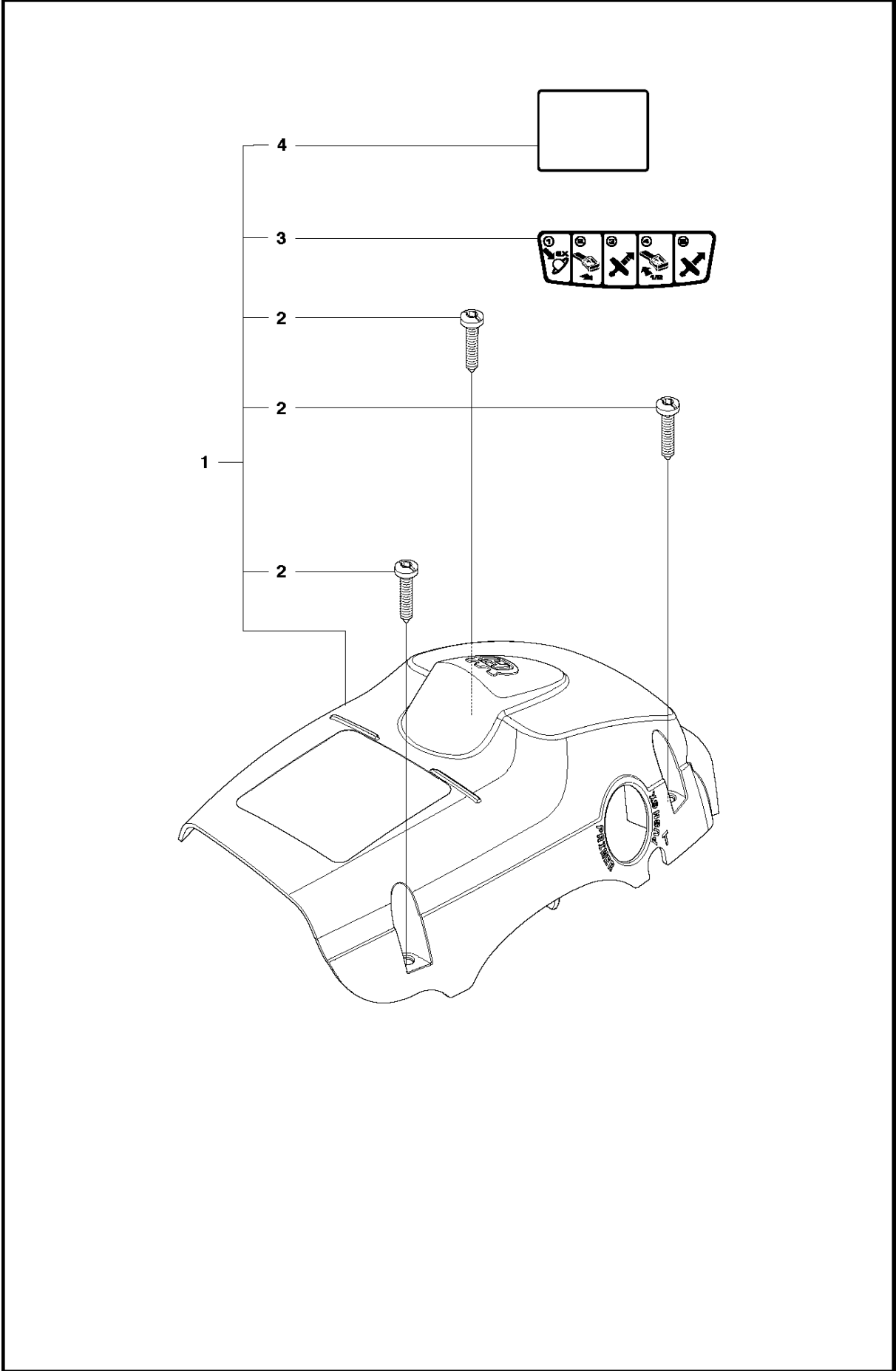
| Ref | Part No      | Description        | Remark                         | QTY | KIT                               |
|-----|--------------|--------------------|--------------------------------|-----|-----------------------------------|
| 2   | 530 05 79-50 | PIN. DOWEL         | PIN. DOWEL                     | 1   |                                   |
| 3   | 530 05 79-13 | LINK FRONT         | LINK FRONT                     | 1   |                                   |
| 4   | 574 78 03-01 | SCREW              | SCREW M3.63-1.34 X<br>8MM TORX | 1   |                                   |
| 5   | 530 01 64-15 | SPRING COMPRESSION | SPRING COMPRESSION             | 1   |                                   |
| 6   | 530 01 61-10 | SCREW              | SCREW BAR<br>ADJUSTMENT        | 1   |                                   |
| 7   | 530 03 85-93 | RETAINER           | RETAINER BAR<br>ADJUSTMENT     | 1   |                                   |
| 8   | 530 01 58-26 | PEN                | PIN BAR ADJUSTING              | 1   |                                   |
| 10  | 530 01 59-13 | PEN                | PIN BRAKE BAND                 | 1   |                                   |
| 11  | 530 05 79-23 | BRAKE BAND         | BRAKE BAND                     | 1   |                                   |
| 12  | 525 74 30-01 | COVER              | COVER CHAIN BRAKE              | 1   |                                   |
| 13  | 545 22 71-01 | SCREW              | SCREW                          | 3   |                                   |
| 14  | 530 01 59-17 | NUT                | NUT                            | 2   |                                   |
| 15  | 545 11 87-01 | DECAL              | DECAL                          | 1   |                                   |
| 16  | 525 62 89-01 | CHAIN BRAKE ASSY   | CHAIN BRAKE ASSY               | 1   | 2,3,4,5,6<br>,7,8,10,1<br>1,12,13 |



## CLUTCH &amp; OIL PUMP

120 MARK II, 967861934, 967861936, 2019-04

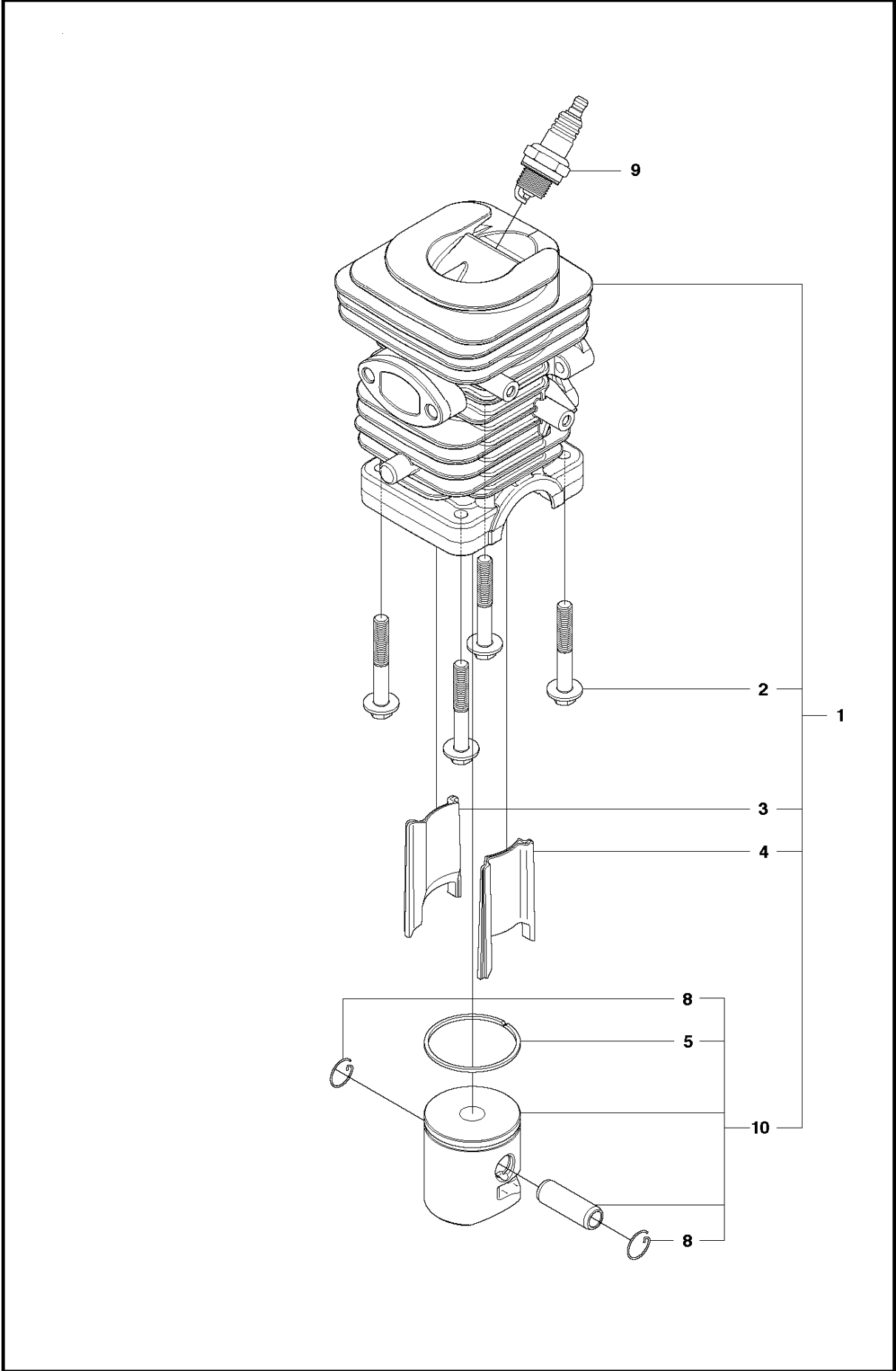
| Ref | Part No      | Description      | Remark                           | QTY KIT |
|-----|--------------|------------------|----------------------------------|---------|
| 1   | 530 01 49-49 | CLUTCH           | CLUTCH                           | 1       |
| 2   | 530 01 56-11 | WASHER           | WASHER                           | 1       |
| 3   | 530 04 70-61 | CLUTCH DRUM ASSY | CLUTCH DRUM ASSY<br>SPUR 3/8" 6T | 1       |
| 4   | 579 62 15-01 | WASHER           | WASHER THRUST                    | 1       |
| 5   | 525 31 84-01 | DUST SEAL        | DUST SEAL OIL PUMP               | 1       |
| 6   | 530 03 78-20 | WORM GEAR        | PISTON                           | 1       |
| 7   | 581 06 39-01 | OIL PUMP ASSY    | OIL PUMP ASSY<br>COMPLETE        | 1       |
| 9   | 545 22 75-01 | BLOCK            | BLOCK OIL                        | 1       |
| 10  | 530 04 94-77 | ELBOW            | ELBOW                            | 1       |
| 11  | 545 06 94-01 | SEAL             | SEAL                             | 1       |
| 12  | 530 05 65-33 | SCREEN           | SCREEN                           | 1       |



## COVER

120 MARK II, 967861934, 967861936, 2019-04

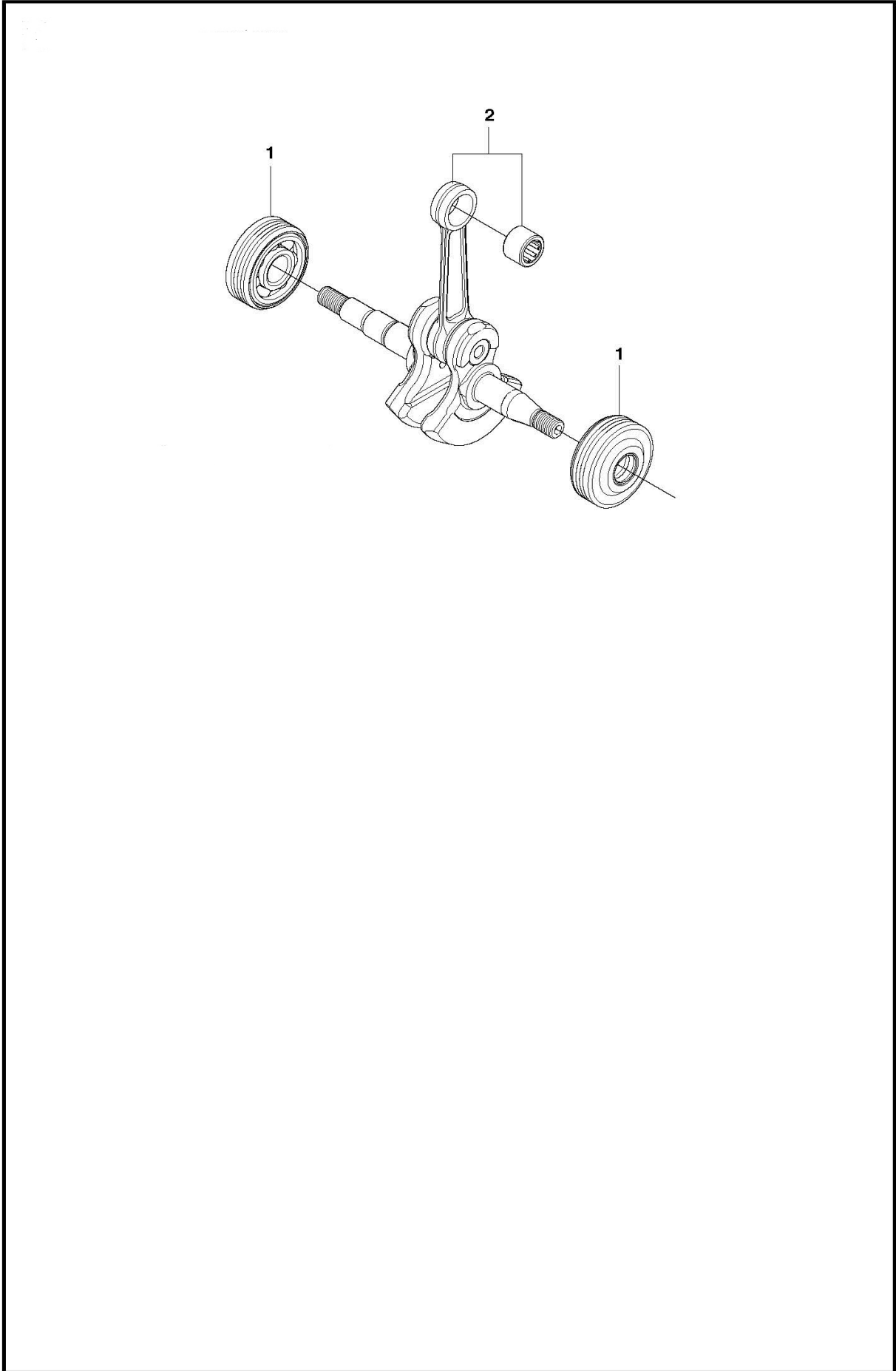
| Ref | Part No      | Description | Remark                      | QTY | KIT   |
|-----|--------------|-------------|-----------------------------|-----|-------|
| 1   | 576 54 32-01 | KIT         | KIT CYLINDER SHIELD         | 1   | 2,3,4 |
| 2   | 574 32 06-01 | SCREW       | SCREW M5-0.8X25             | 3   |       |
| 3   | 545 11 65-02 | DECAL       | DECAL STARTING INSTRUCTIONS | 1   |       |
| 4   | 545 16 59-57 | SIGN        | DECAL WARNING               | 1   |       |
| NI  | 579 17 34-01 | KIT         | KIT CHASSIS BRASS INSERTS   | 1   |       |



## CYLINDER PISTON

120 MARK II, 967861934, 967861936, 2019-04

| Ref | Part No      | Description  | Remark | QTY | KIT |
|-----|--------------|--------------|--------|-----|-----|
| 1   | 545 05 04-17 | KIT          |        | 1   |     |
| 2   | 545 08 15-01 | BOLT         |        | 4   |     |
| 3   | 574 19 09-01 | INSERT       |        | 1   |     |
| 4   | 574 19 08-01 | INSERT       |        | 1   |     |
| 5   | 530 01 26-08 | PISTON RING  |        | 1   |     |
| 8   | 530 01 56-97 | LOCKING RING |        | 2   |     |
| 9   | 503 23 51-08 | SPARK PLUG   |        | 1   |     |
| 10  | 545 08 18-94 | KIT          | PISTON | 1   | 5,8 |

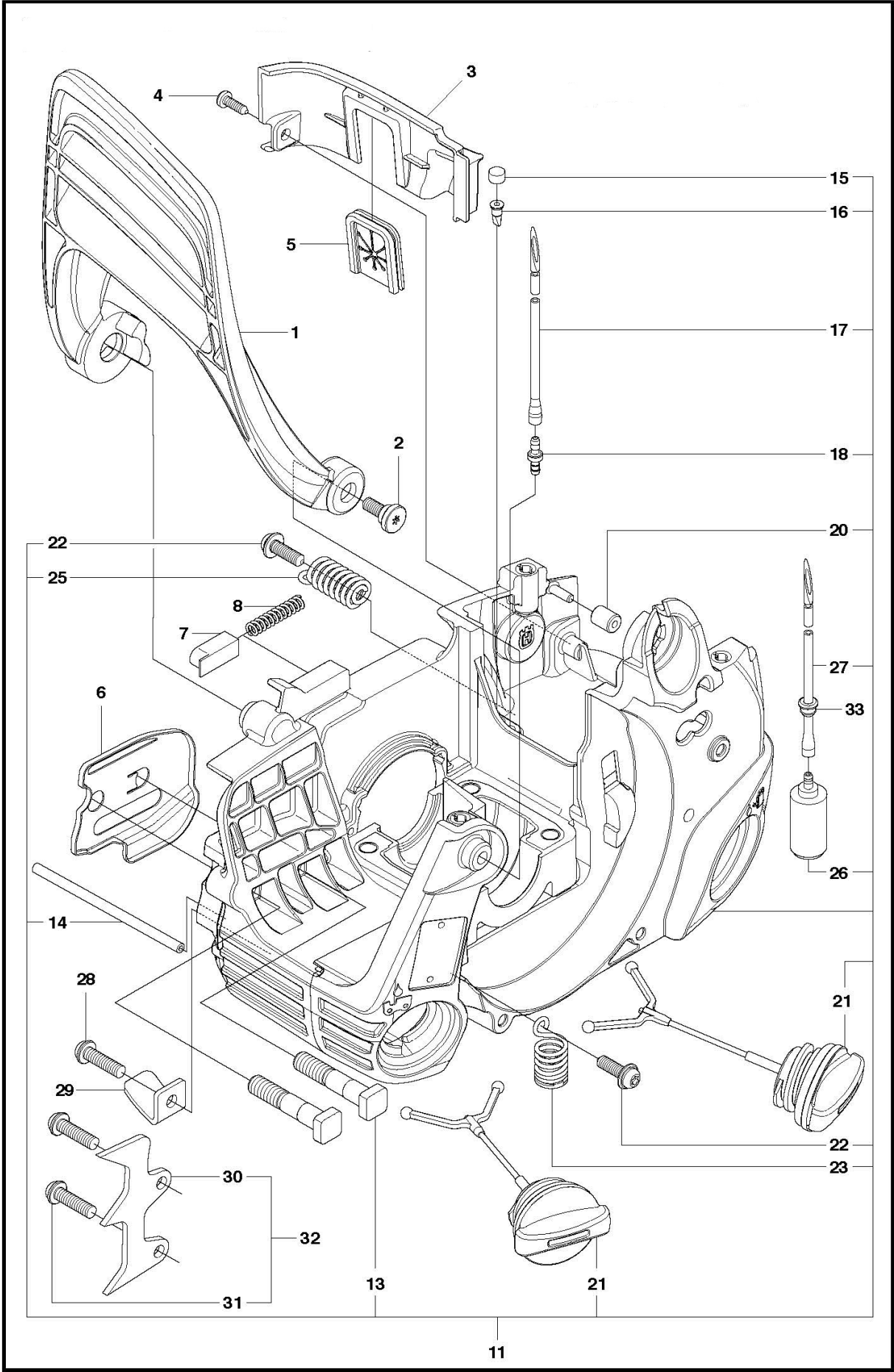




CRANKSHAFT

120 MARK II, 967861934, 967861936, 2019-04

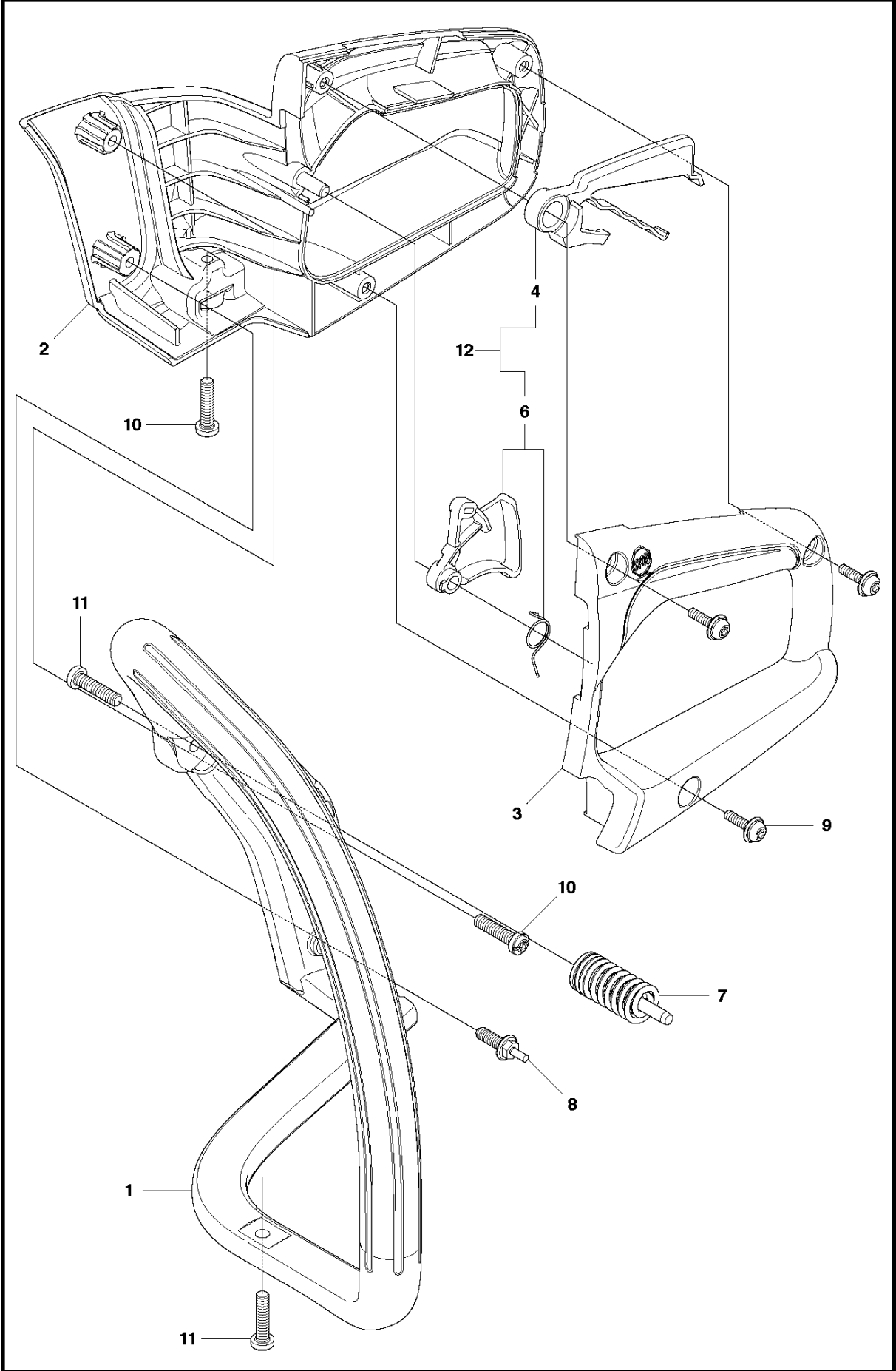
| Ref | Part No      | Description | Remark | QTY KIT |
|-----|--------------|-------------|--------|---------|
| 1   | 576 24 39-01 | BEARING     |        | 2       |
| 2   | 580 30 26-01 | CRANKSHAFT  |        | 1       |



## FUEL TANK &amp; HANDLE

120 MARK II, 967861934, 967861936, 2019-04

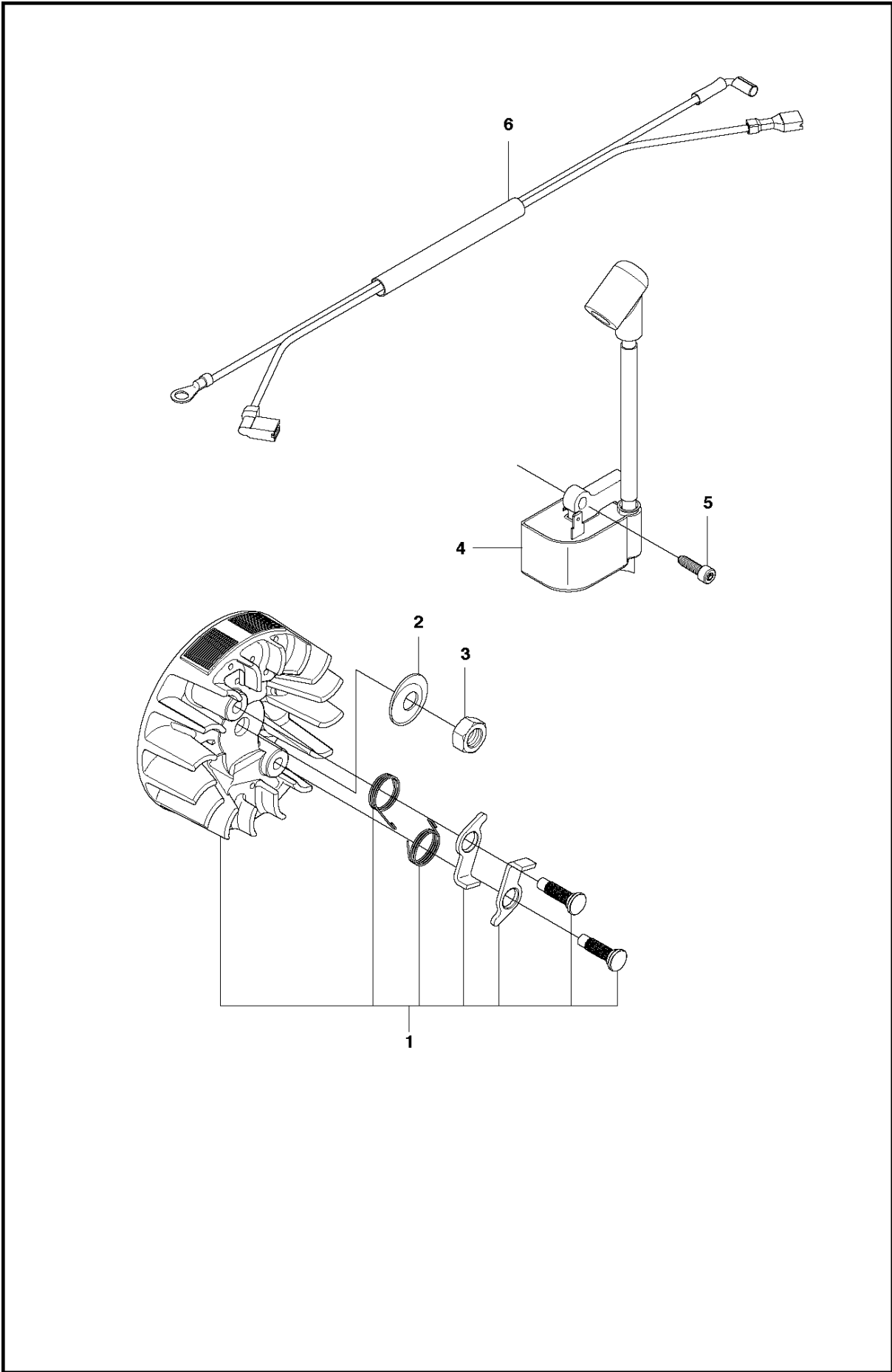
| Ref | Part No      | Description                | Remark | QTY | KIT   |
|-----|--------------|----------------------------|--------|-----|-------|
| 1   | 577 61 19-01 | HAND GUARD                 |        | 1   |       |
| 2   | 545 12 73-01 | BOSS                       |        | 1   |       |
| 3   | 545 06 12-01 | REAR WHEEL                 |        | 1   |       |
| 4   | 545 22 71-01 | SCREW                      |        | 1   |       |
| 5   | 545 07 54-01 | GROMMET                    |        | 1   |       |
| 6   | 545 07 14-01 | BAR                        |        | 1   |       |
| 7   | 545 07 13-01 | CAP. SPRING HANDGUARD      |        | 1   |       |
| 8   | 545 07 12-01 | SPRING. HANDGUARD POSITION |        | 1   |       |
| 11  | 579 66 52-01 | CHASSIS                    |        | 1   | 13-27 |
| 13  | 529 31 03-01 | BOLT                       |        | 2   |       |
| 14  | 545 03 35-01 | HOSE                       |        | 1   |       |
| 15  | 530 02 98-68 | PLUG                       |        | 1   |       |
| 16  | 530 02 61-19 | CHECK VALVE                |        | 1   |       |
| 17  | 580 72 71-01 | FUEL HOSE                  |        | 1   |       |
| 18  | 530 02 38-77 | NIPPLE                     |        | 1   |       |
| 20  | 545 06 19-01 | ISOLATOR                   |        | 1   |       |
| 21  | 544 11 12-01 | TANK CAP ASSY              |        | 2   |       |
| 22  | 530 01 59-06 | SCREW                      |        | 2   |       |
| 23  | 545 03 38-01 | ISOLATOR                   |        | 1   |       |
| 25  | 545 06 31-01 | SPRING                     |        | 1   |       |
| 26  | 577 16 72-01 | ASSEMBLY                   |        | 1   |       |
| 27  | 580 72 71-01 | FUEL HOSE                  |        | 1   |       |
| 28  | 530 01 58-14 | SCREW                      |        | 1   |       |
| 29  | 530 02 98-50 | CHAIN CATCHER              |        | 2   |       |
| 30  | 530 03 89-90 | FELLING DOG                |        | 1   |       |
| 31  | 530 01 64-39 | SCREW                      |        | 2   |       |
| 32  | 530 01 43-81 | FELLING DOG                |        | 1   | 30,31 |
| 33  | 503 73 58-01 | BUSHING                    |        | 1   |       |



## HANDLE &amp; CONTROLS

120 MARK II, 967861934, 967861936, 2019-04

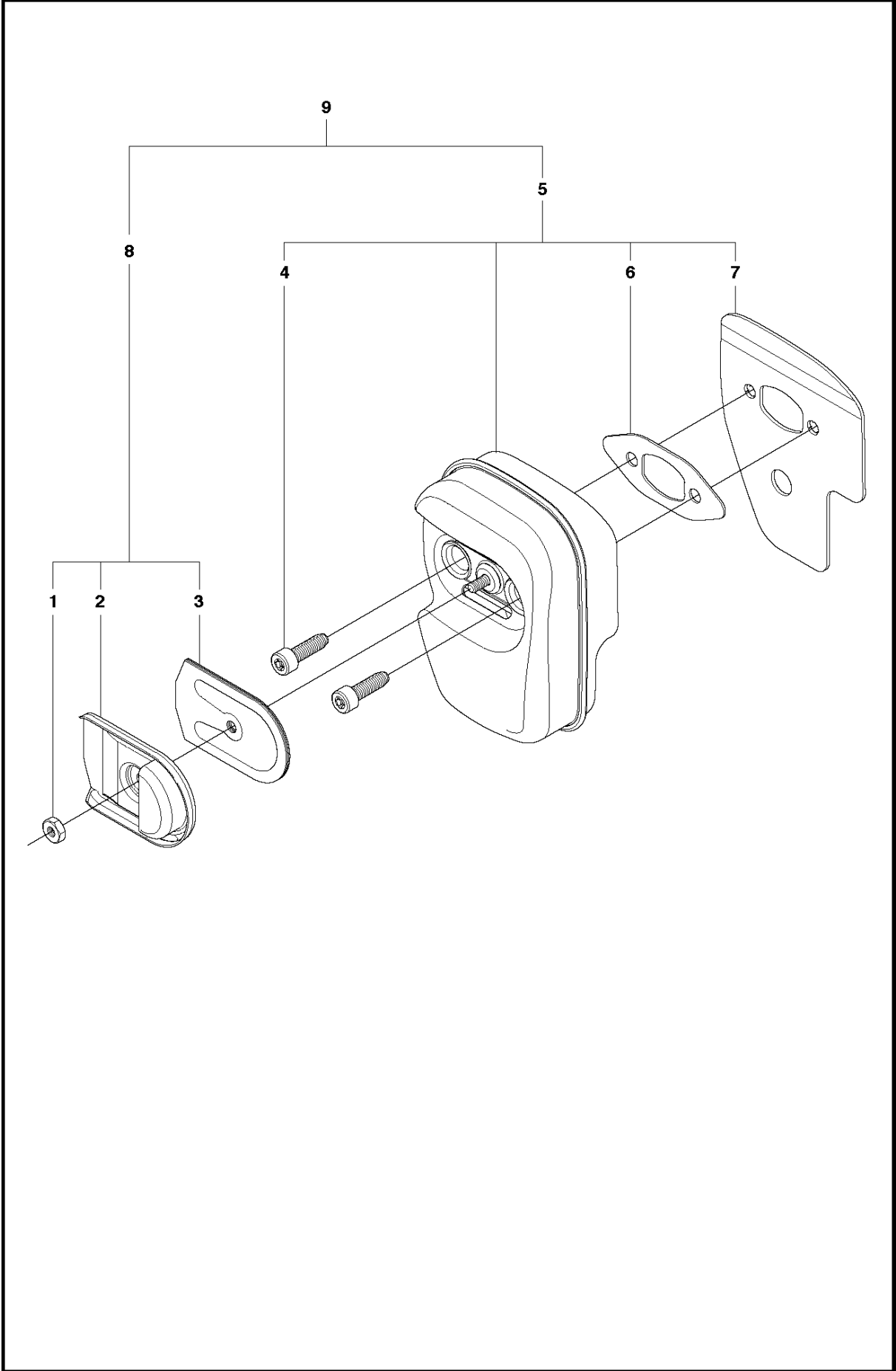
| Ref | Part No      | Description                    | Remark | QTY | KIT |
|-----|--------------|--------------------------------|--------|-----|-----|
| 1   | 545 06 24-01 | FRONT HANDLE                   |        | 1   |     |
| 2   | 545 06 22-02 | REAR HANDLE W/OVMLD 240E       |        | 1   |     |
| 3   | 545 06 23-02 | REAR HANDLE COVER W/OVMLD 240E |        | 1   |     |
| 4   | 545 06 26-01 | LOCKOUT- THROTTLE              |        | 1   |     |
| 6   | 578 24 67-01 | TRIGGER                        |        | 1   |     |
| 7   | 545 03 39-01 | ISOLATOR                       |        | 1   |     |
| 8   | 545 07 63-01 | ISOLATION LIMITER SCREW        |        | 1   |     |
| 9   | 530 01 64-33 | SCREW                          |        | 3   |     |
| 10  | 530 01 63-49 | SCREW                          |        | 2   |     |
| 11  | 530 01 64-32 | SCREW                          |        | 2   |     |
| 12  | 578 86 22-01 | KIT                            |        | 1   | 4,6 |



## IGNITION SYSTEM

120 MARK II, 967861934, 967861936, 2019-04

| Ref | Part No      | Description        | Remark                        | QTY KIT |
|-----|--------------|--------------------|-------------------------------|---------|
| 1   | 575 63 55-02 | FLYWHEEL           | FLYWHEEL ASSY                 | 1       |
| 2   | 530 01 51-27 | WASHER             | WASHER 5/16" RAMP<br>CONICAL  | 1       |
| 3   | 530 01 61-34 | NUT                | NUT HEX M8-1 RH GR8           | 1       |
| 4   | 575 80 35-01 | MODULE             | MODULE                        | 1       |
| 5   | 545 12 19-01 | SCREW              | SCREW M4-0.7X16MM<br>SEMS T20 | 2       |
| 6   | 545 07 99-01 | ASSY- WIRE HARNESS | ASSY- WIRE HARNESS            | 1       |

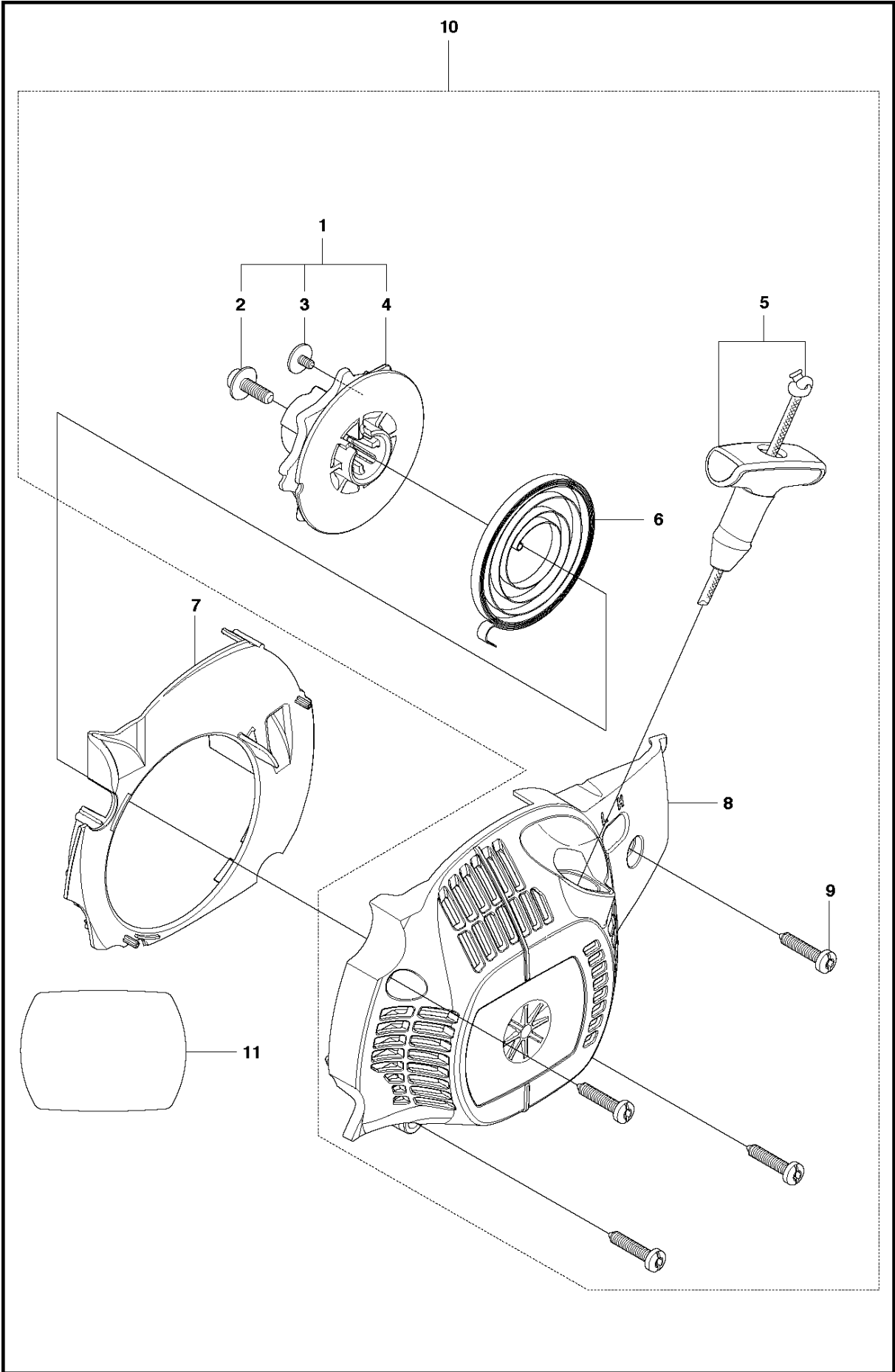




## MUFFLER

120 MARK II, 967861934, 967861936, 2019-04

| Ref | Part No      | Description        | Remark                    | QTY | KIT                 |
|-----|--------------|--------------------|---------------------------|-----|---------------------|
| 1   | 574 26 64-01 | NUT                | NUT 10MM BRASS            | 1   |                     |
| 2   | 545 07 69-01 | EXHAUST PLATE      | EXHAUST PLATE             | 1   |                     |
| 3   | 545 16 74-01 | SCREEN             | SCREEN ARRESTOR<br>GASKET | 1   |                     |
| 4   | 530 01 63-38 | BOLT               | BOLT                      | 2   |                     |
| 5   | 586 09 43-01 | MUFFLER            | MUFFLER ASSY              | 1   |                     |
| 6   | 530 05 48-84 | MUFFLER GASKET     | MUFFLER GASKET            | 1   |                     |
| 7   | 545 06 69-01 | MUFFLER BACK PLATE | MUFFLER BACK PLATE        | 1   |                     |
| 8   | 545 00 80-27 | KIT                | KIT SPARK ARRESTOR        | 1   | 1,2,3               |
| 9   | 545 18 08-43 | MUFFLER            | MUFFLER KIT<br>COMPLETE   | 1   | 1,2,3,4,5<br>,6,7,8 |



## STARTER

120 MARK II, 967861934, 967861936, 2019-04

| Ref | Part No      | Description    | Remark                        | QTY | KIT             |
|-----|--------------|----------------|-------------------------------|-----|-----------------|
| 1   | 545 00 80-28 | KIT            | KIT STD STARTER               | 1   | 2,3,4           |
| 2   | 530 01 59-20 | SCREW          | SCREW                         | 1   |                 |
| 3   | 530 01 60-80 | SCREW          | SCREW                         | 1   |                 |
| 4   | 530 05 78-90 | STARTER PULLEY | STARTER PULLEY                | 1   |                 |
| 5   | 545 01 00-10 | HANDLE         | HANDLE ROPE ASSY              | 1   |                 |
| 6   | 530 04 20-95 | SPRING         | SPRING                        | 1   |                 |
| 7   | 545 06 38-01 | BAFFLE         | BAFFLE                        | 1   |                 |
| 8   | 545 06 37-01 | FAN HOUSING    | FAN HOUSING                   | 1   |                 |
| 9   | 530 01 64-32 | SCREW          | SCREW SCREW M5.38-14X22.225MM | 4   |                 |
| 10  | 545 00 80-25 | KIT            | KIT COMPLETE                  | 1   | 1,2,3,4,5,6,8,9 |
| 11  | 594 91 41-01 | DECAL          | DECAL FAN HOUSING 120 MARK II | 1   |                 |