

Repair Parts Manual

TS 254G/96041044500



English

114 17 65-27 Rev. 2  

Please read the operator's manual carefully and make sure you understand the instructions before using the machine.

HOW TO USE THIS MANUAL

This manual is designed to provide the customer with a means to identify the parts on his/her tractor when ordering repair parts. The illustrations may or may not represent the actual assemblies; therefore, it is not recommended to use this manual as a guide to assemble or disassemble the tractor. Some hardware and parts are drawn larger in order to more readily identify them.

Each tractor has its own model number. The model number for your tractor can be found on the fender under the seat.

Support / Help

If you require assistance or have questions concerning the application, operation, maintenance or parts for your product:

- Visit our website: www.husqvarna.com
- Call Us Toll Free: 1-800-487-5951

When ordering parts, always give the following information:

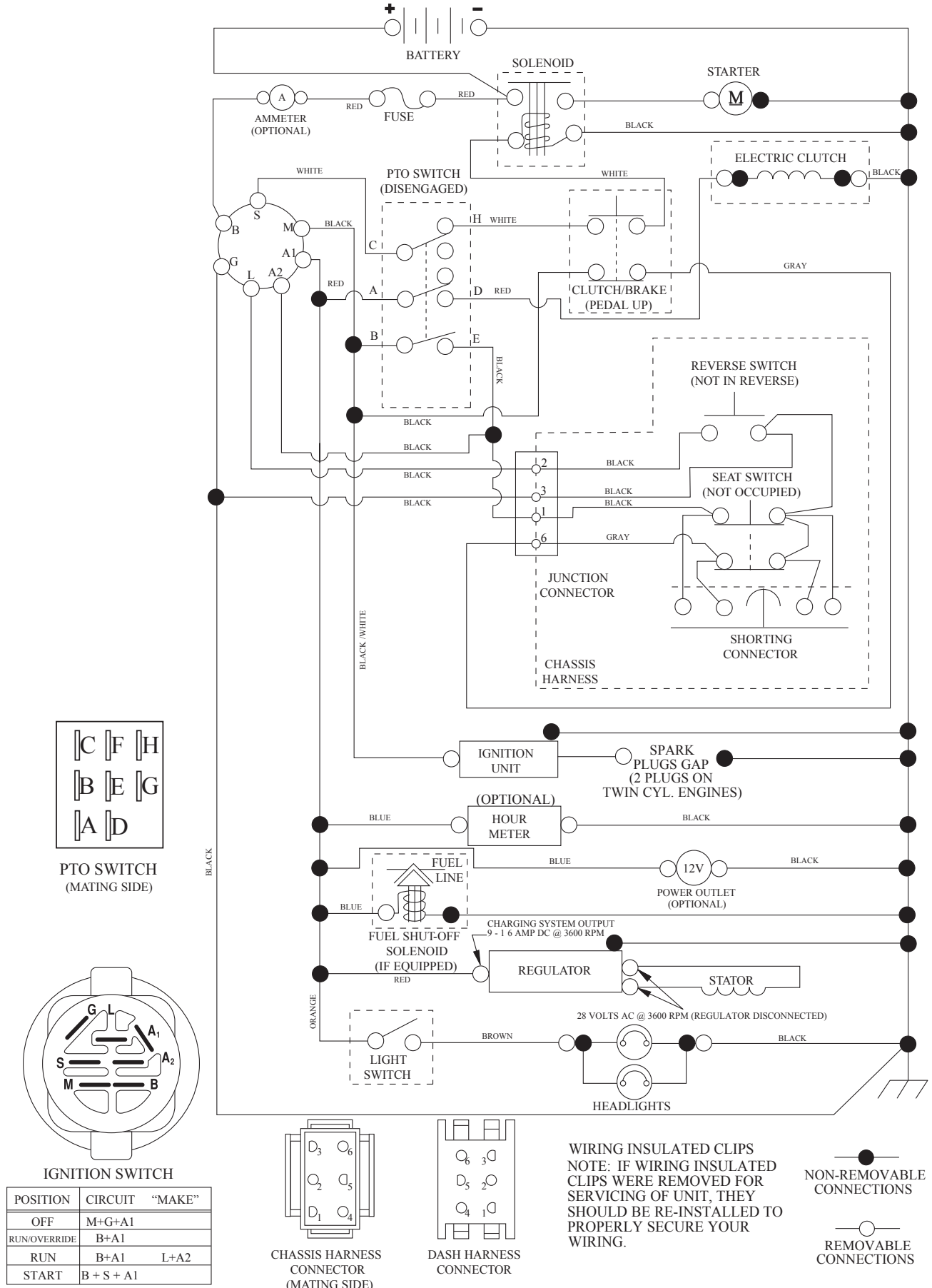
- Product - "TRACTOR"
- MODEL NUMBER - "TS 254G" (96041044500)"
- Part Number
- Part Description

TABLE OF CONTENTS

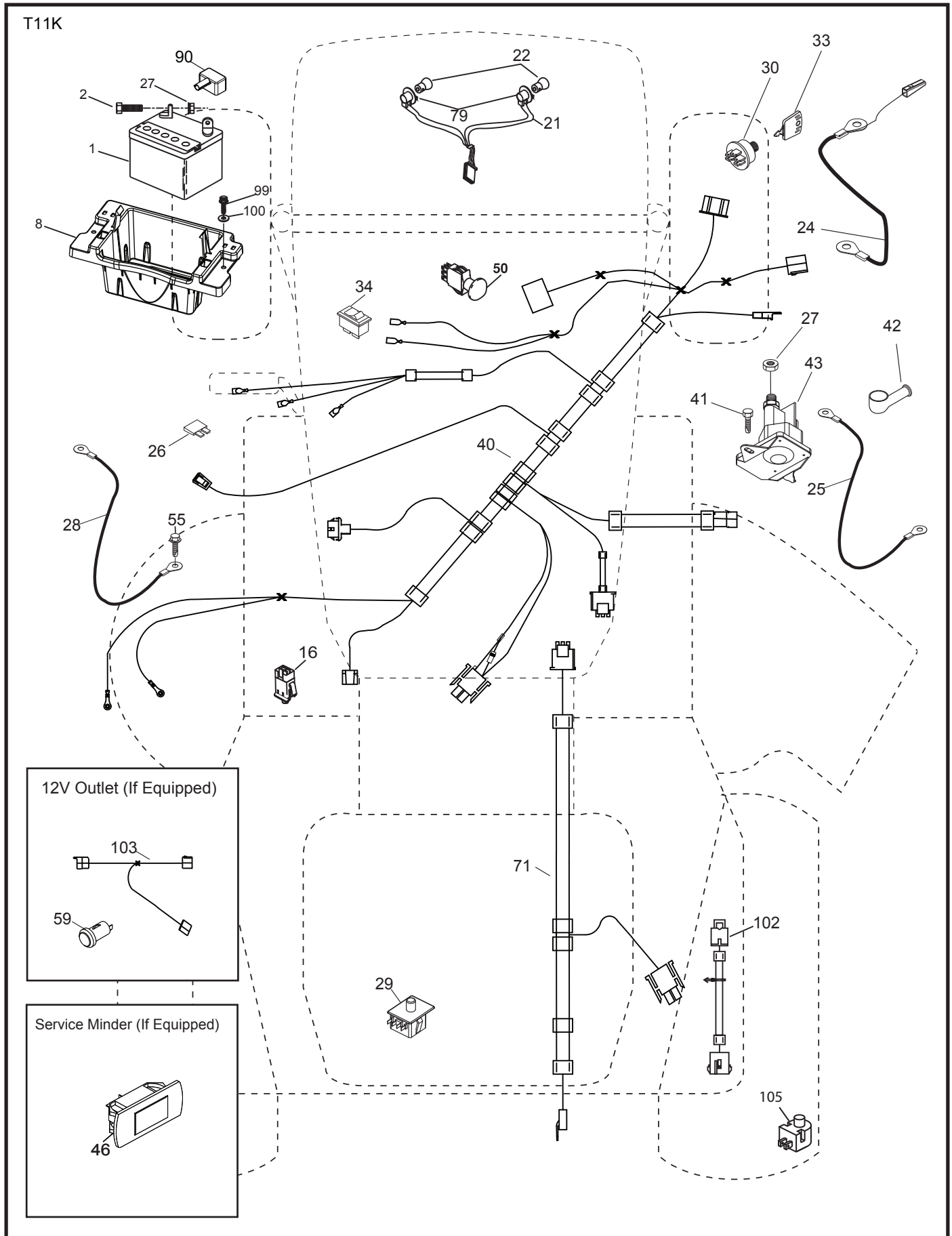
SCHEMATIC	3
ELECTRICAL	4-5
CHASSIS	6-7
DRIVE	8-9
ENGINE	10-11
STEERING	12-13
MOWER DECK	14-15
MOWER LIFT	16
SEAT	17
DECALS	18

TRACTOR - MODEL NO. TS 254G (96041044500), PRODUCT NO. 960 41 04-45 SCHEMATIC

SCH12



**TRACTOR - MODEL NO. TS 254G (96041044500), PRODUCT NO. 960 41 04-45
ELECTRICAL**



**TRACTOR - MODEL NO. TS 254G (96041044500), PRODUCT NO. 960 41 04-45
ELECTRICAL**

KEY NO.	PART NO.	DESCRIPTION
1	532 16 34-65	Battery
2	874 76 04-12	Bolt Hex Hd 1/4-20 unc x 3/4
8	587 20 51-01	Battery Box
16	532 17 61-38	Switch Interlock
21	532 40 02-52	Harness Socket Light
22	532 00 41-52	Bulb, Light #1156
24	585 55 56-01	Cable Battery
25	585 55 55-01	Cable Starter
26	532 17 51-58	Fuse
27	596 13 36-01	Locknut 1/4-20
28	532 41 65-88	Cable Ground 21" Blk 6 Ga.
29	532 19 27-49	Switch Seat
30	532 19 33-50	Switch Ign
33	532 41 19-35	Key/Chain
34	532 11 07-12	Switch Light/Reset
40	501 13 29-01	Harness Ign. Dash
41	817 72 04-08	Screw Thd Cut 1/4-20 x 1/2
42	532 13 15-63	Cover Terminal Red
43	582 04 28-02	Solenoid
46	594 91 91-01	Hourmeter, SRVminder
50	582 10 76-01	Switch PTO
55	817 06 05-12	Screw Thdrol 5/16-18 x 3/4
59	596 94 10-01	Receptacle 12V
71	532 19 42-76	Harness Ign Chassis
79	532 17 52-42	Socket Asm Bulb
90	532 43 53-95	Cover Terminal Battery
99	817 67 04-12	Screw Hexwsh Thdrol 1/4-20 x 3/4
100	596 13 53-01	Washer, Plain 9/32 x 7/8 Clr, Zn
102	532 40 44-54	Harness, Pigtail
103	532 40 79-62	Harness Pigtail 12 V Outlet
105	532 40 75-68	Switch, Reverse

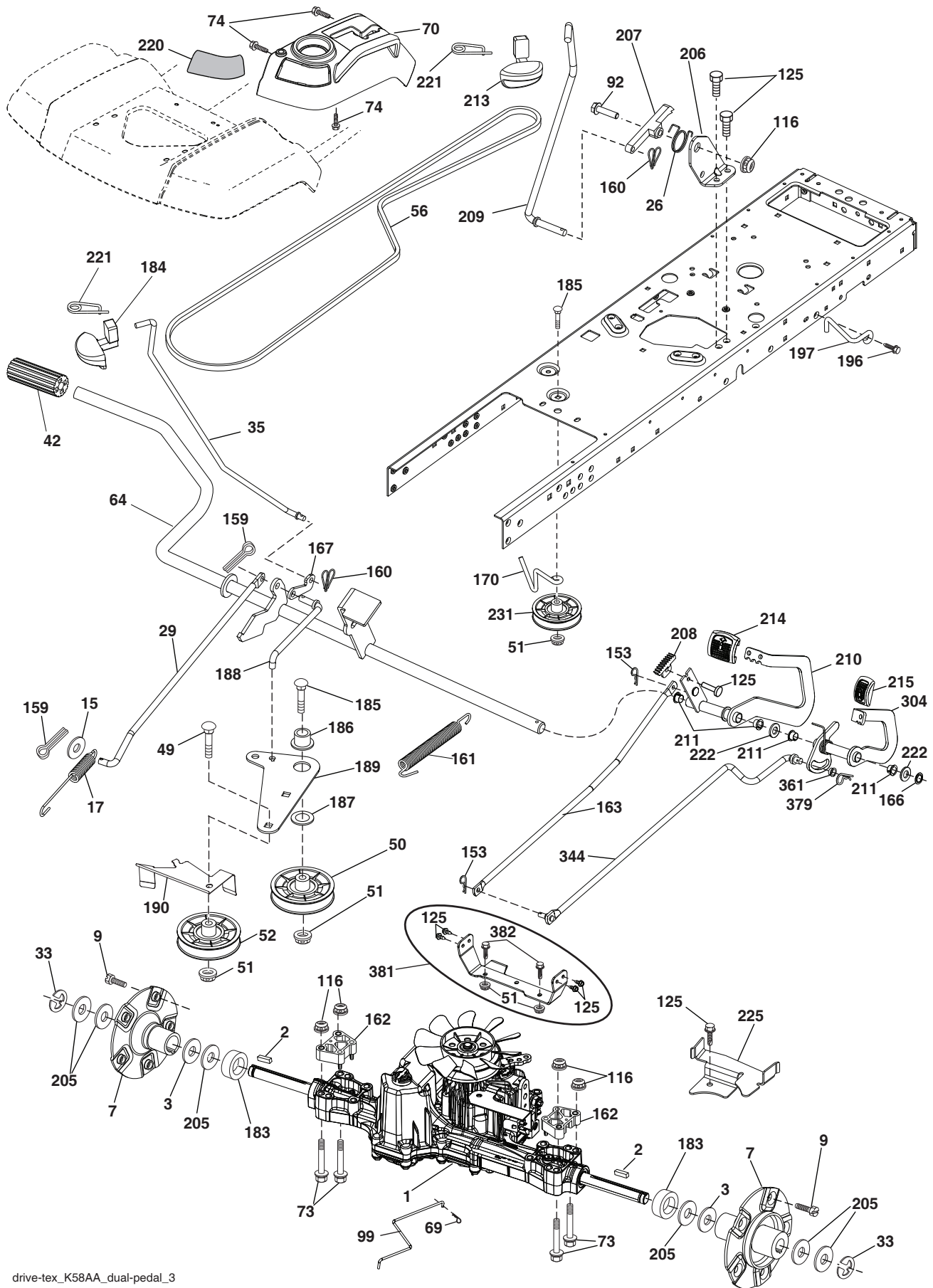
NOTE: All component dimensions given in U.S. inches
1 inch = 25.4 mm

TRACTOR - MODEL NO. TS 254G (96041044500), PRODUCT NO. 960 41 04-45 CHASSIS

KEY NO.	PART NO.	DESCRIPTION	KEY NO.	PART NO.	DESCRIPTION
2	580 43 44-01	Drawbar	183	595 30 57-01	Screw, Hexagon 5/16-18 x 1-1/4
3	597 68 82-01	Kit, Grille Applique, (includes applique cover and emblem badge)	189	817 00 05-12	Screw 5/16-18 x 3/4
5	590 74 88-13	Dash	194	596 13 57-01	Nut Lock Prvl, Torq, 5/16-18 x .68
14	532 44 11-77	Hood	196	532 43 97-16	Console Asm. Deck Lift
15	597 86 78-01	Incandescent headlight kit (includes LH/RH lens and LH/RH housing)	199	532 19 82-59	Plate Deck Lift
18	597 40 71-01	Grille	202	597 86 77-01	Kit, Side Vents, LH/RH (includes LH/RH side vents)
36	817 06 05-12	Screw 5/16-18 x 3/4 Thdrol, Slvr	204	597 40 80-01	Kit, Top Vent (includes top vent and clip retainers)
37	532 44 12-08	Fender	205	532 43 97-30	Trim Hood Side RH
58	532 19 43-14	Bracket Support, Fnder/Tank, Stg	206	532 43 97-29	Trim Hood Side LH
68	596 03 07-01	Screw, Hexagon, 5/16-18 x 1/2	214	532 19 91-45	Clip, Retainer, Tinner
125	581 68 48-01	Clip Fuel Line	217	532 40 91-67	Rod Pivot
130	596 32 17-01	Screw #10 x 0.750	221	532 19 89-09	Reflector LH
137	532 40 75-90	Bumper Dash	228	593 82 40-01	Stud w/"D" Anti-Rotation
146	581 85 79-01	Bolt, RDHD, Sht, Sqnk, 38/-16 x 5/8	235	596 56 42-01	Spacer Fender
150	532 43 97-74	Air Duct	236	873 93 05-00	Nut Center Lock 5/16-18 unc
151	532 43 66-70	Bracket, Pivot, Hood	281	817 00 06-16	Screw 3/8-16 x 1 Smgml, Tap
152	532 43 98-70	Shielf Browing	306	873 90 06-00	Nut Lock
159	817 00 06-12	Screw Hexwsh, Thdr 3/8-16 x 3/4 BI	335	532 44 82-04	Cover, RH, Lower, Close Out
161	532 43 99-29	Console Fuel Window	336	532 44 53-09	Cover, LH, Lower, Close Out
162	596 13 41-01	Screw, Hex, Tap 1/4-15 x 1/2	350	532 44 51-43	Clip X-mas Tree
165	532 19 43-30	Bracket Support Tank	375	586 90 82-01	Dash Clip-On Bumper
175	590 60 77-02	Crossmember	378	590 84 98-01	Bushing, Flange
176	532 40 07-76	Screw 10-24 x 5/8	379	593 20 69-02	Chassis Plate Reinforcement
177	532 19 52-28	Bushing, Steering	--	597 33 48-01	Bumper
180	593 34 63-01	Chassis			
182	532 40 68-59	Dash, Lower			

NOTE: All component dimensions given in U.S. inches
1 inch = 25.4 mm

TRACTOR - MODEL NO. TS 254G (96041044500), PRODUCT NO. 960 41 04-45 DRIVE



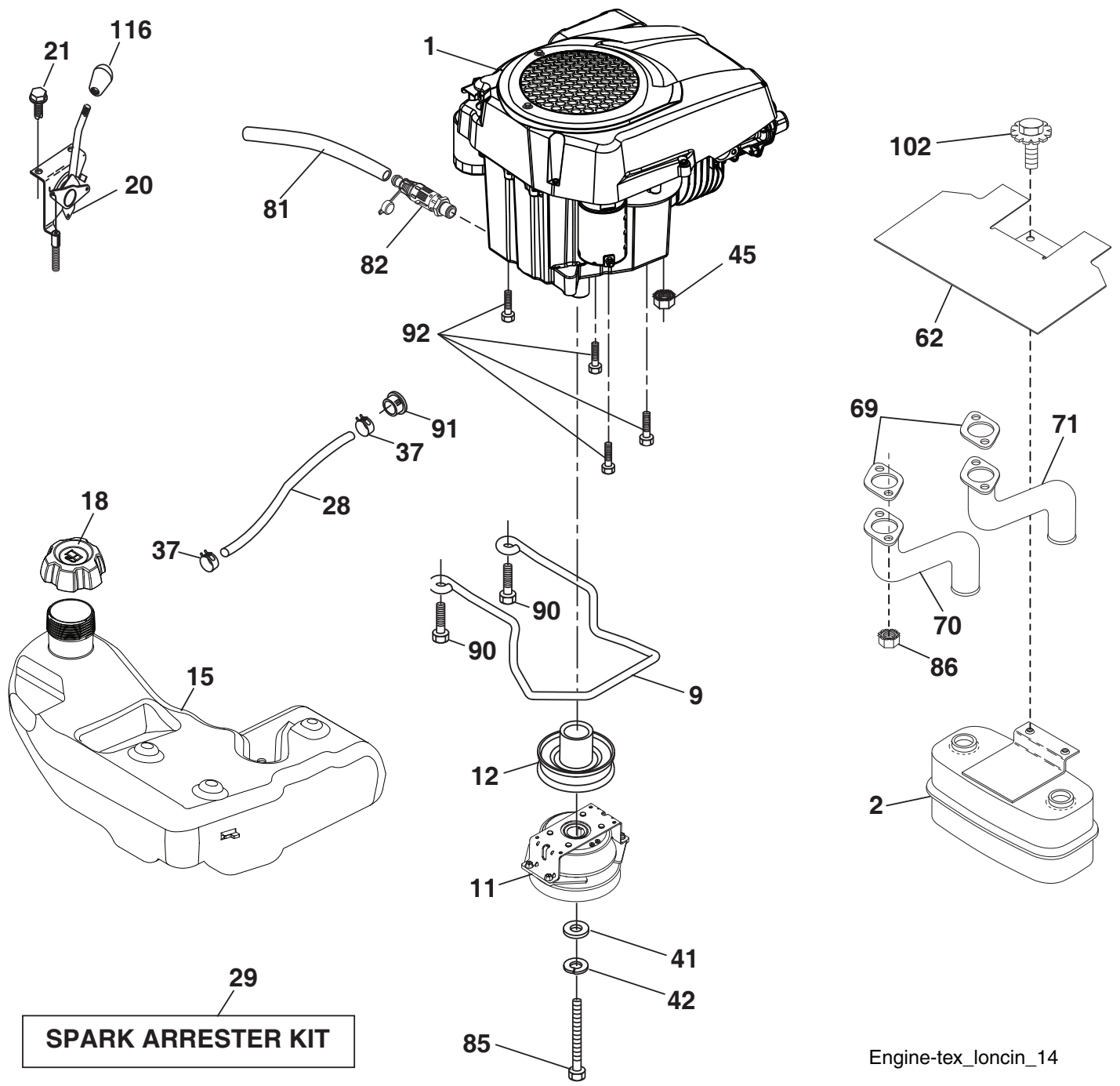
drive-tex_K58AA_dual-pedal_3

TRACTOR - MODEL NO. TS 254G (96041044500), PRODUCT NO. 960 41 04-45 DRIVE

KEY NO.	PART NO.	DESCRIPTION	KEY NO.	PART NO.	DESCRIPTION
1	---	Transaxle, TUFFTORQ K58 (596038601) (Order parts from transaxle manufacturer.)	184	587 65 37-01	Handle Parking Brake
2	539 91 27-57	Key, Square 1/4 x 1-1/4	185	872 11 06-22	Bolt Rdhd Sqnk 3/8-16 x 2-3/4 Gr. 5
3	532 00 75-63	Washer, Thrust, Axle, Harden	186	532 19 43-21	Spacer Retainer
7	586 93 54-02	Hub, Pnt, Gt, Pm, 1 in. Axle, E-Dip	187	596 13 55-01	Washer, 13/32 x 2, Clear Zinc
9	596 21 87-01	Bolt, Fit, Shank, 7/16-14 x 1-3/8"	188	582 21 70-01	Link Clutch Ground Drive Long
15	596 56 53-01	Washer, 3/8 x 0.08 in., St. Clr, Zinc	189	532 19 43-17	Bellcrank Ground Drive
17	532 41 36-78	Spring, Brake	190	532 19 43-18	Keeper Bellcrank Ground Drive
26	532 19 96-79	Spring Return Cruise	196	817 00 06-16	Screw 3/8-16 x 1
29	532 40 38-06	Rod, Brake	197	585 65 86-02	Clutch, Antirotation, Wireform
33	812 00 00-53	Ring, E #5133-100	205	532 12 38-00	Washer, 1-1/32 x 1-5/8 x 16 Ga.
35	583 86 45-02	Rod, Brake, Parking, Gt., Husq	206	532 44 85-96	Bracket Mount Latch Cruise
42	532 00 88-83	Cover, Foot Pedal	207	587 03 14-02	Latch Control Cruise
49	596 13 62-01	Bolt, Cup Head, 3/8-16 x 3/4	208	596 56 41-01	Gear
50	532 19 43-27	Pulley Idler Flat	209	596 86 98-01	Rod Control, Cruise, Husq, Tex
51	873 90 06-00	Lock Nut 3/8-16	210	588 98 72-02	Dualped Asm, Forward, Tex
52	532 19 43-26	Idler V-Groove	211	532 12 01-83	Bearing Nylon
56	592 85 52-01	V-Belt, Drive	213	532 40 31-19	Knob Control Cruise
64	532 19 78-65	Shaft Asm. Pedal Brake Control	214	532 42 12-63	Pedal Pad, Forward, Tex, Std
69	532 42 33-03	Hairpin Soft Zink .059 x 1.125	215	596 90 83-01	Pedal Pad, Square, Reverse
70	532 43 96-61	Console Asm	220	532 19 89-08	Reflector RH
73	874 49 05-60	Bolt, Hex, Flngd, 5/16-18 x 3.75	221	532 40 31-87	Retainer Spring Clip Handle
74	596 13 41-01	Screw, Hex, Tap, 1/4-15 x 1/2	222	879 21 20-10	Washer 21/32 x 1-1/4 x 10 Ga.
92	595 30 57-01	Screw, Hexagon, 5/16-18 x 1-1/4	225	532 40 33-19	Keeper Belt Trans.
99	593 98 25-01	Rod, Bypass, Gt, K46/K58 Thick	231	532 40 72-87	Idler V-Groove
116	596 13 57-01	Nut, Lock, Prvl, Torq, 5/16-18 x .68	304	588 98 73-02	Dualped Asm, Reverse, Tex
125	817 00 05-12	Screw 5/16-18 x 3/4	344	597 64 72-01	Rod, Dp, Rvs, 48F/54F, K46/K58
153	532 00 44-97	Retainer Spring	361	597 13 67-01	Bushing, Dual Ped, Rvs, Slide
159	596 02 95-01	Pin Cotter, 1/8 Dia x 3/4	379	596 58 06-01	Pin Retaining, 1-7/16 x 0.073
160	596 02 94-01	Clip, Retainer "M"	381	597 91 13-01	Service, Kit - Torque Strap (includes bracket , bolts, nuts and screws)
161	532 10 57-09	Spring, Return, Clutch	382	596 43 83-01	Bolt, Hex w/Collar, 3/8-16 x 2-1/4
162	580 45 74-01	Spacer, Transaxle, 1"			
163	588 56 63-01	Rod, Dualped, Fwd, K46/K57/K58			
166	532 42 91-64	Nut Push			
167	532 40 52-57	Latch Brake Parking			
170	532 41 34-30	Keeper Belt Centerspan			
183	587 58 74-01	Spacer, Split, 1.00 ID x 1.75			

NOTE: All component dimensions given in U.S. inches
1 inch = 25.4 mm

**TRACTOR - MODEL NO. TS 254G (96041044500), PRODUCT NO. 960 41 04-45
ENGINE**



**TRACTOR - MODEL NO. TS 254G (96041044500), PRODUCT NO. 960 41 04-45
ENGINE**

KEY PART NO.	PART NO.	DESCRIPTION
1	— — — — —	Engine Husqvarna Model No. LC2P80 (598632103)
2	589 81 87-01	Muffler
9	501 83 26-02	Keeper Belt Engine
11	587 24 14-01	Clutch Electric
12	532 19 43-43	Pulley Engine
15	532 19 34-99	Tank Fuel 4.0
18	584 24 87-02	Cap Fuel
20	586 21 96-01	Control Throttle
21	596 32 17-01	Screw #10 x 0.75
28	532 40 11-35	Fuel Line
29	532 13 71-80	Spark Arrester Kit
37	532 12 34-87	Clamp Hose
41	532 12 61-97	Washer 1-1/2 OD x 15/32 ID x .250
45	593 35 64-01	Nut, Hexagon, Flange
42	596 23 89-01	Washer 7/16
62	532 43 40-17	Shield Heat Muffler
69	597 90 51-01	Gasket
70	597 88 89-01	Tube Exhaust LH
71	597 88 90-01	Tube Exhaust RH
81	532 14 84-56	Tube Drain Oil Easy
82	532 42 82-87	Valve Drain Oil
85	501 60 69-01	Bolt Hex 7/16-20 x 3.0 Gr. 5
86	532 18 43-62	Nut. Hex, Flange
90	817 00 06-16	Screw 3/8-16 x 1
91	532 18 74-95	Bushing 1.375 OD HEYCO 2210
92	817 12 06-16	Screw 3/8-16 x 1
102	817 00 05-12	Screw 5/16-18 x 3/4
116	539 13 26-24	Knob-Shift

NOTE: All component dimensions given in U.S. inches
1 inch = 25.4 mm

**TRACTOR - MODEL NO. TS 254G (96041044500), PRODUCT NO. 960 41 04-45
STEERING ASSEMBLY**

KEY NO.	PART NO.	DESCRIPTION
1	597 86 61-01	Wheel, Steering, Kit (includes steering wheel and cap)
2	532 19 59-68	Axle Asm., Front
4	532 40 30-89	Spindle Asm., LH
5	532 40 30-90	Spindle Asm., RH
6	532 00 62-66	Washer, Thrust .75 x 1.230
7	532 12 17-48	Washer 25/32 x 1-5/8 x 16 Ga.
8	812 00 00-29	Ring, Klip #T5304-75
9	532 12 12-32	Cap, Spindle
13	532 12 17-49	Washer 25/32 x 1-1/4 x 16 Ga.
14	596 23 87-01	Washer, Spring, Lock, .381 ID x 680
15	873 54 06-00	Nut, Crown Lock 3/8-24 unf
16	587 01 60-02	Steering Shaft
19	532 19 47-29	Plate Steering
21	586 84 02-01	Adapter Wheel Steering
22	585 02 99-01	Bearing
26	594 94 91-01	Wheel Steering, Cap
27	596 93 34-01	Washer, Plain
28	817 00 06-12	Screw 3/8-16 x 3/4
35	532 19 47-32	Gear, Sector Plate
45	587 01 64-01	Washer 3/8 ID 2-3/8 OD 12 Ga. PLTD
50	873 90 06-00	Nut Lock Flg 3/8-16 unc
53	532 18 89-67	Washer Hardened .793 x 1.637 x .060
54	874 76 06-36	Bolt Hex 3/8-16 x 2-1/4
55	532 41 47-36	Spacer Axle Brace
58	532 19 47-47	Bolt Shoulder Sector Pivot CFM
59	532 19 47-48	Washer Thrust Sector Steering
60	873 97 10-00	Nut Flange Lock 5/8-11
61	597 07 02-02	Draglink LH
62	597 07 03-02	Draglink, RH
63	817 00 05-12	Screw 5/16-18 x 3/4
64	532 19 98-49	Retainer Clip Spring Steering
65	532 19 47-34	Brace Axle Front
66	871 02 07-48	Bolt Hex Fghd 7/16-14 x 3 Serr
67	532 19 47-37	Bushing Front Axle
68	873 90 07-00	Nut Lock Flange 7/16-14 Gr. 5
69	532 19 91-62	Washer 1.5 x .505 x .118
70	585 33 88-01	Bracket Deck Susp. Front
75	580 68 37-01	Pinion
76	580 68 36-01	Screw Head Sock
78	532 05 70-79	Washer Thrust
122	532 44 49-62	Cap Gear Sector

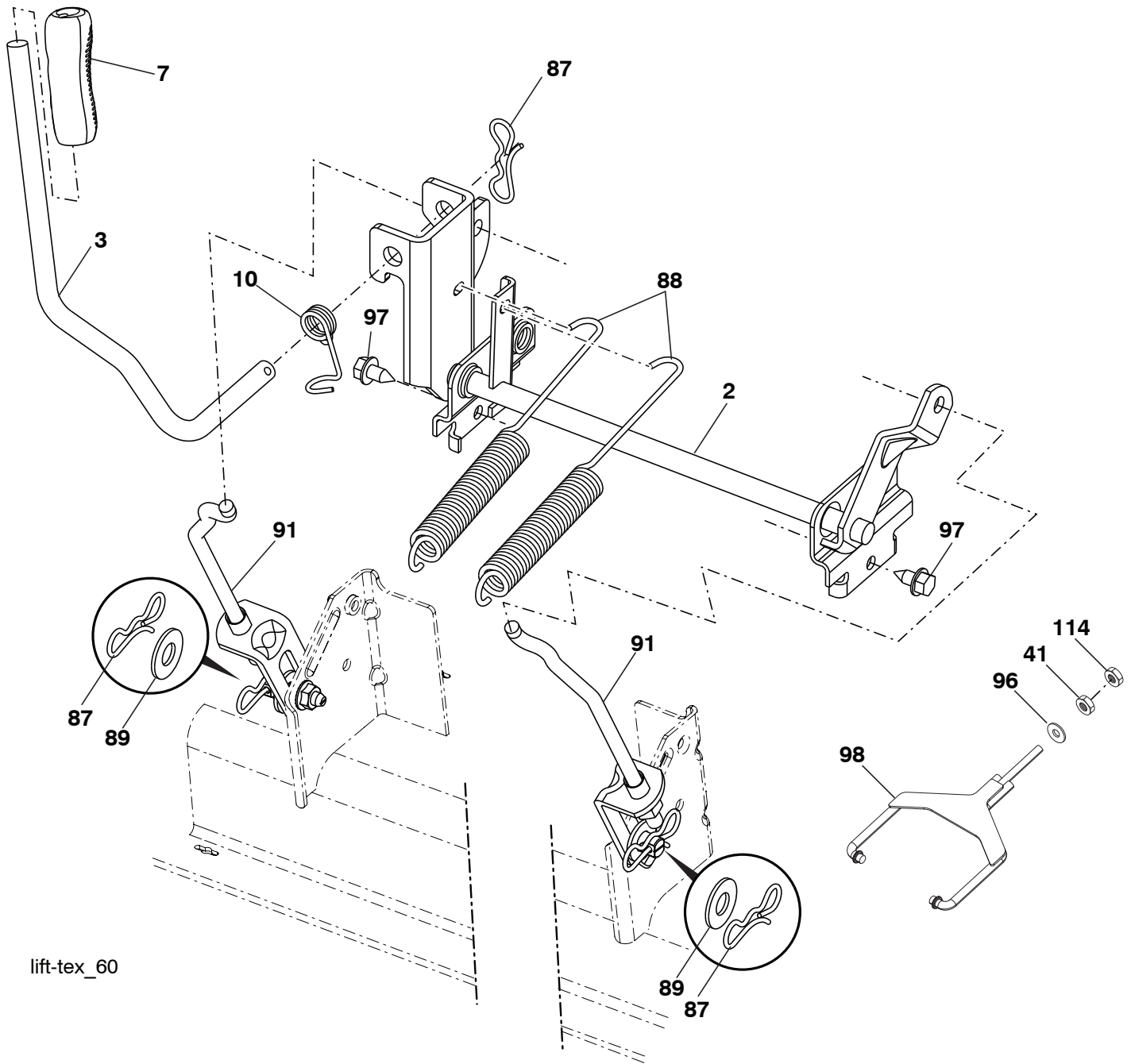
NOTE: All component dimensions given in U.S. inches
1 inch = 25.4 mm

**TRACTOR - MODEL NO. TS 254G (96041044500), PRODUCT NO. 960 41 04-45
MOWER DECK**

KEY NO.	PART NO.	DESCRIPTION	KEY NO.	PART NO.	DESCRIPTION
1	592 61 88-01	Kit, SVC, Weldment	49	873 90 06-00	Nut, Lock Flg. 3/8-16 unc
6	590 30 43-03	Cover Mandrel LH	51	574 16 96-01	Roller Guage
7	590 30 42-03	Cover Mandrel RH	52	532 19 73-79	Pulley Idler 4.50
8	532 19 30-03	Bolt/Washer Am 7/16-20	53	594 94 45-01	Blt, Cup Hd, Sqr, 1/2-13 x 8.0 G5
11	582 76 05-08	Blade 54cc	54	521 99 11-02	Nut 1/2-13 Hex Flg Nyloc ZD
14	539 13 18-98	Housing, Mandrel	61	532 40 03-37	Rod Anti-Sway
20	532 19 72-36	Spacer Idler Pulley	62	596 13 32-01	Washer, 13/32 x 13/16 x 12 Ga.
22	596 56 40-03	Bolt, Hex, 3/8-16 x 1.78, Clr, Zinc	63	532 19 42-08	Pin Cotter 5/16 Bow Tie Lock
23	588 43 83-01	Screw 7/16-14 x 2.125 Washer	66	590 73 25-01	Bumper Asm 54cc
24	532 10 53-04	Cap Sleeve	97	532 17 85-15	Washer Hardened
25	587 35 47-01	Spring, Torsion	98	587 35 84-01	Spring Drive
26	532 11 04-52	Nut, Push	116	596 43 44-04	Bolt, Shoulder 3/8-16 x 3-5/8"
27	590 63 22-01	Deflector Shield	117	589 52 73-01	Wheel Gauge, Wide (Rally)
28	596 24 08-01	Bolt, Eyelet, 5/16-18 x 3-1/2	184	596 13 57-01	Nut, Lock, Prvl, Torq, 5/16-18 x .68
29	595 29 70-01	Rod, Hinge	187	593 82 40-01	Stud w/"D" Anti-Rotation
31	532 18 76-90	Washer Spacer Mandrel	189	587 14 05-02	Arm,R,Fixed,MWRSuspension,Edip
32	532 15 35-35	Pulley, Mandrel	190	532 19 65-39	Bolt Shoulder
33	596 13 48-01	Nut, Hex 9/16-18 x 1.010	192	532 19 84-68	Keeper Belt Idler
34	596 32 26-01	Nut, Crownlock, 3/8-16 unc	196	596 33 78-01	Bolt, Carriage, 3/8-16 x 2-1/2
36	596 03 92-01	Nut, Lock, Hex, 5/16-18, Clear, Zin	242	532 41 55-98	Port Washout
37	532 17 01-65	Bolt Shoulder 5/16-18	--	598 57 95-01	Replacement Mower, Complete
41	584 95 39-01	Bolt Hex Wshr .313 - 18 x 1.19			
42	596 95 22-01	Plug, Hole, Square			
43	582 21 96-02	Arm, Idler			
46	532 13 77-29	Screw, Thdroll. 1/4-20 x 5/8			
47	582 23 63-01	V-Belt, Mower			
48	574 19 65-02	Tube Roller			

NOTE: All component dimensions given in U.S. inches
1 inch = 25.4 mm

**TRACTOR - MODEL NO. TS 254G (96041044500), PRODUCT NO. 960 41 04-45
MOWER LIFT**



lift-tex_60

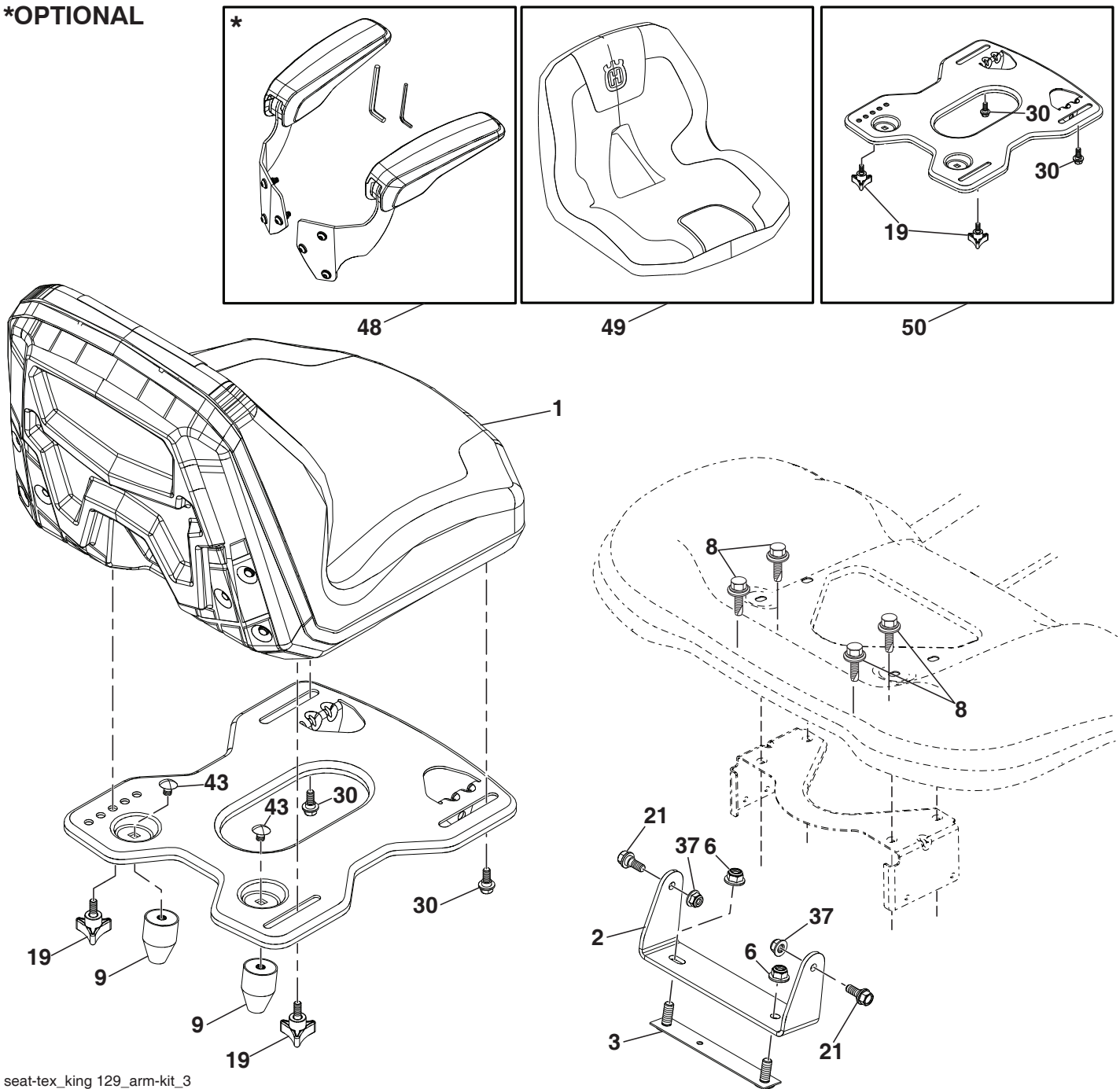
KEY NO.	PART NO.	DESCRIPTION
2	532 42 20-27	Shaft Asm., Lift
3	596 27 06-01	Lever, Lift Handle
7	580 96 23-01	Grip, Lever
10	532 19 63-14	Spring Torsion
41	589 46 49-02	Nut, Link, Lift
87	532 19 42-09	Pin Cotter 7/16 Bow Tie Lock
88	532 19 53-04	Spring Lift Assist
89	819 19 19-12	Washer Clear Zinc

KEY NO.	PART NO.	DESCRIPTION
91	589 46 48-05	Link Lift Susp Mower Rear
96	593 84 21-01	Bushing Spherical
97	817 00 06-12	Screw 3/8-16 x .75
98	589 31 87-03	Link Lift Susp. Front Mower
114	873 36 07-00	Nut Jam 7/16-20

NOTE: All component dimensions given in U.S. inches
1 inch = 25.4 mm

TRACTOR - MODEL NO. TS 254G (96041044500), PRODUCT NO. 960 41 04-45 SEAT ASSEMBLY

***OPTIONAL**



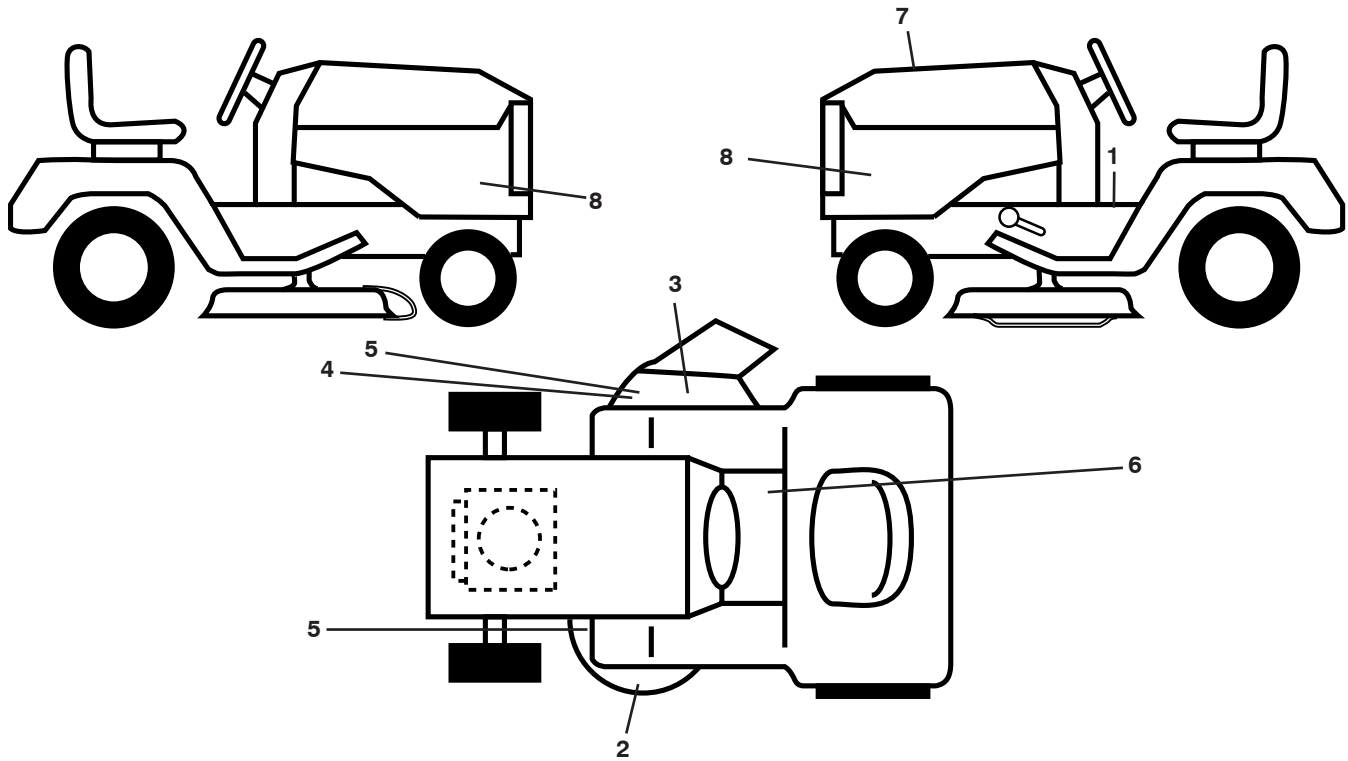
seat-tex_king 129_arm-kit_3

KEY NO.	PART NO.	DESCRIPTION
1	597 65 81-01	Seat, SK150/129 w/o Armrests (includes seat cover key# 49)
2	597 32 99-02	Bracket, PNT, PVT, FNDR, Seat EDIP
3	590 77 76-02	Bracket Asm, Reinfor FNDR, EDIP
6	521 99 65-02	Nut, Hex, Lock w/Flange 3/8-16
8	532 17 18-77	Bolt 5/16-18 unc x 3/4 w/Sems
9	597 78 51-01	Bumper, Rubber, Isolator
19	597 78 31-01	Knob, 3 Wing 5/16-18, CLR, ZN
21	596 24 07-01	Bolt, Hex 5/16-18 x 21/32

KEY NO.	PART NO.	DESCRIPTION
30	597 78-18-01	Bolt, Hex, Should 5/16-18 unc ZPB
37	594 94 44-01	Nut, Hexagon, Flange 5/16-18
43	597 86 93-01	Bolt, Carri, Cqur 3/8 x .45, CLR, ZN
48	597 65 82-03	Service Kit, 15", Seat Armrest
49	597 95 94-01	Cover, Husq. 15", (SK129) Seat
50	598 00 16-01	Service, Kit, Seat Pan (includes all components illustrated in box for Key# 50)

NOTE: All component dimensions given in U.S. inches
1 inch = 25.4 mm

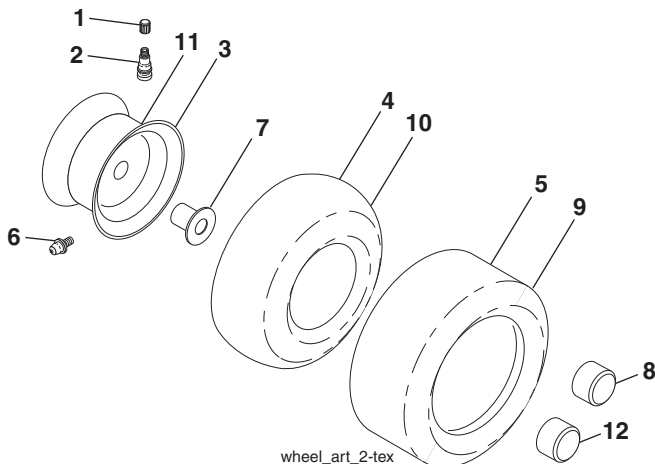
**TRACTOR - MODEL NO. TS 254G (96041044500), PRODUCT NO. 960 41 04-45
DECALS**



KEY PART NO.	PART NO.	DESCRIPTION
1	586 04 73-02	Decal, Warning
2	593 80 88-01	Decal, Clear Cut
3	586 97 88-01	Decal, Deflect. Warning
4	591 16 47-01	Decal, Deck Belt Routing
5	589 35 79-01	Decal, Clear Cut No Step
6	598 46 35-01	Decal, Consump
7	598 59 31-01	Decal, Replacement
8	598 48 08-01	Decal, Bypass
--	581 72 48-01	Decal, Panel Side
--	532 43 98-82	Pad, Footrest, LH

KEY PART NO.	PART NO.	DESCRIPTION
--	532 44 15-42	Pad, Footrest, RH
--	114 19 85-49	Manual, Operator's (English/Spanish)
--	114 19 89-70	Manual, Operator's (Portuguese)
--	114 19 93-32	Manual, Operator's (French)
--	114 20 03-80	Manual, Operator's (Korean)
--	114 17 65-27	Manual, Parts

WHEELS AND TIRES



KEY PART NO.	PART NO.	DESCRIPTION
1	532 05 91-92	Cap, Valve, Tire
2	532 06 51-39	Stem, Valve
3	532 18 18-39	Rim Assembly, Front
4	532 00 81-34	Tube, Front (Service Item Only)
5	532 16 10-24	Tire, Front
6	532 00 02-78	Fitting, Grease (Front Wheel Only)
7	532 00 90-40	Bearing, Flange (Front Wheel Only)
8	532 17 50-39	Cap, Hub
9	591 18 79-01	Tire, Rear
10	532 00 71-54	Tube, Rear (Service Item Only)
11	532 40 17-82	Rim Assembly, Rear
12	501 50 31-01	Cap, Hub
--	532 14 43-34	Sealant, Tire (10 oz. Tube)

NOTE: All component dimensions given in U.S. inches
1 inch = 25.4 mm

SERVICE NOTES / AVISO



www.husqvarna.com