

Repair Parts Manual
Manual De Repuestos
TS138L / 96041043900

Please read the operator's manual carefully and make sure you understand the instructions before using the machine.

Por favor lea cuidadosamente y comprenda estas instrucciones antes de usar esta maquina.



English/Spanish

114 14 70-49 Rev. 1



HOW TO USE THIS MANUAL

This manual is designed to provide the customer with a means to identify the parts on his/her tractor when ordering repair parts. The illustrations may or may not represent the actual assemblies; therefore, it is not recommended to use this manual as a guide to assemble or disassemble the tractor. Some hardware and parts are drawn larger in order to more readily identify them.

Each tractor has its own model number. The model number for your tractor can be found on the fender under the seat.

Support / Help

If you require assistance or have questions concerning the application, operation, maintenance or parts for your product:

- Visit our website: www.husqvarna.com
- Call Us Toll Free: 1-800-487-5951

When ordering parts, always give the following information:

- Product - "TRACTOR"
- MODEL NUMBER - "TS138L" (96041043900)"
- Part Number
- Part Description

TABLE OF CONTENTS

SCHEMATIC	3
ELECTRICAL	4-5
CHASSIS	6-7
DRIVE	8-9
ENGINE	10-11
STEERING	12-13
MOWER DECK	14-15
MOWER LIFT	16
SEAT	17
DECALS	18
ENGINE BREAKDOWN	36-37

COMO UTILIZAR ESTE MANUAL

Este manual está diseñado para brindarle al comprador un medio para identificar las piezas del tractor para cuando necesite hacer el pedido de un repuesto. Las ilustraciones pueden o no representar los ensambles reales; por lo tanto, no se recomienda utilizar este manual como una guía para ensamblar o desarmar el tractor. Algunos accesorios y piezas están dibujados en tamaños más grandes para identificarlos con mayor facilidad.

Cada tractor tiene su propio número de modelo. El número de modelo del tractor se encuentra en el guardabarros debajo del asiento.

Soporte / Ayuda

Si necesita asistencia o tiene alguna pregunta acerca de la aplicación, operación, mantenimiento o piezas de su producto:

- Visite nuestro sitio web: www.husqvarna.com
- Llámenos de manera gratuita al: 1-800-487-5951

Cuando haga el pedido de una pieza, siempre brinde la siguiente información:

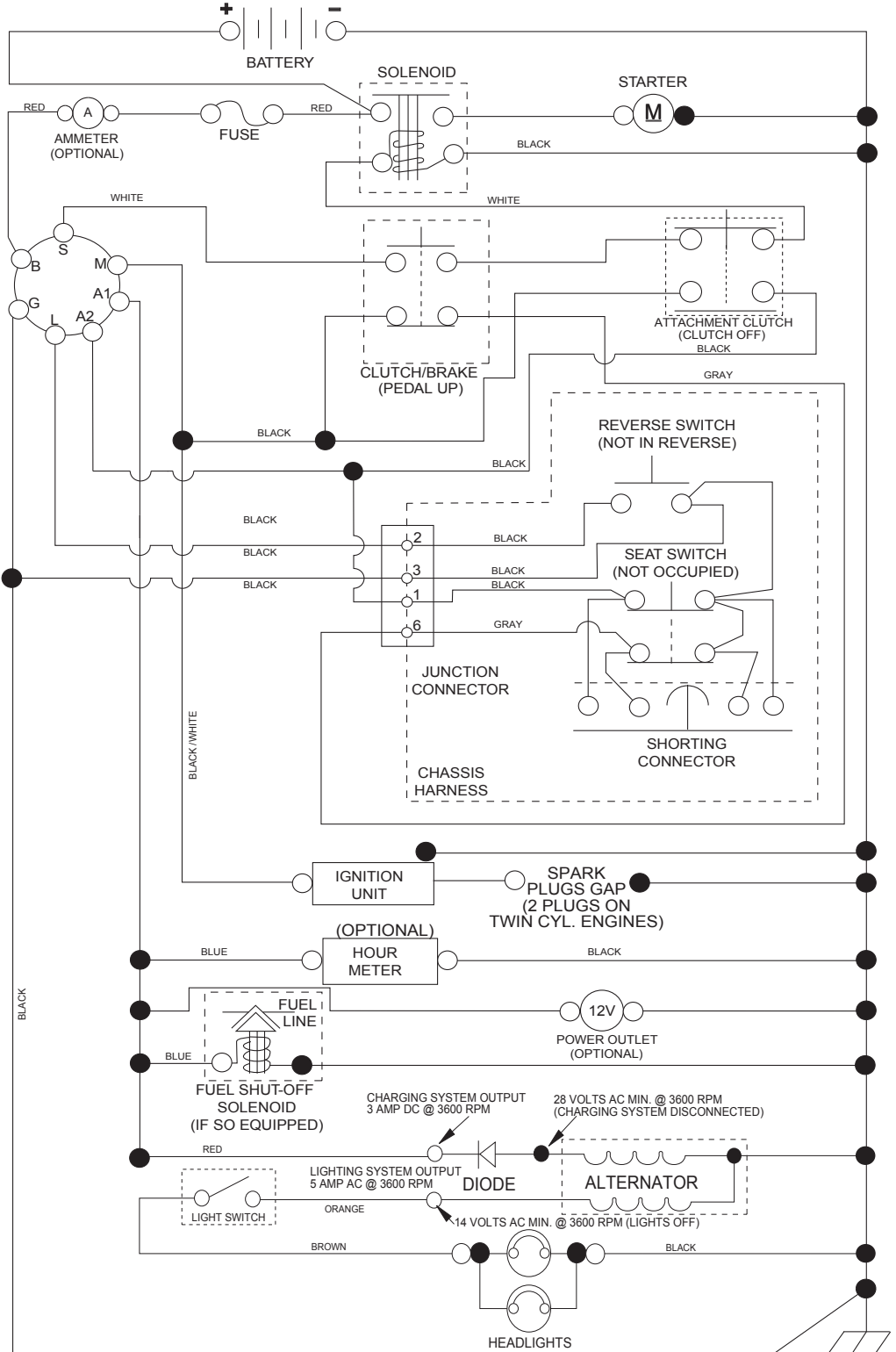
- Producto: "TRACTOR"
- NÚMERO DE MODELO: "TS138L" (96041043900)"
- Número de pieza
- Descripción de la pieza

ÍNDICE

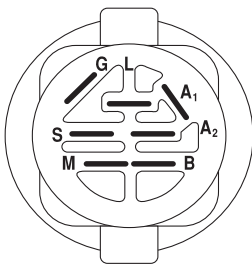
DIAGRAMA	19
DIAGRAMA ELÉCTRICO	20-21
CHASIS	22-23
TRANSMISIÓN	24-25
MOTOR	26-27
DIRECCIÓN	28-29
PLATAFORMA DE LA CORTADORA DE CÉSPED	30-31
ELEVACIÓN DE LA CORTADORA DE CÉSPED	32
ASIENTO	33
CALCOMANÍAS	34
MOTOR DESCOMPOSTURA	38-39

TRACTOR - MODEL NO. TS 138L (96041043900), PRODUCT NO. 960 41 04-39 SCHEMATIC

SCH11

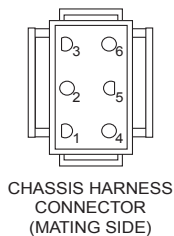


NOTE
YOUR TRACTOR IS EQUIPPED WITH A SPECIAL ALTERNATOR SYSTEM. THE LIGHTS ARE NOT CONNECTED TO THE BATTERY, BUT HAVE THEIR OWN ELECTRICAL SOURCE. BECAUSE OF THIS, THE BRIGHTNESS OF THE LIGHTS WILL CHANGE WITH ENGINE SPEED. AT IDLE THE LIGHTS WILL DIM. AS THE ENGINE IS SPEEDED UP, THE LIGHTS WILL BECOME THEIR BRIGHTEST.

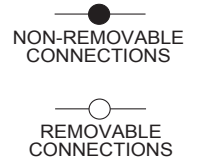


IGNITION SWITCH

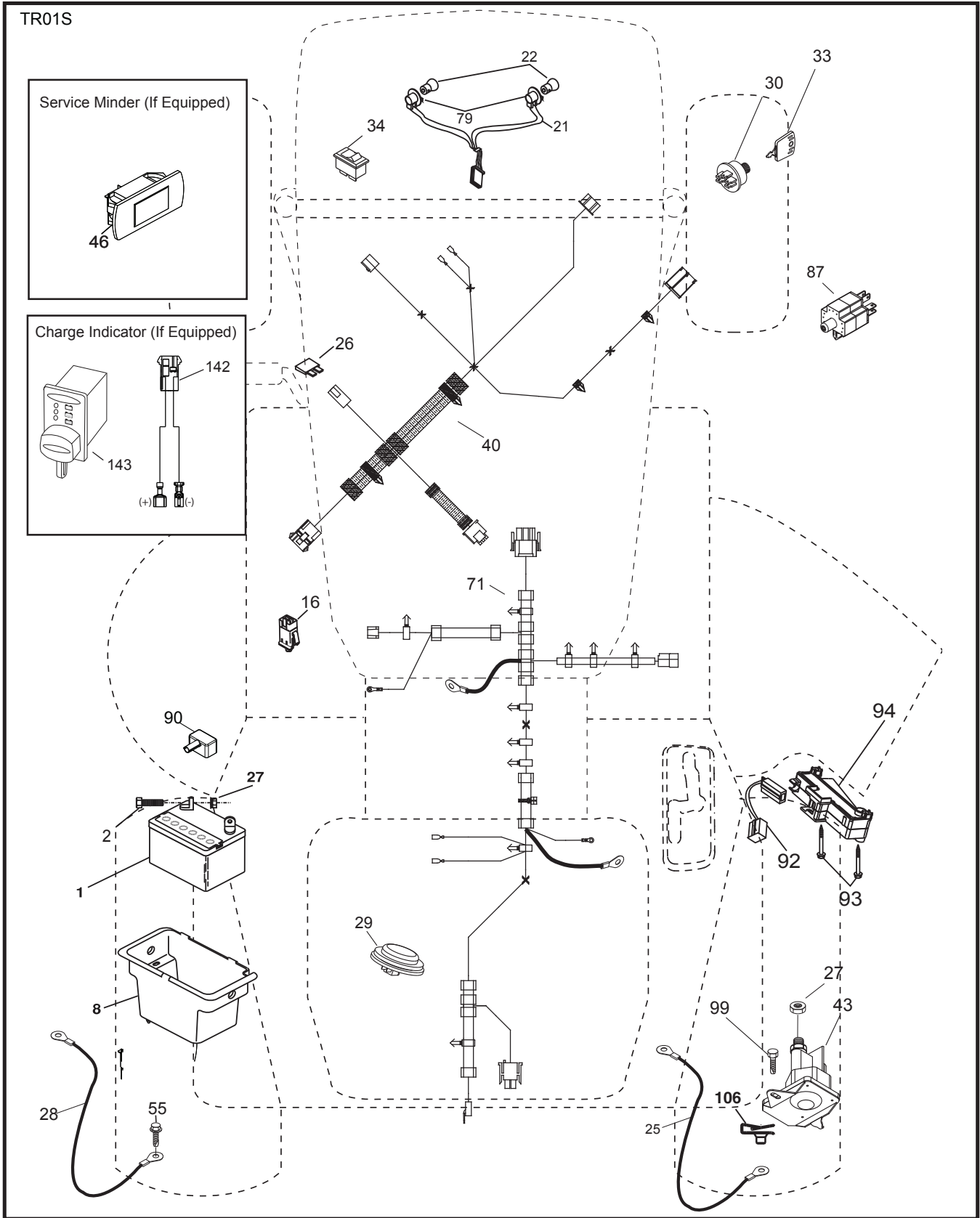
POSITION	CIRCUIT	"MAKE"
OFF	M+G+A1	
RUN/OVERRIDE	B+A1	
RUN	B+A1	L+A2
START	B+S+A1	



WIRING INSULATED CLIPS
NOTE: IF WIRING INSULATED CLIPS WERE REMOVED FOR SERVICING OF UNIT, THEY SHOULD BE RE-INSTALLED TO PROPERLY SECURE YOUR WIRING.



**TRACTOR - MODEL NO. TS 138L (96041043900), PRODUCT NO. 960 41 04-39
ELECTRICAL**

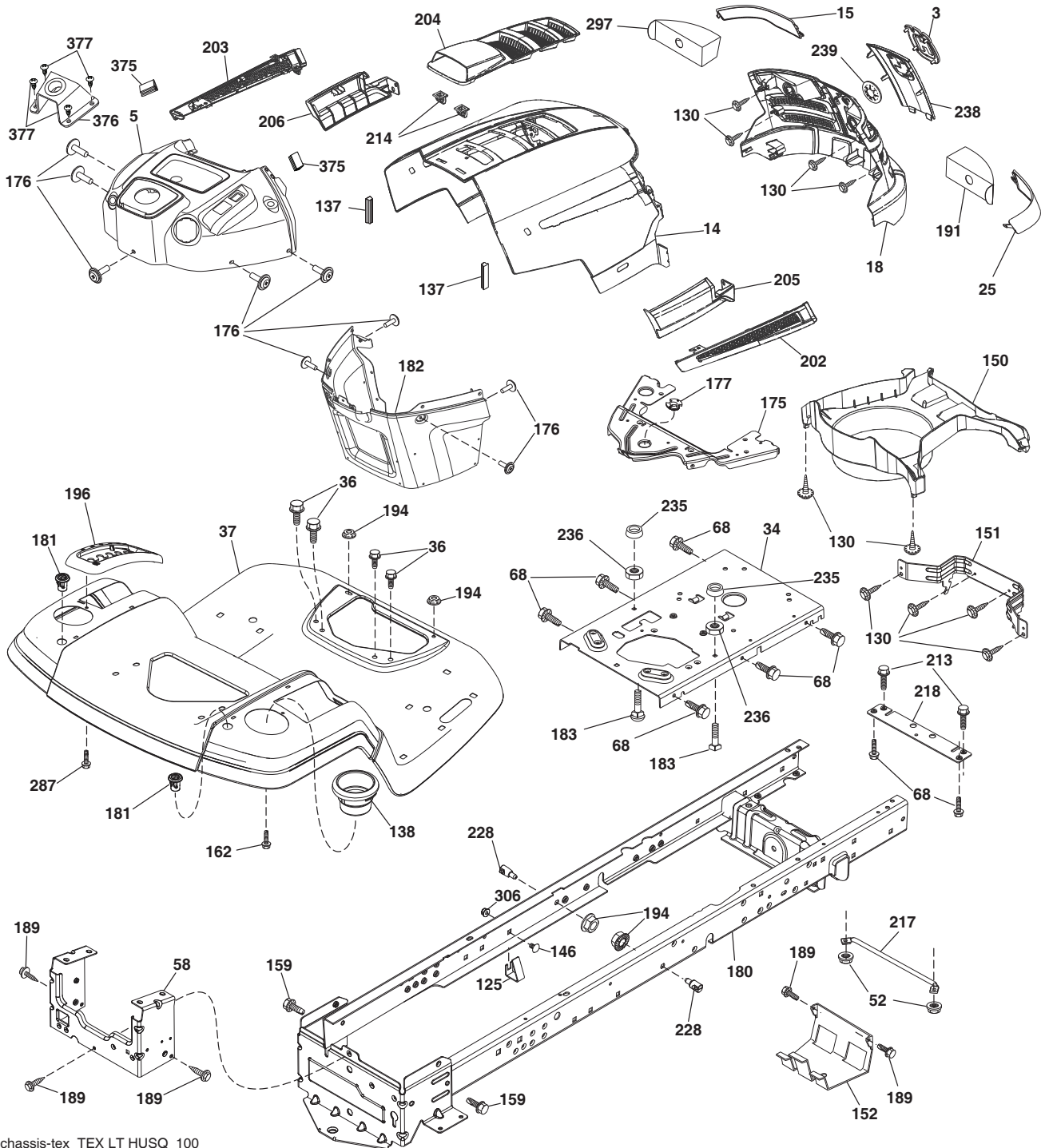


**TRACTOR - MODEL NO. TS 138L (96041043900), PRODUCT NO. 960 41 04-39
ELECTRICAL**

KEY NO.	PART NO.	DESCRIPTION
1	532 16 34-65	Battery
2	874 76 04-12	Bolt Hex Head 1/4-20 x 3/4
8	532 19 32-28	Box Battery
16	532 17 61-38	Switch Interlock Push-In
21	532 40 02-52	Harness Socket Light w/4152J
22	532 00 41-52	Bulb Light
25	581 49 80-01	Cable Starter
26	532 17 51-58	Fuse
27	873 51 04-00	Nut Keps Hex 1/4-20 unc
28	532 42 16-86	Cable, Ground
29	532 40 15-45	Switch, Seat
30	532 19 33-50	Switch, Ign.
33	532 41 19-35	Key/Chain
34	532 11 07-12	Switch Light/Reset
40	581 02 31-01	Harness Ign. Dash
43	582 04 28-01	Solenoid
46	594 91 91-01	Hourmeter, SRV. Minder
55	817 06 05-12	Screw Thdrol. 5/16-18 x 3/4 TYTT
71	501 13 37-01	Harness Chassis
79	532 17 52-42	Socket Asm. Bulb Twistlock
87	532 19 78-02	Switch Interlock Clutch Cable
90	532 43 53-95	Cover Terminal
92	532 19 66-15	Harness Pigtail Reverse Switch
93	532 19 25-40	Screw Plastite 10-14 x 2.0
94	532 19 18-34	Module Reverse ROS
99	817 67 04-12	Screw 1/4-20 x 3/4
106	532 17 48-14	Palnut 1/4 Lugs

NOTE: All component dimensions given in U.S. inches
1 inch = 25.4 mm

TRACTOR - MODEL NO. TS 138L (96041043900), PRODUCT NO. 960 41 04-39
CHASSIS



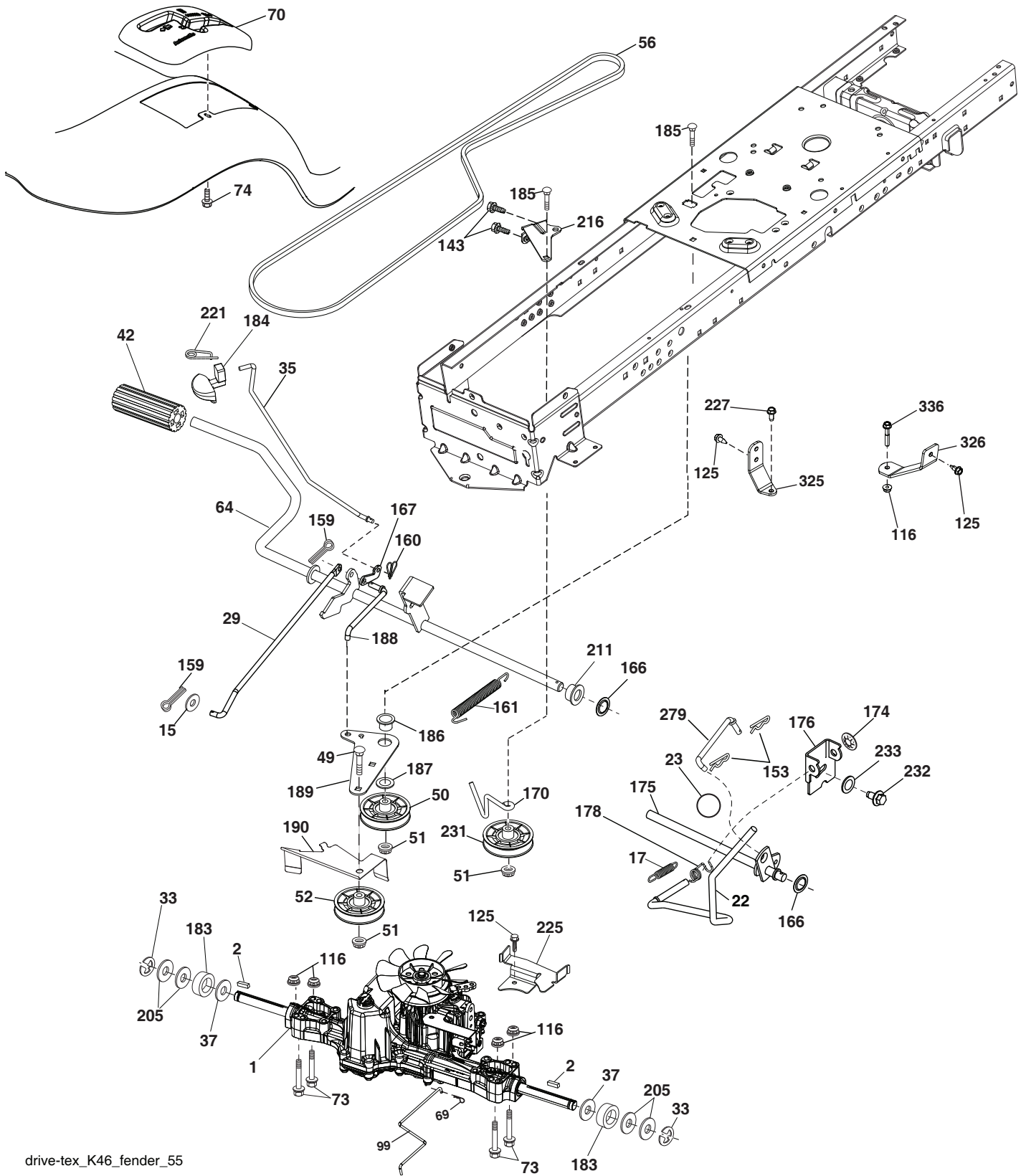
chassis-tex_TEX LT HUSQ_100

**TRACTOR - MODEL NO. TS 138L (96041043900), PRODUCT NO. 960 41 04-39
CHASSIS**

KEY NO.	PART NO.	DESCRIPTION	KEY NO.	PART NO.	DESCRIPTION
3	581 05 63-01	Logo	189	817 00 05-12	Screw 5/16-18 x 3/4
5	532 43 89-64	Dash	191	532 41 65-01	Insert Reflective RH
14	532 44 12-67	Hood	194	873 90 05-00	Nut Lock Hex Flange 5/16-18
15	532 44 14-28	Lens LH	196	532 43 96-47	Console Deck Lift
18	532 44 13-68	Grille	202	532 44 13-42	Vent Side Hood RH
25	532 44 14-27	Lens RH	203	532 44 13-43	Vent Side Hood LH
34	580 91 08-01	Plate Engine	204	532 44 13-75	Vent Top Hood
36	817 06 05-12	Screw 5/16-18 x 3/4	205	532 44 13-44	Skirt Side RH
37	532 44 12-66	Fender	206	532 44 13-45	Skirt Side LH
52	873 68 05-00	Nut Crown Lock 5/16-18	213	539 97 69-34	Bolt 5/16-18 x 3/4 Gr. 5 ZD
58	532 41 22-80	Drawbar Upper	214	532 19 91-45	Clip Retainer
68	539 99 08-58	Screw Thdrol. 5/16-18 x 1/2	217	532 40 91-67	Rod Pivot Hood
125	581 68 48-01	Clip Fuel Line	218	532 19 63-95	X-Piece Hood Stop
130	532 41 63-58	Screw #10 x 0.750 BOS Thread	228	532 19 51-61	Stud Fastener
137	532 40 75-90	Bumper Dash	235	532 40 61-29	Spacer Fender
138	532 43 97-47	Cupholder	236	873 93 05-00	Nut Lock 5/16-18 unc
146	581 85 79-01	Bolt	238	532 44 13-74	Trim
150	532 40 66-62	Air Duct	239	532 40 48-83	Clip Tinnerman
151	532 40 78-07	Bracket Pivot	287	817 60 04-06	Screw Hex WASHEAD 1/4-20 x 3/8
152	532 19 95-35	Shield Browning	297	532 40 66-65	Insert Reflective LH
159	817 00 06-12	Screw 3/8 - 16 x 3/4	306	873 90 06-00	Nut Lock FLG 3/8-16 unc
162	532 14 24-32	Screw Hex Wsh. Hi-Lo 1/4 x 1/2	375	586 90 82-01	Dash Clip-On Bumper
175	532 19 94-72	Crossmember	376	589 45 87-01	Upper Steeing Mount
176	532 40 07-76	Screw 10-24 x 5/8	377	589 45 53-01	Screw 10 x 1/2
177	532 19 52-28	Bushing Steering			
180	532 41 50-63	Chassis			
181	532 43 97-46	Bushing			
182	532 40 71-76	Dash Lower			
183	874 52 05-20	Bolt 5/16-18 unc x 1-1/4			

NOTE: All component dimensions given in U.S. inches
1 inch = 25.4 mm

TRACTOR - MODEL NO. TS 138L (96041043900), PRODUCT NO. 960 41 04-39
DRIVE



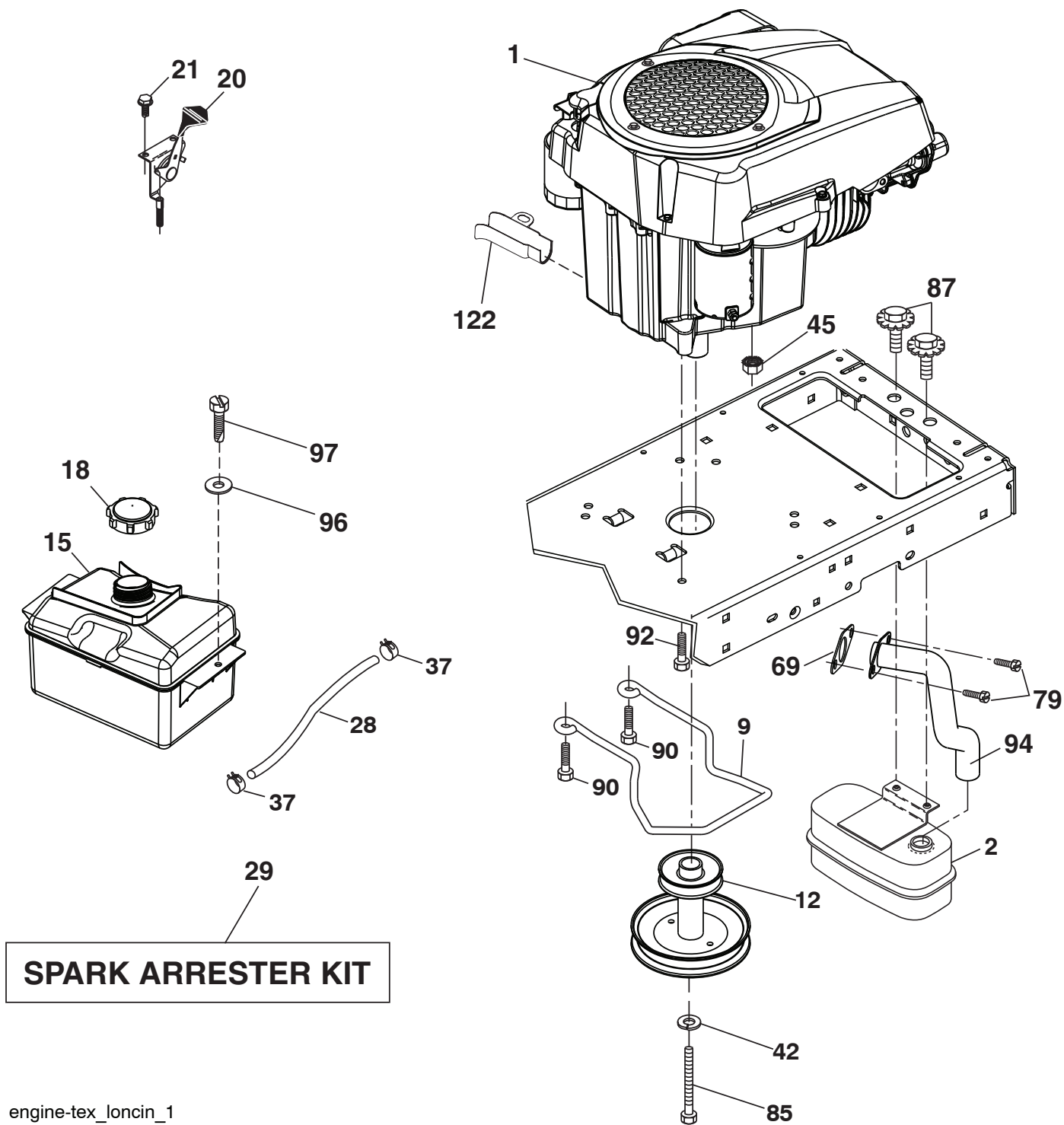
drive-tex_K46_fender_55

TRACTOR - MODEL NO. TS 138L (96041043900), PRODUCT NO. 960 41 04-39 DRIVE

KEY NO.	PART NO.	DESCRIPTION	KEY NO.	PART NO.	DESCRIPTION
1	-----	Transaxle, Tufftorq K46BA (448348) (Order parts from transaxle manufacturer.)	170	532 41 34-30	Keeper Belt Centerspan
2	532 12 35-83	Key Square	174	532 19 72-89	Nut Push
15	819 13 13-16	Washer 13/32 x 13/16 x 16 Ga.	175	532 40 85-39	Shaft Asm Shift
17	532 41 36-78	Spring, Brake	176	532 19 62-14	Arm Clevis Rod Shift
22	532 19 76-60	Rod Shift	178	532 19 74-56	Spring Shift
23	532 14 08-45	Knob, Shift	183	532 13 70-57	Spacer Axle
29	532 40 38-06	Rod, Brake	184	532 41 14-84	Handle Parking Brake
33	812 00 00-01	Ring E	185	872 11 06-22	Bolt
35	532 40 10-31	Rod, Brake, Park	186	532 19 43-21	Spacer Retainer
37	532 18 89-67	Washer Harden .793 x 1.637 x 060	187	819 13 32-10	Washer
42	532 00 88-83	Cover, Foot Pedal	188	582 21 70-01	Link Clutch Ground Drive, Long
49	872 11 06-14	Bolt	189	532 19 43-17	Bellcrank Ground Drive
50	532 19 43-27	Pulley Idler Flat	190	532 19 43-18	Keeper Bellcrank Ground Drive
51	873 90 06-00	Lock Nut 3/8-16	205	532 12 17-48	Washer 25/32 x 1-5/8 x 16 Ga.
52	532 19 43-26	Idler V-Groove Offset	211	532 19 62-12	Bushing Shaft
56	592 85 52-01	V-Belt, Drive	216	532 19 61-31	Bracket Pulley Idler
64	532 19 62-00	Shaft Asm. Pedal Brake Control	221	532 40 31-87	Retainer Spring Clip Handle
69	532 42 33-03	Hairpin .059 x 1.125	225	532 40 33-19	Keeper Belt
70	532 43 99-71	Console	227	817 49 05-12	Screw THDROL 5/16-18 x 3/4
73	874 49 05-40	Bolt Hex 5/16-18 x 2 1/2 Gr. 5	231	532 40 72-87	Idler V-Groove
74	532 14 24-32	Screw 1/4 x 1/2	232	874 78 07-16	Bolt 7/16-14 x 1 Gr. 5
99	582 40 45-01	Rod Bypass	233	532 40 52-96	Washer Serrated
116	873 90 05-00	Nut Lock Hex Flange 5/16-18	279	532 41 31-50	Link Shift
125	817 00 05-12	Screw 5/16-18 x 3/4	325	586 43 12-02	Torque Strap LH
143	539 99 08-58	Screw THDROL 5/16-18 x 1/2	326	586 00 11-02	Bracket Torque Strap RH
153	532 00 44-97	Retainer Spring 1"	336	587 25 96-01	Bolt 5/16-18 x 1-3/4
159	876 02 04-12	Pin Cotter 1/8 x 3/4			
160	532 16 94-84	Retainer Clip			
161	532 10 57-09	Spring, Return, Clutch			
166	532 42 91-64	Nut Push .625			
167	532 40 52-57	Latch Brake Parking			

NOTE: All component dimensions given in U.S. inches
1 inch = 25.4 mm

TRACTOR - MODEL NO. TS 138L (96041043900), PRODUCT NO. 960 41 04-39 ENGINE



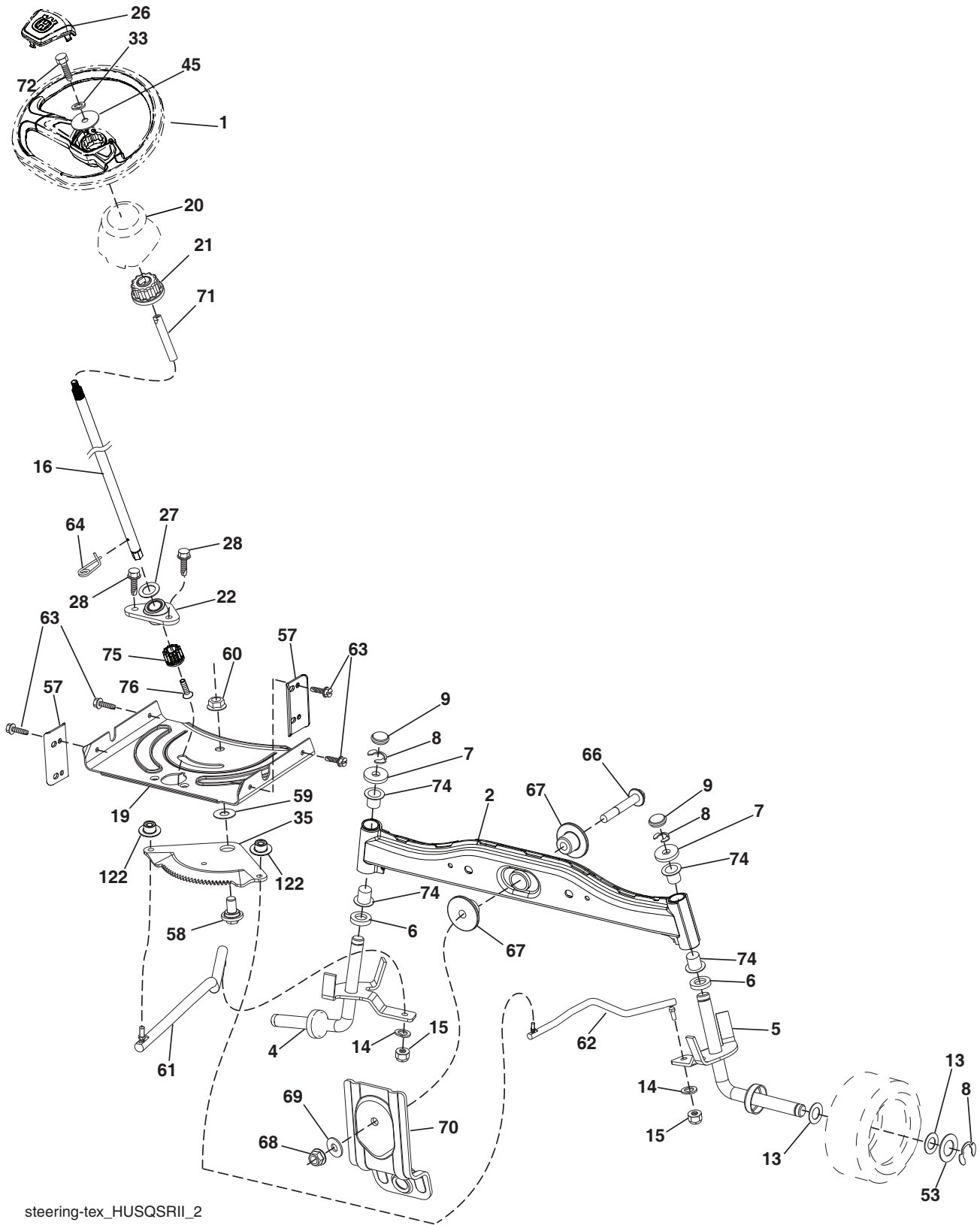
engine-tex_loncin_1

**TRACTOR - MODEL NO. TS 138L (96041043900), PRODUCT NO. 960 41 04-39
ENGINE**

KEY NO.	PART NO.	DESCRIPTION
1	— — — — —	Engine Husqvarna No. LC1P92F-1 (593230401)
2	590 64 53-01	Muffler
9	501 83 26-02	Keeper Belt Engine
12	586 47 85-01	Pulley Engine
15	581 28 99-01	Tank Fuel
18	532 43 02-20	Cap Asm
20	532 18 38-97	Control Throttle
21	532 41 63-58	Screw #10 x 0.750 BOS Thread
28	532 13 70-40	Fuel Line
29	532 13 71-80	Spark Arrester Kit
37	532 12 34-87	Clamp Hose
42	539 99 02-47	Washer SLW STD 7/16
45	593 35 64-01	Nut Hexagon Flanged Serrated
69	590 86 35-01	Gasket
79	532 18 39-06	Screw 5/16-18 x .75 Socket Head
85	501 60 65-01	Bolt Hex 7/16-20 x 4 Gr. 5-1.5 Blue
87	532 17 18-77	Bolt 5/16-18 unc x 3/4
90	817 00 06-16	Screw 3/8-16 x 1
92	817 12 06-16	Screw 3/8-16 x 1
94	590 86 47-01	Tube Exhaust
96	819 09 14-16	Washer 9/32 x 7/8 x 16 Ga.
97	817 67 04-12	Screw 1/4-20 x 3/4
122	532 42 19-22	Extension Drain Oil

NOTE: All component dimensions given in U.S. inches
1 inch = 25.4 mm

TRACTOR - MODEL NO. TS 138L (96041043900), PRODUCT NO. 960 41 04-39
STEERING ASSEMBLY



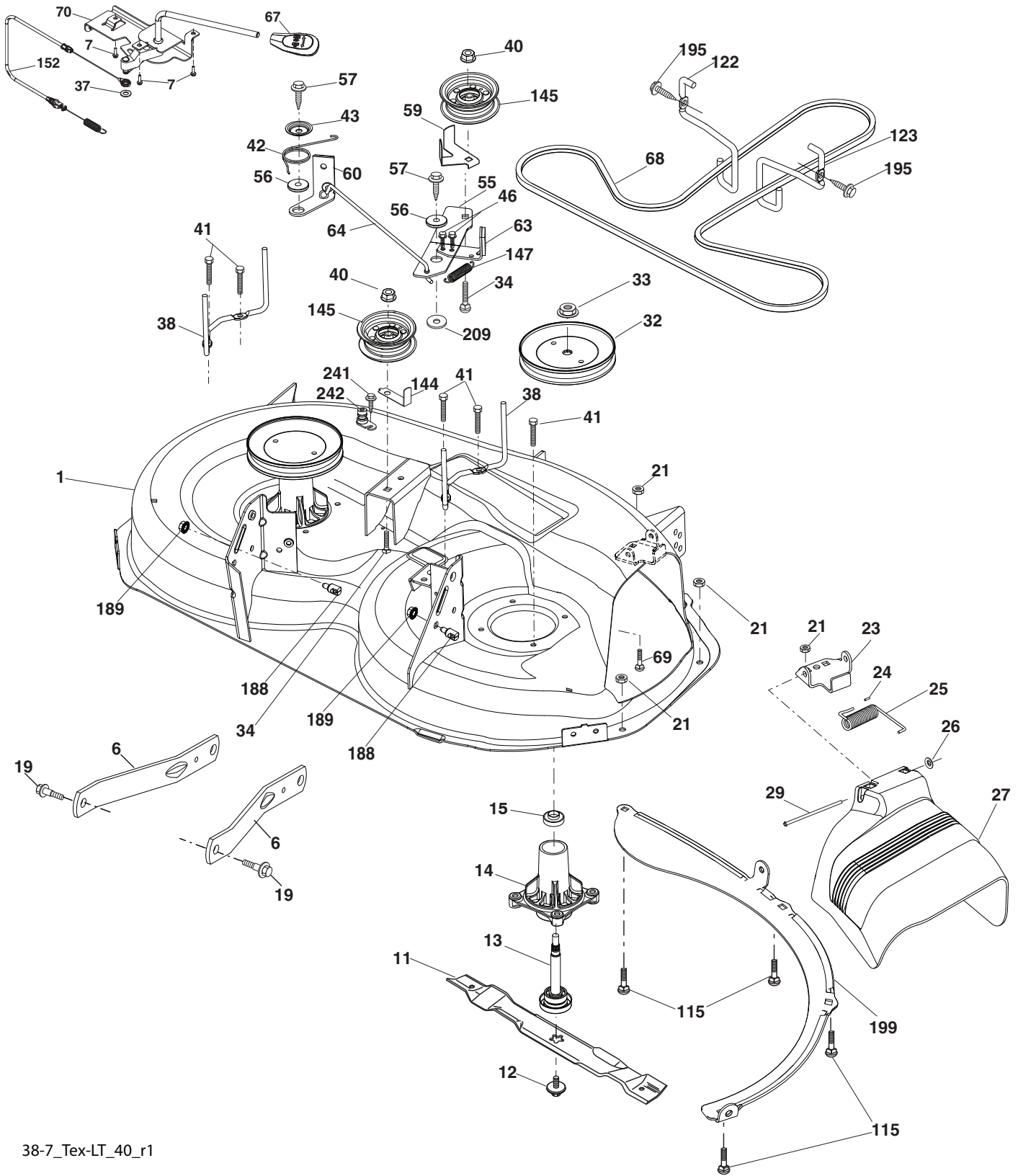
steering-tex_HUSQSRII_2

**TRACTOR - MODEL NO. TS 138L (96041043900), PRODUCT NO. 960 41 04-39
STEERING ASSEMBLY**

KEY NO.	PART NO.	DESCRIPTION
1	597 86 61-01	Kit, Steering Wheel
2	532 41 81-68	Axle Asm., Front
4	532 40 30-87	Spindle Asm., LH
5	532 40 30-88	Spindle Asm., RH
6	532 00 62-66	Washer, Thrust .75 x 1.230
7	532 12 17-48	Washer 25/32 x 1-5/8 x 16 Ga.
8	812 00 00-29	Ring, Clip #T5304-75
9	532 12 12-32	Cap, Spindle
13	532 12 17-49	Washer 25/32 x 1-1/4 x 16 Ga.
14	539 99 01-18	Washer, SLW ZD 3/8
15	873 54 06-00	Nut, Crown Lock 3/8-24 unf
16	585 86 92-02	Steering Shaft
19	532 19 47-29	Plate Steering
20	532 44 14-25	Boot, Steering
21	532 18 67-37	Adapter, Wheel Steering
22	585 02 98-02	Bearing
26	594 94 91-01	Wheel Steering Husq Cap
27	819 21 16-16	Washer 21 x 32 x 1 x 16 Ga.
28	817 00 06-12	Screw 3/8-16 x 3/4
33	539 99 01-87	Washer Lock 5/16
35	532 19 47-32	Gear, Sector Plate
45	819 11 38-12	Washer 11/32 x 3/8 x 12 Ga.
53	532 18 89-67	Washer Hardened .793 x 1.637 x .060
57	532 40 74-65	Bracket Upstop
58	532 19 47-47	Bolt Shoulder Sector Pivot CFM
59	532 19 47-48	Washer Thrust Sector Steering
60	873 97 10-00	Nut Flange Lock 5/8-11
61	532 19 47-40	Draglink, LH
62	532 19 47-41	Draglink, RH
63	817 00 05-12	Screw 5/16-18 x 3/4
64	532 19 98-49	Retainer Clip Spring Steering
66	871 02 07-48	Bolt Hex Fghd. 7/16-14 x 3 Serr.
67	532 19 47-37	Bushing PM Front Axle
68	873 90 07-00	Nut Lock Flange 7/16-14 Gr. 5
69	532 19 91-62	Washer 1.5 x .505 x .118
70	585 33 88-01	Bracket Deck Susp. Front
71	532 19 07-52	Shaft Extension Steering
72	532 42 89-82	Bolt Fin Hx 5/16-18 x 4 w/Patch
74	532 00 33-66	Bearing Col. STRG
75	580 68 37-01	Pinion
76	580 68 36-01	Screw Head Sock
122	532 44 49-62	Cap Gear Sector

NOTE: All component dimensions given in U.S. inches
1 inch = 25.4 mm

TRACTOR - MODEL NO. TS 138L (96041043900), PRODUCT NO. 960 41 04-39
MOWER DECK



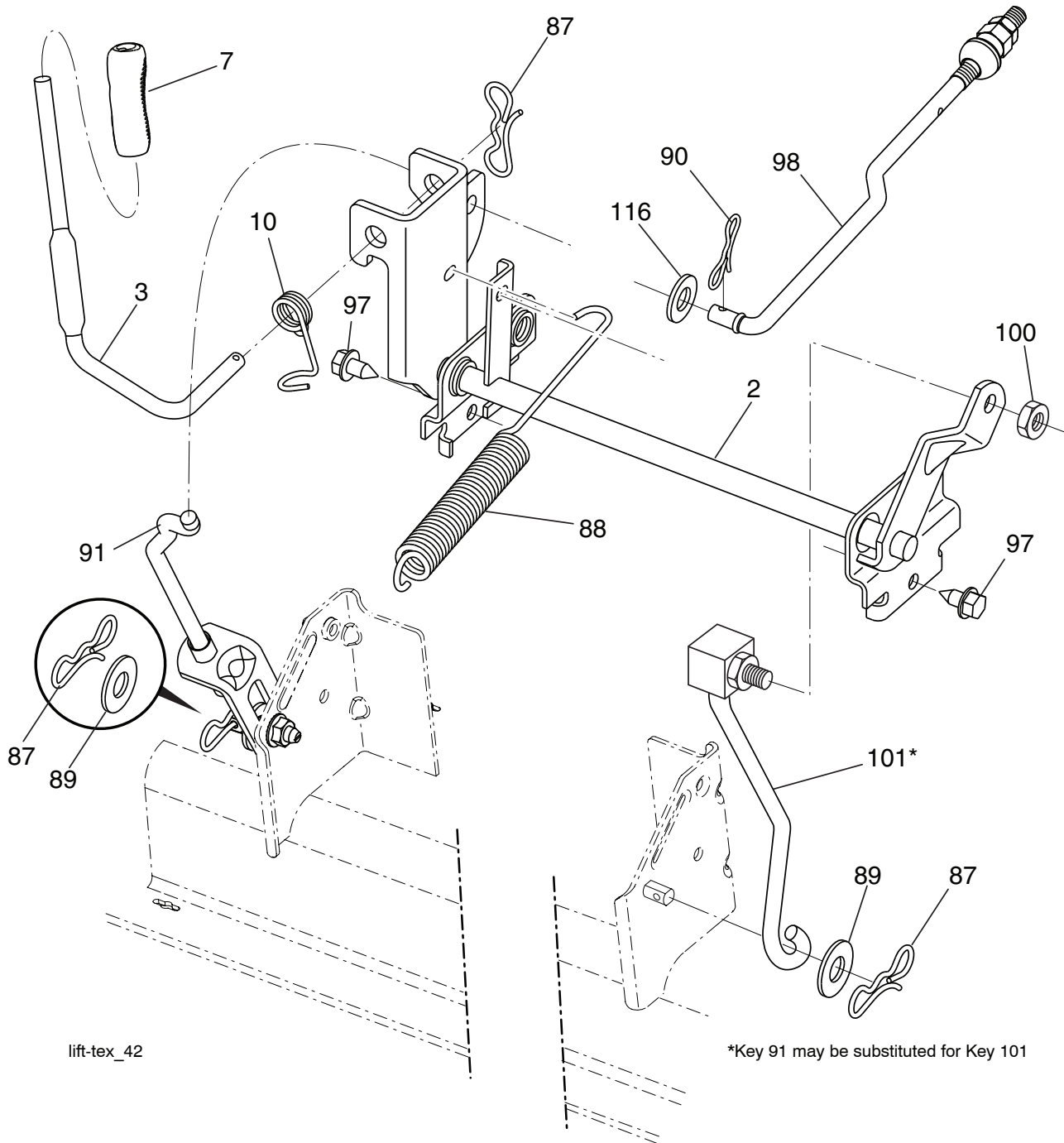
38-7_Tex-LT_40_r1

**TRACTOR - MODEL NO. TS 138L (96041043900), PRODUCT NO. 960 41 04-39
MOWER DECK**

KEY NO.	PART NO.	DESCRIPTION	KEY NO.	PART NO.	DESCRIPTION
1	532 43 44-63	Kit, SVC Weldment	60	532 19 94-71	Arm Brake Mower
6	532 19 51-86	Arm Suspension	63	532 19 94-70	Arm Brake Mower
7	532 41 63-58	Screw #10 x BOS Thread	64	532 19 97-90	Link Brake
11	581 11 63-01	Blade 38"	67	532 40 30-12	Handle Clutch Cable
12	584 30 93-01	Screw Sems 7/16-20 x 1	68	532 40 83-81	V-Belt
13	587 25 65-01	Shaft Assembly, Mandrel	69	872 14 05-05	Bolt
14	532 18 72-81	Housing, Mandrel	70	532 40 12-46	Clutch Asm. Manual
15	585 32 39-01	Bearing, Mandrel	115	872 11 05-05	Bolt Carr. 5/16-18x5 18 Short
19	532 19 65-39	Bolt, Shoulder	122	532 19 72-58	Keeper Belt Engine LH
21	873 68 05-00	Nut, Crownlock 5/16-18 unc	123	532 19 72-59	Keeper Belt Engine RH
23	532 19 25-57	Bracket, Deflector	144	532 19 34-14	Keeper Belt
24	532 10 53-04	Cap, Sleeve	145	532 19 31-97	Pulley, Idler, Flat
25	532 19 70-26	Spring, Torsion, Deflector	147	532 40 18-72	Spring Return
26	532 11 04-52	Nut, Push	152	532 43 51-11	Manual Clutch Cable
27	532 19 39-68	Shield, Deflector	188	532 19 51-61	Stud Fastener
29	532 13 14-91	Rod, Hinge	189	873 90 05-00	Nut Lock Hex Flange
32	532 19 97-89	Pulley, Mandrel	195	817 00 06-12	Screw 3/8-16 x 3/4
33	532 40 02-34	Nut, Toplock, Flanged	199	532 40 00-95	Baffle Vortex
34	872 11 06-12	Bolt Carr. Sh. 3/8-16 x 1-1/2 Gr. 5	209	819 13 32-10	Washer 13/32 x 2 x 10
37	819 13 13-16	Washer	241	532 15 29-27	Screw TT #10-32.5 3/8 Flange
38	532 19 95-41	Keeper Belt LH Mandrel	242	532 41 55-98	Port Washout
40	873 90 06-00	Nut, Lock Flg. 3/8-16 unc	--	587 25 33-01	Mandrel Assembly (Includes housing, shaft and shaft hardware only-pulley not included)
41	584 95 39-01	Bolt Hex	--	532 43 44-67	Replacement Mower, Complete
42	532 19 84-10	Spring Torsion Brake			
43	532 19 72-56	Spring Torsion Retainer			
46	532 13 77-29	Screw 1/4-20 x 5/8			
55	532 19 72-49	Arm, Idler			
56	532 19 90-92	Spacer, Retainer			
57	817 00 06-16	Screw 3/8-16 x 1			
59	532 14 10-43	Guard, Tuv. Idler			

NOTE: All component dimensions given in U.S. inches
1 inch = 25.4 mm

**TRACTOR - MODEL NO. TS 138L (96041043900), PRODUCT NO. 960 41 04-39
MOWER LIFT**

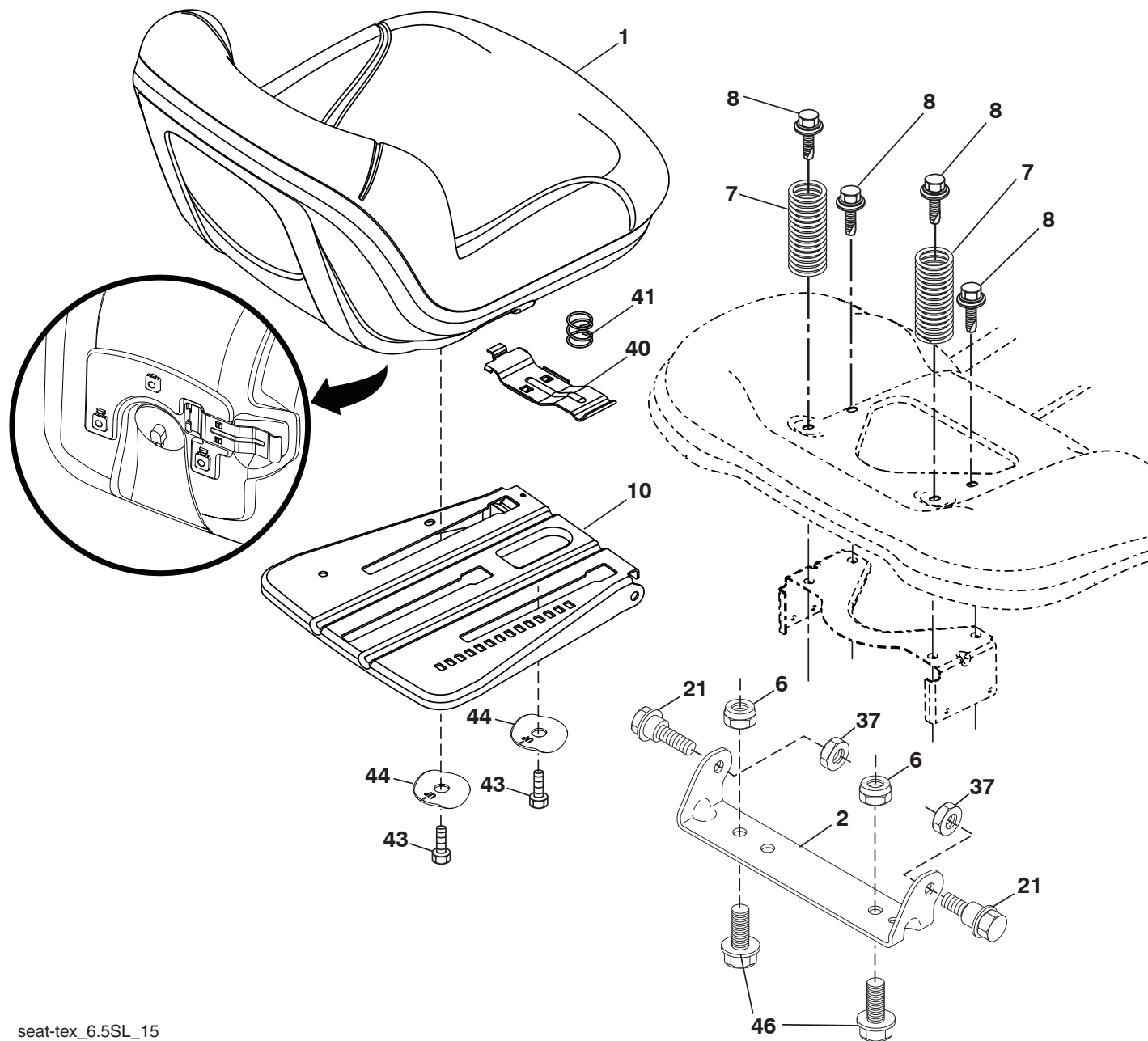


KEY NO.	PART NO.	DESCRIPTION
2	532 42 20-27	Shaft Asm., Lift
3	532 19 52-31	Lever Asm., Lift RH
7	580 96 23-01	Grip, Lever
10	532 19 63-14	Spring Torsion
87	532 19 42-09	Pin Cotter 7/16 Bow Tie Lock
88	532 41-07-10	Spring Lift Assist
89	819 19 19-12	Washer Clear Zinc
90	532 19 42-08	Pin Cotter 5/16 Bow Tie Lock
91	532 19 51-81	Link Lift Susp. Mower Rear

KEY NO.	PART NO.	DESCRIPTION
97	817 00 06-12	Screw 3/8-16 x .75 Smgml. Tap/R.Z
98	532 19 52-70	Link Lift Susp. Front Mower
100	873 93 06-00	Nut Centerlock 3/8-16
101	532 40 70-03	Link Asm. Lift FXD
116	594 97 65-01	Washer 15/32 x 15/16 x .065

NOTE: All component dimensions given in U.S. inches
1 inch = 25.4 mm

TRACTOR - MODEL NO. TS 138L (96041043900), PRODUCT NO. 960 41 04-39 SEAT ASSEMBLY



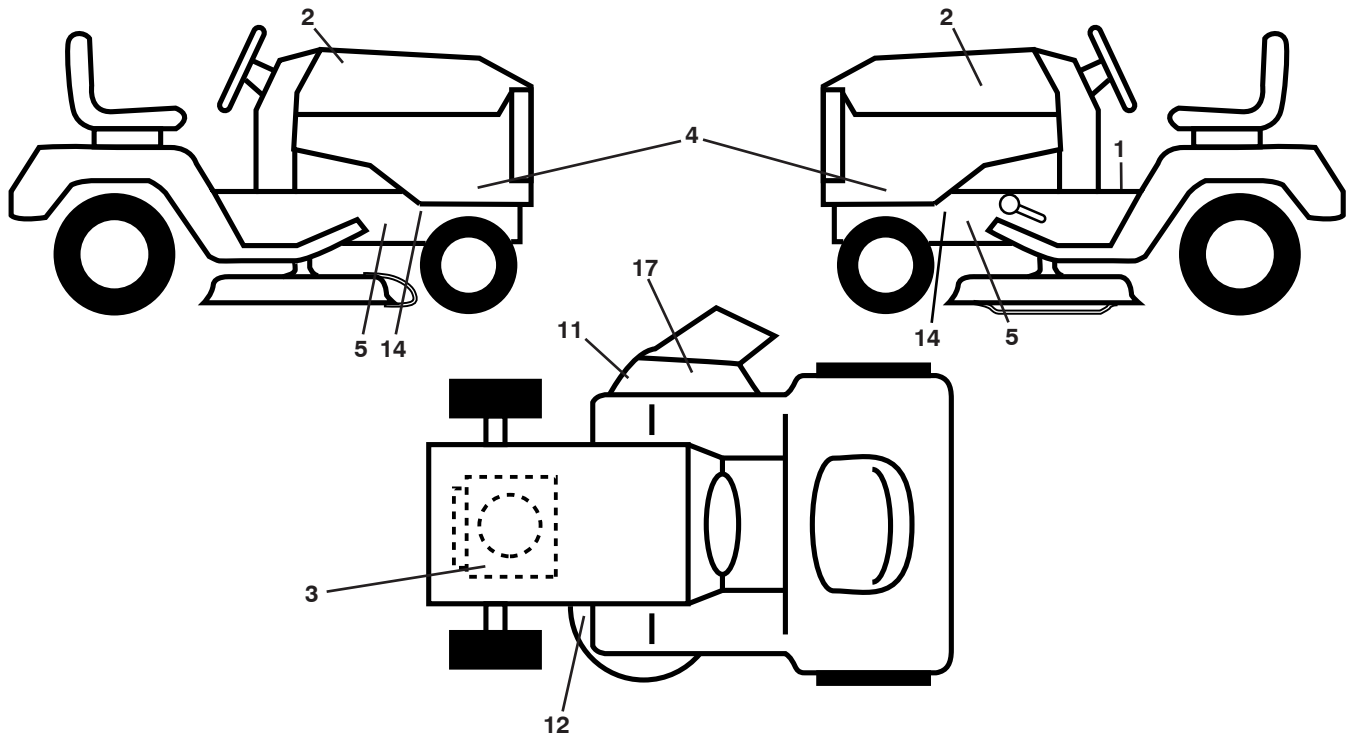
seat-tex_6.5SL_15

KEY NO.	PART NO.	DESCRIPTION
1	532 43 97-09	Seat
2	532 18 01-66	Bracket Pivot Fender
6	873 80 06-00	Nut, Lock w/Ins. 3/8-16 unc
7	589 48 35-01	Spring, Seat Cprsn.
8	532 17 18-77	Bolt 5/16-18 unc x 3/4 w/Sems.
10	596 65 74-02	Plate, Seat
21	587 90 78-01	Bolt 5/16-18 x 5/8
37	873 80 05-00	Nut, Lock 5/16-18 unc

KEY NO.	PART NO.	DESCRIPTION
40	532 19 76-61	Handle
41	532 19 82-00	Spring
43	874 76 06-12	Bolt 3/8-16 unc x 3/4
44	501 05 18-01	Washer Winged 3/8 ID 1.5 OD
46	588 09 04-01	Bolt 3/8-18 x 1

NOTE: All component dimensions given in U.S. inches
1 inch = 25.4 mm

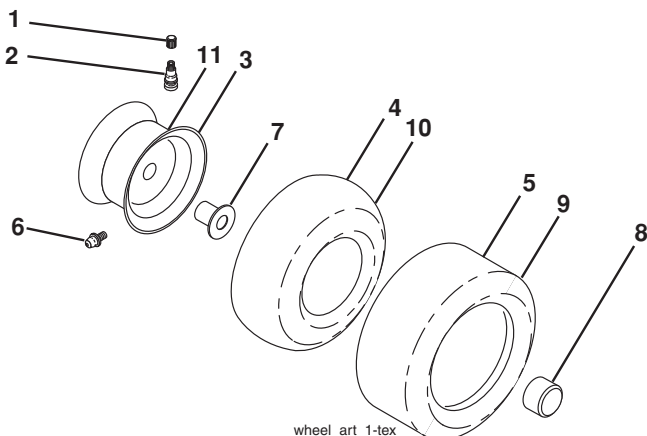
**TRACTOR - MODEL NO. TS 138L (96041043900), PRODUCT NO. 960 41 04-39
DECALS**



KEY NO.	PART NO.	DESCRIPTION
1	586 04 73-02	Decal, Saddle
2	501 13 14-01	Decal, Hood Emblem
3	581 57 97-01	Decal, Warning Eng. Symbols
4	587 40 73-01	Decal, Side Panel
5	581 57 96-01	Decal, Chassis Hot Muffler
11	581 57 92-01	Decal, Warning
12	581 58 00-03	Decal, Mower V-Belt Schematic
14	581 57 98-01	Decal, Warning-Service/Fire
17	584 90 46-01	Decal, Deflect. Warning

KEY NO.	PART NO.	DESCRIPTION
--	581 72 48-01	Decal, Bypass Fender
--	581 72 46-01	Decal, Drawbar Load Limit
--	532 43 96-81	Pad, Footrest, LH
--	532 43 99-66	Pad, Footrest, RH
--	114 14 69-49	Manual Oper. English/Spanish
--	114 14 71-70	Manual Oper. Portuguese/French
--	114 14 70-49	Manual Parts English/Spanish
--	114 14 72-70	Manual Parts Portuguese/French

WHEELS AND TIRES

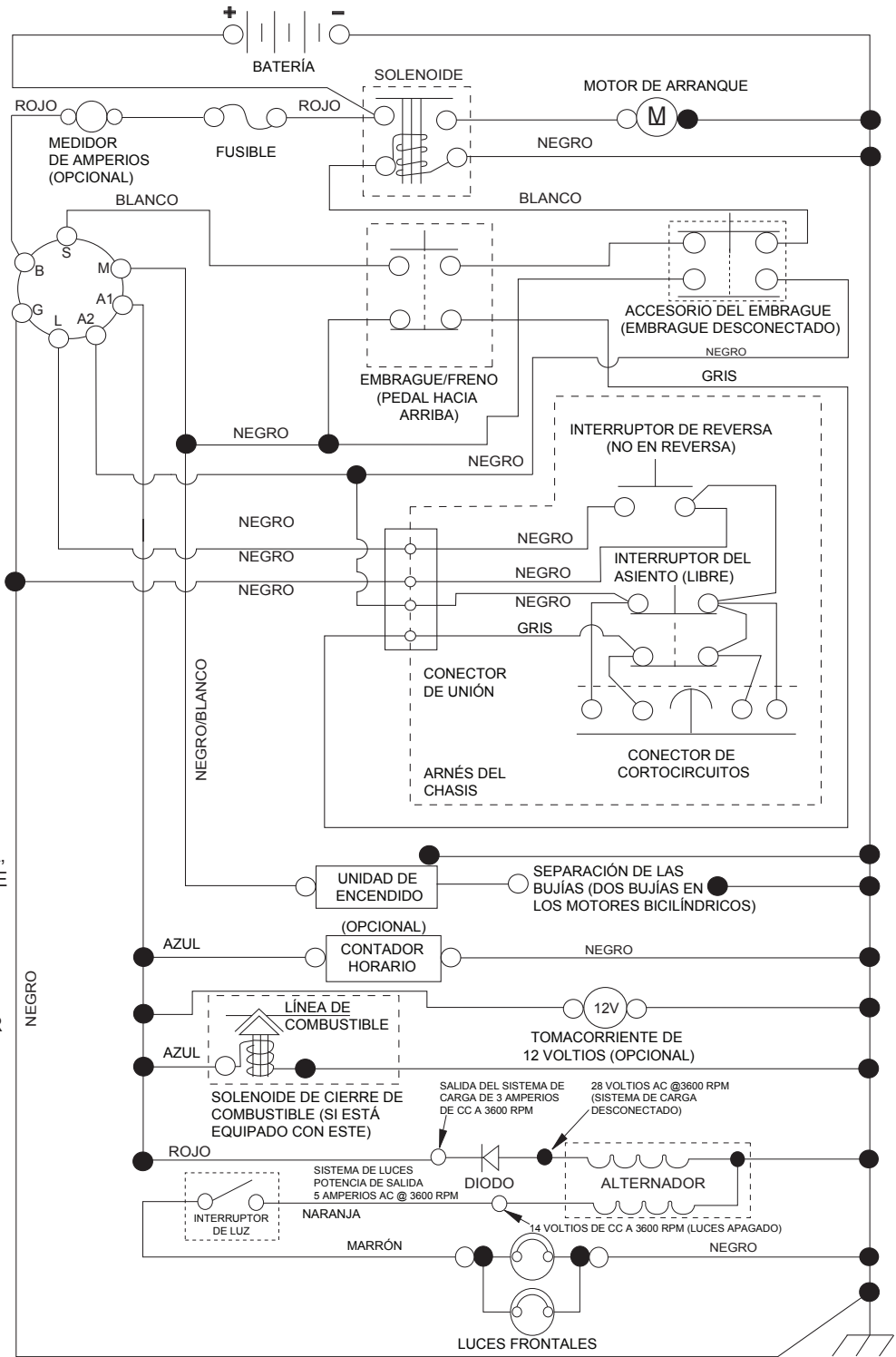


KEY NO.	PART NO.	DESCRIPTION
1	532 05 91-92	Cap Valve Tire
2	532 06 51-39	Stem Valve
3	532 13 83-36	Rim Asm. 6" Front
4	532 05 99-04	Tube Front (Service Item Only)
5	532 10 62-22	Tire Front 15 x 6-6
6	532 00 02-78	Fitting Grease (Front Wheel Only)
7	532 00 90-40	Bearing Flange (Front Wheel Only)
8	532 17 50-39	Cap Axle Blk. 1 50 x 1 00
9	532 12 46-35	Tire Rear 18 x 8.5-8
10	532 00 71-52	Tube Rear (Service Item Only)
11	532 13 83-37	Rim Asm. 8" Rear
--	532 14 43-34	Sealant, Tire (10 oz. Tube)

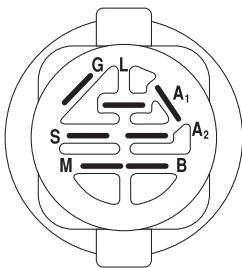
NOTE: All component dimensions given in U.S. inches
1 inch = 25.4 mm

TRACTOR - MODELO NO. TS 138L (96041043900), PRODUCTO NO. 960 41 04-39 DIAGRAMA

SCH11-s

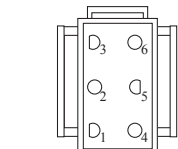


NOTAS:
QUE SU TRACTOR ES EQUIPADO CON UN SISTEMA ESPECIAL DE ALTERNADOR. LAS LUCES NO SON CONECTADAS A LA BATERIA, PERO TIENEN SU PROPIA FUENTE ELECTRICA. A CAUSA DE ESTO, EL BRILLO DE LAS LUCES CAMBIARA CON LA VELOCIDAD DE MOTOR. EN LENTO, LAS LUCES NO SON COMO BRILLANTES. CUANDO EL MOTOR ES ACELERADO, LA LUZ CONSEGUIRÁ MÁS BRILLANTE.

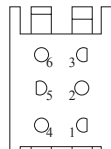


INTERRUPTOR DE ENCENDIDO

POSICIÓN	CIRCUITO «MARCA»
APAGADO	M+G+A1
PONER EN FUNCIONAMIENTO/ANULAR	B+A1
PONER EN FUNCIONAMIENTO	B+A1 L+A2
ARRANCAR	B + S + A1



CONEXIÓN DEL ARNÉS DEL CHASIS (LATERAL QUE COINCIDA)



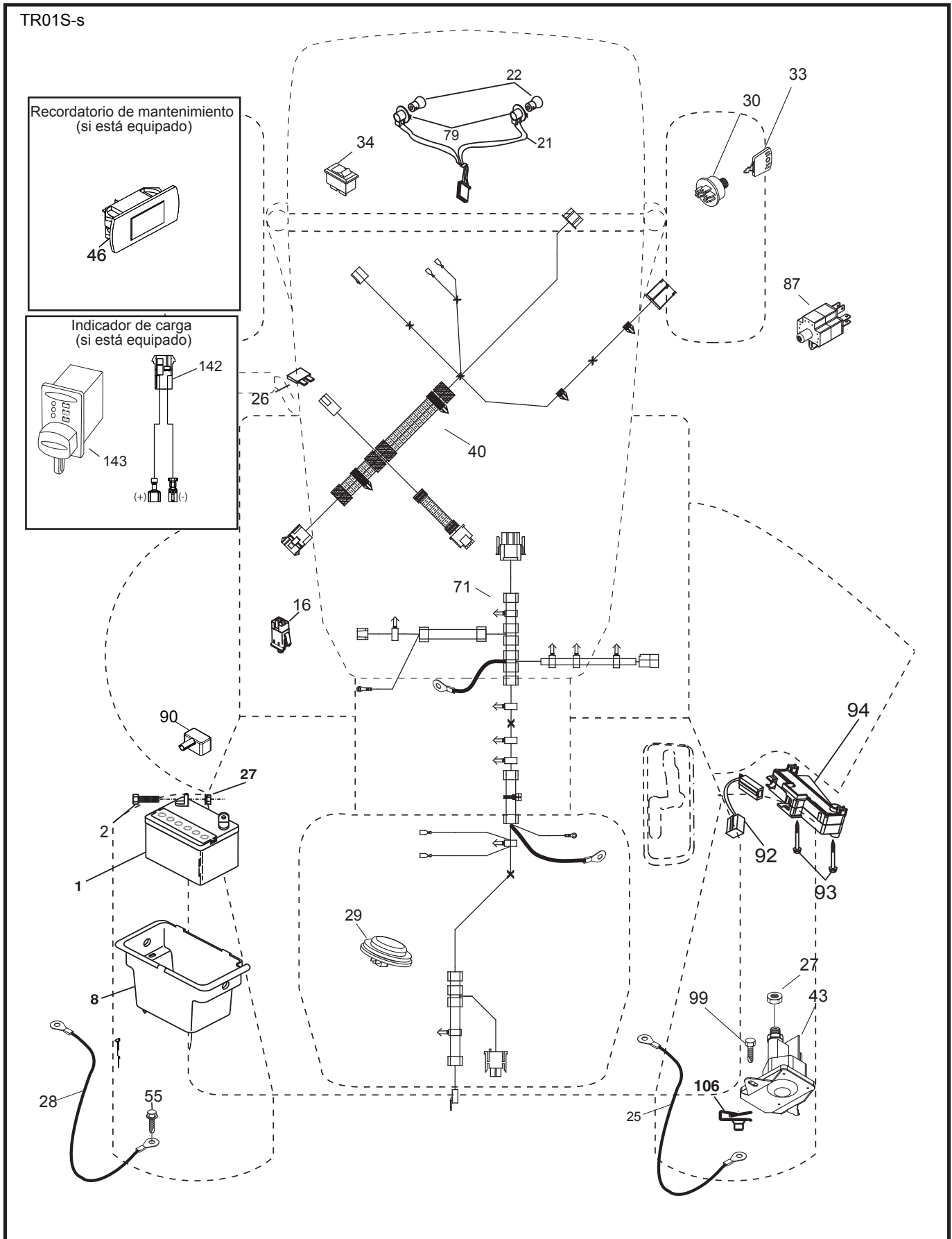
CONEXIÓN PARA EL ARNÉS DEL TABLERO (LATERAL QUE COINCIDA)

NOTA SOBRE LAS ABRAZADERAS DE AISLAMIENTO DEL CABLEADO: SI SE QUITAN LAS ABRAZADERAS DE AISLAMIENTO DEL CABLEADO PARA HACER EL MANTENIMIENTO DE LA UNIDAD, SE LAS DEBERÁ INSTALAR NUEVAMENTE PARA PROTEGER EL CABLEADO ADECUADAMENTE.

● CONEXIONES NO DESMONTABLES

○ CONEXIONES DESMONTABLES

TRACTOR - MODELO NO. TS 138L (96041043900), PRODUCTO NO. 960 41 04-39
DIAGRAMA ELÉCTRICO

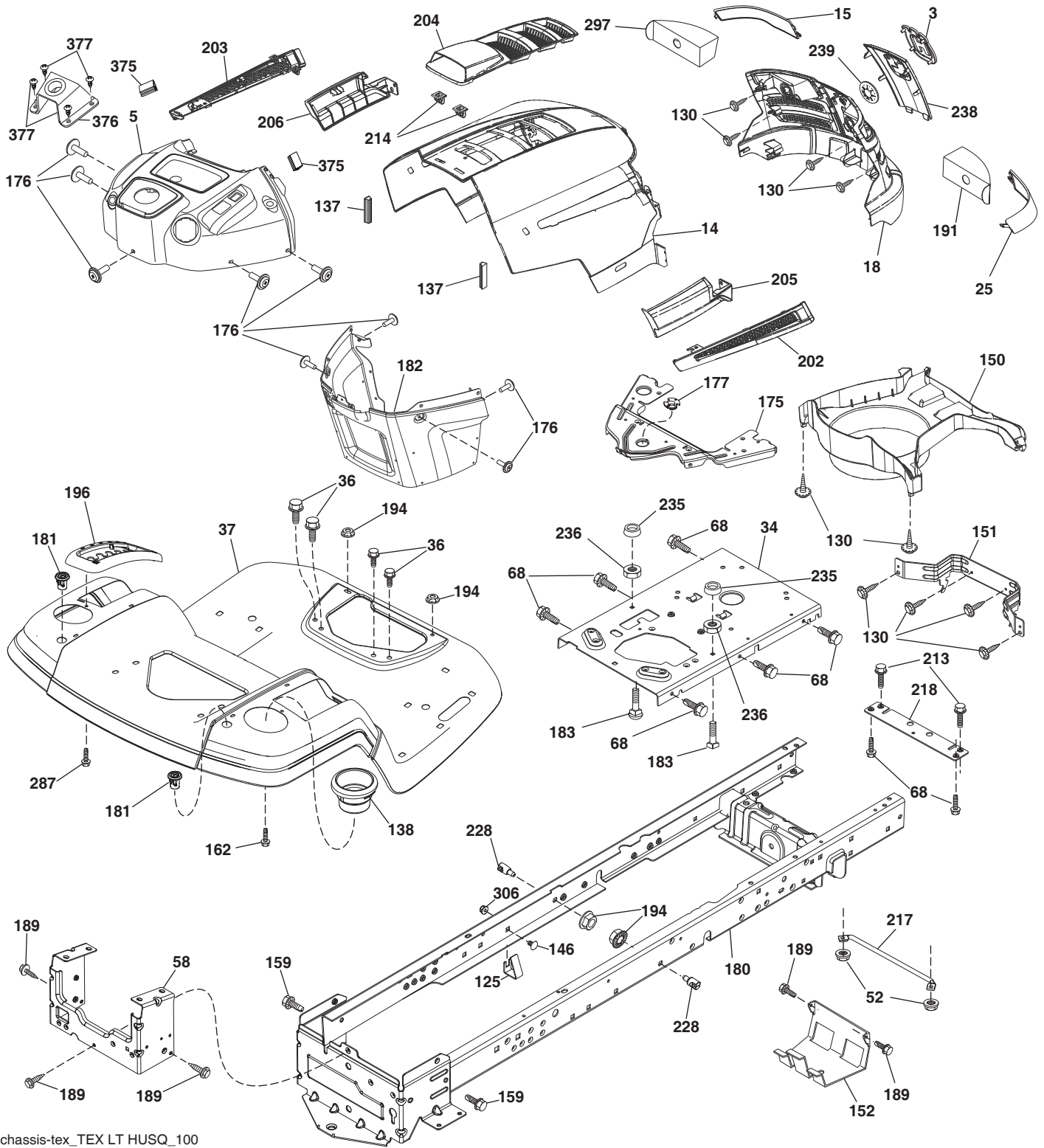


TRACTOR - MODELO NO. TS 138L (96041043900), PRODUCTO NO. 960 41 04-39
DIAGRAMA ELÉCTRICO

CÓDIGO No.	PIEZA No.	DESCRIPCIÓN
1	532 16 34-65	Batería
2	874 76 04-12	Perno, cabeza hexagonal 1/4 - 20 x 3/4
8	532 19 32-28	Batería de la caja
16	532 17 61-38	Interruptor de enclavamiento a presión
21	532 40 02-52	Arnés de los conectores de las luces con 4152J
22	532 00 41-52	Bombillas de las luces
25	581 49 80-01	Cable del arrancador
26	532 17 51-58	Fusible
27	873 51 04-00	Tuerca Keps hexagonal 1/4 - 20 UNC
28	532 42 16-86	Cable, conexión a tierra
29	532 40 15-45	Interruptor, asiento
30	532 19 33-50	Interruptor, encendido
33	532 41 19-35	Llave/Cadena
34	532 11 07-12	Interruptor de luz/Restablecimiento
40	581 02 31-01	Arnés, encendido Tablero
43	582 04 28-01	Solenoide
46	594 91 91-01	Horómetro, recordatorio de SRV
55	817 06 05-12	Tornillo autorroscante 5/16 - 18 x 3/4 TYTT
71	501 13 37-01	Arnés del chasis
79	532 17 52-42	Bloqueo de las bombillas del conjunto del portalámparas
87	532 19 78-02	Interruptor de enclavamiento del cable del embrague
90	532 43 53-95	Cubierta del terminal
92	532 19 66-15	Interruptor de marcha atrás del cable flexible de conexión del arnés
93	532 19 25-40	Tornillo Plastite 10 - 14 x 2
94	532 19 18-34	Módulo del ROS
99	817 67 04-12	Tornillo 1/4-20 x 3/4
106	532 17 48-14	Argollas de amarre Palnut 1/4

NOTA: Las dimensiones de todos los componentes están expresadas en pulgadas americanas. 1 pulgada = 25,4 mm

TRACTOR - MODELO NO. TS 138L (96041043900), PRODUCTO NO. 960 41 04-39
CHASIS



chassis-tex_TEX LT HUSQ_100

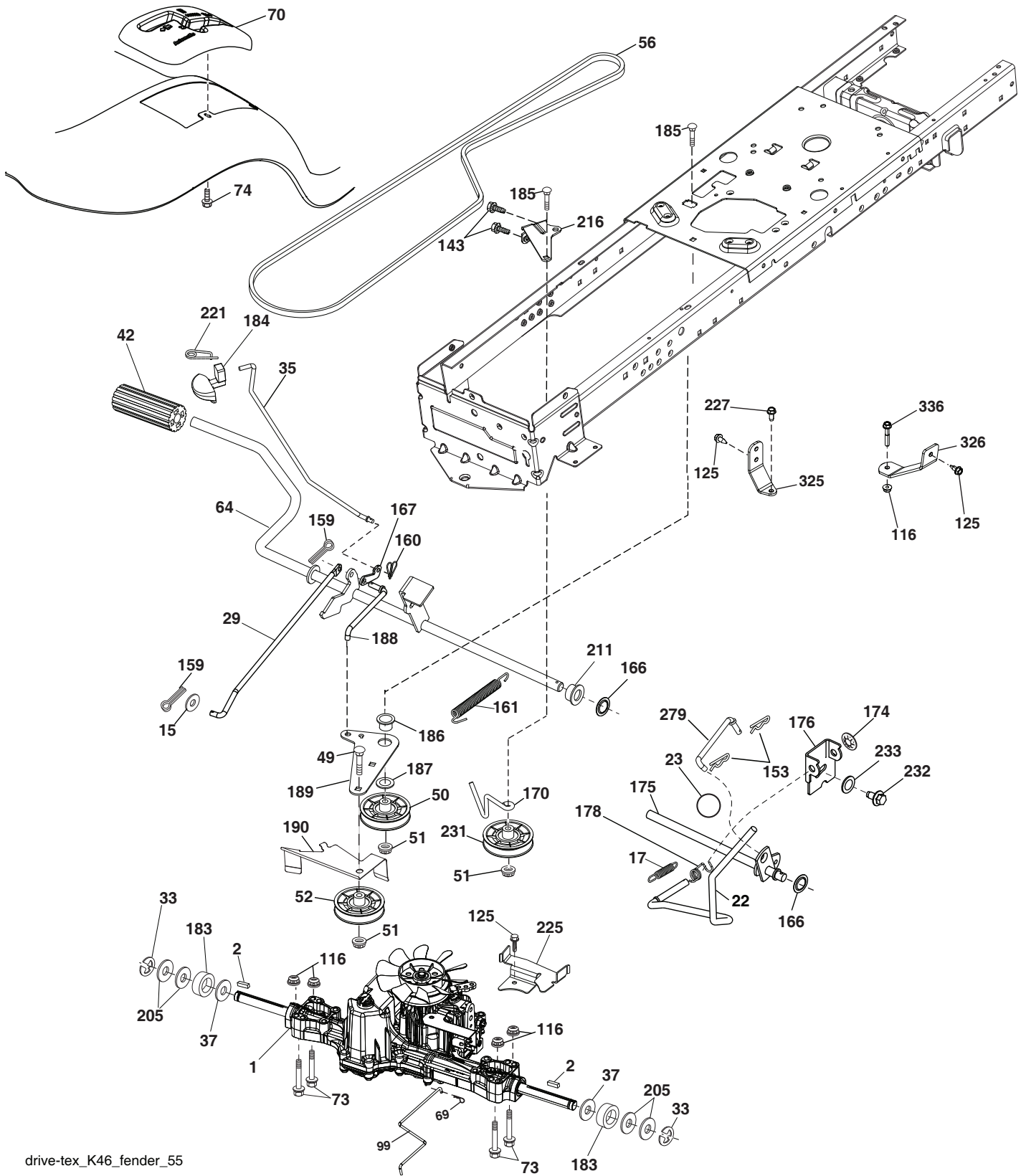
TRACTOR - MODELO NO. TS 138L (96041043900), PRODUCTO NO. 960 41 04-39

CHASIS

CÓDIGO PIEZA			CÓDIGO PIEZA		
No.	No.	DESCRIPCIÓN	No.	No.	DESCRIPCIÓN
3	581 05 63-01	Logotipo	194	873 90 05-00	Tuerca de seguridad, brida hexagonal 5/16 - 18
5	532 43 89-64	Tablero	196	532 43 96-47	Elevación del equipo de la consola
14	532 44 12-67	Cubierta	202	532 44 13-42	Ventilación del costado de la cubierta, derecha
15	532 44 14-28	Lente izquierdo	203	532 44 13-43	Ventilación del costado de la cubierta, izquierda
18	532 44 13-68	Rejilla	204	532 44 13-75	Ventilación de la parte superior de la cubierta
25	532 44 14-27	Lente derecho	205	532 44 13-44	Faldón lateral derecho
34	580 91 08-01	Placa del motor	206	532 44 13-45	Faldón lateral izquierdo
36	817 06 05-12	Tornillo 5/16 - 18 x 3/4	213	539 97 69-34	Perno 5/16 - 18 x 3/grado 4 5 ZD
37	532 44 12-66	Defensa	214	532 19 91-45	Sujetador, retenedor
52	873 68 05-00	Tuerca, corona de bloqueo 5/16 - 18	217	532 40 91-67	Pivote de barra de la cubierta
58	532 41 22-80	Barra de tracción superior	218	532 19 63-95	Tope de la cubierta, pieza X
68	539 99 08-58	Tornillo autorroscante 5/16 - 18 x 1/2	228	532 19 51-61	Perno de sujetador
125	581 68 48-01	Sujetador del tubo de combustible	235	532 40 61-29	Separador del guardabarros
130	532 41 63-58	Tornillo n.º 10 x 0,750 rosca BOS	236	873 93 05-00	Tuerca de seguridad 5/16-18 UNC
137	532 40 75-90	Tablero del parachoques	238	532 44 13-74	Guarnición
138	532 43 97-47	Posavasos	239	532 40 48-83	Sujetador Tinnerman
146	581 85 79-01	Perno	287	817 60 04-06	Tornillo hexagonal con cabeza de arandela 1/4 - 20 x 3/8
150	532 40 66-62	Conducto de aire	297	532 40 66-65	Inserto reflectante izquierdo
151	532 40 78-07	Pivote de soporte	306	873 90 06-00	Tuerca de seguridad, brida 3/8 - 16 UNC
152	532 19 95-35	Oscurecimiento de la protección	375	586 90 82-01	Parachoques contablero acoplable
159	817 00 06-12	Tornillo 3/8 - 16 x 3/4	376	589 45 87-01	Montaje superior de la dirección
162	532 14 24-32	Arandela hexagonal, tornillo Rosca doble 1/4 x 1/2	377	589 45 53-01	Tornillo 10 x 1/2
175	532 19 94-72	Travesaño			
176	532 40 07-76	Tornillo 10 - 24 x 5/8			
177	532 19 52-28	Buje de la dirección			
180	532 41 50-63	Chasis			
181	532 43 97-46	Buje			
182	532 40 71-76	Tablero inferior			
183	874 52 05-20	Perno 5/16 - 18 UNC x 1 - 1/4			
189	817 00 05-12	Tornillo 5/16 - 18 x 3/4			
191	532 41 65-01	Inserto reflectante derecho			

NOTA: Las dimensiones de todos los componentes están expresadas en pulgadas americanas. 1 pulgada = 25,4 mm

TRACTOR - MODELO NO. TS 138L (96041043900), PRODUCTO NO. 960 41 04-39
TRANSMISIÓN



drive-tex_K46_fender_55

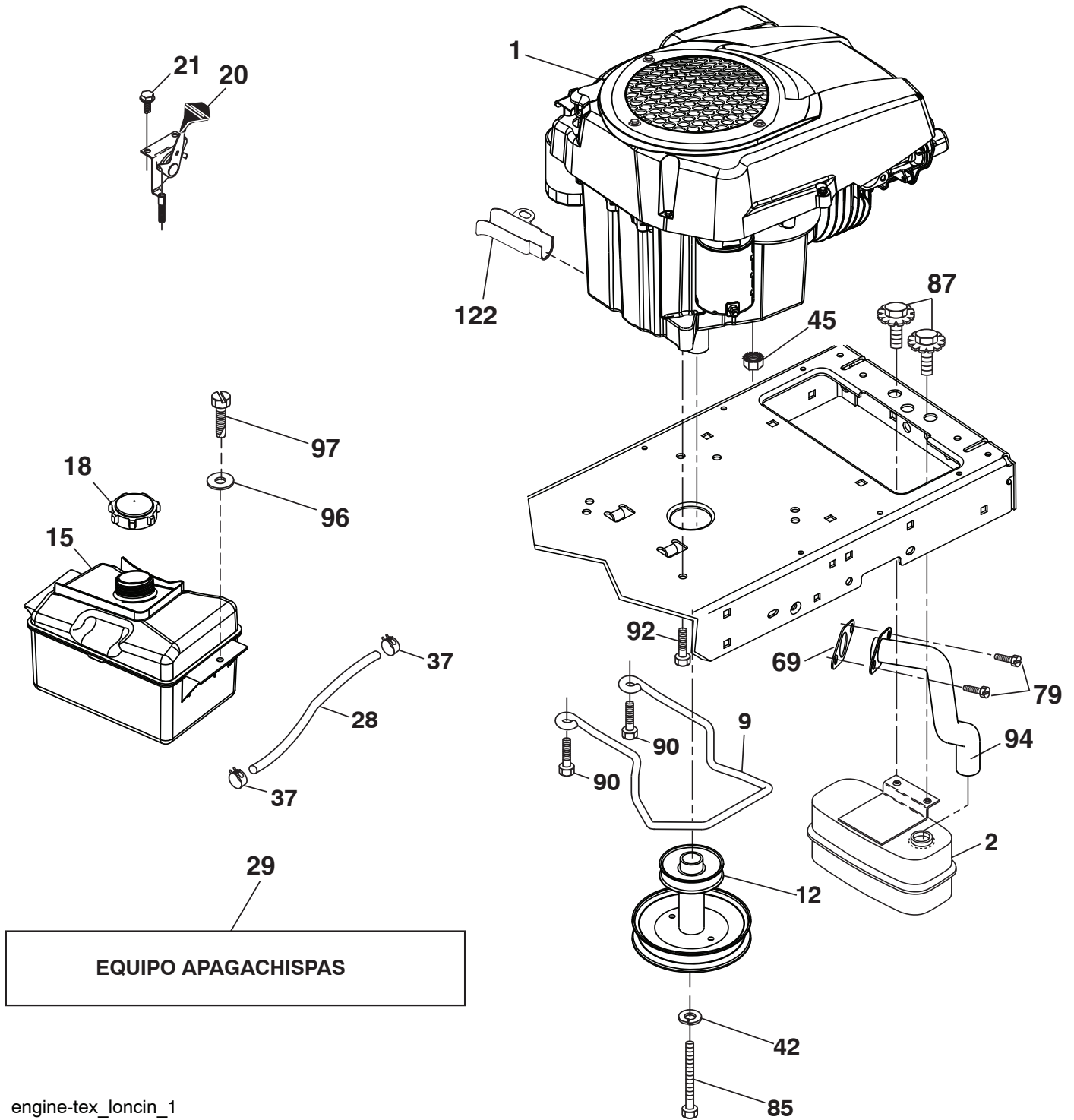
TRACTOR - MODELO NO. TS 138L (96041043900), PRODUCTO NO. 960 41 04-39

TRANSMISIÓN

CÓDIGO No.	PIEZA No.	DESCRIPCIÓN	CÓDIGO No.	PIEZA No.	DESCRIPCIÓN
1	---	Transeje, Tufftorq K46BA (448348) (solicite las piezas del fabricante del transeje).	174	532 19 72-89	Tuerca, presión
2	532 12 35-83	Llave, cuadrada	175	532 40 85-39	Eje del conjunto de cambios
15	819 13 13-16	Arandela 13/32 x 13/16 x 16 Cal.	176	532 19 62-14	Chaveta del brazo de la varilla de cambios
17	532 41 36-78	Muelle, freno	178	532 19 74-56	Resorte de cambios
22	532 19 76-60	Varilla de cambios	183	532 13 70-57	Separador del eje
23	532 14 08-45	Palanca, cambios	184	532 41 14-84	Manija del freno de estacionamiento
29	532 40 38-06	Varilla, freno	185	872 11 06-22	Perno
33	812 00 00-01	Anillo E	186	532 19 43-21	Retenedor del separador
35	532 40 10-31	Varilla, freno, estacionamiento	187	819 13 32-10	Arandela
37	532 18 89-67	Arandela endurecida 0,793 x 1,637 x 060	188	582 21 70-01	Mecanismo de desplazamiento de la articulación del embrague, largo
42	532 00 88-83	Cubierta, pedal	189	532 19 43-17	Mecanismo de desplazamiento de la palanca acodada
49	872 11 06-14	Perno	190	532 19 43-18	Fijador del mecanismo de desplazamiento de la palanca acodada
50	532 19 43-27	Guía de la polea plana	205	532 12 17-48	Arandela 25/32 x 1-5/8 x 16 cal.
51	873 90 06-00	Contratuerca 3/8 - 16	211	532 19 62-12	Buje del eje
52	532 19 43-26	Compensación de la ranura en V de la guía	216	532 19 61-31	Soporte de la guía de la polea
56	592 85 52-01	Correa en V, transmisión	221	532 40 31-87	Manija del sujetador del muelle retenedor
64	532 19 62-00	Control del freno del pedal del conjunto de eje	225	532 40 33-19	Fijador de la correa
69	532 42 33-03	Horquilla 0,059 x 1,125	227	817 49 05-12	Tornillo autorroscante 5/16 - 18 x 3/4
70	532 43 99-71	Consola	231	532 40 72-87	Ranura en V de la guía
73	874 49 05-40	Perno hexagonal 5/16 - 18 x 2 1/ grado 2 5	232	874 78 07-16	Perno 7/16 - 14 x grado 1 5
74	532 14 24-32	Tornillo 1/4 x 1/2	233	532 40 52-96	Arandela dentada
99	582 40 45-01	Varilla, derivación	279	532 41 31-50	Articulación de los cambios
116	873 90 05-00	Tuerca de seguridad, brida hexagonal 5/16 - 18	325	586 43 12-02	Correa de par izquierda
125	817 00 05-12	Tornillo 5/16 - 18 x 3/4	326	586 00 11-02	Soporte de la correa de par izquierda
143	539 99 08-58	Tornillo autorroscante 5/16 - 18 x 1/2	336	587 25 96-01	Perno 5/16 - 18 x 1-3/4
153	532 00 44-97	Muelle retenedor 1"			
159	876 02 04-12	Chaveta hendida 1/8 x 3/4			
160	532 16 94-84	Sujetador de retención			
161	532 10 57-09	Resorte, retorno, embrague			
166	532 42 91-64	Tuerca, presión 0,625			
167	532 40 52-57	Seguro del freno de estacionamiento			
170	532 41 34-30	Fijador del tramo central de la correa			

NOTA: Las dimensiones de todos los componentes están expresadas en pulgadas americanas. 1 pulgada = 25,4 mm

TRACTOR - MODELO NO. TS 138L (96041043900), PRODUCTO NO. 960 41 04-39
MOTOR

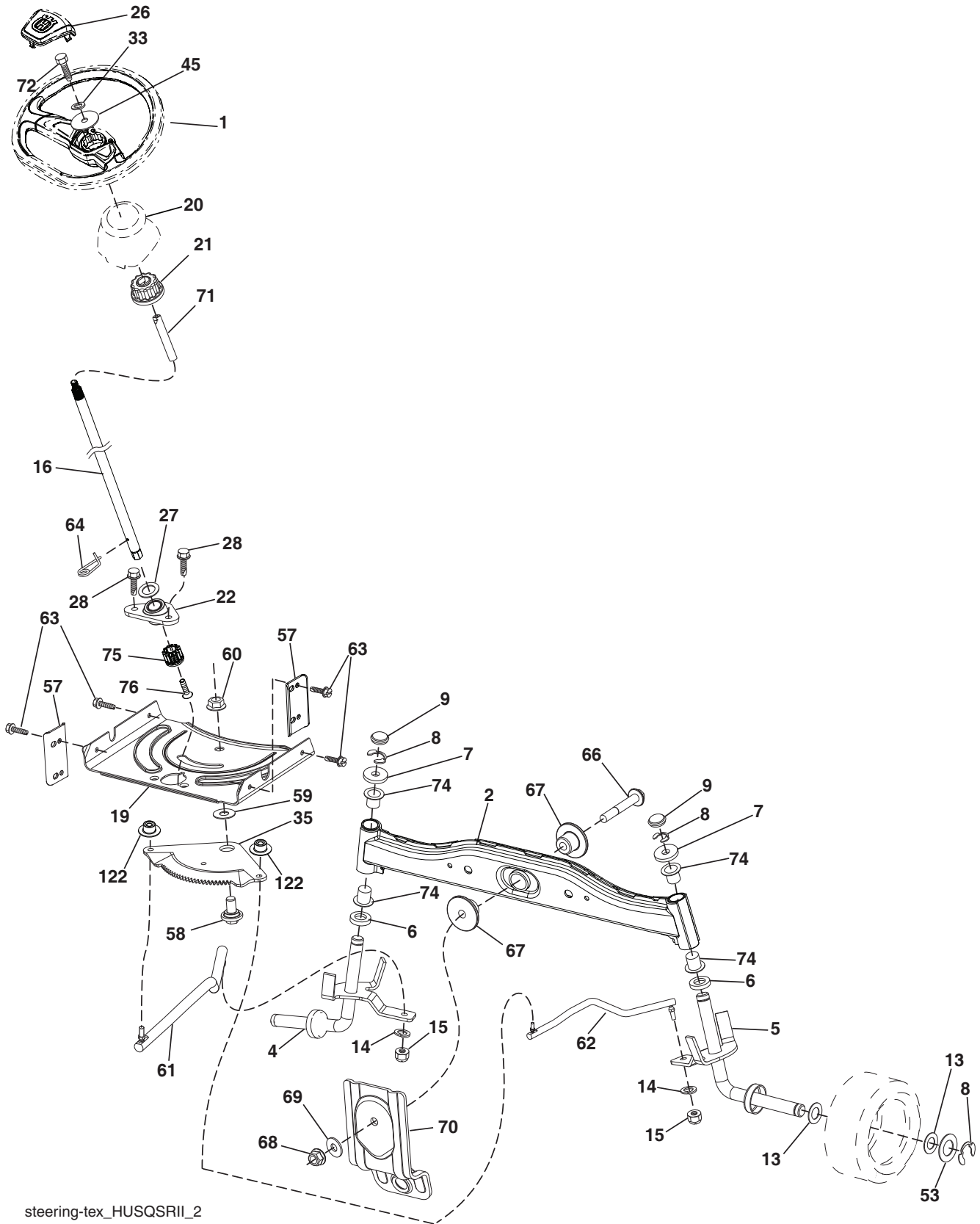


**TRACTOR - MODELO NO. TS 138L (96041043900), PRODUCTO NO. 960 41 04-39
MOTOR**

CÓDIGO No.	PIEZA No.	DESCRIPCIÓN
1	— — — — —	Motor Husqvarna n.º LC1P92F-1 (593230401)
2	590 64 53-01	Silenciador
9	501 83 26-02	Sujetador correa motor
12	586 47 85-01	Motor de la polea
15	581 28 99-01	Depósito de combustible
18	532 43 02-20	Conjunto de la tapa
20	532 18 38-97	Acelerador de control
21	532 41 63-58	Tornillo n.º 10 x 0,750 rosca BOS
28	532 13 70-40	Tubo de combustible
29	532 13 71-80	Kit apagachispas
37	532 12 34-87	Abrazadera de la manguera
42	539 99 02-47	Arandela de SLW STD 7/16
45	593 35 64-01	Tuerca hexagonal con brida dentada
69	590 86 35-01	Junta
79	532 18 39-06	Tornillo 5/16 - 18 x 0,75, cabeza hueca
85	501 60 65-01	Perno hexagonal 7/16 - 20 x grado 4 5 - 1,5 azul
87	532 17 18-77	Perno de 5/16-18 unc x 3/4
90	817 00 06-16	Tornillo de 3/8-16 x 1
92	817 12 06-16	Tornillo de 3/8-16 x 1
94	590 86 47-01	Tubo de escape
96	819 09 14-16	Arandela 9/32 x 7/8 x 16 Cal.
97	817 67 04-12	Tornillo 1/4-20 x 3/4
122	532 42 19-22	Extensión para el drenaje de aceite

NOTA: Las dimensiones de todos los componentes están expresadas en pulgadas americanas. 1 pulgada = 25,4 mm

TRACTOR - MODELO NO. TS 138L (96041043900), PRODUCTO NO. 960 41 04-39
ENSAMBLE DE LA DIRECCIÓN



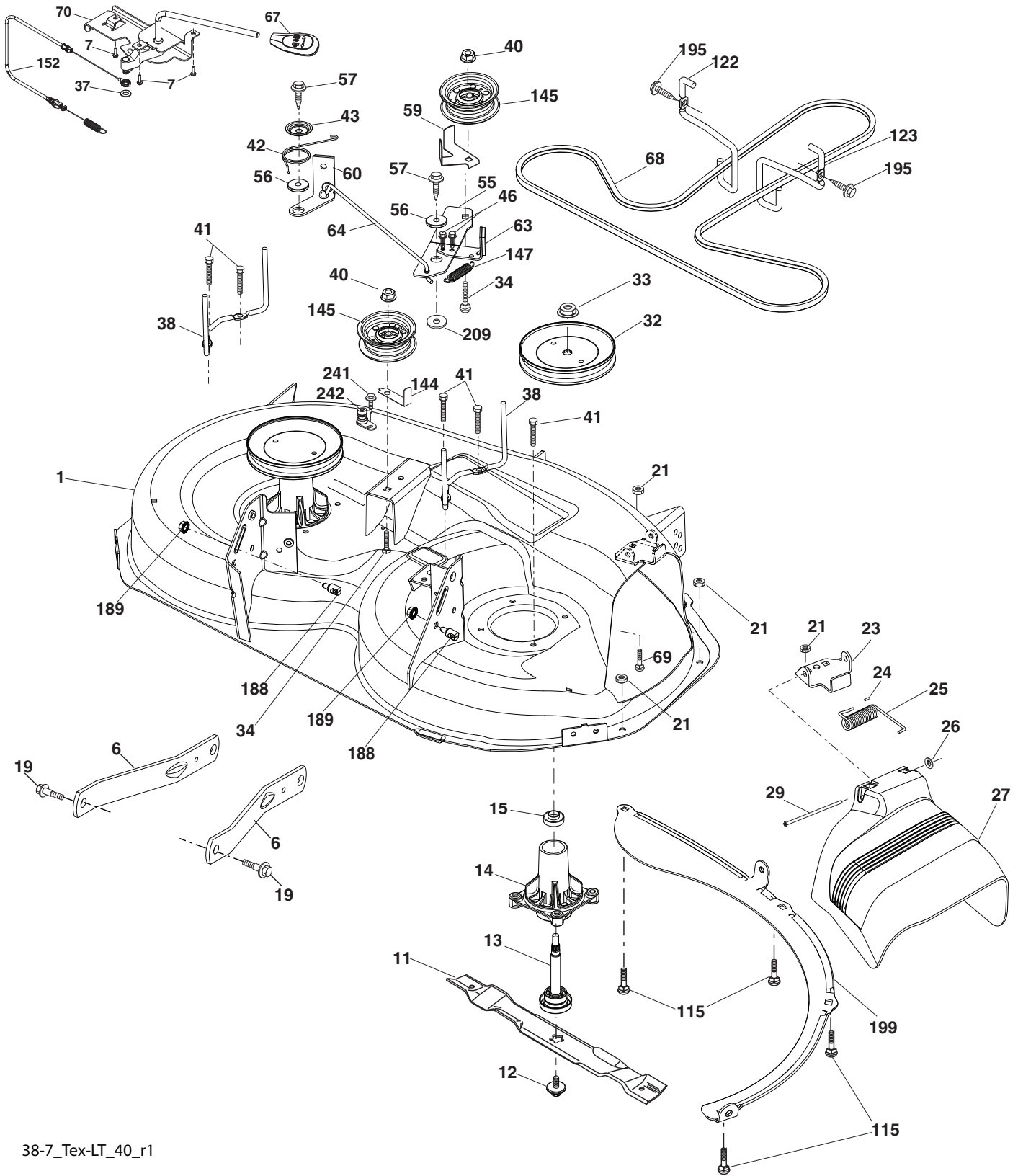
steering-tex_HUSQSR11_2

**TRACTOR - MODELO NO. TS 138L (96041043900), PRODUCTO NO. 960 41 04-39
ENSAMBLE DE LA DIRECCIÓN**

CÓDIGO PIEZA		DESCRIPCIÓN
No.	No.	
1	597 86 61-01	Kit de volante
2	532 41 81-68	Conjunto del eje, delantero
4	532 40 30-87	Conjunto de eje, izquierdo
5	532 40 30-88	Conjunto de eje, derecho
6	532 00 62-66	Arandela, empuje 0,75 x 1,230
7	532 12 17-48	Arandela 25/32 x 1-5/8 x 16 cal.
8	812 00 00-29	Anillo, sujetador n.º T5304-75
9	532 12 12-32	Tapa, eje
13	532 12 17-49	Arandela 25/32 x 1-1/4 x 16 cal.
14	539 99 01-18	Arandela, SLW ZD 3/8
15	873 54 06-00	Tuerca, cierre de corona 3/8-24 UNF
16	585 86 92-02	Eje de dirección
19	532 19 47-29	Placa de la dirección
20	532 44 14-25	Funda, dirección
21	532 18 67-37	Adaptador, volante
22	585 02 98-02	Cojinete
26	594 94 91-01	Tapa Husq del volante
27	819 21 16-16	Arandela 21 x 32 x 1 x 16 cal.
28	817 00 06-12	Tornillo 3/8-16 x 3/4
33	539 99 01-87	Arandela de bloqueo 5/16
35	532 19 47-32	Engranaje, placa de sector
45	819 11 38-12	Arandela 11/32 x 3/8 x 12 Cal.
53	532 18 89-67	Arandela endurecida 0,793 x 1,637 x 0,060
57	532 40 74-65	Tope superior del soporte
58	532 19 47-47	Perno del resalto del pivote de sector CFM
59	532 19 47-48	Arandela de empuje del sector de la dirección
60	873 97 10-00	Tuerca de seguridad con brida 5/8 - 11
61	532 19 47-40	Articulación de arrastre, izquierda
62	532 19 47-41	Articulación de arrastre, derecha
63	817 00 05-12	Tornillo 5/16 - 18 x 3/4
64	532 19 98-49	Sujetador de retención del fuelle de la dirección
66	871 02 07-48	Perno hexagonal Fghd. 7/16 - 14 x 3 dentado
67	532 19 47-37	Buje PM del eje delantero
68	873 90 07-00	Tuerca de seguridad con brida 7/grado 16 - 14 5
69	532 19 91-62	Arandela 1,5 x 0,505 x 0,118
70	585 33 88-01	Suspensión de la plataforma del soporte Frente
71	532 19 07-52	Extensión del eje de la dirección
72	532 42 89-82	Acabado de perno hexagonal 5/16 - 18 x 4 con acople
74	532 00 33-66	Cojinete de la columna de la dirección
75	580 68 37-01	Piñón
76	580 68 36-01	Tornillo de cabeza hueca
122	532 44 49-62	Tapa del engranaje de sector

NOTA: Las dimensiones de todos los componentes están expresadas en pulgadas americanas. 1 pulgada = 25,4 mm

TRACTOR - MODELO NO. TS 138L (96041043900), PRODUCTO NO. 960 41 04-39
PLATAFORMA DE LA CORTADORA DE CÉSPED



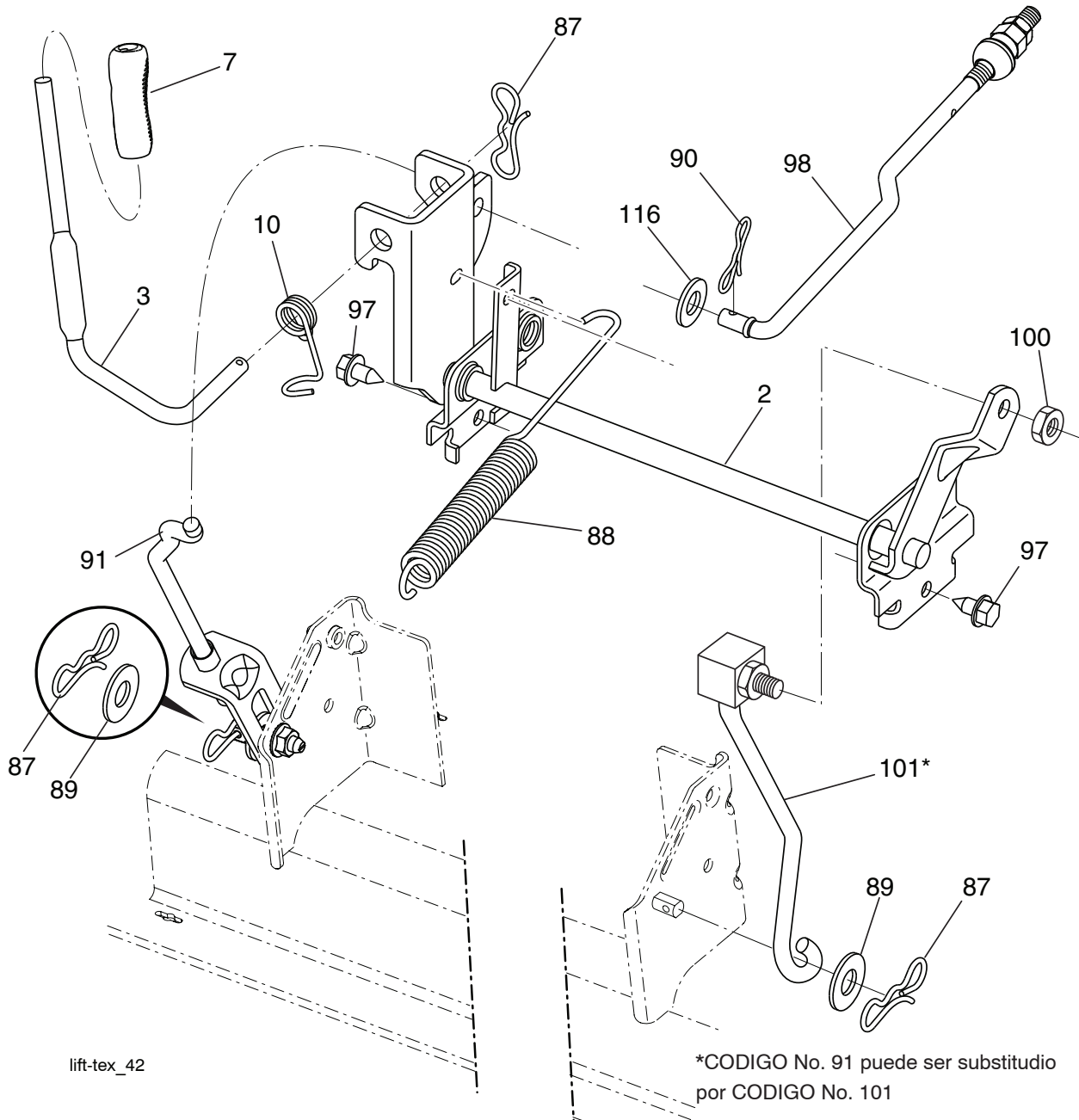
38-7_Tex-LT_40_r1

**TRACTOR - MODELO NO. TS 138L (96041043900), PRODUCTO NO. 960 41 04-39
PLATAFORMA DE LA CORTADORA DE CÉSPED**

CÓDIGO PIEZA		DESCRIPCIÓN	CÓDIGO PIEZA		DESCRIPCIÓN
No.	No.		No.	No.	
1	532 43 44-63	Kit, soldadura de servicio	59	532 14 10-43	Protector de rodillo
6	532 19 51-86	Brazo de suspensión	60	532 19 94-71	Brazo del freno del cortacésped
7	532 41 63-58	Tornillo n.º 10 x rosca BOS	63	532 19 94-70	Brazo del freno del cortacésped
11	581 11 63-01	Hoja de 38"	64	532 19 97-90	Articulación del freno
12	584 30 93-01	Tornillo SEMS 7/16 - 20 x 1	67	532 40 30-12	Manija, cable del embrague
13	587 25 65-01	Conjunto del eje, mandril	68	532 40 83-81	Correa en V
14	532 18 72-81	Carcasa, mandril	69	872 14 05-05	Perno
15	585 32 39-01	Cojinete, mandril	70	532 40 12-46	Conjunto del embrague Manual
19	532 19 65-39	Perno, resalto	115	872 11 05-05	Perno guía 5/16 - 18 x 5 18 corto
21	873 68 05-00	Tuerca, cierre de corona 5/16 - 18 UNC	122	532 19 72-58	Sujetador de correa izquierdo del motor
23	532 19 25-57	Soporte, deflector	123	532 19 72-59	Sujetador de correa derecho del motor
24	532 10 53-04	Tapa, manguito	144	532 19 34-14	Fijador de la correa
25	532 19 70-26	Resorte, torsión, deflector	145	532 19 31-97	Polea, guía, plana
26	532 11 04-52	Tuerca, presión	147	532 40 18-72	Retorno por muelles
27	532 19 39-68	Protección, deflector	152	532 43 51-11	Cable de embrague manual
29	532 13 14-91	Varilla, bisagra	188	532 19 51-61	Perno de sujetador
32	532 19 97-89	Polea, mandril	189	873 90 05-00	Tuerca de bloqueo con brida hexagonal
33	532 40 02-34	Tuerca, bloqueo superior, con brida	195	817 00 06-12	Tornillo 3/8-16 x 3/4
34	872 11 06-12	Perno guía corto 3/8 - 16 x 1 - 1/ grado 2 5	199	532 40 00-95	Vértice del deflector
37	819 13 13-16	Arandela	209	819 13 32-10	Arandela 13/32 x 2 x 10
38	532 19 95-41	Mandril del fijador de la correa izquierdo	241	532 15 29-27	Tornillo TT n.º 10 - 32,5 3/8 con brida
40	873 90 06-00	Tuerca, de seguridad con bridas 3/8 - 16 UNC	242	532 41 55-98	Puerto, lavado
41	584 95 39-01	Perno hexagonal	- -	587 25 33-01	Conjunto del mandril (incluye solo la carcasa, el eje y la tornillería del eje, no la polea)
42	532 19 84-10	Muelle de torsión, freno	- -	532 43 44-67	Cortacésped de repuesto, com- pleto
43	532 19 72-56	Muelle de torsión, retenedor			
46	532 13 77-29	Tornillo 1/4-20 x 5/8			
55	532 19 72-49	Brazo, guía			
56	532 19 90-92	Separador, retenedor			
57	817 00 06-16	Tornillo de 3/8-16 x 1			

NOTA: Las dimensiones de todos los componentes están expresadas en pulgadas americanas. 1 pulgada = 25,4 mm

TRACTOR - MODELO NO. TS 138L (96041043900), PRODUCTO NO. 960 41 04-39
ELEVACIÓN DE LA CORTADORA DE CÉSPED



lift-tex_42

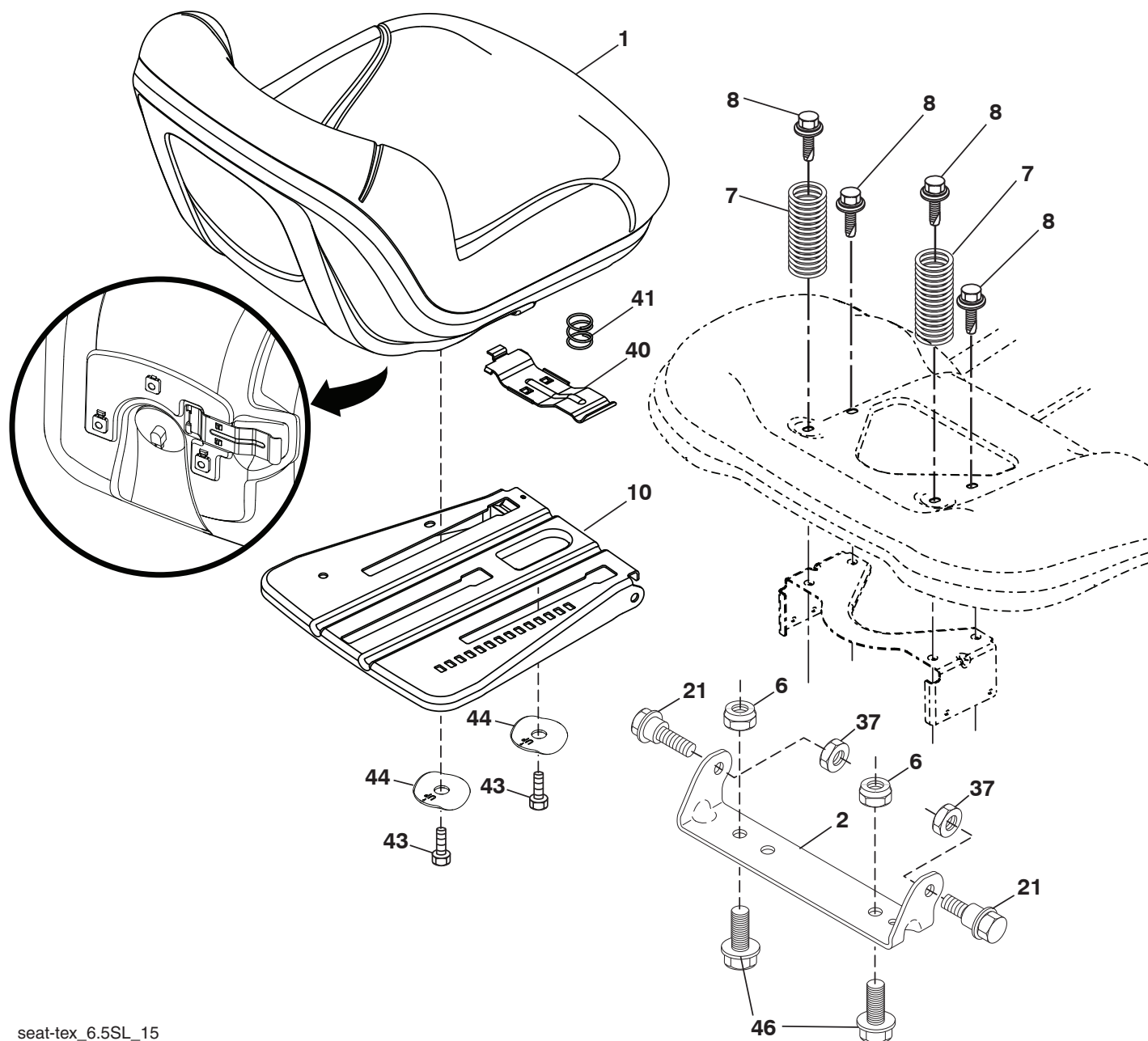
*CODIGO No. 91 puede ser substituido por CODIGO No. 101

CÓDIGO No.	PIEZA No.	DESCRIPCIÓN
2	532 42 20-27	Conjunto de eje, elevación
3	532 19 52-31	Conjunto de palanca, elevación derecha
7	580 96 23-01	Mango, palanca
10	532 19 63-14	Torsión del muelle
87	532 19 42-09	Chaveta hendida de 7/16 de bloqueo de pajarita
88	532 41-07-10	Asistencia de elevación por resorte
89	819 19 19-12	Arandela de zinc transparente
90	532 19 42-08	Chaveta hendida de 5/16 de bloqueo de pajarita
91	532 19 51-81	Suspensión de elevación de articulación, parte trasera del cortacésped

CÓDIGO No.	PIEZA No.	DESCRIPCIÓN
97	817 00 06-12	Tornillo 3/8-16 x 0,75 Smgml. macho de roscar/R.Z
98	532 19 52-70	Suspensión de elevación de articulación, parte delantera del cortacésped
100	873 93 06-00	Tuerca de bloqueo central 3/8 - 16
101	532 40 70-03	Conjunto de la articulación de elevación fija
116	594 97 65-01	Arandela 15/32 x 15/16 x 16 Cal.

NOTA: Las dimensiones de todos los componentes están expresadas en pulgadas americanas. 1 pulgada = 25,4 mm

**TRACTOR - MODELO NO. TS 138L (96041043900), PRODUCTO NO. 960 41 04-39
ENSAMBLE DEL ASIENTO**



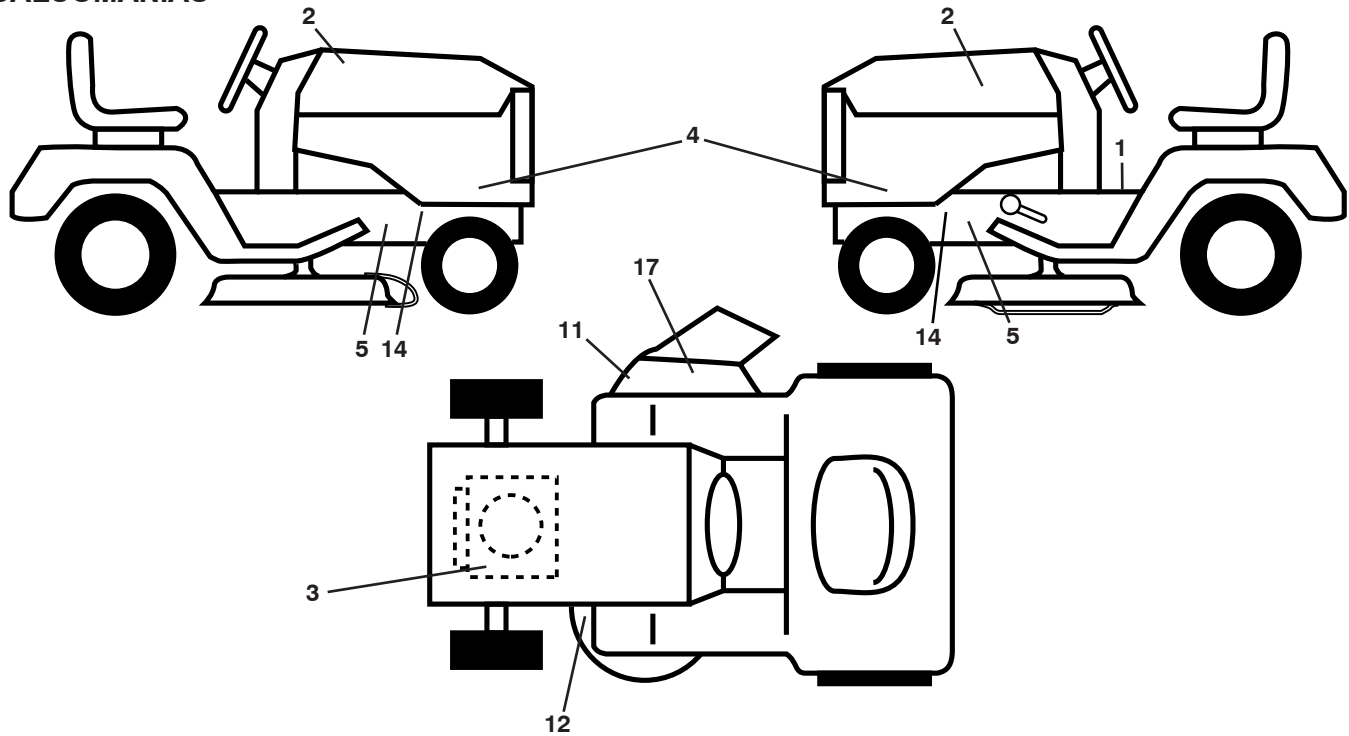
seat-tex_6.5SL_15

CÓDIGO PIEZA		DESCRIPCIÓN
No.	No.	
1	532 43 97-09	Asiento
2	532 18 01-66	Pivote del soporte del guardabarros
6	873 80 06-00	Tuerca de seguridad con ins. 3/8 - 16 UNC
7	589 48 35-01	Muelle, compresión del asiento
8	532 17 18-77	Perno 5/16 - 18UNCx3/4 con SEMS.
10	596 65 74-02	Placa, asiento
21	587 90 78-01	Perno 5/16 - 18 x 5/8
37	873 80 05-00	Tuerca de bloqueo 5/16 - 18 UNC

CÓDIGO PIEZA		DESCRIPCIÓN
No.	No.	
40	532 19 76-61	Manilla
41	532 19 82-00	Resorte
43	874 76 06-12	Perno de 3/8-16 unc x 3/4
44	501 05 18-01	Arandela con aletas 3/8 diám. int. 1,5 diám. ext.
46	588 09 04-01	Perno 3/8 - 18 x 1

NOTA: Las dimensiones de todos los componentes están expresadas en pulgadas americanas. 1 pulgada = 25,4 mm

**TRACTOR - MODELO NO. TS 138L (96041043900), PRODUCTO NO. 960 41 04-39
CALCOMANÍAS**



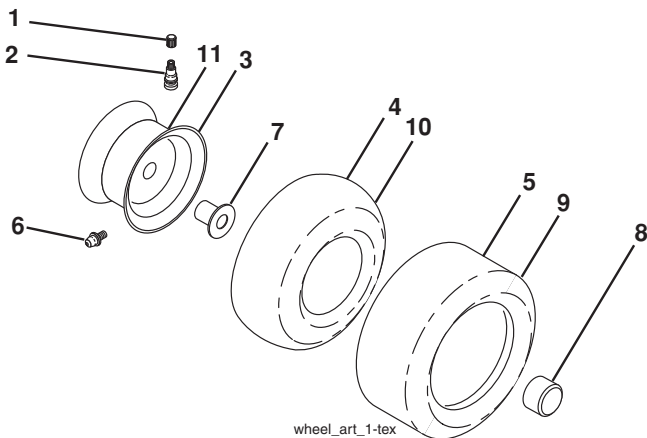
**CÓDIGO PIEZA
No. No.**

CÓDIGO No.	PIEZA No.	DESCRIPCIÓN
1	586 04 73-02	Etiqueta, soporte
2	501 13 14-01	Etiqueta, emblema de la cubierta
3	581 57 97-01	Etiqueta, advertencia, símbolos del motor
4	587 40 73-01	Etiqueta, panel lateral
5	581 57 96-01	Etiqueta, silenciador caliente del chasis
11	581 57 92-01	Etiqueta, advertencia
12	581 58 00-03	Etiqueta, cortacésped, esquema de la correa en V
14	581 57 98-01	Etiqueta, advertencia de servicio/incendio
17	584 90 46-01	Etiqueta, deflector Advertencia

**CÓDIGO PIEZA
No. No.**

CÓDIGO No.	PIEZA No.	DESCRIPCIÓN
--	581 72 48-01	Etiqueta, guardabarros de derivación
--	581 72 46-01	Etiqueta, límite de carga de la barra de tracción
--	532 43 96-81	Almohadilla, reposapiés, izquierda
--	532 43 99-66	Almohadilla, reposapiés, derecha
--	114 14 69-49	Manual de operación inglés/español
--	114 14 71-70	Manual de operación portugués/francés
--	114 14 70-49	Manual de piezas inglés/español
--	114 14 72-70	Manual de piezas portugués/francés

WHEELS AND TIRES



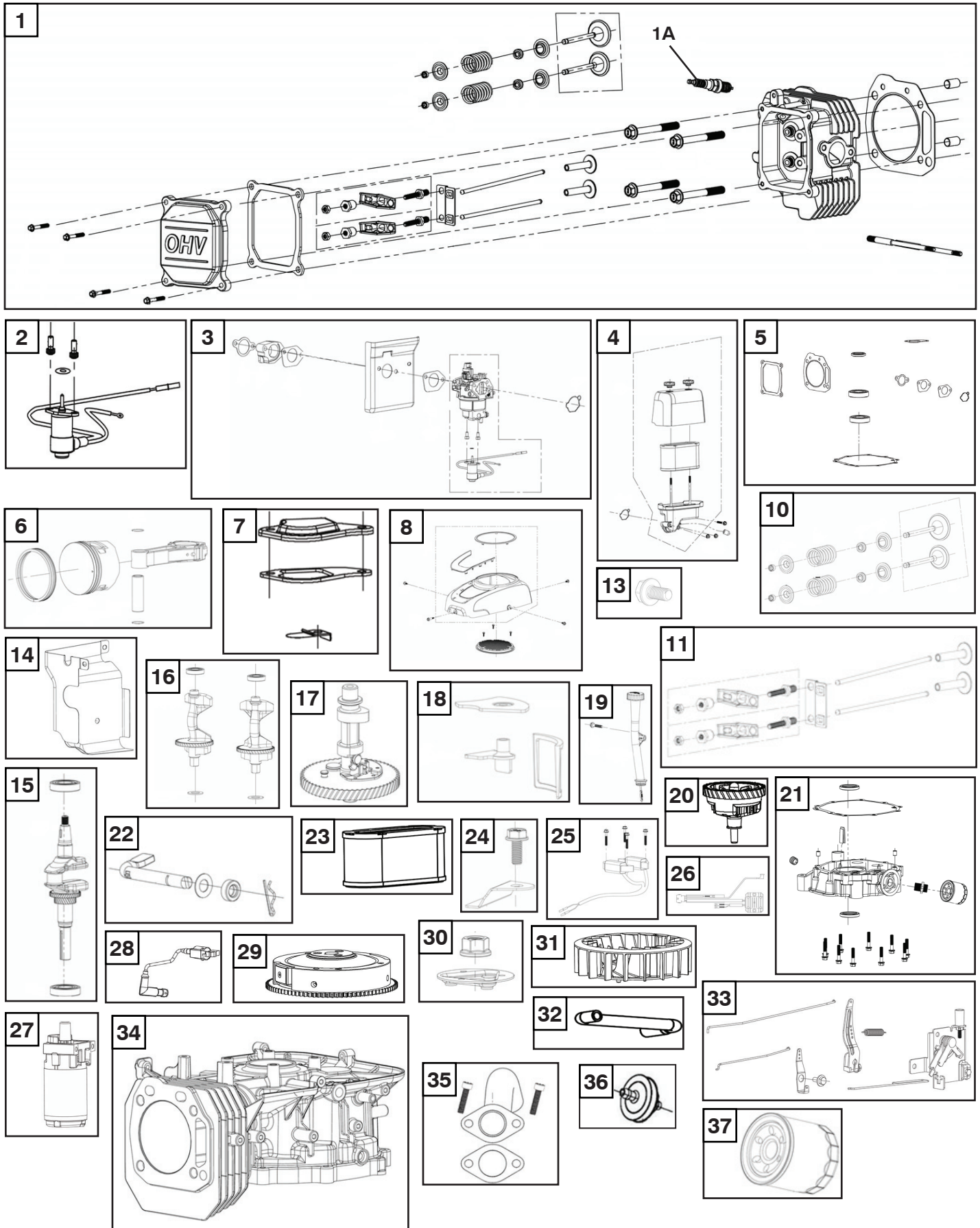
**CÓDIGO PIEZA
No. No.**

CÓDIGO No.	PIEZA No.	DESCRIPCIÓN
1	532 05 91-92	Tapa de la válvula del neumático
2	532 06 51-39	Válvula de vástago
3	532 13 83-36	Conjunto de la llanta 6" delantero
4	532 05 99-04	Parte delantera del tubo (solo artículo de servicio)
5	532 10 62-22	Parte delantera del neumático 15 x 6 - 6
6	532 00 02-78	Grasa de montaje (solo rueda delantera)
7	532 00 90-40	Brida del cojinete (solo rueda delantera)
8	532 17 50-39	Tapa negra de eje 1 50 x 1 00
9	532 12 46-35	Parte trasera del neumático 18 x 8,5 - 8
10	532 00 71-52	Parte trasera del tubo (solo artículo de servicio)
11	532 13 83-37	Conjunto de la llanta 8" trasero
--	532 14 43-34	Sellador, neumático (tubo de 10 oz)

NOTA: Las dimensiones de todos los componentes están expresadas en pulgadas americanas. 1 pulgada = 25,4 mm

NOTES/AVISO

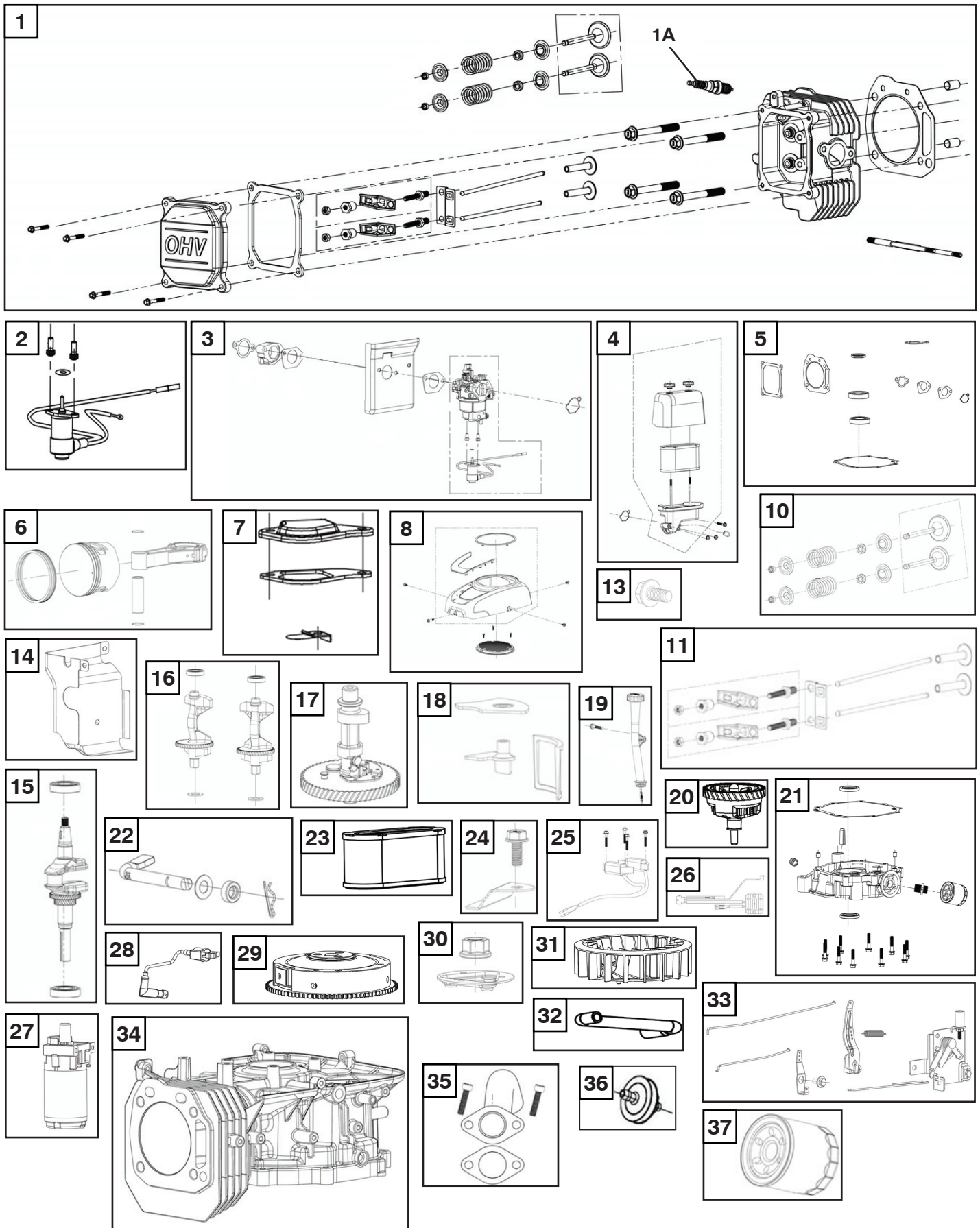
TRACTOR - MODEL NO. TS 138L (96041043900), PRODUCT NO. 960 41 04-39
HUSQVARNA ENGINE (452 CC)



**TRACTOR - MODEL NO. TS 138L (96041043900), PRODUCT NO. 960 41 04-39
HUSQVARNA ENGINE (452 CC)**

ITEM NO.	PART NO.	DESCRIPTION	QTY.
1	590904901	CYLINDER HEAD COMP KIT	1
1A	591165501	SPARK PLUG	1
2	590905101	SOLENOID KIT	1
3	590905201	CARBURETOR KIT	1
4	590905301	AIR CLEANER KIT	1
5	590905401	GASKET AND SEAL KIT	1
6	590905501	PISTON AND RING SET, PISTON KIT	1
7	590905601	COVER COMP BREATHER AND STRAINER FUEL KIT	1
8	590905701	START COVER KIT	1
10	590971701	VALVE KIT	1
11	590971801	ROCKER ARM KIT	1
13	590971901	HEXAGON BOLT WITH FLANGE	1
14	590972101	AIR DEFLECTOR	1
15	590972201	CRANKSHAFT KIT	1
16	590972301	BALANCING SHAFT KIT	1
17	590972401	CAMSHAFT ASSY	1
18	590972501	OIL STRAINER KIT	1
19	590972601	FILL TUBE KIT	1
20	590972701	COMPONENTS OF GOVERNOR GEAR	1
21	590972801	CRANKCASE COVER KIT	1
22	590972901	SPEED REGULATING ARM KIT	1
23	590973101	AIR FILTER ELEMENT COMBINATION	1
24	590973501	PRESSING PLATE KIT	1
25	590973601	CHARGING ARMATURE KIT	1
26	590973801	VOLTAGE RECTIFIER	1
27	590974301	STARTER MOTOR KIT	1
28	590975801	COIL ASSY.,IGNNTION	1
29	590978001	FLYWHEEL COMP	1
30	590992201	STARTING DISC KIT	1
31	590992301	IMPELLER	1
32	590965901	BREATHER TUBE	1
33	590992501	THROTTLE LEVER KIT	1
34	592951101	CRANKCASE BODY KIT	1
35	592952001	EXHAUST PIPE KIT	1
36	591165801	FUEL FILTER	1
37	591165901	OIL FILTER	1

**TRACTOR - MODELO NO. TS 138L (96041043900), PRODUCTO NO. 960 41 04-39
HUSQVARNA MOTOR (452 CC)**



**TRACTOR - MODELO NO. TS 138L (96041043900), PRODUCTO NO. 960 41 04-39
HUSQVARNA MOTOR (452 CC)**

CÓDIGO No.	PIEZA No.	DESCRIPCIÓN	CANT.
1	590904901	KIT COMPLETO DE LA CULATA	1
1A	591165501	BUJÍA	1
2	590905101	KIT DEL SOLENOIDE	1
3	590905201	KIT DEL CARBURADOR	1
4	590905301	KIT DEL PURIFICADOR DEL AIRE	1
5	590905401	KIT DE LA JUNTA Y DEL SELLO	1
6	590905501	CONJUNTO DE ANILLOS Y PISTÓN, KIT DE PISTÓN	1
7	590905601	KIT COMPLETO DE LA CUBIERTA DEL FILTRO DE COMBUSTIBLE Y DEL RESPIRADOR	1
8	590905701	KIT DE LA CUBIERTA DEL ARRANCADOR	1
10	590971701	KIT DE LA VÁLVULA	1
11	590971801	KIT DEL BRAZO BALANCÍN	1
13	590971901	PERNO HEXAGONAL CON BRIDA	1
14	590972101	DEFLECTOR DE AIRE	1
15	590972201	KIT DEL CIGÜEÑAL	1
16	590972301	KIT DEL EJE DE EQUILIBRIO	1
17	590972401	CONJUNTO DEL ÁRBOL DE LEVAS	1
18	590972501	KIT DEL FILTRO DE ACEITE	1
19	590972601	KIT DEL TUBO DE LLENADO	1
20	590972701	COMPONENTES DEL ENGRANAJE DEL REGULADOR	1
21	590972801	KIT DE LA CUBIERTA DEL CÁRTER	1
22	590972901	KIT DEL BRAZO REGULADOR DE VELOCIDAD	1
23	590973101	COMBINACIÓN DEL ELEMENTO DEL FILTRO DE AIRE	1
24	590973501	KIT DE LA PLACA DE PRESIÓN	1
25	590973601	KIT DE LA ARMADURA DE CARGA	1
26	590973801	RECTIFICADOR DE TENSIÓN	1
27	590974301	KIT DEL MOTOR DE ARRANQUE	1
28	590975801	CONJUNTO DE LA BOBINA, ENCENDIDO	1
29	590978001	COMPLETO DEL VOLANTE	1
30	590992201	KIT DEL DISCO DE ARRANQUE	1
31	590992301	PROPULSOR	1
32	590965901	TUBO DEL RESPIRADOR	1
33	591165901	KIT DE LA PALANCA DEL ACELERADOR	1
34	592951101	KIT DE CARROCERÍA DEL CÁRTER	1
35	592952001	KIT DEL TUBO DE ESCAPE	1
36	591165801	FILTRO DE COMBUSTIBLE	1
37	591165901	FILTRO DE ACEITE	1



www.husqvarna.com