

**Repair Parts Manual**  
**Manual De Repuestos**  
TS 242XD / 96043031300

Please read the operator's manual carefully and make sure you understand the instructions before using the machine.

Por favor lea cuidadosamente y comprenda estas instrucciones antes de usar esta maquina.



**English/Spanish**

**114 16 68-49 Rev. 1**



# HOW TO USE THIS MANUAL

This manual is designed to provide the customer with a means to identify the parts on his/her tractor when ordering repair parts. The illustrations may or may not represent the actual assemblies; therefore, it is not recommended to use this manual as a guide to assemble or disassemble the tractor. Some hardware and parts are drawn larger in order to more readily identify them.

Each tractor has its own model number. The model number for your tractor can be found on the fender under the seat.

## Support / Help

If you require assistance or have questions concerning the application, operation, maintenance or parts for your product:

- Visit our website: [www.husqvarna.com](http://www.husqvarna.com)
- Call Us Toll Free: 1-800-487-5951

When ordering parts, always give the following information:

- Product - "TRACTOR"
- MODEL NUMBER - "TS 242XD" (96043031300)"
- Part Number
- Part Description

## TABLE OF CONTENTS

<b>SCHEMATIC</b> .....	<b>3</b>
<b>ELECTRICAL</b> .....	<b>4-5</b>
<b>CHASSIS</b> .....	<b>6-7</b>
<b>DRIVE</b> .....	<b>8-9</b>
<b>ENGINE</b> .....	<b>10-11</b>
<b>STEERING</b> .....	<b>12-13</b>
<b>MOWER DECK</b> .....	<b>14-15</b>
<b>MOWER LIFT</b> .....	<b>16</b>
<b>SEAT</b> .....	<b>17</b>
<b>DECALS</b> .....	<b>18</b>

## COMO UTILIZAR ESTE MANUAL

Este manual está diseñado para brindarle al comprador un medio para identificar las piezas del tractor para cuando necesite hacer el pedido de un repuesto. Las ilustraciones pueden o no representar los ensambles reales; por lo tanto, no se recomienda utilizar este manual como una guía para ensamblar o desarmar el tractor. Algunos accesorios y piezas están dibujados en tamaños más grandes para identificarlos con mayor facilidad.

Cada tractor tiene su propio número de modelo. El número de modelo del tractor se encuentra en el guardabarros debajo del asiento.

## Soporte / Ayuda

Si necesita asistencia o tiene alguna pregunta acerca de la aplicación, operación, mantenimiento o piezas de su producto:

- Visite nuestro sitio web: [www.husqvarna.com](http://www.husqvarna.com)
- Llámenos de manera gratuita al: 1-800-487-5951

Cuando haga el pedido de una pieza, siempre brinde la siguiente información:

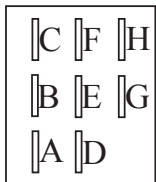
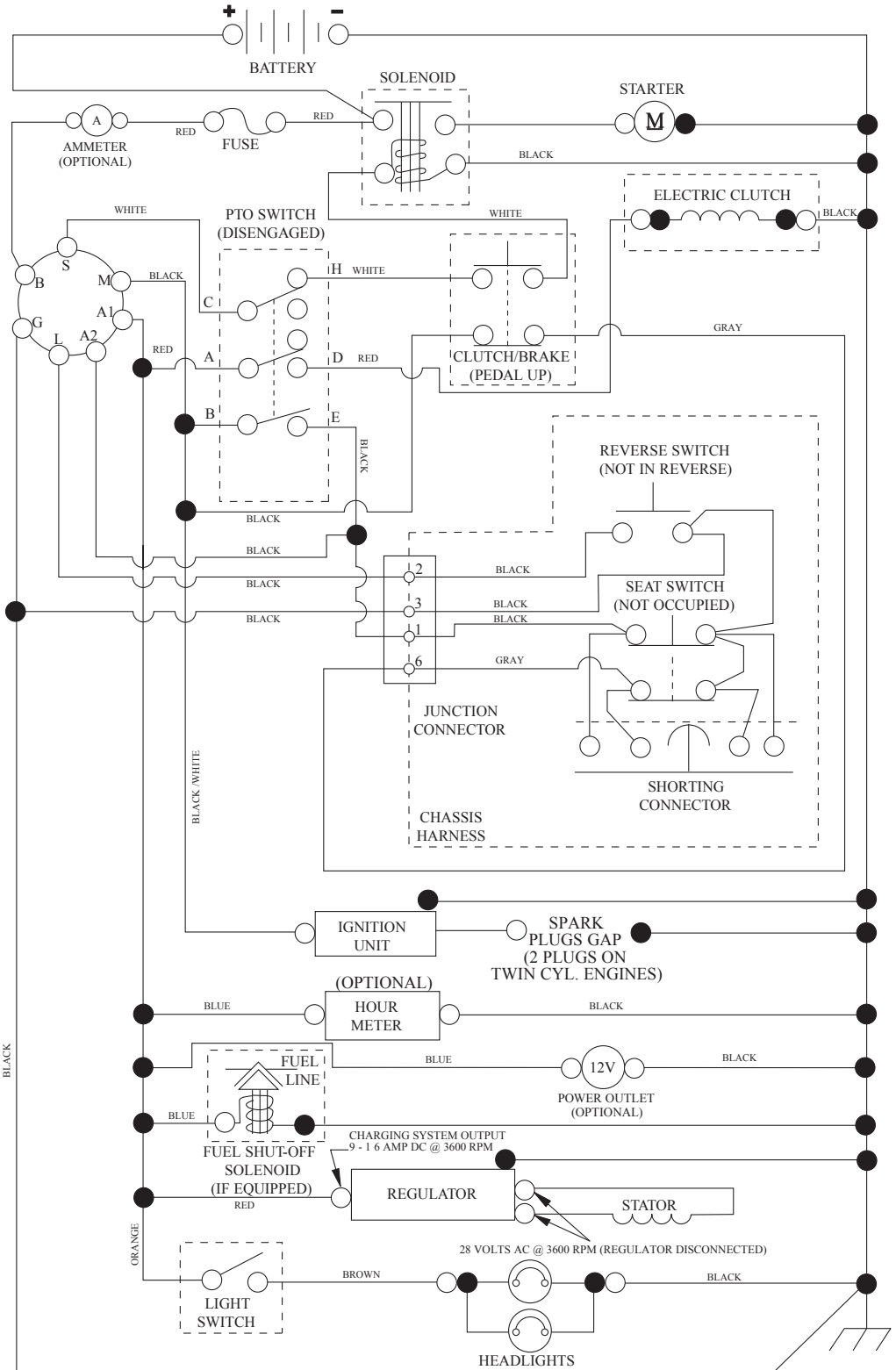
- Producto: "TRACTOR"
- NÚMERO DE MODELO: "TS 242XD" (96043031300)"
- Número de pieza
- Descripción de la pieza

## ÍNDICE

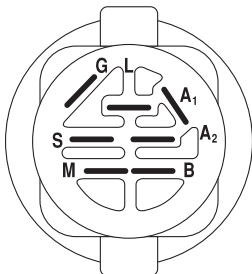
<b>DIAGRAMA</b> .....	<b>19</b>
<b>DIAGRAMA ELÉCTRICO</b> .....	<b>20-21</b>
<b>CHASIS</b> .....	<b>22-23</b>
<b>TRANSMISIÓN</b> .....	<b>24-25</b>
<b>MOTOR</b> .....	<b>26-27</b>
<b>DIRECCIÓN</b> .....	<b>28-29</b>
<b>PLATAFORMA DE LA CORTADORA DE CÉSPED</b> .....	<b>30-31</b>
<b>ELEVACIÓN DE LA CORTADORA DE CÉSPED</b> .....	<b>32</b>
<b>ASIENTO</b> .....	<b>33</b>
<b>CALCOMANÍAS</b> .....	<b>34</b>

# TRACTOR - MODEL NO. TS 242XD (96043031300), PROD. NO. 960 43 03-13 SCHEMATIC

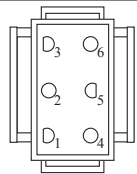
SCH12



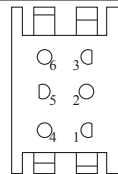
PTO SWITCH (MATING SIDE)



POSITION	CIRCUIT	"MAKE"
OFF	M+G+A1	
RUN/OVERRIDE	B+A1	
RUN	B+A1	L+A2
START	B + S + A1	



CHASSIS HARNESS CONNECTOR (MATING SIDE)



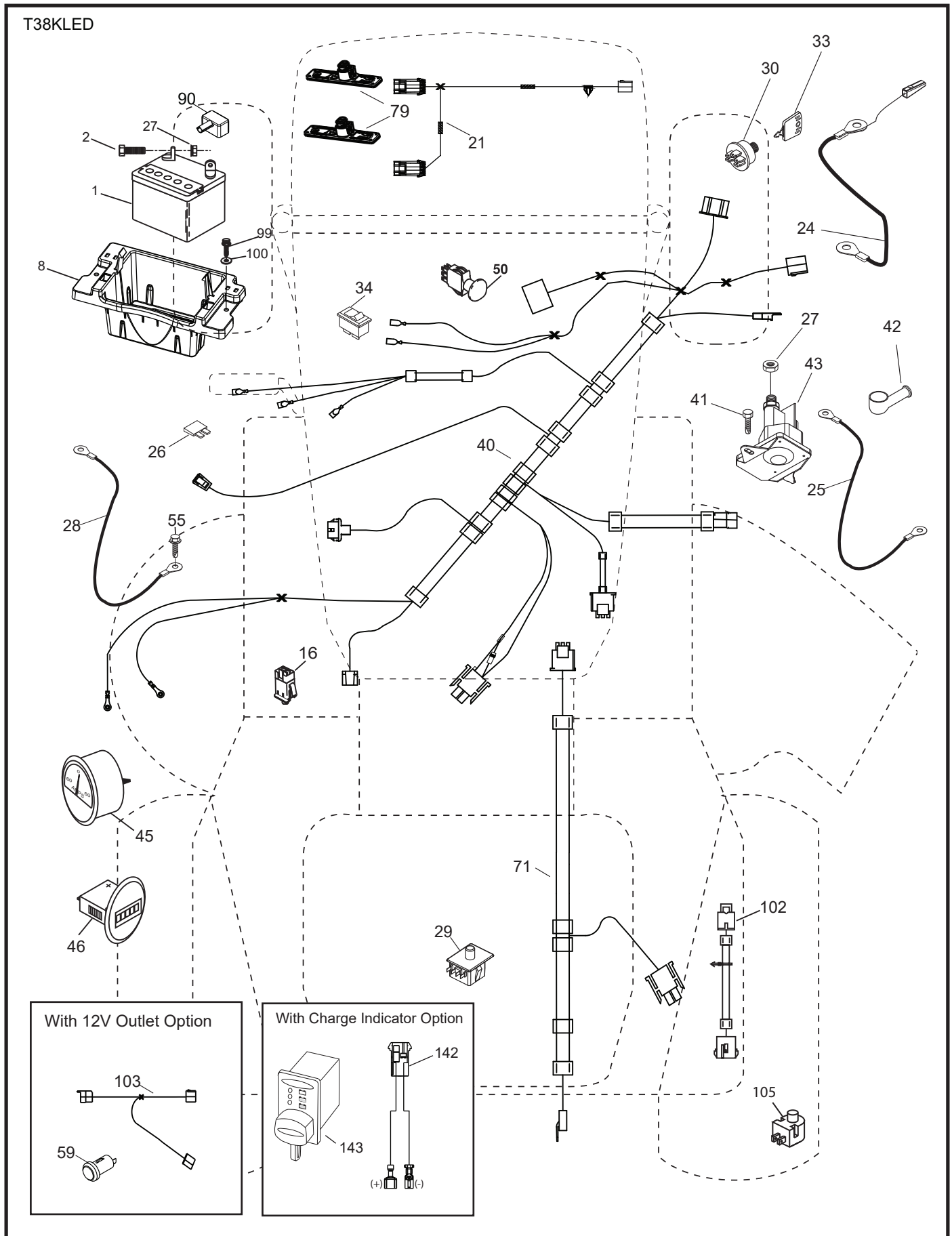
DASH HARNESS CONNECTOR

WIRING INSULATED CLIPS  
NOTE: IF WIRING INSULATED CLIPS WERE REMOVED FOR SERVICING OF UNIT, THEY SHOULD BE RE-INSTALLED TO PROPERLY SECURE YOUR WIRING.

NON-REMOVABLE CONNECTIONS

REMOVABLE CONNECTIONS

**TRACTOR - MODEL NO. TS 242XD (96043031300), PROD. NO. 960 43 03-13  
ELECTRICAL**

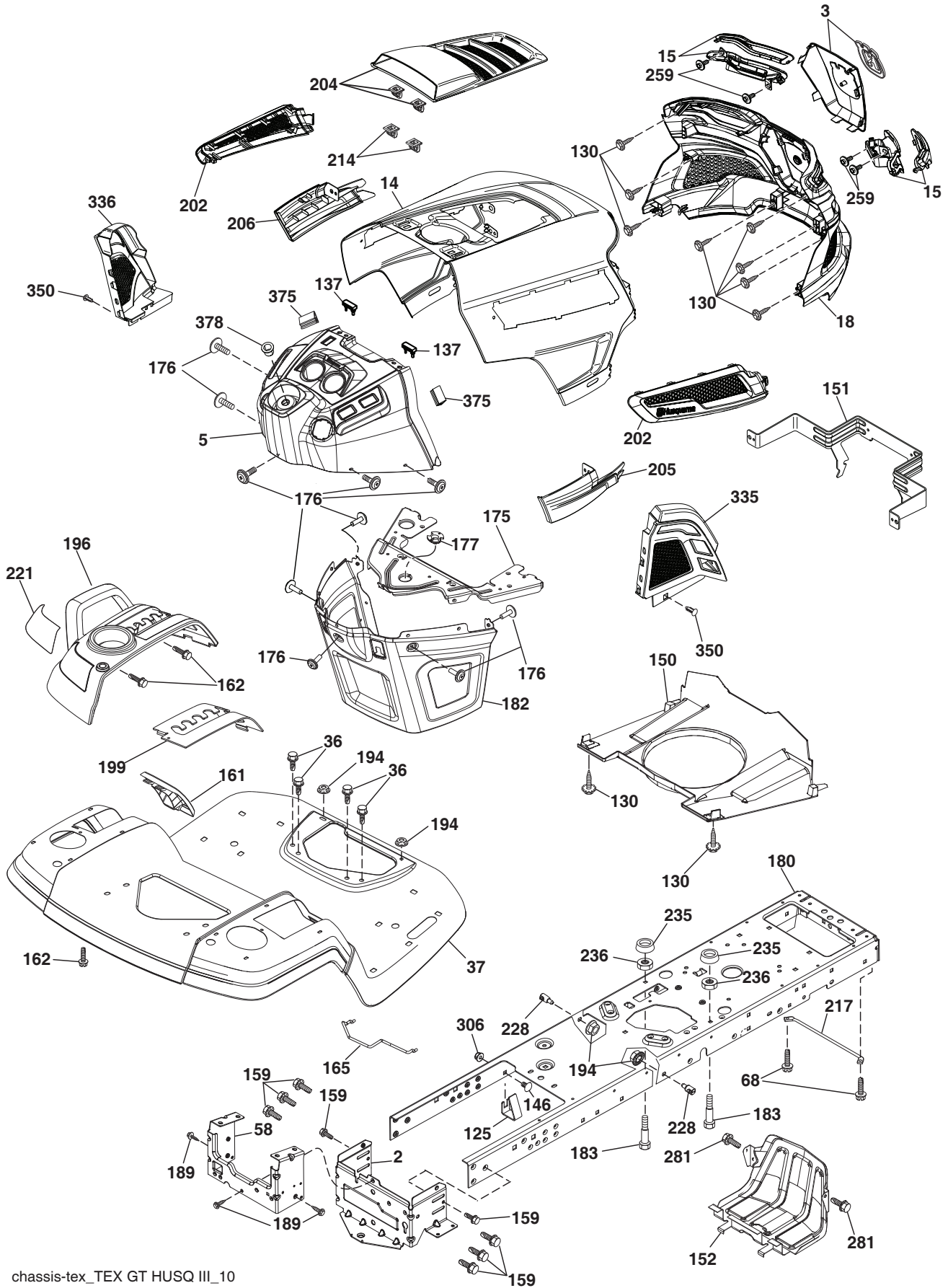


**TRACTOR - MODEL NO. TS 242XD (96043031300), PROD. NO. 960 43 03-13  
ELECTRICAL**

<b>KEY NO.</b>	<b>PART NO.</b>	<b>DESCRIPTION</b>
1	532 16 34-65	Battery
2	874 76 04-12	Bolt Hex Head 1/4-20 x 3/4
8	587 21 06-01	Box Battery
16	532 17 61-38	Switch Interlock Push-In
21	585 43 64-02	Harness, Light, LED
24	585 55 56-01	Cable Battery
25	585 55 55-01	Cable Starter
26	532 17 51-58	Fuse
27	596 13 36-01	Locknut, Keps 1/4-20
28	532 41 65-88	Cable, Ground
29	532 40 15-45	Switch, Seat
30	532 19 33-50	Switch, Ign
33	532 41 19-33	Key\Chain
34	532 11 07-12	Switch Light / Reset
40	501 13 31-01	Harness Ign. Dash
41	817 72 04-08	Screw Thd Cut 1/4-20 x 1/2
42	532 13 15-63	Cover, Terminal
43	582 04 28-01	Solenoid
45	587 55 39-03	Ammeter Gauge Round
46	587 55 40-03	Gauge Servicere minder Hrmtr
50	582 10 76-01	Switch PTO
55	817 06 05-12	Screw Thdrol 5/16-18 x 3/4 TYTT
59	532 40 03-03	Outlet 12-Volt
71	532 19 42-76	Harness Ign. Chassis
79	597 52 30-01	Light, Hus GT3, LED Bar
90	532 43 53-95	Cover Terminal
99	817 67 04-12	Screw Hexwsh Thdrol 1/4-20 x 3/4
100	819 09 14-16	Washer 9/32 x 7/8 x 16 Ga.
102	532 40 44-54	Harness Pigtail
103	532 42 17-47	Harness 12-Volt Pigtail
105	532 40 75-68	Switch Reverse TT Pedal Control

**NOTE:** All component dimensions given in U.S. inches  
1 inch = 25.4 mm

**TRACTOR - MODEL NO. TS 242XD (96043031300), PROD. NO. 960 43 03-13**  
**CHASSIS**



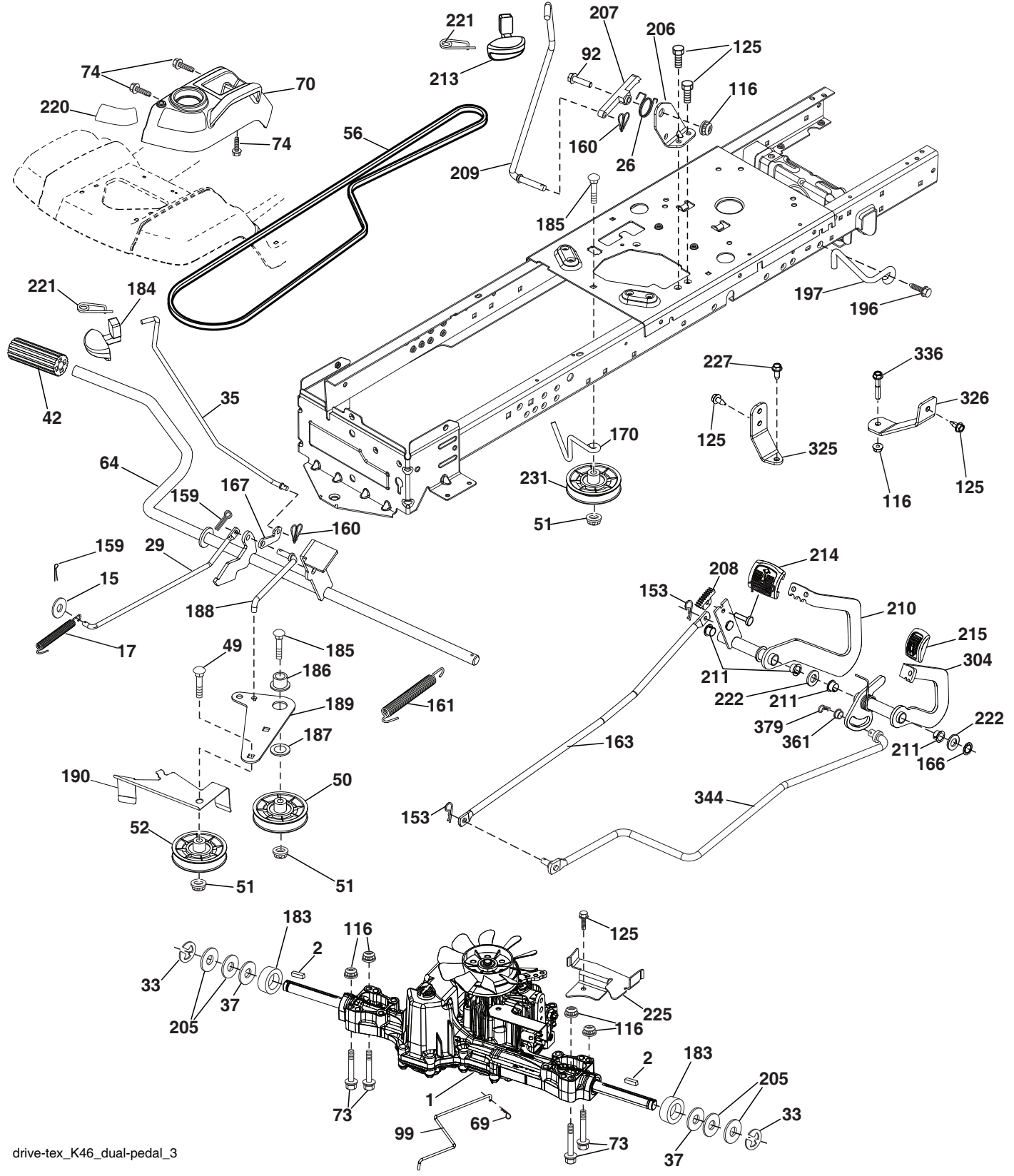
chassis-tex\_TEX GT HUSQ III\_10

**TRACTOR - MODEL NO. TS 242XD (96043031300), PROD. NO. 960 43 03-13  
CHASSIS**

<b>KEY NO.</b>	<b>PART NO.</b>	<b>DESCRIPTION</b>	<b>KEY NO.</b>	<b>PART NO.</b>	<b>DESCRIPTION</b>
2	532 41 22-82	Drawbar	183	874 52 05-20	Bolt 5/16-18 unc x 1-1/4
3	597 68 82-01	Kit, Grille Applique, (includes applique cover and emblem badge)	189	817 00 05-12	Screw 5/16-18 x 3/4
5	590 74 88-17	Dash	194	873 90 05-00	Nutlock, Hex, Flange 5/16-18
14	532 44 11-77	Hood	196	532 43 97-16	Console Decklift
15	597 86 79-01	Kit, SVC, Hus GT3, LED Headlights (includes LH/RH lens and LH/RH housing)	199	532 19 82-59	Plate Deck Lift
18	597 40 71-02	Grille	202	597 86 77-01	Kit, Side Vents, LH/RH (includes LH/RH side vents)
36	817 06 05-12	Screw 5/16-18 x 3/4	204	597 40 80-01	Kit, Top Vent (includes top vent and clip retainers)
37	532 44 12-08	Fender	205	532 43 97-30	Skirt Side RH
58	532 41 22-81	Drawbar Upper	206	532 43 97-29	Skirt Side LH
68	539 99 08-58	Screw Thdrol. 5/16-18 x 1/2	214	532 19 91-45	Clip Retainer
125	581 68 48-01	Clip Fuel Line	217	532 40 91-67	Rod Pivot Hood
130	532 41 63-58	Screw #10 x 0.750	221	532 19 89-09	Reflector LH
137	532 40 75-90	Bumper Dash	228	532 19 51-61	Stud Fastener
146	581 85 79-01	Bolt	235	532 40 61-29	Spacer Fender
150	532 43 97-74	Air Duct	236	873 93 05-00	Nut Lock 5/16-18 unc
151	532 43 66-70	Bracket Pivot	259	596 43 40-01	Screw #10.10 x 0.500, Bos Thread
152	532 43 98-70	Shield Browning	281	817 00 06-16	Screw 3/8-16 x 1 Smgml. Tap
159	817 00 06-12	Screw 3/8-16 x 3/4	306	873 90 06-00	Nut Lock
161	532 43 99-29	Window Fuel	335	532 44 82-04	Cover RH Lower Close Out
162	532 14 24-32	Screw Hex Wsh Hi-Lo 1/4 x 1/2 unc	336	532 44 53-09	Cover Lower Dash LH
165	532 19 43-30	Support Tank Rear	350	532 44 51-43	Clip X-mas Tree
175	590 60 77-02	Crossmember	375	586 90 82-01	Dash Clip-On Bumper
176	532 40 07-76	Screw 10-24 x 5/8	378	590 84 98-01	Bushing, Flange
177	532 19 52-28	Bushing Steering	--	532 43 18-82	Kit Guard Brush
180	593 34 63-01	Chassis			
182	532 40 68-59	Dash Lower			

**NOTE:** All component dimensions given in U.S. inches  
1 inch = 25.4 mm

**TRACTOR - MODEL NO. TS 242XD (96043031300), PROD. NO. 960 43 03-13  
DRIVE**



drive-tex\_K46\_dual-pedal\_3

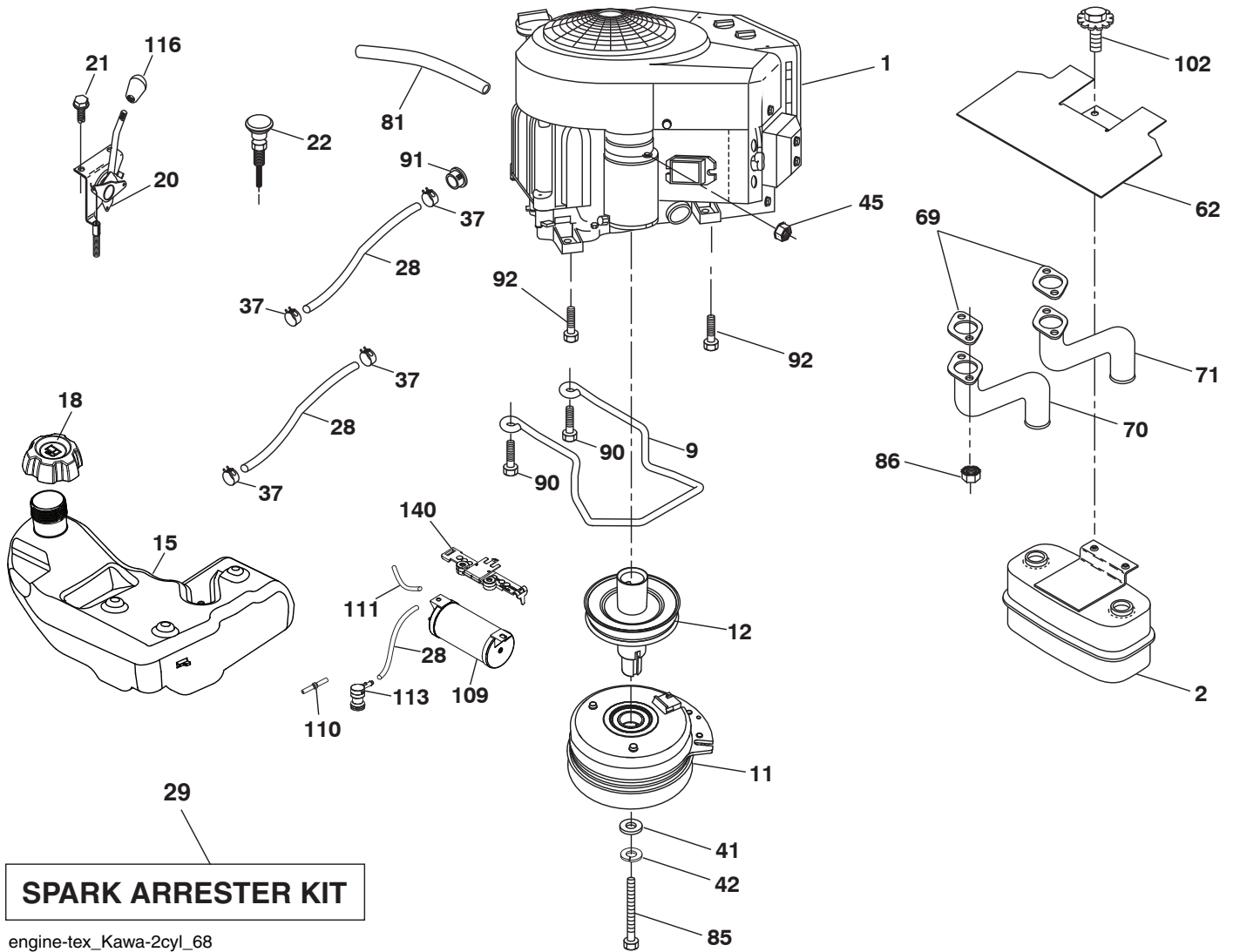


# TRACTOR - MODEL NO. TS 242XD (96043031300), PROD. NO. 960 43 03-13 DRIVE

KEY NO.	PART NO.	DESCRIPTION	KEY NO.	PART NO.	DESCRIPTION
1	-----	Transaxle, TUFFTORQ K46CR (501051401) (Order parts from transaxle manufacturer)	185	872 11 06-22	Bolt Rdhd Sqnk 3/8-16 x 2-1/2
2	532 12 35-83	Key	186	532 19 43-21	Spacer Retainer
15	819 13 13-16	Washer 13/32 x 13/16 x 16 Ga.	187	596 13 55-01	Washer 13/32 x 2
17	532 41 36-78	Spring, Brake	188	582 21 70-01	Link Clutch Ground Drive, Long
26	532 19 96-79	Spring Return Cruise	189	532 19 43-17	Bellcrank Ground Drive
29	532 40 38-06	Rod, Brake	190	532 19 43-18	Keeper Bellcrank Ground Drive
33	812 00 00-01	Ring E	196	817 00 06-16	Screw 3/8-16 x 1
35	590 60 59-02	Rod, Brake, Park	197	587 40 20-01	Bracket Clutch Anti-Rotation
37	532 18 89-67	Washer Hardened	205	532 12 17-48	Washer
42	532 00 88-83	Cover, Foot Pedal	206	532 44 85-96	Bracket Mount Latch Cruise
49	872 11 06-14	Bolt	207	587 03 14-02	Latch Control Cruise
50	532 19 43-27	Pulley Idler Flat	208	532 19 78-69	Gear Sector Control Cruise
51	873 90 06-00	Lock Nut 3/8-16	209	590 52 78-02	Rod Control Cruise
52	532 19 43-26	Idler V-Groove	210	588 98 72-02	Dual Pedal, Asm. Forward, Tex
56	592 85 52-01	V-Belt, Drive	211	532 12 01-83	Bearing Nylon
64	532 19 78-65	Shaft Asm. Pedal Brake Control	213	532 40 31-19	Knob Control Cruise
69	532 42 33-03	Hairpin Soft Zink .059 x 1.125	214	532 42 12-63	Pedal Pad, Forward, Tex. Std
70	532 43 96-61	Console Asm RH	215	596 90 83-01	Pedal Pad, Square, reverse
73	874 49 05-40	Bolt 5/16-18 x 1/2 Gr. 5	220	532 19 89-08	Reflector RH
74	532 14 24-32	Screw Hex 1/4 x 1/2 unc	221	532 40 31-87	Retainer Spring Clip Handle
92	595 30 57-01	Screw, Hexagon 5/16-18 x 1-1/4	222	879 21 20-10	Washer 21/32 x 1-1/4 x 10 Ga.
99	582 40 45-01	Rod Spring Bypass	225	532 40 33-19	Keeper Belt Trans.
116	873 90 05-00	Nut Lock Hex Flange 5/16-18	227	596 13 59-01	Bolt, Hex 5/16-18 x 3/4
125	817 00 05-12	Screw 5/16-18 x 3/4	231	532 40 72-87	Idler Groove
153	532 00 44-97	Retainer Spring	304	588 98 73-02	Dual Pedal, Asm. Reverse, Tex
159	876 02 04-12	Pin Cotter 1/8 x 3/4	325	586 43 12-02	Bracket, Trqstp, LH
160	532 16 94-84	Retainer Clip	326	586 00 11-02	Bracket, Trqstp, LH
161	532 10 57-09	Spring, Return, Clutch	336	587 25 96-01	Bolt
163	588 56 63-01	Rod, Dual Pedal Fwd. K46/K57/K58	344	597 64 73-01	Rod, Dual Pedal, Rvs, K46/K57, 42F
166	532 42 91-64	Nut Push	361	597 13 67-01	Bushing, Dual Pedal, Rvs. Slide
167	532 40 52-57	Latch Brake Parking	379	596 58 06-01	Pin, Retaining 1-7/16 x 0.073
170	532 41 34-30	Keeper Belt Centerspan			
183	532 13 70-57	Spacer Split			
184	587 65 37-01	Handle Parking Brake			

**NOTE:** All component dimensions given in U.S. inches  
1 inch = 25.4 mm

**TRACTOR - MODEL NO. TS 242XD (96043031300), PROD. NO. 960 43 03-13  
ENGINE**



**TRACTOR - MODEL NO. TS 242XD (96043031300), PROD. NO. 960 43 03-13  
ENGINE**

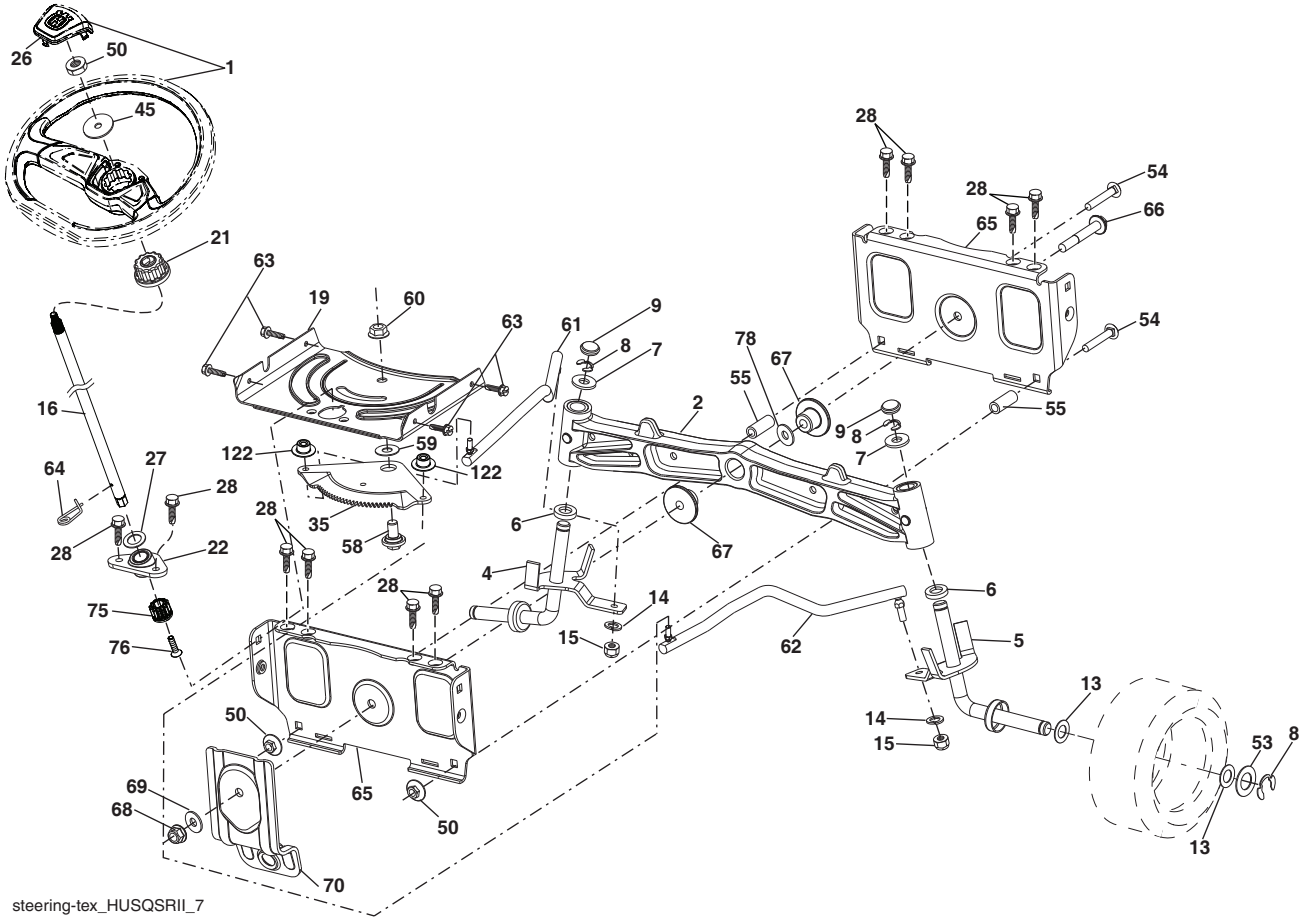
<b>KEY NO.</b>	<b>PART NO.</b>	<b>DESCRIPTION</b>
1	---	Engine Kawa Model No. FR651V (593006001) (Order parts from engine manufacturer.)
2	589 81 87-01	Muffler
9	501 83 26-02	Keeper Belt Engine
11	587 25 50-01	Clutch Electric
12	586 89 96-01	Pulley Engine
15	532 41 41-03	Tank Fuel
18	585 12 48-03	Cap Fuel
20	532 42 43-41	Control Throttle
21	532 41 63-58	Screw #10 x 0.750 BOS Thread
22	532 18 95-41	Control Choke
28	587 04 48-64	Fuel Line
29	532 13 71-80	Spark Arrester Kit
37	532 12 34-87	Clamp Hose
41	532 12 61-97	Washer 1-1/2 x 15/32 x .250
42	539 99 02-47	Washer SLW STD 7/16
45	596 13 36-01	Locknut 1/4-20
62	532 43 40-17	Shield Heat Muffler
69	532 17-81-51	Gasket
70	583 95 56-01	Pipe Exhaust LH
71	583 95 57-01	Pipe Exhaust RH
81	532 14 84-56	Tube Drain Oil
85	501 60 67-01	Bolt 7/16-20 x 5 Gr. 5
86	532 18 43-62	Nut, Hex. Flange
90	817 00 06-16	Screw 3/8-16 x 1
91	532 18 74-95	Bushing 1.375 OD
92	817 12 06-16	Screw 3/8-16 x 1
102	817 00 05-12	Screw 5/16-18 x 3/4
109	585 97 74-01	Canister, Carb, Flex
110	532 41 41-18	Valve, Anti Slosh
111	596 94 15-01	Tube, Purge, Fuel
113	532 41 41-27	Valve, Slant, Cartridge
116	539 13 26-24	Knob
140	585 97 73-01	Bracket, Carb, Can

**NOTE:** All component dimensions given in U.S. inches  
1 inch = 25.4 mm

For engine service and replacement parts, call the toll free number for your engine manufacturer listed below:

Kawasaki                      1-949-460-5688

**TRACTOR - MODEL NO. TS 242XD (96043031300), PROD. NO. 960 43 03-13**  
**STEERING ASSEMBLY**



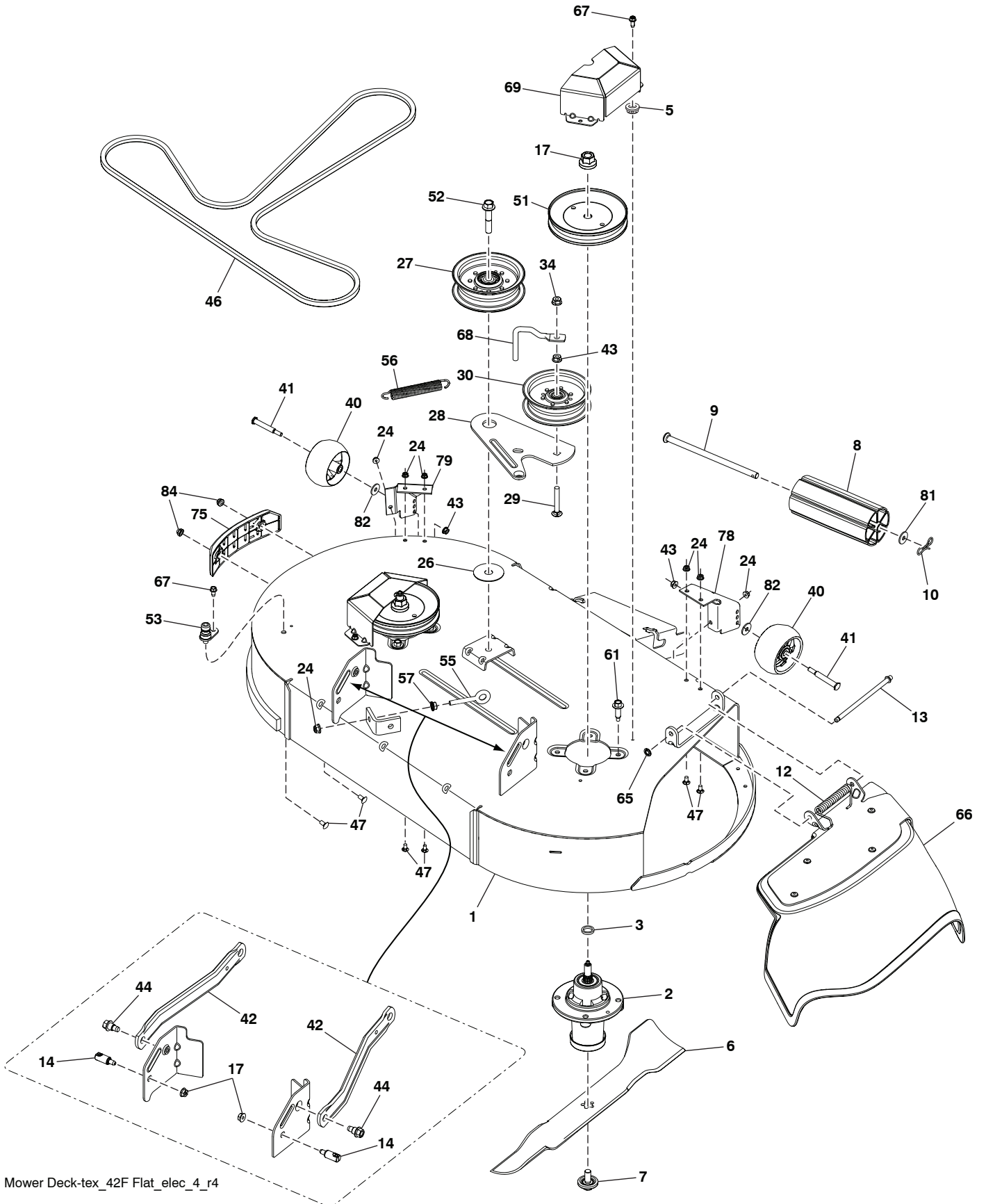
steering-tex\_HUSQSR11\_7

**TRACTOR - MODEL NO. TS 242XD (96043031300), PROD. NO. 960 43 03-13  
STEERING ASSEMBLY**

<b>KEY NO.</b>	<b>PART NO.</b>	<b>DESCRIPTION</b>
1	597 86 61-01	Wheel, Steering, Kit (includes steering wheel and cap)
2	532 19 59-68	Axle Asm., Front
4	586 72 40-01	Spindle Asm., LH
5	586 72 41-01	Spindle Asm., RH
6	532 00 62-66	Washer, Thrust, .75 x 1.230
7	532 12 17-48	Washer 25/32 x 1-5/8 x 16 Ga.
8	812 00 00-29	Ring, Clip #T5304-75
9	532 12 12-32	Cap, Spindle
13	532 12 17-49	Washer 25/32 x 1-1/4 x 16 Ga.
14	539 99 01-18	Washer, SLW ZD 3/8
15	873 54 06-00	Nut, Crown Lock 3/8-24 unf
16	587 01 60-02	Steering Shaft
19	532 19 47-29	Plate Steering
21	586 84 02-01	Adapter Wheel Steering
22	585 02 98-02	Bearing
26	594 94 91-01	Cap, Wheel, Steering
27	819 21 16-16	Washer
28	817 00 06-12	Screw 3/8-16 x 3/4
35	532 19 47-32	Gear, Sector Plate
45	587 01 64-01	Washer 3/8 ID 2-3/8 OD 12 Ga. PLTD
50	873 90 06-00	Nut Lock Flg 3/8-16 unc
53	532 18 89-67	Washer Hardened .793 x 1.637 x .060
54	874 76 06-36	Bolt Hex 3/8-16 unc x 2-1/4
55	532 41 47-36	Spacer Brace Axle
58	532 19 47-47	Bolt Shoulder Sector Pivot CFM
59	532 19 47-48	Washer Thrust Sector Steering
60	873 97 10-00	Nut Flange Lock 5/8-11
61	588 79 44-02	Draglink, LH
62	588 79 45-02	Draglink, RH
63	817 00 05-12	Screw 5/16-18 x 3/4
64	532 19 98-49	Retainer Clip Spring Steering
65	532 19 47-34	Brace Axle Front
66	871 02 07-48	Bolt Hex Fghd 7/16-14 x 3 Serr
67	532 19 47-37	Bushing PM Front Axle
68	873 90 07-00	Nut Lock Flange 7/16-14 Gr. 5
69	532 19 91-62	Washer 1.5 x .505 x .118
70	585 33 88-01	Bracket Deck Susp. Front
75	580 68 37-01	Pinion
76	580 68 36-01	Screw Head Sock
78	532 05 70-79	Washer Thrust
122	532 44 49-62	Cap Gear

**NOTE:** All component dimensions given in U.S. inches  
1 inch = 25.4 mm

TRACTOR - MODEL NO. TS 242XD (96043031300), PROD. NO. 960 43 03-13  
MOWER DECK



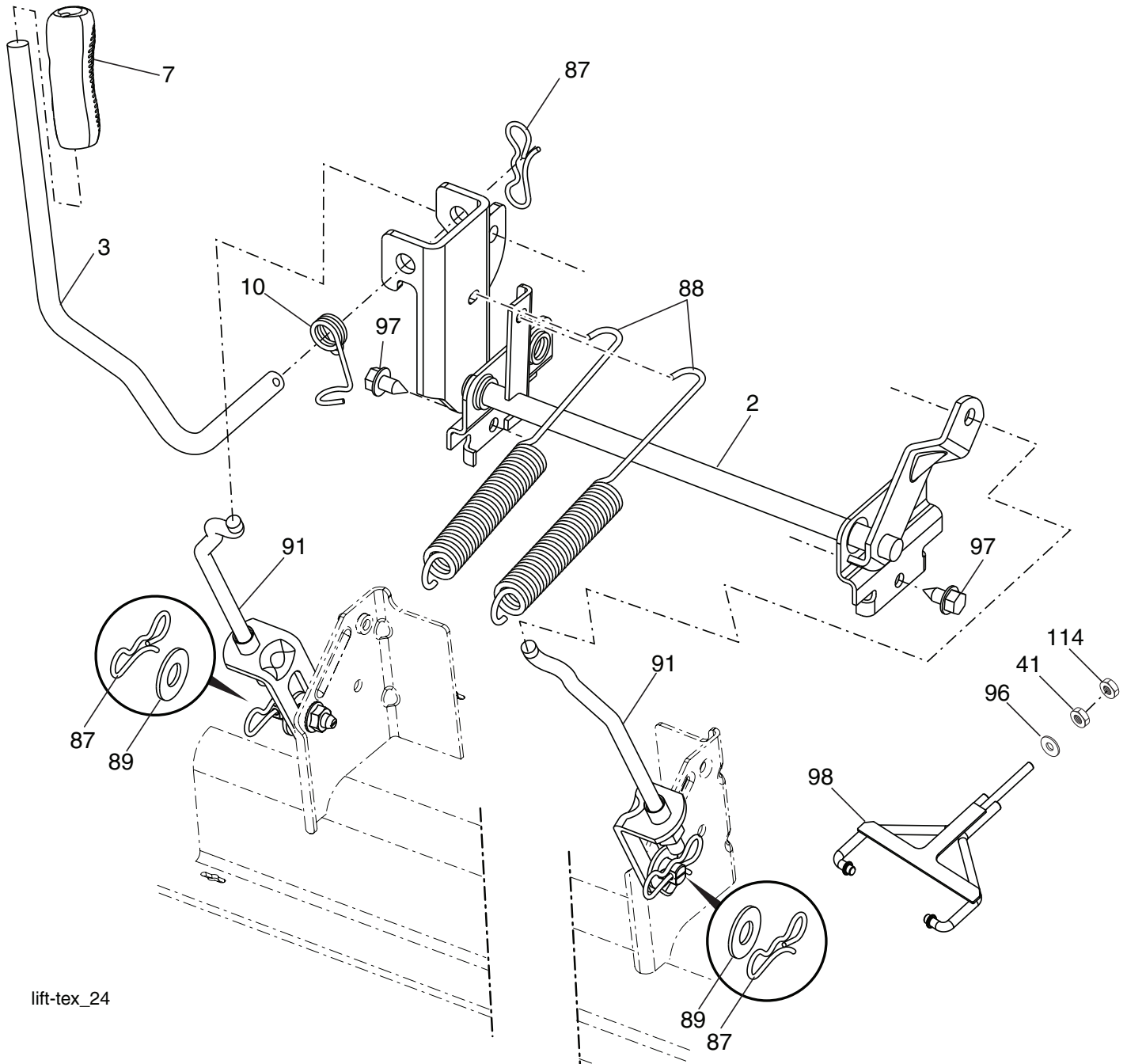
Mower Deck-tex\_42F Flat\_elec\_4\_r4

**TRACTOR - MODEL NO. TS 242XD (96043031300), PROD. NO. 960 43 03-13  
MOWER DECK**

<b>KEY NO.</b>	<b>PART NO.</b>	<b>DESCRIPTION</b>
1	587 93 90-01	Kit, SVC. Weldment
2	539 13 18-98	Housing Assembly
3	539 18 76-90	Washer-Spacer
5	532 40 02-34	Nut 9/16 Top Lock
6	586 91 81-02	Blade
7	532 19 30-03	Bolt, 7/16, Assy Blade
8	532 17 60-66	Roller, Nose
9	532 17 91-27	Rod, Roller, Nose
10	532 19 42-08	Clip Retainer
12	587 35 47-01	Spring
13	595 29 70-01	Rod Hinge
14	532 19 51-61	Stud, Fasten w/ Anti-Rotate
17	873 90 05-00	Nut Lock Hex Flanged 5/16-18
24	539 11 28-99	Nut 5/16-18 Hex Flange Nyloc
26	532 17 85-15	Washer, Flat Hardened
27	532 19 61-04	Pulley, Idler Spec. Hub
28	586 87 40-02	Arm 42FCS Clutching
29	872 14 06-20	Bolt RDHD
30	532 19 61-06	Pulley, Idler
34	873 68 06-00	Nut, Crownlock 3/8-16
40	589 52 73-01	Gauge Wheel
41	596 43 44-04	Bolt, Shoulder 3/8-16 x 3-5/8
42	587 14 05-02	Arm, Susp., Rear
43	873 90 06-00	Nut Lock Flg 3/8-15 unc
44	532 19 65-39	Bolt Shoulder
46	587 27 01-01	Belt 42 FCS
47	595 90 16-01	Bolt, Cup. 5/16-18 x 3/4 Clr. Znc.
51	532 19 97-91	Pulley, Mandrel
52	588 43 83-01	Screw 7/16-14 x 2.125 Hex Wsh Hd.
53	532 41 55-98	Washout Port
55	539 11 55-74	Eyebolt 5/16 x 3-1/2
56	587 35 84-01	Spring
57	539 99 05-85	Nut 5/16-18 Hex
61	584 95 39-01	Bolt Hx
65	532 11 04-52	Nut Push
66	587 30 57-01	Deflector Assy 42 FCS
67	532 13 77-29	Screw
68	532 19 84-68	Keeper Belt Idler
69	586 93 68-05	Cover 42" Mandrel
75	582 68 32-03	Bumper
78	501 80 83-02	Gauge Wheel Bracket RH
79	590 43 90-02	Gauge Wheel Bracket LH
81	582 36 05-01	Bushing Nose Roller
82	819 13 20-12	Washer 12 Ga.
84	532 17 01-65	Bolt Shoulder 5/16-18
--	532 41 64-05	Connect Quick Coupling
--	598 51 03-01	Deck, SVC. 42F

**NOTE:** All component dimensions given in U.S. inches  
1 inch = 25.4 mm

**TRACTOR - MODEL NO. TS 242XD (96043031300), PROD. NO. 960 43 03-13**  
**MOWER LIFT**



lift-tex\_24

KEY PART NO.	PART NO.	DESCRIPTION
2	532 42 20-27	Shaft Asm., Lift
3	596 27 06-01	Lever, Lift Handle
7	580 96 23-01	Grip, Lever
10	532 19 63-14	Spring Torsion
41	532 17 59-94	Nut, Lift Link
87	532 19 42-09	Pin Cotter 7/16 Bow Tie Lock
88	532 41 07-10	Spring Lift Assist
89	819 19 19-12	Washer Clear Zinc

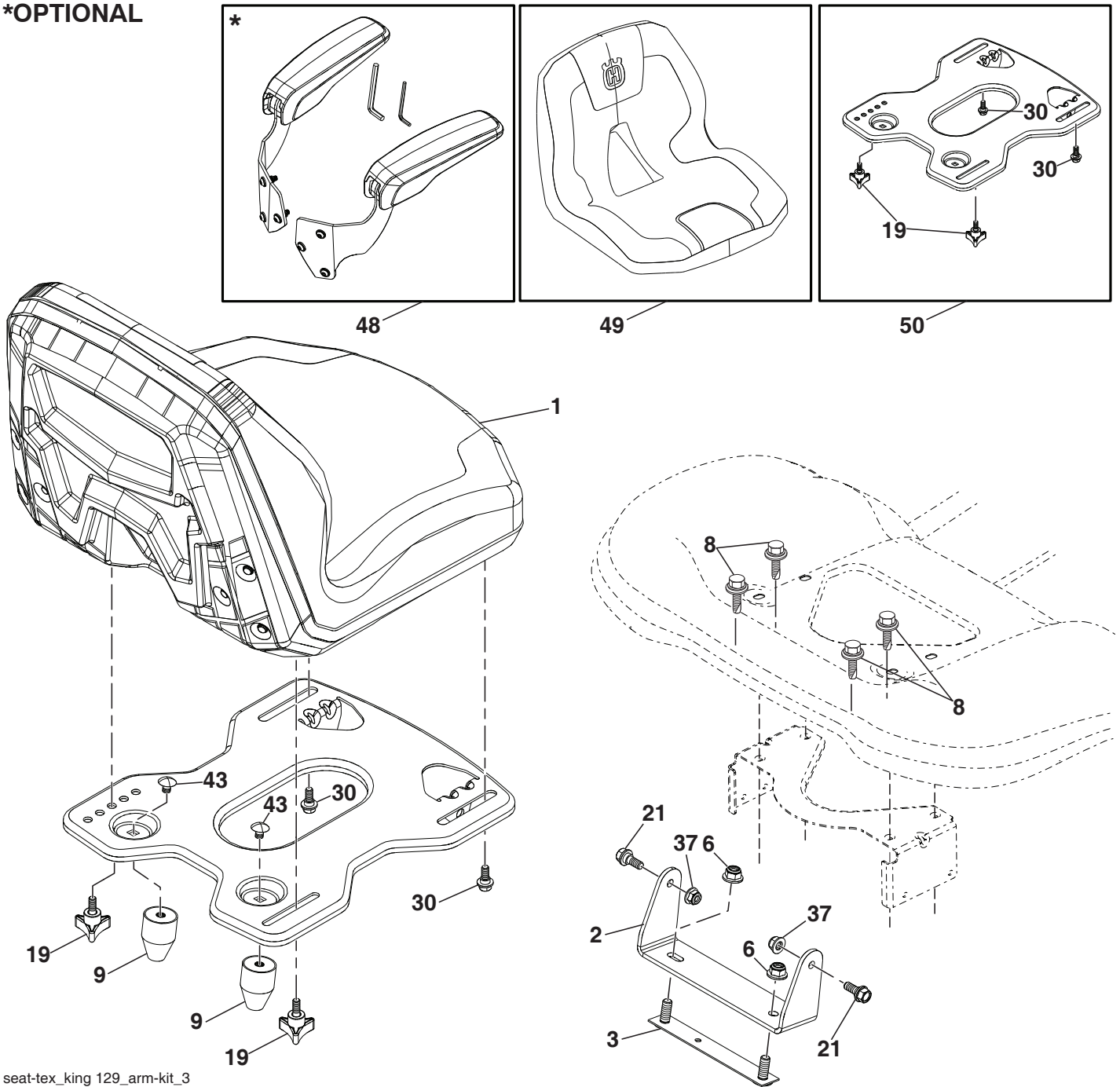
KEY PART NO.	PART NO.	DESCRIPTION
91	589 46 48-05	Link Lift Susp Mower Rear
96	532 19 52-63	Bushing, Spherical
97	817 00 06-12	Screw 3/8-16 x .75
98	574 82 25-01	Link Lift Susp. Front Mower
114	873 36 07-00	Nut Jam 7/16-20

**NOTE:** All component dimensions given in U.S. inches  
 1 inch = 25.4 mm



# TRACTOR - MODEL NO. TS 242XD (96043031300), PROD. NO. 960 43 03-13 SEAT ASSEMBLY

**\*OPTIONAL**



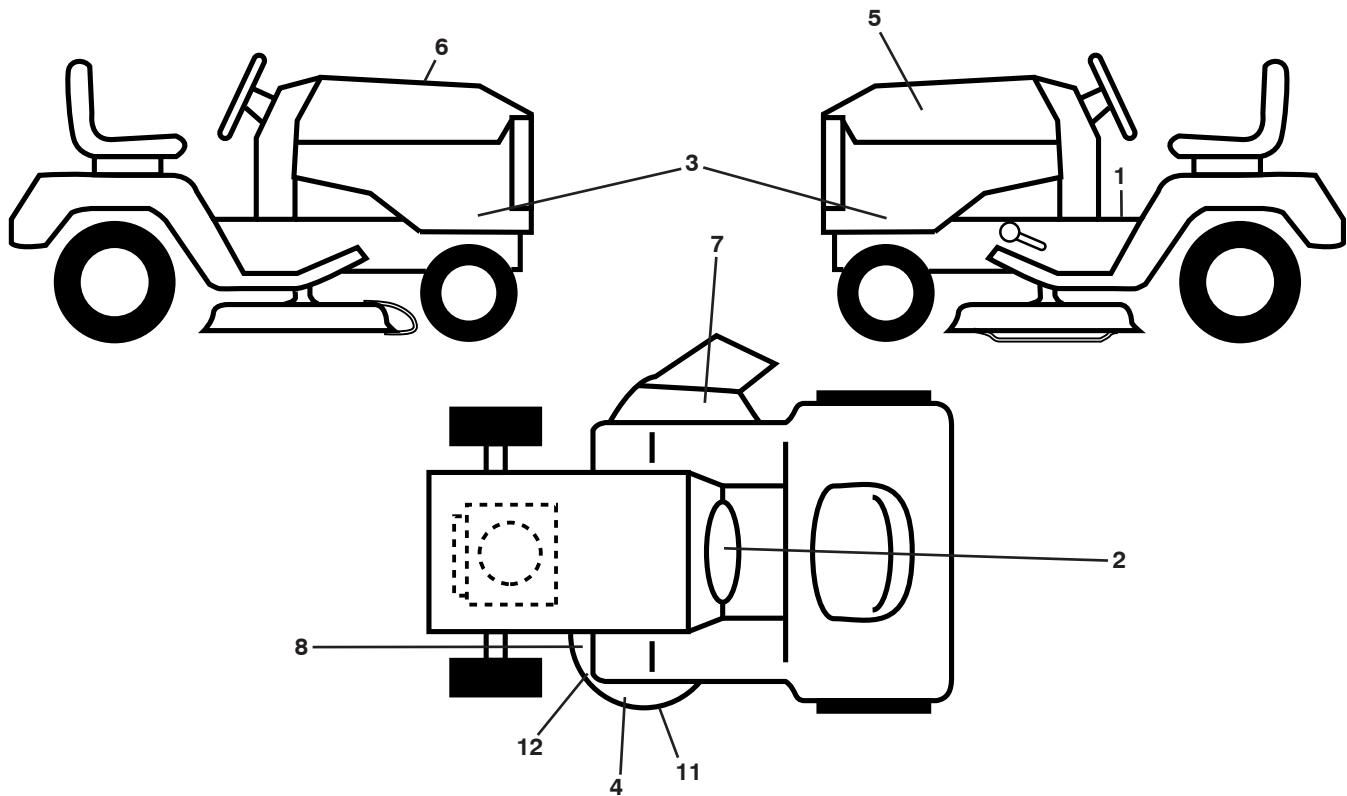
seat-tex\_king 129\_arm-kit\_3

KEY NO.	PART NO.	DESCRIPTION
1	597 65 81-01	Seat, SK150/129 w/o Armrests (includes seat cover key# 49)
2	597 32 99-02	Bracket, PNT, PVT, FNDR, Seat EDIP
3	590 77 76-02	Bracket Asm, Reinfor FNDR, EDIP
6	521 99 65-02	Nut, Hex, Lock w/Flange 3/8-16
8	532 17 18-77	Bolt 5/16-18 unc x 3/4 w/Sems
9	597 78 51-01	Bumper, Rubber, Isolator
19	597 78 31-01	Knob, 3 Wing 5/16-18, CLR, ZN
21	596 24 07-01	Bolt, Hex 5/16-18 x 21/32

KEY NO.	PART NO.	DESCRIPTION
30	597 78-18-01	Bolt, Hex, Should 5/16-18 unc ZPB
37	594 94 44-01	Nut, Hexagon, Flange 5/16-18
43	597 86 93-01	Bolt, Carri, Cqur 3/8 x .45, CLR, ZN
48	597 65 82-03	Service Kit, 15", Seat Arm
49	597 95 94-01	Cover, Husq. 15", (SK129) Seat Service, Kit
50	598 00 16-01	Seat Pan (includes all components illustrated in box for Key# 50)

**NOTE:** All component dimensions given in U.S. inches  
1 inch = 25.4 mm

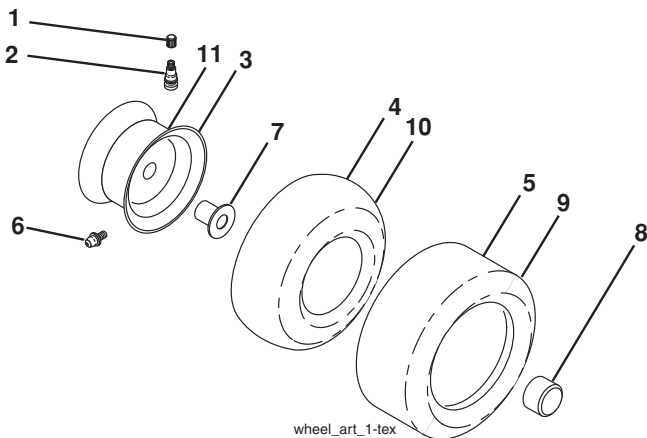
**TRACTOR - MODEL NO. TS 242XD (96043031300), PROD. NO. 960 43 03-13  
DECALS**



KEY NO.	PART NO.	DESCRIPTION
1	581 57 89-01	Decal, Warning
2	596 02 42-01	Decal, Warning
3	597 85 87-01	Decal, Side Panel
4	589 35 79-01	Decal, No Step
5	532 42 38-29	Decal, Warning
6	582 14 21-01	Decal, Replacement
7	586 97 88-01	Decal, Warning
8	592 89 83-01	Decal, Deck Clearcut
11	590 88 49-01	Decal, Clear Cut

KEY NO.	PART NO.	DESCRIPTION
12	581 58 00-01	Decal, Deck Sch
--	501 74 90-01	Decal, Drawbar Locking Differential
--	581 72 48-01	Decal, Bypass
--	532 43 98-82	Pad, Footrest, LH
--	532 44 15-42	Pad, Footrest, RH
--	114 20 41-49	Manual, Oper.'s (English/Spanish)
--	114 16 68-49	Manual, Parts (English/Spanish)
--	587 71 00-26	Manual Quick Start Guide (English/Spanish)

**WHEELS AND TIRES**



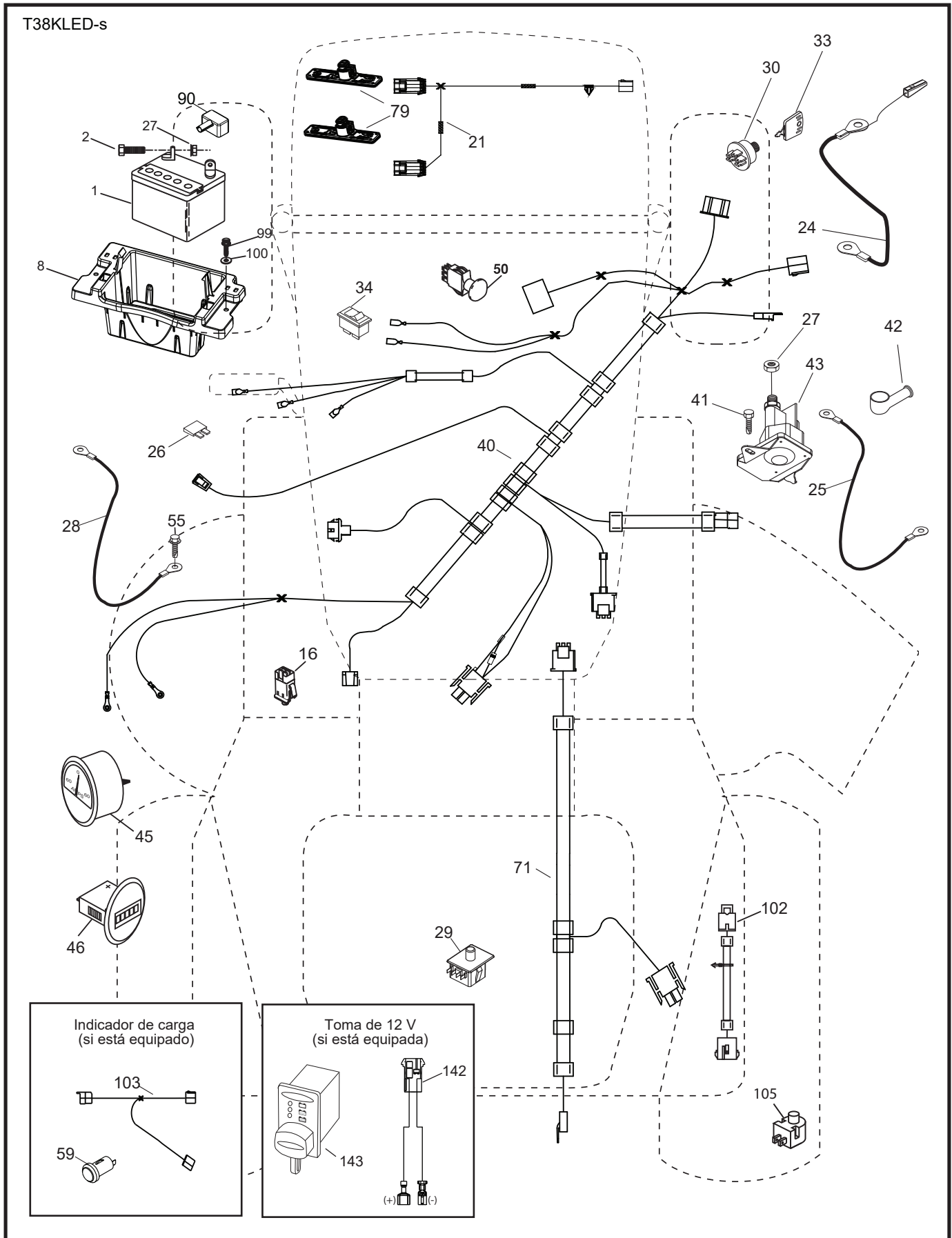
wheel\_art\_1-tex

KEY NO.	PART NO.	DESCRIPTION
1	532 05 91-92	Cap Valve Tire
2	532 06 51-39	Stem Valve
3	532 13 83-36	Rim Front Service
4	532 00 81-34	Tube Front (Service Item Only)
5	532 17 04-55	Tire Front 15 x 6-6
6	532 00 02-78	Fitting Grease (Front Wheel Only)
7	532 00 90-40	Bearing Flange (Front Wheel Only)
8	532 17 50-39	Cap Axle Blk 1 50 x 1 00
9	532 17 04-56	Tire R T 20 x 10-8
10	532 00 71-52	Tube Rear (Service Item Only)
11	532 13 83-37	Rim Asm 8" Rear Service
--	532 14 43-34	Sealant, Tire (10 oz. Tube)

**NOTE:** All component dimensions given in U.S. inches  
1 inch = 25.4 mm



**TRACTOR - MODELO NO. TS 242XD (96043031300), PRODUCTO NO. 960 43 03-13**  
**DIAGRAMA ELÉCTRICO**

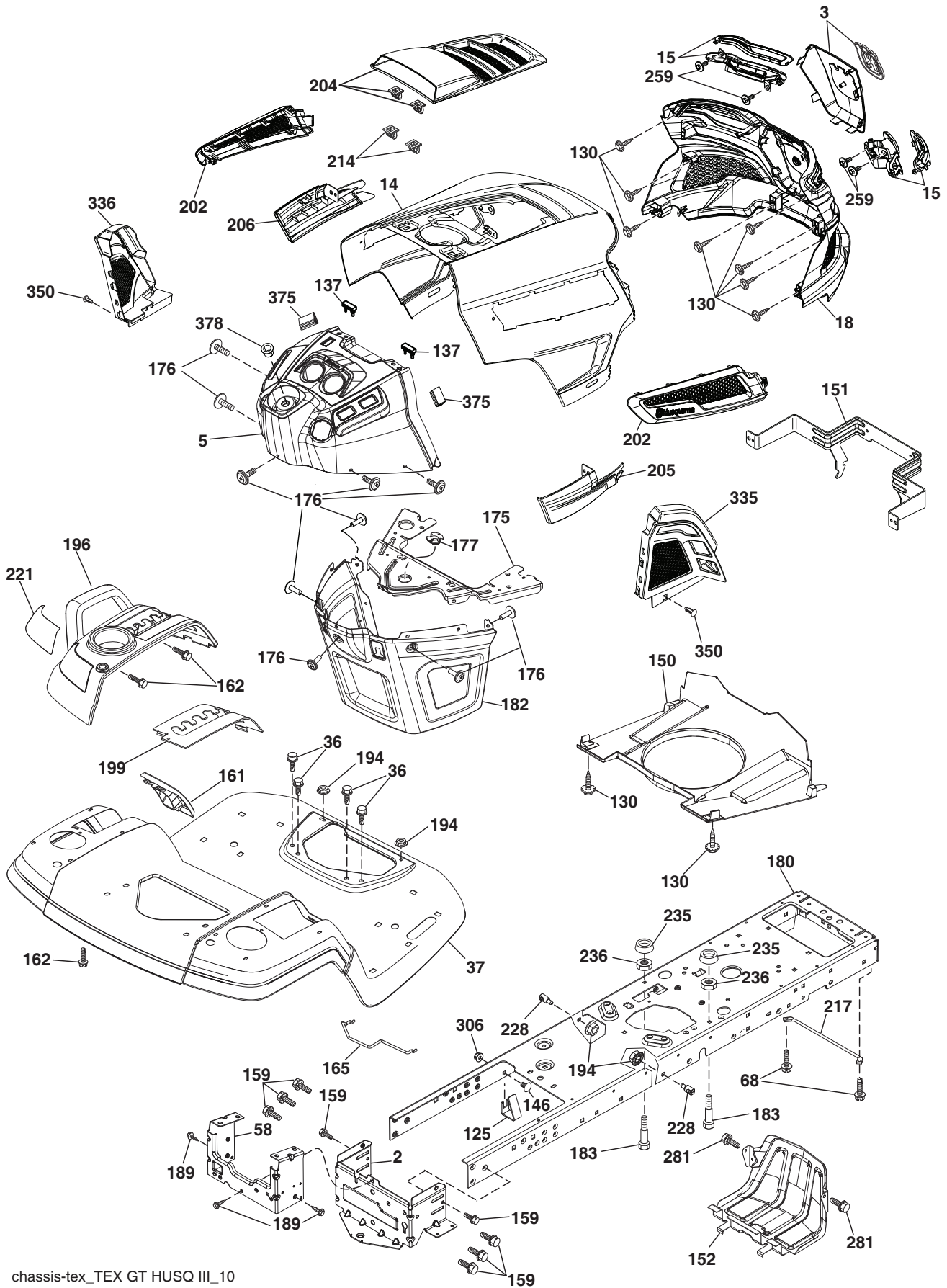


**TRACTOR - MODELO NO. TS 242XD (96043031300), PRODUCTO NO. 960 43 03-13  
DIAGRAMA ELÉCTRICO**

<b>CÓDIGO NO.</b>	<b>PIEZA NO.</b>	<b>DESCRIPCIÓN</b>
1	532 16 34-65	Batería
2	874 76 04-12	Perno de cabeza hexagonal de 1/4-20 x 3/4
8	587 21 06-01	Caja de la batería
16	532 17 61-38	Interruptor corta corriente a presión
21	585 43 64-02	Cableado del enchufe para la luz
24	585 55 56-01	Cable
25	585 55 55-01	Cable
26	532 17 51-58	Fusible
27	596 13 36-01	Tuerca hexagonal Keps de 1/4-20
28	532 41 65-88	Cable a tierra
29	532 40 15-45	Interruptor del asiento
30	532 19 33-50	Interruptor de encendido
33	532 41 19-35	Llave/cadena
34	532 11 07-12	Interruptor de luz/de restauración
40	501 13 31-01	Cableado de encendido
41	817 72 04-08	Tornillo
42	532 13 15-63	Cubierta de la terminal
43	582 04 28-01	Solenoide
45	587 55 39-03	Indicador SRVCMNDR
46	587 55 40-03	Indicador HRMTR
55	817 06 05-12	Tornillo de 5/16-18 x 3/4
59	532 40 03-03	Enchufe, 12V
71	532 19 42-76	Cableado de encendido, chasis
79	597 52 30-01	La luz, HusGT3, LED, la barra
90	532 43 53-95	Tapa de los bornes de la batería
99	817 67 04-12	Tornillo 1/4-20 x 3/4
100	819 09 14-16	Arandela
102	532 40 44-54	Cable
103	532 42 17-47	Cable 12V
105	532 40 75-68	Interruptor Reverso

**NOTA:** Las dimensiones de todos los componentes están expresadas en pulgadas americanas. 1 pulgada = 25,4 mm

TRACTOR - MODELO NO. TS 242XD (96043031300), PROD. NO. 960 43 03-13  
CHASIS



chassis-tex\_TEX GT HUSQ III\_10

# TRACTOR - MODELO NO. TS 242XD (96043031300), PROD. NO. 960 43 03-13 CHASIS

CÓDIGO NO.	PIEZA NO.	DESCRIPCIÓN	CÓDIGO NO.	PIEZA NO.	DESCRIPCIÓN
2	532 41 22-82	Barra de tracción	189	817 00 05-12	Tornillo
3	597 68 82-01	Kit de logotipo (Incluye aplique y emblema.)	194	873 90 05-00	Tuerca de presión de 5/16-18
5	590 74 88-17	Tablero	196	532 43 97-16	Consola de la plataforma de elevación
14	532 44 11-77	Capota	199	532 19 82-59	Chapa
15	597 86 79-01	Kit HUS GT3 faro LED (incluye lente LI/LD y carcasa LI/LD)	202	597 86 77-01	Kit, ventilación lateral, LI y LD (incluye ventilaciones laterales LH / LD)
18	597 40 71-02	Parrilla	204	597 40 80-01	Kit, ventilación parte superior, LI y LD (incluye ventilaciones laterales LH / LD)
36	817 06 05-12	Tornillo de 5/16-18 x 3/4	205	532 43 97-30	Camisa de Capota (LD)
37	532 44 12-08	Guardabarros	206	532 43 97-29	Camisa de Capota (LI)
58	532 41 22-81	Soporte de Guardabarros	214	532 19 91-45	Clip de retención
68	539 99 08-58	Tornillo de 5/16-18 x 1/2	217	532 40 91-67	Varilla giratoria de Capota
125	581 68 48-01	Soporte	221	532 19 89-09	Reflector (LI)
130	532 41 63-58	Tornillo #10 x .075	228	532 19 51-61	Sujetador del travesaño
137	532 40 75-90	Cubierta Tablero	235	532 40 61-29	Separador del guardabarros
146	581 85 79-01	Perno	236	873 93 05-00	Tuerca de presión 5/16-18 unc
150	532 43 97-74	Cubierta térmica del conducto	259	596 43 40-01	Tornillo n.º 10 x 0,750 rosca BOS
151	532 43 66-70	Soporte	281	817 00 06-16	Tornillo 3/8-16 x 1, Smgml, Top
152	532 43 98-70	Protector contra oscurecimiento	306	873 90 06-00	Tuerca
159	817 00 06-12	Tornillo 3/8-16 x 3/4	335	532 44 82-04	Cubierta del tablero inferior (LD)
161	532 43 99-29	Ventanilla de combustible	336	532 44 53-09	Cubierta del tablero inferior (LI)
162	532 14 24-32	Tornillo	350	532 44 51-43	Cierre del árbol de navidad
165	532 19 43-30	Soporte de Tanque de Gasolina	375	586 90 82-01	Cubierta Capota
175	590 60 77-02	Travesaño	378	590 84 98-01	Buje de con brida
176	532 40 07-76	Tornillo 10-24 x 5/8	--	532 43 18-82	Protector del cepillo
177	532 19 52-28	Buje de dirección			
180	593 34 63-01	Chasis182 532 40 68-59 Tablero inferior			
182	532 40 68-59	Tablero inferior			
183	874 52 05-20	Perno 5/16-18 x 1-1/4			

**NOTA:** Las dimensiones de todos los componentes están expresadas en pulgadas americanas. 1 pulgada = 25,4 mm



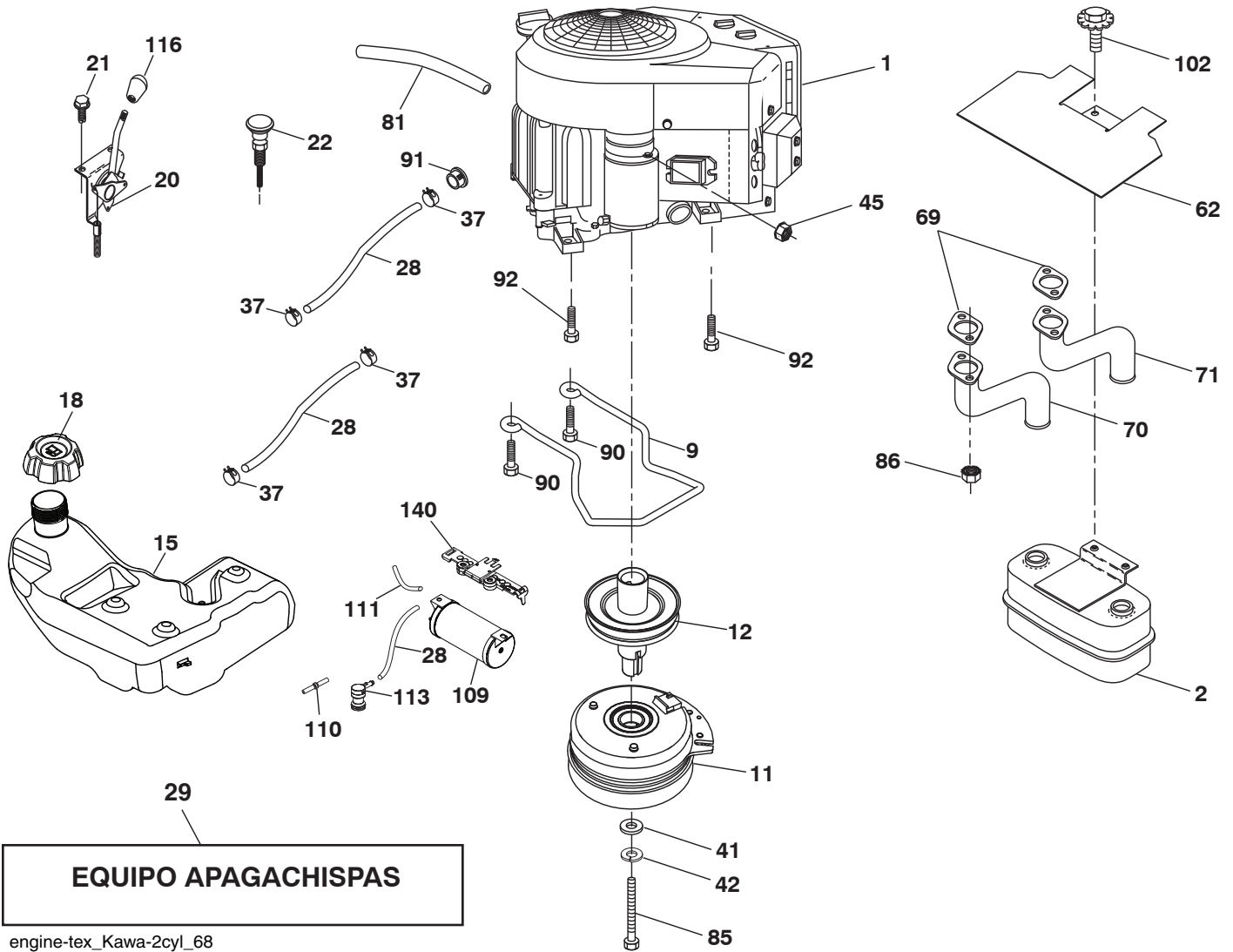


# TRACTOR - MODELO NO. TS 242XD (96043031300), PROD. NO. 960 43 03-13 TRANSMISIÓN

CÓDIGO NO.	PIEZA NO.	DESCRIPCIÓN	CÓDIGO NO.	PIEZA NO.	DESCRIPCIÓN
1	---	Transeje, TUFFTORQ K46 CR (501051401) (Haga el pedido de las piezas al fabricante del transeje.)	188	582 21 70-01	Mecanismo de desplazamiento de la varilla de mando del embrague
2	532 12 35-83	Llave	189	532 19 43-17	Palanca acodada del mecanismo de desplazamiento
15	819 13 13-16	Arandela 13/32 x 13/16 x calibre 16	190	532 19 43-18	Sujetador de la palanca acodada del mecanismo de desplazamiento
17	532 41 36-78	Resorte de freno	196	817 00 06-16	Tornillo 3/8-16 x 1
26	532 19 96-79	Resorte de travesía	197	587 40 20-01	Mecanismo de desplazamiento
29	532 40 38-06	Varilla del freno	205	532 12 17-48	Tuerca
33	812 00 00-01	Aro "E"	206	532 44 85-96	Soporte de la travesía
35	590 60 59-02	Varilla del freno de mano	207	587 03 14-02	Cierre del control de travesía
37	532 18 89-67	Tuerca	208	532 19 78-69	Travesía del control del sector
42	532 00 88-83	Cubierta del pedal	209	590 52 78-02	Travesía del control de Rod
49	872 11 06-14	Perno	210	588 98 72-02	Montaje de pedal doble, adelante
50	532 19 43-27	Polea loca plana	211	532 12 01-83	Buje
51	873 90 06-00	Tuerca de presión de 3/8-16	213	532 40 31-19	Travesía del control de la perilla
52	532 19 43-26	Polea loca con ranura en V con un desplazamiento	214	532 42 12-63	Almohadilla de pedal, adelante, Tex, Std
56	592 85 52-01	Correa trapezoidal de la transmisión	215	596 90 83-01	Almohadilla de pedal, cuadrada, reversa
64	532 19 78-65	Ensamble del eje Control del pedal de freno	220	532 19 89-08	Reflector (LD)
69	532 42 33-03	Clavija	221	532 40 31-87	Abrazadera de retención del resorte de la manija
70	532 43 96-61	Consola ensamble (LD)	222	879 21 20-10	Tuerca 21/32 x 1-1/4 x calibre 10
73	874 49 05-40	Perno 5/16-18	225	532 40 33-19	Sujetador de la correa transeje
74	532 14 24-32	Tornillo de 1/4 x 1/2 unc	227	596 13 59-01	Tornillo hexagonal
92	595 30 57-01	Tornillo hexagonal 5/16-18 x 1-1/4	231	532 40 72-87	Polea loca con ranura en V con un desplazamiento
99	582 40 45-01	Varilla de desviación	304	588 98 73-02	Montaje de pedal doble, marcha atrás, Tex
116	873 90 05-00	Tuerca 5/16-18	325	586 43 12-02	Soporte, Trqstp. (LI)
125	817 00 05-12	Tornillo 5/16-18 x 3/4	326	586 00 11-02	Soporte, Trqstp. (LD)
153	532 00 44-97	Retén del resorte	336	587 25 96-01	Perno
159	876 02 04-12	Pasador de chaveta de 1/8 x 3/4	344	597 64 73-01	Varilla, pedal doble, K46/ K57, 42F
160	532 16 94-84	Abrazadera de retención	361	597 13 67-01	Casquillo, pedal doble, marcha atrás, deslizamiento
161	532 10 57-09	Resorte de retorno del embrague	379	596 58 06-01	Perno de retención 1-7/16 x 0.073
163	588 56 63-01	Varilla, pedal doble, adelante K46/ K57/K58			
166	532 42 91-64	Tuerca			
167	532 40 52-57	Pestillo del freno de mano			
170	532 41 34-30	Sujetador de la correa central			
183	532 13 70-57	Separador			
184	587 65 37-01	Manija del freno de mano			
185	872 11 06-22	Tornillo 3/8-16 x 2-3/4 G5			
186	532 19 43-21	Espaciador de retención			
187	596 13 55-01	Arandela 13/32 x 2			

**NOTA:** Las dimensiones de todos los componentes están expresadas en pulgadas americanas. 1 pulgada = 25,4 mm

**TRACTOR - MODELO NO. TS 242XD (96043031300), PROD. NO. 960 43 03-13  
MOTOR**



**TRACTOR - MODELO NO. TS 242XD (96043031300), PROD. NO. 960 43 03-13  
MOTOR**

<b>CÓDIGO NO.</b>	<b>PIEZA NO.</b>	<b>DESCRIPCIÓN</b>
1	-----	Motor Kawa Modelo No. FR651V (593006001) (Piezas de la orden del fabricante del motor.)
2	589 81 87-01	Silenciador
9	501 83 26-02	Ensamble del sujetador de la correa del motor
11	587 25 50-02	Embrague eléctrico
12	586 89 96-01	Polea del motor
15	532 41 41-03	Tanque de combustible
18	585 12 48-03	Ensamble de la tapa
20	532 42 43-41	Control del regulador
21	532 41 63-58	Tornillo No. 10 x 0,75
22	532 18 95-41	Control del obturador
28	587 04 48-64	Línea de combustible
29	532 13 71-80	Equipo apagachispas
37	532 12 34-87	Abrazadera de la manguera
41	532 12 61-97	Arandela 1-1/2 x 15/32 x .250
42	539 99 02-47	Arandela SLW STD 7/16
45	596 13 36-01	Tuerca 1/4-20
62	532 43 40-17	Silenciador con pantalla térmica
69	532 17 81-51	Junta
70	583 95 56-01	Tubo de escape izquierdo
71	583 95 57-01	Tubo de escape derecho
81	532 14 48-56	Tubo de dren del aceite
92	817 12 06-16	Tornillo 3/8-16 x 1
85	501 60 67-01	Perno de 7/16-20 x 5 Gr. 5
86	532 18 43-62	Tuerca brida hexagonal
90	817 00 06-16	Tornillo 3/8-16 x 1
91	532 18 74-95	Buje
92	817 12 06-16	Tornillo 3/8-16 x 1
102	817 00 05-12	Tornillo 5/16-18 x 3/4
109	585 97 74-01	Recipiente, carburador, flex
110	532 41 41-18	Válvula, anti chapoteo
111	596 94 15-01	Tubo, purga, combustible
113	532 41 41-27	Válvula, sellador, cartucho
116	539 13 26-24	Perilla
140	585 97 73-01	Soporte, carburador, lata

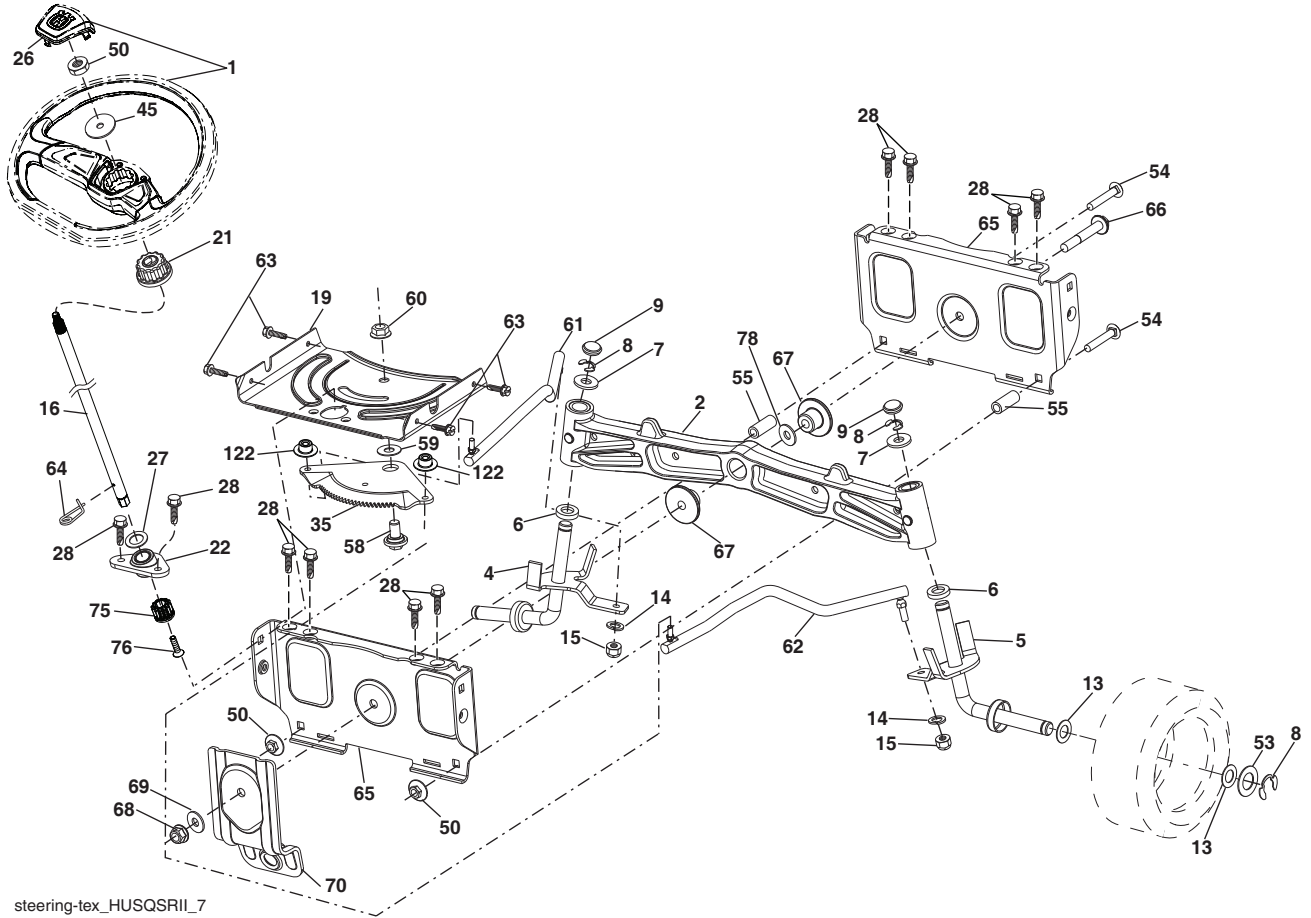
**NOTA:** Las dimensiones de todos los componentes están expresadas en pulgadas americanas. 1 pulgada = 25,4 mm

Para las piezas del servicio y de recambio del motor, llame el número gratis para su fabricante del motor enumerado abajo:

Kawasaki

1-949-460-5688

TRACTOR - MODELO NO. TS 242XD (96043031300), PROD. NO. 960 43 03-13  
ENSAMBLE DE LA DIRECCIÓN



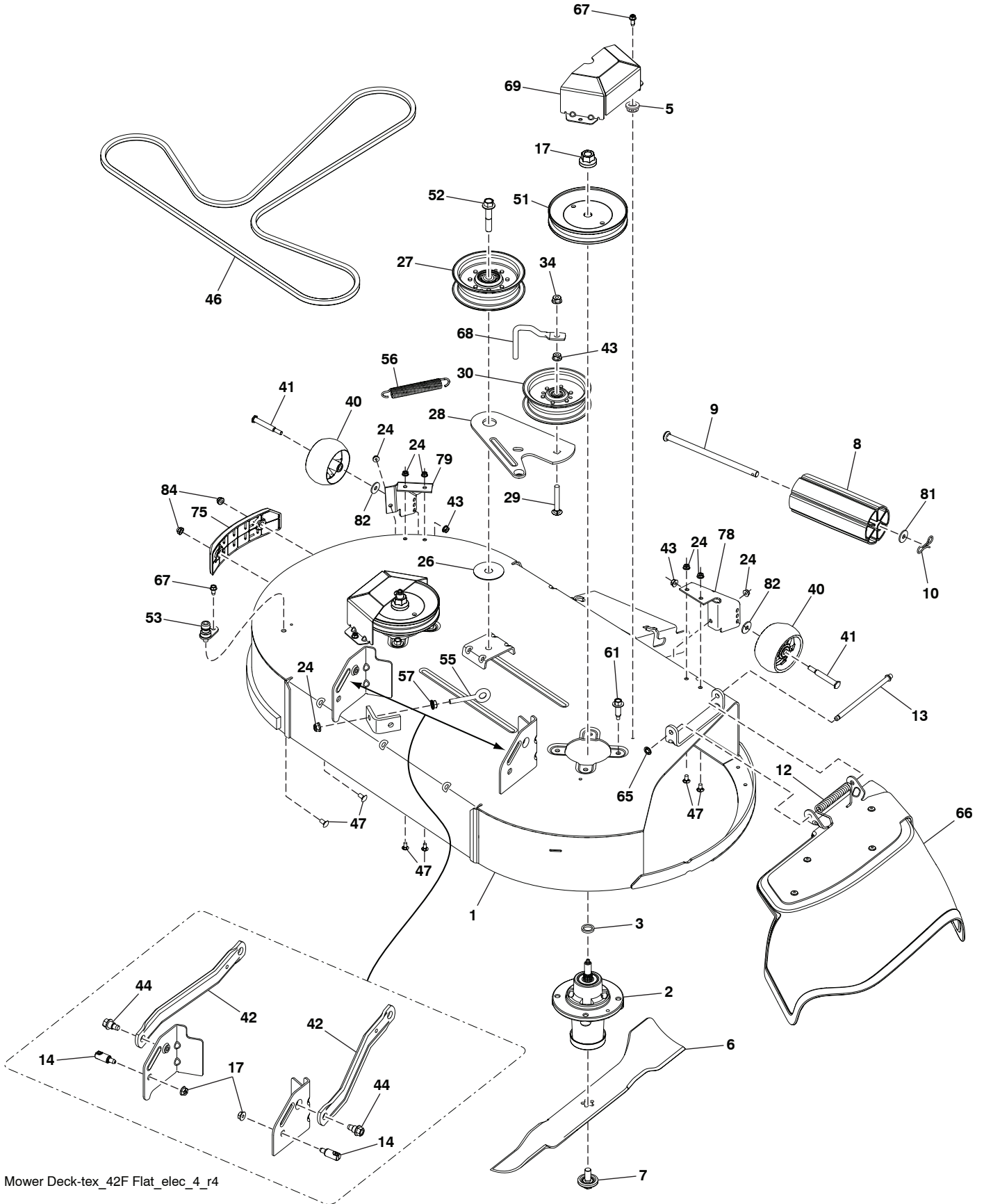
steering-tex\_HUSQSR11\_7

**TRACTOR - MODELO NO. TS 242XD (96043031300), PROD. NO. 960 43 03-13  
ENSAMBLE DE LA DIRECCIÓN**

<b>CÓDIGO NO.</b>	<b>PIEZA NO.</b>	<b>DESCRIPCIÓN</b>
1	597 86 61-01	Kit, rueda, dirección (Incluye volante y tapa del volante)
2	532 19 59-68	Ensamble del eje delantero
4	586 72 40-01	Ensamble del husillo izquierdo
5	586 72 41-01	Ensamble del husillo derecho
6	532 00 62-66	arandela de empuje .75 x 1.230
7	532 12 17-48	Arandela de 25/32 x 1-5/8 calibre 16
8	812 00 00-29	Abrazadera del aro No. T5304-75
9	532 12 12-32	Tapa del husillo
13	532 12 17-49	Arandela de 25/32 x 1-1/4 calibre 16
14	539 99 01-18	Arandela SLW ZD3/8
15	873 54 06-00	Tuerca de 3/8-24 unF
16	587 01 60-02	Eje de dirección
19	532 19 47-29	Placa de dirección
21	586 84 02-01	Adaptador del volante de dirección
22	585 02 98-02	Rodamiento
26	594 94 91-01	Rueda, dirección, tapa
27	819 21 16-16	Arandela
28	817 00 06-12	Tornillo de 3/8-16 x 3/4
35	532 19 47-32	Engranaje del sector de la placa
45	587 01 64-01	Arandela 3/8 ID 2-3/8 OD calibre 12 PLTD
50	873 90 06-00	Tuerca 3/8-16 unc
53	532 18 89-67	Arandela reforzada de 793 x 1637 x 0,060
54	874 76 06-36	Tornillo 3/8-16 unc x 2-1/4
55	532 41 47-36	Tornillo 3/8-16 unc x 2-1/4
58	532 19 47-47	Perno de tope del sector del pivote CFM
59	532 19 47-48	Arandela de empuje del sector de dirección
60	873 97 10-00	Tuerca de 5/8-11
61	588 79 44-02	Barra de acoplamiento izquierda
62	588 79 45-02	Barra de acoplamiento derecha
63	817 00 05-12	Tornillo de 5/16-18 x 3/4
64	532 19 98-49	Abrazadera de retención del resorte de la dirección
65	532 19 47-34	Apoyo del árbol delantero
66	871 02 07-48	Perno de cabeza hexagonal con brida acanalada de 7/16-14 x 3
67	532 19 47-37	Buje PM del eje delantero
68	873 90 07-00	Tuerca de 7/16-14 grado 5
69	532 19 91-62	Arandela de 1,5 x 0,505 x 0,118
70	585 33 88-01	Soporte de la plataforma delantera
75	580 68 37-01	Piñón
76	580 68 36-01	Tornillo
78	532 05 70-79	Tuerca
122	532 44 49-62	Tapa

**NOTA:** Las dimensiones de todos los componentes están expresadas en pulgadas americanas. 1 pulgada = 25,4 mm

**TRACTOR - MODELONO. TS 242XD (96043031300), PRODUCTO NO. 960 43 03-13**  
**PLATAFORMA DE LA CORTADORA DE CÉSPED**



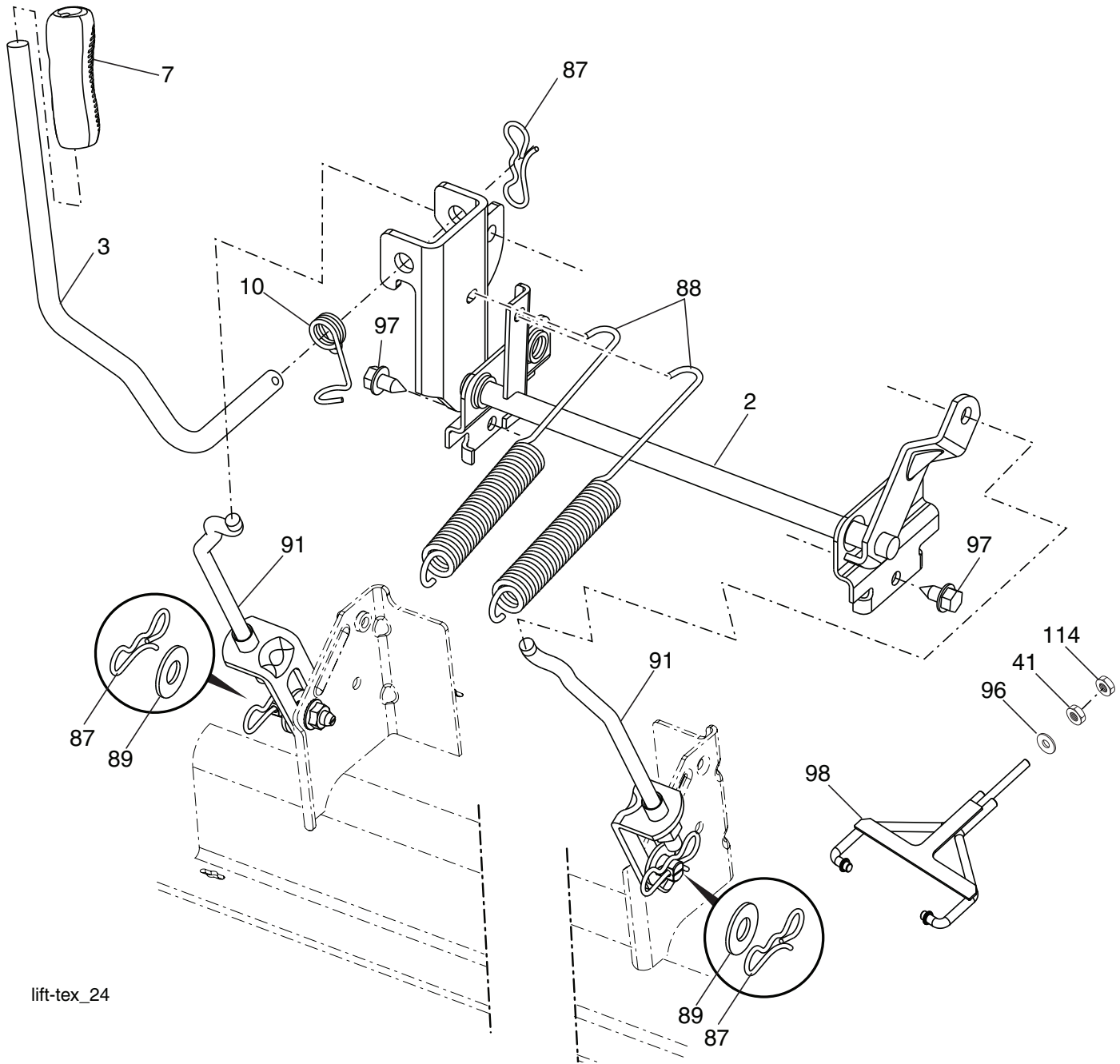
Mower Deck-tex\_42F Flat\_elec\_4\_r4

**TRACTOR - MODELO NO. TS 242XD (96043031300), PROD. NO. 960 43 03-13  
PLATAFORMA DE LA CORTADORA DE CÉSPED**

<b>CÓDIGO NO.</b>	<b>PIEZA NO.</b>	<b>DESCRIPCIÓN</b>
1	587 93 90-01	Kit, SVC, soldadura
2	539 13 18-98	Carcasa de mandril
3	539 18 76-90	Arandela
5	532 40 02-34	Tuerca 9/16
6	586 91 81-02	Cuchilla
7	532 19 30-03	Perno 7/16
8	532 17 60-66	Mida la rueda
9	532 17 91-27	Varilla de la bisagra
10	532 19 42-08	Retorno del resorte
12	587 35 47-01	Resorte
13	595 29 70-01	Varilla 42/46/48/54
14	532 19 51-61	Perno
17	873 90 05-00	Tuerca 5/16-18
24	539 11 28-99	Tuerca 5/16-18
26	532 17 85-15	Arandela
27	532 19 61-04	Polea loca
28	586 87 40-02	Brazo 42FCS
29	872 14 06-20	Perno
30	532 19 61-06	Polea loca
34	873 68 06-00	Tuerca, corona 3/8-16
40	589 52 73-01	Calibrador de la rueda
41	596 43 44-04	Hombro de perno 3/8-16 x 3-5/8"
42	587 14 05-02	Brazo de la suspensión
43	873 90 06-00	Tuerca 3/8-15 unc
44	532 19 65-39	Perno
46	587 27 01-01	Correa 42 FCS
47	595 90 16-01	Taza de perno 5-16-18 x 3/4, Clr, Znc
51	532 19 97-91	Polea del mandril
52	588 43 83-01	Tornillo 7/16-14 x 2.125
53	532 41 55-98	Puerto de lavado de la cubierta
55	539 11 55-74	Perno 5/16 x 3-1/2
56	587 35 84-01	Retorno del resorte
57	539 99 05-85	Tuerca 5/16-18
61	584 95 39-01	Perno
65	532 11 04-52	Tuerca
66	587 30 57-01	Ensamble del deflector 42 FCS
67	532 13 77-29	Tornillo
68	532 19 84-68	Sujetador de la correa
69	586 93 68-05	Cubierta del mandril 42"
75	582 68 32-03	Cubierta
78	501 80 83-02	Soporte del calibrador de la rueda LD
79	590 43 90-02	Soporte del calibrador de la rueda LI
81	582 36 05-01	Buje rodillo delantero
82	819 13 20-12	Arandela calibre 12
84	532 17 01-65	Perno de tope de 5/16-18
--	532 41 64-05	Accesorio del conexión
--	598 51 03-01	Cubierta, SVC, 42F

**NOTA:** Las dimensiones de todos los componentes están expresadas en pulgadas americanas. 1 pulgada = 25,4 mm

**TRACTOR - MODELO NO. TS 242XD (96043031300), PROD. NO. 960 43 03-13**  
**ELEVACIÓN DE LA CORTADORA DE CÉSPED**



lift-tex\_24

CÓDIGO NO.	PIEZA NO.	DESCRIPCIÓN
2	532 42 20-27	Ensamble del eje de la elevación
3	596 27 06-01	Palanca, asa, elevador
7	580 96 23-01	Mango de la palanca
10	532 19 63-14	Resorte de torsión
41	532 17 59-94	Tuerca
87	532 19 42-09	Pasador de chaveta de 7/16 con bloqueo en forma de mariposa
88	532 41 07-10	Resorte de ayuda de la elevación
89	819 19 19-12	Arandela de zinc transparente
91	589 46 48-05	Ensamble del acoplamiento

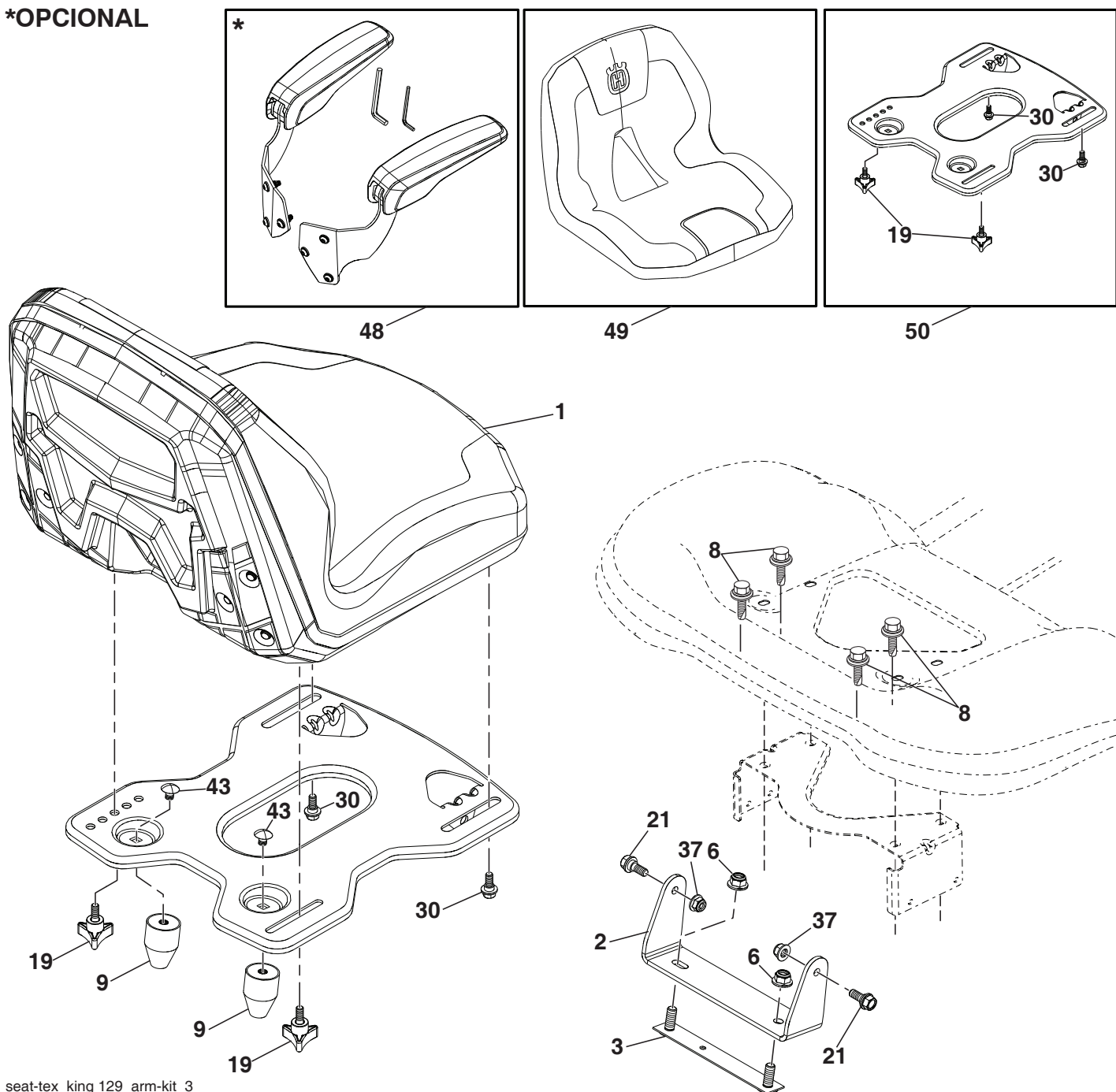
CÓDIGO NO.	PIEZA NO.	DESCRIPCIÓN
96	532 19 52-63	Elevación trasera
97	817 00 06-12	Beju
98	574 82 25-01	Tornillo de 3/8-16 x 0,75
114	873 36 07-00	Acoplamiento frontal de la elevación de la cortadora de césped
		Tuerca 7/16-20

**NOTA:** Las dimensiones de todos los componentes están expresadas en pulgadas americanas. 1 pulgada = 25,4 mm



# TRACTOR - MODELO NO. TS 242XD (96043031300), PROD. NO. 960 43 03-13 ENSAMBLE DEL ASIENTO

\*OPCIONAL



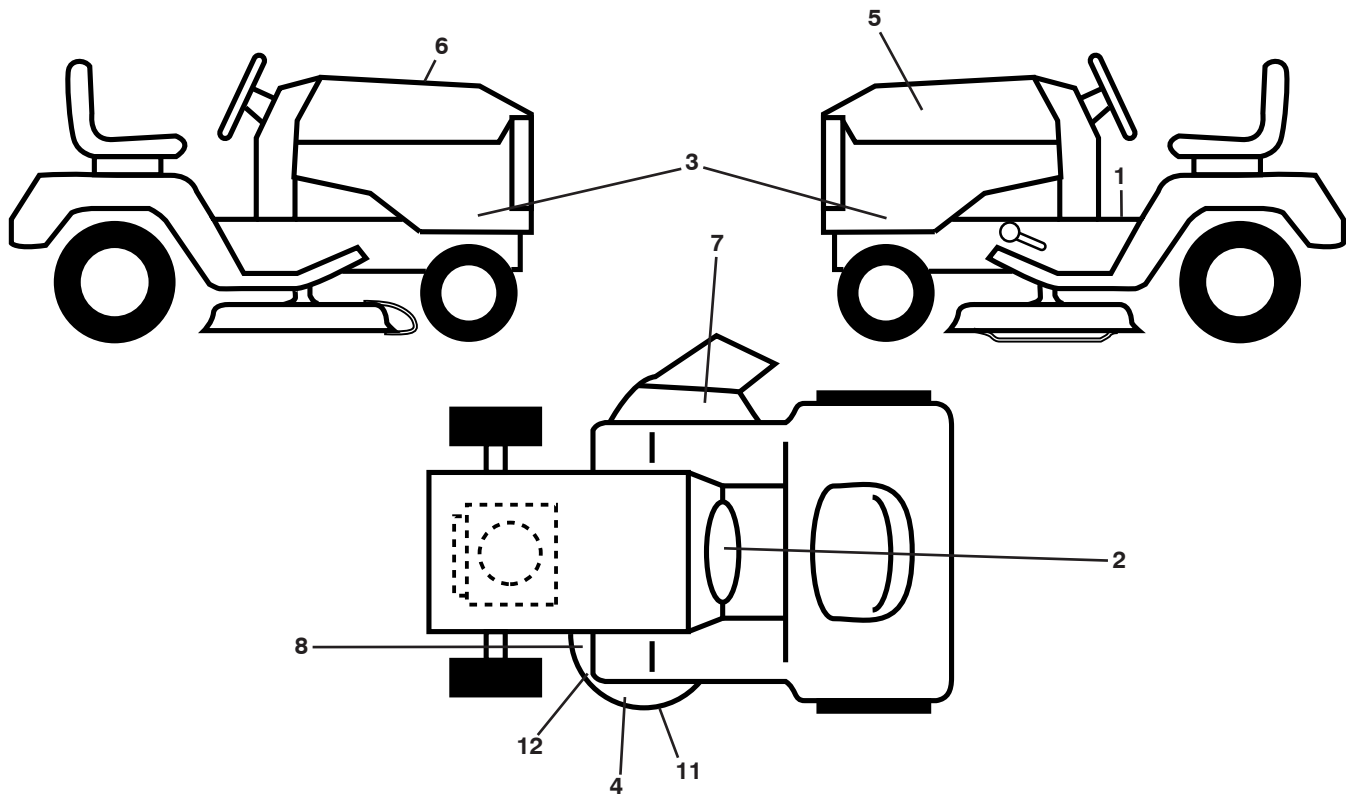
seat-tex\_king 129\_arm-kit\_3

CÓDIGO No.	PIEZA No.	DESCRIPCIÓN
1	597 65 81-01	Asiento, SK150/129w/oapoyabrazos
2	597 32 99-02	Soporte PNT, PVT, FNDR, asiento, EDIP
3	590 77 76-02	Refuerzo de montaje de soporte, FNDR, EDIP
6	521 99 65-02	Tuerca, hexagonal, bloqueo w/brida
8	532 17 18-77	Perno 5/16-18 unc x 3/4 w/Sems
9	597 78 51-01	Parachoques, caucho, aislador
19	597 78 31-01	Pomo, 3 alas 5/16-18, CLR, ZN
21	596 24 07-01	Perno hexagonal 5/16-18 x 21/32
30	597 78 18-01	Perno hexagonal hombro 5/16-18 unc ZPB
37	594 94 44-01	Tuerca hexagonal brida 5/16-18

CÓDIGO No.	PIEZA No.	DESCRIPCIÓN
43	597 86 93-01	Perno de carro cuadrado 3/8 x .45 CLR, ZN
48	597 65 82-03	Kit de servicio brazo de asiento de 15"
49	597 95 94-01	Funda de asiento Husqvarna 5 pulgadas (Sk129)
50	598 00 16-01	Kit de placa de montaje del asiento (incluye todos los componentes ilustrados en la caja para la Clave# 50)

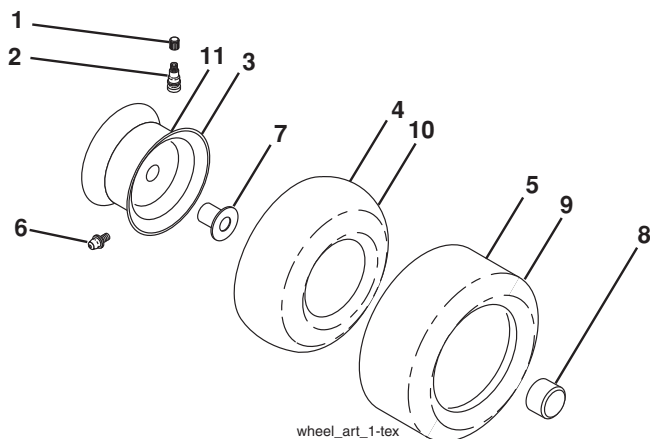
**NOTA:** Las dimensiones de todos los componentes están expresadas en pulgadas americanas. 1 pulgada = 25,4 mm

**TRACTOR - MODELO NO. TS 242XD (96043031300), PROD. NO. 960 43 03-13  
CALCOMANÍAS**



CÓDIGO NO.	PIEZA NO.	DESCRIPCIÓN	CÓDIGO NO.	PIEZA NO.	DESCRIPCIÓN
1	581 57 89-01	Calcomanía para el guardabarros	12	581 58 00-01	Calcomanía cubierta
2	596 02 42-01	Calcomanía advertencia	--	501 74 90-01	Calcomanía diferencial de bloqueo
3	597 85 87-01	Calcomanía	--	581 72 48-01	Calcomanía para la desviación
4	589 35 79-01	Calcomanía reforzado de cubierta	--	532 43 98-82	Forro del apoyo para los pies (LD)
5	532 42 38-29	Calcomanía del cliente	--	532 44 15-42	Forro del apoyo para los pies (LI)
6	582 14 21-01	Calcomanía de reemplazo	--	114 20 41-49	Manual de Operario (Inglés/Español)
7	586 97 88-01	Calcomanía, advertencia	--	114 16 68-49	Manual de Repuestos (Inglés/Español)
8	592 89 83-01	Calcomanía, Despeje de la cubierta	--	587 71 00-26	Guía de inicio rápido (Inglés/Español)
11	590 88 49-01	Calcomanía diagrama de la cubierta			

**RUEDAS Y NEUMÁTICOS**



CÓDIGO NO.	PIEZA NO.	DESCRIPCIÓN
1	532 05 91-92	Tapa de la válvula del neumático
2	532 06 51-39	Vástago de la válvula
3	532 13 83-36	Ensamble de las llantas delanteras
4	532 00 81-34	Cámara delantera
5	532 17 04-55	Neumático delantero 15 x 6-6
6	532 00 02-78	Accesorio para engrasar (solo para la rueda delantera)
7	532 00 90-40	Rodamiento de la brida (solo para la rueda delantera)
8	532 17 50-39	Tapa del eje 1 50 x 1 00
9	532 17 04-56	Neumático trasero 20 x 10-8
10	532 00 71-52	Cámara trasera (Mantenimiento sólo)
11	532 13 83-37	Ensamble trasero de la llanta
--	532 14 43-34	Sellador para neumáticos (tubo de 10 onzas [283 gr])

**NOTA:** Las dimensiones de todos los componentes están expresadas en pulgadas americanas. 1 pulgada = 25,4 mm

---

# NOTES/AVISO

---



[www.husqvarna.com](http://www.husqvarna.com)