

**Repair Parts Manual**  
**Manual De Repuestos**  
TS 148 / 96041044100

Please read the operator's manual carefully and make sure you understand the instructions before using the machine.

Por favor lea cuidadosamente y comprenda estas instrucciones antes de usar esta maquina.



**English/Spanish**

**114 17 58-49 Rev. 3**



# HOW TO USE THIS MANUAL

This manual is designed to provide the customer with a means to identify the parts on his/her tractor when ordering repair parts. The illustrations may or may not represent the actual assemblies; therefore, it is not recommended to use this manual as a guide to assemble or disassemble the tractor. Some hardware and parts are drawn larger in order to more readily identify them.

Each tractor has its own model number. The model number for your tractor can be found on the fender under the seat.

## Support / Help

If you require assistance or have questions concerning the application, operation, maintenance or parts for your product:

- Visit our website: [www.husqvarna.com](http://www.husqvarna.com)
- Call Us Toll Free: 1-800-487-5951

When ordering parts, always give the following information:

- Product - "TRACTOR"
- MODEL NUMBER - "TS 148" (96041044100)"
- Part Number
- Part Description

## TABLE OF CONTENTS

<b>SCHEMATIC</b> .....	<b>3</b>
<b>ELECTRICAL</b> .....	<b>4-5</b>
<b>CHASSIS</b> .....	<b>6-7</b>
<b>DRIVE</b> .....	<b>8-9</b>
<b>ENGINE</b> .....	<b>10-11</b>
<b>STEERING</b> .....	<b>12-13</b>
<b>MOWER DECK</b> .....	<b>14-15</b>
<b>MOWER LIFT</b> .....	<b>16</b>
<b>SEAT</b> .....	<b>17</b>
<b>DECALS</b> .....	<b>18</b>

## COMO UTILIZAR ESTE MANUAL

Este manual está diseñado para brindarle al comprador un medio para identificar las piezas del tractor para cuando necesite hacer el pedido de un repuesto. Las ilustraciones pueden o no representar los ensambles reales; por lo tanto, no se recomienda utilizar este manual como una guía para ensamblar o desarmar el tractor. Algunos accesorios y piezas están dibujados en tamaños más grandes para identificarlos con mayor facilidad.

Cada tractor tiene su propio número de modelo. El número de modelo del tractor se encuentra en el guardabarros debajo del asiento.

## Soporte / Ayuda

Si necesita asistencia o tiene alguna pregunta acerca de la aplicación, operación, mantenimiento o piezas de su producto:

- Visite nuestro sitio web: [www.husqvarna.com](http://www.husqvarna.com)
- Llámenos de manera gratuita al: 1-800-487-5951

Cuando haga el pedido de una pieza, siempre brinde la siguiente información:

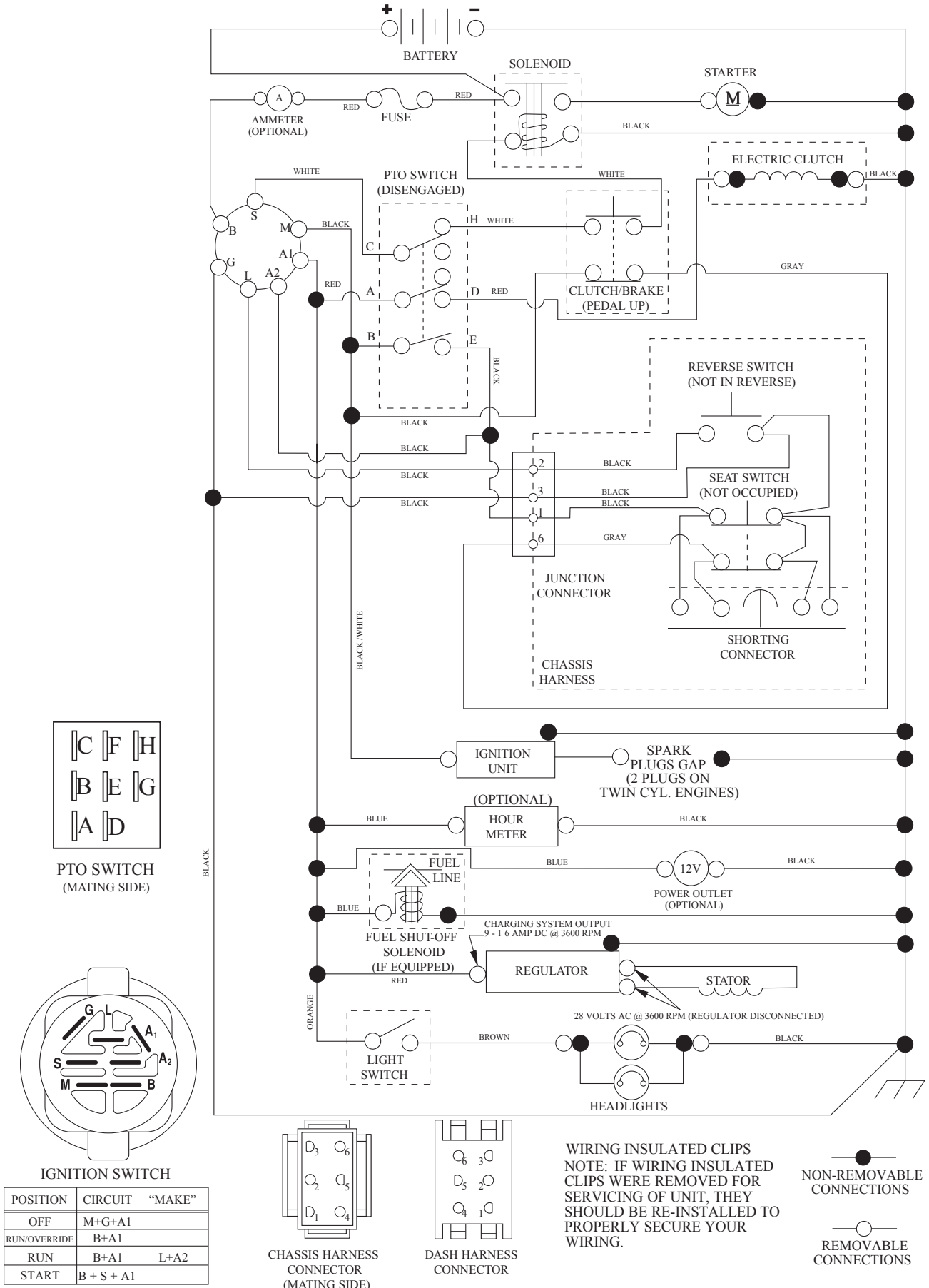
- Producto: "TRACTOR"
- NÚMERO DE MODELO: "TS 148" (96041044100)"
- Número de pieza
- Descripción de la pieza

## ÍNDICE

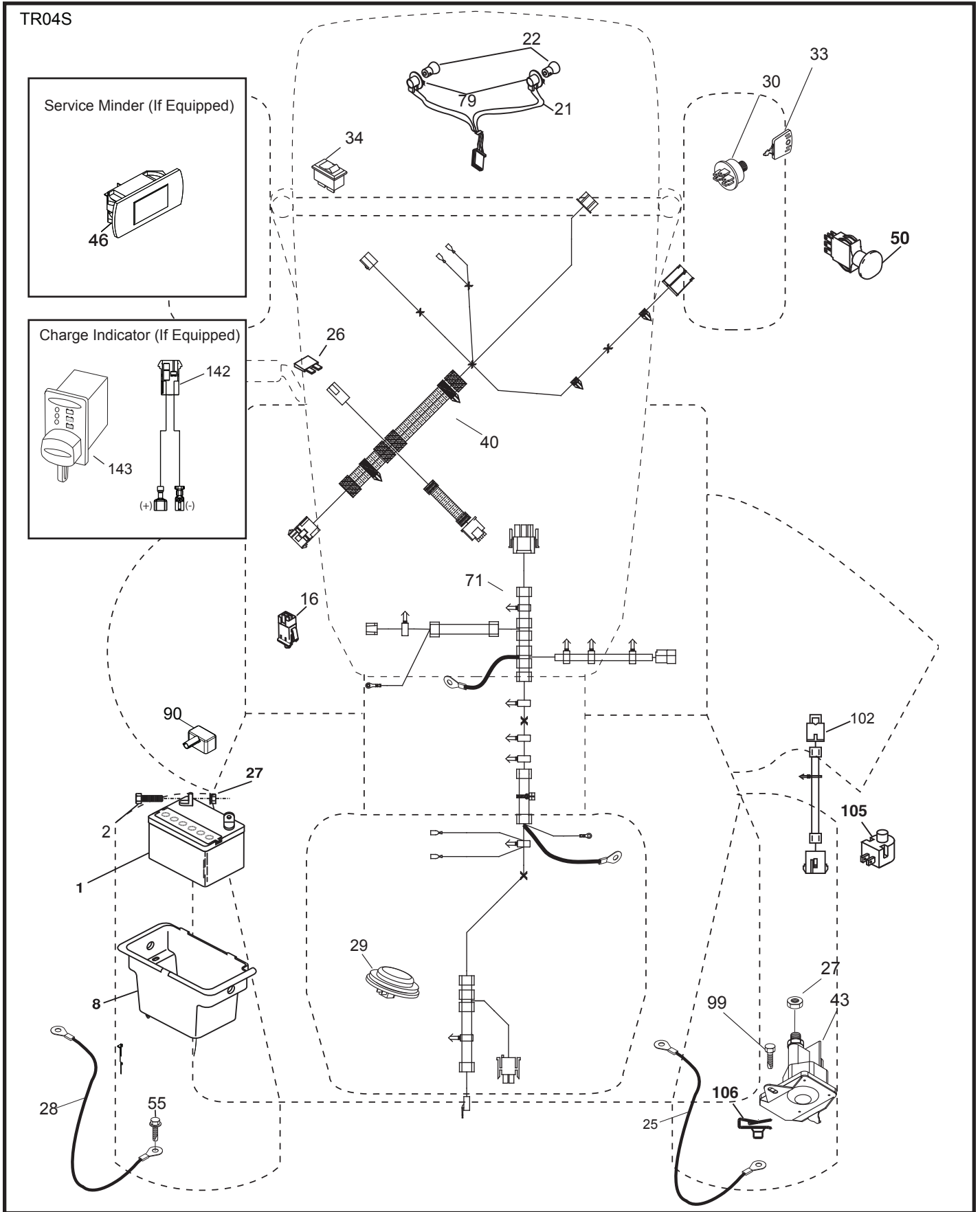
<b>DIAGRAMA</b> .....	<b>19</b>
<b>DIAGRAMA ELÉCTRICO</b> .....	<b>20-21</b>
<b>CHASIS</b> .....	<b>22-23</b>
<b>TRANSMISIÓN</b> .....	<b>24-25</b>
<b>MOTOR</b> .....	<b>26-27</b>
<b>DIRECCIÓN</b> .....	<b>28-29</b>
<b>PLATAFORMA DE LA CORTADORA DE CÉSPED</b> .....	<b>30-31</b>
<b>ELEVACIÓN DE LA CORTADORA DE CÉSPED</b> .....	<b>32</b>
<b>ASIENTO</b> .....	<b>33</b>
<b>CALCOMANÍAS</b> .....	<b>34</b>

# TRACTOR - - MODEL NUMBER TS 148 (96041044100), PRODUCT NO. 960 41 04-41 SCHEMATIC

SCH12



**TRACTOR - - MODEL NUMBER TS 148 (96041044100), PRODUCT NO. 960 41 04-41  
ELECTRICAL**

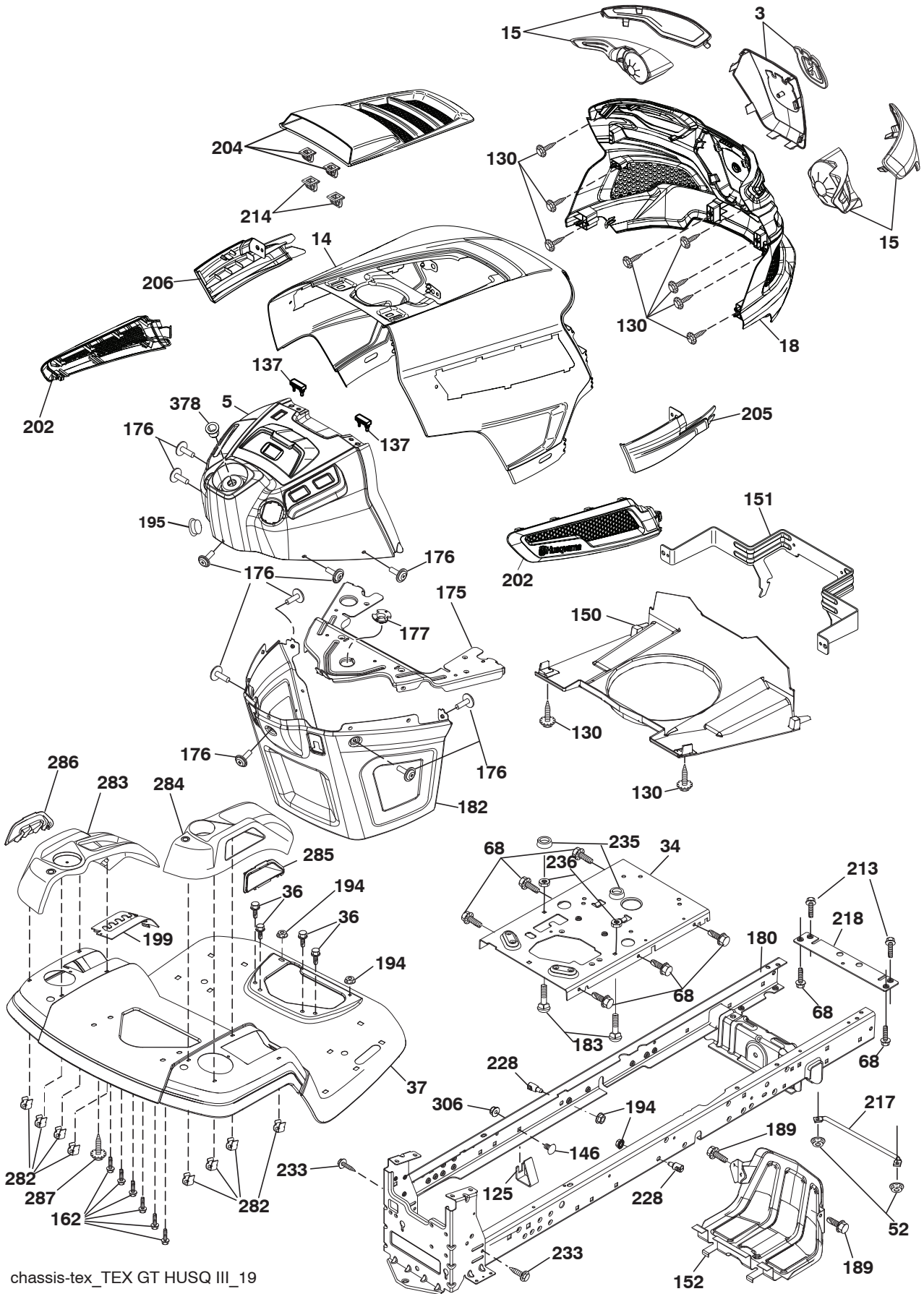


**TRACTOR - - MODEL NUMBER TS 148 (96041044100), PRODUCT NO. 960 41 04-41  
ELECTRICAL**

<b>KEY NO.</b>	<b>PART NO.</b>	<b>DESCRIPTION</b>
1	532 16 34-65	Battery
2	874 76 04-12	Bolt Hex Head 1/4-20 x 3/4
8	532 19 32-28	Box Battery
16	532 17 61-38	Switch Interlock Push-In
21	532 40 02-52	Harness Socket Light w/4152J
22	532 00 41-52	Bulb Light
25	581 49 80-01	Cable Starter
26	532 17 51-58	Fuse
27	596 13 36-01	Locknut 1/4-20
28	532 42 16-86	Cable, Ground
29	532 40 15-45	Switch, Seat
30	532 19 33-50	Switch, Ign
33	532 41 19-33	Key/Chain
34	532 11 07-12	Switch Light/Reset
40	581 02 32-01	Harness Ign. Dash
43	582 04 28-02	Solenoid
46	594 91 91-01	Hourmeter, Svminder
50	582 10 76-04	Switch PTO
55	817 06 05-12	Screw Thdrol 5/16-18 x 3/4
71	501 13 37-01	Harness Chassis
79	532 17 52-42	Socket Asm Bulb Twistlock
90	532 43 53-95	Cover, Terminal Battery
99	817 67 04-12	Screw
102	532 40 44-54	Harness Pigtail
105	532 40 75-68	Switch Reverse
106	532 17 48-14	Pal nut

**NOTE:** All component dimensions given in U.S. inches  
1 inch = 25.4 mm

**TRACTOR - - MODEL NUMBER TS 148 (96041044100), PRODUCT NO. 960 41 04-41  
CHASSIS**



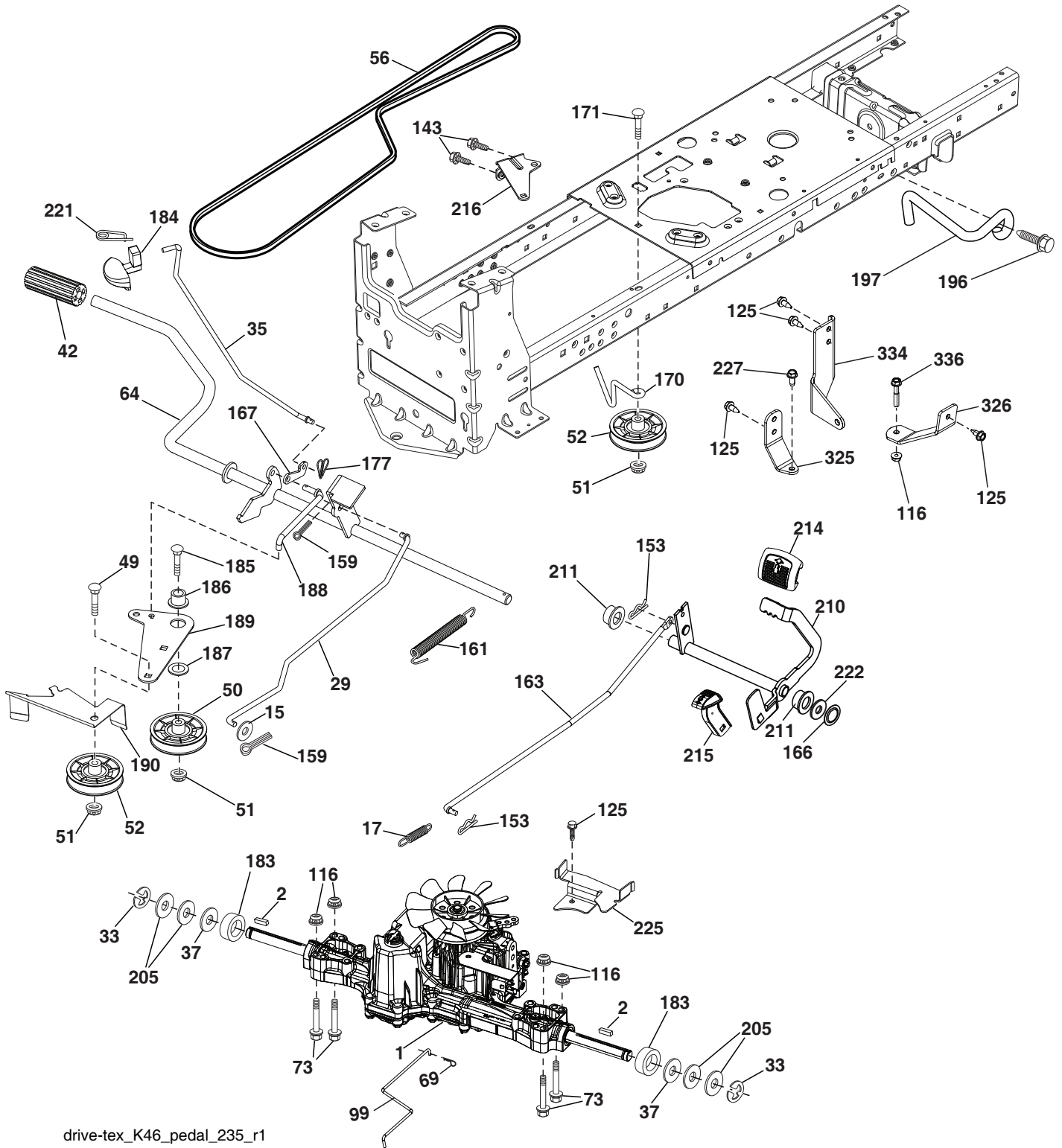
chassis-tex\_TEX GT HUSQ III\_19

**TRACTOR - - MODEL NUMBER TS 148 (96041044100), PRODUCT NO. 960 41 04-41 CHASSIS**

<b>KEY NO.</b>	<b>PART NO.</b>	<b>DESCRIPTION</b>	<b>KEY NO.</b>	<b>PART NO.</b>	<b>DESCRIPTION</b>
3	597 68 82-01	Kit, Grille Applique, (includes applique cover and emblem badge)	195	532 40 41-37	Plug Dash
5	590 74 88-13	Dash	199	532 41 34-85	Plate Deck Lift
14	532 44 11-77	Hood	202	597 86 77-01	Kit, Side Vents, LH/RH (includes LH/RH side vents)
15	597 86 78-01	Incandescent headlight kit (includes LH/RH lens and LH/RH housing)	204	597 40 80-01	Kit, Top Vent (includes top vent and clip retainers)
18	597 40 71-01	Grille, Subsam, Hus GT3, Incand	205	532 43 97-30	Side Trim RH
34	580 91 08-01	Plate Engine	206	532 43 97-29	Side Trim LH
36	817 06 05-12	Screw 5/16-18 x 3/4	213	596 03 05-01	Bolt Hex Hd, 5/16-18 unc x 3/4
37	532 44 12-66	Fender	214	532 19 91-45	Clip Retainer Tinner
52	596 04 05-01	Nut, Lock, Hex, Prvl, 5/16-18	217	532 40 91-67	Rod Pivot
68	596 03 07-01	Screw Hexagon, 5/16-18 x 1/2	218	532 19 63-95	X-Piece Hood Stop
125	581 68 48-01	Clip Fuel Line	228	593 82 40-01	Stud W/"D" Anti-Rotation
130	596 32 17-01	Screw, #10 x 0.750, Bos, Thread	233	532 19 65-39	Bolt, Shoulder
137	532 40 75-90	Bumper Dash	235	596 56 42-01	Spacer, Fender, Clr, Zn
146	581 85 79-01	Bolt	236	873 93 05-00	Nut Lock 5/16-18 unc
150	532 43 97-74	Air Duct	282	532 41 41-10	Clip Retainer Console
151	532 43 66-70	Bracket Pivot Hood	283	532 44 20-39	Console Deck Lift
152	532 43 98-70	Shield Browning	284	532 43 98-23	Console Shift
162	596 13 41-01	Screw, Hex, Tap, 1/4-15 x 1/2	285	532 41 63-15	Console Insert RH
175	590 60 77-02	Plate, Pnt, Crossmember, Husq/Pre	286	532 41 63-17	Console Insert LH
176	532 40 07-76	Screw 10-24 x 5/8	287	817 60 04-06	Screw 1/4-20 X 3/8
177	532 19 52-28	Bushing Steering	306	873 90 06-00	Nut Lock
180	532 19 54-57	Chassis	378	590 84 98-01	Bushing, Flange
182	586 73 86-02	Dash Lower	- -	597 33 48-01	Bumper
183	595 30 57-01	Screw, Hexagon, 5/16-18 x 1-1/4			
189	817 00 05-12	Screw 5/16-18 x 3/4			
194	596 13 57-01	Nut, Lock, Prvl, Torq, 5/16-18 x .68			

**NOTE:** All component dimensions given in U.S. inches  
1 inch = 25.4 mm

TRACTOR - - MODEL NUMBER TS 148 (96041044100), PRODUCT NO. 960 41 04-41  
DRIVE



drive-tex\_K46\_pedal\_235\_r1

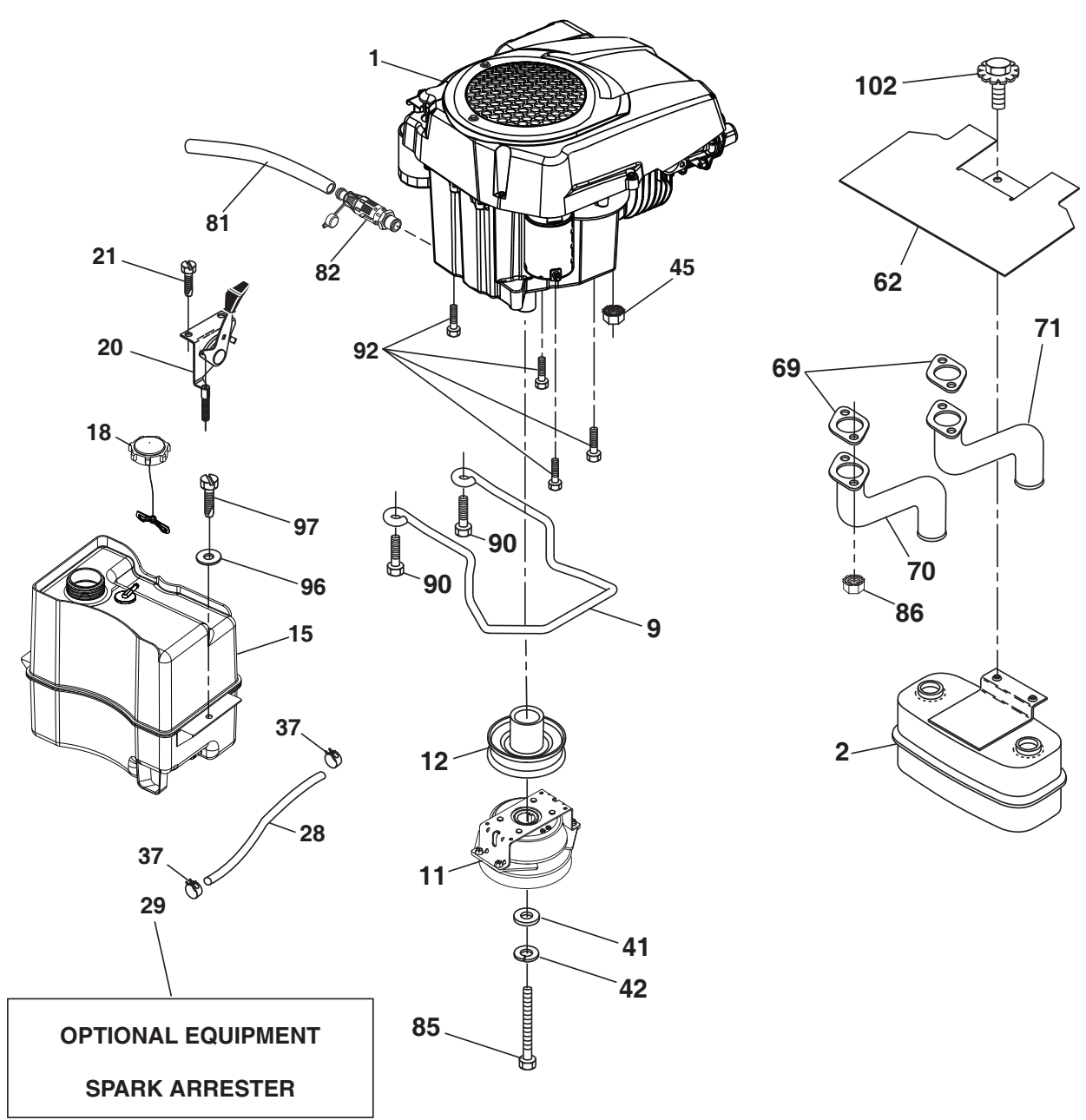


# TRACTOR - - MODEL NUMBER TS 148 (96041044100), PRODUCT NO. 960 41 04-41 DRIVE

KEY NO.	PART NO.	DESCRIPTION	KEY NO.	PART NO.	DESCRIPTION
1	---	Transaxle, Tufftorq K46BT (426120) (Order parts from transaxle manufacturer)	177	587 22 53-01	Pin Cotter Locking Bowtie 1 In.
2	532 12 35-83	Key Square	183	532 13 70-57	Spacer Axle
15	596 56 53-01	Washer, 3/8 x 0.8 in., St. Clr, Zinc	184	587 65 37-01	Handle Parking Brake
17	532 41 36-78	Spring, Brake	185	872 11 06-22	Bolt Rdh 3/8-16 unc x 2-3/4 Gr. 5
29	532 40 38-06	Rod, Brake	186	532 19 43-21	Spacer Retainer
33	812 00 00-01	Ring E	187	596 13 55-01	Washer 13/32 x 2
35	583 86 45-02	Rod, Brake, Park	188	582 21 70-01	Link Clutch Ground Drive, Long
37	532 18 89-67	Washer .793 x 1.637 x 060	189	532 19 43-17	Bellcrank Ground Drive
42	532 00 88-83	Cover, Foot Pedal	190	532 19 43-18	Keeper Bellcrank Ground Drive
49	596 13 62-01	Bolt 3/8-16 x 3/4	196	817 00 06-16	Screw 3/8-16 x 1
50	532 19 43-27	Pulley Idler Flat	197	585 65 86-02	Wireform, Clutch
51	873 90 06-00	Lock Nut 3/8-16	205	532 12 17-48	Washer 25/32 x 1-5/8 x 16 Ga.
52	532 19 43-26	Idler V-Groove	210	532 40 09-80	Rocker Asm. Pedal Control
56	592 85 52-01	V-Belt, Drive	211	532 12 01-83	Bearing Nylon
64	532 19 78-65	Shaft Asm. Pedal Brake Control	214	532 42 12-63	Pedal Forward
69	532 42 33-03	Hairpin Soft Zinc	215	586 60 65-02	Pedal Reverse
73	596 13 65-01	Bolt Hex 5/16-18 x 2 1/2	216	532 19 61-31	Bracket Pulley Idler
99	582 40 45-01	Rod Bypass	221	532 40 31-87	Retainer Spring Clip Handle
116	596 13 57-01	Nut Lock 5/16-18 x .68	222	879 21 20-10	Washer 21/32 x 1-1/4 10 Ga.
125	817 00 05-12	Screw 5/16-18 x 3/4	225	532 40 33-19	Keeper Belt Transaxle
143	596 03 07-01	Bolt 5/16-18 x 1/2	227	596 13 59-01	Bolt, Hex, 5/16-18 x 3/4
153	532 00 44-97	Retainer Spring 1"	325	585 66 85-02	Torque Strap K46 LT RH
159	596 02 95-01	Pin Cotter 1/8 x 3/4	326	585 67 08-02	Bracket TRQ STP 46 20" Tire RH
161	532 10 57-09	Spring, Return, Clutch	334	585 88 22-02	Sway Rod
163	593 86 10-01	Rod Control	336	587 25 96-02	Bolt 5/16 - 18 x 1-3/4 Flanged
166	532 42 91-64	Nut Push			
167	532 40 52-57	Latch Brake Parking			
170	532 19 43-22	Keeper V-Idler			
171	596 13 63-01	Bolt 3/8-16 x 2			

**NOTE:** All component dimensions given in U.S. inches  
1 inch = 25.4 mm

**TRACTOR - - MODEL NUMBER TS 148 (96041044100), PRODUCT NO. 960 41 04-41  
ENGINE**



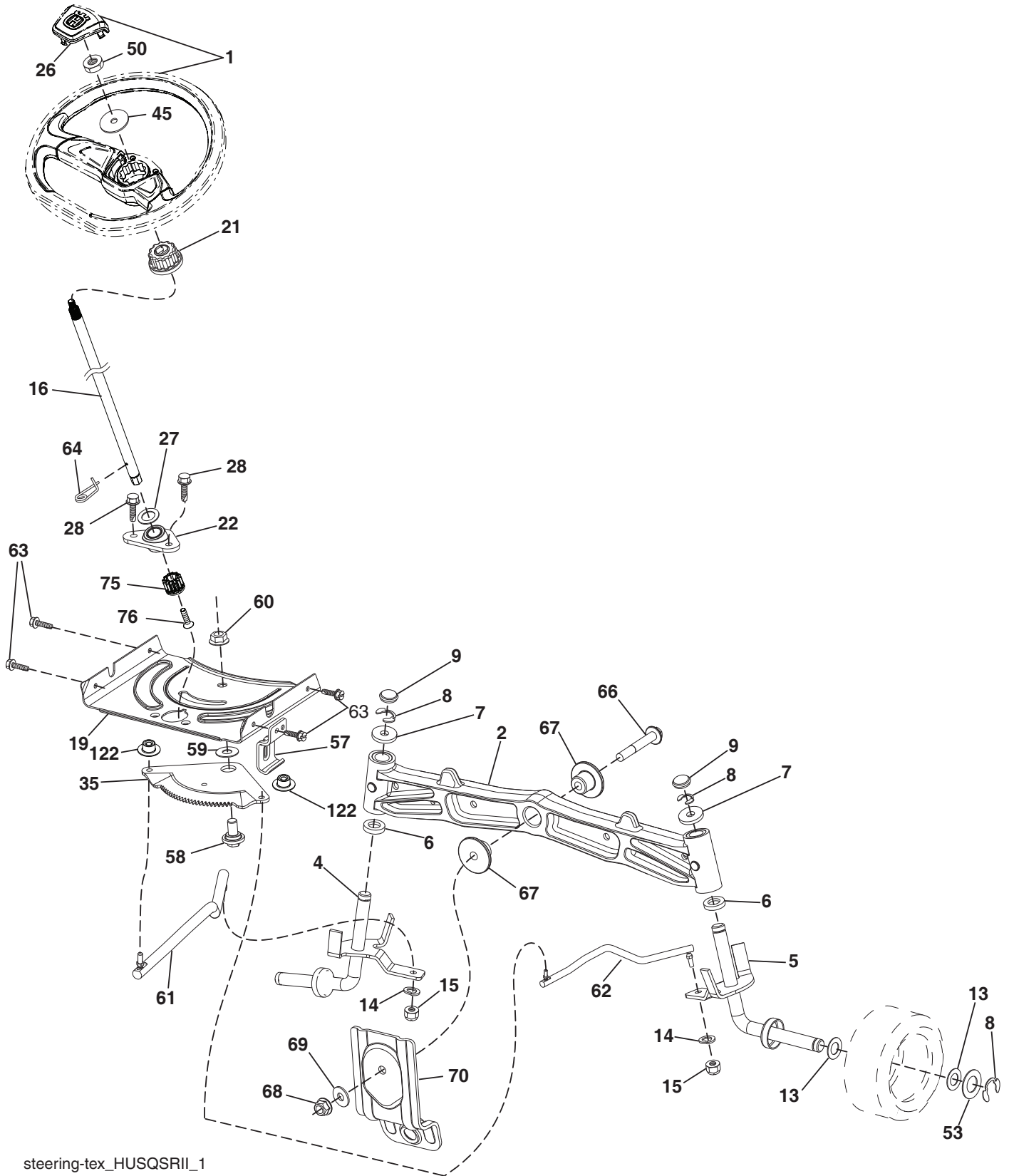
engine-tex\_loncin\_17

**TRACTOR - - MODEL NUMBER TS 148 (96041044100), PRODUCT NO. 960 41 04-41  
ENGINE**

<b>KEY NO.</b>	<b>PART NO.</b>	<b>DESCRIPTION</b>
1	598 63 21-01	Engine Husqvarna Model No. HV 764CC. Engine IPL available separately.
2	589 81 87-01	Muffler
9	501 83 26-02	Keeper Belt Engine
11	587 24 16-01	Clutch, Ogura
12	532 40 50-97	Pulley Engine
15	581 29 01-01	Tank Fuel
18	581 17 61-01	Cap Fuel
20	532 42 35-02	Control Throttle
21	596 32 17-01	Screw #10 x 0.750 BOS Thread
28	532 13 70-40	Fuel Line
29	532 13 71-80	Spark Arrester Kit
37	532 12 34-87	Clamp Hose
41	532 12 61-97	Washer 1-1/2 OD x 15/32 ID x .250
42	596 23 89-01	Washer 7/16 in.
45	593 35 64-01	Hexagon Flange Serrated
62	532 43 40-17	Shield, Heat, Muffler
69	597 90 51-01	Gasket
70	597 88 89-01	Exhaust Tube LH
71	597 88 90-01	Exhaust Tube RH
81	532 14 84-56	Tube Drain Oil Easy
82	532 42 82-87	Valve Drain Oil
85	501 60 66-01	Bolt Hex 7/16-20 x 3.75 Gr. 5
86	532 18 43-62	Nut, Hex, Flange
90	817 00 06-16	Screw 3/8-16 x 1
92	817 12 06-16	Screw 3/8 x 1
96	596 13 53-01	Washer 9/32 x 7/8
97	817 67 04-12	Screw 1/4-20 x 3/4
102	817 00 05-12	Screw, 5/16-18 x 3/4

**NOTE:** All component dimensions given in U.S. inches  
1 inch = 25.4 mm

**TRACTOR - - MODEL NUMBER TS 148 (96041044100), PRODUCT NO. 960 41 04-41**  
**STEERING ASSEMBLY**



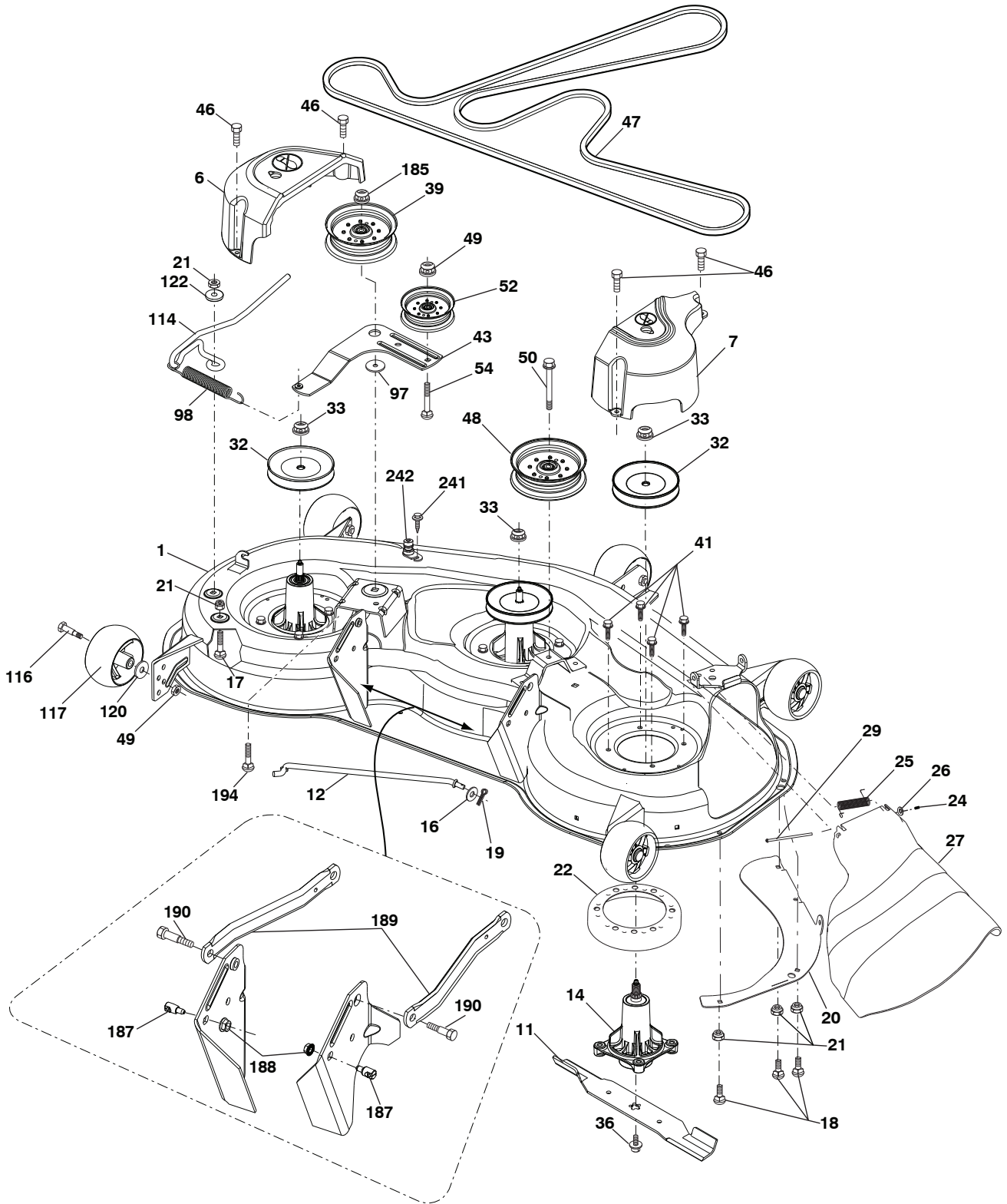
steering-tex\_HUSQSR11\_1

**TRACTOR - - MODEL NUMBER TS 148 (96041044100), PRODUCT NO. 960 41 04-41  
STEERING ASSEMBLY**

<b>KEY NO.</b>	<b>PART NO.</b>	<b>DESCRIPTION</b>
1	597 86 61-01	Wheel, Steering, Kit (includes steering wheel and cap)
2	532 19 59-68	Axle Cast Iron
4	532 40 30-87	Spindle Asm., LH
5	532 40 30-88	Spindle Asm., RH
6	532 00 62-66	Washer, Thrust
7	532 12 17-48	Washer 25/32 x 1-5/8 x 16 Ga.
8	812 00 00-29	Ring, Klip #T5304-75
9	532 12 12-32	Cap, Spindle
13	532 12 17-49	Washer 25/32 x 1-1/4 x 16 Ga.
14	596 23 87-01	Washer, Spring, Lock, 381 ID x .680
15	873 54 06-00	Nut, Crown Lock 3/8-24 unf
16	587 01 60-02	Steering Shaft
19	532 19 47-29	Plate Steering
21	586 84 02-01	Adapter Wheel Steering
22	585 02 98-02	Bearing
26	594 94 91-01	Insert, Wheel Steering, Cap
27	596 93 34-01	Washer, Plain
28	817 00 06-12	Screw 3/8-16 x 3/4
35	532 19 47-32	Gear, Sector Plate
45	587 01 64-01	Washer 3/8 ID 2-3/8 OD 12 Ga. PLTD
50	873 90 06-00	Nut Lock Flg 3/8-16 unc
53	532 18 89-67	Washer Hardened .793 x 1.637 x .060
57	532 19 72-46	Bracket Upstop
58	532 19 47-47	Bolt Shoulder Sector Pivot CFM
59	532 19 47-48	Washer Thrust Sector Steering
60	873 97 10-00	Nut Flange Lock 5/8-11
61	597 07 02-02	Draglink, LH
62	597 07 03-02	Draglink, RH
63	817 00 05-12	Screw 5/16-18 x 3/4
64	532 19 98-49	Retainer Clip Spring Steering
66	871 02 07-48	Bolt Hex Fghd 7/16-14 x 3 Serr
67	532 19 47-37	Bushing PM Front Axle
68	873 90 07-00	Nut Lock Flange 7/16-14 Gr. 5
69	532 19 91-62	Washer 1.5 x .505 x .118
70	585 33 88-01	Bracket Deck Susp. Front
75	580 68 37-01	Pinion
76	580 68 36-01	Screw Head Sock
122	532 44 49-62	Cap Gear

**NOTE:** All component dimensions given in U.S. inches  
1 inch = 25.4 mm

**TRACTOR - - MODEL NUMBER TS 148 (96041044100), PRODUCT NO. 960 41 04-41  
MOWER DECK**



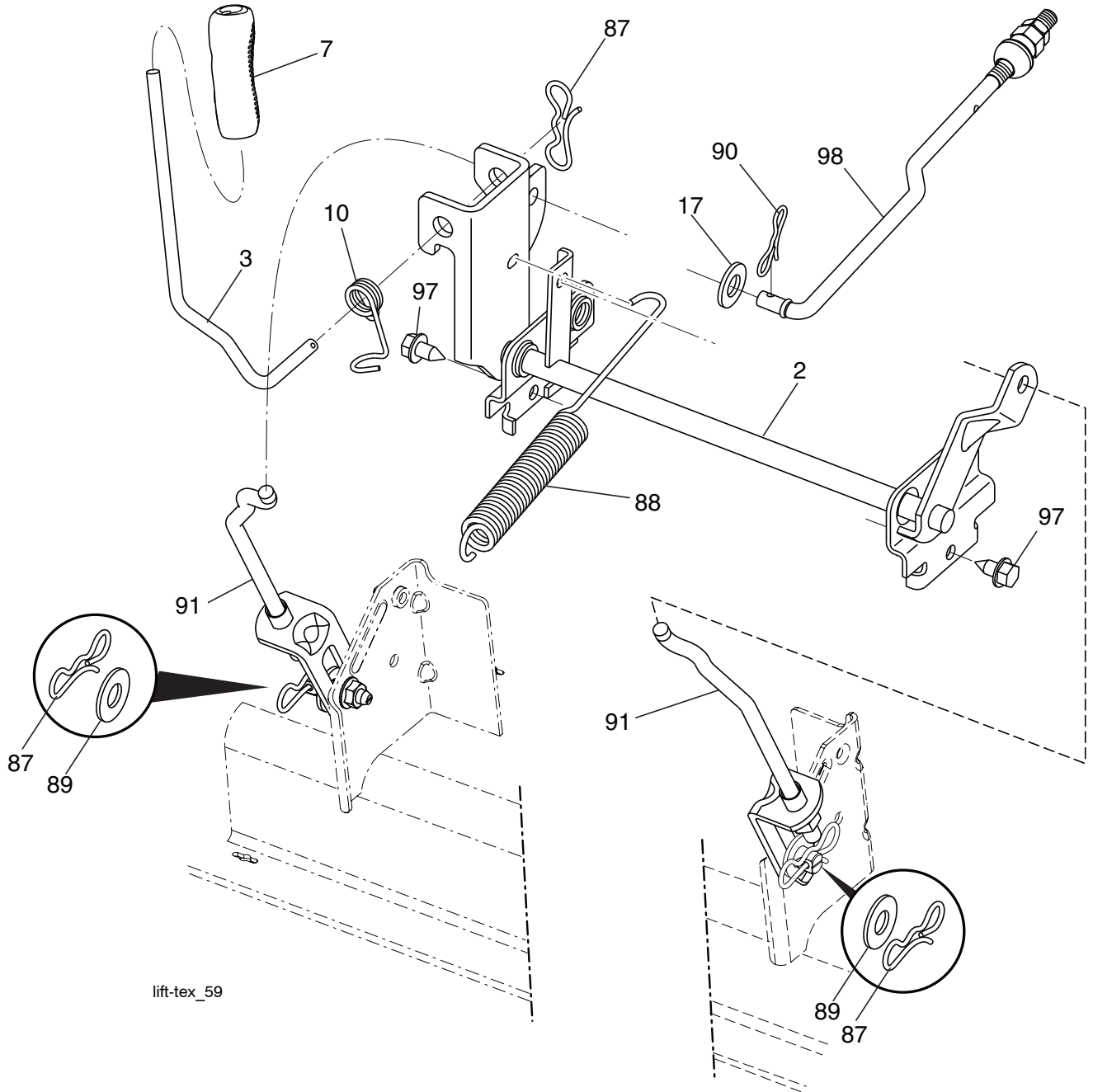
48\_Deck\_tex\_58\_r1

**TRACTOR - - MODEL NUMBER TS 148 (96041044100), PRODUCT NO. 960 41 04-41  
MOWER DECK**

KEY PART		DESCRIPTION	KEY PART		DESCRIPTION
NO.	NO.		NO.	NO.	
1	532 40 12-39	Kit, SVC, Weldment	47	593 77 34-01	Belt Deck Drive
6	532 19 72-48	Cover Mandrel LH	48	532 19 73-79	Pulley Idler 4.50 RAW
7	587 45 24-01	Cover Mandrel RH	49	873 90 06-00	Nut, Lock Flg. 3/8-16 unc
11	532 18 00-54	Blade High Lift	50	817 49 06-36	Screw TT 3/8-16 x 2-1/4
12	532 40 48-51	Rod Anti-Sway	52	532 19 31-97	Pulley Idler 48" Primary
14	587 82 03-01	Kit, Mandrel, Nongreaseable, Tall (Includes Mandrel and Bolts)	54	596 13 61-01	Bolt, Cup 3/8-16 x 1-1/2
16	596 13 32-01	Washer 13/32 x 13/16 x 12 Ga.	97	532 17 85-15	Washer Hardened
17	596 43 57-01	Bolt 5/16-18 x 1.02 Gr. 5	98	532 19 61-05	Spring Drive
18	596 13 64-01	Bolt, Cup Head, 5/16-18 x 5/8	114	532 19 74-51	Rod Tension Relief
19	532 19 42-08	Pin Cotter 5/16 Bow Tie Lock	116	596 43 44-04	Bolt, Shoulder 3/8-16 x 3-5/8
20	532 17 43-78	Baffle Vortex	117	589 52 73-01	Gauge Wheel
21	596 04 05-01	Nut, Lock 5/16-18	120	596 13 49-01	Washer, Plain, 3/8 x 7/8
22	532 17 44-93	Stripper Mandrel	122	532 18 75-57	Bushing Tension Relief
24	532 10 53-04	Cap Sleeve	185	873 90 07-00	Nut Lock Flange 7/16-14 Gr. 5
25	532 17 81-02	Spring, Torsion	187	593 82 40-01	Stud w/"D" Anti-Rotation
26	532 11 04-52	Nut, Push	188	596 13 57-01	Nut Lock 5/16-18 x .68
27	532 18 17-07	Deflector Shield	189	587 14 05-02	Arm Susp. Mower Rear
29	595 29 70-01	Rod, Hinge	190	532 19 65-39	Bolt Shoulder
32	532 15 35-32	Pulley, Mandrel	194	874 49 07-36	Bolt 7/16 - 24
33	596 13 48-01	Nut, 9/19-18 x 1.010	241	532 15 29-27	Screw TT #10-32.5 3/8 Flange
36	584 30 93-01	Screw Sems 7/16-20 x 1 Hx Hd	242	532 41 55-98	Port, Washout
39	532 19 73-80	Pulley, Idler, 4.50 Hub	--	532 41 64-05	Coupling Quick Connect
41	584 95 39-01	Bolt Hx Wshr. Hd 313-18 x 1.19	--	598 53 16-01	Deck SVC 48"
43	532 19 60-65	Arm, Idler			
46	532 13 77-29	Screw, Thdroll. 1/4-20 x 5/8			

**NOTE:** All component dimensions given in U.S. inches  
1 inch = 25.4 mm

**TRACTOR - - MODEL NUMBER TS 148 (96041044100), PRODUCT NO. 960 41 04-41  
MOWER LIFT**



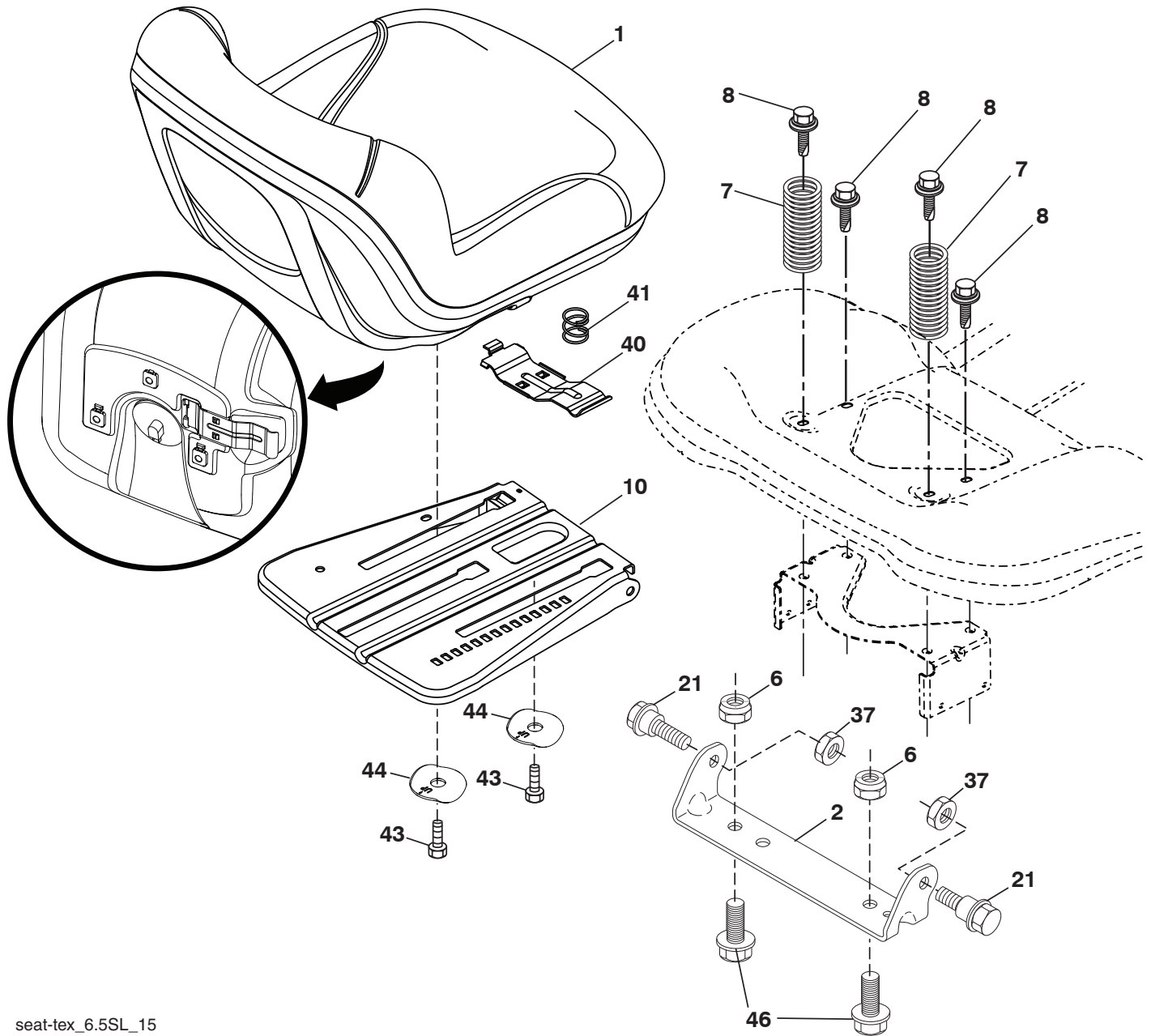
KEY NO.	PART NO.	DESCRIPTION
2	532 42 20-27	Shaft Asm., Lift
3	594 01 80-01	Lever Asm., Lift RH
7	580 96 23-01	Grip, Lever
10	532 19 63-14	Spring Torsion
17	594 97 65-01	Washer 15/32 x 15/16 x 16 x .065
87	532 19 42-09	Pin Cotter 7/16 Bow Tie Lock
88	532 41 07-10	Spring Lift Assist
89	819 19 19-12	Washer Clear Zinc

KEY NO.	PART NO.	DESCRIPTION
90	532 19 42-08	Pin Cotter 5/16 Bow Tie Lock
91	589 46 48-03	Link Asm Lift Rear
97	817 00 06-12	Screw Hex Wsh. THDR 3/8-16 x 3/4
98	581 50 69-02	Link Lift Susp. Front Mower

**NOTE:** All component dimensions given in U.S. inches  
1 inch = 25.4 mm



**TRACTOR - - MODEL NUMBER TS 148 (96041044100), PRODUCT NO. 960 41 04-41  
SEAT ASSEMBLY**



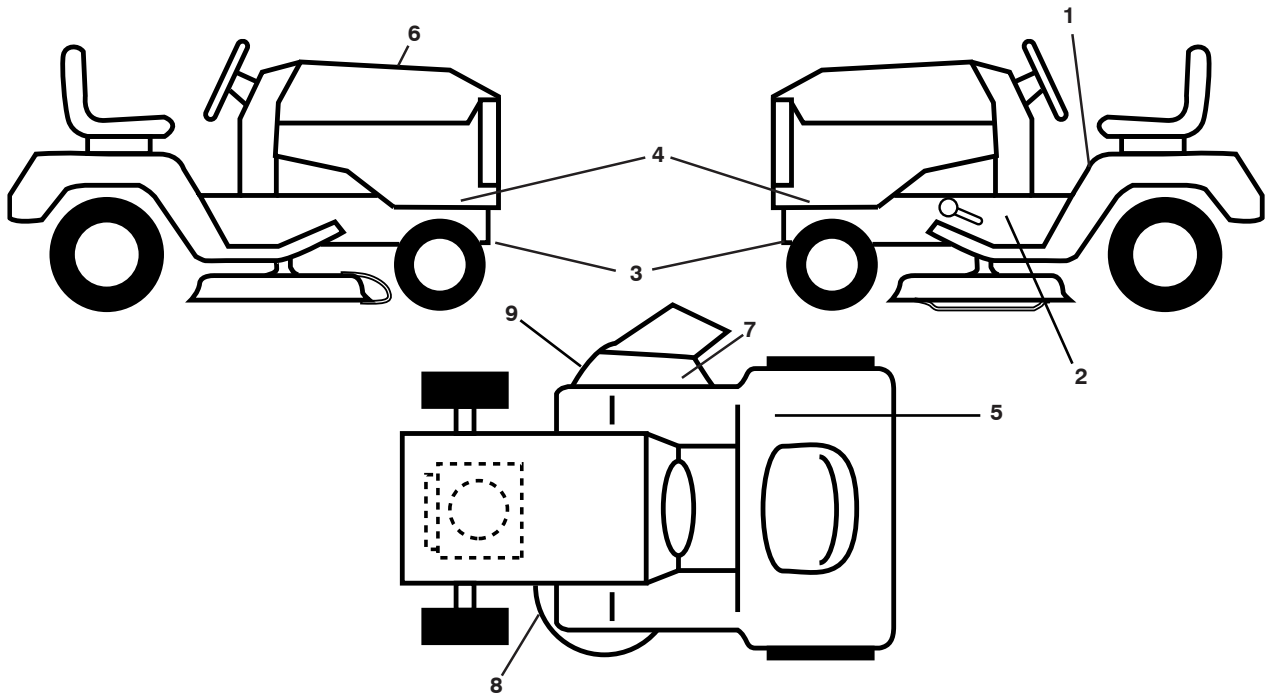
seat-tex\_6.5SL\_15

KEY NO.	PART NO.	DESCRIPTION
1	532 43 98-22	Seat
2	532 18 01-66	Bracket Pivot Fender
6	873 80 06-00	Nut, Lock w/Ins. 3/8-16 unc
7	589 48 35-01	Spring, Seat Cprsn
8	532 17 18-77	Bolt 5/16-18 unc x 3/4 w/Sems
10	596 65 74-02	Plate, Seat
21	587 90 78-01	Bolt, Shoulder 5/16-18 x 5/8
37	596 58 37-02	Nut, Blk, Znc

KEY NO.	PART NO.	DESCRIPTION
40	595 08 81-02	Handle Slide Seat
41	532 19 82-00	Spring Latch Seat
43	874 76 06-12	Bolt Fin Hex 3/8-16 unc x 3/4
44	501 05 18-01	Washer Winged
46	588 09 04-01	Bolt 3/8-16 x 1, 1.25

**NOTE:** All component dimensions given in U.S. inches  
1 inch = 25.4 mm

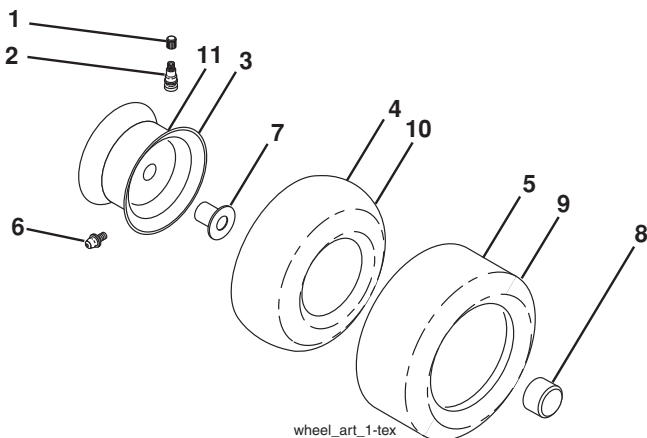
**TRACTOR - - MODEL NUMBER TS 148 (96041044100), PRODUCT NO. 960 41 04-41  
DECALS**



KEY NO.	PART NO.	DESCRIPTION
1	586 04 73-02	Decal, Fender Warn./Instructions
2	581 57 96-01	Decal, Hot Muffler
3	581 57 98-01	Decal, Warn
4	598 46 21-01	Decal, Panel Side
5	598 46 35-01	Decal, Consump
6	598 62 44-01	Decal, Replacement
7	584 90 46-01	Decal, Deflect. Warning
8	581 58 00-02	Decal, Mower V-Belt Schematic
9	581 57 92-01	Decal, Deflector Warn
--	581 72 46-01	Decal, Chassis

KEY NO.	PART NO.	DESCRIPTION
--	581 72 48-01	Decal, Bypass
--	532 43 96-81	Pad, Footrest, LH
--	532 43 96-82	Pad, Footrest, RH
--	114 19 87-49	Manual, Operator's (English/Spanish)
--	114 19 95-32	Manual, Operator's (French)
--	114 19 91-70	Manual, Operator's (Portuguese)
--	114 17 58-49	Manual, Parts (English/Spanish)
--	114 17 59-32	Manual, Parts (French)
--	114 17 61-70	Manual, Parts (Portuguese)

**WHEELS AND TIRES**



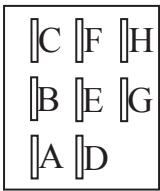
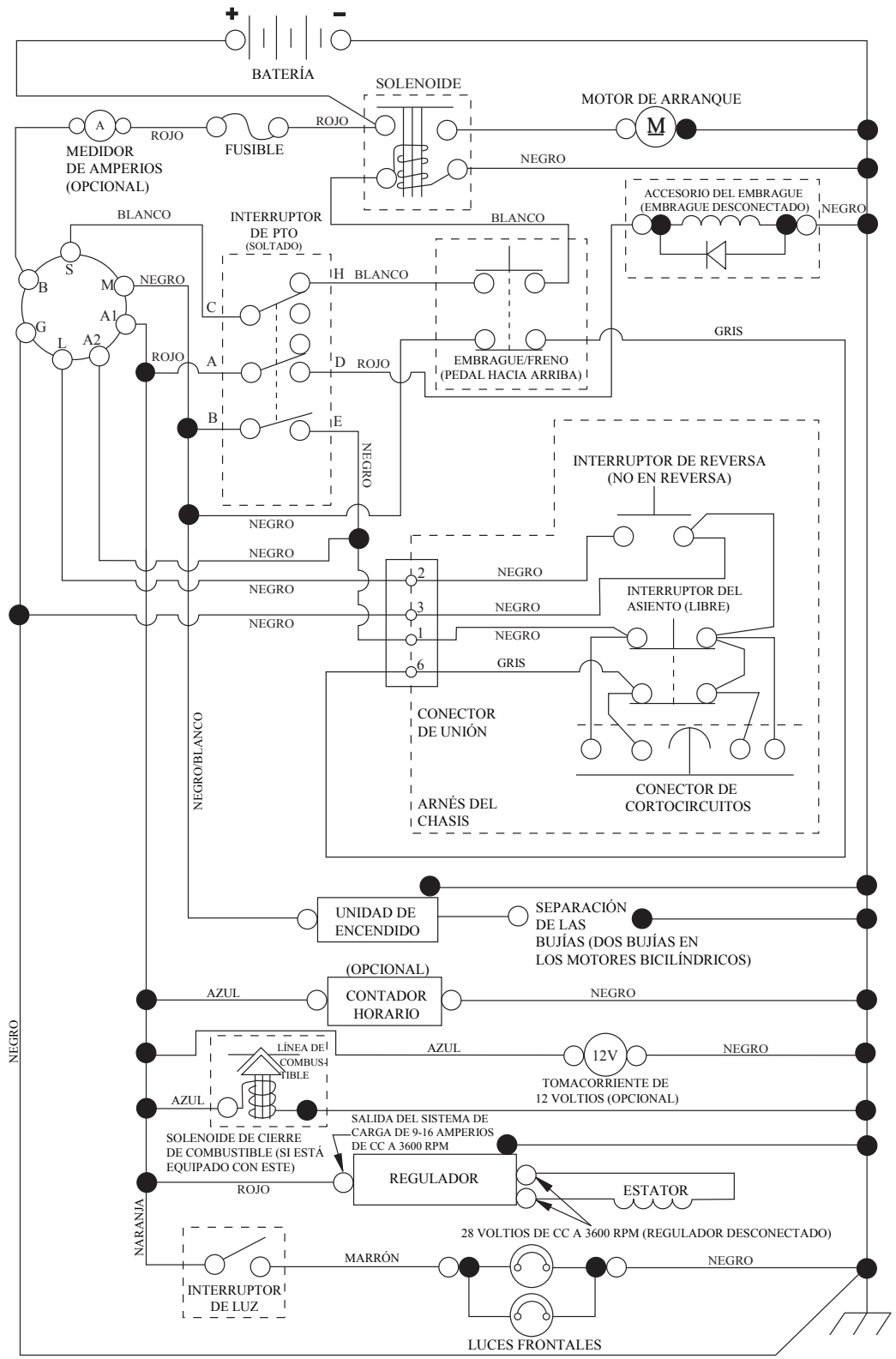
KEY NO.	PART NO.	DESCRIPTION
1	532 05 91-92	Cap Valve Tire
2	532 06 51-39	Stem Valve
3	532 13 83-36	Rim Asm 6" Front
4	532 05 99-04	Tube Front (Service Item Only)
5	532 10 62-22	Tire Front 15 x 6-6
6	532 00 02-78	Fitting Grease (Front Wheel Only)
7	532 00 90-40	Bearing Flange (Front Wheel Only)
8	532 17 50-39	Cap Axle
9	532 13 84-68	Tire Rear 20 x 8-8
10	532 00 71-52	Tube Rear (Service Item Only)
11	532 13 83-37	Rim Asm 8" Rear
--	532 14 43-34	Sealant, Tire (10 oz. Tube)

**NOTE:** All component dimensions given in U.S. inches  
1 inch = 25.4 mm

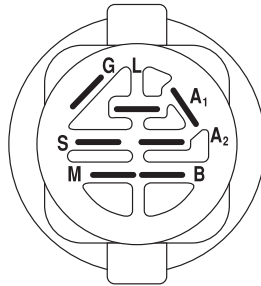
# TRACTOR - - MODELO NO. TS 148 (96041044100), PRODUCTO NO. 960 41 04-41

## DIAGRAMA

SCH12-s

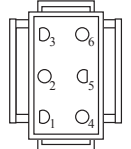


INTERRUPTOR DE PTO (CARA DE ACOPLAMIENTO)

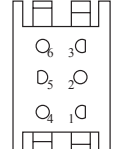


INTERRUPTOR DE ENCENDIDO

POSICIÓN	CIRCUITO «MARCA»
APAGADO	M+G+A1
PONER EN FUNCIONAMIENTO/ANULAR	B+A1
PONER EN FUNCIONAMIENTO	B+A1 L+A2
ARRANCAR	B + S + A1



CONEXIÓN DEL ARNÉS DEL CHASIS (LATERAL QUE COINCIDA)

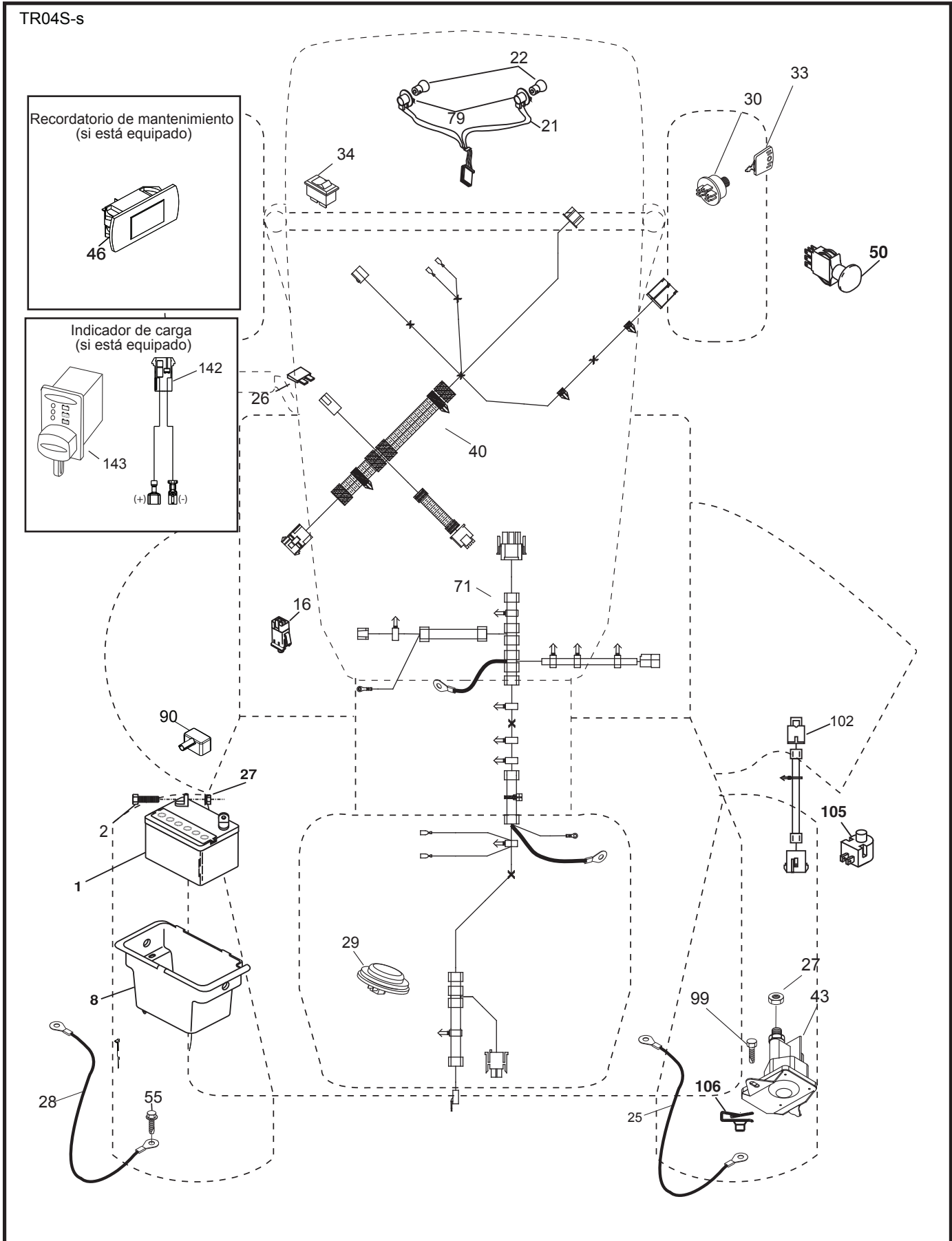


CONEXIÓN PARA EL ARNÉS DEL TABLERO

NOTA SOBRE LAS ABRAZADERAS DE AISLAMIENTO DEL CABLEADO: SI SE QUITAN LAS ABRAZADERAS DE AISLAMIENTO DEL CABLEADO PARA HACER EL MANTENIMIENTO DE LA UNIDAD, SE LAS DEBERÁ INSTALAR NUEVAMENTE PARA PROTEGER EL CABLEADO ADECUADAMENTE.



**TRACTOR -- MODELO NO. TS 148 (96041044100), PRODUCTO NO. 960 41 04-41**  
**DIAGRAMA ELÉCTRICO**

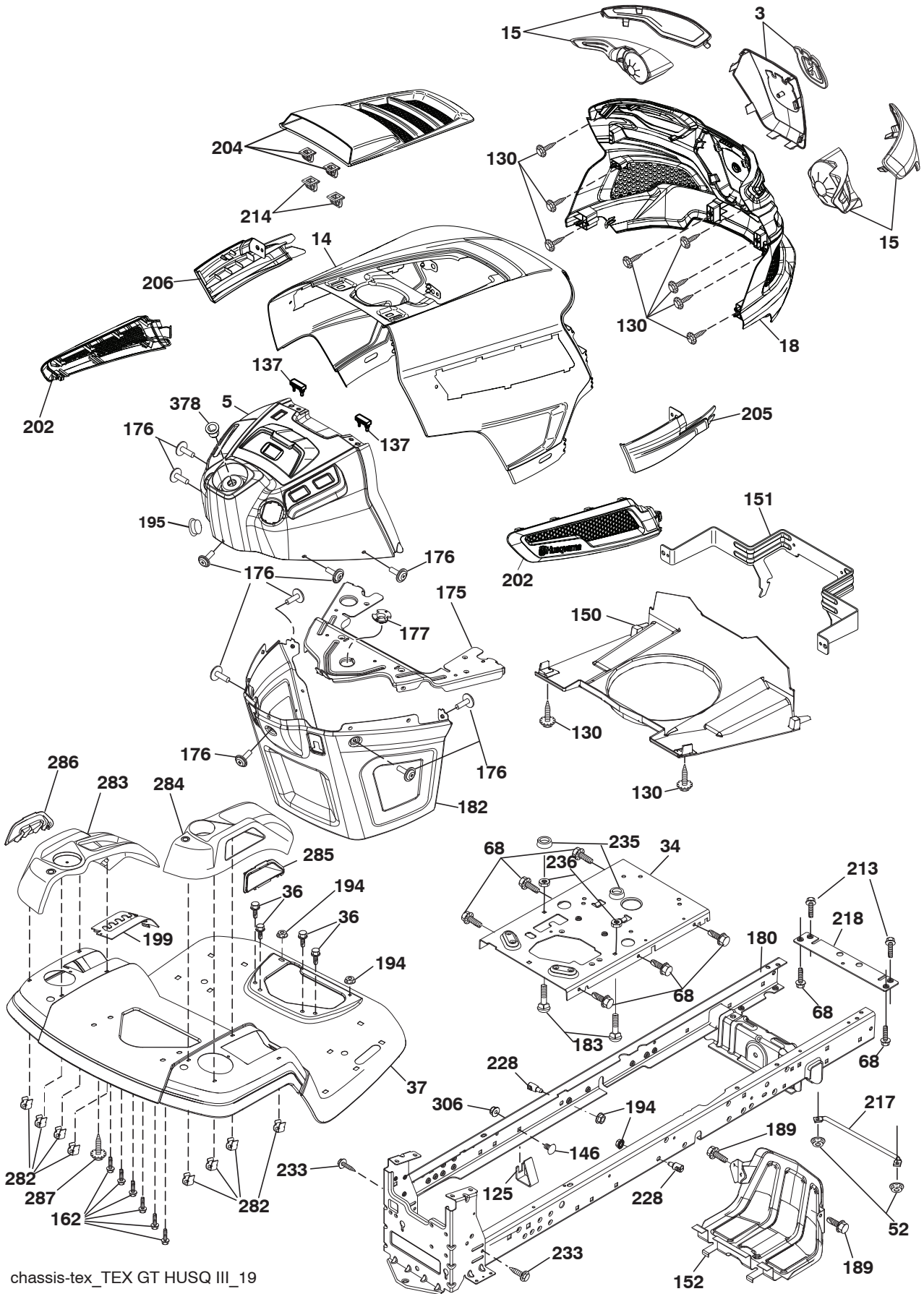


**TRACTOR - - MODELO NO. TS 148 (96041044100), PRODUCTO NO. 960 41 04-41  
DIAGRAMA ELÉCTRICO**

CÓDIGO PIEZA		DESCRIPCIÓN
No.	No.	
1	532 16 34-65	Batería
2	874 76 04-12	Perno de cabeza hexagonal de 1/4-20 x 3/4
8	532 19 32-28	Caja de la batería
16	532 17 61-38	Caja de la batería Interruptor corta corriente a presión
21	532 40 02-52	Cableado del enchufe para la luz c/4152J
22	532 00 41-52	Bombilla de luz
25	581 49 80-01	Cable
26	532 17 51-58	Fusible
27	596 13 36-01	Tuerca 1/4-20
28	532 42 16-86	Cable a tierra
29	532 40 15-45	Interruptor del asiento
30	532 19 33-50	Interruptor de encendido
33	532 41 19-33	Llave/cadena
34	532 11 07-12	Interruptor de luz/de restauración
40	581 02 32-01	Cableado del tablero de encendido
43	582 04 28-02	Solenoid
46	594 91 91-01	Hourmeter, Svminder
50	582 10 76-04	cuentahoras toma de fuerza
55	817 06 05-12	Tornillo de 5/16-18 x 3/4
71	501 13 37-01	Cableado de encendido
79	532 17 52-42	Enchufe de cierre por torsión del ensamble de la bombilla
90	532 43 53-95	Tapa de los bornes de la batería
99	817 67 04-12	Tornillo
102	532 40 44-54	Cableado
105	532 40 75-68	Interruptor
106	532 17 48-14	Tuerca

**NOTA:** Las dimensiones de todos los componentes están expresadas en pulgadas americanas. 1 pulgada = 25,4 mm

**TRACTOR - - MODELO NO. TS 148 (96041044100), PRODUCTO NO. 960 41 04-41**  
**CHASIS**



chassis-tex\_TEX GT HUSQ III\_19

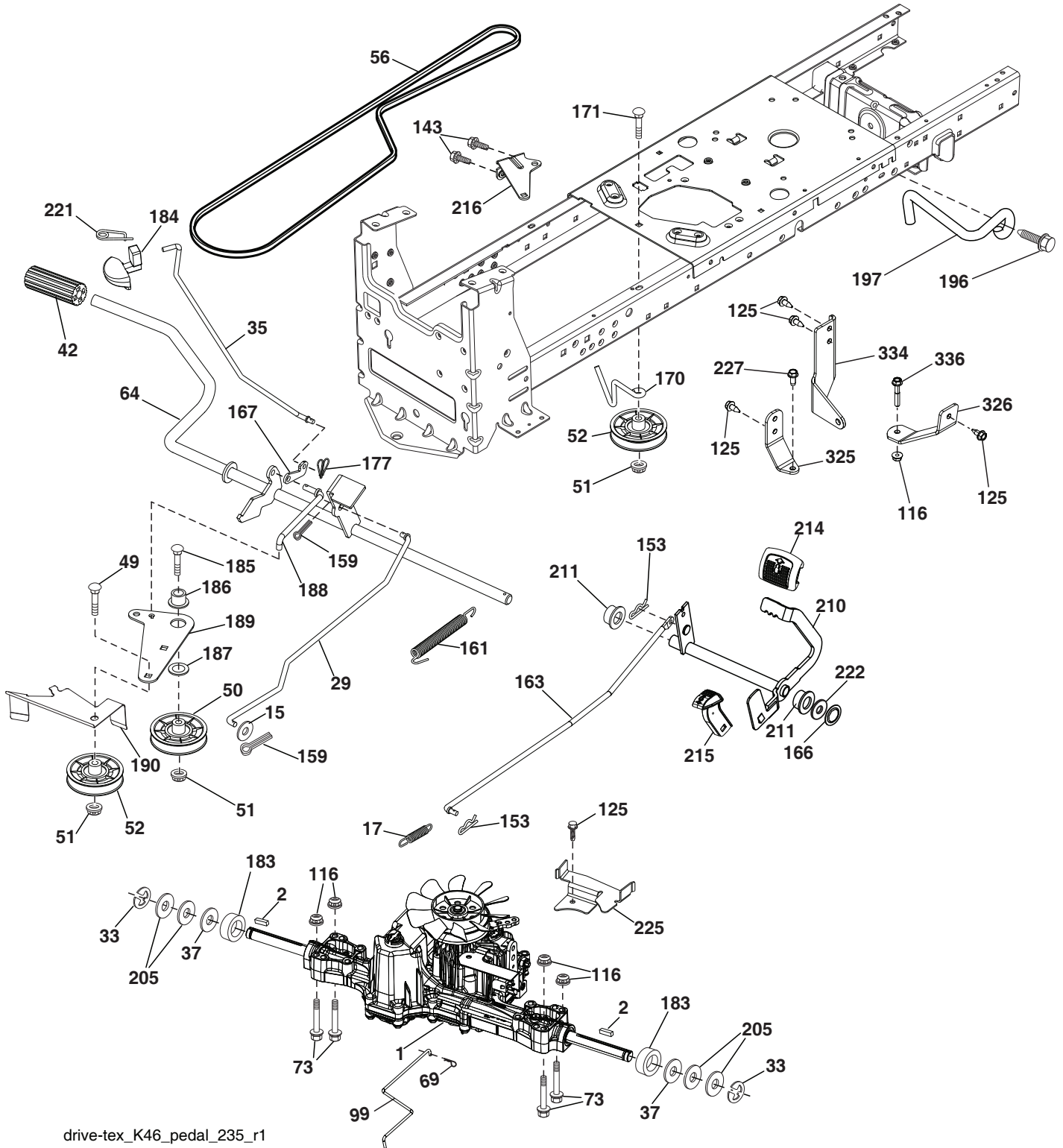
**TRACTOR - - MODELO NO. TS 148 (96041044100), PRODUCTO NO. 960 41 04-41 CHASIS**

<b>CÓDIGO NO.</b>	<b>PIEZA NO.</b>	<b>DESCRIPCIÓN</b>	<b>CÓDIGO NO.</b>	<b>PIEZA NO.</b>	<b>DESCRIPCIÓN</b>
3	597 68 82-01	Kit de logotipo (Incluye aplique y emblema.)	195	532 40 41-37	Enchufe Dash
5	590 74 88-13	Tablero	199	532 41 34-85	Chapa
14	532 44 11-77	Capota	202	597 86 77-01	Kit, ventilación lateral, LI y LD (incluye ventilaciones laterales LH / LD)
15	597 86 78-01	Kit de faros incandescentes (incluye lente LI/LD y carcasa LI/LD)	204	597 40 80-01	Kit, ventilación parte superior, LI y LD (incluye ventilaciones laterales LH / LD)
18	597 40 71-01	Parrilla, submontaje, Jus, GT3, incandescente	205	532 43 97-30	Camisa (LD)
34	580 91 08-01	Placa	206	532 43 97-29	Camisa (LI)
36	817 06 05-12	Tornillo de 5/16-18 x 3/4	213	596 03 05-01	Perno de cabeza hexagonal de 5/16-18 unc x 3/4
37	532 44 12-66	Guardabarros	214	532 19 91-45	Cierre
52	596 04 05-01	Tuerca de presión, Hex, Prvl, 5/16-18	217	532 40 91-67	Varilla giratoria
68	596 03 07-01	Tornillo hexagonal, 5/16-18 x 1/2	218	532 19 63-95	Tope
125	581 68 48-01	Soporte	228	593 82 40-01	Sujetador w/"D" anti rotación
130	596 32 17-01	Tornillo No. 10 x 0,750 con rosca reforzada	233	532 19 65-39	Perno con resalto
137	532 40 75-90	Cubierta Tablero	235	596 56 42-01	Separador del guardabarros, Clr, Zn
146	581 85 79-01	Perno	236	873 93 05-00	Tuerca de presión 5/16-18 unc
150	532 43 97-74	Cubierta	282	532 41 41-10	Pinzas de retención
151	532 43 66-70	Soporte de Capota	283	532 44 20-39	Consola de la plataforma de elevación
152	532 43 98-70	Protector contra oscurecimiento	284	532 43 98-23	Consola cambio
162	596 13 41-01	Tornillo, Hex, Tap, 1/4-15 x 12	285	532 41 63-15	Consola inserto (LD)
175	590 60 77-02	Chapa, pnt, travesaño, Husq/Pre	286	532 41 63-17	Consola inserto (LI)
176	532 40 07-76	Tornillo de 10-24 x 5/8	287	817 60 04-06	Tornillo 1/4-20 X 3/8
177	532 19 52-28	Buje de dirección	306	873 90 06-00	Tuerca
180	532 19 54-57	Chasis	378	590 84 98-01	Buje
182	586 73 86-02	Tablero inferior	--	597 33 48-01	Cubierta
183	595 30 57-01	Tornillo, hexagonal, 5/16-18 x 1-1/4			
189	817 00 05-12	Tornillo			
194	596 13 57-01	Tuerca de presión, Prvl, Torq, 5/16-18 x .68			

**NOTA:** Las dimensiones de todos los componentes están expresadas en pulgadas americanas. 1 pulgada = 25,4 mm



TRACTOR - - MODELO NO. TS 148 (96041044100), PRODUCTO NO. 960 41 04-41  
TRANSMISIÓN



drive-tex\_K46\_pedal\_235\_r1



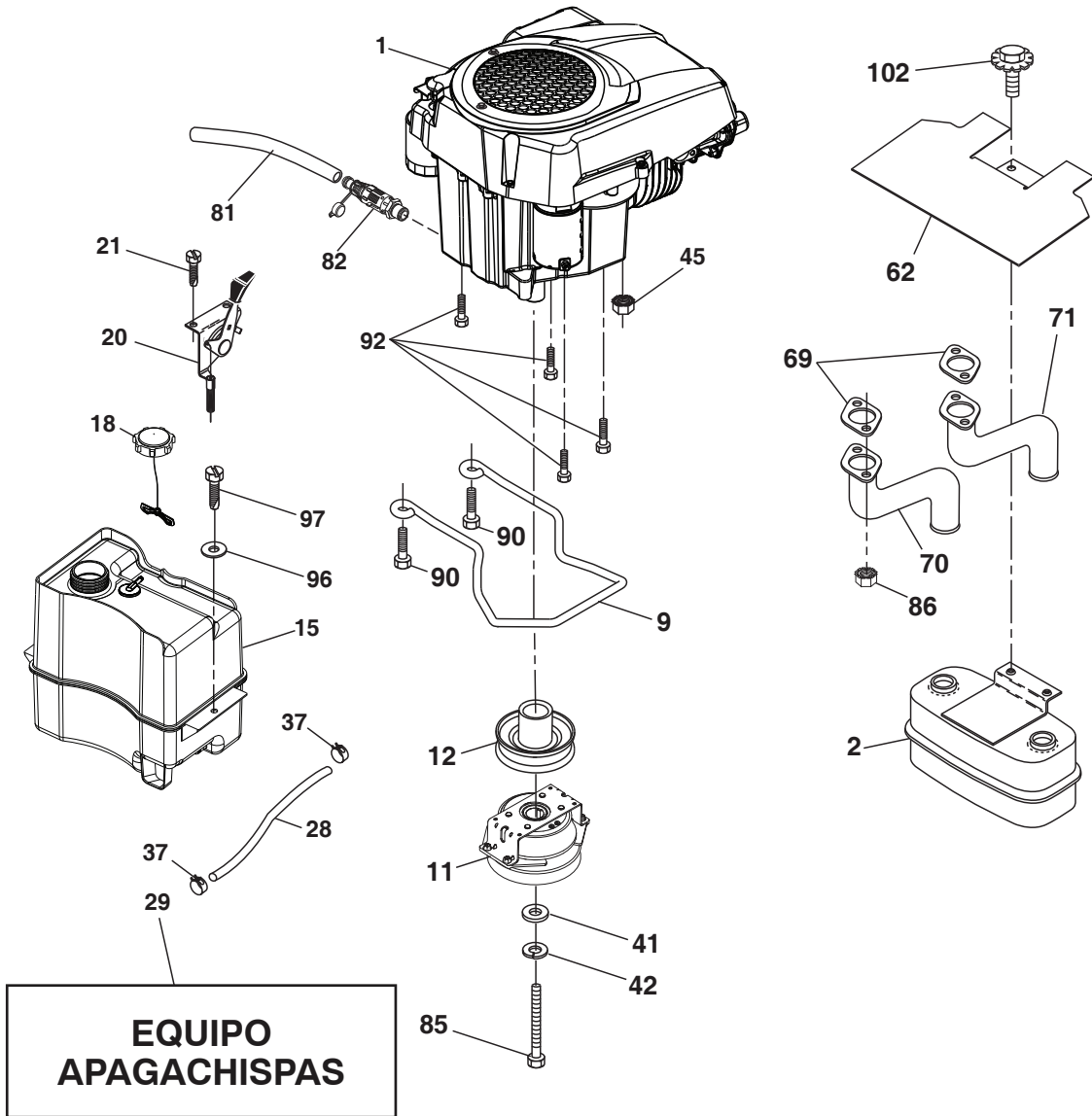
# TRACTOR - - MODELO NO. TS 148 (96041044100), PRODUCTO NO. 960 41 04-41

## TRANSMISIÓN

CÓDIGO No.	PIEZA No.	DESCRIPCIÓN	CÓDIGO No.	PIEZA No.	DESCRIPCIÓN
1	---	Transeje, TuffTorq K46BT (426120) (Haga el pedido de las piezas al fabricante del transeje)	183	532 13 70-57	Separador del eje
2	532 12 35-83	Cuña	184	587 65 37-01	Manija del freno de mano
15	596 56 53-01	Arandela 3/8 x 0.8	185	872 11 06-22	Perno 3/8-16 unc 2-3/4 grado 5
17	532 41 36-78	Resorte de freno	186	532 19 43-21	Espaciador de retención
29	532 40 38-06	Varilla del freno	187	596 13 55-01	Arandela 13/32 x 2
33	812 00 00-01	Aro E	188	582 21 70-01	Mecanismo de desplazamiento de la varilla de mando del embrague del largo
35	583 86 45-02	Varilla del freno de mano	189	532 19 43-17	Mecanismo de desplazamiento de la palanca acodada del mecanismo de desplazamiento
37	532 18 89-67	Arandela	190	532 19 43-18	Sujetador de la palanca acodada del mecanismo de desplazamiento
42	532 00 88-83	Cubierta del pedal	196	817 00 06-16	Tornillo 3/8-16 x 1
49	596 13 62-01	Perno 3/8-16 x 3/4	197	585 65 86-02	Forma de alambre, embrague
50	532 19 43-27	Polea loca plana	205	532 12 17-48	Arandela de 25/32 x 1-5/8 calibre 16
51	873 90 06-00	Tuerca de presión de 3/8-16	210	532 40 09-80	Ensamble del control del pedal
52	532 19 43-26	Polea loca con ranura en V	211	532 12 01-83	Rodamiento de nylon
56	592 85 52-01	Correa trapezoidal de la transmisión	214	532 42 12-63	Forro del pedal para avanzar
64	532 19 78-65	Ensamble del eje Control del pedal de freno	215	586 60 65-02	Forro del pedal para retroceder
69	532 42 33-03	Horquilla de Zinc suave	216	532 19 61-31	Soporte del Polea
73	596 13 65-01	Perno de 5/16-18 x 2 1/2	221	532 40 31-87	Abrazadera de retención del resorte de la manija
99	582 40 45-01	Varilla del ensamble con resorte de desviación	222	879 21 20-10	Arandela de 21/32 x 1-1/4 calibre 10
116	596 13 57-01	Tuerca de presión de 5/16-18 x .68	225	532 40 33-19	Sujetador de la correa
125	817 00 05-12	Tornillo de 5/16-18 x 3/4	227	596 13 59-01	Tornillo 5/16-18 x 3/4
143	596 03 07-01	Tornillo de 5/16-18 x 1/2	325	585 66 85-02	Soporte
153	532 00 44-97	Retén del resorte	326	585 67 08-02	Soporte
159	596 02 95-01	Pasador de chaveta de 1/8 x 3/4	334	585 88 22-02	Barra estabilizadora
161	532 10 57-09	Resorte de retorno del embrague	336	587 25 96-02	Perno 5/16 - 18 x 1-3/4
163	593 86 10-01	Varilla de control			
166	532 42 91-64	Tuerca de presión			
167	532 40 52-57	Pestillo del freno de mano			
170	532 19 43-22	Sujetador de la correa			
171	596 13 63-01	Perno 3/8-16 x 2			
177	596 02 94-01	Abrazadera de retención 1 ln.			

**NOTA:** Las dimensiones de todos los componentes están expresadas en pulgadas americanas. 1 pulgada = 25,4 mm

TRACTOR - - MODELO NO. TS 148 (96041044100), PRODUCTO NO. 960 41 04-41  
MOTOR



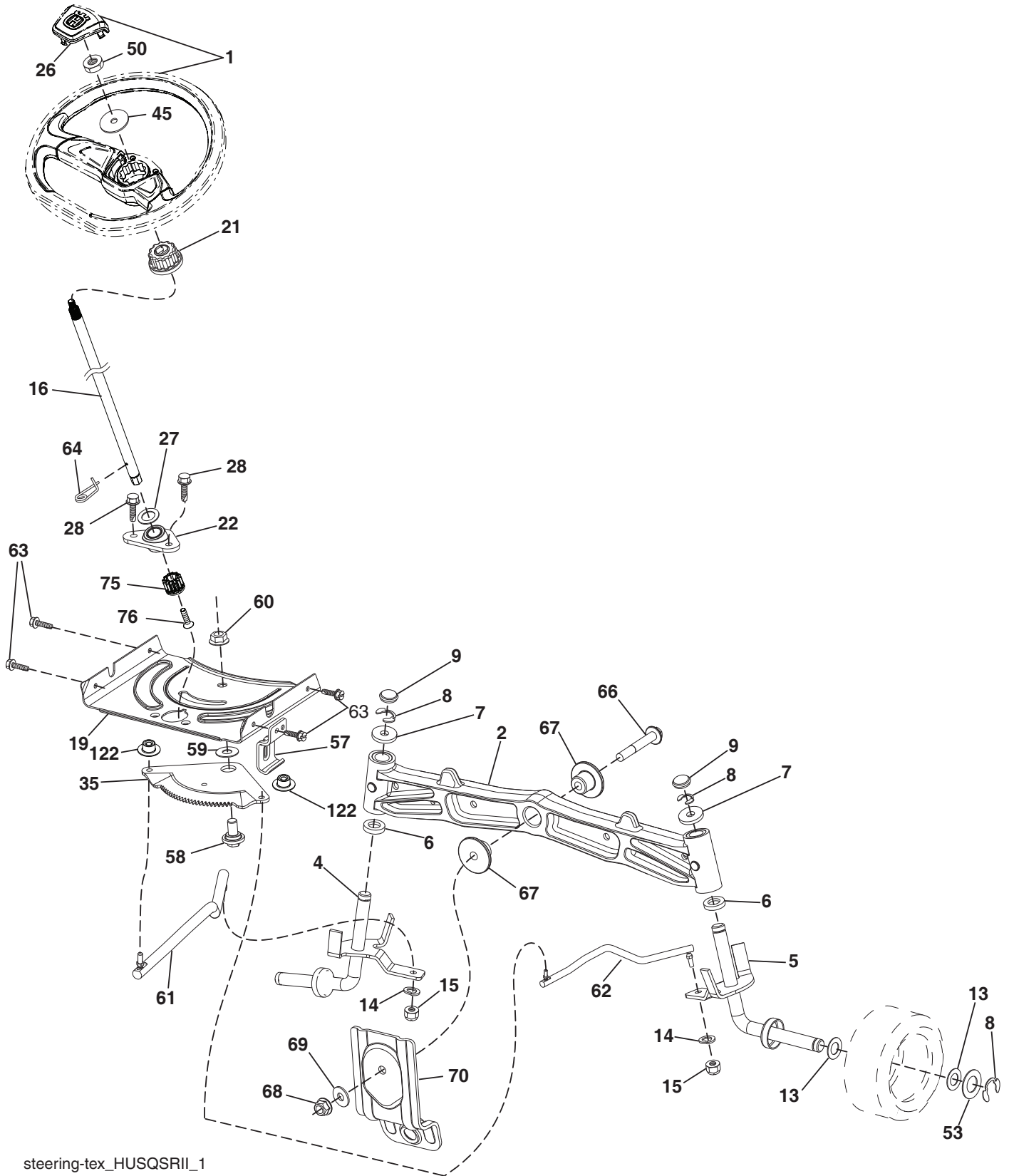
engine-tex\_loncin\_17

**TRACTOR - - MODELO NO. TS 148 (96041044100), PRODUCTO NO. 960 41 04-41  
MOTOR**

<b>CÓDIGO PIEZA</b>		<b>DESCRIPCIÓN</b>
<b>No.</b>	<b>No.</b>	
1	598 63 21-01	Motor Husqvarna Modelo No. HV 764CC. Motor IPL disponible por separado.
2	589 81 87-01	Silenciador
9	501 83 26-02	Ensamble del sujetador de la correa del motor
11	587 24 16-01	Embrague
12	532 40 50-97	Polea del motor
15	581 29 01-01	Tanque de combustible
18	581 17 61-01	Ensamble de la tapa
20	532 42 35-02	Control del regulador
21	596 32 17-01	Tornillo No. 10 x 0,75 con rosca reforzada
28	532 13 70-40	Línea de combustible
29	532 13 71-80	Equipo apagachispas
37	532 12 34-87	Abrazadera de la manguera
41	532 12 61-97	Arandela 1-1/2 OD x 15/32 ID x .250
42	596 23 89-01	Arandela 7/16
45	593 35 64-01	Brida hexagonal serrada
62	532 43 40-17	Silenciador con pantalla térmica
69	597 90 51-01	Junta
70	597 88 89-01	tubo de escape LI
71	597 88 90-01	tubo de escape LD
81	532 14 84-56	Tubo de fácil drenaje de aceite
82	532 42 82-87	1álvula del drenaje de aceite
85	501 60 66-01	Perno de 7/16-20 x 4 grado 5
86	532 18 43-62	Tuerca hexagonal con brida
90	817 00 06-16	Tornillo de 3/8-16 x 1
92	817 12 06-16	Tornillo de 3/8-16 x 1
96	596 13 53-01	Arandela de 9/32 x 7/8 x calibre 16
97	817 67 04-12	Tornillo de 1/4-20 x 3/4
102	817 00 05-12	Tornillo 5/16-18 x 3/4

**NOTA:** Las dimensiones de todos los componentes están expresadas en pulgadas americanas. 1 pulgada = 25,4 mm

TRACTOR - - MODELO NO. TS 148 (96041044100), PRODUCTO NO. 960 41 04-41  
ENSAMBLE DE LA DIRECCIÓN



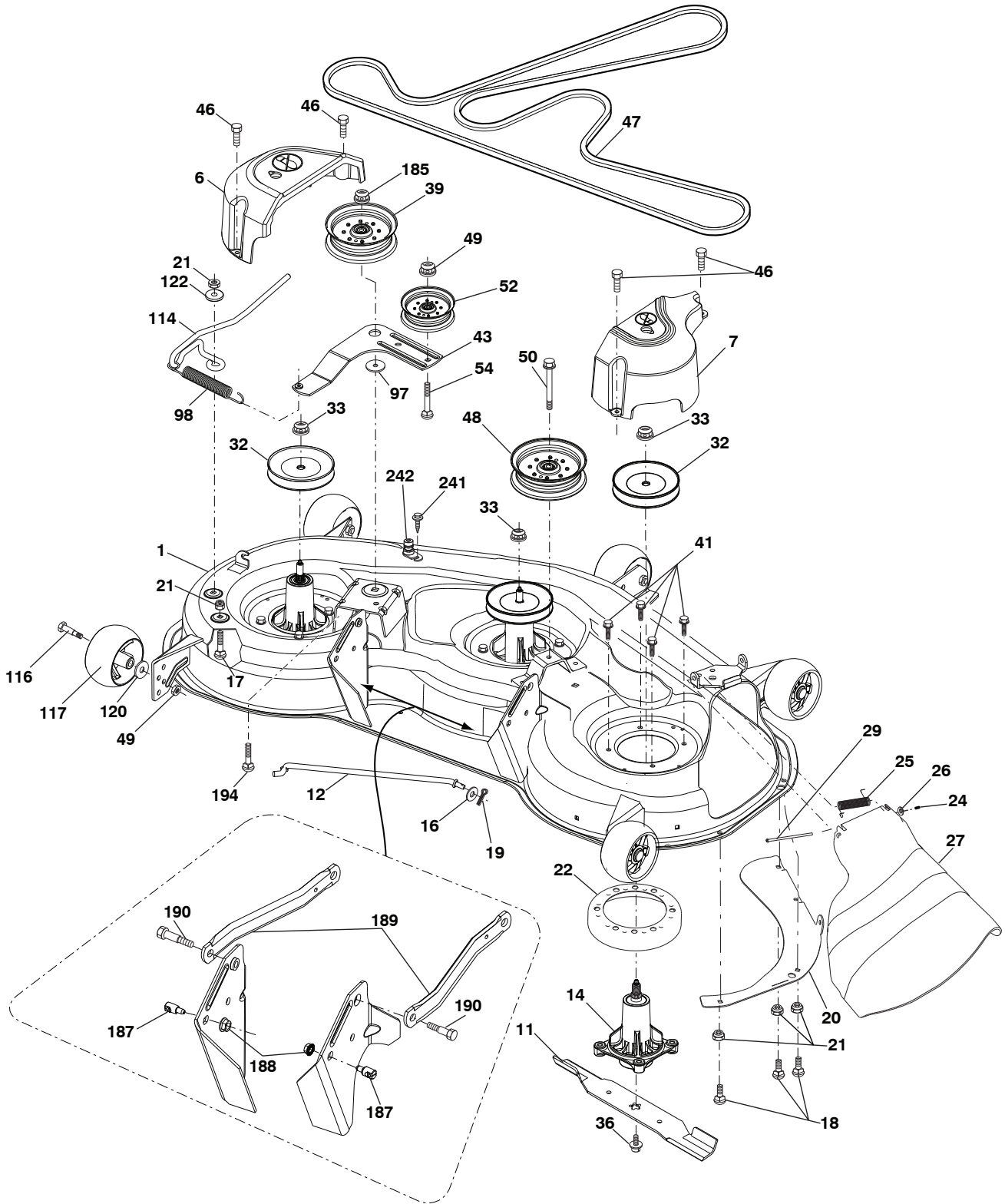
steering-tex\_HUSQSR11\_1

**TRACTOR - - MODELO NO. TS 148 (96041044100), PRODUCTO NO. 960 41 04-41  
ENSAMBLE DE LA DIRECCIÓN**

<b>CÓDIGO No.</b>	<b>PIEZA No.</b>	<b>DESCRIPCIÓN</b>
1	597 86 61-01	Kit, rueda, dirección (Incluye volante y tapa del volante)
2	532 19 59-68	Eje
4	532 40 30-87	Ensamble del husillo izquierdo
5	532 40 30-88	Ensamble del husillo derecho
6	532 00 62-66	Arandela
7	532 12 17-48	Arandela de 25/32 x 1-5/8 calibre 16
8	812 00 00-29	Abrazadera del aro No. T5304-75
9	532 12 12-32	Tapa del husillo
13	532 12 17-49	Arandela de 25/32 x 1-1/4 calibre 16
14	596 23 87-01	Arandela .381 x .680
15	873 54 06-00	Tuerca corona de presión de 3/8-24 unf
16	587 01 60-02	Eje de dirección
19	532 19 47-29	Placa de dirección
21	586 84 02-01	Adaptador del volante de dirección
22	585 02 98-02	Rodamiento
26	594 94 91-01	Rueda, dirección, tapa
27	596 93 34-01	Arandela
28	817 00 06-12	Tornillo de 3/8-16 x 3/4
35	532 19 47-32	Engranaje del sector de la placa
45	587 01 64-01	Arandela 3/8 ID 2-3/8 OD calibre 12 PLTD
50	873 90 06-00	Tuerca 3/8-16 unc
53	532 18 89-67	Arandela reforzada de 793 x 1637 x 0,060
57	532 19 72-46	Tope superior del soporte
58	532 19 47-47	Perno de tope del sector del pivote CFM
59	532 19 47-48	Arandela de empuje del sector de dirección
60	873 97 10-00	Tuerca de presión con brida de 5/8-11
61	597 07 02-02	Barra de acoplamiento izquierda
62	597 07 03-02	Barra de acoplamiento derecha
63	817 00 05-12	Tornillo de 5/16-18 x 3/4
64	532 19 98-49	Abrazadera de retención del resorte de la dirección
66	871 02 07-48	Perno de cabeza 7/16-14 x 3
67	532 19 47-37	Buje PM del eje delantero
68	873 90 07-00	Tuerca de presión con brida de 7/16-14 grado 5
69	532 19 91-62	Arandela de 1,5 x 0,505 x 0,118
70	585 33 88-01	Soporte de la plataforma delantera
75	580 68 37-01	Piñón
76	580 68 36-01	Tornillo
122	532 44 49-62	Tapa

**NOTA:** Las dimensiones de todos los componentes están expresadas en pulgadas americanas. 1 pulgada = 25,4 mm

**TRACTOR - - MODELO NO. TS 148 (96041044100), PRODUCTO NO. 960 41 04-41**  
**PLATAFORMA DE LA CORTADORA DE CÉSPED**



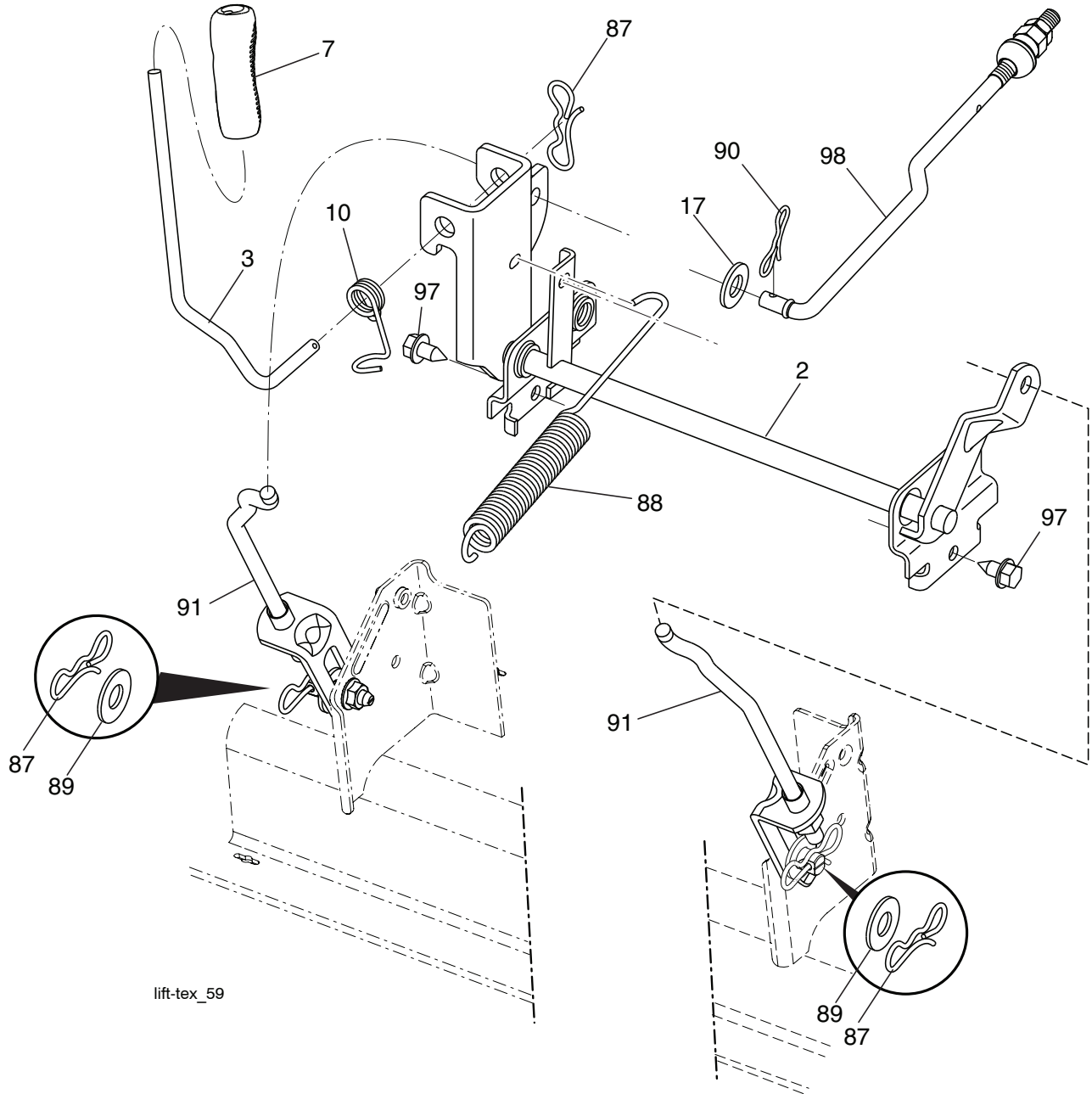
48\_Deck\_tex\_58\_r1

**TRACTOR - - MODELO NO. TS 148 (96041044100), PRODUCTO NO. 960 41 04-41  
PLATAFORMA DE LA CORTADORA DE CÉSPED**

CÓDIGO PIEZA		DESCRIPCIÓN	CÓDIGO PIEZA		DESCRIPCIÓN
No.	No.		No.	No.	
1	532 40 12-39	Kit, SVC, soldadura	48	532 19 73-79	Polea loca 4.50 RAW
6	532 19 72-48	Cubierta izquierda del mandril	49	873 90 06-00	Tuerca de presión con brida 3/8-16 unc
7	587 45 24-01	Cubierta derecha del mandril	50	817 49 06-36	Tornillo TT 3/8-16 x 2-1/4
11	532 18 00-54	Cuchilla de la cortadora	52	532 19 31-97	Polea loca primaria 48"
12	532 40 48-51	Varilla	54	596 13 61-01	Arandela 3/8-16 x 1-1/2
14	587 82 03-01	Conjunto, mandril, no engrasable, alto (incluye mandril asm y pernos)	97	532 17 85-15	Arandela
16	596 13 32-01	Arandela 13/32 x 13/16 x calibre 12	98	532 19 61-05	Accionamiento por resortes
17	596 43 57-01	Perno 5/16-18 x 1.02 Gr. 5	114	532 19 74-51	Varilla
18	596 13 64-01	Perno, 5/16-18 x 5/8	116	596 43 44-04	Perno 3/8-16 x 3-5/8
19	532 19 42-08	Pasador de chaveta de 5/16 con bloqueo en forma de mariposa	117	589 52 73-01	Calibrador de la rueda
20	532 17 43-78	Torbellino de deflector	120	596 13 49-01	Arandela, 3/8 x 7/8
21	596 04 05-01	Tuerca 5/16-18	122	532 18 75-57	Buje
22	532 17 44-93	Separador de mandril	185	873 90 07-00	Tuerca de presión con brida 7/16-14 grado 5
24	532 10 53-04	Tapa de la manga	187	593 82 40-01	Sujetador del travesaño
25	532 17 81-02	Resorte de torsión	188	596 13 57-01	Tuerca de presión de 5/16-18 x .68
26	532 11 04-52	Tuerca	189	587 14 05-02	Brazo de la suspensión trasera
27	532 18 17-07	Protector del deflector	190	532 19 65-39	Perno de tope
29	595 29 70-01	Varilla de la bisagra	194	874 49 07-36	Perno 7/16-24
32	532 15 35-32	Polea del mandril	241	532 15 29-27	Tornillo TT #10-32.5 3/8
33	596 13 48-01	Tuerca 9/16-18 x 1.010	242	532 41 55-98	Puerto de Lavado de la Cubierta
36	584 30 93-01	Tornillo 7/16-20 x 1	--	532 41 64-05	Accesorio del conexión
39	532 19 73-80	Polea loca 4.50	--	598 53 16-01	Cortadora de césped SVC 48"
41	584 95 39-01	Perno 313-18 x 1.19			
43	532 19 60-65	Brazo de la polea			
46	532 13 77-29	Tornillo 1/4-20 x 5/8			
47	593 77 34-01	Correa de la transmisión			

**NOTA:** Las dimensiones de todos los componentes están expresadas en pulgadas americanas. 1 pulgada = 25,4 mm

**TRACTOR - - MODELO NO. TS 148 (96041044100), PRODUCTO NO. 960 41 04-41  
ELEVACIÓN DE LA CORTADORA DE CÉSPED**



lift-tex\_59

**CÓDIGO PIEZA**

No.	No.	DESCRIPCIÓN
2	532 42 20-27	Ensamble del eje de la elevación
3	594 01 80-01	Ensamble de la palanca de elevación derecha
7	580 96 23-01	Mango de la palanca
10	532 19 63-14	Resorte de torsión
17	594 97 65-01	Arandela 15/32 x 15/16 x 16 x .065
87	532 19 42-09	Pasador de chaveta de 7/16 con bloqueo en forma de mariposa
88	532 41 07-10	Resorte de ayuda de la elevación
89	819 19 19-12	Arandela de zinc transparente

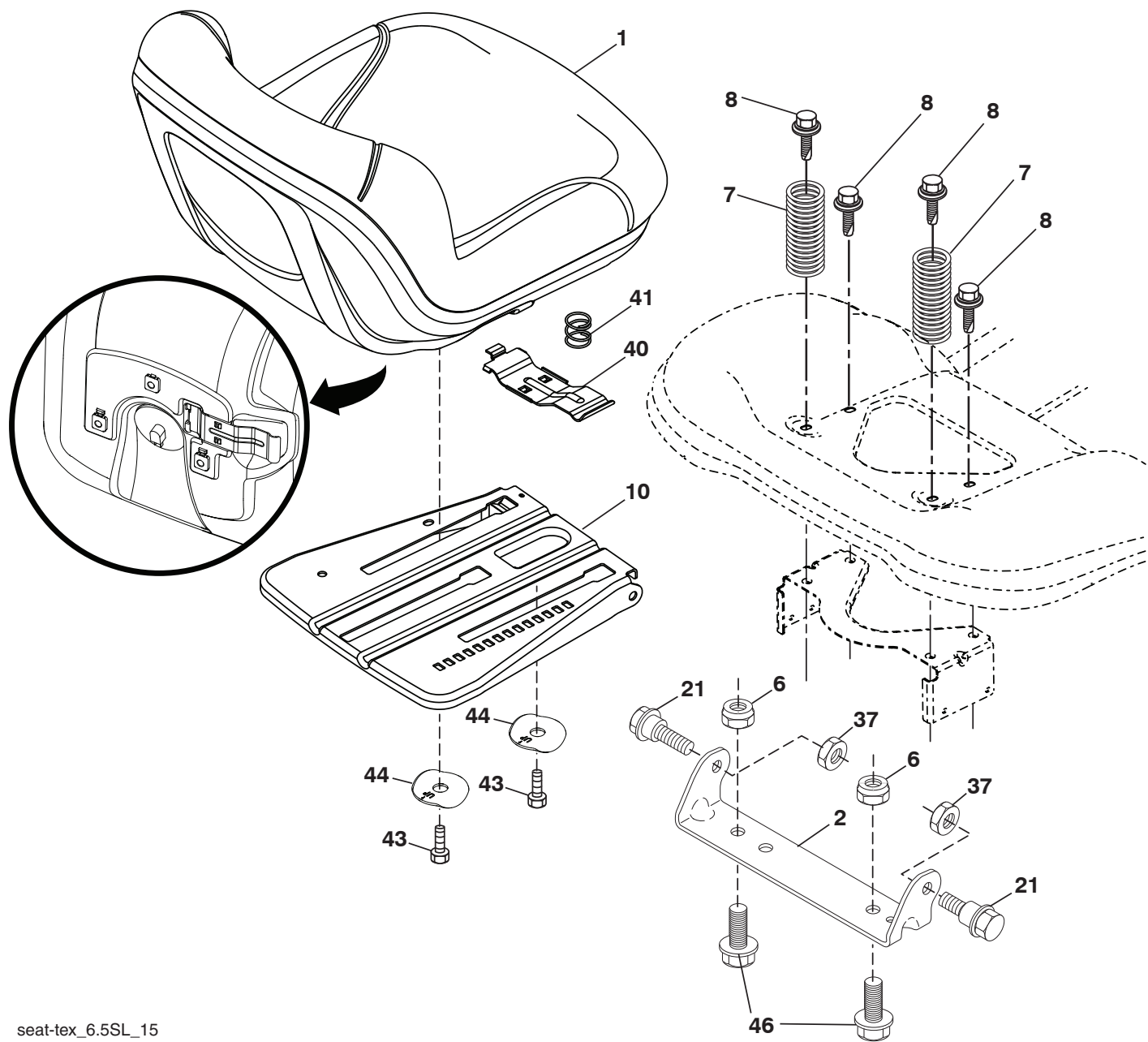
**CÓDIGO PIEZA**

No.	No.	DESCRIPCIÓN
90	532 19 42-08	Pasador de chaveta de 5/16 con bloqueo en forma de mariposa
91	589 46 48-03	Ensamble del acoplamiento Elevación trasera
97	817 00 06-12	Tornillo de 3/8-16 x 3/4
98	581 50 69-02	Acoplamiento frontal de la elevación de la cortadora de césped

**NOTA:** Las dimensiones de todos los componentes están expresadas en pulgadas americanas. 1 pulgada = 25,4 mm



**TRACTOR - - MODELO NO. TS 148 (96041044100), PRODUCTO NO. 960 41 04-41  
ENSAMBLE DEL ASIENTO**



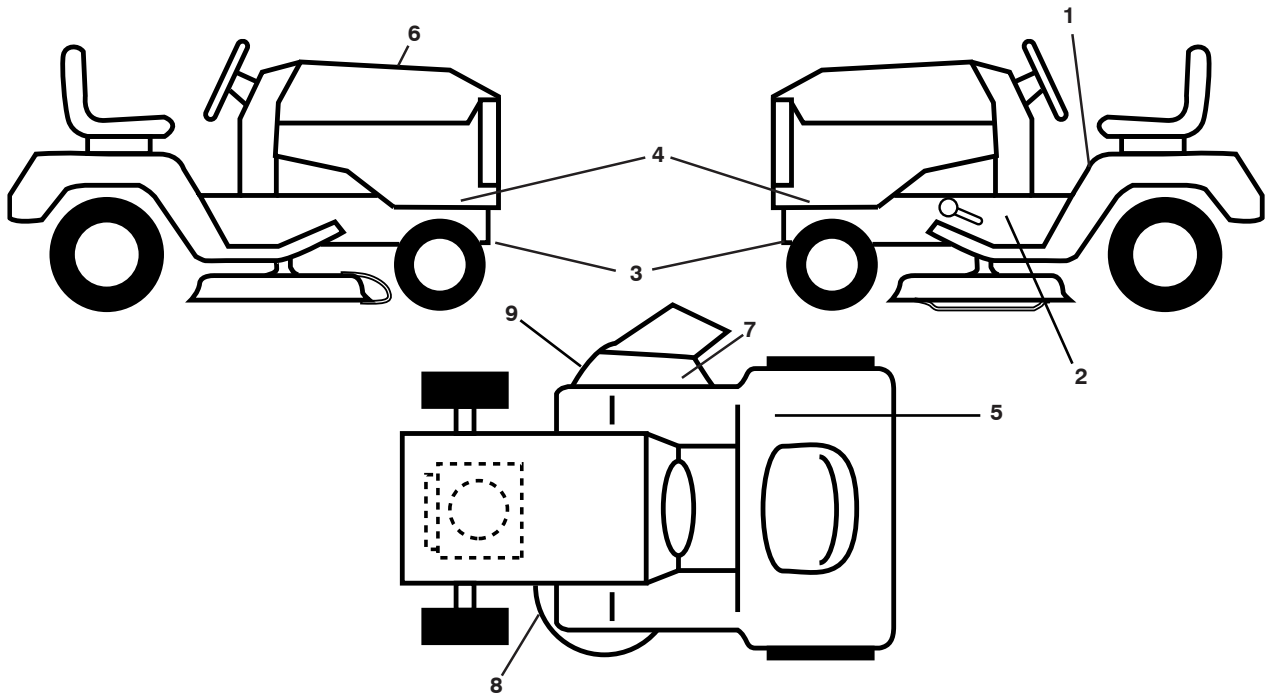
seat-tex\_6.5SL\_15

CÓDIGO PIEZA		DESCRIPCIÓN
No.	No.	
1	532 43 98-22	Asiento
2	532 18 01-66	Soporte pivotante del guardabarros
6	873 80 06-00	Tuerca de presión c/aislamiento de 3/8-16 unc
7	589 48 35-01	Placa, asiento
8	532 17 18-77	Perno de 5/16" unc x 3/4"
10	596 65 74-02	Bandeja del asiento
21	587 90 78-01	Perno de 5/16-18 x 5/8
37	596 58 37-02	Perno, Blk, Znc

CÓDIGO PIEZA		DESCRIPCIÓN
No.	No.	
40	595 08 81-02	Manija para deslizar el asiento
41	532 19 82-00	Resorte para trabar el asiento
43	874 76 06-12	Perno de cabeza hexagonal con aleta de 3/8-16 unc x 3/4
44	501 05 18-01	Arandela
46	588 09 04-01	Perno 3/8-16 x 1, 1.25

**NOTA:** Las dimensiones de todos los componentes están expresadas en pulgadas americanas. 1 pulgada = 25,4 mm

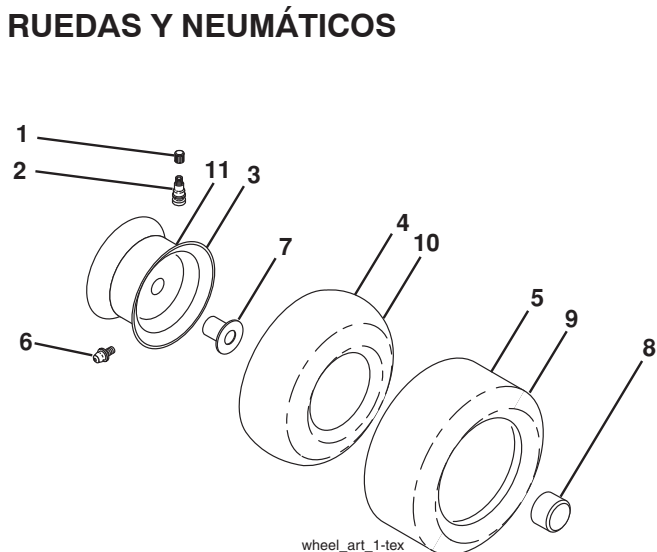
**TRACTOR - - MODELO NO. TS 148 (96041044100), PRODUCTO NO. 960 41 04-41  
CALCOMANÍAS**



CÓDIGO No.	PIEZA No.	DESCRIPCIÓN
1	586 04 73-02	Calcomanía para el guardabarros del operador
2	581 57 96-01	Calcomanía para silenciador caliente
3	581 57 98-01	Calcomanía, Advertencia
4	598 46 21-01	Calcomanía tablero lateral
5	598 46 35-01	Calcomanía el consumo
6	598 62 44-01	Calcomanía de reemplazo
7	584 90 46-01	Calcomanía, Advertencia
8	581 58 00-02	Calcomanía del diagrama de la cortadora de césped Correa trap-ezoidal
9	581 57 92-01	Calcomanía para advertencia de deflector

CÓDIGO No.	PIEZA No.	DESCRIPCIÓN
--	581 72 46-01	Calcomanía para chasis
--	581 72 48-01	Calcomanía para la desviación
--	532 43 96-81	Forro del apoyo para los pies (LI)
--	532 43 96-82	Forro del apoyo para los pies (LD)
--	114 19 87-49	Manual de Operario (Español/ Inglés)
--	114 19 95-32	Manual del Operario (Francés)
--	114 19 91-70	Manual del Operario (Portugués)
--	114 17 58-49	Manual De Repuestos (Español/ Inglés)
--	114 17 59-32	Manual de Repuestos (Francés)
--	114 17 61-70	Manual de Repuestos (Portugués)

**RUEDAS Y NEUMÁTICOS**



CÓDIGO No.	PIEZA No.	DESCRIPCIÓN
1	532 05 91-92	Tapa de la válvula del neumático
2	532 06 51-39	Vástago de la válvula
3	532 13 83-36	Ensamble de las llantas delanteras 6 pulgada
4	532 05 99-04	Cámara delantera (Mantenimiento sólo)
5	532 10 62-22	Neumático delantero de 15 x 6-6
6	532 00 02-78	Accesorio para engrasar (Sólo para la rueda delantera)
7	532 00 90-40	Rodamiento de la brida (Sólo para la rueda delantera)
8	532 17 50-39	Tapa del eje
9	532 13 84-68	Neumático trasero de 20 x 8-8
10	532 00 71-52	Cámara trasera (Mantenimiento sólo)
11	532 13 83-37	Ensamble trasero de la llanta 8 pulgada
--	532 14 43-34	Sellador para neumáticos (tubo de 10 onzas [283 gr])

**NOTA:** Las dimensiones de todos los componentes están expresadas en pulgadas americanas. 1 pulgada = 25,4 mm

---

# NOTES/AVISO

---



[www.husqvarna.com](http://www.husqvarna.com)