

Repair Parts Manual
Manual De Repuestos
TS 248G/ 96043031000

Please read the operator's manual carefully and make sure you understand the instructions before using the machine.

Por favor lea cuidadosamente y comprenda estas instrucciones antes de usar esta maquina.



English/Spanish

114 18 25-27 Rev. 4



HOW TO USE THIS MANUAL

This manual is designed to provide the customer with a means to identify the parts on his/her tractor when ordering repair parts. The illustrations may or may not represent the actual assemblies; therefore, it is not recommended to use this manual as a guide to assemble or disassemble the tractor. Some hardware and parts are drawn larger in order to more readily identify them.

Each tractor has its own model number. The model number for your tractor can be found on the fender under the seat.

Support / Help

If you require assistance or have questions concerning the application, operation, maintenance or parts for your product:

- Visit our website: www.husqvarna.com
- Call Us Toll Free: 1-800-487-5951

When ordering parts, always give the following information:

- Product - "TRACTOR"
- MODEL NUMBER - "TS 248G" (96043031000)"
- Part Number
- Part Description

TABLE OF CONTENTS

SCHEMATIC	3
ELECTRICAL.....	4-5
CHASSIS	6-7
DRIVE.....	8-9
ENGINE.....	10-11
STEERING	12-13
MOWER DECK.....	14-15
MOWER LIFT.....	16
SEAT	17
DECALS.....	18

COMO UTILIZAR ESTE MANUAL

Este manual está diseñado para brindarle al comprador un medio para identificar las piezas del tractor para cuando necesite hacer el pedido de un repuesto. Las ilustraciones pueden o no representar los ensambles reales; por lo tanto, no se recomienda utilizar este manual como una guía para ensamblar o desarmar el tractor. Algunos accesorios y piezas están dibujados en tamaños más grandes para identificarlos con mayor facilidad.

Cada tractor tiene su propio número de modelo. El número de modelo del tractor se encuentra en el guardabarros debajo del asiento.

Soporte / Ayuda

Si necesita asistencia o tiene alguna pregunta acerca de la aplicación, operación, mantenimiento o piezas de su producto:

- Visite nuestro sitio web: www.husqvarna.com
- Llámenos de manera gratuita al: 1-800-487-5951

Cuando haga el pedido de una pieza, siempre brinde la siguiente información:

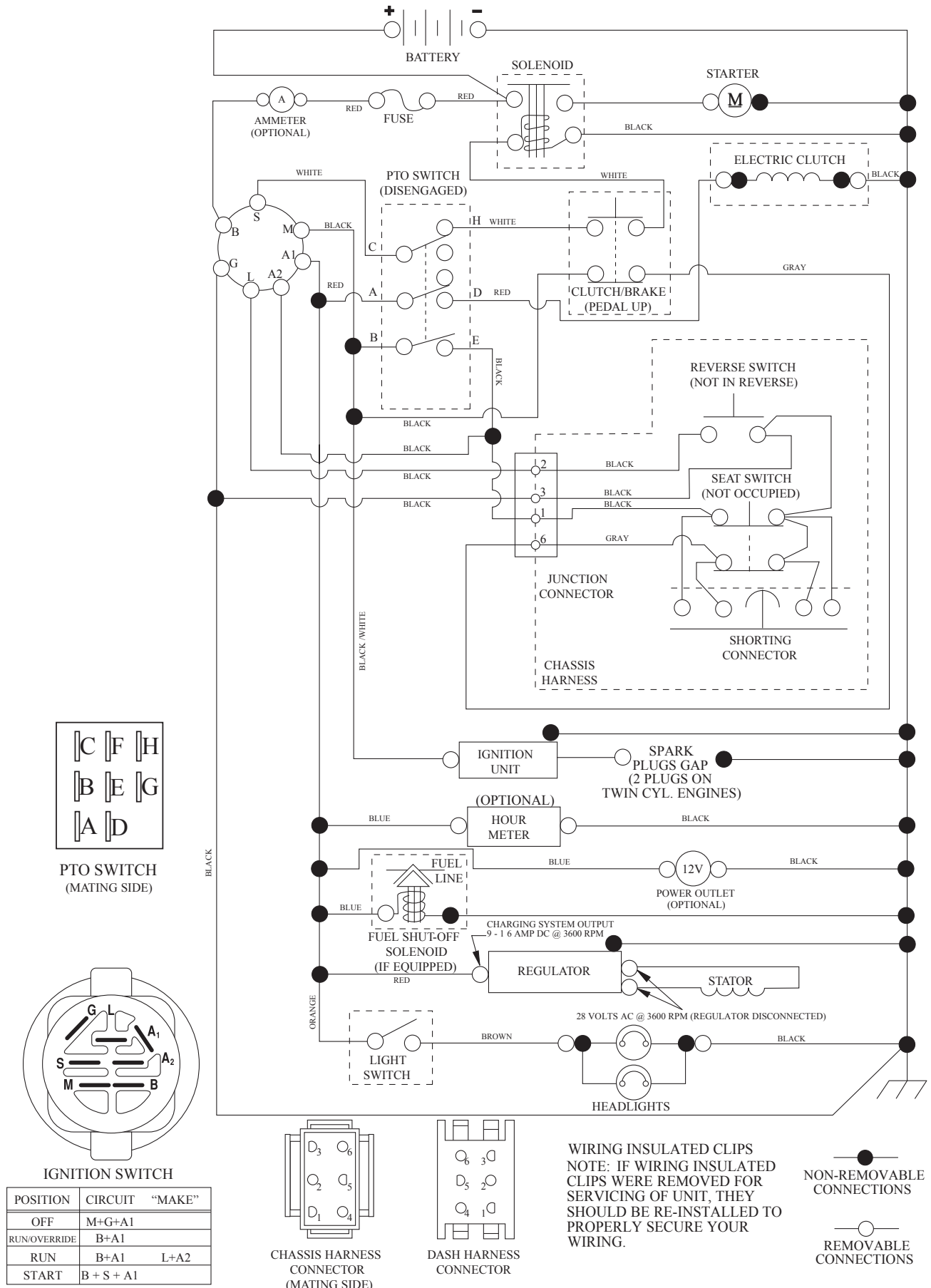
- Producto: "TRACTOR"
- NÚMERO DE MODELO: "TS 248G" (96043031000)"
- Número de pieza
- Descripción de la pieza

ÍNDICE

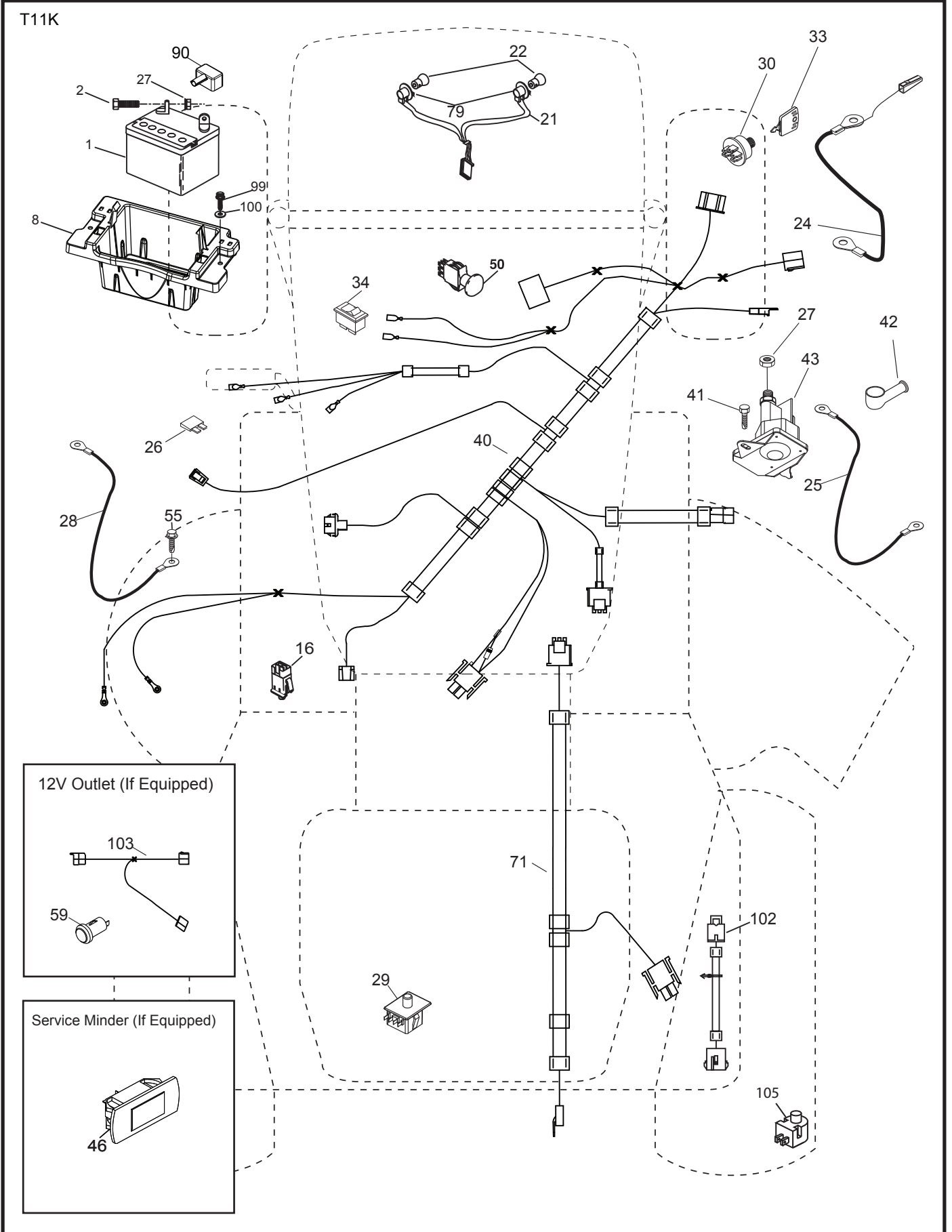
DIAGRAMA.....	19
DIAGRAMA ELÉCTRICO.....	20-21
CHASIS	22-23
TRANSMISIÓN	24-25
MOTOR.....	26-27
DIRECCIÓN	28-29
PLATAFORMA DE LA CORTADORA DE CÉSPED.....	30-31
ELEVACIÓN DE LA CORTADORA DE CÉSPED.....	32
ASIENTO.....	33
CALCOMANÍAS.....	34

TRACTOR - MODEL NO. TS 248G (96043031000), PRODUCT NO. 960 43 03-10 SCHEMATIC

SCH12



**TRACTOR - MODEL NO. TS 248G (96043031000), PRODUCT NO. 960 43 03-10
ELECTRICAL**

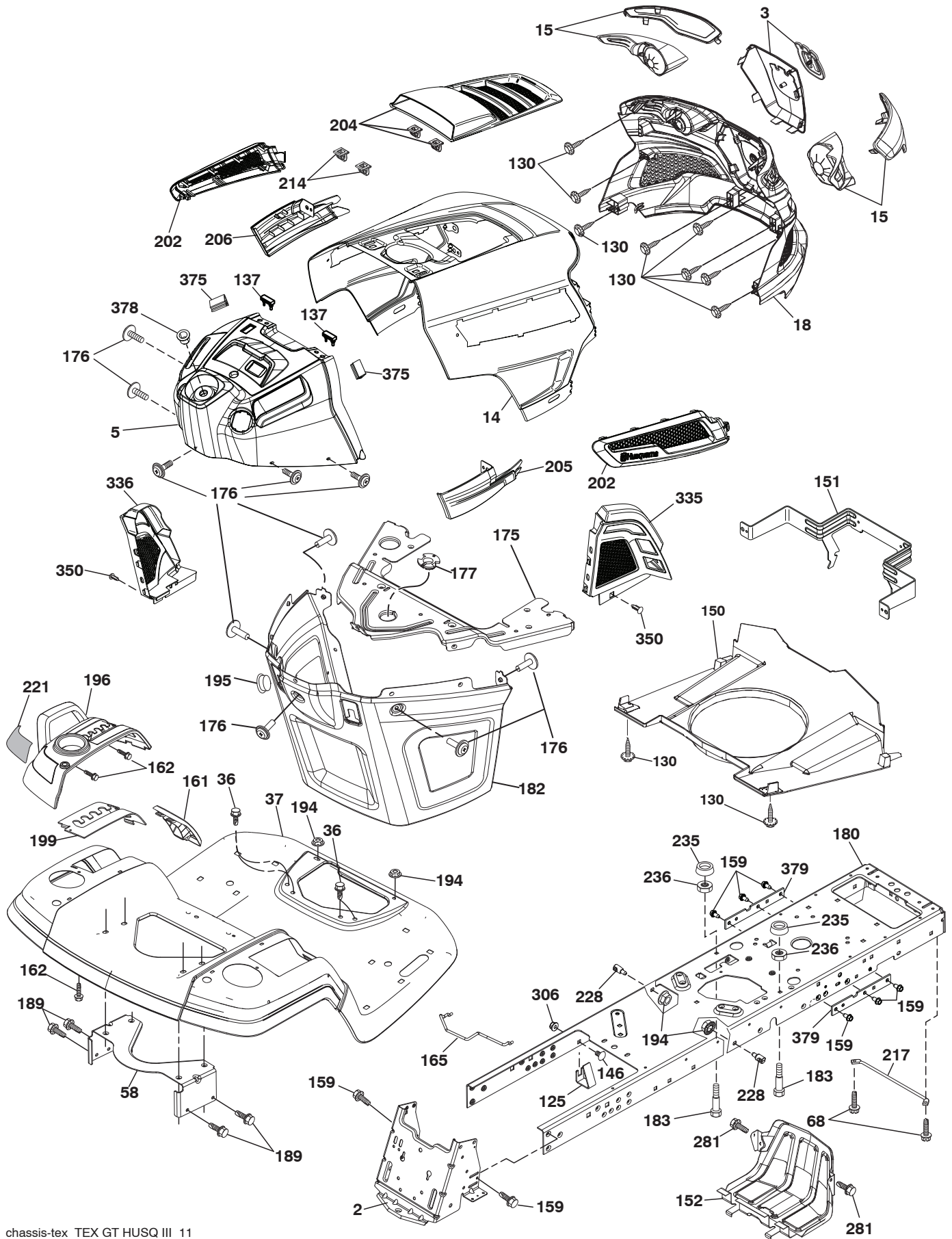


**TRACTOR - MODEL NO. TS 248G (96043031000), PRODUCT NO. 960 43 03-10
ELECTRICAL**

KEY NO.	PART NO.	DESCRIPTION
1	532 16 34-65	Battery
2	874 76 04-12	Bolt Hex Hd 1/4-20 unc x 3/4
8	587 20 51-01	Battery Box
16	532 17 61-38	Switch Interlock
21	532 40 02-52	Harness Socket Light
22	532 00 41-52	Bulb, Light #1156
24	585 55 56-01	Cable Battery
25	585 55 55-01	Cable Starter
26	532 17 51-58	Fuse
27	596 13 36-01	Locknut, Keps. 1/4-20
28	532 41 65-88	Cable Ground 21" Blk 6 Ga.
29	532 19 27-49	Switch Seat
30	532 19 33-50	Switch Ign
33	532 41 19-35	Key/Chain
34	532 11 07-12	Switch Light/Reset
40	501 13 29-01	Harness Ign. Dash
41	817 72 04-08	Screw Thd Cut 1/4-20 x 1/2
42	532 13 15-63	Cover Terminal Red
43	582 04 28-02	Solenoid
46	594 91 91-01	Gauge Hourmeter
50	582 10 76-01	Switch PTO
55	817 06 05-12	Screw Thdrol 5/16-18 x 3/4
71	532 19 42-76	Harness Ign Chassis
79	532 17 52-42	Socket Asm Bulb
90	532 43 53-95	Cover Terminal Battery
99	817 67 04-12	Screw Hexwsh Thdrol 1/4-20 x 3/4
100	596 13 53-01	Washer, Plain 9/32 x 7/8 Clr. Zn.
102	532 40 44-54	Harness, Pigtail
105	532 40 75-68	Switch, Reverse

NOTE: All component dimensions given in U.S. inches
1 inch = 25.4 mm

TRACTOR - MODEL NO. TS 248G (96043031000), PRODUCT NO. 960 43 03-10
CHASSIS

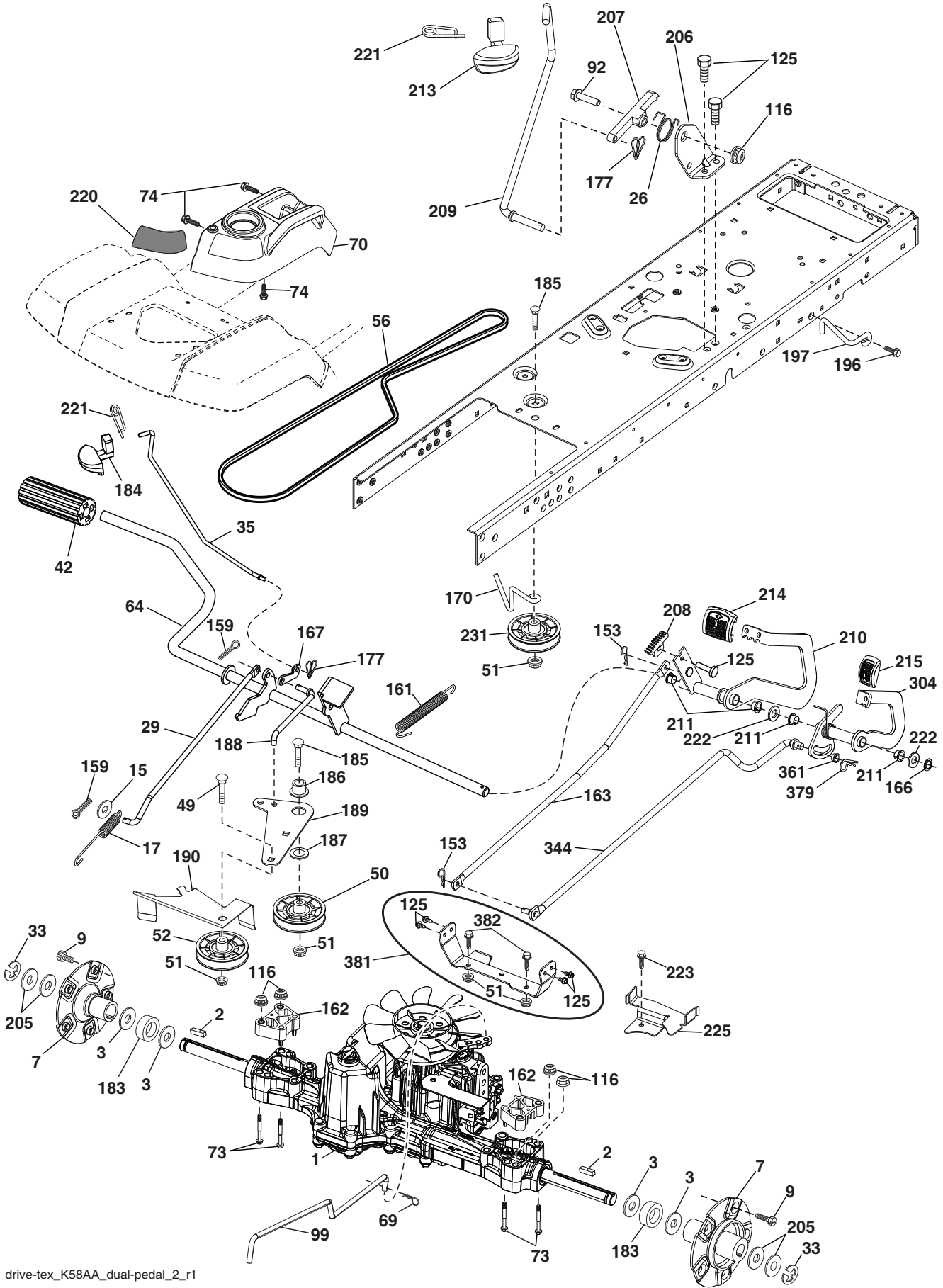


TRACTOR - MODEL NO. TS 248G (96043031000), PRODUCT NO. 960 43 03-10 CHASSIS

KEY NO.	PART NO.	DESCRIPTION	KEY NO.	PART NO.	DESCRIPTION
2	580 43 44-01	Drawbar	194	596 13 57-01	Nutlock, Prvl, Torq. 5/16-18 x .68
3	597 68 82-01	Kit, Grille Applique, (includes applique cover and emblem badge)	195	532 40 41-37	Plug Hole Dash
5	590 74 88-11	Dash	196	532 43 97-16	Console Asm. Deck Lift
14	532 44 11-77	Hood	199	532 19 82-59	Plate Deck Lift
15	597 86 78-01	Incandescent headlight kit (includes LH/RH lens and LH/RH housing)	202	597 86 77-01	Kit, Side Vents, LH/RH (includes LH/RH side vents)
18	597 40 71-01	Grille	204	597 40 80-01	Kit, Top Vent (includes top vent and clip retainers)
36	817 06 05-12	Screw 5/16-18 x 3/4	205	532 43 97-30	Skirt Side RH
37	532 44 12-08	Fender	206	532 43 97-29	Skirt Side LH
58	532 19 43-14	Bracket Fender	214	532 19 91-45	Clip Retainer
68	596 03 07-01	Screw, Hexagon, 5/16-18 x 1/2	217	532 40 91-67	Rod Pivot
125	581 68 48-01	Clip Fuel Line	221	532 19 89-09	Reflector LH
130	596 32 17-01	Screw, #10 x 0.750 BOS Thread	228	593 82 40-01	Stud, W/"D" Anti-Rotation
137	532 40 75-90	Bumper Dash	235	596 56 42-01	Spacer, Fender, Clr. Zn
146	581 85 79-01	Bolt	236	873 93 05-00	Nut Center Lock 5/16-18 unc
150	532 43 97-74	Air Duct	281	817 00 06-16	Screw 3/8-16 x 1
151	532 43 66-70	Bracket Pivot	306	873 90 06-00	Nut Lock
152	532 43 98-70	Shield Browning	335	532 44 82-04	Cover RH Lower
159	817 00 06-12	Screw 3/8-16 x 3/4	336	532 44 53-09	Cover LH Lower
161	532 43 99-29	Console Fuel Window	350	532 44 51-43	Clip X-mas Tree
162	596 13 41-01	Screw, External, Hexagon Head Fl	375	586 90 82-01	Dash Clip-On Bumper
165	532 19 43-30	Bracket Support Tank	378	590 84 98-01	Bushing, Flange
175	590 60 77-02	Crossmember	379	593 20 69-02	Chassis Plate Rein
176	532 40 07-76	Screw 10-24 x 5/8 Wshd Qdrx	--	597 33 48-01	Bumper
177	532 19 52-28	Bushing Steering			
180	593 34 63-01	Chassis			
182	532 40 68-59	Dash Lower			
183	595 30 57-01	Screw, Hexagon, 5/16-18 x 1-1/4			
189	817 00 05-12	Screw 5/16-18 x 3/4			

NOTE: All component dimensions given in U.S. inches
1 inch = 25.4 mm

**TRACTOR - MODEL NO. TS 248G (96043031000), PRODUCT NO. 960 43 03-10
DRIVE**



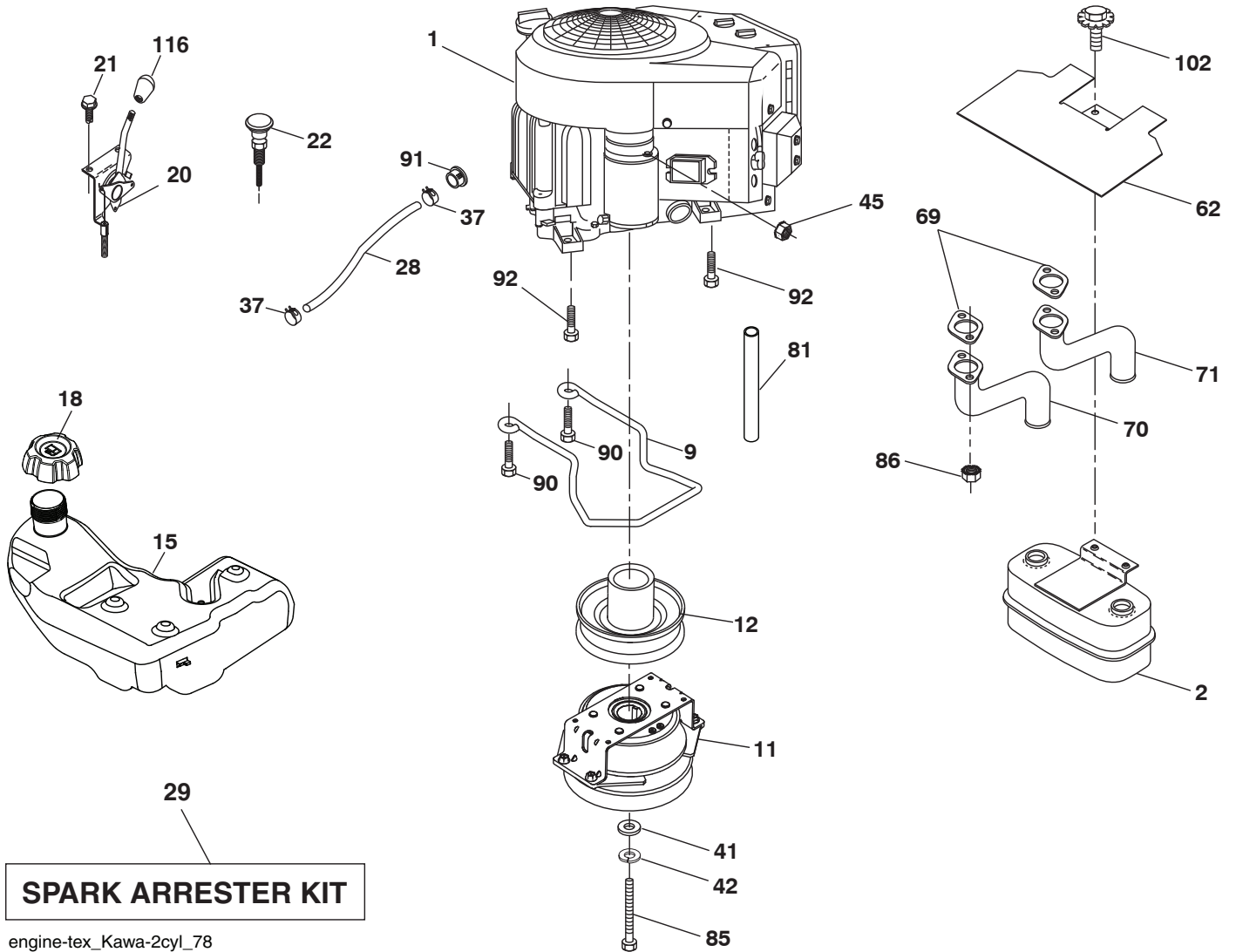
drive_tex_K58AA_dual-pedal_2_r1

TRACTOR - MODEL NO. TS 248G (96043031000), PRODUCT NO. 960 43 03-10 DRIVE

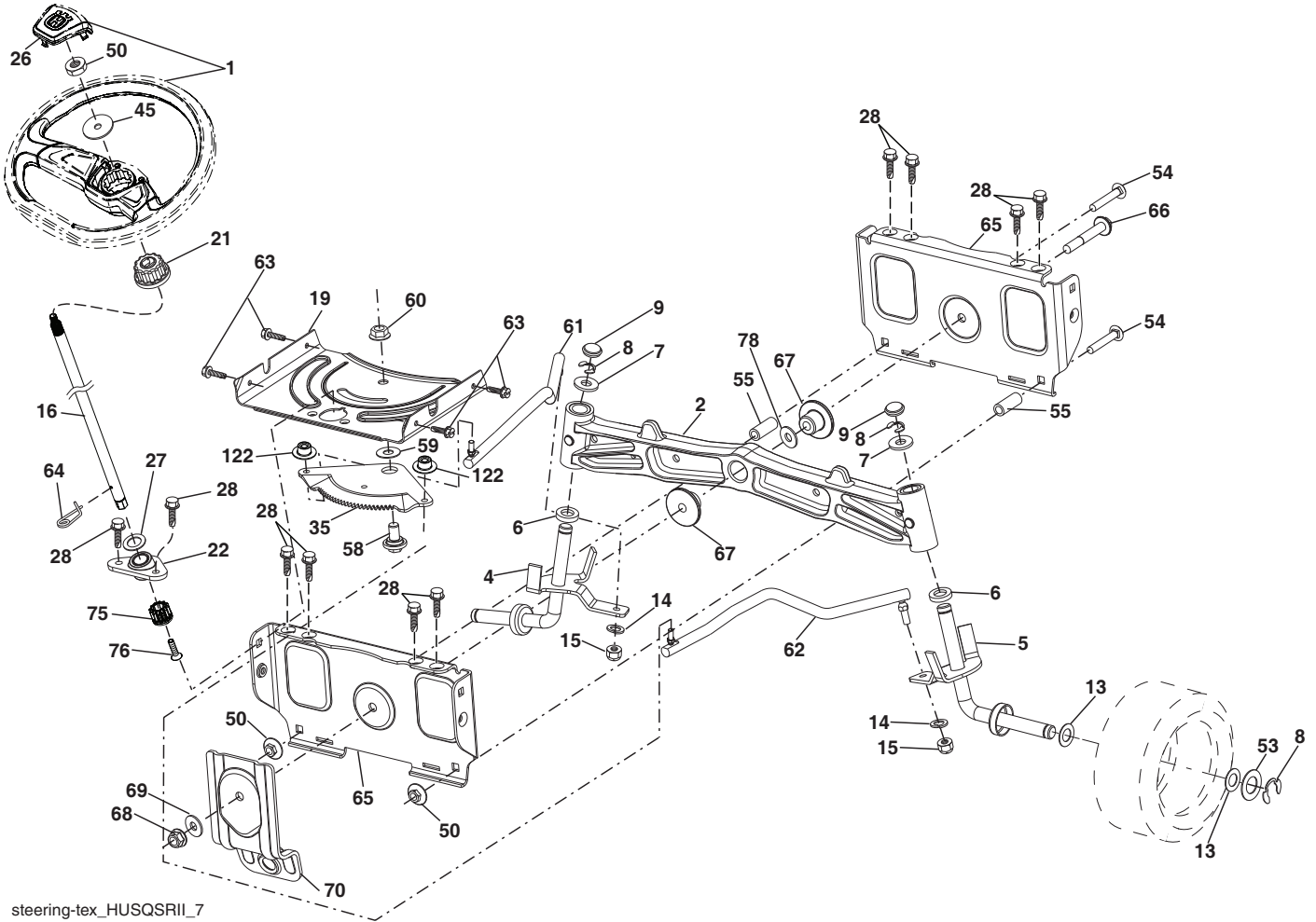
KEY NO.	PART NO.	DESCRIPTION	KEY NO.	PART NO.	DESCRIPTION
1	---	Transaxle, TUFFTORQ K58 AA (596038601) (Order parts from transaxle manufacturer.)	184	587 65 37-01	Handle Parking Brake
2	539 91 27-57	Key, Sq 1/4 x 1-1/4	185	872 11 06-22	Bolt Rdhd Sqnk 3/8-16 x 2-3/4 Gr. 5
3	532 00 75-63	Washer, Thrust, Axle, Harden	186	532 19 43-21	Spacer Retainer
7	586 93 54-02	Hub, Pnt, Gt, Pm, 1 in. Axle E-Dip	187	596 13 55-01	Washer, 13/32 x 2 Clear, Zinc
9	596 21 87-01	Bolt, Fit, Shank 7/16-14 x 1-3/8"	188	582 21 70-01	Link Clutch Ground Drive, Long
15	596 56 53-01	Washer, 3/8 x 0.08 in. St. Clr. Zinc	189	532 19 43-17	Bellcrank Ground Drive
17	532 41 36-78	Spring Brake	190	532 19 43-18	Keeper Bellcrank Ground Drive
26	532 19 96-79	Spring, Return, Cruise	196	817 00 06-16	Screw 3/8-16 x 1
29	532 40 38-06	Rod, Brake	197	585 65 86-02	Link Clutch Anti-Rotation
33	812 00 00-53	Ring E	205	532 12 38-00	Washer 1-1/32 x 1-5/8 x 16 Ga.
35	590 60 59-02	Rod, Prkngbrk, Gt, Husq/Pred	206	532 44 85-96	Bracker, Mount, Cruise, Latch
42	532 00 88-83	Cover Foot Pedal	207	587 03 14-02	Latch, Cruisecontrol, Tex, Clr
49	596 13 62-01	Bolt, Cup Head, 3/8-16 x 3/4	208	596 56 41-01	Gear
50	532 19 43-27	Pulley Idler Flat	209	590 52 78-02	Rod, Cruisecontrol, Gt, Hus/Prd,
51	873 90 06-00	Lock Nut 3/8-16	210	588 98 72-02	Dualpedal Asm, Forward, Tex
52	532 19 43-26	Idler V-Groove	211	532 12 01-83	Bearing, Nylon, Blk, 629 ID
56	592 85 52-01	V-Belt Drive	213	532 40 31-19	Handle, Cruisecontrol, Hus/Prd 428
64	532 19 78-65	Shaft Asm, Pedal, Brk, Cntrl, Pch	214	532 42 12-63	Pedal Pad, Forward, Tex, Std
69	532 42 33-03	Hairpin, Soft, Zinc	215	596 90 83-01	Pedal, Pad, Square, Reverse
70	532 43 96-61	Console Asm.	220	532 19 89-08	Reflector RH
73	874 49 05-60	Bolt Hex Flghd 5/16-18 3.75	221	532 40 31-87	Retainer Spring Clip Handle
74	596 13 41-01	Screw, Hex. Tap 1/4-15 x 1/2	222	879 21 20-10	Washer 21/32 x 1-1/4 10 Ga. N/Pltd
92	595 30 57-01	Screw, Hexagon, 5/16-18 x 1-1/4	223	598 66 26-01	Bolt, T45 5/16-18 x .75 Hexhd. Blk
99	593 98 25-01	Rod Bypass	225	532 40 33-19	Keeper Belt Trans.
116	596 13 57-01	Nutlock, Prvl. Torq. 5/16-18 x .68	231	532 40 72-87	Idler V-Groove 1.688" Offset
125	817 00 05-12	Screw 5/16-18 x 3/4	304	588 98 73-02	Dualpedal, Sm, Reverse, Tex
153	532 00 44-97	Retainer Spring	344	597 64 72-01	Rod, Dp, Rvs, 48F/54F/K58
159	596 02 95-01	Pin, Cotter, 1/8 Dia. x 3/4	361	597 13 67-01	Bushing, Dual Ped, Rvs, Slide
161	532 10 57-09	Spring Return Clutch	379	596 58 06-01	Pin, Retaining 1-7/16 x 0.073
162	580 45 74-02	Spacer Transaxle 1"	381	597 91 13-01	Service, Kit - Torque Strap (includes bracket , bolts, nuts and screws)
163	588 56 63-01	Rod, Dualped, Fwd, K46/K57/K58	382	596 43 83-01	Bolt, Hex w/Collar, 3/8-16 x 2-1/4
166	532 42 91-64	Nut Push			
167	532 40 52-57	Latch Brake Parking			
170	532 41 34-30	Keeper Belt Centerspan			
177	587 22 53-01	Pin Cotter, Locking, Bowtie, 1in			
183	587 58 74-01	Spacer Split			

NOTE: All component dimensions given in U.S. inches
1 inch = 25.4 mm

**TRACTOR - MODEL NO. TS 248G (96043031000), PRODUCT NO. 960 43 03-10
ENGINE**



TRACTOR - MODEL NO. TS 248G (96043031000), PRODUCT NO. 960 43 03-10
STEERING ASSEMBLY



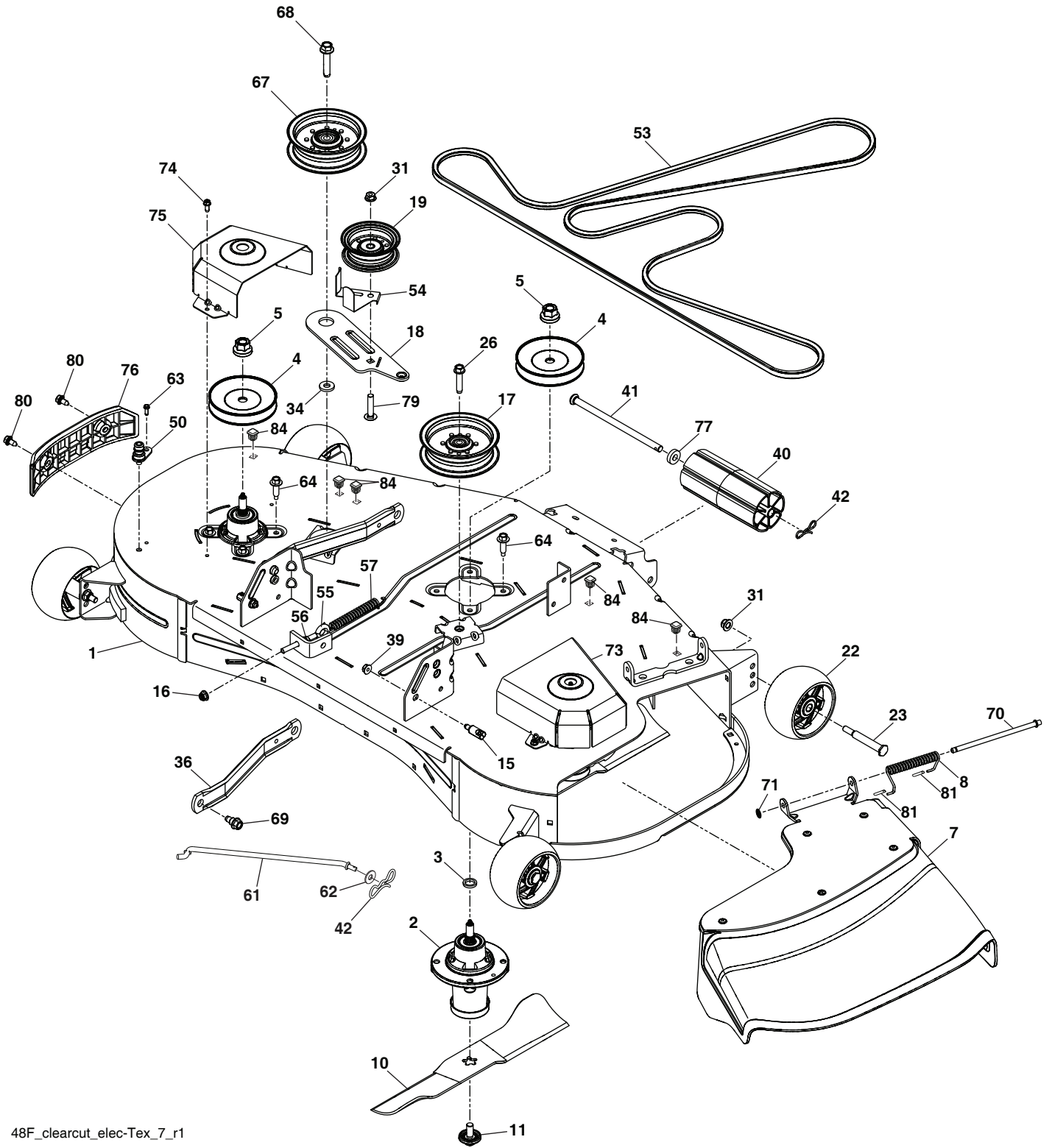
steering-tex_HUSQSRII_7

**TRACTOR - MODEL NO. TS 248G (96043031000), PRODUCT NO. 960 43 03-10
STEERING ASSEMBLY**

KEY NO.	PART NO.	DESCRIPTION
1	597 86 61-01	Wheel, Steering, Kit (includes steering wheel and cap)
2	532 19 59-68	Axle Asm., Front
4	532 40 30-89	Spindle Asm., LH
5	532 40 30-90	Spindle Asm., RH
6	532 00 62-66	Washer Thrust .75 x 1.230
7	532 12 17-48	Washer 25/32 x 1-5/8 x 16 Ga.
8	812 00 00-29	Ring, Klip #T5304-75
9	532 12 12-32	Cap, Spindle
13	532 12 17-49	Washer 25/32 x 1-1/4 x 16 Ga.
14	596 23 87-01	Washer, Spring, Lock, .381 ID x .680
15	873 54 06-00	Nut, Crown Lock 3/8-24 unf
16	587 01 60-02	Shaft Steering
19	532 19 47-29	Plate Steering
21	586 84 02-01	Adapter, Wheel Steering
22	585 02 98-02	Steering Support Lower
26	594 94 91-01	Wheel Steering, Cap
27	596 93 34-01	Washer, Plain
28	817 00 06-12	Screw 3/8-16 x 3/4
35	532 19 47-32	Gear, Sector Plate
45	587 01 64-01	Washer 3/8 ID x 2-3/8 OD 12 Ga.
50	873 90 06-00	Nut Lock Flg. 3/8-16
53	532 18 89-67	Washer Hardened .793 x 1.637 x .060
54	874 76 06-36	Bolt Hex 3/8-16 x 2-1/4
55	532 41 47-36	Spacer Axle Brace
58	532 19 47-47	Bolt Shoulder Sector Pivot CFM
59	532 19 47-48	Washer Thrust Sector Steering
60	873 97 10-00	Nut Flange Lock 5/8-11
61	597 07 02-02	Draglink, LH. Adj. Std. Clrzn.
62	597 07 03-02	Draglink, RH. Adj. Std. Clrzn.
63	817 00 05-12	Screw 5/16-18 x 3/4
64	532 19 98-49	Retainer Clip Spring Steering
65	532 19 47-34	Brace Axle Front
66	871 02 07-48	Bolt Hex Fghd 7/16-14 x 3 Serr
67	532 19 47-37	Bushing Front Axle
68	873 90 07-00	Nut Lock Flange 7/16-14 Gr. 5
69	532 19 91-62	Washer 1.5 x .505 x .118
70	585 33 88-01	Bracket Deck Susp. Front
75	580 68 37-01	Pinion Steering Shaft
76	580 68 36-01	Screw Head Socket Flat
78	532 05 70-79	Washer Thrust
122	532 44 49-62	Cap Gear Sector

NOTE: All component dimensions given in U.S. inches
1 inch = 25.4 mm

TRACTOR - MODEL NO. TS 248G (96043031000), PRODUCT NO. 960 43 03-10
MOWER DECK



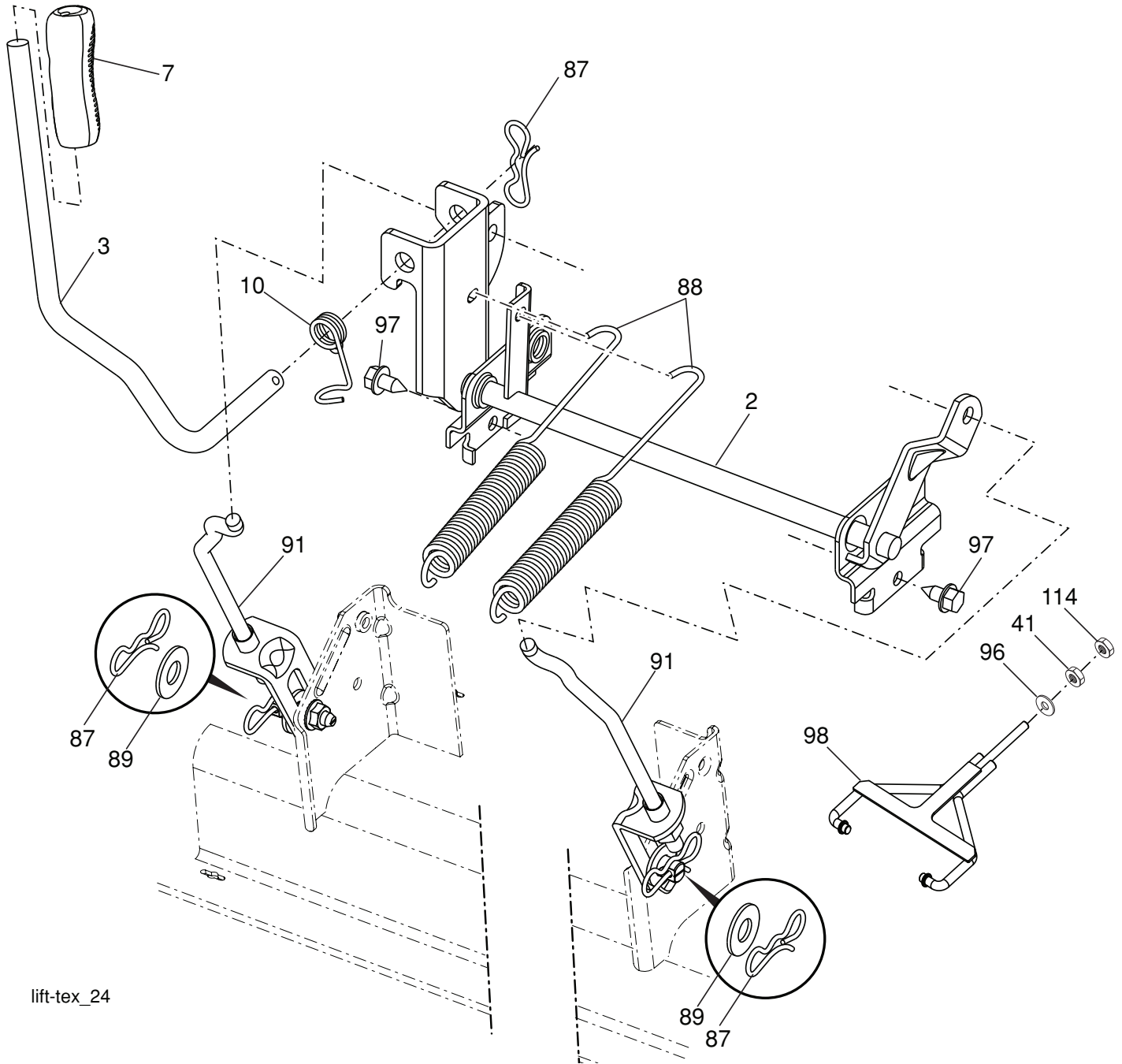
48F_clearcut_elec-Tex_7_r1

**TRACTOR - MODEL NO. TS 248G (96043031000), PRODUCT NO. 960 43 03-10
MOWER DECK**

KEY NO.	PART NO.	DESCRIPTION	KEY NO.	PART NO.	DESCRIPTION
1	583 81 00-01	Kit, SVC, Deck	56	596 03 92-01	Nut, Lock, Hex. 5/16-18 Clear, Zin.
2	539 13 18-98	Housing Assembly	57	587 35 84-01	Spring Extn.
3	532 18 76-90	Washer-Spacer	61	596 27 44-01	Rod Anti-Sway
4	532 17 34-34	Pulley, Mandrel	62	596 13 32-01	Washer, 13/32 x 13/16 x 12 Ga.
5	596 13 48-01	Nut, Hex 9/16-18 x 1.010	63	596 63 73-01	Screw, Hex. W/Collar 1/4-20 x 5/8
7	593 64 97-01	Deflector Asm. 48" CC	64	584 95 39-01	BoltHexWasherHead.313-18x1.19
8	587 35 47-01	Spring - Torsion	67	532 19 61-06	Pulley Idler
10	588 81 10-02	Blade	68	596 56 40-03	Bolt, Hex 3/8-16 x 1.78 Clrzinc.
11	532 19 30-03	Bolt Washer Assy 7/16-20	69	532 19 65-39	Bolt Shoulder
15	593 82 40-01	Stud, W/"D" Anti-Rotation	70	595 29 70-01	Rod, Hinge
16	594 94 44-01	Nut, hex. Flng. 5/16-18 Nyloc. Clr	71	532 11 04-52	Nut Push
17	532 19 61-04	Pulley, Idler Spec. Hub	73	588 81 24-02	Cover Mandrel RH
18	588 81 22-02	Arm Idler	74	532 13 77-29	Screw Thdrl 1/4-20 x 5/8
19	532 19 31-97	Pulley, Idler	75	588 81 31-02	Cover Mandrel LH
22	589 52 73-01	Wheel, Gauge	76	582 54 11-03	Bumper Side Trim
23	596 43 44-04	Bolt, Shoulder, 3/8-16 x 3-5/8	77	582 36 05-01	Bushing Nose Roller
26	588 43 83-01	Screw 7/16-14 x 2.125 Wsh	79	596 13 62-01	Bolt, Cup, Head, 3/8-16 x 3/4
31	873 90 06-00	Nut Lock Flng 3/8-16 unc	80	532 17 01-65	Bolt 5/16
34	532 17 85-15	Washer, Flat Hardened	81	532 10 53-04	Cap Sleeve
36	587 14 05-02	Arm, Susp., Rear	84	596 95 22-01	Plug, Hole, Square
39	596 13 57-01	Nut, Lock, Prvl. Torq. 5/16-18 x .68	--	532 41 64-05	Connect Quick Coupling
40	532 17 60-66	Roller, Nose, 48"	--	589 42 88-01	Replacement Mower, Complete
41	594 09 25-01	Rod, Roller, Narrow, Nose, V2			
42	532 19 42-08	Pin Cotter			
50	532 41 55-98	Washout Port			
53	599 27 57-01	Belt, Deckdrive, 48FCS. Tractor			
54	532 14 10-43	Guard, Belt			
55	596 24 08-01	Bolt, Eyelet, 5/16-18 x 3-1/2			

NOTE: All component dimensions given in U.S. inches
1 inch = 25.4 mm

**TRACTOR - MODEL NO. TS 248G (96043031000), PRODUCT NO. 960 43 03-10
MOWER LIFT**



lift-tex_24

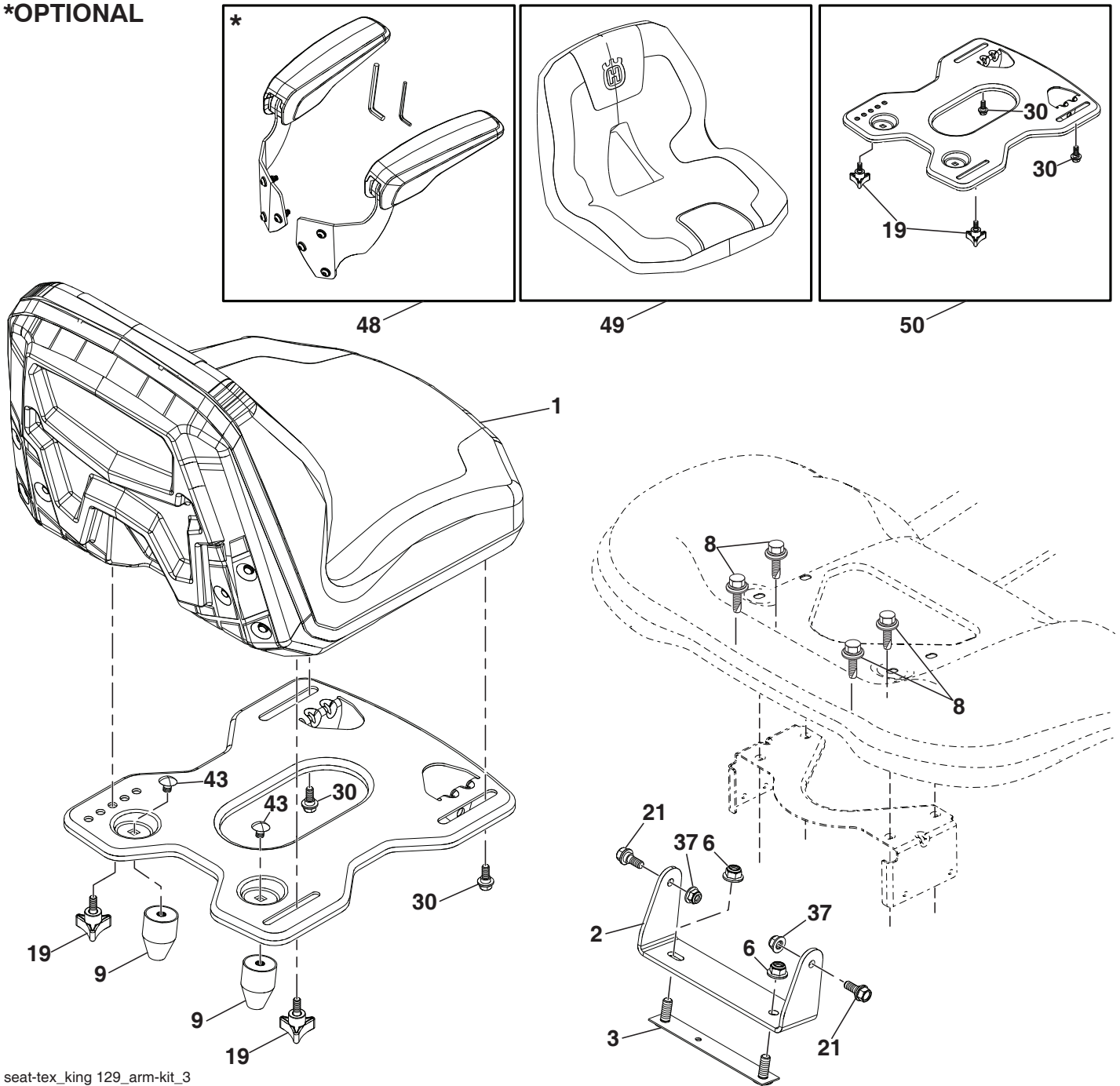
KEY NO.	PART NO.	DESCRIPTION
2	532 42 20-27	Shaft Asm., Lift
3	596 27 06-01	Lever, Lift, Handle, Clear, Zinc
7	580 96 23-01	Grip, Lever
10	532 19 63-14	Spring Torsion
41	589 46 49-02	Nut, Lift, Link, Clr. Zn.
87	532 19 42-09	Pin Cotter 7/16 Bow Tie Lock
88	532 19 53-01	Spring Lift Assist
89	819 19 19-12	Washer Clear Zinc

KEY NO.	PART NO.	DESCRIPTION
91	589 46 48-05	Link, Assy. Lift, Rear
96	593 84 21-01	Bushing
97	817 00 06-12	Screw 3/8-16 x 3/4
98	574 82 25-01	Link Asm. Susp. Front Mower
114	873 36 07-00	Nut Jam 7/16-20

NOTE: All component dimensions given in U.S. inches
1 inch = 25.4 mm

TRACTOR - MODEL NO. TS 248G (96043031000), PRODUCT NO. 960 43 03-10 SEAT ASSEMBLY

***OPTIONAL**



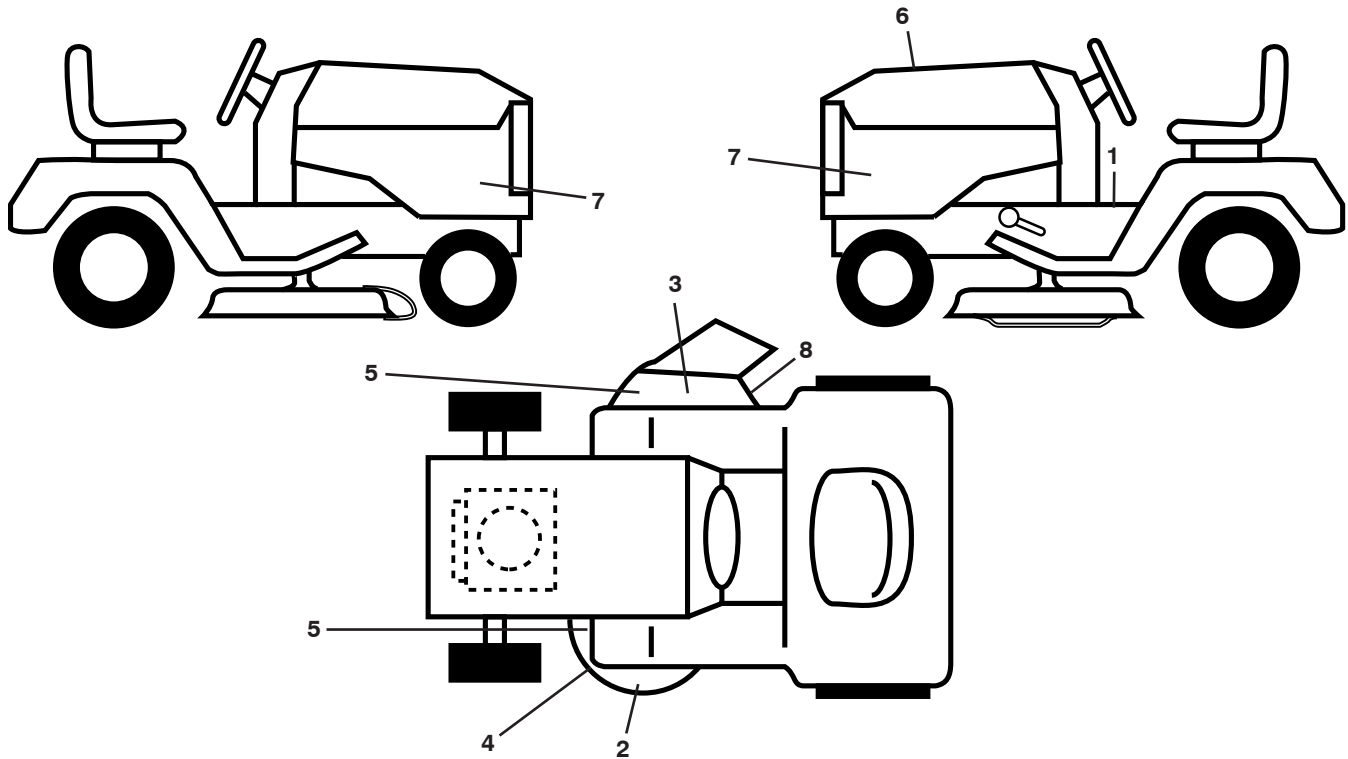
seat-tex_king 129_arm-kit_3

KEY NO.	PART NO.	DESCRIPTION
1	597 65 81-01	Seat, SK150/129 w/o Armrests (includes seat cover key# 49)
2	597 32 99-02	Bracket, PNT, PVT, FNDR, Seat EDIP
3	590 77 76-02	Bracket Asm, Reinfor FNDR, EDIP
6	521 99 65-02	Nut, Hex, Lock w/Flange 3/8-16
8	532 17 18-77	Bolt 5/16-18 unc x 3/4 w/Sems
9	597 78 51-01	Bumper, Rubber, Isolator
19	597 78 31-01	Knob, 3 Wing 5/16-18, CLR, ZN
21	596 24 07-01	Bolt, Hex 5/16-18 x 21/32

KEY NO.	PART NO.	DESCRIPTION
30	597 78-18-01	Bolt, Hex, Should 5/16-18 unc ZPB
37	594 94 44-01	Nut, Hexagon, Flange 5/16-18
43	597 86 93-01	Bolt, Carri, Cqur 3/8 x .45, CLR, ZN
48	597 65 82-03	Service Kit, 15", Seat Arm
49	597 95 94-01	Cover, Husq. 15", (SK129) Seat
50	598 00 16-01	Service, Kit, Seat Pan (includes all components illustrated in box for Key# 50)

NOTE: All component dimensions given in U.S. inches
1 inch = 25.4 mm

**TRACTOR - MODEL NO. TS 248G (96043031000), PRODUCT NO. 960 43 03-10
DECALS**



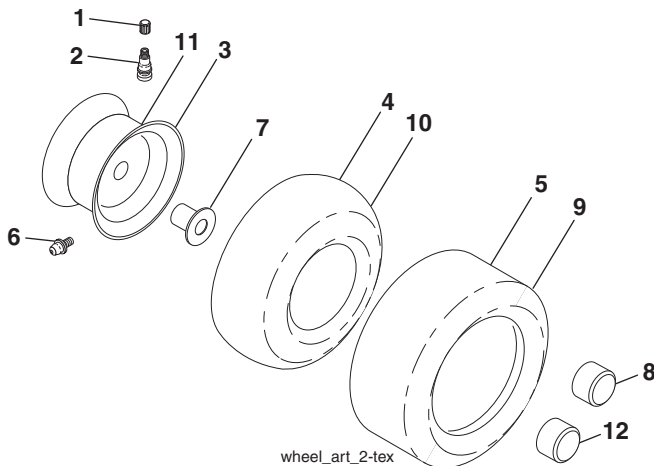
**KEY PART
NO. NO.**

KEY PART NO.	NO.	DESCRIPTION
1	581 57 90-01	Decal, Warning
2	590 88 50-01	Decal, Clear Cut
3	586 97 88-01	Decal, Deflect. Warning
4	585 91 01-01	Decal, Life Warranty
5	589 35 79-01	Decal, Clear Cut No Step
6	589 41 37-01	Decal, Replacement
7	597 90 91-01	Decal, Panel Side
8	581 58 00-02	Decal, Mower Sch.
--	581 72 48-01	Decal, Bypass
--	532 43 98-82	Pad, Footrest, LH

**KEY PART
NO. NO.**

KEY PART NO.	NO.	DESCRIPTION
--	532 44 15-42	Pad, Footrest, RH
--	114 20 42-49	Manual, Operator's (English/Spanish)
--	114 20 43-32	Manual, Operator's (French)
--	114 18 25-27	Manual, Parts (English/Spanish)
--	587 71 00-26	Quick Start Guide
--	587 71 01-26	Quick Start Guide (English/French) (English/Spanish)

WHEELS AND TIRES



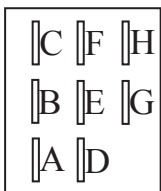
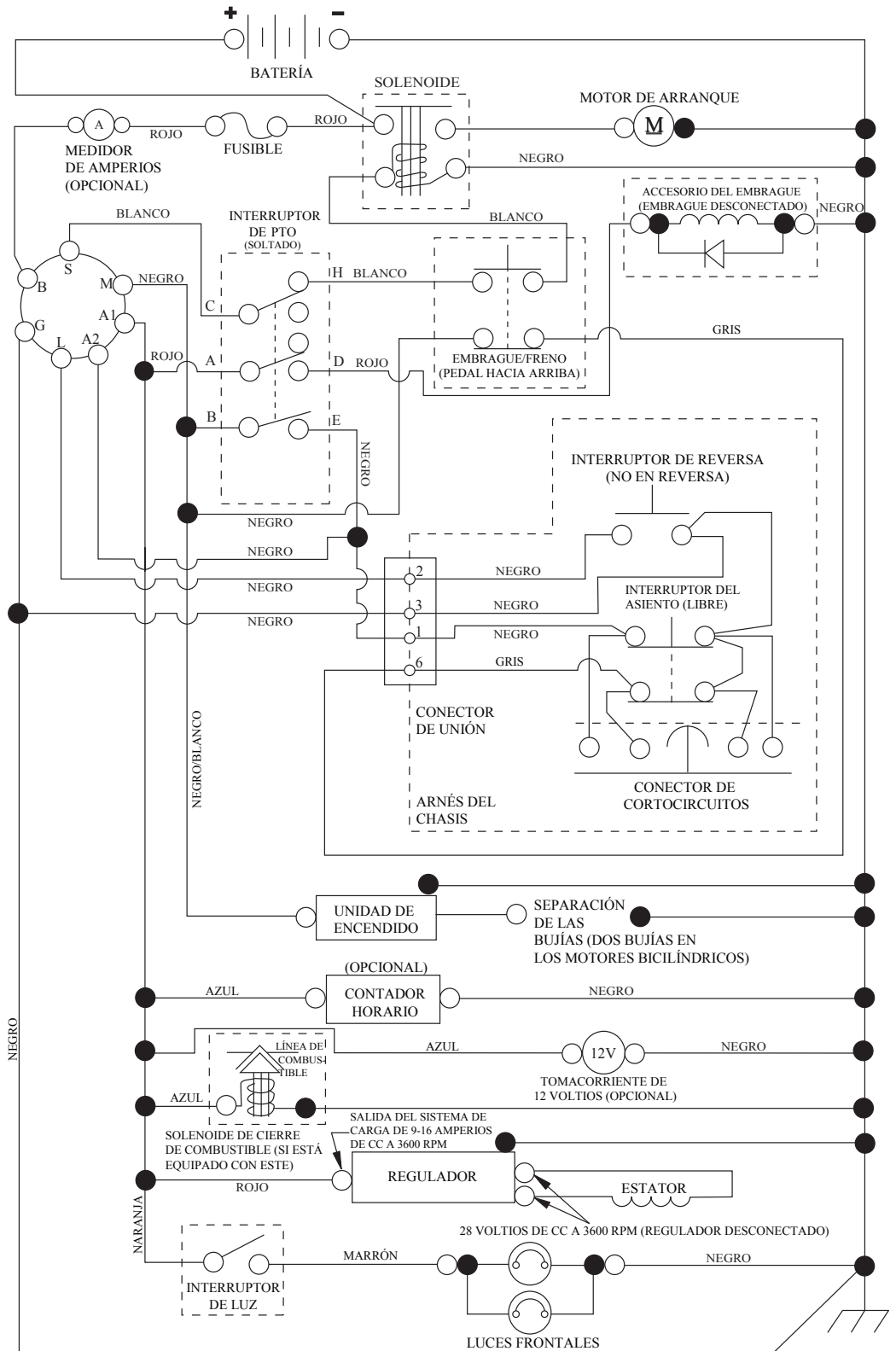
**KEY PART
NO. NO.**

KEY PART NO.	NO.	DESCRIPTION
1	532 05 91-92	Cap, Valve, Tire
2	532 06 51-39	Stem, Valve
3	532 18 18-39	Rim Assembly, Front
4	532 00 81-34	Tube, Front (Service Item Only)
5	532 16 10-24	Tire, Front
6	532 00 02-78	Fitting, Grease (Front Wheel Only)
7	532 00 90-40	Bearing, Flange (Front Wheel Only)
8	532 17 50-39	Cap, Axle
9	591 18 79-01	Tire, Rear
10	532 00 71-54	Tube, Rear (Service Item Only)
11	532 40 17-82	Rim Assembly, Rear
12	501 50 31-01	Cap, Hub, Gt, Black
--	532 14 43-34	Sealant, Tire (10 oz. Tube)

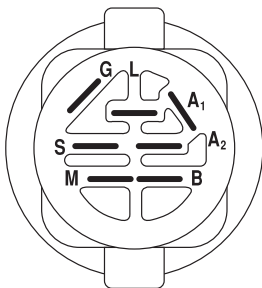
NOTE: All component dimensions given in U.S. inches
1 inch = 25.4 mm

TRACTOR MODELO NO. TS 248G (96043031000), PRODUCTO NO. 960 43 03-10 DIAGRAMA

SCH12-s

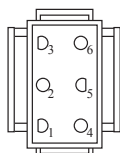


INTERRUPTOR DE PTO
(CARA DE ACOPLAMIENTO)

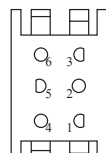


INTERRUPTOR DE ENCENDIDO

POSICIÓN	CIRCUITO «MARCA»
APAGADO	M+G+A1
PONER EN FUNCIONAMIENTO/ANULAR	B+A1
PONER EN FUNCIONAMIENTO	B+A1 L+A2
ARRANCAR	B + S + A1



CONEXIÓN DEL
ARNÉS DEL CHASIS
(LATERAL QUE COINCIDA)



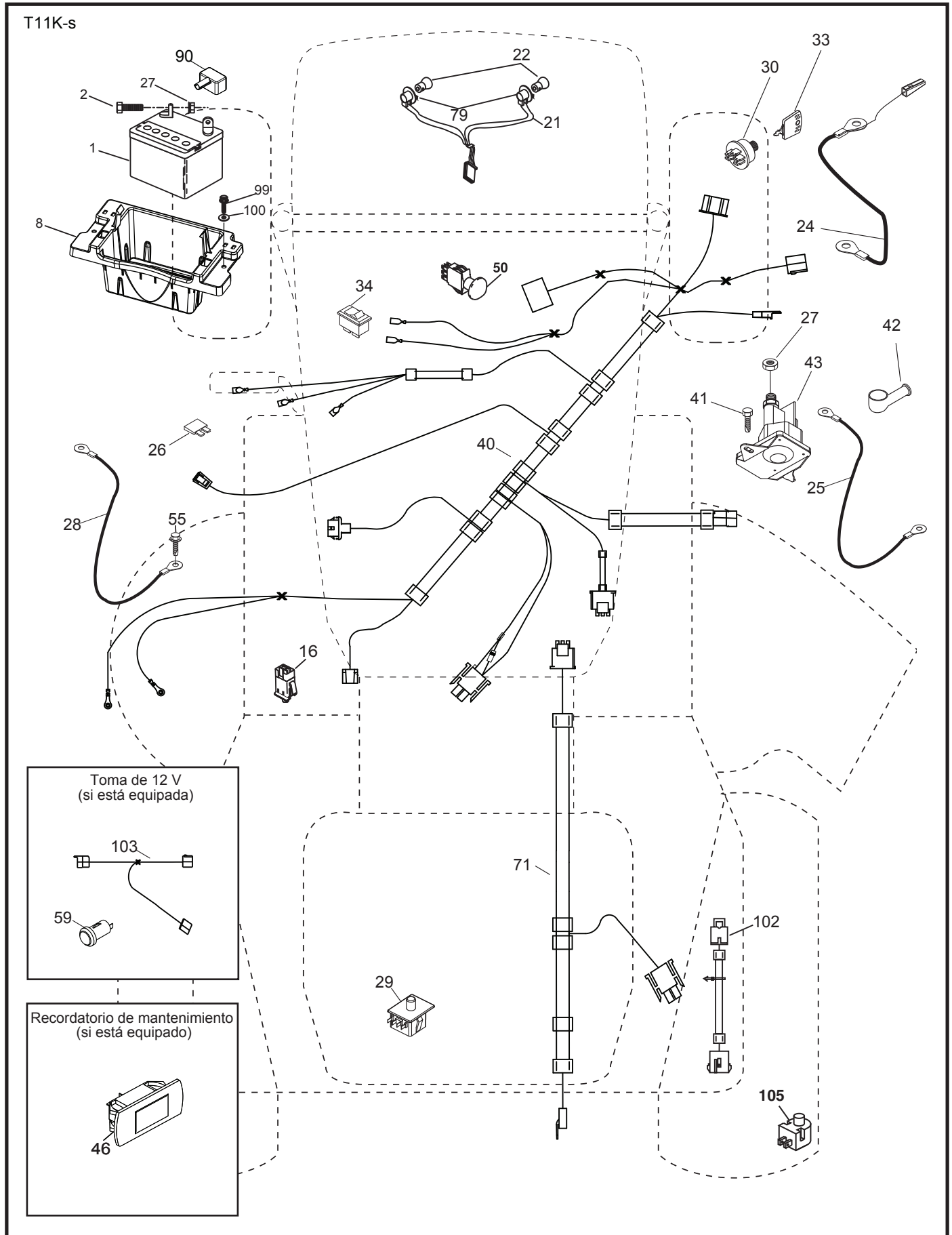
CONEXIÓN PARA EL
ARNÉS DEL TABLERO

NOTA SOBRE LAS ABRAZADERAS DE AISLAMIENTO DEL CABLEADO: SI SE QUITAN LAS ABRAZADERAS DE AISLAMIENTO DEL CABLEADO PARA HACER EL MANTENIMIENTO DE LA UNIDAD, SE LAS DEBERÁ INSTALAR NUEVAMENTE PARA PROTEGER EL CABLEADO ADECUADAMENTE.

●
CONEXIONES NO
DESMONTABLES

○
CONEXIONES
DESMONTABLES

TRACTOR MODELO NO. TS 248G (96043031000), PRODUCTO NO. 960 43 03-10
DIAGRAMA ELÉCTRICO



**TRACTOR MODELO NO. TS 248G (96043031000), PRODUCTO NO. 960 43 03-10
DIAGRAMA ELÉCTRICO**

CÓDIGO NO.	PIEZA NO.	DESCRIPCIÓN
1	532 16 34-65	Batería
2	874 76 04-12	Perno de cabeza hexagonal de 1/4-20 x 3/4
8	587 20 51-01	Caja de la batería
16	532 17 61-38	Interruptor corta corriente a presión
21	532 40 02-52	Cableado del enchufe para la luz
22	532 00 41-52	Bombilla de luz
24	585 55 56-01	Cable
25	585 55 55-01	Cable
26	532 17 51-58	Fusible
27	596 13 36-01	Tuerca de presión de 1/4-20
28	532 41 65-88	Cable a tierra
29	532 19 27-49	Interruptor del asiento
30	532 19 33-50	Interruptor de encendido
33	532 41 19-35	Llave/cadena
34	532 11 07-12	Interruptor de luz/de restauración
40	501 13 29-01	Cableado del tablero de encendido
41	817 72 04-08	Tornillo
42	532 13 15-63	Cubierta de la terminal
43	582 04 28-02	Solenoides
46	594 91 91-01	Indicador SRVCMNDR HRMTR
50	582 10 76-01	Arnés de encendido del chasis
55	817 06 05-12	Tornillo de 5/16-18 x 3/4
71	532 19 42-76	Cableado de encendido
79	532 17 52-42	Enchufe de cierre por torsión del ensamble de la bombilla
90	532 43 53-95	Tapa de los bornes de la batería
99	817 67 04-12	Tornillo 1/4-20 x 3/4
100	596 13 53-01	Arandela de 9/32 x 7/8
102	532 40 44-54	Arnés de coleta
105	532 40 75-68	Interruptor de reversa

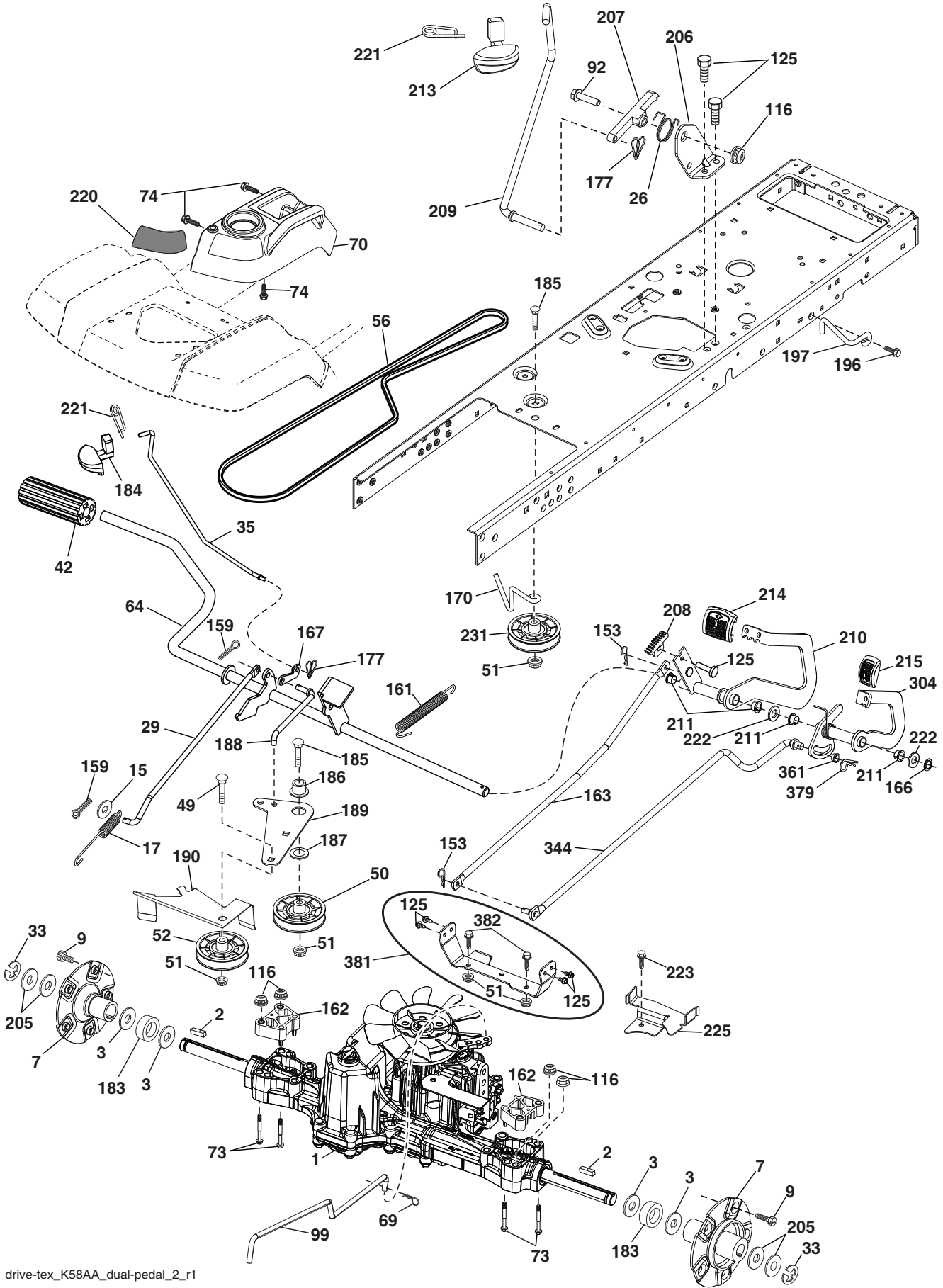
NOTA: Las dimensiones de todos los componentes están expresadas en pulgadas americanas.
1 pulgada = 25,4 mm

TRACTOR MODELO NO. TS 248G (96043031000), PRODUCTO NO. 960 43 03-10 CHASIS

CÓDIGO No.	PIEZA No.	DESCRIPCIÓN	CÓDIGO No.	PIEZA No.	DESCRIPCIÓN
2	580 43 44-01	Barra de tracción	194	596 13 57-01	Tuerca de presión de 5/16-18 x .68
3	597 68 82-01	Kit de logotipo (Incluye aplique y emblema.)	195	532 40 41-37	Tapón
5	590 74 88-11	Tablero	196	532 43 97-16	Ensamble de la consola de la plataforma de elevación
14	532 44 11-77	Capota	199	532 19 82-59	Plataforma de elevación
15	597 86 78-01	Kit de faros incandescentes (incluye lente LI/LD y carcasa LI/LD)	202	597 86 77-01	Kit, ventilación lateral, LI y LD (incluye ventilaciones laterales LH / LD)
18	597 40 71-01	Parrilla	204	597 40 80-01	Kit, ventilación parte superior, LI y LD (incluye ventilaciones laterales LH/LD)
36	817 06 05-12	Tornillo 5/16-18 x 3/4	205	532 43 97-30	Camisa de Capota (LD)
37	532 44 12-08	Guardabarros	206	532 43 97-29	Camisa de Capota (LI)
58	532 19 43-14	Soporte	214	532 19 91-45	Clip de retención
68	596 03 07-01	Tornillo de 5/16-18 x 1/2	217	532 40 91-67	Varilla giratoria
125	581 68 48-01	Soporte	221	532 19 89-09	Reflector (LI)
130	596 32 17-01	Tornillo de #10 x 0.750	228	593 82 40-01	Perno prisionero con anti rotación
137	532 40 75-90	Cubierta Tablero	235	596 56 42-01	Separador del guardabarros
146	581 85 79-01	Perno	236	873 93 05-00	Tuerca 5/16-18 unc
150	532 43 97-74	Cubierta térmica del conducto	281	817 00 06-16	Tornillo 3/8-16 x 1
151	532 43 66-70	Soporte	306	873 90 06-00	Tuerca
152	532 43 98-70	Protector contra oscurecimiento	335	532 44 82-04	Cubierta (LD)
159	817 00 06-12	Tornillo 3/8-16 x 3/4	336	532 44 53-09	Cubierta (LI)
161	532 43 99-29	Ventana	350	532 44 51-43	Clip del árbol de navidad
162	596 13 41-01	Tornillo, externo, cabeza hexagonal FI	375	586 90 82-01	Cubierta Capota
165	532 19 43-30	Soporte	378	590 84 98-01	Buje de con brida
175	590 60 77-02	Travesaño	379	593 20 69-02	Chasis de Plataforma
176	532 40 07-76	Tornillo 10-24 x 5/8	- -	597 33 48-01	Parachoques
177	532 19 52-28	Buje de dirección			
180	593 34 63-01	Chasis			
182	532 40 68-59	Tablero inferior			
183	595 30 57-01	Tornillo de 5/16-18 x 1-1/4			
189	817 00 05-12	Tornillo 5/16-18 x 3/4			

NOTA: Las dimensiones de todos los componentes están expresadas en pulgadas americanas. 1 pulgada = 25,4 mm

TRACTOR MODELO NO. TS 248G (96043031000), PRODUCTO NO. 960 43 03-10
TRANSMISIÓN



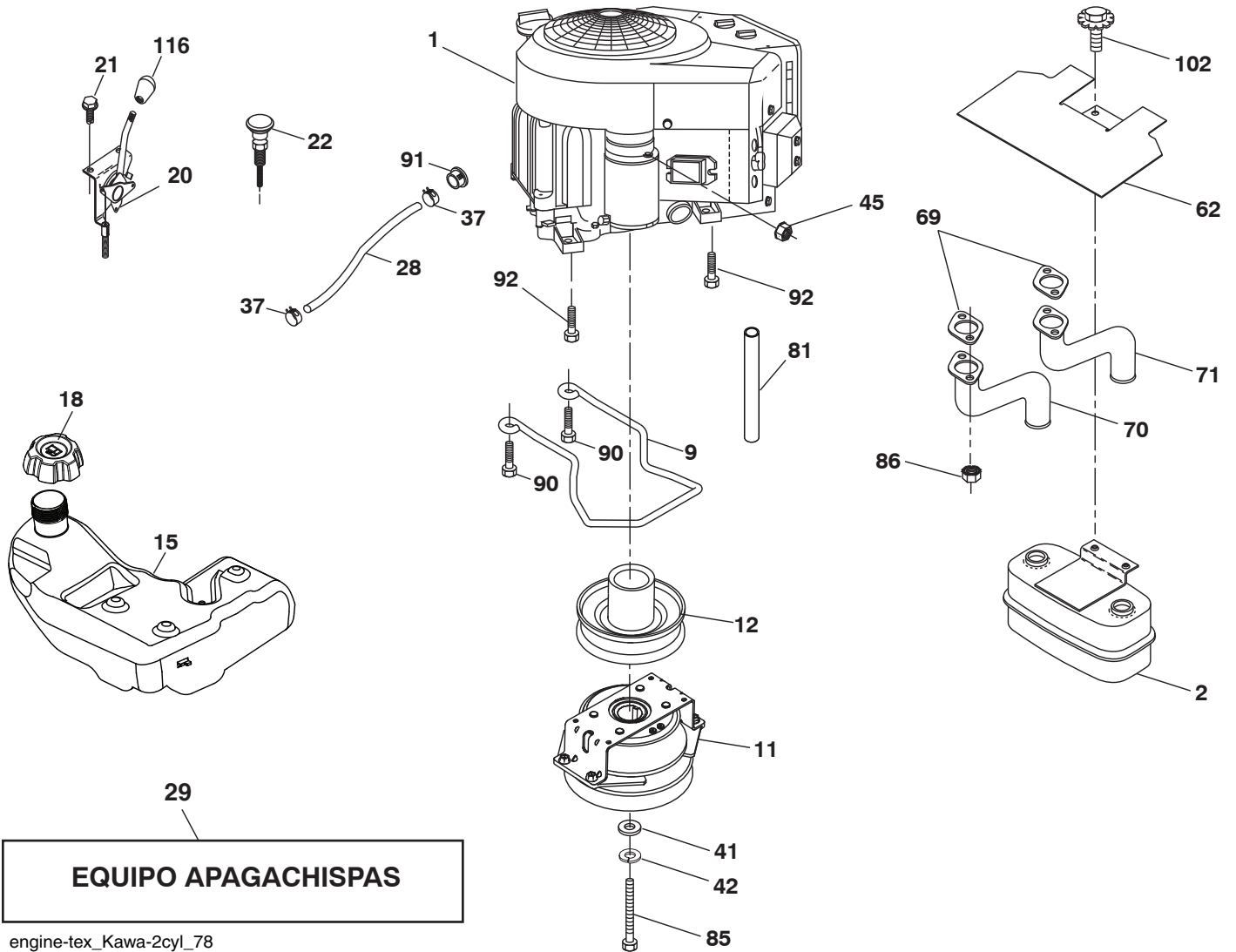
drive_tex_K58AA_dual-pedal_2_r1

**TRACTOR MODELO NO. TS 248G (96043031000), PRODUCTO NO. 960 43 03-10
TRANSMISIÓN**

CÓDIGO NO.	PIEZA NO.	DESCRIPCIÓN	CÓDIGO NO.	PIEZA NO.	DESCRIPCIÓN
1	---	Transeje, TUFFTORQ K58 AA (596038601) (Haga el pedido de las piezas al fabricante del transeje.)	187	596 13 55-01	Arandela de 13/32 x 2
		Llave 1/4 x 1-1/4	188	582 21 70-01	Mecanismo de desplazamiento de la varilla de mando del embrague del largo
2	539 91 27-57		189	532 19 43-17	Palanca acodada del mecanismo de desplazamiento
3	532 00 75-63	Arandela de empuje, eje, endurecer	190	532 19 43-18	Sujetador de la palanca acodada del mecanismo de desplazamiento
7	586 93 54-02	Cubo, Pnt, Gt, Pm, 1 in., eje, E-Dip	196	817 00 06-16	Tornillo 3/8-16 x 1
9	596 21 87-01	Perno de 7/16-14 x 1-3/8	197	585 65 86-02	Mecanismo de desplazamiento
15	596 56 53-01	Arandela 3/8 x 0.08"	205	532 12 38-00	Arandela 1-1/32 x 1-5/8 x 16 calibre
17	532 41 36-78	Resorte de freno	206	532 44 85-96	Soporte, montaje, crucero, pestillo
26	532 19 96-79	Control de crucero retorno de primavera	207	587 03 14-02	Pestillo, control de crucero, Tex, Clr
29	532 40 38-06	Varilla del freno	208	596 56 41-01	Engranaje
33	812 00 00-53	Aro "E"	209	590 52 78-02	Varilla, control de crucero, Gt Hus/ Prd, crudo
35	590 60 59-02	Barra de freno de estacionamiento, Gt, Husq/Pred	210	588 98 72-02	Montaje de pedal doble, adelante, Tex
42	532 00 88-83	Cubierta del pedal	211	532 12 01-83	rodamiento, nylon, negro
49	596 13 62-01	Perno de 3/8-16 x 3/4	213	532 40 31-19	Manija, control de crucero. Hus/Prd 428
50	532 19 43-27	Polea loca plana	214	532 42 12-63	Adelante, cuadrado, almohadilla de pedal, Tex, Std
51	873 90 06-00	Tuerca de presión de 3/8-16	215	596 90 83-01	Reverso, pedal cuadrado
52	532 19 43-26	Polea loca con ranura en V con un desplazamiento	220	532 19 89-08	Reflector derecho
56	592 85 52-01	Correa trapezoidal de la transmisión	221	532 40 31-87	Abrazadera de retención del resorte de la manija
64	532 19 78-65	Conjunto de eje, pedal, control de freno	222	879 21 20-10	Arandela 21/32 x 1-1/4, 10 Calibre, N/Pltd
69	532 42 33-03	Horquilla, suave, zinc	223	598 66 26-01	Perno de T45. 5/16-18 x .75
70	532 43 96-61	Ensamble de la consola	225	532 40 33-19	Sujetador de la correa
73	874 49 05-60	Perno 5/16-18 3.75	231	532 40 72-87	Polea loca con ranura en V con un desplazamiento de 1.688"
74	596 13 41-01	Tornillo de 1/4-15 x 1/2	304	588 98 73-02	Pedal doble inverso, Sm, Tex
92	595 30 57-01	Tornillo de 5/16-18 x 1-1/4	344	597 64 72-01	Barra, Dp, Rvs 48F/54F/K58
99	593 98 25-01	Varilla de desviación	361	597 13 67-01	Casquillo, pedal doble inverso, deslizamiento
116	596 13 57-01	Tuerca de 5/16-18 x .68	379	596 58 06-01	Perno de retención 1-7/16 x 0.073
125	817 00 05-12	Tornillo 5/16-18 x 3/4	381	597 91 13-01	Kit de servicio soporte (Incluye soporte, pernos y tornillos)
153	532 00 44-97	Retén del resorte	382	596 43 83-01	Perno hexagonal con collar 3/8-16 x 2-1/4
159	596 02 95-01	Pasador de chaveta de 1/8 x 3/4			
161	532 10 57-09	Resorte de retorno del embrague			
162	580 45 74-02	Separador de transeje 1"			
163	588 56 63-01	Varilla, pedal doble, adelante, K46/K57/K58			
166	532 42 91-64	Tuerca			
167	532 40 52-57	Pestillo del freno de mano			
170	532 41 34-30	Sujetador de la correa central			
177	587 22 53-01	Abrazadera de retención 1 In.			
183	587 58 74-01	Separador			
184	587 65 37-01	Manija del freno de mano			
185	872 11 06-22	Perno 3/8-16 x 2-3/4 Gr. 5			
186	532 19 43-21	Espaciador de retención			

NOTA: Las dimensiones de todos los componentes están expresadas en pulgadas americanas.
1 pulgada = 25,4 mm

TRACTOR MODELO NO. TS 248G (96043031000), PRODUCTO NO. 960 43 03-10
MOTOR



**TRACTOR MODELO NO. TS 248G (96043031000), PRODUCTO NO. 960 43 03-10
MOTOR**

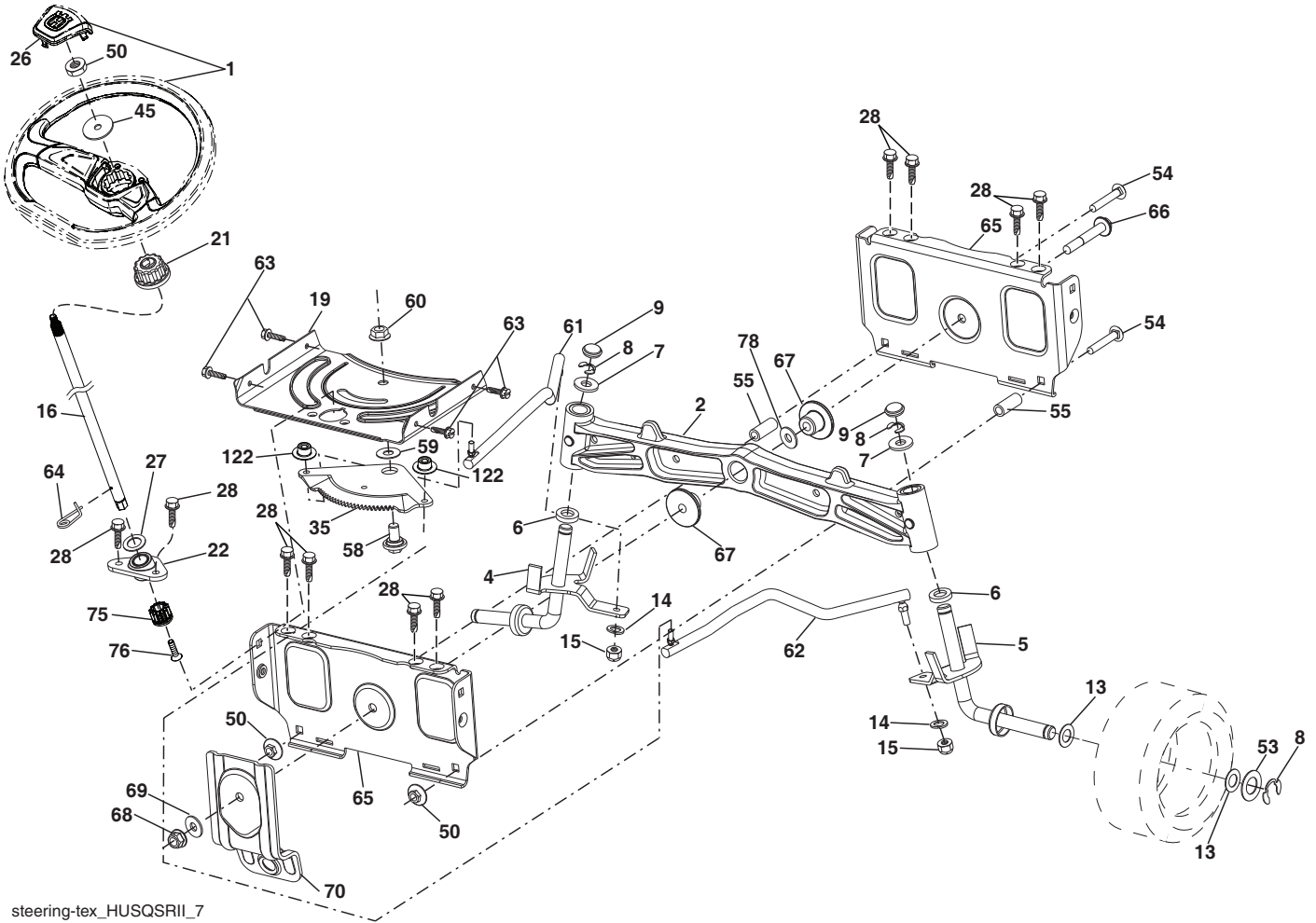
CÓDIGO NO.	PIEZA NO.	DESCRIPCIÓN
1	-----	Motor Kawa modelo No. FR730V-ES04 (445363) (Haga el pedido de las piezas al fabricante del motor.)
2	589 81 87-01	Silenciador
9	501 83 26-02	Ensamble del sujetador de la correa del motor
11	587 24 14-01	Embrague de eléctrico
12	532 19 43-43	Polea del motor
15	532 43 80-29	Tanque de Gasolina de 4,0
18	585 12 48-01	Ensamble de la tapa
20	532 42 43-41	Control del regulador
22	532 18 95-41	Control de estrangulación
21	532 43 85-62	Tornillo No. 10 x 0,75
28	532 40 11-35	Línea de combustible
29	532 13 71-80	Equipo apagachispas
37	532 12 34-87	Abrazadera de la manguera
41	532 12 61-97	Arandela 1-1/2 x 15/32 x .250
42	596 23 89-01	Arandela de 7/16"
45	596 13 36-01	Tuerca de presión de 1/4-20
62	532 43 40-17	Silenciador con pantalla térmica
69	532 17 81-51	Junta
70	583 95 56-01	Tubo de escape izquierdo
71	583 95 57-01	Tubo de escape derecho
81	532 14 84-56	Tubo de fácil drenaje de aceite
85	501 60 69-01	Perno de 7/16-20 x 3.0 Gr. 5
86	532 18 43-62	Tuerca brida hexagonal
90	817 00 06-16	Tornillo de 3/8-16 x 1
91	532 18 74-95	Buje
92	817 12 06-16	Tornillo de 3/8-16 x 1
102	817 00 05-12	Tornillo 5/16-18 x 3/4
116	539 13 26-24	Cambio de mando

NOTA: Las dimensiones de todos los componentes están expresadas en pulgadas americanas.
1 pulgada = 25,4 mm

Para las piezas del servicio y de recambio del motor, llame el número gratis para su fabricante del motor enumerado abajo:

Kawasaki 1-949-460-5688

TRACTOR MODELO NO. TS 248G (96043031000), PRODUCTO NO. 960 43 03-10
ENSAMBLE DE LA DIRECCIÓN



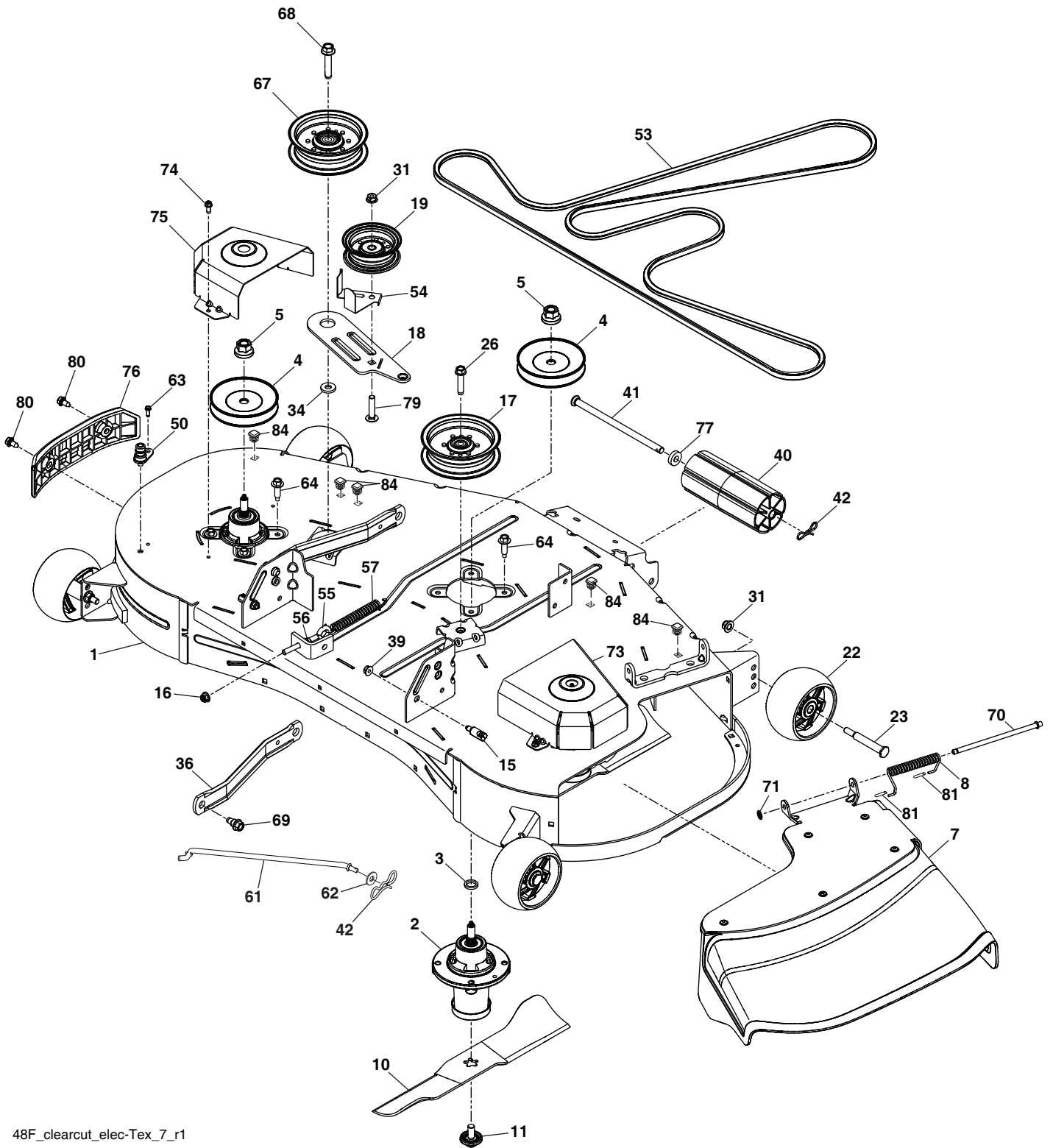
steering-tex_HUSQSR11_7

**TRACTOR MODELO NO. TS 248G (96043031000), PRODUCTO NO. 960 43 03-10
ENSAMBLE DE LA DIRECCIÓN**

CÓDIGO NO.	PIEZA NO.	DESCRIPCIÓN
1	597 86 61-01	Kit, rueda, dirección (Incluye volante y tapa del volante)
2	532 19 59-68	Ensamble del eje delantero
4	532 40 30-89	Ensamble del husillo izquierdo
5	532 40 30-90	Ensamble del husillo derecho
6	532 00 62-66	arandela de empuje .75 x 1.230
7	532 12 17-48	Arandela de 25/32 x 1-5/8 calibre 16
8	812 00 00-29	Abrazadera del aro No. T5304-75
9	532 12 12-32	Tapa del husillo
13	532 12 17-49	Arandela de 25/32 x 1-1/4 calibre 16
14	596 23 87-01	Arandela de .381 x .680
15	873 54 06-00	Tuerca de 3/8-24 unF
16	587 01 60-02	Eje de dirección
19	532 19 47-29	Placa de dirección
21	586 84 02-01	Adaptador del volante de dirección
22	585 02 98-02	Rodamiento
26	594 94 91-01	Tapa del volante
27	596 93 34-01	Arandela
28	817 00 06-12	Tornillo de 3/8-16 x 3/4
35	532 19 47-32	Engranaje del sector de la placa
45	587 01 64-01	Arandela 3/8 ID 2-3/8 OD calibre 12 PLTD
50	873 90 06-00	Tuerca 3/8-16 unc
53	532 18 89-67	Arandela reforzada de 793 x 1637 x 0,060
54	874 76 06-36	Perno de cabeza hexagonal de 3/8-16 x 2-1/4
55	532 41 47-36	Separador del soporte del eje
58	532 19 47-47	Perno de tope del sector del pivote CFM
59	532 19 47-48	Arandela de empuje del sector de dirección
60	873 97 10-00	Tuerca de 5/8-11
61	597 07 02-02	Barra de acoplamiento izquierda
62	597 07 03-02	Barra de acoplamiento derecha
63	817 00 05-12	Tornillo de 5/16-18 x 3/4
64	532 19 98-49	Abrazadera de retención del resorte de la dirección
65	532 19 47-34	Soporte delantero del eje
66	871 02 07-48	Perno de cabeza hexagonal con brida acanalada de 7/16-14 x 3
67	532 19 47-37	Buje PM del eje delantero
68	873 90 07-00	Tuerca de 7/16-14 grado 5
69	532 19 91-62	Arandela de 1,5 x 0,505 x 0,118
70	585 33 88-01	Soporte de la plataforma delantera
75	580 68 37-01	Piñón
76	580 68 36-01	Tornillo
78	532 05 70-79	Arandela de empuje
122	532 44 49-62	Tapas

NOTA: Las dimensiones de todos los componentes están expresadas en pulgadas americanas.
1 pulgada = 25,4 mm

TRACTOR MODELO NO. TS 248G (96043031000), PRODUCTO NO. 960 43 03-10
PLATAFORMA DE LA CORTADORA DE CÉSPED



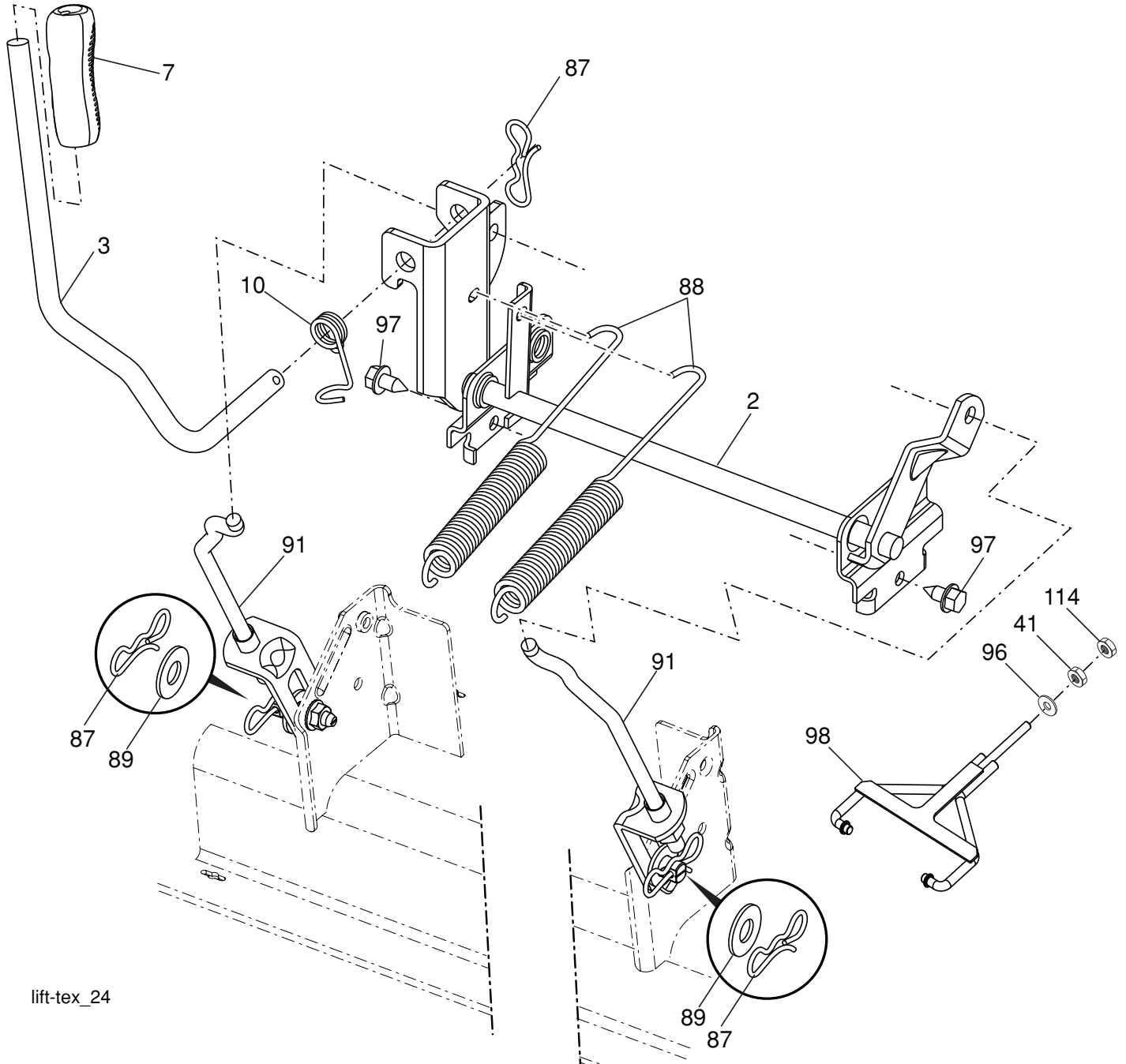
48F_clearcut_elec-Tex_7_r1

**TRACTOR MODELO NO. TS 248G (96043031000), PRODUCTO NO. 960 43 03-10
PLATAFORMA DE LA CORTADORA DE CÉSPED**

CÓDIGO NO.	PIEZA NO.	DESCRIPCIÓN	CÓDIGO NO.	PIEZA NO.	DESCRIPCIÓN
1	583 81 00-01	Kit, cubierta SVC	57	587 35 84-01	Resorte
2	539 13 18-98	Ensamble de Carcasa	61	596 27 44-01	Varilla
3	532 18 76-90	Arandela del separador	62	596 13 32-01	Arandela de 13/32 x 13/16 x 12 Calibre
4	532 17 34-34	Polea del mandril	63	596 63 73-01	Tornillo 1/4-20 x 5/8
5	596 13 48-01	Tuerca de 9/16-18 x 1.010	64	584 95 39-01	Perno .313-18 x 1.19
7	593 64 97-01	Deflector 48" CC	67	532 19 61-06	Polea
8	587 35 47-01	Resorte - torsión	68	596 56 40-03	Perno de 3/8-16 x 1.78
10	588 81 10-02	Cuchilla	69	532 19 65-39	Perno
11	532 19 30-03	Perno, 7/16-20	70	595 29 70-01	Varilla de la bisagra
15	593 82 40-01	Perno prisionero con anti rotación	71	532 11 04-52	Tuerca
16	594 94 44-01	Tuerca de 5/16-18	73	588 81 24-02	Cubierta del mandril lado derecho
17	532 19 61-04	Polea más ociosa	74	532 13 77-29	Tornillo 1/4-20 x 5/8
18	588 81 22-02	Brazo más ocioso	75	588 81 31-02	Cubierta del mandril lado izquierdo
19	532 19 31-97	Polea más ociosa	76	582 54 11-03	Guarnición
22	589 52 73-01	Rueda, calibrador	77	582 36 05-01	Buje
23	596 43 44-04	Perno de 3/8-16 x 3-5/8	79	596 13 62-01	Perno de 3/8-16 x 3/4
26	588 43 83-01	Tornillo 7/16-14 x 2.125	80	532 17 01-65	Perno 5/16
31	873 90 06-00	Tuerca 3/8-16 unc	81	532 10 53-04	Tapa
34	532 17 85-15	Arandela	84	596 95 22-01	Agujero cuadrado
36	587 14 05-02	Suspensión posterior del brazo	--	532 41 64-05	Accesorio del conexión
39	596 13 57-01	Tuerca de presión de 5/16-18 x .68	--	589 42 88-01	Reemplazo de la cortadora de césped, completa
40	532 17 60-66	Rodillo de la nariz			
41	594 09 25-01	Varilla de rodillo estrecho			
42	532 19 42-08	Pasador de chaveta			
50	532 41 55-98	Puerto del derrubio			
53	599 27 57-01	Correa del tractor 48 FCS			
54	532 14 10-43	Protector, correa			
55	596 24 08-01	Perno de argolla 5/16 x 3-1/2			
56	596 03 92-01	Tuerca de presión de 5/16-18			

NOTA: Las dimensiones de todos los componentes están expresadas en pulgadas americanas.
1 pulgada = 25,4 mm

**TRACTOR MODELO NO. TS 248G (96043031000), PRODUCTO NO. 960 43 03-10
ELEVACIÓN DE LA CORTADORA DE CÉSPED**



lift-tex_24

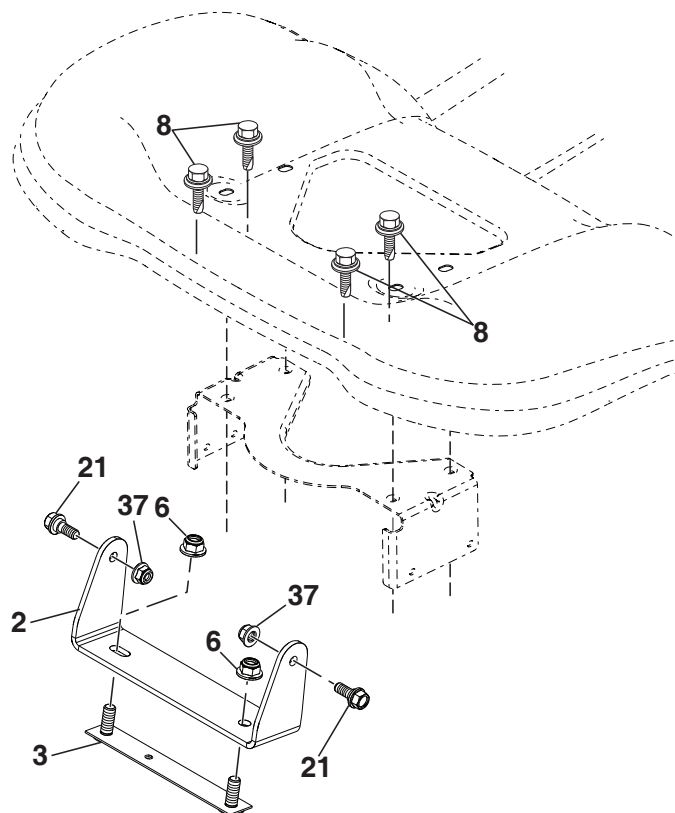
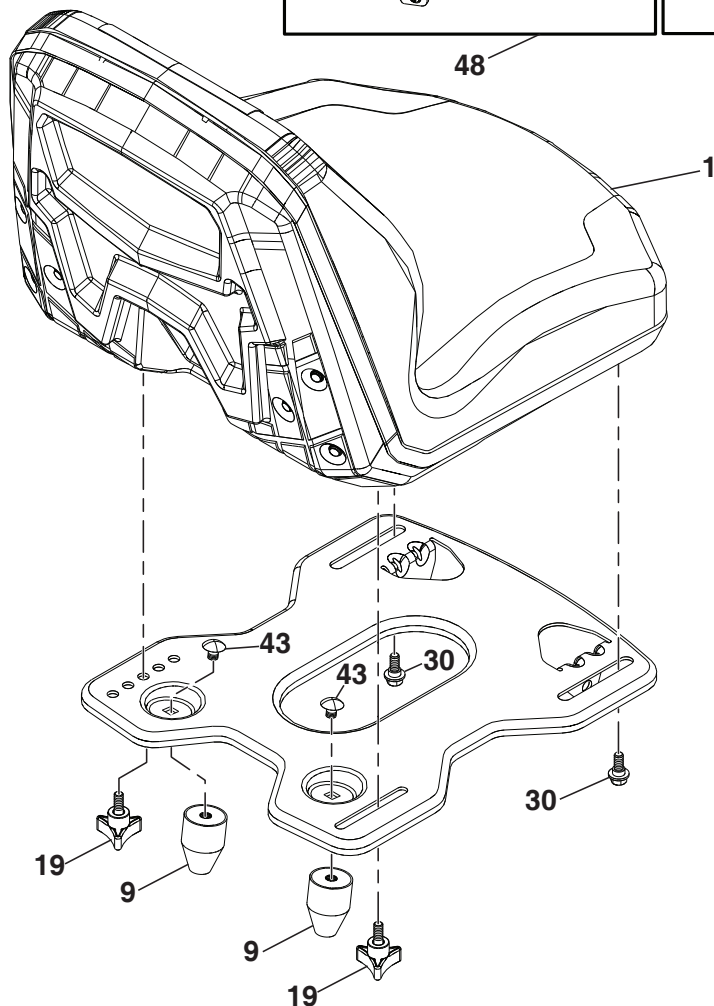
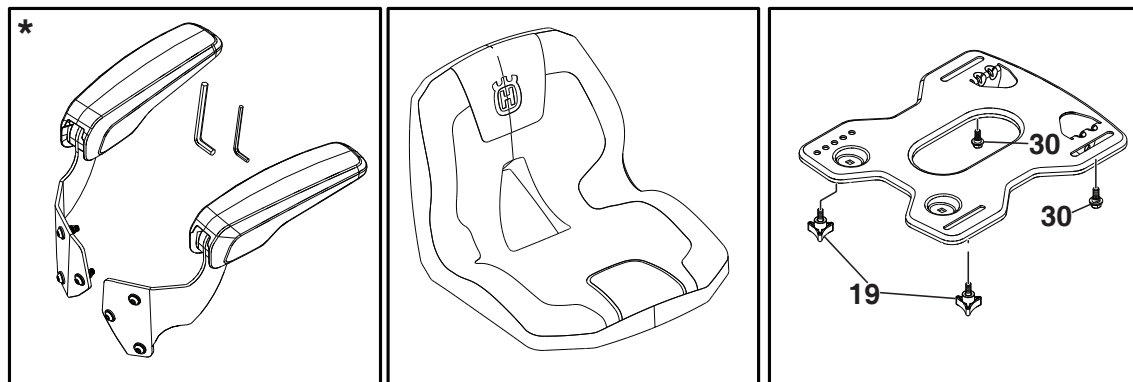
CÓDIGO NO.	PIEZA NO.	DESCRIPCIÓN
2	532 42 20-27	Ensamble del eje de la elevación
3	596 27 06-01	Ensamble de la palanca de elevación
7	580 96 23-01	Mango de la palanca
10	532 19 63-14	Resorte de torsión
41	589 46 49-02	Tuerca
87	532 19 42-09	Pasador de chaveta de 7/16 con bloqueo en forma de mariposa
88	532 19 53-01	Resorte de ayuda de la elevación
89	819 19 19-12	Arandela de zinc transparente
91	589 46 48-05	Ensamble del acoplamiento Elevación trasera

CÓDIGO NO.	PIEZA NO.	DESCRIPCIÓN
96	593 84 21-01	Buje
97	817 00 06-12	Tornillo de 3/8-16 x 0,75
98	574 82 25-01	Acoplamiento frontal de la elevación de la cortadora de césped
114	873 36 07-00	Tuerca 7/16-20

NOTA: Las dimensiones de todos los componentes están expresadas en pulgadas americanas.
1 pulgada = 25,4 mm

**TRACTOR MODELO NO. TS 248G (96043031000), PRODUCTO NO. 960 43 03-10
ENSAMBLE DEL ASIENTO**

***OPCIONAL**



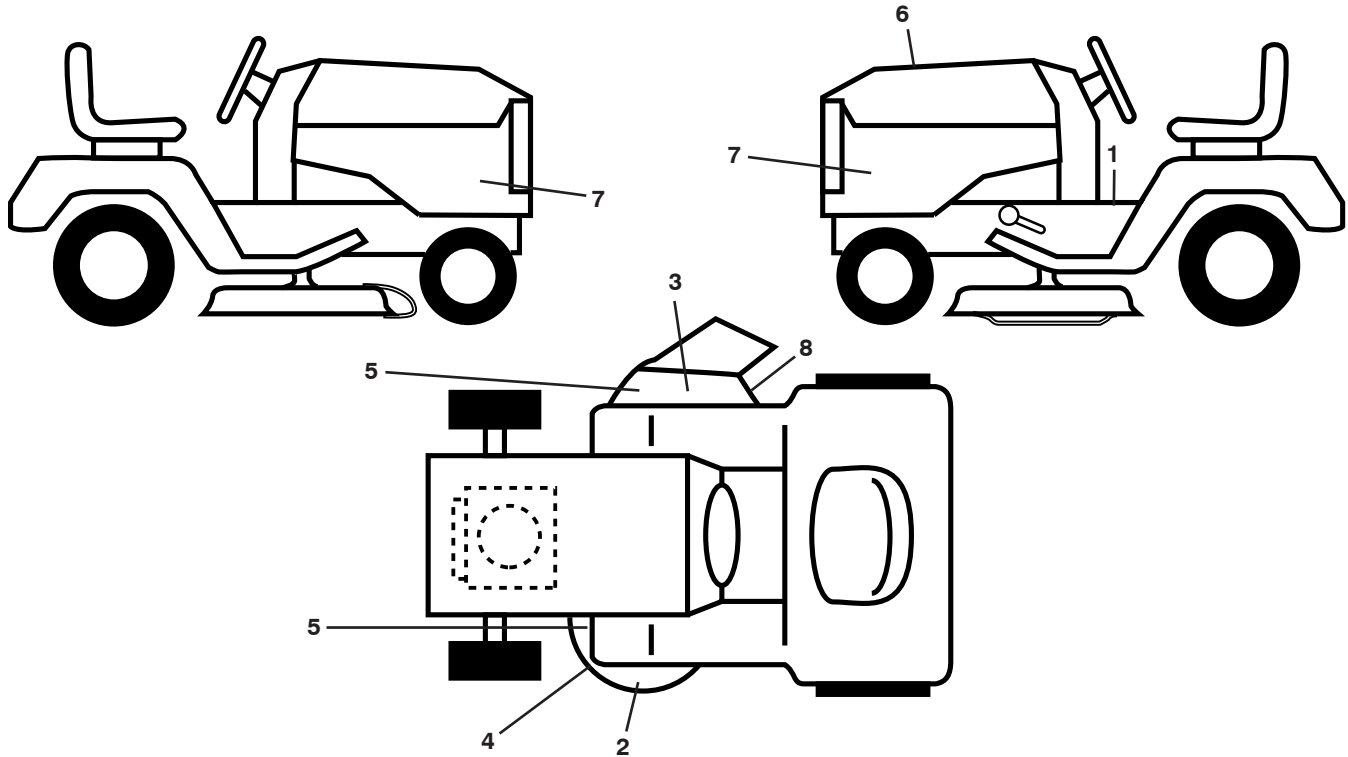
seat-tex_king 129_arm-kit_3

CÓDIGO No.	PIEZA No.	DESCRIPCIÓN
1	597 65 81-01	Asiento, SK150/129w/o apoyabrazos
2	597 32 99-02	Soporte PNT, PVT, FNDR, asiento, EDIP
3	590 77 76-02	Refuerzo de montaje de soporte, FNDR, EDIP
6	521 99 65-02	Tuerca, hexagonal, bloqueo w/brida
8	532 17 18-77	Perno 5/16-18 unc x 3/4 w/Sems
9	597 78 51-01	Parachoques, caucho, aislador
19	597 78 31-01	Pomo, 3 alas 5/16-18, CLR, ZN
21	596 24 07-01	Perno hexagonal 5/16-18 x 21/32
30	597 78 18-01	Perno hexagonal hombro 5/16-18 unc ZPB
37	594 94 44-01	Tuerca hexagonal brida 5/16-18

CÓDIGO No.	PIEZA No.	DESCRIPCIÓN
43	597 86 93-01	Perno de carro cuadrado 3/8 x .45 CLR, ZN
48	597 65 82-03	Kit de servicio brazo de asiento de 15"
49	597 95 94-01	Funda de asiento Husqvarna 5 pulgadas (Sk129)
50	598 00 16-01	Kit de placa de montaje del asiento (incluye todos los componentes ilustrados en la caja para la Clave# 50)

NOTA: Las dimensiones de todos los componentes están expresadas en pulgadas americanas. 1 pulgada = 25,4 mm

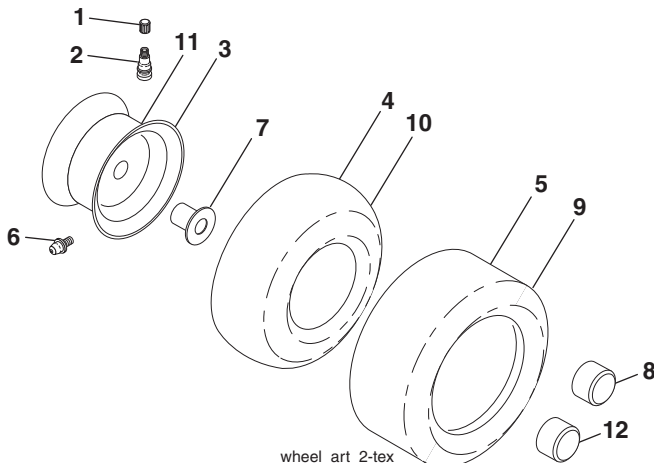
**TRACTOR MODELO NO. TS 248G (96043031000), PRODUCTO NO. 960 43 03-10
CALCOMANÍAS**



CÓDIGO NO.	PIEZA NO.	DESCRIPCIÓN
1	581 57 90-01	Calcomanía, Cuidado
2	590 88 50-01	Calcomanía, Sin paso
3	586 97 88-01	Calcomanía, Advertencia
4	585 91 01-01	Calcomanía, Garantía de por vida
5	589 35 79-01	Calcomanía, Sin paso
6	589 41 37-01	Calcomanía de reemplazo
7	597 90 91-01	Calcomanía para el panel lateral
8	581 58 00-02	Calcomanía del diagrama de la cortadora de césped

CÓDIGO NO.	PIEZA NO.	DESCRIPCIÓN
--	581 72 48-01	Calcomanía para la desviación
--	532 43 98-82	Forro del apoyo para los pies izquierdo
--	532 44 15-42	Forro del apoyo para los pies derecho
--	114 20 42-49	Manual del Operario (Inglés/Español)
--	114 20 43-32	Manual del Operario (Francés)
--	114 18 25-27	Manual de Repuestos (Inglés/Español)
--	587 71 00-26	Guía rápida (Inglés/Español)
--	587 71 01-26	Guía rápida (Francés)

WHEELS AND TIRES



wheel_art_2-tex

CÓDIGO NO.	PIEZA NO.	DESCRIPCIÓN
1	532 05 91-92	Tapa de la válvula del neumático
2	532 06 51-39	Vástago de la válvula
3	532 18 18-39	Ensamble de las llantas delanteras
4	532 00 81-34	Cámara delantera
5	532 16 10-24	Neumático delantero
6	532 00 02-78	Accesorio para engrasar (solo para la rueda delantera)
7	532 00 90-40	Rodamiento de la brida (solo para la rueda delantera)
8	532 17 50-39	Tapa del eje (sólo para la rueda delantera)
9	591 18 79-01	Neumático trasero
10	532 00 71-54	Cámara trasera (sólo servicio)
11	532 40 17-82	Ensamble trasero de la llanta
12	501 50 31-01	Tapa de cubo
--	532 14 43-34	Sellador para neumáticos (tubo de 10 onzas [283 gr])

NOTA: Las dimensiones de todos los componentes están expresadas en pulgadas americanas.
1 pulgada = 25,4 mm

SERVICE NOTES / AVISO



www.husqvarna.com