

**Repair Parts Manual**  
**Manual De Repuestos**  
**TS 254XG/96043031100**

Please read the operator's manual carefully and make sure you understand the instructions before using the machine.

Por favor lea cuidadosamente y comprenda estas instrucciones antes de usar esta maquina.



**English/Spanish**

**114 19 15-49 Rev. 3**



# HOW TO USE THIS MANUAL

This manual is designed to provide the customer with a means to identify the parts on his/her tractor when ordering repair parts. The illustrations may or may not represent the actual assemblies; therefore, it is not recommended to use this manual as a guide to assemble or disassemble the tractor. Some hardware and parts are drawn larger in order to more readily identify them.

Each tractor has its own model number. The model number for your tractor can be found on the fender under the seat.

## Support / Help

If you require assistance or have questions concerning the application, operation, maintenance or parts for your product:

- Visit our website: [www.husqvarna.com](http://www.husqvarna.com)
- Call Us Toll Free: 1-800-487-5951

When ordering parts, always give the following information:

- Product - "TRACTOR"
- MODEL NUMBER - "TS 254XG" (96043031100)"
- Part Number
- Part Description

## TABLE OF CONTENTS

SCHEMATIC .....	3
ELECTRICAL.....	4-5
CHASSIS .....	6-7
DRIVE.....	8-9
ENGINE.....	10-11
STEERING .....	12-13
MOWER DECK.....	14-15
MOWER LIFT.....	16
SEAT .....	17
DECALS.....	18

## COMO UTILIZAR ESTE MANUAL

Este manual está diseñado para brindarle al comprador un medio para identificar las piezas del tractor para cuando necesite hacer el pedido de un repuesto. Las ilustraciones pueden o no representar los ensambles reales; por lo tanto, no se recomienda utilizar este manual como una guía para ensamblar o desarmar el tractor. Algunos accesorios y piezas están dibujados en tamaños más grandes para identificarlos con mayor facilidad.

Cada tractor tiene su propio número de modelo. El número de modelo del tractor se encuentra en el guardabarros debajo del asiento.

## Soporte / Ayuda

Si necesita asistencia o tiene alguna pregunta acerca de la aplicación, operación, mantenimiento o piezas de su producto:

- Visite nuestro sitio web: [www.husqvarna.com](http://www.husqvarna.com)
- Llámenos de manera gratuita al: 1-800-487-5951

Cuando haga el pedido de una pieza, siempre brinde la siguiente información:

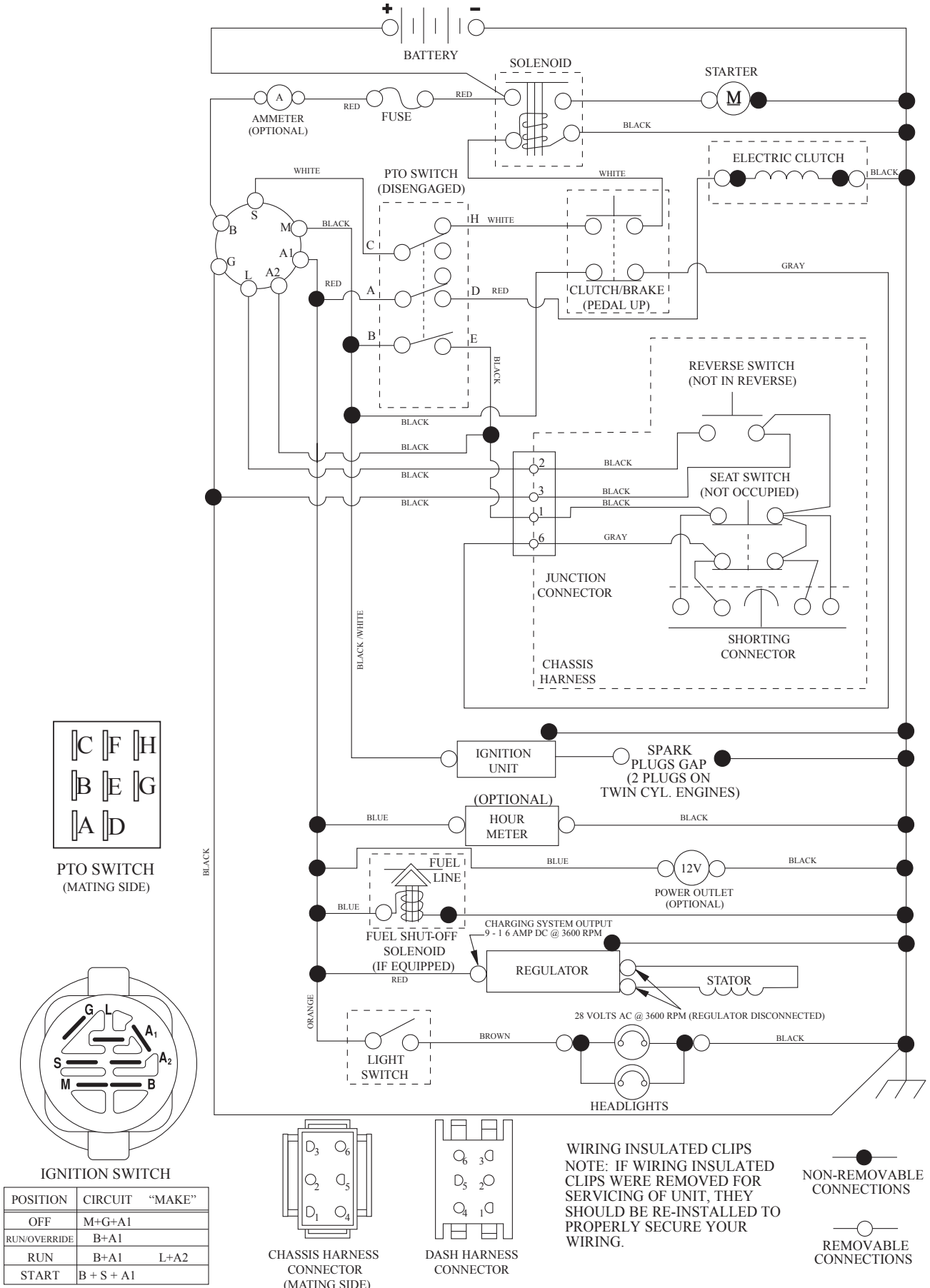
- Producto: "TRACTOR"
- NÚMERO DE MODELO: "TS 254XG" (96043031100)"
- Número de pieza
- Descripción de la pieza

## ÍNDICE

DIAGRAMA.....	19
DIAGRAMA ELÉCTRICO.....	20-21
CHASIS .....	22-23
TRANSMISIÓN .....	24-25
MOTOR.....	26-27
DIRECCIÓN .....	28-29
PLATAFORMA DE LA CORTADORA DE CÉSPED.....	30-31
ELEVACIÓN DE LA CORTADORA DE CÉSPED.....	32
ASIENTO.....	33
CALCOMANÍAS.....	34

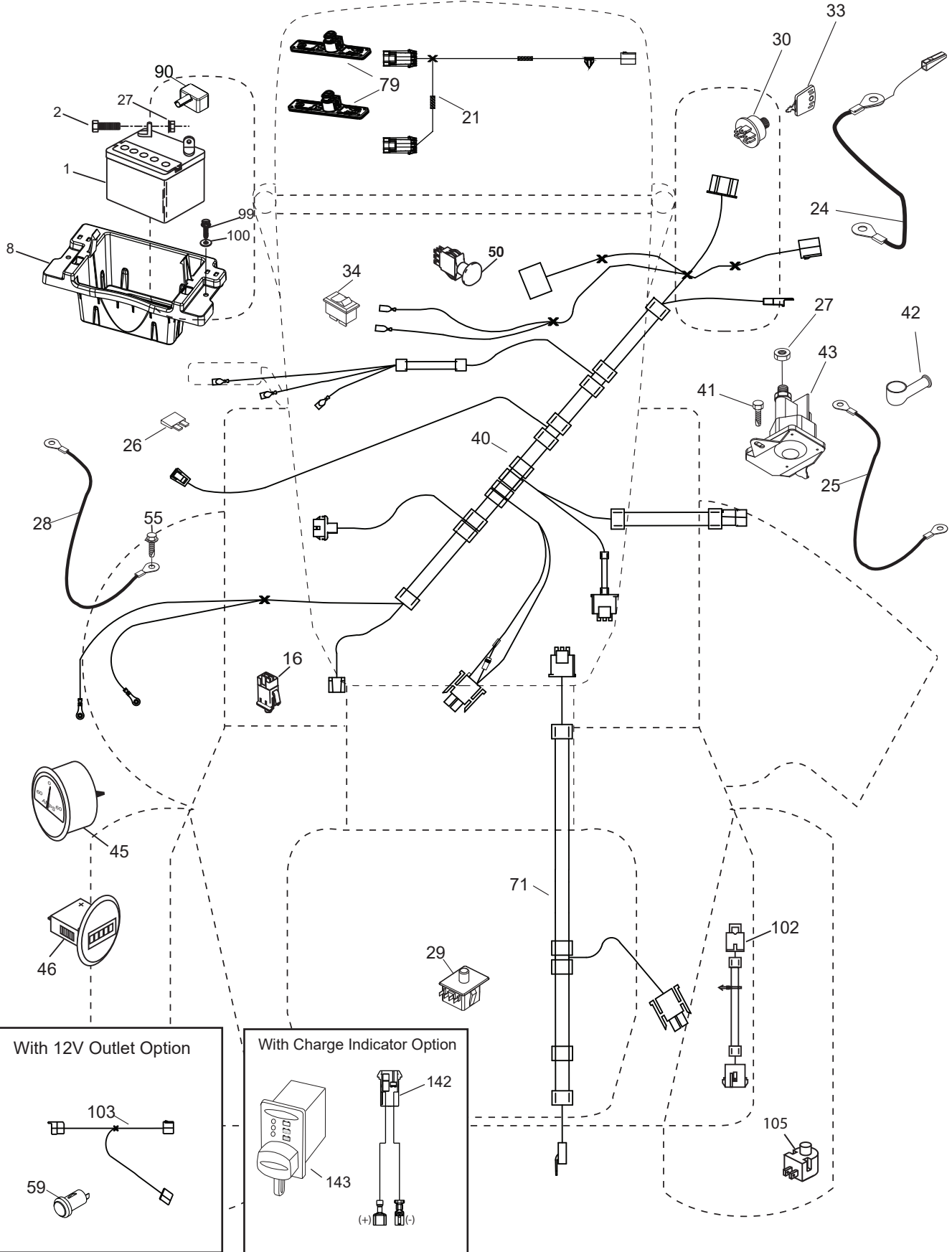
# TRACTOR - MODEL NO. TS 254XG (96043031100), PRODUCT NO. 960 43 03-11 SCHEMATIC

SCH12



**TRACTOR - MODEL NO. TS 254XG (96043031100), PRODUCT NO. 960 43 03-11  
ELECTRICAL**

T38KLED



**TRACTOR - MODEL NO. TS 254XG (96043031100), PRODUCT NO. 960 43 03-11  
ELECTRICAL**

<b>KEY NO.</b>	<b>PART NO.</b>	<b>DESCRIPTION</b>
1	532 16 34-65	Battery
2	874 76 04-12	Bolt Hex Hd 1/4-20 unc x 3/4
8	587 20 51-01	Battery Box
16	532 17 61-38	Switch Interlock
21	585 43 64-02	Harness, LED Lights
24	585 55 56-01	Cable Battery
25	585 55 55-01	Cable Starter
26	532 17 51-58	Fuse
27	596 13 36-01	Locknut, Keps. 1/4-20
28	532 41 65-88	Cable Ground 21" Blk 6 Ga.
29	532 19 27-49	Switch Seat
30	532 19 33-50	Switch Ign
33	532 41 19-35	Key/Chain
34	532 11 07-12	Switch Light/Reset
40	501 13 31-01	Harness Ign. Dash
41	817 72 04-08	Screw Thd Cut 1/4-20 x 1/2
42	532 13 15-63	Cover Terminal Red
43	582 04 28-02	Solenoid
45	587 55 39-06	Ammeter Gauge Round
46	587 55 40-06	Gauge Hourmeter
50	582 10 76-02	Switch PTO
55	817 06 05-12	Screw Thdrol 5/16-18 x 3/4
59	596 94 10-01	Receptacle, 12V. Snap-in, Tex
71	532 19 42-76	Harness Ign Chassis
79	597 52 30-01	Light, Husgt3, LED Bar
90	532 43 53-95	Cover Terminal Battery
99	817 67 04-12	Screw Hexwsh Thdrol 1/4-20 x 3/4
100	596 13 53-01	Washer, Plain 9/32 x 7/8 Clr. Zn.
102	532 40 44-54	Harness Pigtail
103	532 42 17-47	Harness Pigtail 12 V Outlet
105	532 40 75-68	Switch Reverse TT Pedal Control

**NOTE:** All component dimensions given in U.S. inches  
1 inch = 25.4 mm



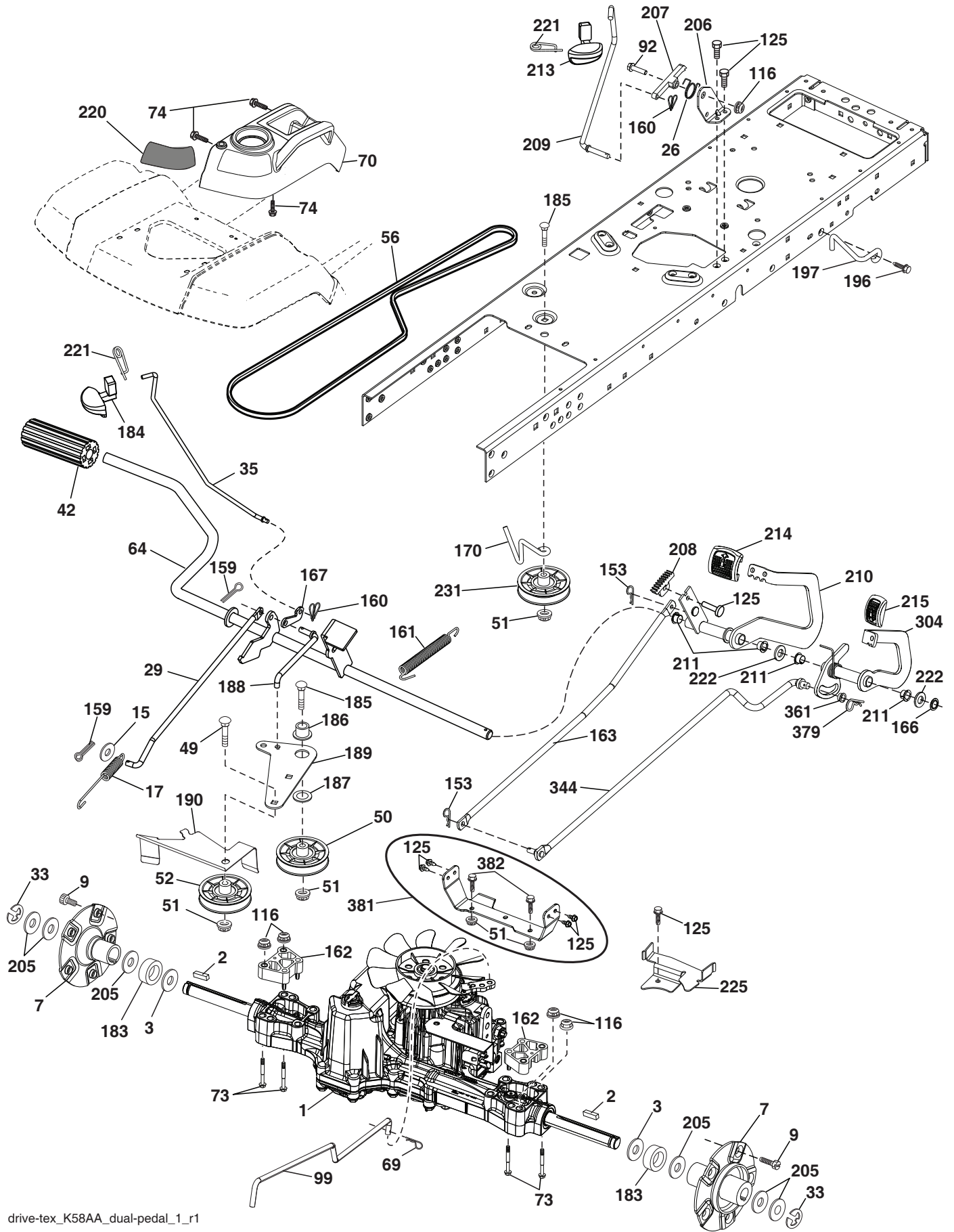
# TRACTOR - MODEL NO. TS 254XG (96043031100), PRODUCT NO. 960 43 03-11 CHASSIS

KEY NO.	PART NO.	DESCRIPTION	KEY NO.	PART NO.	DESCRIPTION
2	580 43 44-01	Drawbar	189	817 00 05-12	Screw 5/16-18 x 3/4
3	597 68 82-01	Kit, Grille Applique, (includes applique cover and emblem badge)	194	596 13 57-01	Nutlock, Prvl, Torq. 5/16-18 x .68
5	590 74 88-17	Dash	196	532 43 97-16	Console Asm. Deck Lift
14	532 44 11-77	Hood	199	532 19 82-59	Plate Deck Lift
15	597 86 79-01	Kit, SVC, Hus GT3, LED Headlights (includes LH/RH lens and LH/RH housing)	202	597 86 77-01	Kit, Side Vents, LH/RH (includes LH/RH side vents)
18	597 40 71-02	Grille Asm.	204	597 40 80-01	Kit, Top Vent (includes top vent and clip retainers)
36	817 06 05-12	Screw 5/16-18 x 3/4	205	532 43 97-30	Skirt Side RH
37	532 44 12-08	Fender	206	532 43 97-29	Skirt Side LH
58	532 19 43-14	Bracket Fender	214	532 19 91-45	Clip Retainer
68	596 03 07-01	Screw, Hexagon, 5/16-18 x 1/2	217	532 40 91-67	Rod Pivot
125	581 68 48-01	Clip Fuel Line	221	532 19 89-09	Reflector LH
130	596 32 17-01	Screw #10 x 0.750	228	532 19 51-61	Stud Fastener
137	532 40 75-90	Bumper Dash	235	596 56 42-01	Spacer, Fender, Clr. Zn
146	581 85 79-01	Bolt	236	873 93 05-00	Nut Center Lock 5/16-18 unc
150	532 43 97-74	Air Duct	259	596 43 40-01	Screw #10.10 x 0.500, Bos Thread
151	532 43 66-70	Bracket Pivot	281	817 00 06-16	Screw 3/8-16 x 1 Smgml. Top
152	532 43 98-70	Shield Browning	306	873 90 06-00	Nut Lock
159	817 00 06-12	Screw 3/8-16 x 3/4	335	532 44 82-04	Cover RH Lower Close Out
161	532 43 99-29	Console Fuel Window	336	532 44 53-09	Cover Lower Dash LH
162	596 13 41-01	Screw, Hex. Tap. 1/4-15 x 1/2	350	532 44 51-43	Clip X-mas Tree
165	532 19 43-30	Bracket Support Tank	375	586 90 82-01	Dash Clip-On Bumper
175	590 60 77-02	Crossmember	378	590 84 98-01	Bushing, Flange
176	532 40 07-76	Screw 10-24 x 5/8	379	593 20 69-02	Chassis Plate Reinforcement
177	532 19 52-28	Bushing Steering	- -	532 43 18-82	Bumper
180	593 34 63-01	Chassis			
182	532 40 68-59	Dash Lower			
183	595 30 57-01	Screw, Hexagon, 5/16-18 x 1-1/4			

**NOTE:** All component dimensions given in U.S. inches  
1 inch = 25.4 mm



**TRACTOR - MODEL NO. TS 254XG (96043031100), PRODUCT NO. 960 43 03-11 DRIVE**



drive-tex\_K58AA\_dual-pedal\_1\_r1

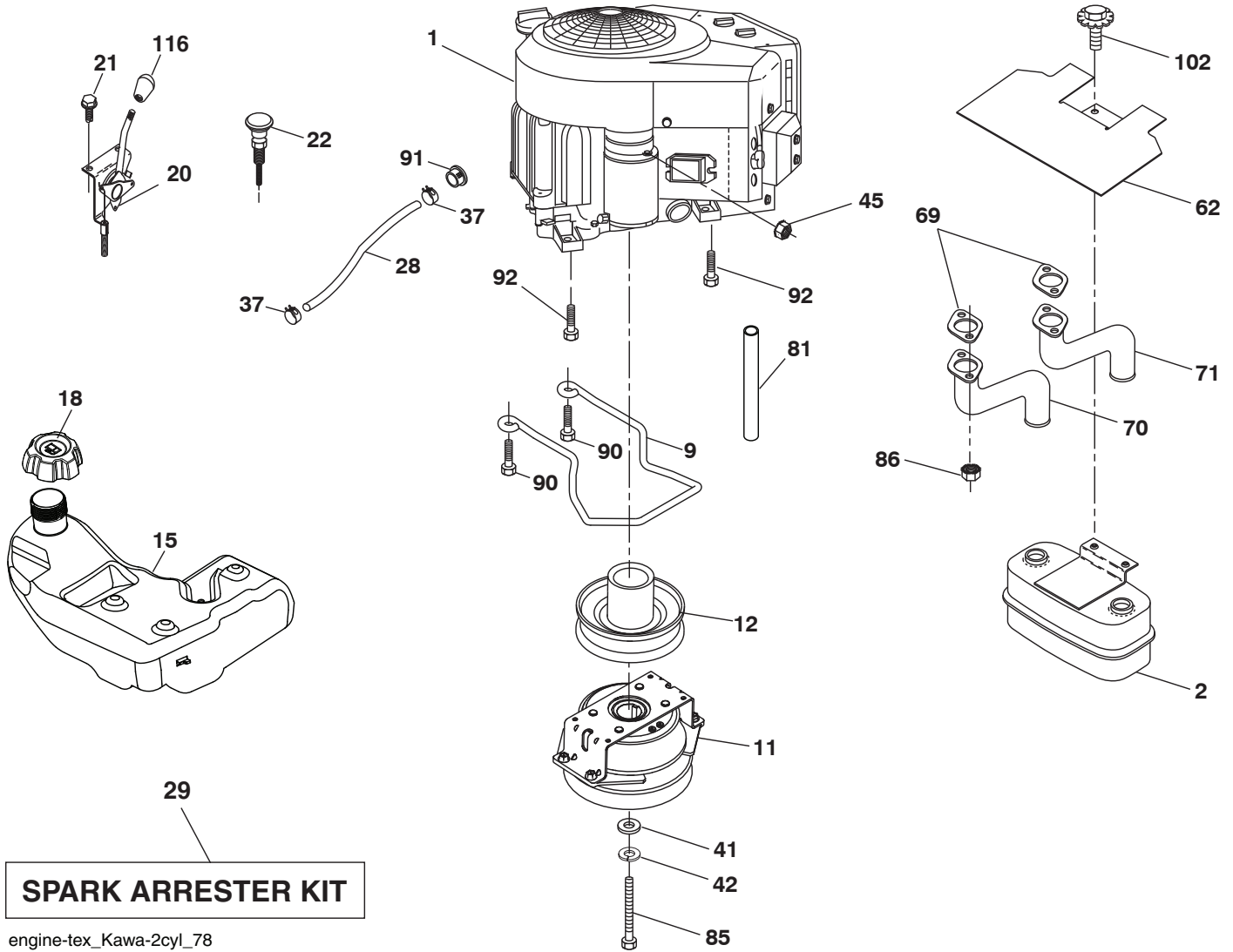


# TRACTOR - MODEL NO. TS 254XG (96043031100), PRODUCT NO. 960 43 03-11 DRIVE

KEY NO.	PART NO.	DESCRIPTION	KEY NO.	PART NO.	DESCRIPTION
1	-----	Transaxle, TUFFTORQ K58AA (596038601) (Order parts from transaxle manufacturer.)	185	872 11 06-22	Bolt Rdhd Sqnk 3/8-16 x 2-3/4 Gr. 5
2	539 91 27-57	Key, Sq 1/4 x 1-1/4	186	532 19 43-21	Spacer Retainer
3	532 00 75-63	Washer, Thrust, Axle, Harden	187	596 13 55-01	Washer, 13/32 x 2 Clear, Zinc
7	586 93 54-02	Hub, Pnt. GT, Pm. 1" Axle, E-Dip	188	582 21 70-01	Link Clutch Ground Drive, Long
9	596 21 87-01	Bolt, Fit, Shank 7/16-14 x 1-3/8	189	532 19 43-17	Bellcrank Ground Drive
15	819 13 13-16	Washer 13/32 x 13/16 x 16 Ga.	190	532 19 43-18	Keeper Bellcrank Ground Drive
17	532 41 36-78	Spring Brake	196	817 00 06-16	Screw 3/8-16 x 1
26	532 19 96-79	Spring, Return, Cruise	197	585 65 86-02	Link Clutch Anti-Rotation
29	532 40 38-06	Rod, Brake	205	532 12 38-00	Washer 11/32 x 1 5/8 x 16 Ga
33	812 00 00-53	Ring E	206	532 44 85-96	Bracket, Mount, Cruise, Latch
35	590 60 59-02	Rod, Prkngbrk, GT, Husq/Pred.	207	587 03 14-02	Latch, Cruise Control, Tex. Clr
42	532 00 88-83	Cover Foot Pedal	208	596 56 41-01	Gear
49	596 13 62-01	Bolt, Cup Head, 3/8-16 x 3/4	209	590 52 78-02	Rod, Cruisecntl, Gt, Hus/Prd, PLT
50	532 19 43-27	Pulley Idler Flat	210	588 98 72-02	Dual Pedal, Asm. Forward, Tex
51	873 90 06-00	Lock Nut 3/8-16	211	532 12 01-83	Bearing, Nylon, Blk. 629 ID
52	532 19 43-26	Idler V-Groove	213	532 40 31-19	Handle, Cruise Control, Hus/Prd .428
56	592 85 52-01	V-Belt Drive	214	532 42 12-63	Pedal Pad, Forward, Tex. Std
64	532 19 78-65	Shaft, Asm, Pedal, Brk. Cntrl. Pch	215	596 90 83-01	Pedal Pad, Square, reverse
69	532 42 33-03	Hairpin, Soft, Zinc	220	532 19 89-08	Reflector RH
70	532 43 96-61	Console Asm.	221	532 40 31-87	Retainer Spring Clip Handle
73	874 49 05-60	Bolt Hex Flghd 5/16-18 3.75	222	879 21 20-10	Washer 21/32 x 1-1/4 10 Ga. N/ Pltd
74	596 13 41-01	Screw, Hex. Tap 1/4-15 x 1/2	225	532 40 33-19	Keeper Belt Trans.
92	595 30 57-01	Screw, Hexagon, 5/16-18 x 1-1/4	231	532 40 72-87	Idler V-Groove 1.688" Offset
99	593 98 25-01	Rod Bypass	304	588 98 73-02	Dual Pedal, Asm. Reverse, Tex
116	596 13 57-01	Nutlock, Prvl. Torq. 5/16-18 x .68	344	597 64 72-01	Rod, Dp. Rvs. 48 F/54F/K46/K58
125	817 00 05-12	Screw 5/16-18 x 3/4	361	597 13 67-01	Bushing, Dual Pedal, Rvs. Slide
153	532 00 44-97	Retainer Spring	379	596 58 06-01	Pin, Retaining 1-7/16 x 0.073
159	596 02 95-01	Pin Cotter 1/8 x 3/4	381	597 91 13-01	Service, Kit - Torque Strap (includes bracket , bolts, nuts and screws)
160	596 02 94-01	Clip, Retainer, "M-Shape"	382	596 43 83-01	Bolt, Hex, W/Collar 3/8-16 x 2-1/4
161	532 10 57-09	Spring Return Clutch			
162	580 45 74-02	Spacer Transaxle 1"			
163	588 56 63-01	Rod, Dual Pedal Fwd. K46/K57/K58			
166	532 42 91-64	Nut, Push 625			
167	532 40 52-57	Latch Brake Parking			
170	532 41 34-30	Keeper Belt Centerspan			
183	587 58 74-01	Spacer Split			
184	587 65 37-01	Handle Parking Brake			

**NOTE:** All component dimensions given in U.S. inches  
1 inch = 25.4 mm

TRACTOR - MODEL NO. TS 254XG (96043031100), PRODUCT NO. 960 43 03-11  
ENGINE



**TRACTOR - MODEL NO. TS 254XG (96043031100), PRODUCT NO. 960 43 03-11  
ENGINE**

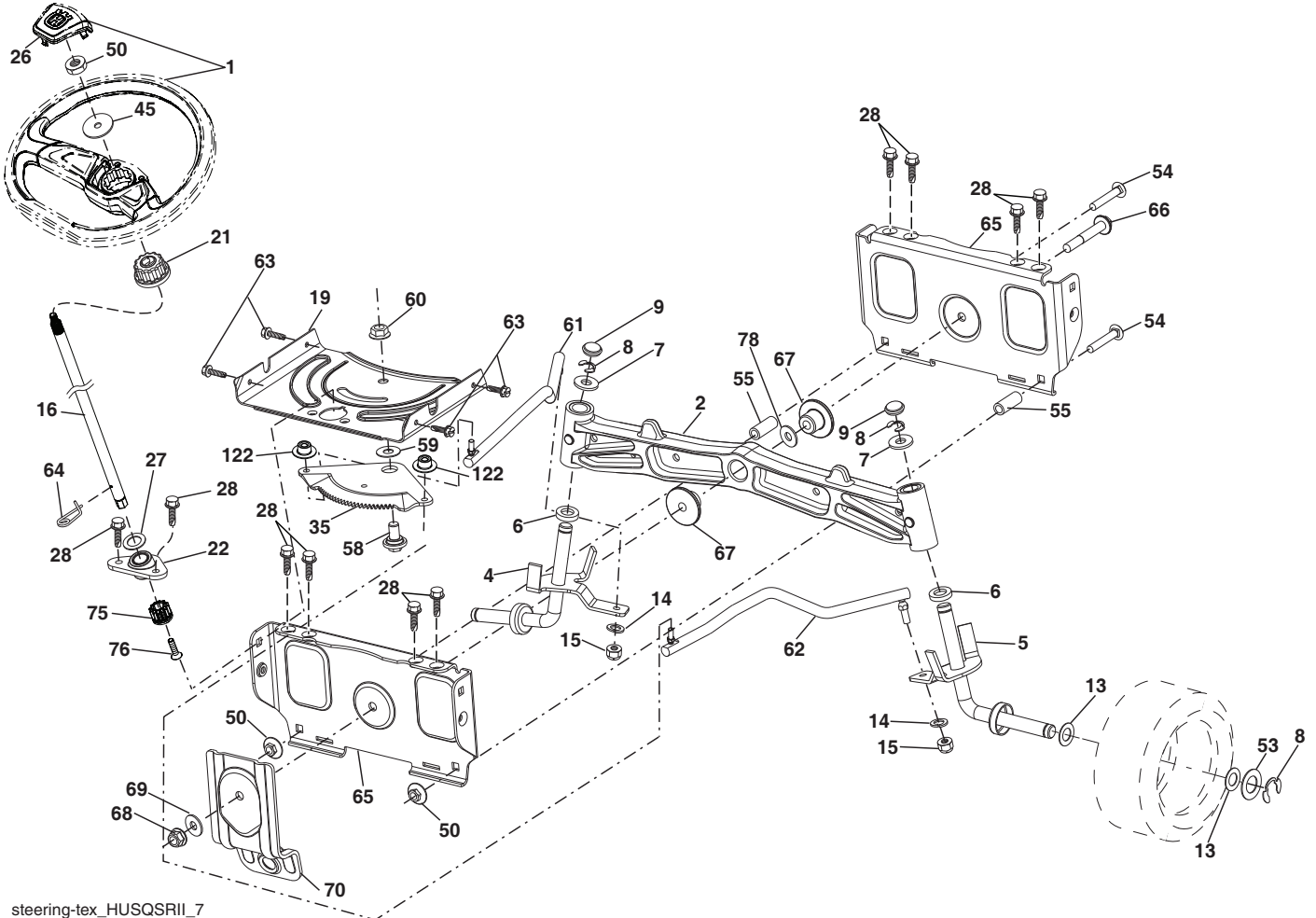
<b>KEY PART NO.</b>	<b>PART NO.</b>	<b>DESCRIPTION</b>
1	-----	Engine Kawa Model No. FR730V-ES04 (445363) (Order parts from engine manufacturer.)
2	589 81 87-01	Muffler
9	501 83 26-02	Keeper Belt Engine
11	587 24 14-01	Clutch Electric
12	532 19 43-43	Pulley Engine
15	532 43 80-29	Tank Fuel 4.0
18	585 12 48-01	Cap Fuel
20	532 42 43-41	Control Throttle
21	596 32 17-01	Screw, #10 x 0.750 BOS Thread
22	532 18 95-41	Control Choke
28	532 40 11-35	Fuel Line
29	532 13 71-80	Spark Arrester Kit
37	532 12 34-87	Clamp Hose
41	532 12 61-97	Washer 1-1/2 OD x 15/32 ID x .250
42	596 23 89-01	Washer, 7/16 in. Clr. Zn
45	596 13 36-01	Locknut, Keps. 1/4-20
62	532 43 40-17	Shield Heat Muffler
69	532 17 81-51	Gasket
70	583 95 56-01	Tube Exhaust LH
71	583 95 57-01	Tube Exhaust RH
81	532 14 84-56	Tube Drain Oil Easy
85	501 60 69-01	Bolt Hex 7/16-20 x 3.0 Gr. 5
86	532 18 43-62	Nut, Hex, Flange
90	817 00 06-16	Screw 3/8-16 x 1
91	532 18 74-95	Bushing 1.375 OD HEYCO 2210
92	817 12 06-16	Screw 3/8-16 x 1
102	817 00 05-12	Screw 5/16-18 x 3/4
116	539 13 26-24	Knob-Shift

**NOTE:** All component dimensions given in U.S. inches  
1 inch = 25.4 mm

For engine service and replacement parts, call the toll free number  
for your engine manufacturer listed below:

Kawasaki                                1-949-460-5688

**TRACTOR - MODEL NO. TS 254XG (96043031100), PRODUCT NO. 960 43 03-11**  
**STEERING ASSEMBLY**



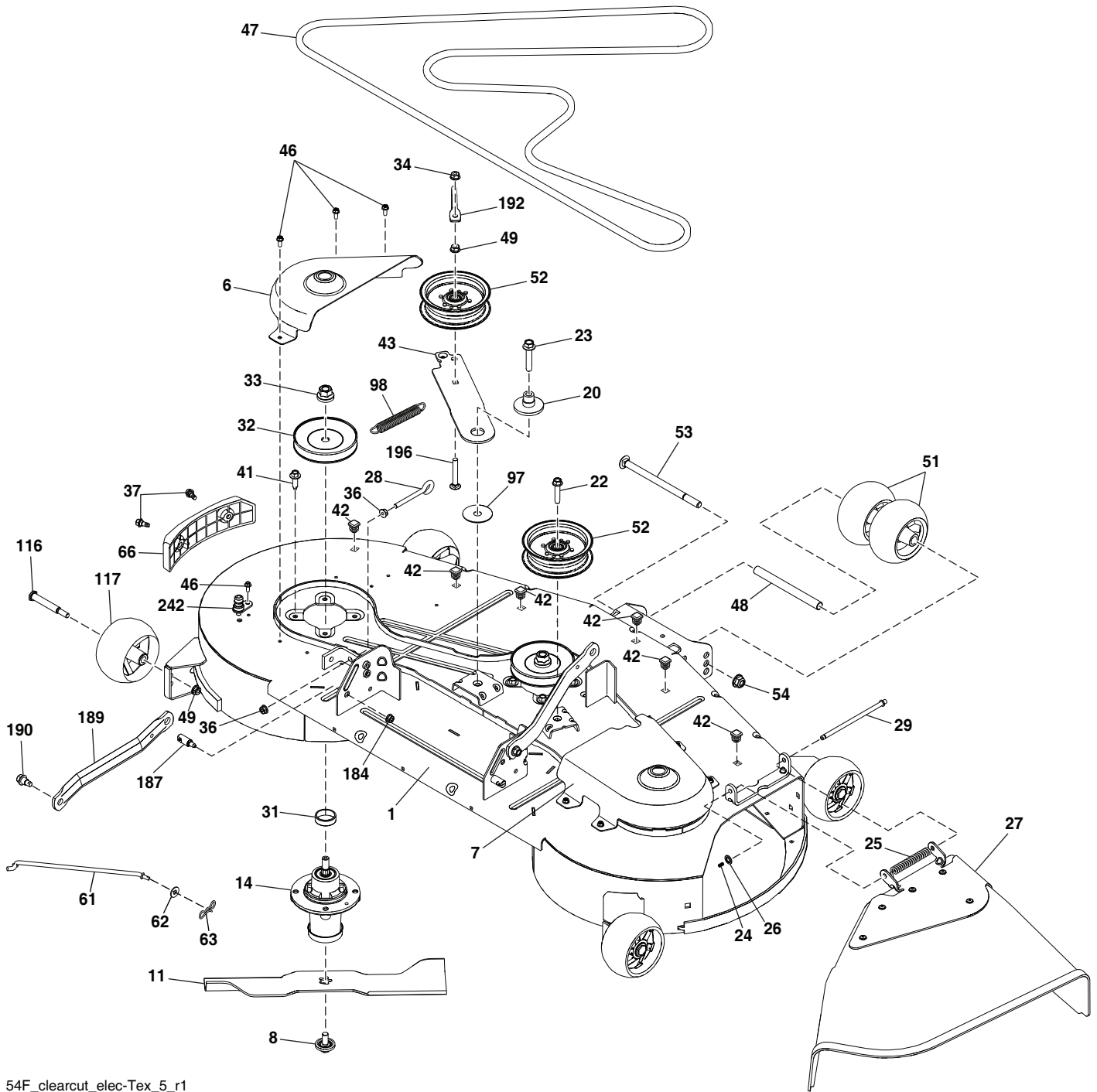
steering-tex\_HUSQSRII\_7

**TRACTOR - MODEL NO. TS 254XG (96043031100), PRODUCT NO. 960 43 03-11  
STEERING ASSEMBLY**

<b>KEY NO.</b>	<b>PART NO.</b>	<b>DESCRIPTION</b>
1	597 86 61-01	Wheel, Steering, Kit (includes steering wheel and cap)
2	532 19 59-68	Axle Asm., Front
4	532 40 30-89	Spindle Asm., LH
5	532 40 30-90	Spindle Asm., RH
6	532 00 62-66	Washer, Thrust .75 x 1.230
7	532 12 17-48	Washer 25/32 x 1-5/8 x 16 Ga.
8	812 00 00-29	Ring, Klip #T5304-75
9	532 12 12-32	Cap, Spindle
13	532 12 17-49	Washer 25/32 x 1-1/4 x 16 Ga.
14	596 23 87-01	Washer, Spring, Lock, .381 ID x .680
15	873 54 06-00	Nut, Crown Lock 3/8-24 unf
16	587 01 60-02	Shaft Steering
19	532 19 47-29	Plate Steering
21	586 84 02-01	Adapter, Wheel Steering
22	585 02 99-01	Steering Support Lower
26	594 94 91-01	Insert, Wheel Steering, Cap
27	596 93 34-01	Washer, Plain
28	817 00 06-12	Screw 3/8-16 x 3/4
35	532 19 47-32	Gear, Sector Plate
45	587 01 64-01	Washer 3/8 ID x 2-3/8 OD 12 Ga.
50	873 90 06-00	Nut Lock Flg. 3/8-16
53	532 18 89-67	Washer Hardened .793 x 1.637 x .060
54	874 76 06-36	Bolt Hex 3/8-16 x 2-1/4
55	532 41 47-36	Spacer Axle Brace
58	532 19 47-47	Bolt Shoulder Sector Pivot CFM
59	532 19 47-48	Washer Thrust Sector Steering
60	873 97 10-00	Nut Flange Lock 5/8-11
61	597 07 02-02	Draglink, LH. Adj. Std. Clrzn.
62	597 07 03-02	Draglink, RH. Adj. Std. Clrzn.
63	817 00 05-12	Screw 5/16-18 x 3/4
64	532 19 98-49	Retainer Clip Spring Steering
65	532 19 47-34	Brace Axle Front
66	871 02 07-48	Bolt Hex Fghd 7/16-14 x 3 Serr
67	532 19 47-37	Bushing Front Axle
68	873 90 07-00	Nut Lock Flange 7/16-14 Gr. 5
69	532 19 91-62	Washer 1.5 x .505 x .118
70	585 33 88-01	Bracket Deck Susp. Front
75	580 68 37-01	Pinion Steering Shaft
76	580 68 36-01	Screw Head Socket Flat
78	532 05 70-79	Washer Thrust
122	532 44 49-62	Cap Gear Sector

**NOTE:** All component dimensions given in U.S. inches  
1 inch = 25.4 mm

**TRACTOR - MODEL NO. TS 254XG (96043031100), PRODUCT NO. 960 43 03-11  
MOWER DECK**



54F\_clearcut\_elec-TEX\_5\_r1

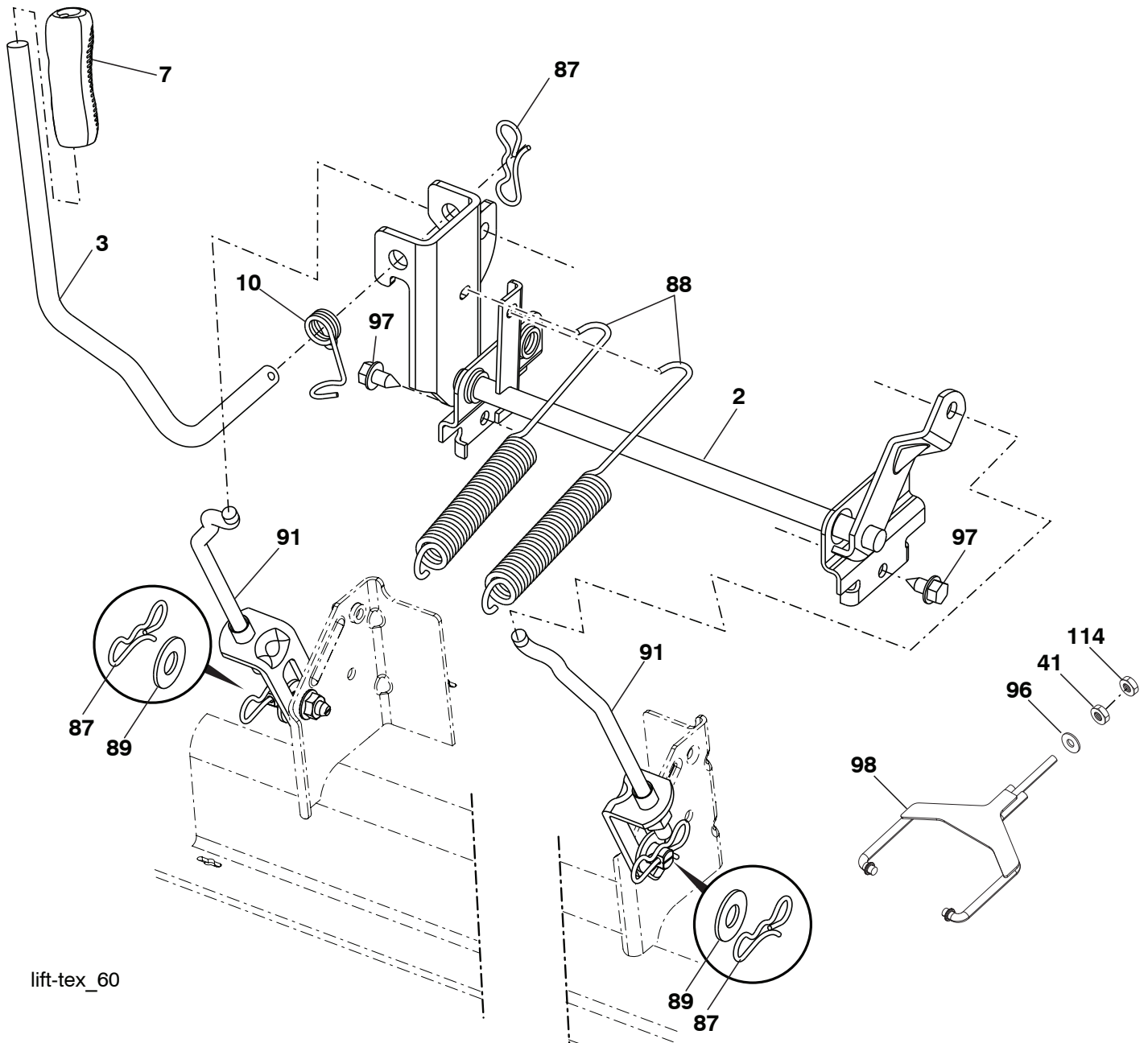
**TRACTOR - MODEL NO. TS 254XG (96043031100), PRODUCT NO. 960 43 03-11  
MOWER DECK**

<b>KEY NO.</b>	<b>PART NO.</b>	<b>DESCRIPTION</b>	<b>KEY NO.</b>	<b>PART NO.</b>	<b>DESCRIPTION</b>
1	592 61 88-01	Kit, SVC Weldment	49	873 90 06-00	Nut, Lock Flg. 3/8-16 unc
6	590 30 43-03	Cover Mandrel LH	51	574 16 96-01	Roller Guage
7	590 30 42-03	Cover Mandrel RH	52	532 19 73-79	Pulley Idler 4.50
8	532 19 30-03	Bolt/Washer Am 7/16-20	53	594 94 45-01	Blt, Cup Hd, Sqr, 1/2-13 x 8.0, Gr. 5
11	582 76 05-01	Blade 54cc	54	521 99 11-02	Nut 1/2-13 Hex Flg Nyloc ZD
14	539 13 18-98	Housing, Mandrel	61	596 27 44-01	Rod, Anti-sway, Tex. Clr. Zinc
20	532 19 72-36	Spacer Idler Pulley	62	596 13 32-01	Washer 13/32 x 13/16 x 12 Ga.
22	596 56 40-03	Bolt, Hex 3/8-16 x 1.78 Clrzinc.	63	532 19 42-08	Pin Cotter 5/16 Bow Tie Lock
23	588 43 83-01	Screw 7/16-14 x 2.125 Washer	66	590 73 25-01	Bumper Asm 54cc
24	532 10 53-04	Cap Sleeve	97	532 17 85-15	Washer Hardened
25	587 35 47-01	Spring, Torsion	98	587 35 84-01	Spring Drive
26	532 11 04-52	Nut, Push	116	596 43 44-04	Bolt, Shoulder, 3/8-16 x 3-5/8
27	590 63 22-01	Deflector Shield	117	589 52 73-01	Gauge Wheel
28	596 24 08-01	Bolt, Eyelet, 5/16-18 x 3-1/2	184	596 13 57-01	Nut, Lock, Prvl, Torq, 5/16-18 x .68
29	595 29 70-01	Rod, Hinge	187	532 19 51-61	Stud Fastener w/"D" Anti-Rotation
31	532 18 76-90	Washer Spacer Mandrel	189	587 14 05-02	Arm Susp. Mower Rear
32	532 15 35-35	Pulley, Mandrel	190	532 19 65-39	Bolt Shoulder
33	596 13 48-01	Nut, Hex. 9/16-18 x 1.010	192	532 19 84-68	Keeper Belt Idler
34	596 32 26-01	Nut, Crownlock, 3/8-16 unc	196	596 33 78-01	Bolt Carriage 3/8 x 16 x 2-1/2
36	596 03 92-01	Nut, Lock, Hex. 5/16-18 Clear, Zin.	242	532 41 55-98	Port Washout
37	532 17 01-65	Bolt Shoulder 5/16-18	--	532 41 64-05	Coupling Quick Connect
41	584 95 39-01	Bolt Hex Wshr .313 - 18 x 1.19	--	598 57 95-01	Deck, SVC, 54CC
42	596 95 22-01	Plug, Hole, Square			
43	582 21 96-02	Arm, Idler			
46	532 13 77-29	Screw, Thdroll. 1/4-20 x 5/8			
47	582 23 63-01	V-Belt, Mower			
48	574 19 65-02	Tube Roller			

**NOTE:** All component dimensions given in U.S. inches  
1 inch = 25.4 mm



**TRACTOR - MODEL NO. TS 254XG (96043031100), PRODUCT NO. 960 43 03-11  
MOWER LIFT**



lift-tex\_60

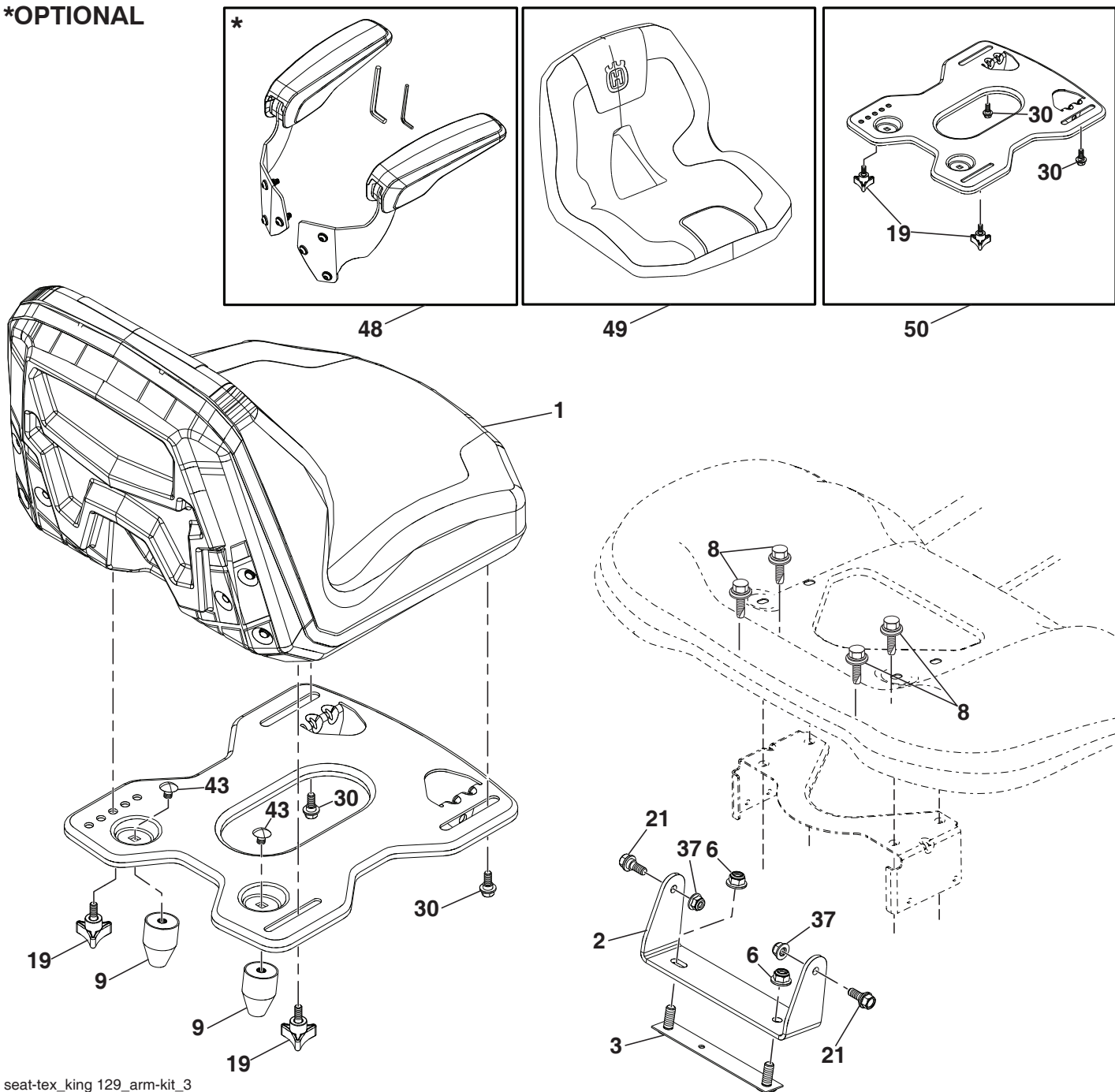
KEY NO.	PART NO.	DESCRIPTION
2	532 42 20-27	Shaft Asm., Lift
3	596 27 06-01	Lever, Lift, Handle, Clear, Zinc
7	580 96 23-01	Grip, Lever
10	532 19 63-14	Spring Torsion
41	589 46 49-02	Nut, Lift, Link, Clr. Zn.
87	532 19 42-09	Pin Cotter 7/16 Bow Tie Lock
88	532 19 53-04	Spring Lift Assist
89	819 19 19-12	Washer Clear Zinc

KEY NO.	PART NO.	DESCRIPTION
91	589 46 48-05	Link, Assy. Lift, Rear 10.540
96	593 84 21-01	Bushing
97	817 00 06-12	Screw 3/8-16 x .75
98	589 31 87-03	Link Lift Susp. Front Mower
114	873 36 07-00	Nut Jam 7/16-20

**NOTE:** All component dimensions given in U.S. inches  
1 inch = 25.4 mm

# TRACTOR - MODEL NO. TS 254XG (96043031100), PRODUCT NO. 960 43 03-11 SEAT ASSEMBLY

**\*OPTIONAL**



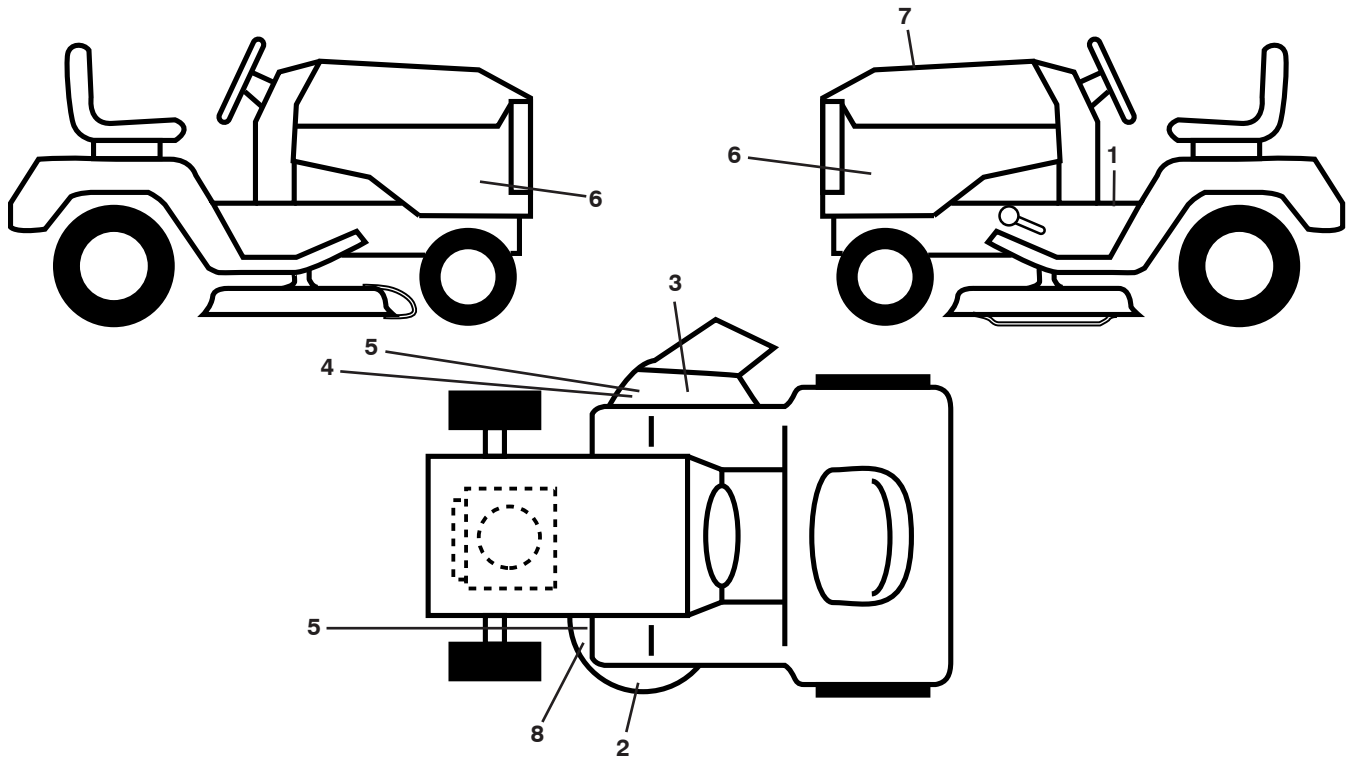
seat-tex\_king 129\_arm-kit\_3

KEY NO.	PART NO.	DESCRIPTION
1	597 65 81-01	Seat, SK150/129 w/o Armrests (includes seat cover key# 49)
2	597 32 99-02	Bracket, PNT, PVT, FNDR, Seat EDIP
3	590 77 76-02	Bracket Asm, Reinfor FNDR, EDIP
6	521 99 65-02	Nut, Hex, Lock w/Flange 3/8-16
8	532 17 18-77	Bolt 5/16-18 unc x 3/4 w/Sems
9	597 78 51-01	Bumper, Rubber, Isolator
19	597 78 31-01	Knob, 3 Wing 5/16-18, CLR, ZN
21	596 24 07-01	Bolt, Hex 5/16-18 x 21/32

KEY NO.	PART NO.	DESCRIPTION
30	597 78-18-01	Bolt, Hex, Should 5/16-18 unc ZPB
37	594 94 44-01	Nut, Hexagon, Flange 5/16-18
43	597 86 93-01	Bolt, Carri, Cqur 3/8 x .45, CLR, ZN
48	597 65 82-03	Service Kit, 15", Seat Arm
49	597 95 94-01	Cover, Husq. 15", (SK129) Seat
50	598 00 16-01	Service, Kit, Seat Pan (includes all components illustrated in box for Key# 50)

**NOTE:** All component dimensions given in U.S. inches  
1 inch = 25.4 mm

**TRACTOR - MODEL NO. TS 254XG (96043031100), PRODUCT NO. 960 43 03-11  
DECALS**



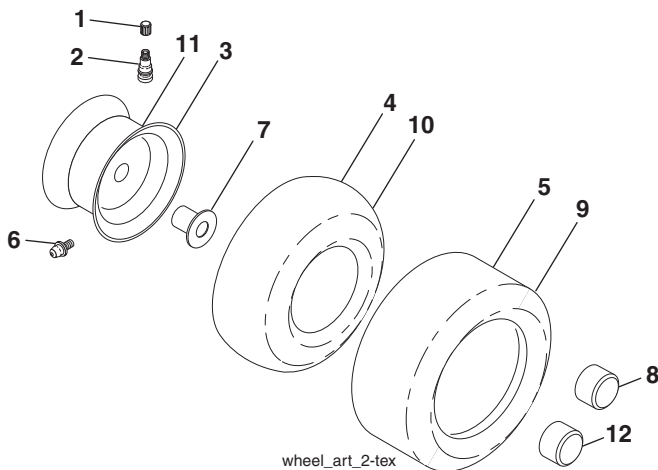
**KEY PART  
NO. NO.**

KEY PART NO.	NO.	DESCRIPTION
1	581 57 90-01	Decal, Warning
2	593 80 88-01	Decal, Clear Cut
3	586 97 88-01	Decal, Deflect. Warning
4	591 16 47-01	Decal, Deck Belt Routing
5	589 35 79-01	Decal, Clear Cut No Step
6	598 46 83-01	Decal, Panel Side
7	598 69 61-01	Decal, Replacement
8	585 91 01-01	Decal, Life Warranty
--	581 72 48-01	Decal, Bypass
--	532 43 98-82	Pad, Footrest, LH
--	532 44 15-42	Pad, Footrest, RH

**KEY PART  
NO. NO.**

KEY PART NO.	NO.	DESCRIPTION
--	114 19 27-49	Manual, Operator's (English/Spanish)
--	114 19 28-32	Manual, Operator's (French)
--	114 19 15-49	Manual, Parts (English/Spanish)
--	587 71 00-26	Quick Start Guide (English/Spanish)
--	587 71 01-26	Quick Start Guide (English/French)

**WHEELS AND TIRES**



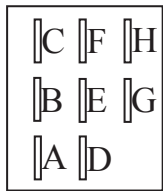
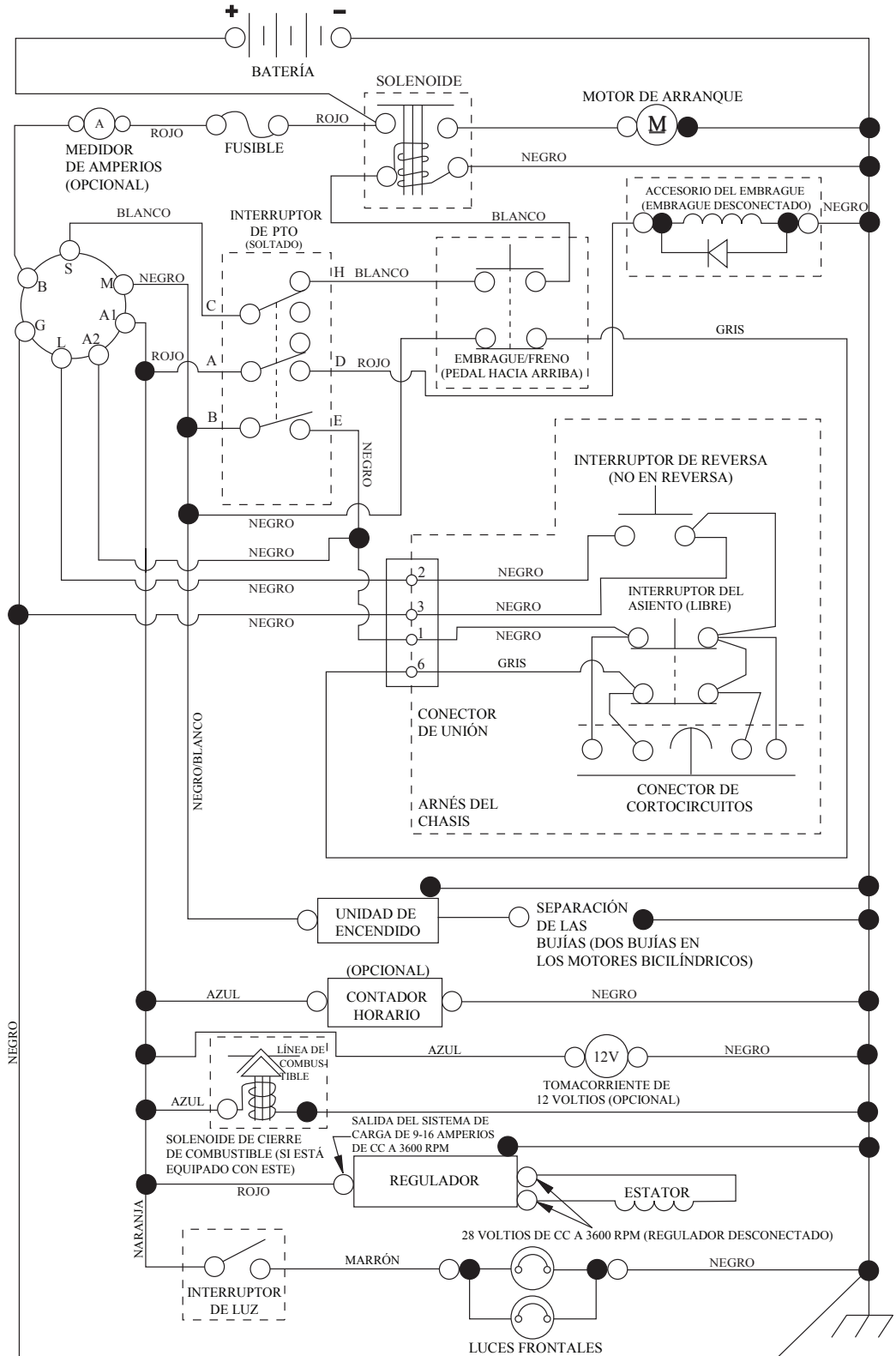
**KEY PART  
NO. NO.**

KEY PART NO.	NO.	DESCRIPTION
1	532 05 91-92	Cap, Valve, Tire
2	532 06 51-39	Stem, Valve
3	532 18 18-39	Rim Assembly, Front
4	532 00 81-34	Tube, Front (Service Item Only)
5	532 16 10-24	Tire, Front
6	532 00 02-78	Fitting, Grease (Front Wheel Only)
7	532 00 90-40	Bearing, Flange (Front Wheel Only)
8	532 17 50-39	Cap, Axle
9	591 18 79-01	Tire, Rear
10	532 00 71-54	Tube, Rear (Service Item Only)
11	532 40 17-82	Rim Assembly, Rear
12	501 50 31-01	Cap, Hub
--	532 14 43-34	Sealant, Tire (10 oz. Tube)

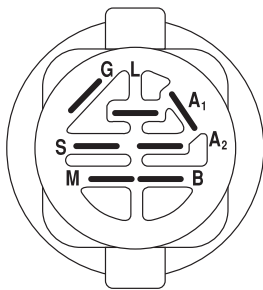
**NOTE:** All component dimensions given in U.S. inches  
1 inch = 25.4 mm

# TRACTOR MODELO NO. TS 254XG (96043031100), PRODUCTO NO. 960 43 03-11 DIAGRAMA

SCH12-s

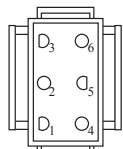


INTERRUPTOR DE PTO  
(CARA DE ACOPLAMIENTO)

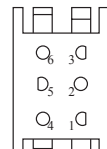


INTERRUPTOR DE ENCENDIDO

POSICIÓN	CIRCUITO «MARCA»
APAGADO	M+G+A1
PONER EN FUNCIONAMIENTO/ANULAR	B+A1
PONER EN FUNCIONAMIENTO	B+A1 L+A2
ARRANCAR	B + S + A1



CONEXIÓN DEL  
ARNÉS DEL CHASIS  
(LATERAL QUE COINCIDA)

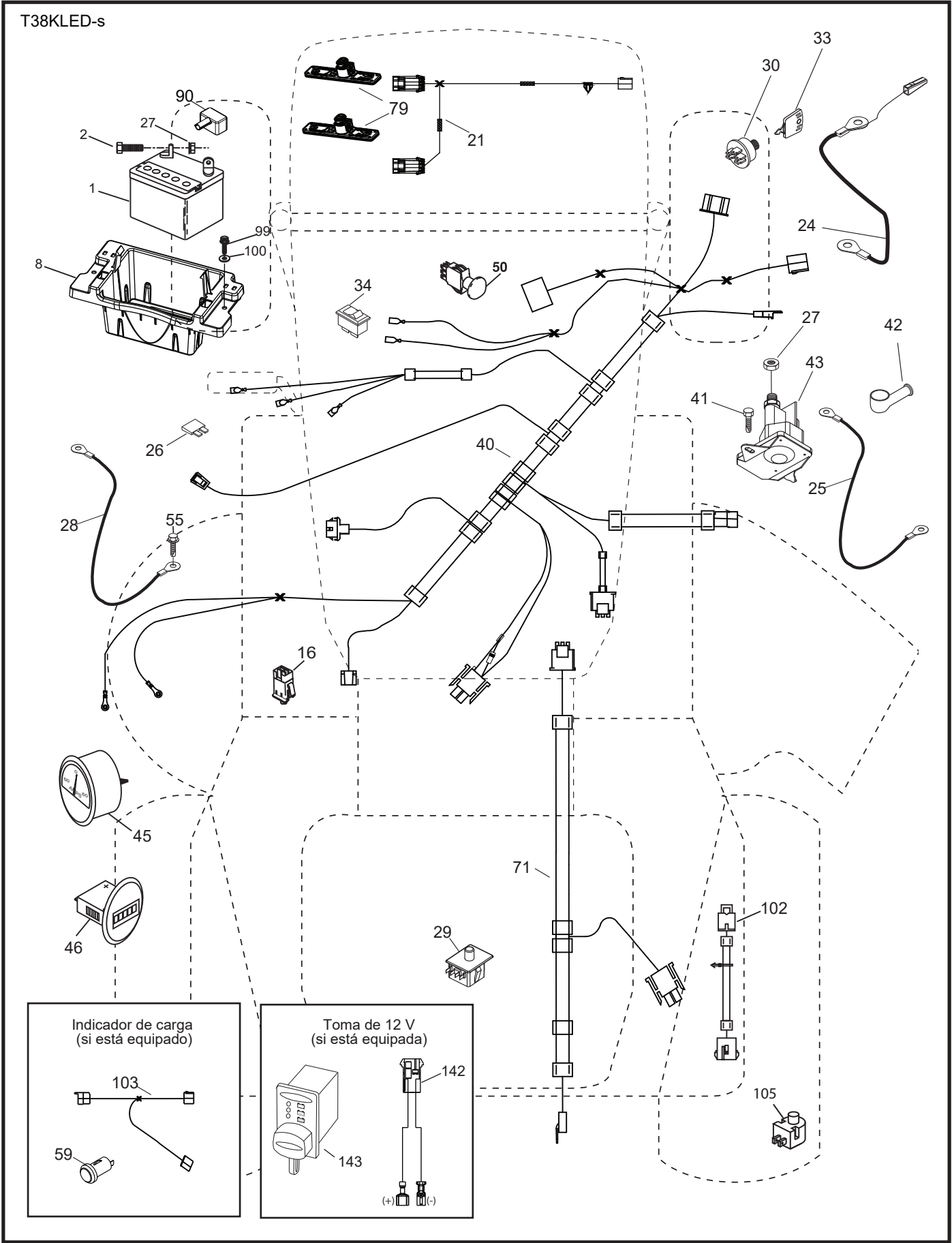


CONEXIÓN PARA EL  
ARNÉS DEL TABLERO

NOTA SOBRE LAS ABRAZADERAS DE AISLAMIENTO DEL CABLEADO: SI SE QUITAN LAS ABRAZADERAS DE AISLAMIENTO DEL CABLEADO PARA HACER EL MANTENIMIENTO DE LA UNIDAD, SE LAS DEBERÁ INSTALAR NUEVAMENTE PARA PROTEGER EL CABLEADO ADECUADAMENTE.

● CONEXIONES NO DESMONTABLES  
○ CONEXIONES DESMONTABLES

**TRACTOR MODELO NO. TS 254XG (96043031100), PRODUCTO NO. 960 43 03-11  
DIAGRAMA ELÉCTRICO**

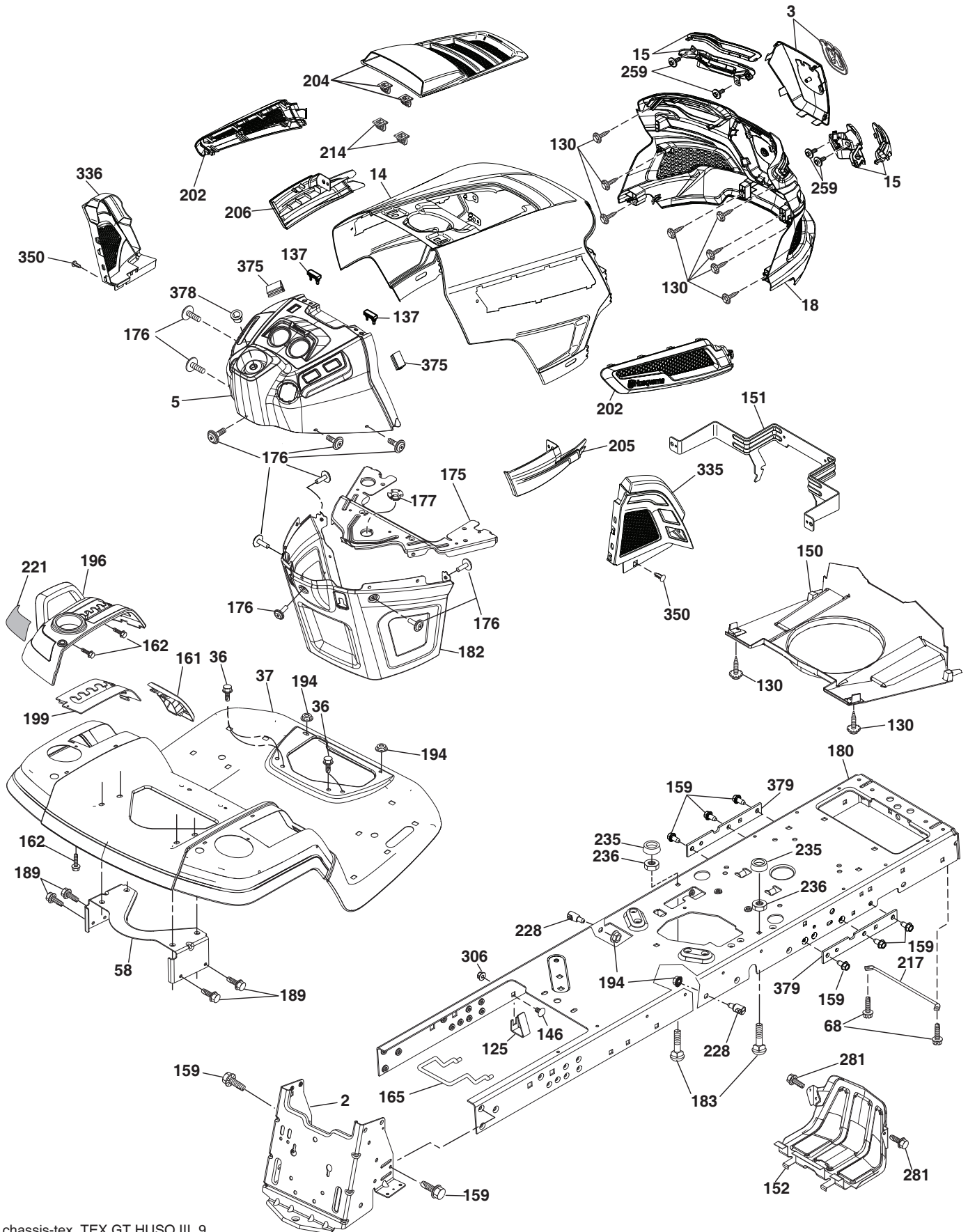


**TRACTOR MODELO NO. TS 254XG (96043031100), PRODUCTO NO. 960 43 03-11  
DIAGRAMA ELÉCTRICO**

<b>CÓDIGO NO.</b>	<b>PIEZA NO.</b>	<b>DESCRIPCIÓN</b>
1	532 16 34-65	Batería
2	874 76 04-12	Perno de cabeza hexagonal de 1/4-20 x 3/4
8	587 20 51-01	Caja de la batería
16	532 17 61-38	Interruptor corta corriente a presión
21	585 43 64-02	Arnés, Luces LED
24	585 55 56-01	Cable
25	585 55 55-01	Cable
26	532 17 51-58	Fusible
27	596 13 36-01	Tuerca de presión de 1/4-20
28	532 41 65-88	Cable a tierra
29	532 19 27-49	Interruptor del asiento
30	532 19 33-50	Interruptor de encendido
33	532 41 19-35	Llave/cadena
34	532 11 07-12	Interruptor de luz/de restauración
40	501 13 31-01	Cableado del tablero de encendido
41	817 72 04-08	Tornillo
42	532 13 15-63	Cubierta de la terminal
43	582 04 28-02	Solenoide
45	587 55 39-06	Ammeter Gauge Round
46	587 55 40-06	Indicador SRVCMNDR HRMTR
50	582 10 76-02	Interruptor
55	817 06 05-12	Tornillo de 5/16-18 x 3/4
59	596 94 10-01	Toma de 12V
71	532 19 42-76	Cableado de encendido
79	597 52 30-01	Barra de luz LED
90	532 43 53-95	Tapa de los bornes de la batería
99	817 67 04-12	Tornillo 1/4-20 x 3/4
100	596 13 53-01	Arandela de 9/32 x 7/8
102	532 40 44-54	Arnés
103	532 42 17-47	Cable 12V
105	532 40 75-68	Interrupto

**NOTA:** Las dimensiones de todos los componentes están expresadas en pulgadas americanas.  
1 pulgada = 25,4 mm

TRACTOR MODELO NO. TS 254XG (96043031100), PRODUCTO NO. 960 43 03-11  
CHASIS



chassis-tex\_TEX GT HUSQ III\_9

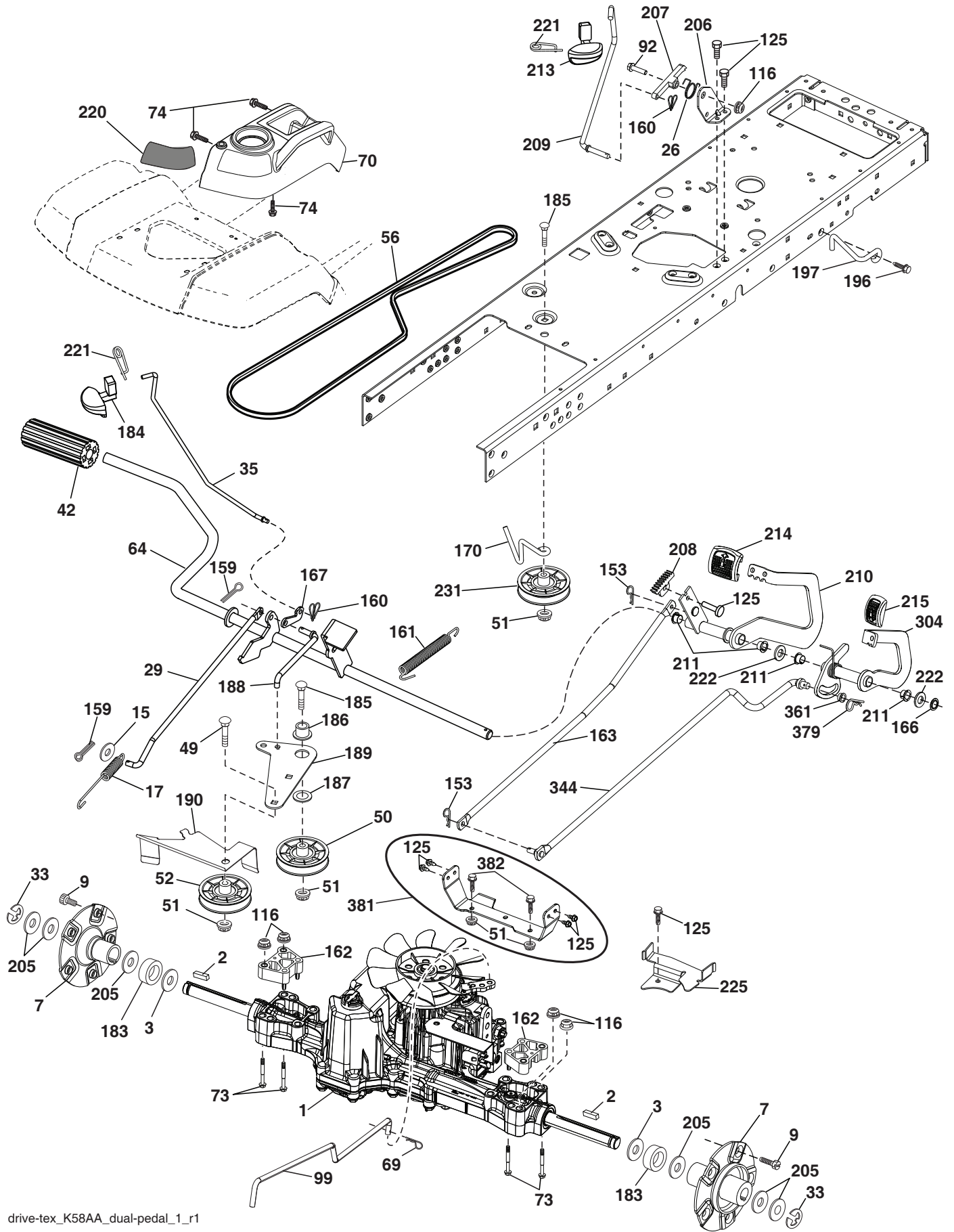


**TRACTOR MODELO NO. TS 254XG (96043031100), PRODUCTO NO. 960 43 03-11 CHASIS**

<b>CÓDIGO No.</b>	<b>PIEZA No.</b>	<b>DESCRIPCIÓN</b>	<b>CÓDIGO No.</b>	<b>PIEZA No.</b>	<b>DESCRIPCIÓN</b>
2	580 43 44-01	Barra de tracción	196	532 43 97-16	Elevación del equipo de la consola
3	597 68 82-01	Kit, Grille Applique, (includes applique cover and emblem badge)	199	532 19 82-59	Chapa cubierta
5	590 74 88-17	Tablero	202	597 86 77-01	Kit, ventilación lateral, LI y LD (incluye ventilaciones laterales LH / LD)
14	532 44 11-77	Capota	204	597 40 80-01	Kit, ventilación parte superior, LI y LD (incluye ventilaciones laterales LH / LD)
15	597 86 79-01	Kit HUS GT3 faro LED (incluye lente LI/LD y carcasa LI/LD)	205	532 43 97-30	Camisa de Capota (LD)
18	597 40 71-02	Parrilla ensacamiento	206	532 43 97-29	Camisa de Capota (LI)
36	817 06 05-12	Tornillo de 5/16-18 x 3/4	214	532 19 91-45	Clip de retención
37	532 44 12-08	Guardabarros	217	532 40 91-67	Varilla giratoria de Capota
58	532 19 43-14	Tuerca de presión 5/16	221	532 19 89-09	Reflectante izquierdo
68	596 03 07-01	Tornillo de 5/16-18 x 1/2	228	532 19 51-61	Perno de sujetador
125	581 68 48-01	Cierre	235	596 56 42-01	Separador del guardabarros
130	596 32 17-01	Tornillo #10 x 0.750	236	873 93 05-00	Tuerca de presión 5/16-18 unc
137	532 40 75-90	Cubierta Tablero	259	596 43 40-01	Tornillo n.º 10 x 0,750 rosca BOS
146	581 85 79-01	Perno	281	817 00 06-16	Tornillo 3/8-16 x 1 Smgml. Top
150	532 43 97-74	Cubierta térmica del conducto	306	873 90 06-00	Tuerca
151	532 43 66-70	Soporte	335	532 44 82-04	Cubierta del tablero inferior (LD)
152	532 43 98-70	Protector contra oscurecimiento	336	532 44 53-09	Cubierta del tablero inferior (LI)
159	817 00 06-12	Tornillo 3/8-16 x 3/4	350	532 44 51-43	Cierre del árbol de navidad
161	532 43 99-29	Combustible de ventana	375	586 90 82-01	Cubierta Capota
162	596 13 41-01	Tornillo de 1/4-15 x 1/2	378	590 84 98-01	Buje de con brida
165	532 19 43-30	Soporte trasero	379	593 20 69-02	Chassis Plate Reinforcement
175	590 60 77-02	Travesaño	--	532 43 18-82	Parachoque
176	532 40 07-76	Tornillo 10-24 x 5/8			
177	532 19 52-28	Buje de dirección			
180	593 34 63-01	Chasis			
182	532 40 68-59	Tablero inferior			
183	595 30 57-01	Tornillo de 5/16-18 x 1-1/4			
189	817 00 05-12	Tornillo 5/16-18 X 3/4			
194	596 13 57-01	Tuerca de presión de 5/16-18 x .68			

**NOTA:** Las dimensiones de todos los componentes están expresadas en pulgadas americanas. 1 pulgada = 25,4 mm

**TRACTOR MODELO NO. TS 254XG (96043031100), PRODUCTO NO. 960 43 03-11  
TRANSMISIÓN**



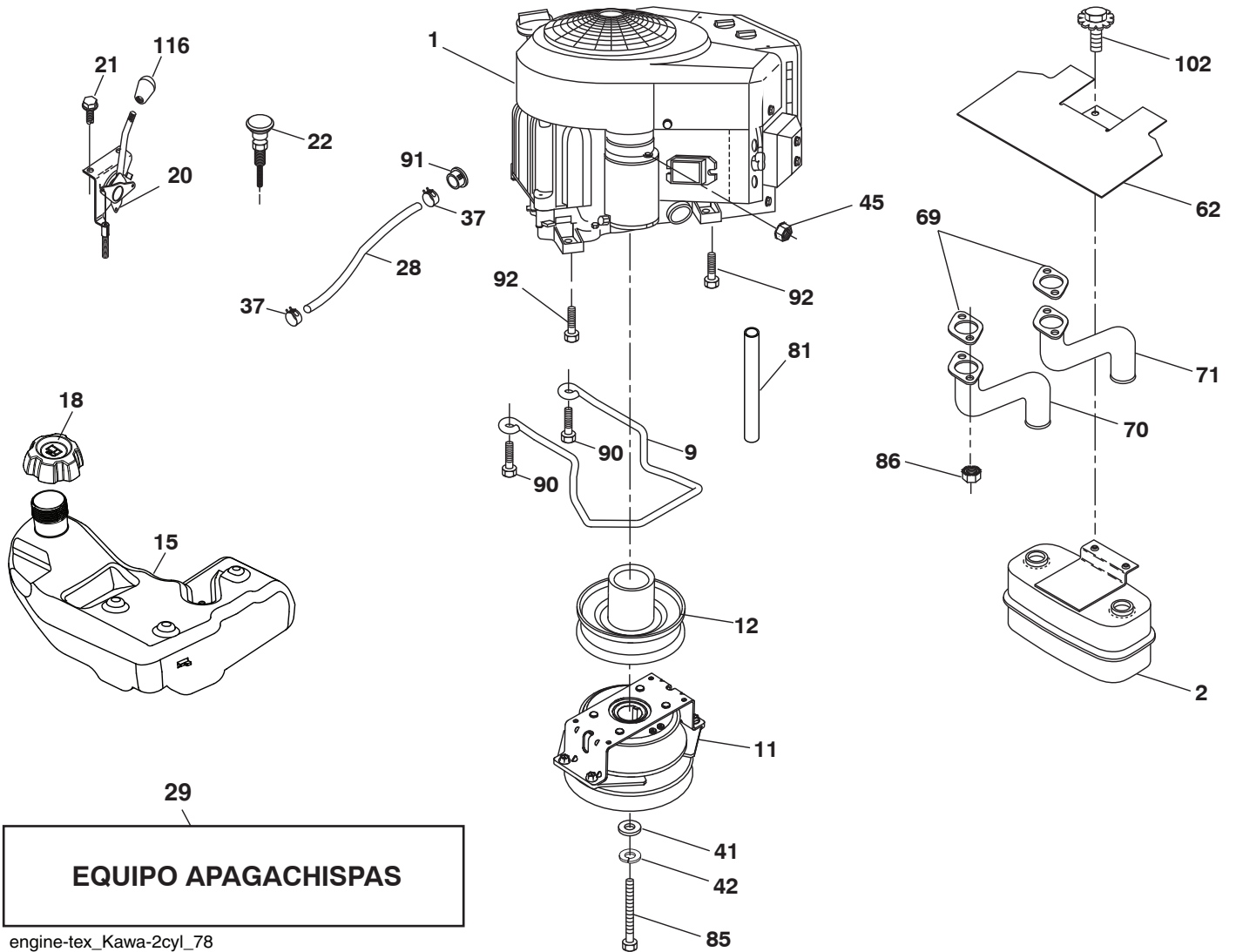
drive-tex\_K58AA\_dual-pedal\_1\_r1

**TRACTOR MODELO NO. TS 254XG (96043031100), PRODUCTO NO. 960 43 03-11  
TRANSMISIÓN**

<b>CÓDIGO NO.</b>	<b>PIEZA NO.</b>	<b>DESCRIPCIÓN</b>	<b>CÓDIGO NO.</b>	<b>PIEZA NO.</b>	<b>DESCRIPCIÓN</b>
1	---	Transeje, TUFFTORQ K58AA (596038601) (Haga el pedido de las piezas al fabricante del transeje.)	185	872 11 06-22	Perno 3/8-16 x 2-3/4 Gr. 5
			186	532 19 43-21	Espaciador de retención
			187	596 13 55-01	Arandela de 13/32 x 2
			188	582 21 70-01	Mecanismo de desplazamiento de la articulación del embrague, largo
2	539 91 27-57	Cuña, 1/4 X 1-1/4			
3	532 00 75-63	Arandela			
7	586 93 54-02	Hub, Pnt. GT, Pm. 1" Axle, E-Dip	189	532 19 43-17	Mecanismo de desplazamiento de la palanca acodada
9	596 21 87-01	Perno de 7/16-14 x 1-3/8			
15	819 13 13-16	Arandela de 13/32 x 13/16 x calibre 16	190	532 19 43-18	Fijador del mecanismo de desplazamiento de la palanca acodada
17	532 41 36-78	Resorte de freno	196	817 00 06-16	Tornillo 3/8-16 x 1
26	532 19 96-79	Resorte de freno	197	585 65 86-02	Embrague
29	532 40 38-06	Resorte de freno	205	532 12 38-00	Arandela 11/32 x 1 5/8 x 16 Ga
33	812 00 00-53	Aro E	206	532 44 85-96	Bracket, Mount, Cruise, Latch
35	590 60 59-02	Varilla del freno de mano	207	587 03 14-02	Control de crucero latch
42	532 00 88-83	Cubierta del pedal	208	596 56 41-01	Engranaje
49	596 13 62-01	Perno de 3/8-16 x 3/4	209	590 52 78-02	Varilla de control de crucero Gt, Hus/ Prd, Plt
50	532 19 43-27	Polea loca plana			
51	873 90 06-00	Tuerca de presión de 3/8-16	210	588 98 72-02	Pedal doble delantero
52	532 19 43-26	Polea loca con ranura en V con un desplazamiento	211	532 12 01-83	Buje del eje
			213	532 40 31-19	Perilla de control del crucero
56	592 85 52-01	Correa trapezoidal de la transmisión	214	532 42 12-63	Cubierta del pedal delantero
64	532 19 78-65	Ensamble del eje Control del pedal de freno	215	596 90 83-01	Cubierta del pedal trasero
			220	532 19 89-08	Reflector derecho
69	532 42 33-03	Zinc suave horquilla	221	532 40 31-87	Manija del sujetador del muelle retenedor
70	532 43 96-61	Console Asm.			
73	874 49 05-60	Perno de 5/16-18 x 2 1/2 G.5	222	879 21 20-10	Arandela 21/32 x 1-1/4 10 Ga. N/Pltd
74	596 13 41-01	Tornillo de 1/4-15 x 1/2	225	532 40 33-19	Fijador de la correa
92	595 30 57-01	Tornillo de 5/16-18 x 1-1/4	231	532 40 72-87	Ranura en V de la guía
99	593 98 25-01	Varilla de Derivación	304	588 98 73-02	Pedal doble trasero
116	596 13 57-01	Tuerca de 5/16-18 x .68	344	597 64 72-01	Varilla 48 F/54F/K46/K58
125	817 00 05-12	Tornillo de 5/16-18 x 3/4	361	597 13 67-01	Buje
153	532 00 44-97	Retén del resorte	379	596 58 06-01	Pasador de retención 1-7/16 x 0.073
159	596 02 95-01	Pasador de chaveta de 1/8 x 3/4	381	597 91 13-01	Kit de servicio soporte (Incluye soporte, tuercas, pernos y tornillos)
160	596 02 94-01	Abrazadera de retención			
161	532 10 57-09	Resorte de retorno del embrague	382	596 43 83-01	Perno 3/8-16 x 2-1/4
162	580 45 74-02	Espaciador de Transeje			
163	588 56 63-01	Varilla			
167	532 40 52-57	Seguro del freno de estacionamiento			
166	532 42 91-64	Tuerca de empuje 625			
170	532 41 34-30	Fijador del tramo central de la correa			
183	587 58 74-01	Espaciador			
184	587 65 37-01	Manija del freno de estacionamiento			

**NOTA:** Las dimensiones de todos los componentes están expresadas en pulgadas americanas.  
1 pulgada = 25,4 mm

**TRACTOR MODELO NO. TS 254XG (96043031100), PRODUCTO NO. 960 43 03-11  
MOTOR**



**TRACTOR MODELO NO. TS 254XG (96043031100), PRODUCTO NO. 960 43 03-11  
MOTOR**

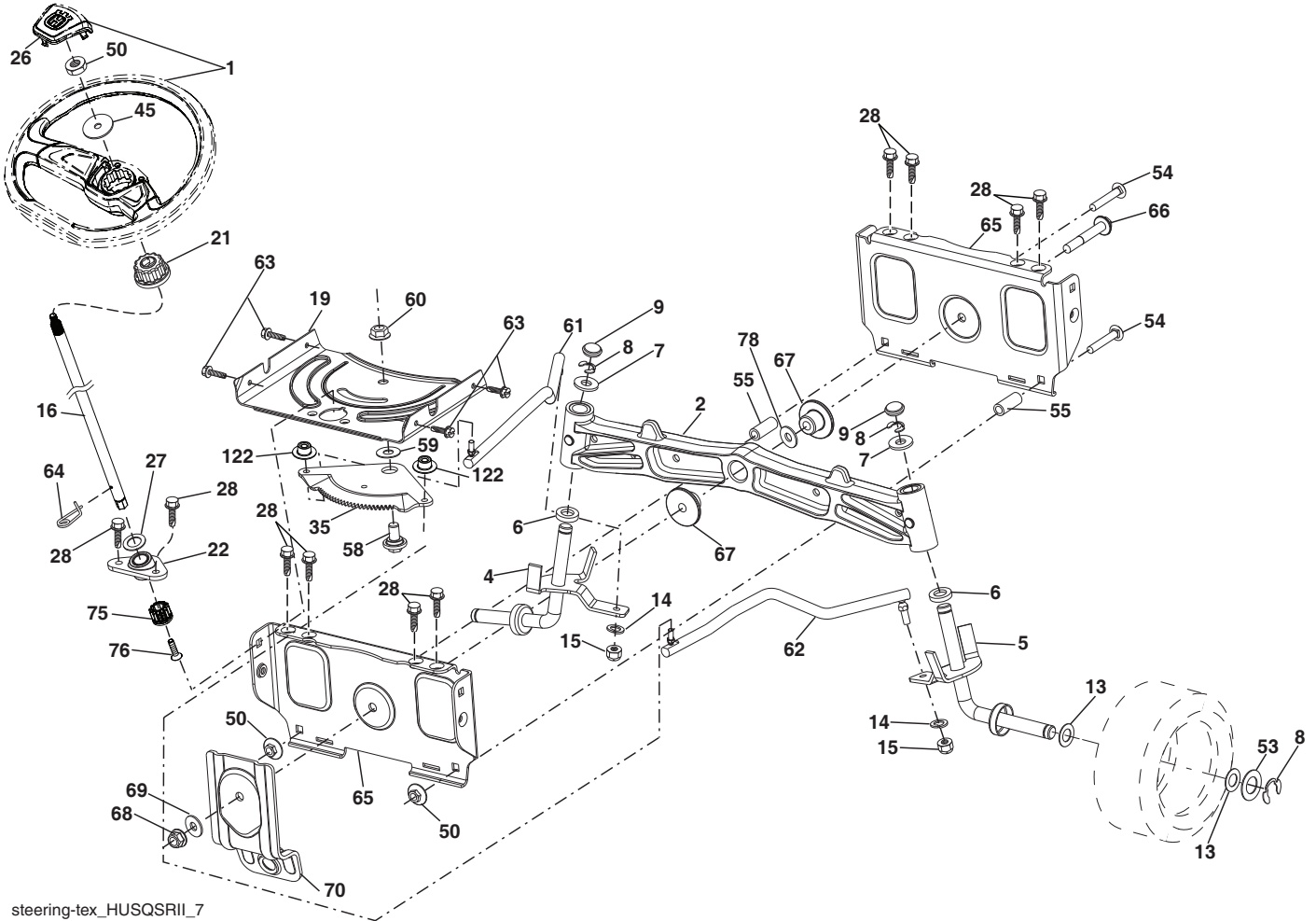
<b>CÓDIGO NO.</b>	<b>PIEZA NO.</b>	<b>DESCRIPCIÓN</b>
1	-----	Motor Kawa modelo No. FR730V-ES04 (445363) (Haga el pedido de las piezas al fabricante del motor.)
2	589 81 87-01	Silenciador
9	501 83 26-02	Ensamble del sujetador de la correa del motor
11	587 24 14-01	Embrague de eléctrico
12	532 19 43-43	Polea del motor
15	532 43 80-29	Tanque de Gasolina de 4,0
18	585 12 48-01	Ensamble de la tapa
20	532 42 43-41	Control del regulador
21	596 32 17-01	Tornillo de #10 x 0.750
22	532 18 95-41	Control del obturador
28	532 40 11-35	Línea de combustible
29	532 13 71-80	Equipo apagachispas
37	532 12 34-87	Abrazadera de la manguera
41	532 12 61-97	Arandela 1-1/2 x 15/32 x .250
42	596 23 89-01	Arandela de 7/16"
45	596 13 36-01	Tuerca de presión de 1/4-20
62	532 43 40-17	Silenciador con pantalla térmica
69	532 17 81-51	Junta
70	583 95 56-01	Tubo de escape derecho (L.I.)
71	583 95 57-01	Tubo de escape derecho (L.D.)
81	532 14 84-56	Tubo de fácil drenaje de aceite
85	501 60 69-01	Perno de 7/16-20 x 3.0 Gr. 5
86	532 18 43-62	Tuerca brida hexagonal
90	817 00 06-16	Tornillo de 3/8-16 x 1
91	532 18 74-95	Buje
92	817 12 06-16	Tornillo de 3/8-16 x 1
102	817 00 05-12	Tornillo 5/16-18 x 3/4
116	539 13 26-24	Botón

**NOTA:** Las dimensiones de todos los componentes están expresadas en pulgadas americanas.  
1 pulgada = 25,4 mm

Para las piezas del servicio y de recambio del motor, llame el número gratis para su fabricante del motor enumerado abajo:

Kawasaki 1-949-460-5688

TRACTOR MODELO NO. TS 254XG (96043031100), PRODUCTO NO. 960 43 03-11  
ENSAMBLE DE LA DIRECCIÓN



steering-tex\_HUSQSR11\_7

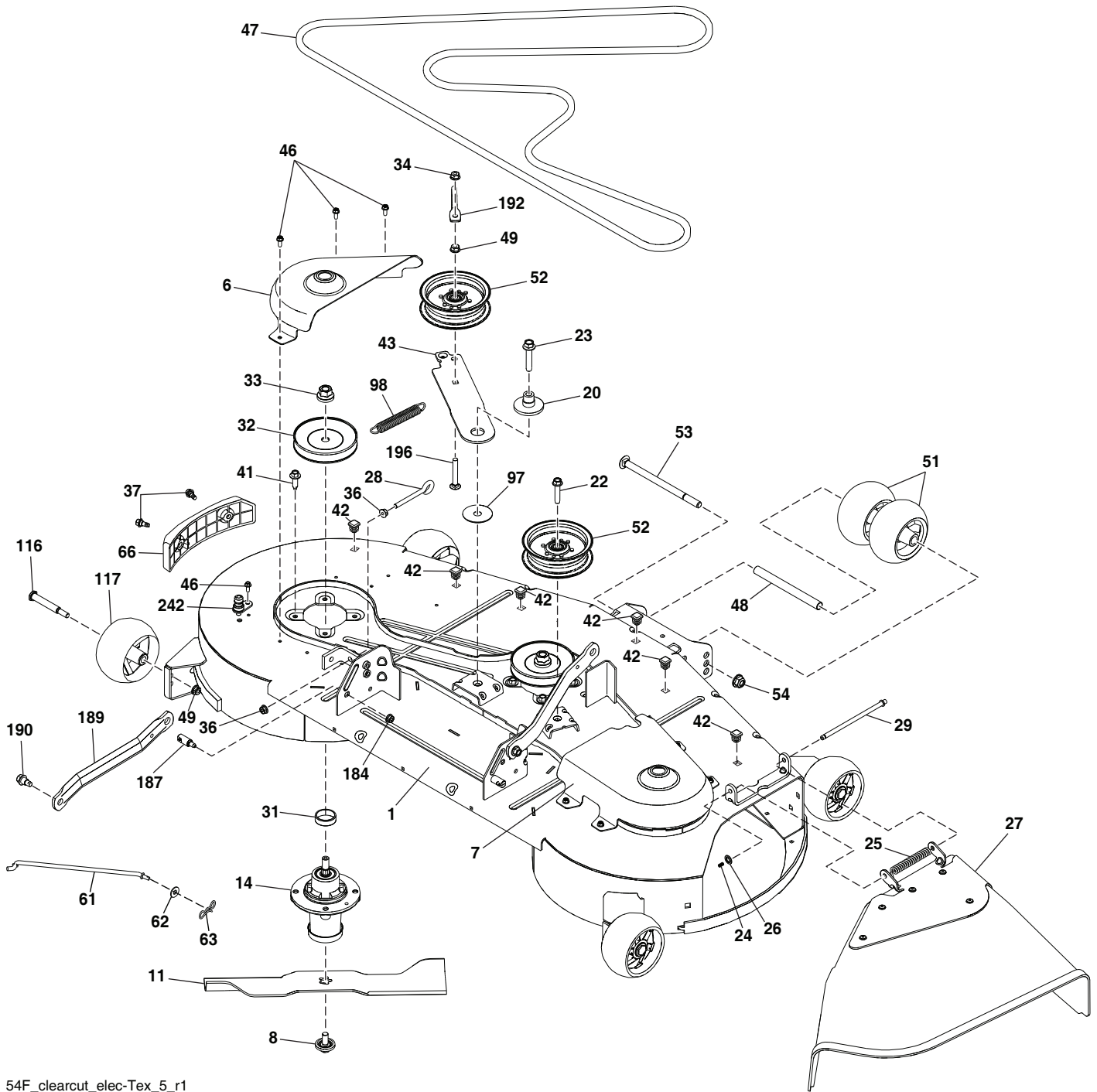
**TRACTOR MODELO NO. TS 254XG (96043031100), PRODUCTO NO. 960 43 03-11  
ENSAMBLE DE LA DIRECCIÓN**

<b>CÓDIGO NO.</b>	<b>PIEZA NO.</b>	<b>DESCRIPCIÓN</b>
1	597 86 61-01	Kit, rueda, dirección (Incluye volante y tapa del volante)
2	532 19 59-68	Ensamble del eje delantero
4	532 40 30-89	Ensamble del husillo izquierdo
5	532 40 30-90	Ensamble del husillo derecho
6	532 00 62-66	Arandela .75 x 1.230
7	532 12 17-48	Arandela de 25/32 x 1-5/8 calibre 16
8	812 00 00-29	Abrazadera del aro No. T5304-75
9	532 12 12-32	Tapa del husillo
13	532 12 17-49	Arandela de 25/32 x 1-1/4 calibre 16
14	596 23 87-01	Arandela de .381 x .680
15	873 54 06-00	Tuerca de 3/8-24 unf
16	587 01 60-02	Eje de dirección
19	532 19 47-29	Placa de dirección
21	586 84 02-01	Adaptador del volante de dirección
22	585 02 99-01	Rodamiento
26	594 49 41-01	Rueda, dirección, tapa
27	596 93 34-01	Arandela
28	817 00 06-12	Tornillo de 3/8-16 x 3/4
35	532 19 47-32	Engranaje del sector de la placa
45	587 01 64-01	Arandela 3/8 ID 2-3/8 OD calibre 12 PLTD
50	873 90 06-00	Tuerca 3/8-16 unc
53	532 18 89-67	Arandela reforzada de 793 x 1637 x 0,060
54	874 76 06-36	Perno de cabeza hexagonal de 3/8-16 x 2-1/4
55	532 41 47-36	Separador del soporte del eje
58	532 19 47-47	Perno de tope del sector del pivote CFM
59	532 19 47-48	Arandela de empuje del sector de dirección
60	873 97 10-00	Tuerca de 5/8-11
61	597 07 02-02	Barra de acoplamiento izquierda
62	597 07 03-02	Barra de acoplamiento derecha
63	817 00 05-12	Tornillo de 5/16-18 x 3/4
64	532 19 98-49	Abrazadera de retención del resorte de la dirección
65	532 19 47-34	Soporte delantero del eje
66	871 02 07-48	Perno de cabeza hexagonal con brida acanalada de 7/16-14 x 3
67	532 19 47-37	Buje PM del eje delantero
68	873 90 07-00	Tuerca de 7/16-14 grado 5
69	532 19 91-62	Arandela de 1,5 x 0,505 x 0,118
70	585 33 88-01	Soporte de la plataforma delantera
75	580 68 37-01	Piñón
76	580 68 36-01	Tornillo
78	532 05 70-79	Arandela
122	532 44 49-62	Tapas

**NOTA:** Las dimensiones de todos los componentes están expresadas en pulgadas americanas.  
1 pulgada = 25,4 mm



TRACTOR MODELO NO. TS 254XG (96043031100), PRODUCTO NO. 960 43 03-11  
PLATAFORMA DE LA CORTADORA DE CÉSPED



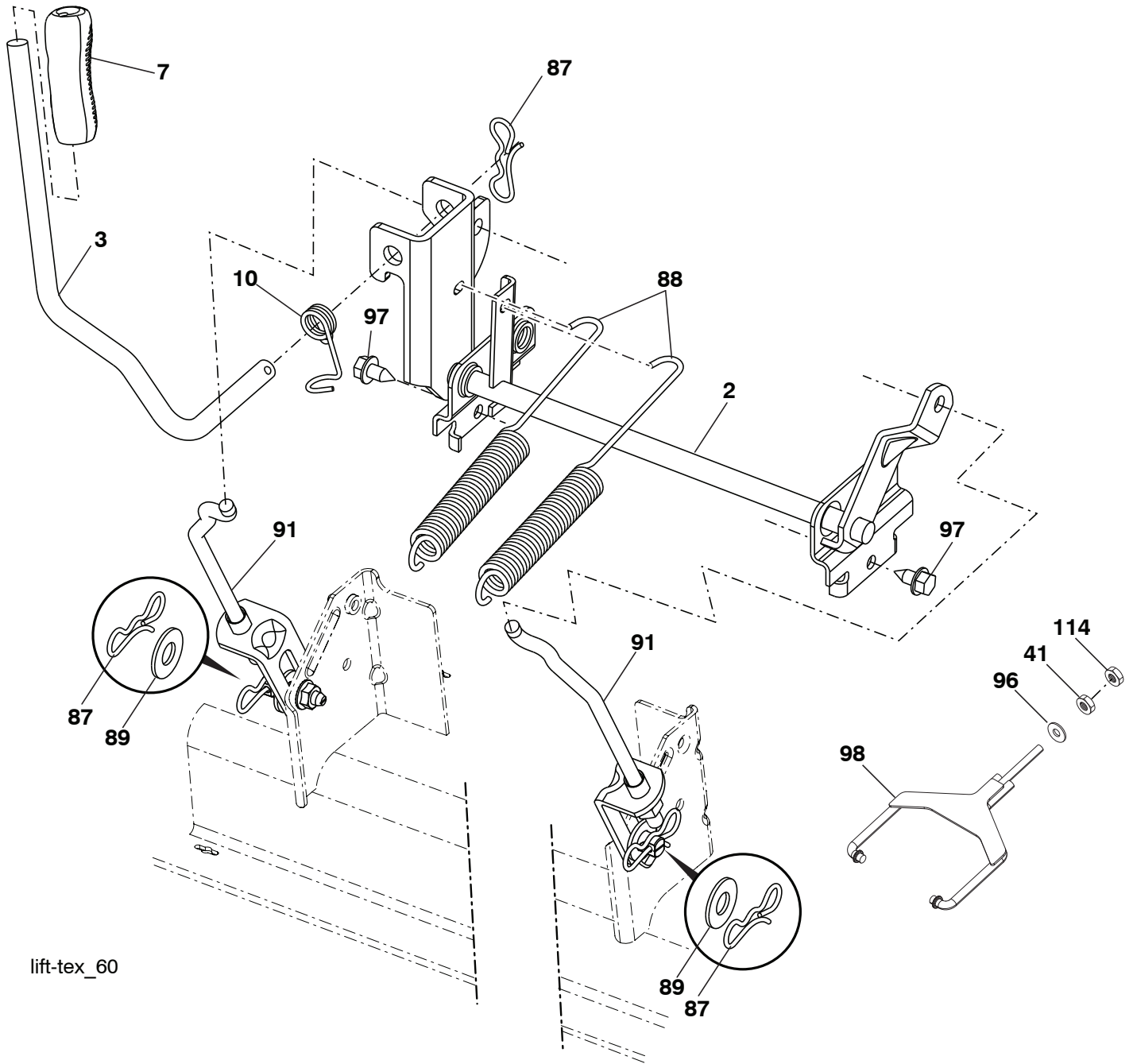
54F\_clearcut\_elec-Tex\_5\_r1

**TRACTOR MODELO NO. TS 254XG (96043031100), PRODUCTO NO. 960 43 03-11  
PLATAFORMA DE LA CORTADORA DE CÉSPED**

<b>CÓDIGO NO.</b>	<b>PIEZA NO.</b>	<b>DESCRIPCIÓN</b>	<b>CÓDIGO NO.</b>	<b>PIEZA NO.</b>	<b>DESCRIPCIÓN</b>
1	592 61 88-01	Kit, SVC, soldadura	53	594 94 45-01	Perno de 1/2-13 x 8.0 Calibre 5
6	590 03 43-03	Brazo de la suspensión	54	521 99 11-02	Tuerca 1/2-13 Hex Flg
7	590 30 42-03	Tornillo #10 x 0.750 BOS	61	596 27 44-01	Barra Antibalanceo
8	532 19 30-03	Perno/arandela del ensamble de 7/16-20	62	596 13 32-01	Arandela de 13/32 x 13/16 x 12 Calibre
11	582 76 05-01	Cuchilla de la cortadora	63	532 19 42-08	Perno de tope
14	539 13 18-98	Carcasa del mandril	66	590 73 25-01	Parachoques 54cc
20	532 19 72-36	Polea loca	97	532 17 85-15	Arandela
22	596 56 40-03	Perno de 3/8-16 x 1.78	98	587 35 84-01	Resorte
23	588 43 83-01	Tornillo 3/8-16 x 1-3/4 arandela	116	596 43 44-04	Perno de 3/8-16 x 3-5/8
24	532 10 53-04	Tapa de la manga	117	589 52 73-01	Calibrador de la rueda
25	587 35 47-01	Resorte de torsión del deflector	184	596 13 57-01	Arandela de 13/32 x 13/16 x 12 Calibre
26	532 11 04-52	Tuerca de presión	187	532 19 51-61	Perno del perno prisionero
27	590 63 22-01	Protector del deflector	189	587 14 05-02	Tuerca de presión hexagonal con brida
28	596 24 08-01	Perno de argolla 5/16 x 3-1/2	190	532 19 65-39	Perno
29	595 29 70-01	Varilla de la bisagra	192	532 19 84-68	Sujetador
31	532 18 76-90	Arandela del separador	196	596 33 78-01	Perno de 3/8 x 16 x 2-1/2
32	532 15 35-35	Polea del mandril	242	532 41 55-98	Puerto de lavado de la cubierta
33	596 13 48-01	Tuerca de 9/16-18 x 1.010	- -	532 41 64-05	Acoplador
34	596 32 26-01	Tuerca de presión de 3/8-16	--	598 57 95-01	Plataforma de la cortadora de césped
36	596 03 92-01	Tuerca de presión de 5/16-18			54cc
37	532 17 01-65	Perno 5/16-18			
41	584 95 39-01	Perno .313 - 18 x 1.19			
42	596 95 22-01	Enchufe cuadrado			
43	582 21 96-02	Resorte de torsión de retención			
46	532 13 77-29	Tornillo			
47	582 23 63-01	Soporte del cable de embrague			
48	574 19 65-02	Rodillo, m			
49	873 90 06-00	Tuerca Flg. 3/8-16 unc			
51	574 16 96-01	Calibradora,			
52	532 19 73-79	Polea			

**NOTA:** Las dimensiones de todos los componentes están expresadas en pulgadas americanas.  
1 pulgada = 25,4 mm

**TRACTOR MODELO NO. TS 254XG (96043031100), PRODUCTO NO. 960 43 03-11  
ELEVACIÓN DE LA CORTADORA DE CÉSPED**



lift-tex\_60

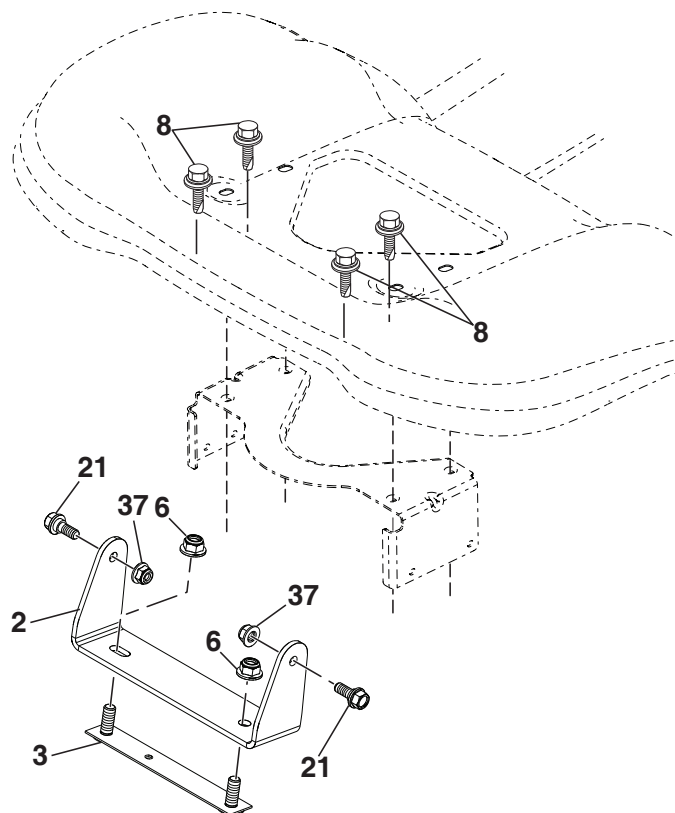
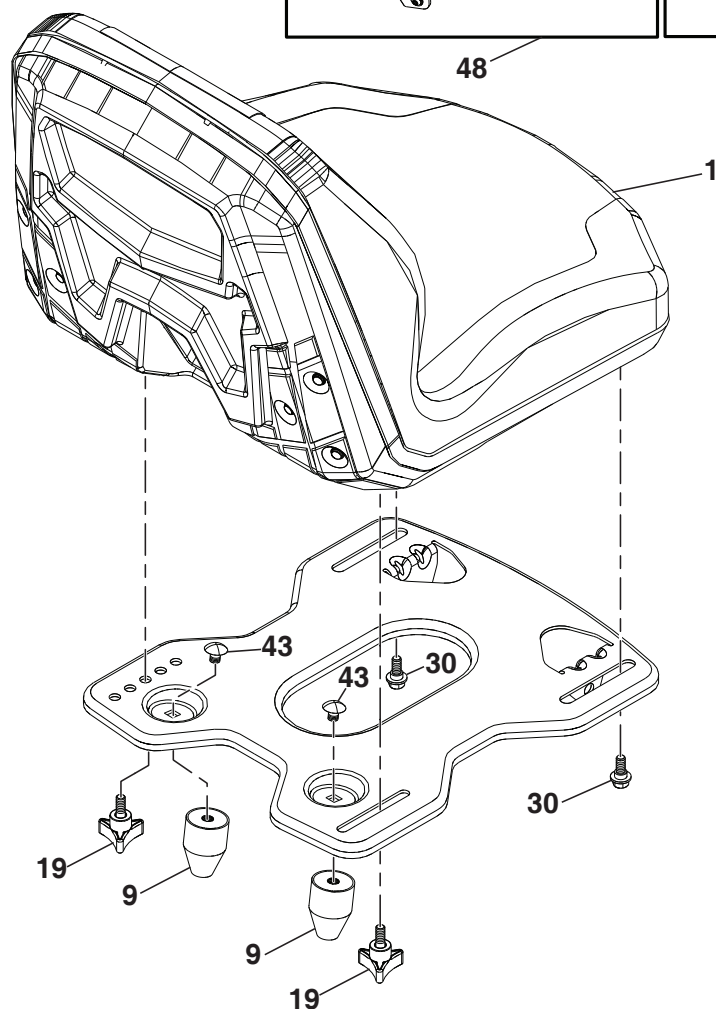
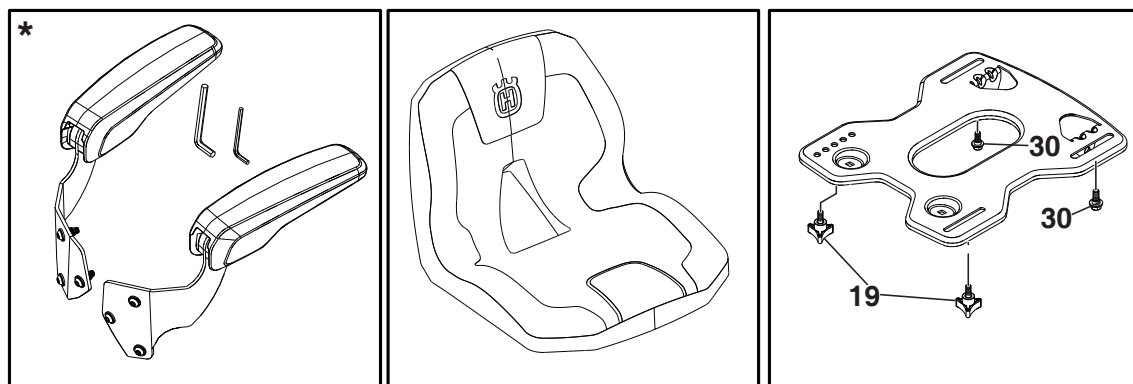
CÓDIGO No.	PIEZA No.	DESCRIPCIÓN
2	532 42 20-27	Ensamble del eje de la elevación
3	596 27 06-01	Ensamble de la palanca de elevación
7	580 96 23-01	Mango de la palanca
10	532 19 63-14	Resorte de torsión
41	589 46 49-02	Tuerca
87	532 19 42-09	Pasador de chaveta de 7/16 con bloqueo en forma de mariposa
88	532 19 53-04	Resorte de ayuda de la elevación
89	819 19 19-12	Arandela de zinc transparente
91	589 46 48-05	Ensamble del acoplamiento Elevación trasera

CÓDIGO No.	PIEZA No.	DESCRIPCIÓN
96	593 84 21-01	Buje
97	817 00 06-12	Tornillo 3/8-16 x .75
98	589 31 87-03	Acoplamiento frontal de la elevación de la cortadora de césped
114	873 36 07-00	Tuerca 7/16-20

**NOTA:** Las dimensiones de todos los componentes están expresadas en pulgadas americanas. 1 pulgada = 25,4 mm

**TRACTOR MODELO NO. TS 254XG (96043031100), PRODUCTO NO. 960 43 03-11  
ENSAMBLE DEL ASIENTO**

**\*OPCIONAL**



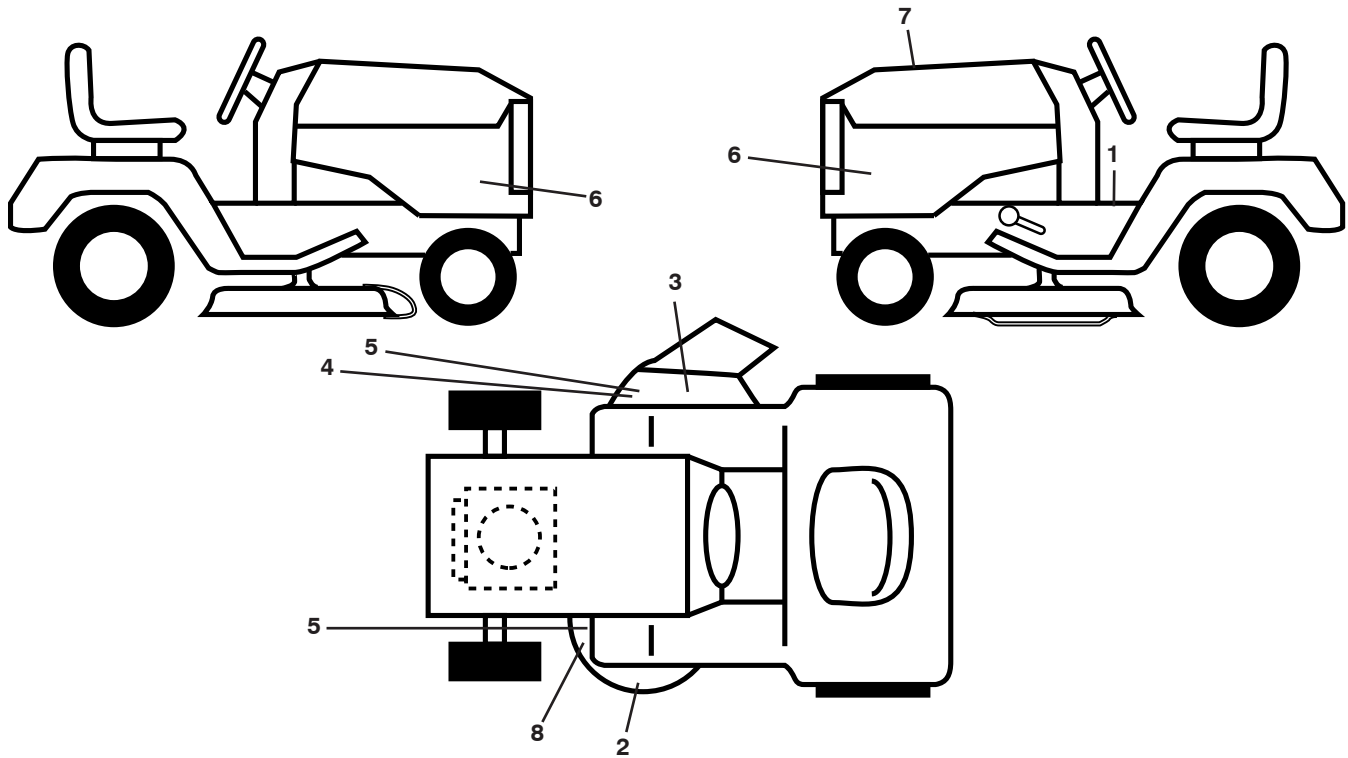
seat-tex\_king 129\_arm-kit\_3

CÓDIGO No.	PIEZA No.	DESCRIPCIÓN
1	597 65 81-01	Asiento, SK150/129w/o apoyabrazos
2	597 32 99-02	Soporte PNT, PVT, FNDR, asiento, EDIP
3	590 77 76-02	Refuerzo de montaje de soporte, FNDR, EDIP
6	521 99 65-02	Tuerca, hexagonal, bloqueo w/brida
8	532 17 18-77	Perno 5/16-18 unc x 3/4 w/Sems
9	597 78 51-01	Parachoques, caucho, aislador
19	597 78 31-01	Pomo, 3 alas 5/16-18, CLR, ZN
21	596 24 07-01	Perno hexagonal 5/16-18 x 21/32
30	597 78 18-01	Perno hexagonal hombro 5/16-18 unc ZPB
37	594 94 44-01	Tuerca hexagonal brida 5/16-18

CÓDIGO No.	PIEZA No.	DESCRIPCIÓN
43	597 86 93-01	Perno de carro cuadrado 3/8 x .45 CLR, ZN
48	597 65 82-03	Kit de servicio brazo de asiento de 15"
49	597 95 94-01	Funda de asiento Husqvarna 5 pulgadas (Sk129)
50	598 00 16-01	Kit de placa de montaje del asiento (incluye todos los componentes ilustrados en la caja para la Clave# 50)

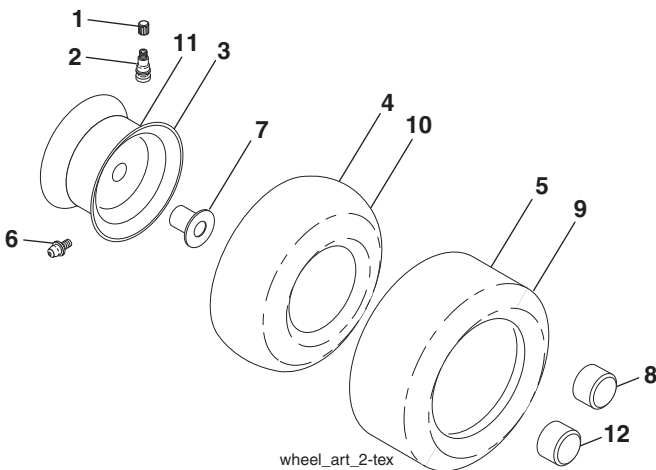
**NOTA:** Las dimensiones de todos los componentes están expresadas en pulgadas americanas. 1 pulgada = 25,4 mm

**TRACTOR MODELO NO. TS 254XG (96043031100), PRODUCTO NO. 960 43 03-11  
CALCOMANÍAS**



CÓDIGO NO.	PIEZA NO.	DESCRIPCIÓN	CÓDIGO NO.	PIEZA NO.	DESCRIPCIÓN
1	581 57 90-01	Calcomanía, Cuidado	--	532 43 98-82	Forro del apoyo para los pies izquierdo
2	593 80 88-01	Calcomanía, Sin paso	--	532 44 15-42	Forro del apoyo para los pies derecho
3	586 97 88-01	Calcomanía, Advertencia	--	114 19 27-49	Manual del Operario (Inglés/Español)
4	591 16 47-01	Calcomanía, Cubierta Correa	--	114 19 28-32	Manual del Operario (Français)
5	589 35 79-01	Calcomanía, Sin paso	--	114 19 15-49	Manual de Repuestos (Inglés/Español)
6	598 46 83-01	Calcomanía para el panel lateral	--	587 71 00-26	Guía rápida (Inglés/Español)
7	598 69 61-01	Calcomanía de reemplazo	--	587 71 01-26	Guía rápida (Inglés/Français)
8	585 91 01-01	Calcomanía de garantía de por vida			
--	581 72 48-01	Calcomanía para la desviación			

**WHEELS AND TIRES**



CÓDIGO NO.	PIEZA NO.	DESCRIPCIÓN
1	532 05 91-92	Tapa de la válvula del neumático
2	532 06 51-39	Vástago de la válvula
3	532 18 18-39	Ensamble de las llantas delanteras
4	532 00 81-34	Cámara delantera
5	532 16 10-24	Neumático delantero
6	532 00 02-78	Accesorio para engrasar (solo para la rueda delantera)
7	532 00 90-40	Rodamiento de la brida (solo para la rueda delantera)
8	532 17 50-39	Tapa del eje (sólo para la rueda delantera)
9	591 18 79-01	Neumático trasero
10	532 00 71-54	Cámara trasera (sólo servicio)
11	532 40 17-82	Ensamble trasero de la llanta
12	501 50 31-01	Capuchón
--	532 14 43-34	Sellador para neumáticos (tubo de 10 onzas [283 gr])

**NOTA:** Las dimensiones de todos los componentes están expresadas en pulgadas americanas.  
1 pulgada = 25,4 mm

---

# SERVICE NOTES / AVISO

---



[www.husqvarna.com](http://www.husqvarna.com)