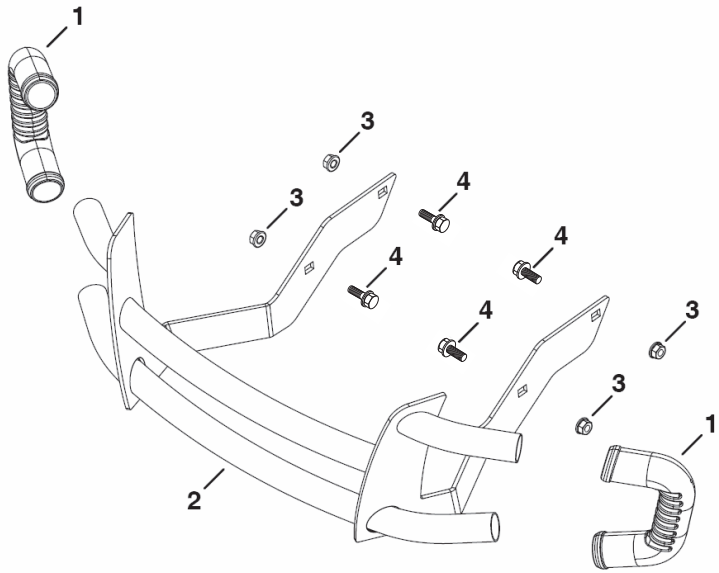
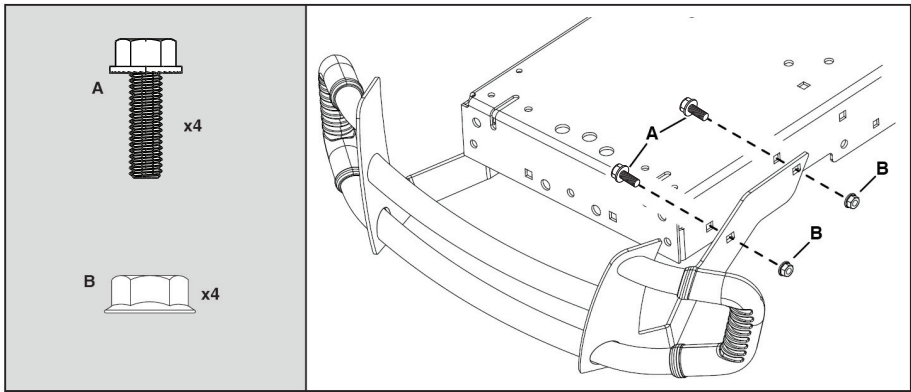
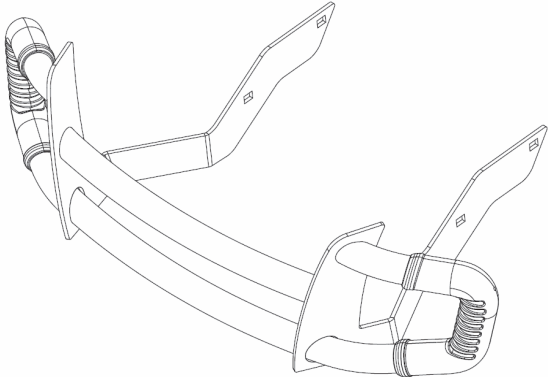


BRUSH GUARD SUPPLEMENT SHEET



KEY NO.	PART NO.	DESCRIPTION
1	422752	End Cap
2	431661X418	Bumper Assembly
3	594944401	Lock Nut, 5/16-18
4	597001101	Bolt 5/16-18

NOTE: Use hardware listed above to install brush guard