



Husqvarna®

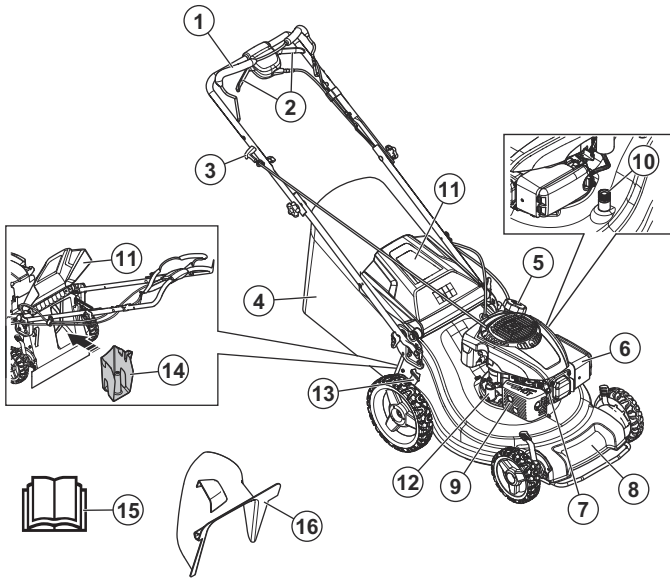


LC 353AWD

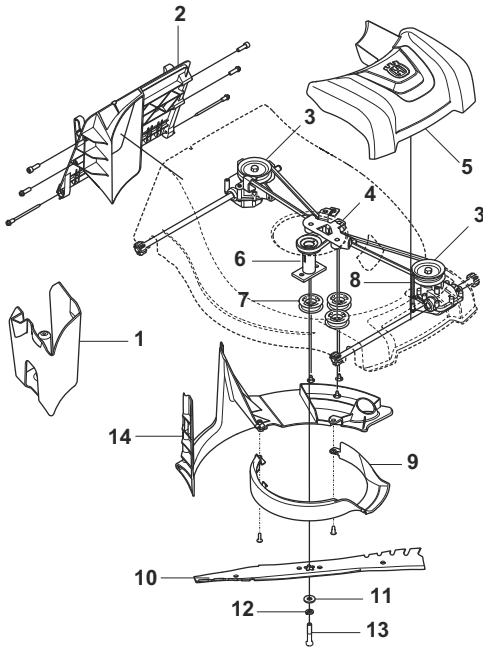


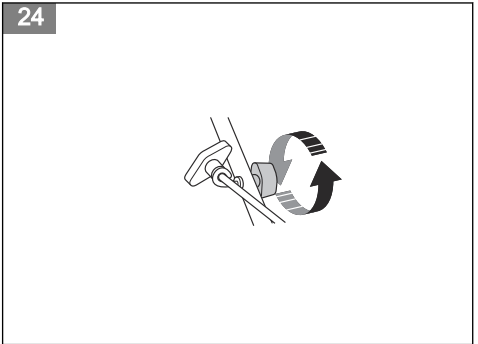
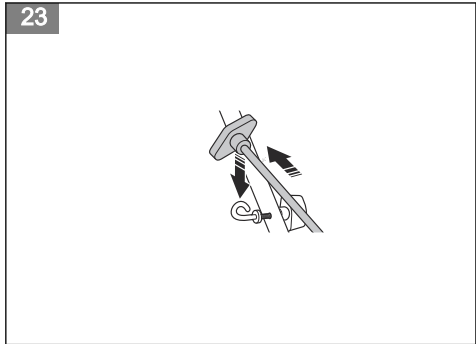
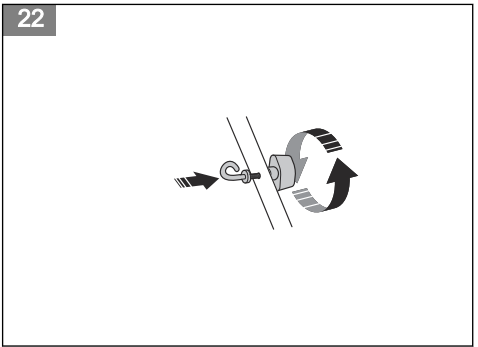
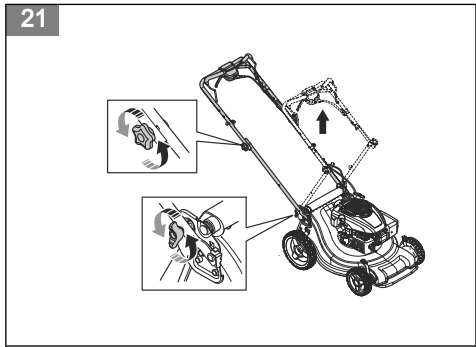
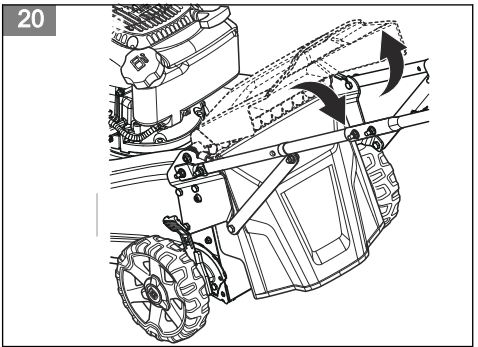
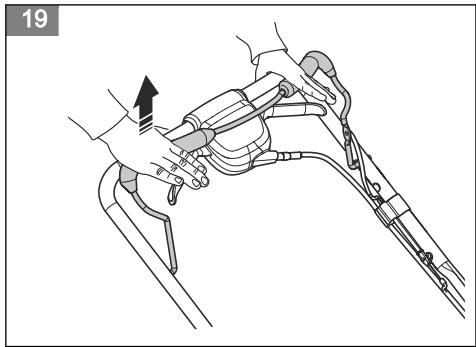
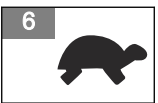
EN	Operator's manual	8-20
BG	Ръководство за експлоатация	21-35
CS	Návod k použití	36-48
DA	Brugsanvisning	49-61
DE	Bedienungsanweisung	62-75
EL	Οδηγίες χρήσης	76-89
ES	Manual de usuario	90-103
ET	Kasutusjuhend	104-116
FI	Käyttöohje	117-129
FR	Manuel d'utilisation	130-143
HR	Priručnik za korištenje	144-156
HU	Használati utasítás	157-169
IT	Manuale dell'operatore	170-183
LT	Operatoriaus vadovas	184-196
LV	Lietošanas pamācība	197-209
NL	Gebruiksaanwijzing	210-222
NO	Bruksanvisning	223-235
PL	Instrukcja obsługi	236-249
PT	Manual do utilizador	250-263
RO	Instrucțiuni de utilizare	264-276
RU	Руководство по эксплуатации	277-291
SK	Návod na obsluhu	292-304
SL	Navodila za uporabo	305-317
SR	Priručnik za rukovaoca	318-330
SV	Bruksanvisning	331-343
TR	Kullanım kılavuzu	344-356
UK	Посібник користувача	357-370

1

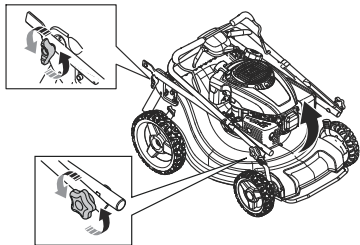


2

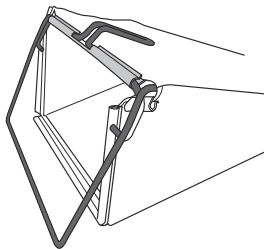




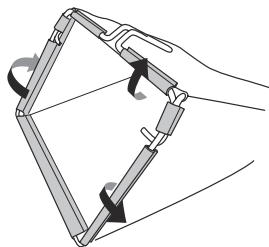
25



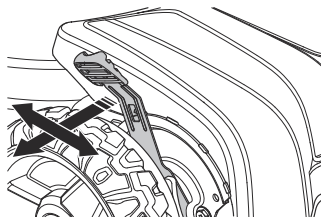
26



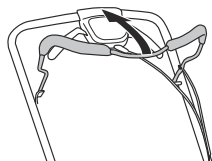
27



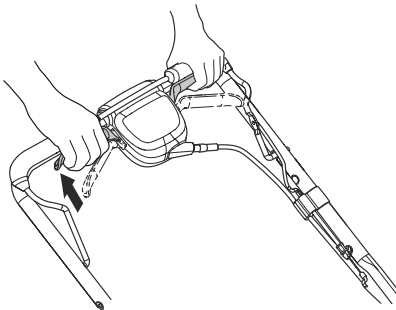
28



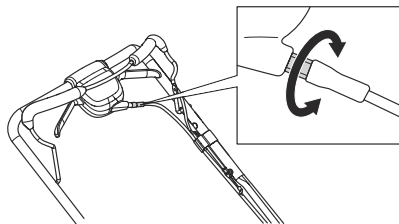
29



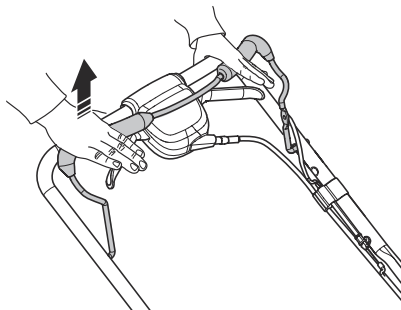
30



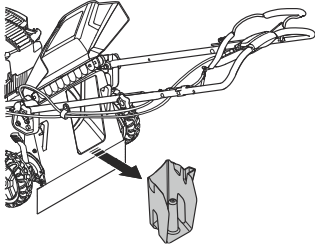
31



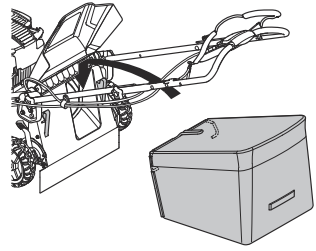
32



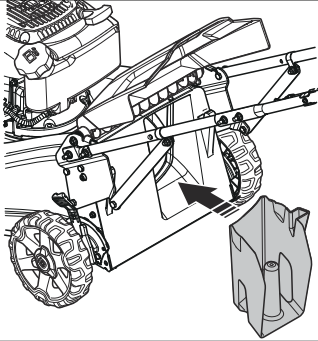
33



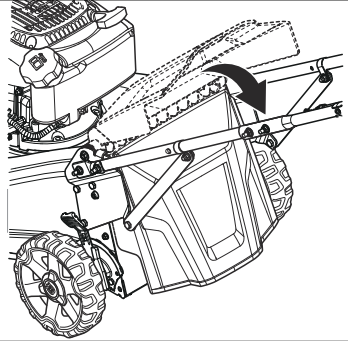
34



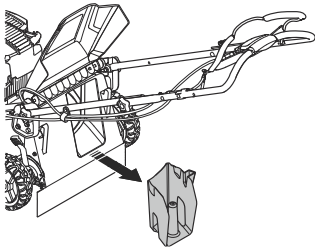
35



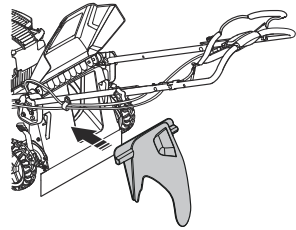
36



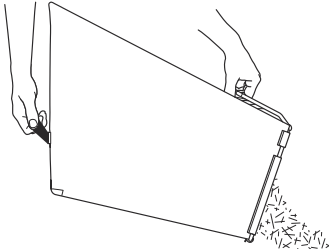
37



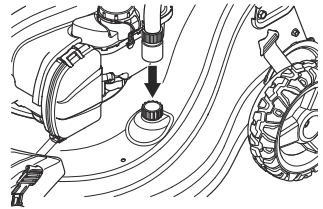
38



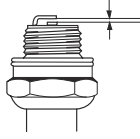
39



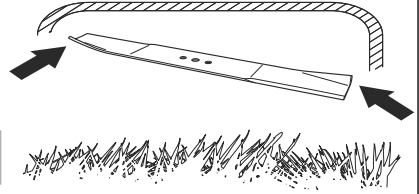
40



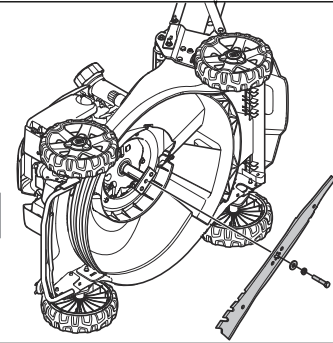
41



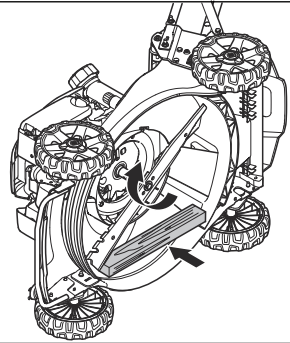
42



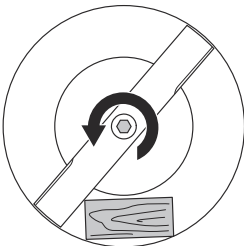
43



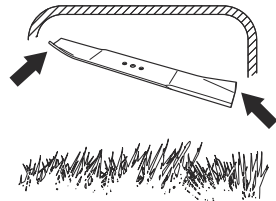
44



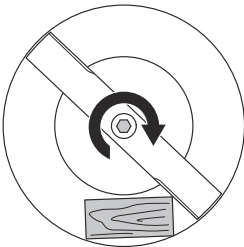
45



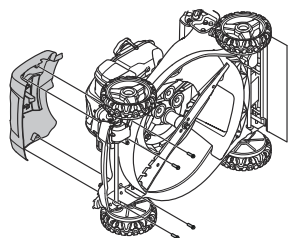
46



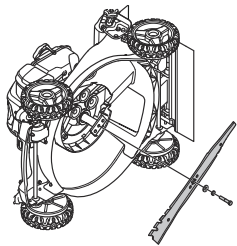
47



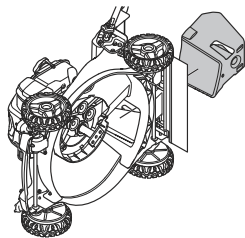
48



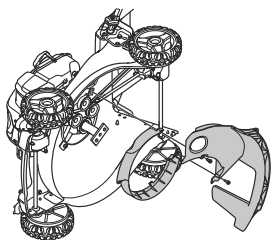
49



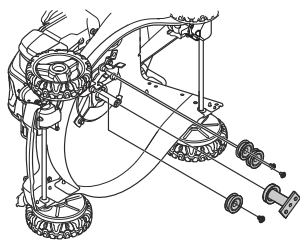
50



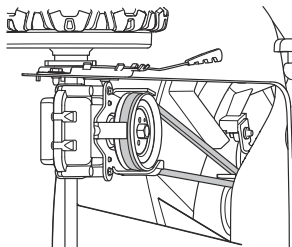
51



52



53



Contents

Introduction.....	8	Troubleshooting.....	17
Safety.....	9	Transportation, storage and disposal.....	18
Assembly.....	12	Technical data.....	19
Operation.....	12	Contents of the EC declaration of conformity.....	20
Maintenance.....	14		

Introduction

Product description

The product is a combustion engine-powered pedestrian-controlled lawn mower. The grass is collected in a grass catcher. Remove the grass catcher to get rear discharge of the grass. Attach a mulch kit to cut the grass into fertilizer.

Product overview

(Fig. 1)

1. Engine brake handle
2. Drive levers
3. Starter rope handle
4. Grass catcher
5. Fuel tank cap
6. Air filter
7. Spark plug
8. Drive cover
9. Muffler
10. Water hose connection
11. Rear deflector
12. Dipstick / oil tank
13. Cutting height control
14. Mulch plug
15. Operator's manual
16. Discharge chute

Symbols on the product

- (Fig. 3) **WARNING:** This product can be dangerous and cause serious injury or death to the operator or others. Be careful and use the product correctly.
- (Fig. 4) Read the operator's manual carefully and make sure that you understand the instructions before you use the product.
- (Fig. 5) Fast
- (Fig. 6) Slow
- (Fig. 7) Keep hands and feet away from the rotating part.

Intended use

Use the product to cut grass in private gardens. Do not use the product for other tasks.

- (Fig. 8) Keep persons and animals at safe distance from the work area.
- (Fig. 9) Be careful when you operate the product rearward. Look behind and down for small children, animals or other risks that can cause you to fall.
- (Fig. 10) To operate the product on a slope can be dangerous.
- (Fig. 11) Keep hands and feet away from the rotating blade.
- (Fig. 12) Look out for thrown objects and ricochets.
- (Fig. 13) Noise emission to the environment according to the European Community's Directive. The product's emission is specified in *Technical data on page 19* and on the label.
- (Fig. 14) This product is in accordance with applicable EC directives.
- (Fig. 15) The product agrees with the applicable EAC directives.
- (Fig. 16) The product agrees with applicable RCM directives. Applies to AU/NZ only.
- (Fig. 17) The product agrees with the applicable Ukraine directives.
- (Fig. 18) Use approved hearing protection.

Note: Other symbols/decals on the product refer to certification requirements for other commercial areas.

Product liability

As referred to in the product liability laws, we are not liable for damages that our product causes if:

- the product is incorrectly repaired.
- the product is repaired with parts that are not from the manufacturer or not approved by the manufacturer.

- the product has an accessory that is not from the manufacturer or not approved by the manufacturer.
- the product is not repaired at an approved service center or by an approved authority.

Safety

Safety definitions

Warnings, cautions and notes are used to point out specially important parts of the manual.



WARNING: Used if there is a risk of injury or death for the operator or bystanders if the instructions in the manual are not obeyed.



CAUTION: Used if there is a risk of damage to the product, other materials or the adjacent area if the instructions in the manual are not obeyed.

Note: Used to give more information that is necessary in a given situation.

General safety instructions



WARNING: Read the warning instructions that follow before you use the product.

- This product is dangerous if used incorrectly or if you are not careful. Injury or death can occur if you do not obey the safety instructions.
- This product produces an electromagnetic field during operation. This field may under some circumstances interfere with active or passive medical implants. To reduce the risk of serious or fatal injury we recommend persons with medical implants to consult their physician and the medical implant manufacturer before operating this product.
- Always be careful and use your common sense. If you are not sure how to operate the product in a special situation, stop and speak to your Husqvarna dealer before you continue.
- Keep in mind that the operator will be held responsible for accidents that involve other persons or their property.
- Keep the product clean. Make sure that you can clearly read signs and decals.
- Do not let a person use the product unless you make sure that they read and understand the contents of the operator's manual.
- Do not let a child operate the product.

- Keep children away from the work area. A responsible adult must be there at all times.
- Do not let a person, without knowledge of the instructions, operate the product.
- Always monitor a person, with decreased physical capacity or mental capacity, that uses the product. A responsible adult must be there at all times.
- Do not use the product if you are tired, ill, or under the influence of alcohol, drugs or medicine. This has a negative effect on your vision, alertness, coordination and judgment.
- Do not use the product if it is defective.
- Do not change this product or use it if it is possible that it has been changed by others.

Work area safety



WARNING: Read the warning instructions that follow before you use the product.

- Remove objects such as branches, twigs and stones from the work area before you use the product.
- Objects that hit against the cutting equipment can eject and cause damage to persons and objects. Keep bystanders and animals at a safe distance from the product.
- Never use the product in bad weather such as fog, rain, strong winds, intense cold and risk of lightning. To use the product in bad weather or in moist or wet locations is tiring. Bad weather can cause dangerous conditions, such as slippery surfaces.
- Look out for persons, objects and situations that can prevent safe operation of the product.
- Look out for obstacles, such as roots, stones, twigs, pits and ditches. Long grass can hide obstacles.
- To cut grass on slopes can be dangerous. Do not use the product on ground that slopes more than 15°.
- Operate the product across the face of slopes. Do not move up and down.
- Be careful when you go near hidden corners and objects that prevent a clear view.

Work safety



WARNING: Read the warning instructions that follow before you use the product.

- Use this product to cut grass lawns only. It is not permitted to use it for other tasks.
- Use personal protective equipment. Refer to *Personal protective equipment on page 10*.
- Make sure that you know how to stop the engine quickly in an emergency.
- Never start the engine in a closed space or near flammable material. The exhaust fumes from the engine are hot and can contain sparks which can start a fire.
- Do not operate the product unless the blade and all covers are attached correctly. An incorrectly attached blade can come loose and cause personal injury.
- Make sure that the blade does not hit objects such as stones and roots. This can do damage to the blade and bend the engine shaft. A bent axle causes heavy vibration and a very high risk that the blade becomes loose.
- If the blade hits an object or if vibrations occur, stop the product immediately. Disconnect the ignition cable from the spark plug. Examine the product for damages. Repair damages or let an authorised service agent do the repair.
- Never attach the engine brake handle permanently to the handle when the engine is started.
- Put the product on a stable, flat surface and start it. Make sure that the blade does not hit the ground or other objects.
- Always stay behind the product when you operate it.
- Let all the wheels stay on the ground and keep 2 hands on the handle when you operate the product. Keep your hands and feet away from the rotating blades.
- Do not tilt the product when the engine is started.
- Be careful when you pull the product rearward.
- Never lift up the product when the engine is started. If you must lift the product, first stop the engine and disconnect the ignition cable from the spark plug.
- Do not walk rearward when you operate the product.
- Stop the engine when you move across areas without grass, for example paths made of gravel, stone and asphalt.
- Do not run with the product when the engine is started. Always walk when you operate the product.
- Stop the engine before you change the cutting height. Never make adjustments with the engine started.
- Never let the product stay out of view with the engine started. Stop the engine and make sure that the cutting equipment does not rotate.

Safety instructions for operation

Personal protective equipment



WARNING: Read the warning instructions that follow before you use the product.

- Personal protective equipment cannot fully prevent injury but it decreases the degree of injury if an accident does occur. Let your dealer help you select the right equipment.
- Use hearing protection if the noise level is higher than 85 dB.
- Use heavy-duty slip-resistant boots or shoes. Do not use open shoes or go with bare feet.
- Use heavy, long pants.
- Use protective gloves when necessary, for example when you attach, examine or clean the cutting equipment.

Safety devices on the product



WARNING: Read the warning instructions that follow before you use the product.

- Do not use a product with defective safety devices.
- Do a check of the safety devices regularly. If the safety devices are defective, speak to your Husqvarna service agent.

To do a check of the cutting cover

The cutting cover decreases vibrations in the product and decreases the risk of injury from the blade.

- Examine the cutting cover to make sure that there are no damages such as cracks.

To do a check of the engine brake handle

The engine brake handle stops the engine. When the engine brake handle is released, the engine stops.

- Start the engine and then release the engine brake handle. If the engine does not stop in 3 seconds, let an approved Husqvarna service agent adjust the engine brake. (Fig. 19)

To do a check of the rear deflector

The rear deflector decreases the risk that objects eject in the direction of the operator.

- Make sure that the rear deflector is not damaged. (Fig. 20)
- Make sure that the springs that close the rear deflector are not broken.
- Replace broken springs and damaged parts.
- Make sure that the rear deflector can move smoothly on the hinges.

Muffler

The muffler keeps the noise levels to a minimum and sends the exhaust fumes away from the operator.

Do not use the product if the muffler is missing or defective. A defective muffler increases the noise level and the risk of fire.



WARNING: The muffler becomes very hot during and after use and when the engine operates at idle speed. Be careful near flammable materials and/or fumes to prevent fire.

To do a check of the muffler

- Examine the muffler regularly to make sure that it is attached correctly and not damaged.

To do a check of the oil level



CAUTION: A too low oil level can do damage to the engine. Do a check of the oil level before you start the product.

1. Put the product on level ground.
2. Remove the oil tank cap with the attached dipstick.
3. Clean the oil from the dipstick.
4. Put the dipstick fully into the oil tank to give a correct picture of the oil level.
5. Remove the dipstick.
6. Examine the oil level on the dipstick.
7. If the oil level is low, fill with engine oil and do a check of the oil level again.

Fuel safety



WARNING: Read the warning instructions that follow before you use the product.

- Do not start the product if there is fuel or engine oil on the product. Remove the unwanted fuel/oil and let the product dry.
- If you spill fuel on your clothing, change clothing immediately.
- Do not get fuel on your body, it can cause injury. If you get fuel on your body, use soap and water to remove the fuel.
- Do not start the product if the engine has a leak. Examine the engine for leaks regularly.

- Be careful with fuel. Fuel is flammable and the fumes are explosive and can cause injuries or death.
- Do not breathe in the fuel fumes, it can cause injury. Make sure that there is a sufficient airflow.
- Do not smoke near the fuel or the engine.
- Do not put warm objects near the fuel or the engine.
- Do not add the fuel when the engine is on.
- Make sure that the engine is cool before you refuel.
- Before you refuel, open the fuel tank cap slowly and release the pressure carefully.
- Do not add fuel to the engine in an indoor area. Not sufficient airflow can cause injury or death because of asphyxiation or carbon monoxide.
- Tighten the fuel tank cap fully. If the fuel tank cap is not tightened, there is a risk of fire.
- Move the product a minimum of 3 m / 10 ft from the position where you filled the tank before a start.
- Do not fill the fuel tank fully. Heat causes the fuel to expand. Keep a space at the top of the fuel tank.

Safety instructions for maintenance



WARNING: Read the warning instructions that follow before you use the product.

- The exhaust fumes from the engine contain carbon monoxide, an odourless, poisonous and very dangerous gas. Do not start the engine indoors or in closed spaces.
- Before you do the maintenance on the product, stop the engine and remove the ignition cable from the spark plug.
- Use protective gloves when you do maintenance on the cutting equipment. The blade is very sharp and cuts can easily occur.
- Accessories and changes to the product that are not approved by the manufacturer, can cause serious injury or death. Do not change the product. Always use accessories that are approved by the manufacturer.
- If the maintenance is not done correctly and regularly, the risk of injury and damage to the product increases.
- Only do the maintenance as given in this owner's manual. All other servicing must be done by an approved Husqvarna service agent.
- Let an approved Husqvarna service agent do servicing on the product regularly.
- Replace damaged, worn or broken parts.

Assembly

Introduction



WARNING: Before you assemble the product, you must read and understand the safety chapter.



WARNING: Remove the spark plug cable from the spark plug before you assemble the product.

To assemble the handle

1. Lift the lower handle. (Fig. 21)
2. Align the holes at the bottom of the lower handle with the holes in the handle brackets.

Note: Select the holes that give the best operation position.

3. Tighten the lower handle knobs.
4. Lift the upper handle and align it with the lower handle.
5. Tighten the upper handle knobs fully.

To install the starter rope handle

1. Attach the loop for the starter rope and the T-knob. Do not tighten fully. (Fig. 22)

2. Hold the engine brake handle against the handlebar.
3. Slowly pull out the starter rope and put it into the loop for the starter rope. (Fig. 23)
4. Tighten the T-knob. (Fig. 24)

To set the product in transport position

1. Remove the grass catcher.
2. Loosen the lower handle knobs to unlock the handle. (Fig. 25)
3. Fold the handle down rearward.
4. Remove the knobs and the pins on the lower handle.
5. Fold the handle forward.

To assemble the grass catcher

1. Attach the grass catcher frame to the grass bag with the rigid part of the bag on the bottom. Keep the handle of the frame out of the top of the bag. (Fig. 26)
2. Attach the grass bag to the frame with the quick-action clips. (Fig. 27)

Operation

Introduction



WARNING: Before you operate the product, you must read and understand the safety chapter.

Before you operate the product

1. Read the operator's manual carefully and make sure that you understand the instructions.
2. Examine the cutting equipment to make sure that it is correctly attached and adjusted. See *To examine the cutting equipment on page 15*.
3. Fill the fuel tank. See *To fill fuel on page 12*.
4. Fill the oil tank and do a check of the oil level. See *To do a check of the oil level on page 11*.

To fill fuel

If available, use low-emission/alkylate gasoline. If low-emission/alkylate gasoline is not available, use good quality unleaded gasoline or leaded gasoline with octane number not less than 90.



CAUTION: Do not use gasoline with an octane number less than 90 RON (87 AKI). This can cause damage to the product.

1. Open the fuel tank cap slowly to release the pressure.
2. Fill slowly with a fuel can. If you spill fuel, remove it with a cloth and let remaining fuel dry off.
3. Clean the area around the fuel tank cap.
4. Tighten the fuel tank cap fully. If the fuel tank cap is not tightened, there is a risk of fire.
5. Move the product a minimum of 3 m (10 ft) from the position where you filled the tank before a start.

To set the cutting height

The cutting height can be adjusted in 9 levels.

1. Push the cutting height control in the direction of the wheel and then rearward to increase the cutting height.
2. Push the cutting height control in the direction of the wheel and then forward to decrease the cutting height. (Fig. 28)



CAUTION: Do not set the cutting height too low. The blades can hit the ground if the surface of the lawn is not level.

To start the product

1. Stay behind the product.
2. Hold the engine brake handle against the handlebar. (Fig. 29)
3. Hold the starter rope handle with your right hand.
4. Slowly pull out the starter rope until you feel some resistance.
5. Pull with force to start the engine.



WARNING: Do not twist the starter rope around your hand.

To use the drive on the wheels

- Pull the drive levers in the direction of the handlebar. (Fig. 30)
- Before you pull the product rearward, disengage the drive and push the product forward approximately 10cm.
- Release the drive levers to disengage the drive, for example when you go near an obstacle.

To adjust the drive control cable

- Use the adjuster screw to adjust the drive control cable. (Fig. 31)
- Turn off the engine. Always disconnect the spark plug before you operate the movable parts.
- Turn the adjustment screw counterclockwise to tension the wire and increase the speed.
- Turn the adjustment screw clockwise to extend the wire and reduce speed.

To stop the product

- To stop the drive only, release the drive levers.
- To stop the engine, release the engine brake handle. (Fig. 32)

To use the product with the grass catcher



WARNING: Do not operate the product without a grass catcher installed or without the rear deflector closed. Objects can eject and cause injury to the operator.

1. Lift the rear deflector and remove the mulch plug. (Fig. 33)

2. Assemble the grass catcher, refer to *To assemble the grass catcher on page 12*.
3. Put the grass catcher on the bracket. (Fig. 34)
4. Release the rear deflector and put it on top of the grass bag frame.

To change the product to mulching mode

The mulching mode of the product makes grass clippings smaller. The grass clippings then fall onto the lawn and scatter across the grass. Mulched grass biodegrades quickly to give nutrients for the lawn.

1. Lift the back shield and remove the grass bag, if it is installed.
2. Put the mulch plug into the collector channel. (Fig. 35)
3. Let the back shield close and make sure it tightly closes against the mulch plug. (Fig. 36)

To change the product to rear-side discharge mode

1. Lift the rear deflector and remove the mulch plug. (Fig. 37)
2. Install the discharge chute. (Fig. 38)

To empty the grass catcher



CAUTION: Do not drag the bag when you empty the grass catcher to prevent wear.

1. Lift the grass catcher with the frame handle. (Fig. 39)
2. Remove grass clippings from the grass catcher from below the handle.
3. Empty grass clippings from the bag with the frame handle and the bag handle.

To get a good result

- Always use a sharp blade. A blunt blade gives an irregular result and the cut surface of the grass becomes yellow. A sharp blade also uses less energy than a blunt blade.
- Do not cut more than $\frac{1}{3}$ of the length of the grass. Cut first with the cutting height set high. Examine the result and lower the cutting height to an applicable level. If the grass is very long, drive slowly and cut 2 times if necessary.
- Cut in different directions each time to prevent stripes in the lawn.

Maintenance

Introduction



WARNING: Before you do maintenance, you must read and understand the safety chapter.

For all servicing and repair work on the product, special training is necessary. We guarantee the availability of professional repairs and servicing. If your dealer is not a service agent, speak to them for information about the nearest service agent.

Maintenance schedule



CAUTION: Make sure that the air filter is up and not against the ground when you tilt the product. Risk of engine damage.

The maintenance intervals are calculated from daily use of the product. The intervals change if the product is not used daily.

For maintenance identified with * refer to instructions in *Safety devices on the product on page 10*.

Maintenance	Daily	Weekly	Monthly
Do a general inspection	X		
Examine the oil level	X		
Clean the product	X		
Examine the cutting equipment	X		
Examine the cutting cover *	X		
Examine the engine brake handle *	X		
Examine the blade brake control *	X		
Examine the muffler *		X	
Examine the spark plug		X	
Replace the oil (the first time after 5 h of use, then after each 50 h of use)			X
Clean or replace the air filter			X
Examine the fuel system			X

To do a general inspection

- Make sure that all nuts and screws on the product are tightened correctly.

To clean the product externally

- Use a brush to remove leaves, grass and dirt.
- Make sure that the air intake on the top of the engine is not blocked.
- Do not use a high pressure washer to clean the product.
- If you use water to clean the product, do not flush water directly on the engine.

To clean the inner surface of the cutting cover

1. Empty the fuel tank.
2. Put the product on its side with the muffler down.



CAUTION: If the product is put with the air filter down, the engine can become damaged.

3. Hose down the inner surface of the cutting cover with water.

To use the water hose connection

1. Move the product to an area of cut grass or a different hard surface.
2. Remove the grass catcher or mulch plug from the product.
3. Close the rear deflector.
4. Connect a water hose to the water hose connection. (Fig. 40)
5. Stop the water supply and examine the water hose connection for leaks.

6. If you do not see a leak, start the engine. Let the engine run until the product is clean below the housing.
7. Stop the engine.
8. Stop the water supply and remove the hose from the water hose connection.

Note: Do not remove the water hose from the water hose connection while the engine is in operation. Water in the engine can decrease the life of the engine.

9. Start the engine and let it run for a full minute to remove remaining water from the product.

To replace the engine oil



WARNING: Engine oil is very hot directly after the engine is stopped. Let the engine become cool before you drain the engine oil. If you spill engine oil on your skin, clean with soap and water.

1. Operate the product until the fuel tank is empty.
2. Remove the ignition cable from the spark plug.
3. Remove the oil tank cap.
4. Put a container below the product to collect the engine oil in.
5. Tilt the product to drain the engine oil from the oil tank.
6. Fill with new engine oil of the type recommended in *Technical data on page 19*.
7. Do a check of the oil level. Refer to *To do a check of the oil level on page 11*.

To examine the spark plug



CAUTION: Always use the recommended spark plug type. Incorrect spark plug type can cause damage to the product.

- Examine the spark plug if the engine is low on power, is not easy to start or does not operate correctly at idle speed.
- To decrease the risk of unwanted material on the spark plug electrodes, obey these instructions:
 - a) Make sure that the idle speed is correctly adjusted.
 - b) Make sure that the fuel mixture is correct.
 - c) Make sure that the air filter is clean.
- If the spark plug is dirty, clean it and make sure that the electrode gap is correct, refer to *Technical data on page 19*. (Fig. 41)
- Replace the spark plug if it is necessary.

To clean the air filter

1. Remove the air filter cover and remove the filter.

2. Hit the filter against a flat surface to make the particles fall off.



CAUTION: Do not use solvent or compressed air to clean the air filter.

3. Put the air filter back. Make sure that the air filter fully seals against the air filter holder.
4. Put the air filter cover back.

Note: An air filter that is used for a long time cannot be fully cleaned. Replace the air filter at regular intervals. Always replace a damaged air filter.

To examine the cutting equipment



WARNING: To prevent accidental start remove the ignition cable from the spark plug.



WARNING: Use protective gloves when you do maintenance on the cutting equipment. The blade is very sharp and cuts can easily occur.

1. Examine the cutting equipment for damage or cracks. Always replace a damaged cutting equipment.
2. Look at the blade to see if it is damaged or blunt.

Note: It is necessary to balance the blade after it is sharpened. Let a service center sharpen, replace and balance the blade. If you hit an obstacle that causes the product to stop, replace the damaged blade. Let the service center estimate if the blade can be sharpened or must be replaced.

To assemble the blade

1. Put the blade adapter on the engine crankshaft. Make sure the key in the adapter and crankshaft keyway are aligned. (Fig. 42)
2. Always attach the blade with the angled ends pointing up in the direction of the engine. (Fig. 43)
3. Use a block of wood between the blade and product housing. Tighten the blade bolt and turn it clockwise.
4. Always tighten the bolt with a torque of 35-40 ft lbs (47-54 Nm). (Fig. 44)
5. Make sure the spark plug cable is disconnected from the engine.



CAUTION: To prevent accidental start, always disconnect the spark plug cable

and put the wire where it cannot touch the spark plug.

6. Pull the blade around by hand and make sure it rotates freely.

To replace the blade

1. Lock the blade with a block of wood. (Fig. 45)
2. Remove the blade bolt.
3. Remove the blade.
4. Examine the blade support and blade bolt to see if there are damages.
5. Examine the engine shaft to make sure that it is not bent.
6. When you attach the new blade, point the angled ends of the blade in the direction of the cutting cover. (Fig. 46)

Transmission assembly overview

(Fig. 2)

1. Mulch plug
2. Rear insert
3. Transmission pulley
4. Idler bracket
5. Transmission cover
6. Blade adapter
7. Idler pulley
8. Front belt keeper
9. Ring
10. Blade
11. Hard washer
12. Lock washer
13. Blade bolt
14. Belt cover

To remove the drive belt

1. Operate the product until the fuel tank is empty.
2. Remove the spark plug cap from the spark plug.
3. Put the product on its side with the muffler down.



CAUTION: If the product is put with the air filter down, the engine can become damaged.

7. Make sure that the blade is aligned with the center of the engine shaft.
8. Lock the blade with a block of wood. Attach the spring washer and tighten the bolt and washer with a torque of 47-54 Nm. (Fig. 47)
9. Pull the blade around by hand and make sure that it turns freely.



WARNING: Use heavy duty gloves. The blade is very sharp and cuts can easily occur.

10. Start the product to do a test of the blade. If the blade is not correctly attached, there is vibration in the product or the cutting result is unsatisfactory.

4. Remove the drive cover. (Fig. 48)
5. Remove the blade bolt, lock washer, hard washer and the blade. (Fig. 49)
6. Remove the mulch plug. (Fig. 50)
7. Remove the rear insert.
8. Remove the belt cover and the ring. (Fig. 51)
9. Disconnect the cable from the transmission and remove the idler pulley from the idler assembly.
10. Remove the front belt keeper.
11. Remove the drive belt from the transmission pulley.
12. Remove the 3 idler pulleys from the idler assembly. (Fig. 52)
13. Remove the drive belt from blade adapter and the idler assembly. (Fig. 53)
14. Attach locking pliers to the input shaft of the transmission. Loosen the engine pulley with a 9/16" box wrench to remove the transmission pulley.
15. Remove the drive belt.

Troubleshooting

Problem	Possible cause	Solution
The engine does not start.	The ignition cable is not connected correctly.	Connect the ignition cable to the spark plug.
	The fuel tank is empty.	Fill the fuel tank with correct fuel type.
	There is dirt in the carburetor or fuel line.	Clean the carburetor and/or fuel line.
	The spark plug is defective.	Adjust the electrode gap, clean or replace the spark plug.
The engine does not stop.	The stop mechanism is defective.	Disconnect the ignition cable from the spark plug. Let an approved service agent repair the product.
The engine does not operate smoothly.	The ignition cable is not connected correctly.	Connect the ignition cable to the spark plug.
	There is dirt in the fuel line or the fuel has expired.	Clean the fuel line. Fill the fuel tank with new fuel of the correct type.
	There is blockage in the fuel tank cap.	Clean the fuel tank cap.
	There is water or dirt in the fuel system.	Drain the fuel tank. Fill the fuel tank with new fuel of the correct type.
	The air filter is dirty.	Clean the air filter.
	The carburetor must be adjusted.	Let a servicing dealer adjust the carburetor.
The engine becomes too hot.	The engine oil level is too low.	Fill engine oil.
	The air flow is not sufficient.	Clean the air filter and the air filter housing.
	The carburetor must be adjusted.	Let a servicing dealer adjust the carburetor.
There is misfire in the engine when it operates at high speed.	The electrode gap in the spark plug is too small.	Adjust the electrode gap.
The engine does not operate smoothly at idle speed.	The spark plug is dirty, defective or the electrode gap is too wide.	Adjust the electrode gap or replace the spark plug.
	The carburetor must be adjusted.	Adjust the carburetor.
	The air filter is dirty.	Clean the air filter.
There is too much vibration in the handle.	A blade is loose or not balanced.	Tighten the blade bolts. Replace the blades if there are damages.
	A blade is bent.	Replace the blades if there are damages.

Problem	Possible cause	Solution
The grass is not cut into mulch.	The grass is wet.	Do not operate the product when the grass is wet. Wait until the grass is dry.
	The grass is too high.	Cut first with the cutting height set high. Lower the cutting height and cut again. Cut only ½ of the cutting width at a time.
	One or more of the blades are not sufficiently sharp.	Sharpen or replace the blades.
The grass is cut irregularly.	The wheels are not in correct position.	Set the cutting height at the same level for all 4 wheels.
	One or more of the blades are not sufficiently sharp.	Sharpen or replace the blades.
The drive system does not operate correctly	The drive belt is not sufficiently tight or there is dirt on the pulleys or drive belt.	Let an approved service agent do maintenance on the drive system.

Transportation, storage and disposal

Transportation and storage

- For storage and transportation of the product and fuel, make sure that there are no leaks or fumes. Sparks or open flames, for example from electrical devices or boilers, can start a fire.
- Always use approved containers for storage and transportation of fuel.
- Empty the fuel tank before you put the product in storage for a long period of time. Discard the fuel at an applicable disposal location
- Safely attach the product during transportation to prevent damage and accidents.
- Keep the product in a locked area to prevent access for children or persons that are not approved.
- Keep the product in a dry and frost free area.

Disposal

- Obey the local recycling requirements and applicable regulations.
- Discard all chemicals, such as engine oil or fuel, at a service center or at an applicable disposal location.
- When the product is no longer in use, send it to a Husqvarna dealer or discard it at a recycling location.

Technical data

Technical data

	LC 353AWD
Engine	
Brand	Honda
Displacement, cu.in/cm ³	10.4/170
Speed, rpm	2900-3200
Nominal engine output, kW/hp @ rpm ¹	3.6/4.9 @ 2900-3200
Ignition system	
Spark plug	NGK BPR5ES
Electrode gap, in/mm	0.028/0.7
Fuel and lubrication system	
Fuel, unleaded, minimum octane number	90 RON / 87 AKI
Fuel tank capacity, US gal l	0.27/1.02
Oil tank capacity, US gal/l	0.14/0.53
Engine oil ²	SAE 30 / SAE 10W-30
Weight	
With empty tanks, lb/kg	92/41.7
Noise emissions ³	
Sound power level, measured dB (A)	95
Sound power level, guaranteed L _{WA} dB (A)	96
Sound levels ⁴	
Sound pressure level at the operator's ear, dB (A)	85
Vibration levels ⁵	
Handle, m/s ² with grass catcher/without grass catcher	7/7
Cutting equipment	

¹ The power rating of the engine indicated is the average net output (at specified rpm) of a typical production engine for the engine model measured to SAE standard J1349/ISO1585. Mass production engines may differ from this value. Actual power output for the engine installed on the final product will depend on the operating speed, environmental conditions and other values.

² Use engine oil of quality SJ or higher. See the viscosity chart in the engine manufacturer's manual and select the best viscosity based on the expected outside temperature.

³ Noise emissions in the environment measured as sound power (L_{WA}) in conformity with EC directive 2000/14/EC.

⁴ Noise pressure level according to ISO 5395. Reported data for noise pressure level has a typical statistical dispersion (standard deviation) of 1.2 dB (A).

⁵ Vibration level according to ISO 5395. Reported data for vibration level has a typical statistical dispersion (standard deviation) of 0.2 m/s².

	LC 353AWD
Cutting height, in/mm	1.0-4.0/25.4-101.6
Cutting width, in/mm	21/530
Blade	
Article number	586 85 96-02
Grass catcher capacity, ft ³ /l	2.3/65
Drive	
Speed, mph/km/h	0-3/0-4.8

Contents of the EC declaration of conformity

We, Husqvarna AB, SE 561 82 Huskvarna, SWEDEN, declare under our sole responsibility that the represented product:

The supplied combustion-engine-powered pedestrian-controlled lawn mower conforms to the example that underwent examination.

Description	Combustion-engine-powered pedestrian-controlled lawn mower
Brand	Husqvarna
Platform / Type / Model	Platform E21THV, representing models LC 353AWD.
Batch	Serial number dating 2019 and onwards.

complies fully with the following EU directives and regulations:

Directive/Regulation	Description
2006/42/EC	"relating to machinery"
2014/30/EU	"relating to electromagnetic compatibility"
2000/14/EU; 2005/88/EC	"relating to outdoor noise"
2011/65/EU	"restriction of use of certain hazardous substances"

Harmonized standards and/or technical specifications applied are as follows: EN ISO 12100, ISO 5395-1+A1/A2, ISO 5395-2+A1/A2, EN ISO 14982, ISO 3744, ISO 11094, EN 1032

In accordance with directive 2000/14/EC, Annex VI, the declared sound values are stated in the technical data section of this manual and in the signed EC Declaration of Conformity.

Содержание

Въведение.....	21	Отстраняване на проблеми.....	31
Безопасност.....	22	Транспортиране, съхранение и изхвърляне.....	32
Монтаж.....	25	Технически характеристики.....	34
Операция.....	26	Съдържание на ЕО декларацията за	
Поддръжка.....	27	съответствие.....	35

Въведение

Описание на продукта

Продуктът е пешеходна косачка, задвижвана от двигател с вътрешно горене. Тревата се събира в кош за трева. Свалете коша за трева, за да се получи задно разтоварване на тревата. Поставете комплект за мулчиране, за да нарежете трева в тора.

Общ преглед на продукта

(Фиг. 1)

1. Ръчка за спирачката на двигателя
2. Задвижващи лостове
3. Дръжка на въжето на стартера
4. Кош за трева
5. Капачка на резервоара за гориво
6. Въздушен филтър
7. Запалителна свещ
8. Капак на задвижването
9. Ауслух
10. Съединение за маркуч за вода
11. Заден дефлектор
12. Мерителна пръчка/резервоар за масло
13. Управление на височината на рязане
14. Приставка за мулчиране
15. Инструкция за експлоатация
16. Улей за разтоварване

Символи върху машината

(Фиг. 3) **ПРЕДУПРЕЖДЕНИЕ:** Този продукт може да бъде опасен и да причини сериозно нараняване или смърт на оператора или други хора. Внимавайте и използвайте продукта правилно.

(Фиг. 4) Прочетете внимателно ръководството за оператора и се уверете, че разбирате инструкциите, преди да използвате продукта.

(Фиг. 5) Бързо

(Фиг. 6) Бавно

Предназначение

Използвайте продукта, за да косите трева в частни градини. Не използвайте продукта за други задачи.

(Фиг. 7) Дръжте ръцете и краката си далеч от въртящата се част.

(Фиг. 8) Дръжте хората и животните на безопасно разстояние от работната зона.

(Фиг. 9) Бъдете внимателни, когато работите с продукта, движейки се назад. Погледнете назад и надолу за малки деца, животни или други рискове, които може да са причина да паднете.

(Фиг. 10) Работата с продукта на склон може да бъде опасна.

(Фиг. 11) Дръжте ръцете и краката си далеч от въртящата се нож.

(Фиг. 12) Пазете се от отскачащи предмети и рикошети.

(Фиг. 13) Шумови емисии в околната среда в съответствие с Директивата на Европейската общност. Емисиите на продукта са посочени в *Технически характеристики на страница 34* и на табелката.

(Фиг. 14) Тази машина отговаря на изискванията на приложимите директиви на ЕО.

(Фиг. 15) Продуктът е в съответствие с приложимите директиви на ЕАС.

(Фиг. 16) Този продукт е в съответствие с приложимите директиви на Устройства за наблюдение и контрол на остатъчен ток за битова и подобна употреба (RCM). Важи само за Австралия/Нова Зеландия.

(Фиг. 17) Продуктът е в съответствие с приложените директиви на Украйна.

(Фиг. 18) Използвайте одобрени антифони.

Забележка: Останалите символи/лепенки на продукта се отнасят до изисквания по отношение на сертификати за други търговски зони.

Отговорност за продукта

Както е посочено в законите за отговорност за вреди, причинени от стоки, ние не носим отговорност за щети, причинени от нашия продукт, ако:

- продуктът е неправилно ремонтиран.
- продуктът е ремонтиран с части, които не са от производителя или не са одобрени от производителя.
- продуктът има принадлежност, която не е от производителя или не е одобрена от производителя.
- продуктът не е ремонтиран в одобрен сервизен център или от одобрен орган.

Безопасност

Дефиниции за безопасност

Предупреждения, знаци за внимание и бележки се използват за указване на особено важни части на инструкцията.



ПРЕДУПРЕЖДЕНИЕ: Използва се, ако има опасност от нараняване или смърт за оператора или за околните, ако не се спазват инструкциите в ръководството.



ВНИМАНИЕ: Използва се, ако има опасност от повреждане на машината, други материали или съседната зона, ако не се спазват инструкциите в ръководството.

Забележка: Използва се за предоставяне на повече информация, която е необходима в дадена ситуация.

Общи инструкции за безопасност



ПРЕДУПРЕЖДЕНИЕ: Прочетете следващите предупредителни указания, преди да използвате машината.

- Този продукт е опасен, ако се използва неправилно или ако не сте внимателни. Неспазването на инструкциите за безопасност може да доведе до нараняване или смърт.
- Тази машина създава електромагнитно поле по време на работа. При някои условия това поле може да интерферира с активни или пасивни медицински имплантанти. За да намалите риска от тежко или смъртоносно нараняване, ние препоръчваме лицата с медицински импланти да говорят с лекаря си и производителя на медицинския имплант, преди да започнат да работят с тази машина.
- Винаги бъдете внимателни и подхождайте разумно. Ако не сте сигурни как да работите с продукта при специална ситуация, спрете и се

обърнете към Вашия дилър на Husqvarna, преди да продължите.

- Имайте предвид, че операторът носи отговорност за нещастни случаи, включващи други хора или тяхното имущество.
- Поддържайте продукта чист. Уверете се, че разчитате ясно знаците и стикерите.
- Не позволявайте на когото и да е да работи с продукта, докато не се уверите, че е прочел и разбрал съдържанието на инструкцията за експлоатация.
- Не позволявайте на деца да работят с продукта.
- Дръжте децата далеч от работната зона. През цялото време трябва да присъства отговорен възрастен.
- Не позволявайте на лица, които не са запознати с инструкциите, да работят с продукта.
- Винаги наблюдавайте лица с намален физически или умствен капацитет, които използват продукта. През цялото време трябва да присъства отговорен възрастен.
- Не използвайте продукта, ако сте уморени, болни или под въздействието на алкохол, наркотици или лекарства. Това състояние оказва отрицателно въздействие върху Вашето зрение, бдителност, координация и преценка.
- Не използвайте продукта, ако е неизправен.
- Не променяйте този продукт или не го използвайте, ако има вероятност той да е бил променен от друг.

Безопасност на работната област



ПРЕДУПРЕЖДЕНИЕ: Прочетете следващите предупредителни указания, преди да използвате машината.

- Отстранете препятствия като клони, пръчки и камъни от работната зона, преди да използвате продукта.
- Обектите, които се удрят в режещото оборудване, могат да бъдат изхвърлени и да причинят нараняване на лицата и щети на

- предметите. Дръжте страничните наблюдатели и животните на безопасно разстояние от продукта.
- Никога не използвайте продукта в лошо време – например при мъгла, дъжд, силни ветрове, много силен студ и риск от мълини. Използването на продукта в лошо време или върху влажни или мокри терени е изморително. Лошото време може да създаде опасни условия, като например хлъзгави повърхности.
 - Внимавайте за лица, предмети и ситуации, които могат да са причина за намаляване на безопасната работа на продукта.
 - Внимавайте за препятствия като корени, камъни, клони, ями и канавки. Дългата трева може да крие препятствия.
 - Косенето на трева на склон може да бъде опасно. Не работете с продукта, когато наклонът на повърхността е повече от 15°.
 - Използвайте продукта напречно на склона. Не се движете нагоре и надолу.
 - Внимавайте, когато преминавате покрай закриватъли и предмети, които скриват зрителното Ви поле.

Безопасност при работа



ПРЕДУПРЕЖДЕНИЕ: Прочетете следващите предупредителни указания, преди да използвате машината.

- Използвайте този продукт само за косене на морави. Не се допуска използването му за други цели.
- Използвайте лични предпазни средства. Вижте *Лични предпазни средства на страница 23*.
- Уверете се, че знаете как бързо да спрете двигателя при аварийна ситуация.
- Никога не стартирайте двигателя в затворено пространство или близо до запалими материали. Отработените газове от двигателя са горещи и могат да съдържат искри, които да предизвикат пожар.
- Не работете с продукта, докато ножът и всички капази не се монтират правилно. Неправилно монтираният нож може да се разхлаби и да причини телесна повреда.
- Уверете се, че ножът няма да се удря в обекти, като например камъни и корени. Това може да доведе до повреда на ножа и до огъване на двусекционния вал на двигателя. Огънатата ос предизвиква силни вибрации и има много голяма опасност ножът да се разхлаби.
- Ако ножът се удари в някакъв обект или се получат вибрации, спрете веднага продукта. Изключете запалителния кабел от запалителната свещ. Проверете продукта за повреди. Ремонтирайте повредите или потърсете авторизиран сервиз за това.

- Никога не прикрепяйте ръчката на спирачката на двигателя за постоянно върху дръжката, когато двигателят е стартиран.
- Поставете продукта върху стабилна, равна повърхност и го стартирайте. Уверете се, че ножът не се допира в земята или в други предмети.
- Винаги стойте зад продукта, когато го използвате.
- Всички колела трябва да бъдат на земята и да държите дръжката с 2 ръце, когато работите с продукта. Дръжте ръцете и краката си далеч от въртящите се остриета.
- Не накланяйте продукта при стартиран двигател.
- Бъдете внимателни, когато дърпате продукта назад.
- Никога не повдигайте продукта при стартиран двигател. Ако се налага да вдигнете продукта, първо спрете двигателя и изключете запалителния кабел от запалителната свещ.
- Не се движете назад при работа с продукта.
- Спрете двигателя, когато преминавате през области без трева, например пътеки от чакъл, камък или асфалт.
- Не тичайте с продукта, когато двигателят работи. Винаги ходете, когато работите с продукта.
- Спрете двигателя, преди да промените височината на рязане. Никога не регулирайте при стартиран двигател.
- Никога не оставяйте продукта без надзор, когато двигателят работи. Спрете двигателя и се уверете, че режещото оборудване не се върти.

Инструкции за безопасност за работа

Лични предпазни средства



ПРЕДУПРЕЖДЕНИЕ: Прочетете следващите предупредителни указания, преди да използвате машината.

- Личните предпазни средства не изключват изцяло риска от нараняване, но намаляват степента на нараняването при злополука. Нека вашият дилър Ви помогне да изберете подходящото оборудване.
- Използвайте антифони, ако нивото на шума е по-високо от 85 dB.
- Носете ботуши или обувки, устойчиви на хлъзгане. Не носете отворени обувки и не ходете боси.
- Използвайте дълги панталони от здрав плат.
- Когато е необходимо, носете защитни ръкавици, например, когато закрепвате, проверявате или почиствате режещото оборудване.

Приспособления за безопасност на машината

материали и/или газове, за да предотвратите възникването на пожар.



ПРЕДУПРЕЖДЕНИЕ: Прочетете следващите предупредителни указания, преди да използвате машината.

- Не използвайте машина с неизправни приспособления за безопасност.
- Проверявайте редовно приспособленията за безопасност. Ако приспособленията за безопасност са дефектни, говорете с Вашия сервиз Husqvarna.

За проверка на капака срещу порязване

Капакът срещу порязване намалява вибрациите в продукта и опасността от нараняване, причинени от острието.

- Проверете капака срещу порязване, за да се уверите, че няма повреди, като например пукнатини.

За проверка на ръчката на спирачката на двигателя

Ръчката за спирачката на двигателя спира двигателя. Когато ръчката за спирачката на двигателя бъде пусната, двигателят спира.

- Запалете двигателя и след това освободете ръчката на спирачката на двигателя. Ако двигателят не спре след 3 секунди, позволете на одобрен Husqvarna сервиз да регулира спирачката на двигателя. (Фиг. 19)

За да проверите задния дефлектор

Задният дефлектор намалява риска от изхвърляне на предмети по посока на оператора.

- Уверете се, че задният дефлектор не е повреден. (Фиг. 20)
- Уверете се, че пружините, които затварят задния дефлектор, не са счупени.
- Заменяйте счупените пружини и повредените части.
- Уверете се, че задният дефлектор може да се движи свободно върху пантите.

Ауспух

Ауспухът е предназначен за максимално намаляване на нивата на шума и за отвеждане на отработените газове настрани от потребителя.

Не използвайте машината, ако ауспухът липсва или е дефектен. Дефектен ауспух увеличава нивото на шума и риска от злополука.



ПРЕДУПРЕЖДЕНИЕ: Ауспухът се нагрява много по време и след работа и също при обороти на празен ход. Бъдете внимателни близо до запалими

За проверка на ауспуха

- Проверявайте ауспуха редовно, за да сте сигурни, че е закрепен правилно и не е повреден.

За проверка на нивото на маслото



ВНИМАНИЕ: Твърде ниското ниво на маслото може да доведе до повреда на двигателя. Проверете нивото на маслото, преди да стартирате продукта.

1. Позиционирайте машината на равна повърхност.
2. Отстранете капачката на резервоара с прикрепена мерителна пръчка.
3. Почистете маслото от мерителната пръчка.
4. Потопете мерителната пръчка докрай в резервоара за масло, за да получите точна информация за нивото на маслото.
5. Извадете мерителната пръчка.
6. Вижте колко е нивото на маслото на мерителната пръчка.
7. Ако нивото на маслото е ниско, долейте моторно масло и отново проверете нивото му.

Безопасност при работа с гориво



ПРЕДУПРЕЖДЕНИЕ: Прочетете следващите предупредителни указания, преди да използвате машината.

- Не включвайте продукта, ако върху него има гориво или моторно масло. Отстранете нежеланото гориво/масло и оставете продукта да изсъхне.
- Ако разлеете гориво по дрехите си, сменете ги незабавно.
- Внимавайте да не попадне гориво върху тялото Ви, това може да доведе до телесни увреждания. Ако гориво попадне върху тялото Ви, използвайте сапун и вода, за да го отстраните.
- Не стартирайте продукта, ако от двигателя има теч. Проверявайте редовно двигателя за течове.
- Внимавайте с горивото. Горивото е запалимо, изпаренията са взривоопасни и могат да причинят телесни увреждания или смърт.
- Не вдъшвайте горивните изпарения, това може да доведе до телесни увреждания. Уверете се, че има достатъчен въздушен поток.
- Не пушете близо до горивото или двигателя.
- Не поставяйте топли предмети близо до горивото или двигателя.
- Не добавяйте гориво, когато двигателят работи.
- Уверете се, че двигателят е изстинал преди зареждане с гориво.

- Преди зареждане с гориво отворете бавно капачката на резервоара за гориво и освободете внимателно налягането.
- Не добавяйте гориво към двигателя на закрито. Недостатъчният въздушен поток може да доведе до нараняване или смърт поради задушаване или въглероден окис.
- Затегнете капачката на резервоара за гориво докрай. Ако капачката на резервоара за гориво не е затегната, има риск от злополука.
- Преди да включите двигателя, преместете продукта най-малко на 3 m/10 ft от мястото, където сте заредили резервоара.
- Не зареждайте резервоара за гориво догоре. Топлината причинява увеличаване на обема на горивото. Оставете място в горната част на резервоара за гориво.

Инструкции за безопасност при техническо обслужване



ПРЕДУПРЕЖДЕНИЕ: Прочетете следващите предупредителни указания, преди да използвате машината.

- Отработените газове от двигателя съдържат въглероден окис – много опасен, отровен газ без

миризма. Не стартирайте двигателя на закрито или в затворени пространства.

- Преди техническо обслужване на продукта спрете двигателя и изключете запалителния кабел от запалителната свещ.
- Носете защитни ръкавици, когато ще изпълнявате дейности, свързани с техническото обслужване на режещото оборудване. Ножът е много остър и можете лесно да се порежете.
- Аксесоари и промени на продукта, които не са одобрени от производителя, могат да доведат до сериозно нараняване или смърт. Не правете промени по продукта. Винаги използвайте само аксесоари, които са одобрени от производителя.
- Ако техническото обслужване не се изпълнява правилно и редовно, рискът от нараняване и повреда на продукта се увеличава.
- Изпълнявайте техническото обслужване само както е посочено в това ръководство на собственика. Всички останали сервизни дейности трябва да се извършват от одобрен Husqvarna сервиз.
- Позволете одобрен Husqvarna сервиз редовно да обслужва продукта.
- Заменете повредени, износени или счупени части.

Монтаж

Въведение



ПРЕДУПРЕЖДЕНИЕ: Преди сглобяване на продукта трябва да прочетете и разберете главата за безопасност.



ПРЕДУПРЕЖДЕНИЕ: Отстранете кабела на запалителната свещ от запалителната свещ, преди да сглобите продукта.

За да монтирате ръкохватката

1. Повдигнете долната ръкохватка. (Фиг. 21)
2. Подравнете отворите в долната част на долната ръкохватка с отворите в скобите на ръкохватката.

Забележка: Изберете отворите, които осигуряват най-добро работно положение.

3. Затегнете захващащите елементи на долната ръкохватката.
4. Повдигнете горната ръкохватката и я подравнете с долната ръкохватката.
5. Затегнете напълно захващащите елементи на горната ръкохватка.

За да монтирате дръжката на стартерното въже

1. Прикрепете ухото за стартерното въже и Т-образния фиксатор. Не затягайте напълно. (Фиг. 22)
2. Задръжте ръчката на спирачката на двигателя до управлението.
3. Бавно издърпайте стартерното въже и го поставете в ухото за стартерното въже. (Фиг. 23)
4. Затегнете Т-образния фиксатор. (Фиг. 24)

За задаване на продукта в положение за транспортиране

1. Извадете коша за трева.
2. Разхлабете захващащите елементи на долната ръкохватка, за да я отключите. (Фиг. 25)
3. Сгънете ръкохватката надолу и назад.
4. Отстранете захващащите елементи и щифтовете на долната ръкохватка.
5. Сгънете ръкохватката напред.

За сглобяване на коша за трева

1. Прикрепете рамката на коша за трева към торбата за събиране на трева, като твърдата част на торбата трябва да е отдолу. Дръжте

ръкохватката на рамката извън горната част на торбата. (Фиг. 26)

2. Закрепете торбата за трева към рамката с помощта на бързодействащите щипки. (Фиг. 27)

Операция

Въведение



ПРЕДУПРЕЖДЕНИЕ: Преди работа с продукта трябва да прочетете и разберете главата за безопасност.

Преди да започнете работа с продукта

1. Прочетете внимателно ръководството за оператора и се уверете, че разбирате инструкциите.
2. Проверете режещото оборудване, за да се уверите, че то е правилно монтирано и регулирано. Вижте *За проверка на режещото оборудване на страница 29*.
3. Напълнете резервоара за гориво. Вижте *За наливане на гориво на страница 26*.
4. Напълнете резервоара за масло и проверете нивото на маслото. Вижте *За проверка на нивото на маслото на страница 24*.

За наливане на гориво

Ако има наличен, използвайте нискоемисионен/алкалитен бензин. Ако няма наличен нискоемисионен/алкалитен бензин, използвайте висококачествен безоловен бензин или оловен бензин с октаново число не по-малко от 90.



ВНИМАНИЕ: Не използвайте бензин с октаново число по-малко от 90 RON (87 AKI). Това може да повреди продукта.

1. Отворете бавно капачката на резервоара за гориво, за да освободите налягането.
2. Заредете бавно резервоара от туба с гориво. Ако разлеете гориво, поийте го с кърпа и оставете горивото, което остане да изсъхне.
3. Почистете областта около капачката на резервоара за гориво.
4. Затегнете капачката на резервоара за гориво докрай. Ако капачката на резервоара за гориво не е затегната, има риск от злополука.
5. Преди да включите двигателя, преместете продукта най-малко на 3 м (10 ft) от мястото, където сте заредили резервоара.

За регулиране на височината на рязане

Височината на рязане може да бъде регулирана в 9 нива.

1. Натиснете управлението на височината на рязане в посоката на колелото и след това назад, за да увеличите височината на рязане.
2. Натиснете управлението на височината на рязане в посоката на колелото и след това напред, за да намалите височината на рязане. (Фиг. 28)



ВНИМАНИЕ: Не настройвайте твърде ниска височина на рязане. Ножовете могат да се ударят в земята, ако повърхността на моравата не е равна.

За стартиране на продукта

1. Останете зад продукта.
2. Задръжте ръчката на спирачката на двигателя до управлението. (Фиг. 29)
3. Дръжте дръжката на стартерното въже с дясната си ръка.
4. Бавно издърпайте стартерното въже, докато почувствате някакво съпротивление.
5. Издърпайте силно шнура, докато двигателят запали.



ПРЕДУПРЕЖДЕНИЕ: Не навивайте въжето за стартиране около ръката си.

За използването на задвижването на колелата

- Дръпнете задвижващите лостове по посока на управлението. (Фиг. 30)
- Преди да дръпнете продукта назад, изключете задвижването и бутнете продукта напред приблизително 10cm.
- Освободете задвижващите лостове, за да изключите задвижването, когато приближите препятствие например.

За да регулирате кабела за управление на задвижването

- Използвайте винта за регулиране, за да регулирате кабела за управление на задвижването. (Фиг. 31)
- Изключете двигателя. Винаги разкачвайте запалителната свещ преди работа с частите, които могат да се движат.
- Завъртете регулиращия винт обратно на часовниковата стрелка, за да натегнете проводника и да увеличите скоростта.

- Завъртете регулиращия винт по часовниковата стрелка, за да удължите проводника и да намалите скоростта.

Спиране на продукта

- За да спрете само задвижването, отпуснете лостовите за задвижване.
- За да спрете двигателя, освободете ръчката за спирачката на двигателя. (Фиг. 32)

За да използвате продукта с коша за трева



ПРЕДУПРЕЖДЕНИЕ: Не работете с продукта без монтиран кош за трева или без задния дефлектор да е затворен. Възможно е да се изхвърлят предмети и да причинят нараняване на оператора.

1. Повдигнете задния дефлектор и отстранете приставката за мулчиране. (Фиг. 33)
2. Сглобете коша за трева, вижте *За сглобяване на коша за трева на страница 25*.
3. Поставете коша за трева върху скобата. (Фиг. 34)
4. Отпуснете задния дефлектор и го поставете върху рамката на торбата за трева.

За да превключите продукта към режим на мулчиране

Режимът на мулчиране на продукта нарязва окосената трева по-ситно. След това окосените части трева падат върху моравата и се разпръсква по тревата. Мулчираната трева се разгражда бързо по биологичен път и осигурява хранителни вещества за моравата.

1. Повдигнете задния предпазител и отстранете торбата за трева, ако е монтирана.
2. Поставете приставката за мулчиране в канала на колектора. (Фиг. 35)

3. Оставете задния предпазител да се затвори и се уверете, че се притиска плътно към приставката за мулчиране. (Фиг. 36)

За да превключите продукта към режим на задно разтоварване

1. Повдигнете задния дефлектор и отстранете приставката за мулчиране. (Фиг. 37)
2. Монтирайте разтоварителния улей. (Фиг. 38)

За изпраждане на коша за трева



ВНИМАНИЕ: Не влачете торбата, когато изпраждате коша за трева, за да предотвратите износване.

1. Повдигнете коша за трева с ръкохватката на рамката. (Фиг. 39)
2. Отстранете окосената трева от коша за трева от долната страна на ръкохватката.
3. Изпразнете окосената трева от торбата с помощта на ръкохватката на рамката и на ръкохватката на торбата.

За получаване на добър резултат

- Винаги използвайте остър нож. Косенето със затъпен нож е неравномерно и окосената повърхност пожелтява. При работа с остър нож също така се използва по-малко енергия отколкото при работа със затъпен нож.
- Не отрязвайте повече от $\frac{1}{3}$ от дължината на тревата. Първо, косете със зададена висока височина на рязане. Вижте какъв е резултатът и намалете височината на рязане до подходящо ниво. Ако тревата е много висока, карайте бавно и – ако е необходимо – окосете два пъти.
- Режете всеки път в различни посоки, за да избегнете образуването на линии в моравата.

Поддръжка

Въведение



ПРЕДУПРЕЖДЕНИЕ: Преди да извършите техническо обслужване, трябва да прочетете и разберете раздела за безопасност.

За всички работи по поддръжката и поправката на продукта е необходимо специално обучение. Осигуряваме предлагане на професионални ремонти и обслужване. Ако Вашият дилър не предлага сервизно обслужване, говорете с него, за да Ви даде информация за най-близкия сервиз.

График за техническо обслужване



ВНИМАНИЕ: Уверете се, че въздушният филтър е насочен нагоре, а не към земята, когато наклоняте продукта. Опасност от повреда на двигателя.

Интервалите за техническо обслужване са изчислени в зависимост от ежедневната употреба на продукта. Интервалите се променят, ако продуктът не се използва ежедневно.

За техническо обслужване, маркирано със *, направете справка с инструкциите в *Приспособления за безопасност на машината на страница 24.*

Поддръжка	Ежедневно	Всяка седмица	Всеки месец
Обща проверка	X		
Проверка на нивото на маслото	X		
Почистване на продукта	X		
Преглед на режещото оборудване	X		
Проверка на капака на режещите части *	X		
Проверете ръчката на спирачката на двигателя *	X		
Проверете управлението на спирачката на ножа *	X		
Проверете ауслуха *		X	
Проверка на запалителната свещ		X	
Смяна на маслото (първи път след 5 ч употреба, след това на всеки 50 ч употреба)			X
Почистете или сменете въздушния филтър			X
Проверка на горивната система			X

За извършване на обща проверка

- Уверете се, че всички гайки и винтове на продукта са затегнати правилно.

За външно почистване на машината

- За отстраняване на листа, трева и прах използвайте четка.
- Уверете се, че смукателният въздуховод в горната част на двигателя не е блокиран.
- Не мийте продукта с устройство за миене под високо налягане.
- Ако използвате вода за почистване на продукта, не насочвайте струята вода директно върху двигателя.

За почистване на вътрешната повърхност на капака на режещите части

1. Изпразнете резервоара за гориво.
2. Поставете продукта да легне настрани с ауслуха надолу.



ВНИМАНИЕ: Ако продуктът се постави с въздушния филтър надолу, двигателят може да се повреди.

3. Промийте вътрешната повърхност на капака на режещите части с вода.

За да използвате съединението за маркуч за вода

1. Преместете продукта до площ с окосена трева или друга твърда повърхност.
2. Отстранете коша за трева или приставката за мулчиране от продукта.
3. Затворете задния дефлектор.
4. Свържете маркуч за вода към съединението за маркуч за вода. (Фиг. 40)
5. Спрете подаването на вода и проверете съединението за маркуч за вода за течове.
6. Ако не виждате теч, стартирайте двигателя. Оставете двигателя да работи, докато продуктът е чист под корпуса.
7. Спрете двигателя.
8. Спрете подаването на вода и отстранете маркуча от съединението за маркуч за вода.

Забележка: Не отстранявайте маркуча за вода от съединението за маркуч за вода, докато двигателят работи. Водата в двигателя може да намали експлоатационния живот на двигателя.

9. Стартирайте двигателя и го оставете да работи за една минута, за да се отстрани излишната вода от продукта.

За смяна на моторното масло



ПРЕДУПРЕЖДЕНИЕ: Моторното масло е много горещо непосредствено след спирането на двигателя. Оставете двигателя да изстине, преди да източите маслото. Ако разлеее моторно масло върху кожата си, почистете със сапун и вода.

1. Работете с продукта, докато резервоара за гориво се изпразни.
2. Извадете запалителния кабел от запалителната свещ.
3. Свалете капачката на резервоара за масло.
4. Поставете съд под продукта, в който да се събере моторното масло.
5. Наклонете продукта, за да изтече моторното масло от резервоара за масло.
6. Заредете с ново моторно масло от препоръчания тип в *Технически характеристики на страница 34*.
7. Проверете нивото на моторното масло. Вижте *За проверка на нивото на маслото на страница 24*.

За проверка на запалителната свещ



ВНИМАНИЕ: Използвайте винаги запалителните свещи от препоръчания вид. Използването на запалителна свещ от неправилен тип може да повреди продукта.

- Проверете запалителната свещ, ако двигателят е с понижена мощност, стартира трудно или работи неправомерно при обороти на празен ход.
- За да намалите опасността от попадане на нежелани материали върху електродите на запалителната свещ, следвайте тези инструкции:
 - a) Проверете дали оборотите на празния ход са правилно регулирани.
 - b) Уверете се, че горивната смес е правилна.
 - c) Уверете се, че въздушният филтър е чист.
- Ако запалителната свещ е замърсена, почистете я и проверете дали разстоянието между електродите е правилно, направете справка с *Технически характеристики на страница 34*. (Фиг. 41)
- Сменете запалителната свещ, ако е необходимо.

Почистване на въздушния филтър

1. Свалете капака на въздушния филтър и свалете филтъра.
2. Ударете филтъра в плоска повърхност, за да накарате частиците да паднат.



ВНИМАНИЕ: За почистване на въздушния филтър не използвайте разтворител или въздух под налягане.

3. Поставете въздушния филтър обратно на мястото му. Уверете се, че въздушният филтър напълно прилепва към държача на въздушния филтър.
4. Поставете капака на въздушния филтър обратно на мястото му.

Забележка: Въздушен филтър, който е използван дълго време, не може да се изчисти напълно. Подменяйте въздушния филтър редовно. Винаги заменяйте повреден въздушен филтър.

За проверка на режещото оборудване



ПРЕДУПРЕЖДЕНИЕ: За предотвратяване на случайно стартиране извадете запалителния кабел от запалителната свещ.



ПРЕДУПРЕЖДЕНИЕ: Носете защитни ръкавици, когато ще изпълнявате дейности, свързани с техническото обслужване на режещото оборудване. Ножът е много остър и можете лесно да се порежете.

1. Проверете режещото оборудване за повреди или пукнатини. Винаги заменяйте повреденото режещо оборудване.
2. Погледнете ножа, за да разберете дали не е повреден или затъпен.

Забележка: Необходимо е да балансирате ножа след заточване. Ножът се заточва, сменя и балансира от сервизен център. Ако ударите прелъстствие и вследствие на това продуктът спре, сменете повредения нож. Оставете специалистите в сервиза да преценят дали ножът ще трябва да се заточи, или да се смени.

За монтиране на резаца

1. Поставете адаптера на ножа върху колянвия вал на двигателя. Уверете се, че ключът в адаптера и шпонковия канал на колянвия вал са подравнени. (Фиг. 42)
2. Винаги закрепвайте ножа с ъгловите краища, насочени по посока на двигателя. (Фиг. 43)
3. Използвайте дървен блок между ножа и корпуса на продукта. Затегнете придържащия болт на ножа и го завъртете по часовниковата стрелка.

4. Винаги затягайте болта с момент на затягане от 35 – 40 ft lb (47 – 54 Nm). (Фиг. 44)
5. Уверете се, че кабелът на запалителната свещ е разкачен от двигателя.



ВНИМАНИЕ: За да предотвратите случайно стартиране, винаги разкачайте кабела на запалителната свещ и поставяйте проводника на място, където не може да докосне запалителната свещ.

6. Раздвижете острието на ръка и се уверете, че то се върти свободно.

За сменяне на ножовете

1. Застопорете ножа с дървен блок. (Фиг. 45)
2. Свалете придържащия болт на ножовете.
3. Свалете ножа.
4. Проверете носача на ножа и придържащия болт на ножовете, за да видите дали има повреди.

Общ преглед на трансмисионния модул

(Фиг. 2)

1. Приставка за мулчиране
2. Задна вложка
3. Ролка на трансмисията
4. Скоба на свободна шайба
5. Капак на съединителя
6. Адаптер на ножа
7. Свободна шайба
8. Предпазител на преден ремък
9. Пръстен
10. Резец
11. Твърда шайба
12. Осигурителна шайба
13. Придържащ болт на ножовете
14. Капак на ремъка

Сваляне на задвижващия ремък

1. Работете с продукта, докато резервоара за гориво се изпразни.
2. Отстранете лулата на запалителната свещ от запалителната свещ.
3. Поставете продукта да легне настрани с ауслуха надолу.



ВНИМАНИЕ: Ако продуктът се постави с въздушния филтър надолу, двигателят може да се повреди.

5. Проверете дали двусекционният вал на двигателя не е огънат.
6. Когато поставяте новия нож, насочете извитите краища на ножа по посока към капака на режещите части. (Фиг. 46)
7. Уверете се, че ножът е подравнен с центъра на двусекционния вал на двигателя.
8. Застопорете ножа с дървен блок. Поставете пружинната шайба и затегнете болта и шайбата с въртящ момент 47-54 Nm. (Фиг. 47)
9. Раздвижете ножа на ръка и се уверете, че той се върти свободно.



ПРЕДУПРЕЖДЕНИЕ: Използвайте ръкавици с висока здравина. Ножът е много остър и можете лесно да се порежете.

10. Стартирайте продукта, за да тествате ножа. Ако ножът не е поставен правилно, продуктът вибрира или резултатът от косенето е незадоволителен.
4. Свалете капака на задвижването. (Фиг. 48)
5. Отстранете придържащия болт на ножа, осигурителната шайба, твърдата шайба и ножа. (Фиг. 49)
6. Свалете пробката за мулчиране. (Фиг. 50)
7. Отстранете задната вложка.
8. Отстранете капака на ремъка и пръстена. (Фиг. 51)
9. Разкачете кабела от трансмисията и отстранете свободната шайба от модула на свободната шайба.
10. Отстранете предпазителя на предния ремък.
11. Свалете задвижващия ремък от ролката на трансмисията.
12. Отстранете 3-те свободни шайби от модула на свободната шайба. (Фиг. 52)
13. Отстранете задвижващия ремък от адаптера на ножа и модула на свободната шайба. (Фиг. 53)
14. Закрепете фиксиращите клещи към първичния вал на трансмисията. Разхлабете ролката на двигателя с 9/16" затворен гаечен ключ, за да отстраните ролката на трансмисията.
15. Свалете задвижващия ремък.

Отстраняване на проблеми

Проблем	Възможна причина	Решение
Двигателят не стартира.	Запалителният кабел не е правилно свързан.	Свържете запалителния кабел към запалителната свещ.
	Резервоарът за гориво е празен.	Напълнете резервоара за гориво с правилния тип гориво.
	Има замърсяване в карбуратора или в горивопровода.	Почистете карбуратора и/или горивната линия.
	Запалителната свещ е повредена.	Регулирайте разстоянието между електродите, почистете или сменете запалителната свещ.
Двигателят не спира.	Спирателният механизъм е дефектен.	Изключете запалителния кабел от запалителната свещ. Възложете извършването на ремонт на продукта на одобрен сервиз.
Двигателят не работи плавно и равномерно.	Запалителният кабел не е правилно свързан.	Свържете запалителния кабел към запалителната свещ.
	В горивната линия има замърсяване или горивото е изтекло.	Почистете горивопровода. Напълнете резервоара за гориво с ново гориво от правилния тип.
	В капачката на резервоара за гориво има запушване.	Почистете капачката на резервоара за гориво.
	Има вода или замърсяване в горивната система.	Източете резервоара за гориво. Напълнете резервоара за гориво с ново гориво от правилния тип.
	Въздушният филтър е замърсен.	Почистете въздушния филтър.
	Карбураторът трябва да бъде регулиран.	Позволете на сервизен търговец да регулира карбуратора.
Двигателят става прекалено горещ.	Нивото на моторното масло е твърде ниско.	Напълнете моторно масло.
	Въздушният поток не е достатъчен.	Почистете въздушния филтър и корпуса на въздушния филтър.
	Карбураторът трябва да бъде регулиран.	Позволете на сервизен търговец да регулира карбуратора.
Има неуспешно запалване в двигателя, когато работи на високи обороти.	Разстоянието между електродите в запалителната свещ е прекалено малко.	Регулирайте разстоянието между електродите.

Проблем	Възможна причина	Решение
Двигателят не работи правилно равномерно при обороти на празния ход.	Запалителната свещ е замърсена, дефектна или разстоянието между електродите е прекалено голямо.	Регулирайте разстоянието между електродите или сменете запалителната свещ.
	Карбураторът трябва да бъде регулиран.	Регулирайте карбуратора.
	Въздушният филтър е замърсен.	Почистете въздушния филтър.
При ръкохватката има прекалено много вибрации.	Има разхлабен или небалансиран нож.	Затегнете придържащите болтове на ножа. Сменете ножовете, ако има повреди.
	Има огънат нож.	Сменете ножовете, ако има повреди.
Тревата не се изрязва при мулчиране.	Тревата е мокра.	Не работете с продукта, когато тревата е мокра. Изчакайте, докато тревата изсъхне.
	Тревата е прекалено висока.	Първо, косете със зададена висока височина на рязане. Намалете височината на косене и косете отново. Косете едновременно само ½ от ширината на косене.
	Един или повече ножове не са достатъчно остри.	Наострете или сменете ножовете.
Тревата се изрязва неравномерно.	Колелата не са в правилната позиция.	Задайте височината на рязане на същото ниво и за 4-те колела.
	Един или повече ножове не са достатъчно остри.	Наострете или сменете ножовете.
Задвижващата система не работи правилно	Задвижващият ремък не е достатъчно стегнат или има замърсяване върху ролките или върху задвижващия ремък.	Възложете извършването на техническо обслужване на задвижващата система на одобрен сервиз.

Транспортиране, съхранение и изхвърляне

Транспорт и съхранение

- При съхранението и транспортирането на продукта и горивото се уверете, че няма течове или изпарения. Искри или открит огън, например от електрически уреди или котли може да възникне пожар.
- Винаги използвайте одобрени контейнери за съхранение и транспортиране на гориво.
- Изпразнете резервоара за гориво, преди да приберете продукта за съхранение за дълъг период от време. Изхвърлете горивото на подходящо за целта място

- Прикрепете продукта по безопасен начин по време на транспортирането, за да се предотвратят повреди и злополуки.
- Съхранявайте продукта под ключ, за да предотвратите достъпа до него на деца или лица, които не са упълномощени да го използват.
- Съхранявайте продукта на сухо и незамръзващо място.

Изхвърляне

- Съблюдавайте местните изисквания за рециклиране и приложимите разпоредби.

- Изхвърлете всички химикали, като например двигателно масло или гориво, в сервизен център или на подходящо за целта място.
- Когато продуктът вече не се използва, изпратете го на Husqvarna дилър или го изхвърлете на място за рециклиране.

Технически характеристики

Технически характеристики

	LC 353AWD
Двигател	
Марка	Honda
Обем на цилиндъра, кубични инчове/cm ³	10,4/170
Скорост, об./мин	2900 – 3200
Номинална мощност на двигателя, kW/к.с. при об/мин ⁶	3,6/4,9 при 2900 – 3200
Запалителна система	
Запалителна свещ	NGK BPR5ES
Разстояние между електродите, in/mm	0,028/0,7
Горивна и смазочна система	
Гориво, безоловно, минимално октаново число	90 RON/87 AKI
Вместимост на резервоара за гориво, американски галон/l	0,27/1,02
Вместимост на резервоара за масло, американски галон/l	0,14/0,53
Моторно масло ⁷	SAE 30/SAE 10W-30
Тегло	
С празни резервоари, lb/kg	92/41,7
Шумови емисии ⁸	
Ниво на звуковата мощност, измерена dB(A)	95
Ниво на звуковата мощност, гарантирана [L _{WA} dB(A)]	96
Нива на звука ⁹	
Ниво на шума при ухото на оператора, dB (A)	85
Нива на вибрациите ¹⁰	
Ръкохватка, m/s ² с кош за трева/без кош за трева	7/7

⁶ Номиналната мощност на двигателя е средната нетна мощност (при указаните об/мин) на стандартен двигател за модела двигател, измерен спрямо SAE стандарта J1349/ISO1585. Двигателите масово производство може да се отклоняват от тази стойност. Действителната изходна мощност за двигателя, инсталиран на крайния продукт, ще зависи от работната скорост, условията на околната среда и други стойности.

⁷ Използвайте моторно масло с качество SJ или с по-високо качество. Вижте таблицата с вискозитети в наръчника на производителя на двигателя и изберете оптималния вискозитет спрямо очакваната околна температура.

⁸ Шумови емисии в околната среда, измерени като звукова мощност (L_{WA}) в съответствие с директива на ЕО 2000/14/ЕО.

⁹ Ниво на звуковото налягане съгласно ISO 5395. Отчетените данни за нивото на звуковото налягане имат типична статистическа дисперсия (стандартно отклонение) от 1,2 dB (A).

¹⁰ Ниво на вибрациите съгласно ISO 5395. Отчетените данни за равнището на вибрации имат типична статистическа дисперсия (стандартно отклонение) от 0,2 m/s².

	LC 353AWD
Режещо оборудване	
Височина на косене, in/mm	1,0 – 4,0/25,4 – 101,6
Дължина на косене, in/mm	21/530
Нож	
Артикул номер	586 85 96-02
Капацитет на коша за трева, ft ³ /l	2,3/65
Задвижване	
Скорост, мили в час/km/h	0 – 3/0 – 4,8

Съдържание на ЕО декларацията за съответствие

Ние, Husqvarna AB, SE 561 82 Huskvarna, ШВЕЦИЯ, декларираме на своя собствена отговорност, че представеният продукт:

В съответствие с Директива 2000/14/ЕО, приложение VI, декларираните стойности на звука са посочени в раздела с технически характеристики на настоящето ръководство и в подписаната Декларация за съответствие на ЕО.

Описание	Пешеходна косачка, задвижвана от двигател с вътрешно горене
Марка	Husqvarna
Платформа/вид/модел	Платформа E21THV, представляваща модели LC 353AWD.
Партида	Сериен номер с дата 2019 и след това.

Доставената пешеходна косачка, задвижвана от двигател с вътрешно горене, съответства на екземпляра, който е преминал изпитания.

отговаря напълно на следните директиви и регламенти на ЕС:

Директива/регламент	Описание
2006/42/ЕО	"относно машините"
2014/30/ЕС	„относно електромагнитната съвместимост“
2000/14/ЕС; 2005/88/ЕО	"относно шума на открито"
2011/65/ЕС	"ограничения за използване на определени опасни вещества"

Приложените хармонизирани стандарти и/или технически спецификации са следните: EN ISO 12100, ISO 5395-1+A1/A2, ISO 5395-2+A1/A2, EN ISO 14982, ISO 3744, ISO 11094, EN 1032

Obsah

Úvod.....	36	Odstraňování problémů.....	45
Bezpečnost.....	37	Přeprava, skladování a likvidace.....	46
Montáž.....	40	Technické údaje.....	47
Provoz.....	40	Obsah prohlášení o shodě ES.....	48
Údržba.....	42		

Úvod

Popis výrobku

Výrobek je sekačka na trávu s pěší obsluhou poháněná spalovacím motorem. Koš na trávu slouží ke sběru posečené trávy. Chcete-li otevřít zadní výhoz trávy, sejměte koš na trávu. Připevňte mulčovací sadu, chcete-li používat posečenou trávu jako hnojivo.

Popis výrobku

(Obr. 1)

1. Páka brzdy motoru
2. Páky pojezdu
3. Rukojeť startéru
4. Sběrací koš
5. Víčko palivové nádrže
6. Vzduchový filtr
7. Zapalovací svíčka
8. Kryt pohonu
9. Tlumič výfuku
10. Připojení pro vodní hadici
11. Zadní odchylovač
12. Olejová měrka / olejová nádrž
13. Ovladač výšky sečení
14. Mulčovací vložka
15. Návod k používání
16. Kryt vyhazovacího otvoru

Symbols na výrobku

- (Obr. 3) **VAROVÁNÍ:** Tento výrobek může být nebezpečný a způsobit obsluze či dalším osobám vážné zranění. Buďte opatrní a výrobek používejte správně.
- (Obr. 4) Pečlivě si prostudujte návod k použití a předtím, než produkt začnete používat, se přesvědčte o tom, že pokynům rozumíte.
- (Obr. 5) Rychle
- (Obr. 6) Pomalu
- (Obr. 7) Ruce a nohy udržujte mimo dosah rotující části.

Doporučené použití

Výrobek používejte k sečení trávy na soukromých zahradách. K jiným činnostem výrobek nepoužívejte.

- (Obr. 8) Zajistěte, aby se v pracovní oblasti a jejím okolí nezdržovaly nepovolané osoby či zvířata.
- (Obr. 9) Buďte opatrní při jízdě výrobku dozadu. Dívejte se dozadu a dolů, zda nejsou na ploše přítomné děti, zvířata nebo jiná nebezpečí, která mohou způsobit pád.
- (Obr. 10) Použití výrobku na svahu může být nebezpečné.
- (Obr. 11) Ruce a nohy udržujte mimo dosah rotujícího nože.
- (Obr. 12) Pozor na odvržené a odražené předměty.
- (Obr. 13) Emise hluku do okolí dle směrnice Evropského společenství. Emise výrobku jsou uvedeny v části *Technické údaje na strani 47* a na štítku.
- (Obr. 14) Tento výrobek vyhovuje platným směrnícím ES.
- (Obr. 15) Výrobek odpovídá příslušným směrnícím EAC.
- (Obr. 16) Výrobek odpovídá příslušným směrnícím RCM. Platné pouze pro Austrálii/Nový Zéland.
- (Obr. 17) Výrobek odpovídá příslušným směrnícím platným na Ukrajině.
- (Obr. 18) Vždy používejte schválenou ochranu sluchu.

Povšimněte si: Další symboly/štítky na produktu se týkají certifikačních požadavků pro další komerční oblasti.

Od odpovědnost za výrobek

Jak uvádí zákon o odpovědnosti za výrobek, neneseme odpovědnost za žádnou škodu způsobenou naším výrobkem, pokud:

- byl výrobek nesprávně opraven.
- byl výrobek opraven pomocí součástí od jiného výrobce nebo součástí, které nejsou výrobcem schváleny.
- má výrobek příslušenství od jiného výrobce nebo příslušenství, které není výrobcem schváleno.
- výrobek nebyl opraven ve schváleném servisním středisku nebo schváleným odborníkem.

Bezpečnost

Definice týkající se bezpečnosti

Varování, upozornění a poznámky slouží jako upozornění na specifické důležité části návodu.



VÝSTRAHA: Používá se v případě nebezpečí úrazu nebo usmrcení obsluhy nebo okolních osob, pokud nejsou dodrženy pokyny uvedené v této příručce.



VAROVÁNÍ: Používá se v případě nebezpečí poškození výrobku, dalších materiálů či škod na majetku v blízkém okolí, pokud nejsou dodrženy pokyny uvedené v této příručce.

Povšimněte si: Používá se k poskytnutí dalších informací, které jsou nezbytné v dané situaci.

Obecné bezpečnostní pokyny



VÝSTRAHA: Před použitím výrobku si přečtěte následující varování.

- Tento výrobek je nebezpečný, nepoužívá-li se správně nebo není-li věnována provozu řádná pozornost. Nedodržení bezpečnostních pokynů může vést ke zranění nebo usmrcení.
- Tento výrobek vytváří během provozu elektromagnetické pole. Toto pole může za určitých okolností narušovat funkci aktivních či pasivních implantovaných lékařských přístrojů. Za účelem snížení rizika možného zranění nebo smrtelného úrazu doporučujeme osobám s implantovanými lékařskými přístroji poradit se před použitím výrobku s lékařem a s výrobcem implantovaného lékařského přístroje.
- Buďte stále opatrní a používejte zdravý rozum. Nejezte-li si jisti, jak ovládat výrobek ve zvláštních situacích, vypněte jej a promluvte si s prodejcem Husqvarna, než budete pokračovat v práci.
- Mějte na paměti, že obsluha je odpovědná za nehody a škody vzniklé jiným osobám nebo na jejich majetku.

- Udržujte výrobek čistý. Ujistěte se, že jsou značky a štítky dobře čitelné.
- Nedovolte osobám používat výrobek, nejste-li si jisti, že si přečetly návod k používání a porozuměly jeho obsahu.
- Zamezte používání výrobku dětemi.
- Udržujte děti mimo pracovní oblast. Vždy musí být přítomna zodpovědná dospělá osoba.
- Zamezte používání výrobku osobami, které naznačí pokyny.
- Vždy sledujte osoby s fyzickým nebo mentálním postižením při práci s výrobkem. Vždy musí být přítomna zodpovědná dospělá osoba.
- Nepoužívejte výrobek, jste-li unavení, nemocní nebo pod vlivem alkoholu, drog nebo léků. To by mohlo ovlivnit váš zrak, ostražitost, koordinaci a úsudek.
- Nepoužívejte výrobek, pokud je vadný.
- Nikdy neupravujte výrobek a nepoužívejte jej, pokud je možné, že jej upravil někdo jiný.

Bezpečnost pracovního prostoru



VÝSTRAHA: Před použitím výrobku si přečtěte následující varování.

- Před použitím výrobku, odklíďte z pracovní oblasti předměty, jako jsou větve, větvičky a kameny.
- Předměty, které mohou být zachyceny žacím ústrojím mohou být odmrštěny a způsobit zranění osob a poškození předmětů. Udržujte osoby v okolí a zvířata v bezpečné vzdálenosti od výrobku.
- Nikdy nepoužívejte výrobek za špatného počasí, jako je mlha, déšť, silný vítr, intenzivní chlad a nebezpečí blesku. Použití výrobku za špatného počasí nebo ve vlhkých či mokrych podmínkách je namáhavé. Nepříznivé počasí může vytvořit nebezpečné podmínky, např. kluzký povrch.
- Dávejte pozor na osoby, předměty a situace, které mohou bránit bezpečnému provozu výrobku.
- Dávejte pozor na překážky, jako jsou kořeny, kameny, větve, díry a příkopy. Vysoká tráva může překážky skrýt.
- Sečení trávy na svazích může být nebezpečné. Nepoužívejte výrobek na svahu se sklonem větším než 15°.

- S výrobkem jezděte po vrstevnicích. Nepohybuje se na svahu nahoru a dolů.
- Postupujte opatrně v blízkosti skrytých rohů a objektů, které mohou bránit ve výhledu.

Bezpečnost práce



VÝSTRAHA: Před použitím výrobku si přečtěte následující varování.

- Tento výrobek používejte výhradně k sečení trávy. Není dovoleno používat výrobek k jiným činnostem.
- Používejte osobní ochranné prostředky. Další informace naleznete v části *Osobní ochranné prostředky na straně 38*.
- Ujistěte se, že víte, jak v případě nouze rychle zastavit motor.
- Nikdy nespouštějte motor v uzavřených prostorech nebo v blízkosti hořlavého materiálu. Výfukové plyny z motoru jsou horké a mohou obsahovat jiskry, které by mohly zažehnout požár.
- Neprovazujte výrobek, pokud není správně namontovaný nůž a všechny kryty. V opačném případě by se mohl nůž uvolnit a způsobit zranění osob.
- Zajistěte, aby nůž nenarazil do předmětů, jako jsou kameny a kořeny. Mohlo by dojít k poškození nože a ohnutí hřídele motoru. Ohnutý hřídel způsobuje velké vibrace a hrozí velmi vysoké riziko uvolnění nože.
- Pokud nůž narazí do nějakého předmětu nebo se objeví vibrace, okamžitě zastavte výrobek. Odpojte kabel zapalování od zapalovací svíčky. Zkontrolujte, zda není výrobek poškozený. Opravte poškozené díly nebo svěťte opravu schválenému servisnímu pracovníkovi.
- Po nastartování motoru nikdy nepřipevňujte páku brzdy motoru trvale k rukojeti sekačky.
- Umístěte výrobek na stabilní, rovný povrch a nastartujte jej. Zkontrolujte, zda nůž nemůže přijít do kontaktu se zemí nebo cizími objekty.
- Při provozu vždy stůjte za výrobkem.
- Při provozu nechte všechna kola spočívat na zemi a držte rukojet' oběma rukama. Ruce a nohy udržujte mimo dosah rotujících nožů.
- Nenaklánějte výrobek, když je spuštěný motor.
- Dávejte pozor při tažení výrobku dozadu.
- Nikdy nezvedejte výrobek, když je spuštěný motor. Pokud musíte výrobek zvednout, nejprve vypněte motor a odpojte kabel zapalování od zapalovací svíčky.
- Při provozování výrobku nechoďte směrem dozadu.
- Před přejezdem ploch bez trávy, jako jsou cesty vytvořené ze štěrku, kamenů nebo asfaltu, vypněte motor.
- Neběhejte s výrobkem, když je spuštěný motor. Při provozu výrobku vždy pouze chodte.

- Před změnou výšky sečení vypněte motor. Nikdy neprovádějte seřizování při spuštěném motoru.
- Nikdy nenechte výrobek se spuštěným motorem bez dozoru. Vypněte motor a ujistěte se, že se žací ústrojí neotáčí.

Bezpečnostní pokyny pro provoz

Osobní ochranné prostředky



VÝSTRAHA: Před použitím výrobku si přečtěte následující varování.

- Osobní ochranné prostředky nemohou zcela eliminovat nebezpečí úrazu, ale v případě nehody pomáhají snížit míru poranění. Požádejte prodejce, aby vám pomohl vybrat správné vybavení.
- Používejte ochranu sluchu, pokud je hladina hluku vyšší než 85 dB.
- Používejte odolnou obuv s protiskluzovou podrážkou. Nepoužívejte otevřenou obuv ani nepracujte naboso.
- Používejte silné, dlouhé kalhoty.
- Při určitých činnostech používejte ochranné rukavice, například při nasazování, prohlídce nebo čištění žacího ústrojí.

Bezpečnostní zařízení na produktu



VÝSTRAHA: Před použitím výrobku si přečtěte následující varování.

- Nepoužívejte výrobek, jehož bezpečnostní zařízení jsou vadná!
- Pravidelně kontrolujte bezpečnostní zařízení. Pokud je zařízení vadné, obraťte se na servis Husqvarna.

Kontrola krytu žacího ústrojí

Kryt žacího ústrojí snižuje vibrace výrobku a snižuje nebezpečí poranění nožem.

- Zkontrolujte kryt žacího ústrojí, aby bylo zajištěno, že nevykazuje známky poškození, např. praskliny.

Kontrola rukojeti brzdy motoru

Páka brzdy motoru slouží k zastavení motoru. Když uvolníte páku brzdy motoru, motor se zastaví.

- Nastartujte motor a poté uvolněte rukojet' brzdy motoru. Pokud se motor nevypne během 3 sekund, požádejte schváleného servisního pracovníka Husqvarna o seřízení brzdy motoru. (Obr. 19)

Kontrola zadního deflektoru

Zadní deflektor snižuje riziko vylétávání předmětů směrem k obsluze.

- Zkontrolujte, zda není zadní deflektor poškozený. (Obr. 20)
- Zkontrolujte, zda nejsou pružiny, které zavírají zadní deflektor, rozbité.
- Vyměňte rozbité pružiny a poškozené díly.
- Zkontrolujte, zda se zadní deflektor může plynule pohybovat na závěsech.

Tlumič výfuku

Tlumič výfuku je určen k omezení úrovně hluku na minimum a k usměrnění výfukových plynů směrem od obsluhy.

Nepoužívejte výrobek bez tlumiče výfuku nebo pokud je vadný. Vadný tlumič výfuku zvyšuje hladinu hluku a nebezpečí požáru.



VÝSTRAHA: Tlumič výfuku je během provozu a po použití velmi horký, i když motor pracuje na volnoběžné otáčky. Aby se zabránilo požáru, dbejte zvýšené opatrnosti v blízkosti hořlavých materiálů a plynů.

Kontrola tlumiče výfuku

- Pravidelně kontrolujte tlumič výfuku, aby bylo zajištěno, že je řádně upevněný a že není poškozený.

Kontrola hladiny oleje



VAROVÁNÍ: Příliš nízká hladina oleje může způsobit poškození motoru. Před spuštěním výrobku zkontrolujte hladinu oleje.

1. Umístěte výrobek na rovnou plochu.
2. Sejměte víčko olejové nádrže s olejovou měrkou.
3. Setřete olej z olejové měrky.
4. Zasuňte olejovou měrku do olejové nádrže, abyste mohli zkontrolovat hladinu oleje.
5. Vyjměte olejovou měrku.
6. Zkontrolujte hladinu oleje na olejové měrce.
7. Pokud je hladina nízká, doplňte motorový olej a znovu zkontrolujte hladinu oleje.

Bezpečnost při manipulaci s palivem



VÝSTRAHA: Před použitím výrobku si přečtěte následující varování.

- Pokud je na výrobku palivo nebo olej, nespouštějte ho. Nechtěně palivo/olej z výrobku odstraňte a nechte výrobek uschnout.
- Pokud si palivem polijete oblečení, okamžitě se převlékněte.

- Zabraňte styku paliva s tělem, může způsobit zranění. Pokud se polijete palivem, omyjte zasažené místo vodou a mýdlem.
- Nepouštějte motor, pokud z něj něco uniká. Pravidelně kontrolujte, jestli z motoru nic neuniká.
- Při manipulaci s palivem buďte opatrní. Palivo je hořlavé a výpary jsou výbušné a mohou způsobit zranění nebo smrt.
- Nevdechujte palivové výpary, mohou způsobit zranění. Zajistěte dostatečný průtok vzduchu.
- V blízkosti paliva ani motoru nekuřte.
- Do blízkosti paliva ani motoru neumísťujte horké předměty.
- Když je spuštěný motor, nedoplňujte palivo.
- Než začnete doplňovat palivo, přesvědčte se, že je motor studený.
- Než doplníte palivo, pomalu otevřete uzávěr palivové nádrže a opatrně uvolněte tlak.
- Palivo do motoru nedoplňujte ve vnitřních prostorech. Nedostatečné proudění vzduchu může způsobit zranění nebo smrt udušením nebo otravou kyslíčnickem uhelnatým.
- Pevně dotáhněte víčko palivové nádrže. Není-li víčko palivové nádrže dotažené, hrozí nebezpečí požáru.
- Někdy výrobek spustíte, přejděte s ním minimálně 3 m (10 stop) od místa, kde jste doplňovali palivo.
- Nenaplňujte palivovou nádrž na maximum. Teplem dochází k rozpínání paliva. V horní části palivové nádrže udržujte volný prostor.

Bezpečnostní pokyny pro údržbu



VÝSTRAHA: Před použitím výrobku si přečtěte následující varování.

- Výfukové plyny obsahují oxid uhelnatý, jedovatý a velmi nebezpečný plyn bez zápachu. Nenechávejte motor spuštěný ve vnitřních nebo uzavřených prostorech.
- Před prováděním údržby výrobku nejprve vypněte motor a odpojte kabel zapalování od zapalovací svíčky.
- Při provádění údržby začího ústrojí používejte ochranné rukavice. Nůž je velmi ostrý a může snadno dojít k požezání.
- Příslušenství a změny výrobku, které neschválí výrobce, mohou způsobit vážné zranění nebo úmrtí. Neprovádějte změny na výrobku. Vždy používejte výhradně příslušenství schválené výrobcem.
- Při nesprávném nebo nepravidelném provádění údržby se zvyšuje nebezpečí poranění a poškození výrobku.
- Provádějte pouze údržbu uvedenou v tomto návodu k používání. Veškerý ostatní servis musí provést schválený servisní pracovník Husqvarna.

- Servis výrobku by měl provádět schválený servisní pracovník Husqvarna v pravidelných intervalech.
- Poškozené, opotřebené či prasklé součásti vyměňte.

Montáž

Úvod



VÝSTRAHA: Před montáží výrobku je třeba, abyste si přečetli a porozuměli kapitole o bezpečnosti.



VÝSTRAHA: Před montáží výrobku sejměte koncovku kabelu zapalovací svíčky ze zapalovací svíčky.

Montáž rukojeti

1. Zvedněte dolní rukojeť. (Obr. 21)
2. Zarovnejte otvory v dolní části dolní rukojeti s otvory pro šrouby v držácích řídítek.

Povšimněte si: Vyberte otvory, které zajistí nejlepší pracovní polohu.

3. Utáhněte knoflíky na dolní části řídítek.
4. Zvedněte horní část řídítek tak, aby byla zarovnaná se spodní částí.
5. Plně dotáhněte knoflíky horní části řídítek.

Instalace rukojeti startovací šňůry

1. Připevněte háček pro startovací šňůru a T-knoflík. Nedotahujte je nadoraz (Obr. 22)

2. Držte páku motorové brzdy přitisknutou k rukojeti sekačky.
3. Opatrně natáhněte startovací šňůru a vložte ji do háčku pro startovací šňůru. (Obr. 23)
4. Dotáhněte T-knoflík. (Obr. 24)

Nastavení produktu do přepravní polohy

1. Sundejte koš na trávu.
2. Povolte knoflíky na dolní části řídítek, aby se řídítka odjistila. (Obr. 25)
3. Sklopte řídítka dozadu.
4. Demontujte knoflíky a kolíky na spodní části řídítek.
5. Sklopte rukojeť dopředu.

Montáž koše na trávu

1. Vložte rám do koše na trávu tak, aby pevná část koše směřovala dolů. Rukojeť rámu musí zůstat na větší horní části koše. (Obr. 26)
2. Upevněte koš na trávu k rámu pomocí rychloupínacích svorek. (Obr. 27)

Provoz

Úvod



VÝSTRAHA: Před používáním produktu je třeba, abyste si přečetli a porozuměli kapitole o bezpečnosti.

Před použitím výrobku

1. Pozorně si prostudujte tento návod k používání a nepoužívejte výrobek, pokud návodu zcela nerozumíte.
2. Zkontrolujte žací ústrojí, aby bylo zajištěno, že je řádně připevněné a nastavené. Viz *Kontrola žacího ústrojí na strani 43*.
3. Naplňte palivovou nádrž. Viz *Doplňování paliva na strani 40*.
4. Doplněte olej do olejové nádrže a zkontrolujte hladinu oleje. Viz *Kontrola hladiny oleje na strani 39*.

Doplňování paliva

Pokud možno používejte alkylátový benzin s nízkými emisemi. Není-li k dostání alkylátový benzin s nízkými emisemi, používejte kvalitní bezolovnatý benzin nebo olivnatý benzin s oktanovým číslem nejméně 90.



VAROVÁNÍ: Nepoužívejte benzin s oktanovým číslem nižším než 90 RON (87 AKI). Můžete tím výrobek poškodit.

1. Víčko palivové nádrže otevírejte pomalu, aby se uvolnil tlak.
2. Palivo doplňte pomalu z kanystru. Dojde-li k rozlití paliva, odstraňte jej utěrkou a zbývající palivo nechte vypařit.
3. Očistěte plochu kolem víčka palivové nádrže.
4. Pevně dotáhněte víčko palivové nádrže. Není-li víčko palivové nádrže dotažené, hrozí nebezpečí požáru.
5. Než výrobek spustíte, přejděte s ním minimálně 3 m (10 stop) od místa, kde jste doplňovali palivo.

Nastavení výšky sečení

Výšku sečení lze nastavit v 9 úrovních.

1. Zatlačte ovladač výšky sečení ve směru kola a poté dozadu, pokud chcete zvýšit výšku sečení.
2. Zatlačte ovladač výšky sečení ve směru kola a poté dopředu, pokud chcete snížit výšku sečení. (Obr. 28)



VAROVÁNÍ: Nenastavujte výšku sečení příliš nízko. V případě, že není povrch trávníku rovný, mohou nože přijít do styku se zemí.

Spuštění výrobku

1. Postavte se za výrobek.
2. Držte páku motorové brzdy přitisknutou k rukojeti sekačky. (Obr. 29)
3. Uchopte rukojeť startovací šňůry pravou rukou.
4. Pomalu vytáhněte startovací šňůru, dokud neucítíte odpor.
5. Nastartujte motor silným zatáhnutím za šňůru.



VÝSTRAHA: Nikdy si neomotávejte startovací šňůru kolem ruky.

Použití pohonu kol

- Přitáhněte páky pojezdu směrem k řídkům. (Obr. 30)
- Pokud chcete táhnout výrobek dozadu, odpojte pohon a zatlačte výrobek dopředu přibližně 10 cm.
- V blízkosti překážek uvolněte páky pojezdu, aby se deaktivoval pohon.

Nastavení lanka ovládání pojezdu

- K nastavení lanka ovládání pojezdu použijte seřizovací šroub. (Obr. 31)
- Vypněte motor. Před používáním pohyblivých částí vždy odpojte zapalovací svíčku.
- Chcete-li lanko napnout a zvýšit rychlost, otočte stavěcím šroubem proti směru hodinových ručiček.
- Chcete-li lanko povolít a snížit rychlost, otočte stavěcím šroubem po směru hodinových ručiček.

Zastavení výrobku

- Chcete-li zastavit pojezd, uvolněte páky pojezdu.
- Motor zastavíte uvolněním páky brzdy motoru. (Obr. 32)

Používání výrobku s košem na trávu



VÝSTRAHA: Nepoužívejte výrobek bez instalovaného koše na trávu nebo

s otevřeným zadním deflektorem. Vyletující předměty mohou zranit obsluhu.

1. Zvedněte zadní deflektor a vyjměte mulčovací vložku. (Obr. 33)
2. Sestavte koš na trávu podle části *Montáž koše na trávu na straně 40*.
3. Vložte koš na trávu do držáku. (Obr. 34)
4. Uvolněte zadní deflektor a položte jej na horní stranu rámu koše na trávu.

Přestavba výrobku na režim mulčování

V režimu mulčování výrobek vytváří menší odřezky trávy. Odřezky trávy poté padají na trávník a rozptýlí se do trávy. Mulčovaná tráva se rychle biologicky rozkládá a slouží jako hnojivo pro trávník.

1. Zdvihněte zadní kryt a odmontujte koš na trávu, je-li instalovaný.
2. Vložte do kanálu sběrače trávy mulčovací vložku. (Obr. 35)
3. Nechte zadní kryt uzavřít a zajistěte, aby byl pevně uzavřen proti mulčovací vložce. (Obr. 36)

Přestavba výrobku na režim zadního odhazování

1. Zvedněte zadní deflektor a vyjměte mulčovací vložku. (Obr. 37)
2. Instalujte kryt vyhazovacího otvoru. (Obr. 38)

Vyprazdňování koše na trávu



VAROVÁNÍ: Při vysypávání koše na trávu netahejte koš po zemi, aby se zabránilo jeho opotřebení.

1. Zdvihněte koš na trávu pomocí rukojeti na rámu. (Obr. 39)
2. Odstraňte odřezky trávy z koše na trávu z prostoru pod rukojetí.
3. Vysypte odřezky trávy z koše pomocí rukojeti na rámu a rukojeti na koši.

Jak docílit dobrých výsledků

- Používejte vždy ostrý nůž. Při použití tupého nože je stříh nepravidelný a posečený povrch trávy žlutne. Ostrý nůž také vyžaduje méně energie než tupý nůž.
- Nesekejte více než 1/3 výšky trávy. Nejprve sekejte se žacími ústrojí nastaveným vysoko. Zkontrolujte výsledek a případně snižte výšku sečení na požadovanou úroveň. Pokud je tráva velmi vysoká, jezděte pomalu a v případě potřeby sekejte 2krát.
- Sekejte vždy v jiném směru, aby na trávníku nevznikly pruhy.

Údržba

Úvod



VÝSTRAHA: Před prováděním údržby je třeba, abyste si přečetli a porozuměli kapitole o bezpečnosti.

Pro servis a opravy výrobku je nezbytné speciální školení. Garantujeme dostupnost profesionálních oprav a servisu. Pokud neposkytujete prodejce servisní služby, požádejte jej o informace o nejbližším servisu.

Plán údržby



VAROVÁNÍ: Když nakláníte výrobek, ujistěte se, že vzduchový filtr je na horní straně a ne vespod. Hrozí poškození motoru.

Údržba	Denně	Týdně	Měsíčně
Proveďte běžnou kontrolu.	X		
Zkontrolujte hladinu oleje.	X		
Vyčistěte výrobek.	X		
Zkontrolujte žací ústrojí.	X		
Zkontrolujte kryt žacího ústrojí.*	X		
Zkontrolujte páku brzdy motoru.*	X		
Zkontrolujte ovládání brzdy žacího nože.*	X		
Zkontrolujte tlumič výfuku.*		X	
Zkontrolujte zapalovací svíčku.		X	
Vyměňte olej (poprvé po 5 h používání, poté po každých 50 h používání).			X
Vyčistěte nebo vyměňte vzduchový filtr.			X
Zkontrolujte palivový systém.			X

Provedení běžné kontroly

- Zajistěte, aby byly všechny matice a šrouby na výrobku správně dotaženy.

Čištění výrobku zvenjšku

- Pomocí kartáče odstraňte listí, trávu a nečistoty.
- Zkontrolujte, zda není přívod vzduchu v horní části motoru ucpaný.
- K čištění produktu nepoužívejte vodu pod vysokým tlakem.
- Pokud používáte vodu k čištění motoru, nestříkejte ji přímo na motor.

Čištění vnitřního povrchu krytu žacího ústrojí

1. Vyprázdněte palivovou nádrž.
2. Položte výrobek na bok s výfukem dole.



VAROVÁNÍ: Pokud byste položili výrobek se vzduchovým filtrem dole, mohl by se poškodit motor.

3. Opláchněte vodou z hadice vnitřní povrch krytu žacího ústrojí.

Používání připojení pro vodní hadici

1. Přemístěte výrobek na posečenou plochu nebo jiných pevný povrch.
2. Z výrobku odmontujte koš na trávu nebo mulčovací vložku.
3. Zavřete zadní deflektor.
4. Připojte vodní hadici k připojení vodní hadice. (Obr. 40)
5. Zastavte přívod vody a zkontrolujte netěsnosti na připojení vodní hadice.
6. Pokud nevidíte netěsnosti, spusťte motor. Nechte motor běžet, dokud nebude výrobek čistý pod krytem.
7. Vypněte motor.
8. Zastavte přívod vody a odpojte hadici od připojení pro vodní hadici.

Povšimněte si: Dokud motor běží, neodpojujte vodní hadici z připojení pro vodní hadici. Voda v motoru může zkrátit životnost motoru.

9. Nastartujte motor a nechte jej běžet jednu minutu, aby se odstranila zbývající voda z výrobku.

Výměna motorového oleje



VÝSTRAHA: Motorový olej je bezprostředně po vypnutí motoru velmi horký. Před vypuštěním nechte motorový olej vychladnout. Pokud si pořádně pokožku motorovým olejem, omýjte ji mýdlem a vodou.

1. Nechte výrobek běžet, dokud nebude palivová nádrž prázdná.
2. Odmontujte kabel zapalování od zapalovací svíčky.
3. Sejměte víčko olejové nádrže.
4. Umístěte nádobu pod výrobek tak, aby do něj mohl vytéct motorový olej.
5. Nakloňte výrobek, aby se vypustil olej z olejové nádrže.
6. Doplněte nový motorový olej typu doporučeného v části *Technické údaje na strani 47*.
7. Zkontrolujte hladinu oleje. Další informace naleznete v části *Kontrola hladiny oleje na strani 39*.

Kontrola zapalovací svíčky



VAROVÁNÍ: Vždy používejte doporučený typ zapalovacích svíček. Nesprávný typ zapalovací svíčky může způsobit poškození výrobku.

- Zkontrolujte zapalovací svíčku, pokud má motor malý výkon, špatně startuje nebo nefunguje správně ve volnoběžných otáčkách.

- Aby se snížilo nebezpečí přítomnosti nechtěných materiálů na elektrodách zapalovací svíčky, dodržujte tyto pokyny:
 - a) Zkontrolujte, zda jsou správně nastaveny volnoběžné otáčky.
 - b) Zkontrolujte správnost palivové směsi.
 - c) Zkontrolujte, zda je vzduchový filtr čistý.
- Jestliže je zapalovací svíčka znečištěná, vyčistěte ji a zkontrolujte, zda je vzdálenost elektrod zapalovací svíčky správná, viz část *Technické údaje na strani 47*. (Obr. 41)
- V případě potřeby zapalovací svíčku vyměňte.

Čištění vzduchového filtru

1. Odmontujte kryt vzduchového filtru a filtr.
2. Poklepejte filtrem o rovný povrch, aby se uvolnily částice.



VAROVÁNÍ: Vzduchový filtr nečistěte rozpouštědlem ani stlačeným vzduchem.

3. Vložte vzduchový filtr zpět. Zkontrolujte, zda vzduchový filtr dokonale těsní proti držáku vzduchového filtru.
4. Nasadte zpět kryt vzduchového filtru.

Povšimněte si: Vzduchový filtr, který byl používán po delší dobu, již nelze zcela vyčistit. V pravidelných intervalech měňte vzduchový filtr. Poškozený vzduchový filtr vždy vyměňte.

Kontrola žacího ústrojí



VÝSTRAHA: Aby se zabránilo náhodnému spuštění, odpojte kabel zapalování od zapalovací svíčky.



VÝSTRAHA: Při provádění údržby žacího ústrojí používejte ochranné rukavice. Nůž je velmi ostrý a může snadno dojít k pozezání.

1. Zkontrolujte žací ústrojí ohledně poškození a prasklin. Poškozené žací ústrojí vždy vyměňte.
2. Prohlédněte nůž a zkontrolujte, zda není poškozený nebo tupý.

Povšimněte si: Po ostření je nezbytné nůž vyvážit. Výměnu, ostření a vyvážení nože svěřte servisnímu středisku. Dojde-li k nárazu do překážky, po kterém dochází k vypínání výrobku, vyměňte poškozený nůž. O tom, zda je možné nůž nabrousit či zda je nutné ho vyměnit, rozhodne servisní středisko.

Montáž kotouče

1. Vložte adaptér nože na klikový hřídel motoru. Klín na adaptéru musí být zarovnaný s klínovou drážkou na klikovém hřídeli. (Obr. 42)
2. Vždy montujte nůž se zahnutými konci nahoru ve směru motoru. (Obr. 43)
3. Mezi nůž a kryt výrobku vložte dřevěný špalík. Utáhněte šroub nože a otočte jej ve směru hodinových ručiček.
4. Šroub vždy dotahujte točivým momentem 35–40 ft lb (47–54 Nm). (Obr. 44)
5. Zkontrolujte, zda je kabel zapalovací svíčky odpojen od motoru.



VAROVÁNÍ: Aby nedošlo k náhodnému nastartování, vždy odpojte kabel zapalovací svíčky a umístěte kabel na místo, kde nemůže dojít ke kontaktu se zapalovací svíčkou.

6. Otočte kotoučem rukou a zkontrolujte, zda se volně otáčí.

Postup výměny nože

1. Zajistěte nůž pomocí dřevěného špalíku. (Obr. 45)

Přehled sestavy převodovky

(Obr. 2)

1. Mulčovací vložka
2. Zadní vložka
3. Řemenice převodovky
4. Držák kladky
5. Kryt převodovky
6. Adaptér nože
7. Kladka napínače řemenu
8. Přední přídržovací prvek řemene
9. Kroužek
10. Žací nůž
11. Pevná podložka
12. Pojistná položka
13. Šroub nože
14. Kryt řemene

Výměna hnacího řemenu

1. Nechte výrobek běžet, dokud nebude palivová nádrž prázdná.
2. Ze zapalovací svíčky vyjměte koncovku kabelu zapalovací svíčky.
3. Položte výrobek na bok s výfukem dole.

2. Demontujte šroub nože.
3. Odmontujte nůž.
4. Prohlédněte držák nože a šroub nože a zkontrolujte, zda nejsou poškozené.
5. Prohlédněte hřídel motoru a ujistěte se, zda není ohnutý.
6. Při montáži nového nože nasměrujte zahnuté konce nože ve směru krytu žacího ústrojí. (Obr. 46)
7. Zkontrolujte, zda je nůž zarovnaný se středem hřídele motoru.
8. Zajistěte nůž pomocí dřevěného špalíku. Nasadte pružnou podložku a utáhněte šroub a podložku utahovacím momentem 47–54 Nm. (Obr. 47)
9. Otočte nožem rukou a zkontrolujte, zda se volně otáčí.



VÝSTRAHA: Používejte odolné rukavice. Nůž je velmi ostrý a může snadno dojít k pořezání.

10. Nastartujte výrobek a proveďte test nože. Pokud není nůž správně připevněn, výrobek vibruje a výsledky sečení nejsou uspokojivé.



VAROVÁNÍ: Pokud byste položili výrobek se vzduchovým filtrem dole, mohl by se poškodit motor.

4. Demontujte kryt pohonu. (Obr. 48)
5. Odmontujte šroub nože, pojistnou podložku, pevnou podložku a nůž. (Obr. 49)
6. Vyjměte mulčovací vložku. (Obr. 50)
7. Demontujte zadní vložku.
8. Demontujte kryt řemene a kroužek. (Obr. 51)
9. Odpojte kabel od převodovky a odeberte kladku napínače řemenu ze sestavy napínače.
10. Sejměte přední přídržovací prvek řemene.
11. Sejměte hnací řemen z řemenice převodovky.
12. Sejměte 3 kladky napínače řemene ze sestavy napínače. (Obr. 52)
13. Sejměte hnací řemen z adaptéru nože a sestavy napínače. (Obr. 53)
14. Připevněte zajišťovací kleště ke vstupnímu hřídeli převodovky. Uvolněte řemenici převodovky klíčem 9/16" dodaném ve skřínce na nářadí a demontujte řemenici převodovky.
15. Sejměte hnací řemen.

Odstraňování problémů

Problém	Možná příčina	Řešení
Motor nespouští.	Kabel zapalování není správně připojen.	Připojte kabel zapalování k zapalovací svíčke.
	Palivová nádrž je prázdná.	Doplňte do palivové nádrže palivo správného typu.
	V karburátoru nebo vedení paliva jsou nečistoty.	Vyčistěte karburátor nebo vedení paliva.
	Zapalovací svíčka je vadná.	Upravte vzdálenost elektrod a vyčistěte nebo vyměňte svíčku.
Motor se nezastavuje.	Mechanismus zastavení je vadný.	Odpojte kabel zapalování od zapalovací svíčky. Opravu tohoto výrobku svěřte schválenému servisnímu pracovníkovi.
Motor neběží plynule.	Kabel zapalování není správně připojen.	Připojte kabel zapalování k zapalovací svíčke.
	Ve vedení paliva jsou nečistoty nebo je palivo příliš staré.	Vyčistěte vedení paliva. Doplňte do palivové nádrže nové palivo správného typu.
	Víčko palivové nádrže je zablokované.	Očistěte víčko palivové nádrže.
	V palivovém systému je voda nebo nečistoty.	Vypusťte palivovou nádrž. Doplňte do palivové nádrže nové palivo správného typu.
	Vzduchový filtr je znečištěný.	Vyčistěte vzduchový filtr.
	Karburátor je nutné seřídit.	Nechte karburátor seřídit u servisního prodejce.
Teplota motoru je příliš vysoká.	Příliš nízká hladina motorového oleje.	Doplňte motorový olej.
	Proudění vzduchu není dostatečné.	Vyčistěte vzduchový filtr a kryt vzduchového filtru.
	Karburátor je nutné seřídit.	Nechte karburátor seřídit u servisního prodejce.
Při vysokých otáčkách motor vynechává.	Vzdálenost elektrod v zapalovací svíчке je příliš malá.	Seříďte vzdálenost elektrod.
Motor nefunguje plynule ve volnoběžných otáčkách.	Zapalovací svíčka je znečištěná, vadná nebo je vzdálenost elektrod příliš velká.	Upravte vzdálenost elektrod nebo vyměňte svíčku.
	Karburátor je nutné seřídit.	Seříďte karburátor.
	Vzduchový filtr je znečištěný.	Vyčistěte vzduchový filtr.
Řídítka trpí příliš velkými vibracemi.	Nůž je volný nebo nevyvážený.	Utáhněte šrouby nože. Poškozené nože vyměňte.
	Nůž je ohnutý.	Poškozené nože vyměňte.

Problém	Možná příčina	Řešení
Tráva se nenaseká na mulč.	Tráva je vlhká.	Jestliže je tráva mokrá, výrobek nepoužívejte. Počkejte, dokud tráva neuschne.
	Tráva je příliš vysoká.	Nejprve sekejte se žacíím ústrojím nastaveným vysoko. Snižte výšku sečení a opakujte sečení. Sekejte najednou pouze ½ šířky sečení.
	Minimálně jeden nůž není dostatečně ostrý.	Naostřete nebo vyměňte nože.
Tráva se seče nepravidelně.	Kola nejsou ve správné poloze.	Nastavte výšku sečení na stejnou úroveň pro všechna 4 kola.
	Minimálně jeden nůž není dostatečně ostrý.	Naostřete nebo vyměňte nože.
Hnací ústrojí nefunguje správně.	Hnací řemen není dostatečně dotažený nebo se na řemenicích nebo hnacím řemeni nechází nečistoty.	Údržbu hnacího ústrojí by měl provádět schválený servisní pracovník.

Přeprava, skladování a likvidace

Přeprava a skladování

- Před uskladněním a přepravou výrobku či paliva zkontrolujte, zda nejsou přítomny známky úniku nebo výparů. Jiskry a otevřený oheň, například z elektrických zařízení nebo kotlů, mohou zažehnout požár.
- Vždy používejte schválené nádoby na skladování a přepravu paliva.
- Před dlouhodobým skladováním výrobku vyprázdněte palivovou nádrž. Odevzdejte palivo na příslušném sběrném místě
- Během přepravy musí být výrobek bezpečně upevněný, aby se zabránilo jeho poškození a nehodám.
- Skladujte výrobek na uzamčeném místě, aby se zamezilo přístupu dětí a neoprávněných osob.
- Uchovávejte výrobek na suchém a bezprašném místě.

Likvidace

- Dodržujte místní požadavky ohledně recyklace a platné předpisy.
- Odevzdejte všechny chemikálie, například motorový olej nebo palivo, v servisním středisku nebo na příslušném sběrném místě.
- Nehodláte-li výrobek dále používat, odešlete jej prodejci Husqvarna nebo jej dopravte do recyklační stanice.

Technické údaje

Technické údaje

	LC 353AWD
Motor	
Značka	Honda
Zdvihový objem, cu.in/cm ³	10,4/170
Rychlost, ot./min	2900–3200
Jmenovitý výkon motoru, kW/hp při ot/min ¹¹	3,6/4,9 při 2900–3200
Systém zapalování	
Zapalovací svíčka	NGK BPR5ES
Vzdálenost elektrod, in/mm	0,028/0,7
Systém mazání a palivový systém	
Palivo, bezolovnaté, minimální oktanové číslo	90 RON / 87 AKI
Objem palivové nádrže, americké galony / l	0,27/1,02
Objem olejové nádrže, americké galony / l	0,14/0,53
Motorový olej ¹²	SAE 30 / SAE 10W-30
Hmotnost	
S prázdnými nádržemi, lb/kg	92/41,7
Emise hluku ¹³	
Hladina akustického výkonu, změřená dB (A)	95
Hladina akustického výkonu, zaručená L _{WA} dB (A)	96
Hladina hluku ¹⁴	
Hladina akustického tlaku na sluch obsluhy, dB (A)	85
Úrovně vibrací ¹⁵	
Řídítka, m/s ² s košem na trávu/bez koše	7/7
Řezací zařízení	

¹¹ Uvedený jmenovitý výkon motoru je průměrný čistý výkon (při specifikovaných ot./min.) typického motoru pro model motoru měřený podle normy SAE J1349/ISO1585. Sériově vyráběné motory se od této hodnoty mohou lišit. Skutečný výstupní výkon motoru instalovaného na konečném výrobku závisí na provozních otáčkách, povětrnostních podmínkách a dalších hodnotách.

¹² Použijte pouze motorový olej kvality SJ nebo vyšší. Podívejte se do tabulky viskozity v návodu výrobce motoru a vyberte nejlepší viskozitu podle předpokládané venkovní teploty.

¹³ Emise hluku v životním prostředí měřené jako akustický výkon (L_{WA}) v souladu se směrnicí 2000/14/ES.

¹⁴ Hladina akustického tlaku měřená podle normy ISO 5395. Uváděná data pro hladinu tlaku zvuku mají typickou statistickou odchylku (standardní odchylku) 1,2 dB (A).

¹⁵ Hladina vibrací měřená podle normy ISO 5395. Uváděná data o úrovni vibrací mají typickou statistickou odchylku (standardní odchylku) 0,2 m/s².

	LC 353AWD
Výška sečení, in/mm	1,0–4,0 / 25,4–101,6
Šířka sečení, in/mm	21/530
Žací nůž	
Objednáací číslo	586 85 96-02
Kapacita koše na trávu, ft ³ /l	2,3/65
Pohon	
Rychlost, mph/km/h	0–3 / 0–4,8

Obsah prohlášení o shodě ES

My, společnost Husqvarna AB, SE 561 82 Huskvarna, ŠVÉDSKO, zcela zodpovědně prohlašujeme, že příslušný výrobek:

Dodaná sekačka na trávu s pěší obsluhou poháněná spalovacím motorem je shodná se vzorkem, který prošel zkouškou.

Popis	Sekačka na trávu s pěší obsluhou poháněná spalovacím motorem
Značka	Husqvarna
Platforma / typ / model	Platforma E21THV, představující modely LC 353AWD.
Šarže	Výrobní číslo od roku 2019 a dále.

je zcela ve shodě s následujícími směrniciemi a předpisy EU:

Směrnice/předpis	Popis
2006/42/ES	„o strojních zařízeních“
2014/30/EU	„o elektromagnetické kompatibilitě“
2000/14/EU, 2005/88/ES	„o venkovním hluku“
2011/65/EU	„o omezení používání některých nebezpečných látek“

Platí následující harmonizované normy anebo technické specifikace: EN ISO 12100, ISO 5395-1+A1/A2, ISO 5395-2+A1/A2, EN ISO 14982, ISO 3744, ISO 11094, EN 1032

Deklarované úrovně hluku jsou uvedeny v části s technickými údaji této příručky a podepsaném prohlášení o shodě EU ve shodě se směrnicí 2000/14/ES, příloha VI.

Indhold

Indledning.....	49	Fejlfinding.....	58
Sikkerhed.....	50	Transport, opbevaring og bortskaffelse.....	59
Montering.....	53	Tekniske data.....	60
Drift.....	53	Indhold i EF-overensstemmelseserklæring.....	61
Vedligeholdelse.....	55		

Indledning

Produktbeskrivelse

Produktet er en plæneklipper med en forbrændingsmotor og med gående fører. Græsset opsamles i en græsopsamler. Fjern græsopsamleren for at få bagudkast af græsset. Monter et bioklipsæt, og klip græsset til gødning.

Produktoversigt

(Fig. 1)

1. Motorbremsehåndtag
2. Styrehåndtag
3. Startsnorens håndgreb
4. Græsopsamler
5. Brændstoftankdæksel
6. Luftfilter
7. Tændrør
8. Drevdæksel
9. Lyddæmper
10. Tilkobling til vandslange
11. Bageste deflektor
12. Oliepind/olietank
13. Klippehøjdejustering
14. BioClip®-prop
15. Brugsanvisning
16. Udkastesliske

Symboler på produktet

- (Fig. 3) **ADVARSEL:** Dette produkt kan være farligt og forårsage alvorlig personskade eller død for brugeren eller andre. Vær forsigtig, og brug produktet korrekt.
- (Fig. 4) Læs brugsanvisningen, og sørg for at have forstået indholdet, inden du bruger produktet.
- (Fig. 5) Hurtigt
- (Fig. 6) Langsomt
- (Fig. 7) Hold hænder og fødder på sikker afstand af roterende genstande.

Anvendelsesformål

Brug produktet til græsklipning i private haver. Brug ikke produktet til andre opgaver.

- (Fig. 8) Hold uvedkommende personer og dyr på sikker afstand af arbejdsstedet.
- (Fig. 9) Vær forsigtig, når du trækker produktet baglæns. Se bagud og ned, om der er børn, dyr eller andre risici, der kan forårsage, at du falder.
- (Fig. 10) Det kan være farligt at betjene produktet på en skråning.
- (Fig. 11) Hold hænder og fødder på sikker afstand af den roterende kling.
- (Fig. 12) Pas på udslyngede genstande og rikolettering.
- (Fig. 13) Støjemissioner til omgivelserne i henhold til EF-direktiv. Produktets emission fremgår i *Tekniske data på side 60* og af mærkatet.
- (Fig. 14) Dette produkt er i overensstemmelse med gældende CE-direktiv.
- (Fig. 15) Produktet er i overensstemmelse med gældende EAC-direktiver.
- (Fig. 16) Produktet er i overensstemmelse med de gældende RCM-direktiver. Gælder kun i AU/NZ.
- (Fig. 17) Produktet er i overensstemmelse med gældende ukrainske direktiver.
- (Fig. 18) Brug godkendt høreværn.

Bemærk: Andre symboler/mærkater på produktet henviser til certificeringskrav i andre handelsområder.

Produktansvar

Som nævnt i produktansvarsbestemmelserne hæfter vi ikke for skader forårsaget af vores produkt, hvis:

- produktet er forkert repareret.
- produktet er repareret med dele, der ikke er fra producenten eller ikke er godkendt af producenten

- produktet har tilbehør, der ikke er fra producenten eller ikke er godkendt af producenten.
- produktet ikke er repareret på et godkendt servicecenter eller af en godkendt myndighed.

Sikkerhed

Sikkerhedsdefinitioner

Advarsler, forholdsregler og bemærkninger bruges til at pege på særligt vigtige dele af brugsanvisningen.



ADVARSEL: Bruges, hvis føreren udsætter sig selv eller omkringstående personer for risiko for personskade eller dødsfald ved tilsidesættelse af instruktionerne i brugsanvisningen.



BEMÆRK: Bruges, hvis der er risiko for skader på produktet, andre materialer eller det omgivende område ved tilsidesættelse af instruktionerne i brugsanvisningen.

Bemærk: Bruges til at give yderligere oplysninger, der er nødvendige i en given situation.

Generelle sikkerhedsinstruktioner



ADVARSEL: Læs følgende advarselsinstruktioner, inden du bruger produktet.

- Dette produkt er farligt, hvis det bruges forkert, eller hvis du ikke er forsigtig. Personskade eller dødsfald kan forekomme, hvis du ikke overholder sikkerhedsinstruktionerne.
- Dette produkt danner et elektromagnetisk felt under drift. Dette felt kan i nogle tilfælde påvirke aktive eller passive medicinske implantater. For at reducere risikoen for alvorlige eller dødbringende kvæstelser anbefaler vi, at personer med medicinske implantater kontakter deres læge og producenten af det medicinske implantat, før de tager produktet i brug.
- Vær altid forsigtig, og brug din sunde fornuft. Hvis du ikke er sikker på, hvordan produktet betjenes en særlig situation: Stop, og kontakt Husqvarna forhandleren, inden du fortsætter.
- Vær opmærksom på, at føreren er ansvarlig for ulykker, der involverer andre personer eller disses ejendom.
- Hold produktet rent. Sørg for, at skilte og mærkater er tydeligt læsbare.

Sikkerhed i arbejdsområdet



ADVARSEL: Læs følgende advarselsinstruktioner, inden du bruger produktet.

- Fjern genstande såsom grene, kviste og sten fra arbejdsområdet, inden du bruger produktet.
- Genstande, som rammer skæreudstyret, kan udslynges og forårsage person- og tingskade. Hold omkringstående personer og dyr på sikker afstand af produktet.
- Undlad at bruge produktet i dårligt vejr, som f.eks. tåge, regn, hård vind, kraftig kulde og ved risiko for lynnedslag. Det kan være trættende at bruge produktet i dårligt vejr eller i fugtige eller våde områder. Dårligt vejr kan medføre farlige forhold, f.eks. glatte underlag.
- Pas på personer, genstande og situationer, som kan forhindre sikker brug af produktet.
- Pas på forhindringer som f.eks. rødder, sten, kviste, huller og grøfter. Langt græs kan skjule hindringer.
- Det kan være farligt at klippe græs på skråninger. Brug ikke produktet på skråninger, der hældes mere end 15°.
- Lad produktet køre på tværs af skråninger. Køb ikke op og ned.

- Vær forsigtig, når du nærmer dig uoverskuelige hjørner og genstande, som blokerer for udsynet.

Arbejdssikkerhed



ADVARSEL: Læs følgende advarelsinstruktioner, inden du bruger produktet.

- Brug kun produktet til græsslåning. Det er ikke tilladt at bruge det til andre opgaver.
- Bær personligt beskyttelsesudstyr. Se *Personligt beskyttelsesudstyr på side 51*.
- Sørg for, at du ved, hvordan du standser motoren hurtigt i nødstilfælde.
- Start aldrig motoren i et lukket rum eller i nærheden af brandfarlige materialer. Motorens udstødningsgasser er varme og kan indeholde gasser, som kan forårsage brand.
- Betjen ikke produktet, med mindre klingens og alle afskærmninger er monteret korrekt. En forkert monteret klinge kan løsne sig og forårsage personskade.
- Sørg for, at klingens ikke rammer genstande som f.eks. sten og rødder. Det kan beskadige kniven og bøje motorakslen. En bøjet aksel giver kraftige vibrationer og stor risiko for, at kniven løsner sig.
- Hvis kniven rammer en genstand, eller der opstår vibrationer, skal du straks standse produktet. Tag tændkablet af tændrøret. Undersøg, om produktet er blevet beskadiget. Reparer skader, eller lad et autoriseret serviceværksted udføre reparationen.
- Fastgør aldrig motorbremsehåndtaget permanent på styret, når motoren er startet.
- Anbring produktet på et stabilt, fladt underlag, og start det. Sørg for, at kniven ikke rammer jorden eller andre genstande.
- Hold dig altid bag produktet, mens du betjener det.
- Lad alle hjulene blive på jorden, og hold 2 hænder på styret, når du betjener produktet. Hold hænder og fødder på sikker afstand af de roterende klinger.
- Tip ikke produktet, når motoren er startet.
- Vær forsigtig, når du trækker produktet baglæns.
- Løft aldrig produktet, når motoren er startet. Hvis du skal løfte produktet, skal du først standse motoren og frakoble tændkablet fra tændrøret.
- Gå ikke baglæns, når du bruger produktet.
- Stands motoren, når du bevæger dig hen over områder uden græs, f.eks. stier med grus, sten og asfalt.
- Undlad at køre med produktet, når motoren er startet. Gå altid fremad, når du bruger produktet.
- Stands motoren, inden du ændrer klippehøjden. Foretag aldrig justeringer, når motoren er startet.
- Efterlad aldrig produktet uden opsyn, når motoren er startet. Stands motoren, og sørg for, at skæreudstyret ikke roterer.

Sikkerhedsinstruktioner for drift

Personligt beskyttelsesudstyr



ADVARSEL: Læs følgende advarelsinstruktioner, inden du bruger produktet.

- Personligt beskyttelsesudstyr udelukker ikke fuldstændigt risikoen for personskader, men det mindsker graden af skaderne i tilfælde af, at der skulle ske en ulykke. Lad forhandleren hjælpe dig med at vælge det rigtige udstyr.
- Brug høreværn, hvis støjniveauet er højere end 85 dB.
- Brug kraftige, skridsikre støvler eller sko. Brug ikke åbne sko, og gå heller ikke på bare fødder.
- Brug kraftige, lange bukser.
- Brug om nødvendigt beskyttelseshandsker, f.eks. ved montering, eftersyn eller rengøring af skæreudstyret.

Sikkerhedsanordninger på produktet



ADVARSEL: Læs følgende advarelsinstruktioner, inden du bruger produktet.

- Brug ikke et produkt med defekte sikkerhedsanordninger.
- Kontrollér sikkerhedsanordningerne regelmæssigt. Hvis sikkerhedsanordningerne er defekte, skal du henvende dig til dit Husqvarna-serviceværksted.

Sådan kontrolleres klippekjoldet

Klippekjoldet mindsker vibrationer i produktet og reducerer risikoen for skader fra klingens.

- Undersøg klippekjoldet for at sikre, at der ikke er skader såsom revner.

Sådan kontrolleres motorbremsehåndtaget.

Motorbremsehåndtaget standser motoren. Når motorbremsehåndtaget slippes, standser motoren.

- Start motoren, og slip derefter motorbremsehåndtaget. Hvis motoren ikke standser inden for 3 sekunder, skal et godkendt Husqvarna serviceværksted justere motorbremsen. (Fig. 19)

Sådan kontrollerer du bageste deflektor

Den bageste deflektor mindsker risikoen for, at genstande slynges ud i retning af føreren.

- Sørg for, at den bageste deflektor ikke er beskadiget. (Fig. 20)
- Sørg for, at fjedrene, der lukker den bageste deflektor, ikke er i stykker.
- Udskift beskadigede fjedre og ødelagte dele.

- Sørg for, at den bageste deflektor bevæger sig frit på hængslerne.

Lyddæmper

Lyddæmperen sikrer et minimalt støjniveau og sender udstødningsgasserne væk fra føreren.

Brug ikke produktet, hvis lyddæmperen mangler eller er defekt. En defekt lyddæmper øger støjniveauet og risikoen for brand.



ADVARSEL: Lyddæmperen bliver meget varm under og efter brug, og når motoren kører i tomgang. Vær forsigtig i nærheden af brandfarlige materialer og/eller dampe for at forhindre brand.

Sådan kontrolleres lyddæmperen

- Efterse lyddæmperen regelmæssigt for at sikre, at den er monteret korrekt og ikke er beskadiget.

Sådan kontrolleres oliestanden



BEMÆRK: Hvis olieniveauet er for lavt, kan det medføre motorskader. Kontroller oliestanden, før du starter produktet.

1. Anbring produktet på et plant underlag.
2. Afmonter olietankens dæksel, hvorpå oliepinden sidder.
3. Tør olien af oliepinden.
4. Stik oliepinden helt ned i olietanken for at få et korrekt billede af oliestanden.
5. Fjern oliepinden.
6. Kontroller oliestanden på målepinden.
7. Hvis oliestanden er lav, skal der efterfyldes med motorolie, og foretag derefter en kontrol af oliestanden igen.

Brændstofsikkerhed



ADVARSEL: Læs følgende advarselsinstruktioner, inden du bruger produktet.

- Start ikke produktet, hvis der er brændstof eller motorolie på produktet. Fjern uønsket brændstof/olie og lad produktet tørre.
- Hvis du får brændstof på dit tøj, skal du skifte tøj med det samme.
- Undgå at få brændstof på kroppen, da det kan forårsage personskader. Hvis du får brændstof på kroppen, skal du bruge sæbe og vand til at fjerne brændstoffet.
- Start ikke produktet, hvis motoren lækker. Undersøg regelmæssigt motoren for lækager.

- Vær forsigtig med brændstof. Brændstof er letantændeligt og dampe er eksplosive og kan medføre personskader eller dødsfald.
- Undgå at indånde brændstoffordampene, da det kan forårsage personskader. Sørg for, at der er tilstrækkelig luftstrøm.
- Ryg ikke i nærheden af brændstof eller motor.
- Anbring ikke varme genstande i nærheden af brændstof eller motor.
- Fyld ikke brændstof på, når motoren er tændt.
- Sørg for, at motoren er afkølet, inden du fylder brændstof på.
- Før du fylder brændstof på, skal du åbne brændstoftankens dæksel langsomt og forsigtigt udløse trykket.
- Fyld ikke brændstof på motoren i et indendørs område. Utilstrækkelig med luftstrøm kan forårsage personskader eller dødsfald på grund af kvælning eller kulilte.
- Spænd brændstoftankens dæksel helt. Hvis brændstoftankens dæksel ikke spændes, opstår der risiko for brand.
- Flyt produktet minimum 3 m / 10 ft fra det sted, hvor du fyldte tanken, før du starter det.
- Fyld aldrig brændstoffet helt op. Varme får brændstoffet til at udvide sig. Sørg for at bevare ledig plads øverst i brændstoftanken.

Sikkerhedsinstruktioner for vedligeholdelse



ADVARSEL: Læs følgende advarselsinstruktioner, inden du bruger produktet.

- Udstødningsgasserne fra motoren indeholder kulilte, som er en luftfri, giftig og meget farlig gasart. Undlad at starte motoren indendørs eller i lukkede rum.
- Før der udføres vedligeholdelse af produktet, standses motoren, og tændkablet tages af tændrøret.
- Brug handsker, når du udfører vedligeholdelse på skæreudstyret. Klingen er meget skarp, og du kan nemt komme til at skære dig.
- Tilbehør til og ændringer på produktet, som ikke er godkendt af producenten, kan medføre alvorlig personskade eller dødsfald. Undlad at ændre produktet. Brug altid reservedele, der er godkendt af producenten.
- Hvis vedligeholdelsen ikke udføres korrekt og regelmæssigt, øges risikoen for personskade og beskadigelse af produktet.
- Foretag kun den form for vedligeholdelse, der er angivet i denne instruktionsbog. Eventuel anden service skal udføres af et godkendt Husqvarna serviceværksted.

- Lad et godkendt Husqvarna serviceværksted foretage regelmæssig service af produktet.

- Udskift beskadigede, slidte eller defekte dele.

Montering

Indledning



ADVARSEL: Inden brug af produktet skal du læse og forstå kapitlet om sikkerhed.



ADVARSEL: Fjern tændrørskablet fra tændrøret inden samling af produktet.

Sådan samles håndtaget

1. Løft det nederste håndtag. (Fig. 21)
2. Ret hullerne i bunden af nederste håndtag ind i forhold til hullerne i håndtagsbeslaget.

Bemærk: Vælg de huller, der giver den bedst tænkelige arbejdsstilling.

3. Spænd det nederste håndtags skruehåndtag.
4. Løft det øverste håndtag, og juster det i forhold til det nederste håndtag.
5. Spænd de øverste skruehåndtag helt.

Sådan monteres startsnorens håndtag

1. Montér løkken til startsnoren og T-skruehåndtaget. Vent med at spænde helt til. (Fig. 22)

2. Hold motorbremsehåndtaget ind mod styret.
3. Træk langsomt i startsnoren og sæt den ind i løkken. (Fig. 23)
4. Spænd T-skruehåndtaget. (Fig. 24)

Sådan sættes produktet i transportposition

1. Fjern græsopsamlere.
2. Løsn de nederste skruehåndtag for at låse håndtaget op. (Fig. 25)
3. Fold håndtaget nedad og bagud.
4. Afmonter skruehåndtagene og stifterne i det nederste håndtag.
5. Fold håndtaget fremad.

Sådan samles græsopsamlere

1. Fastgør græsopsamlere ramme til græsposen med den afstivede del af posen nederst. Sørg for, at håndtaget på rammen er uden for toppen af posen. (Fig. 26)
2. Fastgør græsposen til rammen ved hjælp af de hurtiglukkende klemmer. (Fig. 27)

Drift

Indledning



ADVARSEL: Før du bruger produktet, skal du læse og forstå kapitlet om sikkerhed.

Før du bruger produktet

1. Læs brugsanvisningen omhyggeligt igennem, og sørg for at have forstået instruktionerne.
2. Undersøg skæreudstyret for at sikre, at det er korrekt monteret og justeret. Se *Sådan efterses skæreudstyret på side 56*.
3. Fyld brændstoftanken. Se *Sådan påfyldes brændstof på side 53*.
4. Fyld olietanken, og efterse oliestanden. Se *Sådan kontrolleres oliestanden på side 52*.

Sådan påfyldes brændstof

Brug om muligt miljø-/alkylatbenzin. Hvis du ikke har mulighed for at bruge miljø-/alkylatbenzin, anvendes en

blyfri benzin af god kvalitet eller blyholdig benzin med et oktantal ikke under 90.



BEMÆRK: Brug ikke benzin med et oktantal mindre end 90 RON (87 AKI). Det kan forårsage skader på produktet.

1. Åbn brændstoftankens dæksel langsomt for at aflaste trykket.
2. Påfyld brændstof langsomt med en benzindunk. Hvis du spilder brændstof, fjernes det med en klud, og lad resterende brændstof fordampe.
3. Rengør omkring brændstoftankens dæksel.
4. Spænd brændstoftankens dæksel helt. Hvis brændstoftankens dæksel ikke spændes, opstår der risiko for brand.
5. Flyt produktet minimum 3 m fra det sted, hvor du fyldte tanken, før du starter det.

Sådan indstilles klippehøjden

Klippehøjden kan justeres i 9 niveauer.

1. Tryk klippehøjdejusteringen i retning af hjulet, og træk derefter bagud for at øge klippehøjden.
2. Tryk klippehøjdejusteringen i retning af hjulet, og træk derefter fremad for at reducere klippehøjden. (Fig. 28)



BEMÆRK: Indstil ikke klippehøjden for lavt. Knivene kan ramme jorden, hvis græsplænenes overflade ikke er jævn.

Sådan startes produktet

1. Stil dig bag produktet.
2. Hold motorbremsehåndtaget ind mod styret. (Fig. 29)
3. Hold fast i startsnorens håndgreb med højre hånd.
4. Træk langsomt startsnoren ud, indtil der føles modstand.
5. Træk kraftigt, indtil motoren starter.



ADVARSEL: Vikl aldrig startsnoren rundt om hånden.

Sådan bruges hjulenes fremtræk

- Træk styrehåndtaget i retning mod håndtaget. (Fig. 30)
- Før produktet trækkes baglæns, frakobles fremtrækket, og produktet skubbes ca. 10cm fremad.
- Slip styrehåndtaget for at frakoble drevet, f.eks. når du nærmer dig en forhindring.

Sådan justeres drevstyringskablet

- Brug justeringsskruen til at justere drevstyringskablet. (Fig. 31)
- Sluk motoren. Frakobl altid tændrøret, før du betjener bevægelige dele.
- Drej justeringsskruen mod uret for at stramme kablet og øge hastigheden.
- Drej justeringsskruen med uret for at forlænge kablet og sænke hastigheden.

Sådan standses produktet

- For kun at standse drevet slippes styrehåndtaget.
- Motoren standses ved at slippe motorbremsehåndtaget. (Fig. 32)

Sådan betjenes produktet med græsopsamler



ADVARSEL: Betjen ikke produktet uden monteret græsopsamler eller med den

bageste deflektor åben. Objekter kan blive slynget ud og forårsage skader på føreren.

1. Løft den bageste deflektor, og fjern BioClip®-proppen. (Fig. 33)
2. Saml græsopsamleren, se *Sådan samles græsopsamleren på side 53*.
3. Fastgør græsopsamleren til beslaget. (Fig. 34)
4. Skru den bageste deflektor af, og sæt den oven på græsopsamlerrammen.

Sådan ændres produktet til bioklipstilstand

Produktets bioklipstilstand gør græsafklip mindre. Græsafklip falder derefter ned på græsplænen og spredes på tværs af græsset. Findelt græs nedbrydes hurtigt og giver gødning til græsplænen.

1. Løft den bageste skærm, og fjern græsposen, hvis den er monteret.
2. Sæt bioklipproppen i opsamlerkanalen. (Fig. 35)
3. Luk den bageste skærm, og sørg for, at den lukker stramt til mod BioClip®-proppen. (Fig. 36)

Sådan ændres produktet, så græsset kastes til siden og bagud

1. Løft den bageste deflektor, og fjern BioClip®-proppen. (Fig. 37)
2. Monter udkasteslisken. (Fig. 38)

Sådan tømmes græsopsamleren



BEMÆRK: Træk ikke i posen, når du tømmes græsopsamleren for at forebygge slitage.

1. Løft græsopsamleren med rammens håndtag. (Fig. 39)
2. Fjern græsafklip fra græsopsamler under håndtaget.
3. Tøm græsafklip fra posen ved hjælp af rammens håndtag og posens håndtag.

Sådan opnår du et godt resultat

- Sørg altid for, at klingen er skarp. En sløv klinge giver et uregelmæssigt resultat, og græssets snitflade bliver gul. En skarp klinge bruger desuden mindre energi end en sløv klinge.
- Klip aldrig mere end $\frac{1}{3}$ af græssets længde. Klip først med klippehøjden indstillet højt. Efterse resultatet, og sænk derefter klippehøjden til det ønskede niveau. Hvis græsset er meget højt, skal du køre langsomt og om nødvendigt klippe 2 gange.
- Klip i forskellige retninger hver gang for at undgå striber i græsplænen.

Vedligeholdelse

Indledning



ADVARSEL: Inden der foretages vedligeholdelse, skal du læse og forstå kapitlet om sikkerhed.

Alt service- og reparationsarbejde på produktet kræver specialuddannelse. Vi garanterer faglig korrekt reparation og service. Hvis forhandleren ikke er et serviceværksted, kan vedkommende oplyse om nærmeste serviceværksted.

Vedligeholdelsesskema



BEMÆRK: Sørg for, at luftfilteret er oppe og ikke rammer imod jorden, når du vipper produktet. Risiko for motorskade.

Vedligeholdelsesintervallerne er fastlagt baseret på daglig brug af produktet. Intervallerne ændres, hvis produktet ikke bruges dagligt.

For vedligeholdelse mærket med * henvises til vejledningen i *Sikkerhedsanordninger på produktet på side 51*.

Vedligeholdelse	Hver dag	Ugentligt	Månedligt
Foretag et generelt eftersyn	X		
Efterse oliestanden	X		
Rengør produktet	X		
Efterse skæreudstyret	X		
Efterse klippeskjoldet *	X		
Efterse motorbremsehåndtaget *	X		
Efterse klingens bremsegreb *	X		
Efterse lyddæmperen *		X	
Efterse tændrøret		X	
Skift olie (første gang efter 5 timers brug, derefter efter hver 50 timers brug).			X
Rengør eller udskift luftfilter			X
Efterse brændstofssystemet			X

Sådan udføres et generelt eftersyn

- Sørg for, at alle møtrikker og skruer på produktet er spændt korrekt.

Sådan rengøres produktet udvendigt

- Brug en børste til at fjerne blade, græs og snavs.
- Sørg for, at luftindtaget oven på motoren ikke er blokeret.
- Brug ikke en højtryksrenser til at rengøre produktet.
- Hvis du bruger vand til at rengøre produktet, må vandet ikke sprøjtes direkte på motoren.

Sådan rengøres indersiden af klippeskjoldet

1. Tøm brændstoftanken.
2. Placer produktet på siden med lyddæmperen nedad.



BEMÆRK: Hvis produktet anbringes med luftfilteret nedad, kan motoren tage skade.

3. Spul indersiden af klippeskjoldet med vand.

Sådan bruges tilkobling til vandslange

1. Flyt produktet til et område med klippet græs eller en anden hård overflade.
2. Fjern græsopsamleren eller BioClip®-proppen fra produktet.
3. Luk bagerste deflektor.
4. Tilslut en vandslange til tilkoblingen til vandslange. (Fig. 40)
5. Stands vandforsyningen, og undersøg tilkoblingen til vandslange for lækager.
6. Hvis du ikke kan se en lækage, skal du starte motoren. Lad motoren køre, indtil produktet er rent under huset.
7. Stop motoren.
8. Afbryd vandforsyningen, og frakobl slangen fra tilkoblingen til vandslange.

Bemærk: Fjern ikke vandslangen fra tilkoblingen til vandslange, mens motoren er i drift. Vand i motoren kan reducere motorens levetid.

9. Start motoren, og lad den køre i et helt minut for at fjerne overskydende vand fra produktet.

Sådan udskiftes motorolien



ADVARSEL: Motorolien er meget varm umiddelbart efter, at motoren er standset. Lad motoren køle af, før du aftapper motorolien. Hvis du spilder motorolie på huden, kan den fjernes med vand og sæbe.

1. Brug produktet, indtil brændstoffranken er tom.
2. Tag tændkablet af tændrøret.
3. Tag olietankens dæksel af.
4. Stil en beholder under produktet til at opsamle motorolien i.
5. Vip produkt for at aftappe motorolien fra olietanken.
6. Påfyld ny motorolie af den type, der anbefales i *Tekniske data på side 60*.
7. Kontroller oliestanden. Se *Sådan kontrolleres oliestanden på side 52*.

Sådan undersøger du tændrøret



BEMÆRK: Brug altid anbefalet tændrørstype. Forkert tændrørstype kan forårsage skader på produktet.

- Undersøg tændrøret, hvis motoren mangler kraft, ikke starter nemt eller ikke fungerer korrekt i tomgangshastighed.
- Sådan mindsker du risikoen for uønsket materiale på tændrørets elektroder, følg disse instruktioner:
 - a) Sørg for, at omdrejningstallet i tomgang er indstillet korrekt.

b) Sørg for, at brændstofblandingen er korrekt.

c) Sørg for, at luftfilteret er rent.

- Hvis tændrøret er beskadigt, skal det renses, og samtidig skal det kontrolleres, at elektrodeafstanden er korrekt, se *Tekniske data på side 60*. (Fig. 41)
- Udskift tændrøret, når det er nødvendigt.

Rengøring af luftfilteret

1. Fjern luftfilterdækslet og filteret.
2. Slå filteret ind mod en flad overflade for at få partiklerne til at falde af.



BEMÆRK: Brug ikke opløsningsmidler eller trykluft til at rengøre luftfilteret.

3. Sæt luftfilteret på igen. Sørg for, at luftfilteret ligger helt tæt ind til luftfilterholderen.
4. Sæt luftfilterdækslet på igen.

Bemærk: Et luftfilter, der har været brugt i lang tid, kan ikke blive helt rent. Udskift luftfilteret med regelmæssige mellemrum. Udskift altid et beskadiget luftfilter.

Sådan efterses skæreudstyret



ADVARSEL: Tændkablet tages af tændrøret for at undgå utilsigtet start af motoren.



ADVARSEL: Brug handsker, når du udfører vedligeholdelse på skæreudstyret. Klingen er meget skarp, og du kan nemt komme til at skære dig.

1. Efterses skæreudstyret for skader eller revner. Udskift altid skæreudstyret, hvis det er beskadiget.
2. Kig på klingen for at se, om den er beskadiget eller sløv.

Bemærk: Kniven skal afbalanceres, efter den er blevet slebet. Lad et servicecenter skærpe, udskift og afbalancere klingen. Hvis du rammer en forhindring, der får produktet til at standse, udskiftes den beskadigede klinge. Lad servicecenteret vurdere, om klingens kan files, eller om den skal udskiftes.

Sådan samles klingen

1. Placer klingeadapteren på motorens krumtapaksel. Kontrollér, at klingen i adapteren og kilehullet i krumtapakslen flugter. (Fig. 42)
2. Fastgør altid klingens således at de vinklede ender vender op i retning af motoren. (Fig. 43)
3. Brug en trækloids mellem klingens og produktets hus. Spænd klingeboltens, og drej den med uret.

- Spænd altid bolten med et tilspændingsmoment på 35-40 ft lbs (47-54 Nm). (Fig. 44)
- Kontrollér, at tændrørskablet er frakoblet fra motoren.
- Efterse motorakslen for at sikre, at den ikke er bøjet.
- Når du sætter den nye klinge på, skal klingens ender pege i retning af klippeskjoldet. (Fig. 46)
- Sørg for, at klingen flugter med motorakslens centrum.



BEMÆRK: For at forhindre utilsigtet start skal du altid frakoble tændrørskablet og placere kablet, således at det ikke kommer i kontakt med tændrøret.

- Træk kniven rundt pr. håndkraft, og kontrollér, at den roterer frit.

Sådan udskiftes klingen

- Lås klingen med en trækloids. (Fig. 45)
- Fjern klingeboltens.
- Afmonter klingens.
- Efterse klingeophæng og klingebolt for at se, om der er skader.

Transmission – oversigt

(Fig. 2)

- BioClip®-prop
- Bageste indsats
- Gearkassetrisse
- Styrebeslag
- Koblingsdæksel
- Klingeadapter
- Styreremskive
- Forreste remholder
- Ring
- Klinge
- Hærdet skive
- Låseskive
- Klingebolt
- Remafdækning

Sådan tages drivremmen af

- Brug produktet, indtil brændstoffranken er tom.
- Fjern tændhætten fra tændrøret.
- Placer produktet på siden med lyddæmperen nedad.



BEMÆRK: Hvis produktet anbringes med luftfilteret nedad, kan motoren tage skade.



ADVARSEL: Brug sikkerhedshandsker. Klingens er meget skarp, og du kan nemt komme til at skære dig.

- Start produktet for at afprøve klingens. Hvis skiven ikke er korrekt fastgjort, forekommer der vibrationer i produktet, eller klipperesultatet bliver utilfredsstillende.
- Fjern drevedækslet. (Fig. 48)
- Fjern klingeboltens, låseskiven, den hærdede skive og klingens. (Fig. 49)
- Fjern BioClip®-propens. (Fig. 50)
- Fjern bageste indsatsens.
- Fjern remafdækningen og ringens. (Fig. 51)
- Frakobl kablet fra gearkassen, og fjern styreremskiven fra mellemhjulet.
- Fjern den forreste remholderens.
- Fjern drivremmen fra gearkassetrisse.
- Fjern de 3 styreremskiver fra mellemhjulet. (Fig. 52)
- Fjern drivremmen fra klingeadapterens og mellemhjulet. (Fig. 53)
- Fastgør låsetængerne på indgangsakslen på gearkassen. Løsn motorens remskive med en 9/16" topnøgle, så du kan fjerne gearkassetrisse.
- Fjern drivremmen.

Fejlfinding

Problem	Mulig årsag	Løsning
Motoren starter ikke.	Tændingskablet er ikke forbundet korrekt.	Tilslut tændingskablet til tændrøret.
	Brændstoftanken er tom.	Fyld den korrekte brændstoftype i tanken.
	Der er snavs i karburator eller brændstofledning.	Rengør karburatoren og/eller brændstofledningen.
	Tændrøret er defekt.	Juster elektrodeafstanden, rengør eller udskift tændrøret.
Motoren standser ikke.	Stopmekanismen er defekt.	Tag tændkablet af tændrøret. Lad et godkendt serviceværksted reparere produktet.
Motoren kører ikke jævnt.	Tændingskablet er ikke forbundet korrekt.	Tilslut tændingskablet til tændrøret.
	Der er snavs i brændstofledningen, eller der er ikke mere brændstof på produktet.	Rengør brændstofførslen. Fyld brændstoftanken op med nyt brændstof af den rigtige slags.
	Der er en blokering i brændstoftankens dæksel.	Rengør brændstoftankens dæksel.
	Der er vand eller snavs i brændstofsyste­met.	Tøm brændstoftanken. Fyld brændstoftanken op med nyt brændstof af den rigtige slags.
	Luffilteret er tilstoppet.	Rens luffilteret.
	Karburatoren skal justeres.	Lad en serviceforhandler justere karburatoren.
Motoren bliver for varm.	Motoroliestanden er for lav.	Påfyld motorolie.
	Luftstrømmen er ikke tilstrækkelig.	Rengør luffilteret og luffilterhuset.
	Karburatoren skal justeres.	Lad en serviceforhandler justere karburatoren.
Der sker fejltænding i motoren, når den kører ved høj hastighed.	Elektrodeafstanden i tændrøret er for lille.	Juster elektrodeafstanden.
Motoren fungerer ikke korrekt i tomgangshastighed.	Tændrøret er tilstoppet, defekt eller elektrodeafstanden er for stor.	Juster elektrodeafstanden, eller udskift tændrøret.
	Karburatoren skal justeres.	Juster karburatoren.
	Luffilteret er tilstoppet.	Rens luffilteret.
Der er for mange vibrationer i håndtaget.	En klinge er løs eller ikke afbalanceret.	Spænd klingeboltene. Udskift klingerne, hvis de er beskadiget.
	En klinge er bøjet.	Udskift klingerne, hvis de er beskadiget.

Problem	Mulig årsag	Løsning
Græsset klippes ikke til findeling.	Græsset er vådt.	Produktet må ikke betjenes, hvis græsset er vådt. Vent, indtil græsset er tørt.
	Græsset er for højt.	Klip først med klippehøjden indstillet højt. Sænk klippehøjden, og klip igen. Klip kun ½ af klippebredden ad gangen.
	En eller flere af klingerne er ikke afbalanceret.	Slib eller udskift klingerne.
Græsset klippes uregelmæssigt.	Hjulene er ikke i korrekt position.	Indstil klippehøjden til samme niveau for alle 4 hjul.
	En eller flere af klingerne er ikke afbalanceret.	Slib eller udskift klingerne.
Drivsystemet fungerer ikke korrekt	Drivremmen er ikke strammet nok, eller der er snavs på remskiverne eller drivremmen.	Lad et godkendt serviceværksted foretage service af drivsystemet.

Transport, opbevaring og bortskaffelse

Transport og opbevaring

- Ved opbevaring og transport af produktet og brændstoffet, skal du sørge for, at der ikke er utætheder eller dampe. Gnister eller åben ild, f.eks. fra elektriske enheder eller kedler, kan starte en brand.
- Brug altid godkendte beholdere til opbevaring og transport af brændstof.
- Tøm brændstoftanken, inden du stiller produktet væk i en længere periode. Bortskaf brændstoffet på en lokal miljøstation
- Fastgør produktet sikkert under transport for at undgå skader og uheld.
- Opbevar produktet i et aflåst område utilgængeligt for børn eller personer, som ikke er godkendt.
- Opbevar produktet på et tørt og frostfrit sted.

Bortskaffelse

- Overhold de lokale krav til genanvendelse og de gældende regler.
- Bortskaf alle kemikalier, som f.eks. motorolie eller brændstof, hos et servicecenter eller på en lokal miljøstation.
- Når produktet ikke længere er i brug, skal det sendes til en Husqvarna forhandler eller bortskaffes på en lokal genbrugsstation.

Tekniske data

Tekniske data

	LC 353AWD
Motor	
Mærke	Honda
Slagvolumen, cu.in/cm ³	10,4/170
Hastighed, o/min.	2900-3200
Nominel motoreffekt, kW/hk ved o/min ¹⁶	3,6/4,9 ved 2900-3200
Tændingssystem	
Tændrør	NGK BPR5ES
Elektrodeafstand, tommer/mm	0,028/0,7
Brændstof-/smøresystem	
Brændstof, blyfri, min. oktantal	90 RON / 87 AKI
Brændstoftankkapacitet, US gal/l	0,27/1,02
Olietankkapacitet, US gal/l	0,14/0,53
Motorolie ¹⁷	SAE 30 / SAE 10W-30
Vægt	
Med tomme tanke, lb/kg	92/41,7
Støjemissioner ¹⁸	
Lydeffektniveau, målt dB (A)	95
Lydeffektniveau, garanteret L _{WA} dB (A)	96
Lydniveauer ¹⁹	
Lydtryksniveau ved brugerens øre, dB (A)	85
Vibrationsniveauer ²⁰	
Styr, m/s ² med græsopsamler/uden græsopsamler	7/7
Skæredstyr	

¹⁶ Motorens effektangivelse er den gennemsnitlige nettoeffekt (ved det anførte omdrejningstal) for en typisk produktionsmodel af motoren målt iht. SAE-standarden J1349/ISO1585. Motorer fra masseproduktionen kan afvige fra denne værdi. Den faktiske effekt på motoren, som monteres i det færdige produkt, vil afhænge af driftshastigheden, miljøhensyn og andre værdier.

¹⁷ Brug motorolie af kvaliteten SJ eller bedre. Se tabellen over viskositet i motorproducentens manual, og vælg en olie med optimal viskositet i forhold til den forventede udendørstemperatur.

¹⁸ Emission af støj til omgivelserne målt som lydeffekt (L_{WA}) i henhold til EF-direktiv 2000/14/EF.

¹⁹ Lydtryksniveau iht. ISO 5395. Rapporterede data for lydtrykniveau har en typisk statistisk spredning (standardafvigelse) på 1,2 dB (A).

²⁰ Vibrationsniveau iht. ISO 5395. Rapporterede data for vibrationsniveau har en typisk statistisk spredning (standardafvigelse) på 0,2 m/s².

	LC 353AWD
Klippehøjde, tommer/mm	1,0-4,0/25,4-101,6
Klippebredde, tommer/mm	21/530
Klinge	
Artikelnummer	586 85 96-02
Græsopsamlerkapacitet, ft ³ /l	2,3/65
Drev	
Hastighed, mph/km/t	0-3/0-4,8

Indhold i EF-overensstemmelseserklæring

Vi, Husqvarna AB, SE 561 82 Huskvarna, SVERIGE, erklærer under eget ansvar, at det repræsenterede produkt:

Den leverede forbrændingsmotordrevne ride-on plæneklipper med gående fører stemmer overens med det eksemplar, der har gennemgået afprøvningen.

Beskrivelse	Forbrændingsmotordrevet plæneklipper med gående fører
Mærke	Husqvarna
Platform / type / model	PlatformE21THV, repræsenterer modeller LC 353AWD.
Batch	Serienumre fra 2019 og fremefter.

overholder følgende EU-direktiver og bestemmelser:

Direktiv/bestemmelser	Beskrivelse
2006/42/EF	"angående maskiner"
2014/30/EU	"vedrørende elektromagnetisk kompatibilitet"
2000/14/EU; 2005/88/EF	"vedrørende udendørs støj"
2011/65/EU	"begrænsning af anvendelsen af visse farlige stoffer"

Harmoniserede standarder og/eller tekniske specifikationer anvendt er følgende: EN ISO 12100, ISO 5395-1+A1/A2, ISO 5395-2+A1/A2, EN ISO 14982, ISO 3744, ISO 11094, EN 1032

I overensstemmelse med direktiv 2000/14/EF, bilag VI, er de erklærede lydverdier angivet i afsnittet om tekniske data i denne manual og i den underskrevne EF-overensstemmelseserklæring.

Inhalt

Einleitung.....	62	Fehlerbehebung.....	72
Sicherheit.....	63	Transport, Lagerung und Entsorgung.....	73
Montage.....	66	Technische Angaben.....	74
Betrieb.....	67	Inhalt der EG-Konformitätserklärung.....	75
Wartung.....	68		

Einleitung

Gerätebeschreibung

Beim Gerät handelt es sich um einen handgeführten Rasenmäher, der von einem Verbrennungsmotor angetrieben wird. Das Gras wird in einem Grasfänger gesammelt. Entfernen Sie den Grasfänger, um an den Heckauswurf des Grasses zu gelangen. Befestigen Sie ein Mulch-Kit, um das Gras in Dünger zu schneiden.

Geräteübersicht

(Abb. 1)

1. Motorbremsgriff
2. Steuerhebel
3. Startseilhandgriff
4. Grasfänger
5. Kraftstofftankdeckel
6. Luftfilter
7. Zündkerze
8. Antriebsabdeckung
9. Schalldämpfer
10. Wasserschlauchanschluss
11. Hinteres Prallblech
12. Messstab/Öltank
13. Schnitthöhenregelung
14. Mulcheinsatz
15. Bedienungsanleitung
16. Auswurfsammler

Symbole auf dem Gerät

(Abb. 3) **WARNUNG:** Dieses Gerät kann gefährlich sein und schwere oder tödliche Verletzungen des Bedieners oder anderer Personen verursachen. Gehen Sie vorsichtig vor, und verwenden Sie das Gerät ordnungsgemäß.

(Abb. 4) Lesen Sie die Bedienungsanleitung aufmerksam durch und machen Sie sich mit den Anweisungen vertraut, bevor Sie das Gerät verwenden.

(Abb. 5) Schnell

(Abb. 6) Langsam

Verwendungszweck

Verwenden Sie das Produkt, um Gras in privaten Gärten zu schneiden. Verwenden Sie das Gerät nicht für andere Aufgaben.

(Abb. 7) Halten Sie Hände und Füße von rotierenden Teilen fern.

(Abb. 8) Andere Personen oder Tiere müssen sich in sicherem Abstand vom Arbeitsbereich befinden.

(Abb. 9) Seien Sie vorsichtig, wenn Sie das Gerät nach hinten ziehen. Schauen Sie nach hinten und nach unten, um sicherzustellen, dass keine kleinen Kinder, Tiere oder andere Gefahren im Weg sind, die Sie zum Stürzen bringen könnten.

(Abb. 10) Der Betrieb des Geräts an Steigungen kann gefährlich sein.

(Abb. 11) Halten Sie Hände und Füße von der rotierenden Rasenmäherklinge fern.

(Abb. 12) Achten Sie auf hochgeschleuderte und abprallende Gegenstände.

(Abb. 13) Umweltbelastende Geräuschemissionen gemäß der Richtlinie der Europäischen Gemeinschaft. Die Emission des Geräts ist unter *Technische Angaben auf Seite 74* und auf dem Geräteschild angegeben.

(Abb. 14) Dieses Gerät stimmt mit den geltenden CE-Richtlinien überein.

(Abb. 15) Dieses Gerät entspricht den geltenden EAC-Richtlinien.

(Abb. 16) Dieses Gerät stimmt mit den geltenden RCM-Richtlinien überein. Dies gilt nur für AU/NZ.

(Abb. 17) Dieses Gerät entspricht den geltenden Richtlinien der Ukraine.

(Abb. 18) Tragen Sie einen zugelassenen Gehörschutz.

Hinweis: Weitere Symbole/Aufkleber auf dem Gerät beziehen sich auf die Zertifizierungsanforderungen für andere kommerzielle Bereiche.

Produkthaftung

Im Sinne der Produkthaftungsgesetze übernehmen wir keine Haftung für Schäden, die unser Gerät verursacht, wenn...

Sicherheit

Sicherheitsdefinitionen

Warnungen, Vorsichtsmaßnahmen und Hinweise werden verwendet, um auf besonders wichtige Teile der Bedienungsanleitung hinzuweisen.



WARNUNG: Wird verwendet, wenn bei Nichtbeachtung der Anweisungen in diesem Handbuch die Gefahr von Verletzung oder Tod des Bedieners oder anderer Personen besteht.



ACHTUNG: Wird verwendet, wenn bei Nichtbeachtung der Anweisungen in diesem Handbuch die Gefahr von Schäden am Gerät, an anderen Materialien oder in der Umgebung besteht.

Hinweis: Für weitere Informationen, die in bestimmten Situationen nötig sind.

Allgemeine Sicherheitshinweise



WARNUNG: Lesen Sie die folgenden Warnhinweise, bevor Sie das Gerät benutzen.

- Dieses Gerät ist gefährlich, wenn es falsch bedient wird oder Sie unvorsichtig sind. Wenn die Sicherheitshinweise nicht befolgt werden, kann dies zu Verletzungen oder zum Tod führen.
- Dieses Gerät erzeugt beim Betrieb ein elektromagnetisches Feld. Dieses Feld kann sich unter bestimmten Bedingungen auf die Funktionsweise aktiver oder passiver medizinischer Implantate auswirken. Um die Gefahr von Situationen, die zu schweren oder tödlichen Verletzungen führen können, zu reduzieren, sollten Personen mit einem medizinischen Implantat vor der Nutzung dieses Geräts ihren Arzt und den Hersteller des Implantats konsultieren.

- das Gerät nicht ordnungsgemäß repariert wird.
- das Gerät mit Teilen repariert wird, die nicht vom Hersteller stammen oder nicht vom Hersteller zugelassen sind.
- ein Zubehörteil mit dem Gerät verwendet wird, das nicht vom Hersteller stammt oder nicht vom Hersteller zugelassen ist.
- das Gerät nicht bei einem zugelassenen Service Center oder von einem zugelassenen Fachmann repariert wird.

- Lassen Sie immer Vorsicht walten, und arbeiten Sie mit gesundem Menschenverstand. Wenn Sie sich nicht sicher sind, wie Sie das Gerät in einer bestimmten Situation zu bedienen ist, unterbrechen Sie die Arbeit und wenden sich an Ihren Husqvarna Händler, bevor Sie fortfahren.
- Denken Sie daran, dass der Bediener für Unfälle mit anderen Personen oder deren Eigentum verantwortlich ist.
- Halten Sie das Gerät sauber. Stellen Sie sicher, dass Symbole und Aufkleber deutlich lesbar sind.
- Lassen Sie keine andere Person das Gerät verwenden, es sei denn, Sie haben sich zuvor vergewissert, dass diese Person den Inhalt der Bedienungsanleitung gelesen und verstanden hat.
- Lassen Sie nicht zu, dass Kinder das Gerät verwenden.
- Halten Sie Kinder vom Arbeitsbereich fern. Es muss immer ein verantwortlicher Erwachsener anwesend sein.
- Erlauben Sie nicht, dass Personen ohne Kenntnis der Anweisungen das Gerät bedienen.
- Stellen Sie sicher, dass Personen mit verminderter physischer oder psychischer Leistungsfähigkeit dieses Gerät nicht unbeobachtet verwenden. Es muss immer ein verantwortlicher Erwachsener anwesend sein.
- Verwenden Sie das Gerät nicht, wenn Sie müde oder krank sind oder unter Einfluss von Alkohol, Drogen oder Medikamenten stehen. Dies wirkt sich negativ auf Ihre Sehkraft, Ihre Aufmerksamkeit sowie Ihr Koordinations- und Urteilsvermögen aus.
- Verwenden Sie das Gerät nicht, wenn es defekt ist.
- Verändern oder verwenden Sie dieses Gerät nicht, wenn die Möglichkeit besteht, dass andere es verändert haben.

Sicherheit im Arbeitsbereich



WARNUNG: Lesen Sie die folgenden Warnhinweise, bevor Sie das Gerät benutzen.

- Entfernen Sie Gegenstände wie Äste, Zweige und Steine aus dem Arbeitsbereich, bevor Sie das Produkt verwenden.
- Gegenstände, die auf die Schneidausrüstung treffen, können herausgeschleudert werden und Personen und Gegenständen Schaden zufügen. Halten Sie andere Personen und Tiere in einem sicheren Abstand zum Produkt.
- Benutzen Sie das Produkt niemals bei schlechtem Wetter wie Nebel, Regen, starkem Wind, intensiver Kälte und bei der Gefahr eines Blitzschlags. Die Verwendung des Produkts bei schlechtem Wetter oder an feuchten oder nassen Stellen ist anstrengend. Schlechtes Wetter kann gefährliche Zustände wie rutschige Oberflächen verursachen.
- Achten Sie auf Personen, Gegenstände und Situationen, die einen sicheren Betrieb des Produkts verhindern könnten.
- Achten Sie auf Hindernisse wie Wurzeln, Steine, Zweige, Löcher und Gräben. Langes Gras kann Hindernisse verdecken.
- Das Mähen von Gras an Steigungen kann gefährlich sein. Verwenden Sie das Produkt nicht in einem Gelände mit einer Neigung von mehr als 15°.
- Betreiben Sie das Produkt quer zum Hang. Bewegen Sie sich nicht nach oben und nach unten.
- Seien Sie vorsichtig, wenn Sie um versteckte Ecken oder Objekte herum fahren, die Ihre freie Sicht verhindern.

Arbeitssicherheit



WARNUNG: Lesen Sie die folgenden Warnhinweise, bevor Sie das Gerät benutzen.

- Verwenden Sie dieses Produkt nur zum Mähen von Rasenflächen. Es ist nicht erlaubt, das Produkt für andere Aufgaben zu verwenden.
- Benutzen Sie eine persönliche Schutzausrüstung. Siehe *Persönliche Schutzausrüstung auf Seite 64*.
- Stellen Sie sicher, dass Sie wissen, wie der Motor in einem Notfall schnell gestoppt werden kann.
- Starten Sie den Motor niemals in einem geschlossenen Raum oder in der Nähe von brennbarem Material. Die Motorabgase sind heiß und können Funken enthalten, die einen Brand verursachen können.
- Starten Sie das Produkt nicht, bevor die Klinge und alle Abdeckungen korrekt befestigt sind. Eine falsch befestigte Klinge kann sich lösen und Personenschaden verursachen.
- Stellen Sie sicher, dass die Klinge nicht auf Gegenstände wie Steine und Wurzeln trifft. Dies kann die Klinge beschädigen und die Motorwelle verbiegen. Eine verbogene Achse führt zu starken Vibrationen und birgt ein hohes Risiko, dass die Klinge sich löst.
- Wenn die Klinge auf ein Objektiv trifft oder Vibrationen auftreten, müssen Sie das Produkt sofort

abstellen. Ziehen Sie das Zündkabel von der Zündkerze ab. Untersuchen Sie das Produkt auf beschädigte Teile. Reparieren Sie Schäden oder lassen Sie einen autorisierten Kundendienst die Reparatur durchführen.

- Befestigen Sie die Motorbremse niemals fest am Griff, wenn der Motor läuft.
- Stellen Sie das Produkt auf eine stabile, flache Oberfläche und starten Sie es. Stellen Sie sicher, dass die Klinge nicht den Boden oder ein anderes Objekt berührt.
- Bleiben Sie immer hinter dem Produkt, wenn Sie es betreiben.
- Lassen Sie alle Räder auf dem Boden bleiben und halten Sie den Griff mit 2 Händen, wenn Sie das Produkt betreiben. Halten Sie Hände und Füße von den rotierenden Rasenmäherklingen fern.
- Kippen Sie das Produkt nicht, wenn der Motor läuft.
- Seien Sie vorsichtig, wenn Sie das Produkt nach hinten ziehen.
- Heben Sie das Produkt nicht hoch, wenn der Motor läuft. Wenn Sie das Produkt anheben müssen, schalten Sie zunächst den Motor aus und ziehen Sie das Zündkabel von der Zündkerze ab.
- Gehen Sie nicht rückwärts, wenn Sie das Produkt betreiben.
- Stellen Sie den Motor ab, wenn Sie sich über Bereiche ohne Gras bewegen, zum Beispiel Wege aus Kies, Stein und Asphalt.
- Rennen Sie nicht mit dem Produkt, wenn der Motor läuft. Gehen Sie immer, wenn Sie das Produkt benutzen.
- Stellen Sie den Motor ab, bevor Sie die Schnitthöhe verändern. Verändern Sie die Einstellungen niemals, wenn der Motor läuft.
- Lassen Sie das Produkt niemals aus den Augen, wenn der Motor läuft. Stellen Sie den Motor ab und stellen Sie sicher, dass sich die Schneidausrüstung nicht dreht.

Sicherheitshinweise für den Betrieb

Persönliche Schutzausrüstung



WARNUNG: Lesen Sie die folgenden Warnhinweise, bevor Sie das Gerät benutzen.

- Die persönliche Schutzausrüstung kann Verletzungen nicht vollständig vermeiden, vermindert aber den Umfang der Verletzungen und Schäden bei einem Unfall. Lassen Sie sich von Ihrem Händler bei der Auswahl der richtigen Ausrüstung unterstützen.
- Tragen Sie einen Gehörschutz, wenn der Geräuschpegel höher als 85 dB ist
- Tragen Sie rutschfeste Sicherheitstiefel oder -schuhe. Verwenden Sie keine offenen Schuhe, und gehen Sie nicht barfuß.

- Tragen Sie schwere, lange Hosen.
- Tragen Sie bei Bedarf Schutzhandschuhe, beispielsweise bei der Montage, der Untersuchung oder der Reinigung der Schneidausrüstung.

Sicherheitsvorrichtungen am Gerät



WARNUNG: Lesen Sie die folgenden Warnhinweise, bevor Sie das Gerät benutzen.

- Benutzen Sie kein Gerät mit defekten Sicherheitsvorrichtungen.
- Führen Sie regelmäßig eine Überprüfung der Sicherheitsvorrichtungen durch. Wenn die Sicherheitsvorrichtungen defekt sind, wenden Sie sich an Ihre Husqvarna-Servicewerkstatt.

So überprüfen Sie den Schneidschutz

Der Schneidschutz verringert Vibrationen im Gerät und das Verletzungsrisiko durch die Klinge.

- Untersuchen Sie die Schneidewerkabdeckung, um sicherzustellen, dass es keine Beschädigungen wie zum Beispiel Risse gibt.

So führen Sie eine Prüfung des Motorbremsbügels durch

Der Motorbremshebel stoppt den Motor. Wenn der Motorbremshebel losgelassen wird, stoppt der Motor.

- Starten Sie den Motor, und lassen Sie den Motorbremshebel los. Wenn der Motor nicht innerhalb von 3 Sekunden stoppt, lassen Sie die Motorbremse von einer autorisierten Husqvarna Servicewerkstatt einstellen. (Abb. 19)

So prüfen Sie das hintere Prallblech

Das hintere Prallblech verringert das Risiko, dass Gegenstände in Richtung des Bedieners ausgeworfen werden.

- Vergewissern Sie sich, dass das hintere Prallblech nicht beschädigt ist. (Abb. 20)
- Stellen Sie sicher, dass die Federn, die das hintere Prallblech schließen, nicht beschädigt sind.
- Ersetzen Sie gebrochene Federn und beschädigte Teile.
- Stellen Sie sicher, dass sich das hintere Prallblech problemlos an den Scharnieren bewegen lässt.

Schalldämpfer

Der Schalldämpfer senkt den Geräuschpegel so weit wie möglich und hält die Abgase des Motors vom Anwender fern.

Verwenden Sie das Gerät nicht, wenn der Schalldämpfer fehlt oder defekt ist. Ein defekter Schalldämpfer erhöht den Geräuschpegel und die Brandgefahr.



WARNUNG: Der Schalldämpfer wird während und nach Gebrauch und wenn der Motor im Leerlauf läuft, sehr heiß. Seien Sie in der Nähe von entzündlichen Materialien und/oder Dämpfen besonders vorsichtig, um Brandgefahr zu verhindern.

So prüfen Sie den Schalldämpfer

- Überprüfen Sie den Schalldämpfer regelmäßig, um sicherzustellen, dass er richtig angebracht und nicht beschädigt ist.

So prüfen Sie den Ölstand



ACHTUNG: Ein zu niedriger Ölstand kann den Motor beschädigen. Prüfen Sie den Ölstand, bevor Sie das Produkt starten.

1. Stellen Sie das Produkt auf einer ebenen Fläche ab.
2. Entfernen Sie den Öltankverschluss mit dem beigefügten Messstab.
3. Reinigen Sie den Messstab von Öl.
4. Tauchen Sie den Messstab vollständig in den Ölbehälter ein, um ein korrektes Bild über den Ölstand zu erhalten.
5. Entfernen Sie den Messstab.
6. Prüfen Sie den Ölstand am Messstab.
7. Wenn der Ölstand zu niedrig ist, füllen Sie Motoröl ein, und kontrollieren Sie den Ölstand erneut.

Sicherer Umgang mit Kraftstoff



WARNUNG: Lesen Sie die folgenden Warnhinweise, bevor Sie das Gerät benutzen.

- Starten Sie das Gerät nicht, wenn sich Kraftstoff oder Öl darauf befindet. Entfernen Sie den unerwünschten Kraftstoff bzw. das Öl und lassen Sie das Gerät trocknen.
- Wechseln Sie sofort die Kleidung, wenn Sie Kraftstoff darauf verschütten.
- Lassen Sie keinen Kraftstoff auf Ihren Körper gelangen, denn dies kann zu Verletzungen führen. Wenn Kraftstoff auf Ihre Haut gelangt, waschen Sie diesen mit Wasser und Seife ab.
- Starten Sie das Gerät nicht, wenn der Motor undicht ist. Überprüfen Sie den Motor regelmäßig auf Undichtigkeiten.
- Gehen Sie vorsichtig mit Kraftstoff um. Kraftstoff ist feuergefährlich, und die Dämpfe sind explosiv und können zu Verletzungen oder sogar zum Tod führen.
- Atmen Sie die Kraftstoffdämpfe nicht ein, denn sie sind gesundheitsschädigend. Achten Sie auf ausreichende Belüftung.
- Rauchen Sie nicht in der Nähe des Kraftstoffs oder des Motors.

- Stellen Sie keine heißen Gegenstände in der Nähe des Kraftstoffs oder Motors ab.
- Füllen Sie keinen Kraftstoff nach, während der Motor läuft.
- Vergewissern Sie sich, dass der Motor abgekühlt ist, bevor Sie Kraftstoff nachfüllen.
- Öffnen Sie vor dem Nachfüllen den Tankdeckel langsam und lassen Sie den Druck vorsichtig entweichen.
- Füllen Sie keinen Kraftstoff in den Motor, wenn Sie sich in einem Innenraum befinden. Eine mangelhafte Luftzirkulation kann zu schweren oder tödlichen Verletzungen durch Ersticken oder eine Kohlenmonoxidvergiftung führen.
- Schrauben Sie den Kraftstofftankdeckel fest zu. Wenn der Tankverschluss nicht fest zugeschraubt ist, besteht Feuergefahr.
- Bewegen Sie das Produkt vor dem Starten mindestens 3 m von der Stelle fort, an der Sie den Tank befüllt hatten.
- Füllen Sie den Kraftstofftank nicht vollständig auf. Durch Hitze dehnt sich der Kraftstoff aus. Lassen Sie deshalb einen Freiraum im oberen Bereich des Kraftstofftanks.
- Die Abgase des Motors enthalten Kohlenmonoxid, ein geruchloses, giftiges und sehr gefährliches Gas. Starten Sie den Motor nicht in Innenräumen oder in geschlossenen Räumen.
- Bevor Sie an dem Produkt eine Wartung durchführen, schalten Sie den Motor aus und ziehen Sie das Zündkabel von der Zündkerze ab.
- Tragen Sie Schutzhandschuhe, wenn Sie an der Schneidausrüstung eine Wartung durchführen. Die Klinge ist sehr scharf und man schneidet sich sehr leicht.
- Zubehörteile und Änderungen am Produkt, die vom Hersteller nicht genehmigt wurden, können zu schweren Verletzungen oder zum Tod führen. Verändern Sie das Produkt nicht. Verwenden Sie immer Teile, die vom Hersteller genehmigt wurden.
- Wenn die Wartung nicht ordnungsgemäß und regelmäßig erfolgt, erhöht sich die Verletzungsgefahr und das Risiko für eine Beschädigung des Produkts.
- Führen Sie die Wartung nur gemäß dieser Betriebsanleitung durch. Alle anderen Wartungsarbeiten müssen von einer autorisierten Husqvarna Servicewerkstatt durchgeführt werden.
- Lassen Sie eine autorisierte Husqvarna Servicewerkstatt das Produkt regelmäßig warten.
- Ersetzen Sie beschädigte, abgenutzte oder defekte Teile.

Sicherheitshinweise für die Wartung



WARNUNG: Lesen Sie die folgenden Warnhinweise, bevor Sie das Gerät benutzen.

Montage

Einleitung



WARNUNG: Vor dem Betrieb des Gerätes müssen Sie die Sicherheitsinformationen lesen und verstehen.



WARNUNG: Ziehen Sie den Zündkerzenstecker von der Zündkerze ab, bevor Sie das Gerät zusammenbauen.

So montieren Sie den Griff

1. Heben Sie den unteren Griff an. (Abb. 21)
 2. Richten Sie die Löcher an der Unterseite des unteren Griffs an den Löchern in den Griffhalterungen aus.
- Hinweis:** Wählen Sie die Löcher aus, durch die die beste Arbeitshaltung entsteht.
3. Ziehen Sie die unteren Griffschrauben an.
 4. Heben Sie den oberen Griff an, und richten Sie ihn am unteren Griff aus.
 5. Ziehen Sie die oberen Griffschrauben vollständig an.

So befestigen Sie den Startseilhandgriff

1. Befestigen Sie die Schlaufe für das Startseil und den T-Knauf. Ziehen Sie diese nicht vollständig an. (Abb. 22)
2. Halten Sie den Motorbremsgriff gegen den Lenker.
3. Ziehen Sie das Startseil langsam heraus, und führen Sie es durch die entsprechende Schlaufe für das Startseil. (Abb. 23)
4. Ziehen Sie den T-Knauf fest. (Abb. 24)

So bringen Sie das Gerät in die Transportposition

1. Entfernen Sie den Grasfänger.
2. Lösen Sie die unteren Griffschrauben, um den Griff zu entsperren. (Abb. 25)
3. Klappen Sie den Griff nach unten und nach hinten.
4. Entfernen Sie die Griffschrauben und die Stifte am unteren Griff.
5. Klappen Sie den Griff nach vorn.

So montieren Sie den Grasfänger

1. Befestigen Sie den Rahmen des Grasfängers am Grasfangbeutel, sodass der starre Teil des Beutels nach unten weist. Sorgen Sie dafür, dass sich der

Rahmengriff stets außerhalb des Beutels befindet. (Abb. 26)

2. Befestigen Sie den Grasfangbeutel mit den Schnellbefestigern am Rahmen. (Abb. 27)

Betrieb

Einleitung



WARNUNG: Vor dem Betrieb des Gerätes müssen Sie die Sicherheitsinformationen lesen und verstehen.

Bevor Sie das Produkt in Betrieb nehmen

1. Lesen Sie die Bedienungsanleitung sorgfältig durch, und vergewissern Sie sich, dass Sie die Anweisungen verstehen.
2. Untersuchen Sie die Schneidausrüstung, um sicherzustellen, dass sie ordnungsgemäß befestigt und eingestellt ist. Siehe *So prüfen Sie die Schneidausrüstung auf Seite 70*.
3. Füllen Sie es in den Kraftstofftank. Siehe *So füllen Sie Kraftstoff ein auf Seite 67*.
4. Füllen Sie den Öltank, und überprüfen Sie den Ölstand. Siehe *So prüfen Sie den Ölstand auf Seite 65*.

So füllen Sie Kraftstoff ein

Falls vorhanden, verwenden Sie schadstoffarmes Benzin/Alkylatbenzin. Wenn schadstoffarmes Benzin/Alkylatbenzin nicht verfügbar ist, verwenden Sie ein qualitativ hochwertiges, bleifreies Benzin oder verbleites Benzin mit einer Oktanzahl von mindestens 90.



ACHTUNG: Verwenden Sie kein Benzin mit einer geringeren Oktanzahl als 90 RON (87 AKI). Dies kann das Gerät beschädigen.

1. Öffnen Sie den Tankdeckel langsam, damit der Druck entweichen kann.
2. Füllen Sie langsam mit einem Kraftstoffkanister auf. Wenn Sie Kraftstoff verschütten, entfernen Sie ihn mit einem Tuch und lassen Sie den verbleibenden Treibstoff trocknen.
3. Säubern Sie den Bereich um den Tankdeckel herum.
4. Schrauben Sie den Kraftstofftankdeckel fest zu. Wenn der Tankverschluss nicht fest zugeschraubt ist, besteht Feuergefahr.
5. Bewegen Sie das Produkt vor dem Starten mindestens 3 m von der Stelle fort, an der Sie den Tank befüllt hatten.

So stellen Sie die Schnitthöhe ein

Die Schnitthöhe lässt sich in 9 Stufen einstellen.

1. Drücken Sie den Schnitthöhenhebel in Richtung des Rades und dann nach hinten, um die Schnitthöhe zu vergrößern.
2. Drücken Sie den Schnitthöhenhebel in Richtung des Rades und dann nach vorn, um die Schnitthöhe zu verringern. (Abb. 28)



ACHTUNG: Stellen Sie die Schnitthöhe nicht zu niedrig ein. Die Klängen können auf den Boden treffen, wenn die Oberfläche des Rasens nicht eben ist.

So starten Sie das Gerät

1. Halten Sie sich immer hinter dem Gerät auf.
2. Halten Sie den Motorbremsgriff gegen den Lenker. (Abb. 29)
3. Ziehen Sie den Griff am Startseilhandgriff mit Ihrer rechten Hand.
4. Ziehen Sie langsam das Startseil, bis Sie etwas Widerstand spüren.
5. Ziehen Sie kräftig, um den Motor anzulassen.



WARNUNG: Wickeln Sie das Startseil nicht um Ihre Hand.

So treiben Sie die Räder an

- Ziehen Sie die Antriebshebel in die Richtung des Lenkers. (Abb. 30)
- Bevor Sie das Gerät nach hinten ziehen, kuppeln Sie den Antrieb aus und schieben das Gerät ca. 10 cm nach vorn.
- Lassen Sie die Antriebshebel los, um den Antrieb auszuschalten, z. B. wenn Sie sich in die Nähe eines Hindernisses befinden.

So stellen Sie den Gaszug ein

- Verwenden Sie die Stellschraube, um den Gaszug einzustellen. (Abb. 31)
- Schalten Sie den Motor aus. Trennen Sie immer zuerst die Zündkerze, bevor Sie die beweglichen Teile in Betrieb nehmen.
- Drehen Sie die Stellschraube gegen den Uhrzeigersinn, um das Kabel zu spannen und die Drehzahl zu erhöhen.

- Drehen Sie die Stellschraube im Uhrzeigersinn, um Spannung vom Kabel zu nehmen und die Drehzahl zu verringern.

So schalten Sie das Gerät aus

- Um nur den Antrieb zu stoppen, lassen Sie die Antriebshebel los.
- Um den Motor zu stoppen, lassen Sie den Motorbremsgriff los. (Abb. 32)

So verwenden Sie das Gerät mit dem Grasfänger



WARNUNG: Bedienen Sie das Gerät nicht ohne Grasfänger oder mit geöffnetem hinterem Prallblech. Objekte können heraus geschleudert werden und den Bediener verletzen.

1. Heben Sie das hintere Prallblech an, und entfernen Sie den Mulcheinsatz. (Abb. 33)
2. Siehe *So montieren Sie den Grasfänger auf Seite 67* für Informationen zur Montage des Grasfängers.
3. Bringen Sie den Grasfänger auf der Halterung an. (Abb. 34)
4. Lösen Sie das hintere Prallblech, und legen Sie sie auf den Rahmen des Grasfängers.

So versetzen Sie das Gerät in den Mulchmodus

Im Mulchmodus schneidet das Gerät den Grasschnitt kleiner. Der Grasschnitt fällt dann auf den Rasen und wird über das Gras verteilt. Gemulchtes Gras zersetzt sich schnell und liefert Nährstoffe für den Rasen.

1. Heben Sie das hintere Prallblech an, und entfernen Sie den Grasfangbeutel (sofern vorhanden).
2. Setzen Sie den Mulcheinsatz in den Aufsammlerkanal. (Abb. 35)

3. Schließen Sie das hintere Prallblech, und stellen Sie sicher, dass es am Mulcheinsatz gut verschließt. (Abb. 36)

So versetzen Sie das Gerät in den Auswurfmodus zur Seite und nach hinten

1. Heben Sie das hintere Prallblech an, und entfernen Sie den Mulcheinsatz. (Abb. 37)
2. Bringen Sie den Auswurfsammler an. (Abb. 38)

So leeren Sie den Grasfänger



ACHTUNG: Ziehen Sie beim Entleeren des Grasfängers nicht am Beutel, um Verschleiß zu vermeiden.

1. Heben Sie den Grasfänger mit dem Rahmengriff an. (Abb. 39)
2. Entfernen Sie den Rasenschnitt aus dem Grasfänger unterhalb des Griffs.
3. Leeren Sie den Rasenschnitt mit dem Rahmengriff und dem Beutelgriff aus dem Beutel.

So erhalten Sie ein gutes Mähergebnis

- Benutzen Sie immer eine scharfe Klinge. Eine stumpfe Klinge liefert ein unregelmäßiges Ergebnis, und die Schnittfläche des Grases wird gelb. Eine scharfe Klinge verbraucht außerdem weniger Energie als eine stumpfe Klinge.
- Schneiden Sie nicht mehr als $\frac{1}{3}$ der Länge des Grases ab. Mähen Sie zuerst mit einer hohen Schnitthöhe. Überprüfen Sie das Ergebnis, und senken Sie die Schnitthöhe auf eine entsprechende Stufe. Wenn das Gras sehr lang ist, fahren Sie langsam und mähen bei Bedarf 2-mal.
- Mähen Sie bei jedem Mal in eine andere Richtung, um Streifen auf dem Rasen zu vermeiden.

Wartung

Einleitung



WARNUNG: Bevor Sie eine Wartung durchführen, müssen Sie das Kapitel über die Sicherheit lesen und verstehen.

Für alle Wartungs- und Reparaturarbeiten am Produkt ist eine spezielle Schulung erforderlich. Wir garantieren die Verfügbarkeit von professionellen Reparaturen und Wartungsarbeiten. Wenn Ihr Händler keine Servicewerkstatt ist, sprechen Sie mit ihm, um Informationen über die nächste Servicewerkstatt zu erhalten.

Wartungsplan



ACHTUNG: Stellen Sie sicher, dass der Luftfilter nach oben und nicht zum Boden hin ausgerichtet ist, wenn Sie das Gerät schräg stellen. Risiko von Motorschäden

Die Wartungsintervalle werden anhand der täglichen Nutzung des Geräts berechnet. Die Intervalle ändern sich, wenn das Gerät nicht täglich verwendet wird.

Für Wartungsarbeiten, die mit * gekennzeichnet sind, siehe Anweisungen in *Sicherheitsvorrichtungen am Gerät auf Seite 65*.

Wartung	Taglich	Wochentlich	Monatlich
Fuhren Sie eine allgemeine Inspektion durch	X		
Prufen Sie den Olstand	X		
Reinigen Sie das Gerat	X		
Prufen Sie die Schneidaustrustung	X		
Prufen Sie die Schneidewerkabdeckung *	X		
Prufen Sie den Motorbremsgriff *	X		
Prufen Sie den Klngenbremsenhebel *	X		
Prufen Sie den Schalldampfer *		X	
Prufen Sie die Zundkerze		X	
Wechseln Sie das Ol (das erste Mal nach 5 Betriebsstunden und anschlieen nach allen 50 Betriebsstunden)			X
Reinigen oder ersetzen Sie den Luftfilter.			X
Prufen Sie den Kraftstofffilter			X

So fuhren Sie eine allgemeine Inspektion durch

- Stellen Sie sicher, dass alle Muttern und Schrauben am Gerat richtig angezogen sind.

So reinigen Sie das Produkt auen

- Verwenden Sie einen Pinsel, um Blatter, Gras und Schmutz zu entfernen.
- Achten Sie darauf, dass der Lufteinlass auf der Oberseite des Motors nicht blockiert ist.
- Reinigen Sie das Gerat nicht mit einem Hochdruckreiniger.
- Wenn Sie Wasser verwenden, um das Produkt zu reinigen, bringen Sie das Wasser nicht direkt auf den Motor auf.

So reinigen Sie die Innenseite der Schneidewerkabdeckung

1. Leeren Sie den Kraftstofftank.
2. Legen Sie das Produkt mit dem Schalldampfer nach unten auf die Seite.



ACHTUNG: Wenn das Produkt mit dem Luftfilter nach unten gelegt wird, kann der Motor beschadigt werden.

3. Spritzen Sie die Innenflache der Schneidewerkabdeckung mit dem Wasserschlauch ab.

So verwenden Sie den Wasserschlauchanschluss

1. Bewegen Sie das Gerat auf ein gemahes Rasenstuck oder auf einen anderen festen Untergrund.
2. Entfernen Sie den Grasfanger oder den Mulcheinsatz vom Gerat.
3. Schlieen Sie das hintere Prallblech.
4. Schlieen Sie einen Wasserschlauch an den Wasserschlauchanschluss an. (Abb. 40)
5. Unterbrechen Sie die Wasserversorgung, und prufen Sie den Wasserschlauchanschluss auf Undichtigkeiten.
6. Wenn Sie keine Undichtigkeit feststellen, starten Sie den Motor. Lassen Sie den Motor laufen, bis das Gerat im Gehauseinneren sauber ist.
7. Stellen Sie den Motor ab.
8. Unterbrechen Sie die Wasserversorgung, und entfernen Sie den Schlauch vom Wasserschlauchanschluss.

Hinweis: Trennen Sie den Wasserschlauch nicht vom Wasserschlauchanschluss, wahrend der Motor in Betrieb ist. Wasser im Motor kann die Lebensdauer des Motors verringern.

9. Starten Sie den Motor, und lassen Sie diesen eine Minute lang laufen, um Restwasser vom Gerat zu entfernen.

So tauschen Sie das Motoröl aus



WARNUNG: Das Motoröl ist direkt nach dem Abstellen des Motors sehr heiß. Lassen Sie den Motor abkühlen, bevor Sie das Motoröl ablassen. Wenn Sie Motoröl auf Ihre Haut verschütten, reinigen Sie sie mit Wasser und Seife.

1. Arbeiten Sie so lange mit dem Gerät, bis der Tank leer ist.
2. Trennen Sie das Zündkabel von der Zündkerze.
3. Entfernen Sie den Öltankdeckel.
4. Stellen Sie einen Behälter unter das Gerät, um das Motoröl aufzufangen.
5. Kippen Sie das Gerät, um das Öl aus dem Öltank ablaufen zu lassen.
6. Füllen Sie ein Motoröl des Typs ein, der in *Technische Daten auf Seite 74* empfohlen wird.
7. So prüfen Sie den Ölstand. Siehe *So prüfen Sie den Ölstand auf Seite 65*.

So überprüfen Sie die Zündkerze



ACHTUNG: Verwenden Sie stets den vom Hersteller empfohlenen Zündkerzentyp! Die Verwendung eines falschen Zündkerzentyps kann zu Schäden am Gerät führen.

- Überprüfen Sie die Zündkerze, wenn der Motor nur schwache Leistung bringt, sich nur schwer starten lässt oder im Leerlauf nicht ordnungsgemäß funktioniert.
- Wenn Sie diese Anweisungen befolgen, verringern Sie die Gefahr von unerwünschtem Material an den Elektroden der Zündkerze:
 - a) Stellen Sie sicher, dass die Leerlaufdrehzahl richtig eingestellt ist.
 - b) Vergewissern Sie sich, dass das Kraftstoffgemisch korrekt ist.
 - c) Vergewissern Sie sich, dass der Luftfilter sauber ist.
- Ist die Zündkerze verschmutzt, so ist sie zu reinigen; gleichzeitig ist zu prüfen, ob der Elektrodenabstand korrekt ist, siehe *Technische Daten auf Seite 74*. (Abb. 41)
- Tauschen Sie die Zündkerze bei Bedarf aus.

So reinigen Sie den Luftfilter

1. Nehmen Sie Luftfilterdeckel ab, und entfernen Sie den Luftfilter.
2. Schlagen Sie den Filter gegen eine flache Oberfläche, um die Partikel auszuklopfen.



ACHTUNG: Verwenden Sie kein Lösungsmittel und keine Druckluft, um den Luftfilter zu reinigen.

3. Setzen Sie den Luftfilter wieder ein. Achten Sie darauf, dass der Luftfilter den Luftfilterhalter vollständig abdichtet.
4. Setzen Sie den Luftfilterdeckel wieder ein.

Hinweis: Ein Luftfilter, der über lange Zeit verwendet wurde, kann nicht vollständig gereinigt werden. Tauschen Sie den Luftfilter in regelmäßigen Abständen aus. Tauschen Sie einen beschädigten Luftfilter unbedingt aus.

So prüfen Sie die Schneid-ausrüstung



WARNUNG: Um ein unbeabsichtigtes Starten zu vermeiden, entfernen Sie das Zündkabel von der Zündkerze.



WARNUNG: Tragen Sie Schutzhandschuhe, wenn Sie an der Schneid-ausrüstung eine Wartung durchführen. Die Klinge ist sehr scharf und man schneidet sich sehr leicht.

1. Prüfen Sie die Schneid-ausrüstung auf Beschädigungen oder Risse. Wechseln Sie eine beschädigte Schneid-ausrüstung unbedingt aus.
2. Schauen Sie sich die Klinge an, um festzustellen, ob sie beschädigt oder stumpf ist.

Hinweis: Nach dem Schärfen muss die Klinge ausbalanciert werden. Lassen Sie eine Servicewerkstatt die Klinge schärfen, ersetzen und ausbalancieren. Wenn Sie auf ein Hindernis treffen, das das Produkt zum Halten bringt, ersetzen Sie die beschädigte Klinge. Lassen Sie die Werkstatt beurteilen, ob die Klinge geschliffen werden kann oder ersetzt werden muss.

So montieren Sie die Klinge

1. Bringen Sie den Klinglehalter an der Kurbelwelle des Motors an. Stellen Sie sicher, dass die Passfeder im Halter an der Passfedernut der Kurbelwelle ausgerichtet ist. (Abb. 42)
2. Montieren Sie die neue Klinge immer mit den abgewinkelten Enden in Richtung des Motors. (Abb. 43)
3. Setzen Sie einen Holzklötzchen zwischen Klinge und Gehäuse des Geräts. Ziehen Sie die Klingle schraube an, und drehen Sie sie im Uhrzeigersinn.
4. Ziehen Sie die Schraube immer mit einem Anzugmoment von 35–40 ft/lbs (47–54 Nm) an. (Abb. 44)
5. Stellen Sie sicher, dass das Zündkabel von der Zündkerze abgezogen ist.



ACHTUNG: Um ein versehentliches Starten zu vermeiden, ziehen Sie immer das Zündkabel ab und platzieren es so, dass es die Zündkerze nicht berühren kann.

6. Lassen Sie die Klinge per Hand rotieren, um sicherzustellen, dass die Rotation einwandfrei funktioniert.

So tauschen Sie das Messer aus

1. Arretieren Sie die Klinge mit einem Holzblock. (Abb. 45)
2. Entfernen Sie den Bolzen der Klinge.
3. Entfernen Sie die Klinge.
4. Prüfen Sie die Halterung und den Bolzen der Klinge, um festzustellen, ob Beschädigungen vorliegen.
5. Prüfen Sie die Motorwelle, um sicherstellen, dass sie nicht geknickt ist.
6. Wenn Sie die neue Klinge montieren, zeigen die abgewinkelten Enden der Klinge in die Richtung der Schneidwerkabdeckung. (Abb. 46)

Getriebebaugruppe – Übersicht

(Abb. 2)

1. Mulcheinsatz
2. Einsatz hinten
3. Getriebebescheibe
4. Riemenscheibenhalterung
5. Getriebeabdeckung
6. Klingenthaler
7. Riemenscheibe
8. Riemenhalter vorn
9. Ring
10. Klinge
11. Feste Unterlegscheibe
12. Sicherungsscheibe
13. Klingenschraube
14. Riemenabdeckung

So entfernen Sie den Treibriemen

1. Arbeiten Sie so lange mit dem Gerät, bis der Tank leer ist.
2. Entfernen Sie die Zündkappe von der Zündkerze.
3. Legen Sie das Gerät mit dem Schalldämpfer nach unten auf die Seite.



ACHTUNG: Wenn das Gerät mit dem Luftfilter nach unten gelegt wird, kann der Motor beschädigt werden.

7. Stellen Sie sicher, dass das Messer mit der Mitte der Motorwelle ausgerichtet ist.
8. Arretieren Sie die Klinge mit einem Holzblock. Befestigen Sie die Federscheibe und ziehen Sie die Schraube und die Unterlegscheibe mit einem Drehmoment von 47-54 Nm an. (Abb. 47)
9. Drehen Sie die Klinge mit der Hand, um sicherzustellen, dass sie sich einwandfrei dreht.



WARNUNG: Tragen Sie Sicherheitshandschuhe. Die Klinge ist sehr scharf und man schneidet sich sehr leicht.

10. Starten Sie das Produkt, um die Klinge zu prüfen. Wenn die Klinge nicht richtig befestigt ist, gibt es im Produkt Vibrationen oder das Schneidergebnis ist unbefriedigend.

4. Nehmen Sie die Antriebsabdeckung ab. (Abb. 48)
5. Entfernen Sie die Klingenschraube, die Sicherungsscheibe und die Klinge. (Abb. 49)
6. Entfernen Sie den Mulcheinsatz. (Abb. 50)
7. Entfernen Sie den hinteren Einsatz.
8. Entfernen Sie die Riemenabdeckung und den Ring. (Abb. 51)
9. Trennen Sie das Kabel vom Getriebe, und entfernen Sie die Riemenscheibe von der Riemenscheiben-Baugruppe.
10. Entfernen Sie den vorderen Riemenhalter.
11. Entfernen Sie den Treibriemen von der Getriebebescheibe.
12. Entfernen Sie die 3 Riemenscheiben von der Riemenscheiben-Baugruppe. (Abb. 52)
13. Entfernen Sie den Treibriemen vom Klingenthaler und der Riemenscheiben-Baugruppe. (Abb. 53)
14. Bringen Sie eine Feststellzange an der Antriebswelle des Getriebes an. Lösen Sie die Motorriemenscheibe mit einem 9/16"-Zoll-Schraubenschlüssel, um die Getriebebescheibe zu entfernen.
15. Entfernen Sie den Treibriemen.

Fehlerbehebung

Störung	Mögliche Ursache	Lösung
Der Motor springt nicht an.	Das Zündkabel ist nicht richtig angeschlossen.	Schließen Sie das Zündkabel an die Zündkerze an.
	Der Kraftstofftank ist leer.	Füllen Sie den Kraftstofftank mit dem richtigen Kraftstofftyp auf.
	Es befindet sich Schmutz im Vergaser oder in der Kraftstoffleitung.	Reinigen Sie den Vergaser bzw. die Kraftstoffleitung.
	Die Zündkerze ist defekt.	Korrigieren Sie den Elektrodenabstand, und reinigen oder ersetzen Sie die Zündkerze.
Der Motor stoppt nicht.	Die Arretierung ist defekt.	Ziehen Sie das Zündkabel von der Zündkerze ab. Lassen Sie die Reparatur von einer autorisierten Servicewerkstatt durchführen.
Der Motor läuft nicht rund.	Das Zündkabel ist nicht richtig angeschlossen.	Schließen Sie das Zündkabel an die Zündkerze an.
	Es befindet sich Schmutz in der Kraftstoffleitung, oder der Kraftstoff ist abgelaufen.	Reinigen Sie die Kraftstoffleitung. Füllen Sie den Kraftstofftank mit neuem Kraftstoff des richtigen Typs auf.
	Der Kraftstofftankdeckel ist verstopft.	Reinigen Sie den Kraftstofftankdeckel.
	Es befindet sich Wasser oder Schmutz im Kraftstoffsystem.	Leeren Sie den Kraftstofftank. Füllen Sie den Kraftstofftank mit neuem Kraftstoff des richtigen Typs auf.
	Der Luftfilter ist verschmutzt.	Reinigen Sie den Luftfilter.
	Der Vergaser muss eingestellt werden.	Lassen Sie den Vergaser von einem Servicehändler einstellen.
Der Motor wird zu heiß.	Der Motorölstand ist zu niedrig.	Füllen Sie Motoröl ein.
	Der Luftstrom ist zu schwach.	Reinigen Sie den Luftfilter und das Luftfiltergehäuse.
	Der Vergaser muss eingestellt werden.	Lassen Sie den Vergaser von einem Servicehändler einstellen.
Es kommt zu Fehlzündungen, wenn der Motor bei hoher Drehzahl läuft.	Der Elektrodenabstand in der Zündkerze ist zu gering.	Stellen Sie den Elektrodenabstand ein.
Der Motor läuft bei Leerlaufdrehzahl nicht gleichmäßig.	Die Zündkerze ist verschmutzt oder beschädigt, oder der Elektrodenabstand ist zu groß.	Korrigieren Sie den Elektrodenabstand, oder verwenden Sie eine andere Zündkerze.
	Der Vergaser muss eingestellt werden.	Stellen Sie den Vergaser ein.
	Der Luftfilter ist verschmutzt.	Reinigen Sie den Luftfilter.

Störung	Mögliche Ursache	Lösung
Es entstehen zu viele Schwingungen im Griff.	Eine Klinge ist locker oder nicht richtig ausgewuchtet.	Ziehen Sie die Klingenschrauben an. Tauschen Sie die Klingen bei Beschädigung aus.
	Eine Klinge ist verbogen.	Tauschen Sie die Klingen bei Beschädigung aus.
Das Gras wird nicht zu Mulch zerschnitten.	Das Gras ist feucht.	Bedienen Sie das Gerät nicht bei feuchtem Gras. Warten Sie, bis das Gras trocken ist.
	Das Gras ist zu hoch.	Mähen Sie zuerst mit einer hohen Schnitthöhe. Verringern Sie die Schnitthöhe, und mähen Sie erneut. Verringern Sie die Schnitthöhe immer nur um die Hälfte.
	Eine oder mehrere Klingen sind nicht scharf genug.	Schärfen oder ersetzen Sie die Klingen.
Das Gras wird ungleichmäßig geschnitten.	Die Räder befinden sich nicht in der richtigen Position.	Stellen Sie bei allen 4 Rädern dieselbe Schnitthöhe ein.
	Eine oder mehrere Klingen sind nicht scharf genug.	Schärfen oder ersetzen Sie die Klingen.
Das Antriebssystem funktioniert nicht ordnungsgemäß.	Der Treibriemen ist nicht ausreichend fest gespannt, oder es befindet sich Schmutz auf den Riemenscheiben oder dem Treibriemen.	Lassen Sie das Antriebssystem von einer autorisierten Servicewerkstatt warten.

Transport, Lagerung und Entsorgung

Transport und Lagerung

- Für die Lagerung und den Transport des Produkts und des Kraftstoffs ist darauf zu achten, dass keine Lecks oder Dämpfe vorhanden sind. Funken oder offene Flammen, zum Beispiel von elektrischen Geräten oder einem Boiler, können ein Feuer auslösen.
- Verwenden Sie für die Lagerung und den Transport von Kraftstoff immer zugelassene Behälter.
- Leeren Sie den Kraftstofftank, bevor Sie das Produkt über einen längeren Zeitraum einlagern. Entsorgen Sie den Kraftstoff in einer geeigneten Abfallentsorgungsstelle.
- Sichern Sie das Produkt während des Transports ab, um Schäden und Unfälle zu vermeiden.
- Bewahren Sie das Produkt in einem verschlossenen Bereich auf, um einen unerlaubten Zugriff durch Kinder oder andere Personen zu verhindern.
- Bewahren Sie das Produkt an einem trockenen und frostfreien Raum auf.

Entsorgung

- Befolgen Sie die örtlichen Recyclinganforderungen und geltenden Vorschriften.
- Entsorgen Sie alle Chemikalien, z. B. Motoröl oder Kraftstoff, in einer Servicewerkstatt oder in einer geeigneten Abfallentsorgungsstelle.
- Wenn Sie das Produkt nicht mehr benutzen, senden Sie es an einen Husqvarna Händler oder entsorgen Sie es in einer Wiederverwertungsanlage.

Technische Angaben

Technische Daten

	LC 353AWD
Motor	
Marke	Honda
Hubraum, Zoll ³ /cm ³	10,4/170
Drehzahl, U/min	2900–3200
Nennleistung des Motors, kW/PS bei U/min ²¹	3,6/4,9 bei 2900–3200
Zündanlage	
Zündkerze	NGK BPR5ES
Elektrodenabstand, Zoll/mm	0,028/0,7
Kraftstoff- und Schmiersystem	
Kraftstoff, bleifrei, minimale Oktanzahl	90 RON/87 AKI
Füllmenge Kraftstofftank, US-gal/l	0,27/1,02
Füllmenge Öltank, US-gal/l	0,14/0,53
Motoröl ²²	SAE 30/SAE 10W-30
Gewicht	
Mit leeren Tanks, lb/kg	92/41,7
Geräuschemissionen ²³	
Gemessener Schallleistungspegel dB (A)	95
Schallleistungspegel, garantiert L _{WA} dB (A)	96
Geräuschpegel ²⁴	
Schalldruckpegel am Ohr des Bedieners, dB (A)	85
Vibrationswerte ²⁵	
Griff, m/s ² mit Grasfänger/ohne Grasfänger	7/7

²¹ Die Nennleistung des Motors ist die durchschnittlich nach SAE-Standard J1349/ISO1585 gemessene Nettoleistung eines typischen Produktionsmotors, die (bei einer bestimmten Drehzahl) an das Motormodell abgegeben wird. Motoren für die Massenproduktion können von diesem Wert abweichen. Die tatsächliche Ausgangsleistung des eingebauten Motors hängt von der Betriebsdrehzahl, den Umgebungsbedingungen und anderen Werten ab.

²² Verwenden Sie ein Motoröl der Qualität SJ oder höher. Werfen Sie einen Blick auf die Viskositätstabelle im Motorhandbuch, und wählen Sie je nach erwarteter Außentemperatur die beste Viskosität aus.

²³ Umweltbelastende Geräuschemissionen, gemessen als Schallleistung (L_{WA}) gemäß EG-Richtlinie 2000/14/EG.

²⁴ Schalldruckpegel gemäß ISO 5395. Berichten zufolge liegt der Schalldruckpegel normalerweise bei einer Ausbreitungsklasse (standardmäßige Ausbreitung) von 1,2 dB (A).

²⁵ Vibrationspegel gemäß ISO 5395. Berichten zufolge liegt der Vibrationspegel normalerweise bei einer Ausbreitungsklasse (Standardabweichung) von 0,2 m/s².

	LC 353AWD
Schneldausrüstung	
Schnitthöhe, Zoll/mm	1,0-4,0/25,4-101,6
Schnittbreite, Zoll/mm	21/530
Klinge	
Artikelnummer:	586 85 96-02
Kapazität Grasfänger, ft ³ /l	2,3/65
Antrieb	
Fahrgeschwindigkeit, mph/km/h	0-3/0-4,8

Inhalt der EG-Konformitätserklärung

Wir, Husqvarna AB, SE 561 82 Huskvarna, SCHWEDEN, erklären in alleiniger Verantwortung, dass das beschriebene Gerät:

Der gelieferte mit Verbrennungsmotor betriebene und per Flurbedienung gesteuerte Rasenmäher entspricht dem Geräteexemplar, das die Prüfung durchlaufen hat.

Beschreibung	Mit Verbrennungsmotor betriebener, per Flurbedienung gesteuerter Rasenmäher
Marke	Husqvarna
Plattform/Typ/Modell	Plattform E21THV, Modell LC 353AWD.
Charge	Seriennummer ab 2019.

die folgenden EU-Richtlinien und -Vorschriften voll erfüllt:

Richtlinie/Vorschrift	Beschreibung
2006/42/EG	„über Maschinen“
2014/30/EG	„über EMV-Richtlinie“
2000/14/EU; 2005/88/EC	„über umweltbelastende Geräuschemissionen“
2011/65/EG	„Beschränkung der Verwendung bestimmter gefährlicher Stoffe“

Es gelten folgende harmonisierten Normen und/oder technischen Spezifikationen: EN ISO 12100, ISO 5395-1+A1/A2, ISO 5395-2+A1/A2, EN ISO 14982, ISO 3744, ISO 11094, EN 1032

Die im Abschnitt „Technische Daten“ in dieser Bedienungsanleitung und in der signierten EU-Konformitätserklärung angegebenen Schallwerte entsprechen der EU-Richtlinie 2000/14/EG, Anhang VI.

Περιεχόμενα

Εισαγωγή.....	76	Ανημετώπιση προβλημάτων.....	86
Ασφάλεια.....	77	Μεταφορά, αποθήκευση και απόρριψη.....	87
Συναρμολόγηση.....	80	Τεχνικά στοιχεία.....	88
Λειτουργία.....	81	Περιεχόμενα της Δήλωσης Συμμόρφωσης ΕΚ.....	89
Συντήρηση.....	82		

Εισαγωγή

Περιγραφή προϊόντος

Το προϊόν είναι ένα χλοοκοπτικό γκαζόν πεζού χειριστή με κινητήρα εσωτερικής καύσης. Το γρασιδί συλλέγεται σε έναν συλλέκτη χόρτου. Αφαιρέστε το συλλέκτη χόρτου για να εξαγάγετε το χόρτο από την πίσω πλευρά. Συνδέστε ένα κιτ κοπής χορτολιπάσματος για κοπή του γρασιδιού σε λίπασμα.

Επισκόπηση προϊόντος

(Εικ. 1)

1. Λαβή φρένου κινητήρα
2. Μοχλοί μετάδοσης κίνησης
3. Λαβή εκκίνησης
4. Συλλέκτης χόρτου
5. Τάπα ντεπόζιτου καυσίμου
6. Φίλτρο αέρα
7. Μπουζί
8. Κάλυμμα συστήματος μετάδοσης κίνησης
9. Εξάτμιση (σιγαστήρας)
10. Σύνδεσμος λάστιχου ποτίσματος
11. Πίσω ανακλαστήρας
12. Δείκτης στάθμης / ντεπόζιτο λαδιού
13. Στοιχείο ελέγχου ύψους κοπής
14. Πώμα χορτολιπάσματος
15. Εγχειρίδιο χρήσης
16. Σωλήνας εκτόξευσης

Σύμβολα στο προϊόν

- (Εικ. 3) ΠΡΟΕΙΔΟΠΟΙΗΣΗ: Αυτό το προϊόν μπορεί να είναι επικίνδυνο και να προκαλέσει σοβαρό τραυματισμό ή θάνατο του χειριστή ή άλλων ατόμων. Να είστε προσεκτικοί και να χρησιμοποιείτε το προϊόν σωστά.
- (Εικ. 4) Διαβάστε προσεκτικά το εγχειρίδιο χρήσης και βεβαιωθείτε ότι έχετε κατανοήσει τις οδηγίες προτού χρησιμοποιήσετε το προϊόν.
- (Εικ. 5) Γρήγορα
- (Εικ. 6) Αργά

Προβλεπόμενη χρήση

Χρησιμοποιήστε το προϊόν για κοπή γρασιδιού σε ιδιωτικούς κήπους. Μην χρησιμοποιείτε το προϊόν για άλλες εργασίες.

(Εικ. 7) Μην πλησιάζετε τα χέρια και τα πόδια σας στο περιστρεφόμενο εξάρτημα.

(Εικ. 8) Διατηρήστε τα άλλα άτομα και τα ζώα σε απόσταση ασφαλείας από την περιοχή εργασίας.

(Εικ. 9) Πρέπει να προσέχετε όταν χειρίζεστε το προϊόν κινούμενοι προς τα πίσω. Πρέπει να κοιτάξετε πίσω και κάτω, για να βεβαιώνετε ότι δεν υπάρχουν μικρά παιδιά, ζώα ή άλλοι κίνδυνοι που μπορεί να προκαλέσουν την πτώση σας.

(Εικ. 10) Ο χειρισμός του προϊόντος σε πλαγιές μπορεί να είναι επικίνδυνος.

(Εικ. 11) Να διατηρείτε τα χέρια και τα πόδια σας μακριά από την περιστρεφόμενη λεπίδα.

(Εικ. 12) Προσέχετε για αντικείμενα που μπορεί να εκτοξευθούν ή να εξοστρακιστούν.

(Εικ. 13) Εκπομπές θορύβου στο περιβάλλον σύμφωνα με την Οδηγία της Ευρωπαϊκής Κοινότητας. Οι προδιαγραφόμενες εκπομπές του προϊόντος αναφέρονται στο κεφάλαιο *Τεχνικά στοιχεία στη σελίδα 88* και στην ετικέτα.

(Εικ. 14) Αυτό το προϊόν συμμορφώνεται με τις ισχύουσες οδηγίες ΕΚ.

(Εικ. 15) Το προϊόν συμμορφώνεται με τις ισχύουσες οδηγίες EAC.

- (Εικ. 16) Το προϊόν συμμορφώνεται με τις οδηγίες της ACA (σήμανση RCM). Ισχύει για μόνο για την Αυστραλία/Νέα Ζηλανδία.
- (Εικ. 17) Το προϊόν συμμορφώνεται με τις ισχύουσες οδηγίες Ουκρανίας.
- (Εικ. 18) Χρησιμοποιείτε εγκεκριμένα προστατευτικά ακοής.

- Το προϊόν έχει επισκευαστεί λανθασμένα.
- Το προϊόν έχει επισκευαστεί με εξαρτήματα που δεν προέρχονται από τον κατασκευαστή ή που δεν έχουν εγκριθεί από τον κατασκευαστή.
- Το προϊόν διαθέτει ένα αξεσουάρ που δεν προέρχεται από τον κατασκευαστή ή που δεν έχει εγκριθεί από τον κατασκευαστή.
- Το προϊόν δεν έχει επισκευαστεί σε εγκεκριμένο κέντρο σέρβις ή από εγκεκριμένη αρχή.

Περιεχόμενα Άλλα σύμβολα/σήματα που υπάρχουν στο προϊόν αναφέρονται σε απαιτήσεις πιστοποίησης για άλλες εμπορικές περιοχές.

Ευθύνη προϊόντος

Όπως αναφέρεται στη νομοθεσία περί ευθύνης για τα προϊόντα, δεν φέρουμε καμία ευθύνη για ζημιές που οφείλονται στο προϊόν μας εάν:

Ασφάλεια

Ορισμοί για την ασφάλεια

Για την επισήμανση ειδικών σημαντικών τμημάτων του εγχειριδίου χρησιμοποιούνται προειδοποιήσεις, συστάσεις προσοχής και σημειώσεις.



ΠΡΟΕΙΔΟΠΟΙΗΣΗ: Χρησιμοποιείται όταν υπάρχει κίνδυνος τραυματισμού ή θανάτου του χειριστή ή άλλων παριστάμενων ατόμων, αν δεν τηρηθούν οι οδηγίες που παρέχονται στο εγχειρίδιο.



ΠΡΟΣΟΧΗ: Χρησιμοποιείται όταν υπάρχει κίνδυνος πρόκλησης ζημιάς στο προϊόν, σε άλλα υλικά ή στον παρακείμενο χώρο, αν δεν τηρηθούν οι οδηγίες που παρέχονται στο εγχειρίδιο.

Περιεχόμενα Χρησιμοποιείται για παροχή περισσότερων πληροφοριών, οι οποίες χρειάζονται σε μια δεδομένη κατάσταση.

Γενικές οδηγίες ασφαλείας



ΠΡΟΕΙΔΟΠΟΙΗΣΗ: Προτού χρησιμοποιήσετε το προϊόν, διαβάστε τις παρακάτω προειδοποιητικές οδηγίες.

- Αυτό το προϊόν είναι επικίνδυνο αν δεν χρησιμοποιηθεί σωστά ή αν δεν είστε προσεκτικοί. Αν δεν τηρείτε τις οδηγίες ασφαλείας, μπορεί να προκληθεί τραυματισμός ή θάνατος.
- Αυτό το προϊόν παράγει ηλεκτρομαγνητικό πεδίο κατά τη λειτουργία του. Το πεδίο αυτό, υπό ορισμένες συνθήκες, μπορεί να προκαλέσει παρεμβολές σε ενεργά ή παθητικά ιατρικά εμφυτεύματα. Για να μειωθεί ο κίνδυνος σοβαρών ή θανατηφόρων τραυματισμών, συνιστούμε στα άτομα

- με ιατρικά εμφυτεύματα να συμβουλευόμαστε το θεράποντα ιατρό τους και τον κατασκευαστή του ιατρικού εμφυτεύματος, προτού θέσουν το προϊόν σε λειτουργία.
- Πρέπει πάντα να προσέχετε και να χρησιμοποιείτε την κοινή λογική. Αν δεν είστε βέβαιοι πώς να χειριστείτε το προϊόν σε μια ιδιαίτερη κατάσταση, σταματήστε και μιλήστε με τον αντιπρόσωπο της Husqvarna προτού συνεχίσετε.
- Πρέπει να θυμάστε ότι ο χειριστής θεωρείται υπεύθυνος για ατυχήματα που μπορεί να προκληθούν σε άλλα άτομα ή στην περιουσία τους.
- Να διατηρείτε το προϊόν καθαρό. Βεβαιωθείτε ότι μπορείτε να διαβάσετε καθαρά τις ενδείξεις και τα σήματα.
- Μην επιτρέπετε σε κανένα άτομο να χρησιμοποιήσει το προϊόν αν δεν βεβαιωθείτε ότι έχει διαβάσει και κατανοήσει τα περιεχόμενα του εγχειριδίου χρήσης.
- Μην επιτρέψετε σε παιδιά να χρησιμοποιήσουν το προϊόν.
- Μην αφήνετε να πλησιάσουν παιδιά στην περιοχή εργασίας. Πρέπει να είναι παρών ένας υπεύθυνος ενήλικας ανά πάσα στιγμή.
- Μην επιτρέψετε σε άτομα που δεν έχουν διαβάσει τις οδηγίες να χρησιμοποιήσουν το προϊόν.
- Αν το προϊόν χρησιμοποιείται από ένα άτομο με μειωμένη σωματική ή διανοητική ικανότητα, θα πρέπει πάντα να το επιβλέπετε. Πρέπει να είναι παρών ένας υπεύθυνος ενήλικας ανά πάσα στιγμή.
- Μην χρησιμοποιείτε το προϊόν αν είστε κουρασμένοι, άρρωστοι ή υπό την επήρεια αλκοόλ, ναρκωτικών ή φαρμάκων. Αυτά έχουν αρνητικές συνέπειες στην όραση, την αυτοσυγκέντρωση, τον συντονισμό και την κρίση σας.
- Μην χρησιμοποιείτε το προϊόν αν είναι ελαττωματικό.
- Μην τροποποιείτε το προϊόν και μην το χρησιμοποιείτε αν είναι εμφανές ότι έχει τροποποιηθεί από άλλους.

Ασφάλεια στο χώρο εργασίας



ΠΡΟΕΙΔΟΠΟΙΗΣΗ: Προτού χρησιμοποιήσετε το προϊόν, διαβάστε τις παρακάτω προειδοποιητικές οδηγίες.

- Αφαιρέστε αντικείμενα όπως κλαδιά, κλωνάρια και πέτρες από την περιοχή εργασίας πριν χρησιμοποιήσετε το προϊόν.
- Τα αντικείμενα που χτυπούν πάνω στον εξοπλισμό κοπής μπορεί να πεταχτούν και να προκαλέσουν ζημιές σε πρόσωπα και αντικείμενα. Να διατηρείτε τους παρευρισκόμενους και τα ζώα σε απόσταση ασφαλείας από το προϊόν.
- Μην χρησιμοποιείτε ποτέ το προϊόν σε κακές καιρικές συνθήκες, όπως ομίχλη, βροχή, ισχυρό άνεμο, έντονο κρύο και κίνδυνο κεραυνού. Η χρήση του προϊόντος σε κακές καιρικές συνθήκες, σε συνθήκες υγρασίας ή σε υγρές τοποθεσίες είναι εξαιρετικά κουραστική. Οι κακές καιρικές συνθήκες μπορεί να προκαλέσουν επικίνδυνες καταστάσεις, όπως ολισθηρές επιφάνειες.
- Να προσέχετε για πρόσωπα, αντικείμενα και καταστάσεις που μπορεί να αποτρέψουν την ασφαλή λειτουργία του προϊόντος.
- Να προσέχετε για εμπόδια, όπως ρίζες, πέτρες, κλωνάρια, λακούβες και χαντάκια. Το μακρύ γρασίδι μπορεί να κρύβει εμπόδια.
- Η κοπή χόρτου σε πλαγιές μπορεί να είναι επικίνδυνη. Μην χρησιμοποιείτε το προϊόν σε πλαγιές με κλίση πάνω από 15°.
- Να κατευθύνετε το προϊόν κατά πλάτος στις επιφάνειες με κλίση. Να μην μετακινείστε προς τα πάνω και προς τα κάτω.
- Να είστε ιδιαίτερα προσεκτικοί κοντά σε κρυφές γωνίες και αντικείμενα που εμποδίζουν το οπτικό σας πεδίο.

Ασφάλεια στην εργασία



ΠΡΟΕΙΔΟΠΟΙΗΣΗ: Προτού χρησιμοποιήσετε το προϊόν, διαβάστε τις παρακάτω προειδοποιητικές οδηγίες.

- Να χρησιμοποιείτε το προϊόν μόνο για την κοπή χόρτου γκαζόν. Δεν επιτρέπεται η χρήση του για άλλες εργασίες.
- Χρησιμοποιείτε ατομικό προστατευτικό εξοπλισμό. Ανατρέξτε στην ενότητα *Προσωπικός εξοπλισμός προστασίας στη σελίδα 78*.
- Βεβαιωθείτε ότι γνωρίζετε πώς να σταματήσετε τον κινητήρα γρήγορα σε περίπτωση έκτακτης ανάγκης. Μην εκκινείτε ποτέ τον κινητήρα μέσα σε κλειστό χώρο ή κοντά σε εύφλεκτα υλικά. Τα καυσαέρια του κινητήρα είναι ζεστά και ενδέχεται να έχουν σπινθήρες που μπορεί να προκαλέσουν πυρκαγιά.
- Μην λειτουργείτε το προϊόν αν δεν είναι σωστά συνδεδεμένη η λεπίδα και όλα τα καλύμματα. Αν η λεπίδα δεν είναι σωστά συνδεδεμένη, μπορεί να

χαλαρώσει και να προκληθεί προσωπικός τραυματισμός.

- Να βεβαιώνετε ότι ο δίσκος δεν χτυπάει αντικείμενα, όπως πέτρες και ρίζες. Αυτό μπορεί να κάνει ζημιά στη λεπίδα και να λυγίσει τον άξονα του κινητήρα. Ο λυγισμένος άξονας προκαλεί ισχυρή δόνηση και πολύ υψηλό κίνδυνο χαλάρωσης της λεπίδας.
- Σε περίπτωση πρόσκρουσης της λεπίδας σε αντικείμενο ή αν διαπιστώσετε κραδασμούς, διακόψτε αμέσως τη λειτουργία του προϊόντος. Αφαιρέστε το καλώδιο ανάφλεξης από το μπουζί. Ελέγξτε το προϊόν για ζημιές. Επισκευάστε τις ζημιές ή αναθέστε την επισκευή σε έναν εξουσιοδοτημένο αντιπρόσωπο σέρβις.
- Μην συνδέετε ποτέ μόνιμα τη λαβή φρένου κινητήρα στη χειρολαβή κατά την εκκίνηση του κινητήρα.
- Τοποθετήστε το προϊόν σε μια σταθερή, επίπεδη επιφάνεια και εκκινήστε το. Να βεβαιώνετε ότι η λεπίδα δεν χτυπάει στο έδαφος ή σε άλλα αντικείμενα.
- Να παραμένετε πάντα πίσω από το προϊόν κατά τη λειτουργία.
- Κατά τη λειτουργία του προϊόντος, θα πρέπει όλοι οι τροχοί να ακουμπούν στο έδαφος και να διατηρείτε και τα 2 χέρια πάνω στη λαβή. Διατηρήστε τα χέρια και τα πόδια σας μακριά από τις περιστρεφόμενες λεπίδες.
- Μην γέρνετε το προϊόν όταν εκκινείται ο κινητήρας.
- Να είστε προσεκτικοί όταν τραβάτε το προϊόν προς τα πίσω.
- Να μην ανασηκώσετε ποτέ το προϊόν όταν εκκινείται ο κινητήρας. Αν πρέπει να ανασηκώσετε το προϊόν, σβήστε πρώτα τον κινητήρα και αποσυνδέστε το καλώδιο ανάφλεξης από το μπουζί.
- Να μην περπατάτε προς τα πίσω όταν χρησιμοποιείτε το προϊόν.
- Να σβήνετε τον κινητήρα όταν μετακινείστε σε περιοχές χωρίς χόρτα, για παράδειγμα μονοπάτια από χαλίκι, πέτρα και άσφαλτο.
- Μην τρέχετε με το προϊόν όταν εκκινείται ο κινητήρας. Να περπατάτε πάντα προς τα εμπρός όταν χρησιμοποιείτε το προϊόν.
- Να σβήνετε τον κινητήρα προτού αλλάξετε το ύψος κοπής. Μην προβείτε ποτέ σε τροποποιήσεις με τον κινητήρα σε λειτουργία.
- Μην αφήνετε ποτέ το προϊόν εκτός ορατότητας με τον κινητήρα σε λειτουργία. Να σβήνετε τον κινητήρα και να βεβαιώνετε ότι το παρελκόμενο κοπής δεν περιστρέφεται.

Οδηγίες ασφαλείας για τη λειτουργία

Προσωπικός εξοπλισμός προστασίας



ΠΡΟΕΙΔΟΠΟΙΗΣΗ: Προτού χρησιμοποιήσετε το προϊόν, διαβάστε τις παρακάτω προειδοποιητικές οδηγίες.

- Ο προσωπικός εξοπλισμός προστασίας δεν μπορεί να εξαλείψει τον κίνδυνο τραυματισμών, ωστόσο μειώνει τη σοβαρότητά τους σε περίπτωση ατυχήματος. Ο αντιπρόσωπος θα σας βοηθήσει να επιλέξετε το σωστό εξοπλισμό.
- Να χρησιμοποιείτε προστατευτικά ακοής, εάν το επίπεδο θορύβου είναι υψηλότερο από 85 dB.
- Να χρησιμοποιείτε αντιολισθητικές μπότες ή παπούτσια βαρέως τύπου. Να μην χρησιμοποιείτε το προϊόν με ανοιχτά παπούτσια ή ξυπόλυτοι.
- Χρησιμοποιήστε χοντρά, μακριά παντελόνια.
- Όταν χρειάζεται, να χρησιμοποιείτε προστατευτικά γάντια, για παράδειγμα κατά την τοποθέτηση, την επιθεώρηση ή τον καθαρισμό του εξοπλισμού κοπής.

Συσκευές ασφαλείας στο προϊόν



ΠΡΟΕΙΔΟΠΟΙΗΣΗ: Προτού χρησιμοποιήσετε το προϊόν, διαβάστε τις παρακάτω προειδοποιητικές οδηγίες.

- Μην χρησιμοποιείτε ποτέ το προϊόν, αν υπάρχουν ελαττωματικές συσκευές ασφαλείας.
- Πρέπει να κάνετε τακτικά έλεγχο των συσκευών ασφαλείας. Αν οι συσκευές ασφαλείας είναι ελαττωματικές, απευθυνθείτε στον αντιπρόσωπο σέρβις της Husqvarna.

Για τον έλεγχο του καλύμματος κοπής

Το κάλυμμα κοπής μειώνει τους κραδασμούς στο προϊόν και μειώνεται ο κίνδυνος τραυματισμού από τη λεπίδα.

- Εξετάστε το κάλυμμα κοπής για να βεβαιωθείτε ότι δεν υπάρχουν φθορές όπως ρωγμές.

Για τον έλεγχο της λαβής φρένου του κινητήρα

Η λαβή του φρένου κινητήρα σταματάει τον κινητήρα. Όταν απελευθερωθεί η λαβή του φρένου κινητήρα, ο κινητήρας σταματάει.

- Εκκινήστε τον κινητήρα και αφήστε τη λαβή του φρένου του κινητήρα. Αν ο κινητήρας δεν σταματά σε 3 δευτερόλεπτα, αναθέστε τη ρύθμιση του φρένου κινητήρα σε έναν εγκεκριμένο αντιπρόσωπο σέρβις Husqvarna. (Εικ. 19)

Έλεγχος του πίσω εκτροπέα

Ο πίσω εκτροπέας μειώνει τον κίνδυνο εκτίναξης αντικειμένων προς την κατεύθυνση του χειριστή.

- Βεβαιωθείτε ότι ο πίσω εκτροπέας δεν έχει υποστεί ζημιά. (Εικ. 20)
- Βεβαιωθείτε ότι τα ελατήρια που κλείνουν τον πίσω εκτροπέα δεν είναι στασμένα.
- Αντικαταστήστε τα ελατήρια που έχουν σπάσει και τα εξαρτήματα που έχουν υποστεί ζημιά.
- Βεβαιωθείτε ότι ο πίσω εκτροπέας κινείται ομαλά πάνω στους μεντεσέδες.

Εξάτμιση (σιγαστήρας)

Η εξάτμιση (σιγαστήρας) διατηρεί τα επίπεδα θορύβου στο ελάχιστο και κατευθύνει τις αναθυμιάσεις της εξάτμισης μακριά από το χειριστή.

Μην χρησιμοποιείτε το προϊόν, αν η εξάτμιση (σιγαστήρας) λείπει ή είναι ελαττωματική. Αν η εξάτμιση (σιγαστήρας) είναι ελαττωματική, αυξάνεται το επίπεδο θορύβου και ο κίνδυνος φωτιάς.



ΠΡΟΕΙΔΟΠΟΙΗΣΗ: Η εξάτμιση (σιγαστήρας) θερμαίνεται πολύ κατά τη διάρκεια της χρήσης και παραμένει θερμή μετά τη χρήση, καθώς και όταν ο κινητήρας λειτουργεί στο ρελαντί. Προσέχετε όταν κινείστε κοντά σε εύφλεκτα υλικά ή/και αναθυμιάσεις, για να αποφύγετε την εκδήλωση πυρκαγιάς.

Έλεγχος της εξάτμισης (σιγαστήρας)

- Πρέπει να εξετάζετε την εξάτμιση (το σιγαστήρα) τακτικά, για να βεβαιωθείτε ότι είναι σωστά συνδεδεμένη και δεν έχει υποστεί ζημιά.

Έλεγχος της στάθμης λαδιού



ΠΡΟΣΟΧΗ: Το πολύ χαμηλό επίπεδο λαδιού μπορεί να προκαλέσει βλάβη στον κινητήρα. Να κάνετε έλεγχο της στάθμης λαδιού πριν από την εκκίνηση του προϊόντος.

1. Τοποθετήστε το προϊόν σε οριζόντιο έδαφος.
2. Αφαιρέστε το καπάκι του νεπόζιτου λαδιού με τον συνδεδεμένο δείκτη στάθμης.
3. Καθαρίστε το λάδι από το δείκτη στάθμης.
4. Τοποθετήστε το δείκτη στάθμης πλήρως μέσα στο νεπόζιτο λαδιού για να έχετε μια σωστή εικόνα της στάθμης λαδιού.
5. Αφαιρέστε το δείκτη στάθμης.
6. Εξετάστε τη στάθμη λαδιού πάνω στο δείκτη στάθμης.
7. Αν η στάθμη του λαδιού είναι χαμηλή, συμπληρώστε με λάδι κινητήρα και ελέγξτε ξανά τη στάθμη λαδιού.

Ασφάλεια καυσίμου



ΠΡΟΕΙΔΟΠΟΙΗΣΗ: Προτού χρησιμοποιήσετε το προϊόν, διαβάστε τις παρακάτω προειδοποιητικές οδηγίες.

- Μην θέτετε το προϊόν σε λειτουργία, εάν υπάρχει καύσιμο ή λάδι κινητήρα στο προϊόν. Αφαιρέστε το ανεπιθύμητο καύσιμο/λάδι και αφήστε το προϊόν να στεγνώσει.
- Εάν χύσετε καύσιμο στα ρούχα σας, αλλάξτε τα αμέσως.
- Μην χύσετε καύσιμο στο σώμα σας, καθώς μπορεί να προκληθεί τραυματισμός. Αν χύσετε καύσιμο στο

σώμα σας, χρησιμοποιήστε σαπούι και νερό για να αφαιρέσετε το καύσιμο.

- Μην θέσετε το προϊόν σε λειτουργία, εάν ο κινητήρας έχει διαρροή. Εξετάζετε τακτικά τον κινητήρα για διαρροές.
- Να είστε προσεκτικοί με το καύσιμο. Το καύσιμο είναι εύφλεκτο και οι αναθυμιάσεις είναι εκρηκτικές και μπορούν να προκαλέσουν τραυματισμό ή θάνατο.
- Μην εισπνεύσετε τις αναθυμιάσεις καυσίμου, καθώς μπορεί να προκληθεί τραυματισμός. Βεβαιωθείτε ότι υπάρχει επαρκής ροή αέρα.
- Μην καπνίζετε κοντά στο καύσιμο ή τον κινητήρα.
- Μην τοποθετείτε ζεστά αντικείμενα κοντά στο καύσιμο ή τον κινητήρα.
- Μην προσθέτετε καύσιμο όταν λειτουργεί ο κινητήρας.
- Βεβαιωθείτε ότι ο κινητήρας έχει κρυώσει πριν από τον ανεφοδιασμό.
- Πριν από τον ανεφοδιασμό, ανοίξτε αργά την τάπα του ντεπόζιτου καυσίμου και εκτονώστε προσεκτικά την πίεση.
- Μην προσθέτετε καύσιμο στον κινητήρα σε εσωτερικό χώρο. Η ανεπαρκής ροή αέρα μπορεί να προκαλέσει τραυματισμό ή θάνατο λόγω ασφυξίας ή μονοξειδίου του άνθρακα.
- Να σφίγγετε πλήρως την τάπα του ντεπόζιτου καυσίμου. Αν η τάπα του ντεπόζιτου καυσίμου δεν είναι σφιγμένη, υπάρχει κίνδυνος πυρκαγιάς.
- Πριν από την εκκίνηση, μετακινήστε το προϊόν σε απόσταση τουλάχιστον 3 m /10 ft από το σημείο όπου γεμίσατε το ντεπόζιτο.
- Μην γεμίζετε ποτέ εντελώς το ντεπόζιτο καυσίμου. Η υψηλή θερμοκρασία προκαλεί διαστολή του καυσίμου. Αφήνετε κενό στο επάνω μέρος του ντεπόζιτου.

Οδηγίες ασφαλείας για τη συντήρηση



ΠΡΟΕΙΔΟΠΟΙΗΣΗ: Προτού χρησιμοποιήσετε το προϊόν, διαβάστε τις παρακάτω προειδοποιητικές οδηγίες.

- Οι αναθυμιάσεις της εξάτμισης από τον κινητήρα περιέχουν μονοξείδιο του άνθρακα, ένα άσμο, δηλητηριώδες και ιδιαίτερα επικίνδυνο αέριο. Να μην εκκινείτε τον κινητήρα σε εσωτερικούς ή κλειστούς χώρους.
- Πριν πραγματοποιήσετε συντήρηση στο προϊόν, σβήστε τον κινητήρα και αποσυνδέστε το καλώδιο ανάφλεξης από το μπουζί.
- Να χρησιμοποιείτε προστατευτικά γάντια όταν κάνετε συντήρηση του εξοπλισμού κοπής. Η λεπίδα είναι πολύ κοφτερή και μπορεί εύκολα να κοπείτε.
- Τα αξεσουάρ και οι τροποποιήσεις στο προϊόν που δεν είναι εγκεκριμένες από τον κατασκευαστή, μπορεί να προκαλέσουν σοβαρό τραυματισμό ή θάνατο. Να μην πραγματοποιείτε αλλαγές στο προϊόν. Να χρησιμοποιείτε μόνο εξαρτήματα που έχουν εγκριθεί από τον κατασκευαστή.
- Αν η συντήρηση δεν γίνεται σωστά και τακτικά, αυξάνεται ο κίνδυνος τραυματισμού και ζημιάς στο προϊόν.
- Να πραγματοποιείτε μόνο τις εργασίες συντήρησης όπως δίνονται σε αυτό το εγχειρίδιο κατόχου. Όλες οι άλλες εργασίες συντήρησης πρέπει να γίνονται από εγκεκριμένο αντιπρόσωπο σέρβις Husqvarna.
- Να αναθέτετε τη συντήρηση του προϊόντος σε έναν εγκεκριμένο αντιπρόσωπο σέρβις Husqvarna σε τακτά χρονικά διαστήματα.
- Να αντικαθιστάτε τυχόν κατεστραμμένα, φθαρμένα ή σπασμένα εξαρτήματα.

Συναρμολόγηση

Εισαγωγή



ΠΡΟΕΙΔΟΠΟΙΗΣΗ: Προτού συναρμολογήσετε το προϊόν, πρέπει να διαβάσετε και να κατανοήσετε το κεφάλαιο για την ασφάλεια.



ΠΡΟΕΙΔΟΠΟΙΗΣΗ: Αφαιρέστε το καλώδιο του μπουζί από το μπουζί πριν τη συναρμολόγηση του προϊόντος.

Για να συναρμολογήσετε την λαβή

1. Ανασηκώστε την κάτω λαβή. (Εικ. 21)
2. Ευθυγραμμίστε τις οπές στο κάτω μέρος της κάτω λαβής με τις οπές στα μπράτσα της λαβής.

Περιεχόμενα Επιλέξτε τις οπές που εξασφαλίζουν την καλύτερη θέση χειρισμού.

3. Σφίξτε τις χειρόβιδες της κάτω λαβής.
4. Ανασηκώστε την πάνω λαβή και ευθυγραμμίστε τη με την κάτω λαβή.
5. Σφίξτε τελείως τις χειρόβιδες της πάνω λαβής.

Τοποθέτηση της λαβής του σχοινού εκκίνησης

1. Στερεώστε τον βρόχο του σχοινού εκκίνησης και τη χειρόβιδα T. Μην τον σφίξετε εντελώς. (Εικ. 22)
2. Κρατήστε τη λαβή του φρένου κινητήρα προς τη χειρολαβή.
3. Τραβήξτε προσεκτικά προς τα έξω το σχοινί του συστήματος εκκίνησης και τοποθετήστε το μέσα στον βρόχο. (Εικ. 23)
4. Σφίξτε τη χειρόβιδα T. (Εικ. 24)

Ρύθμιση του προϊόντος στη θέση μεταφοράς

1. Αφαιρέστε τον συλλέκτη χόρτου.
2. Χαλαρώστε τις χειροβίδες της κάτω λαβής για να την απασφαλίσετε. (Εικ. 25)
3. Διπλώστε τη λαβή προς τα κάτω και πίσω.
4. Αφαιρέστε τις χειροβίδες και τους πείρους στην κάτω λαβή.

5. Διπλώστε τη χειρολαβή προς τα εμπρός.

Συναρμολόγηση του συλλέκτη χόρτου

1. Τοποθετήστε το πλαίσιο συλλέκτη χόρτου στον σάκο χόρτου με το άκαμπο τμήμα του σάκου να ακουμπά στο έδαφος. Μην αφήνετε τη λαβή του πλαισίου να πλησιάζει το πάνω μέρος του σάκου. (Εικ. 26)
2. Στερεώστε το σάκο χόρτου στο πλαίσιο με τα κλιπ γρήγορης ασφάλισης. (Εικ. 27)

Λειτουργία

Εισαγωγή



ΠΡΟΕΙΔΟΠΟΙΗΣΗ: Προτού χρησιμοποιήσετε το προϊόν, πρέπει να διαβάσετε και να κατανοήσετε το κεφάλαιο για την ασφάλεια.

Πριν χρησιμοποιήσετε το προϊόν

1. Διαβάστε το εγχειρίδιο χρήσης προσεκτικά και βεβαιωθείτε ότι έχετε κατανοήσει τις οδηγίες.
2. Εξετάστε τον εξοπλισμό κοπής για να βεβαιωθείτε ότι είναι σωστά συνδεδεμένος και ρυθμισμένος. Ανατρέξτε στην ενότητα *Για να ελέγξετε τον εξοπλισμό κοπής στη σελίδα 84*.
3. Γεμίστε το ντεπόζιτο καυσίμου. Ανατρέξτε στην ενότητα *Ανεφοδιασμός με καύσιμο στη σελίδα 81*.
4. Γεμίστε το ντεπόζιτο λαδιού και κάντε έναν έλεγχο της στάθμης λαδιού. Ανατρέξτε στην ενότητα *Έλεγχος της στάθμης λαδιού στη σελίδα 79*.

Ανεφοδιασμός με καύσιμο

Αν διατίθεται, χρησιμοποιήστε βενζίνη χαμηλών εκπομπών/αλκυλίωσης. Σε περίπτωση που δεν είναι διαθέσιμη βενζίνη χαμηλών εκπομπών/αλκυλίωσης, χρησιμοποιήστε καλής ποιότητας αμόλυβδη βενζίνη ή βενζίνη με μόλυβδο με αριθμό οκτανίων όχι μικρότερο από 90.



ΠΡΟΣΟΧΗ: Μην χρησιμοποιείτε βενζίνη με αριθμό οκτανίων κάτω από 90 RON (87 AKI). Μπορεί να προκληθεί ζημιά στο προϊόν.

1. Ανοίξτε αργά την τάπα του ντεπόζιτου καυσίμου για να εκτονώσετε την πίεση.
2. Γεμίστε αργά με ένα δοχείο καυσίμων. Αν χύσετε καύσιμο, καθαρίστε το με ένα πανί και αφήστε το καύσιμο που απομένει να στεγνώσει.
3. Καθαρίστε την περιοχή γύρω από την τάπα του ντεπόζιτου καυσίμου.
4. Να σφίγγετε πλήρως την τάπα του ντεπόζιτου καυσίμου. Αν η τάπα του ντεπόζιτου καυσίμου δεν είναι σφιγμένη, υπάρχει κίνδυνος πυρκαγιάς.

5. Πριν από την εκκίνηση, μετακινήστε το προϊόν σε απόσταση τουλάχιστον 3 m (10 ft) από το σημείο όπου γεμίσατε το ντεπόζιτο.

Ρύθμιση του ύψους κοπής

Το ύψος κοπής μπορεί να ρυθμιστεί σε 9 διαφορετικές θέσεις.

1. Σπρώξτε το χειριστήριο ύψους κοπής προς την κατεύθυνση του τροχού και στη συνέχεια προς τα πίσω για να αυξήσετε το ύψος κοπής.
2. Σπρώξτε το χειριστήριο ύψους κοπής προς την κατεύθυνση του τροχού και στη συνέχεια προς τα εμπρός για να μειώσετε το ύψος κοπής. (Εικ. 28)



ΠΡΟΣΟΧΗ: Μην ρυθμίζετε το ύψος κοπής πολύ χαμηλά. Οι λεπίδες μπορεί να χτυπήσουν στο έδαφος αν η επιφάνεια του χλοοτάπητα δεν είναι επίπεδη.

Εκκίνηση του προϊόντος

1. Να παραμένετε πίσω από το προϊόν.
2. Κρατήστε τη λαβή του φρένου κινητήρα προς τη χειρολαβή. (Εικ. 29)
3. Πιάστε τη λαβή του κορδονιού εκκίνησης με το δεξί σας χέρι.
4. Τραβήξτε αργά έξω το κορδόνι της μίζας μέχρι να αισθανθείτε κάποια αντίσταση.
5. Τραβήξτε δυνατά για να εκκινήσει ο κινητήρας.



ΠΡΟΕΙΔΟΠΟΙΗΣΗ: Μην τυλίγετε ποτέ το σχοινί της τροχαλίας του συστήματος εκκίνησης γύρω από το χέρι σας.

Χρήση της κίνησης στους τροχούς

- Τραβήξτε τους μοχλούς μετάδοσης κίνησης προς την κατεύθυνση της χειρολαβής. (Εικ. 30)
- Πριν τραβήξετε το προϊόν προς τα πίσω, αποσυμπλέξτε την κίνηση και σπρώξτε το προϊόν προς τα εμπρός περίπου 10cm.
- Όταν πλησιάζετε, για παράδειγμα, σε κάποιο εμπόδιο, πρέπει να απελευθερώνετε τους μοχλούς μετάδοσης κίνησης για να αποσυμπλέξετε το σύστημα μετάδοσης κίνησης.

Ρύθμιση της ντίζας ελέγχου μετάδοσης κίνησης

- Χρησιμοποιήστε τη βίδα ρύθμισης για να ρυθμίσετε την ντίζα ελέγχου μετάδοσης κίνησης. (Εικ. 31)
- Σβήστε τον κινητήρα. Πρέπει πάντα να αποσυνδέετε με μπουζί προτού χρησιμοποιήσετε τα κινούμενα εξαρτήματα.
- Γυρίστε τη βίδα ρύθμισης προς τα αριστερά για να τεντώσετε την ντίζα και να αυξήσετε την ταχύτητα.
- Γυρίστε τη βίδα ρύθμισης προς τα δεξιά για να προεκτείνετε την ντίζα και να μειώσετε την ταχύτητα.

Διακοπή λειτουργίας του προϊόντος

- Για να διακόψετε μόνο τη μετάδοση κίνησης, απελευθερώστε τους μοχλούς μετάδοσης κίνησης.
- Για να διακόψετε τη λειτουργία του κινητήρα, απελευθερώστε τη λαβή του φρένου κινητήρα. (Εικ. 32)

Χρήση του προϊόντος με τον συλλέκτη χόρτου



ΠΡΟΕΙΔΟΠΟΙΗΣΗ: Μην χρησιμοποιείτε το προϊόν χωρίς να έχετε τοποθετήσει τον συλλέκτη χόρτου ή χωρίς να έχετε κλείσει τον πίσω εκτροπέα. Μπορεί να εκτιναχθούν αντικείμενα και να προκαλέσουν τραυματισμό στον χειριστή.

- Ανασηκώστε τον πίσω εκτροπέα και αφαιρέστε το πώμα χορτολιπάσματος. (Εικ. 33)
- Για να συναρμολογήσετε τον συλλέκτη χόρτου, ανατρέξτε στην ενότητα *Συναρμολόγηση του συλλέκτη χόρτου στη σελίδα 81*.
- Τοποθετήστε τον συλλέκτη χόρτου στο μπράτσο. (Εικ. 34)
- Ασφαλίστε τον πίσω εκτροπέα και τοποθετήστε τον πάνω στο πλαίσιο του σάκου χόρτου.

Αλλαγή του προϊόντος σε λειτουργία κοπής χορτολιπάσματος

Με τη λειτουργία κοπής χορτολιπάσματος, το κομμένο γρασίδι τεμαχίζεται σε μικρότερα κομμάτια. Στη συνέχεια, το κομμένο γρασίδι πέφτει πάνω στο γκαζόν και

σκορπίζεται. Το χορτολίπασμα βιοδιασπάται γρήγορα, παρέχοντας θρεπτικά στοιχεία στο γρασίδι.

- Ανασηκώστε το πίσω κάλυμμα και αφαιρέστε το σάκο χόρτου, αν υπάρχει.
- Τοποθετήστε το πώμα χορτολιπάσματος στο κανάλι του συλλέκτη. (Εικ. 35)
- Αφήστε το πίσω κάλυμμα να κλείσει και βεβαιωθείτε ότι κλείνει ερμητικά πάνω στο πώμα χορτολιπάσματος. (Εικ. 36)

Αλλαγή του προϊόντος σε λειτουργία πλευρικής εξαγωγής κομμένου χόρτου

- Ανασηκώστε τον πίσω εκτροπέα και αφαιρέστε το πώμα χορτολιπάσματος. (Εικ. 37)
- Τοποθετήστε το σωλήνα εκτόξευσης. (Εικ. 38)

Άδειασμα του συλλέκτη χόρτου



ΠΡΟΣΟΧΗ: Για να αποφύγετε τη φθορά, μην σέρνετε το σάκο όταν αδειάζετε το συλλέκτη χόρτου.

- Ανασηκώστε το συλλέκτη χόρτου με τη λαβή του πλαισίου. (Εικ. 39)
- Αφαιρέστε το κομμένο γρασίδι από το συλλέκτη χόρτου από κάτω από τη λαβή.
- Αδειάστε το κομμένο γρασίδι από το σάκο με τη λαβή του πλαισίου και τη λαβή του σάκου.

Για ένα καλό αποτέλεσμα

- Να χρησιμοποιείτε πάντα μια ακονισμένη λεπίδα. Η στομωμένη λεπίδα δίνει ένα ακανόνιστο αποτέλεσμα και η επιφάνεια κοπής του γρασιδιού γίνεται κίτρινη. Επίσης, η ακονισμένη λεπίδα χρησιμοποιεί λιγότερη ενέργεια από μια στομωμένη λεπίδα.
- Να μην κόβετε ποτέ πάνω από το 1/3 του μήκους του γρασιδιού. Να κόβετε πρώτα με το ύψος κοπής ρυθμισμένο σε υψηλό. Εξετάστε το αποτέλεσμα και χαμηλώστε το ύψος κοπής σε κατάλληλο επίπεδο. Αν το γρασίδι είναι πολύ μακρύ, οδηγήστε αργά και κόψτε 2 φορές, αν είναι απαραίτητο.
- Να κόβετε κάθε φορά σε διαφορετικές κατευθύνσεις για να αποφεύγετε τις ρίγες στο γκαζόν.

Συντήρηση

Εισαγωγή



ΠΡΟΕΙΔΟΠΟΙΗΣΗ: Προτού εκτελέσετε εργασίες συντήρησης, πρέπει να διαβάσετε και να κατανοήσετε το κεφάλαιο για την ασφάλεια.

Για όλες τις εργασίες συντήρησης και επισκευής στο προϊόν, είναι απαραίτητη ειδική εκπαίδευση. Μπορούμε

να εγγυηθούμε για τη διαθεσιμότητα των επαγγελματικών επισκευών και τη συντήρηση. Αν ο αντιπρόσωπός σας δεν είναι αντιπρόσωπος σέρβις, μιλήστε του για πληροφορίες σχετικά με τον πλησιέστερο αντιπρόσωπο σέρβις.

Πρόγραμμα συντήρησης



ΠΡΟΣΟΧΗ: Βεβαιωθείτε ότι το φίλτρο αέρα είναι στραμμένο προς τα πάνω και όχι προς το έδαφος όταν γέρνετε το προϊόν. Κίνδυνος ζημιάς στον κινητήρα.

Τα διαστήματα συντήρησης υπολογίζονται με βάση την καθημερινή χρήση του προϊόντος. Τα διαστήματα αλλάζουν αν το προϊόν δεν χρησιμοποιείται καθημερινά.

Για τις εργασίες συντήρησης που προσδιορίζονται με αστερίσκο (*), ανατρέξτε στις οδηγίες στην ενότητα *Συσκευές ασφαλείας στο προϊόν στη σελίδα 79.*

Συντήρηση	Καθημερινά	Κάθε εβδομάδα	Κάθε μήνα
Εκτέλεση γενικής επιθεώρησης	X		
Έλεγχος της στάθμης λαδιού	X		
Καθαρισμός του προϊόντος	X		
Έλεγχος του εξοπλισμού κοπής	X		
Έλεγχος του καλύμματος κοπής *	X		
Έλεγχος της λαβής του φρένου του κινητήρα *	X		
Έλεγχος του χειριστήριου φρένου της λεπίδας *	X		
Έλεγχος της εξάτμισης (σιγαστήρα) *		X	
Έλεγχος του μπουζι		X	
Αλλαγή λαδιού (την πρώτη φορά μετά από 5 ώρες χρήσης, έπειτα μετά από κάθε 50 ώρες χρήσης)			X
Καθαρίστε ή αντικαταστήστε το φίλτρο αέρα.			X
Έλεγχος του συστήματος καυσίμου			X

Εκτέλεση γενικής επιθεώρησης

- Βεβαιωθείτε ότι όλα τα παξιμάδια και οι βίδες πάνω στο προϊόν είναι σφιγμένα σωστά.

Για να καθαρίσετε εξωτερικά το προϊόν

- Χρησιμοποιήστε μια βούρτσα για να αφαιρέσετε φύλλα, γρασίδι και ακαθαρσίες.
- Βεβαιωθείτε ότι η εισαγωγή αέρα στο επάνω μέρος του κινητήρα δεν είναι φραγμένη.
- Μην χρησιμοποιείτε σύστημα πλύσης με υψηλή πίεση για να καθαρίσετε το προϊόν.
- Αν χρησιμοποιείτε νερό για να καθαρίσετε το προϊόν, μην ρίχνετε νερό απευθείας επάνω στον κινητήρα.

Για να καθαρίσετε την εσωτερική επιφάνεια του καλύμματος κοπής

- Αδειάστε το ντεπόζιτο καυσίμου.
- Τοποθετήστε το προϊόν στο πλάι με την εξάτμιση (σιγαστήρα) προς τα κάτω.



ΠΡΟΣΟΧΗ: Αν το προϊόν τοποθετηθεί με το φίλτρο αέρα προς τα κάτω, ο κινητήρας μπορεί να υποστεί ζημιά.

- Ξεπλύνετε την εσωτερική επιφάνεια του καλύμματος κοπής ρίχνοντας νερό προς τα κάτω με ένα λάστιχο.

Χρήση της σύνδεσης λάστιχου ποτίσματος

- Μετακινήστε το προϊόν σε σημείο όπου το γρασίδι είναι κομμένο ή σε άλλη σκληρή επιφάνεια.
- Αφαιρέστε τον συλλέκτη χόρτου ή το πώμα χορτολπάσματος από το προϊόν.
- Κλείστε τον πίσω εκτροπέα.
- Συνδέστε ένα λάστιχο ποτίσματος στη σύνδεση λάστιχου ποτίσματος. (Εικ. 40)
- Διακόψτε την παροχή νερού και ελέγξτε μήπως υπάρχει διαρροή στη σύνδεση του λάστιχου ποτίσματος.
- Εάν δεν δείτε να υπάρχει διαρροή, εκκινήστε τον κινητήρα. Αφήστε τον κινητήρα να λειτουργήσει μέχρι το προϊόν να καθαριστεί κάτω από το περιβλήμα.
- Σβήστε τον κινητήρα.
- Διακόψτε την παροχή νερού και αφαιρέστε το λάστιχο από τη σύνδεση λάστιχου ποτίσματος.

Περιεχόμενα Μην αφαιρέτε το λάστιχο ποτίσματος από τη σύνδεσή του ενώ ο κινητήρας βρίσκεται σε

λειτουργία. Η εισχώρηση νερού στον κινητήρα μπορεί να μειώσει τη διάρκεια ζωής του.

9. Εκκινήστε τον κινητήρα και αφήστε τον να λειτουργήσει για ένα ολόκληρο λεπτό, ώστε να απομακρυνθεί από το προϊόν το νερό που έχει απομείνει.

Αντικατάσταση λαδιού του κινητήρα



ΠΡΟΕΙΔΟΠΟΙΗΣΗ: Το λάδι του κινητήρα είναι πολύ καυτό αμέσως μετά το σβήσιμο του κινητήρα. Αφήστε τον κινητήρα να κρυώσει προτού αδειάσετε το λάδι του κινητήρα. Αν πέσει λάδι κινητήρα στο δέρμα σας, καθαρίστε το με σαπούνι και νερό.

1. Λειτουργήστε το προϊόν μέχρι να αδειάσει το νεπετόζιτο καυσίμου.
2. Αφαιρέστε το καλώδιο της μίζας από το μπουζί.
3. Αφαιρέστε την τάπα νεπετόζιτου λαδιού.
4. Τοποθετήστε ένα δοχείο κάτω από το προϊόν για να συλλέξετε το λάδι του κινητήρα.
5. Γείρετε το προϊόν για να αδειάσετε το λάδι του κινητήρα από το νεπετόζιτο λαδιού.
6. Γεμίστε με καινούργιο λάδι κινητήρα που έχει τον προτεινόμενο τύπο στο *Τεχνικά στοιχεία στη σελίδα 88*.
7. Ελέγξτε τη στάθμη λαδιού. Ανατρέξτε στην ενότητα *Ελεγχος της στάθμης λαδιού στη σελίδα 79*.

Για να εξετάσετε το μπουζί



ΠΡΟΣΟΧΗ: Χρησιμοποιείτε πάντα τον συνιστώμενο τύπο μπουζί. Η χρήση λάθος τύπου μπουζί μπορεί να προκαλέσει ζημιά στο προϊόν.

- Αν ο κινητήρας έχει χαμηλή ισχύ, δεν εκκινείται εύκολα ή δεν λειτουργεί σωστά στο ρελαντί, ελέγξτε το μπουζί.
- Για να μειώσετε τον κίνδυνο συσσώρευσης ανεπιθύμητων υλικών στα ηλεκτρόδια του μπουζί, ακολουθήστε τις παρακάτω οδηγίες:
 - a) Βεβαιωθείτε ότι οι στροφές ανά λεπτό ρελαντί έχουν ρυθμιστεί σωστά.
 - b) Βεβαιωθείτε ότι το μίγμα καυσίμου είναι σωστό.
 - c) Βεβαιωθείτε ότι το φίλτρο αέρα είναι καθαρό.
- Αν το μπουζί είναι βρόμικο, καθαρίστε το και βεβαιωθείτε ότι το διάκενο του ηλεκτροδίου είναι σωστό, ανατρέξτε στην ενότητα *Τεχνικά στοιχεία στη σελίδα 88*. (Εικ. 41)
- Αν χρειάζεται, αντικαταστήστε το μπουζί.

Καθαρισμός του φίλτρου αέρα

1. Αφαιρέστε το κάλυμμα του φίλτρου αέρα και το φίλτρο.

2. Χτυπήστε το φίλτρο πάνω σε μια επίπεδη επιφάνεια για να πέσουν τα σωματίδια.



ΠΡΟΣΟΧΗ: Να μην χρησιμοποιείτε διαλύτες ή συμπιεσμένο αέρα για να καθαρίσετε το φίλτρο αέρα.

3. Τοποθετήστε το φίλτρο αέρα στη θέση του. Βεβαιωθείτε ότι το φίλτρο αέρα εφαρμόζει πλήρως στον συγκρατητή του φίλτρου αέρα.
4. Τοποθετήστε το κάλυμμα του φίλτρου αέρα στη θέση του.

Περιεχόμενα Αν το φίλτρο αέρα χρησιμοποιείται για μεγάλο χρονικό διάστημα, δεν μπορεί να καθαριστεί εντελώς. Να αντικαθιστάτε το φίλτρο αέρα σε τακτά διαστήματα. Πρέπει πάντα να αντικαθιστάτε το φίλτρο αέρα, εάν έχει υποστεί ζημιά.

Για να ελέγξετε τον εξοπλισμό κοπής



ΠΡΟΕΙΔΟΠΟΙΗΣΗ: Για να αποτρέψετε ακούσια εκκίνηση, αφαιρέστε το καλώδιο ανάφλεξης από το μπουζί.



ΠΡΟΕΙΔΟΠΟΙΗΣΗ: Να χρησιμοποιείτε προστατευτικά γάντια όταν κάνετε συντήρηση του εξοπλισμού κοπής. Η λεπίδα είναι πολύ κοφτερή και μπορεί εύκολα να κοπείτε.

1. Ελέγξτε τον εξοπλισμό κοπής για ζημιές ή ρωγμές. Πρέπει πάντα να αντικαθιστάτε τον εξοπλισμό κοπής, αν έχει υποστεί ζημιά.
2. Κοιτάξτε τη λεπίδα για να δείτε εάν είναι φθαρμένη ή στοματωμένη.

Περιεχόμενα Είναι απαραίτητο να ζυγοσταθμιστεί η λεπίδα μετά το ακόνισμα. Να αναθέτετε το ακόνισμα, την αντικατάσταση και τη ζυγοστάθμιση της λεπίδας σε ένα κέντρο σέρβις. Αν χτυπήσετε κάποιο εμπόδιο και σταματήσει το προϊόν, αντικαταστήστε τη φθαρμένη λεπίδα. Το κέντρο σέρβις θα αξιολογήσει αν η λεπίδα μπορεί να ακονιστεί ή πρέπει να αντικατασταθεί.

Συναρμολόγηση της λεπίδας

1. Τοποθετήστε το εξάρτημα προσαρμογής της λεπίδας στο στροφαλοφόρο άξονα του κινητήρα. Βεβαιωθείτε ότι το κλειδί του προσαρμογέα είναι ευθυγραμμισμένο με την υποδοχή του στροφαλοφόρου άξονα. (Εικ. 42)
2. Πρέπει πάντα να τοποθετείτε τη λεπίδα με τα γωνιώδη άκρα στραμμένα προς τα πάνω στην κατεύθυνση του κινητήρα. (Εικ. 43)

- Χρησιμοποιήστε έναν ξύλινο τάκο μεταξύ της λεπίδας και του περιβλήματος του προϊόντος. Σφίξτε τη βίδα της λεπίδας και γυρίστε την δεξιόστροφα.
- Πρέπει πάντα να σφίγγετε τη βίδα με ροπή 47-54 Nm (35-40 ft lbs). (Εικ. 44)
- Βεβαιωθείτε ότι το καλώδιο του μπουζί είναι αποσυνδεδεμένο από τον κινητήρα.



ΠΡΟΣΟΧΗ: Για να αποφύγετε τυχόν ακούσια εκκίνηση, πρέπει πάντα να αποσυνδέετε το καλώδιο του μπουζί και να τοποθετείτε το καλώδιο σε σημείο όπου δεν μπορεί να έρθει σε επαφή με το μπουζί.

- Τραβήξτε τη λάμα με το χέρι και βεβαιωθείτε ότι μπορεί να περιστραφεί χωρίς προβλήματα.

Για να αντικαταστήσετε τη λεπίδα

- Ασφαλίστε τη λεπίδα με έναν ξύλινο τάκο. (Εικ. 45)
- Αφαιρέστε τη βίδα της λεπίδας.
- Αφαιρέστε τη λεπίδα.
- Εξετάστε την υποστήριξη και τη βίδα της λεπίδας για να δείτε εάν υπάρχουν φθορές.



ΠΡΟΕΙΔΟΠΟΙΗΣΗ: Να χρησιμοποιείτε γάντια βαρέος τύπου. Η λεπίδα είναι πολύ κοφτερή και μπορεί εύκολα να κοπείτε.

- Εκκινήστε το προϊόν για να δοκιμάσετε τη λεπίδα. Αν η λεπίδα δεν είναι σωστά συνδεδεμένη, θα υπάρχουν κραδασμοί στο προϊόν ή το αποτέλεσμα κοπής δεν θα είναι ικανοποιητικό.

Επισκόπηση συγκροτήματος μετάδοσης κίνησης

(Εικ. 2)

1. Πώμα χορτολιπάσματος
2. Πίσω ένθετο
3. Τροχαλία συστήματος μετάδοσης κίνησης
4. Μπράτσο άεργης τροχαλίας
5. Κάλυμμα συστήματος μετάδοσης κίνησης
6. Εξάρτημα προσαρμογής λεπίδας
7. Άεργη τροχαλία
8. Μηχανισμός συγκράτησης μπροστινού ιμάντα
9. Δακτύλιος
10. Λεπίδα
11. Σκληρή ροδέλα
12. Ροδέλα ασφάλισης
13. Βίδα λεπίδας
14. Κάλυμμα ιμάντα
4. Αφαιρέστε το κάλυμμα του ιμάντα. (Εικ. 48)
5. Αφαιρέστε τη βίδα της λεπίδας, τη ροδέλα ασφάλισης, τη σκληρή ροδέλα και τη λεπίδα. (Εικ. 49)
6. Αφαιρέστε την τάπα επιστρώματος. (Εικ. 50)
7. Αφαιρέστε το πίσω ένθετο.
8. Αφαιρέστε το κάλυμμα του ιμάντα και τον δακτύλιο. (Εικ. 51)
9. Αποσυνδέστε την ντίζα από το σύστημα μετάδοσης κίνησης και αφαιρέστε την άεργη τροχαλία από το συγκρότημα άεργων τροχαλιών.
10. Αφαιρέστε τον μηχανισμό συγκράτησης του μπροστινού ιμάντα.
11. Αφαιρέστε τον ιμάντα μετάδοσης κίνησης από την τροχαλία μετάδοσης κίνησης.
12. Αφαιρέστε τις 3 άεργες τροχαλίες από το συγκρότημα άεργων τροχαλιών. (Εικ. 52)
13. Αφαιρέστε τον ιμάντα μετάδοσης κίνησης από το εξάρτημα προσαρμογής της λεπίδας και το συγκρότημα άεργων τροχαλιών. (Εικ. 53)
14. Στερεώστε τις πένσες ασφάλισης στον άξονα εισόδου του συστήματος μετάδοσης κίνησης. Χαλαρώστε την τροχαλία του κινητήρα με ένα πολυγώνο κλειδί 9/16", για να αφαιρέσετε την τροχαλία του συστήματος μετάδοσης κίνησης.
15. Αφαιρέστε τον ιμάντα μετάδοσης κίνησης.

Αφαίρεση του ιμάντα μετάδοσης κίνησης

1. Λειτουργήστε το προϊόν μέχρι να αδειάσει το νεπόζιτο καυσίμου.
2. Αφαιρέστε το καπάκι του μπουζί από το μπουζί.
3. Τοποθετήστε το προϊόν στο πλάι με την εξάτμιση (σιγαστήρα) προς τα κάτω.



ΠΡΟΣΟΧΗ: Αν το προϊόν τοποθετηθεί με το φίλτρο αέρα προς τα κάτω, ο κινητήρας μπορεί να υποστεί ζημιά.

Αντιμετώπιση προβλημάτων

Πρόβλημα	Πιθανή αιτία	Λύση
Ο κινητήρας δεν εκκινείται.	Το καλώδιο ανάφλεξης δεν έχει συνδεθεί σωστά.	Συνδέστε το καλώδιο ανάφλεξης στο μπουζί.
	Το ντεπόζιτο καυσίμου έχει αδειάσει.	Γεμίστε το ντεπόζιτο καυσίμου με τον σωστό τύπο καυσίμου.
	Υπάρχουν σκουπιδάκια στο καρμπυρατέρ ή στη γραμμή καυσίμου.	Καθαρίστε το καρμπυρατέρ ή/και τη γραμμή καυσίμου.
	Το μπουζί είναι ελαττωματικό.	Ρυθμίστε το διάκενο του ηλεκτροδίου, καθαρίστε ή αντικαταστήστε το μπουζί.
Ο κινητήρας δεν σβήνει.	Υπάρχει βλάβη στον μηχανισμό διακοπής λειτουργίας.	Αφαιρέστε το καλώδιο ανάφλεξης από το μπουζί. Αναθέστε την επισκευή του προϊόντος σε έναν εγκεκριμένο αντιπρόσωπο σέρβις.
Ο κινητήρας δεν λειτουργεί ομαλά.	Το καλώδιο ανάφλεξης δεν έχει συνδεθεί σωστά.	Συνδέστε το καλώδιο ανάφλεξης στο μπουζί.
	Υπάρχουν βρομιές στη γραμμή καυσίμου ή το καύσιμο έχει λήξει.	Καθαρίστε τη γραμμή καυσίμου. Γεμίστε το ντεπόζιτο καυσίμου με καινούργιο καύσιμο σωστού τύπου.
	Υπάρχει εμπόδιο στην τάπα του ντεπόζιτου καυσίμου.	Καθαρίστε την τάπα του ντεπόζιτου καυσίμου.
	Υπάρχει νερό ή βρομιά στο σύστημα καυσίμου.	Αποστραγγίστε το ντεπόζιτο καυσίμου. Γεμίστε το ντεπόζιτο καυσίμου με καινούργιο καύσιμο σωστού τύπου.
	Το φίλτρο αέρα είναι βρόμικο.	Καθαρίστε το φίλτρο αέρα.
	Πρέπει να γίνει ρύθμιση του καρμπυρατέρ.	Αναθέστε τη ρύθμιση του καρμπυρατέρ σε έναν αντιπρόσωπο σέρβις.
Ο κινητήρας υπερθερμαίνεται.	Η στάθμη λαδιού κινητήρα είναι πολύ χαμηλή.	Γεμίστε με λάδι κινητήρα.
	Η παροχή αέρα δεν είναι επαρκής.	Καθαρίστε το φίλτρο αέρα και το περιβλημα του φίλτρου αέρα.
	Πρέπει να γίνει ρύθμιση του καρμπυρατέρ.	Αναθέστε τη ρύθμιση του καρμπυρατέρ σε έναν αντιπρόσωπο σέρβις.
Παρουσιάζεται αφλογιστία στον κινητήρα όταν λειτουργεί με υψηλές στροφές.	Το διάκενο του ηλεκτροδίου στο μπουζί είναι πολύ μικρό.	Ρυθμίστε το διάκενο αέρα.
Ο κινητήρας δεν λειτουργεί ομαλά στο ρελαντί.	Το μπουζί είναι βρόμικο, ελαττωματικό ή το διάκενο του ηλεκτροδίου είναι πολύ μεγάλο.	Ρυθμίστε το διάκενο ηλεκτροδίου ή αντικαταστήστε το μπουζί.
	Πρέπει να γίνει ρύθμιση του καρμπυρατέρ.	Ρυθμίστε το καρμπυρατέρ.
	Το φίλτρο αέρα είναι βρόμικο.	Καθαρίστε το φίλτρο αέρα.

Πρόβλημα	Πιθανή αιτία	Λύση
Υπάρχουν έντονοι κραδασμοί στη λαβή.	Κάποια λεπίδα έχει χαλαρώσει ή δεν είναι ζυγοσταθμισμένη.	Σφίξτε τις βίδες της λεπίδας. Αν υπάρχουν ζημιές, αντικαταστήστε τις λεπίδες.
	Κάποια λεπίδα έχει λυγίσει.	Αν υπάρχουν ζημιές, αντικαταστήστε τις λεπίδες.
Το γρασίδι δεν κόβεται ως χορτολίπασμα.	Το γρασίδι είναι βρεγμένο.	Μην χρησιμοποιείτε το προϊόν όταν το γρασίδι είναι βρεγμένο. Περιμένετε μέχρι να στεγνώσει το γρασίδι.
	Το γρασίδι είναι πολύ ψηλό.	Να κόβετε πρώτα με το ύψος κοπής ρυθμισμένο σε υψηλό. Μειώστε το ύψος κοπής και εκτελέστε ξανά την κοπή. Φροντίστε να κόβετε μόνο στο 1/2 του πλάτους κοπής με κάθε πέρασμα.
	Μία ή περισσότερες λεπίδες δεν κόβουν καλά.	Τροχίστε ή αντικαταστήστε τις λεπίδες.
Το γρασίδι κόβεται ακανόνιστα.	Οι τροχοί δεν βρίσκονται στη σωστή θέση.	Ρυθμίστε το ύψος κοπής στο ίδιο επίπεδο και για τους 4 τροχούς.
	Μία ή περισσότερες λεπίδες δεν κόβουν καλά.	Τροχίστε ή αντικαταστήστε τις λεπίδες.
Το σύστημα μετάδοσης κίνησης δεν λειτουργεί σωστά	Ο ιμάντας μετάδοσης κίνησης δεν είναι αρκετά σφιχτός ή υπάρχει βρομιά στις τροχαλίες ή στον ιμάντα μετάδοσης κίνησης.	Αναθέστε τη συντήρηση του συστήματος μετάδοσης κίνησης σε έναν εγκεκριμένο αντιπρόσωπο σέρβις.

Μεταφορά, αποθήκευση και απόρριψη

Μεταφορά και αποθήκευση

- Για την αποθήκευση και τη μεταφορά του προϊόντος και του καυσίμου, βεβαιωθείτε ότι δεν υπάρχουν διαρροές ή αναθυμιάσεις. Τυχόν σπινθήρες ή ακάλυπτες φλόγες, για παράδειγμα από ηλεκτρικές συσκευές ή λέβητες, μπορεί να προκαλέσουν πυρκαγιά.
- Να χρησιμοποιείτε πάντα εγκεκριμένα δοχεία για την αποθήκευση και τη μεταφορά των καυσίμων.
- Να αδειάζετε το ντεπόζιτο καυσίμου πριν την αποθήκευση του προϊόντος για μεγάλο χρονικό διάστημα. Να απορρίπτετε το καύσιμο σε μια κατάλληλη τοποθεσία απόρριψης.
- Να στερεώνετε με ασφάλεια το προϊόν κατά τη μεταφορά για να αποφύγετε βλάβες και ατυχήματα.
- Να διατηρείτε το προϊόν σε μια κλειδωμένη περιοχή για να αποτρέψετε την πρόσβαση σε παιδιά ή μη εγκεκριμένα άτομα.
- Να διατηρείτε το προϊόν σε μια περιοχή στεγνή και χωρίς πάγο.

Απόρριψη

- Πρέπει να συμμορφώνεστε με τις τοπικές απαιτήσεις ανακύκλωσης και τους ισχύοντες κανονισμούς.
- Πετάξτε όλα τα χημικά, όπως το λάδι κινητήρα ή το καύσιμο, σε ένα κέντρο σέρβις ή σε μια κατάλληλη τοποθεσία απόρριψης.
- Όταν το προϊόν δεν είναι πλέον σε χρήση, στείλτε το σε έναν αντιπρόσωπο Husqvarna ή απορρίψτε το σε μια τοποθεσία ανακύκλωσης.

Τεχνικά στοιχεία

Τεχνικά στοιχεία

	LC 353AWD
Κινητήρας	
Επωνυμία	Honda
Κυβισμός, cu.in/cm ³	10,4/170
Ταχύτητα, σ.α.λ.	2900-3200
Ονομαστική ισχύς κινητήρα, kW/hp, σ.α.λ. ²⁶	3,6/4,9 στις 2900-3200
Σύστημα ανάφλεξης	
Μπουζί	NGK BPR5ES
Διάκενο ηλεκτροδίων, ίντσες/mm	0,028/0,7
Σύστημα καυσίμου και λίπανσης	
Καύσιμο, αμόλυβδη, ελάχιστος αριθμός οκτανίων	90 RON / 87 AKI
Χωρητικότητα ντεπόζιτου καυσίμου, US gal/l	0,27/1,02
Χωρητικότητα ντεπόζιτου λαδιού, US gal/l	0,14/0,53
Λάδι κινητήρα ²⁷	SAE 30/SAE 10W-30
Βάρος	
Με κενά ντεπόζιτα, lb/kg	92/41,7
Εκπομπές θορύβου ²⁸	
Στάθμη ηχητικής ισχύος, μετρούμενη τιμή σε dB (A)	95
Στάθμη ηχητικής ισχύος, εγγυημένη τιμή L _{WA} σε dB (A)	96
Στάθμες ήχου ²⁹	
Στάθμη ηχητικής πίεσης στο αυτί του χειριστή, σε dB (A)	85
Στάθμες κραδασμών ³⁰	
Λαβή, m/s ² με συλλέκτη χόρτου/χωρίς συλλέκτη χόρτου	7/7

²⁶ Η ονομαστική ισχύς του εν λόγω κινητήρα είναι η μέση ωφέλιμη ισχύς (σε συγκεκριμένες στροφές κινητήρα) ενός τυπικού κινητήρα παραγωγής για το μοντέλο του κινητήρα μετρημένης βάσει του προτύπου SAE J1349/ISO1585. Οι κινητήρες μαζικής παραγωγής μπορεί να διαφέρουν από την τιμή αυτή. Η πραγματική ωφέλιμη απόδοση ισχύος του κινητήρα που τοποθετείται στο τελικό προϊόν εξαρτάται από την ταχύτητα λειτουργίας, τις συνθήκες του περιβάλλοντος και άλλες τιμές.

²⁷ *Να χρησιμοποιείτε λάδι κινητήρα ποιότητας SJ ή υψηλότερης. Ανατρέξτε στο διάγραμμα ιξώδους στο εγχειρίδιο του κατασκευαστή κινητήρα και επιλέξτε το καλύτερο ιξώδες με βάση την αναμενόμενη εξωτερική θερμοκρασία.

²⁸ Οι εκπομπές θορύβου στο περιβάλλον, οι οποίες μετρούνται ως ηχητική ισχύς (L_{WA}), σε συμμόρφωση με την Οδηγία 2000/14/ΕΚ.

²⁹ Στάθμη πίεσης θορύβου σύμφωνα με το πρότυπο ISO 5395. Τα καταγεγραμμένα στοιχεία για τη στάθμη πίεσης θορύβου έχουν τυπική στατιστική διασπορά (τυπική απόκλιση) 1,2 dB(A).

³⁰ Επίπεδο κραδασμών σύμφωνα με το πρότυπο ISO 5395. Τα καταγεγραμμένα στοιχεία για τη στάθμη κραδασμών έχουν τυπική στατιστική διασπορά (τυπική απόκλιση) της τάξης του 0,2 m/s².

	LC 353AWD
Εξοπλισμός κοπής	
Ύψος κοπής, in/mm	1,0-4,0/25,4-101,6
Πλάτος κοπής, in/mm	21/530
Λεπίδα	
Κωδ. είδους	586 85 96-02
Χωρητικότητα συλλέκτη χόρτου, ft ³ /l	2,3/65
Σύστημα μετάδοσης κίνησης	
Ταχύτητα, mph/km/h	0-3/0-4,8

Περιεχόμενα της Δήλωσης Συμμόρφωσης ΕΚ

Εμείς, η Husqvarna AB, SE 561 82 Huskvarna, Σουηδία, δηλώνουμε με αποκλειστική μας ευθύνη ότι το απεικονιζόμενο προϊόν:

12100, ISO 5395-1+A1/A2, ISO 5395-2+A1/A2, EN ISO 14982, ISO 3744, ISO 11094, EN 1032

Σύμφωνα με την οδηγία 2000/14/ΕΚ, Παράρτημα VI, οι δηλωθείσες τιμές για τον ήχο αναφέρονται στο κεφάλαιο Τεχνικά στοιχεία αυτού του εγχειριδίου και στην υπογεγραμμένη Δήλωση συμμόρφωσης ΕΚ.

Το παρεχόμενο χλοοκοπτικό γκαζόν πεζού χειριστή με κινητήρα εσωτερικής καύσης είναι σύμφωνο με το δείγμα που υποβλήθηκε σε εξέταση.

Περιγραφή	Χλοοκοπτικό γκαζόν πεζού χειριστή με κινητήρα εσωτερικής καύσης
Επωνυμία	Husqvarna
Πλατφόρμα / Τύπος / Μοντέλο	Πλατφόρμα E21THV, αντιστοιχεί στα μοντέλα LC 353AWD.
Παρτίδα	Αριθμός σειράς με ημερομηνία 2019 και μεταγενέστερη.

συμμορφώνεται πλήρως με τις ακόλουθες οδηγίες και τους κανονισμούς της ΕΕ:

Οδηγία/Κανονισμός	Περιγραφή
2006/42/ΕΚ	"σχετικά με τα μηχανήματα"
2014/30 /ΕΕ	"σχετικά με την ηλεκτρομαγνητική συμβατότητα"
2000/14/ΕΕ, 2005/88/ΕΚ	"σχετικά με εξωτερικό θόρυβο"
2011/65/ΕΕ	"περιορισμό της χρήσης ορισμένων επικίνδυνων ουσιών"

Τα εναρμονισμένα πρότυπα ή/και οι τεχνικές προδιαγραφές που εφαρμόζονται είναι τα εξής: EN ISO

Contenido

Introducción.....	90	Resolución de problemas.....	99
Seguridad.....	91	Transporte, almacenamiento y eliminación.....	101
Montaje.....	94	Datos técnicos.....	102
Funcionamiento.....	95	Contenido de la declaración de conformidad CE.....	103
Mantenimiento.....	96		

Introducción

Descripción del producto

El producto es un cortacésped con motor de combustión conducido a pie. La hierba se recoge en un recogedor de césped. Retire el recogedor de césped para utilizar la descarga trasera de hierba. Fije un kit de trituración para cortar la hierba y utilizarla como abono.

Descripción del producto

(Fig. 1)

1. Palanca del freno del motor
2. Palancas de control
3. Empuñadura de la cuerda de arranque
4. Recogedor de césped
5. Tapón del depósito de combustible
6. Filtro de aire
7. Bujía
8. Cubierta de la transmisión
9. Silenciador
10. Conexión para manguera de agua
11. Deflector trasero
12. Varilla de nivel/depósito de aceite
13. Control de la altura de corte
14. Tapón del triturador
15. Manual de usuario
16. Conducto de expulsión

Símbolos que aparecen en el producto

- (Fig. 3) **ADVERTENCIA:** Este producto puede ser peligroso y ocasionar daños graves o mortales tanto al operador como a cualquier otra persona. Tenga cuidado y utilice el producto correctamente.
- (Fig. 4) Lea atentamente el manual de usuario y asegúrese de que entiende las instrucciones antes de utilizar el producto.
- (Fig. 5) Rápido
- (Fig. 6) Lento
- (Fig. 7) Mantenga alejados los pies y las manos de la pieza giratoria.

Uso previsto

Utilice el producto para cortar la hierba en jardines privados. No utilice el producto para otras tareas.

- (Fig. 8) Mantenga a las personas y los animales a una distancia de seguridad con respecto a la zona de trabajo.
- (Fig. 9) Tenga cuidado cuando utilice el producto hacia atrás. Mire hacia atrás y al suelo para ver si hay niños pequeños, animales o cualquier otro peligro que pudiera hacerle caer.
- (Fig. 10) Utilizar el producto en pendientes puede resultar peligroso.
- (Fig. 11) Mantenga alejados las manos y los pies de la cuchilla giratoria.
- (Fig. 12) Tenga cuidado con los objetos lanzados o rebotados.
- (Fig. 13) Las emisiones sonoras en el entorno según la directiva de la Comunidad Europea. Las emisiones de la máquina se indican en los *Datos técnicos en la página 102* y en la etiqueta.
- (Fig. 14) Este producto cumple con las directivas CE vigentes.
- (Fig. 15) El producto cumple con las directivas EAC vigentes.
- (Fig. 16) El producto cumple con las directivas RCM vigentes. Aplicable solo para Australia y Nueva Zelanda.
- (Fig. 17) El producto cumple con las directivas ucranianas vigentes.
- (Fig. 18) Utilice protección auditiva homologada.

Nota: Los demás símbolos/etiquetas que aparecen en el producto corresponden a requisitos de homologación específicos en otras zonas comerciales.

Responsabilidad sobre el producto

Como se estipula en las leyes de responsabilidad del producto, no nos hacemos responsables de los daños y perjuicios causados por nuestro producto si:

- El producto se ha reparado incorrectamente.
- El producto se ha reparado con piezas que no eran del fabricante o no autorizadas por el fabricante.
- El producto tiene un accesorio que no es del fabricante o no está autorizado por este.
- El producto no se ha reparado en un centro de servicio autorizado o por un organismo homologado.

Seguridad

Definiciones de seguridad

Las advertencias, precauciones y notas se utilizan para destacar información especialmente importante del manual.



ADVERTENCIA: Indica un riesgo de lesiones o incluso de muerte del usuario o de las personas cercanas si no se respetan las instrucciones del manual.



PRECAUCIÓN: Indica un riesgo de daños en el producto, otros materiales o el área adyacente si no se respetan las instrucciones del manual.

Nota: Se usa para proporcionar más información necesaria en una situación determinada.

Instrucciones generales de seguridad



ADVERTENCIA: Lea las siguientes instrucciones de advertencia antes de utilizar el producto.

- Este producto es una herramienta peligrosa si se usa incorrectamente o si no se tiene cuidado. Puede causar lesiones graves o incluso la muerte si no siguen las instrucciones de seguridad.
- Este producto genera un campo electromagnético durante el funcionamiento. Este campo magnético puede, en determinadas circunstancias, interferir con implantes médicos activos o pasivos. Para reducir el riesgo de que se den condiciones que provocarían lesiones graves o letales, las personas que utilizan implantes médicos deben consultar con su médico y con el fabricante del implante antes de poner en marcha este producto.
- Proceda siempre con cuidado y utilice siempre el sentido común. Si no está seguro de cómo manejar el producto en una situación especial, pare y consulte con su distribuidor Husqvarna antes de continuar.
- Debe tenerse en cuenta que el operador será responsable de los accidentes que involucren a otras personas o a su propiedad.

- Mantenga el producto limpio. Asegúrese de que puede leer claramente las etiquetas.
- No permita que nadie utilice el producto a menos que se asegure de que haya leído y comprendido el contenido del manual de usuario.
- No deje que un niño maneje el producto.
- Mantenga a los niños alejados de la zona de trabajo. Debe haber presente en todo momento una persona mayor de edad responsable.
- No permita que nadie maneje el producto sin conocer las instrucciones.
- Si una persona con discapacidad física o mental usa el producto, asegúrese de supervisarla en todo momento. Debe haber presente en todo momento una persona mayor de edad responsable.
- No utilice el producto si está cansado, enfermo o si se encuentra bajo los efectos de alcohol, drogas o medicamentos. Esto tiene un efecto negativo en su visión, vigilancia, coordinación y capacidad de decisión.
- No utilice el producto si está defectuoso.
- No modifique este producto ni lo utilice si puede haber sido modificado por otras personas.

Seguridad en el área de trabajo



ADVERTENCIA: Lea las siguientes instrucciones de advertencia antes de utilizar el producto.

- Retire objetos tales como ramas, palos y piedras de la zona de trabajo antes de usar el producto.
- Los objetos que chocan contra el equipo de corte pueden salir despedidos y causar daños a personas y objetos. Mantenga a las personas y los animales a una distancia de seguridad respecto al producto.
- No utilice el producto en condiciones climáticas desfavorables, como niebla, lluvia, viento fuerte, frío intenso y riesgo de relámpagos. El uso del producto en condiciones climáticas desfavorables o en entornos húmedos o mojados produce mucho cansancio. El mal tiempo puede causar condiciones peligrosas, como superficies resbaladizas.
- Preste atención a las personas, objetos y situaciones que puedan impedir el funcionamiento seguro del producto.

- Tenga cuidado con los posibles obstáculos, como raíces, piedras, ramas, hoyos y zanjas. El césped crecido puede esconder obstáculos.
- Cortar el césped en pendientes puede resultar peligroso. No utilice el producto en pendientes de más de 15°.
- Utilice el producto a lo largo de las laderas de las pendientes. No se desplace hacia arriba y hacia abajo.
- Tenga cuidado cuando se acerque a esquinas y objetos escondidos que puedan bloquear su campo de visión.

- No incline el producto con el motor en marcha.
- Tenga cuidado cuando tire del producto hacia atrás.
- Nunca levante el producto con el motor en marcha. Si tiene que levantar el producto, primero apague el motor y desconecte el cable de encendido de la bujía.
- No camine hacia atrás mientras utiliza el producto.
- Detenga el motor cuando se desplace por áreas sin hierba, por ejemplo, caminos de grava, piedra y asfalto.
- No corra con el producto con el motor en marcha. Camine siempre mientras utiliza el producto.
- Detenga el motor antes de cambiar la altura de corte. Nunca realice ajustes con el motor en marcha.
- No deje el producto desatendido con el motor en marcha. Pare el motor y asegúrese de que el equipo de corte no gire.

Seguridad en el trabajo



ADVERTENCIA: Lea las siguientes instrucciones de advertencia antes de utilizar el producto.

- Utilice este producto para cortar solamente césped. No está permitido utilizar el producto para otras tareas.
- Utilice el equipo de protección personal. Consulte la sección *Equipo de protección personal en la página 92*.
- Asegúrese de que saber cómo detener el motor rápidamente en caso de emergencia.
- Nunca arranque el motor en un espacio cerrado ni cerca de materiales inflamables. Los gases de escape del motor están calientes y pueden contener chispas que pueden provocar un incendio.
- No utilice el producto a menos que la cuchilla y todas las cubiertas estén fijadas correctamente. Una cuchilla fijada incorrectamente puede soltarse y provocar daños personales.
- Asegúrese de que la cuchilla no golpea ningún objeto, como piedras y raíces. Esto puede causar daños a la cuchilla y doblar el eje del motor. Un eje doblado causa vibraciones excesivas y un riesgo muy alto de que la cuchilla se suelte.
- Si la cuchilla choca con algún objeto o si se producen vibraciones, pare el producto inmediatamente. Desconecte el cable de encendido de la bujía. Examine el producto para comprobar si presenta daños. Repare los daños o lleve el producto a un taller de servicio autorizado para realizar la reparación.
- No acople la maneta del freno del motor permanentemente al mango cuando el motor esté encendido.
- Ponga el producto en una superficie plana y estable, y arránquelo. Asegúrese de que la cuchilla no entre en contacto con el suelo u otros objetos.
- Manténgase siempre detrás del producto durante su uso.
- Mientras utilice el producto, mantenga todas las ruedas apoyadas en el suelo y las dos manos en el manillar. Mantenga alejados las manos y los pies de las cuchillas giratorias.

Instrucciones de seguridad para el funcionamiento

Equipo de protección personal



ADVERTENCIA: Lea las siguientes instrucciones de advertencia antes de utilizar el producto.

- El equipo de protección personal no elimina completamente el riesgo de lesiones, pero reduce la gravedad de las lesiones en caso de accidente. Deje que el distribuidor le ayude a seleccionar el equipo adecuado.
- Utilice protectores auriculares si el nivel de ruido es superior a 85 dB.
- Utilice botas o zapatos de trabajo antideslizantes. No utilice calzado abierto ni vaya descalzo.
- Utilice pantalones largos gruesos.
- Utilice guantes protectores cuando sea necesario, por ejemplo, para el montaje, inspección o limpieza del equipo de corte.

Dispositivos de seguridad en el producto



ADVERTENCIA: Lea las siguientes instrucciones de advertencia antes de utilizar el producto.

- No utilice un producto que tenga dispositivos de seguridad defectuosos.
- Realice una comprobación de los dispositivos de seguridad con frecuencia. Si los dispositivos de seguridad están defectuosos, hable con su taller de servicio Husqvarna.

Comprobación de la cubierta del equipo de corte

La cubierta del equipo de corte disminuye las vibraciones en el producto y el riesgo de lesiones provocadas por la cuchilla.

- Examine la cubierta de corte para asegurarse de que no haya daños como, por ejemplo, grietas.

Comprobación de la maneta de freno del motor

La maneta del freno del motor detiene el motor. Cuando se suelta la maneta del freno del motor, el motor se para.

- Arranque el motor y, a continuación, suelte la maneta de freno. Si el motor no se detiene en 3 segundos, lleve el producto a un taller de servicio Husqvarna autorizado para realizar el ajuste del freno del motor. (Fig. 19)

Comprobación del deflector trasero

El deflector trasero reduce el riesgo de que salgan despedidos objetos hacia el usuario.

- Asegúrese de que el deflector trasero no esté dañado. (Fig. 20)
- Asegúrese de que los muelles que cierran el deflector trasero no estén rotos.
- Sustituya los muelles y las demás piezas que estén dañadas.
- Asegúrese de que el deflector trasero pueda moverse sin dificultad en las bisagras.

Silenciador

El silenciador mantiene al mínimo los niveles de ruido y aparta los gases de escape del operador.

No utilice el producto si el silenciador no está instalado o está defectuoso. Un silenciador defectuoso aumenta el nivel de ruido y el riesgo de incendio.



ADVERTENCIA: El silenciador se calienta mucho durante y después de su uso, y cuando el motor funciona a ralentí. Tenga cuidado cerca de materiales inflamables o gases para evitar incendios.

Comprobación del silenciador

- Examine el silenciador con frecuencia para asegurarse de que está montado correctamente y que no está dañado.

Para realizar una comprobación del nivel de aceite



PRECAUCIÓN: Un nivel de aceite demasiado bajo puede causar daños en el motor. Compruebe el nivel de aceite antes de arrancar el producto.

1. Coloque el producto sobre una superficie nivelada.
2. Retire el tapón del depósito de aceite con la varilla de nivel acoplada.
3. Limpie el aceite de la varilla de nivel de aceite.

4. Introduzca la varilla de nivel totalmente en el depósito de aceite para obtener un resultado correcto del nivel de aceite.
5. Quite la varilla de nivel.
6. Compruebe el nivel de aceite que indica la varilla de nivel.
7. Si el nivel de aceite es bajo, llene con aceite de motor y vuelva a comprobar el nivel de aceite.

Seguridad en el uso del combustible



ADVERTENCIA: Lea las siguientes instrucciones de advertencia antes de utilizar el producto.

- No arranque el producto si está manchado con combustible o aceite del motor. Retire el combustible/aceite no deseado y deje secar el producto.
- Si derrama combustible sobre la ropa, cámbiese inmediatamente.
- Evite el contacto con el combustible; puede provocarle lesiones. Si entra en contacto con el combustible, utilice agua y jabón para eliminar el combustible.
- No arranque el motor si el producto tiene una fuga. Examine frecuentemente si hay fugas en el motor.
- Tenga cuidado con el combustible. El combustible es inflamable, sus vapores son explosivos y puede provocar lesiones o la muerte.
- No inhale los vapores de combustible, ya que pueden causar lesiones. Asegúrese de que hay ventilación suficiente.
- No fume cerca del combustible o el motor.
- No coloque objetos calientes cerca del combustible o el motor.
- No agregue el combustible con el motor encendido.
- Asegúrese de que el motor esté frío antes repostar.
- Antes de repostar, abra la tapa del depósito de combustible lentamente y deje salir el exceso de presión con cuidado.
- No añada combustible al motor en interiores. Una circulación de aire insuficiente puede causar lesiones o la muerte por asfixia o inhalación de monóxido de carbono.
- Apriete el tapón del depósito de combustible completamente. Si el tapón del depósito de combustible no se aprieta, existe riesgo de incendio.
- Antes de arrancar el producto, llévelo a 3 m (10 pies) de distancia como mínimo del punto en el que llenó el depósito.
- No llene el depósito de combustible por completo. El calor hace que el combustible se expanda. Deje espacio en la parte superior del depósito de combustible.

Instrucciones de seguridad para el mantenimiento



ADVERTENCIA: Lea las siguientes instrucciones de advertencia antes de utilizar el producto.

- Los gases de escape del motor contienen monóxido de carbono, que es un gas inodoro, tóxico y muy peligroso. No arranque el motor en interiores ni en espacios cerrados.
- Antes de realizar el mantenimiento del producto, detenga el motor y desconecte el cable de encendido de la bujía.
- Utilice guantes protectores cuando realice el mantenimiento del equipo de corte. La cuchilla está muy afilada y se pueden producir cortes con mucha facilidad.
- Los accesorios y modificaciones en el producto que no estén aprobados por el fabricante pueden causar daños graves o la muerte. No modifique el producto. Utilice siempre accesorios autorizados por el fabricante.
- Si el mantenimiento no se realiza correctamente y de forma regular, aumenta el riesgo de lesiones y daños en el producto.
- Realice únicamente las tareas de mantenimiento que se indican en este manual del propietario. Todos los demás trabajos de mantenimiento deben llevarse a cabo en un taller de servicio Husqvarna autorizado.
- Lleve el producto a un taller de servicio Husqvarna autorizado para realizar el mantenimiento de forma regular.
- Cambie las piezas dañadas, desgastadas o rotas.

Montaje

Introducción



ADVERTENCIA: Antes de montar el producto, debe leer y entender el capítulo sobre seguridad.



ADVERTENCIA: Retire el cable de la bujía antes de montar el producto.

Montaje del manillar

1. Levante la sección inferior del manillar. (Fig. 21)
2. Alinee los orificios del extremo situado más abajo de la sección inferior del manillar con los orificios de los soportes del manillar.

Nota: Seleccione aquellos orificios que permitan una postura de trabajo óptima.

3. Apriete las ruedecillas de la sección inferior del manillar.
4. Levante la sección superior del manillar y alinéela con la sección inferior del manillar.
5. Apriete completamente las ruedecillas de la sección superior del manillar.

Instalación de la empuñadura de la cuerda de arranque

1. Fije el lazo de la cuerda de arranque al pomo en forma de T. No lo apriete completamente. (Fig. 22)

2. Sujete la maneta del freno del motor contra el manillar.
3. Saque lentamente la cuerda de arranque y colóquela en el gancho para la cuerda de arranque. (Fig. 23)
4. Apriete el pomo en forma de T. (Fig. 24)

Para ajustar el producto en la posición de transporte

1. Retire el recogedor de césped.
2. Afloje las ruedecillas de la sección inferior del manillar para desbloquearlo. (Fig. 25)
3. Pliegue el manillar hacia abajo y hacia atrás.
4. Retire las ruedecillas y los pasadores de la sección inferior del manillar.
5. Doble el manillar hacia delante.

Para montar el recogedor de césped

1. Coloque el bastidor del recogedor de césped en la bolsa de hierba con la parte rígida de la bolsa en la parte inferior. Mantenga el mango del bastidor separado de la parte superior de la bolsa. (Fig. 26)
2. Fije la bolsa de hierba al bastidor con los cierres rápidos. (Fig. 27)

Funcionamiento

Introducción



ADVERTENCIA: Antes de utilizar el producto, debe leer y entender el capítulo sobre seguridad.

Antes de utilizar el producto

1. Lea detenidamente el manual de usuario y asegúrese de que entiende las instrucciones.
2. Examine el equipo de corte para asegurarse de que está conectado y ajustado correctamente. Consulte *Para inspeccionar el equipo de corte en la página 98.*
3. Llene el depósito de combustible. Consulte *Repostaje de combustible en la página 95.*
4. Llene el depósito de aceite y realice una comprobación del nivel de aceite. Consulte *Para realizar una comprobación del nivel de aceite en la página 93.*

Repostaje de combustible

Si es posible, utilice de gasolina de bajas emisiones/alquilatos. Si no puede utilizar gasolina de bajas emisiones/alquilatos, utilice una gasolina sin plomo o gasolina con plomo de buena calidad con un octanaje no inferior a 90.



PRECAUCIÓN: No utilice gasolina con un octanaje inferior a 90 octanos RON (87 AKI). Esto puede provocar daños en el producto.

1. Abra el tapón del depósito de combustible lentamente para liberar la presión.
2. Llene lentamente con una lata de combustible. Si derrama combustible, límpielo con un paño y deje que el combustible restante se seque.
3. Limpie la zona de alrededor del tapón del depósito de combustible.
4. Apriete el tapón del depósito de combustible completamente. Si el tapón del depósito de combustible no se aprieta, existe riesgo de incendio.
5. Antes de arrancarlo, lleve el producto a 3 m (10 pies) de distancia como mínimo del punto en el que llenó el depósito.

Para ajustar la altura de corte

La altura de corte puede ajustarse en 9 niveles.

1. Empuje el control de altura de corte en la dirección de la rueda y, a continuación, hacia atrás para aumentar la altura de corte.

2. Empuje el control de altura de corte en la dirección de la rueda y, a continuación, hacia delante para reducir la altura de corte. (Fig. 28)



PRECAUCIÓN: No ajuste la altura de corte demasiado baja. Las cuchillas pueden golpear el suelo si la superficie del césped no está nivelada.

Para arrancar el producto

1. Manténgase detrás del producto.
2. Sujete la maneta del freno del motor contra el manillar. (Fig. 29)
3. Sostenga la empuñadura de arranque con la mano derecha.
4. Tire lentamente de la cuerda de arranque hasta sentir cierta resistencia.
5. Tire con fuerza para arrancar el motor.



ADVERTENCIA: No se enrolle la cuerda de arranque alrededor de la mano.

Para usar de la transmisión en las ruedas

- Tire de las palancas de control en dirección al manillar. (Fig. 30)
- Antes de tirar del producto hacia atrás, desacople la transmisión y empuje el producto hacia adelante aproximadamente 10cm.
- Suelte las palancas de control para desacoplar la transmisión, por ejemplo, cuando se acerque a un obstáculo.

Ajuste del cable de control de la transmisión

- Utilice el tornillo de ajuste para ajustar el cable de control de la transmisión. (Fig. 31)
- Pare el motor. Desconecte siempre la bujía antes de trabajar con las piezas móviles.
- Gire el tornillo de ajuste hacia la izquierda para tensar el cable y aumentar la velocidad.
- Gire el tornillo de ajuste hacia la derecha para alargar el cable y reducir la velocidad.

Parada del producto

- Para detener solo la transmisión, basta con soltar las palancas de control.
- Para detener el motor, suelte la maneta del freno del motor. (Fig. 32)

Uso del producto con el recogedor de césped



ADVERTENCIA: No utilice el producto sin el recogedor de césped colocado ni sin el deflector trasero cerrado. Pueden salir despedidos objetos y lesionar al usuario.

1. Levante el deflector trasero y retire el tapón del triturador. (Fig. 33)
2. Monte el recogedor de césped; consulte *Para montar el recogedor de césped en la página 94*.
3. Coloque el recogedor de césped en el soporte. (Fig. 34)
4. Suelte el deflector trasero y colóquelo en la parte superior del bastidor de la bolsa para césped.

Cambio del producto al modo de trituración

El modo de trituración del producto hace que los recortes de césped sean de menor tamaño. Seguidamente, los recortes caen al suelo y se esparcen por el césped. La hierba triturada se biodegrada rápidamente para aportar nutrientes al césped.

1. Levante la protección posterior y retire la bolsa para césped, si estuviera colocada.
2. Coloque el tapón del triturador en el canal del recogedor. (Fig. 35)
3. Deje cerrada la protección posterior y asegúrese de que esté cerrada firmemente contra el tapón del triturador. (Fig. 36)

Cambio del producto al modo de descarga lateral-trasera

1. Levante el deflector trasero y retire el tapón del triturador. (Fig. 37)
2. Instale el conducto de expulsión. (Fig. 38)

Para vaciar el recogedor de césped



PRECAUCIÓN: No arrastre la bolsa al vaciar el recogedor de césped para evitar el desgaste.

1. Levante el recogedor de césped con el mango del bastidor. (Fig. 39)
2. Retire los recortes del recogedor de césped de debajo del mango.
3. Vacíe los recortes de césped de la bolsa con el mango del bastidor y el mango de la bolsa.

Para obtener un buen resultado

- Use siempre una cuchilla afilada. Un cuchilla roma proporciona un resultado irregular y la superficie de corte de la hierba adquiere un tono amarillo. Una cuchilla afilada también utiliza menos energía que una cuchilla roma.
- No corte más de $\frac{1}{3}$ de la longitud del césped. Corte primero con una altura de corte alta. Examine el resultado y baje la altura de corte al nivel que corresponda. Si la hierba está muy larga, vaya despacio y corte dos veces si es necesario.
- Corte en direcciones distintas cada vez para evitar crear rayas en el césped.

Mantenimiento

Introducción



ADVERTENCIA: Antes de realizar cualquier trabajo de mantenimiento, debe leer y entender el capítulo sobre seguridad.

Para todos los trabajos de mantenimiento y reparación del producto, es necesario realizar una formación especial. Nosotros garantizamos que los trabajos de mantenimiento y reparación sean realizados por profesionales. Si su distribuidor no es un taller de servicio, pídale información sobre el taller de servicio más cercano.

Programa de mantenimiento



PRECAUCIÓN: Asegúrese de que el filtro de aire esté hacia arriba y no contra el suelo cuando incline el producto. Podría dañar el motor.

Los intervalos de mantenimiento se calculan a partir del uso diario del producto. Los intervalos cambian si el producto no se utiliza a diario.

Para las tareas de mantenimiento identificadas con un *, consulte las instrucciones de *Dispositivos de seguridad en el producto en la página 92*.

Mantenimiento	Diario	Semanal	Mensual
Inspección general	X		
Compruebe el nivel de aceite	X		

Mantenimiento	Diario	Semanal	Mensual
Limpie el producto	X		
Inspeccione el equipo de corte	X		
Examine la cubierta de corte *	X		
Examine la maneta del freno del motor*	X		
Examine el control del freno de la cuchilla*	X		
Inspeccione el silenciador*		X	
Inspeccione la bujía		X	
Cambie el aceite (la primera vez a las 5 horas de uso; después, cada 50 h de uso)			X
Limpie o sustituya el filtro de aire			X
Inspeccione el sistema de combustible			X

Para realizar una inspección general

- Asegúrese de que todas las tuercas y los tornillos del producto estén apretados correctamente.

Para limpiar el producto externamente

- Use un cepillo para retirar las hojas, la hierba y la suciedad.
- Asegúrese de que la toma de aire de la parte superior del motor no esté obstruida.
- No utilice un equipo de limpieza a alta presión para limpiar el producto.
- Si utiliza agua para limpiar el producto, no dirija el chorro directamente sobre el motor.

Para limpiar la superficie interior de la cubierta de corte

1. Vacíe el depósito de combustible.
2. Apoye el producto sobre su costado con el silenciador hacia abajo.



PRECAUCIÓN: Si el producto se pone con el filtro de aire hacia abajo, el motor puede dañarse.

3. Limpie la superficie interior de la cubierta de corte con una manguera de agua.

Uso de la conexión para manguera de agua

1. Coloque el producto en una zona de césped cortado u otra superficie dura.
2. Retire el recogedor de césped o el accesorio triturador del producto.
3. Cierre el deflector trasero.
4. Conecte una manguera de agua a la conexión para manguera de agua. (Fig. 40)

5. Corte el suministro de agua y examine la conexión de la manguera en busca de fugas.
6. Si no detecta fugas, arranque el motor. Deje el motor en marcha hasta que la parte inferior de la carcasa del producto esté limpia.
7. Pare el motor.
8. Corte el suministro de agua y retire la manguera de la conexión de la manguera de agua.

Nota: No retire la manguera de agua de la conexión de la manguera de agua mientras el motor esté en marcha. La presencia de agua en el motor puede reducir la vida útil del motor.

9. Arranque el motor y déjelo en marcha durante un minuto completo para eliminar el agua restante del producto.

Sustitución del aceite del motor



ADVERTENCIA: El aceite del motor está muy caliente inmediatamente después de apagar el motor. Deje que el motor se enfríe antes de vaciar el aceite del motor. Si derrama aceite del motor y entra en contacto con la piel, lávese con agua y jabón.

1. Ponga el producto en funcionamiento hasta que el depósito de combustible se vacíe.
2. Quite el cable de encendido de la bujía.
3. Retire el tapón del depósito de aceite.
4. Coloque un recipiente debajo del producto para recoger el aceite del motor.
5. Incline el producto para drenar el aceite de motor del depósito de aceite.
6. Llene el depósito con aceite de motor nuevo del tipo recomendado en *Datos técnicos en la página 102*.

7. Compruebe el nivel de aceite. Consulte la sección *Para realizar una comprobación del nivel de aceite en la página 93.*

Para examinar la bujía



PRECAUCIÓN: Utilice siempre el tipo de bujía recomendado. El uso de un tipo de bujía incorrecto puede causar averías en el producto.

- Examine la bujía si el motor tiene baja potencia, no es fácil de arrancar o no funciona correctamente al régimen de ralentí.
- Para reducir el riesgo de material no deseado en los electrodos de la bujía, siga estas instrucciones:
 - a) Asegúrese de que el régimen de ralentí está bien ajustado.
 - b) Asegúrese de que la mezcla de combustible sea correcta.
 - c) Asegúrese de que el filtro de aire esté limpio.
- Si la bujía está sucia, límpiela y asegúrese de que la distancia entre los electrodos sea la correcta, consulte *Datos técnicos en la página 102.* (Fig. 41)
- Sustituya la bujía si fuese necesario.

Para limpiar el filtro de aire

1. Saque la cubierta del filtro de aire y extraiga el filtro.
2. Golpee el filtro contra una superficie plana para que caigan las partículas.



PRECAUCIÓN: No use disolvente ni aire comprimido para limpiar el filtro de aire.

3. Vuelva a colocar el filtro de aire. Asegúrese de que el filtro de aire selle totalmente el soporte del filtro de aire.
4. Vuelva a colocar la cubierta del filtro de aire.

Nota: Un filtro de aire que se haya utilizado durante mucho tiempo no se puede limpiar por completo. Sustituya el filtro de aire con regularidad. Sustituya siempre el filtro de aire si se avería.

Para inspeccionar el equipo de corte



ADVERTENCIA: Para evitar el arranque accidental, desconecte el cable de encendido de la bujía.



ADVERTENCIA: Utilice guantes protectores cuando realice el mantenimiento del equipo de corte. La cuchilla está muy afilada y se pueden producir cortes con mucha facilidad.

1. Inspeccione el equipo de corte para comprobar si presenta daños o grietas. Sustituya siempre un equipo de corte dañado.
2. Inspeccione la cuchilla para comprobar si está dañada o roma.

Nota: Después de afilar la cuchilla, es necesario equilibrarla. El afilado, la sustitución y el equilibrado de la cuchilla deben realizarse en un centro de servicio. Si choca con un obstáculo que haga que el producto se pare, sustituya la cuchilla dañada. Lleve el producto a un centro de servicio, donde estimarán si la cuchilla puede afilarse o debe sustituirse.

Montaje de la cuchilla

1. Coloque el adaptador de la cuchilla en el cigüeñal del motor. Asegúrese de que la chaveta del adaptador y el chavetero del cigüeñal estén alineados. (Fig. 42)
 2. Monte la cuchilla siempre con los extremos inclinados orientados hacia arriba, en dirección al motor. (Fig. 43)
 3. Coloque un taco de madera entre la cuchilla y la carcasa del producto. Apriete el tornillo de la cuchilla y gírelo hacia la derecha.
 4. Apriete el tornillo siempre a un par de 47-54 N·m (35-40 libras-pie). (Fig. 44)
 5. Asegúrese de que el cable de la bujía esté desconectado del motor.
- PRECAUCIÓN:** Para evitar un arranque accidental, desconecte siempre el cable de la bujía y colóquelo en un punto en el que no pueda entrar en contacto con la bujía.
6. Mueva la cuchilla en distintas direcciones manualmente y compruebe que gira libremente.

Para sustituir la cuchilla

1. Bloquee la cuchilla con un bloque de madera. (Fig. 45)
2. Extraiga el tornillo de la cuchilla.
3. Desmonte la cuchilla.
4. Inspeccione el soporte de la cuchilla y el tornillo de la cuchilla para comprobar si presentan daños.
5. Inspeccione el eje del motor para asegurarse de que no está doblado.
6. Cuando instale la nueva cuchilla, colóquela con los extremos en ángulo en dirección a la cubierta de corte. (Fig. 46)
7. Asegúrese de que la cuchilla quede alineada con el centro del eje del motor.

8. Bloquee la cuchilla con un bloque de madera. Coloque la arandela elástica, y apriete el perno y la arandela con un par de 47-54 Nm. (Fig. 47)
9. Mueva la cuchilla en distintas direcciones manualmente y compruebe que gira libremente.

y se pueden producir cortes con mucha facilidad.



ADVERTENCIA: Use guantes resistentes. La cuchilla está muy afilada

10. Arranque el producto para hacer una prueba de la cuchilla. Si la cuchilla no está correctamente fijada, se produce una vibración en el producto o el resultado de corte no es satisfactorio.

Descripción general del conjunto de la transmisión

(Fig. 2)

1. Tapón del triturador
2. Inserto trasero
3. Polea de transmisión
4. Soporte tensor
5. Tapa de la transmisión
6. Adaptador de la cuchilla
7. Polea tensora
8. Guía de correa delantera
9. Anillo
10. Cuchilla
11. Arandela rígida
12. Arandela de presión
13. Tornillo de la cuchilla
14. Cubierta de la correa
4. Retire la cubierta de la transmisión. (Fig. 48)
5. Retire el tornillo de la cuchilla, la arandela de presión, la arandela rígida y la cuchilla. (Fig. 49)
6. Retire el tapón del triturador. (Fig. 50)
7. Retire el inserto trasero.
8. Retire la cubierta de la correa y el anillo. (Fig. 51)
9. Desconecte el cable de la transmisión y retire la polea tensora del conjunto tensor.
10. Retire la guía de la correa delantera.
11. Retire la correa de transmisión de la polea de transmisión.
12. Retire las 3 poleas tensoras del conjunto tensor. (Fig. 52)
13. Retire la correa de transmisión del adaptador de la cuchilla y el conjunto tensor. (Fig. 53)
14. Fije unos alicates al eje de entrada de la transmisión. Afloje la polea del motor con una llave de vaso de 9/16" para retirar la polea de transmisión.
15. Quite la correa de transmisión.

Extracción de la correa de transmisión

1. Ponga el producto en funcionamiento hasta que el depósito de combustible se vacíe.
2. Desmonte el sombrerete de bujía de la bujía.
3. Apoye el producto sobre su costado con el silenciador hacia abajo.



PRECAUCIÓN: Si el producto se pone con el filtro de aire hacia abajo, el motor puede dañarse.

Resolución de problemas

Problema	Causa posible	Solución
El motor no arranca.	El cable de encendido no está conectado correctamente.	Conecte el cable de encendido a la bujía.
	El depósito de combustible está vacío.	Llene el depósito de combustible con el tipo de combustible adecuado.
	Hay suciedad en el carburador o la tubería de combustible.	Limpie el carburador, la tubería de combustible o ambos.
	La bujía está defectuosa.	Ajuste la distancia entre los electrodos y limpie o sustituya la bujía.

Problema	Causa posible	Solución
El motor no para.	El mecanismo de parada está defectuoso.	Desconecte el cable de encendido de la bujía. Lleve el producto a un taller de servicio autorizado para que lo reparen.
El motor no funciona correctamente.	El cable de encendido no está conectado correctamente.	Conecte el cable de encendido a la bujía.
	Hay suciedad en la tubería de combustible o el combustible ha caducado.	Limpie la tubería de combustible. Llene el depósito de combustible con combustible nuevo del tipo correcto.
	Hay una obstrucción en el tapón del depósito de combustible.	Limpie el tapón del depósito de combustible.
	Hay agua o suciedad en el sistema de combustible.	Vacíe el depósito de combustible. Llene el depósito de combustible con combustible nuevo del tipo correcto.
	El filtro de aire está sucio.	Limpie el filtro de aire.
	Es necesario ajustar el carburador.	Lleve el carburador a un taller de servicio para que lo ajusten.
El motor se calienta demasiado.	El nivel de aceite del motor es demasiado bajo.	Reponga con aceite de motor.
	El caudal de aire no es suficiente.	Limpie el filtro de aire y la caja del filtro de aire.
	Es necesario ajustar el carburador.	Lleve el carburador a un taller de servicio para que lo ajusten.
Se produce un fallo de encendido en el motor cuando funciona a régimen alto.	La distancia entre los electrodos de la bujía es demasiado corta.	Ajuste la distancia entre los electrodos.
El motor no funciona correctamente al ralentí.	La bujía está sucia o defectuosa, o la distancia entre los electrodos es demasiado grande.	Ajuste la distancia entre los electrodos o sustituya la bujía.
	Es necesario ajustar el carburador.	Ajuste el carburador.
	El filtro de aire está sucio.	Limpie el filtro de aire.
Hay demasiada vibración en el manillar.	Hay una cuchilla floja o mal equilibrada.	Apriete los pernos de la cuchilla. Cambie las cuchillas si están dañadas.
	Hay una cuchilla doblada.	Cambie las cuchillas si están dañadas.
No se forma mantillo con el césped cortado.	El césped está mojado.	No utilice el producto si el césped está mojado. Espere a que el césped se haya secado.
	El césped está demasiado crecido.	Corte primero con una altura de corte alta. Baje la altura de corte y vuelva a cortar. Corte únicamente con $\frac{1}{2}$ de la anchura de corte cada vez.
	Una o varias cuchillas no están lo suficientemente afiladas.	Afile o cambie las cuchillas.

Problema	Causa posible	Solución
El césped se corta de manera irregular.	Las ruedas no están en la posición correcta.	Ajuste la altura de corte al mismo nivel para las 4 ruedas.
	Una o varias cuchillas no están lo suficientemente afiladas.	Afile o cambie las cuchillas.
El sistema de transmisión no funciona correctamente	La correa de transmisión no está lo suficientemente tensa o hay suciedad en las poleas o en la correa de transmisión.	Lleve el producto a un taller de servicio autorizado para realizar el mantenimiento del sistema de transmisión.

Transporte, almacenamiento y eliminación

Transporte y almacenamiento

- Para el transporte y almacenamiento del producto y del combustible, asegúrese de que no haya fugas ni humos. Las chispas o llamas abiertas, por ejemplo, de dispositivos eléctricos o calderas, pueden producir un incendio.
- Use siempre recipientes homologados para el transporte y almacenamiento de combustible.
- Vacíe el depósito de combustible antes de poner el producto en almacenamiento durante un largo periodo de tiempo. Deseche el combustible en una ubicación adecuada para su eliminación.
- Asegure el producto durante el transporte para evitar daños y accidentes.
- Mantenga el producto en un área cerrada para impedir el acceso a niños o personas no autorizadas.
- Mantenga el producto en un lugar seco y al abrigo de las heladas.

Eliminación

- Respete los requisitos de reciclaje locales y las normas aplicables.
- Deseche todos los productos químicos, como el aceite de motor o el combustible, en un centro de servicio o una ubicación adecuada para su eliminación.
- Cuando ya no use el producto, envíelo a un distribuidor Husqvarna o deséchelo en un punto de reciclaje.

Datos técnicos

Datos técnicos

	LC 353AWD
Motor	
Marca	Honda
Cilindrada, pulg. cúbicas/cm ³	10,4/170
Velocidad, rpm	2900-3200
Potencia nominal del motor, kW/CV a rpm ³¹	3,6/4,9 a 2900-3200
Sistema de encendido	
Bujía	NGK BPR5ES
Distancia entre los electrodos, mm/pulg.	0,028/0,7
Sistema de combustible y lubricación	
Combustible sin plomo, octanaje mínimo	90 RON/87 AKI
Capacidad del depósito de combustible: galones de EE. UU./l	0,27/1,02
Capacidad del depósito de aceite: galones de EE. UU./l	0,14/0,53
Aceite de motor ³²	SAE 30/SAE 10W-30
Peso	
Con los depósitos vacíos, lb/kg	92/41,7
Emisiones de ruido ³³	
Nivel de potencia acústica medida, dB(A)	95
Nivel de potencia acústica garantizado L _{WA} dB(A)	96
Niveles acústicos ³⁴	
Nivel de presión sonora en el oído del operario, dB (A)	85
Niveles de vibraciones ³⁵	
Manillar, m/s ² con el recogedor/sin el recogedor de césped	7/7
Equipo de corte	

³¹ La potencia de salida del motor indicada es la potencia neta media (a la velocidad especificada) de un motor de producción típico para el modelo de motor conforme a la norma SAE J1349/ISO1585. Los motores fabricados en serie podrían presentar valores diferentes. La potencia de salida real del motor instalado en el producto final dependerá de la velocidad de funcionamiento, las condiciones medioambientales y otros valores.

³² Utilice aceite de motor de calidad SJ o superior. Consulte la tabla de los valores de viscosidad en el manual del fabricante del motor y seleccione la mejor viscosidad según la temperatura ambiente prevista.

³³ Emisiones sonoras en el entorno medidas como potencia acústica (L_{WA}) según la directiva CE 2000/14/CE.

³⁴ Nivel de presión sonora conforme a la norma ISO 5395. Los datos referidos del nivel de presión sonora tienen una dispersión estadística habitual (desviación típica) de 1,2 dB (A).

³⁵ Nivel de vibración conforme a ISO 5395. Los datos referidos del nivel de vibración poseen una dispersión estadística habitual (desviación típica) de 0,2 m/s².

	LC 353AWD
Altura de corte, pulg./mm	1,0-4,0/25,4-101,6
Anchura de corte, pulg./mm	21/530
Cuchilla	
Referencia	586 85 96-02
Capacidad del recogedor de césped, pies ³ /l	2,3/65
Transmisión	
Velocidad, mph / km/h	0-3/0-4,8

Contenido de la declaración de conformidad CE

Nosotros, Husqvarna AB, SE 561 82 Huskvarna, SUECIA, declaramos bajo nuestra exclusiva responsabilidad que el producto representado:

El cortacésped conducido a pie con motor de combustión suministrado concuerda con el ejemplar que fue sometido a examen.

Descripción	Cortacésped conducido a pie con motor de combustión
Marca	Husqvarna
Plataforma/tipo/modelo	Plataforma E21THV, que representa los modelos LC 353AWD.
Lote	Número de serie a partir del 2019.

Cumple las siguientes directivas y normas de la UE:

Directiva/Norma	Descripción
2006/42/CE	"relativa a las máquinas"
2014/30/UE	"relativa a la compatibilidad electromagnética"
2000/14/UE; 2005/88/CE	"relativa al ruido en exteriores"
2011/65/UE	"restricciones a la utilización de determinadas sustancias peligrosas"

Las normas armonizadas o especificaciones técnicas aplicadas son las siguientes: EN ISO 12100, ISO 5395-1+A1/A2, ISO 5395-2+A1/A2, EN ISO 14982, ISO 3744, ISO 11094, EN 1032

De acuerdo con la directiva 2000/14/CE, Anexo VI, los valores de sonido declarados se indican en el capítulo Datos técnicos de este manual y en la declaración de conformidad CE firmada.

Sisukord

Sissejuhatus.....	104	Veaotsing.....	112
Ohutus.....	105	Transportimine, hoiuolepanek ja utiliseerimine.....	114
Kokkupanek.....	107	Tehnilised andmed.....	115
Töö.....	108	EL-i vastavusdeklaratsiooni sisu.....	116
Hooldamine.....	109		

Sissejuhatus

Toote kirjeldus

Toode on sisepõlemismootoriga lükatav muruniiduk. Muru kogutakse rohukogurisse. Kui soovite, et muru väljutataks tagant, eemaldage rohukogur. Selleks et muru lõigataks väetiseks, paigaldage multšimiskomplekt.

Toote tutvustus

(Joon. 1)

1. Mootori pidurikäepide
2. Sõiduhoob
3. Käivitusnööri käepide
4. Rohukogur
5. Kütusepaagi kork
6. Õhufilter
7. Süüteküünal
8. Ajami kate
9. Summuti
10. Veevooliku ühenduskoht
11. Tagumine deflektor
12. Mõõtevarras/õlipaak
13. Lõikekõrguse regulaator
14. Multšikork
15. Kasutusjuhend
16. Väljaviskekanal

Sümbolid tootel

- (Joon. 3) HOIATUS! Toode võib olla ohtlik ja põhjustada kasutaja või kõrvaliste isikute ohtliku kehavigastuse või surma. Olge ettevaatlik ja kasutage toodet õigesti.
- (Joon. 4) Enne seadme kasutamist lugege kasutusjuhend hoolikalt läbi ja veenduge, et oleksite juhistest aru saanud.
- (Joon. 5) Kiire
- (Joon. 6) Aeglane
- (Joon. 7) Hoidke käed ja jalad pöörlevast osast eemal.

Kasutusotstarve

Toote abil saab eraeadaes muru niita. Ärge kasutage toodet muude tööde tegemiseks.

(Joon. 8) Teised inimesed ja loomad peavad viibima tööalast ohutus kauguses.

(Joon. 9) Olge toote tagasisuunas tõmbamisel ettevaatlik. Vaadake enda taha ja jalgade ette, et liikumisteel poleks lapsi, loomi ega muid takistusi, mis võiksid põhjustada teie kukkumist.

(Joon. 10) Tootega kallakul töötamine võib olla ohtlik.

(Joon. 11) Hoidke käed ja jalad pöörlevast terast eemal.

(Joon. 12) Olge ettevaatlik - lenduvad esemed ning tagasipõrkumise oht.

(Joon. 13) Ümbritsevasse keskkonda leviv müra vastavalt Euroopa Ühenduse direktiivile. Seadme emissioonid on toodud *Tehnilised andmed lk 115* ja etiketil.

(Joon. 14) Toode vastab ELi kehtivatele direktiividele.

(Joon. 15) See seade vastab kehtivatele EAC direktiividele.

(Joon. 16) See seade vastab kehtivatele RCMi direktiividele. Kehtib ainult Austraalias ja Uus-Meremaal.

(Joon. 17) See seade vastab kehtivatele Ukraina direktiividele.

(Joon. 18) Kandke heakskiidetud kõrvaklappe.

Märkus: Seadmel toodud ülejäänud sümbolid/tähised vastavad muude kommertsvaldkondade sertifitseerimisnõuetele.

Tootevastutus

Tootevastutusseaduste alusel ei vastuta me tootest tingitud kahjustuste eest, kui:

- toodet on valesti parandatud;
- toote parandamisel on kasutatud osi, mis ei ole tootja poolt valmistatud või heaks kiidetud;

- tootel on kasutatud tarvikut, mis ei ole tootja poolt valmistatud või heaks kiidetud;
- toodet ei ole parandatud volitatud hoolduskeskuses või volitatud isiku poolt.

Ohutus

Ohutuse määratlused

Mõistetega „hoiatus“, „ettevaatus“ ja „märkus“ juhitakse tähelepanu eriti olulistele kohtadele kasutusjuhendis.



HOIATUS: Tähistab kasutusjuhendi juhiste eiramise korral kasutaja või kõrvalseisjate kehavigastuse või surmaga lõppeva õnnetuse ohtu.



ETTEVAATUS: Tähistab kasutusjuhendi juhiste eiramise korral seadme, muude esemete või läheduses asuvate objektide kahjustamise ohtu.

Märkus: Tähistab antud olukorras vajalikku lisateavet.

Üldised ohutuseeskirjad



HOIATUS: Enne seadme kasutamist lugege läbi järgnevad hoiatused.

- Toode on ohtlik, kui seda kasutada valesti või ettevaatamatult. Ohutuseeskirjade eiramine võib põhjustada kehavigastuse või surma.
- Seade tekitab töötades elektromagnetvälja. Teatud tingimustel võib väli häirida aktiivsete või passiivsete meditsiiniliste implantaatide tööd. Raskete või surmaga lõppevate kehavigastuste ohtu vähendamiseks soovitame meditsiinilisi implantaate kasutamisel inimestel pidada enne selle seadme kasutamist nõu oma arsti ja implantaadi valmistajaga.
- Olge alati ettevaatlik ja kasutage tervet mõistust. Kui te pole kindel, kuidas toodet eriolukorras kasutada, lõpetage töö ja pidage enne jätkamist nõu Husqvarna edasimüüjaga.
- Arvestage, et teiste isikute ja nende varaga seotud õnnetuste korral kannab vastutust seadme kasutaja.
- Hoidke toode puhas. Veenduge, et märgid ja tähised oleksid selgelt loetavad.
- Ärge lubage kellelgi toodet kasutada enne, kui ta on lugenud kasutusjuhendit ja selle sisu endale selgeks teinud.
- Ärge lubage lastel seadet käsitseda.
- Hoidke lapsed tööalast eemal. Vastutusvõimeline täiskasvanu peab kogu aeg kasutaja juures viibima.

- Ärge lubage kasutusjuhistega mitte tutvunud isikul toodet käsitseda.
- Kui toodet kasutab piiratud füüsiliste või vaimsete võimetega isik, peab ta olema kogu aeg järelevalve all. Vastutusvõimeline täiskasvanu peab kogu aeg kasutaja juures viibima.
- Ärge kasutage toodet, kui olete väsinud, haige või tarvitanud alkoholi, narkootikume või ravimeid. Selline on negatiivne mõju teie nägemisele, tähelepanuvõimele, liikumisele ja otsustamisvõimele.
- Ärge kasutage toodet, kui see on kahjustatud.
- Ärge muutke toodet ega kasutage seda, kui keegi teine võib olla seda muutnud.

Tööala ohutus



HOIATUS: Enne seadme kasutamist lugege läbi järgnevad hoiatused.

- Enne toote kasutamist eemaldage tööalalt oksad ja kivid.
- Lõikeosaga kokku puutuvad esemed võivad õhku paiskuda ning inimesi vigastada ja esemeid kahjustada. Juuresolijad ja loomad peavad viibima tootest ohutus kauguses.
- Ärge kasutage toodet halva ilmaga, näiteks udu, vihma, tugeva tuule, tugeva pakase ja pikseohtu korral. Tootte kasutamine halva ilma ning niiskete ja märgade tingimuste korral on väsitav. Halb ilm võib põhjustada ohtlikke tingimusi (nt libedaid pindu).
- Suhtuge tähelepanelikult inimestesse, esemetesse ja olukordadesse, mis võivad takistada toote ohutut kasutamist.
- Olge ettevaatlik takistuste (nt juurte, kivide, oksade, aukude ja kraavide) suhtes. Kõrge rohi võib peita takistusi.
- Muru niitmine kallakutel võib olla ohtlik. Ärge kasutage toodet alal, mille kalle ületab 15°.
- Kasutage toodet kallakul risti liikudes. Ärge liikuge üles ja alla.
- Olge ettevaatlik varjatud nurkade ja vaatevälja varjavate esemete läheduses.

Tööohutus



HOIATUS: Enne seadme kasutamist lugege läbi järgnevad hoiatused.

- Kasutage seda toodet ainult muru niitmiseks. Muude toimingute tegemiseks toodet kasutada ei tohi.
- Kasutage isikukaitsevahendeid. Vt jaotist *Isikukaitsevahendid lk 106*.
- Veenduge, et teate, kuidas hädaolukorras mootorit kiiresti seisata.
- Ärge käivitage mootorit suletud ruumis ega tuleohtlike materjalide lähedal. Mootori heitgaasid on kuumad ja võivad sisaldada sädemeid, mis võivad tekitada tulekahju.
- Ärge kasutage toodet enne, kui lõiketera ja katted on õigesti kinnitatud. Valesti kinnitatud lõiketera võib lahti tulla ja inimesi vigastada.
- Veenduge, et lõiketera ei puutuks kokku esemetega (nt kivide ja juurtega). See võib lõiketera kahjustada ja põhjustada mootori võlli väändumist. Paindega telg põhjustab tugevat vibratsiooni ja suurt lõiketera lahtitulemise ohtu.
- Kui lõiketera puutub kokku mõne esemega või esineb vibratsioon, peatage toode viivitamatult. Lahutage süüteküünlä süütejuhe. Kontrollige toodet kahjustuste suhtes. Parandage kahjustused või laske toodet remontida volitatud hooldustöökojas.
- Kui mootor töötab, ärge kinnitage mootori pidurikäepidid käepidemele jäädavalt.
- Asetage toode stabiilsele ja tasasele pinnale ning käivitage see. Veenduge, et lõiketera ei puutuks vastu maad ega muid esemeid.
- Olge toote kasutamisel alati toote taga.
- Tootte kasutamisel hoidke mõlema käega käepidemest ja kõik toote rattad maas. Hoidke käed ja jalad liikuvatest teradest eemal.
- Kui mootor on käivitatud, ärge kallutage toodet.
- Olge toote tagasisuunas tõmbamisel ettevaatlik.
- Kui mootor on käivitatud, ärge tõstke toodet. Kui teil on vaja toodet tõsta, seisake esmalt mootor ja lahutage süütejuhe süüteküünläst.
- Ärge kõndige toote kasutamise ajal tagurpidi.
- Seisake mootor, kui liigute alal, kus pole muru, näiteks kruusast, kivist ja asfaldist teedel.
- Ärge lükake toodet joostes, kui mootor on käivitatud. Tootte kasutamise ajal kõndige.
- Enne lõikamiskõrguse muutmist seisake mootor. Ärge tehke seadistusi, kui mootor töötab.
- Ärge laske toodet silmist, kui mootor töötab. Seisake mootor ja veenduge, et lõikeosa ei pöörleks.

Ohutusujuhised kasutamisel

Isikukaitsevahendid



HOIATUS: Enne seadme kasutamist lugege läbi järgnevad hoiatused.

- Isikukaitsevarustus ei välista täielikult kehavigastuste ohtu, kuid vähendab õnnetusjuhtumi korral kehavigastuse raskusastet. Õige varustuse valimiseks pöörduge edasimüüja poole.

- Kui müratase ületab 85 dB, kandke kuulmiskaitseid.
- Kandke vastupidavaid saapaid või jalatseid, mis on libisemiskindlad. Ärge kandke avatud jalatseid ega olge paljajalu.
- Kandke tugevaid pikki pükse.
- Vajaduse korral kandke kaitsekindaid, näiteks lõikeosa kinnitades, kontrollides või puhastades.

Toote ohutusseadised



HOIATUS: Enne seadme kasutamist lugege läbi järgnevad hoiatused.

- Ärge kunagi kasutage seadet, kui selle ohutusseadised on defektsed.
- Kontrollige ohutusseadiseid regulaarselt. Kui ohutusseadised on defektsed, pöörduge Husqvarna hooldustöökohta.

Lõikeosa kate kontrollimine

Lõikeosa kate vähendab toote vibratsiooni ja lõiketerast tingitud vigastuste ohtu.

- Kontrollige lõikeosa kahjustuste (nt pragude) suhtes.

Mootori pidurikäepide kontrollimine

Mootori pidurikäepideme abil saab mootori seisata. Mootori pidurikäepideme vabastamisel mootor seiskub.

- Käivitage mootor ja vabastage seejärel mootori pidurikäepide. Kui mootor kolme sekundi jooksul ei seisku, laste mootorpidurit reguleerida Husqvarna volitatud hooldustöökojas. (Joon. 19)

Tagumise deflektori kontrollimine

Tagumine deflektor vähendab esemete kasutaja suunas paikumise ohtu.

- Veenduge, et tagumine deflektor oleks kahjustamata. (Joon. 20)
- Veenduge, et tagumise deflektori sulgurvedrud oleksid terved.
- Purunenud vedrud ja kahjustatud osad tuleb kohe välja vahetada.
- Veenduge, et tagumine deflektor liiguks hingedel sujuvalt.

Summuti

Summuti ülesandeks on hoida müratase võimalikult madalal ja suunata mootori heitgaasid kasutajast eemale.

Ärge kasutage seadet, kui summuti puudub või on kahjustatud. Kahjustatud summuti tõstab mürataset ja suurendab tulekahju ohtu.



HOIATUS: Seadme töötamise ajal ja vahetult pärast töötamist ning mootori tühikäigul töötamise ajal on summuti väga

kuum. Tulekahju vältimiseks olge tuleohtlike materjalide ja/või aurude läheduses väga ettevaatlik.

Summuti kontrollimine

- Kontrollige summutit regulaarselt ning veenduge, et see oleks õigesti kinnitatud ja kahjustamata.

Õlitamise kontrollimine



ETTEVAATUST: Liiga madal õlitase võib mootorit kahjustada. Enne toote käivitamist kontrollige õlitaset.

1. Asetage toode tasasele pinnale.
2. Eemaldage õlipaagi kork koos kinnitatud mõõtevardaga.
3. Puhastage mõõtevarras õlist.
4. Õlitamise õigesti mõõtmiseks asetage mõõtevarras täies pikkuses õlipaaki.
5. Eemaldage õlivarras.
6. Vaadake mõõtevardalt õlitaset.
7. Kui õlitase on madal, lisage mootoriõli ja kontrollige õlitaset uuesti.

Ohutusnõuded kütuse käsitlemisel



HOIATUS: Enne seadme kasutamist lugege läbi järgnevad hoiatused.

- Ärge käivitage toodet, kui toote pinnale on sattunud kütust või mootoriõli. Eemaldage kütus/õli toote pinnalt ja laske tootel kuivada.
- Kui kütus satub rõivastele, siis vahetage kohe riideid.
- Vältige kütuse sattumist nahale, see võib põhjustada kehavigastusi. Kui kütus satub kehale, puhastage piirkond seebi ja veega.
- Ärge käivitage toodet, kui mootor lekib. Kontrollige regulaarselt mootori lekkekindlust.
- Olge kütuse käsitlemisel ettevaatlik. Kütus on tuleohtlik ja kütuse aarud on plahvatusohtlikud ning võivad põhjustada kehavigastusi või surma.
- Ärge hingake sisse kütuseaure, see võib põhjustada kehavigastuse. Tagage piisav õhuvahetus.
- Ärge suitsetage kütuse ega mootori läheduses.

- Ärge asetage kuumi esemeid kütuse ega mootori lähedusse.
- Ärge tankige kütust, kui mootor töötab.
- Enne tankimise alustamist veenduge, et mootor oleks külm.
- Enne tankimise alustamist avage aeglaselt kütusepaagi kork ja laske survele alaneda.
- Ärge tankige mootorit siseruumis. Ebapiisav õhuvahetus võib põhjustada lämbumist või vingugaasimürgitusest tingitud kehavigastuse või surma.
- Pingutage kütusepaagi korki korralikult. Pingutamata kütusepaagi kork põhjustab tuleohtu.
- Enne käivitamist viige toode vähemalt 3 m kaugusele kohast, kus toimus kütusepaagi täitmine.
- Ärge täitke kütusepaaki täielikult. Soojuse mõjul kütus paisub. Jätke kütusepaagi ülaserava vaba ruumi.

Ohutusjuhised hooldamisel



HOIATUS: Enne seadme kasutamist lugege läbi järgnevad hoiatused.

- Mootori heitgaasid sisaldavad vingugaasi: lõhnatud, mürgist ja väga ohtlikku gaasi. Ärge käivitage mootorit siseruumis ega suletud alal.
- Enne toote hooldamist seisake mootor ja eemaldage süüteküünlala süütejuhe.
- Lõikeosa hooldamisel kandke kaitsekindaid. Lõiketera on väga terav ja võib kergesti põhjustada lõikevigastusi.
- Tootja heakskiiduta tarvikud ja muudatused toote juurest võivad põhjustada tõsisid kehavigastusi või surma. Ärge muutke toodet. Kasutage tootja heakskiidetud tarvikuid.
- Kui toodet regulaarselt ja õigesti ei hooldata, suureneb oht, et toode saab kahjustada ja võib kedagi vigastada.
- Hooldage toodet ainult selle kasutusjuhendi järgi. Muid hooldustöid tuleb lasta teha Husqvarna heakskiiduga hooldustöökojas.
- Laske toodet regulaarselt hooldada Husqvarna heakskiiduga hooldustöökojas.
- Asendage kahjustatud, kulunud ja katkised osad.

Kokkupanek

Sissejuhatus



HOIATUS: Enne seadme kokkupanemist lugege põhjalikult läbi ohutust puudutav jaotis.



HOIATUS: Enne seadme kokkupanemist eemaldage süüteküünlala juhe süüteküünla küljest.

Käepideme kokkupanek

1. Tõstke alumine käepide üles. (Joon. 21)

2. Seadke kruviavad alumise käepideme allosas kohakuti käepideme kronsteini avadega.

Märkus: Valige avad, mis annaksid teile sobivaima tööasendi.

3. Keerake alumise käepideme nupud kinni.
4. Tõstke ülemine käepide üles ja seadke see kohakuti alumise käepidemega.
5. Keerake ülemise käepideme nupud täiesti kinni.

Käivitusnööri käepideme paigaldamine

1. Paigaldage käivitusnööri aas ja T-nupp. Ärge keerake neid täiesti kinni. (Joon. 22)
2. Hoidke mootori pidurikäepidet juhtraua vastas.
3. Tõmmake käivitusnäär aeglaselt välja ja pange käivitusnööri aasa. (Joon. 23)
4. Keerake T-nupp kinni. (Joon. 24)

Muruniiduki seadmine transportasendisse

1. Eemaldage rohukogur.
2. Keerake lahti alumise käepideme nupud, et käepide lukust avada. (Joon. 25)
3. Klappige käepide taha alla.
4. Eemaldage alumise käepideme nupud ja tihvtid.
5. Keerake käepide ettepoole.

Rohukoguri kokkupanek

1. Kinnitage rohukoguri raam rohkoti külge nii, et koti jäik osa jääb põhja. Veenduge, et raami käepide oleks koti ülaservast eemal. (Joon. 26)
2. Kinnitage rohukott kiirklambritega raami külge. (Joon. 27)

Töö

Sissejuhatus



HOIATUS: Enne seadme kasutamist lugege põhjalikult läbi ohutust puudutav jaotis.

Enne toote kasutamist

1. Lugege kasutusjuhend põhjalikult läbi, et kõik juhised oleksid täiesti arusaadavad.
2. Veenduge, et lõikeosa oleks õigesti kinnitatud ja reguleeritud. Vt jaotist *Lõikeosa kontrollimine lk 111*.
3. Täitke kütusepaak. Vt jaotist *Kütuse tankimine lk 108*.
4. Täitke õlipaak ja kontrollide õlitaset. Vt jaotist *Õlitaseme kontrollimine lk 107*.

Kütuse tankimine

Võimaluse korral kasutage keskkonnasäästlikku bensiini/alkülaatbensiini. Kui keskkonnasäästlik või alkülaatbensiin pole saadaval, kasutage kvaliteetset pliivaba bensiini või pliibensiini, mille oktaaniarv on vähemalt 90.



ETTEVAATUST: Ärge kasutage bensiini, mille oktaaniarv on alla 90 RON (87 AKI). See võib toodet kahjustada.

1. Surve vabastamiseks avage kütusepaagi kork aeglaselt.
2. Lisage kütust aeglaselt kütusenõust. Mahavalgumise korral eemaldage osa kütust lapiga ja laske ülejäänul ära kuivada.
3. Puhastage kütusepaagi korgi ümbrus.

4. Pingutage kütusepaagi korki korralikult. Pingutamata kütusepaagi kork põhjustab tuleohtu.
5. Enne käivitamist viige toode vähemalt 3 m kaugusele kohast, kus toimus kütusepaagi täitmine.

Lõikamiskõrguse reguleerimine

Lõikamiskõrguse saab seadistada 9 erinevale kõrgusele.

1. Lõikekõrguse suurendamiseks lükake lõikekõrguse regulaatorit ratta suunas ja seejärel tagasisuunas.
2. Lõikekõrguse vähendamiseks lükake lõikekõrguse regulaatorit ratta suunas ja seejärel edasisuunas. (Joon. 28)



ETTEVAATUST: Ärge seadistage lõikamiskõrgust liiga madalaks. Kui muru pole tasane, võivad lõiketerad puutuda vastu maad.

Toote käivitamine

1. Olge toote taga.
2. Hoidke mootori pidurikäepidet juhtraua vastas. (Joon. 29)
3. Hoidke starteri nööri käepidet paremas käes.
4. Tõmmake starteri nööri väljasuunas, kuni tunnete vastujõudu.
5. Tõmmake hooga, nii et mootor käivitub.



HOIATUS: Käivitusnööri ei tohi kerida käe ümber.

Veo kasutamine ratastel

- Tõmmake veo käepidet juhtraua suunas. (Joon. 30)
- Enne toote tagasisuunas tõmbamist vabastage vedu ja lükake toodet umbes 10 cm edasisuunas.
- Veo vabastamiseks vabastage veo käepide näiteks siis, kui lähenete takistusele.

Veo juhtkaabli reguleerimine

- Reguleerige veo juhtkaablit reguleerimiskruvi abil. (Joon. 31)
- Lülitage mootor välja. Enne liikuvate osade käsitsemist lahutage alati süüteküünlal.
- Traadi pinguldamiseks ja kiiruse tõstmiseks keerake reguleerimiskruvi vastupäeva.
- Traadi pikendamiseks ja kiiruse langetamiseks keerake reguleerimiskruvi päripäeva.

Toote seiskamine

- Üksnes veo peatamiseks vabastage veohoovad.
- Mootori seiskamiseks vabastage mootoripiduri käepide. (Joon. 32)

Toote kasutamine rohkoguriga



HOIATUS: Ärge kasutage toodet, kui rohkogur pole paigaldatud või tagumine deflektor suletud. Vastasel juhul võivad esemed õhku paiskuda ja kasutajat vigastada.

1. Tõstke tagumine deflektor üles ja eemaldage multšikork. (Joon. 33)
2. Paigaldage rohkogur, vt *Rohkoguri kokkupanek lk 108*.
3. Asetage rohkogur kronsteinile. (Joon. 34)
4. Vabastage tagumine deflektor ja laske sel toetuda rohkoti raami ülaservale.

Toote seadistamine multšimisrežiimile

Multšimisrežiimis teeb toode rohulibled väiksemaks. Seejärel laotatakse rohulibled murule laiali. Multšitud rohi biolaguneb kiiresti ja annab murule toitained.

1. Tõstke tagumine kaitse üles ja eemaldage rohkoti (kui see on paigaldatud).
2. Asetage multšikork koguri kanalisse. (Joon. 35)
3. Laske tagumisel kaitasel sulguda ja veenduge, et see asetuks tihkelt multšikorgi vastu. (Joon. 36)

Toote seadistamine tagantväljaviske režiimile

1. Tõstke tagumine deflektor üles ja eemaldage multšikork. (Joon. 37)
2. Paigaldage väljalaskekanal. (Joon. 38)

Rohkoguri kokkupanek



ETTEVAATUST: Kulumise vältimiseks ärge lohistage kotti rohkoguri tühjendamise ajal.

1. Tõstke rohkoguri raami käepideme abil üles. (Joon. 39)
2. Eemaldage käepideme alt rohkogurist rohulibled.
3. Eemaldage rohulibled kotist raami käepideme ja kotti käepideme abil.

Hea tulemuse saavutamine

- Kasutage vahedat lõiketera. Nüri tera annab ebaühtlase tulemuse ja muru lõigatud osa muutub kollaseks. Terav lõiketera on nüri teraga võrreldes energiasäästlikum.
- Lõigake kuni pool muru pikkusest. Niitke kõigepealt kõrgele reguleeritud lõikamiskõrgusega. Vaadake tulemust ja seadistage lõikamiskõrgus soovitud madalamale tasemele. Kui muru on väga pikk, sõitke aeglaselt ja vajadusel niitke kaks korda.
- Niitke iga kord erinevas suunas, et ära hoida triipude tekkimist murule.

Hooldamine

Sissejuhatus



HOIATUS: Enne seadme hooldamist lugege põhjalikult läbi ohutust puudutav peatükk.

Toote hooldamiseks ja remontimiseks on vaja erioskusi. Tagame asjatundliku remondi- ja hooldustöö. Kui edasimüüjal, kellelt toote ostsite, pole hooldustöökooda, küsige neilt teavet lähima hooldustöökoja kohta.

Hoolduskeem



ETTEVAATUST: Toote kallutamisel veenduge, et õhufilter oleks üleval, mitte vastu maad. Tekib mootori kahjustamise oht.

Hooldusintervallide arvutamisel on aluseks võetud toote igapäevane kasutamine. Intervallid muutuvad, kui toodet igapäevaselt ei kasutata.

Tärniga (*) tähistatud hooldustööde kohta leiate juhised peatükist *Toote ohutusseadised lk 106*.

Hooldamine	Üks kord päevas	Üks kord nädalas	Üks kord kuus
Üldkontrolli läbiviimine	X		
Õlitaseme kontrollimine	X		
Toote puhastamine	X		
Lõikeosa kontrollimine	X		
Kontrollige lõikekatet *	X		
Kontrollige mootori pidurikäepidet *	X		
Kontrollige mootori piduriregulaatorit *	X		
Kontrollige summutit *		X	
Süüteküünla kontrollimine		X	
Õlivahetus (esmaltpärast 5 töötundi, seejärel iga kord 50 töötundi järel)			X
Õhufiltri puhastamine või väljavahetamine			X
Kütusesüsteemi kontrollimine			X

Üldülevaatus läbiviimine

- Veenduge, et kõik toote mutrid ja kruvid oleksid korralikult kinni pingutatud.

Toote välikorpuse puhastamine

- Eemaldage lehed, muru ja pori harja abil.
- Veenduge, et mootori peal asuv õhuvõtuava oleks takistustest vaba.
- Ärge kasutage seadme puhastamiseks survepesurit.
- Kui kasutate toote puhastamiseks vett, ärge suunake vett otse mootorile.

Lõikekorpuse sisepinnapuhastamine

1. Tühjendage kütusepaak.
2. Asetage toode küllili nii, et summuti jääb allapoole.



ETTEVAATUST: Kui toode on asetatud selliselt, et õhufilter jääb allapoole, võib mootor kahjustada saada.

3. Loputage lõikekorpuse sisepinda veega.

Veevooliku ühenduse kasutamine

1. Toimetage toode niidetud muruga alale või muule kõvale pinnale.
2. Eemaldage rohukogur või multšikork toote küljest.
3. Sulgege tagumine deflektor.
4. Ühendage veevoolik veevooliku ühendusega. (Joon. 40)
5. Sulgege veevarustus ja kontrollige veevooliku ühenduse lekkekindlust.

6. Kui leket pole, käivitage mootor. Laske mootoril töötada, kuni toote korpuse alune on puhas.
7. Seisake mootor.
8. Sulgege veevarustus ja lahutage voolik veevooliku ühenduse küljest.

Märkus: Ärge lahutage veevoolikut veevooliku ühenduse küljest siis, kui mootor töötab. Vee sattumine mootorisse võib lühendada mootori tööiga.

9. Tootest vee eemaldamiseks käivitage mootor ja laske sel minut aega töötada.

Mootoriõli vahetamine



HOIATUS: Vahetult pärast mootori seiskamist on mootoriõli väga kuum. Enne mootoriõli väljutamist laske mootoril maha jahtuda. Kui mootoriõli satub nahale, puhastage piirkond vee ja seebiga.

1. Kasutage toodet, kuni kütusepaak on tühi.
2. Eemaldage süüteküünla süütejuhe.
3. Eemaldage õlipaagi kork.
4. Asetage toote alla mõni mahuti, kuhu mootoriõli saaks valguda.
5. Kallutage toodet, et mootoriõli valgus õlipaagist välja.
6. Lisage uut mootoriõli (vt jaotises *Tehnilised andmed lk 115* soovitatud tüüpi).
7. Kontrollige õlitaset. Vt jaotist *Õlitaseme kontrollimine lk 107*.

Süüteküünla kontrollimine



ETTEVAATUST: Kasutage alati soovitatud tüüpi süüteküünalt. Vale tüüpi süüteküünal võib toodet kahjustada.

- Kontrollige süüteküünalt, kui mootori võimsus on madal, mootor ei käivitu kergesti või ei tööta tühikäigul korralikult.
- Süüteküünla elektroodidele võõrainete kogunemise ohu vähendamiseks täitke järgmisi juhiseid.
 - a) Veenduge, et tühikäigu pöörete arv on õigesti seadistatud.
 - b) Veenduge, et kütusesegu oleks õige.
 - c) Veenduge, et õhufilter oleks puhas.
- Kui süüteküünal on määratud, puhastage see ja kontrollige, kas elektroodide vahe on õige, vt jaotist *Tehnilised andmed lk 115.* (Joon. 41)
- Vajaduse korral vahetage süüteküünal välja.

Õhufiltri puhastamine

1. Eemaldage õhufiltri kate ja filter.
2. Lööge filtrit vastu mõnda tasast pinda, et osakesed selle küljest lahti tuleksid.



ETTEVAATUST: Ärge kasutage õhufiltri puhastamiseks lahustit ega suruõhku.

3. Asetage õhufilter tagasi. Veenduge, et õhufilter liibuks tihedalt vastu õhufiltri hoidikut.
4. Asetage õhufiltri kate tagasi.

Märkus: Pikemat aega kasutatud õhufiltrit ei saa enam täiesti puhtaks. Vahetage õhufiltrit regulaarselt. Kahjustatud õhufilter tuleb alati välja vahetada.

Lõikeosa kontrollimine



HOIATUS: Tahtmatu käivitamise ärahoidmiseks eemaldage süüteküünalt süütejuhe.



HOIATUS: Lõikeosa hooldamisel kandke kaitsekindaid. Lõiketera on väga terav ja võib kergesti põhjustada lõikevigastusi.

1. Kontrollige lõikeosa kahjustuste ja mõrade suhtes. Kahjustatud lõikeosa tuleb alati välja vahetada.
2. Kontrollige, kas lõiketera on kahjustatud või nüri.

Märkus: Teritamise järel tuleb lõiketera tasakaalustada. Lõiketera teritamine, asendamine ja tasakaalustamine usaldage hooldustehnikule. Kui toode põrkub vastu eset,

mis põhjustab toote seiskumise, vahetage välja kahjustatud lõiketera. Laske hoolduskeskuses hinnata, kas tera saab teritada või tuleb see välja vahetada.

Lõiketera paigaldamine

1. Asetage lõiketera adapter mootori väntvõllile. Veenduge, et adapteri võti ja väntvõlli võtmepeasa asuksid kohakuti. (Joon. 42)
2. Paigaldage lõiketera alati nii, et nurksed otsad oleksid suunatud üles mootori poole. (Joon. 43)
3. Asetage lõiketera ja toote korpuse vahele puitklots. Kinnitage lõiketera polt ja keerake seda päripäeva. (Joon. 44)
4. Keerake polt alati kinni pingutusmomendiga 35–40 nael-jalga (47–54 Nm). (Joon. 44)
5. Veenduge, et süüteküünla kaabel oleks mootorist lahutatud.



ETTEVAATUST: Soovimatu käivitumise vältimiseks lahutage süüteküünla kaabel ja asetage traat nii, et see ei saaks süüteküünlaga kokku puutuda.

6. Keerake tera käega, veendumaks, et see pöörleb vabalt.

Lõiketera vahetamine

1. Lukustage lõiketera mõne puuklotsiga. (Joon. 45)
2. Eemaldage lõiketera polt.
3. Eemaldage lõiketera.
4. Eemaldage lõiketera tugi ja polt ning kontrollige, kas esineb kahjustusi.
5. Kontrollige mootori võlli ja veenduge, et see poleks väändunud.
6. Uue lõiketera kinnitamisel suunake nurksed otsad lõikekorpuse poole. (Joon. 46)
7. Veenduge, et lõiketera ja mootori võlli kese oleksid kohakuti.
8. Lukustage lõiketera mõne puuklotsiga. Kinnitage vedruseib ning pingutage polti ja seibi momendiga 47–54 Nm. (Joon. 47)
9. Keerake tera käega, veendumaks, et see pöörleb vabalt.



HOIATUS: Kasutage tugevaid kindaid. Lõiketera on väga terav ja võib kergesti põhjustada lõikevigastusi.

10. Tera katsetamiseks käivitage toode. Kui tera on valesti kinnitatud, siis toode vibreerib ja niitmistulemus pole rahuldav.

Ülekandekoostu üldvaade

(Joon. 2)

1. Multšikork
2. Tagumine sisend
3. Ülekande nõõriratas
4. Tühikäiguratta kronstein
5. Ülekande kate
6. Lõiketera adapter
7. Tühikäiguratta nõõriratas
8. Eesmine rihmahoidik
9. Rõngas
10. Lõiketera
11. Kõva seib
12. Lukustusseib
13. Lõiketera polt
14. Rihmakate
4. Eemaldage veo kate. (Joon. 48)
5. Eemaldage lõiketera polt, lukustusseib, kõva seib ja lõiketera. (Joon. 49)
6. Eemaldage multšikork. (Joon. 50)
7. Eemaldage tagumine sisend.
8. Eemaldage rihmakate ja rõngas. (Joon. 51)
9. Lahutage kaabel ülekande küljest ja eemaldage tühikäiguratta koostu küljest tühikäiguratta nõõriratas.
10. Eemaldage eesmine rihmahoidik.
11. Võtke veorihm ülekande nõõrirattalt maha.
12. Eemaldage tühikäiguratta koostu küljest kolm tühikäiguratta nõõriratast. (Joon. 52)
13. Eemaldage veorihm lõiketera adapteri küljest ja tühikäiguratta koostu. (Joon. 53)
14. Paigaldage ülekande sisendvõlliile lukustustangid. Keerake 9/16-tollise kuuskantvõtmega lahti mootori nõõriratas, et eemaldada ülekande nõõriratas.
15. Eemaldage veorihm.

Niiduki veorihma eemaldamine

1. Kasutage toodet, kuni kütusepaak on tühi.
2. Eemaldage süüteküünla kate süüteküünlalt.
3. Asetage toode küllili nii, et summuti jääb allapoole.



ETTEVAATUST: Kui toode on asetatud selliselt, et õhufilter jääb allapoole, võib mootor kahjustada saada.

Veotsing

Probleem	Võimalik põhjus	Lahendus
Mootor ei käivitu.	Süütejuhe pole õigesti ühendatud.	Ühendage süütejuhe süüteküünlaga.
	Kütusepaak on tühi.	Täitke kütusepaak õigesti tüüpi kütusega.
	Karburaatoris või kütusevoolikus on mustus.	Puhastage karburaator ja/või kütusevoolik.
	Süüteküünal on defektne.	Reguleerige elektroodide vahet, puhastage või vahetage välja süüteküünal.
Mootor ei seisku.	Peatamismehhanism on defektne.	Lahutage süüteküünla süütejuhe. Laske toode remontida volitatud hooldustöökajas.

Probleem	Võimalik põhjus	Lahendus
Mootor ei tööta sujuvalt.	Süütejuhe pole õigesti ühendatud.	Ühendage süütejuhe süüteküünlaga.
	Kütusevoolikus on mustus või kütus on otsa saanud.	Puhastage kütusevoolik. Lisage kütusepaaki õiget liiki kütust.
	Kütusepaagi kork on ummistunud.	Puhastage kütusepaagi kork.
	Kütusesüsteemis on vesi või mustus.	Tühjendage kütusepaak. Lisage kütusepaaki õiget liiki kütust.
	Õhufilter on määrdunud.	Puhastage õhufilter.
	Karburaatorit tuleb reguleerida.	Laske hooldusesinduses karburaatorit reguleerida.
Mootor läheb liiga kuumaks.	Mootoriõli tase on liiga madal.	Lisage mootoriõli.
	Õhuvool pole piisav.	Puhastage õhufilter ja õhufiltri korpus.
	Karburaatorit tuleb reguleerida.	Laske hooldusesinduses karburaatorit reguleerida.
Kui mootor töötab suurel kiirusel, hakkab see töötakte vahel jätma.	Süüteküünla elektroodide vahe on liiga väike.	Reguleerige elektroodide vahet.
Mootor ei tööta tühikäigul sujuvalt.	Süüteküünal on määrdunud või defektned või elektroodide vahe on liiga suur.	Reguleerige elektroodide vahekagust või vahetage süüteküünal välja.
	Karburaatorit tuleb reguleerida.	Reguleerige karburaatorit.
	Õhufilter on määrdunud.	Puhastage õhufilter.
Käepideme vibratsioon on liiga tugev.	Lõiketera on lahti või tasakaalust väljas.	Kinnitage lõiketera poldid. Kahjustuste korral vahetage lõiketerad välja.
	Lõiketera on paindunud.	Kahjustuste korral vahetage lõiketerad välja.
Muru ei niideta multšiks.	Rohi on märg.	Ärge töötage tootega, kui rohi on märg. Oodake, kuni rohi on kuivanud.
	Rohi on liiga kõrge.	Niitke kõigepealt kõrgele reguleeritud lõikamiskõrgusega. Langetage lõikamiskõrgust ja niitke uuesti. Lõigake korraga ainult ½ lõikamislausest.
	Üks või mitu lõiketera pole piisavalt teravad.	Teritage või asendage lõiketera(d).
Muru niidetakse ebakorrapäraselt.	Rattad pole õiges asendis.	Seadke kõigi nelja ratta lõikamiskõrgus samale tasemele.
	Üks või mitu lõiketera pole piisavalt teravad.	Teritage või asendage lõiketera(d).
Veosüsteem ei tööta korralikult.	Veorihm pole piisavalt pingul või nõõrirattad või veorihm on määrdunud.	Laske veosüsteemi regulaarselt hooldada volitatud hooldustöökojas.

Transportimine ja hoiustamine

- Toote ja kütuse transportimisel ning hoiustamisel veenduge, et puuduvad lekked ja aurud. Elektriseadmetest või boileritest pärit sädemed ja lahtine leek võivad põhjustada tulekahju.
- Kütuse transportimiseks ja hoiustamiseks kasutage heakskiidetud mahuteid.
- Toote pikaks ajaks hoiule panemisel tühjendage eelnevalt kütusepaak. Kõrvaldage kütus spetsiaalses jäätmejaamas.
- Transportimisel kinnitage toode ohutult, et ära hoida kahjustusi ja õnnetusi.
- Hoidke toodet lukustatud kohas, kus sellele ei pääse juurde lapsed ega volitamata isikud.
- Hoidke toodet kuivas kohas, mis ei külmu.

Kõrvaldamine

- Järgige kohalikke jäätmekäitluseeskirju ja kehtivaid seadusi.
- Kemikaalid (nt mootoriõli ja kütus) kõrvaldage hoolduskeskuses või spetsiaalses jäätmejaamas.
- Kui toodet enam ei kasutata, toimetage see Husqvarna edasimüüjale või kõrvaldage see taaskasutuskeskuses.

Tehnilised andmed

Tehnilised andmed

	LC 353AWD
Mootor	
Kaubamärk	Honda
Silindrimaht, kuuptolli/cm ³	10,4/170
Kiirus, p/min	2900–3200
Mootori nimiväljundvõimsus, kW/hp p/min juures ³⁶	3,6/4,9 2900–3200 juures
Süütesüsteem	
Süüteküünal	NGK BPR5ES
Elektroodide vahe, tolli/mm	0,028/0,7
Kütuse-/määrimissüsteem	
Kütus, pliivaba, minimaalne oktaaniarv	90 RON / 87 AKI
Kütusepaagi maht, USA gallonit / l	0,27/1,02
Õlipaagi maht, USA gallonit / l	0,14/0,53
Mootoriõli ³⁷	SAE 30 / SAE 10W-30
Mass	
Tühjade paakidega, naela/kg	92/41,7
Müratasemed ³⁸	
Helitugevuse tase, dB(A)	95
Müravõimsustase, garanteeritud L _{WA} dB(A)	96
Müratase ³⁹	
Helirõhutase kasutaja kõrva juures, dB(A)	85
Vibratsioonitase ⁴⁰	
Käepide, m/s ² koos rohkoguriga / ilma rohkogurita	7/7
Lõikeosa	

³⁶ Mootori näidatud võimsusklass on antud mootorimudeli järgi toodetud tüüpmootori keskmine netovõimsus (kindla pöörete arvu juures), mõõdetud vastavalt SAE standardile J1349/ISO1585. Masstoodangust tulnud mootoritel võib see väärtus pisut erineda. Tootele paigaldatud mootori tegelik võimsus oleneb töökiirusest, keskkonnatingimustest ja muudest teguritest.

³⁷ Kasutage vähemalt SJ-kvaliteediga mootoriõli. Vaadake mootori tootja juhendis olevat viskoossuste tabelit ja valige vastavalt oodatavale väliskeskkonna temperatuurile sobivaim viskoossus.

³⁸ Müraemissioon ümbritsevasse keskkonda, mõõdetud helivõimsuse tasemena (L_{WA}) vastavalt EÜ direktiivile 2000/14/EÜ.

³⁹ Helirõhutase vastavalt standardile ISO 5395. Müra rõhutase kohta toodud andmete statistiline dispersioon (standardhälve) on 1,2 dB(A).

⁴⁰ Vibratsioonitase standardi ISO 5395 järgi. Vibratsioonitaseme kohta toodud andmete tüüpiline statistiline dispersioon (standardhälve) on 0,2 m/s².

	LC 353AWD
Lõikamiskõrgus, tolli/mm	1,0–4,0/25,4–101,6
Lõikamislaius, tolli/mm	21/530
Lõiketera	
Toote number	586 85 96-02
Rohukoguri maht, jalga ³ /l	2,3/65
Ajam	
Kiirus, miili/h / km/h	0–3/0–4,8

EL-i vastavusdeklaratsiooni sisu

Meie, Husqvarna AB, SE 561 82 Huskvarna, ROOTSI, deklareerime ainuvastutusel, et kirjeldatud toode:

Kirjeldus	Sisepõlemismootoriga lükatav muruniiduk
Kaubamärk	Husqvarna
Platvorm/tüüp/mudel	Platvorm E21THV, mudelid LC 353AWD.
Partii	Seerianumber alates 2019.

vastab täielikult järgmistele EÜ direktiividele ja eeskirjadele:

Direktiiv/eeskiri	Kirjeldus
2006/42/EÜ	„masinadirektiiv“
2014/30/EL	„elektromagnetilise ühilduvuse direktiiv“
2000/14/EL; 2005/88/EÜ	„välitingimustes kasutatavate seadmete müra direktiiv“
2011/65/EÜ	„direktiiv teatavate ohtlike ainete kasutamise piiramise kohta“

Kohalduvad järgmised ühtlustatud standardid ja/või tehnilised spetsifikatsioonid: EN ISO 12100, ISO 5395-1+A1/A2, ISO 5395-2+A1/A2, EN ISO 14982, ISO 3744, ISO 11094, EN 1032

Vastavalt direktiivi 2000/14/EÜ lisale VI on deklareeritud helitaseme väärtused toodud tehniliste andmete jaotises ja allkirjastatud EÜ vastavusdeklaratsioonis.

Tarnitud sisepõlemismootoriga lükatav muruniiduk vastab ekspertiisiks esitatud näidisele.

Sisältö

Johdanto.....	117	Vianmääritys.....	126
Turvallisuus.....	118	Kuljettaminen, säilyttäminen ja hävittäminen.....	127
Asentaminen.....	121	Tekniset tiedot.....	128
Käyttö.....	121	EU:n vaatimustenmukaisuusvakuutus.....	129
Huolto.....	123		

Johdanto

Tuotekuvaus

Laitte on polttomoottorillinen kävellen ohjattava ruohonleikkuri. Leikattu ruoho kerätään ruohonkerääjään. Voit ottaa ruohon taakseheittotoiminnon käyttöön irrottamalla ruohonkerääjän. Voit tehdä ruohon leikkuujätteestä lannoitetta liittämällä ruohonleikkuriin silppurin.

Tuotteen kuvaus

(Kuva 1)

1. Moottorin jarrukahva
2. Ohjaussauvat
3. Käynnistysnarun kahva
4. Ruohonkerääjä
5. Polttoainesäiliön korkki
6. Ilmansuodatin
7. Sytytystulppa
8. Vedon suojuus
9. Äänenvaimennin
10. Vesiletkuliitäntä
11. Takailmanohjain
12. Mittatikku/öljysäiliö
13. Leikkuukorkeuden säädin
14. Silppurin tulppa
15. Käyttöohjekirja
16. Poistokouru

Laitteen symbolit

- (Kuva 3) VAROITUS: Tämä laite voi olla vaarallinen ja aiheuttaa käyttäjälle tai sivullisille vakavia vahinkoja tai kuoleman. Ole varovainen ja käytä laitetta oikein.
- (Kuva 4) Lue käyttöohje huolellisesti ja varmista, että ymmärrät sen sisällön, ennen kuin alat käyttää laitetta.
- (Kuva 5) Nopea
- (Kuva 6) Hidas
- (Kuva 7) Pidä kädet ja jalat poissa pyörivän osan läheisyydestä.

Käyttötarkoitus

Käytä tuotetta ruohon leikkaamiseen yksityisissä puutarhoissa. Älä käytä laitetta muihin tehtäviin.

(Kuva 8) Pidä sivulliset ja eläimet turvallisesta välimatkan päässä työalueesta.

(Kuva 9) Ole varovainen vetäessäsi laitetta taaksepäin. Katso taaksesi ja alas. Näin voit havaita pikkulapset, eläimet ja esteet, joihin saattaisit kaatua.

(Kuva 10) Laitteen käyttö rinteessä voi olla vaarallista.

(Kuva 11) Pidä kädet ja jalat poissa pyörivän terän läheisyydestä.

(Kuva 12) Varo sinkoutuvia esineitä ja kimmokkeita.

(Kuva 13) Melupäästöt ympäristöön Euroopan yhteisön direktiivin mukaisesti. Tuotteen päästöt ilmoitetaan kohdassa *Tekniset tiedot sivulla 128* ja arvokilvessä.

(Kuva 14) Tämä laite täyttää sovellettavien EY-direktiivien vaatimukset.

(Kuva 15) Laitte täyttää voimassa olevien EAC-direktiivien vaatimukset.

(Kuva 16) Laitte täyttää voimassa olevien RCM-direktiivien vaatimukset. Vain AUNZ.

(Kuva 17) Laitte täyttää voimassa olevien Ukrainan direktiivien vaatimukset.

(Kuva 18) Käytä hyväksytyjä kuulonsuojaimia.

Huomautus: Muita laitteen symboleita/tarroja tarvitaan muilla markkina-alueilla ilmaisemaan sertifiointivaatimuksia.

Tuotevastuu

Tuotevastuulain mukaisesti emme ole vastuussa tuotteen aiheuttamasta vaurioista, jos

- tuote on korjattu virheellisesti
- tuotteen korjaamiseen on käytetty muita kuin valmistajan omia tai sen hyväksymiä osia

Turvallisuus

Turvallisuusmääritelmät

Varoituksia, huomioita ja huomautuksia käytetään, kun jotakin käyttöohjeen osaa halutaan erityisesti korostaa.



VAROITUS: Tätä käytetään, jos käyttöohjeen noudattamatta jättämisestä voi seurata käyttäjän tai sivullisen vamma tai kuolema.



HUOMAUTUS: Tätä käytetään, jos käyttöohjeen noudattamatta jättämisestä voi seurata koneen, muiden materiaalien tai ympäristön vaurioituminen.

Huomautus: Tätä käytetään tietyissä tilanteissa tarvittavien lisätietojen antamiseen.

Yleiset turvaohjeet



VAROITUS: Lue seuraavat varoitusohjeet ennen laitteen käyttämistä.

- Tämä laite on vaarallinen, jos sitä käytetään huolimattomasti tai virheellisesti. Turvaohjeiden noudattamatta jättäminen voi aiheuttaa vammoja tai kuoleman.
- Laite muodostaa käytön aikana sähkömagneettisen kentän. Kenttä saattaa joissakin olosuhteissa häiritä aktiivisten tai passiivisten lääketieteellisten implanttien toimintaa. Vakavien tai hengenvaarallisten tapaturmien ehkäisemiseksi kehotamme lääketieteellisiä implanteja käyttäviä henkilöitä neuvottelemaan lääkärin ja lääketieteellisen implantin valmistajan kanssa ennen laitteen käyttämistä.
- Ole aina varovainen ja käytä tervettä järkeä. Jos et ole varma, miten laitetta käytetään erityistilanteessa, sammuta laite ja ota yhteys Husqvarna-jälleenmyyjään, ennen kuin jatkat.
- Muista, että käyttäjä on vastuussa muille ihmisille tai heidän omaisuudelleen aiheutuista vahingoista.
- Pidä laite puhtaana. Varmista, että tuotteen merkit ja tarrat ovat luettavissa.
- Älä anna kenenkään käyttää konetta, ellet ole varma, että käyttäjä on lukenut käyttöohjekirjan ja ymmärtänyt siinä annetut ohjeet.

- tuotteessa on muu kuin valmistajan oma tai sen hyväksymä lisävaruste
- tuotetta ei ole korjattu valtuutetussa huoltopisteessä tai hyväksytyllä asiantuntijalla.

- Älä anna lasten käyttää laitetta.
- Pidä lapset poissa työskentelyalueelta. Vastuullisen aikuisen on oltava aina paikalla.
- Älä anna kenenkään sellaisen henkilön käyttää laitetta, joka ei tunne ohjeita.
- Valvo aina laitetta käyttävää henkilöä, jonka fyysiset tai psyykkiset taidot ovat heikentyneet. Vastuullisen aikuisen on oltava aina paikalla.
- Älä käytä laitetta ollessasi väsynyt tai sairas tai jos olet alkoholin, huumaavien aineiden tai lääkkeiden vaikutuksen alaisena. Niillä on negatiivinen vaikutus näkökykyysi, vireytesi, harkintakykyysi ja kehosi hallintaan.
- Älä käytä konetta, jos se on viallinen.
- Älä tee koneeseen muutoksia tai käytä konetta, mikäli epäilet jonkun muun muuttaneen sitä.

Työalueen turvallisuus



VAROITUS: Lue seuraavat varoitusohjeet ennen koneen käyttämistä.

- Poista työskentelyalueelta oksat, risut ja kivet ennen tuotteen käyttämistä.
- Terävarustukseen osuvat esineet sinkoutuvat edelleen ja voivat siten aiheuttaa vahinkoa ihmisille ja esineille. Pidä sivulliset ja eläimet turvallisen välimatkan päässä tuotteesta.
- Älä koskaan käytä tuotetta huonolla säällä esimerkiksi sumussa, sateessa, kovassa tuulessa, ankarassa pakkasessa tai ukkosella. Tuotteen käyttäminen huonolla säällä tai kosteissa tai märissä olosuhteissa on raskasta. Huono sää voi aiheuttaa vaaratilanteita, kuten liukastumisvaaran.
- Varo henkilöitä, esineitä ja tilanteita, jotka voivat estää tuotteen turvallisen käytön.
- Varo esteitä, kuten juuria, kiviä, risuja, kuoppia ja oja. Pitkän ruohon seassa voi olla esteitä.
- Ruohon leikkaaminen rinteissä voi olla vaarallista. Älä käytä tuotetta rinteessä, jonka kaltevuus on yli 15°.
- Käytä tuotetta sivusuunnassa rinteeseen nähden. Älä käytä tuotetta pystysuunnassa.
- Ole varovainen lähestyessäsi piilossa olevia kulmia ja esineitä, jotka estävät näkyvyyden.

Työturvallisuus



VAROITUS: Lue seuraavat varoitusohjeet ennen laitteen käyttämistä.

- Käytä tätä tuotetta ainoastaan nurmikoiden leikkaamiseen. Tuotteita ei saa käyttää muihin käyttötarkoituksiin.
- Käytä henkilökohtaisia suojarusteita. Katso *Henkilökohtainen suojarustus sivulla 119*.
- Opettele pysäyttämään moottori nopeasti hätätilassa.
- Älä koskaan käynnistä moottoria suljetussa tilassa tai lähellä herkästi syttyviä materiaaleja. Moottorin pakokaasu on kuumaa ja se voi sisältää kipinöitä, jotka voivat aiheuttaa tulipalon.
- Älä käytä tuotetta, ellei sen terää ja kaikkia suojuksia ole kiinnitetty asianmukaisesti. Virheellisesti kiinnitetty terä saattaa irrota ja aiheuttaa henkilövahinkoja.
- Varmista, ettei terä osu kiviin ja juuriin. Tämä voi vaurioittaa terää, ja kampiakseli voi vääntyä. Vääntynyt akseli aiheuttaa voimakasta värinää. Tällöin on erittäin suuri riski, että terä irtoaa.
- Jos terä osuu esineeseen tai alkaa tärinästä, pysäytä tuote välittömästi. Irrota sytytyskaapeli sytytystulpasta. Tarkista tuote vaurioiden varalta. Korjaa vauriot tai tee korjaustyöt valtuutetussa huoltoliikkeessä.
- Älä koskaan liitä moottorin jarrukahvaa pysyvästi kahvaan moottoria käynnistettäessä.
- Aseta tuote kiinteälle, tasaiselle alustalle ja käynnistä se. Varmista, ettei terä pääse osumaan maahan tai mihinkään esineeseen.
- Ole aina tuotteen takana käyttäessäsi sitä.
- Pidä kaikki renkaat maassa ja molemmat kätesi työntöaisalla käyttäessäsi tuotetta. Pidä kätesi ja jalkasi poissa pyörivien terien läheisyydestä.
- Älä kallista tuotetta moottorin käynnistyksen aikana.
- Ole varovainen vetäessäsi tuotetta taaksepäin.
- Älä koskaan nosta tuotetta moottorin käynnistyksen aikana. Jos tuotetta täytyy nostaa, sammuta ensin moottori ja irrota sytytyskaapeli sytytystulpasta.
- Älä kävele taaksepäin käyttäessäsi tuotetta.
- Sammuta moottori, kun siirät tuotteen ruuhotoman alueen yli, esimerkiksi ylittäessäsi sora-, kivi- tai asfalttipolkuja.
- Älä juokse tuotteen kanssa, kun moottoria käynnistetään. Kävele aina, kun käytät tuotetta.
- Sammuta moottori ennen kuin muut leikkuukorkeutta. Älä koskaan tee säätöjä moottorin käydessä.
- Älä koskaan jätä laitetta ilman valvontaa moottorin käydessä. Sammuta moottori ja varmista, ettei terävarustus pyöri.

Turvallisuusohjeet käyttöä varten

Henkilökohtainen suojarustus



VAROITUS: Lue seuraavat varoitusohjeet ennen koneen käyttämistä.

- Henkilökohtaiset suojarusteet eivät poista tapaturmien vaaraa, mutta ne lieventävät vammoja onnettomuustilanteessa. Anna jälleenympäristöön auttaa oikeiden varusteiden valinnassa.
- Käytä kuulonsuojaimia, kun melutaso on yli 85 dB.
- Käytä kestäviä luistamattomia saappaita tai kenkiä. Älä käytä avonaisia jalkineita tai kulje paljain jaloin.
- Käytä vahvakankaisia, pitkiä housuja.
- Käytä suojakäsineitä tarvittaessa, esimerkiksi terävarustuksen asennuksen, tarkastuksen ja puhdistuksen aikana.

Tuotteen turvalaitteet



VAROITUS: Lue seuraavat varoitusohjeet ennen laitteen käyttämistä.

- Älä käytä laitetta, jos jokin sen turvalaitteista on rikki.
- Tarkasta turvalaitteet säännöllisesti. Jos turvalaitteissa on vikoja, ota yhteyttä Husqvarna-huoltoliikkeeseen.

Leikkuusuojuksen tarkistaminen

Leikkuusuojuus vähentää laitteen värinää ja terän aiheuttamaa tapaturmavaaraa.

- Tarkista leikkuusuojuus vaurioiden, kuten halkeamien, varalta.

Moottorin jarrukahvan tarkistaminen

Moottorin jarrukahva pysäyttää moottorin. Kun moottorin jarrukahva vapautetaan, moottori pysähtyy.

- Käynnistä moottori ja vapauta sitten moottorin jarrukahva. Jos moottori ei pysähdy 3 sekunnissa, anna valtuutetun Husqvarna-huoltoliikkeen säätää moottorijarru. (Kuva 19)

Ohjauslevyn tarkastaminen

Ohjauslevy vähentää esineiden sinkoutumista käyttäjän suuntaan.

- Varmista, ettei ohjauslevy ole vaurioitunut. (Kuva 20)
- Varmista, että ohjauslevyn sulkevat jouset eivät ole vaurioituneet.
- Vaihda vaurioituneet jouset ja vahingoittuneet osat.
- Varmista, että ohjauslevy voi liikkua juohevasti saranoillaan.

Äänenvaimennin

Äänenvaimennin pitää äänitason mahdollisimman alhaisena ja ohjaa moottorin pakokaasut käyttäjistä pois päin.

Älä käytä konetta, jos äänenvaimennin on vaurioitunut tai puuttuu kokonaan. Viallinen äänenvaimennin suurentaa melutasoa ja tulipalon vaaraa.



VAROITUS: Äänenvaimennin on erittäin kuuma käytön aikana, heti käytön jälkeen ja moottorin käydessä joutokäyntinopeudella. Ole varovainen syttyvien materiaalien ja/tai kaasujen lähistöllä, jotta et aiheuta tulipaloa.

Äänenvaimentimen tarkistaminen

- Tarkista äänenvaimennin säännöllisesti vaurioiden varalta ja varmista, että se on kiinnitetty oikein.

Öljyn määrän tarkistaminen



HUOMAUTUS: Liian alhainen öljytaso voi vaurioittaa moottoria. Tarkista öljytaso ennen kuin käynnistät tuotteen.

- Aseta tuote tasaiselle alustalle.
- Irrota polttoainesäiliön korkki ja mittatikku.
- Pyyhi mittatikku puhtaaksi öljystä.
- Työnnä mittatikku kokonaan öljysäiliöön, jotta saat öljytasosta oikean kuvan.
- Poista mittatikku.
- Tarkista öljytaso mittatikusta.
- Jos öljytaso on alhainen, lisää moottoriöljyä ja tarkista öljytaso uudelleen.

Polttoaineruivalisuus



VAROITUS: Lue seuraavat varoitusohjeet ennen koneen käyttämistä.

- Älä käynnistä laitetta, jos sen päällä on polttoainetta tai moottoriöljyä. Poista ylimääräinen polttoaine tai öljy ja anna laitteen kuivua.
- Jos olet läikyttänyt polttoainetta vaatteillesi, vaihda vaatteet heti.
- Varo, ettei iholle pääse polttoainetta, sillä se voi aiheuttaa vamman. Jos ihollesi joutuu polttoainetta, pese se pois vedellä ja saippualla.
- Älä käynnistä laitetta, jos moottori vuotaa. Tarkista moottori säännöllisesti vuotojen varalta.
- Käsittele polttoainetta varoen. Polttoaine on syttyvä ja kaasut ovat räjähdysherkkiä, mikä voi aiheuttaa tapaturman tai kuoleman.

- Älä hengitä polttoainehöyryjä, sillä ne voivat aiheuttaa vamman. Varmista, että ilmanvirtaus on riittävä.
- Älä tupakoi polttoaineen tai moottorin lähistöllä.
- Älä sijoita lämpimiä esineitä polttoaineen tai moottorin lähelle.
- Älä lisää polttoainetta, kun moottori on käynnissä.
- Varmista ennen polttoaineen lisäämistä, että moottori on jäähtynyt.
- Ennen kuin lisäät polttoainetta, avaa polttoainesäiliön korkki hitaasti ja vapauta paine varovasti.
- Älä lisää polttoainetta moottoriin sisätalassa. Jos ilmanvirtaus ei ole riittävä, tukehtuminen tai hiilimonoksidin hengittäminen voi aiheuttaa vamman tai kuoleman.
- Kiristä polttoainesäiliön korkki tiukasti. Polttoainesäiliön korkin riittämätön kiristys aiheuttaa tulipalovaaran.
- Siirrä laite ennen käynnistystä vähintään 3 metrin päähän paikasta, jossa lisäsit polttoainetta.
- Älä täytä polttoainesäiliötä täyteen. Kuumuus saa polttoaineen laajenemaan. Jätä polttoainesäiliön päälle tyhjää tilaa.

Turvaohjeet huoltoa varten



VAROITUS: Lue seuraavat varoitusohjeet ennen koneen käyttämistä.

- Moottorin pakokaasut sisältävät hiilimonoksidia, joka on hajuton, myrkyllinen ja erittäin vaarallinen kaasu. Älä käynnistä moottoria sisällä tai suljetuissa tiloissa.
- Jos tuotetta täytyy huoltaa, sammuta ensin moottori ja irrota sytytyskaapeli sytytystulpasta.
- Käytä suojakäsineitä huoltaessasi terävarustusta. Terä on erittäin terävä ja aiheuttaa helposti haavoja.
- Lisävarusteet ja muut kuin valmistajan hyväksymät muutokset tuotteeseen voivat aiheuttaa vakavan vamman tai kuoleman. Älä tee tuotteeseen muutoksia. Käytä vain valmistajan hyväksymiä lisävarusteita.
- Jos tuotetta ei ole huollettu asianmukaisesti ja säännöllisesti, tapaturmien ja tuotteen vaurioitumisen vaara kasvaa.
- Huolla tuote ainoastaan käyttöohjekirjassa annettujen ohjeiden mukaisesti. Kaikki muut huoltotoimet on tehtävä valtuutetussa Husqvarna-huoltoliikkeessä.
- Anna valtuutetun Husqvarna-huoltoliikkeen huoltaa tuote säännöllisesti.
- Vaihda vaurioituneet, kuluneet tai rikkoutuneet osat.

Asentaminen

Johdanto



VAROITUS: Ennen kuin asennat laitteen, lue turvallisuutta käsittelevä luku niin, että ymmärrät sen sisällön.



VAROITUS: Irrota sytytystulpan johto sytytystulpasta ennen laitteen asentamista.

Työntöaisan asentaminen

1. Nosta alemmasta kahvasta. (Kuva 21)
2. Kohdista työntöaisan alaosassa olevat reiät työntöaisan pidikkeissä olevien reikien kanssa.

Huomautus: Valitse reiät parhaan käyttöasennon mukaan.

3. Kiristä alempia nuppeja.
4. Nosta kädensijaa ylös ja aseta se linjaan alemman osan kanssa.
5. Kiristä kädensijan nupit huolellisesti.

Käynnistysnarun kädensijan asentaminen

1. Kiinnitä käynnistysnarun kiinnike ja T-nuppi. Älä kiristä kokonaan. (Kuva 22)

2. Pidä moottorin jarrukahvaa kahvastoa vasten.
3. Vedä käynnistysnaru hitaasti ulos ja aseta se käynnistysnarun kiinnikkeeseen. (Kuva 23)
4. Kiristä T-nuppi. (Kuva 24)

Tuotteen asettaminen kuljetusasentoon

1. Irrota ruohonkerääjä.
2. Avaa työntöaisan lukitus löysäämällä alempia nuppeja. (Kuva 25)
3. Taita työntöaisa alas taaksepäin.
4. Poista aisan alaosan nupit ja tapit.
5. Taita työntöaisa eteenpäin.

Ruohonkerääjän asentaminen

1. Kiinnitä ruohonkerääjän kehys keruupussiin niin, että pussin jäykkä osa on alhaalla. Pidä kehysten kahva pussin yläosan ulkopuolella. (Kuva 26)
2. Kiinnitä keruupussi kehukseen pikakiinnikkeillä. (Kuva 27)

Käyttö

Johdanto



VAROITUS: Lue turvallisuutta käsittelevä luku niin, että ymmärrät sen sisällön, ennen laitteen käyttämistä.

Ennen tuotteen käyttöä

1. Lue käyttöohje huolellisesti ja varmista, että ymmärrät sen sisältämät ohjeet.
2. Tutki terävarustus ja varmista, että se on kiinnitetty ja säädetty asianmukaisesti. Katso *Terävarustuksen tarkistaminen sivulla 124*.
3. Täytä polttoainesäiliö. Katso *Polttoaineen lisääminen sivulla 121*.
4. Lisää öljysäiliöön öljyä ja tarkista öljytaso. Katso *Öljyn määrän tarkistaminen sivulla 120*.

Polttoaineen lisääminen

Käytä ympäristöä säästävää bensiiniä tai alkylaattibensiiniä, jos niitä on saatavilla. Jos ympäristöä säästävää bensiiniä tai alkylaattibensiiniä ei ole

saatavilla, käytä lyijytöntä tai lyijyllistä laatubensiiniä, jonka oktaaniluku on vähintään 90.



HUOMAUTUS: Älä käytä bensiiniä, jonka oktaaniluku on pienempi kuin 90 RON (87 AKI). Se voi vaurioittaa laitetta.

1. Vapauta polttoainesäiliöstä painetta avaamalla polttoainesäiliön korkki hitaasti.
2. Kaada polttoainesäiliöön hitaasti polttoainetta. Jos öljyä läikkyä, pyyhi öljy pois liinalla ja anna öljyjäämien kuivua.
3. Pyyhi polttoainesäiliön korkin ympäristö puhtaaksi.
4. Kiristä polttoainesäiliön korkki tiukasti. Polttoainesäiliön korkin riittämätön kiristys aiheuttaa tulipalovaaran.
5. Siirrä tuote ennen käynnistystä vähintään 3 metrin (10 jalan) päähän paikasta, jossa lisäsit polttoainetta.

Leikkuukorkeuden asettaminen

Leikkuukorkeuden säädössä on 9 tasoa.

1. Nosta leikkuukorkeutta painamalla leikkuukorkeuden säädintä ensin pyörän suuntaan ja sitten taaksepäin.
2. Laske leikkuukorkeutta painamalla leikkuukorkeuden säädintä ensin pyörän suuntaan ja sitten eteenpäin. (Kuva 28)



HUOMAUTUS: Älä aseta leikkuukorkeutta liian alhaiseksi. Jos ruohikon pinta ei ole tasainen, terät voivat osua maahan.

Laitteen käynnistäminen

1. Seiso laitteen takana.
2. Pidä moottorin jarrukahvaa kahvasto vasten. (Kuva 29)
3. Pitele käynnistysnarun kahvaa oikealla kädelläsi.
4. Vedä käynnistysnarusta hitaasti, kunnes tunnet hieman vastusta.
5. Käynnistä moottori vetämällä voimakkaasti.



VAROITUS: Älä kiedo käynnistysnarua kätesi ympärille.

Vetojärjestelmän käyttäminen pyörillä

- Vedä ohjaussauvoja kahvaston suuntaan. (Kuva 30)
- Ennen kuin vedät konetta taaksepäin, kytke vetojärjestelmä pois käytöstä ja työnnä konetta eteenpäin noin 10cm.
- Kytke vetojärjestelmä pois käytöstä vapauttamalla ohjausvivut esimerkiksi lähestyessäsi estettä.

Ohjauskaapelin säätäminen

- Säädä ohjauskaapelia säätöruuvilla. (Kuva 31)
- Sammuta moottori. Irrota aina sytytystulppa ennen liikkuvien osien käsittelyä.
- Kiristä vaijeria ja lisää nopeutta kiertämällä säätöruuvia vastapäivään.
- Pidennä vaijeria ja pienennä nopeutta kiertämällä säätöruuvia myötäpäivään.

Laitteen pysäyttäminen

- Jos haluat pysäyttää vain vetojärjestelmän, vapauta vetojärjestelmän vivut.
- Pysäytä moottori vapauttamalla moottorin jarrukahva. (Kuva 32)

Ruohonkerääjän käyttö konetta käytettäessä



VAROITUS: Älä käytä laitetta, jos ruohonkerääjä ei ole paikallaan tai jos ohjauslevy ei ole suljettuna. Esineet voivat

sinkoutua laitteesta ja vahingoittaa käyttäjää.

1. Nosta ohjauslevy ja irrota silppurin tulppa. (Kuva 33)
2. Kokoa ruohonkerääjä, katso *Ruohonkerääjän asentaminen sivulla 121*.
3. Aseta ruohonkerääjä pidikkeeseen. (Kuva 34)
4. Vapauta ohjauslevy ja aseta se ruohopussin rungon päälle.

Laitteen vaihtaminen silppuamistilaan

Silppuamistilassa laite tekee pientä ruohosilppua. Sen jälkeen ruohosilppu putoaa ja leviää nurmikolle. Silputtu ruoho maatuu nopeasti, ja nurmikko saa siitä ravinteita.

1. Nosta takasuojus ja irrota ruohopussi, jos se on asennettu.
2. Aseta silppurin tulppa kerääjän kanavaan. (Kuva 35)
3. Anna takasuojuksen sulkeutua ja varmista, että se on tiukasti kiinni silppurin tulppaa vasten. (Kuva 36)

Laitteen vaihtaminen takapoistotilaan

1. Nosta ohjauslevy ja irrota silppurin tulppa. (Kuva 37)
2. Asenna ulosheittoputki. (Kuva 38)

Ruohonkerääjän tyhjentäminen



HUOMAUTUS: Älä raahaa pussia, kun tyhjännät ruohonkerääjän, jotta siihen ei tule kulumia.

1. Nosta ruohonkerääjää rungon kahvasta. (Kuva 39)
2. Poista ruohosilppu ruohonkerääjästä kahvan alapuolelta.
3. Tyhjännä ruohosilppu pussista käyttämällä rungon ja pussin kahvaa.

Hyvän tuloksen saavuttaminen

- Käytä aina hyvin teroitettua terää. Tylsä terä leikkaa epätasaisesti ja ruohosta tulee keltaista leikatun pinnan kohdalta. Hyvin teroitettu terä käyttää myös tylsää terää vähemmän energiaa.
- Älä leikkaa enempää kuin 1/3 ruohon pituudesta. Aseta leikkuukorkeus ensimmäisellä leikkuukerralla korkeaksi. Tutkittuasi leikkuutuloksen voit laskea leikkuukorkeuden haluamallasi tasolle. Jos ruoho on erittäin pitkää, kulje hitaasti ja leikkaa nurmikko tarvittaessa kaksi kertaa.
- Leikkaa joka kerta eri suuntiin, jotta nurmikkoon ei tule raitoja.

Huolto

Johdanto



VAROITUS: Ennen minkäänlaisten huoltotöiden aloittamista sinun on luettava turvallisuutta käsittelevä luku niin, että ymmärrät sen sisällön.

Kaikkiin tuotteelle tehtäviin huolto- ja korjaustöihin tarvitaan erityiskoulutus. Takaamme, että tuotteemme huolletaan ja korjataan ammattimaisesti. Jos jälleenmyyjäsi ei ole huoltoliike, pyydä jälleenmyyjää neuvomaan lähin huoltoliike.

Huoltokaavio



HUOMAUTUS: Varmista, että ilmansuodatin on laitteen yläosassa eikä maata vasten, kun kallistat laitetta. Moottorivaurion vaara.

Huoltovälit on laskettu laitteen päivittäisen käytön perusteella. Välit voivat muuttua, jos laitetta ei käytetä päivittäin.

Lisätietoja *-merkillä merkityistä huolloista on kohdassa *Tuotteen turvallaisuudet sivulla 119.*

Huolto	Päivittäin	Viikoittain	Kuukausittain
Tee yleistarkastus.	X		
Tarkista öljytaso.	X		
Puhdista laite.	X		
Tarkista terävarustus.	X		
Tarkista leikkuusuojuus*.	X		
Tarkista moottorin jarrukahva *	X		
Tarkista teräjarrun kytkin *	X		
Tarkista äänenvaimennin*.		X	
Tarkista sytytystulppa		X	
Vaihda öljy (ensimmäisten 5 käyttötunnin jälkeen ja sitten 50 käyttötunnin välein)			X
Puhdista tai vaihda ilmansuodatin			X
Tarkista polttoainejärjestelmä			X

Yleistarkastus

- Varmista, että laitteen kaikki ruuvit ja mutterit on kiristetty oikein.

Laitteen puhdistaminen ulkopuolelta

- Poista lehdet, ruoho ja lika harjalla.
- Varmista, ettei moottorin yläosassa sijaitseva ilmanottoaukko ole tukkeutunut.
- Älä käytä laitteen puhdistamiseen painepesuria.
- Jos käytät tuotteen puhdistamiseen vettä, älä suihkuta vettä suoraan moottoriin.

Leikkuusuojuksen sisäpinnan puhdistaminen

1. Tyhjennä polttoainesäiliö.
2. Aseta tuote kyljelleen äänenvaimennin alaspäin.



HUOMAUTUS: Jos tuote asetetaan ilmansuodatin alaspäin, moottori saattaa vaurioitua.

3. Pese leikkuusuojuksen sisäpinta vesiletkulla.

Vesiletkuliitäntän käyttäminen

1. Siirrä kone alueelle, josta ruoho on leikattu, tai muulle kovalle pinnalle.
2. Irrota ruohonkerääjä tai silppurin tulppa koneesta.
3. Sulje ohjauslevy.
4. Liitä vesiletku vesiletkuliitäntään. (Kuva 40)
5. Pysäytä vedensyöttö ja tarkista liitäntä vuotojen varalta.

6. Jos et näe vuotoa, käynnistä moottori. Anna moottorin käydä, kunnes kone on kotelon alta puhdas.
7. Pysäytä moottori.
8. Pysäytä vedensyöttö ja irrota vesiletku liitännästä.

Huomautus: Älä irrota vesiletkua vesiletkuliitännästä kun moottori on käynnissä. Moottorin pääsevä vesi voi lyhentää sen käyttöikää.

9. Käynnistä moottori ja anna sen käydä yhden minuutin ajan, jotta jäljelle jäänyt vesi poistuu leikkurista.

Moottoriöljyn vaihtaminen



VAROITUS: Moottoriöljy on erittäin kuumaa moottorin sammuttamisen jälkeen. Anna moottorin jäähtyä ennen kuin valutat moottoriöljyn pois moottorista. Jos moottoriöljyä joutuu iholle, pese öljy pois vedellä ja saippualla.

1. Käytä konetta, kunnes polttoainesäiliö on tyhjä.
2. Irrota sytytyskaapeli sytytystulpasta.
3. Irrota polttoainesäiliön korkki.
4. Aseta tuotteen alle säiliö, johon valutat öljyn.
5. Tyhjennä moottoriöljy säiliöstä kallistamalla konetta.
6. Lisää uutta moottoriöljyä, jota suositellaan kohdassa *Tekniset tiedot sivulla 128*.
7. Tarkista öljytaso. Katso *Öljyn määrän tarkistaminen sivulla 120*.

Sytytystulpan tarkistus



HUOMAUTUS: Käytä aina suositeltua sytytystulppaa. Väärä sytytystulpan tyyppi voi aiheuttaa laitteen vaurioitumisen.

- Tarkista sytytystulppa, jos moottorin teho on heikko, moottoria on vaikea saada käyntiin tai se ei toimi oikein joutokäyntinopeudella.
- Ehkäise ylimääräisen materiaalin joutuminen sytytystulpan elektrodeihin noudattamalla seuraavia ohjeita:
 - a) Varmista, että joutokäyntinopeus on säädetty oikein.
 - b) Varmista, että polttoaineseos on oikea.
 - c) Varmista, että ilmansuodatin on puhdas.
- Jos sytytystulppa on karstoittunut, puhdista se ja tarkista samalla, että kärkiväli on oikea, katso *Tekniset tiedot sivulla 128*. (Kuva 41)
- Vaihda sytytystulppa tarvittaessa.

Ilmansuodattimen puhdistaminen

1. Irrota ilmansuodattimen kansi ja ilmansuodatin.

2. Napauta suodatinta tasaista pintaa vasten, jotta kaikki hiukkaset irtoavat.



HUOMAUTUS: Älä käytä ilmansuodattimen puhdistamiseen luotinta tai paineilmaa.

3. Aseta ilmansuodatin takaisin paikalleen. Varmista, että ilmansuodatin tulee tiiviisti ilmansuodattimen pidentä vasten.
4. Aseta ilmansuodattimen kansi takaisin paikalleen.

Huomautus: Pitkään käytössä ollutta ilmansuodatinta ei voi koskaan puhdistaa täysin puhtaaksi. Vaihda ilmansuodatin säännöllisin väliajoin. Vaurioitunut ilmansuodatin on aina vaihdettava.

Terävarustuksen tarkistaminen



VAROITUS: Estä tuotteen tahaton käynnistyminen irrottamalla sytytyskaapeli sytytystulpasta.



VAROITUS: Käytä suojakäsineitä huoltaessasi terävarustusta. Terä on erittäin terävä ja aiheuttaa helposti haavoja.

1. Tutki terävarustus vaurioiden tai halkeamien varalta. Vaurioitunut terävarustus on aina vaihdettava.
2. Tarkista, onko terä vaurioitunut tai tylsä.

Huomautus: Terä on tasapainotettava oikein teroituksen jälkeen. Anna huoltoliikkeen teroittaa, vaihtaa ja tasapainottaa terä. Jos osut esteeseen niin, että tuote pysähtyy, vaihda vaurioitunut terä. Anna huoltoliikkeen arvioida, voiko terän teroittaa vai onko se vaihdettava.

Terän asennus

1. Aseta teräsovitin moottorin kampiakselille. Varmista, että sovitimen kiila ja kampiakselin kiilaura ovat kohdakkain. (Kuva 42)
2. Asenna terä aina siten, että terän kulmien päät osoittavat ylös moottoria kohti. (Kuva 43)
3. Käytä puukappaletta terän ja koneen kotelon välissä. Kiristä teräpultti ja käännä sitä myötäpäivään.
4. Kiristä pultti aina 47–54 Nm:n kiristysmomenttiin. (Kuva 44)
5. Varmista, että sytytystulpan johto on irrotettu moottorista.



HUOMAUTUS: Estä vahinkokäynnistyminen irrottamalla aina sytytystulpan johto ja asettamalla se paikkaan, jossa se ei pääse kosketuksiin sytytystulpan kanssa.

- Pyöritä terää käsin ja varmista, että se pyörii vapaasti.

Terän vaihtaminen

- Lukitse terä puukiilalla. (Kuva 45)
- Irrota teräpultti.
- Irrota terä.
- Tutki terän tuki ja teräpultti vaurioiden varalta.
- Tutki kampiakseli ja varmista, ettei se ole vääntynyt.
- Asenna uusi terä siten, että terän kulmikkaat päät osoittavat leikkuusuojuksen suuntaan. (Kuva 46)
- Varmista, että terä on kohdistettu moottorin akselin keskiosan kanssa.

Vaihteistorakenteen yleiskatsaus

(Kuva 2)

- Silppurin tulppa
- Takakappale
- Vaihteiston hihnapyörä
- Välipyörän kannatin
- Voimansiirron kansi
- Teräsovitin
- Kiristinpyörä
- Etuhihnan pidike
- Rengas
- Terä
- Kova aluslevy
- Lukkoaluslevy
- Terän pultti
- Hihnakatelo

Vetohihnan irrottaminen

- Käytä konetta, kunnes polttoainesäiliö on tyhjä.
- Irrota sytytystulpan suojus sytytystulpasta.
- Aseta laite kyljelleen äänenvaimennin alaspäin.



HUOMAUTUS: Jos laite asetetaan ilmansuodatin alaspäin, moottori saattaa vaurioitua.

- Lukitse terä puukiilalla. Kiinnitä jousialuslevy paikalleen ja kiristä pultti ja aluslevy momenttiin 47-54 Nm. (Kuva 47)
- Pyöritä terää käsin ja varmista, että se pyörii vapaasti.



VAROITUS: Käytä työrukkasia. Terä on erittäin terävä ja aiheuttaa helposti haavoja.

- Testaa terää käynnistämällä tuote. Jos terä ei ole kiinnitetty asianmukaisesti, tuote tärisee tai sen leikkuutullos ei ole tyydyttävä.
- Irrota vetosuojus. (Kuva 48)
- Irrota teräpultti, aluslevyt ja terä. (Kuva 49)
- Irrota silppuamistulppa. (Kuva 50)
- Irrota takakappale.
- Irrota hihnan kansi ja rengas. (Kuva 51)
- Irrota kaapeli vaihteistosta ja poista kiristinpyörä kiristinrakenteesta.
- Irrota etuosan hihnanpidike.
- Irrota vetohihna vaihteistopyörästä.
- Irrota kolme kiristinpyörää kiristinrakenteesta. (Kuva 52)
- Irrota vetohihna terän sovittimesta ja kiristinrakenteesta. (Kuva 53)
- Kiinnitä lukkopihdit vaihteiston voiman ulosottoakseliin. Löysennä moottorin urapyörää 9/16 tuuman avaimella, jotta voit irrottaa vaihteiston hihnapyörän.
- Irrota vetohihna.

Vianmääritys

Vika	Mahdollinen syy	Ratkaisu
Moottori ei käynnisty.	Sytytyskaapelia ei ole liitetty oikein.	Kytke sytytyskaapeli sytytystulppaan.
	Polttoainesäiliö on tyhjä.	Täytä polttoainesäiliö oikeantyyppisellä polttoaineella.
	Kaasuttimessa tai polttoainejärjestelmässä on likaa.	Puhdista kaasutin ja/tai polttoaineen syöttöletku.
	Sytytystulppa on viallinen.	Säädä kärkiväli tai puhdista tai vaihda sytytystulppa.
Moottori ei pysähdy.	Pysäytysmekanismi on viallinen.	Irrota sytytyskaapeli sytytystulpasta. Korjauta kone valtuutetussa huoltoliikkeessä.
Moottori ei käy tasaisesti.	Sytytyskaapelia ei ole liitetty oikein.	Kytke sytytyskaapeli sytytystulppaan.
	Polttoaineletkussa on likaa tai polttoaine on vanhentunutta.	Puhdista polttoaineletku. Täytä polttoainesäiliö uudella oikeantyyppisellä polttoaineella.
	Polttoainesäiliön korkissa on tukos.	Puhdista polttoainesäiliön korkki.
	Polttoainejärjestelmässä on vettä tai likaa.	Tyhjennä polttoainesäiliö. Täytä polttoainesäiliö uudella oikeantyyppisellä polttoaineella.
	Ilmansuodatin on likainen.	Puhdista ilmansuodatin.
	Kaasutinta on säädettävä.	Säädä kaasutin valtuutetussa huoltoliikkeessä.
Moottorista tulee liian kuuma.	Moottoriöljyn taso on liian alhainen.	Kaada öljy säiliöön.
	Ilmavirtaus ei ole riittävä.	Puhdista ilmansuodatin ja ilmansuodattimen kotelo.
	Kaasutinta on säädettävä.	Säädä kaasutin valtuutetussa huoltoliikkeessä.
Moottori katkoo kun se käy kovalla nopeudella.	Sytytystulppien kärkiväli on liian pieni.	Säädä kärkiväliä.
Moottori ei toimi joutokäyntinopeudella tasaisesti.	Sytytystulppa on likainen tai viallinen tai kärkiväli on liian suuri.	Säädä kärkiväli tai vaihda sytytystulppa.
	Kaasutinta on säädettävä.	Säädä kaasutin.
	Ilmansuodatin on likainen.	Puhdista ilmansuodatin.
Kahvassa on liikaa tärinää.	Terä on löysällä tai epätasapainossa.	Kiristä teräpultit. Vaihda vaurioituneet terät.
	Terä on vääntynyt.	Vaihda vaurioituneet terät.

Vika	Mahdollinen syy	Ratkaisu
Ruohoa ei leikata silpuksi.	Ruoho on märkää.	Älä käytä laitetta, kun ruoho on märkää. Odota, kunnes ruoho on kuivaa.
	Ruoho on liian pitkää.	Aseta leikkuukorkeus ensimmäisellä leikkukerralla korkeaksi. Laske leikkuukorkeutta ja leikkaa uudelleen. Leikkaa kerralla vain puolet leikkuuleveydestä.
	Yksi tai useampi terä ei ole tarpeeksi terävä.	Teroita tai vaihda terät.
Ruoho leikkautuu epätasaisesti.	Pyörät eivät ole oikeassa kohdassa.	Aseta kaikkien neljän pyörän leikkuukorkeus samaan korkeuteen.
	Yksi tai useampi terä ei ole tarpeeksi terävä.	Teroita tai vaihda terät.
Vetojärjestelmä ei toimi oikein	Vetohihnan kireys ei ole riittävä tai hinnapyörissä tai hinnassa on liikaa.	Anna valtuutetun huoltoliikkeen huoltaa vetojärjestelmä säännöllisesti.

Kuljettaminen, säilyttäminen ja hävittäminen

Kuljetus ja säilytys

- Kun säilytät ja kuljetat tuotetta ja polttoainetta, varmista, ettei tuote vuoda polttoainetta tai polttoainehöyryä. Esimerkiksi sähkölaitteista tai lämmityskattiloista peräisin olevat kipinät tai avotuli voivat aiheuttaa tulipalon.
- Käytä polttoaineen säilytyksessä ja kuljettamisessa aina hyväksytyjä polttoainesäiliöitä.
- Tyhjennä tuotteen polttoainesäiliö, jos varastoit tuotteen pitkäksi ajaksi. Hävitä polttoaine viemällä se asianmukaiseen keräyspisteeseen.
- Vältä onnettomuudet ja tuotteen vaurioituminen kiinnittämällä tuote turvallisesti kuljetuksen ajaksi.
- Säilytä tuotetta lukitussa varastossa, jonne lapset ja asiattomat henkilöt eivät pääse.
- Säilytä tuotetta kuivassa paikassa, jossa lämpötila ei laske pakkasen puolelle.

Hävittäminen

- Noudata paikallisia kierrätysvaatimuksia ja säädöksiä.
- Hävitä kaikki kemikaalit, kuten moottoriöljy ja polttoaine viemällä ne huoltoliikkeeseen tai asianmukaiseen keräyspisteeseen.
- Kun tuote tulee elinkaarensa päähän, hävitä tuote lähettämällä se Husqvarna-jälleenmyyjälle tai kierrätyspisteeseen.

Tekniset tiedot

Tekniset tiedot

	LC 353AWD
Moottori	
Tuotemerkki	Honda
Iskutilavuus, cm ³	170
Nopeus, r/min	2900–3200
Moottorin nimellisteho, kW/hv @ 3000 r/min ⁴¹	3,6/4,9 @ 2900–3200
Sytytysjärjestelmä	
Sytytystulppa	NGK BPR5ES
Kärkiväli, mm	0,7
Polttoaine-/voitelujärjestelmä	
Polttoaine, lyijytön, oktaaniluku vähintään	90 RON / 87 AKI
Polttoainesäiliön tilavuus, l	1,02
Öljysäiliön tilavuus, l	0,53
Moottoriöljy ⁴²	SAE 30 / SAE 10W-30
Paino	
Säiliöt tyhjinä, kg	41,7
Melupäästöt ⁴³	
Äänen tehotaso, mitattu dB(A)	95
Äänen tehotaso, taattu L _{WA} dB(A)	96
Äänitasot ⁴⁴	
Äänenpainetaso käyttäjän korvan tasalla, dB(A)	85
Tärinätasot ⁴⁵	
Kahva, m/s ² ruohonkerääjä / ei ruohonkerääjä	7/7
Terälaite	

⁴¹ Moottorin ilmoitettu nimellisteho on moottorimallia edustavan tyypillisen tuotantomoottorin keskimääräinen nettoteho (rpm) mitattuna SAE-standardin J1349/ISO1585 mukaisesti. Massatuotantomoottorit voivat poiketa tästä arvosta. Laitteeseen asennetun moottorin todellinen lähtöteho riippuu käyttönopeudesta, ympäristön olosuhteista ja muista arvoista.

⁴² Käytä vähintään laatuluokituksen SJ moottoriöljyä. Tarkista viskositeetti moottorin valmistajan käyttöoppaassa olevasta viskositeettikaaviosta ja valitse sopiva viskositeetti ulkolämpötilan perusteella.

⁴³ Melupäästö ympäristöön äänentehona (L_{WA}) EY-direktiivin 2000/14/EY mukaisesti mitattuna.

⁴⁴ Äänenpainetaso standardin ISO 5395 mukaan. Äänenpainetasoista ilmoitettujen tietojen tyypillinen tilastollinen hajonta (keskihajonta) on 1,2 dB(A).

⁴⁵ Tärinätaaso standardin ISO 5395 mukaan. Tärinätasolle ilmoitetuissa tiedoissa tyypillinen tilastollinen hajonta (vakiopoikkeama) on 0,2 m/s².

	LC 353AWD
Leikkauspituus, mm	25,4–101,6
Leikkauspituus, mm	530
Terä	
Tuotenumero	586 85 96-02
Ruohonkerääjän tilavuus, l	65
Ajo	
Nopeus, km/h	0–4,8

EU:n vaatimustenmukaisuusvakuutus

Husqvarna AB, SE 561 82 Huskvarna, RUOTSI,
vakuuttaa täten, että oheinen laite:

Kuvaus	Polttomootorillinen kävellen ohjattava ruohonleikkuri
Tuotemerkki	Husqvarna
Alusta / Tyyppi / Malli	Alusta E21THV, edustaa mallia LC 353AWD.
Erä	Sarjanumero alkaen 2019.

vastaa täysin seuraavien EU:n direktiivien ja asetusten vaatimuksia:

Direktiivi/asetus	Kuvaus
2006/42/EY	Konedirektiivi
2014/30/EU	EMC-direktiivi
2000/14/EU; 2005/88/EY	Melupäästädirektiivi
2011/65/EU	Tiettyjen vaarallisten aineiden käytön rajoittamisesta annettu direktiivi

Asiassa sovelletaan seuraavia yhdenmukaistettuja standardeja ja/tai teknisiä määräyksiä: EN ISO 12100, ISO 5395-1+A1/A2, ISO 5395-2+A1/A2, EN ISO 14982, ISO 3744, ISO 11094, EN 1032

Ilmoitetut meluarvot on annettu direktiivin 2000/14/EY liitteen VI mukaisesti tämän käyttöohjekirjan teknisissä tiedoissa sekä allekirjoitetussa EY:n vaatimustenmukaisuusvakuutuksessa.

Oheinen polttomootorillinen kävellen ohjattava ruohonleikkuri on tarkistetun mallikappaleen mukainen.

Sommaire

Introduction.....	130	Dépannage.....	139
Sécurité.....	131	Transport, entreposage et mise au rebut.....	141
Montage.....	134	Caractéristiques techniques.....	142
Utilisation.....	135	Contenu de la déclaration de conformité CE.....	143
Entretien.....	136		

Introduction

Description du produit

Le produit est une tondeuse à pousser alimentée par moteur à combustion. L'herbe est recueillie dans un collecteur d'herbe. Retirez le collecteur d'herbe pour permettre l'éjection arrière de l'herbe. Fixez un kit de mulching pour broyer l'herbe et la transformer en engrais.

Aperçu du produit

(Fig. 1)

1. Poignée de frein moteur
2. Leviers de transmission
3. Poignée du câble du démarreur
4. Collecteur d'herbe
5. Bouchon du réservoir d'essence
6. Filtre à air
7. Bougie
8. Capot d'entraînement
9. Silencieux
10. Raccord pour tuyau d'eau
11. Déflecteur arrière
12. Jauge/réservoir d'huile
13. Commande de réglage de la hauteur de coupe
14. Obturateur du broyeur
15. Manuel de l'opérateur
16. Goulotte d'éjection

Symboles concernant le produit

- (Fig. 3) **AVERTISSEMENT** : ce produit peut être dangereux et causer des blessures graves, voire mortelles, à l'opérateur ou à d'autres personnes. Soyez prudent et utilisez le produit correctement.
- (Fig. 4) Lisez le manuel d'utilisation et assurez-vous de bien comprendre les instructions avant d'utiliser ce produit.
- (Fig. 5) Rapide
- (Fig. 6) Lent

Utilisation prévue

Utilisez le produit pour couper l'herbe dans des jardins privés. N'utilisez pas ce produit pour d'autres travaux.

- (Fig. 7) Maintenez les mains et les pieds à distance des pièces rotatives.
- (Fig. 8) Maintenez les personnes et les animaux à une distance de sécurité suffisante de la zone de travail.
- (Fig. 9) Soyez prudent lorsque vous utilisez le produit vers l'arrière. Regardez derrière vous et à vos pieds pour vérifier l'absence de jeunes enfants, d'animaux ou d'autres risques qui pourraient vous faire tomber.
- (Fig. 10) Il peut être dangereux d'utiliser le produit sur un terrain en pente.
- (Fig. 11) Maintenez les mains et les pieds à distance de la lame en rotation.
- (Fig. 12) Attention : projections et ricochets.
- (Fig. 13) Émissions sonores dans l'environnement selon la directive de la Communauté européenne. Les émissions du produit sont indiquées dans le chapitre *Caractéristiques techniques à la page 142* et sur les autocollants.
- (Fig. 14) Ce produit est conforme aux directives CE en vigueur.
- (Fig. 15) Le produit est conforme aux directives EAC en vigueur.
- (Fig. 16) Le produit est conforme aux directives RCM en vigueur. S'applique à l'Australie/la Nouvelle-Zélande uniquement.

(Fig. 17) Le produit est conforme aux directives ukrainiennes en vigueur.

(Fig. 18) Utilisez des protège-oreilles agréés.

Remarque: Les autres symboles/autocollants présents sur le produit concernent des exigences de certification spécifiques à d'autres zones commerciales.

Responsabilité

Conformément à la loi sur la responsabilité du fait des produits, nous déclinons toute responsabilité pour tout dommage causé par notre produit si :

- le produit n'est pas correctement réparé ;
- le produit est réparé avec des pièces qui ne proviennent pas du fabricant ou qui ne sont pas homologuées par le fabricant ;
- le produit est équipé d'un accessoire qui ne provient pas du fabricant ou qui n'est pas homologué par le fabricant ;
- le produit n'est pas réparé par un centre d'entretien agréé ou par une autorité homologuée.

Sécurité

Définitions de sécurité

Des avertissements, des recommandations et des remarques sont utilisés pour souligner des parties spécialement importantes du manuel.



AVERTISSEMENT: Symbole utilisé en cas de risque de blessures ou de mort pour l'opérateur ou les personnes à proximité si les instructions du manuel ne sont pas respectées.



REMARQUE: Symbole utilisé en cas de risque de dommages pour le produit, d'autres matériaux ou les environs si les instructions du manuel ne sont pas respectées.

Remarque: Symbole utilisé pour donner des informations supplémentaires pour une situation donnée.

Instructions générales de sécurité



AVERTISSEMENT: Lisez les instructions qui suivent avant d'utiliser le produit.

- Ce produit est dangereux s'il est utilisé de manière incorrecte ou imprudente. Des blessures graves ou mortelles peuvent se produire si vous ne respectez pas les instructions de sécurité.
- Ce produit génère un champ électromagnétique durant son fonctionnement. Des blessures graves ou mortelles, les personnes portant des implants médicaux doivent consulter leur médecin et le fabricant de leur implant avant d'utiliser ce produit.
- Soyez toujours prudent et utilisez votre bon sens. Si vous ne savez pas comment faire fonctionner le

produit dans une situation particulière, ne l'utilisez pas et contactez votre Husqvarna revendeur avant de poursuivre.

- N'oubliez pas que l'opérateur sera tenu responsable des accidents occasionnés à des tiers et à leurs biens.
- Maintenez le produit propre. Assurez-vous que vous pouvez lire clairement les avertissements et les autocollants.
- Ne laissez personne utiliser le produit avant d'avoir lu et compris le contenu du manuel de l'opérateur.
- Ne laissez pas un enfant utiliser le produit.
- Maintenez les enfants éloignés de la zone de travail. Un adulte responsable doit être présent à tout moment.
- Ne laissez pas une personne utiliser le produit si elle ne connaît pas les instructions.
- Surveillez constamment les personnes aux capacités physiques ou mentales réduites qui utilisent ce produit. Un adulte responsable doit être présent à tout moment.
- N'utilisez jamais l'appareil si vous êtes fatigué ou malade, ou si vous êtes sous l'emprise d'alcool, de drogues ou de médicaments. Cela a un effet négatif sur votre vision, votre vigilance, votre coordination et votre jugement.
- N'utilisez pas le produit si celui-ci est défectueux.
- Ne modifiez jamais le produit et ne l'utilisez jamais s'il est susceptible d'avoir été modifié par un tiers.

Sécurité dans l'espace de travail



AVERTISSEMENT: Lisez les instructions qui suivent avant d'utiliser le produit.

- Retirez les objets tels que les branches, les brindilles et les pierres de la zone de travail avant d'utiliser le produit.
- Les objets heurtant l'équipement de coupe peuvent être éjectés et causer des blessures ou des dégâts matériels. Maintenez les personnes aux alentours et les animaux à une distance suffisante du produit.

- N'utilisez jamais le produit par mauvais temps, par exemple en cas de brouillard, de pluie, de vent violent, de froid intense et de risque d'éclair. Utiliser le produit par mauvais temps ou dans des environnements humides est fatigant. Le mauvais temps peut rendre les conditions de travail dangereuses : des surfaces peuvent par exemple devenir glissantes.
- Identifiez les éventuels personnes, objets et situations susceptibles de nuire à la sécurité du fonctionnement du produit.
- Soyez attentif aux obstacles tels que les racines, les pierres, les brindilles, les fosses et les fossés. L'herbe haute peut cacher des obstacles.
- Il peut être dangereux de couper l'herbe sur des terrains en pente. N'utilisez pas le produit sur un sol dont la pente est supérieure à 15°.
- Faites fonctionner le produit en travers de la courbe de la pente, jamais de haut en bas.
- Soyez prudent lorsque vous vous approchez de coins cachés et d'objets qui empêchent d'avoir une vue dégagée.
- Placez le produit sur une surface stable et plane, puis lancez-le. Vérifiez que la lame ne touche pas le sol ou tout autre objet.
- Restez toujours derrière le produit lorsque vous l'utilisez.
- Faites reposer toutes les roues sur le sol et conservez vos deux mains sur la poignée lorsque vous faites fonctionner le produit. Maintenez les mains et les pieds à distance des lames. Maintenez en rotation.
- N'inclinez pas le produit quand le moteur est mis en marche.
- Soyez prudent lorsque vous tirez le produit vers l'avant.
- Ne soulevez jamais le produit quand le moteur est mis en marche. Si vous devez soulever le produit, coupez d'abord le moteur et débranchez le câble d'allumage de la bougie.
- Ne marchez pas vers l'arrière lorsque vous utilisez le produit.
- Arrêtez le moteur lorsque vous vous déplacez à travers des zones exemptes d'herbe, par exemple des chemins de gravier, de pierre ou d'asphalte.
- Ne courez pas lorsque vous utilisez le produit et que le moteur est mis en marche. Vous devez toujours marcher lorsque vous utilisez le produit.
- Arrêtez le moteur avant de modifier la hauteur de coupe. N'effectuez jamais de réglages pendant que le moteur tourne.
- Ne quittez jamais le produit des yeux pendant que le moteur tourne. Arrêtez le moteur et assurez-vous que l'équipement de coupe ne tourne pas.

Sécurité du travail



AVERTISSEMENT: Lisez les instructions qui suivent avant d'utiliser le produit.

- Utilisez le produit uniquement pour couper les pelouses. Il est interdit d'utiliser le produit pour d'autres travaux.
- Utilisez un équipement de protection personnelle. Reportez-vous à la section *Équipement de protection individuelle* à la page 132.
- Assurez-vous que vous savez arrêter le moteur rapidement en cas d'urgence.
- Ne démarrez jamais le moteur dans un espace clos ou à proximité matériaux inflammables. Les gaz d'échappement du moteur sont très chauds et peuvent contenir des étincelles pouvant provoquer un incendie.
- Faites fonctionner le produit uniquement si la lame et tous les couvercles sont fixés correctement. Une lame fixée de manière inadéquate risque de se détacher et de causer des blessures personnelles.
- Assurez-vous que la lame ne touche pas des objets tels que des pierres et des racines. Cela peut ne pas endommager la lame et tordre l'arbre du moteur. Un arbre tordu génère de fortes vibrations, il y a alors un risque important que la lame se détache.
- Arrêtez immédiatement le produit s'il vibre ou bute sur un objet. Débranchez le câble d'allumage de la bougie. Vérifiez que le produit n'est pas endommagé. Réparez les éventuels dommages ou demandez à un atelier spécialisé agréé procéder aux réparations.
- N'attachez jamais la poignée de frein moteur en permanence à la poignée de commande quand le moteur est mis en marche.

Consignes de sécurité pour le fonctionnement

Équipement de protection individuelle



AVERTISSEMENT: Lisez les instructions qui suivent avant d'utiliser le produit.

- L'équipement de protection individuel ne protège pas complètement des blessures, mais il diminue la gravité des blessures en cas d'accident. Faites appel à votre revendeur pour vous aider à sélectionner l'équipement adéquat.
- Utilisez des protège-oreilles si le niveau sonore est supérieur à 85 dB.
- Portez des bottes ou chaussures antidérapantes à usage intensif. Ne portez pas de chaussures ouvertes et ne soyez pas pieds nus lorsque vous utilisez le produit.
- Utilisez des pantalons longs et épais.
- Portez des gants de protection en cas de besoin, par exemple lorsque vous fixez, examinez ou nettoyez l'équipement de coupe.

Dispositifs de sécurité sur le produit



AVERTISSEMENT: Lisez les instructions qui suivent avant d'utiliser le produit.

- N'utilisez pas un produit avec des dispositifs de sécurité défectueux.
- Contrôlez les dispositifs de sécurité régulièrement. Si les dispositifs de sécurité sont défectueux, parlez-en à votre agent d'entretien Husqvarna.

Pour contrôler le capot de coupe

Le capot de coupe réduit les vibrations dans le produit et réduit le risque de blessures provoquées par la lame.

- Examinez le capot de coupe pour vous assurer qu'il ne présente pas de dommages tels que des fissures.

Pour contrôler la poignée de frein moteur

La poignée de freinage du moteur arrête le moteur. Lorsque la poignée de frein moteur est relâchée, le moteur s'arrête.

- Démarrez le moteur, puis relâchez la poignée de frein moteur. Si le moteur ne s'arrête pas au bout de 3 secondes, demandez à un Husqvarna atelier spécialisé agréé de régler le frein moteur. (Fig. 19)

Contrôle du déflecteur arrière

Le déflecteur arrière diminue le risque d'éjection d'objets en direction de l'opérateur.

- Assurez-vous que le déflecteur arrière n'est pas endommagé. (Fig. 20)
- Assurez-vous que les ressorts qui ferment le déflecteur arrière ne sont pas cassés.
- Remplacez les ressorts cassés et les pièces endommagées.
- Assurez-vous que le déflecteur arrière peut se déplacer correctement sur les charnières.

Silencieux

Le silencieux est conçu pour réduire au maximum le niveau sonore et rejeter les gaz d'échappement loin de l'utilisateur.

N'utilisez pas la machine si le silencieux est manquant ou défectueux. Un silencieux en mauvais état augmente le niveau sonore et le risque d'incendie.



AVERTISSEMENT: Le silencieux devient très chaud pendant et après utilisation et lorsque le moteur fonctionne au régime de ralenti. Soyez vigilant à proximité des matériaux inflammables et/ou des fumées pour prévenir tout risque d'incendie.

Pour contrôler le silencieux

- Examinez le silencieux régulièrement pour s'assurer qu'il est correctement fixé et qu'il n'est pas endommagé.

Pour contrôler le niveau d'huile



REMARQUE: Un niveau d'huile trop bas peut endommager le moteur. Contrôlez le niveau d'huile avant de démarrer le produit.

1. Placez le produit sur un sol plat.
2. Retirez le bouchon du réservoir d'huile et la jauge qui y est attachée.
3. Nettoyez l'huile sur la jauge.
4. Insérez entièrement la jauge dans le réservoir d'huile pour connaître le véritable niveau d'huile.
5. Enlevez la jauge.
6. Inspectez le niveau d'huile sur la jauge.
7. Si le niveau d'huile est bas, faites l'appoint d'huile moteur et contrôlez à nouveau le niveau d'huile.

Sécurité carburant



AVERTISSEMENT: Lisez les instructions qui suivent avant d'utiliser le produit.

- Ne démarrez pas le produit si du carburant ou de l'huile moteur a été renversé(e) sur le produit. Essuyez le carburant/l'huile et attendez que le produit sèche.
- Si vous avez renversé du carburant sur vos vêtements, changez de vêtements immédiatement.
- Évitez tout contact de la peau avec le carburant. Le carburant peut causer des blessures. Si votre peau entre en contact avec le carburant, lavez les parties qui ont été en contact avec de l'eau et du savon.
- Ne démarrez pas le produit s'il y a une fuite de moteur. Vérifiez régulièrement s'il y a des fuites de moteur.
- Faites attention avec le carburant. Le carburant est inflammable et ses vapeurs sont explosives. Il peut causer des blessures graves, voire mortelles.
- Ne respirez pas les vapeurs de carburant, elles peuvent causer des blessures. Assurez-vous que la ventilation est suffisante.
- Ne fumez pas à proximité du carburant ou du moteur.
- Ne mettez pas d'objets chauds à proximité du carburant ou du moteur.
- N'ajoutez pas de carburant lorsque le moteur est allumé.
- Assurez-vous que le moteur est froid avant de faire le plein de carburant.

- Avant de faire le plein, ouvrez le bouchon du réservoir de carburant lentement et relâchez la pression avec précaution.
- N'ajoutez pas de carburant au moteur dans un espace intérieur. Un débit d'air insuffisant peut causer des blessures graves, voire mortelles dues à une asphyxie ou au monoxyde de carbone.
- Serrez complètement le bouchon du réservoir de carburant. Si le bouchon du réservoir de carburant n'est pas serré, il y a un risque d'incendie.
- Déplacez le produit à un minimum de 3 m/10 ft de l'endroit où a été fait le plein de carburant avant de démarrer le produit.
- Ne remplissez pas entièrement le réservoir de carburant. La chaleur entraîne la dilatation du carburant. Laissez un espace en haut du réservoir de carburant.

Consignes de sécurité pour l'entretien



AVERTISSEMENT: Lisez les instructions qui suivent avant d'utiliser le produit.

- Les gaz d'échappement du moteur contiennent du monoxyde de carbone, un gaz inodore, toxique et

très dangereux. Ne démarrez pas le moteur en intérieur ou dans des espaces fermés.

- Avant de procéder à l'entretien du produit, arrêtez le moteur et débranchez le câble d'allumage de la bougie.
- Utilisez des gants de protection lorsque vous procédez à l'entretien de l'équipement de coupe. La lame est très tranchante et des coupures peuvent survenir facilement.
- Les accessoires et les modifications apportées au produit qui ne sont pas approuvés par le fabricant peuvent causer des blessures très graves, voire mortelles. Ne modifiez pas le produit. Utilisez toujours des accessoires qui sont approuvés par le fabricant.
- Si l'entretien n'est pas effectué correctement et régulièrement, le risque de blessures et d'endommagement du produit augmente.
- Effectuez uniquement les tâches d'entretien décrites dans le présent manuel d'utilisation. Toutes les autres tâches d'entretien doivent être effectuées par un Husqvarna atelier spécialisé agréé.
- Demandez à un Husqvarna atelier spécialisé d'effectuer régulièrement l'entretien du produit.
- Remplacez les pièces endommagées, usées ou cassées.

Montage

Introduction



AVERTISSEMENT: Avant de monter le produit, vous devez lire et comprendre le chapitre sur la sécurité.



AVERTISSEMENT: Débranchez le câble d'allumage de la bougie avant de monter le produit.

Pour monter la poignée

1. Soulevez la poignée inférieure. (Fig. 21)
2. Alignez les trous de la partie inférieure de la poignée avec les trous des supports de la poignée.

Remarque: Sélectionnez les trous afin d'obtenir la position de travail la plus confortable.

3. Serrez les molettes de la poignée inférieure.
4. Soulevez la poignée supérieure et alignez-la avec la poignée inférieure.
5. Serrez fermement les molettes de la poignée supérieure.

Installation de la poignée du câble du démarreur

1. Fixez la boucle du câble du démarreur et de la poignée en T. Ne serrez pas complètement. (Fig. 22)
2. Tenez la poignée de freinage du moteur contre le guidon.
3. Tirez lentement sur le câble du démarreur et placez-le dans la boucle d'attache du câble du démarreur. (Fig. 23)
4. Serrez la poignée en T. (Fig. 24)

Pour régler le produit en position de transport

1. Retirez le collecteur d'herbe.
2. Desserrez les molettes de la poignée inférieure pour déverrouiller la poignée. (Fig. 25)
3. Repliez la poignée vers l'arrière.
4. Déposez les molettes et les goupilles de la poignée inférieure.
5. Pliez la poignée vers l'avant.

Montage du collecteur d'herbe

1. Fixez le châssis du collecteur d'herbe au sac à herbe, la partie rigide du sac étant sur la partie inférieure. Maintenez la poignée du châssis à l'extérieur de la partie supérieure du sac. (Fig. 26)

- Fixez le sac à herbe sur le châssis en utilisant les attaches de fixation rapide. (Fig. 27)

Utilisation

Introduction



AVERTISSEMENT: Avant d'utiliser le produit, vous devez lire et comprendre le chapitre sur la sécurité.

Avant d'utiliser le produit

- Lisez attentivement le manuel d'utilisation et assurez-vous de bien comprendre les instructions.
- Examinez l'équipement de coupe pour vous assurer qu'il est bien fixé et réglé. Consultez la section *Pour inspecter l'équipement de coupe à la page 138*.
- Remplissez le réservoir de carburant. Consultez la section *Pour remplir le réservoir de carburant à la page 135*.
- Remplissez le réservoir d'huile et contrôlez le niveau d'huile. Consultez la section *Pour contrôler le niveau d'huile à la page 133*.

Pour remplir le réservoir de carburant

Si cela est possible, utilisez de l'essence d'alkylate/écologique. Si vous ne pouvez pas vous procurer de l'essence d'alkylate/écologique, utilisez l'essence sans plomb de bonne qualité ou d'essence dont le taux d'octane n'est pas inférieur à 90.



REMARQUE: N'utilisez pas d'essence avec un indice d'octane inférieur à 90 RON (87 AKI). Cela peut endommager le produit.

- Ouvrez lentement le couvercle du réservoir de carburant pour relâcher la pression.
- Remplissez lentement le réservoir à l'aide d'un bidon de carburant. Si vous renversez du carburant, essuyez-le à l'aide d'un chiffon et laissez le carburant restant sécher.
- Essayez le pourtour du bouchon du réservoir de carburant.
- Serrez complètement le bouchon du réservoir de carburant. Si le bouchon du réservoir de carburant n'est pas serré, il y a un risque d'incendie.
- Déplacez le produit à un minimum de 3 m (10 ft) de l'endroit où a été fait le plein de carburant avant de démarrer le produit.

Pour régler la hauteur de coupe

La hauteur de coupe peut être réglée sur 9 niveaux.

- Poussez la commande de réglage de la hauteur de coupe en direction de la roue, puis vers l'arrière pour augmenter la hauteur de coupe.

- Poussez la commande de réglage de la hauteur de coupe en direction de la roue, puis vers l'avant pour diminuer la hauteur de coupe. (Fig. 28)



REMARQUE: La hauteur de coupe ne doit pas être réglée trop bas. Les lames peuvent toucher le sol si la surface de la pelouse n'est pas plane.

Pour démarrer le produit

- Restez derrière le produit.
- Tenez la poignée de freinage du moteur contre le guidon. (Fig. 29)
- Tenez la poignée du câble du démarreur de votre main droite.
- Tirez lentement sur le câble du démarreur jusqu'à ce que vous sentiez une certaine résistance.
- Tirez avec force pour démarrer le moteur.



AVERTISSEMENT: N'enroulez pas le câble du démarreur autour de votre main.

Pour appliquer l'entraînement aux roues

- Tirez les leviers de transmission en direction du guidon. (Fig. 30)
- Avant de tirer le produit vers l'arrière, désengagez l'entraînement et poussez le produit d'environ 10cm vers l'avant.
- Relâchez les leviers de transmission pour désengager la transmission, lorsque vous vous approchez d'un obstacle par exemple.

Réglage du câble de commande de transmission

- Utilisez la vis de réglage pour régler le câble de commande de transmission. (Fig. 31)
- Arrêtez le moteur. Débranchez toujours la bougie avant d'utiliser les pièces mobiles.
- Tournez la vis de réglage dans le sens contraire des aiguilles d'une montre pour tendre le câble et augmenter la vitesse.
- Tournez la vis de réglage dans le sens des aiguilles d'une montre pour allonger le fil et réduire la vitesse.

Pour arrêter le produit

- Pour arrêter uniquement la transmission, relâchez les leviers de transmission.

- Pour arrêter le moteur, relâchez la poignée de freinage du moteur. (Fig. 32)

Utilisation du produit avec le collecteur d'herbe



AVERTISSEMENT: N'utilisez pas le produit sans qu'un collecteur d'herbe soit installé ou sans que le déflecteur arrière soit fermé. Les objets peuvent s'éjecter et blesser l'opérateur.

1. Soulevez le déflecteur arrière et retirez l'obturateur du broyeur. (Fig. 33)
2. Montez le collecteur d'herbe, reportez-vous à la section *Montage du collecteur d'herbe à la page 134*.
3. Placez le collecteur d'herbe sur le support. (Fig. 34)
4. Relâchez le collecteur arrière et placez-le sur le dessus du châssis du collecteur d'herbe.

Passage du produit en mode broyage

Le mode broyage du produit permet une coupe plus fine de l'herbe. L'herbe coupée tombe ensuite sur la pelouse et se répand sur l'herbe. L'herbe broyée se biodégrade rapidement et apporte des nutriments à la pelouse.

1. Soulevez la protection arrière et retirez le collecteur d'herbe, s'il est installé.
2. Placez l'obturateur du broyeur dans le canal du collecteur. (Fig. 35)
3. Laissez la protection arrière se fermer et assurez-vous qu'elle se plaque hermétiquement contre l'obturateur du broyeur. (Fig. 36)

Passage du produit en mode éjection par l'arrière

1. Soulevez le déflecteur arrière et retirez l'obturateur du broyeur. (Fig. 37)
2. Installez la goutlotte d'éjection. (Fig. 38)

Pour vider le collecteur d'herbe



REMARQUE: Ne faites pas glisser le sac lorsque vous videz le collecteur d'herbe pour empêcher l'usure.

1. Soulevez le collecteur d'herbe à l'aide de la poignée du châssis. (Fig. 39)
2. Retirez l'herbe coupée du collecteur d'herbe par la partie située sous la poignée.
3. Videz l'herbe coupée du sac à l'aide des poignées du châssis et du sac.

Obtenir de bons résultats

- Utilisez toujours une lame correctement affûtée. Une lame émoussée produit un résultat irrégulier et l'herbe jaunira à la surface de la coupe. De plus, une lame affûtée consomme moins d'énergie qu'une lame émoussée.
- Ne coupez pas plus d'un tiers de la longueur de l'herbe. Coupez d'abord avec une hauteur de coupe élevée. Examinez le résultat et abaissez la hauteur de coupe à un niveau convenable. Si l'herbe est très longue, tondez lentement, et deux fois si nécessaire.
- Tondez toujours dans différentes directions afin d'éviter de faire des lignes dans la pelouse.

Entretien

Introduction



AVERTISSEMENT: Avant d'effectuer des travaux d'entretien, vous devez lire et comprendre le chapitre sur la sécurité.

Une formation spécifique est nécessaire pour effectuer tous les travaux d'entretien et de réparation du produit. Nous garantissons qu'il vous est possible d'obtenir des services de réparation et d'entretien effectués par des professionnels. Si votre concessionnaire n'est pas un atelier spécialisé, demandez-lui des informations à propos de l'atelier spécialisé le plus proche.

Calendrier d'entretien



REMARQUE: Assurez-vous que le filtre à air est orienté vers le haut et qu'il n'est pas contre le sol lorsque vous inclinez le produit. Risque de détérioration du moteur.

Les intervalles d'entretien sont calculés selon une utilisation quotidienne du produit. Les intervalles sont différents si le produit n'est pas utilisé tous les jours.

Pour les travaux d'entretien suivis d'un astérisque (*), reportez-vous aux instructions dans la section *Dispositifs de sécurité sur le produit à la page 133*.

Entretien	Au quotidien	Toutes les semaines	Une fois par mois
Faites une inspection générale	X		
Inspectez le niveau d'huile	X		

Entretien	Au quotidien	Toutes les semaines	Une fois par mois
Nettoyez le produit	X		
Inspectez l'équipement de coupe	X		
Inspectez le capot de coupe *	X		
Inspectez la poignée de frein moteur *	X		
Inspectez la commande de frein de la lame *	X		
Inspectez le silencieux *		X	
Inspectez la bougie		X	
Changez l'huile (la première fois après 5 h d'utilisation, puis toutes les 50 h d'utilisation)			X
Nettoyez ou remplacez le filtre à air.			X
Inspectez le système de carburant			X

Pour faire une inspection générale

- Assurez-vous que l'ensemble des vis et des écrous du produit sont correctement serrés.

Pour nettoyer la partie extérieure du produit

- Utilisez une brosse pour enlever les feuilles, l'herbe et la saleté.
- Assurez-vous que la prise d'air sur le dessus du moteur n'est pas obstruée.
- N'utilisez pas de nettoyeur haute pression pour le nettoyage du produit.
- Si vous utilisez de l'eau pour nettoyer le produit, ne projetez jamais d'eau directement sur le moteur.

Pour nettoyer la surface interne du capot de coupe

- Videz le réservoir de carburant.
- Placez le produit sur le côté, silencieux vers le bas.



REMARQUE: Si le produit est posé avec le filtre à air vers le bas, le moteur peut être endommagé.

- Lavez au jet la surface intérieure du capot de coupe.

Utilisation du raccord pour tuyau d'eau

- Déplacez le produit vers une zone d'herbe coupée ou sur une surface dure différente.
- Déposez le collecteur d'herbe ou l'obturateur du broyeur du produit.
- Fermez le déflecteur arrière.
- Raccordez un tuyau d'arrosage au raccord pour tuyau d'eau. (Fig. 40)

- Coupez l'arrivée d'eau et vérifiez que le raccord pour tuyau d'eau ne fuit pas.
- Si aucune fuite n'est constatée, démarrez le moteur. Laissez tourner le moteur jusqu'à ce que le produit soit propre sous le boîtier.
- Arrêtez le moteur.
- Coupez l'arrivée d'eau et retirez le tuyau du raccord pour tuyau d'eau.

Remarque: Ne retirez pas le tuyau d'eau du raccord pour tuyau d'eau lorsque le moteur est en marche. De l'eau dans le moteur peut limiter la durée de vie du moteur.

- Démarrez le moteur et laissez-le tourner pendant une minute pour éliminer l'eau restante dans le produit.

Pour remplacer l'huile moteur



AVERTISSEMENT: L'huile moteur est très chaude juste après l'arrêt du moteur. Laissez le moteur refroidir avant de vidanger l'huile moteur. Si vous renversez de l'huile moteur sur votre peau, nettoyez avec de l'eau et du savon.

- Faites fonctionner le produit jusqu'à ce que le réservoir de carburant soit vide.
- Débranchez le câble d'allumage de la bougie.
- Retirez le bouchon du réservoir d'huile.
- Placez un récipient sous le produit pour recueillir l'huile moteur.
- Inclinez le produit pour vidanger l'huile moteur dans le réservoir d'huile.

6. Faites le plein avec de la nouvelle huile moteur du type recommandé dans *Caractéristiques techniques à la page 142*.
7. Contrôlez le niveau d'huile. Reportez-vous à la section *Pour contrôler le niveau d'huile à la page 133*.

Pour vérifier la bougie



REMARQUE: Utilisez toujours le type de bougie recommandé. Un type de bougie inadéquat peut endommager le produit.

- Inspectez la bougie si le moteur manque de puissance, n'est pas facile à démarrer ou ne fonctionne pas correctement lorsqu'il tourne au régime de ralenti.
- Afin de réduire le risque de matériaux indésirables présents sur les électrodes de la bougie, procédez comme suit :
 - a) Assurez-vous que le régime de ralenti est correctement réglé.
 - b) Assurez-vous que le mélange de carburant est correct.
 - c) Assurez-vous que le filtre à air est propre.
- Si la bougie est encrassée, nettoyez-la et vérifiez que l'écartement des électrodes est correct ; reportez-vous à la section *Caractéristiques techniques à la page 142*. (Fig. 41)
- Remplacez la bougie si nécessaire.

Pour nettoyer le filtre à air

1. Retirez le couvercle du filtre à air et le filtre.
2. Frappez le filtre contre une surface plane pour en faire tomber les particules.



REMARQUE: N'utilisez pas de solvant ni d'air comprimé pour nettoyer le filtre en papier.

3. Remettez le filtre à air en place. Veillez à assurer une bonne étanchéité entre le filtre à air et le support du filtre.
4. Remettez le couvercle de filtre à air en place.

Remarque: Un filtre à air ayant servi longtemps ne peut pas être complètement nettoyé. Remplacez le filtre à air à intervalles réguliers. Remplacez toujours un filtre à air endommagé.

Pour inspecter l'équipement de coupe



AVERTISSEMENT: Afin d'éviter tout démarrage accidentel, débranchez le câble d'allumage de la bougie.



AVERTISSEMENT: Utilisez des gants de protection lorsque vous procédez à l'entretien de l'équipement de coupe. La lame est très tranchante et des coupures peuvent survenir facilement.

1. Inspectez l'équipement de coupe afin de détecter d'éventuels dommages ou fissures. Remplacez toujours un équipement de coupe endommagé.
2. Inspectez la lame pour voir si elle est endommagée ou émoussée.

Remarque: Il est nécessaire d'équilibrer la lame après l'avoir affûtée. Demandez à un centre d'entretien d'affûter, de remplacer et d'équilibre la lame. Si vous heurtez un obstacle qui entraîne l'arrêt du produit, remplacez la lame endommagée. Demandez au centre d'entretien d'évaluer si la lame peut être affûtée ou si elle doit être remplacée.

Pour monter la lame

1. Placez l'adaptateur de lame sur le vilebrequin du moteur. Assurez-vous que la clavette de l'adaptateur et la rainure de la clavette du vilebrequin sont alignées. (Fig. 42)
2. Fixez toujours la lame avec les extrémités inclinées vers le haut en direction du moteur. (Fig. 43)
3. Utilisez une cale de bois entre la lame et le boîtier du produit. Serrez le boulon de lame et tournez-le dans le sens des aiguilles d'une montre.
4. Serrez toujours le boulon à un couple de 47-54 Nm (35-40 pi-lb). (Fig. 44)
5. Assurez-vous que le câble de la bougie est débranché du moteur.



REMARQUE: Pour éviter tout démarrage accidentel, débranchez toujours le câble de la bougie et placez-le à un endroit où il ne peut pas toucher la bougie.

6. Déplacez la lame à la main et vérifiez qu'elle tourne librement.

Pour remplacer la lame

1. Bloquez la lame avec un bloc en bois. (Fig. 45)
2. Retirez le boulon de lame.
3. Retirez la lame.
4. Examinez le support de lame et le boulon de lame pour voir s'ils sont endommagés.
5. Examinez l'arbre du moteur pour vous assurer qu'il n'est pas tordu.
6. Lorsque vous fixez la nouvelle lame, orientez le tranchant en direction du capot de coupe. (Fig. 46)

7. Assurez-vous que la lame est alignée par rapport au centre de l'arbre du moteur.
8. Bloquez la lame avec un bloc en bois. Fixez la rondelle ressort, puis serrez le boulon et la rondelle à un couple de 47-54 Nm. (Fig. 47)
9. Déplacez la lame à la main et vérifiez qu'elle tourne librement.



AVERTISSEMENT: Utilisez des gants de travail épais. La lame est très tranchante et des coupures peuvent survenir facilement.

10. Démarrez le produit pour tester la lame. Si la lame n'est pas correctement fixée, le produit vibre ou le résultat de coupe n'est pas satisfaisant.

Aperçu du montage de la transmission

(Fig. 2)

1. Obturateur du broyeur
2. Insert arrière
3. Poulie de transmission
4. Support de poulies
5. Cache de transmission
6. Adaptateur de lame
7. Poulie folle
8. Clavette de courroie avant
9. Anneau
10. Lame
11. Rondelle dure
12. Rondelle de blocage
13. Boulon de lames
14. Carter de courroie

Pour déposer la courroie d'entraînement

1. Faites fonctionner le produit jusqu'à ce que le réservoir de carburant soit vide.
2. Déposez le chapeau de la bougie.
3. Placez le produit sur le côté, silencieux vers le bas.



REMARQUE: Si le produit est posé avec le filtre à air vers le bas, le moteur peut être endommagé.

4. Déposez le capot de transmission. (Fig. 48)
5. Déposez le boulon de lame, la rondelle de blocage, la rondelle dure et la lame. (Fig. 49)
6. Retirez l'obturateur du broyeur. (Fig. 50)
7. Déposez l'insert arrière.
8. Retirez le carter de courroie et la bague. (Fig. 51)
9. Débranchez le câble de la transmission et déposez la poulie folle du bloc de poulie folle.
10. Retirez la clavette de courroie avant.
11. Retirez la courroie d'entraînement de la poulie de transmission.
12. Retirez les 3 poulies folles du bloc de poulie folle. (Fig. 52)
13. Déposez la courroie d'entraînement de l'adaptateur de lame et du bloc de poulie folle. (Fig. 53)
14. Fixez une pince-étau sur l'arbre de transmission primaire. Desserrez la poulie du moteur à l'aide d'une clé polygonale de 9/16 po pour déposer la poulie de transmission.
15. Retirez la courroie d'entraînement.

Dépannage

Problème	Cause possible	Solution
Le moteur ne démarre pas.	Le câble d'allumage n'est pas branché correctement.	Branchez le câble d'allumage à la bougie.
	Le réservoir de carburant est vide.	Remplissez le réservoir de carburant avec le carburant adéquat.
	Il y a des saletés dans le carburateur ou dans la durite de carburant.	Nettoyez le carburateur et/ou la durite de carburant.
	La bougie d'allumage est défectueuse.	Réglez l'écartement des électrodes, nettoyez ou remplacez la bougie.

Problème	Cause possible	Solution
Le moteur ne s'arrête pas.	Le mécanisme d'arrêt est défectueux.	Débranchez le câble d'allumage de la bougie. Faites réparer le produit par un atelier de réparation homologué.
Le moteur ne fonctionne pas correctement.	Le câble d'allumage n'est pas branché correctement.	Branchez le câble d'allumage à la bougie.
	Des saletés sont présentes dans la durite de carburant ou le carburant a expiré.	Nettoyez la conduite de carburant. Remplissez le réservoir de carburant avec du carburant neuf adéquat.
	Le bouchon du réservoir de carburant est colmaté.	Nettoyez le bouchon du réservoir de carburant.
	De l'eau ou de la saleté sont présentes dans le système de carburant.	Videz le réservoir de carburant. Remplissez le réservoir de carburant avec du carburant neuf adéquat.
	Le filtre à air est sale.	Nettoyez le filtre à air.
	Le carburateur doit être réglé.	Laissez un concessionnaire régler le carburateur.
Le moteur devient trop chaud.	Le niveau d'huile moteur est trop bas.	Remplissez l'huile moteur.
	Le débit d'air est insuffisant.	Nettoyez le filtre à air et le boîtier du filtre à air.
	Le carburateur doit être réglé.	Laissez un concessionnaire régler le carburateur.
Des ratés proviennent du moteur lorsqu'il fonctionne à grande vitesse.	L'écartement des électrodes dans la bougie est trop petit.	Réglez l'écartement des électrodes.
Le moteur ne fonctionne pas correctement lorsqu'il tourne au régime de ralenti.	La bougie est sale, défectueuse ou l'écartement des électrodes est trop grand.	Ajustez l'écartement des électrodes ou remplacez la bougie.
	Le carburateur doit être réglé.	Réglez le carburateur.
	Le filtre à air est sale.	Nettoyez le filtre à air.
La poignée présente trop de vibrations.	Une lame est desserrée ou déséquilibrée.	Serrez les boulons de lame. Remplacez les lames si elles sont endommagées.
	Une lame est pliée.	Remplacez les lames si elles sont endommagées.
L'herbe n'est pas coupée en paillis.	L'herbe est humide.	N'utilisez pas le produit si l'herbe est humide. Attendez que l'herbe soit sèche.
	L'herbe est trop haute.	Coupez d'abord avec une hauteur de coupe élevée. Abaissez la hauteur de coupe et coupez à nouveau. Coupez uniquement la moitié de la profondeur de coupe à la fois.
	Une ou plusieurs lames ne sont pas suffisamment affûtées.	Affûtez ou remplacez les lames.

Problème	Cause possible	Solution
L'herbe est coupée de manière irrégulière.	Les roues ne sont pas dans la bonne position.	Réglez la profondeur de coupe au même niveau pour les 4 roues.
	Une ou plusieurs lames ne sont pas suffisamment affûtées.	Affûtez ou remplacez les lames.
Le système d'entraînement ne fonctionne pas correctement	La courroie d'entraînement n'est pas suffisamment serrée ou des saletés sont présentes sur les poulies ou sur la courroie d'entraînement.	Demandez à un atelier spécialisé d'effectuer un entretien du système d'entraînement.

Transport, entreposage et mise au rebut

Transport et stockage

- Pour le stocker et transporter le produit et le carburant, assurez-vous qu'il n'y a pas de fuite ou de vapeurs. Les étincelles ou les flammes nues produites par exemple par des appareils électriques ou chaudières peuvent provoquer un incendie.
- Utilisez uniquement des récipients homologués pour le transport et le stockage de carburant.
- Videz le réservoir de carburant avant de remiser le produit pendant une longue période. Mettez le carburant au rebut dans une déchetterie appropriée
- Sécurisez le produit lors de son transport pour éviter tout dommage ou accident.
- Conservez le produit dans un endroit verrouillé afin que des enfants ou personnes qui ne sont pas autorisées à l'utiliser ne puissent pas y avoir accès.
- Conservez le produit dans un endroit sec et à l'abri du gel.

Mise au rebut

- Respectez les consignes locales de recyclage et la réglementation en vigueur.
- Mettez au rebut tous les produits chimiques tels que l'huile moteur ou le carburant à un centre d'entretien ou à une déchetterie appropriée.
- Lorsque vous n'utilisez plus le produit, renvoyez-le à un Husqvarnaconcessionnaire ou mettez-le au rebut dans une déchetterie.

Caractéristiques techniques

Caractéristiques techniques

	LC 353AWD
Moteur	
Marque	Honda
Cylindrée, po ³ /cm ³	10,4/170
Vitesse, tr/min.	2 900-3 200
Puissance nominale du moteur, kW à tr/min ⁴⁶	3,6/4,9 à 2 900-3 200
Système d'allumage	
Bougie	NGK BPR5ES
Écartement des électrodes, po/mm	0,028/0,7
Système de graissage/de carburant	
Carburant, sans plomb, indice d'octane minimum	90 RON / 87 AKI
Capacité du réservoir de carburant, gallon US/litre	0,27/1,02
Capacité du réservoir d'huile, gallon US/litre	0,14/0,53
Huile moteur ⁴⁷	SAE 30 / SAE 10 W-30
Poids	
Réservoirs vides, en lb/kg	92/41,7
Émissions sonores ⁴⁸	
Niveau de puissance sonore mesuré dB(A)	95
Niveau de puissance acoustique, garanti L _{WA} dB(A)	96
Niveaux sonores ⁴⁹	
Niveau de pression sonore à l'oreille de l'utilisateur, dB (A)	85
Niveaux de vibrations ⁵⁰	
Guidon, m/s ² avec collecteur d'herbe/sans collecteur d'herbe	7/7

⁴⁶ La puissance nominale du moteur indiquée est la puissance nette moyenne (à un régime en tr/min spécifié) d'un moteur de production typique pour le modèle de moteur mesurée selon la norme SAE J1349/ISO1585. Les moteurs produits à grande échelle peuvent s'écarter de cette valeur. La puissance effective du moteur installé sur le produit fini dépend de la vitesse de fonctionnement, des conditions environnementales et d'autres valeurs.

⁴⁷ Utilisez de l'huile moteur de qualité SJ ou supérieure. Reportez-vous au tableau de viscosité du manuel du fabricant du moteur pour sélectionner la viscosité la mieux adaptée en fonction de la température extérieure anticipée.

⁴⁸ émissions sonores dans l'environnement mesurées comme puissance sonore (L_{WA}) selon la directive européenne CE 2000/14/CE.

⁴⁹ Niveau de pression sonore conformément à la norme ISO 5395. Les données reportées pour le niveau de pression sonore montrent une dispersion statistique typique (déviations standard) de 1,2 dB(A).

⁵⁰ Niveau de vibrations conformément à la norme ISO 5395. Les données reportées pour le niveau de vibrations montrent une dispersion statistique typique (déviations standard) de 0,2 m/s².

	LC 353AWD
Équipement de coupe	
Hauteur de coupe, po/mm	1,0-4,0/25,4-101,6
Profondeur de coupe, po/mm	21/530
Lame	
Références	586 85 96-02
Capacité du collecteur d'herbe, pi ³ /l	2,3/65
Entraînement	
Vitesse, mi/km/h	0-3/0-4,8

Contenu de la déclaration de conformité CE

Nous, Husqvarna AB, SE 561 82 Huskvarna, SUÈDE, déclarons sous notre responsabilité exclusive que le produit représenté :

Conformément à la directive 2000/14/CE, Annexe VI, les valeurs déclarées saines sont stipulées dans la section Caractéristiques techniques de ce manuel et dans la Déclaration de Conformité signée de la CE.

Description	Tondeuse à pousser alimentée par moteur à combustion
Marque	Husqvarna
Plate-forme / Type / Modèle	Plate-forme E21THV, représentant les modèles LC 353AWD.
Lot	Numéro de série à partir de 2019.

La tondeuse à pousser alimentée par moteur à combustion fournie correspond à l'exemplaire soumis à l'examen.

est entièrement conforme à la réglementation et aux directives de l'UE suivantes :

Directive/Réglementation	Description
2006/42/EC	« relative aux machines »
2014/30/UE	« relative à la compatibilité électromagnétique »
2000/14/UE ; 2005/88/CE	« relative au bruit extérieur »
2011/65/UE	« relative à la limitation de l'utilisation de certaines substances dangereuses »

Les normes harmonisées et/ou les spécifications techniques appliquées sont comme suit : EN ISO 12100, ISO 5395-1+A1/A2, ISO 5395-2+A1/A2, EN ISO 14982, ISO 3744, ISO 11094, EN 1032

Sadržaj

Uvod.....	144	Rješavanje problema.....	153
Sigurnost.....	145	Prijevoz, spremanje i zbrinjavanje.....	154
Sastavljanje.....	148	Tehnički podaci.....	155
Rad.....	148	Sadržaj deklaracije o usklađenosti EZ-a.....	156
Održavanje.....	150		

Uvod

Opis proizvoda

Ovaj je proizvod kosilica za travu pogonjena motorom s unutarnjim izgaranjem kojom upravlja pješak. Trava se skuplja u sakupljaču trave. Uklonite sakupljač trave kako biste omogućili izbacivanje trave na stražnjoj strani. Postavite komplet za sječku kako biste travu rezali u gnojivo.

Pregled proizvoda

(Sl. 1)

1. Kočna poluga motora
2. Poluge pogona
3. Drška užeta startera
4. Sakupljač trave
5. Čep spremnika za gorivo
6. Filtar zraka
7. Svječića
8. Poklopac pogona
9. Prigušivač
10. Priključak za crijevo za vodu
11. Stražnji odbojnik
12. Šipka za mjerenje ulja / spremnik za ulje
13. Kontrola visine rezanja
14. Priključak za usitnjavanje
15. Korisnički priručnik
16. Odvodni žlijeb

Simboli na proizvodu

- (Sl. 3) UPOZORENJE: Ovaj proizvod može biti opasan i izazvati teške ozljede ili smrt rukovatelja odnosno drugih osoba. Budite oprezni i pravilno upotrebljavajte ovaj proizvod.
- (Sl. 4) Pažljivo pročitajte korisnički priručnik i dobro usvojite sadržaj uputa prije korištenja ovog proizvoda.
- (Sl. 5) Brzo
- (Sl. 6) Polako

Namjena

Proizvod upotrebljavajte za rezanje trave u privatnim vrtovima. Proizvod nemojte koristiti za druge zadatke.

- (Sl. 7) Šake i stopala držite podalje od rotirajućeg dijela.
- (Sl. 8) Osobe i životinje držite na sigurnoj udaljenosti od radnog područja.
- (Sl. 9) Budite pažljivi pri košnji proizvodom unatrag. Provjerite iza sebe i ispod sebe ima li malene djece, životinja ili drugih opasnosti koje mogu uzrokovati pad.
- (Sl. 10) Rad s ovim proizvodom na nagibu može biti opasan.
- (Sl. 11) Šake i stopala držite podalje od rotirajućeg noža.
- (Sl. 12) Pazite na izbačene predmete i odbijanja.
- (Sl. 13) Stvaranje buke u okoliš u skladu s EZ direktivom. Jačina buke proizvoda navedena je u *Tehnički podaci na stranici 155* i na naljepnici.
- (Sl. 14) Ovaj proizvod u suglasnosti je s važećim direktivama EZ-a.
- (Sl. 15) Proizvod ispunjava mjerodavne direktive EAC.
- (Sl. 16) Proizvod ispunjava mjerodavne direktive RCM. Odnosi se samo na AU / NZ.
- (Sl. 17) Proizvod ispunjava mjerodavne direktive u Ukrajini.
- (Sl. 18) Upotrebljavajte odobrenu zaštitu sluha.

Napomena: Drugi simboli/naljepnice na proizvodu odnose se na zahtjeve za certifikaciju na drugim tržišnim područjima.

Pouzdanost proizvoda

Sukladno zakonima o pouzdanosti proizvoda nismo odgovorni za oštećenja uzrokovana našim proizvodima ako je:

- proizvod nepravilno popravljen
- proizvod popravljen dijelovima koje nije proizveo proizvođač ili nemaju odobrenje proizvođača
- proizvod ima dodatnu opremu koje nije proizveo proizvođač ili nemaju odobrenje proizvođača
- proizvod nije popravljen u odobrenom servisnom centru ili kod ovlaštene osobe.

Sigurnost

Sigurnosne definicije

Upozorenjima, oprezima i napomenama naglašavaju se posebno važni dijelovi priručnika.



UPOZORENJE: Koristi se kada nepoštivanje uputa iz priručnika može uzrokovati smrt ili ozljede rukovatelja ili promatrača.



OPREZ: Koristi se kada nepoštivanje uputa iz priručnika može uzrokovati oštećenje proizvoda ili drugih materijala u neposrednoj blizini.

Napomena: Koristi se prikaz neophodnih dodatnih informacija za zadanu situaciju.

Opće sigurnosne upute



UPOZORENJE: Prije korištenja proizvoda pročitajte upozoravajuće upute u nastavku.

- Proizvod je opasan ako ga koristite nepravilno ili ako niste oprezni. Nepoštivanje sigurnosnih uputa može uzrokovati ozljede ili smrt.
- Proizvod tijekom rada proizvodi elektromagnetsko polje. To polje u određenim okolnostima može ometati aktivne ili pasivne medicinske implantate. Za smanjenje opasnosti od smrtonosne ozljede osobama s medicinskim implantatima prije korištenja uređaja preporučujemo obraćanje liječniku i proizvođaču medicinskog implantata.
- Uvijek budite pažljivi i razumni. Ako u posebnim situacijama niste sigurni u način upotrebe stroja, prije nastavka stanite i obratite se svom distributeru tvrtke Husqvarna.
- Imajte na umu kako se rukovatelj smatra odgovornim za nezgode koje uključuju druge osobe ili njihovo vlasništvo.
- Proizvod održavajte čistim. Znakovi i naljepnice moraju biti jasno čitljivi.
- Osobama dopustite upotrebu proizvoda samo ako su pročitali i usvojili sadržaj uputa za rukovanje.
- Djeci nemojte dopustiti korištenje proizvoda.

- Djecu držite podalje od područja rada. Cijelo vrijeme mora biti prisutna odgovorna odrasla osoba.
- Osobama koje nisu upoznate s uputama nemojte dopustiti korištenje proizvoda.
- Osobu smanjenih fizičkih ili mentalnih sposobnosti obavezno nadzirite tijekom uporabe proizvoda. Cijelo vrijeme mora biti prisutna odgovorna odrasla osoba.
- Proizvod nemojte koristiti kada ste umorni, bolesni ili pod utjecajem alkohola, droge ili lijekova. To negativno utječe na vaš vid, pažnju, koordinaciju i prosudbu.
- Nemojte upotrebljavati neispravn proizvod.
- Nemojte izmjenjivati proizvod ili ga upotrebljavati ako postoji mogućnost da je izmijenjen.

Sigurnost na radnom mjestu



UPOZORENJE: Prije korištenja proizvoda pročitajte upozoravajuće upute u nastavku.

- Prije upotrebe proizvoda iz radnog područja uklonite sve predmete poput grana, prutova i kamenja.
- Objekti koji udare u reznu opremu mogu biti izbačeni te uzrokovati ozljede ili oštećenja. Promatrače i životinje držite na sigurnoj udaljenosti od proizvoda.
- Proizvod nikada nemojte upotrebljavati u lošim vremenskim uvjetima kao što su magla, kiša, jak vjetar, intenzivna hladnoća i pri opasnosti od grmljavinskog nevremena. Upotreba proizvoda po lošem vremenu ili na vlažnim ili mokrim lokacijama je zamorna. Pri lošem vremenu mogu nastati opasni uvjeti, primjerice skliske površine.
- Pazite na osobe, predmete i situacije koje mogu onemogućiti siguran rad proizvoda.
- Pazite na prepreke poput korijenja, kamenja, prutova, jama i jaraka. Visoka trava može sakrivati prepreke.
- Košenje trave na nagibima može biti opasno. Proizvod nemojte upotrebljavati na tlu s nagibom većim od 15°.
- Proizvod upotrebljavajte poprečno preko nagiba. Nemojte se kretati prema gore i dolje.
- Oprezno prilazite skrivenim kutovima i predmetima koji onemogućavaju jasan pregled.

Sigurnost pri radu



UPOZORENJE: Prije korištenja proizvoda pročitajte upozoravajuće upute u nastavku.

- Proizvod upotrebljavajte samo za košenje travnjaka. Upotreba za druge zadatke nije dopuštena.
- Upotrebljavajte osobnu zaštitnu opremu. Pogledajte *Oprema za osobnu zaštitu na stranici 146*.
- Provjerite znate li brzo zaustaviti motor u slučaju nužde.
- Nikada nemojte pokretati motor u zatvorenom prostoru ili u blizini zapaljivog materijala. Ispušne pare motora vruće su i mogu sadržavati vruće iskre koje mogu uzrokovati požar.
- Proizvod upotrebljavajte samo ako su nož i svi štitnici pravilno postavljeni. Nepravilno postavljen nož može se otpustiti i uzrokovati osobne ozljede.
- Pazite da nožem ne udarate u predmete poput kamenja ili korijenja. Time možete oštetiti nož i saviti vratilo motora. Savijena osovina uzrokuje snažne vibracije i vrlo visoku opasnost od otpuštanja noža.
- Ako nožem udarite u predmet ili osjetite vibracije, odmah zaustavite proizvod. Odspojite kabel za paljenje od svjeće. Pregledajte je li proizvod oštećen. Popravite oštećenja ili popravak prepustite ovlaštenom serviseru.
- Ručicu kočnice motora nikada trajno nemojte pričvrstiti za ručku kada je motor u pogonu.
- Proizvod postavite na stabilnu, ravnu površinu i pokrenite ga. Noževi ne smiju udarati u tlo ili druge predmete.
- Tijekom rukovanja proizvodom obavezno budite iza njega.
- Tijekom rukovanja proizvodom svi kotači trebaju biti na tlu, a 2 ruke na ručki. Ruke i stopala držite podalje od rotirajućih noževa.
- Proizvod nemojte naginjati kada je motor pokrenut.
- Budite pažljivi pri povlačenju proizvoda unatrag.
- Proizvod nikada nemojte podizati kada je motor pokrenut. Ako proizvod morate podići, prvo zaustavite motor i odspojite kabel za paljenje od svjeće.
- Tijekom rada s proizvodom nemojte hodati unatrag.
- Zaustavite motor prilikom prelaska preko velikih površina bez trave, primjerice šljunčanih, kamenih i asfaltnih staza.
- Nemojte trčati s proizvodom kada je motor pokrenut. Obavezno hodajte tijekom rada s proizvodom.
- Prije promjene visine rezanja zaustavite motor. Nemojte provoditi prilagodbe s pokrenutim motorom.
- Proizvod s pokrenutim motorom ne ispuštajte iz vida. Zaustavite motor i provjerite je li rezna oprema zaustavljena.

Sigurnosne upute za rad

Oprema za osobnu zaštitu



UPOZORENJE: Prije uporabe proizvoda pročitajte upozoravajuće upute u nastavku.

- Oprema za osobnu zaštitu ne može u potpunosti spriječiti ozljede, no smanjuje stupanj ozljede u slučaju nezgode. Pri odabiru odgovarajuće opreme zatražite pomoć ovlaštenog trgovca.
- Upotrebljavajte zaštitu sluha ako je razina buka veća od 85 dB.
- Nosite čizme otporne na klizanje ili cipele za teške uvjete rada. Nemojte nositi otvorene cipele ili biti bos.
- Nosite teške, duge hlače.
- Prema potrebi nosite zaštitne rukavice, primjerice prilikom pričvršćivanja, pregleda ili čišćenja rezne opreme.

Sigurnosne upute za proizvod



UPOZORENJE: Prije korištenja proizvoda pročitajte upozoravajuće upute u nastavku.

- Nemojte koristiti proizvod s oštećenim zaštitnim uređajima.
- Redovito pregledavajte sigurnosne uređaje. Ako su sigurnosni uređaji neispravni, obratite se Husqvarna ovlaštenom trgovcu.

Provjera reznog poklopc

Rezni poklopac smanjuje vibriranje proizvoda te opasnost od ozljede nožem.

- Provjerite ima li na pokrovu noža oštećenja, primjerice napuklina.

Provjera ručke kočnice motora

Kočnom polugom motora zaustavljate motor. Motor se zaustavlja po otpuštanju kočnice poluge motora.

- Pokrenite motor i potom otpustite ručku kočnice motora. Ako se motor ne zaustavi za 3 sekunde, podesite kočnicu motora kod serviseru tvrtke Husqvarna. (Sl. 19)

Provjera stražnjeg deflektora

Stražnji deflektor smanjuje opasnost od odbacivanja predmeta u smjeru rukovatelja.

- Provjerite je li stražnji deflektor neoštećen. (Sl. 20)
- Pobrinite se da nisu slomljene opruge koje zatvaraju stražnji deflektor.
- Zamijenite slomljene opruge i oštećene dijelove.
- Pobrinite se da se stražnji deflektor može kretati neometano po zglobovima.

Prigušivač

Prigušivač razinu buke održava na minimumu i ispušne plinove usmjerava dalje od rukovatelja.

Nemojte upotrebljavati proizvod bez prigušivača ili s oštećenim prigušivačem. Neispravni prigušivač povećava razinu buke i opasnost od požara.



UPOZORENJE: Prigušivač se tijekom rada, nakon rada te kada motor pogonite u praznom hodu jako zagrije. Budite oprezni u blizini zapaljivih materijal i/ili para kako biste spriječili požar.

Provjera prigušivača

- Redovito provjeravajte je li prigušivač pravilno pričvršćen i neoštećen.

Provjera razine ulja



OPREZ: Preniska razina ulja može uzrokovati oštećenje motora. Prije pokretanja proizvoda provjerite razinu ulja.

1. Postavite proizvod na ravno tlo.
2. Skinite čep spremnika za ulje s pričvršćenom šipkom za mjerenje ulja.
3. Očistite ulje sa šipke za mjerenje razine ulja.
4. Šipku za mjerenje ulja u potpunosti umetnite u spremnik za ulje kako biste dobili ispravan prikaz razine ulja.
5. Uklonite mjernu šipku.
6. Provjerite razinu ulja na šipci za mjerenje ulja.
7. Ako je razina ulja niska, napunite motornim uljem i ponovno provjerite razinu ulja.

Sigurnost pri rukovanju s gorivom



UPOZORENJE: Prije korištenja proizvoda pročitajte upozoravajuće upute u nastavku.

- Nemojte pokretati proizvod ako u njemu ima goriva ili motornog ulja. Uklonite neželjeno gorivo/ulje i pričekajte na sušenje proizvoda.
- Ako gorivo proljeće po odjeći, odmah ju zamijenite.
- Gorivu nemojte dopustiti kontakt s tijelom jer može uzrokovati ozljede. Ako dođe do kontakta goriva s tijelom, sapunom i vodom isperite gorivo.
- Nemojte pokretati proizvod ako motor propušta. Redovito pregledavajte ima li na motoru propuštanja.

- Budite pažljivo s gorivom. Gorivo je zapaljivo, a pare su eksplozivne i mogu uzrokovati ozljede i smrt.
- Nemojte udisati pare goriva, one mogu uzrokovati ozljede. Osigurajte dovoljan protok zraka.
- U blizini goriva ili motora nemojte pušiti.
- U blizini goriva ili motora nemojte stavljati vruće predmete.
- Nemojte ulijevati gorivo kada je motor uključen.
- Prije ulijevanja goriva provjerite je li motor hladan.
- Prije ulijevanja goriva polako otvorite čep spremnika goriva i pažljivo ispusite tlak.
- Nemojte ulijevati gorivo u motor u zatvorenom prostoru. Nedovoljan protok zraka može uzrokovati ozljede ili smrt zbog gušenja ili trovanja ugljičnim monoksidom.
- Potpuno zategnite čep spremnika za gorivo. Ako čep spremnika za gorivo nije zategnut, postoji opasnost od požara.
- Prije pokretanja proizvod odmaknite najmanje 3 m / 10' od mjesta punjenja spremnika.
- Spremnik za gorivo nemojte puniti do kraja. Zagrijavanje uzrokuje širenje goriva. Ostavite mjesta pri vrhu spremnika za gorivo.

Sigurnosne upute za održavanje



UPOZORENJE: Prije korištenja proizvoda pročitajte upozoravajuće upute u nastavku.

- Ispušni plinovi iz motora sadrže ugljikov monoksid, vrlo opasan otrovni plin bez mirisa. Proizvod nemojte pokretati u zatvorenom ili uskom prostoru.
- Prije održavanja proizvoda zaustavite motor i odspojite kabel za paljenje od svjećice.
- Tijekom održavanja rezne opreme nosite zaštitne rukavice. Nož je vrlo oštar i lako dolazi do posjekotina.
- Dodatna oprema i izmjene proizvoda bez odobrenja proizvođača mogu uzrokovati ozbiljne ozljede ili smrt. Nemojte mijenjati proizvod. Obavezno upotrebljavajte dijelove s odobrenjem proizvođača.
- Ako se održavanje ne provodi ispravno i redovno, povećava se opasnost od ozljede i oštećenja proizvoda.
- Održavanje provodite isključivo prema uputama iz ovog priručnika za vlasnika. Sva druga servisiranja mora provoditi ovlašteni servisier tvrtke Husqvarna.
- Redovno servisirajte proizvod kod ovlaštenog servisera tvrtke Husqvarna.
- Zamijenite oštećene, istrošene ili polomljene dijelove.

Sastavljanje

Uvod



UPOZORENJE: Prije sastavljanja proizvoda morate pročitati i usvojiti poglavlje o sigurnosti.



UPOZORENJE: Prije sastavljanja proizvoda sa svječice uklonite kabel svječice.

Sastavljanje ručke

1. Podignite donju ručku. (Sl. 21)
2. Poravnajte otvore na dnu donje ručke s otvorima u nosaču ručke.

Napomena: Odaberite otvore koji nude najbolji radni položaj.

3. Pritegnite kotačiće donje ručke.
4. Podignite gornju ručku pa je poravnajte s donjom ručkom.
5. Kotačiće gornje ručke zategnite do kraja.

Ugradnja drške užeta pokretača

1. Pričvrstite kariku za uže pokretača i T-spoj. Nemojte previše pritezati. (Sl. 22)

2. Pritisnite kočnu polugu motora uz upravljač.
3. Nježno povucite uže pokretača i postavite ga u kariku za uže pokretača. (Sl. 23)
4. Zategnite T-spoj. (Sl. 24)

Postavljanje kosilice u položaj za prijevoz

1. Uklonite sakupljač trave.
2. Otpustite kotačiće donje drške za otključavanje drške. (Sl. 25)
3. Preklopite dršku prema dolje i prema natrag.
4. Uklonite kotačiće i klinove s donje drške.
5. Preklopite ručku prema naprijed.

Montaža sakupljača trave

1. Okvir sakupljača trave pričvrstite za vreću za travu tako da kruti dio vreće bude na dnu. Držite dršku okvira izvan vrha vreće. (Sl. 26)
2. Pričvrstite vreću za travu na okvir uz pomoć spojnica za brzo stezanje. (Sl. 27)

Rad

Uvod



UPOZORENJE: Prije rada s proizvodom morate pročitati i usvojiti poglavlje o sigurnosti.

Prije rada s proizvodom

1. Pažljivo pročitajte korisnički priručnik i prije upotrebe dobro usvojite sadržaj.
2. Pregledajte reznu opremu i uvjerite se da je pravilno pričvršćena i podešena. Pogledajte *Za pregled rezne opreme na stranici 151*.
3. Napunite spremnik goriva. Pogledajte *Ulijevanje goriva na stranici 148*.
4. Napunite spremnik za ulje i provjerite razinu ulja. Pogledajte *Provjera razine ulja na stranici 147*.

Ulijevanje goriva

Ako je dostupno, upotrebljavajte benzin s niskim emisijama/alkilatni benzin. Ako benzin s niskim emisijama / alkilatni benzin nije dostupan, upotrijebite

kvalitetno bezolovno gorivo ili olovno gorivo s oktanskim brojem koji je niži od 90.



OPREZ: Nemojte koristiti benzin s oktanskim brojem manjim od 90 RON (87 AKI). Tako možete oštetiti proizvod.

1. Čep spremnika za gorivo otvarajte polako kako biste otpustili tlak.
2. Punite polako pomoću kance za gorivo. Ako prolijete gorivo, obrišite ga krpom i pričekajte na sušenje preostalog goriva.
3. Očistite područje oko čepa spremnika za gorivo.
4. Potpuno zategnite čep spremnika za gorivo. Ako čep spremnika za gorivo nije zategnut, postoji opasnost od požara.
5. Prije pokretanja proizvod odmaknite najmanje 3 m (10') od mjesta punjenja spremnika.

Postavljanje visine rezanja

Visina rezanja podesiva je na 9 razina.

1. Za povećanje visine rezanja komandu za visinu rezanja pritisnite u smjeru kotača i potom unatrag.

2. Za smanjenje visine rezanja komandu za visinu rezanja pritisnite u smjeru kotača i potom prema naprijed. (Sl. 28)



OPREZ: Visinu rezanja nemojte postaviti prenisko. Noževi mogu udariti u tlo ako površina travnjaka nije ravna.

Pokretanje proizvoda

1. Stanite iza proizvoda.
2. Pritisnite kočnu polugu motora uz upravljač. (Sl. 29)
3. Ručicu užeta pokretača držite desnom rukom.
4. Polako izvlačite uže pokretača dok ne osjetite otpor.
5. Snažno povucite za pokretanje motora.



UPOZORENJE: Nikad ne omotavajte užu za paljenje oko šake.

Upotreba pogona na kotačima

- Povucite poluge pogona u smjeru upravljača. (Sl. 30)
- Prije povlačenja proizvoda unatrag isključite pogon i gurnite proizvod prema naprijed za pribl. 10cm.
- Otpustite pogonske poluge kako biste odspojili pogon, primjerice kada se približavate prepreci.

Podešavanje upravljačkog kabela pogona

- Podesnom vijkom namjestite upravljački kabel pogona. (Sl. 31)
- Isključite motor. Uvijek odspojite svječicu prije rada s pokretnim dijelovima.
- Za zatezanje žice i povećanje brzine okrećite podesni vijak u smjeru suprotnom od smjera kretanja kazaljke na satu.
- Za produljenje žice i smanjenje brzine okrećite podesni vijak u smjeru kretanja kazaljke na satu.

Zaustavljanje proizvoda

- Kako biste zaustavili samo pogon, otpustite pogonsku polugu.
- Za zaustavljanje motora otpustite kočnu polugu motora. (Sl. 32)

Upotreba proizvoda sa sakupljačem trave



UPOZORENJE: Ne upotrebljavajte ovaj proizvod bez ugrađenog sakupljača trave ili bez zatvorenog stražnjeg deflektora. Može doći do odbacivanja predmeta i ozljede rukovatelja.

1. Podignite stražnji deflektor i izvadite priključak za usitnjavanje. (Sl. 33)

2. Za sastavljanje sakupljača trave vidi *Montaža sakupljača trave na stranici 148*.
3. Postavite sakupljač trave na nosač. (Sl. 34)
4. Otpustite stražnji deflektor i naslonite ga na vrh okvira vreće za travu.

Prijelaz proizvoda u način rada za usitnjavanje

Proizvod u načinu rada za usitnjavanje proizvodi manje ostatke trave. Ostaci trave tada padaju na travnjak i raznose se po travi. Usitnjena trava brzo se biološki razgrađuje i travnjaku prenosi hranidbene tvari.

1. Podignite stražnji poklopac i skinite vreću za travu ako je ugrađena.
2. Priključak za usitnjavanje umetnite u kanal sakupljača. (Sl. 35)
3. Pustite da se stražnji poklopac zatvori pa se pobrinite da naliježe tijesno na priključak za usitnjavanje. (Sl. 36)

Prijelaz proizvoda u način rada za pražnjenje odostraga

1. Podignite stražnji deflektor i izvadite priključak za usitnjavanje. (Sl. 37)
2. Umetnite odvodni žlijeb. (Sl. 38)

Pražnjenje sakupljača trave



OPREZ: Prilikom pražnjenja sakupljača trave nemojte vući vreću kako ju ne biste pohabali.

1. Podignite sakupljač trave pomoću ručke na okviru. (Sl. 39)
2. Uklonite ostatke trave iz sakupljača trave s donje strane ručke.
3. Ispraznite ostatke trave iz vreće držeći ručku na okviru i ručku na vreći.

Za dobar ishod

- Uvijek upotrebljavajte oštar nož. Tup nož daje nepravilne rezultate, a rezana površina trave požuti. Oštar nož također troši manje energije od tupog.
- Nemojte rezati više od 1/3 od duljine trave. Prvo kosite s visoko postavljenom visinom za rezanje. Provjerite rezultat i spustite visinu rezanja na prihvatljivu razinu. Ako je trava vrlo dugačka, vozite polako i po potrebi kosite 2 puta.
- Svaki put kosite u drugom smjeru kako biste spriječili nastanak traka na travnjaku.

Održavanje

Uvod



UPOZORENJE: Prije održavanja morate pročitati i usvojiti poglavlje o sigurnosti.

Za sve radove servisiranja i održavanja na proizvodu potrebna je posebna obuka. Jamčimo dostupnost profesionalnih popravaka i servisa. Ako vaš distributer nije serviser, od njega zatražite informacije o najbližem serviseru.

Raspored održavanja



OPREZ: Pri naginjanju proizvoda filter zraka nemojte nasloniti na tlo nego ga podignite u zrak. Opasnost od oštećenja motora.

Intervali održavanja izračunati su za dnevnu upotrebu proizvoda. Intervali se mijenjaju ako se proizvod ne upotrebljava svakodnevno.

Za održavanja označena s * pogledajte upute u *Sigurnosne upute za proizvod na stranici 146.*

Održavanje	Dnevno	Tjedno	Mjesečno
Provedite opći pregled	X		
Provjerite razinu ulja	X		
Očistite proizvod	X		
Pregledajte reznu opremu	X		
Pregledajte pokrov noža *	X		
Pregledajte ručicu kočnice motora *	X		
Pregledajte komandu kočnice noža *	X		
Pregledajte prigušivač *		X	
Pregledajte svjećicu		X	
Zamijenite ulje (prvi put nakon 5 h upotrebe, potom nakon svakih 50 h upotrebe)			X
Očistite ili zamijenite filter zraka			X
Pregledajte sustav goriva			X

Za opći pregled

- Provjerite jesu li sve matice i vijci na proizvodu pravilno pritegnuti.

Za vanjsko čišćenje proizvoda

- Četkom uklonite lišće, travu i onečišćenja.
- Provjerite prohodnost dovoda zraka na vrhu motora.
- Za čišćenje proizvoda nemojte koristiti visokotlačni stroj za pranje.
- Ako proizvod čistite vodom, nemojte izlijevati vodu izravno na motor.

Za čišćenje unutarnje površine pokrova noža

1. Ispraznite spremnik goriva.
2. Položite proizvod na bok s prigušivačem na donjoj strani.



OPREZ: Ako proizvod položite tako da je filter zraka na donjoj strani, možete oštetiti motor.

3. Unutarnju površinu pokrova noža isperite vodom.

Upotreba priključka za crijevo za vodu

1. Premjestite proizvod na područje s pokošenom travom ili drugu tvrdnu površinu.
2. S proizvoda skinite sakupljač trave ili priključak za usitnjavanje.
3. Zatvorite stražnji deflektor.
4. Spojite crijevo za vodu na priključak na crijevu za vodu. (Sl. 40)
5. Zatvorite dovod vode pa provjerite propušta li priključak na crijevu za vodu.

6. Ako ne vidite propuštanje, pokrenite motor. Neka motor radi sve dok se proizvod ne očisti ispod kućišta.
7. Zaustavite motor.
8. Zatvorite dovod vode pa skinite crijevo s priključka na crijevu za vodu.

Napomena: Ne vadite crijevo za vodu iz priključka crijeva za vodu dok motor radi. Voda u motoru može skratiti vijek trajanja motora.

9. Pokrenite motor i pustite ga da radi cijelu minutu kako bi iz proizvoda izašla preostala voda.

Zamjena motornog ulja



UPOZORENJE: Motorno ulje vrlo je vruće neposredno nakon zaustavljanja motora. Prije ispuštanja motornog ulja pričekajte da se ohladi. Ako motorno ulje prolijete po koži, očistite ju sapunom i vodom.

1. Proizvod upotrebljavajte dok ne ispraznite spremnik za gorivo.
2. Odvojite kabel za paljenje od svjeće.
3. Uklonite čep spremnika za ulje.
4. Ispod proizvoda stavite posudu za skupljanje motornog ulja.
5. Nagnite proizvod kako biste ispuštali motorno ulje iz spremnika za ulje.
6. Napunite novim motornim uljem preporučenim u *Tehnički podaci na stranici 155*.
7. Provjerite razinu ulja. Pročitajte odjeljak *Provjera razine ulja na stranici 147*.

Pregled svjeće



OPREZ: Uvijek koristite preporučenu vrstu svjeće. Neodgovarajuća vrsta svjeće može oštetiti proizvod.

- Ako motor nema snage, teško se pokreće ili ne radi ispravno u praznom hodu, pregledajte svječicu.
- Za smanjenje opasnosti od nepoželjnog materijala na elektrodama svjeće pratite sljedeće upute:
 - a) Provjerite je li broj okretaja pri praznom hodu pravilno podešen.
 - b) Provjerite ispravnost mješavine goriva.
 - c) Provjerite je li filter zraka čist.
- Ako je svječica prljava, očistite je i provjerite ispravnost zazora elektroda, pogledajte *Tehnički podaci na stranici 155*. (Sl. 41)
- Ako je potrebno, zamijenite svječicu.

Čišćenje filtra zraka

1. Skinite poklopac filtra zraka i izvadite filter.

2. Udarajte filtrom po ravnoj površini kako biste otresli čestice.



OPREZ: Filter zraka nemojte čistiti otopinom ili stlačenim zrakom.

3. Ponovno ugradite filter zraka. Provjerite je li filter zraka u potpunosti brtvi uz nosač filtra zraka.
4. Ponovno ugradite poklopac filtra zraka.

Napomena: Dugo upotrebljavani filter zraka nije moguće u potpunosti očistiti. Filter zraka mijenjajte u redovnim intervalima. Oštećeni filter zraka obavezno zamijenite.

Za pregled rezne opreme



UPOZORENJE: Odvojite kabel za paljenje od svjeće kako biste spriječili slučajno pokretanje.



UPOZORENJE: Tijekom održavanja rezne opreme nosite zaštitne rukavice. Nož je vrlo oštar i lako dolazi do posjekotina.

1. Pregledajte ima li na reznoj opremi oštećenja ili pukotina. Oštećenu reznu opremu obavezno zamijenite.
2. Pregledajte nož kako biste ustanovili je li oštećen ili tup.

Napomena: Nakon oštrenja nož je nužno uravnotežiti. Nož naoštrite, zamijenite i uravnotežite u servisnom centru. Ako se pri udaru u prepreku proizvod zaustavi, zamijenite oštećeni nož. Procijenu za oštrenje ili zamjenu noža prepustite servisnom centru.

Montaža noža

1. Prilagodnik noža postavite na radilicu motora. Pobrinite se da se poklapaju ključ u ključanici prilagodnika i radilice. (Sl. 42)
2. Uvijek pričvršćujte nož tako da zakošeni krajevi budu okrenuti prema gore u smjeru motora. (Sl. 43)
3. Između noža i kućišta proizvoda umetnite drvenu kladu. Zategnite vijak noža pa ga okrenite u smjeru kretanja kazaljke na satu.
4. Uvijek zategnite taj vijak zateznim momentom od 35 – 40 ft lbs (47 – 54 Nm). (Sl. 44)
5. Provjerite je li kabel svjeće odspojen od motora.



OPREZ: Za sprječavanje nenamjernog pokretanja uvijek odspojite kabel svjeće pa žicu stavite tako da ne može dodirivati svječicu.

6. Rukom okrenite nož kako biste provjerili okreće li se slobodno.

Zamjena noža

1. Blokirate nož drvenim blokom. (Sl. 45)
2. Uklonite vijak noža.
3. Uklonite nož.
4. Provjerite jesu li nosač noža i vijak noža neoštećeni.
5. Pregledajte vratilo motora kako biste se uvjerali da je neoštećeno.
6. Zaobljene rubove novog noža pri postavljanju usmjerite prema pokrovu noža. (Sl. 46)

Pregled sklopa mjenjača

(Sl. 2)

1. Priključak za usitnjavanje
2. Stražnji umetak
3. Remenica mjenjača
4. Nosač prijenosnog zupčanika
5. Poklopac mjenjača
6. Prilagodnik noža
7. Remenica prijenosnog zupčanika
8. Držač prednjeg remena
9. Prsten
10. Nož
11. Tvrda podloška
12. Blokirna podloška
13. Vijak noža
14. Poklopac remena

Uklanjanje pogonskog remena

1. Proizvod upotrebljavajte dok ne ispraznite spremnik za gorivo.
2. Skinite lulicu svjeće sa svjeće.
3. Položite proizvod na bok s prigušivačem na donjoj strani.



OPREZ: Ako proizvod položite tako da je filter zraka na donjoj strani, možete oštetiti motor.

7. Nož mora biti poravnan sa središtem vratila motora.
8. Blokirate nož drvenim blokom. Postavite elastični rasječeni prsten i zategnite vijak i podlošku na zatezni moment od 47-54 Nm. (Sl. 47)
9. Ručno povucite nož u krug kako biste provjerili okreće li se slobodno.



UPOZORENJE: Nosite rukavice za teške uvjete rada. Nož je vrlo oštar i lako dolazi do posjekotina.

10. Pokrenite proizvod kako biste ispitali nož. Ako nož nije ispravno pričvršćen, proizvod vibrira ili ishod košenja nije zadovoljavajući.
4. Uklonite poklopac pogona. (Sl. 48)
5. Skinite vijak noža, blokirnu podlošku, tvrdu podlošku i nož. (Sl. 49)
6. Uklonite priključak za usitnjavanje. (Sl. 50)
7. Skinite stražnji umetak.
8. Skinite poklopac remena i prsten. (Sl. 51)
9. Odspojite kabel od mjenjača pa izvadite remenicu prijenosnog zupčanika iz sklopa prijenosnog zupčanika.
10. Uklonite držač prednjeg remena.
11. Skinite pogonski remen s remenice mjenjača.
12. Skinite 3 remenice prijenosnog zupčanika sa sklopa prijenosnog zupčanika. (Sl. 52)
13. Skinite pogonski remen s prilagodnika noža i sklopa prijenosnog zupčanika. (Sl. 53)
14. Pričvrstite blokirna kliješta na dovodni kanal mjenjača. Otpustite remenicu motora ključem od 9/16 " da biste skinuli remenicu mjenjača.
15. Uklonite pogonski remen.

Rješavanje problema

Problem	Mogući uzrok	Rješenje
Motor se ne pokreće.	Kabel za paljenje nije pravilno spojen.	Priključite kabel za paljenje na svjećicu.
	Prazan je spremnik za gorivo.	Napunite spremnik za gorivo pravilnom vrstom goriva.
	Prljavština u rasplinjaču ili dovodu goriva.	Očistite rasplinjač i/ili dovod goriva.
	Svjećica nije ispravna.	Prilagodite razmak elektroda, očistite ili zamijenite svjećicu.
Motor se ne zaustavlja.	Mehanizam za zaustavljanje nije ispravan.	Odspojite kabel za paljenje od svjeće. Popravak proizvoda prepustite odobrenom serviseru.
Motor ne radi neometano.	Kabel za paljenje nije pravilno spojen.	Priključite kabel za paljenje na svjećicu.
	Ima prljavštine u dovodu goriva ili je gorivu istekao rok.	Očistite vod za gorivo. Napunite spremnik za gorivo novim gorivom odgovarajuće vrste.
	Blokiran je čep spremnika za gorivo.	Očistite čep spremnika za gorivo.
	Ima vode ili prljavštine u sustavu goriva.	Ispraznite spremnik za gorivo. Napunite spremnik za gorivo novim gorivom odgovarajuće vrste.
	Prljav je filter za zrak.	Očistite filter za zrak.
	Rasplinjač se mora podesiti.	Podešavanje rasplinjača prepustite serviseru.
Motor se previše zagrijava.	Preniska je razina ulja u motoru.	Nadolijte motorno ulje.
	Nije dovoljan protok zraka.	Očistite filter za zrak i kućište filtra za zrak.
	Rasplinjač se mora podesiti.	Podešavanje rasplinjača prepustite serviseru.
Kada motor radi na visokoj brzini, dolazi do zatajenja motora.	Premalen je razmak između elektroda u svjećici.	Prilagodite razmak između elektroda.
Motor ne radi neometano u praznom hodu.	Svjećica je prljava, neispravna ili je prevelik razmak između elektroda.	Prilagodite razmak elektroda ili zamijenite svjećicu.
	Rasplinjač se mora podesiti.	Podesite rasplinjač.
	Prljav je filter za zrak.	Očistite filter za zrak.
Ručka previše vibrira.	Nož se olabavio ili nije uravnotežen.	Pritegnite vijke noža. Ako su noževi oštećeni, zamijenite ih.
	Nož je savijen.	Ako su noževi oštećeni, zamijenite ih.

Problem	Mogući uzrok	Rješenje
Trava se ne usitnjava.	Trava je mokra.	Ne upotrebljavajte ovaj proizvod kada je trava mokra. Pričekajte dok se trava ne osuši.
	Trava je previsoka.	Prvo kosite s visoko postavljenom visinom za rezanje. Potom smanjite visinu za rezanje pa ponovno kosite. U jednom mahu kosite samo ½ širine rezanja.
	Jedan nož ili više njih nisu dovoljno oštri.	Naoštrite ili zamijenite noževe.
Trava se kosi neravnomjerno.	Kotači nisu u pravilnom položaju.	Podesite visinu za rezanje na istu razinu za sva 4 kotača.
	Jedan nož ili više njih nisu dovoljno oštri.	Naoštrite ili zamijenite noževe.
Pogonski sustav ne radi ispravno	Pogonski remen nije dovoljno zategnut ili su remenice ili pogonski remen prljavi.	Održavanje pogonskog sustava prepustite ovlaštenom serviseru.

Prijevoz, spremanje i zbrinjavanje

Prijevoz i skladištenje

- Za prijevoz i skladištenje proizvoda i goriva uvjerite se kako nema propuštanja ili isparavanja. Iskre ili otvoren plamen, primjerice od električnih uređaja ili bojlera, mogu uzrokovati požar.
- Za prijevoz i skladištenje goriva obavezno upotrebljavajte odobrene spremnike.
- Prije dugotrajnog skladištenja proizvoda ispraznite spremnik za gorivo. Zbrinite gorivo na prikladnoj lokaciji za zbrinjavanje
- Čvrsto osigurajte proizvod za prijevoz kako biste spriječili oštećenja i nezgode.
- Proizvod čuvajte u zaključanom prostoru kako biste onemogućili pristup djeci ili osobama bez odobrenja.
- Proizvod skladištite u suhom prostoru bez mraza.

Odlaganje

- Poštujte lokalne zahtjeve za reciklažu i važeće propise.
- Sve kemikalije, poput motornog ulja ili goriva, zbrinite u servisnom centru ili na prikladnoj lokaciji za zbrinjavanje.
- Ako proizvod više ne upotrebljavate, pošaljite ga distributeru tvrtke Husqvarna ili ga zbrinite na lokaciji za reciklažu.

Tehnički podaci

Tehnički podaci

	LC 353AWD
Motor	
Marka	Honda
Zapremnina cilindra, cu.in/cm ³	10,4 / 170
Brzina, o/min	2900 – 3200
Nazivna izlazna snaga motora, kW/KS na o/min ⁵¹	3,6 / 4,9 na 2900 – 3200
Sustav paljenja	
Svjećica	NGK BPR5ES
Razmak elektroda, inči/mm	0,028 / 0,7
Sustav za gorivo i podmazivanje	
Gorivo, bezolovno, minimalni oktanski broj	90 RON / 87 AKI
Zapremnina spremnika za gorivo, američki galon/l	0,27 / 1,02
Zapremnina spremnika za ulje, američki galon/l	0,14 / 0,53
Motorno ulje ⁵²	SAE 30 / SAE 10W-30
Težina	
S praznim spremnicima, lb/kg	92 / 41,7
Emisije buke ⁵³	
Razina jačine zvuka, mjerena u dB (A)	95
Razina jačine zvuka, zajamčena L _{WA} dB (A)	96
Razine buke ⁵⁴	
Razine tlaka zvuka na uhu rukovatelja, dB (A)	85
Razine vibracije ⁵⁵	
Ručka, m/s ² sa sakupljačem trave/bez sakupljača trave	7 / 7
Rezna oprema	

⁵¹ Navedena nazivna snaga motora prosječna je neto izlazna snaga (pri navedenom broju okretaja u minuti) tipičnog serijskog motora za određeni model mjerena prema normi SAE J1349/ISO1585. Vrijednost se može razlikovati za motore za masovnu proizvodnju. Stvarna izlazna snaga motora ugrađenog u krajnji proizvod ovisi o radnoj brzini, uvjetima u okolišu i drugim vrijednostima.

⁵² Upotrebljavajte motorno ulje kvalitete SJ ili više. Tablice viskoznosti potražite u korisničkom priručniku proizvođača motora i odaberite najbolju viskoznost s obzirom na očekivanu vanjsku temperaturu.

⁵³ Emisije buke u okoliš izmjerene kao jakost zvuka (L_{WA}) u skladu s EZ direktivom 2000/14/EZ.

⁵⁴ Razina tlaka zvuka u skladu s ISO 5395. Navedeni podaci za razinu pritiska zvuka uključuju tipično statističko raspršenje (standardno odstupanje) od 1,2 dB (A).

⁵⁵ Razina vibracija u skladu s ISO 5395. Podaci o razini vibracije pokazuju tipičnu statističku disperziju (standardnu devijaciju) od 0,2 m/s².

	LC 353AWD
Visina rezanja, in/mm	1,0 – 4,0 / 25,4 – 101,6
Širina rezanja, in/mm	21 / 530
Nož	
Kataloški broj	586 85 96-02
Zapremnina sakupljača trave, ft ³ /l	2,3 / 65
Pogon	
Brzina, mi/h / km/h	0 – 3 / 0 – 4,8

Sadržaj deklaracije o usklađenosti EZ-a

Mi, Husqvarna AB, SE 561 82 Huskvarna, ŠVEDSKA, izjavljujemo pod isključivom odgovornošću da prikazani proizvod:

Isporučena kosilica za travu s motorom s unutarnjim izgaranjem kojom se upravlja pješice sukladna je s primjerkom koji je podvrgnut ispitivanju.

Opis	Kosilica za travu pogonjena motorom s unutarnjim izgaranjem kojom se upravlja pješice
Marka	Husqvarna
Platforma / vrsta / model	Platforma E21THV, koja predstavlja modele LC 353AWD.
Grupa	Serijski brojevi od 2019 i noviji.

u potpunosti sukladan sa sljedećim EU direktivama i propisima:

Direktiva/propis	Opis
2006/42/EZ	"o strojevima"
2014/30/EU	"o elektromagnetskoj kompatibilnosti"
2000/14/EU; 2005/88/EZ	"o vanjskoj buci"
2011/65/EU	"o ograničenju uporabe određenih opasnih tvari"

Primijenjene su sljedeće usklađene norme i/ili tehničke specifikacije: EN ISO 12100, ISO 5395-1+A1/A2, ISO 5395-2+A1/A2, EN ISO 14982, ISO 3744, ISO 11094, EN 1032

U skladu s dodatkom VI direktive 2000/14/EZ, objavljene vrijednosti zvuka navedene su u odjeljku s tehničkim podacima u ovom priručniku i u potpisanoj EZ izjavi o sukladnosti.

TARTALOMJEGYZÉK

Bevezető.....	157	Hibaelhárítás.....	166
Biztonság.....	158	Szállítás, tárolás és ártalmatlanítás.....	167
Összeszerelés.....	161	Műszaki adatok.....	168
Üzemeltetés.....	161	Az EK-megfelelőségi nyilatkozat tartalma.....	169
Karbantartás.....	163		

Bevezető

Termékleírás

A termék egy belső égésű motorral működő, gyalog kísért fűnyíró. A fű egy fűgyűjtőben kerül gyűjtésre. Vegye ki a fűgyűjtőt a fű hátsó ürítéséhez. Csatlakoztasson egy porhanyító készletet a fű műtrágyázásra való vágásához.

A termék áttekintése

(ábra 1)

1. Fékkar
2. Meghajtókarok
3. Berántókötél fogantyú
4. Fűgyűjtő
5. Üzemanyagtartály sapkája
6. Légszűrő
7. Gyűjtőgyertya
8. Hajtásburkolat
9. Kipufogódob
10. Vízvezeték-csatlakozás
11. Hátsó terelőlap
12. Nívópálcá/olajtartály
13. Vágásimagasság-szabályozó
14. Mulcsozó dugó
15. Kezelői kézikönyv
16. Kidobógarat

A termék szimbólumai

- (ábra 3) **FIGYELMEZTETÉS:** A termék veszélyes lehet a kezelőre és másokra, valamint a súlyos sérüléseket és halálukat okozhatja. Körültekintően járjon el, és megfelelően használja a terméket.
- (ábra 4) Olvassa el a használati utasítást, és a termék használatba vétele előtt mindenképpen legyen tisztában a benne foglaltakkal.
- (ábra 5) Gyors
- (ábra 6) Lassú
- (ábra 7) Tartsa távol kezét és lábát a forgó résztől.

Rendeltetésszerű használat

Használja a terméket magánkertekben történő fűnyírásra. Ne használja a terméket egyéb feladatokra.

- (ábra 8) A személyeket és állatokat tartsa biztonságos távolságban a munkaterülettől.
- (ábra 9) Legyen óvatos a termék hátramenetben való működtetésekor. Nézzon hátrafelé és lefelé, hogy nincsenek-e gyermekek, állatok vagy egyéb kockázati tényezők a termék útjában, amelyek miatt eleshetne.
- (ábra 10) A termék lejtőn való működtetése veszélyes lehet.
- (ábra 11) Tartsa távol kezét és lábát a forgó késektől.
- (ábra 12) Legyen óvatos a kivetett és visszapatánzó tárgyakkal.
- (ábra 13) Az Európai Közösség irányelvének megfelelő környezeti zajkibocsátás. A termék kibocsátási adatai megtalálhatók a *Műszaki adatok 168. oldalon* című fejezetben és a címkén.
- (ábra 14) Ez a termék megfelel a vonatkozó EK irányelveknek.
- (ábra 15) Ez a termék megfelel a vonatkozó EAC-irányelveknek.
- (ábra 16) Ez a termék megfelel a vonatkozó RCM előírásoknak. Csak Ausztráliára/Új-Zélandra vonatkozik.
- (ábra 17) Ez a termék megfelel az Ukrajnában hatályos irányelveknek.
- (ábra 18) Használjon jóváhagyott fülvédőt.

Megjegyzés: A terméken szereplő többi jelölés/címke a további piacok specifikus vizsgáztatási követelményeire vonatkozik.

Termékszavatosság

A termékszavatosságra vonatkozó jogszabályok értelmében nem vagyunk felelősek a termékeink által okozott károkért az alábbi esetekben:

- a termék javítását helytelenül végezték;
- a termék javítása nem a gyártótól származó vagy általa jóváhagyott alkatrészekkel történt;
- a terméket nem a gyártótól származó vagy általa jóváhagyott kiegészítővel szerelték fel;
- a termék javítását nem hivatalos szakszerviz vagy jóváhagyott egyéb szerviz végezte.

Biztonság

Biztonsági meghatározások

A figyelmeztetések, óvintézkedések és megjegyzések a használati utasítás kiemelten fontos részeire hívják fel a figyelmet.



FIGYELMEZTETÉS: Akkor használatos, ha a kézikönyv utasításainak be nem tartása esetén fennáll a kezelő vagy a közelben tartózkodók sérülésének vagy halálának veszélye.



VIGYÁZAT: Akkor használatos, ha a kézikönyv utasításainak be nem tartása esetén fennáll a vagyoni kár, illetve a termék vagy a környező terület károsodásának veszélye.

Megjegyzés: További információt biztosít az adott helyzetben szükséges tennivalókról.

Általános biztonsági utasítások



FIGYELMEZTETÉS: A termék használata előtt olvassa el az alábbi figyelmeztetéseket.

- Ez a termék veszélyes, ha helytelenül használja, vagy ha nem vigyáz. A biztonsági utasítások be nem tartása sérüléssel vagy halállal járhat.
- A termék működés közben elektromágneses mezőt hoz létre. Ez bizonyos körülmények esetén hatással lehet az aktív vagy passzív orvosi implantátumokra. A súlyos vagy halálos sérülés kockázatának csökkentése érdekében azt javasoljuk, hogy az orvosi implantátumot használó személyek a termék alkalmazása előtt kérjék ki orvosuk vagy az orvosi implantátum gyártójának tanácsát.
- Mindig megfontoltan és előrelátóan cselekedjen. Ha nem biztos benne, hogyan kell a terméket speciális helyzetben üzemeltetni, akkor hagyja abba a tevékenységet, és beszéljen a Husqvarna kereskedőjével a folytatás előtt.
- Ne feledje, hogy a kezelő felelős a másokat és a mások tulajdonát érő balesetekért is.

- Tartsa tisztán a terméket. Ügyeljen arra, hogy a jelek és címkék jól olvashatóak legyenek.
- Ne engedje, hogy használják a terméket, amíg nem gondoskodott róla, hogy elolvassák és megértsék a használati utasítás tartalmát.
- A terméket gyermekek nem használhatják.
- Tartsa távol a gyermekeket a munkavégzési területtől. Egy felelős felnőttnek mindig jelen kell lennie.
- Ne használja a terméket olyan személy, aki nem ismeri a kezelési utasítást.
- Csökkent fizikai vagy szellemi képességekkel rendelkező személy csak felügyelet mellett használhatja a terméket. Egy felelős felnőttnek mindig jelen kell lennie.
- Ne használja a terméket, ha fáradt, beteg, illetve alkohol, drog vagy gyógyszer hatása alatt áll. Ez negatív hatással van a látására, az éberségére, a koordinációjára és az ítélőképességére.
- Ne használja a terméket, ha hibás.
- Ne változtassa meg a terméket, vagy ne használja, ha feltehetőleg valaki más változtatásokat hajtott végre rajta.

A munkaterület biztonsága



FIGYELMEZTETÉS: A termék használata előtt olvassa el az alábbi figyelmeztetéseket.

- A termék használata előtt távolítsa el a különböző tárgyakat, például ágakat, gallyakat és köveket a munkaterületről.
- A vágószerszereknek ütköző tárgyak elrepülve személyek vagy tárgyak sérülését okozhatják. A közelben állókat és az állatokat tartsa biztonságos távolságban a terméktől.
- Ne használja a terméket rossz időben, például ködben, esőben, erős szélben, nagy hidegben, villámás veszélyes esetén. A termék rossz időjárási körülmények között vagy nyirkos, nedves helyeken történő használata fásasztó. A rossz időjárás veszélyes körülményeket, például csúszós felületeket okozhat.
- Ügyeljen az olyan személyekre, tárgyakra és helyzetekre, amelyek akadályozzák a termék biztonságos üzemeltetését.

- Ügyeljen az olyan akadályokra, mint a gyökerek, kövek, gallyak, gödrök és árkok. A magas fű akadályokat rejthet.
- A lejtőkön levő fű nyírása veszélyes lehet. Ne használja a terméket 15 foknál meredekebb lejtőn.
- Az emelkedőknél/lejtőkönél mindig oldalirányban működtesse a terméket. Ne haladjon felfelé vagy lefelé.
- Legyen körültekintő, ha olyan sarkok és tárgyak közelébe ér, amelyek gátolják a tiszta kilátást.

Munkabiztonság



FIGYELMEZTETÉS: A termék használata előtt olvassa el az alábbi figyelmeztetéseket.

- Ezt a terméket kizárólag füves pászitok nyírására használja. A termék más feladatokra történő használata nem megengedett.
- Használjon személyi védőfelszerelést. Lásd: *Személyi védőfelszerelés 159. oldalon.*
- Mindenképpen legyen tisztában azzal, hogy vészhelyzet esetén hogyan kell gyorsan leállítani a motort.
- Soha ne indítsa el a motort zárt térben vagy gyúlékony anyag közelében. A motorból kijutó kipufogó füstök forrók és szikrákat tartalmazhatnak, amelyek tüzet okozhatnak.
- Ne használja a készüléket, hacsak a kés és az összes borítás nincs megfelelően rögzítve. A nem megfelelően rögzített kés kilazulhat, és személyi sérülést okozhat.
- Ügyeljen arra, hogy a kés ne ütközzön olyan tárgyakra, mint például kövek és gyökerek. Ez kárt tehet a késben, és meghajlíthatja a motor tengelyét. A meghajlott tengely erős rezgést okoz, és így nagyon nagy a kockázata annak, hogy a kés meglazul.
- Ha a kés valamilyen tárgynak ütközik vagy rezegni kezd, azonnal állítsa le a terméket. Húzza ki a gyújtáskábelt a gyújtógyertyából. Ellenőrizze, hogy a termék sérülésmentes-e. Javítsa meg a sérüléseket, vagy végeztesse el a szakszervizzel a javításokat.
- Amikor a motor működésben van, soha ne rögzítse tartósan a fékkart a fogantyúhoz.
- Helyezze a terméket stabil, vízszintes felületre, és kapcsolja be. Gondoskodjon arról, hogy a kés ne ütközzön se a talajba, se egyéb tárgyakra.
- Mindig maradjon a termék mögött, amikor működteti.
- A termék üzemeltetése során minden kerék legyen a talajon, és tartsa két kézzel a fogantyút. Tartsa távol kezét és lábát a forgó késektől.
- Ne döntse meg a terméket, ha a motor jár.
- Legyen óvatos, amikor hátrafelé húzza a terméket.
- Soha ne emelje fel a terméket, ha a motor jár. Ha fel kell emelnie a terméket, előbb kapcsolja ki a motort, és válassza le a gyújtásvezetékét a gyújtógyertyáról.
- Ne sétáljon hátrafelé a termék működtetése során.

- Állítsa le a motort, ha olyan területeken halad át, ahol nincs fű, például kavicsos, kövezett és aszfaltozott járdák.
- Ne fusson a termékkel, ha a motor jár. Mindig sétáljon a termék működtetése során.
- Mielőtt megváltoztatná a vágási magasságot, állítsa le a motort. Soha ne végezzen beállításokat, amikor a motor jár.
- Soha ne hagyja a terméket felügyelet nélkül járó motor esetén. Állítsa le a motort és győződjön meg arról, hogy a vágószerkezet nem forog.

Biztonsági utasítások az üzemeltetéshez

Személyi védőfelszerelés



FIGYELMEZTETÉS: A termék használata előtt olvassa el az alábbi figyelmeztetéseket.

- A személyi védőfelszerelés nem küszöböli ki teljes mértékben a sérülés kockázatát, de csökkenti a sérülés mértékét, ha bekövetkezik a baleset. A megfelelő felszerelés kiválasztásában kérje a kereskedő segítségét.
- 85 dB-nél magasabb zajszint esetén használjon hallásvédőt.
- Használjon nagy teherbírású, csúszásmentes bakancsot vagy cipőt. Ne használja nyitott cipőben vagy meztibb a terméket.
- Viseljen vastag, hosszú szárú nadrágot.
- Viseljen védőkesztyűt, például a vágószerkezet felhelyezésekor, ellenőrzésekor vagy tisztításakor.

Biztonsági eszközök a terméken



FIGYELMEZTETÉS: A termék használata előtt olvassa el az alábbi figyelmeztetéseket.

- Ne használjon olyan terméket, amelynek hibásak a biztonsági eszközei.
- Rendszeresen ellenőrizze a biztonsági eszközöket. A biztonsági eszközök meghibásodása esetén vegye fel a kapcsolatot a Husqvarna szervizműhellyel.

A vágóburkolat ellenőrzése

A vágóburkolat csökkenti a termék rezgését és a kés okozta sérülések kockázatát.

- Vizsgálja meg a vágóburkolatot, hogy nincs rajta sérülés, például repedés.

A fékkar ellenőrzése

A fékkar a motor leállítására szolgál. Ha elengedi a fékkart, a motor leáll.

- Indítsa be a motort, majd engedje el a fékkart. Ha a motor 3 másodpercen belül nem áll le, állítsa be

egy hivatalos Husqvarna szakszervizben a motorfékét. (ábra 19)

A hátsó terelőlap ellenőrzése

A hátsó terelőlap csökkenti annak veszélyét, hogy a tárgyak a kezelő felé verődjenek fel.

- Ellenőrizze, hogy sértetlen-e a hátsó terelőlap. (ábra 20)
- Ellenőrizze, hogy a hátsó terelőlapot bezáró rugók nem törtek-e.
- Cserélje ki a törött rugókat és a sérült alkatrészeket.
- Ellenőrizze, hogy a hátsó terelőlap gördülőlekenyen mozog-e a zsanérokon.

Kipufogódob

A kipufogódob minimálisra csökkenti a zajszintet, és elvezeti a kipufogógázokat a kezelő közeléből.

Hiányzó vagy hibás kipufogódob esetén ne használja a terméket. A hibás kipufogódob növeli a zajszintet és a tűzveszélyt.



FIGYELMEZTETÉS: A kipufogódob erősen felhevül használat közben és után, illetve, amikor a motor alapjáraton működik. Legyen óvatos gyúlékony anyagok és/vagy gőzök közelében a tűzveszély elkerülése érdekében.

A hangfogó ellenőrzése

- Rendszeresen ellenőrizze a kipufogódob megfelelő rögzítését és épségét.

Az olajsint ellenőrzése



VIGYÁZAT: Ha az olajsint túlságosan alacsony, kár keletkezhet a motorban. Ellenőrizze az olajsintet, mielőtt elindítja a terméket.

1. Helyezze a terméket vízszintes talajra.
2. Vegye le az olajtartály sapkáját a rögzített nivópálcával együtt.
3. Törölje le a nivópálcáról az olajat.
4. Tegye a nivópálcát teljesen az olajtartályba, hogy pontos képet kapjon az olajsintről.
5. Vegye ki a nivópálcát.
6. Vizsgálja meg az olajsintet a nivópálcán.
7. Ha az olajsint alacsony, töltsé fel a tartályt motorolajjal, és ellenőrizze újra az olajsintet.

Üzemanyaggal kapcsolatos biztonság



FIGYELMEZTETÉS: A termék használat előtt olvassa el az alábbi figyelmeztetéseket.

- Ne indítsa be a terméket, ha üzemanyag vagy motorolaj került rá. Távolítsa el a nem kívánt üzemanyagot/motorolajat és hagyja megszáradni a terméket.
- Ha a kiömlött üzemanyag a ruhájára csöppent, öltözzön át azonnal.
- Ügyeljen arra, hogy ne kerüljön üzemanyag a testére, mert az sérülést okozhat. Ha üzemanyag került a testére, távolítsa el szappannal és vízzel.
- Ne indítsa be a motort, ha szivárog a motor. Vizsgálja meg rendszeresen a motort szivárgás szempontjából.
- Bánjon óvatosan az üzemanyaggal. Az üzemanyag gyúlékony, a gőzei robbanásveszélyesek, ezért súlyos, akár végzetes sérülést is okozhat.
- Ne lélegezze be az üzemanyag gőzeit, egészségkárosodást okozhatnak. Gondoskodjon megfelelő légáramlásról.
- Az üzemanyag vagy a motor közelében ne dohányozzon.
- Az üzemanyag vagy a motor közelébe ne tegyen forró tárgyakat.
- Ne tankoljon járó motornál.
- Várja meg a tankolással, amíg lehül a motor.
- Tankolás előtt nyissa meg lassan a tanksapkát, engedje ki óvatosan a nyomást.
- Ne beltérben tankoljon. A nem elegendő mértékű légáramlás fulladás vagy szén-monoxid miatt egészségkárosodást, akár halált is okozhat.
- Húzza meg teljesen az üzemanyagtartály sapkáját. Ha az üzemanyagtartály sapkája nincs meghúzva, tűzveszélyt okozhat.
- Beindítás előtt vigye a terméket legalább 3 m távolságra a tankolás helyétől.
- Ne töltsé teljesen tele az üzemanyagtartályt. Hő hatására az üzemanyag kitágul. Hagyjon egy kis helyet az üzemanyagtartály tetejénél.

Biztonsági utasítások a karbantartáshoz



FIGYELMEZTETÉS: A termék használat előtt olvassa el az alábbi figyelmeztetéseket.

- A motorból származó kipufogógázok szén-monoxidot tartalmaznak, amely szagtalan, mérgező, rendkívül veszélyes gáz. Ne indítsa be a motort beltérben vagy zárt helyen.
- A termék karbantartása előtt állítsa le a motort, és húzza ki a gyújtáskábel a gyújtógyertyából.
- A vágószerszemet karbantartásakor használjon védőkesztyűt. A kés nagyon éles, könnyen megvághatja magát.
- A gyártó által nem jóváhagyott tartozékok és változtatások súlyos sérülést vagy halált okozhatnak. Ne végezzen módosításokat a terméken. Csak a gyártó által jóváhagyott tartozékokat használjon.

- Ha a karbantartást nem megfelelően és rendszeresen végezték el, nő a termék sérülésének és károsodásának kockázata.
- Csak a felhasználói kézikönyvben megadott karbantartást végezze el. Minden egyéb szervizelés csak hivatalos Husqvarna szervizműhely végezhet.

- Végeztesse a termék rendszeres szervizelését hivatalos Husqvarna szervizműhellyel.
- A sérült, kopott vagy törött alkatrészt cserélje ki.

Összeszerelés

Bevezető



FIGYELMEZTETÉS: A termék összeszerelése előtt el kell olvasnia és meg kell értenie a biztonságról szóló fejezetet.



FIGYELMEZTETÉS: A termék összeszerelése előtt távolítsa el a gyújtógyertya kábelét a gyújtógyertyából.

A fogantyú összeszerelése

1. Emelje fel a fogantyú alsó részét. (ábra 21)
2. Hozza fedésbe a fogantyú alján található furatokat a fogantyú keretén levő furatokkal.

Megjegyzés: Válassza azokat a furatokat, amelyek a legkényelmesebb működési pozíciót biztosítják.

3. Szorítsa meg a fogantyú alsó részén lévő gombokat.
4. Emelje fel a fogantyút felső részét, és igazítsa egy vonalba az alsó részével.
5. Teljesen húzza meg a fogantyú felső részének gombjait.

A berántókötél-fogantyú felszerelése

1. Rögzítse a berántókötél-hurkot és a T-csavart. Ne húzza meg teljesen. (ábra 22)

2. Húzza a fékkart a fogantyúhoz.
3. Lassan húzza ki a berántókötélet, és helyezze be a berántókötél-hurokba. (ábra 23)
4. Húzza meg a T-csavart. (ábra 24)

A termék szállítási pozícióba állítása

1. Vegye ki a fűgyújtót.
2. Lazítsa meg a fogantyú alsó részének a gombjait a fogantyú feloldásához. (ábra 25)
3. Hajtsa lefelé és hátrafelé a fogantyút.
4. Távolítsa el a fogantyú alsó részén lévő gombokat és csapokat.
5. Hajtsa előre a fogantyút.

A fűgyújtó doboz felszerelése

1. Rögzítse a fűgyújtó keretét a fűzsákban úgy, hogy a fűzsák merev része alul legyen. Ügyeljen arra, hogy a keret fogantyúja a zsák tetején kívülre essen. (ábra 26)
2. Rögzítse a fűzsákot a vázkerethez a gyorskapcsokkal. (ábra 27)

Üzemeltetés

Bevezető



FIGYELMEZTETÉS: A termék működtetése előtt el kell olvasnia és meg kell értenie a biztonságról szóló fejezetet.

A termék működtetése előtt

1. Olvassa el figyelmesen a használati utasítást, és győződjön meg róla, hogy megértette azt.
2. Vizsgálja meg a vágószerkezetet, hogy megbizonyosodjon róla, hogy megfelelően van-e rögzítve és beállítva. Lásd *A vágószerkezet ellenőrzése 165. oldal*.
3. Töltse fel az üzemanyagtartályt. Lásd *Tankolás 161. oldal*.

4. Töltse fel az olajtartályt, és ellenőrizze az olajszintet. Lásd *Az olajszint ellenőrzése 160. oldal*.

Tankolás

Ha elérhető, használjon környezetbarát/alkilát benzint. Ha környezetbarát/alkilát benzin nem áll rendelkezésre, használjon jó minőségű, legalább 90-es oktánszámú ólommentes vagy ólomtartalmú benzint.



VIGYÁZAT: Ne használjon 90 RON (87 AKI) oktánszámúnál gyengébb benzint. Ezzel kárt tehet a termékben.

1. Lassan nyissa ki az üzemanyagtartály sapkáját, hogy kiengedje a nyomást.
2. Töltsön fel lassan a tartályt az üzemanyagkannával. Ha kiömlött az üzemanyag, törölje le egy kendővel,

és hagyja, hogy a megmaradt üzemenyag felszáradjon.

3. Tartsa tisztán az üzemenyagtartály sapkájának környékét.
4. Húzza meg teljesen az üzemenyagtartály sapkáját. Ha az üzemenyagtartály sapkája nincs meghúzva, tűzveszélyt okozhat.
5. Vigye legalább 3 m (10 láb) távolságra a terméket a tankolás helyétől, mielőtt beindítaná.

A vágási magasság beállítása

A vágási magasság 9 különböző szintre állítható.

1. A vágási magasság növeléséhez nyomja a vágási magasság-szabályozót a kerék irányába, majd nyomja hátrafelé.
2. A vágási magasság csökkentéséhez nyomja a vágási magasság-szabályozót a kerék irányába, majd nyomja előre felé. (ábra 28)



VIGYÁZAT: Ne állítsa túl alacsonyra a vágási magasságot. A kések a talajba ütközhetnek, ha a pázsít felülete nem egyenletes.

A termék elindítása

1. Maradjon a termék mögött.
2. Húzza a fékkart a fogantyúhoz. (ábra 29)
3. Fogja meg a berántókötél fogantyúját jobb kézzel.
4. Lassan húzza ki a berántókötélet, amíg ellenállást nem érez.
5. Erőteljes mozdulattal rántsa be a motort.



FIGYELMEZTETÉS: Ne tekerje a berántókötélet a keze köré.

A kerekeken levő meghajtó használata

- Húzza a kerékajtás kapcsoló kart a fogantyú irányába. (ábra 30)
- Mielőtt maga felé húzza a gépet, kapcsolja ki a meghajtást, és tolja előre a gépet kb. 10cm-re.
- Engedje el a kerékajtás kapcsoló kart, hogy kikapcsolja a meghajtást, például amikor akadály közelébe ér.

A meghajtóvezérlő huzal beállítása

- Az állítócsavarral állítsa be a meghajtóvezérlő huzalt. (ábra 31)
- Állítsa le a motort. Mozgó alkatrészek működtetése előtt mindig húzza ki a gyújtógyertya vezetékét.
- Forgassa az állítócsavart az óramutató járásával ellentétes irányba a huzal feszítéséhez és a sebesség növeléséhez.

- Forgassa az állítócsavart az óramutató járásával megegyező irányban a vezeték meghosszabbításához és a sebesség csökkentéséhez.

A termék leállítása

- Csak a meghajtás leállításához engedje el a kerékajtás kapcsoló kart.
- A motor leállításához engedje el a fékkart. (ábra 32)

A termék használata fűgyújtóval



FIGYELMEZTETÉS: Ne működtesse a terméket, ha nincs felszerelve fűgyújtó, vagy nincs lezárva a hátsó terelőlap. A termék tárgyakat repíthet szét, amelyek a kezelő sérülését okozhatják.

1. Emelje fel a hátsó terelőlapot, és vegye ki a mulcsozó dugót. (ábra 33)
2. A fűgyújtó összeszerelése, lásd: *A fűgyújtó doboz felszerelése 161. oldalon.*
3. Helyezze a fűgyújtót a rögzítőkeretre. (ábra 34)
4. Engedje el a hátsó terelőlapot, és tegye a fűszák keretének tetejére.

A termék átállítása mulcsozási üzemmódra

A termék mulcsozási üzemmódban kisebb fűnyiradékot készít. A fűnyiradék aztán a pázsitra esik, és beborítja azt. A mulcsozott fű biológiailag gyorsan lebomlik, így táplálva a gyepet.

1. Emelje fel a hátsó terelőlapot, és vegye ki a fűszákot, ha be van helyezve.
2. Helyezze a mulcsozó dugót a fűgyújtó csatornába. (ábra 35)
3. Hagyja bezáródni a hátsó terelőlapot, és győződjön meg róla, hogy szorosan nekizáródik-e a mulcsozó dugónak. (ábra 36)

A termék átállítása hátsó oldali kidobó üzemmódra

1. Emelje fel a hátsó terelőlapot, és vegye ki a mulcsozó dugót. (ábra 37)
2. Szerelje be a kidobógaratot. (ábra 38)

A fűgyújtó kiürítése



VIGYÁZAT: Ürítéskor a kopás megelőzése érdekében ne húzza végig a földön az üres fűgyújtót.

1. A keret fogantyújánál fogva emelje fel a fűgyújtót. (ábra 39)

- Távolítsa el a fűnyíradékot a fogantyú alatti fűgyűjtőből.
- A keret és a zsák fogantyúját használva ürítse ki a fűnyíradékot a zsákból.

Megfelelő eredmény elérése

- Használjon mindig éles kést. A tompa kés egyenetlen eredményt ad, és a fű vágási felülete megsárgul. Az éles kés egyben kevesebb energiát igényel, mint a tompa kés.

- Ne nyírjon le többet a fű hosszának 1/3-ánál. Először nagy vágási magasságot állítson be, és úgy nyírjon. Vizsgálja meg az eredményt, és csökkentse a vágási magasságot egy megfelelő szintre. Ha nagyon magas a fű, lassan és szükség esetén 2-szer nyírjon.
- Minden alkalommal más irányban haladjon, hogy ne alakuljanak ki sávok a pázsiton.

Karbantartás

Bevezető



FIGYELMEZTETÉS: Karbantartás előtt el kell olvasnia és meg kell értenie a biztonságról szóló fejezetet.

A gépen végzett minden szerviz- és javítási munkát szakképzettséget igényel. Garantáljuk a professzionális javítások és szervizelés lehetőségét. Ha viszonteladója nem szervizműhely, forduljon hozzájuk a legközelebbi szervizműhellyel kapcsolatban.

Karbantartási terv



VIGYÁZAT: A termék megdöntésekor ügyeljen arra, hogy a levegőszűrő a termék felfelé néző oldalán, ne pedig a föld felé néző oldalán legyen. Fennáll a motor károsodásának veszélye.

A karbantartási intervallumok meghatározásakor a termék napi használatát feltételeztük. Az intervallum változik, ha a terméket nem napi rendszerességgel használja.

A * szimbólummal jelölt karbantartási műveletekhez lásd a *Biztonsági eszközök a terméken 159. oldalon* című részben található utasításokat.

Karbantartás	Naponta	Hetente	Havonta
Végezzen általános ellenőrzés	X		
Ellenőrizze az olajszintet	X		
Tisztítsa meg a terméket	X		
Ellenőrizze a vágószerkezetet	X		
Ellenőrizze a vágóburkolatot *	X		
Ellenőrizze a fékkart *	X		
Ellenőrizze a késfékszabályozót *	X		
Ellenőrizze a hangfogót *		X	
Ellenőrizze a gyújtógyertyát		X	
Cserélje ki az olajat (először 5 óra használat után, majd minden 50 óra használat után)			X
Tisztítsa meg vagy cserélje ki a levegőszűrőt			X
Ellenőrizze az üzemenyagrendszert			X

Általános ellenőrzés

- Ellenőrizze, hogy az anyák és csavarok megfelelően meg vannak-e szorítva a termékben.

A termék külső tisztítása

- Kefével távolítsa el a leveleket, a fűvet és az egyéb szennyeződések.
- Győződjön meg róla, hogy a motor tetején levő levegőbeömlő nyílás nincs eltömődve.
- Ne használjon nagynyomású mosót a termék tisztításához.
- Ha vízzel tisztítja a terméket, ne irányítsa a vízugarat közvetlenül a motorra.

A vágóburkolat belső felületének tisztítása

1. Ürítse ki a benzintartályt.
2. Fordítsa a terméket az oldalára a hangfogóval lefelé.



VIGYÁZAT: Ha a terméket a légszűrővel lefelé fordítva állítja, a motor károsodhat.

3. Mossa le vízzel a vágóburkolat belső felületét.

A víztömlő-csatlakozás használata

1. Vigye a terméket egy lenyírt területre vagy valamilyen más kemény felületre.
2. Távolítsa el a fűgyűjtőt vagy a mulcsozó dugót a termékről.
3. Zárja le a hátsó terelőlapot.
4. Csatlakoztassa a víztömlőt a víztömlő-csatlakozóhoz. (ábra 40)
5. Állítsa le a vízellátást, és vizsgálja meg, hogy nincs-e szivárgás.
6. Ha nem lát szivárgást, indítsa el a motort. Hagyja a motort járni, amíg a fűnyíróház alja tiszta nem lesz.
7. Állítsa le a motort.
8. Zárja el a vízellátást, és vegye le a tömlőt a víztömlő-csatlakozásról.

Megjegyzés: Ne vegye le a víztömlőt a víztömlő-csatlakozásról, amíg a motor üzemel. A motorban maradt víz csökkentheti annak élettartamát.

9. Indítsa be a motort, és egy teljes percig járassa, hogy a felesleges víz eltávozzon a termékből.

A motorolaj cseréje



FIGYELMEZTETÉS: A motorolaj rendkívül forró közvetlenül a motor leállítását követően. Várja meg, amíg lehűl a motor, mielőtt leereszti az olajat. Ha motorolaj kerül a bőrére, vízzel és szappannal mossa le.

1. Használja a terméket addig, amíg kiürül az üzemanyagtartály.
2. Húzza ki a gyújtáskábelt a gyújtógyertyából.
3. Vegye le az olajtartály sapkáját.
4. Tegyen egy tartályt a termék alá, hogy a motorolajat összegyűjtse.
5. Döntse meg a terméket, hogy az olajtartályból kifolyjon a motorolaj.
6. Töltse fel az olajtartályt a(z) *Műszaki adatok 168. oldal*on részben ajánlott típusú, új motorolajjal.
7. Ellenőrizze az olajsínt. Lásd: *Az olajsínt ellenőrzése 160. oldal*on.

A gyújtógyertya ellenőrzése.



VIGYÁZAT: Használja mindig az előírt típusú gyújtógyertyát. A nem megfelelő gyújtógyertya károsíthatja a terméket.

- Vizsgálja meg a gyújtógyertyát, ha gyenge a motor, nehezen indul, vagy egyenetlen az alapjárata.
- A gyújtógyertya elektródái közötti lerakódások kialakulásának csökkentése érdekében tartsa be az alábbi utasításokat:
 - a) gondoskodjon az alapjárat fordulatszám megfelelő beállításáról;
 - b) gondoskodjon a megfelelő üzemanyag-keverékről;
 - c) gondoskodjon a levegőszűrő tisztaságáról.
- Ha a gyújtógyertya piszkos, tisztítsa meg, és ellenőrizze, hogy a szikraköz megfelelő-e, lásd: *Műszaki adatok 168. oldal*on. (ábra 41)
- Szükség esetén cserélje ki a gyújtógyertyát.

A levegőszűrő megtisztítása

1. Távolítsa el a levegőszűrő fedelét és a szűrőt.
2. A szűrőt ütögesse sima felülethez, hogy a rátapadt részecskék leessenek.



VIGYÁZAT: Ne tisztítsa a levegőszűrőt oldószerrel vagy sűrített levegővel.

3. Tegye vissza a légszűrőt. Győződjön meg arról, hogy a szűrő szorosan illeszkedik a levegőszűrő-tartóba.
4. Tegye vissza a légszűrő fedelet.

Megjegyzés: A hosszú ideje használt légszűrőt nem lehet teljesen kitisztítani. A légszűrőt rendszeres időközönként cserélje ki. Mindig cserélje ki a sérült levegőszűrőt.

A vágószerkezet ellenőrzése



FIGYELMEZTETÉS: A termék véletlen elindítását elkerülendő, húzza ki a gyújtáskábelt a gyújtógyertyából.



FIGYELMEZTETÉS: A vágószerkezet karbantartásakor használjon védőkesztyűt. A kés nagyon éles, könnyen megvághatja magát.

1. Ellenőrizze a vágószerkezetet sérülés, repedés szempontjából. Mindig cserélje ki a sérült vágószerkezetet.
2. Nézze meg a kést, hogy sérült-e vagy tompa-e.

Megjegyzés: A kés élezését követően ki kell egyensúlyozni. Végeztesse a kés élezését, cseréjét és kiegyensúlyozását szervizközponttal. Ha olyan akadályba ütközött, amely megállította a terméket, cserélje ki a sérült kést. Vizsgálta meg a szervizközpontban, hogy élezhető-e a kés, vagy pedig cserét igényel-e.

A kés összeszerelése

1. Helyezze a késadaptert a motor főtengelyére. Győződjön meg róla, hogy az adapter menete és a főtengely ékhornya egy vonalba esik. (ábra 42)
2. A kés rögzítésekor a kés ferde vége a motor irányába mutasson. (ábra 43)
3. Helyezzen egy fahasábot a kés és a fűnyíróház közé. Húzza meg a késtartó csavart az óramutató járásával megegyező irányba forgatva.
4. Mindig 47–54 Nm (35–40 ft lbs) nyomatékkal húzza meg a csavart. (ábra 44)

Váltómű szerelvény áttekintése

(ábra 2)

1. Mulcsózó dugó
2. Hátsó takaróelem
3. Váltómű tárcsa
4. Szíj feszítő keret
5. Váltómű fedél
6. Késadapter
7. Szíj feszítő tárcsa
8. Első ékszíjvezető
9. Gyűrű
10. Kés
11. Kemény alátét
12. Rugós alátét
13. Késtartó csavar

5. Győződjön meg róla, hogy a gyújtógyertya kábelét leválasztotta a motorról.



VIGYÁZAT: A motor véletlen elindulásának megakadályozására mindig húzza ki a gyújtógyertya kábelét, és helyezze elég távol ahhoz, hogy ne érhesse el a gyújtógyertyát.

6. Forgassa meg a kést kézzel, és figyelje, hogy szabadon forog-e.

A kés cseréje

1. Rögzítse a kést egy fadarabbal. (ábra 45)
2. Távolítsa el a késtartó csavart.
3. Vegye le a kést.
4. Ellenőrizze a késtámaszt és a késtartó csavart, hogy sérült-e.
5. Ellenőrizze a motor tengelyét, hogy nincs-e meghajolva.
6. Az új kés rögzítésekor a kés ferde vége a vágóburkolat felé nézzen. (ábra 46)
7. Győződjön meg róla, hogy a kés igazodik a motortengely középpontjához.
8. Rögzítse a kést egy fadarabbal. Helyezze fel a rugós alátétet, és húzza meg a csavart 47–54 Nm nyomatékkal. (ábra 47)
9. Forgassa meg a kést kézzel, és figyelje, hogy szabadon forog-e.



FIGYELMEZTETÉS: Használjon strapabíró kesztyűt. A kés nagyon éles, könnyen megvághatja magát.

10. Indítsa be a terméket, hogy tesztelje a kést. Ha a kés nincs megfelelően rögzítve, a termékben rezgés tapasztalható, vagy a vágási eredmény nem kielégítő.

14. Hajtósíj burkolat

A meghajtó ékszíj eltávolítása

1. Használja a terméket addig, amíg kiürül az üzemenyagtartály.
2. Távolítsa el a gyertyapipát a gyújtógyertyáról.
3. Fordítsa a terméket az oldalára a hangfogóval lefelé.



VIGYÁZAT: Ha a terméket a légszűrővel lefelé fordítva állítja, a motor károsodhat.

4. Távolítsa el a meghajtás fedelét. (ábra 48)

5. Távolítsa el a késtartó csavart, a rugós alátétet, a kemény alátétet és a kést. (ábra 49)
6. Vegye ki a mulcsoszó dugót. (ábra 50)
7. Távolítsa el a hátsó takaróelemet.
8. Távolítsa el a hajtósíj burkolatot és az gyűrűt. (ábra 51)
9. Húzza ki a kábelt a váltóműből, és távolítsa el a szíjfesztítő tárcsát a szíjfesztítő szerelvényből.
10. Távolítsa el az első ékszíjvezetőt.
11. Vegye le a meghajtó ékszíjat a váltómű tárcsáról.
12. Távolítsa el a 3 szíjfesztítő tárcsát a szíjfesztítő szerelvényből. (ábra 52)
13. Távolítsa el a meghajtó ékszíjat a késadaptertől és a szíjfesztítő szerelvényről. (ábra 53)
14. Rögzítsen önzáró fogókat a váltómű bemenő tengelyére. Lazítsa meg a motortárcsát egy 9/16"-os csavarkulccsal a váltómű tárcsa eltávolításához.
15. Vegye le a meghajtó ékszíjat.

Hibaelhárítás

Probléma	Lehetséges ok	Megoldás
A motor nem indul.	A gyújtáskábel nincs megfelelően csatlakoztatva.	Csatlakoztassa a gyújtáskábelt a gyújtógyertyához.
	Kiürült az üzemanyagtartály.	Töltse fel az üzemanyagtartályt a megfelelő típusú üzemanyaggal.
	Szennyeződés került a karburátorba vagy az üzemanyag-vezetékbe.	Tisztítsa meg a karburátort és/vagy az üzemanyag-vezetékét.
	Meghibásodott a gyújtógyertya.	Állítsa be a szikraközt, tisztítsa meg vagy cserélje ki a gyújtógyertyát.
A motor nem áll le.	A leállító mechanizmus hibás.	Húzza ki a gyújtáskábelt a gyújtógyertyából. Bízva hivatalos szervizműhelyre a termék javítását.
A motor nem egyenletesen jár.	A gyújtáskábel nincs megfelelően csatlakoztatva.	Csatlakoztassa a gyújtáskábelt a gyújtógyertyához.
	Szennyeződés van az üzemanyag-vezetékben, vagy az üzemanyag lejárt.	Tisztítsa meg az üzemanyag-vezetékét. Töltse fel az üzemanyagtartályt a megfelelő típusú új üzemanyaggal.
	Eltömődés van az üzemanyag-tartály sapkájában.	Tisztítsa meg az üzemanyag-tartály sapkáját.
	Víz vagy szennyeződés van az üzemanyagrendszerben.	Eressze le az üzemanyag-tartályt. Töltse fel az üzemanyag-tartályt a megfelelő típusú új üzemanyaggal.
	Piszkos a levegőszűrő.	Légszűrő tisztítása.
	Be kell állítani a karburátort.	A karburátor beállítását végeztesse el a hivatalos szakszervizben.
A motor túl forró.	Túl alacsony a motorolajszint.	Töltse fel a motort olajjal.
	A levegőáramlás nem elegendő.	Tisztítsa meg a levegőszűrőt és a levegőszűrő házát.
	Be kell állítani a karburátort.	A karburátor beállítását végeztesse el a hivatalos szakszervizben.
Időnként kihagy a gyújtás, amikor a motor nagy sebességgel üzemel.	A gyújtógyertya szikraköze túl kicsi.	Állítsa be a szikraközt.

Probléma	Lehetséges ok	Megoldás
Alapjáraton nem egyenletes a motor járása.	A gyújtógyertya piszkos, hibás vagy túl nagy a szikraköz.	Állítsa be a szikraközt, vagy cserélje ki a gyújtógyertyát.
	Be kell állítani a karburátort.	Állítsa be a karburátort.
	Piszkos a levegőszűrő.	Légszűrő tisztítása.
Túl nagy a rezgés a fogantyúban.	A kés meglazult vagy nem kiegyensúlyozott.	Húzza meg a késtartó csavarokat. Ha a kések sérültek, cserélje ki őket.
	A kés hajlott.	Ha a kések sérültek, cserélje ki őket.
Nem történik meg a fű felaprítása.	A fű nedves.	Ne működtesse a terméket, ha a fű nedves. Várja meg, amíg a fű megszárad.
	A fű túl magas.	Először nagy vágási magasságot állítson be, és úgy nyírjon. Csökkentse a vágási magasságot, és nyírjon újra. Egyszerre csak a vágási szélesség ½ részével nyírjon.
	Egy vagy több kés nem elég éles.	Élezze meg vagy cserélje ki a késeket.
Szabálytalan a lenyírt fű formája.	A kerekek nincsenek helyes állásban.	Állítsa a vágási magasságot mind a négy keréknél azonos szintre.
	Egy vagy több kés nem elég éles.	Élezze meg vagy cserélje ki a késeket.
A hajtásrendszer nem működik megfelelően	A meghajtó ékszíj nem elég szoros, vagy szennyeződés van a tárcsákon vagy a hajtószíjon.	Végeztesse el hivatalos szervizműhellyel a hajtórendszer karbantartását.

Szállítás, tárolás és ártalmatlanítás

Szállítás és raktározás

- A termék és az üzemanyag tárolásához és szállításához győződjön meg róla, hogy nincsenek szivárgások vagy gőzök. Szikra vagy nyílt láng, például elektromos készülékektől vagy kazánoktól, tüzet okozhat.
- Mindig engedélyezett tartályokat használjon az üzemanyag tárolására és szállítására.
- Ha a terméket hosszabb ideig tárolja, ürítse ki az üzemanyagtartályt. A felesleges üzemanyagot adja le egy erre kijelölt gyűjtőpontra.
- Biztonságosan rögzítse a terméket szállítás során, a sérülés és baleset elkerülése érdekében.
- Tartsa a terméket zárható helyen, ahol gyermek vagy jogosulatlan személy nem férhet hozzá.
- Tartsa a terméket száraz és fagymentes helyen.

- A használt vagy felesleges vegyi anyagot, például a motorolajat vagy az üzemanyagot, adja le egy szervizközpontban vagy egy erre kijelölt gyűjtőpontra.
- A már nem használt terméket, küldje vissza a Husqvarna kereskedőhöz, vagy adja le egy újrahasznosítási ponton.

Hulladékkezelés

- Kövesse a helyi újrahasznosítási előírásokat és a vonatkozó szabályozásokat.

Műszaki adatok

Műszaki adatok

	LC 353AWD
Motor	
Márka	Honda
Lökettérfogat, cu.in/cm ³	10,4/170
Fordulatszám, ford./perc	2900-3200
Névleges motorteljesítmény, kW/hp @ rpm ⁵⁶	3,6/4,9 @ 2900-3200
Gyújtásrendszer	
Gyújtógyertya	NGK BPR5ES
Szikraköz, hüvelyk/mm	0,028/0,7
Üzemanyag- és olajozási rendszer	
Üzemanyag, ólommentes, minimum oktánszám	90 RON / 87 AKI
Üzemanyagtartály űrtartalma, US gal/liter	0,27/1,02
Olajtartály űrtartalma, US gal/liter	0,14/0,53
Motorolaj ⁵⁷	SAE 30 / SAE 10W-30
Tömeg	
Üres tartályokkal, lb/kg	92/41,7
Zajkibocsátás ⁵⁸	
Hangteljesítményszint, mért dB (A) érték	95
Hangteljesítményszint, garantált , L _{WA} dB (A)	96
Zajszintek ⁵⁹	
Hangnyomásszint a felhasználó fülénél, dB (A)	85
Rezgésszintek ⁶⁰	
Fogantyú, m/s ² fűgyújtóvel/fűgyújtó nélkül	7/7
Vágófelszerelés	

⁵⁶ A motor feltüntetett névleges teljesítménye az adott motormodell tipikus legyártott motorjának a J1349/ISO 1585 sz. SAE-szabvány szerint mért átlagos nettó teljesítménye (a megadott fordulatszám mellett). A sorozatgyártott motorok esetén ez az érték eltérő lehet. A végső termékbe épített motor tényleges leadott teljesítménye az üzemi fordulatszámtól, a környezeti körülményektől és egyéb értékektől függ.

⁵⁷ SJ vagy jobb minőségű motorolajat használjon. Tekintse meg a viszkozitási táblázatot a motor gyártójának kézikönyvében, és válassza a várható kinti hőmérsékletnek leginkább megfelelő viszkozitást.

⁵⁸ A környezetben a 2000/14/EK sz. EK irányelvvel összhangban hangteljesítményként mért zajkibocsátás (L_{WA}).

⁵⁹ Hangnyomásszint az ISO 5395 szabvány szerint. A zajnyomásszintre vonatkozó jelentési adatok az 1,2 dB (A) tipikus statisztikus ingadozásával (szórásával) rendelkeznek.

⁶⁰ Rezgésszint az ISO 5395 szabvány szerint. A rezgésszintre vonatkozó jelentési adatok az 0,2 m/s² tipikus statisztikus ingadozásával (szórásával) rendelkeznek.

	LC 353AWD
Vágáshossz, hüvelyk/mm	1,0-4,0/25,4-101,6
Vágási szélesség, hüvelyk/mm	21/530
Kés	
Cikkszám	586 85 96-02
Fűgyűjtő űrtartalma, ft ³ /l	2,3/65
Követési	
Sebesség, mph/km/óra	0-3/0-4,8

Az EK-megfelelőségi nyilatkozat tartalma

A Husqvarna AB, SE 561 82 Huskvarna, SVÉDORSZÁG a saját felelősségére kijelenti, hogy a jelzett termék:

A szállított belső égésű motorral működő, gyalog kísért fűnyíró megfelel a vizsgálaton átesett példadarabnak.

Leírás	Belső égésű motorral működő, gyalog kísért fűnyíró
Márka	Husqvarna
Platform / Típus / Modell	E21THV platform, amely az alábbi típust képviseli: LC 353AWD.
Sarzs	2019-es és újabb sorozatszámok.

teljes mértékben megfelel a következő EU-irányelveknek és rendeleteknek:

Irányelv/rendelet	Leírás
2006/42/EK	„gépre vonatkozó”
2014/30/EU	„elektromágneses megfelelésre vonatkozó”
2000/14/EU; 2005/88/EK	„kültéri zajkibocsátásra vonatkozó”
2011/65/EU	„bizonyos veszélyes anyagok alkalmazásának korlátozásával kapcsolatos”

Az alábbi harmonizált szabványok és/vagy műszaki előírások kerültek alkalmazásra: EN ISO 12100, ISO 5395-1+A1/A2, ISO 5395-2+A1/A2, EN ISO 14982, ISO 3744, ISO 11094, EN 1032

A zajértékek a 2000/14/EK irányelv VI. mellékletének megfelelően a használati utasításban, a műszaki adatokat tartalmazó fejezetben, valamint az aláírt EK-megfelelőségi nyilatkozatban található.

Sommario

Introduzione.....	170	Ricerca dei guasti.....	179
Sicurezza.....	171	Trasporto, stoccaggio e smaltimento.....	181
Montaggio.....	174	Dati tecnici.....	182
Utilizzo.....	175	Contenuto della dichiarazione di conformità CE.....	183
Manutenzione.....	176		

Introduzione

Descrizione del prodotto

Il prodotto è un rasaerba con operatore a piedi e motore a combustione. L'erba viene raccolta in un raccoglierba. Rimuovere il raccoglierba per scaricare l'erba dalla parte posteriore del prodotto. Agganciare un kit di pacciamatura per tagliare l'erba da utilizzare come fertilizzante.

Illustrazione del prodotto

(Fig. 1)

1. Impugnatura del freno motore
2. Leve di comando
3. Maniglia della fune di avviamento
4. Raccoglierba
5. Tappo del serbatoio del carburante
6. Filtro dell'aria
7. Candela
8. Coperchio della trasmissione
9. Marmitta
10. Raccordo per tubo dell'acqua
11. Deflettore posteriore
12. Asta di livello/serbatoio dell'olio
13. Controllo dell'altezza di taglio
14. Tappo di pacciamatura
15. Manuale operatore
16. Scivolo di scarico

Simboli riportati sul prodotto

- (Fig. 3) **AVVERTENZA:** questo prodotto può essere pericoloso e causare lesioni gravi o mortali all'operatore o a terzi. Prestare attenzione e utilizzare il prodotto correttamente.
- (Fig. 4) Leggere attentamente il manuale operatore e accertarsi di aver compreso le istruzioni prima di utilizzare il prodotto.
- (Fig. 5) Veloce
- (Fig. 6) Lento
- (Fig. 7) Tenere mani e piedi lontani dalla parte rotante.

Uso previsto

Utilizzare il prodotto per tagliare l'erba nei giardini privati. Non utilizzare il prodotto per altre attività.

- (Fig. 8) Mantenere le persone e gli animali a una distanza di sicurezza dalla zona di lavoro.
- (Fig. 9) Prestare attenzione quando si aziona il prodotto verso di sé. Guardare indietro e in basso accertandosi che non vi siano bambini piccoli, animali o altri rischi che potrebbero comportare una caduta.
- (Fig. 10) Azionare il prodotto in pendenza può risultare pericoloso.
- (Fig. 11) Tenere mani e piedi lontani dalla lama rotante.
- (Fig. 12) Prestare attenzione a oggetti lanciati o rimbalzati.
- (Fig. 13) Emissioni di rumore nell'ambiente in base alla direttiva della Comunità Europea. Le emissioni del prodotto sono indicate nei *Dati tecnici alla pagina 182* e sull'etichetta.
- (Fig. 14) Questo prodotto è conforme alle direttive CE in vigore.
- (Fig. 15) Il prodotto è conforme alle direttive EAC vigenti.
- (Fig. 16) Il prodotto è conforme alle direttive RCM vigenti. Valide solo per Australia/Nuova Zelanda.
- (Fig. 17) Il prodotto è conforme alle direttive vigenti in Ucraina.
- (Fig. 18) Usare cuffie protettive omologate.

Nota: I restanti simboli/decalcomanie sul prodotto riguardano particolari requisiti necessari per ottenere la certificazione in altre aree commerciali.

Responsabilità del prodotto

Come indicato nelle leggi vigenti in materia di responsabilità obbligatoria sul prodotto, non siamo responsabili per eventuali danni causati dal nostro prodotto se:

- Il prodotto viene riparato in modo errato.
- Il prodotto viene riparato con parti che non provengono o non sono omologate dal produttore.
- Il prodotto contiene un accessorio che non proviene o non è omologato dal produttore.
- Il prodotto non viene riparato presso un centro di assistenza autorizzato o presso un'autorità competente.

Sicurezza

Definizioni di sicurezza

Le avvertenze, le precauzioni e le note sono utilizzate per evidenziare le parti importanti del manuale.



AVVERTENZA: Utilizzato se è presente un rischio di lesioni o morte dell'operatore o di passanti nel caso in cui le istruzioni del manuale non vengano rispettate.



ATTENZIONE: Utilizzato se è presente un rischio di danni al prodotto, ad altri materiali oppure alla zona adiacente nel caso in cui le istruzioni del manuale non vengano rispettate.

Nota: Utilizzato per fornire ulteriori informazioni necessarie in una determinata situazione.

Istruzioni di sicurezza generali



AVVERTENZA: Leggere le seguenti avvertenze prima di utilizzare il prodotto.

- Questo prodotto è pericoloso se utilizzato in maniera impropria o se non si presta attenzione. La mancata osservanza delle istruzioni di sicurezza può causare lesioni anche fatali.
- Durante il funzionamento, questo prodotto genera un campo elettromagnetico. Tale campo può interferire, in alcuni casi, con persone portatrici di impianti medici attivi o passivi. Per ridurre il rischio di condizioni che possono implicare lesioni gravi o mortali, i portatori di tali impianti devono consultare il proprio medico e il produttore dell'impianto prima di utilizzare questo prodotto.
- Usare la massima cautela e il buon senso. Se non si è sicuri di come utilizzare il prodotto in una particolare situazione, fermarsi e rivolgersi al proprio rivenditore Husqvarna prima di continuare.
- Tenere presente che l'operatore potrà essere ritenuto responsabile di eventuali incidenti che coinvolgono altre persone o i loro beni.

- Tenere pulito il prodotto. Assicurarsi che sia possibile leggere chiaramente simboli e decalcomanie.
- Non consentire ad altre persone di utilizzare il prodotto se non si è sicuri che abbiano letto e compreso il contenuto del Manuale dell'operatore.
- Non consentire ai bambini di utilizzare il prodotto.
- Tenere i bambini lontani dall'area di lavoro. È necessaria sempre la supervisione di un adulto responsabile.
- Non permettere a chiunque non conosca le istruzioni di utilizzare il prodotto.
- Controllare sempre qualsiasi persona, dalle capacità fisiche o mentali ridotte, che utilizzi il prodotto. È necessaria sempre la supervisione di un adulto responsabile.
- Non utilizzare l'apparecchio quando si è stanchi, ammalati o sotto effetto di alcool, farmaci o medicinali. Essi potrebbero compromettere la vista, l'attenzione, il coordinamento e il giudizio.
- Se difettoso, non utilizzare il prodotto.
- Non modificare il prodotto né utilizzarlo nel caso in cui vi sia la possibilità che sia stato modificato da altri.

Sicurezza dell'area di lavoro



AVVERTENZA: Leggere le seguenti avvertenze prima di utilizzare il prodotto.

- Rimuovere oggetti quali rami, ramoscelli o pietre dall'area di lavoro prima di utilizzare il prodotto.
- Gli oggetti che urtano contro l'attrezzatura di taglio potrebbero essere proiettati e causare danni a cose e persone. Mantenere persone e animali a una distanza di sicurezza dal prodotto.
- Non utilizzare mai il prodotto in condizioni meteorologiche avverse quali nebbia, pioggia, vento forte, freddo intenso e rischio di fulmini. L'uso del prodotto in condizioni meteorologiche avverse o in ambienti umidi è stancante. Condizioni meteorologiche avverse possono causare situazioni di pericolo quali superfici scivolose.
- Prestare attenzione a persone, cose e situazioni che possono impedire un utilizzo sicuro del prodotto.

- Prestare attenzione a ostacoli quali radici, pietre, ramoscelli, fossi e avvallamenti. L'erba alta può nascondere eventuali ostacoli.
- Tagliare l'erba in pendenza può risultare pericoloso. Non utilizzare il prodotto su terreni con pendenze superiori a 15°.
- Utilizzare il prodotto trasversalmente lungo i pendii. Non spostarsi seguendo tragitti verso l'alto e verso il basso.
- Prestare attenzione in prossimità di angoli e oggetti nascosti che potrebbero ostacolare la visuale.

Sicurezza sul lavoro



AVVERTENZA: Leggere le seguenti avvertenze prima di utilizzare il prodotto.

- Utilizzare il prodotto esclusivamente per tagliare il prato. Non è consentito utilizzare il prodotto per altri scopi.
- Usare sempre abbigliamento protettivo personale. Vedere *Abbigliamento protettivo personale alla pagina 172*.
- Assicurarsi di saper spegnere il motore rapidamente in caso di emergenza.
- Non avviare il motore in uno spazio chiuso o in prossimità di materiali infiammabili. I fumi di scarico del motore sono molto caldi e possono contenere scintille in grado di provocare incendi.
- Non azionare il prodotto senza aver montato correttamente la lama e tutti i coperchi. Una lama non correttamente fissata potrebbe allentarsi e causare lesioni personali.
- Assicurarsi che la lama non urti oggetti quali pietre e radici. Ciò potrebbe provocare danni alla lama e piegare l'albero motore. Un'asse piegato provoca forti vibrazioni e un alto rischio di allentamento della lama.
- Qualora la lama urti contro un oggetto o all'insorgere di vibrazioni arrestare immediatamente il prodotto. Staccare il cavo di accensione dalla candela. Verificare la presenza di eventuali danni al prodotto. Riparare eventuali danni o contattare un'officina autorizzata per far svolgere la riparazione.
- Non fissare l'impugnatura del freno motore in modo permanente al manubrio quando il motore è avviato.
- Posizionare il prodotto su una superficie piana e stabile e avviarlo. Assicurarsi che la lama non venga a contatto con il terreno o con altri oggetti.
- Collocarsi sempre posteriormente al prodotto quando lo si utilizza.
- Consentire a tutte le ruote di restare a contatto con il suolo e tenere le 2 mani sull'impugnatura mentre si aziona il prodotto. Tenere mani e piedi lontani dalle lame rotanti.
- Non ribaltare il prodotto a motore acceso.
- Prestare attenzione quando si tira il prodotto verso di sé.

- Non sollevare mai il prodotto a motore avviato. Se si deve sollevare il prodotto, arrestare innanzitutto il motore e scollegare il cavo di accensione dalla candela.
- Non camminare all'indietro quando si utilizza il prodotto.
- Arrestare il motore quando si attraversano zone prive d'erba quali vialetti in ghiaia, pietra e asfalto.
- Non correre con il prodotto quando il motore è acceso. Camminare sempre durante l'utilizzo del prodotto.
- Spegnerne il motore prima di apportare qualsiasi modifica all'altezza di taglio. Non effettuare mai regolazioni a motore acceso.
- Non perdere mai di vista il prodotto quando il motore è acceso. Arrestare il motore e assicurarsi che l'attrezzatura di taglio non giri.

Istruzioni di sicurezza per il funzionamento

Abbigliamento protettivo personale



AVVERTENZA: Leggere le seguenti avvertenze prima di utilizzare il prodotto.

- L'uso di abbigliamento protettivo personale non elimina il rischio di lesioni, ma ne riduce la gravità in caso di incidente. Farsi consigliare dal rivenditore per la scelta dell'attrezzatura adatta.
- Utilizzare protezioni per le orecchie se il livello di rumore è superiore a 85 dB.
- Utilizzare robusti stivali o scarpe antiscivolo. Non utilizzare il prodotto con calzature aperte o a piedi nudi.
- Utilizzare pantaloni lunghi di tessuto pesante.
- Indossare guanti protettivi ove necessario, ad esempio per montare, ispezionare o pulire l'attrezzatura di taglio.

Dispositivi di sicurezza sul prodotto



AVVERTENZA: Leggere le seguenti avvertenze prima di utilizzare il prodotto.

- Non utilizzare un prodotto con dispositivi di sicurezza difettosi.
- Effettuare un controllo dei dispositivi di sicurezza con regolarità. Se i dispositivi di sicurezza sono difettosi, rivolgersi alla propria officina Husqvarna.

Controllo del coperchio di taglio

Il coperchio di taglio riduce le vibrazioni del prodotto e il rischio di ferirsi con la lama.

- Esaminare il coperchio di taglio per accertarsi che non presenti danni quali crepe.

Controllo dell'impugnatura del freno motore

L'impugnatura del freno motore arresta il motore. Quando si rilascia l'impugnatura del freno motore, il motore si arresta.

- Avviare il motore, quindi rilasciare l'impugnatura del freno motore. Se il motore non si arresta entro 3 secondi, far regolare il freno motore presso un'officina Husqvarna autorizzata. (Fig. 19)

Controllo del deflettore posteriore

Il deflettore posteriore riduce il rischio che gli oggetti vengano scagliati nella direzione dell'operatore.

- Assicurarsi che il deflettore posteriore non sia danneggiato. (Fig. 20)
- Assicurarsi che le molle che chiudono il deflettore posteriore non siano rotte.
- Sostituire le molle rotte e le parti danneggiate.
- Assicurarsi che il deflettore posteriore possa spostarsi agevolmente sulle cerniere.

Marmitta

La marmitta assicura il minimo livello acustico e allontana i fumi di scarico dall'operatore.

Non utilizzare il prodotto se la marmitta è mancante o difettosa. Una marmitta difettosa aumenta il livello acustico e il rischio di incendio.



AVVERTENZA: La marmitta si surriscalda durante e dopo l'uso e quando il motore funziona al regime minimo. Prestare attenzione in prossimità di materiali infiammabili e/o fumi per evitare incendi.

Controllo della marmitta

- Esaminare la marmitta periodicamente per assicurarsi che sia collegata correttamente e che non sia danneggiata.

Per eseguire il controllo del livello dell'olio



ATTENZIONE: Se il livello dell'olio è troppo basso si possono verificare danni al motore. Controllare il livello dell'olio prima di avviare il prodotto.

1. Posizionare il prodotto su un terreno in piano.
2. Rimuovere il tappo del serbatoio dell'olio con l'annessa asta di livello.
3. Pulire l'olio dall'asta di livello.
4. Inserire l'asta di livello interamente all'interno del serbatoio dell'olio per avere un'immagine corretta del livello dell'olio.
5. Rimuovere l'asta di livello.
6. Controllare il livello dell'olio sull'asta di livello.

7. Se il livello dell'olio è basso, rabboccare con olio motore ed eseguire nuovamente un controllo del livello dell'olio.

Sicurezza nell'uso del carburante



AVVERTENZA: Leggere le seguenti avvertenze prima di utilizzare il prodotto.

- Non avviare il prodotto nel caso in cui vi sia carburante o olio motore su di esso. Rimuovere il carburante/olio indesiderato e lasciare che il prodotto si asciughi.
- In caso di perdite di carburante sugli indumenti, cambiarsi immediatamente.
- Il carburante non deve arrivare a contatto con il corpo, poiché può causare lesioni. In caso di contatto del carburante con il corpo, rimuoverlo con acqua e sapone.
- Non avviare il prodotto se il motore presenta una perdita. Esaminare regolarmente il motore per verificare la presenza di eventuali perdite.
- Prestare la massima attenzione con il carburante. Il carburante è infiammabile e i fumi sono esplosivi quindi possono causare lesioni o morte.
- Non respirare i fumi del carburante perché possono causare lesioni. Accertarsi che ci sia un flusso d'aria sufficiente.
- Non fumare in prossimità del carburante o del motore.
- Non posizionare oggetti caldi in prossimità del carburante o del motore.
- Non aggiungere carburante a motore acceso.
- Assicurarsi che il motore sia freddo prima di effettuare il rifornimento.
- Prima di effettuare il rifornimento, aprire lentamente il tappo del serbatoio del carburante e rilasciare la pressione con cautela.
- Non aggiungere carburante al motore in un ambiente chiuso. Un flusso d'aria insufficiente può causare lesioni o la morte dovute ad asfissia o al monossido di carbonio.
- Stringere completamente il tappo del serbatoio del carburante. Se il tappo del serbatoio carburante non è serrato, vi è il rischio di incendio.
- Prima dell'avviamento, spostare il prodotto di almeno 3 m/10 ft dal punto in cui è stato riempito il serbatoio del carburante.
- Non riempire completamente il serbatoio del carburante. Il calore provoca l'espansione del carburante. Lasciare dello spazio nella parte superiore del serbatoio del carburante.

Istruzioni di sicurezza per la manutenzione



AVVERTENZA: Leggere le seguenti avvertenze prima di utilizzare il prodotto.

- I fumi di scarico del motore contengono monossido di carbonio, un gas inodore, velenoso e altamente pericoloso. Non avviare il motore in ambienti o spazi chiusi.
- Prima di eseguire la manutenzione del prodotto, arrestare il motore e rimuovere il cavo di accensione dalla candela.
- Indossare guanti protettivi quando si esegue la manutenzione dell'attrezzatura di taglio. La lama è molto affilata e ci si può ferire facilmente.

- Accessori e modifiche apportate al prodotto che non siano stati approvati dal costruttore possono causare infortuni gravi, anche fatali. Non apportare modifiche al prodotto. Utilizzare sempre accessori approvati dal produttore.
- Se la manutenzione non viene eseguita correttamente e con regolarità, aumenta il rischio di lesioni personali e danni al prodotto.
- Eseguire esclusivamente gli interventi di manutenzione riportati nel presente manuale. Tutti gli altri interventi di manutenzione devono essere svolti da un'officina Husqvarna autorizzata.
- Rivolgersi a un'officina Husqvarna autorizzata per far svolgere regolarmente interventi di manutenzione sul prodotto.
- Sostituire le parti danneggiate, usurate o rotte.

Montaggio

Introduzione



AVVERTENZA: Prima di assemblare il prodotto, leggere e comprendere il capitolo sulla sicurezza.



AVVERTENZA: Rimuovere il cavo della candela dalla candela prima di assemblare il prodotto.

Montaggio dell'impugnatura

1. Sollevare l'impugnatura inferiore. (Fig. 21)
2. Allineare i fori sulla parte inferiore dell'impugnatura inferiore con i fori sulle staffe dell'impugnatura.

Nota: Selezionare i fori che consentono la posizione di lavoro migliore.

3. Serrare le manopole dell'impugnatura inferiore.
4. Sollevare l'impugnatura superiore e allinearla con l'impugnatura inferiore.
5. Serrare a fondo le manopole dell'impugnatura superiore.

Montaggio dell'impugnatura di avviamento

1. Collegare il cavo della fune di avviamento e la manopola a T. Non serrare completamente. (Fig. 22)

2. Tenere l'impugnatura del freno motore contro il manubrio.
3. Estrarre lentamente la fune di avviamento e inserirla nell'apposito anello. (Fig. 23)
4. Serrare la manopola a T. (Fig. 24)

Predisposizione del prodotto in posizione di trasporto

1. Rimuovere il raccogliherba.
2. Allentare le manopole dell'impugnatura inferiore per sbloccare l'impugnatura. (Fig. 25)
3. Ripiegare l'impugnatura all'indietro.
4. Rimuovere le manopole e i perni sull'impugnatura inferiore.
5. Ripiegare l'impugnatura in avanti.

Per assemblare il raccogliherba

1. Fissare il telaio del raccogliherba al relativo sacco con la parte rigida di quest'ultimo posta in basso. Tenere l'impugnatura del telaio all'esterno del lato superiore del sacco. (Fig. 26)
2. Fissare il sacco per l'erba al telaio utilizzando i fermi a scatto. (Fig. 27)

Introduzione



AVVERTENZA: Prima di utilizzare il prodotto, è necessario leggere e comprendere il capitolo relativo alla sicurezza.

Prima di utilizzare il prodotto

1. Leggere il Manuale dell'operatore con attenzione e accertarsi di averne compreso il contenuto.
2. Esaminare l'attrezzatura di taglio per assicurarsi che sia correttamente collegata e regolata. Vedere *Per controllare l'attrezzatura di taglio alla pagina 178*.
3. Riempire il serbatoio del carburante. Vedere *Per il rifornimento del carburante alla pagina 175*.
4. Riempire il serbatoio dell'olio ed effettuare il controllo del livello dell'olio. Vedere *Per eseguire il controllo del livello dell'olio alla pagina 173*.

Per il rifornimento del carburante

Se disponibile, utilizzare benzina alchilata/a basso livello di emissioni. Se non è disponibile benzina alchilata/a basso livello di emissioni, utilizzare una benzina senza piombo di buona qualità o una benzina contenente piombo con un numero di ottani non inferiore a 90.



ATTENZIONE: Non utilizzare mai benzina con un numero di ottani inferiore a 90 RON (87 AKI). Ciò può causare danni al prodotto.

1. Aprire lentamente il tappo del serbatoio del carburante per rilasciare la pressione.
2. Riempire lentamente il serbatoio con una tanica di carburante. Se si versa del carburante, rimuoverlo con un panno e lasciare asciugare eventuali residui.
3. Pulire l'area intorno al tappo del serbatoio del carburante.
4. Stringere completamente il tappo del serbatoio del carburante. Se il tappo del serbatoio carburante non è serrato, vi è il rischio di incendio.
5. Prima dell'avviamento, spostare il prodotto di almeno 3 m (10 ft) dal punto in cui è stato riempito il serbatoio del carburante.

Per impostare l'altezza di taglio

L'altezza di taglio può essere regolata su 9 diversi livelli.

1. Premere il comando dell'altezza di taglio nella direzione della ruota, quindi all'indietro per aumentare l'altezza di taglio.
2. Premere il comando dell'altezza di taglio nella direzione della ruota, quindi in avanti per diminuire l'altezza di taglio. (Fig. 28)



ATTENZIONE: Non impostare l'altezza di taglio troppo in basso. Se la superficie del prato non è piana, le lame possono urtare il terreno.

Per avviare il prodotto

1. Collocarsi dietro il prodotto.
2. Tenere l'impugnatura del freno motore contro il manubrio. (Fig. 29)
3. Tenere l'impugnatura della fune di avviamento con la mano destra.
4. Estrarre lentamente l'impugnatura della fune di avviamento fino a che non si avverte una leggera resistenza.
5. Tirare con forza per avviare il motore.



AVVERTENZA: Non avvolgere la fune di avviamento intorno alla mano.

Per applicare trazione alle ruote

- Tirare le leve di comando verso il manubrio. (Fig. 30)
- Prima di tirare il prodotto verso di sé, disinnestare la trazione e spingere il prodotto in avanti di circa 10cm.
- Rilasciare le leve di comando per disinnestare la trazione, ad esempio quando ci si avvicina a un ostacolo.

Regolazione del cavo di comando della trasmissione

- Utilizzare la vite di regolazione per regolare il cavo di comando della trasmissione. (Fig. 31)
- Spegner il motore. Scollegare sempre la candela prima di eseguire operazioni sulle parti mobili.
- Ruotare la vite di regolazione in senso antiorario per tendere il filo e aumentare la velocità.
- Ruotare la vite di regolazione in senso orario per allentare il filo e ridurre la velocità.

Arresto del prodotto

- Per arrestare la sola trazione, rilasciare le leve di comando.
- Per spegnere il motore, rilasciare l'impugnatura del freno motore. (Fig. 32)

Utilizzo del prodotto con il raccogliherba



AVVERTENZA: Non utilizzare il prodotto senza aver installato un raccogliherba o senza il deflettore posteriore chiuso. Gli

oggetti possono essere scagliati e causare lesioni all'operatore.

2. Montare lo scivolo di scarico. (Fig. 38)

Svuotamento del raccogliherba



ATTENZIONE: Non trascinare il sacco quando si svuota il raccogliherba per prevenirne l'usura.

1. Sollevare il deflettore posteriore e rimuovere il tappo di pacciamatura. (Fig. 33)
2. Montare il raccogliherba, fare riferimento a *Per assemblare il raccogliherba alla pagina 174*.
3. Posizionare il raccogliherba sulla staffa. (Fig. 34)
4. Rilasciare il deflettore posteriore e appoggiarlo sul lato superiore del telaio del sacco per l'erba.

1. Sollevare il raccogliherba utilizzando l'impugnatura del telaio. (Fig. 39)
2. Rimuovere l'erba tagliata dal raccogliherba da sotto l'impugnatura.
3. Svuotare l'erba tagliata dal sacco con l'impugnatura del telaio e la maniglia del sacco.

Passaggio del prodotto alla modalità di pacciamatura

La modalità di pacciamatura del prodotto rende l'erba tagliata più piccola. L'erba tagliata quindi cade sul prato e si sparge sull'erba. L'erba così sminuzzata si decompone rapidamente e fornisce nutrienti al prato.

1. Sollevare la protezione posteriore e rimuovere il sacco per l'erba, se installato.
2. Inserire il tappo di pacciamatura nel canale di scarico. (Fig. 35)
3. Chiudere la protezione posteriore assicurandosi che sia a tenuta contro il tappo di pacciamatura. (Fig. 36)

Per ottenere un buon risultato

- Utilizzare sempre una lama ben affilata. Una lama non tagliente fornisce un risultato irregolare e la superficie di taglio dell'erba ingiallisce. Una lama affilata inoltre consuma minore energia di una lama affilata.
- Non tagliare più di $\frac{1}{3}$ dell'altezza dell'erba. Iniziare l'operazione di taglio impostando l'altezza di taglio su un livello alto. Esaminare il risultato e ridurre l'altezza di taglio al livello applicabile. Se l'erba è molto alta, procedere lentamente e tagliarla 2 volte, se necessario.
- Tagliare sempre in direzioni diverse per evitare il formarsi di strisce sul prato.

Passaggio del prodotto alla modalità di scarico posteriore

1. Sollevare il deflettore posteriore e rimuovere il tappo di pacciamatura. (Fig. 37)

Manutenzione

Introduzione



AVVERTENZA: Prima di svolgere la manutenzione, leggere e comprendere il capitolo relativo alla sicurezza.

Per tutti gli interventi di assistenza e riparazione sul prodotto, è necessaria una formazione specifica. La nostra azienda garantisce la disponibilità di personale qualificato per le riparazioni e l'assistenza. Se non avete acquistato il prodotto presso un rivenditore dotato di officina, informatevi sull'ubicazione della più vicina officina autorizzata.

Programma di manutenzione



ATTENZIONE: Accertarsi che il filtro dell'aria sia in alto e non a terra quando si inclina il prodotto. Rischio di avarie al motore.

Gli intervalli di manutenzione sono calcolati sulla base di un uso quotidiano del prodotto. Gli intervalli cambiano se il prodotto non viene usato quotidianamente.

Per gli interventi di manutenzione contrassegnati con il simbolo *, vedere le istruzioni in *Dispositivi di sicurezza sul prodotto alla pagina 172*.

Manutenzione	Giornaliera	Una volta a settimana	Una volta al mese
Svolgere un'ispezione generale	X		
Controllare il livello dell'olio	X		
Pulire il prodotto	X		
Controllare l'attrezzatura di taglio	X		

Manutenzione	Giornaliera	Una volta a settimana	Una volta al mese
Controllare il coperchio di taglio *	X		
Esaminare l'impugnatura del freno motore *	X		
Esaminare il comando del freno della lama *	X		
Controllare la marmitta *		X	
Controllare la candela		X	
Cambiare l'olio (la prima volta dopo 5 ore di funzionamento, successivamente dopo ogni 50 ore)			X
Pulire o sostituire il filtro dell'aria			X
Controllare il sistema di alimentazione			X

Ispezione generale

- Controllare che tutti i dadi e le viti del prodotto siano serrati correttamente.

Per pulire esternamente il prodotto

- Utilizzare una spazzola per rimuovere foglie, erba e sporcizia.
- Assicurarsi che la presa d'aria nella parte superiore del motore non sia ostruita.
- Non utilizzare una lancia ad alta pressione per pulire il prodotto.
- Se si utilizza dell'acqua per pulire il prodotto, non versare l'acqua direttamente sul motore.

Per pulire la superficie interna del coperchio di taglio

1. Svuotare il serbatoio del carburante.
2. Collocare il prodotto su un lato con la marmitta rivolta verso il basso.



ATTENZIONE: Se il prodotto è stato collocato con il filtro dell'aria rivolto verso il basso, il motore potrebbe danneggiarsi.

3. Lavare la superficie interna del coperchio di taglio con acqua.

Utilizzo del raccordo del flessibile dell'acqua

1. Spostare il prodotto in un'area di taglio per erba o un'altra superficie dura.
2. Rimuovere il raccogliherba o il tappo di pacciamatura dal prodotto.
3. Chiudere il deflettore posteriore.
4. Collegare un tubo per l'acqua al raccordo del flessibile. (Fig. 40)

5. Interrompere l'erogazione dell'acqua e verificare che il raccordo per il tubo dell'acqua non presenti perdite.
6. Se non si rileva alcuna perdita, avviare il motore. Lasciare girare il motore fino a quando il prodotto non è pulito sotto l'alloggiamento.
7. Spegnerne il motore.
8. Interrompere l'erogazione dell'acqua e rimuovere il flessibile dal raccordo per il tubo dell'acqua.

Nota: Non rimuovere il tubo dell'acqua dal raccordo del tubo dell'acqua mentre il motore è in funzione. La presenza d'acqua all'interno del motore può ridurre la durata del motore.

9. Avviare il motore e lasciarlo acceso per un minuto per rimuovere l'acqua residua dal prodotto.

Cambio dell'olio motore



AVVERTENZA: L'olio motore è molto caldo subito dopo lo spegnimento del motore. Lasciare che il motore si raffreddi prima di scaricare l'olio motore. Se si versa accidentalmente dell'olio motore sulla pelle, lavare con acqua e sapone.

1. Azionare il prodotto fino a quando il serbatoio carburante è vuoto.
2. Rimuovere il cavo di accensione dalla candela.
3. Rimuovere il tappo del serbatoio dell'olio.
4. Posizionare un recipiente sotto il prodotto per raccogliervi l'olio motore.
5. Inclinare il prodotto per scaricare l'olio motore dal serbatoio dell'olio.
6. Riempire con nuovo olio motore del tipo raccomandato in *Dati tecnici alla pagina 182*.
7. Eseguire il controllo del livello dell'olio. Vedere *Per eseguire il controllo del livello dell'olio alla pagina 173*.

Per esaminare la candela



ATTENZIONE: Usare candele originali o del tipo raccomandato. Un tipo di candela errato può danneggiare il prodotto.

- Controllare la candela nel caso in cui il motore giri a bassa potenza, risulti difficile da avviare o non funzioni correttamente al regime minimo.
- Per ridurre il rischio di accumulo di materiale superfluo sugli elettrodi delle candele, osservare le seguenti istruzioni:
 - a) Accertarsi che il regime minimo sia regolato correttamente.
 - b) Accertarsi che la miscela sia corretta.
 - c) Accertarsi che il filtro dell'aria sia pulito.
- Se la candela è incrostata, pulirla e controllare che la distanza tra gli elettrodi sia corretta; vedere *Dati tecnici alla pagina 182*. (Fig. 41)
- Sostituire la candela secondo necessità.

Pulizia del filtro dell'aria.

1. Rimuovere il coperchio del filtro dell'aria e il filtro.
2. Scuotere il filtro contro una superficie piana per liberarlo dalle particelle.



ATTENZIONE: Non utilizzare solventi o aria compressa per pulire il filtro dell'aria.

3. Rimontare il filtro dell'aria. Assicurarsi che il filtro dell'aria sia correttamente a tenuta rispetto al portafiltro dell'aria.
4. Rimontare il coperchio del filtro dell'aria.

Nota: Un filtro dell'aria utilizzato per un lungo periodo non può essere pulito completamente. Sostituire il filtro dell'aria a intervalli regolari. Sostituire sempre un filtro dell'aria danneggiato.

Per controllare l'attrezzatura di taglio



AVVERTENZA: Per evitare l'avviamento accidentale del prodotto, rimuovere il cavo di accensione dalla candela.



AVVERTENZA: Indossare guanti protettivi quando si esegue la manutenzione dell'attrezzatura di taglio. La lama è molto affilata e ci si può ferire facilmente.

1. Controllare l'attrezzatura di taglio per individuare danni o crepe. Sostituire sempre l'attrezzatura di taglio danneggiata.
2. Osservare la lama per controllare che non sia danneggiata o usurata.

Nota: Dopo l'affilatura la lama deve essere bilanciata. Rivolgersi a un centro assistenza per l'affilatura, la sostituzione e il bilanciamento. Se si urta un ostacolo che provoca l'arresto del prodotto, sostituire la lama danneggiata. Il centro di assistenza può valutare se la lama può essere affilata o deve essere sostituita.

Montaggio della lama

1. Posizionare l'adattatore della lama sull'albero a gomiti. Assicurarsi che la chiavetta nell'adattatore e la sede della chiavetta dell'albero a gomiti siano allineate. (Fig. 42)
2. Fissare sempre la lama con le estremità angolate rivolte verso l'alto nella direzione del motore. (Fig. 43)
3. Utilizzare un blocco di legno tra la lama e l'alloggiamento del prodotto. Serrare il bullone della lama e ruotarlo in senso orario.
4. Serrare sempre il bullone a una coppia di 35-40 ft lb (47-54 Nm). (Fig. 44)
5. Accertarsi che il cavo della candela sia scollegato dal motore.



ATTENZIONE: Per evitare l'avviamento accidentale, scollegare sempre il cavo della candela e inserire il filo in un punto in cui non può toccare la candela.

6. Girare manualmente il disco per verificare che possa ruotare liberamente.

Per sostituire la lama

1. Bloccare la lama con un blocco di legno. (Fig. 45)
2. Rimuovere il bullone della lama.
3. Rimuovere la lama.
4. Esaminare il supporto e il bullone della lama per verificare la presenza di eventuali danni.
5. Esaminare l'albero motore per accertarsi che non sia piegato.
6. Quando si fissa la nuova lama, assicurarsi che le estremità inclinate della lama puntino in direzione del coperchio di taglio. (Fig. 46)
7. Assicurarsi che la lama sia allineata con il centro dell'albero motore.
8. Bloccare la lama con un blocco di legno. Inserire la rondella reggispinna e serrare il bullone e la rondella a una coppia di 47-54 Nm. (Fig. 47)
9. Girare manualmente la lama per verificare che possa ruotare liberamente.



AVVERTENZA: Utilizzare dei guanti da lavoro spessi. La lama è molto affilata e ci si può ferire facilmente.

10. Avviare il prodotto per eseguire una prova della lama. Se la lama non è collegata correttamente, si

verificano delle vibrazioni nel prodotto o il risultato del taglio è insoddisfacente.

Panoramica del complessivo trasmissione

(Fig. 2)

1. Tappo di pacciamatura
2. Inserto posteriore
3. Puleggia della trasmissione
4. Staffa del galoppino
5. Coperchio della trasmissione
6. Adattatore della lama
7. Puleggia del galoppino
8. Portacinghia anteriore
9. Anello
10. Lama
11. Rondella rigida
12. Rondella di fissaggio
13. Bullone lama
14. Coperchio cinghia

il basso, il motore potrebbe danneggiarsi.

4. Rimuovere il coperchio della trasmissione. (Fig. 48)
5. Rimuovere il bullone della lama, la rondella di fissaggio e la lama. (Fig. 49)
6. Rimuovere il tappo di pacciamatura. (Fig. 50)
7. Rimuovere l'inserto posteriore.
8. Rimuovere il coperchio cinghia e l'anello. (Fig. 51)
9. Scollegare il cavo dalla trasmissione e rimuovere la puleggia del galoppino dal complessivo galoppino.
10. Togliere il portacinghia anteriore.
11. Rimuovere la cinghia di trasmissione dalla puleggia della trasmissione.
12. Rimuovere le 3 pulegge del galoppino dal complessivo galoppino. (Fig. 52)
13. Rimuovere la cinghia di trasmissione dall'adattatore della lama e dal complessivo galoppino. (Fig. 53)
14. Collegare le pinze di bloccaggio all'albero di entrata della trasmissione. Allentare la puleggia del motore con una chiave a tubo da 9/16" per rimuovere la puleggia della trasmissione.
15. Smontare la cinghia di trasmissione.

Rimozione della cinghia di trasmissione

1. Azionare il prodotto fino a quando il serbatoio carburante è vuoto.
2. Rimuovere il cappuccio dalla candela.
3. Collocare il prodotto su un lato con la marmitta rivolta verso il basso.



ATTENZIONE: Se il prodotto è stato collocato con il filtro dell'aria rivolto verso

Ricerca dei guasti

Problema	Possibile causa	Soluzione
Il motore non si avvia.	Il cavo di accensione non è collegato correttamente.	Collegare il cavo di accensione alla candela.
	Il serbatoio del carburante è vuoto.	Riempire il serbatoio del carburante con il corretto tipo di carburante.
	È presente dello sporco nel carburatore o nel tubo del carburante.	Pulire il carburatore e/o la tubazione del carburante.
	La candela è difettosa.	Regolare la distanza tra gli elettrodi, pulire o sostituire la candela.
Il motore non si spegne.	Il meccanismo di arresto è difettoso	Staccare il cavo di accensione dalla candela. Affidare la riparazione del prodotto a un'officina autorizzata.

Problema	Possibile causa	Soluzione
Il motore gira in maniera irregolare.	Il cavo di accensione non è collegato correttamente.	Collegare il cavo di accensione alla candela.
	È presente sporcizia nella tubazione del carburante o il carburante è scaduto.	Pulire il tubo del carburante. Riempire il serbatoio del carburante con carburante nuovo del tipo corretto.
	È presente carburante nel tappo del serbatoio del carburante.	Pulire il tappo del serbatoio del carburante.
	Presenza di acqua o sporcizia nel sistema di alimentazione.	Svuotare il serbatoio del carburante. Riempire il serbatoio del carburante con carburante nuovo del tipo corretto.
	Il filtro dell'aria è sporco.	Pulire il filtro dell'aria.
	Il carburatore deve essere regolato.	Affidare la regolazione del carburatore all'officina di manutenzione.
Il motore si è surriscaldato.	Il livello dell'olio motore è insufficiente.	Rabboccare l'olio motore
	Il flusso d'aria non è sufficiente.	Pulire il filtro dell'aria e il relativo alloggiamento.
	Il carburatore deve essere regolato.	Affidare la regolazione del carburatore all'officina di manutenzione.
Si verifica un'accensione irregolare nel motore quando gira ad alta velocità.	La distanza tra gli elettrodi nella candela è troppo piccola.	Regolare la distanza tra gli elettrodi.
Il motore non gira regolarmente al regime minimo.	La candela è sporca, difettosa o la distanza tra gli elettrodi è eccessiva.	Regolare la distanza tra gli elettrodi o sostituire la candela.
	Il carburatore deve essere regolato.	Regolare il carburatore.
	Il filtro dell'aria è sporco.	Pulire il filtro dell'aria.
L'impugnatura vibra in modo eccessivo.	Una lama è allentata o non bilanciata.	Serrare i bulloni della lama. Sostituire le lame se danneggiate.
	Una lama è piegata.	Sostituire le lame se danneggiate.
L'erba non viene tagliata in pacchiate.	L'erba è bagnata.	Non azionare il prodotto se l'erba è bagnata. Attendere che l'erba sia asciutta.
	L'erba è troppo alta.	Iniziare l'operazione di taglio impostando l'altezza di taglio su un livello alto. Abbassare l'altezza di taglio e tagliare nuovamente. Tagliare solo metà della larghezza di taglio alla volta.
	Una o più lame non sono affilate a sufficienza.	Affilare o sostituire le lame.
L'erba viene tagliata in modo irregolare.	Le ruote non sono nella posizione corretta.	Impostare l'altezza di taglio allo stesso livello per tutte e 4 le ruote.
	Una o più lame non sono affilate a sufficienza.	Affilare o sostituire le lame.

Problema	Possibile causa	Soluzione
Il sistema di trasmissione non funziona correttamente	La cinghia di trasmissione non è sufficientemente serrata o è presente sporcizia sulle pulegge o sulla cinghia di trasmissione.	Rivolgersi a un'officina autorizzata per gli interventi di manutenzione sul sistema di trasmissione.

Trasporto, stoccaggio e smaltimento

Trasporto e conservazione

- Per trasportare e conservare il prodotto e il carburante, accertarsi che non vi siano perdite o fumi. Scintille o fiamme aperte, provocate ad esempio da dispositivi elettrici o caldaie, possono innescare un incendio.
- Utilizzare sempre contenitori approvati per la conservazione e il trasporto del carburante.
- Svuotare il serbatoio del carburante prima di riporre il prodotto per un lungo periodo di tempo. Smaltire il carburante presso un apposito centro di smaltimento
- Fissare in sicurezza il prodotto durante il trasporto per evitare danni o incidenti.
- Conservare il prodotto in un'area chiusa a chiave per impedire l'accesso a bambini o persone non autorizzate.
- Conservare il prodotto in un luogo asciutto e al riparo dal gelo.

Smaltimento

- Rispettare le norme locali sul riciclaggio e le normative vigenti.
- Smaltire tutte le sostanze chimiche, quali olio motore o carburante, presso un centro assistenza o un centro di smaltimento applicabili.
- Quando il prodotto non è più in uso, inviarlo a un rivenditore Husqvarna o smaltirlo presso un impianto di riciclo.

Dati tecnici

Dati tecnici

	LC 353AWD
Motore	
Marchio	Honda
Cilindrata, cu.in/cm ³	10,4/170
Velocità, giri/min	2900-3200
Potenza nominale motore, kW/hp @ giri/min ⁶¹	3,6/4,9 @ 2900-3200
Impianto di accensione	
Candela	NGK BPR5ES
Distanza tra gli elettrodi, in/mm.	0,028/0,7
Carburante e sistema di lubrificazione	
Carburante, benzina senza piombo, numero di ottani minimo	90 RON / 87 AKI
Capacità del serbatoio del carburante, galloni USA/l	0,27/1,02
Capacità del serbatoio dell'olio, galloni USA/l	0,14/0,53
Olio motore ⁶²	SAE 30 / SAE 10W-30
Peso	
Con i serbatoi vuoti, lb/kg	92/41,7
Emissioni di rumore ⁶³	
Livello acustico, misurato dB(A)	95
Livello acustico, garantito L _{WA} dB(A)	96
Livelli di rumorosità ⁶⁴	
Livello di pressione acustica all'orecchio dell'operatore, dB(A)	85
Livelli di vibrazioni ⁶⁵	
Impugnatura, m/s ² con/senza raccogliherba	7/7
Attrezzatura di taglio	

⁶¹ La potenza nominale del motore indicata corrisponde alla potenza netta media (al rapporto giri/min specificato) di un tipico motore in fase di produzione per il modello di motore misurato dalla normativa SAE J1349/ISO1585. I motori per produzione di massa potrebbero presentare un valore diverso da questo. La potenza effettiva del motore installato nel prodotto finale dipende dalla velocità di funzionamento, dalle condizioni ambientali e da altri valori.

⁶² Utilizzare olio motore di qualità SJ o superiore. Vedere la tabella delle viscosità presente nel manuale del costruttore del motore e selezionare la migliore viscosità in base alla temperatura esterna prevista.

⁶³ Emissioni di rumore nell'ambiente misurate come potenza sonora (L_{WA}) in base alla direttiva CE 2000/14/CE.

⁶⁴ Livello di pressione acustica in ottemperanza alla norma ISO 5395. I dati riportati per il livello di pressione acustica hanno una dispersione statistica tipica (deviazione standard) di 1,2 dB(A).

⁶⁵ Livello di vibrazioni in base alla norma ISO 5395. I dati riportati per il livello di vibrazioni presentano una dispersione statistica tipica (deviazione standard) di 0,2 m/s².

	LC 353AWD
Altezza di taglio, in/mm	1,0-4,0/25,4-101,6
Larghezza di taglio, in/mm	21/530
Lama	
Codice articolo	586 85 96-02
Capacità del raccoglierba, ft ³ /l	2,3/65
Avanzamento	
Velocità, mph/km/h	0-3/0-4,8

Contenuto della dichiarazione di conformità CE

Husqvarna AB, SE 561 82 Huskvarna, SVEZIA, dichiara sotto la propria esclusiva responsabilità che il prodotto indicato:

Il rasaerba con operatore a piedi e motore a combustione fornito è conforme agli esemplari sottoposti a omologazione.

Descrizione	Rasaerba con operatore a piedi e motore a combustione
Marchio	Husqvarna
Piattaforma / Tipo / Modello	Piattaforma E21THV, rappresentante i modelli LC 353AWD.
Lotto	A partire dai numeri di serie 2019.

è pienamente conforme alle seguenti norme e direttive UE:

Direttiva/norma	Descrizione
2006/42/CE	"relativa alle macchine"
2014/30/UE	"sulla compatibilità elettromagnetica"
2000/14/UE; 2005/88/CE	"relativa al rumore nell'ambiente esterno"
2011/65/UE	"restrizione dell'uso di determinate sostanze pericolose"

Le norme armonizzate e/o le specifiche tecniche applicate sono le seguenti: EN ISO 12100, ISO 5395-1+A1/A2, ISO 5395-2+A1/A2, EN ISO 14982, ISO 3744, ISO 11094, EN 1032

In conformità alla direttiva 2000/14/CE, Allegato VI, i valori per i livelli sonori dichiarati sono riportati nella sezione Dati tecnici del presente manuale e nel documento firmato Dichiarazione di conformità CE.

TURINYS

Ivadas.....	184	Gedimai ir jų šalinimas.....	193
Sauga.....	185	Transportavimas, saugojimas ir utilizavimas.....	194
Surinkimas.....	188	Techniniai duomenys.....	195
Naudojimas.....	188	EB atitikties deklaracijos turinys.....	196
Techninė priežiūra.....	190		

Ivadas

Gaminio aprašas

Šis gaminys yra vidaus degimo varikliu varoma savaeigė vejamąją. Žolė renkama į žolės rinktuvą. Jei norite, kad žolė būtų išmetama per galą, išimkite žolės rinktuvą. Jei žolę norite susmulkinti kaip trąšas, pridėkite mulčiavimo priedą.

Gaminio apžvalga

(Pav. 1)

1. Variklio stabdymo rankena
2. Pavaros svirtys
3. Starterio virvės rankena
4. Žolės rinktuvas
5. Kuro bakelio dangtelis
6. Oro filtras
7. Uždegimo žvakė
8. Pavaros sistemos dangtis
9. Duslintuvas
10. Vandens žarnos jungtis
11. Galinis kreiptuvas
12. Alyvos lygio matuoklis / alyvos bakelis
13. Pjovimo aukščio valdiklis
14. Mulčiavimo kaištis
15. Naudojimo instrukcija
16. Išmetimo kreiptuvas

Simboliai ant gaminio

- (Pav. 3) ĮSPĖJIMAS. Šis gaminys gali būti pavojingas ir rimtai sužeisti arba pražudyti naudotoją arba aplinkinius. Būkite atsargūs ir tinkamai naudokite gaminį.
- (Pav. 4) Prieš naudodami gaminį atidžiai perskaitykite naudojimo instrukciją ir įsitikinkite, kad instrukcijas suprantate.
- (Pav. 5) Greitai
- (Pav. 6) Lėtai
- (Pav. 7) Saugokite rankas bei kojas ir neikiškite jų prie besisukančios dalies.

Naudojimas

Gaminį naudokite žolei privačiuose soduose pjauti. Nenaudokite gaminio kitiems darbams.

- (Pav. 8) Asmenims ir gyvūnams būtina laikytis saugaus atstumo nuo darbo zonos.
- (Pav. 9) Būkite atsargūs, kai gaminį naudojate atbuline kryptimi. Apsidairykite už savęs ir žemyn, ar nėra mažų vaikų, gyvūnų arba kitų pavojų, dėl kurių galite pargriūti.
- (Pav. 10) Gali būti pavojinga pjauti žolę šlaite.
- (Pav. 11) Saugokite rankas bei kojas ir neikiškite jų prie besisukančio peilio.
- (Pav. 12) Saugokitės išmetamų ir rikošetu atšokusiu daiktu.
- (Pav. 13) Į aplinką skleidžiamas triukšmas atitinka Europos Bendrijos direktyvą. Gaminio emisijos nurodytos skyriuje „*Techniniai duomenys psl. 195*“ ir ant etiketės.
- (Pav. 14) Šis įrenginys atitinka jam taikomas EB direktyvas.
- (Pav. 15) Šis gaminys atitinka taikomas EAC direktyvas.
- (Pav. 16) Šis gaminys atitinka taikomas RMC direktyvas. Taikoma tik AU / NZ.
- (Pav. 17) Šis gaminys atitinka taikomas Ukrainos direktyvas.
- (Pav. 18) Naudokite patvirtintas apsaugines ausines.

Pasižymėkite: Kiti ant gaminio pateikti simboliai (lipdukai) nurodo kitų komercinių teritorijų sertifikavimo reikalavimus.

Atsakomybė už gaminį

Kaip nurodyta atsakomybės už gaminį įstatymuose, mes nesame atsakingi už mūsų gaminio sukeltą žalą, jei:

- gaminys netinkamai suremontuotas;
- gaminys suremontuotas naudojant kito gamintojo arba gamintojo nepatvirtintas dalis;

Sauga

Saugos ženklų reikšmės

Įspėjimai, perspėjimai ir pastabos yra skirtos atkreipti dėmesį į ypač svarbias vadovo dalis.



PERSPĖJIMAS: Naudojamas, kai naudotojui ar šalia esantiems asmenims kyla mirtino arba sunkaus sužeidimo pavojus arba, jei nesilaikoma vadove pateiktų nurodymų.



PASTABA: Naudojamas, kai kyla pavojus sugadinti gaminį, kitas medžiagas arba padaryti žalą aplinkai, jei nesilaikoma vadove pateiktų nurodymų.

Pasižymėkite: Naudojama pateikti daugiau, nei būtina esamoje situacijoje, informacijos.

Bendrieji saugos nurodymai



PERSPĖJIMAS: Prieš naudodami gaminį, perskaitykite toliau esančius įspėjimus.

- Netinkamai arba neatidžiai naudojant šis gaminys yra pavojingas. Jei nesilaikysite saugos nurodymų, kyla sužeidimų arba mirties pavojus.
- Šis gaminys veikdamas sukuria elektromagnetinį lauką. Tam tikromis aplinkybėmis šis laukas gali trikdyti aktyviųjų arba pasyviųjų medicininių implantų veiklą. Kad sumažėtų sunkių ar mirtinų sužeidimų pavojus, medicininių implantų turintiems asmenims rekomenduojame prieš naudojant šį gaminį pasitarti su gydytoju ir implanto gamintoju.
- Visada elkitės atsargiai ir vadovaukitės sveiku protu. Jei tiksliai nežinote, kaip naudoti gaminį konkrečioje situacijoje, sustabdykite darbą ir prieš tęsdami darbą pasitarkite su „Husqvarna“ pardavimo atstovu.
- Atsiminkite, kad už nelaimingus atitikimus, kurių metu nukentęs asmenys ar turtas, bus atsakingas naudotojas.
- Rūpinkitės gaminio švara. Įsitikinkite, kad aiškiai perskaitėte ženklus ir lipdukus.
- Neleiskite kitiems naudotis gaminiu, jei neįsitikinote, kad jie perskaitė ir suprato naudojimo instrukcijos turinį.
- Neleiskite gaminio naudoti vaikams.

- gaminys turi kito gamintojo arba gamintojo nepatvirtintą priedą;
- gaminys suremontuotas ne patvirtintame techninės priežiūros centre arba jį suremontavo ne patvirtintas atstovas.

- Pasirūpinkite, kad vaikai būtų toliau nuo darbo zonos. Būtina nuolatinė atsakingo suaugusiojo priežiūra.
- Neleiskite gaminio naudoti su instrukcijomis nesusipažinusiems asmenims.
- Visada prižiūrėkite gaminį naudojantį fizinę arba protinę negalią turintį asmenį. Būtina nuolatinė atsakingo suaugusiojo priežiūra.
- Neekspluatuokite gaminio, jeigu esate pavargę, sergate, vartojote alkoholio, narkotikų ar vaistų. Tai neigiamai veikia jūsų regėjimą, nuovoką ar koordinaciją.
- Neekspluatuokite gaminio, jei jis sugadintas.
- Nekeiskite gaminio ir nenaudokite jo, jei jį galėję pakeisti kiti.

Sauga darbo vietoje



PERSPĖJIMAS: Prieš naudodami gaminį, perskaitykite toliau esančius įspėjimus.

- Prieš naudodami gaminį nuo darbo zonos pašalinkite tokius objektus, kaip šakos, šakelės ir akmenys.
- Atsitrenkę į pjovimo įrangą objektai gali atsokti ir sužeisti asmenis bei sugadinti daiktus. Šalia esantiems asmenims ir gyvūnams būtina laikytis saugaus atstumo nuo gaminio.
- Gaminio niekuomet nenaudokite blogu oru, pvz., kai pakyla rūkas, lyja, pučia stiprus vėjas, stipriai šąla ir gali žaibuoti. Darbas gaminiu blogu oru arba drėgnose ar šlapiose vietose yra varginantis. Blogu oru gali susidaryti pavojingos sąlygos, pvz., slidūs paviršiai.
- Saugokitės asmenų, daiktų ir tam tikrų situacijų kurios gali neleisti saugiai naudoti gaminio.
- Saugokitės kliūčių, pvz., šaknų, akmenų, šakelių, duobių ir griovių. Aukštoje žolėje kliūtys gali būti nematomos.
- Gali būti pavojinga pjauti žolę įkalnėse. Nenaudokite gaminio, jei šlaitas yra statresnis nei 15°.
- Šlaitus pjaukite skersai. Nevažiuokite į viršų ir žemyn.
- Būkite atsargūs artėdami prie nematomų kampų ir daiktų, kurie užstoja vaizdą.

Darbo sauga



PERSPĒJIMAS: Prieš naudodami gaminį, perskaitykite toliau esančius įspėjimus.

- Gaminį naudokite tik vėjų žolei pjauti. Neleidžiama jo naudoti kitoms užduotims atlikti.
- Naudokite asmenines apsaugines priemones. Žr. *Asmeninės apsauginės priemonės psl. 186*.
- Įsitinkinkite, kad žinote, kaip greitai sustabdyti variklį nelaimės atveju.
- Niekada neužveskite variklio uždaroje erdvėje ar netoli degių medžiagų. Variklio išmetamosios dujos yra karštos, jose gali būti kibirkščių, kurios gali sukelti gaisrą.
- Nenaudokite gaminio tinkamai neuždengę peilio ir neuždėję kitų dangčių. Netinkamai uždėtas peilis gali atsilaisvinti ir sužeisti.
- Užtikrinkite, kad peilis neatsitrenktų į tokius objektus, kaip akmenys ir šaknys. Tai gali sugadinti peilį ir sulenkti variklio veleną. Sulenkta ašis sukelia didelę vibraciją ir kyla didžiulis pavojus, kad peilis atsilaisvins.
- Jei į peilį atsitrenkia objektas arba susidaro vibracijos, nedelsdami sustabdykite gaminį. Atjunkite uždegimo kabelį nuo uždegimo žvakės. Patikrinkite, ar gaminys neapgadintas. Pataisykite sugadintas dalis arba remonto darbus perleiskite įgaliotajam techninės priežiūros atstovui.
- Niekada neprijunkite variklio stabdžio rankenos prie rankenos visam laikui, kai variklis veikia.
- Padėkite gaminį ant stabilaus, plokščio paviršiaus ir paleiskite jį. Patikrinkite, ar peilis neliečia žemės ar kokių kitų daiktų.
- Visada būkite už gaminio, kai jį naudojate.
- Prižiūrėkite, kad visi ratukai būtų ant žemės ir abi rankas laikykite ant rankenos, kai naudojate gaminį. Saugokite rankas bei kojas ir neikiškite jų prie besisukančių peilių.
- Dirbant varikliui nepakreipkite gaminio.
- Būkite atsargūs, kai gaminį traukiate atgal.
- Dirbant varikliui nepakelkite gaminio. Jei gaminį turite pakelti, pirmiausia sustabdykite variklį ir atjunkite uždegimo kabelį nuo uždegimo žvakės.
- Naudodami gaminį neikite atgal.
- Veždami įrenginį per zonas be žolės, pvz., žvirgždo, akmenų ir asfalto takelius, sustabdykite variklį.
- Dirbant varikliui nebėkite su gaminiumi. Naudodami gaminį visada eikite.
- Prieš pakeisdami pjovimo aukštį pirmiausia išjunkite variklį. Draudžiama reguliuoti, kai veikia variklis.
- Niekada nepaleiskite gaminio iš akių, kai veikia variklis. Išjunkite variklį ir įsitinkinkite, kad pjovimo įranga nesisuka.

Naudojimo saugos instrukcijos

Asmeninės apsauginės priemonės



PERSPĒJIMAS: Prieš naudodami gaminį, perskaitykite toliau esančius įspėjimus.

- Asmeninės apsauginės priemonės nepadės visiškai išvengti pavojaus susižeisti, tačiau nelaimingo atsitikimo atveju mažiau nukentėsite. Leiskite prekybos atstovui padėti pasirinkti tinkamą įrangą.
- Jei triukšmo lygis viršija 85 dB, naudokite klausos apsaugą
- Avėkite patvarius, neslystančius batus. Neavėkite atvirų batų ir nebūkite basi.
- Dėvėkite storas, ilgas kelnes.
- Kai būtina, pvz., montuojant, apžiūrint arba valant pjovimo įrangą, užsimaukite apsaugines pirštines.

Gaminio apsauginės priemonės



PERSPĒJIMAS: Prieš naudodami gaminį, perskaitykite toliau esančius įspėjimus.

- Nesinaudokite gaminiumi, jei jo apsauginės priemonės yra netvarkingos.
- Reguliariai tikrinkite apsaugines priemones. Jei apsauginės priemonės yra pažeistos, pasitarkite su Husqvarna techninės priežiūros atstovu.

Atlikite pjovimo gaubto patikrą.

Pjovimo gaubtas sumažina gaminio vibracijas ir sumažina disko keliamą sužeidimų pavojų.

- Apžiūrėkite pjovimo gaubtą, kad įsitikintumėte, jog nėra pažeidimų, pvz., įtrūkių.

Norėdami patikrinti variklio stabdžio rankeną

Variklio stabdžio rankena sustabdo variklį. Atleidus variklio stabdžio rankeną variklis sustoja.

- Paleiskite variklį, o tada atleiskite variklio stabdymo rankeną. Jei variklis nesustoja per 3 sekundes, paprašykite, kad įgaliotasis „Husqvarna“ techninės priežiūros atstovas sureguliuotų variklio rankeną. (Pav. 19)

Galinio deflektoriaus patikra

Galinis deflektorius saugo, kad gaminio naudotojo kryptimi neišskriėtų objektai.

- Įsitinkinkite, kad galinis deflektorius nepažeistas. (Pav. 20)
- Įsitinkinkite, kad spyruoklės, kurios uždaro galinį deflektorių, nesulūžusios.
- Pakeiskite sulūžusias spyruokles ir apgadintas dalis.
- Įsitinkinkite, kad galinis deflektorius gali sklandžiai judėti lankstais.

Duslintuvas

Duslintuvas iki minimumo sumažina triukšmo lygį ir nukreipia nuo naudotojo variklio išmetamąsias dujas.

Nenaudokite gaminio, jei nėra duslintuvo arba jis yra pažeistas. Esant pažeistam duslintuvui padidėja triukšmo lygis ir kyla gaisro pavojus.



PERSPĖJIMAS: Darbo metu ir tada, kai variklis veikia tuščiaja eiga, duslintuvas labai įkaista ir kurį laiką išlieka karštas. Elkitės atsargiai su degiomis medžiagomis ir (arba) garais, kad išvengtumėte gaisro.

Duslintuvo patikra

- Norėdami įsitikinti, kad duslintuvas yra tinkamai pritvirtintas ir nėra pažeistas, jį tikrinkite reguliariai.

Alyvos lygio tikrinimas



PASTABA: Per mažas alyvos kiekis gali sukelti variklio gedimus. Prieš paleidami gaminį patikrinkite alyvos lygį

1. Pastatykite gaminį ant lygaus paviršiaus.
2. Nusukite alyvos bakelio dangtelį su pridėtu alyvos lygio matuokliu.
3. Nuvalykite alyvą nuo matuoklės.
4. Visiškai įmerkite alyvos lygio matuoklį į alyvos bakelį, kad tinkamai išsiaiškintumėte alyvos lygį.
5. Ištraukite lygio matuoklę.
6. Patikrinkite alyvos lygį matuoklio pagalba.
7. Jei alyvos lygis nedidelis, pripilkite variklio alyvos ir vėl jį patikrinkite.

Degalų naudojimo sauga



PERSPĖJIMAS: Prieš naudodami gaminį, perskaitykite toliau esančius įspėjimus.

- Neužveskite gaminio, jei ant gaminio yra kuro arba variklio alyvos. Nuvalykite nepageidaujamą kurą / alyvą ir palaukite, kol gaminys išdžius.
- Apsipylę drabužius kuru nedelsiant persirenkite.
- Neapsipilkite kūno kuru, nes jis gali sužaloti. Apsipylę kūną kuru, jį nusiplaukite muilu ir vandeniu.
- Neužveskite gaminio, jei iš variklio sunkiasi skysčiai. Reguliariai tikrinkite, ar iš variklio nesisunkia skysčiai.
- Atsargiai elkitės su kuru. Kuras yra degus, o jo garai – sprogūs, todėl neatsargiai elgiantis galima susižaloti arba žūti.

- Neįkvėpkite kuro garų, nes jie gali sužaloti. Pasirūpinkite tinkamu vėdinimu.
- Nerūkykite greta kuro arba variklio.
- Nedėkite šiltų objektų greta kuro arba variklio.
- Nepilkite kuro, kai variklis užvestas.
- Prieš pildami kurą įsitikinkite, ar variklis ataušęs.
- Prieš pildami kurą lėtai atidarykite kuro bakelio dangtelį ir atsargiai išleiskite slėgį.
- Nepilkite į variklį kuro būdami patalpoje. Dėl oro stygiaus galima susižaloti arba žūti uždusęs arba apsinuodijęs anglies monoksidu.
- Stipriai užsukite kuro bakelio dangtelį. Nepakankamai stipriai užsukus kuro bakelį kyla gaisro pavojus.
- Prieš pradėdami darbą patraukite gaminį mažiausiai 3 m / 10 pėdų nuo vietos, kurioje pylėte kurą.
- Nepripilkite sklidino kuro bakelio. Šildamas kuras plečiasi. Palikite vietos kuro bakelio viršuje.

Priežiūros saugos instrukcijos



PERSPĖJIMAS: Prieš naudodami gaminį, perskaitykite toliau esančius įspėjimus.

- Variklio išmetamosiose dujose yra anglies monoksido – nuodingų, bekvapių ir labai pavojingų dujų. Nepaleiskite variklio patalpose ar uždaroje erdvėje.
- Prieš atlikdami techninę gaminio priežiūrą, sustabdykite variklį ir atjunkite uždegimo kabelį nuo uždegimo žvakės.
- Pjovimo įrangos techninės priežiūros darbus atlikite apsimovę apsaugines pirštines. Peilis labai aštrus ir gali lengvai įpjauti.
- Gamintojo nepatvirtinti priedai ir gaminio pakeitimai gali rimtai ar net mirtinai sužeisti. Nekeiskite gaminio. Visada naudokite tik gamintojo patvirtintus priedus.
- Jei techninė priežiūra atliekama netinkamai ir nereguliariai, padidėja sužeidimų ir žalos gaminiui pavojus.
- Atlikite tik savininko vadove nurodytus techninės priežiūros darbus. Visus kitus techninės priežiūros darbus turi atlikti patvirtintas „Husqvarna“ techninės priežiūros atstovas.
- Patvirtintas „Husqvarna“ techninės priežiūros atstovas turi reguliariai atlikti gaminio techninę priežiūrą.
- Pakeiskite pažeistas, sulūžusias arba susidėvėjusias dalis.

Surinkimas

Įvadas



PERSPĖJIMAS: Prieš surinkdami įrenginį perskaitykite ir supraskite saugos skyriaus informaciją.



PERSPĖJIMAS: Prieš surinkdami gaminį nuo uždegimo žvakės nuimkite dangtelį.

Rankenos surinkimas

1. Pakelkite apatinę rankeną. (Pav. 21)
2. Sulygiuokite apatinės rankenos apačioje esančias angas su rankenos laikikliuose esančiomis angomis.

Pasižymėkite: Sulygiuokite su tomis angomis, kuriomis bus užtikrinta, kad dirbti bus patogiu.

3. Priveržkite apatinės rankenos rankenėles.
4. Pakelkite viršutinę rankeną ir sulygiuokite ją su apatine rankena.
5. Iki galo priveržkite apatinės rankenos rankenėles.

Starterio lynelio rankenos montavimas

1. Pritvirtinkite kilpą prie starterio virvės ir T formos rankenėlės. Nepriveržkite iki galo. (Pav. 22)

2. Laikykite variklio stabdymo rankeną prispaudę prie rankenos.
3. Lėtai traukite starterio virvę ir įstatykite į starterio virvės kilpą. (Pav. 23)
4. Priveržkite T formos rankenėlę. (Pav. 24)

Gaminio paruošimas transportuoti

1. Išimkite žolės rinktuvą.
2. Atlaisvinkite apatinės rankenos rankenėles, kad atraktumėte rankeną. (Pav. 25)
3. Nulenkite rankeną žemyn ir atgal.
4. Pašalinkite apatinės rankenos rankenėles ir kaiščius.
5. Nulenkite rankeną pirmyn.

Žolės rinktuvo montavimas

1. Įdėkite žolės rinktuvo rėmą į žolės krepšį taip, kad standi krepšio dalis būtų apačioje. Pasirūpinkite, kad rėmo rankena būtų išsikišusi iš krepšio viršaus. (Pav. 26)
2. Pritvirtinkite žolės krepšį prie rėmo naudodami spaustukus. (Pav. 27)

Naudojimas

Įvadas



PERSPĖJIMAS: Prieš naudodami gaminį perskaitykite ir supraskite saugos skyriaus informaciją.



PASTABA: Nenaudokite benzino, kurio oktaninis skaičius yra mažesnis nei 90 RON (87 AKI). Antraip galima sugadinti gaminį.

Prieš naudodami gaminį

1. Atidžiai perskaitykite naudojimo instrukciją ir įsitikinkite, kad viską gerai supratote.
2. Apžiūrėkite pjovimo įrangą ir įsitikinkite, kad ji tinkamai prijungta ir sureguliuota. Žr. *Pjovimo įrangos patikrinimas psl. 191*.
3. Užpildykite kuro bakelį. Žr. *Norėdami pripildyti degalų psl. 188*.
4. Pripikite alyvos bakelį ir patikrinkite alyvos lygį. Žr. *Alyvos lygio tikrinimas psl. 187*.

Norėdami pripildyti degalų

Jei įmanoma, naudokite ekologišką / alkilato benziną. Jei ekologiško / alkilato benzino naudoti negalite, naudokite geros kokybės bešvinį benziną arba benziną su švinu, kurio oktaninis skaičius ne mažesnis nei 90.

1. Lėtai atsukite kuro bakelio dangtelį, kad išleistumėte slėgį.
2. Lėtai pilkite iš degalų kanistro. Jei išliejate kurą, nuvalykite jį audiniu ir palaukite, kol kuras išdžiūs.
3. Nuvalykite sritį aplink kuro bakelio dangtelį.
4. Stipriai užsukite kuro bakelio dangtelį. Nepakankamai stipriai užsukus kuro bakelį kyla gaisro pavojus.
5. Prieš pradėdami darbą patraukite gaminį mažiausiai 3 m (10 pėdų) nuo vietos, kurioje pylėte kurą.

Pjovimo aukščio nustatymas

Galima nustatyti 9 pjovimo aukščio padėtis.

1. Pastumkite pjovimo aukščio valdiklį rato kryptimi ir atgal, kad padidintumėte pjovimo aukštį.
2. Pastumkite pjovimo aukščio valdiklį rato kryptimi ir pirmyn, kad sumažintumėte pjovimo aukštį. (Pav. 28)



PASTABA: Nenustatykite per žemo pjovimo aukščio. Peiliai gali užkliudyti žemę, jei vejos paviršius nelygus.

Įrenginio paleidimas

1. Būkite už įrenginio.
2. Laikykite variklio stabdymo rankeną prispaudę prie rankenos. (Pav. 29)
3. Dešine ranka laikykite starterio lynelį.
4. Lėtai patraukite starterio lynelį, kol pajusite pasipriešinimą.
5. Tada stipriai patraukite, kad paleistumėte variklį.



PERSPĖJIMAS: Nevyniokite starterio virvės sau ant rankos.

Ratų pavaros naudojimas

- Pavaros svirtis patraukite rankenos kryptimi. (Pav. 30)
- Prieš patraukdami produktą atgal, išjunkite pavarą ir pastumkite įrenginį į priekį apie 10cm.
- Atleiskite pavaros svirtis, kad išjungtumėte pavarą, pvz., kai priartėjate prie kliūtis.

Pavaros valdymo kabelio reguliavimas

- Naudokite reguliavimo varžtą pavaros valdymo kabeliui sureguliuoti. (Pav. 31)
- Išjunkite variklį. Prieš naudojant judančias dalis, visada reikia atjungti uždegimo žvakę.
- Reguliavimo varžtą pasukite prieš laikrodžio rodyklę, kad įtemptumėte laidą ir padidintumėte greitį.
- Reguliavimo varžtą pasukite pagal laikrodžio rodyklę, kad pailgintumėte laidą ir sumažintumėte greitį.

Gaminio sustabdymas

- Norėdami tik sustabdyti pavarą, atleiskite pavaros svirtis.
- Norėdami išjungti variklį, atleiskite variklio stabdymo rankeną. (Pav. 32)

Gaminio su žolės rinktuvu naudojimas



PERSPĖJIMAS: Nenaudokite gaminio nepritvirtinę žolės rinktuvo arba neuždarę galinio deflektoriaus. Objektai gali išskrieti ir sužaloti gaminio naudotoją.

1. Pakelkite galinį deflektorių ir nuimkite mulčiavimo kaištį. (Pav. 33)

2. Kaip pritvirtinti žolės rinktuvą, žr. *Žolės rinktuvo montavimas psl. 188*.
3. Žolės rinktuvą uždėkite ant laikiklio. (Pav. 34)
4. Atleiskite galinį deflektorių ir uždėkite ant žolės krepšio rėmo.

Gaminio paruošimas mulčiavimui

Mulčiavimo režimu gaminys smulkina žolės nuopjovas. Tada žolės nuopjovos išbarstomos po visą veją. Mulčiuota žolė greitai suyra ir patrešia veją.

1. Pakelkite galinį gaubtą ir išimkite žolės krepšį, jei jis yra įrengtas.
2. Įstatykite mulčiavimo kaištį į rinktuvo kanalą. (Pav. 35)
3. Uždarykite galinį gaubtą ir įsitinkinkite, kad jis sandariai uždaromas ir liečiasi su mulčiavimo kaiščiu. (Pav. 36)

Gaminio pritaikymas šoniniam žolės išmetimui

1. Pakelkite galinį deflektorių ir nuimkite mulčiavimo kaištį. (Pav. 37)
2. Įrenkite išmetimo kreiptuvą. (Pav. 38)

Žolės rinktuvo ištuštinimas



PASTABA: Nevilkite, kai nešate žolės rinktuvą ištuštinti, kad jis nesidėvėtų.

1. Pakelkite žolės rinktuvą už rėmo rankenos. (Pav. 39)
2. Išimkite žolės nuopjovas iš žolės rinktuvo po rankena.
3. Ištuštinkite žolės nuopjovas iš krepšio su rėmo rankena.

Gerų rezultatų gavimas

- Visada naudokite pagalastą peilį. Atšipęs peilis netaisyklingai nupjauna ir žolės paviršius pagelsta. Be to, aštrus peilis naudoja mažiau energijos nei atšipęs.
- Nepjaukite daugiau nei 1/3 žolės ilgio. Pirmiausia nupjaukite nustatę didelį aukštį. Patikrinkite rezultatą ir sumažinkite pjovimo aukštį iki tinkamo lygio. Jeigu žolė tikrai aukšta, judėkite lėtai ir, jei reikia, pjaukite 2 kartus.
- Kiekvieną kartą pjaukite skirtingomis kryptimis, kad vejoje nesusidarytų dryžiai.

Techninė priežiūra

Įvadas



PERSPĖJIMAS: Prieš atlikdami priežiūros darbus perskaitykite ir supraskite saugos skyriaus informaciją.

Visiems gaminio techninės priežiūros ir remonto darbams reikia specialių apmokymų. Garantuojame profesionalaus remonto ir techninės priežiūros darbų pasiekiamumą. Jei jūsų pardavėjas nėra techninės priežiūros atstovas, paprašykite jo informacijos apie artimiausią techninės priežiūros atstovą.

Priežiūros grafikas



PASTABA: Įsitinkinkite, kad oro filtras yra tinkamai įdėtas ir nesiglaudžia prie žemės, kai keliate gaminį. Pavojus sugadinti variklį.

Techninės priežiūros intervalai apskaičiuojami pagal kasdienį gaminio naudojimą. Intervalai keičiasi, jei gaminys naudojamas kasdien.

Techninės priežiūros informaciją, pažymėtą *, žr. *Gaminio apsauginės priemonės psl. 186.*

Techninės priežiūros darbas	Kasdien	Savaitinė	Kiekvieną mėnesį
Atlikti bendrąją apžiūrą	X		
Patikrinti alyvos lygį	X		
Nuvalyti įrenginį	X		
Patikrinti pjovimo įrangą	X		
Patikrinti pjovimo įrangos gaubtą *	X		
Patikrinti variklio stabdymo rankeną *	X		
Patikrinti peilio stabdžio valdiklį *	X		
Patikrinti duslintuvą *		X	
Patikrinti uždegimo žvakę		X	
Pakeisti alyvą (pirmą kartą po 5 naudojimo valandų, tada kas 50 naudojimo valandas)			X
Išvalyti arba pakeisti oro filtrą			X
Patikrinti degalų sistemą			X

Bendroji apžiūra

- Įsitinkinkite, kad gaminio varžlės ir varžtai yra tinkamai priveržti.

Gaminio valymas iš išorės

- Lapus, žolę ir purvą nuvalykite šepečiu.
- Apžiūrėkite ar neužsikūšusi oro įsiurbimo anga variklio viršuje.
- Gaminio neplaukite aukšto slėgio plovimo aparatu.
- Jei gaminį valote vandeniu, nepilkite vandens tiesiai ant variklio.

Pjovimo įrangos gaubto vidinio paviršiaus valymas

- Ištuštinkite kuro bakelį.
- Paverskite įrenginį ant šono ant duslintuvo.



PASTABA: Jei gaminį paversite ant oro filtro, galite sugadinti variklį.

- Vandeniu aplikite vidinį pjovimo įrangos gaubto paviršių.

Vandens žarnos jungties naudojimas

- Pastatykite gaminį vietoje, kurioje pjovėte žolę, ar ant kito tvirto paviršiaus.
- Atjunkite žolės rinktuvą ar mulčiavimo kaištį nuo gaminio.
- Uždarykite galinį deflektorių.
- Prie vandens žarnos jungties prijunkite vandens žarną. (Pav. 40)
- Sustabdykite vandens tiekimą ir patikinkite, ar pro vandens žarnos jungtį neprateka vanduo.

6. Nepastebėję pratekėjimų paleiskite variklį. Neišjunkite variklio, kol gaminys nebus išvalytas žemiau korpuso.
7. Išjunkite variklį.
8. Sustabdykite vandens tiekimą ir atjunkite žarną nuo vandens žarnos jungties.

Pasižymėkite: Neatjunkite vandens žarnos nuo vandens žarnos jungties neišjungę variklio. Į variklį patekęs vanduo gali sutrumpinti variklio tarnavimo laiką.

9. Paleiskite variklį ir palaukite minutę, kol likęs vanduo bus pašalintas iš gaminio.

Norėdami pakeisti variklio alyvą



PERSPĖJIMAS: Iš karto sustabdykite variklį variklio alyva yra labai karšta. Prieš išleidami variklio alyvą, leiskite varikliui atvėsti. Jei užsipilsite variklio alyvos ant odos, nuvalykite ją muilu ir vandeniu.

1. Eksploatuokite gaminį, kol kuro bakelis ištuštės.
2. Nuimkite uždegimo kabelį nuo uždegimo žvakės.
3. Nuimkite alyvos bakelio dangtelį.
4. Po gaminiu padėkite konteinerį, į kurį surinksite variklio alyvą.
5. Pakreipkite įrenginį, kad išleistumėte variklio alyvą iš alyvos bakelio.
6. Pripilkite naujos variklio alyvos. Rekomenduojamo tipo ieškokite *Techniniai duomenys psl. 195*.
7. Patikrinkite alyvos lygį. Žr. *Alyvos lygio tikrinimas psl. 187*.

Uždegimo žvakės tikrinimas



PASTABA: Visada naudokite rekomenduojamo tipo žvakes. Netinkamo tipo uždegimo žvakė gali pažeisti gaminį.

- Patikrinkite uždegimo žvakę, jei variklio galingumas mažas, jį sunku paleisti arba jis netinkamai veikia tuščiąja eiga.
- Norėdami sumažinti pašalinių medžiagų atsiradimą ant uždegimo žvakės elektrodų, laikykitės šių instrukcijų:
 - a) Įsitinkinkite, kad tinkamai sureguliuotas greitis tuščiąja eiga.
 - b) Įsitinkinkite, kad naudojate tinkamą kuro mišinį.
 - c) Patikrinkite, ar oro filtras yra švarus.
- Jeigu uždegimo žvakė purvina, nuvalykite ją ir patikrinkite, ar nustatytas tinkamas tarpas tarp elektrodų, žr. *Techniniai duomenys psl. 195*. (Pav. 41)
- Esant reikalui pakeiskite uždegimo žvakę.

Kaip išvalyti oro filtrą

1. Nuimkite oro filtro dangtelį ir išimkite filtrą.
2. Sutrenkite filtrą į plokščią paviršių, kad nukristų dalelės.



PASTABA: Oro filtro nevalykite tirpikliu arba suslėgtu oru.

3. Vėl įdėkite filtrą. Įsitinkinkite, kad oro filtras visiškai sandarus oro filtro laikiklyje.
4. Vėl uždėkite oro filtro dangtelį.

Pasižymėkite: Ilgai naudoto oro filtro negalima iki galo išvalyti. Reguliariai pakeiskite oro filtrą. Visada pakeiskite pažeistą oro filtrą.

Pjovimo įrangos patikrinimas



PERSPĖJIMAS: Kad įranga netyčia nepasileistų, ištraukite uždegimo kabelį iš uždegimo žvakės.



PERSPĖJIMAS: Pjovimo įrangos techninės priežiūros darbus atlikite apsimovę apsaugines pirštines. Peilis labai aštrus ir gali lengvai įpjauti.

1. Patikrinkite, ar pjovimo įranga nepažeista ir neįskilusi. Visada pakeiskite pažeistą pjovimo įrangą.
2. Apžiūrėkite peilį, ar jis nepažeistas ir neatšipęs.

Pasižymėkite: Pagalاندus peilį jį reikia subalansuoti. Pagalasti, pakeisti ir subalansuoti peilį turi techninės priežiūros centro darbuotojai. Jei susidūrėte su kliūtimi, dėl kurios įrenginys sustojo, pakeiskite pažeistą peilį. Leiskite techninės priežiūros centro darbuotojams nuspręsti, ar peilį dar galima galasti, ar jau reikia keisti.

Peilio surinkimas

1. Uždėkite peilio adapterį ant variklio alkūninio veleno. Įsitinkinkite, kad adapterio raktas ir alkūninio veleno griovelis raktui yra sulygiuoti. (Pav. 42)
2. Peilį visada tvirtinkite variklio kryptimi taip, kad kampuoti galai būtų nukreipti į viršų. (Pav. 43)
3. Tarp peilio ir gaminio korpuso naudokite medžio bloką. Priveržkite peilio tvirtinimo varžtą ir pasukite jį pagal laikrodžio rodyklę.
4. Varžtą visada veržkite 35–40 svarų iš pėdos (47–54 Nm) jėga. (Pav. 44)
5. Įsitinkinkite, kad uždegimo žvakės kabelis yra atjungtas nuo variklio.



PASTABA: Siekdami išvengti netyčinio užvedimo visada atjunkite uždegimo žvakės kabelį ir laidą padėkite ten, kur jis nesilies su uždegimo žvake.

6. Ranka pasukite peilį ir patikrinkite, ar jis laisvai sukasi.

Peilio keitimas

1. Užfiksukite peilį medžio bloku. (Pav. 45)
2. Nusukite peilio tvirtinimo varžtą.
3. Nuimkite peilį.
4. Patikrinkite peilio atramą ir peilio tvirtinimo varžtą, ar jie nepažeisti.
5. Patikrinkite variklio veleną, kad įsitikintumėte, ar jis nesulenktas.

Transmisijos surinkimo apžvalga

(Pav. 2)

1. Mulčiavimo kaištis
2. Galinis įdėklas
3. Transmisijos skriemulys
4. Kreipiantysis laikiklis
5. Transmisijos gaubtas
6. Peilio adapteris
7. Kreipiantysis skriemulys
8. Priekinis diržo laikiklis
9. Žiediniai
10. Peilis
11. Plokščioji poveržlė
12. Fiksuojamoji poveržlė
13. Disko varžtas
14. Diržų gaubtas

Pavaros diržo nuėmimas

1. Eksploatuokite gaminį, kol kuro bakelis ištuštės.
2. Nuimkite uždegimo žvakės antgalį nuo uždegimo žvakės.
3. Paverskite įrenginį ant šono ant duslintuvo.



PASTABA: Jei gaminį paversite ant oro filtro, galite sugadinti variklį.

6. Įdėję naują peilį nukreipkite jo kampus pjovimo įrangos gaubto kryptimi. (Pav. 46)
7. Įsitikinkite, kad peilis sulgyjuotas su peilio veleno centru.
8. Užfiksukite peilį medžio bloku. Uždėkite spyruoklės poveržlę ir pritvirtinkite varžtą ir poveržlę 47-54 Nm sukimo momento jėga. (Pav. 47)
9. Ranka pasukite peilį ir patikrinkite, ar jis laisvai sukasi.



PERSPĖJIMAS: Apsimaukite pirštines sunkiam darbui. Peilis labai aštrus ir gali lengvai įpjauti.

10. Paleiskite gaminį, kad išbandytumėte peilį. Jei peilis netinkamai uždėtas, gaminys vibruoja arba pjaunama nepakankamai gerai.

4. Nuimkite pavaros sistemos gaubtą. (Pav. 48)
5. Išimkite peilio tvirtinimo varžtą, fiksuojamąją poveržlę, plokščiąją poveržlę ir peilį. (Pav. 49)
6. Išimkite mulčiavimo kaištį. (Pav. 50)
7. Nuimkite galinį įdėklą.
8. Nuimkite diržo gaubtą ir žiedą. (Pav. 51)
9. Atjunkite kabelį nuo transmisijos ir pašalinkite kreipiantįjį skriemulį nuo kreipiančiojo bloko.
10. Pašalinkite priekinį diržo laikiklį.
11. Nuimkite pavaros diržą nuo transmisijos skriemulio.
12. Pašalinkite 3 kreipiančiuosius skriemulius nuo kreipiančiojo bloko. (Pav. 52)
13. Pašalinkite pavaros diržą nuo peilio adapterio ir kreipiančiojo bloko. (Pav. 53)
14. Pritvirtinkite fiksavimo reples prie transmisijos varančiojo veleno. Atsukite variklio skriemulį naudodami 9/16" veržliaraktį, kad pašalintumėte transmisijos skriemulį.
15. Nuimkite pavaros diržą.

Gedimai ir jų šalinimas

Problema	Galima priežastis	Sprendimas
Nepavyksta užvesti variklio.	Uždegimo kabelis prijungtas netinkamai.	Prijunkite uždegimo kabelį prie uždegimo žvakės.
	Kuro bakelis yra tuščias.	Į kuro bakelį pripilkite tinkamo kuro.
	Užterštas karbiuratorius arba kuro linija.	Išvalykite karbiuratorių ir (arba) kuro liniją.
	Bloga uždegimo žvakė.	Sureguliuokite tarpą tarp elektrodų, išvalykite arba pakeiskite uždegimo žvakę.
Nepavyksta sustabdyti variklio	Stabdymo mechanizmas sugadintas.	Atjunkite uždegimo kabelį nuo uždegimo žvakės. Gaminio remontą leiskite atlikti įgaliotam techninės priežiūros atstovui.
Variklis veikia netolygiai.	Uždegimo kabelis prijungtas netinkamai.	Prijunkite uždegimo kabelį prie uždegimo žvakės.
	Užteršta kuro linija arba baigėsi kuro galiojimas.	Išvalykite kuro liniją. Užpildykite kuro bakelį tinkamu kuru.
	Kuro bakelio dangtelis užsikimšo.	Išvalykite kuro bakelio dangtelį.
	Į kuro sistemą pateko vandens arba purvo.	Išleiskite kurą iš kuro bakelio. Užpildykite kuro bakelį tinkamu kuru.
	Oro filtras yra purvinas.	Išvalykite oro filtrą.
	Būtina sureguliuoti karbiuratorių.	Karbiuratorių sureguliuoti leiskite techninės priežiūros atstovams.
Variklis pernelyg įkaista.	Per mažas variklio alyvos lygis.	Įpilkite variklio alyvos.
	Oro srautas nepakankamas.	Išvalykite oro filtrą ir oro filtro korpusą.
	Būtina sureguliuoti karbiuratorių.	Karbiuratorių sureguliuoti leiskite techninės priežiūros atstovams.
Gaminiai veikiant dideliu greičiu įvyksta uždegimo pertrūkiai.	Tarpas tarp elektrodų uždegimo žvakėje yra per mažas.	Sureguliuokite tarpą tarp elektrodų.
Variklis veikia netolygiai tuščiąja eiga.	Uždegimo žvakė yra purvina, sugadinta arba tarpas tarp elektrodų yra per didelis.	Sureguliuokite tarpą tarp elektrodų arba pakeiskite uždegimo žvakę.
	Būtina sureguliuoti karbiuratorių.	Sureguliuokite karbiuratorių.
	Oro filtras yra purvinas.	Išvalykite oro filtrą.
Rankena per smarkiai vibruoja.	Peilis yra laisvas arba nesubalansuotas.	Priveržkite peilio tvirtinimo varžtus. Jei peiliai pažeisti, pakeiskite juos.
	Peilis sulenktas.	Jei peiliai pažeisti, pakeiskite juos.

Problema	Galima priežastis	Sprendimas
Žolė nenupjaunama mulčiavimui.	Žolė yra šlapia.	Nenaudokite gaminio, jei žolė yra šlapia. Palaukite, kol žolė išdžius.
	Žolė yra per aukšta.	Pirmiausia nupjaukite nustatę didelį aukštį. Nustatykite žemesnį pjovimo aukštį ir nupjaukite dar kartą. Vienu metu nupjaukite tik ½ pjovimo pločio.
	Vienas ar daugiau peilių nėra pakankamai aštrūs.	Galąskite arba pakeikite peilius.
Žolė nupjaunama netolygiai.	Ratai nėra teisingos padėties.	Nustatykite vienodą visų 4 ratų pjovimo aukščio lygį.
	Vienas ar daugiau peilių nėra pakankamai aštrūs.	Galąskite arba pakeikite peilius.
Pavaros sistema veikia netinkamai	Pavaros diržas nepakankamai priveržtas arba ant skriemulių arba pavaros diržo yra purvo.	Patvirtintas techninės priežiūros atstovas turi atlikti pavarų sistemos techninę priežiūrą.

Transportavimas, saugojimas ir utilizavimas

Transportavimas ir laikymas

- Norėdami laikyti ir transportuoti gaminį ir kurą, įsitikinkite, kad jis neprateka ir neskleidžia išmetamųjų dujų. Žiežirbos arba atvira ugnis, pvz., elektriniai įrenginiai arba džiovintuvai, gali sukelti gaisrą.
- Laikydami ir transportuodami kurą visada naudokite patvirtintus konteinerius.
- Ištuštinkite kuro bakelį prieš padėdami gaminį laikyti ilgam laikui. Kurą išpilkite tinkamoje šalinimo vietoje.
- Saugiai pritvirtinkite gaminį jį transportuodami, kad nepažeistumėte ir išvengtumėte nelaimingų atsitikimų.
- Laikykite gaminį užrakintoje patalpoje, kad jo nepasiektų vaikai arba neįgalieji asmenys.
- Laikykite gaminį sausoje neužšąlančioje vietoje.

Šalinimas

- Laikykite vietinių atliekų tvarkymo reikalavimų ir galiojančių teisės aktų.
- Išpilkite visas chemines medžiagas, pvz., variklio alyvą arba kurą techninės priežiūros centre arba tinkamoje šalinimo vietoje.
- Kai gaminys nebenaudojamas, nusiųskite jį „Husqvarna“ pardavėjui arba atiduokite jį perdirbimo vietai.

Techniniai duomenys

Techniniai duomenys

	LC 353AWD
Variklis	
Gamintojas	„Honda“
Darbinis tūris, kub. col. / cm ³	10,4 / 170
Greitis, aps./min	2900–3200
Nominali variklio galia, kW / AG esant aps./min. ⁶⁶	3,6 / 4,9 esant 2900–3200
Uždegimo sistema	
Uždegimo žvakė	NGK BPR5ES
Tarpas tarp elektrodų, col. / mm	0,028 / 0,7
Degalų / tepimo sistema	
Degalai, bešviniai, min. oktaninis skaičius	90 RON / 87 AKI
Kuro bakelio talpa, JAV galonai / l	0,27 / 1,02
Alyvos bakelio talpa, JAV galonai / l	0,14 / 0,53
Variklio alyva ⁶⁷	SAE 30 / SAE 10W-30
Svoris	
Su tuščiais skysčių bakeliais, svar. / kg	92 / 41,7
Skleidžiamas triukšmas ⁶⁸	
Garso stiprumo lygis, išmatuotas dB (A)	95
Garso galios lygis, garantuojamas L _{WA} dB (A)	96
Garso lygiai ⁶⁹	
Naudotojo ausį veikiantis garso slėgis, dB (A)	85
Vibracijos lygis ⁷⁰	
Rankena, m/s ² su žolės rinktuvu / be žolės rinktuvo	7 / 7
Pjovimo įranga	

⁶⁶ Nurodyta variklio galia atitinka to modelio tipinės gamybos būdu pagaminto variklio vidutinę naudingąją atiduodamą galią (varikliui veikiant nurodytu greičiu), išmatuotą pagal SAE standartą J1349 / ISO1585. Masinės gamybos būdu pagamintų variklių galia gali skirtis. Faktinė gaminyje įmontuoto variklio galia priklausys nuo darbinio greičio, aplinkos sąlygų ir kitų aplinkybių.

⁶⁷ Naudokite SJ ar aukštesnės kokybės variklio alyvą. Žiūrėkite klampumo lentelę variklio gamintojo instrukcijoje ir pasirinkite geriausią klampumą, atsižvelgdami į numatomą lauko temperatūrą.

⁶⁸ Triukšmas, skleidžiamas į aplinką, išmatuotas kaip garso galia (L_{WA}) pagal EB direktyvą 2000/14/EB.

⁶⁹ Triukšmo slėgio lygis pagal ISO 5395. Pateikiamų triukšmo slėgio duomenų būdingoji statistinė sklaida (standartinis nuokrypis) lygi 1,2 dB (A).

⁷⁰ Vibracijos lygis pagal ISO 5395. Pateiktuose vibracijos lygio duomenyse yra 0,2 m/s² tipiška statistinė sklaida (standartinis nuokrypis).

	LC 353AWD
Pjovimo aukštis, col. / mm	1,0–4,0 / 25,4–101,6
Pjovimo plotis, col. / mm	21 / 530
Pelvis	
Gaminio numeris	586 85 96-02
Žolės rinktuvo talpa, pėd. ³ / l	2,3 / 65
Pavara	
Greitis, mph / km/h	0–3 / 0–4,8

EB atitikties deklaracijos turinys

Mes, „Husqvarna AB“, SE 561 82 Huskvarna, ŠVEDIJA, savo atsakomybe pareiškiame, kad pateiktas gaminys:

Aprašas	Vidaus degimo varikliu varoma savaeigė veļapjovė
Gamintojas	Husqvarna
Platforma / tipas / modelis	Platforma E21THV, atitinkanti modelius LC 353AWD.
Partija	Serijos numerių data nuo 2019.

visiškai atitinka šias ES direktyvas ir reikalavimus:

Direktyva / reikalavimas	Aprašas
2006/42/EB	„dėl mašinų“
2014/30/ES	„dėl elektromagnetinio suderinamumo“
2000/14/ES; 2005/88/EB	„dėl triukšmo lauke“
2011/65/ES	dėl tam tikrų pavojingų medžiagų naudojimo

Taikomi tokie darnieji standartai ir (arba) techninės specifikacijos: EN ISO 12100, ISO 5395-1+A1/A2, ISO 5395-2+A1/A2, EN ISO 14982, ISO 3744, ISO 11094, EN 1032

Pagal 2000/14/EB direktyvos VI priedą nustatytosios garso vertės pateikiamos šios instrukcijos techninių duomenų skyriuje ir pasirašytoje EB atitikties deklaracijoje.

Pateikta vidaus degimo varikliu varoma savaeigė veļapjovė atitinka kontrolę praėjusį pavyzdį.

Saturs

levads.....	197	Problēmu novēršana.....	206
Drošība.....	198	Pārvadāšana, glabāšana un utilizēšana.....	207
Montāža.....	201	Tehniskie dati.....	208
Lietošana.....	201	EK atbilstības deklarācijas saturs.....	209
Apkope.....	203		

Ievads

Izstrādājuma apraksts

Izstrādājums ir gājējam vadāms zāles plāvējs ar iekšdedzes dzinēju. Zāle tiek savākta zāles savācējā. Lai piekļūtu zāles aizmugurējam izmetējam, noņemiet zāles savācēju. Lai sagrieztu zāli mēslojumam, piestipriniet mulčēšanas komplektu.

Izstrādājuma pārskats

(Att. 1)

1. Dzinēja bremžu rokturis
2. Piedziņas sviras
3. Startera auklas rokturis
4. Zāles savācējs
5. Degvielas tvertnes vāciņš
6. Gaisa filtrs
7. Aizdedzes svece
8. Dzenošā skrīmeļa vāciņš
9. Slāpētājs
10. Ūdens šļūtenes savienojums
11. Aizmugurējais novirzītājs
12. Mērstienis/eļļas tvertne
13. Griešanas augstuma vadības ierīce
14. Mulčēšanas ieliktnis
15. Lietošanas rokasgrāmata
16. Izkraušanas tekne

Simboli uz izstrādājuma

- (Att. 3) **BRĪDINĀJUMS!** Šis izstrādājums var būt bīstams un izraisīt nopietnas vai nāvējošas traumas operatoram vai citām personām. Esiet uzmanīgs un lietojiet izstrādājumu pareizi.
- (Att. 4) Uzmanīgi izlasiet šo lietotāja rokasgrāmatu un pirms izstrādājuma lietošanas pārliecinieties, vai izprotat norādījumus.
- (Att. 5) Ātri
- (Att. 6) Lēni
- (Att. 7) Turiet rokas un kājas drošā attālumā no rotējošās daļas.

Paredzētā lietošana

Izmantojiet izstrādājumu zāles plaušanai privātos dārzos. Nelietojiet izstrādājumu citiem darbiem.

- (Att. 8) Nodrošiniet, lai darba zonā neatrastos cilvēki un dzīvnieki.
- (Att. 9) Esiet piesardzīgi, darbinot izstrādājumu atpakaļgaitā. Skatieties atpakaļ un lejup, lai izvairītos no maziem bērniem, dzīvniekiem vai citiem pakļūšanas riskiem.
- (Att. 10) Izstrādājuma lietošana uz nogāzes var būt bīstama.
- (Att. 11) Turiet rokas un kājas drošā attālumā no rotējošā asmens.
- (Att. 12) Uzmanieties no izmestiem un rikošetā atlecošiem priekšmetiem.
- (Att. 13) Trokšņa emisijas līmenis atbilst Eiropas Kopienas direktīvai. Izstrādājuma emisiju līmenis ir norādīts sadaļā " *Tehniskie dati lpp. 208*" un uz uzlīmes.
- (Att. 14) Šis izstrādājums atbilst spēkā esošajām EK direktīvām.
- (Att. 15) Šis izstrādājums atbilst piemērojamo EAC direktīvu prasībām.
- (Att. 16) Šis produkts atbilst spēkā esošajām RCM direktīvām. Attiecas tikai uz Austrāliju un Jaunzēlandi (AU/NZ).
- (Att. 17) Šis izstrādājums atbilst piemērojamo Ukrainas direktīvu prasībām.
- (Att. 18) Izmantojiet apstiprinātus dzirdes aizsarglīdzekļus.

Piezīme: Pārējie uz izstrādājuma norādītie simboli/uzlīmes attiecas uz citu tirdzniecības nozaru prasībām.

Atbildība par izstrādājuma kvalitāti

Saskaņā ar likumiem par izstrādājuma kvalitāti mēs neuzņemamies atbildību par bojājumiem, ko radījis mūsu izstrādājums, ja:

- ir veikts nepareizs izstrādājuma remonts;
- izstrādājuma remonts ir veikts, izmantojot detaļas, ko nav nodrošinājis vai apstiprinājis ražotājs;
- izstrādājumam tiek pievienots piederums, ko nav nodrošinājis vai apstiprinājis ražotājs;
- izstrādājuma remonts nav veikts pilnvarotā remontdarbnīcā vai pie pilnvarota speciālista.

Drošība

Drošības definīcijas

Brīdinājumi, norādes "Uzmanību!" un piezīmes tiek izmantotas, lai izceltu īpaši svarīgas lietotāja rokasgrāmatas daļas.



BRĪDINĀJUMS: Tiek izmantota tad, ja rokasgrāmatā sniegto instrukciju neievērošanas dēļ operatoram vai blakus esošajām personām draud traumu vai nāves risks.



IEVĒROJIET: Tiek izmantota tad, ja rokasgrāmatā sniegto instrukciju neievērošanas dēļ rodas izstrādājuma, citu materiālu vai blakus esošās teritorijas bojājuma risks.

Piezīme: Tiek izmantota, lai sniegtu plašāku informāciju, kas nepieciešama attiecīgajā situācijā.

Vispārīgi norādījumi par drošību



BRĪDINĀJUMS: Pirms sākat lietot izstrādājumu, izlasiet tālāk izklāstītās brīdinājuma instrukcijas.

- Šis izstrādājums ir bīstams, ja to lieto nepareizi vai ja nerīkojaties piesardzīgi. Drošības instrukciju neievērošana var izraisīt traumas vai nāvi.
- Šis izstrādājums darbības laikā rada elektromagnētisko lauku. Noteiktos apstākļos šis lauks var traucēt aktīvā vai pasīvā medicīniskā implantāta darbību. Lai samazinātu nopietnas traumas gūšanas vai dzīvības zaudēšanas risku, mēs iesakām personām, kam ir medicīniskie implantāti, pirms šī izstrādājuma lietošanas konsultēties ar savu ārstu un medicīniskā implantāta ražotāju.
- Vienmēr rīkojieties piesardzīgi un saprātīgi. Ja neesat drošs par to, kā izmantot šo izstrādājumu konkrētā situācijā, pārtrauciet darbu un sazinieties ar savu Husqvarna izplatītāju, pirms turpināt.
- Paturiet prātā, ka operators ir atbildīgs par negadījumiem, kuros iesaistītas citas personas.
- Gādājiet, lai izstrādājums ir tīrs. Pārlicinieties, ka varat skaidri izlasīt zīmes un uzlīmes.

- Nelaujiet nevienai personai izmantot izstrādājumu, ja neesat pārliecinājies, ka šī persona ir izlasījusi un izprot lietotāja rokasgrāmatas saturu.
- Nelaujiet bērniem lietot šo izstrādājumu.
- Bērni nedrīkst atrasties darba zonā. Tuvumā vienmēr jābūt pieaugušajam.
- Nelaujiet lietot izstrādājumu personai, kas nav iepazinusies ar lietošanas norādījumiem.
- Ja izstrādājumu izmanto persona ar samazinātām fiziskajām vai garīgajām spējām, vienmēr uzraugiet šo personu. Tuvumā vienmēr jābūt pieaugušajam.
- Neizmantojiet šo izstrādājumu, ja esat noguris, slims vai esat alkohola, narkotiku vai medikamentu izraisītā reibumā. Šāds stāvoklis negatīvi ietekmē jūsu redzi, modrību, koordināciju un spriestspēju.
- Neizmantojiet izstrādājumu, ja tas ir bojāts.
- Neveiciet izmaiņas šajā izstrādājumā un neizmantojiet to, ja ir iespējams, ka citas personas tajā ir veikušas izmaiņas.

Darba zonas drošība



BRĪDINĀJUMS: Pirms sākat lietot izstrādājumu, izlasiet tālāk izklāstītās brīdinājuma instrukcijas.

- Pirms izmantojat izstrādājumu, noņemiet no darba zonas priekšmetus, piemēram, zarus, žagarus un akmeņus.
- Priekšmeti, kas saskaras ar griešanas ierīci, var atlēkt un nodarīt kaitējumu personām vai citiem priekšmetiem. Gādājiet, lai citi cilvēki un dzīvnieki atrastos drošā attālumā no izstrādājuma.
- Nekad neizmantojiet izstrādājumu sliktos laikapstākļos, piemēram, miglā, lietū, stiprā vējā, lielā aukstumā un pastāvot zibeņošanas riskam. Izstrādājuma izmantošana sliktos laikapstākļos vai mitrā vai slapjā vietā ir nogurdinoša. Slikti laikapstākļi var izraisīt bīstamus apstākļus, piemēram, slidenas virsmas.
- Pārlicinieties, vai nav personu, priekšmetu un situāciju, kas varētu kavēt izstrādājuma drošu darbību.
- Uzmanīgi skatieties, vai nav šķēršļu, piemēram, sakņu, akmeņu, zaru, bedru un grāvju. Garā zālē var atrasties dažādi šķēršļi.

- Plaušana uz nogāzēm var būt bīstama. Neizmantojiet izstrādājumu uz virsmas, kuras slīpums pārsniedz 15°.
- Uz nogāzēm izstrādājumu izmantojiet garenvirzienā. Nepļaujiet uz augšu un uz leju.
- Esiet uzmanīgi, kad tuvojaties stūriem, aiz kuriem nekas nav redzams, un priekšmetiem, kas aizsedz skaidru skatu.

Darba drošība



BRĪDINĀJUMS: Pirms sākat lietot izstrādājumu, izlasiet tālāk izklāstītās brīdinājuma instrukcijas.

- Izmantojiet šo izstrādājumu tikai zālienu pļaušanai. Izstrādājumu nav atļauts izmantot citu darbu veikšanai.
- Lietojiet individuālos aizsardzības līdzekļus. Skatiet šeit: *Individuālie aizsarglīdzekļi lpp. 199.*
- Pārliecinieties, vai zināt, kā ārkārtas situācijā ātri apturēt dzinēju.
- Nekad neiedarbiniet dzinēju slēgtās telpās vai uzliesmojošu materiālu tuvumā. Dzinēja izplūdes gāzes ir karstas, un tajās var būt dzirksteles, kas var izraisīt ugunsgrēku.
- Nedarbiniet izstrādājumu, ja asmens un visi pārsegi nav piestiprināti pareizi. Nepareizi piestiprināts asmens var kļūt vaļīgs un izraisīt traumas personai.
- Pārliecinieties, ka asmens neatsitas pret priekšmetiem, piemēram, akmeņiem un saknēm. Tas var sabojāt asmeni un saliekt dzinēja vārpstu. Saliekts asmens izraisa stipru vibrāciju un rada ļoti lielu risku, ka asmens kļūst vaļīgs.
- Ja asmens saskaras ar priekšmetu vai rodas spēcīgas vibrācijas, nekavējoties izslēdziet izstrādājumu. Atvienojiet aizdedzes vadu no aizdedzes sveces. Pārbaudiet, vai izstrādājumā nav bojājumu. Novērsiet bojājumus vai ļaujiet pilnvarotā servisa pārstāvim veikt remontu.
- Nekad nepiestipriniet dzinēja bremžu rokturi pastāvīgi rokturim, kad dzinējs ir iedarbināts.
- Novietojiet izstrādājumu uz stabilas, līdzsvarotās virsmas un iedarbiniet to. Pārliecinieties, vai asmens nepieskaras zemei vai citiem priekšmetiem.
- Darbinot izstrādājumu, vienmēr stāviet aiz tā.
- Darbinot izstrādājumu, raugiet, lai visi četri riteņi atrodas uz zemes un turiet rokturi ar abām rokām. Turiet rokas un kājas drošā attālumā no rotējošajiem asmeņiem.
- Nekad nenolieciet izstrādājumu dzinēja darbības laikā.
- Esiet piesardzīgs, velkot izstrādājumu uz aizmuguri.
- Nekad neceliet izstrādājumu uz augšu dzinēja darbības laikā. Ja jums jāpaceļ izstrādājums, vispirms izslēdziet dzinēju un atvienojiet aizdedzes vadu no aizdedzes sveces.
- Neejiet atmuģuriski izstrādājuma lietošanas laikā.

- Izslēdziet dzinēju, kad pārvietojaties pa teritorijām, ko neklāj zāle, piemēram, pa grants, akmens vai asfalta celiņiem.
- Nekad neskrīniet ar izstrādājumu dzinēja darbības laikā. Darbinot izstrādājumu, vienmēr ejiet.
- Apturiet dzinēju, pirms maināt griešanas augstumu. Nekad nemēģiniet veikt regulēšanas darbus dzinēja darbības laikā.
- Nekad neatstājiet izstrādājumu bez uzraudzības dzinēja darbības laikā. Izslēdziet dzinēju un pārliecinieties, vai griešanas ierīce nerotē.

Norādījumi par drošu darbu

Individuālie aizsarglīdzekļi



BRĪDINĀJUMS: Pirms sākat lietot izstrādājumu, izlasiet tālāk izklāstītās brīdinājuma instrukcijas.

- Šādi līdzekļi nevar pilnībā novērst traumu gūšanas risku, taču samazina traumu smaguma pakāpi, ja negadījums tomēr notiek. Ļaujiet izplatītajam palīdzēt jums izvēlēties pareizo aprīkojumu.
- Ja trokšņa līmenis ir augstāks par 85 dB, izmantojiet dzirdes aizsarglīdzekļus.
- Velciet izturīgas zābakus vai kurpes, kas neslīd. Nevelciet valējas kurpes un neejiet ar basām kājām.
- Velciet izturīgas garās bikses.
- Vajadzības gadījumā izmantojiet aizsargcimdus, piemēram, piestiprinot, pārbaudot vai fīrot griešanas aprīkojumu.

Izstrādājuma drošības ierīces



BRĪDINĀJUMS: Pirms sākat lietot izstrādājumu, izlasiet tālāk izklāstītās brīdinājuma instrukcijas.

- Nelietojiet izstrādājumu ar bojātām drošības ierīcēm.
- Regulāri pārbaudiet drošības ierīces. Ja drošības ierīces ir bojātas, sazinieties ar savu Husqvarna servisa pārstāvi.

Griezēja pārsega pārbauda

Griezēja pārsegs samazina izstrādājuma vibrācijas un asmens radītu ievainojumu gūšanas risku.

- Pārbaudiet griezēja pārsegu, lai pārliecinātos, vai nav bojājumu, piemēram, plaisu.

Dzinēja bremžu roktura pārbauda

Dzinēja bremžu rokturis aptur dzinēju. Atlaižot dzinēja bremžu rokturi, dzinējs apstājas.

- Iedarbiniet dzinēju un pēc tam atlaidiet dzinēja bremžu rokturi. Ja dzinējs neapstājas trīs sekundēs, lieciet pilnvarotā Husqvarna servisa pārstāvim noregulēt dzinēja bremzes. (Att. 19)

Aizmugurējā novirzītāja pārbaude

Aizmugurējais novirzītājs mazina operatora virzienā izsviestu priekšmetu iespējamību.

- Pārbaudiet, vai nav bojāts aizmugurējais novirzītājs. (Att. 20)
- Pārbaudiet, vai nav salauztas atsperes, kas noslēdz aizmugurējo novirzītāju.
- Nomainiet salauztās atsperes un bojātās detaļas.
- Pārbaudiet, vai aizmugurējais novirzītājs engēs kustas brīvi.

Slāpētājs

Slāpētājs maksimāli mazina troksni un novirza motora izplūdes gāzes prom no operatora.

Nelietojiet izstrādājumu, ja slāpētājs nav piestiprināts vai ir bojāts. Bojāts slāpētājs palielina trokšņa līmeni un aizdegšanās risku.



BRĪDINĀJUMS: Lietošanas laikā, tūlīt pēc tās un tad, kad dzinējs darbojas tukšgaitā, slāpētājs ļoti uzkarst. Lai novērstu aizdegšanos, esiet piesardzīgs uzliesmojošu materiālu un/vai gāzu tuvumā.

Trokšņa slāpētāja pārbaude

- Regulāri pārbaudiet slāpētāju, lai pārliecinātos, ka tas ir pareizi piestiprināts un nav bojāts.

Eļļas līmeņa pārbaude



IEVĒROJIET: Pārāk zems eļļas līmenis var izraisīt dzinēja bojājumus. Pirms iedarbināt izstrādājumu, pārbaudiet eļļas līmeni.

1. Novietojiet izstrādājumu uz līdzenas virsmas.
2. Noņemiet eļļas tvertnes vāciņu ar piestiprināto mērstieni.
3. Notīriet no mērstieņa eļļu.
4. Ievietojiet mērstieni pilnībā eļļas tvertnē, lai iegūtu pareizu priekšstatu par eļļas līmeni.
5. Izņemiet mērstieni.
6. Pārbaudiet eļļas līmeni uz mērstieņa.
7. Ja eļļas līmenis ir pārāk zems, uzpildiet dzinēja eļļu un pārbaudiet eļļas līmeni vēlreiz.

Drošības norādījumi, rīkojoties ar degvielu



BRĪDINĀJUMS: Pirms sākat lietot izstrādājumu, izlasiet tālāk izklāstītās brīdinājuma instrukcijas.

- Nelietojiet izstrādājumu, ja uz tā ir degviela vai dzinēja eļļa. Notīriet nevēlamo degvielu/eļļu un ļaujiet izstrādājumam nožūt.
- Ja degviela ir nokļuvusi uz apģērba, nekavējoties pārgērbieties.

- Neļaujiet degvielai nonākt uz ķermeņa, jo tā var izraisīt savainojumus. Ja degviela ir nonākusi uz ķermeņa, izmantojiet ziepes un ūdeni, lai to nomazgātu.
- Nelietojiet izstrādājumu, ja dzinējā ir sūce. Regulāri pārbaudiet, vai dzinējam nav radusies sūce.
- Rīkojoties ar degvielu, esiet uzmanīgs. Degviela ir viegli uzliesmojoša, tās tvaiki ir sprādzienbīstami, un var izraisīt savainojumus vai nāvi.
- Neieelpojiet degvielas tvaikus, jo tie var izraisīt savainojumus. Pārliecinieties, vai gaisa plūsma ir pietiekama.
- Nesmēķējiet degvielas vai dzinēja tuvumā.
- Nenovietojiet siltus objektus degvielas vai dzinēja tuvumā.
- Nepievienojiet degvielu dzinēja darbības laikā.
- Pirms degvielas uzpildes pārliecinieties, vai dzinējs ir atdzisis.
- Pirms uzpildes lēni atveriet degvielas tvertnes vāciņu un uzmanīgi izlaidiet spiedienu.
- Neveiciet dzinēja degvielas uzpildi telpās. Nepietiekama gaisa plūsma var izraisīt savainojumus vai nāvi, nosmokot vai saindējoties ar oglekļa monoksīdu (tvana gāzi).
- Pilnībā piegrieziet degvielas tvertnes vāciņu. Ja degvielas tvertnes vāciņš nav piegriezts, pastāv aizdegšanās risks.
- Pirms iedarbināšanas pārvietojiet izstrādājumu vismaz 3 m (10 pēdas) no vietas, kur piepildījāt tvertni.
- Nepiepildiet degvielas tvertni pilnībā. Siltuma ietekmē degviela izplešas. Atstājiet degvielas tvertnes augšdaļu tukšu.

Norādījumi par drošu apkopi



BRĪDINĀJUMS: Pirms sākat lietot izstrādājumu, izlasiet tālāk izklāstītās brīdinājuma instrukcijas.

- Dzinēja gāzu izplūdes satur oglekļa monoksīdu, kas ir bezkrāsaina, indīga un ļoti bīstama gāze. Nedarbiniet dzinēju iekšējās vai slēgtās telpās.
- Pirms veicat izstrādājuma apkopi, vispirms izslēdziet dzinēju un atvienojiet aizdedzes vadu no aizdedzes sveces.
- Veicot griešanas aprīkojuma apkopi, velciet aizsargcimdus. Asmens ir ļoti ass, un ar to var viegli sagriezties.
- Piederumi un pārveidojumi izstrādājumā, kurus ražotājs nav apstiprinājis, var izraisīt nopietnas traumas vai nāvi. Nepārveidojiet izstrādājumu. Izmantojiet tikai tādus piederumus, ko ir apstiprinājis ražotājs.
- Ja apkope netiek veikta pareizi un regulāri, traumu gūšanas risks un bojājumu izstrādājumam risks palielinās.

- Veiciet tikai to apkopi, kas norādīta īpašnieka rokasgrāmatā. Visi pārējie apkopes darbi jāveic pilnvarotā Husqvarna servisa pārstāvim.

- Ļaujiet pilnvarotā Husqvarna servisa pārstāvim regulāri veikt izstrādājuma apkopi.
- Nomainiet bojātās, nodilušās un salūzušās detaļas.

Montāža

Ievads



BRĪDINĀJUMS: Pirms montējat izstrādājumu, izlasiet nodaļu par drošību un pārliecinieties, vai saprotat to.



BRĪDINĀJUMS: Noņemiet aizdedzes sveces vadu no aizdedzes sveces, pirms montējat izstrādājumu.

Roktura montāža

1. Paceliet apakšējo rokturi. (Att. 21)
2. Salāgojiet atveres zemākā roktura apakšā ar atverēm roktura skavās.

Piezīme: Izvēlieties atveres, kas nodrošina labāko darba stāvokli.

3. Pievelciet apakšējā roktura fiksatorus.
4. Paceliet augšējo rokturi un salāgojiet to ar apakšējo rokturi.
5. Pilnībā pievelciet augšējā roktura fiksatorus.

Startera auklas roktura uzstādīšana

1. Pievienojiet startera auklas loku un T veida fiksatoru. Nepievelciet pilnībā. (Att. 22)

2. Turiet dzinēja bremžu rokturi pretī stūrei.
3. Lēni izvelciet startera auklu un ievietojiet to startera auklas lokā. (Att. 23)
4. Pievelciet T veida fiksatoru. (Att. 24)

Produkta novietošana transportēšanas pozīcijā

1. Noņemiet zāles savācēju.
2. Atlaidiet apakšējā roktura fiksatorus, lai atbloķētu rokturi. (Att. 25)
3. Nolokiet rokturi uz leju, uz aizmuguri.
4. Noņemiet fiksatorus un tapas no apakšējā roktura.
5. Nolokiet rokturi uz priekšu.

Zāles uztvērēja montāža

1. Piestipriniet zāles uztvērēja rāmi zāles maisam tā, lai maisa stingrā daļa būtu apakšā. Raugieties, lai rāmja rokturis ir ārpus maisa augšdaļas. (Att. 26)
2. Nostipriniet zāles maisu pie rāmja, izmantojot ātrdarbīgās spaiļas. (Att. 27)

Lietošana

Ievads



BRĪDINĀJUMS: Pirms sākat darbu ar produktu, izlasiet nodaļu par drošību un pārliecinieties, vai saprotat to.

Pirms izstrādājuma darbināšanas

1. Uzmanīgi izlasiet lietotāja rokasgrāmatu un pārliecinieties, vai izprotat instrukcijas.
2. Pārbaudiet griešanas aprīkojumu, lai pārliecinātos, vai tas ir pareizi piestiprināts un noregulēts. Skatiet šeit: *Griešanas aprīkojuma pārbaudīšana lpp. 204.*
3. Uzpildiet degvielas tvertni. Skatiet šeit: *Degvielas uzpildīšana lpp. 201.*
4. Uzpildiet degvielas tvertni un pārbaudiet eļļas līmeni. Skatiet šeit: *Eļļas līmeņa pārbaude lpp. 200.*

Degvielas uzpildīšana

Ja iespējams, izmantojiet zemu emisiju/alkilātu degvielu. Ja zemu emisiju/alkilātu benzīns nav pieejams, izmantojiet kvalitatīvu bezsvina benzīnu vai svīnu saturošu benzīnu, kura oktānskaitlis ir vismaz 90.



IEVĒROJIET: Neizmantojiet benzīnu, kura oktānskaitlis ir mazāks par 90 RON (87 AKI). Pretējā gadījumā izstrādājums var tikt bojāts.

1. Lēni atveriet degvielas tvertnes vāciņu, lai samazinātu spiedienu.
2. Lēni uzpildiet ar degvielas kannu. Ja esat izšakstījis degvielu, notīriet to ar drāniņu un ļaujiet atlikušajai degvielai nožūt.
3. Notīriet vietu ap degvielas tvertnes vāciņu.
4. Pilnībā piegrieziet degvielas tvertnes vāciņu. Ja degvielas tvertnes vāciņš nav piegriezts, pastāv aizdegšanās risks.

5. Pirms iedarbināšanas pārvietojiet izstrādājumu vismaz 3 m (10 pēdu attālumā) no vietas, kur veicāt uzpildi.

Plaušanas augstuma regulēšana

Griešanas augstumu var noregulēt 9 līmeņos.

1. Lai palielinātu griešanas augstumu, pabīdīet griešanas augstuma sviru riteņa virzienā un pēc tam uz aizmuguri.
2. Lai samazinātu griešanas augstumu, pabīdīet griešanas augstuma sviru riteņa virzienā un pēc tam uz priekšu. (Att. 28)



IEVĒROJIET: Neiestatiet griešanas augstumu pārāk zemu. Ja zāliena virsma nav līdzena, asmeņi var saskarties ar zemi.

Izstrādājuma iedarbināšana

1. Stāviet aiz izstrādājuma.
2. Turiet dzinēja bremžu rokturi pretī stūrei. (Att. 29)
3. Turiet startera auklas rokturi ar labo roku.
4. Lēni velciet startera auklu, līdz sajūtat pretestību.
5. Lai iedarbinātu dzinēju, spēcīgi to pavelciet.



BRĪDINĀJUMS: Netiniet startera auklu ap roku.

Piedziņas izmantošana rīteņiem

- Velciet piedziņas sviras stūres virzienā. (Att. 30)
- Pirms velkat izstrādājumu uz aizmuguri, atvienojiet piedziņu un pastumiet izstrādājumu uz priekšu par aptuveni 10cm.
- Atlaidiet piedziņas sviras, lai atvienotu piedziņu, piemēram, ja tuvojaties šķērslim.

Piedziņas vadības kabeļa regulēšana

- Izmantojiet regulēšanas skrūvi, lai pielāgotu piedziņas vadības kabeli. (Att. 31)
- Izslēdziet dzinēju. Pirms rīkoties ar kustīgajām daļām, vienmēr atvienojiet aizdedzes sveci.
- Grieziēt regulēšanas skrūvi pretēji pulksteņrādītāju kustības virzienam, lai nosprīgotu trosi un palielinātu ātrumu.
- Grieziēt regulēšanas skrūvi pulksteņrādītāju kustības virzienā, lai pagarinātu trosi un samazinātu ātrumu.

Izstrādājuma izslēgšana

- Lai apturētu tikai piedziņu, atlaidiet piedziņas sviras.
- Lai apturētu dzinēju, atlaidiet dzinēja bremžu rokturi. (Att. 32)

Izstrādājuma lietošana ar zāles savācēju



BRĪDINĀJUMS: Nelietojiet izstrādājumu bez uzstādīta zāles savācēja vai bez aizvērtā aizmugurējā novirzītāja. Var tikt izsviesti priekšmeti, un operatoram var tikt radīta trauma.

1. Paceliet aizmugurējo novirzītāju un noņemiet mulčēšanas ieliktni. (Att. 33)
2. Samontējiet zāles savācēju; skatiet šeit: *Zāles uztvērēja montāža lpp. 201.*
3. Novietojiet zāles savācēju uz skavas. (Att. 34)
4. Atlaidiet aizmugurējo novirzītāju un novietojiet zāles maisa rāmja augšpusē.

Izstrādājuma iestatīšana mulčēšanas režīmā

Izstrādājuma mulčēšanas režīms padara zāles atgriezumus mazākus. Zāles atgriezumai tiek izsviesti uz zālāja un izkļiedēti pa zāli. Mulčēta zāle ātri bioloģiski sadalās, lai zālājam nodrošinātu barības vielas.

1. Paceliet aizmugurējo aizsargu un noņemiet zāles maisu (ja tāds uzstādīts).
2. Ievietojiet mulčēšanas ieliktni zāles savācēja atverē. (Att. 35)
3. Ļaujiet aizmugurējam aizsargam aizvērties un pārbaudiet, vai tas stingri noslēdzas pret mulčēšanas ieliktni. (Att. 36)

Izstrādājuma iestatīšana sānu izmetes režīmā

1. Paceliet aizmugurējo novirzītāju un noņemiet mulčēšanas ieliktni. (Att. 37)
2. Izmešanas renes uzstādīšana (Att. 38)

Zāles savācēja iztukšošana



IEVĒROJIET: Nevelciet maisu, kad iztukšojat zāles savācēju, lai novērstu nodilumu.

1. Paceliet zāles savācēju, izmantojot rāmja rokturi. (Att. 39)
2. Izfīriēt zāles atgriezumus no zāles savācēja zem roktura.
3. Iztukšojiet zāles atgriezumus no maisa, izmantojot rāmja rokturi un somas rokturi.

Labā rezultāta panākšana

- Vienmēr lietojiet tikai asus asmeņus. Lietojot trulu asmeņi, plaušanas rezultāts ir nevienmērīgs, un

noplautā zāles virsma kļūst dzeltena. Ass asmens arī patērē mazāk enerģijas nekā truls asmens.

- Nepļaujiet vairāk par 1/3 no zāles garuma. Vispirms pļaujiet ar lielu pļaušanas augstuma iestatījumu. Pārbaudiet rezultātu un nolaidiet pļaušanas

augstumu līdz pieņemamam līmenim. Ja zāle ir ļoti gara, pļaujiet lēni un, ja nepieciešams, dariet to divreiz.

- Katru reizi pļaujiet dažādos virzienus, lai zālienā neatstātu svītras.

Apkope

Ievads



BRĪDINĀJUMS: Pirms veicat apkopi, izlasiet nodaļu par drošību un pārlicinieties, vai izprotat to.

Lai veiktu visus izstrādājuma apkopes un remonta darbus, ir nepieciešama īpaša apmācība. Mēs garantējam profesionāla remonta un apkopes pieejamību. Ja jūsu izplatītājs nav servisa pārstāvis, vērsieties pie viņa, lai iegūtu informāciju par tuvāko servisa pārstāvi.

Apkopes grafiks



IEVĒROJIET: Sagāžot izstrādājumu, pārlicinieties, lai gaisa filtrs būtu vērstas uz augšu, nevis pret zemi. Pastāv risks izraisīt dzinēja bojājumus.

Apkopes intervāli tiek aprēķināti atbilstoši izstrādājuma ikdienas lietošanai. Intervāli mainās, ja izstrādājumu neizmanto ikdienā.

Apkopei, kas atzīmēta ar zīmi *, skatiet instrukcijas sadaļā *Izstrādājuma drošības ierīces lpp. 199.*

Apkope	Katru dienu	Reizi nedēļā	Reizi mēnesī
Vispārējās pārbaudes veikšana	X		
Pārbaudiet eļļas līmeni	X		
Noīriet izstrādājumu	X		
Pārbaudiet griešanas aprīkojumu	X		
Pārbaudiet griešanas pārsegu*	X		
Pārbaudiet dzinēja bremžu rokturi*	X		
Pārbaudiet asmeņu bremžu vadības sviru*	X		
Pārbaudiet slāpētāju*		X	
Pārbaudiet aizdedzes sveci		X	
Nomainiet eļļu (pirmo reizi pēc 5 h lietošanas, pēc tam — ik pēc 50 h lietošanas)			X
Iztīriet vai nomainiet gaisa filtru			X
Pārbaudiet degvielas sistēmu			X

Vispārējās pārbaudes veikšana

- Pārlicinieties, vai visi uzgriežņi un skrūves uz izstrādājuma ir pareizi pievilkti.

Produkta tīrīšana no ārpuses

- Izmantojiet suku, lai notīrītu lapas, zāli un netīrumus.
- Pārlicinieties, vai gaisa ieplūde dzinēja augšpusē nav bloķēta.
- Produktu nedrīkst skalot ar augstspiediena ūdens strūklu.

- Ja izstrādājuma tīrīšanai izmantojat ūdeni, nelejiet to tieši uz dzinēja.

Griešanas pārsega iekšējās virsmas tīrīšana

1. Iztukšojiet degvielas tvertni.
2. Novietojiet izstrādājumu uz sāniem ar slāpētāju uz leju.



IEVĒROJIET: Novietojot izstrādājumu ar gaisa filtru uz leju, var sabojāt dzinēju.

3. Ar šļūteni noskalojiet griešanas pārsega iekšējo virsmu.

Ūdens šļūtenes savienojuma izmantošana

1. Novietojiet izstrādājumu laukumā, kur noplauta zāle vai uz citas stingras virsmas.
2. Noņemiet no izstrādājuma zāles savācēju vai mulčēšanas ieliktni.
3. Aizveriet aizmugurējo novirzītāju.
4. Pievienojiet ūdens šļūteni ūdens šļūtenes savienojumam. (Att. 40)
5. Apturiet ūdens pievadi un pārbaudiet, vai šļūtenes savienojumā nav noplūdes.
6. Ja noplūdes nav, iedarbiniet dzinēju. Ļaujiet dzinējam darboties, līdz izstrādājums zem korpusa ir tīrs.
7. Apturiet dzinēju.
8. Apturiet ūdens pievadi un atvienojiet šļūteni no ūdens šļūtenes savienojuma.

Piezīme: Neatvienojiet ūdens šļūteni no ūdens šļūtenes savienojuma, kad darbojas dzinējs. Ja dzinējā iekļūst ūdens, var tikt samazināts dzinēja darbūms.

9. Iedarbiniet dzinēju un ļaujiet tam darboties vienu minūti, lai izvadītu atlikušo ūdeni no izstrādājuma.

Dzinēja eļļas nomaīņa



BRĪDINĀJUMS: Uzreiz pēc motora izslēgšanas dzinēja eļļa ir ļoti karsta. Ļaujiet dzinējam atdzist, pirms nolejat dzinēja eļļu. Ja esat uzšakstījis dzinēja eļļu uz ādas, nomazgājiet to ar ziepēm un ūdeni.

1. Darbiniet izstrādājumu, līdz degvielas tvertne ir tukša.
2. Atvienojiet aizdedzes vadu no aizdedzes sveces.
3. Noņemiet eļļas tvertnes vāciņu.
4. Novietojiet trauku zem izstrādājuma, lai savāktu dzinēja eļļu.
5. Sasveriet izstrādājumu, lai noliektu dzinēja eļļu no eļļas tvertnes.
6. Uzplidiet ar vajadzīgā veida jaunu dzinēja eļļu, kas ieteikta sadaļā *Tehniskie dati lpp. 208*.
7. Pārbaudiet eļļas līmeni. Skatiet šeit: *Eļļas līmeņa pārbaude lpp. 200*.

Aizdedzes sveces pārbaude



IEVĒROJIET: Vienmēr lietojiet ieteikto aizdedzes sveces tipu. Nepiemērota aizdedzes svece var radīt izstrādājuma bojājumus.

- Pārbaudiet aizdedzes sveci, ja dzinējam nepietiek jaudas, dzinēju nevar viegli iedarbināt vai arī tas nedarbojas pareizi tukšgaitā.
- Lai samazinātu nevēlamu materiālu uzkrāšanos uz aizdedzes sveces elektrodiem, ievērojiet turpmākos norādījumus.
 - a) Pārliecinieties, vai tukšgaitas apgriezīnu skaits ir noregulēts pareizi.
 - b) Pārliecinieties, vai degvielas maisījums ir atbilstošs.
 - c) Pārliecinieties, vai gaisa filtrs ir tīrs.
- Ja aizdedzes svece ir nefira, notīriet to un pārbaudiet, vai atstatums starp elektrodiem ir pareizs; skatiet šeit: *Tehniskie dati lpp. 208*. (Att. 41)
- Ja nepieciešams, nomainiet aizdedzes sveci.

Gaisa filtra tīrīšana

1. Noņemiet gaisa filtra pārsegu un izņemiet filtru.
2. Paduziet filtru pret plakanu virsmu, lai daļiņas izkristu.



IEVĒROJIET: Gaisa filtra tīrīšanai neizmantojiet šķīdinātāju vai saspiesto gaisu.

3. Novietojiet gaisa filtru atpakaļ. Pārliecinieties, vai gaisa filtrs pilnībā atbalstās pret gaisa filtra turētāju.
4. Novietojiet atpakaļ gaisa filtra pārsegu.

Piezīme: Gaisa filtru, kas ir izmantots ilgu laiku, nevar iztīrīt. Regulāri nomainiet gaisa filtru. Vienmēr nomainiet bojātu gaisa filtru.

Griešanas aprīkojuma pārbaudīšana



BRĪDINĀJUMS: Lai novērstu nejaušu palaišanu, atvienojiet aizdedzes vadu no aizdedzes sveces.



BRĪDINĀJUMS: Veicot griešanas aprīkojuma apkopi, velciet aizsargcimdus. Asmens ir ļoti ass, un ar to var viegli sagriezties.

1. Pārbaudiet, vai griešanas aprīkojums nav bojāts vai iekļūstījis. Vienmēr nomainiet bojātu griešanas ierīci.
2. Apskatiet asmeni, lai redzētu, vai tas nav bojāts vai trūks.

Piezīme: Vajadzības gadījumā pēc asmens uzasināšanas to balansējiet. Ļaujiet servisa centram asināt, nomainīt un balansēt asmeni. Ja saskaraties ar šķērsli, kas liek izstrādājumam apstāties, nomainiet bojāto asmeni. Lai apkopes centra pārstāvis novērtē, vai asmens ir jāuzasina, vai arī tas ir jānomaina.

Asmens montāža

1. Uzlieciet asmens pāreju uz dzinēja kloķvārpstas. Nodrošiniet, lai atslēga pārejā tiktu salāgota ar kloķvārpstas atslēgas atveri. (Att. 42)
2. Vienmēr piestipriniet asmeni ar slīpajiem galiem vēršiem uz augšu dzinēja virzienā. (Att. 43)
3. Ievietojiet koka kluci starp asmeni un izstrādājuma korpusu. Pievelciet asmens skrūvi un grieziet to pulkstenrādītāju kustības virzienā.
4. Noteikti pievelciet skrūvi ar 35–40 pēdām uz mārč. (47–54 Nm) griezes momentu. (Att. 44)
5. Atvienojiet aizdedzes sveces vadu no dzinēja.



IEVĒROJIET: Lai nepieļautu nejašu iedarbināšanu, vienmēr atvienojiet aizdedzes sveces vadu no novietojiet vadu tur, kur tas nevar saskarties ar aizdedzes sveci.

6. Ar roku pagrieziet asmeni un pārbaudiet, vai tas rotē brīvi.

Asmens nomaiņšana

1. Bloķējiet asmeni ar koka klucīti. (Att. 45)

Transmisijas uzstādīšanas pārskats

(Att. 2)

1. Mulčēšanas ieliktnis
2. Aizmugurējais ieliktnis
3. Transmisijas skriemelis
4. Spriegotāja zobrata balstenis
5. Transmisijas pārsegs
6. Asmens pāreja
7. Spriegotāja zobrata skriemelis
8. Priekšējās siksnas turētājs
9. Gredzens
10. Asmens
11. Cietā paplāksne
12. Sprostpaplāksne
13. Asmens skrūve
14. Siksnas pārsegs

Piedziņas siksnas noņemšana

1. Darbiniet izstrādājumu, līdz degvielas tvertne ir tukša.
2. Noņemiet aizdedzes sveces uzgali no aizdedzes sveces.
3. Novietojiet izstrādājumu uz sāniem ar slāpētāju uz leju.

2. Izņemiet asmens skrūvi.
3. Noņemiet asmeni.
4. Pārbaudiet asmens atbalstu un asmens skrūvi, lai redzētu, vai nav bojājumu.
5. Pārbaudiet dzinēja vārpstu, lai pārliecinātos, vai tā nav saliekta.
6. Kad piestiprināt jauno asmeni, vēršiet asmens saliekto galus griešanas pārsega virzienā. (Att. 46)
7. Pārliecinieties, vai asmens ir salāgots ar dzinēja vārpstas centru.
8. Bloķējiet asmeni ar koka klucīti. Piestipriniet atspersaplāksni un piegrieziet skrūvi un paplāksni ar 47–54 Nm griezes momentu. (Att. 47)
9. Ar roku pagrieziet asmeni un pārbaudiet, vai tas griežas brīvi.



BRĪDINĀJUMS: Velciet biezus cimdus. Asmens ir ļoti ass, un ar to var viegli sagriezties.

10. Iedarbiniet izstrādājumu, lai pārbaudītu asmeni. Ja asmens nav pareizi piestiprināts, izstrādājums vibrē vai pļāšanas rezultāts nav apmierinošs.



IEVĒROJIET: Novietojot izstrādājumu ar gaisa filtru uz leju, var sabojāt dzinēju.

4. Noņemiet piedziņas pārsegu. (Att. 48)
5. Izskrūvējiet asmens skrūvi, noņemiet sprostpaplāksni, cieto paplāksni un asmeni. (Att. 49)
6. Izņemiet mulčēšanas ieliktni. (Att. 50)
7. Noņemiet aizmugurējo ieliktni.
8. Noņemiet siksnas pārsegu un gredzenu. (Att. 51)
9. Atvienojiet kabeli no transmisijas un noņemiet no spriegotāja zobrata mezgla spriegotāja zobrata skriemeli.
10. Noņemiet priekšējo siksnas turētāju.
11. Noņemiet piedziņas siksnu no transmisijas skriemeļa.
12. Noņemiet no spriegotāja zobrata mezgla trīs spriegotāja zobrata skriemeļus. (Att. 52)
13. Noņemiet no asmens pārejas un spriegotāja zobrata mezgla piedziņas siksnu. (Att. 53)
14. Transmisijas ievades vārpstai piestipriniet fiksējamās knaibles. Atļaidiet dzinēja skriemeli ar 9/16 collu uzmaucamo uzgriežņatslēgu un noņemiet skriemeli.
15. Noņemiet piedziņas siksnu.

Problēmu novēršana

Problēma	Iespējamais iemesls	Risinājums
Nevar iedarbināt dzinēju.	Nav pareizi pievienots aizdedzes kabelis.	Pievienojiet aizdedzes kabeli aizdedzes svecei.
	Degvielas tvertne ir tukša.	Uzpildiet degvielas tvertni ar atbilstoša veida degvielu.
	Karburatorā vai degvielas pievades caurulē ir netīrumi.	Iztīriet karburatoru un/vai degvielas cauruļvadu.
	Ir bojāta aizdedzes svece.	Noregulējiet elektrodu atstarpi, notīriet vai nomainiet aizdedzes sveci.
Dzinēju nevar apturēt.	Bojāts apturēšanas mehānisms.	Atvienojiet aizdedzes vadu no aizdedzes sveces. Uzticiet izstrādājuma remontdarbus apstiprināta apkopes uzņēmuma pārstāvim.
Dzinējs darbojas nevienmērīgi.	Nav pareizi pievienots aizdedzes kabelis.	Pievienojiet aizdedzes kabeli aizdedzes svecei.
	Degvielas cauruļvadā ir netīrumi, vai degvielai ir beidzies derīgums.	Iztīriet degvielas cauruļvadu. Uzpildiet degvielas tvertni ar svaigu, atbilstošu degvielu.
	Aizsērējis degvielas tvertnes vāciņš.	Iztīriet degvielas tvertnes vāciņu.
	Degvielas sistēmā ir ūdens vai netīrumi.	Iztukšojiet degvielas tvertni. Uzpildiet degvielas tvertni ar svaigu, atbilstošu degvielu.
	Netīrs gaisa filtrs.	Iztīriet gaisa filtru.
	Jāregulē karburators.	Uzticiet karburatora regulēšanu apkopes darbiniekiem.
Dzinējs pārāk sakarst.	Dzinēja eļļas līmenis ir pārāk zems.	Iepildiet dzinēja eļļu.
	Nepietiekama gaisa plūsma.	Iztīriet gaisa filtru un gaisa filtra korpusu.
	Jāregulē karburators.	Uzticiet karburatora regulēšanu apkopes darbiniekiem.
Dzinējam darbojoties ar lielu apgriezību skaitu, rodas dzinēja aizdedzes kļūme.	Pārāk maza elektrodu atstarpe aizdedzes svecē.	Pielāgojiet elektrodu atstarpi.
Dzinējs nedarbojas vienmērīgi tukšgaitas ātrumā.	Netīra aizdedzes svece, bojāts elektrods vai pārāk plata elektrodu atstarpe.	Noregulējiet elektrodu atstarpi vai nomainiet aizdedzes sveci.
	Jāregulē karburators.	Noregulējiet karburatoru.
	Netīrs gaisa filtrs.	Iztīriet gaisa filtru.
Rokturis pārāk vibrē.	Valģis vai nelīdzsvarots asmens.	Pielieciet asmens skrūves. Nomainiet asmeņus, ja tie ir bojāti.
	Asmens ir saliekts.	Nomainiet asmeņus, ja tie ir bojāti.

Problēma	Iespējamais iemesls	Rīsinājums
Zāle netiek sapļauta mulčā.	Zāle ir mitra.	Nedarbiniet izstrādājumu, ja zāle ir mitra. Uzgaidiet, līdz zāle ir sausa.
	Zāle ir pārāk gara.	Vīspirms plauiet ar lielu pļaušanas augstuma iestatījumu. Samaziniet pļaušanas augstumu un plauiet vēlreiz. Vienā reizē pļaujiet tikai ar ½ no pļaušanas platuma.
	Viens vai vairāki asmeņi nav pietiekami asi.	Uzasiniet vai nomainiet asmeņus.
Zāle tiek nopļauta neregulāri.	Riteņu novietojums nav pareizs.	Iestatiet pļaušanas augstumu vienā līmenī visiem četriem riteņiem.
	Viens vai vairāki asmeņi nav pietiekami asi.	Uzasiniet vai nomainiet asmeņus.
Piedziņas sistēma nedarbojas pareizi.	Piedziņas siksnas nav pietiekami nospriegota vai arī uz skrīmeļiem vai piedziņas siksnas ir neīstumi.	Uzticiet piedziņas sistēmas apkopes veikšanu apkopes dienesta pārstāvim.

Pārvadāšana, glabāšana un utilizēšana

Transportēšana un glabāšana

- Attiecībā uz izstrādājuma un degvielas glabāšanu un transportēšanu pārliecinieties, vai nav noplūdes vai tvaiku. Dzirksteles vai atklātas liesmas, ko rada, piemēram, elektroierīces vai tvaika katli, var izraisīt ugunsgrēku.
- Vienmēr izmantojiet apstiprinātas tvertnes degvielas glabāšanai un transportēšanai.
- Iztukšojiet degvielas tvertni, pirms novietojat izstrādājumu glabāšanai uz ilgāku laiku. Nododiet degvielu piemērojamā utilizēšanas vietā.
- Transportēšanas laikā droši nostipriniet izstrādājumu, lai novērstu bojājumus un negadījumus.
- Glabājiet izstrādājumu norobežotā vietā, lai novērstu to, ka tam var piekļūt bērni vai personas, kam tas nav atļauts.
- Glabājiet izstrādājumu sausā vietā, kurā temperatūra nepazeminās zem 0°C.

Utilizēšana

- Ievērojiet vietējās pārstrādes prasības un piemērojamos noteikumus.
- Utilizējiet visas ķīmikālijas, piemēram, dzinēja eļļu vai degvielu, servisa centrā vai piemērojamā utilizācijas vietā.
- Kad izstrādājums vairs netiek izmantots, nosūtiet to Husqvarna izplatītājam vai nogādājiet to pārstrādes vietā.

Tehniskie dati

Tehniskie dati

	LC 353AWD
Dzinējs	
Zīmols	Honda
Darba tilpums, kubikcollas/cm ³	10,4/170
Ātrums, apgriezieni minūtē	2900–3200
Nominālā dzinēja jauda, kW/zs un aprg./min ⁷¹	3,6/4,9 ar 2900–3200
Aizdedzes sistēma	
Aizdedzes svece	NGK BPR5ES
Elektrodu atstarpe, collas (mm)	0,028/0,7
Degvielas un eļļošanas sistēma	
Degviela, bez svina, minimālais oktānskaitlis	90 RON/87 AKI
Degvielas tvertnes tilpums, ASV gal./l	0,27/1,02
Eļļas tvertnes tilpums, ASV gal./l	0,14/0,53
Dzinēja eļļa ⁷²	SAE 30/SAE 10W-30
Svars	
Svars ar tukšām tvertnēm, mārc./kg	92/41,7
Trokšņa emisija ⁷³	
Skaņas jaudas līmenis, izmērītais dB(A)	95
Skaņas jaudas līmenis, garantētais L _{WA} dB(A)	96
Skaņas līmeņi ⁷⁴	
Skaņas spiediena līmenis pie operatora auss, dB(A)	85
Vibrācijas līmeņi ⁷⁵	
Rokturis, m/s ² ar zāles savācēju/bez zāles savācēja	7/7
Griešanas ierīce	

⁷¹ Maksimāli pieļaujamā dzinēja jauda ir vidējā tipiskā ražošanas dzinēja neto jauda (pēc noteiktajiem aprg./min.) dzinēja modelim, kas mērīta pēc SAE standarta J1349/ISO1585. Vairākumam dzinēju šis lielums var atšķirties no šeit norādītā. Faktiskā izejas jauda dzinējam, kas uzstādīts gala izstrādājumam, būs atkarīga no darbības ātruma, vides apstākļiem un citiem lielumiem.

⁷² Izmantojiet SJ vai augstākas kvalitātes dzinēja eļļu. Skat. viskozitātes tabulu dzinēja ražotāja rokasgrāmatā un izvēlieties piemērotāko viskozitātes līmeni atbilstoši paredzamajai āra temperatūrai.

⁷³ Atbilstoši EK direktīvai 2000/14/EK trokšņa emisija apkārtņē ir mērīta kā trokšņa jauda (L_{WA}).

⁷⁴ Skaņas spiediena līmenis atbilstoši standartam ISO 5395. Sniegtajos datos par skaņas spiediena līmeni ir tipiska statistiskā izkliede 1,2 dB(A) (standartnovirze).

⁷⁵ Vibrāciju līmenis atbilstoši ISO 5395. Sniegtajos datos par vibrācijas līmeni ir tipiska 0,2 m/s² statistiskā izkliede (standarta novirze).

	LC 353AWD
Griešanas augstums, collas/mm	1,0–4,0/25,4–101,6
Griešanas platums, collas/mm	21/530
Asmens	
Izstrādājuma numurs	586 85 96-02
Zāles savācēja darbība, ft ³ /l	2,3/65
Braukšana	
Ātrums, jūdzes/km/h	0–3/0–4,8

EK atbilstības deklarācijas saturs

Ar šo mēs, Husqvarna AB, SE 561 82 Huskvarna, ZVIEDRIJĀ, ar pilnu atbildību apliecinām, ka šis izstrādājums:

Piegādātais gājējam vadāmais zāles plāvējs ar iekšdedzes dzinēju atbilst parauga eksemplāram, kam veiktas pārbaudes.

Apraksts	Gājējam vadāms zāles plāvējs ar iekšdedzes dzinēju
Zīmols	Husqvarna
Platforma/tips/modelis	Platforma E21THV, kas pārstāv modeļus LC 353AWD.
Partija	Sērijas numurs no 2019. gada un vēlāk

pilnībā atbilst šādām ES direktīvām un noteikumiem:

Direktīva/regula	Apraksts
2006/42/EK	par mašīnām
2014/30/ES	“par elektromagnētisko savietojamību”
2000/14/ES; 2005/88/EK	par trokšņa emisiju vidē
2011/65/ES	“noteiktu bīstamu vielu lietošanas ierobežojums”

Ir lietoti šādi saskaņotie standarti un/vai tehniskie dati (specifikācijas): EN ISO 12100, ISO 5395-1+A1/A2, ISO 5395-2+A1/A2, EN ISO 14982, ISO 3744, ISO 11094, EN 1032

Saskaņā ar direktīvas 2000/14/EK VI pielikumu deklarētie skaņas līmeņi ir norādīti šīs rokasgrāmatas tehnisko datu sadaļā un parakstītajā EK atbilstības deklarācijā.

Inhoud

Inleiding.....	210	Probleemoplossing.....	219
Veiligheid.....	211	Vervoer, opslag en verwerking.....	220
Montage.....	214	Technische gegevens.....	221
Werking.....	214	Inhoud van de EG-verklaring van overeenstemming..	222
Onderhoud.....	216		

Inleiding

Productbeschrijving

Het product is een door een verbrandingsmotor aangedreven duwmaaier. Het gras wordt verzameld in een grasopvangbak. Verwijder de grasopvangbak om het gras aan de achterkant af te voeren. Bevestig een mulchkit om het gras te snijden tot meststof.

Productoverzicht

(Fig. 1)

1. Remhendel motor
2. Aandrijfhendels
3. Startkoordhendel
4. Grasopvangbak
5. Dop benzinetank
6. Luchtfilter
7. Bougie
8. Aandrijfkap
9. Geluiddemper
10. Aansluiting waterslang
11. Achteruitworp
12. Peilstok/olietank
13. Maaihoogteregeling
14. Mulchplug
15. Bedieningshandleiding
16. Uitworptrechter

Symbolen op het product

(Fig. 3) **WAARSCHUWING:** Dit product kan gevaarlijk zijn en ernstig of fataal letsel toebrengen aan de gebruiker of anderen. Wees voorzichtig en gebruik het product op de juiste manier.

(Fig. 4) Lees de bedieningshandleiding zorgvuldig door en zorg dat u de instructies hebt begrepen voordat u het product gaat gebruiken.

(Fig. 5) Snel

(Fig. 6) Langzaam

Gebruik

Gebruik het product voor het snijden van gras in particuliere tuinen. Gebruik het product niet voor andere taken.

(Fig. 7) Houd handen en voeten uit de buurt van het draaiende onderdeel.

(Fig. 8) Houd personen en dieren op een veilige afstand van het werkgebied.

(Fig. 9) Wees voorzichtig wanneer u het product in achterwaartse richting bedient. Kijk naar achteren en omlaag, zodat u kleine kinderen, dieren of andere risico's waardoor u kunt vallen, kunt zien.

(Fig. 10) Het gebruik van dit product op een helling kan gevaarlijk zijn.

(Fig. 11) Houd handen en voeten uit de buurt van het roterende mes.

(Fig. 12) Kijk uit voor weggeslingerde en afgeketste voorwerpen.

(Fig. 13) Geluidsemissie naar de omgeving volgens de richtlijn van de Europese Gemeenschap. De emissiewaarde van de machine wordt aangegeven in *Technische gegevens op pagina 221* en op het plaatje.

(Fig. 14) Dit product voldoet aan de geldende EG-richtlijnen.

(Fig. 15) Het product voldoet aan de geldende EAC-richtlijnen.

(Fig. 16) Het product voldoet aan de geldende RCM-richtlijnen. Geldt alleen voor AU/NZ.

(Fig. 17) Het product voldoet aan de geldende Oekraïense richtlijnen.

(Fig. 18) Gebruik goedgekeurde gehoorbescherming.

Let op: Andere symbolen/stickers op het product hebben betrekking op certificeringseisen voor overige commerciële markten.

Productaansprakelijkheid

Zoals uiteengezet in de wet voor productaansprakelijkheid zijn wij niet aansprakelijk voor schade die door ons product wordt veroorzaakt, indien:

- het product niet goed is gerepareerd.
- het product is gerepareerd met onderdelen die niet van de fabrikant afkomstig zijn, of onderdelen die niet zijn goedgekeurd door de fabrikant.
- het product een accessoire bevat dat niet afkomstig is van de fabrikant of niet is goedgekeurd door de fabrikant.
- het product niet is gerepareerd door een erkend servicepunt of door een erkende autoriteit.

Veiligheid

Veiligheidsdefinities

Waarschuwingen, voorzorgsmaatregelen en opmerkingen worden gebruikt om te wijzen op belangrijke delen van de handleiding.



WAARSCHUWING: Wordt gebruikt om te wijzen op de kans op ernstig of fataal letsel voor de gebruiker of omstanders wanneer de instructies in de handleiding niet worden gevolgd.



OPGELET: Wordt gebruikt indien er een risico bestaat op schade aan het product en andere eigendommen of aan de omgeving wanneer de instructies in de handleiding niet worden gevolgd.

Let op: Geven verdere informatie die nodig is in een bepaalde situatie.

Algemene veiligheidsinstructies



WAARSCHUWING: Lees de volgende waarschuwingen voordat u het product gaat gebruiken.

- Dit product is gevaarlijk als het verkeerd wordt gebruikt, of als u niet voorzichtig bent. Letsel of overlijden kunnen het gevolg zijn als u de veiligheidsvoorschriften negeert.
- Dit product produceert tijdens bedrijf een elektromagnetisch veld. Dit veld kan onder bepaalde omstandigheden de werking van actieve of passieve medische implantaten verstoren. Om het risico op ernstig of dodelijk letsel te beperken, raden we personen met een medisch implantaat aan om contact op te nemen met hun arts en de fabrikant van het medische implantaat alvorens dit product te gaan gebruiken.
- Wees altijd voorzichtig en gebruik uw gezond verstand. Als u niet zeker weet hoe u het product moet bedienen in een bepaalde situatie, stop dan en informeer bij uw Husqvarna dealer voordat u verdergaat.

- Denk erom dat de bediener of gebruiker verantwoordelijk is voor ongelukken of beschadigingen aan eigendommen.
- Houd het product schoon. Zorg ervoor dat u de aanduidingen en stickers duidelijk kunt lezen.
- Laat niemand het product gebruiken tenzij u zeker weet dat deze de inhoud van de gebruikershandleiding hebben gelezen en begrepen.
- Laat het product niet door een kind bedienen.
- Houd kinderen uit het werkgebied. Er moet te allen tijde een verantwoordelijke volwassene aanwezig zijn.
- Laat het product niet bedienen door een persoon die de instructies niet heeft gelezen.
- Houd personen met een lichamelijke of geestelijke beperking die het product gebruiken, altijd in de gaten. Er moet te allen tijde een verantwoordelijke volwassene aanwezig zijn.
- Gebruik het product nooit als u moe of ziek bent, of onder invloed van alcohol, drugs of medicijnen verkeert. Dit heeft een negatief effect op uw visie, alertheid, coördinatie en oordeel.
- Gebruik het product niet als het defect is.
- Wijzig dit product niet of gebruik het niet als het door anderen kan zijn gewijzigd.

Veiligheid van het werkgebied



WAARSCHUWING: Lees de volgende waarschuwingen voordat u het product gaat gebruiken.

- Verwijder objecten zoals takken, twijgen en stenen uit het werkgebied voordat u het product gaat gebruiken.
- Objecten die tegen de snijuitrusting aankomen, kunnen worden uitgeworpen en schade veroorzaken aan personen en objecten. Houd omstanders en dieren op veilige afstand van het product.
- Gebruik het product nooit in slechte weersomstandigheden zoals mist, regen, sterke wind, hevige kou of als er gevaar is voor blikseminslag. Het gebruik van dit product bij slecht weer of op vochtige of natte plaatsen is vermoeiend. Slecht weer kan leiden tot gevaarlijke situaties zoals gladde ondergronden.

- Kijk uit voor personen, objecten en situaties die een veilig gebruik van het product kunnen verhinderen.
- Kijk uit voor obstakels zoals wortels, stenen, takjes, kuilen en greppels. Obstakels kunnen moeilijk te zien zijn door hoog gras.
- Gras maaien op hellingen kan gevaarlijk zijn. Gebruik het product niet op een helling van meer dan 15°.
- Gebruik het product dwars over het oppervlak van hellingen. Ga niet van boven naar beneden.
- Wees voorzichtig wanneer u in de buurt komt van onoverzichtelijke bochten en voorwerpen die uw zicht kunnen belemmeren.

- Wees voorzichtig wanneer u het product naar achteren trekt.
- Til het product nooit op terwijl de motor draait. Als het product toch moet worden opgetild, zet dan eerst de motor uit en ontkoppel de ontstekingskabel van de bougie.
- Loop niet achteruit wanneer u het product bedient.
- Stop de motor als u in gebieden zonder gras komt, bijvoorbeeld op paden van grind, stenen en asphalt.
- Loop niet hard met het product wanneer de motor is ingeschakeld. Loop altijd rustig wanneer u het product bedient.
- Zet de motor uit voordat u de maaihoogte wijzigt. Voer nooit afstellingen uit terwijl de motor draait.
- Houd altijd toezicht op het product wanneer de motor draait. Schakel de motor uit en zorg ervoor dat de snijuitrusting niet draait.

Werkveiligheid



WAARSCHUWING: Lees de volgende waarschuwingen voordat u het product gaat gebruiken.

- Gebruik dit product alleen om gazons te maaien. Het is niet toegestaan om het product voor andere doeleinden te gebruiken.
- Maak altijd gebruik van persoonlijke beschermingsmiddelen. Zie *Persoonlijke beschermingsuitrusting op pagina 212*.
- Zorg ervoor dat u weet hoe u de motor in een noodsituatie snel kunt stoppen.
- Start de motor nooit in een gesloten ruimte of in de buurt van brandbaar materiaal. De uitlaatdampen van de motor zijn heet en kunnen vonken bevatten die brand kunnen veroorzaken.
- Gebruik dit product alleen als het mes en alle afdekkingen correct zijn bevestigd. Een verkeerd bevestigd mes kan losraken en letsel veroorzaken.
- Zorg ervoor dat het mes geen voorwerpen raakt zoals stenen en wortels. Hierdoor kan het mes beschadigen en de motoras verbuigen. Een gebogen as veroorzaakt zware trillingen en een zeer groot risico dat het mes losraakt.
- Stop het product onmiddellijk als het mes een voorwerp wordt geraakt of als zich trillingen voordoen. Ontkoppel de ontstekingskabel van de bougie. Controleer het product op schade. Repareer schade of laat een erkende servicewerkplaats de reparatie uitvoeren.
- Bevestig de motorremhendel nooit permanent aan de handgreep wanneer de motor wordt gestart.
- Plaats het product op een stabiele, vlakke ondergrond en start het. Zorg ervoor dat het mes niet in aanraking komt met de grond of andere voorwerpen.
- Blijf altijd achter het product wanneer u het gebruikt.
- Zorg dat alle wielen op de grond blijven en houd 2 handen op de handgreep tijdens de bediening van het product. Houd uw handen en voeten uit de buurt van de roterende messen.
- Kantel het product niet terwijl de motor draait.

Veiligheidsinstructies voor bediening

Persoonlijke beschermingsuitrusting



WAARSCHUWING: Lees de volgende waarschuwingen voordat u het product gaat gebruiken.

- Persoonlijke beschermingsuitrusting kunnen niet alle risico's uitsluiten maar kunnen de ernst van eventueel letsel helpen beperken. Vraag uw dealer te helpen bij het kiezen van de juiste beschermingsmiddelen.
- Gebruik gehoorbescherming als het geluidsniveau hoger is dan 85 dB.
- Gebruik zware anti-slipplaaizen of -schoenen. Draag geen open schoenen en loop niet op blote voeten.
- Draag een lange broek van stevige stof.
- Draag zo nodig beschermende handschoenen, bijvoorbeeld bij het monteren, inspecteren of reinigen van de snijuitrusting.

Veiligheidsvoorzieningen op het product



WAARSCHUWING: Lees de volgende waarschuwingen voordat u het product gaat gebruiken.

- Gebruik het product nooit wanneer de veiligheidsvoorzieningen defect zijn.
- Controleer de veiligheidsvoorzieningen regelmatig op een juiste werking. Als de veiligheidsvoorzieningen defect zijn, neem dan contact op met uw Husqvarna servicewerkplaats.

De kap van het maaidek controleren

De kap van het maaidek vermindert trillingen in het product en vermindert het risico op letsel door het mes.

- Controleer de kap van het maaidek om te zien of er geen schade is, zoals barsten.

De remhendel van de motor controleren

De motorrem schakelt de motor uit. Als de remhendel van de motor wordt losgelaten, stopt de motor.

- Start de motor en laat vervolgens de remhendel van de motor los. Als de motor niet binnen 3 seconden stopt, laat u een erkende Husqvarna servicewerkplaats de motorrem afstellen. (Fig. 19)

De achteruitworp controleren

De achteruitworp verkleint het risico dat objecten in de richting van de gebruiker worden uitgeworpen.

- Controleer of de achteruitworp niet beschadigd is. (Fig. 20)
- Controleer of de veren die de achteruitworp sluiten niet defect zijn.
- Vervang defecte veren en beschadigde onderdelen.
- Controleer of de achteruitworp soepel kan bewegen op de scharnieren.

Geluiddemper

De uitlaatdemper is bedoeld om het geluidsniveau zo laag mogelijk te houden en om de uitlaatgassen weg te voeren van de gebruiker.

Gebruik het product niet als de demper ontbreekt of beschadigd is. Bij een defecte uitlaatdemper stijgt het geluidsniveau en neemt het risico op brand toe.



WAARSCHUWING: De uitlaatdemper wordt erg heet tijdens en na gebruik en wanneer de motor draait bij stationair toerental. Wees voorzichtig in de buurt van brandbare materialen en/of dampen om brand te voorkomen.

Geluiddemper controleren

- Inspecteer de uitlaatdemper regelmatig om te verifiëren of die goed vastzit en niet beschadigd is.

Oliepeil controleren



OPGELET: Een te laag oliepeil kan ernstige schade aan de motor veroorzaken. Voer een controle van het oliepeil uit voordat u het product start.

1. Zet het product op een vlakke ondergrond.
2. Verwijder de olietankdop met de bijgevoegde peilstok.
3. Veeg de olie van de peilstok.
4. Steek de peilstok volledig in de olietank om een goed beeld van het oliepeil te krijgen.
5. Verwijder de peilstok.
6. Controleer het oliepeil op de peilstok.
7. Als het oliepeil laag is, vult u bij met motorolie en controleert u het oliepeil opnieuw.

Brandstofveiligheid



WAARSCHUWING: Lees de volgende waarschuwingen voordat u het product gaat gebruiken.

- Start het product niet als er brandstof of motorolie op het product aanwezig is. Verwijder de ongewenste brandstof/olie en laat het product drogen.
- Als u brandstof op uw kleding morst, trek dan direct andere kleding aan.
- Zorg dat er geen brandstof op uw lichaam terecht komt, dit kan letsel veroorzaken. Als er brandstof op uw lichaam terecht komt, verwijder deze dan met water en zeep.
- Start het product niet als er sprake is van een motorlekkage. Controleer de motor regelmatig op lekkage.
- Wees voorzichtig met brandstof. Brandstof is licht ontvlambaar en de dampen zijn explosief. Ze kunnen letsel veroorzaken of leiden tot de dood.
- Adem geen brandstofdampen in, dit kan letsel veroorzaken. Zorg voor voldoende ventilatie.
- Rook niet in de buurt van de brandstof of de motor.
- Plaats geen warme voorwerpen in de buurt van de brandstof of de motor.
- Vul geen brandstof bij terwijl de motor is ingeschakeld.
- Zorg ervoor dat de motor koud is wanneer u brandstof bijvult.
- Draai de tankdop langzaam open en laat de druk voorzichtig ontsnappen voordat u brandstof bijvult.
- Vul geen brandstof voor de motor bij in een afgesloten ruimte. Onvoldoende ventilatie kan leiden tot ernstig letsel of de dood door verstikking of het inademen van koolmonoxide.
- Draai de tankdop volledig aan. Als de tankdop niet volledig is aangedraaid, bestaat een risico op brand.
- Verplaats het product minstens 3 m van de plaats waar u de brandstoftank hebt gevuld, voordat u het product start.
- Vul de brandstoftank niet volledig. Door hitte zet de brandstof uit. Zorg ervoor dat er ruimte overblijft aan de bovenkant van de brandstoftank.

Veiligheidsinstructies voor onderhoud



WAARSCHUWING: Lees de volgende waarschuwingen voordat u het product gaat gebruiken.

- Uitlaatgassen van de motor bevatten koolmonoxide, een geurloos, giftig en uiterst gevaarlijk gas. Start de motor nooit binnenshuis of in gesloten ruimten.
- Voordat u het onderhoud van het product uitvoert, zet u de motor uit en verwijdert u de ontstekingskabel van de bougie.

- Draag beschermende handschoenen wanneer u onderhoud aan de snijuitrusting uitvoert. Het mes is zeer scherp en kan gemakkelijk snijwonden veroorzaken.
- Accessoires en wijzigingen aan het product die niet zijn goedgekeurd door de fabrikant, kunnen leiden tot ernstig letsel of overlijden. Breng geen wijzigingen aan het product aan. Gebruik alleen accessoires die zijn goedgekeurd door de fabrikant.
- Als het onderhoud niet correct en regelmatig wordt uitgevoerd, neemt de kans op letsel of schade aan het product toe.
- Voer alleen onderhoud uit zoals beschreven in deze gebruikershandleiding. Alle overige onderhoudswerkzaamheden moeten worden uitgevoerd door een erkende Husqvarna servicewerkplaats.
- Laat een erkende Husqvarna servicewerkplaats regelmatig onderhoud aan het product uitvoeren.
- Vervang beschadigde, versleten of defecte onderdelen.

Montage

Inleiding



WAARSCHUWING: Voordat u het product gaat monteren, dient u het hoofdstuk over veiligheid te lezen en hebben begrepen.



WAARSCHUWING: Verwijder de bougiekabel van de bougie voordat u het product monteert.

Hendel monteren

1. Trek de onderste hendel omhoog. (Fig. 21)
2. Lijn de gaten aan de onderkant van de onderste hendel uit met de gaten in de hendelbeugels.

Let op: Kies de gaten voor de beste werkhouding.

3. Draai de knoppen op de onderste hendel vast.
4. Breng de bovenste hendel omhoog en lijn deze uit met de onderste hendel.
5. Draai de knoppen op de bovenste hendel volledig vast.

De startkoordhendel aanbrengen

1. Bevestig de lus voor het startkoord en de T-knop. Zet niet helemaal vast. (Fig. 22)

2. Houd de motorremhendel tegen de handgreep.
3. Trek het startkoord langzaam uit en bevestig hem aan de lus voor het startkoord. (Fig. 23)
4. Draai de T-knop vast. (Fig. 24)

Product in de transportstand zetten

1. Verwijder de grasopvangbak.
2. Draai de knoppen op de onderste los om de hendel te ontgrendelen. (Fig. 25)
3. Klap de hendel naar achteren.
4. Verwijder de knoppen en de pennen op de onderste hendel.
5. Klap de hendel naar voren.

Grasopvangbak monteren

1. Breng het frame van de grasopvangbak aan in de graszak met het stevige gedeelte van de zak aan de onderzijde. Houd de hendel van het frame aan de buitenkant van de bovenkant van de zak. (Fig. 26)
2. Monteer de graszak en bevestig deze aan het frame met de snelklemmen. (Fig. 27)

Werking

Inleiding



WAARSCHUWING: Voordat u het product gaat gebruiken, dient u het hoofdstuk over veiligheid te lezen en hebben begrepen.

Voordat u het product gaat bedienen

1. Lees de gebruikershandleiding zorgvuldig door en zorg dat u de instructies hebt begrepen.

2. Controleer de snijuitrusting om te zien of deze correct is gemonteerd en afgesteld. Zie *Snijuitrusting controleren op pagina 218*.
3. Vul de brandstoftank. Zie *Brandstof bijvullen op pagina 214*.
4. Vul de olietank en controleer het oliepeil. Zie *Oliepeil controleren op pagina 213*.

Brandstof bijvullen

Gebruik emissiearme of alkylaatzbenzine, indien beschikbaar. Als er geen emissiearme of alkylaatzbenzine beschikbaar is, gebruik dan een

loodvrije benzine van goede kwaliteit, of loodhoudende benzine met een octaangetal dat niet lager is dan 90.



OPGELET: Gebruik geen benzine met een octaangetal lager dan 90 RON (87 AKI). Dit kan schade aan het product veroorzaken.

1. Draai de brandstoftankdop langzaam los om de druk te laten ontsnappen.
2. Vul langzaam met een benzinejerrycan. Als u brandstof morst, verwijder deze dan met een doek en laat de resterende brandstof opdrogen.
3. Maak het gebied rondom de brandstoftankdop goed schoon.
4. Draai de tankdop volledig aan. Als de tankdop niet volledig is aangedraaid, bestaat een risico op brand.
5. Verplaats het product minstens 3 m (10 ft) van de plaats waar u de brandstoftank hebt gevuld, voordat u het product start.

Maaihoogte afstellen

De maaihoogte is op 9 niveaus verstelbaar.

1. Duw de maaihoogteregeling in de richting van het wiel en vervolgens naar achteren om de snijhoogte te vergroten.
2. Duw de maaihoogteregeling in de richting van het wiel en vervolgens naar voren om de snijhoogte te verlagen. (Fig. 28)



OPGELET: Stel de maaihoogte niet te laag in. Als het oppervlak van het gazon niet waterpas is, kunnen de messen de grond raken.

Product starten

1. Blijf achter het product.
2. Houd de motorremhendel tegen de handgreep. (Fig. 29)
3. Houd het startkoord in uw rechterhand.
4. Trek het startkoord langzaam naar buiten totdat u enige weerstand voelt.
5. Krachtig trekken om de motor te starten.



WAARSCHUWING: Wikkel het startkoord niet rond uw hand.

De aandrijving op de wielen gebruiken

- Trek de aandrijfhandels in de richting van de handgreep. (Fig. 30)
- Voordat u het product naar achteren trekt, moet u de aandrijving uitschakelen en het product ongeveer 10cm naar voren duwen.

- Laat de aandrijfhandels los om de aandrijving uit te schakelen, bijvoorbeeld wanneer u bij een obstakel komt.

De bedieningskabel van de aandrijving afstellen

- Gebruik de stelschroef om de bedieningskabel van de aandrijving af te stellen. (Fig. 31)
- Schakel de motor uit. Koppel de bougie altijd los voordat u werkzaamheden de bewegende onderdelen bedient.
- Draai de stelschroef linksom om de kabel te spannen en de snelheid te verhogen.
- Draai de stelschroef rechtsom om de kabel te verlengen en de snelheid te verlagen.

Product stoppen

- Laat de handels los om alleen de aandrijving te stoppen.
- Als u de motor wilt stoppen, laat u de motorremhendel los. (Fig. 32)

Het product gebruiken met de grasopvangbak



WAARSCHUWING: Gebruik het product niet zonder een grasopvangbak of zonder gesloten achteruitworp. Voorwerpen kunnen worden uitgeworpen en letsel veroorzaken bij de gebruiker.

1. Til de achteruitworp op en verwijder de mulchplug. (Fig. 33)
2. Monteer de grasopvangbak, zie *Grasopvangbak monteren op pagina 214*.
3. Plaats de grasopvangbak op de steun. (Fig. 34)
4. Maak de achteruitworp los en plaats deze op het frame van de grasopvangzak.

Het product wijzigen naar mulchmodus

De mulch-modus van het product maakt maaisel kleiner. Het maaisel valt vervolgens op het gazon en wordt over het gras verspreid. Gemulched gras is snel biologisch afbreekbaar om voedingsstoffen af te geven voor het gazon.

1. Til de achterafdekking op en verwijder de graszak, als deze is aangebracht.
2. Plaats de mulchplug in het opvangkanaal. (Fig. 35)
3. Sluit de achterafdekking en zorg ervoor dat deze stevig tegen de mulchplug zit. (Fig. 36)

Het product wijzigen naar achteruitworp

1. Til de achteruitworp op en verwijder de mulchplug. (Fig. 37)

2. Installeer de uitworptrechter. (Fig. 38)

De grasopvangbak legen



OPGELET: Sleep de zak niet wanneer u de grasopvangbak leeg maakt om slijtage te voorkomen.

1. Til de grasopvangbak op met de framehendel. (Fig. 39)
2. Verwijder maaisel uit de grasopvangbak van onder de hendel.
3. Verwijder maaisel uit de zak met de framehendel en de zakhendel.

Een goed resultaat verkrijgen

- Gebruik altijd een scherp mes. Een bot mes geeft een onregelmatig resultaat en het snijvlak van het gras wordt geel. Een scherp mes verbruikt ook minder energie dan een bot mes.
- Maai nooit meer dan 1/3e van de lengte van het gras af. Maai eerst met een hoog ingestelde maaihoogte. Controleer het resultaat en verlaag de snijhoogte tot een geschikt niveau. Als het gras echt lang is, rijd dan langzaam en maai zo nodig 2 keer.
- Maai elke keer in een andere richting, om het ontstaan van strepen in het gazon te voorkomen.

Onderhoud

Inleiding



WAARSCHUWING: Voordat u onderhoud gaat uitvoeren, dient u het hoofdstuk over veiligheid te lezen en hebben begrepen.

Voor alle onderhouds- en reparatiewerkzaamheden aan het product is speciale training nodig. Wij garanderen de beschikbaarheid van professionele reparaties en onderhoud. Indien uw dealer geen servicewerkplaats heeft, vraag hem dan naar de dichtstbijzijnde servicewerkplaats.

De onderhoudsintervallen worden berekend op basis van het dagelijks gebruik van het product. De intervallen veranderen als het product niet dagelijks wordt gebruikt.

Voor onderhoud dat is gemarkeerd met *: zie de instructies in *Veiligheidsvoorzieningen op het product op pagina 212*.

Onderhoudsschema



OPGELET: Zorg ervoor dat het luchtfilter aan de bovenkant zit en de grond niet raakt wanneer u het product kantelt. Risico van schade aan de motor.

Onderhoud	Elke dag	Wekelijks	Maandelijks
Algemene inspectie uitvoeren	X		
Motoroliepeil controleren	X		
Product reinigen	X		
Snijuitrusting controleren	X		
Kap van het maaidek controleren *	X		
Motorremhendel controleren *	X		
Mesremregeling controleren *	X		
Geluiddemper controleren *		X	
Bougie controleren		X	
De olie verversen (de eerste keer na 5 uur gebruik, vervolgens na elke 50 uur gebruik)			X
Reinig of vervang het luchtfilter			X

Onderhoud	Elke dag	Wekelijks	Maandelijks
Brandstofsysteem controleren			X

Algemene inspectie uitvoeren

- Controleer of alle moeren en schroeven op het product goed zijn vastgedraaid.

Product aan de buitenkant reinigen

- Gebruik een borstel om bladeren, gras en vuil te verwijderen.
- Zorg dat de luchtinlaat op de bovenkant van de motor niet is geblokkeerd.
- Reinig het product niet met een hogedrukspuit.
- Als u water gebruikt om het product te reinigen, spuit dan geen water rechtstreeks op de motor.

Binnenoppervlak van de kap van het maaidek reinigen

- Leeg de brandstoftank.
- Plaats het product op zijn kant met de demper naar beneden.



OPGELET: Als het product met het luchtfilter naar beneden wordt geplaatst, kan de motor beschadigd raken.

- Spuit de binnenkant van het maaidek schoon met water.

De waterslangaansluiting gebruiken

- Verplaats het product naar een gebied met gemaaid gras of een andere stevige ondergrond.
- Verwijder de grasopvangbak of de mulchplug uit het product.
- Sluit de achteruitworp.
- Sluit een waterslang aan op de waterslangaansluiting. (Fig. 40)
- Stop de watertoevoer en controleer de waterslangaansluiting op lekkage.
- Start de motor als u geen lekkage ziet. Laat de motor draaien totdat het product schoon is onder de behuizing.
- Stop de motor.
- Stop de watertoevoer en neem de slang van de waterslangaansluiting.

Let op: Verwijder de waterslang niet van de waterslangaansluiting terwijl de motor in bedrijf is. Water in de motor kan de levensduur van de machine verkorten.

- Start de motor en laat deze een volle minuut draaien om overtollig water uit het product te verwijderen.

De motorolie verversen



WAARSCHUWING: Motorolie is nog erg heet direct nadat de motor is uitgezet. Laat de motor afkoelen voordat u de motorolie aftapt. Als u motorolie morst op uw huid, was die dan af met water en zeep.

- Gebruik het product totdat de brandstoftank leeg is.
- Verwijder de ontstekingskabel van de bougie.
- Verwijder de olietankdop.
- Plaats een opvangbak onder het product om de motorolie in op te vangen.
- Kantel het product om de motorolie uit de olietank af te tappen.
- Vul bij met nieuwe motorolie van het type dat wordt aanbevolen in *Technische gegevens op pagina 221*.
- Controleer het oliepeil. Zie *Oliepeil controleren op pagina 213*.

Bougie controleren



OPGELET: Gebruik altijd het juiste bougietype. Een verkeerd type bougie kan schade aan het product veroorzaken.

- Controleer de bougie als de motor weinig vermogen heeft, niet gemakkelijk te starten is of stationair niet goed draait.
- Volg deze instructies om het risico van ongewenst materiaal op de elektroden van de bougie te beperken:
 - Zorg ervoor dat het stationair toerental altijd juist is afgesteld.
 - Zorg dat het brandstofmengsel correct is.
 - Zorg dat het luchtfilter schoon is.
- Maak de bougie schoon als deze vuil is en controleer of de afstand tussen de elektroden correct is, zie *Technische gegevens op pagina 221*. (Fig. 41)
- Vervang de bougie indien nodig.

Het luchtfilter reinigen

- Verwijder het luchtfilterdeksel en verwijder het filter.
- Tik het filter tegen een vlakke ondergrond om de deeltjes te verwijderen.



OPGELET: Gebruik geen oplosmiddel of perslucht om het luchtfilter te reinigen.

- Zet het luchtfilter terug. Controleer of het luchtfilter de luchtfilterhouder volledig afsluit.

4. Zet het luchtfilterdeksel terug.

Let op: Een luchtfilter dat lange tijd is gebruikt, kan niet volledig worden gereinigd. Vervang het luchtfilter regelmatig. Vervang een beschadigd luchtfilter altijd.

Snijuitrusting controleren



WAARSCHUWING: Verwijder de ontstekingskabel van de bougie om te voorkomen dat de motor per ongeluk wordt gestart.



WAARSCHUWING: Draag beschermende handschoenen wanneer u onderhoud aan de snijuitrusting uitvoert. Het mes is zeer scherp en kan gemakkelijk snijwonden veroorzaken.

1. Controleer de snijuitrusting op beschadiging of scheuren. Vervang beschadigde snijuitrusting altijd.
2. Kijk naar het mes om te zien of dit is beschadigd of bot is.

Let op: Het mes moet na het slijpen worden gebalanceerd. Laat het slijpen, vervangen en balanceren door een servicecentrum uitvoeren. Als u een obstakel raakt waardoor het product stopt, vervang dan het beschadigde mes. Laat het servicecentrum beoordelen of het mes kan worden geslepen of moet worden vervangen.

Het maaiblad monteren

1. Plaats de mesadapter op de krukas van de motor. Zorg ervoor dat de spie in de adapter en de spiebaan in de krukas zijn uitgelijnd. (Fig. 42)
2. Bevestig het mes altijd met de schuine uiteinden naar boven gericht in de richting van de motor. (Fig. 43)
3. Gebruik een houtblok tussen het mes en de behuizing van het product. Haal de mesbout aan en draai deze rechtsom.

Overzicht van de transmissie

(Fig. 2)

1. Mulchplug
2. Inzetstuk achter
3. Transmissiepoelie
4. Geleiderolsteun
5. Transmissiekap
6. Mesadapter
7. Geleidepoelie
8. Riemhouder vóór
9. Ring
10. Mes

4. Haal de bout altijd aan met een koppel van 35-40 ft lbs (47-54 Nm). (Fig. 44)
5. Controleer of de bougiekabel is losgekoppeld van de motor.



OPGELET: Om onbedoeld starten te voorkomen, moet u altijd de bougiekabel loskoppelen en de kabel zo leggen dat deze de bougie niet kan raken.

6. Draai het mes met de hand rond en controleer of het vrij draait.

Mes vervangen

1. Zet het mes vast met een houten blok. (Fig. 45)
2. Verwijder de mesbout.
3. Verwijder het mes.
4. Controleer de messteun en de mesbout om te zien of er schade is.
5. Controleer de motoras om te controleren of deze niet is verbogen.
6. Wanneer u het nieuwe mes bevestigt, richt dan de gebogen uiteinden van het mes naar de kap van het maaidek. (Fig. 46)
7. Controleer of het mes is uitgelijnd met het midden van de motoras.
8. Zet het mes vast met een houten blok. Bevestig de veerring en draai de bout en ring vast met een aanhaalmoment van 20 Nm.47-54 (Fig. 47)
9. Draai het mes met de hand rond en controleer of het vrij draait.



WAARSCHUWING: Draag handschoenen van dikke stof. Het mes is zeer scherp en kan gemakkelijk snijwonden veroorzaken.

10. Start het product om het mes te testen. Als het mes niet goed is bevestigd, zijn er trillingen in het product of is het maieresultaat niet goed.

11. Harde onderlegging
12. Borging
13. Mesbout
14. Riemkap

De aandrijfriem verwijderen

1. Gebruik het product totdat de brandstoftank leeg is.
2. Verwijder de bougiekap van de bougie.

3. Plaats het product op zijn kant met de demper naar beneden.



OPGELET: Als het product met het luchtfilter naar beneden wordt geplaatst, kan de motor beschadigd raken.

4. Verwijder de aandrijfkap. (Fig. 48)
5. Verwijder de mesbout, de borgring, de harde onderlegging en het mes. (Fig. 49)
6. Verwijder de mulchplug. (Fig. 50)
7. Verwijder het achterste inzetstuk.
8. Verwijder de riemkap en de ring. (Fig. 51)
9. Koppel de kabel los van de transmissie en verwijder de geleidepoelie van de geleiderol.
10. Verwijder de voorste riemhouder.
11. Verwijder de aandrijfriem van de transmissiepoelie.
12. Verwijder de 3 geleidepoelies van de geleiderol. (Fig. 52)
13. Verwijder de aandrijfriem van de mesadapter en de geleiderol. (Fig. 53)
14. Bevestig een griptang op de ingaande as van de transmissie. Draai de motorpoelie los met een dopsleutel van 9/16" om de transmissiepoelie te verwijderen.
15. Verwijder de aandrijfriem.

Probleemoplossing

Probleem	Mogelijke oorzaak	Oplossing
De motor start niet.	De ontstekingskabel is niet correct aangesloten.	Sluit de ontstekingskabel aan op de bougie.
	De brandstoftank is leeg.	Vul de brandstoftank met het juiste type brandstof.
	Vuil in de carburateur of brandstofleiding.	Reinig de carburateur en/of brandstofleiding.
	De bougie is defect.	Pas de elektrodenafstand aan of reinig of vervang de bougie.
De motor stopt niet.	Het stopmechanisme is defect.	Ontkoppel de ontstekingskabel van de bougie. Laat onderhoud aan het product uitvoeren door een erkende servicewerkplaats.
De motor loopt niet gelijkmatig.	De ontstekingskabel is niet correct aangesloten.	Sluit de ontstekingskabel aan op de bougie.
	De brandstofleiding is verontreinigd of de brandstof is verouderd.	Maak de brandstoftank schoon. Vul de brandstoftank met nieuwe brandstof van het juiste type.
	De brandstoftankdop is verstopt.	Reinig de brandstoftankdop.
	Er is water of vuil in het brandstofsysteem.	Tap de brandstoftank af. Vul de brandstoftank met nieuwe brandstof van het juiste type.
	Het luchtfilter is vuil.	Maak het luchtfilter schoon.
	De carburateur moet worden afgesteld.	Laat de carburateur afstellen door een servicedealer.
De motor wordt te heet.	Het motoroliepeil is te laag.	Vul motorolie bij.
	De luchtstroom is onvoldoende.	Reinig het luchtfilter en het luchtfilterhuis.
	De carburateur moet worden afgesteld.	Laat de carburateur afstellen door een servicedealer.

Probleem	Mogelijke oorzaak	Oplossing
De motor slaat over wanneer deze op hoge snelheid draait.	De elektrodenafstand van de bougie is te klein.	Stel de elektrodenafstand af.
De motor draait niet soepel bij stationair toerental.	De bougie is vervuild, defect of de elektrodenafstand is te groot.	Pas de elektrodenafstand aan of vervang de bougie.
	De carburateur moet worden afgesteld.	Stel de carburateur af.
	Het luchtfilter is vuil.	Maak het luchtfilter schoon.
De handgreep trilt te veel.	Een mes is los of niet gebalanceerd.	Draai de mesbouten vast. Vervang de messen wanneer ze beschadigd zijn.
	Een mes is verbogen.	Vervang de messen wanneer ze beschadigd zijn.
Het gras wordt niet tot mulch versneden.	Het gras is nat.	Gebruik het product nooit wanneer het gras nat is. Wacht tot het gras droog is.
	Het gras is te lang.	Maai eerst met een hoog ingestelde maaihoogte. Verlaag de maaihoogte en maai opnieuw. Maai alleen ½ van de maaibreedte.
	Eén of meer messen zijn niet scherp genoeg.	Slijp of vervang de messen.
Het gras wordt onregelmatig gemaaid.	De wielen staan niet in de juiste stand.	Stel de maaihoogte voor alle 4 de wielen op dezelfde maaihoogte in.
	Eén of meer messen zijn niet scherp genoeg.	Slijp of vervang de messen.
Het aandrijfsysteem werkt niet goed.	De aandrijfriem zit niet strak genoeg of er zit vuil op de poelies of de aandrijfriem.	Laat een erkende servicewerkplaats onderhoud aan het aandrijfsysteem uitvoeren.

Vervoer, opslag en verwerking

Transport en opslag

- Controleer voor opslag en vervoer van het product en de brandstof of er geen lekken of dampen zijn. Vonken of open vuur, bijvoorbeeld van elektrische apparaten of ketels, kunnen tot brand leiden.
- Gebruik altijd goedgekeurde containers voor opslag en transport van brandstof.
- Leeg de brandstoftank voordat u het product voor langere tijd opslaat. De brandstof via een geschikte verwijderingslocatie afvoeren
- Zet het product tijdens het vervoer veilig vast om schade en ongevallen te voorkomen.
- Bewaar het product in een afgesloten ruimte om toegang door kinderen of onbevoegde personen te verhinderen.

- Bewaar het product in een droge en vorstvrije ruimte.

Afvoeren

- Neem de plaatselijk geldende wet- en regelgeving voor recycling in acht.
- Voer alle chemicaliën, zoals olie of brandstof, af via een servicecentrum of een geschikte verwijderingslocatie.
- Wanneer het product niet langer in gebruik is, stuur het dan naar een Husqvarna dealer of voer het af via een recyclingslocatie.

Technische gegevens

Technische gegevens

	LC 353AWD
Motor	
Merk	Honda
Cilinderinhoud, cu.inch/cm ³	10,4/170
Toerental, tpm	2900-3200
Nominaal motorvermogen, kW/pk bij tpm ⁷⁶	3,6/4,9 bij 2900-3200
Ontstekingssysteem	
Bougie	NGK BPR5ES
Elektrodenafstand, inch/mm	0,028/0,7
Brandstof-/smeersysteem	
Brandstof, ongelood, minimum octaangetal	90 RON/87 AKI
Inhoud brandstoftank, US gal/l	0,27/1,02
Inhoud olietank, US gal/l	0,14/0,53
Motorolie ⁷⁷	SAE 30/SAE 10W-30
Gewicht	
Met lege tanks, lb/kg	92/41,7
Geluidsemisies ⁷⁸	
Geluidsvermogeniveau, gemeten dB(A)	95
Geluidsvermogeniveau, gegarandeerd L _{WA} dB (A)	96
Geluidsniveau ⁷⁹	
Geluidsdruk niveau bij het oor van de gebruiker, dB (A)	85
Trillingsniveau ⁸⁰	
Handgreep, m/s ² met grasopvangbak/zonder grasopvangbak	7/7
Snijuitrusting	

⁷⁶ Het aangegeven nominale vermogen van de motor heeft betrekking op het gemiddelde nettovermogen (bij het opgegeven toerental) van een typische productiemotor voor het betreffende motormodel, gemeten volgens de SAE-norm J1349/ISO1585. In massa geproduceerde motoren kunnen een afwijkende waarde geven. Het werkelijk geleverde vermogen van de geïnstalleerde motor in het product hangt af van de bedrijfssnelheid, de omgevingscondities en andere waarden.

⁷⁷ Gebruik motorolie van kwaliteit SJ of hoger. Zie het viscositeitsoverzicht in de handleiding van de motorfabrikant en selecteer de beste viscositeit op basis van de verwachte buitentemperatuur.

⁷⁸ Geluidsemisie naar de omgeving gemeten als geluidsvermogen (L_{WA}) volgens EG-richtlijn 2000/14/EG.

⁷⁹ Geluidsdruk niveau volgens ISO 5395. De gerapporteerde gegevens voor het geluidsdruk niveau vertonen een typische statistische spreiding (standaardafwijking) van 1,2 dB (A).

⁸⁰ Trillingsniveau volgens ISO 5395. De gerapporteerde gegevens voor een trillingsniveau vertonen een typische statistische spreiding (standaardafwijking) van 0,2 m/s².

	LC 353AWD
Maaiahogte, inch/mm	1,0-4,0/25,4-101,6
Maaibreedte, inch/mm	21/530
Mes	
Artikelnummer	586 85 96-02
Capaciteit grasopvangbak, ft ³ /l	2,3/65
Rijden	
Snelheid, mph / km/u	0-3/0-4,8

Inhoud van de EG-verklaring van overeenstemming

Wij, Husqvarna AB, SE 561 82 Huskvarna, ZWEDEN, verklaren onder onze alleenverantwoordelijkheid dat het gerepresenteerde product:

De geleverde duwmaaier met verbrandingsmotor is conform het geteste exemplaar.

Beschrijving	Loopmaaier met verbrandingsmotor
Merk	Husqvarna
Platform / Type / Model	Platform E21THV, vertegenwoordigende modellen LC 353AWD.
Partij	Serienummer vanaf 2019.

volledig voldoet aan de volgende EU-richtlijnen en -regelgeving:

Richtlijn/Verordening	Beschrijving
2006/42/EG	"betreffende machines"
2014/30/EU	"betreffende elektromagnetische compatibiliteit"
2000/14/EU; 2005/88/EC	"betreffende geluid buitenshuis"
2011/65/EU	"beperking van het gebruik van bepaalde gevaarlijke stoffen"

Toegepaste geharmoniseerde normen en/of technische specificaties zijn als volgt: EN ISO 12100, ISO 5395-1+A1/A2, ISO 5395-2+A1/A2, EN ISO 14982, ISO 3744, ISO 11094, EN 1032

In overeenstemming met richtlijn 2000/14/EG, bijlage VI, staan de verklaarde geluidswaarden vermeld in de sectie met technische gegevens van deze handleiding en in de ondertekende EG-verklaring van overeenstemming.

INNHold

Innledning.....	223	Feilsøking.....	231
Sikkerhet.....	224	Transport, oppbevaring og avhending.....	233
Montering.....	227	Tekniske data.....	234
Drift.....	227	Innholdet i EF-samsvarserklæringen.....	235
Vedlikehold.....	229		

Innledning

Produktbeskrivelse

Produktet er en skyvgressklipper med forbrenningsmotor. Gresset samles i oppsamleren. Ta av oppsamleren for å få bakutkast for gress. Fest et finfordelingssett for å klippe gresset til gjødsel.

Produktoversikt

(Fig. 1)

1. Motorbremsehåndtak
2. Kjørespaker
3. Startsnorhåndtak
4. Oppsamler
5. Drivstofflokk
6. Luftfilter
7. Tennplugg
8. Drivhjuldeksel
9. Lyddemper
10. Kobling for vannslange
11. Bakre deflektor
12. Peilepinne/oljetank
13. Klippehøyderegulering
14. Finfordelingsplugg
15. Bruksanvisning
16. Utkastersjakt

Symboler på produktet

- (Fig. 3) **ADVARSEL:** Dette produktet kan være farlig og føre til alvorlig personskade eller død for brukeren eller andre. Vær forsiktig, og bruk produktet riktig.
- (Fig. 4) Les bruksanvisningen nøye, og forsikre deg om at du forstår instruksjonene før du bruker produktet.
- (Fig. 5) Raskt
- (Fig. 6) Langsamt
- (Fig. 7) Hold hender og føtter borte fra den roterende delen.

Bruksområder

Bruk produktet til å klippe gress i private hager. Ikke bruk produktet til andre oppgaver.

- (Fig. 8) Hold personer og dyr på trygg avstand fra arbeidsområdet.
- (Fig. 9) Vær forsiktig når du trekker produktet bakover. Se bakover og ned etter små barn, dyr eller farer som kan føre til at du faller.
- (Fig. 10) Det kan være farlig å bruke produktet i skråninger.
- (Fig. 11) Hold hender og føtter borte fra den roterende kniven.
- (Fig. 12) Se opp for gjenstander som slynges ut og rikosjetterer.
- (Fig. 13) Støytuslipp til omgivelsene ifølge EFs direktiv. Produktets utslipp er spesifisert i *Tekniske data på side 234* og på etiketten.
- (Fig. 14) Dette produktet er i overensstemmelse med gjeldende EU-direktiver.
- (Fig. 15) Dette produktet samsvarer med gjeldende EAC-direktiver.
- (Fig. 16) Dette produktet samsvarer med gjeldende RCM-direktiver. Dette gjelder bare i AU/NZ.
- (Fig. 17) Dette produktet samsvarer med gjeldende ukrainske direktiver.
- (Fig. 18) Bruk godkjent hørselsvern.

Merk: Øvrige symboler/klistremerker angitt på produktet gjelder sertifiseringskrav for andre markeder.

Produktansvar

Som nevnt i lovverket om produktansvar er vi ikke ansvarlig for skader som produktet vårt forårsaker, i følgende tilfeller:

- Produktet er reparert på feil måte.
- Produktet er reparert med deler som ikke kommer fra produsenten eller som ikke er godkjent av produsenten.

- Produktet har et tilbehør som ikke kommer fra produsenten eller som ikke er godkjent av produsenten.
- Produktet er ikke reparert på et godkjent servicesenter eller av en godkjent aktør.

Sikkerhet

Sikkerhetsdefinisjoner

Advarsler, oppfordringer og merknader brukes for å understreke spesielt viktige deler av bruksanvisningen.



ADVARSEL: Brukes hvis det er fare for personskade eller død for føreren eller andre personer om instruksjonene i håndboken ikke følges.



OBS: Brukes hvis det er fare for skade på produktet, annet materiell eller nærliggende områder om instruksjonene i håndboken ikke følges.

Merk: Brukes for å gi mer nødvendig informasjon for en spesifikk situasjon.

Generelle sikkerhetsinstruksjoner



ADVARSEL: Les de følgende advarselinstruksjonene før du bruker produktet.

- Dette produktet er farlig hvis det brukes feil, eller hvis du ikke er forsiktig. Personskade eller død kan forekomme hvis du ikke følger sikkerhetsinstruksjonene.
- Dette produktet danner et elektromagnetisk felt når det er i bruk. Dette feltet kan under visse forhold forstyrre aktive eller passive medisinske implantater. For å redusere faren for hendelser som kan føre til alvorlig eller livstruende skade, anbefaler vi at personer med medisinske implantater rådfører seg med lege og produsenten av det medisinske implantatet før dette produktet tas i bruk.
- Vær alltid forsiktig og bruk sunn fornuft. Hvis du ikke er sikker på hvordan du skal bruke produktet i en bestemt situasjon, må du stoppe og snakke med Husqvarna-forhandleren før du fortsetter.
- Husk at brukeren er ansvarlig for ulykker som involverer andre personer eller deres eiendom.
- Hold produktet rent. Sørg for at du kan lese skilt og merker.

- Ikke la en person bruke produktet med mindre du forsikrer deg om at de har lest og forstått innholdet i bruksanvisningen.
- Ikke la barn bruke produktet.
- Hold barn borte fra arbeidsområdet. En ansvarlig voksen må alltid være til stede.
- Ikke la en person bruke produktet uten kunnskap om instruksjonene.
- Overvåk alltid personer med redusert fysisk eller mental kapasitet når de bruker produktet. En ansvarlig voksen må alltid være til stede.
- Ikke bruk produktet dersom du er trett eller syk eller under påvirkning av alkohol, andre rusmidler eller medisiner. Disse tingene har en negativ effekt på synet, vurderingsevnen og dømmekraften din.
- Ikke bruk produktet hvis det er defekt.
- Ikke modifier dette produktet, og ikke bruk det dersom det er mulig at andre har modifisert det.

Sikkerhet i arbeidsområdet



ADVARSEL: Les de følgende advarslene før du bruker produktet.

- Fjern gjenstander som greiner, kvister og steiner fra området før du bruker produktet.
- Gjenstander som treffer skjærestyret, kan slynges ut og forårsake skade på personer og gjenstander. Hold tilskuere og dyr på trygg avstand fra produktet.
- Bruk aldri produktet i dårlig vær, for eksempel i tåke, regn, sterk vind, sterk kulde, eller ved fare for lyn. Det er slitsomt å bruke produktet i dårlig vær eller på fuktige eller våte steder. Dårlig vær kan forårsake farlige forhold, for eksempel glatt underlag.
- Hold utkikk etter personer, objekter og situasjoner som kan forhindre sikker bruk av produktet.
- Se etter hindringer, for eksempel røtter, steiner, kvister, fordypninger og grøfter. Høyt gress kan skjule hindringer.
- Det kan være farlig å klippe gress i skråninger. Ikke bruk produktet i skråninger som heller mer enn 15 grader.
- Bruk produktet på tvers av skråninger. Ikke gå opp og ned.

- Vær forsiktig når du nærmer deg skjulte hjørner eller gjenstander som blokkerer sikten.

Arbeidssikkerhet



ADVARSEL: Les de følgende advarslene før du bruker produktet.

- Bruk dette produktet bare til å klippe gressplener. Det er ikke tillatt å bruke det til andre formål.
- Bruk personlig verneutstyr. Se *Personlig verneutstyr på side 225*.
- Sørg for at du vet hvordan du stopper motoren raskt i en nødsituasjon.
- Start aldri motoren i et lukket rom eller i nærheten av brennbart materiale. Motorens avgasser er varme og kan inneholde gnister som kan forårsake brann.
- Ikke bruk produktet med mindre kniven og alle deksler er riktig montert. En kniv som er feilmontert, kan løsne og forårsake personskade.
- Pass på at kniven ikke kommer borti gjenstander som steiner og røtter. Dette kan gjøre skade på kniven og bøye motorakselen. En bøyd aksel kan forårsake mye vibrasjon og utgjør en svært høy fare for at kniven blir løs.
- Hvis kniven treffer en gjenstand eller det oppstår kraftige vibrasjoner, må produktet stanses øyeblikkelig. Koble tenningskabelen fra tennpluggen. Kontroller produktet for skader. Reparer skader, eller la et autorisert serviceverksted utføre reparasjon.
- Du må aldri feste motorbremsehåndtaket permanent til håndtaket når motoren er i gang.
- Plasser produktet på et stabilt, flatt underlag, og start det. Pass på at kniven ikke berører bakken eller andre gjenstander.
- Hold deg alltid bak produktet når du bruker det.
- La alle hjulene være på bakken, og hold begge hender på håndtaket når du bruker produktet. Hold hender og føtter borte fra de roterende knivene.
- Unngå å vippe produktet opp mens motoren er i gang.
- Vær forsiktig når du trekker produktet bakover.
- Du må aldri løfte produktet når motoren er i gang. Hvis du må løfte produktet, må du først stoppe motoren og koble tenningskabelen fra tennpluggen.
- Ikke gå bakover når du bruker produktet.
- Stopp motoren når du går over områder uten gress, for eksempel gangveier av grus, stein og asfalt.
- Ikke løp med produktet når motoren er på. Du må alltid gå mens du bruker produktet.
- Stopp motoren før du endrer klippehøyde. Utfør aldri justeringer mens motoren er i gang.
- La aldri produktet være ute av syne mens motoren er i gang. Stopp motoren, og forsikre deg om at skjæreutstyret ikke roterer.

Sikkerhetsinstruksjoner for drift

Personlig verneutstyr



ADVARSEL: Les de følgende advarslene før du bruker produktet.

- Verneutstyr kan aldri fullstendig forhindre skade, men det reduserer skadeomfanget hvis ulykken inntreffer. Spør forhandleren din om hjelp til å velge riktig utstyr.
- Bruk hørselsvern hvis støynivået er høyere enn 85 dB.
- Bruk kraftige, sklislire støvler eller sko. Ikke bruk åpne sko eller gå barbeint.
- Bruk tykke langbukser.
- Bruk vernehansker når det er nødvendig, for eksempel når du fester, undersøker eller rengjør skjæreutstyret.

Sikkerhetsutstyr på produktet



ADVARSEL: Les de følgende advarselinstruksjonene før du bruker produktet.

- Ikke bruk produktet dersom sikkerhetsutstyret er defekt.
- Utfør regelmessig kontroll av sikkerhetsutstyret. Ta kontakt med ditt Husqvarna-serviceverksted, dersom sikkerhetsutstyret er defekt.

Slik kontrollerer du klippedekselet

Klippedekselet gir mindre vibrasjoner og minsker risikoen for skader forårsaket av kniven.

- Undersøk klippedekselet for å sikre at det ikke er noen skader, for eksempel sprekker.

Slik kontrollerer du motorbremsehåndtaket

Motorbremsehåndtaket stopper motoren. Når du slipper motorbremsehåndtaket, stopper motoren.

- Start motoren, og slipp deretter motorbremsehåndtaket. Hvis motoren ikke stopper innen tre sekunder, må du la et godkjent Husqvarna-serviceverksted justere motorbremsen. (Fig. 19)

Slik kontrollerer du den bakre deflektoren

Den bakre deflektoren reduserer risikoen for at objekter kastes ut i retning av brukeren.

- Kontroller at den bakre deflektoren ikke er skadet. (Fig. 20)
- Kontroller at fjærene som lukker den bakre deflektoren, ikke er ødelagt.
- Bytt ut ødelagte fjærer og skadede deler.
- Kontroller at den bakre deflektoren kan bevege seg jevnt på hengslene.

Lyddemper

Lyddemperen begrenser støynivået og sender avgassene bort fra brukeren.

Bruk ikke produktet hvis lyddemperen mangler eller er defekt. En defekt lyddemper øker støynivået og faren for brann.



ADVARSEL: Lyddemperen blir svært varm under og etter bruk, og når motoren går på tomgang. Vær forsiktig i nærheten av brannfarlige materialer og/eller avgasser for å unngå brann.

Slik kontrollerer du lyddemperen

- Kontroller lyddemperen regelmessig for å sikre at den er riktig montert og ikke skadet.

Slik kontrollerer du oljenivået



OBS: For lavt oljenivå kan forårsake alvorlige motorskader. Kontroller oljenivået før du starter produktet.

1. Sett produktet på et flatt underlag.
2. Ta av oljetanklokket med den medfølgende peilepinnen.
3. Fjern gjenværende olje fra peilepinnen.
4. Sett peilepinnen helt ned i oljetanken for å gi et korrekt bilde av oljenivået.
5. Fjern peilepinnen.
6. Kontroller oljenivået på peilepinnen.
7. Hvis oljenivået er lavt, fyller du på motorolje og utfører en ny kontroll av oljenivået.

Drivstoffsikkerhet



ADVARSEL: Les de følgende advarslene før du bruker produktet.

- Ikke start produktet hvis det er drivstoff eller motorolje på produktet. Fjern uønsket drivstoff/olje, og la produktet tørke.
- Skift klær umiddelbart hvis du søler drivstoff på klærne.
- Ikke få drivstoff på kroppen, det kan føre til personskade. Bruk såpe og vann for å fjerne drivstoff hvis du får drivstoff på kroppen.
- Ikke start produktet hvis motoren lekker. Kontroller motoren for lekkasjer med jevne mellomrom.
- Vær forsiktig med drivstoff. Drivstoff er brannfarlig, og avgassene er eksplosive og kan forårsake personskade eller død.

- Ikke pust inn bensindamp, det kan føre til personskade. Pass på at det er tilstrekkelig luftstrøm.
- Du må ikke røyke i nærheten av drivstoff eller motoren.
- Ikke sett varme gjenstander i nærheten av drivstoff eller motoren.
- Ikke fyll på drivstoff når motoren er på.
- Kontroller at motoren er avkjølt før du fyller på drivstoff.
- Åpne tanklokket sakte og slipp ut trykket forsiktig før du fyller.
- Ikke fyll drivstoff på motoren innendørs. En utilstrekkelig luftstrøm kan føre til personskade eller dødsfall på grunn av kveling eller karbonmonoksidforgiftning.
- Trekk til drivstofflokket helt. Hvis drivstofflokket ikke er strammet, kan det utgjøre en risiko for brann.
- Flytt produktet minst 3 m (10 fot) fra stedet der du fylte tanken, før du starter det.
- Fyll ikke drivstofftanken helt opp. Varme fører til at drivstoffet utvider seg. Lad det være litt plass øverst i drivstofftanken.

Sikkerhetsinstruksjoner for vedlikehold



ADVARSEL: Les de følgende advarslene før du bruker produktet.

- Eksosen fra motoren inneholder karbonmonoksid, en luktfri, giftig og svært farlig gass. Ikke start motoren innendørs eller i lukkede rom.
- Før du utfører vedlikehold på produktet, må du stoppe motoren og fjerne tenningskabelen fra tennpluggen.
- Bruk vernehansker når du utfører vedlikehold på skjæreutstyret. Kniven er svært skarp, og det er lett å kutte seg.
- Tilbehør og endringer på produktet som ikke er godkjent av produsenten, kan føre til alvorlig personskade eller død. Ikke foreta endringer av produktet. Bruk bare tilbehør som er godkjent av produsenten.
- Hvis vedlikeholdet ikke utføres riktig og regelmessig, øker faren for personskade og skade på produktet.
- Bare utfør vedlikehold som beskrevet i denne brukerveiledningen. Alt annet vedlikehold må utføres av et godkjent Husqvarna-serviceverksted.
- La et godkjent Husqvarna-serviceverksted utføre service på produktet regelmessig.
- Skift ut alle skadde, slitte eller ødelagte deler.

Montering

Innledning



ADVARSEL: Før du monterer produktet, må du lese og forstå kapittelet om sikkerhet.



ADVARSEL: Fjern tennpluggkabelen fra tennpluggen før du monterer produktet.

Slik monterer du håndtaket

1. Løft det nedre håndtaket. (Fig. 21)
2. Rett inn hullene nederst på det nedre håndtaket i forhold til hullene i håndtaksbrakettene.

Merk: Velg hullene som gir den beste arbeidsstillingen.

3. Trekk til knottene på det nedre håndtaket.
4. Løft det øvre håndtaket, og rett det inn i forhold til det nedre håndtaket.
5. Trekk til knottene på det øvre håndtaket helt.

Slik monterer du startsnorhåndtaket

1. Fest sløyfen for startsnoren og T-knotten. Ikke trekk til helt. (Fig. 22)

2. Hold motorbremseshåndtaket mot styret.
3. Dra startsnoren langsomt ut, og før den inn i sløyfen for startsnoren. (Fig. 23)
4. Trekk til T-knotten. (Fig. 24)

Slik setter du produktet i transportstilling

1. Tøm oppsamleren.
2. Løsne knottene på det nedre håndtaket for å låse opp håndtaket. (Fig. 25)
3. Fold håndtaket bakover.
4. Fjern knottene og pinnene fra det nedre håndtaket.
5. Vipp håndtaket forover.

Slik monterer du oppsamleren

1. Fest oppsamlerammen til gressposen med den faste delen av posen på undersiden. Sørg for at håndtaket på rammen er utenfor toppen av posen. (Fig. 26)
2. Fest gressposen til rammen ved hjelp av hurtigklemmer. (Fig. 27)

Drift

Innledning



ADVARSEL: Før du bruker produktet, må du lese og forstå kapittelet om sikkerhet.

Før du bruker produktet

1. Les nøye gjennom bruksanvisningen, og sørg for at du har forstått instruksjonene.
2. Undersøk skjæreutstyret for å sikre at det er riktig festet og justert. Se *Slik kontrollerer du skjæreutstyret på side 230*.
3. Fyll drivstofftanken. Se *Slik fyller du drivstoff på side 227*.
4. Fyll oljetanken, og kontroller oljenivået. Se *Slik kontrollerer du oljenivået på side 226*.

Slik fyller du drivstoff

Bruk miljøbensin/alkylatbensin, hvis det er tilgjengelig. Hvis miljøbensin/alkylatbensin ikke er tilgjengelig, bruk blyfri bensin av god kvalitet eller blybensin med oktantal 90 eller høyere.



OBS: Ikke bruk bensin med et oktantal som er mindre enn 90 RON (87 AKI). Dette kan skade produktet.

1. Åpne drivstofflokket sakte for å slippe ut trykket.
2. Fyll langsomt med en bensinkanne. Hvis du søler drivstoff, kan du tørke det opp med en klut og la det som måtte være igjen, lufttørke.
3. Tørk rent rundt drivstofflokket.
4. Trekk til drivstofflokket helt. Hvis drivstofflokket ikke er strammet, kan det utgjøre en risiko for brann.
5. Flytt produktet minst 3 m fra stedet du fylte tanken før du starter det.

Slik regulerer du klippehøyden

Klippehøyden kan justeres i ni trinn.

1. Skyv klippehøyderegulatoren i retning av hjulet og deretter bakover for å heve klippehøyden.
2. Skyv klippehøyderegulatoren i retning av hjulet og deretter forover for å senke klippehøyden. (Fig. 28)



OBS: Ikke sett klippehøyden for lavt. Knivene kan treffe bakken hvis overflaten av plenen ikke er vannrett.

Slik starter du produktet

1. Stå bak produktet.
2. Hold motorbremsehåndtaket mot styret. (Fig. 29)
3. Hold i startsnorhåndtaket med høyrehånden.
4. Dra startsnoren langsomt ut til du kjenner litt motstand.
5. Trekk kraftig for å starte motoren.



ADVARSEL: Surr aldri startsnoren rundt hånden.

Bruke hjuldriften

- Trekk kjørespakene i retning av styret. (Fig. 30)
- Før du trekker produktet bakover, må du koble ut driften og skyve produktet forover ca. 10 cm.
- Slipp kjørespakene for å koble fut driften, for eksempel når du går nær en hindring.

Slik justerer du kjørespakkabelen

- Bruk justeringsskruen for å justere kjørespakkabelen. (Fig. 31)
- Stans motoren. Koble alltid fra tennpluggen før du betjener de bevegelige delene.
- Drei justeringsskruen mot urviseren for å stramme kabelen og øke hastigheten.
- Drei justeringsskruen med urviseren for å forlenge kabelen og redusere hastigheten.

Slik stopper du produktet

- Hvis du vil stoppe kun driften, slipper du kjørespakene.
- Hvis du vil stoppe motoren, slipper du motorbremsehåndtaket. (Fig. 32)

Slik bruker du produktet med oppsamleren



ADVARSEL: Ikke bruk produktet uten en oppsamler montert, eller uten at den bakre deflektoren er lukket. Objekter kan bli kastet ut og forårsake skade på brukeren.

1. Løft den bakre deflektoren, og fjern finfordelingspluggen. (Fig. 33)

2. Monter oppsamleren. Se *Slik monterer du oppsamleren på side 227*.
3. Sett oppsamleren på braketten. (Fig. 34)
4. Løsne den bakre deflektoren, og plasser den oppå gressposerammen.

Slik bytter du til finfordelingsmodus

Finfordelingsmodusen gjør at gresset klippes i mindre deler. Det klippede gresset faller deretter ned på plenen igjen og spres rundt. Det finfordelte gresset vil raskt brytes ned og gi næring til plenen.

1. Løft bakdekselet, og ta ut gressposen (hvis montert).
2. Sett finfordelingspluggen inn i oppsamlerkanalen. (Fig. 35)
3. La bakdekselet lukkes, og pass på at det lukkes godt mot finfordelingspluggen. (Fig. 36)

Slik bytter du til modusen for sideutkast bak

1. Løft den bakre deflektoren, og fjern finfordelingspluggen. (Fig. 37)
2. Monter utkastersjakten. (Fig. 38)

Slik tømmer du oppsamleren



OBS: Ikke dra oppsamleren når du skal tømme den. Dette kan gi slitasje.

1. Løft oppsamleren ved å holde i rammehåndtaket. (Fig. 39)
2. Fjern gress fra oppsamleren fra under håndtaket.
3. Tøm oppsamleren for gress ved å holde i rammehåndtaket og oppsamlerhåndtaket.

Slik får du et godt resultat

- Bruk alltid en godt slipt kniv. En sløv kniv gir ujevnt resultat, og gressets klippeoverflate blir gul. En karp kniv bruker også mindre energi enn en sløv kniv.
- Ikke klipp mer enn 1/3 av lengden på gresset. Klipp først med klippehøyden stilt høyt. Undersøk resultatet og senk klippehøyden til det aktuelle nivået. Hvis gresset er veldig langt, kjør du sakte og klipper to ganger om nødvendig.
- Klipp i forskjellige retninger hver gang, for å unngå striper i plenen.

Vedlikehold

Innledning



ADVARSEL: Før du utfører vedlikeholdsarbeid, må du lese og forstå kapittelet om sikkerhet.

For alt vedlikehold og reparasjonsarbeid på produktet er det nødvendig med spesiell opplæring. Vi garanterer fagmessig reparasjon og service. Hvis forhandleren ikke er et serviceverksted, må du snakke med dem for å få informasjon om nærmeste serviceverksted.

Vedlikeholdsskjema



OBS: Sørg for at luftfilteret vender opp og ikke mot bakken når du vipper produktet. Fare for motorskade.

Vedlikeholdsintervallene er beregnet med utgangspunkt i daglig bruk av produktet. Intervallene kan endres hvis produktet ikke brukes daglig.

For vedlikehold merket med * kan du se instruksjonene i *Sikkerhetsutstyr på produktet på side 225*.

Vedlikehold	Daglig	Ukentlig	Månedlig
Slik utfører du en generell inspeksjon	X		
Kontroller oljenivået.	X		
Rengjør produktet.	X		
Kontroller skjæreutstyret.	X		
Kontroller klippedekselet*.	X		
Kontroller motorbremsehåndtaket *	X		
Kontroller knivbremsekontrollen*	X		
Kontroller lyddemperen*.		X	
Kontroller tennpluggen.		X	
Skift olje (første gang etter 5 timers bruk og deretter etter hver 50. times bruk).			X
Rengjør eller skift luftfilteret.			X
Kontroller drivstoffsystemet.			X

Slik utfører du en generell inspeksjon

- Sørg for at alle mutre og skruer på produktet er trukket til ordentlig.

Slik rengjør du produktet på utsiden

- Bruk en børste for å fjerne løv, gress og smuss.
- Kontroller at luftinntaket på toppen av motoren ikke er blokkert.
- Produktet må ikke rengjøres med høytrykksspyler.
- Hvis du bruker vann til å rengjøre produktet, må du ikke spyle vann direkte på motoren.

Slik rengjør du den indre overflaten av klippedekselet

1. Tøm drivstofftanken.
2. Plasser produktet på siden med lyddemperen ned.



OBS: Hvis produktet settes med luftfilteret ned, kan motoren bli skadet.

3. Spyl innsiden av klippedekselet med vann.

Slik bruker du vannslangekoblingen

1. Flytt produktet til et område med klipt gress eller et annet hardt underlag.
2. Fjern oppsamleren eller finfordelingspluggen fra produktet.
3. Lukk den bakre deflektoren.
4. Koble en vannslange til vannslangekoblingen. (Fig. 40)
5. Stopp vanntilførselen, og kontroller om det er lekkasjer i vannslangekoblingen.

6. Hvis du ikke ser noen lekkasje, kan du starte motoren. La motoren gå helt til produktet er rent under huset.
7. Stopp motoren.
8. Stopp vanntilførselen, og fjern slangen fra vannslangekoblingen.

Merk: Ikke fjern vannslangen fra vannslangekoblingen mens motoren går. Vann i motoren kan redusere motorens levetid.

9. Start motoren og la den gå i ett minutt for å fjerne gjenværende vann fra produktet.

Slik skifter du motorolje



ADVARSEL: Motorolje er svært varm rett etter at motoren har stoppet. La motoren bli avkjølt før du taper ut motorolje. Rengjør med såpe og vann hvis du søler motorolje på huden.

1. Bruk produktet til drivstofftanken er tom.
2. Fjern tenningskabelen fra tennpluggen.
3. Ta av oljetankklokket.
4. Sett en beholder under produktet for å samle opp olje.
5. Vipp produktet for å tappe av oljen fra tanken.
6. Fyll på ny motorolje av typen som anbefales i *Tekniske data på side 234*.
7. Kontroller oljenivået. Se *Slik kontrollerer du oljenivået på side 226*.

Kontrollere tennpluggen



OBS: Bruk alltid anbefalt type tennplugg. Feil tennpluggtype kan føre til skade på produktet.

- Undersøk tennpluggen hvis motorens effekt er for lav, ikke er enkel å starte eller ikke fungerer riktig på tomgang.
- Følg disse instruksjonene for å redusere risikoen for uønsket materiale på tennpluggenes elektroder:
 - a) Pass på at tomgangsturtallet er riktig justert.
 - b) Pass på at drivstoffblandingen er riktig.
 - c) Kontroller at luftfilteret er rent.
- Hvis tennpluggen er skitten, må du rengjøre den og samtidig kontrollere at elektrodeavstanden er riktig. Se *Tekniske data på side 234*. (Fig. 41)
- Skift tennpluggen når det er nødvendig.

Rengjøre luftfilteret

1. Ta av luftfilterdekselet, og fjern filteret.
2. Slå filteret mot en jevn flate slik at partiklene faller av.



OBS: Bruk ikke løsemidler eller trykkluft til å rengjøre luftfilteret.

3. Sett luftfilteret tilbake. Kontroller at luftfilteret er helt forseglest mot luftfilterholderen.
4. Sett luftfilterdekselet på plass.

Merk: Et luftfilter som brukes i lang tid, blir aldri fullstendig rent. Skift luftfilteret med jevne mellomrom. Bytt alltid ut skadet luftfilter.

Slik kontrollerer du skjærestyret



ADVARSEL: For å hindre utilsiktet start må du fjerne tenningskabelen fra tennpluggen.



ADVARSEL: Bruk vernehansker når du utfører vedlikehold på skjærestyret. Kniven er svært skarp, og det er lett å kutte seg.

1. Kontroller skjærestyret med henblikk på skader og sprekkdannelse. Bytt alltid ut skadet skjærestyr.
2. Sjekk om kniven er skadet eller sløv.

Merk: Kniven må balanseres etter at den er slipt. La et servicesenter slipe, skifte og balansere kniven. Hvis du treffer en hindring som fører til at produktet stopper, må du skifte ut den skadde kniven. La serviceverkstedet vurdere om kniven kan slipes eller om den må skiftes ut.

Slik monterer du kniven

1. Plasser knivadapteren på motorens veivaksel. Kontroller at nøkkelen i adapteren og nøkkelhullet i veivakselen er rettet inn i forhold til hverandre. (Fig. 42)
2. Fest alltid kniven med de vinklede endene pekende oppover i retning av motoren. (Fig. 43)
3. Sett en trekloss mellom kniven og produkthuset. Trekk til knivbolten, og vri den med urviseren.
4. Trekk alltid til bolten med et dreiemoment på 47–54 Nm (35–40 ft lbs). (Fig. 44)
5. Kontroller at tennpluggkabelen er koblet fra motoren.



OBS: For å unngå utilsiktet start må du alltid koble fra tennpluggkabelen og plassere kabelen et sted der den ikke kan berøre tennpluggen.

6. Trekk kniven rundt for hånd for å kontrollere at den roterer fritt.

Slik bytter du kniven

1. Lås kniven med en trekloss. (Fig. 45)

2. Fjern knivbolten.
3. Fjern kniven.
4. Undersøk knivstøtten og knivbolten for å se om det finnes skader.
5. Undersøk motorakselen for å forsikre deg om at den ikke er bøyd.
6. Når du fester den nye kniven, må du peke de vinklede endene av kniven i retning av klippedekselet. (Fig. 46)
7. Kontroller at kniven er på linje med midten av motorakselen.
8. Lås kniven med en trekloss. Fest sprengskiven, og trekk til bolten og skiven med et moment på 47-54 Nm. (Fig. 47)
9. Trekk kniven rundt for hånd for å kontrollere at den roterer fritt.



ADVARSEL: Bruk kraftige arbeidshansker. Kniven er svært skarp, og det er lett å kutte seg.

10. Start produktet for å teste kniven. Hvis kniven ikke er riktig tilkoblet, vil produktet vibrere, eller klipperesultatet vil ikke bli bra nok.

Oversikt over transmisjonsmontering

(Fig. 2)

1. Finfordelingsplugg
2. Bakre deksel
3. Transmisjonssnorhjul
4. Remskivebrakett
5. Transmisjonsdeksel
6. Knivadapter
7. Remskive
8. Fremre remholder
9. Ring
10. Kniv
11. Hard skive
12. Låseskive
13. Knivbolt
14. Remdeksel
4. Ta av drivhjuldekselet. (Fig. 48)
5. Fjern knivbolten, låseskiven, den harde skiven og kniven. (Fig. 49)
6. Fjern finfordelingspluggen. (Fig. 50)
7. Ta av det bakre dekselet.
8. Fjern remdekselet og ringen. (Fig. 51)
9. Koble kabelen fra transmisjonen, og fjern remskiven fra remskiveenheten.
10. Ta av den fremre remholderen.
11. Fjern drivremmen fra transmisjonssnorhjulet.
12. Fjern de tre remskivene fra remskiveenheten. (Fig. 52)
13. Fjern drivremmen fra knivadapteren og remskiveenheten. (Fig. 53)
14. Fest en låsetang til transmisjonens inngående aksel. Løsne motorens snorhjul med en skrunøkkel på 9/16 tommer for å fjerne transmisjonssnorhjulet.
15. Ta av drivremmen.

Slik fjerner du drivremmen

1. Bruk produktet til drivstofftanken er tom.
2. Fjern tennplugghetten fra tennpluggen.
3. Plasser produktet på siden med lyddemperen ned.



OBS: Hvis produktet plasseres med luffilteret ned, kan motoren bli skadet.

Feilsøking

Problem	Mulig årsak	Løsning
Motoren starter ikke.	Tenningskabelen er ikke riktig tilkoblet.	Koble tenningskabelen til tennpluggen.
	Drivstofftanken er tom.	Fyll drivstofftanken med riktig drivstofftype.
	Det er smuss i forgasseren eller drivstoffledningen.	Rengjør forgasseren og/eller drivstoffledningen.
	Tennpluggen er defekt.	Juster elektrodeavstanden, og rengjør eller bytt ut tennpluggen.

Problem	Mulig årsak	Løsning
Motoren stopper ikke.	Stoppemekanismen er defekt.	Koble tenningskabelen fra tennpluggen. Få produktet reparert ved et godkjent serviceverksted.
Motoren går ujevnt.	Tenningskabelen er ikke riktig tilkoblet.	Koble tenningskabelen til tennpluggen.
	Det er smuss i drivstoffledningen, eller drivstoffet er utløpt.	Rengjør drivstofflinjen. Fyll drivstofftanken med nytt drivstoff av riktig type.
	Det er en blokkering i lokket på drivstofftanken.	Rengjør lokket på drivstofftanken.
	Det er vann eller smuss i drivstoffsystemet.	Tapp drivstofftanken. Fyll drivstofftanken med nytt drivstoff av riktig type.
	Luffilteret er skittent.	Rengjør luffilteret.
	Forgasseren må justeres.	La en serviceforhandler justere forgasseren.
Motoren blir for varm.	Motoroljenivået er for lavt.	Fyll motorolje.
	Luftstrømmen er ikke tilstrekkelig.	Rengjør luffilteret og luffilterhuset.
	Forgasseren må justeres.	La en serviceforhandler justere forgasseren.
Det er feilttenning i motoren når den går med høy hastighet.	Elektrodeavstanden i tennpluggen er for liten.	Juster elektrodeavstanden.
Motoren fungerer ikke riktig på tomgang.	Tennpluggen er skitten eller defekt, eller elektrodeavstanden er for stor.	Juster elektrodeavstanden eller bytt ut tennpluggen.
	Forgasseren må justeres.	Juster forgasseren.
	Luffilteret er skittent.	Rengjør luffilteret.
Det er for mye vibrasjon i håndtaket.	En kniv er løs eller ikke balansert.	Trekk til knivboltene. Bytt ut knivene hvis de er skadet.
	En kniv er bøyd.	Bytt ut knivene hvis de er skadet.
Gresset finfordeles ikke.	Gresset er vått.	Ikke bruk produktet når gresset er vått. Vent til gresset er tørt.
	Gresset er for høyt.	Klipp først med klippehøyden stilt høyt. Reduser klippehøyden, og klipp på nytt. Klipp bare med halve klippebredden om gangen.
	Én eller flere av knivene er ikke tilstrekkelig skarpe.	Slip eller bytt ut knivene.
Gresset klippes uregelmessig.	Hjulene er ikke i riktig stilling.	Still inn klippehøyden på samme nivå for alle fire hjul.
	Én eller flere av knivene er ikke tilstrekkelig skarpe.	Slip eller bytt ut knivene.
Drivsystemet fungerer ikke som det skal.	Drivremmen er ikke tilstrekkelig stram, eller det er smuss på snorhjulene eller drivremmen.	La et godkjent serviceverksted utføre vedlikehold på drivsystemet.

Transport og oppbevaring

- Før oppbevaring og transport av produktet og drivstoff, må du kontrollere at det ikke finnes lekkasjer eller gasser. Gnister eller åpen ild, for eksempel fra elektriske apparater eller varmekjeler, kan starte en brann.
- Bruk alltid godkjente beholdere for oppbevaring og transport av drivstoff.
- Tøm drivstofftanken før du setter produktet til oppbevaring over en lengre periode. Lever drivstoffet hos en returstasjon.
- Sørg for sikkert feste av produktet under transport for å unngå skader og ulykker.
- Oppbevar produktet på et låst sted for å hindre tilgang for barn eller personer som ikke er godkjent.
- Oppbevar produktet på et tørt og frostfritt sted.

Kassering

- Følg lokale gjenvinningsbestemmelser og gjeldende regelverk.
- Kast alle kjemikalier, for eksempel motorolje eller drivstoff, på et servicesenter eller en returstasjon.
- Når produktet ikke lenger er i bruk, kan du sende det til en Husqvarna-forhandler eller kaste det ved et returpunkt.

Tekniske data

Tekniske data

	LC 353AWD
Motor	
Merke	Honda
Volum, kubikktommer/cm ³	10,4/170
Hastighet, o/min.	2900–3200
Nominell motoreffekt, kW/hk ved o/min. ⁸¹	3,6/4,9 ved 2900–3200
Tenningsystem	
Tennplugg	NGK BPR5ES
Elektrodeavstand, tommer/mm	0,028/0,7
Drivstoff-/smøresystem	
Drivstoff, blyfri, minimum oktantall	90 RON / 87 AKI
Drivstofftankens kapasitet, amerikansk gallon / liter	0,27/1,02
Oljetankens kapasitet, amerikansk gallon / liter	0,14/0,53
Motorolje ⁸²	SAE 30 / SAE 10W-30
Vekt	
Med tomme tanker, lb/kg	92/41,7
Støynivå ⁸³	
Lydeffektnivå, mål dB (A)	95
Lydeffektnivå, garantert L _{WA} dB (A)	96
Lydnivåer ⁸⁴	
Lydtrykknivå ved brukerens øre, dB (A)	85
Vibrasjonsnivåer ⁸⁵	
Håndtak, m/s ² med oppsamler / uten oppsamler	7/7
Skjæreutstyr	

⁸¹ Motorens merkeeffekt er gjennomsnittlig nettoeffekt (ved angitt turtall) for en typisk produksjonsmotor for motormodellen, målt ifølge SAE-standarden J1349/ISO1585. Masseproduserte motorer kan avvike fra denne verdien. Faktisk effekt for motoren montert på det ferdige produktet vil avhenge av driftshastighet, klimaforhold og andre verdier.

⁸² Bruk motorolje av kvaliteten SJ eller høyere. Se viskositetstabellen i motorprodusentens håndbok, og velg viskositeten som er best egnet, basert på forventet utendørstemperatur.

⁸³ Utslipp av støy til omgivelsene målt som lydeffekt (L_{WA}) samsvarer med EF-direktiv 2000/14/EF.

⁸⁴ Lydtrykknivå i henhold til ISO 5395. Rapporterte data for ekvivalent lydtrykknivå for maskinen har en typisk statistisk spredning (standardavvik) på 1,2 dB (A).

⁸⁵ Vibrasjonsnivå i henhold til ISO 5395. Rapporterte data for vibrasjonsnivå har en typisk statistisk spredning (standardavvik) på 0,2 m/s².

	LC 353AWD
Klippehøyde, tommer/mm	1,0–4,0/25,4–101,6
Klippebredde, tommer/mm	21/530
Kniv	
Artikkelnummer	586 85 96-02
Oppsamlerkapasitet, ft ³ /l	2,3/65
Kjør	
Hastighet, mph / km/t	0–3/0–4,8

Innholdet i EF-samsvarserklæringen

Vi, Husqvarna AB, SE 561 82 Huskvarna, SVERIGE, erklærer under eneansvar at dette produktet:

Den medfølgende skyvegressklipperen med forbrenningsmotor samsvarer med det eksemplaret som undergikk undersøkelsen.

Beskrivelse	Skyvegressklipper med forbrenningsmotor
Merke	Husqvarna
Plattform/type/modell	Plattform E21THV, som representerer modellen LC 353AWD
Parti	Serienummer datert 2019 og senere

fullstendig overholder følgende EU-direktiver og -forskrifter:

Direktiv/regulering	Beskrivelse
2006/42/EF	«angående maskiner»
2014/30/EU	«om elektromagnetisk kompatibilitet»
2000/14/EU, 2005/88/EF	«angående utendørsstøy»
2011/65/EU	«angående begrensning av bruken av bestemte farlige stoffer»

Harmoniserte standarder og/eller tekniske spesifikasjoner anvendt er som følger: EN ISO 12100, ISO 5395-1+A1/A2, ISO 5395-2+A1/A2, EN ISO 14982, ISO 3744, ISO 11094, EN 1032

I samsvar med direktivet 2000/14/EF, tillegg VI, står de oppgitte lydverdiene oppført i kapittelet om tekniske data i denne håndboken og i den signerte EF-samsvarserklæringen.

SPIS TREŚCI

Wstęp.....	236	Rozwiązywanie problemów.....	246
Bezpieczeństwo.....	237	Transport, przechowywanie i utylizacja.....	247
Montaż.....	240	Dane techniczne.....	248
Przeznaczenie.....	241	Treść deklaracji zgodności z normami WE.....	249
Przegląd.....	242		

Wstęp

Opis produktu

Produkt jest kosiarką spalinową kierowaną przez operatora pieszego. Trawa zbierana jest do pojemnika na trawę. Zdjąć pojemnik na trawę, aby usunąć z niego trawę przez tylny otwór wylotowy. Zamontować zestaw mulczujący, aby pociąć trawę na nawóz.

Przegląd produktu

(Rys. 1)

1. Uchwyt hamulca silnika
2. Dźwignie sterowania napędem
3. Rączka linki rozrusznika
4. Pojemnik na trawę
5. Zakrętka zbiornika paliwa
6. Filtr powietrza
7. Świeca zapłonowa
8. Osłona napędu
9. Tłumik
10. Łącznik przewodu na wodę
11. Deflektor tylny
12. Prętowy wskaźnik poziomu oleju / zbiornik oleju
13. Regulator wysokości koszenia
14. Wkładka rozdrabniająca
15. Instrukcja obsługi
16. Rynna wylotowa

Symbole znajdujące się na produkcie

- (Rys. 3) **OSTRZEŻENIE:** Produkt może spowodować poważne obrażenia ciała lub śmierć operatora lub innych osób. Zachować ostrożność i prawidłowo korzystać z produktu.
- (Rys. 4) Przed użyciem produktu należy dokładnie i ze zrozumieniem przeczytać instrukcję obsługi.
- (Rys. 5) Prędko
- (Rys. 6) Wolno
- (Rys. 7) Ręce i stopy należy trzymać z dala od obracającej się części.

Przeznaczenie

Korzystać z produktu do koszenia trawy w prywatnych ogrodach. Nie używać produktu do innych zadań.

- (Rys. 8) Osoby postronne i zwierzęta powinny przebywać w bezpiecznej odległości od obszaru roboczego.
- (Rys. 9) Należy zachować ostrożność podczas ciągnięcia produktu do tyłu. Należy spojrzeć do tyłu oraz w dół, aby sprawdzić, czy nie ma tam małych dzieci, zwierząt ani innych obiektów, które mogą doprowadzić do upadku.
- (Rys. 10) Używanie produktu na pochyłościach może być niebezpieczne.
- (Rys. 11) Ręce i stopy należy trzymać z dala od obracającego się noża.
- (Rys. 12) Należy uważać na odrzucane i rykoszetujące przedmioty.
- (Rys. 13) Emisja hałasu zgodna z Dyrektywą Wspólnoty Europejskiej. Emisja składników jest określona w *Dane techniczne na stronie 248* oraz na tabliczce.
- (Rys. 14) Niniejszy produkt jest zgodny z obowiązującymi dyrektywami wspólnoty europejskiej.
- (Rys. 15) Produkt jest zgodny z odpowiednimi dyrektywami EAC.
- (Rys. 16) Produkt jest zgodny z odpowiednimi dyrektywami RCM. Dotyczy wyłącznie AU/NZ.
- (Rys. 17) Produkt jest zgodny z odpowiednimi dyrektywami obowiązującymi na Ukrainie.

(Rys. 18) Stosować atestowane środki ochrony słuchu.

Uwaga: Pozostałe symbole/naklejki samoprzylepne umieszczone na produkcie dotyczą wymogów związanych z certyfikatami w innych obszarach komercyjnych.

ODPOWIEDZIALNOŚĆ ZA PRODUKT

Zgodnie z przepisami dotyczącymi odpowiedzialności za produkt nie ponosimy odpowiedzialności za szkody spowodowane przez nasz produkt, jeśli:

- produkt jest nieprawidłowo naprawiany.
- produkt jest naprawiany przy użyciu części niepochodzących od producenta lub niezatwierdzonych przez producenta.
- produkt jest wyposażony w akcesoria niepochodzące od producenta lub niezatwierdzone przez producenta.
- produkt nie jest naprawiany w autoryzowanym centrum serwisowym lub przez autoryzowaną placówkę.

Bezpieczeństwo

Definicje dotyczące bezpieczeństwa

Ostrzeżenia, uwagi i informacje są używane do zwrócenia uwagi na szczególnie ważne sekcje instrukcji obsługi.



OSTRZEŻENIE: Jest używane, gdy istnieje ryzyko poważnych obrażeń, śmierci operatora lub uszkodzenia otoczenia w wyniku nieprzestrzegania instrukcji obsługi.



UWAGA: Jest używane, gdy istnieje ryzyko uszkodzenia materiałów lub urządzenia w wyniku nieprzestrzegania instrukcji obsługi.

Uwaga: stosuje się, aby przekazać więcej informacji, które są przydatne w danej sytuacji.

Ogólne zasady bezpieczeństwa



OSTRZEŻENIE: Przed rozpoczęciem użytkowania produktu przeczytać następujące ostrzeżenia.

- Produkt ten może być niebezpieczny w przypadku jego nieprawidłowego użytkowania i niezachowania ostrożności. Nieprzestrzeganie instrukcji bezpieczeństwa może spowodować obrażenia ciała lub śmierć.
- Podczas pracy urządzenie wytwarza pole elektromagnetyczne. W pewnych okolicznościach pole to może zakłócać pracę aktywnych lub pasywnych implantów medycznych. Przed użyciem tego produktu osoby z wszczepionym implantem medycznym powinny skonsultować się z lekarzem i producentem implantu w celu ograniczenia ryzyka poważnych lub śmiertelnych obrażeń.
- Zawsze zachowywać ostrożność i kierować się zdrowym rozsądkiem. Jeśli nie ma pewności, w jaki sposób należy obsługiwać ten produkt w konkretnej sytuacji, przed wznowieniem pracy należy porozmawiać z dealerem Husqvarna.

- Pamiętać o tym, że operator ponosi odpowiedzialność za wypadki z udziałem innych ludzi i ich własności.
- Utrzymywać produkt czystym. Upewnić się, że można łatwo odczytać oznaczenia i naklejki.
- Nie pozwalać używać maszyny jakimkolwiek osobom, które nie zapoznały się i nie zrozumiały zawartości instrukcji obsługi.
- Nie pozwalać dzieciom używać produktu.
- Należy trzymać dzieci z dala od obszaru roboczego. Zawsze musi jej towarzyszyć odpowiedzialna osoba dorosła.
- Nie pozwalać osobom nieznającym instrukcji używać maszyny.
- Należy zawsze kontrolować osobę o ograniczonych możliwościach fizycznych lub umysłowych podczas używania produktu. Zawsze musi jej towarzyszyć odpowiedzialna osoba dorosła.
- Osoba, która jest zmęczona, chora lub pod wpływem alkoholu, narkotyków lub lekarstw nie może obsługiwać urządzenia. Stany te mają negatywny wpływ na wzrok, uwagę, koordynację i osąd.
- Nie stosować uszkodzonego produktu.
- Nie wolno dokonywać w maszynie zmian stanowiących modyfikację jej oryginalnej wersji. Nie używać maszyny, jeżeli istnieje podejrzenie, że ktoś inny wprowadził w niej zmiany.

Bezpieczeństwo miejsca pracy



OSTRZEŻENIE: Przed rozpoczęciem użytkowania produktu przeczytać następujące ostrzeżenia.

- Usunąć objekty, takie jak gałęzie, gałązki i kamienie z obszaru roboczego przed rozpoczęciem korzystania z maszyny.
- Objekty, które zderzają się z elementami tnącymi, mogą zostać wyrzucone i spowodować obrażenia osób i uszkodzenia przedmiotów. Osoby znajdujące się w pobliżu i zwierzęta powinny zachować bezpieczną odległość od maszyny.

- Nigdy nie należy używać produktu w niesprzyjających warunkach np. we mgle, w deszczu, przy silnym wietrze, na silnym mrozie, gdy występuje ryzyko wyładowań atmosferycznych. Korzystanie z maszyny w niesprzyjających warunkach lub w wilgotnych czy mokrych lokalizacjach jest męczące. Niesprzyjające warunki pogodowe mogą stworzyć niebezpieczne warunki, takie jak śliskie powierzchnie.
- Należy uważać na osoby, przedmioty i sytuacje, które mogą uniemożliwić bezpieczną obsługę maszyny.
- Należy zwracać uwagę na przeszkody, takie jak korzenie, kamienie, gałązki, dziury i doły. Wysoka trawa może zasłaniać przeszkody.
- Koszenie trawy na pochyłościach może być niebezpieczne. Nie należy używać maszyny na pochyłościach terenu przekraczających 15°.
- Należy używać maszyny, prowadząc ją w poprzek zbocza. Nie należy jeździć w górę i w dół zbocza.
- Zachować ostrożność podczas zbliżania się do narożników lub innych obiektów, które mogą ograniczać widoczność.
- Nigdy nie należy na stałe przymocowywać uchwyty hamulca silnikowego do uchwyty podczas pracy silnika.
- Maszynę należy ustawić na stabilnej, płaskiej powierzchni i ją uruchomić. Należy upewnić się, że ostrza nie uderzają w podłoże lub inne przedmioty.
- Podczas obsługi maszyny zawsze należy stać za nią.
- Podczas obsługi maszyny należy upewnić się, że wszystkie koła dotykają podłoża oraz trzymać na kierownicy obie dłonie. Ręce i stopy należy trzymać z dala od obracających się noży.
- Nie przechylać produktu, kiedy uruchomiony jest silnik.
- Należy zachować ostrożność podczas ciągnięcia maszyny do tyłu.
- Nigdy nie należy podnosić maszyny przy włączonym silniku. Jeśli konieczne jest podniesienie maszyny, najpierw należy wyłączyć silnik i odłączyć przewód zapłonowy od świecy zapłonowej.
- Nie należy poruszać się do tyłu podczas obsługi maszyny.
- Podczas poruszania się po obszarach bez trawy, na przykład po zwirowych, kamiennych lub asfaltowych ścieżkach, należy wyłączyć silnik.
- Nie należy biegać z maszyną przy włączonym silniku. Podczas obsługi maszyny zawsze należy poruszać się chodem.
- Przed zmianą wysokości koszenia należy wyłączyć silnik. Nigdy nie należy wykonywać regulacji przy uruchomionym silniku.
- Nigdy nie należy pozostawiać maszyny poza zasięgiem wzroku przy włączonym silniku. Należy wyłączyć silnik i upewnić się, że narzędzia tnące nie obracają się.

Pracuj bezpiecznie



OSTRZEŻENIE: Przed rozpoczęciem użytkowania produktu przeczytać następujące ostrzeżenia.

- Używać maszyny wyłącznie do przycinania trawników. Nie jest dozwolone wykorzystanie maszyny do innych zadań.
- Stosuj środki ochrony osobistej. Patrz *Środki ochrony osobistej na stronie 238*.
- Należy zawsze wiedzieć, jak szybko wyłączyć silnik w razie awarii.
- Nigdy nie należy uruchamiać silnika w zamkniętej przestrzeni lub w pobliżu łatwopalnych materiałów. Spaliny silnikowe mają wysoką temperaturę, mogą zawierać iskry, które mogą się stać przyczyną pożaru.
- Nie należy obsługiwać maszyny, jeśli ostrze oraz wszystkie pokrywy nie zostały prawidłowo zamocowane. Nieprawidłowo zamocowane ostrze może się obluźnić i spowodować obrażenia.
- Należy upewnić się, że ostrze nie uderza w żadne obiekty, takie jak kamienie czy korzenie. Może to spowodować uszkodzenie ostrza oraz wygięcie wału silnika. Zgięta oś powoduje silne wibracje oraz bardzo wysokie zagrożenie obluźwaniem ostrza.
- Jeśli ostrze uderzy w jakikolwiek obiekt lub jeśli wystąpią wibracje, należy natychmiast wyłączyć maszynę. Odłączyć przewód zapłonowy od świecy zapłonowej. Należy sprawdzić maszynę pod kątem uszkodzeń. Należy naprawić uszkodzenia lub zlecić przeprowadzenie naprawy przez autoryzowany punkt serwisowy.

Instrukcje bezpieczeństwa dotyczące obsługi

Środki ochrony osobistej



OSTRZEŻENIE: Przed rozpoczęciem użytkowania produktu przeczytać następujące ostrzeżenia.

- Środki ochrony osobistej nie eliminują całkowicie ryzyka odniesienia obrażeń, natomiast ograniczają ich rozmiar w razie zaistnienia wypadku. Skorzystać z pomocy dealera przy wyborze odpowiedniego sprzętu.
- Jeśli poziom hałasu przekracza 85 dB, należy stosować ochronniki słuchu.
- Należy używać mocnego, przeciwpoślizgowego obuwia ochronnego lub obuwia roboczego. Nie należy używać otwartego obuwia lub chodzić bosą.
- Stosować wytrzymałe, długie spodnie.
- W razie potrzeby, na przykład podczas mocowania, badania czy czyszczenia narzędzi tnących, stosować rękawice ochronne.

Zespoły zabezpieczające na osprzęcie



OSTRZEŻENIE: Przed rozpoczęciem użytkowania produktu przeczytać następujące ostrzeżenia.

- Nie należy używać maszyny z uszkodzonymi urządzeniami zabezpieczającymi.
- Regularnie przeprowadzać kontrole urządzeń zabezpieczających. Jeśli urządzenia zabezpieczające są uszkodzone, skontaktować się z warsztatem obsługi technicznej Husqvarna.

Sprawdzanie osłony modułu tnącego

Osłona modułu tnącego ogranicza drgania urządzenia i obniża ryzyko odniesienia obrażeń od ostrza.

- Zbadać osłonę modułu tnącego, aby upewnić się, że nie nosi ona znamion uszkodzenia, takich jak pęknięcia.

Sprawdzanie dźwigni hamulca silnika

Uchwyt hamulca silnika zatrzymuje silnik. Po zwolnieniu uchwytu hamulca silnika następuje wyłączenie silnika.

- Uruchomić silnik, a następnie zwolnić dźwignię hamulca silnika. Jeśli silnik nie wyłączy się w czasie 3 sekund, zatwierdzony serwis obsługi technicznej Husqvarna powinien wyregulować hamulec silnika. (Rys. 19)

Sprawdzanie deflektora tylnego

Deflektor tylny ogranicza ryzyko wyrzucenia przedmiotów w kierunku operatora.

- Należy sprawdzić, czy deflektor tylny nie jest uszkodzony. (Rys. 20)
- Należy sprawdzić, czy sprężyny zamykające deflektor tylny nie są pęknięte.
- Wymienić zużyte sprężyny i uszkodzone części.
- Należy sprawdzić, czy deflektor tylny porusza się swobodnie w zawiasach.

Tłumik

Tłumik ogranicza do minimum poziom hałasu i odprowadza spaliny poza strefę pracy operatora.

Nie używać produktu, jeśli tłumik nie jest zamontowany lub jest uszkodzony. Uszkodzony tłumik zwiększa poziom hałasu oraz ryzyko pożaru.



OSTRZEŻENIE: Tłumik nagrzewa się do wysokiej temperatury podczas użytkowania oraz gdy silnik pracuje na obrotach biegu jałowego, oraz pozostaje gorący przez pewien czas po wyłączeniu silnika. W przypadku zbliżenia się do łatwopalnych materiałów i/lub spalin należy zachować szczególną ostrożność, aby zapobiec pożarowi.

Sprawdzanie tłumika

- Przeprowadzać regularne kontrole tłumika, aby upewnić się, że jest prawidłowo zamontowany i sprawny.

Kontrola poziomu oleju



UWAGA: Za niski poziom oleju może doprowadzić do poważnego uszkodzenia silnika. Przed uruchomieniem maszyny należy skontrolować poziom oleju.

1. Postawić maszynę na równym podłożu.
2. Odkręcić korek zbiornika oleju z zamocowanym wskaźnikiem prętowym.
3. Zetrzeć olej z prętowego wskaźnika poziomu oleju.
4. Włożyć prętowy wskaźnik całkowicie do zbiornika, aby sprawdzić rzeczywisty poziom oleju.
5. Wyjąć prętowy wskaźnik poziomu oleju.
6. Sprawdzić poziom oleju na wskaźniku prętowym.
7. Jeśli poziom oleju jest zbyt niski, napełnić zbiornik olejem silnikowym i wykonać ponowną kontrolę poziomu oleju.

Zasady bezpieczeństwa dotyczące paliwa



OSTRZEŻENIE: Przed rozpoczęciem użytkowania produktu przeczytać następujące ostrzeżenia.

- Nie uruchamiać produktu, jeśli znajduje się na nim paliwo lub olej silnikowy. Usunąć zabrudzenia paliwem/olejem i odczekać, aż produkt wyschnie.
- W przypadku rozlania paliwa na ubranie należy je natychmiast zmienić.
- Nie dopuścić do kontaktu paliwa z ciałem, ponieważ może to spowodować obrażenia. W przypadku kontaktu paliwa z ciałem należy użyć wody z mydłem w celu jego usunięcia.
- Nie uruchamiać maszyny, jeśli silnik jest nieszczelny. Regularnie sprawdzać silnik pod kątem nieszczelności.
- Zachować ostrożność przy pracy z paliwem. Paliwo jest łatwopalne, a jego opary mogą wybuchnąć, powodując obrażenia lub śmierć.
- Nie wdychać oparów paliwa, ponieważ może to być groźne dla zdrowia lub życia. Zapewnić odpowiednią wentylację.
- Nie palić tytoniu w pobliżu paliwa lub silnika.
- Nie umieszczać gorących przedmiotów w pobliżu paliwa lub silnika.
- Nie dolewać paliwa podczas pracy silnika.
- Przed tankowaniem upewnić się, że silnik jest zimny.
- Przed tankowaniem pomału odkręcić korek zbiornika paliwa i ostrożnie zwolnić ciśnienie.
- Nie dolewać paliwa do silnika w zamkniętym pomieszczeniu. Niewystarczający przepływ

powietrza może doprowadzić do obrażeń lub śmierci na skutek uduszenia lub zatrucia tlenkiem węgla.

- Do końca dokręcić korek zbiornika paliwa. W przypadku braku dokręcenia korka zbiornika paliwa istnieje ryzyko powstania pożaru.
- Przed uruchomieniem należy przenieść produkt co najmniej 3 metry / 10 stóp od miejsca, w którym napelniany był zbiornik paliwa.
- Nie napelniać zbiornika paliwa całkowicie. Ciepło powoduje zwiększenie objętości paliwa. Pozostawić wolną przestrzeń na górze zbiornika.

Instrukcje bezpieczeństwa dotyczące konserwacji



OSTRZEŻENIE: Przed rozpoczęciem użytkowania produktu przeczytać następujące ostrzeżenia.

- Spaliny z silnika zawierają tlenek węgla, który jest bezwonnym, trującym i niebezpiecznym gazem. Nie należy uruchamiać silnika wewnątrz pomieszczeń lub w zamkniętych przestrzeniach.

- Przed rozpoczęciem konserwacji produktu wyłączyć silnik i odłączyć przewód zapłonowy ze świecy zapłonowej.
- W trakcie konserwacji narzędzi tnących należy korzystać z rękawic ochronnych. Ostrze jest bardzo ostre i może łatwo doprowadzić do skaleczenia.
- Niezatwierdzone przez producenta akcesoria i modyfikacje maszyny mogą spowodować poważne obrażenia lub śmierć. Nie należy modyfikować maszyny. Należy korzystać wyłącznie z akcesoriów zatwierdzonych do użytku przez producenta.
- W przypadku nieprawidłowo lub nieregularnie przeprowadzanej konserwacji wzrasta ryzyko obrażeń oraz uszkodzenia produktu.
- Konserwację należy przeprowadzać wyłącznie w sposób określony w instrukcji użytkownika. Wszelkie prace serwisowe muszą być wykonywane przez zatwierdzonego serwis Husqvarna.
- Należy dopilnować przeprowadzania regularnej konserwacji maszyny przez autoryzowany serwis Husqvarna.
- Wymienić uszkodzone, zużyte lub zniszczone części.

Montaż

Wstęp



OSTRZEŻENIE: Przed złożeniem produktu należy przeczytać ze zrozumieniem rozdział poświęcony bezpieczeństwu.



OSTRZEŻENIE: Przed rozpoczęciem montażu produktu odłączyć przewód świecy zapłonowej od świecy zapłonowej.

Montaż uchwytu

1. Podnieść dolny uchwyt. (Rys. 21)
2. Wyrównać otwory znajdujące się na spodzie dolnego uchwytu z otworami we wspornikach uchwytu.

Uwaga: Wybrać otwory zapewniające możliwie najlepszą pozycję przy pracy.

3. Dokręcić dolne pokrętła uchwytu.
4. Podnieść górny uchwyt tak, aby zrównał się z dolnym uchwytem.
5. Dokręcić do końca pokrętła górnego uchwytu.

Mocowanie łączki linki rozrusznika

1. Zamocować pętlę do linki rozrusznika i pokrętła T. Nie dokręcać całkowicie. (Rys. 22)

2. Przytrzymać dźwignię hamulca silnika przy drążku sterującym.
3. Powoli pociągnąć za linkę rozrusznika i włożyć ją w pętlę do linki rozrusznika. (Rys. 23)
4. Dokręcić pokrętło T. (Rys. 24)

Ustawienie kosiarki w pozycji transportowej

1. Wymontować pojemnik na trawę.
2. Poluzować pokrętła dolnego uchwytu, aby odblokować uchwyt. (Rys. 25)
3. Złożyć uchwyt do tyłu i w dół.
4. Usunąć pokrętła i sworznie z dolnego uchwytu.
5. Złożyć rękojeść do przodu.

Montaż pojemnika na trawę

1. Przymocować ramę pojemnika na trawę do worka na trawę tak, aby sztywna część worka znajdowała się na dole. Uchwyt ramy powinien znajdować się poza górną częścią kosza. (Rys. 26)
2. Zamontować kosz na trawę na ramie, używając zacisków szybkiego mocowania. (Rys. 27)

Przeznaczenie

Wstęp



OSTRZEŻENIE: Przed użyciem urządzenia należy przeczytać ze zrozumieniem rozdział poświęcony bezpieczeństwu.

Przed użyciem urządzenia

1. Należy dokładnie i ze zrozumieniem zapoznać się z treścią niniejszej instrukcji.
2. Należy sprawdzić narzędzia tnące, aby upewnić się, że są one prawidłowo zamontowane i wyregulowane. Patrz *Kontrola osprzętu tnącego na stronie 244*.
3. Napełnić zbiornik paliwa. Patrz *Uzupełnianie paliwa na stronie 241*.
4. Napełnić zbiornik oleju i wykonać kontrolę poziomu oleju. Patrz *Kontrola poziomu oleju na stronie 239*.

Uzupełnianie paliwa

Jeśli to możliwe, należy korzystać z niskoemisyjnej benzyny alkilatowej. W przypadku braku dostępności niskoemisyjnej benzyny alkilatowej należy korzystać z dobrej jakości benzyny bezołowiowej lub benzyny ołwiowej o liczbie oktanowej nie niższej niż 90.



UWAGA: Nie używać benzyny o liczbie oktanowej niższej niż 90 RON (87 AKI). Niezastosowanie się do tego zalecenia może spowodować uszkodzenie produktu.

1. Powoli otworzyć korek wlewowy w celu wyrównania ciśnienia.
2. Powoli napełniać zbiornik paliwa. W przypadku rozlania paliwa należy je usunąć przy użyciu ściarki i pozwolić na wyschnięcie pozostałego paliwa.
3. Oczyszczyć korek wlewowy i powierzchnię wokół niego.
4. Do końca dokręcić korek zbiornika paliwa. W przypadku braku dokręcenia korka zbiornika paliwa istnieje ryzyko powstania pożaru.
5. Przed uruchomieniem należy przenieść maszynę co najmniej 3 metry od miejsca, w którym napełniany był zbiornik paliwa.

Regulacja wysokości koszenia

Można ustawiać 9 różnych wysokości koszenia.

1. Popchnąć regulator wysokości koszenia w kierunku koła, a następnie do tyłu, aby zwiększyć wysokość koszenia.
2. Popchnąć regulator wysokości koszenia w kierunku koła, a następnie do przodu, aby zmniejszyć wysokość koszenia. (Rys. 28)



UWAGA: Nie należy ustawiać zbyt niskiej wysokości koszenia. Ostrza mogą uderzyć w podłoże, jeśli powierzchnia trawnika nie jest równa.

Uruchamianie maszyny

1. Należy pozostawać za maszyną.
2. Przytrzymać dźwignię hamulca silnika przy drążku sterującym. (Rys. 29)
3. Należy trzymać rączkę linki rozrusznika prawą dłonią.
4. Powoli pociągnąć za linkę rozrusznika do poczucia oporu.
5. Pociągnąć, używając odpowiedniej siły, aby uruchomić silnik.



OSTRZEŻENIE: Nie owijaj linki rozrusznika wokół dłoni.

Korzystanie z napędu kół

- Pociągnąć dźwignię napędu w stronę drążka sterującego. (Rys. 30)
- Przed pociągnięciem maszyny do tyłu należy odłączyć napęd i popchnąć maszynę do przodu o około 10cm.
- Zwolnić dźwignię napędu, aby odłączyć napęd na przykład w sytuacji zbliżania się do przeszkody.

Regulacja linki sterowania napędem

- Użyć śruby regulacyjnej, aby wyregulować linkę sterowania napędem. (Rys. 31)
- Wyłączyć silnik. Przed obsługą części ruchomych należy zawsze odłączyć świecę zapłonową.
- W celu zwiększenia prędkości napędu i napięcia drutu należy obrócić śrubę regulującą w lewo.
- W celu zmniejszenia prędkości napędu i poluzowania drutu należy obrócić śrubę regulującą w prawo.

Zatrzymanie produktu

- Aby wyłączyć jedynie napęd, należy zwolnić dźwignię napędu.
- Aby zatrzymać silnik, należy zwolnić dźwignię hamulca silnika. (Rys. 32)

Używanie produktu z pojemnikiem na trawę



OSTRZEŻENIE: Nie wolno obsługiwać produktu bez zamontowania pojemnika na trawę lub z otwartym deflektorem tylnym. Przedmioty mogą zostać wyrzucone i spowodować obrażenia operatora.

1. Podnieść deflektor tylny i wyjąć wkładkę rozdrabniającą. (Rys. 33)
2. Zamontować pojemnik na trawę, patrz *Montaż pojemnika na trawę na stronie 240*.
3. Umieścić pojemnik na trawę na wsporniku. (Rys. 34)
4. Zwołnić deflektor tylny i umieścić go na górnej części ramy pojemnika na trawę.

Ustawianie urządzenia w tryb rozdrabniania

Tryb rozdrabniania powoduje bardziej intensywne rozdrabnianie koszonej trawy. Drobną pociętą trawą jest następnie rozrzucona na całym trawniku. Koszona trawa poddana rozdrabnianiu szybko podlega biodegradacji i użycia trawniku.

1. Podnieść tylną osłonę i wymontować pojemnik na trawę, jeśli jest zamontowany.
2. Zamontować wkładkę rozdrabniającą w kanale zbierającym. (Rys. 35)
3. Zamknąć tylną osłonę i upewnić się, że szczelnie przylega do wkładki rozdrabniającej. (Rys. 36)

Ustawianie produktu w tryb wyrzucania tylnego

1. Podnieść deflektor tylny i wyjąć wkładkę rozdrabniającą. (Rys. 37)
2. Zamontować rynnę wylotową. (Rys. 38)

Opróżnianie pojemnika na trawę



UWAGA: Nie ciągnąć worka po podłożu podczas opróżniania pojemnika na trawę, aby uniknąć jego zużycia.

1. Podnieść pojemnik na trawę za pomocą uchwytu ramy. (Rys. 39)
2. Usunąć skoszoną trawę z pojemnika na trawę, opróżniając go przez otwór pod uchwytem.
3. Wyrzucić trawę z worka, korzystając z uchwytu ramy i uchwytu worka.

Uzyskiwanie dobrych rezultatów

- Używać zawsze dobrze naostrzonych ostrzy. Stępione ostrze daje nierównomierne rezultaty, a ścinana powierzchnia żółknie. Naostrzone ostrze zużywa również mniej energii niż ostrze stępione.
- Nie należy kosić więcej niż $\frac{1}{3}$ długości trawy. Najpierw należy kosić przy użyciu dużej wysokości koszenia. Zbadać rezultaty i obniżyć wysokość koszenia do odpowiedniego poziomu. Jeśli trawa jest bardzo długa, w razie konieczności należy przejechać powoli i ścinać dwukrotnie.
- Kosić za każdym razem w różnych kierunkach, aby uniknąć powstawania pasów na trawniku.

Przegląd

Wstęp



OSTRZEŻENIE: Przed przeprowadzeniem konserwacji należy przeczytać i zrozumieć rozdział o bezpieczeństwie.

Do wykonywania wszelkich prac serwisowych i naprawczych konieczne jest specjalistyczne przeszkolenie. Gwarantujemy dostępność profesjonalnych napraw i usług serwisowych. Jeśli dany dealer nie jest autoryzowanym punktem serwisowym, poproś sprzedawcę o informacje na temat najbliższego autoryzowanego punktu serwisowego.

Plan konserwacji



UWAGA: Upewnić się, że filtr powietrza jest uniesiony i nie dotyka podłoża po przechyleniu produktu. Ryzyko uszkodzenia silnika.

Odstępy pomiędzy konserwacjami obliczane są w oparciu o codzienne wykorzystanie produktu. Odstępy te ulegają zmianie, jeśli maszyna nie jest użytkowana codziennie.

Czynności konserwacyjne oznaczone znakiem * objaśniono w instrukcjach w części *Zespoły zabezpieczające na osprzęcie na stronie 239*.

Przegląd	Codziennie	Co tydzień	Co miesiąc
Przeprowadzenie ogólnego przeglądu	X		
Kontrola poziomu oleju	X		
Wyczyszczenie maszyny	X		
Kontrola osprzętu tnącego	X		
Sprawdzanie osłony cięcia*	X		
Sprawdzanie dźwigni hamulca silnika*	X		
Sprawdzanie dźwigni sterującej hamulcem noża*	X		
Kontrola tłumika*		X	
Kontrola świecy zapłonowej		X	
Wymienić olej (pierwszy raz po 5 godzinach użytkowania, następnie po upływie każdych 50 godzin).			X
Wyczyścić lub wymienić filtr powietrza			X
Kontrola układu paliwowego			X

Przegląd ogólny

- Należy upewnić się, że wszystkie nakrętki i śruby maszyny są odpowiednio dokręcone.

Czyszczenie maszyny od zewnątrz

- W celu usunięcia liści, trawy i brudu należy użyć szczotki.
- Należy upewnić się, że wlot powietrza zlokalizowany nad silnikiem nie jest zablokowany.
- Nie używać myjek wysokociśnieniowych do czyszczenia urządzenia.
- Jeśli do czyszczenia maszyny używana jest woda, nie należy polewać nią bezpośrednio silnika.

Czyszczenie powierzchni wewnętrznych osłony osprzętu tnącego.

- Opróżnić zbiornik paliwa.
- Położyć maszynę na boku przy tłumiku skierowanym ku dołowi.



UWAGA: Jeśli maszyna położona zostanie ze skierowanym do dołu filtrem powietrza, może dojść do uszkodzenia silnika.

- Należy spłukać powierzchnie wewnętrzne osłony osprzętu tnącego wodą.

Korzystanie ze złącza węża z wodą

- Ustawić produkt w obszarze ściętej trawy lub na innej utwardzonej powierzchni.

- Wyjąć pojemnik na trawę lub wkładkę rozdrabniającą z produktu.
- Zamknąć tylny deflektor.
- Podłączyć wąż z wodą do złącza. (Rys. 40)
- Zatrzymać przepływ wody i sprawdzić szczelność złącza węża z wodą.
- Jeśli nie wykryto przecieku, uruchomić silnik. Uruchomić silnik do czasu wyczyszczenia produktu pod osłoną.
- Zatrzymać silnik.
- Zatrzymać przepływ wody i odłączyć wąż od złącza.

Uwaga: Nie należy odłączać węża z wodą od złącza podczas pracy silnika. Woda w silniku może spowodować skrócenie jego żywotności.

- Uruchomić silnik i nie wyłączać go przez minutę, aby odprowadzić pozostałą wodę z produktu.

Wymiana oleju silnikowego



OSTRZEŻENIE: Olej silnikowy jest niezwykle gorący bezpośrednio po wyłączeniu silnika. Poczekać na ostygnięcie silnika przed spuszczeniem oleju silnikowego. W przypadku rozlania oleju silnikowego na skórę, zmyć go wodą z mydłem.

- Obsługiwać maszynę do momentu opróżnienia zbiornika paliwowego.
- Odłączyć przewód zapłonowy od świecy zapłonowej.
- Odkręcić korek zbiornika oleju.

- Umieścić pod maszyną pojemnik, do którego zebrany zostanie olej silnikowy.
- Przechylić maszynę w celu spuszczenia oleju ze zbiornika.
- Napełnić nowym olejem silnikowym zgodnym z zaleceniami zawartymi w *Dane techniczne na stronie 248*.
- Skontrolować poziom oleju. Patrz *Kontrola poziomu oleju na stronie 239*.

odłączyć przewód zapłonowy od świecy zapłonowej.

Sprawdzanie świecy zapłonowej



UWAGA: Stosuj wyłącznie świece zapłonowe zalecane przez producenta. Niewłaściwy typ świecy zapłonowej może spowodować uszkodzenie produktu.

- Sprawdzić świecę zapłonową, jeśli silnik ma za małą moc, trudno go uruchomić lub nie działa prawidłowo na biegu jałowym.
- Aby zmniejszyć ryzyko przedostawania się niepożądanych materiałów na elektrody świecy zapłonowej, należy przestrzegać poniższych instrukcji:
 - Dopilnować, by obroty biegu jałowego zostały prawidłowo wyregulowane.
 - Dopilnować, aby używana była odpowiednia mieszanka paliwowa.
 - Zadbać o czystość filtra powietrza.
- Jeśli świeca zapłonowa jest zabrudzona, należy ją wyczyścić i upewnić się, że odstęp między elektrodami jest prawidłowy, patrz *Dane techniczne na stronie 248*. (Rys. 41)
- W razie potrzeby wymienić świecę zapłonową.

Czyszczenie filtra powietrza

- Zdjąć pokrywę filtra powietrza i wyjąć filtr.
- Uderzyć filtrem o płaską powierzchnię w celu usunięcia z niego cząstek.



UWAGA: Do czyszczenia filtra powietrza nie należy używać rozpuszczalnika ani sprężonego powietrza.

- Założyć filtr z powrotem. Upewnić się, że filtr powietrza ściśle przylega do uchwytu filtra powietrza.
- Założyć ponownie pokrywę filtra powietrza.

Uwaga: Całkowite oczyszczenie filtra po długim okresie użytkowania nie jest możliwe. Należy wymieniać filtr powietrza w równomiernych odstępach czasu. Zawsze wymieniać uszkodzony filtr powietrza.

Kontrola osprzętu tnącego



OSTRZEŻENIE: Aby zapobiec przypadkowemu uruchomieniu, należy



OSTRZEŻENIE: W trakcie konserwacji narzędzi tnących należy korzystać z rękawic ochronnych. Ostrze jest bardzo ostre i może łatwo doprowadzić do skaleczenia.

- Należy skontrolować, czy osprzęt tnący nie jest uszkodzony bądź pęknięty. Zawsze wymieniać uszkodzony osprzęt tnący.
- Obejrzeć ostrze i upewnić się, że nie jest uszkodzone lub stępione.

Uwaga: Po ostrzeniu ostrze należy wypoziomować. Ostrzenie, wymiana i poziomowanie ostrza winno zostać przeprowadzone przez centrum serwisowe. W przypadku uderzenia w przeszkodę, która zatrzymuje maszynę, należy wymienić uszkodzone ostrze. Pozwolić, aby przedstawiciel serwisowy oszacował, czy ostrze można naostrzyć czy wymienić.

Montaż noża

- Umieścić adapter noża na wale korbowym silnika. Sprawdzić, czy wypust w adapterze i rowek w wale korbowym są wyrównane. (Rys. 42)
- Nóż należy zawsze mocować tak, aby jego zakrzywione końce były skierowane ku górze w kierunku silnika. (Rys. 43)
- Umieścić drewniany blok między nożem i obudową produktu. Dokręcić śrubę noża i obrócić ją w prawo.
- Śrubę należy zawsze dokręcać momentem 47–45 Nm (35–40 ft lbs). (Rys. 44)
- Sprawdzić, czy przewód świecy zapłonowej został odłączony od silnika.



UWAGA: Aby zapobiec przypadkowemu uruchomieniu produktu, należy zawsze odłączyć przewód świecy i umieścić go tak, aby nie mógł dotknąć świecy.

- Obracać nóż ręką, aby sprawdzić, czy obraca się swobodnie.

Wymiana ostrza

- Zablokować ostrze przy użyciu drewnianego bloku. (Rys. 45)
- Wymontować śrubę ostrza.
- Zdjąć ostrze.
- Skontrolować wspornik ostrza oraz śrubę ostrza pod kątem uszkodzeń.
- Skontrolować wał silnika, aby upewnić się, że nie jest zgięty.

6. Podczas mocowania nowego ostrza należy skierować zakrzywione końce ostrza ku osłonie osprzętu tnącego. (Rys. 46)
7. Upewnić się, że ostrze jest wyrównane względem środka wału silnika.
8. Zablokować ostrze przy użyciu drewnianego bloku. Zamocować podkładkę sprężynową i dokręcić śrubę oraz podkładkę momentem dokręcania wynoszącym 47-54 Nm. (Rys. 47)
9. Obracać ostrzem za pomocą ręki i sprawdzić, czy obraca się swobodnie.



OSTRZEŻENIE: Nosić solidne rękawice ochronne. Ostrze jest bardzo ostre i może łatwo doprowadzić do skaleczenia.

10. Uruchomić maszynę w celu przetestowania ostrza. Jeśli ostrze nie zostało zamontowane prawidłowo, maszyna będzie wibrować lub rezultaty koszenia będą niezadowolające.

Przegląd zespołu przekładni

(Rys. 2)

1. Wkładka rozdrabniająca
2. Tylna wkładka
3. Koło pasowe przekładni
4. Wspornik napinacza
5. Pokrywa przekładni
6. Adapter noża
7. Koło pasowe bierne
8. Przednia osłona paska
9. Pierścień
10. Nóż
11. Podkładka twarda
12. Podkładka blokująca
13. Śruba noża
14. Osłona paska

powietrza, może dojść do uszkodzenia silnika.

4. Zdjąć osłonę napędu. (Rys. 48)
5. Wykręcić śrubę noża, zdjąć podkładkę blokującą, podkładkę twardą i nóż. (Rys. 49)
6. Wyjąć wkładkę rozdrabniającą. (Rys. 50)
7. Wyjąć tylną wkładkę.
8. Wymontować osłonę paska i pierścień. (Rys. 51)
9. Odłączyć linkę od przekładni i wymontować koło pasowe bierne z zespołu napinacza.
10. Zdjąć przednią osłonę paska.
11. Zdjąć pasek napędowy z koła pasowego przekładni.
12. Zdjąć 3 koła pasowe bierne z zespołu napinacza. (Rys. 52)
13. Zdjąć pasek napędowy z adaptera noża i zespołu napinacza. (Rys. 53)
14. Zamocować szczypce samozaciskowe na wale wejściowym przekładni. Poluzować koło pasowe silnika za pomocą klucza 9/16" w celu wymontowania koła pasowego przekładni.
15. Zdjąć pasek napędowy.

Demontaż paska napędowego

1. Obsługiwać maszynę do momentu opróżnienia zbiornika paliwowego.
2. Odłączyć fajkę świecy zapłonowej od świecy.
3. Położyć maszynę na boku przy tłumiku skierowanym ku dołowi.



UWAGA: Jeśli maszyna położona zostanie ze skierowanym do dołu filtrem

Rozwiązywanie problemów

Problem	Możliwa przyczyna	Rozwiązanie długoterminowe
Silnik nie uruchamia się.	Przewód zapłonowy nie jest poprawnie podłączony.	Podłączyć przewód zapłonowy do świecy zapłonowej.
	Zbiornik paliwa jest pusty.	Zbiornik paliwa napełniać czystą mieszanką paliwową.
	Gaźnik lub przewód paliwowy jest zabrudzony.	Wyczyścić gaźnik i/lub przewód paliwowy.
	Świeca zapłonowa jest uszkodzona.	Wyregulować odstęp między elektrodami, wyczyścić lub wymienić świecę zapłonową.
Silnik nie zatrzymuje się.	Usterka mechanizmu zatrzymującego.	Odłączyć przewód zapłonowy od świecy zapłonowej. Wykonanie naprawy należy zlecić autoryzowanemu warsztatowi obsługi technicznej.
Silnik nie pracuje płynnie.	Przewód zapłonowy nie jest poprawnie podłączony.	Podłączyć przewód zapłonowy do świecy zapłonowej.
	Przewód paliwowy jest zabrudzony lub paliwo jest stare.	Wyczyścić przewód paliwowy. Napełnić zbiornik paliwa odpowiednim czystym paliwem.
	Zakrętka zbiornika paliwa jest zapchana.	Oczyścić korek zbiornika paliwa.
	W układzie paliwowym znajdują się zanieczyszczenia lub woda.	Opróżnić zbiornik paliwa. Napełnić zbiornik paliwa odpowiednim czystym paliwem.
	Filtr powietrza jest zabrudzony.	Oczyścić filtr powietrza.
	Należy wyregulować gaźnik.	Regulację gaźnika należy zlecić punktowi serwisowemu.
Silnik staje się zbyt gorący.	Poziom oleju silnikowego jest zbyt niski.	Napełnić olej silnikowy.
	Przepływ powietrza jest niewystarczający.	Wyczyścić filtr powietrza i obudowę filtra powietrza.
	Należy wyregulować gaźnik.	Regulację gaźnika należy zlecić punktowi serwisowemu.
Podczas pracy na wysokich obrotach silnika występują przerwy w zapłonie.	Odstęp między elektrodami świecy zapłonowej jest zbyt mały.	Ustawić odstęp między elektrodami.
Silnik nie pracuje płynnie przy obrotach biegu jałowego.	Elektrody świecy zapłonowej są zanieczyszczone lub uszkodzone lub odstęp między nimi jest zbyt duży.	Wyregulować odstęp między elektrodami lub wymienić świecę zapłonową.
	Należy wyregulować gaźnik.	Wyregulować gaźnik.
	Filtr powietrza jest zabrudzony.	Oczyścić filtr powietrza.

Problem	Możliwa przyczyna	Rozwiązanie długoterminowe
Zbyt duże drgania uchwytu.	Nóż jest luźny lub niewyważony.	Pewnie dokręcić śruby noża. Uszkodzone noże należy wymienić.
	Nóż jest wygięty.	Uszkodzone noże należy wymienić.
Trawa nie jest rozdrabniana.	Trawa jest mokra.	Nie używać produktu, gdy trawa jest mokra. Zaczekać, aż trawa wyschnie.
	Trawa jest zbyt wysoka.	Najpierw należy kosić przy użyciu dużej wysokości koszenia. Zmniejszyć wysokość koszenia i skosić ponownie. Kosić przy ½ szerokości koszenia.
	Co najmniej jeden nóż nie jest dość ostry.	Naostrzyć lub wymienić noże.
Trawa jest nieregularnie koszona.	Koła znajdują się w niewłaściwej pozycji.	Ustawić jednakową wysokość koszenia dla wszystkich 4 kół.
	Co najmniej jeden nóż nie jest dość ostry.	Naostrzyć lub wymienić noże.
Układ napędowy nie działa prawidłowo.	Pasek napędowy nie jest wystarczająco napięty lub koła pasowe bądź pasek napędowy są zabrudzone.	Zlecić przeprowadzenie konserwacji układu napędowego autoryzowanemu warsztatowi obsługi technicznej.

Transport, przechowywanie i utylizacja

Transport i przechowywanie

- W zakresie przechowywania i transportu maszyny i paliwa należy upewnić się, że nie ma żadnych przecieków ani nie wydostają się z urządzenia żadne opary. Iskry lub otwarty płomień pochodzące, na przykład, z urządzeń elektrycznych lub kotłów, mogą wzniecić pożar.
- Zawsze należy korzystać z zatwierdzonych pojemników do przechowywania i transportu paliwa.
- Opróżnić zbiornik paliwa przed odłożeniem maszyny na dłuższy okres. Utylizacja paliwa w odpowiednim miejscu
- Podczas transportu, w celu zapobieżenia uszkodzeniom i wypadkom, maszynę należy bezpiecznie zamocować.
- Maszynę należy przechowywać w zamkniętym obszarze w celu uniemożliwienia dzieciom lub nieupoważnionym osobom uzyskania do niej dostępu.
- Produkt przechowywać w suchym obszarze nie narażonym na przymrozki.

Utylizacja

- Przestrzegać lokalnych wymogów dotyczących recyklingu oraz obowiązujących przepisów.

- Zutyliczować wszelkie środki chemiczne, takie jak olej silnikowy i paliwo, w centrum serwisowym lub w odpowiednim miejscu utylizacji.
- Gdy produkt nie jest już użytkowany, należy go odesłać Husqvarna do dealera lub zutyliczować w centrum utylizacji.

Dane techniczne

Dane techniczne

	LC 353AWD
Silnik	
Marka	Honda
Pojemność, cu.in/cm ³	10,4/170
Prędkość, obr./min	2900-3200
Nominalna moc wyjściowa silnika (kW/KM) przy obr./min ⁸⁶	3,6/4,9 (2900-3200)
Układ zapłonowy	
Świeca zapłonowa	NGK BPR5ES
Odstęp między elektrodami, cale/mm	0,028/0,7
Układ zasilania/smarowania	
Paliwo, bezołowiowe, minimalna liczba oktanowa	90 RON / 87 AKI
Pojemność zbiornika paliwa, gal. USA/l	0,27/1,02
Pojemność zbiornika oleju, gal. USA/l	0,14/0,53
Olej silnikowy ⁸⁷	SAE 30 / SAE 10W-30
Masa	
Z pustymi zbiornikami, funty/kg	92/41,7
Emisje hałasu ⁸⁸	
Zmierzony poziom mocy akustycznej, w dB(A)	95
Poziom głośności, gwarantowana moc akustyczna [L _{WA} dB(A)]	96
Poziomy głośności ⁸⁹	
Poziom ciśnienia akustycznego przy uchu operatora, dB(A)	85
Poziomy wibracji ⁹⁰	
Uchwyt, m/s ² z pojemnikiem na trawę / bez pojemnika na trawę	7/7
Osprzęt tnący	

⁸⁶ Moc silnika podana jest jako średnia, wyjściowa moc znamionowa (przy podanych obrotach) dla typowego modelu produkowanego silnika zmierzonego wg normy SAE J1349/ISO1585. Silniki produkowane masowo mogą odbiegać od tej wartości. Aktualna moc wyjściowa zainstalowanego na maszynie silnika zależy będzie od prędkości obrotowej, warunków otoczenia oraz innych wartości.

⁸⁷ Używać olejów silnikowych wyłącznie o jakości SJ lub wyższej. Należy zapoznać się z tabelą lepkości oleju umieszczoną w instrukcji producenta silnika i wybrać optymalną lepkość, na podstawie przewidywanej temperatury zewnętrznej.

⁸⁸ Emisję hałasu do otoczenia zmierzono jako moc akustyczną (L_{WA}), zgodnie z dyrektywą WE 2000/14/WE.

⁸⁹ Poziom ciśnienia akustycznego zgodnie z normą ISO 5395. Odnotowane dane dla ciśnienia akustycznego mają typowe rozproszenie statystyczne (odchylenie standardowe) w wysokości 1,2 dB (A).

⁹⁰ Poziom wibracji zgodnie z normą ISO 5395. Odnotowane dane dla poziomu wibracji mają typowe rozproszenie statystyczne (odchylenie standardowe) w wysokości 0,2 m/s².

	LC 353AWD
Wysokość koszenia, cale/mm	1,0–4,0/25,4–101,6
Szerokość koszenia, cale/mm	21/530
Nóż	
Numer produktu	586 85 96-02
Pojemność zbiornika na trawę, ft ³ /l	2,3/65
Napęd	
Prędkość, mph / km/h	0-3/0-4,8

Treść deklaracji zgodności z normami WE

Firma Husqvarna AB, SE 561 82 Huskvarna, SZWECJA, deklaruje z pełną odpowiedzialnością, że przedstawiony produkt:

Dostarczona kosiarka samojezdna kierowana przez operatora pieszego zasilana silnikiem spalinowym jest zgodna ze specyfikacją prototypu poddanego badaniom.

Opis	Zasilana silnikiem spalinowym kosiarka samojezdna kierowana przez operatora pieszego
Marka	Husqvarna
Platforma/typ/model	Platforma E21THV, reprezentująca modele LC 353AWD.
Partia produkcyjna	Począwszy od numerów seryjnych z roku 2019.

spełnia wszystkie wymogi określone w odpowiednich dyrektywach i przepisach UE:

Dyrektywa/przepis	Opis
2006/42/WE	„maszynowa”
2014/30/UE	„dotycząca zgodności elektromagnetycznej”
2000/14/UE; 2005/88/WE	„dotycząca emisji hałasu”
2011/65/UE	„dotycząca ograniczenia użycia określonych substancji niebezpiecznych”

Zostały zastosowane następujące normy zharmonizowane i/lub specyfikacje techniczne: EN ISO 12100, ISO 5395-1+A1/A2, ISO 5395-2+A1/A2, EN ISO 14982, ISO 3744, ISO 11094, EN 1032

Zgodnie z dyrektywą 2000/14/WE, aneks VI, deklarowane wartości dźwięku są podane w rozdziale „Dane techniczne” niniejszej instrukcji i w podpisanej deklaracji zgodności WE.

ÍNDICE

Introdução.....	250	Resolução de problemas.....	259
Segurança.....	251	Transporte, armazenamento e eliminação.....	261
Montagem.....	254	Especificações técnicas.....	262
Funcionamento.....	254	Conteúdo da declaração de conformidade CE.....	263
Manutenção.....	256		

Introdução

Descrição do produto

O produto é um corta-relva de controlo apeado alimentado por um motor de combustão. A relva é apanhada num coletor de relva. Remova o coletor de relva para recolher a descarga traseira da relva. Prenda um kit de trituração para cortar a relva e torná-la fertilizante.

Vista geral do produto

(Fig. 1)

1. Manípulo de travão do motor
2. Alavancas de transmissão
3. Punho do cabo de arranque
4. Coletor de relva
5. Tapa do depósito de combustível
6. Filtro de ar
7. Vela de ignição
8. Cobertura da transmissão
9. Silenciador
10. Ligação mangueira de água
11. Deflector traseiro
12. Vareta de nível/dépósito de óleo
13. Controlo da altura de corte
14. Tampão de trituração
15. Manual do utilizador
16. Calha de descarga

Símbolos no produto

- (Fig. 3) AVISO: Este produto pode ser perigoso e provocar ferimentos graves ou a morte do operador ou de terceiros. Seja cuidadoso e utilize o produto corretamente.
- (Fig. 4) Leia o manual do utilizador com atenção e certifique-se de que compreende as instruções antes de utilizar o produto.
- (Fig. 5) Rápido
- (Fig. 6) Lento
- (Fig. 7) Mantenha as mãos e os pés afastados da peça rotativa.

Finalidade

Utilize o produto para cortar relva em jardins privados. Não utilize o produto para outras tarefas.

- (Fig. 8) Mantenha as pessoas e os animais a uma distância de segurança da área de trabalho.
- (Fig. 9) Tenha cuidado quando utilizar o produto para trás. Olhe para trás e para baixo para ter em atenção crianças pequenas, animais ou outros riscos que possam provocar quedas.
- (Fig. 10) Pode ser perigoso utilizar o produto num declive.
- (Fig. 11) Mantenha as mãos e os pés afastados da lâmina rotativa.
- (Fig. 12) Tenha cuidado com objetos projetados e ricochetes.
- (Fig. 13) Emissões de ruído para o meio ambiente conforme diretiva da Comunidade Europeia. As emissões do produto são indicadas em *Especificações técnicas na página 262* e na etiqueta.
- (Fig. 14) Este produto está em conformidade com as diretivas aplicáveis da CE.
- (Fig. 15) O produto está em conformidade com as diretivas EAC aplicáveis.
- (Fig. 16) O produto está em conformidade com as diretivas RCM aplicáveis. Aplica-se apenas à AU/NZ.
- (Fig. 17) O produto está em conformidade com as diretivas aplicáveis da Ucrânia.
- (Fig. 18) Utilize protetores acústicos aprovados.

Nota: Os restantes símbolos/autocolantes existentes no produto dizem respeito a exigências para homologação em outras áreas comerciais.

Responsabilidade pelo produto

Como referido nas leis de responsabilidade pelo produto, não somos responsáveis por danos causados pelo nosso produto se:

- o produto tiver sido incorretamente reparado.
- o produto tiver sido reparado com peças que não sejam do fabricante ou que não sejam aprovadas pelo fabricante.
- o produto tiver um acessório que não seja do fabricante ou que não seja aprovado pelo fabricante.
- o produto não tiver sido reparado por um centro de assistência autorizado ou por uma autoridade aprovada.

Segurança

Definições de segurança

Os avisos, as precauções e as notas são utilizados para indicar partes especialmente importantes do manual.



ATENÇÃO: Utilizado no caso de existir risco de ferimento ou morte para o utilizador ou transeuntes, se não forem respeitadas as instruções do manual.



CUIDADO: Utilizado se existir risco de danos para o produto, para outros materiais ou para a área adjacente, se não forem respeitadas as instruções do manual.

Nota: Utilizado para disponibilizar informações adicionais necessárias numa determinada situação.

Instruções de segurança gerais



ATENÇÃO: Leia as instruções de aviso que se seguem antes de utilizar o produto.

- Este produto é perigoso se for utilizado de forma incorreta ou se não o utilizador for cuidadoso. Podem ocorrer ferimentos graves ou mesmo morte se as instruções de segurança não forem respeitadas.
- Este produto produz um campo eletromagnético durante o funcionamento. Em determinadas circunstâncias, este campo pode interferir com o funcionamento de implantes médicos ativos ou passivos. Para diminuir o risco de ferimentos graves ou mortais, recomendamos que os portadores de implantes médicos consultem o seu médico e o fabricante do implante antes de utilizar este produto.
- Seja sempre cuidadoso e use o seu senso comum. Se não tiver a certeza sobre como utilizar o produto numa situação especial, pare e fale com o seu revendedor Husqvarna antes de continuar.
- Tenha em atenção que o utilizador é responsável pelos acidentes que incluam outras pessoas ou a respetiva propriedade.
- Mantenha o produto limpo. Certifique-se de que pode ler claramente os sinais e os autocolantes.

- O produto só pode ser utilizado por pessoas que lerem e compreenderam o conteúdo do manual do operador.
- Não deixe uma criança utilizar o produto.
- Mantenha as crianças afastadas da área de trabalho. Tem de estar sempre presente um adulto responsável.
- Não deixe que o produto seja utilizado por uma pessoa que não conhece as instruções.
- Monitorize sempre a utilização do produto por pessoas com diminuição da capacidade física ou mental. Tem de estar sempre presente um adulto responsável.
- Não utilize o produto se estiver cansado, doente ou sob a influência de álcool, drogas ou medicamentos. Estes têm um efeito negativo na sua visão, atenção, capacidade de discernimento ou controlo físico.
- Não utilize o produto se este apresentar algum defeito.
- Não altere este produto e não o utilize se houver a possibilidade de ter sido alterado por outros.

Segurança no local de trabalho



ATENÇÃO: Leia as instruções de aviso que se seguem antes de utilizar o produto.

- Retire objetos como ramos, galhos e pedras da área de trabalho antes de utilizar o produto.
- Os objetos que embatam no equipamento de corte podem ser projetados e causar danos a pessoas e objetos. Mantenha terceiros e animais a uma distância de segurança do produto.
- Nunca utilize o produto em más condições meteorológicas, como nevoeiro, chuva, ventos fortes, frio intenso e risco de trovoadas. A utilização do produto em más condições meteorológicas ou em localizações molhadas ou com humidade é cansativa. As más condições meteorológicas podem causar condições perigosas, como superfícies escorregadias.
- Observe se há pessoas, objetos e situações que possam impedir o funcionamento seguro do produto.
- Observe se há obstáculos como raízes, pedras, ramos, buracos e valas. A relva longa pode ocultar obstáculos.

- Cortar relva em declives pode ser perigoso. Não utilize o produto em terrenos com um declive superior a 15°.
- Utilize o produto ao longo da face dos declives. Não se desloque para cima e para baixo.
- Tenha cuidado ao aproximar-se de esquinas com pouca visibilidade e de objetos que possam impedir uma boa visibilidade.

Segurança do trabalho



ATENÇÃO: Leia as instruções de aviso que se seguem antes de utilizar o produto.

- Utilize este produto apenas para cortar relva. Não é permitido utilizá-lo para outras tarefas.
- Use equipamento de proteção pessoal. Consulte *Equipamento de proteção pessoal na página 252*.
- Certifique-se de que sabe como desligar o motor rapidamente em caso de emergência.
- Nunca ligue o motor num espaço fechado ou perto de material inflamável. Os gases de escape do motor são quentes e podem conter faíscas causadoras de incêndios.
- Não utilize o produto, a menos que a lâmina e todas as coberturas estejam corretamente montadas. Uma lâmina montada incorretamente pode soltar-se e causar ferimentos pessoais.
- Certifique-se de que a lâmina não atinge objetos como pedras e raízes. Isto pode causar danos à lâmina e dobrar o eixo do motor. Um eixo dobrado provoca fortes vibrações e um elevado risco de a lâmina se soltar.
- Se a lâmina atingir um objeto ou ocorrerem vibrações, pare o produto imediatamente. Desligue o cabo de ignição da vela de ignição. Examine se o produto apresenta sinais de danos. Repare os danos ou solicite a reparação numa oficina autorizada.
- Nunca ligue o manípulo de travão do motor de modo permanente ao punho durante o arranque do motor.
- Coloque o produto numa superfície estável e plana e ligue-o. Certifique-se de que a lâmina não atinge o solo ou outros objetos.
- Mantenha-se sempre por trás do produto quando o operar.
- Mantenha todas as rodas no chão e as duas mãos sobre o punho quando utilizar o produto. Mantenha as mãos e os pés afastados das lâminas rotativas.
- Não incline o produto quanto ligar o motor.
- Tenha cuidado quando puxar o produto para trás.
- Nunca levante o produto quando ligar o motor. Se tiver de levantar o produto, desligue primeiro o motor e o cabo de ignição da vela de ignição.
- Não caminhe para trás quando operar o produto.
- Desligue o motor quando se deslocar em zonas sem relva, por exemplo caminhos de gravilha, pedra e asfalto.

- Não corra com o produto quando o motor está ligado. Caminhe sempre que operar o produto.
- Pare o motor antes de mudar a altura de corte. Nunca efetue ajustes com o motor ligado.
- Nunca deixe o produto fora de vista com o motor ligado. Pare o motor e certifique-se de que o equipamento de corte não roda.

Instruções de segurança para funcionamento

Equipamento de proteção pessoal



ATENÇÃO: Leia as instruções de aviso que se seguem antes de utilizar o produto.

- O equipamento de proteção pessoal não previne totalmente os ferimentos mas diminui a respetiva gravidade em caso de acidente. Obtenha ajuda junto do seu concessionário para selecionar o equipamento certo.
- Utilize protetores acústicos se o nível de ruído for superior a 85 dB.
- Use botas ou sapatos antiderrapantes resistentes. Não use calçado aberto nem ande com os pés descalços.
- Use calças compridas e resistentes.
- Use luvas de proteção sempre que necessário, por exemplo, ao fixar, examinar ou limpar o equipamento de corte.

Dispositivos de segurança no produto



ATENÇÃO: Leia as instruções de aviso que se seguem antes de utilizar o produto.

- Não utilize o produto com dispositivos de segurança defeituosos.
- Verifique regularmente os dispositivos de segurança. Se os dispositivos de segurança estiverem defeituosos, fale com a sua oficina Husqvarna autorizada.

Verificar a cobertura de corte

A cobertura de corte reduz as vibrações no produto e o risco de ferimentos causados pela lâmina.

- Examine a cobertura de corte para se certificar de que não existem danos, como fissuras.

Verificar o punho do travão do motor

O manípulo de travão do motor para o motor. Quando o manípulo de travão do motor é libertado, o motor para.

- Ligue o motor e depois solte o punho do travão do motor. Se o motor não parar em 3 segundos, solicite o ajuste do travão do motor numa oficina Husqvarna autorizada. (Fig. 19)

Verificar o defletor traseiro

O defletor traseiro diminui o risco de projeção de objetos na direção do operador.

- Certifique-se de que o defletor traseiro não está danificado. (Fig. 20)
- Certifique-se de que as molas que fecham o defletor traseiro não estão partidas.
- Substitua as molas partidas e as peças danificadas.
- Certifique-se de que o defletor traseiro consegue mover-se facilmente nas dobradiças.

Silenciador

O silenciador mantém o mais baixo nível de ruído possível e afasta os gases de escape do utilizador.

Não utilize o produto se o silenciador estiver defeituoso ou estiver em falta. Um silenciador defeituoso aumenta o nível de ruído e o risco de incêndio.



ATENÇÃO: O silenciador fica muito quente durante e após a utilização e quando o motor funciona ao ralenti. Tenha cuidado junto de materiais inflamáveis e/ou vapores para evitar incêndios.

Verificar o silenciador

- Examine o silenciador regularmente para se certificar de que está bem fixo e não está danificado.

Para verificar o nível do óleo



CUIDADO: Um nível de óleo demasiado baixo causa danos no motor. Verifique o nível do óleo antes de ligar o produto.

1. Coloque o produto num piso nivelado.
2. Remova a tampa do depósito de óleo juntamente com a vareta de nível.
3. Limpe o óleo da vareta de nível.
4. Coloque a vareta de nível completamente dentro do depósito de óleo para obter uma imagem correta do nível do óleo.
5. Remova a vareta de nível.
6. Examine o nível do óleo na vareta de nível.
7. Se o nível do óleo estiver baixo, encha com óleo de motor e verifique novamente o nível do óleo.

Segurança no manuseamento do combustível



ATENÇÃO: Leia as instruções de aviso que se seguem antes de utilizar o produto.

- Não ligue o produto se houver combustível ou óleo do motor sobre o produto. Remova o combustível/ óleo indesejado e deixe o produto secar.

- Se derramar combustível na sua roupa, troque de roupa imediatamente.
- Não deixe que o combustível entre em contacto com o seu corpo, pois pode causar ferimentos. Se o combustível entrar em contacto com o seu corpo, use sabão e água para o remover.
- Não ligue o produto se o motor tiver uma fuga. Examine regularmente o motor quanto a fugas.
- Tenha cuidado com o combustível. O combustível é inflamável e os gases são explosivos e podem causar ferimentos ou morte.
- Não respire os gases do combustível, podem causar ferimentos. Certifique-se de que existe um fluxo de ar suficiente.
- Não fume perto de combustível ou do motor.
- Não coloque objetos quentes perto do combustível ou do motor.
- Não acrescente combustível com o motor em funcionamento.
- Certifique-se de que o motor está frio antes de reabastecer.
- Antes de reabastecer, abra lentamente a tampa do depósito de combustível e liberte a pressão com cuidado.
- Não adicione combustível ao motor numa área interior. O fluxo de ar insuficiente pode causar ferimentos ou morte devido a asfixia ou monóxido de carbono.
- Aperte completamente a tampa de depósito de combustível. Se a tampa de depósito de combustível não estiver apertada, existe um risco de incêndio.
- Desloque o produto a uma distância mínima de 3 m (10 pés) da posição onde abasteceu o depósito antes de começar.
- Não encha totalmente o depósito de combustível. O calor provoca a expansão do combustível. Mantenha um espaço na parte superior do depósito de combustível.

Instruções de segurança para manutenção



ATENÇÃO: Leia as instruções de aviso que se seguem antes de utilizar o produto.

- Os gases de escape do motor contêm monóxido de carbono, um gás inodoro, tóxico e altamente perigoso. Não ligue o motor em zonas interiores ou em espaços fechados.
- Antes de proceder à manutenção do produto, desligue o motor e retire o cabo de ignição da vela de ignição.
- Use luvas de proteção quando realizar a manutenção do equipamento de corte. A lâmina é muito afiada e pode facilmente provocar cortes.
- A utilização de acessórios e a realização de alterações no produto que não sejam aprovadas

pelo fabricante podem causar ferimentos graves ou morte. Não altere o produto. Utilize sempre acessórios que sejam aprovados pelo fabricante.

- Se a manutenção não for realizada de forma correta e regular, o risco de ferimentos e danos no produto aumenta.
- Realize apenas tarefas de manutenção indicadas neste manual do proprietário. Todas as outras

operações de manutenção devem ser realizadas por uma oficina Husqvarna autorizada.

- Leve o produto regularmente a uma oficina Husqvarna autorizada para realizar a manutenção.
- Substitua as peças danificadas, gastas ou partidas.

Montagem

Introdução



ATENÇÃO: Antes de montar o produto, tem de ler e compreender o capítulo sobre segurança.



ATENÇÃO: Retire o cabo da vela de ignição antes de montar o produto.

Montar a barra

1. Levante o punho inferior. (Fig. 21)
2. Alinhe os orifícios na parte inferior do punho inferior com os orifícios nos suportes do punho.

Nota: Selecione os orifícios que proporcionam a melhor posição de utilização.

3. Aperte os botões do punho inferior.
4. Levante o punho superior e alinhe-o com o punho inferior.
5. Aperte totalmente os botões do punho superior.

Instalar o punho do cabo de arranque

1. Fixe o laço do cabo de arranque e da haste em T. Não aperte totalmente. (Fig. 22)

2. Segure o manípulo de travão do motor contra a barra de direção.
3. Retire lentamente o cabo de arranque e coloque-o no respetivo laço. (Fig. 23)
4. Aperte a haste em T. (Fig. 24)

Para colocar o produto na posição de transporte

1. Retire o coletor de relva.
2. Desaperte os botões do punho inferior para desbloquear o punho. (Fig. 25)
3. Dobre o punho para baixo e para trás.
4. Retire os botões e pinos do punho inferior.
5. Dobre a barra do guiador para a frente.

Montar o coletor de relva

1. Coloque a estrutura do coletor de relva no saco de relva com a parte rígida do saco no fundo. Mantenha o punho da estrutura fora da parte superior do saco. (Fig. 26)
2. Fixe o saco de relva à estrutura com os grampos de fixação rápida. (Fig. 27)

Funcionamento

Introdução



ATENÇÃO: Antes de utilizar o produto, tem de ler e compreender o capítulo sobre segurança.

Antes de utilizar o produto

1. Leia o manual do utilizador com atenção e certifique-se de que compreende as instruções.
2. Examine o equipamento de corte para se certificar de que está corretamente montado e ajustado. Consulte o capítulo *Para examinar o equipamento de corte na página 258*.

3. Encha o depósito de combustível. Consulte o capítulo *Encher o depósito de combustível na página 254*.
4. Encha o depósito de combustível e verifique o nível do óleo. Consulte o capítulo *Para verificar o nível do óleo na página 253*.

Encher o depósito de combustível

Se disponível, utilize gasolina com base em alquilatos/ecológica. Se não estiver disponível gasolina com base em alquilatos/ecológica, utilize gasolina sem chumbo de boa qualidade ou gasolina com chumbo com um índice de octanas de pelo menos 90.



CUIDADO: Não utilize gasolina com um índice de octanas inferior a 90 RON (87 AKI). Caso contrário, pode causar danos no produto.

1. Abra a tampa do depósito de combustível devagar para libertar a pressão.
2. Encha lentamente com um recipiente de combustível. Se derramar combustível, retire-o com um pano e deixe o combustível restante secar.
3. Limpe bem à volta da tampa do depósito de combustível.
4. Aperte completamente a tampa de depósito de combustível. Se a tampa de depósito de combustível não estiver apertada, existe um risco de incêndio.
5. Desloque o produto a uma distância mínima de 3 m (10 pés) da posição onde abasteceu o depósito antes de começar.

Definir a altura de corte

A altura de corte pode ser ajustada em 9 níveis.

1. Empurre o controlo da altura de corte na direção da roda e, em seguida, para trás para aumentar a altura de corte.
2. Empurre o controlo da altura de corte na direção da roda e, em seguida, para a frente para diminuir a altura de corte. (Fig. 28)



CUIDADO: Não regule a altura de corte demasiado baixa. As lâminas podem entrar em contacto com o solo se a superfície do relvado não estiver nivelada.

Para ligar o produto

1. Mantenha-se atrás do produto.
2. Segure o manípulo de travão do motor contra a barra de direção. (Fig. 29)
3. Segure o punho do cabo de arranque com a mão direita.
4. Puxe lentamente o cabo de arranque até sentir alguma resistência.
5. Puxe com força para fazer arranque o motor.



ATENÇÃO: Não enrole o cabo de arranque na mão.

Para utilizar a tração das rodas

- Puxe as alavancas de transmissão no sentido da barra de direção. (Fig. 30)
- Antes de puxar o produto para trás, desengate a transmissão e empurre o produto para a frente aproximadamente 10cm.

- Solte as alavancas de transmissão para desengatar a transmissão, por exemplo, quando se aproximar de um obstáculo.

Ajustar o cabo de controlo da transmissão

- Utilize o parafuso de ajuste para ajustar o cabo de controlo da transmissão. (Fig. 31)
- Desligue o motor. Desligue sempre a vela de ignição antes de utilizar as peças móveis.
- Rode o parafuso de ajuste para a esquerda para tensionar o cabo e aumentar a velocidade.
- Rode o parafuso de ajuste para a direita para alongar o cabo e diminuir a velocidade.

Desligar o produto

- Para parar apenas a transmissão, solte as alavancas de transmissão.
- Para parar o motor, solte o manípulo de travão do motor. (Fig. 32)

Utilizar o produto com o coletor de relva



ATENÇÃO: Não utilize o produto sem um coletor de relva instalado ou sem o defletor traseiro fechado. Os objetos podem ser projetados e ferir o operador.

1. Levante o defletor traseiro e retire o tampão de trituração. (Fig. 33)
2. Monte o coletor de relva; consulte *Montar o coletor de relva na página 254*.
3. Coloque o coletor de relva no suporte. (Fig. 34)
4. Solte o defletor traseiro e coloque-o na parte superior da estrutura do saco de relva.

Colocar o produto em modo de trituração

O modo de trituração do produto torna as aparas de relva mais pequenas. Em seguida, as aparas de relva caem no relvado e espalham-se ao longo da relva. A relva triturada bio degrada-se rapidamente para fornecer nutrientes ao relvado.

1. Levante a proteção traseira e retire o saco de relva, caso esteja instalado.
2. Coloque o tampão de trituração no canal do coletor. (Fig. 35)
3. Deixe a proteção traseira fechar e certifique-se de que fecha firmemente contra o tampão de trituração. (Fig. 36)

Colocar o produto em modo de descarga traseira

1. Levante o defletor traseiro e retire o tampão de trituração. (Fig. 37)
2. Instalar a calha de descarga. (Fig. 38)

Esvaziar o coletor de relva



CUIDADO: Não arraste o saco ao esvaziar o coletor de relva para evitar desgaste.

1. Levante o coletor de relva com o punho da estrutura. (Fig. 39)
2. Retire as aparas de relva do coletor de relva da parte inferior do punho.

3. Esvazie as aparas de relva do saco com o punho da estrutura e o punho do saco.

Para obter bons resultados

- Utilize sempre uma lâmina bem afiada. Uma lâmina romba produz um resultado irregular e a superfície de corte da relva fica amarela. Uma lâmina afiada também gasta menos energia que uma lâmina romba.
- Não corte mais do que $\frac{1}{3}$ do comprimento da relva. Corte primeiro com a altura de corte alta. Examine o resultado e reduza a altura de corte para um nível aplicável. Caso a relva esteja muito comprida, avance lentamente e corte duas vezes, se necessário.
- Corte em diferentes direções de cada vez, para evitar a formação de linhas no relvado.

Manutenção

Introdução



ATENÇÃO: Antes de efetuar a manutenção, tem de ler e compreender o capítulo sobre segurança.

É necessária formação especial para realizar qualquer tarefa de manutenção ou reparação. Garantimos a disponibilidade de reparações e manutenção profissionais. Se o seu revendedor não for uma oficina autorizada, pergunte-lhes onde se situa a oficina autorizada mais próxima.

Esquema de manutenção



CUIDADO: Quando inclina o produto, certifique-se de que o filtro de ar está virado para cima e não contra o solo. Risco de danos no motor.

Os intervalos de manutenção são calculados a partir da utilização diária do produto. Os intervalos são alterados se o produto não for utilizado diariamente.

Relativamente às tarefas de manutenção identificadas com *, consulte as instruções em *Dispositivos de segurança no produto na página 252*.

Manutenção	Diariamente	Semanalmente	Mensalmente
Efetuar uma inspeção geral	X		
Examinar o nível do óleo	X		
Limpar o produto	X		
Examinar o equipamento de corte	X		
Examinar a cobertura de corte*	X		
Examinar o punho do travão do motor *	X		
Examinar o controlo do travão da lâmina *	X		
Examinar o silenciador *		X	
Examinar a vela de ignição		X	

Manutenção	Diariamente	Semanalmente	Mensalmente
Substituir o óleo (pela primeira vez após 5 horas de utilização e, posteriormente, após cada 50 horas de utilização)			X
Limpar ou substituir o filtro de ar			X
Examinar o sistema de combustível			X

Para efetuar uma inspeção geral

- Certifique-se de que todas as porcas e os parafusos do produto estão apertados corretamente.

Para limpar o produto externamente

- Utilize uma escova para remover folhas, relva e sujidade.
- Certifique-se de que a entrada de ar na parte superior do motor não está bloqueada.
- Não utilize uma máquina de lavar à pressão para limpar o produto.
- Se utilizar água para limpar o produto, não verta água diretamente sobre o motor.

Para limpar a superfície interior da cobertura de corte

1. Esvazie o depósito de combustível.
2. Coloque o produto de lado com o silenciador virado para baixo.



CUIDADO: Se o produto for colocado com o filtro de ar para baixo, o motor pode sofrer danos.

3. Utilize uma mangueira para enxaguar a superfície interna da cobertura de corte com água.

Utilizar a ligação da mangueira de água

1. Desloque o produto para uma área de relva cortada ou para uma superfície rígida diferente.
2. Retire o coletor de relva ou o tampão de trituração do produto.
3. Feche o defletor traseiro.
4. Ligue uma mangueira de água à ligação da mangueira de água. (Fig. 40)
5. Interrompa o fornecimento de água e examine a ligação da mangueira de água quanto à existência de fugas.
6. Se não encontrar fugas, ligue o motor. Deixe o motor trabalhar até que o produto esteja limpo por baixo do alojamento.
7. Desligue o motor.
8. Interrompa o fornecimento de água e retire a mangueira da ligação da mangueira de água.

Nota: Não retire a mangueira de água da ligação da mangueira de água enquanto o motor estiver em funcionamento. A água no motor pode diminuir a vida útil do produto.

9. Ligue o motor e deixe-o funcionar durante um minuto para extrair a restante água do produto.

Substituir o óleo de motor



ATENÇÃO: O óleo de motor está muito quente imediatamente após desligar o motor. Deixe o motor arrefecer antes de drenar o óleo de motor. Se derramar óleo de motor na pele, limpe com água e sabão.

1. Utilize o produto até esvaziar o depósito de combustível.
2. Remova o cabo de ignição da vela de ignição.
3. Retire a tampa do depósito de óleo.
4. Coloque um recipiente por baixo do produto para recolher o óleo de motor.
5. Incline o produto para drenar o óleo de motor do depósito de óleo.
6. Encha com óleo de motor novo do tipo recomendado em *Especificações técnicas na página 262*.
7. Verifique o nível do óleo. Consulte *Para verificar o nível do óleo na página 253*.

Examinar a vela de ignição



CUIDADO: utilize sempre o tipo de vela de ignição recomendado. Um tipo de vela de ignição incorreto pode provocar danos no produto.

- Examine a vela de ignição para verificar se o motor apresenta uma potência reduzida ou dificuldades de arranque, ou se não funciona corretamente ao ralenti.
- Para diminuir o risco de materiais indesejados nos elétrodos da vela de ignição, siga estas instruções:
 - a) Assegure-se de que a rotação em vazio está corretamente regulada.
 - b) Certifique-se de que a mistura de combustível está correta.
 - c) Certifique-se de que o filtro de ar está limpo.

- Se a vela de ignição estiver suja, limpe-a e certifique-se de que a distância entre os elétrodos está correta; consulte *Especificações técnicas na página 262*. (Fig. 41)
- Se for necessário, substitua a vela de ignição.

Para limpar o filtro de ar

1. Retire a cobertura do filtro de ar e o filtro.
2. Bata com o filtro sobre uma superfície plana para garantir que as partículas caem.



CUIDADO: Não utilize solvente nem ar comprimido para limpar o filtro de ar.

3. Volte a colocar o filtro de ar. Certifique-se de que o filtro de ar está completamente encostado ao suporte do filtro de ar.
4. Volte a colocar a cobertura do filtro de ar.

Nota: Um filtro de ar que é utilizado durante muito tempo não pode ficar completamente limpo. Substitua o filtro de ar em intervalos regulares. Substitua sempre um filtro de ar danificado.

Para examinar o equipamento de corte



ATENÇÃO: Para evitar o arranque acidental retire o cabo de ignição da vela de ignição.



ATENÇÃO: Use luvas de proteção quando realizar a manutenção do equipamento de corte. A lâmina é muito afiada e pode facilmente provocar cortes.

1. Examine se o equipamento de corte está danificado ou se apresenta fissuras. Substitua sempre um equipamento de corte danificado.
2. Olhe para a lâmina para verificar se está danificada ou romba.

Nota: É necessário estabilizar a lâmina depois de ser afiada. Afie, substitua e estabilize a lâmina numa oficina especializada. Se atingir um obstáculo que faça o produto parar, substitua a lâmina danificada. Um centro de assistência deve avaliar se a lâmina pode ser afiada ou se tem de ser substituída.

Montar a lâmina

1. Coloque o adaptador da lâmina na cambota do motor. Certifique-se de que a chave no adaptador e a reentrância da cambota estão alinhadas.

Visão geral do conjunto da transmissão

(Fig. 2)

1. Tampão de trituração

(Fig. 42)

2. Fixe sempre a lâmina com as extremidades inclinadas voltadas para cima, na direção do motor. (Fig. 43)
3. Utilize um bloco de madeira entre a lâmina e o alojamento do produto. Aperte o parafuso da lâmina e rode-o para a direita.
4. Aperte sempre o parafuso com um binário de 47-54 Nm (35-40 pés/lbs). (Fig. 44)
5. Certifique-se de que o cabo da vela de ignição está desligado do motor.



CUIDADO: Para evitar um arranque acidental, desligue sempre o cabo da vela de ignição e coloque-o onde não possa entrar em contacto com a vela de ignição.

6. Faça rodar a lâmina com a mão de modo a assegurar-se de que gira livremente.

Para substituir a lâmina

1. Bloqueie a lâmina com um bloco de madeira. (Fig. 45)
2. Remova o parafuso da lâmina.
3. Retire a lâmina.
4. Examine o suporte e o parafuso da lâmina para verificar se existem danos.
5. Examine o eixo do motor para se certificar de que não se encontra dobrado.
6. Quando colocar a lâmina nova, aponte as extremidades inclinadas da lâmina na direção da cobertura de corte. (Fig. 46)
7. Certifique-se de que a lâmina está alinhada com a parte central do eixo do motor.
8. Bloqueie a lâmina com um bloco de madeira. Prensada a arruela de pressão e aperte o parafuso e a arruela com um binário de 47-54 Nm. (Fig. 47)
9. Faça rodar a lâmina com a mão de modo a assegurar-se de que roda livremente.



ATENÇÃO: Use luvas resistentes. A lâmina é muito afiada e pode facilmente provocar cortes.

10. Ligue o produto para testar a lâmina. Se a lâmina não estiver corretamente ligada, o produto vibra ou o resultado de corte não é satisfatório.

3. Polia da transmissão
4. Suporte intermédio
5. Cobertura da transmissão
6. Adaptador da lâmina
7. Polia intermédia
8. Retentor da correia dianteira
9. Anel
10. Lâmina
11. Arruela rígida
12. Arruela de bloqueio
13. Parafuso da lâmina
14. Tampa da correia

Retirar a correia da transmissão

1. Utilize o produto até esvaziar o depósito de combustível.
2. Remova a cobertura da vela de ignição da vela de ignição.
3. Coloque o produto de lado com o silenciador virado para baixo.



CUIDADO: Se o produto for colocado com o filtro de ar para baixo, o motor pode sofrer danos.

4. Retire a cobertura da transmissão. (Fig. 48)
5. Remova o parafuso da lâmina, a arruela de bloqueio, a arruela rígida e a lâmina. (Fig. 49)
6. Retire a vela de trituração. (Fig. 50)
7. Retire a inserção traseira.
8. Retire a cobertura da correia e o anel. (Fig. 51)
9. Desligue o cabo da transmissão e retire a polia intermédia do conjunto intermédio.
10. Retire o retentor da correia dianteira.
11. Retire a correia da transmissão da polia da transmissão.
12. Retire as 3 polias intermédias do conjunto intermédio. (Fig. 52)
13. Retire a correia da transmissão do adaptador da lâmina e do conjunto intermédio. (Fig. 53)
14. Coloque um alicate de bloqueio no eixo de entrada da transmissão. Desaperte a polia do motor com uma chave de caixa de 9/16" para retirar a polia da transmissão.
15. Retire a correia da transmissão.

Resolução de problemas

Problema	Causa possível	Solução
O motor não arranca.	O cabo de ignição não está ligado corretamente.	Ligue o cabo de ignição à vela de ignição.
	O depósito de combustível está vazio.	Encha o depósito de combustível com o tipo de combustível correto.
	Existe sujidade no carburador ou na linha de combustível.	Limpe o carburador e/ou o tubo de combustível.
	A vela de ignição está defeituosa.	Ajuste a distância entre os elétrodos, limpe ou substitua a vela de ignição.
O motor não para.	O mecanismo de paragem está avariado.	Desligue o cabo de ignição da vela de ignição. Solicite a reparação do produto numa oficina autorizada.

Problema	Causa possível	Solução
O motor não funciona corretamente.	O cabo de ignição não está ligado corretamente.	Ligue o cabo de ignição à vela de ignição.
	Existe sujidade no tubo de combustível ou o período de utilização do combustível expirou.	Limpe a linha de combustível. Encha o depósito de combustível com combustível novo do tipo correto.
	Existe obstrução na tampa do depósito de combustível.	Limpe a tampa do depósito de combustível.
	Existe água ou sujidade no sistema de combustível.	Drene o depósito de combustível. Encha o depósito de combustível com combustível novo do tipo correto.
	O filtro de ar está sujo.	Limpe o filtro de ar.
	O carburador tem de ser ajustado.	Solicite o ajuste do carburador num revendedor de assistência técnica autorizado.
O motor fica demasiado quente.	O nível de óleo do motor é demasiado baixo.	Abasteça o óleo de motor.
	O fluxo de ar não é suficiente.	Limpe o filtro de ar e o alojamento do filtro de ar.
	O carburador tem de ser ajustado.	Solicite o ajuste do carburador num revendedor de assistência técnica autorizado.
Existe uma falha de ignição no motor quando este funciona a alta velocidade.	A distância entre os eléctrodos na vela de ignição é demasiado pequena.	Ajuste a distância entre os eléctrodos.
O motor não funciona corretamente ao ralenti.	A vela de ignição está suja, apresenta defeito ou a distância entre os eléctrodos é demasiado grande.	Ajuste a distância entre os eléctrodos ou substitua a vela de ignição.
	O carburador tem de ser ajustado.	Ajuste o carburador.
	O filtro de ar está sujo.	Limpe o filtro de ar.
Existe demasiada vibração no punho.	Existe uma lâmina solta ou desequilibrada.	Aperte os parafusos das lâminas. Em caso de danos, substitua as lâminas.
	Existe uma lâmina dobrada.	Em caso de danos, substitua as lâminas.
A relva não é cortada para a função de trituração.	A relva está molhada.	Não utilize o produto quando a relva estiver molhada. Aguarde até a relva estar seca.
	A relva está demasiado alta.	Corte primeiro com a altura de corte alta. Diminua a altura de corte e corte novamente. Corte apenas metade da largura de corte de cada vez.
	Uma ou mais lâminas estão embotadas.	Afie ou substitua as lâminas.
A relva é cortada irregularmente.	As rodas não estão na posição correta.	Coloque a altura de corte ao mesmo nível para as 4 rodas.
	Uma ou mais lâminas estão embotadas.	Afie ou substitua as lâminas.

Problema	Causa possível	Solução
O sistema de acionamento não funciona corretamente	A correia da transmissão não está suficientemente apertada ou existe sujidade nas polias ou na correia da transmissão.	Solicite a manutenção do sistema de acionamento numa oficina autorizada.

Transporte, armazenamento e eliminação

Transporte e armazenamento

- Para o transporte e armazenamento do produto e do combustível, certifique-se de que não existem fugas ou fumos. Faíscas ou chamas abertas, por exemplo de dispositivos elétricos ou mesmo caldeiras, podem causar um incêndio.
- Utilize recipientes aprovados para o transporte e armazenamento de combustível.
- Esvazie o depósito de combustível antes de armazenar o produto durante um longo período de tempo. Elimine o combustível numa localização de eliminação aplicável
- Fixe o produto de forma segura durante o transporte para evitar danos e acidentes.
- Mantenha o produto numa área trancada para impedir o acesso a crianças ou pessoas que não disponham de aprovação.
- Mantenha o produto num local seco e sem gelo.

Eliminação

- Respeite os requisitos de reciclagem locais e os regulamentos aplicáveis.
- Elimine todos os produtos químicos, como óleo de motor ou combustível, num centro de assistência ou numa localização de eliminação aplicável.
- Quando o produto deixar de ser utilizado, envie-o para um revendedor Husqvarna ou elimine-o numa localização de reciclagem.

Especificações técnicas

Especificações técnicas

	LC 353AWD
Motor	
Marca	Honda
Deslocamento, pol. cúbicas/cm ³	10,4/170
Velocidade, rpm	2900-3200
Potência nominal do motor, kW/CV a rpm ⁹¹	3,6/4,9 a 2900-3200
Sistema de ignição	
Vela de ignição	NGK BPR5ES
Distância entre os eletrodos, mm/pol.	0,7/0,028
Sistema de lubrificação e combustível	
Combustível, sem chumbo, número mínimo de octanas	90 RON/87 AKI
Capacidade do depósito de combustível, litros/galões americanos	1,02/0,27
Capacidade do depósito de óleo, litros/galões americanos	0,53/0,14
Óleo do motor ⁹²	SAE 30/SAE 10W-30
Peso	
Com depósitos vazios, kg/lb	41,7/92
Emissões de ruído⁹³	
Nível de potência sonora, dB(A) medidos	95
Nível de potência sonora, garantido L _{WA} dB (A)	96
Níveis acústicos⁹⁴	
Nível de pressão sonora ao nível do ouvido do operador, dB (A)	85
Níveis de vibração⁹⁵	
Punho, m/s ² com o coletor de relva/sem o coletor de relva	7/7
Equipamento de corte	

⁹¹ A potência nominal do motor indicado é a potência líquida média (a um valor de rpm especificado) de um motor de produção típico do modelo de motor avaliado de acordo com a norma J1349/ISO1585 da SAE. Motores produzidos em série poderão divergir deste valor. A potência real do motor instalado no produto final dependerá da velocidade de operação, das condições ambientais e de outros parâmetros.

⁹² Utilize um óleo de motor de qualidade SJ ou superior. Consulte a tabela de viscosidade no manual do fabricante do motor e selecione a melhor viscosidade com base na temperatura exterior prevista.

⁹³ Emissões de ruído para as imediações, medidas sob forma de potência sonora (L_{WA}) em conformidade com a diretiva da CE 2000/14/CE.

⁹⁴ Nível de pressão de ruído em conformidade com a norma ISO 5395. Os dados comunicados relativamente ao nível de pressão de ruído têm uma dispersão estatística típica (desvio padrão) de 1,2 dB (A).

⁹⁵ Nível de vibração em conformidade com a norma ISO 5395. Os dados comunicados relativamente ao nível de vibração têm uma dispersão estatística típica (desvio padrão) de 0,2 m/s².

	LC 353AWD
Altura de corte, mm/pol.	25,4-101,6/1,0-4,0
Largura de corte, mm/pol.	530/21
Lâmina	
Número do artigo	586 85 96-02
Capacidade do coletor de relva, l/pés ³	65/2,3
Conduzir	
Velocidade, km/h /mph	0-4,8/0-3

Conteúdo da declaração de conformidade CE

A Husqvarna AB, SE 561 82 Huskvarna, SUÉCIA, declara, sob sua inteira responsabilidade, que o produto representado:

O corta-relva de controlo apeado alimentado por motor de combustão fornecido está em conformidade com o exemplo que foi examinado.

Descrição	Corta-relva de controlo apeado alimentado por motor de combustão
Marca	Husqvarna
Plataforma/Tipo/Modelo	Plataforma E21THV, representando os modelos LC 353AWD.
Lote	Número de série referente a 2019 e posteriores.

está em plena conformidade com as seguintes diretivas e regulamentos da UE:

Diretiva/Regulamento	Descrição
2006/42/CE	"relativa a máquinas"
2014/30/UE	"relativa à compatibilidade eletromagnética"
2000/14/UE; 2005/88/CE	"relativa ao ruído exterior"
2011/65/UE	"restrição do uso de determinadas substâncias perigosas"

As normas harmonizadas e/ou especificações técnicas aplicadas são as seguintes: EN ISO 12100, ISO 5395-1+A1/A2, ISO 5395-2+A1/A2, EN ISO 14982, ISO 3744, ISO 11094, EN 1032

Em conformidade com a diretiva 2000/14/CE, Anexo VI, os valores de som declarados são indicados na secção de especificações técnicas deste manual e na Declaração de conformidade da CE assinada.

CUPRINS

Introducere.....	264	Depanarea.....	273
Siguranță.....	265	Transportul, depozitarea și eliminarea.....	274
Asamblarea.....	268	Date tehnice.....	275
Funcționarea.....	268	Conținutul declarației de conformitate CE.....	276
Întreținerea.....	270		

Introducere

Descrierea produsului

Produsul este o mașină rotativă pentru tuns gazonul controlată de un operator-pieton, cu motor cu combustie. Iarba se adună într-un colector de iarbă. Demontați colectorul de iarbă pentru a efectua descărcarea ierbii prin partea posterioară a mașinii.

Prezentarea generală a produsului

(Fig. 1)

1. Manetă frână de motor
2. Pârghii de transmisie
3. Mâner pentru șnurul de pornire
4. Colectorul de iarbă
5. Bușon rezervor de carburant
6. Filtru de aer
7. Bujie
8. Capacul sistemului de conducere
9. Amortizor de zgomot
10. Racord pentru furtunul de apă
11. Deflector spate
12. Jojă/rezervor de ulei
13. Control înălțime de tăiere
14. Dop pentru mărunțirea ierbii
15. Manualul operatorului
16. Tub de evacuare

Simbolurile de pe produs

- (Fig. 3) **AVERTISMENT:** Acest produs poate fi periculos și poate cauza vătămări corporale grave sau decesul operatorului sau al altor persoane. Acționați cu grijă și utilizați corect produsul.
- (Fig. 4) Citiți cu atenție manualul operatorului și asigurați-vă că înțelegeți instrucțiunile înainte de a utiliza produsul.
- (Fig. 5) Rapid
- (Fig. 6) Lent
- (Fig. 7) Feriți-vă mâinile și picioarele de piesa rotativă.

Atașați un kit de mărunțire pentru a tăia iarba și a o transforma în îngrășământ.

Domeniul de utilizare

Utilizați produsul pentru a tunde iarba în grădini private. Nu utilizați produsul pentru alte sarcini.

- (Fig. 8) Țineți persoanele și animalele la distanță sigură de zona de lucru.
- (Fig. 9) Fiți atent atunci când folosiți produsul cu spatele. Priviți înapoi și în jos pentru a observa copiii mici, animalele sau alte pericole care vă pot face să cădeți.
- (Fig. 10) Poate fi periculoasă operarea produsului pe pante.
- (Fig. 11) Feriți-vă mâinile și picioarele de cuțitul rotativ.
- (Fig. 12) Feriți-vă de obiectele proiectate sau care ricoșează.
- (Fig. 13) Emisia de zgomot în mediu conform Directivei Comunității Europene. Nivelul de emisii al produsului este specificat în *Date tehnice la pagina 275* și pe etichetă.
- (Fig. 14) Acest produs este în conformitate cu directivele UE aplicabile.
- (Fig. 15) Produsul este în conformitate cu directivele EAC aplicabile.
- (Fig. 16) Produsul este conform cu directivele RCM aplicabile. Se aplică numai pentru AU/NZ.
- (Fig. 17) Produsul este în conformitate cu directivele aplicabile în Ucraina.
- (Fig. 18) Utilizați un sistem omologat de protecție a auzului.

Nota: Alte simboluri/autocolante de pe produs se referă la cerințele de certificare pentru alte zone comerciale.

Răspunderea pentru produs

Conform prevederilor legislației privind răspunderea pentru produs, nu ne asumăm răspunderea pentru daunele cauzate de produsul nostru dacă:

- produsul este reparat necorespunzător;

- produsul este reparat cu piese care nu provin de la producător sau care nu sunt aprobate de acesta;
- produsul are un accesoriu care nu provine de la producător sau care nu este aprobat de acesta;
- produsul nu este reparat la un centru de service omologat sau de o autoritate omologată;

Siguranță

Definiții privind siguranța

Avertismentele, atenționările și notele sunt utilizate pentru a desemna părți foarte importante din manual.



AVERTISMENT: Se utilizează dacă există risc de vătămare sau de deces pentru operator sau pentru trecători, în cazul în care instrucțiunile din manual nu sunt respectate.



ATENȚIE: Se utilizează dacă există un risc de deteriorare a produsului, a altor materiale sau a zonelor învecinate, dacă instrucțiunile din manual nu sunt respectate.

Nota: Se utilizează pentru a furniza mai multe informații care sunt necesare într-o situație dată.

Instrucțiuni generale de siguranță



AVERTISMENT: Înainte de a utiliza produsul, citiți instrucțiunile de avertizare de mai jos.

- Acest produs este periculos dacă este utilizat incorect sau dacă nu sunteți atent. Nerespectarea instrucțiunilor de siguranță poate cauza vătămări corporale sau decesul.
- În timpul funcționării, acest produs produce un câmp electromagnetic. În anumite condiții, acest câmp poate interfera cu implanturile medicale active sau pasive. Pentru a reduce riscul de vătămări corporale grave sau mortale, recomandăm persoanelor cu implanturi medicale să consulte medicul și producătorul implantului medical înainte de a utiliza acest produs.
- Procedați întotdeauna cu atenție și folosiți-vă judecata. Dacă nu sunteți sigur cum să utilizați produsul într-o situație specială, opriți-l și adresați-vă distribuitorului Husqvarna înainte de a continua.
- Rețineți că operatorul poartă responsabilitatea privind orice accidente care implică alte persoane sau bunurile acestora.
- Păstrați produsul curat. Asigurați-vă că puteți citi clar semnele și etichetele.
- Nu permiteți niciunei persoană să utilizeze produsul dacă aceasta nu a citit și înțeles conținutul manualului operatorului.



AVERTISMENT: Înainte de a utiliza produsul, citiți instrucțiunile de avertizare de mai jos.

- Înainte de a utiliza produsul, îndepărtați obiectele precum crengile, rămurelele și pietrele din zona de lucru.
- Obiectele care se lovesc de echipamentul de tăiere pot fi aruncate, provocând vătămări corporale și pagube materiale. Țineți trecătorii și animalele la o distanță sigură de produs.
- Nu utilizați produsul pe vreme rea, de exemplu pe ceață, ploaie, vânt puternic, la temperaturi exterioare foarte scăzute și atunci când există riscul de descărcări electrice. Utilizarea produsului pe vreme nefavorabilă sau pe teren umed sau inundat este obositoare. Vremea nefavorabilă poate conduce la apariția de situații periculoase, de exemplu suprafețe alunecoase.
- Verificați dacă există persoane, obiecte și situații care pot împiedica funcționarea în siguranță a produsului.
- Atenție la obstacole, precum rădăcini, pietre, ramuri, gropi și șanțuri. În iarba înaltă se pot ascunde obstacole.
- Tunderea ierbei pe pante poate fi periculoasă. Nu utilizați produsul pe pante cu înclinație mai mare de 15°.
- Utilizați produsul de-a curmezișul pantei. Nu efectuați mișcări în sus și în jos.

- Procedați cu atenție atunci când vă apropiați de colțuri ascunse și de obiecte care blochează vederea.

Siguranța în lucru



AVERTISMENT: Înainte de a utiliza produsul, citiți instrucțiunile de avertizare de mai jos.

- Utilizați acest produs numai pentru tunderea gazonului. Nu este permisă utilizarea acestui produs pentru alte lucrări.
- Utilizați echipamentul personal de protecție. Consultați *Echippingment de protecție personală la pagina 266*.
- Asigurați-vă că știți cum să opriți rapid motorul în caz de urgență.
- Nu porniți niciodată motorul într-un spațiu închis sau lângă materiale inflamabile. Gazele de eșapament de la motor sunt fierbinți și pot conține scântei care pot cauza un incendiu.
- Nu utilizați produsul decât dacă au fost montate corect cușitul și toate capacele. Un cușit montat incorect se poate slăbi, provocând vătămări corporale.
- Asigurați-vă că lama nu lovește obiecte, precum pietre și rădăcini. Acestea pot deteriora cușitul și pot îndoii arborele motorului. Un ax îndoit poate genera vibrații puternice și prezintă un risc foarte ridicat de slăbire a cușitului.
- Dacă lama lovește un obiect sau dacă observați vibrații, opriți produsul imediat. Decuplați cablul de alimentare a aprinderii de la bujie. Examinați dacă produsul este deteriorat. Reparați defecțiunile sau solicitați unui agent de service autorizat să le repare.
- Nu fixați niciodată de mâner maneta frânei de motor, în mod permanent, atunci când motorul este pornit.
- Poziționați produsul pe o suprafață stabilă, plană și porniți-l. Asigurați-vă că lama nu atinge solul sau alte obiecte.
- Stați întotdeauna în spatele produsului atunci când îl utilizați.
- Mențineți toate roțile pe sol și țineți ambele mâini pe mâner când utilizați produsul. Feriți-vă mâinile și picioarele de cușitele rotative.
- Nu înclinați produsul când motorul este pornit.
- Fiți atent atunci când trageți produsul în spate.
- Nu ridicați niciodată produsul când motorul este pornit. Dacă trebuie să ridicați produsul, mai întâi opriți motorul și deconectați cablul de alimentare a aprinderii de la bujie.
- Nu mergeți cu spatele în timp ce utilizați produsul.
- Opriți motorul când traversați zone fără iarbă, de exemplu alei din piatră, piatră și asfalt.
- Nu alergați cu produsul când motorul este pornit. Întotdeauna mergeți în timp ce utilizați produsul.

- Opriți motorul înainte de a schimba înălțimea de tăiere. Nu efectuați niciodată reglări cu motorul pornit.
- Nu lăsați niciodată produsul să iasă din câmpul vizual cu motorul pornit. Opriți motorul și asigurați-vă că echipamentul de tăiere nu se rotește.

Instrucțiuni de siguranță pentru utilizare

Echippingment de protecție personală



AVERTISMENT: Înainte de a utiliza produsul, citiți instrucțiunile de avertizare de mai jos.

- Echipamentele de protecție personală nu pot elimina complet riscul de rănire, însă pot reduce gravitatea rănilor în cazul unui accident. Distribuitorul vă poate ajuta să alegeți echipamentul corect.
- Utilizați echipament de protecție a auzului dacă nivelul de zgomot este mai mare de 85 dB.
- Utilizați întotdeauna ghetă sau pantofi pentru regim greu de lucru, cu rezistență la alunecare. Nu folosiți pantofi decupați și nu operați produsul desculți.
- Utilizați pantaloni lungi, groși.
- Purtați mănuși de protecție atunci când este necesar, de exemplu atunci când conectați, inspectați sau curățați echipamentul de tăiere.

Dispozitivele de siguranță de pe produs



AVERTISMENT: Înainte de a utiliza produsul, citiți instrucțiunile de avertizare de mai jos.

- Nu utilizați un produs cu dispozitive de siguranță deteriorate.
- Verificați regulat dispozitivele de siguranță. Dacă dispozitivele de siguranță sunt defecte, contactați agentul de service Husqvarna.

Verificarea capacului de tăiere

Capacul de tăiere reduce vibrațiile în produs și scade riscul de rănire de la cușit.

- Examinați capacul de tăiere și asigurați-vă că nu există defecte, precum fisuri.

Verificarea maneta frânei de motor

Maneta frânei de motor oprește motorul. Când maneta frânei de motor este eliberată, motorul se oprește.

- Porniți motorul, apoi eliberați maneta frânei de motor. Dacă motorul nu se oprește în 3 secunde, solicitați unui agent de service autorizat Husqvarna să regleze frâna de motor. (Fig. 19)

Verificarea deflectorului din spate

Deflectorul din spate reduce riscul ejectării obiectelor în direcția operatorului.

- Asigurați-vă că deflectorul din spate nu este deteriorat. (Fig. 20)
- Asigurați-vă că arcurile care închid deflectorul din spate nu sunt rupte.
- Înlocuiți arcurile rupte și componentele deteriorate.
- Asigurați-vă că deflectorul din spate se poate deplasa lin pe balamale.

Amortizor de zgomot

Amortizorul de zgomot este proiectat pentru a reduce la minimum nivelul de zgomot și a dirija gazele de eșapament departe de utilizator.

Nu utilizați produsul dacă amortizorul de zgomot nu este instalat sau este defect. Un amortizor de zgomot defect determină creșterea nivelului de zgomot și a pericolului de incendiu.



AVERTISMENT: Amortizorul de zgomot atinge temperaturi înalte în timpul utilizării, imediat după oprire și atunci când motorul funcționează la turația de mers în gol. Procedați cu atenție în apropierea materialelor și/sau gazelor inflamabile pentru a preveni incendiile.

Pentru a verifica amortizorul de zgomot

- Verificați regulat amortizorul de zgomot pentru a vă asigura că este montat corect și nu este deteriorat.

Pentru a verifica nivelul de ulei



ATENȚIE: Un nivel de ulei prea redus poate deteriora motorul. Efectuați o verificare a nivelului de ulei înainte să porniți produsul.

1. Așezați produsul pe teren drept.
2. Scoateți bușonul rezervorului cu joja atașată.
3. Curățați joja de ulei.
4. Introduceți joja complet în rezervorul de ulei pentru o înregistrare corectă a nivelului de ulei.
5. Scoateți joja.
6. Examinați nivelul de ulei de pe joă.
7. Dacă nivelul uleiului este scăzut, alimentați cu ulei de motor și verificați din nou nivelul.

Reguli de siguranță referitoare la carburant



AVERTISMENT: Înainte de a utiliza produsul, citiți instrucțiunile de avertizare de mai jos.

- Nu porniți produsul dacă pe acesta se află carburant sau ulei pentru motor. Îndepărtați carburantul/uleiul nedorit și lăsați produsul să se usuce.
- Dacă vărsați carburantul pe îmbrăcăminte, schimbați imediat hainele.

- Nu vărsați carburantul pe corp - poate provoca vătămări corporale. Dacă vărsați carburant pe corp, utilizați apă și săpun pentru a elimina carburantul.
- Nu porniți produsul dacă motorul prezintă scurgeri. Examinați cu regularitate motorul, pentru a identifica eventuale scurgeri.
- Manipulați cu atenție carburantul. Carburantul este inflamabil, vaporii sunt explozivi și pot cauza vătămări corporale sau deces.
- Nu respirați vaporii de carburant, se pot produce vătămări corporale. Asigurați-vă că fluxul de aer este suficient.
- Nu fumați în apropierea carburantului sau a motorului.
- Nu amplasați obiecte calde în apropierea carburantului sau a motorului.
- Nu adăugați carburant atunci când motorul este pornit.
- Asigurați-vă că motorul este rece înainte de a realimenta.
- Înainte de a realimenta, deschideți lent capacul rezervorului de carburant și eliberați cu atenție presiunea.
- Nu adăugați carburant la motor într-o zonă interioară. Un flux de aer insuficient poate cauza vătămare corporală sau deces din cauza asfrierii sau a monoxidului de carbon.
- Strângeți până la capăt capacul rezervorului de carburant. Dacă acesta nu este strâns, există pericol de incendiu.
- Înainte de pornire, mutați produsul la o distanță de minimum 3 m/10 ft față de poziția unde ați umplut rezervorul.
- Nu umpleți complet rezervorul de carburant. Căldura provoacă dilatarea carburantului. Păstrați un gol în partea de sus a rezervorului de carburant.

Instrucțiunile de siguranță pentru întreținere



AVERTISMENT: Înainte de a utiliza produsul, citiți instrucțiunile de avertizare de mai jos.

- Gazele de eșapament ale motorului conțin monoxid de carbon, care este un gaz inodor, toxic și deosebit de periculos. Nu porniți motorul în interior sau în spații închise.
- Înainte de a efectua întreținerea produsului, opriți motorul și deconectați cablul de alimentare a aprinderii de la bujie.
- Purtați mănuși de protecție când efectuați întreținerea echipamentului de tăiere. Cuițitul este foarte ascuțit și vă puteți tăia foarte ușor.
- Accesoriile și modificările aduse produsului care nu sunt autorizate de către producător pot provoca vătămări corporale grave sau fatale. Nu modificați produsul. Utilizați întotdeauna numai accesorii omologate de producător.

- Dacă întreținerea nu se efectuează corect și periodic, crește pericolul de vătămări corporale și de deteriorare a produsului.
- Efectuați numai operațiile de întreținere care se regăsesc în acest manual al proprietarului. Toate celelalte operații de service trebuie efectuate de către un agent de service autorizat Husqvarna.
- Solicitați unui agent de service autorizat Husqvarna să efectueze în mod regulat operații de service la produs.
- Înlocuiți piesele deteriorate, uzate sau defecte.

Asamblarea

Introducere



AVERTISMENT: Înainte de a asambla produsul, trebuie să citiți și să înțelegeți capitolul privind siguranța.



AVERTISMENT: Demontați cablul de la bujie înainte de a asambla produsul.

Asamblarea mânerului

1. Ridicați mânerul inferior. (Fig. 21)
2. Aliniați orificiile de la baza mânerului inferior cu orificiile de pe consolele mânerului.

Nota: Alegeți orificiile care permit cea mai bună poziție de funcționare.

3. Strângeți rozetele mânerului inferior.
4. Ridicați mânerul superior și aliniați-l cu mânerul inferior.
5. Strângeți rozetele mânerului superior până la capăt.

Instalarea mânerului șnurului de pornire

1. Atașați bucla pentru șnurul de pornire și rozeta în T. Nu strângeți complet. (Fig. 22)

2. Țineți maneta frânei de motor lipită de mâner.

3. Trageți încet în afară șnurul de pornire și treceți-l prin bucla pentru șnurul de pornire. (Fig. 23)

4. Strângeți rozeta în T. (Fig. 24)

Așezați produsul în poziția pentru transport

1. Scoateți colectorul de iarbă.
2. Slăbiți rozetele mânerului inferior pentru a debloca mânerul. (Fig. 25)
3. Plijați mânerul în jos în spate.
4. Scoateți rozetele și bolțurile de pe mânerul inferior.
5. Plijați mânerul în față.

Asamblarea colectorului de iarbă

1. Prindeți cadrul colectorului de iarbă de sacul de iarbă, cu partea rigidă a sacului în jos. Mențineți mânerul cadrului în afara părții de sus a sacului. (Fig. 26)
2. Fixați sacul de iarbă pe cadru cu ajutorul clemelor de fixare rapidă. (Fig. 27)

Funcționarea

Introducere



AVERTISMENT: Înainte de a utiliza produsul, trebuie să citiți și să înțelegeți capitolul privind siguranța.

Înainte de a utiliza produsul

1. Citiți cu atenție manualul operatorului și asigurați-vă că înțelegeți instrucțiunile.
2. Examinați echipamentul de tăiere și asigurați-vă că este corect montat și reglat. Consultați *Pentru a examina echipamentul de tăiere la pagina 271*.
3. Umpleți rezervorul de carburant. Consultați *Alimentarea cu carburant la pagina 268*.

4. Umpleți rezervorul de ulei și verificați nivelul uleiului. Consultați *Pentru a verifica nivelul de ulei la pagina 267*.

Alimentarea cu carburant

Dacă este disponibilă, folosiți benzină alchilată/cu emisii scăzute. Dacă benzina alchilată/cu emisii scăzute nu este disponibilă, folosiți benzină fără plumb sau benzină cu plumb de bună calitate, cu o cifră octanică nu mai mică de 90.



ATENȚIE: Nu utilizați benzină cu o cifră octanică mai mică de 90 RON (87 AKI). Aceasta poate deteriora produsul.

1. Deschideți încet capacul rezervorului de carburant pentru a elibera presiunea.

- Umpleți încet, cu o canistră de carburant. Dacă vărsați carburant, îndepărtați-l cu o cârpă și lăsați-l să se usuce.
- Curățați suprafața din jurul capacului rezervorului de carburant.
- Strângeți până la capăt capacul rezervorului de carburant. Dacă acesta nu este strâns, există pericol de incendiu.
- Înainte de pornire, mutați produsul la o distanță de minimum 3 m (10 ft) față de poziția unde ați umplut rezervorul.

Pentru a seta înălțimea de tăiere

Înălțimea de tăiere poate fi reglată pe 9 nivele.

- Împingeți controlul pentru înălțimea de tăiere în direcția roții și apoi înapoi pentru a mări înălțimea de tăiere.
- Împingeți controlul pentru înălțimea de tăiere în direcția roții și apoi înainte pentru a reduce înălțimea de tăiere. (Fig. 28)



ATENȚIE: Nu setați o înălțime de tăiere prea scăzută. Cuițele pot atinge solul dacă suprafața gazonului nu este plană.

Pentru a porni produsul

- Stați în spatele produsului.
- Țineți maneta frânei de motor lipită de mâner. (Fig. 29)
- Țineți mânerul șnurului de pornire cu mâna dreaptă.
- Trageți încet de șnurul de pornire până ce simțiți o anumită rezistență.
- Trageți cu forță pentru a porni motorul.



AVERTISMENT: Nu răsuciți cablul de pornire în jurul mâinii.

Pentru a utiliza transmisia pe roți

- Trageți pârghiile de transmisie în direcția mânerului. (Fig. 30)
- Înainte de a trage produsul în spate, decuplați transmisia și împingeți produsul înainte cu aproximativ 10cm.
- Eliberați pârghiile de transmisie pentru a dezactiva transmisia, de exemplu atunci când vă apropiați de un obstacol.

Reglarea cablului de control al deplasării

- Utilizați șurubul de reglare pentru a regla cablul de control al deplasării. (Fig. 31)
- Oprii motorul. Deconectați întotdeauna bujia înainte de a utiliza părțile mobile.

- Rotiți șurubul de reglare în sens antiorar pentru a întinde cablul și a mări viteza.
- Rotiți șurubul de reglare în sens orar pentru a extinde cablul și a reduce viteza.

Pentru a opri produsul

- Pentru a opri doar transmisia, eliberați maneta de transmisie.
- Pentru a opri motorul, eliberați maneta frânei de motor. (Fig. 32)

Utilizarea produsului cu colectorul de iarbă



AVERTISMENT: Nu utilizați produsul fără un colector de iarbă sau fără ca deflectorul din spate să fie închis. Obiectele pot ejecta și pot cauza vătămarea operatorului.

- Ridicați deflectorul din spate și scoateți dopul pentru plante mărunțite. (Fig. 33)
- Asamblați colectorul de iarbă, consultați *Asamblarea colectorului de iarbă la pagina 268*.
- Puneți colectorul de iarbă pe consolă. (Fig. 34)
- Scoateți deflectorul din spate și puneți-l pe cadrul sacului de iarbă.

Pentru a trece produsul în modul de mărunțire

Modul de mărunțire al produsului reduce dimensiunea ierbii tăiate. Apoi, iarba tăiată cade pe gazon și prin iarbă. Iarba mărunțită se biodegradează mai repede, furnizând substanțe nutritive pentru gazon.

- Ridicați scutul din spate și scoateți sacul de iarbă, dacă este montat.
- Introduceți dopul pentru plante mărunțite în canalul colector.
- Închideți bine scutul din spate și asigurați-vă că se închide strâns pe dopul pentru plante mărunțite. (Fig. 36)

Pentru a trece produsul în modul evacuare în partea din spate

- Ridicați deflectorul din spate și scoateți dopul pentru plante mărunțite. (Fig. 37)
- Instalați panta de descărcare. (Fig. 38)

Pentru golirea colectorului de iarbă



ATENȚIE: Nu trageți de sac atunci când golii colectorul de iarbă, pentru a evita uzura.

- Ridicați colectorul de iarbă prinzându-l de mânerul cadrului. (Fig. 39)

- Scoateți iarba tăiată din colectorul de iarbă de sub mâner.
- Scoateți iarba tăiată din sac utilizând mânerul cadrului și mânerul sacului.

Pentru a obține rezultate bune

- Utilizați întotdeauna o lamă ascuțită. O lamă tocită oferă rezultate neregulate, iar suprafața tăiată a ierbii se îngălbențește. De asemenea, o lamă ascuțită folosește mai puțină energie decât o lamă tocită.

- Nu tăiați niciodată mai mult de 1/3 din lungimea ierbii. Inițial, tundeți cu o înălțime mare de tăiere. Verificați rezultatul și coborâți înălțimea de tăiere la un nivel convenabil. Dacă iarba este foarte înaltă, deplasați aparatul încet și tundeți de două ori, dacă este necesar.
- Tăiați de fiecare dată în altă direcție, pentru a preveni formarea de dungi pe gazon.

Întreținerea

Introducere



AVERTISMENT: Înainte de a efectua orice operații de întreținere, citiți și înțelegeți capitolul privind siguranța.

Toate lucrările de service și de reparații la produs necesită instruire specială. Garantăm disponibilitatea unor lucrări profesionale de reparații și service. Dacă distribuitorul dvs. nu este agent de service, solicitați acestuia informații cu privire la cel mai apropiat agent de service.

Program de întreținere



ATENȚIE: Asigurați-vă că filtrul de aer este ridicat și nu este lipit de sol când înclinați produsul. Pericol de defectare a motorului.

Intervalele de întreținere sunt calculate având în vedere o utilizare zilnică a produsului. Intervalele se modifică dacă produsul nu este utilizat zilnic.

Pentru operațiunile de întreținere marcate cu *, consultați instrucțiunile din *Dispozitivele de siguranță de pe produs la pagina 266*.

Întreținerea	Zilnic	Săptămânal	Lunar
Efectuați o inspecție generală	X		
Examinați nivelul uleiului	X		
Curățați produsul	X		
Examinați echipamentul de tăiere	X		
Examinați capacul de tăiere *	X		
Examinați maneta frânei de motor *	X		
Examinați controlul frânei cuțitului *	X		
Examinați amortizorul de zgomot *		X	
Examinați bujia		X	
Schimbați uleiul (prima dată după 5 ore de utilizare, apoi la fiecare 50 ore de utilizare)			X
Curățați sau înlocuiți filtrul de aer			X
Examinați sistemul de alimentare cu carburant			X

Pentru a efectua o inspecție generală

- Asigurați-vă că toate șuruburile și piulițele produsului sunt strânse.

Pentru a curăța produsul la exterior

- Folosiiți o perie pentru a elimina frunzele, iarba și murdăria.

- Asigurați-vă că priza de aer din partea superioară a motorului nu este înfundată.
- Nu utilizați o instalație de spălare cu presiune ridicată pentru a curăța produsul.
- Dacă utilizați apă pentru a curăța produsul, nu stropiți direct către motor.

Pentru a curăța suprafața interioară a capacului de tăiere

1. Goliți rezervorul de carburant.
2. Așezați produsul pe o parte, cu amortizorul de zgomot în jos.



ATENȚIE: Dacă produsul este așezat cu filtrul de aer în jos, motorul se poate deteriora.

3. Spălați cu apă suprafața interioară a capacului de tăiere.

Pentru a utiliza conexiunea furtunului de apă

1. Mutați produsul pe o suprafață cu gazon tuns sau o altă suprafață dură.
2. Scoateți colectorul de iarbă sau dopul pentru plante mărunțite din produs.
3. Închideți deflectorul din spate.
4. Racordați furtunul de apă la conexiunea furtunului de apă. (Fig. 40)
5. Oprii alimentarea cu apă și examinați dacă există scurgeri la conexiunea furtunului de apă.
6. Dacă nu observați scurgeri, porniți motorul. Lăsați motorul să funcționeze până când produsul este curat sub carcasă.
7. Oprii motorul.
8. Oprii alimentarea cu apă și scoateți furtunul din conexiunea furtunului de apă.

Nota: Nu scoateți furtunul de apă din conexiunea furtunului de apă în timp ce motorul este în funcțiune. Apa pătrunsă în motor poate micșora durata de viață a motorului.

9. Porniți motorul și lăsați-l să funcționeze un minut pentru a elimina excesul de apă din produs.

Înlocuirea uleiului de motor



AVERTISMENT: Imediat după oprirea motorului, uleiul de motor este foarte fierbinte. Lăsați motorul să se răcească înainte de a îl goli de ulei. Dacă uleiul de motor intră în contact cu pielea, curățați cu apă și săpun.

1. Utilizați produsul până când rezervorul de carburant se golește.
2. Scoateți cablu de alimentare a aprinderii din bujie.
3. Scoateți bușonul rezervorului de ulei.
4. Amplasați sub produs un recipient în care să colectați uleiul de motor.
5. Înclinați produsul pentru a scurge uleiul de motor din rezervorul de ulei.

6. Umpleți cu ulei de motor proaspăt și de tipul recomandat în *Date tehnice la pagina 275*.
7. Verificați nivelul de ulei. Consultați *Pentru a verifica nivelul de ulei la pagina 267*.

Pentru a verifica bujia



ATENȚIE: Folosiți întotdeauna tipul recomandat de bujie. Tipul incorect de bujie poate defecta produsul.

- Verificați bujia dacă motorul nu are putere, nu pornește ușor sau nu funcționează corect la turație de mers în gol.
- Pentru a reduce riscul prezenței materialelor nedorite la electrozii bujiei, respectați aceste instrucțiuni:
 - a) Asigurați-vă că turația de mers în gol este corect reglată.
 - b) Asigurați-vă că amestecul este corect.
 - c) Asigurați-vă că filtrul de aer este curat.
- Dacă bujia este murdară, curățați-o și asigurați-vă că distanța dintre electrozi este corectă, consultați *Date tehnice la pagina 275*. (Fig. 41)
- Înlocuiți bujia atunci când este necesar.

Pentru a curăța filtrul de aer

1. Îndepărtați capacul filtrului de aer și scoateți filtrul.
2. Loviți filtrul de o suprafață plană pentru a desprinde particulele.



ATENȚIE: Nu folosiți solvenți sau aer comprimat pentru a curăța filtrul de aer.

3. Montați filtrul de aer înapoi. Asigurați-vă că filtrul de aer se etanșează pe suportul filtrului de aer.
4. Montați la loc capacul filtrului de aer.

Nota: Un filtru de aer aflat în uz timp îndelungat nu poate fi curățat complet. Înlocuiți filtrul de aer la intervale regulate. Întotdeauna înlocuiți un filtru de aer deteriorat.

Pentru a examina echipamentul de tăiere



AVERTISMENT: Pentru a preveni pornirea accidentală, decuplați cablu de alimentare a aprinderii de la bujie.



AVERTISMENT: Purtați mănuși de protecție când efectuați întreținerea echipamentului de tăiere. Cușitul este foarte ascuțit și vă puteți tăia foarte ușor.

1. Examinați echipamentul de tăiere pentru a identifica eventuale deteriorări sau crăpături. Înlocuiți întotdeauna un echipament de tăiere deteriorat.
2. Observați cuțitul pentru a vedea dacă este deteriorat sau tocit.

Nota: După ascuțirea cuțitului, acesta trebuie echilibrat. Solicitați unui centru de service să ascuță, să monteze la loc și să echilibreze cuțitul. Dacă loviți un obstacol care determină produsul să se oprească, înlocuiți cuțitul deteriorat. Solicitați centrului de service să estimeze dacă lama poate fi ascuțită sau trebuie înlocuită.

Pentru a asambla lama

1. Poziționați adaptorul cuțitului pe arborele cotit al motorului. Asigurați-vă că ați aliniat cheia din adaptor cu fanta de pe arborele cotit. (Fig. 42)
2. Întotdeauna atașați lama cu capetele înclinate în sus în direcția motorului. (Fig. 43)
3. Folosiți un bloc de lemn între lamă și carcasa produsului. Strângeți șurubul lamei și rotiți-l în sens orar.
4. Strângeți întotdeauna șurubul cu un cuplu de 35-40 lb (47-54 Nm). (Fig. 44)
5. Asigurați-vă că firul bujiei este deconectat de la motor.



ATENȚIE: Pentru a evita pornirea accidentală, deconectați întotdeauna

Prezentare generală a ansamblului transmisiei

(Fig. 2)

1. Dop pentru mărunțirea ierbii
2. Inserție spate
3. Fulie de transmisie
4. Consola fuliei de mers în gol
5. Capacul transmisiei
6. Adaptor pentru lamă
7. Fulie de mers în gol
8. Clemă curea față
9. Inel
10. Lamă
11. Șaibă dură
12. Șaibă de blocare
13. Bolț lamă
14. Capac curea

Demontarea curelei de transmisie

1. Utilizați produsul până când rezervorul de carburant se golește.

cablul bujiei și puneți firul într-un loc în care nu poate atinge bujia.

6. Învârtiți lama cu mâna și asigurați-vă că se rotește liber.

Pentru a înlocui lama

1. Blocați lama cu o bucată de lemn. (Fig. 45)
2. Scoateți bolțul cuțitului.
3. Demontați cuțitul.
4. Examinați suportul cuțitului și bolțul acestuia pentru a vedea dacă există deteriorări.
5. Examinați arborele motorului pentru a vă asigura că nu s-a îndoit.
6. Când montați un cuțit nou, îndreptați capetele oblice ale cuțitului în direcția capacului de tăiere. (Fig. 46)
7. Asigurați-vă de alinierea cuțitului cu centrul arborelui motorului.
8. Blocați lama cu o bucată de lemn. Montați șaiba elastică și strângeți bolțul și șaiba la un cuplu de 47-54 Nm. (Fig. 47)
9. Învârtiți cuțitul cu mâna și asigurați-vă că se rotește liber.



AVERTISMENT: Purtați mănuși de protecție rezistente. Cuțitul este foarte ascuțit și vă puteți tăia foarte ușor.

10. Porniți produsul pentru a efectua un test al cuțitului. Dacă acesta nu este fixat corect, produsul vibrează sau rezultatele sunt nesatisfăcătoare.

2. Scoateți pipa bujiei din bujie.
3. Așezați produsul pe o parte, cu amortizorul de zgomot în jos.



ATENȚIE: Dacă produsul este așezat cu filtrul de aer în jos, motorul se poate deteriora.

4. Scoateți capacul transmisiei. (Fig. 48)
5. Îndepărtați bolțul lamei, șaiba de blocare, șaiba dură și lama. (Fig. 49)
6. Scoateți dopul pentru mărunțirea ierbii. (Fig. 50)
7. Scoateți inserția din spate.
8. Demontați capacul curelei și garnitura inelară. (Fig. 51)
9. Deconectați cablul de la transmisie și scoateți fulia de mers în gol din ansamblul fuliei de mers în gol.
10. Scoateți clemă curelei față.

11. Scoateți cureaua de transmisie de pe fulia de transmisie.
12. Scoateți cele 3 fulii de mers în gol din ansamblul fuliei de mers în gol. (Fig. 52)
13. Scoateți cureaua de transmisie din adaptorul lamei și ansamblul fuliei de mers în gol. (Fig. 53)
14. Atașați cleștele de blocare la arborele de intrare al transmisiei. Slăbiți fulia motorului cu ajutorul unei chei de 9/16" pentru a demonta fulia de transmisie.
15. Scoateți cureaua de transmisie.

Depanarea

Problemă	Cauza posibilă	Soluție
Motorul nu pornește.	Cablul de alimentare a aprinderii nu este conectat corect.	Conectați cablul de alimentare a aprinderii la bujie.
	Rezervorul de carburant este gol.	Umpleți rezervorul de carburant cu tipul corect de carburant.
	Există murdărie în carburator sau în conducta de carburant.	Curățați carburatorul și/sau conducta de carburant.
	Bujia este defectă.	Reglați apărătoarea electrozului, curățați sau schimbați bujia.
Motorul nu se oprește.	Mecanismul de oprire este defect.	Decuplați cablul de alimentare a aprinderii de la bujie. Repararea produsului trebuie efectuată de către un agent de service autorizat.
Motorul nu funcționează uniform.	Cablul de alimentare a aprinderii nu este conectat corect.	Conectați cablul de alimentare a aprinderii la bujie.
	Există mizerie în conducta de carburant sau carburantul a expirat.	Curățați conducta de carburant. Umpleți rezervorul de carburant cu carburant nou de tipul corect.
	Există un blocaj al capacului rezervorului de carburant.	Curățați capacul rezervorului de carburant.
	Există apă sau murdărie în sistemul de alimentare cu carburant.	Goliți rezervorul de carburant. Umpleți rezervorul de carburant cu carburant nou de tipul corect.
	Filtrul de aer este murdar.	Curățați filtrul de aer.
	Carburatorul trebuie reglat.	Lăsați un distribuitor de service să regleze carburatorul.
Motorul devine prea fierbinte.	Nivelul de ulei de motor este prea scăzut.	Umpleți cu ulei de motor.
	Debitul de aer nu este suficient.	Curățați filtrul de aer și carcasa filtrului de aer.
	Carburatorul trebuie reglat.	Lăsați un distribuitor de service să regleze carburatorul.
Există rateuri de combustie în timpul funcționării la viteză mare.	Distanța dintre electrozi din bujie este prea mică.	Reglați distanța dintre electrozi.

Problemă	Cauza posibilă	Soluție
Motorul nu funcționează lin la turația de mers în gol.	Bujia este murdară, defectă sau distanța dintre electrozi este prea mare.	Reglați apărătoarea electrozului sau schimbați bujia.
	Carburatorul trebuie reglat.	Reglați carburatorul.
	Filtrul de aer este murdar.	Curățați filtrul de aer.
Mănerul prezintă vibrații prea puternice.	O lamă este slăbită sau dezechilibrată.	Strângeți bolțurile lamei. Înlocuiți lamele dacă prezintă deteriorări.
	O lamă este îndoită.	Înlocuiți lamele dacă prezintă deteriorări.
Iarba nu este tăiată mărunț.	Iarba este udă.	Nu utilizați produsul dacă iarba este udă. Așteptați până când iarba este uscată.
	Iarba este prea mare.	Inițial, tundeți cu o înălțime mare de tăiere. Coborâți înălțimea de tăiere și tăiați din nou. Tăiați numai ½ din lățimea de tăiere odată.
	Una sau mai multe lame nu sunt suficient de ascuțite.	Ascuțiți sau înlocuiți lamele.
Iarba este tăiată neregulat.	Roțile nu sunt în poziție corectă.	Setați înălțimea de tăiere la același nivel pentru toate cele 4 roți.
	Una sau mai multe lame nu sunt suficient de ascuțite.	Ascuțiți sau înlocuiți lamele.
Sistemul de transmisie nu funcționează corect	Cureaua de transmisie nu este suficient de strânsă sau este murdară pe fulii sau pe cureaua de transmisie.	Lăsați un agent de service autorizat să efectueze operații de întreținere ale sistemului de transmisie.

Transportul, depozitarea și eliminarea

Transportul și depozitarea

- Pentru depozitarea și transportul produsului și a carburantului, asigurați-vă că nu există scurgeri și gaze. Scântele sau flăcările deschise, de exemplu cele provenite de la dispozitive sau boilere electrice, pot cauza un incendiu.
- Utilizați întotdeauna recipiente omologate pentru depozitarea și transportarea combustibilului.
- Goliți rezervorul de carburant și depozitați produsul pentru o perioadă lungă de timp. Eliminați carburantul într-o locație de eliminare autorizată
- Fixați în siguranță produsul în timpul transportului pentru a preveni daunele și accidentele.
- Păstrați produsul într-o zonă restricționată pentru a preveni accesul copiilor sau al persoanelor neautorizate.
- Păstrați produsul într-un spațiu uscat și ferit de îngheț.

Dezafectarea

- Respectați cerințele de reciclare și reglementările locale aplicabile.
- Eliminați toate substanțele chimice, precum uleiul de motor sau carburantul, la un centru de service sau într-o locație de eliminare autorizată.
- Atunci când produsul nu mai este în uz, trimiteți-l la un distribuitor Husqvarna sau casași-l într-o locație de reciclare.

Date tehnice

Date tehnice

	LC 353AWD
Motor	
Marcă	Honda
Cilindree, cu.in/cm ³	10,4/170
Turație, rpm	2900-3200
Putere nominală de ieșire motor, kW/CP la rot/min ⁹⁶	3,6/4,9 la 2900-3200
Sistem de aprindere	
Bujie	NGK BPR5ES
Distanță între electrozi, in/mm	0,028/0,7
Carburant și sistem de ungere	
Carburant, fără plumb, cifră octanică minimă	90 RON / 87 AKI
Capacitatea rezervorului de carburant, galon SUA/l	0,27/1,02
Capacitatea rezervorului de ulei, galon SUA/l	0,14/0,53
Uleiul de motor ⁹⁷	SAE 30 / SAE 10W-30
Greutate	
Cu rezervoare goale, lb/kg	92/41,7
Emisii de zgomot ⁹⁸	
Nivel de putere acustică măsurat dB(A)	95
Nivel de putere acustică garantat L _{WA} dB(A)	96
Niveluri de zgomot ⁹⁹	
Nivel de presiune a sunetului la urechea operatorului, dB (A)	85
Niveluri de vibrații ¹⁰⁰	
Măner, m/s ² cu colector de iarbă/fără colector de iarbă	7/7
Echipment de tăiere	

⁹⁶ Puterea nominală indicată a motorului este puterea de ieșire medie netă (la turația specificată) a unui motor de producție normal pentru modelul de motor, măsurată conform standardului SAE J1349/ISO1585. Motoarele de producție în masă pot prezenta valori diferite de aceasta. Puterea de ieșire efectivă pentru motorul instalat pe produsul final va depinde de viteza de funcționare, de condițiile de mediu și de alte valori.

⁹⁷ *Utilizați ulei pentru motor de calitate SJ sau superioară. Consultați diagrama de vâscozitate din manualul producătorului motorului și selectați vâscozitatea optimă pe baza temperaturii exterioare prevăzute.

⁹⁸ Emisiile de zgomot în mediu măsurate ca putere acustică (L_{WA}) în conformitate cu directiva CE 2000/14/CE.

⁹⁹ Presiunea nivelului de zgomot conform ISO 5395. Datele raportate pentru presiunea nivelului de zgomot prezintă o distribuție statistică tipică (abatere standard) de 1,2 dB (A).

¹⁰⁰ Nivelul de vibrații conform ISO 5395. Datele raportate pentru nivelul de vibrații prezintă o dispersie statistică tipică (abatere standard) de 0,2 m/s².

	LC 353AWD
Înălțime de tăiere, in/mm	1,0-4,0/25,4-101,6
Lățime de tăiere, in/mm	21/530
Lamă	
Număr articol	586 85 96-02
Capacitatea colectorului de iarbă, ft ³ /l	2,3/65
Deplasarea	
Viteză, mph / km/h	0-3/0-4,8

Conținutul declarației de conformitate CE

Noi, Husqvarna AB, SE 561 82 Huskvarna, SUECIA, declarăm pe propria răspundere că produsul reprezentat:

Date tehnice a prezentului manual și în Declarația de conformitate CE semnată.

Mașina pentru tuns gazonul cu motor cu combustie internă, controlată de un operator-pieton se conformează exemplului supus examinării.

Descriere	Mașină pentru tuns gazonul cu motor cu combustie internă, controlată de un operator-pieton
Marcă	Husqvarna
Platformă / Tip / Model	Platforma E21THV, reprezentând modelele LC 353AWD.
Lot	Serie cu data 2019 și în continuare.

respectă în totalitate următoarele directive și reglementări UE:

Directivă/Regulament	Descriere
2006/42/CE	„afertă utilajelor”
2014/30/UE	„afertă compatibilității electromagnetice”
2000/14/UE; 2005/88/CE	„afertă zgomotului exterior”
2011/65/UE	„restricționarea utilizării anumitor substanțe periculoase”

Standardele armonizate și/sau specificațiile tehnice aplicate sunt următoarele: EN ISO 12100, ISO 5395-1+A1/A2, ISO 5395-2+A1/A2, EN ISO 14982, ISO 3744, ISO 11094, EN 1032

În conformitate cu directiva 2000/14/CE, Anexa VI, valorile sonore declarate sunt declarate în secțiunea

Содержание

Введение.....	277	Поиск и устранение неисправностей.....	287
Безопасность.....	278	Транспортировка, хранение и утилизация.....	288
Сборка.....	281	Технические данные.....	290
Эксплуатация.....	282	Содержание декларации о соответствии ЕС.....	291
Техническое обслуживание.....	284		

Введение

Описание изделия

Изделие представляет собой пешеходную газонокосилку с двигателем внутреннего сгорания. Трава собирается в травосборник. Снимите травосборник, чтобы трава отбрасывалась назад. Установите комплект для мульчирования, чтобы использовать скошенную траву в качестве удобрения.

Обзор изделия

(Рис. 1)

1. Рукоятка тормоза двигателя
2. Рычаги привода
3. Ручка шнура стартера
4. Травосборник
5. Крышка топливного бака
6. Воздушный фильтр
7. Свеча зажигания
8. Кожух привода
9. Глушитель
10. Штуцер для подсоединения водяного шланга
11. Задний дефлектор
12. Щуп / масляный бак
13. Рычаг регулировки высоты стрижки
14. Пробка для мульчирования
15. Руководство по эксплуатации
16. Желоб для выброса снега

Условные обозначения на изделии

(Рис. 3) **ПРЕДУПРЕЖДЕНИЕ:** Изделие может представлять опасность и стать причиной тяжелой травмы или смерти оператора или окружающих. Соблюдайте осторожность и правила эксплуатации изделия.

(Рис. 4) Перед началом работы с изделием внимательно прочитайте руководство по эксплуатации и убедитесь, что понимаете приведенные здесь инструкции.

(Рис. 5) Быстро

Назначение

Изделие предназначено для стрижки травы в частных садах. Запрещается использовать изделие для других видов работ.

(Рис. 6) Медленно

(Рис. 7) Не приближайте руки и ноги к вращающимся деталям.

(Рис. 8) Следите за тем, чтобы в зоне проведения работ не было людей и животных.

(Рис. 9) Соблюдайте осторожность, когда перемещаете изделие назад. Внимательно смотрите назад и вниз, чтобы заметить детей, животных или предметы, из-за которых можно упасть.

(Рис. 10) Эксплуатация изделия на склоне может представлять опасность.

(Рис. 11) Не приближайте руки или ноги к вращающемуся ножу.

(Рис. 12) Берегитесь отскакивающих предметов и рикошетов.

(Рис. 13) Эмиссия шума в окружающую среду согласно Директиве Европейского Сообщества. Звуковое излучение изделия приведено в разделе *Технические данные на стр. 290* и на табличке.

(Рис. 14) Данное изделие отвечает требованиям соответствующих директив ЕС.

(Рис. 15) Изделие соответствует действующим директивам ЕАС.

(Рис. 16) Данное изделие отвечает требованиям соответствующих директив RCM.

Применимо только для Австралии / Новой Зеландии.

(Рис. 17) Изделие соответствует действующим директивам Украины.

(Рис. 18) Всегда пользуйтесь защитными наушниками.

Примечание: Остальные символы/этикетки на изделии отвечают требованиям, предъявляемым к сертификации в других коммерческих зонах.

Ответственность изготовителя

В соответствии с законами об ответственности изготовителя мы не несем ответственности за

ущерб, вызванный эксплуатацией нашего изделия в результате:

- ненадлежащего ремонта изделия;
- использования для ремонта изделия неоригинальных деталей или деталей, не одобренных производителем;
- использования неоригинальных дополнительных принадлежностей или принадлежностей, не одобренных производителем;
- ремонта изделия в неавторизованном сервисном центре или неквалифицированным специалистом;

Безопасность

Инструкции по технике безопасности

Предупреждения, предостережения и примечания используются для выделения особо важных пунктов руководства.



ПРЕДУПРЕЖДЕНИЕ: Используется, когда несоблюдение инструкций руководства может привести к травмам или смерти оператора или находящихся рядом посторонних лиц.



ВНИМАНИЕ: Используется, когда несоблюдение инструкций руководства может привести к повреждению изделия, других материалов или прилегающей территории.

Примечание: Используется для предоставления дополнительных сведений о конкретной ситуации.

Общие инструкции по технике безопасности



ПРЕДУПРЕЖДЕНИЕ: В обязательном порядке прочитайте следующие инструкции по технике безопасности, прежде чем приступать к эксплуатации изделия.

- При небрежном или неправильном обращении изделие может оказаться опасным инструментом. Несоблюдение инструкций по технике безопасности может привести к травмам или смерти.
- Во время работы данное изделие создает электромагнитное поле. В определенных обстоятельствах это поле может создавать помехи для пассивных и активных медицинских имплантатов. В целях снижения риска серьезной

или смертельной травмы лицам с медицинскими имплантатами рекомендуется проконсультироваться с врачом и изготовителем имплантата, прежде чем приступать к эксплуатации данного изделия.

- Будьте всегда осторожны и руководствуйтесь здравым смыслом. Если вы не уверены, как правильно эксплуатировать изделие в определенной ситуации, прекратите работу и проконсультируйтесь со своим дилером Husqvarna, прежде чем продолжить.
- Помните: ответственность за аварии, угрожающие другим людям или их имуществу, несет оператор.
- Содержите изделие в чистоте. Следите за тем, чтобы знаки и наклейки были легко читаемыми.
- Не разрешайте пользоваться изделием людям, не убедившись сначала в том, что они прочитали и поняли содержание руководства по эксплуатации.
- Не позволяйте детям использовать изделие.
- Не допускайте детей в рабочую зону. Они должны постоянно находиться под присмотром взрослого.
- Не разрешайте пользоваться изделием людям, которые не знакомы с данными инструкциями.
- Не оставляйте без присмотра людей с физическими или умственными нарушениями, использующих изделие. Они должны постоянно находиться под присмотром взрослого.
- Ни в коем случае не используйте изделие, если вы устали, больны или находитесь под воздействием спиртного, наркотических веществ или лекарственных препаратов. Это может повлиять на ваше зрение, реакцию, координацию или оценку действительности.
- Запрещается использовать изделие, если оно повреждено.
- Запрещается вносить в изделие модификации или использовать изделие, если вы

подозреваете, что в его конструкцию внесены изменения другими лицами.

Техника безопасности на рабочем месте



ПРЕДУПРЕЖДЕНИЕ: В обязательном порядке прочитайте следующие инструкции по технике безопасности, прежде чем приступать к эксплуатации изделия.

- Уберите ветви, сучья, камни и прочие посторонние предметы из рабочей зоны перед началом эксплуатации изделия.
- Предметы, ударяющиеся о режущий инструмент, могут быть отброшены, что приведет к травмам или повреждению имущества. Следите за тем, чтобы посторонние лица и животные находились на безопасном расстоянии от изделия.
- Ни в коем случае не используйте изделие при неблагоприятных погодных условиях, например, в туман, дождь, при сильном ветре, низких температурах и риске удара молнии. Эксплуатация изделия при плохих погодных условиях или на сырых участках утомительна. Плохие погодные условия могут создавать опасные условия для работы, например, скользкие поверхности.
- Следите за возможным появлением посторонних лиц, предметов или условий, которые могут препятствовать безопасной эксплуатации изделия.
- Следите за возможным появлением препятствий, таких как корни, камни, сучья, ямы или рвы. Высокая трава может скрывать препятствия.
- Стрижка травы на склоне может представлять опасность. Запрещается использовать изделие на участках с уклоном более 15°.
- Используйте изделие поперек поверхности склона. Не передвигайтесь вверх и вниз по поверхности склона.
- Проявляйте особую осторожность при приближении к скрытым из видимости поворотам или предметам, которые могут затруднять обзор.

Техника безопасности



ПРЕДУПРЕЖДЕНИЕ: В обязательном порядке прочитайте следующие инструкции по технике безопасности, прежде чем приступать к эксплуатации изделия.

- Изделие предназначено исключительно для скашивания травы на газонах. Запрещается использовать изделие не по назначению.
- Пользуйтесь средствами индивидуальной защиты. См. раздел *Средства индивидуальной защиты на стр. 280.*
- Убедитесь, что вы знаете, как быстро остановить двигатель в аварийной ситуации.
- Запрещается запускать двигатель в закрытом помещении или вблизи легковоспламеняющихся материалов. Выхлопные газы двигателя имеют высокую температуру и могут содержать искры, которые в свою очередь могут привести к пожару.
- Ни в коем случае не используйте изделие с отсутствующими или неправильно установленными кожухами или ножом. Неправильно установленный нож может высвободиться и причинить травму.
- Следите за тем, чтобы в нож не попали посторонние предметы, например, камни и корни. Это может затупить нож и привести к искривлению вала двигателя. При сгибании оси увеличивается уровень вибрации, что может привести к снижению надежности крепления ножа.
- В случае столкновения ножа с посторонним предметом или возникновения вибрации немедленно остановите изделие. Отсоедините кабель от свечи зажигания. Проверьте изделие на наличие повреждений. Выполните ремонт повреждений или обратитесь в авторизованный сервисный центр для выполнения ремонта.
- Запрещается на постоянной основе фиксировать рукоятку тормоза двигателя при работающем двигателе.
- При запуске изделие должно находиться на устойчивой, ровной поверхности. Убедитесь, что нож не касается грунта или любого другого предмета.
- При работе с изделием всегда стойте сади.
- При работе с изделием все колеса должны стоять на земле; держите рукоятку обеими руками. Не приближайте руки или ноги к вращающимся ножам.
- Запрещается наклонять изделие при работающем двигателе.
- Соблюдайте осторожность, когда тянете изделие назад.
- Запрещается поднимать изделие при работающем двигателе. Если вам необходимо поднять изделие, сначала остановите двигатель и отсоедините кабель от свечи зажигания.
- Запрещается двигаться назад при работе с изделием.
- останавливайте двигатель, когда пересекаете непокрытые травой зоны, например, дорожки из гравия, камня или асфальта.
- Запрещается бегать с изделием при работающем двигателе. Работайте с изделием в спокойном темпе.
- Выключайте двигатель, прежде чем изменить высоту стрижки. Ни в коем случае не выполняйте регулировку при работающем двигателе.

- Ни в коем случае не выпускайте изделие из вида при работающем двигателе. Остановите двигатель и убедитесь, что режущее оборудование не вращается.

Инструкции по безопасности во время эксплуатации

Средства индивидуальной защиты



ПРЕДУПРЕЖДЕНИЕ: В обязательном порядке прочитайте следующие инструкции по технике безопасности, прежде чем приступить к эксплуатации изделия.

- Средства индивидуальной защиты не могут полностью исключить риск получения травмы, но при несчастном случае они снижают тяжесть травмы. За помощью по правильному выбору оборудования обращайтесь к дилеру.
- Если уровень шума превышает 85 дБ, следует использовать защитные наушники.
- Используйте прочные, противоскользящие ботинки. Запрещается надевать открытую обувь или работать босиком.
- Надевайте прочные длинные брюки.
- При необходимости надевайте защитные перчатки, например, при закреплении, проверке или очистке режущего оборудования.

Защитные устройства на изделии



ПРЕДУПРЕЖДЕНИЕ: В обязательном порядке прочитайте следующие инструкции по технике безопасности, прежде чем приступить к эксплуатации изделия.

- Запрещается использовать изделие с неисправными защитными устройствами.
- Регулярно выполняйте проверку защитных устройств. Если защитные устройства неисправны, обратитесь в сервисный центр Husqvarna.

Проверка режущей деки

Режущая дека снижает уровень вибрации изделия и риск травмирования ножом.

- Проверьте режущую деку и убедитесь, что на ней отсутствуют повреждения, такие как трещины.

Проверка рукоятки тормоза двигателя

Рукоятка тормоза двигателя предназначена для остановки двигателя. При отпуске рукоятки тормоза двигатель останавливается.

- Запустите двигатель и отпустите рукоятку тормоза двигателя. Если двигатель не

остановится через 3 секунды, обратитесь в авторизованный сервисный центр Husqvarna для регулировки тормоза двигателя. (Рис. 19)

Проверка заднего дефлектора

Задний дефлектор снижает риск выброса предметов в сторону оператора.

- Убедитесь, что задний дефлектор не имеет повреждений. (Рис. 20)
- Убедитесь, что пружины, закрывающие задний дефлектор, не сломаны.
- Замените сломанные пружины и поврежденные детали.
- Убедитесь, что задний дефлектор плавно перемещается на петлях.

Глушитель

Глушитель предназначен для максимального снижения уровня шума и отвода выхлопных газов в сторону от оператора.

Запрещается использовать изделие, если глушитель поврежден или отсутствует. Повреждение глушителя приводит к увеличению уровня шума и риску возгорания.



ПРЕДУПРЕЖДЕНИЕ: Глушитель значительно нагревается во время эксплуатации и сразу после остановки, а также во время работы двигателя на холостых оборотах. Во избежание возгорания соблюдайте осторожность при работе вблизи легковоспламеняющихся материалов и/или паров.

Проверка глушителя

- Регулярно осматривайте глушитель и проверьте, что он правильно закреплен и не поврежден.

Проверка уровня масла



ВНИМАНИЕ: Слишком низкий уровень масла может привести к повреждениям двигателя. Проверьте уровень масла перед запуском изделия.

1. Расположите изделие на ровной поверхности.
2. Снимите крышку масляного бака вместе с щупом.
3. Очистите щуп от масла.
4. Поместите щуп полностью в масляный бак, чтобы получить достоверную информацию об уровне масла.
5. Извлеките щуп.
6. Проверьте уровень масла на щупе.
7. Если уровень масла низкий, залейте моторное масло и проверьте уровень масла еще раз.

Правила безопасного обращения с топливом



ПРЕДУПРЕЖДЕНИЕ: В обязательном порядке прочитайте следующие инструкции по технике безопасности, прежде чем приступить к эксплуатации изделия.

- Запрещается запускать изделие, если на него попало топливо или моторное масло. Удалите постороннее топливо/масло и дайте изделию высохнуть.
- Если топливо попало на одежду, немедленно смените ее.
- Не допускайте попадания топлива на тело, это может причинить вред здоровью. При попадании топлива на тело смойте его водой с мылом.
- Запрещается запускать изделие при наличии утечки из двигателя. Регулярно проверяйте двигатель на наличие утечек.
- Соблюдайте осторожность при обращении с топливом. Топливо является легковоспламеняющейся жидкостью со взрывоопасными парами и может привести к серьезным или смертельным травмам.
- Запрещается вдыхать пары топлива, т. к. это может причинить вред здоровью. Убедитесь в наличии достаточного потока воздуха.
- Запрещается курить вблизи топлива или двигателя.
- Запрещается ставить теплые предметы рядом с топливом или двигателем.
- Запрещается доливать топливо при работающем двигателе.
- Прежде чем заправить изделие, убедитесь, что двигатель полностью остыл.
- Перед заправкой топлива медленно откройте крышку топливного бака и осторожно сбросьте давление.
- Запрещается заливать топливо в двигатель в помещении. Недостаточная вентиляция может привести к травме или смерти в результате удушья или отравления угарным газом.
- Плотно затяните крышку топливного бака. Если крышка топливного бака не затянута, возникает риск пожара.
- Переместите изделие минимум на 3 м / 10 футов от места заправки топливом, прежде чем запустить его.

- Никогда не заправляйте топливный бак полностью. Тепло приводит к расширению топлива. Оставьте место в верхней части топливного бака.

Инструкции по технике безопасности во время технического обслуживания



ПРЕДУПРЕЖДЕНИЕ: В обязательном порядке прочитайте следующие инструкции по технике безопасности, прежде чем приступить к эксплуатации изделия.

- Выхлопные газы из двигателя содержат окись углерода — не имеющий запаха, токсичный и чрезвычайно опасный газ. Запрещается запускать двигатель в помещении или в замкнутых пространствах.
- Прежде чем приступить к техобслуживанию изделия, остановите двигатель и отсоедините кабель от свечи зажигания.
- Надевайте защитные перчатки при техобслуживании режущего оборудования. Нож очень острый, что при неосторожном обращении может легко привести к порезам.
- Использование принадлежностей или внесение изменений в конструкцию изделия, не одобренных производителем, может привести к серьезным или смертельным травмам. Запрещается вносить изменения в конструкцию изделия. Пользуйтесь только рекомендованными производителем принадлежностями.
- При несоблюдении правил и сроков выполнения техобслуживания риск получения травмы или повреждения изделия возрастает.
- Выполняйте техобслуживание строго в соответствии с инструкциями, приведенными в руководстве по эксплуатации. Все прочие виды сервисного обслуживания должны проводиться в авторизованном сервисном центре Husqvarna.
- Регулярно обращайтесь в авторизованный сервисный центр Husqvarna для проведения техобслуживания изделия.
- Замените поврежденные, сломанные или изношенные детали.

Сборка

Введение

посвященным безопасности, и усвойте его содержание.



ПРЕДУПРЕЖДЕНИЕ: Перед сборкой изделия ознакомьтесь с разделом,



ПРЕДУПРЕЖДЕНИЕ: Перед сборкой изделия снимите со свечи зажигания провод свечи зажигания.

Сборка рукоятки

1. Поднимите нижнюю рукоятку. (Рис. 21)
2. Совместите отверстия в нижней части нижней рукоятки с отверстиями в кронштейнах рукоятки.

Примечание: Выберите отверстия, которые обеспечивают оптимальное рабочее положение.

3. Затяните фиксаторы нижней рукоятки.
4. Поднимите верхнюю рукоятку на один уровень с нижней рукояткой.
5. Полностью затяните фиксаторы верхней рукоятки.

Установка ручки шнура стартера

1. Установите петлю для шнура стартера и Т-образный фиксатор. Не затягивайте до упора. (Рис. 22)
2. Прижмите рукоятку тормоза двигателя к рукоятке.

3. Медленно вытяните шнур стартера и вставьте его в петлю для шнура стартера. (Рис. 23)
4. Затяните Т-образный фиксатор. (Рис. 24)

Установка изделия в положение для транспортировки

1. Снимите травосборник.
2. Ослабьте фиксаторы нижней рукоятки, чтобы разблокировать рукоятку. (Рис. 25)
3. Сложите рукоятку назад.
4. Снимите фиксаторы и штифты с нижней рукоятки.
5. Сложите рукоятку вперед.

Установка травосборника

1. Установите раму травосборника на мешок травосборника таким образом, чтобы жесткая часть мешка оказалась внизу. Ручка рамы должна находиться за пределами верхней части сборника. (Рис. 26)
2. Закрепите травосборник на раме с помощью быстросъемных зажимов. (Рис. 27)

Эксплуатация

Введение



ПРЕДУПРЕЖДЕНИЕ: Перед эксплуатацией прибора необходимо внимательно изучить раздел безопасности.

Перед началом эксплуатации изделия

1. Внимательно прочитайте руководство по эксплуатации и убедитесь, что понимаете приведенные здесь инструкции.
2. Осмотрите режущее оборудование и убедитесь, что оно правильно закреплено и отрегулировано. См. раздел *Проверка режущего оборудования на стр. 285.*
3. Заполните топливный бак. См. раздел *Заправка топливом на стр. 282.*
4. Заполните масляный бак и проверьте уровень масла. См. раздел *Проверка уровня масла на стр. 280.*

Заправка топливом

По возможности пользуйтесь экологическим/алкилатным бензином. При невозможности использовать экологический/алкилатный бензин используйте качественный неэтилированный или этилированный бензин с октановым числом не ниже 90.



ВНИМАНИЕ: Не используйте бензин с октановым числом меньше 90 RON (87 AKI). Это может привести к повреждению изделия.

1. Медленно откройте крышку топливного бака, чтобы стравить давление.
2. Медленно залейте топливо из канистры. Если вы пролили топливо, протрите его тряпкой и дайте оставшемуся топливу высохнуть.
3. Очистите поверхность вокруг крышки топливного бака.
4. Плотно затяните крышку топливного бака. Если крышка топливного бака не затянута, возникает риск пожара.
5. Переместите изделие минимум на 3 м (10 футов) от места заправки топливом, прежде чем запустить его.

Регулировка высоты стрижки

Высоту стрижки возможно установить на 9 разных уровнях.

1. Прижмите рычаг регулировки высоты стрижки к колесу, а затем отведите его назад для увеличения высоты стрижки.
2. Прижмите рычаг регулировки высоты стрижки к колесу, а затем отведите его вперед для уменьшения высоты стрижки. (Рис. 28)



ВНИМАНИЕ: Не устанавливайте высоту стрижки слишком низко. Ножи могут удариться о землю, если поверхность газона неровная.

Запуск изделия

1. Стойте сзади изделия.
2. Прижмите рукоятку тормоза двигателя к рукоятке. (Рис. 29)
3. Держите ручку шнура стартера правой рукой.
4. Медленно потяните за шнур стартера, пока не почувствуете некоторое сопротивление.
5. Резко потяните трос, чтобы завести двигатель.



ПРЕДУПРЕЖДЕНИЕ: Не наматывайте шнур стартера вокруг руки.

Использование привода колес

- Потяните рычаги привода в направлении рукоятки. (Рис. 30)
- Прежде чем потянуть изделие назад, отключите привод и толкните изделие вперед примерно на 10см.
- Отпустите рычаги привода, чтобы отключить привод, например, при приближении к препятствию.

Регулировка троса управления приводом

- С помощью регулировочного винта отрегулируйте трос управления приводом. (Рис. 31)
- Отключите двигатель. Всегда отсоединяйте свечу зажигания перед выполнением каких-либо операций с подвижными узлами.
- Поверните регулировочный винт против часовой стрелки, чтобы натянуть провод и увеличить скорость.
- Поверните регулировочный винт по часовой стрелке, чтобы удлинить провод и снизить скорость.

Остановка изделия

- Для того чтобы остановить только привод, отпустите рычаги привода.
- Для того чтобы остановить двигатель, отпустите рукоятку тормоза двигателя. (Рис. 32)

Эксплуатация изделия с травосборником



ПРЕДУПРЕЖДЕНИЕ: Не используйте изделие, если травосборник не установлен, а задний дефлектор не

закрыт. Предметы могут быть отброшены, что приведет к травмированию оператора.

1. Поднимите задний дефлектор и снимите пробку для мульчирования. (Рис. 33)
2. Соберите травосборник, см. раздел *Установка травосборника на стр. 282.*
3. Установите травосборник на кронштейн. (Рис. 34)
4. Отпустите задний дефлектор и дайте ему лечь на верхнюю часть рамы травосборника.

Переоснащение изделия для его использования в режиме мульчирования

В режиме мульчирования изделие измельчает траву на более мелкие обрезки. Обрезки травы затем падают на газон и распределяются по нему. Измельченная трава быстрее разлагается, обеспечивая газон питательными веществами.

1. Поднимите задний щиток и снимите травосборник (при наличии).
2. Вставьте пробку для мульчирования в канал сборника. (Рис. 35)
3. Закройте задний щиток и убедитесь, что он плотно прилегает к пробке для мульчирования. (Рис. 36)

Переоснащение изделия для его использования в режиме выброса сзади

1. Поднимите задний дефлектор и снимите пробку для мульчирования. (Рис. 37)
2. Установите желоб для выброса снега. (Рис. 38)

Опорожнение травосборника



ВНИМАНИЕ: Не волочите сборник при опорожнении травосборника во избежание износа.

1. Поднимите травосборник с помощью ручки рамы. (Рис. 39)
2. Удалите обрезки травы из травосборника снизу ручки.
3. Удалите обрезки травы из сборника, используя ручку рамы и ручку сборника.

Достижение оптимальных результатов

- Всегда пользуйтесь хорошо заточенным ножом. Затупившийся нож будет стричь траву неровно, и в месте среза трава будет желтеть. При использовании острого ножа также

затрачивается меньше энергии, чем при работе с затупившимся ножом.

- Не срезайте более 1/3 всей длины травы. Выполните первую стрижку на большей высоте. Проверьте полученный результат и уменьшите высоту стрижки до необходимого уровня. Если

трава высокая, передвигайте газонокосилку медленно и, при необходимости, используйте газонокосилку 2 раза.

- Если вы хотите избежать образования полос на вашем газоне, следует каждый раз стричь его в разных направлениях.

Техническое обслуживание

Введение



ПРЕДУПРЕЖДЕНИЕ: Перед выполнением техобслуживания необходимо внимательно изучить и понять раздел безопасности.

Для выполнения любых работ по сервисному обслуживанию и ремонту изделия необходимо пройти специальное обучение. Мы гарантируем доступность услуг по профессиональному ремонту и сервисному обслуживанию. Если ваш дилер не занимается сервисным обслуживанием, обратитесь к нему для получения информации о ближайшем сервисном центре.

График технического обслуживания



ВНИМАНИЕ: При наклоне изделия следите за тем, чтобы воздушный фильтр был сверху, а не был обращен в сторону земли. Это может привести к повреждению двигателя.

График технического обслуживания рассчитан исходя из ежедневного использования изделия. Если изделие не используется ежедневно, интервалы техобслуживания изменятся.

Сведения о техническом обслуживании, отмеченном знаком *, см. в инструкциях в разделе *Защитные устройства на изделии на стр. 280.*

Техническое обслуживание	Ежедневно	Еженедельно	Ежемесячно
Выполните общий осмотр	X		
Проверьте уровень масла	X		
Очистите изделие	X		
Проверьте режущее оборудование	X		
Проверьте режущую деку *	X		
Проверьте рукоятку тормоза двигателя *	X		
Проверьте рычаг тормоза ножа *	X		
Проверьте глушитель *		X	
Проверьте свечу зажигания		X	
Замените масло (первый раз через 5 часов использования, затем через каждые 50 часов использования)			X
Очистите или замените воздушный фильтр			X
Проверьте топливную систему			X

Выполнение общего осмотра

- Проверьте натяжку гаек и винтов на изделии.

Очистка изделия снаружи

- Используйте щетку для удаления листьев, травы и грязи.
- Убедитесь, что воздухозаборник в верхней части двигателя не заблокирован.

- Не используйте моечный агрегат высокого давления для чистки устройства.
- Если вы используете воду для очистки изделия, не допускайте попадания воды непосредственно на двигатель.

Очистка внутренней поверхности режущей деки

1. Опорожните топливный бак.
2. Положите изделие на бок таким образом, чтобы сторона с глушителем была направлена вниз.



ВНИМАНИЕ: Если положить изделие так, что воздушный фильтр будет направлен вниз, можно повредить двигатель.

3. Промойте водой из шланга внутренние поверхности режущей деки.

Использование штуцера водяного шланга

1. Переместите изделие в зону со скошенной травой или на другую твердую поверхность.
2. Снимите с изделия травосборник или пробку для мульчирования.
3. Закройте задний дефлектор.
4. Подсоедините водяной шланг к штуцеру шланга. (Рис. 40)
5. Остановите подачу воды и проверьте штуцер водяного шланга на наличие утечек.
6. Если утечек нет, запустите двигатель. Дайте двигателю поработать до тех пор, пока изделие не станет чистым под корпусом.
7. Остановите двигатель.
8. Прекратите подачу воды и отсоедините шланг от штуцера водяного шланга.

Примечание: Не отсоединяйте водяной шланг от штуцера во время работы двигателя. Попадание воды в двигатель может сократить срок службы двигателя.

9. Запустите двигатель и дайте ему поработать в течение минуты, чтобы удалить излишки воды из изделия.

Замена моторного масла



ПРЕДУПРЕЖДЕНИЕ: Моторное масло очень горячее сразу после остановки двигателя. Дайте двигателю остыть, прежде чем сливать моторное масло. При попадании моторного масла на кожу смойте его мылом и водой.

1. Запустите изделие до полного расхода топлива в баке.
2. Отсоедините провод от свечи зажигания.
3. Снимите крышку масляного бака.
4. Поместите емкость под изделие для сбора моторного масла.

5. Наклоните изделие, чтобы слить моторное масло из масляного бака.
6. Заправьте бак новым моторным маслом; используйте тип масла, рекомендованный в *Технические данные на стр. 280*.
7. Проверьте уровень моторного масла. См. раздел *Проверка уровня масла на стр. 280*.

Проверка свечи зажигания



ВНИМАНИЕ: Всегда используйте только указанный тип свечи. Использование неправильного типа свечи зажигания может привести к повреждению изделия.

- Проверьте свечу зажигания, если двигатель не набирает мощность, плохо заводится или плохо работает на холостых оборотах.
- Чтобы уменьшить риск появления нежелательного материала на электродах свечи зажигания, соблюдайте следующие инструкции:
 - a) Убедитесь в правильности регулировки частоты оборотов холостого хода.
 - b) Убедитесь, что используется надлежащая топливная смесь.
 - c) Убедитесь, что воздушный фильтр чист.
- Если свеча зажигания загрязнена, очистите ее и проверьте зазор между электродами, см. раздел *Технические данные на стр. 290*. (Рис. 41)
- При необходимости замените свечу зажигания.

Очистка воздушного фильтра

1. Снимите крышку воздушного фильтра и фильтр.
2. Постучите фильтром о плоскую поверхность, чтобы удалить твердые частицы.



ВНИМАНИЕ: Не используйте для очистки воздушного фильтра растворитель или сжатый воздух.

3. Установите воздушный фильтр на место. Убедитесь, что воздушный фильтр плотно посажен на место.
4. Установите крышку воздушного фильтра на место.

Примечание: Воздушный фильтр после эксплуатации в течение некоторого времени невозможно полностью вычистить. Регулярно выполняйте замену воздушного фильтра. Всегда заменяйте поврежденный воздушный фильтр.

Проверка режущего оборудования



ПРЕДУПРЕЖДЕНИЕ: Во избежание непреднамеренного запуска отсоедините кабель от свечи зажигания.



ПРЕДУПРЕЖДЕНИЕ: Надевайте защитные перчатки при техобслуживании режущего оборудования. Нож очень острый, что при неосторожном обращении может легко привести к порезам.

1. Проверьте режущее оборудование на наличие повреждений или трещин. Всегда заменяйте поврежденное режущее оборудование.
2. Осмотрите нож на наличие повреждений или следов притупления.

Примечание: После заточки ножа необходимо выполнить его балансировку. Обратитесь в сервисный центр для выполнения заточки, замены и балансировки ножа. При столкновении с препятствием, которое привело в остановку изделия, замените поврежденный нож. Сервисный центр должен определить, следует ли заточить нож или лучше его заменить.

Сборка ножа

1. Установите переходник ножа на коленчатый вал двигателя. Убедитесь, что шпонка в переходнике и шпоночный паз коленчатого вала совмещены. (Рис. 42)
2. Всегда устанавливайте нож так, чтобы находящиеся под углом края были обращены вверх по направлению к двигателю. (Рис. 43)
3. Установите деревянный брусок между ножом и корпусом изделия. Затяните болт ножа и поверните его по часовой стрелке.
4. Всегда затягивайте болт моментом 35–40 фунто-футов (47–54 Нм). (Рис. 44)
5. Убедитесь, что кабель свечи зажигания отсоединен от двигателя.

Обзор трансмиссии в сборе

(Рис. 2)

1. Пробка для мульчирования
2. Задняя вставка
3. Шкив трансмиссии
4. Кронштейн направляющего узла
5. Крышка трансмиссии
6. Переходник ножа
7. Направляющий шкив
8. Передний держатель ремня
9. Кольцо
10. Нож
11. Жесткая шайба
12. Стопорная шайба
13. Болт ножа



ВНИМАНИЕ: Во избежание случайного запуска всегда отсоединяйте кабель свечи зажигания и прокладывайте провод там, где он не может коснуться свечи зажигания.

6. Проверните нож рукой и убедитесь, что он свободно вращается.

Замена ножа

1. Заблокируйте нож деревянным бруском. (Рис. 45)
2. Снимите болт ножа.
3. Снимите нож.
4. Проверьте опору и болт ножа на наличие повреждений.
5. Проверьте вал двигателя на наличие деформации.
6. При установке нового ножа находящиеся под углом края должны быть обращены в направлении режущей деки. (Рис. 46)
7. Убедитесь, что нож совмещен с центром вала двигателя.
8. Заблокируйте нож деревянным бруском. Установите пружинную шайбу и затяните болт с шайбой моментом 47–54 Нм. (Рис. 47)
9. Проверните нож рукой и убедитесь, что он свободно вращается.



ПРЕДУПРЕЖДЕНИЕ: Используйте прочные перчатки. Нож очень острый, что при неосторожном обращении может легко привести к порезам.

10. Запустите изделие, чтобы проверить работу ножа. Если нож установлен неправильно, вы ощутите вибрацию изделия, или результат стрижки будет неудовлетворительным.

14. Защита фрез

Снятие приводного ремня

1. Запустите изделие до полного расхода топлива в баке.
2. Снимите колпачок свечи зажигания со свечи зажигания.
3. Положите изделие на бок таким образом, чтобы сторона с глушителем была направлена вниз.



ВНИМАНИЕ: Если положить изделие так, что воздушный фильтр будет направлен вниз, можно повредить двигатель.

4. Снимите кожух привода. (Рис. 48)
5. Снимите болт ножа, стопорную и жесткую шайбы и нож. (Рис. 49)
6. Снимите пробку для мульчирования. (Рис. 50)
7. Снимите заднюю вставку.
8. Снимите крышку ремня и кольцо. (Рис. 51)
9. Отсоедините кабель от трансмиссии и снимите направляющий шкив с направляющего узла.
10. Снимите передний держатель ремня.
11. Снимите приводной ремень со шкива трансмиссии.
12. Снимите 3 направляющих шкива с направляющего узла. (Рис. 52)
13. Снимите приводной ремень с переходника ножа и направляющего узла. (Рис. 53)
14. Установите плоскогубцы с фиксатором на входной вал трансмиссии. Ослабьте шкив двигателя накидным ключом 9/16", чтобы снять шкив трансмиссии.
15. Снимите приводной ремень.

Поиск и устранение неисправностей

Проблема	Возможная причина	Решение
Двигатель не запускается.	Кабель зажигания подсоединен неправильно.	Подсоедините кабель зажигания к свече зажигания.
	Топливный бак пуст.	Заполните топливный бак топливом соответствующего типа.
	Грязь в карбюраторе или топливопроводе.	Очистите карбюратор и/или топливопровод.
	Неисправна свеча зажигания.	Отрегулируйте зазор между электродами, очистите или замените свечу зажигания.
Двигатель не останавливается.	Механизм останова неисправен.	Отсоедините кабель от свечи зажигания. Обратитесь в авторизованный сервисный центр для выполнения ремонта изделия.
Двигатель работает рывками.	Кабель зажигания подсоединен неправильно.	Подсоедините кабель зажигания к свече зажигания.
	В топливопроводе присутствует грязь, или топливо просрочено.	Очистите топливопровод. Залейте в топливный бак новое топливо подходящего типа.
	Крышка топливного бака засорена.	Очистите крышку топливного бака.
	В топливной системе присутствует вода или грязь.	Опорожните топливный бак. Залейте в топливный бак новое топливо подходящего типа.
	Воздушный фильтр загрязнен.	Очистите воздушный фильтр.
	Необходимо отрегулировать карбюратор.	Обратитесь в сервисный центр для выполнения регулировки карбюратора.
Двигатель перегрет.	Слишком низкий уровень моторного масла.	Залейте моторное масло.
	Недостаточный поток воздуха.	Очистите воздушный фильтр и корпус воздушного фильтра.
	Необходимо отрегулировать карбюратор.	Обратитесь в сервисный центр для выполнения регулировки карбюратора.

Проблема	Возможная причина	Решение
При работе на высокой скорости в двигателе возникают пропуски зажигания.	Зазор между электродами свечи зажигания слишком мал.	Отрегулируйте зазор между электродами.
Некорректная работа двигателя на холостых оборотах.	Свеча зажигания загрязнена, неисправна, или зазор между электродами слишком большой.	Отрегулируйте зазор между электродами или замените свечу зажигания.
	Необходимо отрегулировать карбюратор.	Отрегулируйте карбюратор.
	Воздушный фильтр загрязнен.	Очистите воздушный фильтр.
Слишком сильная вибрация на рукоятке.	Нож ослаблен или не сбалансирован.	Затяните болты ножа. В случае повреждения ножей замените их.
	Нож погнут.	В случае повреждения ножей замените их.
Мульчирование травы не выполнено.	Трава влажная.	Не используйте изделие, если трава влажная. Подождите, пока трава высохнет.
	Трава очень высокая.	Выполните первую стрижку на большей высоте. Уменьшите высоту стрижки и выполните стрижку еще раз. Выполняйте стрижку только на ½ ширины за раз.
	Один или несколько ножей недостаточно острые.	Заточите или замените ножи.
Трава срезается неравномерно.	Колеса установлены неправильно.	Установите одинаковую высоту стрижки для всех 4 колес.
	Один или несколько ножей недостаточно острые.	Заточите или замените ножи.
Система привода работает неправильно	Приводной ремень недостаточно натянут, или шкив и приводной ремень загрязнены.	Обратитесь в авторизованный сервисный центр для проведения обслуживания системы привода.

Транспортировка, хранение и утилизация

Транспортировка и хранение

- Перед помещением на хранение и транспортировкой изделия и топлива убедитесь в отсутствии утечек или испарения топлива. Искры или источники открытого огня, например, от электрических устройств или котлов, могут привести к пожару.
- Всегда используйте рекомендованные контейнеры для хранения и транспортировки топлива.
- Перед помещением изделия на длительное хранение опорожните топливный бак.

- Утилизируйте топливо в специально предназначенном для этого месте
- Надежно закрепите изделие на время транспортировки для предотвращения повреждений или аварий.
- Храните изделие в запечатом помещении для предотвращения доступа к изделию детей или посторонних лиц.
- Храните изделие в сухом и защищенном от низких температур месте.

Утилизация

- Соблюдайте местное законодательство и действующие нормы в области переработки.
- Утилизируйте все химические вещества, такие как моторное масло или топливо, в сервисном центре или в специально предназначенном для этого месте.
- Если изделие больше не эксплуатируется, отправьте его дилеру Husqvarna или утилизируйте в пункте переработки.

Технические данные

Технические данные

	LC 353AWD
Двигатель	
Марка	Honda
Рабочий объем, куб. дюйм / см ³	10,4 / 170
Частота вращения, об/мин	2900-3200
Номинальная мощность двигателя, кВт / л. с. при об/мин ¹⁰¹	3,6 / 4,9 при 2900-3200
Система зажигания	
Свеча зажигания	NGK BPR5ES
Зазор между электродами, дюйм / мм	0,028 / 0,7
Топливная система и система смазки	
Топливо, неэтилированное, мин. октановое число	90 RON / 87 AKI
Емкость топливного бака, амер. галлон / л	0,27 / 1,02
Емкость масляного бака, амер. галлон / л	0,14 / 0,53
Моторное масло ¹⁰²	SAE 30 / SAE 10W-30
Масса	
С пустыми баками, фунт / кг	92 / 41,7
Излучение шума ¹⁰³	
Уровень мощности звука, измеренный, дБ(А)	95
Уровень мощности шума, гарантированный L _{WA} дБ (А)	96
Уровни шума ¹⁰⁴	
Уровень шумового давления на уши оператора, дБ(А)	85
Уровни вибрации ¹⁰⁵	

¹⁰¹ Указанная номинальная мощность двигателя — это средняя полезная мощность типичного серийного двигателя при указанной частоте вращения (об/мин) для определенной модели двигателя, измеренная в соответствии со стандартом SAE J1349/ISO1585. Показатели двигателей массового производства могут отличаться от этого значения. Фактическая выходная мощность двигателя, установленного на определенном изделии, зависит от рабочей скорости, условий окружающей среды и других параметров.

¹⁰² Используйте моторное масло качества SJ или выше. См. таблицу вязкости в руководстве производителя двигателя и выберите оптимальное значение в соответствии с ожидаемой температурой окружающей среды.

¹⁰³ Излучение шума в окружающую среду измеряется как шумовой эффект (L_{WA}) согласно Директиве ЕС 2000/14/ЕС.

¹⁰⁴ Уровень шумового давления в соответствии с ISO 5395. Указанные данные об уровне шумового давления имеют типичный статистический разброс (стандартное отклонение) в 1,2 дБ (А).

¹⁰⁵ Уровень вибрации в соответствии с ISO 5395. Указанные данные об уровне вибрации имеют типичный статистический разброс (стандартное отклонение) 0,2 м/с².

	LC 353AWD
Рукоятка, м/с ² , с травосборником / без травосборника	7 / 7
Режущее оборудование	
Высота стрижки, дюйм / мм	1,0-4,0 / 25,4-101,6
Ширина стрижки, дюйм / мм	21 / 530
Нож	
Артикул	586 85 96-02
Емкость травосборника, фут ³ / л	2,3 / 65
Привод	
Скорость, миль/ч / км/ч	0-3 / 0-4,8

Содержание декларации о соответствии ЕС

Компания Husqvarna AB, SE 561 82 Huskvarna, ШВЕЦИЯ, под свою исключительную ответственность заявляет, что представленное изделие:

Применяются следующие согласованные стандарты и/или технические спецификации: EN ISO 12100, ISO 5395-1+A1/A2, ISO 5395-2+A1/A2, EN ISO 14982, ISO 3744, ISO 11094, EN 1032

Описание	Пешеходная газонокосилка с двигателем внутреннего сгорания
Марка	Husqvarna
Платформа / Тип / Модель	Платформа E21THV, представленная моделями LC 353AWD.
Партия	Серийный номер с 2019 года и далее

В соответствии с директивой 2000/14/ЕС, приложение VI, заявленные значения звукового давления указаны в разделе технических данных настоящего руководства и в подписанной данной декларации соответствия ЕС.

Поставляемая пешеходная газонокосилка с двигателем внутреннего сгорания соответствует эталону, прошедшему контроль.

полностью соответствует следующим директивам и нормам ЕС:

Директива/Норматив	Описание
2006/42/ЕС	"о механическом оборудовании"
2014/30/EU	"об электромагнитной совместимости"
2000/14/EU; 2005/88/ЕС	"об излучении шума от оборудования, размещенного вне помещения"
2011/65/EU	"об ограничении использования опасных веществ"

Obsah

Úvod.....	292	Riešenie problémov.....	301
Bezpečnosť.....	293	Preprava, skladovanie a likvidácia.....	302
Montáž.....	296	Technické údaje.....	303
Prevádzka.....	296	Obsah vyhlásenia o zhode ES.....	304
Údržba.....	298		

Úvod

Popis výrobku

Tento výrobok je rotačná kosačka na trávu s chodiacou obsluhou vybavená spaľovacím motorom. Tráva sa zhromažďuje do zberného koša. Na vyprázdenie trávy zo zadnej časti odstráňte zberný kôš. Ak chcete trávu nasekať a použiť ako hnojivo, použijete mulčovaciu súpravu.

Prehľad výrobku

(Obr. 1)

1. Rukoväť motorovej brzdy
2. Páky pohonu
3. Rukoväť štartovacieho lanka
4. Zberný kôš
5. Uzáver palivovej nádrže
6. Vzduchový filter
7. Zapaľovacia sviečka
8. Kryt pohonu
9. Tlmič výfuku
10. Hadicová prípojka na vodu
11. Zadný deflektor
12. Olejová mierka/nádrž na olej
13. Ovládač výšky rezu
14. Zástrčka mulčovania
15. Návod na obsluhu
16. Výsypka

Symboly na výrobku

- (Obr. 3) UPOZORNENIE: Tento výrobok môže byť nebezpečný a spôsobiť vážne poranenie alebo usmrtenie obsluhujúceho pracovníka alebo iných osôb. Zachovávajúte opatnosť a používajte výrobok správnym spôsobom.
- (Obr. 4) Pred používaním výrobku si prečítajte návod na obsluhu a uistite sa, že porozumiete uvedeným pokynom
- (Obr. 5) Rýchlo
- (Obr. 6) Pomaly

Plánované použitie

Výrobok používajte na kosenie trávy v súkromných záhradách. Výrobok nepoužívajte na iné účely.

- (Obr. 7) Udržiavajte ruky a chodidlá mimo dosahu rotujúcich častí.
- (Obr. 8) Dbajte na to, aby sa osoby a zvieratá zdržiavali v bezpečnej vzdialenosti od pracovnej oblasti.
- (Obr. 9) Pri prevádzke výrobku smerom dozadu postupujte opatrne. Pozerajte sa dozadu a dolu a sledujte, či sa tam nenachádzajú malé deti, zvieratá alebo iné nebezpečenstvo, pri ktorom vám hrozí pád.
- (Obr. 10) Používanie výrobku na svahu môže byť nebezpečné.
- (Obr. 11) Udržiavajte ruky a chodidlá mimo dosahu rotujúceho noža.
- (Obr. 12) Dávajte pozor na vymrštené predmety a spätné nárazy.
- (Obr. 13) Hlukové emisie do okolia sú v súlade so smernicou Európskeho spoločenstva. Emisie výrobku sú uvedené v *Technické údaje na strane 303* a na štítku.
- (Obr. 14) Tento výrobok je v súlade s príslušnými smernicami EÚ.
- (Obr. 15) Tento výrobok je v súlade s príslušnými smernicami EAC.
- (Obr. 16) Tento výrobok je v súlade s príslušnými smernicami RCM. Platí iba pre AU a NZ.
- (Obr. 17) Tento výrobok je v súlade s príslušnými ukrajinskými smernicami.

(Obr. 18) Používajte schválené chrániče sluchu.

Poznámka: Ostatné symboly/emblémy na výrobku odkazujú na požiadavky certifikácie pre ďalšie komerčné oblasti.

Zodpovednosť za výrobok

V súlade s právnymi predpismi upravujúcimi zodpovednosť za výrobok nenesieme zodpovednosť za škody spôsobené našim výrobkom v dôsledku:

- nesprávne vykonanej opravy výrobku,
- opravy výrobku, pri ktorej neboli použité diely od výrobcu alebo diely schválené výrobcom,
- používania príslušenstva od iného výrobcu alebo príslušenstva, ktoré nie je schválené výrobcom,
- opravy výrobku, ktoré neboli vykonané v schválenom servisnom stredisku alebo schválenými kompetentnými osobami.

Bezpečnosť

Bezpečnostné definície

Výstrahy, upozornenia a poznámky slúžia na zdôraznenie mimoriadne dôležitých častí návodu.



VÝSTRAHA: Používa sa, ak pre obsluhu alebo osoby v okolí existuje nebezpečenstvo poranenia alebo smrti v prípade nedodržania pokynov v návode.



VAROVANIE: Používa sa, ak hrozí nebezpečenstvo poškodenia produktu, iných materiálov alebo okolitej oblasti v prípade nedodržania pokynov v návode.

Poznámka: Používa sa na poskytnutie informácií nad rámec nevyhnutných informácií v danej situácii.

Všeobecné bezpečnostné pokyny



VÝSTRAHA: Skôr než budete výrobok používať, prečítajte si nasledujúce výstrahy.

- Tento výrobok je nebezpečný, ak sa nepoužíva správne alebo ak nie ste pri jeho používaní opatrní. V prípade nedodržania bezpečnostných pokynov hrozí poranenie alebo usmrtienie.
- Tento výrobok vytvára počas prevádzky elektromagnetické pole. Toto pole môže za určitých okolností spôsobovať rušenie aktívnych alebo pasívnych implantovaných lekárskeho prístrojov. Na zníženie rizika vážneho alebo smrteľného zranenia odporúčame, aby sa osoby s implantovanými lekárskeho prístrojmi poradili so svojim lekárom a výrobcom pomôcky ešte pred použitím tohto výrobku.
- Vždy zachovávajte opatrnosť a riadte sa zdravým úsudkom. Ak si v určitých situáciách nie ste istí, ako máte výrobok používať, výrobok nepoužívajte a pred pokračovaním v práci sa poraďte s predajcom spoločnosti Husqvarna.
- Myslite na to, že operátor bude zodpovedný za nehody zahŕňajúce iné osoby alebo ich majetok.

- Výrobok udržiavajte čistý. Uistite sa, že sú symboly a emblémy čitateľné.
- Nedovoľte, aby výrobok používali iné osoby, pokiaľ sa neustíte, že si prečítali tento návod na obsluhu a porozumeli jeho obsahu.
- Nedovoľte, aby výrobok používali deti.
- Deti držte v bezpečnej vzdialenosti od pracovnej oblasti. Vyžaduje sa neustála prítomnosť zodpovednej dospelkej osoby.
- Nedovoľte, aby výrobok používali osoby, ktoré nepoznajú potrebné pokyny.
- Osoby so zníženými fyzickými alebo duševnými schopnosťami musia byť počas používania výrobku vždy pod dozorom. Vyžaduje sa neustála prítomnosť zodpovednej dospelkej osoby.
- Výrobok nepoužívajte, ak ste unavení, chorí alebo ste pod vplyvom alkoholu, drog alebo liekov. Vyššie uvedené prípady majú negatívny vplyv na váš zrak, ostražitosť, koordináciu a úsudok.
- Výrobok nepoužívajte, ak je poškodený.
- Výrobok žiadnym spôsobom neupravujte ani nepoužívajte, ak existuje možnosť, že bol upravený inými osobami.

Bezpečnosť na pracovisku



VÝSTRAHA: Skôr než budete používať produkt, prečítajte si nasledujúce výstrahy.

- Pred používaním výrobku odstráňte z pracovnej oblasti všetky predmety, ako sú napr. konáre, vetvy a kamene.
- Predmety, ktoré narazia na rezné zariadenie, môžu byť vymrštené a spôsobiť poranenie osôb alebo poškodenie iných predmetov. Dávajte pozor, aby okolo stojace osoby a zvieratá nevstupovali do pracovnej oblasti.
- Výrobok nikdy nepoužívajte počas nepriaznivých poveternostných podmienok, napríklad v hmle, v daždi, v silnom vetre, v silnom mraze, pri vysokom riziku bleskania. Používanie výrobku počas nepriaznivých poveternostných podmienok alebo na vlhkých alebo mokrych miestach je namáhavé. Nepriaznivé poveternostné podmienky môžu mať za

následok vznik nebezpečných podmienok, akými sú napr. klzké povrchy.

- Dávajte pozor na osoby, predmety a situácie, ktoré môžu zamedziť bezpečnej prevádzke výrobku.
- Dávajte pozor na prekážky, ako sú napr. korene, kamene, halúzky, jamy a priekopy. Vysoká tráva môže zakrývať prekážky.
- Kosenie trávy na svahoch môže byť nebezpečné. Výrobok nepoužívajte na svahoch so sklonom viac ako 15 °.
- S výrobkom sa pohybujte po vrstevnici. Nepohybujte sa smerom do svahu a zo svahu.
- V blízkosti skrytých rohov a objektov, ktoré vám bránia vo výhľade, sa pohybujte opatrne.

Bezpečnosť pri práci



VÝSTRAHA: Skôr než budete výrobok používať, prečítajte si nasledujúce výstrahy.

- Tento výrobok používajte len na kosenie trávy. Výrobok sa nesmie používať na iné úlohy.
- Používajte osobné ochranné pomôcky. Pozrite si časť *Osobné ochranné prostriedky na strane 294*.
- Naučte sa, ako v prípade núdze rýchlo zastaviť motor.
- Nikdy neštartujte motor v uzavretých priestoroch alebo v blízkosti horľavého materiálu. Výfukové plyny z motora sú horúce a môžu obsahovať iskry, ktoré môžu vyvolať požiar.
- Výrobok nepoužívajte, pokiaľ nie sú nôž a všetky kryty správne upevnené. Nesprávne pripojený nôž sa môže uvoľniť a spôsobiť poranenia osôb.
- Uistite sa, že nôž nenarazí na predmety, ako sú napr. kamene alebo korene. Môže dôjsť k poškodeniu noža a ohnutiú hriadeľa motora. Ohnutá náprava spôsobuje silné vibrácie a vzniká veľké nebezpečenstvo uvoľnenia noža.
- Ak nôž narazí na predmet alebo ak cítite vibrácie, výrobok okamžite vypnite. Odpojte kábel zapalovania od zapalovacej sviečky. Skontrolujte, či nie je výrobok poškodený. Opravte akékoľvek poškodenie alebo kontaktujte servisného zástupcu.
- Keď je naštartovaný motor, rukoväť motorovej brzdy nesmie byť nikdy trvalo pripevnená k rukoväti.
- Položte výrobok na stabilný, rovný povrch a naštartujte ho. Uistite sa, že sa nôž nedostane do kontaktu so zemou alebo inými predmetmi.
- Pri obsluhu vždy stojte za výrobkom.
- Pri obsluhu výrobku dávajte pozor, aby všetky kolesá dosadali na zem a rukoväť držte oboma rukami. Udržiavajte ruky a chodidlá mimo dosahu rotujúcich nožov.
- Keď je motor spustený, výrobok nenakláňajte.
- Pri ťahaní výrobku smerom dozadu buďte opatrní.
- Výrobok nikdy nedvíhajte, keď je spustený motor. Ak musíte výrobok zdvihnúť, najprv vypnite motor a odpojte kábel zapalovania od zapalovacej sviečky.

- Počas obsluhy výrobku necúvajte.
- Pri prechádzaní cez oblasti bez trávy, ako sú napr. štrkové, kamenné a asfaltové chodníky, vypnite motor.
- Keď je zapnutý motor, s výrobkom neutekajte. Počas obsluhy výrobku vždy kráčajte.
- Pred zmenou výšky rezu zastavte motor. Nikdy nevykonávajte nastavenia so spusteným motorom.
- Nikdy nenechávajte výrobok bez dozoru, keď je zapnutý motor. Zastavte motor a uistite sa, že sa rezné zariadenie neotáča.

Bezpečnostné pokyny pre prevádzku

Osobné ochranné prostriedky



VÝSTRAHA: Skôr než budete výrobok používať, prečítajte si nasledujúce výstrahy.

- Osobné ochranné prostriedky nedokážu úplne vylúčiť riziko, ale môžu znížiť vážnosť zranenia v prípade nehody. Váš predajca vám pomôže pri výbere správnych prostriedkov.
- Ak hladina hluku je vyššia ako 85 dB, používajte chrániče sluchu.
- Noste odolné protišmykové topánky. Výrobok neobsluhujte v otvorených topánkach ani s bosými nohami.
- Noste dlhé odolné nohavice.
- Keď je to potrebné, používajte ochranné rukavice, ako napríklad pri montáži, kontrole alebo čistení rezného zariadenia.

Bezpečnostné zariadenia na výrobku



VÝSTRAHA: Skôr než budete produkt používať, prečítajte si nasledujúce výstrahy.

- Nepoužívajte produkt, ktorý má chybné bezpečnostné zariadenia.
- Pravidelne kontrolujte bezpečnostné zariadenia. Ak sú bezpečnostné zariadenia chybné, obráťte sa na servisného zástupcu spoločnosti Husqvarna.

Kontrola krytu rezacej časti

Kryt rezacej časti tlmí vibrácie vo výrobku a znižuje riziko poranenia kotúčom.

- Skontrolujte kryt rezacej časti, aby ste sa uistili, že na ňom nie sú žiadne známky poškodenia, ako sú napr. praskliny.

Kontrola rukoväte motorovej brzdy.

Rukoväť motorovej brzdy slúži na zastavenie motora. Keď rukoväť motorovej brzdy uvoľníte, motor sa zastaví.

- Naštartujte motor a potom uvoľníte rukoväť motorovej brzdy. Ak sa motor v priebehu 3 sekúnd

nezastaví, požiadajte servisného zástupcu spoločnosti Husqvarna o nastavenie motorovej brzdy. (Obr. 19)

Kontrola zadného deflektora

Zadný deflektor znižuje riziko vstupu predmetov od smeru prevádzky.

- Skontrolujte, či zadný deflektor nie je poškodený. (Obr. 20)
- Skontrolujte, či pružiny, ktoré uzatvárajú zadný deflektor, nie sú poškodené.
- Poškodené súčiastky a pružiny vymeňte.
- Skontrolujte, či sa zadný deflektor plynule pohybuje na pántoch.

Timič výfuku

Timič výfuku slúži na udržiavanie minimálnej hladiny hluku a na smerovanie výfukových plynov smerom od operátora.

Nepoužívajte produkt, ak timič výfuku chýba alebo je poškodený. Poškodený timič výfuku zvyšuje hladinu hluku a riziko požiaru.



VÝSTRAHA: Timič výfuku je veľmi horúci počas prevádzky, po nej a tiež počas behu motora na voľnobeh. Zachovávajúte opatnosť v okolí horľavých materiálov alebo výparov, aby ste nespôsobili požiar.

Kontrola timiča výfuku

- Pravidelne kontrolujte, či je timič výfuku správne pripevnený a či nie je poškodený.

Kontrola hladiny oleja



VAROVANIE: Príliš nízka hladina oleja môže viesť k poškodeniu motora. Pred zapnutím výrobku skontrolujte hladinu oleja.

1. Položte výrobok na rovný povrch.
2. Odstráňte uzáver nádrže na olej s olejovou mierkou.
3. Očistite olej z olejovej mierky.
4. Aby ste získali presnú úroveň hladiny oleja, olejovú mierku úplne zasuňte do nádrže na olej.
5. Vytiahnite olejovú mierku.
6. Skontrolujte hladinu oleja na olejovej mierke.
7. V prípade príliš nízkej hladiny doplňte motorový olej a opätovne skontrolujte hladinu oleja.

Bezpečnosť paliva



VÝSTRAHA: Skôr než budete používať produkt, prečítajte si nasledujúce výstrahy.

- Výrobok neštartujte, ak sú na ňom zvyšky paliva alebo motorového oleja. Odstráňte neželané palivo/olej a nechajte výrobok vyschnúť.
- Ak vylejete palivo na odev, okamžite sa prelečte.
- Dávajte pozor, aby ste si palivo nevyliali na telo, pretože môže spôsobiť poranenie. Ak si palivo vylejete na telo, umyte sa pomocou mydla vody.
- Výrobok neštartujte, ak sa na motore vyskytuje netesnosť. Pravidelne kontrolujte výskyt netesností na motore.
- Pri manipulácii s palivom zachovajte opatnosť. Palivo je horľavá látka a výpary z paliva sú výbušné a môžu spôsobiť poranenia alebo smrť.
- Vyhňte sa vdychovaniu výparov paliva, pretože môžu spôsobiť poranenie. Zabezpečte dostatočné prúdenie vzduchu.
- V blízkosti paliva alebo motora nefajčite.
- Neukladajte do blízkosti paliva alebo motora teplé predmety.
- Nedopĺňajte palivo, keď je zapnutý motor.
- Pred dopĺňaním paliva sa uistite, že motor vychladol.
- Pred dopĺňaním paliva pomaly otvorte veko palivovej nádrže a opatrne uvoľnite tlak.
- Palivo do motora nedopĺňajte v interiéri. Nedostatočné prúdenie vzduchu môže spôsobiť poranenie alebo smrť v dôsledku udusenía alebo otravy oxidom uhoľnatým.
- Veko palivovej nádrže pevne utiahnite. Ak nie je veko palivovej nádrže pevne utiahnuté, existuje riziko vzniku požiaru.
- Pred naštartovaním premiestnite výrobok minimálne 3 m od miesta, kde ste dopĺňali palivo do nádrže.
- Palivovú nádrž nedopĺňajte úplne doplna. Teplo spôsobuje expanziu paliva. Uchovajte miesto navrchu palivovej nádrže.

Bezpečnostné pokyny pre údržbu



VÝSTRAHA: Skôr než budete používať produkt, prečítajte si nasledujúce výstrahy.

- Výfukové plyny z motora obsahujú oxid uhoľnatý, plyn bez zápachu, ktorý je jedovatý a veľmi nebezpečný. Motor neštartujte v interiéri ani v uzavretých priestoroch.
- Pred vykonávaním údržby výrobku zastavte motor a odpojte kábel zapalovania od zapalovacej sviečky.
- Pri vykonávaní údržby rezného zariadenia používajte ochranné rukavice. Čepel je veľmi ostrá a ľahko môže dôjsť k porezaniu.
- Príslušenstvo a úprava výrobku, ktoré neschválil výrobca, môžu spôsobiť vážne poranenia alebo smrť. Výrobok neupravujte. Vždy používajte príslušenstvo schválené výrobcom.
- Nepravidelná a nesprávne vykonaná údržba zvyšuje nebezpečenstvo poranenia a poškodenia výrobku.

- Vykonávajte len údržbu uvedenú v tomto návode na používanie. Všetky ostatné práce týkajúce sa údržby musí vykonávať schválený servisný zástupca spoločnosti Husqvarna.

- Výrobok nechajte pravidelne kontrolovať kvôli údržbe u schváleného servisného zástupcu spoločnosti Husqvarna.
- Vymeňte všetky poškodené, opotrebované alebo zlomené diely.

Montáž

Úvod



VÝSTRAHA: Pred zostavením výrobku si musíte prečítať kapitolu o bezpečnosti a porozumieť informáciám, ktoré sa v nej uvádzajú.



VÝSTRAHA: Pred zostavením výrobku od zapalovacej sviečky odpojte kábel zapalovacej sviečky.

Montáž rukoväti

1. Zdvihnite spodnú rukoväť. (Obr. 21)
2. Zarovnajtie otvory v dolnej časti spodnej rukoväte s otvormi v podperách rukoväti.

Poznámka: Vyberte otvory, ktoré umožňujú čo najlepšiu pracovnú polohu.

3. Uťahnite gombíky spodnej rukoväti.
4. Zdvihnite hornú rukoväť a zarovnajtie ju so spodnou rukoväťou.
5. Gombíky hornej rukoväti utiahnite na doraz.

Inštalácia rukoväti štartovacieho lanka

1. Pripevnite oko na štartovacie lanko a krídlovú skrutku. Nedoťahujte ju. (Obr. 22)

2. Rukoväť motorovej brzdy držte oproti hornej rukoväti.
3. Pomaly potiahnite štartovacie lanko a vložte ho do oka na štartovacie lanko. (Obr. 23)
4. Zatiahnite krídlovú skrutku. (Obr. 24)

Nastavenie výrobku do transportnej polohy

1. Odstráňte zberný koš.
2. Uvoľnite gombíky spodnej rukoväti, čím odomknete rukoväť. (Obr. 25)
3. Rukoväť sklopte smerom dozadu.
4. Odstráňte gombíky a kolíky na spodnej rukoväti.
5. Sklopte držadlo dopredu.

Zostavenie zberného koša

1. Pripojte rám zberného koša k vaku na trávu tak, aby pevná časť vaku bola na spodnej strane. Ponechajte rukoväť rámu na vonkajšej strane vaku. (Obr. 26)
2. Upevnite vak na trávu do rámu pomocou rýchlochupinacích svoriek. (Obr. 27)

Prevádzka

Úvod



VÝSTRAHA: Pred používaním výrobku si musíte prečítať kapitolu o bezpečnosti a porozumieť informáciám, ktoré sa v nej uvádzajú.

Pred obsluhou zariadenia

1. Pozorne si prečítajte tento návod na obsluhu a uistite sa, že ste porozumeli pokynom.
2. Skontrolujte rezné zariadenie a uistite sa, že je správne upevnené a nastavené. Pozrite si kapitolu *Kontrola rezného zariadenia na strane 299*.
3. Nalejte palivo do palivovej nádrže. Pozrite si kapitolu *Doplňanie paliva na strane 296*.
4. Naplňte nádrž a skontrolujte hladinu oleja. Pozrite si kapitolu *Kontrola hladiny oleja na strane 295*.

Doplňanie paliva

Ak je to možné, používajte alkylátový benzín s nízkymi emisiami. Ak nemáte k dispozícii alkylátový benzín s nízkymi emisiami, použite vysokokvalitný bezolovnatý benzín alebo olivnatý benzín s oktanovým číslom minimálne 90.



VAROVANIE: Nepoužívajte benzín s oktanovým číslom menším než 90 RON (87 AKI). Mohlo by to viesť k poškodeniu výrobku.

1. Pomalým otvorením veka palivovej nádrže uvoľnite tlak.
2. S použitím kanistra opatrne doplňte palivo. Ak sa palivo vyleje, pomocou handričky ho utrite a zvyšné palivo nechajte vyschnúť.
3. Vyčistite priestor okolo veka palivovej nádrže.

4. Veko palivovej nádrže pevne utiahnite. Ak nie je veko palivovej nádrže pevne utiahnuté, existuje riziko vzniku požiaru.
5. Pred spustením premiestnite výrobok minimálne 3 m od miesta, na ktorom ste doplňali palivo do nádrže.

Nastavenie výšky rezu

Výšku rezu možno nastaviť v deviatich rôznych úrovniach.

1. Zatlacíte ovládač výšky rezu v smere kolieska a potom smerom dozadu, aby sa výška rezu zväčšila.
2. Zatlacíte ovládač výšky rezu v smere kolieska a potom smerom dopredu, aby sa výška rezu zmenšila. (Obr. 28)



VAROVANIE: Nenastavujte výšku rezu príliš nízko. Ak nie je povrch trávnik rovny, nože môžu narážať o zem.

Zapnutie výrobku

1. Stojte za výrobkom.
2. Rukoväť motorovej brzdy držte proti hornej rukoväti. (Obr. 29)
3. Pevne uchopte rukoväť štartovacieho lanka pravou rukou.
4. Pomaly potiahnite štartovacie lanko, kým nepocítite istý odpor.
5. Silným potiahnutím naštartujte motor.



VÝSTRAHA: Štartovacie lanko si neovíjajte okolo ruky.

Používanie pohonu na kolesách

- Potiahnite páky pohonu smerom k rukoväti. (Obr. 30)
- Pred potiahnutím výrobku smerom dozadu deaktivujte pohon a potlačte výrobok smerom dopredu približne 10 cm.
- Uvoľnením pák pohonu deaktivujte pohon, napríklad keď sa pohybujete v blízkosti prekážok.

Úprava ovládacieho kábla pohonu

- Na úpravu ovládacieho kábla pohonu použite nastavovaciu skrutku. (Obr. 31)
- Vypnite motor. Pred používaním pohyblivých častí odpojte zapalovaciu sviečku.
- Na nastavenie napätia lanka a zvýšenie rýchlosti otočte nastavovacou skrutkou proti smeru hodinových ručičiek.
- Na predĺženie lanka a zníženie rýchlosti otočte nastavovacou skrutkou v smere hodinových ručičiek.

Zastavenie výrobku

- Ak chcete vypnúť len pohon, uvoľnite páky pohonu.

- Ak chcete vypnúť motor, uvoľnite rukoväť motorovej brzdy. (Obr. 32)

Používanie výrobku so zberným košom



VÝSTRAHA: Výrobok nepoužívajte bez nainštalovaného zberného koša alebo bez zatvoreného zadného deflektora. Predmety môžu vyletieť a spôsobiť zranenie obsluhy.

1. Zdvihnute zadný deflektor a vyberte mulčovaciu zástrčku. (Obr. 33)
2. Namontujte zberný kôš (pozrite si časť *Zostavenie zberného koša na strane 290*).
3. Umiestnite zberný kôš na podporu. (Obr. 34)
4. Uvoľnite zadný deflektor a položte ho na vrchnú časť rámu vaku na trávu.

Zmena nastavenia výrobku do režimu mulčovania

Pri režime mulčovania vytvára výrobok menšie odrezky trávy. Odrezky trávy padajú na plochu trávnik. Mulčovaná tráva sa biologicky rýchlo rozkladá a poskytuje trávniku živiny.

1. Zdvihnute zadný štít a vyberte vak na trávu (ak je namontovaný).
2. Do zberného kanála vložte mulčovaciu zarážku. (Obr. 35)
3. Nechajte zadný štít, aby sa zatvoril, a skontrolujte, či je pevne zatvorený a opiera sa o mulčovaciu zarážku. (Obr. 36)

Zmena nastavenia výrobku do režimu vyhadzovania zozadu

1. Zdvihnute zadný deflektor a vyberte mulčovaciu zástrčku. (Obr. 37)
2. Založte kryt vyhadzovacieho otvoru. (Obr. 38)

Vyprázdnenie zberného koša



VAROVANIE: Pri vyprázdňovaní zberného koša vak neťahajte, aby sa predišlo jeho opotrebovaniu.

1. Zberný kôš zdvihnite pomocou rukoväti rámu. (Obr. 39)
2. Odstráňte odrezky trávy zo zberného koša spod rukoväti.
3. Vyprázdnite odrezky trávy z vaku pomocou rukoväti rámu a rukoväti vaku.

Zabezpečenie optimálnych výsledkov kosenia

- Vždy používajte ostrý nôž. Tupý nôž poskytuje nepravidelné výsledky kosenia a pokosený povrch trávniku zožltne. Ostrý nôž spotrebuje menej energie ako tupý nôž.

- Nekoste viac ako 1/3 dĺžky trávy. Najprv koste s nastavenou vysokou výškou rezu. Skontrolujte výsledok a znížte výšku rezu na príslušnú úroveň. Ak je tráva veľmi vysoká, pohybujte sa pomaly a ak je to potrebné, pokoste ju dvakrát.
- Zakaždým koste iným smerom, aby ste predišli vzniku pruhov na trávniku.

Údržba

Úvod



VÝSTRAHA: Pred vykonávaním akejkoľvek údržby si musíte prečítať kapitolu o bezpečnosti a porozumieť jej.

Údržba a opravné práce na výrobku si vyžadujú špeciálne školenie. Zaručujeme dostupnosť profesionálnych opravných prác a údržby. Ak váš predajca nie je servisný zástupca, kontaktujte predajcu, ktorý vám poskytne informácie o najbližšom servisnom zástupcovi.

Plán údržby



VAROVANIE: Uistite sa, že vzduchový filter je na vrchnej strane výrobku a nie smerom do zeme, keď výrobok nakloníte. Hrozí nebezpečenstvo poškodenia motora.

Intervaly údržby sú vypočítané na základe každodenného používania výrobku. Ak sa výrobok nepoužíva každý deň, tieto intervaly sa menia.

Informácie o prvkoch údržby označených symbolom „*“ nájdete v pokynoch v časti *Bezpečnostné zariadenia na výrobku na strane 294*.

Údržba	Denne	Týždenne	Mesačne
Vykonajte všeobecnú kontrolu	X		
Skontrolujte hladinu oleja	X		
Vyčistite výrobok	X		
Skontrolujte rezné zariadenie	X		
Skontrolujte kryt rezacej časti *	X		
Skontrolujte rukoväť motorovej brzdy *	X		
Skontrolujte ovládanie brzdy noža *	X		
Skontrolujte tlmič výfuku *		X	
Skontrolujte zapaľovaciu sviečku		X	
Vymeňte olej (prvýkrát po 5 hodinách používania, potom po každých 50 hodinách používania)			X
Vyčistite vzduchový filter alebo ho vymeňte			X
Skontrolujte palivový systém			X

Vykonanie všeobecnej kontroly

- Uistite sa, že sú dotiahnuté všetky matice aj skrutky na výrobku.

Čistenie externých povrchov výrobku

- Pomocou kefy odstráňte listy, trávu a nečistoty.
- Uistite sa, že nie je zablokované nasávanie vzduchu vo vrchnej časti motora.

- Na čistenie výrobku nepoužívajte vysokotlakový čistič.
- Ak na čistenie výrobku použijete vodu, nelejte vodu priamo na motor.

Čistenie vnútorného povrchu krytu rezacej časti

1. Vyprázdňte palivovú nádrž.
2. Položte výrobok na stranu tak, aby tlmič výfuku smeroval nadol.



VAROVANIE: Ak výrobok položíte tak, že vzduchový filter bude smerovať nadol, môže dôjsť k poškodeniu motora.

3. Pomocou hadice vystriekajte vnútorné povrchy krytu rezacej časti.

Používanie prípojky vodnej hadice

1. Výrobok presuňte do priestoru s pokosenou trávou alebo na iný pevný povrch.
2. Z výrobku vyberte zberný kôš alebo mulčovaciu zarážku.
3. Zatvorte zadný deflektor.
4. Pripojte vodnú hadicu k prípojke na vodu. (Obr. 40)
5. Zastavte prívod vody a skontrolujte tesnosť prípojky vodnej hadice.
6. Ak neobjavíte žiadny únik, naštartujte motor. Nechajte motor bežať, až kým nebude výrobok pod krytom čistý.
7. Zastavte motor.
8. Zastavte prívod vody a odpojte hadicu od prípojky na vodu.

Poznámka: Hadicu odpájajte od prípojky na vodu iba vtedy, keď je motor vypnutý. Voda v motore môže skrátiť životnosť motora.

9. Naštartujte motor a nechajte ho bežať celú minútu, aby sa z výrobku odstránila zvyšná voda.

Výmena motorového oleja



VÝSTRAHA: Bezprostredne po vypnutí motora je motorový olej veľmi horúci. Nechajte motor vychladnúť pred vypnutím oleja. Ak sa motorový olej dostane na pokožku, očistite ho mydlom a vodou.

1. Výrobok používajte, kým nebude palivová nádrž prázdna.
2. Vytiahnite kábel zapalovania zo zapalovacej sviečky.
3. Odstráňte veko palivovej nádrže.
4. Položte pod výrobok nádobu na zachytenie motorového oleja.
5. Naklonením výrobku vylejte motorový olej z nádrže na olej.

6. Nalejte do nádrže nový motorový olej, pričom sa riadte odporúčaniami v kapitole *Technické údaje na strane 303*.
7. Skontrolujte hladinu oleja. Pozrite si časť *Kontrola hladiny oleja na strane 295*.

Kontrola zapalovacej sviečky



VAROVANIE: Vždy používajte odporúčaný typ zapalovacej sviečky. Nesprávny typ zapalovacej sviečky môže spôsobiť poškodenie výrobku.

- Ak má motor slabý výkon, ťažko sa štartuje alebo pri voľnoběžných otáčkach nefunguje správne, skontrolujte zapalovaciu sviečku.
- Ak chcete znížiť riziko prítomnosti neželaného materiálu na elektródach zapalovacej sviečky, postupujte takto:
 - a) Uistite sa, že voľnoběžné otáčky sú správne nastavené.
 - b) Uistite sa, že používate správnu zmes paliva.
 - c) Uistite sa, že je čistý vzduchový filter.
- Ak je zapalovacia sviečka znečistená, očistite ju a skontrolujte, či je medzera medzi elektródami správna. Pozrite si časť *Technické údaje na strane 303*. (Obr. 41)
- V prípade potreby vymeňte zapalovaciu sviečku.

Čistenie vzduchového filtra

1. Odstráňte kryt vzduchového filtra a vzduchový filter.
2. Úderom filtra o rovný povrch z neho odstráňte nečistoty.



VAROVANIE: Na čistenie vzduchového filtra nepoužívajte rozpúšťadlá ani stlačený vzduch.

3. Vložte vzduchový filter späť na svoje miesto. Uistite sa, že filter pevne dosadá proti držiaku vzduchového filtra.
4. Nasadte kryt vzduchového filtra.

Poznámka: Vzduchový filter, ktorý bol používaný dlhší čas, nemožno úplne vyčistiť. Vzduchový filter pravidelne vymieňajte. Poškodený vzduchový filter vždy vymeňte.

Kontrola rezného zariadenia



VÝSTRAHA: Aby ste zabránili náhodnému naštartovaniu, odpojte kábel zapalovania od zapalovacej sviečky.



VÝSTRAHA: Pri vykonávaní údržby rezného zariadenia používajte ochranné rukavice. Čepel je veľmi ostrá a ľahko môže dôjsť k porezaniu.

1. Skontrolujte, či sa na reznom zariadení nenachádzajú známky poškodenia alebo praskliny. Poškodené rezné zariadenie vždy vymeňte.
2. Skontrolujte, či nie je poškodený alebo tupý nôž.

Poznámka: Po nabrúsení je potrebné nôž vyrovnať. Nôž nechajte nabrúsiť, vymeniť a vyrovnať v servisnom stredisku. Ak narazíte na predmet, ktorý spôsobí zastavenie výrobu, vymeňte poškodený nôž. Nechajte, aby servisné stredisko rozhodlo, či je možné nôž nabrúsiť alebo sa musí vymeniť.

Montáž noža

1. Adaptér noža umiestnite na kľukový hriadeľ motora. Skontrolujte, či sa značky na adaptéri a kľukovom hriadeľi zhodujú. (Obr. 42)
2. Novú čepeľ vždy pripájajte so zošíkmenými koncami v smere motora. (Obr. 43)
3. Medzi nôž a kryt výrobku vložte drevený blok. Skrutku noža utiahnite otáčaním v smere hodinových ručičiek.
4. Skrutku utiahajte utáhovacím momentom 47 – 54 Nm. (Obr. 44)
5. Skontrolujte, či je kábel zapaľovacej sviečky odpojený od motora.



VAROVANIE: Aby ste predišli náhodnému naštartovaniu, vždy odpojte

Prehľad montáže prevodovky

(Obr. 2)

1. Zástrčka mulčovania
2. Zadná vložka
3. Remenica prevodovky
4. Podpera napínacej kladky remeňa
5. Kryt prevodovky
6. Adaptér noža
7. Napínacia kladka
8. Predný chránič remeňa
9. Prstencové
10. Čepeľ
11. Tvrdá podložka
12. Poistná podložka
13. Skrutka čepele
14. Kryt remeňa

Odstránenie hnacieho remeňa

1. Výrobok používajte, kým nebude palivová nádrž prázdna.
2. Odmontujte kryt zapaľovacej sviečky od sviečky.

kábel zapaľovacej sviečky a umiestnite ho tak, aby nemohlo dôjsť ku kontaktu so zapaľovacou sviečkou.

6. Rukou potočte nožom a uistite sa, že sa voľne otáča.

Výmena noža

1. Pomocou dreveného bloku zaistíte nôž. (Obr. 45)
2. Odstráňte skrutku noža.
3. Odstráňte čepeľ.
4. Skontrolujte držiak noža a skrutku noža kvôli známkam poškodenia.
5. Skontrolujte hriadeľ motora a uistite sa, že nie je ohnutý.
6. Pri upevňovaní nového noža nasmerujte zošíkmené konce noža v smere krytu rezacej časti. (Obr. 46)
7. Uistite sa, že je nôž zarovnaný so stredom hriadeľa motora.
8. Pomocou dreveného bloku zaistíte nôž. Pripevnite pérovú podložku a utiahnite skrutku momentom 47-54 Nm. (Obr. 47)
9. Rukou potočte nožom a uistite sa, že sa voľne otáča.



VÝSTRAHA: Používajte odolné rukavice. Čepeľ je veľmi ostrá a ľahko môže dôjsť k porezaniu.

10. Zapnite výrobok a otestujte nôž. Ak nôž nie je správne upevnený, výrobok vibruje alebo poskytuje neuspokojivé výsledky kosenia.

3. Položte výrobok na stranu tak, aby tlmič výfuku smeroval nadol.



VAROVANIE: Ak výrobok položíte tak, že vzduchový filter bude smerovať nadol, môže dôjsť k poškodeniu motora.

4. Zložte kryt pohonu. (Obr. 48)
5. Demontujte skrutku noža, poistnú podložku, tvrdú podložku a nôž. (Obr. 49)
6. Odstráňte zástrčku na mulčovanie. (Obr. 50)
7. Odstráňte zadnú vložku.
8. Odstráňte kryt remeňa a krúžok. (Obr. 51)
9. Odpojte kábel od prevodovky a vyberte napínaciu kladku z napínacej zostavy.
10. Odstráňte predný chránič remeňa.
11. Odpojte hnací remeň od remenice prevodovky.
12. Odstráňte tri napínacie kladky z napínacej zostavy. (Obr. 52)

13. Odstráňte hnací remeň z adaptéra noža a napínacej zostavy. (Obr. 53)

9/16" základacieho kľúča a odstráňte remenicu prevodovky.

14. Pripevnite samosvorné kliešte na vstupný hriadeľ prevodovky. Uvoľnite remenicu motora pomocou

15. Odstráňte hnací remeň.

Riešenie problémov

Problém	Možná príčina	Riešenie
Motor neštartuje.	Kábel zapaľovania nie je správne pripojený.	Pripojte kábel zapaľovania k zapaľovacej sviečke.
	Palivová nádrž je prázdna.	Palivovú nádrž naplňte správnym typom paliva.
	V karburátore alebo palivovom potrubí sa nachádzajú nečistoty.	Vyčistite karburátor a/alebo palivové potrubie.
	Zapaľovacia sviečka je chybná.	Nastavte medzeru medzi elektródami, vyčistite alebo vymeňte zapaľovaciu sviečku.
Motor sa nezastavuje.	Mechanizmus zastavenia je poškodený.	Odpojte kábel zapaľovania od zapaľovacej sviečky. Opravu produktu zverte schválenému servisnému zástupcovi.
Motor nebeží plynule.	Kábel zapaľovania nie je správne pripojený.	Pripojte kábel zapaľovania k zapaľovacej sviečke.
	V palivovom potrubí sú nečistoty alebo vypršala životnosť paliva.	Vyčistite palivové potrubie. Palivovú nádrž naplňte novým palivom správneho typu.
	Uzáver palivovej nádrže je zablokovaný.	Vyčistite uzáver palivovej nádrže.
	V palivovom systéme sa nachádza voda alebo nečistoty.	Vyprázdňte palivovú nádrž. Palivovú nádrž naplňte novým palivom správneho typu.
	Vzduchový filter je špinavý.	Vyčistite vzduchový filter.
	Je nutné nastaviť karburátor.	O nastavenie karburátora požiadajte servisného zástupcu.
Motor sa príliš prehrieva.	Hladina motorového oleja je príliš nízka.	Doplňte motorový olej.
	Prietok vzduchu je nedostatočný.	Očistite vzduchový filter a telo vzduchového filtra.
	Je nutné nastaviť karburátor.	O nastavenie karburátora požiadajte servisného zástupcu.
Keď motor pracuje pri vysokých otáčkach, vynecháva sa v ňom zážih.	Medzera medzi elektródami v zapaľovacej sviečke je príliš malá.	Nastavte medzeru medzi elektródami.
Motor nebeží plynule pri voľno-bežných otáčkach.	Zapaľovacia sviečka je špinavá alebo poškodená, prípadne je medzera medzi elektródami príliš široká.	Nastavte medzeru medzi elektródami alebo vymeňte zapaľovaciu sviečku.
	Je nutné nastaviť karburátor.	Nastavte karburátor.
	Vzduchový filter je špinavý.	Vyčistite vzduchový filter.

Problém	Možná příčina	Riešenie
Rukoväť príliš silne vibruje.	Nôž je voľný alebo nie je vyvážený.	Utiahnite skrutky noža. Ak sú nože poškodené, vymeňte ich.
	Nôž je ohnutý.	Ak sú nože poškodené, vymeňte ich.
Tráva sa nereže na mulč.	Tráva je mokrá.	Keď je tráva mokrá, výrobok nepoužívajte. Počkajte, kým nebude tráva suchá.
	Tráva je príliš vysoká.	Najprv koste s nastavenou vysokou výškou rezu. Znížte výšku rezu a potom koste znovu. Koste iba ½ šírky rezu naraz.
	Minimálne jeden nôž nie je dostatočne ostrý.	Naostríte alebo vymeňte nôž.
Tráva je pokosená nepravidelne.	Kolesá sú v nesprávnej polohe.	Nastavte výšku rezu na rovnakú úroveň pre všetky štyri kolesá.
	Minimálne jeden nôž nie je dostatočne ostrý.	Naostríte alebo vymeňte nôž.
Pohonný systém nefunguje správne.	Hnací remeň je nedostatočne utiahnutý alebo sa na remeničiacich alebo hnacom remeni nachádzajú nečistoty.	O údržbu výrobku požiadajte schváleného servisného zástupcu.

Preprava, skladovanie a likvidácia

Preprava a uskladnenie

- Pri uskladňovaní a preprave výrobku a paliva sa uistite, že nedochádza k úniku kvapaliny a výparov. Iskry alebo otvorené plamene, napr. z elektrických zariadení alebo bojlerov, môžu vyvolať požiar.
- Na uskladnenie a prepravu paliva vždy používajte schválené kanistre.
- Pred uskladnením výrobku na dlhšiu dobu vyprázdňte palivovú nádrž. Palivo zlikvidujte v príslušnom zariadení na likvidáciu.
- Počas prepravy výrobok bezpečne upevnite, aby ste zabránili poškodeniu alebo nehodám.
- Výrobok skladujte v uzamknutom priestore mimo dosahu detí a neoprávnených osôb.
- Výrobok skladujte na suchom mieste, ktoré je chránené pred mrazom.

- Keď už výrobok nepoužívate, pošlite ho predajcovi spoločnosti Husqvarna alebo ho zlikvidujte v recyklačnom zariadení.

Likvidácia

- Dodržiavajte miestne požiadavky v oblasti recyklácie a platné predpisy.
- Všetky chemikálie, ako napr. motorový olej alebo palivo, zlikvidujte v servisnom stredisku alebo v príslušnom zariadení na likvidáciu.

Technické údaje

Technické údaje

	LC 353AWD
Motor	
Značka	Honda
Objem, cu.in/cm ³	10,4/170
Rýchlosť, ot./min.	2900 – 3200
Nominálny výkon motora v kW/hp pri ot./min ¹⁰⁶	3,6/4,9 pri 2900 – 3200
Systém zapalovania	
Zapaľovacia sviečka	NGK BPR5ES
Vzdialenosť elektród, palce/mm	0,028/0,7
Systém paliva a mazania	
Palivo, bezolovnaté, minimálne oktánové číslo	90 RON / 87 AKI
Objem palivovej nádrže, americký gal/l	0,27/1,02
Objem olejovej nádrže, americký gal/l	0,14/0,53
Motorový olej ¹⁰⁷	SAE 30 / SAE 10W-30
Hmotnosť	
S prázdnyimi nádržami, lb/kg	92/41,7
Emisie hluku ¹⁰⁸	
Nameraná úroveň hlučnosti dB(A)	95
Zaručená úroveň hlučnosti L _{WA} dB(A)	96
Úroveň hlučnosti ¹⁰⁹	
Hladina akustického tlaku pri uchu obsluhy, dB (A)	85
Úroveň vibrácií ¹¹⁰	
Rukoväť, m/s ² so zberným košom/bez zberného koša	7/7
Rezné zariadenie	

¹⁰⁶ Vyznačený výkon motora je priemerný čistý výkon (pri uvedených ot./min) typického sériového motora pre model motora meraný podľa normy SAE J1349/ISO 1585. Sériovo vyrábané motory sa môžu od tejto hodnoty odlišovať. Skutočný výkon motora nainštalovaného na koncovom produkte závisí od prevádzkovej rýchlosti, podmienok okolitého prostredia a iných hodnôt.

¹⁰⁷ Používajte motorový olej kvality SJ alebo vyššej. Pozrite si tabuľku s viskozitou v príručke od výrobcu motora a vyberte najvhodnejšiu viskozitu na základe očakávanej vonkajšej teploty.

¹⁰⁸ Hladina hluku meraná ako akustický tlak (L_{WA}) v súlade s európskou smernicou 2000/14/ES.

¹⁰⁹ Hladina akustického tlaku podľa smernice ISO 5395. Uvádzané údaje pre hladinu akustického tlaku majú typický štatistický rozptyl (štandardnú odchýlku) 1,2 dB (A).

¹¹⁰ Úroveň vibrácií podľa smernice ISO 5395. Uvádzané údaje pre ekvivalentný stupeň vibrácií majú typický štatistický rozptyl (štandardnú odchýlku) 0,2 m/s².

	LC 353AWD
Výška rezu, palce/mm	1,0 – 4,0 / 25,4 – 101,6
Šírka kosenia, palce/mm	21/530
Nôž	
Objednávacie číslo	586 85 96-02
Objem zberného koša, stopy ³ /l	2,3/65
Chod	
Rýchlosť, mph/km/h	0 – 3 / 0 – 4,8

Obsah vyhlásenia o zhode ES

V mene spoločnosti Husqvarna AB, SE 561 82 Huskvarna, ŠVÉDSKO, vyhlasujeme s plnou zodpovednosťou, že reprezentovaný výrobok:

Dodaná kosačka na trávnu s chodiacou obsluhou vybavená spaľovacím motorom sa zhoduje so vzorkou, ktorá prešla skúškou.

Popis	Kosačka na trávnu s chodiacou obsluhou vybavená spaľovacím motorom
Značka	Husqvarna
Platforma/Typ/Model	Platforma E21THV, reprezentuje modely LC 353AWD.
Séria	Výrobné číslo z roku 2019 a nasledujúcich rokov

plne spĺňa nasledujúce smernice a nariadenia EÚ:

Smernice/Nariadenia	Popis
2006/42/EC	„o strojových zariadeniach“
2014/30/EÚ	„o elektromagnetickej kompatibilite“
2000/14/EÚ; 2005/88/ES	„týkajúca sa hluku vo voľnom priestranstve“
2011/65/EÚ	„o obmedzení používania určitých nebezpečných látok“

Spĺňa nasledujúce použité harmonizované normy a/alebo technické špecifikácie: EN ISO 12100, ISO 5395-1+A1/A2, ISO 5395-2+A1/A2, EN ISO 14982, ISO 3744, ISO 11094, EN 1032

V súlade s ustanovením prílohy VI smernice 2000/14/ES sú deklarované úrovne hluku uvedené v časti o technických údajoch tohto návodu na obsluhu a v podpísanom Vyhlásení o zhode ES.

VSEBINA

Uvod.....	305	Odpravljanje težav.....	313
Varnost.....	306	Transport skladiščenje in odstranitev.....	315
Montaža.....	308	Tehnični podatki.....	316
Delovanje.....	309	Vsebina izjave ES o skladnosti.....	317
Vzdrževanje.....	310		

Uvod

Opis izdelka

Izdelek je potisna vrtna kosilnica z motorjem z notranjim izgorevanjem. Pokošena trava se zbira v zbiralniku za travo. Če želite uporabiti zadenjski izmet trave, odstranite zbiralnik za travo. Če želite travo razrezati v gnojilo, namestite mulčer.

Pregled izdelka

(Sl. 1)

1. Ročica zavore motorja
2. Pogonski ročici
3. Ročica zaganjalne vrvice
4. Zbiralnik za travo
5. Pokrovček rezervoarja za gorivo
6. Zračni filter
7. Svečka
8. Pokrov pogona
9. Dušilec
10. Priključek za cev za vodo
11. Zadnji deflektor
12. Merilna palica/rezervoar olja
13. Regulator višine košnje
14. Vložek za mulčenje
15. Navodila za uporabo
16. Izmetna cev

Znaki na izdelku

- (Sl. 3) POZOR: Ta izdelek je lahko nevaren in lahko povzroči hude poškodbe oziroma smrt upravljavca ali drugih. Bodite previdni in uporabljajte izdelek pravilno.
- (Sl. 4) Pred uporabo tega izdelka morate pozorno prebrati navodila za uporabo ter jih razumeti.
- (Sl. 5) Hitro
- (Sl. 6) Počasi
- (Sl. 7) Roke in noge držite stran od vrtljivega dela.
- (Sl. 8) Poskrbite, da so osebe in živali na varni razdalji od delovnega območja.

Namen uporabe

Izdelek lahko uporabite, da kosite travo na zasebnih vrtovih. Izdelka ne uporabljajte za druga opravila.

- (Sl. 9) Ko izdelek upravljate vzvratno, bodite previdni. Glejte nazaj in navzdol in bodite pozorni na majhne otroke, živali ali druge nevarnosti, zaradi katerih bi lahko padli.
- (Sl. 10) Uporaba izdelka na naklonu je lahko nevarna.
- (Sl. 11) Roke in noge držite stran od vrtljivega rezila.
- (Sl. 12) Pazite na leteče in odbite predmete.
- (Sl. 13) Emisija hrupa v okolje v skladu z direktivo Evropske skupnosti. Podatek za emisijo izdelka je naveden v poglavju *Tehnični podatki na strani 316* in na nalepki.
- (Sl. 14) Izdelek je v skladu z veljavnimi direktivami ES.
- (Sl. 15) Izdelek je skladen z veljavnimi direktivami EAC.
- (Sl. 16) Izdelek je skladen z veljavnimi direktivami RCM. Velja samo za AU/NZ.
- (Sl. 17) Izdelek je skladen z veljavnimi direktivami Ukrajine.
- (Sl. 18) Uporabljajte odobreno zaščito za sluh.

Opomba: Ostali znaki in oznake na izdelku se nanašajo na zahteve za certifikacijo, ki veljajo za druga komercialna območja.

Odgovornost proizvajalca

Kot je navedeno v zakonodaji, ki ureja odgovornost proizvajalca, ne prevzemamo nikakršne odgovornosti za

poškodbe, ki bi jih naši izdelki povzročili v naslednjih primerih:

- Izdelek ni pravilno popravljen.
- Izdelek je popravljen z deli, ki jih ni izdelal ali odobril proizvajalec.

- Na izdelku je nameščena dodatna oprema, ki je ni izdelal ali odobril proizvajalec.
- Izdelek ni bil popravljen v pooblaščenem servisnem centru ali pri pooblaščenem organu.

Varnost

Varnostne definicije

Opozorila, svarila in opombe opozarjajo na posebej pomembne dele priročnika.



OPOZORILO: Se uporabi, če obstaja nevarnost telesne poškodbe ali smrti uporabnika ali opazovalcev ob neupoštevanju navodil v tem priročniku.



POZOR: Se uporabi, če obstaja nevarnost poškodbe izdelka, drugih materialov ali okolice ob neupoštevanju navodil v tem priročniku.

Opomba: Se uporabi za podajanje podrobnejših informacij, potrebnih v dani situaciji.

Splošna varnostna navodila



OPOZORILO: Pred uporabo izdelka preberite navodila v povezavi z opozorili v nadaljevanju.

- Ta izdelek je lahko nevaren, če ga ne uporabljate pravilno ali če niste previdni. Če ne upoštevate varnostnih navodil, lahko nastopijo poškodbe ali celo smrt.
- Izdelek med delovanjem ustvarja elektromagnetno polje. To polje lahko v nekaterih pogojih moti delovanje aktivnih ali pasivnih medicinskih vsadkov. Uporabnikom medicinskih vsadkov svetujemo, da se pred uporabo tega izdelka posvetujejo z zdravnikom ali proizvajalcem medicinskega vsadka, s čimer zmanjšajo nevarnost resnih ali smrtnih poškodb.
- Vedno bodite previdni in ravnajte razumno. Če niste prepričani, kako upravljati ta izdelek v določeni situaciji, prenehajte z delom in se pogovorite s prodajalcem Husqvarna.
- Ne pozabite, da je uporabnik odgovoren za nesreče, ki jih povzroči drugim ljudem ali njihovi lastnini.
- Stroj redno čistite. Pozorno preberite znake in nalepke.
- Ne dovolite osebi, ki ni prebrala in ne razume vsebine navodil za uporabo, da upravlja ta izdelek.
- Izdelka ne smejo uporabljati otroci.
- Otroci naj ostanejo zunaj delovnega območja. Vedno mora biti prisotna odgovorna odrasla oseba.

Varnost delovnega področja



OPOZORILO: Pred uporabo izdelka preberite navodila v povezavi z opozorili v nadaljevanju.

- Z delovnega območja pred začetkom dela odstranite predmete, kot so veje, vejice in kamni.
- Predmeti, ki pridejo v kontakt z rezalno opremo, lahko odletijo in poškodujejo osebe in ostale predmete. Opazovalci in živali naj bodo na varni razdalji od izdelka.
- Izdelka nikoli ne uporabljajte v slabem vremenu, kot je megla, dež, močan veter, izreden mraz ter nevarnost strele. Če izdelek uporabljate v slabem vremenu ali v vlažnih ali mokrih okoljih, vas bo to utrudilo. Slabo vreme lahko povzroči nevarne pogoje, kot je spolzka podlaga.
- Bodite pozorni na osebe, predmete in situacije, ki lahko preprečijo varno obratovanje izdelka.
- Bodite pozorni na ovire, kot so korenine, kamni, veje, jame in jarki. Visoka trava lahko prekriva ovire.
- Košnja trave na pobočju je lahko nevarna. Izdelka ne uporabljajte na pobočjih z naklonom, večjim od 15°.
- Izdelek uporabljajte prečno na pobočje. Ne premikajte se navzgor in navzdol.
- Bodite previdni, kadar se približujete kotom in predmetom, ki omejujejo pogled.

Varnost pri delu



OPOZORILO: Pred uporabo izdelka preberite navodila v povezavi z opozorili v nadaljevanju.

- Ta izdelek uporabljajte izključno za košnjo trave. Ne uporabljajte ga za druga opravila.

- Uporabljajte osebno zaščitno opremo. Glejte *Osebna zaščitna oprema na strani 307*.
- V zasilnem primeru morate znati motor hitro izklopiti.
- Motorja nikoli ne vklopite v zaprtem prostoru ali v bližini vnetljivega materiala. Izpušni plini iz motorja so vroči in lahko vsebujejo iskre, ki lahko povzročijo požar.

- Izdelka ne uporabljajte, če rezilo in vsi pokrovi niso nameščeni pravilno. Nepravilno nameščeno rezilo lahko odleti in povzroči poškodbe.
- Pazite, da rezilo ne udarja ob predmete, npr. kamenje in korenine. To lahko poškoduje rezilo in ukrivi motorno gred. Zvita os povzroča vibracije in zelo visoko tveganje, da rezilo odleti.
- Če rezilo trči ob predmet ali začutite vibracije, izdelek nemudoma izklopite. S svečke odstranite vžigalni kabel. Poškodbe popravite ali pa popravilo prepustite pooblaščenemu serviserju.
- Ročico zavore motorja nikoli ne pritrđite trajno na ročaj, ko je motor obratuje.
- Izdelek vklopite na stabilni in ravni podlagi. Prepričajte se, da rezilo ne trči ob tla ali druge predmete.
- Vedno bodite za izdelkom, ko ga upravljate.
- Ko upravljate izdelek, morajo biti vsa kolesa na tleh, prav tako pa imejte na ročaj oboje roki. Roke in noge držite stran od vrtljivih rezil.
- Pri delujočem motorju izdelka nikoli ne nagibajte.
- Ko izdelek potegnete nazaj, bodite previdni.
- Izdelka ne dvigajte, ko motor deluje. Če morate izdelek dvigniti, motor izklopite in s svečke odstranite vžigalni kabel.
- Med uporabo izdelka ne hodite vzvratno.
- Izklopite motor, ko se premikate prek področij brez trave, npr. poti iz gramoz, kamna in asfalta.
- Pri delujočem motorju ne tecite z izdelkom. Pri uporabi tega izdelka vedno hodite.
- Preden spreminjate višino reza, ustavite motor. Ne izvajajte prilagoditev, ko motor deluje.
- Ko je motor vklopljen, imejte izdelek vedno v pogledu. Motor izklopite in se prepričajte, da se rezalna oprema ne vrti.

Varnostna navodila za uporabo

Osebna zaščitna oprema



OPOZORILO: Pred uporabo izdelka preberite navodila v povezavi z opozorili v nadaljevanju.

- Osebna zaščitna oprema ne more popolnoma preprečiti poškodb, vendar v primeru nesreče omili posledice. Prodajalec naj vam pomaga izbrati ustrezno opremo.
- Če je moč hrupa višja od 85 dB, uporabljajte zaščitno opremo za sluh.

- Uporabite trpežno obutev, ki ne drsi. Ne bodite bos ali nosite odprtih čevljev.
- Oblečene imejte trpežne, dolge hlače.
- Po potrebi uporabite zaščitne rokavice, npr. kadar pritrđujete, pregledujete ali čistite rezalno opremo.

Varnostne naprave na izdelku



OPOZORILO: Pred uporabo izdelka preberite navodila v povezavi z opozorili v nadaljevanju.

- Ne uporabljajte izdelka s poškodovanimi varnostnimi napravami.
- Redno preverjajte varnostne naprave. Če so varnostne naprave poškodovane, se obrnite na pooblaščen servisno delavnico Husqvarna.

Preverjanje pokrova rezila

Pokrov rezila zmanjšuje moč vibracij v izdelku in zmanjšuje nevarnost poškodb, katerih vzrok bi lahko bilo rezilo.

- Preglejte pokrov rezila in se prepričajte, da nima poškodb, kot so razpoke.

Preverjanje ročice zavore motorja

Ročica zavore motorja izklopi motor. Ko je ročica zavore motorja sproščena, se motor ustavi.

- Zaženite motor in nato sprostite ročico zavore motorja. Če se motor ne izklopi v 3 sekundah, peljite izdelek k pooblaščenemu serviserju Husqvarna, da nastavi zavoro motorja. (Sl. 19)

Preverjanje zadnjega deflektorja

Zadnji deflektor zmanjša nevarnost, da bi bili predmeti izvrženi v smeri uporabnika.

- Prepričajte se, da zadnji deflektor ni poškodovan. (Sl. 20)
- Prepričajte se, da vzmeti, ki zapirajo zadnji deflektor, niso zlomljene.
- Zlomljene vzmeti in poškodovane dele zamenjajte.
- Prepričajte se, da se zadnji deflektor lahko neovirano premika po tečajih.

Dušilnik

Dušilnik zmanjšuje hrup na najnižjo možno raven in pošilja izpušne pline stran od operaterja.

Ne uporabljajte izdelka, če dušilnik manjka ali je poškodovan. Poškodovan dušilnik zviša raven hrupa in poveča nevarnost požara.



OPOZORILO: Dušilnik se med in po uporabi ter med delovanjem motorja v prostem teku močno segreje. V bližini vnetljivih materialov in/ali hlapov bodite previdni, da preprečite požar.

Preverjanje dušilnika

- Dušilnik redno preverjajte in se tako prepričajte, da je pravilno nameščen in ni poškodovan.

Kako preveriti nivo olja



POZOR: Če je nivo olja prenizek, se lahko poškoduje motor. Preden zaženete izdelek, preverite nivo olja.

1. Izdelek naj bo na ravnih tleh.
2. Odstranite pokrov rezervoarja olja s priloženo merilno palico.
3. Z merilne palice očistite olje.
4. Merilno palico do konca vstavite v rezervoar olja, da dobite pravi nivo olja.
5. Odstranite merilno palico.
6. Na merilni palici preučite nivo olja.
7. Če je nivo olja nizek, dolijte motorno olje in še enkrat preverite nivo olja.

Varnost pri delu z gorivom



OPOZORILO: Pred uporabo izdelka preberite navodila v povezavi z opozorili v nadaljevanju.

- Če so na izdelku ostanki goriva ali motornega olja, izdelka ne zaganjajte. Očistite ostanke goriva/olja in počakajte, da se izdelek posuši.
- Če se z gorivom polijete po obleki, se nemudoma preoblecite.
- Pazite, da goriva ne polijete po telesu, saj lahko pride do poškodb. Če gorivo polijete po telesu, se očistite z milom in vodo.
- Če motor pušča, izdelka ne zaganjajte. Redno preverjajte, ali motor pušča.
- Z gorivom ravnajte previdno. Gorivo je vnetljivo, hlapi pa so eksplozivni, zato lahko pride do poškodb ali smrti.
- Ne vdihavajte hlapov goriva, saj lahko pride do poškodb. Zagotovite zadosten pretok zraka.
- V bližini goriva ali motorja ne kadite.
- Vročih predmetov ne postavljajte v bližino goriva ali motorja.

- Goriva ne dolivajte, ko je motor vklopljen.
- Pred dolivanjem goriva se prepričajte, da je motor ohlajen.
- Pred dolivanjem počasi odprite pokrovček posode za gorivo in previdno sprostite pritisk.
- Goriva ne dolivajte v zaprtih prostorih. Nezdosten pretok zraka lahko povzroči poškodbe ali smrt zaradi zadušitve ali zastrupitve z ogljikovim monoksidom.
- Skrbno privijte pokrovček posode za gorivo. Če pokrovček posode za gorivo ni dobro zatesnjen, obstaja nevarnost požara.
- Preden izdelek vklopite, ga premaknite najmanj 3 m/10 čevljev stran od mesta, kjer ste napolnili posodo za gorivo.
- Rezervoar za gorivo ne napolnite do konca. Gorivo se razširi zaradi vročine. Pustite prazen prostor na vrhu rezervoarja za gorivo.

Varnostna navodila za vzdrževanje



OPOZORILO: Pred uporabo izdelka preberite navodila v povezavi z opozorili v nadaljevanju.

- Izpušni plini vsebujejo ogljikov monoksid iz motorja, ki je brezbarven, strupen in zelo nevaren plin. Motorja ne vklopite v zaprtih prostorih.
- Preden začnete z vzdrževanjem izdelka, ustavite motor in s svečke odstranite vžigalni kabel.
- Pri vzdrževanju rezalne opreme uporabite zaščitne rokavice. Reziro je izjemno ostro, zato lahko hitro pride do ureznin.
- Dodatki in spremembe izdelka, ki niso odobrene s strani proizvajalca, lahko vodijo k resnim poškodbam ali celo v smrt. Ne spreminjajte izdelka. Vedno uporabljajte samo dodatke, ki jih je odobril proizvajalec.
- Če izdelka ne vzdržujete pravilno in redno, se poveča nevarnost poškodb osebam in izdelku.
- Vzdrževanje opravite tako, kot piše v teh navodilih za uporabo. Vsakršno drugačno vzdrževanje mora opraviti osebje pooblaščenih servisnih delavnic Husqvarna.
- Redno dovolite osebju pooblaščenih servisnih delavnic Husqvarna izvajati vzdrževalna dela.
- Zamenjajte poškodovane, obrabljene ali zlomljene dele.

Montaža

Uvod



OPOZORILO: Preden sestavite izdelek morate prebrati in razumeti poglavje o varnosti.



OPOZORILO: Preden sestavite izdelek odklopite kabel vžigalne svečke s svečke.

Montaža ročice

1. Dvignite spodnji ročaj. (Sl. 21)

2. Odprtine na spodnji strani ročaja poravnajte z odprtinami na nosilcih ročaja.

Opomba: Izberite odprtine, ki zagotavljajo najboljše možno delovanje.

3. Zategnite gumb spodnjega ročaja.
4. Dvignite zgornji ročaj in ga poravnajte s spodnjim ročajem.
5. Popolnoma zategnite gumb zgornjega ročaja.

Namestitev ročice zaganjalne vrvice

1. Namestite zanko zaganjalne vrvice in T-vijaka. Ne zategnite do konca. (Sl. 22)
2. Ročico zavore motorja držite ob ročaju.
3. Počasi izvlecite zaganjalno vrstico in jo vstavite v zanko za zaganjalno vrstico. (Sl. 23)
4. Zategnite T-vijak. (Sl. 24)

Nastavitev kosilnice v transportni položaj

1. Odstranite zbiralnik za travo.
2. Sprostite gumb spodnje ročice, da odklenete ročico. (Sl. 25)
3. Ročico potisnite navzdol in nazaj.
4. Odstranite gumb in zatiče na spodnji ročici.
5. Ročaj preklonite naprej.

Namestitev zbiralnika za travo

1. Ogrodje zbiralnika za travo vstavite v vrečo za travo tako, da je trdi del vrečke na dnu. Ročaj na ogrodju držite izven zgornjega dela vrečke. (Sl. 26)
2. Vrečo za travo s hitrimi sponkami pritrдите na ogrodje. (Sl. 27)

Delovanje

Uvod



OPOZORILO: Pred uporabo izdelka morate prebrati in razumeti poglavje o varnosti.

Pred uporabo izdelka

1. Natančno preberite navodila za uporabo in se prepričajte, da ste jih razumeli.
2. Preglejte rezalno opremo in se prepričajte, da je pravilno pritrjena in nastavljena. Glejte *Kako pregledati rezalno opremo na strani 312*.
3. Napolnite rezervoar za gorivo. Glejte *Polnjenje goriva na strani 309*.
4. Napolnite rezervoar olja in preverite nivo olja. Glejte *Kako preveriti nivo olja na strani 308*.

Polnjenje goriva

Če je na voljo, uporabite nizkoemisijsko/alkilatno gorivo. Če nizkoemisijsko/alkilatno gorivo ni na voljo, uporabite neosvinčeno gorivo dobre kakovosti ali osvinčeno gorivo, ki ima najmanj 90 oktanov.



POZOR: Ne uporabljajte bencina, ki ima oktansko število nižje od 90 RON (87 AKI). Izdelek se lahko tako poškoduje.

1. Počasi odprite rezervoar za gorivo, da sprostite pritisk.
2. Napolnite počasi s posodo za gorivo. Če gorivo polijete, ga pobrišite s krpo in pustite, da se preostalo gorivo posuši.
3. Očistite področje okrog pokrova rezervoarja za gorivo.

4. Skrbno privijte pokrovček posode za gorivo. Če pokrovček posode za gorivo ni dobro zatesnjen, obstaja nevarnost požara.
5. Preden izdelek vklopite, ga premaknite najmanj 3 m (10 čevljev) stran od mesta, kjer ste napolnili posodo za gorivo.

Nastavitev višine košnje

Košnjo lahko nastavite na 9 višin.

1. Višino košnje dvignete tako, da ročico za nastavitev višine reza potisnete proti kolesu in nazaj.
2. Višino košnje spustite tako, da ročico za nastavitev višine reza potisnete proti kolesu in naprej. (Sl. 28)



POZOR: Ne nastavite višino rezanja prenizko. Rezila lahko trčijo ob tla, če površina travnika ni ravna.

Zagon izdelka

1. Ostanite za izdelkom.
2. Ročico zavore motorja držite ob ročaju. (Sl. 29)
3. Z desno roko držite ročico zaganjalne vrvice.
4. Zaganjalno ročico počasi izvlecite, da začutite nekoliko upora.
5. Močno povlecite, da zaženete motor.



OPOZORILO: Zaganjalne vrvice ne navijajte okoli zapestja.

O uporabi pogona koles

- Povlecite pogonski ročici proti ročaju. (Sl. 30)

- Preden povlečete izdelek vzvratno, izklopite pogon in potisnite izdelek naprej približno 10cm.
- Sprostite pogonski ročici, da izklopite pogon, denimo, ko ste blizu ovire.

Nastavitev upravljalnega kabla pogona

- Z nastavitvenim vijakom nastavite upravljalni kabel pogona. (Sl. 31)
- Izklopite motor. Pred uporabo pomičnih delov vedno odklopite svečko.
- Nastavitveni vijak obrnite v nasprotni smeri urinega kazalca, da napnete žico, in povečajte hitrost.
- Za razširitev žice in zmanjšanje hitrosti nastavitveni vijak obrnite v smeri urinega kazalca.

Izklop izdelka

- Če želite izklopiti samo pogon, sprostite pogonske ročice.
- Če želite izklopiti motor, sprostite ročico zavore motorja. (Sl. 32)

Uporaba izdelka z zbiralnikom za travo



OPOZORILO: Izdelka ne uporabljajte brez nameščenega zbiralnika za travo ali brez zaprtega zadnjega deflektorja. Predmeti so lahko izvrženi in poškodujejo uporabnika.

1. Privzdignite zadnji deflektor in odstranite vložek za mulčenje. (Sl. 33)
2. Sestavite zbiralnik za travo, glejte *Namestitev zbiralnika za travo na strani 309.*
3. Na nosilec namestite zbiralnik za travo. (Sl. 34)
4. Zadnji deflektor spustite na ogrodje vreče za travo.

Priprava izdelka na način mulčenja

Način mulčenja zagotovi, da so odrezki trave manjši. Odrezki trave nato padejo na trato in se porazdelijo po travi. Zmulčena trava se hitro razgradi in tako hrani trato.

1. Privzdignite zadnji del pokrova in odstranite vrečo za travo, če je nameščena.
2. Vložek za mulčenje vtaknite v zbirni kanal. (Sl. 35)
3. Zaprite hrbtno zaščito in se prepričajte, da se tesno prilega čepu za mulčenje. (Sl. 36)

Priprava izdelka na način vzvratno-stranskega izmeta

1. Privzdignite zadnji deflektor in odstranite vložek za mulčenje. (Sl. 37)
2. Namestite izmetno cev. (Sl. 38)

Praznjenje zbiralnika za travo



POZOR: Pri praznjenju zbiralnika za travo ne vlecite vreče po tleh, da se ne poškoduje.

1. Primate ročaj na ogrodju in privzdignite zbiralnik za travo. (Sl. 39)
2. Odstranite odrezke trave iz zbiralnika za travo skozi odprtino pod ročajem.
3. Primate ročaj na ogrodju in ročaj vreče ter odstranite odrezke trave iz vreče.

Kako doseči dober rezultat

- Vedno uporabljajte ostra rezila. Če uporabljate topo rezilo, bo trava pokošena neenakomerno, ob zarezah pa lahko postane tudi rumena. Ostro rezilo prav tako porabi manj energije kot topo rezilo.
- Ne odrežite več kot tretjino dolžine travnih bilk. Najprej kosite z visoko nastavitvijo višine košnje. Preglejte rezultat in nastavite višino košnje na ustrezno višino. Če je trava zelo visoka, vozite počasi in po potrebi kosite dvakrat.
- Vsakič kosite v različnih smereh, da se na travi ne bi pojavile črte.

Vzdrževanje

Uvod



OPOZORILO: Pred izvajanjem vzdrževalnih del morate prebrati in razumeti poglavje o varnosti.

Za servisiranje in popravila na izdelku posebno usposabljanje ni potrebno. Zagotavljamo, da vam bodo na voljo strokovna popravila in servisiranje. Če vaš prodajalec ni pooblaščen serviser, ga povprašajte, kje je naslednja najbližja pooblaščen servisna delavnica.

Urnik vzdrževanja



POZOR: Ko izdelek nagibate mora biti zračni filter na zgornji strani in ne sme biti bližje tlam. Nevarnost poškodb motorja.

Izračunani intervali vzdrževanja veljajo za vsakodnevno uporabo izdelka. Intervali se spremenijo, če izdelka ne uporabljate vsakodnevno.

Vzdrževalni posegi, označeni z *, veljajo za navodila v *Varnostne naprave na izdelku na strani 307.*

Vzdrževanje	Dnevno	Tedensko	Mesečno
Opravite splošen pregled	X		
Preverite nivo olja	X		
Izdelek očistite	X		
Preglejte rezalno opremo	X		
Preglejte pokrov rezila *	X		
Preglejte ročico zavore motorja * ()	X		
Preglejte ročico zavore rezila * ()	X		
Preglejte dušilnik *		X	
Preglejte svečko		X	
Zamenjajte olje (prvič po 5 urah uporabe, potem po vsakih 50 urah uporabe)			X
Očistite ali zamenjajte zračni filter			X
Preglejte sistem za gorivo			X

Izvajanje splošnih pregledov

- Prepričajte se, da so vse matice in vijaki na izdelku ustrezno priti.

Kako čistiti zunanost izdelka

- S krtačo odstranite listje, travo in umazanijo.
- Prepričajte se, da dovod zraka na vrhu motorja ni oviran.
- Izdelka ne čistite z visokotlačnim čistilnikom.
- Če izdelek operete z vodo, pazite, da voda ne teče neposredno na motor.

Kako očistiti notranjo površino pokrova rezila

1. Izpraznite posodo za gorivo.
2. Izdelek položite na stran tako, da je dušilec na spodnji strani.



POZOR: Če položite izdelek na stran tako, da je na tleh zračni filter, lahko poškodujete motor.

3. Izperite notranjo površino pokrova rezila z vodo.

Uporaba priključka cevi za vodo

1. Izdelek premaknite na območje s pokošeno travo ali na drugo trdo podlago.
2. Z izdelka odstranite zbiralnik za travo ali vložek za mulčenje.
3. Zaprite zadnji deflektor.

4. Na priključek cevi za vodo priključite cev za vodo. (Sl. 40)
5. Zaustavite dovod vode in preverite, ali priključek cevi za vodo pušča.
6. Če ne opazite puščanja, zaženite motor. Motor pustite teči, dokler izdelek ni čist pod ohišjem.
7. Izklopite motor.
8. Zaustavite dovod vode in odstranite cev s priključka cevi za vodo.

Opomba: Med delovanjem motorja ne odstranjujte cevi za vodo s priključka cevi za vodo. Voda v motorju lahko skrajša življenjsko dobo motorja.

9. Zaženite motor in ga pustite delovati eno celo minuto, da iz izdelka izteče preostala voda.

Zamenjava motornega olja



OPOZORILO: Tik po zaustavitvi motorja je motorno olje zelo vroče. Preden iztočite motorno olje, se motor mora ohladiti. Če polijete motorno olje po koži, se umijte z milom in vodo.

1. Izdelek uporabljajte, dokler imate v rezervoarju gorivo.
2. S svečke odstranite vžigalni kabel.
3. Odstranite pokrovček posode za olje.
4. Pod izdelek postavite posodo, kamor se bo izteklo motorno olje.
5. Izdelek nagnite, da iz rezervoarja olja izteče motorno olje.

6. Dolijte novo motorno olje, priporočila najdete v *Tehnični podatki na strani 316*.
7. Preverite nivo olja. Glejte razdelek *Kako preveriti nivo olja na strani 308*.

Pregled svečke



POZOR: Vedno uporabljajte priporočeno vrsto svečke. Zaradi neustrezne vrste vžigalne svečke se izdelek lahko poškoduje.

- Če se moč motorja zmanjša, motorja ni mogoče enostavno zagnati ali ta ne deluje ustrezno v prostem teku, preglejte vžigalno svečko.
- Tveganje za pojav oblog na elektrodah vžigalne svečke lahko zmanjšate tako, da upoštevate ta navodila:
 - a) Hitrost prostega teka mora biti pravilno nastavljena.
 - b) Mešanica goriva mora biti ustrezna.
 - c) Zračni filter mora biti čist.
- Če je vžigalna svečka umazana, jo očistite in zagotovite, da je razmak med elektrodama ustrezen; glejte *Tehnični podatki na strani 316*. (Sl. 41)
- Vžigalno svečko po potrebi zamenjajte.

Čiščenje zračnega filtra

1. Odstranite pokrov zračnega filtra in filter.
2. S filtrom udarite ob ravno površino, da odpadejo delci.



POZOR: Za čiščenje zračnih filtrov ne uporabljajte topil ali stisnjenega zraka.

3. Zračni filter vstavite nazaj. Prepričajte se, da se zračni filter tesno prilaga nosilcu zračnega filtra.
4. Pokrov zračnega filtra nastavite nazaj.

Opomba: Zračni filter, ki ga uporabljate dolgo, ne morete popolnoma očistiti. Zračni filter zamenjajte v rednih intervalih. Če je zračni filter poškodovan, ga zamenjajte.

Kako pregledati rezalno opremo



OPOZORILO: Odstranite vžigalni kabel s svečke, da preprečite naključni vklop motorja.



OPOZORILO: Pri vzdrževanju rezalne opreme uporabite zaščitne rokavice. Rezilo je izjemno ostro, zato lahko hitro pride do ureznin.

1. Preverite, ali je rezalna oprema poškodovana oziroma razpokana. Če je rezalna oprema poškodovana, jo zamenjajte.

2. Preverite, ali je rezilo poškodovano ali topi.

Opomba: Rezilo morate po brušenju postaviti v ravnovesje. Izdelek peljite na servisni center, da rezilo nabrusijo, zamenjajo in uravnovesijo. Če trčite ob oviro in se izdelek ustavi, zamenjajte poškodovano rezilo. Pooblaščen servisna delavnica naj oceni, ali lahko rezilo izostrijo ali pa ga je treba zamenjati.

Montaža rezila

1. Adapter za rezilo namestite na ročni gred motorja. Prepričajte se, da sta ključ v adapterju in odprtina za ključ ročične gredi poravnana. (Sl. 42)
2. Rezilo vedno namestite, tako da sta dela pod kotom usmerjena v smeri motorja. (Sl. 43)
3. Med rezilom in ohišjem izdelka uporabite kos lesa. Privijte vijak rezila in ga obrnite v smeri urinega kazalca.
4. Vijak vedno zategnite z momentom 47–54 Nm. (Sl. 44)
5. Prepričajte se, da je kabel svečke odklopljen z motorja.



POZOR: Da bi preprečili nehoten zagon, vedno odklopite kabel svečke in kabel namestite na mesto, kjer se ne more dotikati svečke.

6. Z roko obrnite rezilo in preverite, ali se prosto vrti.

Zamenjava rezil

1. Rezilo blokirajte z leseno klado. (Sl. 45)
2. Odstranite vijak rezila.
3. Odstranite rezilo.
4. Preglejte, ali sta nosilec in vijak rezila poškodovana.
5. Preglejte, ali je motorna gred zvita.
6. Ko pritrdite novo rezilo, usmerite nagnjene strani rezila v smer pokrova rezila. (Sl. 46)
7. Prepričajte se, da je rezilo poravnano s središčem motorne gredi.
8. Rezilo blokirajte z leseno klado. Pritrdite podložko vzmeti in privijte vijak in podložko z zateznim momentom 47-54 Nm. (Sl. 47)
9. Ročno zavrtite rezilo in se prepričajte, da se prosto obrača.



OPOZORILO: Nosite trpežne rokavice. Rezilo je izjemno ostro, zato lahko hitro pride do ureznin.

10. Izdelek vklopite, da preizkusite rezilo. Če rezilo ni pritrjeno pravilno, bo izdelek vibriral, rezultat košnje pa ne bo zadovoljiv.

Pregled sklopa menjalnika

(Sl. 2)

1. Vložek za mulčenje
2. Zadnji vložek
3. Jermenica menjalnika
4. Nosilec napenjala
5. Zaščitni pokrov menjalnika
6. Adapter za rezilo
7. Napenjalo jermena
8. Sprednje okovje za jermen
9. Obroček
10. Rezilo
11. Trda podložka
12. Zaklepna podložka
13. Vijak rezila
14. Pokrov jermena
4. Odstranite pokrov pogona. (Sl. 48)
5. Odstranite vijak rezila, zaklepno podložko, trdo podložko in rezilo. (Sl. 49)
6. Odstranite vložek za mulčenje. (Sl. 50)
7. Odstranite zadnji vložek.
8. Odstranite pokrov jermena in obroč. (Sl. 51)
9. Odklopite kabel z menjalnika in odstranite napenjalo jermena s sklopa napenjala.
10. Odstranite okovje sprednjega jermena.
11. Pogonski jermen odstranite z jermenice menjalnika.
12. Odstranite 3 vmesna napenjala jermena s sklopa napenjala. (Sl. 52)
13. Odstranite pogonski jermen z adapterja za rezilo in sklopa napenjala. (Sl. 53)

Odstranitev pogonskega jermena

1. Izdelek uporabljajte, dokler imate v rezervoarju gorivo.
2. Pokrov svečke odstranite s svečke.
3. Izdelek položite na stran tako, da je dušilec na spodnji strani.
14. Zaklepne klešče pritrđite na pogonsko gred menjalnika. Popustite jermenico motorja s pomočjo ključa za matice 9/16", da lahko odstranite jermenico menjalnika.
15. Odstranite pogonski jermen.



POZOR: Če položite izdelek na stran tako, da je na tleh zračni filter, lahko poškodujete motor.

Odpravljanje težav

Težava	Možen vzrok	Rešitev
Motorja ni mogoče zagnati.	Vžigalni kabel ni pravilno priključen.	Vžigalni kabel priklopite na svečko.
	Rezervoar za gorivo je prazen.	Rezervoar za gorivo napolnite z ustrezno vrsto goriva.
	V uplinjaču ali vodu za gorivo je umazanija.	Očistite uplinjač in/ali vod za gorivo.
	Svečka je poškodovana.	Nastavite razmak med elektrodama, očistite ali pa zamenjajte svečko.
Motorja ni mogoče zaustaviti.	Mehanizem za zaustavitev je pokvarjen.	S svečke odstranite vžigalni kabel. Popravilo izdelka naj izvede pooblašena servisna delavnica.

Težava	Možen vzrok	Rešitev
Motor ne deluje gladko.	Vžigalni kabel ni pravilno priključen.	Vžigalni kabel priklopite na svečko.
	V vodu za gorivo je umazanija ali pa je izteklo gorivo.	Očistite vod za gorivo. V rezervoar za gorivo nalijte novo gorivo ustreznega tipa.
	V pokrovu rezervoarja za gorivo je prisotna zamašitev.	Očistite pokrovček rezervoarja za gorivo.
	V sistemu goriva je voda ali umazanija.	Izpraznite rezervoar za gorivo. V rezervoar za gorivo nalijte novo gorivo ustreznega tipa.
	Zračni filter je umazan.	Očistite zračni filter.
	Uplinjač je treba nastaviti.	Pustite, da servisni zastopnik nastavi uplinjač.
Motor se pregreva.	Nivo motornega olja je prenizek.	Dolijte motorno olje.
	Pretok zraka ni zadosten.	Očistite zračni filter in ohišje zračnega filtra.
	Uplinjač je treba nastaviti.	Pustite, da servisni zastopnik nastavi uplinjač.
Pri delovanju motorja z visoko hitrostjo je prisotno nepopolno zgorevanje.	Razmak elektrod v svečki je premajhen.	Prilagodite razmak med elektrodama.
Motor pri hitrosti prostega teka ne deluje pravilno.	Vžigalna svečka je umazana, pokvarjena ali pa je razmak elektrod preširok.	Nastavite razmak med elektrodama ali pa zamenjajte svečko.
	Uplinjač je treba nastaviti.	Nastavite uplinjač.
	Zračni filter je umazan.	Očistite zračni filter.
V ročici je preveč treslajev.	Rezilo je ohlapno ali neuravnoveženo.	Zategnite vijake rezila. Če so rezila poškodovana, jih zamenjajte.
	Rezilo je upognjeno.	Če so rezila poškodovana, jih zamenjajte.
Trava ni razrezana v zastirko.	Trava je mokra.	Ne uporabljajte izdelka, če je trava mokra. Počakajte, da se trava posuši.
	Trava je previsoka.	Najprej kosite z visoko nastavitvijo višine košnje. Znižajte višino reza in ponovno režite. Naenkrat odrežite samo ½ širine reza.
	Eno ali več rezil ni dovolj ostrih.	Naostrite ali zamenjajte rezila.
Trava je rezana neenakomerno.	Kolesa niso v pravilnem položaju.	Višino reza nastavite na isto višino za vsa 4 kolesa.
	Eno ali več rezil ni dovolj ostrih.	Naostrite ali zamenjajte rezila.
Pogonski sistem ne deluje pravilno	Pogonski jermen ni dovolj napet ali pa je na jermenih ali pogonskem jermenu umazanija.	Vzdrževanje pogonskega sistema naj izvede pooblaščen servisna delavnica.

Prevoz in skladiščenje

- Preden prevažate in skladiščite izdelek in gorivo, se prepričajte, da izdelek ne pušča in da ni hlapov. Iskre ali odprti plamen, npr. z električnih naprav ali kotlov, lahko zanetijo ogenj.
- Za prevoz in skladiščenje goriva vedno uporabite odobrene posode.
- Preden izdelek skladiščite za daljše obdobje, izpraznite rezervoar za gorivo. Gorivo zavržite na temu primernem zbirnem mestu.
- Izdelek varno pritrdite na prevozno sredstvo, da se izognete poškodbam in nesrečam.
- Izdelek skladiščite v zaklenjenem prostoru, tako da otroci ali osebe, ki niso primerne za rokovanje z izdelkom, do izdelka ne morajo dostopati.
- Izdelek skladiščite na suhem mestu, kjer ne zmrzuje.

Odstranitev

- Upoštevajte lokalne zahteve za recikliranje in ustrezne predpise.
- Vse kemikalije, kot so motorno olje ali gorivo, zavržite na servisnem centru ali na kakšni drugi temu primerni lokaciji.
- Ko izdelka ne uporabljate več, ga pošljite k prodajalcu Husqvarna ali pa ga zavržite na mestu za recikliranje.

Tehnični podatki

Tehnični podatki

	LC 353AWD
Motor	
Znamka	Honda
Prostornina v cu.in/cm ³	10,4/170
Hitrost v vrt./min	2900–3200
Nazivna moč motorja v kW/uro pri vrt./min ¹¹¹	3,6/4,9 pri 2900–3200
Vžigalni sistem	
Svečka	NGK BPR5ES
Razmik elektrod, palci/mm	0,028/0,7
Sistem za gorivo in mazanje	
Gorivo, neosvinčeno, najnižje število oktanov	90 RON/87 AKI
Kapaciteta rezervoarja goriva, ameriški galoni/litri	0,27/1,02
Kapaciteta rezervoarja olja, ameriški galoni/litri	0,14/0,53
Motorno olje ¹¹²	SAE 30/SAE 10W-30
Teža	
S praznimi rezervoarji v funtih/kg	92/41,7
Emisije hrupa ¹¹³	
Raven zvočne moči, izmerjena v dB (A)	95
Raven zvočne moči, zajamčena L _{WA} v dB(A)	96
Nivoji hrupa ¹¹⁴	
Nivo zvočnega tlaka pri ušesu operaterja, dB(A)	85
Ravni vibracij ¹¹⁵	
Ročaj, m/s ² z zbiralnikom za travo/brez zbiralnika za travo	7/7
Rezalna oprema	

¹¹¹ Navedena nazivna moč motorja je povprečna neto izhodna moč (pri navedenem št. vrt./min) motorja običajne proizvodnje za model motorja, umerjen po standardu SAE J1349/ISO1585. Motorji masovne proizvodnje imajo lahko drugačno vrednost. Dejanska moč motorja, nameščenega na končnem izdelku, je odvisna od delovne hitrosti, okoljskih pogojev in drugih vrednosti.

¹¹² Uporabljajte samo motorna olja razreda SJ ali višjih razredov. Glejte tabelo razredov viskoznosti v proizvajalčevih navodilih za uporabo motorja in izberite najprimernejšo viskoznost olja glede na pričakovano zunanjo temperaturo.

¹¹³ Emisije hrupa v okolje, merjene kot moč zvoka (L_{WA}), v skladu z direktivo ES 2000/14/ES.

¹¹⁴ Nivo zvočnega tlaka v skladu s standardom ISO 5395. Zabeleženi podatki za nivo zvočnega tlaka imajo tipično statistično razpršitev (standardni odklon) 1,2 dB(A).

¹¹⁵ Raven vibracij v skladu s standardom ISO 5395. Zabeleženi podatki za raven vibracij imajo tipično statistično razpršitev (standardni odklon) v višini 0,2 m/s².

	LC 353AWD
Višina reza v palcih/mm	1,0–4,0/25,4–101,6
Rezalna širina v palcih/mm	21/530
Rezilo	
Številka izdelka	586 85 96-02
Zmogljivost zbiralnika za travo, čevlji ³ /l	2,3/65
Pogon	
Hitrost v mph/km/h	0–3/0–4,8

Vsebina izjave ES o skladnosti

Pri Husqvarna AB, SE 561 82 Huskvarna, ŠVEDSKA, na lastno odgovornost izjavljamo, da je predstavljeni izdelek:

Opis	Kosilnica z motorjem z notranjim zgorevanjem
Znamka	Husqvarna
Platforma/vrsta/model	Platforma E21THV, natančneje modeli LC 353AWD.
Serijska	Serijske številke od letnika 2019 dalje.

v celoti skladen z naslednjimi direktivami in uredbami EU:

Direktiva/uredba	Opis
2006/42/ES	»o strojih«
2014/30/EU	»o elektromagnetni združljivosti«
2000/14/EU; 2005/88/ES	»o zunanjem hrupu«
2011/65/EU	»o omejevanju uporabe nekaterih nevarnih snovi«

Usklajeni standardi in/ali tehnične specifikacije v veljavi: EN ISO 12100, ISO 5395-1+A1/A2, ISO 5395-2+A1/A2, EN ISO 14982, ISO 3744, ISO 11094, EN 1032

V skladu z direktivo 2000/14/ES, priloga VI, so določene ravni zvoka navedene v poglavju s tehničnimi podatki v teh navodilih za uporabo in v podpisani izjavi ES o skladnosti.

Dobavljena kosilnica z motorjem z notranjim zgorevanjem je popolnoma identična izdelku, na katerem je bil opravljen pregled.

Sadržaj

Uvod.....	318	Rešavanje problema.....	327
Bezbednost.....	319	Transport, skladištenje i odlaganje.....	328
Sklapanje.....	322	Tehnički podaci.....	329
Rukovanje.....	322	Sadržaj EZ deklaracije o usaglašenosti.....	330
Održavanje.....	324		

Uvod

Opis proizvoda

Proizvod je kosilica za travu kojom upravlja rukovalac koji se kreće. Trava se sakuplja u hvatač trave. Uklonite hvatač trave kako biste omogućili pražnjenje trave na zadnjoj strani. Postavite komplet za usitnjavanje za košenje trave u đubrivo.

Pregled proizvoda

(Sl. 1)

1. Ručica kočnice motora
2. Poluge pogona
3. Ručica užeta startera
4. Hvatač trave
5. Poklopac rezervoara za gorivo
6. Filter za vazduh
7. Svećica
8. Poklopac pogona
9. Auspuh
10. Priključak za crevo za vodu
11. Zadnji usmerivač
12. Šipka za merenje/rezervoar za ulje
13. Komanda visine košenja
14. Merica za usitnjenu travu
15. Korisničko uputstvo
16. Kanal za pražnjenje

Simboli na proizvodu

- (Sl. 3) UPOZORENJE: Ovaj proizvod može biti opasan i prouzrokovati teške povrede ili smrt rukovaoca ili drugih osoba. Budite pažljivi i koristite proizvod na pravilan način.
- (Sl. 4) Pre korišćenja proizvoda pažljivo pročitajte korisničko uputstvo i budite sigurni da ste ga razumeli.
- (Sl. 5) Brzo
- (Sl. 6) Sporo
- (Sl. 7) Ne približavajte šake i stopala rotirajućem delu.

Oblast primene

Koristite proizvod za košenje trave u privatnim vrtovima. Nemojte koristiti proizvod za druge zadatke.

- (Sl. 8) Pazite da ljudi i životinje budu na bezbednoj udaljenosti od radnog područja.
- (Sl. 9) Budite pažljivi kada rukujete proizvodom unazad. Pogledajte iza sebe i dole da li ima male dece, životinja ili postoje druge opasnosti koje bi mogle izazvati da padnete.
- (Sl. 10) Rukovanje proizvodom na nagibu može biti opasno.
- (Sl. 11) Udaljite šake i stopala od rotirajućeg sečiva.
- (Sl. 12) Pazite na odbačene predmete i odskakivanja.
- (Sl. 13) Emisije buke u životnoj sredini prema direktivi Evropske zajednice. Emisije proizvoda su navedene u poglavlju *Tehnički podaci na stranici 329* i na nalepnici.
- (Sl. 14) Ovaj proizvod je u saglasnosti sa važećim direktivama EZ.
- (Sl. 15) Proizvod je usaglašen sa važećim direktivama EAC.
- (Sl. 16) Proizvod je usaglašen sa važećim RCM direktivama. Primenljivo samo za Australiju/ Novi Zeland.
- (Sl. 17) Proizvod je usaglašen sa važećim direktivama Ukrajine.
- (Sl. 18) Koristite odobrenu zaštitu za uši.

Napomena: Drugi simboli/oznake na proizvodu odnose se na zahteve za sertifikaciju za ostale komercijalne oblasti.

Odgovornost za proizvod

Kako je izloženo u zakonima o odgovornosti za proizvod, mi nismo odgovorni za oštećenja prouzrokovana našim proizvodom u sledećim slučajevima:

- proizvod je popravljen na pogrešan način

- proizvod je popravljen korišćenjem delova koji nisu napravljeni ili odobreni od strane proizvođača
- proizvod ima opremu koja ne potiče ili nije odobrena od strane proizvođača
- proizvod nije popravljen u ovlašćenom servisnom centru ili od strane ovlašćenog stručnjaka

Bezbednost

Bezbednosne definicije

Upozorenja, mere opreza i napomene se koriste da ukažu na naročito važne delove korisničkog uputstva.



UPOZORENJE: Koristi se ako, usled nepoštovanja uputstava, postoji rizik od nastanka telesnih povreda ili smrti kod rukovaoca ili prisutnih osoba.



OPREZ: Koristi se ako, usled nepoštovanja uputstava, postoji rizik od nastanka oštećenja na proizvodu, drugim materijalima ili susednim oblastima.

Napomena: Koristi se za pružanje više informacija koja su neophodne u datoj situaciji.

Opšta bezbednosna uputstva



UPOZORENJE: Pročitajte upozoravajuća uputstva koja slede pre korišćenja proizvoda.

- Proizvod je opasan ako se koristi na nepravilan način ili ako niste oprezni. Može doći do telesne povrede ili smrti ako se ne pridržavate bezbednosnih uputstava.
- Ovaj proizvod pri radu stvara elektromagnetno polje. Ovo polje u određenim uslovima može da izazove smetnje na aktivnim i pasivnim medicinskim implantima. U cilju smanjenja rizika od uslova nastanka teških ili smrtnih telesnih povreda, preporučujemo osobama koje imaju medicinske implante da se pre upotrebe ovog proizvoda konsultuju sa lekarom ili proizvođačem implanta.
- Uvek budite pažljivi i koristite zdrav razum. Ako niste sigurni kako da rukujete proizvodom u određenoj situaciji, prekinite rad i obratite se Husqvarna prodavcu pre nastavka rada.
- Imajte na umu da će se rukovalac smatrati odgovornim za nesrećne slučajeve koji uključuju druge osobe ili njihovu imovinu.
- Održavajte proizvod čistim. Pobrinite se da jasno možete pročitati znakove i nalepnice.
- Nemojte dozvoliti da druga osoba koristi proizvod osim ako se niste uverili da je pročitala i razumela sadržaj korisničkog uputstva.

- Nemojte dozvoliti da dete rukuje proizvodom.
- Vodite računa o tome da deca ne budu u radnom području. Odgovorna odrasla osoba mora biti prisutna sve vreme.
- Nemojte dozvoliti da osoba, bez znanja u pogledu uputstava, rukuje proizvodom.
- Uvek nadzirite osobu sa smanjenim fizičkim ili mentalnim sposobnostima koja koristi proizvod. Odgovorna odrasla osoba mora biti prisutna sve vreme.
- Nemojte da koristite proizvod kada ste umorni, bolesni ili pod uticajem alkohola, droge ili lekova. To ima negativan uticaj na vašu moć vida, opreznost, koordinaciju i rasuđivanje.
- Nemojte da koristite proizvod ako je pokvaren.
- Nemojte vršiti izmene na proizvodu i nemojte koristiti proizvod ako postoji mogućnost da su druge osobe vršile izmene na njemu.

Bezbednost u oblasti rada



UPOZORENJE: Pročitajte upozoravajuća uputstva koja slede pre korišćenja proizvoda.

- Uklonite predmete kao što su grane, grančice i kamenje iz radnog područja pre nego što počnete da koristite proizvod.
- Predmeti koji udare o opremu za košenje mogu da budu izbačeni i izazovu povredu osoba ili oštećenje predmeta. Pazite da prisutne osobe i životinje budu na bezbednoj udaljenosti od proizvoda.
- Nikada nemojte koristiti proizvod u lošim vremenskim uslovima kao što su magla, kiša, jak vetar, intenzivna hladnoća i kada postoji opasnost od pojave munja. Korišćenje proizvoda u lošim vremenskim uslovima ili na vlažnim lokacijama je zamorno. Loši vremenski uslovi mogu da izazovu opasne okolnosti, kao što su klizave površine.
- Vodite računa o osobama, predmetima i situacijama koji bi mogli da spreče bezbedan rad proizvoda.
- Pazite na prepreke, kao što su korenje, kamenje, grančice, jame i jarci. Visoka trava može da sakrije prepreke.
- Košenje trave na nagibima može biti opasno. Nemojte koristiti proizvod na terenu koji ima nagib veći od 15°.
- Rukujte proizvodom preko prednjih strana nagiba. Nemojte ga pomerati gore i dole.

- Budite pažljivi kada se približavate skrivenim uglovima i predmetima koji bi mogli da blokiraju vaš vidik.

- Nikada nemojte dozvoliti da proizvod ostane bez nadzora dok je motor pokrenut. Zaustavite motor i uverite se da se oprema za košenje ne okreće.

Bezbednost na radu



UPOZORENJE: Pročitajte upozoravajuća uputstva koja slede pre korišćenja proizvoda.

- Koristite ovaj proizvod samo za košenje travnjaka. Nije dozvoljeno njegovo korišćenje za druge zadatke.
- Koristite ličnu zaštitnu opremu. Pogledajte *Lična zaštitna oprema na stranici 320*.
- Naučite kako da brzo zaustavite motor u slučaju opasnosti.
- Nemojte da pokrećete motor u zatvorenom prostoru ili blizu zapaljivih materijala. Izduvni gasovi motora su vreli i mogu da sadrže varnice, što može izazvati požar.
- Nemojte raditi sa proizvodom ako sečivo i svi poklopci nisu pravilno postavljeni. Nepravilno postavljeno sečivo se može otkaćiti i prouzrokovati telesnu povredu.
- Pobrinite se da sečivo ne udara o predmete kao što su kamenje ili korenje. To može dovesti do oštećenja noža i savijanja osovine motora. Savijena osovina proizvodi velike vibracije i postoji povećana opasnost da se sečivo olabavi.
- Ako sečivo udari o predmet ili ako se pojave vibracije, odmah zaustavite proizvod. Uklonite kabl za paljenje sa svećice. Pregledajte proizvod u pogledu oštećenja. Otklonite oštećenja ili dozvolite ovlašćenom servisnom agentu da izvrši popravku.
- Nemojte postavljati ručicu kočnice motora trajno na ručku kada je motor pokrenut.
- Postavite proizvod na stabilnu, ravnu površinu i pokrenite ga. Vodite računa da sečivo ne dodiruje tlo ili druge predmete.
- Uvek stojte iza proizvoda kada radite sa njim.
- Vodite računa da svi točkici ostanu na tlu i držite dve ruke na ručki kada rukujete proizvodom. Udaljite šake i stopala od rotirajućih sečiva.
- Nemojte naginjati proizvod kada je motor pokrenut.
- Budite pažljivi kada povlačite proizvod unazad.
- Nikada nemojte podizati proizvod kada je motor pokrenut. Ako morate da podignete proizvod, prvo isključite motor i odvojte kabl za paljenje sa svećice.
- Nemojte hodati unazad kada radite sa proizvodom.
- Zaustavite motor kada se krećete preko područja bez trave, na primer, stazica napravljenih od šljunka, kamena i asfalta.
- Ne trčite sa proizvodom ako mu radi motor. Uvek hodajte kada radite sa proizvodom.
- Zaustavite motor pre nego što promenite visinu košenja. Nikada nemojte da vršite podešavanja dok je motor pokrenut.

Bezbednosna uputstva za rad

Lična zaštitna oprema



UPOZORENJE: Pročitajte upozoravajuća uputstva koja slede pre korišćenja proizvoda.

- Lična zaštitna oprema ne može da u potpunosti spreči telesnu povredu, ali ona umanjuje stepen telesne povrede ako dođe do nesrećnog slučaja. Neka vam vaš prodavac pomogne u izboru odgovarajuće opreme.
- Koristite zaštitu za uši ako je nivo buke iznad 85 dB.
- Nosite čvrste neklizajuće cizme ili cipele. Nemojte nositi obuću sa otvorenim prstima ili ići bosonogi.
- Uvek nosite duge pantalone od čvrstog materijala.
- Nosite zaštitne rukavice po potrebi, na primer, kada pričvršćujete, pregledate ili čistite opremu za košenje.

Bezbednosni uređaji na proizvodu



UPOZORENJE: Pročitajte upozoravajuća uputstva koja slede pre korišćenja proizvoda.

- Nemojte koristiti proizvod na kojem su oštećeni bezbednosni uređaji.
- Redovno proveravajte bezbednosne uređaje. Ako su bezbednosni uređaji neispravni, obratite se svom Husqvarna servisnom agentu.

Provera poklopcu mehanizma za košenje

Poklopac mehanizma za košenje smanjuje vibracije u proizvodu, kao i rizik od povrede nožem.

- Pregledajte poklopac košenja kako biste se uverili da nema oštećenja kao što su naprsline.

Provera ručice kočnice motora

Ručica kočnice motora zaustavlja motor. Kada je ručica kočnice motora otpuštena, motor se zaustavlja.

- Pokrenite motor, a zatim otpustite ručicu kočnice motora. Ako se motor ne zaustavi u roku od 3 sekunde, neka ovlašćeni Husqvarna serviser izvrši podešavanje kočnice motora. (SI. 19)

Provera zadnjeg usmerivača

Zadnji usmerivač smanjuje rizik da predmeti budu izbačeni u smeru rukovaoca.

- Uverite se da zadnji usmerivač nije oštećen. (SI. 20)
- Uverite se da opruge koje zatvaraju zadnji usmerivač nisu polomljene.

- Zamenite polomljene opruge i oštećene delove.
- Uverite se da se zadnji usmerivač može slobodno pomerati na šarkama.

Prigušivač

Prigušivač održava nivo buke na minimumu i šalje izduvne gasove od rukovaoca.

Ne koristite proizvod ako prigušivač nedostaje ili je oštećen. Oštećeni prigušivač povećava nivo buke i rizik od požara.



UPOZORENJE: Prigušivač postaje veoma vruć tokom i nakon korišćenja i kada motor radi pri brzini praznog hoda. Budite pažljivi u blizini zapaljivih materijala i/ili isparenja kako biste sprečili požar.

Da biste proverili prigušivač

- Redovno proveravajte prigušivač kako biste se uverili da je ispravno postavljen i da nije oštećen.

Provera nivoa ulja



OPREZ: Previše nizak nivo ulja može da ošteti motor. Proverite nivo ulja pre pokretanja proizvoda.

1. Stavite proizvod na ravno tlo.
2. Uklonite poklopac rezervoara za ulje sa šipkom za merenje.
3. Obrišite ulje na šipki za merenje.
4. Stavite šipku za merenje do kraja u rezervoar za ulje da biste tačno izmerili nivo ulja.
5. Uklonite šipku za merenje.
6. Očitajte nivo ulja na šipci.
7. Ako je nivo ulja nizak, dospite motorno ulje i ponovo proverite nivo.

Bezbednost oko goriva



UPOZORENJE: Pročitajte upozoravajuća uputstva koja slede pre korišćenja proizvoda.

- Nemojte pokretati proizvod ako na njemu postoje tragovi goriva ili motornog ulja. Uklonite neželjeno gorivo/ulje i sačekajte da se proizvod osuši.
- Ako prospete gorivo na odeću, odmah je presvucite.
- Nemojte dozvoliti da gorivo dospe na vaše telo, ono može izazvati telesnu povredu. Ako vam gorivo dospe na telo, uklonite ga vodom i sapunom.
- Nemojte pokretati proizvod ako postoji curenje iz motora. Redovno proveravajte da li postoji curenje iz motora.

- Budite oprezni pri rukovanju gorivom. Gorivo je zapaljivo a isparenja su eksplozivna i mogu izazvati telesne povrede ili smrt.
- Nemojte udisati isparenja goriva, to može izazvati telesnu povredu. Pobrinite se da ima dovoljno protoka vazduha.
- Nemojte pušiti u blizini goriva ili motora.
- Nemojte stavljati vruće predmete blizu goriva ili motora.
- Nemojte dolivati gorivo kada motor radi.
- Uverite se da je motor hladan pre dopunjavanja goriva.
- Pre dopunjavanja goriva, lagano otvorite poklopac rezervoara za gorivo i pažljivo otpustite pritisak.
- Nemojte dolivati gorivo u motor u zatvorenom prostoru. Nedovoljan protok vazduha može izazvati telesnu povredu ili smrt usled gušenja ili prisustva ugljen-monoksida.
- Do kraja zategnite čep rezervoara za gorivo. Ako čep rezervoara za gorivo nije zategnut, postoji opasnost od požara.
- Izmaknite proizvod bar 3 m / 10 stopa od mesta na kojem ste napunili rezervoar pre pokretanja.
- Ne puniti rezervoar za gorivo do vrha. Toplota izaziva širenje goriva. Ostavite prazan prostor na vrhu rezervoara za gorivo.

Bezbednosna uputstva za održavanje



UPOZORENJE: Pročitajte upozoravajuća uputstva koja slede pre korišćenja proizvoda.

- Izduvni gasovi iz motora sadrže ugljen-monoksid, otrovan i veoma opasan gas bez mirisa. Nemojte pušati motor u rad u zatvorenim prostorima.
- Pre održavanja proizvoda zaustavite motor i uklonite kabl za paljenje sa svećice.
- Nosite zaštitne rukavice kada vršite održavanje na opremi za košenje. Sečivo je veoma oštro i lako dolazi do posekotina.
- Oprema i izmene na proizvodu koji nisu odobreni od strane proizvođača mogu da izazovu teške telesne povrede ili smrt. Nemojte vršiti izmene na proizvodu. Koristite samo delove koje je odobrio proizvođač.
- Ako se održavanje ne vrši na ispravan način i redovno, raste rizik od telesnih povreda i oštećenja proizvoda.
- Vršite samo održavanja opisana u ovom korisničkom uputstvu. Ostalo servisiranje mora da obavlja ovlašćeni Husqvarna serviser.
- Neka ovlašćeni Husqvarna servisni agent redovno vrši servisiranja proizvoda.
- Zamenite oštećene, pohabane ili pokvarene delove.

Sklapanje

Uvod



UPOZORENJE: Pre sklapanja proizvoda, morate pročitati i razumeti poglavlje o bezbednosti.



UPOZORENJE: Uklonite kabl svečice sa svečice pre sklapanja proizvoda.

Sklapanje ručke

1. Podignite donju ručku. (Sl. 21)
2. Poravnajte otvore na dnu donje ručke sa otvorima u nosačima ručke.

Napomena: Izaberite otvore koji pružaju najbolji radni položaj.

3. Pritegnite navrtke donje ručke.
4. Podignite gornju ručku i poravnajte je sa donjom ručkom.
5. Potpuno pritegnite navrtke gornje ručke.

Postavljanje ručice užeta startera

1. Postavite petlju za uže startera i T-navrtku. Nemojte potpuno da pritegnete. (Sl. 22)

2. Stisnite ručicu kočnice motora.
3. Polako izvucite uže startera i postavite ga u petlju za uže startera. (Sl. 23)
4. Pritegnite T-navrtku. (Sl. 24)

Stavljanje proizvoda u položaj za transport

1. Uklonite hvatač trave.
2. Otpustite navrtke donje ručke kako biste otključali ručku. (Sl. 25)
3. Sklopite ručku nadole i unazad.
4. Uklonite navrtke i iglice na donjoj ručki.
5. Sklopite ručku unapred.

Sklapanje hvatača trave

1. Postavite ram hvatača trave na vreću za travu tako da krut deo vreće bude na dnu. Držite ručku rama izvan vrha vreće. (Sl. 26)
2. Postavite vreću za travu na ram pomoću spojnice za brzo povezivanje. (Sl. 27)

Rukovanje

Uvod



UPOZORENJE: Pre rada sa proizvodom, morate pročitati i razumeti poglavlje o bezbednosti.

Pre rada sa proizvodom

1. Pažljivo pročitajte korisničko uputstvo i budite sigurni da razumete njegov sadržaj.
2. Pregledajte opremu za košenje i uverite se da je pravilno postavljena i podešena. Pogledajte *Pregled opreme za košenje na stranici 325*.
3. Napunite rezervoar za gorivo. Pogledajte *Dosipanje goriva na stranici 322*.
4. Napunite rezervoar za ulje i proverite nivo ulja. Pogledajte *Provera nivoa ulja na stranici 321*.

Dosipanje goriva

Ako je dostupan, koristite alkatlatni benzin / benzin koji proizvodi manju količinu štetnih izduvnih gasova. Ako vam nije dostupan alkatlatni benzin / benzin koji proizvodi manju količinu štetnih izduvnih gasova, koristite

bezolovni benzin ili benzin sa olovom čiji oktanski broj nije manji od 90.



OPREZ: Nemojte koristiti benzin sa oktanskim brojem manjim od 90 RON (87 AKI). To može prouzrokovati oštećenje proizvoda.

1. Polako otvorite čep rezervoara za gorivo da biste izjednačili pritisak.
2. Polako napunite iz kanistera za gorivo. Ako prospete gorivo, obrišite ga krpom i sačekajte da se preostalo gorivo osuši.
3. Obrišite deo oko čepa rezervoara za gorivo.
4. Do kraja zategnite čep rezervoara za gorivo. Ako čep rezervoara za gorivo nije zategnut, postoji opasnost od požara.
5. Izmaknite proizvod bar 3 m (10 stopa) od mesta na kojem ste sipali gorivo pre pokretanja.

Podešavanje visine košenja

Visina košenja se može podesiti u 9 nivoa.

1. Gurnite komandu visine košenja u pravcu točka pa unazad da povećate visinu košenja.
2. Gurnite komandu visine košenja u pravcu točka pa unapred da smanjite visinu košenja. (Sl. 28)



OPREZ: Nemojte postavljati visinu košenja suviše nisko. Sečiva mogu da udare o tlo ako površina travnjaka nije ujednačena.

Pokretanje proizvoda

1. Stanite iza proizvoda.
2. Stisnite ručicu kočnice motora. (Sl. 29)
3. Držite ručicu užeta startera desnom rukom.
4. Lagano izvlačite uže startera dok ne osetite otpor.
5. Snažno povucite da biste pokrenuli motor.



UPOZORENJE: Nemojte namotavati užu startera oko ruke.

Korišćenje pogona na točkicama

- Gurnite poluge pogona u smeru ručice. (Sl. 30)
- Pre nego što povučete proizvod unazad, odvojte pogon i gurnite proizvod ka napred približno 10cm.
- Otpustite poluge pogona da biste deaktivirali pogon, na primer, kada se nalazite blizu prepreke.

Podešavanje kabla za upravljanje pogonom

- Pomoću zavrtnja za podešavanje podesite kabl za upravljanje pogonom. (Sl. 31)
- Isključite motor. Uvek iskopčajte svećicu pre rada na pokretnim delovima.
- Okrenite zavrtnj za podešavanje suprotno kretanju kazaljke na satu da biste zategli žicu i povećali brzinu.
- Okrenite zavrtnj za podešavanje u pravcu kazaljke na satu da biste produžili žicu i smanjili brzinu.

Zaustavljanje proizvoda

- Da biste zaustavili samo pogon, pustite poluge pogona.
- Da biste zaustavili motor, pustite ručicu kočnice motora. (Sl. 32)

Korišćenje proizvoda sa hvatačem trave



UPOZORENJE: Nemojte raditi sa proizvodom bez postavljenog hvatača trave ili bez zatvorenog zadnjeg usmerivača. Predmeti mogu da budu izbačeni i prouzrokuju povredu rukovaoca.

1. Podignite zadnji usmerivač i uklonite mericu za usitnjenu travu. (Sl. 33)
2. Sklopite hvatač trave, pogledajte *Sklopanje hvatača trave na stranici 322*.
3. Postavite hvatač trave na držač. (Sl. 34)
4. Otpustite zadnji usmerivač i postavite ga na vrh rama vreće za travu.

Promena proizvoda u režim za usitnjavanje

Režim za usitnjavanje na proizvodu čini delove pokošene trave manjim. Onda oni padaju na travnjak i razbacaju se preko trave. Usitnjena trava brzo se razgrađuje i na taj način obezbeđuje hranljive materije za travnjak.

1. Podignite zadnji štitičnik i uklonite vreću za travu, ako je postavljena.
2. Postavite mericu za usitnjenu travu u kanal kolektora. (Sl. 35)
3. Pustite da se zadnji štitičnik zatvori i uverite se da se čvrsto zatvorio u odnosu na mericu za usitnjenu travu. (Sl. 36)

Promena proizvoda u režim pražnjenja na zadnjoj strani

1. Podignite zadnji usmerivač i uklonite mericu za usitnjenu travu. (Sl. 37)
2. Postavite kanal za pražnjenje. (Sl. 38)

Pražnjenje hvatača trave



OPREZ: Nemojte vući vreću kada praznite hvatač trave jer u suprotnom može doći do habanja.

1. Podignite hvatač trave sa ručkom rama. (Sl. 39)
2. Uklonite delove pokošene trave iz hvatača trave ispod ručice.
3. Ispraznite delove pokošene trave iz vreće sa ručkom rama i ručkom vreće.

Za dobre rezultate

- Uvek koristite oštro sečivo. Tupo sečivo daje neujednačeni rezultat i pokošena površina trave postaje žuta. Oštro sečivo takođe koristi manje energije nego tupo sečivo.
- Nemojte kositi više od 1/3 dužine trave. Prvo kosite sa visokom visinom košenja. Pregledajte rezultat i spustite visinu košenja na prihvatljivi nivo. Ako je trava zaista visoka, vozite polako i kosite dvaput ako bude potrebno.
- Kosite u različitim smerovima svaki put da biste izbegli pruge na travnjaku.

Održavanje

Uvod



UPOZORENJE: Pre održavanja, morate pročitati i razumeti poglavlje o bezbednosti.

Za sva servisiranja i popravke proizvoda, potrebna je specijalna obuka. Garantujemo dostupnost stručnih popravki i servisiranja. Ako vaš prodavac nije servisni agent, obratite mu se za informacije o najbližem servisnom agentu.

Šema održavanja



OPREZ: Uverite se da je filter za vazduh podignut, a ne pritisnut na tlo kad nagnete proizvod. Opasnost od oštećenja motora.

Intervali održavanja su izračunati na osnovu svakodnevnog korišćenja proizvoda. Intervali se menjaju ako se proizvod ne koristi svakodnevno.

Za održavanja obeležena znakom *, pogledajte uputstva u *Bezbednosni uređaji na proizvodu na stranici 320.*

Održavanje	Dnevno	Nedeljno	Mesečno
Izvršite generalni pregled	X		
Proverite nivo ulja	X		
Očistite proizvod	X		
Pregledajte opremu za košenje	X		
Pregledajte poklopac alata za košenje *	X		
Pregledajte ručicu kočnice motora *	X		
Pregledajte komandu kočnice sečiva *	X		
Pregledajte auspuh *		X	
Pregledajte svećicu		X	
Zamenite ulje (prvi put posle 5 sati rada, a zatim na svakih 50 sati rada)			X
Očistite ili zamenite filter za vazduh			X
Pregledajte sistem za gorivo			X

Vršenje opšteg pregleda

- Uverite se da su sve navrtke i zavrtnji na proizvodu ispravno pritegnuti.

Čišćenje proizvoda spolja

- Uklonite lišće, travu i prljavštinu pomoću četke.
- Uverite se da ulaz vazduha na vrhu motora nije blokirani.
- Nemojte da koristite čistač pod visokim pritiskom za čišćenje proizvoda.
- Ako koristite vodu za čišćenje proizvoda, ne polivajte motor.

Čišćenje unutrašnje površine poklopca mehanizma za košenje

1. Ispraznite rezervoar za gorivo.
2. Stavite proizvod na bok tako da je auspuh dole.



OPREZ: Ako se proizvod spusti tako da je filter za vazduh dole, motor može da se ošteti.

3. Isperite unutrašnju stranu poklopca mehanizma za košenje vodom iz creva.

Korišćenje priključka za crevo za vodu

1. Pomerite proizvod u područje pokošene trave ili na drugu tvrdnu površinu.
2. Uklonite hvatač trave ili mericu za usitnjenu travu sa proizvoda.
3. Zatvorite zadnji usmerivač.
4. Povežite crevo za vodu sa priključkom za crevo za vodu. (Sl. 40)
5. Zaustavite dovod vode i pregledajte priključak za crevo za vodu u pogledu curenja.
6. Ako ne primetite curenje, pokrenite motor. Pustite da motor radi dok proizvod ne bude čist ispod kućišta.

7. Zaustavite motor.
8. Zaustavite dovod vode i uklonite crevo sa priključka za crevo za vodu.

Napomena: Nemojte uklanjati crevo za vodu sa priključka za crevo za vodu dok motor radi. Voda u motoru može da smanji radni vek motora.

9. Pokrenite motor i pustite da radi jedan minut kako bi se uklonila preostala voda sa proizvoda.

Zamena motornog ulja



UPOZORENJE: Motorno ulje je vrelo neposredno nakon zaustavljanja motora. Pustite da se motor ohladi pre odlivanja motornog ulja. Ako prospete motorno ulje na kožu, sperite ga sa tela sapunom i vodom.

1. Pustite proizvod da radi dok se rezervoar za gorivo ne isprazni.
2. Uklonite kabl za paljenje sa svećice.
3. Uklonite poklopac rezervoara za ulje.
4. Stavite posudu za skupljanje ulja ispod proizvoda.
5. Nagnite proizvod da biste ispustili motorno ulje iz rezervoara za ulje.
6. Sipajte novo motorno ulje tipa preporučenog u *Tehnički podaci na stranici 329*.
7. Proverite nivo ulja. Pogledajte *Provera nivoa ulja na stranici 321*.

Pregled svećice



OPREZ: Uvek koristite preporučeni tip svećice. Neodgovarajući tip svećice može da ošteti proizvod.

- Pregledajte svećicu ako je snaga motora mala, ako se teško pokreće ili nepravilno radi u praznom hodu.
- Da biste smanjili rizik od nakupljanja neželjenog materijala na elektrodama svećice, poštujujte sledeća uputstva:
 - a) Uverite se da je broj obrtaja na praznom hodu pravilno podešen.
 - b) Uverite se da je mešavina dobro napravljena.
 - c) Uverite se da je filter za vazduh čist.
- Ako je svećica prljava, očistite je i ujedno proverite da li je razmak između elektroda tačan, pogledajte *Tehnički podaci na stranici 329*. (Sl. 41)
- Zamenite svećicu ako je potrebno.

Čišćenje filtera za vazduh

1. Skinite poklopac filtera za vazduh i uklonite filter.
2. Kucnite filterom u ravnu površinu da bi čestice otpale.



OPREZ: Ne koristite rastvarač ni komprimovani vazduh da očistite filter.

3. Vratite filter za vazduh. Uverite se da filter za vazduh do kraja naleže na držač filtera za vazduh.
4. Vratite poklopac filtera za vazduh.

Napomena: Dugo korišćen filter za vazduh ne može da se potpuno očisti. Redovno menjajte filter za vazduh. Uvek zamenite oštećeni filter za vazduh.

Pregled opreme za košenje



UPOZORENJE: Da biste sprečili neželjeno pokretanje, uklonite kabl za paljenje sa svećice.



UPOZORENJE: Nosite zaštitne rukavice kada vršite održavanje na opremi za košenje. Sečivo je veoma oštro i lako dolazi do posekotine.

1. Pregledajte opremu za košenje u pogledu oštećenja ili naprsina. Uvek zamenite oštećenu opremu za košenje.
2. Pregledajte sečivo da biste videli je li oštećeno ili tupo.

Napomena: Nakon oštrenja sečiva potrebno ga je balansirati. Neka servisni centar naoštri, zameni i balansira sečivo. Ako udarite o prepreku nakon čega se proizvod zaustavi, zamenite oštećeno sečivo. Neka servisni centar odredi da li sečivo može da se naoštri ili mora da se zameni.

Skapanje sečiva

1. Postavite adapter sečiva na kolenasto vratilo motora. Uverite se da su klin u adapteru i žleb klina kolenastog vratila poravnati. (Sl. 42)
2. Uvek postavite sečivo sa ugaonim krajevima usmerenim prema motoru. (Sl. 43)
3. Koristite komad drveta između sečiva i kućišta proizvoda. Pritegnite zavrtnaj sečiva i okrenite ga u pravcu kazaljke na satu.
4. Uvek pritegnite zavrtnaj na momenat pritezanja od 35–40 ft lbs (47–54 Nm). (Sl. 44)
5. Uverite se da je kabl svećice iskopčan sa motora.



OPREZ: Da biste sprečili slučajno pokretanje, uvek iskopčajte kabl svećice i postavite žicu tamo gde ne može dodirnuti svećicu.

6. Povucite sečivo rukom da biste proverili da li se slobodno okreće.

Zamena noža

1. Blokirate sečivo pomoću komada drveta. (Sl. 45)
2. Uklonite vijak sečiva.
3. Uklonite sečivo.
4. Pregledajte nosač sečiva i vijak sečiva kako biste videli postoje li oštećenja.
5. Pregledajte osovinu motora kako biste se uverili da nije savijena.
6. Kada postavite novo sečivo, usmerite savijene krajeve sečiva u smeru poklopca košenja. (Sl. 46)
7. Pobrinite se da je nož poravnat sa sredinom osovine motora.

Pregled sklapanja sistema prenosa

(Sl. 2)

1. Merica za usitnjenu travu
2. Zadnji umetak
3. Remenica sistema prenosa
4. Nosač zupčanika praznog hoda
5. Poklopac sistema prenosa
6. Adapter sečiva
7. Remenica zupčanika praznog hoda
8. Prednji štitičnik remena
9. Prsten
10. Sečivo
11. Kaljena podloška
12. Blokirajuća podloška
13. Zavrtanj sečiva
14. Poklopac remena

Uklanjanje pogonskog remena

1. Pustite proizvod da radi dok se rezervoar za gorivo ne isprazni.
2. Skinite kapicu sa svećice.
3. Stavite proizvod na bok tako da je auspuh dole.



OPREZ: Ako se proizvod spusti tako da je filter za vazduh dole, motor može da se ošteti.

8. Blokirate sečivo pomoću komada drveta. Postavite opružnu podlošku i zategnite vijak i podlošku na moment pritezanja od 47-54 Nm. (Sl. 47)
9. Povucite sečivo rukom da biste proverili da li se slobodno okreće.



UPOZORENJE: Nosite čvrste rukavice. Sečivo je veoma oštro i lako dolazi do posekotina.

10. Pokrenite proizvod kako biste testirali sečivo. Ako sečivo nije ispravno postavljeno, pojaviće se vibriranje proizvoda ili rezultat košenja neće biti zadovoljavajući.
4. Uklonite poklopac pogona. (Sl. 48)
5. Uklonite zavrtanj sečiva, blokirajuću podlošku, kaljenu podlošku i sečivo. (Sl. 49)
6. Uklonite mericu za usitnjenu travu. (Sl. 50)
7. Uklonite zadnji umetak.
8. Uklonite poklopac remena i prsten. (Sl. 51)
9. Iskopčajte kabl sa sistema prenosa i uklonite remenicu zupčanika praznog hoda sa sklopa zupčanika praznog hoda.
10. Uklonite prednji štitičnik remena.
11. Uklonite pogonski remen sa remenice sistema prenosa.
12. Uklonite 3 remenice zupčanika praznog hoda sa sklopa zupčanika praznog hoda. (Sl. 52)
13. Uklonite pogonski remen sa adaptera sečiva i sklopa zupčanika praznog hoda. (Sl. 53)
14. Postavite klešta na ulazno vratilo sistema prenosa. Otpustite remenicu motora pomoću cevastog ključa od 9/16" da biste uklonili remenicu sistema prenosa.
15. Skinite pogonski remen.

Rešavanje problema

Problem	Mogući uzrok	Rešenje
Motor ne može da se pokrene.	Kabl za paljenje nije ispravno povezan.	Povežite kabl za paljenje na svećicu.
	Rezervoar za gorivo je prazan.	Napunite rezervoar za gorivo odgovarajućim tipom goriva.
	Prljavština u karburatoru ili vodu goriva.	Očistite karburator i/ili vod goriva.
	Svećica je neispravna.	Podesite zazor elektroda, očistite ili zamenite svećicu.
Motor ne može da se zaustavi.	Mehanizam za zaustavljanje je neispravan.	Uklonite kabl za paljenje sa svećice. Neka ovlašćeni serviser popravi proizvod.
Motor ne radi mirno.	Kabl za paljenje nije ispravno povezan.	Povežite kabl za paljenje na svećicu.
	Prljavština se nakupila u vodu goriva ili je istekao rok trajanja goriva.	Očistite vod goriva. Napunite rezervoar za gorivo novim gorivom odgovarajućeg tipa.
	Postoji zapušenje u poklopcu rezervoara za gorivo.	Očistite poklopac rezervoara za gorivo.
	Voda ili prljavština se nalaze u sistemu za gorivo.	Ispraznite rezervoar za gorivo. Napunite rezervoar za gorivo novim gorivom odgovarajućeg tipa.
	Filter za vazduh je zaprljan.	Očistite filter za vazduh.
	Potrebno je podesiti karburator.	Neka serviser podesi karburator.
Motor se prekomerno zagreva.	Nivo motornog ulja je prenizak.	Napunite motornim uljem.
	Protok vazduha nije dovoljan.	Očistite filter za vazduh i kućište filtera za vazduh.
	Potrebno je podesiti karburator.	Neka serviser podesi karburator.
Pojavljuje se zastoј u motoru kada radi pri velikoj brzini.	Zazor elektroda u svećici je premali.	Podesite zazor elektroda.
Motor ne radi mirno u brzini praznog hoda.	Svećica je zaprljana, oštećena ili je zazor elektroda prevelik.	Podesite zazor elektroda ili zamenite svećicu.
	Potrebno je podesiti karburator.	Podesite karburator.
	Filter za vazduh je zaprljan.	Očistite filter za vazduh.
Pojavljuje se previše vibracija u ručki.	Sečivo je labavo ili nije uravnoteženo.	Pritegnite zavrtne sečiva. Zamenite sečiva ako su oštećena.
	Sečivo je savijeno.	Zamenite sečiva ako su oštećena.

Problem	Mogući uzrok	Rešenje
Trava se ne usitnjava.	Trava je vlažna.	Ne koristite proizvod kada je trava vlažna. Sačekajte da se trava prisuši.
	Trava je suviše visoka.	Prvo kosite sa visokom visinom košenja. Spustite visinu košenja i ponovo kosite. Kosite samo ½ širine košenja.
	Jedno ili više sečiva nisu dovoljno oštra.	Naoštrite ili zamenite sečiva.
Trava je nejednako pokošena.	Točkici nisu u ispravnom položaju.	Podesite visinu košenja u istom nivou za sva 4 točkica.
	Jedno ili više sečiva nisu dovoljno oštra.	Naoštrite ili zamenite sečiva.
Pogonski sistem ne radi ispravno	Pogonski remen nije dovoljno zategnut ili ima prljavštine na remenicama ili pogonskom remenu.	Neka ovlašćeni serviser izvrši održavanje na pogonskom sistemu.

Transport, skladištenje i odlaganje

Transport i skladištenje

- Uverite se da pri skladištenju i transportu proizvoda i goriva nema isparavanja i curenja iz proizvoda. Varnice i otvoren plamen, na primer iz električnih uređaja i bojlera, može da zapali požar.
- Uvek koristite odobrene kanistere za čuvanje i transport goriva.
- Ispraznite rezervoar za gorivo pre dužeg skladištenja proizvoda. Gorivo odbacujte na odgovarajućoj lokaciji za odbacivanje
- Da biste sprečili nezgode i oštećenja, dobro fiksirajte proizvod prilikom transporta.
- Čuvajte proizvod u zaključanoj prostoriji da biste sprečili neodobren pristup deci i drugim osobama.
- Čuvajte proizvod na suvom mestu bez mraza.

Odlaganje

- Pratite lokalne zakone i propise o reciklaži.
- Sve hemikalije, kao što su motorno ulje i gorivo, odbacujte u servisnom centru ili na odgovarajućem mestu za odbacivanje.
- Kad rashodujete proizvod, pošaljite ga Husqvarna prodavcu ili ga odnesite na odgovarajuće mesto za reciklažu.

Tehnički podaci

Tehnički podaci

	LC 353AWD
Motor	
Marka	Honda
Zapremina, kubni inči/cm ³	10,4/170
Brzina, o/min	2900–3200
Nazivna snaga motora, kW/hp na o/min ¹¹⁶	3,6/4,9 na 2900–3200
Sistem paljenja	
Svećica	NGK BPR5ES
Zazor elektroda, in/mm	0,028/0,7
Sistem za gorivo i podmazivanje	
Benzin, bezolovni, minimalni oktanski broj	90 RON/87 AKI
Kapacitet rezervoara za gorivo, US galoni/litre	0,27/1,02
Kapacitet rezervoara za ulje, US galoni/litre	0,14/0,53
Motorno ulje ¹¹⁷	SAE 30/SAE 10W-30
Težina	
Sa praznim rezervoarima, lb/kg	92/41,7
Emisija buke ¹¹⁸	
Nivo zvučne snage, mereno dB (A)	95
Nivo zvučne snage, garantovano L _{WA} dB (A)	96
Nivoi zvuka ¹¹⁹	
Nivo zvučnog pritiska na uho rukovaoca, dB (A)	85
Nivoi vibracije ¹²⁰	
Ručica, m/s ² sa/bez hvatača trave	7/7
Oprema za košenje	

¹¹⁶ Naznačena snaga motora je prosečna neto izlazna snaga (pri navedenim obrtajima u minutu) tipičnog proizvodnog motora za model motora izmerena prema SAE standardu J1349/ISO1585. Vrednost motora iz masovne proizvodnje može da se razlikuje. Stvarna izlazna snaga postavljenog motora na proizvodu će zavistiti od radne brzine, uslova u okruženju i drugih vrednosti.

¹¹⁷ Koristite motorno ulje kvaliteta SJ ili višeg. Pogledajte tabelu viskoznosti u priručniku proizvođača motora i izaberite najbolju viskoznost na osnovu očekivane temperature okoline.

¹¹⁸ Emisije buke u životnoj sredini merene kao zvučna snaga (L_{WA}) u skladu sa direktivom 2000/14/EZ.

¹¹⁹ Nivo pritiska buke prema ISO 5395. Prijavljeni podaci za nivo zvučnog pritiska imaju tipičnu statističku disperziju (standardna devijacija) od 1,2 dB (A).

¹²⁰ Nivo vibracija prema ISO 5395. Podaci o nivou vibracije imaju tipičnu statističku disperziju (standardnu devijaciju) od 0,2 m/s².

	LC 353AWD
Visina košenja, in/mm	1,0–4,0/25,4–101,6
Širina košenja, in/mm	21/530
Sečivo	
Broj artikla	586 85 96-02
Kapacitet hvatača trave, ft ³ /l	2,3/65
Pogon	
Brzina, mph/km/h	0–3/0–4,8

Sadržaj EZ deklaracije o usaglašenosti

Mi, kompanija Husqvarna AB, SE 561 82 Huskvarna, ŠVEDSKA, izjavljujemo pod sopstvenom odgovornošću da je predstavljeni proizvod:

Opis	Kosilica za travu kojom upravlja rukovalac koji se kreće
Marka	Husqvarna
Platforma/tip/model	Platforma E21THV, reprezentativni modeli LC 353AWD.
Serijski broj	Serijski broj od 2019 i nadalje.

o tehničkim podacima u ovom uputstvu i u potpisanoj EZ Deklaraciji o usaglašenosti.

Isporučena kosilica za travu kojom upravlja rukovalac koji se kreće odgovara primerku koji je bio podvrgnut pregledu.

u potpunosti usaglašen sa sledećim EU direktivama i propisima:

Direktiva/propis	Opis
2006/42/EZ	„koji se odnose na mašine“
2014/30/EU	„koji se odnose na elektromagnetsku kompatibilnost“
2000/14/EU; 2005/88/EZ	„koji se odnose na buku u otvorenom prostoru“
2011/65/EU	„koji se odnose na ograničenje upotrebe određenih opasnih supstanci“

Primenjeni harmonizovani standardi i/ili tehničke specifikacije su sledeće: EN ISO 12100, ISO 5395-1+A1/A2, ISO 5395-2+A1/A2, EN ISO 14982, ISO 3744, ISO 11094, EN 1032

U skladu sa Direktivom 2000/14/EZ, Aneks VI, deklarirane vrednosti jačine zvuka su izložene u odeljku

Innehåll

Introduktion.....	331	Felsökning.....	339
Säkerhet.....	332	Transport, förvaring och kassering.....	341
Montering.....	335	Tekniska data.....	342
Drift.....	335	Innehållet i EG-försäkran om överensstämmelse.....	343
underhåll.....	337		

Introduktion

Produktbeskrivning

Produkten är en förbränningsmotorgräsklippare som styrs av en gående person. Gräset samlas i en gräsuppsamlare. Du kan ta bort gräsuppsamlaren om du vill att gräset ska komma ut mitt bak. Du kan montera en mulchingsats om du vill klippa ner gräset till gödning.

Produktöversikt

(Fig. 1)

1. Motorbromsbygel
2. Körspakar
3. Startsnörets handtag
4. Gräsuppsamlare
5. Bränsletankslock
6. Luftfilter
7. Tändstift
8. Drevkåpa
9. Ljuddämpare
10. Anslutning för vattenslang
11. Bakre deflektor
12. Mätsticka/oljetank
13. Klipphöjdsreglage
14. Mulchingplugg
15. Bruksanvisning
16. Utkastarrör

Symboler på produkten

- (Fig. 3) **WARNING!** Den här produkten kan vara farlig och kan orsaka allvarlig eller livshotande skada för användaren och andra. Var försiktig och använd produkten på rätt sätt.
- (Fig. 4) Läs igenom bruksanvisningen noggrant och se till att du förstår instruktionerna innan du använder produkten.
- (Fig. 5) Snabb
- (Fig. 6) Långsam
- (Fig. 7) Håll händer och fötter borta från roterande delar.

Avsedd användning

Använd produkten för att klippa gräsmattor i trädgårdar. Använd inte produkten till andra uppgifter.

- (Fig. 8) Håll alltid människor och djur på säkert avstånd från arbetsområdet.
- (Fig. 9) Var försiktig när du drar produkten bakåt. Titta bakåt och nedåt efter små barn, djur eller andra risker som kan göra att du faller.
- (Fig. 10) Det kan vara farligt att använda produkten i sluttningar.
- (Fig. 11) Håll händer och fötter borta från den roterande kniven.
- (Fig. 12) Akta dig för utslungade föremål och rikoschetter.
- (Fig. 13) Bulleremissioner till omgivningen enligt Europeiska Gemenskapens direktiv. Produktens emission anges i *Tekniska data på sida 342* och på etiketten.
- (Fig. 14) Produkten överensstämmer med gällande EG-direktiv.
- (Fig. 15) Produkten överensstämmer med gällande EAC-direktiv.
- (Fig. 16) Produkten överensstämmer med gällande RCM-direktiv. Gäller endast för AU/NZ.
- (Fig. 17) Produkten överensstämmer med gällande ukrainska direktiv.
- (Fig. 18) Använd godkända hörselskydd.

Notera: Övriga symboler/dekalering på produkten avser specifika krav för certifieringar på andra kommersiella marknader.

Produktansvar

Enligt lagstiftningen för produktansvar ansvarar vi inte för skador som vår produkt orsakar om:

- produkten repareras felaktigt
- produkten repareras med delar som inte kommer från tillverkaren eller inte har godkänts av tillverkaren

- produkten har ett tillbehör som inte kommer från tillverkaren eller inte har godkänts av tillverkaren
- produkten inte repareras vid ett godkänt servicecenter eller av en godkänd person.

Säkerhet

Säkerhetsdefinitioner

Varningar, försiktighetsåtgärder och anmärkningar används för att betona speciellt viktiga delar i bruksanvisningen.



VARNING: Används om det finns risk för skador eller dödsfall för föraren eller kringstående om anvisningarna i bruksanvisningen inte följs.



OBSERVERA: Används om det finns risk för skada på produkten, annat material eller det angränsande området om anvisningarna i bruksanvisningen inte följs.

Notera: Används för att ge mer information som är nödvändig i en viss situation.

- Låt inte någon använda produkten om du inte är säker på att personen har läst och förstår innehållet i bruksanvisningen.
- Låt inte barn använda produkten.
- Håll barn borta från klippområdet. En vuxen person måste vara närvarande hela tiden.
- Låt inte en person utan kännedom om instruktionerna använda produkten.
- Övervaka alltid en person med nedsatt fysisk eller mental kapacitet som använder produkten. En vuxen person måste vara närvarande hela tiden.
- Använd aldrig produkten om du är trött, sjuk eller om du är påverkad av alkohol, droger eller läkemedel. Detta har en negativ inverkan på din syn, ditt omdöme och din kroppskontroll.
- Använd inte produkten om den är trasig.
- Modifiera aldrig den här produkten och använd den inte om det är möjligt att den har blivit modifierad av andra.

Allmänna säkerhetsanvisningar



VARNING: Läs varningsinstruktionerna nedan innan du använder produkten.

- Denna produkt är farlig om den används på fel sätt, och om du inte är försiktig. Skada eller dödsfall kan inträffa om du inte följer säkerhetsinstruktionerna.
- Denna produkt alstrar ett elektromagnetiskt fält under drift. Detta fält kan under vissa omständigheter ge påverkan på aktiva eller passiva medicinska implantat. För att reducera risken för omständigheter som kan leda till allvariga eller livshotande skador rekommenderar vi därför personer med implantat att rådgöra med läkare samt tillverkaren av det medicinska implantatet innan denna produkt används.
- Var alltid försiktig och använd sunt förnuft. Om du inte vet hur du ska använda produkten i en särskild situation ska du stanna den och tala med en Husqvarna-återförsäljare innan du fortsätter.
- Tänk på att föraren kommer att hållas ansvarig för olyckor som involverar andra människor eller deras egendom.
- Håll produkten ren. Se till att du kan läsa skyltar och dekaler tydligt.

Säkerhet i arbetsområdet



VARNING: Läs varningsinstruktionerna nedan innan du använder produkten.

- Ta bort föremål som grenar, kvistar och stenar från arbetsområdet innan du använder produkten.
- Objekt som slår mot skärutrustningen kan slungas ut och orsaka skador på personer och föremål. Håll alltid människor och djur på säkert avstånd från produkten.
- Använd aldrig produkten i dåligt väder, som dimma, regn, hård vind, extrem kyla och risk för blixtnedslag. Det är ansträngande att använda produkten i dåligt väder eller på fuktiga eller våta platser. Dåligt väder kan leda till farliga förhållanden, t.ex. hala ytor.
- Håll utkik efter personer, föremål och situationer som kan förhindra säker användning av produkten.
- Håll utkik efter hinder, som rötter, stenar, grenar, gropar och diken. Långt gräs kan dölja hinder.
- Det kan vara farligt att klippa gräs i sluttningar. Använd inte produkten i terräng som lutar mer än 15°.
- Klipp tvärs över sluttningar. Inte upp och ned.
- Var uppmärksam när du närmar dig dolda hörn och föremål som skymmer sikten.



VARNING: Läs varningsinstruktionerna nedan innan du använder produkten.

- Använd enbart den här produkten för att klippa gräsmattor. Det är inte tillåtet att använda den för andra uppgifter.
- Använd personlig skyddsutrustning. Se *Personlig skyddsutrustning på sida 333*.
- Se till att du vet hur man snabbt stoppar motorn i en nödsituation.
- Starta aldrig motorn i ett stängt utrymme eller nära brandfarliga material. Motoravgaserna är heta och kan medföra gnistor som kan orsaka brand.
- Använd inte produkten utan att kniven och alla kåpor är korrekt monterade. En felaktigt monterad kniv kan lossna och orsaka personskador.
- Se till att kniven inte slår emot föremål som stenar och rötter. Detta kan göra att kniven skadas och böja motoraxeln. En böjd axel orsakar kraftiga vibrationer och risken för att kniven lossnar blir mycket hög.
- Om kniven träffar ett föremål eller om det uppstår vibrationer ska du omedelbart stanna produkten. Koppla bort tändkabeln från tändstiftet. Kontrollera om det finns några skador på produkten. Reparera skadorna eller låt en behörig serviceverkstad utföra reparationen.
- Fäst aldrig motorbromsbygeln permanent på handtaget när motorn är igång.
- Ställ produkten på ett stabilt plant underlag och starta den. Se till att kniven inte vidrör marken eller andra föremål.
- Håll dig alltid bakom produkten när du använder den.
- Låt alla hjul stå på marken och håll båda händerna på handtaget när du använder produkten. Håll händer och fötter borta från de roterande knivarna.
- Luta inte produkten när motorn är igång.
- Var försiktig när du drar produkten bakåt.
- Lyft aldrig upp produkten när motorn är igång. Om du måste lyfta produkten ska du först stanna motorn och koppla bort tändkabeln från tändstiftet.
- Gå inte baklänges när du använder produkten.
- Stäng av motorn när du rör dig över områden utan gräs, t.ex. gångar av grus, sten och asfalt.
- Spring inte med produkten när motorn är igång. Gå alltid när du använder produkten.
- Stäng av motorn innan du ändrar klipphöjden. Gör aldrig justeringar med motorn igång.
- Lämna aldrig produkten utanför ditt synfält med motorn igång. Stäng av motorn och se till att skärutrustningen inte roterar.

Personlig skyddsutrustning



VARNING: Läs varningsinstruktionerna nedan innan du använder produkten.

- Personlig skyddsutrustning kan inte eliminera skaderisken helt, men den reducerar effekten av en skada vid ett eventuellt olyckstillbud. Be din återförsäljare om hjälp med att välja rätt utrustning.
- Använd hörselskydd om ljudnivån är högre än 85 dB.
- Använd kraftiga halksäkra kängor eller skor. Använd inte öppna skor och var inte barfota.
- Använd tjockare långbyxor.
- Använd skyddshandskar vid behov, till exempel när du ansluter, undersöker eller rengör skärutrustningen.

Säkerhetsanordningar på produkten



VARNING: Läs varningsinstruktionerna nedan innan du använder produkten.

- Använd inte en produkt med defekta säkerhetsanordningar.
- Kontrollera säkerhetsanordningarna regelbundet. Om säkerhetsanordningarna är defekta ska du prata med din Husqvarna serviceverkstad.

Kontrollera klippkåpan

Klippkåpan dämpar vibrationerna och minskar risken för skador orsakade av kniven.

- Undersök klippkåpan för att se till att där inte finns några skador, t.ex. sprickor.

Kontrollera motorbromsbygeln

Motorbromsbygeln stänger av motorn. När motorbromsbygeln släpps stannar motorn.

- Starta motorn och släpp sedan motorbromsbygeln. Om motorn inte stannar inom tre sekunder ska du låta en godkänd Husqvarna-serviceverkstad justera motorbromsen. (Fig. 19)

Kontrollera den bakre deflektorn

Den bakre deflektorn minskar risken för att föremål slungas ut i förarens riktning.

- Se till att den bakre deflektorn inte är skadad. (Fig. 20)
- Se till att fjädrarna som stänger den bakre deflektorn inte är trasiga.
- Byt ut trasiga fjädrar och skadade delar.
- Se till att den bakre deflektorn kan röra sig smidigt på gångjärnen.

Ljuddämpare

Ljuddämparen håller ljudnivån till ett minimum och leder bort motorns avgaser från föraren.

Använd inte produkten utan eller med defekt ljuddämpare. En defekt ljuddämpare ökar ljudnivån och brandrisken.



VARNING: Ljuddämparen blir mycket varm under och efter användning samt när motorn går på tomgång. Var försiktig nära brandfarliga material och/eller ångor för att förhindra brand.

Kontrollera ljuddämparen

- Undersök ljuddämparen regelbundet för att se till att den är korrekt monterad och inte skadad.

Kontrollera oljenivån



OBSERVERA: För låg oljenivå kan orsaka allvarliga motorskador. Kontrollera oljenivån innan du startar produkten.

- Ställ produkten på plan mark.
- Ta bort oljetanklocket med mätstickan.
- Torka av oljan från mätstickan.
- Sätt tillbaka mätstickan helt i oljetanken för att få en korrekt bild av oljenivån.
- Ta bort mätstickan.
- Kontrollera oljenivån på mätstickan.
- Om oljenivån är låg ska du fylla på med motorolja och kontrollera oljenivån igen.

Bränslesäkerhet



VARNING: Läs varningsinstruktionerna nedan innan du använder produkten.

- Starta inte produkten om det finns bränsle eller motorolja på produkten. Ta bort det oönskade bränslet/oljan och låt produkten torka.
- Om du spillt bränsle på kläderna skall dessa bytas omedelbart.
- Se till att inte få bränsle på kroppen, det kan orsaka personskador. Om du får bränsle på kroppen ska du använda tvål och vatten för att ta bort bränslet.
- Starta inte produkten om motorn har en läcka. Undersök regelbundet om motorn läcker.
- Var försiktig med bränsle. Bränsle är brandfarligt och ångorna är explosiva och kan orsaka skador eller dödsfall.

- Undvik att andas in bränsleångor då det kan orsaka personskador. Se till att det finns tillräckligt luftflöde.
- Rök inte i närheten av bränslet eller motorn.
- Placera inga varma föremål i närheten av bränslet eller motorn.
- Fyll inte på bränsle när motorn är på.
- Se till att motorn har svalnat innan du fyller på bränsle.
- Innan du fyller på bränsle bör du öppna bränsletanklocket långsamt och försiktigt släppa på trycket.
- Fyll inte på bränsle i motorn inomhus. Otillräckligt luftflöde kan orsaka skador eller dödsfall på grund av kvävning eller kolmonoxidförgiftning.
- Dra åt bränsletanklocket ordentligt. Om bränsletanklocket inte dras åt ordentligt finns det en risk för brand.
- Flytta produkten minst 3 m från den plats där du fyllde på tanken innan du startar den.
- Fyll inte upp tanken helt. Värme gör att bränslet expanderar. Lämna lite plats längst upp på tanken.

Säkerhetsinstruktioner för underhåll



VARNING: Läs varningsinstruktionerna nedan innan du använder produkten.

- Motorns avgaser innehåller kolmonoxid, en luktlös, giftig och mycket farlig gas. Starta inte motorn inomhus eller i slutna utrymmen.
- Innan du utför underhåll på produkten ska du stänga av motorn och ta bort tändkabeln från tändstiftet.
- Använd skyddshandskar när du utför underhåll på skärutrustningen. Kniven är mycket vass och skärskador uppstår lätt.
- Tillbehör och ändringar av produkten som inte godkänts av tillverkaren kan orsaka allvarliga skador eller dödsfall. Modifiera inte produkten. Använd endast tillbehör som godkänts av tillverkaren.
- Om underhåll inte utförs korrekt och regelbundet ökar risken för personskador och skador på produkten.
- Utför endast underhåll enligt anvisningarna i den här bruksanvisningen. All annan service måste utföras av en godkänd Husqvarna-serviceverkstad.
- Låt en godkänd Husqvarna-serviceverkstad utföra service på produkten regelbundet.
- Byt ut skadade, slitna och trasiga delar.

Montering

Introduktion



VARNING: Innan du monterar produkten måste du läsa igenom och förstå kapitlet om säkerhet.



VARNING: Avlägsna tändstiftskabeln från tändstiftet innan du monterar produkten.

Montera handtaget

1. Lyft det nedre handtaget. (Fig. 21)
2. Rikta in hålen på undersidan av handtaget med hålen på handtagskonsolerna.

Notera: Välj de hål som ger bäst arbetsposition.

3. Dra åt de nedre handtagsvredena.
4. Lyft det övre handtaget uppåt tills det är i linje med det nedre handtaget.
5. Dra åt de övre vredena helt.

Installera startsnörehandtaget

1. Sätt fast ögla för startsnöret och T-vredet. Dra inte åt den helt. (Fig. 22)

2. Håll motorbromsbygeln mot handtaget.
3. Dra långsamt ut startsnöret och lägg det i ögla. (Fig. 23)
4. Dra åt T-vredet. (Fig. 24)

Ställa in produkten i transportläge

1. Ta bort gräsuppsamlaren.
2. Lossa de nedre handtagsvredena för att låsa upp handtaget. (Fig. 25)
3. Fäll handtaget bakåt.
4. Ta bort vredena och stiften på det nedre handtaget.
5. Vik handtaget framåt.

Montera gräsuppsamlaren

1. Fäst gräsuppsamlarens ram i gräsbehållaren, med behållarens stela del nedåt. Se till att handtaget på ramen är utanför ovansidan av behållaren. (Fig. 26)
2. Sätt fast gräsbehållaren på ramen med de snabbverkande klämmorna. (Fig. 27)

Drift

Introduktion



VARNING: Innan du använder produkten måste du läsa igenom och förstå kapitlet om säkerhet.

Innan du använder produkten

1. Läs igenom bruksanvisningen noggrant och se till att du förstår instruktionerna.
2. Undersök skärutrustningen för att se till att den är korrekt monterad och justerad. Se *Kontrollera skärutrustningen på sida 338*.
3. Fyll bränsletanken. Se *Fylla på bränsle på sida 335*.
4. Fyll oljetanken och kontrollera oljenivån. Se *Kontrollera oljenivån på sida 334*.

Fylla på bränsle

Använd miljöanpassad bensin/alkylatbensin om det finns. Om miljöanpassad bensin/alkylatbensin inte finns tillgänglig ska du använda blyfri bensin eller blyad bensin av hög kvalitet med ett oktantal på minst 90.



OBSERVERA: Använd inte bensin med ett oktantal lägre än 90 RON (87 AKI). Det kan orsaka skador på produkten.

1. Öppna tanklocket långsamt för att släppa på trycket.
2. Fyll på långsamt med en bränsledunk. Om du spiller bränsle ska du ta bort det med en trasa och låta bensinresterna avdunsta.
3. Torka rent runt bränsletanklocket.
4. Dra åt bränsletanklocket ordentligt. Om bränsletanklocket inte dras åt ordentligt finns det en risk för brand.
5. Flytta produkten minst tre meter från den plats där du fyllde på tanken innan du startar den.

Ställa in klipphöjden

Klipphöjden kan justeras i nio nivåer.

1. Tryck klipphöjdsreglaget i riktning mot hjulet och sedan bakåt för att höja klipphöjden.
2. Tryck klipphöjdsreglaget i riktning mot hjulet och sedan framåt för att minska klipphöjden. (Fig. 28)



OBSERVERA: Ställ inte in för låg klipphöjd. Knivarna kan träffa marken om gräsmattans yta inte är plan.

Starta produkten

1. Stå bakom produkten.
2. Håll motorbromsbygeln mot handtaget. (Fig. 29)
3. Håll i startsnörets handtag med höger hand.
4. Dra långsamt i startsnöret tills du känner ett motstånd.
5. Dra kraftigt för att starta motorn.



WARNING: Vira inte startsnöret runt handen.

Använda drivningen på hjulen

- Dra körspakarna i styrets riktning. (Fig. 30)
- Innan du drar produkten bakåt ska du koppla ur drivningen och trycka produkten framåt cirka tiocm.
- Släpp körspakarna för att koppla ur drivningen, t.ex. när du går nära ett hinder.

Justera drivskruvens styrkabel

- Använd justerskruven för att justera drivningsstyrkabeln. (Fig. 31)
- Stäng av motorn. Dra alltid ur tändstiftet innan du vidrör rörliga delar.
- Vrid justeringskruven moturs för att spänna vajer och öka hastigheten.
- Vrid justeringskruven medurs för att förlänga vajer och minska hastigheten.

Stoppa produkten

- För att stänga av endast drivningen ska du släppa spakarna.
- För att stänga av motorn ska du släppa motorbromsbygeln. (Fig. 32)

Använda produkten med gräsupsamlaren



WARNING: Använd inte produkten om inte gräsupsamlaren är installerad eller om den bakre deflektorn är stängd. Föremål kan slungas ut och orsaka skador på användaren.

1. Lyft upp den bakre deflektorn och ta bort mulchingpluggen. (Fig. 33)

2. Montera gräsupsamlaren, se *Montera gräsupsamlaren på sida 335*.
3. Placera gräsupsamlaren i hållaren. (Fig. 34)
4. Släpp den bakre deflektorn och lägg den ovanpå gräsbehållarens ram.

Ändra produkten till mulchingläge

Produktens mulchingläge gör gräsklippet mindre. Gräsklippet faller sedan ned på gräsmattan och sprids över gräset. Det mulchingklippta gräset bryts ned snabbt och gödslar gräsmattan.

1. Lyft upp det bakre skyddet och ta bort gräsbehållaren, om den är installerad.
2. För in mulchingpluggen i utkastkanalen. (Fig. 35)
3. Låt det bakre skyddet stängas och se till att det sluter tätt mot mulchingpluggen. (Fig. 36)

Ändra produkten till utkastläge bak

1. Lyft upp den bakre deflektorn och ta bort mulchingpluggen. (Fig. 37)
2. Montera utkastet. (Fig. 38)

Tömma gräsupsamlaren



OBSERVERA: Släpa inte påsen när du tömmer gräsupsamlaren för att förhindra slitage.

1. Lyft gräsupsamlaren med hjälp av ramens handtag. (Fig. 39)
2. Ta bort gräsklippet från gräsupsamlaren under handtaget.
3. Töm gräsklippet från påsen med ramens handtag och påsens handtag.

Få ett bra resultat

- Använd alltid en vass kniv. En slö kniv ger ett ojämnt resultat och grässets snittyta blir gul. En vass kniv förbrukar mindre energi än en slö kniv.
- Klipp inte mer än en tredjedel av grässets längd. Klipp först med hög klipphöjd. Undersök resultatet och sänk klipphöjden till en lämplig nivå. Om gräset är väldigt långt kan du köra sakta och klippa två gånger vid behov.
- Klipp i olika riktningar varje gång för att undvika ränder i gräsmattan.

underhåll

Introduktion



VARNING: Innan du utför underhåll måste du läsa och förstå kapitlet om säkerhet.

För allt service- och reparationsarbete på produkten krävs särskild utbildning. Vi garanterar att du kan få en fackmannamässig reparation och service utförd. Om din återförsäljare inte är en serviceverkstad kan du tala med dem för information om närmaste serviceverkstad.

Underhållsschema



OBSERVERA: Se till att luftfiltret är uppåt och inte mot marken när du lutar produkten. Risk för motorskador.

Underhållsintervallen beräknas utifrån daglig användning av produkten. Intervallen ändras om produkten inte används dagligen.

För underhåll som markeras med *, se anvisningarna i *Säkerhetsanordningar på produkten på sida 333*.

Underhåll	Dagligen	Varje vecka	Varje månad
Utför en allmän inspektion	X		
Kontrollera oljenivån	X		
Rengör produkten	X		
Kontrollera skärutrustningen	X		
Kontrollera klippkåpan*	X		
Kontrollera motorbromsbygeln*	X		
Kontrollera knivbromsreglaget*	X		
Kontrollera ljuddämparen *		X	
Kontrollera tändstiftet		X	
Byt ut oljan (första gången efter fem timmars användning, sedan efter var 50:e timmes användning)			X
Rengör eller ersätt luftfiltret			X
Kontrollera bränslesystemet			X

Allmän inspektion

- Se till att alla skruvar och muttrar på produkten är korrekt åtdragna.

Rengöra produkten utvändigt

- Använd en borste för att ta bort löv, gräs och smuts.
- Kontrollera att luftintaget på motorns ovansida inte är igentäppt.
- Undvik att använda högtryckstvätt när du rengör maskinen.
- Om du använder vatten för att rengöra produkten ska du inte spola vatten direkt på motorn.

Rengöra insidan av klippkåpan

1. Töm bensintanken.
2. Placera produkten på sidan med ljuddämparen nedåt.



OBSERVERA: Om produkten placeras med luftfiltret nedåt kan motorn skadas.

3. Spola av klippkåpan insida med vatten.

Använda vattenslanganslutningen

1. Flytta produkten till ett område där gräset är klippt eller till en annan hård yta.
2. Ta bort gräsuppsamlaren eller mulchingpluggen från produkten.
3. Stäng den bakre deflektorn.
4. Anslut en vattenslang till vattenslanganslutningen. (Fig. 40)
5. Stoppa vattentillförseln och kontrollera om vattenslanganslutningen läcker.

- Om du inte ser någon läcka startar du motorn. Låt motorn gå tills produkten är ren under huset.
- Stoppa motorn.
- Stoppa vattentillförseln och ta bort slangen från vattenslanganslutningen.

Notera: Ta inte bort vattenslangen från vattenslanganslutningen när motorn är igång. Vatten i motorn kan minska produktens livslängd.

- Starta motorn och låt den gå i en minut så att överflödigt vatten avlägsnas från produkten.

Byta motorolja



WARNING: Motorolja är mycket het direkt efter att motorn stoppats. Låt motorn svalna innan du tappar ur motoroljan. Om du spiller olja på huden ska du rengöra med tvål och vatten.

- Använd produkten tills bränsletanken är tom.
- Ta bort tändkabeln från tändstiftet.
- Ta bort oljetanklocket.
- Ställ en behållare under produkten att samla upp motoroljan i.
- Luta enheten för att tappa ur motoroljan från oljetanken.
- Fyll på ny motorolja av den typ som rekommenderas i *Tekniska data på sida 342*.
- Kontrollera oljenivån. Se *Kontrollera oljenivån på sida 334*.

Så undersöker du tändstiftet



OBSERVERA: Använd alltid rekommenderad tändstiftstyp. Fel typ av tändstift kan orsaka skador på produkten.

- Undersök tändstiftet om motorn har låg effekt, är svår att starta eller inte fungerar korrekt vid tomgångsvarvtal.
- Följ dessa instruktioner om du vill minska risken för oönskat material på tändstiftets elektroder:
 - Se till att tomgångsvarvtalet är korrekt justerat.
 - Se till att bränsleblandningen är korrekt.
 - Se till att luftfiltret är rent.
- Om tändstiftet är smutsigt rengör du det och ser till att elektrodavståndet är korrekt, se *Tekniska data på sida 342*. (Fig. 41)
- Byt ut tändstiftet vid behov.

Rengöring av luftfiltret

- Ta bort luftfilterkåpan och filtret.
- Slå filtret mot en plan yta för att få partiklarna att falla av.



OBSERVERA: Använd inte lösningsmedel eller tryckluft för att rengöra luftfiltret.

- Sätt tillbaka luftfiltret. Se till att luftfiltret ligger helt tätt mot luftfilterhållaren.
- Sätt tillbaka luftfilterkåpan.

Notera: Ett länge använt luftfilter kan aldrig bli fullständigt rent. Byt luftfiltret regelbundet. Byt alltid ut ett skadat luftfilter.

Kontrollera skärutrustningen



WARNING: För att förhindra oavsiktlig start ska du ta bort tändkabeln från tändstiftet.



WARNING: Använd skyddshandskar när du utför underhåll på skärutrustningen. Kniven är mycket vass och skärskador uppstår lätt.

- Kontrollera så att skärutrustningen inte är skadad eller har sprickor. Byt alltid ut skadad skärutrustning.
- Titta på kniven för att se om den är skadad eller slö.

Notera: Kniven måste balanseras när den har slipats. Låt en serviceverkstad slipa, byta och balansera kniven. Om du träffar ett hinder som gör att produkten stannar ska du byta ut den skadade kniven. Låt serviceverkstaden bedöma om kniven kan slipas eller måste ersättas.

Montera klingan

- Placera knivadaptern på motorns vevaxel. Se till att nyckeln i adaptern och vevaxelns kilspår är i linje. (Fig. 42)
- Fäst alltid kniven med de vinklade ändarna uppåt i motorns riktning. (Fig. 43)
- Använd ett träblock mellan kniven och produktens hölje. Dra åt knivbulten och vrid den medurs.
- Dra alltid åt bulten med ett moment på 47–54 Nm. (Fig. 44)
- Kontrollera att tändstiftskabeln kopplats loss från motorn.



OBSERVERA: För att förhindra oavsiktlig start ska tändstiftskabeln alltid kopplas bort och kabeln placeras så att den inte kan komma i kontakt med tändstiftet.

- Dra runt kniven för hand och se till att den roterar fritt.

Byta knivar

1. Lås kniven med en träbit. (Fig. 45)
2. Ta bort knivbulten.
3. Tag bort kniven.
4. Kontrollera knivstödet och knivbulten för att se om det finns skador.
5. Kontrollera motoraxeln för att se till att den inte är böjd.
6. När du monterar en ny kniv ska du rikta knivens vinklade ändrar mot klippkåpan. (Fig. 46)
7. Se till att kniven är i linje med motoraxelns mitt.

8. Lås kniven med en träbit. Montera fjäderbrickan och dra åt bulten och brickan med ett vridmoment på 47-54 Nm. (Fig. 47)
9. Dra runt kniven för hand och se till att den roterar fritt.



VARNING: Använd kraftiga arbetshandskar. Kniven är mycket vass och skärskador uppstår lätt.

10. Starta produkten för att testa kniven. Om kniven inte är korrekt monterad känner du vibrationer i produkten eller så är klippresultat otillfredsställande.

Översikt över transmissionsenheten

(Fig. 2)

1. Mulchingplugg
2. Bakre ingång
3. Transmissionens remskiva
4. Löphjulsfäste
5. Transmissionskåpa
6. Knivadapler
7. Tomgångsskiva
8. Främre remhållare
9. Ring
10. Klinga
11. Hård bricka
12. Låsbricka
13. Knivbult
14. Remkåpa
4. Ta bort drivskyddet. (Fig. 48)
5. Ta bort knivbulten, fjäderbrickan, den hårda brickan och kniven. (Fig. 49)
6. Ta bort mulchingpluggen. (Fig. 50)
7. Ta bort bagingången.
8. Ta bort remkåpan och ringen. (Fig. 51)
9. Koppla bort kabeln från transmissionen och ta bort remskivan från tomgångsenheten.
10. Ta bort den främre remhållaren.
11. Ta bort drivremmen från transmissionens remskiva.
12. Ta bort de tre tomgångsskivorna från löphjulsenheten. (Fig. 52)
13. Ta bort drivremmen från knivadaptern och ledarhjulet. (Fig. 53)
14. Fäst en låstäng på transmissionens ingående axel. Lossa motorremskivan med en 9/16-tums nyckel för att ta bort transmissionens remskiva.
15. Ta bort drivremmen.

Ta bort drivremmen



OBSERVERA: Om produkten placeras med luftfiltret nedåt kan motorn skadas.

Felsökning

Problem	Möjlig orsak	Lösning
Maskinen startar inte.	Tändkabeln är felaktigt ansluten.	Anslut tändkabeln till tändstiftet.
	Bränsletanken är tom.	Fyll bränsletanken med korrekt bränsletyp.
	Det finns smuts i förgasare eller bränsleledning.	Rengör förgasaren och/eller bränsleledningen.
	Tändstiftet är defekt.	Justera elektrodavståndet, rengör eller byt ut tändstiftet.

Problem	Möjlig orsak	Lösning
Motorn startar inte.	Stoppmekanismen är defekt.	Koppla bort tändkabeln från tändstiftet. Låt en godkänd serviceverkstad reparera produkten.
Motorn går ojämnt.	Tändkabeln är felaktigt ansluten.	Anslut tändkabeln till tändstiftet.
	Det finns smuts i bränsleledningen eller så är bränslet slut.	Rengör bränsleledningen. Fyll bränsletanken med nytt bränsle av rätt typ.
	Det är stopp i bränsletanklocket.	Rensa bränsletanklocket.
	Det finns vatten eller smuts i bränslesystemet.	Tappa ur bränsletanken. Fyll bränsletanken med nytt bränsle av rätt typ.
	Lufffiltret är smutsigt.	Rengör lufffiltret.
	Förgasaren måste justeras.	Låt en serviceverkstad justera förgasaren.
Motorn blir för varm.	Motoroljenivån är för låg.	Fyll på motorolja.
	Luffflödet är inte tillräckligt.	Rengör lufffiltret och lufffilterkåpan.
	Förgasaren måste justeras.	Låt en serviceverkstad justera förgasaren.
Motorn feltänder när den arbetar på höga varvtal.	Elektrodivståndet i tändstiftet är för litet.	Justera elektrodivståndet.
Motorn fungerar inte korrekt på tomgång.	Tändstiftet är smutsigt, defekt eller elektrodivståndet är för stort.	Justera elektrodivståndet eller byt ut tändstiftet.
	Förgasaren måste justeras.	Justera förgasaren.
	Lufffiltret är smutsigt.	Rengör lufffiltret.
Handtaget vibrerar för mycket.	En kniv är lös eller inte balanserad.	Dra åt knivbultarna. Byt knivarna om de är skadade.
	En kniv är böjd.	Byt klingorna om de är skadade.
Gräset klipps inte finfördelat.	Gräset är vått.	Använd inte produkten om gräset är vått. Vänta tills gräset är torrt.
	Gräset är för högt.	Klipp först med hög klipphöjd. Sänk klipphöjden och klipp igen. Klipp endast hälften av klippbredden i taget.
	En eller flera av knivarna är inte tillräckligt skarpa.	Slipa eller byt ut knivarna.
Gräset klipps oregelbundet.	Hjulen är inte i rätt läge.	Ställ in klipphöjden på samma nivå för alla fyra hjulen.
	En eller flera av knivarna är inte tillräckligt skarpa.	Slipa eller byt ut knivarna.
Drivsystemet fungerar inte korrekt	Drivremmen är inte tillräckligt spänd eller så finns det smuts på remskivorna eller drivremmen.	Låt en godkänd serviceverkstad utföra service på drivsystemet.

Transport och förvaring

- Vid förvaring och transport av produkten och bränslet ska du se till att det inte förekommer något läckage eller avgaser. Gnistor eller öppen eld, t.ex. från elektriska apparater eller pannor, kan orsaka brand.
- Använd alltid godkända behållare för transport och förvaring av bränsle.
- Töm bränsletanken innan du placerar produkten för förvaring under en längre tid. Kassera bränslet på lämplig anvisad plats
- Fäst produkten ordentligt under transport för att förhindra skador och olyckor.
- Förvara produkten i ett låst utrymme för att förhindra åtkomst för barn eller personer som inte är behöriga.
- Förvara produkten på en torr och frostfri plats.

Kassering

- Följ lokala återvinningsbestämmelser och tillämpliga förordningar.
- Kassera alla kemikalier, som olja och bränsle, vid en serviceverkstad eller på lämplig anvisad plats.
- När produkten inte längre används ska du skicka den till en Husqvarna-återförsäljare eller lämna den till en återvinningsstation.

Tekniska data

Tekniska data

	LC 353AWD
Motor	
Varumärke	Honda
Slagvolym, cm ³	170
Varvtal, varv/min	2 900–3 200
Nominell motoreffekt, kW vid varv/min ¹²¹	3,6/4,9 vid 2 900–3 200
Tändsystem	
Tändstift	NGK BPR5ES
Elektrodavstånd, tum/mm	0,028/0,7
Bränsle-/smörjsystem	
Bränsle, blyfritt, minsta oktantal	90 RON/87 AKI
Bränsletankvolym, liter	1,02
Oljetankvolym, liter	0,53
Motorolja ¹²²	SAE 30/SAE 10W-30
Vikt	
Med tomma tankar, kg	41,7
Bulleremissioner ¹²³	
Ljudeffektnivå, uppmätt dB (A)	95
Ljudeffektnivå, garanterad L _{WA} dB(A)	96
Ljudnivåer ¹²⁴	
Ljudtrycksnivå vid användarens öra, dB (A)	85
Vibrationsnivåer ¹²⁵	
Handtag, m/s ² med gräsuppsamlare/utan gräsuppsamlare	7/7
Skärutrustning	

¹²¹ Motorns angivna märkeffekt är medelvärde för nettoeffekten (vid det specificerade varvtalet) hos en typisk produktionsmotor för den motormodell som mätts enligt SAE-standard J1349/ISO1585. Massproducerade motorer kan avvika från detta värde. Den faktiska effekten hos den motor som är installerad i slutprodukten kommer att bero på driftshastigheten, omgivningens egenskaper och andra faktorer.

¹²² Använd motorolja av kvalitet SJ eller högre. Se viskositetsdiagrammet i motortillverkarens bruksanvisning och välj den bästa viskositeten baserat på förväntad utomhustemperatur.

¹²³ Emission av buller till omgivningen uppmätt som ljudeffekt (L_{WA}) enligt EG-direktiv 2000/14/EG.

¹²⁴ Ljudtrycksnivå enligt ISO 5395. Redovisade data för ljudtrycksnivå har ett typiskt spridningsmått (standardavvikelse) på 1,2 dB (A).

¹²⁵ Vibrationsnivå enligt ISO 5395. Rapporterade data för vibrationsnivå har en typisk statistisk spridning (standardavvikelse) på 0,2 m/s².

	LC 353AWD
Klipphöjd, mm	25,4–101,6
Klippbredd, mm	530
Kniv	
Artikelnummer	586 85 96-02
Gräsuppsamlarens kapacitet, ft ³ /l	2,3/65
Drivning	
Hastighet, km/h	0–4,8

Innehållet i EG-försäkran om överensstämmelse

Husqvarna AB, 561 82 Huskvarna, SVERIGE, försäkrar härmed på eget ansvar att den företrädde produkten:

Medföljande förbränningsmotor driven åkgräsklippare som styrs av en gående person överensstämmer med det exemplar som genomgick kontrollen.

Beskrivning	Förbränningsmotor driven gräsklippare som styrs av en gående person
Varumärke	Husqvarna
Plattform/typ/modell	Plattform E21THV, representerar modellerna LC 353AWD.
Parti	Serienummer daterade 2019 och framåt.

uppfyller alla krav i följande EU-direktiv och förordningar:

Direktiv/förordning	Beskrivning
2006/42/EG	"angående maskiner"
2014/30/EU	"angående elektromagnetisk kompatibilitet"
2000/14/EU; 2005/88/EC	"angående buller utomhus"
2011/65/EU	"angående begränsning av användning av vissa farliga ämnen"

Följande harmoniserade standarder och/eller tekniska specifikationer tillämpas: EN ISO 12100, ISO 5395-1+A1/A2, ISO 5395-2+A1/A2, EN ISO 14982, ISO 3744, ISO 11094, EN 1032

I enlighet med direktiv 2000/14/EG, bilaga VI, finns ljudvärdena angivna i avsnittet tekniska data i denna handbok och i den undertecknade EG-försäkran om överensstämmelse.

İçindekiler

Giriş.....	344	Sorun giderme.....	352
Güvenlik.....	345	Taşıma, depolama ve atma.....	354
Montaj.....	347	Teknik veriler.....	355
Kullanım.....	348	AB uyumluluk bildiriminin içeriği.....	356
Bakım.....	349		

Giriş

Ürün açıklaması

Ürün, yanmalı motorlu yaya kumandalı bir çim biçme makinesidir. Çim, çim toplama sepetinde toplanır. Çimin arkadan boşaltımı için çim toplama sepetini çıkarın. Çimi gübre haline getirmek için bir malç kiti takın.

Ürüne genel bakış

(Şek. 1)

1. Motor fren kolu
2. Tahrik kolları
3. Çalıştırma ipi tutma yeri
4. Çim toplama sepeti
5. Yakıt tankı kapağı
6. Hava filtresi
7. Buji
8. Tahrik kapağı
9. Susturucu
10. Su hortumu bağlantısı
11. Arka saptırıcı
12. Daldırma çubuk ölçek/yağ tankı
13. Kesme yüksekliği kontrolü
14. Malç tapası
15. Kullanım kılavuzu
16. Deşarj borusu

Ürün üzerindeki semboller

- (Şek. 3) UYARI: Bu ürün, tehlikeli olabilir ve operatör ya da başkaları açısından ciddi yaralanmalara veya ölüme neden olabilir. Dikkatli olun ve ürünü doğru kullanın.
- (Şek. 4) Ürünü kullanmadan önce kullanım kılavuzunu dikkatlice okuyun ve talimatları anladığınızdan emin olun.
- (Şek. 5) Hızlı
- (Şek. 6) Yavaş
- (Şek. 7) El ve ayaklarınızı döner parçadan uzak tutun.

Kullanım amacı

Ürünü özel bahçelerde çim kesmek için kullanın. Ürünü başka işler için kullanmayın.

- (Şek. 8) İnsanları ve hayvanları çalışma alanından güvenli bir uzaklıkta tutun.
- (Şek. 9) Ürünü geriye doğru kullanırken dikkatli olun. Küçük çocuklara, hayvanlara veya düşmenize neden olabilecek diğer risklere karşı arkanıza ve aşağıya bakın.
- (Şek. 10) Ürünü eğimli yerlerde kullanmak tehlikeli olabilir.
- (Şek. 11) El ve ayaklarınızı döner bıçaktan uzak tutun.
- (Şek. 12) Atılan nesnelere ve seken cisimlere dikkat edin.
- (Şek. 13) Avrupa Topluluğu Direktifi uyarınca çevreye yayılan gürültü emisyonu. Ürünün emisyonu *Teknik veriler sayfa: 355* ve etikette belirtilmiştir.
- (Şek. 14) Bu ürün geçerli AB direktiflerine uygundur.
- (Şek. 15) Ürün, geçerli EAC direktiflerine uygundur.
- (Şek. 16) Ürün, geçerli RCM direktiflerine uygundur. Sadece AU/NZ için geçerlidir.
- (Şek. 17) Ürün, geçerli Ukrayna direktiflerine uygundur.
- (Şek. 18) Onaylanmış kulak koruma ekipmanı kullanın.

Not: Ürünün üzerindeki diğer semboller/etiketler, diğer ticari alanların sertifikalandırma gereklilikleri ile ilgilidir.

Ürün sorumluluğu

Ürün sorumluluğu yasalarında belirtildiği üzere;

- ürünün hatalı bir şekilde onarılması,
- ürünün, üretici tarafından onaylanmayan veya üreticiden alınmayan parçalarla tamir edilmesi,
- üründe, üreticiden alınmayan veya üretici tarafından onaylanmayan bir aksesuar bulunması,

- ve ürünün, onaylı bir servis merkezinde veya yetkili bir kurum tarafından tamir edilmemesi durumunda oluşabilecek hasarlardan sorumlu değildir.

Güvenlik

Güvenlik tanımları

Kılavuzdaki önemli kısımları vurgulamak için uyarılar ve notlar kullanılmıştır.



UYARI: Kılavuzdaki talimatlara uyulmadığı takdirde operatör veya çevredeki kişiler için ciddi yaralanma veya ölüm tehlikesi varsa kullanılır.



DİKKAT: Kılavuzdaki talimatlara uyulmadığı takdirde ürünün, diğer malzemelerin veya çevrenin zarar görme riski olduğunda kullanılır.

Not: Belirli bir durumda bilgi verilmesi gerektiğinde kullanılır.

Genel güvenlik talimatları



UYARI: Ürünü kullanmadan önce aşağıdaki uyarı talimatlarını okuyun.

- Bu ürün yanlış kullanıldığında veya dikkatli olmazsanız tehlikelidir. Güvenlik talimatlarına uyulmaması yaralanmalara veya ölüme yol açabilir.
- Bu ürün, çalışırken elektromanyetik bir alan oluşturur. Bu alan, bazı koşullarda aktif veya pasif tıbbi implantlarda girişime neden edebilir. Ciddi veya ölümcül yaralanma riskini azaltmak için tıbbi implantı olan kişilerin, bu ürünü kullanmadan önce doktorlarına ve tıbbi implant üreticilerine danışmalarını öneririz.
- Her zaman dikkatli olun ve sağduyunuzu kullanın. Özel bir durumda aracı nasıl kullanacağınızdan emin değilseniz durun ve devam etmeden önce Husqvarna yetkili satıcınızla görüşün.
- Diğer insanları veya bu insanlara ait mülkleri içeren kazalardan operatörün sorumlu tutulacağını unutmayın.
- Ürünü temiz tutun. İşaretleri ve etiketleri net bir şekilde okuyabildiğinizden emin olun.
- Kullanım kılavuzunun içindekileri okuyup anladığından emin olmadan kimsenin ürünü kullanmasına izin vermeyin.
- Ürünü, bir çocuğun kullanmasına izin vermeyin.
- Çocukları çalışma alanından uzakta tutun. Sorumluluk sahibi bir yetişkin her zaman orada olmalıdır.

- Talimatlar hakkında bilgi olmayan birinin ürünü kullanmasına izin vermeyin.
- Fiziksel veya zihinsel kapasitesi düşük olan bir kişi ürünü kullanırken bu kişiyi daima gözetim altında tutun. Sorumluluk sahibi bir yetişkin her zaman orada olmalıdır.
- Ürünü yorgun, hasta veya alkol ya da ilaç etkisi altındayken kullanmayın. Bu durum görüş, dikkat, koordinasyon ve doğru bir şekilde düşünmenizi olumsuz yönde etkiler.
- Arızalıysa ürünü kullanmayın.
- Başkaları tarafından değiştirilmiş olma olasılığı varsa bu ürünü değiştirmeyin veya kullanmayın.

Çalışma alanı güvenliği



UYARI: Ürünü kullanmadan önce aşağıdaki uyarı talimatlarını okuyun.

- Ürünü kullanmadan önce çalışma alanındaki dal, çalı çırpı ve taş gibi nesnelere alın.
- Kesme donanımına çarpan nesnelere fırlatılarak kişi ve nesnelere zarar görmesine neden olabilir. Etraftaki insanları ve hayvanları üründen güvenli bir uzaklıkta tutun.
- Ürünü sis, yağmur, kuvvetli rüzgar, şiddetli soğuk ve yıldırım düşmesi riski gibi olumsuz hava koşullarında hiçbir zaman kullanmayın. Ürünü olumsuz hava koşullarında veya nemli ya da ıslak yerlerde kullanmak yorucudur. Kötü hava, kaygan yüzeyler gibi tehlikeli koşullara neden olabilir.
- Ürünün güvenli bir şekilde çalışmasını önleyebilecek kişi, nesne ve durumlara dikkat edin.
- Kök, taş, çalı çırpı, çukur, hendek gibi engellere dikkat edin. Uzun çim nesnelere saklayabilir.
- Eğimli yerlerde çim kesmek tehlikeli olabilir. Ürünü 15°'den daha eğimli zeminlerde kullanmayın.
- Yokuşlarda ürünü yatay olarak kullanın. Yukarı ve aşağı hareket ettirmeyin.
- Gizli köşelere ve açık görüşü engelleyen nesnelere yanına giderken dikkatli olun.

Çalışma güvenliği



UYARI: Ürünü kullanmadan önce aşağıdaki uyarı talimatlarını okuyun.

- Bu ürünü yalnızca çimenlik alanlarda çim kesmek için kullanın. Ürünün başka işler için kullanılması yasaktır.
- Kişisel koruyucu araçlar kullanın. Bkz. *Kişisel koruyucu ekipman sayfa: 346*.
- Acil bir durumda motoru hızlı bir şekilde nasıl kapatacağınızı öğrenin.
- Ürünü hiçbir zaman kapalı yerlerde veya yanıcı maddelerin yakınında çalıştırmayın. Motordan çıkan egzoz dumanları sıcaktır ve yangın çıkmasına neden olabilecek kıvılcımlar içerebilir.
- Bıçağı ve tüm kapakları doğru bir şekilde takmadan ürünü çalıştırmayın. Yanlış bir şekilde takılan bıçak gevşeyerek yaralanmanıza neden olabilir.
- Bıçağın taş veya kök gibi nesnelere çarpmamasına dikkat edin. Bu, bıçağa zarar verebilir ve motor milini bükebilir. Bükülmüş aks, ağır titreşime ve çok yüksek bir bıçak gevşemesi riskine neden olabilir.
- Bıçak bir cisme çarpar veya titreşim oluşursa ürünü hemen durdurun. Ateşleme kablosunu bujiden ayırın. Üründe hasar olup olmadığını kontrol edin. Hasarları onarın veya yetkili bir servis noktasının onarım yapmasını sağlayın.
- Motor çalıştırıldığında motor fren kolunu hiçbir zaman sürekli olarak kola takmayın.
- Ürünü sabit ve düz bir yüzeye koyup çalıştırın. Bıçağın yere veya diğer cisimlere çarpmadığından emin olun.
- Ürünü çalıştırırken her zaman arkasında durun.
- Ürünü kullanırken tüm tekerleklerin yere basmasını sağlayın ve 2 elinizi kolun üzerinde tutun. Ellerinizi ve ayaklarınızı döner bıçaklardan uzakta tutun.
- Motor çalışırken ürünü yatırmayın.
- Ürünü arkaya doğru çekerken dikkatli olun.
- Motor çalışırken ürünü hiçbir zaman yukarı kaldırmayın. Ürünü kaldırmamız gerekirse önce motoru durdurun ve ateşleme kablosunu bujiden ayırın.
- Ürünü kullanırken arkaya doğru yürümeyin.
- Çakıl, taş ve asfalt gibi malzemelerden yapılmış, çim olmayan alanlardan geçerken motoru durdurun.
- Motor çalışırken ürünle birlikte koşmayın. Ürünü kullanırken her zaman yürüyün.
- Kesme yüksekliğini değiştirmeden önce motoru durdurun. Motor çalışırken asla ayarlama yapmayın.
- Motor çalışırken ürünün hiçbir zaman görüş alanından çıkmasına izin vermeyin. Motoru durdurun ve kesme donanımının dönmediğinden emin olun.

- yaralanmanın derecesini azaltır. Bayinizin doğru ekipmanı seçmenize yardımcı olmasını sağlayın.
- Gürültü düzeyi 85 dB'den fazlaysa kulaklık koruma ekipmanı kullanın.
- Ağır hizmet tipi kaymayan botlar veya ayakkabılar kullanın. Açık ayakkabılar giymeyin veya çıplak ayakla yürümeyin.
- Kalın, uzun pantolonlar giyin.
- Kesme donanımını takma, kontrol etme veya temizleme gibi gerekli durumlarda koruyucu eldivenler kullanın.

Ürünün üzerindeki güvenlik aletleri



UYARI: Ürünü kullanmadan önce aşağıdaki uyarı talimatlarını okuyun.

- Güvenlik araçları arızalı olan bir ürünü kullanmayın.
- Güvenlik araçlarını düzenli olarak kontrol edin. Güvenlik araçları arızalıysa Husqvarna servis noktanızla görüşün.

Kesme kapağını kontrol etme

Kesme kapağı, üründeki titreşimleri ve bıçakla yaralanma riskini azaltır.

- Çatlak gibi hasarlar olmadığından emin olmak için kesme kapağını inceleyin.

Motor fren kolunu kontrol etme

Motor fren kolu, motoru durdurur. Motor fren kolu bırakıldığında motor durur.

- Motoru çalıştırın ve ardından motor fren kolunu serbest bırakın. Motor 3 saniye içinde durmazsa motor frenini onaylı Husqvarna servis noktasına ayarlatın. (Şek. 19)

Arka saptırıcıları kontrol etme

Arka saptırıcı, objelerin operatöre doğru fırlama riskini azaltır.

- Arka saptırıcının zarar görmemiş olduğundan emin olun. (Şek. 20)
- Arka saptırıcıyı kapatan yayların kırık olmadığından emin olun.
- Kırık yayları ve hasarlı parçaları değiştirin.
- Arka saptırıcının menteşeler üzerinde sorunsuz şekilde hareket edebildiğinden emin olun.

Susturucu

Susturucu, gürültü düzeyini minimum seviyede tutar ve egzoz dumanlarını operatörden uzağa gönderir.

Susturucu yoksa veya arızalıysa ürünü kullanmayın. Arızalı bir susturucu, gürültü düzeyini ve yangın riskini artırır.

Kullanım için güvenlik talimatları

Kişisel koruyucu ekipman



UYARI: Ürünü kullanmadan önce aşağıdaki uyarı talimatlarını okuyun.

- Kişisel koruyucu ekipmanlar yaralanma riskini tamamen engelleyemez ancak bir kaza durumunda



UYARI: Susturucu kullanım sırasında, kullanım sonrasında ve motor rölantide çalışırken çok sıcak olur. Yangını önlemek için yanıcı malzemelerin ve/veya dumanların yakınında dikkatli olun.

Susturucuyu kontrol etme

- Düzgün takıldığından ve hasarlı olmadığından emin olmak için susturucuyu düzenli olarak kontrol edin.

Yağ seviyesini kontrol etme



DİKKAT: Yağ seviyesinin çok düşük olması motora zarar verebilir. Ürünü çalıştırmadan önce yağ seviyesini kontrol edin.

1. Ürünü düz bir zemine koyun.
2. Takılı daldırma çubuk ölçekle yağ tankı kapağını çıkarın.
3. Yağ çubuğundaki yağı temizleyin.
4. Yağ seviyesini doğru bir şekilde belirtilmesi için daldırma çubuk ölçeği tamamen yağ tankına sokun.
5. Daldırma çubuk ölçeği çıkarın.
6. Daldırma çubuk ölçekteki yağ seviyesini kontrol edin.
7. Yağ seviyesi düşüğe motor yağı doldurun ve yağ seviyesini tekrar kontrol edin.

Yakıt güvenliği



UYARI: Ürünü kullanmadan önce aşağıdaki uyarı talimatlarını okuyun.

- Ürünün üzerinde yakıt veya motor yağı varsa ürünü çalıştırmayın. İstenmeyen yakıtı/yağı temizleyin ve ürünün kurumasını bekleyin.
- Kıyafetleriniz yakıt bulaşınca kıyafetlerinizi hemen değiştirin.
- Vücudunuza yakıt bulaştırmayın; bu, yaralanmaya sebep olabilir. Vücudunuza yakıt bulaşınca yakıtı temizlemek için su ve sabun kullanın.
- Motorda sızıntı varsa ürünü çalıştırmayın. Motorda sızıntı olup olmadığını düzenli olarak kontrol edin.
- Yakıtla uğraşırken dikkatli olun. Yakıt yanıcı ve dumanlar patlayıcıdır; yaralanmalara veya ölüme sebep olabilir.
- Yaralanmaya sebep olabileceğinden yakıt dumanını solumayın. Yeterli hava akışı olduğundan emin olun.

- Yakıtın veya motorun yakınında sigara içmeyin.
- Yakıtın veya motorun yakınına sıcak nesnelere koymayın.
- Motor açıkken yakıt eklemeyin.
- Yakıtı yenilemeden önce motorun soğuduğundan emin olun.
- Yakıtı yenilemeden önce yakıt tankı kapağını yavaşça açın ve basıncı dikkatlice tahliye edin.
- Kapalı bir alanda motora yakıt eklemeyin. Nefessiz kalma veya karbon monoksit nedeniyle yeterli hava akışının olmaması yaralanmaya veya ölüme sebep olabilir.
- Yakıt tankı kapağını tamamen sıkın. Yakıt tankı kapağı sıkılmamışsa yangın riski vardır.
- Çalıştırmadan önce ürünü, yakıt tankını doldurduğunuz konumdan en az 3 m/10 ft uzağa taşıyın.
- Yakıt tankını tamamen doldurmayın. Isı yakıtın genişlemesine neden olur. Yakıt tankının üst kısmında boşluk bırakın.

Bakım için güvenlik talimatları



UYARI: Ürünü kullanmadan önce aşağıdaki uyarı talimatlarını okuyun.

- Motordan gelen egzoz dumanı kokusuz, zehirli ve son derece tehlikeli bir gaz olan karbon monoksit içerir. Motoru iç mekanlarda veya kapalı alanlarda çalıştırmayın.
- Ürün üzerinde bakım yapmadan önce motoru durdurup ateşleme kablosunu bujiden çıkarın.
- Kesme donanımı üzerinde bakım yaparken koruyucu eldiven kullanın. Bıçak çok keskindir ve kolaylıkla kesiklere yol açabilir.
- Üretici tarafından onaylanmamış aksesuarlar ve ürün değişiklikleri, ciddi yaralanmalara veya ölüme neden olabilir. Ürünü değiştirmeyin. Her zaman üretici tarafından onaylanmış aksesuarları kullanın.
- Bakım işlemi doğru ve düzenli şekilde yapılmadığı takdirde yaralanma ve ürün hasarı riski artar.
- Bakım işlemini yalnızca kullanıcı kılavuzunda belirtildiği şekilde gerçekleştirin. Diğer tüm servis ve bakım işlemleri, onaylı Husqvarna servis noktası tarafından yapılmalıdır.
- Ürün üzerindeki servis işlemlerini düzenli olarak Husqvarna servis noktasına yaptırın.
- Hasarlı, aşınmış ya da kırık parçaları değiştirin.

Montaj

Giriş



UYARI: Ürünü monte etmeden önce güvenlik bölümünü okuyup anlamalısınız.



UYARI: Ürünün montajını yapmadan önce buji kablosunu bujiden çıkarın.

Tutma yerini takma

1. Alt tutma yerini kaldırın. (Şek. 21)
2. Alt tutma yerinin altındaki delikleri tutma yeri braketlerindeki deliklerle hizalayın.

Not: Sizin için en iyi çalıştırma konumunu sağlayacak delikleri seçin.

3. Alt tutma yeri topuzlarını sıkın.
4. Üst tutma yerini kaldırın ve alt tutma yeriyile hizalayın.
5. Üst tutma yeri topuzlarını tamamen sıkın.

Çalıştırma ipi kolunu takma

1. Çalıştırma ipi için daire şeklindeki tutma yerini ve T düğmesini takın. Bunları tamamen sıkmayın. (Şek. 22)
2. Motor fren kolunu tutma çubuğunun karşısında tutun.
3. Çalıştırma ipini yavaşça çekin ve çalıştırma ipi için daire şeklindeki tutma yerine takın. (Şek. 23)

4. T düğmesini sıkın. (Şek. 24)

Ürünü taşıma konumuna getirme

1. Çim toplama sepetini çıkarın.
2. Tutma yerinin kilidini açmak için alt tutma yeri topuzlarını gevşetin. (Şek. 25)
3. Tutma yerini geriye doğru katlayın.
4. Topuzları ve pimleri alt tutma yerinden sökün.
5. Kolu öne doğru katlayın.

Çim toplama sepetinin takılması

1. Çim toplama sepeti çerçevesini, torbanın sert kısmı aşağı gelecek şekilde çim torbasına takın. Çerçeve tutma yerini torbanın üstünde olacak şekilde dışarıda tutun. (Şek. 26)
2. Çim torbasını hızlı kliplerle çerçeveye tutturun. (Şek. 27)

Kullanım

Giriş



UYARI: Ürünü kullanmadan önce güvenlik bölümünü okuyup anlamalısınız.

Ürünü çalıştırmadan önce

1. Kullanım kılavuzunu dikkatle okuyun ve talimatları anladığınızdan emin olun.
2. Doğru bir şekilde takılıp ayarlandığından emin olmak için kesme donanımını inceleyin. Bkz. *Kesme donanımını kontrol etme sayfa: 351.*
3. Yakıt tankını doldurun. Bkz. *Yakıt doldurma sayfa: 348.*
4. Yağ tankını doldurun ve yağ seviyesini kontrol edin. Bkz. *Yağ seviyesini kontrol etme sayfa: 347.*

Yakıt doldurma

Varsa, düşük emisyonlu/alkilat benzin kullanın. Düşük emisyonlu/alkilat benzin yoksa kaliteli kurşunsuz benzin veya oktan numarası 90'ın altında olmayan kurşunlu benzin kullanın.



DİKKAT: Oktan numarası 90 RON (87 AKI) değerinin altında olan benzin kullanmayın. Bu, üründe hasara neden olabilir.

1. Basıncı tahliye etmek için yakıt tankı kapağını yavaşça açın.
2. Yakıt bidonuyla yavaşça doldurun. Yakıt dökerseniz bezle silin ve kalan yakıtı kurumaya bırakın.

3. Yakıt tankı kapağının çevresini temizleyin.
4. Yakıt tankı kapağını tamamen sıkın. Yakıt tankı kapağı sıkılmamışsa yangın riski vardır.
5. Çalıştırmadan önce ürünü, yakıt tankını doldurduğunuz konumdan en az 3 m (10 ft) uzağa taşıyın.

Kesme yüksekliğini ayarlama

Kesme yüksekliği 9 seviyede ayarlanabilir.

1. Kesme yüksekliğini artırmak için kesme yüksekliği kontrolünü önce tekerlek yönüne, ardından geriye doğru itin.
2. Kesme yüksekliğini azaltmak için kesme yüksekliği kontrolünü önce tekerlek yönüne, ardından ileriye doğru itin. (Şek. 28)



DİKKAT: Kesme yüksekliğini çok alçakta belirlemeyin. Çimenlik alanın yüzeyi düz değilse bıçaklar yere çarpabilir.

Ürünü çalıştırma

1. Ürünün arkasında durun.
2. Motor fren kolunu tutma çubuğunun karşısında tutun. (Şek. 29)
3. Çalıştırma ipinin kolunu sağ elinizle tutun.
4. Çalıştırma ipini bir miktar direnç hissedene kadar yavaşça çekin.
5. Motoru çalıştırmak için kuvvetlice çekin.



UYARI: Çalıştırma ipini elinize dolamayın.

Tekerleklerde tahriki kullanma

- Tahrik kollarını gidonun yönünde çekin. (Şek. 30)
- Ürünü geriye doğru çekmeden önce tahriki devre dışı bırakın ve ürünü yaklaşık 10cm ileri itin.
- Örneğin bir engele yaklaştığınızda, tahriki devre dışı bırakmak için tahrik kollarını serbest bırakın.

Tahrik kontrol kablosunu ayarlama

- Tahrik kontrol kablosunu ayarlamak için ayar vidasını kullanın. (Şek. 31)
- Motoru kapatın. Hareketli parçalarla çalışmadan önce her zaman bujiyi sökün.
- Teli germek ve hızı arttırmak için ayar vidasını saat yönünün tersine çevirin.
- Teli uzatmak ve hızı azaltmak için ayar vidasını saat yönünde çevirin.

Ürünü durdurma

- Yalnızca tahriki durdurmak için tahrik kollarını serbest bırakın.
- Motoru durdurmak için motor fren kolunu serbest bırakın. (Şek. 32)

Ürünü çim toplama sepetiyle kullanma



UYARI: Ürünü çim toplama sepeti takılı olmadan veya arka saptırıcıyı kapatmadan kullanmayın. Nesnelere fırlayabilir ve operatörün yaralanmasına neden olabilir.

1. Arka saptırıcıyı kaldırın ve malç tapasını çıkarın. (Şek. 33)
2. Çim toplama sepetini takma, bkz. *Çim toplama sepetinin takılması sayfa: 348.*
3. Çim toplama sepetini braketeye takın. (Şek. 34)
4. Arka saptırıcıyı serbest bırakın ve çim torbası çerçevesinin üzerine koyun.

Ürünü malçlama moduna getirme

Ürünün malçlama modu, çim kırpıntılarını daha küçük yapar. Çim kırpıntıları daha sonra çimenlik alanın

üzerine düşer ve dağılır. Malçlanmış çimler, biyolojik olarak hızla ayrışarak besin maddelerini çimenlik alana aktarır.

1. Arka siperliği kaldırın ve takılıysa çim torbasını çıkarın.
2. Malç tapasını toplayıcı kanalına yerleştirin. (Şek. 35)
3. Arka siperliği kapatın ve malç tapası üzerine sıkıca kapandığından emin olun. (Şek. 36)

Ürünü arkadan boşaltma moduna getirme

1. Arka saptırıcıyı kaldırın ve malç tapasını çıkarın. (Şek. 37)
2. Deşarj borusunu takın. (Şek. 38)

Çim toplama sepetini boşaltmak için



DİKKAT: Aşınmayı önlemek için çim toplama sepetini boşaltırken torbayı sürüklemeyin.

1. Çim toplama sepetini çerçeve kolu ile kaldırın. (Şek. 39)
2. Kolun altındaki çim toplama sepetinden çim kırpıntılarını çıkarın.
3. Çim kırpıntılarını torbadan çerçeve kolu ve torba kolu ile temizleyin.

İyi sonuç alma

- Her zaman keskin bıçak kullanın. Kör bıçak, düzensiz bir sonuç verir ve çimin kesme yüzeyi sarı olur. Ayrıca keskin bıçak kör bıçaktan daha az güç kullanır.
- Çim boyunun 1/3'ünden fazlasını kesmeyin. Önce kesme yüksekliği yüksek ayardayken kesmeye başlayın. Sonucu inceleyin ve kesme yüksekliğini uygun seviyeye indirin. Çimler çok uzunsa makineyi yavaş kullanın ve gerekirse 2 kere kesin.
- Her seferinde farklı yönlere keserek çimenlik alanında çizgi oluşmasını önleyin.

Bakım

Giriş



UYARI: Bakım yapmadan önce güvenlik bölümünü okuyup anlamanız gerekir.

Ürüne uygulanacak tüm servis ve onarım işlemleri için özel eğitim gereklidir. Profesyonel onarım ve servis hizmetlerinin mevcut bulunduğunu garanti etmekteyiz. Yetkili satıcınızın servis noktası değilse kendisiyle görüşüp en yakınınızdaki servis noktası hakkında bilgi edinin.

Bakım takvimi



DIKKAT: Ürünü eğerken hava filtresinin yere dayalı değil, havada olduğundan emin olun. Motor hasarı riski.

Bakım aralıkları, ürünün günlük kullanımına göre hesaplanır. Ürün her gün kullanılmazsa aralıklar değişir.

* işaretli bakım işlemleri için bkz. *Ürünün üzerindeki güvenlik aletleri sayfa: 346.*

Bakım	Günlük	Haftalık olarak	Aylık olarak
Genel inceleme yapma	X		
Yağ seviyesini inceleme	X		
Ürünü temizleme	X		
Kesme donanımını inceleme	X		
Kesme kapağını inceleme *	X		
Motor fren kolunu inceleme *	X		
Bıçak fren kontrolünü inceleme *	X		
Susturucuyu inceleme *		X	
Bujiyi inceleme		X	
Yağ değişimi (ilk kullanımda 5 saatten sonra, daha sonra her 50 saatlik kullanımda bir)			X
Hava filtresini temizleyin veya değiştirin			X
Yakıt sistemini inceleme			X

Genel denetim yapma

- Ürünün üzerindeki tüm somun ve vidaların doğru şekilde sıkıldığından emin olun.

Ürünün dış kısmını temizleme

- Yaprak, çim ve kirleri gidermek için fırça kullanın.
- Motorun üst kısmındaki hava girişinin kapanmadığından emin olun.
- Ürünü temizlemek için yüksek basınçlı yıkayıcı kullanmayın.
- Ürünü temizlemek için su kullanıyorsanız suyu doğrudan motorun üzerine akıtmayın.

Kesme kapağının iç yüzeyini temizleme

1. Yakıt tankını boşaltın.
2. Ürünü susturuculu yanı alta gelecek şekilde yerleştirin.



DIKKAT: Ürün hava filtresi alta gelecek şekilde yerleştirilirse motor hasar görebilir.

3. Kesme kapağının iç yüzeyini hortum kullanarak suyla yıkayın.

Su hortumu bağlantısını kullanma

1. Makineyi kesilmiş çim alanına ya da başka bir sert yüzeye götürün.
2. Çim toplama sepetini veya malç tapasını üründen çıkarın.
3. Arka saptırıcıyı kapatın.
4. Su hortumu bağlantısına bir su hortumu bağlayın. (Şek. 40)
5. Su şebekesini durdurun ve su hortumu bağlantısında sızıntı olup olmadığını kontrol edin.
6. Sızıntı yoksa motoru çalıştırın. Ürünün muhafazasının alt kısmı temizlenene kadar motoru çalışır durumda bırakın.
7. Motoru durdurun.
8. Su şebekesini durdurun ve hortumu su hortumu bağlantısından çıkarın.

Not: Motor çalışır haldeyken, su hortumunu su hortumu bağlantısından çıkartmayın. Motora su girmesi motorun kullanım ömrünü azaltılabilir.

9. Üründe kalan suyun temizlenmesi için motoru çalıştırın ve en az bir dakika boyunca motoru çalışır durumda bırakın.

Motor yağının değiştirilmesi



UYARI: Motor yağı, motor durdurulduktan hemen sonra çok sıcaktır. Motor yağınızı boşaltmadan önce motorun soğumasını bekleyin. Cildinize motor yağı dökülürse sabun ve suyla temizleyin.

1. Ürünü yakıt tankı boşalana kadar çalıştırın.
2. Ateşleme kablosunu bujiden çıkartın.
3. Yağ tankı kapağını çıkarın.
4. Ürünün altına motor yağınızı alacak bir kap yerleştirin.
5. Yağ tankındaki motor yağınızı akıtmak için ürünü eğin.
6. *Teknik veriler sayfa: 355* bölümünde tavsiye edilen tip yeni motor yağı doldurun.
7. Yağ seviyesini kontrol edin. Bkz. *Yağ seviyesini kontrol etme sayfa: 347.*

Bujinin kontrol edilmesi



DİKKAT: Daima önerilen tipte buji kullanın. Yanlış buji türü ürüne zarar verebilir.

- Motor gücü düşerse, çalıştırılması kolay değilse veya rölantide düzgün bir şekilde çalışmıyorsa bujii kontrol edin.
- Bujii elektrotlarında istenmeyen nesne riskini azaltmak için şu talimatlara uyun:
 - a) Rölanti hızının doğru ayarlandığından emin olun.
 - b) Yakıt karışımının doğru olduğundan emin olun.
 - c) Hava filtresinin temiz olduğundan emin olun.
- Bujii kirliyse temizleyin ve elektrot boşluğunun doğru olduğundan emin olun, bkz. *Teknik veriler sayfa: 355.* (Şek. 41)
- Gerekirse bujii değiştirin.

Hava filtresinin temizlenmesi

1. Hava filtresi kapağını ve filtreyi çıkarın.
2. Partiküllerin düşmesini sağlamak için filtreyi düz bir yüzeye vurun.



DİKKAT: Hava filtresini temizlemek için çözücü veya basınçlı hava kullanmayın.

3. Hava filtresini tekrar takın. Hava filtresinin hava filtresi tutucusuna tamamen oturduğundan emin olun.
4. Hava filtresi kapağını tekrar takın.

Not: Uzun süre kullanılan hava filtresi tamamen temizlenemez. Hava filtresini düzenli aralıklarla değiştirin. Hasar görmüş hava filtrelerini daima değiştirin.

Kesme donanımını kontrol etme



UYARI: Kazara çalışmayı önlemek için ateşleme kablosunu bujiden ayırın.



UYARI: Kesme donanımına bakım yaptığınızda koruyucu eldivenler kullanın. Bıçak çok keskindir ve kolaylıkla kesiklere yol açabilir.

1. Kesme donanımında hasar veya çatlak olup olmadığını inceleyin. Hasarlı bir kesme donanımını kesinlikle değiştirin.
2. Hasarlı veya kör olup olmadığını anlamak için bıçağa bakın.

Not: Bilendikten sonra bıçağı dengelemek gerekir. Bıçağın bir servis merkezinde bilenmesini, değiştirilmesini ve dengelenmesini sağlayın. Ürünün durmasına neden olan bir engele çarparsanız hasarlı bıçağı değiştirin. Bıçağın bilenip bilenmeyeceğini veya değiştirmek gerekip gerekmediğine servis merkezinin karar vermesini sağlayın.

Bıçağın montajı

1. Bıçak adaptörünü motor krank mili üzerine yerleştirin. Adaptör üzerindeki kamanın ve krank mili kama yolunun hizalandığından emin olun. (Şek. 42)
2. Bıçak, her zaman açılı uçları motora ve yukarı doğru bakacak şekilde takılmalıdır. (Şek. 43)
3. Ürün muhafazası ve bıçaklar arasında ahşap bir blok kullanın. Bıçak civatasını sıkın ve saat yönünde çevirin.
4. Civatayı her zaman 35-40 ft lb (47-54 Nm) torkla sıkın. (Şek. 44)
5. Bujii kablosunun motordan ayrıldığından emin olun.



DİKKAT: Yanlışlıkla çalıştırmayı önlemek için bujii kablosunun bağlantısını daima kesin ve kabloyu bujiyle temas etmeyeceği bir yere koyun.

6. Bıçağı elinizle döndürün ve serbestçe döndüğünden emin olun.

Bıçağı değiştirme

1. Bıçağı ahşap bir blokla kilitleyin. (Şek. 45)
2. Bıçak civatasını sökün.
3. Bıçağı sökün.
4. Bıçak desteğinde ve bıçak civatasında hasar olup olmadığını kontrol edin.

- Bükülmediğinden emin olmak için motor milini inceleyin.
- Yeni bıçak taktığınızda bıçağın açılı uçlarını kesme kapağı yönüne çevirin. (Şek. 46)
- Bıçağın, motor milinin orta kısmıyla hizalandığından emin olun.
- Bıçağı aħşap bir blokla kilitleyin. Yaylı rondela takıp civatayı ve rondelayı 47-54 Nm'lik torkla sıkın. (Şek. 47)

- Bıçağı elinizle çekerek döndürün ve serbestçe döndüğünden emin olun.



UYARI: Ağır hizmet tipi eldiven kullanın. Bıçak çok keskindir ve kolaylıkla kesiklere yol açabilir.

- Bıçağı test etmek için ürünü çalıştırın. Bıçak düzgün takılmıyorsa üründe titreşim olur veya kesme sonucu tatmin edici olmaz.

Şanzıman düzeneğine genel bakış

(Şek. 2)

- Malç tapası
- Arka parça
- Şanzıman kasnağı
- Rölanti braketli
- Şanzıman kapağı
- Bıçak adaptörü
- Rölanti kasnağı
- Ön kayış tutucu
- Halka
- Bıçak
- Sert rondela
- Kilit rondelası
- Bıçak civatası
- Kayış kapağı

- Tahrik kapağını sökün. (Şek. 48)
- Bıçak civatasını, kilit rondelasını, sert rondelayı ve bıçağı çıkarın. (Şek. 49)
- Malç tapasını çıkarın. (Şek. 50)
- Arka parçayı çıkarın.
- Kayış kapağını ve halkayı çıkarın. (Şek. 51)
- Kabloyu şanzımandan ayırın ve rölanti kasnağını rölanti düzeneğinden çıkarın.
- Ön kayış tutucuyu çıkarın.
- Hareket kayışını şanzıman kasnağından çıkarın.
- 3 rölanti kasnağını da rölanti düzeneğinden çıkarın. (Şek. 52)
- Hareket kayışını, bıçak adaptöründen ve rölanti düzeneğinden çıkarın. (Şek. 53)
- Şanzımanın giriş miline kilitleli pense takın. Motor kasnağını 9/16 inç İngiliz anahtar yardımcıyla gevşetip şanzıman kasnağını çıkarın.
- Hareket kayışını çıkarın.

Hareket kayışını çıkarmak için

- Ürünü yakıt tankı boşalana kadar çalıştırın.
- Buji kapağını bujiden çıkartın.
- Ürünü susturuculu yanı alta gelecek şekilde yerleştirin.



DİKKAT: Ürün hava filtresi alta gelecek şekilde yerleştirilirse motor hasar görebilir.

Sorun giderme

Sorun	Olası neden	Çözüm
Motor çalışmıyor.	Ateşleme kablosu doğru bir şekilde bağlanmamıştır.	Ateşleme kablosunu bujiye bağlayın.
	Yakıt tankı boştur.	Yakıt tankını doğru tipte yakıtla doldurun.
	Karbüratör veya yakıt hattında kir vardır.	Karbüratörü ve/veya yakıt hattını temizleyin.
	Buji arızalıdır.	Elektrot boşluğunu ayarlayın, bujiyi temizleyin veya değiştirin.
Motor durmuyor.	Durma mekanizması arızalı.	Ateşleme kablosunu bujiden ayırın. Yetkili bir servis noktasında ürünü tamir ettirin.

Sorun	Olası neden	Çözüm
Motor sorunlu şekilde çalışıyor.	Ateşleme kablosu doğru bir şekilde bağlanmamıştır.	Ateşleme kablosunu bujiye bağlayın.
	Yakıt hattında kir vardır veya yakıt eskimiştir.	Yakıt hattını temizleyin. Yakıt tankını doğru türde yeni bir yakıtla doldurun.
	Yakıt tankı kapağı tıkanmıştır.	Yakıt tankı kapağını temizleyin.
	Yakıt sisteminde su veya kir vardır.	Yakıt tankını boşaltın. Yakıt tankını doğru türde yeni bir yakıtla doldurun.
	Hava filtresi kirlidir.	Hava filtresini temizleyin.
	Karbüratörün ayarlanması gerekir.	Servis bayisinde karbüratörü ayarlatın.
Motor çok ısınıyor.	Motor yağ seviyesi çok düşüktür.	Motor yağını doldurun.
	Hava akışı yeterli değil.	Hava filtresini ve hava filtresi yuvasını temizleyin.
	Karbüratörün ayarlanması gerekir.	Servis bayisinde karbüratörü ayarlatın.
Yüksek hızda çalışırken motorda tekleme var.	Bujideki elektrot boşluğu çok küçüktür.	Elektrot boşluğunu ayarlayın.
Motor, rölantide düzgün çalışmıyor.	Buji kirlidir, arızalıdır veya elektrot boşluğu çok geniştir.	Elektrot boşluğunu ayarlayın veya bujiyi değiştirin.
	Karbüratörün ayarlanması gerekir.	Karbüratörü ayarlayın.
	Hava filtresi kirlidir.	Hava filtresini temizleyin.
Tutma yerinde çok fazla titreşim var.	Bıçaklardan biri gevşemiş veya dengesiz olabilir.	Bıçak civatalarını sıkın. Hasarlıysa bıçakları değiştirin.
	Bıçaklardan biri bükülmüş.	Hasarlıysa bıçakları değiştirin.
Çimler malçlanmıyor.	Çimler ıslaktır.	Çimler ıslakken ürünü çalıştırmayın. Çimlerin kurumasını bekleyin.
	Çimler çok uzundur.	Önce kesme yüksekliği yüksek ayardayken kesmeye başlayın. Kesme yüksekliğini düşürün ve tekrar kesin. Tek seferde kesme genişliğinin ½'siyle kesin.
	Bir veya birden fazla bıçak yeterince keskin değil.	Bıçakları bileyleyin veya değiştirin.
Çimler düzensiz kesiliyor.	Tekerlekler doğru pozisyonda değildir.	Kesme yüksekliğini 4 tekerlek için de aynı seviyede tutun.
	Bir veya birden fazla bıçak yeterince keskin değil.	Bıçakları bileyleyin veya değiştirin.
Tahrik sistemi düzgün çalışmıyor	Hareket kayışı yeterince sıkı değildir veya kasnaklarda ya da hareket kayışı üzerinde kir vardır.	Yetkili bir servis noktasında tahrik sistemine bakım yaptırın.

Taşıma ve saklama

- Ürün ile yakıtı taşımak ve saklamak için sızıntı veya duman olmadığından emin olun. Örneğin, elektrikli cihazlardan veya kazanlardan kaynaklanan kıvılcım veya açık alevler yangın çıkarabilir.
- Yakıtı taşımak ve saklamak için her zaman onaylı kaplar kullanın.
- Ürünü uzun bir süre için saklama yerine koymadan önce yakıt tankını boşaltın. Yakıtı uygun bir çöp atma merkezinde bertaraf edin
- Hasar veya kaza olmasını önlemek için taşıma sırasında ürünü güvenli bir şekilde bağlayın.
- Çocukların veya yetkili olmayan kişilerin erişmesini önlemek için ürünü kilitli bir alanda tutun.
- Ürünü kuru ve donmayan bir yerde tutun.

Atma

- Yerel geri dönüşüm gerekliliklerine ve geçerli düzenlemelere uyun.
- Motor yağı veya yakıt gibi kimyasalları servis merkezinde veya uygun bir atık noktasında atın.
- Ürün artık kullanılmıyorsa ürünü Husqvarna bayisine gönderin veya geri dönüşüm noktasında atın.

Teknik veriler

Teknik veriler

	LC 353AWD
Motor	
Marka	Honda
Hacim, inç küp/cm ³	10,4/170
Hız, rpm	2900-3200
Nominal motor çıkış gücü, dev/dak'da kW/hp ¹²⁶	3,6/4,9'da 2900-3200
Ateşleme sistemi	
Buji	NGK BPR5ES
Elektrot boşluğu, inç/mm	0,028/0,7
Yakıt ve yağlama sistemi	
Yakıt, kurşunsuz, en az oktan numarası	90 RON/87 AKI
Yakıt deposu kapasitesi, ABD Pint/l	0,27/1,02
Yağ deposu kapasitesi, ABD Pint/l	0,14/0,53
Motor yağı ¹²⁷	SAE 30/SAE 10W-30
Ağırlık	
Tanklar boşken, lb/kg	92/41,7
Gürültü yayma ¹²⁸	
Ses gücü seviyesi, ölçülmüş dB (A)	95
Ses gücü seviyesi, L _{WA} dB (A) garantili	96
Ses seviyeleri ¹²⁹	
Operatörün kulağındaki ses basıncı düzeyi, dB (A)	85
Titreşim seviyeleri ¹³⁰	
Tutma yeri, m/sn ² , çim toplama sepeti ile/çim toplama sepeti olmadan	7/7
Kesme ataşmanı	

¹²⁶ Motor için gösterilen güç derecesi SAE J1349/ISO1585 standardına göre ölçülen motor modeli için tipik bir üretim motorunun (belirlenmiş dev/dk'da) ortalama net güç çıkışıdır. Seri üretim motorları bu değerden farklı olabilir. Ürünün son haline takılan motorun gerçek güç çıkışı çalışma hızına, çevre koşullarına ve diğer değerlere bağlıdır.

¹²⁷ SJ veya daha yüksek kalitede motor yağı kullanın. Motor üreticinin kılavuzundaki viskozite tablosuna bakarak beklenen dış ortam sıcaklığına göre en iyi viskoziteyi seçin.

¹²⁸ 2000/14/AT sayılı AT direktifi uyarınca ses gücü (L_{WA}) olarak çevrede ölçülen gürültü yayma seviyesi.

¹²⁹ ISO 5395'e göre ses basıncı düzeyi. Ses basıncı düzeyi için bildirilen verilerdeki tipik istatistik dağılım (standart sapma) 1,2 dB (A) şeklindedir.

¹³⁰ ISO 5395'e göre titreşim düzeyi. Titreşim düzeyi için bildirilen verilerin tipik istatistik dağılımı (standart sapması) 0,2 m/sn² şeklindedir.

	LC 353AWD
Kesme yüksekliđi, inç/mm	1,0-4,0/25,4-101,6
Kesme geniřliđi, inç/mm	21/530
Bıçak	
Ürün numarası	586 85 96-02
Çim toplama sepeti kapasitesi, ft ³ /l	2,3/65
Tahrik	
Hız, mil/km/sa	0-3/0-4,8

AB uyumluluk bildiriminin içeriđi

Husqvarna AB, SE 561 82 Huskvarna, İSVEÇ olarak, sunulan ürünün tek sorumlusu olma vasfıyla ařađıdaki beyanlarda bulunmaktayız:

Sađlanan yanmalı motorlu yaya kumandalı çim biçme makinesi, incelemeden geçen örneđe uygundur.

Açıklama	Yanmalı motorlu yaya kumandalı çim biçme makinesi
Marka	Husqvarna
Platform / Tür / Model	LC 353AWD modellerini temsil eden E21THV platformu.
Parti	2019 ve daha ileri tarihli seri numaraları.

ařađıdaki AB direktifleri ve düzenlemeleriyle tamamen uyumludur:

Direktif/Düzenleme	Açıklama
2006/42/AT	"makinelere ilgili"
2014/30/AB	"elektromanyetik uyumlulukla ilgili"
2000/14/AB; 2005/88/AT	"açık alanda gürültüyle ilgili"
2011/65/AB	"belirli tehlikeli maddelerin kısıtlanmasıyla ilgili"

Uygulanan uyumlulařtırılmıř standartlar ve/veya teknik özellikler řu řekildedir: EN ISO 12100, ISO 5395-1+A1/A2, ISO 5395-2+A1/A2, EN ISO 14982, ISO 3744, ISO 11094, EN 1032

2000/14/AT direktifi Ek VI uyarınca beyan edilen ses deđerleri, bu kılavuzun teknik veriler kısmında ve imzalı AT Uyumluluk Bildirimi'nde belirtilmiřtir.

Зміст

Вступ.....	357	Усунення несправностей.....	366
Безпека.....	358	Транспортування, зберігання й утилізація.....	368
Збирання.....	361	Технічні дані.....	369
Експлуатація.....	362	Зміст декларації відповідності ЄС.....	370
ТЕХНІЧНЕ ОБСЛУГОВУВАННЯ.....	363		

Вступ

Опис виробу

Цей виріб – газонокосарка з двигуном внутрішнього згоряння, керована пішим оператором. Трава збирається в травозбірник. Для того, щоб трава викидалася ззаду, приборіть травозбірник. Для того, щоб перетворити траву на добриво, встановіть приладдя для мульчування.

Огляд виробу

(Мал. 1)

1. Ручка зупинення двигуна
2. Важелі приводу
3. Рукоятка стартера
4. Травозбірник
5. Кришка паливного бака
6. Повітряний фільтр
7. Свічка запалення
8. Кришка приводу
9. Глушник
10. Патрубок для під'єднання водяного шланга
11. Задній дефлектор
12. Вимірювальний стрижень / масляний бак
13. Регулятор висоти різання
14. Заглушка для мульчування
15. Посібник користувача
16. Викидний жолоб

Символи на виробі

- (Мал. 3) **ПОПЕРЕДЖЕННЯ:** Цей виріб може бути дуже небезпечним і здатний спричинити тяжкі травми або смерть оператора чи сторонніх осіб. Будьте обережні й використовуйте виріб правильно.
- (Мал. 4) Перед початком експлуатації виробу уважно прочитайте посібник користувача й переконайтеся в тому, що ви зрозуміли наведені в ньому вказівки.
- (Мал. 5) Швидко
- (Мал. 6) Повільно

Правильне використання

Використовуйте виріб для скошування трави в приватних садах. Забороняється використовувати продукт для інших завдань.

- (Мал. 7) Тримайте руки й ноги на безпечній відстані від деталей, що обертаються.
- (Мал. 8) Сторонні особи й тварини мають перебувати на безпечній відстані від робочої зони.
- (Мал. 9) Будьте обережні під час руху у зворотному напрямку. Під час руху назад слід дивитися назад і вниз, щоб не перечепитися через маленьких дітей, тварин тощо й не пасти.
- (Мал. 10) Експлуатація виробу на схилах може становити небезпеку.
- (Мал. 11) Тримайте руки й ноги на безпечній відстані від леза, що обертається.
- (Мал. 12) Остерігайтеся рикошету й об'єктів, які можуть вилітати з-під виробу.
- (Мал. 13) Рівень випромінювання шуму в середовище відповідає директиві Європейської Спільноти. Рівень шумового випромінювання виробу вказано в розділі *Технічні дані на сторінці 369* і на паспортній табличці.
- (Мал. 14) Цей виріб відповідає вимогам відповідних директив ЄС.
- (Мал. 15) Виріб відповідає належним вимогам директив ЕАС.
- (Мал. 16) Виріб відповідає вимогам застосовних директив RCM. Застосовується тільки для Австралії та Нової Зеландії.

(Мал. 17) Виріб відповідає застосовним вимогам директив України.

(Мал. 18) Користуйтеся відповідними захисними навушниками.

Зверніть увагу: Інші позначення на виробі відповідають вимогам спеціальних сертифікатів для інших торгових зон.

Відповідальність за якість продукції

Згідно із законом про відповідальність за якість продукції ми не несемо відповідальності за будь-які

пошкодження, спричинені роботою наших виробів, якщо:

- виріб було неправильно відремонтовано;
- виріб було відремонтовано із використанням деталей, виготовлених не виробником або не затверджених ним;
- виріб обладнано аксесуаром, виготовленим не виробником або не затвердженим ним;
- виріб було відремонтовано в неавторизованому сервісному центрі або неавторизованою компанією;

Безпека

Визначення щодо безпеки

Попередження, застереження й примітки служать для наголошення на особливо важливих положеннях посібника.



ПОПЕРЕДЖЕННЯ: Вказує на те, що в разі порушення інструкцій, наведених у цьому посібнику, існує небезпека поранення або смерті оператора чи інших осіб, що знаходяться поруч.



УВАГА: Вказує на те, що в разі порушення інструкцій, наведених у цьому посібнику, існує небезпека пошкодження виробу, інших матеріалів або навколишніх об'єктів.

Зверніть увагу: Використовується для надання додаткової інформації щодо певної ситуації.

Загальні правила техніки безпеки



ПОПЕРЕДЖЕННЯ: Перш ніж розпочати використання виробу, уважно прочитайте наведені нижче попередження.

- Цей виріб може бути небезпечним у разі неправильного або недбалого використання. Порушення правил техніки безпеки може призвести до травм або смерті.
- Під час роботи цього виробу утворюється електромагнітне поле. Це поле може за деяких умов взаємодіяти з активними чи пасивними медичними імплантатами. Щоб зменшити ризик тяжких або смертельних травм, рекомендуємо особам із медичними імплантатами проконсультуватися зі своїм лікарем і виробником медичного імплантату перед початком експлуатації цього виробу.
- Завжди будьте обережні та керуйтеся здоровим глуздом. Якщо ви маєте сумніви щодо того, як

користуватися виробом у конкретній ситуації, припиніть роботу та проконсультуйтеся з дилером Husqvarna.

- Пам'ятайте, що оператор несе відповідальність за нещасні випадки, в результаті яких постраждали інші особи або їхнє майно.
- Підтримуйте виріб чистим. Переконайтеся, що знаки та наклейки знаходяться в читабельному стані.
- Не дозволяйте використовувати виріб стороннім людям доки не переконаєтеся, що вони прочитали та зрозуміли весь зміст посібника користувача.
- Не давайте використовувати прилад дітям.
- Не підпускайте до робочої зони дітей. Біля виробу, що працює, має завжди перебувати відповідальна доросла особа.
- Не давайте використовувати прилад особам, що не ознайомилися з інструкціями.
- Завжди наглядуйте за особами з обмеженими фізичними чи розумовими можливостями, що використовують виріб. Біля виробу, що працює, має завжди перебувати відповідальна доросла особа.
- Забороняється використовувати виріб, якщо ви втомлені, хворі, чи перебуваєте під впливом наркотиків, алкоголю або медикаментів. Ці фактори мають негативний вплив на ваш зір, зосередженість, свідомість та координацію рухів.
- Забороняється використовувати виріб у разі його несправності.
- Забороняється зміни в конструкцію виробу чи використовувати виріб, якщо є підозра, що його було змінено сторонніми особами.

Безпека в робочій зоні



ПОПЕРЕДЖЕННЯ: Перш ніж розпочати використання виробу, уважно прочитайте наведені нижче попередження.

- Перед використанням виробу приборіть з робочої зони всі гілки, лозу та каміння.

- Предмети, що потраплять на різальне обладнання, можуть відлетіти та поранити сторонніх осіб або пошкодити інші предмети. Сторонні особи та тварини повинні знаходитися на безпечній відстані від виробу.
- Забороняється використовувати виріб за погані погоди на кшталт туману, дощу, сильного вітру, значного холоду або грози. Робота в погану погоду або на вологих ділянках виснажує. Погана погода може стати причиною небезпечних умов роботи, таких як слизькі поверхні.
- Бережіться осіб, предметів та ситуацій, які можуть зашкодити безпечній роботі виробу.
- Бережіться перешкод на кшталт коріння, каміння, гілок, ям або канав. Висока трава може приховувати перешкоди.
- Скошування трави на схилах може бути небезпечним. Не використовуйте виріб на ділянках із нахилом понад 15°.
- Використовуйте виріб на схилах у горизонтальному напрямку. Не рухайтесь вгору і вниз.
- Будьте обережні, наближаючись до прихованих кутів та предметів, які можуть закривати поле зору.

Техніка безпеки



ПОПЕРЕДЖЕННЯ: Перш ніж розпочати використання виробу, уважно прочитайте наведені нижче попередження.

- Використовуйте виріб лише для скошування трав'яних газонів. Заборонено використовувати виріб для інших цілей.
- Використовуйте засоби індивідуального захисту. Див. *Засоби індивідуального захисту на сторінці 359.*
- Дізнайтеся, як швидко зупинити двигун в екстреній ситуації.
- Забороняється запускати двигун у закритому приміщенні або поблизу легкозаймистих матеріалів. Вихлопні дими мають високу температуру й можуть містити іскри, що можуть призвести до пожежі.
- Забороняється використовувати виріб без правильно встановленого леза та всіх кожухів. Неправильно встановлене лезо може від'єднатися й призвести до травм.
- Слідкуйте, щоб лезо не зачіпляло сторонні предмети на кшталт каміння та коріння. Це може призвести до пошкодження леза та згинання вала двигуна. Зігнута вісь викликає значні вібрації та призводить до ризику від'єднання леза від виробу.
- У разі удару леза об будь-який сторонній предмет чи появі вібрації негайно зупиніть виріб. Від'єднайте провід запалювання від свічки запалювання. Перевіряйте виріб на наявність пошкоджень. Виправляйте пошкодження або

здавайте виріб на ремонт в авторизований центр обслуговування.

- Забороняється закріплювати ручку зупинення двигуна на рукоятці, коли працює двигун.
- Поставте виріб на тверду рівну поверхню та ввімкніть його. При цьому лезо не повинно торкатися землі або інших предметів.
- Під час роботи з виробом завжди залишайтеся позаду нього.
- Під час роботи з виробом усі колеса мають залишатися на землі, а обидві руки треба тримати на ручці. Тримайте руки та ноги на відстані від лез, що обертаються.
- Не нахилийте виріб, коли двигун увімкнений.
- Будьте обережні під час руху у зворотному напрямку.
- Забороняється піднімати виріб коли двигун увімкнений. Якщо виріб треба підняти, спочатку вимкніть двигун та від'єднайте провід запалювання від свічки запалювання.
- Не рухайтесь у зворотному напрямку під час роботи з виробом.
- Вимикайте двигун під час руху через ділянки без трави на кшталт доріжок із гравію, каменю або асфальту.
- Не бігайте з виробом, коли двигун увімкнений. Під час роботи з виробом необхідно ходити зі звичайною швидкістю.
- Вимикайте двигун, перш ніж змінювати висоту різання. Забороняється виконувати регулювання при увімкненому двигуні.
- Забороняється залишати виріб без нагляду коли двигун працює. Зупиніть двигун та переконайтеся, що ріжуче обладнання не обертається.

Правила техніки безпеки під час використання

Засоби індивідуального захисту



ПОПЕРЕДЖЕННЯ: Перш ніж розпочати використання виробу, уважно прочитайте наведені нижче попередження.

- Особисте захисне спорядження не може повністю усунути небезпеку травмування, але при нещасному випадку воно знизить ступінь важкості травми. Дозвольте дилеру допомогти вам із вибором підходящого обладнання.
- Використовуйте засоби захисту органів слуху, якщо рівень шуму перевищує 85 дБ.
- Використовуйте взуття із захистом від ковзання для роботи у важких умовах. Забороняється використовувати відкрите взуття або працювати взагалі без нього.
- Використовуйте цупкі довгі штани.

- За потреби використовуйте рукавички, наприклад, якщо необхідно приєднати, оглянути або почистити різальне обладнання.

на легкозаймисті матеріали та/або випари, щоб не допустити пожежі.

Механізми безпеки на пристрої



ПОПЕРЕДЖЕННЯ: Перш ніж розпочати використання виробу, уважно прочитайте наведені нижче попередження.

- Не використовуйте виріб із пошкодженими захисними пристроями.
- Регулярно перевіряйте захисні пристрої. У випадку пошкодження захисних пристроїв зверніться до центру обслуговування Husqvarna.

Перевірка кожуха леза

Кожух леза частково поглинає вібрацію виробу та знижує небезпеку травмування лезом.

- Огляньте кожух леза та переконайтеся, що він не має пошкоджень на кшталт тріщин.

Перевірка ручки зупинення двигуна

Ручка зупинення двигуна зупиняє двигун. За відпускання ручки зупинення двигуна він зупиняється.

- Запустіть двигун, а потім відпустіть ручку зупинення двигуна. Якщо двигун не зупиняється протягом 3 секунд, необхідно передати виріб в авторизований центр обслуговування Husqvarna для налаштування гальма двигуна. (Мал. 19)

Перевірка заднього дефлектора

Задній дефлектор знижує ризик потрапляння в оператора предметів, що відкидаються від виробу.

- Перевірте задній дефлектор на наявність пошкоджень. (Мал. 20)
- Переконайтеся, що пружини біля заднього дефлектора не розірвані.
- Розірвані пружини й пошкоджені деталі необхідно замінити.
- Переконайтеся, що задній дефлектор плавно рухається на петлях.

Глушник

Глушник зменшує рівень шуму та відводить вихлопні гази подалі від оператора.

Не використовуйте виріб із пошкодженим глушником або взагалі без глушника. В разі пошкодження глушника збільшується рівень шуму та підвищується небезпека загоряння.



ПОПЕРЕДЖЕННЯ: Під час роботи виробу та відразу після роботи, а також під час роботи двигуна на холостих обертах глушник сильно нагрівається. Зважайте

Перевірка глушника

- Регулярно оглядайте глушник, стежте, щоб він був правильно під'єднаний та справний.

Перевірка рівня оливи



УВАГА: Занадто низький рівень оливи може спричинити пошкодження двигуна. Перед запуском виробу необхідно перевіряти рівень оливи.

1. Встановіть виріб на рівній поверхні.
2. Зніміть кришку бака для оливи за допомогою під'єданого вимірювального стрижня.
3. Усуньте оливу з вимірювального стрижня.
4. Щоб дізнатися точний рівень оливи, повністю вставте вимірювальний стрижень в бак для оливи.
5. Вийміть вимірювальний стрижень.
6. Перевірте рівень оливи на вимірювальному стрижні.
7. У разі, якщо рівень оливи низький, залийте моторну оливу та перевірте рівень ще раз.

Заходи безпеки під час роботи з паливом



ПОПЕРЕДЖЕННЯ: Перш ніж розпочати використання виробу, уважно прочитайте наведені нижче попередження.

- Не запускайте виріб, якщо на ньому залишилися пальне або моторна олива. Приберіть непотрібне пальне/оливу та дайте виробу просохнути.
- Якщо ви пролили пальне на свій одяг, негайно переодягніться.
- Не допускайте потрапляння пального на тіло, адже це може призвести до травм. Для видалення пального, що потрапило на тіло, використовуйте мило та воду.
- Не запускайте виріб у разі наявності протікання у двигуні. Регулярно перевіряйте двигун на протікання.
- Будьте обережні при поводженні з паливом. Пальне є легкозаймистою речовиною, а його пари вибухонебезпечні та можуть призвести до травм або смерті.
- Не вдихайте вихлопні гази, це може призвести до травм. Забезпечте належне провітрювання.
- Не паліть біля пального або двигуна.
- Не кладіть біля пального або двигуна теплі предмети.
- Не доливайте пальне в працюючий виріб.
- Перед заправленням переконайтеся, що двигун охолонув.

- Перед заправленням повільно відкрийте кришку паливного бака, обережно зменшивши тиск.
- Не заправляйте виріб у приміщенні. Недостатнє провітрювання може призвести до травм або смерті внаслідок задухи чи отруєння монооксидом вуглецю.
- Затягуйте кришку паливного бака повністю. Якщо кришку паливного бака не затягнуто, існує ризик виникнення пожежі.
- Перед запуском пересуньте виріб щонайменше на 3 м від місця, де ви заправляли його.
- Не заповнюйте паливний бак повністю. Під впливом високої температури паливо розширюється. Залиште трохи вільного місця вгорі бака.
- Перед тим, як почати технічне обслуговування виробу, вимкніть двигун та від'єднайте провід запалювання від свічки запалювання.
- Під час технічного обслуговування різального обладнання використовуйте захисні рукавиці. Лезо дуже гостре, ним можна легко порізатися.
- Встановлення аксесуарів, виготовлених не виробником, або внесення змін, не затверджених ним, може призвести до серйозної травми чи смерті. Вносити зміни в виріб забороняється. Використовуйте лише сертифіковані виробником аксесуари.
- Якщо не проводити правильне та регулярне технічне обслуговування, виникає небезпека травм та пошкодження виробу.
- Виконуйте технічне обслуговування лише так, як це наведено в цьому посібнику користувача. Будь-які інші види обслуговування повинні проводитися в авторизованому центрі обслуговування Husqvarna.
- Регулярне обслуговування виробу може проводити авторизований центр обслуговування Husqvarna.
- Замінійте пошкоджені, зношені або зламані деталі.

Правила техніки безпеки під час обслуговування



ПОПЕРЕДЖЕННЯ: Перш ніж розпочати використання виробу, уважно прочитайте наведені нижче попередження.

- Вихлопні гази з двигуна містять монооксид вуглецю, отруйний та дуже небезпечний газ без запаху. Забороняється заводити виріб у приміщенні чи в замкнутому просторі.

Збирання

Вступ



ПОПЕРЕДЖЕННЯ: Перед монтажем виробу обов'язково прочитайте й усвідомте зміст розділу про заходи безпеки.



ПОПЕРЕДЖЕННЯ: Перед збиранням виробу необхідно від'єднати кабель від свічки запалювання.

Монтаж ручки

1. Опустіть нижню ручку. (Мал. 21)
 2. Вирівняйте отвори під нижньою ручкою з отворами кріпильних скоб ручки.
- Зверніть увагу:** Підберіть отвори таким чином, щоб вам було зручно працювати.
3. Затягніть фіксувальні головки нижньої ручки.
 4. Підніміть верхню ручку так, щоб вона вирівнялася з нижньою ручкою.
 5. Повністю затягніть фіксувальні головки верхньої ручки.

Установлення ручки троса стартера

1. Встановіть утримувач троса стартера з Т-подібною фіксувальною головкою. Не затягуйте її повністю. (Мал. 22)
2. Утримуйте ручку зупинення двигуна біля рукоятки.
3. Повільно витягніть трос стартера та пропустіть його через утримувач. (Мал. 23)
4. Затягніть Т-подібну фіксувальну головку. (Мал. 24)

Встановлення виробу в положення для транспортування

1. Зніміть травозбірник.
2. Відпустіть фіксувальні головки верхньої ручки, щоб розблокувати її. (Мал. 25)
3. Складіть ручку назад.
4. Зніміть головки й штифти нижньої ручки.
5. Складіть ручку вперед.

Монтаж травозбірника

1. Встановіть рамку травозбірника на мішок для трави. Твердий бік мішка має бути знизу. Ручка рамки має перебувати поза межами мішка. (Мал. 26)

- Установіть травозбірник на рамці за допомогою миттєвих затискачів. (Мал. 27)

Експлуатація

Вступ



ПОПЕРЕДЖЕННЯ: Перед експлуатацією виробу обов'язково прочитайте й усвідомте зміст розділу про заходи безпеки.

Перед початком роботи з виробом

- Уважно прочитайте посібник користувача та переконайтеся, що ви зрозуміли всі вказівки.
- Огляньте різальне обладнання та переконайтеся, що воно правильно встановлено та налаштовано. Див. *Перевірка різального обладнання на сторінці 365.*
- Наповніть паливний бак. Див. *Заправлення паливом на сторінці 362.*
- Наповніть паливний бак та перевірте рівень оливи. Див. *Перевірка рівня оливи на сторінці 360.*

Заправлення паливом

Якщо є можливість, використовуйте бензин з низьким рівнем викидів/бензин-алкілат. Якщо можливості використовувати бензин з низьким рівнем викидів/бензин-алкілат немає, використовуйте якісний неетилований бензин або етилований бензин із октановим числом не менше 90.



УВАГА: Не використовуйте бензин із октановим числом нижче 90 RON (87 AKI). Це може призвести до пошкодження виробу.

- Повільно відкрутіть кришку паливного бака, щоб вивільнити тиск.
- Повільно влийте пальне з канистри. У разі проливання пального витріть його ганчіркою або дайте йому висохнути.
- Витріть поверхню біля кришки паливного бака.
- Затягуйте кришку паливного бака повністю. Якщо кришку паливного бака не затягнуто, існує ризик виникнення пожежі.
- Перед запуском пересуньте виріб на 3 м від місця, де ви заправляли його.

Налаштування висоти різання

Можна встановити 9 різних рівнів висоти різання.

- Щоб збільшити висоту різання, посуňte регулятор висоти різання в напрямку колеса й назад.

- Щоб зменшити висоту різання, посуňte регулятор висоти різання в напрямку колеса й вперед. (Мал. 28)



УВАГА: Не встановлюйте занадто низьку висоту різання. Леза можуть зачепити землю, якщо поверхня газону буде нерівною.

Запуск виробу

- Залишайтеся позаду виробу.
- Утримуйте ручку зупинення двигуна біля рукоятки. (Мал. 29)
- Утримуйте ручку троса стартера правою рукою.
- Повільно потягніть ручку троса стартера доки не відчуєте деякий спротив.
- Потягніть шнур сильно, щоб запустити двигун.



ПОПЕРЕДЖЕННЯ: Не намотуйте трос стартера на руку.

Щоб підключити привід до коліс

- Потягніть важелі приводу в напрямку рукоятки. (Мал. 30)
- Перед переміщенням виробу у зворотному напрямку розчепіть привід і штовхніть виріб уперед приблизно на 10см.
- У разі наближення до перешкоди відпустіть важелі приводу, щоб розчепити привід.

Регулювання кабелю керування приводом

- Для налаштування кабелю керування приводом використовуйте гвинт регулювання. (Мал. 31)
- Зупиніть двигун. Перш ніж працювати з рухомими деталями, обов'язково від'єднайте свічку запалювання.
- Щоб натягнути дріт і підвищити швидкість, поверніть регулювальний гвинт проти годинникової стрілки.
- Щоб збільшити довжину дроту й знизити швидкість, поверніть регулювальний гвинт за годинниковою стрілкою.

Вимкнення виробу

- Щоб зупинити тільки привід, необхідно відпустити важелі приводу.
- Щоб зупинити двигун, необхідно відпустити ручку зупинення двигуна. (Мал. 32)

Використання виробу з травозбірником



ПОПЕРЕДЖЕННЯ: Не використовуйте виріб без встановленого травозбірника або без закритого заднього дефлектора. З-під косарки можуть викидатися різноманітні предмети і завдавати шкоди оператору.

1. Підніміть задній дефлектор і витягніть заглушку для мульчування. (Мал. 33)
2. Установіть травозбірник, див. *Монтаж травозбірника на сторінці 361*.
3. Установіть травозбірник на кріпильну скобу. (Мал. 34)
4. Відпустіть задній дефлектор, щоб він опинився зверху рамки мішка для трави.

Переналаштування виробу в режим мульчування

Режим мульчування робить обрізки трави меншими. Після цього обрізки потрапляють на газон і розподіляються між стеблами трави. Замульчована трава розкладається й живить газон.

1. Підніміть задній щиток і витягніть мішок для трави, якщо його встановлено.
2. Вставте заглушку для мульчування в канал збірника. (Мал. 35)
3. Відпустіть задній щиток і переконайтеся, що він щільно закритий заглушкою для мульчування.

(Мал. 36)

Переналаштування виробу в режим викидання ззаду

1. Підніміть задній дефлектор і витягніть заглушку для мульчування. (Мал. 37)
2. Установіть викидний жолоб. (Мал. 38)

Спустошення травозбірника



УВАГА: Не тягніть за мішок, коли спустошуєте травозбірник, щоб запобігти зношуванню.

1. Підніміть травозбірник за ручки на рамці. (Мал. 39)
2. Вийміть скошену траву з-під ручки травозбірника.
3. Видаліть скошену траву з мішка за допомогою ручки на рамці й ручки мішка.

Забезпечення ефективної роботи

- Завжди користуйтеся гострим лезом. Тупе лезо ріже нерівно, а трава на поверхні розрізу жовтіє. Крім того, гостре лезо споживає менше енергії за тупе.
- Не скошуйте більше $\frac{1}{3}$ довжини трави. Спочатку треба виконувати скошування з великою висотою різання. Оцініть результат і зменште висоту різання на потрібну вам. Якщо трава дуже довга, ведіть газонокосарку повільно і виконайте скошування двічі, якщо це необхідно.
- Косіть щоразу в різних напрямках, щоб на газоні не було смуг.

ТЕХНІЧНЕ ОБСЛУГОВУВАННЯ

Вступ



ПОПЕРЕДЖЕННЯ: Перед виконанням робіт із технічного обслуговування обов'язково прочитайте й усвідомте зміст розділу про заходи безпеки.

Для всіх робіт з обслуговування та ремонту необхідна спеціальна підготовка. Ми гарантуємо доступність послуг із професійного ремонту та обслуговування. Якщо ваш дилер не є одночасно центром обслуговування, зверніться до нього по інформацію щодо найближчого центру обслуговування.

Графік технічного обслуговування



УВАГА: У разі нахилання виробу переконайтеся, що повітряний фільтр розташований зверху й не направлений у бік землі. Ризик пошкодження двигуна.

Інтервали технічного обслуговування вказані з урахуванням щоденного використання виробу. Інтервали змінюються для іншої частоти використання виробу.

Вказівки щодо технічного обслуговування елементів, помічених знаком * див. у розділі *Механізми безпеки на пристрої на сторінці 360*.

Технічне обслуговування	Щодня	Щотижня	Щомісяця
Загальна перевірка	X		
Перевірка рівня оливи	X		

Технічне обслуговування	Щодня	Щотижня	Щомісяця
Очищення виробу	X		
Перевірка різального обладнання	X		
Перевірка кожуха леза*	X		
Перевірка ручки зупинення двигуна*	X		
Перевірка механізму керування гальмом леза*	X		
Перевірка глушника*		X	
Перевірка свічки запалювання		X	
Заміна мастила (уперше через 5 годин експлуатації, далі – кожні 50 годин експлуатації)			X
Очищення чи заміна повітряного фільтра			X
Перевірка паливної системи			X

Процедура загальної перевірки

- Переконайтеся, що всі гайки й гвинти на виробі затягнуто відповідним чином.

Чищення зовнішніх поверхонь виробу

- Прибирайте листя, траву та бруд за допомогою щітки.
- Переконайтеся, що всмоктувач повітря зверху двигуна не заблокований.
- Для чищення виробу не використовуйте миючий апарат високого тиску.
- У разі використання води для чищення виробу, забороняється лити її безпосередньо на двигун.

Чищення внутрішніх поверхонь кожуха леза

1. Вилийте паливо з паливного бака.
2. Покладіть виріб на бік глушником донизу.



УВАГА: Якщо покласти виріб повітряним фільтром донизу, може виникнути ризик пошкодження двигуна.

3. Промийте водою зі шлангу внутрішню поверхню кожуха леза.

Використання патрубку для під'єднання водяного шланга

1. Відкотіть виріб на ділянку зі скошеною травою чи іншу тверду поверхню.
2. Зніміть із виробу травозбірник або заглушку для мультчування.
3. Закрийте задній дефлектор.

4. Під'єднайте водяний шланг до патрубка. (Мал. 40)
5. Перекрийте подачу води й перевірте патрубок для під'єднання водяного шланга на наявність протікань.
6. Якщо протікань немає, запустіть двигун. Залиште двигун працювати, доки під корпусом не буде чисто.
7. Зупиніть двигун.
8. Перекрийте подачу води й від'єднайте шланг від патрубка.

Зверніть увагу: Не від'єднуйте шланг від патрубка під час роботи двигуна. Потраплення води у двигун може скоротити термін його служби.

9. Запустіть двигун і залиште його працювати протягом однієї хвилини, щоб видалити з виробу залишки води.

Заміна моторної оливи



ПОПЕРЕДЖЕННЯ: Відразу після зупинки двигуна моторна олива є дуже гарячою. Дайте двигуну охолонути, перш ніж зливати моторну оливу. Якщо моторна олива потрапить на вашу шкіру, промийте цю ділянку водою з милом.

1. Запустіть виріб і дочекайтеся, доки запаси палива буде вичерпано.
2. Витягніть провід запалювання зі свічки запалювання.
3. Зніміть кришку бака для оливи.
4. Підставте під виріб резервуар для збору моторної оливи.
5. Нахиліть виріб, щоб злити моторну оливу з бака.

6. Залейте свіжу моторну оливу рекомендованого в *Технічні характеристики на сторінці 369* типу.
7. Перевірте рівень оливи. Див. *Перевірка рівня оливи на сторінці 360*.

Перевірка свічки запалювання



УВАГА: Завжди користуйтеся рекомендованими свічками запалення. Неправильний тип свічки запалювання може призвести до пошкодження виробу.

- У разі, якщо двигун втрачає потужність, його важко запустити або він погано працює на холостому ходу, необхідно перевірити свічку запалювання.
- Щоб зменшити ризик потрапляння зайвих предметів на електроди свічки запалювання, дотримуйтеся таких інструкцій:
 - a) переконайтеся, що швидкість холостого ходу встановлено правильно;
 - b) переконайтеся в правильності змішування паливної суміші;
 - c) переконайтеся, що повітряний фільтр чистий.
- Якщо свічка запалювання забруднена, її слід очистити й переконаватися в тому, що між електродами встановлено правильний проміжок (див. *Технічні характеристики на сторінці 369*). (Мал. 41)
- За необхідності замініть свічку запалювання.

Очищення повітряного фільтра

1. Зніміть кришку повітряного фільтра та витягніть його.
2. Постукайте фільтром по плоскій поверхні, щоб вибити з нього частинки бруду.



УВАГА: Не використовуйте розчини або стиснене повітря для очищення повітряного фільтра.

3. Встановіть на місце повітряний фільтр. Переконайтеся, що повітряний фільтр щільно сів на тримач фільтра.
4. Встановіть на місце кришку повітряного фільтра.

Зверніть увагу: Неможливо повністю очистити повітряний фільтр, який використовувався протягом довгого часу. Регулярно замінійте повітряний фільтр. Пошкоджений повітряний фільтр необхідно замінювати обов'язково.

Перевірка різального обладнання



ПОПЕРЕДЖЕННЯ: Зніміть провід запалювання зі свічки запалювання, щоб попередити ненавмисний запуск.



ПОПЕРЕДЖЕННЯ: Під час технічного обслуговування різального обладнання використовуйте захисні рукавиці. Лезо дуже гостре, ним можна легко порізатися.

1. Перевірте різальне обладнання на наявність пошкоджень або тріщин. Обов'язково замінійте пошкоджене різальне обладнання.
2. Огляньте лезо на предмет пошкоджень або затуплення.

Зверніть увагу: Після гостріння леза необхідно відрегулювати його баланс. Гостріння, заміну та балансування леза необхідно проводити в центрі обслуговування. У разі потрапляння на перешкоду, що призвела до зупинки двигуна, замініть пошкоджене лезо. Спеціалісти центру обслуговування мають провести оцінювання стану леза та надати консультацію щодо необхідності його гостріння або заміни.

Монтаж леза

1. Установіть тримач леза на колінчастому валі двигуна. Переконайтеся, що ключ тримача перебуває на одному рівні з пазом у колінчастому валі. (Мал. 42)
 2. Установлюйте лезо лише так, щоб розміщені під кутом кінці були направлені в бік двигуна. (Мал. 43)
 3. Установіть дерев'яний брус між лезом і корпусом виробу. Затягніть болт леза й поверніть його за годинниковою стрілкою.
 4. Затягуйте болт із моментом 35–40 футів на фунт (47–54 Н·м). (Мал. 44)
 5. Переконайтеся, що кабель свічки запалювання від'єднано від двигуна.
6. Прокрутіть лезо вручну й переконайтеся, що воно вільно обертається.



УВАГА: Щоб запобігти випадковому запуску двигуна, завжди від'єднуйте кабель свічки запалювання й кладіть його так, щоб унеможливити контакт із нею.

Заміна ножа

1. Зафіксуйте лезо дерев'яним брусом. (Мал. 45)
2. Вийміть болт леза.
3. Зніміть лезо.
4. Перевірте опору леза та болт на предмет пошкоджень.
5. Перевірте вал леза на предмет згинань.

6. Під час встановлення нового леза направляйте розміщені під кутом кінці в напрямку кожуха леза. (Мал. 46)
7. Переконайтеся, що лезо знаходиться на одному рівні з центром вала двигуна.
8. Зафіксуйте лезо дерев'яним брусом. Встановіть пружинну шайбу та затягніть болт і шайбу з моментом 47-54 Н·м. (Мал. 47)
9. Прокрутіть лезо рукою та переконайтеся, що воно вільно обертається.



ПОПЕРЕДЖЕННЯ: Використовуйте міцні робочі рукавиці. Лезо дуже гостре, ним можна легко порізатися.

10. Запустіть виріб, щоб перевірити роботу леза. У разі неправильного встановлення леза у вирібі буде спостерігатися вібрація або результат скошування буде незадовільний.

Огляд коробки передач

(Мал. 2)

1. Заглушка для мульчування
2. Задня вставка
3. Шків коробки передач
4. Кріпильна скоба проміжного шків
5. Кришка коробки передач
6. Тримач леза
7. Натяжний шків
8. Передній утримувач паса
9. Кільце
10. Лезо
11. Тверда шайба
12. Стопорна шайба
13. Болт леза
14. Кришка паса

виникнути ризик пошкодження двигуна.

4. Зніміть кришку приводу. (Мал. 48)
5. Зніміть болт леза, стопорну шайбу, тверду шайбу й лезо. (Мал. 49)
6. Зніміть заглушку для мульчування. (Мал. 50)
7. Зніміть задню вставку.
8. Зніміть кришку паса й кільце. (Мал. 51)
9. Від'єднайте кабель від трансмісії й вийміть натяжний шків із блока шківів.
10. Зніміть передній утримувач паса.
11. Зніміть приводний пас зі шків коробки передач.
12. Зніміть три натяжних шків з блока шківів. (Мал. 52)
13. Зніміть приводний пас із тримача леза й блока шківів. (Мал. 53)
14. Установіть плоскогубці з фіксатором на вхідний вал трансмісії. За допомогою торцевого ключа на 9/16" відпустіть шків двигуна, щоб зняти шків коробки передач.
15. Зніміть приводний пас.

Зняття приводного паса

1. Запустіть виріб і дочекайтеся, доки запаси палива в баку буде вичерпано.
2. Зніміть ковпак зі свічки запалювання.
3. Покладіть виріб на бік глушником донизу.



УВАГА: Якщо покласти виріб повітряним фільтром донизу, може

Усунення несправностей

Несправність	Можлива причина	Рішення
Двигун не запускається.	Дріт запалювання під'єднано неправильно.	Під'єднайте дріт запалювання до свічки запалювання.
	Паливний бак порожній.	Залийте до паливного бака паливо належного типу.
	Бруд у карбюраторі або паливній лінії.	Прочистьте карбюратор і / або паливопровід.
	Несправна свічка запалювання.	Відрегулюйте проміжок між електродами, прочистьте чи замініть свічку запалювання.

Несправність	Можлива причина	Рішення
Двигун не зупиняється.	Механізм зупинки зламаний.	Від'єднайте дріт запалювання від свічки запалювання. Віддайте виріб у авторизований центр обслуговування для ремонту.
Двигун працює не плавно.	Дріт запалювання під'єднано неправильно.	Під'єднайте дріт запалювання до свічки запалювання.
	У паливopроводі накопичився бруд, або пальне зісудалося.	Прочистьте паливopровід. Заповніть паливний бак новим пальним належного типу.
	Кришка паливного бака забилася.	Прочистьте кришку паливного бака.
	У паливній системі перебуває вода чи бруд.	Спорожніть паливний бак. Заповніть паливний бак новим пальним належного типу.
	Повітряний фільтр брудний.	Почистьте повітряний фільтр.
	Необхідно відрегулювати карбюратор.	Віддайте виріб у авторизований центр обслуговування для регулювання карбюратора.
Двигун перегрівається.	Занизький рівень моторної оливи.	Заправте двигун оливою.
	Недостатній потік повітря.	Прочистьте повітряний фільтр і корпус повітряного фільтра.
	Необхідно відрегулювати карбюратор.	Віддайте виріб у авторизований центр обслуговування для регулювання карбюратора.
На високій швидкості у двигуна починаються перебої із запалюванням.	Проміжок між електродами у свічці запалювання замалий.	Налаштуйте проміжок між електродами.
На холостому ходу двигун працює не плавно.	Свічка запалювання забруднилася чи зламалася, або проміжок між електродами завеликий.	Відрегулюйте проміжок чи замініть свічку запалювання.
	Необхідно відрегулювати карбюратор.	Відрегулюйте карбюратор.
	Повітряний фільтр брудний.	Почистьте повітряний фільтр.
Ручка занадто сильно вібрає.	Лезо погано закріплене чи незбалансоване.	Закрутіть болти леза. У разі пошкодження леза замініть його.
	Лезо зігнуто.	У разі пошкодження леза замініть його.

Несправність	Можлива причина	Рішення
Трава не перетворюється на мульчу.	Трава волога.	Не експлуатуйте виріб, якщо трава волога. Дочекайтеся, доки вона висохне.
	Трава зависока.	Спочатку треба виконувати скошування з великою висотою різання. Згодом зменшуйте висоту різання й виконуйте скошування ще раз. Скошуйте лише половину від загальної висоти трави за раз.
	Одне або кілька лез недостатньо гострі.	Нагостріть або замініть леза.
Трава скошується нерівномірно.	Колеса перебувають у невірному положенні.	Здайте однаковий рівень висоти різання для всіх чотирьох коліс.
	Одне або кілька лез недостатньо гострі.	Нагостріть або замініть леза.
Система приводу працює неправильно	Приводний пас недостатньо натягнутий або на шківках чи пасі накопився бруд.	Віддайте виріб у авторизований центр обслуговування для технічного обслуговування системи приводу.

Транспортування, зберігання й утилізація

Транспортування та зберігання

- У разі транспортування та зберігання виробу та пального необхідно переконатися у відсутності протікань та випарів. Іскри або відкритий вогонь, наприклад, від електричних пристроїв, можуть спричинити пожежу.
- Для зберігання та транспортування палива слід використовувати лише сертифіковані резервуари.
- Спорожніть паливний бак у разі, якщо виріб зберігатиметься протягом тривалого часу. Утилізуйте паливо у відповідних місцях для утилізації
- Під час транспортування закріплюйте виріб безпечним чином, щоб уникнути пошкоджень та нещасних випадків.
- Зберігайте виріб у закритому приміщенні, куди не зможуть отримати доступ діти та особи без належної підготовки.
- Зберігайте виріб у сухому місці за температури нижче 0 градусів.

- Якщо виріб більше не використовується, відправте його дилеру Husqvarna або утилізуйте у відповідному місці для утилізації.

Утилізація

- Виконуйте місцеві вимоги та відповідні норми і правила щодо утилізації.
- Утилізуйте всі хімічні речовини на кшталт моторної оливи або палива в центрі обслуговування або у відповідних місцях для утилізації.

Технічні дані

Технічні характеристики

	LC 353AWD
Двигун	
Бренд	Honda
Об'єм, куб. дюймів / см ³	10,4 / 170
Частота обертання, об/хв	2900–3200
Номінальна потужність двигуна, кВт / к.с. за об/хв ¹³¹	3,6 / 4,9 за 2900–3200
Система запалювання	
Свічка запалення	NGK BPR5ES
Проміжок між електродами, дюйми / мм	0,028 / 0,7
Паливна система й система змащування	
Паливо неетилване, мінімальне октанове число	90 RON / 87 AKI
Ємність паливного бака, американських галонів / л	0,27 / 1,02
Ємність бака для мастила, американських галонів / л	0,14 / 0,53
Моторна олива ¹³²	SAE 30 / SAE 10W-30
Вага	
Маса з порожніми баками, фунтів / кг	92 / 41,7
Випромінювання шуму ¹³³	
Рівень звукової потужності, вимірюваний у децибелах (A)	95
Рівень звукової потужності, гарантований L _{WA} дБ (A)	96
Рівні звуку ¹³⁴	
Рівень звукового тиску у вусі оператора, дБ (A)	85
Рівні вібрації ¹³⁵	
Рукоятка, м/с ² з травозбірником / без травозбірника	7 / 7

¹³¹ Вказана номінальна потужність двигуна є середньою кінцевою потужністю (за вказаного числа обертів на хвилину) типового серійного двигуна для цієї моделі, виміряною згідно зі стандартом SAE J1349/ISO1585. Потужність серійних двигунів може відрізнятися від цього значення. Фактична вихідна потужність двигуна, встановленого у виробі, залежить від робочої швидкості, умов навколишнього середовища та інших факторів.

¹³² Використовуйте мастило класу SJ або вище. Ознайомтеся з таблицею в'язкості, що наведена в посібнику користувача до двигуна, та оберіть оптимальну в'язкість у залежності від очікуваної зовнішньої температури.

¹³³ Випромінювання шуму в середовище, виміряне як звукова потужність (L_{WA}), відповідає директиві ЄС 2000/14/ЄС.

¹³⁴ Рівень шумового тиску відповідає стандарту ISO 5395. Заявлені дані про рівень шумового тиску мають стандартну статистичну розбіжність (стандартне відхилення) в 1,2 дБ(A).

¹³⁵ Рівень вібрації відповідає стандарту ISO 5395. Заявлені дані щодо рівня вібрації мають стандартну статистичну розбіжність (стандартне відхилення) у 0,2 м/с².

	LC 353AWD
Різальне обладнання	
Висота різання, дюймів / мм	1,0–4,0 / 25,4–101,6
Ширина різання, дюймів / мм	21 / 530
Лезо	
Артикульний номер	586 85 96-02
Місткість травозбірника, футів ³ / л	2,3 / 65
Привід	
Швидкість, миль/год / км/год.	0–3 / 0–4,8

Зміст декларації відповідності ЄС

Ми, Husqvarna AB, SE 561 82 м. Гускварна, Швеція, заявляємо під свою виключну відповідальність, що представлений виріб:

ISO 5395-2+A1/A2, EN ISO 14982, ISO 3744, ISO 11094, EN 1032

Згідно з Директивою 2000/14/ЄС, додаток VI, заявлені шумові характеристики зазначено в розділі технічних даних цього посібника й у підписаній Декларації відповідності стандартам ЄС.

Поставлена газонокосарка з двигуном внутрішнього згоряння, керована пішим оператором, відповідає зразкам, які пройшли перевірку.

Опис	Газонокосарка з двигуном внутрішнього згоряння, керована пішим оператором
Бренд	Husqvarna
Платформа / Тип / Модель	Платформа E21THV, представлено моделі LC 353AWD.
Партія	Серійні номери за 2019 рік і пізніше.

повністю відповідає наступним директивам і нормам ЄС:

Директива/норма	Опис
2006/42/ЄС	«Про механічне обладнання»
2014/30/EU	«Про електромагнітну сумісність»
2000/14/EU; 2005/88/ЄС	«Про випромінювання шуму від обладнання, призначеного для використання надворі»
2011/65/EU	«Про обмеження використання деяких небезпечних речовин»

Застосовуються такі узгоджені стандарти й/або технічні вимоги: EN ISO 12100, ISO 5395-1+A1/A2,



www.husqvarna.com

Original instructions
Оригинални инструкции
Původní pokyny
Originale instruktioner
Originalanweisungen
Αρχικές οδηγίες
Instrucciones originales
Originaaljuhend
Alkuperäiset ohjeet
Instructions d'origine
Originalne upute
Eredeti útmutatás
Istruzioni originali
Originalios instrukcijos

Lietošanas pamācība
Originale instructies
Originale instruksjoner
Oryginalne instrukcje
Instruções originais
Instrucțiuni inițiale
Оригинальные инструкции
Pôvodné pokyny
Izvirna navodila
Originalna uputstva
Bruksanvisning i original
Orjinal talimatlar
Оригинальні інструкції

1141768-38



2019-07-17