



Husqvarna®

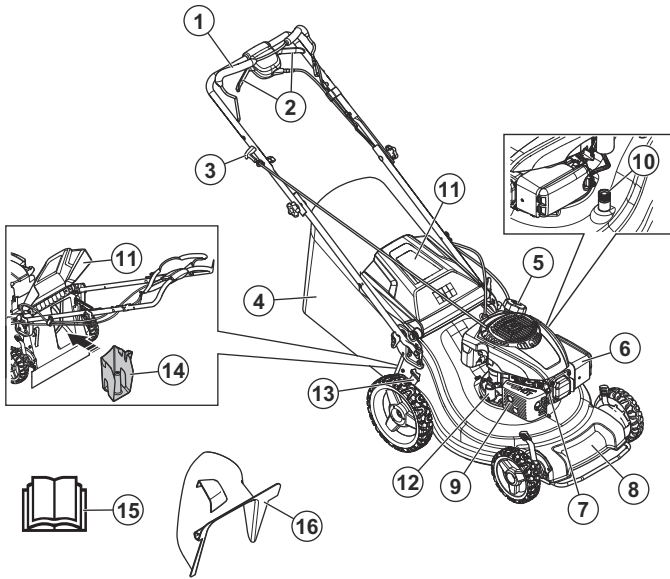


LC 353AWD

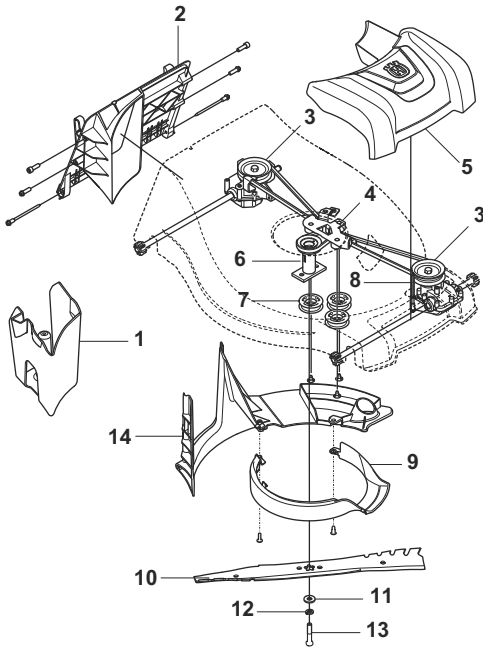
EN Operator's manual
ES-MX Manual del usuario
PT-BR Manual do operador

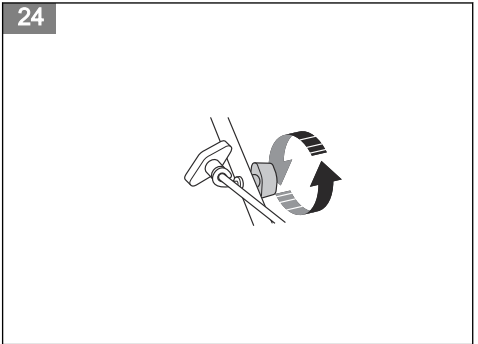
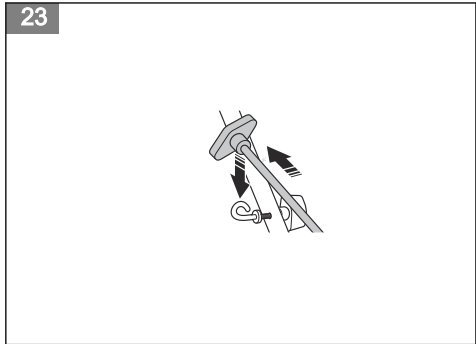
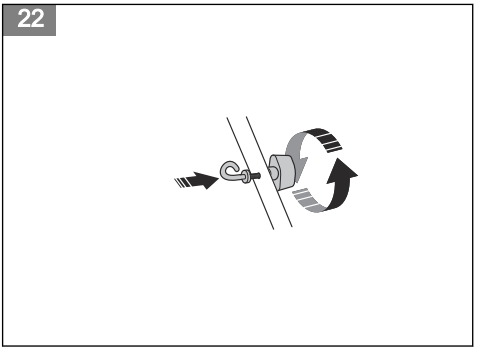
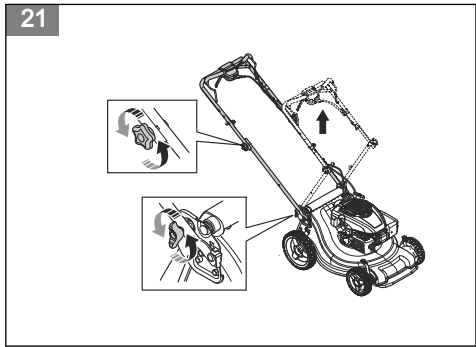
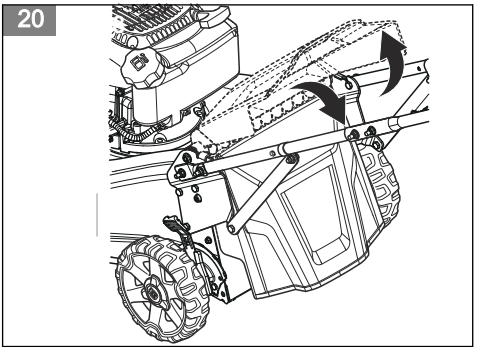
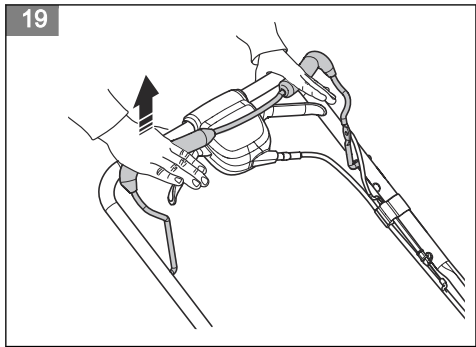
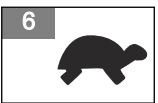
8-20
21-34
35-48

1

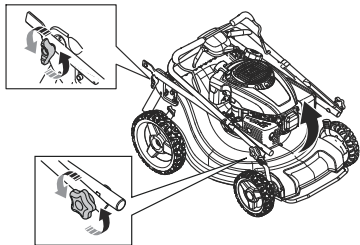


2

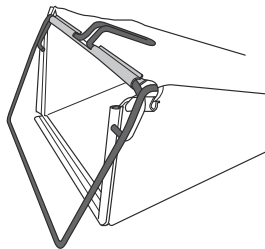




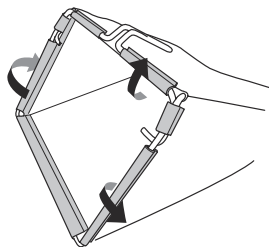
25



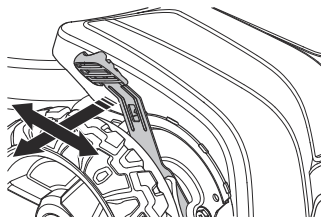
26



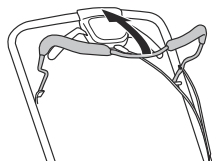
27



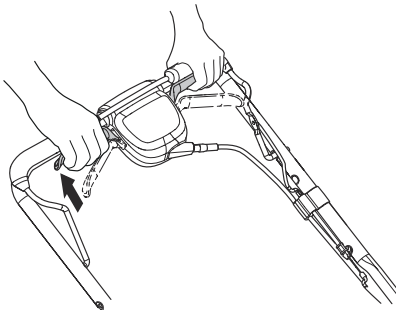
28



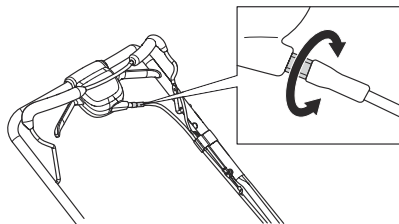
29



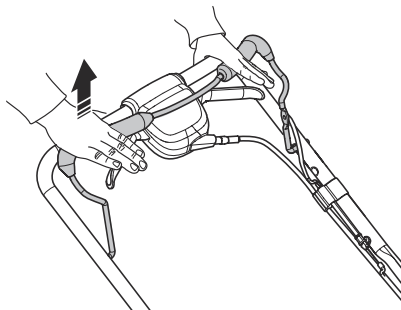
30



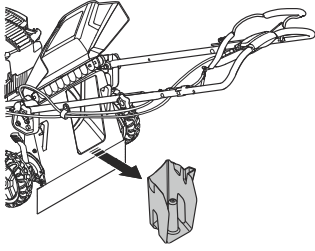
31



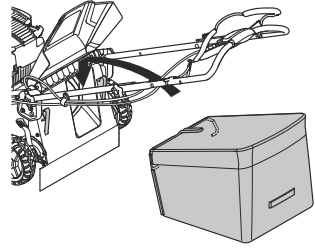
32



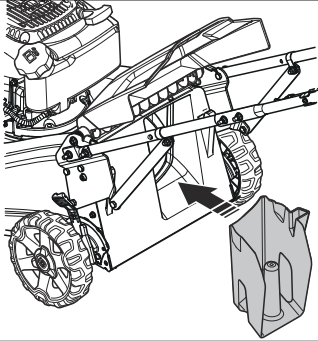
33



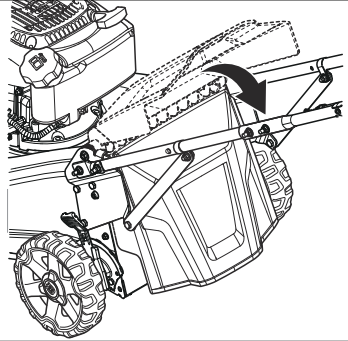
34



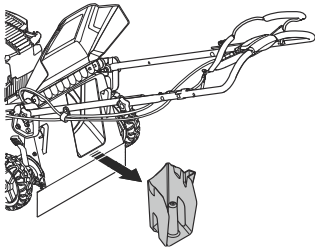
35



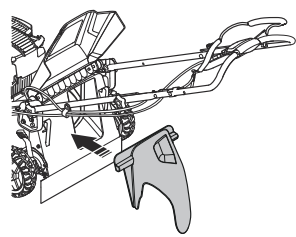
36



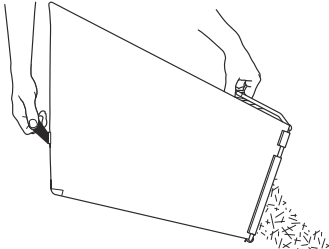
37



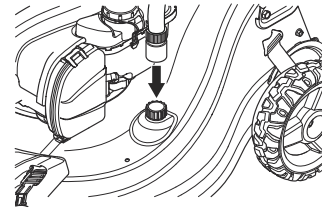
38



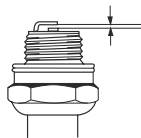
39



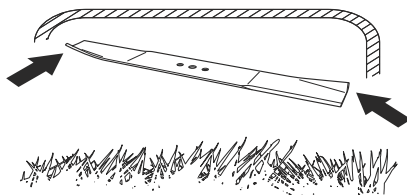
40



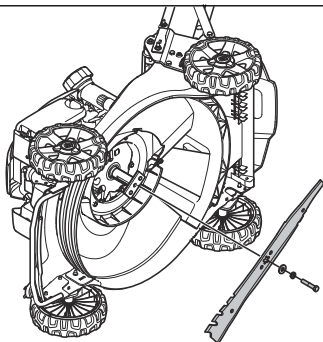
41



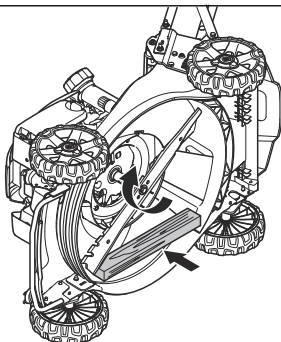
42



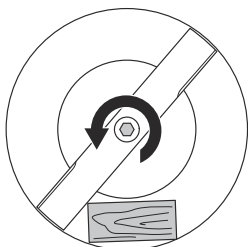
43



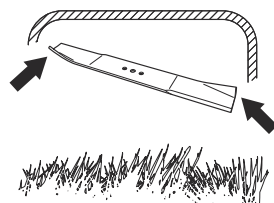
44



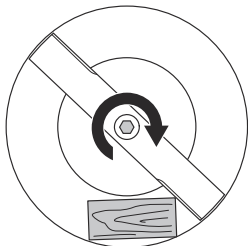
45



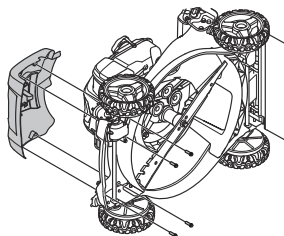
46



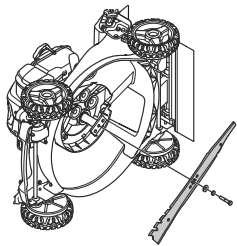
47



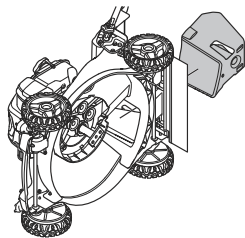
48



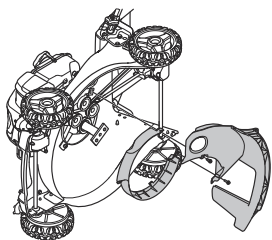
49



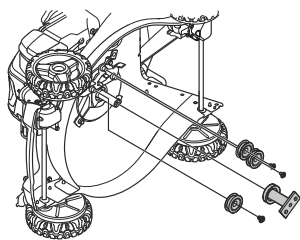
50



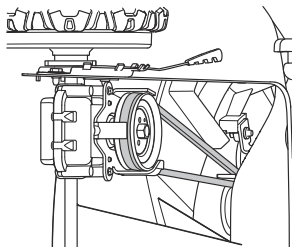
51



52



53



Contents

Introduction.....	8	Troubleshooting.....	17
Safety.....	9	Transportation, storage and disposal.....	18
Assembly.....	12	Technical data.....	19
Operation.....	12	Contents of the EC declaration of conformity.....	20
Maintenance.....	14		

Introduction

Product description

The product is a combustion engine-powered pedestrian-controlled lawn mower. The grass is collected in a grass catcher. Remove the grass catcher to get rear discharge of the grass. Attach a mulch kit to cut the grass into fertilizer.

Product overview

(Fig. 1)

1. Engine brake handle
2. Drive levers
3. Starter rope handle
4. Grass catcher
5. Fuel tank cap
6. Air filter
7. Spark plug
8. Drive cover
9. Muffler
10. Water hose connection
11. Rear deflector
12. Dipstick / oil tank
13. Cutting height control
14. Mulch plug
15. Operator's manual
16. Discharge chute

Symbols on the product

- (Fig. 3) **WARNING:** This product can be dangerous and cause serious injury or death to the operator or others. Be careful and use the product correctly.
- (Fig. 4) Read the operator's manual carefully and make sure that you understand the instructions before you use the product.
- (Fig. 5) Fast
- (Fig. 6) Slow
- (Fig. 7) Keep hands and feet away from the rotating part.

Intended use

Use the product to cut grass in private gardens. Do not use the product for other tasks.

- (Fig. 8) Keep persons and animals at safe distance from the work area.
- (Fig. 9) Be careful when you operate the product rearward. Look behind and down for small children, animals or other risks that can cause you to fall.
- (Fig. 10) To operate the product on a slope can be dangerous.
- (Fig. 11) Keep hands and feet away from the rotating blade.
- (Fig. 12) Look out for thrown objects and ricochets.
- (Fig. 13) Noise emission to the environment according to the European Community's Directive. The product's emission is specified in *Technical data on page 19* and on the label.
- (Fig. 14) This product is in accordance with applicable EC directives.
- (Fig. 15) The product agrees with the applicable EAC directives.
- (Fig. 16) The product agrees with applicable RCM directives. Applies to AU/NZ only.
- (Fig. 17) The product agrees with the applicable Ukraine directives.
- (Fig. 18) Use approved hearing protection.

Note: Other symbols/decals on the product refer to certification requirements for other commercial areas.

Euro V Emissions



WARNING: Tampering with the engine voids the EU type-approval of this product.

Product liability

As referred to in the product liability laws, we are not liable for damages that our product causes if:

- the product is incorrectly repaired.
- the product is repaired with parts that are not from the manufacturer or not approved by the manufacturer.
- the product has an accessory that is not from the manufacturer or not approved by the manufacturer.
- the product is not repaired at an approved service center or by an approved authority.

Safety

Safety definitions

Warnings, cautions and notes are used to point out specially important parts of the manual.



WARNING: Used if there is a risk of injury or death for the operator or bystanders if the instructions in the manual are not obeyed.



CAUTION: Used if there is a risk of damage to the product, other materials or the adjacent area if the instructions in the manual are not obeyed.

Note: Used to give more information that is necessary in a given situation.

- Do not let a child operate the product.
- Keep children away from the work area. A responsible adult must be there at all times.
- Do not let a person, without knowledge of the instructions, operate the product.
- Always monitor a person, with decreased physical capacity or mental capacity, that uses the product. A responsible adult must be there at all times.
- Do not use the product if you are tired, ill, or under the influence of alcohol, drugs or medicine. This has a negative effect on your vision, alertness, coordination and judgment.
- Do not use the product if it is defective.
- Do not change this product or use it if it is possible that it has been changed by others.

General safety instructions



WARNING: Read the warning instructions that follow before you use the product.

- This product is dangerous if used incorrectly or if you are not careful. Injury or death can occur if you do not obey the safety instructions.
- This product produces an electromagnetic field during operation. This field may under some circumstances interfere with active or passive medical implants. To reduce the risk of serious or fatal injury we recommend persons with medical implants to consult their physician and the medical implant manufacturer before operating this product.
- Always be careful and use your common sense. If you are not sure how to operate the product in a special situation, stop and speak to your Husqvarna dealer before you continue.
- Keep in mind that the operator will be held responsible for accidents that involve other persons or their property.
- Keep the product clean. Make sure that you can clearly read signs and decals.
- Do not let a person use the product unless you make sure that they read and understand the contents of the operator's manual.



WARNING: Read the warning instructions that follow before you use the product.

- Remove objects such as branches, twigs and stones from the work area before you use the product.
- Objects that hit against the cutting equipment can eject and cause damage to persons and objects. Keep bystanders and animals at a safe distance from the product.
- Never use the product in bad weather such as fog, rain, strong winds, intense cold and risk of lightning. To use the product in bad weather or in moist or wet locations is tiring. Bad weather can cause dangerous conditions, such as slippery surfaces.
- Look out for persons, objects and situations that can prevent safe operation of the product.
- Look out for obstacles, such as roots, stones, twigs, pits and ditches. Long grass can hide obstacles.
- To cut grass on slopes can be dangerous. Do not use the product on ground that slopes more than 15°.
- Operate the product across the face of slopes. Do not move up and down.
- Be careful when you go near hidden corners and objects that prevent a clear view.

Work safety



WARNING: Read the warning instructions that follow before you use the product.

- Use this product to cut grass lawns only. It is not permitted to use it for other tasks.
- Use personal protective equipment. Refer to *Personal protective equipment on page 10*.
- Make sure that you know how to stop the engine quickly in an emergency.
- Never start the engine in a closed space or near flammable material. The exhaust fumes from the engine are hot and can contain sparks which can start a fire.
- Do not operate the product unless the blade and all covers are attached correctly. An incorrectly attached blade can come loose and cause personal injury.
- Make sure that the blade does not hit objects such as stones and roots. This can do damage to the blade and bend the engine shaft. A bent axle causes heavy vibration and a very high risk that the blade becomes loose.
- If the blade hits an object or if vibrations occur, stop the product immediately. Disconnect the ignition cable from the spark plug. Examine the product for damages. Repair damages or let an authorised service agent do the repair.
- Never attach the engine brake handle permanently to the handle when the engine is started.
- Put the product on a stable, flat surface and start it. Make sure that the blade does not hit the ground or other objects.
- Always stay behind the product when you operate it.
- Let all the wheels stay on the ground and keep 2 hands on the handle when you operate the product. Keep your hands and feet away from the rotating blades.
- Do not tilt the product when the engine is started.
- Be careful when you pull the product rearward.
- Never lift up the product when the engine is started. If you must lift the product, first stop the engine and disconnect the ignition cable from the spark plug.
- Do not walk rearward when you operate the product.
- Stop the engine when you move across areas without grass, for example paths made of gravel, stone and asphalt.
- Do not run with the product when the engine is started. Always walk when you operate the product.
- Stop the engine before you change the cutting height. Never make adjustments with the engine started.
- Never let the product stay out of view with the engine started. Stop the engine and make sure that the cutting equipment does not rotate.

- Before you do an adjustment, inspection, replacement or removal of blockage, stop the product and let the blades stop fully. Blades that rotate can cause injury. Do not touch blades while they rotate.

Safety instructions for operation

Personal protective equipment



WARNING: Read the warning instructions that follow before you use the product.

- Personal protective equipment cannot fully prevent injury but it decreases the degree of injury if an accident does occur. Let your dealer help you select the right equipment.
- Use hearing protection if the noise level is higher than 85 dB.
- Use heavy-duty slip-resistant boots or shoes. Do not use open shoes or go with bare feet.
- Use heavy, long pants.
- Use protective gloves when necessary, for example when you attach, examine or clean the cutting equipment.

Safety devices on the product



WARNING: Read the warning instructions that follow before you use the product.

- Do not use a product with defective safety devices.
- Do a check of the safety devices regularly. If the safety devices are defective, speak to your Husqvarna service agent.

To do a check of the cutting cover

The cutting cover decreases vibrations in the product and decreases the risk of injury from the blade.

- Examine the cutting cover to make sure that there are no damages such as cracks.

To do a check of the engine brake handle

The engine brake handle stops the engine. When the engine brake handle is released, the engine stops.

- Start the engine and then release the engine brake handle. If the engine does not stop in 3 seconds, let an approved Husqvarna service agent adjust the engine brake. (Fig. 19)

To do a check of the rear deflector

The rear deflector decreases the risk that objects eject in the direction of the operator.

- Make sure that the rear deflector is not damaged. (Fig. 20)

- Make sure that the springs that close the rear deflector are not broken.
- Replace broken springs and damaged parts.
- Make sure that the rear deflector can move smoothly on the hinges.

Muffler

The muffler keeps the noise levels to a minimum and sends the exhaust fumes away from the operator.

Do not use the product if the muffler is missing or defective. A defective muffler increases the noise level and the risk of fire.



WARNING: The muffler becomes very hot during and after use and when the engine operates at idle speed. Be careful near flammable materials and/or fumes to prevent fire.

To do a check of the muffler

- Examine the muffler regularly to make sure that it is attached correctly and not damaged.

To do a check of the oil level



CAUTION: A too low oil level can do damage to the engine. Do a check of the oil level before you start the product.

1. Put the product on level ground.
2. Remove the oil tank cap with the attached dipstick.
3. Clean the oil from the dipstick.
4. Put the dipstick fully into the oil tank to give a correct picture of the oil level.
5. Remove the dipstick.
6. Examine the oil level on the dipstick.
7. If the oil level is low, fill with engine oil and do a check of the oil level again.

Vibration safety

This product is for occasional operation only. Continuous or regular operation of the product can cause "white finger" or equivalent medical problems from vibrations. Examine the condition of your hands and fingers if you operate the product continuously or regularly. If your hands or fingers have discoloration, have pain, tingle, or are numb, stop work and speak to a physician immediately.

Fuel safety



WARNING: Read the warning instructions that follow before you use the product.

- Do not start the product if there is fuel or engine oil on the product. Remove the unwanted fuel/oil and let the product dry.
- If you spill fuel on your clothing, change clothing immediately.
- Do not get fuel on your body, it can cause injury. If you get fuel on your body, use soap and water to remove the fuel.
- Do not start the product if the engine has a leak. Examine the engine for leaks regularly.
- Be careful with fuel. Fuel is flammable and the fumes are explosive and can cause injuries or death.
- Do not breathe in the fuel fumes, it can cause injury. Make sure that there is a sufficient airflow.
- Do not smoke near the fuel or the engine.
- Do not put warm objects near the fuel or the engine.
- Do not add the fuel when the engine is on.
- Make sure that the engine is cool before you refuel.
- Before you refuel, open the fuel tank cap slowly and release the pressure carefully.
- Do not add fuel to the engine in an indoor area. Not sufficient airflow can cause injury or death because of asphyxiation or carbon monoxide.
- Tighten the fuel tank cap fully. If the fuel tank cap is not tightened, there is a risk of fire.
- Move the product a minimum of 3 m / 10 ft from the position where you filled the tank before a start.
- Do not fill the fuel tank fully. Heat causes the fuel to expand. Keep a space at the top of the fuel tank.

Safety instructions for maintenance



WARNING: Read the warning instructions that follow before you use the product.

- The exhaust fumes from the engine contain carbon monoxide, an odourless, poisonous and very dangerous gas. Do not start the engine indoors or in closed spaces.
- Before you do the maintenance on the product, stop the engine and remove the ignition cable from the spark plug.
- Use protective gloves when you do maintenance on the cutting equipment. The blade is very sharp and cuts can easily occur.
- Accessories and changes to the product that are not approved by the manufacturer, can cause serious injury or death. Do not change the product. Always use accessories that are approved by the manufacturer.
- If the maintenance is not done correctly and regularly, the risk of injury and damage to the product increases.
- Only do the maintenance as given in this owner's manual. All other servicing must be done by an approved Husqvarna service agent.

- Let an approved Husqvarna service agent do servicing on the product regularly.
- Replace damaged, worn or broken parts.

Assembly

Introduction



WARNING: Before you assemble the product, you must read and understand the safety chapter.



WARNING: Remove the spark plug cable from the spark plug before you assemble the product.

To assemble the handle

1. Lift the lower handle. (Fig. 21)
2. Align the holes at the bottom of the lower handle with the holes in the handle brackets.

Note: Select the holes that give the best operation position.

3. Tighten the lower handle knobs.
4. Lift the upper handle and align it with the lower handle.
5. Tighten the upper handle knobs fully.

To install the starter rope handle

1. Attach the loop for the starter rope and the T-knob. Do not tighten fully. (Fig. 22)

2. Hold the engine brake handle against the handlebar.
3. Slowly pull out the starter rope and put it into the loop for the starter rope. (Fig. 23)
4. Tighten the T-knob. (Fig. 24)

To set the product in transport position

1. Remove the grass catcher.
2. Loosen the lower handle knobs to unlock the handle. (Fig. 25)
3. Fold the handle down rearward.
4. Remove the knobs and the pins on the lower handle.
5. Fold the handle forward.

To assemble the grass catcher

1. Attach the grass catcher frame to the grass bag with the rigid part of the bag on the bottom. Keep the handle of the frame out of the top of the bag. (Fig. 26)
2. Attach the grass bag to the frame with the quick-action clips. (Fig. 27)

Operation

Introduction



WARNING: Before you operate the product, you must read and understand the safety chapter.

Before you operate the product

1. Read the operator's manual carefully and make sure that you understand the instructions.
2. Examine the cutting equipment to make sure that it is correctly attached and adjusted. See *To examine the cutting equipment on page 15*.
3. Fill the fuel tank. See *To fill fuel on page 12*.
4. Fill the oil tank and do a check of the oil level. See *To do a check of the oil level on page 11*.

To fill fuel

If available, use low-emission/alkylate gasoline. If low-emission/alkylate gasoline is not available, use good

quality unleaded gasoline or leaded gasoline with octane number not less than 90.



CAUTION: Do not use gasoline with an octane number less than 90 RON (87 AKI). This can cause damage to the product.

1. Open the fuel tank cap slowly to release the pressure.
2. Fill slowly with a fuel can. If you spill fuel, remove it with a cloth and let remaining fuel dry off.
3. Clean the area around the fuel tank cap.
4. Tighten the fuel tank cap fully. If the fuel tank cap is not tightened, there is a risk of fire.
5. Move the product a minimum of 3 m (10 ft) from the position where you filled the tank before a start.

To set the cutting height

The cutting height can be adjusted in 9 levels.

1. Push the cutting height control in the direction of the wheel and then rearward to increase the cutting height.
2. Push the cutting height control in the direction of the wheel and then forward to decrease the cutting height. (Fig. 28)



CAUTION: Do not set the cutting height too low. The blades can hit the ground if the surface of the lawn is not level.

To start the product

1. Stay behind the product.
2. Hold the engine brake handle against the handlebar. (Fig. 29)
3. Hold the starter rope handle with your right hand.
4. Slowly pull out the starter rope until you feel some resistance.
5. Pull with force to start the engine.



WARNING: Do not twist the starter rope around your hand.

To use the drive on the wheels

- Pull the drive levers in the direction of the handlebar. (Fig. 30)
- Before you pull the product rearward, disengage the drive and push the product forward approximately 10cm.
- Release the drive levers to disengage the drive, for example when you go near an obstacle.

To adjust the drive control cable

- Use the adjuster screw to adjust the drive control cable. (Fig. 31)
- Turn off the engine. Always disconnect the spark plug before you operate the movable parts.
- Turn the adjustment screw counterclockwise to tension the wire and increase the speed.
- Turn the adjustment screw clockwise to extend the wire and reduce speed.

To stop the product

- To stop the drive only, release the drive levers.
- To stop the engine, release the engine brake handle. (Fig. 32)

To use the product with the grass catcher



WARNING: Do not operate the product without a grass catcher installed or without

the rear deflector closed. Objects can eject and cause injury to the operator.

1. Lift the rear deflector and remove the mulch plug. (Fig. 33)
2. Assemble the grass catcher, refer to *To assemble the grass catcher on page 12*.
3. Put the grass catcher on the bracket. (Fig. 34)
4. Release the rear deflector and put it on top of the grass bag frame.

To change the product to mulching mode

The mulching mode of the product makes grass clippings smaller. The grass clippings then fall onto the lawn and scatter across the grass. Mulched grass biodegrades quickly to give nutrients for the lawn.

1. Lift the back shield and remove the grass bag, if it is installed.
2. Put the mulch plug into the collector channel. (Fig. 35)
3. Let the back shield close and make sure it tightly closes against the mulch plug. (Fig. 36)

To change the product to rear-side discharge mode

1. Lift the rear deflector and remove the mulch plug. (Fig. 37)
2. Install the discharge chute. (Fig. 38)

To empty the grass catcher



CAUTION: Do not drag the bag when you empty the grass catcher to prevent wear.

1. Lift the grass catcher with the frame handle. (Fig. 39)
2. Remove grass clippings from the grass catcher from below the handle.
3. Empty grass clippings from the bag with the frame handle and the bag handle.

To get a good result

- Always use a sharp blade. A blunt blade gives an irregular result and the cut surface of the grass becomes yellow. A sharp blade also uses less energy than a blunt blade.
- Do not cut more than $\frac{1}{3}$ of the length of the grass. Cut first with the cutting height set high. Examine the result and lower the cutting height to an applicable level. If the grass is very long, drive slowly and cut 2 times if necessary.
- Cut in different directions each time to prevent stripes in the lawn.

Maintenance

Introduction



WARNING: Before you do maintenance, you must read and understand the safety chapter.

For all servicing and repair work on the product, special training is necessary. We guarantee the availability of professional repairs and servicing. If your dealer is not a service agent, speak to them for information about the nearest service agent.

Maintenance schedule



CAUTION: Make sure that the air filter is up and not against the ground when you tilt the product. Risk of engine damage.

The maintenance intervals are calculated from daily use of the product. The intervals change if the product is not used daily.

For maintenance identified with * refer to instructions in *Safety devices on the product on page 10*.

Maintenance	Daily	Weekly	Monthly
Do a general inspection	X		
Examine the oil level	X		
Clean the product	X		
Examine the cutting equipment	X		
Examine the cutting cover *	X		
Examine the engine brake handle *	X		
Examine the blade brake control *	X		
Examine the muffler *		X	
Examine the spark plug		X	
Replace the oil (the first time after 5 h of use, then after each 50 h of use)			X
Clean or replace the air filter			X
Examine the fuel system			X

To do a general inspection

- Make sure that all nuts and screws on the product are tightened correctly.

To clean the product externally

- Use a brush to remove leaves, grass and dirt.
- Make sure that the air intake on the top of the engine is not blocked.
- Do not use a high pressure washer to clean the product.
- If you use water to clean the product, do not flush water directly on the engine.

To clean the inner surface of the cutting cover

1. Empty the fuel tank.
2. Put the product on its side with the muffler down.



CAUTION: If the product is put with the air filter down, the engine can become damaged.

3. Hose down the inner surface of the cutting cover with water.

To use the water hose connection

1. Move the product to an area of cut grass or a different hard surface.
2. Remove the grass catcher or mulch plug from the product.
3. Close the rear deflector.
4. Connect a water hose to the water hose connection. (Fig. 40)
5. Stop the water supply and examine the water hose connection for leaks.

- If you do not see a leak, start the engine. Let the engine run until the product is clean below the housing.
- Stop the engine.
- Stop the water supply and remove the hose from the water hose connection.

Note: Do not remove the water hose from the water hose connection while the engine is in operation. Water in the engine can decrease the life of the engine.

- Start the engine and let it run for a full minute to remove remaining water from the product.

To replace the engine oil



WARNING: Engine oil is very hot directly after the engine is stopped. Let the engine become cool before you drain the engine oil. If you spill engine oil on your skin, clean with soap and water.

- Operate the product until the fuel tank is empty.
- Remove the ignition cable from the spark plug.
- Remove the oil tank cap.
- Put a container below the product to collect the engine oil in.
- Tilt the product to drain the engine oil from the oil tank.
- Fill with new engine oil of the type recommended in *Technical data on page 19*.
- Do a check of the oil level. Refer to *To do a check of the oil level on page 11*.

To examine the spark plug



CAUTION: Always use the recommended spark plug type. Incorrect spark plug type can cause damage to the product.

- Examine the spark plug if the engine is low on power, is not easy to start or does not operate correctly at idle speed.
- To decrease the risk of unwanted material on the spark plug electrodes, obey these instructions:
 - Make sure that the idle speed is correctly adjusted.
 - Make sure that the fuel mixture is correct.
 - Make sure that the air filter is clean.
- If the spark plug is dirty, clean it and make sure that the electrode gap is correct, refer to *Technical data on page 19*. (Fig. 41)
- Replace the spark plug if it is necessary.

To clean the air filter

- Remove the air filter cover and remove the filter.

- Hit the filter against a flat surface to make the particles fall off.



CAUTION: Do not use solvent or compressed air to clean the air filter.

- Put the air filter back. Make sure that the air filter fully seals against the air filter holder.
- Put the air filter cover back.

Note: An air filter that is used for a long time cannot be fully cleaned. Replace the air filter at regular intervals. Always replace a damaged air filter.

To examine the cutting equipment



WARNING: To prevent accidental start remove the ignition cable from the spark plug.



WARNING: Use protective gloves when you do maintenance on the cutting equipment. The blade is very sharp and cuts can easily occur.

- Examine the cutting equipment for damage or cracks. Always replace a damaged cutting equipment.
- Look at the blade to see if it is damaged or blunt.

Note: It is necessary to balance the blade after it is sharpened. Let a service center sharpen, replace and balance the blade. If you hit an obstacle that causes the product to stop, replace the damaged blade. Let the service center estimate if the blade can be sharpened or must be replaced.

To assemble the blade

- Put the blade adapter on the engine crankshaft. Make sure the key in the adapter and crankshaft keyway are aligned. (Fig. 42)
- Always attach the blade with the angled ends pointing up in the direction of the engine. (Fig. 43)
- Use a block of wood between the blade and product housing. Tighten the blade bolt and turn it clockwise.
- Always tighten the bolt with a torque of 35-40 ft lbs (47-54 Nm). (Fig. 44)
- Make sure the spark plug cable is disconnected from the engine.



CAUTION: To prevent accidental start, always disconnect the spark plug cable

and put the wire where it cannot touch the spark plug.

6. Pull the blade around by hand and make sure it rotates freely.

To replace the blade

1. Lock the blade with a block of wood. (Fig. 45)
2. Remove the blade bolt.
3. Remove the blade.
4. Examine the blade support and blade bolt to see if there are damages.
5. Examine the engine shaft to make sure that it is not bent.
6. When you attach the new blade, point the angled ends of the blade in the direction of the cutting cover. (Fig. 46)

Transmission assembly overview

(Fig. 2)

1. Mulch plug
2. Rear insert
3. Transmission pulley
4. Idler bracket
5. Transmission cover
6. Blade adapter
7. Idler pulley
8. Front belt keeper
9. Ring
10. Blade
11. Hard washer
12. Lock washer
13. Blade bolt
14. Belt cover

To remove the drive belt

1. Operate the product until the fuel tank is empty.
2. Remove the spark plug cap from the spark plug.
3. Put the product on its side with the muffler down.



CAUTION: If the product is put with the air filter down, the engine can become damaged.

7. Make sure that the blade is aligned with the center of the engine shaft.
8. Lock the blade with a block of wood. Attach the spring washer and tighten the bolt and washer with a torque of 47-54 Nm. (Fig. 47)
9. Pull the blade around by hand and make sure that it turns freely.



WARNING: Use heavy duty gloves. The blade is very sharp and cuts can easily occur.

10. Start the product to do a test of the blade. If the blade is not correctly attached, there is vibration in the product or the cutting result is unsatisfactory.

4. Remove the drive cover. (Fig. 48)
5. Remove the blade bolt, lock washer, hard washer and the blade. (Fig. 49)
6. Remove the mulch plug. (Fig. 50)
7. Remove the rear insert.
8. Remove the belt cover and the ring. (Fig. 51)
9. Disconnect the cable from the transmission and remove the idler pulley from the idler assembly.
10. Remove the front belt keeper.
11. Remove the drive belt from the transmission pulley.
12. Remove the 3 idler pulleys from the idler assembly. (Fig. 52)
13. Remove the drive belt from blade adapter and the idler assembly. (Fig. 53)
14. Attach locking pliers to the input shaft of the transmission. Loosen the engine pulley with a 9/16" box wrench to remove the transmission pulley.
15. Remove the drive belt.

Troubleshooting

Problem	Possible cause	Solution
The engine does not start.	The ignition cable is not connected correctly.	Connect the ignition cable to the spark plug.
	The fuel tank is empty.	Fill the fuel tank with correct fuel type.
	There is dirt in the carburetor or fuel line.	Clean the carburetor and/or fuel line.
	The spark plug is defective.	Adjust the electrode gap, clean or replace the spark plug.
The engine does not stop.	The stop mechanism is defective.	Disconnect the ignition cable from the spark plug. Let an approved service agent repair the product.
The engine does not operate smoothly.	The ignition cable is not connected correctly.	Connect the ignition cable to the spark plug.
	There is dirt in the fuel line or the fuel has expired.	Clean the fuel line. Fill the fuel tank with new fuel of the correct type.
	There is blockage in the fuel tank cap.	Clean the fuel tank cap.
	There is water or dirt in the fuel system.	Drain the fuel tank. Fill the fuel tank with new fuel of the correct type.
	The air filter is dirty.	Clean the air filter.
	The carburetor must be adjusted.	Let a servicing dealer adjust the carburetor.
The engine becomes too hot.	The engine oil level is too low.	Fill engine oil.
	The air flow is not sufficient.	Clean the air filter and the air filter housing.
	The carburetor must be adjusted.	Let a servicing dealer adjust the carburetor.
There is misfire in the engine when it operates at high speed.	The electrode gap in the spark plug is too small.	Adjust the electrode gap.
The engine does not operate smoothly at idle speed.	The spark plug is dirty, defective or the electrode gap is too wide.	Adjust the electrode gap or replace the spark plug.
	The carburetor must be adjusted.	Adjust the carburetor.
	The air filter is dirty.	Clean the air filter.
There is too much vibration in the handle.	A blade is loose or not balanced.	Tighten the blade bolts. Replace the blades if there are damages.
	A blade is bent.	Replace the blades if there are damages.

Problem	Possible cause	Solution
The grass is not cut into mulch.	The grass is wet.	Do not operate the product when the grass is wet. Wait until the grass is dry.
	The grass is too high.	Cut first with the cutting height set high. Lower the cutting height and cut again. Cut only ½ of the cutting width at a time.
	One or more of the blades are not sufficiently sharp.	Sharpen or replace the blades.
The grass is cut irregularly.	The wheels are not in correct position.	Set the cutting height at the same level for all 4 wheels.
	One or more of the blades are not sufficiently sharp.	Sharpen or replace the blades.
The drive system does not operate correctly	The drive belt is not sufficiently tight or there is dirt on the pulleys or drive belt.	Let an approved service agent do maintenance on the drive system.

Transportation, storage and disposal

Transportation and storage

- For storage and transportation of the product and fuel, make sure that there are no leaks or fumes. Sparks or open flames, for example from electrical devices or boilers, can start a fire.
- Always use approved containers for storage and transportation of fuel.
- Empty the fuel tank before you put the product in storage for a long period of time. Discard the fuel at an applicable disposal location
- Safely attach the product during transportation to prevent damage and accidents.
- Keep the product in a locked area to prevent access for children or persons that are not approved.
- Keep the product in a dry and frost free area.

Disposal

- Obey the local recycling requirements and applicable regulations.
- Discard all chemicals, such as engine oil or fuel, at a service center or at an applicable disposal location.
- When the product is no longer in use, send it to a Husqvarna dealer or discard it at a recycling location.

Technical data

Technical data

	LC 353AWD
Engine	
Brand	Honda
Displacement, cu.in/cm ³	10.1/166
Maximum operating engine speed, min ⁻¹	3200
Nominal engine output, kW/hp @ rpm ¹	3.6/4.9 @ 2900-3200
Ignition system	
Spark plug	NGK BPR5ES
Electrode gap, in/mm	0.028/0.7
Fuel and lubrication system	
Fuel, unleaded, minimum octane number	90 RON / 87 AKI
Fuel tank capacity, US gal l	0.24/0.91
Oil tank capacity, US gal/l	0.11/0.40
Engine oil ²	SAE 30 / SAE 10W-30
Weight	
With empty tanks, lb/kg	85.1/38.6
Noise emissions³	
Sound power level, measured dB (A)	95.02
Sound power level, guaranteed L _{WA} dB (A)	96
Sound levels⁴	
Sound pressure level at the operator's ear, dB (A)	83.3
Vibration levels⁵	
Handle (left/right), m/s ²	4.96/6.28

¹ The power rating of the engine indicated is the average net output (at specified rpm) of a typical production engine for the engine model measured to SAE standard J1349/ISO1585. Mass production engines may differ from this value. Actual power output for the engine installed on the final product will depend on the operating speed, environmental conditions and other values.

² Use engine oil of quality SJ or higher. See the viscosity chart in the engine manufacturer's manual and select the best viscosity based on the expected outside temperature.

³ Noise emissions in the environment measured as sound power (L_{WA}) in conformity with EC directive 2000/14/EC. Reported data for noise emissions in the environment has a typical statistical dispersion (standard deviation) of 0.54 dB (A).

⁴ Noise pressure level according to ISO 5395. Reported data for noise pressure level has a typical statistical dispersion (standard deviation) of 3.0 dB (A).

⁵ Vibration level according to ISO 5395. Reported data for vibration level has a typical statistical dispersion (standard deviation) of 1.5 m/s²

	LC 353AWD
Cutting equipment	
Cutting height, in/mm	1.0-4.0/25.4-101.6
Cutting width, in/cm	21/53
Blade	
Article number	586 85 96-02
Grass catcher capacity, ft ³ /l	2.3/65
Drive	
Speed, mph/km/h	0-3/0-4.8

Contents of the EC declaration of conformity

We, Husqvarna AB, SE 561 82 Huskvarna, SWEDEN, declare under our sole responsibility that the represented product:

Description	Combustion-engine-powered pedestrian-controlled lawn mower
Brand	Husqvarna
Platform / Type / Model	Platform E21THV, representing models LC 353AWD.
Batch	Serial number dating 2019 and onwards.

section of this manual and in the signed EC Declaration of Conformity.

The supplied combustion-engine-powered pedestrian-controlled lawn mower conforms to the example that underwent examination.

Notified body for directive 2000/14/EC: Intertek Testing & Certification Ltd (notified body 0359) Davy Avenue, Knowlhill, Milton Keynes, MK5 8NL.

complies fully with the following EU directives and regulations:

Directive/Regulation	Description
2006/42/EC	"relating to machinery"
2014/30/EU	"relating to electromagnetic compatibility"
2000/14/EU; 2005/88/EC	"relating to outdoor noise"
2011/65/EU	"restriction of use of certain hazardous substances"

Harmonized standards and/or technical specifications applied are as follows: EN ISO 12100, ISO 5395-1+A1/A2, ISO 5395-2+A1/A2, EN ISO 14982, ISO 3744, ISO 11094, EN 1032

In accordance with directive 2000/14/EC, Annex VI, the declared sound values are stated in the technical data

Contenido

Introducción.....	21	Solución de problemas.....	31
Seguridad.....	22	Transporte, almacenamiento y eliminación de residuos.....	32
Montaje.....	25	Datos técnicos.....	33
Funcionamiento.....	26	Contenido de la declaración de conformidad de CE....	34
Mantenimiento.....	27		

Introducción

Descripción del producto

El producto es un cortacésped motocultor propulsado con motor de combustión. El césped se acumula en un recogedor de césped. Quite el recogedor de césped para descargar el césped por la parte trasera. Instale un kit de trituración para cortar el césped y convertirlo en fertilizante.

Descripción general del producto

(Fig. 1)

1. Palanca de freno del motor
2. Palancas de transmisión
3. Empuñadura de la cuerda de arranque
4. Recogedor de césped
5. Tapa del depósito de combustible
6. Filtro de aire
7. Bujía
8. Cubierta de la unidad
9. Silenciador
10. Conexión de manguera de agua
11. Deflector trasero
12. Varilla de nivel/depósito de aceite
13. Control de altura de corte
14. Conector del mantillo
15. Manual del usuario
16. Conducto de expulsión

Símbolos en la máquina

(Fig. 3) **ADVERTENCIA:** Este producto puede ser peligroso y provocar daños graves o fatales al operador o a otras personas. Tenga cuidado y utilice el producto correctamente.

(Fig. 4) Lea atentamente el manual del usuario y asegúrese de que entiende las instrucciones antes de usar el producto.

(Fig. 5) Rápido

(Fig. 6) Lento

(Fig. 7) Mantenga las manos y los pies alejados de la pieza giratoria.

Uso específico

Utilice el producto para cortar el césped en jardines privados. No utilice el producto para otras tareas.

(Fig. 8) Mantenga a las personas y animales a una distancia de seguridad del área de trabajo.

(Fig. 9) Tenga cuidado al operar el producto hacia atrás. Mire hacia atrás y hacia abajo para ver si hay niños pequeños, animales u otros riesgos que puedan hacerlo caer.

(Fig. 10) El uso del producto en una pendiente puede ser peligroso.

(Fig. 11) Mantenga las manos y los pies alejados de las cuchillas giratorias.

(Fig. 12) Tenga cuidado con los objetos que puedan salir despedidos o producir algún impacto por efectos de rebote.

(Fig. 13) Emisiones sonoras en el medioambiente según la Directiva de la comunidad europea. Las emisiones que genera el producto se especifican en *Datos técnicos en la página 33* y en la etiqueta.

(Fig. 14) Este producto cumple con las directivas CE aplicables.

(Fig. 15) El producto cumple con las directivas EAC pertinentes.

(Fig. 16) Este producto cumple con las directivas pertinentes de RCM. Solo aplica a AU/NZ.

(Fig. 17) El producto cumple con las directivas de Ucrania pertinentes.

(Fig. 18) Use protección auricular aprobada.

Tenga en cuenta: Otros símbolos o etiquetas del producto hacen referencia a requisitos de certificación para otras zonas comerciales.

Emisiones Euro V



ADVERTENCIA: La manipulación del motor anula la homologación de este producto en la UE.

Responsabilidad del fabricante

Como se menciona en las leyes de responsabilidad del fabricante, no nos hacemos responsables de los daños que cause nuestro producto si:

- el producto se repara incorrectamente
- el producto se repara con piezas que no son del fabricante o que este no autoriza
- el producto tiene un accesorio que no es del fabricante o que este no autoriza
- el producto no se repara en un centro de servicio autorizado o por una autoridad aprobada.

Seguridad

Definiciones de seguridad

Las advertencias, precauciones y notas se utilizan para señalar las piezas particularmente importantes del manual.



ADVERTENCIA: Se utilizan para señalar el riesgo de lesiones graves o mortales para el operador o para aquellos que se encuentren cerca si no se siguen las instrucciones del manual.



AVISO: Se utilizan para señalar el riesgo de dañar la máquina, otros materiales o el área adyacente si no se siguen las instrucciones del manual.

Tenga en cuenta: Se utilizan para entregar más información necesaria en situaciones particulares.

Instrucciones generales de seguridad



ADVERTENCIA: Lea atentamente las instrucciones de advertencia siguientes antes de usar el producto.

- Este producto es peligroso si se usa de manera incorrecta o si no se tiene cuidado. Se pueden producir lesiones o la muerte si no se obedecen las instrucciones de seguridad.
- En este producto se genera un campo electromagnético durante su funcionamiento. Este campo puede, en determinadas circunstancias, interferir con implantes médicos activos o pasivos. Para reducir el riesgo de daños graves o mortales, recomendamos que las personas con implantes médicos consulten a su médico y al fabricante del implante médico antes de usar este producto.
- Sea siempre cuidadoso y use el sentido común. Si no está seguro de cómo utilizar el producto en una

situación en particular, deténgase y hable con su proveedor Husqvarna antes de continuar.

- Tenga en cuenta que el operador será responsable de los accidentes que involucren a otras personas su propiedad.
- Mantenga la máquina limpia. Asegúrese de que puede leer señales y etiquetas claramente.
- No permita a nadie usar el producto a menos que esté seguro de que leyeron y comprendieron el contenido del manual de usuario.
- No deje que un niño utilice el producto.
- Mantenga a los niños fuera del área de trabajo. Debe haber un adulto responsable en todo momento.
- No permita que una persona que no conozca las instrucciones utilice el producto.
- Siempre esté pendiente de una persona que utilice el producto si es que tiene capacidades físicas o mentales reducidas. Debe haber un adulto responsable en todo momento.
- No utilice el producto si está cansado, enfermo o bajo la influencia de alcohol, drogas o medicamentos. Esto afecta de manera negativa su capacidad visual, de alerta, coordinación y juicio.
- No utilice el producto si se encuentra defectuoso.
- No modifique este producto ni lo utilice si parece haber sido modificado por otros.

Seguridad en el área de trabajo



ADVERTENCIA: Lea atentamente las instrucciones de advertencia siguientes antes de usar el producto.

- Retire objetos tales como ramas y piedras del área de trabajo antes de utilizar el producto.
- Los objetos que se golpean contra el equipo de corte podrían salir expulsados y provocar daños a personas y objetos. Mantenga a las personas y animales a una distancia de seguridad del producto.

- Nunca utilice el producto en condiciones climáticas adversas, tales como niebla, lluvia, vientos fuertes, frío intenso o riesgo de caída de rayos. El uso del producto en condiciones climáticas adversas o en lugares húmedos o mojados resulta agotador. Las condiciones climáticas adversas pueden provocar condiciones peligrosas, como superficies resbaladizas.
- Tenga cuidado con personas, objetos y situaciones que puedan impedir el funcionamiento seguro del producto.
- Tenga cuidado con obstáculos, como raíces, piedras, ramas, fosos y zanjas. El césped alto puede ocultar obstáculos.
- El corte del césped en pendientes puede ser peligroso. No utilice el producto en suelos con pendientes de más de 15°.
- Utilice el producto de lado a lado en las pendientes. No lo mueva hacia arriba y hacia abajo.
- Tenga cuidado al pasar cerca de esquinas ocultas y objetos que puedan obstaculizar la visión.
- Siempre manténgase detrás del producto cuando lo use.
- Haga que todas las ruedas permanezcan sobre el suelo y mantenga las dos manos en el mango cuando utilice el producto. Mantenga las manos y los pies alejados de las hojas giratorias.
- No incline el producto cuando el motor esté en marcha.
- Tenga cuidado cuando tire el producto hacia atrás.
- Nunca levante el producto cuando el motor esté en marcha. Si se ve obligado a levantar el producto, en primer lugar, apague el motor y desconecte el cable de encendido de la bujía.
- No camine hacia atrás cuando utilice el producto.
- Detenga el motor cuando se desplace en áreas sin césped, como en caminos de grava, piedra y asfalto.
- No corra con el producto cuando el motor esté en marcha. Siempre camine cuando utilice el producto.
- Detenga el motor antes de cambiar la altura de corte. Nunca haga ajustes con el motor en marcha.
- No deje el producto desatendido con el motor en marcha. Detenga el motor y asegúrese de que el equipo de corte no gire.
- Antes de realizar un ajuste, una inspección, un reemplazo o la remoción de obstrucciones, detenga el producto y deje que las hojas se detengan por completo. Las hojas que giran pueden causar lesiones. No toque las hojas mientras giran.

Seguridad en el trabajo



ADVERTENCIA: Lea atentamente las instrucciones de advertencia siguientes antes de usar el producto.

- Utilice este producto solamente para cortar césped. No se permite el uso en otras tareas.
- Utilice equipo de protección personal. Consulte *Equipo de protección personal en la página 23*.
- Asegúrese de saber cómo detener el motor rápidamente en caso de emergencia.
- Nunca arranque el motor en un espacio cerrado o cerca de material inflamable. Los gases de escape salen calientes del motor y pueden contener chispas que podrían iniciar un incendio.
- No utilice el producto a menos que la cuchilla y todas las cubiertas estén fijadas correctamente. Si la cuchilla está fijada de manera incorrecta, podría soltarse y causar daños personales.
- Asegúrese de que la cuchilla no golpee objetos, como piedras y raíces. Esto puede provocar daños a la cuchilla y doblar el eje del motor. Si el eje se dobla, se producirán vibraciones excesivas y habrá un riesgo muy alto de que la cuchilla se afloje.
- Si la cuchilla golpea un objeto o si se producen vibraciones, detenga el producto de inmediato. Desconecte el cable de encendido de la bujía. Examine el producto en busca de daños. Repare los daños o solicite a un taller de servicio autorizado que realice la reparación.
- Nunca fije la palanca de freno del motor de forma permanente al mango cuando el motor esté en marcha.
- Coloque el producto en una superficie plana y estable, y póngalo en marcha. Asegúrese de que la cuchilla no golpee el suelo u otros objetos.

Instrucciones de seguridad para el funcionamiento

Equipo de protección personal



ADVERTENCIA: Lea atentamente las instrucciones de advertencia siguientes antes de usar el producto.

- El equipo de protección personal no puede impedir el riesgo de lesiones, pero disminuirá el grado de lesión si ocurre un accidente. Permita que su distribuidor le ayude seleccionar el equipo adecuado.
- Utilice protectores auriculares si el nivel de ruido es superior a 85 dB.
- Utilice botas o zapatos antideslizantes resistentes. No utilice zapatos abiertos ni trabaje con los pies descalzos.
- Utilice pantalones largos y gruesos.
- Utilice guantes protectores cuando sea necesario, por ejemplo, cuando fije, examine o limpie el equipo de corte.

Dispositivos de seguridad en el producto



ADVERTENCIA: Lea atentamente las instrucciones de advertencia siguientes antes de usar el producto.

- No utilice un producto con dispositivos de seguridad defectuosos.
- Revise los dispositivos de seguridad de forma regular. Si los dispositivos de seguridad están defectuosos, comuníquese con su taller de servicio Husqvarna.

Para comprobar la cubierta de corte

La cubierta de corte reduce las vibraciones del producto y el riesgo de lesiones ocasionadas por la cuchilla.

- Examine la cubierta de corte para asegurarse de que no haya daños, por ejemplo, grietas.

Para revisar la palanca de freno del motor

La palanca de freno del motor detiene el motor. Cuando suelta la palanca de freno del motor, el motor se detiene.

- Arranque el motor y, a continuación, suelte la palanca de freno del motor. Si el motor no se detiene en un lapso de 3 segundos, solicite a taller de servicio Husqvarna aprobado que ajuste el freno del motor. (Fig. 19)

Para revisar el deflector trasero

El deflector trasero disminuye el riesgo de que salgan expulsados objetos hacia el operador.

- Asegúrese de que el deflector trasero no esté dañado. (Fig. 20)
- Asegúrese de que los muelles que cierran el deflector trasero no estén rotos.
- Si los resortes están rotos o las piezas están dañadas, cámbielos.
- Asegúrese de que el deflector trasero se pueda mover sin dificultad en las bisagras.

Silenciador

El silenciador mantiene los niveles de ruido al mínimo y envía los gases de escape lejos del operador.

No utilice el producto si el silenciador no está instalado o está defectuoso. Un silenciador defectuoso aumenta el nivel de ruido y el riesgo de incendio.



ADVERTENCIA: El silenciador se calienta mucho durante y después del uso y cuando el motor funciona en régimen de ralentí. Tenga cuidado cerca de materiales o vapores inflamables para prevenir incendios.

Para comprobar el silenciador

- Examine el silenciador con regularidad para asegurarse de que está instalado correctamente y que no esté dañado.

Para comprobar el nivel de aceite



AVISO: Un nivel de aceite demasiado bajo puede dañar el motor. Revise el nivel de aceite antes de utilizar el producto.

1. Coloque el producto en un terreno plano.
2. Retire el tapón del depósito de aceite junto con la varilla de nivel incluida.
3. Limpie el aceite de la varilla de nivel.
4. Vuelva a colocar la varilla de nivel completa en el depósito de aceite para tener una idea correcta del nivel de aceite.
5. Quitó la varilla de nivel.
6. Examine el nivel de aceite con la varilla de nivel.
7. Si el nivel de aceite es bajo, llene con aceite de motor y revise nuevamente.

Seguridad de vibración

Este producto solo sirve para su uso ocasional. El funcionamiento continuo o regular del producto puede provocar la enfermedad de Dupuytren o problemas médicos equivalentes producto de las vibraciones. Examine la condición de sus manos y dedos si opera el producto regular o continuamente. Si sus manos o dedos tienen una decoloración, dolor, cosquilleo o se sienten entumecidos, detenga el trabajo y póngase en contacto con un médico de inmediato.

Seguridad de combustible



ADVERTENCIA: Lea atentamente las instrucciones de advertencia siguientes antes de usar el producto.

- No arranque el producto si hay combustible o aceite de motor en el producto. Quite el combustible o aceite no deseado y deje secar el producto.
- Si derrama combustible en su ropa, cámbiese la ropa inmediatamente.
- No permita que le caiga combustible en el cuerpo, ya que puede causar lesiones. Si le cae combustible en el cuerpo, utilice jabón y agua para quitarlo.
- No arranque el producto si el motor tiene una fuga. Examine frecuentemente el motor en busca de fugas.
- Tenga cuidado con el combustible. El combustible es inflamable y los gases son explosivos y pueden causar lesiones graves o fatales.
- No respire los gases del combustible, ya que pueden causar lesiones. Asegúrese de que haya suficiente flujo de aire.
- No fume cerca del combustible o del motor.
- No coloque objetos calientes cerca del combustible o del motor.
- No agregue combustible cuando el motor esté en marcha.

- Asegúrese de que el motor se enfríe antes de llenar el depósito de combustible.
- Antes de llenar el depósito de combustible, abra lentamente la tapa del depósito de combustible y libere la presión con cuidado.
- No agregue combustible al motor en un área interior. Un flujo de aire insuficiente puede causar lesiones graves o fatales por asfixia o debido al monóxido de carbono.
- Apriete bien la tapa del depósito de combustible. Si no aprieta la tapa del depósito de combustible, se genera un riesgo de incendio.
- Mueva el producto a un mínimo de 3 m/10 pies de la posición en la que llenó el depósito antes de ponerlo en marcha.
- No llene el depósito de combustible completamente. El calor provoca que el combustible se expanda. Deje espacio en la parte superior del depósito de combustible.
- No arranque el motor en interiores o en espacios cerrados.
- Antes de realizar el mantenimiento del producto, detenga el motor y quite el cable de encendido de la bujía.
- Utilice guantes protectores cuando realice tareas de mantenimiento en el equipo de corte. La hoja está muy afilada y se pueden producir cortes con mucha facilidad.
- Accesorios y modificaciones en el producto que no estén aprobados por el fabricante pueden causar lesiones graves o la muerte. No modifique el producto. Siempre utilice accesorios aprobados por el fabricante.
- Si el mantenimiento no se realiza de manera correcta y regular, aumenta el riesgo de sufrir lesiones y causar daños en el producto.
- Solo lleve a cabo el mantenimiento como se indica en este manual del propietario. Todos los demás trabajos de mantenimiento deben llevarse a cabo en un taller de servicio Husqvarna aprobado..
- Permita que un taller de servicio Husqvarna aprobado realice trabajos de mantenimiento en el producto con regularidad.
- Cambie todas las piezas dañadas, desgastadas o rotas.

Instrucciones de seguridad para el mantenimiento



ADVERTENCIA: Lea atentamente las instrucciones de advertencia siguientes antes de usar el producto.

- Los gases de escape del motor contienen monóxido de carbono, un gas inodoro, tóxico y muy peligroso.

Montaje

Introducción



ADVERTENCIA: Antes de montar el producto, debe leer y entender el contenido del capítulo sobre seguridad.



ADVERTENCIA: Retire el cable de la bujía de la bujía antes de montar el producto.

Para montar el mango

1. Levante el mango inferior. (Fig. 21)
 2. Alinee los orificios de la parte inferior del mango inferior con los orificios de los soportes del mango.
- Tenga en cuenta:** Seleccione los orificios que permitan la mejor posición para la operación.
3. Apriete las perillas del mango inferior.
 4. Levante el mango superior y alinéelo con el mango inferior.
 5. Apriete las perillas del mango superior por completo.

Para instalar la empuñadura de la cuerda de arranque

1. Fije el ojal para la cuerda de arranque y la perilla T. No lo apriete completamente. (Fig. 22)
2. Sujete la palanca de freno del motor contra el manillar.
3. Tire lentamente de la cuerda de arranque y colóquela en su ojal. (Fig. 23)
4. Apriete la perilla T. (Fig. 24)

Para poner el producto en posición de transporte

1. Retire el recogedor de césped.
2. Afloje las perillas del mango inferior para desbloquear el mango. (Fig. 25)
3. Doble el mango hacia abajo y hacia atrás.
4. Quite las perillas y los pasadores del mango inferior.
5. Pliegue el mango hacia delante.

Para montar el recogedor de césped

1. Instale el bastidor del recogedor de césped en la bolsa para césped con la parte rígida de la bolsa en

la parte inferior. Mantenga el mango del bastidor fuera de la parte superior de la bolsa. (Fig. 26)

2. Fije la bolsa para césped en el bastidor con los clips de acción rápida. (Fig. 27)

Funcionamiento

Introducción



ADVERTENCIA: Antes de utilizar el producto, debe leer y entender el capítulo sobre seguridad.

Antes de usar el producto

1. Lea atentamente el manual del usuario y asegúrese de entender las instrucciones.
2. Examine el equipo de corte para asegurarse de que esté conectado y ajustado correctamente. Consulte *Para examinar el equipo de corte en la página 29*.
3. Llene el depósito de combustible. Consulte *Para abastecer de combustible en la página 26*.
4. Llene el depósito de aceite y revise el nivel de aceite. Consulte *Para comprobar el nivel de aceite en la página 24*.

Para abastecer de combustible

Si es posible, utilice gasolina de bajas emisiones/alquilato. Si no dispone de gasolina de bajas emisiones o alquilato, utilice gasolina con o sin plomo de buena calidad con un octanaje superior a 90.



AVISO: No utilice gasolina con un octanaje inferior a 90 RON (87 AKI). Esto puede provocar daños al producto.

1. Abra lentamente la tapa del depósito de combustible para liberar la presión.
2. Llene lentamente con un bidón de combustible. Si derrama combustible, límpielo con un paño y deje que se sequen los restos.
3. Limpie el área alrededor del tapón del depósito de combustible.
4. Apriete bien la tapa del depósito de combustible. Si no aprieta la tapa del depósito de combustible, se genera un riesgo de incendio.
5. Mueva el producto a un mínimo de 3 m (10 pies) de la posición en la que se llenó el depósito antes de empezar a usarlo.

Ajuste de la altura de corte

La altura de corte puede ajustarse en 9 niveles.

1. Presione el control de altura de corte hacia la rueda y, a continuación, hacia atrás para aumentar la altura de corte.
2. Presione el control de altura de corte hacia la rueda y, a continuación, hacia delante para reducir la altura de corte. (Fig. 28)



AVISO: No ajuste la altura de corte a un nivel demasiado bajo. Las cuchillas pueden golpear el suelo si la superficie del césped no está nivelada.

Para poner en marcha la máquina

1. Manténgase detrás del producto.
2. Sujete la palanca de freno del motor contra el manillar. (Fig. 29)
3. Sujete la empuñadura de la cuerda de arranque con la mano derecha.
4. Tire lentamente de la cuerda de arranque hasta sentir cierta resistencia.
5. Tire con fuerza para arrancar el motor.



ADVERTENCIA: No se enrolle la cuerda de arranque en la mano.

Para usar la transmisión de las ruedas

- Tire de las palancas de transmisión en la dirección del manillar. (Fig. 30)
- Antes de tirar el producto hacia atrás, desacople la transmisión y empuje el producto hacia delante aproximadamente 10 cm.
- Suelte las palancas de transmisión para desacoplar la transmisión, por ejemplo, cuando se acerque a un obstáculo.

Para ajustar el cable de control de la transmisión

- Utilice el tornillo de ajuste para ajustar el cable de control de la transmisión. (Fig. 31)
- Apague el motor. Siempre desconecte la bujía antes de utilizar las piezas móviles.
- Gire el tornillo de ajuste hacia la izquierda para tensar el cable y aumentar la velocidad.
- Gire el tornillo de ajuste hacia la derecha para extender el cable y reducir la velocidad.

Para detener el producto

- Para detener solo la transmisión, suelte las palancas de la transmisión.
- Para detener el motor, suelte la palanca de freno del motor. (Fig. 32)

Para utilizar el producto con el recogedor de césped



ADVERTENCIA: No haga funcionar el producto sin el recogedor de césped instalado o sin el deflector trasero cerrado. Pueden salir expulsados objetos que provoquen lesiones al operador.

1. Levante el deflector trasero y quite el conector de mantillo. (Fig. 33)
2. Monte el recogedor de césped, consulte *Para montar el recogedor de césped en la página 25*.
3. Coloque el recogedor de césped en el soporte. (Fig. 34)
4. Libere el deflector trasero y colóquelo encima del bastidor de la bolsa para césped.

Para cambiar el producto a modo de trituración

El modo de trituración del producto hace que los recortes de hierba sean más pequeños. De esta forma, los recortes caen sobre el césped y se dispersan sobre él. La hierba triturada se biodegrada rápidamente para proporcionar nutrientes al césped.

1. Levante la protección trasera y retire la bolsa para césped, si está instalada.
2. Instale el conector de mantillo en el canal colector. (Fig. 35)
3. Deje que la protección trasera se cierre y asegúrese de que esté firmemente cerrada contra el conector de mantillo. (Fig. 36)

Para cambiar el producto al modo de descarga lateral trasero

1. Levante el deflector trasero y quite el conector de mantillo. (Fig. 37)
2. Instale el conducto de expulsión. (Fig. 38)

Para vaciar el recogedor de césped



AVISO: No arrastre la bolsa cuando vacíe el recogedor de césped para evitar que se desgaste.

1. Levante el recogedor de césped con el mango del bastidor. (Fig. 39)
2. Retire la hierba cortada del recogedor de césped de debajo del mango.
3. Vacíe la hierba cortada de la bolsa con el mango del bastidor y el mango de la bolsa.

Para conseguir un buen resultado

- Utilice siempre una cuchilla afilada. Si usa una cuchilla desafilada, obtendrá un resultado irregular y la superficie de corte del césped adquirirá un tono amarillo. Además, con una cuchilla afilada se usa menos energía que con una desafilada.
- No corte más de $\frac{1}{3}$ de la longitud del césped. Corte primero con el ajuste de altura de corte alto. Examine el resultado y baje la altura de corte a un nivel pertinente. Si el césped está demasiado largo, trabaje lentamente y corte dos veces si es necesario.
- Corte en diferentes direcciones cada vez para evitar crear rayas en el césped.

Mantenimiento

Introducción



ADVERTENCIA: Antes de realizar el mantenimiento, debe leer y entender el capítulo sobre seguridad.

Para todos los trabajos de mantenimiento y reparación del producto, se requiere capacitación especial. Garantizamos la disponibilidad de trabajos de mantenimiento y reparación profesionales. Si el concesionario no cuenta con un taller de servicio, pídale información acerca del taller de servicio más cercano.

Programa de mantenimiento



AVISO: Asegúrese de que el filtro de aire esté hacia arriba y no contra el suelo cuando incline el producto. Riesgo de daños para el motor.

Los intervalos de mantenimiento se calculan a partir del uso diario del producto. Los intervalos cambian si el producto no se utiliza a diario.

Para el mantenimiento que se identifica con *, consulte las instrucciones que se proporcionan en *Dispositivos de seguridad en el producto en la página 23*.

Mantenimiento	Diario	Una vez por semana	Mensual
Realice una inspección general.	X		
Revise el nivel de aceite	X		
Limpie el producto.	X		
Examine el equipo de corte.	X		
Examine la cubierta de corte.*	X		
Examine la palanca de freno del motor*	X		
Examine el control de freno de la cuchilla*	X		
Examine el silenciador*		X	
Examine la bujía		X	
Cambie el aceite (la primera vez después de 5 horas de uso, y posteriormente, cada 50 horas de uso)			X
Limpie o reemplace el filtro de aire			X
Examine el sistema de combustible			X

Para hacer una inspección general

- Asegúrese de que todas las tuercas y los tornillos del producto estén apretados de forma adecuada.

Para limpiar el producto externamente

- Utilice un cepillo para retirar las hojas, el césped y la suciedad.
- Asegúrese de que la toma de aire en la parte superior del motor no esté obstruida.
- No use limpiadores de alta presión para limpiar el producto.
- Si utiliza agua para limpiar el producto, no la aplique directamente en el motor.

Para limpiar la superficie interior de la cubierta de corte

1. Vacíe el depósito de combustible.
2. Coloque el producto de lado con el silenciador hacia abajo.



AVISO: Si el producto se coloca con el filtro de aire hacia abajo, el motor puede dañarse.

3. Lave con agua la superficie interior de la cubierta de corte utilizando una manguera.

Para utilizar la conexión de la manguera de agua

1. Mueva el producto a una zona de césped cortado u otra superficie dura.

2. Retire el recogedor de césped o el conector del mantillo del producto.
3. Cierre el deflector trasero.
4. Conecte una manguera de agua a la conexión de la manguera de agua. (Fig. 40)
5. Detenga el suministro de agua y revise si hay fugas en la conexión de la manguera de agua.
6. Si no detecta ninguna fuga, arranque el motor. Deje funcionar el motor hasta que el producto esté limpio por debajo de la carcasa.
7. Detenga el motor.
8. Detenga el suministro de agua y retire la manguera de la conexión de la manguera de agua.

Tenga en cuenta: No retire la manguera de agua de la conexión de la manguera de agua mientras el motor está en funcionamiento. El ingreso de agua en el motor puede reducir la vida útil del motor.

9. Arranque el motor y déjelo funcionar durante un minuto para eliminar los restos de agua del producto.

Para cambiar el aceite del motor:



ADVERTENCIA: El aceite del motor tiene una temperatura muy alta inmediatamente después de que el motor se detiene. Deje que el motor se enfríe antes de drenar el aceite del motor. En caso de que el aceite del motor entre en contacto con su piel, límpiela con agua y jabón.

1. Utilice el producto hasta que el depósito de combustible esté vacío.
2. Desconecte el cable de encendido de la bujía.
3. Quite el tapón del depósito de aceite.
4. Coloque un recipiente debajo del producto para recoger el aceite del motor.
5. Inclíne el producto para drenar el aceite del motor del depósito de aceite.
6. Llene el depósito con el nuevo aceite de motor del tipo recomendado en *Datos técnicos en la página 33*.
7. Compruebe el nivel de aceite. Consulte *Para comprobar el nivel de aceite en la página 24*.

Para examinar la bujía



AVISO: Utilice siempre el tipo de bujía recomendada. El tipo de bujía incorrecto puede causar daños en el producto.

- Examine la bujía si el motor tiene una potencia demasiado baja, no arranca fácilmente o no funciona correctamente al régimen de ralentí.
- Para disminuir el riesgo de material no deseado en los electrodos de la bujía, siga estas instrucciones:
 - a) Asegúrese de que el régimen de ralentí esté ajustado correctamente.
 - b) Asegúrese de que la mezcla de combustible es la correcta.
 - c) Asegúrese de que el filtro de aire esté limpio.
- Si la bujía está sucia, límpiela y asegúrese de que la distancia entre los electrodos sea la correcta, consulte *Datos técnicos en la página 33*. (Fig. 41)
- Reemplace la bujía si es necesario.

Para limpiar el filtro de aire

1. Quite la cubierta del filtro de aire y retire el filtro.
2. Golpee el filtro contra una superficie plana para que caigan las partículas.



AVISO: No utilice disolventes ni aire comprimido para limpiar el filtro de aire.

3. Vuelva a colocar el filtro de aire. Asegúrese de que el filtro de aire se selle bien en el soporte del filtro de aire.
4. Vuelva a colocar la cubierta del filtro de aire.

Tenga en cuenta: Si un filtro de aire se ha utilizado durante mucho tiempo, nunca quedará completamente limpio. Reemplace el filtro de aire a intervalos regulares. Siempre reemplace un filtro de aire dañado.

Para examinar el equipo de corte



ADVERTENCIA: Para evitar el arranque accidental, quite el cable de encendido de la bujía.



ADVERTENCIA: Utilice guantes protectores cuando realice tareas de mantenimiento en el equipo de corte. La hoja está muy afilada y se pueden producir cortes con mucha facilidad.

1. Examine el equipo de corte en busca de daños o grietas. Siempre reemplace un equipo de corte dañado.
2. Revise la cuchilla para ver si está dañada o desafilada.

Tenga en cuenta: Es necesario equilibrar la cuchilla después de afilarla. Solicite a un centro de servicio que afile, reemplace y equilibre la cuchilla. Si golpea un obstáculo que haga que el producto se detenga, reemplace la cuchilla dañada. Solicite al centro de servicio que estime si la cuchilla se puede afilar o si se debe reemplazar.

Para montar la cuchilla

1. Coloque el adaptador de la cuchilla en el cigüeñal del motor. Asegúrese de que la llave del adaptador y la chaveta del cigüeñal estén alineados. (Fig. 42)
2. Siempre instale la cuchilla con los extremos acodados apuntando en la dirección del motor. (Fig. 43)
3. Use un bloque de madera entre la cuchilla y la carcasa del producto. Apriete el tornillo de la cuchilla y gírelo en el sentido de las agujas del reloj.
4. Siempre apriete el tornillo con un par de 47-54 Nm (35-40 lb-pie). (Fig. 44)
5. Asegúrese de que el cable de la bujía esté desconectado del motor.



AVISO: Para evitar el arranque accidental, desconecte siempre el cable de la bujía y coloque el cable donde no pueda entrar en contacto con la bujía.

6. Gire la hoja de manera manual y asegúrese de que gira sin problemas.

Para reemplazar la cuchilla

1. Bloquee la cuchilla con un bloque de madera. (Fig. 45)
2. Retire el tornillo de la cuchilla.
3. Extraiga la cuchilla.

4. Examine el soporte de la cuchilla y el tornillo de la cuchilla para ver si tienen daños.
5. Examine el eje del motor para asegurarse de que no esté doblado.
6. Cuando se conecta la nueva cuchilla, punto los extremos de la cuchilla en la dirección de la cubierta de corte. (Fig. 46)
7. Asegúrese de que la cuchilla esté alineada con el centro del eje del motor.
8. Bloquee la cuchilla con un bloque de madera. Fije la arandela de resorte y apriete el perno y la arandela a un par de 47-54 Nm. (Fig. 47)
9. Gire la cuchilla manualmente y asegúrese de que gira sin problemas.



ADVERTENCIA: Utilice guantes resistentes. La hoja está muy afilada y se pueden producir cortes con mucha facilidad.

10. Arranque el producto para hacer una prueba de la hoja. Si la cuchilla no se fija correctamente, se producirá vibración en el producto o no obtendrá el resultado de corte deseado.

Descripción general del conjunto de la transmisión

(Fig. 2)

1. Conector del mantillo
2. Pieza trasera
3. Polea de transmisión
4. Soporte de la rueda guía
5. Tapa de la transmisión
6. Adaptador de la cuchilla
7. Polea tensora
8. Retenedor de correa delantera
9. Anillo
10. Hoja
11. Arandela dura
12. Arandela de bloqueo
13. Tornillo de la cuchilla
14. Cubierta de la correa
4. Retire la cubierta de la transmisión. (Fig. 48)
5. Retire el perno de la cuchilla, la arandela de bloqueo, la arandela rígida y la hoja. (Fig. 49)
6. Quite el conector de mantillo. (Fig. 50)
7. Retire el inserto trasero.
8. Retire la cubierta de la correa y el anillo. (Fig. 51)
9. Desconecte el cable de la transmisión y quite la polea tensora del conjunto de polea tensora.
10. Retire el sujetador de la correa delantera.
11. Retire la correa de transmisión de la polea de transmisión.
12. Retire las tres poleas tensoras del conjunto de polea. (Fig. 52)
13. Retire la correa de transmisión del adaptador de la hoja y el conjunto de polea. (Fig. 53)
14. Conecte los alicates de bloqueo al eje de entrada de la transmisión. Afloje la polea del motor con una llave de tubo de 9/16" para retirar la polea de transmisión.
15. Retire la correa de transmisión.

Para retirar la correa de transmisión

1. Utilice el producto hasta que el depósito de combustible esté vacío.
2. Quite el sombrerete de bujía de la bujía.
3. Coloque el producto de lado con el silenciador hacia abajo.



AVISO: Si el producto se coloca con el filtro de aire hacia abajo, el motor puede dañarse.

Solución de problemas

Problema	Causa posible	Solución
El motor no arranca.	El cable de encendido no está conectado correctamente.	Conecte el cable de encendido a la bujía.
	El depósito de combustible está vacío.	Llene el depósito de combustible con el tipo de combustible correcto.
	Hay suciedad en el carburador o la tubería de combustible.	Limpie el carburador o el tubo de combustible.
	La bujía está defectuosa.	Ajuste la distancia entre los electrodos, limpie o cambie la bujía.
El motor no se detiene.	El mecanismo de parada está averiado.	Desconecte el cable de encendido de la bujía. Solicite a un taller de servicio autorizado que repare el producto.
El motor no funciona de forma ininterrumpida.	El cable de encendido no está conectado correctamente.	Conecte el cable de encendido a la bujía.
	Hay suciedad en el tubo de combustible o el combustible caducó.	Limpie la tubería de combustible. Llene el depósito de combustible con combustible nuevo del tipo correcto.
	Hay una obstrucción en la tapa del depósito de combustible.	Quite la tapa del depósito de combustible.
	Hay agua o suciedad en el sistema de combustible.	Drene el depósito de combustible. Llene el depósito de combustible con combustible nuevo del tipo correcto.
	El filtro de aire está sucio.	Limpie el filtro de aire.
	Se debe ajustar el carburador.	Solicite a un taller de servicio el ajuste del carburador.
El motor se sobrecalienta.	El nivel de aceite del motor es demasiado bajo.	Agregue aceite de motor.
	El flujo de aire no es suficiente.	Limpie el filtro de aire y la caja del filtro de aire.
	Se debe ajustar el carburador.	Solicite a un taller de servicio el ajuste del carburador.
Hay una falla en el encendido del motor cuando este funciona a velocidad alta.	La distancia entre los electrodos de la bujía es demasiado pequeña.	Ajuste la distancia entre los electrodos.
El motor no funciona correctamente a régimen de ralentí.	La bujía está sucia, defectuosa o la distancia entre los electrodos es demasiado grande.	Ajuste la distancia entre los electrodos o cambie la bujía.
	Se debe ajustar el carburador.	Ajuste el carburador.
	El filtro de aire está sucio.	Limpie el filtro de aire.
Hay demasiada vibración en el mango.	Una cuchilla está suelta o no está bien equilibrada.	Apriete los tornillos de la cuchilla. Reemplace las cuchillas si están dañadas.
	Una cuchilla está doblada.	Reemplace las cuchillas si están dañadas.

Problema	Causa posible	Solución
La hierba cortada no se tritura.	El césped está mojado.	No opere el producto cuando el césped esté mojado. Espere hasta que el césped se seque.
	El césped está demasiado largo.	Corte primero con el ajuste de altura de corte alto. Baje la altura de corte y corte nuevamente. Corte solo la mitad del ancho de corte a la vez.
	Una o varias cuchillas no se encuentran lo suficientemente afiladas.	Afile o reemplace las cuchillas.
El césped no se corta de manera regular.	Las ruedas no están en la posición correcta.	Ajuste la altura de corte al mismo nivel para las cuatro ruedas.
	Una o varias cuchillas no se encuentran lo suficientemente afiladas.	Afile o reemplace las cuchillas.
El sistema de transmisión no funciona correctamente	La correa de transmisión no está lo suficientemente apretada o hay suciedad en las poleas o en la correa de transmisión.	Solicite a un taller de servicio autorizado realizar el mantenimiento del sistema de transmisión.

Transporte, almacenamiento y eliminación de residuos

Transporte y almacenamiento

- Para el almacenamiento y el transporte del producto y del combustible, asegúrese de que no haya fugas o vapores. Las chispas o llamas, por ejemplo, de dispositivos eléctricos o calderas, pueden iniciar un incendio.
- Siempre use contenedores aprobados para el almacenamiento y el transporte del combustible.
- Vacíe el depósito de combustible antes de almacenar el producto durante un largo tiempo. Deseche el combustible en un sitio adecuado para tal propósito.
- Asegure bien el producto durante el transporte para evitar daños y accidentes.
- Mantenga el producto en un área cerrada para evitar que los niños u otras personas sin autorización puedan acceder a él.
- Mantenga el producto en un lugar seco y sin escarcha.

- Cuando el producto se deja de utilizar, envíelo a un distribuidor de Husqvarna o deséchelo en un sitio de reciclaje.

Eliminación

- Obedezca las regulaciones vigentes y requisitos de reciclaje locales.
- Deseche todos los productos químicos, como el combustible o el aceite del motor, en un centro de servicio o en un sitio adecuado para tal propósito.

Datos técnicos

Datos técnicos

	LC 353AWD
Motor	
Marca	Honda
Cilindrada, cm ³ /pulg. cúb	10,1/166
Velocidad máxima de funcionamiento del motor, mín. ⁻¹	3200
Potencia nominal del motor, kW/hp a rpm ⁶	3.6/4.9 @ 2900-3200
Sistema de encendido	
Bujía	NGK BPR5ES
Distancia entre los electrodos, mm/pulg	0,7/0,028
Combustible y sistema de lubricación	
Combustible, sin plomo, número mínimo de octanaje	90 RON/87 AKI
Capacidad del depósito de combustible, gal EE. UU./l	0,24/0,91
Capacidad del depósito de aceite, gal EE. UU./l	0,11/0,40
Aceite del motor ⁷	SAE 30/SAE 10W-30
Peso	
Peso con depósitos vacíos, kg/lb	85,1/38,6
Emisiones sonoras ⁸	
Nivel de potencia acústica, medido en dB (A)	95,02
Nivel de potencia acústica, L _{WA} dB (A) garantizada	96
Niveles acústicos ⁹	
Nivel de presión sonora en el oído del operador, dB(A)	83,3
Niveles de vibración ¹⁰	
Manilla (izquierda/derecha), m/s ²	4,96/6,28

⁶ La calificación de potencia del motor indicada corresponde a la salida de potencia neta promedio (en rpm especificadas) de un motor de producción típica para el modelo de motor medido según la norma SAE J1349/ISO1585. Los motores de producción masiva podrían diferir de este valor. La salida de potencia real para el motor instalado en el producto final dependerá de la velocidad de funcionamiento, las condiciones medioambientales y otras variables.

⁷ Utilice aceite de motor de calidad SJ o superior. Consulte la tabla de viscosidad en el manual del fabricante del motor y seleccione la mejor viscosidad en función de la temperatura exterior prevista.

⁸ Las emisiones sonoras en el medio ambiente medidas como potencia acústica (L_{WA}) en conformidad con la directiva CE 2000/14/CE. Los datos informados en cuanto a emisiones sonoras en el medioambiente tienen una dispersión estadística típica (desviación estándar) de 0,54 dB(A).

⁹ Nivel de presión sonora según ISO 5395. Los datos informados en cuanto al nivel de presión sonora tienen una dispersión estadística típica (desviación estándar) de 3,0 dB(A).

¹⁰ Nivel de vibración según ISO 5395. Los datos informados para el nivel de vibración tienen una dispersión estadística común (desviación estándar) de 1,5 m/s²

	LC 353AWD
Equipo de corte	
Altura de corte, mm/pulg	1,0-4,0/25,4-101,6
Ancho de corte, cm	53/21
Hoja	
Número de artículo	586 85 96-02
Capacidad del recogedor de césped, pie ³ /l	2,3/65
Impulsor	
Velocidad, mph/km/h	0-3/0-4,8

Contenido de la declaración de conformidad de CE

En nombre de Husqvarna AB, SE 561 82 Huskvarna, SUECIA, declaramos bajo nuestra única responsabilidad que el producto representado:

De conformidad con la directiva 2000/14/CE, Anexo VI, los valores de sonido declarados se indican en la sección de datos técnicos de este manual y en la declaración de conformidad CE firmada.

El cortacésped motocultor propulsado con motor de combustión suministrado concuerda con el ejemplar sometido a examen.

Organismo notificado para la directiva 2000/14/CE: Intertek Testing & Certification Ltd (organismo notificado 0359) Davy Avenue, Knowlhill, Milton Keynes, MK5 8NL.

Descripción	Cortacésped motocultor propulsado con motor de combustión
Marca	Husqvarna
Plataforma/Tipo/Modelo	Plataforma E21THV, representa los modelos LC 353AWD.
Lote	Los números de serie de 2019 y posteriores.

cumplen plenamente con las siguientes directivas y normas de la UE:

Directiva/Norma	Descripción
2006/42/CE	"referente a la maquinaria"
2014/30/UE	"referente a la compatibilidad electromagnética"
2000/14/UE; 2005/88/CE	"referente al ruido exterior"
2011/65/UE	"restricción de uso de determinadas sustancias peligrosas"

Las normas o especificaciones técnicas armonizadas que se aplican son las siguientes: EN ISO 12100, ISO 5395-1+A1/A2, ISO 5395-2+A1/A2, EN ISO 14982, ISO 3744, ISO 11094, EN 1032

Conteúdo

Introdução.....	35	Solução de problemas.....	44
Segurança.....	36	Transporte, armazenamento e descarte.....	46
Montagem.....	39	Dados técnicos.....	47
OPERAÇÃO.....	40	Conteúdo da declaração de conformidade da CE.....	48
Manutenção.....	41		

Introdução

Descrição do produto

O produto é um cortador de grama com motor de combustão operado por pessoas comuns. A grama é armazenada em um coletor de grama. Remove o coletor de grama para retirar a descarga traseira da grama. Prenda um kit de folhagem para cortar a grama e transformá-la em fertilizante.

Visão geral do produto

(Fig. 1)

1. Alça do freio do motor
2. Alavancas de acionamento
3. Alça da corda de arranque
4. Coletor de grama
5. Tampa do tanque de combustível
6. Filtro de ar
7. Vela de ignição
8. Tampa do acionamento
9. Silencioso
10. Conexão da mangueira de água
11. Defletor traseiro
12. Vareta / reservatório de óleo
13. Controle da altura do corte
14. Plugue de folhagem
15. Manual do operador
16. Calha de descarte

Símbolos no produto

- (Fig. 3) AVISO: Este produto pode ser perigoso e causar ferimentos graves ou morte do operador ou de outras pessoas. Seja cuidadoso e use o produto corretamente.
- (Fig. 4) Leia atentamente o manual do operador e certifique-se de que tenha entendido as instruções antes de usar o produto.
- (Fig. 5) Rápido
- (Fig. 6) Lento
- (Fig. 7) Mantenha mãos e pés afastados da peça giratória.

Uso previsto

Utilize o produto para cortar grama em jardins particulares. Não use o produto para outras tarefas.

- (Fig. 8) Mantenha pessoas e animais a uma distância segura da área de trabalho.
- (Fig. 9) Tenha cuidado ao operar o produto para trás. Olhe para trás e para baixo para ver crianças, animais ou outros riscos que podem fazer com que você caia.
- (Fig. 10) Operar o produto em uma inclinação pode ser perigoso.
- (Fig. 11) Mantenha mãos e pés afastados da lâmina giratória.
- (Fig. 12) Cuidado com objetos arremessados e ricochetes.
- (Fig. 13) Emissão de ruídos para o ambiente de acordo com a Diretiva da Comunidade Europeia. As emissões do produto são especificadas em *Dados técnicos na página 47* e na etiqueta.
- (Fig. 14) Este produto está de acordo com as diretivas vigentes da CE.
- (Fig. 15) O produto está em conformidade com as diretivas EAC aplicáveis.
- (Fig. 16) O produto está em conformidade com as diretivas RCM aplicáveis. Aplica-se somente à Austrália/Nova Zelândia.
- (Fig. 17) O produto está em conformidade com as diretivas da Ucrânia aplicáveis.
- (Fig. 18) Use protetor auricular aprovado.

Observação: Outros símbolos/adesivos no produto referem-se aos requisitos de certificação para outras áreas comerciais.

Emissões Euro V



AVISO: Interferências no motor anulam a aprovação tipo EU deste produto.

Responsabilidade legal do produto

Como mencionado na legislação de responsabilidade do produto, não somos responsáveis por danos causados pelo nosso produto caso:

- o produto seja reparado incorretamente.
- o produto seja reparado com peças que não sejam da marca do fabricante ou aprovadas pelo fabricante.
- o produto tenha um acessório que não seja da marca do fabricante ou não seja aprovado pelo fabricante.
- o produto não seja reparado em um centro de atendimento aprovado ou por uma autoridade aprovada.

Segurança

Definições de segurança

Aviões, cuidados e observações são utilizados para chamar a atenção para partes especialmente importantes do manual.



AVISO: Utilizado se existir um risco de ferimentos ou morte para o operador ou a terceiros se as instruções no manual não forem respeitadas.



CUIDADO: Utilizado se existir um risco de danos para o produto, outros materiais ou para a área adjacente, se as instruções no manual não forem respeitadas.

Observação: Utilizados para conferir mais informações necessárias em uma determinada situação.

Instruções gerais de segurança



AVISO: Antes de usar o produto, leia as instruções de aviso que seguem.

- Este produto é perigoso se utilizado de forma incorreta ou se você não tiver cuidado. Ferimentos ou morte podem acontecer, caso você não siga as instruções de segurança.
- Este produto produz um campo eletromagnético durante a operação. Sob certas circunstâncias esse campo poderá interferir com implantes médicos de natureza ativa ou passiva. Para reduzir o risco de lesões graves ou fatais, recomendamos que as pessoas que tenham implantes médicos consultem seu médico e o fabricante do implante antes de operar este produto.
- Sempre tome cuidado e use o bom senso. Se não souber como operar o produto em uma situação

específica, pare e fale com seu Husqvarna revendedor antes de continuar.

- Tenha em atenção que o operador será responsável por acidentes que envolvam terceiros ou a sua propriedade.
- Mantenha o produto limpo. Cerifique-se de que consegue ler claramente sinais e decalques.
- Não deixe outra pessoa usar o produto, a menos que você se certifique que ela leia e compreenda o conteúdo do manual do operador.
- Não permita que o produto seja operado por crianças.
- Mantenha crianças afastadas da área de trabalho. Um adulto responsável deve estar presente em todos os momentos.
- Não permita que o produto seja operado por uma pessoa sem conhecimento das instruções.
- Pessoas com capacidade física ou mental reduzida devem ser sempre monitoradas caso usem o produto. Um adulto responsável deve estar presente em todos os momentos.
- Não utilize o produto se estiver cansado doente ou sob a influência de álcool, drogas ou remédios. Isso possui um efeito negativo na sua visão, consciência, coordenação e no seu julgamento.
- Não utilize o produto se estiver com defeito.
- Não altere este produto, nem o utilize caso haja a possibilidade de ter sido modificado por outras pessoas.

Segurança da área de trabalho



AVISO: Antes de usar o produto, leia as instruções de aviso que seguem.

- Antes de usar o produto, retire todos os objetos, como ramos, galhos ou pedras da área de trabalho.
- Objetos que batam contra o equipamento de corte podem ejetar e causar danos a pessoas ou objetos.

Mantenha terceiros ou animais a uma distância segura do produto.

- Nunca utilize o produto em condições climáticas ruins, como neblina, chuva, ventos fortes, frio intenso e risco de raios. Utilizar o produto em condições climáticas ruins ou em locais úmidos ou molhados é exaustivo. Condições climáticas ruins podem levar a condições perigosas, como superfícies escorregadias.
- Veja se há pessoas, objetos e situações que podem impedir a operação segura do produto.
- Veja se há obstáculos, como raízes, pedras, galhos, buracos e valas. Gramas altas podem ocultar obstáculos.
- Cortar a grama em declives pode ser perigoso. Não utilize o produto em terrenos com inclinações superiores a 15°.
- Opere o produto paralelamente à face da inclinação. Não movimente para cima e para baixo.
- Tenha cuidado ao se aproximar de cantos e objetos ocultos que podem impedir que você tenha uma visão clara.

Segurança no trabalho



AVISO: Antes de usar o produto, leia as instruções de aviso que seguem.

- Utilize este produto somente para cortar gramados. Seu uso não é permitido para outras tarefas.
- Use sempre equipamentos de proteção individual. Consulte *Equipamento de Proteção Individualna página37*.
- Certifique-se de saber como parar o motor rapidamente em caso de emergência.
- Nunca dê a partida no motor em um espaço fechado ou próximo de materiais inflamáveis. Os gases de escape do motor são quentes e podem conter faíscas capazes de iniciar um incêndio.
- Não opere o produto, a menos que o disco e todas as tampas estejam fixados corretamente. Um disco fixado incorretamente pode se soltar e causar ferimentos.
- Certifique-se de que o disco não atinja objetos, como pedras e raízes. Isso pode danificar o disco e dobrar o eixo do motor. Um eixo dobrado causa fortes vibrações e um risco elevado de que o disco se solte.
- Se o disco atingir um objeto ou se ocorrer vibrações, desligue o produto imediatamente. Desconecte o cabo de ignição da vela de ignição. Examine o produto à procura de danos. Repare os danos ou leve a uma oficina autorizada para fazer os reparos.
- Nunca fixe a alça do freio do motor permanentemente à alça, quando o motor estiver ligado.

- Coloque o produto em uma superfície firme e plana e ligue-o. Certifique-se de que o disco não atinja o chão ou outros objetos.
- Fique sempre atrás do produto ao operá-lo.
- Deixe que todas as rodas fiquem sobre o chão e mantenha 2 dedos na alça ao operar o produto. Mantenha mãos e pés afastados dos discos giratórios.
- Não incline o produto com o motor ligado.
- Tenha cuidado ao puxar o produto para trás.
- Nunca levante o produto quando o motor estiver ligado. Se você precisar levantar o produto, primeiro, desligue o motor e desconecte o cabo de ignição da vela de ignição.
- Não ande para trás ao operar o produto.
- Desligue o motor ao se locomover em áreas sem grama, por exemplo, caminhos feitos de cascalho, pedra e asfalto.
- Não corra com o produto quando o motor estiver ligado. Sempre ande ao operar o produto.
- Desligue o motor antes de mudar a altura de corte. Nunca faça ajustes com o motor ligado.
- Nunca deixe o produto sem vigilância com o motor ligado. Desligue o motor e certifique-se de que o equipamento de corte não gira.
- Antes de fazer um ajuste, inspeção, substituição ou remoção do bloqueio, desligue o produto e deixe as lâminas pararem completamente. Lâminas giratórias podem causar lesões. Não toque nas lâminas enquanto estiverem em rotação.

Instruções de segurança para operação

Equipamento de Proteção Individual



AVISO: Antes de usar o produto, leia as instruções de aviso que seguem.

- O equipamento de proteção individual não evita totalmente ferimentos, mas diminui o grau do ferimento em caso de acidente. Deixe seu revendedor ajudar você a escolher o equipamento certo.
- Caso o nível de ruído seja superior a 85 dB, use proteção auditiva.
- Use botas ou calçados antiderrapantes para trabalhos pesados. Não utilize calçados abertos e não fique descalço.
- Use calças compridas de tecido grosso.
- Use luvas de proteção quando necessário, por exemplo, ao ligar, examinar ou limpar o equipamento de corte.

Dispositivos de segurança no produto



AVISO: Antes de usar o produto, leia as instruções de aviso que seguem.

- Não use o produto com dispositivos de segurança com defeito.
- Verifique os dispositivos de segurança regularmente. Se os dispositivos de segurança estiverem com defeito, entre em contato sua Husqvarna oficina autorizada.

Para fazer uma verificação da tampa de corte

A tampa de corte diminui vibrações no produto e reduz o risco de ferimentos do disco.

- Examine a tampa de corte para se certificar de que não há danos, como rachaduras.

Para fazer uma verificação da alça de freio do motor

A alça do freio do motor desliga o motor. Quando a alça do freio do motor é solta, o motor desliga.

- Dê partida no motor e, em seguida, solte a alça de freio do motor. Se o motor não desligar em 3 segundos, leve a uma Husqvarna oficina autorizada para fazer o ajuste do freio do motor. (Fig. 19)

Para fazer uma verificação no defletor traseiro

O defletor traseiro diminui o risco de objetos serem lançados na direção do operador.

- Certifique-se de que o defletor traseiro não esteja danificado. (Fig. 20)
- Certifique-se de que as molas que fecham o defletor traseiro não estejam quebradas.
- Substitua molas e peças danificadas.
- Certifique-se de que o refletor traseiro possa se mover livremente nas dobradiças.

Silencioso

O silencioso mantém os níveis de ruído em um nível mínimo e desvia os gases de escape para longe do operador.

Não utilize o produto se o silenciador estiver ausente ou com defeito. Um silenciador com defeito aumenta o nível de ruído e o risco de incêndio.



AVISO: O silenciador fica muito quente durante e após a utilização e quando o motor funciona em marcha lenta. Tenha cuidado ao se aproximar de materiais inflamáveis e/ou gases de escape para evitar incêndios.

Para fazer uma verificação do silenciador

- Examine o silenciador regularmente, para garantir que está fixado corretamente e não está danificado.

Para fazer uma verificação do nível do óleo



CUIDADO: O nível muito baixo do óleo pode danificar o motor. Antes de ligar o produto, faça uma verificação do nível do óleo.

1. Coloque o produto em uma superfície nivelada.
2. Remova a tampa do tanque de óleo com a vareta fornecida.
3. Limpe o óleo da vareta.
4. Coloque a vareta totalmente dentro do tanque de óleo para ter uma noção correta do nível do óleo.
5. Remova a vareta.
6. Examine o nível de óleo na vareta.
7. Se o nível de óleo estiver baixo, encha com óleo de motor e faça uma verificação do nível do óleo novamente.

Segurança contra vibração

Este produto se destina somente a uso ocasional. A operação contínua ou regular do produto pode causar a "síndrome do dedo branco" ou problemas de saúde equivalentes causados pelas vibrações. Se você opera o produto de maneira contínua ou regular, examine as condições de seus dedos e mãos. Caso as mãos ou os dedos apresentem descoloração, dor, formigamento ou dormência, pare o trabalho e procure assistência médica imediatamente.

Segurança do combustível



AVISO: Antes de usar o produto, leia as instruções de aviso que seguem.

- Não ligue o produto se houver combustível ou óleo de motor sobre ele. Remova o combustível/óleo indesejado e deixe o produto secar.
- Se você derramar combustível em sua roupa, troque as roupas imediatamente.
- Não deixe combustível cair no seu corpo, ele pode causar lesões. Se você derramar combustível no seu corpo, use sabão e água para removê-lo.
- Não ligue o produto se o motor tiver um vazamento. Examine o motor à procura de vazamentos regularmente.
- Tome cuidado com o combustível. Combustível é inflamável e os vapores são explosivos e podem causar lesões ou morte.
- Não inspire os vapores de combustível, eles podem causar lesões. Certifique-se de que haja fluxo de ar suficiente.
- Não fume nas proximidades do combustível ou do motor.

- Não coloque objetos quentes nas proximidades do combustível ou do motor.
- Não adicione combustível quando o motor estiver ligado.
- Certifique-se de que o motor esteja frio antes de reabastecer.
- Antes de reabastecer, abra a tampa do tanque de combustível lentamente e libere a pressão cuidadosamente.
- Não adicione combustível ao motor em uma área coberta. Um fluxo de ar insuficiente pode causar ferimentos ou morte por asfixia ou monóxido de carbono.
- Aperte a tampa do tanque de combustível. Se a tampa do tanque de combustível não estiver apertada, há um risco de incêndio.
- Mova o produto para um mínimo de 3 m (10 pés) da posição na qual você abasteceu o tanque antes de ligar o motor.
- Não encha o tanque de combustível completamente. Calor faz com que o combustível para expandir. Mantenha um espaço na parte superior do depósito de combustível.
- Os gases de escape do motor contém monóxido de carbono, um gás inodoro, tóxico e muito perigoso. Não ligue o motor em ambientes internos ou fechados.
- Antes de fazer a manutenção do produto, desligue o motor e remova o cabo de ignição da vela de ignição.
- Use luvas de proteção ao fazer a manutenção no equipamento de corte. O disco é muito afiado e pode cortar facilmente.
- Acessórios e alterações no produto não aprovados pelo fabricante podem causar ferimentos graves ou morte. Não modifique o produto. Use somente os acessórios aprovados pelo fabricante.
- Se a manutenção não for feita correta e regularmente, o risco de ferimentos e danos ao produto aumenta.
- Faça a manutenção somente como indicado no manual do proprietário. Todas as outras operações de manutenção devem ser realizadas por uma Husqvarna oficina autorizada.
- Leve o produto regularmente a uma Husqvarna oficina autorizada.
- Substitua peças danificadas, desgastadas ou quebradas.

Instruções de segurança para manutenção



AVISO: Antes de usar o produto, leia as instruções de aviso que seguem.

Montagem

Introdução



AVISO: Antes de montar o produto, você deve ler e entender o capítulo sobre segurança.



AVISO: Retire o cabo da vela de ignição antes de montar o produto.

Para montar a alça

1. Levante a alça inferior. (Fig. 21)
2. Alinhe os orifícios na parte de baixo da alça inferior com os orifícios dos suportes da alça.

Observação: Selecione os orifícios que proporcionam a melhor posição de operação.

3. Aperte os botões da alça inferior.
4. Levante a alça superior e alinhe-a com a alça inferior.
5. Aperte os botões da alça superior completamente.

Para instalar a alça da corda de arranque

1. Prenda o laço da corda de arranque e da haste em T. Não aperte completamente. (Fig. 22)
2. Segure a alça do freio do motor contra a barra de direção.
3. Puxe lentamente a corda de arranque e coloque-a no respectivo laço. (Fig. 23)
4. Aperte as hastes em T. (Fig. 24)

Para colocar o produto na posição de transporte

1. Remova o coletor de grama.
2. Solte os botões da alça inferior para destravar a alça. (Fig. 25)
3. Dobre a alça para baixo para trás.
4. Remova os botões e os pinos da alça inferior.
5. Dobre a alça para frente.

Para montar o coletor de grama

1. Prenda a estrutura do coletor de grama na bolsa de grama com a parte rígida da bolsa na parte inferior. Mantenha a alça da estrutura fora da parte superior da bolsa. (Fig. 26)

2. Prenda a bolsa de grama à estrutura com os grampos de fixação rápida. (Fig. 27)

OPERAÇÃO

Introdução



AVISO: Antes de operar o produto, você deve ler e entender o capítulo sobre segurança.

Antes de operar o produto

1. Leia atentamente o manual do operador e certifique-se de que tenha entendido as instruções.
2. Examine o equipamento de corte para se certificar de que esteja preso e ajustado corretamente. Consulte *Para examinar o equipamento de corte na página 43*.
3. Abasteça o tanque de combustível. Consulte *Para abastecer com combustível na página 40*.
4. Encha o tanque de óleo e verifique o nível do óleo. Consulte *Para fazer uma verificação do nível do óleo na página 38*.

Para abastecer com combustível

Se disponível, utilize gasolina de baixa emissão/alquilato. Se uma gasolina com baixa emissão/alquilato não estiver disponível, use gasolina sem chumbo de boa qualidade ou gasolina com chumbo com octanagem de 90.



CUIDADO: Não use gasolina com octanagem menor que 90 RON (87 AKI). Isso pode causar danos ao produto.

1. Abra a tampa do tanque de combustível devagar, para liberar a pressão.
2. Encha o tanque lentamente com o galão de combustível. Se derramar combustível, remova-o com um pano e deixe o restante secar.
3. Limpe a área ao redor da tampa do tanque de combustível.
4. Aperte a tampa do tanque de combustível. Se a tampa do tanque de combustível não estiver apertada, há um risco de incêndio.
5. Mova o produto para um mínimo de 3 m (10 pés) da posição na qual você abasteceu o tanque antes de ligar o motor.

Para ajustar a altura de corte

A altura de corte pode ser ajustada em 9 níveis.

1. Empurre o controle da altura de corte na direção da roda e, em seguida, para trás para aumentar a altura de corte.
2. Empurre o controle da altura de corte na direção da roda e, em seguida, para a frente para diminuir a altura de corte. (Fig. 28)



CUIDADO: Não deixe a altura de corte muito baixa. Os discos podem atingir o chão, caso a superfície da grama não esteja nivelada.

Para iniciar o produto

1. Fique atrás do produto.
2. Segure a alça do freio do motor contra a barra de direção. (Fig. 29)
3. Segure a alça da corda de arranque com sua mão direita.
4. Puxe a corda de arranque devagar, até sentir um pouco de resistência.
5. Puxe com força para dar partida no motor.



AVISO: Não enrole a corda de arranque ao redor de sua mão.

Para utilizar a tração nas rodas

- Puxe as alavancas de acionamento no sentido da barra de direção. (Fig. 30)
- Antes de puxar o produto para trás, desengate a transmissão e empurre o produto para frente por aproximadamente 10cm.
- Solte as alavancas de acionamento para desengatar, por exemplo, quando se aproximar de um obstáculo.

Para ajustar o cabo de controle do acionamento

- Utilize o parafuso de ajuste para regular o cabo de controle do acionamento. (Fig. 31)
- Desligue o motor. Sempre desconecte a vela de ignição antes de utilizar as peças móveis.
- Gire o parafuso de ajuste no sentido anti-horário para tensionar o cabo e aumentar a velocidade.
- Gire o parafuso de ajuste no sentido horário para estender o cabo e reduzir a velocidade.

Para parar o produto

- Para interromper somente o acionamento, solte as alavancas de acionamento.
- Para desligar o motor, solte a alça do freio do motor. (Fig. 32)

Para usar o produto com o coletor de grama



AVISO: Não opere o produto sem um coletor de grama instalado ou sem o defletor traseiro fechado. Objetos podem ser lançados e causar ferimentos ao operador.

1. Levante o defletor traseiro e remova o plugue de folhagem. (Fig. 33)
2. Monte o coletor de grama, consulte *Para montar o coletor de gramana página40*.
3. Coloque o coletor de grama no suporte. (Fig. 34)
4. Solte o defletor traseiro e coloque-o na parte superior da estrutura da bolsa de grama.

Para colocar o produto no modo de trituração

O modo de trituração do produto torna a grama aparada menor. A grama aparada cai no gramado e se espalha. A grama triturada se biodegrada rapidamente para fornecer nutrientes ao gramado.

1. Levante a proteção traseira e remova a bolsa de grama, caso esteja instalada.
2. Coloque o plugue de folhagem no canal do coletor. (Fig. 35)
3. Deixe a proteção traseira fechar e certifique-se de que ela esteja fechada firmemente contra o plugue de folhagem.

(Fig. 36)

Para colocar o produto no modo de descarga traseira

1. Levante o defletor traseiro e remova o plugue de folhagem. (Fig. 37)
2. Instale a calha de descarte. (Fig. 38)

Para esvaziar o coletor de grama



CUIDADO: Não arraste a bolsa ao esvaziar o coletor de grama para evitar desgaste.

1. Levante o coletor de grama com a alça da estrutura. (Fig. 39)
2. Remova a grama aparada do coletor de grama de debaixo da alça.
3. Esvazie a grama aparada da bolsa com a alça da estrutura e a alça da bolsa.

Para obter um bom resultado

- Use sempre um disco afiado. Um disco cego proporciona um resultado irregular e a superfície de corte da grama fica amarela. Um disco afiado também gasta menos energia do que um disco cego.
- Não corte mais do que $\frac{1}{3}$ do comprimento da grama. Corte primeiro com o ajuste de altura de corte alta. Examine o resultado e diminua a altura de corte para um nível apropriado. Se a grama estiver muito alta, dirija devagar e corte 2 vezes, se necessário.
- Cada vez que cortar a grama, faça em diferentes direções para evitar listras no gramado.

Manutenção

Introdução



AVISO: Antes de fazer a manutenção, você deve ler e entender o capítulo sobre segurança.

Para todos os serviços de manutenção e reparos no produto é necessário treinamento especial. Garantimos a disponibilidade de reparos e manutenção profissionais. Se o seu revendedor não for uma oficina autorizada, peça informações para saber qual é a oficina autorizada mais próxima.

Cronograma de manutenção



CUIDADO: Certifique-se de que o filtro de ar esteja para cima e não contra o solo ao inclinar o produto. Risco de danos ao motor.

Os intervalos de manutenção são calculados com base no uso diário do produto. Os intervalos mudam se o produto não for usado diariamente.

Para manutenção identificada com *, consulte as instruções em *Dispositivos de segurança no produtona página38*.

Manutenção	Diariamente	Semanalmente	Mensalmente
Fazer uma inspeção geral	X		

Manutenção	Diariamente	Semanalmente	Mensalmente
Examinar o nível de óleo	X		
Limpar o produto	X		
Examinar o equipamento de corte	X		
Examinar a tampa de corte *	X		
Examinar a alça do freio do motor *	X		
Examinar o controle do freio da lâmina *	X		
Examinar o silenciador *		X	
Examinar a vela de ignição		X	
Trocar o óleo (na primeira vez, após 5 horas de uso; depois, a cada 50 horas de uso)			X
Limpar ou substituir o filtro de ar			X
Examinar o sistema de combustível			X

Para fazer uma inspeção geral

- Certifique-se de que todas as porcas e parafusos do produto estejam apertados corretamente.

Para limpar o produto externamente

- Utilize um pincel para remover folhas, grama e sujeira.
- Certifique-se de que a entrada de ar na parte superior do motor não esteja bloqueada.
- Não use lavadora de alta pressão para limpar o produto.
- Se utilizar água para limpar o produto, não jogue-a diretamente no motor.

Para limpar a superfície interna da tampa de corte

1. Esvazie o reservatório de combustível.
2. Coloque o produto de lado com o silenciador virado para baixo.



CUIDADO: Se produto for colocado com o filtro de ar para baixo, pode danificar o motor.

3. Lave a superfície interna da tampa de corte com água.

Para usar a conexão da mangueira de água

1. Leve o produto para uma área de corte de grama ou uma superfície rígida diferente.
2. Remova o coletor de grama ou o plugue de folhagem do produto.

3. Feche o defletor traseiro.
4. Conecte a mangueira à conexão da mangueira de água. (Fig. 40)
5. Interrompa o fornecimento de água e examine a conexão da mangueira de água para ver se há vazamentos.
6. Se não encontrar vazamentos, dê partida no motor. Deixe o motor ligado até que o produto esteja limpo na parte de baixo do alojamento.
7. Pare o motor.
8. Interrompa o fornecimento de água e remova a conexão da mangueira de água.

Observação: Não remova a mangueira de água da conexão enquanto o motor estiver em operação. A água no motor pode diminuir a vida útil do produto.

9. Dê partida no motor e deixe-o ligado por um minuto para remover a água restante do produto.

Para substituir o óleo do motor



AVISO: O óleo do motor fica muito quente após o motor ser desligado. Deixe o motor esfriar antes de drenar o óleo do motor. Se derramar óleo de motor na sua pele, limpe com água e sabão.

1. Opere o produto até esvaziar o tanque de combustível.
2. Remova o cabo de alta tensão da vela de ignição.
3. Remova a tampa do tanque de óleo.
4. Coloque um recipiente embaixo do produto para recolher o óleo do motor.

- Incline o produto para drenar o óleo do motor do tanque de óleo.
- Encha com o novo tipo de óleo de motor, recomendado em *Dados técnicos na página 47*.
- Faça uma verificação do nível do óleo. Consulte *Para fazer uma verificação do nível do óleo na página 38*.

Para examinar a vela de ignição



CUIDADO: Use sempre o tipo de vela de ignição recomendado. O tipo errado de vela de ignição pode causar danos ao produto.

- Se o motor apresentar baixa potência, não iniciar com facilidade ou não operar corretamente em marcha lenta, examine a vela de ignição.
- Para diminuir o risco de presença de material indesejado nos eletrodos da vela de ignição, siga as seguintes instruções:
 - Certifique-se de que a marcha lenta esteja ajustada corretamente.
 - Certifique-se de que a mistura de combustível esteja correta.
 - Certifique-se de que o filtro de ar esteja limpo.
- Se a vela de ignição estiver suja, limpe-a e verifique se a folga do eletrodo está correta, consulte *Dados técnicos na página 47*. (Fig. 41)
- Substitua a vela de ignição, se for necessário.

Para limpar o filtro de ar

- Remova a tampa do filtro de ar e remova o filtro.
- Bata o filtro contra uma superfície plana para fazer com que as partículas caiam.



CUIDADO: Não use solvente nem ar comprimido para limpar o filtro de ar.

- Coloque o filtro de ar de volta no lugar. Certifique-se de que o filtro de ar esteja firmemente apertado contra o suporte do filtro de ar.
- Coloque a tampa do filtro de ar de volta no lugar.

Observação: Um filtro de ar utilizado há muito tempo não pode ser totalmente limpo. Substitua o filtro de ar regularmente. Sempre substitua um filtro de ar danificado.

Para examinar o equipamento de corte



AVISO: Para evitar que o produto ligue acidentalmente, remova o cabo de ignição da vela de ignição.



AVISO: Use luvas de proteção ao fazer a manutenção no equipamento de corte. O disco é muito afiado e pode cortar facilmente.

- Verifique o equipamento de corte quanto a danos ou rachaduras. Sempre substitua um equipamento de corte danificado.
- Examine o disco para verificar se está danificado ou cego.

Observação: É necessário equilibrar o disco após ser afiado. Leve a um centro de atendimento para afiar, substituir e equilibrar o disco. Se você atingir um obstáculo que causar a parada do produto, substitua o disco danificado. Leve o produto a um centro de atendimento para avaliar se o disco pode ser afiado ou deve ser substituído.

Para montar a lâmina

- Coloque o adaptador da lâmina no virabrequim do motor. Certifique-se de que a chave no adaptador e a chaveta do virabrequim estejam alinhadas. (Fig. 42)
- Sempre fixe a lâmina com as extremidades anguladas voltadas para cima, na direção do motor. (Fig. 43)
- Use um bloco de madeira entre a lâmina e o alojamento do produto. Aperte o parafuso da lâmina e gire-o no sentido horário.
- Sempre aperte o parafuso com um torque de 35 a 40 pés lbs (47 a 54 Nm). (Fig. 44)
- Certifique-se de que o cabo da vela de ignição esteja desconectado do motor.



CUIDADO: Para evitar uma partida acidental, sempre desconecte o cabo da vela de ignição e coloque-o onde não possa entrar em contato com a vela de ignição.

- Puxe a lâmina, girando-a, e certifique-se de que ela se movimenta livremente.

Para substituir o disco

- Bloqueie o disco com um bloco de madeira. (Fig. 45)
- Remova o parafuso do disco.
- Remova o disco.
- Examine o suporte e o parafuso do disco para verificar se há danos.
- Examine o eixo do motor para se certificar de que não está dobrado.
- Ao colocar um novo disco, aponte as extremidades em ângulo do disco na direção da tampa de corte. (Fig. 46)

7. Certifique-se de que o disco esteja alinhado com o centro do eixo do motor.
8. Bloquee o disco com um bloco de madeira. Prenda a arruela da mola e aperte o parafuso e a arruela com torque de 47-54 Nm. (Fig. 47)
9. Puxe o disco, girando-o, e certifique-se de que ele se movimenta livremente.



AVISO: Use luvas resistentes. O disco é muito afiado e pode cortar facilmente.

10. Ligue o produto para fazer um teste do disco. Se o disco não estiver preso corretamente, o produto vibrará ou o resultado do corte não será satisfatório.

Visão geral do conjunto da transmissão

(Fig. 2)

1. Plugue de folhagem
2. Inserção traseira
3. Polia da transmissão
4. Suporte intermediário
5. Tampa da transmissão
6. Adaptador da lâmina
7. Polia intermediária
8. Retentor da correia dianteira
9. Anel
10. Disco
11. Arruela rígida
12. Arruela-trava
13. Parafuso da lâmina
14. Tampa da correia

4. Remova a tampa do acionamento. (Fig. 48)
5. Remova o parafuso da lâmina, a arruela-trava, a arruela rígida e a lâmina. (Fig. 49)
6. Remova o plugue de folhagem. (Fig. 50)
7. Remova a inserção traseira.
8. Remova a tampa da correia e o anel. (Fig. 51)
9. Desconecte o cabo da transmissão e remova a polia intermediária do conjunto intermediário.
10. Remova o retentor da correia dianteira.
11. Remova a correia de acionamento da polia de transmissão.
12. Remova as 3 polias intermediárias do conjunto intermediário. (Fig. 52)
13. Remova a correia de acionamento do adaptador da lâmina e do conjunto intermediário. (Fig. 53)
14. Prenda os alicates de pressão no eixo de entrada da transmissão. Solte a polia do motor com uma chave combinada de 9/16" para remover a polia da transmissão.
15. Remova a correia de acionamento.

Para remover a correia de acionamento

1. Opere o produto até esvaziar o tanque de combustível.
2. Remova a cobertura da vela de ignição da vela de ignição.
3. Coloque o produto de lado com o silenciador virado para baixo.



CUIDADO: Se produto for colocado com o filtro de ar para baixo, pode danificar o motor.

Solução de problemas

Problema	Possível causa	Solução
O motor não liga.	O cabo de ignição não está conectado corretamente.	Conecte o cabo de ignição à vela de ignição.
	O reservatório de combustível está vazio.	Abasteça o reservatório de combustível com o tipo de combustível correto.
	Há sujeira no carburador ou na linha de combustível.	Limpe o carburador e/ou a linha de combustível.
	A vela de ignição está com defeito.	Ajuste a folga entre os eletrodos, limpe ou substitua a vela de ignição.

Problema	Possível causa	Solução
O motor não desliga.	O mecanismo de parada está com defeito.	Desconecte o cabo de ignição da vela de ignição. Leve o produto a uma oficina autorizada para reparação.
O motor não funciona corretamente.	O cabo de ignição não está conectado corretamente.	Conecte o cabo de ignição à vela de ignição.
	Há sujeira na linha de combustível ou o combustível expirou.	Limpe a linha de combustível. Abasteça o reservatório de combustível com combustível novo e do tipo correto.
	Há uma obstrução na tampa do reservatório de combustível.	Limpe a tampa do reservatório de combustível.
	Há água ou sujeira no sistema de combustível.	Drene o combustível do reservatório. Abasteça o reservatório de combustível com combustível novo e do tipo correto.
	O filtro de ar está sujo.	Limpe o filtro de ar.
	O carburador precisa ser ajustado.	Solicite os serviços de um revendedor autorizado para ajustar o carburador.
O motor superaquece.	O nível de óleo do motor está muito baixo.	Abasteça o reservatório de óleo do motor.
	O fluxo de ar não é suficiente.	Limpe o filtro de ar e o alojamento do filtro de ar.
	O carburador precisa ser ajustado.	Solicite os serviços de um revendedor autorizado para ajustar o carburador.
Há uma falha de ignição no motor quando ele opera em alta velocidade.	A folga do eletrodo na vela de ignição é muito pequena.	Ajuste a folga do eletrodo.
O motor não funciona corretamente em marcha lenta.	A vela de ignição está suja, com defeito ou a folga do eletrodo está muito grande.	Ajuste a distância entre os eléctrodos ou substitua a vela de ignição.
	O carburador precisa ser ajustado.	Ajuste o carburador.
	O filtro de ar está sujo.	Limpe o filtro de ar.
Há muita vibração na alça.	Há uma lâmina solta ou não balanceada.	Aperte os parafusos da lâmina. Em caso de danos, substitua as lâminas.
	Há uma lâmina dobrada.	Em caso de danos, substitua as lâminas.
A grama não é triturada.	A grama está molhada.	Não use o produto quando a grama estiver molhada. Aguarde até que a grama esteja seca.
	A grama está muito alta.	Corte primeiro com o ajuste de altura de corte alta. Diminua a altura de corte e corte novamente. Corte apenas metade da largura de corte de cada vez.
	Uma ou mais lâminas não estão suficientemente afiadas.	Afie ou substitua as lâminas.

Problema	Possível causa	Solução
A grama é cortada irregularmente.	As rodas não estão na posição correta.	Ajuste a altura de corte no mesmo nível para as 4 rodas.
	Uma ou mais lâminas não estão suficientemente afiadas.	Afie ou substitua as lâminas.
O sistema de acionamento não funciona corretamente	A correia de acionamento não está suficientemente apertada ou há sujeira nas polias ou na correia de acionamento.	Leve o produto a uma oficina autorizada para fazer a manutenção do sistema de acionamento.

Transporte, armazenamento e descarte

Transporte e armazenamento

- Para transporte e armazenamento do produto e combustível, certifique-se de que não haja vazamentos ou gases de escape. Faíscas ou chamas abertas, por exemplo, de dispositivos elétricos ou caldeiras, podem iniciar um incêndio.
- Sempre utilize recipientes aprovados para armazenamento e transporte de combustível.
- Esvazie o tanque de combustível antes de armazenar o produto por um longo período de tempo. Descarte o combustível em um local apropriado
- Fixe o produto de forma segura durante o transporte, para evitar danos e acidentes.
- Mantenha o produto em um local bloqueado para evitar o acesso de crianças ou de pessoas não autorizadas.
- Mantenha o produto em um local seco e livre de congelamento.

Descarte

- Respeite os requisitos locais de reciclagem e as regulamentações aplicáveis.
- Descarte todos os produtos químicos, como óleo de motor ou combustível, em um centro de serviço ou em um local apropriado para o descarte.
- Quando o produto não for mais utilizado, envie-o para um Husqvarna revendedor ou descarte-o em um local para reciclagem.

Dados técnicos

Dados técnicos

	LC 353AWD
Motor	
Marca	Honda
Deslocamento, pol. cúbicas/cm ³	10,1/166
Velocidade máxima de operação do motor, min ⁻¹	3200
Potência nominal do motor, kW/hp @ rpm ¹¹	3,6/4,9 @ 2900-3200
Sistema de ignição	
Vela de ignição	NGK BPR5ES
Folga do eletrodo, pol/mm	0,028/0,7
Sistema de combustível e lubrificação	
Combustível, sem chumbo, octanagem mínima	90 RON/87 AKI
Capacidade do reservatório de combustível, gal (EUA)/l	0,24/0,91
Capacidade do reservatório de óleo, gal (EUA)/l	0,11/0,40
Óleo do motor ¹²	SAE 30/SAE 10W-30
Peso	
Com reservatórios vazios, lb/kg	85,1/38,6
Emissões de ruído ¹³	
Nível da potência sonora, dB medido (A)	95,02
Nível da potência sonora, L _{WA} dB (A) garantido	96
Níveis sonoros ¹⁴	
Nível de pressão sonora no ouvido do operador, dB (A)	83,3
Níveis de vibração ¹⁵	
Alça (esquerda/direita), m/s ²	4,96/6,28

¹¹ A potência nominal do motor indicada é a potência média líquida (em rpm especificado) de um típico motor de produção para o modelo do motor medido no padrão SAE J1349/ISO1585. Os motores de produção em massa podem apresentar diferenças nesse valor. A potência real para o motor instalado no produto final vai depender da velocidade de operação, das condições ambientais e de outros valores.

¹² Use óleo de motor de qualidade SJ ou superior. Consulte a tabela de viscosidade no manual do fabricante do motor e selecione a melhor viscosidade com base na temperatura externa prevista.

¹³ As emissões de ruído no meio ambiente são medidas como potência sonora (L_{WA}) em conformidade com a norma EC 2000/14/EC. Os dados informados para emissões de ruído no ambiente têm uma dispersão estatística típica (desvio padrão) de 0,54 dB (A).

¹⁴ Nível de pressão de ruído em conformidade com a norma ISO 5395. Os dados informados para nível de pressão de ruído têm uma dispersão estatística típica (desvio padrão) de 3,0 dB (A).

¹⁵ Nível de vibração em conformidade com a norma ISO 5395. Os dados relatados de nível de vibração têm uma dispersão estatística típica (desvio padrão) de 1,5 m/s².

	LC 353AWD
Equipamento de corte	
Altura de corte, pol/mm	1,0-4,0/ 25,4-101,6
Largura de corte, pol/cm	21/53
Disco	
Número do artigo	586 85 96-02
Capacidade do coletor de grama, pés ³ /l	2,3/65
Transmissão	
Velocidade, mph/km/h	0-3/ 0-4,8

Conteúdo da declaração de conformidade da CE

Nós, Husqvarna AB, SE 561 82 Huskvarna, SUÉCIA, declaramos, sob nossa exclusiva responsabilidade, que o produto representado:

dados técnicos deste manual na Declaração de Conformidade da EC assinada.

O cortador de grama com motor de combustão operado por pessoas comuns está em conformidade com o modelo que foi analisado.

Órgão notificado para a diretiva 2000/14/EC: Intertek Testing & Certification Ltd (órgão notificado 0359) Davy Avenue, Knowlhill, Milton Keynes, MK5 8NL.

Descrição	Cortador de grama com motor de combustão operado por pessoas comuns
Marca	Husqvarna
Plataforma / Tipo / Modelo	Plataforma E21THV, representando os modelos LC 353AWD.
Lote	Número de série com data a partir de 2019.

está em total acordo com as seguintes diretivas e normas da EC:

Diretiva/Norma	Descrição
2006/42/EC	"relativa a maquinário"
2014/30/EU	"relativa à compatibilidade eletromagnética"
2000/14/EU; 2005/88/EC	"relativa ao ruído externo"
2011/65/EU	"restrição do uso de determinadas substâncias perigosas"

O padrões harmonizados e/ou especificações técnicas aplicadas são as seguintes: EN ISO 12100, ISO 5395-1+A1/A2, ISO 5395-2+A1/A2, EN ISO 14982, ISO 3744, ISO 11094, EN 1032

De acordo com a diretiva 2000/14/EC, Anexo VI, os valores sonoros declarados são informados na seção de



www.husqvarna.com

Original instructions
Instrucciones originales
Instruções originais

1141768-48



2019-11-01