



# Husqvarna®



## S 138i, S 138C



EN	Operator's manual	2-26
BG	Ръководство за експлоатация	27-54
CS	Návod k použití	55-80
DA	Bruksanvisning	81-106
DE	Bedienungsanweisung	107-133
EL	Οδηγίες χρήσης	134-162
ES	Manual de usuario	163-190
ET	Kasutusjuhend	191-215
FI	Käyttöohje	216-240
FR	Manuel d'utilisation	241-268
HR	Priručnik za korištenje	269-294
HU	Használati utasítás	295-321
IT	Manuale dell'operatore	322-348
LT	Operatoriaus vadovas	349-374
LV	Lietošanas pamācība	375-401
NL	Gebruiksaanwijzing	402-428
NO	Bruksanvisning	429-453
PL	Instrukcja obsługi	454-481
PT	Manual do utilizador	482-508
RO	Instrucțiuni de utilizare	509-534
RU	Руководство по эксплуатации	535-564
SK	Návod na obsluhu	565-590
SL	Navodila za uporabo	591-615
SR	Priručnik za rukovaoca	616-641
SV	Bruksanvisning	642-666
TR	Kullanım kılavuzu	667-691
UK	Посібник користувача	692-720

---

## Contents

---

Introduction.....	2	Troubleshooting.....	21
Safety.....	6	Transportation, storage and disposal.....	22
Assembly.....	14	Technical data.....	23
Operation.....	15	EC Declaration of Conformity.....	25
Maintenance.....	19	EC Declaration of Conformity.....	26

---

## Introduction

---

### Product description

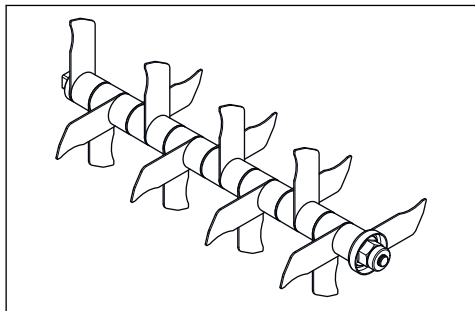
The product is a pedestrian-controlled electrical dethatcher. The product removes thatch from the lawn and loosens the soil to let air and water into the lawn. The thatch is collected in a grass catcher or is released on to the lawn. The product has 2 types of dethatcher equipment.

### Dethatcher equipment

Refer to *To replace the dethatcher equipment on page 20* for information on how to replace the dethatcher equipment.

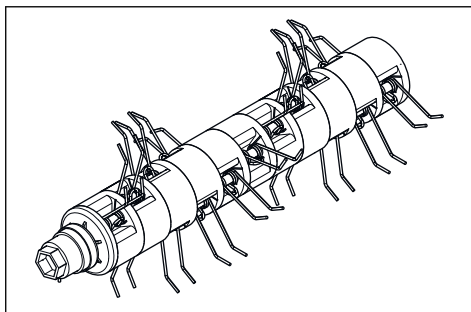
### Delta blades

The delta blades remove thatch and cut the grass roots vertically. Use the delta blades on slopes, terraces and in soils that have a high quantity of clay. The delta blades let the water go down into the lawn and prevent that water collects on the surface



### Spring tines

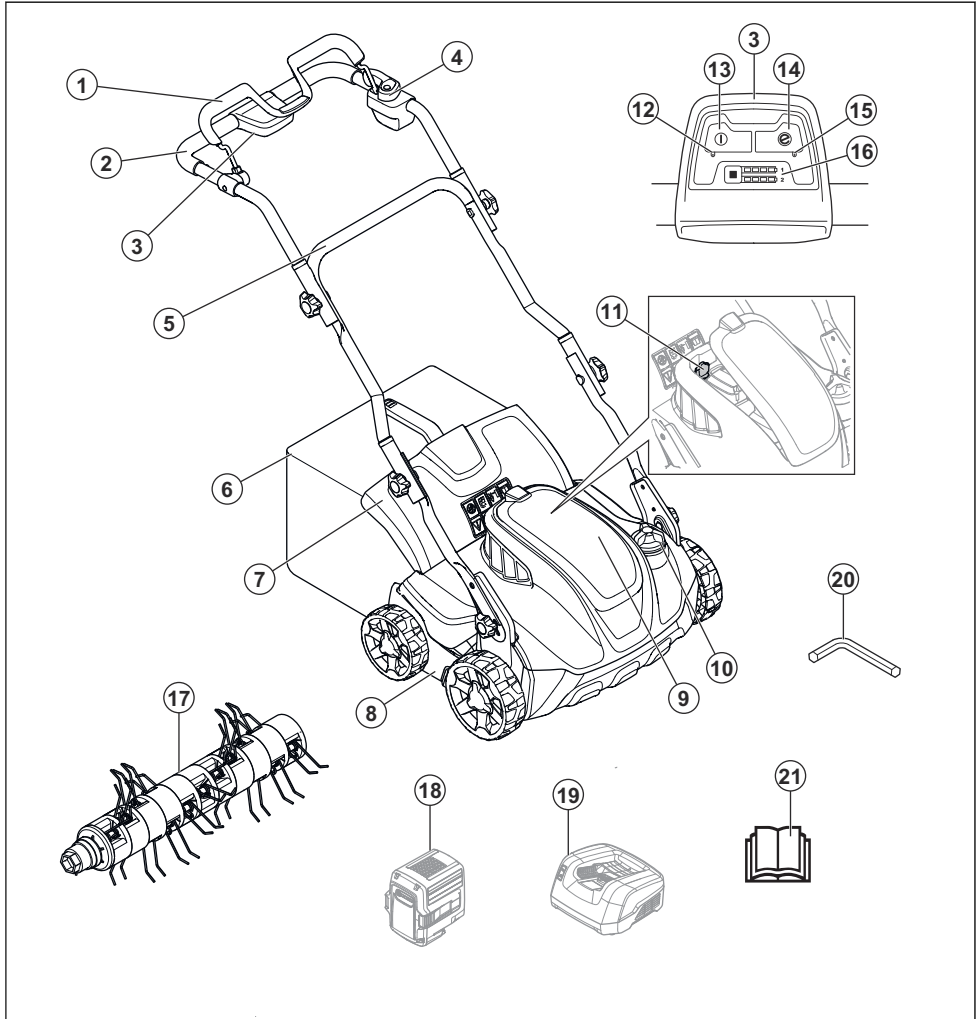
The spring tines carefully remove dead grass and thatch from the lawn with no damage to the grass roots.



### Intended use

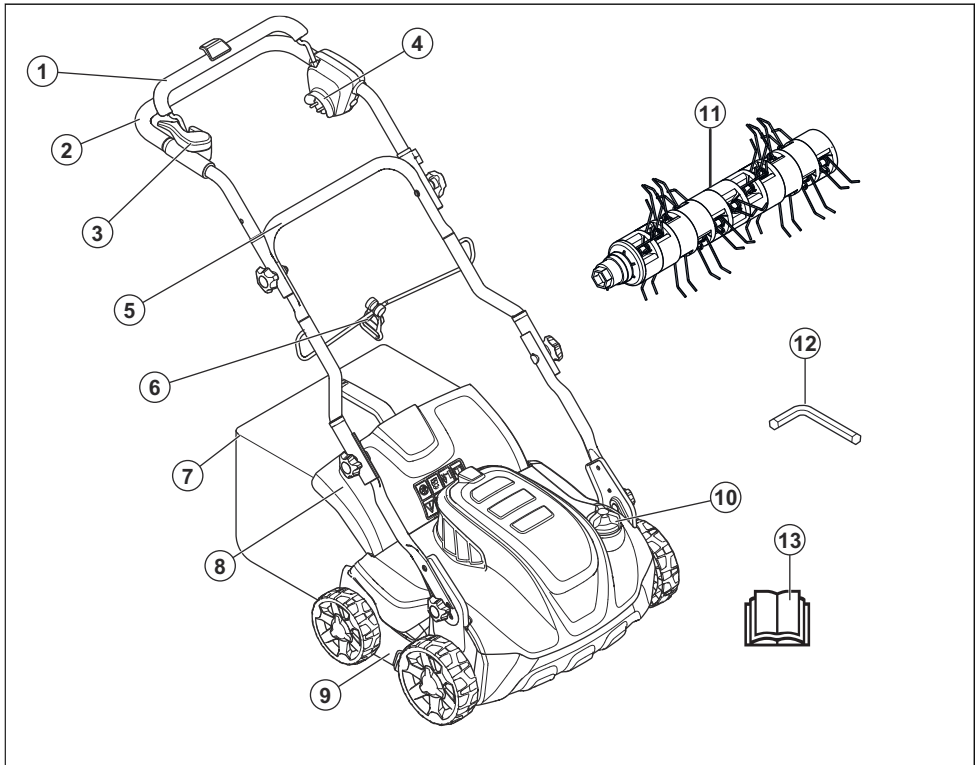
Use the product to remove thatch and moss and to loosen the soil in private gardens. Do not use the product for other tasks.

## Product overview of model S 138i



- |  |   |
|--|---|
| 1. Motor brake handle                  | 12. ON/OFF indicator LED                        |
| 2. Upper handle                        | 13. ON/OFF button                               |
| 3. Control panel                       | 14. SavE button                                 |
| 4. Start inhibitor                     | 15. SavE indicator LED                          |
| 5. Lower handle                        | 16. Battery charge indicator and battery button |
| 6. Grass catcher                       | 17. Spring tines                                |
| 7. Rear cover                          | 18. Battery (Accessory)                         |
| 8. Dethatcher cover                    | 19. Battery charger (Accessory)                 |
| 9. Battery lid                         | 20. Hex key                                     |
| 10. Adjustment knob for the work depth | 21. Operator's manual                           |
| 11. Safety key                         |   |

## Product overview of model S 138C



1. Motor brake handle
2. Upper handle
3. Start inhibitor
4. Power socket
5. Lower handle
6. Cable clamp
7. Grass catcher
8. Rear cover
9. Dethatcher cover
10. Adjustment knob for the work depth
11. Spring tines
12. Hex key
13. Operator's manual

### Symbols on the product



Warning: Not careful or incorrect use can result in

injury or death for the operator or others.



Read the operator's manual and make sure that you understand the instructions before you use this product.



Look out for thrown objects and ricochets.



Keep persons and animals at a safe distance from the work area.



Warning: Keep hands and feet away from the rotating blade.



Remove the safety key before you do maintenance on the product (model S 138i).



Disconnect the product from electrical outlet before you do maintenance on the product (model S 138C).



Electrical shock hazard (model S 138C).



Do not expose to rain (model S 138i).



Warning: Do not operate the product across the power cord as this can result in electrical shock or damage to the product (model S 138C).

**IPX4**

This product has protection against splashing water.

**EAC**

This product agrees with the applicable EAC directives.

**CE**

This product is in accordance with applicable EC directives.



The product agrees with applicable UkrSEPRO directives.



Noise emission to the environment according to the European Community's Directive. The product's emission is specified in the Technical data chapter and on the label.



Double insulation (model S 138C).



Recycle this product at a recycling location for electrical and electronic equipment. (Applies to Europe only)



Start procedure for model S 138i: push the ON/OFF button, loosen the start inhibitor, push the motor brake handle down.



Start procedure for model S 138C: loosen start

inhibitor, push motor  
brake handle down.



Release the motor brake  
handle to stop.



Scannable code.

---

**Note:** Other symbols/decals on the product refer to certification requirements for some markets.

---

## Product liability

As referred to in the product liability laws, we are not liable for damages that our product causes if:

- the product is incorrectly repaired.
- the product is repaired with parts that are not from the manufacturer or not approved by the manufacturer.
- the product has an accessory that is not from the manufacturer or not approved by the manufacturer.
- the product is not repaired at an approved service center or by an approved authority.

---

## Safety

---

### Safety definitions

Warnings, cautions and notes are used to point out specially important parts of the manual.



**WARNING:** Used if there is a risk of injury or death for the operator or bystanders if the instructions in the manual are not obeyed.



**CAUTION:** Used if there is a risk of damage to the product, other materials or the adjacent area if the instructions in the manual are not obeyed.

---

**Note:** Used to give more information that is necessary in a given situation.

---

### General safety instructions



**WARNING:** Read the warning instructions that follow before you use the product.

- This product is dangerous if used incorrectly or if you are not careful. Injury or death can occur if you do not obey the safety instructions.
- This product produces an electromagnetic field during operation. This field may under some circumstances interfere with active or passive medical implants. To reduce the risk of serious or fatal injury we recommend persons with medical implants to consult their physician and the medical implant manufacturer before operating this product.

- Always be careful and use your common sense. If you are not sure how to operate the product in a special situation, stop and speak to your Husqvarna dealer before you continue.
- Keep in mind that the operator will be held responsible for accidents that involve other persons or their property.
- Keep the product clean. Make sure that you can clearly read signs and decals.
- Do not let a person use the product unless you make sure that they read and understand the contents of the operator's manual.
- Do not let a child operate the product.
- Do not let a person, without knowledge of the instructions, operate the product.
- Always monitor a person, with decreased physical capacity or mental capacity, that uses the product. A responsible adult must be there at all times.
- Do not use the product if you are tired, ill, or under the influence of alcohol, drugs or medicine. This has a negative effect on your vision, alertness, coordination and judgment.
- Do not use the product if it is defective.
- Do not change this product or use it if it is possible that it has been changed by others.

### Work area safety



**WARNING:** Read the warning instructions that follow before you use the product.

---

- Remove objects such as branches, twigs and stones from the work area before you use the product.
- Objects that hit against the dethatcher equipment can eject and cause damage to persons and objects. Keep bystanders and animals at a safe distance from the product.
- Never use the product in bad weather such as fog, rain, strong winds, intense cold and risk of lightning. To use the product in bad weather or in moist or wet locations is tiring. Bad weather can cause dangerous conditions, such as slippery surfaces.
- Look out for persons, objects and situations that can prevent safe operation of the product.

- Look out for obstacles, such as roots, stones, twigs, pits and ditches. Long grass can hide obstacles.
- To operate the product on slopes can be dangerous. Do not use the product on ground that slopes more than 15°.
- Operate the product across the face of slopes. Do not move up and down.
- Be careful when you go near hidden corners and objects that prevent a clear view.

## Work safety



**WARNING:** Read the warning instructions that follow before you use the product.

- Use this product to remove thatch and moss from grass lawns only. It is not permitted to use it for other tasks.
- Use personal protective equipment. Refer to *Personal protective equipment on page 9*.
- Do not operate the product in rain or wet conditions. The risk of electrical shock increases if water enters the product.
- Do not operate the product unless the dethatcher equipment and all covers are attached correctly. An incorrectly attached dethatcher equipment can come loose and cause personal injury.
- Make sure that the dethatcher equipment does not hit objects such as stones and roots. This can do damage to the dethatcher equipment and bend the motor shaft. A bent axle causes heavy vibration and a very high risk that the dethatcher equipment becomes loose.
- If the dethatcher equipment hits an object or if vibrations occur, stop the product immediately. Stop the motor, turn the safety key to 0 and remove the battery (model S 138i) or disconnect the power cord (model S 138C). Examine the product for damages. Repair damages or let an authorised service agent do the repair.
- Never attach the motor brake handle permanently to the handle when the motor is started.
- Put the product on a stable, flat surface and start it. Make sure that the dethatcher equipment does not hit the ground or other objects.



- Always stay behind the product when you operate it.
- Let all the wheels stay on the ground and keep 2 hands on the handle when you operate the product. Keep your hands and feet away from the rotating dethatcher equipment.
- Do not tilt the product when the motor is started.
- Be careful when you pull the product rearward.
- Never lift up the product when the motor is started. If you must lift the product, first stop the motor, turn the safety key to 0 and remove the battery (model S 138i) or disconnect the power cord (model S 138C).
- Do not walk rearward when you operate the product.
- Stop the motor when you move across areas without grass, for example paths made of gravel, stone and asphalt.
- Do not run with the product when the motor is started. Always walk when you operate the product.
- Stop the motor before you change the work depth. Never make adjustments with the motor started.

- Never let the product stay out of view with the motor started. Stop the motor and make sure that the dethatcher equipment does not rotate.

## Safety instructions for operation

### Personal protective equipment

You must use approved personal protective equipment whenever you use the product. Personal protective equipment cannot eliminate the risk of injury but it will reduce the degree of injury if an accident does happen. Ask your dealer for help in choosing the right equipment.

Always wear:

- Hearing protection to minimise the risk of hearing impairment.
- Sturdy, non-slip boots or shoes. Do not wear sandals or go barefoot.
- Heavy, long pants. Do not wear shorts.

Wear gloves when required, for example when fitting, inspecting or cleaning the dethatcher equipment.



**WARNING:** Use approved hearing protection. Long term exposure to noise can result in permanent hearing impairment.

---

### Safety devices on the product



**WARNING:** Read the warning instructions that follow before you use the product.

---

- Do not use a product with defective safety devices.
- Do a check of the safety devices regularly. If the safety devices are defective, speak to your Husqvarna service agent.

### To do a check of the covers

The dethatcher cover decreases vibrations in the product and decreases the risk of injury from the dethatcher equipment.

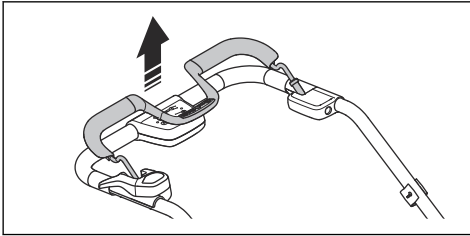
- Examine the side dethatcher cover to make sure that there are no damages such as cracks.
- Examine the rear cover to make sure that there are no damages such as cracks.

### Motor brake handle

The motor brake handle stops the motor. When the motor brake handle is released, the motor stops.

To do a check of the motor brake, start the motor and then release the motor brake handle. If the motor does

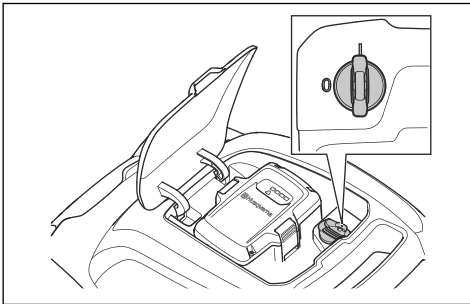
not stop in 3 seconds, let an approved Husqvarna service agent adjust the motor brake.



### Safety key

The safety key is found below the battery lid. The safety key is used to connect the battery that supplies the motor with power.

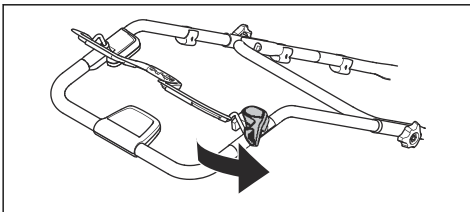
- Start and stop the motor to do a check of the safety key.
- If the safety key functions correctly, the motor starts only when the key is turned to 1.



### To examine the start inhibitor

Do a check of the start inhibitor to make sure that it prevents operation of the motor.

1. Push the motor brake handle in the direction of the handlebar. The start inhibitor stops the movement.
2. Push the start inhibitor out.

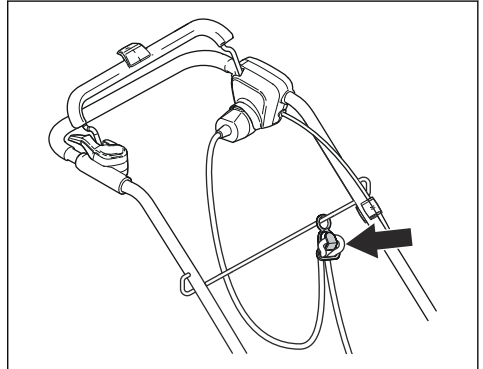


3. Release the start inhibitor and make sure that it goes back to its initial position.

### To use the power cord holder (model S 138C)

The power cord holder decreases the strain on the power socket and the power cord. The power cord holder also decreases the risk that you fall.

1. Bend the power cord to a small loop.
2. Put the loop in to the hole in the power cord holder.
3. Put the loop around the hook.
4. Pull the power cord to tighten the loop around the hook.



### Battery safety



**WARNING:** Read the warning instructions that follow before you use the product.

- Use Husqvarna rechargeable batteries as a power supply for related Husqvarna products only. To prevent injury, do not use the battery as a power supply for other devices.
- Do not use non-rechargeable batteries.
- Risk of electrical shock. Do not connect the battery terminals to keys, coins, screws or other metal. This can cause a short circuit of the battery.

- Do not put objects into the air slots of the battery.
- Keep the battery away from sunlight, heat or open flame. The battery can explode and cause burns and/or chemical burns.
- Keep the battery away from rain and wet conditions.
- Keep the battery away from microwaves and high pressure.
- Do not try to disassemble or break the battery.
- If the battery leaks, do not let the liquid touch your body or eyes. If you have touched the liquid, clean the area with a large quantity of water and get medical aid.
- Use the battery in temperatures between -10°C and 40°C.
- Do not clean the battery or the battery charger with water. *See To clean the battery and the battery charger on page 20.*
- Do not use a defective or damaged battery.
- Keep batteries in storage away from metal objects such as nails, coins, jewellery.

## Battery charger safety

---



**WARNING:** Read the warning instructions that follow before you use the product.

---

- Use the QC battery chargers to charge Husqvarna replacement batteries only.
- Risk of electrical shock or short circuit. Do not put objects into the air slots of the charger. Do not try to disassemble the battery charger. Do not connect the charger terminals to metal objects. Use an approved mains socket.
- This product produces an electromagnetic field during operation. This field may under some circumstances interfere with active or passive medical implants. To reduce the risk of serious or fatal injury, we recommend persons with medical implants to consult their physician and the medical implant manufacturer before operating this product.
- Regularly make sure that the power cord of the battery charger is not damaged and that there are no cracks in it.

- Do not lift the battery charger by the power cord. To disconnect the battery charger from a mains socket, pull out the plug. Do not pull the power cord.
- Keep the power cord and extension cables away from water, oil and sharp edges. Make sure that the cable is not pinched in doors, fences or equivalent. It can cause the charger to become energized.
- Do not clean the battery charger with water.
- The battery charger can be used by children aged from 8 years and above and persons with reduced physical, sensory, or mental capabilities or lack of experience and knowledge if they have been given supervision or instruction concerning use of the battery charger in a safe way and understand the hazards involved. Children shall not play with the battery charger. Cleaning and user maintenance shall not be made by children without supervision.
- Do not charge non-rechargeable batteries in the battery charger.
- Do not use the battery charger near flammable materials or materials that can cause corrosion. Do not cover the battery charger. Pull out the plug to the battery charger if there is smoke or fire.
- Do not use a defective or damaged battery charger.
- Only charge the battery indoors in a room with good airflow and away from sunlight. Do not charge the battery in wet conditions.

**Power cord safety**

For model S 138C.

- The use of a Residual Current Device (R.C.D.) with a tripping current of not more than 30mA is recommended. Even with an R.D.C. installed, 100% safety cannot be guaranteed and safe work procedures must be obeyed at all times. Do a check of your R.C.D. each time you use it.
- Immediately disconnect from the mains if the power cord is cut or the insulation is damaged.
- Do not touch a cut or damaged power cord until the electrical supply is disconnected.

- Do not repair a cut or damaged power cord. Replace it with a new one.

## Safety instructions for maintenance

---



**WARNING:** Read the warning instructions that follow before you use the product.

---

- For model S 138i: To prevent accidental start during maintenance, turn the safety key to 0 and remove the battery. Wait at minimum 5 seconds before you start the maintenance.
- For model S 138C: To prevent accidental start during maintenance, disconnect the power cord.
- Do the maintenance work correctly to increase the lifetime of the product and decrease the risk of accidents. Let an approved service agent do the professional repairs. Speak to your nearest service agent for more information.
- Only do the maintenance work written in this operator's manual. More extensive work must be done by an approved service agent.
- Put on heavy duty gloves when you use the dethatcher equipment. The dethatcher equipment is very sharp and cuts can easily occur.
- Keep the blades on the dethatcher equipment sharp and clean for the best and safest performance.
- Let your service agent regularly examine the product and make necessary adjustments and repairs.
- Replace damaged, worn or broken parts.
- Obey the instructions for how to change accessories. Only use accessories from the manufacturer.
- When not in operation, keep the product, battery and battery charger apart in a dry, indoor and locked area. Make sure that children and persons that are not approved cannot get access to the product, battery or battery charger.

# Assembly

## Introduction



**WARNING:** Before you assemble the product, read the safety chapter.

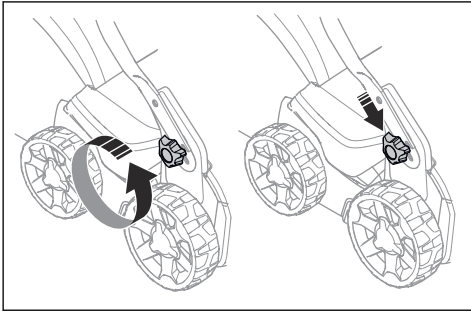


**WARNING:** For model S 138i: To prevent accidental start during assembly, turn the safety key to 0, remove the battery and wait at minimum 5 seconds.

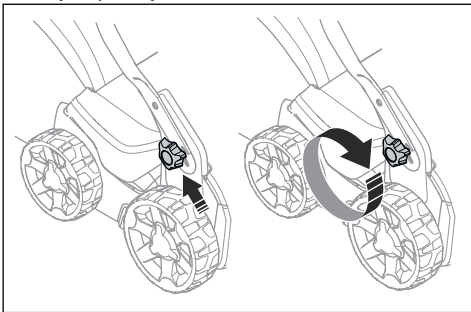
For model S 138C: To prevent accidental start during assembly, disconnect the power cord.

## To assemble the handle

1. Loosen the lower knobs.
2. Move the knobs to the lower end of the grooves on the left and the right side of the product.



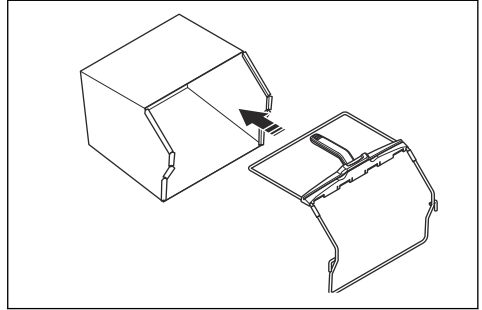
3. Set the handle height in one of the 2 available positions.
4. Move the knobs up in the direction of the handle until they stop and you hear a click.



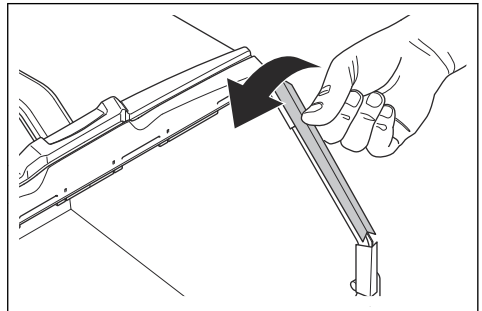
5. Tighten the knobs fully.

## To assemble the grass catcher

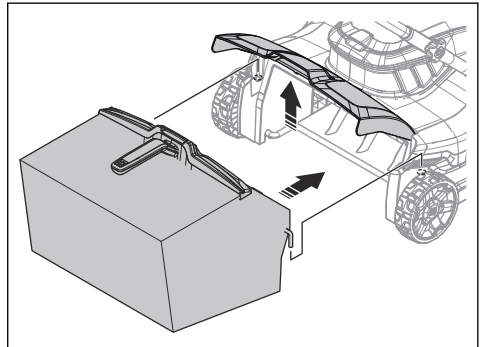
1. Attach the grass catcher frame to the grass bag with the rigid part of the bag on the bottom. Keep the handle of the frame on top of the grass bag.



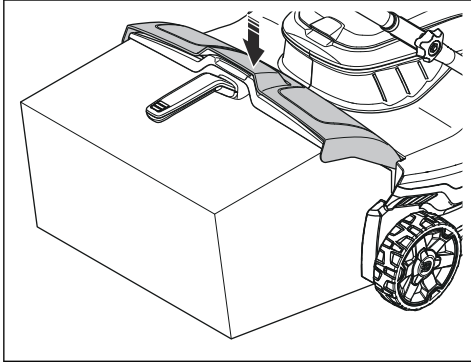
2. Attach the bottom section of the grass catcher frame in the groove on the bottom of the grass catcher.
3. Attach the grass bag to the grass catcher frame with the clips.



4. Lift the rear cover.
5. Move the grass catcher into the correct position.



6. Attach the grass catcher to the top edge of the chassis. Make sure that the rear cover seals against the grass catcher to prevent leakage.



---

## Operation

---

### Introduction



**WARNING:** Before you operate the product, you must read and understand the safety chapter.

### Husqvarna Connect

Husqvarna Connect is a free app for your mobile device. The Husqvarna Connect app gives extended functions for your Husqvarna product:

- Extended product information.
- Information about, and help with, product parts and servicing.

### To start to use Husqvarna Connect

1. Download the Husqvarna Connect app on your mobile device.
2. Register in the Husqvarna Connect app.
3. Do the instruction steps in the Husqvarna Connect app to connect and register the product.

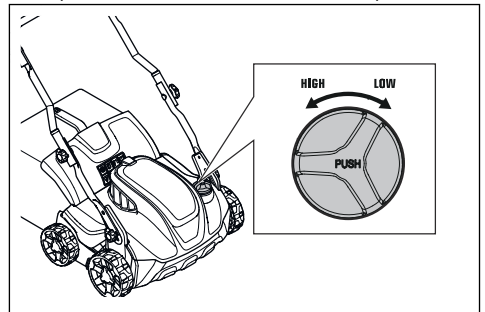
### To set the work depth



**WARNING:** Do not adjust the work depth when you operate the product.

1. Push and turn the adjustment knob for the work depth counterclockwise to increase the work depth.

2. Push and turn the adjustment knob for the work depth clockwise to decrease the work depth.



### Battery

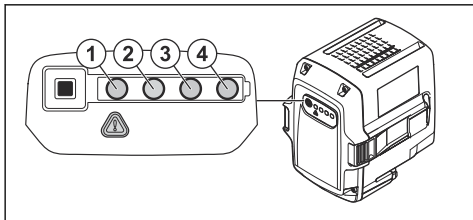


**WARNING:** Before you use the battery, you must read and understand the safety chapter. You must also read and understand the operator's manual for the battery and the battery charger.

### Battery status

The display shows the remaining battery capacity and if there are problems with the battery. The battery capacity is shown for 5 seconds after the product is switched off or the battery indicator button is pressed. The warning

symbol on the battery is on when an error has occurred. See *Battery on page 21*.



LED lights	Battery status
All LEDs are lit	Fully charged (75-100%)
LED 1, LED 2, LED 3 are lit	The battery is 50%-75% charged
LED 1, LED 2 are lit	The battery is 25%-50% charged
LED 1 is lit	The battery is 0%-25% charged.
LED 1 flashes	The battery is empty. Charge the battery.

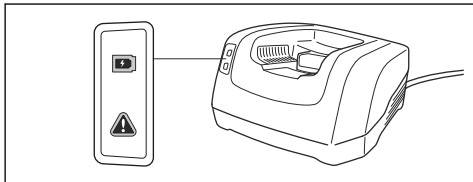
## To charge the battery

Charge the battery before the first use. The battery is only 30% charged when supplied to the customer.

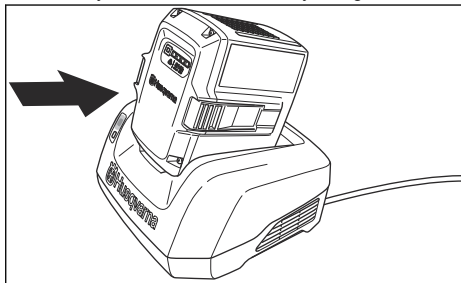
**Note:** The battery charger must be connected to the voltage and frequency specified on the rating plate.

The battery does not charge if the battery temperature is above 50°C. The battery charger decreases the temperature of the battery before it starts to charge.

1. Connect one end of the power cord for the battery charger into the socket of the battery charger.
2. Connect the other end of the power cord for the battery charger in an grounded mains socket. The LED on the battery charger flashes green one time.



3. Put the battery in the battery charger. The green light on the charger comes on when the battery is correctly connected to the battery charger.



4. When all LEDs on the battery have come on the battery is fully charged. Charge the battery for maximum 24 hours.
5. To disconnect the battery charger from the mains socket, pull the plug, not the power cord.
6. Remove the battery from the battery charger.

## Battery charging status

A Husqvarna Li-ion battery can be charged or used at all charging levels. The battery is not damaged. A fully charged battery will not decrease its charge when the battery is left in the charger.

LED display	Charging status
LED 1 flashes	0%-25%
LED 1 is lit, LED 2 flashes	25%-50%
LED 1, LED 2 are lit, LED 3 flashes	50%-75%
LED 1, LED 2, LED 3 are lit, LED 4 flashes	75%-100%
LED 1, LED 2, LED 3, LED 4 are lit	Fully charged

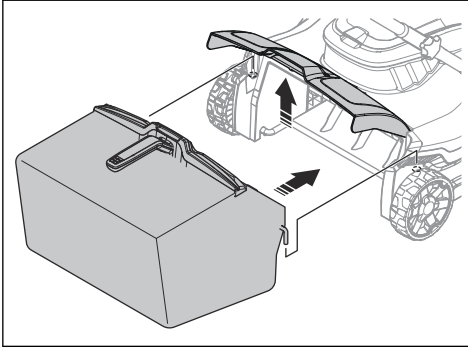
## To operate S 138i

### To start the product

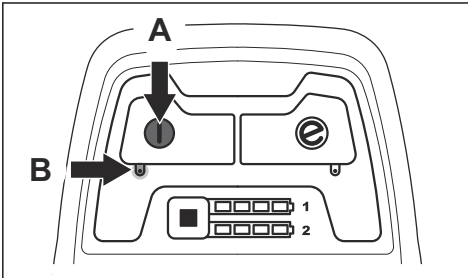
1. Put a charged battery in battery compartment number 1 below the battery lid. For longer operation time, put a second charged battery in battery compartment number 2.



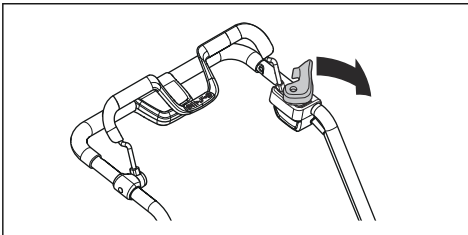
2. Turn the safety key to 1.



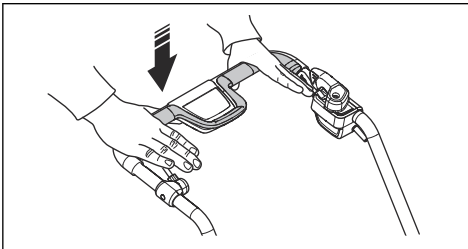
3. Stay behind the product.
4. Press the ON/OFF button (A) on the control panel and the green LED (B) comes on.



5. Loosen the start inhibitor.



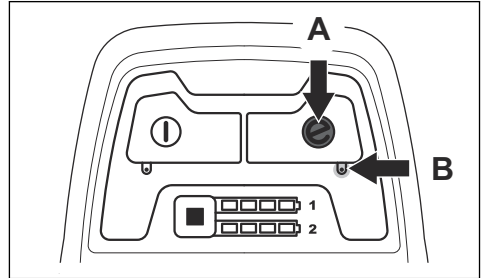
6. Push the motor brake handle in the direction of the handlebar.



### To use the SavE function

The product has a battery saving function (SavE) that gives longer operation time.

1. Press the SavE button (A) to start the function. The green LED comes on.

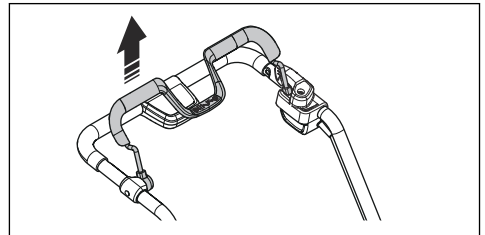


2. Press the SavE button again to stop the function. The green LED (B) goes out.

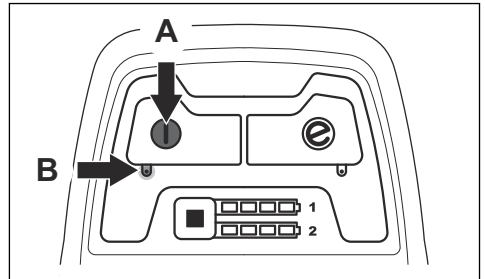
### To stop the product

The product stops automatically if you do not operate it for 10 minutes. Always turn the safety key to 0 before you let the product out of view.

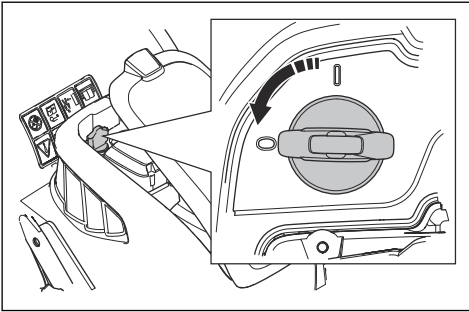
1. Release the motor brake handle to stop the motor.



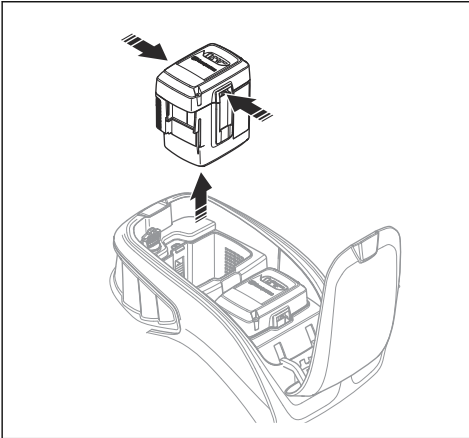
2. Press the ON/OFF button (A) on the control panel and the green LED (B) goes out.



3. Open the battery lid and turn the safety key to 0.



4. To remove the battery, press the 2 release buttons at the same time and pull out the battery.

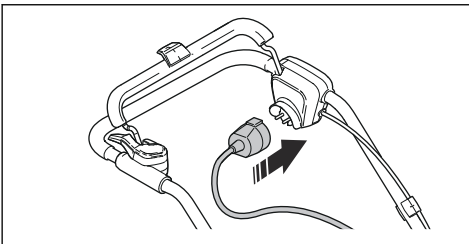


5. Charge the battery if it is weak. For more information, see *To charge the battery on page 16*.

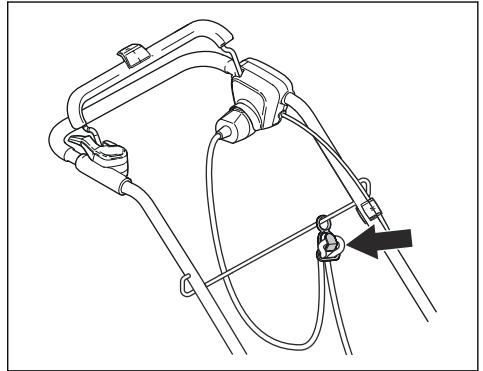
## To operate S 138C

### To start the product

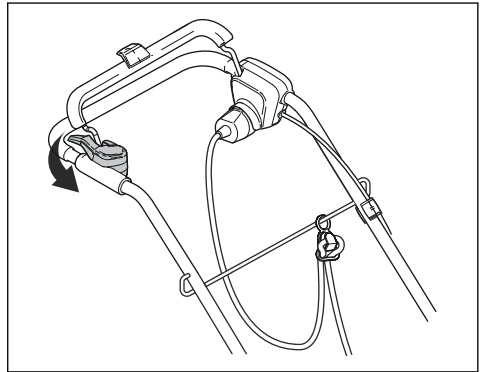
1. Connect a power cord to the socket below the handle.



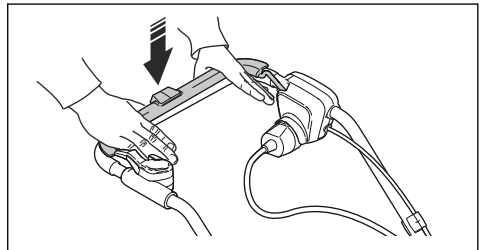
2. Put the power cord in the power cord holder. Refer to *To use the power cord holder (model S 138C) on page 10*.



3. Stay behind the product.
4. Loosen the start inhibitor.

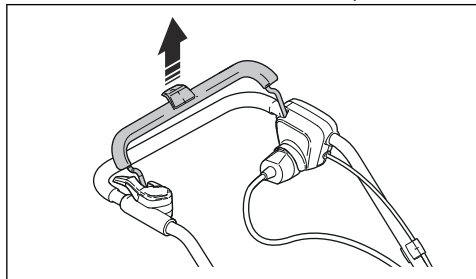


5. Push the motor brake handle in the direction of the handlebar.

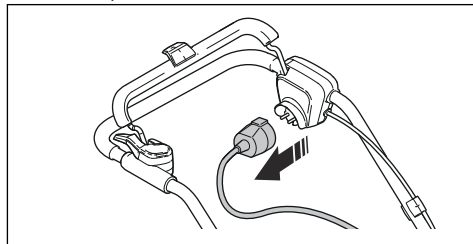


## To stop the product

1. Release the motor brake handle to stop the motor.



2. Disconnect the power cord from the mains and then from the product.



**CAUTION:** Pull the plug straight out. Do not pull the power cord.

## Maintenance

### Introduction



**WARNING:** Before you do maintenance, you must read and understand the safety chapter.

For all servicing and repair work on the product, special training is necessary. We guarantee the availability of professional repairs and servicing. If your dealer is not a service agent, speak to them for information about the nearest service agent.

### Maintenance schedule

The maintenance intervals are calculated from daily use of the product. The intervals change if the product is not used daily.

For maintenance identified with \*, refer to *Safety devices on the product on page 9.*

S 138i and S 138C	Each use	Monthly	Each season
Do a general inspection.	X		
Clean the product.	X		
Examine the dethatcher equipment.	X		
Make sure that the safety devices on the product are not defective. *	X		
Examine the covers. *	X		
Do a check of the motor brake handle. *	X		
Do a check of the start inhibitor. *	X		

S 138i only	Each use	Monthly	Each season
Make sure that the ON/OFF button operates correctly and is not defective.	X		
Examine the battery for damage.	X		
Do a check of the battery charge.	X		
Make sure that the release buttons on the battery operates correctly and that the battery locks into the product.	X		

S 138i only	Each use	Monthly	Each season
Examine the battery charger for damage and make sure that it operates correctly.		X	
Examine the connections between the battery and the product. Also examine the connection between the battery and the battery charger.			X

## To do a general inspection

- Make sure that the nuts and screws on the product are tightened.
- Make sure that the cables on the product are not in a position where they can get damaged.

## To clean the product

- Clean plastic parts with a clean and dry cloth.
- Do not use water to clean the product. Water can enter the battery or the motor and cause short circuit or damage to the product.
- Do not use a high pressure washer to clean the product.
- Do not flush water directly on the motor.
- Use a brush to remove leaves, grass and dirt.

## To clean the battery and the battery charger



**CAUTION:** Do not clean the battery or the battery charger with water.

- Make sure that the battery and the battery charger are clean and dry before you put the battery into the battery charger.
- Clean the battery terminals with compressed air or use a soft and dry cloth.
- Clean the surfaces of the battery and the battery charger with a soft and dry cloth.

## To examine the dethatcher equipment



**WARNING:** For models S 138i: To prevent accidental start, turn the safety key to 0, remove the battery and wait at minimum 5 seconds.

For model S 138C: To prevent accidental start, disconnect the power cord.



**WARNING:** Use protective gloves when you do maintenance on the dethatcher equipment. The blades on the dethatcher equipment are very sharp and cuts can easily occur.

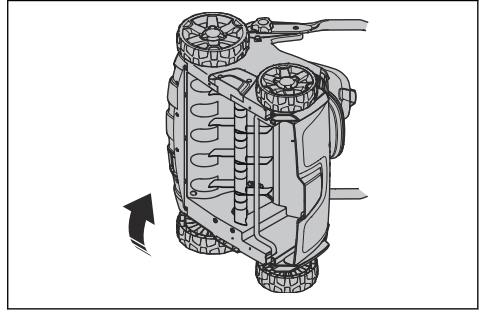
- Examine the dethatcher equipment for damage or cracks. Always replace a damaged dethatcher equipment.

## To replace the dethatcher equipment

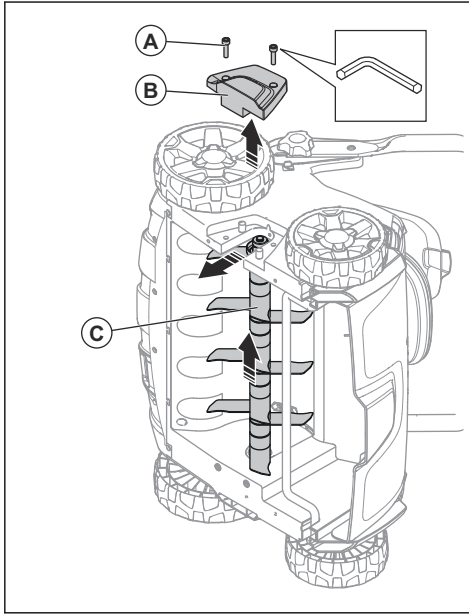


**WARNING:** Use protective gloves when you do maintenance on the dethatcher equipment. The dethatcher equipment is very sharp and cuts can easily occur

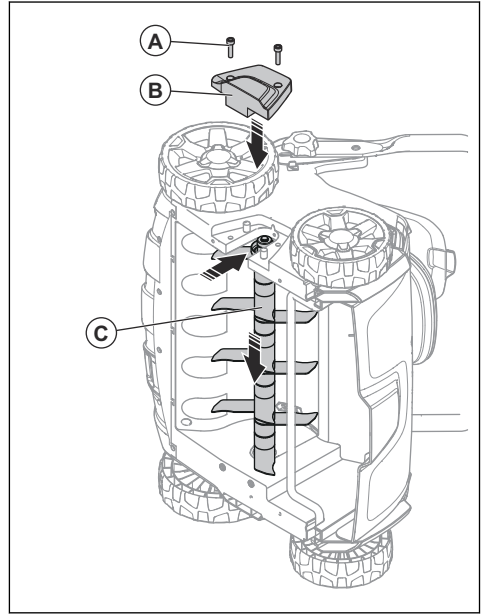
1. Put the product on its right side.



2. Remove the 2 screws (A) and the dethatcher cover (B). Push the dethatcher equipment (C) up and out to remove it.



3. Push the new dethatcher equipment (C) into the groove and down the hole. Attach the dethatcher cover (B) and the 2 screws (A)



## Troubleshooting

### Battery

LED on the battery	Possible faults	Possible procedure
The green LED is flashing	The battery voltage is low	Charge the battery. See <i>To charge the battery on page 16.</i>
The error LED flashes	The battery is weak	Charge the battery. See <i>To charge the battery on page 16.</i>
	The temperature in the work environment is too high or too low	Use the battery in temperatures between -10°C and 40°C.
	Overvoltage	Check that the mains voltage is the same as on the rating plate on the product.  Remove the battery from the battery charger. Wait 5 seconds and try again to charge the battery. If the problem continues, speak to an authorised service agent.
The error LED is on	Cell difference too much (1V)	Speak to an approved service agent.

## Battery charger

LED on the battery charger	Possible faults	Possible procedure
The error LED flashes	The temperature in the work environment is too high or too low	Use the battery charger in temperatures between 5°C and 40°C.
The error LED is on		Speak to an approved service agent

## Control panel

For model S 138i

Error	Error code (Number of flashes)	Possible faults	Possible action
Error LED flashes	3	The motor is overloaded.	Decrease the work depth. Refer to <i>To set the work depth on page 15</i> . If the error LED continues to flash, the dethatcher equipment is blocked. To prevent accidental start turn the safety key to 0, remove the battery and wait a minimum 5 seconds. Make sure that the dethatcher equipment can move freely. If the problem continues, speak to an authorised service agent.
	5	The motor speed drops too much, and the motor stops.	
	9	The motor control is too hot.	
	7	Battery error or no signal from battery.	
		The battery is weak.	Charge the battery. Refer to <i>To charge the battery on page 16</i> .
The product stops	6	The battery is weak.	Charge the battery. Refer to <i>To charge the battery on page 16</i> .
	0	Battery connector failure.	Examine the battery connector.
Other errors	If other errors occur, turn the safety key to 0, remove the battery and speak to an approved service agent.		

## Transportation, storage and disposal

### Transportation

- The Dangerous Goods Legislation requirements apply to the contained Li-ion batteries.
- For commercial transports special requirements on package and labels must be obeyed.
- Make sure that you obey the regulations for dangerous material when you prepare the product for transport. Local regulations can apply.
- Always remove the battery for transport.

- Put tape on the battery connectors and make sure that the battery cannot move around during transport.
- Attach the product during transport.

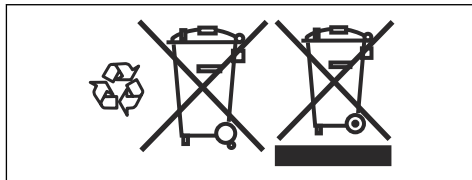
### Storage

- Always remove the battery for storage.
- To prevent accidents, make sure that the battery is not connected to the product during storage.
- Keep the battery charger in a closed and dry space.

- Keep the battery and the battery charger in a dry space where there is no moisture or frost.
- Disconnect the battery from the battery charger during storage.
- Do not keep the battery where static electricity can occur. Do not keep the battery in a metal box.
- Keep the battery where the temperature is between 5°C and 25°C and out of sunlight.
- Keep the battery charger where the temperature is between 5°C and 45°C and out of sunlight.
- Make sure that the battery is charged to 30% - 50% before you put it in storage for long periods.
- Keep the product, battery and battery charger in a locked area out of reach for children and not approved persons.
- Clean the product and do a complete servicing before you put the product in storage for a long time.

waste. It must be submitted to an appropriate recycling station for the recovery of electrical and electronic equipment.

By ensuring that this product is taken care of correctly, you can help to counteract the potential negative impact on the environment and people that can otherwise result through the incorrect waste management of this product. For more detailed information about recycling this product, contact your municipality, your domestic waste service or the shop from where you purchased the product.



## Disposal

Symbols on the product or the packaging of the product indicate that this product cannot be handled as domestic

## Technical data

### Technical data

	S 138i	S 138C
<b>Motor</b>		
Motor type	BLDC (brushless) 36V	Series AC Motor
Attachment speed – SavE, rpm	3000	N/A
Attachment speed – Nominal, rpm	3200	4200
Motor output – max. kW	1.28	1.8
Motor output – Nominal, kW	0.9	1.6
<b>Weight</b>		
Weight, kg	19.5 (without battery)	19.0
<b>Battery</b>		
Type of battery	Husqvarna Battery Series	NA
<b>Battery runtime</b>		
Battery runtime, min, (free run) with SavE activated, with one Husqvarna 5.2 Ah battery (Bli200).	115	NA
Battery runtime, min, (free run) with standard mode activated, with one Husqvarna 5.2 Ah battery (Bli200).	102	NA
<b>Noise emissions <sup>1</sup></b>		
Sound power level, measured dB (A)	89.2	95.7
Sound power level, guaranteed L <sub>WA</sub> dB (A)	91	98

<sup>1</sup> Noise emissions in the environment measured as sound power (L<sub>WA</sub>) in conformity with EC directive 2000/14/EC.

	S 138i	S 138C
<b>Sound levels</b> <sup>2</sup>		
Sound pressure level at the operators ear, dB (A)	75.3	81.7
<b>Vibration levels</b> <sup>3</sup>		
Handle, m/s <sup>2</sup>	5.5	8.3
<b>Operation</b>		
Work depth max/min, mm	-8/+5	-8/+5
Work width, cm	37.5	37.5
Delta blades attachment	5973510-01	5973510-01
Spring tines attachment	5973509-01	5973509-01
Grass catcher capacity, litre	45	45

Approved batteries	Type	Battery capacity, Ah	Voltage, V	Weight, lb/kg
BLi20	Lithium-ion	4.0	36	2.6/1.2
BLi200	Lithium-ion	5.2	36	2.8/1.3
BLi300	Lithium-ion	9.4	36	4.1/1.9

Approved chargers for the specified batteries, BLi	Input voltage, V	Frequency, Hz	Power, W
QC80	100–240	50–60	80
QC80F	12	0	80
QC330	100–240	50–60	330
QC500	100–240	50–60	500

<sup>2</sup> Reported data for noise pressure level has a typical statistical dispersion (standard deviation) of 1.2 dB (A).

<sup>3</sup> Reported data for vibration level has a typical statistical dispersion (standard deviation) of 0.2 m/s<sup>2</sup>.



---

# EC Declaration of Conformity

---

## EC Declaration of Conformity

**Husqvarna AB**, SE-561 82 Huskvarna, Sweden, tel: +46-36-146500, declares that the **dethatcher Husqvarna S 138i** from serial number 2018XXXXXXX and onwards, comply with the requirements of the COUNCIL'S DIRECTIVE:

- of June 8, 2011 on the "restriction of use of certain hazardous substances" **2011/65/EU**
- of May 17, 2006 "relating to machinery" **2006/42/EC**
- of February 26, 2014 "relating to electromagnetic compatibility" **2014/30/EU**
- of May 8, 2000 "relating to the noise emissions in the environment" **2000/14/EC**

For information relating to noise emissions, see the Technical data chapter.

The following standards have been applied:

**EN 60335-1:2012+A11:2014+A13:2017, EN 50636-2-92:2014, EN 55014-1:2017, EN 55014-2:2015**

Huskvarna, 2019-01-15



Claes Losdal, Development Manager/Garden Products  
(Authorized representative for Husqvarna AB and responsible for technical documentation.)

---

# EC Declaration of Conformity

---

## EC Declaration of Conformity

**Husqvarna AB**, SE-561 82 Huskvarna, Sweden, tel: +46-36-146500, declares that the **dethatcher Husqvarna S 138C** from the serial number 2018XXXXXXX and onwards, complies with the requirements of the COUNCIL'S DIRECTIVE:

- of June 8, 2011 on the "restriction of use of certain hazardous substances" **2011/65/EU**
- of May 17, 2006 "relating to machinery" **2006/42/EC**
- of February 26, 2014 "relating to electromagnetic compatibility" **2014/30/EU**
- of May 8, 2000 "relating to the noise emissions in the environment" **2000/14/EC**

For information relating to noise emissions, see the Technical data chapter.

The following standards have been applied:

**EN 60335-1:2012+A11:2014+A13:2017, EN 50636-2-92:2014, EN 55014-1:2017, EN 55014-2:2015, EN 61000-3-2:2014, EN 61000-3-11:2000**

Huskvarna, 2019-01-15



Claes Losdal, Development Manager/Garden Products  
(Authorized representative for Husqvarna AB and responsible for technical documentation.)

---

## Содержание

---

Въведение.....	27	Отстраняване на проблеми.....	48
Безопасност.....	31	Транспортиране, съхранение и изхвърляне.....	50
Монтаж.....	41	Технически данни.....	51
Операция.....	42	Декларация за съответствие на ЕО.....	53
Поддръжка.....	46	Декларация за съответствие на ЕО.....	54

---

## Въведение

---

### Описание на продукта

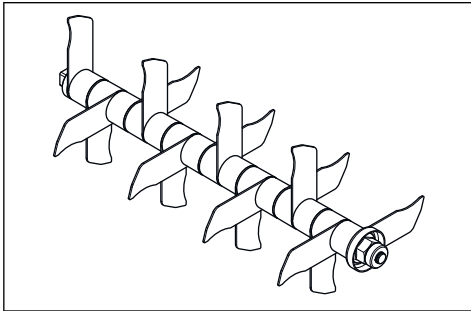
Този продукт е пешеходно управляван електрически вертикутир. Продуктът премахва сплъстена трева от моравата и разрохва почвата, за да позволи на въздуха и водата да проникнат в моравата. Сплъстената трева се събира в кош за трева или се разпределя по моравата. Продуктът има 2 типа оборудване за вертикутир.

### Оборудване за вертикутир

Направете справка с *За смяна на оборудването за вертикутир на страница 47* за информацията относно това как да смените оборудването за вертикутир.

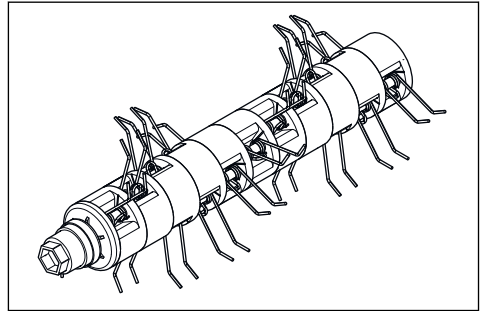
### Ножове Delta

Делта дисковете премахва сплъстената трева и отрязва корените на тревата вертикално. Използвайте делта дисковете на склон, тераси и за почви с високо съдържание на глина. Делта дисковете позволяват на водата да се просмуква в моравата и предотвратява задържането на вода на повърхността



### Пружинни остриета

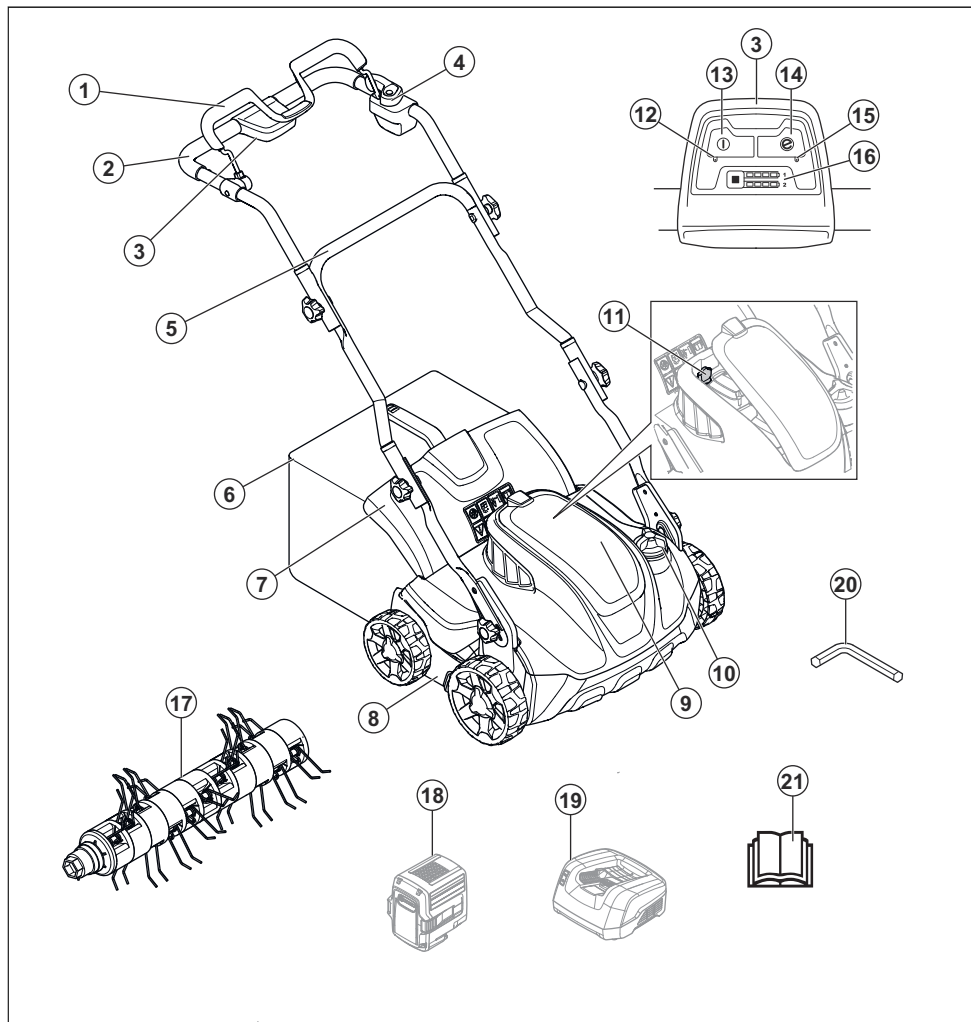
Пружинните остриета внимателно премахват сплъстена и мъртва трева от моравата, без да нараняват корените на тревата.



### Предназначение

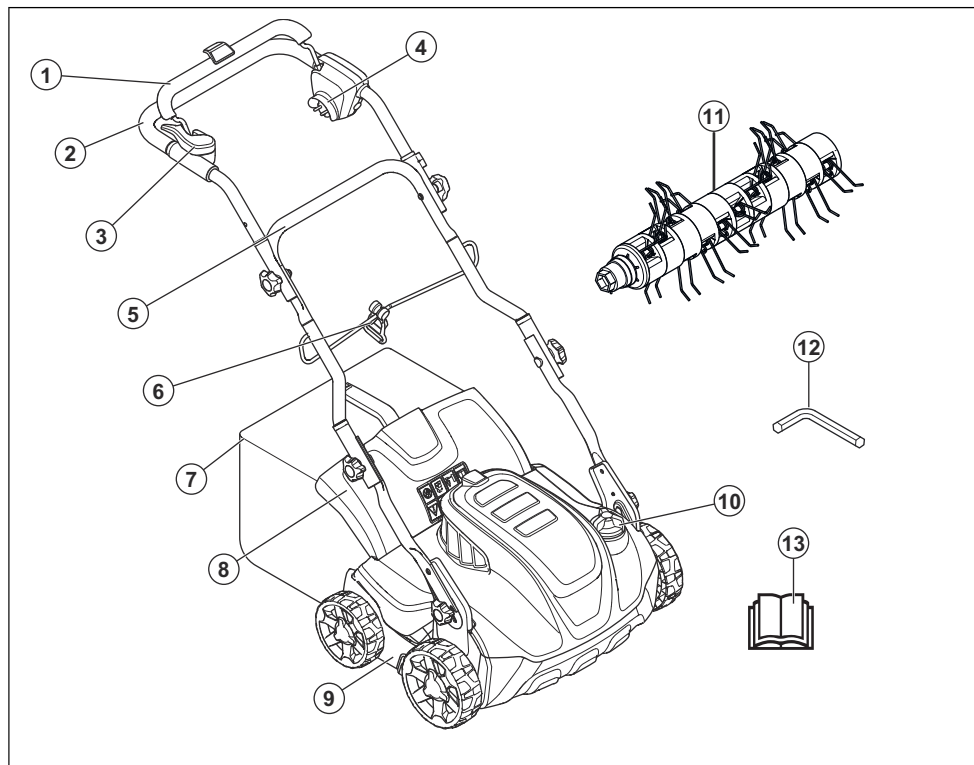
Използвайте продукта, за да премахнете сплъстената трева и да разрохкате почвата в частни градини. Не използвайте продукта за други задачи.

## Общ преглед на модела S 138i



- |   |  |
|---|--|
| 1. Ръкохватка за спирачката на двигателя              | 11. Ключ за безопасност                                      |
| 2. Горна дръжка                                       | 12. Светодиоден индикатор ON/OFF (ВКЛ./ИЗКЛ.)                |
| 3. Пулт за управление                                 | 13. Бутон за ВКЛ./ИЗКЛ.                                      |
| 4. Блокировка на пускането                            | 14. Бутон SavE   |
| 5. Ниска ръкохватка                                   | 15. Светодиоден индикатор за SavE                            |
| 6. Кош за трева                                       | 16. Индикатор за заряд на акумулатора и бутон за акумулатора |
| 7. Заден капак  | 17. Пружинни остриета  |
| 8. Капак на вертикутир                                | 18. Акумулатор (Принадлежност)                               |
| 9. Капак на акумулатора                               | 19. Зарядно устройство за акумулатор (Принадлежност)         |
| 10. Ръкохватка за регулиране на дълбочината на работа |  |

## Общ преглед на модела S 138C



1. Ръкохватка за спирачката на двигателя
2. Горна дръжка
3. Блокировка на пускането
4. Електрически контакт
5. Ниска ръкохватка
6. Скоба на кабел
7. Кош за трева
8. Заден капак
9. Капак на вертикутир
10. Ръкохватка за регулиране на дълбочината на работа
11. Пружинни остриета
12. Шестостенен ключ
13. Инструкция за експлоатация

## Символи върху машината



Предупреждение:  
Непредпазливото или

неправилното използване може да доведе до нараняване или смърт на оператора или други хора.



Прочетете ръководството за оператора и се уверете, че разбирате инструкциите, преди да използвате този продукт.



Пазете се от отскачащи предмети и рикошети.



Дръжте хората и животните на безопасно разстояние от работната зона.



Предупреждение: Дръжте ръцете и краката си далеч от въртящия се нож.



Извадете ключа за безопасност преди извършване на техническа поддръжка на продукта. (модел S 138i).



Изключете уреда от електрическия контакт преди извършване на техническата поддръжка по него. (модел S 138C).



Опасност от електрически удар (модел S 138C).



Не излагайте на дъжд (модел S 138i).



Предупреждение: При работа с продукта не преминавайте върху захранващия шнур, тъй

като това може да доведе до електрически удар или повреда на продукта. (модел S 138C).

**IPX4** Продуктът е със защита от пръски вода.

**EAC** Продуктът е в съответствие с приложимите директиви на EAC.

**CE** Тази машина отговаря на изискванията на приложимите директиви на ЕО.



Този продукт е в съответствие с приложимите директиви на UkrSEPRO.



Шумови емисии в околната среда в съответствие с Директивата на Европейската общност Емисиите на продукта са посочени в раздела за технически характеристики и на табелката.



Двойна изолация (модел S 138C).



Рециклирайте този продукт на място за рециклиране – за електрическо и електронно оборудване. (Валидно само за Европа)



Процедура за пускане за модел S 138i: натиснете бутона ON/OFF (ВКЛ./ИЗКЛ.), разхлабете инхибитора за стартиране, натиснете ръкохватката за спирачката на двигателя надолу.



Процедура по стартиране за модел S 138C: разхлабете инхибитора за стартиране, натиснете ръкохватката на спирачката на двигателя надолу.



Освободете ръкохватката на спирачката на двигателя, за да спрете.



Код с възможност за сканиране.

---

**Забележка:** Останалите символи/стикери на машината се отнасят до изисквания по отношение на сертификати за определени пазари.

---

### Отговорност за продукта

Както е посочено в законите за отговорност за вреди, причинени от стоки, ние не носим отговорност за щети, причинени от нашия продукт, ако:

- продуктът е неправилно ремонтиран.
- продуктът е ремонтиран с части, които не са от производителя или не са одобрени от производителя.
- продуктът има принадлежност, която не е от производителя или не е одобрена от производителя.
- продуктът не е ремонтиран в одобрен сервизен център или от одобрен орган.

---

## Безопасност

---

### Дефиниции за безопасност

Предупреждения, знаци за внимание и бележки се използват за указване на особено важни части на инструкцията.



**ПРЕДУПРЕЖДЕНИЕ:** Използва се, ако има опасност от нараняване или смърт за оператора или за околните, ако не се

спазват инструкциите в ръководството.

---



**ВНИМАНИЕ:** Използва се, ако има опасност от повреждане на машината, други материали или съседната зона, ако не се спазват инструкциите в ръководството.

---

**Забележка:** Използва се за предоставяне на повече информация, която е необходима в дадена ситуация.

---

## Общи инструкции за безопасност

---



**ПРЕДУПРЕЖДЕНИЕ:** Прочетете следващите предупредителни указания, преди да използвате машината.

---

- Този продукт е опасен, ако се използва неправилно или ако не сте внимателни. Неспазването на инструкциите за безопасност може да доведе до нараняване или смърт.

- Тази машина създава електромагнитно поле по време на работа. При някои условия това поле може да интерферира с активни или пасивни медицински имплантанти. За да намалите риска от тежко или смъртоносно нараняване, ние препоръчваме лицата с медицински импланти да говорят с лекаря си и производителя на медицинския имплант, преди да започнат да работят с тази машина.
- Винаги бъдете внимателни и подхождайте разумно. Ако не сте сигурни как да работите с продукта при специална ситуация, спрете и се обърнете към Вашия дилър на Husqvarna, преди да продължите.
- Имайте предвид, че операторът носи отговорност за нещастни случаи, включващи други хора или тяхното имущество.
- Поддържайте продукта чист. Уверете се, че разчитате ясно знаците и стикерите.
- Не позволявайте на когото и да е да работи с продукта, докато не се уверите, че е прочел и разбрал



съдържанието на инструкцията за експлоатация.

предупредителни указания, преди да използвате машината.

---

- Не позволявайте на деца да работят с продукта.
  - Не позволявайте на лица, които не са запознати с инструкциите, да работят с продукта.
  - Винаги наблюдавайте лица с намален физически или умствен капацитет, които използват продукта. През цялото време трябва да присъства отговорен възрастен.
  - Не използвайте продукта, ако сте уморени, болни или под въздействието на алкохол, наркотици или лекарства. Това състояние оказва отрицателно въздействие върху Вашето зрение, бдителност, координация и преценка.
  - Не използвайте продукта, ако е неизправен.
  - Не променяйте този продукт или не го използвайте, ако има вероятност той да е бил променен от друг.
- Отстранете препятствия като клони, пръчки и камъни от работната зона, преди да използвате продукта.
  - Обектите, които се удрят във вертикутира, могат да бъдат изхвърлени и да причинят нараняване на хората и щети на предметите. Дръжте страничните наблюдатели и животните на безопасно разстояние от продукта.
  - Никога не използвайте продукта в лошо време – например при мъгла, дъжд, силни ветрове, много силен студ и риск от мълнии. Използването на продукта в лошо време или върху влажни или мокри терени е изморително. Лошото време може да създаде опасни условия, като например хлъзгави повърхности.
  - Внимавайте за лица, предмети и ситуации, които могат да са причина за намаляване на безопасната работа на продукта.
  - Внимавайте за препятствия като корени, камъни, клони,

## Безопасност на работната област

---



**ПРЕДУПРЕЖДЕНИЕ:**  
Прочетете следващите

ями и канавки. Дългата трева може да крие препятствия.

- Работата с продукта на склон може да бъде опасна. Не работете с продукта, когато наклонът на повърхността е повече от 15°.
- Използвайте продукта напречно на склона. Не се движете нагоре и надолу.
- Внимавайте, когато преминавате покрай закриват ъгли и предмети, които скриват зрителното Ви поле.

## Безопасност при работа



### ПРЕДУПРЕЖДЕНИЕ:

Прочетете следващите предупредителни указания, преди да използвате машината.

- Използвайте този продукт, за да премахнете сплъстената трева и мъх само за морави. Не се допуска използването му за други цели.
- Използвайте лични предпазни средства. Вижте *Лични предпазни средства на страница 35*.
- Не използвайте продукта при дъжд или влага. Опасността от токов удар се повишава при навлизане на вода в продукта.
- Не работете с продукта, докато оборудването за вертикутир и всички капаци не се монтират правилно. Неправилно монтираното оборудване за вертикутир може да се разхлаби и да причини телесна повреда.
- Уверете се, че оборудването за вертикутир няма да се удря в обекти, като например камъни и корени. Това може да доведе до повреда на оборудването за вертикутир и до огъване на вала на двигателя. Огънатата ос предизвиква силни вибрации и има много голяма опасност оборудването за вертикутир да се разхлаби.
- Ако оборудването за вертикутир се удари в някакъв обект или се получат вибрации, спрете веднага продукта. Спрете двигателя, завъртете ключа за безопасност на 0 и отстранете акумулатора (модел S 138i) или разкачете хранящия шнур (модел S 138C). Проверете продукта

- за повреди. Ремонтирайте повредите или потърсете оторизиран сервиз за това.
- Никога не прикрепяйте ръкохватката за спирачката на двигателя за постоянно върху дръжката, когато двигателят е стартиран.
  - Поставете продукта върху стабилна, равна повърхност и го стартирайте. Уверете се, че оборудването за вертикутир не се допира до земята или до други предмети.
  - Винаги стойте зад продукта, когато го използвате.
  - Всички колела трябва да бъдат на земята и да държите дръжката с 2 ръце, когато работите с продукта. Дръжте ръцете и краката си далеч от оборудването за вертикутир.
  - Не накланяйте продукта при стартиран двигател.
  - Бъдете внимателни, когато дърпате продукта назад.
  - Никога не повдигайте продукта при стартиран двигател. Ако се налага да повдигнете продукта, първо спрете двигателя, завъртете ключа за безопасност на 0 и отстранете акумулатора (модел S 138i) или разкачете
- захранващия шнур (модел S 138C).
- Не се движете назад при работа с продукта.
  - Спрете двигателя, когато преминавате през области без трева, като например пътеки от чакъл, камък и асфалт.
  - Не тичайте с продукта, докато двигателят работи. Винаги ходете, когато работите с продукта.
  - Спрете двигателя, преди да промените дълбочината на работа. Никога не регулирайте при стартиран двигател.
  - Никога не оставяйте продукта без надзор, когато двигателят работи. Спрете двигателя и се уверете, че оборудването за вертикутир не се върти.

## **Инструкции за безопасност за работа**

### **Лични предпазни средства**

При всяка работа с продукта трябва да използвате одобрени лични предпазни средства. Личната защитна екипировка не изключва риск от травми, но намалява сериозността на травмата при злополука. Помолете своя дистрибутор за помощ при избора на подходяща екипировка.

Необходимо е винаги да използвате:

Носете ръкавици, когато е необходимо, например когато ремонтирате, проверявате или почиствате оборудването за вертикутир.



**ПРЕДУПРЕЖДЕНИЕ:** Използвайте одобрени антифони. Продължителното излагане на шум може да доведе до перманентно увреждане на слуха.

## Приспособления за безопасност на машината



**ПРЕДУПРЕЖДЕНИЕ:** Прочетете следващите предупредителни указания, преди да използвате машината.

- Не използвайте машина с неизправни приспособления за безопасност.
- Проверявайте редовно приспособленията за безопасност. Ако приспособленията за безопасност са дефектни, говорете с Вашия сервиз Husqvarna.

### За да направите проверка на капачице

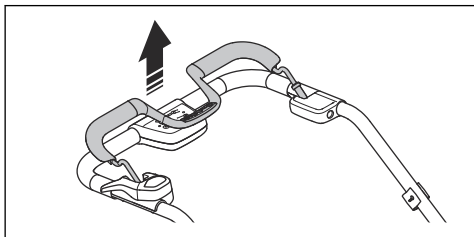
Капакът на вертикутира намалява вибрациите в продукта и опасността от нараняване, причинени от оборудването за вертикутир.

- Проверете капачицата на вертикутира, за да се уверите, че няма повреди, като например пукнатини.
- Проверете задния капак, за да се уверите, че няма повреди, като например пукнатини.

### Ръкохватка за спиращката на двигателя

Ръкохватка за спиращката на двигателя спира двигателя. Когато ръкохватката за спиращката на двигателя бъде пусната, двигателят спира.

За да извършите проверка на спиращката на двигателя, стартирайте двигателя и след това отпуснете ръкохватката за спиращката на двигателя. Ако двигателят не спре след 3 секунди, позволете на одобрен сервиз на Husqvarna да регулира спиращката на двигателя.

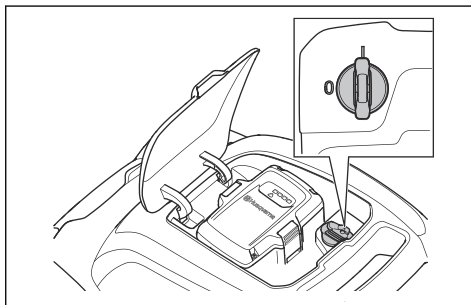


### Ключ за безопасност

Ключът за безопасност се намира под капачицата на акумулатора. Ключът за безопасност се използва за

вързка с акумулатора, който захранва двигателя с енергия.

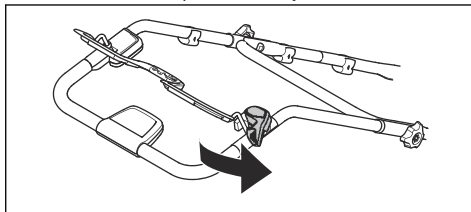
- Стартирайте и спрете двигателя, за да извършите проверка на ключа за безопасност.
- Ако ключът за безопасност функционира правилно, двигателят стартира само когато ключът е в положение 1.



### За да проверите блокировката на пускането

Направете проверка на блокировката на пускане, за да се уверите, че тя не допуска работата на двигателя.

1. Натиснете ръкохватката за спиращката на двигателя по посока на управлението. Блокировката на пускането спира движението.
2. Натиснете блокировката на пускането навън.



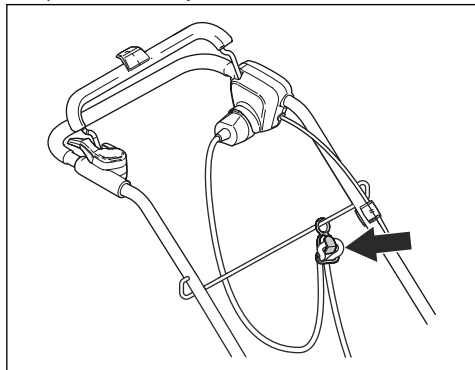
3. Освободете блокировката на пускането и се уверете, че тя се е върнала в първоначалното си положение.

### За използване на държача на захранващия шнур (модел S 138C)

Държачът на захранващия шнур намалява натоварването върху електрическия контакт и захранващия шнур. Държачът на захранващия шнур намалява също и риска да паднете.

1. Сгънете захранващия шнур, за да оформите малка примка.
2. Поставете примката в отвора на държача на захранващия шнур.
3. Поставете примката около куката.

4. Дръпнете захранващия шнур, за да затегнете примката около куката.



## Инструкции за безопасност за батерията



### **ПРЕДУПРЕЖДЕНИЕ:**

Прочетете следващите предупредителни указания, преди да използвате машината.

- Използвайте акумулаторни батерии Husqvarna като източник на захранване само на продукти Husqvarna. За да предотвратите нараняване, не използвайте акумулатора като източник на захранване за други устройства.
- Не използвайте батерии, които не се презареждат.
- Опасност от електрически удар. Не свързвайте клемите на акумулатора с ключове, монети, винтове или други метални предмети. Това може да доведе до късо съединение на акумулатора.
- Не поставяйте предмети във въздушните отвори на акумулатора.
- Съхранявайте акумулатора далеч от слънчева светлина, топлина или открит огън. Акумулаторът може да се взриви и да причини изгаряния и/или химически изгаряния.
- Съхранявайте акумулатора далеч от дъжд или влага.
- Съхранявайте акумулаторната батерия далеч от микровълни и високо налягане.
- Не се опитвайте да разглобите или счупите акумулатора.
- Ако има теч в акумулатора, не оставяйте течността да влиза в контакт с тялото и очите. Ако докоснете течността, измийте мястото с обилно количество вода и потърсете медицинска помощ.
- Използвайте акумулатора при температури между  $-10^{\circ}\text{C}$  и  $40^{\circ}\text{C}$ .
- Не почиствайте батерията или зарядното устройство с вода. Вижте *За почистване*

*на акумулатора и зарядното устройство на страница 47.*

- Не използвайте дефектен или повреден акумулатор.
- Съхранявайте акумулаторите далеч от метални предмети като пирони, монети, бижута.

## Инструкции за безопасност за зарядното устройство на акумулаторната батерия



### **ПРЕДУПРЕЖДЕНИЕ:**

Прочетете следващите предупредителни указания, преди да използвате машината.

- Използвайте зарядните устройства QC за зареждане само на резервни акумулатори Husqvarna.
- Опасност от токов удар или късо съединение. Не поставяйте предмети във въздушните отвори на зарядното устройство. Не опитвайте да демонтирате зарядното устройство. Не свързвайте клемите на зарядното устройство към метални предмети. Използвайте одобрен електрически контакт.
- Тази машина създава електромагнитно поле по

време на работа. При някои условия това поле може да интерферира с активни или пасивни медицински имплантанти. За да намалите риска от сериозно или смъртоносно нараняване, ние препоръчваме лицата с медицински импланти да говорят с лекаря си и производителя на медицинския имплант, преди да започнат да работят с този продукт.

- Редовно проверявайте дали кабелът на зарядното устройство на акумулатора не е повреден и напукан.
- Не вдигайте зарядното устройство, като го държите за кабела. За да изключите зарядното устройство от стенния контакт, дръпнете щепсела. Не дърпайте захранващия шнур.
- Дръжте захранващия кабел и удължаващите шнурове далеч от вода, масло или остри ръбове. Уверете се, че кабелът не е защипан от врати, огради и подобни. Това може да доведе до напрежение в зарядното устройство.
- Не почиствайте зарядното устройство с вода.

- Това зарядно устройство може да се използва от деца на възраст от 8 години нагоре и лица с физически, сетивни или умствени способности или без знания и опит, ако са под надзор или са получили инструкции за безопасното използване на зарядното устройство и разбират свързаните с това рискове. Децата не трябва да си играят със зарядното устройство. Почистването и потребителската поддръжка не трябва да се извършват от деца без надзор.
- Не зареждайте акумулатори без възможност за зареждане в зарядното устройство.
- Не използвайте зарядното устройство близо до запалими материали или материали, които причиняват корозия. Не покривайте зарядното устройство. Ако има дим или огън, извадете щепсела на зарядното устройство.
- Не използвайте дефектно или повредено зарядно устройство.
- Зареждайте акумулатора само на закрито, в помещение с добра вентилация и далеч от

слънчева светлина. Не зареждайте акумулатора във влажна условия.

#### Безопасност на захранващия кабел

За модел S 138C.

- Препоръчва се използването на устройство за остатъчен ток (R.C.D.) с ток на изключване не повече от 30 mA. Дори с инсталирано R.C.D. не може да се гарантира 100% безопасност и процедурите за безопасна работа трябва да се следват по всяко време. Проверявайте R.C.D. при всяко използване.
- Ако по захранващия шнур има срязвания или ако изолацията е повредена, незабавно го извадете от контакта.
- Не докосвайте срязан или повреден захранващ шнур, преди да изключите електрозахранването.
- Не поправяйте срязан или повреден захранващ кабел. Подменете го с нов.

#### Инструкции за безопасност при техническо обслужване



**ПРЕДУПРЕЖДЕНИЕ:**  
Прочетете следващите предупредителни

указания, преди да използвате машината.

---

- За модел S 138i: За да предотвратите случайно стартиране по време на техническо обслужване, завъртете ключа за безопасност на 0 и извадете акумулатора. Изчакайте най-малко 5 секунди преди да започнете техническото обслужване.
- За модел S 138C: За да предотвратите случайно стартиране по време на техническо обслужване, извадете захранващия шнур.
- Извършете правилно техническото обслужване, за да увеличите срока на експлоатация на продукта и да намалите опасността от инциденти. Възложете извършването на професионалните ремонтни дейности на упълномощен сервиз. За повече информация говорете с най-близкия до Вас сервиз.
- Изпълнявайте стъпките от техническото обслужване, посочени в тази инструкция за експлоатация. По-значителни ремонтни дейности трябва да се изпълняват от одобрен сервиз.
- Сложете ръкавици за тежки условия, когато използвате оборудването за вертикутир. Оборудването за вертикутир е много остро и можете лесно да се порежете.
- Поддържайте остриетата на оборудването за вертикутир остри и чисти за най-добра и безопасна производителност.
- Редовно проверявайте продукта при Вашия сервиз и извършвайте необходимите корекции и ремонтни дейности.
- Заменете повредени, износени или счупени части.
- Следвайте инструкциите за смяна на аксесоарите. Използвайте само аксесоари от производителя.
- Когато не ги използвате, съхранявайте продукта, акумулатора и зарядното устройство отделно на закрито сухо и заключено място. Уверете се, че деца и лица, които не са одобрени, не могат да получат достъп до продукта, акумулатора или зарядното устройство.



# Монтаж

## Въведение



**ПРЕДУПРЕЖДЕНИЕ:** Преди да сглобите машината, прочетете главата за безопасност.

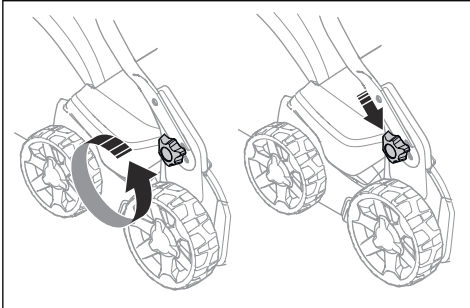


**ПРЕДУПРЕЖДЕНИЕ:** За модел S 138i: За да предотвратите случайно стартиране по време на монтаж, завъртете ключа за безопасност на 0, отстранете акумулатора и изчакайте най-малко 5 секунди.

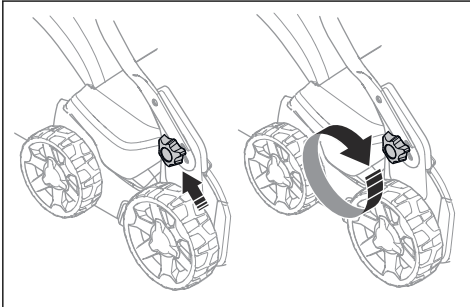
За модел S 138C: За да предотвратите случайно стартиране по време на монтаж, извадете захранващия шнур.

## За да монтирате ръкохватката

1. Разхлабете долните копчета.
2. Преместете фиксаторите към долния край на каналите от лявата и дясната страна на продукта.



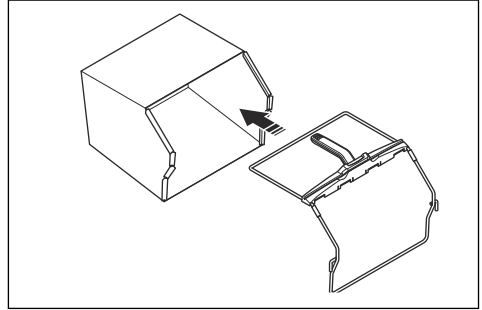
3. Задайте височината на дръжката в едно от 2 възможни положения.
4. Преместете фиксаторите по посока на дръжката, докато спрат и се чуе щракване.



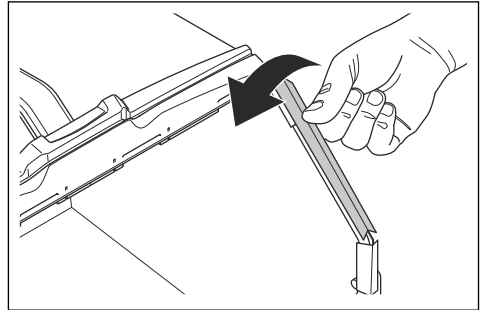
5. Затегнете напълно фиксаторите.

## За сглобяване на коша за трева

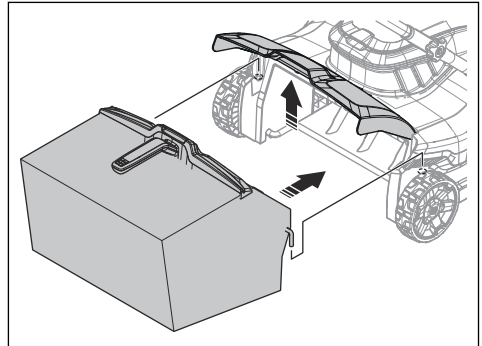
1. Прикрепете рамката на коша за трева към торбата за събиране на трева, като твърдата част на торбата трябва да е отдолу. Дръжте ръкохватката на рамката от горната страна на торбата за трева.



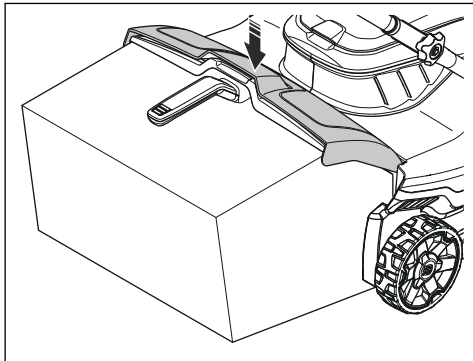
2. Прикрепете долната секция на рамката на коша за трева в канала от долната страна на коша за трева.
3. Прикрепете торбата за трева към рамката на коша за трева с фиксаторите.



4. Вдигнете задния капак.
5. Преместете коша за трева в правилната позиция.



- Прикрепете коша за трева към горния ръб на шасито. Уверете се, че задният капак прилепва плътно към коша за трева за предотвратяване на теч.



## Операция

### Въведение



**ПРЕДУПРЕЖДЕНИЕ:** Преди работа с продукта трябва да прочетете и разберете главата за безопасност.

### Husqvarna Connect

Husqvarna Connect е безплатно приложение за Вашето мобилно устройство. Приложението Husqvarna Connect осигурява разширени функции за Вашия продукт на Husqvarna:

- Разширена продуктова информация.
- Информация и помощ за частите на продукта и сервисното обслужване.

### За да започнете да използвате Husqvarna Connect

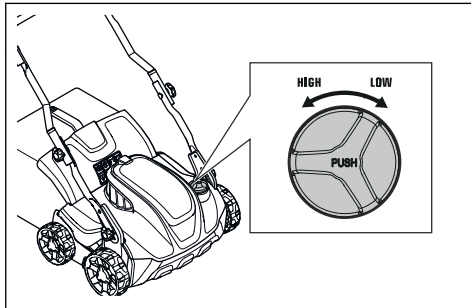
1. Изтеглете приложението Husqvarna Connect на Вашето мобилно устройство.
2. Регистрирайте се в приложението Husqvarna Connect.
3. Изпълнете стъпките с инструкции в приложението Husqvarna Connect, за да свържете и регистрирате продукта.

### За да зададете дълбочина на работа



**ПРЕДУПРЕЖДЕНИЕ:** Не регулирайте дълбочината на работа, когато работите с продукта.

1. Натиснете и завъртете ръкохватката за регулиране на дълбочината на работа по посока обратна на часовниковата стрелка, за да увеличите дълбочината на работа.
2. Натиснете и завъртете ръкохватката за регулиране на дълбочината на работа по посока на часовниковата стрелка, за да намалите дълбочината на работа.



### Акумулатор

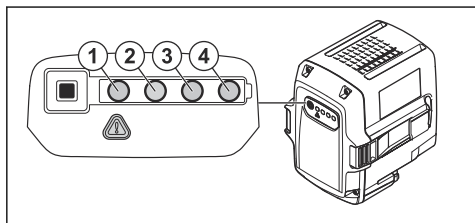


**ПРЕДУПРЕЖДЕНИЕ:** Преди да използвате акумулатора, трябва да прочетете и разберете главата за безопасност. Вие трябва също да прочетете и разберете ръководството на оператора за акумулатора и зарядното устройство.

### Статус на батерията

Дисплеят показва оставащия капацитет на акумулатора и дали има проблеми с него. Капацитетът на акумулатора се показва за 5

секунди, след като продуктът бъде изключен или бутонът за индикатора на акумулатора бъде натиснат. Символът за предупреждение върху акумулатора се включва, когато има грешка. Вижте *Акумулатор на страница 48*.



Светодиодни лампи	Статус на батерията
Всички светодиоди светят	Напълно зареден (75 – 100%)
Светодиоди 1, 2, 3 светят	Акумулаторът е зареден на 50% – 75%
Светодиоди 1 и 2 светят	Акумулаторът е зареден на 25% – 50%
Светодиод 1 свети	Акумулаторът е зареден на 0% – 25%.
Светодиод 1 мига	Батерията е изтощена. Заредете батерията.

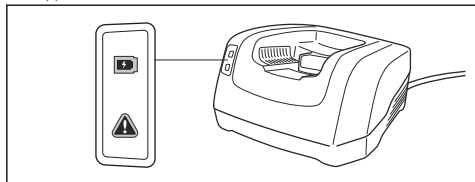
### За зареждане на акумулатора

Заредете акумулатора преди използване за първи път. Акумулаторът е зареден само на 30%, когато се доставя на клиента.

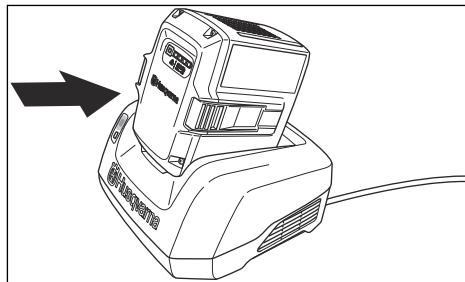
**Забележка:** Зарядното устройство на акумулатора трябва да бъде свързано към напрежението и честотата, посочени на типовата табелка.

Акумулаторът не се зарежда, ако температурата на акумулатора е над 50°C. Зарядното устройство намалява температурата на акумулатора, преди да започне да зарежда.

1. Свържете единия край на захранващия шнур на зарядното устройство в гнездото на зарядното устройство.
2. Свържете другия край на захранващия шнур за зарядното устройство в заземен контакт. Светодиодът на зарядното устройство примигва един път в зелено.



3. Поставете батерията в зарядното устройство. Когато акумулаторът е правилно свързан към зарядното устройство, на зарядното устройство светва зелена светлина.



4. Когато всички светодиоди на акумулатора светнат, акумулаторът е напълно зареден. Зареждайте акумулатора за най-много 24 часа.
5. За да разкачите зарядното устройство на акумулатора от контакта, издърпайте щепсела, а не кабела.
6. Извадете батерията от зарядното устройство.

### Състояние на зареждане на акумулатора

Литиево-йонният акумулатор Husqvarna може да бъде зареждан или използван във всички нива на заряда. Батерията не се поврежда. Напълно зареденият акумулатор няма да намали заряда си, дори когато е оставен в зарядното устройство.

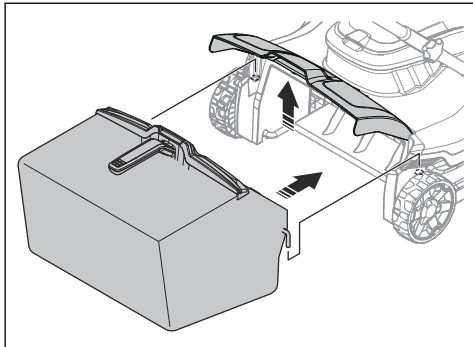
Светодиоден дисплей	Състояние на зареждането
Светодиод 1 мига	0% – 25%
Светодиод 1 свети, светодиод 2 мига	25%-50%
Светодиоди 1 и 2 светят, светодиод 3 мига	50%-75%
Светодиоди 1, 2 и 3 светят, светодиод 4 мига	75%-100%
Светодиоди 1, 2, 3 и 4 светят	Напълно зареден

### За работа с S 138i

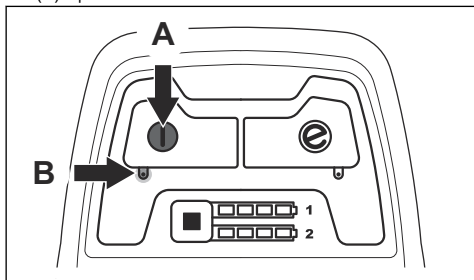
#### За стартиране на продукта

1. Поставете зареден акумулатор в отделениято за акумулатор номер 1 под капака на акумулатора. За по-дълъг период на работа поставете втори зареден акумулатор в отделениято за акумулатор номер 2.

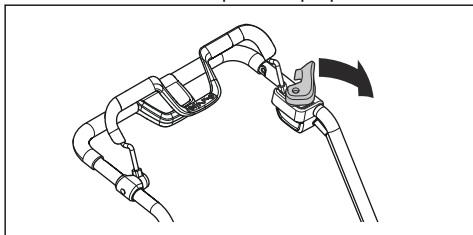
2. Завъртете ключа за безопасност на 1.



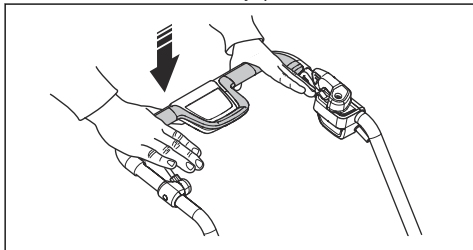
3. Останете зад продукта.
4. Натиснете бутона ON/OFF (ВКЛ./ИЗКЛ.) (A) на разпределителното табло и зеленият светодиод (B) ще светне.



5. Разхлабете инхибитора за стартиране.



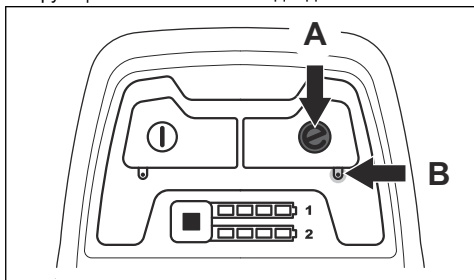
6. Натиснете ръкохватката за спиранката на двигателя по посока на управлението.



## За да използвате функцията SaveE

Продуктът разполага с функция за пестене на акумулатора (SaveE), която осигурява по-дълго време на работа.

1. Натиснете бутона SaveE (A), за да стартирате функцията. Зеленият светодиод светва.

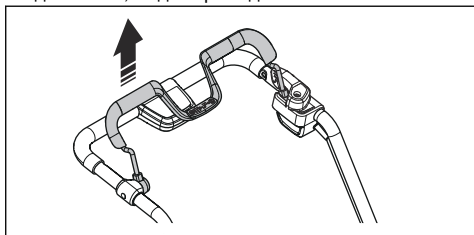


2. Натиснете отново бутона SaveE, за да спрете функцията. Зеленият светодиод (B) изгасва.

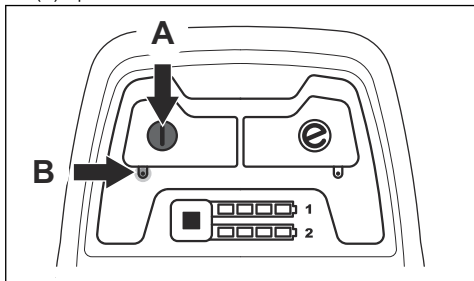
## Спиране на продукта

Продуктът спира автоматично, ако не работите с него в продължение на 10 минути. Винаги завъртайте ключа за безопасност на 0, преди да оставите продукта без надзор.

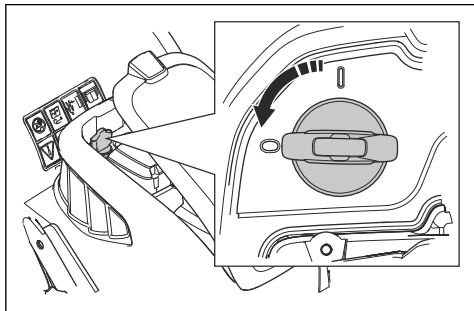
1. Освободете ръкохватката за спиранката на двигателя, за да спрете двигателя.



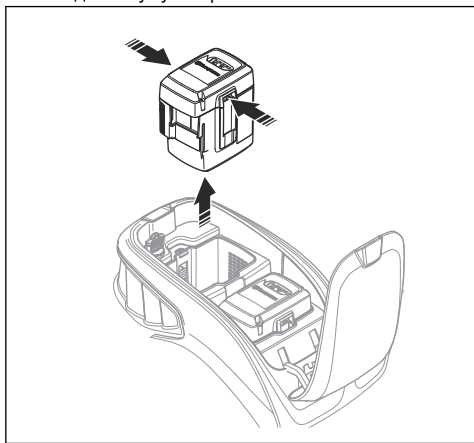
2. Натиснете бутона ON/OFF (ВКЛ./ИЗКЛ.) (A) на разпределителното табло и зеленият светодиод (B) ще изгасне.



3. Отворете капака на акумулатора и завъртете ключа за безопасност в положение 0.



4. За да извадите акумулатора, натиснете едновременно 2-та бутона за освобождаване и извадете акумулатора.

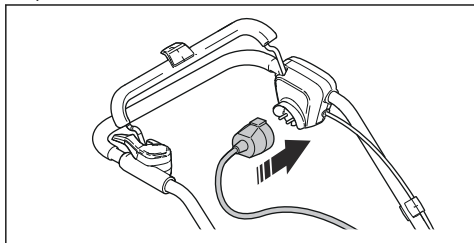


5. Заредете акумулатора, ако е изтощен. За повече информация вижте *За зареждане на акумулатора на страница 43.*

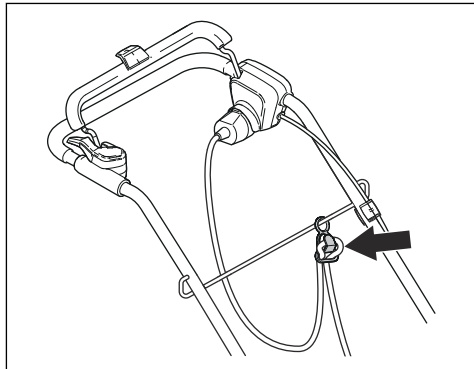
## За работа с S 138C

### За стартиране на продукта

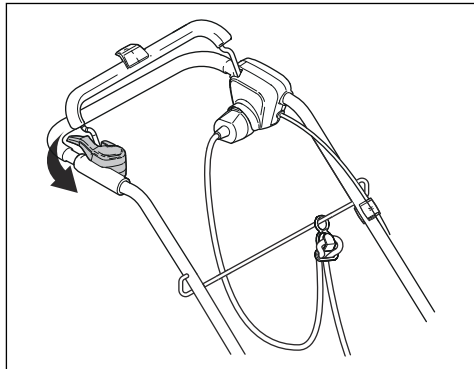
1. Свържете захранващ кабел към контакта под ръкохватката.



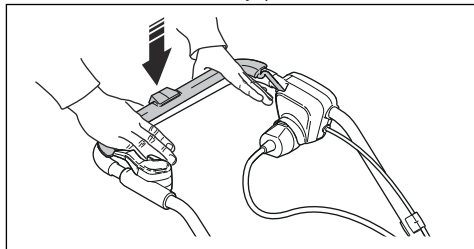
2. Поставете захранващия шнур в държача на захранващия шнур. Вижте *За използване на държача на захранващия шнур (модел S 138C) на страница 36.*



3. Останете зад продукта.  
4. Разхлабете инхибитора за стартиране.

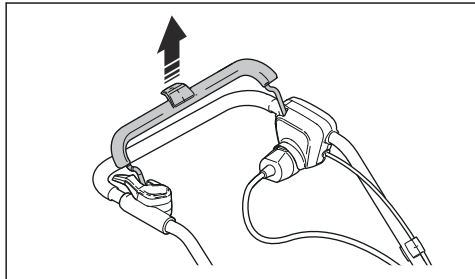


5. Натиснете ръкохватката за спирачката на двигателя по посока на управлението.

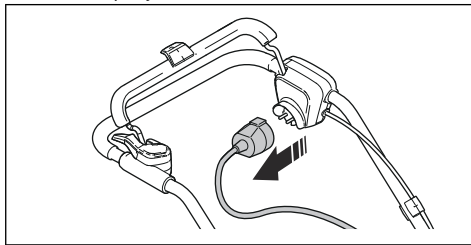


## Спиране на продукта

1. Освободете ръкохватката за спирачката на двигателя, за да спрете двигателя.



2. Разкачете захранващия шнур от контакта и след това от продукта.



**ВНИМАНИЕ:** Издърпайте щепсела докрай навън. Не дърпайте захранващия шнур.

## Поддръжка

### Въведение



**ПРЕДУПРЕЖДЕНИЕ:** Преди да извършите техническо обслужване, трябва да прочетете и разберете раздела за безопасност.

За всички работи по поддръжката и поправката на продукта е необходимо специално обучение. Осигуряваме предлагане на професионални ремонти и обслужване. Ако Вашият дилър не предлага сервизно обслужване, говорете с него, за да Ви даде информация за най-близкия сервиз.

### График за техническо обслужване

Интервалите за техническо обслужване са изчислени в зависимост от ежедневната употреба на продукта. Интервалите се променят, ако продуктът не се използва ежедневно.

За техническо обслужване, маркирано със \*, направете справка с *Приспособления за безопасност на машината на страница 36*.

S 138i и S 138C	При всяка употреба	Всеки месец	Всеки сезон
Извършете обща проверка.	X		
Почистете продукта.	X		
Прегледайте оборудването за вертикутир.	X		
Уверете се, че приспособленията за безопасност на продукта не са дефектни. *	X		
Проверете капаците. *	X		
Проверете ръкохватката на спирачката на двигателя. *	X		
Проверете инхибитора за стартиране. *	X		

Само S 138i	При всяка употреба	Всеки месец	Всеки сезон
Уверете се, че бутонът ВКЛ./ИЗКЛ. функционира правилно и не е дефектен.	X		
Проверете акумулатора за повреди.	X		
Проверете заряда на акумулатора.	X		
Уверете се, че бутоните за освобождаване на акумулатора работят изправно и че акумулаторът се фиксира на място в продукта.	X		
Проверете зарядното устройство за повреда и се уверете, че функционира изправно.		X	
Проверете връзките между акумулатора и продукта. Освен това проверете връзката между акумулатора и зарядното устройство.			X

## За извършване на обща проверка

- Уверете се, че всички гайки и винтове на продукта са затегнати.
- Уверете се, че кабелите на продукта не са в положение, в което могат да бъдат повредени.

## За почистване на машината

- Почиствайте пластмасовите части със суха кърпа.
- Не използвайте вода за почистване на продукта. Водата може да навлезе в акумулатора или в двигателя и да причини късо съединение или повреда на продукта.
- Не мийте продукта с устройство за миене под високо налягане.
- Не пръскайте вода директно върху двигателя.
- За отстраняване на листа, трева и прах използвайте четка.

## За почистване на акумулатора и зарядното устройство



**ВНИМАНИЕ:** Не почиствайте батерията или зарядното устройство с вода.

- Преди да поставите батерията в зарядното устройство се уверете, че батерията и зарядното устройство са чисти и сухи.
- Почистете клемите на акумулатора с въздух под налягане или използвайте чиста и суха кърпа.
- Почистете повърхностите на акумулатора и зарядното устройство с чиста и суха кърпа.

## За да проверите оборудването за вертикутир



**ПРЕДУПРЕЖДЕНИЕ:** За модели S 138i: За да предотвратите случайно стартиране, завъртете ключа за безопасност на 0, отстранете акумулатора и изчакайте минимум 5 секунди.

За модел S 138C: За да предотвратите случайно стартиране, разкачете захранващия шнур.



**ПРЕДУПРЕЖДЕНИЕ:** Носете защитни ръкавици, когато изпълнявате дейности, свързани с техническото обслужване на оборудването за вертикутир. Остриетата на оборудването за вертикутир са много остри и можете лесно да се порежете.

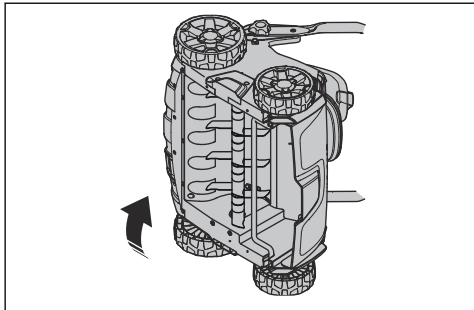
- Проверете оборудването за вертикутир за повреди или пукнатини. Винаги заменяйте повреденото оборудването за вертикутир.

## За смяна на оборудването за вертикутир

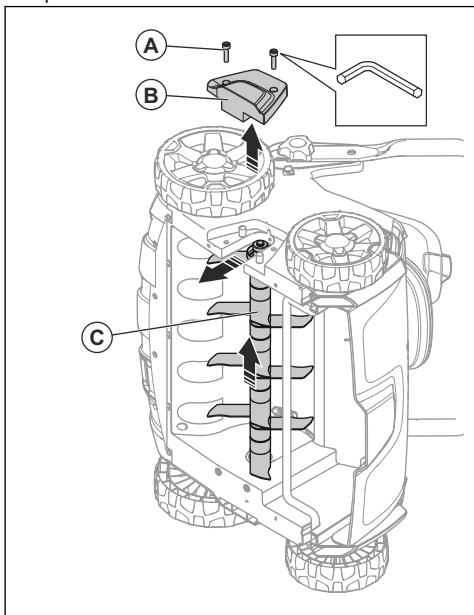


**ПРЕДУПРЕЖДЕНИЕ:** Носете защитни ръкавици, когато изпълнявате дейности, свързани с техническото обслужване на оборудването за вертикутир. Оборудването за вертикутир е много остро и можете лесно да се порежете

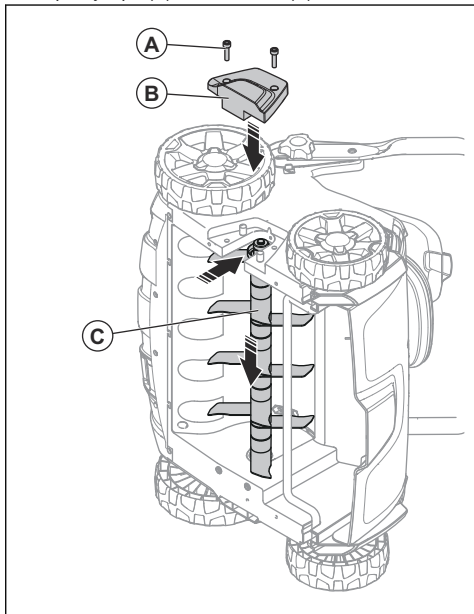
1. Поставете продукта на дясната му страна.



2. Отстранете 2-та винта (А) и капака на вертикутира (В). Натиснете оборудването за вертикутир (С) нагоре и навън, за да го премахнете.



3. Натиснете новото оборудване за вертикутир (С) в канала и надолу до отвора. Прикрепете капака на вертикутира (В) и 2-та винта (А)



## Отстраняване на проблеми

### Акумулатор

Светодиод на акумулатора	Възможни неизправности	Възможна процедура
Зеленият светодиод мига	Зарядът на акумулатора е нисък	Заредете батерията. Вижте <i>За зареждане на акумулатора на страница 43</i> .



Светодиод на акумулатора	Възможни неизправности	Възможна процедура
Светодиодът за грешка мига	Акумулаторът е изтощен	Заредете батерията. Вижте <i>За зареждане на акумулатора на страница 43</i> .
	Температурата в работната среда е прекалено висока или прекалено ниска	Използвайте акумулатора при температури между -10°C и 40°C.
	Свърхнапрежение	Проверете дали захранващото напрежение е същото като на типовата табелка на продукта.  Извадете батерията от зарядното устройство. Изчакайте 5 секунди и опитайте отново да заредите акумулатора. Ако проблемът продължи, обърнете се към упълномощен сервис.
Светодиодът за грешка свети	Разликата в клетките е твърде голяма (1 V)	Обърнете се към одобрен сервис.

## Зарядно устройство за батерията

Светодиод на зарядното устройство	Възможни неизправности	Възможна процедура
Светодиодът за грешка мига	Температурата в работната среда е прекалено висока или прекалено ниска	Използвайте зарядното устройство на акумулатора при температури между 5°C и 40°C.
Светодиодът за грешка свети		Обърнете се към одобрен сервис

## Пулт за управление

За модел S 138i

Греш.	Код на грешка (Брой премигвания)	Възможни неизправности	Възможно действие
Светодиодът за грешка мига	3	Двигателят е претоварен.	Намалете дълбочината на работа. Вижте <i>За да зададете дълбочина на работа на страница 42</i> . Ако светодиодът за грешка продължи да мига, оборудването за вертикатур е блокирало. За да предотвратите случайно стартиране, завъртете ключа за безопасност на 0, отстранете акумулатора и изчакайте най-малко 5 секунди. Уверете се, че оборудването за вертикатур се движи свободно. Ако проблемът продължи, обърнете се към упълномощен сервиз.
	5	Оборотите на двигателя спадат прекалено много и двигателят спира.	
	9	Управлението на двигателя е прекалено горещо.	Спрете двигателя и изчакайте докато изстине.
	7	Грешка на акумулатора или липса на сигнал от него.	Поставете правилно акумулатора в продукта и проверете конектора на акумулатора. Ако светодиодът за грешка на акумулатора мига, направете справка с <i>Състояние на зареждане на акумулатора на страница 43</i> .
		Акумулаторът е изтощен.	Заредете акумулаторната батерия. Вижте <i>За зареждане на акумулатора на страница 43</i> .
Продуктът спира	6	Акумулаторът е изтощен.	Заредете акумулаторната батерия. Вижте <i>За зареждане на акумулатора на страница 43</i> .
	0	Грешка в конектора на акумулатора.	Проверете конектора на акумулатора.
Други грешки	Ако грешката се прояви, завъртете ключа за безопасност на 0, извадете акумулатора и се обърнете към упълномощен сервиз.		

## Транспортиране, съхранение и изхвърляне

### Транспортиране

- В сила са изискванията на Законодателството за опасни продукти, отнасящи се до литиево-йонни акумулатори.
- За търговско транспортиране трябва да се спазват специалните изисквания върху опаковката и етикетите.
- Уверете се, че спазвате разпоредбите за опасни материали, когато подготвяте продукта за транспорт. Може да са в сила местни разпоредби.
- Винаги изваждайте акумулатора при транспортиране.

- Поставете тиксо върху конекторите на акумулатора и се уверете, че акумулаторът не може да се движи по време на транспортиране.
- Закрепете продукта по време на транспортиране.

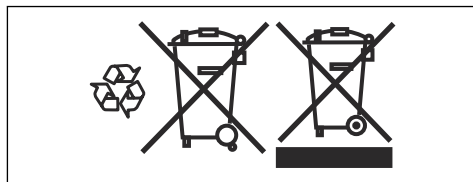
### Съхранение

- Винаги изваждайте акумулатора за съхранение.
- За да се избегнат инциденти, се уверете, че акумулаторът не е свързан към продукта по време на съхранение.
- Съхранявайте зарядното устройство в затворено и сухо помещение.

- Съхранявайте акумулатора и зарядното устройство на сухо място, където няма влага или скреж.
- При съхранение разкачете акумулатора от зарядното устройство.
- Не съхранявайте акумулатора, където може да се натрупа статично електричество. Не съхранявайте акумулатора в метална кутия.
- Съхранявайте акумулатора при температура между 5°C и 25°C и далече от слънчева светлина.
- Съхранявайте зарядното устройство при температура между 5°C и 45°C и далече от слънчева светлина.
- Уверете се, че акумулаторът е зареден до 30% – 50% преди съхранение за продължителен период.
- Съхранявайте продукта, акумулатора и зарядното устройство в заключено помещение без достъп за деца или неупълномощени лица.
- Почистете продукта и извършете пълно обслужване, преди да го съхранявате продължително време.

като битов отпадък. Той трябва да бъде подаден в съответната рециклираща станция за използване на електрическо и електронно оборудване.

Подавайки този продукт на правилното място, вие спомогате за предотвратяване на потенциалното негативно отражение върху околната среда и хората, което би могло да настъпи иначе в резултат на неправилно изхвърляне на този продукт. За повече подробна информация относно рециклирането на този продукт се свържете с местната администрация, услугите за битови отпадъци или магазина, откъдето сте закупили продукта.



## Изхвърляне

Символите на продукта или на неговата опаковка показват, че този продукт не може да бъде третиран

## Технически данни

### Технически характеристики

	S 138i	S 138C
<b>Двигател</b>		
Тип двигател	BLDC (безчетков) 36 V	Серия AC двигател
Обороти на приспособлението – SavE, об/мин	3000	Не е налично
Обороти на приспособлението – номинални, об/мин	3200	4200
Изходна мощност на двигателя – макс. kW	1,28	1,8
Изходна мощност на двигателя – номинална, kW	0,9	1,6
<b>Тегло</b>		
Тегло, kg	19,5 (без батерията)	19,0
<b>Акумулаторна батерия</b>		
Тип батерия	Серия акумулатори Husqvarna	Няма
<b>Време на работа на батерията</b>		
Време за работа на акумулатора, мин., (свободна работа) при активирана функция SavE с една акумулаторна батерия Husqvarna 5,2 Ah (Bli200).	115	Няма

	S 138i	S 138C
Време за работа на акумулаторната батерия, мин., (свободна работа) при активиран стандартен режим с една акумулаторна батерия Husqvarna 5,2 Ah (BLi200).	102	Няма
<b>Шумови емисии <sup>4</sup></b>		
Ниво на звуковата мощност, измерена dB(A)	89,2	95,7
Ниво на звуковата мощност, гарантирана [L <sub>WA</sub> dB(A)]	91	98
<b>Нива на звука <sup>5</sup></b>		
Ниво на шума при ухото на работещия, dB (A)	75,3	81,7
<b>Нива на вибрациите <sup>6</sup></b>		
Ръкохватка, m/s <sup>2</sup>	5,5	8,3
<b>Експлоатация</b>		
Дълбочина на работа макс./мин., mm	-8/+5	-8/+5
Работна ширина, cm	37,5	37,5
Приспособление за делта дискове	5973510-01	5973510-01
Приспособление за пружинни остриета	5973509-01	5973509-01
Капацитет на коша за трева, литри	45	45

Одобрени акумулатори	Тип	Капацитет на акумулатора, Ah	Напрежение, V	Тегло, lb/kg
BLi20	Литиево-йонен	4,0	36	2,6/1,2
BLi200	Литиево-йонен	5,2	36	2,8/1,3
BLi300	Литиево-йонен	9,4	36	4,1/1,9

Одобрени зарядни устройства за определени акумулатори, BLi	Входно напрежение, V	Честота, Hz	Мощност, W
QC80	100 – 240	50 – 60	80
QC80F	12	0	80
QC330	100 – 240	50 – 60	330
QC500	100 – 240	50 – 60	500

<sup>4</sup> Шумови емисии в околната среда, измерени като звукова мощност (L<sub>WA</sub>) в съответствие с директива на ЕО 2000/14/ЕО.

<sup>5</sup> Отчетените данни за нивото на звуковото налягане имат типична статистическа дисперсия (стандартно отклонение) от 1,2 dB (A).

<sup>6</sup> Отчетените данни за равнището на вибрации имат типична статистическа дисперсия (стандартно отклонение) от 0,2 m/s<sup>2</sup>.

---

## Декларация за съответствие на ЕО

---

### Декларация за съответствие на ЕО

**Husqvarna AB**, SE-561 82 Husqvarna, Швеция, тел.: +46-36-146500 декларира, че **вертикурът Husqvarna S 138i** със сериен номер от 2018XXXXXXX нататък е в съответствие с изискванията на ДИРЕКТИВАТА НА СЪВЕТА:

- от 8 юни 2011 г. относно "ограничения за използване на определени опасни вещества" **2011/65/EC**
- от 17 май 2006 г., "свързани с машини" **2006/42/EO**
- от 26 февруари 2014 г., "свързани с електромагнетичната съвместимост" **2014/30/EC**
- от 8 май 2000 г., "свързани с шумовите емисии в околната среда" **2000/14/EO**

За информация относно шумовите емисии вижте главата "Технически характеристики".

Приложени са следните стандарти:

**EN 60335-1:2012+A11:2014+A13:2017, EN 50636-2-92:2014, EN 55014-1:2017, EN 55014-2:2015**

Husqvarna, 2019-01-15



Claes Losdal, Мениджър "Разработки и Развитие"/"Градински продукти" (Упълномощен представител за Husqvarna AB и отговорно лице за техническата документация).

---

## Декларация за съответствие на ЕО

---

### Декларация за съответствие на ЕО

Husqvarna AB, SE-561 82 Husqvarna, Швеция, тел.: +46-36-146500 декларира, че **вертикурът Husqvarna S 138C** със сериен номер от 2018XXXXXXX нататък е в съответствие с изискванията на ДИРЕКТИВАТА НА СЪВЕТА:

- от 8 юни 2011 г. относно "ограничения за използване на определени опасни вещества" **2011/65/ЕС**
- от 17 май 2006 г., "свързани с машини" **2006/42/ЕО**
- от 26 февруари 2014 г., "свързани с електромагнетичната съвместимост" **2014/30/ЕС**
- от 8 май 2000 г., "свързани с шумовите емисии в околната среда" **2000/14/ЕО**

За информация относно шумовите емисии вижте главата "Технически характеристики".

Приложени са следните стандарти:

**EN 60335-1:2012+A11:2014+A13:2017, EN 50636-2-92:2014, EN 55014-1:2017, EN 55014-2:2015, EN 61000-3-2:2014, EN 61000-3-11:2000**

Husqvarna, 2019-01-15



Claes Losdal, Мениджър "Разработки и Развитие"/"Градински продукти" (Упълномощен представител за Husqvarna AB и отговорно лице за техническата документация).

---

## Obsah

---

Úvod.....	55	Odstraňování problémů.....	75
Bezpečnost.....	59	Přeprava, skladování a likvidace.....	76
Montáž.....	67	Technické údaje.....	77
Provoz.....	69	ES Prohlášení o shodě.....	79
Údržba.....	73	ES Prohlášení o shodě.....	80

---

## Úvod

---

### Popis produktu

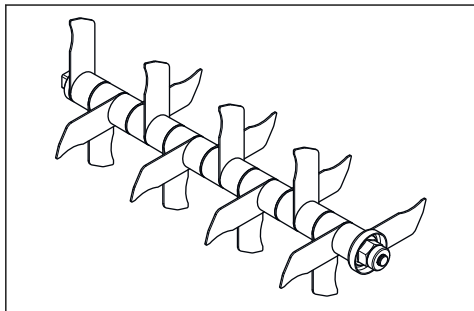
Výrobek je elektrický odmechovač s péší obsluhou. Výrobek odstraňuje z trávníku travní plst' a uvolňuje půdu, aby mohl do trávníku lépe pronikat vzduch a voda. Travní plst' se shromažďuje v koši na trávu nebo je uvolněna na trávník. Výrobek má 2 typy ústrojí odmechovače.

### Ústrojí odmechovače

Informace o výměně ústrojí odmechovače naleznete v části *Výměna ústrojí odmechovače na straně 74*.

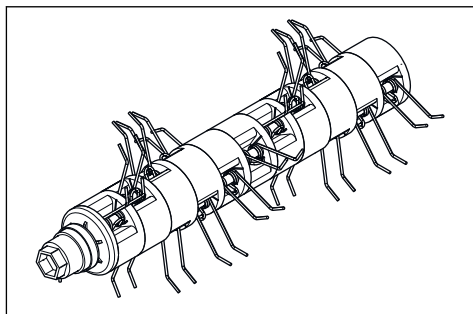
#### Delta nože

Delta nože odstraňují travní plst' a prořezávají kořeny trávy ve svislém směru. Delta nože používejte na svazích, terasách a na půdách s vysokým podílem jílu. Delta nože umožňují lepší pronikání vody do trávníku a zabraňují jejímu hromadění na povrchu.



### Pružinové hroty

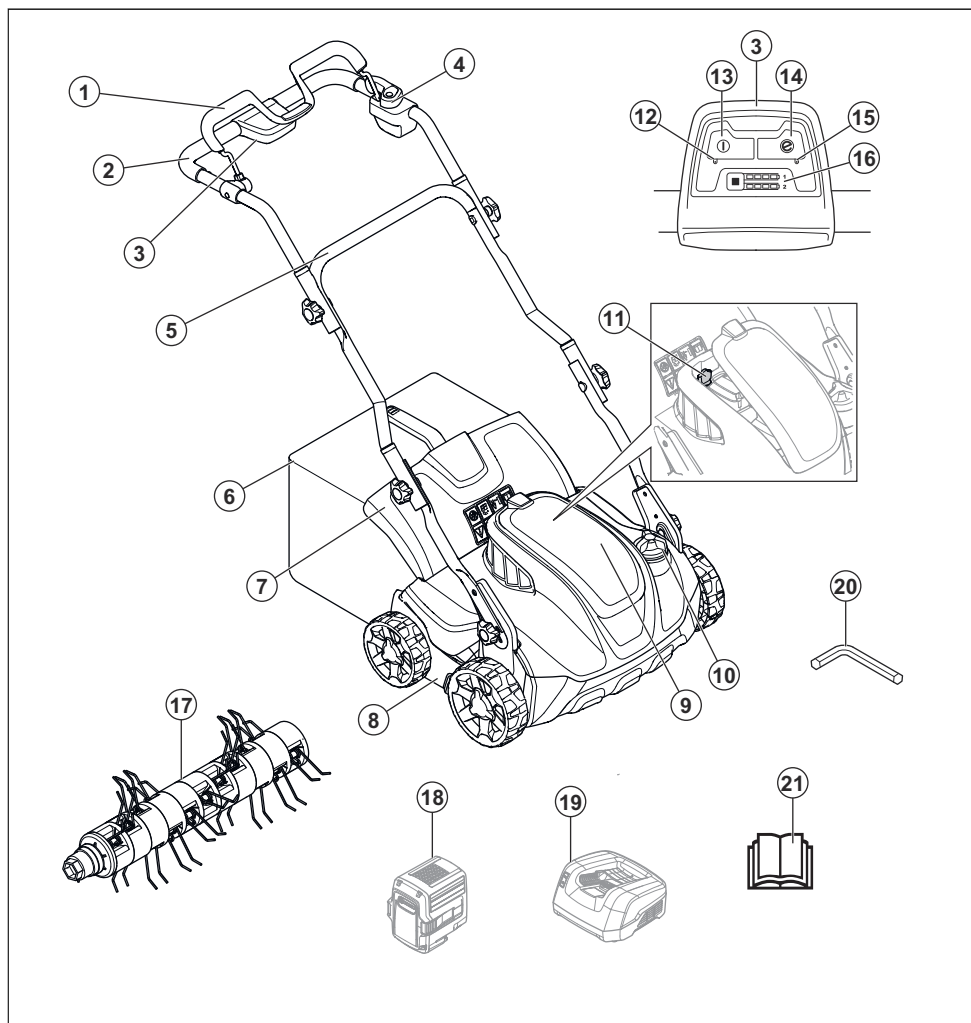
Pružinové hroty opatrně odstraňují odumřelou trávu a travní plst' z trávníku bez poškození kořenů trávy.



### Doporučené použití

Používejte výrobek k odstraňování travní plsti a mechu a uvolňování půdy na soukromých zahradách. K jiným činnostem výrobek nepoužívejte.

## Přehled výrobku, model S 138i



1. Rukojeť brzdy motoru

2. Horní část řídek

3. Ovládací panel

4. Inhibitor spuštění

5. Dolní část řídek

6. Koš na trávu

7. Zadní kryt

8. Kryt odmechovače

9. Víko baterie

10. Knoflík nastavení pracovní hloubky

11. Bezpečnostní klíček

12. Kontrolka LED zapnutí/vypnutí

13. Tlačítko ON/OFF (ZAP/VYP)

14. Tlačítko Save (Úspora energie)

15. Kontrolka LED funkce Save

16. Ukazatel stavu nabití baterie a tlačítko baterie

17. Pružinové hroty

18. Baterie (příslušenství)

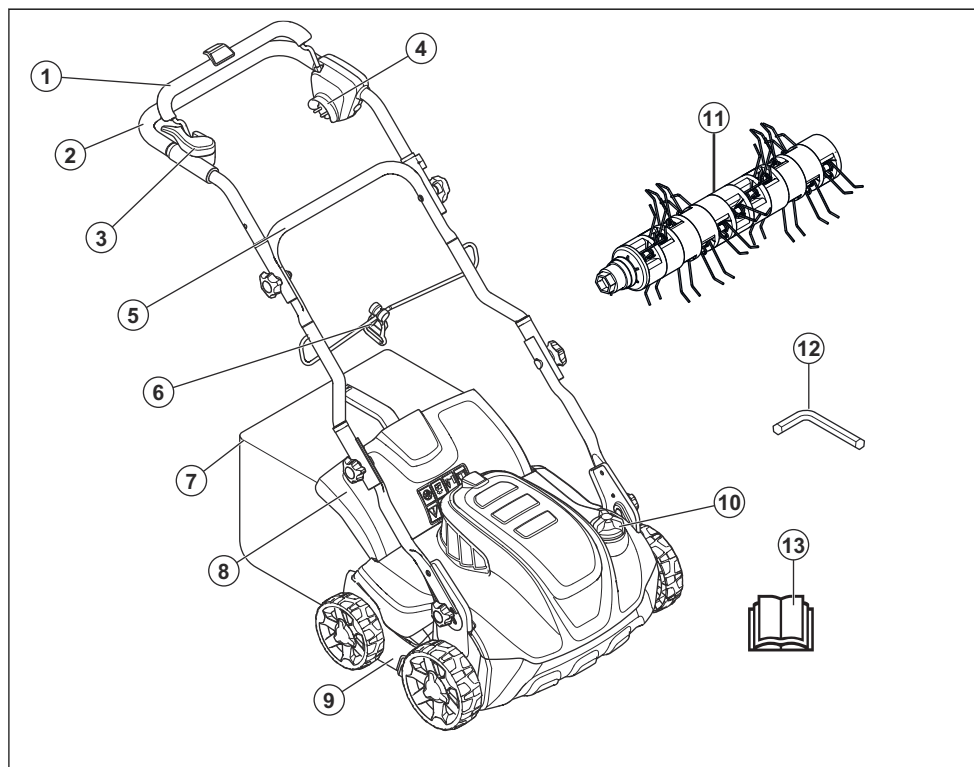
19. Nabíječka baterie (příslušenství)

20. Šestihranný imbusový klíč

21. Návod k používání



## Přehled výrobku, model S 138C



1. Rukojeť brzdy motoru
2. Horní část řídítek
3. Inhibitor spuštění
4. Elektrická zásuvka
5. Dolní část řídítek
6. Svorka lanka
7. Koš na trávu
8. Zadní kryt
9. Kryt odmechovače
10. Knoflík nastavení pracovní hloubky
11. Pružinové hroty
12. Šestihranný imbusový klíč
13. Návod k používání

### Symbyly na výrobku



**Varování:** Neopatrné nebo nesprávné použití může vést ke zranění

nebo usmrcení obsluhy a dalších osob.



Přečtěte si návod k používání a nepoužívejte stroj, pokud mu zcela nerozumíte.



Pozor na odvržené a odražené předměty.



Zajistěte, aby se v pracovní oblasti a jejím okolí nezdržovaly

nepovolané osoby či zvířata.



Varování: Ruce a nohy udržujte mimo dosah rotujícího nože.



Před prováděním údržby výrobku vyjměte bezpečnostní klíček (model S 138i).



Před prováděním údržby výrobku jej odpojte od elektrické sítě (model S 138C).



Nebezpečí úrazu elektrickým proudem (model S 138C).



Nevystavujte dešti (model S 138i).



Varování: Dávejte pozor, abyste nepřejeli přes kabel napájení a nepřesekli jej. Může to způsobit úraz elektrickým proudem nebo poškození výrobku (model S 138C).

**IPX4** Tento výrobek má ochranu proti stříkající vodě.

**EAC** Tento výrobek odpovídá příslušným směrnici EAC.

**CE** Tento výrobek vyhovuje platným směrnici ES.



Výrobek odpovídá příslušným směrnici UkrSEPRO.



Emise hluku do okolí dle direktivy Evropského společenství. Emise produktu jsou uvedeny v kapitole Technické údaje a na štítku.



Dvojitá izolace (model S 138C).



Odevzdejte výrobek na sběrném místě elektrických a elektronických zařízení. (Platí pouze pro Evropu)



Postup startování pro model S 138i: stiskněte tlačítko ON/OFF, povolte inhibitor spouštění, zatlačte rukojeť brzdy motoru směrem dolů.



Startovací proces pro model S 138C: povolte inhibitor spuštění, zatlačte rukojeť brzdy motoru směrem dolů.



Uvolněním rukojeti brzdy motoru zastavíte.



Skenovatelný kód.

**Povšimněte si:** Další symboly/štítky na produktu se týkají certifikačních požadavků pro určité obchodní trhy.

## Odpovědnost za výrobek

Jak uvádí zákon o odpovědnosti za výrobek, neneseme odpovědnost za žádnou škodu způsobenou naším výrobkem, pokud:

- byl výrobek nesprávně opraven.
- byl výrobek opraven pomocí součástí od jiného výrobce nebo součástí, které nejsou výrobcem schváleny.
- má výrobek příslušenství od jiného výrobce nebo příslušenství, které není výrobcem schváleno.
- výrobek nebyl opraven ve schváleném servisním středisku nebo schváleným odborníkem.

## Bezpečnost

### Definice týkající se bezpečnosti

Varování, upozornění a poznámky slouží jako upozornění na specifické důležité části návodu.



**VÝSTRAHA:** Používá se v případě nebezpečí úrazu nebo usmrcení obsluhy nebo okolních osob, pokud nejsou dodrženy pokyny uvedené v této příručce.



**VAROVÁNÍ:** Používá se v případě nebezpečí poškození výrobku, dalších materiálů či škod na majetku v blízkém okolí, pokud nejsou dodrženy pokyny uvedené v této příručce.

**Povšimněte si:** Používá se k poskytnutí dalších informací, které jsou nezbytné v dané situaci.

### Obecné bezpečnostní pokyny



**VÝSTRAHA:** Před použitím výrobku si přečtete následující varování.

- Tento výrobek je nebezpečný, nepoužívá-li se správně nebo není-li věnována provozu řádná pozornost. Nedodržení bezpečnostních pokynů může vést ke zranění nebo usmrcení.
- Tento výrobek vytváří během provozu elektromagnetické pole. Toto pole může za určitých okolností narušovat

- funkci aktivních či pasivních implantovaných lékařských přístrojů. Za účelem snížení rizika možného zranění nebo smrtelného úrazu doporučujeme osobám s implantovanými lékařskými přístroji poradit se před použitím výrobku s lékařem a s výrobcem implantovaného lékařského přístroje.
- Budte stále opatrní a používejte zdravý rozum. Nejste-li si jisti, jak ovládat výrobek ve zvláštních situacích, vypněte jej a promluvte si s prodejcem Husqvarna, než budete pokračovat v práci.
  - Mějte na paměti, že obsluha je odpovědná za nehody a škody vzniklé jiným osobám nebo na jejich majetku.
  - Udržujte výrobek čistý. Ujistěte se, že jsou značky a štítky dobře čitelné.
  - Nedovolte osobám používat výrobek, nejste-li si jisti, že si přečetly návod k používání a porozuměly jeho obsahu.
  - Zamezte používání výrobku dětmi.
  - Zamezte používání výrobku osobami, které naznají pokyny.

- Vždy sledujte osoby s fyzickým nebo mentálním postižením při práci s výrobkem. Vždy musí být přítomna zodpovědná dospělá osoba.
- Nepoužívejte výrobek, jste-li unavení, nemocní nebo pod vlivem alkoholu, drog nebo léků. To by mohlo ovlivnit váš zrak, ostražitost, koordinaci a úsudek.
- Nepoužívejte výrobek, pokud je vadný.
- Nikdy neupravujte výrobek a nepoužívejte jej, pokud je možné, že jej upravil někdo jiný.

## Bezpečnost pracovního prostoru

---



**VÝSTRAHA:** Před použitím výrobku si přečtete následující varování.

---

- Před použitím výrobku, odklíďte z pracovní oblasti předměty, jako jsou větve, větvičky a kameny.
- Předměty, které zachytí ústrojí odmechovače, mohou být odmrštěny a způsobit zranění osob a poškození předmětů. Udržujte osoby v okolí

a zvířata v bezpečné vzdálenosti od výrobku.

- Nikdy nepoužívejte výrobek za špatného počasí, jako je mlha, déšť, silný vítr, intenzivní chlad a nebezpečí blesku. Použití výrobku za špatného počasí nebo ve vlhkých či mokřích podmínkách je namáhavé. Nepříznivé počasí může vytvořit nebezpečné podmínky, např. kluzký povrch.
- Dávejte pozor na osoby, předměty a situace, které mohou bránit bezpečnému provozu výrobku.
- Dávejte pozor na překážky, jako jsou kořeny, kameny, větve, díry a příkopy. Vysoká tráva může překážky skrýt.
- Použití výrobku na svazích může být nebezpečné. Nepoužívejte výrobek na svahu se sklonem větším než 15°.
- S výrobkem jezděte po vrstevnicích. Nepohybujte se na svahu nahoru a dolů.
- Postupujte opatrně v blízkosti skrytých rohů a objektů, které mohou bránit ve výhledu.

## Bezpečnost práce



**VÝSTRAHA:** Před použitím výrobku si

přečtěte následující varování.

- Tento výrobek používejte pouze k odstraňování travní plsti a mechu z trávníků. Není dovoleno používat výrobek k jiným činnostem.
- Používejte osobní ochranné pomůcky. Další informace naleznete v části *Osobní ochranné prostředky na strani 62*.
- Neprovozujte výrobek v dešti a vlhku. Nebezpečí úrazu elektrickým proudem se zvyšuje, přijde-li výrobek do styku s vodou.
- Neprovozujte výrobek, pokud není správně namontované ústrojí odmechovače a všechny kryty. V případě nesprávného připevnění by se mohlo ústrojí odmechovače uvolnit a způsobit zranění osob.
- Zajistěte, aby ústrojí odmechovače nenarazilo do předmětů, jako jsou kameny a kořeny. Mohlo by dojít k poškození ústrojí odmechovače a ohnutí hřídele motoru. Ohnutý hřídel způsobuje velké vibrace a hrozí velmi vysoké riziko uvolnění ústrojí odmechovače.

- Pokud ústrojí odmechovače narazí do nějakého předmětu nebo se objeví vibrace, okamžitě zastavte výrobek. Zastavte motor, otočte bezpečnostní klíček do polohy 0 a vyjměte baterii (model S 138i) nebo odpojte napájecí kabel (model S 138C). Zkontrolujte, zda není výrobek poškozený. Opravte poškozené díly nebo svěřte opravu schválenému servisnímu pracovníkovi.
- Po nastartování motoru nikdy nepřipevňujte rukojeť brzdý motoru trvale k rukojeti sekačky.
- Umístěte výrobek na stabilní, rovný povrch a nastartujte jej. Zkontrolujte, zda nemůže ústrojí odmechovače přijít do kontaktu se zemí nebo cizími předměty.
- Při provozu vždy stůjte za výrobkem.
- Při provozu nechte všechna kola spočívat na zemi a držte rukojeť oběma rukama. Ruce a nohy udržujte mimo dosah rotujícího ústrojí odmechovače.
- Nenaklánejte výrobek, když je spuštěný motor.
- Dávejte pozor při tažení výrobku dozadu.
- Nikdy výrobek nezvedejte, když je spuštěný motor. Pokud musíte výrobek zvednout, nejprve vypněte motor, otočte bezpečnostní klíček do polohy 0 a vyjměte baterii (model S 138i) nebo odpojte napájecí kabel (model S 138C).
- Při provozování výrobku nechoďte směrem dozadu.
- Před přejezdem ploch bez trávy, jako jsou cesty vytvořené ze štěrku, kamenů nebo asfaltu, vypněte motor.
- Neběhejte s výrobkem, když je spuštěný motor. Při provozu výrobku vždy chodte.
- Před změnou pracovní hloubky vypněte motor. Nikdy neupravujte nastavení při spuštěném motoru.
- Nikdy nenechte výrobek se spuštěným motorem bez dozoru. Vypněte motor a ujistěte se, že se ústrojí odmechovače neotáčí.

## **Bezpečnostní pokyny pro provoz**

### **Osobní ochranné prostředky**

Při každém použití produktu je nutné používat schválené osobní ochranné pomůcky. Osobní ochranné pomůcky nemohou vyloučit nebezpečí úrazu, ale sníží míru poranění v případě, že dojde k nehodě. Požádejte svého prodejce o pomoc při výběru správného vybavení.

Vždy používejte:

- Ochranu sluchu za účelem snížení rizika poškození sluchu.
- Pevnou, protiskluzovou obuv. Nenoste sandály a nepracujte bosí.

- Silné, dlouhé kalhoty. Nenoste krátké kalhoty.

Pokud je třeba, noste rukavice, například při nasazování, kontrole nebo čištění ústrojí odmechovače.



**VÝSTRAHA:** Vždy používejte schválenou ochranu sluchu. Dlouhodobé vystavování působení hluku může vést k trvalému poškození sluchu.

## Bezpečnostní zařízení na produktu



**VÝSTRAHA:** Před použitím výrobku si přečtěte následující varování.

- Nepoužívejte výrobek, jehož bezpečnostní zařízení jsou vadná!
- Pravidelně kontrolujte bezpečnostní zařízení. Pokud je zařízení vadné, obraťte se na servis Husqvarna.

### Kontrola krytů

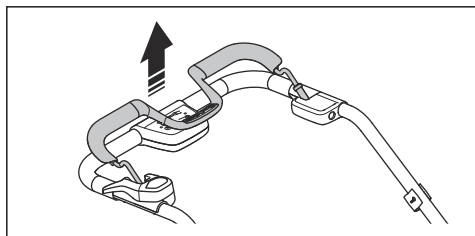
Kryt ústrojí odmechovače snižuje vibrace výrobku a snižuje nebezpečí poranění ústrojím odmechovače.

- Zkontrolujte boční kryt odmechovače, aby bylo zajištěno, že nevykazuje známky poškození, např. praskliny.
- Zkontrolujte zadní kryt, aby bylo zajištěno, že nevykazuje známky poškození, např. praskliny.

### Rukojeť brzdy motoru

Rukojeť brzdy motoru slouží k zastavení motoru. Když uvolníte rukojeť brzdy motoru, motor se zastaví.

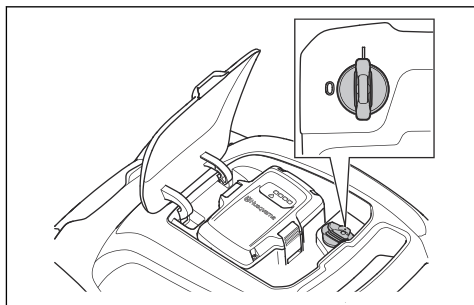
Chcete-li zkontrolovat funkci brzdy motoru, nastartujte motor a uvolněte rukojeť brzdy motoru. Pokud se motor nevypne během 3 sekund, požádejte schváleného servisního pracovníka Husqvarna o seřízení brzdy motoru.



### Bezpečnostní klíček

Bezpečnostní klíček se nachází pod víkem baterie. Bezpečnostní klíček se používá k připojení baterie, která funguje jako zdroj napájení motoru.

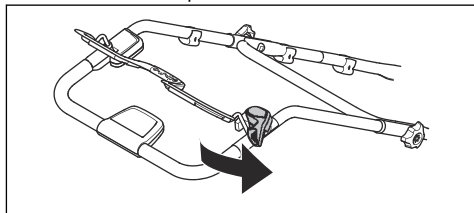
- Kontrolu funkce bezpečnostního klíčku provedete spuštěním a vypnutím motoru.
- Pokud bezpečnostní klíček funguje správně, motor se spustí pouze po otočení klíčku do polohy 1.



### Kontrola inhibitoru spuštění

Proveďte kontrolu inhibitoru spuštění a ujistěte se, že brání provozu motoru.

1. Zatlačte rukojeť brzdy motoru směrem k řídkům. Inhibitor spuštění přeruší pohyb.
2. Zatlačte inhibitor spuštění směrem ven.



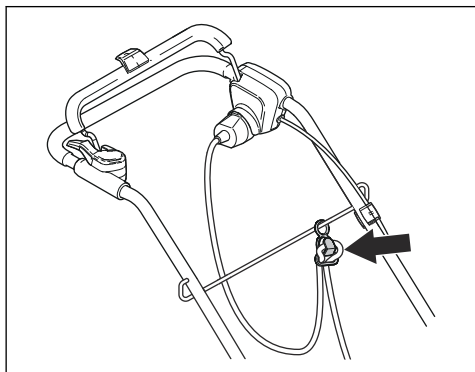
3. Uvolníte inhibitor spuštění a ujistěte se, že se vrátí do své výchozí polohy.

### Použití držáku napájecího kabelu (model S 138C)

Držák napájecího kabelu snižuje tlak na zásuvku a napájecí kabel. Držák napájecího kabelu rovněž snižuje riziko, že upadnete.

1. Ohněte napájecí kabel do malé smyčky.
2. Vložte smyčku do otvoru v držáku napájecího kabelu.
3. Položte smyčku na hák.

4. Zatáhnutím za napájecí kabel smyčku kolem háku utáhněte.



## Bezpečnostní pokyny týkající se baterií



**VÝSTRAHA:** Před použitím výrobku si přečtěte následující varování.

- Dobíjecí baterie Husqvarna používejte jako zdroj napájení pouze pro související produkty Husqvarna. Abyste zabránili zranění, nepoužívejte baterii jako zdroj napájení pro jiná zařízení.
- Nepoužívejte baterie, které nejsou určeny k dobíjení.
- Nebezpečí úrazu elektrickým proudem. Vývody baterie nepřipojujte ke klíčům, mincím, šroubkům nebo jiným kovům. Může to způsobit zkrat baterie.
- Nevkládejte do větracích otvorů baterie žádné předměty.
- Chraňte baterii před sluncem, teplem nebo otevřeným ohněm. Baterie může explodovat a způsobit popáleniny a/nebo chemické popáleniny.
- Chraňte baterii před deštěm a vlhkým prostředím.
- Chraňte baterii před mikrovlnami a vysokým tlakem.
- Baterii nikdy nerozebírejte nebo nerozbíjejte.
- Pokud baterie netěsní, kapalina nesmí přijít do styku s kůží a očima. Po styku s kapalinou omyjte zasaženou oblast velkým množstvím vody a získejte lékařskou pomoc.
- Baterii používejte při teplotě  $-10\text{ }^{\circ}\text{C}$  až  $40\text{ }^{\circ}\text{C}$ .
- Baterii ani nabíječku baterií nečistěte vodou. Viz *Čištění baterie nebo nabíječky baterií na strani 74*.
- Nepoužívejte vadnou nebo poškozenou baterii.
- Baterie uchovávejte mimo dosah kovových předmětů, jako jsou např. hřebíky, mince nebo šperky.



## Bezpečnostní pokyny pro nabíječku baterií



**VÝSTRAHA:** Před použitím výrobku si přečtěte následující varování.

- Nabíječku baterií QC používejte pouze pro nabíjení náhradních baterií Husqvarna.
- Hrozí nebezpečí zkratu a úrazu elektrickým proudem. Nevkládejte do větracích otvorů nabíječky žádné předměty. Nabíječku baterií nerozebírejte. Nepřipojujte nabíjecí vývody ke kovovým předmětům. Používejte schválenou elektrickou zásuvku.
- Tento výrobek vytváří během provozu elektromagnetické pole. Toto pole může za určitých okolností narušovat funkci aktivních či pasivních implantovaných lékařských přístrojů. Za účelem snížení rizika možného zranění nebo smrtelného úrazu doporučujeme osobám s implantovanými lékařskými přístroji poradit se před použitím výrobku s lékařem a s výrobcem implantovaného lékařského přístroje.
- Pravidelně kontrolujte, zda není napájecí kabel poškozený a nejsou na něm praskliny.
- Nabíječku nezvedejte pomocí napájecího kabelu. Když nabíječku baterií odpojujete z elektrické zásuvky, tahejte za zástrčku. Netahejte za napájecí kabel.
- Uchovávejte napájecí kabel a prodlužovací šňůry mimo dosah vody, oleje a ostrých okrajů. Dejte pozor, aby nebyl kabel přivřen ve dveřích, nezachytil se za plot a podobně. Mohlo by dojít k probíjení nabíječky.
- Nabíječku baterií nečistěte vodou.
- Nabíječku baterií smí používat děti od 8 let a osoby se sníženými fyzickými, smyslovými nebo duševními schopnostmi nebo nedostatečnými zkušenostmi či znalostmi pod dozorem odpovědné osoby, nebo pokud jim takováto osoba poskytne pokyny, které zajistí, že budou nabíječku používat bezpečným způsobem. Děti si s nabíječkou nesmí hrát. Čištění a údržbu nesmí provádět děti bez dozoru.

- V nabíječce nenabíjejte baterie, které nejsou určeny k opětovnému dobíjení.
- Nabíječku nepoužívejte v blízkosti hořlavých nebo korozivních materiálů. Nabíječku baterií nezakrývejte. V případě, že zaznamenáte kouř nebo požár, vytáhněte zástrčku kabelu nabíječky baterií ze zásuvky.
- Nepoužívejte vadnou nebo poškozenou nabíječku baterií.
- Baterii nabíjejte pouze uvnitř, a to v dobře odvětrané místnosti a mimo dosah slunečních paprsků. Nenabíjejte baterii ve vlhkém prostředí.

#### Bezpečnost napájecího kabelu

Pro model S 138C.

- Doporučuje se použít proudový chránič (RCD) se spouštěcím proudem do hodnoty 30 mA. Ani s proudovým chráničem nelze 100% zaručit bezpečnost a je nutné vždy dodržovat bezpečné pracovní postupy. Při každém použití zkontrolujte proudový chránič.
- Pokud dojde k přerušení napájecího kabelu nebo poškození izolace, okamžitě odpojte stroj od elektrické sítě.

- Nedotýkejte se přerušeného nebo poškozeného napájecího kabelu, dokud nebude přerušeno elektrické napájení.
- Přerušený nebo poškozený napájecí kabel se nepokoušejte opravit. Vyměňte ho za nový.

#### Bezpečnostní pokyny pro údržbu



**VÝSTRAHA:** Před použitím výrobku si přečtěte následující varování.

- Pro model S 138i: Neúmyslnému spuštění během údržby můžete zabránit tím, že otočíte bezpečnostní klíček do polohy 0 a vyjmete baterii. Před započítím údržby vyčkejte minimálně 5 sekund.
- Pro model S 138C: Neúmyslnému spuštění během údržby můžete zabránit tím, že odpojíte napájecí kabel.
- Správným provedením údržby zvýšíte životnost výrobku a snížíte nebezpečí nehod. Odborné opravy by měl provést schválený servisní pracovník. Pro další informace

se obraťte na nejbližšího servisního pracovníka.

- Provádějte pouze údržbu uvedenou v tomto návodu k používání. Rozsáhlejší zásahy musí provést schválený servisní pracovník.
- Při manipulaci s ústrojím odmechovače používejte silné rukavice. Ústrojí odmechovače je velmi ostré a může snadno dojít k pořezání.
- Pro dosažení nejlepšího výsledku a bezpečnosti zajistěte, aby byly nože na ústrojí odmechovače čisté a ostré.
- Zajistěte pravidelné kontroly a provádění potřebného

seřízení a oprav výrobku u servisního pracovníka.

- Poškozené, opotřebené či prasklé součásti vyměňte.
- Dodržujte pokyny pro výměnu příslušenství. Používejte výhradně příslušenství od výrobce.
- Pokud není výrobek, baterie a nabíječka baterií právě v provozu, uchovávejte je samostatně v suchém, vnitřním a uzamčeném prostoru. Zajistěte, aby k výrobku, baterii či nabíječce baterií neměly přístup děti ani nepovolané osoby.

---

## Montáž

---

### Úvod



**VÝSTRAHA:** Před montáží produktu si přečtěte kapitolu bezpečnosti.



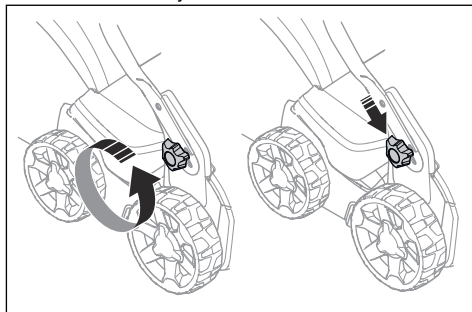
**VÝSTRAHA:** Pro model S 138i: Neúmyslnému spuštění během montáže můžete zabránit tím, že otočíte bezpečnostní klíček do polohy 0, vyjmete baterii a počkáte alespoň 5 sekund.

Pro model S 138C: Neúmyslnému spuštění během montáže můžete zabránit tím, že odpojíte napájecí kabel.

### Montáž rukojeti

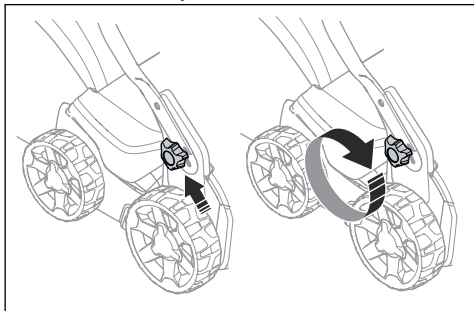
1. Povolte spodní matici.

2. Posuňte knoflíky na spodní konec drážek na pravé i na levé straně výrobku.



3. Nastavte výšku rukojeti do jedné ze 2 dostupných poloh.

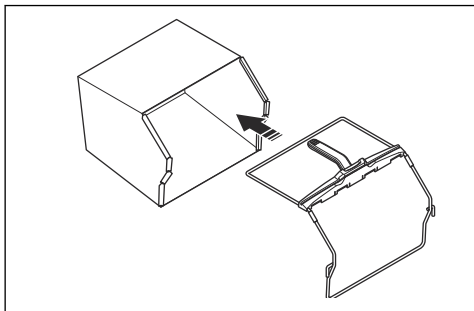
4. Posuňte knoflíky směrem k rukojeti, dokud se nezastaví a neuslyšíte cvaknutí.



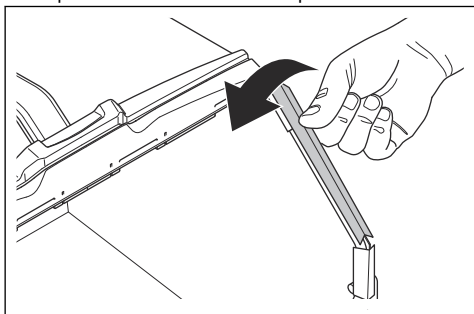
5. Knoflíky řádně utáhněte.

## Montáž koše na trávu

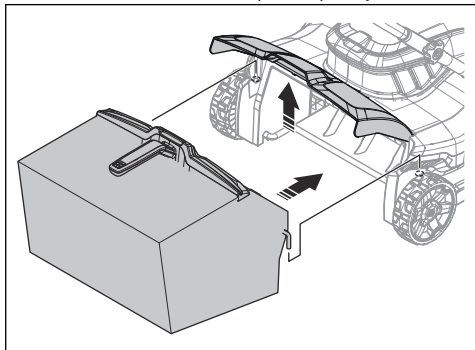
1. Vložte rám do koše na trávu tak, aby pevná část koše směřovala dolů. Dbejte na to, aby bylo madlo rámu na venkovní straně koše.



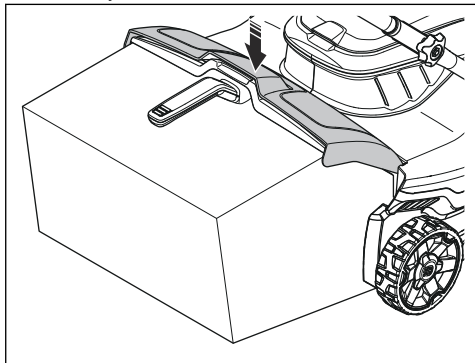
2. Nasadíte spodní část rámu do drážky na spodní straně koše na trávu.
3. Připevněte koš na trávu k rámu pomocí svorek.



4. Zvedněte zadní kryt.
5. Umístěte koš na trávu do správné polohy.



6. Upevněte sběrací koš k hornímu okraji podvozku. Zkontrolujte, zda je zadní kryt utěsněn proti koši na trávu, aby nedocházelo k úniku materiálu.



## Úvod

si přečteli a pochopili návod k používání baterie a nabíječky baterií.



**VÝSTRAHA:** Před používáním produktu je třeba, abyste si přečetli a porozuměli kapitole o bezpečnosti.

## Husqvarna Connect

Husqvarna Connect je bezplatná aplikace pro mobilní zařízení. Aplikace Husqvarna Connect dodá vašemu výrobku Husqvarna doplňkové funkce:

- Rozšířené informace o výrobku.
- Informace o dílech a servisu a nápověda pro tyto položky.

## Jak začít používat aplikaci Husqvarna Connect

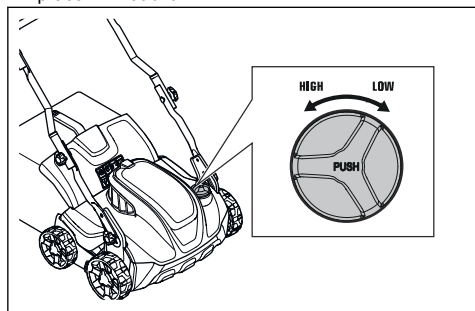
1. Stáhněte si aplikaci Husqvarna Connect do svého mobilního zařízení.
2. V aplikaci Husqvarna Connect se zaregistrujte.
3. Při připojování a registraci výrobku postupujte podle pokynů v aplikaci Husqvarna Connect.

## Nastavení pracovní hloubky



**VÝSTRAHA:** Nenastavujte pracovní hloubku během používání výrobku.

1. Zatlačením a otočením knoflíku nastavení pracovní hloubky proti směru hodinových ručiček zvýšíte pracovní hloubku.
2. Zatlačením a otočením knoflíku nastavení pracovní hloubky ve směru hodinových ručiček snížíte pracovní hloubku.



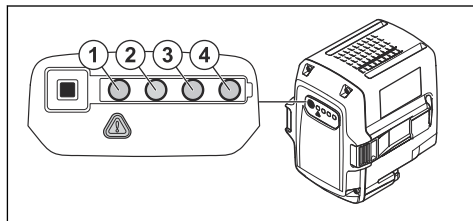
## Baterie



**VÝSTRAHA:** Před použitím baterie je třeba, abyste si přečetli a porozuměli kapitole o bezpečnosti. Rovněž je nezbytné, abyste

## Stav baterie

Displej ukazuje zbývající kapacitu baterie a zda došlo k problémům s baterií. Kapacita baterie se zobrazuje 5 sekund po vypnutí produktu nebo po stisku tlačítka ukazatele stavu baterie. Pokud dojde k chybě, rozsvítí se na baterii výstražný symbol. Viz *Baterie na straně 75*.



Kontroly LED	Stav baterie
Všechny kontrolky LED svítí	Plně nabití (75–100 %).
Svítil kontrolky LED 1, LED 2, LED 3.	Nabití baterie je 50–75 %.
Svítil kontrolky LED 1, LED 2.	Nabití baterie je 25–50 %.
Svítil kontrolka LED 1.	Baterie je nabitá na 0–20 %.
Bliká kontrolka LED 1.	Baterie je vybitá. Nabijte baterii.

## Nabití baterie

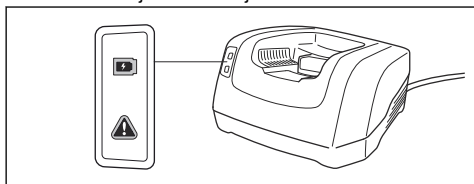
Před prvním použitím baterii nabijte. Baterie je při dodání zákazníkovi nabitá pouze na 30 %.

**Povšimněte si:** Nabíječka baterií musí být připojena ke zdroji o napětí a frekvenci uvedené na typovém štítku.

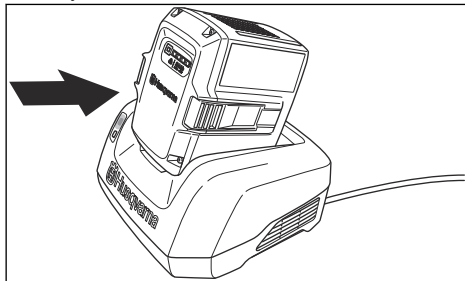
Pokud teplota baterie přesahuje 50 °C, baterie se nenabíjí. Před zahájením nabíjení zajistí nabíječka baterií snížení teploty baterie.

1. Připojte jeden konec napájecího kabelu nabíječky baterií do zásuvky na nabíječce baterií.

- Připojte druhý konec napájecího kabelu nabíječky baterií do uzemněné elektrické zásuvky. Kontrolka LED na nabíječce baterií jednou zeleně blikne.



- Vložte baterii do nabíječky baterií. Když je baterie správně připojená k nabíječce baterií, rozsvítí se na nabíječce zelené světlo.



- Když svítí všechny kontrolky LED baterie, baterie je plně nabitá. Baterii nabíjejte maximálně po dobu 24 hodin.
- Když nabíječku baterií odpojujete z elektrické zásuvky, tahajte za zástrčku, nikoliv za kabel.
- Vyjměte baterii z nabíječky.

## Stav nabíjení baterie

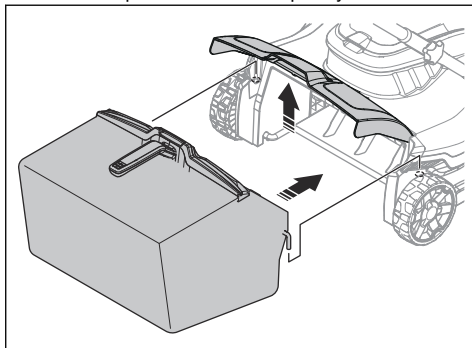
Lithium-iontové baterie Husqvarna lze nabíjet i používat bez ohledu na jejich úroveň nabití. Baterie není poškozená. I když plně nabitou baterii ponecháte v nabíječce, nedojde k poklesu jejího nabití.

LED displej	Stav nabíjení
Bliká kontrolka LED 1.	0–25 %
Svítí kontrolka LED 1, bliká kontrolka LED 2.	25–50 %
Svítí kontrolky LED 1, LED 2, bliká kontrolka LED 3.	50–75 %
Svítí kontrolky LED 1, LED 2, LED 3, bliká kontrolka LED 4.	75–100 %
Svítí kontrolky LED 1, LED 2, LED 3, LED 4.	Plně nabitá

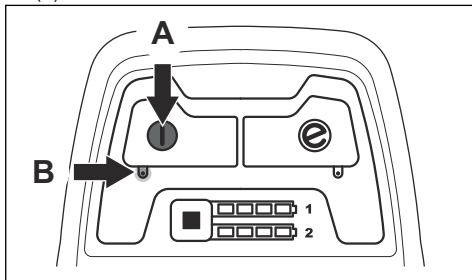
## Provoz modelu S 138i

### Spuštění výrobku

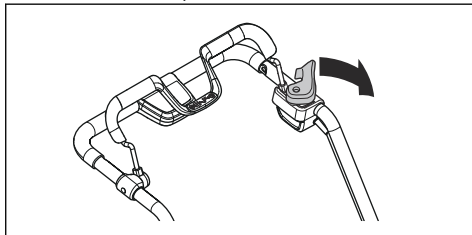
- Vložte nabitou baterii do přihrádky číslo 1 pod víkem baterie. Pro dosažení delší doby provozu vložte druhou baterii do přihrádky číslo 2.
- Otočte bezpečnostní klíček do polohy 1.



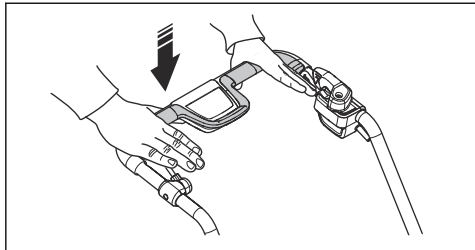
- Postavte se za výrobek.
- Na ovládacím panelu stiskněte tlačítko ON/OFF (ZAP/VYP) (A). Rozsvítí se zelená kontrolka LED (B).



- Povolte inhibitor spuštění.



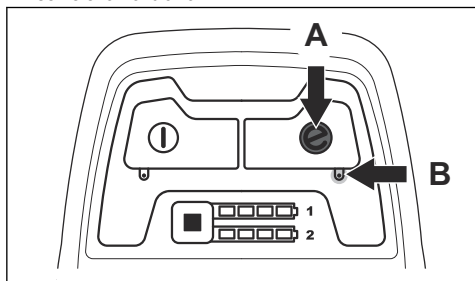
6. Zatlačte rukojeť brzdy motoru smerom k rídkúkom.



## Použití funkce SavE

Výrobek má funkci úspory energie v bateriích (SavE), která prodlužuje dobu provozu.

1. Funkci zapnete stisknutím tlačítka SavE (A). Rozsvítí se zelená kontrolka LED.

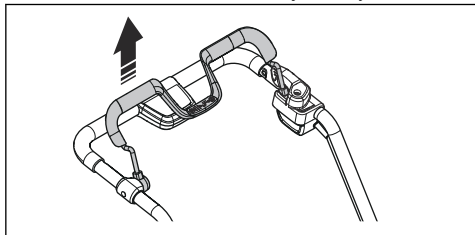


2. Opětovným stiskem tlačítka SavE funkci vypnete. Zelená kontrolka LED (B) zhasne.

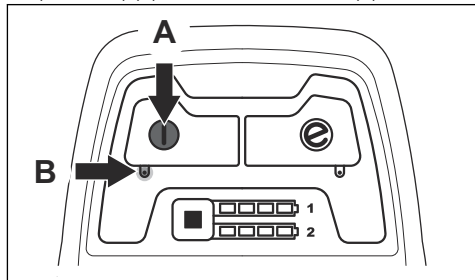
## Zastavení výrobku

Výrobek se automaticky vypne po 10 minutách, kdy s ním nepracujete. Před tím, než ponecháte výrobek bez dozoru, otočte vždy bezpečnostní klíček do polohy 0.

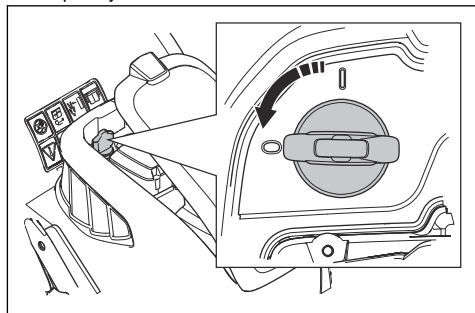
1. Zastavte motor uvolněním rukojeti brzdy motoru.



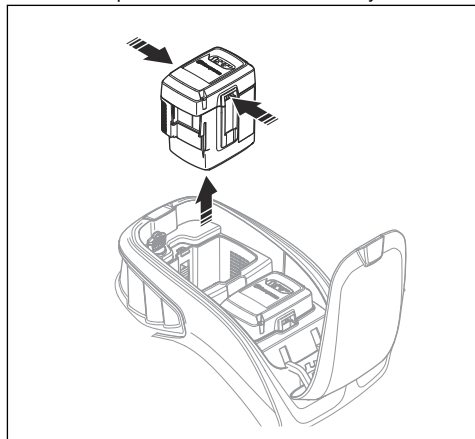
2. Na ovládacím panelu stiskněte tlačítko ON/OFF (ZAP/VYP) (A). Zelená kontrolka LED (B) zhasne.



3. Otevřete víko baterie a otočte bezpečnostní klíček do polohy 0.



4. Chcete-li baterii vyjmout, stiskněte současně 2 tlačítka pro uvolnění baterie a baterii vytáhněte.

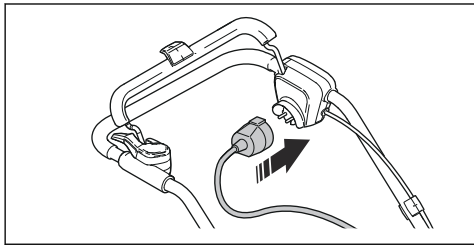


5. Pokud je baterie slabá, nabijte ji. Další informace viz *Nabití baterie na strani 69.*

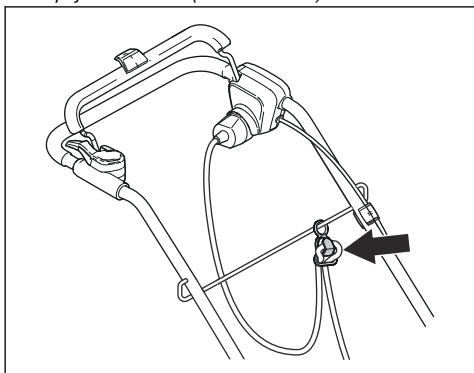
## Provoz modelu S 138C

### Spuštění výrobku

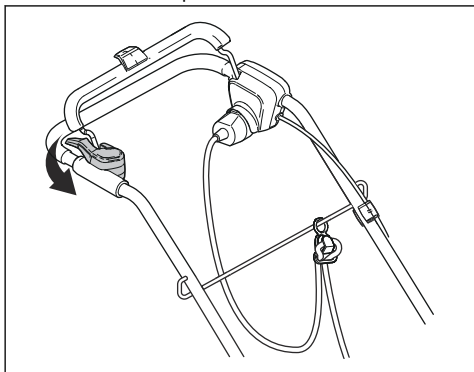
1. Připojte napájecí kabel do zásuvky pod rukojetí.



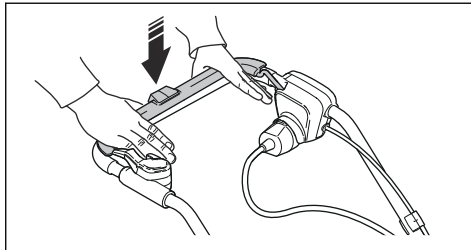
2. Vložte napájecí kabel do držáku napájecího kabelu. Další informace naleznete v části *Použití držáku napájecího kabelu (model S 138C) na strani 63.*



3. Postavte se za výrobek.
4. Povolte inhibitor spouštění.

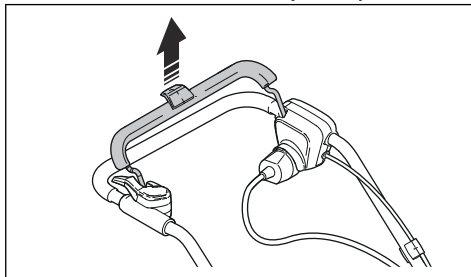


5. Zatačte rukojeť brzdy motoru směrem k říditkům.

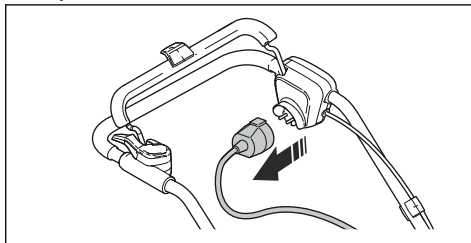


### Zastavení výrobku

1. Zastavte motor uvolněním rukojeti brzdy motoru.



2. Odpojte napájecí kabel z elektrické sítě a poté z výrobku.



**VAROVÁNÍ:** Zástrčku vytahujte rovně. Netahejte za napájecí kabel.



# Údržba

## Úvod



**VÝSTRAHA:** Před prováděním údržby je třeba, abyste si přečetli a porozuměli kapitole o bezpečnosti.

Pro servis a opravy výrobku je nezbytné speciální školení. Garantujeme dostupnost profesionálních oprav a servisu. Pokud neposkytujete prodejce servisní služby, požádejte jej o informace o nejbližším servisu.

## Plán údržby

Intervaly údržby se vypočítávají na základě každodenního používání výrobku. Intervaly se mění, není-li výrobek používán denně.

Pro údržbu označenou symbolem \* najdete pokyny v části *Bezpečnostní zařízení na produktu na strani 63.*

S 138i a S 138C	Každé použití	Měsíčně	Každou sezónu
Proveďte běžnou kontrolu.	X		
Vyčistěte výrobek.	X		
Zkontrolujte ústrojí odmechovače.	X		
Zkontrolujte, zda nejsou vadná bezpečnostní zařízení výrobku. *	X		
Zkontrolujte kryty. *	X		
Zkontrolujte rukojeť brzdy motoru. *	X		
Zkontrolujte inhibitor spuštění. *	X		

Pouze u modelu S 138i	Každé použití	Měsíčně	Každou sezónu
Zkontrolujte, že tlačítko ON/OFF (ZAP/VYP) funguje správně a není vadné.	X		
Zkontrolujte, zda není baterie poškozena.	X		
Zkontrolujte úroveň nabití baterie.	X		
Zkontrolujte, zda na baterii fungují tlačítka pro uvolnění baterie a zda baterii drží v produktu.	X		
Zkontrolujte, zda není nabíječka baterií poškozena a ujistěte se, že funguje správně.		X	
Zkontrolujte připojení mezi baterií a výrobkem. Rovněž zkontrolujte připojení mezi baterií a nabíječkou baterií.			X

## Provedení běžné kontroly

- Zajistěte, aby byly matice a šrouby na výrobku správně dotažené.
- Zkontrolujte, že kabely výrobku nejsou na místě, kde by mohlo dojít k jejich poškození.

## Čištění výrobku

- Plastové části čistěte čistou a suchou utěrkou.

- Nečistěte výrobek vodou. Voda může proniknout do baterie nebo motoru a způsobit zkrat nebo poškození výrobku.
- K čištění výrobku nepoužívejte vodu pod vysokým tlakem.
- Motor nesmí být přímo oplachován vodou.
- Pomocí kartáče odstraňte listí, trávu a nečistoty.

## Čištění baterie nebo nabíječky baterií



**VAROVÁNÍ:** Baterii ani nabíječku baterií nečistěte vodou.

- Než vložíte baterii do nabíječky, zkontrolujte, zda jsou baterie a nabíječka baterie čisté a suché.
- Očistěte kontakty baterie stlačeným vzduchem nebo použijte měkkou a suchou utěrku.
- Očistěte povrch baterie a nabíječku baterie měkkou a suchou utěrkou.

## Kontrola ústrojí odmechovače



**VÝSTRAHA:** Pro modely S 138i: Neúmyslnému spuštění můžete zabránit tak, že otočíte bezpečnostní klíček do polohy 0, vyjmete baterii a počkáte minimálně 5 sekund.

Pro model S 138C: Neúmyslnému spuštění můžete zabránit tím, že odpojíte napájecí kabel.



**VÝSTRAHA:** Při provádění údržby ústrojí odmechovače používejte ochranné rukavice. Nože na ústrojí odmechovače jsou velmi ostré a může snadno dojít k pořezání.

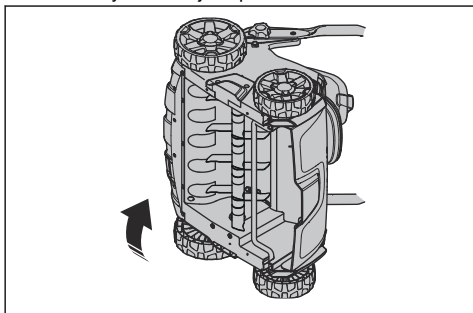
- Zkontrolujte ústrojí odmechovače ohledně poškození a prasklin. Poškozené ústrojí odmechovače vždy vyměňte.

## Výměna ústrojí odmechovače

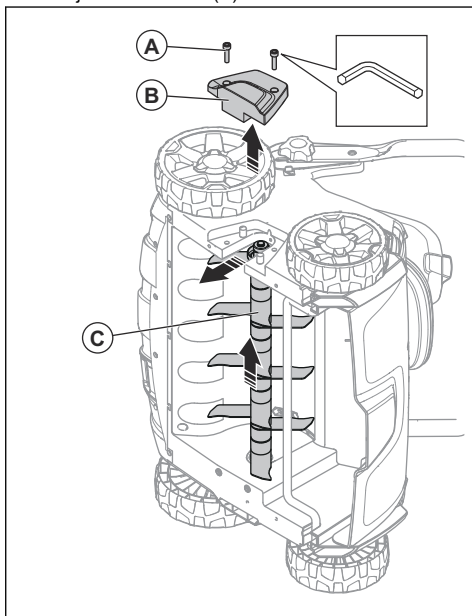


**VÝSTRAHA:** Při provádění údržby ústrojí odmechovače používejte ochranné rukavice. Ústrojí odmechovače je velmi ostré a může snadno dojít k pořezání.

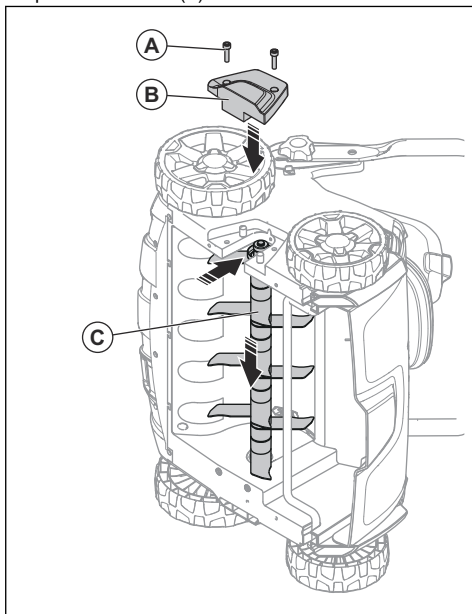
1. Položte výrobek na jeho pravou stranu.



2. Vyšroubujte 2 šrouby (A) a sejměte kryt odmechovače (B). Zatlačením nahoru a ven vysuňte ústrojí odmechovače (C).



3. Zasuňte nové ústrojí odmechovače (C) do drážky a dolů do otvoru. Upevněte kryt odmechovače (B) pomocí 2 šroubů (A).



## Odstraňování problémů

### Baterie

Kontrolka LED na baterii	Možné závady	Možné řešení
Zelená kontrolka LED bliká	Napětí baterie je nízké	Nabijte baterii. Viz <i>Nabití baterie na strani 69</i> .
Chybová kontrolka LED bliká	Baterie je slabá	Nabijte baterii. Viz <i>Nabití baterie na strani 69</i> .
	Teplota v pracovním prostředí je příliš vysoká nebo nízká	Baterii používejte při teplotě -10 °C až 40 °C.
	Přepětí	Zkontrolujte, zda napětí elektrické sítě odpovídá napětí uvedenému na typovém štítku produktu.  Vyměňte baterii z nabíječky. Počkejte 5 sekund a zkuste baterii znovu nabít. Pokud potíže přetrvávají, obraťte se na autorizovaného servisního pracovníka.
Chybová kontrolka LED svítí	Příliš velký rozdíl napětí článků (1 V)	Obraťte se na schváleného servisního pracovníka.

### Nabíječka baterií

Kontrolka LED na nabíječce baterií	Možné závady	Možné řešení
Chybová kontrolka LED bliká	Teplota v pracovním prostředí je příliš vysoká nebo nízká	Nabíječku baterií používejte při teplotě 5 °C až 40 °C.
Chybová kontrolka LED svítí		Obraťte se na schváleného servisního pracovníka.

### Ovládací panel

Pro model S 138i:

Chyba	Chybový kód (počet bliknutí)	Možné závady	Možná akce
Bliká chybová kontrolka LED	3	Motor je přetížený.	Snižte pracovní hloubku. Další informace naleznete v části <i>Nastavení pracovní hloubky na strani 69</i> . Pokud kontrolka LED stále bliká, je ústrojí odmechovače zablokované. Neúmyslnému spuštění můžete zabránit tím, že otočíte bezpečnostní klíček do polohy 0, vyjmete baterii a počkáte alespoň 5 sekund. Zkontrolujte, zda se ústrojí odmechovače může volně otáčet. Pokud potíže přetrvávají, obraťte se na autorizovaného servisního pracovníka.
	5	Otáčky motoru klesnou příliš nízkou a motor se zastaví.	
	9	Došlo k přehřátí ovládání motoru.	Zastavte motor a počkejte, než vychladne.
	7	Chyba baterie nebo žádný signál z baterie.	Vložte správně baterii do výrobku a zkontrolujte konektor baterie. Pokud chybová kontrolka LED na baterii bliká, vyhledejte informace v části <i>Stav nabíjení baterie na strani 70</i> .
		Baterie je slabá.	Nabijte baterii. Další informace naleznete v části <i>Nabití baterie na strani 69</i> .
Výrobek se vypíná	6	Baterie je slabá.	Nabijte baterii. Další informace naleznete v části <i>Nabití baterie na strani 69</i> .
	0	Selhání konektoru baterie.	Zkontrolujte konektor baterie.
Jiné chyby	Pokud se objeví jiná chyba, otočte bezpečnostní klíček do polohy 0, vyjměte baterii a obraťte se na schváleného servisního pracovníka.		

## Přeprava, skladování a likvidace

### Přeprava

- Na dodané Li-ion baterie se vztahují požadavky legislativy o nebezpečném zboží.
- Při komerční přepravě musí být dodrženy speciální požadavky na balení a označení.
- Při přípravě výrobku k přepravě nezapomeňte dbát předpisů pro nebezpečné materiály. Mohou platit místní předpisy.
- Při přepravě vždy vyjměte baterii.
- Přepleťte konektory baterie páskou a zajistěte, aby se baterie při přepravě nemohla pohybovat.
- Během přepravy výrobek zajistěte.

### Skladování

- Při skladování baterii vždy vyjmějte.
- Abyste zabránili nehodám, zajistěte, aby při skladování nebyla baterie připojená k výrobku.
- Nabíječku baterii uchovávejte na uzavřeném a suchém místě.

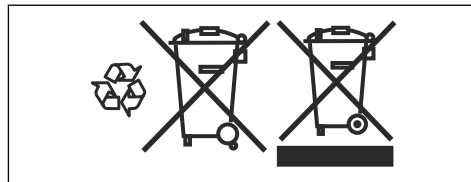
- Baterii a nabíječku baterii uchovávejte na suchém místě, kde nehrozí vlhkost či mráz.
- Při skladování baterii odpojte od nabíječky baterii.
- Neskladujte baterii v místech, kde může docházet k výbojům statické elektřiny. Neskladujte baterii v kovovém obalu.
- Baterii uchovávejte na místě s teplotou mezi 5 °C a 25 °C a mimo dosah slunečních paprsků.
- Nabíječku baterii uchovávejte na místě s teplotou mezi 5 °C a 45 °C a mimo dosah slunečních paprsků.
- Ujistěte se, že je baterie před dlouhodobým uskladněním nabitá na 30 % až 50 %.
- Produkt, baterii a nabíječku baterii skladujte v uzamčeném prostoru mimo dosah dětí a nepovolaných osob.
- Před dlouhodobým skladováním výrobku jej vyčistěte a proveďte kompletní údržbu.

## Likvidace

Symbole na produktu nebo jeho obalu označují, že tento výrobek nesmí být likvidován jako domácí odpad. Musí být odevzdán do příslušné recyklační stanice pro recyklaci elektrických a elektronických zařízení.

Zajištěním odpovídající likvidace tohoto výrobku pomůžete zabránit potenciálnímu negativnímu dopadu na životní prostředí a zdraví lidí, který by jinak mohl být důsledkem nesprávné likvidace tohoto výrobku. Podrobnější informace o recyklaci tohoto výrobku

získáte na městském úřadě, u služby zajišťující zpracování domácího odpadu nebo v prodejně, kde jste výrobek zakoupili.



## Technické údaje

### Technické údaje

	S 138I	S 138C
<b>Motor</b>		
Typ motoru	BLDC (bezkontaktní) 36V	Sériový motor na střídavý proud
Otáčky ústrojí – SavE, ot/min	3000	Není k dispozici
Otáčky ústrojí – jmenovité, ot/min	3200	4200
Výkon motoru – max., kW	1,28	1,8
Výkon motoru – jmenovitý, kW	0,9	1,6
<b>Hmotnost</b>		
Hmotnost, kg	19,5 (bez baterie)	19,0
<b>Baterie</b>		
Typ baterie	Řada baterií Husqvarna	Není k dispozici
<b>Doba provozu baterie</b>		
Provozní doba baterie, min, (volný chod) s aktivovanou funkcí SavE, s jednou baterií Husqvarna 5,2 Ah (Bli200).	115	Není k dispozici
Provozní doba baterie, min, (volný chod) s aktivovaným standardním režimem, s jednou baterií Husqvarna 5,2 Ah (Bli200).	102	Není k dispozici
<b>Emise hluku <sup>7</sup></b>		
Hladina akustického výkonu, změřená dB (A)	89,2	95,7
Hladina akustického výkonu, zaručená L <sub>WA</sub> dB (A)	91	98
<b>Hladina hluku <sup>8</sup></b>		
Hladina akustického tlaku na sluch obsluhy, dB (A)	75,3	81,7
<b>Úrovně vibrací <sup>9</sup></b>		
Rukojeť, m/s <sup>2</sup>	5,5	8,3

<sup>7</sup> Emise hluku v životním prostředí měřené jako akustický výkon (L<sub>WA</sub>) v souladu se směrnicí 2000/14/ES.

<sup>8</sup> Uváděná data pro hladinu tlaku zvuku mají typickou statistickou odchylku (standardní odchylku) 1,2 dB (A).

<sup>9</sup> Uváděná data o úrovni vibrací mají typickou statistickou odchylku (standardní odchylku) 0,2 m/s<sup>2</sup>.

	S 138i	S 138C
<b>Provoz</b>		
Pracovní hloubka, max./min., mm	-8/+5	-8/+5
Pracovní šířka, cm	37,5	37,5
Ústrojí, delta nože	5973510-01	5973510-01
Ústrojí, pružinové hroty	5973509-01	5973509-01
Kapacita koše na trávu, litry	45	45

Schválené baterie	Typ	Kapacita baterie, Ah	Napětí, V	Hmotnost, lb/kg
BLi20	Lithium-iontová	4,0	36	2,6/1,2
BLi200	Lithium-iontová	5,2	36	2,8/1,3
BLi300	Lithium-iontová	9,4	36	4,1/1,9

Schválené nabíječky pro uvedené baterie, BLi	Vstupní napětí, V	Kmitočet, Hz	Výkon, W
QC80	100-240	50-60	80
QC80F	12	0	80
QC330	100-240	50-60	330
QC500	100-240	50-60	500

---

## ES Prohlášení o shodě

---

### ES Prohlášení o shodě

**Husqvarna AB**, SE-561 82 Huskvarna, Švédsko, tel:  
+46-36-146500, prohlašuje, že **odmechovač Husqvarna**  
**S 138i** s výrobním číslem 2018XXXXXX a vyšším,  
splňuje požadavky SMĚRNICE RADY:

- z 8. června 2011 o „omezení používání některých nebezpečných látek“ **2011/65/EU**
- ze 17. května 2006 „týkající se strojních zařízení“ **2006/42/EC**
- z 26. února 2014 „týkající se elektromagnetické kompatibility“ **2014/30/EU**,
- z 8. května 2000 „týkající se emisí hluku v okolním prostředí“ **2000/14/ES**.

Informace o emisích hluku najdete v kapitole „Technické údaje“.

Byly uplatněny následující standardní normy:

**EN 60335-1:2012+A11:2014+A13:2017, EN**  
**50636-2-92:2014, EN 55014-1:2017, EN 55014-2:2015**

Huskvarna, 2019-01-15



Claes Losdal, Development Manager/Garden Products  
(ředitel vývoje zahradního sortimentu) (Autorizovaný  
zástupce společnosti Husqvarna AB a osoba odpovědná  
za technickou dokumentaci.)

---

## ES Prohlášení o shodě

---

### ES Prohlášení o shodě

**Husqvarna AB**, SE-561 82 Huskvarna, Švédsko, tel:  
+46-36-146500, prohlašuje, že **odmechovač Husqvarna S 138C** s výrobním číslem 2018XXXXXXX a vyšším splňuje požadavky SMĚRNICE RADY:

- z 8. června 2011 o „omezení používání některých nebezpečných látek“ **2011/65/EU**
- ze 17. května 2006 „týkající se strojních zařízení“ **2006/42/EC**
- z 26. února 2014 „týkající se elektromagnetické kompatibility“ **2014/30/EU**,
- z 8. května 2000 „týkající se emisí hluku v okolním prostředí“ **2000/14/ES**.

Informace o emisích hluku najdete v kapitole „Technické údaje“.

Byly uplatněny následující standardní normy:

**EN 60335-1:2012+A11:2014+A13:2017, EN 50636-2-92:2014, EN 55014-1:2017, EN 55014-2:2015, EN 61000-3-2:2014, EN 61000-3-11:2000**

Huskvarna, 2019-01-15



Claes Losdal, Development Manager/Garden Products  
(ředitel vývoje zahradního sortimentu) (Autorizovaný  
zástupce společnosti Husqvarna AB a osoba odpovědná  
za technickou dokumentaci.)



---

## Indhold

---

Indledning.....	81	Fejlfinding.....	101
Sikkerhed.....	85	Transport, opbevaring og bortskaffelse.....	102
Montering.....	93	Tekniske data.....	103
Drift.....	95	EU-overensstemmelseserklæring.....	105
Vedligeholdelse.....	98	EU-overensstemmelseserklæring.....	106

---

## Indledning

---

### Produktbeskrivelse

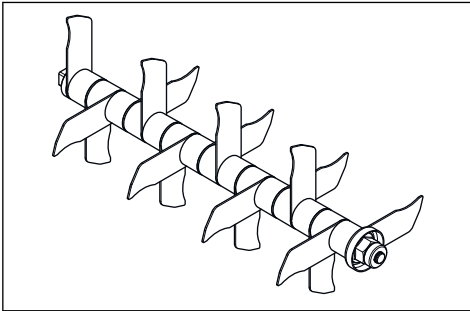
Produktet er en elektrisk vertikalskærer med gående fører. Produktet fjerner filt fra græsplænen og løsner jorden, så luft og vand kan komme ned i plænen. Filten opsamles i en græsopsamler eller kastes ud på græsplænen. Dette produkt har 2 typer af vertikalskærerudstyr.

### Vertikalskærerudstyr

Se *Sådan udskiftes vertikalskærerudstyret på side 100* for at få oplysninger om udskiftning af vertikalskærens udstyr.

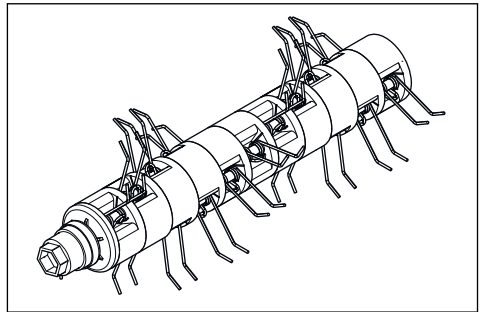
### Deltaknive

Deltaknive fjerner filt og skærer græsrodderne lodret. Brug deltaknive på skråninger, terrasser og i jord, der er meget lerholdig. Deltaknive lader vandet komme ned i græsplænen og forhindrer, at der samler sig vand på overfladen



### Fjederknive

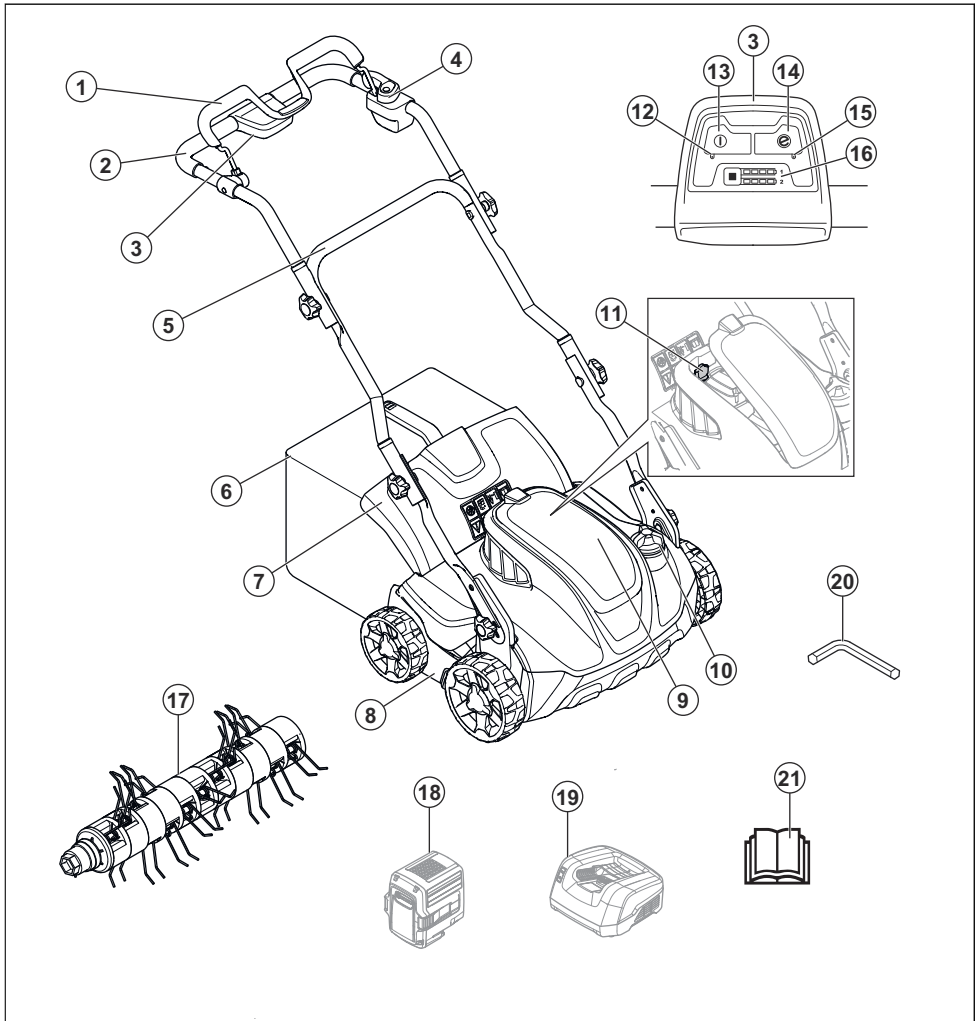
Fjederknive fjerner forsigtigt dødt græs og filt fra græsplænen uden at beskadige græsrodderne.



### Anvendelsesformål

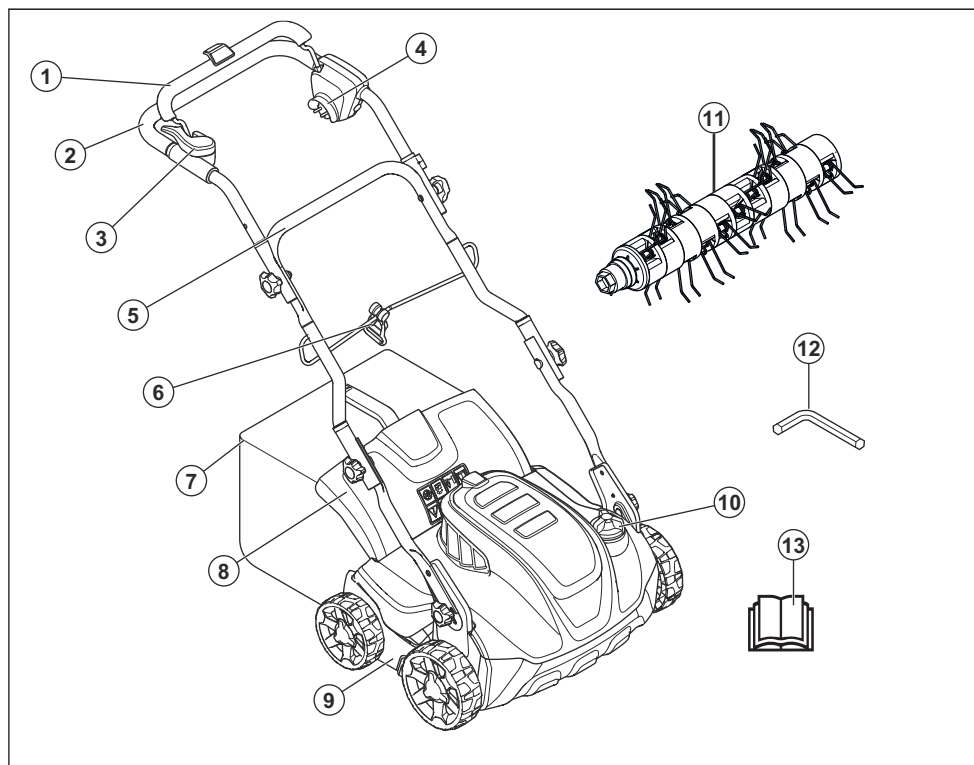
Brug dette produkt til at fjerne filt og mos og til at løsne jorden i private haver. Brug ikke produktet til andre opgaver.

## Produktoversigt over model S 138i



- |                                     |   |
|-------------------------------------|---|
| 1. Motorbremsehåndtag               | 12. LED-indikator for ON/OFF                  |
| 2. Øvre del af styret               | 13. ON/OFF-knap                               |
| 3. Betjeningspanel                  | 14. SavE-knap                                 |
| 4. Startspærre                      | 15. SavE-LED-indikator                        |
| 5. Nederste håndtag                 | 16. Batteriopladningsindikator og batteriknap |
| 6. Græsopsamler                     | 17. Fjederknive                               |
| 7. Bageste dæksel                   | 18. Batteri (tilbehør)                        |
| 8. Dæksel til vertikalskærer        | 19. Batterioplader (tilbehør)                 |
| 9. Batterilåg                       | 20. Sekskantnøgle                             |
| 10. Justeringsgreb til arbejdsdybde | 21. Brugsanvisning                            |
| 11. Sikkerhedsnøgle                 |   |

## Produktoversigt over model S 138C



1. Motorbremsehåndtag
2. Øvre del af styret
3. Startspærre
4. Strømuttag
5. Nederste styr
6. Kabelklemme
7. Græsopsamler
8. Bageste dæksel
9. Dæksel til vertikalskærer
10. Justeringsgreb til arbejdsdybde
11. Fjederknive
12. Sekskantnøgle
13. Brugsanvisning

### Symboler på produktet



Advarsel: Skødesløs eller forkert brug kan medføre personskade eller

dødsfald for føreren eller andre.



Læs brugsanvisningen, og sørg for at have forstået indholdet, inden du bruger dette produkt.



Pas på udslyngede genstande og rikochettering.



Hold uvedkommende personer og dyr på sikker afstand af arbejdsstedet.



Advarsel: Hold hænder og fødder på sikker afstand af den roterende klinge.



Tag sikkerhedsnøglen ud, før der foretages vedligeholdelse af produktet (model S 138i).



Afbryd produktet fra stikkontakten, før du udfører vedligeholdelse på produktet (model S 138C).



Fare for elektrisk stød (model S 138C).



Må ikke udsættes for regn (model S 138i).



Advarsel: Kør ikke produktet hen over strømkablet, da dette kan medføre elektrisk stød eller beskadigelse af produktet (model S 138C).

**IPX4** Dette produkt er beskyttet mod vandstænk.

**EAC** Dette produkt er i overensstemmelse med gældende EAC-direktiver.



Dette produkt er i overensstemmelse med gældende CE-direktiv.



Produktet er i overensstemmelse med de gældende UkrSEPRO-direktiver.



Støjemissioner til omgivelserne i henhold til EF-direktiv. Produktets emission fremgår af kapitlet Tekniske data og af mærkaten.



Dobbelt isolering (model S 138C).



Aflever produktet på en genbrugsstation for elektrisk og elektronisk udstyr. (Gælder kun Europa)



Startprocedure for model S 138i: Tryk på ON/OFF-knappen, løsn startspærren, tryk motorbremsehåndtaget ned.



Startprocedure for model  
S 138C: Løsn  
startspærren, tryk  
motorbremsehåndtaget  
ned.



Slip  
motorbremsehåndtaget  
for at stoppe.



Kode, der kan scannes.

---

**Bemærk:** Andre symboler/mærkater på produktet henviser til certificeringskrav på visse markeder.

---

## Produktansvar

Som nævnt i produktansvarsbestemmelserne hæfter vi ikke for skader forårsaget af vores produkt, hvis:

- produktet er forkert repareret.
- produktet er repareret med dele, der ikke er fra producenten eller ikke er godkendt af producenten
- produktet har tilbehør, der ikke er fra producenten eller ikke er godkendt af producenten.
- produktet ikke er repareret på et godkendt servicecenter eller af en godkendt myndighed.

---

## Sikkerhed

---

### Sikkerhedsdefinitioner

Advarsler, forholdsregler og bemærkninger bruges til at pege på særligt vigtige dele af brugsanvisningen.



**ADVARSEL:** Bruges, hvis føreren udsætter sig selv eller omkringstående personer for risiko for personskade eller dødsfald ved tilsidesættelse af instruktionerne i brugsanvisningen.



**BEMÆRK:** Bruges, hvis der er risiko for skader på produktet, andre materialer eller det

omgivende område ved tilsidesættelse af instruktionerne i brugsanvisningen.

---

**Bemærk:** Bruges til at give yderligere oplysninger, der er nødvendige i en given situation.

---

### Generelle sikkerhedsinstruktioner



**ADVARSEL:** Læs følgende advarselsinstruktioner, inden du bruger produktet.

- Dette produkt er farligt, hvis det bruges forkert, eller hvis du ikke er forsigtig. Personskade eller dødsfald

- kan forekomme, hvis du ikke overholder sikkerhedsinstruktionerne.
- Dette produkt danner et elektromagnetisk felt under drift. Dette felt kan i nogle tilfælde påvirke aktive eller passive medicinske implantater. For at reducere risikoen for alvorlige eller dødbringende kvæstelser anbefaler vi, at personer med medicinske implantater kontakter deres læge og producenten af det medicinske implantat, før de tager produktet i brug.
  - Vær altid forsigtig, og brug din sunde fornuft. Hvis du ikke er sikker på, hvordan produktet betjenes en særlig situation: Stop, og kontakt Husqvarna forhandleren, inden du fortsætter.
  - Vær opmærksom på, at føreren er ansvarlig for ulykker, der involverer andre personer eller disses ejendom.
  - Hold produktet rent. Sørg for, at skilte og mærkater er tydeligt læsbare.
  - Lad ikke en person bruge produktet, medmindre du er sikker på, at vedkommende har læst og forstået indholdet i denne brugsanvisning.

- Lad ikke børn betjene produktet.
- Lad ikke en person uden kendskab til vejledningen betjene produktet.
- Hold altid øje med personer med nedsat fysisk eller mental kapacitet, der bruger produktet. En voksen skal være til stede hele tiden.
- Brug ikke produktet, hvis du er træt, syg eller påvirket af alkohol, narkotika eller medicin. Det har en negativ virkning på synet, overblikket, koordinationsevnen og dømmekraften.
- Brug ikke produktet, hvis det er fejlbehæftet.
- Foretag ikke ændringer på produktet, og undlad af bruge det, hvis der er risiko for, at det er blevet ændret af andre.

## Sikkerhed i arbejdsområdet

---



**ADVARSEL:** Læs følgende advarselsinstruktioner, inden du bruger produktet.

---

- Fjern genstande såsom grene, kviste og sten fra arbejdsområdet, inden du bruger produktet.

- Genstande, som rammer vertikalskærerudstyret, kan udslynges og forårsage person- og tingskade. Hold omkringstående personer og dyr på sikker afstand af produktet.
- Undlad at bruge produktet i dårligt vejr, som f.eks. tåge, regn, hård vind, kraftig kulde og ved risiko for lynnedslag. Det kan være trættende at bruge produktet i dårligt vejr eller i fugtige eller våde områder. Dårligt vejr kan medføre farlige forhold, f.eks. glatte underlag.
- Pas på personer, genstande og situationer, som kan forhindre sikker brug af produktet.
- Pas på forhindringer som f.eks. rødder, sten, kviste, huller og grøfter. Langt græs kan skjule hindringer.
- Det kan være farligt at betjene produktet på skråninger. Brug ikke produktet på skråninger, der hælder mere end 15°.
- Lad produktet køre på tværs af skråninger. Kør ikke op og ned.
- Vær forsigtig, når du nærmer dig uoverskuelige hjørner og genstande, som blokerer for udsynet.

## Arbejdssikkerhed

---



**ADVARSEL:** Læs følgende advarselsinstruktioner, inden du bruger produktet.

---

- Brug kun dette produkt til at fjerne filt og mos fra græsplæner. Det er ikke tilladt at bruge det til andre opgaver.
- Bær personligt beskyttelsesudstyr. Se *Personligt beskyttelsesudstyr på side 88*.
- Betjen ikke produktet i regn eller våde omgivelser. Risikoen for elektriske stød øges, hvis der trænger vand ind i produktet.
- Betjen ikke produktet, medmindre vertikalskæreren og alle afskærmninger er monteret korrekt. Et forkert monteret vertikalskærerudstyr kan løsne sig og forårsage personskade.
- Sørg for, at vertikalskærerudstyret ikke rammer genstande som f.eks. sten og rødder. Det kan beskadige vertikalskærerudstyret og bøje motorakslen. En bøjet aksel giver kraftige vibrationer og

- stor risiko for, at vertikalskærerudstyret løsner sig.
- Hvis vertikalskærerudstyret rammer en genstand, eller der opstår vibrationer, skal du straks standse produktet. Stands motoren, drej sikkerhedsnøglen til 0, og fjern batteriet (model S 138i), eller frakobl strømkablet (model S 138C). Undersøg, om produktet er blevet beskadiget. Reparer skader, eller lad et autoriseret serviceværksted udføre reparationen.
  - Fastgør aldrig motorbremsehåndtaget permanent på styret, når motoren er startet.
  - Anbring produktet på et stabilt, fladt underlag, og start det. Sørg for, at vertikalskærerudstyret ikke rammer jorden eller andre genstande.
  - Hold dig altid bag produktet, mens du betjener det.
  - Lad alle hjulene blive på jorden, og hold 2 hænder på styret, når du betjener produktet. Hold hænder og fødder på sikker afstand af det roterende vertikalskærerudstyr.

- Tip ikke produktet, når motoren er startet.
- Vær forsigtig, når du trækker produktet baglæns.
- Løft aldrig produktet, når motoren er startet. Hvis du skal løfte produktet, skal du først stoppe motoren, dreje sikkerhedsnøglen til 0 og fjerne batteriet (model S 138i) eller frakoble strømkablet (model S 138C).
- Gå ikke baglæns, når du bruger produktet.
- Stands motoren, når du bevæger dig hen over områder uden græs, f.eks. stier med grus, sten og asfalt.
- Undlad at køre med produktet, når motoren er startet. Gå altid fremad, når du bruger produktet.
- Stands motoren, inden du ændrer arbejdsdybden. Foretag aldrig justeringer, når motoren er startet.
- Efterlad aldrig produktet uden opsyn, når motoren er startet. Stands motoren, og sørg for, at vertikalskærerudstyret ikke roterer.

## Sikkerhedsinstruktioner for drift

### Personligt beskyttelsesudstyr

Ved enhver anvendelse af produktet skal der bruges godkendt personligt beskyttelsesudstyr. Personbeskyttelsesudstyr udelukker ikke risikoen for personskader, men det mindsker indvirkningen af



skaderne i tilfælde af, at der skulle ske en ulykke. Bed din forhandler om hjælp til at vælge det rigtige udstyr.

Brug altid:

- Høreværn for at mindske risikoen for høreskader.
- Skridsikre, kraftige støvler eller sko. Bær ikke sandaler, og gå ikke barfodet.
- Kraftige, lange bukser. Bær ikke shorts.

Bær handsker, når det er nødvendigt, f.eks. ved montering, eftersyn eller rengøring af vertikalskærerudstyr.



**ADVARSEL:** Brug godkendt høreværn. Langvarig eksponering for støj kan medføre permanente høreskader.

## Sikkerhedsanordninger på produktet



**ADVARSEL:** Læs følgende advarselsinstruktioner, inden du bruger produktet.

- Brug ikke et produkt med defekte sikkerhedsanordninger.
- Kontrollér sikkerhedsanordningerne regelmæssigt. Hvis sikkerhedsanordningerne er defekte, skal du henvende dig til dit Husqvarna-serviceværksted.

## Sådan kontrolleres afskærmningerne

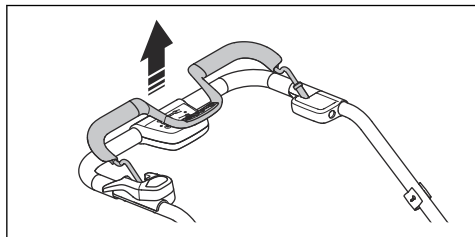
Vertikalskærerens afskærmning mindsker vibrationer i produktet og reducerer risikoen for skader fra vertikalskærerudstyret.

- Undersøg vertikalskærerens sideafskærmning for at sikre, at der ikke er skader såsom revner.
- Undersøg bageste dæksel for at sikre, at der ikke er skader såsom revner.

## Motorbremsehåndtag

Motorbremsehåndtaget standser motoren. Når motorbremsehåndtaget slippes, standser motoren.

Ved kontrol af motorbremsen startes motoren, hvorefter motorbremsehåndtaget slippes. Hvis motoren ikke standser inden for 3 sekunder, skal et godkendt Husqvarna-serviceværksted justere motorbremsen.

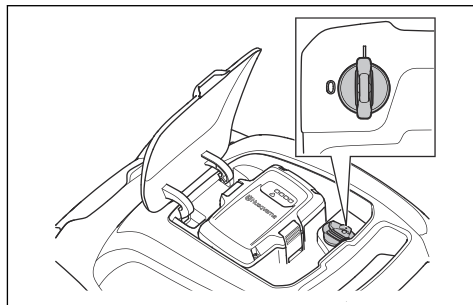


## Sikkerhedsnøgle

Sikkerhedsnøglen findes under batterilåget.

Sikkerhedsnøglen bruges til at forbinde det batteri, der forsyner motoren med strøm.

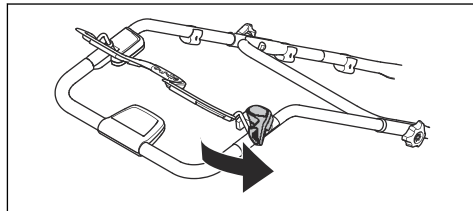
- Start og stop motoren for at kontrollere sikkerhedsnøglen.
- Hvis sikkerhedsnøglen fungerer korrekt, starter motoren kun, når nøglen er i position 1.



## Sådan efterses startspærren

Efterse startspærren for at sikre, at den forhindrer drift af motoren.

1. Skub bøjlen til fremtrækket i retning mod styret. Startspærren standser bevægelsen.
2. Skub startspærren ud.



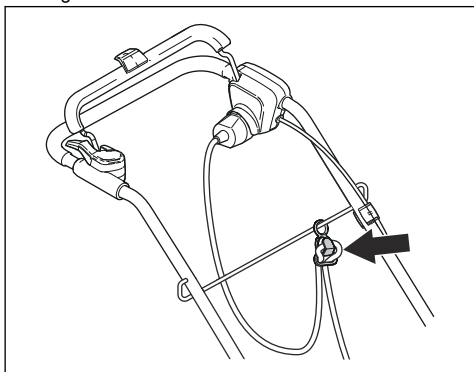
3. Slip startspærren, og sørg for, at den returnerer til udgangspositionen.

## Sådan bruges netledningsholderen (model S 138C)

Netledningsholderen reducerer belastningen på strømstikket og strømkablet. Netledningsholderen mindsker også risikoen for, at du falder.

1. Bøj strømkablet, så det danner en smal løkke.
2. Sæt løkken ind i hullet i netledningsholderen.
3. Sæt løkken rundt om krogen.

4. Træk i netledningen for at stramme løkken rundt om krogen.



## Batterisikkerhed



**ADVARSEL:** Læs følgende advarselsinstruktioner, inden du bruger produktet.

- Brug kun genopladelige Husqvarna-batterier som strømforsyning til relaterede Husqvarna-produkter. For at undgå personskade, må batteriet ikke anvendes som strømforsyning til andre produkter.
- Undgå at bruge ikke-genopladelige batterier.
- Risiko for elektrisk stød. Tilslut ikke batteripolerne til nøgler, mønter, skruer eller andre metalgenstande. Dette kan medføre en kortslutning af batteriet.
- Sæt ikke genstande ind i batteriets luftspalte.
- Hold batteriet væk fra sollys, varme og åben ild. Batteriet kan eksplodere og medføre forbrændinger og/eller kemiske forbrændinger.
- Hold batteriet væk fra regn og våde omgivelser.
- Hold batteriet væk fra mikrobølger og højt tryk.
- Forsøg ikke at skille batteriet ad eller ødelægge det.
- Hvis batteriet lækker, skal du sørge for, at væsken ikke kommer i kontakt med hud eller øjne. Ved berøring af væsken skal området skylles med en stor mængde vand, og opsig derefter lægehjælp.
- Brug batteriet i temperaturer mellem  $-10^{\circ}\text{C}$  og  $40^{\circ}\text{C}$ .
- Batteriet eller batteriopladeren må aldrig rengøres med vand. Se *Sådan rengøres batteriet og batteriopladeren på side 99*.
- Brug ikke et defekt eller beskadiget batteri.
- Opbevar batterierne væk fra metalgenstande som f.eks. søm, mønter og smykker.

## Batteriopladersikkerhed

---



**ADVARSEL:** Læs følgende advarselsinstruktioner, inden du bruger produktet.

---

- Brug udelukkende QC-batteriopladerne til at oplade udskiftelige Husqvarna-batterier.
- Minimér risikoen for elektrisk stød eller kortslutning. Sæt ikke genstande ind i opladerens luftspalte. Forsøg aldrig at adskille batteriopladeren. Forbind ikke batteriopladerens poler med metalgenstande. Brug en godkendt stikkontakt.
- Dette produkt danner et elektromagnetisk felt under drift. Dette felt kan i nogle tilfælde påvirke aktive eller passive medicinske implantater. For at reducere risikoen for alvorlige eller dødbringende kvæstelser anbefaler vi, at personer med medicinske implantater kontakter deres læge og producenten af det medicinske implantat, før de tager produktet i brug.
- Undersøg regelmæssigt, at ledningen til batteriopladeren er intakt, og at der ikke er revner i den.
- Løft aldrig batteriopladeren ved hjælp af ledningen. Træk stikket ud for at afbryde batteriopladeren fra stikkontakten. Træk ikke i ledningen.
- Hold strømledningen og forlængerledninger væk fra vand, olie og skarpe kanter. Sørg for, at ledningen ikke bliver klemt i døre, hegn eller lignende. Det kan medføre, at opladeren bliver strømførende.
- Batteriopladeren må aldrig rengøres med vand.
- Batteriopladeren kan bruges af børn fra 8 år og opad samt af personer med nedsatte fysiske, følelsesmæssige eller mentale evner eller manglede erfaring og viden, hvis de er under opsyn eller har modtaget træning i brugen af batteriopladeren på en sikker måde og forstår farerne, der er forbundet med brugen. Børn må ikke lege med batteriopladeren. Rengøring og vedligeholdelse må ikke udføres af børn uden overvågning.

- Ikke-genopladelige batterier må ikke oplades i batteriopladeren.
- Brug ikke batteriopladeren i nærheden af brandfarlige materialer eller materialer, der kan medføre korrosion. Batteriopladeren må ikke tildækkes. I tilfælde af røgafgivelse eller brand skal batteriopladeren afbrydes fra stikkontakten.
- Brug ikke defekte eller beskadigede batteriopladere.
- Oplad kun batteriet indendørs i et rum med god ventilation og beskyttet mod direkte sollys. Oplad ikke batteriet under våde forhold.

#### Sikkerhed for netledning

Til model S 138C.

- Det anbefales at bruge en fejlstrømsafbryder (Residual Current Device, RCD), der udløses ved en modstand på ikke over 30 mA. Selv om der er installeret en fejlstrømsafbryder, er sikkerheden ikke garanteret 100 %, og der skal altid anvendes sikre arbejdsprocedurer. Udfør en kontrol af fejlstrømsafbryderen hver gang den bruges.
- Hvis netledningen overskæres eller isoleringen bliver

beskadiget, skal apparatet kobles fra med det samme.

- Rør ikke en overskåret eller beskadiget netledning, før strømmen er koblet fra.
- Reparer aldrig en overskåret eller beskadiget netledning. Udskift den med en ny.

#### Sikkerhedsinstruktioner for vedligeholdelse



**ADVARSEL:** Læs følgende advarselsinstruktioner, inden du bruger produktet.

- For model S 138i: For at undgå utilsigtet start i forbindelse med vedligeholdelse, skal du dreje sikkerhedsnøglen til 0 og fjerne batteriet. Vent i mindst 5 sekunder, før du påbegynder vedligeholdelse.
- For model S 138C: For at forhindre utilsigtet start under vedligeholdelse skal strømkablet frakobles.
- Udfør vedligeholdelsesarbejde korrekt for at øge levetiden for produktet og mindske risikoen for ulykker. Lad et godkendt serviceværksted udføre professionelle reparationer. Kontakt dit nærmeste

- serviceværksted for at få flere oplysninger.
- Foretag kun den form for vedligeholdelsesarbejde, der er angivet i denne brugsanvisning. Mere omfattende arbejde skal udføres af et godkendt serviceværksted.
  - Ifør dig kraftige handsker, når du anvender vertikalskærerudstyret. Vertikalskærerudstyret er meget skarpt, og du kan nemt komme til at skære dig.
  - Hold klingerne på vertikalskærerudstyret skarpe og rene for at sikre den bedste og mest sikre ydeevne.
- Lad jævnligt serviceværkstedet efterse produktet og foretage de nødvendige justeringer og reparationer.
  - Udskift beskadigede, slidte eller defekte dele.
  - Følg vejledningen for, hvordan du udskifter tilbehør. Brug kun tilbehør fra producenten.
  - Når de ikke er i drift, skal du holde produktet, batteriet og batteriopladeren adskilt et tørt, indendørs og aflåst sted. Sørg for, at børn og personer, som ikke er godkendt, ikke kan få adgang til produktet, batteriet eller batteriopladeren.

---

## Montering

---

### Indledning



**ADVARSEL:** Før du samler produktet, skal du læse sikkerhedskapitlet.



**ADVARSEL:** For model S 138i: For at undgå utilsigtet start under monteringen, skal du dreje sikkerhedsnøglen til 0, fjerne batteriet og vente i mindst 5 sekunder.

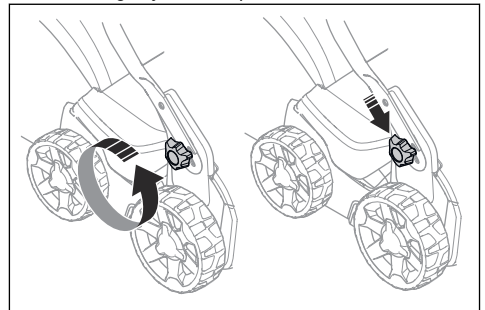
For model S 138C: For at forhindre utilsigtet start under monteringen, skal du frakoble strømkablet.

---

### Sådan samles styret

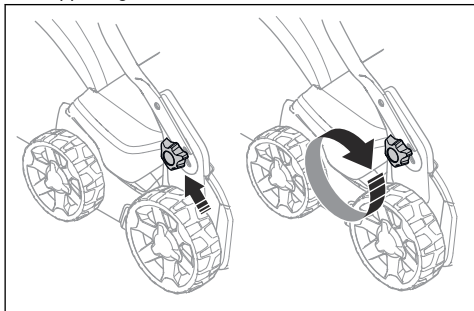
1. Løsn de nederste skruerhåndtag.

2. Flyt grebene til den nederste ende af rillerne på venstre og højre side af produktet.



3. Sæt håndtagets højde i en af de 2 mulige stillinger.

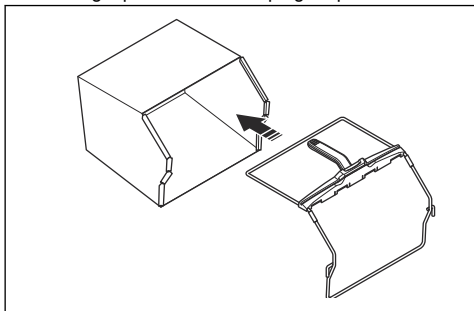
4. Flyt grebene op i retning af håndtaget, indtil de stopper, og der høres et klik.



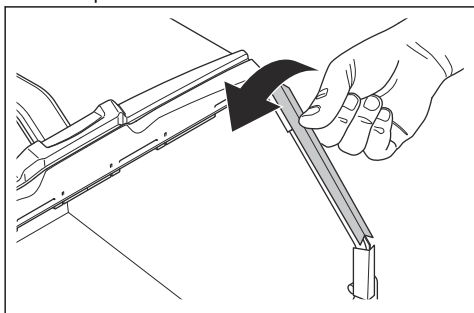
5. Spænd skruehåndtagene hårdt.

## Sådan samles græsopsamleren

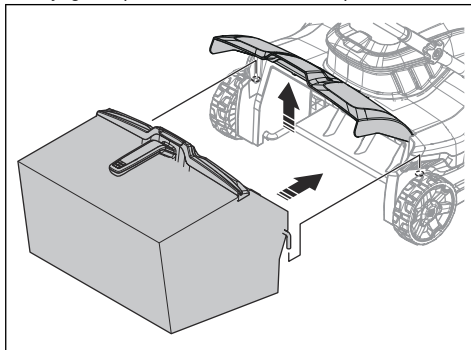
1. Fastgør græsopsamlerens ramme til græsposen med den afstivede del af posen nederst. Hold håndtaget på rammen oven på græsposen.



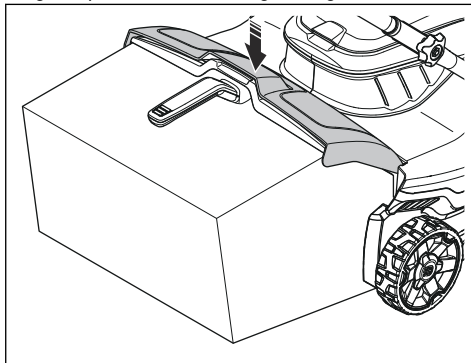
2. Fastgør den nederste del af græsopsamlerens ramme i sporet i bunden af græsopsamleren.
3. Fastgør græsposen til græsopsamlerens ramme med clipsene.



4. Løft det bageste dæksel.
5. Flyt græsopsamleren til den korrekte position.



6. Fastgør græsopsamleren på chassisets øverste kant. Sørg for, at det bageste dæksel slutter til mod græsopsamleren for at undgå lækage.



## Indledning



**ADVARSEL:** Før du bruger produktet, skal du læse og forstå kapitlet om sikkerhed.

## Husqvarna Connect

Husqvarna Connect er en gratis app til din mobile enhed. Appen Husqvarna Connect giver udvidede funktioner til dit Husqvarna produkt:

- Yderligere produktoplysninger.
- Oplysninger om, og hjælp til, dele og service.

## Sådan kommer du i gang med at bruge Husqvarna Connect

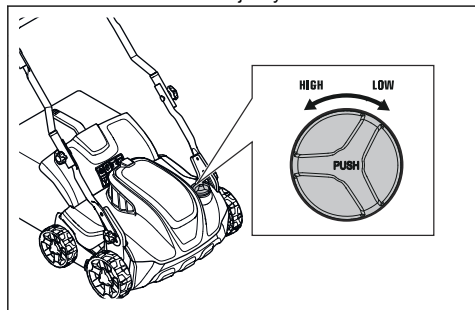
1. Download Husqvarna Connect appen på din mobile enhed.
2. Tilmeld dig i Husqvarna Connect appen.
3. Følg instruktionerne i Husqvarna Connect appen for at tilslutte og registrere produktet.

## Sådan indstilles arbejdsdybden



**ADVARSEL:** Undlad at justere arbejdsdybden, mens produktet betjenes.

1. Tryk og drej justeringsgrebet til arbejdsdybde mod uret for at øge arbejdsdybden.
2. Tryk og drej justeringsskruen til arbejdsdybde med uret for at reducere arbejdsdybden.



## Batteri

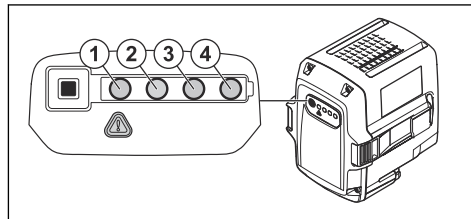


**ADVARSEL:** Inden brug af produktet skal du læse og sætte dig ind i kapitlet om sikkerhed. Du skal også læse og sætte dig ind i brugsanvisningen for batteriet og batteriopladeren.

## Batteristatus

Displayet viser batteriets resterende batterikapacitet, og om der er problemer med batteriet. Batterikapaciteten vises i 5 sekunder, efter at produktet er slukket, eller batteriindikatorknappen er trykket ned.

Advarselssymbolet på batteriet er tændt, når der er sket en fejl. Se *Batteri på side 101*.



LED-lys	Batteristatus
Alle LED'er er tændt	Fuldt opladet (75-100 %)
LED 1, LED 2 og LED 3 er tændt	Batteriet er opladet 50-75 %
LED 1 og LED 2 er tændt	Batteriet er opladet 25-50 %
LED 1 er tændt	Batteriet er opladet 0-25 %.
LED 1 blinker	Batteriet er afladet. Oplad batteriet.

## Sådan oplades batteriet

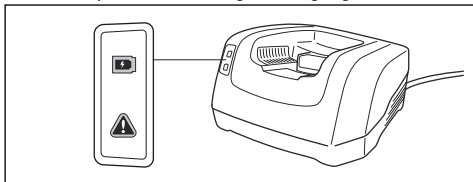
Oplad batteriet, inden første ibrugtagning. Batteriet er kun 30 % opladet, når det leveres til kunden.

**Bemærk:** Batteriopladeren skal tilsluttes til den spænding og frekvens, der fremgår af typeskiltet.

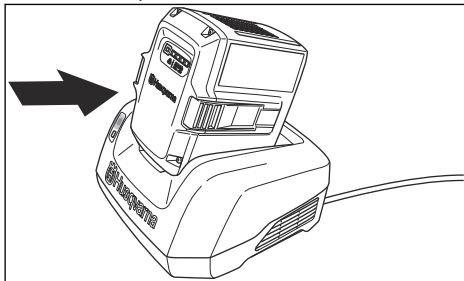
Batteriet oplades ikke, hvis batteriets temperatur er over 50 °C. Batteriopladeren sænker batteriets temperatur, før det begynder at oplade.

1. Forbind den ene ende af ledningen til batteriopladeren til stikket på batteriopladeren.

2. Forbind den anden ende af ledningen til batteriopladeren til en jordet stikkontakt. LED'en på batteriopladeren blinker grønt én gang.



3. Isæt batteriet i batteriopladeren. Den grønne lampe på opladeren lyser, når batteriet er korrekt forbundet med batteriopladeren.



4. Når alle LED'erne på batteriet er tændt, er batteriet fuldt opladet. Oplad batteriet i maks. 24 timer.
5. For at afbryde batteriopladeren fra stikkontakten, skal du trække i stikket, ikke i ledningen.
6. Fjern batteriet fra batteriopladeren.

### Batteriets ladestatus

Et Husqvarna-li-ion-batteri kan oplades eller bruges på alle opladningsniveauer. Batteriet er ikke beskadiget. Et fuldt opladet batteri vil ikke aflades, når batteriet efterlades i opladeren.

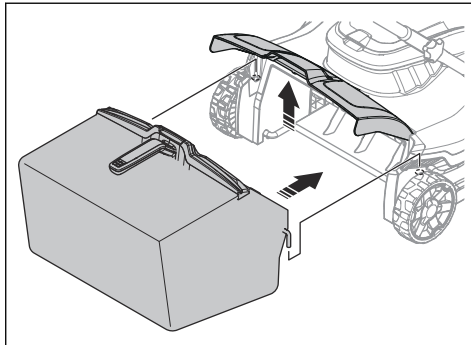
LED-display	Ladestatus
LED 1 blinker	0 %-25 %
LED 1 er tændt, LED 2 blinker	25 %-50 %
LED 1, LED 2 er tændt, LED 3 blinker	50 %-75 %
LED 1, LED 2, LED 3 er tændt, LED 4 blinker	75 %-100 %
LED 1, LED 2, LED 3, LED 4 er tændt	Fuldt opladet

## Sådan betjenes S 138i

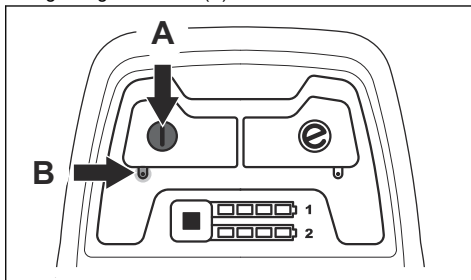
### Sådan startes produktet

1. Isæt et opladet batteri i batterirum nummer 1 under batterilåget. For længere driftstid, skal du isætte et andet opladet batteri i batterirum nummer 2.

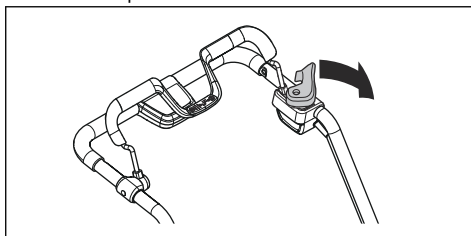
2. Drej sikkerhedsnøglen til 1.



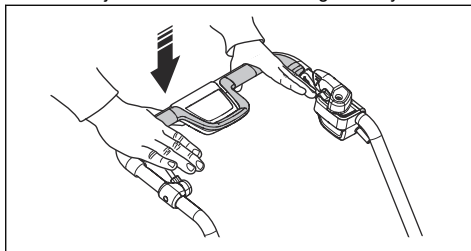
3. Stil dig bag produktet.
4. Tryk på ON/OFF-knappen (A) på betjeningspanelet, og den grønne LED (B) tænder.



5. Løsn startspærren.



6. Skub bøjlen til fremtrækket i retning mod styret.

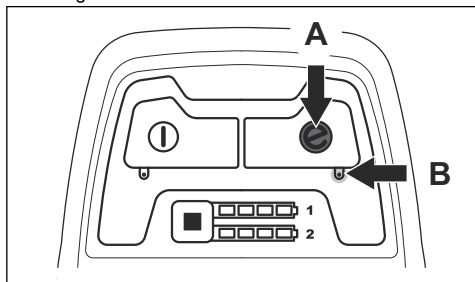


### Sådan bruges SavE-funktionen

Produktet har en batterisparefunktion (SavE), der giver længere driftstid.



1. Tryk på SavE-knappen (A) for at starte funktionen. Den grønne LED tænder.

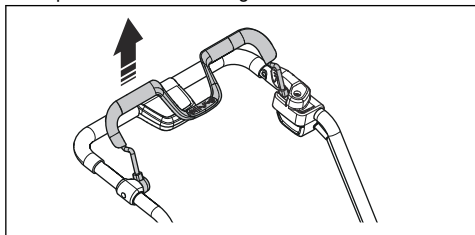


2. Tryk på SavE-knappen igen for at standse funktionen. Den grønne LED (B) slukker.

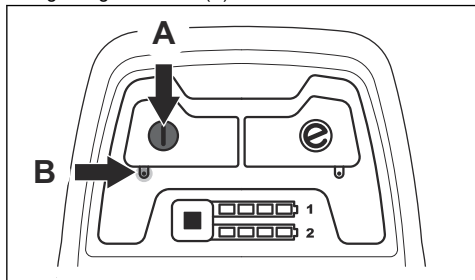
### Sådan standses produktet

Produktet standser automatisk, hvis du ikke betjener det i 10 minutter. Drej altid sikkerhedsnøglen til 0, før du efterlader produktet uden opsyn.

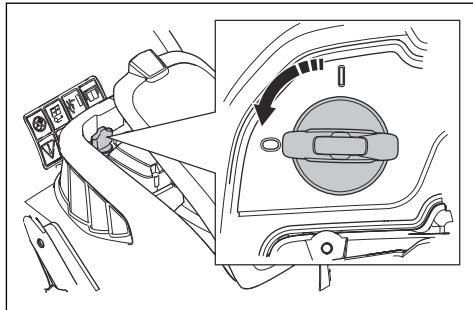
1. Slip motorbremsehåndtaget for at standse motoren.



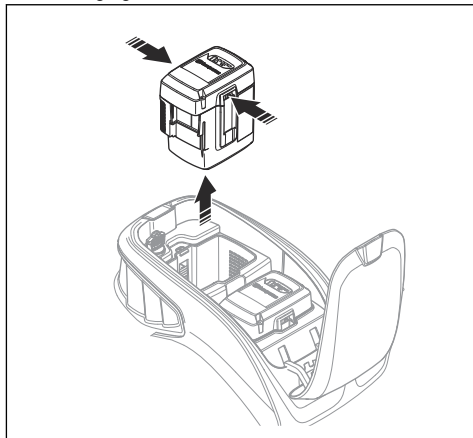
2. Tryk på ON/OFF-knappen (A) på betjeningspanelet, og den grønne LED (B) slukkes.



3. Åbn batterilåget, og drej sikkerhedsnøglen til 0.



4. Fjern batteriet ved at trykke på de 2 udløserknapper samtidig og trække batteriet ud.

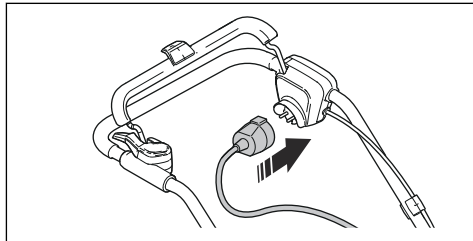


5. Oplad batteriet, hvis det er svagt. Se *Sådan oplades batteriet på side 95* for yderligere information.

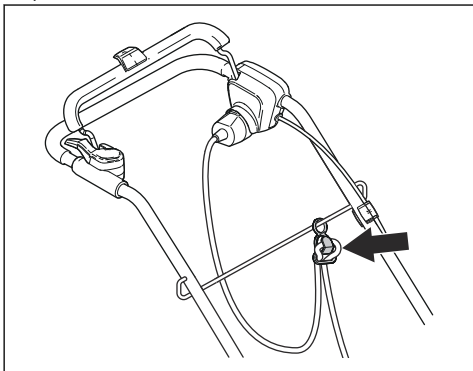
### Sådan betjenes S 138C

#### Sådan startes produktet

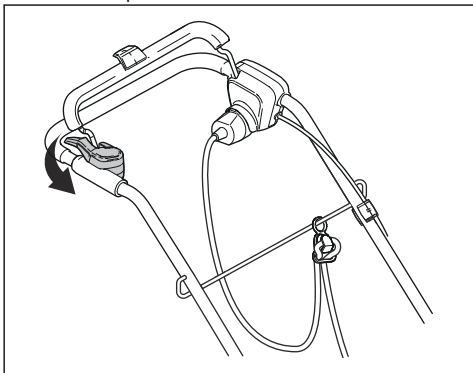
1. Tilslut en netledning til stikket under håndtaget.



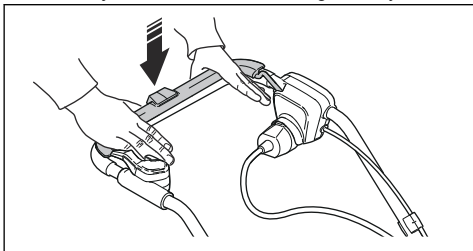
2. Anbring netledningen i netledningsholderen. Se *Sådan bruges netledningsholderen (model S 138C) på side 89.*



3. Stil dig bag produktet.  
4. Løsn startspærren.

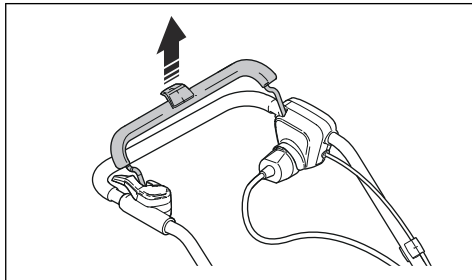


5. Skub bøjlen til fremtrækket i retning mod styret.

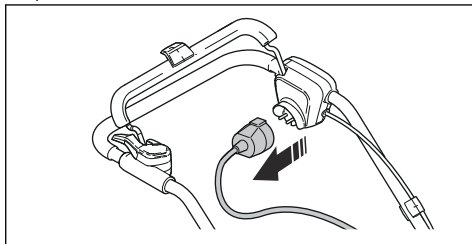


## Sådan standses produktet

1. Slip motorbremsehåndtaget for at standse motoren.



2. Frakobl strøm-kablet fra stikkontakten, og derefter fra produktet.



**BEMÆRK:** Træk stikket lige ud. Træk ikke i ledningen.

## Vedligeholdelse

### Indledning



**ADVARSEL:** Inden der foretages vedligeholdelse, skal du læse og forstå kapitlet om sikkerhed.

Alt service- og reparationsarbejde på produktet kræver specialuddannelse. Vi garanterer faglig korrekt reparation og service. Hvis forhandleren ikke er et serviceværksted, kan vedkommende oplyse om nærmeste serviceværksted.

## Vedligeholdelsesskema

For vedligeholdelse identificeret med \* henvises til *Sikkerhedsanordninger på produktet på side 89.*

Vedligeholdelsesintervallerne er fastlagt baseret på daglig brug af produktet. Intervallerne ændres, hvis produktet ikke bruges dagligt.

S 138i og S 138C	Hver brug	Månedligt	Hver sæson
Foretag et generelt eftersyn.	X		
Rengør produktet.	X		
Efterse vertikalskærerudstyret.	X		
Sørg for, at sikkerhedsanordningerne på produktet ikke er defekte. *	X		
Efterse afskærmningerne. *	X		
Kontrollér motorbremsehåndtaget. *	X		
Kontrollér startspærren. *	X		

Kun S 138i.	Hver brug	Månedligt	Hver sæson
Sørg for, at ON/OFF-knappen fungerer korrekt og ikke er defekt.	X		
Efterse batteriet for skader.	X		
Kontrollér batteriopladeren.	X		
Sørg for, at udløserknapperne på batteriet fungerer korrekt, og at batteriet låses på plads i produktet.	X		
Efterse batteriopladeren for skader, og sørg for, at den fungerer korrekt.		X	
Efterse forbindelserne mellem batteriet og produktet. Efterse også forbindelsen mellem batteriet og batteriopladeren.			X

### Sådan udføres et generelt eftersyn

- Sørg for, at møtrikker og skruer på produktet er spændt.
- Sørg for, at ledningerne på produktet ikke er placeret på en måde, så de kan blive beskadiget.

### Sådan rengøres produktet

- Rengør plasticdele med en ren og tør klud.
- Brug ikke vand til rengøring af produktet. Vand kan trænge ind i batteriet eller motoren og forårsage kortslutning eller beskadigelse af produktet.
- Brug ikke en højtryksrenser til at rengøre produktet.
- Sprøjt aldrig vand direkte på motoren.
- Brug en børste til at fjerne blade, græs og snavs.

### Sådan rengøres batteriet og batteriopladeren



**BEMÆRK:** Batteriet eller batteriopladeren må aldrig rengøres med vand.

- Sørg for, at batteriet og opladeren er rene og tørre, før du sætter batteriet i batteriopladeren.
- Rengør batteriets poler med trykluft eller med en blød og tør klud.
- Rens overfladerne på batteriet og batteriopladeren med en blød og tør klud.

### Sådan efterses vertikalskærerudstyret



**ADVARSEL:** For modeller S 138i: For at undgå utilsigtet start, skal du dreje sikkerhedsnøglen til 0, fjerne batteriet og vente i mindst 5 sekunder.

For model S 138C: For at forhindre utilsigtet start, skal du frakoble strøm-kabel.



**ADVARSEL:** Brug handsker, når du udfører vedligeholdelse på vertikalskærerudstyret. Klingerne på vertikalskærerudstyret er meget skarpe, og du kan nemt komme til at skære dig.

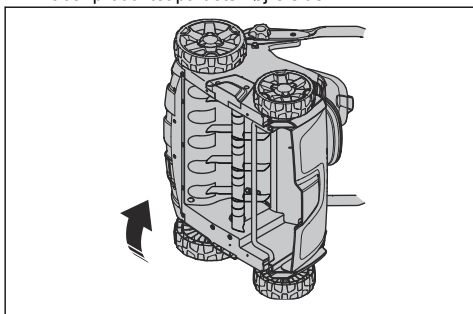
- Efterse vertikalskærerudstyret for skader eller revner. Udskift altid vertikalskærerudstyret, hvis det er beskadiget.

## Sådan udskiftes vertikalskærerudstyret

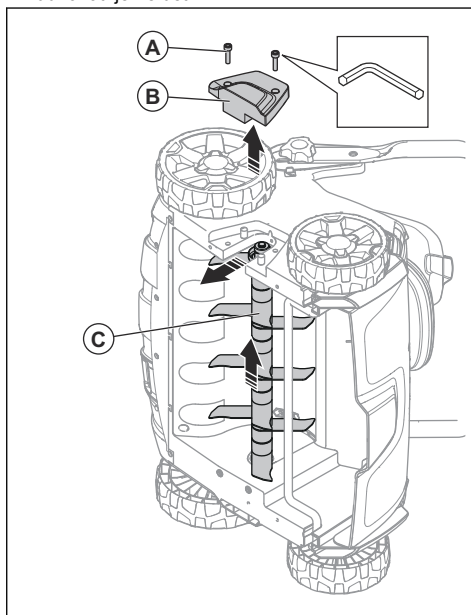


**ADVARSEL:** Brug handsker, når du udfører vedligeholdelse på vertikalskærerudstyret. Vertikalskærerudstyret er meget skarpt, og du kan nemt komme til at skære dig

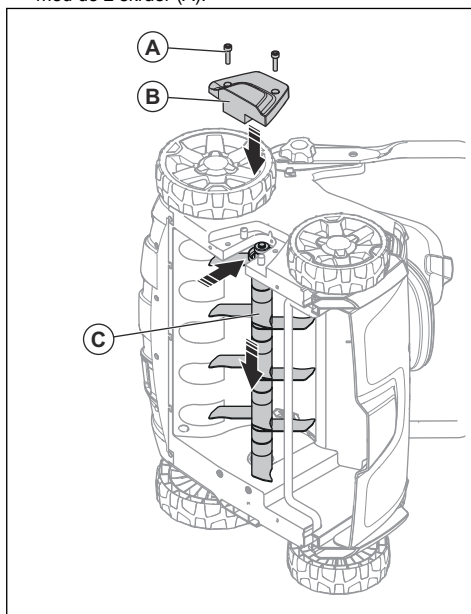
1. Placer produktet på dets højre side.



2. Fjern de 2 skruer (A), og fjern vertikalskærerens dæksel (B). Skub vertikalskærerudstyret (C) op og ud for at fjerne det.



3. Skub det nye vertikalskærerudstyr (C) ind i rillen og ned i hullet. Fastgør vertikalskærerens dæksel (B) med de 2 skruer (A).



## Fejlfinding

### Batteri

LED på batteriet	Mulige fejl	Mulig procedure
Den grønne LED blinker	Batterispændingen er lav	Oplad batteriet. Se <i>Sådan oplades batteriet på side 95</i> .
Fejl-LED'en blinker	Batteriet er svagt	Oplad batteriet. Se <i>Sådan oplades batteriet på side 95</i> .
	Temperaturen i arbejdsmiljøet er for høj eller for lav	Brug batteriet i temperaturer mellem -10 °C og 40 °C.
	Overspænding	Kontrollér, at netspændingen er den samme som på typeskiltet på produktet.  Fjern batteriet fra batteriopladeren. Vent 5 sekunder, og prøv igen for at oplade batteriet. Hvis problemet fortsætter, skal du kontakte et autoriseret serviceværksted.
Fejl-LED'en er tændt	Celleforskel for stor (1 V)	Kontakt et godkendt serviceværksted.

### Batterioplader

LED på batteriopladeren.	Mulige fejl	Mulig procedure
Fejl-LED'en blinker	Temperaturen i arbejdsmiljøet er for høj eller for lav	Brug batteriopladeren i temperaturer mellem 5 °C og 40 °C.
Fejl-LED'en er tændt		Kontakt et godkendt serviceværksted

### Betjeningspanel

For model S 138i

Fejl	Fejlkode (antal blink)	Mulige fejl	Mulig løsning
Fejl-LED blinker	3	Motoren er overbelastet.	Reducer arbejdsdybden. Se <i>Sådan indstilles arbejdsdybden på side 95</i> . Hvis fejl-LED'en fortsat blinker, er vertikalskærerudstyret blokeret. For at undgå utilsigtet start, skal du dreje sikkerhedsnøglen til 0, fjerne batteriet og vente i mindst 5 sekunder. Sørg for, at vertikalskærerudstyret kan bevæge sig frit. Hvis problemet fortsætter, skal du kontakte et autoriseret serviceværksted.
	5	Motoromdrejningstallet falder for meget, og motoren standser.	
	9	Kontrolenheden til motoren er for varm.	Standt motoren, og vent, indtil den er blevet kold.
	7	Batterifejl eller intet signal fra batteri.	Isæt batteriet korrekt i produktet, og efterse batteristicket. Hvis fejl-LED'en på batteriet blinker, se <i>Batteriets ladestatus på side 96</i> .
Produktet standser		Batteriet er svagt.	Oplad batteriet. Se <i>Sådan oplades batteriet på side 95</i> .
	6	Batteriet er svagt.	Oplad batteriet. Se <i>Sådan oplades batteriet på side 95</i> .
	0	Fejl ved batteristik.	Efterse batteristicket.
Andre fejl	Hvis der opstår andre fejl, skal du dreje tændingsnøglen til 0, afmontere batteriet og kontakte et godkendt serviceværksted.		

## Transport, opbevaring og bortskaffelse

### Transport

- Lovkravene om farligt gods gælder for de indeholdte li-ion-batterier.
- Ved kommerciel transport skal særlige krav vedrørende emballering og mærkning overholdes.
- Sørg for at overholde bestemmelserne for farligt materiale, når du klargør produktet til transport. Lokale bestemmelser kan være gældende.
- Fjern altid batteriet ved transport.
- Sæt tape på batteristikkene, og sørg for, at batteriet ikke kan rykke sig under transporten.
- Fastspænd produktet under transport.

### Opbevaring

- Fjern altid batteriet ved opbevaring.
- For at forhindre ulykker, skal du sørge for, at batteriet ikke er tilsluttet produktet under opbevaring.
- Opbevar batteriopladeren et lukket og tørt sted.
- Opbevar batteriet og batteriopladeren et tørt sted, hvor der ikke er fugt eller frost.

- Afbryd forbindelsen mellem batteriet og batteriopladeren under opbevaring.
- Batteriet må ikke opbevares, hvor der kan forekomme statisk elektricitet. Opbevar ikke batteriet i en metalkasse.
- Opbevar batteriet ved temperaturer mellem 5 °C og 25 °C og væk fra sollys.
- Opbevar batteriopladerne ved temperaturer mellem 5 °C og 45°C og væk fra sollys.
- Sørg for, at batteriet er ladet op til 30 % - 50 %, før du sætter det til opbevaring i længere tid.
- Opbevar produktet, batteriet og batteriopladeren et låst sted, der er utilgængeligt for børn og ikke-godkendte personer.
- Rengør produktet, og udfør fuld service, før du sætter produktet til opbevaring i længere tid.

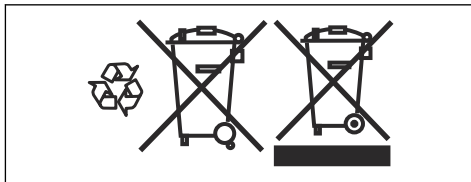
### Bortskaffelse

Symbolerne på produktet eller emballagen angiver, at produktet ikke må behandles som almindeligt husholdningsaffald. Det skal afleveres til en passende

genbrugsstation med henblik på genvinding af elektrisk og elektronisk udstyr.

Hvis du sørger for, at dette produkt håndteres korrekt, kan du være med til at modvirke potentielle negative indvirkninger på mennesker og miljø, som ellers kan være et resultat af fejlagtig affaldshåndtering i forbindelse med dette produkt. Nærmere oplysninger om genanvendelse af dette produkt fås hos kommunen, det

lokale renovationselskab eller forretningen, hvor produktet er købt.



## Tekniske data

### Tekniske data

	S 138i	S 138C
<b>Motor</b>		
Motortype	BLDC (børsteløs) 36 V	Serie-AC-motor
Omdrejningstal for udstyr - SavE, o/min.	3000	N/A
Omdrejningstal for udstyr - nominelt, o/min.	3200	4200
Motoreffekt - maks. kW	1,28	1,8
Motoreffekt - nominel, kW	0,9	1,6
<b>Vægt</b>		
Vægt, kg	19,5 (uden batteri)	19,0
<b>Batteri</b>		
Batteritype	Husqvarna Batteriserie	NA
<b>Batteriets driftstid</b>		
Batteriets driftstid, min. (friløb) med SavE aktiveret, med et 5,2 Ah Husqvarna-batteri (Bli200).	115	NA
Batteriets driftstid, min. (friløb) med standardtilstand aktiveret, med et 5,2 Ah Husqvarna-batteri (Bli200).	102	NA
<b>Støjemissioner <sup>10</sup></b>		
Lydeffektniveau, målt dB (A)	89,2	95,7
Lydeffektniveau, garanteret L <sub>WA</sub> dB (A)	91	98
<b>Lyd niveauer <sup>11</sup></b>		
Lydtryksniveau ved brugerens øre, dB (A)	75,3	81,7
<b>Vibrationsniveauer <sup>12</sup></b>		
Håndtag, m/s <sup>2</sup>	5,5	8,3
<b>Drift</b>		
Arbejdsdybde, maks. /min., mm	-8/+5	-8/+5

<sup>10</sup> Emission af støj til omgivelserne målt som lydeffekt (L<sub>WA</sub>) i henhold til EF-direktiv 2000/14/EF.

<sup>11</sup> Rapporterede data for støjtryksniveau har en typisk statistisk spredning (standardafvigelse) på 1,2 dB (A).

<sup>12</sup> Rapporterede data for vibrationsniveau har en typisk statistisk spredning (standardafvigelse) på 0,2 m/s<sup>2</sup>.

	<b>S 138i</b>	<b>S 138C</b>
Arbejdsbredde, cm	37,5	37,5
Deltaknive, tilbehør	5973510-01	5973510-01
Fjederknive, tilbehør	5973509-01	5973509-01
Græsopsamlerens kapacitet, l	45	45

<b>Godkendte batterier</b>	<b>Type</b>	<b>Batterikapacitet, Ah</b>	<b>Spænding, V</b>	<b>Vægt, lb/kg</b>
BLi20	Lithiumion	4,0	36	2.6/1.2
BLi200	Lithiumion	5,2	36	2.8/1.3
BLi300	Lithiumion	9,4	36	4,1/1,9

<b>Godkendte opladere til de angivne batterier, BLi</b>	<b>Indgangsspænding, V</b>	<b>Frekvens, Hz</b>	<b>Effekt, watt</b>
QC80	100-240	50-60	80
QC80F	12	0	80
QC330	100-240	50-60	330
QC500	100-240	50-60	500



---

# EU-overensstemmelseserklæring

---

## EU-overensstemmelseserklæring

**Husqvarna AB**, SE-561 82 Huskvarna, Sverige, tlf.:  
+46-36-146500 erklærer, at **vertikalskærere Husqvarna**  
**S 138i** fra serienummer 2018XXXXXX og fremad  
overholder forskrifterne i RÅDETS DIREKTIV:

- af 8. juni 2011 angående "begrænsning af anvendelsen af visse farlige stoffer" **2011/65/EU**
- af den 17. maj 2006 "angående maskiner" **2006/42/EF**
- af den 26. februar 2014 "angående elektromagnetisk kompatibilitet" **2014/30/EU**
- af den 8. maj 2000 "angående emission af støj til omgivelserne" **2000/14/EF**

Vedr. oplysninger om støjafgivelse: Se afsnittet om tekniske specifikationer.

Følgende standarder har fundet anvendelse:

**EN 60335-1:2012+A11:2014+A13:2017, EN 50636-2-92:2014, EN 55014-1:2017, EN 55014-2:2015**

Huskvarna, 2019-01-15



Claes Losdal, udviklingschef/haveprodukter (autoriseret repræsentant for Husqvarna AB og ansvarlig for teknisk dokumentation)

---

# EU-overensstemmelseserklæring

---

## EU-overensstemmelseserklæring

Husqvarna AB, SE-561 82 Huskvarna, Sverige, tlf.:  
+46-36-146500 erklærer, at **vertikalskærere Husqvarna  
S 138C** fra serienummer 2018XXXXXXX og fremefter  
overholder forskrifterne i RÅDETS DIREKTIV:

- af 8. juni 2011 angående "begrænsning af  
anvendelsen af visse farlige stoffer" **2011/65/EU**
- af den 17. maj 2006 "angående maskiner"  
**2006/42/EF**
- af den 26. februar 2014 "angående elektromagnetisk  
kompatibilitet" **2014/30/EU**
- af den 8. maj 2000 "angående emission af støj til  
omgivelserne" **2000/14/EF**

Vedr. oplysninger om støjafgivelse: Se afsnittet om  
tekniske specifikationer.

Følgende standarder har fundet anvendelse:

**EN 60335-1:2012+A11:2014+A13:2017, EN  
50636-2-92:2014, EN 55014-1:2017, EN 55014-2:2015,  
EN 61000-3-2:2014, EN 61000-3-11:2000**

Huskvarna, 2019-01-15



Claes Losdal, udviklingschef/haveprodukter (autoriseret  
repræsentant for Husqvarna AB og ansvarlig for teknisk  
dokumentation)

---

## Inhalt

---

Einleitung.....	107	Fehlerbehebung.....	128
Sicherheit.....	111	Transport, Lagerung und Entsorgung.....	129
Montage.....	120	Technische Angaben.....	130
Betrieb.....	122	EG-Konformitätserklärung.....	132
Wartung.....	126	EG-Konformitätserklärung.....	133

---

## Einleitung

---

### Gerätebeschreibung

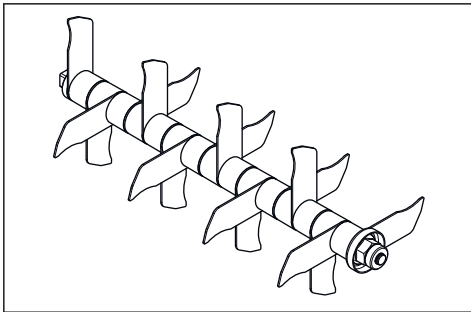
Bei dem Gerät handelt es sich um einen handgeführten elektrischen Vertikutierer. Das Gerät entfernt Moos aus dem Rasen und lockert den Boden, um Luft und Wasser in den Rasen zu lassen. Den Rasenfilz wird in einem Grasfängers gesammelt oder auf dem Rasen verteilt. Das Gerät verfügt über zwei Vertikutiererauflagen.

### Vertikutiererauflattung

Informationen zum Austauschen der Vertikutiererauflattung finden Sie unter *So ersetzen Sie den Vertikutierer auf Seite 127.*

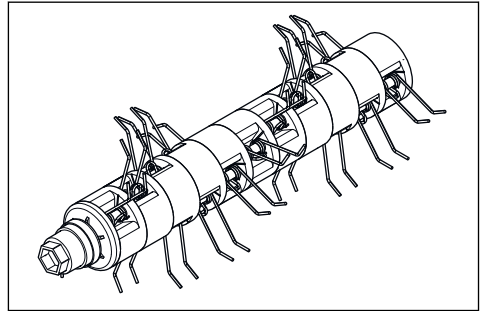
### Deltaklinge

Die Deltaklingen entfernen Moos und schneiden die Graswurzeln senkrecht. Verwenden Sie die Deltaklingen an Hängen, auf Terrassen und sowie auf sehr lehmreichen Böden. Die Deltaklingen ermöglichen ein Eindringen von Wasser in den Rasen und verhindern, dass sich Wasser auf der Oberfläche sammelt.



### Federzähne

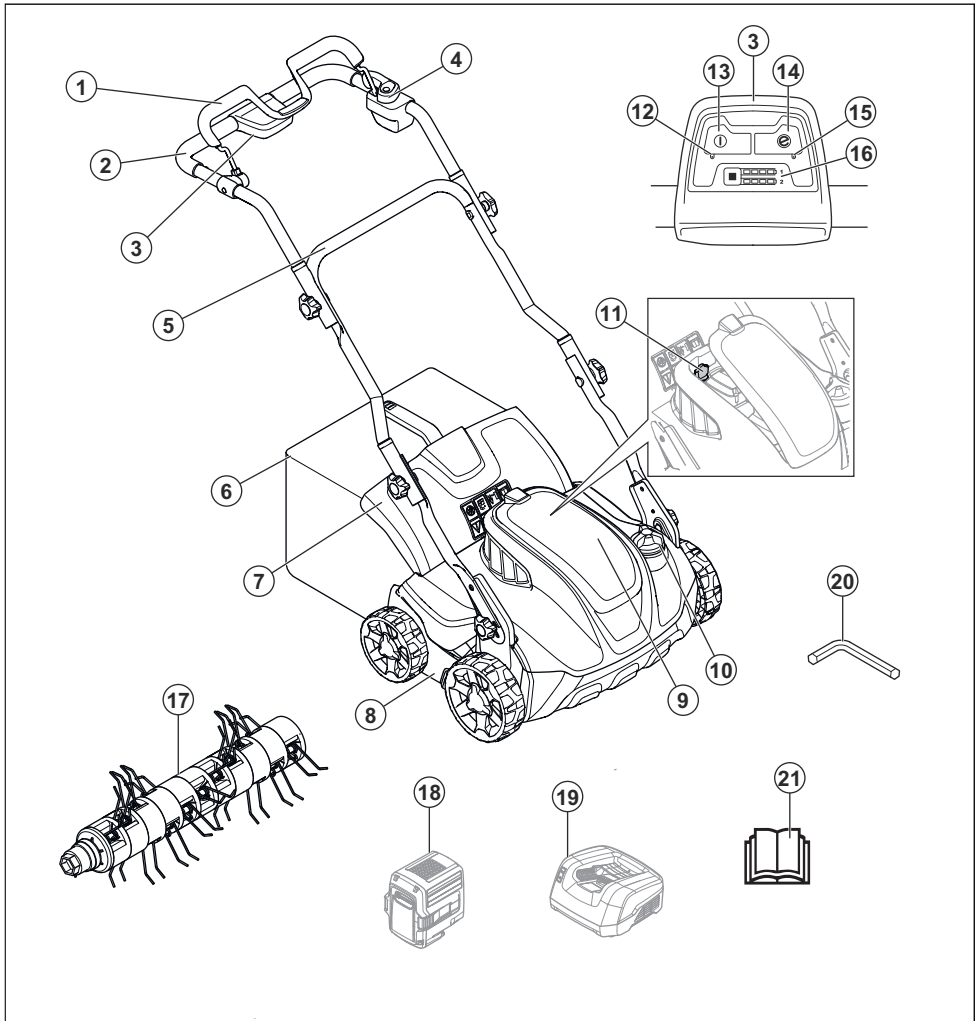
Die Federzähne entfernen vorsichtig abgestorbenes Gras und Rasenfilz aus dem Rasen, ohne die Graswurzeln zu beschädigen.



### Verwendungszweck

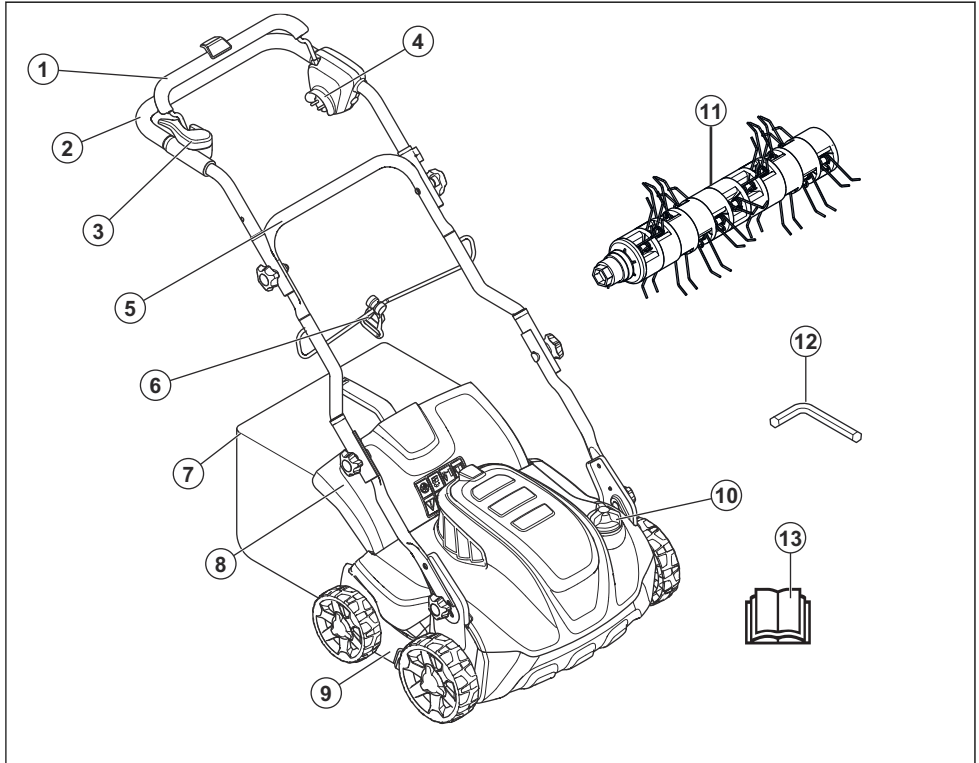
Verwenden Sie das Gerät zum Entfernen von Rasenfilz und Moos und zum Lockern des Bodens in privaten Gärten. Verwenden Sie das Gerät nicht für andere Aufgaben.

## Geräteübersicht des Modells S 138i



- |  |   |
|--|---|
| 1. Motorbremsbügel                     | 12. EIN/AUS-LED-Anzeige                   |
| 2. Oberer Griff                        | 13. EIN-/AUS-Schalter                     |
| 3. Bedienfeld                          | 14. SavE-Taste (Energiespartaste)         |
| 4. Startsperr                          | 15. SavE-LED-Anzeige                      |
| 5. Unterer Griff                       | 16. Anzeige Akkuladestatus und Akku-Taste |
| 6. Grasfänger                          | 17. Federzähne                            |
| 7. Heckklappe                          | 18. Akku (Zubehör)                        |
| 8. Vertikutiererabdeckung              | 19. Ladegerät (Zubehör)                   |
| 9. Akkudeckel                          | 20. Inbusschlüssel                        |
| 10. Einstellknopf für die Arbeitstiefe | 21. Bedienungsanleitung                   |
| 11. Sicherheitsschlüssel               |   |

## Geräteübersicht des Modells S 138C



1. Motorbrambügel
2. Oberer Griff
3. Startsperr
4. Netzanschluss
5. Unterer Griff
6. Kabelklemme
7. Grasfänger
8. Heckklappe
9. Vertikutiererabdeckung
10. Einstellknopf für die Arbeitstiefe
11. Federzähne
12. Inbusschlüssel
13. Bedienungsanleitung

Tode des Bedieners oder anderer Personen führen.



Lesen Sie die Bedienungsanleitung, und machen Sie sich mit den Anweisungen vertraut, bevor Sie dieses Gerät verwenden.

### Symbole auf dem Gerät



Warnung: Unvorsichtige oder unsachgemäße Verwendung kann zu Verletzungen oder zum



Achten Sie auf hochgeschleuderte und abfallende Gegenstände.



Andere Personen oder Tiere müssen sich in sicherem Abstand vom Arbeitsbereich befinden.



Warnung: Halten Sie Hände und Füße von der rotierenden Klinge fern.



Entfernen Sie den Sicherheitsschlüssel, bevor Sie Wartungsarbeiten am Gerät (Modell S 138i) durchführen.



Trennen Sie vor Wartungsarbeiten das Gerät (Modell S 138C) vom Stromnetz.



Stromschlaggefahr (Modell S 138C).



Setzen Sie das Gerät keinem Regen aus (Modell S 138i).



Warnung: Mähen Sie nicht über das Netzkabel. Dies kann zu einem elektrischen Schlag und Schäden am Gerät (Modell S 138C) führen.

**IPX4** Dieses Gerät ist gegen Spritzwasser geschützt.



Dieses Gerät entspricht den geltenden EAC-Richtlinien.



Dieses Gerät stimmt mit den geltenden CE-Richtlinien überein.



Das Gerät stimmt mit den geltenden UkrSEPRO-Richtlinien überein.



Umweltbelastende Geräuschemissionen gemäß der Richtlinie der Europäischen Gemeinschaft. Die Emission des Geräts ist im Abschnitt „Technische Daten“ und auf dem Geräteschild angegeben.



Doppelte Isolierung (Modell S 138C).



Recyceln Sie dieses Gerät an einer Recyclingstation für elektrische und elektronische Geräte. (nur für Europa)



Startvorgang  
Modell S 138i:  
Drücken Sie  
die EIN-/AUS-  
Taste, lösen  
Sie die Start-  
sperre, und  
drücken Sie  
den Motor-  
bremsgriff nach  
unten.



Scanbarer Code.

---

**Hinweis:** Sonstige Symbole/Aufkleber auf dem Gerät beziehen sich auf Zertifizierungsanforderungen, die in einigen Märkten gelten.

---

### Produkthaftung

Im Sinne der Produkthaftungsgesetze übernehmen wir keine Haftung für Schäden, die unser Gerät verursacht, wenn...

- das Gerät nicht ordnungsgemäß repariert wird.
- das Gerät mit Teilen repariert wird, die nicht vom Hersteller stammen oder nicht vom Hersteller zugelassen sind.
- ein Zubehörteil mit dem Gerät verwendet wird, das nicht vom Hersteller stammt oder nicht vom Hersteller zugelassen ist.
- das Gerät nicht bei einem zugelassenen Service Center oder von einem zugelassenen Fachmann repariert wird.



Startvorgang Modell S  
138C: Lösen Sie die  
Startsperre, und drücken  
Sie den Motorbremsgriff  
nach unten.



Lassen Sie den  
Motorbremsgriff los, um  
den Motor zu stoppen.

---

## Sicherheit

---

### Sicherheitsdefinitionen

Warnungen,  
Vorsichtsmaßnahmen und  
Hinweise werden verwendet,  
um auf besonders wichtige  
Teile der Bedienungsanleitung  
hinzuweisen.



---

**WARNUNG:** Wird  
verwendet, wenn bei  
Nichtbeachtung der  
Anweisungen in diesem  
Handbuch die Gefahr

von Verletzung oder Tod  
des Bedieners oder  
anderer Personen  
besteht.

---



---

**ACHTUNG:** Wird  
verwendet, wenn bei  
Nichtbeachtung der  
Anweisungen in diesem  
Handbuch die Gefahr  
von Schäden am Gerät,  
an anderen Materialien

oder in der Umgebung besteht.

---

**Hinweis:** Für weitere Informationen, die in bestimmten Situationen nötig sind.

---

## Allgemeine Sicherheitshinweise

---



**WARNUNG:** Lesen Sie die folgenden Warnhinweise, bevor Sie das Gerät benutzen.

---

- Dieses Produkt ist gefährlich, wenn es falsch verwendet wird oder wenn Sie nicht vorsichtig sind. Wenn die Sicherheitshinweise nicht befolgt werden, kann es zu Verletzungen oder zum Tod führen.
- Dieses Gerät erzeugt beim Betrieb ein elektromagnetisches Feld. Dieses Feld kann sich unter bestimmten Bedingungen auf die Funktionsweise aktiver oder passiver medizinischer Implantate auswirken. Um die Gefahr von Situationen, die zu schweren oder tödlichen Verletzungen führen können, zu reduzieren, sollten Personen mit einem medizinischen Implantat vor der Nutzung dieses Geräts ihren Arzt und den Hersteller des Implantats konsultieren.
- Lassen Sie immer Vorsicht walten und arbeiten Sie mit gesundem Menschenverstand. Wenn Sie nicht sicher sind, wie Sie das Produkt in einer besonderen Situation betreiben müssen, hören Sie auf und sprechen Sie mit Ihrem Husqvarna Händler, bevor Sie fortfahren.
- Denken Sie daran, dass der Bediener für Unfälle mit anderen Personen oder deren Eigentum verantwortlich ist.
- Halten Sie das Produkt sauber. Stellen Sie sicher, dass Sie die Zeichen und Abziehbilder deutlich lesen können.
- Lassen Sie keine Person das Produkt verwenden, es sei denn, Sie haben vorher sichergestellt, dass die Person den Inhalt der Bedienungsanleitung gelesen und verstanden hat.
- Lassen Sie nicht zu, dass Kinder das Gerät verwenden.
- Erlauben Sie nicht, dass Personen ohne Kenntnis der Anweisungen das Gerät bedienen.



- Stellen Sie sicher, dass Personen mit verminderter physischer oder psychischer Leistungsfähigkeit dieses Gerät nicht unbeobachtet verwenden. Es muss immer ein verantwortlicher Erwachsener anwesend sein.
  - Benutzen Sie das Produkt nicht, wenn Sie müde oder krank sind oder unter Einfluss von Alkohol, Drogen oder Medikamenten stehen. Dies wirkt sich negativ auf Ihre Sehkraft, Ihre Wachsamkeit sowie Ihr Koordinations- und Urteilsvermögen aus.
  - Verwenden Sie das Produkt nicht, wenn es defekt ist.
  - Verändern oder verwenden Sie dieses Produkt nicht, wenn es möglich ist, dass andere es verändert haben.
- herausgeschleudert werden und Personen und Gegenständen Schaden zufügen. Halten Sie andere Personen und Tiere in einem sicheren Abstand zum Gerät.
- Benutzen Sie das Gerät niemals bei schlechtem Wetter wie Nebel, Regen, starkem Wind, intensiver Kälte und bei der Gefahr eines Blitzeinschlags. Die Verwendung des Geräts bei schlechtem Wetter oder an feuchten oder nassen Stellen ist anstrengend. Schlechtes Wetter kann gefährliche Zustände wie rutschige Oberflächen verursachen.
  - Achten Sie auf Personen, Gegenstände und Situationen, die einen sicheren Betrieb des Geräts verhindern könnten.
  - Achten Sie auf Hindernisse wie Wurzeln, Steine, Zweige, Löcher und Gräben. Langes Gras kann Hindernisse verdecken.
  - Der Betrieb der Geräts an Steigungen kann gefährlich sein. Verwenden Sie das Gerät nicht in einem Gelände mit einer Neigung von mehr als 15°.
  - Betreiben Sie das Gerät quer zum Hang. Bewegen Sie sich

## Sicherheit im Arbeitsbereich



**WARNUNG:** Lesen Sie die folgenden Warnhinweise, bevor Sie das Gerät benutzen.

- Entfernen Sie Gegenstände wie Äste, Zweige und Steine aus dem Arbeitsbereich, bevor Sie das Gerät verwenden.
- Gegenstände, die auf den Vertikutierer treffen, können

nicht nach oben und nach unten.

- Seien Sie vorsichtig, wenn Sie um versteckte Ecken oder Objekte herum fahren, die Ihre freie Sicht verhindern.

## Arbeitssicherheit

---



**WARNUNG:** Lesen Sie die folgenden Warnhinweise, bevor Sie das Gerät benutzen.

---

- Verwenden Sie dieses Gerät zum Entfernen von Rasenfilz und Moos aus Rasenflächen. Es ist nicht erlaubt, das Gerät für andere Aufgaben zu verwenden.
- Benutzen Sie eine persönliche Schutzausrüstung. Siehe *Persönliche Schutzausrüstung auf Seite 115*.
- Verwenden Sie das Gerät nicht im Regen oder in feuchter Umgebung. Das Risiko eines elektrischen Schlags wird erhöht, wenn Wasser in das Gerät eindringt.
- Starten Sie das Gerät nicht, bevor der Vertikutierer und alle Abdeckungen korrekt befestigt sind. Ein falsch befestigter Vertikutierer kann sich lösen und Personenschaden verursachen.
- Stellen Sie sicher, dass der Vertikutierer nicht auf Gegenstände wie Steine und Wurzeln trifft. Dies kann den Vertikutierer beschädigen und die Motorwelle verbiegen. Eine verbogene Achse führt zu starken Vibrationen und birgt ein hohes Risiko, dass sich der Vertikutierer löst.
- Wenn der Vertikutierer auf ein Objektiv trifft oder Vibrationen auftreten, müssen Sie das Gerät sofort abstellen. Halten Sie den Motor an, drehen Sie den Sicherheitsschlüssel auf „0“ und entfernen Sie den Akku (Modell S 138i) bzw. ziehen Sie das Netzkabel ab (Modell S 138C). Untersuchen Sie das Gerät auf beschädigte Teile. Reparieren Sie Schäden oder lassen Sie einen autorisierten Kundendienst die Reparatur durchführen.
- Befestigen Sie den Motorbremsbügel niemals fest am Griff, wenn der Motor läuft.
- Stellen Sie das Gerät auf eine stabile, flache Oberfläche und starten Sie es. Stellen Sie sicher, dass der Vertikutierer nicht den Boden oder ein anderes Objekt berührt.
- Bleiben Sie immer hinter dem Gerät, wenn Sie es betreiben.

- Lassen Sie alle Räder auf dem Boden bleiben und halten Sie den Griff mit 2 Händen, wenn Sie das Gerät betreiben. Halten Sie Hände und Füße von dem rotierenden Vertikutierer fern.
- Kippen Sie das Gerät nicht, wenn der Motor läuft.
- Seien Sie vorsichtig, wenn Sie das Gerät nach hinten ziehen.
- Heben Sie das Gerät nicht hoch, wenn der Motor läuft. Wenn Sie das Gerät anheben müssen, schalten Sie zuerst den Motor aus, drehen Sie den Sicherheitsschlüssel auf „0“ und entfernen Sie den Akku (Modell S 138i) bzw. ziehen Sie das Netzkabel ab (Modell S 138C).
- Gehen Sie nicht rückwärts, wenn Sie das Gerät betreiben.
- Stellen Sie den Motor ab, wenn Sie sich über Bereiche ohne Gras bewegen, zum Beispiel Wege aus Kies, Stein und Asphalt.
- Rennen Sie nicht mit dem Gerät, wenn der Motor läuft. Gehen Sie immer, wenn Sie das Gerät benutzen.
- Stellen Sie den Motor ab, bevor Sie die Arbeitstiefe verändern. Verändern Sie die

Einstellungen niemals, wenn der Motor läuft.

- Lassen Sie das Gerät niemals aus den Augen, wenn der Motor läuft. Stellen Sie den Motor ab und stellen Sie sicher, dass sich der Vertikutierer nicht dreht.

## Sicherheitshinweise für den Betrieb

### Persönliche Schutzausrüstung

Bei der Benutzung des Gerätes muss die vorgeschriebene persönliche Schutzausrüstung angewendet werden. Die persönliche Schutzausrüstung beseitigt nicht die Unfallgefahr, begrenzt aber den Umfang der Verletzungen und Schäden. Bei der Wahl der Schutzausrüstung einen Fachhändler um Rat fragen.

Benutzen Sie immer:

- Gehörschutz, um das Risiko von Gehörschäden zu verringern.
- Rutschfeste und stabile Stiefel oder Schuhe. Gehen Sie nicht barfuß. Tragen Sie keine Sandalen.
- Schwere, lange Hose. Tragen Sie keine kurzen Hosen.

Tragen Sie Handschuhe wenn erforderlich, beispielsweise bei der Montage, Kontrolle oder Reinigung des Vertikutierers.



**WARNUNG:** Tragen Sie einen zugelassenen Gehörschutz. Eine längerfristige Beschallung mit Lärm kann zu bleibenden Gehörschäden führen.

### Sicherheitsvorrichtungen am Gerät



**WARNUNG:** Lesen Sie die folgenden Warnhinweise, bevor Sie das Gerät benutzen.

- Benutzen Sie kein Gerät mit defekten Sicherheitsvorrichtungen.
- Führen Sie regelmäßig eine Überprüfung der Sicherheitsvorrichtungen durch. Wenn die Sicherheitsvorrichtungen defekt sind, wenden Sie sich an Ihre Husqvarna-Servicewerkstatt.

### So prüfen Sie die Abdeckungen

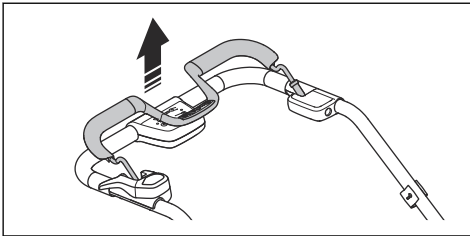
Die Vertikutiererrabdeckung verringert Vibrationen im Gerät und das Verletzungsrisiko durch den Vertikutierer.

- Untersuchen Sie die seitliche Vertikutiererabdeckung, um sicherzustellen, dass es keine Beschädigungen wie zum Beispiel Risse gibt.
- Untersuchen Sie die hintere Abdeckung, um sicherzustellen, dass es keine Beschädigungen wie zum Beispiel Risse gibt.

### Motorbremsbügel

Der Motorbremsbügel stoppt den Motor. Wenn der Motorbremsbügel losgelassen wird, stoppt der Motor.

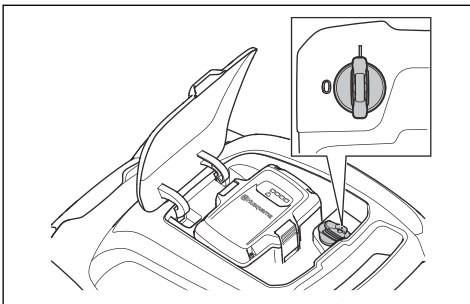
Um eine Prüfung der Motorbremse durchzuführen, starten Sie den Motor und lassen dann den Motorbremsbügel los. Wenn der Motor nicht innerhalb von 3 Sekunden stoppt, lassen Sie die Motorbremse von einer autorisierten Husqvarna Servicewerkstatt einstellen.



### Sicherheitsschlüssel

Der Sicherheitsschlüssel befindet sich unter der Akkuabdeckung. Mit dem Sicherheitsschlüssel wird der Akku angeschlossen, der den Motor mit Strom versorgt.

- Starten und stoppen Sie den Motor, um den Sicherheitsschlüssel zu kontrollieren.
- Wenn der Sicherheitsschlüssel ordnungsgemäß funktioniert, startet der Motor nur, wenn der Schlüssel auf Position „1“ gedreht wird.

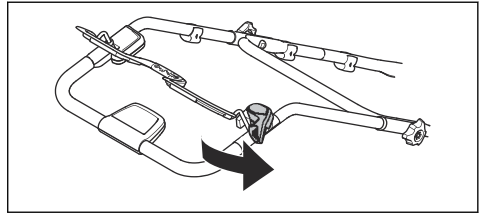


### So überprüfen Sie die Startsperr

Führen Sie eine Prüfung der Startsperr durch, um sicherzustellen, dass diese den Betrieb des Motors verhindert.

1. Drücken Sie den Motorbremsbügel in die Richtung des Lenkers. Die Startsperr stoppt die Bewegung.

2. Drücken Sie die Startverzögerung heraus.

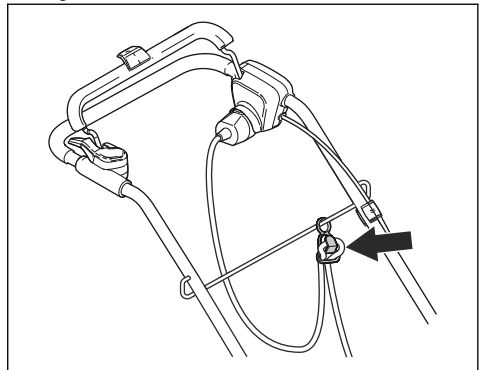


3. Lösen Sie die Startsperr und stellen Sie sicher, dass sie sich zurück in die Ausgangsstellung bewegt.

### Verwendung des Netzkabelhalters (Modell S 138C)

Der Netzkabelhalter reduziert die Belastung für Steckdose und Netzkabel. Der Netzkabelhalter verringert auch das Risiko eines Sturzes.

1. Biegen Sie das Netzkabel in eine kleine Schleife.
2. Legen Sie die Schleife in die Öffnung im Netzkabelhalter.
3. Legen Sie die Schleife um den Haken.
4. Ziehen Sie am Netzkabel, um die Schleife am Haken enger zu ziehen.



### Sicherer Umgang mit Akkus



**WARNUNG:** Lesen Sie die folgenden Warnhinweise, bevor Sie das Gerät benutzen.

- Verwenden Sie die wiederaufladbaren Akkus von Husqvarna nur als

Stromversorgung für zugehörige Husqvarna Produkte. Um Verletzungen zu vermeiden, verwenden Sie den Akku nicht zur Energieversorgung anderer Geräte.

- Verwenden Sie keine nicht aufladbaren Akkus.
- Es besteht die Gefahr von elektrischen Schlägen. Verbinden Sie die Akkuklemmen nicht mit Schlüsseln, Münzen, Schrauben oder anderen metallischen Gegenständen. Dadurch kann es zu einem Kurzschluss des Akkus kommen.
- Legen Sie keine Gegenstände in die Luftschlitze des Akkus.
- Halten Sie den Akku von direkter Sonneneinstrahlung, Hitze oder offenem Feuer fern. Der Akku kann explodieren und Verbrennungen und/oder chemische Verbrennungen verursachen.
- Halten Sie den Akku von Regen und Feuchtigkeit fern.
- Halten Sie den Akku von Mikrowellen und hohem Druck fern.
- Versuchen Sie nicht, den Akku zu zerlegen oder aufzubrechen.

- Wenn aus dem Akku Flüssigkeit austritt, vermeiden Sie Haut- oder Augenkontakt mit dieser. Sollten Sie dennoch mit der Flüssigkeit in Berührung gekommen sein, reinigen Sie den Bereich mit ausreichend Wasser und suchen Sie medizinische Hilfe auf.
- Der Akku darf nur bei Temperaturen zwischen -10 und 40 °C verwendet werden.
- Reinigen Sie weder den Akku noch das Ladegerät mit Wasser. Siehe *So reinigen Sie den Akku und das Ladegerät auf Seite 127*.
- Verwenden Sie keine fehlerhaften oder beschädigten Akkus.
- Lagern Sie Akkus getrennt von Metallgegenständen wie Nägeln, Münzen und Schmuck.

### Sicherer Umgang mit dem Ladegerät



**WARNUNG:** Lesen Sie die folgenden Warnhinweise, bevor Sie das Gerät benutzen.

---

- Verwenden Sie die QC Ladegeräte nur zum Laden von Husqvarna Akkus.
- Stromschlag- oder Kurzschlussgefahr. Legen Sie keine Gegenstände in die Luftschlitze des Ladegeräts. Das Ladegerät nicht zerlegen. Verbinden Sie die Anschlüsse des Ladegeräts nicht mit Metallgegenständen. Verwenden Sie eine geprüfte Netzsteckdose.
- Dieses Gerät erzeugt beim Betrieb ein elektromagnetisches Feld. Dieses Feld kann sich unter bestimmten Bedingungen auf die Funktionsweise aktiver oder passiver medizinischer Implantate auswirken. Um die Gefahr von Situationen, die zu schweren oder tödlichen Verletzungen führen können, auszuschließen, sollten Personen mit einem medizinischen Implantat vor der Nutzung dieses Gerätes ihren Arzt und den Hersteller des Implantats konsultieren.
- Prüfen Sie regelmäßig, dass das Netzkabel des Akkuladegeräts nicht beschädigt ist und dass keine Risse vorhanden sind.
- Heben Sie das Ladegerät nicht am Netzkabel an. Um das Ladegerät von der Steckdose zu trennen, ziehen Sie am Netzstecker. Ziehen Sie nicht am Netzkabel.
- Achten Sie darauf, dass Netzkabel und Verlängerungskabel nicht mit Wasser, Öl oder scharfen Kanten in Berührung kommen. Achten Sie darauf, dass die Kabel nicht in Türen, Zäunen o. ä. eingeklemmt werden. Es besteht sonst die Gefahr, dass das Ladegerät unter Strom gestellt wird.
- Reinigen Sie das Ladegerät nicht mit Wasser.
- Das Akkuladegerät kann von Kindern ab 8 Jahren sowie von Personen mit eingeschränkten physischen, sensorischen oder psychischen Fähigkeiten bzw. Personen ohne jegliche Erfahrung oder Kenntnisse verwendet werden, wenn sie beaufsichtigt werden oder ihnen die sichere Verwendung des Ladegeräts ausführlich erklärt wurde und sie sich der Gefahren bewusst sind. Kinder dürfen nicht mit dem Ladegerät spielen. Die Reinigung und Wartung durch den Anwender darf nicht von Kindern ohne Aufsicht durchgeführt werden.

- Setzen Sie keine nicht wiederaufladbaren Akkus in das Ladegerät ein.
  - Das Ladegerät darf nicht in der Nähe von entflammaren Materialien oder Materialien, die Korrosion verursachen können, verwendet werden. Das Ladegerät darf nicht abgedeckt werden. Bei Rauchentwicklung oder Feuer muss der Stecker des Ladegeräts sofort aus der Steckdose gezogen werden.
  - Verwenden Sie keine fehlerhaften oder beschädigten Ladegeräte.
  - Laden Sie den Akku nur in geschlossenen Räumen an einem Ort mit guter Luftzirkulation und ohne direkte Sonneneinstrahlung. Auf keinen Fall Akkus in feuchter Umgebung laden.
- befolgt werden müssen. Überprüfen Sie den FI-Schutzschalter bei jeder Verwendung.
- Trennen Sie das Kabel sofort von der Stromversorgung, wenn das Netzkabel eingeschnitten oder die Isolierung beschädigt ist.
  - Berühren Sie das eingeschnittene oder beschädigte Elektrokabel erst, wenn es von der Stromversorgung getrennt wurde.
  - Reparieren Sie kein eingeschnittenes oder beschädigtes Netzkabel. Ersetzen Sie es durch ein neues.

#### Netzkabelsicherung

Für Modell S 138C.

- Die Verwendung einer Fehlerstromschutzvorrichtung (FI) mit einem Auslösestrom von höchstens 30 mA wird empfohlen. Auch bei installiertem FI-Schutzschalter kann eine 100 %-ige Sicherheit nicht garantiert werden, weshalb immer sichere Arbeitsmethoden

#### Sicherheitshinweise für die Wartung



**WARNUNG:** Lesen Sie die folgenden Warnhinweise, bevor Sie das Gerät benutzen.

---

- Für Modell S 138i: Um ein unbeabsichtigtes Starten während der Wartung zu vermeiden, drehen Sie den Sicherheitsschlüssel auf 0 und nehmen Sie den Akku heraus. Warten Sie mindestens 5

Sekunden, bevor Sie mit der Wartung beginnen.

- Für Modell S 138C: Ziehen Sie das Netzkabel ab, um ein versehentliches Starten während der Wartungsarbeiten zu verhindern.
- Führen Sie die Wartungsarbeiten zur Erhöhung der Lebensdauer des Geräts und Verringerung der Unfallgefahr ordnungsgemäß aus. Lassen Sie professionelle Reparaturarbeiten von einer zugelassenen Servicewerkstatt durchführen. Weitere Informationen erhalten Sie von Ihrer Servicewerkstatt.
- Führen Sie die Wartung nur gemäß dieser Betriebsanleitung durch. Größere Eingriffe sind von einer zugelassenen Servicewerkstatt auszuführen.
- Tragen Sie beim Umgang mit dem Vertikutierer schwere Arbeitshandschuhe. Der

Vertikutierer ist sehr scharf und man schneidet sich sehr leicht.

- Halten Sie die Klingen des Vertikutierers sauber und scharf, um die beste und sicherste Leistung zu erreichen.
- Ihre Servicewerkstatt sollte das Gerät regelmäßig überprüfen und notwendige Einstellungen und Reparaturen vornehmen.
- Ersetzen Sie beschädigte, abgenutzte oder defekte Teile.
- Befolgen Sie die Anweisungen für das Auswechseln von Zubehörteilen. Verwenden Sie nur Zubehör vom Gerätehersteller.
- Wenn es nicht in Betrieb ist, bewahren Sie Gerät, Akku und Ladegerät getrennt an einem trockenen und abgeschlossenen Ort auf. Achten Sie darauf, dass Kinder und unbefugte Personen keinen Zugriff auf das Gerät, den Akku oder das Ladegerät haben.

---

## Montage

---

### Einleitung



**WARNUNG:** Lesen Sie das Kapitel über Sicherheit vor der Montage des Produkts.



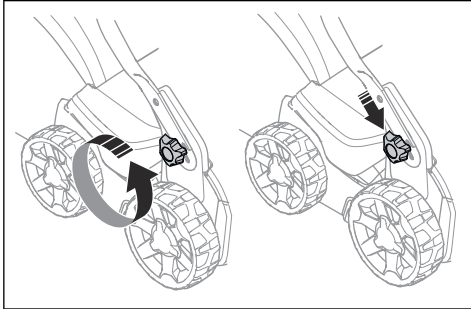
**WARNUNG:** Für Modell S 138i: Um ein unbeabsichtigtes Starten bei der Montage zu verhindern, drehen Sie den Sicherheitsschlüssel auf 0, entfernen Sie den Akku und warten Sie mindestens 5 Sekunden.



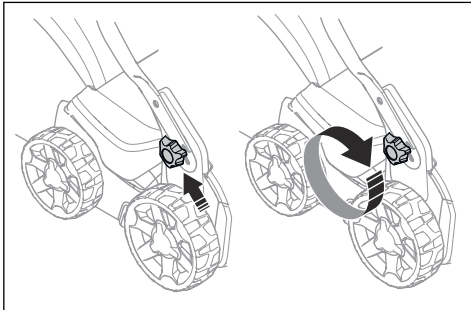
Für Modell S 138C: Ziehen Sie das Netzkabel ab, um ein versehentliches Starten während der Montage zu verhindern.

## Für die Montage des Griffs

1. Lösen Sie die unteren Knöpfe.
2. Schieben Sie die Flügelmuttern zum unteren Ende der Nut an der linken und der rechten Seite des Geräts.



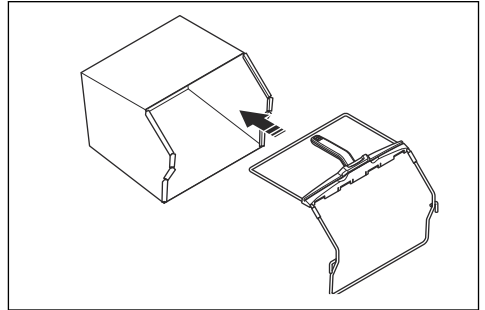
3. Stellen Sie die Höhe des Griffs in einer der 2 verfügbaren Positionen ein.
4. Bewegen Sie die Flügelmuttern nach oben in Richtung Griff, bis sie den Anschlag erreichen und Sie ein Klicken hören.



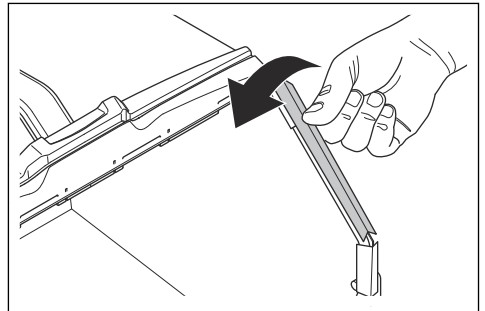
5. Ziehen Sie die Knöpfe vollständig an.

## So montieren Sie den Grasfänger

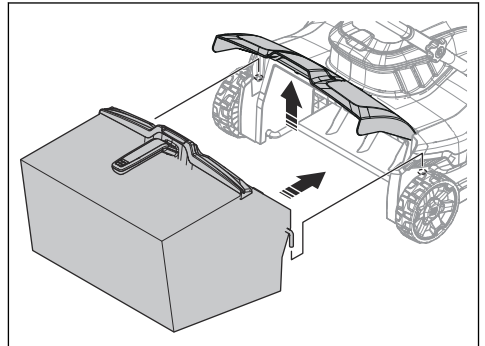
1. Befestigen Sie den Rahmen des Grasfängers am Fangbeutel, sodass der starre Teil des Beutels nach unten weist. Halten Sie den Griff des Rahmens am oberen Ende des Fangbeutels fest.



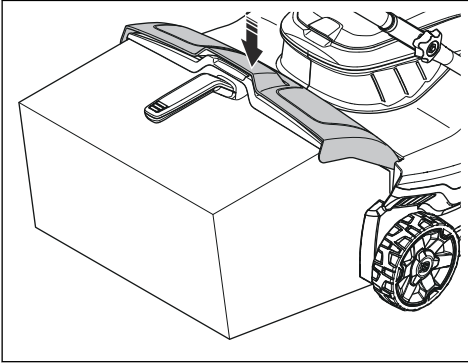
2. Setzen Sie den unteren Teil des Rahmens des Grasfängers in die Nut an der Unterseite des Grasfängers.
3. Befestigen Sie den Fangbeutel mit den Klemmen am Rahmen des Grasfängers.



4. Heben Sie die hintere Abdeckung an.
5. Bringen Sie den Grasfänger in die richtige Position.



6. Befestigen Sie den Grasfänger an der Oberkante des Chassis. Stellen Sie sicher, dass die hintere Abdeckung dicht mit dem Grasfänger abschließt, um Undichtigkeiten zu verhindern.



## Betrieb

### Einleitung



**WARNUNG:** Vor dem Betrieb des Gerätes müssen Sie die Sicherheitsinformationen lesen und verstehen.

### Husqvarna Connect

Husqvarna Connect ist eine kostenlose App für Ihr Mobilgerät. Die Husqvarna Connect App bietet erweiterte Funktionen für Ihr Gerät:

- Erweiterte Produktinformationen
- Informationen über Produktteile und -wartung sowie entsprechende Hilfe dazu.

### So verwenden Sie Husqvarna Connect

1. Laden Sie die Husqvarna Connect App auf Ihr Mobiltelefon.
2. Anmeldung bei der Husqvarna Connect App.
3. Befolgen Sie die Anweisungen in der Husqvarna Connect App, um sich zu verbinden und das Gerät zu registrieren.

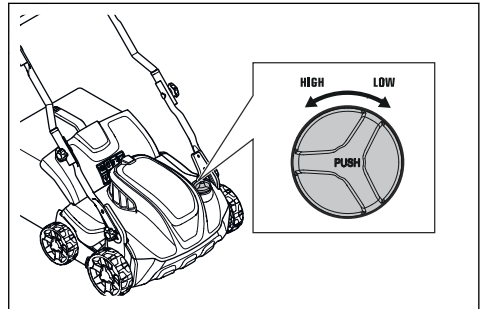
### So stellen Sie die Arbeitstiefe ein



**WARNUNG:** Stellen Sie die Arbeitstiefe nicht ein, während Sie das Gerät verwenden.

1. Drücken und drehen Sie den Einstellknopf für die Arbeitstiefe gegen den Uhrzeigersinn, um die Arbeitstiefe zu erhöhen.

2. Drücken und drehen Sie den Einstellknopf für die Arbeitstiefe im Uhrzeigersinn, um die Arbeitstiefe zu senken.



### Akku

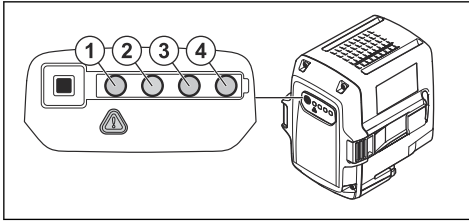


**WARNUNG:** Vor dem Betrieb des Akkus müssen Sie die Sicherheitsinformationen lesen und verstehen. Sie müssen außerdem die Bedienungsanleitung für den Akku und das Ladegerät lesen und verstehen.

### Akkuladezustand

Auf der Anzeige werden der verbleibende Ladezustand und eventuelle Störungen des Akkus angezeigt. Die Akkukapazität wird nach dem Ausschalten des Geräts bzw. nach Drücken der Akkuanzeigetaste für 5 Sekunden angezeigt. Das Warnsymbol auf dem Akku

ist an, wenn eine Störung vorliegt. Siehe *Akku auf Seite 128*.



LED-Leuchten	Akkuladestatus
Alle LEDs leuchten	Volle Ladung (75-100 %)
LED 1, LED 2 und LED 3 leuchten	Der Akku ist zu 50-75 % geladen
LED 1 und LED 2 leuchten	Der Akku ist zu 25-50 % geladen
LED 1 leuchtet	Der Akku ist zu 0-25 % geladen.
LED 1 blinkt	Der Akku ist leer. Laden Sie den Akku.

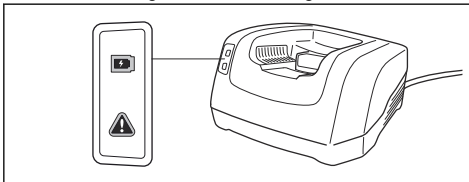
## So laden Sie den Akku

Laden Sie den Akku vor dem ersten Gebrauch. Der Akku ist bei der Auslieferung an den Kunden nur zu 30 % geladen.

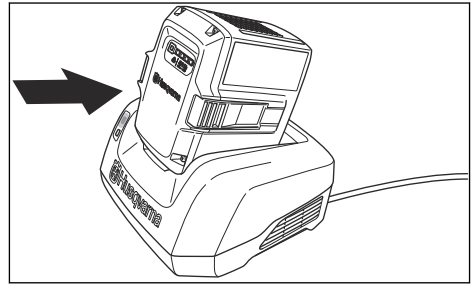
**Hinweis:** Das Ladegerät muss mit der auf dem Typenschild angegebenen Spannung und Frequenz angeschlossen werden.

Der Akku wird nicht aufgeladen, wenn die Akkutemperatur über 50 °C beträgt. Das Ladegerät verringert die Temperatur des Akkus, bevor es zu laden beginnt.

1. Schließen Sie ein Ende des Netzkabels für das Ladegerät an die Anschlussbuchse des Ladegeräts an.
2. Schließen Sie das andere Ende des Netzkabels für das Ladegerät an eine geerdete Steckdose an. Die LED am Ladegerät blinkt einmal grün.



3. Die Batterie in das Ladegerät einlegen. Die grüne Leuchte auf dem Ladegerät leuchtet auf, wenn der Akku richtig mit dem Ladegerät verbunden ist.



4. Wenn alle LEDs am Akku leuchten, ist der Akku vollständig aufgeladen. Laden Sie den Akku für maximal 24 Stunden.
5. Um das Ladegerät von der Steckdose zu trennen, ziehen Sie am Netzstecker und nicht am Netzkabel.
6. Den Akku aus dem Ladegerät entnehmen.

## Akku-Ladestatus

Ein Husqvarna Li-Ionen-Akku kann in jedem Ladestatus aufgeladen oder genutzt werden. Der Akku wird hierdurch nicht beschädigt. Ein vollgeladener Akku behält seine Ladung auch dann, wenn der Akku im Ladegerät belassen wird.

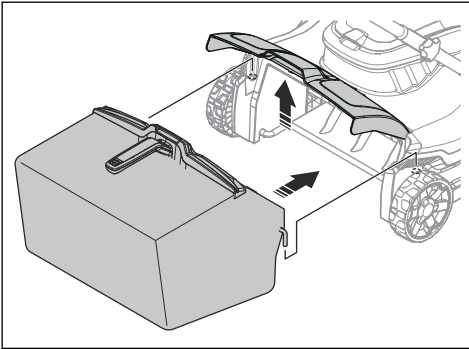
LED-Anzeige	Ladestatus
LED 1 blinkt	0 %-25 %
LED 1 leuchtet, LED 2 blinkt	25 %-50 %
LED 1 und LED 2 leuchten, LED 3 blinkt	50 %-75 %
LED 1, LED 2 und LED 3 leuchten, LED 4 blinkt	75 %-100 %
LED 1, LED 2, LED 3 und LED 4 leuchten	Vollständig aufgeladen

## Betrieb von S 138i

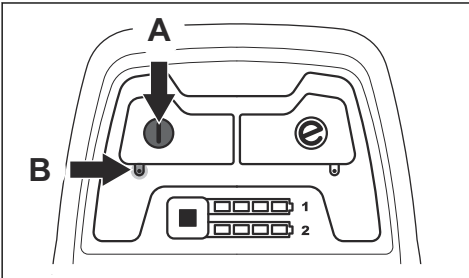
### So starten Sie das Gerät

1. Legen Sie einen geladenen Akku in das Akkufach Nummer 1 unter der Akkuabdeckung. Für eine längere Betriebsdauer legen Sie einen zweiten aufgeladenen Akku in das Akkufach 2.

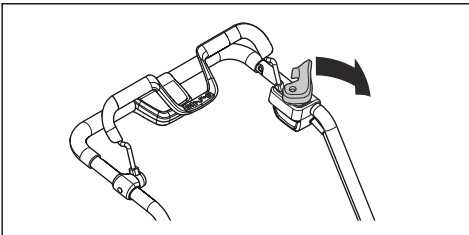
2. Drehen Sie den Sicherheitsschlüssel auf 1.



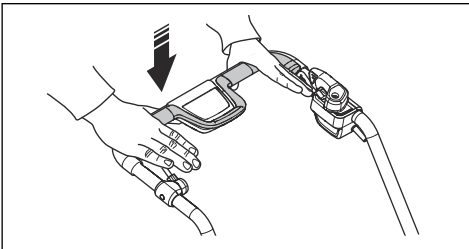
3. Bleiben Sie hinter dem Gerät.
4. Drücken Sie die EIN/AUS-Taste (A) auf dem Bedienfeld, sodass die grüne LED (B) aufleuchtet.



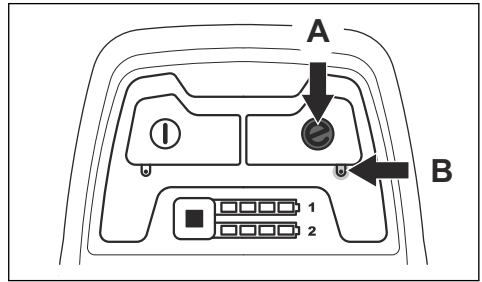
5. Lösen Sie die Wegfahrsperre.



6. Drücken Sie den Motorbremsbügel in die Richtung des Lenkers.



1. Drücken Sie die SavE-Taste (Energiespartaste) zum Starten der Funktion. Die grüne LED leuchtet auf.

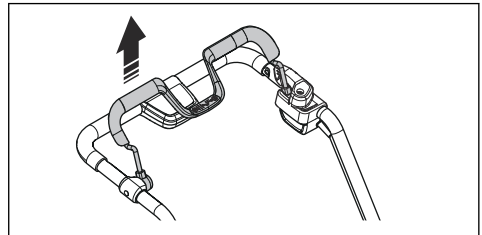


2. Drücken Sie die SavE-Taste (Energiespartaste) erneut, um die Funktion zu deaktivieren. Die grüne LED (B) erlischt.

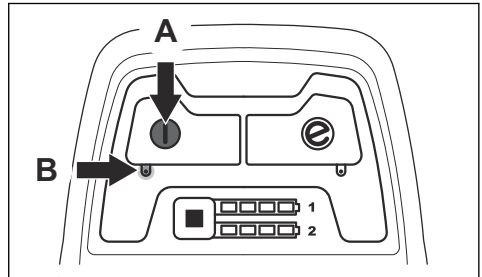
### Gerät stoppen

Das Gerät stoppt automatisch, wenn Sie es für 10 Minuten nicht in Betrieb nehmen. Stellen Sie stets den Sicherheitsschlüssel auf 0, bevor Sie das Gerät unbeaufsichtigt lassen.

1. Lösen Sie den Motorbremsbügel, um den Motor auszuschalten.



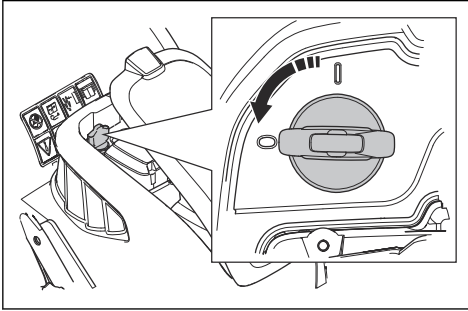
2. Halten Sie den EIN/AUS-Schalter (A) auf dem Bedienfeld gedrückt, bis die grüne LED (B) erlischt.



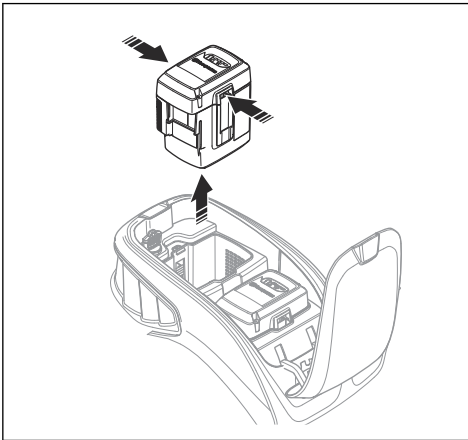
### So verwenden Sie die SavE-Akkusparfunktion

Das Gerät ist mit einer Akkusparfunktion (SavE) ausgestattet, um die Betriebsdauer zu verlängern.

3. Öffnen Sie die Akkuabdeckung und drehen Sie den Sicherheitsschlüssel auf 0.



4. Um den Akku zu entfernen, drücken Sie die beiden Entriegelungstasten gleichzeitig und ziehen den Akku heraus.

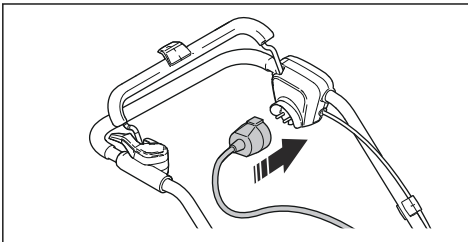


5. Laden Sie den Akku, wenn er schwach ist. Weitere Informationen finden Sie unter *So laden Sie den Akku auf Seite 123*.

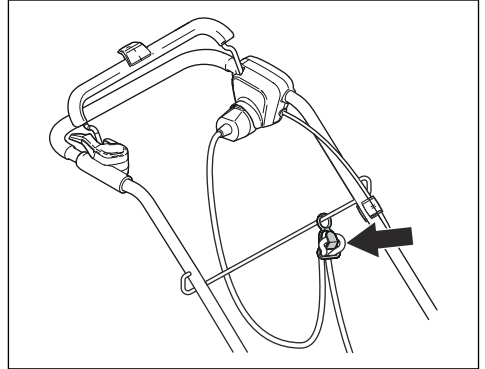
## Betrieb von S 138C

### So starten Sie das Gerät

1. Stecken Sie das Netzkabel in die Steckdose unten am Griff.

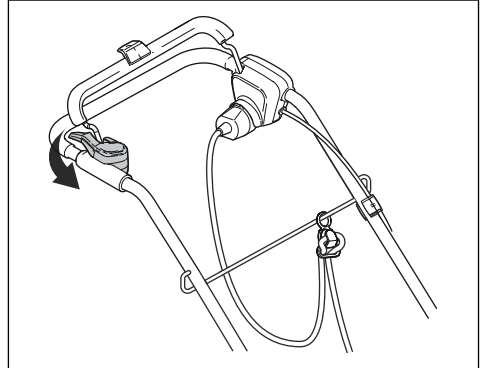


2. Setzen Sie das Netzkabel in den Netzkabelhalter. Siehe *Verwendung des Netzkabelhalters (Modell S 138C) auf Seite 116*.

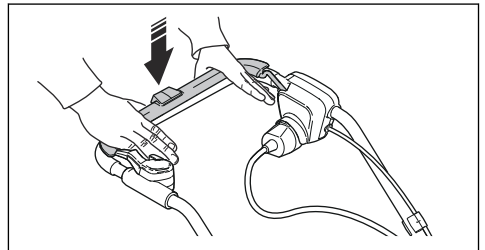


3. Bleiben Sie hinter dem Gerät.

4. Lösen Sie die Wegfahrsperrung.

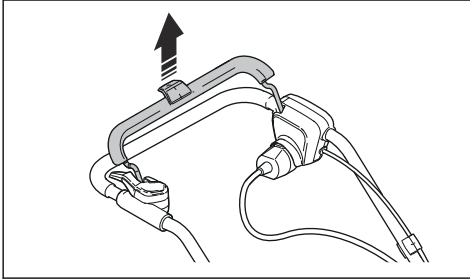


5. Drücken Sie den Motorbremsbügel in die Richtung des Lenkers.

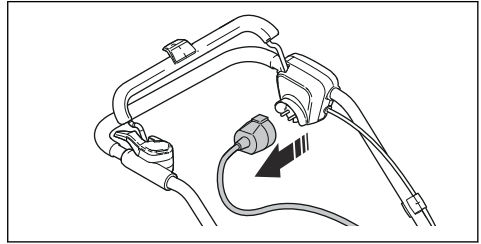


## So stoppen Sie das Produkt

1. Lösen Sie den Motorbremsbügel, um den Motor auszuschalten.



2. Ziehen Sie das Netzkabel von der Steckdose und anschließend vom Gerät ab.



**ACHTUNG:** Ziehen Sie den Stecker gerade heraus. Ziehen Sie nicht am Netzkabel.

## Wartung

### Einleitung



**WARNUNG:** Bevor Sie eine Wartung durchführen, müssen Sie das Kapitel über die Sicherheit lesen und verstehen.

Für alle Wartungs- und Reparaturarbeiten am Produkt ist eine spezielle Schulung erforderlich. Wir garantieren die Verfügbarkeit von professionellen Reparaturen und Wartungsarbeiten. Wenn Ihr Händler keine Servicewerkstatt ist, sprechen Sie mit ihm, um

Informationen über die nächste Servicewerkstatt zu erhalten.

### Wartungsplan

Die Wartungsintervalle werden anhand der täglichen Nutzung des Geräts berechnet. Die Intervalle ändern sich, wenn das Gerät nicht täglich verwendet wird.

Informationen zur Wartung mit \* finden Sie unter *Sicherheitsvorrichtungen am Gerät auf Seite 115*.

S 138I und S 138C	Nach jedem Einsatz	Monatlich	Zu jeder Jahreszeit
Führen Sie eine allgemeine Inspektion durch.	X		
Reinigen Sie das Gerät.	X		
Prüfen Sie den Vertikutierer.	X		
Stellen Sie sicher, dass die Sicherheitsvorrichtungen am Gerät nicht beschädigt sind. *	X		
Überprüfen Sie die Abdeckungen. *	X		
Führen Sie eine Prüfung des Motorbremsbügels durch. *	X		
Prüfen Sie die Wegfahrsperr. *	X		

Nur S 138I.	Nach jedem Einsatz	Monatlich	Zu jeder Jahreszeit
Stellen Sie sicher, dass die EIN/AUS-Taste funktioniert und nicht defekt ist.	X		
Untersuchen Sie den Akku auf Schäden.	X		
Kontrollieren Sie den Ladezustand des Akkus.	X		

Nur S 138i.	Nach jedem Einsatz	Monatlich	Zu jeder Jahreszeit
Stellen Sie sicher, dass die Entriegelungstasten am Akku richtig funktionieren und der Akku in das Gerät einrastet.	X		
Überprüfen Sie das Ladegerät auf Beschädigungen und stellen Sie sicher, dass es ordnungsgemäß funktioniert.		X	
Überprüfen Sie die Verbindungen zwischen dem Akku und dem Gerät. Überprüfen Sie auch die Verbindung zwischen dem Akku und dem Ladegerät.			X

## So führen Sie eine allgemeine Inspektion durch

- Stellen Sie sicher, dass die Muttern und Schrauben am Produkt nicht beschädigt sind.
- Stellen Sie sicher, dass die Kabel an dem Produkt nicht so liegen, dass sie beschädigt werden könnten.

## So reinigen Sie das Gerät

- Kunststoffteile mit einem sauberen und trockenen Tuch reinigen.
- Verwenden Sie kein Wasser zur Reinigung des Produkts. Wasser kann in den Akku oder den Motor eindringen und einen Kurzschluss oder andere Schäden am Produkt verursachen.
- Reinigen Sie das Gerät nicht mit einem Hochdruckreiniger.
- Lassen Sie kein Wasser direkt auf den Motor gelangen.
- Verwenden Sie einen Pinsel, um Blätter, Gras und Schmutz zu entfernen.

## So reinigen Sie den Akku und das Ladegerät



**ACHTUNG:** Reinigen Sie weder den Akku noch das Ladegerät mit Wasser.

- Stellen Sie sicher, dass der Akku und das Ladegerät sauber und trocken sind, bevor Sie den Akku in das Ladegerät einlegen.
- Reinigen Sie die Akkuklemmen mit Druckluft oder einem weichen, trockenen Tuch.
- Reinigen Sie die Oberflächen des Akkus und des Ladegeräts mit einem weichen, trockenen Tuch.

## So prüfen Sie den Vertikutierer



**WARNUNG:** Für Modell S 138i: Um ein unbeabsichtigtes Starten zu verhindern, drehen Sie den Sicherheitsschlüssel auf „0“, entfernen Sie den Akku und warten Sie mindestens 5 Sekunden.

Für Modell S 138C: Ziehen Sie das Netzkabel ab, um ein versehentliches Starten zu verhindern.



**WARNUNG:** Tragen Sie Schutzhandschuhe, wenn Sie an am Vertikutierer eine Wartung durchführen. Die Klingen des Vertikutierers sind sehr scharf und man schneidet sich sehr leicht.

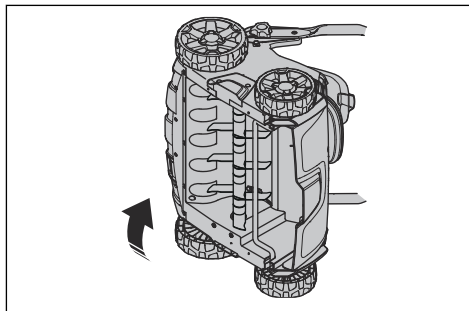
- Prüfen Sie den Vertikutierer auf Beschädigungen oder Risse. Wechseln Sie einen beschädigten Vertikutierer unbedingt aus.

## So ersetzen Sie den Vertikutierer

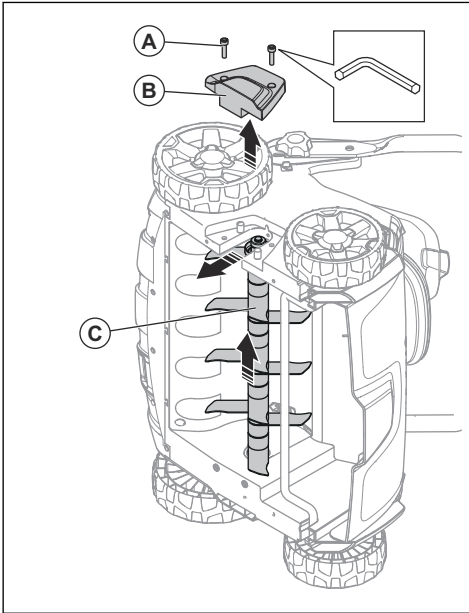


**WARNUNG:** Tragen Sie Schutzhandschuhe, wenn Sie an am Vertikutierer eine Wartung durchführen. Der Vertikutierer ist sehr scharf und man schneidet sich sehr leicht.

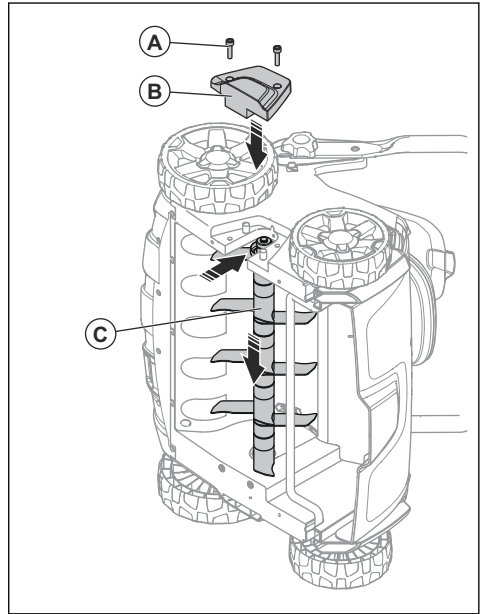
1. Drehen Sie das Gerät auf die rechte Seite.



2. Entfernen Sie die 2 Schrauben (A) und die Vertikutiererabdeckung (B). Drücken Sie den Vertikutierer (C) nach oben und aus dem Gerät heraus.



3. Drücken Sie den neuen Vertikutierer (C) in die Nut und das Loch. Befestigen Sie die Vertikutiererabdeckung (B) mit den 2 Schrauben (A).



## Fehlerbehebung

### Akku

LED-Anzeige am Akku	Mögliche Fehler	Mögliches Verfahren
Die grüne LED blinkt	Die Akkuspannung ist niedrig	Laden Sie den Akku. Siehe <i>So laden Sie den Akku auf Seite 123</i> .
Die Störungs-LED blinkt	Der Akku ist schwach	Laden Sie den Akku. Siehe <i>So laden Sie den Akku auf Seite 123</i> .
	Die Temperatur in der Arbeitsumgebung ist zu hoch oder zu niedrig	Der Akku darf nur bei Temperaturen zwischen -10 und 40 °C verwendet werden.
	Überspannung	Kontrollieren Sie, ob die Netzspannung mit der auf dem Typenschild auf dem Produkt übereinstimmt.  Den Akku aus dem Ladegerät entnehmen. Warten Sie 5 Sekunden und versuchen Sie erneut, den Akku aufzuladen. Falls das Problem weiterbesteht, wenden Sie sich an eine autorisierte Servicewerkstatt.
Die Fehler-LED leuchtet	Zellendifferenz zu groß (1 V)	Wenden Sie sich an eine autorisierte Servicewerkstatt.



## Akkuladegerät

Die LED am Akkuladegerät	Mögliche Fehler	Mögliches Verfahren
Die Störungs-LED blinkt	Die Temperatur in der Arbeitsumgebung ist zu hoch oder zu niedrig	Das Ladegerät darf nur in Umgebungen mit Temperaturen zwischen 5 und 40 °C verwendet werden.
Die Fehler-LED leuchtet		Wenden Sie sich an eine autorisierte Servicewerkstatt

## Bedienfeld

Für Modell S 138i

Fehler	Fehlercodes (Anzahl des Blinkens)	Mögliche Fehler	Mögliche Fehlerbehebung
Störungs-LED blinkt	3	Der Motor ist überlastet.	Verringern Sie die Arbeitstiefe. Siehe <i>So stellen Sie die Arbeitstiefe ein auf Seite 122</i> . Wenn die Fehler-LED weiterhin blinkt, ist der Vertikutierer blockiert. Um ein unbeabsichtigtes Starten zu verhindern, drehen Sie den Sicherheitsschlüssel auf 0, entfernen Sie den Akku und warten Sie mindestens 5 Sekunden. Stellen Sie sicher, dass sich der Vertikutierer frei bewegen kann. Falls das Problem weiterbesteht, wenden Sie sich an eine autorisierte Servicewerkstatt.
	5	Die Motordrehzahl fällt zu stark ab und der Motor stoppt.	
	9	Die Motorsteuerung ist zu heiß.	Schalten Sie den Motor ab und warten Sie, bis er sich abgekühlt hat.
	7	Akkufehler oder kein Signal vom Akku.	Setzen Sie den Akku korrekt in das Gerät ein und untersuchen Sie den Akkuanschluss. Wenn die Fehler-LED am Akku blinkt, lesen Sie <i>Akku-Ladestatus auf Seite 123</i> .
Das Gerät schaltet sich ab		Der Akku ist schwach.	Laden Sie den Akku. Siehe <i>So laden Sie den Akku auf Seite 123</i> .
	6	Der Akku ist schwach.	Laden Sie den Akku. Siehe <i>So laden Sie den Akku auf Seite 123</i> .
Andere Fehler	0	Anschluss für den Akku defekt.	Überprüfen Sie den Anschluss für den Akku.
		Wenn andere Fehler auftreten, stellen Sie den Sicherheitsschlüssel auf 0, entfernen Sie den Akku und wenden Sie sich an eine zugelassene Servicewerkstatt.	

## Transport, Lagerung und Entsorgung

### Transport

- Die enthaltenen Lithium-Ionen-Batterien unterliegen den gesetzlichen Bestimmungen zu gefährlichen Gütern.
- Für gewerbliche Transporte müssen besondere Anforderungen bei Verpackung und Kennzeichnung eingehalten werden.
- Stellen Sie sicher, dass Sie sich an die Vorschriften für gefährliche Güter halten, wenn Sie das Produkt

für den Transport vorbereiten. Gegebenenfalls gelten örtliche Vorschriften.

- Entnehmen Sie die für den Transport stets den Akku.
- Decken Sie die Akkustecker mit Klebeband ab und stellen Sie sicher, dass der Akku sich während des Transports nicht bewegen kann.
- Sichern Sie das Produkt während des Transports.

## Lagerung

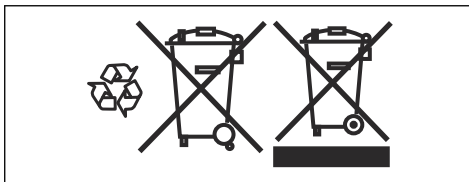
- Entnehmen Sie für die Lagerung stets den Akku.
- Stellen Sie zur Vermeidung von Unfällen sicher, dass der Akku während der Lagerung nicht an das Produkt angeschlossen bleibt.
- Bewahren Sie das Ladegerät an einem geschlossenen und trockenen Ort auf.
- Bewahren Sie den Akku und das Ladegerät an einem trockenen Ort ohne Feuchtigkeit oder Frost auf.
- Trennen Sie den Akku während der Lagerung vom Ladegerät.
- Lagern Sie den Akku nicht an einem Ort, an dem es zu elektrostatischen Entladungen kommen kann. Bewahren Sie den Akku nicht in einem Metallkasten auf.
- Lagern Sie den Akku an einem Ort mit einer Temperatur zwischen 5 und 25 °C und setzen Sie ihn nicht direkter Sonneneinstrahlung aus.
- Lagern Sie das Ladegerät an einem Ort mit einer Temperatur zwischen 5 und 45 °C und setzen Sie es nicht direkter Sonneneinstrahlung aus.
- Stellen Sie sicher, dass der Akkustand mindestens zwischen 30 und 50 % beträgt, bevor Sie das Produkt für längere Zeit einlagern.

- Bewahren Sie das Produkt, den Akku und das Ladegerät an einem verschließbaren Ort und für Kinder und unbefugte Personen unzugänglich auf.
- Reinigen Sie das Produkt und lassen Sie es vollständig warten, bevor Sie es längere Zeit einlagern.

## Entsorgung

Durch Symbole auf dem Produkt oder seiner Verpackung wird angezeigt, dass dieses Produkt nicht über den Hausmüll entsorgt werden darf. Es ist einer entsprechenden Recycling-Einrichtung zuzuführen, damit elektrische und elektronische Komponenten wiedergewonnen werden können.

Dadurch, dass Sie sicherstellen, dass Sie mit diesem Produkt sorgfältig umgehen, können Sie helfen, den potentiellen negativen Auswirkungen auf die Umwelt und Ihre Mitmenschen entgegenzuwirken, die sich andernfalls durch eine unsachgemäße Entsorgung dieses Produkts ergeben können. Genauere Informationen über die ordnungsgemäße Entsorgung dieses Produkts erhalten Sie bei Ihrer Stadtverwaltung, Ihrem Abfallentsorgungsunternehmen oder dem Geschäft, in dem Sie Ihr Produkt gekauft haben.



## Technische Angaben

### Technische Daten

	S 138i	S 138C
<b>Motor</b>		
Motortyp	BLDC (bürstenlos) 36 V	Wechselstrommotor
Anbaugerätdrehzahl – SavE, U/min	3000	N/A
Anbaugerätdrehzahl – Nennwert, U/min	3200	4200
Motorleistung – max. kW	1,28	1,8
Motorleistung – Nennwert, kW	0,9	1,6
<b>Gewicht</b>		
Gewicht, kg	19,5 (ohne Akku)	19,0
<b>Akku</b>		
Akkutyp	Husqvarna Akkuserie	NA
<b>Akkulaufzeit</b>		

	S 138i	S 138C
Mindest-Akkulaufzeit (Leerlauf) bei aktiviertem SavE-Modus, mit einem Husqvarna 5,2-Ah-Akku (BLi200).	115	NA
Mindest-Akkulaufzeit (Leerlauf) bei aktiviertem Standardmodus, mit einem Husqvarna 5,2-Ah-Akku (BLi200).	102	NA
<b>Geräuschemissionen</b> <sup>13</sup>		
Gemessener Schalleistungspegel dB (A)	89,2	95,7
Schalleistungspegel, garantiert L <sub>WA</sub> dB (A)	91	98
<b>Geräuschpegel</b> <sup>14</sup>		
Schalldruckpegel am Ohr des Bedieners, dB (A)	75,3	81,7
<b>Vibrationswerte</b> <sup>15</sup>		
Griff, m/s <sup>2</sup>	5,5	8,3
<b>Betrieb</b>		
Arbeitstiefe max./min., mm	-8/+5	-8/+5
Arbeitsbreite, cm	37,5	37,5
Deltaklingen-Anbaugerät	5973510-01	5973510-01
Federzahn-Anbaugerät	5973509-01	5973509-01
Grasfängerkapazität, Liter	45	45

Zugelassene Akkus	Typ	Akkukapazität, Ah	Spannung, V	Gewicht (kg)
BLi20	Lithium-Ionen	4,0	36	2,6/1,2
BLi200	Lithium-Ionen	5,2	36	2,8/1,3
BLi300	Lithium-Ionen	9,4	36	4,1/1,9

Zugelassene Ladegeräte für die angegebenen Akkus, BLi	Eingangsspannung, V	Frequenz, Hz	Leistung, W
QC80	100-240	50-60	80
QC80F	12	0	80
QC330	100-240	50-60	330
QC500	100-240	50-60	500

<sup>13</sup> Umweltbelastende Geräuschemissionen, gemessen als Schalleistung (L<sub>WA</sub>) gemäß EG-Richtlinie 2000/14/EG.

<sup>14</sup> Berichten zufolge liegt der Schalldruckpegel normalerweise bei einer Ausbreitungsklasse (standardmäßige Ausbreitung) von 1,2 dB (A).

<sup>15</sup> Berichten zufolge liegt der Vibrationspegel normalerweise bei einer Ausbreitungsklasse (Standardabweichung) von 0,2 m/s<sup>2</sup>.

---

# EG-Konformitätserklärung

---

## EG-Konformitätserklärung

**Husqvarna AB**, SE-561 82 Huskvarna, Schweden, Tel.:  
+46-36-146500, versichert, dass die **Vertikulierer**

**Husqvarna S 138i** und ab

Seriennummer 2018XXXXXXX den Anforderungen der  
RICHTLINIE DES RATES entsprechen:

- Richtlinie zur „Beschränkung der Verwendung bestimmter gefährlicher Stoffe“, **2011/65/EU** vom 8. Juni 2011
- „Maschinen-Richtlinie“ **2006/42/EG** vom 17. Mai 2006
- Richtlinie „über elektromagnetische Verträglichkeit“, **2014/30/EU** vom 26. Februar 2014
- „Richtlinie über umweltbelastende Geräuschemissionen von zur Verwendung im Freien vorgesehenen Geräten und Maschinen“ **2000/14/EG** vom 8. Mai 2000

Informationen zu Geräuschemissionen finden Sie im Kapitel mit den technischen Daten.

Die folgenden Normen werden erfüllt:

**EN 60335-1:2012+A11:2014+A13:2017, EN 50636-2-92:2014, EN 55014-1:2017, EN 55014-2:2015**

Huskvarna, 2019-01-15



Claes Losdal, Entwicklungsleiter/Gartenprodukte  
(Bevollmächtigter Vertreter für Husqvarna AB,  
verantwortlich für die technische Dokumentation)

---

# EG-Konformitätserklärung

---

## EG-Konformitätserklärung

**Husqvarna AB**, SE-561 82 Huskvarna, Schweden, Tel.: +46-36-146500 versichert, dass die **Vertikulierer Husqvarna S 138C** ab Seriennummer 2018XXXXXXX den Anforderungen der RICHTLINIE DES RATES entspricht:

- Richtlinie zur „Beschränkung der Verwendung bestimmter gefährlicher Stoffe“, **2011/65/EU** vom 8. Juni 2011
- „Maschinen-Richtlinie“ **2006/42/EG** vom 17. Mai 2006
- Richtlinie „über elektromagnetische Verträglichkeit“, **2014/30/EU** vom 26. Februar 2014
- „Richtlinie über umweltbelastende Geräuschemissionen von zur Verwendung im Freien vorgesehenen Geräten und Maschinen“ **2000/14/EG** vom 8. Mai 2000

Informationen zu Geräuschemissionen finden Sie im Kapitel mit den technischen Daten.

Die folgenden Normen werden erfüllt:

**EN 60335-1:2012+A11:2014+A13:2017, EN 50636-2-92:2014, EN 55014-1:2017, EN 55014-2:2015, EN 61000-3-2:2014, EN 61000-3-11:2000**

Huskvarna, 2019-01-15



Claes Losdal, Entwicklungsleiter/Gartenprodukte  
(Bevollmächtigter Vertreter für Husqvarna AB,  
verantwortlich für die technische Dokumentation)

## Περιεχόμενα

Εισαγωγή.....	134	Αντιμετώπιση προβλημάτων.....	156
Ασφάλεια.....	138	Μεταφορά, αποθήκευση και απόρριψη.....	158
Συναρμολόγηση.....	148	Τεχνικά στοιχεία.....	159
Λειτουργία.....	150	Δήλωση Συμμόρφωσης ΕΚ.....	161
Συντήρηση.....	154	Δήλωση Συμμόρφωσης ΕΚ.....	162

## Εισαγωγή

### Περιγραφή προϊόντος

Το προϊόν είναι ένας ηλεκτρικός αραιωτήρας πεζού χειριστή. Το προϊόν αφαιρεί τα ξερά χόρτα από το γρασίδι και αφρατεύει το χώμα για να μπει αέρας και νερό μέσα στο γρασίδι. Τα ξερά χόρτα συλλέγονται σε έναν συλλέκτη χόρτου ή αδειάζονται στο γρασίδι. Το προϊόν διαθέτει 2 τύπους εξοπλισμού αραιωτήρα.

### Εξοπλισμός αραιωτήρα

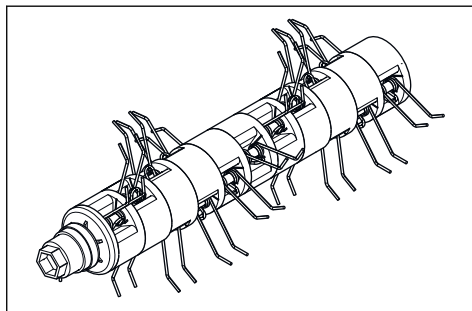
Ανατρέξτε στην ενότητα *Αντικατάσταση του εξοπλισμού αραιωτήρα στη σελίδα 155* για πληροφορίες σχετικά με την αντικατάσταση του εξοπλισμού αραιωτήρα.

### Λεπίδες τύπου Δ

Οι λεπίδες τύπου Δ αφαιρούν τα ξερά χόρτα και κόβουν τις ρίζες του γρασιδιού κατακόρυφα. Χρησιμοποιήστε τις λεπίδες τύπου Δ σε πλαγιές, βεράντες και εδάφη με μεγάλη περιεκτικότητα αργίλου. Οι λεπίδες τύπου Δ επιτρέπουν στο νερό να εισχωρήσει σε βάθος μέσα στο γρασίδι και αποτρέπουν τη συγκέντρωσή του στην επιφάνεια.

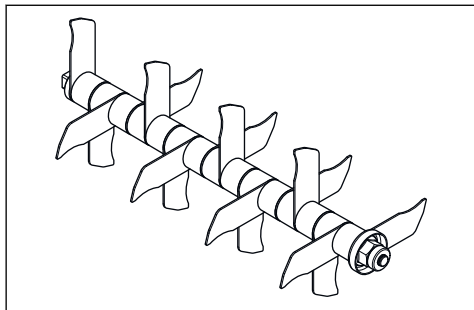
### Ελατηριωτές λεπίδες

Οι ελατηριωτές λεπίδες αφαιρούν προσεκτικά τα νεκρά και ξερά χόρτα από το γρασίδι χωρίς να καταστρέφουν τις ρίζες του γρασιδιού.

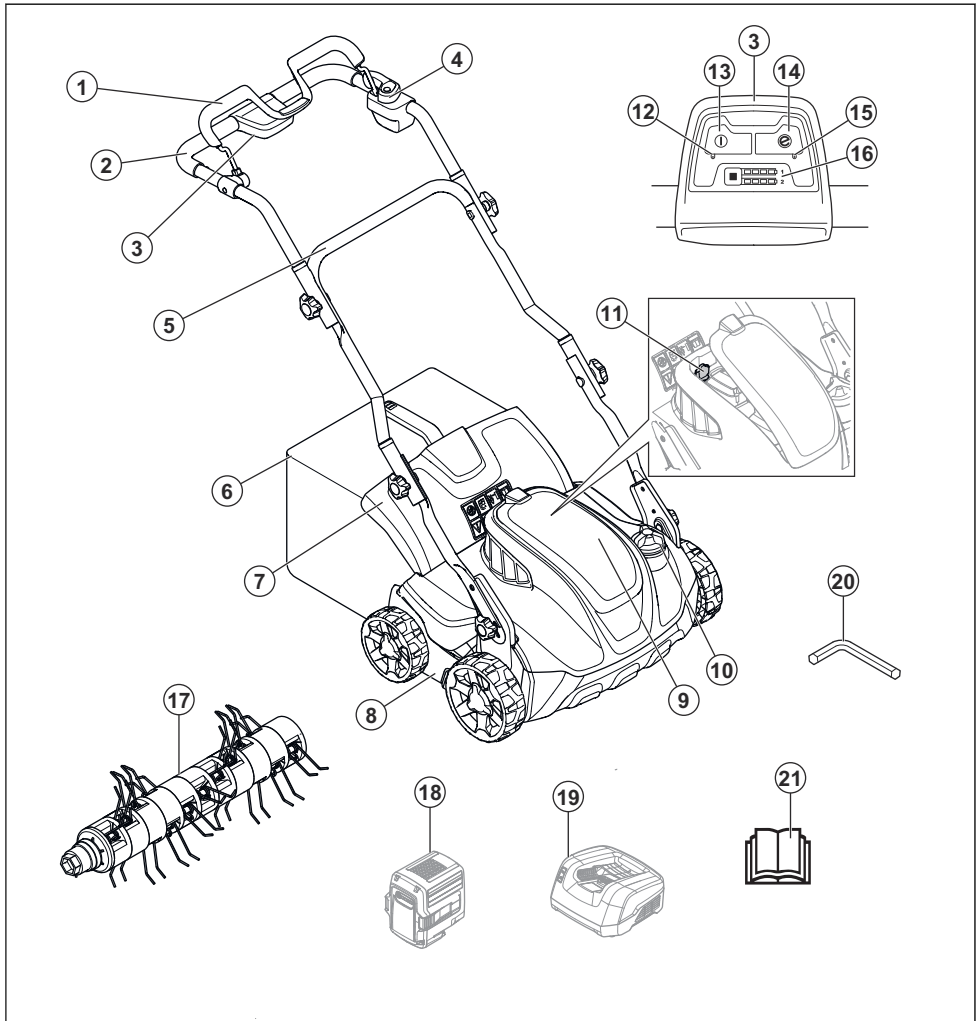


### Προβλεπόμενη χρήση

Χρησιμοποιήστε το προϊόν για να αφαιρέσετε τα ξερά χόρτα και τα βρύα και για να αφρατέψετε το χώμα σε ιδιωτικούς κήπους. Μην χρησιμοποιείτε το προϊόν για άλλες εργασίες.

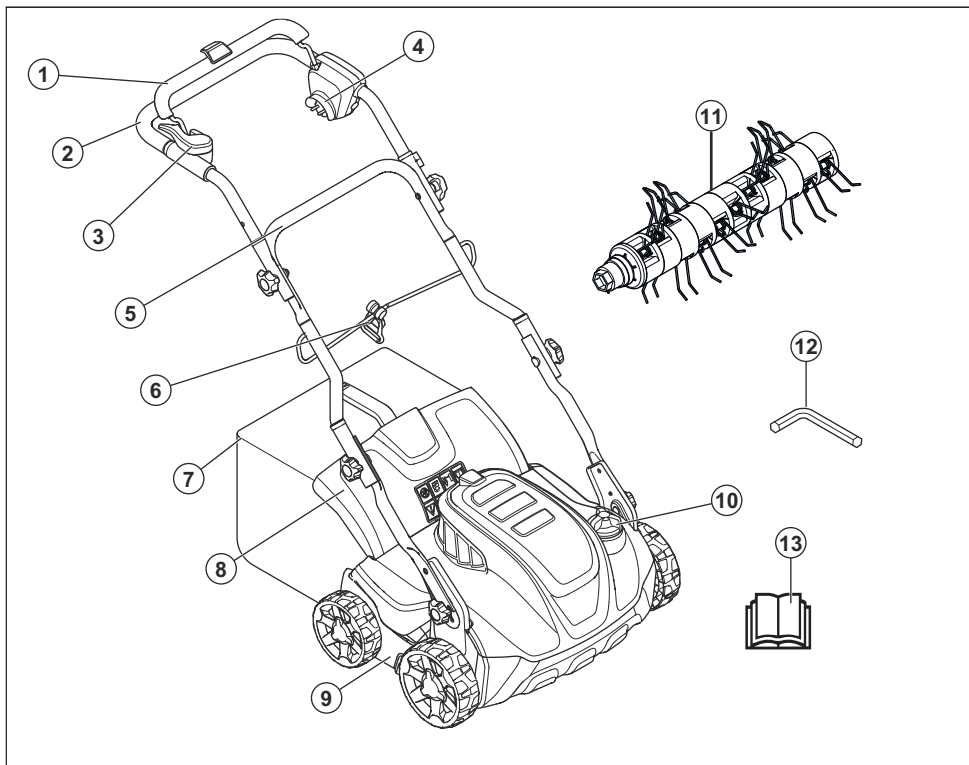


## Επισκόπηση προϊόντος του μοντέλου S 138i



- |   |   |
|---|---|
| 1. Λαβή φρένου κινητήρα                 | 12. Λυχνία LED ON/OFF                               |
| 2. Πάνω λαβή                            | 13. Κουμπί ON/OFF                                   |
| 3. Ταμπλό ελέγχου                       | 14. Κουμπί SavE                                     |
| 4. Αναστολέας εκκίνησης                 | 15. Λυχνία LED λειτουργίας SavE                     |
| 5. Κάτω λαβή                            | 16. Ενδειξη φόρτισης μπαταρίας και κουμπί μπαταρίας |
| 6. Συλλέκτης χόρτου                     | 17. Ελατηριωτές λεπίδες                             |
| 7. Πίσω κάλυμμα                         | 18. Μπαταρία (αξεσουάρ)                             |
| 8. Κάλυμμα αραιωτήρα                    | 19. Φορτιστής μπαταρίας (αξεσουάρ)                  |
| 9. Καπάκι μπαταρίας                     | 20. Εξάγωνο κλειδί                                  |
| 10. Κουμπί ρύθμισης του βάθους εργασίας | 21. Εγχειρίδιο χρήσης                               |
| 11. Κλειδί ασφαλείας                    |   |

## Επισκόπηση προϊόντος του μοντέλου S 138C



1. Λαβή φρένου κινητήρα
2. Πάνω λαβή
3. Αναστολέας εκκίνησης
4. Πρίζα
5. Κάτω λαβή
6. Σφικτήρας καλωδίου
7. Συλλέκτης χόρτου
8. Πίσω κάλυμμα
9. Κάλυμμα αραιωτήρα
10. Κουμπί ρύθμισης του βάθους εργασίας
11. Ελατηριωτές λεπίδες
12. Εξάγωνο κλειδί
13. Εγχειρίδιο χρήσης

ή θάνατο του χειριστή ή άλλων ατόμων.



Διαβάστε το εγχειρίδιο χρήσης και βεβαιωθείτε ότι έχετε κατανοήσει τις οδηγίες προτού χρησιμοποιήσετε αυτό το προϊόν.

### Σύμβολα στο προϊόν



Προειδοποίηση: Η απρόσεκτη ή λανθασμένη χρήση μπορεί να οδηγήσει σε τραυματισμό



Προσέχετε για αντικείμενα που μπορεί να εκτοξευθούν ή να εξοστρακιστούν.





Διατηρήστε τα άλλα άτομα και τα ζώα σε απόσταση ασφαλείας από την περιοχή εργασίας.



Προειδοποίηση: Να διατηρείτε τα χέρια και τα πόδια σας μακριά από την περιστρεφόμενη λεπίδα.



Προτού εκτελέσετε εργασίες συντήρησης στο προϊόν, αφαιρέστε το κλειδί ασφαλείας (μοντέλο S 138i).



Προτού εκτελέσετε εργασίες συντήρησης στο προϊόν, αποσυνδέστε το από την πρίζα (μοντέλο S 138C).



Κίνδυνος ηλεκτροπληξίας (μοντέλο S 138C).



Μην εκθέτετε το προϊόν στη βροχή (μοντέλο S 138i).




Προειδοποίηση: Μην χρησιμοποιείτε το προϊόν περνώντας το πάνω από το καλώδιο ρεύματος, καθώς μπορεί να προκληθεί ηλεκτροπληξία ή ζημιά στο προϊόν (μοντέλο S 138C).

**IPX4** Αυτό το προϊόν διαθέτει προστασία από εκτινασόμενο νερό.

**EAC** Αυτό το προϊόν συμμορφώνεται με τις ισχύουσες οδηγίες EAC.

**CE** Αυτό το προϊόν συμμορφώνεται με τις ισχύουσες οδηγίες ΕΚ.

 Το προϊόν συμμορφώνεται με τις ισχύουσες οδηγίες της UkrSEPRO.



Εκπομπές θορύβου στο περιβάλλον σύμφωνα με την Οδηγία της Ευρωπαϊκής Κοινότητας. Οι εκπομπές του προϊόντος ορίζονται στο κεφάλαιο "Τεχνικά στοιχεία", καθώς και στην πινακίδα του.




Διπλή μόνωση (μοντέλο S 138C).



Ανακυκλώστε αυτό το προϊόν σε κέντρο ανακύκλωσης ηλεκτρικού και ηλεκτρονικού εξοπλισμού. (Ισχύει μόνο για την Ευρώπη)



Διαδικασία εκκίνησης για μοντέλο S 138i: Πιέστε το κουμπί ON/OFF, χαλαρώστε τον αναστολέα εκκίνησης και πιέστε προς τα κάτω τη λαβή του φρένου κινητήρα.

↓  Διαδικασία εκκίνησης για το μοντέλο S 138C:

---

## Ασφάλεια

---

### Ορισμοί για την ασφάλεια

Για την επισήμανση ειδικών σημαντικών τμημάτων του εγχειριδίου χρησιμοποιούνται προειδοποιήσεις, συστάσεις προσοχής και σημειώσεις.



### ΠΡΟΕΙΔΟΠΟΙΗΣΗ:

Χρησιμοποιείται όταν υπάρχει κίνδυνος τραυματισμού ή θανάτου του χειριστή ή άλλων παριστάμενων ατόμων,

Χαλαρώστε τον αναστολέα εκκίνησης, πιέστε προς τα κάτω τη λαβή του φρένου κινητήρα.



Για να διακόψετε τη λειτουργία, αφήστε τη λαβή του φρένου κινητήρα.



Κωδικός με δυνατότητα σάρωσης.

---

**Περιεχόμενα** Άλλα σύμβολα/σήματα που υπάρχουν στο προϊόν αναφέρονται σε απαιτήσεις πιστοποίησης για ορισμένες αγορές.

---

### Ευθύνη προϊόντος

Όπως αναφέρεται στη νομοθεσία περί ευθύνης για τα προϊόντα, δεν φέρουμε καμία ευθύνη για ζημιές που οφείλονται στο προϊόν μας εάν:

- Το προϊόν έχει επισκευαστεί λανθασμένα.
- Το προϊόν έχει επισκευαστεί με εξαρτήματα που δεν προέρχονται από τον κατασκευαστή ή που δεν έχουν εγκριθεί από τον κατασκευαστή.
- Το προϊόν διαθέτει ένα αξεσουάρ που δεν προέρχεται από τον κατασκευαστή ή που δεν έχει εγκριθεί από τον κατασκευαστή.
- Το προϊόν δεν έχει επισκευαστεί σε εγκεκριμένο κέντρο σέρβις ή από εγκεκριμένη αρχή.

αν δεν τηρηθούν οι οδηγίες που παρέχονται στο εγχειρίδιο.

---



### **ΠΡΟΣΟΧΗ:**

Χρησιμοποιείται όταν υπάρχει κίνδυνος πρόκλησης ζημιάς στο προϊόν, σε άλλα υλικά ή στον παρακείμενο χώρο, αν δεν τηρηθούν οι οδηγίες που παρέχονται στο εγχειρίδιο.

---

**Περιεχόμενα** Χρησιμοποιείται για παροχή περισσότερων πληροφοριών, οι οποίες χρειάζονται σε μια δεδομένη κατάσταση.

---

### **Γενικές οδηγίες ασφαλείας**

---



### **ΠΡΟΕΙΔΟΠΟΙΗΣΗ:**

Προτού χρησιμοποιήσετε το προϊόν, διαβάστε τις παρακάτω προειδοποιητικές οδηγίες.

---

- Αυτό το προϊόν είναι επικίνδυνο αν δεν χρησιμοποιηθεί σωστά ή αν δεν είστε προσεκτικοί. Αν δεν τηρείτε τις οδηγίες ασφαλείας,

μπορεί να προκληθεί τραυματισμός ή θάνατος.

- Αυτό το προϊόν παράγει ηλεκτρομαγνητικό πεδίο κατά τη λειτουργία του. Το πεδίο αυτό, υπό ορισμένες συνθήκες, μπορεί να προκαλέσει παρεμβολές σε ενεργά ή παθητικά ιατρικά εμφυτεύματα. Για να μειωθεί ο κίνδυνος σοβαρών ή θανατηφόρων τραυματισμών, συνιστούμε στα άτομα με ιατρικά εμφυτεύματα να συμβουλευονται το θεράποντα ιατρό τους και τον κατασκευαστή του ιατρικού εμφυτεύματος, προτού θέσουν το προϊόν σε λειτουργία.
- Πρέπει πάντα να προσέχετε και να χρησιμοποιείτε την κοινή λογική. Αν δεν είστε βέβαιοι πώς να χειριστείτε το προϊόν σε μια ιδιαίτερη κατάσταση, σταματήστε και μιλήστε με τον αντιπρόσωπο της Husqvarna προτού συνεχίσετε.
- Πρέπει να θυμάστε ότι ο χειριστής θεωρείται υπεύθυνος για ατυχήματα που μπορεί να προκληθούν σε άλλα άτομα ή στην περιουσία τους.
- Να διατηρείτε το προϊόν καθαρό. Βεβαιωθείτε ότι μπορείτε να διαβάσετε καθαρά τις ενδείξεις και τα σήματα.

## Ασφάλεια στο χώρο εργασίας

---



### ΠΡΟΕΙΔΟΠΟΙΗΣΗ:

Προτού χρησιμοποιήσετε το προϊόν, διαβάστε τις παρακάτω προειδοποιητικές οδηγίες.

---

- Μην επιτρέπεται σε κανένα άτομο να χρησιμοποιήσει το προϊόν αν δεν βεβαιωθείτε ότι έχει διαβάσει και κατανοήσει τα περιεχόμενα του εγχειριδίου χρήσης.
  - Μην επιτρέψετε σε παιδιά να χρησιμοποιήσουν το προϊόν.
  - Μην επιτρέψετε σε άτομα που δεν έχουν διαβάσει τις οδηγίες να χρησιμοποιήσουν το προϊόν.
  - Αν το προϊόν χρησιμοποιείται από ένα άτομο με μειωμένη σωματική ή διανοητική ικανότητα, θα πρέπει πάντα να το επιβλέπετε. Πρέπει να είναι παρών ένας υπεύθυνος ενήλικας ανά πάσα στιγμή.
  - Μην χρησιμοποιείτε το προϊόν αν είστε κουρασμένοι, άρρωστοι ή υπό την επήρεια αλκοόλ, ναρκωτικών ή φαρμάκων. Αυτά έχουν αρνητικές συνέπειες στην όραση, την αυτοσυγκέντρωση, τον συντονισμό και την κρίση σας.
  - Μην χρησιμοποιείτε το προϊόν αν είναι ελαττωματικό.
  - Μην τροποποιείτε το προϊόν και μην το χρησιμοποιείτε αν είναι εμφανές ότι έχει τροποποιηθεί από άλλους.
- Αφαιρέστε αντικείμενα όπως κλαδιά, κλωνάρια και πέτρες από την περιοχή εργασίας πριν χρησιμοποιήσετε το προϊόν.
  - Τα αντικείμενα που χτυπούν πάνω στον εξοπλισμό αραιωτήρα μπορεί να εκτιναχτούν και να προκαλέσουν τραυματισμό ή ζημιά. Να διατηρείτε τους παρευρισκόμενους και τα ζώα σε απόσταση ασφαλείας από το προϊόν.
  - Μην χρησιμοποιείτε ποτέ το προϊόν σε κακές καιρικές συνθήκες, όπως ομίχλη, βροχή, ισχυρό άνεμο, έντονο κρύο και κίνδυνο κεραυνού. Η χρήση του προϊόντος σε κακές καιρικές συνθήκες, σε συνθήκες υγρασίας ή σε υγρές τοποθεσίες είναι εξαιρετικά κουραστική. Οι κακές καιρικές συνθήκες μπορεί να προκαλέσουν επικίνδυνες

- καταστάσεις, όπως ολισθηρές επιφάνειες.
- Να προσέχετε για πρόσωπα, αντικείμενα και καταστάσεις που μπορεί να αποτρέψουν την ασφαλή λειτουργία του προϊόντος.
  - Να προσέχετε για εμπόδια, όπως ρίζες, πέτρες, κλωνάρια, λακκούβες και χαντάκια. Το μακρύ γρασίδι μπορεί να κρύβει εμπόδια.
  - Η λειτουργία του προϊόντος σε πλαγιές μπορεί να είναι επικίνδυνη. Μην χρησιμοποιείτε το προϊόν σε πλαγιές με κλίση πάνω από 15°.
  - Να κατευθύνετε το προϊόν κατά πλάτος στις επιφάνειες με κλίση. Να μην μετακινείστε προς τα πάνω και προς τα κάτω.
  - Να είστε ιδιαίτερα προσεκτικοί κοντά σε κρυφές γωνίες και αντικείμενα που εμποδίζουν το οπτικό σας πεδίο.

## Ασφάλεια στην εργασία



### ΠΡΟΕΙΔΟΠΟΙΗΣΗ:

Προτού χρησιμοποιήσετε το προϊόν, διαβάστε τις παρακάτω προειδοποιητικές οδηγίες.

- Χρησιμοποιήστε αυτό το προϊόν μόνο για να αφαιρέσετε τα ξερά χόρτα και τα βρύα από το γρασίδι. Δεν επιτρέπεται η χρήση του για άλλες εργασίες.
- Χρησιμοποιείτε ατομικό προστατευτικό εξοπλισμό. Ανατρέξτε στην ενότητα *Προσωπικός εξοπλισμός προστασίας στη σελίδα 143*.
- Μην χρησιμοποιείτε το προϊόν σε συνθήκες βροχής ή υγρασίας. Αν εισέλθει νερό στο προϊόν, αυξάνεται ο κίνδυνος ηλεκτροπληξίας.
- Μην χρησιμοποιείτε το προϊόν αν ο εξοπλισμός αραιωτήρα και όλα τα καλύμματα δεν είναι σωστά συνδεδεμένα. Αν ο εξοπλισμός αραιωτήρα δεν είναι σωστά συνδεδεμένος, μπορεί να χαλαρώσει και να προκαλέσει τραυματισμό.
- Βεβαιωθείτε ότι ο εξοπλισμός αραιωτήρα δεν χτυπάει σε αντικείμενα, όπως πέτρες και ρίζες. Αυτό μπορεί να προκαλέσει ζημιά στον εξοπλισμό αραιωτήρα και να λυγίσει τον άξονα του κινητήρα. Ο λυγισμένος άξονας προκαλεί ισχυρές δονήσεις και πολύ υψηλό κίνδυνο χαλάρωσης του εξοπλισμού αραιωτήρα.

- Σε περίπτωση πρόσκρουσης του εξοπλισμού αραιωτήρα σε αντικείμενο ή ύπαρξης κραδασμών, διακόψτε αμέσως τη λειτουργία του προϊόντος. Σβήστε τον κινητήρα, γυρίστε το κλειδί ασφαλείας στη θέση "0" και αφαιρέστε την μπαταρία (μοντέλο S 138i) ή αποσυνδέστε το καλώδιο ρεύματος (μοντέλο S 138C). Ελέγξτε το προϊόν για ζημιές. Επισκευάστε τις ζημιές ή αναθέστε την επισκευή σε έναν εξουσιοδοτημένο αντιπρόσωπο σέρβις.
- Μην συνδέετε ποτέ μόνιμα τη λαβή φρένου του κινητήρα στη λαβή όταν έχει εκκινήσει ο κινητήρας.
- Τοποθετήστε το προϊόν σε μια σταθερή, επίπεδη επιφάνεια και εκκινήστε το. Βεβαιωθείτε ότι ο εξοπλισμός αραιωτήρα δεν χτυπάει στο έδαφος ή σε άλλα αντικείμενα.
- Να παραμένετε πάντα πίσω από το προϊόν κατά τη λειτουργία.
- Κατά τη λειτουργία του προϊόντος, θα πρέπει όλοι οι τροχοί να ακουμπούν στο έδαφος και να διατηρείτε και τα 2 χέρια πάνω στη λαβή. Φροντίστε τα χέρια και τα πόδια σας να βρίσκονται μακριά από τον περιστρεφόμενο εξοπλισμό αραιωτήρα.
- Μην γέρνετε το προϊόν όταν έχει εκκινήσει ο κινητήρας.
- Να είστε προσεκτικοί όταν τραβάτε το προϊόν προς τα πίσω.
- Μην ανασηκώνετε ποτέ το προϊόν όταν έχει εκκινήσει ο κινητήρας. Εάν πρέπει να ανασηκώσετε το προϊόν, σβήστε πρώτα τον κινητήρα, γυρίστε το κλειδί ασφαλείας στη θέση "0" και αφαιρέστε την μπαταρία (μοντέλο S 138i) ή αποσυνδέστε το καλώδιο ρεύματος (μοντέλο S 138C).
- Μην περπατάτε προς τα πίσω όταν χρησιμοποιείτε το προϊόν.
- Σβήστε τον κινητήρα όταν κινείστε σε περιοχές χωρίς χόρτα, για παράδειγμα μονοπάτια από χαλίκι, πέτρα και άσφαλτο.
- Μην τρέχετε με το προϊόν όταν έχει εκκινήσει ο κινητήρας. Να περπατάτε πάντα προς τα εμπρός όταν χρησιμοποιείτε το προϊόν.
- Σβήστε τον κινητήρα προτού αλλάξετε το βάθος εργασίας. Μην προβαίνετε ποτέ σε ρυθμίσεις ενώ έχει εκκινήσει ο κινητήρας.
- Μην αφήνετε ποτέ το προϊόν εκτός του οπτικού σας πεδίου

ενώ έχει εκκινηθεί ο κινητήρας. Βεβαιωθείτε ότι ο εξοπλισμός αραιωτήρα δεν περιστρέφεται, προτού σβήσετε τον κινητήρα.

## Οδηγίες ασφαλείας για τη λειτουργία

### Προσωπικός εξοπλισμός προστασίας

Κατά τη χρήση του προϊόντος, πρέπει να χρησιμοποιείτε εγκεκριμένο προσωπικό εξοπλισμό προστασίας. Ο προσωπικός εξοπλισμός προστασίας δεν μπορεί να εξαλείψει τον κίνδυνο τραυματισμών, ωστόσο μειώνει την έκτασή τους σε περίπτωση ατυχήματος. Απευθυνθείτε στον αντιπρόσωπο για βοήθεια σχετικά με την επιλογή του σωστού εξοπλισμού.

Πρέπει πάντα να φοράτε:

- Προστατευτικά ακοής για να ελαχιστοποιείται ο κίνδυνος πρόκλησης βλάβης στην ακοή.
- Ανθεκτικές, αντιολισθητικές μπότες ή παπούτσια. Μην φοράτε πέδιλα και μην είστε ξυπόλητοι.
- Χοντρά, μακριά παντελόνια. Μην φοράτε σορτς.

Φοράτε γάντια όταν απαιτείται, για παράδειγμα κατά την τοποθέτηση, την επιθεώρηση ή τον καθαρισμό του εξοπλισμού αραιωτήρα.



**ΠΡΟΕΙΔΟΠΟΙΗΣΗ:** Χρησιμοποιείτε εγκεκριμένα προστατευτικά ακοής. Η μακροχρόνια έκθεση στο θόρυβο μπορεί να προκαλέσει μόνιμη βλάβη στην ακοή.

### Συσκευές ασφαλείας στο προϊόν



**ΠΡΟΕΙΔΟΠΟΙΗΣΗ:** Προτού χρησιμοποιήσετε το προϊόν, διαβάστε τις παρακάτω προειδοποιητικές οδηγίες.

- Μην χρησιμοποιείτε ποτέ το προϊόν, αν υπάρχουν ελαττωματικές συσκευές ασφαλείας.
- Πρέπει να κάνετε τακτικά έλεγχο των συσκευών ασφαλείας. Αν οι συσκευές ασφαλείας είναι ελαττωματικές, απευθυνθείτε στον αντιπρόσωπο σέρβις της Husqvarna.

### Έλεγχος των καλυμμάτων

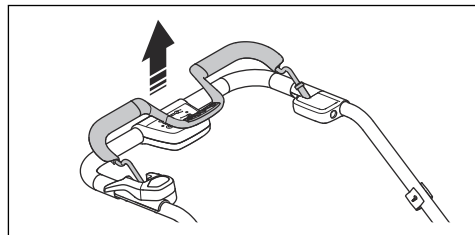
Το κάλυμμα αραιωτήρα μειώνει τους κραδασμούς στο προϊόν και τον κίνδυνο τραυματισμού από τον εξοπλισμό αραιωτήρα.

- Ελέγξτε το πλαϊνό κάλυμμα του αραιωτήρα για να βεβαιωθείτε ότι δεν υπάρχουν ζημιές όπως ρωγμές.
- Ελέγξτε το πίσω κάλυμμα για να βεβαιωθείτε ότι δεν υπάρχουν ζημιές όπως ρωγμές.

### Λαβή φρένου κινητήρα

Χρησιμοποιήστε τη λαβή φρένου του κινητήρα, για να σβήσετε τον κινητήρα. Εάν απελευθερώσετε τη λαβή φρένου του κινητήρα, ο κινητήρας σβήνει.

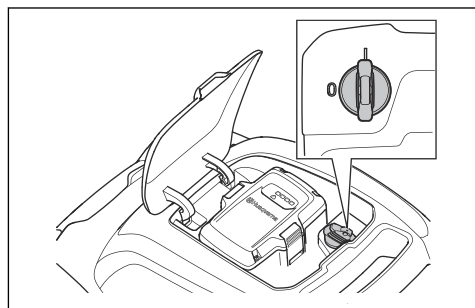
Για να ελέγξετε το φρένο του κινητήρα, εκκινήστε τον κινητήρα και, στη συνέχεια, απελευθερώστε τη λαβή φρένου του κινητήρα. Αν ο κινητήρας δεν σβήσει εντός 3 δευτερολέπτων, απευθυνθείτε σε έναν εγκεκριμένο αντιπρόσωπο σέρβις της Husqvarna για τη ρύθμιση του φρένου του κινητήρα.



### Κλειδί ασφαλείας

Το κλειδί ασφαλείας βρίσκεται κάτω από το καπάκι της μπαταρίας. Το κλειδί ασφαλείας χρησιμοποιείται για τη σύνδεση της μπαταρίας που τροφοδοτεί με ρεύμα τον κινητήρα.

- Για να ελέγξετε το κλειδί ασφαλείας, εκκινήστε και σβήστε τον κινητήρα.
- Αν το κλειδί ασφαλείας λειτουργεί σωστά, ο κινητήρας εκκινείται μόνο όταν γυρίζετε το κλειδί στη θέση "1".

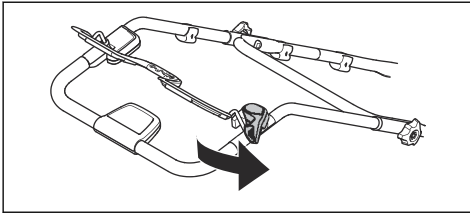


### Έλεγχος αναστολέα εκκίνησης

Ελέγξτε τον αναστολέα εκκίνησης για να βεβαιωθείτε ότι εμποδίζει τη λειτουργία του κινητήρα.

1. Σπρώξτε τη λαβή φρένου του κινητήρα προς την κατεύθυνση της χειρολαβής. Ο αναστολέας εκκίνησης σταματά να κινείται.

2. Σπρώξτε τον αναστολέα εκκίνησης προς τα έξω.

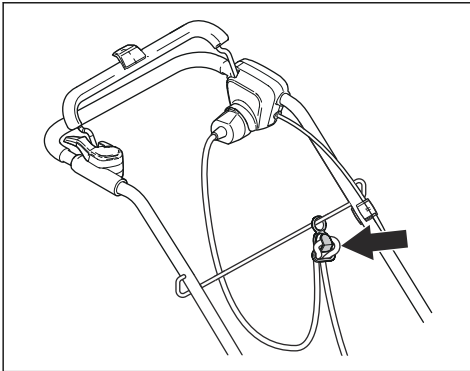


3. Αφήστε τον αναστολέα εκκίνησης και βεβαιωθείτε ότι επιστρέφει στην αρχική του θέση.

### Χρήση του στηρίγματος του καλωδίου ρεύματος (μοντέλο S 138C)

Το στηρίγμα του καλωδίου ρεύματος μειώνει τη μηχανική καταπόνηση της υποδοχής σύνδεσης και του καλωδίου ρεύματος. Το στηρίγμα του καλωδίου ρεύματος μειώνει επίσης τον κίνδυνο πτώσης σας.

1. Λυγίστε το καλώδιο ρεύματος ώστε να σχηματίσει μια μικρή θηλιά.
2. Τοποθετήστε τη θηλιά στην οπή του στηρίγματος του καλωδίου ρεύματος.
3. Τοποθετήστε τη θηλιά γύρω από το γάντζο.
4. Τραβήξτε το καλώδιο ρεύματος για να σφιχτείτε τη θηλιά γύρω από το γάντζο.



### Ασφάλεια μπαταρίας



#### ΠΡΟΕΙΔΟΠΟΙΗΣΗ:

Προτού χρησιμοποιήσετε το προϊόν, διαβάστε τις παρακάτω προειδοποιητικές οδηγίες.

- Χρησιμοποιείτε επαναφορτιζόμενες μπαταρίες της Husqvarna ως πηγή ηλεκτρικής ισχύος μόνο για τα σχετικά προϊόντα της Husqvarna. Για την αποφυγή τραυματισμών, μην χρησιμοποιείτε την μπαταρία ως πηγή ηλεκτρικής ισχύος για άλλες συσκευές.
- Μην χρησιμοποιείτε μη επαναφορτιζόμενες μπαταρίες.
- Κίνδυνος ηλεκτροπληξίας. Μη συνδέετε τους ακροδέκτες της μπαταρίας σε κλειδιά, νομίσματα, βίδες ή άλλα μεταλλικά αντικείμενα. Αυτό μπορεί να προκαλέσει βραχυκύκλωμα της μπαταρίας.
- Μην τοποθετείτε αντικείμενα μέσα στις εγκοπές αερισμού της μπαταρίας.
- Διατηρείτε την μπαταρία μακριά από την ηλιακή ακτινοβολία, τη θερμότητα ή τις γυμνές φλόγες. Η μπαταρία μπορεί να εκραγεί και να προκαλέσει εγκαύματα ή/και χημικά εγκαύματα.
- Διατηρείτε την μπαταρία μακριά από συνθήκες βροχής και υγρασίας.
- Διατηρείτε την μπαταρία μακριά από πηγές μικροκυμάτων και υψηλής πίεσης.



- Μην προσπαθήσετε να αποσυναρμολογήσετε ή να διαλύσετε την μπαταρία.
- Αν η μπαταρία εμφανίσει διαρροή, φροντίστε το υγρό να μην έρθει σε επαφή με το δέρμα ή τα μάτια σας. Αν έρθετε σε επαφή με το υγρό, καθαρίστε την περιοχή με μεγάλη ποσότητα νερού και ζητήστε ιατρική βοήθεια.
- Χρησιμοποιείτε την μπαταρία σε θερμοκρασίες μεταξύ -10 °C και 40 °C.
- Μην καθαρίζετε την μπαταρία ή το φορτιστή μπαταρίας με νερό. Ανατρέξτε στην ενότητα *Για να καθαρίσετε την μπαταρία και το φορτιστή μπαταρίας στη σελίδα 155.*
- Μην χρησιμοποιείτε ελαττωματικές ή κατεστραμμένες μπαταρίες.
- Φυλάσσετε τις μπαταρίες μακριά από μεταλλικά αντικείμενα, όπως καρφιά, νομίσματα και κοσμήματα.
- Χρησιμοποιείτε τους φορτιστές μπαταρίας QC για να φορτίζετε μόνο τις ανταλλακτικές μπαταρίες της Husqvarna.
- Κίνδυνος ηλεκτροπληξίας ή βραχυκυκλώματος. Μην τοποθετείτε αντικείμενα μέσα στις εγκοπές αερισμού του φορτιστή. Μην επιχειρείτε να αποσυναρμολογήσετε το φορτιστή μπαταρίας. Μην συνδέετε ποτέ τους ακροδέκτες του φορτιστή σε μεταλλικά αντικείμενα. Χρησιμοποιήστε μια εγκεκριμένη πρίζα.
- Αυτό το προϊόν παράγει ηλεκτρομαγνητικό πεδίο κατά τη λειτουργία του. Το πεδίο αυτό, υπό ορισμένες συνθήκες, μπορεί να προκαλέσει παρεμβολές σε ενεργά ή παθητικά ιατρικά εμφυτεύματα. Προκειμένου να μειωθεί ο κίνδυνος παθήσεων που μπορεί να προκαλέσουν τραυματισμό ή θάνατο, συνιστούμε στα άτομα με ιατρικά εμφυτεύματα να συμβουλευτούν το θεράποντα ιατρό τους και τον κατασκευαστή του ιατρικού εμφυτεύματος, πριν να θέσουν το προϊόν σε λειτουργία.
- Να βεβαιώνετε τακτικά ότι το καλώδιο ρεύματος του φορτιστή της μπαταρίας δεν

## Ασφάλεια φορτιστή μπαταρίας



### ΠΡΟΕΙΔΟΠΟΙΗΣΗ:

Προτού χρησιμοποιήσετε το προϊόν, διαβάστε τις παρακάτω προειδοποιητικές οδηγίες.

έχει υποστεί ζημιά και ότι δεν παρουσιάζει ρωγμές.

- Μην σηκώνετε το φορτιστή μπαταρίας από το καλώδιο ρεύματος. Για να αποσυνδέσετε το φορτιστή της μπαταρίας από την πρίζα, τραβήξτε το βύσμα. Μην τραβάτε το καλώδιο.
- Διατηρείτε το καλώδιο ρεύματος και το καλώδιο επέκτασης μακριά από νερό, λάδι και αιχμηρές γωνίες. Βεβαιωθείτε ότι το καλώδιο δεν έχει μαγκώσει σε πόρτες, φράκτες ή παρόμοια σημεία. Μπορεί να προκληθεί κίνδυνος τροφοδοσίας ρεύματος στο φορτιστή.
- Μην καθαρίζετε τον φορτιστή μπαταρίας με νερό.
- Ο φορτιστής της μπαταρίας μπορεί να χρησιμοποιηθεί από παιδιά ηλικίας από 8 ετών και άνω και από άτομα με περιορισμένες σωματικές, αισθητήριες ή διανοητικές ικανότητες ή από άτομα χωρίς εμπειρία και γνώση, εφόσον τον χρησιμοποιούν υπό επίτηρηση ή έχουν λάβει οδηγίες σχετικά με την ασφαλή χρήση του και κατανοούν τους κινδύνους που ενέχονται. Τα παιδιά δεν πρέπει να παίζουν με το φορτιστή της μπαταρίας. Τα παιδιά δεν πρέπει να

εκτελούν εργασίες καθαρισμού και συντήρησης χωρίς επίβλεψη.

- Μην φορτίζετε μη επαναφορτιζόμενες μπαταρίες με το φορτιστή της μπαταρίας.
- Μη χρησιμοποιείτε το φορτιστή μπαταρίας κοντά σε εύφλεκτα υλικά ή υλικά που μπορούν να προκαλέσουν διάβρωση. Μην καλύπτετε το φορτιστή μπαταρίας. Σε περίπτωση έκλυσης καπνού ή πυρκαγιάς, βγάλτε το φορτιστή μπαταρίας από την πρίζα.
- Μη χρησιμοποιείτε φορτιστή μπαταρίας που παρουσιάζει ελάττωμα ή έχει υποστεί ζημιά.
- Φορτίζετε την μπαταρία μόνο σε εσωτερικό και καλά αεριζόμενο χώρο μακριά από την ηλιακή ακτινοβολία. Μην φορτίζετε την μπαταρία σε συνθήκες υγρασίας.

#### **Ασφάλεια καλωδίου ρεύματος**

Για το μοντέλο S 138C.

- Συνιστάται η χρήση μιας διάταξης προστασίας από ρεύματα διαρροής (Residual Current Device (R.C.D.)) με ρεύμα ενεργοποίησης όχι μεγαλύτερο από 30 mA. Ακόμη και όταν έχει τοποθετηθεί R.C.D., η ασφάλεια δεν μπορεί να είναι 100% εγγυημένη και πρέπει να τηρούνται πάντοτε

οι πρακτικές ασφαλούς εργασίας. Κάντε έναν έλεγχο της R.C.D. κάθε φορά που τη χρησιμοποιείτε.

- Εάν το καλώδιο ρεύματος κοπεί ή υποστεί ζημιά ή μόνωσή του, αποσυνδέστε το αμέσως από την παροχή ρεύματος.
- Μην αγγίζετε ένα κομμένο ή κατεστραμμένο καλώδιο ρεύματος μέχρι να αποσυνδεθεί από την παροχή ρεύματος.
- Μην επιχειρήσετε να επισκευάσετε ένα κομμένο ή κατεστραμμένο καλώδιο ρεύματος. Αντικαταστήστε το με ένα καινούργιο.

## Οδηγίες ασφαλείας για τη συντήρηση



### ΠΡΟΕΙΔΟΠΟΙΗΣΗ:

Προτού χρησιμοποιήσετε το προϊόν, διαβάστε τις παρακάτω προειδοποιητικές οδηγίες.

- Για το μοντέλο S 138C: Για την αποφυγή τυχόν ακούσιας εκκίνησης κατά τη διάρκεια των εργασιών συντήρησης, πρέπει να αποσυνδέετε το καλώδιο ρεύματος.
  - Να εκτελείτε σωστά τις εργασίες συντήρησης για να αυξήσετε τη διάρκεια ζωής του προϊόντος και να μειώσετε τον κίνδυνο ατυχημάτων. Να αναθέτετε τις επαγγελματικές επισκευές σε έναν εγκεκριμένο αντιπρόσωπο σέρβις. Επικοινωνήστε με τον πλησιέστερο αντιπρόσωπο σέρβις για περισσότερες πληροφορίες.
  - Να πραγματοποιείτε μόνο τις εργασίες συντήρησης που περιλαμβάνονται στο παρόν εγχειρίδιο χρήσης. Οι εκτεταμένες εργασίες πρέπει να εκτελούνται από εγκεκριμένο αντιπρόσωπο σέρβις.
  - Φοράτε ανθεκτικά γάντια όταν χρησιμοποιείτε τον εξοπλισμό αραιωτήρα. Ο εξοπλισμός αραιωτήρα είναι πολύ κοφτερός και μπορεί εύκολα να κοπείτε.
- Για το μοντέλο S 138i: Για την αποφυγή ακούσιας εκκίνησης κατά τις εργασίες συντήρησης, γυρίστε το κλειδί ασφαλείας στη θέση "0" και αφαιρέστε την μπαταρία. Περιμένετε τουλάχιστον για 5

- Διατηρείτε τις λεπίδες στον εξοπλισμό αραιωτήρα κοφτερές και καθαρές για καλύτερη απόδοση και μεγαλύτερη ασφάλεια.
- Να αναθέτετε στον αντιπρόσωπο σέρβις να ελέγχει συχνά το προϊόν και να κάνει τις απαραίτητες ρυθμίσεις και επισκευές.
- Να αντικαθιστάτε τυχόν κατεστραμμένα, φθαρμένα ή σπασμένα εξαρτήματα.
- Τηρείτε τις οδηγίες για την αλλαγή των αξεσουάρ.

- Χρησιμοποιήστε μόνο αξεσουάρ του κατασκευαστή.
- Αποθηκεύετε το προϊόν, την μπαταρία και τον φορτιστή μπαταρίας ξεχωριστά σε κλειδωμένο εσωτερικό χώρο χωρίς υγρασία, όταν δεν τα χρησιμοποιείτε. Βεβαιωθείτε ότι τα παιδιά και τα μη εξουσιοδοτημένα άτομα δεν έχουν πρόσβαση στο προϊόν, την μπαταρία ή τον φορτιστή μπαταρίας.

## Συναρμολόγηση

### Εισαγωγή



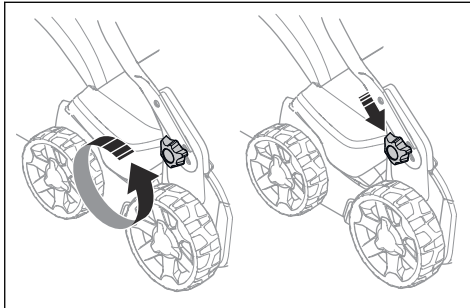
**ΠΡΟΕΙΔΟΠΟΙΗΣΗ:** Πριν συναρμολογήσετε το προϊόν, διαβάστε το κεφάλαιο για την ασφάλεια.



**ΠΡΟΕΙΔΟΠΟΙΗΣΗ:** Για το μοντέλο S 138i: Για την αποφυγή ακούσιας εκκίνησης κατά τη συναρμολόγηση, γυρίστε το κλειδί ασφαλείας στη θέση "0", αφαιρέστε την μπαταρία και περιμένετε τουλάχιστον για 5 δευτερόλεπτα.

Για το μοντέλο S 138C: Για την αποφυγή τυχόν ακούσιας εκκίνησης κατά τη διάρκεια της συναρμολόγησης, πρέπει να αποσυνδέετε το καλώδιο ρεύματος.

2. Μετακινήστε τους μοχλούς στο κατώτερο άκρο των αυλακώσεων από την αριστερή και τη δεξιά πλευρά του προϊόντος.

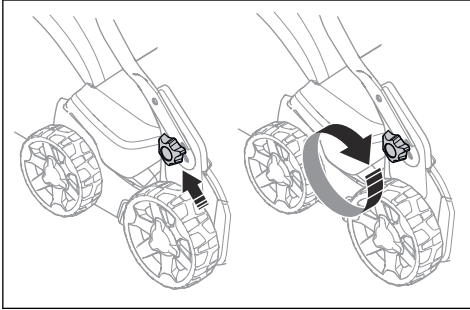


3. Ρυθμίστε το ύψος της χειρολαβής σε μία από τις 2 διαθέσιμες θέσεις.

### Για να συναρμολογήσετε την λαβή

1. Χαλαρώστε τις κάτω χειρόβιδες.

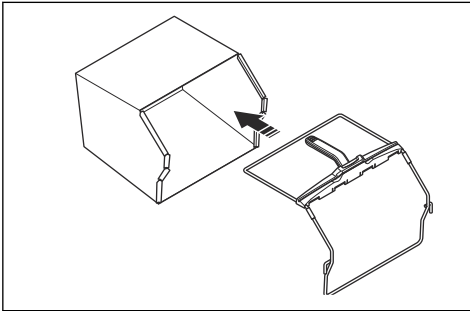
4. Μετακινήστε τους μοχλούς προς την κατεύθυνση της χειρολαβής μέχρι να σταματήσουν και να ακούσετε ένα κλικ.



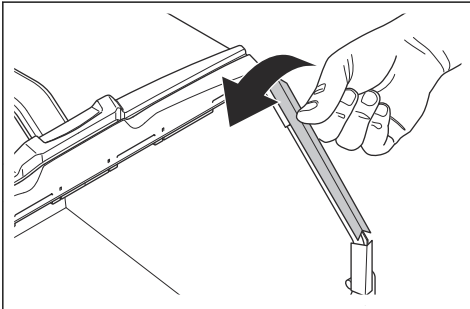
5. Σφίξτε πλήρως τις χειρόβιδες.

## Συναρμολόγηση του συλλέκτη χόρτου

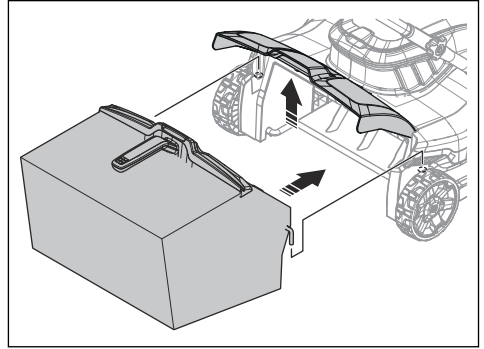
1. Τοποθετήστε το πλαίσιο συλλέκτη χόρτου στον σάκο χόρτου με το άκαμπτο τμήμα του σάκου να ακουμπά στο έδαφος. Κρατήστε τη λαβή του πλαισίου στο επάνω μέρος του σάκου χόρτου.



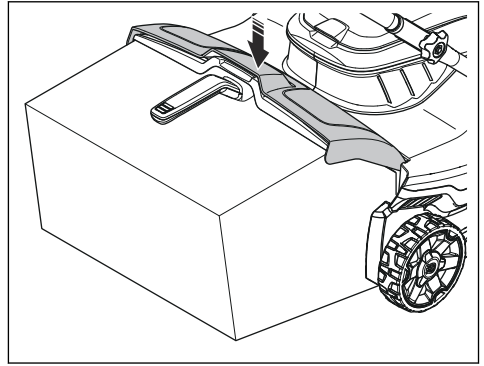
2. Τοποθετήστε το κάτω τμήμα του πλαισίου του συλλέκτη χόρτου στην εγκοπή στο κάτω μέρος του συλλέκτη χόρτου.
3. Στερεώστε τον σάκο χόρτου στο πλαίσιο του συλλέκτη χόρτου με τα κλιπ.



4. Ανασηκώστε το πίσω κάλυμμα.
5. Μετακινήστε το συλλέκτη χόρτου στη σωστή θέση.



6. Συνδέστε το συλλέκτη χόρτου στο επάνω άκρο του σασί. Βεβαιωθείτε ότι το πίσω κάλυμμα εφαρμόζει ερμητικά πάνω στο συλλέκτη χόρτου για την αποφυγή διαρροής.



# Λειτουργία

## Εισαγωγή



**ΠΡΟΕΙΔΟΠΟΙΗΣΗ:** Προτού χρησιμοποιήσετε το προϊόν, πρέπει να διαβάσετε και να κατανοήσετε το κεφάλαιο για την ασφάλεια.

## Husqvarna Connect

Η Husqvarna Connect είναι μια δωρεάν εφαρμογή για τη φορητή συσκευή σας. Η εφαρμογή Husqvarna Connect παρέχει εκτεταμένες λειτουργίες για το προϊόν σας Husqvarna:

- Περισσότερες πληροφορίες για το προϊόν.
- Πληροφορίες και βοήθεια για τα ανταλλακτικά και το σέρβις του προϊόντος.

## Για να αρχίσετε να χρησιμοποιείτε το προϊόν Husqvarna Connect

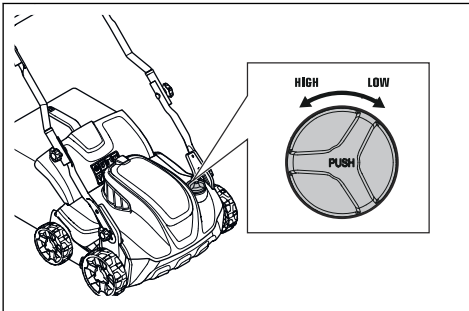
1. Κατεβάστε την εφαρμογή Husqvarna Connect στη φορητή συσκευή σας.
2. Εγγραφείτε στην εφαρμογή Husqvarna Connect.
3. Ακολουθήστε τα βήματα με τις οδηγίες που θα βρείτε στην εφαρμογή Husqvarna Connect για να συνδέσετε και να δηλώσετε το προϊόν.

## Ρύθμιση του βάθους εργασίας



**ΠΡΟΕΙΔΟΠΟΙΗΣΗ:** Μην ρυθμίζετε το βάθος εργασίας όταν χειρίζεστε το προϊόν.

1. Πατήστε και γυρίστε το κουμπί ρύθμισης του βάθους εργασίας αριστερόστροφα για να αυξήσετε το βάθος εργασίας.
2. Πατήστε και γυρίστε το κουμπί ρύθμισης του βάθους εργασίας δεξιόστροφα για να μειώσετε το βάθος εργασίας.



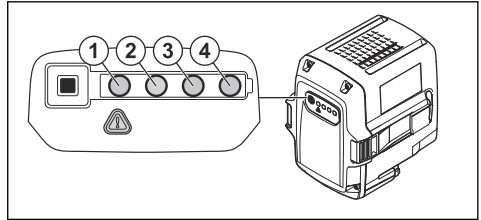
## Μπαταρία



**ΠΡΟΕΙΔΟΠΟΙΗΣΗ:** Προτού χρησιμοποιήσετε την μπαταρία, πρέπει να διαβάσετε και να κατανοήσετε το κεφάλαιο σχετικά με την ασφάλεια. Πρέπει επίσης να διαβάσετε και να κατανοήσετε το εγχειρίδιο χρήσης για την μπαταρία και τον φορτιστή της μπαταρίας.

## Κατάσταση μπαταρίας

Στην οθόνη εμφανίζονται η εναπομένουσα χωρητικότητα της μπαταρίας και τυχόν προβλήματα της μπαταρίας. Η χωρητικότητα της μπαταρίας εμφανίζεται για 5 δευτερόλεπτα μετά την απενεργοποίηση του προϊόντος ή το πάτημα του κουμπιού της ένδειξης μπαταρίας. Το προειδοποιητικό σύμβολο στην μπαταρία ανάβει όταν παρουσιαστεί σφάλμα. Ανατρέξτε στην ενότητα *Μπαταρία στη σελίδα 156*.



Ενδεικτικές λυχνίες LED	Κατάσταση μπαταρίας
Όλες οι ενδεικτικές λυχνίες LED είναι αναμμένες	Πλήρως φορτισμένη (75-100%)
Οι ενδεικτικές λυχνίες LED 1, LED 2, LED 3 είναι αναμμένες	Η μπαταρία είναι φορτισμένη κατά 50%-75%
Οι ενδεικτικές λυχνίες LED 1, LED 2 είναι αναμμένες	Η μπαταρία είναι φορτισμένη κατά 25%-50%
Η ενδεικτική λυχνία LED 1 είναι αναμμένη	Η μπαταρία είναι φορτισμένη κατά 0%-25%.
Η ενδεικτική λυχνία LED 1 αναβοσβήνει	Η μπαταρία είναι άδεια. Φορτίστε την μπαταρία.

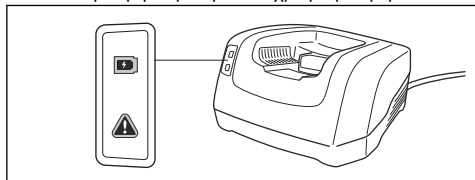
## Φόρτιση της μπαταρίας

Φορτίστε την μπαταρία πριν από την πρώτη χρήση. Η μπαταρία είναι φορτισμένη μόνο κατά 30% όταν παρέχεται στον πελάτη.

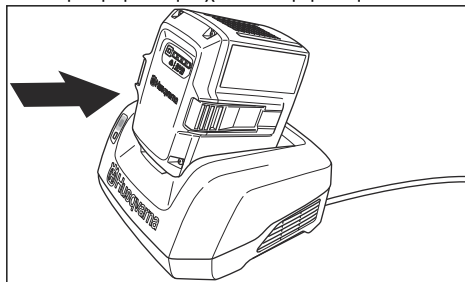
**Περιεχόμενα** Ο φορτιστής της μπαταρίας πρέπει να συνδέεται σε παροχή με τάση και συχνότητα ίδια με αυτή που ορίζεται στην πινακίδα στοιχείων.

Η φόρτιση της μπαταρίας δεν είναι δυνατή αν η θερμοκρασία της μπαταρίας είναι μεγαλύτερη από 50 °C. Ο φορτιστής της μπαταρίας μειώνει τη θερμοκρασία πριν ξεκινήσει η φόρτιση.

1. Συνδέστε το ένα άκρο του καλωδίου ρεύματος του φορτιστή μπαταρίας στην υποδοχή του φορτιστή μπαταρίας.
2. Συνδέστε το άλλο άκρο του καλωδίου ρεύματος του φορτιστή μπαταρίας σε μια γειωμένη πρίζα. Η ενδεικτική λυχνία LED στον φορτιστή της μπαταρίας θα αναβοσβήνει με πράσινο χρώμα μία φορά.



3. Τοποθετήστε την μπαταρία στο φορτιστή μπαταρίας. Όταν η μπαταρία συνδεθεί σωστά στον φορτιστή, ανάβει η πράσινη λυχνία στον φορτιστή.



4. Η μπαταρία είναι πλήρως φορτισμένη, όταν ανάψουν όλες οι λυχνίες LED στην μπαταρία. Ο μέγιστος χρόνος φόρτισης της μπαταρίας δεν θα πρέπει να υπερβαίνει τις 24 ώρες.
5. Για να αποσυνδέσετε τον φορτιστή της μπαταρίας από την πρίζα, τραβήξτε το φως και όχι το καλώδιο.
6. Αφαιρέστε την μπαταρία από το φορτιστή.

### Κατάσταση φόρτισης της μπαταρίας

Μια μπαταρία ιόντων λιθίου της Husqvarna μπορεί να φορτιστεί ή να χρησιμοποιηθεί σε όλα τα επίπεδα φόρτισης. Δεν προκαλείται ζημιά στην μπαταρία. Μια πλήρως φορτισμένη μπαταρία δεν θα χάσει το φορτίο της όταν παραμείνει στον φορτιστή.

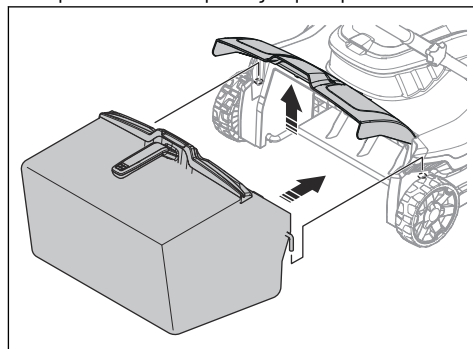
Οθόνη LED	Κατάσταση φόρτισης
Η ενδεικτική λυχνία LED 1 αναβοσβήνει	0%-25%
Η ενδεικτική λυχνία LED 1 είναι αναμμένη, η ενδεικτική λυχνία LED 2 αναβοσβήνει	25%-50%

Οθόνη LED	Κατάσταση φόρτισης
Οι ενδεικτικές λυχνίες LED 1, LED 2 είναι αναμμένες, η ενδεικτική λυχνία LED 3 αναβοσβήνει	50%-75%
Οι ενδεικτικές λυχνίες LED 1, LED 2, LED 3 είναι αναμμένες, η ενδεικτική λυχνία LED 4 αναβοσβήνει	75%-100%
Οι λυχνίες LED 1, LED 2, LED 3, LED 4 είναι αναμμένες	Πλήρως φορτισμένη

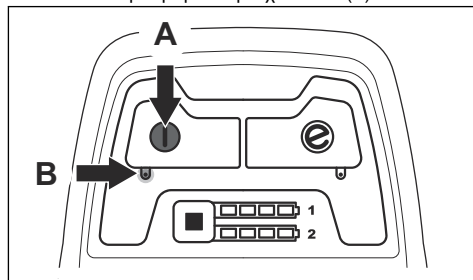
### Λειτουργία του S 138i

#### Εκκίνηση προϊόντος

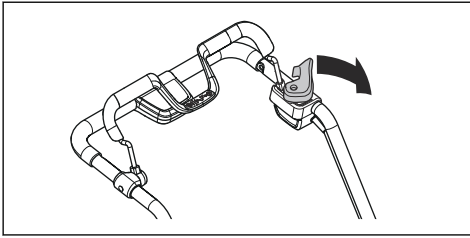
1. Τοποθετήστε μια φορτισμένη μπαταρία μέσα στον χώρο μπαταρίας με αριθμό 1 κάτω από το καπάκι της μπαταρίας. Για μεγαλύτερη διάρκεια λειτουργίας, τοποθετήστε μια δεύτερη φορτισμένη μπαταρία στον χώρο μπαταρίας με αριθμό 2.
2. Γυρίστε το κλειδί ασφαλείας στη θέση "1".



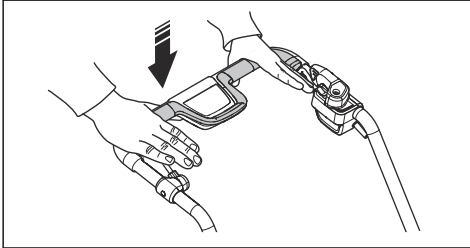
3. Να παραμείνετε πίσω από το προϊόν.
4. Πατήστε το κουμπί ON/OFF (A) στο ταμπλό ελέγχου και θα ανάψει η πράσινη λυχνία LED (B).



5. Χαλαρώστε τον αναστολέα εκκίνησης.



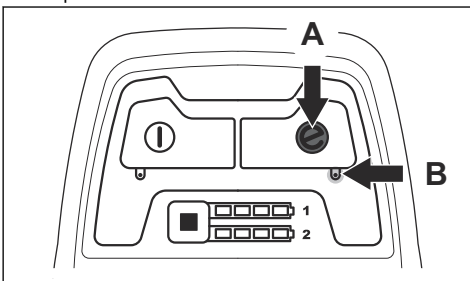
6. Σπρώξτε τη λαβή φρένου του κινητήρα προς την κατεύθυνση της χειρολαβής.



### Χρήση της λειτουργίας εξοικονόμησης SavE (αξεσουάρ)

Το προϊόν διαθέτει μια λειτουργία εξοικονόμησης μπαταρίας (SavE) για μεγαλύτερη διάρκεια λειτουργίας.

1. Πατήστε το κουμπί εξοικονόμησης SavE (A) για να εκκινήσετε τη λειτουργία. Η πράσινη λυχνία LED ανάβει.

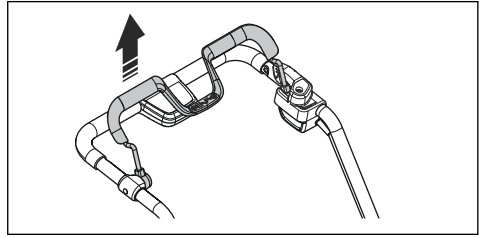


2. Πατήστε ξανά το κουμπί εξοικονόμησης SavE για να διακόψετε τη λειτουργία. Η πράσινη λυχνία LED (B) σβήνει.

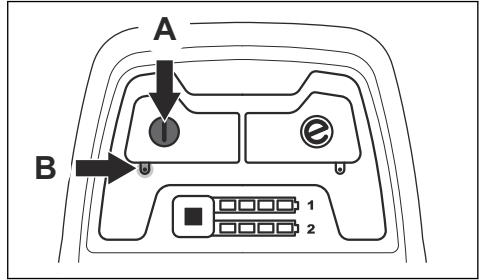
### Διακοπή λειτουργίας του προϊόντος

Το προϊόν σταματά να λειτουργεί, αν δεν το χρησιμοποιήσετε για 10 λεπτά. Να γυρνάτε πάντα το κλειδί ασφαλείας στη θέση "0" προτού αφήσετε το προϊόν εκτός του οπτικού σας πεδίου.

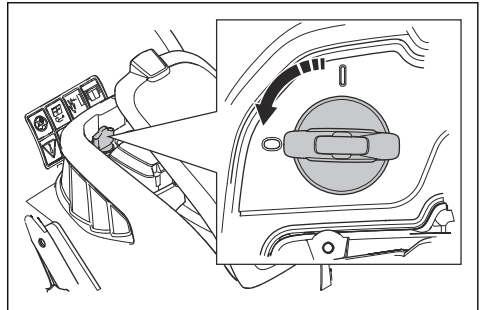
1. Απελευθερώστε τη λαβή φρένου του κινητήρα για να σβήσετε τον κινητήρα.



2. Πατήστε το κουμπί ON/OFF (A) στο ταμπλό ελέγχου και θα σβήσει η πράσινη λυχνία LED (B).

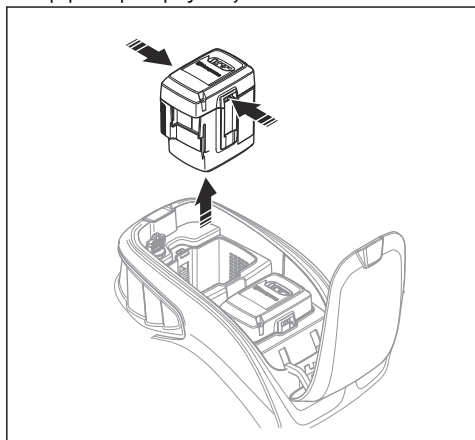


3. Ανοίξτε το καπάκι της μπαταρίας και γυρίστε το κλειδί ασφαλείας στη θέση "0".





4. Για να αφαιρέσετε την μπαταρία, πατήστε ταυτόχρονα τα 2 κουμπιά απασφάλισης και τραβήξτε την μπαταρία προς τα έξω.

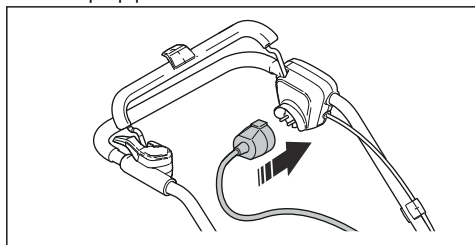


5. Φορτίστε την μπαταρία, αν η στάθμη φόρτισης είναι πολύ χαμηλή. Για περισσότερες πληροφορίες, ανατρέξτε στην ενότητα *Φόρτιση της μπαταρίας στη σελίδα 150*.

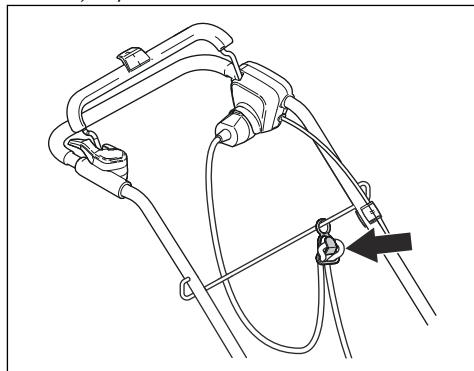
## Λειτουργία του S 138C

### Εκκίνηση του προϊόντος

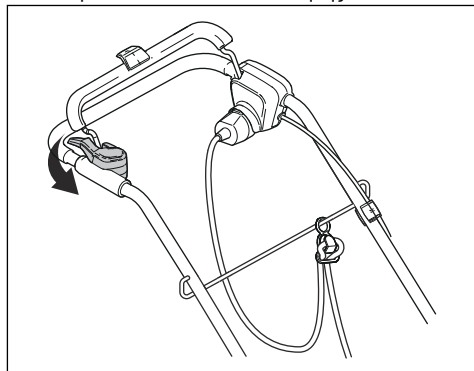
1. Συνδέστε ένα καλώδιο ρεύματος στην υποδοχή κάτω από τη λαβή.



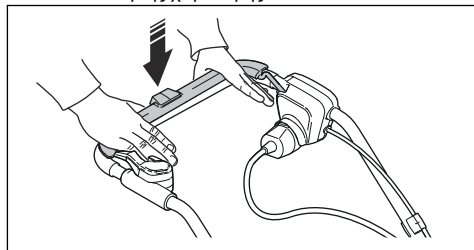
2. Τοποθετήστε το καλώδιο ρεύματος στο στήριγμα του καλωδίου ρεύματος. Ανατρέξτε στην ενότητα *Χρήση του στηρίγματος του καλωδίου ρεύματος (μοντέλο S 138C) στη σελίδα 144*.



3. Να παραμείνετε πίσω από το προϊόν.
4. Χαλαρώστε τον αναστολέα εκκίνησης.

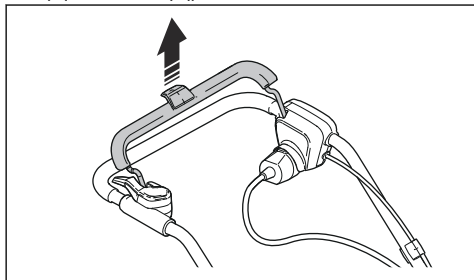


5. Σπρώξτε τη λαβή φρένου του κινητήρα προς την κατεύθυνση της χειρολαβής.

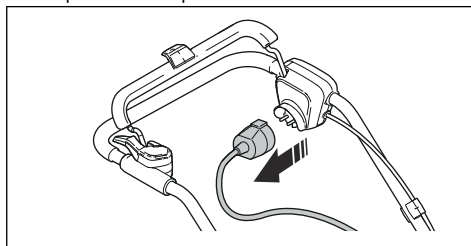


## Διακοπή λειτουργίας του προϊόντος

1. Απελευθερώστε τη λαβή φρένου του κινητήρα για να σβήσετε τον κινητήρα.



2. Αποσυνδέστε το καλώδιο ρεύματος από την πρίζα και μετά από το προϊόν.



**ΠΡΟΣΟΧΗ:** Τραβήξτε το φως ευθεία προς τα έξω. Μην τραβάτε το καλώδιο.

## Συντήρηση

### Εισαγωγή



**ΠΡΟΕΙΔΟΠΟΙΗΣΗ:** Προτού εκτελέσετε εργασίες συντήρησης, πρέπει να διαβάσετε και να κατανοήσετε το κεφάλαιο για την ασφάλεια.

Για όλες τις εργασίες συντήρησης και επισκευής στο προϊόν, είναι απαραίτητη ειδική εκπαίδευση. Μπορούμε να εγγυηθούμε για τη διαθεσιμότητα των επαγγελματικών επισκευών και τη συντήρηση. Αν ο αντιπρόσωπός σας δεν είναι αντιπρόσωπος σέρβις,

μιλήστε του για πληροφορίες σχετικά με τον πλησιέστερο αντιπρόσωπο σέρβις.

### Πρόγραμμα συντήρησης

Τα διαστήματα συντήρησης υπολογίζονται με βάση την καθημερινή χρήση του προϊόντος. Τα διαστήματα αλλάζουν αν το προϊόν δεν χρησιμοποιείται καθημερινά.

Για τις εργασίες συντήρησης που επισημαίνονται με αστερίσκο (\*), ανατρέξτε στην ενότητα *Συσκευές ασφαλείας στο προϊόν στη σελίδα 143*.

S 138i και S 138C	Σε κάθε χρήση	Κάθε μήνα	Σε κάθε σεζόν
Πραγματοποιήστε γενική επιθεώρηση.	X		
Καθαρίστε το προϊόν.	X		
Ελέγξτε τον εξοπλισμό αραιωτήρα.	X		
Βεβαιωθείτε ότι οι συσκευές ασφαλείας στο προϊόν δεν είναι ελαττωματικές. *	X		
Ελέγξτε τα καλύμματα. *	X		
Ελέγξτε τη λαβή του φρένου του κινητήρα. *	X		
Ελέγξτε τον αναστολέα εκκίνησης. *	X		

S 138i μόνο	Σε κάθε χρήση	Κάθε μήνα	Σε κάθε σεζόν
Επιβεβαίωση της σωστής και μη ελαττωματικής λειτουργίας του κουμπιού ON/OFF.	X		
Έλεγχος της μπαταρίας για ζημιά.	X		
Έλεγχος της φόρτισης της μπαταρίας.	X		

S 138i μόνο	Σε κάθε χρήση	Κάθε μήνα	Σε κάθε σεζόν
Έλεγχος της σωστής λειτουργίας των κουμπιών απασφάλισης της μπαταρίας και της ασφάλισης της μπαταρίας μέσα στο προϊόν.	X		
Έλεγχος του φορτιστή μπαταρίας για τυχόν ζημιές και έλεγχος για σωστή λειτουργία.		X	
Έλεγχος των συνδέσεων μεταξύ της μπαταρίας και του προϊόντος. Επιπλέον, έλεγχος της σύνδεσης μεταξύ της μπαταρίας και του φορτιστή μπαταρίας.			X

## Εκτέλεση γενικής επιθεώρησης

- Βεβαιωθείτε ότι τα παξιμάδια και οι βίδες πάνω στο προϊόν είναι σφιγμένα.
- Βεβαιωθείτε ότι τα καλώδια στο προϊόν δεν βρίσκονται σε σημείο όπου μπορούν να υποστούν ζημιά.

## Καθαρισμός του προϊόντος

- Καθαρίζετε τα πλαστικά εξαρτήματα με καθαρό και στεγνό πανί.
- Μην χρησιμοποιείτε νερό για να καθαρίσετε το προϊόν. Το νερό μπορεί να εισχωρήσει στην μπαταρία ή στον κινητήρα και να προκαλέσει βραχυκύκλωμα ή ζημιά στο προϊόν.
- Μην χρησιμοποιείτε σύστημα πλύσης με υψηλή πίεση για να καθαρίσετε το προϊόν.
- Μην ρίχνετε νερό απευθείας επάνω στον κινητήρα.
- Χρησιμοποιήστε μια βούρτσα για να αφαιρέσετε φύλλα, γρασίδι και ακαθαρσίες.

## Για να καθαρίσετε την μπαταρία και το φορτιστή μπαταρίας



**ΠΡΟΣΟΧΗ:** Μην καθαρίζετε την μπαταρία ή το φορτιστή μπαταρίας με νερό.

- Βεβαιωθείτε ότι η μπαταρία και ο φορτιστής είναι καθαροί και στεγνοί προτού τοποθετήσετε την μπαταρία στον φορτιστή.
- Καθαρίστε τους πόλους της μπαταρίας με πεπιεσμένο αέρα ή χρησιμοποιήστε μαλακό και στεγνό πανί.
- Καθαρίστε τις επιφάνειες της μπαταρίας και του φορτιστή της μπαταρίας με μαλακό και στεγνό πανί.

## Έλεγχος του εξοπλισμού αραιωτήρα



**ΠΡΟΕΙΔΟΠΟΙΗΣΗ:** Για τα μοντέλα S 138i: Για την αποφυγή ακούσιας εκκίνησης, γυρίστε το κλειδί ασφαλείας στη θέση "0", αφαιρέστε την μπαταρία και περιμένετε τουλάχιστον για 5 δευτερόλεπτα.

Για το μοντέλο S 138C: Για την αποφυγή τυχόν ακούσιας εκκίνησης, πρέπει να αποσυνδέετε το καλώδιο ρεύματος.



**ΠΡΟΕΙΔΟΠΟΙΗΣΗ:** Να χρησιμοποιείτε προστατευτικά γάντια όταν κάνετε συντήρηση του εξοπλισμού αραιωτήρα. Οι λεπίδες στον εξοπλισμό αραιωτήρα είναι πολύ κοφτερές και μπορεί εύκολα να κοπείτε.

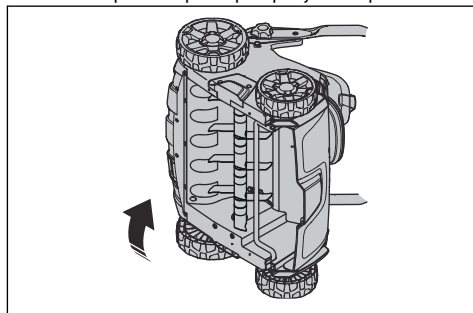
- Ελέγξτε τον εξοπλισμό αραιωτήρα για ζημιές ή ρωγμές. Αντικαθιστάτε πάντα τον εξοπλισμό αραιωτήρα, αν έχει υποστεί ζημιά.

## Αντικατάσταση του εξοπλισμού αραιωτήρα

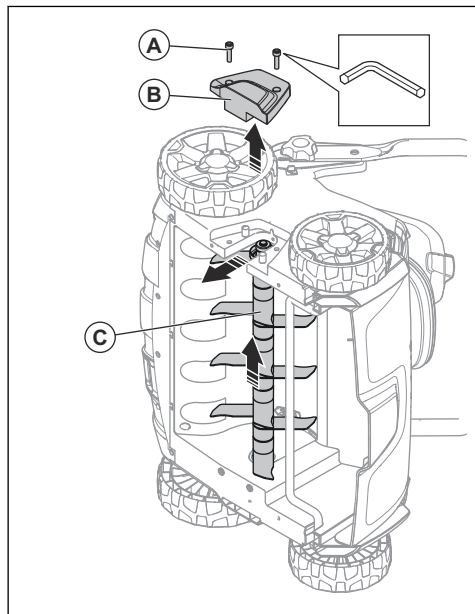


**ΠΡΟΕΙΔΟΠΟΙΗΣΗ:** Να χρησιμοποιείτε προστατευτικά γάντια όταν κάνετε συντήρηση του εξοπλισμού αραιωτήρα. Ο εξοπλισμός αραιωτήρα είναι πολύ κοφτερός και μπορεί εύκολα να κοπείτε.

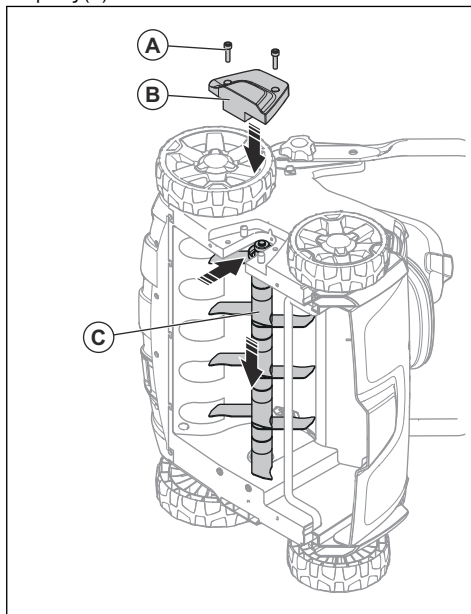
1. Τοποθετήστε το προϊόν με τη δεξιά πλευρά.



2. Αφαιρέστε τις 2 βίδες (A) και το κάλυμμα του αραιωτήρα (B). Σπρώξτε τον εξοπλισμό αραιωτήρα (C) προς τα πάνω και προς τα έξω και αφαιρέστε τον.



3. Σπρώξτε τον καινούργιο εξοπλισμό αραιωτήρα (C) στην εγκοπή και προς τα κάτω μέσα στην οπή. Τοποθετήστε το κάλυμμα αραιωτήρα (B) και τις 2 βίδες (A).



## Αντιμετώπιση προβλημάτων

### Μπαταρία

Λυχνία LED στην μπαταρία	Πιθανά σφάλματα	Πιθανή διαδικασία
Η πράσινη λυχνία LED αναβοσβήνει	Η τάση της μπαταρίας είναι χαμηλή	Φορτίστε την μπαταρία. Ανατρέξτε στην ενότητα <i>Φόρτιση της μπαταρίας στη σελίδα 150</i> .
Η λυχνία LED σφάλματος αναβοσβήνει	Η μπαταρία έχει χαμηλή στάθμη φόρτισης	Φορτίστε την μπαταρία. Ανατρέξτε στην ενότητα <i>Φόρτιση της μπαταρίας στη σελίδα 150</i> .
	Η θερμοκρασία στο περιβάλλον εργασίας είναι πολύ υψηλή ή πολύ χαμηλή	Χρησιμοποιήστε την μπαταρία σε θερμοκρασίες μεταξύ -10 °C και 40 °C.
	Υπέρταση	Ελέγξτε ότι η τάση παροχής ρεύματος είναι ίδια με εκείνη που αναγράφεται στην πινακίδα στοιχείων στο προϊόν.
		Αφαιρέστε την μπαταρία από το φορτιστή. Περιμένετε 5 δευτερόλεπτα και προσπαθήστε ξανά να φορτίσετε την μπαταρία. Αν το πρόβλημα παραμένει, επικοινωνήστε με έναν εξουσιοδοτημένο αντιπρόσωπο σέρβις.

Λυχία LED στην μπαταρία	Πιθανά σφάλματα	Πιθανή διαδικασία
Η λυχία LED σφάλματος είναι αναμμένη	Υπερβολική διαφορά μεταξύ κυψελών (1 V)	Επικοινωνήστε με έναν εγκεκριμένο αντιπρόσωπο σέρβις.

## Φορτιστής μπαταρίας

Λυχία LED στον φορτιστή της μπαταρίας	Πιθανά σφάλματα	Πιθανή διαδικασία
Η λυχία LED σφάλματος αναβοσβήνει	Η θερμοκρασία στο περιβάλλον εργασίας είναι πολύ υψηλή ή πολύ χαμηλή	Χρησιμοποιήστε τον φορτιστή της μπαταρίας σε θερμοκρασίες μεταξύ 5 °C και 40 °C.
Η λυχία LED σφάλματος είναι αναμμένη		Επικοινωνήστε με έναν εγκεκριμένο αντιπρόσωπο σέρβις

## Ταμπλό ελέγχου

Για το μοντέλο S 138i

Σφάλμα	Κωδικός σφάλματος (αριθμός αναβοσβησίματος)	Πιθανά σφάλματα	Πιθανή ενέργεια
Η λυχία LED σφάλματος αναβοσβήνει	3	Ο κινητήρας έχει υπερφορτωθεί.	Μειώστε το βάθος εργασίας. Ανατρέξτε στην ενότητα <i>Ρύθμιση του βάθους εργασίας στη σελίδα 150</i> . Εάν η λυχία LED σφάλματος εξακολουθεί να αναβοσβήνει, ο εξοπλισμός αραιωτήρα έχει μπλοκάρει. Για την αποφυγή ακούσιας εκκίνησης, γυρίστε το κλειδί ασφαλείας στη θέση "0", αφαιρέστε την μπαταρία και περιμένετε τουλάχιστον για 5 δευτερόλεπτα. Βεβαιωθείτε ότι ο εξοπλισμός αραιωτήρα κινείται ελεύθερα. Αν το πρόβλημα παραμένει, επικοινωνήστε με έναν εξουσιοδοτημένο αντιπρόσωπο σέρβις.
	5	Η ταχύτητα του κινητήρα μειώνεται υπερβολικά και ο κινητήρας σταματά.	
	9	Το σύστημα ελέγχου του κινητήρα είναι πολύ ζεστό.	Σταματήστε τον κινητήρα και περιμένετε μέχρι να κρυώσει.
	7	Σφάλμα μπαταρίας ή έλλειψη σήματος από την μπαταρία.	Τοποθετήστε σωστά την μπαταρία στο προϊόν και ελέγξτε τον σύνδεσμο της μπαταρίας. Αν η λυχία LED σφάλματος στην μπαταρία αναβοσβήνει, ανατρέξτε στην ενότητα <i>Κατάσταση φόρτισης της μπαταρίας στη σελίδα 151</i> .
		Η μπαταρία έχει χαμηλή στάθμη φόρτισης.	Φορτίστε την μπαταρία. Ανατρέξτε στην ενότητα <i>Φόρτιση της μπαταρίας στη σελίδα 150</i> .

Σφάλμα	Κωδικός σφάλματος (αριθμός αναβοσβήσιμων)	Πιθανά σφάλματα	Πιθανή ενέργεια
Το προϊόν σταματά να λειτουργεί	6	Η μπαταρία έχει χαμηλή στάθμη φόρτισης.	Φορτίστε την μπαταρία. Ανατρέξτε στην ενότητα <i>Φόρτιση της μπαταρίας στη σελίδα 150</i> .
	0	Βλάβη συνδέσμου μπαταρίας.	Ελέγξτε τον σύνδεσμο της μπαταρίας.
Άλλα σφάλματα	Εάν προκύψουν άλλα σφάλματα, γυρίστε το κλειδί ασφαλείας στη θέση 0, αφαιρέστε την μπαταρία και απευθυνθείτε σε έναν εγκεκριμένο αντιπρόσωπο σέρβις.		

## Μεταφορά, αποθήκευση και απόρριψη

### Μεταφορά

- Οι απαιτήσεις της νομοθεσίας περί μεταφοράς επικίνδυνων εμπορευμάτων ισχύει για τις μπαταρίες ιόντων λιθίου που περιλαμβάνονται.
- Για τις εμπορικές μεταφορές πρέπει να τηρούνται οι ειδικές απαιτήσεις που αναγράφονται στη συσκευασία και στις ετικέτες.
- Βεβαιωθείτε ότι τηρείτε τους κανονισμούς για επικίνδυνα υλικά κατά τη μεταφορά του προϊόντος. Μπορεί να ισχύουν τοπικοί κανονισμοί.
- Για τη μεταφορά, πρέπει πάντα να αφαιρείτε την μπαταρία.
- Τοποθετήστε ταϊνία στους συνδέσμους της μπαταρίας και βεβαιωθείτε ότι η μπαταρία δεν μπορεί να μετακινηθεί κατά τη μεταφορά.
- Στερεώστε το προϊόν κατά τη μεταφορά.

### Αποθήκευση

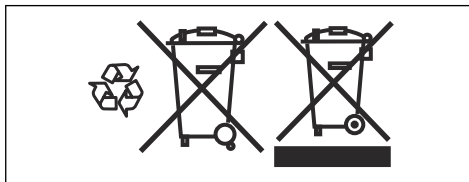
- Για την αποθήκευση, πρέπει πάντα να αφαιρέτε την μπαταρία.
- Για την αποφυγή ατυχημάτων, βεβαιωθείτε ότι η μπαταρία δεν είναι συνδεδεμένη στο προϊόν κατά την αποθήκευση.
- Αποθηκεύστε τον φορτιστή της μπαταρίας σε κλειστό χώρο χωρίς υγρασία.
- Αποθηκεύστε την μπαταρία και τον φορτιστή σε χώρο χωρίς υγρασία ή παγετό.
- Αποσυνδέστε την μπαταρία από τον φορτιστή προτού την αποθηκεύσετε.
- Μην αποθηκεύετε την μπαταρία σε χώρους όπου μπορεί να προκληθεί στατικός ηλεκτρισμός. Μην αποθηκεύετε την μπαταρία σε μεταλλικό κουτί.
- Αποθηκεύστε την μπαταρία σε χώρο όπου η θερμοκρασία κυμαίνεται μεταξύ 5 °C και 25 °C μακριά από την ηλιακή ακτινοβολία.
- Αποθηκεύστε τον φορτιστή μπαταρίας σε χώρο όπου η θερμοκρασία κυμαίνεται μεταξύ 5 °C και 45 °C μακριά από την ηλιακή ακτινοβολία.

- Βεβαιωθείτε ότι η μπαταρία είναι φορτισμένη κατά 30% - 50% προτού την αποθηκεύσετε για μεγάλο χρονικό διάστημα.
- Αποθηκεύστε το προϊόν, την μπαταρία και τον φορτιστή μπαταρίας σε χώρο που κλειδώνεται, ώστε να μην έχουν πρόσβαση παιδιά και μη εξουσιοδοτημένα άτομα.
- Καθαρίστε το προϊόν και πραγματοποιήστε πλήρες σέρβις προτού το αποθηκεύσετε για μεγάλο χρονικό διάστημα.

### Απόρριψη

Τα σύμβολα που υπάρχουν πάνω στο προϊόν ή στη συσκευασία του, υποδεικνύουν ότι δεν πρέπει να μεταχειριστείτε το συγκεκριμένο προϊόν ως οικιακό απόρριμμα. Αντιθέτως, πρέπει να το παραδώσετε σε κατάλληλο σταθμό ανακύκλωσης για ανάκτηση του ηλεκτρικού και ηλεκτρονικού εξοπλισμού.

Εξασφαλίζοντας τη σωστή απόρριψη του προϊόντος, συνεισφέρετε στην αντιμετώπιση πιθανών αρνητικών επιπτώσεων που θα μπορούσε να έχει στο περιβάλλον και τους ανθρώπους η λανθασμένη απόρριψη αυτού του προϊόντος. Για περισσότερες πληροφορίες σχετικά με την ανακύκλωση αυτού του προϊόντος, απευθυνθείτε στο δήμο σας, την τοπική υπηρεσία συλλογής απορριμμάτων ή το κατάστημα από το οποίο αγοράσατε το προϊόν.



## Τεχνικά στοιχεία

### Τεχνικά στοιχεία

	S 138i	S 138C
<b>Κινητήρας</b>		
Τύπος κινητήρα	BLDC (χωρίς ψήκτρες) 36 V	Σειρά κινητήρα AC
Ταχύτητα παρελκόμενου - Λειτουργία SavE, σ.α.λ.	3000	Δ/Α
Ταχύτητα παρελκόμενου - Ονομαστική, σ.α.λ.	3200	4200
Ισχύς κινητήρα – μέγ. kW	1,28	1,8
Ισχύς κινητήρα - Ονομαστική, kW	0,9	1,6
<b>Βάρος</b>		
Βάρος, κιλά	19,5 (χωρίς μπαταρία)	19,0
<b>Μπαταρία</b>		
Τύπος μπαταρίας	Σειρά μπαταριών της Husqvarna	Δ/Ι
<b>Χρόνος λειτουργίας μπαταρίας</b>		
Χρόνος λειτουργίας μπαταρίας, λεπτά, (ελεύθερη λειτουργία) με ενεργοποιημένη τη λειτουργία εξοικονόμησης SavE, με μία μπαταρία 5,2 Ah της Husqvarna (Bli200).	115	Δ/Ι
Χρόνος λειτουργίας μπαταρίας, λεπτά, (ελεύθερη λειτουργία) με ενεργοποιημένη την κανονική λειτουργία, με μία μπαταρία 5,2 Ah της Husqvarna (Bli200).	102	Δ/Ι
<b>Εκπομπές θορύβου <sup>16</sup></b>		
Στάθμη ηχητικής ισχύος, μετρούμενη τιμή σε dB (A)	89,2	95,7
Στάθμη ηχητικής ισχύος, εγγυημένη, L <sub>WA</sub> σε dB (A)	91	98
<b>Επίπεδα ήχου <sup>17</sup></b>		
Στάθμη πίεσης ήχου στο αυτί του χειριστή, σε dB (A)	75,3	81,7
<b>Επίπεδα κραδασμών <sup>18</sup></b>		
Λαβή, m/s <sup>2</sup>	5,5	8,3
<b>Λειτουργία</b>		
Μέγ./Ελάχ. βάθος εργασίας, mm	-8/+5	-8/+5
Πλάτος εργασίας, cm	37,5	37,5
Λεπίδες τύπου Δ, παρελκόμενο	5973510-01	5973510-01

<sup>16</sup> Οι εκπομπές θορύβου στο περιβάλλον, οι οποίες μετρούνται ως ηχητική ισχύς (L<sub>WA</sub>), σε συμμόρφωση με την Οδηγία 2000/14/ΕΚ.

<sup>17</sup> Τα καταγεγραμμένα στοιχεία για τη στάθμη πίεσης θορύβου έχουν τυπική στατιστική διασπορά (τυπική απόκλιση) 1,2 dB(A).

<sup>18</sup> Τα καταγεγραμμένα στοιχεία για τη στάθμη κραδασμών έχουν τυπική στατιστική διασπορά (τυπική απόκλιση) της τάξης του 0,2 m/s<sup>2</sup>.

	<b>S 138i</b>	<b>S 138C</b>
Ελαττωματικές λεπίδες, παρελκόμενο	5973509-01	5973509-01
Χωρητικότητα συλλέκτη χόρτου, λίτρα	45	45

<b>Εγκεκριμένες μπαταρίες</b>	<b>Τύπος</b>	<b>Χωρητικότητα μπαταρίας, Ah</b>	<b>Τάση, V</b>	<b>Βάρος, lb/kg</b>
BLi20	Ιόντων λιθίου	4,0	36	2,6/1,2
BLi200	Ιόντων λιθίου	5,2	36	2,8/1,3
BLi300	Ιόντων λιθίου	9,4	36	4,1/1,9

<b>Εγκεκριμένοι φορτιστές για προδιαγραφόμενες μπαταρίες, BLi</b>	<b>Τάση εισόδου, V</b>	<b>Συχνότητα, Hz</b>	<b>Ισχύς, W</b>
QC80	100-240	50-60	80
QC80F	12	0	80
QC330	100-240	50-60	330
QC500	100-240	50-60	500



---

## Δήλωση Συμμόρφωσης ΕΚ

---

### Δήλωση Συμμόρφωσης ΕΚ

Η **Husqvarna AB**, SE-561 82 Huskvarna, Σουηδία, τηλ.: +46-36-146500, δηλώνει ότι ο **αρραιωτήρας Husqvarna S 138i**, με αριθμό σειράς 2018XXXXXX και έπειτα, πληροί τις απαιτήσεις της ΟΔΗΓΙΑΣ του ΣΥΜΒΟΥΛΙΟΥ:

- με ημερομηνία 8 Ιουνίου 2011 σχετικά με τον "περιορισμό της χρήσης συγκεκριμένων επικίνδυνων ουσιών" **2011/65/EE**
- με ημερομηνία 17 Μαΐου 2006 "σχετικά με τα μηχανήματα" **2006/42/EK**
- με ημερομηνία 26 Φεβρουαρίου 2014 "σχετικά με την ηλεκτρομαγνητική συμβατότητα" **2014/30/EE**
- με ημερομηνία 8 Μαΐου 2000 "περί εκπομπών θορύβου στο περιβάλλον" **2000/14/EK**

Για πληροφορίες σχετικά με τις εκπομπές θορύβου, βλ. την ενότητα "Τεχνικά στοιχεία".

Εφαρμόστηκαν τα ακόλουθα πρότυπα:

**EN 60335-1:2012+A11:2014+A13:2017, EN 50636-2-92:2014, EN 55014-1:2017, EN 55014-2:2015**

Huskvarna, 2019-01-15



Claes Losdal, Διευθυντής ανάπτυξης/Προϊόντα κήπου  
(Εξουσιοδοτημένος αντιπρόσωπος της Husqvarna AB  
και υπεύθυνος για την τεχνική τεκμηρίωση.)

---

## Δήλωση Συμμόρφωσης ΕΚ

---

### Δήλωση Συμμόρφωσης ΕΚ

Η **Husqvarna AB**, SE-561 82 Huskvarna, Σουηδία, τηλ.: +46-36-146500, δηλώνει ότι ο **αραιωτήρας Husqvarna S 138C**, με αριθμό σειράς 2018XXXXXX και έπειτα, πληροί τις απαιτήσεις της ΟΔΗΓΙΑΣ του ΣΥΜΒΟΥΛΙΟΥ:

- με ημερομηνία 8 Ιουνίου 2011 σχετικά με τον "περιορισμό της χρήσης συγκεκριμένων επικίνδυνων ουσιών" **2011/65/EE**
- με ημερομηνία 17 Μαΐου 2006 "σχετικά με τα μηχανήματα" **2006/42/EK**
- με ημερομηνία 26 Φεβρουαρίου 2014 "σχετικά με την ηλεκτρομαγνητική συμβατότητα" **2014/30/EE**
- με ημερομηνία 8 Μαΐου 2000 "περί εκπομπών θορύβου στο περιβάλλον" **2000/14/EK**

Για πληροφορίες σχετικά με τις εκπομπές θορύβου, βλ. την ενότητα "Τεχνικά στοιχεία".

Εφαρμόστηκαν τα ακόλουθα πρότυπα:

**EN 60335-1:2012+A11:2014+A13:2017, EN 50636-2-92:2014, EN 55014-1:2017, EN 55014-2:2015, EN 61000-3-2:2014, EN 61000-3-11:2000**

Huskvarna, 2019-01-15



Claes Losdal, Διευθυντής ανάπτυξης/Προϊόντα κήπου  
(Εξουσιοδοτημένος αντιπρόσωπος της Husqvarna AB  
και υπεύθυνος για την τεχνική τεκμηρίωση.)

---

## Contenido

---

Introducción.....	163	Resolución de problemas.....	184
Seguridad.....	167	Transporte, almacenamiento y eliminación.....	185
Montaje.....	176	Datos técnicos.....	186
Funcionamiento.....	177	Declaración de conformidad CE.....	189
Mantenimiento.....	182	Declaración de conformidad CE.....	190

---

## Introducción

---

### Descripción del producto

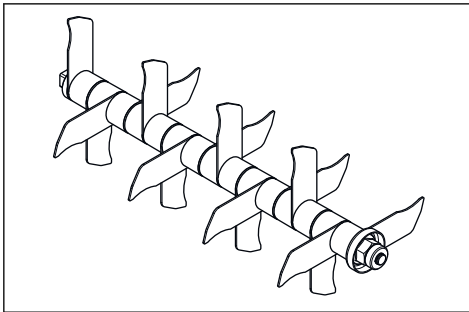
El producto es un escarificador eléctrico conducido a pie. El producto elimina la paja del césped y remueve la tierra para permitir que el aire y el agua lleguen al césped. La paja es se recoge en un recogedor de césped o se dispersa sobre el césped. El producto cuenta con 2 tipos de equipo escarificador.

### Equipo escarificador

Consulte la sección *Sustitución del equipo escarificador en la página 183* para obtener más información sobre cómo cambiar el equipo escarificador.

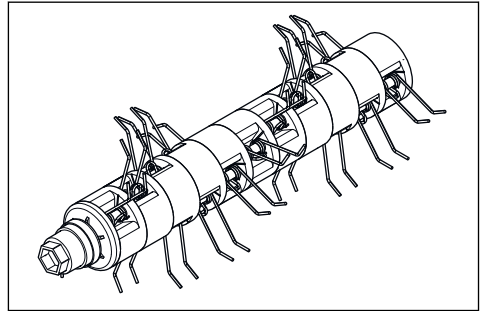
### Cuchillas delta

Las cuchillas delta retiran las malas hierbas y cortan las raíces del césped en vertical. Utilice las cuchillas delta en pendientes, terrazas y suelos que tengan una gran proporción de arcilla. Las cuchillas delta dejan que el agua entre en el césped y evitan que se estanque en la superficie



### Dientes flexibles

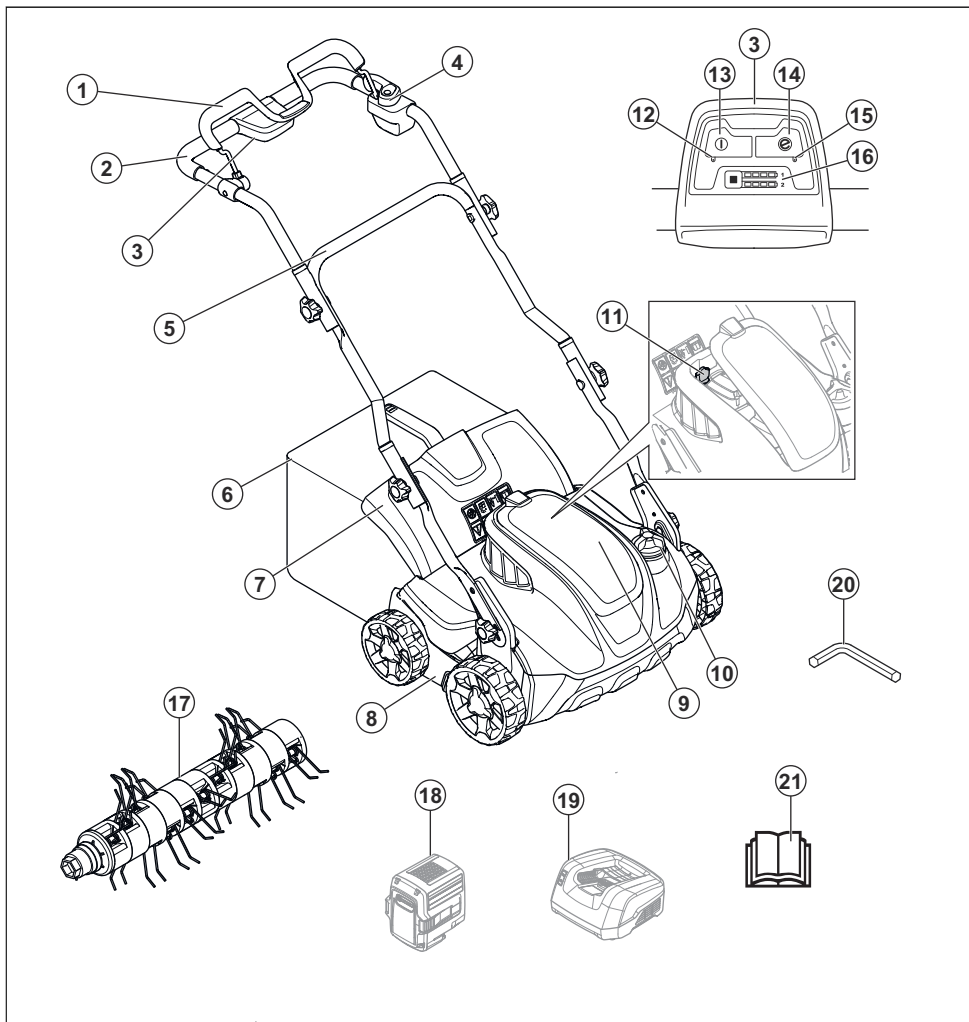
Los dientes flexibles retiran con cuidado la hierba muerta y la paja del césped sin dañar las raíces del césped.



### Uso previsto

Utilice el producto para eliminar la paja y el musgo y para descompactar la tierra en jardines privados. No utilice el producto para otras tareas.

## Descripción de producto del modelo S 138i



1. Palanca del freno del motor

2. Empuñadura superior

3. Panel de control

4. Inhibidor de arranque

5. Empuñadura inferior

6. Recogedor de césped

7. Cubierta trasera

8. Cubierta del escarificador

9. Tapa de la batería

10. Perilla de ajuste de la profundidad de trabajo

11. Llave de seguridad

12. Indicador LED de encendido/apagado

13. Botón de encendido/apagado

14. Botón Save

15. Indicador LED Save

16. Indicador de carga de la batería y botón de la batería

17. Dientes flexibles

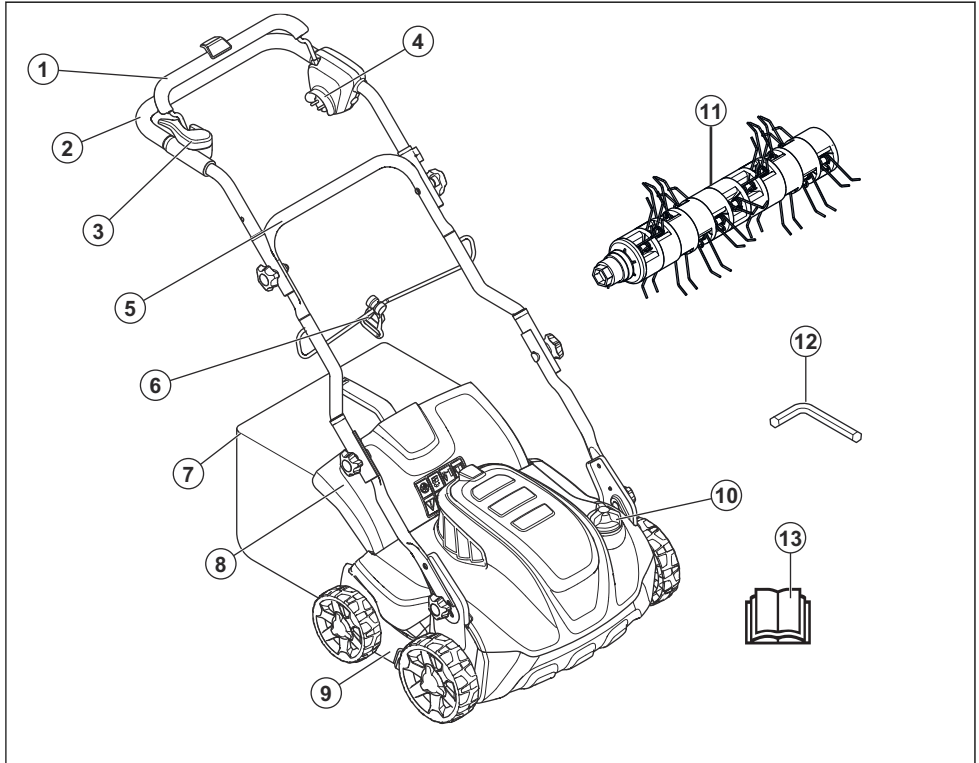
18. Batería (accesorio)

19. Cargador de batería (accesorio)

20. Llave hexagonal

21. Manual de usuario

## Descripción de producto del modelo S 138C



1. Palanca del freno del motor
2. Empuñadura superior
3. Inhibidor de arranque
4. Toma de corriente
5. Empuñadura inferior
6. Anclaje del cable
7. Recogedor de césped
8. Cubierta trasera
9. Cubierta del escarificador
10. Perilla de ajuste de la profundidad de trabajo
11. Dientes flexibles
12. Llave hexagonal
13. Manual de usuario

### Símbolos que aparecen en el producto



Advertencia: Su uso descuidado o erróneo puede provocar lesiones



o la muerte al operador o a otras personas.

Lea el manual de usuario y asegúrese de que entiende las instrucciones antes de utilizar este producto.



Tenga cuidado con los objetos lanzados o rebotados.



Mantenga a las personas y animales a una

distancia de seguridad respecto a la zona de trabajo.



Advertencia: Mantenga alejados las manos y los pies de la cuchilla giratoria.



Retire la llave de seguridad antes de realizar tareas de mantenimiento en el producto (modelo S 138i).



Desconecte el producto de la toma eléctrica antes de realizar tareas de mantenimiento en él (modelo S 138C).



Riesgo de sacudida eléctrica (modelo S 138C).



No exponga el producto a la lluvia (modelo S 138i).



Advertencia: No utilice el producto sobre el cable de alimentación, ya que podría producirse una descarga eléctrica o daños en el producto S 138C).

**IPX4** Este producto está protegido frente a las salpicaduras de agua.

**EAC** Este producto cumple con las directivas EAC vigentes.

**CE** Este producto cumple con las directivas CE vigentes.

**UkrSEPRO** El producto cumple con las directivas UkrSEPRO vigentes.



Las emisiones sonoras en el entorno según la directiva de la Comunidad Europea. Las emisiones del producto se indican en el capítulo «Datos técnicos» y en la etiqueta.



Doble aislamiento (modelo S 138C).



Recicle el producto en un centro de reciclaje para equipos eléctricos y electrónicos. (Aplicable solo para Europa)



Procedimiento de arranque para el modelo S 138i: pulse el botón de encendido/apagado, afloje el bloqueo de arranque y presione la palanca del freno del motor hacia abajo.



Procedimiento de arranque para el modelo S 138C: suelte el inhibidor de arranque,

presione la palanca del freno del motor.



Suelte la palanca del freno del motor para parar.



Código escaneable.

**Nota:** Los demás símbolos/etiquetas que aparecen en el producto corresponden a requisitos de homologación específicos en algunos mercados.

### Responsabilidad sobre el producto

Como se estipula en las leyes de responsabilidad del producto, no nos hacemos responsables de los daños y perjuicios causados por nuestro producto si:

- El producto se ha reparado incorrectamente.
- El producto se ha reparado con piezas que no eran del fabricante o no autorizadas por el fabricante.
- El producto tiene un accesorio que no es del fabricante o no está autorizado por este.
- El producto no se ha reparado en un centro de servicio autorizado o por un organismo homologado.

## Seguridad

### Definiciones de seguridad

Las advertencias, precauciones y notas se utilizan para destacar información especialmente importante del manual.



**ADVERTENCIA:** Indica un riesgo de lesiones o incluso de muerte del usuario o de las personas cercanas si no se respetan las instrucciones del manual.



**PRECAUCIÓN:** Indica un riesgo de daños en el producto, otros materiales o el área adyacente si no se respetan las instrucciones del manual.

**Nota:** Se usa para proporcionar más información necesaria en una situación determinada.

## Instrucciones generales de seguridad

---



**ADVERTENCIA:** Lea las siguientes instrucciones de advertencia antes de utilizar el producto.

---

- Este producto es una herramienta peligrosa si se usa incorrectamente o si no se tiene cuidado. Puede causar lesiones graves o incluso la muerte si no siguen las instrucciones de seguridad.
- Este producto genera un campo electromagnético durante el funcionamiento. Este campo magnético puede, en determinadas circunstancias, interferir con implantes médicos activos o pasivos. Para reducir el riesgo de que se den condiciones que provocarían lesiones graves o letales, las personas que utilizan implantes médicos deben consultar con su médico y con el fabricante del implante antes de poner en marcha este producto.
- Proceda siempre con cuidado y utilice siempre el sentido común. Si no está seguro de cómo manejar el producto en una situación especial, pare y consulte con su distribuidor Husqvarna antes de continuar.
- Debe tenerse en cuenta que el operador será responsable de los accidentes que involucren a otras personas o a su propiedad.
- Mantenga el producto limpio. Asegúrese de que puede leer claramente las etiquetas.
- No permita que nadie utilice el producto a menos que se asegure de que haya leído y comprendido el contenido del manual de usuario.
- No deje que un niño maneje el producto.
- No permita que nadie maneje el producto sin conocer las instrucciones.
- Si una persona con discapacidad física o mental usa el producto, asegúrese de supervisarla en todo momento. Debe haber presente en todo momento una persona mayor de edad responsable.
- No utilice el producto si está cansado, enfermo o si se encuentra bajo los efectos de alcohol, drogas o medicamentos. Esto tiene un efecto negativo en su visión, vigilancia, coordinación y capacidad de decisión.



- No utilice el producto si está defectuoso.
- No modifique este producto ni lo utilice si puede haber sido modificado por otras personas.

## Seguridad en el área de trabajo

---



**ADVERTENCIA:** Lea las siguientes instrucciones de advertencia antes de utilizar el producto.

---

- Retire objetos tales como ramas, palos y piedras de la zona de trabajo antes de usar el producto.
- Los objetos que chocan contra el equipo escarificador pueden salir despedidos y causar daños a personas y objetos. Mantenga a las personas y los animales a una distancia de seguridad respecto al producto.
- No utilice el producto en condiciones climáticas desfavorables, como niebla, lluvia, viento fuerte, frío intenso y riesgo de relámpagos. El uso del producto en condiciones climáticas desfavorables o en entornos húmedos o mojados produce mucho cansancio. El mal tiempo puede causar

condiciones peligrosas, como superficies resbaladizas.

- Preste atención a las personas, objetos y situaciones que puedan impedir el funcionamiento seguro del producto.
- Tenga cuidado con los posibles obstáculos, como raíces, piedras, ramas, hoyos y zanjas. El césped crecido puede esconder obstáculos.
- Hacer funcionar el producto en pendientes puede resultar peligroso. No utilice el producto en pendientes de más de 15°.
- Utilice el producto a lo largo de las laderas de las pendientes. No se desplace hacia arriba y hacia abajo.
- Tenga cuidado cuando se acerque a esquinas y objetos escondidos que puedan bloquear su campo de visión.

## Seguridad en el trabajo

---



**ADVERTENCIA:** Lea las siguientes instrucciones de advertencia antes de utilizar el producto.

---

- Utilice este producto para eliminar las malas hierbas y el musgo, solo en césped de hierba. No está permitido

utilizar el producto para otras tareas.

- Utilice el equipo de protección personal. Consulte la sección *Equipo de protección personal en la página 171*.
- No utilice el producto bajo la lluvia ni en ambientes húmedos. El riesgo de sacudida eléctrica aumenta si entra agua en el producto.
- No utilice el producto a menos que el equipo esarificador y todas las cubiertas estén fijadas correctamente. Un esarificador fijado incorrectamente puede soltarse y provocar daños personales.
- Asegúrese de que el esarificador no golpea ningún objeto, como piedras y raíces. Esto puede causar daños al esarificador y doblar el eje del motor. Un eje doblado causa vibraciones excesivas y un riesgo muy alto de que el equipo esarificador se suelte.
- Si el equipo esarificador choca con algún objeto o si se producen vibraciones, pare el producto inmediatamente. Pare el motor, gire la llave de seguridad hasta la posición 0 y extraiga la batería (modelo S 138i) o desconecte el cable de

alimentación (modelo S 138C). Examine el producto para comprobar si presenta daños. Repare los daños o lleve el producto a un taller de servicio autorizado para realizar la reparación.

- No acople la palanca del freno del motor permanentemente al manillar cuando el motor esté encendido.
- Ponga el producto en una superficie plana y estable, y arránquelo. Asegúrese de que el equipo esarificador no entre en contacto con el suelo u otros objetos.
- Manténgase siempre detrás del producto durante su uso.
- Mientras utilice el producto, mantenga todas las ruedas apoyadas en el suelo y las dos manos en el manillar. Mantenga alejados las manos y los pies del equipo esarificador giratorio.
- No incline el producto con el motor en marcha.
- Tenga cuidado cuando tire del producto hacia atrás.
- Nunca levante el producto con el motor en marcha. Si tiene que levantar el producto, detenga el motor en primer lugar, gire la llave de seguridad hasta la posición 0

y extraiga la batería (modelo S 138i) o desconecte el cable de alimentación (modelo S 138C).

- No camine hacia atrás mientras utiliza el producto.
- Detenga el motor cuando se desplace por áreas sin hierba, por ejemplo, caminos de grava, piedra y asfalto.
- No corra con el producto con el motor en marcha. Camine siempre mientras utiliza el producto.
- Detenga el motor antes de cambiar la profundidad de trabajo. Nunca realice ajustes con el motor en marcha.
- No deje el producto desatendido con el motor en marcha. Pare el motor y asegúrese de que el equipo escarificador no gire.

## Instrucciones de seguridad para el funcionamiento

### Equipo de protección personal

Para trabajar con el producto debe utilizarse un equipo de protección personal homologado. El equipo de protección personal no elimina el riesgo de lesiones, pero reduce su efecto en caso de accidente. Pida a su distribuidor que le asesore en la elección del equipo.

Utilice siempre:

- Protección auditiva para reducir al mínimo el riesgo de daños crónicos en el oído.
- Utilice botas o zapatos antirresbalantes y fuertes. No trabaje con sandalias ni los pies descalzos.
- Utilice pantalón largo y resistente. No lleve pantalones cortos.

Utilice guantes cuando sea necesario, por ejemplo, para el montaje, inspección o limpieza del equipo escarificador.



**ADVERTENCIA:** Utilice protección auditiva homologada. La exposición prolongada al ruido puede causar daños crónicos en el oído.

## Dispositivos de seguridad en el producto



**ADVERTENCIA:** Lea las siguientes instrucciones de advertencia antes de utilizar el producto.

- No utilice un producto que tenga dispositivos de seguridad defectuosos.
- Realice una comprobación de los dispositivos de seguridad con frecuencia. Si los dispositivos de seguridad están defectuosos, hable con su taller de servicio Husqvarna.

### Comprobación de las cubiertas

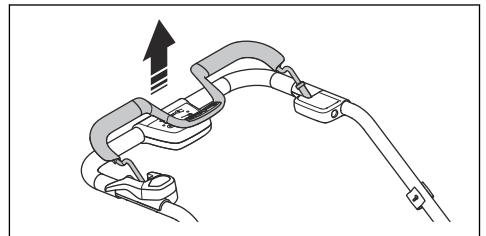
La cubierta del equipo escarificador disminuye las vibraciones en el producto y el riesgo de lesiones provocadas por el equipo escarificador.

- Examine la cubierta lateral del equipo escarificador para asegurarse de que no haya daños como, por ejemplo, grietas.
- Examine la cubierta trasera del equipo escarificador para asegurarse de que no haya daños como, por ejemplo, grietas.

### Palanca del freno del motor

La maneta del freno del motor detiene el motor. Cuando se suelta la maneta del freno del motor, el motor se para.

Para realizar una comprobación del freno del motor, arranque el motor y luego suelte la maneta del freno del motor. Si el motor no se detiene en 3 segundos, lleve el producto a un taller de servicio Husqvarna autorizado para realizar el ajuste del freno del motor.

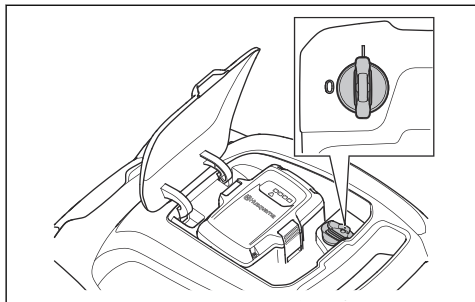


### Llave de seguridad

La llave de seguridad se encuentra debajo de la tapa de la batería. La llave de seguridad se utiliza para conectar la batería que suministra electricidad al motor.

- Arranque y detenga el motor para realizar una comprobación de la llave de seguridad.

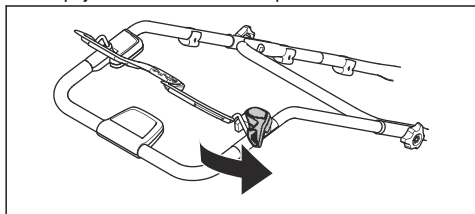
- Si la llave de seguridad funciona correctamente, el motor solo arranca cuando la llave se gira a la posición 1.



#### Para examinar el inhibidor de arranque

Compruebe el inhibidor de arranque para verificar que evita el funcionamiento del motor.

1. Empuje la palanca del freno del motor hacia el manillar. El inhibidor de arranque impide el movimiento.
2. Empuje el inhibidor de arranque hacia fuera.



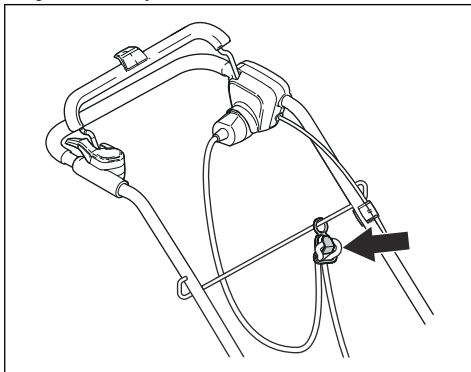
3. Suelte el inhibidor de arranque y asegúrese de que regresa a su posición inicial.

#### Para utilizar el soporte del cable de alimentación (modelo S 138C)

El soporte del cable de alimentación reduce la carga sobre la toma y el cable de alimentación. El soporte del cable de alimentación también disminuye el riesgo de caída.

1. Curve el cable de alimentación hasta formar un pequeño lazo.
2. Introduzca el lazo en el orificio del soporte del cable de alimentación.
3. Coloque el lazo alrededor del gancho de sujeción.

4. Tire del cable de alimentación para ajustar el lazo al gancho de sujeción.



## Seguridad de la batería



**ADVERTENCIA:** Lea las siguientes instrucciones de advertencia antes de utilizar el producto.

- Utilice solamente pilas recargables Husqvarna como fuente de alimentación para otros productos Husqvarna relacionados. Para evitar lesiones, no utilice la batería como fuente de alimentación de otros dispositivos.
- No utilice baterías no recargables.
- Riesgo de descarga eléctrica. No conecte los terminales de la batería a llaves, monedas, tornillos u otros objetos metálicos. Esto puede provocar un cortocircuito en la batería.

- No coloque objetos en las ranuras de ventilación de la batería.
- Mantenga la batería lejos de la luz directa del sol, de fuentes de calor o de llamas abiertas. La batería puede explotar y provocar quemaduras graves y/o quemaduras químicas.
- Mantenga la batería resguardada de la lluvia y la humedad.
- Mantenga la batería lejos de microondas y fuentes de alta presión.
- No intente desmontar o romper la batería.
- Si se produce una fuga en la batería, no permita que el líquido entre en contacto con el cuerpo ni con los ojos. Si toca el líquido, limpie el área con abundante agua y busque asistencia médica.
- Utilice la batería con temperaturas de entre -10 °C y 40 °C.
- No limpie la batería o el cargador con agua. Consulte *Para limpiar la batería y el cargador de la batería en la página 183.*
- No utilice una batería defectuosa o dañada.

- Guarde la batería alejada de objetos metálicos, como clavos, monedas o joyas.

## Seguridad del cargador de la batería



**ADVERTENCIA:** Lea las siguientes instrucciones de advertencia antes de utilizar el producto.

---

- Utilice solamente cargadores de baterías QC para cargar las baterías de repuesto Husqvarna.
- Riesgo de sacudida eléctrica o cortocircuito. No coloque objetos en las ranuras de ventilación del cargador. No intente desmontar el cargador de batería. No conecte los terminales del cargador a objetos metálicos. Utilice una toma de corriente homologada.
- Este producto genera un campo electromagnético durante el funcionamiento. Este campo magnético puede, en determinadas circunstancias, interferir con implantes médicos activos o pasivos. Para reducir el riesgo de que se den condiciones que provocarían lesiones graves o letales, las personas

que utilizan implantes médicos deben consultar con su médico y con el fabricante del implante antes de poner en marcha este producto.

- Compruebe con regularidad que el cable de alimentación del cargador de batería no esté dañado ni agrietado.
- No levante el cargador de la batería tirando del cable de alimentación. Para desconectar el cargador de batería de la toma de corriente, tire del enchufe. No tire del cable de alimentación.
- Mantenga el cable de alimentación y los cables de empalme apartados de agua, aceite y cantos agudos. Proceda con cuidado para evitar que el cable se enganche en puertas, vallas o similares. De lo contrario, el cargador podría transmitir corriente.
- No limpie el cargador de la batería con agua.
- Los niños mayores de ocho años y las personas con facultades físicas, psíquicas o sensoriales disminuidas, o sin la experiencia y los conocimientos necesarios pueden usar el cargador de batería si se les supervisa o

instruye en lo que respecta al uso seguro del aparato y comprenden los peligros existentes. Los niños no deben jugar con el cargador de batería. Los niños no deberán llevar a cabo la limpieza ni el mantenimiento del usuario sin supervisión.

- No intente cargar baterías no recargables en el cargador de la batería.
- No utilice el cargador de batería cerca de materiales inflamables o corrosivos. No cubra el cargador. Desenchufe el cargador de batería en caso de humareda o incendio.
- No utilice un cargador de batería defectuoso o dañado.
- Solo cargue la batería en interiores si se trata de una estancia con buena ventilación y lejos de la luz solar directa. No cargue la batería en un entorno húmedo.

#### **Seguridad relacionada con el cable de alimentación**

Para el modelo S 138C.

- Se recomienda el uso de un dispositivo de corriente residual (R.C.D.) con una corriente de desconexión no superior a 30 mA. Incluso con un dispositivo R.C.D. instalado no es posible garantizar la

- seguridad al 100 %, por lo que se debe obedecer en todo momento a procedimientos de trabajo seguros. Compruebe su R.C.D. cada vez que lo utilice.
- Si el cable de alimentación presenta cortes, o el aislamiento está dañado, desenchúfelo inmediatamente de la red eléctrica.
  - Si el cable de alimentación está cortado o dañado, no lo toque hasta haber desconectado el suministro eléctrico.
  - No repare el cable de alimentación si está cortado o dañado. Sustitúyalo por uno nuevo.

## Instrucciones de seguridad para el mantenimiento



**ADVERTENCIA:** Lea las siguientes instrucciones de advertencia antes de utilizar el producto.

- Para el modelo S 138C: Para evitar un arranque accidental durante el mantenimiento, desconecte el cable de alimentación.
  - Realice los trabajos de mantenimiento correctamente para aumentar la vida útil del producto y reducir el riesgo de accidentes. Deje que un taller de servicio homologado haga las reparaciones profesionales. Póngase en contacto con su taller de servicio más cercano para obtener más información.
  - Realice únicamente las tareas de mantenimiento que figuran en este manual de usuario. Los trabajos de mayor envergadura debe realizarlos un taller de servicio autorizado.
  - Utilice guantes resistentes al utilizar el equipo escarificador. El equipo escarificador está muy afilado y se pueden producir cortes con mucha facilidad.
  - Mantenga las cuchillas del equipo escarificador afiladas y limpias para obtener los mejores resultados con la máxima seguridad.
  - Diríjase a su taller de servicio para que examine el producto
- Para el modelo S 138i: Para evitar el arranque accidental durante el mantenimiento, gire la llave de seguridad a la posición 0 y retire la batería. Espere al menos 5 segundos antes de empezar los trabajos de mantenimiento.

regularmente y para que realice ajustes y reparaciones necesarios.

- Cambie las piezas dañadas, desgastadas o rotas.
- Respete las instrucciones correspondientes al cambio de accesorios. Utilice únicamente los accesorios del fabricante.
- Cuando no esté en funcionamiento, mantenga el

producto, la batería y cargador de batería aparte en un lugar seco, interior y bajo llave.

Asegúrese de que los niños y personas que no cuenten con autorización no puedan acceder al producto, la batería o el cargador de batería.

## Montaje

### Introducción



**ADVERTENCIA:** Antes de montar este producto, lea el capítulo sobre seguridad.

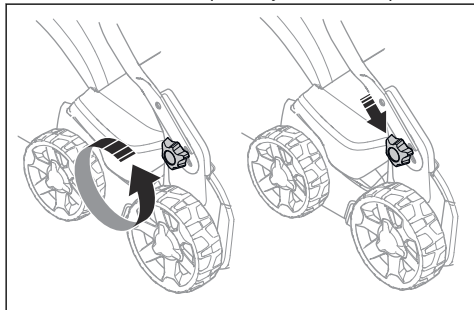


**ADVERTENCIA:** Para el modelo S 138i: Para evitar un arranque accidental durante el montaje, gire la llave de seguridad hasta la posición 0, retire la batería y espere al menos 5 segundos.

Para el modelo S 138C: Para evitar un arranque accidental durante el montaje, desconecte el cable de alimentación.

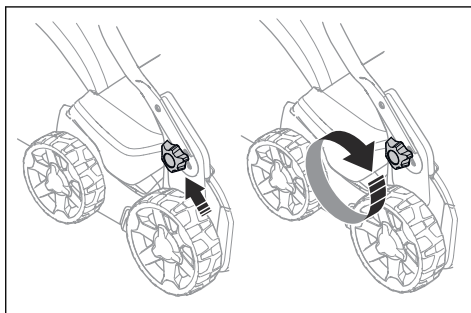
### Para montar el manillar

1. Afloje las ruedecillas inferiores.
2. Mueva los mandos hacia el extremo inferior de las ranuras en el lado izquierdo y derecho del producto.



3. Ajuste la altura del manillar en una de las 2 posiciones disponibles.

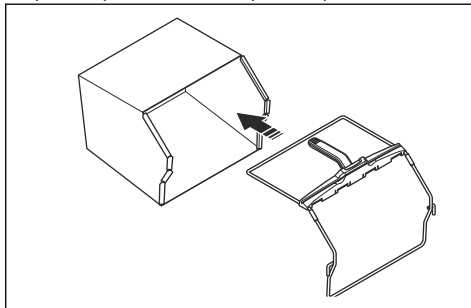
4. Mueva los mandos hacia arriba, en dirección al manillar, hasta que finalice su recorrido y escuche un clic.



5. Apriete las ruedecillas a fondo.

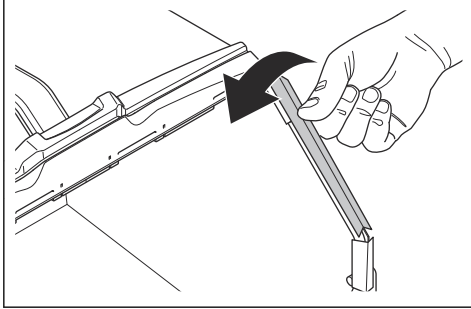
### Para montar el recogedor de césped

1. Coloque el bastidor del recogedor de césped en la bolsa de hierba con la parte rígida de la bolsa en la parte inferior. Mantenga el asa del bastidor en la parte superior de la bolsa para césped.

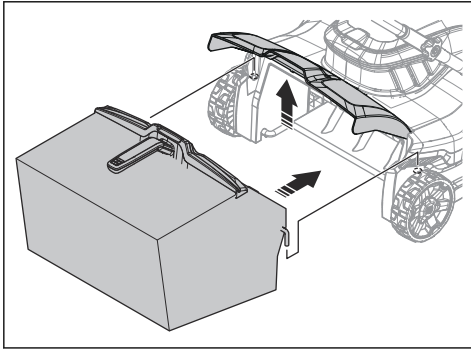




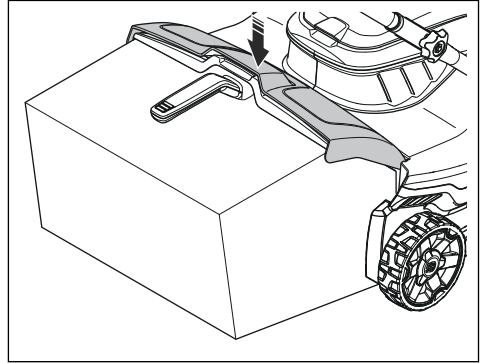
- Coloque la parte inferior del bastidor del recogedor de césped en la ranura de la parte inferior del recogedor de césped.
- Fije la bolsa para césped al bastidor del recogedor de césped con los clips.



- Levante la cubierta trasera.
- Mueva el recogedor de césped a la posición correcta.



- Encaje el recogedor de césped en el borde superior del chasis. Asegúrese de que la cubierta trasera se selle contra el recogedor de césped para evitar fugas.



## Funcionamiento

### Introducción



**ADVERTENCIA:** Antes de utilizar el producto, debe leer y entender el capítulo sobre seguridad.

### Husqvarna Connect

Husqvarna Connect es una aplicación gratuita para su dispositivo móvil. La aplicación Husqvarna Connect proporciona más funciones para su producto Husqvarna:

- Información ampliada sobre el producto.
- Información y asistencia sobre piezas y mantenimiento de productos.

### Para empezar a utilizar Husqvarna Connect

- Descargue la aplicación Husqvarna Connect en su dispositivo móvil.
- Registre una cuenta en la aplicación Husqvarna Connect.
- Siga las instrucciones de la aplicación Husqvarna Connect para conectarse y registrar el producto.

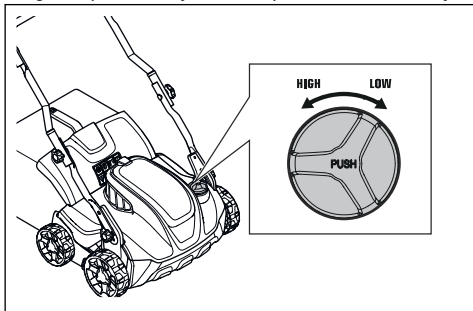
### Ajustar la profundidad de trabajo



**ADVERTENCIA:** No ajuste la profundidad de trabajo mientras utiliza el producto.

- Para aumentar la profundidad de trabajo, presione y gire hacia la izquierda la perilla de ajuste de la profundidad de trabajo.

- Para reducir la profundidad de trabajo, presione y gire la perilla de ajuste de la profundidad de trabajo.



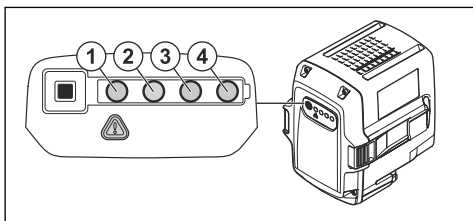
## Batería



**ADVERTENCIA:** Antes de usar la batería, debe leer y entender el capítulo sobre seguridad. También debe leer y comprender el manual de usuario de la batería y el cargador de la batería.

## Estado de la batería

La pantalla muestra la capacidad restante de la batería y si hay algún problema con la batería. La carga de la batería se muestra durante cinco segundos después de apagar el producto o pulsar el botón del indicador de la batería. El símbolo de advertencia de la batería se enciende cuando se produce un error. Consulte *Batería en la página 184*.



Indicadores LED	Estado de la batería
Todos los LED están encendidos	Carga completa (75-100 %)
LED 1, LED 2 y LED 3 encendidos	La batería tiene una carga del 50 %-75 %
LED 1 y LED 2 encendidos	La batería tiene una carga del 25 %-50 %
LED 1 encendido	La batería tiene una carga del 0 %-25 %.
El LED 1 parpadea	La batería está descargada. Cargue la batería.

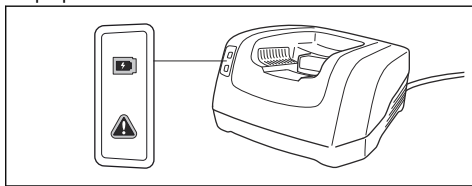
## Para cargar la batería

Cargue la batería antes de utilizarla por primera vez. La batería solo tiene un 30 % de carga cuando se entrega al cliente.

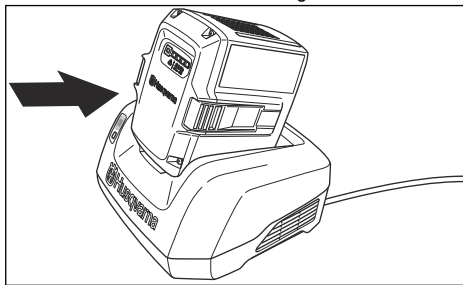
**Nota:** El cargador de la batería debe estar conectado a la tensión y la frecuencia indicadas en la placa de características.

La batería no se cargará si su temperatura es superior a 50 °C. El cargador de batería disminuye la temperatura de la batería antes de empezar a cargarse.

- Conecte un extremo del cable de alimentación del cargador de batería a la toma de este último.
- Conecte el otro extremo del cable de alimentación del cargador de batería a un enchufe de corriente con toma de tierra. El LED del cargador de batería parpadea de color verde una vez.



- Coloque la batería en el cargador. La luz verde del cargador se enciende cuando la batería está conectada correctamente al cargador de batería.



- Cuando todos los LED de la batería se hayan encendido, la batería estará totalmente cargada. Cargue la batería durante un máximo de 24 horas.
- Para desconectar el cargador de la toma de corriente, tire del enchufe, no del cable de alimentación.
- Retire la batería del cargador.

## Estado de la carga de la batería

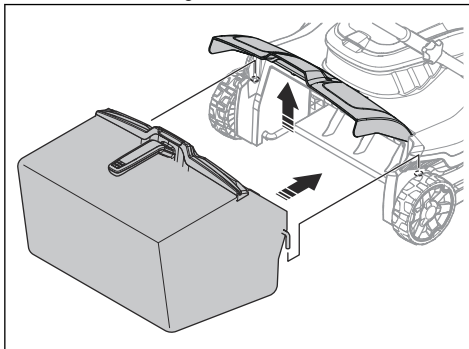
Una batería de iones de litio de Husqvarna se puede cargar o utilizar sea cual sea su nivel de carga. La batería no sufre daños. La carga de una batería completamente cargada no se pierde aun cuando se deje en el cargador.

Indicadores LED	Estado de carga
El LED 1 parpadea	0 %-25 %
LED 1 encendido y LED 2 parpadeando	25 %-50 %
LED 1 y LED 2 encendidos; LED 3 parpadeando.	50 %-75 %
LED 1, LED 2 y LED 3 encendidos; LED 4 parpadeando.	75 %-100 %
LED 1, LED 2, LED 3 y LED 4 encendidos	Completamente cargada

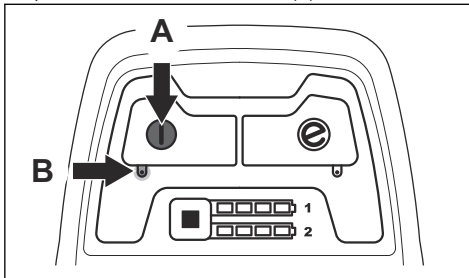
## Para manejar el S 138i

### Arranque del producto.

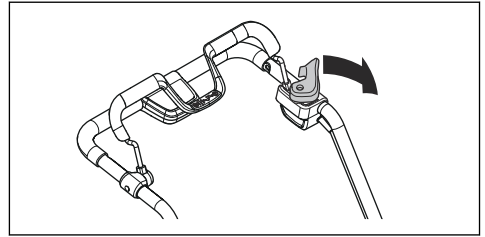
1. Coloque una batería cargada en el compartimento número 1 por debajo de la tapa de la batería. Para prolongar la autonomía, coloque una segunda batería cargada en el compartimento número 2.
2. Gire la llave de seguridad a 1.



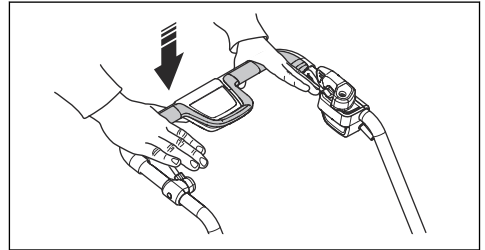
3. Manténgase detrás del producto.
4. Pulse el botón de encendido/apagado (A) en el panel de control; el LED verde (B) se enciende.



5. Afloje el inhibidor de arranque.



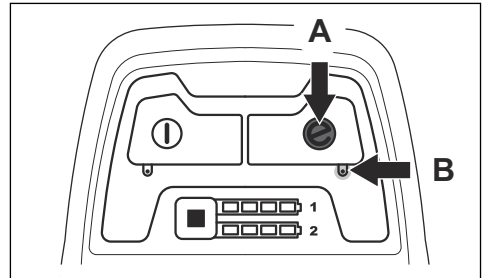
6. Empuje la palanca del freno del motor hacia el manillar.



### Para usar la función SavE

El producto cuenta con una función de ahorro de batería (SavE) que le permite funcionar durante más tiempo.

1. Pulse el botón SavE (A) para iniciar la función. El LED verde se enciende.

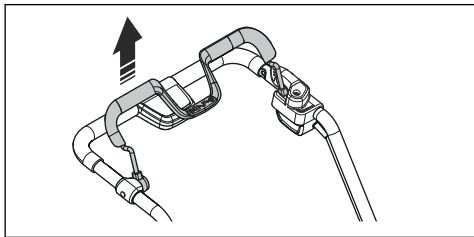


2. Pulse de nuevo el botón SavE para detener la función. El LED verde (B) se apaga.

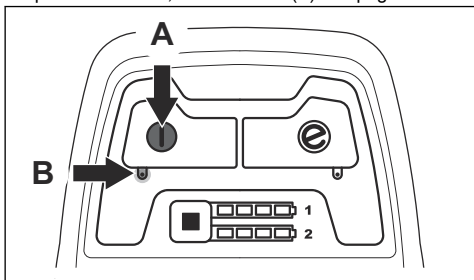
### Para detener el producto

El producto se detiene automáticamente si no se utiliza durante 10 minutos. Apague siempre la llave de seguridad poniéndola en la posición 0 antes de dejar el producto fuera de la vista.

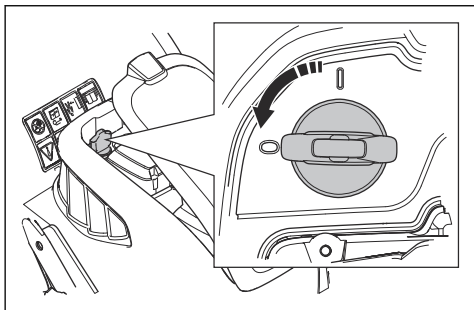
1. Suelte la palanca del freno del motor para detener el motor.



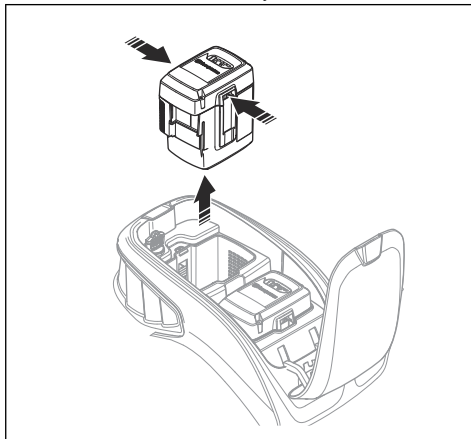
2. Pulse el botón de encendido/apagado (A) en el panel de control; el LED verde (B) se apaga.



3. Abra la tapa de la batería y gire la llave de seguridad hasta 0.



4. Para extraer la batería, presione simultáneamente los 2 botones de liberación y tire de ella hacia fuera.

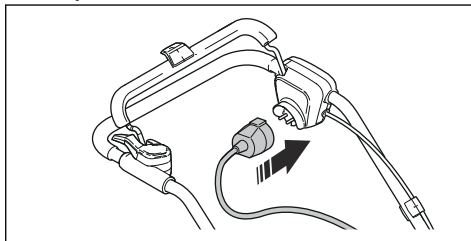


5. Cargue la batería si está baja. Para obtener más información, consulte *Para cargar la batería en la página 178*.

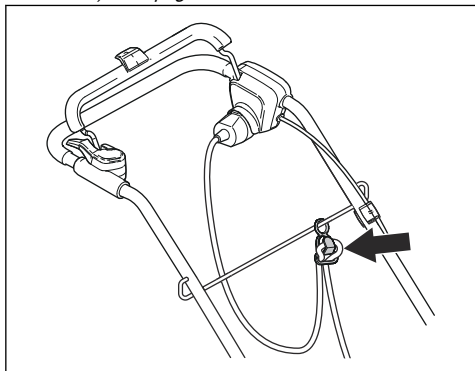
## Para manejar el S 138C

### Arranque del producto.

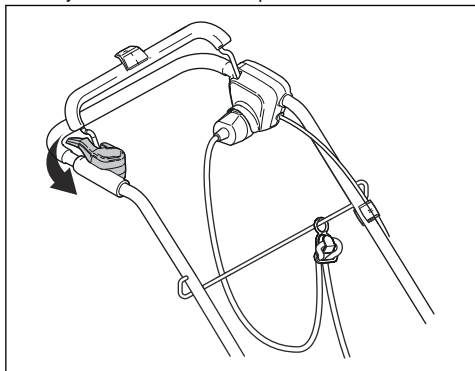
1. Conecte un cable de alimentación a la toma situada debajo del manillar.



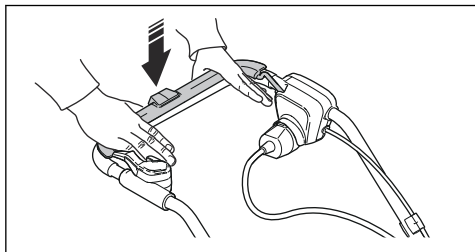
- Coloque el cable de alimentación en el soporte del cable de alimentación. Consulte la sección *Para utilizar el soporte del cable de alimentación (modelo S 138C)* en la página 172.



- Manténgase detrás del producto.
- Aflove el inhibidor de arranque.

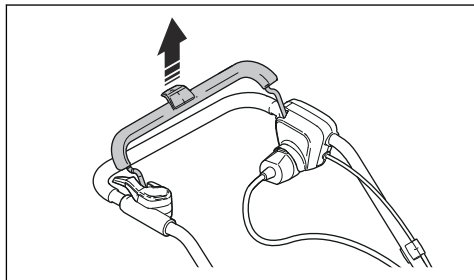


- Empuje la palanca del freno del motor hacia el manillar.

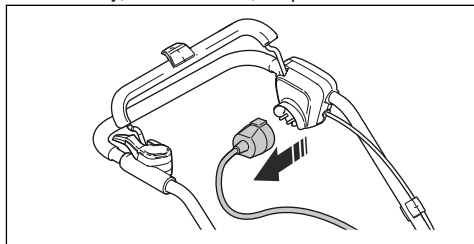


## Para detener el producto

- Suelte la maneta del freno del motor para detener el motor.



- Desconecte el cable de alimentación de la red eléctrica y, a continuación, del producto.



**PRECAUCIÓN:** Tire de la clavija recto hacia fuera. No tire del cable de alimentación.

# Mantenimiento

## Introducción



**ADVERTENCIA:** Antes de realizar cualquier trabajo de mantenimiento, debe leer y entender el capítulo sobre seguridad.

Para todos los trabajos de mantenimiento y reparación del producto, es necesario realizar una formación especial. Nosotros garantizamos que los trabajos de mantenimiento y reparación sean realizados por profesionales. Si su distribuidor no es un taller de

servicio, pídale información sobre el taller de servicio más cercano.

## Programa de mantenimiento

Los intervalos de mantenimiento se calculan a partir del uso diario del producto. Los intervalos cambian si el producto no se utiliza a diario.

Para las tareas de mantenimiento, identificadas con \*, consulte *Dispositivos de seguridad en el producto en la página 171*.

S 138i y S 138C	A cada uso	Mensual	Cada temporada
Realice una inspección general.	X		
Limpie el producto.	X		
Examine el equipo escarificador.	X		
Asegúrese de que los dispositivos de seguridad del producto no estén defectuosos. *	X		
Examine las cubiertas. *	X		
Realice una comprobación de la palanca de freno del motor. *	X		
Realice una comprobación del inhibidor de arranque. *	X		

Solo S 138i.	A cada uso	Mensual	Cada temporada
Asegúrese de que el botón de encendido/apagado funciona correctamente y que no está defectuoso.	X		
Examine la batería en busca de posibles daños.	X		
Compruebe la carga de la batería.	X		
Asegúrese de que los botones de liberación de la batería funcionan correctamente y que esta se acopla al producto.	X		
Examine el cargador de la batería para ver si está dañado y asegúrese de que funciona correctamente.		X	
Examine las conexiones entre la batería y el producto. Examine también la conexión entre la batería y el cargador de batería.			X

## Para realizar una inspección general

- Asegúrese de que las tuercas y los tornillos del producto estén bien apretados.
- Asegúrese de que los cables del producto no están en una posición en la que puedan resultar dañados.

## Limpieza del producto

- Limpie las piezas de plástico con un paño limpio y seco.
- No utilice agua para limpiar el producto. El agua puede entrar en la batería o el motor y causar un cortocircuito o daños en el producto.

- No utilice un equipo de limpieza a alta presión para limpiar el producto.
- No vierta agua directamente sobre el motor.
- Use un cepillo para retirar las hojas, la hierba y la suciedad.

## Para limpiar la batería y el cargador de la batería



**PRECAUCIÓN:** No limpie la batería o el cargador con agua.

- Asegúrese de que batería y cargador estén limpios y secos antes de colocar la batería en el cargador.
- Limpie los bornes de la batería con aire comprimido o con un paño suave y seco.
- Limpie las superficies de la batería y el cargador con un paño suave y seco.

## Inspección del equipo escarificador



**ADVERTENCIA:** Para modelos S 138i: Para evitar un arranque accidental, gire la llave de seguridad hasta la posición 0, retire la batería y espere al menos 5 segundos.

Para el modelo S 138C: Para evitar un arranque accidental, desconecte el cable de alimentación.



**ADVERTENCIA:** Utilice guantes protectores cuando realice el mantenimiento del equipo escarificador. Las cuchillas del equipo escarificador están muy afiladas y se pueden producir cortes con facilidad.

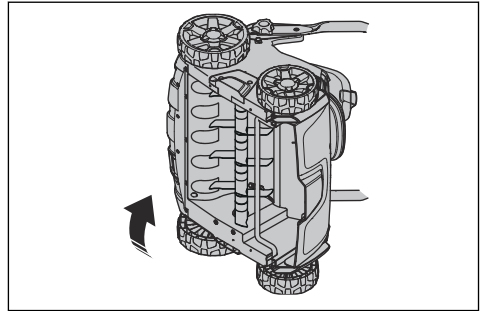
- Inspeccione el equipo escarificador para comprobar si presenta daños o grietas. Sustituya siempre el equipo escarificador si presenta daños.

## Sustitución del equipo escarificador

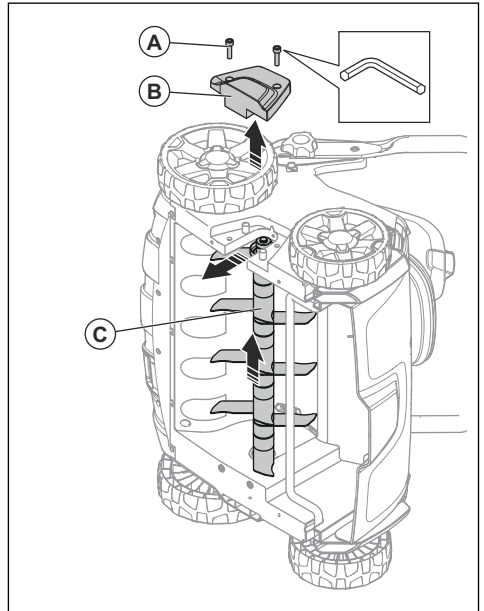


**ADVERTENCIA:** Utilice guantes protectores cuando realice el mantenimiento del equipo escarificador. El equipo escarificador está muy afilado y se pueden producir cortes con facilidad.

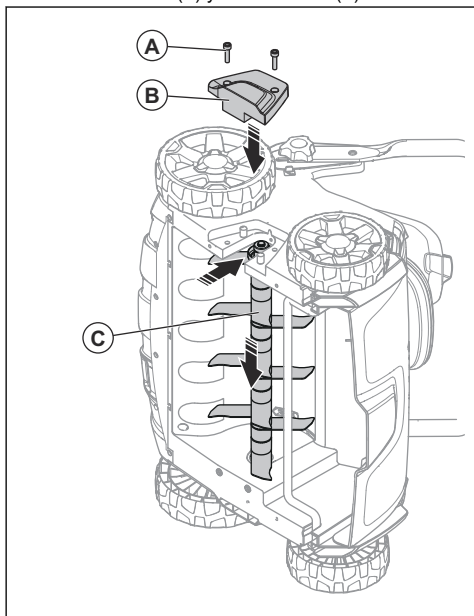
1. Ponga el producto en su lado derecho.



2. Retire los 2 tornillos (A) y la cubierta del escarificador (B). Empuje el equipo escarificador (C) hacia arriba y hacia afuera para extraerlo.



3. Empuje el nuevo equipo escarificador (C) en la ranura y hacia abajo por el orificio. Fije la cubierta del escarificador (B) y los 2 tornillos (A).



## Resolución de problemas

### Batería

Indicador LED de la batería	Posibles errores	Procedimiento posible
El LED verde parpadea	La tensión de la batería es baja	Cargue la batería. Consulte <i>Para cargar la batería en la página 178</i> .
El LED de error parpadea	La batería está baja	Cargue la batería. Consulte <i>Para cargar la batería en la página 178</i> .
	La temperatura en el entorno de trabajo es demasiado alta o demasiado baja	Utilice la batería con temperaturas de entre -10 °C y 40 °C.
	Sobretensión	<p>Compruebe que la tensión de la red eléctrica sea la misma que la que figura en la placa de características del producto.</p> <p>Retire la batería del cargador. Espere 5 segundos y vuelva a intentar cargar la batería. Si el problema persiste, diríjase a un taller de servicio oficial.</p>
El LED de error está encendido	Demasiada diferencia de célula (1 V)	Acuda a un taller de servicio autorizado.



## Cargador de baterías

LED del cargador de batería	Posibles errores	Procedimiento posible
El LED de error parpadea	La temperatura en el entorno de trabajo es demasiado alta o demasiado baja	Utilice el cargador de batería con temperaturas de entre 5 °C y 40 °C.
El LED de error está encendido		Acuda a un taller de servicio autorizado

## Panel de control

Para el modelo S 138i:

Error	Código de error (Número de destellos)	Posibles fallos	Posible acción
El LED de error parpadea	3	El motor está sobrecargado	Disminuya la profundidad de trabajo. Consulte la sección <i>Ajustar la profundidad de trabajo en la página 177</i> . Si el LED de error sigue parpadeando, el equipo escarificador está bloqueado. Para evitar un arranque accidental, gire la llave de seguridad hasta la posición 0, retire la batería y espere al menos 5 segundos. Asegúrese de que el equipo escarificador se mueva libremente. Si el problema persiste, diríjase a un taller de servicio oficial.
	5	El régimen del motor disminuye demasiado y el motor se detiene.	
	9	El control del motor está demasiado caliente.	Detenga el motor y espere hasta que se haya enfriado.
	7	Error de batería o ausencia de señal de la batería.	Coloque la batería en el producto correctamente y examine el conector de la batería. Si el LED de error de la batería parpadea, consulte <i>Estado de la carga de la batería en la página 178</i> .
		La batería está baja.	Cargue la batería. Consulte la sección <i>Para cargar la batería en la página 178</i> .
El producto se detiene	6	La batería está baja.	Cargue la batería. Consulte la sección <i>Para cargar la batería en la página 178</i> .
	0	Fallo del conector de la batería.	Examine el conector de la batería.
Otros errores	Si se producen otros errores, gire la llave de seguridad a la posición 0, quite la batería y hable con un agente de un taller de servicio autorizado.		

## Transporte, almacenamiento y eliminación

### Transporte

- Las disposiciones de la legislación sobre mercancías peligrosas se aplican a las baterías de iones de litio incluidas en el producto.
- Para los transportes comerciales, se deben acatar los requisitos especiales sobre embalajes y etiquetas.
- Asegúrese de que se cumplan las disposiciones sobre materiales peligrosos cuando prepare el

producto para su transporte. Se pueden aplicar las regulaciones locales.

- No olvide extraer la batería para el transporte.
- Coloque cinta aislante en los conectores de la batería y asegúrese de que la batería no se desplace durante el transporte.
- Fije el producto durante el transporte.

## Almacenamiento

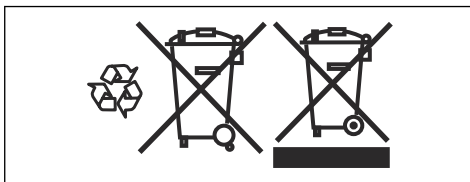
- Extraiga siempre la batería para el almacenamiento.
- Para evitar accidentes, asegúrese de que la batería no esté conectada al producto durante el almacenamiento.
- Mantenga el cargador de batería en un lugar cerrado y seco.
- Mantenga la batería y el cargador de batería en un lugar seco donde no haya humedad ni escarcha.
- Cuando guarde la batería, desconéctela del cargador.
- No almacene la batería en lugares donde pueda generarse electricidad estática. No guarde la batería en una caja metálica.
- Conserve la batería en un lugar con una temperatura entre 5 °C y 25 °C y alejada de la luz solar.
- Conserve el cargador de batería en un lugar con una temperatura entre 5 °C y 45 °C y alejada de la luz solar.
- Asegúrese de que la batería esté cargada al 30 %-50 % antes de guardarla durante largos periodos de tiempo.

- Mantenga el producto, la batería y cargador de batería en un lugar bajo llave fuera del alcance de los niños y de personas sin autorización.
- Limpie el producto y realice un mantenimiento completo antes de almacenarlo durante un periodo de tiempo prolongado.

## Eliminación

Los símbolos del producto o del embalaje del producto indican que este producto no puede desecharse como residuo doméstico. Debe enviarse a una estación de reciclaje apropiada para la recuperación de piezas eléctricas y electrónicas.

Si se asegura de que se trata este producto correctamente, puede ayudar a contrarrestar el posible impacto negativo para el medio ambiente y las personas que podría darse por una gestión incorrecta de los residuos del mismo. Si desea información más detallada sobre el reciclaje de este producto, póngase en contacto con su ayuntamiento para el servicio de recogida de basuras o la tienda donde lo adquirió.



## Datos técnicos

### Datos técnicos

	S 138i	S 138C
<b>Motor</b>		
Tipo de motor	BLDC (sin cepillo) 36 V	Motor de serie CA
Velocidad del accesorio - SavE, rpm	3000	N/A
Velocidad del accesorio - nominal, rpm	3200	4200
Salida del motor - máx. kW	1,28	1,8
Salida del motor - nominal, kW	0,9	1,6
<b>Peso</b>		
Peso, kg	19,5 (sin batería)	19,0
<b>Batería</b>		
Tipo de batería	Serie con batería Husqvarna	NA
<b>Duración de la batería</b>		

	S 138i	S 138C
Autonomía de la batería, min., (funcionamiento continuo) con modo SavE activado, con una batería Husqvarna de 5,2 Ah (BLi200).	115	NA
Autonomía de la batería, min., (funcionamiento continuo) con modo estándar activado, con una batería Husqvarna de 5,2 Ah (BLi200).	102	NA
<b>Emisiones de ruido</b> <sup>19</sup>		
Nivel de potencia acústica medida, dB(A)	89,2	95,7
Nivel de potencia acústica garantizado L <sub>WA</sub> dB(A)	91	98
<b>Niveles acústicos</b> <sup>20</sup>		
Nivel de presión sonora en el oído del operario, dB (A)	75,3	81,7
<b>Niveles de vibraciones</b> <sup>21</sup>		
Manillar, m/s <sup>2</sup>	5,5	8,3
<b>Funcionamiento</b>		
Profundidad de trabajo máx/min, mm	-8/+5	-8/+5
Anchura de trabajo, cm	37,5	37,5
Accesorio de cuchillas delta	5973510-01	5973510-01
Accesorio de dientes flexibles	5973509-01	5973509-01
Capacidad del recogedor de césped, litros	45	45

Baterías homologadas	Tipo	Capacidad de la batería, Ah	Tensión, V	Peso, lb/kg
BLi20	Iones de litio	4,0	36	2,6/1,2
BLi200	Iones de litio	5,2	36	2,8/1,3
BLi300	Iones de litio	9,4	36	4,1/1,9

Cargadores de baterías homologados para las baterías especificadas, BLi	Tensión de entrada, V	Frecuencia, Hz	Potencia, W
QC80	100-240	50-60	80
QC80F	12	0	80
QC330	100-240	50-60	330

<sup>19</sup> Emisiones sonoras en el entorno medidas como potencia acústica (L<sub>WA</sub>) según la directiva CE 2000/14/CE.

<sup>20</sup> Los datos referidos del nivel de presión sonora tienen una dispersión estadística habitual (desviación típica) de 1,2 dB (A).

<sup>21</sup> Los datos referidos del nivel de vibración poseen una dispersión estadística habitual (desviación típica) de 0,2 m/s<sup>2</sup>.

Cargadores de baterías homologados para las baterías especificadas, BLi	Tensión de entrada, V	Frecuencia, Hz	Potencia, W
QC500	100-240	50-60	500

---

# Declaración de conformidad CE

---

## Declaración CE de conformidad

**Husqvarna AB**, SE-561 82 Huskvarna (Suecia), tel.: +46 36 146500, declara que el **escarificador Husqvarna S 138i** y con número de serie 2018XXXXXXX y siguientes, cumple los requisitos expuestos en la DIRECTIVA DEL CONSEJO:

- de 8 junio de 2011 sobre la "restricción de utilización de determinadas sustancias peligrosas" **2011/65/UE**.
- de 17 de mayo de 2006 "relativa a máquinas", **2006/42/CE**.
- de 26 de febrero de 2014 "relativa a compatibilidad electromagnética", **2014/30/UE**.
- de 8 de mayo de 2000 "relativa a emisiones sonoras en el entorno", **2000/14/CE**.

Para obtener información respecto a las emisiones sonoras, consulte el capítulo sobre datos técnicos.

Se han aplicado las normas siguientes:

**EN 60335-1:2012+A11:2014+A13:2017, EN 50636-2-92:2014, EN 55014-1:2017, EN 55014-2:2015**

Huskvarna, 2019-01-15



Claes Losdal, Director de desarrollo/productos para el jardín (representante autorizado de Husqvarna AB y responsable de la documentación técnica).

---

## Declaración de conformidad CE

---

### Declaración CE de conformidad

**Husqvarna AB**, SE-561 82 Huskvarna (Suecia), tel.: +46 36 146500, declara que el **escarificador Husqvarna S 138C** con número de serie 2018XXXXXX y siguientes, cumple los requisitos expuestos en la DIRECTIVA DEL CONSEJO:

- de 8 junio de 2011 sobre la "restricción de utilización de determinadas sustancias peligrosas" **2011/65/UE**.
- de 17 de mayo de 2006 "relativa a máquinas", **2006/42/CE**.
- de 26 de febrero de 2014 "relativa a compatibilidad electromagnética", **2014/30/UE**.
- de 8 de mayo de 2000 "relativa a emisiones sonoras en el entorno", **2000/14/CE**.

Para obtener información respecto a las emisiones sonoras, consulte el capítulo sobre datos técnicos.

Se han aplicado las normas siguientes:

**EN 60335-1:2012+A11:2014+A13:2017, EN 50636-2-92:2014, EN 55014-1:2017, EN 55014-2:2015, EN 61000-3-2:2014, EN 61000-3-11:2000**

Huskvarna, 2019-01-15



Claes Losdal, Director de desarrollo/productos para el jardín (representante autorizado de Husqvarna AB y responsable de la documentación técnica).

---

## Sisukord

---

Sissejuhatus.....	191	Veaoosing.....	210
Ohutus.....	195	Transportimine, hoiulepanek ja utiliseerimine.....	211
Kokkupanek.....	203	Tehnilised andmed.....	212
Töö.....	204	EÜ vastavusdeklaratsioon.....	214
Hooldamine.....	208	EÜ vastavusdeklaratsioon.....	215

---

## Sissejuhatus

---

### Toote kirjeldus

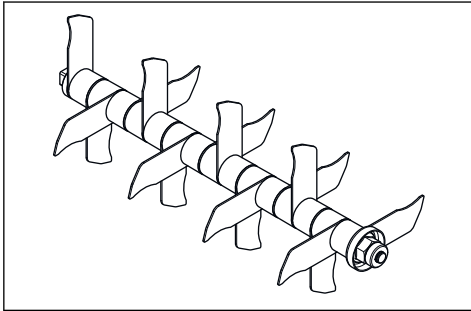
See toode on lükatav elektriline samblaeeemaldaja. Tooteaga eemaldatakse murult kuivanud rohi ja kobestatakse pinnast, et lasta selle hingata ja veel murusse imbuda. Rohi kogutakse rohkogurisse või heidetakse murule. Tootel on kahte tüüpi samblaeeemaldusosad.

### Samblaeeemaldusosad

Vt *Samblaeeemaldusosa vahetamine lk 209* rohkema teabe saamiseks, kuidas vahetada samblaeeemaldusosi.

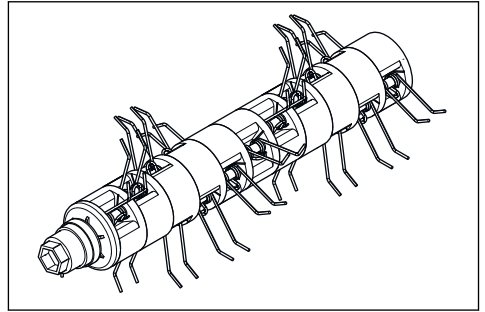
### Deltaterad

Deltateradega eemaldatakse kuivanud rohi ja lõigatakse rohujuri vertikaalselt. Kasutage deltaterasid kallakul, astangul ja savirikkal pinnasel. Deltaterade abil imbib vesi murusse ning välditakse selle kogunemist murupinnale.



### Vedrupiid

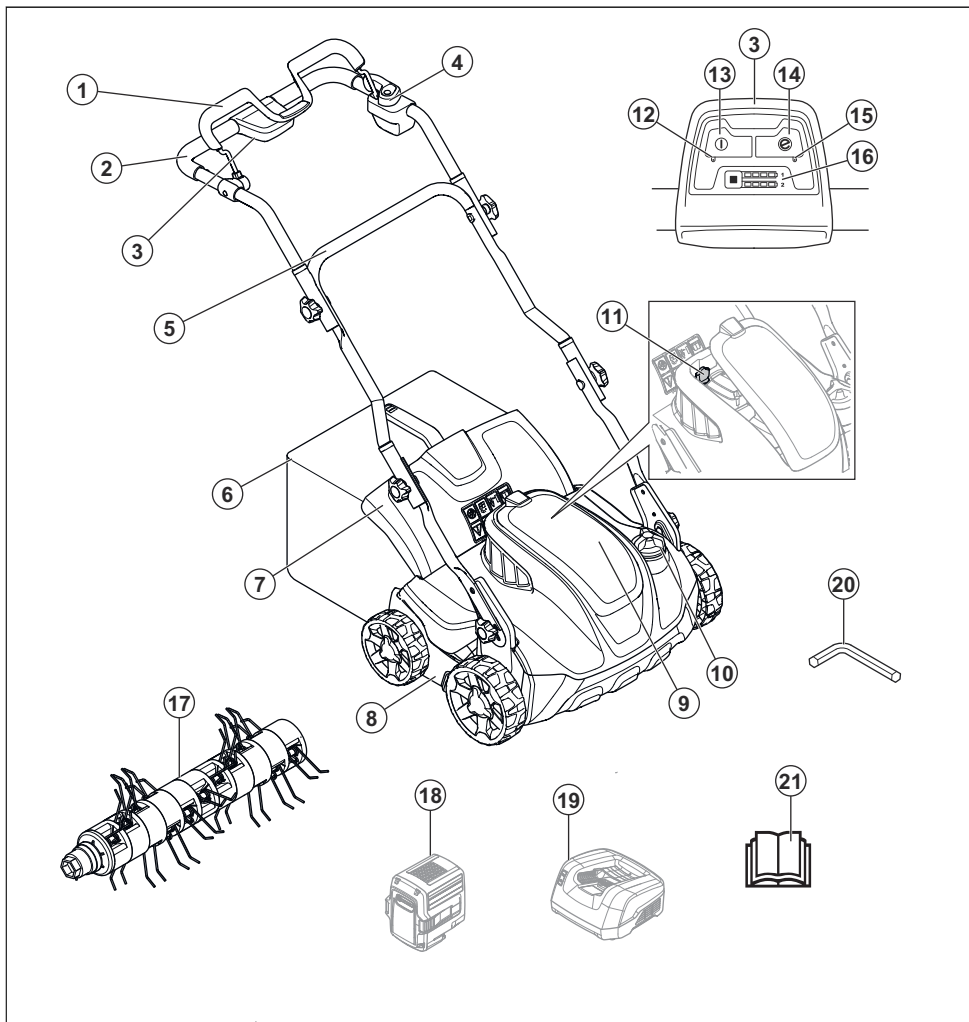
Vedrupiidega eemaldatakse murult vana rohi ja sammal vigastamata rohujuri.



### Kasutusotstarve

Kasutage toodet vana rohi ja sambla eemaldamiseks ning pinnase kobestamiseks. Ärge kasutage toodet muude tööde tegemiseks.

## Tootemudeli ülevaade S 138i



1. Mootori pidurikäepide

2. Ülemine käepide

3. Juhtpaneel

4. Käivitustökesti

5. Alumine käepide

6. Rohukogur

7. Tagumine kate

8. Samblaeemaldi kate

9. Akukaas

10. Töösügavuse reguleerimisnupp

11. Ohutusüliti

12. Sisse- ja väljalülitusnupu LED-näidik

13. Sisse- ja väljalülitusnupp

14. SavE-nupp

15. SavE'i LED-näidik

16. Aku laadimisindikaator ja aku nupp

17. Vedrupiid

18. Aku (lisatarvik)

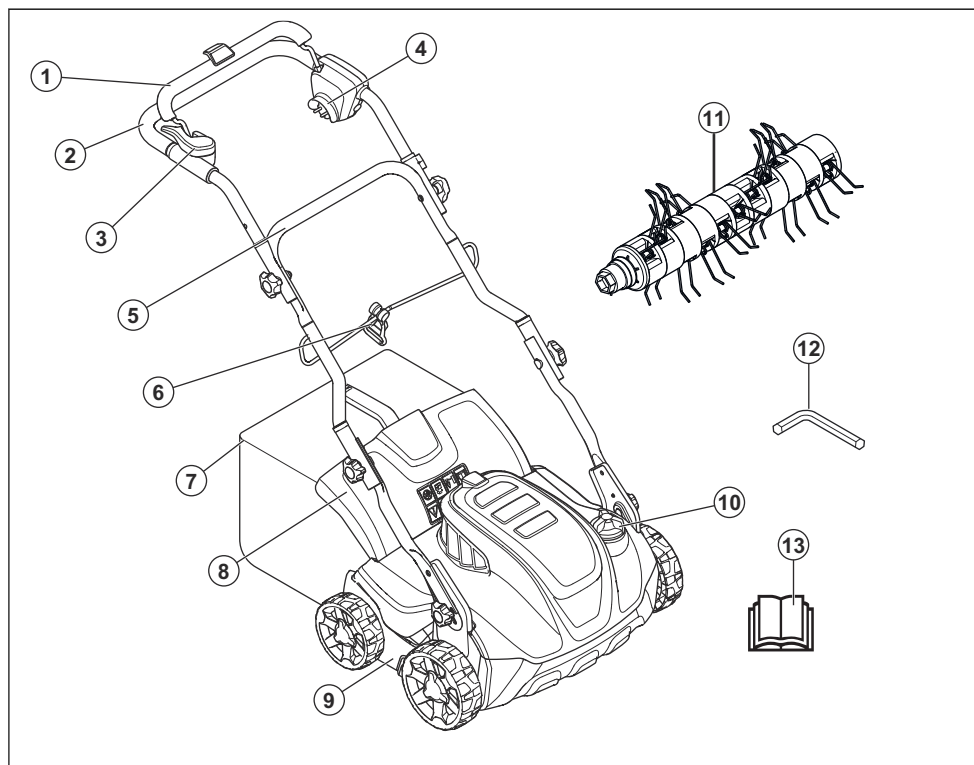
19. Akulaadija (lisatarvik)

20. Kuuskantvõti

21. Kasutusjuhend



## Tootemudeli ülevaade S 138C



1. Mootori pidurikäepide
2. Ülemine käepide
3. Käivitustõke
4. Pistikupesa
5. Alumine käepide
6. Kaabliklamber
7. Rohukogur
8. Tagumine kate
9. Samblaemaldi kate
10. Töösügavuse reguleerimisnupp
11. Vedrupiid
12. Kuuskantvõti
13. Kasutusjuhend

### Sümbolid tootel



Hoiatus! Hooletu või väär käsitlemine võib põhjustada kehavigastusi

või surma kasutajale või juuresolijaile.



Enne seadme kasutamist lugege kasutusjuhend läbi ja veenduge, et oleksite juhistest aru saanud.



Olge ettevaatlik - lenduvad esemed ning tagasipõrkumise oht.



Teised inimesed ja loomad peavad viibima

tööalast ohutus  
kauguses.



Hoiatus! Hoidke käed ja  
jalad pöörlevast terast  
eemal.



Enne seadme  
hooldustööde alustamist  
eemaldage ohutusüliti  
(mudel S 138i).



Enne seadme  
hooldustööde alustamist  
lahutage see  
vooluvõrgust (mudel S  
138C).



Elektrilöögioht (mudelS  
138C).



Ärge jätke vihma kätte  
(mudel S 138i).



Hoiatus! Ärge sõitke  
seadmega üle toitekaabli,  
võite saada elektrilöögi  
või seadet kahjustada  
( mudel S 138C).

**IPX4** Seade on kaitstud pritsiva  
vee eest.



Toode vastab kehtivatele  
EAC direktiividele.



Toode vastab ELi  
kehtivatele direktiividele.



See seade vastab  
kehtivatele UkrSEPRO  
direktiividele.



Ümbritsevasse  
keskkonda leviv müra  
vastavalt Euroopa  
Ühenduse direktiivile.  
Seadme müratase on ära  
toodud tehniliste andmete  
peatükis ja etiketil.



Kahekordne isolatsioon  
(mudelS 138C).



Toimetage  
seade elektri-  
ja elektroonika-  
jätmete ring-  
lussevõtuke-  
skusesse.  
(Kehtib vaid  
Euroopas)



Mudeli S  
138ikäivitamine: vajutage  
nuppu ON/  
OFF, avage  
käivitustakisti,  
lükake mootori  
pidurikäepide  
alla.



Mudeli S 138C  
käivitusprotseduur: avage  
käivitustõkesti, vajutage

mootori pidurikäepide  
alla.



Seiskamiseks vabastage  
mootori pidurikäepide.



Skannitav kood.

**Märkus:** Ülejääänud seadmel toodud sümbolid/tähised vastavad teatud riikides kehtivatele sertifitseerimisnõuetele.

## Tootevastutus

Tootevastutusseaduste alusel ei vastuta me tootest tingitud kahjustuste eest, kui:

- toodet on valesti parandatud;
- toote parandamisel on kasutatud osi, mis ei ole tootja poolt valmistatud või heaks kiidetud;
- tootel on kasutatud tarvikut, mis ei ole tootja poolt valmistatud või heaks kiidetud;
- toodet ei ole parandatud volitatud hoolduskeskuses või volitatud isiku poolt.

---

## Ohutus

---

### Ohutuse määratlused

Mõistetega „hoiatus”, „ettevaatust” ja „märkus” juhitakse tähelepanu eriti olulistele kohtadele kasutusjuhendis.



**HOIATUS:** Tähistab kasutusjuhendi juhiste eiramise korral kasutaja või kõrvalseisjate kehavigastuse või surmaga lõppeva õnnetuse ohtu.



**ETTEVAATUST:** Tähistab kasutusjuhendi juhiste eiramise korral seadme, muude esemete või läheduses asuvate objektide kahjustamise ohtu.

**Märkus:** Tähistab antud olukorras vajalikku lisateavet.

### Üldised ohutuseeskirjad



**HOIATUS:** Enne seadme kasutamist lugege läbi järgnevad hoiatused.

- Toode on ohtlik, kui seda kasutada valesti või ettevaatamatult. Ohutuseeskirjade eiramine võib põhjustada kehavigastuse või surma.
- Seade tekitab töötades elektromagnetvälja. Teatud tingimustel võib väli häirida aktiivsete või passiivsete meditsiiniliste implantaatide tööd. Raskete või surmaga lõppevate kehavigastuste ohu vähendamiseks soovitame

meditsiinilisi implantaate kasutavatel inimestel pidada enne selle seadme kasutamist nõu oma arsti ja implantaadi valmistajaga.

- Olge alati ettevaatlik ja kasutage tervet mõistust. Kui te pole kindel, kuidas toodet eriolukorras kasutada, lõpetage töö ja pidage enne jätkamist nõu Husqvarna edasimüüjaga.
- Arvestage, et teiste isikute ja nende varaga seotud õnnetuste korral kannab vastutust seadme kasutaja.
- Hoidke toode puhas. Veenduge, et märgid ja tähised oleksid selgelt loetavad.
- Ärge lubage kellelgi toodet kasutada enne, kui ta on lugenud kasutusjuhendit ja selle sisu endale selgeks teinud.
- Ärge lubage lastel toodet käsitseda.
- Ärge lubage kasutusjuhistega mitte tutvunud isikul toodet käsitseda.
- Kui toodet kasutab piiratud füüsiliste või vaimsete võimetega isik, peab ta olema kogu aeg järelevalve all. Vastutusvõimeline täiskasvanu

peab kogu aeg kasutaja juures viibima.

- Ärge kasutage toodet, kui olete väsinud, haige või tarvitanud alkoholi, narkootikume või ravimeid. Sellel on negatiivne mõju teie nägemisele, tähelepanuvõimele, liikumisele ja otsustamisvõimele.
- Ärge kasutage toodet, kui see on kahjustatud.
- Ärge muutke toodet ega kasutage seda, kui keegi teine võib olla seda muutnud.

## Tööala ohutus



**HOIATUS:** Enne seadme kasutamist lugege läbi järgnevad hoiatused.

---

- Enne toote kasutamist eemaldage tööalalt oksad ja kivid.
- Samblaeemaldusosaga kokku puutuvad esemed võivad õhku paiskuda ning inimesi vigastada ja esemeid kahjustada. Juuresolijad ja loomad peavad viibima tootest ohutus kauguses.
- Ärge kasutage toodet halva ilmaga, näiteks udu, vihma, tugeva tuule, tugeva pakase ja pikseohu korral. Tootet kasutamine halva ilma ning

- niiskete ja märgade tingimuste korral on väsitav. Halb ilm võib põhjustada ohtlikke tingimusi (nt libedaid pindu).
- Suhtuge tähelepanelikult inimestesse, esemetesse ja olukordadesse, mis võivad takistada toote ohutut kasutamist.
  - Olge ettevaatlik takistuste (nt juurte, kivide, oksade, aukude ja kraavide) suhtes. Kõrge rohi võib peita takistusi.
  - Tootega töötamine kallakutel võib olla ohtlik. Ärge kasutage toodet alal, mille kalle ületab 15°.
  - Kasutage toodet kallakul risti liikudes. Ärge liikuge üles ja alla.
  - Olge ettevaatlik varjatud nurkade ja vaatevälja varjavate esemete läheduses.
- Kasutage isikukaitsevahendeid. Vt jaotist *Isiklik kaitsevarustus lk 198*.
  - Toodet ei tohi kasutada vihma käes või märjas keskkonnas. Toote sisse pääsenud vesi suurendab elektrilöögi ohtu.
  - Ärge kasutage toodet enne, kui samblaemaldusosa ja katted on õigesti kinnitatud. Valesti kinnitatud samblaemaldusosa võib lahti tulla ja inimesi vigastada.
  - Veenduge, et samblaemaldusosa ei puutuks kokku esemetega (nt kivide ja juurtega). See võib samblaemaldusosa kahjustada ja põhjustada mootori võlli väändumist. Paindega telg põhjustab tugevat vibratsiooni ja suurt samblaemaldusosa lahtitulemise ohtu.
  - Kui samblaemaldusosa puutub kokku mõne esemega või esineb vibratsioon, peatage toode viivitamatult. Seisake mootor, keerake ohutuslüli asendisse 0 ja eemaldage aku (mudel S 138i) või lahutage toitekaabel (mudel S 138C). Kontrollige toodet kahjustuste suhtes. Parandage kahjustused või laske toodet remontida volitatud hooldustöokojas.

## Tööohutus



**HOIATUS:** Enne seadme kasutamist lugege läbi järgnevad hoiatused.

- Kasutage seda toodet ainult murult vana rohu ja sambla eemaldamiseks. Muude toimingute tegemiseks toodet kasutada ei tohi.

- Kui mootor töötab, ärge kinnitage kunagi mootori pidurikäepidet püsivalt käepideme külge.
- Asetage toode stabiilsele ja tasasele pinnale ning käivitage see. Veenduge, et samblaemaldusosa ei puutuks vastu maad ega muid esemeid.
- Olge toote kasutamisel alati toote taga.
- Toote kasutamisel hoidke mõlema käega käepidemest ja kõik toote rattad maas. Hoidke käed ja jalad liikuvast samblaemaldusosast eemal.
- Kui mootor on käivitatud, ärge kallutage toodet.
- Olge toote tagasisuunas tõmbamisel ettevaatlik.
- Kui mootor on käivitatud, ärge tõstke toodet. Kui teil on vaja seade üles tõsta, seisake esmalt mootor, keerake ohutusüliti asendisse 0 ja eemaldage aku (mudel S 138i) või lahutage toitekaabel (mudel S 138C).
- Ärge kõndige toote kasutamise ajal tagurpidi.
- Seisake mootor, kui liigute alal, kus pole muru, näiteks kruusa-, kivi- ja asfaltkattega teedel.

- Ärge lükake toodet joostes, kui mootor on käivitatud. Toote kasutamise ajal kõndige.
- Enne töösügavuse muutmist seisake mootor. Ärge tehke seadistusi, kui mootor töötab.
- Ärge laske toodet silmist, kui mootor töötab. Seisake mootor ja veenduge, et samblaemaldusosa ei pöörleks.

## Ohutusjuhised kasutamisel

### Isiklik kaitsevarustus

Seadmega töötamisel tuleb kasutada ettenähtud isiklikku kaitsevarustust. Isikukaitsevarustus ei välista õnnetusi, kuid vähendab vigastuse astet. Paluge edasimüüjalt abi õige kaitsevarustuse valimisel.

Kandke alati:

- Kuulmiskahjustuste riski vähendamiseks kasutage kõrvaklappe.
- Vastupidavad, mittelibisevad jalatsid. Ärge kandke lahtiseid jalatseid ega käige paljajalu.
- Tugevad pikad püksid. Ärge kandke lühikesi pükse.

Vajadusel kandke kindaid, näiteks samblaemaldusosa paigaldades, kontrollides või puhastades.



**HOIATUS:** Kandke heakskiidetud kõrvaklappe. Pikaajaline müra võib tekitada püsiva kuulmiskahjustuse.

### Toote ohutusseadised



**HOIATUS:** Enne seadme kasutamist lugege läbi järgnevad hoiatused.

- Ärge kunagi kasutage seadet, kui selle ohutusseadised on defektsed.
- Kontrollige ohutusseadiseid regulaarselt. Kui ohutusseadised on defektsed, pöörduge Husqvarna hooldustöökotta.

### Katete kontrollimine

Samblaemaldaja kate vähendab toote vibratsiooni ja samblaemaldusosast tingitud vigastuste ohtu.

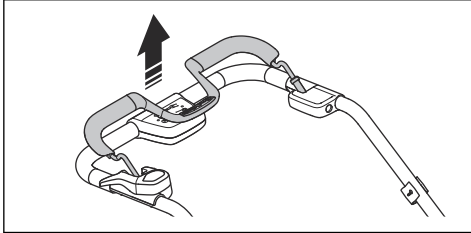
- Kontrollige samblaemaldaja külgakatet kahjustuste (nt pragude) suhtes.

- Kontrollige tagumist katet kahjustuste (nt pragude) suhtes.

### Mootori pidurikäepide

Mootori pidurikäepideme abil saab mootori seisata. Mootori pidurikäepideme vabastamisel mootor seiskub.

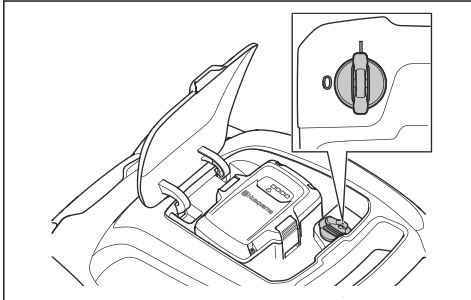
Mootoripiduri kontrollimiseks käivitage mootor ja vabastage mootori pidurikäepide. Kui mootor kolme sekundi jooksul ei seisku, laske mootoripidurit Husqvarna volitatud hooldustöökojas reguleerida.



### Ohutuslülit

Ohutuslülit asub akukaane all. Ohutuslülitit abil ühendatakse aku, mis varustab mootori toitega.

- Ohutuslülitit kontrollimiseks käivitage ja seisake mootor.
- Kui ohutuslülit on töökorras, siis käivitub mootor üksnes lülitit keeramisel asendisse 1.

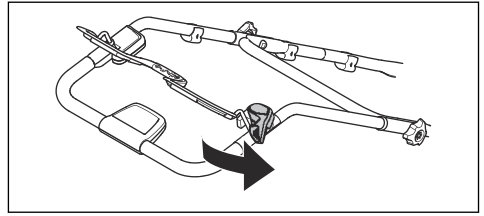


### Käivitustõkesti kontrollimine

Kontrollige, kas käivitustõkesti takistab mootori tööd.

1. Lükake mootori pidurikäepidet juhtraua suunas. Käivitustõkesti peatab liikumise.

2. Lükake käivitustõkesti välja.

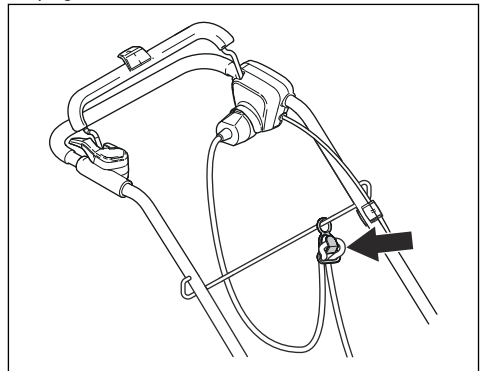


3. Laske käivitustõkesti lahti ja veenduge, et see läheks tagasi lähteasendisse.

### Toitekaabli hoidiku kasutamine (mudel S 138C)

Toitekaabli hoidik vähendab koormust pistikupesale ja toitekaablile. Samuti vähendab toitekaabli hoidik teie kukkumise ohtu.

1. Moodustage toitekaabliga väike silmus.
2. Asetage silmus toitekaabli hoidiku ava sisse.
3. Asetage silmus ümber konksu.
4. Tõmmake toitekaablit, et silmus ümber konksu pingule tõmbuks.



### Aku ohutus



**HOIATUS:** Enne seadme kasutamist lugege läbi järgnevad hoiatused.

- Kasutage seotud Husqvarna toodete toiteallikana alati üksnes Husqvarna taaslaetavaid akusid. Kehavigastuse vältimiseks

ärge kasutage akut muude seadmete toiteallikana.

- Ärge kasutage mittetaaslaetavaid akusid.
- Elektrilöögioht! Ärge ühendage akuklemme võtmete, müntide, kruvide või muude metallesemetega. See võib tekitada akus lühise.
- Ärge asetage esemeid aku õhuavade sisse ja ette.
- Vältige aku kokkupuudet otsese päikesevalguse, kuumuse ja lahtise leegiga. Aku võib plahvatada ja põhjustada põletusi ja/või keemilisi põletusi.
- Vältige aku kokkupuudet vihma ja märja keskkonnaga.
- Vältige aku kokkupuudet mikrolainete ja kõrgsurvega.
- Ärge demonteerige ega lõhkuge akut.
- Aku lekke korral vältige vedeliku kokkupuudet keha ja silmadega. Kui vedelik satub kehale, puhastage kokkupuutunud ala rohke veega ja seejärel pöörduge arsti poole.
- Kasutage akut keskkonnas, mille temperatuur jääb vahemikku  $-10$  kuni  $40$  °C.
- Ärge puhastage akut või akulaadijat veega. Vt jaotist

*Aku ja akulaadija puhastamine lk 209.*

- Ärge kasutage defektset või kahjustatud akut.
- Ladustage akusid metallesemetest (nt naelad, mündid, ehted) eemal.

## Akulaadija ohutus

---



**HOIATUS:** Enne seadme kasutamist lugege läbi järgnevad hoiatused.

---

- Kasutage Husqvarna asendusakude laadimiseks ainult QC akulaadijaid.
- Elektrilöögi ja lühise oht. Ärge asetage esemeid laadija õhuavade sisse ja ette. Ärge püüdke akulaadijat lahti monteerida. Ärge ühendage laadija klemme metallesemete külge. Kasutage heakskiidetud võrgupistikupesa.
- Seade tekitab töötades elektromagnetvälja. Teatud tingimustel võib väli häirida aktiivsete või passiivsete meditsiiniliste implantaatide tööd. Raskete või surmaga lõppevate kahjustuste ohu vähendamiseks soovitame meditsiinilisi implantaate kasutavatel inimestel pidada enne selle toote kasutamist



- nõu oma arsti ja implantaadi valmistajaga.
- Kontrollige regulaarselt, kas akulaadija toitejuhe on kahjustada saanud ja kas sellel on pragusid.
  - Ärge tõstke akulaadijat toitejuhtmest hoides. Akulaadija võrgupistikupesast lahutamiseks tõmmake pistikut. Ärge tõmmake toitejuhet.
  - Vältige toitejuhtme ja pikendusjuhtme kokkupuudet vee, õli ja teravate servadega. Jälgige, et juhe ei jääks uste, väravate jms vahele. See võib põhjustada laadija sattumise pinge alla.
  - Ärge puhastage akulaadijat veega.
  - Akulaadijat võivad kasutada lapsed alates 8. eluaastast ja isikud, kellel on vähenenud füüsilised, sensoorsed või vaimsed võimed või puudulikud teadmised ja kogemused, kui neid jälgib või juhendab vastutav isik, kes tagab, et nad kasutavad akulaadijat ohutult ning mõistavad seotud ohtusid. Lapsed ei tohi akulaadijaga mängida. Lapsed ei tohi seadet ilma järelevalveta puhastada ega hooldada.
  - Ärge laadige akulaadijas mittelaetavaid akusid.
  - Ärge kasutage akulaadijat tuleohtlike või korrosiooni tekitavate materjalide läheduses. Ärge katke akulaadijat. Suitsu või tule tekke korral eemaldage pistik akulaadijast.
  - Ärge kunagi kasutage defektset või kahjustunud akulaadijat.
  - Laadige akut ainult hea õhuvahetusega siseruumis ja päikesevalguse eest kaitstuna. Ärge laadige akut märjas keskkonnas.

#### Toitekaabli ohutus

Mudel S 138C.

- Soovitav on paigaldada rikkevoolukaitse, mille rakendumise voolutugevus ei ole suurem kui 30 mA. Kuid isegi rikkevoolukaitse paigaldamine ei garanteeri 100% ohutust ja seetõttu tuleb alati järgida turvalise töötamise põhimõtteid. Kontrollige rikkevoolukaitset iga kord, kui seda kasutate.
- Kui toitekaablile tekib sisselõige või selle isolatsioon saab kahjustada, lahutage seade kohe toitevõrgust.
- Ärge puudutage sisselõikega või kahjustatud isolatsiooniga

toitekaablit enne, kui seade on vooluvõrgust lahutatud.

- Ärge parandage sisselõikega või kahjustatud isolatsiooniga toitekaablit. Asendage kaabel uuega.

## Ohutusjuhised hooldamisel



**HOIATUS:** Enne seadme kasutamist lugege läbi järgnevad hoiatused.

---

- Mudel S 138i: Hooldustööde ajal juhusliku käivitumise vältimiseks keerake ohutuslüli asendisse 0 ja eemaldage aku. Enne hooldustööde alustamist oodake vähemalt viis sekundit.
  - Mudel S 138C: Hooldustööde ajal seadme juhusliku käivitumise vältimiseks lahutage toitekaabel.
  - Toote kasutusea tõstmiseks ja õnnetuste ohu vähendamiseks tehke kõik hooldustööd korrektselt. Laske professionaalsed parandustööd teha volitatud hooldustöökojas. Lisateavet küsige lähimast hooldustöökojast.
  - Hooldage toodet ainult selle kasutusjuhendi järgi.
- Keerukamad tööd laske teostada volitatud hooldustöökojas.
- Samblaemaldusosi käsitsedes kandke alati tugevaid kindaid. Samblaemaldusosa on väga terav ja võib kergesti põhjustada löikevigastusi.
  - Parima ja ohutuima töö tagamiseks hoidke samblaemaldusosad teravana ja puhtana.
  - Laske hooldustöökojas toodet korrapäraselt kontrollida ning teha vajalikke seadistamisi ja parandusi.
  - Asendage kahjustatud, kulunud ja katkised osad.
  - Järgige tarvikute vahetamise juhiseid. Kasutage ainult tootja valmistatud tarvikuid.
  - Kui toodet ei kasutata, eraldage toode, aku ja akulaadija ning hoidke neid kuivas ja lukustatud siseruumis. Veenduge, et lastel ja ilma vastava volituseta kõrvalistel isikutel puuduks juurdepääs tootele, akule ja akulaadijale.

# Kokkupanek

## Sissejuhatus



**HOIATUS:** Enne toote kokkupanemist lugege läbi ohutust puudutav peatükk.

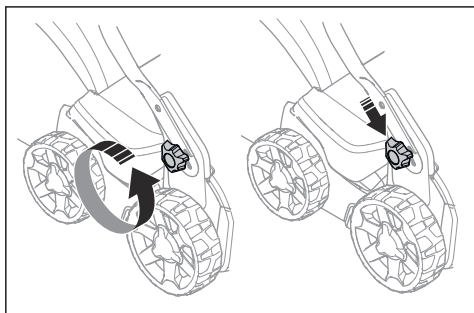


**HOIATUS:** Mudel S 138i: Kokkupanemise ajal juhusliku käivitamise vältimiseks keerake ohutuslüüti asendisse 0, eemaldage aku ja oodake vähemalt viis sekundit.

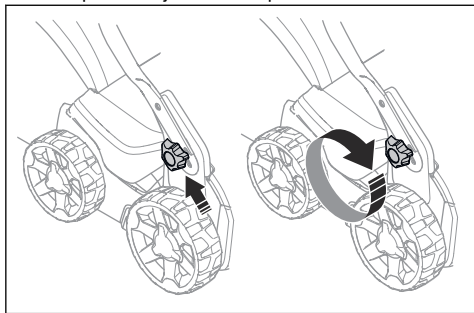
Mudel S 138C: Kokkupanemise ajal seadme juhusliku käivitamise vältimiseks lahutage toitekaabel.

## Käepideme kokkupanek

1. Keerake alumised hoovad lahti.
2. Liigutage nupud toote vasakul ja paremal küljel olevatesse soonetesse.



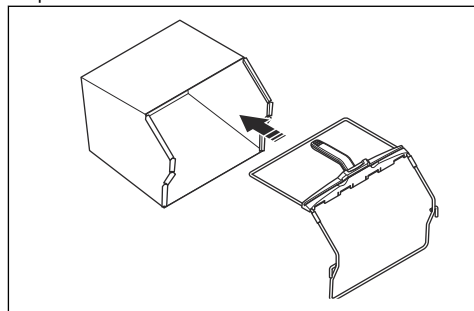
3. Reguleerige käepideme kõrgus ühte kahest võimalikust asendist.
4. Liigutage nuppsid üles käepideme suunas, kuni need peatuvad ja kostub klõpsatus.



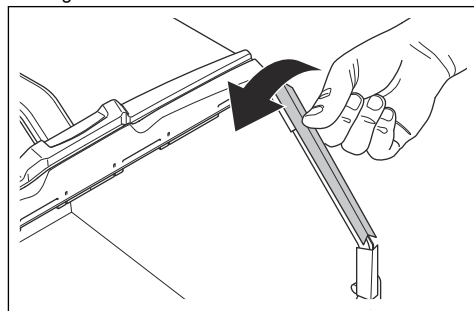
5. Keerake nupud korralikult kinni.

## Rohukoguri kokkupanek

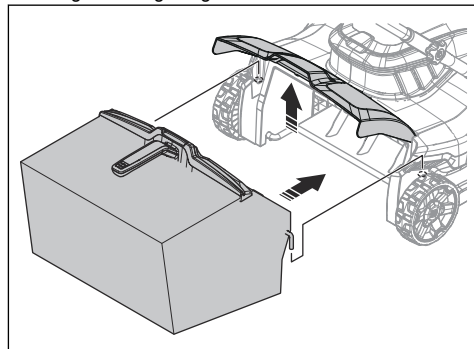
1. Kinnitage rohukoguri raam rohukoti külge nii, et koti jäik osa jääb põhja. Hoidke raami käepidet rohukoti peal.



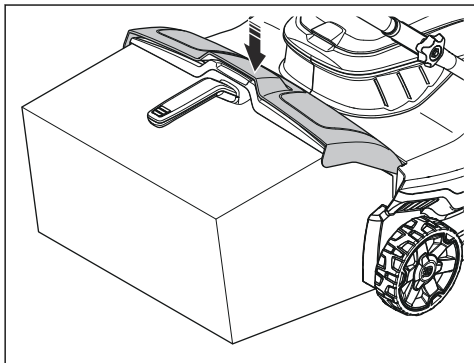
2. Kinnitage rohukoguri raami alumine osa rohukoguri allosas asuvasse soonde.
3. Kinnitage rohukott klambritega rohukoguri raami külge.



4. Kergitage tagakaant.
5. Pange rohukogur õigesse asendisse.



6. Kinnitage rohkogur raami ülaservale. Veenduge, et tagakaan on lekke vältimiseks tihedalt rohkoguri vastas.



## Töö

### Sissejuhatus



**HOIATUS:** Enne seadme kasutamist lugege põhjalikult läbi ohutust puudutav jaotis.

### Husqvarna Connect

Husqvarna Connect on mobiilsideseadmetele mõeldud tasuta rakendus. Rakendus Husqvarna Connect annab teie Husqvarna tootele lisafunktsionaalsuse:

- Täiendav tooteteave.
- Toote osade ja hoolduse alane teave ja abi.

### Toote Husqvarna Connect kasutamise alustamine

1. Laadige Husqvarna Connect rakendus oma mobiilsideseadmesse.
2. Registreeruge Husqvarna Connect rakenduses.
3. Toote ühendamiseks ja registreerimiseks järgige Husqvarna Connect rakenduse juhiseid.

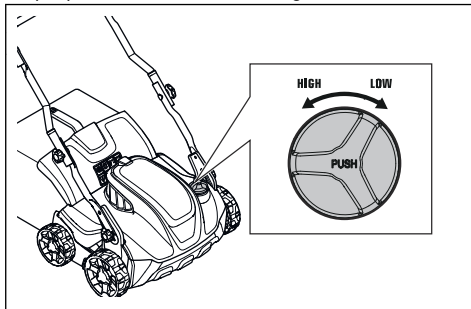
### Töösügavuse seadistamine



**HOIATUS:** Ärge seadistage töösügavust toote kasutamise ajal.

1. Vajutage ja pöörake töösügavuse reguleerimisnuppu vastupäeva, et suurendada töösügavust.

2. Vajutage ja pöörake töösügavuse reguleerimisnuppu päripäeva, et vähendada töösügavust.



### Aku

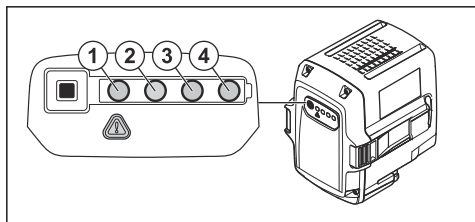


**HOIATUS:** Enne aku kasutamist lugege läbi ohutust puudutav jaotis ja veenduge, et oleksite kõigest aru saanud. Samuti tuleb läbi lugeda aku ja akulaadija kasutusjuhend ning veenduda, et kogu teave on arusaadav.

### Aku olek

Ekraanil kuvatakse aku järelejäänud mahtuvus ja akuga seotud mis tahes probleemid. Aku mahtuvus kuvatakse viie sekundi jooksul pärast seadme väljalülitamist või

akunäidiku nupu vajutamisel. Akul olev hoiatussümbol süttib tõrke ilmnemisel. Vt jaotist *Aku lk 210*.



LED-tuled	Aku olek
Kõik LED-tuled põlevad	Täis (75–100%).
LED 1, LED 2, LED 3 põlevad	Aku on laetud 50–75%
LED 1, LED 2 põlevad	Aku on laetud 25–50%
LED 1 põleb	Aku on laetud 0–25%
LED 1 vilgub	Aku on tühi. Laadige akut.

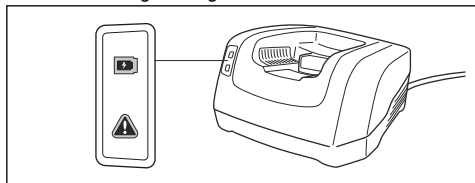
## Aku laadimine

Enne esimest kasutuskorda laadige aku täis. Kliendile tarnimisel on aku laetud üksnes 30% ulatuses.

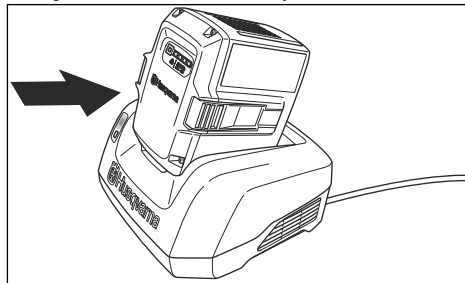
**Märkus:** Akulaadija tuleb ühendada tüübisildil näidatud pingele ja sagedusega võrku.

Aku laadimist ei toimu, kui aku temperatuur on üle 50 °C. Enne laadimise alustamist langetab akulaadija aku temperatuuri vajalikule tasemele.

1. Ühendage akulaadija toitejuhtme üks ots akulaadija pesasse.
2. Ühendage akulaadija toitejuhtme teine ots maandatud võrgupistikupesasse. Akulaadijal olev roheline märgutuli vilgub üks kord.



3. Asetage aku akulaadijasse. Kui aku on akulaadijaga õigesti ühendatud, süttib laadijal roheline tuli.



4. Kui aku kõik märgutuled põlevad, on aku täis. Ärge laadige akut kauem kui 24 tundi.
5. Akulaadija toitejuhtme võrgupistikupesast lahutamisel tõmmake pistikust, mitte juhtmest.
6. Eemaldage aku laadijast.

## Aku laadimisolek

Husqvarna Liitium-ioonakut saab laadida ja kasutada kõikidel laadimistasemetel. Aku ei ole kahjustunud. Täis laetud aku ei tühjene, kui aku laadijasse jätta.

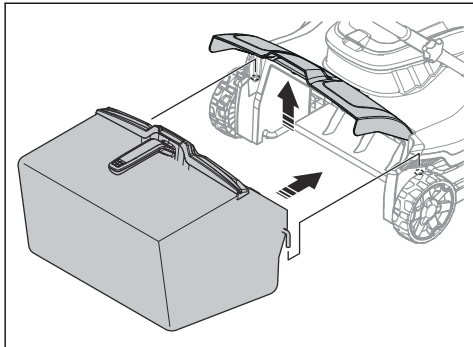
LED-näidik	Laadimisolek
LED 1 vilgub	0–25%
LED 1 põleb, LED 2 vilgub	25–50%
LED 1, LED 2 põlevad, LED 3 vilgub	50–75%
LED 1, LED 2, LED 3 põlevad, LED 4 vilgub	75–100%
LED 1, LED 2, LED 3, LED 4 põlevad	Täielikult laetud

## S 138i kasutamine

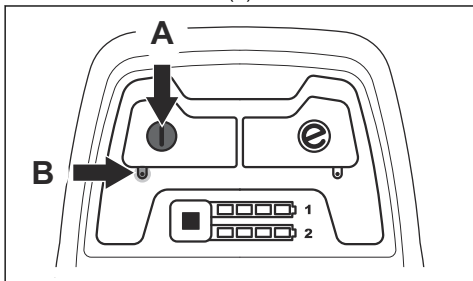
### Toote käivitamine

1. Asetage laetud aku akukaane all olevasse akukambrisse 1. Tööea pikendamiseks asetage teine laetud aku akukambrisse 2.

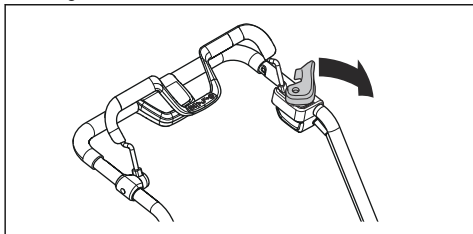
2. Keerake ohutuslüli asendisse 1.



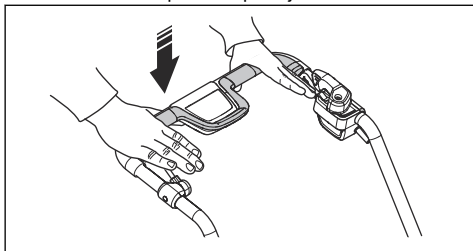
3. Olge toote taga.
4. Vajutage juhtimispaneelil nuppu ON/OFF (A) ja süttib roheline LED-tuli (B).



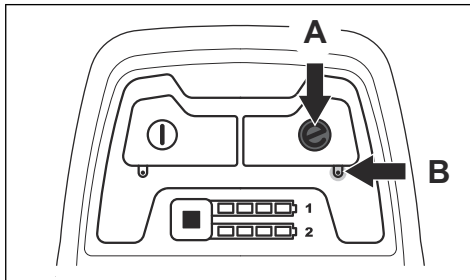
5. Avage käivitustõkesti.



6. Lükake mootori pidurikäepidet juhtraua suunas.



1. Funktsiooni käivitamiseks vajutage SavE nuppu (A). Süttib roheline LED-tuli.

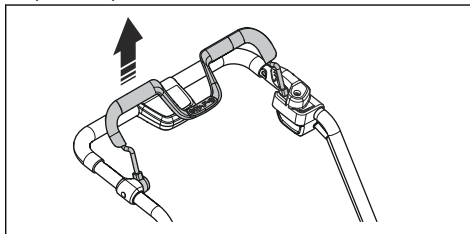


2. Funktsiooni peatamiseks vajutage uuesti SavE nuppu. Roheline LED-tuli (B) kustub.

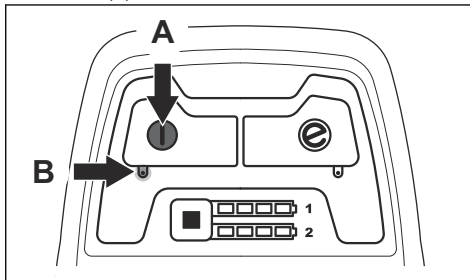
## Toote seiskamine

Kui seadet 10 minuti jooksul ei kasutata, seiskub see automaatselt. Enne toote järelvalveta jätmist keerake ohutuslüli alati asendisse 0.

1. Mootori seiskamiseks vabastage mootori pidurikäepide.



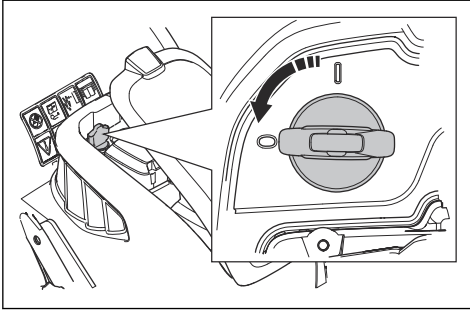
2. Vajutage juhtpaneelil ON/OFF nuppu (A) ja roheline LED-tuli (B) kustub.



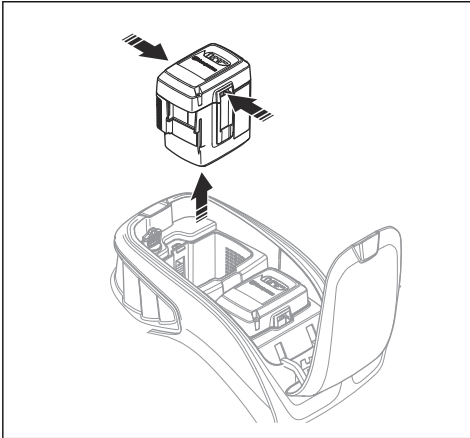
## SavE funktsiooni kasutamine

Toode on varustatud akusäästufunktsiooniga (SavE), mis pikendab aku tööiga.

3. Avage akukaas ja keerake ohutuslüli asendisse 0.



4. Aku eemaldamiseks vajutage korraka kahte vabastusnuppu ja tõmmake aku välja.

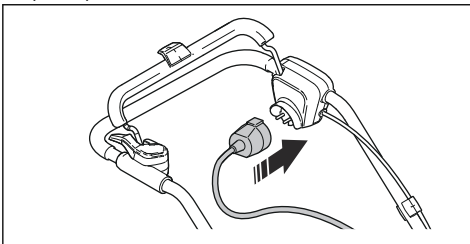


5. Laadige akut, kui see on tühjenud. Lisateavet leiab jaotisest *Aku laadimine lk 205*.

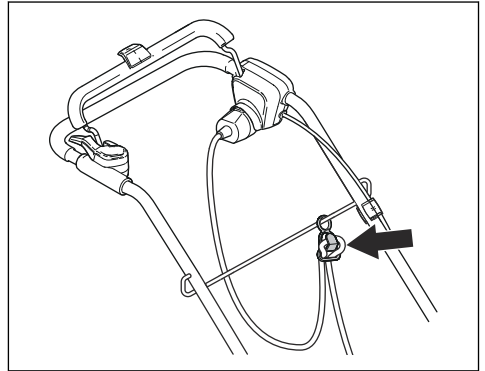
## S 138C kasutamine

### Seadme käivitamine

1. Ühendage toitekaabel käepideme all olevasse pistikupessa.

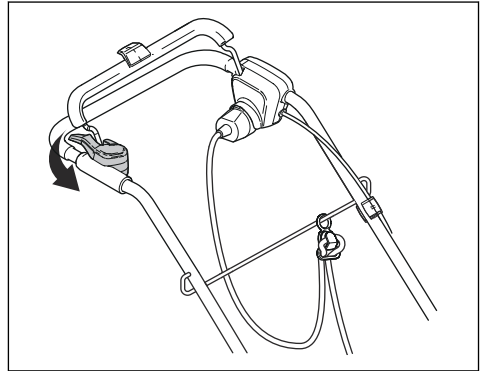


2. Pange toitekaabel toitekaabli hoidikusse. Vt jaotist *Toitekaabli hoidiku kasutamine (mudel S 138C) lk 199*.

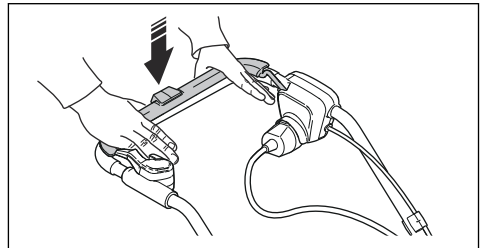


3. Olge toote taga.

4. Avage käivitustõkesti.

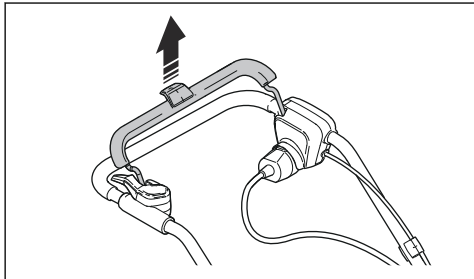


5. Lükake mootori pidurikäepidet juhtraua suunas.

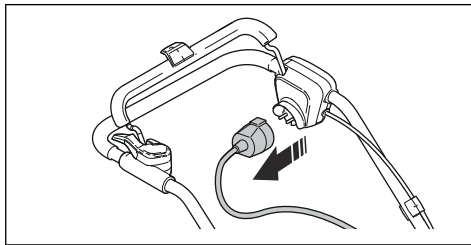


## Seadme seiskamine

1. Mootori seiskamiseks vabastage mootori pidurikäepide.



2. Lahutage toitekaabel vooluvõrgust ja seejärel seadme.



**ETTEVAATUST:** Tõmmake pistik välja sirgelt. Ärge tõmmake toitejuhet.

## Hooldamine

### Sissejuhatus



**HOIATUS:** Enne seadme hooldamist lugege põhjalikult läbi ohutust puudutav peatükk.

Toote hooldamiseks ja remontimiseks on vaja erioskusi. Tagame asjatundliku remondi- ja hooldustöö. Kui edasimüüjal, kellelt toote ostsite, pole hooldustöökoja, küsige neilt teavet lähima hooldustöökoja kohta.

### Hooldusskeem

Hooldusintervallide arvutamisel on aluseks võetud toote igapäevane kasutamine. Intervallid muutuvad, kui toodet igapäevaselt ei kasutata.

Tärniga (\*) tähistatud hooldustööde kohta vt *Toote ohutusseadised lk 198*.

S 138i ja S 138C	Igal kasutuskorral	Üks kord kuus	Igal aastajal
Tehke üldkontroll.	X		
Puhastage toode.	X		
Kontrollige sambaeemaldusosa.	X		
Veenduge, et toote ohutusseadistel poleks defekte. *	X		
Kontrollige katteid. *	X		
Kontrollige mootori pidurikäepidet. *	X		
Kontrollige käivitustõkestit. *	X		

Ainult S 138i.	Igal kasutuskorral	Üks kord kuus	Igal aastajal
Veenduge, et ON/OFF nupp töötaks korralikult ja sellel poleks defekte.	X		
Veenduge, et akul poleks kahjustusi.	X		
Kontrollige aku laetust.	X		
Veenduge, et aku vabastusnupud töötaksid korralikult ning et aku lukustuks kindlalt seadme külge.	X		



Ainult S 138i.	Igal kasutuskorral	Üks kord kuus	Igal aastajal
Veenduge, et akulaadijal poleks kahjustusi ja et see töötaks korrektselt		X	
Kontrollige aku ja seadme vahelisi ühendusi. Samuti kontrollige aku ja akulaadija vahelisi ühendusi.			X

## Üldkontrolli läbiviimine

- Veenduge, et toote mutrid ja kruvid oleksid pingutatud.
- Veenduge, et toote juhtmed ei oleks sellises asendis, kus need võiksid kahjustada saada.

## Toote puhastamine

- Puhastage plastosi puhta ja kuiva lapiga.
- Ärge puhastage seadet veega. Vesi võib pääseda aku või mootori sisse ja põhjustada lühise või kahjustada toodet.
- Ärge kasutage seadme puhastamiseks survepesurit.
- Ärge valage vett otse mootorile.
- Eemaldage lehed, muru ja pori harja abil.

## Aku ja akulaadija puhastamine



**ETTEVAATUST:** Ärge puhastage akut või akulaadijat veega.

- Enne aku asetamist akulaadijasse veenduge, et aku ja akulaadija oleksid puhtad ja kuivad.
- Puhastage akuklemmid suruõhu või pehme ja kuiva riidelapiga.
- Puhastage aku ja akulaadija välispinnad pehme ja kuiva riidelapiga.

## Samblaeemaldusosa kontrollimine



**HOIATUS:** Mudelid S 138i: Juhusliku käivitamise vältimiseks keerake ohutuslüüti asendisse 0, eemaldage aku ja oodake vähemalt viis sekundit.

Mudel S 138C: Juhusliku käivitamise vältimiseks lahutage toitekaabel.



**HOIATUS:** Sambaemaldusosa hooldamisel kandke kaitsekindaid. Sambaemaldusosa terad on väga teravad ja võivad kergesti põhjustada löikehaavu.

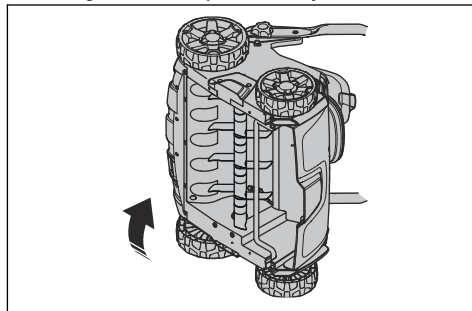
- Kontrollige sambaemaldusosa kahjustuste ja mõrade suhtes. Kahjustatud sambaemaldusosa tuleb alati välja vahetada.

## Samblaeemaldusosa vahetamine

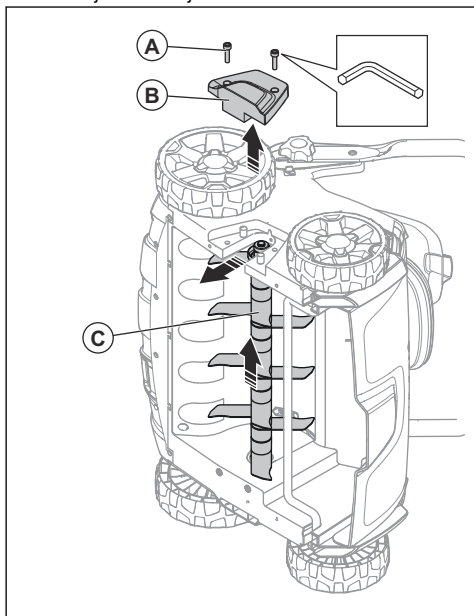


**HOIATUS:** Sambaemaldusosa hooldamisel kandke kaitsekindaid. Sambaemaldusosa on väga terav ja võib kergesti põhjustada löikevigastusi.

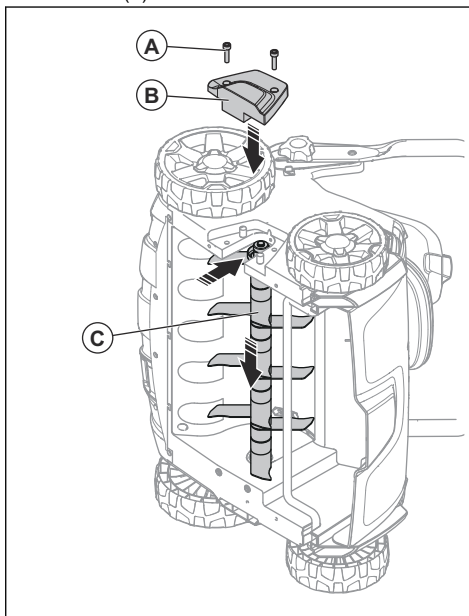
1. Asetage toode selle paremale küljele.



2. Eemaldage kruvid (A) ja samblaemaldusosa luuk (B). Lükake samblaemaldusosa (C) eemaldamiseks ülesse ja võtke välja.



3. Lükake uus samblaemaldusosa (C) soonde ja oma pessa. Kinnitage samblaemaldusosa kate (B) ja kaks kruvi (A).



## Veaotsing

### Aku

Aku LED-tuli	Võimalikud tõrked	Võimalik tegevus
Roheline LED-tuli vilgub	Akupinge on madal	Laadige aku. Vt jaotist <i>Aku laadimine lk 205</i> .
Tõrke LED-tuli vilgub	Aku on tühjenenud	Laadige aku. Vt jaotist <i>Aku laadimine lk 205</i> .
	Töökeskonna temperatuur on liiga kõrge või madal	Kasutage akut keskkonnas, mille temperatuur jääb vahemikku -10 kuni 40 °C.
	Ülepinge	Kontrollige, kas võrgupinge vastab seadme mudeli etiketil märgitule.  Eemaldage aku laadijast. Oodake viis sekundit ja proovige akut uuesti laadida. Probleemi püsimise korral võtke ühendust volitatud hooldustöökojaga.
Põleb tõrke LED-tuli	Elementide erinevus on liiga suur (1 V)	Pöörduge volitatud hooldustöökoja poole.

### Akulaadur

Akulaadija LED-tuli	Võimalikud tõrked	Võimalik tegevus
Tõrke LED-tuli vilgub	Töökeskonna temperatuur on liiga kõrge või madal	Kasutage akulaadijat keskkonnas, mille temperatuur jääb vahemikku 5 kuni 40 °C.
Põleb tõrke LED-tuli		Pöörduge volitatud hooldustöökoja poole

# Juhtpaneel

Mudel S 138i:

Tõrge	Tõrkekood (vilkumiste arv)	Võimalikud tõrked	Võimalik lahendus
Tõrke LED-tuli vilgub	3	Mootori ülekoormus	Töösügavuse vähendamine Vt jaotist <i>Töösügavuse seadistamine lk 204</i> . Kui tõrke LED-tuli jätkab vilkumist, siis on samblaemaldusosa blokeeritud. Juhusliku käivitumise vältimiseks keerake ohutuslüli asendisse 0, eemaldage aku ja oodake vähemalt viis sekundit. Veenduge, et samblaemaldusosa saab vabalt liikuda. Probleemi püsimise korral võtke ühendust volitatud hooldustöökajaga.
	5	Mootori kiirus langeb liigselt ja mootor seiskub	
	9	Mootori juhtseade on liiga kuum.	Seisake mootor ja oodake, kuni see on jahtunud.
	7	Aku tõrge või aku signaali pole.	Asetage aku õigesti seadmesse ja kontrollige akukonektorit. Kui aku tõrke LED-tuli vilgub, vt <i>Aku laadimisolek lk 205</i> .
		Aku on tühjenenud.	Laadige aku. Vt jaotist <i>Aku laadimine lk 205</i> .
Seade seiskub	6	Aku on tühjenenud.	Laadige aku. Vt jaotist <i>Aku laadimine lk 205</i> .
	0	Akukonectori tõrge.	Kontrollige akukonektorit.
Muud tõrked	Muude tõrgete ilmumise korral keerake ohutuslüli asendisse 0, eemaldage aku ja võtke ühendust volitatud hooldustöökajaga.		

## Transportimine, hoiulepanek ja utiliseerimine

### Transportimine

- Liitium-ioonakudele kehtivad ohtlike kaupade veonõuded.
- Kaubandusliku transpordi korral tuleb järgida pakendamise ja märgistamise erinõudeid.
- Toote transportimiseks ettevalmistamisel järgige kindlasti ohtlikele ainetele kehtivaid eeskirju. Kehtida võivad ka kohalikud eeskirjad.
- Transpordi ajaks tuleb aku alati eemaldada.
- Katke akukonektorid isoleerteibiga ja veenduge, et aku ei saaks transportimise ajal liikuma hakata.
- Kinnitage seade transportimise ajaks.

### Hoiustamine

- Hoiustamise ajaks tuleb aku alati eemaldada.
- Õnnetuste vältimiseks veenduge, et aku ja seade poleks hoiustamise ajal ühendatud.
- Hoidke akulaadijat suletud ja kuivas kohas.

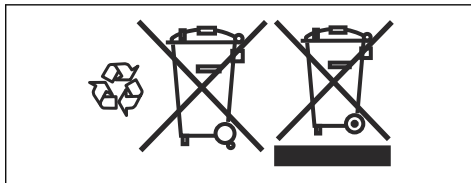
- Hoidke akut ja akulaadijat kuivas kohas, kus pole niiskust ja miinuskraade.
- Ladustamise ajaks lahutage aku akulaadija küljest.
- Ärge hoidke akut kohas, kus võib tekkida staatiline elekter. Ärge hoidke akut metallkastis.
- Hoidke akut kohas, mille temperatuur jääb vahemikku 5 kuni 25 °C, ja kuhu ei paista otsene päikesevalgus.
- Hoidke akulaadijat kohas, mille temperatuur jääb vahemikku 5 kuni 45 °C, ja kuhu ei paista otsene päikesevalgus.
- Enne aku pikemaajalist hoiustamist laadige see 30–50% ulatuses täis.
- Hoidke seadet, akut ja akulaadijat suletud ruumis, kuhu ei pääse lapsed ja volitamata kõrvalised isikud.
- Enne seadme pikemaajalist hoiustamist puhastage seade ja tehke sellele täishooldus.

## Kõrvaldamine

Tootel või selle pakendil olevad sümbolid viitavad, et toodet ei tohi visata olmeprügi hulka. See tuleb toimetada ettenähtud vastuvõtupunkti, kus elektri- ja elektroonikaseadmed võetakse uuesti ringlusesse.

Hoolitsedes toote eest õigel viisil aitate vähendada võimalikke negatiivseid mõjusid keskkonnale ja inimestele, mis võivad avalduda toote vale käitlemise korral. Lisateabe saamiseks toote ringlussevõtu kohta

pöörduge vastava kohaliku ametkonna, jäätmekäitlusettevõtte või toote müünud kaupluse poole.



## Tehnilised andmed

### Tehnilised andmed

	S 138i	S 138C
<b>Mootor</b>		
Mootori tüüp	BLDC (harjadeta) 36 V	Jadaergutusega vahelduvvoolumootor
Samblaemaldusosa pöörlemissagedus – SavE, p/min	3000	–
Samblaemaldusosa pöörlemissagedus – nimisagedus, p/min	3200	4200
Mootori väljundvõimsus – max kW	1,28	1,8
Mootori väljundvõimsus – nimivõimsus, kW	0,9	1,6
<b>Mass</b>		
Kaal, kg	19,5 (ilma akuta)	19,0
<b>Aku</b>		
Aku tüüp	Husqvarna Akuseeria	–
<b>Aku tööaeg</b>		
Aku tööaeg, min, (vabajooksul) SavE on aktiveeritud, ühe Husqvarna 5,2 Ah akuga (Bli200).	115	–
Aku tööaeg, min, (vabajooksul) standardrežiim on aktiveeritud, ühe Husqvarna 5,2 Ah akuga (Bli200).	102	–
<b>Müratasemed <sup>22</sup></b>		
Helitugevuse tase, dB(A)	89,2	95,7
Müravõimsustase, garanteeritud L <sub>WA</sub> dB(A)	91	98
<b>Müratase <sup>23</sup></b>		
Helirõhutase kasutaja kõrva juures, dB(A)	75,3	81,7
<b>Vibratsioonitase <sup>24</sup></b>		
Käepide, m/s <sup>2</sup>	5,5	8,3

<sup>22</sup> Müraemissioon ümbritsevasse keskkonda, mõõdetud helivõimsuse tasemena (L<sub>WA</sub>) vastavalt EÜ direktiivile 2000/14/EÜ.

<sup>23</sup> Müra rõhutase kohta toodud andmete statistiline dispersioon (standardhälve) on 1,2 dB(A).

<sup>24</sup> Vibratsioonitase kohta toodud andmete tüüpiline statistiline dispersioon (standardhälve) on 0,2 m/s<sup>2</sup>.

	S 138i	S 138C
<b>Töö</b>		
Maks/min töösügavus, mm	-8/+5	-8/+5
Töölaius, cm	37,5	37,5
Deltaterad	5973510-01	5973510-01
Vedrupiid	5973509-01	5973509-01
Rohukoguri maht, l	45	45

Heakskidetud akud	Tüüp	Aku mahtuvus, Ah	Pinge, V	Kaal, naela/kg
BLi20	Liitiumioonaku	4,0	36	2,6/1,2
BLi200	Liitiumioonaku	5,2	36	2,8/1,3
BLi300	Liitiumioonaku	9,4	36	4,1/1,9

Määratletud akude heakskidetud akulaadijad, BLi	Sisendpinge, V	Sagedus, Hz	Võimsus, W
QC80	100-240	50-60	80
QC80F	12	0	80
QC330	100-240	50-60	330
QC500	100-240	50-60	500

---

# EÜ vastavusdeklaratsioon

---

## EÜ vastavusdeklaratsioon

**Husqvarna AB**, SE-561 82 Huskvarna, Rootsi, tel: +46 36 146 500, kinnitab käesolevaga, et **samblaeemaldusosa Husqvarna S 138i** alates seerianumbri 2018XXXXXXX vastavad järgmiste NÕUKOGU DIREKTIIVIDE nõuetele:

- **2011/65/EL** (8. juuni 2011), teatavate ohtlike ainete kasutamise piiramise kohta;
- **2006/42/EÜ** (17. mai 2006), masinadirektiiv;
- **2014/30/EL** (26. veebruar 2014), elektromagnetilise ühilduvuse direktiiv;
- **2000/14/EÜ** (8. mai 2000), müradirektiiv.

Mürataseme kohta leiab teavet tehniliste andmete peatükist.

Rakendatud on järgmisi standardeid:

**EN 60335-1:2012+A11:2014+A13:2017, EN 50636-2-92:2014, EN 55014-1:2017, EN 55014-2:2015**

Huskvarna, 2019-01-15



Claes Losdal, aiandustoodete arendusdirektor  
(Husqvarna AB volitatud esindaja, tehnilise dokumentatsiooni vastutav juht).

---

# EÜ vastavusdeklaratsioon

---

## EÜ vastavusdeklaratsioon

**Husqvarna AB**, SE-561 82 Huskvarna, Rootsi, tel: +46 36 146 500, kinnitab käesolevaga, et **samblaemaldusosa Husqvarna S 138C** alates seerianumbri 2018XXXXXX vastab järgmiste NÕUKOGU DIREKTIIVIDE nõuetele:

- **2011/65/EL** (8. juuni 2011), teatavate ohtlike ainete kasutamise piiramise kohta;
- **2006/42/EÜ** (17. mai 2006), masinadirektiiv;
- **2014/30/EL** (26. veebruar 2014), elektromagnetilise ühilduvuse direktiiv;
- **2000/14/EÜ** (8. mai 2000), müradirektiiv.

Mürataseme kohta leiab teavet tehniliste andmete peatükist.

Rakendatud on järgmisi standardeid:

**EN 60335-1:2012+A11:2014+A13:2017, EN 50636-2-92:2014, EN 55014-1:2017, EN 55014-2:2015, EN 61000-3-2:2014, EN 61000-3-11:2000**

Huskvarna, 2019-01-15



Claes Losdal, aiandustoodete arendusdirektor  
(Husqvarna AB volitatud esindaja, tehnilise dokumentatsiooni vastutav juht).

## Sisältö

Johdanto.....	216	Vianmääritys.....	235
Turvallisuus.....	220	Kuljettaminen, säilyttäminen ja hävittäminen.....	236
Asentaminen.....	228	Tekniset tiedot.....	237
Käyttö.....	229	EY-vaatimustenmukaisuusvakuutus.....	239
Huolto.....	233	EY-vaatimustenmukaisuusvakuutus.....	240

## Johdanto

### Tuotekuvaus

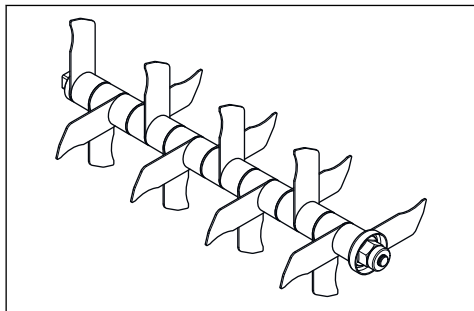
Laitte on kävellen ohjattava sähkökäyttöinen pintailmaaja. Laitte poistaa tiivistyneen leikkuujätteen nurmikolta ja möyhentää maata, jotta ilma ja vesi pääsevät maaperään. Tiivistynyt leikkuujäte kerätään ruohonkerääjään tai levitetään nurmikolle. Laitteessa on kaksi erilaista pintailmaajavarustusta.

### Pintailmaajavarustus

Tietoja pintailmaajavarustuksen vaihtamisesta on kohdassa *Pintailmaajavarustuksen vaihtaminen sivulla 234*.

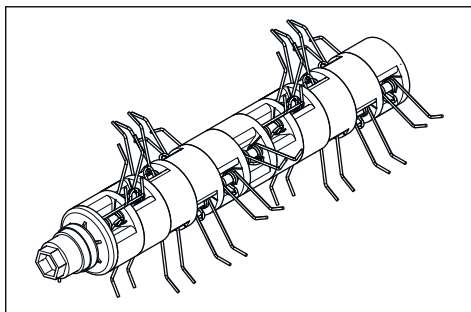
### Delta-terät

Delta-terät irrottavat tiivistyneen leikkuujätteen ja leikkaavat ruohojen juuret pystysuunnassa. Käytä Delta-teriä rinteissä, penkereillä ja savipitoisella maaperällä. Delta-terät päästävät veden nurmikon maaperään ja estävät kerääntymistä maan pinnalle.



### Jousipiikit

Jousipiikit poistavat kuolleen ruohon ja tiivistyneen leikkuujätteen nurmikolta vahingoittamatta ruohon juuria.

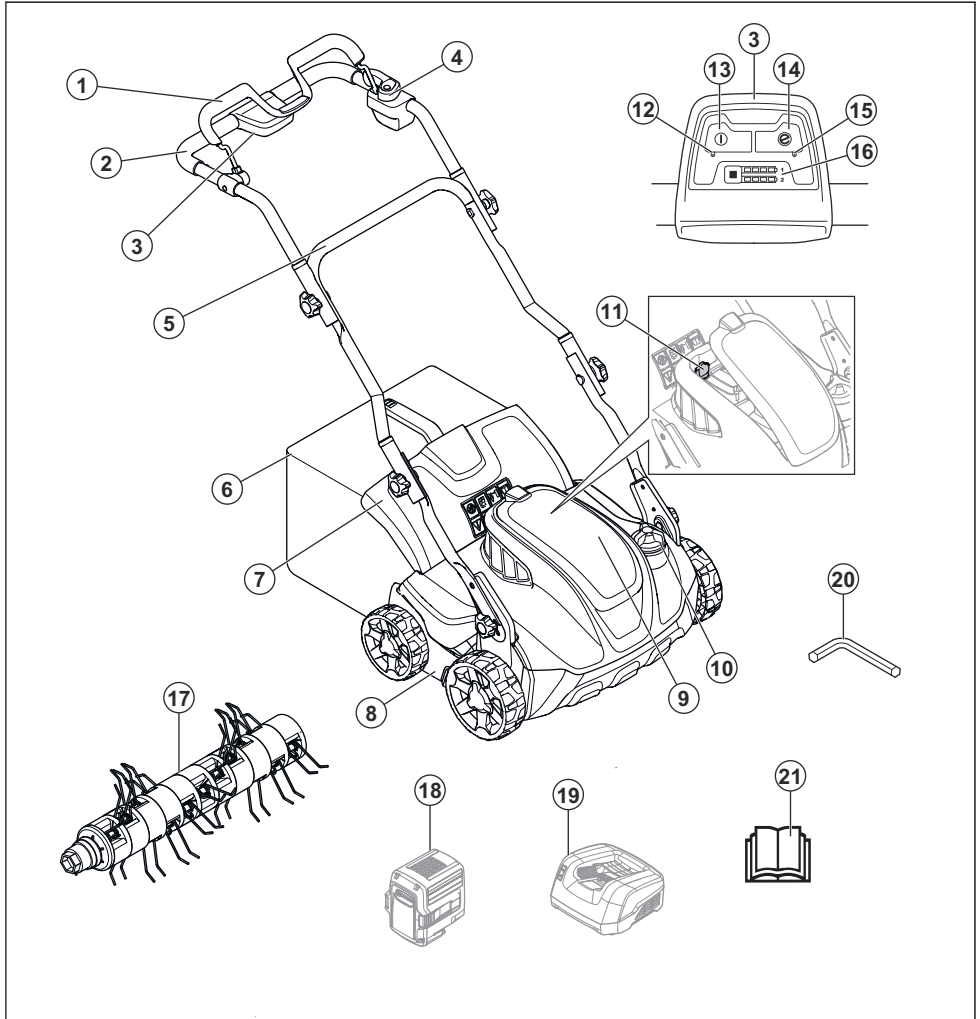


### Käyttötarkoitus

Poista tiivistynyt leikkuujäte ja sammal ja möyhennä maata yksityisissä puutarhoissa. Älä käytä laitetta muihin tehtäviin.

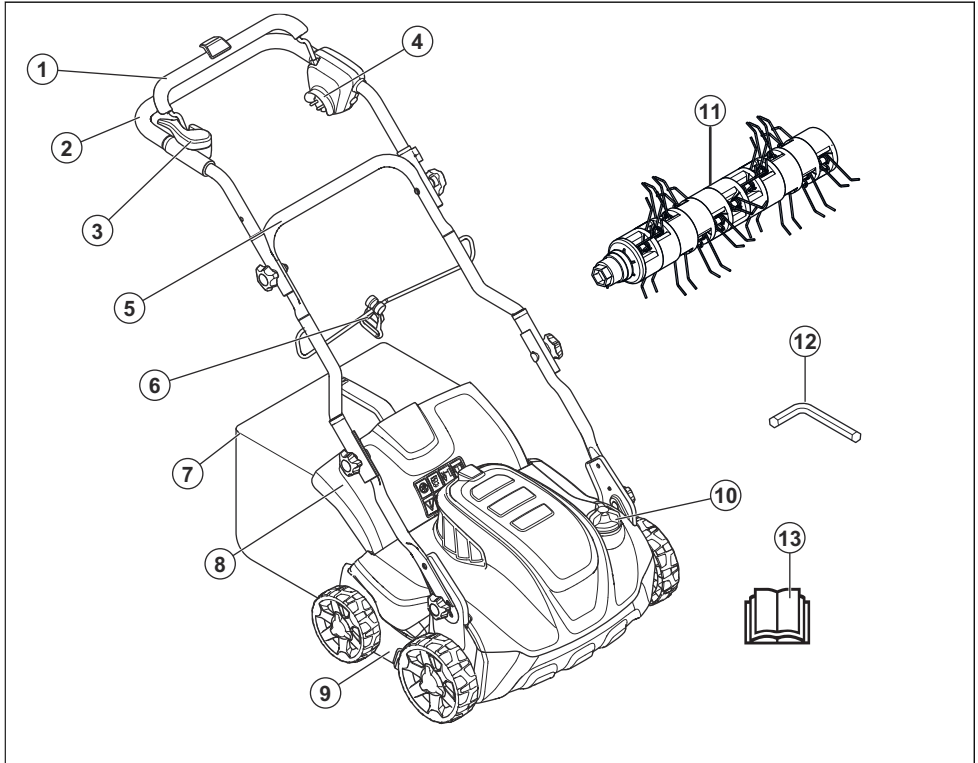


## S 138i -mallin kuvaus



- |                                    |  |
|------------------------------------|--|
| 1. Moottorin jarrukahva            | 12. Virran merkkivalo                        |
| 2. Kädensija                       | 13. Virtapainike                             |
| 3. Ohjauspaneeli                   | 14. SavE-painike                             |
| 4. Käynnistyksenesto               | 15. SavE-merkkivalo                          |
| 5. Alavarsi                        | 16. Akun varaustilan ilmaisin ja akkupainike |
| 6. Ruohonkerääjä                   | 17. Jousipiikit                              |
| 7. Takasuojus                      | 18. Akku (lisävaruste)                       |
| 8. Pintailmaajan suojus            | 19. Akkulaturi (lisävaruste)                 |
| 9. Akun kansi                      | 20. Kuusiokoloavain                          |
| 10. Työskentelysyvyyden säätönappi | 21. Käyttöohjekirja                          |
| 11. Turva-avain                    |  |

## S 138C -mallin kuvaus



1. Mootorin jarrukahva
2. Kädensija
3. Käynnistyksenesto
4. Pistorasia
5. Tukivarsi
6. Kaapelin kiinnitin
7. Ruohonkerääjä
8. Takasuojus
9. Pintailmaajan suojus
10. Työskentelysyvyyden säätönappi
11. Jousipiikit
12. Kuusiokoloavain
13. Käyttöohjekirja

### Laitteen symbolit



**Varoitus:** Huolimaton tai virheellinen käyttö voi aiheuttaa käyttäjälle tai

sivullisille vammoja tai kuoleman.



Lue käyttöohje huolellisesti ja varmista, että ymmärrät sen sisällön, ennen kuin alat käyttää tätä laitetta.



Varo sinkoutuvia esineitä ja kimmokkeita.



Pidä sivulliset ja eläimet turvallisen välimatkan päässä työalueesta.



Varoitus: Pidä kädet ja jalat poissa pyörivän terän läheisyydestä.



Irrota turva-avain ennen laitteen huoltotöitä (malli S 138i).



Irrota virtajohto pistorasiasta ennen laitteen huoltotöiden aloittamista (malli S 138C).



Sähköiskun vaara (malli S 138C).



Älä altista sateelle (malli S 138i).



Varoitus: Älä aja laitteella virtajohdon yli, sillä se voi aiheuttaa sähköiskun tai vaurioittaa laitetta (malli S 138C).

**IPX4** Laite on suojattu roiskueilta vedeltä.

**EAC** Tämä laite täyttää voimassa olevien EAC-direktiivien vaatimukset.

**CE** Tämä laite täyttää sovellettavien EY-direktiivien vaatimukset.



Laite täyttää voimassa olevien UkrSEPRO-direktiivien vaatimukset.



Melupäästöt ympäristöön Euroopan yhteisön direktiivin mukaisesti. Laitteen päästöt ilmoitetaan luvussa Tekniset tiedot ja arvokilvessä.



Kaksoiseristys (malli S 138C).



Vie tämä laite asianmukaiseen sähkö- ja elektroniikkalaitteiden keräyspisteeseen. (Koskee ainoastaan Eurooppaa)



Mallin S 138i käynnistäminen: paina virtapainiketta, avaa käynnistyksenesto ja paina moottorin jarrukahva alas.



Mallin S 138C käynnistäminen: avaa

käynnistyksenesto ja  
paina moottorin  
jarrukahva alas.



**Pysäyttäminen:** vapauta  
moottorin jarrukahva.



Skannattava koodi.

**Huomautus:** Muita laitteen symboleita/tarroja tarvitaan joillakin markkina-alueilla ilmaisemaan sertifiointivaatimuksia.

## Turvallisuus

### Turvallisuusmääritelmät

Varoituksia, huomioita ja huomautuksia käytetään, kun jotakin käyttöohjeen osaa halutaan erityisesti korostaa.



**VAROITUS:** Tätä käytetään, jos käyttöohjeen noudattamatta jättämisestä voi seurata käyttäjän tai sivullisen vamma tai kuolema.



**HUOMAUTUS:** Tätä käytetään, jos käyttöohjeen noudattamatta jättämisestä voi seurata koneen, muiden materiaalien tai

### Tuotevastuu

Tuotevastuulain mukaisesti emme ole vastuussa tuotteen aiheuttamasta vaurioista, jos

- tuote on korjattu virheellisesti
- tuotteen korjaamiseen on käytetty muita kuin valmistajan omia tai sen hyväksymiä osia
- tuotteessa on muu kuin valmistajan oma tai sen hyväksymä lisävaruste
- tuotetta ei ole korjattu valtuutetussa huolopisteessä tai hyväksytyllä asiantuntijalla.

ympäristön  
vaurioituminen.

**Huomautus:** Tätä käytetään tietyissä tilanteissa tarvittavien lisätietojen antamiseen.

### Yleiset turvaohjeet



**VAROITUS:** Lue seuraavat varoitusohjeet ennen laitteen käyttämistä.

- Tämä tuote on vaarallinen, jos sitä käytetään huolimattomasti tai virheellisesti. Turvaohjeiden noudattamatta jättäminen voi aiheuttaa vammoja tai kuoleman.
- Laite muodostaa käytön aikana sähkömagneettisen

- kentän. Kenttä saattaa joissakin olosuhteissa häiritä aktiivisten tai passiivisten lääketieteellisten implanttien toimintaa. Vakavien tai hengenvaarallisten tapaturmien ehkäisemiseksi kehotamme lääketieteellisiä implantteja käyttäviä henkilöitä neuvottelemaan lääkärin ja lääketieteellisen implantin valmistajan kanssa ennen laitteen käyttämistä.
- Ole aina varovainen ja käytä tervettä järkeä. Jos et ole varma, miten laitetta käytetään erityistilanteessa, sammuta laite ja ota yhteys Husqvarna-jälleenmyyjään, ennen kuin jatkat.
  - Muista, että käyttäjä on vastuussa muille ihmisille tai heidän omaisuudelleen aiheutuvista vahingoista.
  - Pidä tuote puhtaana. Varmista, että tuotteen merkit ja tarrat ovat luettavissa.
  - Älä anna kenenkään käyttää tuotetta, ellet ole varma, että käyttäjä on lukenut käyttöohjekirjan ja ymmärtänyt siinä annetut ohjeet.
  - Älä anna lasten käyttää laitetta.
- Älä anna kenenkään sellaisen henkilön käyttää laitetta, joka ei tunne ohjeita.
  - Valvo aina laitetta käyttävää henkilöä, jonka fyysiset tai psyykkiset taidot ovat heikentyneet. Vastuullisen aikuisen on oltava aina paikalla.
  - Älä käytä tuotetta ollessasi väsynyt tai sairas tai jos olet alkoholin, huumaavien aineiden tai lääkkeiden vaikutuksen alaisena. Niillä on negatiivinen vaikutus näkökykyysi, vireyteesi, harkintakykyysi ja kehosi hallintaan.
  - Älä käytä tuotetta, jos se on viallinen.
  - Älä tee tuotteeseen muutoksia tai käytä tuotetta, mikäli epäilet jonkun muun muuttaneen sitä.

## Työalueen turvallisuus



**VAROITUS:** Lue seuraavat varoitusohjeet ennen laitteen käyttämistä.

- Poista työskentelyalueelta oksat, risut ja kivet ennen laitteen käyttämistä.
- Pintailmaajavarustukseen osuvat esineet sinkoutuvat edelleen ja voivat siten

aiheuttaa vahinkoa ihmisille ja esineille. Pidä sivulliset ja eläimet turvallisen välimatkan päässä laitteesta.

- Älä koskaan käytä laitetta huonolla säällä esimerkiksi sumussa, sateessa, kovassa tuulella, ankarassa pakkasessa tai ukkosella. Laitteen käyttäminen huonolla säällä tai kosteissa tai märissä olosuhteissa on raskasta. Huono sää voi aiheuttaa vaaratilanteita, kuten liukastumisvaaran.
- Varo henkilöitä, esineitä ja tilanteita, jotka voivat estää laitteen turvallisen käytön.
- Varo esteitä, kuten juuria, kiviä, risuja, kuoppia ja oja. Pitkän ruohon seassa voi olla esteitä.
- Laitteen käyttö rinteissä voi olla vaarallista. Älä käytä laitetta rinteessä, jonka kaltevuus on yli 15°.
- Käytä laitetta sivusuunnassa rinteeseen nähden. Älä käytä laitetta pystysuunnassa.
- Ole varovainen lähestyessäsi piilossa olevia kulmia ja esineitä, jotka estävät näkyvyyden.

## Työturvallisuus

---



**VAROITUS:** Lue seuraavat varoitusohjeet ennen laitteen käyttämistä.

---

- Käytä tätä laitetta vain tiivistyneen leikkuujätteen ja sammalen poistamiseen nurmikoilta. Laitetta ei saa käyttää muihin käyttötarkoituksiin.
- Käytä henkilökohtaisia suojarusteita. Katso *Henkilökohtainen suojarustus sivulla 223*.
- Älä käytä laitetta sateella tai märissä olosuhteissa. Sähköiskun vaara kasvaa, jos laitteeseen pääsee vettä.
- Älä käytä laitetta, ellei sen pintailmaajata ja kaikkia suojuksia ole kiinnitetty asianmukaisesti. Virheellisesti kiinnitetty pintailmaajavarustus saattaa irrota ja aiheuttaa henkilövahinkoja.
- Varmista, ettei pintailmaajavarustus osu kiviin ja juuriin. Tämä voi vaurioittaa pintailmaajavarustusta, ja moottorin akseli voi vääntyä. Vääntynyt akseli aiheuttaa voimakasta tärinää. Tällöin on

- erittäin suuri riski, että pintailmaajavarustus irtoaa.
- Jos pintailmaajavarustus osuu esineeseen tai alkaa täristä, pysäytä laite välittömästi. Sammuta moottori, käännä turva-avain asentoon 0 ja irrota akku (malli S 138i) tai irrota virtajohto (malli S 138C). Tarkista laite vaurioiden varalta. Korjaa vauriot tai teetä korjaustyöt valtuutetussa huoltoliikkeessä.
  - Älä koskaan liitä moottorin jarrukahvaa pysyvästi kahvaan moottoria käynnistettäessä.
  - Aseta laite kiinteälle, tasaiselle alustalle ja käynnistä se. Varmista, ettei pintailmaajavarustus pääse osumaan maahan tai mihinkään esineeseen.
  - Ole aina laitteen takana käyttäessäsi sitä.
  - Pidä kaikki renkaat maassa ja molemmat kätesi työntöaisalla käyttäessäsi laitetta. Pidä kätesi ja jalkasi poissa pyörivän pintailmaajavarustuksen läheisyydestä.
  - Älä kallista laitetta moottorin käynnistyksen aikana.
  - Ole varovainen vetäessäsi laitetta taaksepäin.
- Älä koskaan nosta laitetta moottorin käynnistyksen aikana. Jos laitetta on nostettava, sammuta ensin moottori, käännä turva-avain asentoon 0 ja irrota akku (malli S 138i) tai irrota virtajohto (malli S 138C).
  - Älä kävele taaksepäin käyttäessäsi laitetta.
  - Sammuta moottori, kun siirrät laitteen ruohottoman alueen yli, esimerkiksi ylittäessäsi sora-, kivi- tai asfalttipolkuja.
  - Älä juokse laitteen kanssa, kun moottoria käynnistetään. Kävele aina, kun käytät laitetta.
  - Sammuta moottori ennen kuin muutat työskentelysvyyttä. Älä koskaan tee säätöjä moottorin käydessä.
  - Älä koskaan jätä laitetta ilman valvontaa moottorin käydessä. Sammuta moottori ja varmista, ettei pintailmaajavarustus pyöri.

## Turvallisuusohjeet käyttöä varten

### Henkilökohtainen suojarustus

Laitetta käytettäessä on aina käytettävä hyväksytyjä henkilökohtaisia suojarusteita. Henkilökohtaiset suojarusteet eivät poista tapaturmien vaaraa, mutta lieventävät vaurioita onnettomuustilanteessa. Pyydä jälleenmyyjältä apua varusteiden valinnassa.

Käytä aina:

- Kuulonsuojaimia kuulon heikkenemisen ehkäisemiseksi.
- Luistamattomia, tukevia saappaita tai kenkiä. Älä käytä sandaaleja. Älä myöskään kulje paljain jaloin.

- Vahvakankaisia, pitkiä housuja. Älä käytä shortseja.

Käytä käsineitä tarvittaessa, esim. pintailmaajavarustuksen asennuksen, tarkastuksen tai puhdistuksen aikana.



**VAROITUS:** Käytä hyväksytyjä kuulonsuojaimia. Pitkäaikainen altistuminen melulle saattaa aiheuttaa pysyviä kuulovammoja.

## Tuotteen turvalaitteet



**VAROITUS:** Lue seuraavat varoitusohjeet ennen laitteen käyttämistä.

- Älä käytä laitetta, jos jokin sen turvalaitteista on rikki.
- Tarkasta turvalaitteet säännöllisesti. Jos turvalaitteissa on vikoja, ota yhteyttä Husqvarna-huoltoliikkeeseen.

## Suojusten tarkistaminen

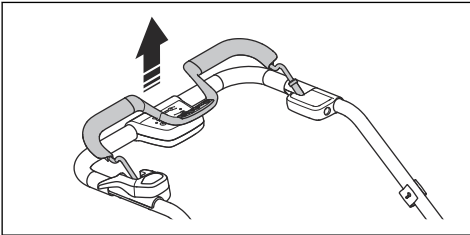
Pintailmaajan suojus vähentää laitteen ääntä ja pintailmaajavarustuksen aiheuttamaa tapaturmavaaraa.

- Tarkista pintailmaajan suojus vaurioiden, kuten halkeamien, varalta.
- Tarkista takasuojus vaurioiden, kuten halkeamien, varalta.

## Moottorin jarrukahva

Moottorin jarrukahva pysäyttää moottorin. Kun moottorin jarrukahva vapautetaan, moottori pysähtyy.

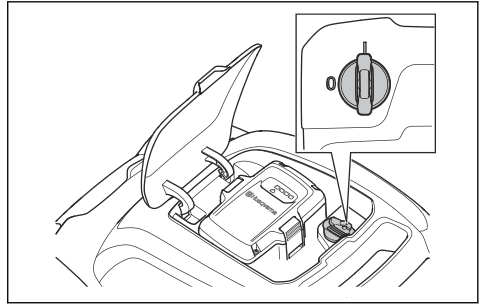
Tarkista moottorijarru käynnistämällä moottori ja vapauttamalla sitten moottorin jarrukahva. Jos moottori ei pysähdy 3 sekunnissa, anna valtuutetun Husqvarna-huoltoliikkeen säätää moottorijarru.



## Turva-avain

Turva-avain on akun kannen alla. Turva-avain kytkee akun, joka tuottaa tehoa moottorille.

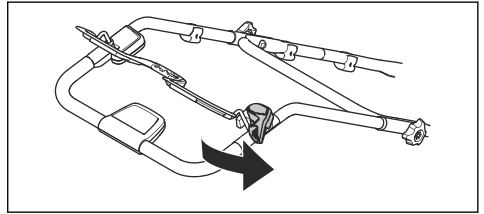
- Tarkista turva-avaimen toiminta käynnistämällä ja sammuttamalla moottori.
- Jos turva-avain toimii oikein, moottori käynnistyy vain, kun avain on käännetty asentoon 1.



## Käynnistykseneston tarkistaminen

Tarkista käynnistyksenesto ja varmista, että se estää moottorin toiminnan.

1. Työnnä moottorin jarrukahvaa kahaston suuntaan. Käynnistyksenesto pysäyttää liikkeen.
2. Työnnä käynnistyksenesto ulos.

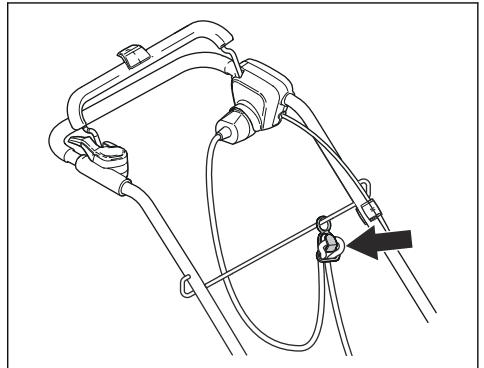


3. Vapauta käynnistyksenesto ja varmista, että se palaa alkuasentoonsa.

## Virtajohton pidikkeen käyttö (malli S 138C)

Virtajohton pidike vähentää pistorasiaan ja johtoon kohdistuvaa rasitusta. Virtajohton pidike vähentää myös kaatumisriskiä.

1. Tee virtajohtoon pieni silmukka johtoa taivuttamalla.
2. Laita silmukka virtajohton pidikkeen reikään.
3. Aseta silmukka koukkuun.
4. Kiristä silmukka koukun ympärille vetämällä.





## Akkuturvallisuus

---



**VAROITUS:** Lue seuraavat varoitusohjeet ennen laitteen käyttämistä.

---

- Käytä ladattavia Husqvarna-akkuja vain yhteensopivien Husqvarna-tuotteiden virtälähteenä. Tapaturmien välttämiseksi akkua ei saa käyttää muiden laitteiden virtälähteenä.
- Älä käytä akkuja, joita ei voi ladata.
- Sähköiskun vaara. Älä koske akun napoihin avaimella, kolikolla, ruuvilla tai muilla metalliesineillä. Tämä voi aiheuttaa akun oikosulun.
- Älä aseta esineitä akun ilmarakoihin.
- Pidä akku suojassa suoralta auringonvalolta, kuumuudelta ja avotulelta. Akku voi räjähtää ja aiheuttaa palo- ja/tai syöpymissvammoja.
- Suojaa akku sateelta ja kosteilta olosuhteilta.
- Älä altista akkua mikroaalloille ja korkealle paineelle.
- Älä yritä purkaa tai rikkoa akkua.
- Jos akku vuotaa, älä anna nesteen joutua kosketuksiin

kehon tai silmien kanssa. Jos nestettä joutuu iholle, puhdista alue heti runsaalla vedellä ja hakeudu lääkäriin.

- Käytä akkua  $-10...40\text{ }^{\circ}\text{C}$ :n lämpötilassa.
- Älä pese akkua tai akkulaturia vedellä. Katso *Akun ja akkulaturin puhdistaminen sivulla 234*.
- Älä käytä viallista tai vaurioitunutta akkua.
- Säilytä akkuja varastossa kaukana metalliesineistä kuten nauloista, kolikoista ja koruista.

## Akkulaturin turvallisuus

---



**VAROITUS:** Lue seuraavat varoitusohjeet ennen laitteen käyttämistä.

---

- Käytä QC-akkulatureita vain Husqvarna-vara-akkujen lataukseen.
- Sähköiskun tai oikosulun vaara. Älä aseta esineitä laturin ilmarakoihin. Älä yritä purkaa akkulaturia. Älä liitä laturin liittimiä metalliesineisiin. Käytä hyväksytyä pistorasiaa.
- Laite muodostaa käytön aikana sähkömagneettisen kentän. Kenttä saattaa joissakin olosuhteissa häiritä

aktiivisten tai passiivisten lääketieteellisten implanttien toimintaa. Vakavien tai hengenvaarallisten tapaturmien ehkäisemiseksi kehotamme lääketieteellisiä implanteja käyttäviä henkilöitä neuvottelemaan lääkärin ja lääketieteellisen implantin valmistajan kanssa ennen laitteen käyttämistä.

- Tarkista säännöllisesti, että akkulaturin virtajohto ei ole vaurioitunut ja ettei siinä ole murtumia.
- Älä nosta akkulaturia virtajohdosta. Irrota akkulaturi pistorasiasta vetämällä pistoke ulos. Älä vedä virtajohdosta.
- Pidä virtajohto ja jatkojohdot poissa veden, öljyn ja terävien reunojen ulottuvilta. Pidä huolta, ettei kaapeli kiristy ovien, aitojen tai muiden vastaavien esineiden kohdalla. Se voi muuttaa laturin jännitteelliseksi.
- Älä pese akkulaturia vedellä.
- Yli 8-vuotiaat lapset ja henkilöt, joiden fyysinen, sensorinen tai henkinen toimintakyky on alentunut tai joilla ei ole riittävää kokemusta tai taitoja laitteen käyttöön, saavat käyttää akkulaturia, mikäli he ovat saaneet

ohjausta tai ohjeita akkulaturin turvallisesta käytöstä ja ymmärtävät siihen liittyvät vaarat. Lapset eivät saa leikkiä akkulaturilla. Lapset eivät saa puhdistaa tai huoltaa laitetta ilman valvontaa.

- Älä lataa akkulaturilla akkuja, jotka eivät sovellu uudelleenlataukseen.
- Älä käytä akkulaturia herkästi syttyvien materiaalien tai syöpymistä aiheuttavien materiaalien lähellä. Älä peitä akkulaturia. Jos havaitset savua tai tulta, irrota akkulaturin pistoke pistorasiasta.
- Älä käytä viallista tai vaurioitunutta akkulaturia.
- Lataa akku vain sisätiloissa poissa auringonvalosta ja tilassa, jossa on hyvä ilmanvaihto. Älä lataa akkua märissä olosuhteissa.

#### Virtajohdon turvaohjeet

Malli S 138C.

- On suositeltavaa käyttää vikavirtasuojakytkintä, jonka laukaisuvirta on enintään 30 mA. Asennettu vikavirtasuojakytkinkään ei takaa täydellistä turvallisuutta, ja turvaohjeita on aina noudatettava. Tarkasta

vikavirtasuojakytkin jokaisella käyttökerralla.

- Irrota tuote sähköverkosta välittömästi, jos virtajohto on katkennut tai jos sen eristeessä on vaurioita.
- Älä kosketa katkennutta tai vaurioitunutta sähköjohtoa, ennen kuin tuote on irrotettu sähkönsyötöstä.
- Älä korjaa katkennutta tai vaurioitunutta virtajohtoa. Vaihda se uuteen.

## Turvaohjeet huoltoa varten

---



**VAROITUS:** Lue seuraavat varoitusohjeet ennen laitteen käyttämistä.

---

- Malli S 138i: Jotta laite ei käynnisty vahingossa huollon aikana, käännä turvakytkin asentoon 0 ja irrota akku. Odota vähintään viisi sekuntia ennen huollon aloittamista.
- Malli S 138C: Vältä laitteen käynnistyminen vahingossa huollon aikana irrottamalla sähköjohto.
- Laitteen oikeanlainen huoltaminen pidentää sen käyttöikää ja pienentää onnettomuusvaaraa. Anna huoltotyö valtuutetun huoltoliikkeen tehtäväksi. Kysy lisätietoja lähimmästä huoltoliikkeestä.
- Tee laitteelle ainoastaan käyttöohjekirjassa mainitut huoltotoimenpiteet. Laajemmat toimenpiteet on teetettävä valtuutetussa huoltoliikkeessä.
- Käytä työrukkasia, kun käsittelet pintailmaajavarustusta. Pintailmaajavarustus on erittäin terävä ja aiheuttaa helposti haavoja.
- Pidä pintailmaajavarustuksen terät terävinä ja puhtaina, jotta laitteen suorituskyky ja turvallisuus pysyvät mahdollisimman hyvänä.
- Anna huoltoliikkeen tarkastaa laite säännöllisesti ja tarvittaessa säätää ja korjata se.
- Vaihda vaurioituneet, kuluneet tai rikkoutuneet osat.
- Noudata lisävarusteiden vaihtoa koskevia ohjeita. Käytä ainoastaan valmistajan lisävarusteita.
- Kun laitetta ei käytetä, säilytä se, akku ja akkulaturi erillään kuivassa ja lukitussa sisätilassa. Varmista, että lapset ja asiattomat henkilöt eivät pääse käsiksi laitteeseen, akkuun tai akkulatureihin.

# Asentaminen

## Johdanto



**VAROITUS:** Ennen kuin kokoat tuotteen, lue turvallisuutta koskeva luku.

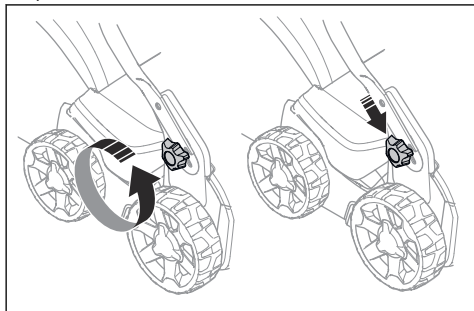


**VAROITUS:** Malli S 138i: Jotta kone ei käynnisty vahingossa asennuksen aikana, käännä turva-avain asentoon 0, irrota akku ja odota vähintään viisi sekuntia.

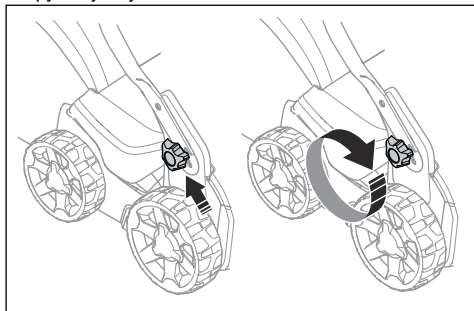
Malli S 138C: Vältä koneen käynnistyminen vahingossa kokoamisen aikana irrottamalla sähköjohto.

## Kahvan asentaminen

1. Irrota alemmat nupit.
2. Liu'uta nupit urien alaosaan laitteen molemmin puolin.



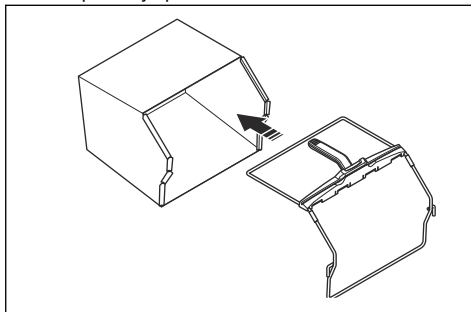
3. Aseta kahvan korkeus jompaankumpaan käytettävissä olevista asennoista.
4. Liu'uta nuppeja ylöspäin kahvaa kohti, kunnes ne pysähtyvät ja kaulet naksahduksen.



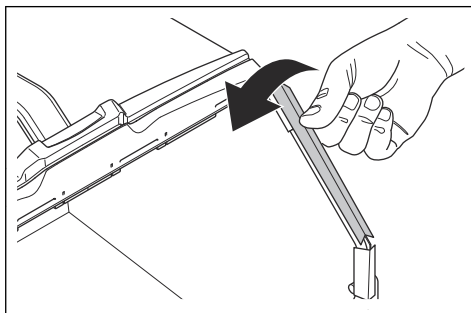
5. Kiristä nupit huolellisesti.

## Ruohonkerääjän asentaminen

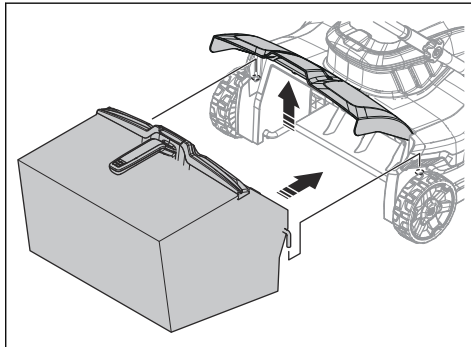
1. Kiinnitä ruohonkerääjän kehys keruupussiin niin, että pussin jäykkä osa on alhaalla. Pidä kehysten kahva keruupussin yläpuolella.



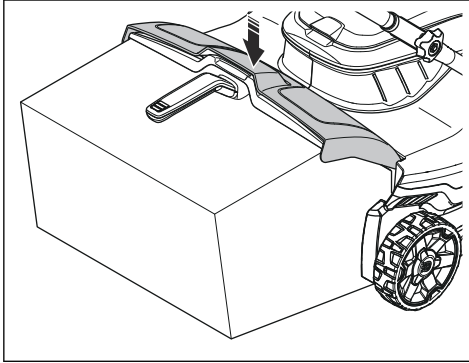
2. Kiinnitä ruohonkerääjän kehysten alaosa ruohonkerääjän alaosaan olevaan uraan.
3. Kiinnitä keruupussi ruohonkerääjän runkoon kiinnikkeillä.



4. Nosta takasuojus ylös.
5. Käännä ruohonkerääjä oikeaan asentoon.



6. Kiinnitä ruohonkerääjä rungon yläreunaan. Varmista, että takasuojus kiinnittyy tiukasti ruohonkerääjää vasten, eikä pääse vuotamaan.



## Käyttö

### Johdanto



**VAROITUS:** Lue turvallisuutta käsittelevä luku niin, että ymmärrät sen sisällön, ennen laitteen käyttämistä.

### Husqvarna Connect

Husqvarna Connect on ilmainen mobiililaitesovellus. Husqvarna Connect -sovellus saat lisätoimintoja Husqvarna-koneeseen:

- Enemmän tuotetietoja.
- Tietoja koneen osista ja huolto-ohjeita.

### Husqvarna Connect -käytön aloittaminen

1. Lataa Husqvarna Connect -sovellus mobiililaitteeseesi.
2. Rekisteröi Husqvarna Connect -sovelluksessa.
3. Liitä ja rekisteröi kone Husqvarna Connect -sovelluksen ohjeiden mukaan.

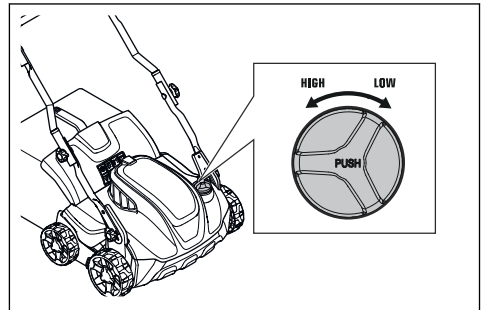
### Työskentelysyvyyden säätäminen



**VAROITUS:** Älä säädä työskentelysyvyyttä käyttäessäsi laitetta.

1. Paina ja käännä työskentelysyvyyden säätönuppia vastapäivään, kun haluat lisätä työskentelysyvyyttä.

2. Paina ja käännä työskentelysyvyyden säätönuppia myötäpäivään, kun haluat vähentää työskentelysyvyyttä.



### Akku

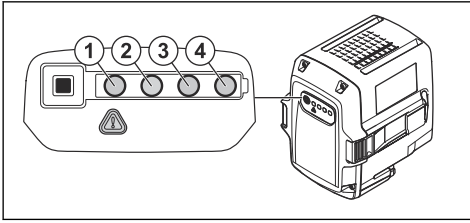


**VAROITUS:** Ennen kuin käytät akkua, lue turvallisuutta käsittelevä luku niin, että ymmärrät sen sisällön. Lue myös akun ja akkulaturin käyttöohje niin, että ymmärrät sen sisällön.

### Akun tila

Näyttö osoittaa akun varaustason ja mahdolliset akkuun liittyvät ongelmat. Akun varaustaso näytetään viiden sekunnin ajan tuotteen sammuttamisen tai akun varaustilan ilmaisin -painikkeen painamisen jälkeen.

Virheen tapahtuessa akun varoitusymboli syttyy. Katso *Akku sivulla 235.*



LED-merkkivalot	Akun tila
Kaikki LED-merkkivalot palavat.	Täysin ladattu (75–100 %)
LED 1, LED 2 ja LED 3 palavat	Akun varaustaso on 50–75 %.
LED 1 ja LED 2 palavat	Akun varaustaso on 25–50 %.
LED 1 palaa	Akun varaustaso on 0–25 %.
LED 1 vilkkuu.	Akku on tyhjä. Lataa akku.

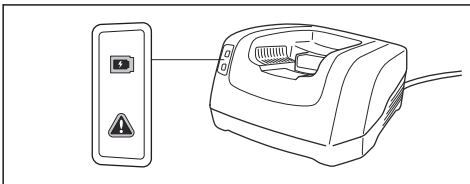
## Akun lataaminen

Lataa akku ennen ensimmäistä käyttökertaa. Akun varaus on toimitettaessa vain 30 %.

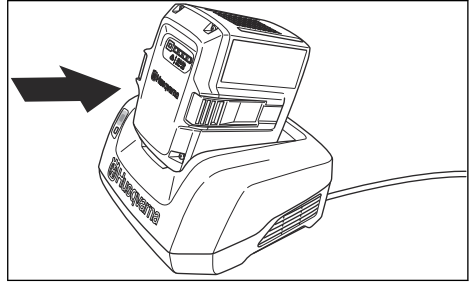
**Huomautus:** Akkulaturi on kytkettävä tyyppikilven mukaiseen jännitteeseen ja taajuuteen.

Akku ei lataudu, jos akun lämpötila on yli 50 °C. Akkulaturi viilentää akkua ennen kuin se alkaa latautua.

1. Kytke akkulaturin virtajohdon toinen pää akkulaturin liitäntään.
2. Kytke sitten akkulaturin virtajohdon toinen pää maadoitettuun pistorasiaan. Akkulaturin vihreä merkkivalo vilkkuu kerran.



3. Aseta akku akkulaturiin. Laturin vihreä valo syttyy, kun akku on kytketty oikein akkulaturiin.



4. Kun akun kaikki LED-merkkivalot syttyvät, akku on ladattu täyteen. Lataa akkua enintään 24 tuntia.
5. Kun irrotat akkulaturin pistorasiasta, älä vedä johdosta, vaan pistokkeesta.
6. Irrota akku akkulaturista.

## Akun varaustila

Husqvarna-litiumioniakkua voi ladata tai käyttää sen varaustasosta riippumatta. Akku ei ole vaurioitunut. Täyteen ladattu akku ei menetä varaustaan, kun se jätetään laturiin.

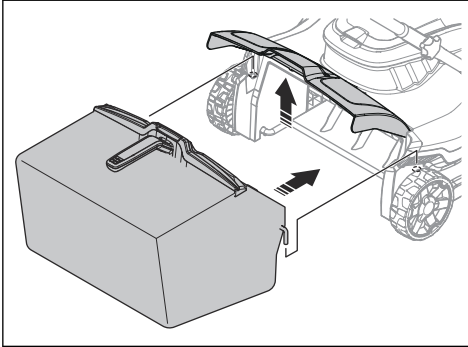
LED-näyttö	Varaustila
LED 1 vilkkuu.	0–25 %
LED 1 palaa, LED 2 vilkkuu	25–50 %
LED 1 ja LED 2 palavat ja LED 3 vilkkuu.	50–75 %
LED 1, LED 2 ja LED 3 palavat, LED 4 vilkkuu.	75–100 %
LED 1, LED 2, LED 3, LED 4 palavat	Täyteen ladattu

## Mallin S 138i käyttö

### Laitteen käynnistäminen

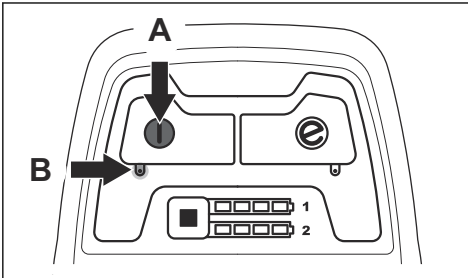
1. Aseta ladattu akku akun kannen alle akkutilaan numero 1. Pidennä käyttöaikaa asettamalla toinen ladattu akku akkutilaan numero 2.

2. Käännä turva-avain asentoon 1.

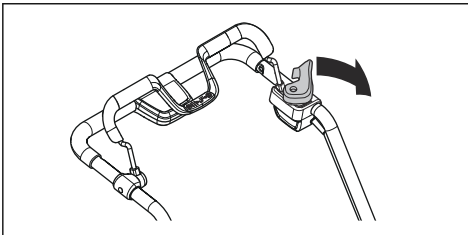


3. Seiso laitteen takana.

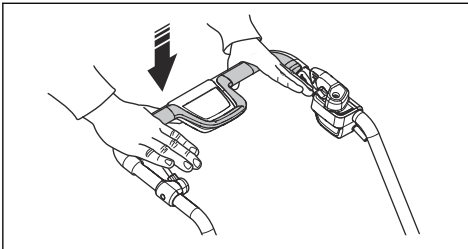
4. Paina ON/OFF-virtapainiketta (A) ohjauspaneelissa, jolloin vihreä merkkivalo (B) syttyy.



5. Avaa käynnistyksenesto.



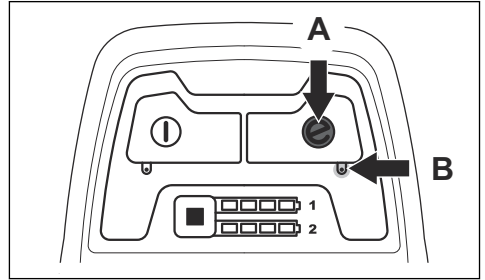
6. Työnnä moottorin jarrukahvaa kahvaston suuntaan.



## SavE-toiminnon käyttäminen

Laitteessa on akkua säästävä toiminto (SavE), joka pidentää käyttöaika.

1. Käynnistä toiminto painamalla SavE-painiketta (A). Vihreä merkkivalo syttyy.

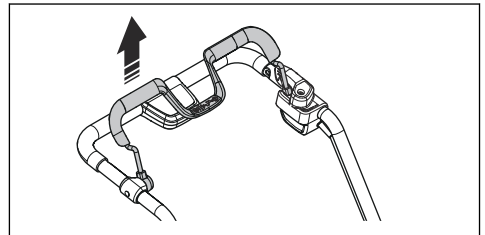


2. Sammuta toiminto painamalla uudestaan SavE-painiketta (A). Vihreä merkkivalo (B) sammuu.

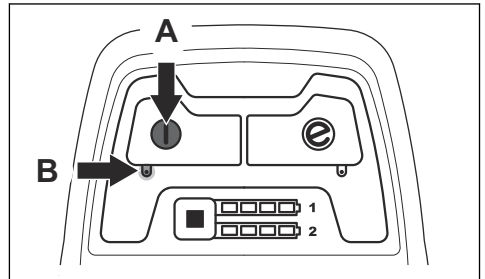
## Laitteen pysäyttäminen

Laitte sammuu automaattisesti, jos sitä ei käytetä 10 minuuttiin. Käännä turva-avain asentoon 0, ennen kuin jätät laitteen ilman valvontaa.

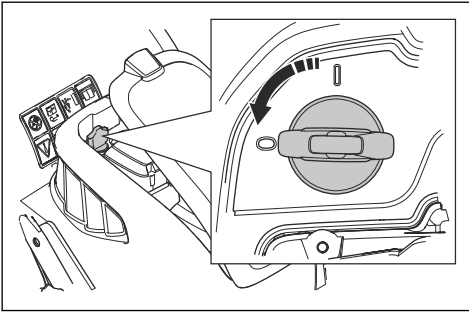
1. Pysäytä moottori vapauttamalla moottorin jarrukahva.



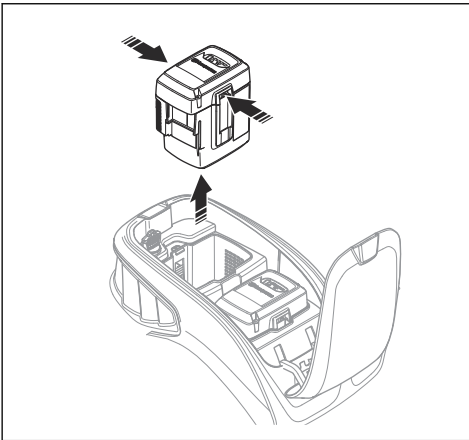
2. Paina virtapainiketta (A) ohjauspaneelissa, jolloin vihreä merkkivalo (B) sammuu.



3. Avaa akun kansi ja käännä turva-avain asentoon 0.



4. Irrota akku painamalla kahta vapautuspainiketta samanaikaisesti ja vedä akku ulos.

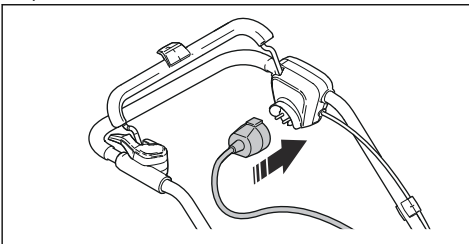


5. Lataa akku, jos sen lataustaso on alhainen. Katso lisätietoja kohdasta *Akun lataaminen sivulla 230*.

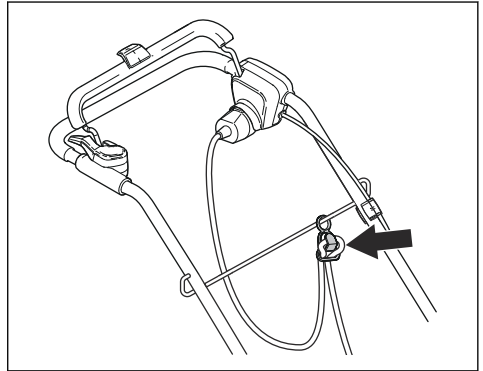
## Mallin S 138C käyttö

### Laitteen käynnistäminen

1. Kytke virtajohto kahvan alapuolella olevaan pistorasiaan.

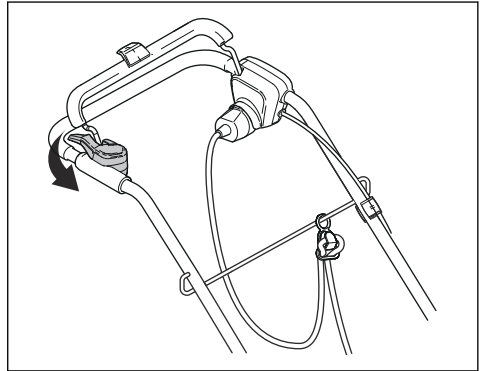


2. Aseta virtajohto virtajohdon pidikkeeseen. Katso *Virtajohdon pidikkeen käyttö (malli S 138C) sivulla 224*.

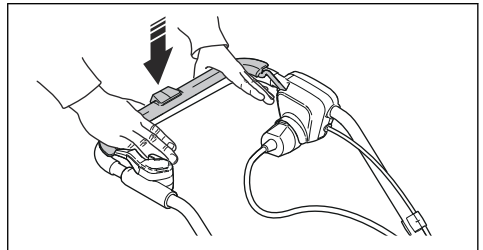


3. Seiso laitteen takana.

4. Avaa käynnistysenesto.



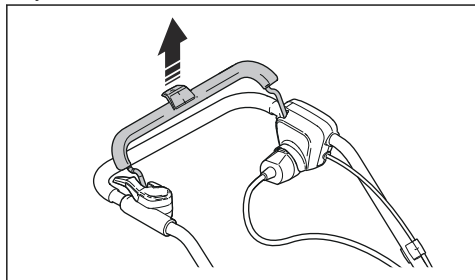
5. Työnnä moottorin jarrukahvaa kahvaston suuntaan.



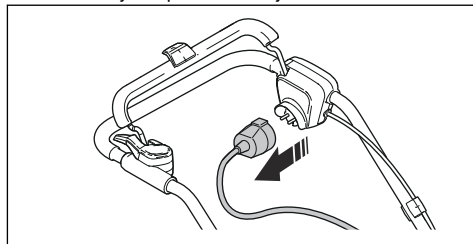


## Koneen pysäyttäminen

1. Pysäytä moottori vapauttamalla moottorin jarrukahva.



2. Irrota virtajohto pistorasiasta ja sitten tuotteesta.



**HUOMAUTUS:** Vedä pistoke ulos suoraan. Älä vedä virtajohdosta.

## Huolto

### Johdanto



**VAROITUS:** Ennen minkäänlaisten huoltotöiden aloittamista sinun on luettava turvallisuutta käsittelevä luku niin, että ymmärrät sen sisällön.

Kaikkiin tuotteelle tehtäviin huolto- ja korjaustöihin tarvitaan erityiskoulutus. Takaamme, että tuotteemme huolletaan ja korjataan ammattimaisesti. Jos

jälleenmyyjäsi ei ole huoltoliike, pyydä jälleenmyyjää neuvomaan lähin huoltoliike.

### Huoltokaavio

Huoltovälit on laskettu laitteen päivittäisen käytön perusteella. Välit voivat muuttua, jos laitetta ei käytetä päivittäin.

Lisätietoja \*-merkillä merkityistä huolloista on kohdassa *Tuotteen turvalaitteet sivulla 224.*

S 138i ja S 138C	Jokaisella käyttökerralla	Kuukausittain	Kerran käyttökäudessa
Tee yleistarkastus.	X		
Puhdista laite.	X		
Tarkista pintailmaajavarustus.	X		
Varmista, että laitteen turvalaitteissa ei ole vikoja. *	X		
Tarkista suojukset. *	X		
Tarkista moottorin jarrukahva. *	X		
Tarkista käynnistyksenesto. *	X		

Vain S 138i	Jokaisella käyttökerralla	Kuukausittain	Kerran käyttökäudessa
Tarkista, että virtapainike toimii oikein eikä se ole viallinen.	X		
Tarkista akku vaurioiden varalta.	X		
Tarkista akun varaustila.	X		
Tarkista, että akun vapautuspainikkeet toimivat oikein ja että akku lukittuu laitteeseen.	X		

Vain S 138i	Jokaisella käyttökerralla	Kuukausittain	Kerran käyttökaudessa
Tarkista akkulaturi vaurioiden varalta ja varmista, että se toimii oikein		X	
Tarkista akun ja laitteen väliset kytkennät. Tarkista myös akun ja akkulaturin välinen kytkentä.			X

## Yleistarkastus

- Varmista, että tuotteen kaikki ruuvit ja mutterit on kiristetty.
- Varmista, että laitteen kaapelit on asennettu siten, että ne eivät vahingoitu.

## Laitteen puhdistaminen

- Puhdista muoviosat puhtaalla ja kuivalla liinalla.
- Älä käytä vettä, kun puhdistat laitetta. Vesi voi päästä akkuun tai moottoriin ja vaurioittaa laitetta tai aiheuttaa oikosulun.
- Älä käytä laitteen puhdistamiseen painepesuria.
- Älä suihkuta vettä suoraan moottorin päälle.
- Poista lehdet, ruoho ja lika harjalla.

## Akun ja akkulaturin puhdistaminen



**HUOMAUTUS:** Älä pese akkua tai akkulaturia vedellä.

- Varmista, että akku ja akkulaturi ovat puhtaita ja kuivia ennen kuin laitat akun akkulaturiin.
- Puhdista akun liittimet paineilmalla tai pehmeällä, kuivalla liinalla.
- Puhdista akun ja akkulaturin pinnat pehmeällä, kuivalla liinalla.

## Pintailmaajavarustuksen tarkistaminen



**VAROITUS:** Mallit S 138i: Jotta laite ei käynnisty vahingossa, käännä turva-avain asentoon 0, irrota akku ja odota vähintään viisi sekuntia.

Malli S 138C: Vältä laitteen käynnistyminen vahingossa irrottamalla sähköjohto.



**VAROITUS:** Käytä suojakäsineitä huoltaessasi pintailmaajavarustusta. Pintailmaajavarustuksen terät ovat erittäin teräviä ja aiheuttavat helposti haavoja.

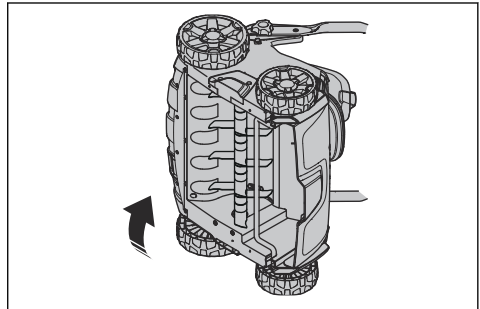
- Tutki pintailmaajavarustus vaurioiden tai halkeamien varalta. Vaurioitunut pintailmaajavarustus on aina vaihdettava.

## Pintailmaajavarustuksen vaihtaminen

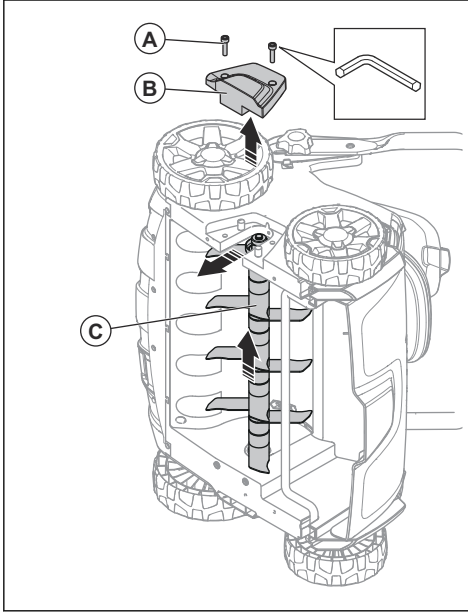


**VAROITUS:** Käytä suojakäsineitä huoltaessasi pintailmaajavarustusta. Pintailmaajavarustus on erittäin terävä ja aiheuttaa helposti haavoja.

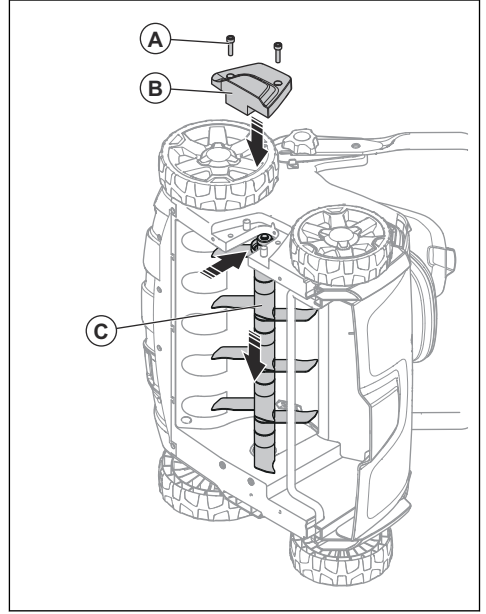
1. Käännä laite oikealle kyljelleen.



2. Irrota kaksi ruuvia (A) ja pintailmaajan suojus (B). Irrota pintailmaajavarustus (C) työntämällä sitä ylös ja ulos.



3. Työnnä uusi pintailmaajavarustus (C) uraan ja alas reikään. Kiinnitä pintailmaajan suojus (B) kahdella ruuvilla (A).



## Vianmääritys

### Akku

Akun merkkivalo	Mahdolliset viat	Mahdollinen toimenpide
Vihreä merkkivalo vilkkuu	Akun jännite on alhainen	Lataa akku. Katso <i>Akun lataaminen sivulla 230</i> .
Vian merkkivalo vilkkuu	Akun varaus on heikko	Lataa akku. Katso <i>Akun lataaminen sivulla 230</i> .
	Työympäristön lämpötila on liian korkea tai liian matala	Käytä akkua $-10...40\text{ °C}$ :n lämpötilassa.
	Ylijännite	Tarkista, että verkkojännite vastaa laitteeseen kiinnitettyssä arvokilvessä ilmoitettua jännitettä. Irrota akku akkulaturista. Odota viisi sekuntia ja yritä ladata akkua uudelleen. Jos ongelma jatkuu, ota yhteys valtuutettuun huoltoliikkeeseen.
Vian merkkivalo palaa	Akkukennoston väli liian suuri (1 V)	Ota yhteys valtuutettuun huoltoliikkeeseen.

## Akkulaturi

Akkulaturin merkkivalo	Mahdolliset viat	Mahdollinen toimenpide
Vian merkkivalo vilkkuu	Työympäristön lämpötila on liian korkea tai liian matala	Käytä akkulaturia 5...40 °C:n lämpötilassa.
Vian merkkivalo palaa		Ota yhteys valtuutettuun huoltoliikkeeseen

## Ohjauspaneeli

Malli S 138i

Virhe	Virhekoodi (merkkivalon vilkahdusten määrä)	Mahdolliset viat	Mahdolliset toimenpiteet	
Vian merkkivalo vilkkuu	3	Moottori on ylikuormittunut.	Vähennä työskentelyvyvyyttä. Katso <i>Työskentelyvyvyyden säätäminen sivulla 229</i> . Jos vian merkkivalo vilkkuu edelleen, pintailmaajavarustus on tukossa. Jotta laite ei käynnisty vahingossa, käännä turva-avain asentoon 0, irrota akku ja odota vähintään viisi sekuntia. Varmista, että pintailmaajavarustus liikkuu vapaasti. Jos ongelma jatkuu, ota yhteys valtuutettuun huoltoliikkeeseen.	
	5	Moottorin nopeus laskee liikaa.		
	9	Moottorin ohjaus on liian kuumaa.		Sammuta moottori ja odota, että se jäähtyy.
	7	Akkuvika tai akusta ei saada signaalia.		Aseta akku laitteeseen oikein ja tarkista akkuliitin. Jos akun vian merkkivalo vilkkuu, katso <i>Akun varaustila sivulla 230</i> .
		Akun varaus on heikko.		Lataa akku. Katso <i>Akun lataaminen sivulla 230</i> .
Laite pysähtyy	6	Akun varaus on heikko.	Lataa akku. Katso <i>Akun lataaminen sivulla 230</i> .	
	0	Akkuliitinvika.	Tarkista akkuliitin.	
Muut virheet	Jos muita virheitä ilmenee, käännä turva-avain asentoon 0, irrota akku ja ota yhteys valtuutettuun huoltoliikkeeseen.			

## Kuljettaminen, säilyttäminen ja hävittäminen

### Kuljettaminen

- Vaarallisten aineiden lainsäädännön määräykset koskevat tuotteessa olevia litiumioniakkuja.
- Tavarakuljetuksessa on noudatettava pakkausta ja merkintöjä koskevia erityismääräyksiä.
- Muista noudattaa vaarallisia aineita koskevia määräyksiä, kun valmisteleet laitetta kuljetukseen. Myös mahdollisia paikallisia määräyksiä on noudatettava.

- Irrota akku aina kuljetuksen ajaksi.
- Teippaa akkuliittimet ja varmista, että akku ei pääse liikkumaan kuljetuksen aikana.
- Kiinnitä laite kuljetuksen ajaksi.

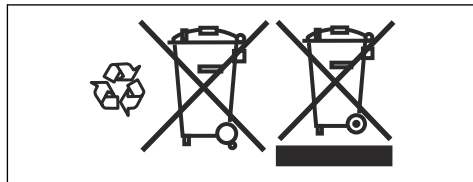
### Säilytys

- Irrota akku aina säilytyksen ajaksi.
- Onnettomuuksien välttämiseksi varmista, ettei akku ole kytkettyä laitteeseen säilytyksen aikana.

- Säilytä akkulatoria ainoastaan suljetussa ja kuivassa paikassa.
- Säilytä akkua ja akkulatoria kuivassa paikassa, jossa lämpötila ei laske pakkasen puolelle.
- Irrota akku akkulatorista varastoinnin ajaksi.
- Älä säilytä akkua paikassa, jossa on staattista sähköä. Älä säilytä akkua metallilaatikossa.
- Säilytä akkua 5–25 °C:n lämpötilassa ja poissa suorasta auringonvalosta.
- Säilytä akkulatoria 5–45 °C:n lämpötilassa ja poissa suorasta auringonvalosta.
- Varmista, että akun varaustaso on 30–50 % ennen pitkäaikaista säilytystä.
- Säilytä laitetta, akkua ja akkulatoria lukitussa tilassa lasten ja asiaankuulumattomien henkilöiden ulottumattomissa.
- Puhdista laite ja tee täysi huolto ennen pitkäaikaista säilytystä.

mukana. Se on toimitettava asianmukaiseen sähkö- ja elektroniikkalaitteiden keräyspisteeseen.

Varmistamalla laitteen asianmukaisen hävittämisen autat vähentämään mahdollisia negatiivia ympäristövaikutuksia, joita tämän laitteen virheellisestä hävittämisestä koituisi. Lisätietoja tämän laitteen kierrätyksestä saat ottamalla yhteyden kotikuntasi viranomaisiin, jätehuoltoon tai laitteen myyneeseen liikkeeseen.



## Hävittäminen

Laitteessa tai sen pakkauksessa olevat symbolit osoittavat, ettei laitetta saa hävittää kotitalousjätteen

## Tekniset tiedot

### Tekniset tiedot

	S 138I	S 138C
<b>Moottori</b>		
Moottorityyppi	BLDC (harjaton) 36 V	Sarjan AC moottori
Lisälaitteen nopeus – SavE, r/min	3 000	–
Lisälaitteen nopeus – nimellinen, r/min	3 200	4200
Moottorin teho – enintään, kW	1,28	1,8
Moottorin teho – nimellinen, kW	0,9	1,6
<b>Paino</b>		
Paino, kg	19,5 (ilman akkua)	19,0
<b>Akku</b>		
Akkutyyppi	Husqvarna-akkusarja	–
<b>Akun käyttöaika</b>		
Akun käyttöaika, min, (vapaa käyttö) SavE-toiminto käytössä, yksi 5,2 Ah:n Husqvarna-akku (Bli200).	115	–
Akun käyttöaika minuutteina (joutokäynti), normaali tila käytössä, yksi 5,2 Ah:n Husqvarna-akku (Bli200).	102	–
<b>Melupäästöt</b> <sup>25</sup>		
Äänen tehotaso, mitattu dB(A)	89,2	95,7
Äänen tehotaso, taattu L <sub>WA</sub> dB(A)	91	98

<sup>25</sup> Melupäästö ympäristöön äänentehona (L<sub>WA</sub>) EY-direktiivin 2000/14/EY mukaisesti mitattuna.

	S 138i	S 138C
<b>Äänitasot</b> <sup>26</sup>		
Äänenpainetaso käyttäjän korvan tasalla, dB(A)	75,3	81,7
<b>Tärinätasot</b> <sup>27</sup>		
Kahva, m/s <sup>2</sup>	5,5	8,3
<b>Käyttö</b>		
Työskentelysyvyys maks./min, mm	-8/+5	-8/+5
Työskentelyleveys, cm	37,5	37,5
Delta-terä-lisälaite	5973510-01	5973510-01
Jousipiikkilisälaite	5973509-01	5973509-01
Ruohonkerääjän tilavuus, litraa	45	45

Hyväksytyt akut	Tyyppi	Akun kapasiteetti, Ah	Jännite, V	Paino, kg
BLi20	Litiumioni	4,0	36	1,2
BLi200	Litiumioni	5,2	36	1,3
BLi300	Litiumioni	9,4	36	4,1

Hyväksytyt laturit tietyille BLi-akuille	Tulojännite, V	Taajuus, Hz	Teho, W
QC80	100-240	50-60	80
QC80F	12	0	80
QC330	100-240	50-60	330
QC500	100-240	50-60	500

<sup>26</sup> Äänenpainetasoista ilmoitettujen tietojen tyypillinen tilastollinen hajonta (keskihajonta) on 1,2 dB(A).

<sup>27</sup> Tärinätasolle ilmoitetuissa tiedoissa tyypillinen tilastollinen hajonta (vakiopoikkeama) on 0,2 m/s<sup>2</sup>.

---

# EY-vaatimustenmukaisuusvakuutus

---

## EY-vaatimustenmukaisuusvakuutus

**Husqvarna AB**, SE-561 82 Huskvarna, Ruotsi, puh.:  
+46-36-146500, vakuuttaa, että **pintailmaaja Husqvarna S 138i** alkaen sarjanumerosta 2018XXXXXXX on seuraavien NEUVOSTON DIREKTIIVIEN mukainen:

- 8. kesäkuuta 2011 annettu direktiivi **2011/65/EU** tiettyjen vaarallisten aineiden käytön rajoittamisesta
- 17. toukokuuta 2006 annettu konedirektiivi **2006/42/EY**
- 26. helmikuuta 2014 annettu direktiivi **2014/30/EU** sähkömagneettisesta yhteensopivuudesta
- 8. toukokuuta 2000 annettu laitemeludirektiivi **2000/14/EY**.

Melupäästöjä koskevat tiedot löytyvät luvusta Tekniset tiedot.

Seuraavia standardeja on sovellettu:

**EN 60335-1:2012+A11:2014+A13:2017, EN 50636-2-92:2014, EN 55014-1:2017, EN 55014-2:2015**

Huskvarna, 2019-01-15



Claes Losdal, kehityspäällikkö/puutarhatuotteet  
(Husqvarna AB:n valtuutettu ja teknisestä dokumentaatiosta vastaava edustaja)

---

# EY-vaatimustenmukaisuusvakuutus

---

## EY-vaatimustenmukaisuusvakuutus

**Husqvarna AB**, SE-561 82 Huskvarna, Ruotsi, puh.:  
+46-36-146500, vakuuttaa, että **pintaimaaja Husqvarna**  
**S 138C** alkaen sarjanumerosta 2018XXXXXXX on  
seuraavien NEUVOSTON DIREKTIIVIEN mukainen:

- 8. kesäkuuta 2011 annettu direktiivi **2011/65/EU** tiettyjen vaarallisten aineiden käytön rajoittamisesta
- 17. toukokuuta 2006 annettu konedirektiivi **2006/42/EY**
- 26. helmikuuta 2014 annettu direktiivi **2014/30/EU** sähkömagneettisesta yhteensopivuudesta
- 8. toukokuuta 2000 annettu laitemeludirektiivi **2000/14/EY**.

Melupäästöjä koskevat tiedot löytyvät luvusta Tekniset tiedot.

Seuraavia standardeja on sovellettu:

**EN 60335-1:2012+A11:2014+A13:2017, EN**  
**50636-2-92:2014, EN 55014-1:2017, EN 55014-2:2015,**  
**EN 61000-3-2:2014, EN 61000-3-11:2000**

Huskvarna, 2019-01-15



Claes Losdal, kehityspäällikkö/puutarhatuotteet  
(Husqvarna AB:n valtuutettu ja teknisestä  
dokumentaatiosta vastaava edustaja)



---

## Sommaire

---

Introduction.....	241	Dépannage.....	262
Sécurité.....	245	Transport, entreposage et mise au rebut.....	263
Montage.....	254	Caractéristiques techniques.....	264
Utilisation.....	256	Déclaration de conformité CE.....	267
Entretien.....	260	Déclaration de conformité CE.....	268

---

## Introduction

---

### Description du produit

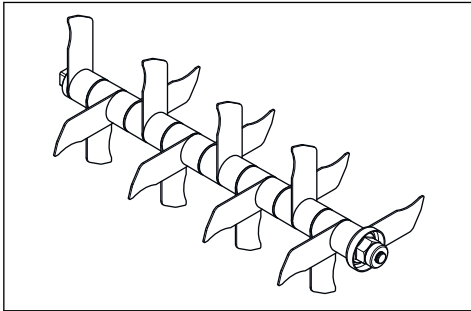
Le produit est un démousseur électrique à pousser. Le produit retire le chaume de la pelouse et ameublait le sol pour permettre à l'air et à l'eau de s'infiltrer dans la pelouse. Le chaume est récupéré dans un collecteur d'herbe ou est relâché sur la pelouse. Le produit dispose de 2 types de démousseur.

### Démousseur

Reportez-vous à la section *Pour remplacer l'équipement de démoussage à la page 261* pour plus d'informations sur la procédure de remplacement du démousseur.

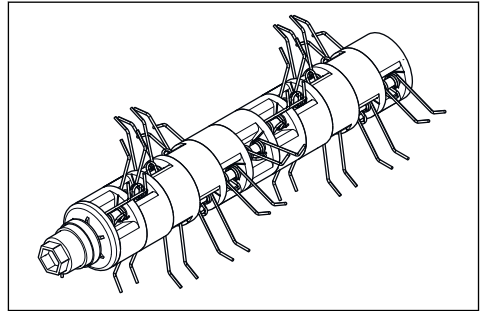
### Lames Delta

Les lames Delta retirent le chaume et coupent les racines de la pelouse verticalement. Utilisez les lames Delta sur les pentes, les terrasses et sur les sols riches en argile. Les lames Delta laissent l'eau s'infiltrer dans la pelouse et l'empêchent de s'accumuler à la surface



### Dents flexibles

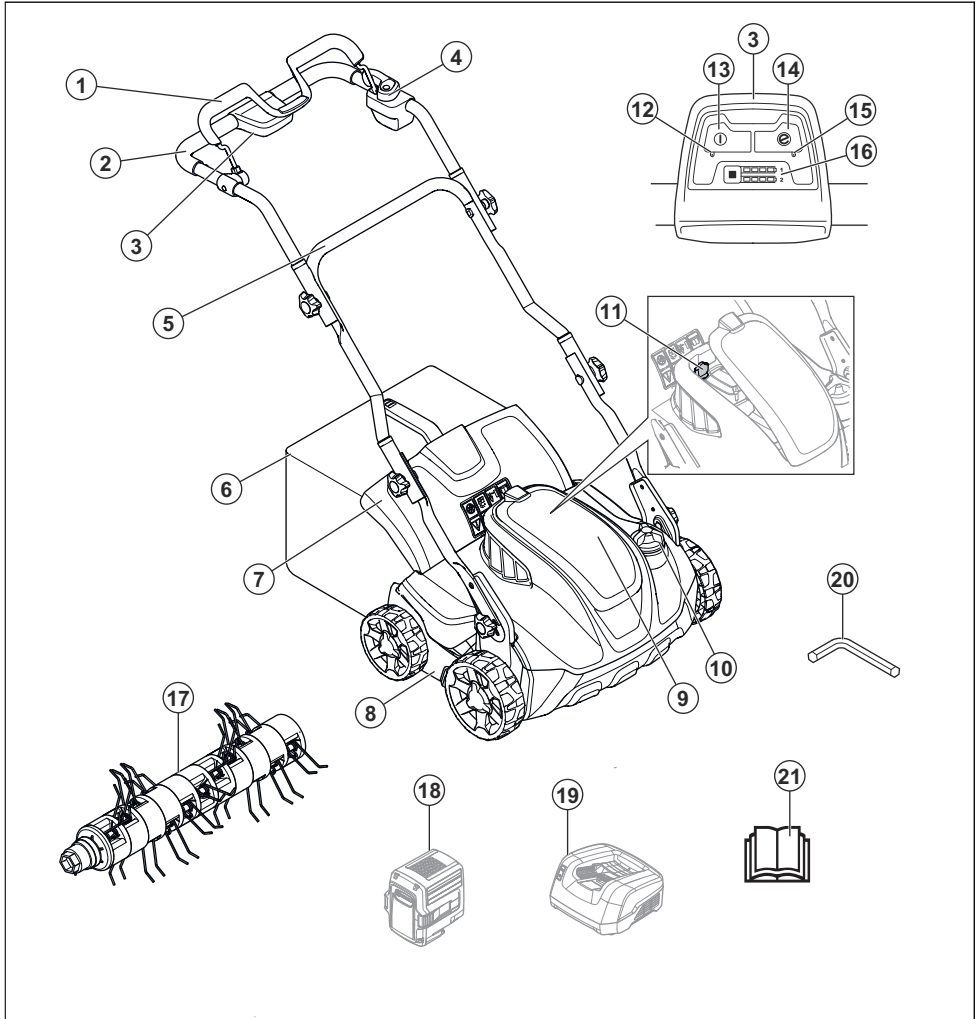
Les dents flexibles retirent soigneusement l'herbe morte et le chaume de la pelouse sans endommager les racines de l'herbe.



### Utilisation prévue

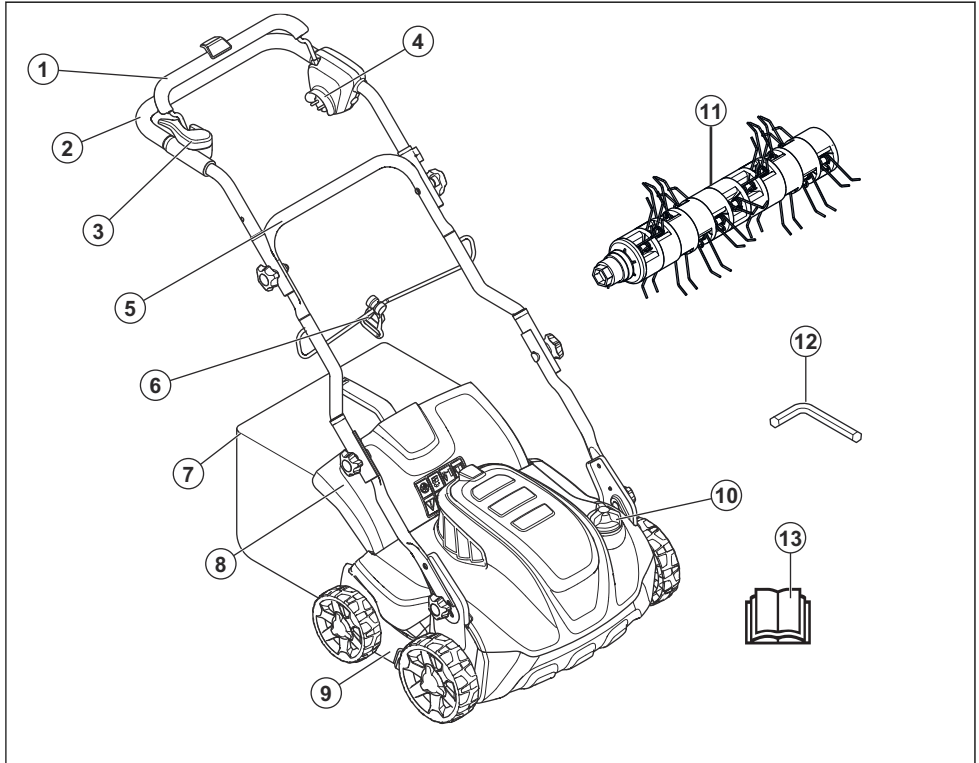
Utilisez le produit pour retirer le chaume et la mousse et pour ameublir le sol dans des jardins privés. N'utilisez pas ce produit pour d'autres travaux.

## Présentation du produit de modèle S 138i



- |   |  |
|---|--|
| 1. Poignée de frein moteur                      | 12. Voyant LED MARCHE/ARRÊT                            |
| 2. Poignée supérieure                           | 13. Bouton MARCHE/ARRÊT                                |
| 3. Panneau de commande                          | 14. Bouton SavE  |
| 4. Antidémarrage                                | 15. Voyant LED Save                                    |
| 5. Poignée inférieure                           | 16. Témoin de charge de batterie et bouton de batterie |
| 6. Collecteur d'herbe                           | 17. Dents flexibles                                    |
| 7. Couvercle arrière                            | 18. Batterie (accessoire)                              |
| 8. Capot du démousseur                          | 19. Chargeur de batterie (accessoire)                  |
| 9. Couvercle de batterie                        | 20. Clé hexagonale                                     |
| 10. Bouton de réglage de la profondeur de coupe | 21. Manuel de l'opérateur                              |
| 11. Clé de sécurité                             |  |

## Présentation du produit de modèle S 138C



1. Poignée de frein moteur
2. Poignée supérieure
3. Antidémarrage
4. Prise d'alimentation
5. Poignée inférieure
6. Collier du câble
7. Collecteur d'herbe
8. Couvercle arrière
9. Capot du démousseur
10. Bouton de réglage de la profondeur de coupe
11. Dents flexibles
12. Clé hexagonale
13. Manuel de l'opérateur

blessures graves, voire mortelles, pour l'opérateur ou d'autres personnes.



Lisez le manuel de l'opérateur et assurez-vous de bien comprendre les instructions avant d'utiliser ce produit.

### Symboles concernant le produit



**Avertissement :** une utilisation erronée ou négligente peut occasionner des



**Attention :** projections et ricochets.



Maintenez les personnes et les animaux à une distance suffisante de la zone de travail.



Avertissement : Maintenez les mains et les pieds à distance de la lame en rotation.



Retirez la clé de sécurité avant de procéder à l'entretien du produit (modèle S 138i).



Débranchez l'appareil de la prise électrique avant de procéder à l'entretien (modèle S 138C).



Risque d'électrocution (modèle S 138C).



N'exposez pas le produit à la pluie (modèle S 138i).



Avertissement : N'utilisez pas le produit sur le cordon d'alimentation, car cela peut causer une électrocution ou endommager le produit (modèle S 138C).

**IPX4** Le produit est protégé contre les éclaboussures d'eau.



Ce produit est conforme aux directives EAC en vigueur.



Ce produit est conforme aux directives CE en vigueur.



Le produit est conforme aux directives UkrSEPRO en vigueur.



Émissions sonores dans l'environnement selon la directive de la Communauté européenne. Les émissions du produit sont indiquées au chapitre Caractéristiques techniques et sur les autocollants.



Double isolation (modèle S 138C).



Déposez ce produit dans un site de recyclage pour équipements électriques et électroniques. (Concerne seulement l'Europe)



Procédure de démarrage pour le modèle S 138i : appuyez sur le bouton MARCHE/ARRÊT, relâchez l'anti-démarrage, puis poussez la poignée du frein moteur vers le bas.

la poignée de frein moteur vers le bas.



Relâchez la poignée de frein moteur pour arrêter.



Code optiquement lisible.

**Remarque:** Les autres symboles/autocollants présents sur le produit concernent des exigences de certification spécifiques à certains marchés.

## Responsabilité

Conformément à la loi sur la responsabilité du fait des produits, nous déclinons toute responsabilité pour tout dommage causé par notre produit si :

- le produit n'est pas correctement réparé ;
- le produit est réparé avec des pièces qui ne proviennent pas du fabricant ou qui ne sont pas homologuées par le fabricant ;
- le produit est équipé d'un accessoire qui ne provient pas du fabricant ou qui n'est pas homologué par le fabricant ;
- le produit n'est pas réparé par un centre d'entretien agréé ou par une autorité homologuée.

Procédure de démarrage pour le modèle S 138C : desserrez l'antidémarrage, poussez



## Sécurité

### Définitions de sécurité

Des avertissements, des recommandations et des remarques sont utilisés pour souligner des parties spécialement importantes du manuel.

les instructions du manuel ne sont pas respectées.



**AVERTISSEMENT:** Symbole utilisé en cas de risque de blessures ou de mort pour l'opérateur ou les personnes à proximité si



**REMARQUE:** Symbole utilisé en cas de risque de dommages pour le produit, d'autres matériaux ou les environs si les instructions du manuel ne sont pas respectées.

---

**Remarque:** Symbole utilisé pour donner des informations supplémentaires pour une situation donnée.

---

## Instructions générales de sécurité

---



### AVERTISSEMENT:

Lisez les instructions qui suivent avant d'utiliser le produit.

---

- Ce produit est dangereux s'il est utilisé de manière incorrecte ou imprudente. Des blessures graves ou mortelles peuvent se produire si vous ne respectez pas les instructions de sécurité.
- Ce produit génère un champ électromagnétique durant son fonctionnement. Ce champ peut dans certaines circonstances perturber le fonctionnement d'implants médicaux actifs ou passifs. Pour réduire le risque de blessures graves ou mortelles, les personnes portant des implants médicaux doivent consulter leur médecin et le fabricant de leur implant avant d'utiliser ce produit.
- Soyez toujours prudent et utilisez votre bon sens. Si vous ne savez pas comment faire fonctionner le produit dans une situation particulière, ne l'utilisez pas et contactez votre Husqvarna revendeur avant de poursuivre.
- N'oubliez pas que l'opérateur sera tenu responsable des accidents occasionnés à des tiers et à leurs biens.
- Maintenez le produit propre. Assurez-vous que vous pouvez lire clairement les avertissements et les autocollants.
- Ne laissez personne utiliser le produit avant d'avoir lu et compris le contenu du manuel de l'opérateur.
- Ne laissez pas un enfant utiliser le produit.
- Ne laissez pas une personne utiliser le produit si elle ne connaît pas les instructions.
- Surveillez constamment les personnes aux capacités physiques ou mentales réduites qui utilisent ce produit. Un adulte responsable doit être présent à tout moment.
- N'utilisez jamais l'appareil si vous êtes fatigué ou malade, ou si vous êtes sous l'emprise d'alcool, de drogues ou de médicaments. Cela a un effet

négatif sur votre vision, votre vigilance, votre coordination et votre jugement.

- N'utilisez pas le produit si celui-ci est défectueux.
- Ne modifiez jamais le produit et ne l'utilisez jamais s'il est susceptible d'avoir été modifié par un tiers.

## Sécurité dans l'espace de travail



### AVERTISSEMENT:

Lisez les instructions qui suivent avant d'utiliser le produit.

---

- Retirez les objets tels que les branches, les brindilles et les pierres de la zone de travail avant d'utiliser le produit.
- Les objets heurtant l'équipement de démoussage peuvent être éjectés et causer des blessures ou des dégâts matériels. Maintenez les personnes aux alentours et les animaux à une distance suffisante du produit.
- N'utilisez jamais le produit par mauvais temps, par exemple en cas de brouillard, de pluie, de vent violent, de froid intense et de risque d'éclair. Utiliser le produit par mauvais temps ou dans des

environnements humides est fatigant. Le mauvais temps peut rendre les conditions de travail dangereuses : des surfaces peuvent par exemple devenir glissantes.

- Identifiez les éventuels personnes, objets et situations susceptibles de nuire à la sécurité du fonctionnement du produit.
- Soyez attentif aux obstacles tels que les racines, les pierres, les brindilles, les fosses et les fossés. L'herbe haute peut cacher des obstacles.
- Il peut être dangereux d'utiliser le produit sur des terrains en pente. N'utilisez pas le produit sur un sol dont la pente est supérieure à 15°.
- Faites fonctionner le produit en travers de la courbe de la pente, jamais de haut en bas.
- Soyez prudent lorsque vous vous approchez de coins cachés et d'objets qui empêchent d'avoir une vue dégagée.

## Sécurité du travail



### AVERTISSEMENT:

Lisez les instructions qui suivent avant d'utiliser le produit.

---

- Utilisez ce produit pour retirer le chaume et la mousse des pelouses uniquement. Il est interdit d'utiliser le produit pour d'autres travaux.
- Utilisez un équipement de protection personnelle. Reportez-vous à la section *Équipement de protection individuelle* à la page 249.
- Le produit ne doit pas être exposé à la pluie ou à l'humidité. Le risque de choc électrique augmente si de l'eau pénètre dans le produit.
- Faites fonctionner le produit uniquement si l'équipement de démoussage et tous les capots sont fixés correctement. Un équipement de démoussage fixé de manière inadéquate risque de se détacher et de causer des blessures personnelles.
- Assurez-vous que l'équipement de démoussage ne heurte pas d'objets tels que des pierres et des racines. Cela peut endommager l'équipement de démoussage et tordre l'arbre du moteur. Un arbre tordu entraîne de fortes vibrations, il y a alors un risque important que l'équipement de démoussage se détache.
- Si l'équipement de démoussage vibre ou bute sur un objet, arrêtez immédiatement le produit. Coupez le moteur, tournez la clé de sécurité sur 0 et retirez la batterie (modèle S 138i) ou débranchez le cordon d'alimentation (modèle S 138C). Vérifiez que le produit n'est pas endommagé. Réparez les éventuels dommages ou demandez à un atelier spécialisé agréé procéder aux réparations.
- N'attachez jamais la poignée de frein moteur en permanence à la poignée de commande quand le moteur est mis en marche.
- Placez le produit sur une surface stable et plane, puis lancez-le. Vérifiez que l'équipement de démoussage ne heurte pas le sol ou tout autre objet.
- Restez toujours derrière le produit lorsque vous l'utilisez.
- Faites reposer toutes les roues sur le sol et conservez vos deux mains sur la poignée lorsque vous faites fonctionner le produit. Maintenez les mains et les pieds à distance de l'équipement de démoussage en rotation.



- N'inclinez pas le produit quand le moteur est mis en marche.
- Soyez prudent lorsque vous tirez le produit vers l'avant.
- Ne soulevez jamais le produit quand le moteur est mis en marche. Si vous devez soulever le produit, arrêtez d'abord le moteur, tournez la clé de sécurité sur 0 et retirez la batterie (modèle S 138i) ou débranchez le cordon d'alimentation (modèle S 138C).
- Ne marchez pas vers l'arrière lorsque vous utilisez le produit.
- Arrêtez le moteur lorsque vous vous déplacez à travers des zones exemptes d'herbe, par exemple des chemins de gravier, de pierre ou d'asphalte.
- Ne courez pas lorsque vous utilisez le produit et que le moteur est mis en marche. Vous devez toujours marcher lorsque vous utilisez le produit.
- Arrêtez le moteur avant de modifier la profondeur de coupe. N'effectuez jamais de réglages pendant que le moteur tourne.
- Ne quittez jamais le produit des yeux pendant que le moteur tourne. Arrêtez le moteur et assurez-vous que

l'équipement de démoussage ne tourne pas.

## Consignes de sécurité pour le fonctionnement

### Équipement de protection individuelle

Utilisez impérativement un équipement de protection individuel homologué lors de tout travail avec le produit. L'équipement de protection personnelle n'élimine pas les risques mais réduit la gravité des blessures en cas d'accident. Demandez conseil à votre revendeur afin de choisir un équipement adéquat.

Utilisez toujours :

- Des protège-oreilles afin de minimiser le risque de perte auditive.
- Des bottes ou chaussures antidérapantes et stables. Ne portez pas de sandales et ne marchez pas pieds-nus.
- Des pantalons longs, épais. Ne portez pas de short.

Portez des gants si nécessaire, par exemple lors du montage, de l'inspection ou du nettoyage de l'équipement de démoussage.



**AVERTISSEMENT:** Utiliser des protège-oreilles agréés. Une exposition prolongée au bruit risque de causer des lésions auditives permanentes.

### Dispositifs de sécurité sur le produit



**AVERTISSEMENT:** Lisez les instructions qui suivent avant d'utiliser le produit.

- N'utilisez pas un produit avec des dispositifs de sécurité défectueux.
- Contrôlez les dispositifs de sécurité régulièrement. Si les dispositifs de sécurité sont défectueux, parlez-en à votre agent d'entretien Husqvarna.

### Pour contrôler les capots

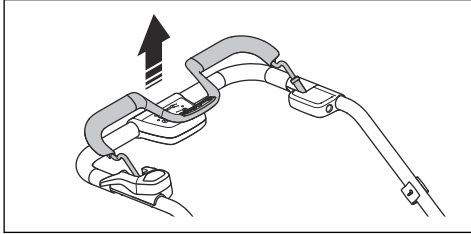
Le capot du démousseur réduit les vibrations dans le produit et réduit le risque de blessures provoquées par l'équipement de démoussage.

- Examinez le capot latéral du démousseur pour vous assurer qu'il ne présente pas de dommages tels que des fissures.
- Examinez le capot arrière pour vous assurer qu'il ne présente pas de dommages tels que des fissures.

## Poignée de frein moteur

La poignée de frein moteur arrête le moteur. Lorsque la poignée de frein moteur est relâchée, le moteur s'arrête.

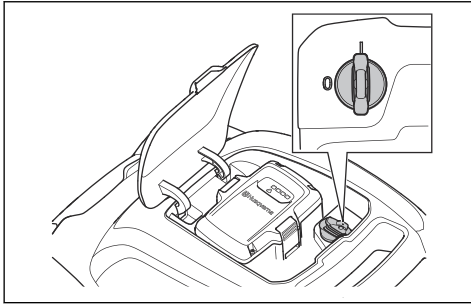
Pour inspecter le frein moteur, démarrez le moteur, puis relâchez la poignée de frein moteur. Si le moteur ne s'arrête pas au bout de 3 secondes, demandez à un atelier Husqvarna spécialisé agréé de régler le frein moteur.



## Clé de sécurité

La clé de sécurité se trouve sous le couvercle de la batterie. La clé de sécurité permet de connecter la batterie qui alimente le moteur.

- Démarrez et arrêtez le moteur pour contrôler la clé de sécurité.
- Si la clé de sécurité fonctionne correctement, le moteur démarre seulement lorsque la clé est tournée sur 1.

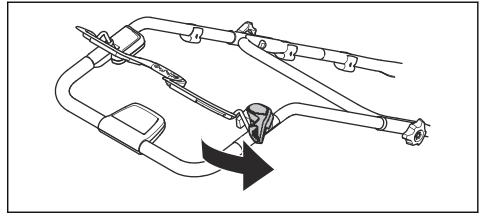


## Pour contrôler l'antidémarrage

Contrôlez l'antidémarrage afin de vous assurer qu'il empêche le fonctionnement du moteur.

1. Poussez la poignée de frein moteur en direction du guidon. L'antidémarrage arrête le mouvement.

2. Poussez l'antidémarrage.

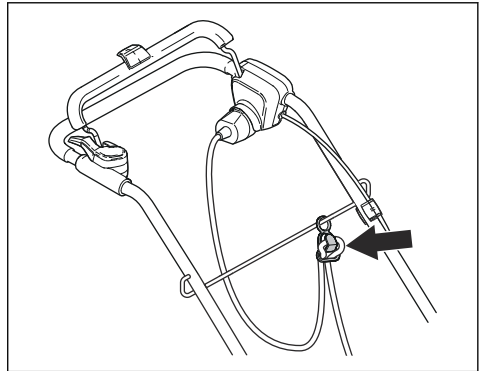


3. Relâchez l'antidémarrage et assurez-vous qu'il revient dans sa position initiale.

## Pour utiliser le support du cordon d'alimentation (modèle S 138C)

Le support du cordon d'alimentation diminue la tension exercée sur la prise électrique et le cordon. Le support du cordon d'alimentation réduit également le risque de chute.

1. Pliez le cordon d'alimentation pour former une petite boucle.
2. Passez la boucle dans le trou du support de cordon d'alimentation.
3. Placez la boucle autour du crochet.
4. Tirez le cordon d'alimentation pour serrer la boucle autour du crochet.



## Consignes de sécurité relatives à l'utilisation de la batterie



**AVERTISSEMENT:** lisez les instructions qui suivent avant d'utiliser le produit.

- Utilisez des batteries rechargeables Husqvarna pour alimenter les produits Husqvarna uniquement. Afin d'éviter toute blessure, n'utilisez pas la batterie comme source d'alimentation pour d'autres produits.
- N'utilisez pas de batteries non rechargeables.
- Risque de choc électrique. Ne branchez pas les bornes de la batterie à des clés, des pièces de monnaie, des vis ou tout autre élément métallique. Cela peut provoquer un court-circuit de la batterie.
- Ne placez pas d'objets dans les fentes d'aération de la batterie.
- Protégez la batterie des rayons directs du soleil, de la chaleur et des flammes nues. La batterie peut exploser et provoquer des brûlures et/ou des brûlures chimiques.
- Protégez la batterie de la pluie et de l'humidité.
- Protégez la batterie des micro-ondes et des hautes pressions.
- N'essayez pas de démonter ou de casser la batterie.
- En cas de fuite de la batterie, ne laissez pas le liquide entrer en contact avec votre peau ou

vos yeux. Si vous avez touché le liquide, nettoyez la zone avec beaucoup d'eau claire et contactez un médecin.

- Utilisez la batterie à une température comprise entre -10 °C et 40 °C.
- Ne nettoyez pas la batterie ou le chargeur de batterie avec de l'eau. Consultez la section *Pour nettoyer la batterie et le chargeur de batterie à la page 261*.
- N'utilisez pas de batterie défectueuse ou endommagée.
- Conservez les batteries en stock à distance des objets métalliques, tels que clous, pièces de monnaie ou bijoux.

### Consignes de sécurité relatives au chargeur de batterie



**AVERTISSEMENT:** lisez les instructions qui suivent avant d'utiliser le produit.

- Utilisez uniquement des chargeurs de batterie QC Husqvarna pour charger les batteries de remplacement.
- Risque de choc électrique ou de court-circuit. Ne placez pas d'objets dans les fentes d'aération du chargeur. N'essayez pas de démonter le

chargeur de batterie. Ne raccordez pas les bornes du chargeur à des objets métalliques. Utilisez une prise secteur agréée.

- Ce produit génère un champ électromagnétique durant son fonctionnement. Ce champ peut dans certaines circonstances perturber le fonctionnement d'implants médicaux actifs ou passifs. Pour réduire le risque de blessures graves ou mortelles, les personnes portant des implants médicaux doivent consulter leur médecin et le fabricant de leur implant avant d'utiliser cet appareil.
- Assurez-vous régulièrement que le cordon d'alimentation du chargeur de batterie n'est pas endommagé et qu'il ne présente aucune fissure.
- Ne soulevez pas le chargeur de batterie par le cordon d'alimentation. Pour débrancher le chargeur de batterie d'une prise d'alimentation secteur, tirez sur la fiche. Ne tirez pas le cordon d'alimentation.
- Conservez le cordon d'alimentation et les rallonges à l'abri de l'eau, de l'huile et des bords tranchants. Veillez à ce que le câble ne soit pas

coincé dans des portes, des clôtures ou tout autre équipement similaire. Le chargeur pourrait être mis sous tension.

- Ne nettoyez pas le chargeur de batterie avec de l'eau.
- Le chargeur de batterie peut être utilisé par des enfants âgés de 8 ans et plus et des personnes ayant des handicaps physiques, sensoriels ou mentaux ou manquant d'expérience et de connaissances à condition qu'ils aient reçu la surveillance ou les instructions appropriées concernant l'utilisation du chargeur de batterie en toute sécurité et qu'ils aient bien compris les risques encourus. Les enfants ne doivent pas jouer avec le chargeur de batterie. Le nettoyage et les opérations d'entretien à effectuer par l'utilisateur ne doivent pas être réalisés par des enfants sans surveillance.
- Ne chargez pas de batterie non rechargeable dans le chargeur de batterie.
- N'utilisez pas le chargeur de batterie à proximité de matériaux inflammables ou de matériaux pouvant provoquer la formation de corrosion. Ne recouvrez pas le chargeur de

batterie. En cas de dégagement de fumée ou de début d'incendie, débranchez aussitôt la fiche reliée au chargeur de batterie.

- N'utilisez pas de chargeur de batterie défectueux ou endommagé.
- Rechargez la batterie uniquement en intérieur, dans un endroit bien aéré et à l'abri de la lumière. Ne rechargez pas la batterie dans des conditions humides.

#### **Sécurité relative au cordon d'alimentation**

Pour le modèle S 138C.

- L'utilisation d'un dispositif à courant différentiel résiduel (DDR) doté d'un courant de déclenchement inférieur ou égal à 30 mA est recommandée. Il est impossible de garantir une sécurité absolue, même lorsqu'un DDR est installé. Il faut donc constamment s'en tenir à des procédures de travail sûres. Contrôlez votre DDR à chaque utilisation.
- Débranchez-le immédiatement de l'alimentation secteur si le cordon d'alimentation est sectionné ou si l'isolation est détériorée.
- Ne touchez pas à un cordon électrique sectionné ou

endommagé tant que l'appareil est sous tension.

- Ne réparez pas un cordon d'alimentation sectionné ou endommagé. Remplacez-le par un neuf.

#### **Consignes de sécurité pour l'entretien**



#### **AVERTISSEMENT:**

Lisez les instructions qui suivent avant d'utiliser le produit.

---

- Pour le modèle S 138i : Afin d'éviter tout démarrage accidentel pendant l'entretien, tournez la clé de sécurité sur 0 et retirez la batterie. Attendez au moins 5 secondes avant de commencer l'entretien.
- Pour le modèle S 138C : Pour éviter tout démarrage accidentel lors de l'entretien, débranchez le cordon d'alimentation.
- Effectuez l'entretien correctement afin de prolonger la durée de vie du produit et de réduire les risques d'accident. Faites réaliser les réparations professionnelles par un agent d'entretien agréé. Contactez votre agent d'entretien le plus proche pour plus d'informations.

- Effectuez uniquement les tâches d'entretien décrites dans le présent manuel d'utilisation. Les mesures plus importantes doivent être effectuées par un agent d'entretien agréé.
- Portez des gants de protection robustes lorsque vous manipulez l'équipement de démoussage. L'équipement de démoussage est extrêmement tranchant et peut entraîner des coupures facilement.
- Maintenez les lames de l'équipement de démoussage aiguisées et propres pour profiter de performances optimales et sûres.
- Laissez à l'agent d'entretien le soin de contrôler régulièrement le produit et d'effectuer les réglages et les réparations nécessaires.
- Remplacez les pièces endommagées, usées ou cassées.
- Respectez les instructions relatives au remplacement des accessoires. Utilisez uniquement des accessoires obtenus auprès du fabricant.
- Lorsqu'ils ne sont pas utilisés, conservez le produit avec la batterie et le chargeur de batterie à part dans un endroit sec, en intérieur et verrouillé. Veillez à ce que les enfants et les personnes non autorisées ne puissent avoir accès au produit, à la batterie ou au chargeur de batterie.

---

## Montage

---

### Introduction



**AVERTISSEMENT:** Avant d'installer le produit, consultez le chapitre sur la sécurité.



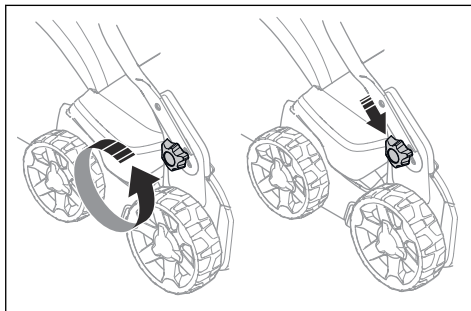
**AVERTISSEMENT:** Pour le modèle S 138i : Pour éviter tout démarrage accidentel lors du montage, tournez la clé de sécurité sur 0, retirez la batterie et attendez au moins 5 secondes.

Pour le modèle S 138C : Afin d'éviter tout démarrage accidentel lors de l'assemblage, débranchez le cordon d'alimentation.

### Pour monter la poignée

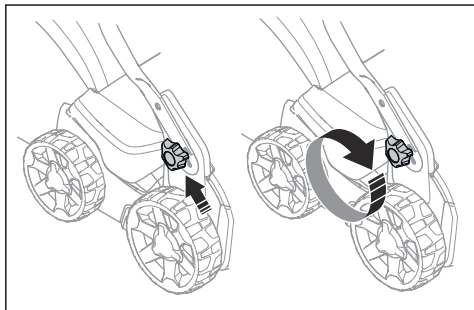
1. Desserrez les boutons inférieurs.

2. Faites glisser les boutons jusqu'aux extrémités inférieures des rainures sur le côté gauche et le côté droit de la machine.



3. Réglez la hauteur de la poignée selon l'une des deux positions disponibles.

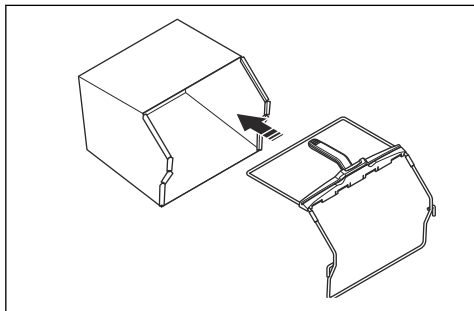
4. Déplacez les boutons vers le haut, en direction de la poignée, jusqu'à ce qu'ils s'arrêtent et qu'un clic se fasse entendre.



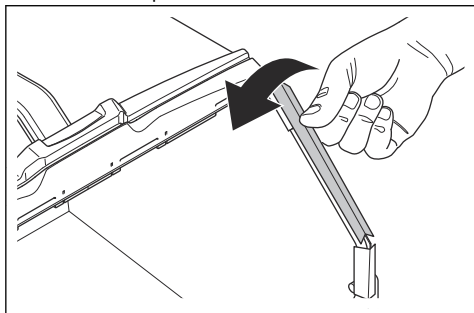
5. Serrez fermement les boutons.

## Montage du collecteur d'herbe

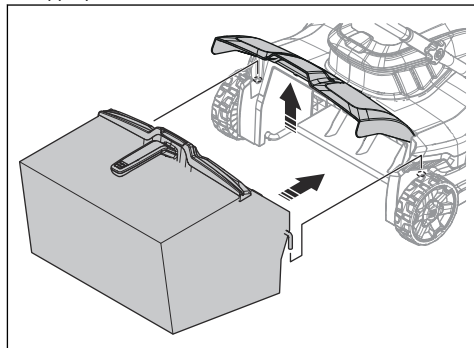
1. Fixez le châssis du collecteur d'herbe au sac à herbe, la partie rigide du sac étant sur la partie inférieure. Maintenez la poignée du châssis sur le dessus du sac à herbe.



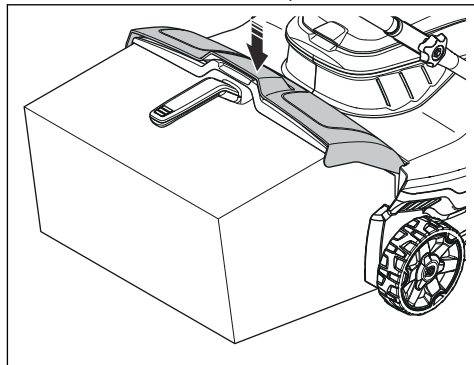
2. Fixez la partie inférieure du châssis du collecteur d'herbe dans la rainure au bas du collecteur d'herbe.
3. Fixez le sac à herbe au châssis du collecteur d'herbe à l'aide des clips.



4. Soulevez le capot arrière.
5. Déplacez le collecteur d'herbe dans la position appropriée.



6. Attachez le collecteur d'herbe au bord supérieur du châssis. Vérifiez l'étanchéité entre le couvercle arrière et le collecteur d'herbe pour éviter toute fuite.



# Utilisation

## Introduction



**AVERTISSEMENT:** Avant d'utiliser le produit, vous devez lire et comprendre le chapitre sur la sécurité.

## Husqvarna Connect

Husqvarna Connect est une application gratuite pour votre appareil mobile. L'application Husqvarna Connect offre des fonctions étendues à votre produit Husqvarna :

- Informations produit détaillées.
- Informations et aide sur les pièces et l'entretien du produit.

## Pour commencer à utiliser Husqvarna Connect

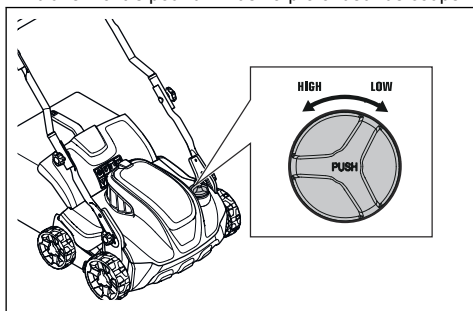
1. Téléchargez l'application Husqvarna Connect sur votre appareil mobile.
2. Enregistrez-vous sur l'application Husqvarna Connect.
3. Suivez les instructions de l'application Husqvarna Connect pour vous connecter et enregistrer le produit.

## Pour régler la profondeur de coupe



**AVERTISSEMENT:** Ne modifiez pas la profondeur de coupe lorsque vous utilisez le produit.

1. Poussez et tournez le bouton de réglage de la profondeur de coupe dans le sens contraire des aiguilles d'une montre pour augmenter la profondeur de coupe.
2. Poussez et tournez le bouton de réglage de la profondeur de coupe dans le sens des aiguilles d'une montre pour diminuer la profondeur de coupe.



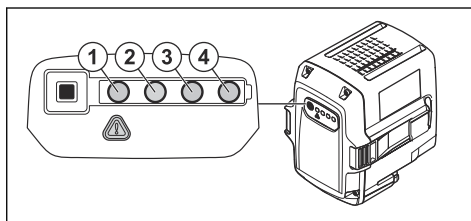
## Batterie



**AVERTISSEMENT:** Avant d'utiliser la batterie, vous devez lire et comprendre le chapitre sur la sécurité. Vous devez également lire et comprendre le manuel d'utilisation de la batterie et du chargeur de batterie.

## État de la batterie

L'écran indique la capacité restante de la batterie ainsi que tout problème éventuel lié à la batterie. La capacité de la batterie s'affiche pendant 5 secondes après l'arrêt du produit ou l'enfoncement du bouton d'indicateur de batterie. Le symbole d'avertissement sur la batterie s'allume en cas d'erreur. Consultez la section *Batterie* à la page 262.



Voyants DEL	État de la batterie
Toutes les DEL sont allumées	Batterie complètement chargée (75-100 %)
Les DEL 1, DEL 2 et DEL 3 sont allumées	La batterie est chargée à 50 %-75 %
Les DEL 1 et DEL 2 sont allumées	La batterie est chargée à 25 %-50 %
La DEL 1 est allumée	La batterie est chargée à 0 %-25 %.
La DEL 1 clignote	La batterie est vide. Rechargez la batterie.

## Pour charger la batterie

Chargez la batterie avant la première utilisation. La batterie n'est chargée qu'à 30 % au moment de sa livraison au client.

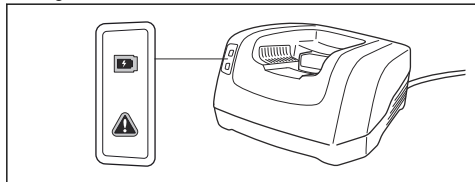
**Remarque:** Le chargeur de batterie doit être raccordé à la tension et à la fréquence indiquées sur la plaque signalétique.

La batterie ne se charge pas si la température de la batterie est supérieure à 50 °C. Le chargeur de batterie

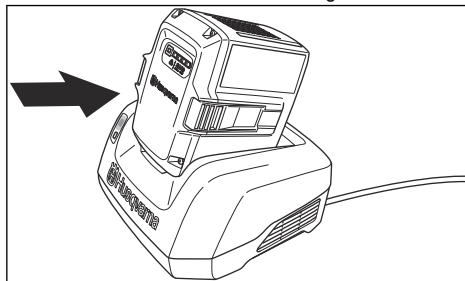


diminue la température de la batterie avant le début de la charge.

1. Branchez une extrémité du cordon d'alimentation du chargeur de batterie dans la prise du chargeur de batterie.
2. Branchez l'autre extrémité du cordon d'alimentation du chargeur de batterie dans une prise secteur mise à la masse. La DEL sur le chargeur de batterie clignote une fois en vert.



3. Placez la batterie dans le chargeur de batterie. Le témoin vert du chargeur s'allume lorsque la batterie est correctement branchée au chargeur de batterie.



4. La batterie est totalement rechargée quand toutes les DEL sur la batterie sont allumées. Chargez la batterie pendant 24 heures au maximum.
5. Pour débrancher le chargeur de batterie de la prise secteur, tirez sur la fiche et non sur le cordon d'alimentation.
6. Dégagez la batterie du chargeur de batterie.

### Niveau de charge de la batterie

Une batterie au lithium-ion Husqvarna peut être chargée ou utilisée à tous les niveaux de charge. Vous n'endommagerez pas la batterie. Une batterie pleine ne perdra pas sa charge même si elle est laissée dans le chargeur.

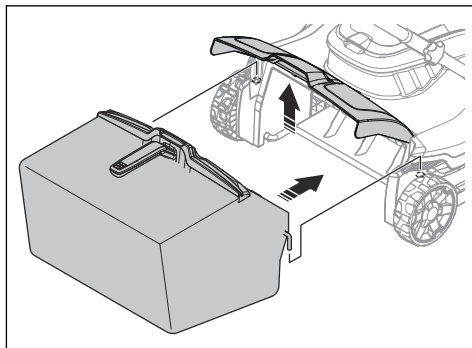
Affichage à DEL	État de charge
La DEL 1 clignote	0 %-25 %
La DEL 1 est allumée, la DEL 2 clignote	25 %-50 %
Les DEL 1 et 2 sont allumées, la DEL 3 clignote	50 %-75 %
Les DEL 1, 2 et 3 sont allumées, la DEL 4 clignote	75 %-100 %

Affichage à DEL	État de charge
Les DEL 1, 2, 3 et 4 sont allumées	Batterie complètement chargée

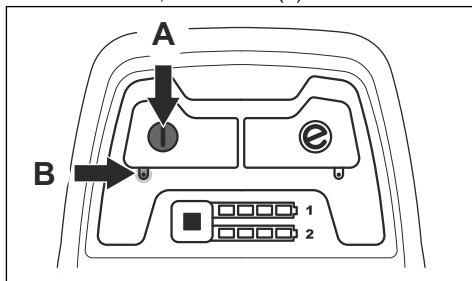
## Pour faire fonctionner S 138i

### Pour démarrer le produit

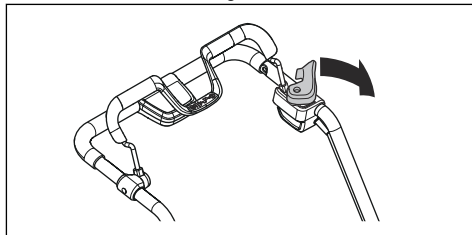
1. Placez une batterie chargée dans le compartiment de batterie numéro 1, sous le couvercle de la batterie. Pour une durée de fonctionnement accrue, placez une deuxième batterie chargée dans le compartiment de batterie numéro 2.
2. Tournez la clé de sécurité sur 1.



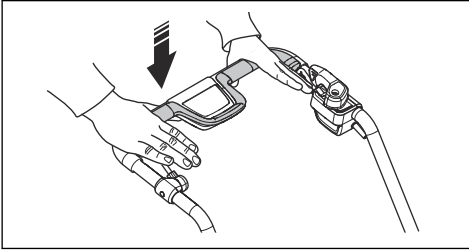
3. Restez derrière le produit.
4. Appuyez sur le bouton ON/OFF (A) sur le panneau de commande ; la DEL verte (B) s'allume.



5. Relâchez l'antidémarrage.



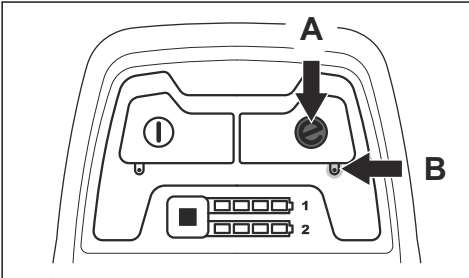
6. Poussez la poignée de frein moteur en direction du guidon.



### Pour utiliser la fonction SavE

Le produit est équipé d'une fonction d'économie de la batterie (SavE) qui garantit une durée de fonctionnement prolongée.

1. Appuyez sur le bouton SavE (A) pour lancer la fonction. La DEL verte (B) s'allume.

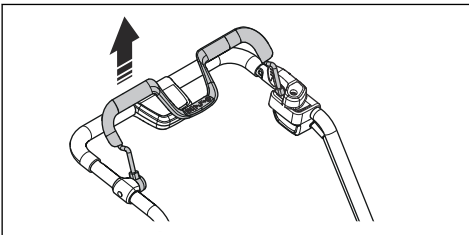


2. Appuyez à nouveau sur le bouton SavE pour arrêter la fonction. La DEL verte (B) s'éteint.

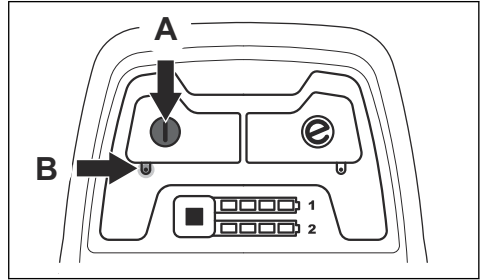
### Pour arrêter le produit

Le produit s'arrête automatiquement s'il ne fonctionne pas pendant 10 minutes. Mettez toujours la clé de sécurité sur 0 avant de quitter le produit des yeux.

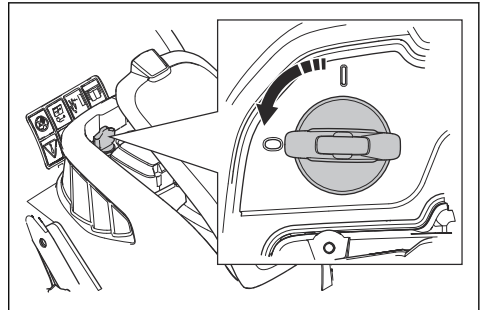
1. Relâchez la poignée de frein moteur pour arrêter le moteur.



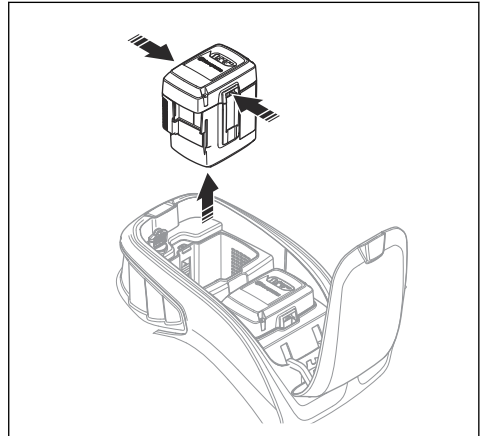
2. Appuyez sur le bouton ON/OFF (A) sur le panneau de commande ; la DEL verte (B) s'éteint.



3. Ouvrez le couvercle de batterie et tournez la clé de sécurité sur 0.



4. Pour retirer la batterie, appuyez simultanément sur les 2 cliquets de déverrouillage et sortez la batterie.

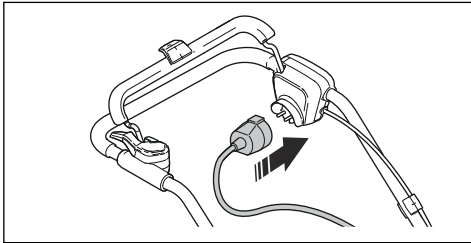


5. Chargez la batterie si son niveau est faible. Pour plus d'informations, consultez la section *Pour charger la batterie* à la page 256.

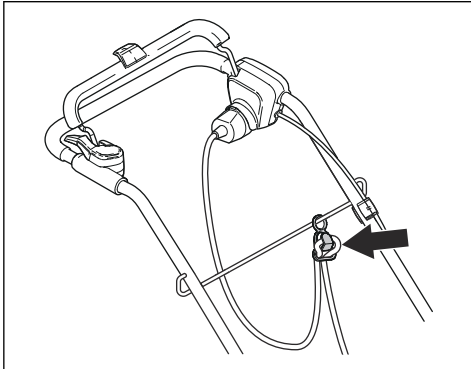
## Pour faire fonctionner S 138C

### Pour démarrer le produit

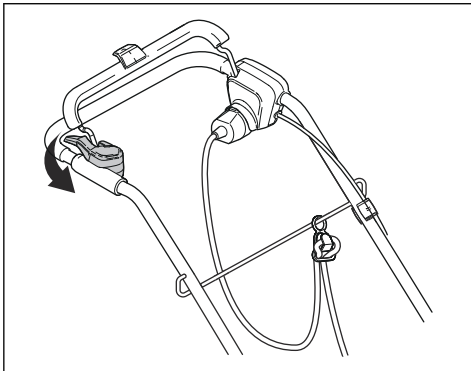
1. Branchez un câble d'alimentation à la prise située en-dessous de la poignée.



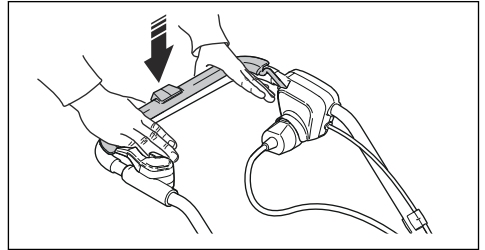
2. Placez le câble d'alimentation dans le support du cordon d'alimentation. Reportez-vous à la section *Pour utiliser le support du cordon d'alimentation (modèle S 138C)* à la page 250.



3. Restez derrière le produit.
4. Relâchez l'antidémarrage.

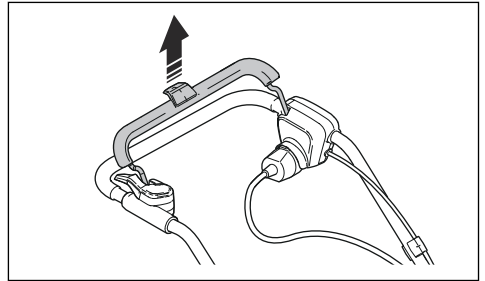


5. Poussez la poignée de frein moteur en direction du guidon.

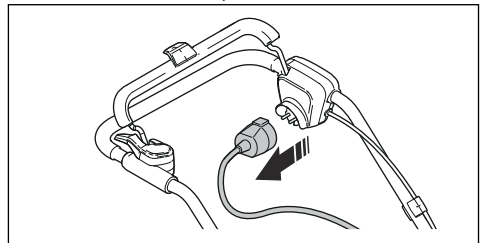


### Pour arrêter le produit

1. Relâchez la poignée de frein moteur pour arrêter le moteur.



2. Débranchez le cordon d'alimentation de la prise secteur et ensuite, du produit.



**REMARQUE:** Tirez sur la fiche immédiatement. Ne tirez pas le cordon d'alimentation.

# Entretien

## Introduction



**AVERTISSEMENT:** Avant d'effectuer des travaux d'entretien, vous devez lire et comprendre le chapitre sur la sécurité.

Une formation spécifique est nécessaire pour effectuer tous les travaux d'entretien et de réparation du produit. Nous garantissons qu'il vous est possible d'obtenir des services de réparation et d'entretien effectués par des professionnels. Si votre concessionnaire n'est pas un

atelier spécialisé, demandez-lui des informations à propos de l'atelier spécialisé le plus proche.

## Calendrier de maintenance

Les intervalles d'entretien sont calculés selon une utilisation quotidienne du produit. Les intervalles sont différents si le produit n'est pas utilisé tous les jours.

Pour l'entretien marqué d'un \*, reportez-vous à *Dispositifs de sécurité sur le produit à la page 249.*

S 138i et S 138C	Toutes utilisations	Une fois par mois	À chaque saison
Faites une inspection générale.	X		
Nettoyez le produit.	X		
Inspectez l'équipement de démoussage.	X		
Assurez-vous que les dispositifs de sécurité sur le produit ne sont pas défectueux. *	X		
Examinez les capots. *	X		
Contrôlez la poignée du frein moteur. *	X		
Contrôlez l'antidémarrage. *	X		

S 138i uniquement	Toutes utilisations	Une fois par mois	À chaque saison
Assurez-vous que le bouton ON/OFF fonctionne correctement et qu'il n'est pas défectueux.	X		
Examinez la batterie afin de détecter d'éventuels dommages.	X		
Contrôlez le niveau de charge de la batterie.	X		
Vérifiez que les cliquets de déverrouillage de la batterie fonctionnent correctement et fixent la batterie dans le produit.	X		
Examinez le chargeur de batterie afin de détecter d'éventuels dommages et assurez-vous qu'il fonctionne correctement.		X	
Examinez les connexions entre la batterie et le produit. Examinez également la connexion entre la batterie et le chargeur de batterie.			X

## Pour faire une inspection générale

- Assurez-vous que les vis et les écrous du produit sont serrés.
- Assurez-vous que les câbles sur le produit ne sont pas dans une position où ils risquent d'être endommagés.

## Pour nettoyer le produit

- Nettoyez les éléments en plastique avec un chiffon sec et propre.
- N'utilisez pas d'eau pour nettoyer le produit. L'eau pourrait pénétrer dans la batterie ou le moteur et

provoquer un court-circuit ou endommager le produit.

- N'utilisez pas de nettoyeur haute pression pour le nettoyage du produit.
- Ne jetez pas d'eau directement sur le moteur.
- Utilisez une brosse pour enlever les feuilles, l'herbe et la saleté.

## Pour nettoyer la batterie et le chargeur de batterie



**REMARQUE:** Ne nettoyez pas la batterie ou le chargeur de batterie avec de l'eau.

- Assurez-vous que la batterie et le chargeur de batterie sont propres et secs avant de placer la batterie dans le chargeur de batterie.
- Nettoyez les bornes de la batterie avec de l'air comprimé ou un chiffon sec et doux.
- Nettoyez les surfaces de la batterie et du chargeur de batterie avec un chiffon sec et doux.

## Inspection de l'équipement de démoissage



**AVERTISSEMENT:** Pour les modèles S 138i : Pour éviter tout démarrage accidentel, tournez la clé de sécurité sur 0, retirez la batterie et attendez au moins 5 secondes.

Pour le modèle S 138C : Afin d'éviter tout démarrage accidentel, débranchez le cordon d'alimentation.



**AVERTISSEMENT:** Utilisez des gants de protection lorsque vous procédez à l'entretien de l'équipement de démoissage. Les lames de l'équipement de démoissage sont extrêmement tranchantes et peuvent entraîner des coupures facilement.

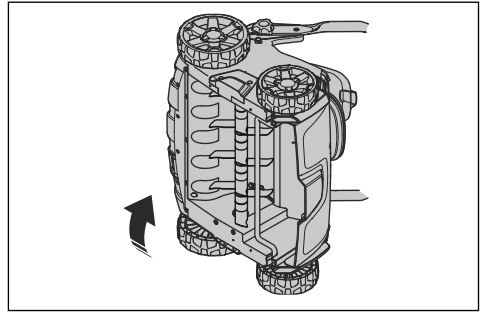
- Inspectez l'équipement de démoissage afin de détecter d'éventuels dommages ou fissures. Remplacez toujours un équipement de démoissage endommagé.

## Pour remplacer l'équipement de démoissage

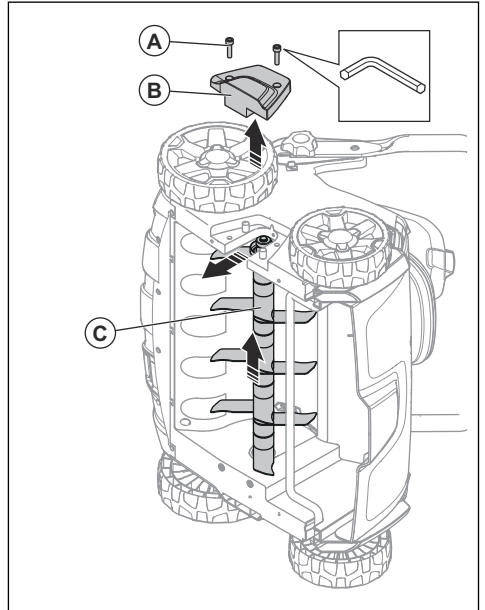


**AVERTISSEMENT:** Utilisez des gants de protection lorsque vous procédez à l'entretien de l'équipement de démoissage. L'équipement de démoissage est extrêmement tranchant et peut entraîner des coupures facilement.

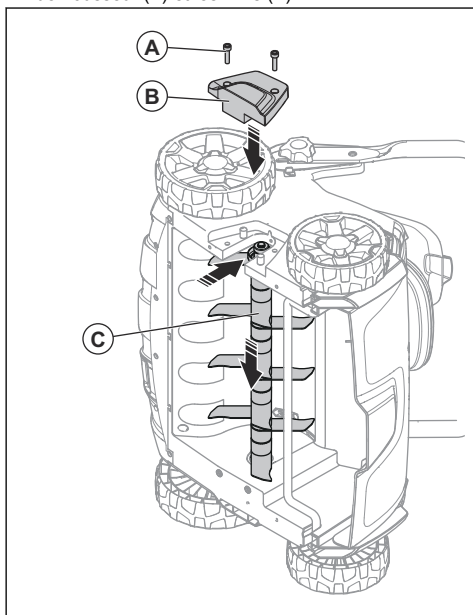
1. Placez le produit du bon côté.



2. Déposez les 2 vis (A) et le capot du démoisseur (B). Poussez l'équipement de démoissage (C) vers le haut et sortez-le pour le retirer.



3. Poussez le nouvel équipement de démoussage (C) dans la rainure et dans le trou. Fixez le capot du démousseur (B) et les 2 vis (A)



## Dépannage

### Batterie

DEL sur la batterie	Défaillances possibles	Procédure possible
La DEL verte clignote	La tension de la batterie est faible	Rechargez la batterie. Consultez la section <i>Pour charger la batterie</i> à la page 256.
La DEL d'erreur clignote	La batterie est faible	Rechargez la batterie. Consultez la section <i>Pour charger la batterie</i> à la page 256.
	La température de l'environnement de travail est trop élevée ou trop basse	Utilisez la batterie à une température comprise entre -10 °C et 40 °C.
	Surtension	Vérifiez que la tension secteur est identique à celle indiquée sur la plaque signalétique du produit.  Dégagez la batterie du chargeur de batterie. Attendez 5 secondes et essayez à nouveau de charger la batterie. Si le problème persiste, contactez un agent d'entretien agréé.
La DEL d'erreur est allumée	Écart de tension entre cellules trop important (1 V)	Contactez un agent d'entretien agréé.

## Chargeur de batterie

DEL sur le chargeur de batterie	Défaillances possibles	Procédure possible
La DEL d'erreur clignote	La température de l'environnement de travail est trop élevée ou trop basse	Utilisez le chargeur de batterie à une température comprise entre 5 °C et 40 °C.
La DEL d'erreur est allumée		Contactez un agent d'entretien agréé

## Panneau de commande

Pour le modèle S 138i

Erreur	Code d'erreur (nombre de clignotements)	Défaillances possibles	Action possible	
La DEL d'erreur clignote	3	Le moteur est en surcharge.	Diminuer la profondeur de travail. Reportez-vous à la section <i>Pour régler la profondeur de coupe à la page 256</i> . Si la LED d'erreur continue à clignoter, l'équipement de démoussage est bloqué. Pour éviter tout démarrage accidentel, tournez la clé de sécurité sur 0, retirez la batterie et attendez au moins 5 secondes. Assurez-vous que l'équipement de démoussage bouge librement. Si le problème persiste, contactez un agent d'entretien agréé.	
	5	La vitesse du moteur chute trop et le moteur s'arrête.		
	9	La commande du moteur est trop chaude.		
	7	Erreur de batterie ou pas de signal de batterie.		Placez la batterie dans le produit correctement et examinez le connecteur de batterie. Si la LED d'erreur sur la batterie clignote, reportez-vous à <i>Niveau de charge de la batterie à la page 257</i> .
		La batterie est faible.		Rechargez la batterie. Reportez-vous à la section <i>Pour charger la batterie à la page 256</i> .
Le produit s'arrête	6	La batterie est faible.	Rechargez la batterie. Reportez-vous à la section <i>Pour charger la batterie à la page 256</i> .	
	0	Défaillance du connecteur de batterie.	Examinez le connecteur de batterie.	
Autres erreurs	Si d'autres erreurs se produisent, tournez la clé de sécurité sur 0, retirez la batterie et parlez à un agent spécialisé agréé.			

## Transport, entreposage et mise au rebut

### Transport

- La législation sur les marchandises dangereuses s'applique aux batteries au lithium-ion fournies.
- Les exigences spécifiques au transport commercial indiquées sur l'emballage et les étiquettes doivent être respectées.

- Assurez-vous de toujours respecter la législation sur les matières dangereuses lorsque vous préparez le produit pour le transport. Des réglementations locales peuvent s'appliquer.
- Retirez toujours la batterie lorsque vous déplacez le produit.
- Posez du ruban adhésif sur les connecteurs de batterie et assurez-vous que la batterie ne puisse pas bouger pendant le transport.
- Sécurisez le produit pendant le transport.
- Assurez-vous que la batterie est chargée entre 30 % et 50 % avant de la remettre pendant de longues périodes.
- Conservez le produit, la batterie et le chargeur de batterie dans un endroit verrouillé, hors de portée des enfants et des personnes non autorisées.
- Nettoyez le produit et effectuez un entretien complet avant de remettre le produit pendant de longues périodes.

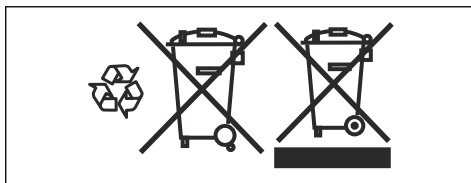
## Remisage

- Retirez toujours la batterie lorsque vous entreposez le produit.
- Pour éviter tout accident, assurez-vous que la batterie n'est pas reliée au produit au moment du remisage.
- Conservez le chargeur de batterie dans un endroit sec et fermé.
- Conservez la batterie et le chargeur de batterie dans un endroit sec, à l'abri de l'humidité et du gel.
- Débranchez la batterie du chargeur lors du remisage.
- Ne conservez pas la batterie dans un endroit présentant un risque d'électricité statique. Ne conservez pas la batterie dans une boîte métallique.
- Entreposez la batterie dans un endroit où la température est comprise entre 5 °C et 25 °C, à l'abri du soleil.
- Entreposez le chargeur de batterie dans un endroit où la température est comprise entre 5 °C et 45 °C, à l'abri du soleil.

## Mise au rebut

Les symboles figurant sur le produit ou l'emballage indiquent que ce produit ne peut pas être traité comme un déchet domestique ordinaire. Il doit être déposé dans un site de recyclage prévu pour la récupération d'équipements électriques et électroniques.

En prenant soin correctement de ce produit, vous contribuez à compenser l'éventuel effet négatif sur l'environnement et les personnes, qui autrement pourrait être engendré par la mauvaise gestion de la mise au rebut du produit. Pour obtenir de plus amples informations sur le recyclage de ce produit, contactez votre municipalité, votre service des ordures ménagères ou le magasin où vous avez acheté ce produit.



## Caractéristiques techniques

### Caractéristiques techniques

	S 138I	S 138C
<b>Moteur</b>		
Type de moteur	BLDC (sans balais) 36 V	Moteur série CA
Vitesse de l'accessoire - SavE, tr/min	3 000	ND
Vitesse de l'accessoire - nominale, tr/min	3 200	4 200
Sortie du moteur - max. kW	1,28	1,8
Sortie moteur - nominale, kW	0,9	1,6
<b>Poids</b>		
Poids, kg	19,5 (sans batterie)	19,0
<b>Batterie</b>		
Type de batterie	Gamme de produits à batterie Husqvarna	NA
<b>Durée de fonctionnement de la batterie</b>		



	S 138i	S 138C
Autonomie de la batterie, min. (fonctionnement libre) avec fonction SavE activée et une batterie Husqvarna de 5,2 Ah (BLi200).	115	NA
Autonomie de la batterie, min. (fonctionnement libre) avec mode standard activé et une batterie Husqvarna de 5,2 Ah (BLi200).	102	NA
<b>Émissions sonores</b> <sup>28</sup>		
Niveau de puissance sonore mesuré dB(A)	89,2	95,7
Niveau de puissance acoustique, garanti L <sub>WA</sub> dB(A)	91	98
<b>Niveaux sonores</b> <sup>29</sup>		
Niveau de pression sonore à l'oreille de l'utilisateur, dB(A)	75,3	81,7
<b>Niveaux de vibrations</b> <sup>30</sup>		
Poignée, m/s <sup>2</sup>	5,5	8,3
<b>Utilisation</b>		
Profondeur de coupe max/min, mm	-8/+5	-8/+5
Largeur de coupe, cm	37,5	37,5
Fixation des lames Delta	5973510-01	5973510-01
Fixations des dents flexibles	5973509-01	5973509-01
Capacité du collecteur d'herbe, en litres	45	45

Batteries agréées	Type	Capacité de la batterie, Ah	Tension, V	Poids, lb/kg
BLi20	Lithium-ion	4,0	36	2,6/1,2
BLi200	Lithium-ion	5,2	36	2,8/1,3
BLi300	Lithium-ion	9,4	36	4,1/1,9

Chargeurs agréés pour les batteries spécifiées, BLi	Tension d'entrée, V	Fréquence, Hz	Puissance, W
QC80	100-240	50-60	80
QC80F	12	0	80
QC330	100-240	50-60	330

<sup>28</sup> émissions sonores dans l'environnement mesurées comme puissance sonore (L<sub>WA</sub>) selon la directive européenne CE 2000/14/CE.

<sup>29</sup> Les données reportées pour le niveau de pression sonore montrent une dispersion statistique typique (déviat-ion standard) de 1,2 dB(A).

<sup>30</sup> Les données reportées pour le niveau de vibrations montrent une dispersion statistique typique (déviat-ion standard) de 0,2 m/s<sup>2</sup>.

<b>Chargeurs agréés pour les batteries spécifiées, BLi</b>	<b>Tension d'entrée, V</b>	<b>Fréquence, Hz</b>	<b>Puissance, W</b>
QC500	100-240	50-60	500

---

## Déclaration de conformité CE

---

### Déclaration de conformité CE

Nous, **Husqvarna AB**, SE-561 82 Huskvarna, Suède, tél. : +46-36-146500, déclarons que le **démousseur Husqvarna S 138i** à partir du numéro de série 2018XXXXXXX est conforme aux dispositions des DIRECTIVES DU CONSEIL :

- du 8 juin 2011 « relative à la limitation de l'utilisation de certaines substances dangereuses » **2011/65/UE**
- du 17 mai 2006 « relative aux machines » **2006/42/CE**
- du 26 février 2014 « relative à la compatibilité électromagnétique » **2014/30/UE**
- du 8 mai 2000 « relative aux émissions sonores dans l'environnement » **2000/14/CE**

Pour toute information relative aux émissions sonores, veuillez consulter le chapitre Données techniques.

Les normes harmonisées suivantes ont été appliquées :

**EN 60335-1:2012+A11:2014+A13:2017, EN 50636-2-92:2014, EN 55014-1:2017, EN 55014-2:2015**

Huskvarna, 2019-01-15



Claes Losdal, Directeur du développement/Articles de jardinage (Représentant autorisé d'Husqvarna AB et responsable de la documentation technique.)

---

# Déclaration de conformité CE

---

## Déclaration de conformité CE

Nous, **Husqvarna AB**, SE-561 82 Huskvarna, Suède,  
tél. : +46-36-146500, déclarons que le **démousseur**  
**Husqvarna S 138C** à partir du numéro de  
série 2018XXXXXXX est conforme aux dispositions des  
DIRECTIVES DU CONSEIL :

- du 8 juin 2011 « relative à la limitation de l'utilisation de certaines substances dangereuses » **2011/65/UE**
- du 17 mai 2006 « relative aux machines » **2006/42/CE**
- du 26 février 2014 « relative à la compatibilité électromagnétique » **2014/30/UE**
- du 8 mai 2000 « relative aux émissions sonores dans l'environnement » **2000/14/CE**

Pour toute information relative aux émissions sonores, veuillez consulter le chapitre Données techniques.

Les normes harmonisées suivantes ont été appliquées :

**EN 60335-1:2012+A11:2014+A13:2017, EN 50636-2-92:2014, EN 55014-1:2017, EN 55014-2:2015, EN 61000-3-2:2014, EN 61000-3-11:2000**

Huskvarna, 2019-01-15



Claes Losdal, Directeur du développement/Articles de jardinage (Représentant autorisé d'Husqvarna AB et responsable de la documentation technique.)

---

## Sadržaj

---

Uvod.....	269	Rješavanje problema.....	289
Sigurnost.....	273	Prijevoz, spremanje i zbrinjavanje.....	290
Sastavljanje.....	281	Tehnički podaci.....	291
Rad.....	282	Izjava o sukladnosti EC.....	293
Održavanje.....	286	Izjava o sukladnosti EC.....	294

---

## Uvod

---

### Opis proizvoda

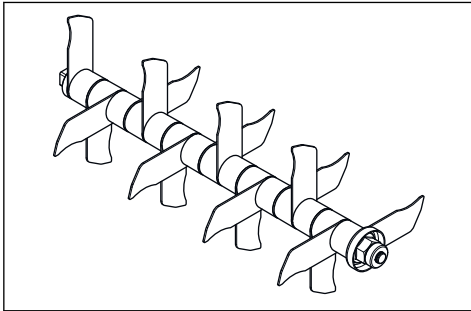
Ovaj je proizvod električni prozračivač kojim upravljaju pješaci. Ovaj proizvod uklanja otpalu travu s travnjaka i omekšava tlo kako bi zrak i voda prodrli u travnjak. Otpala se trava sakuplja u sakupljaču trave ili se ispušta na travnjak. Ovaj proizvod ima dvije vrste nastavaka prozračivača.

### Nastavci prozračivača

Pogledajte *Zamjena nastavaka prozračivača na stranici 288* za informacije o načinu zamjene nastavaka prozračivača.

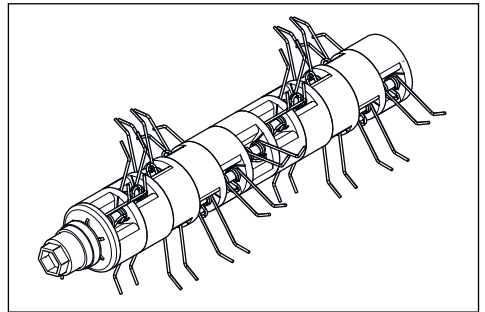
### Delta noževi

Delta noževi uklanjaju otpalu travu i okomito režu korijenje trave. Delta noževe upotrebljavajte na nagibima, terasama i na tlu s visokim udjelom ilovače. Delta noževi omogućuju prodor vode u travnjak te sprječavaju nakupljanje vode na površini



### Opružne vile

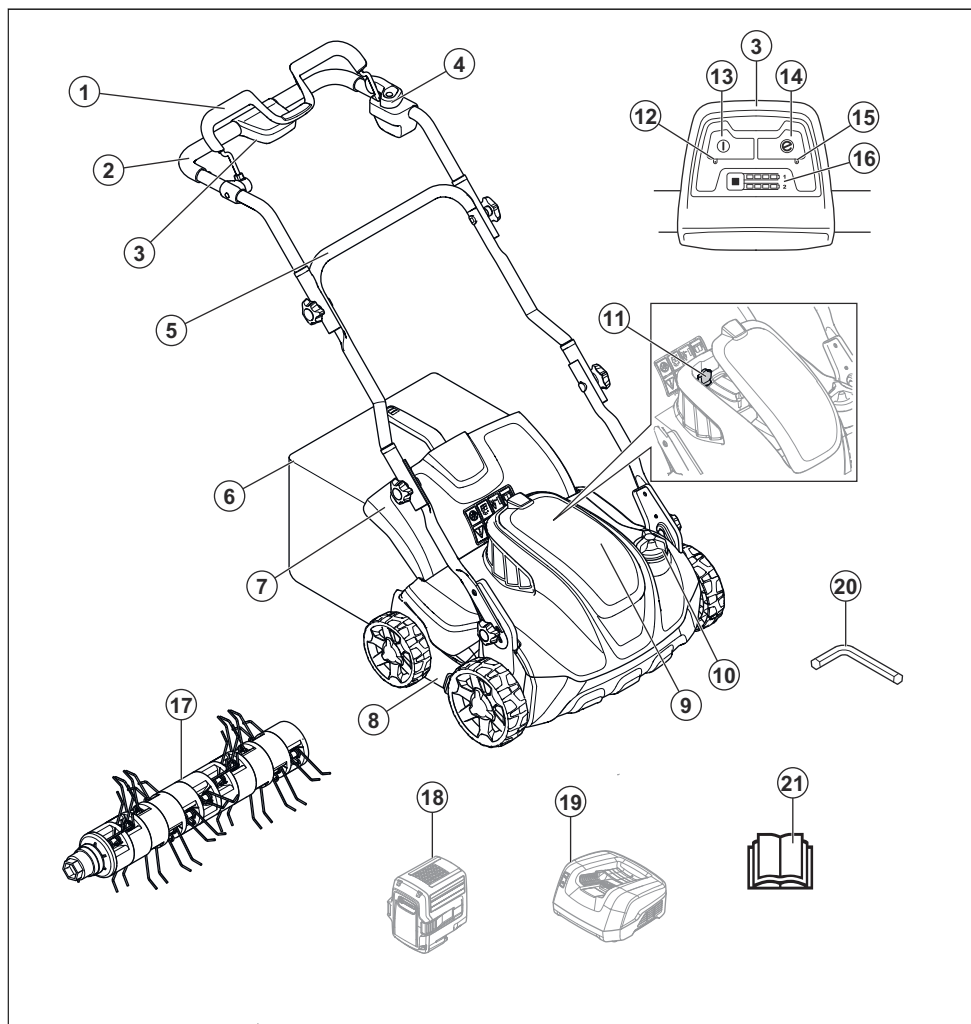
Opružne vile pažljivo uklanjaju mrtvu travu i otpalu travu s travnjaka, a pritom ne oštećuju korijenje trave.



### Namjena

Upotrebljavajte ovaj proizvod za uklanjanje otpale trave i mahovine te za omekšavanje tla u privatnim vrtovima. Proizvod nemojte upotrebljavati za druge zadatke.

## Pregled proizvoda za model S 138i



1. Ručica kočnice motora

2. Gornja ručka

3. Upravljačka ploča

4. Blokada pokretanja

5. Donja ručka

6. Sakupljač trave

7. Stražnji poklopac

8. Poklopac prozračivača

9. Poklopac baterije

10. Gumb za prilagodbu dubine rada

11. Sigurnosni ključ

12. LED indikator ON/OFF (UKLJUČIVANJE/  
ISKLJUČIVANJE)

13. Gumb ON/OFF (UKLJUČIVANJE/ISKLJUČIVANJE)

14. Gumb Save

15. LED indikator Save

16. Indikator punjenja baterije i gumb za bateriju

17. Opužne vile

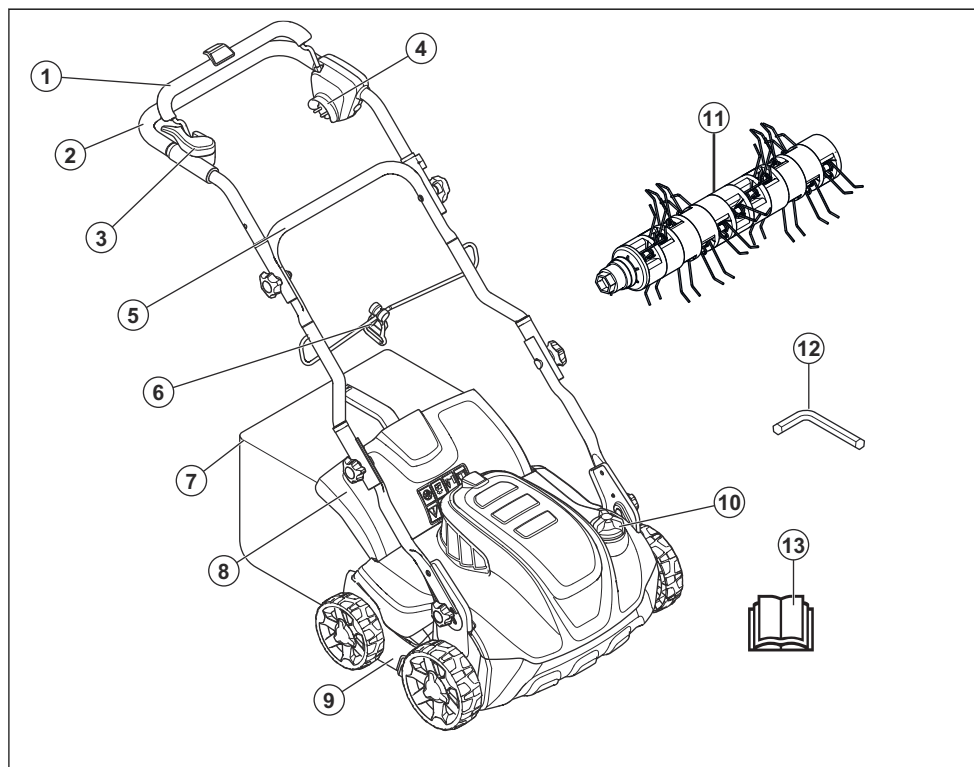
18. Baterija (dodatna oprema)

19. Punjač baterije (dodatna oprema)

20. Šesterokutni ključ

21. Korisnički priručnik

## Pregled proizvoda za model S 138C



1. Ručica kočnice motora
2. Gornja ručka
3. Blokada pokretanja
4. Strujna utičnica
5. Donja ručka
6. Stezaljka kabela
7. Sakupljač trave
8. Stražnji poklopac
9. Poklopac prozračivača
10. Gumb za prilagodbu dubine rada
11. Opužne vile
12. Šesterokutni ključ
13. Korisnički priručnik

### Simboli na proizvodu



Upozorenje: Neoprezna ili nepravilna upotreba može uzrokovati ozljede ili smrt

rukovatelja ili drugih osoba.



Pročitajte korisnički priručnik i dobro usvojite sadržaj prije korištenja proizvoda.



Pazite na izbačene predmete i odbijanja.



Osobe i životinje držite na sigurnoj udaljenosti od radnog područja.



Upozorenje: Ruke i stopala držite podalje od rotirajućeg noža.



Prije održavanja proizvoda izvadite sigurnosni ključ (model S 138i).



Prije održavanja proizvoda odvojite proizvod od strujne utičnice (model S 138C).



Opasnost od strujnog udara (model S 138C).



Nemojte izlagati kiši (model S 138i).



Upozorenje: Nemojte raditi s ovim proizvodom preko kabela za napajanje jer tako možete prouzročiti strujni udar ili oštećenje proizvoda (model S 138C).

**IPX4** Ovaj proizvod ima zaštitu od prskanja vode.

**EAC** Ovaj je proizvod sukladan s primjenjivim direktivama EAC-a

**CE** Ovaj je proizvod sukladan s primjenjivim direktivama EZ-a.



Ovaj je proizvod sukladan s primjenjivim direktivama UkrSEPRO-a.



Stvaranje buke u okoliš u skladu s EZ direktivom. Emisije proizvoda navedene su u poglavlju s tehničkim podacima i na naljepnici.



Dvostruka izolacija (model S 138C).



Reciklirajte ovaj proizvod u reciklažnom dvorištu za električnu i elektroničku opremu. (Primjenjuje se samo na Europu)



Postupak pokretanja za model S 138i: pritisnite gumb ON/OFF (Uključivanje/isključivanje), otpustite blokadu pokretanja, pritisnite ručicu kočnice motora.





Postupak pokretanja za model S 138C: otpustite blokadu pokretanja i pritisnite ručicu motorne kočnice.



Za zaustavljanje otpustite ručicu kočnice motora.



Kôd koji se može skenirati.

---

**Napomena:** Drugi simboli/naljepnice na proizvodu odnose se na zahtjeve za certifikaciju na pojedinim tržištima.

---

## Pouzdanost proizvoda

Sukladno zakonima o pouzdanosti proizvoda nismo odgovorni za oštećenja uzrokovana našim proizvodima ako je:

- proizvod nepravilno popravljen
- proizvod popravljen dijelovima koje nije proizveo proizvođač ili nemaju odobrenje proizvođača
- proizvod ima dodatnu opremu koje nije proizveo proizvođač ili nemaju odobrenje proizvođača
- proizvod nije popravljen u odobrenom servisnom centru ili kod ovlaštene osobe.

---

## Sigurnost

---

### Sigurnosne definicije

Upozorenjima, oprezima i napomenama naglašavaju se posebno važni dijelovi priručnika.



**UPOZORENJE:** Koristi se kada nepoštivanje uputa iz priručnika može uzrokovati smrt ili ozljede rukovatelja ili promatrača.



**OPREZ:** Koristi se kada nepoštivanje uputa iz priručnika može uzrokovati oštećenje proizvoda ili drugih materijala u neposrednoj blizini.

---

**Napomena:** Koristi se prikaz neophodnih dodatnih informacija za zadanu situaciju.

---

### Opće sigurnosne upute



**UPOZORENJE:** Prije korištenja proizvoda pročitajte upozoravajuće upute u nastavku.

- Proizvod je opasan ako ga koristite nepravilno ili ako niste oprezni. Nepoštivanje sigurnosnih uputa može uzrokovati ozljede ili smrt.
- Proizvod tijekom rada proizvodi elektromagnetsko polje. To polje u određenim okolnostima može ometati aktivne ili pasivne medicinske implantate. Za smanjenje opasnosti od smrtonosne

- ozljede osobama s medicinskim implantatima prije korištenja uređaja preporučujemo obraćanje liječniku i proizvođaču medicinskog implantata.
- Uvijek budite pažljivi i razumni. Ako u posebnim situacijama niste sigurni u način upotrebe stroja, prije nastavka stanite i obratite se svom distributeru tvrtke Husqvarna.
  - Imajte na umu kako se rukovatelj smatra odgovornim za nezgode koje uključuju druge osobe ili njihovo vlasništvo.
  - Proizvod održavajte čistim. Znakovi i naljepnice moraju biti jasno čitljivi.
  - Osobama dopustite upotrebu proizvoda samo ako su pročitali i usvojili sadržaj uputa za rukovanje.
  - Djeci nemojte dopustiti korištenje proizvoda.
  - Osobama koje nisu upoznate s uputama nemojte dopustiti korištenje proizvoda.
  - Osobu smanjenih fizičkih ili mentalnih sposobnosti obavezno nadzirite tijekom uporabe proizvoda. Cijelo vrijeme mora biti prisutna odgovorna odrasla osoba.

- Proizvod nemojte koristiti kada ste umorni, bolesni ili pod utjecajem alkohola, droge ili lijekova. To negativno utječe na vaš vid, pažnju, koordinaciju i prosudbu.
- Nemojte upotrebljavati neispravni proizvod.
- Nemojte izmjenjivati proizvod ili ga upotrebljavati ako postoji mogućnost da je izmijenjen.

### Sigurnost na radnom mjestu

---



**UPOZORENJE:** Prije korištenja proizvoda pročitate upozoravajuće upute u nastavku.

---

- Prije korištenja proizvoda iz radnog područja uklonite sve predmete poput grana, prutova i kamenja.
- Predmeti koji udare u nastavke prozračivača mogu biti izbačeni te uzrokovati ozljede ili oštećenja. Promatrače i životinje držite na sigurnoj udaljenosti od proizvoda.
- Proizvod nikada nemojte upotrebljavati u lošim vremenskim uvjetima kao što su magla, kiša, jak vjetar, intenzivna hladnoća i pri opasnosti od grmljavinskog nevremena. Upotreba

proizvoda po lošem vremenu ili na vlažnim odnosno mokrim lokacijama zamorna je. Pri lošem vremenu mogu nastati opasni uvjeti, primjerice skliske površine.

- Pazite na osobe, predmete i situacije koje mogu onemogućiti siguran rad proizvoda.
- Pazite na prepreke kao što su korijenje, kamenje, prutovi, jame i jarci. Visoka trava može sakrivati prepreke.
- Rad s ovim proizvodom na nagibima može biti opasan. Proizvod nemojte upotrebljavati na tlu s nagibom većim od 15°.
- Proizvod upotrebljavajte poprečno preko nagiba. Nemojte se kretati prema gore i dolje.
- Oprezno prilazite skrivenim kutovima i predmetima koji onemogućavaju jasan pregled.

## Sigurnost pri radu



**UPOZORENJE:** Prije korištenja proizvoda pročitajte upozoravajuće upute u nastavku.

- Ovim se proizvodom koristite samo za uklanjanje otpale trave i mahovine s travnjaka.

Upotreba za druge zadatke nije dopuštena.

- Upotrebljavajte osobnu zaštitnu opremu. Pogledajte *Oprema za osobnu zaštitu na stranici 276*.
- Proizvod nemojte pogoniti na kiši ni u mokrim uvjetima. Ako voda prodre u proizvod, povećava se opasnost od električnog udara.
- Proizvod upotrebljavajte samo ako su nastavci prozračivača i svi poklopci pravilno postavljeni. Nepravilno postavljen nastavak prozračivača može se otpustiti i uzrokovati osobne ozljede.
- Pazite da nastavkom prozračivača ne udarate u predmete kao što je kamenje ili korijenje. Time možete oštetiti nastavak prozračivača i saviti vratilo motora. Savijena osovina uzrokuje snažne vibracije i vrlo visoku opasnost od otpuštanja nastavka prozračivača.
- Ako nastavkom prozračivača udarite u predmet ili osjetite vibracije, odmah zaustavite proizvod. Zaustavite motor, sigurnosni ključ postavite na 0 i izvadite bateriju (model S 138i) ili odspojite kabel za napajanje (model S 138C).

- Pregledajte je li proizvod oštećen. Popravite oštećenja ili popravak prepustite ovlaštenom serviseru.
- Ručicu kočnice motora nikada trajno nemojte pričvrstiti za ručku kada je motor u pogonu.
  - Proizvod postavite na stabilnu, ravnu površinu i pokrenite ga. Nastavci prozračivača ne smiju udarati u tlo ili druge predmete.
  - Tijekom rukovanja proizvodom obavezno budite iza njega.
  - Tijekom rukovanja proizvodom svi kotači trebaju biti na tlu, a obje ruke na ručki. Šake i stopala držite podalje od rotirajućih nastavaka prozračivača.
  - Proizvod nemojte naginjati kada je motor pokrenut.
  - Budite pažljivi pri povlačenju proizvoda unatrag.
  - Proizvod nikada nemojte podizati kada je motor pokrenut. Ako morate podići proizvod, prvo zaustavite motor, sigurnosni ključ postavite na 0 i izvadite bateriju (model S 138i) ili odspojite kabel za napajanje (model S 138C).
  - Tijekom rada s proizvodom nemojte hodati unatrag.

- Zaustavite motor prilikom prelaska preko velikih površina bez trave, primjerice šljunčanih, kamenih i asfaltnih staza.
- Nemojte trčati s proizvodom kada je motor pokrenut. Obavezno hodajte tijekom rada s proizvodom.
- Prije promjene dubine rada zaustavite motor. Nemojte provoditi prilagodbe s pokrenutim motorom.
- Proizvod s pokrenutim motorom ne ispuštajte iz vida. Zaustavite motor i provjerite je li nastavak prozračivača zaustavljen.

## Sigurnosne upute za rad

### Oprema za osobnu zaštitu

Prilikom korištenja proizvoda morate koristiti odobrenu opremu za osobnu zaštitu. Osobna zaštitna oprema ne može eliminirati opasnost od ozljeda, ali će smanjiti stupanj ozljeđivanja u slučaju nesreće. Zatražite pomoć trgovca pri odabiru odgovarajuće opreme.

Uvijek upotrijebite:

- Zaštitu sluha kako biste smanjili opasnost od slabljenja sluha.
- Čvrste, neklizajuće čizme ili cipele. Nemojte nositi sandale ili biti bos.
- Čvrste, duge hlače. Nemojte nositi kratke hlače.

Prema potrebi nosite rukavice, primjerice prilikom postavljanja, pregleda ili čišćenja nastavaka prozračivača.



**UPOZORENJE:** Koristite odobrenu zaštitu sluha. Dugotrajno izlaganje buci može uzrokovati trajno oštećenje sluha.

---

### Sigurnosne upute za proizvod



**UPOZORENJE:** Prije korištenja proizvoda pročitajte upozoravajuće upute u nastavku.

---

- Nemojte koristiti proizvod s oštećenim zaštitnim uređajima.
- Redovito pregledavajte sigurnosne uređaje. Ako su sigurnosni uređaji neispravni, obratite se Husqvarna ovlaštenom trgovcu.

### Provjera poklopca

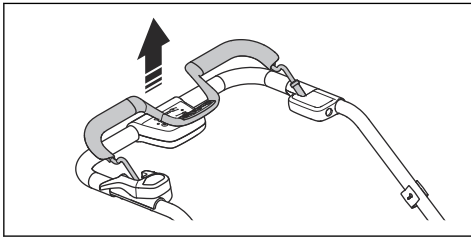
Poklopac prozračivača smanjuje vibriranje proizvoda te opasnost od ozljede nastavkom prozračivača.

- Provjerite ima li na bočnom poklopcu prozračivača oštećenja, primjerice napuklina.
- Provjerite ima li na stražnjem poklopcu prozračivača oštećenja, primjerice napuklina.

### Ručica kočnice motora

Ručicom kočnice motora zaustavljate motor. Motor se zaustavlja po otpuštanju ručice kočnice motora.

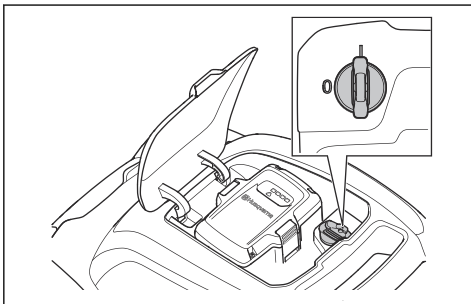
Za provjeru ručice kočnice motora pokrenite motor i potom otpustite ručicu kočnice motora. Ako se motor ne zaustavi za 3 sekunde, podesite kočnicu motora kod servisera tvrtke Husqvarna.



### Sigurnosni ključ

Sigurnosni ključ nalazi se ispod poklopca baterije. Sigurnosni ključ upotrebljava se za priključak baterije koja napaja motor strujom.

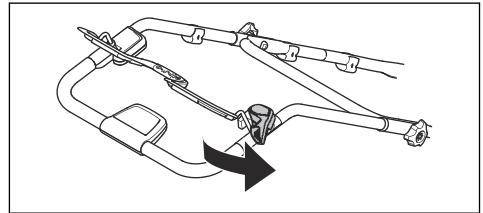
- Pokrenite i zaustavite motor kako biste provjerili sigurnosni ključ.
- Ako sigurnosni ključ ispravno funkcionira, motor se pokreće samo kad je ključ okrenut na 1.



### Pregled blokade pokretanja

Ispitajte blokadu pokretanja kako biste se uvjerali da sprječava pogon motora.

1. Ručicu kočnice motora gurnite prema upravljaču. Blokada pokretanja zaustavlja pomak.
2. Istisnite blokadu pokretanja.

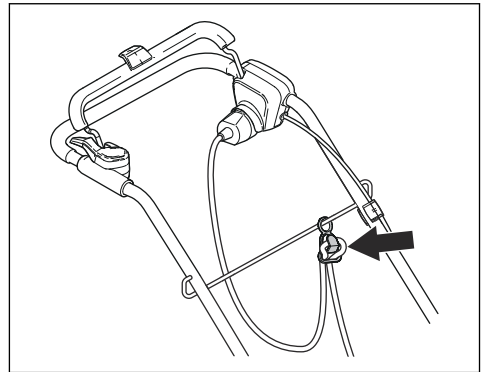


3. Otpustite blokadu pokretanja i provjerite vraća li se u početni položaj.

### Uporaba držača kabela napajanja (model S 138C)

Držač kabela napajanja smanjuje naprezanje na strujnoj utičnici i kابلu napajanja. Držač kabela napajanja također smanjuje i rizik od vašeg pada.

1. Savijte električni kabel kako biste oblikovali malu petlju.
2. Stavite tu petlju u provrt u držaču kabela napajanja.
3. Ovijte petlju oko kukice.
4. Povucite kabel napajanja kako biste zategnuli petlju oko kukice.



### Sigurnost baterije



**UPOZORENJE:** Prije upotrebe proizvoda pročitajte upozoravajuće upute u nastavku.

- Upotrebljavajte punjive baterije tvrtke Husqvarna samo za napajanje odgovarajućih proizvoda tvrtke Husqvarna. Bateriju nemojte upotrebljavati za napajanje drugih proizvoda jer postoji opasnost od ozljeda.
- Nemojte koristiti baterije koje nisu punjive.
- Opasnost od strujnog udara. Polove baterije nemojte spajati s ključevima, kovanicama, vijcima ili drugim metalom. Tako može doći do kratkog spoja baterije.
- Nemojte umetati predmete u zračne utore baterije.
- Bateriju zaštitite od sunčeve svjetlosti, vrućine i otvorenog plamena. Baterija može eksplodirati i uzrokovati opekline i/ili kemijske opekline.
- Zaštitite bateriju od kiše i mokrih uvjeta.
- Zaštitite bateriju od mikrovalova i visokog tlaka.
- Bateriju nemojte rastavljati ili razbijati.
- Ako baterija počne propuštati, nemojte dopustiti da vam tekućina dospije na kožu ili u oči. Ako ste dodirnuli tekućinu, očistite to mjesto velikom količinom vode i zatražite medicinsku pomoć.
- Bateriju upotrebljavajte u rasponu temperatura od -10 °C i 40 °C.
- Bateriju ili punjač baterije nikada nemojte čistiti vodom. Pogledajte *Za čišćenje baterije i punjača baterija na stranici 287.*
- Nemojte upotrebljavati neispravnu ili oštećenu bateriju.
- Baterije skladištite dalje od metalnih predmeta poput čavala, kovanica i nakita.

### Sigurnost punjača baterije



**UPOZORENJE:** Prije upotrebe proizvoda pročitajte upozoravajuće upute u nastavku.

---

- Punjače baterija QC upotrebljavajte samo za punjenje zamjenskih baterija tvrtke Husqvarna.
- Opasnost od strujnog udara ili kratkog spoja. Nemojte umetati predmete u zračne utore punjača. Nemojte rastavljati punjač baterije. Priključke baterije nemojte spajati metalnim predmetima. Upotrebljavajte odobrenu mrežnu utičnicu.
- Proizvod tijekom rada proizvodi elektromagnetsko

polje. To polje u određenim okolnostima može ometati aktivne ili pasivne medicinske implantate. Za smanjenje opasnosti od uvjeta koji mogu uzrokovati ozljede ili smrt, osobama s medicinskim implantatima prije korištenja ovog uređaja preporučujemo obraćanje liječniku i proizvođaču medicinskog implantata.

- Redovno provjeravajte je li kabel za napajanje punjača baterije neoštećen te je li ispucao.
- Punjač baterije nemojte podizati za električni kabel. Za odspajanje punjača baterije od zidne utičnice izvucite utikač. Nemojte povlačiti kabel za napajanje.
- Kabel za napajanje i produžne kabele držite podalje od vode, ulja i oštih rubova. Kabel nemojte prignječiti vratima, ogradama i sl. To može narinuti napon na punjač.
- Punjač baterije nemojte čistiti vodom.
- Punjač baterije mogu koristiti djeca od 8 godina i starija te osobe s umanjenim fizičkim, osjetilnim ili mentalnim sposobnostima ili nedostatkom iskustva i znanja ako je

osiguran njihov nadzor ili ako su upućeni u sigurno korištenje uređaja te razumiju obuhvaćene opasnosti. Djeca se ne smiju igrati punjačem baterije. Čišćenje i održavanje ne smiju provoditi djeca bez nadzora.

- Punjačem baterije nije dopušteno puniti nepunjive baterije.
- Punjač baterije nemojte upotrebljavati u blizini zapaljivih materijala ili materijala koji mogu uzrokovati koroziju. Nemojte pokrivati punjač baterije. Ako dođe do razvoja dima ili požara, odvojite utikač punjača baterije.
- Nemojte upotrebljavati neispravan ili oštećen punjač baterije.
- Bateriju puniti isključivo u dobro prozračenom zatvorenom prostoru bez izravne sunčeve svjetlosti. Bateriju nije dopušteno puniti u vlažnim uvjetima.

#### **Sigurno korištenje kabela za napajanje**

Za model S 138C.

- Preporučuje se korištenje zaštitnog uređaja diferencijalne struje (Residual Current Device, R.C.D.) sa strujom okidanja manjom od

30 mA. Čak i uz upotrebu uređaja RCD potpuna sigurnost se ne može zajamčiti pa je potrebno stalno se pridržavati sigurnih radnih postupaka. Provjerite svoj R.C.D. svaki put kad se njime koristite.

- Ako dođe do presijecanja kabela napajanja ili oštećenja izolacije, kabel odmah izvucite iz utičnice.
- Nemojte dodirivati presječeni ili oštećeni kabel napajanja dok ga ne izvučete iz utičnice za napajanje.
- Presječeni ili oštećeni kabel nemojte popravljati. Zamijenite ga drugim.

## Sigurnosne upute za održavanje



**UPOZORENJE:** Prije korištenja proizvoda pročitajte upozoravajuće upute u nastavku.

- Za model S 138i: kako biste spriječili nenamjerno pokretanje tijekom održavanja, okrenite sigurnosni ključ na 0 i uklonite bateriju. Pričekajte najmanje 5 sekundi prije početka održavanja.
- Za model S 138C: za sprječavanje nenamjernog

pokretanja tijekom održavanja odspojite kabel napajanja.

- Pravilno provedite radove održavanja kako biste produljili vijek trajanja proizvoda i smanjili opasnost od nezgoda. Profesionalna održavanja prepustite odobrenom serviseru. Za više informacija obratite se najbližem serviseru.
- Provodite samo održavanje opisano u ovom korisničkom priručniku. Opsežnije radove obavezno provodi ovlaštenu servisera.
- Tijekom rada s nastavcima prozračivača nosite rukavice za teške uvjete rada. Nastavak prozračivača vrlo je oštar i lako dolazi do posjekotina.
- Noževe nastavaka prozračivača održavajte naoštrenima i čistima kako biste osigurali najsigurnije radne značajke.
- Redovno pregledavajte proizvod i provodite potrebne prilagodbe i popravke kod servisera.
- Zamijenite oštećene, istrošene ili polomljene dijelove.
- Pridržavajte se uputa za zamjenu dodatne opreme. Upotrebljavajte isključivo dodatnu opremu proizvođača.



- Kada ih ne upotrebljavate, proizvod, bateriju i punjač baterije skladištite odvojeno u zatvorenom, suhom i

zaključanom prostoru. Djeci i neovlaštenim osobama onemogućite pristup proizvodu, bateriji i punjaču.

## Sastavljanje

### Uvod



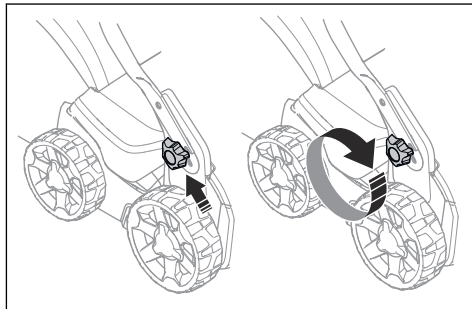
**UPOZORENJE:** Prije sastavljanja proizvoda pročitajte poglavlje o sigurnosti.



**UPOZORENJE:** Za model S 138i: Kako biste spriječili nenamjerno pokretanje pri sastavljanju okrenite sigurnosni ključ na 0, uklonite bateriju i pričekajte najmanje 5 sekundi.

Za model S 138C: Za sprječavanje nenamjernog pokretanja tijekom sastavljanja odspojite kabel napajanja.

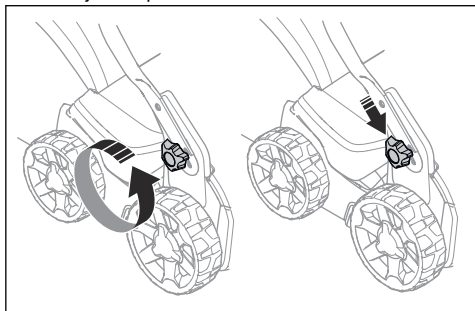
4. Pomičite kotačiće gore u smjeru ručke dok se ne zaustave uz škljocaj.



5. Kotačiće zategnite do kraja.

### Sastavljanje ručke

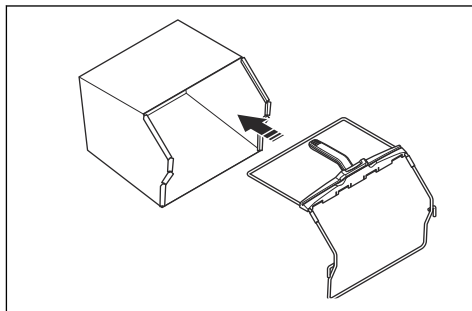
1. Otpustite donje vijke.
2. Pomaknite kotačiće u donji dio utora na lijevoj i desnoj strani proizvoda.



3. Postavite visinu ručke u jednu od dva dostupna položaja.

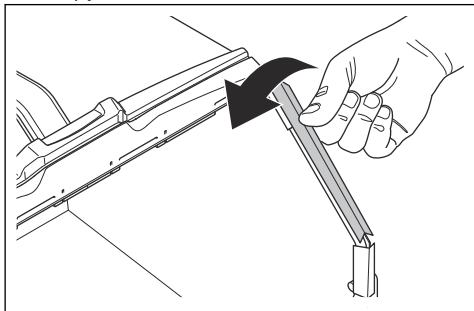
### Montaža sakupljača trave

1. Okvir sakupljača trave pričvrstite za vreću za travu tako da kruti dio vreće bude na dnu. Ručka okvira treba biti na vrhu vreće za travu.



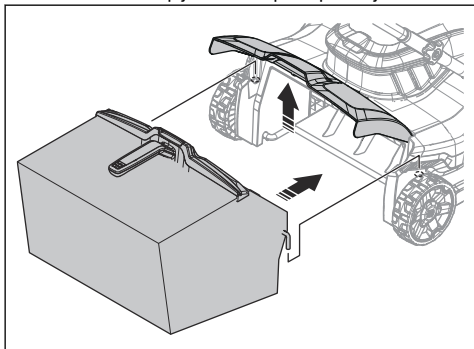
2. Donji dio okvira sakupljača trave pričvrstite u utor na dnu sakupljača trave.

3. Vreću za travu kopčama pričvrstite za okvir sakupljača trave.

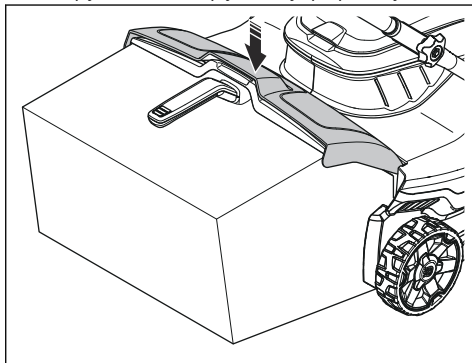


4. Podignite stražnji poklopac.

5. Pomaknite sakupljač trave u pravi položaj.



6. Pričvrstite sakupljač trave za gornji rub šasije. Pobrinite se da stražnji poklopac tijesno naliježe na sakupljač trave radi sprječavanja propuštanja.



---

## Rad

---

### Uvod



**UPOZORENJE:** Prije rada s proizvodom morate pročitati i usvojiti poglavlje o sigurnosti.

### Postavljanje dubine rada



**UPOZORENJE:** Tijekom rada s proizvodom nikada nemojte postavljati dubinu rada.

### Husqvarna Connect

Husqvarna Connect besplatna je aplikacija za mobilni uređaj. Aplikacija Husqvarna Connect pruža vam dodatne funkcije za proizvod Husqvarna.

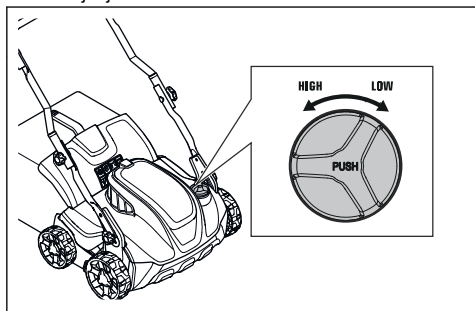
- Opširnije informacije o proizvodu.
- Dodatne informacije i pomoć za dijelove i servisiranje proizvoda.

### Početak rada sa Husqvarna Connect

1. Preuzmite aplikaciju Husqvarna Connect na svoj mobilni uređaj.
2. Prijavite se na aplikaciju Husqvarna Connect.
3. Pratite upute u aplikaciji Husqvarna Connect kako biste se spojili i registrirali proizvod.

1. Pritisnite i suprotno od smjera kretanja kazaljke na satu okrenite gumb za prilagodbu dubine rada za povećanje dubine rada.

2. Pritisnite i u smjeru kretanja kazaljke na satu okrenite gumb za prilagodbu dubine rada za smanjenje dubine rada.



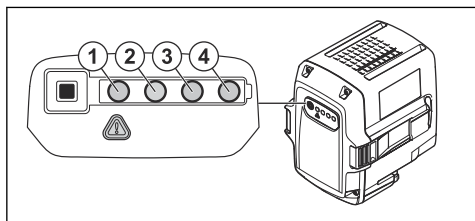
## Baterija



**UPOZORENJE:** Prije upotrebe baterije morate pročitati i usvojiti poglavlje o sigurnosti. Također morate pročitati i usvojiti korisnički priručnik za bateriju i punjač baterije.

## Status baterije

Na zaslону se prikazuje preostali kapacitet baterije te postoje li problemi s baterijom. Kapacitet baterije prikazuje se na 5 sekundi nakon isključenja proizvoda ili pritiskanja gumba indikatora baterije. Kada dođe do pogreške uključuje se simbol upozorenja na bateriji. Pogledajte *Baterija na stranici 289*.



LED indikatori	Status baterije
Svi LED indikatori svijetle	Potpuno napunjena (75 – 100%)
Svijetle indikatori LED 1, LED 2 i LED 3	Baterija je napunjena 50% – 75%
Svijetle indikatori LED 1 i LED 2	Baterija je napunjena 25% – 50%
Svijetli indikator LED 1	Baterija je napunjena 0% – 25%.
Indikator LED 1 treperi	Baterija je prazna. Napunite bateriju.

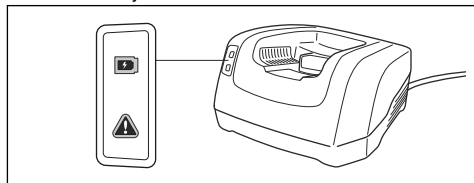
## Zamjena baterije

Prije prve upotrebe napunite bateriju. Baterija je pri isporuci kupcu napunjena samo 30%.

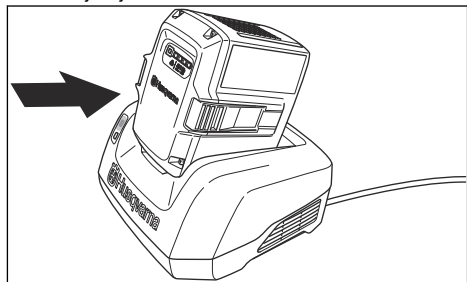
**Napomena:** Punjač baterije morate spojiti na napon i frekvenciju koji su navedeni na natpisnoj pločici.

Baterija se ne puni ako je temperatura baterije viša od 50 °C. Punjač baterije smanjuje temperaturu baterije prije početka punjenja.

1. Jedan kraj kabela za napajanje punjača baterije priključite na utičnicu na punjaču baterije.
2. Drugi kraj kabela za napajanje punjača baterije priključite na uzemljenu mrežnu utičnicu. LED indikator na punjaču baterije zatrepri jednom zelenom bojom.



3. Postavite bateriju u punjač baterije. Ako je baterija pravilno priključena na punjač baterije, na punjaču se uključuje zeleni indikator.



4. Kada na bateriji svijetle svi LED indikatori, baterija je potpuno napunjena. Bateriju punitelj 24 sata.
5. Za odspajanje punjača baterije od mrežne utičnice povucite priključak, ne kabal.
6. Izvadite bateriju iz punjača baterije.

## Status punjača baterije

Litij-ionsku bateriju tvrtke Husqvarna možete puniti ili upotrebljavati pri bilo kojoj razini napunjenosti. Baterija nije oštećena. Potpuno napunjena baterija neće se prazniti kada je ostavite u punjaču.

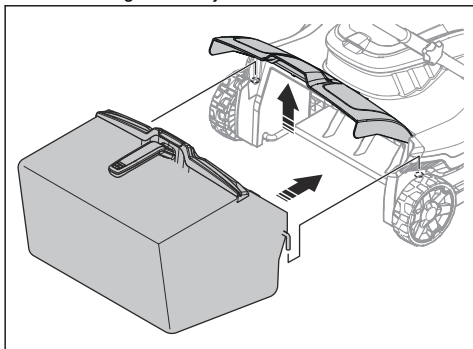
LED zaslón	Stanje punjenja
Indikator LED 1 treperi	0% – 25%
Svijetli indikator LED 1, indikator LED 2 treperi	25% – 50%

LED zaslon	Stanje punjenja
Svijetle indikatori LED 1, LED 2, indikator LED 3 treperi	50% – 75%
Svijetle indikatori LED 1, LED 2, LED 3, indikator LED 4 treperi	75% – 100%
Svijetle indikatori LED 1, LED 2, LED 3 i LED 4	Potpuno napunjena

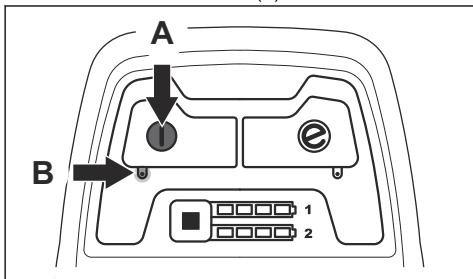
## Rad sa S 138i

### Pokretanje proizvoda

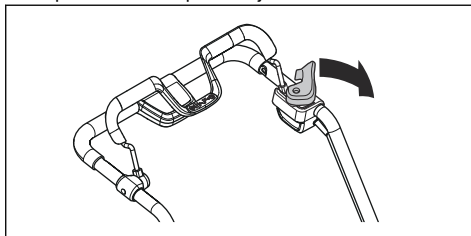
1. Umetnite potpuno napunjenu bateriju u odjeljak za bateriju 1 ispod poklopca baterije. Za dulje vrijeme rada umetnite drugu napunjenu bateriju u odjeljak za bateriju 2.
2. Okrenite sigurnosni ključ na 1.



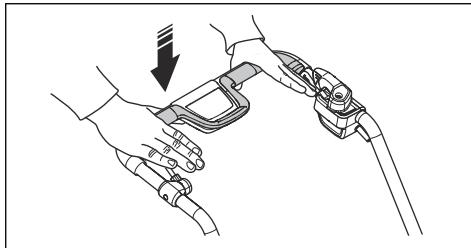
3. Stanite iza proizvoda.
4. Pritisnite gumb za UKLJUČIVANJE/ ISKLJUČIVANJE (A) na upravljačkoj ploči i uključite će se zeleni LED indikator (B).



5. Otpustite blokadu pokretanja.



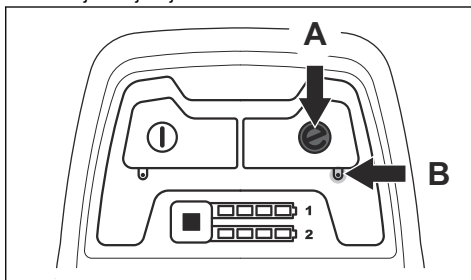
6. Ručicu kočnice motora gumite prema upravljaču.



### Upotreba funkcije SavE

Proizvod ima funkciju za uštedu baterije (SavE) koja omogućuje dulje vrijeme rada.

1. Pritisnite gumb SavE (A) kako biste pokrenuli funkciju. Uključuje se zeleni LED indikator.

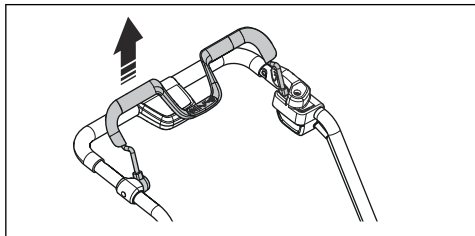


2. Ponovno pritisnite gumb SavE kako biste prekinuli funkciju. Isključuje se zeleni LED indikator (B).

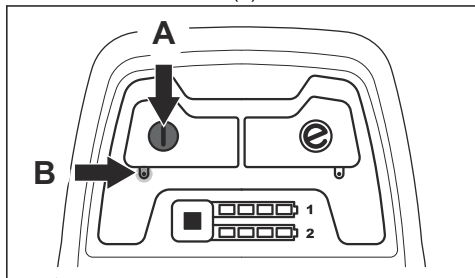
### Zaustavljanje proizvoda

Proizvod se automatski zaustavlja ako ga ne upotrebljavate 10 minuta. Prije ostavljanja proizvoda bez nadzora obavezno okrenite sigurnosni ključ na 0.

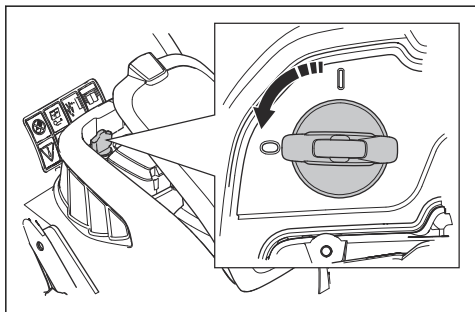
1. Otpustite ručicom kočnice motora kako biste zaustavili motor.



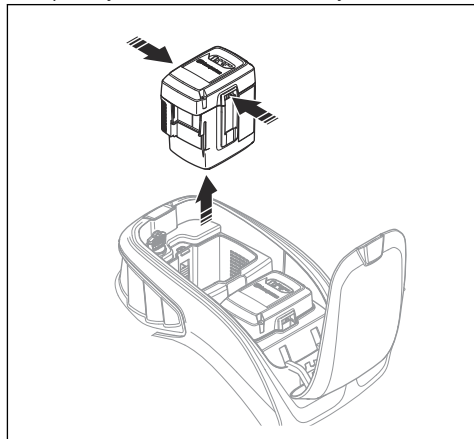
2. Na upravljačkoj ploči pritisnite gumb za UKLJUČIVANJE/ISKLUČIVANJE (A) i isključit će se zeleni LED indikator (B).



3. Otvorite poklopac baterije i okrenite sigurnosni ključ na 0.



4. Za uklanjanje baterije pritisnite dva gumba za otpuštanje i istodobno izvadite bateriju.

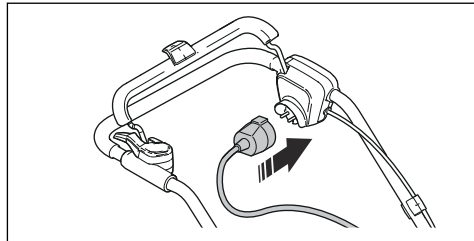


5. Zamijenite slabu bateriju. Više informacija potražite u *Zamjena baterije na stranici 283.*

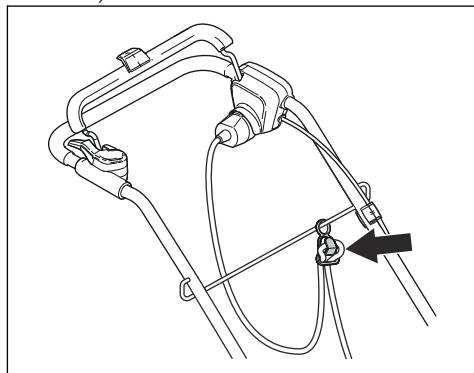
## Rad sa S 138C

### Pokretanje proizvoda

1. Priključite električni kabel na utičnicu ispod ručke.

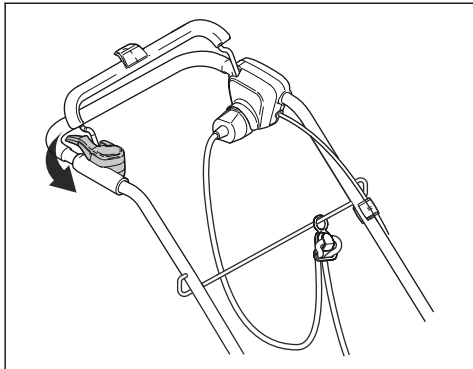


2. Postavite kabel napajanja u držač kabela napajanja. Pogledajte *Uporaba držača kabela napajanja (model S 138C) na stranici 277.*

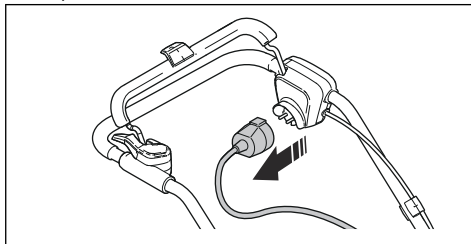


3. Stanite iza proizvoda.

4. Otpustite blokadu pokretanja.

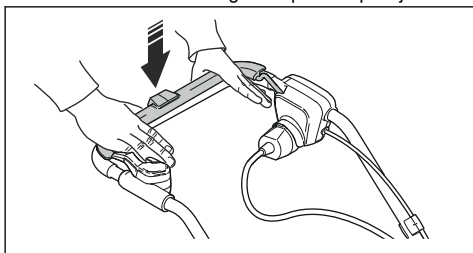


2. Kabel napajanja prvo odspojite od mreže, a potom i od proizvoda.



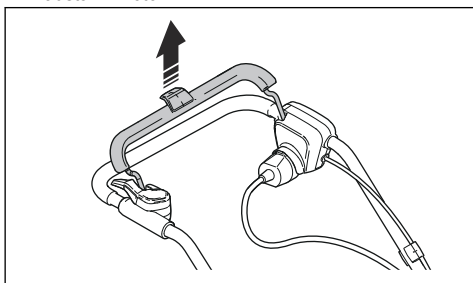
**OPREZ:** Priključak povlačite ravno prema van. Nemojte povlačiti kabel za napajanje.

5. Ručicu kočnice motora gurnite prema upravljaču.



## Zaustavljanje proizvoda

1. Otpustite ručicom kočnice motora kako biste zaustavili motor.



## Održavanje

### Uvod



**UPOZORENJE:** Prije održavanja morate pročitati i usvojiti poglavlje o sigurnosti.

Za sve radove servisiranja i održavanja na proizvodu potrebna je posebna obuka. Jamčimo dostupnost profesionalnih popravaka i servisa. Ako vaš distributer nije serviser, od njega zatražite informacije o najbližem serviseru.

### Raspored održavanja

Intervali održavanja izračunati su za dnevnu upotrebu proizvoda. Intervali se mijenjaju ako se proizvod ne upotrebljava svakodnevno.

Za održavanje označeno znakom \* pogledajte *Sigurnosne upute za proizvod na stranici 276.*

S 138i i S 138C	Svake upotrebe	Mjesečno	Svake sezone
Provedite opći pregled.	X		
Očistite proizvod.	X		
Pregledajte nastavak prozračivača.	X		
Provjerite ispravnost sigurnosnih uređaja na proizvodu. *	X		
Pregledajte poklopce. *	X		
Provjerite ručicu kočnice motora. *	X		
Provjerite blokadu paljenja. *	X		

Samo za S 138i	Svake upotrebe	Mjesečno	Svake sezone
Provjerite ispravnost i neoštećenost gumba ON/OFF (uključivanje/isključivanje).	X		
Provjerite je li baterija oštećena.	X		
Provjerite napunjenost baterije.	X		
Provjerite ispravnost gumba za otpuštanje baterije i pričvršćivanje baterije u proizvod.	X		
Provjerite je li punjač baterije oštećen i uvjerite se u njegovu ispravnost rada.		X	
Pregledajte spojeve između baterije i proizvoda. Također pregledajte spojeve između baterije i punjača baterije.			X

## Za opći pregled

- Provjerite jesu li zategnuti matice i vijci na proizvodu.
- Kabeli na proizvodu ne smiju biti u položaju u kojem se mogu oštetiti.

## Za čišćenje proizvoda

- Plastične dijelove čistite čistom i suhom krpom.
- Proizvod nemojte čistiti vodom. Voda može prodrijeti u bateriju ili motor i uzrokovati kratki spoj ili oštetiti proizvod.
- Za čišćenje proizvoda nemojte koristiti visokotlačni stroj za pranje.
- Nemojte liti vodu izravno na motor.
- Četkom uklonite lišće, travu i onečišćenja.

## Za čišćenje baterije i punjača baterija



**OPREZ:** Bateriju ili punjač baterije nikada nemojte čistiti vodom.

- Prije umetanja baterije u punjač baterije provjerite jesu li baterija i punjač baterije čisti i suhi.
- Očistite polove baterije komprimiranim zrakom ili upotrijebite mekanu i suhu krpu.

- Površine baterije i punjač baterije očistite mekanom i suhom krpom.

## Pregled nastavaka prozračivača



**UPOZORENJE:** Za modele S 138i: Kako biste spriječili nenamjerno pokretanje, sigurnosni ključ okrenite na 0, izvadite bateriju i pričekajte najmanje 5 sekundi.

Za model S 138C: Za sprječavanje nenamjernog pokretanja odspojite kabel napajanja.



**UPOZORENJE:** Tijekom održavanja nastavaka prozračivača nosite zaštitne rukavice. Noževi na nastavku prozračivača vrlo su oštri i lako dolazi do posjekotina.

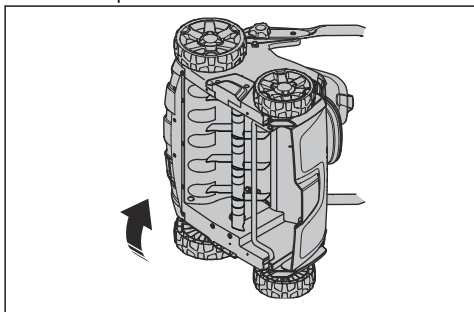
- Pregledajte ima li na nastavku prozračivača oštećenja ili pukotina. Oštećene nastavke prozračivača obavezno zamijenite.

## Zamjena nastavaka prozračivača

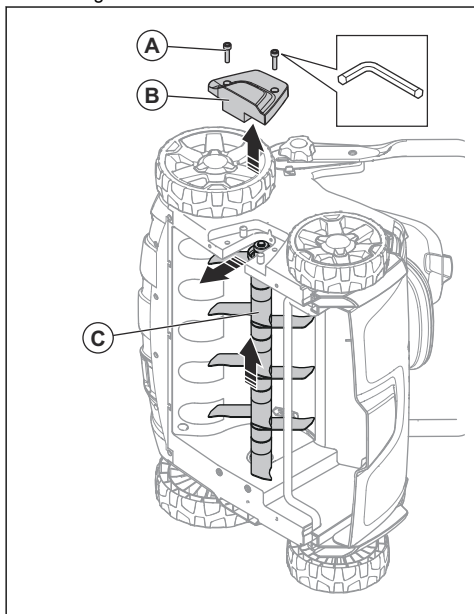


**UPOZORENJE:** Tijekom održavanja nastavaka prozračivača nosite zaštitne rukavice. Nastavci prozračivača vrlo su oštri i lako dolazi do posjekotina.

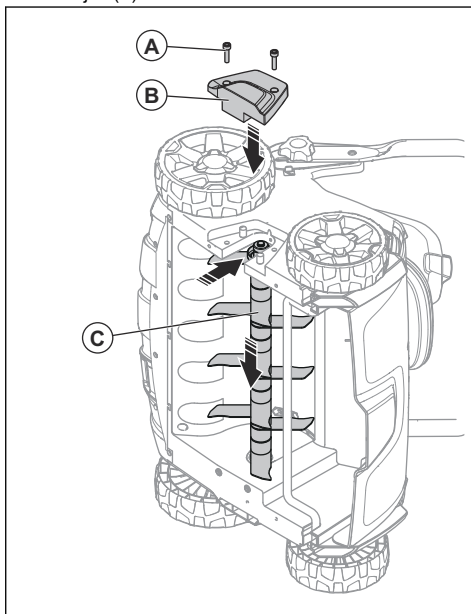
1. Postavite proizvod na desnu stranu.



2. Uklonite dva vijka (A) i poklopac prozračivača (B). Gurnite nastavak prozračivača (C) prema gore i skinite ga.



3. Gurnite nastavak prozračivača (C) u utor i prema dolje u provrt. Pričvrstite poklopac prozračivača (B) i dva vijka (A)





## Rješavanje problema

### Baterija

LED indikator na bateriji	Moguće pogreške	Mogući postupak
Treperi zeleni LED indikator	Napon baterije je nizak	Napunite bateriju. Pogledajte <i>Zamjena baterije na stranici 283</i> .
Treperi LED indikator za pogreške	Baterija je slaba	Napunite bateriju. Pogledajte <i>Zamjena baterije na stranici 283</i> .
	Temperatura radnog okoliša je previsoka ili preniska	Bateriju upotrebljavajte u rasponu temperatura od -10 °C i 40 °C.
	Prenapon	Provjerite je li napon mreže jednak naponu na natpisnoj pločici proizvoda.  Izvadite bateriju iz punjača baterije. Pričekajte 5 sekundi i ponovno pokušajte napuniti bateriju. Ako se problem ponovno pojavi, obratite se ovlaštenom serviseru.
LED indikator za pogreške je uključen	Prevelika razlika ćelija (1 V)	Obratite se ovlaštenom serviseru.

### Punjač baterije

LED indikator na punjaču baterije	Moguće pogreške	Mogući postupak
Treperi LED indikator za pogreške	Temperatura radnog okoliša je previsoka ili preniska	Punjač baterije upotrebljavajte u rasponu temperature između 5 °C i 40 °C.
LED indikator za pogreške je uključen		Obratite se ovlaštenom serviseru

### Upravljačka ploča

Za model S 138i

Pogreška	Kod pogreške (broj treperenja)	Moguće pogreške	Moguće rješenje
Treperenje LED indikatora za pogreške	3	Motor je preopterećen.	Smanjite dubinu rada. Pogledajte <i>Postavljanje dubine rada na stranici 282</i> . Ako LED indikator pogreške i dalje trepti, blokiran je nastavak prozračivača. Kako biste spriječili nenamjerno pokretanje sigurnosni ključ okrenite na 0, uklonite bateriju i pričekajte najmanje pet sekundi. Provjerite može li se nastavak prozračivača pomicati neometano. Ako se problem ponovno pojavi, obratite se ovlaštenom serviseru.
	5	Prevelik pad brzine motora i zaustavljanje motora.	
	9	Pregrijano je upravljanje motorom.	Zaustavite motor i pričekajte da se ohladi.
	7	Pogreška baterije ili nema signala baterije.	Pravilno umetnite bateriju u proizvod i pregledajte priključak baterije. Ako trepti LED indikator za pogrešku na bateriji, pogledajte <i>Status punjača baterije na stranici 283</i> .
		Baterija je slaba.	Napunite bateriju. Pogledajte <i>Zamjena baterije na stranici 283</i> .
Proizvod se zaustavlja	6	Baterija je slaba.	Napunite bateriju. Pogledajte <i>Zamjena baterije na stranici 283</i> .
	0	Kvar priključka baterije.	Pregledajte priključak baterije.
Ostale pogreške	Ako dođe od pogreške, sigurnosni ključ okrenite na 0, izvadite bateriju i obratite se predstavniku ovlaštenog servisa.		

## Prijevoz, spremanje i zbrinjavanje

### Prijevoz

- Na sadržane litij-ionske baterije primjenjuju se zahtjevi zakona o opasnim tvarima.
- Za komercijalne Transporte morate poštivati posebne zahtjeve za pakiranje i oznake.
- Provjerite poštivanje propisa za opasne materijale tijekom pripreme proizvoda za transport. Primjenjuju se lokalni propisi.
- Prije prijevoza obavezno izvadite bateriju.
- Preljepite priključke baterije trakom i onemogućite pomicanje baterije tijekom transporta.
- Pričvrstite proizvod tijekom transporta.

### Skладиštenje

- Prije skladištenja obavezno izvadite bateriju.
- Kako biste spriječili nezgode, bateriju tijekom skladištenja nemojte ostaviti priključenu na proizvod.
- Punjač baterije spremite u zatvoren, suh prostor.

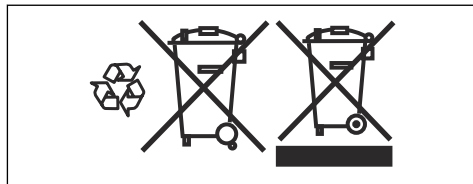
- Bateriju i punjač baterije spremite u suh prostor u koji ne može prodrijeti vlaga ili mraz.
- Bateriju za skladištenje uklonite s punjača baterije.
- Bateriju nemojte skladištiti u prostoru u kojem može nastati statički elektricitet. Bateriju nemojte čuvati u metalnoj kutiji.
- Bateriju spremite u prostor temperature između 5 °C i 25 °C, bez izlaganja izravnoj sunčevoj svjetlosti.
- Punjač baterije spremite u prostor temperature između 5 °C i 45 °C, bez izlaganja izravnoj sunčevoj svjetlosti.
- Prije dugotrajnog skladištenja obavezno napunite bateriju na 30% do 50%.
- Proizvod, bateriju i punjač baterije skladištite u zaključanom prostoru izvan dosega djece i neodobrenih osoba.
- Prije dugotrajnog skladištenja očistite proizvod i provedite cjeloviti servis.

## Odlaganje

Oznake na proizvodu ili ambalaži proizvoda znače da se proizvod ne smije odlagati zajedno s komunalnim otpadom. Umjesto toga, potrebno ga je odnijeti u propisani reciklažni centar za prihvataj električne i elektroničke opreme.

Ispravnim rukovanjem proizvodom pomažete u ublažavanju negativnih učinaka po okoliš i osobe do kojih može doći u slučaju pogrešnog upravljanja otpadnim tvarima ovog proizvoda. Pojednosti o

recikliranju proizvoda zatražite od lokalnih tijela uprave, komunalne službe ili u prodavaonici u kojoj ste kupili proizvod.



## Tehnički podaci

### Tehnički podaci

	S 138I	S 138C
<b>Motor</b>		
Vrsta motora	BLDC (beskontaktni) 36 V	Serijski izmjenični motor
Broj okretaja nastavka – SavE, o/min	3000	Nije dostupno
Broj okretaja nastavka – nazivni, o/min	3200	4200
Snaga motora – maks. kW	1,28	1,8
Snaga motora – nazivna, kW	0,9	1,6
<b>Težina</b>		
Težina, kg	19,5 (bez baterije)	19,0
<b>Baterija</b>		
Vrsta baterije	Serijske baterije Husqvarna	Nije dostupno
<b>Trajanje baterije</b>		
Trajanje baterije, min, (slobodni pogon) s uključenom funkcijom SavE, s jednom baterijom tvrtke Husqvarna od 5,2 Ah (Bli200).	115	Nije dostupno
Trajanje baterije, min, (slobodni pogon) s uključenim standardnim načinom rada, s jednom baterijom tvrtke Husqvarna od 5,2 Ah (Bli200).	102	Nije dostupno
<b>Emisije buke</b> <sup>31</sup>		
Razina jačine zvuka, mjerena u dB (A)	89,2	95,7
Razina jačine zvuka, zajamčena L <sub>WA</sub> dB (A)	91	98
<b>Razine buke</b> <sup>32</sup>		
Razine tlaka zvuka na uhu rukovatelja, dB (A)	75,3	81,7
<b>Razine vibracije</b> <sup>33</sup>		
Ručka, m/s <sup>2</sup>	5,5	8,3

<sup>31</sup> Emisije buke u okoliš izmjerene kao jakost zvuka (L<sub>WA</sub>) u skladu s EZ direktivom 2000/14/EZ.

<sup>32</sup> Navedeni podaci za razinu pritiska zvuka uključuju tipično statističko raspršenje (standardno odstupanje) od 1,2 dB (A).

<sup>33</sup> Podaci o razini vibracije pokazuju tipičnu statističku disperziju (standardnu devijaciju) od 0,2 m/s<sup>2</sup>.

	S 138i	S 138C
<b>Rad</b>		
Dubina rada maks./min, mm	-8/+5	-8/+5
Širina rada, cm	37,5	37,5
Nastavak s Delta noževima	5973510-01	5973510-01
Nastavak s opružnim vilama	5973509-01	5973509-01
Zapremnina sakupljača trave, u litrama	45	45

Odobrene baterije	Vrsta	Kapacitet baterije, Ah	Napon, V	Težina, lb/kg
BLi20	Litij-ion	4,0	36	2,6/1,2
BLi200	Litij-ion	5,2	36	2,8/1,3
BLi300	Litij-ion	9,4	36	4,1/1,9

Odobreni punjači za navedene baterije, BLi	Ulazni napon, V	Frekvencija, Hz	Snaga, W
QC80	100 – 240	50 – 60	80
QC80F	12	0	80
QC330	100 – 240	50 – 60	330
QC500	100 – 240	50 – 60	500

---

# Izjava o sukladnosti EC

---

## Izjava o sukladnosti EZ

**Husqvarna AB**, SE-561 82 Huskvarna, Švedska, tel:  
+46-36-146500, izjavljuje da su **prozračivači Husqvarna**  
**S 138i** od serijskog broja 2018XXXXXX nadalje u  
skladu sa zahtjevima DIREKTIVE VIJEĆA:

- od 8. lipnja 2011. o „ograničenju uporabe određenih opasnih tvari“ **2011/65/EU**
- od 17. svibnja 2006, „o strojevima“ **2006/42/EZ**
- od 26. veljače 2014. „o elektromagnetskoj kompatibilnosti“ **2014/30/EU**
- od 8. svibnja 2000. „o emisijama buke u okoliš“ **2000/14/EZ**

Informacije o emisiji buke potražite u poglavlju s tehničkim podacima.

Primijenjeni su sljedeći standardi:

**EN 60335-1:2012+A11:2014+A13:2017, EN**  
**50636-2-92:2014, EN 55014-1:2017, EN 55014-2:2015**

Huskvarna, 2019-01-15



Claes Losdal, razvojni menadžer / vrtni proizvodi  
(ovlašteni predstavnik tvrtke Husqvarna AB i nositelj  
odgovornosti za tehničku dokumentaciju.)

---

# Izjava o sukladnosti EC

---

## Izjava o sukladnosti EZ

**Husqvarna AB**, SE-561 82 Huskvarna, Švedska, tel:  
+46-36-146500, izjavljuje da su **prozračivači Husqvarna**  
**S 138C** od serijskog broja 2018XXXXXX nadalje u  
skladu sa zahtjevima DIREKTIVE VIJEĆA:

- od 8. lipnja 2011. o „ograničenju uporabe određenih opasnih tvari“ **2011/65/EU**
- od 17. svibnja 2006, „o strojevima“ **2006/42/EZ**
- od 26. veljače 2014. „o elektromagnetskoj kompatibilnosti“ **2014/30/EU**
- od 8. svibnja 2000. „o emisijama buke u okoliš“ **2000/14/EZ**

Informacije o emisiji buke potražite u poglavlju s tehničkim podacima.

Primijenjeni su sljedeći standardi:

**EN 60335-1:2012+A11:2014+A13:2017, EN**  
**50636-2-92:2014, EN 55014-1:2017, EN 55014-2:2015,**  
**EN 61000-3-2:2014, EN 61000-3-11:2000**

Huskvarna, 2019-01-15



Claes Losdal, razvojni menadžer / vrtni proizvodi  
(ovlašteni predstavnik tvrtke Husqvarna AB i nositelj  
odgovornosti za tehničku dokumentaciju.)

---

# TARTALOMJEGYZÉK

---

Bevezető.....	295	Hibaelhárítás.....	316
Biztonság.....	299	Szállítás, tárolás és ártalmatlanítás.....	317
Összeszerelés.....	308	Műszaki adatok.....	318
Üzemeltetés.....	309	EK megfelelőségi nyilatkozat.....	320
Karbantartás.....	313	EK megfelelőségi nyilatkozat.....	321

---

## Bevezető

---

### Termékleírás

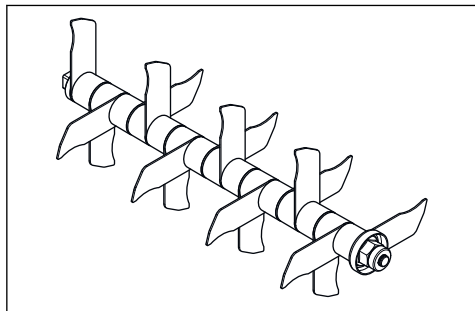
A termék egy gyalog kísért elektromos gyeplazító. A termék eltávolítja a pázsitról az elfilcesedett fűvet és fellazítja a talajt, ezzel elősegítve, hogy a levegő és a víz a talajba juthasson. Az elfilcesedett fű a fűgyűjtőbe vagy a pázsitra kerül. A termék két különböző típusú gyeplazító szerkezettel rendelkezik.

### Gyeplazító szerkezet

A gyeplazító szerkezet cseréjével kapcsolatban lásd: *A gyeplazító szerkezet cseréje* 315. oldalon.

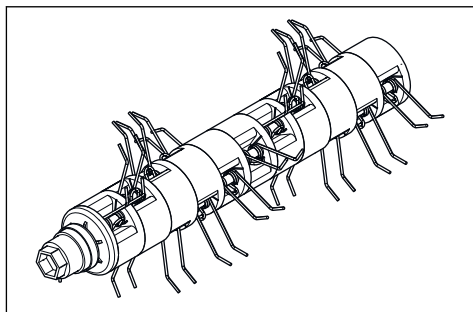
### Deltakés

A deltakések eltávolítják az elfilcesedett fűvet, és függőlegesen vágják le a fűgyökereket. A deltakések lejtőkön, teraszokon és magas agyagtartalmú talajokon használhatók. A deltakések lehetővé teszik, hogy a víz a pázsitba juthasson, és megakadályozzák a víz a felszínen való összegyűlését.



### Rugós fogak

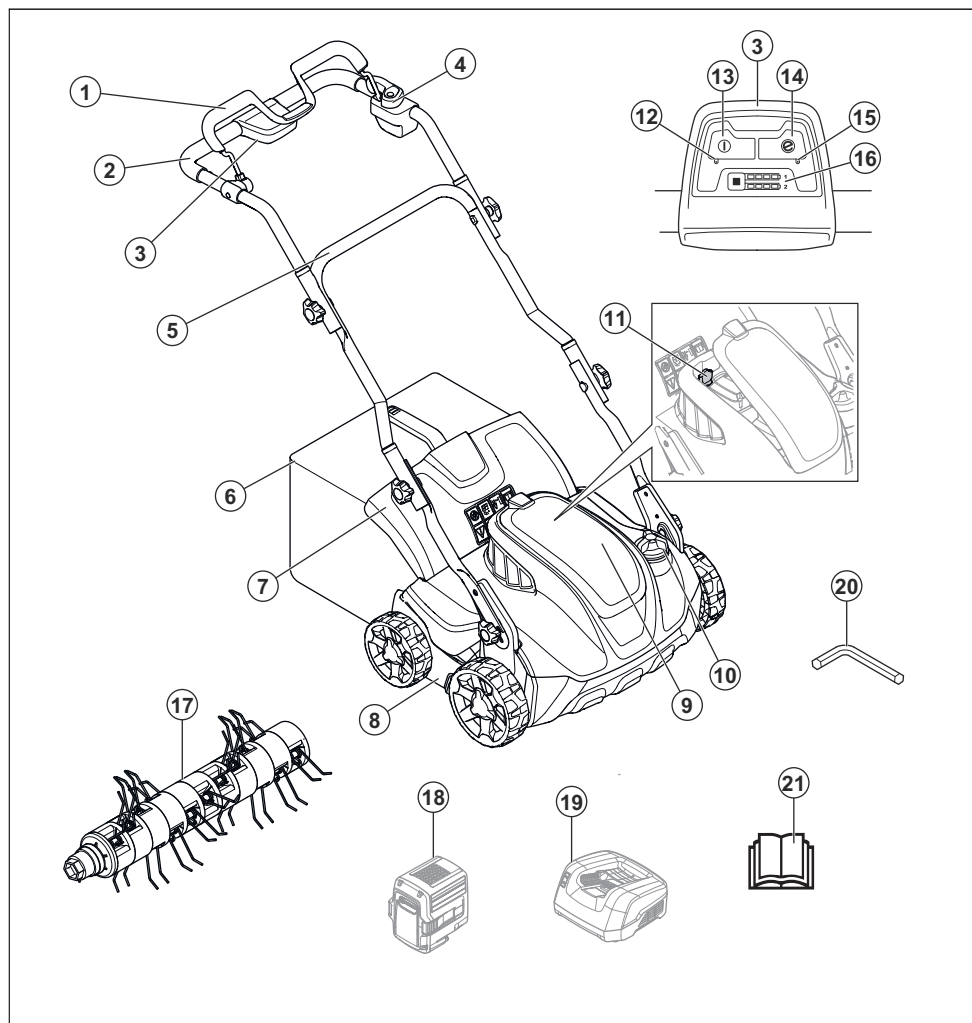
A rugós fogak óvatosan, a fűgyökerek sérülése nélkül távolítják el a pázsiton lévő elhalt és elfilcesedett fűvet.



### Rendeltetésszerű használat

A termék magánkertekben, az elfilcesedett fű és moha eltávolítására, valamint a talaj fellazítására használható. Ne használja a terméket egyéb feladatokra.

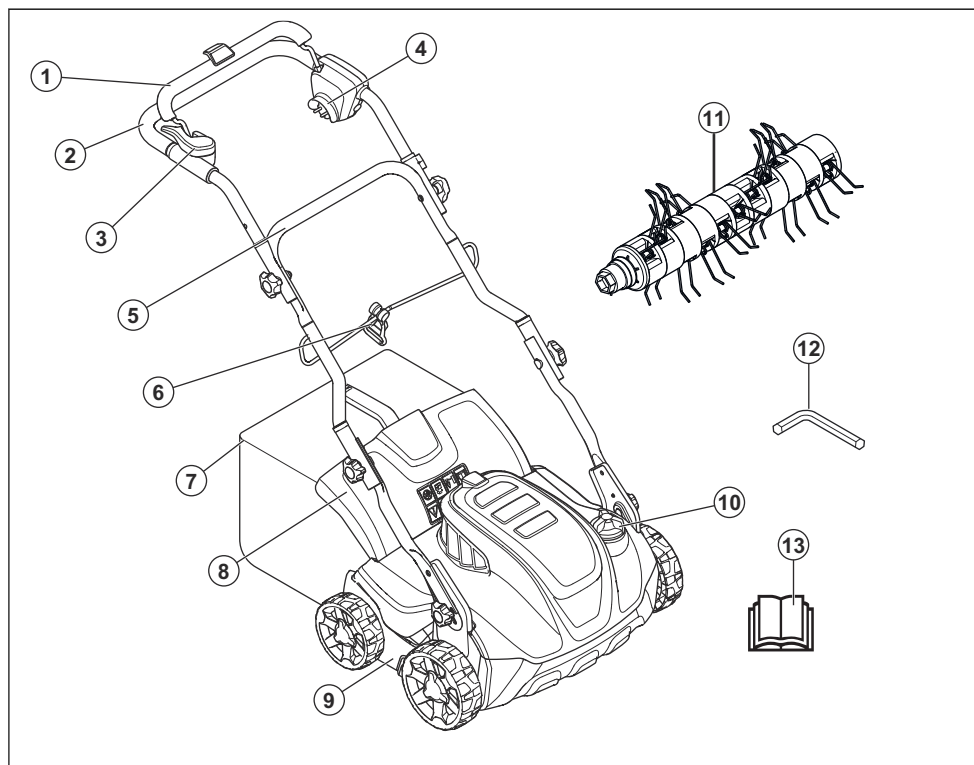
## Az S 138i modell áttekintése



- |   |  |
|---|--|
| 1. Motorfékfogantyú                           | 12. BE-/KI LED jelzőlámpa                                    |
| 2. Fogantyú felső része                       | 13. BE-/KI kapcsoló gomb                                     |
| 3. Vezérlőpanel                               | 14. SavE gomb  |
| 4. Indításgátló                               | 15. SavE LED jelzőlámpa                                      |
| 5. Alsó fogantyú                              | 16. Akkumulátor töltésellenőrző lámpái és akkumulátor gombja |
| 6. Fűgyűjtő                                   | 17. Rugós fogak  |
| 7. Hátsó burkolat                             | 18. Akkumulátor (tartozék)                                   |
| 8. A gyeplazító burkolata                     | 19. Akkumulátortöltő (tartozék)                              |
| 9. Akkumulátorfedél                           | 20. Hatszögkulcs   |
| 10. A munkamélység beállítására szolgáló gomb | 21. Kezelői kézikönyv  |
| 11. Biztonsági kulcs                          |  |



## Az S 138C modell áttekintése



1. Motorfékfogantyú
2. Fogantyú felső része
3. Indításgátló
4. Csatlakozóaljzat
5. Alsó fogantyú
6. Kábelrögzítő
7. Fűgyűjtő
8. Hátsó burkolat
9. A gyeplazító burkolata
10. A munkamélység beállítására szolgáló gomb
11. Rugós fogak
12. Hatszögkulcs
13. Kezelői kézikönyv

mások sérülését vagy halálát okozhatja.



Olvassa el a használati utasítást, és a termék használatba vétele előtt győződjön meg róla, hogy megértette a benne foglaltakat.

### A termék szimbólumai



Figyelmeztetés: A gondatlan vagy helytelen használat a kezelő vagy



Legyen óvatos a kivetett és visszapattanó tárgyakkal.



A személyeket és állatokat tartsa biztonságos távolságban a munkaterülettől.



Figyelmeztetés: Tartsa távol kezét és lábát a forgó késektől.



Karbantartás előtt vegye ki a biztonsági kulcsot (S 138i modell).



Karbantartás előtt húzza ki a termék tápkábelét a csatlakozóaljzatból (S 138C modell).



Elektromos áramütés veszélye (S 138C modell).



Óvja az esőtől (S 138i modell).



Figyelmeztetés: A terméket ne működtesse a tápkábelén áthaladva, mert ez áramütést, illetve a termék károsodását okozhatja (S 138C modell).

**IPX4** A termék fröccsenő víz elleni védett.

**EAC** Ez a termék megfelel a vonatkozó EAC-irányelveknek.



Ez a termék megfelel a vonatkozó EK irányelveknek.



Ez a termék megfelel a vonatkozó UkrSEPRO előírásoknak.



Az Európai Közösség irányelveinek megfelelő környezeti zajkibocsátás. A termék kibocsátási adatai megtalálhatók a Műszaki adatok című fejezetben és a címkén.



Kettős szigetelés (S 138C modell).



A termék újrahasznosítását elektromos és elektronikus berendezések újrahasznosítására szolgáló ponton kell elvégezni. (Kizárólag Európára vonatkozik)



Indítási eljárás az S 138i modell esetén:  
nyomja meg a BE-/KI kapcsoló gombot, lazítsa meg az indításgátlót, nyomja lefelé a motorfékfogantyút.

lefelé a motorfékfogantyút.



A leállításhoz engedje el a motorfékfogantyút.



Beolvasható kód.

**Megjegyzés:** A terméken szereplő többi jel/címke egyes piacok specifikus vizsgáztatási követelményeire vonatkozik.

### Termékszavatosság

A termékszavatosságra vonatkozó jogszabályok értelmében nem vagyunk felelősek a termékeink által okozott károkért az alábbi esetekben:

- a termék javítását helytelenül végezték;
- a termék javítása nem a gyártótól származó vagy általa jóváhagyott alkatrészekkel történt;
- a terméket nem a gyártótól származó vagy általa jóváhagyott kiegészítővel szerelték fel;
- a termék javítását nem hivatalos szakszerviz vagy jóváhagyott egyéb szerviz végezte.

Rövid indítási eljárás az S 138C modell esetében:  
lazítsa meg az indításgátlót, nyomja



## Biztonság

### Biztonsági meghatározások

A figyelmeztetések, óvintézkedések és megjegyzések a használati utasítás kiemelten fontos részeire hívják fel a figyelmet.



#### FIGYELMEZTETÉS:

Akkor használatos, ha a kézikönyv utasításainak be nem tartása esetén fennáll a kezelő vagy a közelben tartózkodók sérülésének vagy halálának veszélye.



**VIGYÁZAT:** Akkor használatos, ha a kézikönyv utasításainak be nem tartása esetén fennáll a vagyoni kár, illetve a termék vagy a környező terület károsodásának veszélye.

**Megjegyzés:** További információt biztosít az adott helyzetben szükséges tennivalókról.

## Általános biztonsági utasítások

---



**FIGYELMEZTETÉS:** A termék használata előtt olvassa el az alábbi figyelmeztetéseket.

---

- Ez a termék veszélyes, ha helytelenül használja, vagy ha nem vigyáz. A biztonsági utasítások be nem tartása sérüléssel vagy halállal járhat.
- A termék működés közben elektromágneses mezőt hoz létre. Ez bizonyos körülmények esetén hatással lehet az aktív vagy passzív orvosi implantátumokra. A súlyos vagy halálos sérülés kockázatának csökkentése érdekében azt javasoljuk, hogy az orvosi implantátumot használó személyek a termék alkalmazása előtt kérjék ki orvosuk vagy az orvosi implantátum gyártójának tanácsát.
- Mindig megfontoltan és előrelátóan cselekedjen. Ha nem biztos benne, hogyan kell a terméket speciális helyzetben üzemeltetni, akkor hagyja abba a tevékenységet, és beszéljen a Husqvarna kereskedőjével a folytatás előtt.
- Ne feledje, hogy a kezelő felelős a másokat és a mások tulajdonát érő balesetekért is.
- Tartsa tisztán a terméket. Ügyeljen arra, hogy a jelek és címkék jól olvashatóak legyenek.
- Ne engedje, hogy használják a terméket, amíg nem gondoskodott róla, hogy elolvassák és megértsék a használati utasítás tartalmát.
- A terméket gyermekek nem használhatják.
- Ne használja a terméket olyan személy, aki nem ismeri a kezelési utasítást.
- Csökkent fizikai vagy szellemi képességekkel rendelkező személy csak felügyelet mellett használhatja a terméket. Egy felelős felnőttnek mindig jelen kell lennie.
- Ne használja a terméket, ha fáradt, beteg, illetve alkohol, drog vagy gyógyszer hatása alatt áll. Ez negatív hatással van a látására, az éberségére, a koordinációjára és az ítélőképességére.
- Ne használja a terméket, ha hibás.
- Ne változtassa meg a terméket, vagy ne használja, ha feltehetőleg valaki más

változtatásokat hajtott végre rajta.

## A munkaterület biztonsága

---



**FIGYELMEZTETÉS:** A termék használata előtt olvassa el az alábbi figyelmeztetéseket.

---

- A termék használata előtt távolítsa el a különböző tárgyakat, például ágakat, gallyakat és köveket a munkaterületről.
- A gyeplazító szerkezetnek ütköző tárgyak elrepülve személyek vagy tárgyak sérülését okozhatják. A közelben állókat és az állatokat tartsa biztonságos távolságban a terméktől.
- Ne használja a terméket rossz időben, például ködben, esőben, erős szélben, nagy hidegben, villámlás veszélyes esetén. A termék rossz időjárási körülmények között vagy nyirkos, nedves helyeken történő használata fárasztó. A rossz időjárás veszélyes körülményeket, például csúszós felületeket okozhat.
- Ügyeljen az olyan személyekre, tárgyakra és helyzetekre, amelyek

akadályozzák a termék biztonságos üzemeltetését.

- Ügyeljen az olyan akadályokra, mint a gyökerek, kövek, gallyak, gödrök és árkok. A magas fű akadályokat rejthet.
- A termék lejtőn való működtetése veszélyes lehet. Ne használja a terméket 15 foknál meredekebb lejtőn.
- Az emelkedőknél/lejtőknél mindig oldalirányban működtesse a terméket. Ne haladjon felfelé vagy lefelé.
- Legyen körültekintő, ha olyan sarkok és tárgyak közelébe ér, amelyek gátolják a tiszta kilátást.

## Munkabiztonság

---



**FIGYELMEZTETÉS:** A termék használata előtt olvassa el az alábbi figyelmeztetéseket.

---

- A terméket csak füves gyepon lévő elfilcesedett fű és moha eltávolítására használja. A termék más feladatokra történő használata nem megengedett.
- Használjon személyi védőfelszerelést. Lásd: *Személyi védőfelszerelés 303. oldalon.*

- Ne működtesse a terméket esős vagy nedves körülmények között. A termékbe jutó víz növeli az áramütés kockázatát.
- Csak abban az esetben működtesse a terméket, ha a gyeplazító szerkezet és a burkolatok megfelelően fel vannak szerelve. A nem megfelelően rögzített gyeplazító szerkezet meglazulhat, és személyi sérülést okozhat.
- Ügyeljen arra, hogy a gyeplazító szerkezet ne ütközzön kövekbe, gyökerekbe és hasonló tárgyakba. Ez kárt tehet a gyeplazító szerkezetben, és meghajlíthatja a motor tengelyét. A meghajlott tengely erős rezgést okoz, amely a gyeplazító szerkezet meglazulásának fokozott kockázatát hordozza magában.
- Ha a gyeplazító szerkezet beleütközik egy tárgyba vagy rezegni kezd, azonnal állítsa le a terméket. Állítsa le a motort, fordítsa a biztonsági kulcsot „0” állásba, és vegye ki az akkumulátort (S 138i modell) vagy húzza ki a tápkábelt (S 138C modell). Ellenőrizze, hogy a termék sérülésmentes-
- e. Javítsa meg a sérüléseket, vagy végeztesse el a szakszervizzel a javításokat.
- Amikor a motor működésben van, soha ne rögzítse tartósan a motorfékfogantyút a fogantyúhoz.
- Helyezze a terméket stabil, vízszintes felületre, és kapcsolja be. Gondoskodjon arról, hogy a gyeplazító szerkezet ne ütközzön se a talajba, se egyéb tárgyakra.
- Mindig maradjon a termék mögött, amikor működteti.
- A termék üzemeltetése során minden kerék legyen a talajon, és tartsa két kézzel a fogantyút. Tartsa távol a kezét és a lábát a forgó gyeplazító szerkezettől.
- Ne döntse meg a terméket, ha a motor jár.
- Legyen óvatos, amikor hátrafelé húzza a terméket.
- Soha ne emelje fel a terméket, ha a motor jár. Ha fel kell emelnie a terméket, előbb állítsa le a motort, fordítsa a biztonsági kulcsot „0” állásba, és vegye ki az akkumulátort (S 138i modell) vagy húzza ki a tápkábelt (S 138C modell).
- Ne sétáljon hátrafelé a termék működtetése során.

- Állítsa le a motort, ha olyan területeken halad át, ahol nincs fű, például kavicsos, kövezett és aszfaltozott járdákon.
- Ne fusson a termékkel, ha a motor jár. Mindig sétáljon a termék működtetése során.
- A munkamélység módosítása előtt állítsa le a motort. Soha ne végezzen beállításokat, amikor a motor jár.
- Soha ne hagyja a terméket felügyelet nélkül járó motor esetén. Állítsa le a motort és győződjön meg arról, hogy a gyeplazító szerkezet nem forog.

## Biztonsági utasítások az üzemeltetéshez

### Személyi védőfelszerelés

Amikor a terméket használja, viseljen mindig jóváhagyott személyi védőfelszerelést. A személyi biztonsági felszerelés nem küszöböli ki a sérülések kockázatát, de csökkenti a sérülés mértékét, ha bekövetkezik a baleset. A megfelelő felszerelés kiválasztásához kérje a kereskedő segítségét.

Viseljen mindig:

- Fülvédőt, hogy minimalizálja a halláskárosodás kockázatát.
- Stabil, nem csúszós csizmát vagy cipőt. Ne viseljen szandált, illetve ne legyen meztláb.
- Erős anyagból készült hosszúnadrágot. Ne viseljen rövidnadrágot.

Ha szükséges, viseljen kesztyűt, pl. a gyeplazító szerkezet felszerelése, vizsgálata és tisztítása során.



**FIGYELMEZTETÉS:** Használjon jóváhagyott fülvédőt. Hosszú távon a tartós zajártalom maradandó halláskárosodást okozhat.

## Biztonsági eszközök a terméken



**FIGYELMEZTETÉS:** A termék használata előtt olvassa el az alábbi figyelmeztetéseket.

- Ne használjon olyan terméket, amelynek hibásak a biztonsági eszközei.
- Rendszeresen ellenőrizze a biztonsági eszközöket. A biztonsági eszközök meghibásodása esetén vegye fel a kapcsolatot a Husqvarna szervizműhellyel.

### A burkolatok ellenőrzése

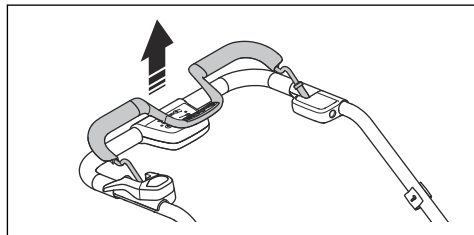
A gyeplazító burkolata csökkenti a termék rezgését és a gyeplazító szerkezet okozta sérülések kockázatát.

- Vizsgálja meg a gyeplazító oldalsó burkolatát, hogy nincs-e rajta sérülés, például repedés.
- Vizsgálja meg a hátsó burkolatot, hogy nincs-e rajta sérülés, például repedés.

### Motorfékfogantyú

A motorfékfogantyú a motor leállítására szolgál. Ha elengedi a motorfékfogantyút, a motor leáll.

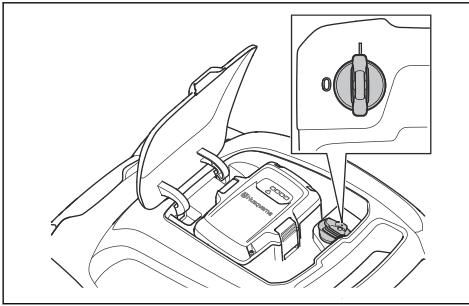
A motorfék ellenőrzéséhez indítsa el a motort, majd engedje el a motorfékfogantyút. Ha a motor 3 másodpercen belül nem áll le, állítsa be egy hivatalos Husqvarna szakszervizben a motorféket.



### Biztonsági kulcs

A biztonsági kulcs az akkumulátorfedél alatt található. A biztonsági kulcs a motort működtető akkumulátor csatlakoztatására szolgál.

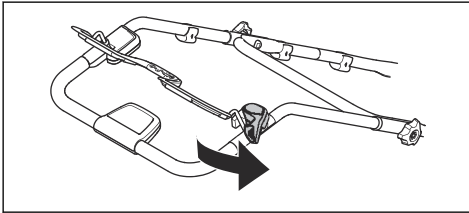
- A biztonsági kulcs ellenőrzéséhez indítsa be, majd állítsa le a motort.
- Ha a biztonsági kulcs megfelelően működik, a motor csak a kulcs „1” állásba fordításakor indul el.



#### Az indításgátló ellenőrzése

Bizonyosodjon meg arról, hogy az indításgátló megakadályozza a motor elindulását.

1. Nyomja a motorfékfogantyút a fogantyú irányába. Az indításgátló megakadályozza a mozgást.
2. Nyomja kifelé az indításgátlót.



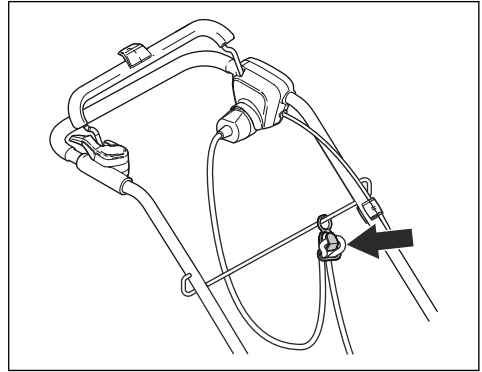
3. Engedje ki az indításgátlót, és győződjön meg arról, hogy az visszatér alaphelyzetbe.

#### A tápkábeltartó használata (S 138C modell)

A tápkábeltartó csökkenti a csatlakozóaljzat és a tápkábel feszülését. A tápkábeltartó csökkenti továbbá az elesés kockázatát is.

1. Képezzen kis hurkot a tápkábelből.
2. Illessze a hurkot a tápkábeltartóban lévő nyílásba.
3. Helyezze a hurkot a horogra.

4. A tápkábel meghúzásával feszítse meg a hurkot a horgon.



#### Az akkumulátorral kapcsolatos biztonsági előírások



**FIGYELMEZTETÉS:** A termék használata előtt olvassa el az alábbi figyelmeztetéseket.

- A Husqvarna tölthető akkumulátorokat csak a kompatibilis Husqvarna termékek tápellátására használja. Ne használja az akkumulátort más eszközök áramforrásaként, mivel ez balesetveszélyes.
- Ne használjon nem újratölthető akkumulátorokat.
- Elektromos áramütés veszélye. Ne csatlakoztassa az akkumulátorsarukat kulcsokhoz, érmékhez, csavarokhoz vagy egyéb fémhez. Ez az akkumulátor rövidzárlatát okozhatja.



- Ne tegyen tárgyakat az akkumulátor szellőzőnyílásaiba.
- Tartsa távol az akkumulátort a közvetlen napsütéstől, hőtől és nyílt lángtól. Az akkumulátor felrobbanhat, és súlyos égési, illetve vegyi égési sérüléseket okozhat.
- Tartsa az akkumulátort esős, nedves környezettől távol.
- Tartsa az akkumulátort mikrohullámoktól és magas nyomástól távol.
- Soha ne próbálkozzon az akkumulátor szétszerelésével vagy széttörésével.
- Ha az akkumulátor szivárog, ne hagyja, hogy a folyadék bőrre vagy szembe kerüljön. Ha a folyadékhoz ért, nagy mennyiségű vízzel tisztítsa meg az adott testfelületet, és forduljon orvoshoz.
- Az akkumulátort -10 °C és 40 °C közötti hőmérsékleten használja.
- Soha ne tisztítsa vízzel az akkumulátort vagy az akkumulátortöltőt. Lásd: *Az akkumulátor és az akkumulátortöltő tisztítása* 314. oldalon.
- Ne használjon meghibásodott vagy sérült akkumulátort.

- A tárolás során tartsa az akkumulátorokat távol a fém tárgyaktól, például szegektől, érméktől, ékszerektől.

## Az akkumulátortöltő készülék biztonsága



**FIGYELMEZTETÉS:** A termék használata előtt olvassa el az alábbi figyelmeztetéseket.

- A QC akkumulátortöltőket csak a Husqvarna csereakkumulátorok töltésére használja.
- Áramütés vagy rövidzárlat veszélye. Ne tegyen tárgyakat a töltő szellőzőnyílásaiba. Ne próbálkozzon az akkumulátortöltő szétszerelésével. Ne érintsen a töltő csatlakozóihoz fémtárgyat. Használjon jóváhagyott hálózati aljzatot.
- A termék működés közben elektromágneses mezőt hoz létre. Ez bizonyos körülmények esetén hatással lehet az aktív vagy passzív orvosi implantátumokra. A súlyos vagy halálos sérülés kockázatának csökkentése érdekében azt javasoljuk, hogy az orvosi implantátumot használó személyek a termék

alkalmazása előtt kérjék ki orvosuk vagy az orvosi implantátum gyártójának tanácsát.

- Rendszeresen ellenőrizze, hogy az akkumulátortöltő tápkábele nem sérült-e, és hogy nincs rajta repedés.
- Ne emelje fel az akkumulátortöltőt a tápkábelnél fogva. Az akkumulátortöltő fali aljzatból történő kihúzásához a dugaszt húzza. Ne a hálózati tápkábelt húzza.
- Tartsa távol a hálózati tápkábelt és a hosszabbítókábelt a víztől, az olajtól és az éles élektől. Ügyeljen rá, hogy a kábel ne csípődjön be ajtóba, korlátba vagy hasonló tárgyba. Ilyen esetben a töltő feszültség alá kerülhet.
- Soha ne tisztítsa vízzel az akkumulátortöltőt.
- Az akkumulátortöltőt 8 éven felüli gyermekek, illetve csökkent fizikai, érzékelési vagy szellemi képességekkel rendelkező, vagy az akkumulátortöltő működtetésében járatlan személyek is használhatják, amennyiben ezt felügyelet mellett teszik, illetve ismerik a

készülék biztonságos működtetésének módját és az azzal járó veszélyeket.

Gyermekek nem játszhatnak az akkumulátortöltővel.

Gyermekek csak felügyelet mellett végezhetnek tisztítást és karbantartást.

- Ne töltsön nem újratölthető akkumulátorokat a töltővel.
- Ne használja az akkumulátortöltőt gyúlékony anyagok vagy olyan anyagok közelében, amelyek korróziót okozhatnak. Ne takarja le a töltőkészüléket. Amennyiben a töltő füstölni vagy égni kezdene, húzza ki a dugóját.
- Ne használjon meghibásodott vagy sérült akkumulátortöltőt.
- Az akkumulátort csak jó szellőzésű helyiségben, napfénytől távol töltsse. Ne töltsse az akkumulátort nedves körülmények között.

#### A tápkábel biztonságos használata

Az S 138C modell esetében.

- Legfeljebb 30 mA kikapcsolóáramra szabályozott maradékáramkorlátozó készülék (R.C.D.) alkalmazása javasolt. 100%-os biztonság még maradékáramkorlátozó készülék használata esetén sem garantálható, ezért

mindenkor be kell tartani a biztonságos munkaeljárásokat. Minden használat előtt ellenőrizze a maradékáram-korlátozó készüléket.

- Ha a tápkábel szakadt vagy a szigetelése sérült, azonnal válassza le a készüléket az elektromos hálózatról.
- Ne érintse meg a szakadt vagy sérült tápkábelt, amíg ki nem húzta a készülék csatlakozóját az aljzatból.
- Ne próbálja megjavítani a szakadt vagy sérült kábelt. Szereljen fel új kábelt.

### Biztonsági utasítások a karbantartáshoz



**FIGYELMEZTETÉS:** A termék használata előtt olvassa el az alábbi figyelmeztetéseket.

- Az S 138i modell esetében: A véletlen beindítás elkerülése érdekében karbantartáskor fordítsa a biztonsági kulcsot „0” állásba, és távolítsa el az akkumulátort. A karbantartás megkezdése előtt várjon legalább 5 másodpercet.
- Az S 138C modell esetében: A véletlen beindítás elkerülése érdekében a karbantartás során húzza ki a tápkábelt.
- A termék élettartamának növelése és a balesetveszély elkerülése érdekében végezze el szakszerűen a karbantartási műveleteket. Bízva hivatalos szervizműhelyre a professzionális javítást. Bővebb információért forduljon a legközelebbi szakszervizhez.
- Csak a felhasználói kézikönyvben megadott karbantartást végezze el. Komolyabb beavatkozásokat csak hivatalos szakszerviz végezhet.
- A gyeplazító szerkezet használata során viseljen strapabíró védőkesztyűt. A gyeplazító szerkezet nagyon éles, könnyen megvághatja magát.
- A legjobb és legbiztonságosabb teljesítmény érdekében tartsa a gyeplazító szerkezet késeit élesen és tisztán.
- Rendszeresen ellenőriztesse a gépet a szakszervizzel, és végeztesse el a szükséges beállításokat és javításokat.
- A sérült, kopott vagy törött alkatrészt cserélje ki.

- Kövesse a tartozékcserére vonatkozó utasításokat. Kizárólag a gyártótól származó tartozékokat használja.
- Ha nincs használatban, tartsa a terméket, az akkumulátort és az akkumulátortöltőt elkülönítve egy száraz, beltéri

és zárt területen. Gondoskodjon róla, hogy gyermekek és felhatalmazással nem bíró személyek ne férhessenek hozzá a termékhez, az akkumulátorhoz és az akkumulátortöltőhöz.

## Összeszerelés

### Bevezető



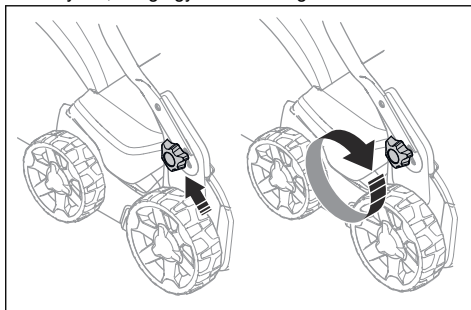
**FIGYELMEZTETÉS:** A termék összeszerelése előtt olvassa el a biztonságra vonatkozó fejezetet.



**FIGYELMEZTETÉS:** Az S 138i modell esetében: A véletlen beindítás elkerülése érdekében az összeszereléskor fordítsa a biztonsági kulcsot „0” állásba, vegye ki az akkumulátort, és várjon legalább 5 másodpercet.

Az S 138C modell esetében: A véletlen beindítás elkerülése érdekében az összeszerelés során húzza ki a tápkábelt.

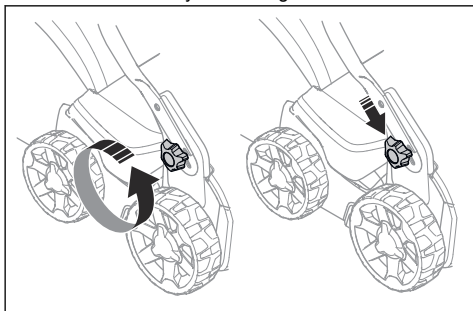
4. A gombokat ütközésig csúsztassa a fogantyú irányába, amíg egy kattanó hangot nem hall.



5. Teljesen húzza meg a gombokat.

### A fogantyú összeszerelése

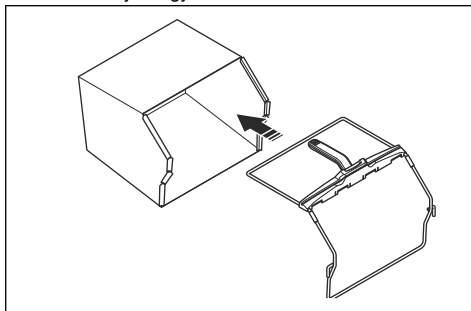
1. Lazítsa meg az alsó csavarokat.
2. A gombokat a termék bal és jobb oldalán is csúsztassa a hornyok alsó végébe.



3. Állítsa a fogantyú magasságát a két lehetséges pozíció egyikébe.

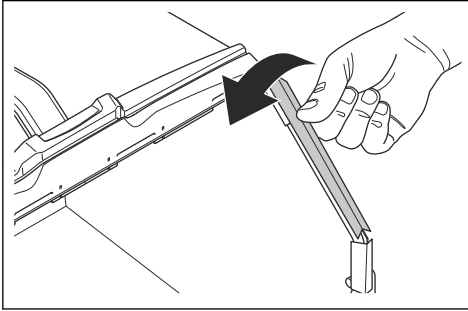
### A fűgyűjtő doboz felszerelése

1. Rögzítse a fűgyűjtő keretét a fűzsákban úgy, hogy a fűzsák merev része alul legyen. A keret fogantyúja a fűzsák tetején legyen.

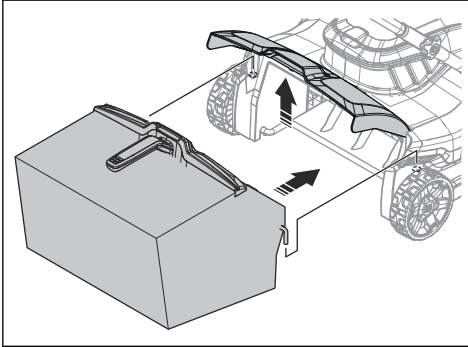


2. Illessze a fűgyűjtő keret alsó részét a fűgyűjtő alján lévő vágatba.

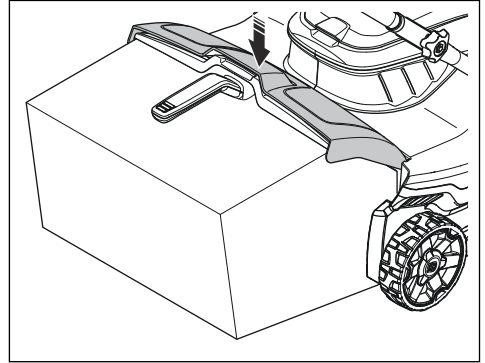
3. A kapcsokkal rögzítse a fűzsákot a fűgyűjtő keretéhez.



4. Emelje fel a hátsó burkolatot.  
5. Állítsa a fűgyűjtőt a megfelelő pozícióba.



6. Csatlakoztassa a fűgyűjtőt a vázszekrény felső széléhez. A szivárgás elkerülése érdekében győződjön meg arról, hogy a hátsó burkolat szorosan illeszkedik-e a fűgyűjtőhöz.



## Üzemeltetés

### Bevezető



**FIGYELMEZTETÉS:** A termék működtetése előtt el kell olvasnia és meg kell értenie a biztonságról szóló fejezetet.

### Husqvarna Connect

A Husqvarna Connect egy ingyenes mobilalkalmazás. A Husqvarna Connect alkalmazás kibővített funkciókat biztosít Husqvarna termékéhez:

- Bővebb termékinformációk.
- Információk és segítség a termékalkatrészekkel és a szervizeléssel kapcsolatban.

### A Husqvarna Connect használatának megkezdése

1. Töltse le a Husqvarna Connect alkalmazást mobilkészülékére.
2. Regisztráljon egy fiókot a Husqvarna Connect alkalmazásban.

3. A termék csatlakoztatásához és regisztrálásához kövesse a Husqvarna Connect alkalmazásban megjelenő utasításokat.

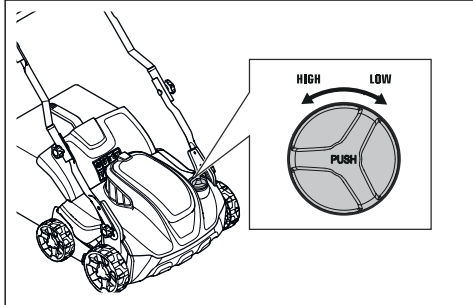
### A munkamélység beállítása



**FIGYELMEZTETÉS:** A termék működtetése közben ne módosítsa a munkamélységet.

1. A munkamélység növeléséhez nyomja le és fordítsa a munkamélység beállítására szolgáló gombot az óramutató járásával ellentétes irányba.

2. A munkamélység csökkentéséhez nyomja le és fordítsa a munkamélység beállítására szolgáló gombot az óramutató járásával megegyező irányba.



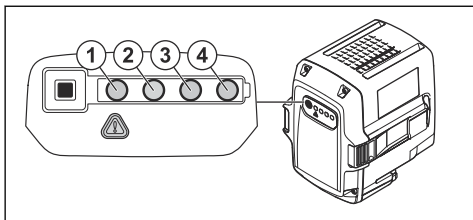
## Akkumulátor



**FIGYELMEZTETÉS:** Az akkumulátor használata előtt el kell olvasnia és meg kell értenie a biztonságról szóló fejezetet. Olvassa el figyelmesen az akkumulátorhoz és az akkumulátortöltőhöz mellékelt használati útmutatót is.

## Akkumulátorállapot

A kijelző jelzi az akkumulátor töltöttségét, valamint azt, hogy van-e valami probléma az akkumulátorral. Az akkumulátortöltöttség jelzése 5 másodpercig látható a termék kikapcsolása, illetve az akkumulátorjelző gomb megnyomása után. Hiba esetén az akkumulátor figyelmeztető lámpája világít. Lásd: *Akkumulátor316. oldalon.*



LED lámpák	Akkumulátorállapot
Minden LED világít	Teljes töltöttség (75–100%)
Az 1., 2. és 3. LED világít	Az akkumulátor töltöttsége 50–75%-os
Az 1. és 2. LED világít	Az akkumulátor töltöttsége 25–50%-os
Az 1. LED világít	Az akkumulátor töltöttsége 0–25%-os
Az 1. LED villog.	Az akkumulátor lemerült. Töltse fel az akkumulátort.

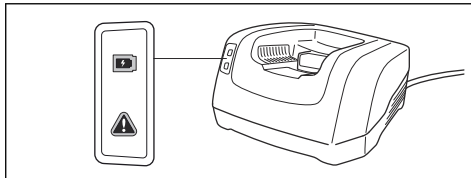
## Az akkumulátor töltése

Az első használat előtt tölts fel az akkumulátort. Az akkumulátor gyárilag csak 30%-ra van feltöltve.

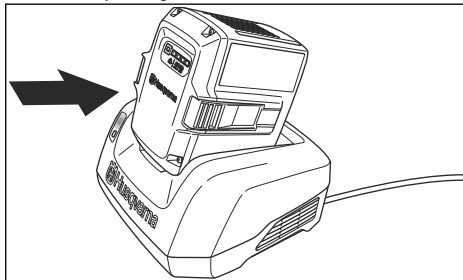
**Megjegyzés:** Az akkumulátortöltőt a típustáblán szereplő feszültségű és frekvenciájú áramforráshoz kell csatlakoztatni.

Ha az akkumulátor hőmérséklete 50 °C felett van, a töltés nem indul el. Az akkumulátortöltő csökkenti az akkumulátor hőmérsékletét, mielőtt megkezdené annak töltését.

- Csatlakoztassa az akkumulátortöltőhöz való tápkábel egyik végét az akkumulátortöltő aljzatához.
- Csatlakoztassa az akkumulátortöltőhöz való tápkábel másik végét egy földelt hálózati aljzathoz. Egyszer zölden felvillan a töltő LED-je.



- Helyezze az akkumulátort a töltőbe. Az akkumulátor és a töltő közötti helyes érintkezésről a töltőn lévő zöld lámpa világítása tanúskodik.



- Ha az akkumulátoron az összes LED világít, az akkumulátor teljesen fel van töltve. Az akkumulátort legfeljebb 24 óráig töltsé.
- Az akkumulátortöltő fali aljzathoz történő kihúzásához a dugaszt húzza, ne a tápkábelt.
- Vegye ki az akkumulátort a töltőből.

## Akkumulátortöltési állapot

A Husqvarna lítiumion-akkumulátorok bármilyen töltöttségi szintnél tölthetők vagy használhatók. Ez nem árt az akkumulátornak. A teljesen feltöltött akkumulátor a töltőkészülékben hagyva sem veszít a töltöttségéből.

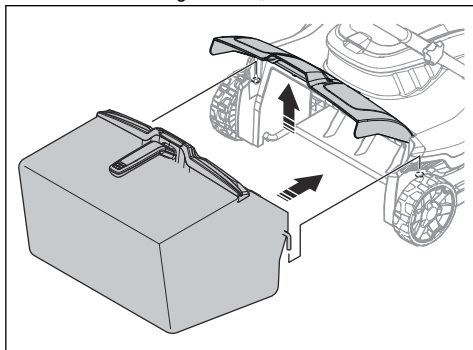
LED-es kijelző	Töltési állapot
Az 1. LED villog.	0%–25%

LED-es kijelző	Töltési állapot
Az 1. LED világít, a 2. LED villog	25%–50%
Az 1. és 2. LED világít, a 3. LED villog.	50%–75%
Az 1., 2. és 3. LED világít, a 4. LED villog.	75%–100%
Az 1., 2., 3. és 4. LED világít	Teljesen feltöltve

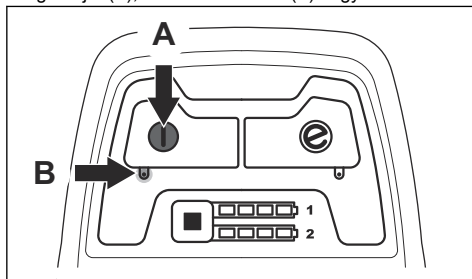
## Az S 138i működtetése

### A termék elindítása

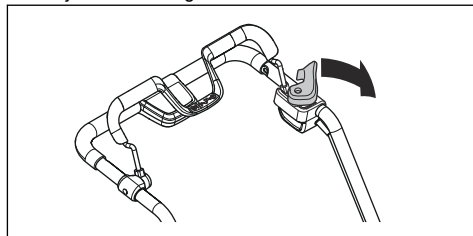
- Helyezzen egy feltöltött akkumulátort az akkumulátorfedél alatti 1. számú akkumulátorrekeszbe. Hosszabb használati idő esetén tegyen egy második feltöltött akkumulátort a 2. számú akkumulátorrekeszbe.
- Állítsa a biztonsági kulcsot „1” állásba.



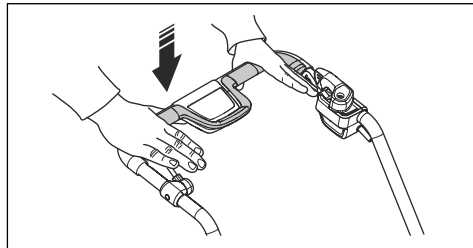
- Maradjon a termék mögött.
- Nyomja meg a vezérlőpanel BE-/KI kapcsoló gombját (A), ekkor a zöld LED (B) felgyullad.



- Oldja ki az indításgátolót.



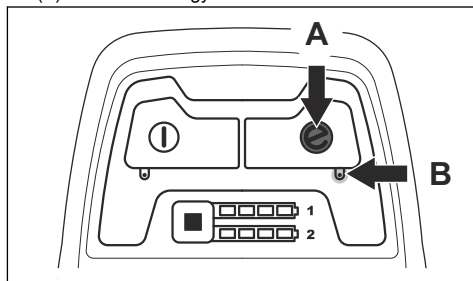
- Nyomja a motorfékfogantyút a fogantyú irányába.



### A SavE funkció használata

A termék akkumulátorkímélő funkcióval (SavE) rendelkezik, amely hosszabb üzemidőt biztosít.

- A funkció elindításához nyomja meg a SavE gombot (A). A zöld LED felgyullad.

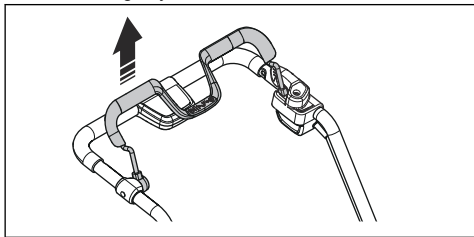


- A funkció leállításához nyomja meg ismét a SavE gombot. A zöld LED (B) kialszik.

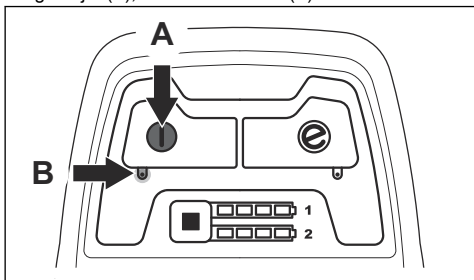
### A termék leállítása

A termék automatikusan leáll, ha 10 percig nem használja. Mindig állítsa a biztonsági kulcsot „0” állásba, ha a terméket felügyelet nélkül hagyja.

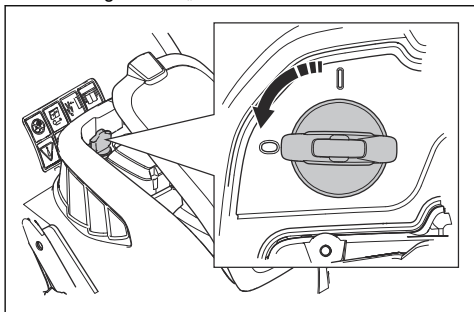
1. A motor leállításához engedje fel a motorfékfogantyút.



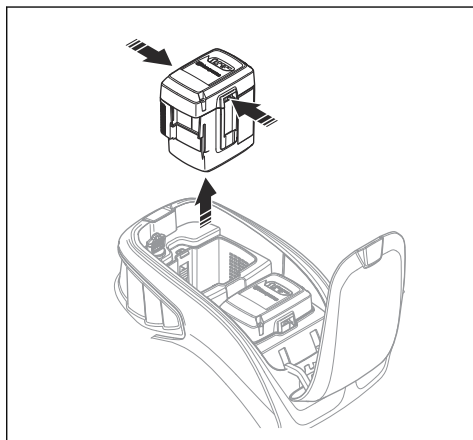
2. Nyomja meg a vezérlőpanel BE-/KI kapcsoló gombját (A), ekkor a zöld LED (B) kialszik.



3. Nyissa fel az akkumulátorfedelelet, és fordítsa a biztonsági kulcsot „0” állásba.



4. Az akkumulátor eltávolításához nyomja meg egyszerre a két kioldógombot, és húzza ki az akkumulátort.

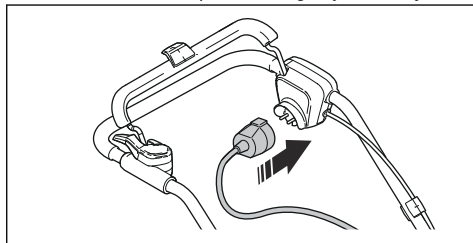


5. Töltse fel a gyenge töltöttségű akkumulátort. További tudnivalókat lásd: *Az akkumulátor töltése* 310. oldalon.

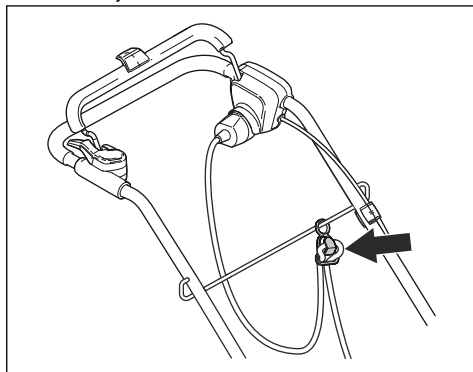
## Az S 138C működtetése

### A termék elindítása

1. Csatlakoztassa a tápkábelt a fogantyú alatti aljzatba.

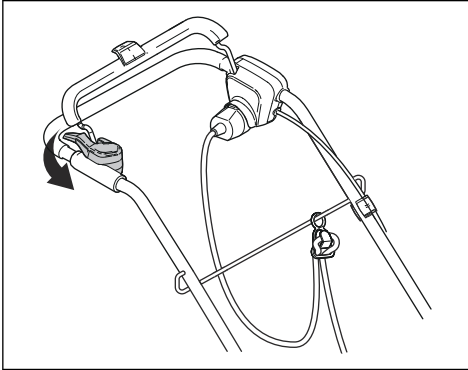


2. Helyezze a tápkábelt a tápkábeltartóba. Lásd az *A tápkábeltartó használata (S 138C modell)* 304. oldalon fejezetet.

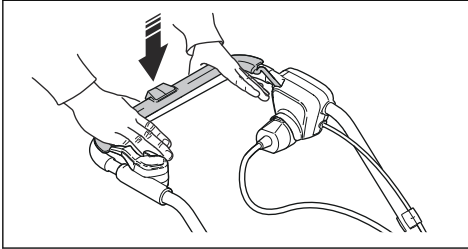




3. Maradjon a termék mögött.
4. Oldja ki az indításgátlót.

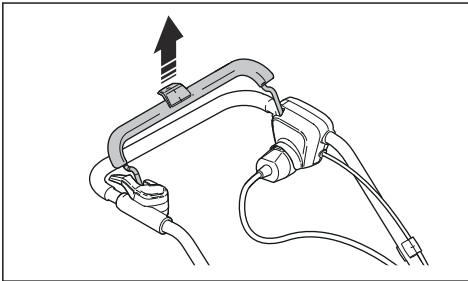


5. Nyomja a motorfékfogantyút a fogantyú irányába.

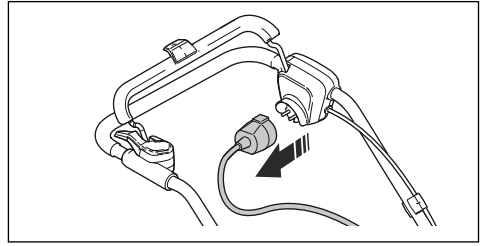


## A termék leállítása

1. A motor leállításához engedje fel a motorfékfogantyút.



2. Húzza ki a tápkábelt a hálózati aljzatból, majd a termékből.



**VIGYÁZAT:** Egyenesen húzza ki a dugaszt. Ne a hálózati tápkábelt húzza.

## Karbantartás

### Bevezető



**FIGYELMEZTETÉS:** Karbantartás előtt el kell olvasnia és meg kell értenie a biztonságról szóló fejezetet.

A gépen végzett minden szerviz- és javítási munkálat szakképzettséget igényel. Garantáljuk a professzionális javítások és szervizelés lehetőségét. Ha viszonteladója

nem szervizműhely, forduljon hozzájuk a legközelebbi szervizműhellyel kapcsolatban.

### Karbantartási terv

A karbantartási intervallumok meghatározásakor a termék napi használatát feltételeztük. Az intervallum változik, ha a terméket nem napi rendszerességgel használja.

A \* szimbólummal jelölt karbantartási műveletekkel kapcsolatban lásd: *Biztonsági eszközök a terméken* 303. oldalon.

S 138i és S 138C	Minden használat során	Havonta	Évszakonként
Végezzen általános ellenőrzést.	X		
Tisztítsa meg a terméket.	X		
Ellenőrizze a gyeplazító szerkezetet.	X		
Ellenőrizze, hogy a termék biztonsági eszközei nem hibásak-e. *	X		
Ellenőrizze a burkolatokat. *	X		
Ellenőrizze a motorfékfogantyút. *	X		
Ellenőrizze az indításgátlót. *	X		

Csak az S 138i esetén	Minden használat során	Havonta	Évszakonként
Győződjön meg a BE-/KI kapcsoló gomb megfelelő, hibátlan működéséről.	X		
Ellenőrizze, nem sérült-e az akkumulátor.	X		
Ellenőrizze az akkumulátor töltöttségét.	X		
Ellenőrizze, működnek-e az akkumulátor kioldógombjai, és megfelelően rögzül-e az akkumulátor a termékben.	X		
Ellenőrizze az akkumulátortöltő épségét; győződjön meg arról, hogy megfelelően működik-e.		X	
Ellenőrizze az akkumulátor és a termék közötti csatlakozásokat. Ellenőrizze az akkumulátor és az akkumulátortöltő közötti csatlakozásokat is.			X

## Általános ellenőrzés

- Ellenőrizze, hogy az anyák és csavarok meg vannak-e szorítva a terméken.
- Ellenőrizze, hogy a termék kábelei úgy helyezkednek-e el, hogy ne tudjanak megsérülni.

## A termék tisztítása

- A műanyag részeket tiszta, száraz törlőkendővel tisztítsa.
- A termék tisztításához ne használjon vizet. A víz az akkumulátorba vagy a motorba jutva azok rövidzárlatát vagy a termék károsodását okozhatja.
- Ne használjon nagynyomású mosót a termék tisztításához.
- Ne irányítsa a vízugarat közvetlenül a motorra.
- Kéfével távolítsa el a leveleket, a fűvet és az egyéb szennyeződések.

## Az akkumulátor és az akkumulátortöltő tisztítása



**VIGYÁZAT:** Soha ne tisztítsa vízzel az akkumulátort vagy az akkumulátortöltőt.

- Mielőtt az akkumulátort a töltőkészülékbe helyezné, győződjön meg róla, hogy az akkumulátor és az akkumulátortöltő tiszta és száraz-e.
- Az akkumulátorsaruk tisztítását sűrített levegővel vagy egy puha és száraz ruhával végezze.
- Az akkumulátor és a töltőkészülék felületének tisztítását puha és száraz ruhával végezze.

## A gyeplazító szerkezet ellenőrzése



**FIGYELMEZTETÉS:** Az S 138i modellek esetében: A véletlen beindítás elkerülése érdekében fordítsa a biztonsági kulcsot „0”

állításba, vegye ki az akkumulátort, és várjon legalább 5 másodpercet.

Az S 138C modell esetében: A véletlen beindítás elkerülése érdekében húzza ki a tápkábelt.



**FIGYELMEZTETÉS:** A gyeplazító szerkezet karbantatásakor viseljen védőkesztyűt. A gyeplazító szerkezet kései nagyon élesek, könnyen megvághatja magát.

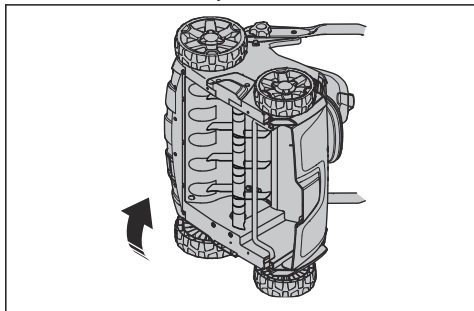
- Ellenőrizze, hogy a gyeplazító szerkezeten nem találhatók-e sérülések vagy repedések. Mindig cserélje ki a sérült a gyeplazító szerkezetet.

## A gyeplazító szerkezet cseréje

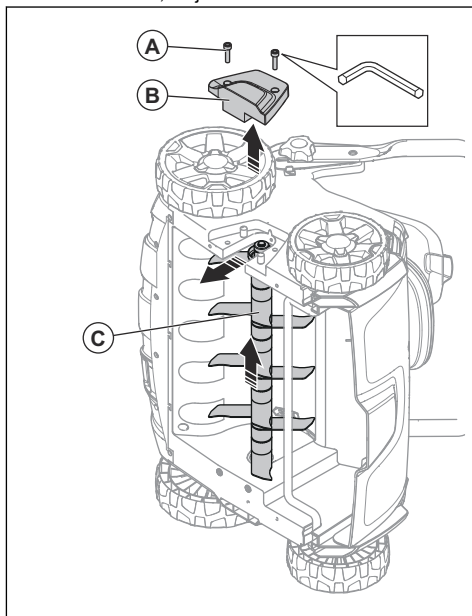


**FIGYELMEZTETÉS:** A gyeplazító szerkezet karbantatásakor viseljen védőkesztyűt. A gyeplazító szerkezet nagyon éles, könnyen megvághatja magát.

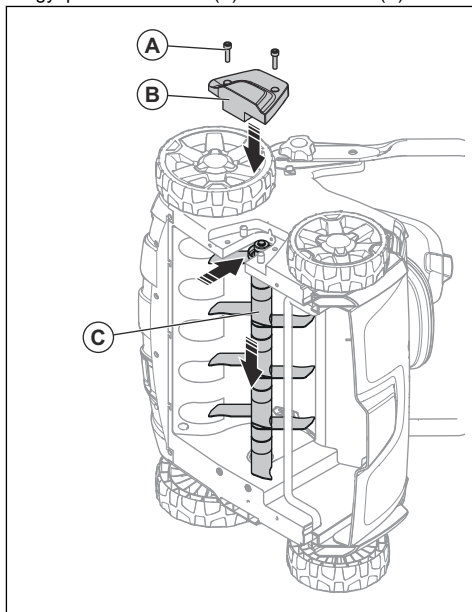
1. Fordítsa a terméket a jobb oldalára.



2. Távolítsa el a két csavart (A) és a gyeplazító burkolatát (B). Nyomja a gyeplazító szerkezetet (C) felfelé és kifelé, majd távolítsa el.



3. Nyomja az új gyeplazító szerkezetet (C) a mélyedésbe, majd lefelé a nyílásba. Rögzítse a gyeplazító burkolatát (B) és a két csavart (A).



## Hibaelhárítás

### Akkumulátor

LED az akkumulátoron	Lehetséges hibák	Lehetséges eljárás
A zöld LED villog	Az akkumulátor feszültsége alacsony	Töltse fel az akkumulátort. Lásd: <i>Az akkumulátor töltése</i> 310. oldalon.
Villog a hibajelző LED	Az akkumulátor töltöttségi szintje alacsony	Töltse fel az akkumulátort. Lásd: <i>Az akkumulátor töltése</i> 310. oldalon.
	A munkakörnyezet hőmérséklete túl magas vagy túl alacsony	Az akkumulátort -10 °C és 40 °C közötti hőmérsékleten használja.
	Túlfeszültség	Ellenőrizze, hogy a hálózati feszültség megegyezik-e a termék adattábláján szereplő feszültséggel. Vegye ki az akkumulátort a töltőből. Várjon 5 másodpercet, majd próbálja újra feltölteni az akkumulátort. Ha a probléma továbbra is fennáll, lépjen kapcsolatba egy hivatalos szakszervizzel.
A hibajelző LED világít	Túl nagy a cellák közti különbség (1 V)	Forduljon egy hivatalos szakszervizhez.

### Akkumulátortöltő

LED az akkumulátortöltőn	Lehetséges hibák	Lehetséges eljárás
Villog a hibajelző LED	A munkakörnyezet hőmérséklete túl magas vagy túl alacsony	Az akkumulátortöltőt 5 °C és 40 °C közötti hőmérsékleten használja.
A hibajelző LED világít		Forduljon egy hivatalos szakszervizhez

### Vezérlőpanel

Az S 138i modell esetében

Hiba	Hibakód (villanások száma)	Lehetséges hibák	Lehetséges megoldás
Villog a hibajelző LED	3	A motor túlterhelt.	Csökkentse a munkamélységet. Lásd: <i>A munkamélység beállítása</i> 309. oldalon. Ha a hibajelző LED továbbra is villog, a gyeplazító szerkezet elakadt. A véletlen beindítás elkerülése érdekében fordítsa a biztonsági kulcsot „0” állásba, vegye ki az akkumulátort, és várjon legalább 5 másodpercet. Ellenőrizze, hogy a gyeplazító szerkezet szabadon mozog-e. Ha a probléma továbbra is fennáll, lépjen kapcsolatba egy hivatalos szakszervizzel.
	5	A motor fordulatszáma túlságosan lecsökken, majd a motor leáll.	
	9	A motor vezérlése túl forró.	
	7	Akkumulátorhiba, vagy nincs jel az akkumulátortól.	
		Az akkumulátor töltöttségi szintje alacsony.	Töltse fel az akkumulátort. Lásd: <i>Az akkumulátor töltése</i> 310. oldalon.
A termék leáll	6	Az akkumulátor töltöttségi szintje alacsony.	Töltse fel az akkumulátort. Lásd: <i>Az akkumulátor töltése</i> 310. oldalon.
	0	Akkumulátorcsatlakozó hiba.	Vizsgálja meg az akkumulátor csatlakozóját.
Egyéb hibák	Egyéb hibák esetén fordítsa a biztonsági kulcsot „0” állásba, vegye ki az akkumulátort, és forduljon egy hivatalos szervizműhelyhez.		

## Szállítás, tárolás és ártalmatlanítás

### Szállítás

- A mellékelt lítium-ion akkumulátorokra a veszélyes anyagokra vonatkozó jogszabályok követelményei érvényesek.
- Kereskedelmi szállításnál be kell tartani a csomagoláson és címkéken szereplő speciális előírásokat.
- Ügyeljen rá, hogy betartsa a veszélyes anyagokra vonatkozó jogszabályokat a termék szállításra való előkészítésekor. Az esetleges helyi jogszabályokat is be kell tartani.
- Szállításhoz mindig vegye ki az akkumulátort.
- Tegyen ragasztószalagot az akkumulátor csatlakozóira, és gondoskodjon róla, hogy az akkumulátor ne mozdulhasson el a szállítás során.
- Szállításkor rögzítse a terméket.

### Tárolás

- Tároláshoz mindig vegye ki az akkumulátort.

- A baleset megelőzése érdekében tároláskor az akkumulátor ne csatlakozzon a termékhez.
- Az akkumulátortöltőt zárt, száraz helyen tárolja.
- Az akkumulátort és az akkumulátortöltőt száraz helyen tárolja, ahol nem alakul ki nedvesség vagy fagy.
- A tárolás során csatlakoztassa le az akkumulátort az akkumulátortöltőtől.
- Ne tartsa az akkumulátort olyan helyen, ahol elektrosztatikus töltés lehet jelen. Ne tartsa az akkumulátort fém dobozban.
- Olyan helyen tárolja az akkumulátort, ahol a hőmérséklet mindig 5 és 25 °C közé esik, és védve van a napfénytől.
- Olyan helyen tárolja az akkumulátortöltőt, ahol a hőmérséklet mindig 5 és 45 °C közé esik, és védve van a napfénytől.
- A hosszú ideig való tárolás előtt győződjön meg róla, hogy az akkumulátor legalább 30–50%-os töltöttségű.

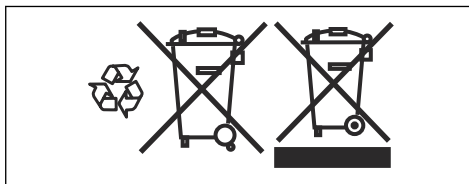
- Tartsa a terméket, az akkumulátort és az akkumulátortöltőt gyermekektől és jogosulatlan személyektől elzárt területen.
- A hosszú ideig való tárolás előtt tisztítsa meg a terméket, és végezze el annak teljes karbantartását.

gyakorolt potenciális negatív hatásokat, amelyeket a termék helytelen hulladékkezelése okozhat. A termék újrahasznosításával kapcsolatban az önkormányzat, a hulladékártalmatlanítási szolgáltatást végző vállalkozás, illetve a terméket értékesítő szakkereskedés nyújthat részletesebb tájékoztatást.

## Hulladékként való kezelés

A terméken vagy a csomagolásán található szimbólum azt jelzi, hogy ezt a terméket nem szabad a háztartási hulladék közé helyezni. A megfelelő újrafeldolgozó pontra el kell juttatni az elektromos és elektronikus berendezések hasznosítása érdekében.

A termék megfelelő kezelésének biztosításával segíthet kiküszöbölni azokat a környezetre és az emberre



## Műszaki adatok

### Műszaki adatok

	S 138i	S 138C
<b>Motor</b>		
Motor típus	BLDC (kefe nélküli) 36 V	Váltóáramú motor
A tartozék fordulatszáma – SavE, ford./perc	3000	N/A
A tartozék fordulatszáma – Névleges, ford./perc	3200	4200
Motor teljesítménye – max. kW	1,28	1,8
Motor teljesítménye – névleges, kW	0,9	1,6
<b>Tömeg</b>		
Tömeg, kg	19,5 (akkumulátor nélkül)	19,0
<b>Akkumulátor</b>		
Akkumulátor típusa	Husqvarna akkumulátor sorozat	NA
<b>Akkumulátor üzemideje</b>		
Akkumulátor üzemidő, min., (üresjárat) SavE funkcióval, egy 5,2 Ah-s Husqvarna akkumulátorral (Bli200).	115	NA
Akkumulátor üzemidő, min., (üresjárat) normál üzemmódban, egy 5,2 Ah-s Husqvarna akkumulátorral (Bli200).	102	NA
<b>Zajkibocsátás</b> <sup>34</sup>		
Hangteljesítményszint, mért dB (A) érték	89,2	95,7
Hangteljesítményszint, garantált, L <sub>WA</sub> dB (A)	91	98
<b>Zajszintek</b> <sup>35</sup>		
Hangnyomásszint a felhasználó fülénél, dB (A)	75,3	81,7

<sup>34</sup> A környezetben a 2000/14/EK sz. EK irányelvvel összhangban hangteljesítményként mért zajkibocsátás (L<sub>WA</sub>).

<sup>35</sup> A zajnyomásszintre vonatkozó jelentési adatok az 1,2 dB (A) tipikus statisztikus ingadozásával (szórásával) rendelkeznek.

	S 138i	S 138C
<b>Rezgésszintek</b> <sup>36</sup>		
Fogantyú, m/s <sup>2</sup>	5,5	8,3
<b>Üzemeltetés</b>		
Munkamélység, max./min., mm	-8/+5	-8/+5
Munkaszélesség, cm	37,5	37,5
Deltakéses tartozék	5973510-01	5973510-01
Rugós fogas tartozék	5973509-01	5973509-01
Fügyűjtő ürtartalma, liter	45	45

Jóváhagyott akkumulátorok	Típus	Akkumulátor kapacitása, Ah	Feszültség, V	Tömeg, kg
BLi20	Lítium-ion	4,0	36	2,6/1,2
BLi200	Lítium-ion	5,2	36	2,8/1,3
BLi300	Lítium-ion	9,4	36	4,1/1,9

A megadott akkumulátorokhoz jóváhagyott töltők, BLi	Bemeneti feszültség, V	Frekvencia, Hz	Teljesítmény, W
QC80	100-240	50-60	80
QC80F	12	0	80
QC330	100-240	50-60	330
QC500	100-240	50-60	500

<sup>36</sup> A rezgésszintre vonatkozó jelentési adatok az 0,2 m/s<sup>2</sup> tipikus statisztikus ingadozásával (szórásával) rendelkeznek.

---

# EK megfeleléségi nyilatkozat

---

## EK megfeleléségi nyilatkozat

A **Husqvarna AB**, SE-561 82 Huskvarna, Svédország, tel: +46-36-146500, kijelenti, hogy a **Husqvarna S 138i gyepplazító** a 2018XXXXXXX sorozatszámmal kezdődően megfelel az EGK TANÁCSA következő IRÁNYELVEINEK:

- a 2011. június 8-i, „egyes veszélyes anyagok alkalmazásának korlátozására vonatkozó” irányelv **2011/65/EU**
- a 2006. május 17-i, „gépekre vonatkozó” irányelv **2006/42/EK**
- a 2014. február 26-i, „elektromágneses megfeleléssel kapcsolatos” irányelv **2014/30/EU**
- a 2000. május 8-i, „környezeti zajkibocsátással kapcsolatos” irányelv **2000/14/EK**

A zajkibocsátásra vonatkozó tájékoztatást lásd a Műszaki adatok c. fejezetben.

A következő szabványok kerültek alkalmazásra:

**EN 60335-1:2012+A11:2014+A13:2017, EN 50636-2-92:2014, EN 55014-1:2017, EN 55014-2:2015**

Huskvarna, 2019-01-15



Claes Losdal, Fejlesztési Igazgató/Kertművelési termékek (a Husqvarna AB hivatalos képviselője és a műszaki dokumentációk felelőse).



---

# EK megfeleléségi nyilatkozat

---

## EK megfeleléségi nyilatkozat

A **Husqvarna AB**, SE-561 82 Huskvarna, Svédország,  
tel: +46-36-146500, kijelenti, hogy a **Husqvarna S 138C**  
**gyeplazító** a 2018XXXXXX sorozatszámmal  
kezdődően megfelel az EGK TANÁCSA következő  
IRÁNYELVEINEK:

- a 2011. június 8-i, „egyes veszélyes anyagok alkalmazásának korlátozására vonatkozó” irányelv **2011/65/EU**
- a 2006. május 17-i, „gépekre vonatkozó” irányelv **2006/42/EK**
- a 2014. február 26-i, „elektromágneses megfelelésséggel kapcsolatos” irányelv **2014/30/EU**
- a 2000. május 8-i, „környezeti zajkibocsátással kapcsolatos” irányelv **2000/14/EK**

A zajkibocsátásra vonatkozó tájékoztatást lásd a  
Műszaki adatok c. fejezetben.

A következő szabványok kerültek alkalmazásra:

**EN 60335-1:2012+A11:2014+A13:2017, EN**  
**50636-2-92:2014, EN 55014-1:2017, EN 55014-2:2015,**  
**EN 61000-3-2:2014, EN 61000-3-11:2000**

Huskvarna, 2019-01-15



Claes Losdal, Fejlesztési Igazgató/Kertművelési  
termékek (a Husqvarna AB hivatalos képviselője és a  
műszaki dokumentációk felelőse).

---

## Sommario

---

Introduzione.....	322	Ricerca dei guasti.....	343
Sicurezza.....	326	Trasporto, stoccaggio e smaltimento.....	344
Montaggio.....	335	Dati tecnici.....	345
Utilizzo.....	336	Dichiarazione di conformità CE.....	347
Manutenzione.....	341	Dichiarazione di conformità CE.....	348

---

## Introduzione

---

### Descrizione del prodotto

Il prodotto è un arieggiatore elettrico con operatore a piedi. Il prodotto rimuove l'erba secca dal prato e dissoda il terreno in modo da consentire la penetrazione di aria e acqua. L'erba secca viene raccolta in un raccogliherba o rilasciata sul prato. Il prodotto è dotato di 2 tipi di arieggiatori.

### Arieggiatore

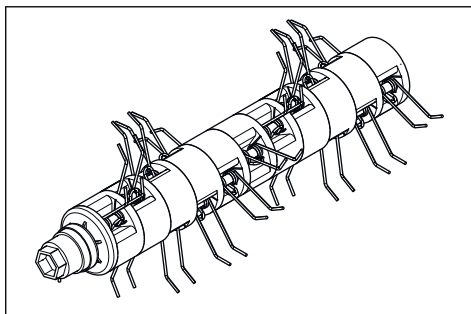
Fare riferimento a *Sostituzione dell'arieggiatore alla pagina 342* per informazioni su come sostituire l'arieggiatore.

### Lame delta

Le lame delta rimuovono l'erba secca e tagliano le radici dell'erba in verticale. Utilizzare le lame delta su dislivelli, terrazze e su terreni con elevato contenuto di argilla. Le lame delta lasciano scorrere l'acqua nel prato ed evitano che l'acqua si accumuli sulla superficie

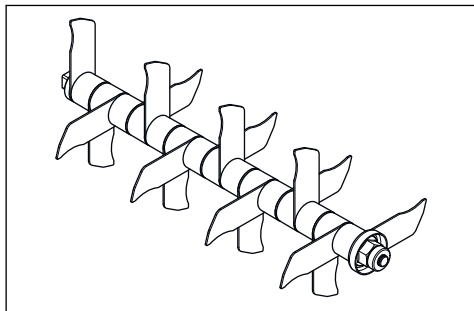
### Denti a molla

I denti a molla rimuovono con cautela l'erba secca e morta dal prato senza danneggiare le radici dell'erba.

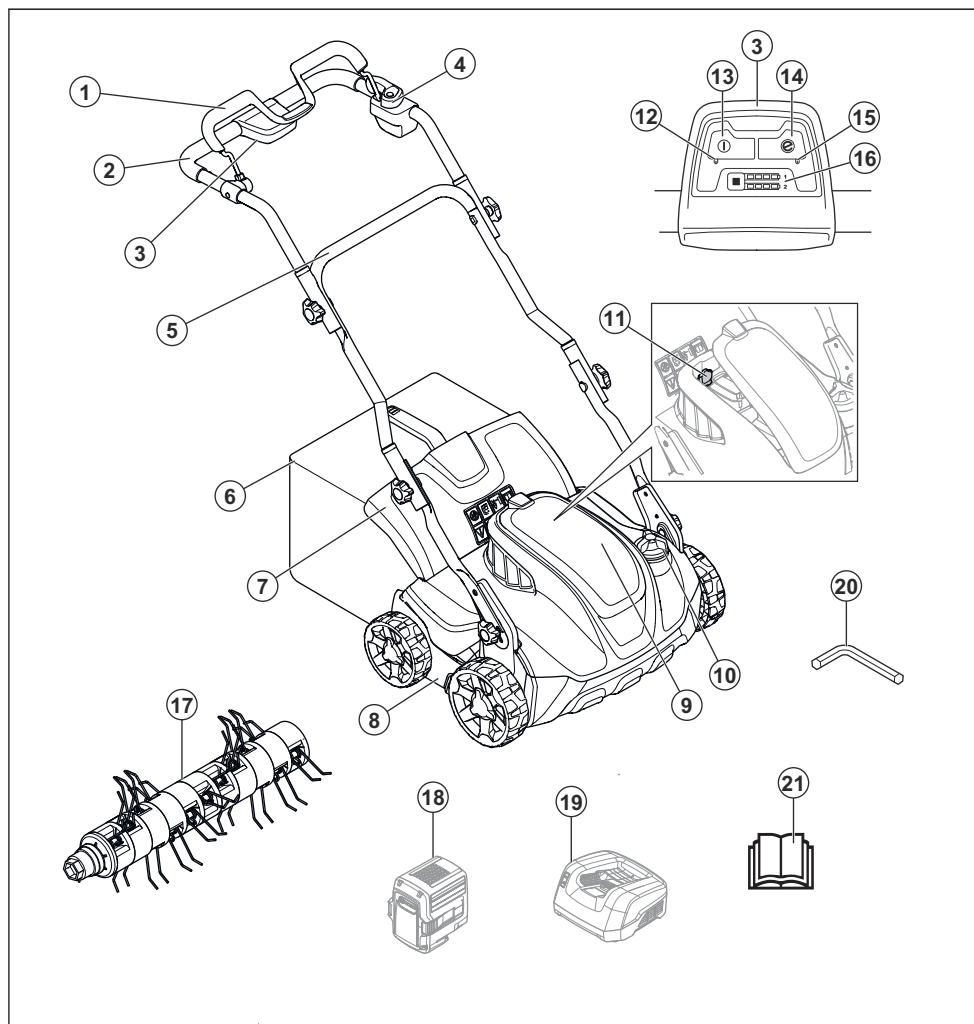


### Uso previsto

Utilizzare il prodotto per rimuovere l'erba secca e il muschio e per dissodare il terreno nei giardini privati. Non utilizzare il prodotto per altre attività.

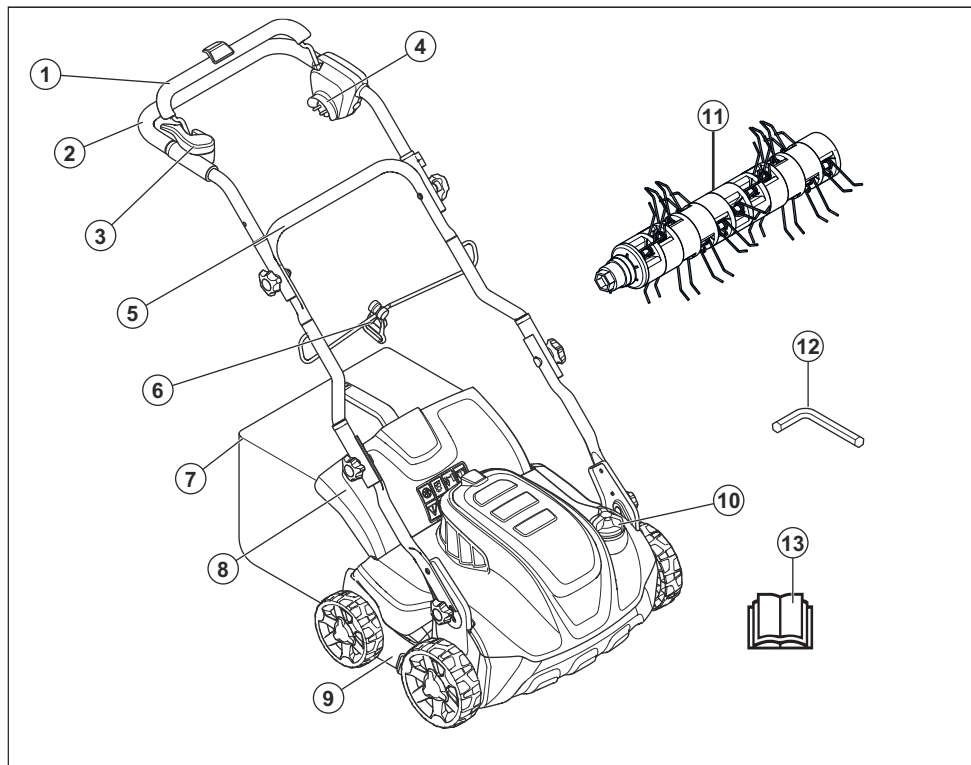


## Panoramica del prodotto del modello S 138i



- |  |   |
|--|---|
| 1. Impugnatura del freno motore                        | 12. Indicatore LED ON/OFF   |
| 2. Impugnatura superiore                               | 13. Pulsante ON/OFF.  |
| 3. Pannello di comando                                 | 14. Pulsante Save   |
| 4. Inibitore di avviamento                             | 15. Indicatore LED Save   |
| 5. Impugnatura inferiore                               | 16. Indicatore di carica della batteria e pulsante della batteria |
| 6. Raccogliërba  | 17. Denti a molla   |
| 7. Coperchio posteriore                                | 18. Batteria (accessorio)   |
| 8. Coperchio arieggiatore                              | 19. Caricabatterie (accessorio)                                   |
| 9. Coperchio della batteria                            | 20. Brugola   |
| 10. Manopola di regolazione della profondità di lavoro | 21. Manuale operatore   |
| 11. Chiave di sicurezza                                |   |

## Panoramica del prodotto del modello S 138C



1. Impugnatura del freno motore
2. Impugnatura superiore
3. Inibitore di avviamento
4. Presa di corrente
5. Impugnatura inferiore
6. Fascetta ferma cavo
7. Raccoglierba
8. Coperchio posteriore
9. Coperchio arieggiatore
10. Manopola di regolazione della profondità di lavoro
11. Denti a molla
12. Brugola
13. Manuale operatore

### Simboli riportati sul prodotto



**Avvertenza:** L'uso improprio del prodotto può provocare lesioni anche mortali



all'operatore o alle persone circostanti.

Leggere il Manuale dell'operatore e accertarsi di aver compreso le relative istruzioni prima di utilizzare questo prodotto.



Prestare attenzione a oggetti lanciati o rimbalzati.



Mantenere le persone e gli animali a una distanza

di sicurezza dalla zona di lavoro.



**Avvertenza:** Tenere mani e piedi lontani dalla lama rotante.



Rimuovere la chiave di sicurezza prima di eseguire la manutenzione del prodotto (modello S 138i).



Scollegare il prodotto dalla presa elettrica prima di eseguire lavori di manutenzione sul prodotto (modello S 138C).



**Pericolo di scosse elettriche** (modello S 138C).



**Non esporre alla pioggia** (modello S 138i).



**Avvertenza:** Non azionare il prodotto se il cavo di alimentazione si trova sotto poiché può provocare scosse elettriche o danni al prodotto (modello S 138C).

**IPX4** Questo prodotto è dotato di protezione contro gli spruzzi d'acqua.

**EAC** Il prodotto è conforme alle direttive EAC vigenti.

**CE** Il presente prodotto è conforme alle vigenti direttive CEE.



Il prodotto è conforme alle direttive UkrSEPRO vigenti.



Emissioni di rumore nell'ambiente in base alla direttiva della Comunità Europea. Le emissioni del prodotto sono indicate nel capitolo Dati tecnici e sull'etichetta.



**Doppio isolamento** (modello S 138C).



Riciclare questo prodotto in una stazione di riciclaggio per apparecchiature elettriche ed elettroniche. (Solo per l'Europa)



Procedura di avvio per il modello S 138i: premere il pulsante ON/OFF, allentare l'inibitore dell'avviamento, premere verso il basso la leva del freno motore.



Procedura di avviamento per il modello S 138C: allentare l'inibitore di avviamento, spingere verso il basso

l'impugnatura del freno motore.



Rilasciare l'impugnatura del freno motore per arrestarlo.



Codice scansionabile.

**Nota:** I restanti simboli/decalcomanie sul prodotto riguardano particolari requisiti necessari per ottenere la certificazione in alcuni mercati.

### Responsabilità del prodotto

Come indicato nelle leggi vigenti in materia di responsabilità obbligatoria sul prodotto, non siamo responsabili per eventuali danni causati dal nostro prodotto se:

- Il prodotto viene riparato in modo errato.
- Il prodotto viene riparato con parti che non provengono o non sono omologate dal produttore.
- Il prodotto contiene un accessorio che non proviene o non è omologato dal produttore.
- Il prodotto non viene riparato presso un centro di assistenza autorizzato o presso un'autorità competente.

## Sicurezza

### Definizioni di sicurezza

Le avvertenze, le precauzioni e le note sono utilizzate per evidenziare le parti importanti del manuale.



**AVVERTENZA:** Utilizzato se è presente un rischio di lesioni o morte dell'operatore o di passanti nel caso in cui le istruzioni del manuale non vengano rispettate.



**ATTENZIONE:** Utilizzato se è presente un rischio di danni al prodotto, ad altri materiali oppure alla zona adiacente nel caso in cui le istruzioni del manuale non vengano rispettate.

**Nota:** Utilizzato per fornire ulteriori informazioni necessarie in una determinata situazione.

## Istruzioni di sicurezza generali

---



**AVVERTENZA:** Leggere le seguenti avvertenze prima di utilizzare il prodotto.

---

- Questo prodotto è pericoloso se utilizzato in maniera impropria o se non si presta attenzione. La mancata osservanza delle istruzioni di sicurezza può causare lesioni anche fatali.
- Durante il funzionamento, questo prodotto genera un campo elettromagnetico. Tale campo può interferire, in alcuni casi, con persone portatrici di impianti medici attivi o passivi. Per ridurre il rischio di condizioni che possono implicare lesioni gravi o mortali, i portatori di tali impianti devono consultare il proprio medico e il produttore dell'impianto prima di utilizzare questo prodotto.
- Usare la massima cautela e il buon senso. Se non si è sicuri di come utilizzare il prodotto in una particolare situazione, fermarsi e rivolgersi al proprio rivenditore Husqvarna prima di continuare.
- Tenere presente che l'operatore potrà essere ritenuto responsabile di eventuali incidenti che coinvolgano altre persone o i loro beni.
- Tenere pulito il prodotto. Assicurarsi che sia possibile leggere chiaramente simboli e decalcomanie.
- Non consentire ad altre persone di utilizzare il prodotto se non si è sicuri che abbiano letto e compreso il contenuto del Manuale dell'operatore.
- Non consentire ai bambini di utilizzare il prodotto.
- Non permettere a chiunque non conosca le istruzioni di utilizzare il prodotto.
- Controllare sempre qualsiasi persona, dalle capacità fisiche o mentali ridotte, che utilizzi il prodotto. È necessaria sempre la supervisione di un adulto responsabile.
- Non utilizzare l'apparecchio quando si è stanchi, ammalati o sotto effetto di alcool, farmaci o medicinali. Essi potrebbero compromettere la vista, l'attenzione, il coordinamento e il giudizio.
- Se difettoso, non utilizzare il prodotto.

- Non modificare il prodotto né utilizzarlo nel caso in cui vi sia la possibilità che sia stato modificato da altri.

## Sicurezza dell'area di lavoro

---



**AVVERTENZA:** Leggere le seguenti avvertenze prima di utilizzare il prodotto.

---

- Rimuovere oggetti quali rami, ramoscelli o pietre dall'area di lavoro prima di utilizzare il prodotto.
- Gli oggetti che urtano contro l'arieggiatore potrebbero essere proiettati e causare danni a cose e persone. Mantenere persone e animali a una distanza di sicurezza dal prodotto.
- Non utilizzare mai il prodotto in condizioni meteorologiche avverse quali nebbia, pioggia, vento forte, freddo intenso e rischio di fulmini. L'uso del prodotto in condizioni meteorologiche avverse o in ambienti umidi è stancante. Condizioni meteorologiche avverse possono causare situazioni di pericolo quali superfici scivolose.
- Prestare attenzione a persone, cose e situazioni che possono

impedire un utilizzo sicuro del prodotto.

- Prestare attenzione a ostacoli quali radici, pietre, ramoscelli, fossi e avvallamenti. L'erba alta può nascondere eventuali ostacoli.
- Azionare il prodotto in pendenza può risultare pericoloso. Non utilizzare il prodotto su terreni con pendenze superiori a 15°.
- Utilizzare il prodotto trasversalmente lungo i pendii. Non spostarsi seguendo tragitti verso l'alto e verso il basso.
- Prestare attenzione in prossimità di angoli e oggetti nascosti che potrebbero ostacolare la visuale.

## Sicurezza sul lavoro

---



**AVVERTENZA:** Leggere le seguenti avvertenze prima di utilizzare il prodotto.

---

- Utilizzare il dispositivo per rimuovere l'erba secca e il muschio solo dai prati. Non è consentito utilizzare il prodotto per altri scopi.
- Usare sempre abbigliamento protettivo personale. Vedere



*Abbigliamento protettivo alla pagina 330.*

- Non utilizzare il prodotto con pioggia o umidità. Il rischio di scosse elettriche aumenta se l'acqua penetra nel prodotto.
- Non azionare il prodotto senza prima aver montato correttamente l'arieggiatore e tutti i coperchi. Un arieggiatore non correttamente fissato potrebbe allentarsi e causare lesioni personali.
- Assicurarsi che l'arieggiatore non urti oggetti quali pietre e radici. Ciò potrebbe provocare danni all'arieggiatore e piegare l'albero motore. Un'asse piegato provoca forti vibrazioni e un alto rischio di allentamento dell'arieggiatore.
- Qualora l'arieggiatore urti contro un oggetto o all'insorgere di vibrazioni arrestare immediatamente il prodotto. Arrestare il motore, girare la chiave di sicurezza su "0" e rimuovere la batteria (modello S 138i) o scollegare il cavo di alimentazione (modello S 138C). Verificare la presenza di eventuali danni al prodotto. Riparare eventuali danni o contattare un'officina autorizzata per far svolgere la riparazione.
- Non fissare l'impugnatura del freno motore in modo permanente al manubrio quando il motore è avviato.
- Posizionare il prodotto su una superficie piana e stabile e avviarlo. Assicurarsi che l'arieggiatore non venga a contatto con il terreno o con altri oggetti.
- Collocarsi sempre posteriormente al prodotto quando lo si utilizza.
- Consentire a tutte le ruote di restare a contatto con il suolo e tenere le 2 mani sull'impugnatura mentre si aziona il prodotto. Tenere mani e piedi lontani dall'arieggiatore rotante.
- Non ribaltare il prodotto a motore acceso.
- Prestare attenzione quando si tira il prodotto verso di sé.
- Non sollevare mai il prodotto a motore avviato. Se è necessario sollevare il prodotto, prima arrestare il motore, girare la chiave di sicurezza su "0" e rimuovere la batteria (modello S 138i) o scollegare il cavo di alimentazione (modello S 138C).
- Non camminare all'indietro quando si utilizza il prodotto.

- Arrestare il motore quando si attraversano zone prive d'erba quali vialetti in ghiaia, pietra e asfalto.
- Non correre con il prodotto quando il motore è acceso. Camminare sempre durante l'utilizzo del prodotto.
- Arrestare il motore prima di apportare qualsiasi modifica alla profondità di lavoro. Non effettuare mai regolazioni a motore acceso.
- Non perdere mai di vista il prodotto quando il motore è acceso. Arrestare il motore e assicurarsi che l'arieggiatore non giri.

## Istruzioni di sicurezza per il funzionamento

### Abbigliamento protettivo

Quando si utilizza il prodotto, indossare sempre abbigliamento protettivo personale omologato. L'uso di abbigliamento protettivo personale non elimina il rischio di lesioni, ma ne riduce la gravità in caso di incidente. Chiedere consiglio al proprio rivenditore di fiducia per la scelta dell'attrezzatura adeguata.

Usare sempre:

- Cuffie protettive per ridurre al minimo il rischio di lesioni all'udito.
- Scarpe o stivali robusti e antiscivolo. Non indossare sandali e non lavorare a piedi nudi.
- Pantaloni lunghi di tessuto pesante. Non indossare bermuda.

Indossare i guanti quando è necessario, ad esempio durante il montaggio, l'ispezione o la pulizia dell'arieggiatore.

## Dispositivi di sicurezza sul prodotto



**AVVERTENZA:** Leggere le seguenti avvertenze prima di utilizzare il prodotto.

- Non utilizzare un prodotto con dispositivi di sicurezza difettosi.
- Effettuare un controllo dei dispositivi di sicurezza con regolarità. Se i dispositivi di sicurezza sono difettosi, rivolgersi alla propria officina Husqvarna.

### Controllo dei coperchi

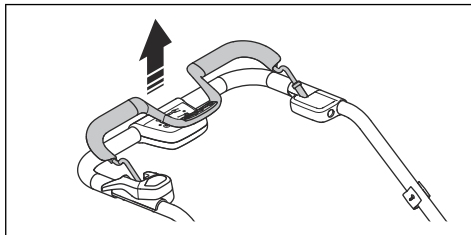
Il coperchio dell'arieggiatore riduce le vibrazioni del prodotto e il rischio di ferirsi con l'arieggiatore.

- Esaminare il coperchio dell'arieggiatore laterale per accertarsi che non presenti danni quali crepe.
- Esaminare il coperchio posteriore per accertarsi che non presenti danni quali crepe.

### Impugnatura del freno motore

L'impugnatura del freno motore arresta il motore. Quando si rilascia l'impugnatura del freno motore, il motore si arresta.

Per controllare il freno motore, avviare il motore e quindi rilasciare l'impugnatura del freno motore. Se il motore non si arresta entro 3 secondi, far regolare il freno motore presso un'officina Husqvarna autorizzata.



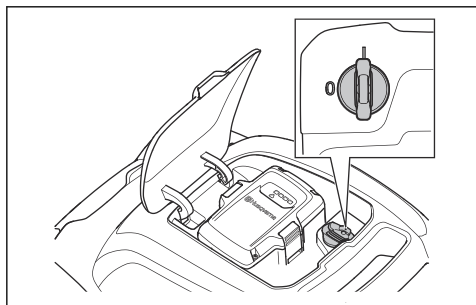
### Chiave di sicurezza

La chiave di sicurezza si trova sotto il coperchio della batteria. La chiave di sicurezza viene utilizzata per collegare la batteria che alimenta il motore.

- Avviare e arrestare il motore per effettuare un controllo della chiave di sicurezza.
- Se la chiave di sicurezza funziona correttamente, il motore si avvia solo quando la chiave è in posizione 1.



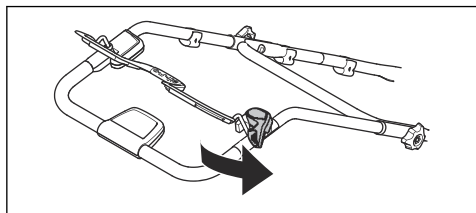
**AVVERTENZA:** Usare cuffie protettive omologate. Una lunga esposizione al rumore può comportare lesioni permanenti all'udito.



### Per esaminare l'inibitore di avviamento

Effettuare un controllo dell'inibitore di avviamento per accertarsi che impedisca il funzionamento del motore.

1. Spingere l'impugnatura del freno motore in direzione del manubrio. L'inibitore dell'avviamento arresta il movimento.
2. Tirare fuori l'inibitore di avviamento.



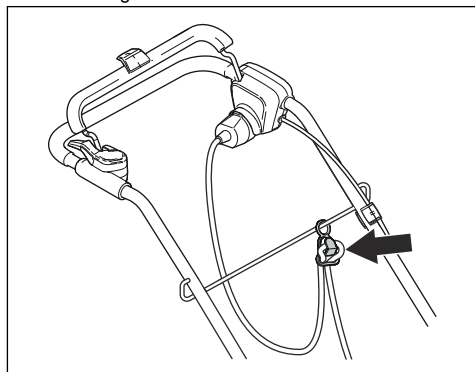
3. Rilasciare l'inibitore di avviamento e accertarsi che ritorni nella sua posizione iniziale.

### Per utilizzare il supporto del cavo di alimentazione (modello S 138C)

Il supporto del cavo di alimentazione riduce la tensione tra la presa e il cavo. Il supporto del cavo di alimentazione riduce anche il rischio di caduta.

1. Pieghere il cavo di alimentazione in modo da formare un anello stretto.
2. Inserire l'anello nel foro sul supporto del cavo di alimentazione.
3. Avvolgere il cavo attorno al gancio.

4. Tirare il cavo di alimentazione per fissare l'anello attorno al gancio.



## Sicurezza batterie



**AVVERTENZA:** Leggere le seguenti avvertenze prima di utilizzare il prodotto.

- Utilizzare le batterie ricaricabili Husqvarna come alimentazione per i soli prodotti Husqvarna in questione. Per evitare il rischio di lesioni, non utilizzare la batteria come fonte di alimentazione per altri dispositivi.
- Non utilizzare batterie non ricaricabili.
- Rischio di scosse elettriche. Non collegare i morsetti della batteria a chiavi, monete, viti o altro tipo di metallo. Ciò può causare un corto circuito della batteria.

## Sicurezza del caricabatterie

---



**AVVERTENZA:** Leggere le seguenti avvertenze prima di utilizzare il prodotto.

---

- Non inserire oggetti nelle feritoie di aerazione della batteria.
  - Tenere la batteria lontano dalla luce del sole, dal calore o da fiamme libere. La batteria può esplodere e causare bruciature e/o ustioni chimiche.
  - Tenere la batteria lontano da pioggia e umidità.
  - Tenere la batteria lontano da microonde e alta pressione.
  - Non tentare di smontare o rompere la batteria.
  - In caso di perdite dalla batteria, non lasciare che il liquido entri in contatto con il corpo o con gli occhi. In caso di contatto con il liquido, pulire l'area con grandi quantità di acqua e consultare un medico.
  - Utilizzare la batteria a una temperatura compresa tra -10 °C e 40 °C.
  - Non pulire la batteria o il caricabatteria con acqua. *Vedere Per pulire la batteria e il caricabatterie alla pagina 342.*
  - Non utilizzare una batteria difettosa o danneggiata.
  - Conservare le batterie lontano da oggetti metallici, come ad esempio chiodi, monete, gioielli.
- Utilizzare i caricabatterie QC per caricare esclusivamente le batterie di ricambio Husqvarna.
  - Rischio di scosse elettriche o cortocircuiti. Non inserire oggetti nelle feritoie di aerazione del caricabatterie. Non tentare di smontare il caricabatterie. Non collegare i terminali del caricabatterie a oggetti metallici. Utilizzare una presa di rete omologata.
  - Durante il funzionamento, questo prodotto genera un campo elettromagnetico. Tale campo può interferire, in alcuni casi, con persone portatrici di impianti medici attivi o passivi. Per ridurre il rischio di condizioni che possono implicare lesioni personali gravi o fatali, i portatori di tali impianti devono consultare il proprio medico e il produttore dell'impianto prima di utilizzare questo prodotto.
  - Verificare regolarmente che il cavo di alimentazione del

caricabatterie non sia danneggiato e che non vi siano crepe.

- Non sollevare il caricabatterie tramite il cavo di alimentazione. Per scollegare il caricabatterie da una presa di rete, tirare la spina. Non tirare il cavo di alimentazione.
- Tenere il cavo di alimentazione e le prolunghie lontani da acqua, olio e bordi appuntiti. Fare attenzione affinché il cavo non si incastri in porte, ostacoli o simili. Questo potrebbe causare scosse elettriche al contatto con il caricabatterie.
- Non pulire il caricabatterie con acqua.
- Il caricabatterie può essere utilizzato da bambini a partire da 8 anni di età e da parte di persone con ridotte capacità fisiche, sensoriali o mentali, oppure con mancanza di esperienza e conoscenza, se vengono controllati o ricevono istruzioni sull'utilizzo sicuro del caricabatterie e se comprendono i rischi. I bambini non devono giocare con il caricabatterie. La pulizia e la manutenzione non devono essere eseguite da bambini senza la supervisione di adulti.

- Non caricare batterie non ricaricabili nel caricabatterie.
- Non utilizzare il caricabatterie in prossimità di materiali infiammabili o materiali corrosivi. Non coprire il caricabatterie. Staccare la spina del caricabatterie in caso di fumo o incendio.
- Non utilizzare un caricabatterie difettoso o danneggiato.
- Caricare la batteria solo in luoghi chiusi, in una stanza con un buon flusso d'aria e lontano dalla luce del sole. Non caricare la batteria in condizioni di umidità.

#### **Sicurezza del cavo di alimentazione**

Per il modello S 138C.

- Si consiglia l'utilizzo di un interruttore automatico differenziale con corrente di rilascio che non superi 30 mA. Anche con un interruttore automatico differenziale installato, non è possibile garantire al 100% la sicurezza e occorre sempre osservare le pratiche di sicurezza sul lavoro. Effettuare un controllo dell'interruttore automatico differenziale ogni volta che si utilizza.
- Se il cavo è tagliato o se l'isolamento è danneggiato,

scollegare immediatamente l'attrezzo dalla rete elettrica.

- Non toccare il cavo tagliato o danneggiato fino a quando non è stata scollegata la rete elettrica.
- Non riparare un cavo di alimentazione tagliato o danneggiato. Sostituirlo con uno nuovo.

## Istruzioni di sicurezza per la manutenzione



**AVVERTENZA:** Leggere le seguenti avvertenze prima di utilizzare il prodotto.

---

- Per il modello S 138i: Per evitare l'avviamento accidentale durante la manutenzione, ruotare la chiave di sicurezza su 0 e rimuovere la batteria. Attendere almeno 5 secondi prima di iniziare la manutenzione.
- Per il modello S 138C: Per evitare l'avviamento accidentale durante la manutenzione, scollegare il cavo di alimentazione.
- Eseguire gli interventi di manutenzione correttamente in modo da aumentare la durata di vita del prodotto e ridurre il rischio di incidenti. Affidare le riparazioni professionali a un'officina autorizzata. Per ulteriori informazioni, rivolgersi all'officina più vicina.
- Eseguire esclusivamente gli interventi di manutenzione riportati nel presente manuale operatore. Per operazioni di maggiore entità, rivolgersi a un'officina autorizzata.
- Indossare guanti per lavori pesanti quando si utilizza l'arieggiatore. L'arieggiatore è molto affilato e ci si può ferire facilmente.
- Mantenere le lame sull'arieggiatore affilate e pulite per prestazioni più sicure e ottimali.
- Far esaminare regolarmente il prodotto da un'officina per messe a punto e riparazioni necessarie.
- Sostituire le parti danneggiate, usurate o rotte.
- Rispettare le istruzioni per la sostituzione degli accessori. Utilizzare solo accessori del produttore.
- Quando non in uso, tenere il prodotto, la batteria e il caricabatterie lontano in un luogo all'interno, chiuso a chiave e asciutto. Assicurarsi

che i bambini e le persone non autorizzate non abbiano

accesso al prodotto, alla batteria o al caricabatterie.

## Montaggio

### Introduzione



**AVVERTENZA:** Prima di montare il prodotto, leggere il capitolo sulla sicurezza.

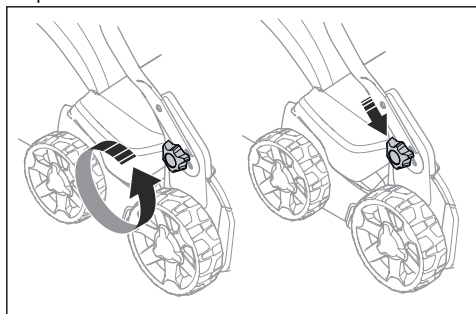


**AVVERTENZA:** Per il modello S 138i: Per evitare l'avviamento accidentale durante il montaggio, ruotare la chiave di sicurezza su 0, rimuovere la batteria e attendere almeno 5 secondi.

Per il modello S 138C: Per evitare l'avviamento accidentale durante il montaggio, scollegare il cavo di alimentazione.

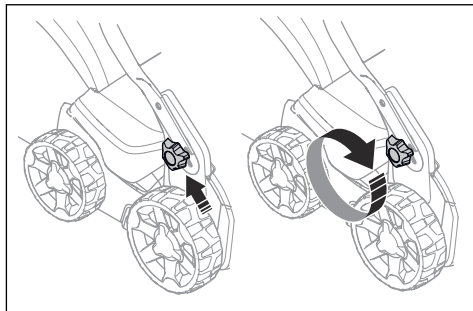
### Per montare l'impugnatura

1. Allentare le manopole inferiori.
2. Spostare le manopole verso l'estremità inferiore delle scanalature dei lati sinistro e destro del prodotto.



3. Impostare l'altezza dell'impugnatura su una delle 2 posizioni disponibili.

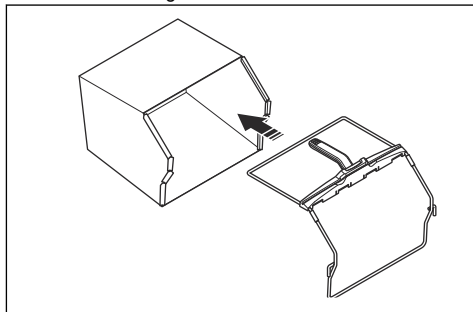
4. Spostare le manopole verso l'alto in direzione dell'impugnatura fino a quando un clic ne segnala l'arresto.



5. Stringere completamente le manopole.

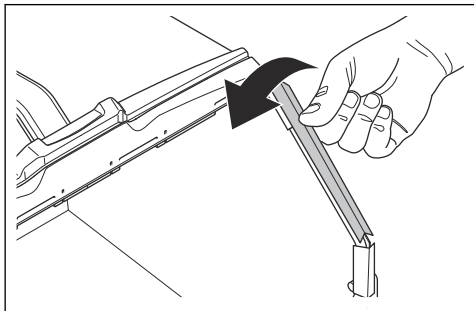
### Per assemblare il raccoglierba

1. Fissare il telaio del raccoglierba al relativo sacco con la parte rigida di quest'ultimo posta in basso. Mantenere l'impugnatura del telaio dalla parte alta del sacco raccoglierba.

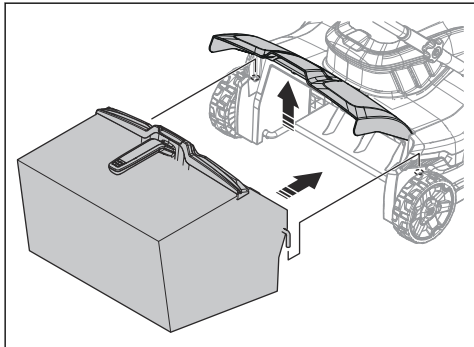


2. Fissare la parte inferiore del telaio del raccoglierba nella scanalatura in basso del raccoglierba.

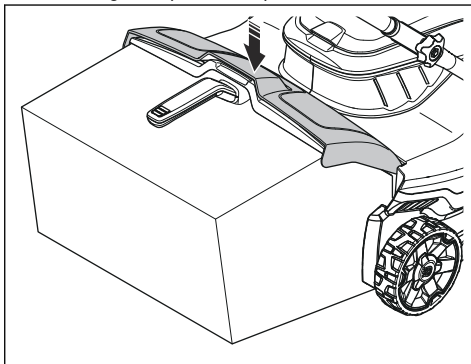
3. Fissare il sacco sul telaio del raccoglierba utilizzando i fermi.



4. Sollevare il coperchio posteriore.
5. Spostare il raccoglierba nella posizione corretta.



6. Fissare il raccoglierba al bordo superiore del telaio. Assicurarsi che il coperchio posteriore sia sigillato sul raccoglierba per evitare perdite.



---

## Utilizzo

---

### Introduzione



**AVVERTENZA:** Prima di utilizzare il prodotto, è necessario leggere e comprendere il capitolo relativo alla sicurezza.

### Impostazione della profondità di lavoro



**AVVERTENZA:** Non regolare la profondità di lavoro durante l'uso del prodotto.

### Husqvarna Connect

Husqvarna Connect è un'app gratuita per i dispositivi mobili. L'app Husqvarna Connect fornisce funzioni estese per il prodotto Husqvarna:

- Informazioni aggiuntive sul prodotto.
- Dettagli, guida, parti del prodotto e manutenzione.

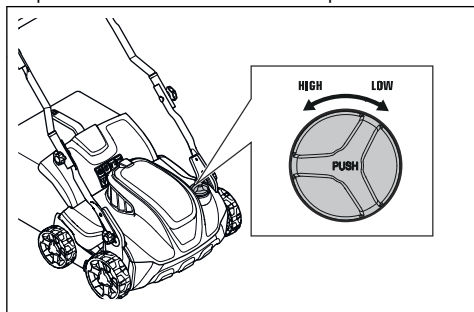
### Primo utilizzo Husqvarna Connect

1. Scaricare l'app Husqvarna Connect sul proprio dispositivo mobile.
2. Registrarsi nell'app Husqvarna Connect.
3. Attenersi alle istruzioni dell'app Husqvarna Connect per collegare e registrare il prodotto.

1. Spingere e ruotare la manopola di regolazione della profondità di lavoro in senso antiorario per aumentarla.



- Spingere e ruotare la manopola di regolazione della profondità di lavoro in senso orario per ridurla.



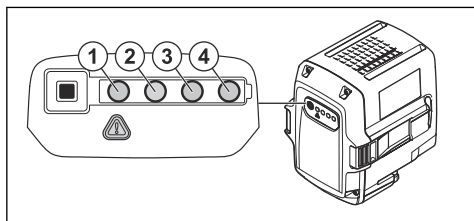
## Batteria



**AVVERTENZA:** Prima di utilizzare la batteria, leggere e comprendere il capitolo sulla sicurezza. È inoltre importante leggere e comprendere il manuale operatore della batteria e del caricabatterie.

### Stato della batteria

Il display mostra la capacità residua della batteria e se sussistono problemi con la batteria stessa. La capacità della batteria viene visualizzata per 5 secondi dopo lo spegnimento del prodotto o dopo aver premuto il pulsante di indicatore di batteria. Il simbolo d'avvertenza sulla batteria si accende quando si verifica un errore. Vedere *Batteria alla pagina 343*.



Spie LED	Stato della batteria
Tutti i LED accesi	Completamente carica (75-100%)
LED 1, LED 2, LED 3 accesi	La batteria è carica al 50%-75%
LED 1, LED 2 accesi	La batteria è carica al 25%-50%
LED 1 acceso.	La batteria è carica allo 0%-25%.
LED 1 lampeggia.	La batteria è scarica. Caricare la batteria.

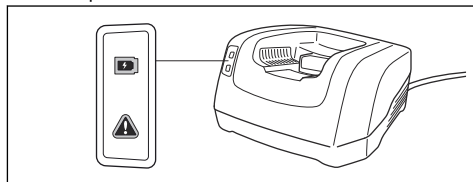
## Per caricare la batteria

Caricare la batteria prima del primo utilizzo. Quando viene fornita al cliente, la batteria è carica solo al 30%.

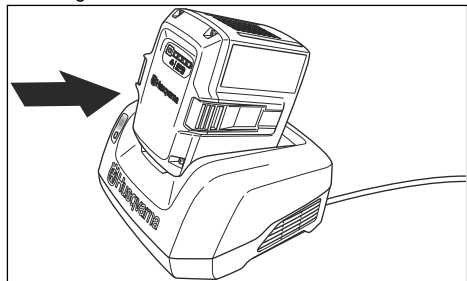
**Nota:** Il caricabatterie deve essere collegato alla rete elettrica e alla frequenza indicate sulla targhetta dati di funzionamento.

La batteria non si ricarica se la sua temperatura è superiore a 50°C. Il caricabatterie riduce la temperatura della batteria prima di iniziare la ricarica.

- Collegare un'estremità del cavo di alimentazione del caricabatteria alla presa del caricabatterie.
- Collegare l'altra estremità del cavo di alimentazione del caricabatteria ad una presa di corrente con messa a terra. Il LED sul caricabatterie lampeggia verde per una volta.



- Inserire la batteria nel caricabatterie. La luce verde sul caricabatterie si accende quando la batteria è collegata correttamente al caricabatterie.



- Quando tutti i LED sulla batteria sono accesi, la batteria è completamente carica. Caricare la batteria per massimo 24 ore.
- Per scollegare il caricabatterie dalla presa di rete, estrarre la spina e non il cavo di alimentazione.
- Rimuovere la batteria dal caricabatterie.

### Stato di ricarica della batteria

È possibile utilizzare o caricare una batteria agli ioni di litio Husqvarna a tutti i livelli di carica. La batteria non viene danneggiata. Una batteria completamente carica non diminuisce la carica se lasciata nel caricabatterie.

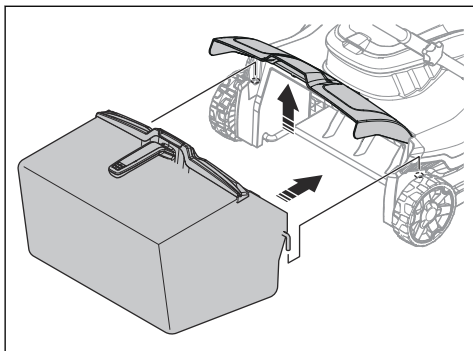
Display a LED	Livello di carica
LED 1 lampeggia.	0%-25%

Display a LED	Livello di carica
LED 1 acceso, LED 2 lampeggia.	25%-50%
LED 1, LED 2 accesi, LED 3 lampeggia.	50%-75%
LED 1, LED 2, LED 3 accesi, LED 4 lampeggia.	75%-100%
LED 1, LED 2, LED 3, LED 4 accesi	Completamente carica

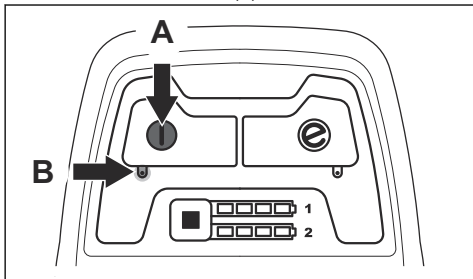
## Per azionare S 138i

### Avviamento dell'unità

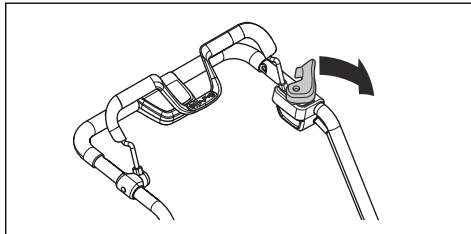
1. Inserire una batteria carica nel vano batteria numero 1, sotto il coperchio della batteria. Per tempi di funzionamento più lunghi, mettere una seconda batteria carica nel vano batteria numero 2.
2. Ruotare la chiave di sicurezza su 1.



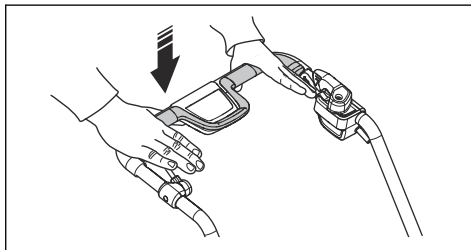
3. Collocarsi dietro il prodotto.
4. Premere il pulsante ON/OFF (A) sul pannello di controllo e il LED verde (B) si accende.



5. Allentare l'inibitore di avviamento.



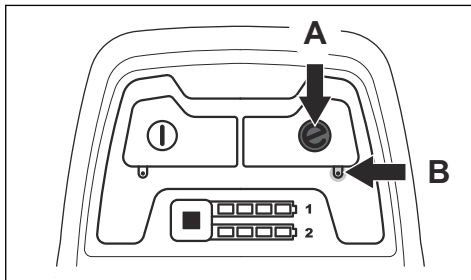
6. Spingere l'impugnatura del freno motore in direzione del manubrio.



### Per utilizzare la funzione SavE

Il prodotto dispone di una funzione di risparmio batteria (SavE) che permette tempi di funzionamento più lunghi.

1. Premere il pulsante SavE (A) per avviare la funzione. Il LED verde si accende.

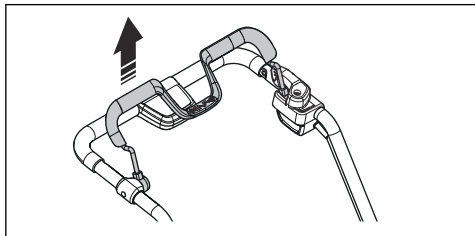


2. Premere nuovamente il pulsante SavE per arrestare la funzione. Il LED verde (B) si spegne.

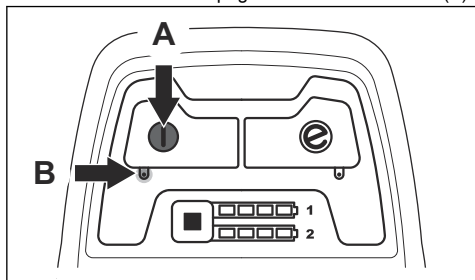
### Arresto dell'unità

Il prodotto si arresta automaticamente se rimane non utilizzato per 10 minuti. Ruotare sempre la chiave di sicurezza in posizione 0 prima di lasciare incustodito il prodotto.

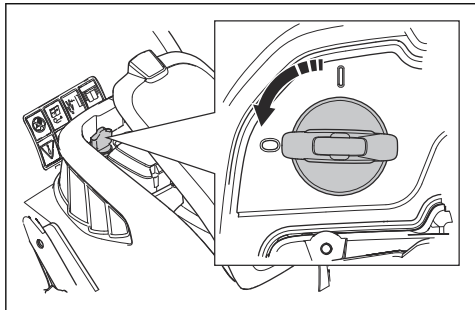
1. Rilasciare l'impugnatura del freno motore per arrestare il motore.



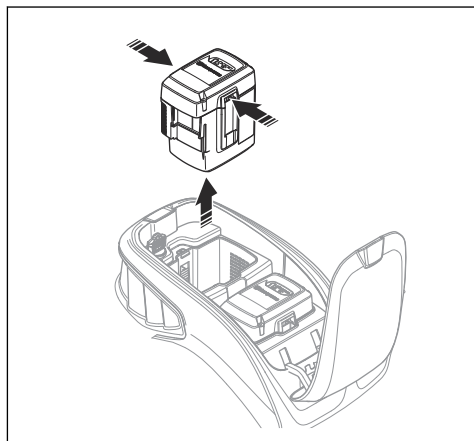
2. Tenere premuto il pulsante ON/OFF (A) sul pannello di comando fino allo spegnimento del LED verde (B).



3. Aprire il coperchio della batteria e ruotare la chiave di sicurezza in posizione 0.



4. Per rimuovere la batteria, premere contemporaneamente i 2 pulsanti di rilascio ed estrarre la batteria.

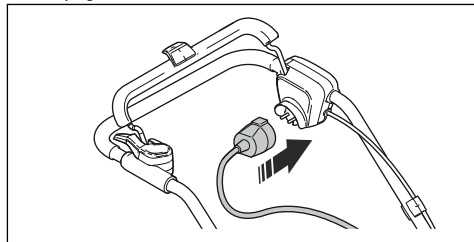


5. Caricare la batteria se è debole. Per ulteriori informazioni, vedere *Per caricare la batteria alla pagina 337*.

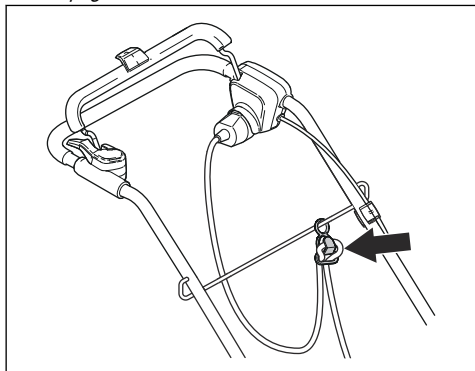
## Per azionare S 138C

### Avviamento dell'unità

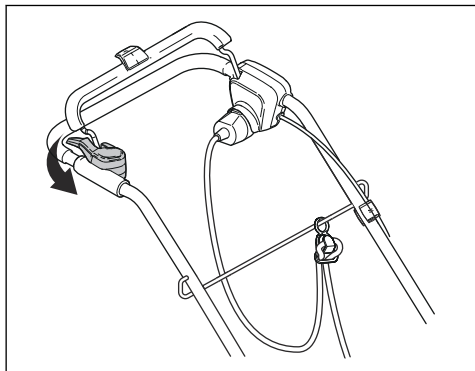
1. Collegare un cavo di alimentazione alla presa sotto l'impugnatura.



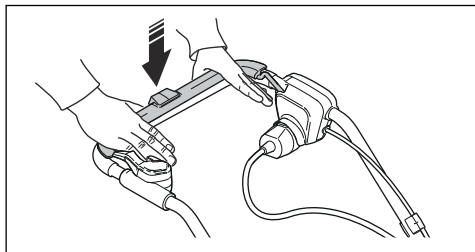
2. Posizionare il cavo di alimentazione nel supporto del cavo di alimentazione. Vedere *Per utilizzare il supporto del cavo di alimentazione (modello S 138C) alla pagina 331.*



3. Collocarsi dietro il prodotto.
4. Allentare l'inibitore di avviamento.

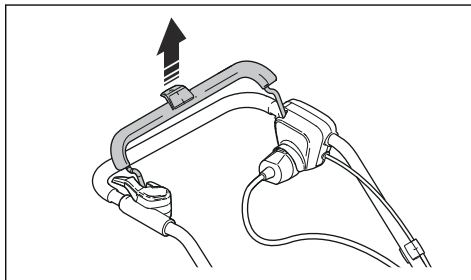


5. Spingere l'impugnatura del freno motore in direzione del manubrio.

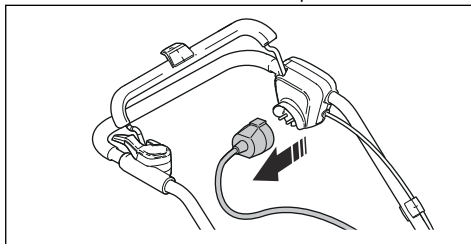


## Arresto del prodotto

1. Rilasciare l'impugnatura del freno motore per arrestare il motore.



2. Scollegare il cavo di alimentazione dalla presa elettrica e successivamente dal prodotto.



**ATTENZIONE:** Estrarre la spina in linea retta. Non tirare il cavo di alimentazione.

# Manutenzione

## Introduzione



**AVVERTENZA:** Prima di svolgere la manutenzione, leggere e comprendere il capitolo relativo alla sicurezza.

Per tutti gli interventi di assistenza e riparazione sul prodotto, è necessaria una formazione specifica. La nostra azienda garantisce la disponibilità di personale qualificato per le riparazioni e l'assistenza. Se non avete acquistato il prodotto presso un rivenditore dotato di

officina, informatevi sull'ubicazione della più vicina officina autorizzata.

## Programma di manutenzione

Gli intervalli di manutenzione sono calcolati sulla base di un uso quotidiano del prodotto. Gli intervalli cambiano se il prodotto non viene usato quotidianamente.

Per gli interventi di manutenzione identificati con \*, fare riferimento a *Dispositivi di sicurezza sul prodotto alla pagina 330*.

S 138i e S 138C	A ciascun utilizzo	Una volta al mese	Ogni stagione
Effettuare un'ispezione generale.	X		
Pulire il prodotto.	X		
Controllare l'arieggiatore.	X		
Accertarsi che i dispositivi di sicurezza del prodotto non siano difettosi. *	X		
Esaminare i coperchi. *	X		
Controllare la leva del freno motore. *	X		
Eseguire un controllo dell'inibitore di avviamento. *	X		

Solo S 138i	A ciascun utilizzo	Una volta al mese	Ogni stagione
Accertarsi che il pulsante ON/OFF funzioni correttamente e non presenti guasti.	X		
Controllare la presenza di eventuali danni alla batteria.	X		
Effettuare un controllo dello stato di carica della batteria.	X		
Accertarsi che i pulsanti di rilascio sulla batteria funzionino correttamente e che tengano la batteria bloccata all'interno del prodotto.	X		
Controllare che il caricabatterie non sia danneggiato e che funzioni correttamente.		X	
Controllare i collegamenti tra la batteria e il prodotto. Controllare anche il collegamento tra la batteria e il caricabatterie.			X

## Per effettuare un'ispezione generale

- Controllare che tutti i dadi e le viti del prodotto siano ben serrati.
- Accertarsi che i cavi del prodotto non sono in una posizione in cui possono danneggiarsi.

## Per pulire il prodotto

- Pulire le parti in plastica con un panno pulito e asciutto.
- Non utilizzare acqua per pulire il prodotto. L'acqua può penetrare nella batteria o nel motore e causare un corto circuito o danni al prodotto.
- Non utilizzare una lancia ad alta pressione per pulire il prodotto.

- Non dirigere getti d'acqua sul motore.
- Utilizzare una spazzola per rimuovere foglie, erba e sporcizia.

## Per pulire la batteria e il caricabatterie



**ATTENZIONE:** Non pulire la batteria o il caricabatteria con acqua.

- Accertarsi che la batteria e il caricabatterie siano puliti e asciutti prima di inserire la batteria nel caricabatterie.
- Pulire i terminali della batteria con aria compressa o con un panno morbido e asciutto.
- Pulire le superfici della batteria e del caricabatterie con un panno morbido e asciutto.

## Controllo dell'arieggiatore



**AVVERTENZA:** Per i modelli S 138i: per evitare l'avviamento accidentale, ruotare la chiave di sicurezza su 0, rimuovere la batteria e attendere almeno 5 secondi.

Per il modello S 138C: Per evitare l'avviamento accidentale, scollegare il cavo di alimentazione.



**AVVERTENZA:** Indossare guanti protettivi quando si esegue la manutenzione dell'arieggiatore. Le lame sull'arieggiatore sono molto affilate e ci si può ferire facilmente.

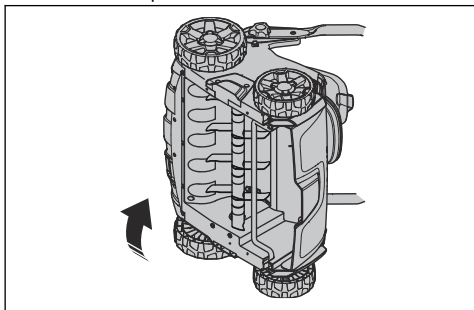
- Controllare l'arieggiatore per individuare danni o crepe. Sostituire sempre l'arieggiatore danneggiato.

## Sostituzione dell'arieggiatore

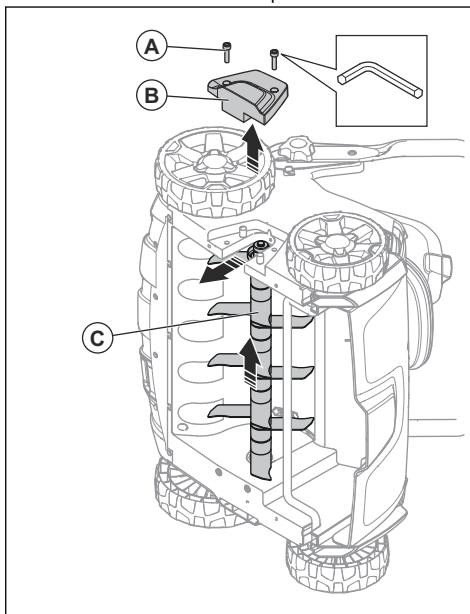


**AVVERTENZA:** Indossare guanti protettivi quando si esegue la manutenzione dell'arieggiatore. L'arieggiatore è molto affilato e ci si può ferire facilmente

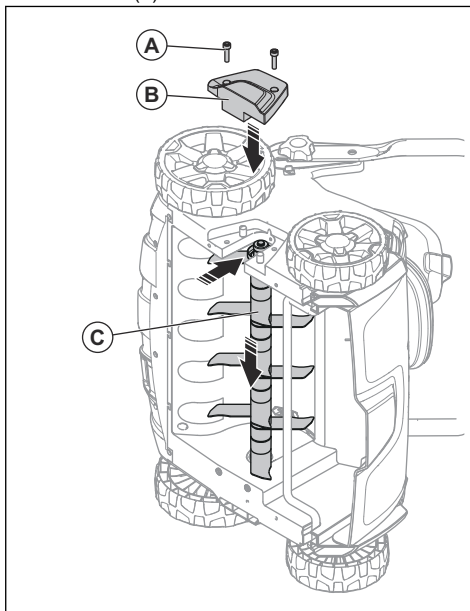
1. Posizionare il prodotto sul lato destro.



2. Rimuovere le 2 viti (A) ed estrarre il coperchio dell'arieggiatore (B). Spingere l'arieggiatore (C) verso l'alto e verso l'esterno per rimuoverlo.



3. Spingere il nuovo arieggiatore (C) nella scanalatura e nel foro. Fissare il coperchio dell'arieggiatore (B) con le 2 viti (A)



## Ricerca dei guasti

### Batteria

LED della batteria	Possibili guasti	Possibile procedura
Il LED verde lampeggia	La tensione della batteria è bassa	Caricare la batteria. Vedere <i>Per caricare la batteria alla pagina 337</i> .
Il LED di errore lampeggia	La batteria è debole	Caricare la batteria. Vedere <i>Per caricare la batteria alla pagina 337</i> .
	La temperatura nell'ambiente di lavoro è troppo alta o troppo bassa	Utilizzare la batteria a una temperatura compresa tra -10°C e 40°C.
	Sovratensione	Controllare che la tensione di rete corrisponda a quella indicata sull'etichetta del prodotto  Rimuovere la batteria dal caricabatterie. Attendere 5 secondi e riprovare a caricare la batteria. Se il problema persiste, contattare un'officina autorizzata.
Il LED di errore è acceso	Differenza troppo elevata nella cella (1 V)	Contattare un'officina autorizzata.

### Caricabatterie

LED del caricabatterie	Possibili guasti	Possibile procedura
Il LED di errore lampeggia	La temperatura nell'ambiente di lavoro è troppo alta o troppo bassa	Utilizzare il caricabatterie a una temperatura compresa tra 5°C e 40°C.
Il LED di errore è acceso		Contattare un'officina autorizzata

### Pannello di comando

Per il modello S 138i

Errore	Codice di errore (Numero di lampeggi)	Possibili guasti	Possibile soluzione
Il LED di errore lampeggia	3	Il motore è sovraccarico.	Diminuire la profondità di lavoro. Vedere <i>Impostazione della profondità di lavoro alla pagina 336</i> . Se il LED di errore continua a lampeggiare, l'arieggiatore è bloccato. Per evitare l'avviamento accidentale, ruotare la chiave di sicurezza su 0, rimuovere la batteria e attendere almeno 5 secondi. Assicurarsi che l'arieggiatore si muova liberamente. Se il problema persiste, contattare un'officina autorizzata.
	5	La velocità del motore diminuisce eccessivamente e il motore si arresta.	
	9	Il comando del motore è troppo caldo.	Arrestare il motore e attendere che si raffreddi.
	7	Errore batteria o nessun segnale dalla batteria.	Inserire correttamente la batteria nel prodotto e controllare il connettore della batteria. Se il LED di errore della batteria lampeggia, fare riferimento a <i>Stato di ricarica della batteria alla pagina 337</i> .
La batteria è scarica.		Caricare la batteria. Vedere <i>Per caricare la batteria alla pagina 337</i> .	
Il prodotto si arresta	6	La batteria è scarica.	Caricare la batteria. Vedere <i>Per caricare la batteria alla pagina 337</i> .
	0	Guasto del connettore della batteria.	Esaminare il connettore della batteria.
Altri errori	Se si verificano altri errori, ruotare la chiave di sicurezza su 0, rimuovere la batteria e rivolgersi a un'officina autorizzata.		

## Trasporto, stoccaggio e smaltimento

### Trasporto

- I requisiti di legge sulle merci pericolose si applicano alle batterie agli ioni di litio incluse.
- Rispettare i requisiti speciali riportati sulla confezione e sulle etichette per il trasporto commerciale.
- Durante la preparazione al trasporto del prodotto, attenersi alle normative relative ai materiali pericolosi. Possono essere in vigore alcune normative locali.
- Rimuovere sempre la batteria per il trasporto.
- Applicare del nastro sui connettori della batteria e assicurarsi che la batteria rimanga fissa in posizione durante il trasporto.
- Fissare il prodotto durante il trasporto.

### Conservazione

- Rimuovere sempre la batteria per lo stoccaggio.

- Per evitare incidenti, assicurarsi che la batteria non sia collegata al prodotto una volta riposto.
- Conservare il caricabatterie in un ambiente chiuso e asciutto.
- Conservare la batteria e il caricabatterie in un luogo asciutto, privo di umidità e protetto dal gelo.
- Scollegare la batteria dal caricabatterie durante lo stoccaggio.
- Non conservare la batteria in aree elettricamente statiche. Non conservare mai la batteria in una scatola di metallo.
- Conservare la batteria a una temperatura compresa tra 5 °C e 25 °C e non esposta alla luce del sole.
- Conservare il caricabatterie a una temperatura compresa tra 5 °C e 45 °C e non esposto alla luce del sole.
- Accertarsi che la batteria sia carica al 30% - 50% prima di riporla per lunghi periodi.



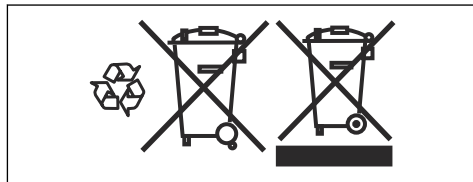
- Conservare il prodotto, la batteria e il caricabatterie in un luogo chiuso a chiave, fuori dalla portata di bambini e di persone non autorizzate.
- Pulire il prodotto ed eseguire una manutenzione completa prima di riporlo per lunghi periodi.

e sulle persone che può altrimenti sortire da una gestione impropria del prodotto come rifiuto. Per informazioni più dettagliate sul riciclaggio di questo prodotto, contattare l'autorità municipale, il servizio rifiuti domestici o il punto vendita in cui è stato acquistato.

## Smaltimento

I simboli sul prodotto o sull'imballaggio indicano che il presente prodotto non può essere trattato come rifiuto domestico. Deve essere portato presso un centro di raccolta specializzato nel recupero di apparecchiature elettriche ed elettroniche.

Trattando questo prodotto correttamente, si contribuisce a contrastare il potenziale impatto negativo sull'ambiente



## Dati tecnici

### Dati tecnici

	S 138i	S 138C
<b>Motore</b>		
Tipo di motore	BLDC (senza spazzole) 36V	Serie motore AC
Velocità gruppo – SavE, giri/min	3000	N/A
Velocità gruppo – Nominale, giri/min	3200	4200
Potenza del motore - max kW	1,28	1,8
Potenza del motore - Nominale, kW	0,9	1,6
<b>Peso</b>		
Peso, kg	19,5 (senza batteria)	19,0
<b>Batteria</b>		
Tipo di batteria	Serie a batteria Husqvarna	NA
<b>Prestazione della batteria</b>		
Prestazione della batteria, min, (free run) con modalità SavE attivata, con una batteria Husqvarna da 5,2 Ah (Bli200).	115	NA
Prestazione della batteria, min, (free run) con modalità standard attivata, con una batteria Husqvarna da 5,2 Ah (Bli200).	102	NA
<b>Emissioni di rumore</b> <sup>37</sup>		
Livello acustico, misurato dB(A)	89,2	95,7
Livello acustico, garantito L <sub>WA</sub> dB(A)	91	98
<b>Livelli di rumorosità</b> <sup>38</sup>		

<sup>37</sup> Emissioni di rumore nell'ambiente misurate come potenza sonora (L<sub>WA</sub>) in base alla direttiva CE 2000/14/CE.

<sup>38</sup> I dati riportati per il livello di pressione acustica hanno una dispersione statistica tipica (deviazione standard) di 1,2 dB(A).

	<b>S 138i</b>	<b>S 138C</b>
Livello di pressione sonora all'orecchio dell'operatore, dB (A)	75,3	81,7
<b>Livelli di vibrazioni</b> <sup>39</sup>		
Impugnatura, m/s <sup>2</sup>	5,5	8,3
<b>Utilizzo</b>		
Profondità di lavoro max/min, mm	-8/+5	-8/+5
Larghezza di lavoro, cm	37,5	37,5
Gruppo lame delta	5973510-01	5973510-01
Gruppo denti a molla	5973509-01	5973509-01
Capacità del raccoglierba, litri	45	45

Batterie approvate	Tipo	Capacità batteria, Ah	Tensione V	Peso, lb/kg
BLi20	Ioni di litio	4,0	36	2,6/1,2
BLi200	Ioni di litio	5,2	36	2,8/1,3
BLi300	Ioni di litio	9,4	36	4,1/1,9

Caricabatteria omologati per le batterie specificate, BLi	Tensione di entrata, V	Frequenza, Hz	Potenza, W
QC80	100-240	50-60	80
QC80F	12	0	80
QC330	100-240	50-60	330
QC500	100-240	50-60	500

<sup>39</sup> I dati riportati per il livello di vibrazioni presentano una dispersione statistica tipica (deviazione standard) di 0,2 m/s<sup>2</sup>.

---

## Dichiarazione di conformità CE

---

### Dichiarazione di conformità CE

**Husqvarna AB**, SE-561 82 Huskvarna, Svezia, tel.:  
+46-36-146500, dichiara che l'**arieggiatore Husqvarna S 138i** con numero di serie a partire da 2018XXXXXXX è conforme alle disposizioni della DIRETTIVA DEL CONSIGLIO:

- dell'8 giugno 2011 "sulla restrizione dell'uso di determinate sostanze pericolose". **2011/65/UE**
- del 17 maggio 2006 "sulle macchine" **2006/42/CE**
- del 26 febbraio 2014 "sulla compatibilità elettromagnetica" **2014/30/UE**
- dell'8 maggio 2000 "sull'emissione di rumore nell'ambiente" **2000/14/CE**

Per informazioni sulle emissioni di rumore, vedere la sezione Dati tecnici.

Sono state applicate le seguenti norme:

**EN 60335-1:2012+A11:2014+A13:2017, EN 50636-2-92:2014, EN 55014-1:2017, EN 55014-2:2015**

Huskvarna, 2019-01-15



Claes Losdal, Responsabile sviluppo/Prodotti per il giardino (rappresentante autorizzato per Husqvarna AB e responsabile della documentazione tecnica).

---

# Dichiarazione di conformità CE

---

## Dichiarazione di conformità CE

**Husqvarna AB**, SE-561 82 Huskvarna, Svezia, tel.:  
+46-36-146500, dichiara che l'**arieggiatore Husqvarna S 138C** con numero di serie a partire da 2018XXXXXXX è conforme alle disposizioni della DIRETTIVA DEL CONSIGLIO:

- dell'8 giugno 2011 "sulla restrizione dell'uso di determinate sostanze pericolose" **2011/65/UE**
- del 17 maggio 2006 "sulle macchine" **2006/42/CE**
- del 26 febbraio 2014 "sulla compatibilità elettromagnetica" **2014/30/UE**
- dell'8 maggio 2000 "sull'emissione di rumore nell'ambiente" **2000/14/CE**

Per informazioni sulle emissioni di rumore, vedere la sezione Dati tecnici.

Sono state applicate le seguenti norme:

**EN 60335-1:2012+A11:2014+A13:2017, EN 50636-2-92:2014, EN 55014-1:2017, EN 55014-2:2015, EN 61000-3-2:2014, EN 61000-3-11:2000**

Huskvarna, 2019-01-15



Claes Losdal, Responsabile sviluppo/Prodotti per il giardino (rappresentante autorizzato per Husqvarna AB e responsabile della documentazione tecnica).

---

## TURINYS

---

Įvadas.....	349	Gedimai ir jų šalinimas.....	369
Sauga.....	353	Transportavimas, saugojimas ir utilizavimas.....	370
Surinkimas.....	361	Techniniai duomenys.....	371
Naudojimas.....	363	EB atitikties deklaracija.....	373
Techninė priežiūra.....	367	EB atitikties deklaracija.....	374

---

## Įvadas

---

### Gaminio aprašas

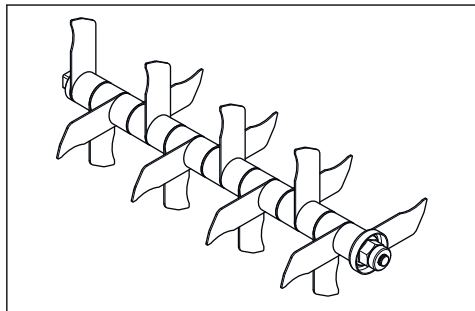
Šis gaminys yra pėsčiojo valdomas elektrinis skarifikatorius. Gaminys nuo vejos pašalina veltinį ir išpureną dirvožemį, kad į veją galėtų patekti oras ir vanduo. Veltinis surenkamas į žolės rinktuvą arba išmetamas į veją. Gaminys naudojamas su 2 tipų skarifikatoriaus įranga.

### Skarifikatoriaus įranga

Informacijos, kaip keisti skarifikatoriaus įrangą, žr. *Norėdami pakeisti skarifikatoriaus įrangą psl. 368.*

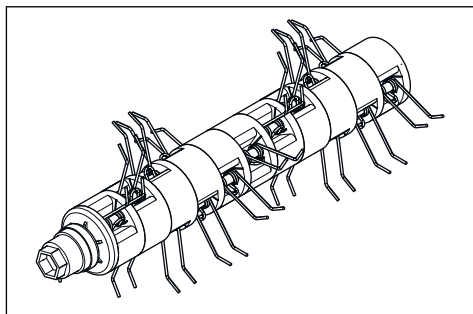
### Delta peiliai

Delta peiliai pašalina veltinį ir vertikaliai nupjauna žolės šaknis. Naudokite delta peilius šlaituose, terasose ir esant molingiems dirvožemiams. Naudojant delta peilius, vanduo gali nubėgti į veją ir nesikaupia ant paviršiaus



### Spyruoklinės akėčios

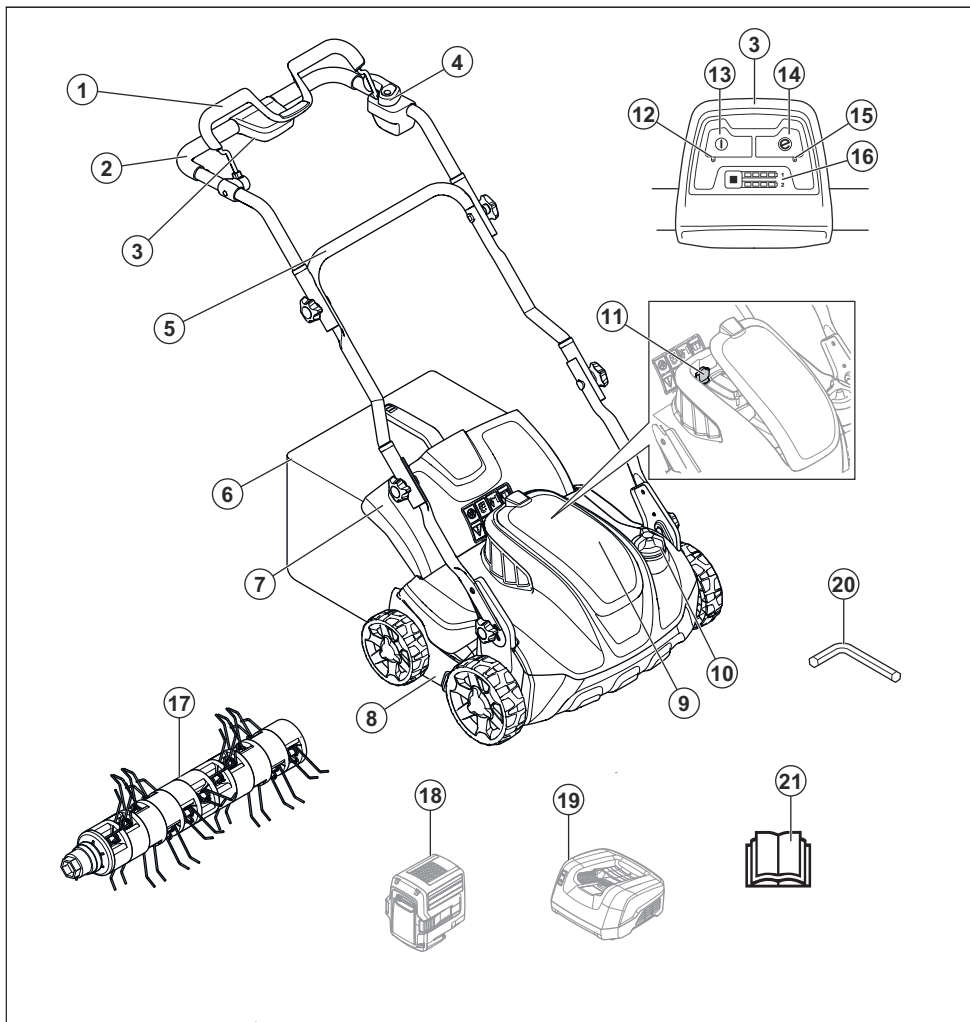
Spyruoklinės akėčios atsargiai pašalina negyvą žolę ir veltinį nuo vejos, nepažeisdamos žolės šaknų.



### Naudojimas

Naudokite produktą pašalinti veltiniui ir samanoms bei purenti dirvožemiui privačiuose sodose. Nenaudokite gaminio kitiems darbams.

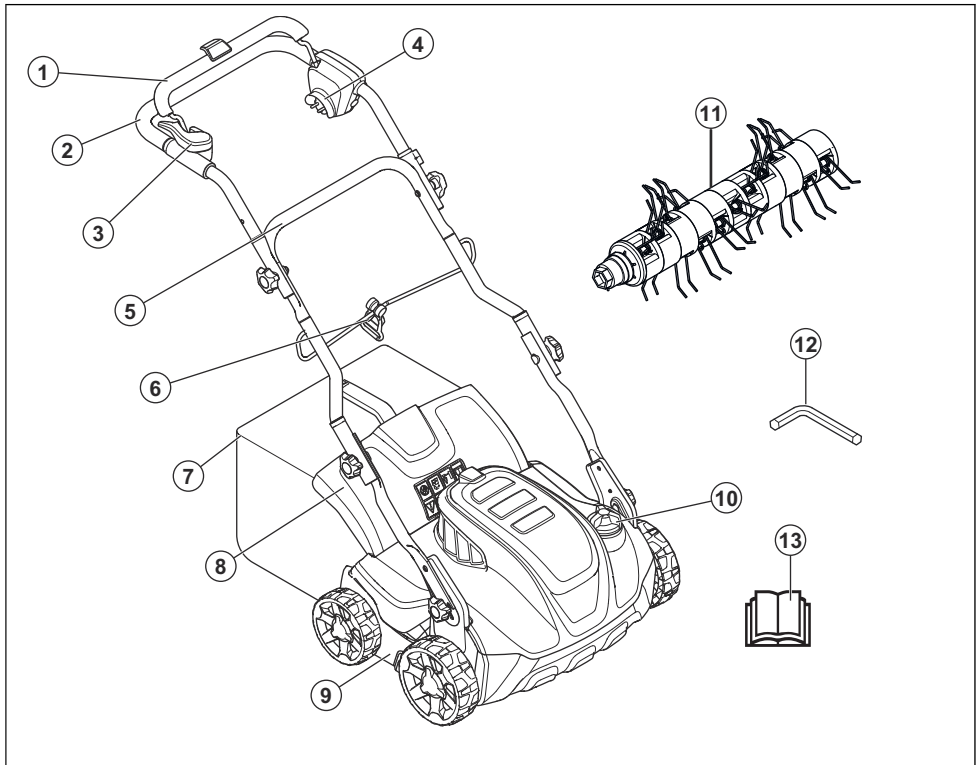
## Gaminio modelio S 138i apžvalga



1. Variklio stabdymo rankena
2. Viršutinė rankena
3. Valdymo skydelis
4. Apsauga nuo netyčinio paleidimo
5. Apatinė rankena
6. Žolės rinktuvas
7. Galinis dangtis
8. Skarifikatoriaus dangtis
9. Akumuliatoriaus gaubtas
10. Darbinio gylio reguliavimo rankenėlė
11. Apsauginis raktelis

12. ĮJUNGIMO / IŠJUNGIMO indikatorius šviesos diodas
13. ĮJUNGIMO / IŠJUNGIMO mygtukas
14. „Save“ mygtukas
15. „Save“ indikatorius šviesos diodas
16. Akumuliatoriaus įkrovos indikatorius ir akumuliatoriaus mygtukas
17. Spyruoklinės akėčios
18. Akumuliatorius (priedas)
19. Akumuliatoriaus įkroviklis (priedas)
20. Šešiabriaunis raktas

## Gaminio modelio S 138C apžvalga



1. Variklio stabdymo rankena
2. Viršutinė rankena
3. Apsauga nuo netyčinio paleidimo
4. Maitinimo lizdas
5. Apatinė rankena
6. Troso gnybtas
7. Žolės rinktuvas
8. Galinis dangtis
9. Skarifikatoriaus dangtis
10. Darbinio gylio reguliavimo rankenėlė
11. Spyruoklinės akėčios
12. Šešiabriaunis raktas
13. Naudojimo instrukcija

### Simboliai ant gaminio



Įspėjimas: Aplaidžiai ar netinkamai naudojant gali būti rimtai ar net mirtinai

sužalotas operatorius ar kiti žmonės.



Prieš naudodami gaminį perskaitykite naudojimo instrukciją ir įsitikinkite, kad instrukcijas suprantate.



Saugokitės išmetamų ir rikošetu atšokusių daiktų.



Asmenims ir gyvūnams būtina laikytis saugaus atstumo nuo darbo zonos.



Įspėjimas: Saugokite rankas bei kojas ir nekiškite jų prie besisukančio peilio.



Prieš atlikdami gaminio priežiūros darbus, ištraukite apsauginį raktelį (modelis S 138i).



Prieš atlikdami gaminio priežiūros darbus, atjunkite gaminį nuo elektros tinklo (modelis S 138C).



Elektros šoko pavojus (modelis S 138C).



Nepalikite lietuje (modelis S 138i).



Įspėjimas: Nenaudokite gaminio ant maitinimo laido, nes galite patirti elektros šoką arba sugadinti gaminį (modelis S 138C).



Šis įrenginys atitinka jam taikomas EB direktyvas.



Šis gaminys atitinka taikomas UkrSEPRO direktyvas.



Triukšmo emisijos į aplinką pagal Europos Bendrijos direktyvą. Gaminio emisijos nurodytos skyriuje „Techniniai duomenys“ ir ant etiketės.



Dviguba izoliacija (modelis S 138C).



Nuvežkite šį gaminį į elektros ir elektronikos įrenginių perdirbimo punktą. (galioja tik Europoje)

**IPX4** Šis gaminys yra apsaugotas nuo vandens pusrslų.

**EAC** Šis gaminys atitinka taikomas EAC direktyvas.





Modelio S 138i paleidimo procedūra: nuspauskite ĮJUNGIMO / IŠJUNGIMO mygtuką, atlaisvinkite apsaugą nuo netyčinio paleidimo, nuspauskite variklio stabdymo rankeną.



Modelio S 138C paleidimo procedūra: atleiskite apsaugą nuo netyčinio paleidimo,

nuspauskite variklio stabdymo rankeną.



Norėdami sustabdyti, atleiskite variklio stabdymo rankeną.



Nuskaitomas kodas.

**Pasižymėkite:** Kiti ant gaminio esantys simboliai (lipdukai) yra naudojami pagal kai kurių rinkų sertifikavimo reikalavimus.

### Atsakomybė už gaminį

Kaip nurodyta atsakomybės už gaminį įstatymuose, mes nesame atsakingi už mūsų gaminio sukeltą žalą, jei:

- gaminys netinkamai suremontuotas;
- gaminys suremontuotas naudojant kito gamintojo arba gamintojo nepatvirtintas dalis;
- gaminys turi kito gamintojo arba gamintojo nepatvirtintą priedą;
- gaminys suremontuotas ne patvirtintame techninės priežiūros centre arba jį suremontavo ne patvirtintas atstovas.

## Sauga

### Saugos ženklų reikšmės

Įspėjimai, perspėjimai ir pastabos yra skirtos atkreipti dėmesį į ypač svarbias instrukcijos dalis.



**PERSPĖJIMAS:** Naudojamas, kai naudotojui ar šalia esantiems asmenims kyla mirtino arba sunkaus sužeidimo pavojus arba, jei nesilaikoma naudotojo

instrukcijoje pateiktų nurodymų.



**PASTABA:** Naudojamas, kai kyla pavojus sugadinti gaminį, kitas medžiagas arba padaryti žalą aplinkai, jei nesilaikoma naudotojo instrukcijoje pateiktų nurodymų.

**Pasižymėkite:** Naudojama pateikti daugiau, nei būtina

esamoje situacijoje,  
informacijos.

---

## Bendrieji saugos nurodymai

---



**PERSPĖJIMAS:** Prieš naudodami gaminį, perskaitykite toliau esančius įspėjimus.

---

- Netinkamai arba neatidžiai naudojant šis gaminys yra pavojingas. Jei nesilaikysite saugos nurodymų, kyla sužeidimų arba mirties pavojus.
- Šis gaminys veikdamas sukuria elektromagnetinį lauką. Tam tikromis aplinkybėmis šis laukas gali trikdyti aktyviųjų arba pasyviųjų medicininių implantų veiklą. Kad sumažėtų sunkių ar mirtinų sužeidimų pavojus, medicininių implantų turintiems asmenims rekomenduojame prieš naudojant šį gaminį pasitarti su gydytoju ir implanto gamintoju.
- Visada elkitės atsargiai ir vadovaukitės sveiku protu. Jei tiksliai nežinote, kaip naudoti gaminį konkrečioje situacijoje, sustabdykite darbą ir prieš tęsdami darbą pasitarkite su „Husqvarna“ pardavimo atstovu.
- Atsiminkite, kad už nelaimingus atsitikimus, kurių metu nukentės asmenys ar turtas, bus atsakingas naudotojas.
- Rūpinkitės gaminio švara. Įsitikinkite, kad aiškiai perskaitėte ženklus ir lipdukus.
- Neleiskite kitiems naudotis gaminiu, jei neįsitikinote, kad jie perskaitė ir suprato naudojimo instrukcijos turinį.
- Neleiskite gaminio naudoti vaikams.
- Neleiskite gaminio naudoti su instrukcijomis nesusipažinusiems asmenims.
- Visada prižiūrėkite gaminį naudojantį fizinę arba protinę negalią turintį asmenį. Būtina nuolatinė atsakingo suaugusiojo priežiūra.
- Neekspluatuokite gaminio, jeigu esate pavargę, sergate, vartojote alkoholio, narkotikų ar vaistų. Tai neigiamai veikia jūsų regėjimą, nuovoką ar koordinaciją.
- Neekspluatuokite gaminio, jei jis sugadintas.
- Nekeiskite gaminio ir nenaudokite jo, jei jį galėjo pakeisti kiti.

## Sauga darbo vietoje

---



**PERSPĒJIMAS:** Prieš naudodami gaminį, perskaitykite toliau esančius įspėjimus.

---

- Prieš naudodami gaminį nuo darbo zonos pašalinkite tokius objektus, kaip šakos, šakelės ir akmenys.
- Atsitrenkę į skarifikatoriaus įrangą objektai gali atšokti ir sužeisti asmenis bei sugadinti daiktus. Šalia esantiems asmenims ir gyvūnams būtina laikytis saugaus atstumo nuo gaminio.
- Gaminio niekuomet nenaudokite blogu oru, pvz., kai pakyla rūkas, lyja, pučia stiprus vėjas, stipriai šąla ir gali žaibuoti. Darbas gaminiu blogu oru arba drėgnose ar šlapiose vietose yra varginantis. Blogu oru gali susidaryti pavojingos sąlygos, pvz., slidūs paviršiai.
- Saugokitės asmenų, daiktų ir tam tikrų situacijų kurios gali neleisti saugiai naudoti gaminio.
- Saugokitės kliūčių, pvz., šaknų, akmenų, šakelių, duobių ir griovių. Aukštoje

žolėje kliūtys gali būti nematomos.

- Gali būti pavojinga pjauti žolę šlaituose. Nenaudokite gaminio, jei šlaitas yra statesnis nei 15°.
- Šlaitus pjaukite skersai. Nevažiuokite į viršų ir žemyn.
- Būkite atsargūs artėdami prie nematomų kampų ir daiktų, kurie užstoja vaizdą.

## Darbo sauga

---



**PERSPĒJIMAS:** Prieš naudodami gaminį, perskaitykite toliau esančius įspėjimus.

---

- Šį gaminį naudokite tik šalinti veltiniui ir samanoms, esančioms žolės vejose. Neleidžiama jo naudoti kitoms užduotims atlikti.
- Naudokite asmenines apsaugines priemones. Žr. *Asmeninės apsauginės priemonės psl. 357.*
- Nenaudokite gaminio lietuje arba drėgnoje aplinkoje. Į gaminį patekus vandens, padidėja elektros smūgio pavojus.
- Nenaudokite gaminio tinkamai neuždengę skarifikatoriaus įrangos ir neuždėję kitų dangčių. Netinkamai uždėta

- skarifikatoriaus įranga gali atsilaisvinti ir sužeisti.
- Užtikrinkite, kad skarifikatoriaus įranga neatsitrenktų į tokius objektus, kaip akmenys ir šaknys. Tai gali sugadinti skarifikatoriaus įrangą ir sulenkti variklio veleną. Sulenkta ašis sukelia didelę vibraciją ir kyla didžiulis pavojus, kad skarifikatoriaus įranga atsilaisvins.
  - Jei į skarifikatoriaus įrangą atsitrenkia objektas arba susidaro vibracijos, nedelsdami sustabdykite gaminį. Sustabdykite variklį, pasukite apsauginį raktelį į padėtį „0“ ir išimkite akumuliatorių (modelis S 138i) arba atjunkite maitinimo laidą (modelis S 138C). Patikrinkite, ar gaminys neapgadintas. Pataisykite sugadintas dalis arba remonto darbus perleiskite įgaliotajam techninės priežiūros atstovui.
  - Niekada nepritvirtinkite variklio stabdymo rankenos prie rankenos visam laikui, kai variklis veikia.
  - Padėkite gaminį ant stabilaus, plokščio paviršiaus ir paleiskite jį. Patikrinkite, ar skarifikatoriaus įranga neliečia žemės ar kokių kitų daiktų.
  - Visada būkite už gaminio, kai jį naudojate.
  - Prižiūrėkite, kad visi ratukai būtų ant žemės ir abi rankas laikykite ant rankenos, kai naudojate gaminį. Saugokite rankas bei kojas ir nekiškite jų prie besisukančios skarifikatoriaus įrangos.
  - Dirbant varikliui nepakreipkite gaminio.
  - Būkite atsargūs, kai gaminį traukiate atgal.
  - Dirbant varikliui niekada nekelkite gaminio. Jeigu gaminį būtina pakelti, pirmiausia išjunkite variklį, pasukite apsauginį raktelį į padėtį „0“ ir išimkite akumuliatorių (modelis S 138i) arba atjunkite maitinimo laidą (modelis S 138C).
  - Naudodami gaminį neikite atgal.
  - Veždami įrenginį per zonas be žolės, pvz., žvirgždo, akmenų ir asfalto takelius, sustabdykite variklį.
  - Dirbant varikliui nebėkite su gaminiu. Naudodami gaminį visada eikite.
  - Prieš pakeisdami darbinį gylį, pirmiausia išjunkite variklį. Niekada nereguliuokite varikliui veikiant.

- Niekada nepaleiskite gaminio iš akių, kai veikia variklis. Išjunkite variklį ir įsitikinkite, kad skarifikatoriaus įranga nesisuka.

## Naudojimo saugos instrukcijos

### Asmeninės apsauginės priemonės

Naudodami gaminį, visada dėvėkite patvirtintas asmenines apsaugines priemones. Asmeninės apsauginės priemonės nepašalina rizikos susižeisti, tačiau nelaimingo atsitikimo atveju mažiau nukentėsite. Paprašykite pardavėjo išrinkti jums tinkamiausias priemones.

Būtinai dėvėkite

- Apsaugines ausines, kad sumažėtų klausos pažeidimo pavojus.
- Tvirtus, neslystančius aulinius batus ar pusbačius.
- Nedirbkite avėdami sandalus arba basomis.
- Storas, ilgas kelnes. Nemūvėkite šortų.

Kai būtina, pvz., montuojant, apžiūrint arba valant skarifikatoriaus įrangą, užsimaukite pirštines.



**PERSPĖJIMAS:** Naudokite patvirtintas apsaugines ausines. Ilgalaisis triukšmo poveikis gali negrįžtamai pakenkti klausai.

### Gaminio apsauginės priemonės



**PERSPĖJIMAS:** Prieš naudodami gaminį, perskaitykite toliau esančius įspėjimus.

- Nesinaudokite gaminiumi, jei jo apsauginės priemonės yra netvarkingos.
- Reguliariai tikrinkite apsaugines priemones. Jei apsauginės priemonės yra pažeistos, pasitarkite su Husqvarna techninės priežiūros atstovu.

### Norėdami atlikti dangčių patikrą

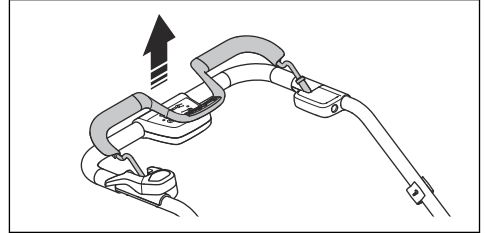
Skarifikatoriaus dangtis sumažina gaminio vibracijas ir sumažina skarifikatoriaus įrangos keliamą sužeidimų pavojų.

- Apžiūrėkite skarifikatoriaus dangtį, kad įsitikintumėte, jog nėra pažeidimų, pvz., įtrūkių.
- Apžiūrėkite galinį dangtį, kad įsitikintumėte, jog nėra pažeidimų, pvz., įtrūkių.

### Variklio stabdymo rankena

Variklio stabdymo rankena sustabdo variklį. Atleisus variklio stabdymo rankeną variklis sustoja.

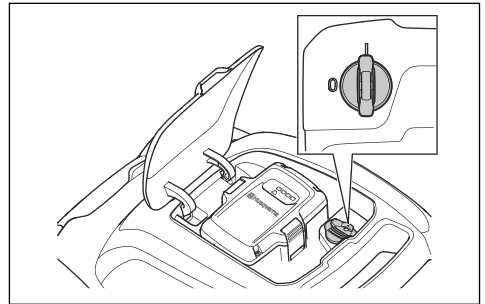
Norėdami patikrinti variklio stabdį, paleiskite variklį ir atleiskite variklio stabdymo rankeną. Jei variklis nesustoja per 3 sekundes, paprašykite, kad įgaliotasis „Husqvarna“ techninės priežiūros atstovas sureguliuotų variklio stabdį.



### Apsauginis raktelis

Apsauginis raktelis yra po akumuliatoriaus gaubtu. Apsauginis raktelis naudojamas prijungti akumuliatorių, kuris tiekia varikliui energiją.

- Norėdami patikrinti apsauginį raktelį, paleiskite ir sustabdykite variklį.
- Jei apsauginis raktelis veikia tinkamai, variklis paleidžiamas, tik kai pasukate raktelį į padėtį „1“.

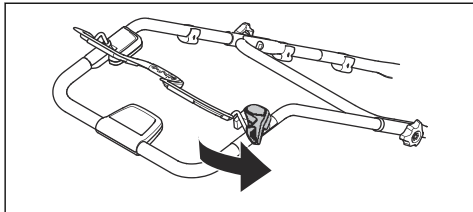


### Apsaugos nuo netyčinio užvedimo patikrinimas

Patikrinkite apsaugą nuo netyčinio užvedimo ir įsitikinkite, kad ji neleidžia užvesti variklio.

1. Pastumkite variklio stabdymo rankeną link gaminio rankenos. Apsauga nuo netyčinio užvedimo neleidžia judėti.

2. Išstumkite apsaugą nuo netyčinio užvedimo.

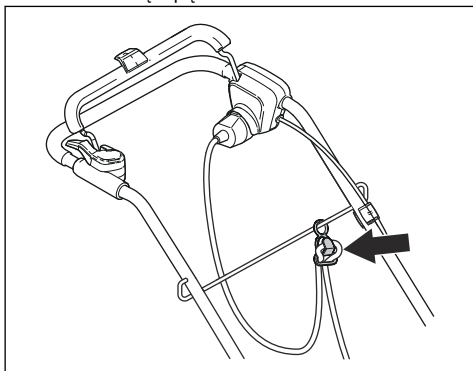


3. Atleiskite apsaugą nuo netyčinio užvedimo ir įsitikinkite, kad ji grįžta į savo pradinę padėtį.

#### Maitinimo laido laikiklio naudojimas (modelis S 138C)

Maitinimo laido laikiklis sumažina maitinimo lizdai ir laidui tenkančią apkrovą. Maitinimo laido laikiklis taip pat sumažina pavojų pargriūti.

1. Sulenkite maitinimo laidą į mažą kilpą.
2. Įkiškite kilpą į maitinimo laido laikiklio angą.
3. Užnerkite kilpą ant kablo.
4. Patraukite maitinimo laidą, kad užveržtumėte ant kablo užnertą kilpą.



#### Akumuliatorių naudojimo sauga



**PERSPĖJIMAS:** Prieš naudodami gaminį, perskaitykite toliau esančius įspėjimus.

- Kaip susijusių „Husqvarna“ gaminių maitinimo šaltinį naudokite tik „Husqvarna“ įkraunamus

akumulatorius. Kad išvengtumėte sužeidimų, nenaudokite akumulatoriaus kaip kitų gaminių maitinimo šaltinio.

- Nenaudokite neįkraunamų akumuliatorių.
- Elektros smūgio pavojus. Nejunkite akumulatoriaus gnybtų prie raktų, monetų, atsuktuvų ar kitų metalinių daiktų. Galite sukėti akumulatoriaus trumpąjį jungimą.
- Nekiškite objektų į akumulatoriaus oro angas.
- Saugokite akumuliatorių nuo tiesioginių saulės spindulių, karščio ar atviros ugnies. Akumulatorius gali sprogti ir sukelti terminius ir (arba) cheminius nudegimus.
- Saugokite akumuliatorių nuo lietaus ir drėgmės.
- Saugokite akumuliatorių nuo mikrobangų ir aukšto slėgio.
- Nebandykite akumulatoriaus išmontuoti ar sulaužyti.
- Jei iš akumulatoriaus teka skystis, saugokite nuo jo kūną ir akis. Jei palietėte skystį, gerai nuplaukite šią vietą vandeniu ir kreipkitės pagalbos į medikus.

- Akumuliatorių naudokite nuo  $-10\text{ }^{\circ}\text{C}$  iki  $40\text{ }^{\circ}\text{C}$  temperatūroje.
- Nevalykite akumulatoriaus ar įkroviklio vandeniu. Žr. *Akumulatoriaus ir akumulatoriaus įkroviklio valymas psl. 368*
- Nenaudokite sugadinto arba pažeisto akumulatoriaus.
- Laikykite akumulatorius atokiau nuo metalinių daiktų, pavyzdžiui, vinių, monetų, juvelyrinių dirbinių.

## Įkroviklio sauga



**PERSPĖJIMAS:** Prieš naudodami gaminį, perskaitykite toliau esančius įspėjimus.

- „Husqvarna“ pakaitiniams akumulatoriams įkrauti naudokite tik QC akumuliatorių įkroviklius.
- Elektros smūgio ar trumpojo jungimo pavojus. Nekiškite objektų į įkroviklio oro angas. Nebandykite išmontuoti akumulatoriaus įkroviklio. Neprijunkite įkroviklio gnybtų prie metalinių daiktų. Naudokite patvirtintą elektros tinklo lizdą.
- Šis gaminys veikdamas sukuria elektromagnetinį lauką. Tam tikromis aplinkybėmis šis laukas gali trikdyti aktyviųjų arba pasyviųjų medicininių implantų veiklą. Kad sumažėtų sunkaus ar netgi mirtino sužeidimo pavojus, medicininių implantų turintiems asmenims rekomenduojame prieš naudojant šį gaminį pasitarti su gydytoju ir implanto gamintoju.
- Nuolat patikrinkite akumulatoriaus įkroviklio maitinimo laidą, ar jis nepažeistas ir nėra įtrūkimų.
- Nekelkite akumulatoriaus įkroviklio už maitinimo laido. Norėdami atjungti akumulatoriaus įkroviklį nuo elektros lizdo, traukite už kištuko. Netraukite už elektros laido.
- Maitinimo laidą ir ilginamuosius kabelius saugokite nuo vandens, alyvos ir aštrių kampų. Būkite atidūs, kad kabelio neprispaustų durys, tvoros ar pan. Priešingu atveju įkrovikliu gali imti tekėti elektros srovė.
- Nevalykite akumulatoriaus įkroviklio vandeniu.
- Akumulatoriaus įkroviklį gali naudoti vaikai nuo 8 metų amžiaus ir kiti asmenys su

ribotais fiziniais, jutimiais ar protiniais sugebėjimais, arba stokojantys patirties ar žinių, jei yra prižiūrimi arba instruktuoti dėl saugaus akumulatoriaus įkroviklio naudojimo ir supranta gresiančius pavojus. Vaikams su akumulatoriaus įkrovikliu žaisti negalima. Be priežiūros vaikai neturėtų valyti prietaiso ir atlikti naudotojo priežiūros darbų.

- Akumuliatorių įkrovikliu nekraukite neįkraunamų akumuliatorių.
- Nenaudokite akumulatoriaus įkroviklio šalia degių arba koroziją sukeliančių medžiagų. Neuždenkite įkroviklio. Pastebėję dūmus ar liepsną, ištraukite akumulatoriaus įkroviklio kištuką.
- Nenaudokite sugadinto arba pažeisto akumulatoriaus įkroviklio.
- Įkraukite akumuliatorių tik viduje, gerai vėdinamoje patalpoje, saugodami nuo saulės spindulių. Nekraukite akumulatoriaus drėgnomis sąlygomis.

#### Maitinimo laido sauga

Modeliui S 138C

- Rekomenduojama naudoti liekamosios srovės įtaisą

(RCD) su ne didesne nei 30 mA atjungiamąja srove. Net jei RCD yra sumontuotas, 100 % sauga negarantuojama ir visuomet būtina laikyti saugaus darbo procedūrą. Kiekvieną kartą naudodami RCD, jį patikrinkite.

- Jei maitinimo laidas įpjauamas arba pažeidžiama izoliacija, nedelsdami atjunkite įrenginį nuo maitinimo tinklo.
- Nelieskite įpjauto ar pažeisto maitinimo laido, kol neatjungsite elektros maitinimo.
- Netaisykite įpjauto ar pažeisto kabelio. Pakeiskite jį nauju.

#### Priežiūros saugos instrukcijos



**PERSPĖJIMAS:** Prieš naudodami gaminį, perskaitykite toliau esančius įspėjimus.

- Modeliui S 138i: Kad atlikdami priežiūros darbus išvengtumėte netyčinio užvedimo, pasukite apsauginį raktelį į padėtį „0“ ir išimkite akumuliatorių. Palaukite bent 5 sekundes ir tik tada pradėkite priežiūros darbus.
- Modeliui S 138C: Kad netyčia nepaleistumėte atlikdami



priežiūros darbus, atjunkite maitinimo laidą.

- Kad gaminys tarnautų ilgiau ir sumažėtų nelaimingų atsitikimų pavojus, tinkamai atlikite priežiūros darbus. Profesionalius remonto darbus leiskite atlikti patvirtintam techninės priežiūros atstovui. Jei reikia daugiau informacijos, kreipkitės į artimiausią techninės priežiūros atstovą.
- Atlikite tik naudojimo instrukcijoje nurodytus techninės priežiūros darbus. Sudėtingesnius darbus turi atlikti patvirtintas techninės priežiūros atstovas.
- Naudodami skarifikatoriaus įrangą, mūvėkite storas darbinės pirštines. Skarifikatoriaus įranga labai aštri ir gali lengvai įpjauti.
- Kad darbas vyktų saugiai ir efektyviai, pasirūpinkite, kad

skarifikatoriaus įrangos peiliai būtų aštrūs ir švarūs.

- Leiskite savo techninės priežiūros atstovui reguliariai tikrinti gaminį ir atlikti reikiamus nustatymo ir remonto darbus.
- Pakeiskite pažeistas, sulūžusias arba susidėvėjusias dalis.
- Laikykitės priedų keitimo nurodymų. Naudokite tik gamintojo priedus.
- Kai nenaudojate, laikykite gaminį, akumuliatorių ir akumulatoriaus įkroviklį atskirai, sausoje užrakintoje patalpoje. Pasirūpinkite, kad vaikai ir pašaliniai asmenys negalėtų pasiekti gaminio, akumulatoriaus ar akumulatoriaus įkroviklio.

---

## Surinkimas

---

### Įvadas



**PERSPĖJIMAS:** Prieš surinkdami produktą perskaitykite skyrių apie saugą.



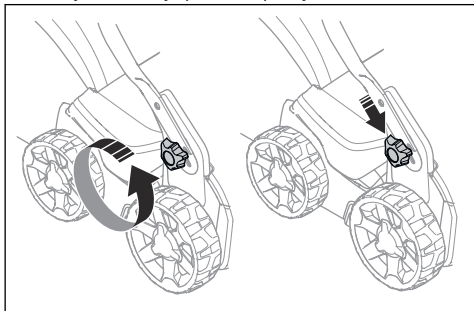
**PERSPĖJIMAS:** Modeliui S 138i: Kad surinkimo metu išvengtumėte netyčinio paleidimo, pasukite apsauginį raktelį į padėtį „0“, išimkite akumuliatorių ir palaukite mažiausiai 5 sekundes.

Modeliui S 138C: Kad netyčia nepaleistumėte surinkdami, atjunkite maitinimo laidą.

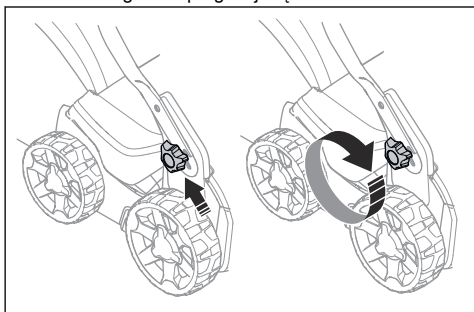
### Rankenos surinkimas

1. Atsukite apatines rankenėles.

2. Stumkite rankenėles iki apatinio griovelio krašto kairėje ir dešinėje produkto pusėje.



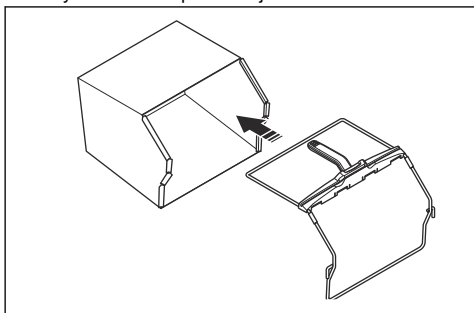
3. Nustatykite rankenos aukštį į vieną iš dviejų aukščio padėčių.
4. Stumkite rankenėles į viršų link rankenos, kol jos sustos ir išgirsite spragtelėjimą.



5. Iki galo priveržkite rankenėles.

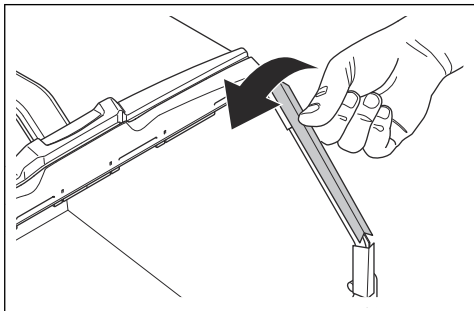
## Žolės rinktuvo montavimas

1. Įdėkite žolės rinktuvo rėmą į žolės krepšį taip, kad standi krepšio dalis būtų apačioje. Rėmo rankeną laikykite žolės krepšio viršuje.

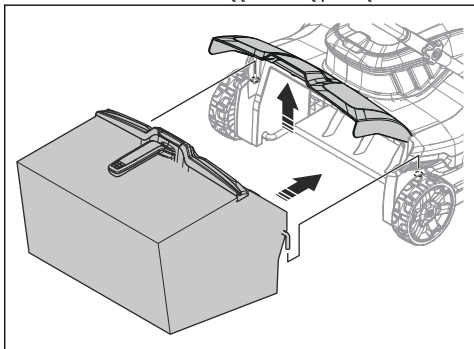


2. Įstatykite žolės rinktuvo rėmo apatinę dalį į griovelį žolės rinktuvo apačioje.

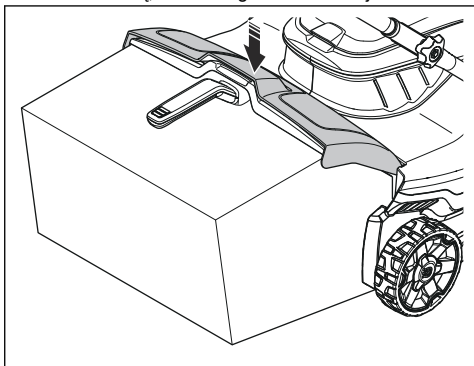
3. Pritvirtinkite žolės krepšį prie žolės rinktuvo rėmo fiksatoriais.



4. Pakelkite galinį dangtį.
5. Perkelkite žolės rinktuvą į tinkamą padėtį.



6. Prikabinkite žolės rinktuvą prie viršutinio važiuoklės krašto. Įsitikinkite, kad galinis dangtis užsandarina žolės rinktuvą, kad išvengtumėte nutekėjimo.



# Naudojimas

## Įvadas



**PERSPĖJIMAS:** Prieš naudodami gaminį perskaitykite ir supraskite saugos skyriaus informaciją.

## Husqvarna Connect

Husqvarna Connect yra nemokama programėlė, skirta mobiliesiems įrenginiams. Programėlė Husqvarna Connect suteikia Husqvarna gaminiui papildomas funkcijas:

- Papildoma informacija apie gaminį.
- Informacija ir patarimai apie gaminio dalis ir priežiūrą.

## Norėdami pradėti naudoti Husqvarna Connect

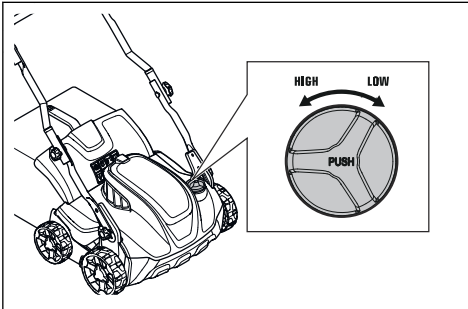
1. Atsisiųskite „Husqvarna Connect“ programėlę į mobilųjį įrenginį.
2. Užsiregistruokite „Husqvarna Connect“ programėlėje.
3. Norėdami prisijungti ir užregistruoti gaminį, vykdykite „Husqvarna Connect“ programėlėje pateiktas instrukcijas.

## Norėdami nustatyti darbinį gylį



**PERSPĖJIMAS:** Nereguluokite darbinio gylio, kai dirbate su gaminio.

1. Norėdami padidinti darbinį gylį, paspauskite ir pasukite darbinio gylio reguliavimo rankenėlę prieš laikrodžio rodyklę.
2. Norėdami sumažinti darbinį gylį, paspauskite ir pasukite darbinio gylio reguliavimo rankenėlę laikrodžio rodyklės kryptimi.



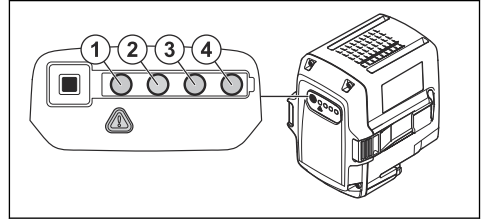
## Akumulatorius



**PERSPĖJIMAS:** Prieš naudodami akumuliatorių perskaitykite ir supraskite saugos skyriaus informaciją. Taip pat turite perskaityti ir suprasti akumuliatoriaus bei akumuliatoriaus įkroviklio naudojimo instrukcijas.

## Akumuliatoriaus būseną

Ekране rodoma likusi akumuliatoriaus talpa ir galimos akumuliatoriaus problemos. Akumuliatoriaus talpa rodoma 5 sekundes po gaminio išjungimo arba po akumuliatoriaus indikatorius mygtuko paspaudimo. Akumuliatoriaus išpėjimo simbolis užsidega, kai įvyksta klaida. Žr. *Akumuliatorius psl. 369*



Šviesos diodai	Akumuliatoriaus būseną
Šviečia visi diodai	Visiškai įkrautas (75–100 %)
Šviečia 1, 2 ir 3 diodai	Akumuliatorius įkrautas 50–75 %
Šviečia 1, 2 diodai	Akumuliatorius įkrautas 25–50 %
Šviečia 1 diodas	Akumuliatorius įkrautas 0–25 %
Mirksi 1 diodas	Akumuliatorius tuščias. Įkraukite akumuliatorių.

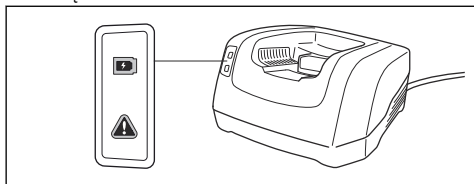
## Akumuliatoriaus įkrovimas

Prieš naudodami pirmą kartą, akumuliatorių įkraukite. Klientui pateikiamas akumuliatorius yra įkrautas tik 30 %.

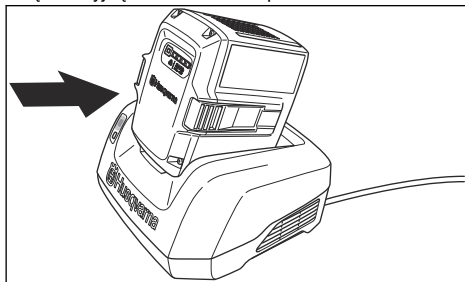
**Pasižymėkite:** Akumuliatorių įkroviklį būtina prijungti prie parametrų plokštelėje nurodytos įtampos ir dažnio maitinimo lizdo.

Akumuliatorius neįkraunamas, jei jo temperatūra aukštesnė nei 50 °C. Prieš pradėdamas įkrauti, akumuliatoriaus įkroviklis sumažina akumuliatoriaus temperatūrą.

1. Prijunkite vieną akumuliatoriaus įkroviklio maitinimo laido galą prie akumuliatoriaus įkroviklio lizdo.
2. Prijunkite kitą akumuliatoriaus įkroviklio maitinimo laido galą prie įžeminto elektros lizdo. Akumuliatoriaus įkroviklio LED indikatorius vieną kartą sumirksės žaliai.



3. Akumuliatorių įstatykite į įkroviklį. Prijungus akumuliatorių prie akumuliatoriaus įkroviklio, įkroviklyje išsižiebia žalia lemputė.



4. Išsižiebus visiems akumuliatoriaus LED indikatoriams, akumuliatorius yra visiškai įkrautas. Akumuliatorių kraukite daugiausia 24 valandas.
5. Norėdami atjungti akumuliatoriaus įkroviklį nuo elektros lizdo, traukite už kištuko, o ne už maitinimo laido.
6. Iš įkroviklio išimkite akumuliatorių.

### Akumuliatoriaus įkrovimo būseną

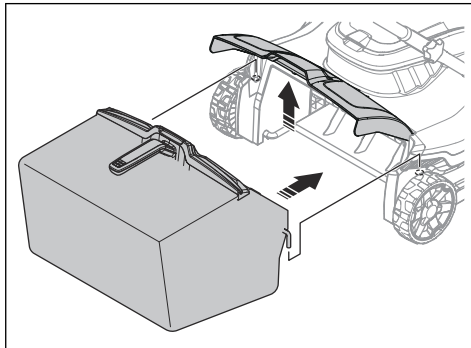
„Husqvarna“ ličio jonų akumuliatorius galima įkrauti ir naudoti nepaisant jų įkrovimo lygio. Akumuliatorius nepažeistas. Visiškai įkrautas akumuliatorius nepraras savo krūvio jį palikus įkroviklyje.

LED ekranas	Įkrovimo būseną
Mirksi 1 diodas	0–25 %
1 diodas mirksi, 2 šviečia	25–50 %
1, 2 diodas šviečia, 3 mirksi	50–75 %
1, 2, 3 diodai šviečia, 4 mirksi	75–100 %
Šviečia 1, 2, 3, 4 šviesos diodai	Visiškai įkrautas

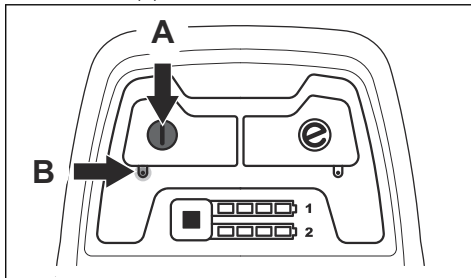
## S 138i naudojimas

### Gaminio paleidimas

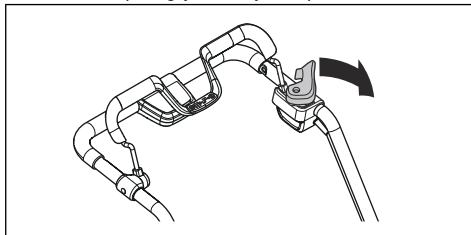
1. Įstatykite įkrautą akumuliatorių į 1 akumuliatoriaus skyrių po akumuliatoriaus gaubtu. Jei norėsite dirbti ilgiau, įstatykite antrą įkrautą akumuliatorių į 2 akumuliatoriaus skyrių.
2. Pasukite apsauginį raktelį į padėtį „1“.



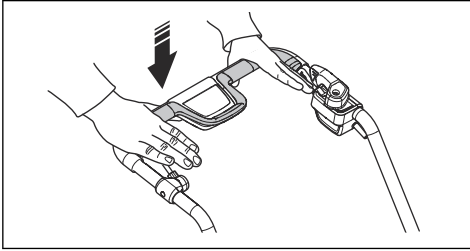
3. Stovėkite už gaminio.
4. Valdymo skydelyje paspauskite ĮJUNGIMO / IŠJUNGIMO mygtuką (A) ir išsižiebs žalias LED indikatorius (B).



5. Atleiskite apsaugą nuo netyčinio paleidimo.



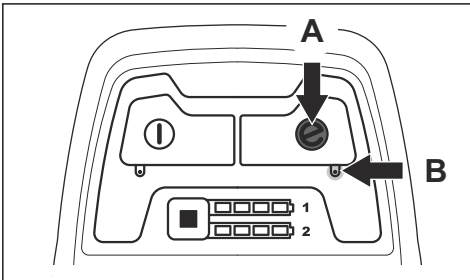
6. Pastumkite variklio stabdymo rankeną link gaminio rankenos.



### „Save“ funkcijos naudojimas

Gaminyje yra akumulatoriaus taupymo funkcija („Save“), leidžianti pailginti naudojimo trukmę.

1. Paspauskite mygtuką „Save“ (A), kad įjungtumėte funkciją. Išsižiebs žalias LED indikatorius.

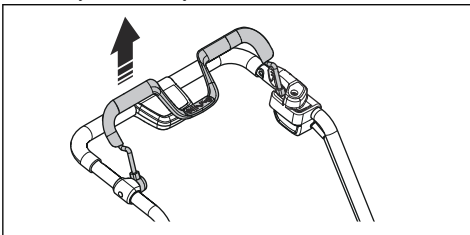


2. Paspauskite mygtuką „Save“ (A) dar kartą, kad išjungtumėte funkciją. Žalias LED indikatorius (B) išsijungs.

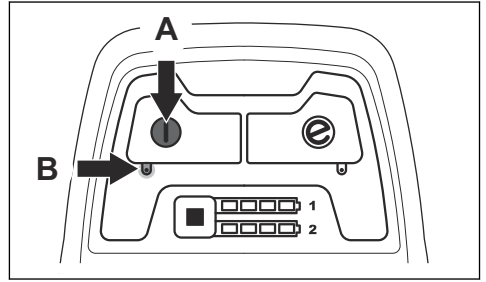
### Gaminio sustabdymas

Gaminys sustabdomas automatiškai, jei nenaudojate jo 10 minučių. Prieš palikdami produktą neprižiūrimą, visada pasukite apsauginį raktelį į padėtį „0“.

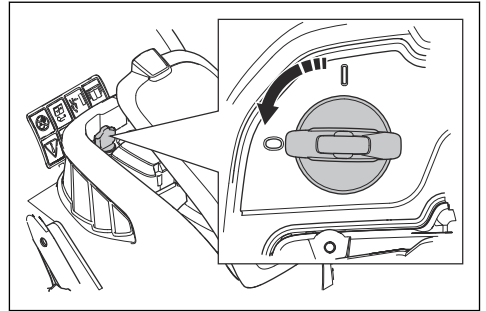
1. Norėdami sustabdyti variklį, atleiskite variklio stabdymo rankeną.



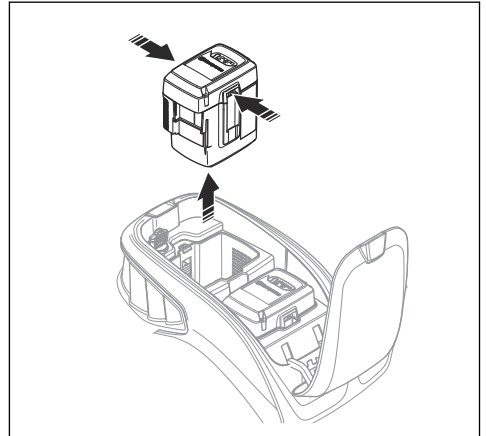
2. Valdymo skydelyje paspauskite ĮJUNGIMO / IŠJUNGIMO mygtuką (A) ir žalias LED indikatorius (B) išsijungs.



3. Atidarykite akumulatoriaus gaubtą ir pasukite apsauginį raktelį į padėtį „0“.



4. Norėdami išimti akumulatorių, vienu matu paspauskite 2 atlaisvinimo mygtukus ir ištraukite akumulatorių.

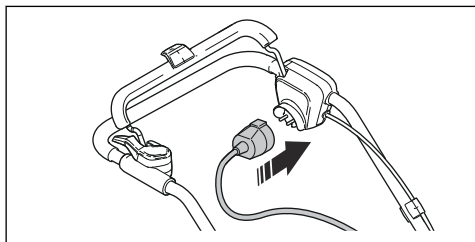


5. Jei akumulatoriaus įkrova žema, įkraukite jį. Jeigu reikia daugiau informacijos žr. *Akumulatoriaus įkrovimas psl. 363.*

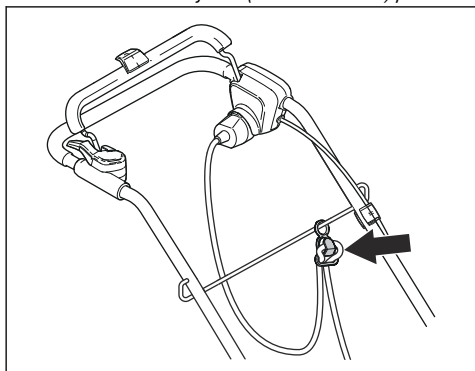
## S 138C naudojimas

### Gaminio paleidimas

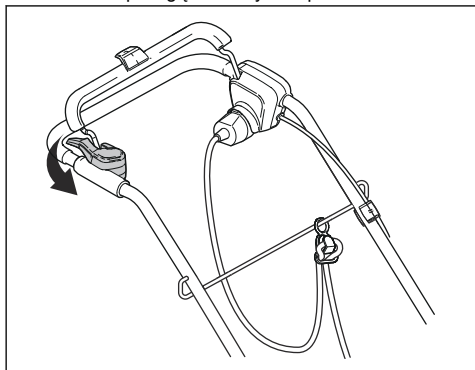
1. Prijunkite maitinimo laidą prie lizdo, esančio po rankena.



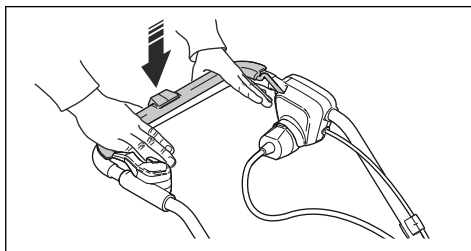
2. Įstatykite maitinimo laidą į laido laikiklį. Žr. *Maitinimo laido laikiklio naudojimas (modelis S 138C) psl. 358.*



3. Stovėkite už gaminio.
4. Atleiskite apsaugą nuo netyčinio paleidimo.

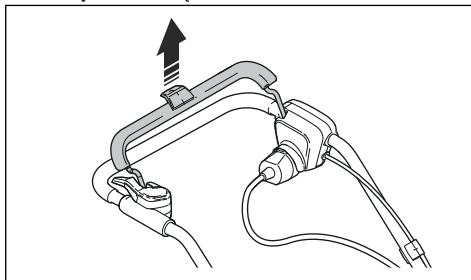


5. Pastumkite variklio stabdymo rankeną link gaminio rankenos.

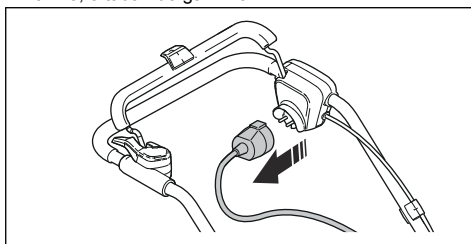


### Gaminio sustabdymas

1. Norėdami sustabdyti variklį, atleiskite variklio stabdymo rankeną.



2. Maitinimo laidą pirmiausia atjunkite nuo elektros tinklo, o tada nuo gaminio.



**PASTABA:** Kištuką traukite tiesiai.  
Netraukite už elektros laido.

# Techninė priežiūra

## Įvadas



**PERSPĖJIMAS:** Prieš atlikdami priežiūros darbus perskaitykite ir supraskite saugos skyriaus informaciją.

Visiems gaminio techninės priežiūros ir remonto darbams reikia specialių apmokymų. Garantuojame profesionalaus remonto ir techninės priežiūros darbų pasiekiamumą. Jei jūsų pardavėjas nėra techninės priežiūros atstovas, paprašykite jo informacijos apie artimiausią techninės priežiūros atstovą.

## Priežiūros grafikas

Techninės priežiūros intervalai apskaičiuojami pagal kasdienį gaminio naudojimą. Intervalai keičiasi, jei gaminys naudojamas kasdien.

Informacijos apie techninės priežiūros veiksmus, pažymėtus \*, žr. *Gaminio apsauginės priemonės psl. 357.*

S 138i ir S 138C	Kiekvieną kartą naudojant	Kiekvieną mėnesį	Kas sezoną
Atlikti bendrąją apžiūrą.	X		
Nuvalykite įrenginį.	X		
Patikrinti skarifikatoriaus įrangą.	X		
Įsitikinti, kad gaminio saugos įtaisai nepažeisti. *	X		
Patikrinti dangčius. *	X		
Patikrinti variklio stabdymo rankeną. *	X		
Patikrinti apsaugą nuo netyčinio paleidimo. *	X		

Tik S 138i	Kiekvieną kartą naudojant	Kiekvieną mėnesį	Kas sezoną
Įsitikinti, kad tinkamai veikia ir nepažeistas ĮJUNGIMO / IŠJUNGIMO mygtukas.	X		
Patikrinti, ar nepažeistas akumulatorius.	X		
Patikrinti akumulatoriaus įkrovą.	X		
Patikrinti, ar tinkamai veikia akumulatoriaus atlaisvinimo mygtukai ir ar akumulatorius užsifiksuoja gaminyje.	X		
Patikrinti, ar nepažeistas akumulatoriaus įkroviklis, ir įsitikinti, kad jis veikia tinkamai		X	
Patikrinti jungtis tarp akumulatoriaus ir gaminio. Taip pat patikrinti jungtį tarp akumulatoriaus ir akumulatoriaus įkroviklio.			X

## Bendroji apžiūra

- Įsitikinkite, kad gaminio varžlės ir varžtai priveržti.
- Įsitikinkite, kad gaminio kabeliai nėra tokioje padėtyje, kurioje jie galėtų būti pažeisti.

## Gaminio valymas

- Plastikines dalis valykite švaria ir sausa šluoste.
- Valydami gaminį nenaudokite vandens. Vandeniui pateikus į akumulatorių arba variklį gali įvykti trumpasis jungimas arba gaminys gali sugesti.

- Gaminio neplaukite aukšto slėgio plovimo aparatu.
- Nepilkite vandens tiesiai ant variklio.
- Lapus, žolę ir purvą nuvalykite šepčiu.

## Akumuliatoriaus ir akumuliatoriaus įkroviklio valymas



**PASTABA:** Nevalykite akumuliatoriaus ar įkroviklio vandeniu.

- Prieš prijungdami akumuliatorių prie įkroviklio, įsitikinkite, kad akumuliatorius ir akumuliatoriaus įkroviklis yra švarūs ir sausi.
- Nupūskite akumuliatoriaus gnybtus suspaustu oru ir nuvalykite švelnia ir sausa šluoste.
- Nuvalykite akumuliatorių ir akumuliatoriaus įkroviklį švelnia ir sausa šluoste.

## Norėdami patikrinti skarifikatoriaus įrangą



**PERSPĖJIMAS:** Modeliai S 138i: Kad išvengtumėte netyčinio paleidimo, pasukite apsauginį raktelį į padėtį „0“, išimkite akumuliatorių ir palaukite mažiausiai 5 sekundes.

Modeliui S 138C: Kad netyčia nepaleistumėte, atjunkite maitinimo laidą.



**PERSPĖJIMAS:** Skarifikatoriaus įrangos techninės priežiūros darbus atlikite apsimovę apsaugines pirštines. Skarifikatoriaus įrangos peiliai labai aštrūs ir gali lengvai įpjauti.

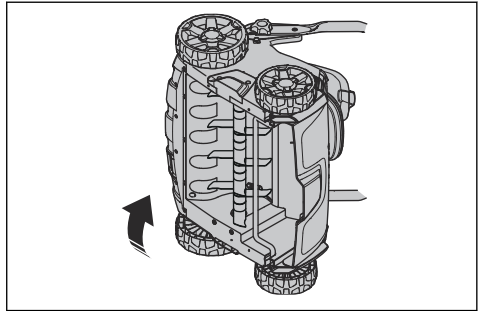
- Patikrinkite, ar skarifikatoriaus įrangą nepažeista ir neįskilusi. Visada pakeiskite pažeistą skarifikatoriaus įrangą.

## Norėdami pakeisti skarifikatoriaus įrangą

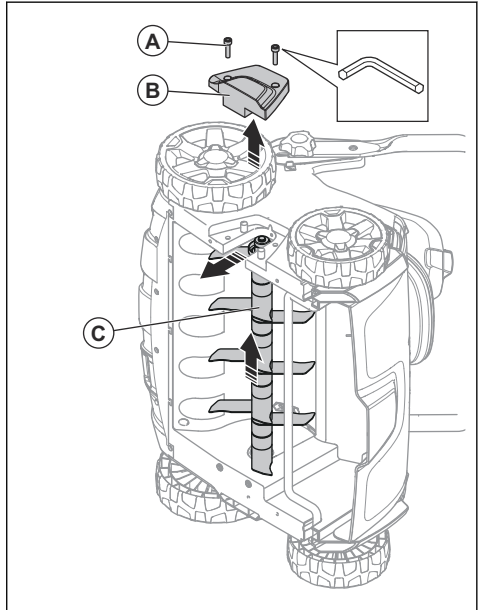


**PERSPĖJIMAS:** Skarifikatoriaus įrangos techninės priežiūros darbus atlikite apsimovę apsaugines pirštines. Skarifikatoriaus įrangą labai aštri ir gali lengvai įpjauti

1. Paverskite gaminį ant dešinės pusės.

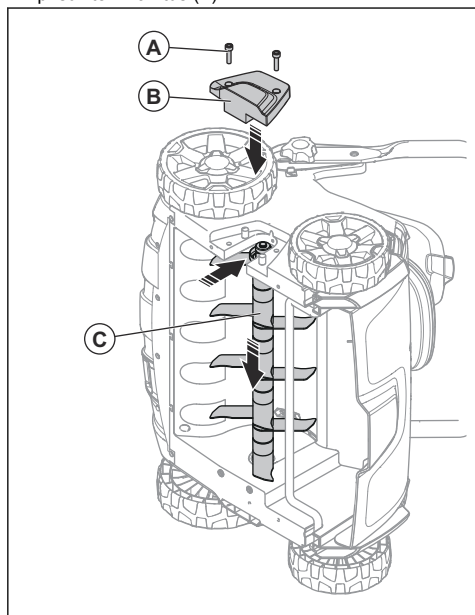


2. Išsukite 2 varžtus (A) ir nuimkite skarifikatoriaus dangtelį (B). Paspauskite skarifikatoriaus įrangą (C) į viršų ir į išorę, kad ją išimtumėte.





3. Įstatykite naują skarifikatoriaus įrangą (C) į griovelį ir į angą. Uždėkite skarifikatoriaus dangtelį (B) ir prisukite 2 varžtus (A)



## Gedimai ir jų šalinimas

### Akumulatorius

Akumulatoriaus LED	Galimi gedimai	Galima procedūra
Mirksi žalias LED indikatorius	Žema akumulatoriaus įtampa	Įkraukite akumuliatorių. Žr. <i>Akumulatoriaus įkrovimas psl. 363</i>
Mirksi klaidos LED indikatorius	Silpna akumulatoriaus įkrova	Įkraukite akumuliatorių. Žr. <i>Akumulatoriaus įkrovimas psl. 363</i>
	Darbo aplinkos temperatūra per aukšta arba per žema	Akumuliatorių naudokite nuo $-10\text{ }^{\circ}\text{C}$ iki $40\text{ }^{\circ}\text{C}$ temperatūroje.
	Viršįtampis	Patikrinkite, ar elektros tinklo įtampa atitinka tą, kuri yra nurodyta ant gaminio parametrų plokštelės.  Iš įkroviklio išimkite akumuliatorių. Palaukite 5 sekundes ir vėl pabandykite įkrauti akumuliatorių. Jeigu problema kartojasi, kreipkitės į įgaliotąjį techninės priežiūros atstovą.
Šviečia klaidos LED indikatorius	Pernelyg didelis blokų skirtumas (1V)	Kreipkitės į patvirtintą techninės priežiūros atstovą.

## Akumulatoriaus įkroviklis

Akumulatoriaus įkroviklio LED	Galimi gedimai	Galima procedūra
Mirksi klaidos LED indikatorius	Darbo aplinkos temperatūra per aukšta arba per žema	Akumulatoriaus įkroviklį naudokite nuo 5 °C iki 40 °C temperatūroje.
Šviečia klaidos LED indikatorius		Kreipkitės į patvirtintą techninės priežiūros atstovą

## Valdymo skydelis

Modelis S 138i

Klaida	Klaidos kodas (sumirksėjimų skaičius)	Galimi gedimai	Galimi veiksmai
Mirksi klaidos diodas	3	Variklis perkrautas.	Sumažinkite darbinį gylį. žr. <i>Norėdami nustatyti darbinį gylį psl. 363</i> . Jei klaidos diodas vis tiek mirksi, skarifikatoriaus įranga užblokuojama. Kad išvengtumėte netyčinio paleidimo, pasukite apsauginį raktelį į padėtį „0“, išimkite akumuliatorių ir palaukite mažiausiai 5 sekundes. Įsitinkite, kad skarifikatoriaus įranga gali laisvai judėti. Jeigu problema kartojasi, kreipkitės į įgaliotąjį techninės priežiūros atstovą.
	5	Variklio greitis per daug sumažėja ir variklis sustoja.	
	9	Per daug įkaitęs variklio valdiklis.	
	7	Akumulatoriaus klaida arba nėra akumulatoriaus signalo.	
		Silpna akumulatoriaus įkrova.	
Gaminys sustoja	6	Silpna akumulatoriaus įkrova.	Įkraukite akumuliatorių. žr. <i>Akumulatoriaus įkrovimas psl. 363</i> .
	0	Akumulatoriaus jungties gedimas.	
Kitos klaidos	Jei atsiranda kitų klaidų, pasukite apsauginį raktelį į padėtį „0“, išimkite akumuliatorių ir kreipkitės į patvirtintą techninės priežiūros atstovą.		

## Transportavimas, saugojimas ir utilizavimas

### Transportavimas

- Įdėtiems ličio jonų akumulatoriams taikomos pavojingų krovinių gabenimo taisyklės.

- Jeigu krovinyms gabenamas komerciniu transportu, būtina laikytis specialių reikalavimų dėl pakavimo ir žymėjimo.
- Ruošdamiesi gaminį transportuoti, užtikrinkite, kad būtų laikomasi pavojingų medžiagų tvarkymo taisyklių. Gali būti taikomi vietos teisės aktai.

- Transportavimo metu visuomet išimkite akumuliatorių.
- Ant akumulatoriaus jungčių užklijuokite izoliacinę juostą ir įsitinkinkite, kad transportuojant akumulatorius nejudės.
- Transportuodami gaminį, jį pritvirtinkite.

## Saugojimas

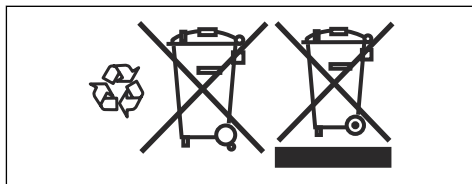
- Saugojimo metu visuomet išimkite akumuliatorių.
- Kad išvengtumėte nelaimingų atsitikimų, įsitinkinkite, jog akumulatorius saugojimo metu nėra prijungtas prie gaminio.
- Akumulatoriaus įkroviklį laikykite uždaroje ir sausoje aplinkoje.
- Akumuliatorių ir akumulatoriaus įkroviklį laikykite sausoje ir šiltoje vietoje.
- Saugodami atjunkite akumuliatorių nuo akumulatoriaus įkroviklio.
- Nelaikykite akumulatoriaus tokioje vietoje, kur gali susidaryti statinis krūvis. Nelaikykite akumulatoriaus metalinėje dėžutėje.
- Akumuliatorių laikykite aplinkoje, kurios temperatūra yra nuo 5 °C iki 25 °C ir kurios nepasiekia tiesioginiai saulės spinduliai.
- Akumulatoriaus įkroviklį laikykite aplinkoje, kurios temperatūra yra nuo 5 °C iki 45 °C ir kurios nepasiekia tiesioginiai saulės spinduliai.
- Prieš saugodami ilgesnį laiką pasirūpinkite, kad akumulatorius būtų įkrautas 30–50 %.

- Gaminį, akumuliatorių ir akumulatoriaus įkroviklį laikykite rakinamoje patalpoje, kur jų negalėtų pasiekti vaikai ir pašaliniai asmenys.
- Prieš saugodami gaminį ilgesnį laiką, išvalykite jį ir atlikite visus techninės priežiūros darbus.

## Utilizavimas

Ant gaminio ar ant jo pakuotės pateikti simboliai rodo, kad šio gaminio negalima išmesti kartu su buitinėmis atliekomis. Įrenginį reikia atiduoti į atitinkamą perdirbimo įmonę, kuri utilizuotų elektrines ir elektronines dalis.

Rūpindamiesi, kad šis gaminyt būtų tvarkomas teisingai, padedate išvengti galimo neigiamo poveikio aplinkai ir žmonėms, kurį gali sukelti netinkamas šio gaminio atliekų tvarkymas. Jei reikia daugiau informacijos apie šio gaminio perdirbimą, kreipkitės į savivaldybę, buitinių atliekų tvarkymo tarnybą arba parduotuvę, kurioje įsigijote gaminį.



## Techniniai duomenys

### Techniniai duomenys

	S 138I	S 138C
<b>Variklis</b>		
Variklio tipas	BLDC (be šepetėlių) 36 V	AC serijos variklis
Įtaiso greitis – „Save“, aps./min.	3 000	Nėra
Įtaiso greitis – nominalus, aps./min.	3 200	4 200
Variklio galingumas – maks., kW	1,28	1,8
Variklio galingumas – nominalus, kW	0,9	1,6
<b>Svoris</b>		
Svoris, kg	19,5 (be akumulatoriaus)	19,0
<b>Akumulatorius</b>		
Akumulatoriaus tipas	„Husqvarna“ akumuliatorių serija	Netaikoma
<b>Akumulatoriaus veikimo laikas</b>		
Akumulatoriaus veikimo laikas, min. (laisva eiga) įjungus „Save“ funkciją, su vienu „Husqvarna“ 5,2 Ah akumulatoriumi (Bli200).	115	Netaikoma

	S 138i	S 138C
Akumulatoriaus veikimo laikas, min, (laisva eiga) standartinium režimu, su vienu „Husqvarna“ 5,2 Ah akumulatoriumi (BLi200).	102	Netaikoma
<b>Skleidžiamas triukšmas</b> <sup>40</sup>		
Garso stiprumo lygis, išmatuotas dB (A)	89,2	95,7
Garso galios lygis, garantuojamas L <sub>WA</sub> dB (A)	91	98
<b>Garso lygiai</b> <sup>41</sup>		
Operatoriaus ausį veikiantis garso slėgis, dB (A)	75,3	81,7
<b>Vibracijos lygiai</b> <sup>42</sup>		
Rankena, m/s <sup>2</sup>	5,5	8,3
<b>Naudojimas</b>		
Darbinis gylis, maks./min., mm	-8 / +5	-8 / +5
Darbinis plotis, cm	37,5	37,5
Delta peilių įtaisas	5973510-01	5973510-01
Spyruoklinių akėčių įtaisas	5973509-01	5973509-01
Žolės rinktuvo talpa, litrai	45	45

Patvirtinti akumulatoriai	Tipas	Akumulatoriaus talpa, Ah	Įtampa, V	Svoris, svar. / kg
BLi20	Ličio jonų	4,0	36	2,6 / 1,2
BLi200	Ličio jonų	5,2	36	2,8 / 1,3
BLi300	Ličio jonų	9,4	36	4,1 / 1,9

Patvirtinti įkrovikliai nurodytiems akumulatoriams, BLi	Įvado įtampa, V	Dažnis, Hz	Galia, W
QC80	100–240	50–60	80
QC80F	12	0	80
QC330	100–240	50–60	330
QC500	100–240	50–60	500

<sup>40</sup> Triukšmas, skleidžiamas į aplinką, išmatuotas kaip garso galia (L<sub>WA</sub>) pagal EB direktyvą 2000/14/EB.

<sup>41</sup> Pateikiamų triukšmo slėgio duomenų būdingoji statistinė sklaida (standartinis nuokrypis) lygi 1,2 dB (A).

<sup>42</sup> Pateiktuose vibracijos lygio duomenyse yra 0,2 m/s<sup>2</sup> tipiška statistinė sklaida (standartinis nuokrypis).

---

# EB atitikties deklaracija

---

## EB atitikties deklaracija

„Husqvarna AB“, SE-561 82 Huskvarna, Švedija, tel.  
+46-36-146500, patvirtina, kad **skarifikatoriai Husqvarna**  
**S 138i**, kurių serijos numeriai prasideda nuo  
2018XXXXXX, atitinka šių TARYBOS DIREKTYVŲ  
reikalavimus:

- 2011 m. birželio 8 d. direktyvos **2011/65/ES** dėl tam tikrų pavojingų medžiagų naudojimo;
- 2006 m. gegužės 17 d. įrengimų direktyvos **2006/42/EB**;
- 2014 m. vasario 26 d. direktyvos **2014/30/ES** dėl elektromagnetinio suderinamumo;
- 2000 m. gegužės 8 d. direktyvos **2000/14/EC** dėl triukšmo emisijos aplinkoje.

Daugiau informacijos apie triukšmo emisiją žr. skyriuje  
„Techniniai duomenys“.

Taikyti šie standartai:

**EN 60335-1:2012+A11:2014+A13:2017, EN**  
**50636-2-92:2014, EN 55014-1:2017, EN 55014-2:2015**

Huskvarna, 2019-01-15



Claes Losdal, plėtros vadovas / sodo gaminiai  
(įgaliotasis „Husqvarna AB“ atstovas, atsakingas už  
techninę dokumentaciją.)

---

## EB atitikties deklaracija

---

### EB atitikties deklaracija

„Husqvarna AB“, SE-561 82 Huskvarna, Švedija, tel.  
+46-36-146500, patvirtina, kad **skarifikatoriai Husqvarna  
S 138C**, kurių serijos numeris prasideda nuo  
2018XXXXXXX, atitinka šiuos TARYBOS DIREKTYVOS  
reikalavimus:

- 2011 m. birželio 8 d. direktyvos **2011/65/ES** dėl tam tikrų pavojingų medžiagų naudojimo;
- 2006 m. gegužės 17 d. įrengimų direktyvos **2006/42/EB**;
- 2014 m. vasario 26 d. direktyvos **2014/30/ES** dėl elektromagnetinio suderinamumo;
- 2000 m. gegužės 8 d. direktyvos **2000/14/EC** dėl triukšmo emisijos aplinkoje.

Daugiau informacijos apie triukšmo emisiją žr. skyriuje  
„Techniniai duomenys“.

Taikyti šie standartai:

**EN 60335-1:2012+A11:2014+A13:2017, EN  
50636-2-92:2014, EN 55014-1:2017, EN 55014-2:2015,  
EN 61000-3-2:2014, EN 61000-3-11:2000**

Huskvarna, 2019-01-15



Claes Losdal, plėtos vadovas / sodo gaminiai  
(įgaliotasis „Husqvarna AB“ atstovas, atsakingas už  
techninę dokumentaciją.)

---

## Saturs

---

Ievads.....	375	Problēmu novēršana.....	396
Drošība.....	379	Pārvadāšana, glabāšana un utilizēšana.....	397
Montāža.....	388	Tehniskie dati.....	398
Lietošana.....	389	EK atbilstības deklarācija.....	400
Apkope.....	393	EK atbilstības deklarācija.....	401

---

## Ievads

---

### Izstrādājuma apraksts

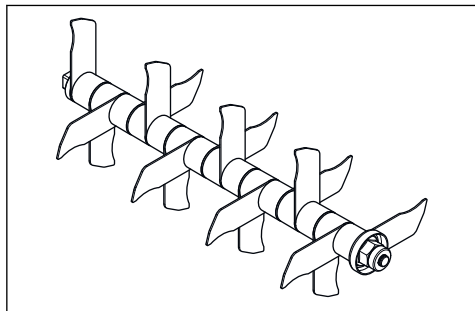
Izstrādājums ir gājējam vadāms elektriskais zāliena skarifikators. Zāliena skarifikators attīra zālienu no sausās zāles un uzirdina augsni, lai zālienā ieplūstu gaiss un ūdens. Sausā zāle tiek savākta zāles uztvērējā vai atstāta uz zāliena. Izstrādājumam ir divu veidu zāliena skarifikatora aprīkojums.

### Zāliena skarifikatora aprīkojums

Informāciju par to, kā nomainīt zāliena skarifikatora aprīkojumu, skatiet šeit: *Zāliena skarifikatora aprīkojuma maiņa lpp. 395.*

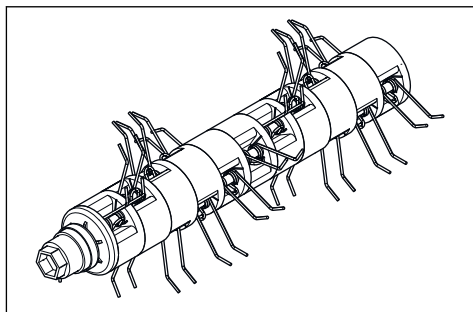
### Trīsstūrveida asmeņi

Trīsstūrveida asmeņi noņem sauso zāli un vertikāli sagriež zāles saknes. Izmantojiet trīsstūrveida asmeņus nogāzēs, uz terasēm un augsnēs, kurās ir daudz māla. Trīsstūrveida asmeņi nodrošina ūdens ieplūšanu zālienā un nepieļauj ūdens uzkrāšanos uz virsmas.



### Atsperu zari

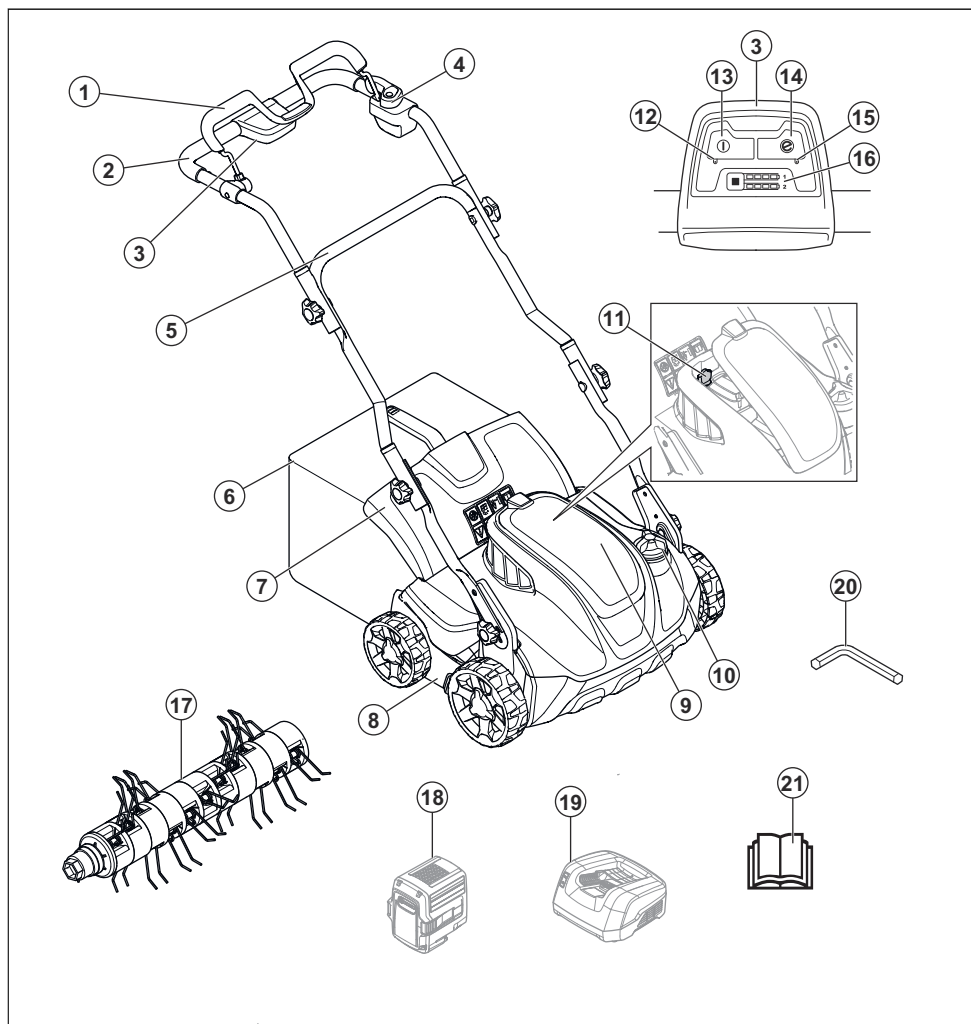
Atsperu zari rūpīgi savāc nokaltušo un sauso zāli no zāliena, nebojājot zāles saknes.



### Paredzētā lietošana

Izmantojiet šo ražojumu, lai noņemtu sauso zāli un sūnas un uzirdinātu piemājas dārza augsni. Nelietojiet zāliena sagatavotāju citiem uzdevumiem.

## Modeļa S 138i pārskats

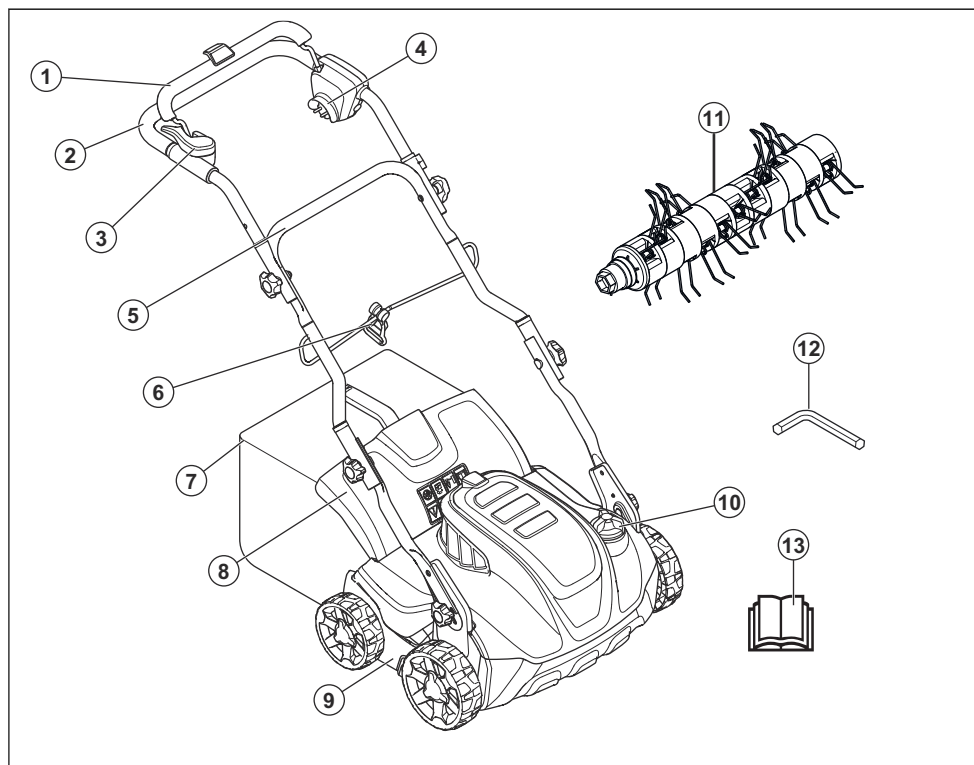


1. Motora bremžu rokturis
2. Augšējais rokturis
3. Vadības panelis
4. Iedarbināšanas ierobežotājs
5. Apakšējais rokturis
6. Zāles uztvērējs
7. Aizmugurējais aizsargs
8. Zāliena skarifikatora pārsegs
9. Akumulatora pārsegs
10. Darba dziļuma regulators
11. Drošības atslēga

12. Ieslēgšanas/izslēgšanas gaismas diodes indikators
13. Ieslēgšanas/izslēgšanas slēdzis
14. SavE poga
15. SavE gaismas diodes indikators
16. Akumulatora uzlādes indikators un akumulatora poga
17. Atsperu zari
18. Akumulators (piederums)
19. Akumulatora lādētājs (piederums)
20. Sešstūra atslēga
21. Lietošanas rokasgrāmata



## Modeļa S 138C pārskats



1. Motora bremžu rokturis
2. Augšējais rokturis
3. Iedarbināšanas ierobežotājs
4. Barošanas kontaktligzda
5. Apakšējais rokturis
6. Kabeļa skava
7. Zāles uztvērējs
8. Aizmugurējais aizsargs
9. Zāliena skarifikatora pārsegs
10. Darba dziļuma regulators
11. Atsperu zari
12. Sešstūra atslēga
13. Lietošanas rokasgrāmata

### Simboli uz izstrādājuma



Brīdinājums. Pavirša vai nepareiza lietošana var radīt smagas vai

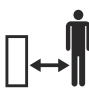
nāvējošas traumas lietotājam vai citiem.





Uzmanīgi izlasiet šo lietošanas rokasgrāmatu un pirms izstrādājuma lietošanas pārliecinieties, vai izprotat norādījumus.





Uzmanieties no izmestiem un rikošetā atlecošiem priekšmetiem.


 Nodrošiniet, lai darba zonā neatrastos cilvēki un dzīvnieki.


 Brīdinājums. Turiet rokas un kājas drošā attālumā no rotējošiem asmeņiem.

 Pirms veicat izstrādājuma apkopi, izņemiet drošības atslēgu (modelis S 138i).

 Pirms izstrādājuma apkopes atvienojiet to no barošanas kontaktligzdas (modelis S 138C).


 Elektrotraumas bīstamība (modelis S 138C).


 Nepakļaujiet izstrādājumu lietus iedarbībai (modelis S 138i).


 Brīdinājums. Nevadiet izstrādājumu pāri barošanas kabelim, jo šādi varat gūt elektrotraumu vai sabojāt izstrādājumu (modelis S 138C).


**IPX4** Šis izstrādājums ir aizsargāts pret ūdens šļakatām.

**EAC** Šis izstrādājums atbilst piemērojamo EAC direktīvu prasībām.

 Šis izstrādājums atbilst spēkā esošajām EK direktīvām.

 Šis izstrādājums atbilst spēkā esošajām UkrSEPRO direktīvām.

 Trokšņa emisijas līmenis atbilst Eiropas Kopienas direktīvai. Izstrādājuma emisiju līmenis ir norādīts sadaļā "Tehniskie dati" un uz uzlīmes.

 Divkārša izolācija (modelis S 138C).



Utilizējiet šo izstrādājumu elektrisko un elektronisko ierīču pārstrādes vietā. (Attiecas vienīgi uz Eiropu)



Modeļa S 138i iedarbināšana: nospiediet ieslēgšanas/izslēgšanas pogu, atbrīvojiet iedarbināšanas ierobežotāju, nospiediet motora bremžu rokturi uz leju.

uz leju motora bremžu rokturi.



Atlaidiet motora bremžu rokturi, lai apturētu.



Skenējams kods.

**Piezīme:** Pārējie uz izstrādājuma norādītie simboli/norādes atbilst dažu valstu sertifikācijas prasībām.

### Atbildība par izstrādājuma kvalitāti

Saskaņā ar likumiem par izstrādājuma kvalitāti mēs neuzņemamies atbildību par bojājumiem, ko radījis mūsu izstrādājums, ja:

- ir veikts nepareizs izstrādājuma remonts;
- izstrādājuma remonts ir veikts, izmantojot detaļas, ko nav nodrošinājis vai apstiprinājis ražotājs;
- izstrādājumam tiek pievienots piederums, ko nav nodrošinājis vai apstiprinājis ražotājs;
- izstrādājuma remonts nav veikts pilnvarotā remontdarbnīcā vai pie pilnvarota speciālista.

### Modeļa S 138C

iedarbināšana: atbrīvojiet iedarbināšanas ierobežotāju, nospiediet

## Drošība

### Drošības definīcijas

Brīdinājumi, norādes “Uzmanību!” un piezīmes tiek izmantotas, lai izceltu īpaši svarīgas lietotāja rokasgrāmatas daļas.



**BRĪDINĀJUMS:** Tiek izmantota tad, ja rokasgrāmatā sniegto instrukciju neievērošanas dēļ operatoram vai blakus esošajām personām draud traumu vai nāves risks.



**IEVĒROJIET:** Tiek izmantota tad, ja rokasgrāmatā sniegto instrukciju neievērošanas dēļ rodas izstrādājuma, citu materiālu vai blakus esošās teritorijas bojājuma risks.

**Piezīme:** Tiek izmantota, lai sniegtu plašāku informāciju, kas nepieciešama attiecīgajā situācijā.

## Vispārīgi norādījumi par drošību



**BRĪDINĀJUMS:** Pirms sākat lietot izstrādājumu, izlasiet tālāk izklāstītās brīdinājuma instrukcijas.

- Šis izstrādājums ir bīstams, ja to lieto nepareizi vai ja nerīkojaties piesardzīgi. Drošības instrukciju neievērošana var izraisīt traumas vai nāvi.
- Šis izstrādājums darbības laikā rada elektromagnētisko lauku. Noteiktos apstākļos šis lauks var traucēt aktīvā vai pasīvā medicīniskā implantāta darbību. Lai samazinātu nopietnas traumas gūšanas vai dzīvības zaudēšanas risku, mēs iesakām personām, kam ir medicīniskie implantāti, pirms šī izstrādājuma lietošanas konsultēties ar savu ārstu un medicīniskā implantāta ražotāju.
- Vienmēr rīkojieties piesardzīgi un saprātīgi. Ja neesat drošs par to, kā izmantot šo izstrādājumu konkrētā situācijā, pārtrauciet darbu un sazinieties ar savu Husqvarna izplatītāju, pirms turpināt.
- Paturiet prātā, ka operators ir atbildīgs par negadījumiem, kuros iesaistītas citas personas.
- Gādājiet, lai izstrādājums ir tīrs. Pārļiecinieties, ka varat skaidri izlasīt zīmes un uzlīmes.
- Neļaujiet nevienai personai izmantot izstrādājumu, ja neesat pārļiecinājies, ka šī persona ir izlasījusi un izprot lietotāja rokasgrāmatas saturu.
- Neļaujiet bērniem lietot šo izstrādājumu.
- Neļaujiet lietot izstrādājumu personai, kas nav iepazinusies ar lietošanas norādījumiem.
- Ja izstrādājumu izmanto persona ar samazinātām fiziskajām vai garīgajām spējām, vienmēr uzraugiet šo personu. Tuvumā vienmēr jābūt pieaugušajam.
- Neizmantojiet šo izstrādājumu, ja esat noguris, slims vai esat alkohola, narkotiku vai medikamentu izraisītā reibumā. Šāds stāvoklis negatīvi ietekmē jūsu redzi, modrību, koordināciju un spriestspēju.
- Neizmantojiet izstrādājumu, ja tas ir bojāts.
- Neveiciet izmaiņas šajā izstrādājumā un neizmantojiet to, ja ir iespējams, ka citas

personas tajā ir veikušas izmaiņas.

## Darba zonas drošība

---



**BRĪDINĀJUMS:** Pirms sākat lietot šo izstrādājumu, izlasiet zemāk izklāstītos brīdinājumus.

---

- Pirms izmantojat izstrādājumu, noņemiet no darba zonas priekšmetus, piemēram, zarus, žaģarus un akmeņus.
- Priekšmeti, kas saskaras ar zāliena skarifikatoru, var atlēkt un radīt traumas vai bojājumus. Gādāji, lai citi cilvēki un dzīvnieki atrastos drošā attālumā no izstrādājuma.
- Nekad neizmantojiet izstrādājumu sliktos laika apstākļos, piemēram, miglā, lietū, stiprā vējā, lielā aukstumā un pērkona negaisa laikā. Izstrādājuma izmantošana sliktos laika apstākļos vai mitrā vai slapjā vietā ir nogurdinoša. Slikti laikapstākļi var izraisīt bīstamas situācijas, piemēram, padarot virsmas slidenas.
- Pārliecinieties, vai nav personu, priekšmetu un

situāciju, kas var kavēt izstrādājuma drošu darbību.

- Skatieties, vai nav šķēršļu, piemēram, sakņu, akmeņu, zaru, bedru un grāvju. Garā zālē var atrasties dažādi šķēršļi.
- Lietošana uz nogāzēm var būt bīstama. Neizmantojiet izstrādājumu uz virsmas, kuras slīpums pārsniedz 15°.
- Uz nogāzēm ar izstrādājumu strādāji, virzoties šķērsām tām. Nepārvietojieties augšup un lejup.
- Esiet uzmanīgi, kad tuvojaties stūriem, aiz kuriem nekas nav redzams, un priekšmetiem, kas aizsedz redzamību.

## Darba drošība

---



**BRĪDINĀJUMS:** Pirms sākat lietot šo izstrādājumu, izlasiet zemāk izklāstītos brīdinājumus.

---

- Izmantojiet šo izstrādājumu, lai noņemtu sauso zāli un sūnas tikai no zālieniem. Izstrādājumu nav atļauts izmantot citu darbu veikšanai.
- Lietojiet individuālos aizsardzības līdzekļus. Skatiet šeit: *Individuālais aizsargaprīkojums lpp. 383.*

- Nedarbiniet izstrādājumu lietus laikā un nepakļaujiet to lietus vai mitruma iedarbībai. Ja izstrādājumā iekļūst ūdens, palielinās elektrotraumas risks.
- Nedarbiniet izstrādājumu, ja zāliena skarifikatora aprīkojums un visi pārsegi nav piestiprināti pareizi. Nepareizi piestiprināts zāliena skarifikatora aprīkojums var kļūt vaļīgs un radīt traumu.
- Pārliecinieties, vai zāliena skarifikatora aprīkojums neatsitas pret priekšmetiem, piemēram, akmeņiem un saknēm. Šādi var sabojāt zāliena skarifikatora aprīkojumu un saliekt dzinēja vārpstu. Saliekta vārpsta rada stipru vibrāciju un ļoti lielu zāliena skarifikatora aprīkojuma atvienošanās risku.
- Ja zāliena skarifikatora aprīkojums saskaras ar kādu priekšmetu vai rodas spēcīga vibrācija, nekavējoties izslēdziet izstrādājumu. Apturiet motoru, pagrieziet drošības atslēgu stāvoklī "0" un izņemiet akumulatoru (modelis S 138i) vai atvienojiet barošanas kabeli (modelis S 138C). Pārbaudiet, vai izstrādājumam nav bojājumu. Novērsiet bojājumus vai
- uzticiet šo darbu pilnvarotajam apkopes pārstāvim.
- Nekādā gadījumā nepiestipriniet motora bremžu rokturi rokturim, kad motors ir iedarbināts.
- Novietojiet izstrādājumu uz stabilas, līdzenas virsmas un iedarbiniet to. Pārliecinieties, vai zāliena skarifikatora aprīkojums nepieskaras zemei vai citiem priekšmetiem.
- Darbinot izstrādājumu, vienmēr stāviet aiz tā.
- Lietojot izstrādājumu, pārbaudiet, lai visi riteņi atrodas uz zemes un turiet rokturi ar abām rokām. Turiet rokas un kājas drošā attālumā no rotējošā zāliena skarifikatora aprīkojuma.
- Nekad nesasveriet izstrādājumu motora darbības laikā.
- Esiet piesardzīgi, velkot izstrādājumu atpakaļ.
- Nekādā gadījumā neceliet izstrādājumu uz augšu motora darbības laikā. Ja izstrādājums ir jāpaceļ, vispirms izslēdziet motoru, pagrieziet drošības atslēgu stāvoklī "0" un izņemiet akumulatoru (modelis S 138i) vai atvienojiet barošanas kabeli (modelis S 138C).

- Neejiet atmuguriski izstrādājuma lietošanas laikā.
- Izslēdziet motoru, kad pārvietojaties pa teritorijām, ko neklāj zāle, piemēram, pa grants, akmens vai asfalta celiņiem.
- Nekādā gadījumā neskrieniet ar izstrādājumu motora darbības laikā. Darbinot izstrādājumu, vienmēr ejiet.
- Apturiet motoru, pirms maināt darba dziļumu. Nekādā gadījumā nemēģiniet veikt regulēšanu motora darbības laikā.
- Nekad neatstājiet izstrādājumu bez uzraudzības motora darbības laikā. Apturiet motoru un pārliecinieties, vai zāliena skarifikatora aprīkojums neregulējas.

## Norādījumi par drošu darbu

### Individuālais aizsargaprīkojums

Izmantojot izstrādājumu, ir jālieto apstiprināts individuālais aizsargaprīkojums. Individuālais aizsargaprīkojums nenovērsīs traumas, taču samazinās to smaguma pakāpi, ja notiktu negadījums. Lai izvēlētos piemērotu aprīkojumu, sazinieties ar izplatītāju.

Vienmēr izmantojiet:

- Dzirdes aizsarglīdzekļus, kas mazina dzirdes bojājumu risku.
- Izturīgus, neslīdošus zābakus vai apavus. Nenēsājiet sandales un nestrādājiet basām kājām.
- Izturīgas garās bikses. Nevalkājiet šortus.

Izmantojiet cimdus, kad tas nepieciešams, piemēram, montējot, pārbaudot vai tīrot zāliena skarifikatora aprīkojumu.

### Izstrādājuma drošības ierīces



**BRĪDINĀJUMS:** Pirms sākat lietot izstrādājumu, izlasiet tālāk izklāstītās brīdinājuma instrukcijas.

- Nelietojiet izstrādājumu ar bojātām drošības ierīcēm.
- Regulāri pārbaudiet drošības ierīces. Ja drošības ierīces ir bojātas, sazinieties ar savu Husqvarna servisa pārstāvi.

### Pārsegu pārbaude

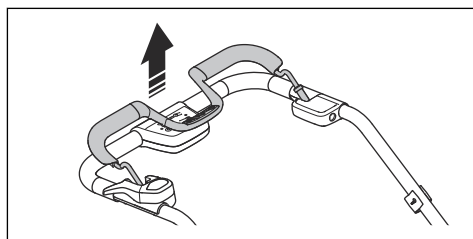
Zāliena skarifikatora pārsegs mazina izstrādājuma vibrāciju un zāliena skarifikatora aprīkojuma radītu traumu gūšanas risku.

- Pārbaudiet zāliena skarifikatora sānu pārsegu, lai pārliecinātos, vai nav bojājumu, piemēram, plaisu.
- Pārbaudiet aizmugurējo pārsegu, lai pārliecinātos, vai nav bojājumu, piemēram, plaisu.

### Motora bremžu rokturis

Dzinēja bremžu rokturis aptur dzinēju. Atlaižot dzinēja bremžu rokturi, dzinējs apstājas.

Lai pārbaudītu dzinēja bremzes, iedarbiniet dzinēju un pēc tam atlaidiet dzinēja bremžu rokturi. Ja dzinējs neapstājas 3 sekundēs, lieciet pilnvarotā Husqvarna apkopes pārstāvim noregulēt dzinēja bremzes.



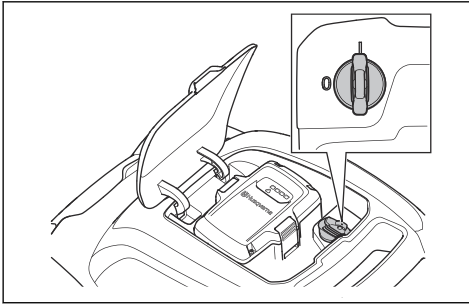
### Drošības atslēga

Drošības atslēga atrodas zem akumulatora pārsega. Drošības atslēga pieslēdz akumulatoru, kas nodrošina jaudu motoram.

- Lai pārbaudītu drošības atslēgu, iedarbiniet un izslēdziet motoru.
- Ja drošības atslēga darbojas pareizi, motors tiek iedarbināts tikai tad, kad atslēga tiek pagriezta stāvoklī "1".



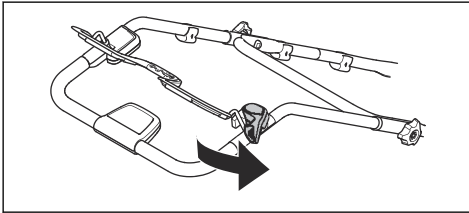
**BRĪDINĀJUMS:** Izmantojiet apstiprinātus dzirdes aizsarglīdzekļus. Ilgstoša



#### Iedarbināšanas ierobežotāja pārbaude

Pārbaudiet iedarbināšanas ierobežotāju, lai pārliecinātos, ka tas novērš dzinēja darbību.

1. Pabīdiet bremžu rokturi stūres virzienā. Iedarbināšanas ierobežotājs aptur kustību.
2. Izstumiet iedarbināšanas ierobežotāju.



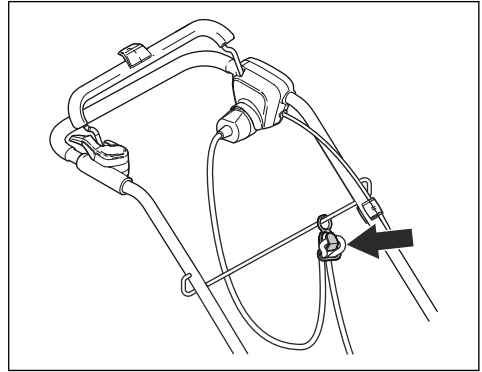
3. Atlaidiet iedarbināšanas ierobežotāju un pārliecinieties, ka tas atgriežas sākotnējā pozīcijā.

#### Strāvas vada turētāja lietošana (modelis S 138C)

Strāvas vada turētājs samazina kontaktligzdas un strāvas vada nospiegojumu. Strāvas vada turētājs arī samazina pakrišanas risku.

1. Salokiet strāvas vadu, lai izveidotu nelielu cilpu.
2. Ievietojiet cilpu strāvas vada turētāja atverē.
3. Aplieciet cilpu ap āķi.

4. Pavelciet strāvas vadu, lai cilpu ap āķi savilktu ciešāk.



#### Akumulatora drošības norādes



**BRĪDINĀJUMS:** Pirms sākat lietot izstrādājumu, izlasiet tālāk izklāstītās brīdinājuma instrukcijas.

- Izmantojiet Husqvarna atkārtoti uzlādējamus akumulatorus kā strāvas avotu tikai saistītiem Husqvarna produktiem. Lai nepieļautu traumu gūšanas risku, akumulatoru nedrīkst izmantot kā citu izstrādājumu strāvas avotu.
- Nelietojiet vienreiz lietojamus akumulatorus.
- Elektriskās strāvas trieciena risks. Nesavienojiet akumulatora spaiļes ar atslēgām, monētām, skrūvēm vai citiem metāla priekšmetiem. Tas var izraisīt akumulatora īssavienojumu.



- Neievietojiet nekādus priekšmetus akumulatora gaisa atverēs.
- Neglabājiet akumulatoru vietās, ka ir pakļautas tiešai saulesgaismai, karstumam vai atklātām liesmām. Akumulators var eksplodēt un radīt apdegumus un/vai ķīmiskos apdegumus.
- Akumulatoru nedrīkst pakļaut lietus un mitruma ietekmei.
- Akumulatoru nedrīkst pakļaut mikroviļņu un augsta spiediena ietekmei.
- Akumulatoru nedrīkst izjaukt vai saspīest.
- Ja rodas akumulatora noplūde, neļaujiet šķidrumam nonākt saskarē ar ķermeni vai acīm. Ja pieskaraties šķidrumam, nomazgājiet skarto vietu ar lielu daudzumu ūdens un meklējiet medicīnisko palīdzību.
- Akumulatoru drīkst temperatūrā no -10 °C līdz 40 °C.
- Netīriet akumulatoru un tā lādētāju ar ūdeni. Skatiet šeit: *Akumulatora un akumulatora lādētāja tīrīšana lpp. 394.*
- Nelietojiet defektīvu vai bojātu akumulatoru.
- Uzglabājiet akumulatorus vietā, kur tuvumā nav metāla

priekšmetu, piemēram, naglu, monētu, rotaslietu.

## Akumulatora lādētāja drošības norādes



**BRĪDINĀJUMS:** Pirms sākat lietot izstrādājumu, izlasiet tālāk izklāstītās brīdinājuma instrukcijas.

- Izmantojiet QC akumulatoru lādētājus tikai Husqvarna rezerves akumulatoru uzlādei.
- Pastāv elektriskās strāvas trieciena vai īssavienojuma risks. Neievietojiet nekādus priekšmetus lādētāja gaisa atverēs. Nemēģiniet demontēt akumulatora lādētāju. Nesavienojiet lādētāja spaiļes ar metāla priekšmetiem. Izmantojiet pārbaudītu elektrotīkla kontaktligzdu.
- Šis izstrādājums darbības laikā rada elektromagnētisko lauku. Noteiktos apstākļos šis lauks var traucēt aktīvā vai pasīvā medicīniskā implantāta darbību. Lai samazinātu risku nokļūt apstākļos, kad var tikt gūtas smagas vai letālas traumas, mēs iesakām personām, kurām ir medicīniskie implantāti, pirms šī izstrādājuma lietošanas konsultēties ar savu ārstu un

medicīniskā implantāta ražotāju.

- Regulāri pārlicinieties, vai akumulatora lādētāja strāvas vads nav bojāts un vai tajā nav plaisu.
- Nevelciet akumulatora lādētāju aiz strāvas vada. Lai akumulatora lādētāju atvienotu no elektrotīkla kontaktligzdas, izraujiet kontaktdakšu. Nevelciet aiz strāvas vada.
- Strāvas vadu un pagarinājuma kabelus turiet tālāk prom no ūdens, eļļas un asām apmalēm. Nodrošiniet, lai kabelis netiktu iespiests durvīs, nožogojumos un līdzīgās konstrukcijās. Tādā gadījumā var notikt strāvas izvade no lādētāja.
- Netīriet akumulatora lādētāju ar ūdeni.
- Akumulatora lādētāju drīkst izmantot bērni no 8 gadu vecuma un cilvēki ar ierobežotām fiziskām, sensorām vai garīgām spējām vai bez pieredzes un zināšanām tikai atbildīgās personas uzraudzībā vai pēc norādījumu par akumulatora lādētāja lietošanu drošā veidā saņemšanas un iespējamo risku izprašanas. Bērni nedrīkst spēlēties ar šo

akumulatora lādētāju. Ierīces tīrīšanu un apkopes darbus bērni drīkst veikt tikai atbildīgās personas uzraudzībā.

- Neizmantojiet akumulatora lādētāju tādu akumulatoru uzlādei, kas nav atkārtoti uzlādējami.
- Nelietojiet akumulatora lādētāju viegli uzliesmojošu materiālu vai materiālu, kas var izraisīt koroziju, tuvumā. Nepārklājiet akumulatora lādētāju. Ja konstatējat dūmus vai uguni, izraujiet akumulatora lādētāja kontaktdakšu.
- Nelietojiet defektīvu vai bojātu akumulatora lādētāju.
- Lādējiet akumulatoru tikai telpā, kur ir laba gaisa plūsma un kur tas nav pakļauts saules gaismai. Nelādējiet akumulatoru mitrumā.

#### **Strāvas vada drošība**

Modelim S 138C.

- Ieteicams izmantot paliekošās strāvas ierīci (Residual Current Device — RCD), kuras nostrādes strāva nav lielāka par 30 mA. Pat ja ir uzstādīta RCD, nevar garantēt 100% drošību, tāpēc vienmēr jāievēro darba drošības

noteikumi. Pārbaudiet RCD pirms katras lietošanas reizes.

- Ja strāvas vads tiek sagriezts vai tiek bojāta tā izolācija, nekavējoties atvienojiet izstrādājumu no strāvas avota.
- Nepieskarieties sagrieztajam vai bojātajam strāvas vadam, kamēr tas nav atvienots no strāvas avota.
- Sagrieztu vai bojātu strāvas vadu nedrīkst labot. Nomainiet to ar jaunu.

## Norādījumi par drošu apkopi



**BRĪDINĀJUMS:** Pirms sākat lietot šo izstrādājumu, izlasiet zemāk izklāstītos brīdinājumus.

- Modelim S 138i. Lai nepieļautu nejaušu iedarbināšanu apkopes laikā, pagrieziet drošības atslēgu stāvoklī "0" un izņemiet akumulatoru. Uzgaidiet vismaz 5 sekundes, pirms sākat apkopi.
- Modelim S 138C. Lai nepieļautu nejaušu iedarbināšanu apkopes laikā, atvienojiet barošanas kabeli.
- Veiciet apkopes darbus pareizi, lai palielinātu izstrādājuma darbību un samazinātu nelaimes gadījumu risku. Uzticiet remontdarbu veikšanu apstiprināta apkopes uzņēmuma pārstāvim. Lai saņemtu papildinformāciju, sazinieties ar tuvāko apkopes pārstāvi.
- Veiciet tikai tos apkopes darbus, kas norādīti lietošanas rokasgrāmatā. Sarežģītāki darbi ir jāveic pilnvarotam apkopes pārstāvim.
- Lietojot zāliena skarifikatora aprīkojumu, uzvelciet izturīgus cimdus. Zāliena skarifikatora aprīkojums ir ļoti ass, un ar to var viegli sagriezties.
- Uzturiet zāliena skarifikatora aprīkojuma asmeņu malas asas un tīras, lai nodrošinātu labāko un drošāko darbību.
- Ļaujiet izstrādājumu regulāri pārbaudīt apkopes centra darbiniekiem un veikt nepieciešamos regulēšanas un remonta darbus.
- Nomainiet bojātās, nodilušās un salūzušās detaļas.
- Ievērojiet piederumu maiņas norādījumus. Lietojiet tikai ražotāja apstiprinātos piederumus.
- Kad izstrādājumu neizmantojat, turiet to, akumulatoru un akumulatora lādētāju atstatu vienu no otra

sausās un slēgtās telpās.  
Nodrošiniet, lai bērni un  
nepiederošas personas

nepieklūst izstrādājumam,  
akumulatoram vai akumulatora  
lādētājam.

## Montāža

### Ievads



**BRĪDINĀJUMS:** Pirms izstrādājuma  
montāžas izlasiet sadaļu par drošību.

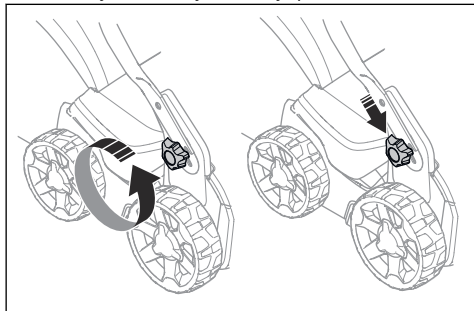


**BRĪDINĀJUMS:** Modelim S 138i. Lai  
nepieļautu nejaušu iedarbināšanu montāžas  
laikā, pagrieziet drošības atslēgu pozīcijā  
"0", izņemiet akumulatoru un nogaidiet  
vismaz 5 sekundes.

Modelim S 138C. Lai nepieļautu nejaušu  
iedarbināšanu montāžas laikā, atvienojiet  
strāvas vadu.

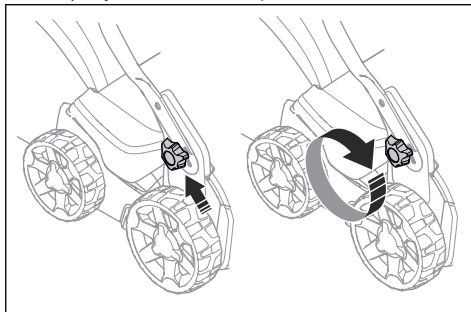
### Roktura montāža

1. Attalaidiet apakšējos fiksatorus.
2. Pārvietojiet fiksatorus uz rievu apakšējo galu  
izstrādājuma kreisajā un labajā pusē.



3. Iestādiet roktura augstumu vienā no diviem  
pieejamiem stāvokļiem.

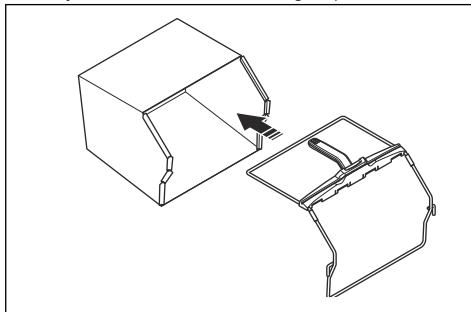
4. Pārvietojiet fiksatorus uz augšu roktura virzienā, līdz  
tie apstājas un atskan klikšķis.



5. Pilnībā pievelciet fiksatorus.

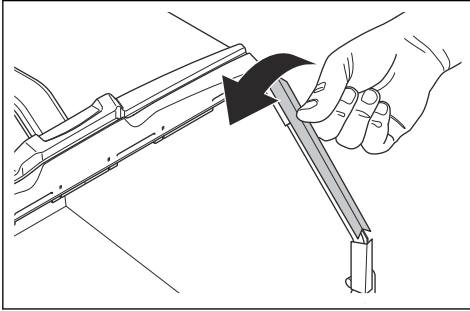
### Zāles uztvērēja montāža

1. Piestipriniet zāles uztvērēja rāmi zāles maisam tā, lai  
maisa stingrā daļa būtu apakšā. Nodrošiniet, lai  
rāmja rokturis ir zāles maisa augšdaļā.

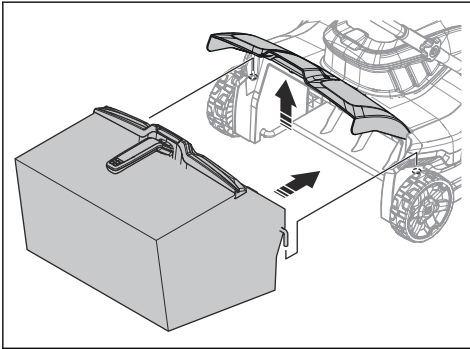


2. Iestipriniet zāles uztvērēja rāmja apakšdaļu zāles  
uztvērēja apakšdaļas rievā.

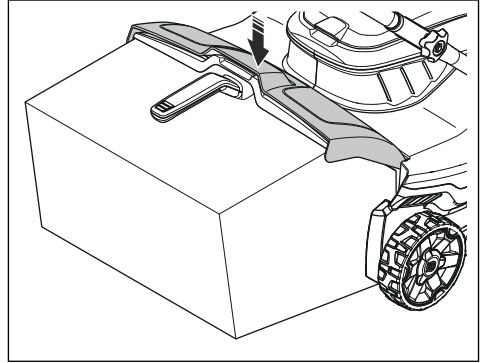
3. Piestipriniet zāles maisu zāles uztvērēja rāimim ar spailēm.



4. Paceliet aizmugurējo pārsegu.  
5. Novietojiet zāles uztvērēju pareizā stāvoklī.



6. Piestipriniet zāles uztvērēju šasijas augšmalai. Pārbaudiet, vai aizmugurējais pārsegs blīvi saskaras ar zāles uztvērēju, lai nepieļautu noplūdi.



---

## Lietošana

---

### Ievads



**BRĪDINĀJUMS:** Pirms sākat darbu ar produktu, izlasiet nodaļu par drošību un pārliecinieties, vai saprotat to.

### Husqvarna Connect

Husqvarna Connect ir bezmaksas lietotne jūsu mobilajai ierīcei. Lietotne Husqvarna Connect nodrošina paplašinātas funkcijas jūsu Husqvarna izstrādājumam:

- Paplašināta izstrādājuma informācija.
- Informācija par izstrādājuma daļām un apkopi un palīdzība ar to.

### Lai sāktu izmantot Husqvarna Connect

1. Lejupielādējiet Husqvarna Connect lietotni savā mobilajā ierīcē.
2. Reģistrējieties Husqvarna Connect lietotnē.
3. Izpildiet Husqvarna Connect lietotnē sniegtos norādījumus, lai savienotu un reģistrētu produktu.

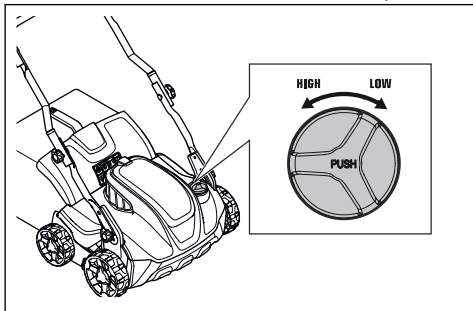
### Darba dziļuma iestatīšana



**BRĪDINĀJUMS:** Lietojot izstrādājumu, neregulējiet darba dziļumu.

1. Nospiediet un griežiet regulatoru pretēji pulksteņrādītāju kustības virzienam, lai palielinātu darba dziļumu.

- Nospiediet un grieziet regulatoru pulksteņrādītāju kustības virzienā, lai samazinātu darba dziļumu.



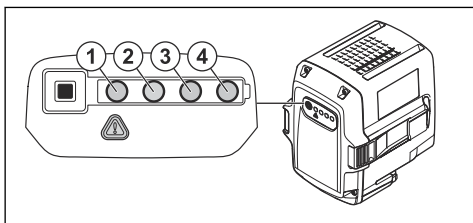
## Akumulators



**BRĪDINĀJUMS:** Pirms izmantojat akumulatoru, izlasiet nodaļu par drošību un pārliecinieties, vai saprotat to. Izlasiet arī akumulatora un akumulatora lādētāja komplektā iekļauto lietotāja rokasgrāmatu un pārliecinieties, vai izprotat to.

## Akumulatora statuss

Displejā ir redzams akumulatora atlikušais uzlādes līmenis un akumulatora kļūdu ziņojumi. Akumulatora uzlādes līmenis ir redzams 5 sekundes pēc produkta izslēgšanas vai akumulatora indikatora pogas nospiešanas. Ja radusies kļūda, iedegas akumulatora brīdinājuma simbols. Skatiet šeit: *Akumulators lpp. 396.*



LED indikatori	Akumulatora statuss
Deg visi LED indikatori	Pilnībā uzlādēts (75–100%)
Deg 1., 2. un 3. LED indikatori	Akumulatora uzlādes līmenis ir 50–75%
Deg 1. un 2. LED indikatori	Akumulatora uzlādes līmenis ir 25–50%
Deg 1. LED indikators	Akumulatora uzlādes līmenis ir 0–25%
Mirgo 1. LED indikators	Akumulators ir tukšs. Uzlādējiet akumulatoru.

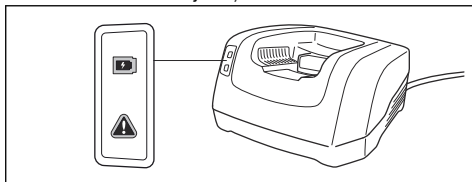
## Akumulatora uzlāde

Pirms pirmās lietošanas reizes uzlādējiet akumulatoru. Akumulators ir tikai 30% uzlādēts, kad tiek piegādāts klientam.

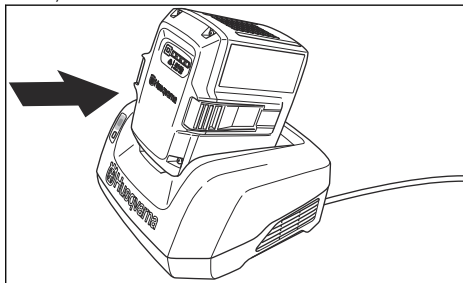
**Piezīme:** Pievienojiet akumulatora lādētāju strāvas avotam, kura spriegums un frekvence atbilst uz datu plāksnītes norādītajiem.

Akumulators netiek lādēts, ja tā temperatūra pārsniedz 50 °C. Akumulatora lādētājs samazina akumulatora temperatūru, pirms tiek sāka uzlāde.

- Savienojiet vienu akumulatora lādētāja strāvas vada galu ar akumulatora lādētāja ligzdu.
- Savienojiet akumulatora lādētāja strāvas vada otru galu ar zemētu kontaktligzdu. Vienreiz iemirgosies akumulatora lādētāja zaļais LED indikators.



- levietojiet akumulatoru lādētājā. Kad akumulators ir pareizi savienots ar akumulatora lādētāju, tajā deg zaļais indikators.



- Kad deg visi akumulatora LED indikatori, akumulators ir pilnībā uzlādēts. Akumulatora uzlādes laiks nedrīkst pārsniegt 24 stundas.
- Lai atvienotu akumulatora lādētāju no kontaktligzdas, velciet kontaktdakšu, nevis strāvas vadu.
- Izņemiet akumulatoru no lādētāja.

## Akumulatora uzlādes statuss

Husqvarna litija jonu akumulatoru drīkst uzlādēt un lietot neatkarīgi no uzlādes līmeņa. Akumulators netiek bojāts. Pilnībā uzlādēts akumulators nesamazinās uzlādes kapacitāti pat tad, ja pēc uzlādes to atstāj lādētājā.

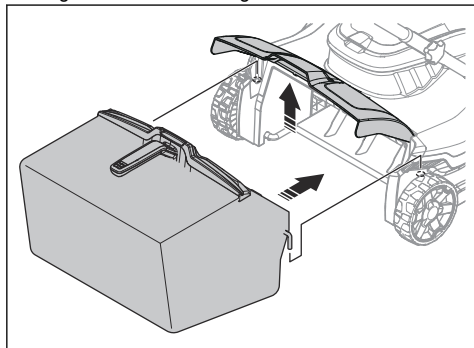
LED indikators	Uzlādes statuss
Mirgo 1. LED indikators	0–25%

LED indikators	Uzlādes statuss
Deg 1. LED indikators, mirgo 2. LED indikators	20–50%
Deg 1. un 2. LED indikators, mirgo 3. LED indikators	50–75%
Deg 1., 2. un 3. LED indikators, mirgo 4. LED indikators	75–100%
Deg 1., 2., 3. un 4. LED indikators	Pilnībā uzlādēts

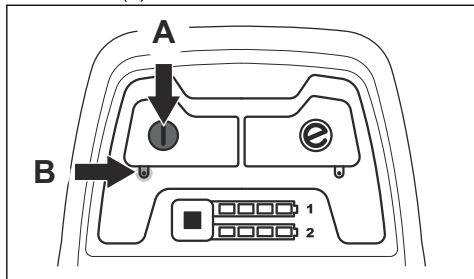
## S 138i lietošana

### Izstrādājuma iedarbināšana

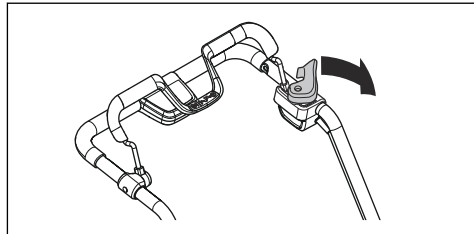
1. Ievietojiet uzlādētu akumulatoru 1. akumulatora nodalījumā zem akumulatora pārsega. Lai nodrošinātu ilgāku darbību, ievietojiet otru uzlādētu akumulatoru 2. akumulatora nodalījumā.
2. Pagrieziet drošības atslēgu stāvoklī "1".



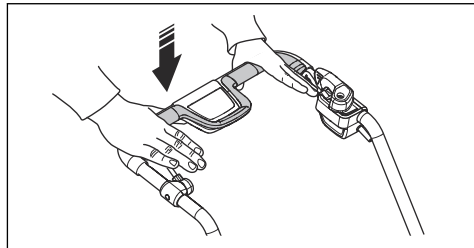
3. Stāviet aiz izstrādājuma.
4. Nospiediet vadības panela ieslēgšanas/izslēgšanas pogu (A), un iedegsies zaļās krāsas gaismas diodes indikators (B).



5. Atbrīvojiet iedarbināšanas ierobežotāju.



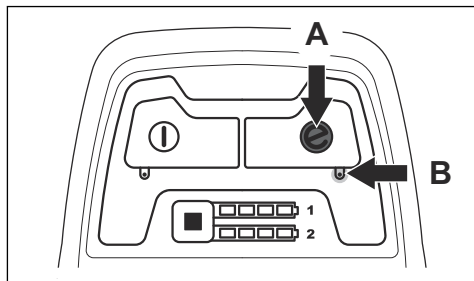
6. Nospiediet motora bremžu rokturi roktura virzienā.



### SavE funkcijas izmantošana

Izstrādājumam ir akumulatora enerģijas taupīšanas funkcija (SavE), kas nodrošina ilgāku akumulatora darbības laiku.

1. Nospiediet pogu SavE (A), lai sāktu izmantot funkciju. Iedegsies zaļās krāsas gaismas diodes indikators.

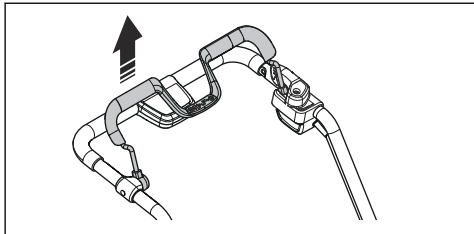


2. Vēlreiz nospiediet pogu SavE (A), lai pārtrauktu izmantot funkciju. Zaļās krāsas gaismas indikators (B) nodzīsīs.

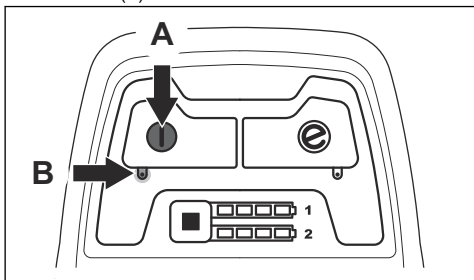
### Izstrādājuma apturēšana

Izstrādājums tiek automātiski apturēts, ja to neizmanto 10 minūtes. Vienmēr pagrieziet drošības atslēgu stāvoklī "0", pirms atstājat izstrādājumu bez uzraudzības.

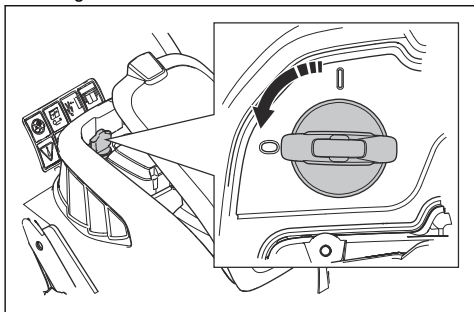
1. Atlaidiet motora bremžu rokturi, lai apturētu motoru.



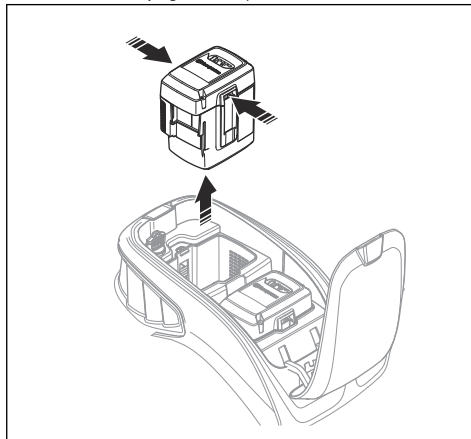
2. Nospiediet vadības paneļa ieslēgšanas/izslēgšanas pogu (A), un zaļās krāsas gaismas diodes indikators (B) nodzīsīs.



3. Atveriet akumulatora pārsegu un pagrieziet drošības atslēgu stāvoklī "0".



4. Lai izņemtu akumulatoru, vienlaikus nospiediet abas atbrīvošanas pogas un izņemiet akumulatoru.

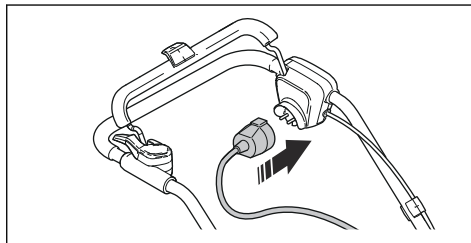


5. Ja akumulatora uzlādes līmenis ir nepietiekams, uzlādējiet akumulatoru. Papildinformāciju skatiet šeit: *Akumulatora uzlāde lpp. 390.*

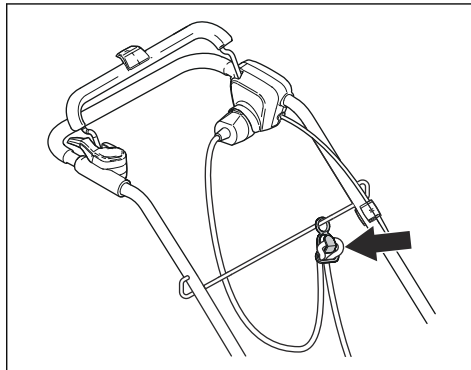
## S 138C lietošana

### Izstrādājuma iedarbināšana

1. Pieslēdziet barošanas kabeli kontaktligzdai zem roktura.

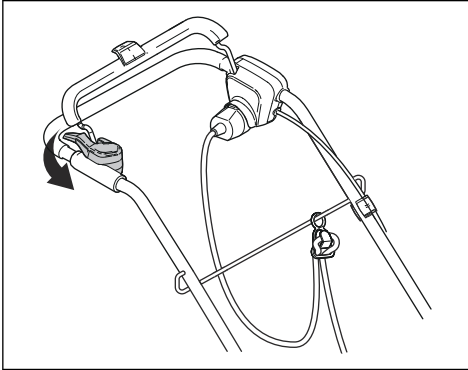


2. Ievietojiet barošanas kabeli tā turētājā. Skatiet šeit: *Strāvas vada turētāja lietošana (modelis S 138C) lpp. 384.*

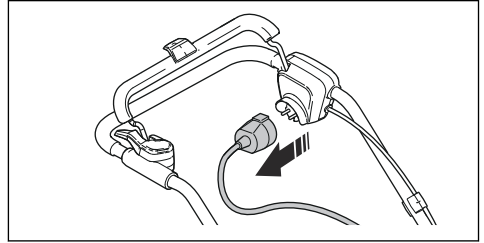




3. Stāviet aiz izstrādājuma.
4. Atbrīvojiet iedarbināšanas ierobežotāju.

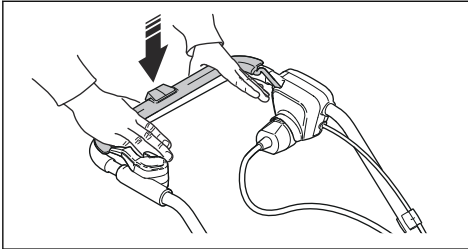


2. Atvienojiet strāvas vadu no strāvas avota un pēc tam no izstrādājuma.



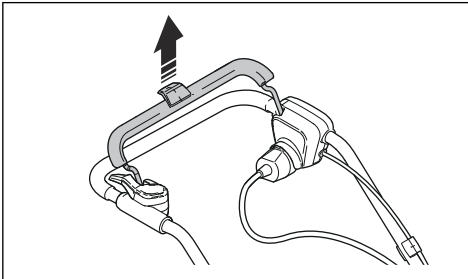
**IEVĒROJIET:** Velciet kontaktdakšu taisni. Nevelciet aiz strāvas vada.

5. Nospiediet motora bremžu rokturi roktura virzienā.



## Izstrādājuma izslēgšana

1. Atlaidiet dzinēja bremžu rokturi, lai apturētu dzinēju.



## Apkope

### levads



**BRĪDINĀJUMS:** Pirms veicat apkopi, izlasiet nodaļu par drošību un pārliecinieties, vai izprotat to.

Lai veiktu visus izstrādājuma apkopes un remonta darbus, ir nepieciešama īpaša apmācība. Mēs garantējam profesionāla remonta un apkopes pieejamību. Ja jūsu izplatītājs nav servisa pārstāvis,

vērsieties pie viņa, lai iegūtu informāciju par tuvāko servisa pārstāvi.

### Apkopes grafiks

Apkopes intervāli tiek aprēķināti atbilstoši izstrādājuma ikdienas lietošanai. Intervāli mainās, ja izstrādājumu neizmanto ikdienā.

Informāciju par apkopes darbiem, kas atzīmēti ar zvaigznīti \*, skatiet šeit *Izstrādājuma drošības ierīces lpp. 383.*

S 138i un S 138C	Katrā lie- tošanas reizē	Reizi mē- nesī	Katru se- zonu
Veiciet vispārīgu pārbaudi.	X		
Notīriet izstrādājumu.	X		
Pārbaudiet zāliena skarifikatora aprīkojumu.	X		
Pārliedzieties, vai izstrādājuma drošības ierīces nav bojātas. *	X		
Pārbaudiet pārsegu. *	X		
Pārbaudiet motora bremžu rokturi. *	X		
Pārbaudiet iedarbināšanas ierobežotāju. *	X		

Tikai S 138i.	Katrā lie- tošanas reizē	Reizi mē- nesī	Katru se- zonu
Pārliedzieties, vai ieslēgšanas/izslēgšanas poga darbojas pareizi un nav bojāta.	X		
Pārbaudiet, vai akumulators nav bojāts.	X		
Pārbaudiet akumulatora uzlādi.	X		
Pārliedzieties, vai akumulatora atbrīvošanas pogas darbojas pareizi un vai izstrādājuma akumulators tiek fiksēts vietā.	X		
Pārbaudiet, vai nav akumulatora bojājumu un pārliedzieties, vai tas darbojas pareizi.		X	
Pārbaudiet savienojumus starp akumulatoru un izstrādājumu. Pārbaudiet arī sa- vienojumu starp akumulatoru un akumulatora lādētāju.			X

## Vispārējās pārbaudes veikšana

- Pārliedzieties, vai uzgriežņi un skrūves uz izstrādājuma ir cieši pievilkti.
- Pārliedzieties, vai produkta kabeli nav novietoti tā, ka tie var tikt bojāti.

## Produkta tīrīšana

- Plastmasas daļas notīriet ar tīru un sausu drāniņu.
- Produkta tīrīšanai neizmantojiet ūdeni. Ūdens var iekļūt akumulatorā vai dzinējā un radīt īssavienojumu vai produkta bojājumus.
- Produktu nedrīkst skalot ar augstspiediena ūdens strūklu.
- Nekādā gadījumā nelejiet ūdeni tieši uz dzinēja.
- Izmantojiet suku, lai notīrītu lapas, zāli un nefirumus.

## Akumulatora un akumulatora lādētāja tīrīšana



**IEVĒROJIET:** Netīriet akumulatoru un tā lādētāju ar ūdeni.

- Pirms ievietojat akumulatoru lādētājā, pārliedzieties, vai akumulators un akumulatora lādētājs ir tīri un sausi.
- Notīriet akumulatora spaiļes ar saspiestu gaisu vai izmantojiet mikstu un sausu drānu.
- Notīriet akumulatora un lādētāja virsmas ar mikstu un sausu drānu.

## Zāliena skarifikatora aprīkojuma pārbaude



**BRĪDINĀJUMS:** Modeļiem S 138i: Lai nepieļautu nejaušu iedarbināšanu, pagrieziet drošības atslēgu stāvoklī "0", izņemiet akumulatoru un nogaidiet vismaz 5 sekundes.

Modelim S 138C. Lai nepieļautu nejaušu iedarbināšanu, atvienojiet barošanas kabeli.



**BRĪDINĀJUMS:** Veicot zāliena skarifikatora aprīkojuma apkopi, lietojiet aizsargcimdus. Zāliena skarifikatora aprīkojuma asmeņi ir ļoti asi, un ar tiem var viegli sagriezties.

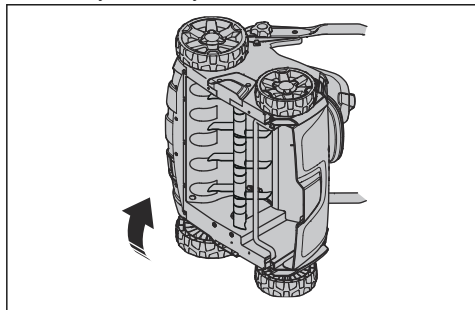
- Pārbaudiet, vai zāliena skarifikatora aprīkojums nav bojāts vai iekļūcis. Vienmēr nomainiet bojātu zāliena skarifikatora aprīkojumu.

## Zāliena skarifikatora aprīkojuma maiņa

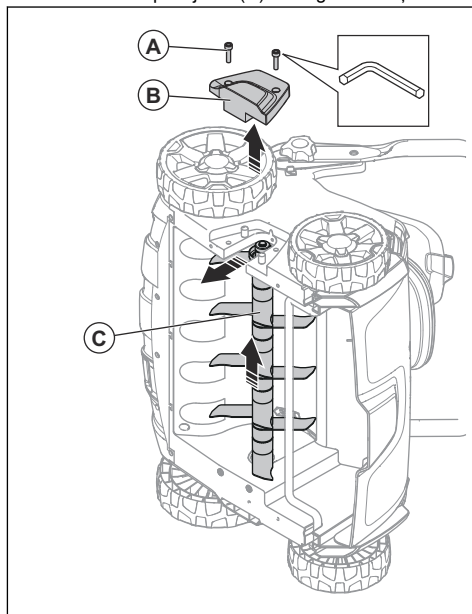


**BRĪDINĀJUMS:** Veicot zāliena skarifikatora aprīkojuma apkopi, lietojiet aizsargcimdus. Zāliena skarifikatora aprīkojums ir ļoti ass, un ar to var viegli sagriezties.

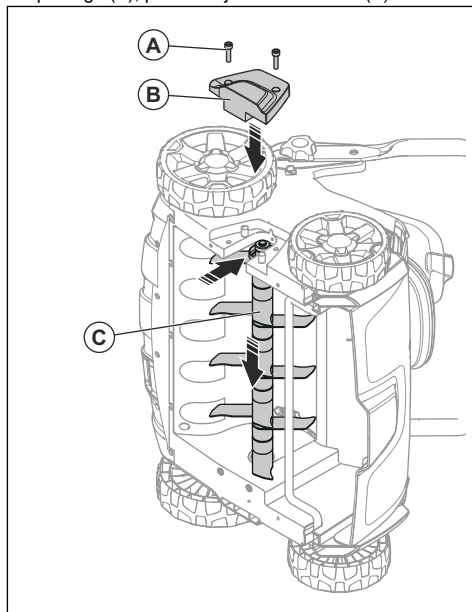
1. Novietojiet izstrādājumu uz tā labā sāna.



2. Izskrūvējiet abas skrūves (A) un noņemiet zāliena skarifikatora pārsegu (B). Pabīdiet zāliena skarifikatora aprīkojumu (C) uz augšu un noņemiet.



3. Iebīdiet zāliena skarifikatora aprīkojumu (C) rievā un uz leju atverē. Piestipriniet zāliena skarifikatora pārsegu (B), pieskrūvējot abas skrūves (A).



## Problēmu novēršana

### Akumulators

LED indikators uz akumulatora	Iespējamās kļūmes	Iespējamā procedūra
Zaļais LED indikators mirgo	Akumulatora spriegums ir zems	Uzlādējiet akumulatoru. Skatiet šeit: <i>Akumulatora uzlāde lpp. 390.</i>
Mirgo kļūdu LED indikators	Akumulators ir vājš	Uzlādējiet akumulatoru. Skatiet šeit: <i>Akumulatora uzlāde lpp. 390.</i>
	Temperatūra darba vidē ir pārāk augsta vai pārāk zema	Akumulatoru drīkst temperatūrā no -10 °C līdz 40 °C.
	Pārspriegums	Pārbaudiet, vai tīkla spriegums ir tāds pats, kā norādīts uz produkta tehnisko datu plāksnītes.  Izņemiet akumulatoru no lādētāja. Pagaidiet 5 sekundes un pēc tam mēģiniet akumulatoru uzlādēt. Ja problēma joprojām pastāv, sazinieties ar pilnvarotu apkopes pārstāvi.
Deg kļūdu LED indikators	Pārāk liela elementu atšķirība (1 V)	Sazinieties ar pilnvarotu apkopes pārstāvi.

### Akumulatora lādētājs

LED indikators uz akumulatora lādētāja	Iespējamās kļūmes	Iespējamā procedūra
Mirgo kļūdu LED indikators	Temperatūra darba vidē ir pārāk augsta vai pārāk zema	Akumulatora lādētāju lietojiet temperatūrā no 5 °C līdz 40 °C.
Deg kļūdu LED indikators		Sazinieties ar pilnvarotu apkopes pārstāvi

### Vadības panelis

Modelim S 138i.

Kļūda	Kļūdas kods (mirgošanas reižu skaits)	Iespējamās kļūmes	Iespējamā rīcība
Mirgo kļūdas gaismas diodes indikators	3	Motors ir pārslogots.	Samaziniet darba dziļumu. Skatiet šeit: <i>Darba dziļuma iestatīšana lpp. 389</i> . Ja kļūdas gaismas diodes indikators turpina mirgot, zāliena skarifikatora apriņķis ir bloķēts. Lai nepieļautu nejašu iedarbīnāšanu, pagrieziet drošības atslēgu stāvoklī "0", izņemiet akumulatoru un nogaidiet vismaz 5 sekundes. Pārļiecinieties, vai zāliena skarifikatora apriņķis brīvi griežas. Ja kļūme joprojām pastāv, sazinieties ar pilnvarotu apkopes pārstāvi.
	5	Motora apgriezīnu skaits pārāk samazinās, un motors apstājas.	
	9	Motora vadības bloks ir pārāk karsts	
	7	Akumulatora kļūda vai netiek saņemts signāls no akumulatora.	
		Zems akumulatora uzlādes līmenis.	Uzlādējiet akumulatoru. Skatiet šeit: <i>Akumulatora uzlāde lpp. 390</i> .
Izstrādājums apstājas	6	Zems akumulatora uzlādes līmenis.	Uzlādējiet akumulatoru. Skatiet šeit: <i>Akumulatora uzlāde lpp. 390</i> .
	0	Akumulatora savienotāja kļūda.	Pārbaudiet akumulatora savienotāju.
Citas kļūdas	Ja rodas citas kļūdas, pagrieziet drošības atslēgu stāvoklī "0", izņemiet akumulatoru un sazinieties ar apstiprinātu apkopes pārstāvi.		

## Pārvadāšana, glabāšana un utilizēšana

### Transportēšana

- Uz iekļautajiem litija jonu akumulatoriem attiecas likumu prasības par bīstamajām precēm.
- Komerčiālai transportēšanai ir jāievēro īpašās prasības uz iepakojuma un uzlīmēm.
- Noteikti ievērojiet noteikumus, kas attiecas uz bīstamiem materiāliem, kad produktu sagatavojat transportēšanai. Spēkā var būt vietēji noteikumi.
- Transportēšanas laikā izņemiet akumulatoru.
- Uzlieciet lenti uz akumulatora savienotājiem un pārļiecinieties, vai akumulators transportēšanas laikā nevar kustēties.
- Transportēšanas laikā nostipriniet produktu.

### Glabāšana

- Glabāšanas laikā izņemiet akumulatoru.

- Lai novērstu nelaimes gadījumus, produkta glabāšanas laikā akumulatoram ir jābūt atvienotam no produkta.
- Turiet akumulatora lādētāju slēgtā un sausā vietā.
- Turiet akumulatoru un akumulatora lādētāju sausā vietā, kur nav mitruma vai sala ietekmes.
- Uzglabāšanas laikā atvienojiet akumulatoru no akumulatora lādētāja.
- Neglabājiet akumulatoru vietās, kur var rasties statiskā elektrība. Neglabājiet akumulatoru metāla kārbā.
- Akumulatoru glabājiet vietā, kur temperatūra ir no 5 °C līdz 25 °C un uz to neiedarbojas tieši saules stari.
- Akumulatora lādētāju glabājiet vietā, kur temperatūra ir no 5 °C līdz 45 °C un uz to neiedarbojas tieši saules stari.
- Akumulatora uzlādes līmenim pirms ilgstošas glabāšanas jābūt 30–50%.

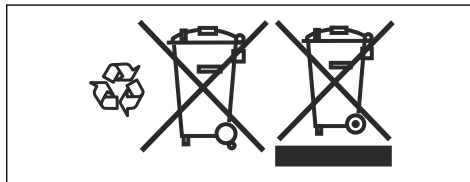
- Glabājiet produktu, akumulatoru un akumulatora lādētāju slēgtā vietā, kas nav pieejama bērniem un nesankcionētiem personām.
- Notīriet produktu un veiciet pilnu apkopi, pirms novietojat produktu ilgstošai glabāšanai.

un cilvēkiem. Pretējā gadījumā tiek veikta nepareiza šī izstrādājuma utilizācija. Lai uzzinātu vairāk par šī izstrādājuma pārstrādi, sazinieties ar vietējo pašvaldību, atkritumu pārstrādes uzņēmumu vai veikalu, kurā iegādājāties šo izstrādājumu.

## Atbrīvošanās no produkta

Simboli uz produkta vai tā iepakojuma norāda, ka no šī produkta nedrīkst atbrīvoties kā no sadzīves atkritumiem. Tas ir jānodod atbilstošā elektrisko un elektronisko ierīču pārstrādes uzņēmumā.

Nodrošinot, ka šis izstrādājums tiek pareizi pārstrādāts, varat palīdzēt novērst iespējamo negatīvo ietekmi uz vidi



## Tehniskie dati

### Tehniskie dati

	S 138i	S 138C
<b>Motors</b>		
Motora tips	BLDC (bezvadu) 36 V	Maiņstrāvas virknes slēguma motors
Agregāta ātrums — SavE, apgr./min	3000	NAV PIEEJAMS
Agregāta ātrums — nominālais, apgr./min	3200	4200
Motora jauda — maks., kW	1,28	1,8
Motora jauda — nominālā, kW	0.9	1,6
<b>Svars</b>		
Svars, kg	19,5 (bez akumulatora)	19,0
<b>Akumulators</b>		
Akumulatora tips	Husqvarna akumulatoru sērija	N/P
<b>Akumulatora darbības laiks</b>		
Akumulatora darbības laiks, minimālais (brīvgaita), ar aktivizētu SavE funkciju un vienu Husqvarna 5,2 Ah akumulatoru (Bli200).	115	N/P
Akumulatora darbības laiks, minimālais (brīvgaita) ar aktivizētu standarta režīmu, ar vienu Husqvarna 5,2 Ah akumulatoru (Bli200).	102	N/P
<b>Trokšņa emisija</b> <sup>43</sup>		
Skaņas jaudas līmenis, izmērītais dB(A)	89,2	95,7
Skaņas jaudas līmenis, garantētais L <sub>WA</sub> dB (A)	91	98
<b>Skaņas līmeņi</b> <sup>44</sup>		
Skaņas spiediena līmenis pie operatora auss, dB(A)	75,3	81,7

<sup>43</sup> Atbilstoši EK direktīvai 2000/14/EK trokšņa emisija apkārtņē ir mērīta kā trokšņa jauda (L<sub>WA</sub>).

<sup>44</sup> Sniegtajos datos par skaņas spiediena līmeni tipiskā statistiskā izkliede ir 1,2 dB(A) (standartnovirze).

	S 138i	S 138C
<b>Vibrācijas līmeņi</b> <sup>45</sup>		
Rokturis, m/s <sup>2</sup>	5,5	8,3
<b>Lietošana</b>		
Darba dziļums, maks./min., mm	-8/+5	-8/+5
Darba platums, cm	37,5	37,5
Trīsstūrveida asmeņu stiprinājums	5973510-01	5973510-01
Atsperu zaru stiprinājums	5973509-01	5973509-01
Zāles uztvērēja tilpums, litros	45	45

Apstiprinātie akumulatori	Tips	Akumulatora ietilpība, Ah	Spriegums, V	Svars, mārciņas/kg
BLi20	Litija jonu	4,0	36	2,6/1,2
BLi200	Litija jonu	5,2	36	2,8/1,3
BLi300	Litija jonu	9,4	36	4,1/1,9

Apstiprinātie lādētāji norādītajiem akumulatoriem, BLi	Ieejas spriegums, V	Frekvence, Hz	Jauda, W
QC80	100–240	50–60	80
QC80F	12	0	80
QC330	100–240	50–60	330
QC500	100–240	50–60	500

<sup>45</sup> Sniegtajos datos par vibrācijas līmeni tipiska statistiskā izkliede ir 0,2 m/s<sup>2</sup> (standarta novirze).

---

## EK atbilstības deklarācija

---

### EK atbilstības deklarācija

**Husqvarna AB**, SE-561 82 Huskvarna, Zviedrija, tālr. nr.: +46-36-146500, apliecina, ka **sagatavotājs Husqvarna S 138i**, sākot ar sērijas numuru 2018XXXXXX un uz priekšu, atbilst PADOMES DIREKTĪVAS prasībām:

- 2011. gada 8. jūnija direktīva **2011/65/ES** "par dažu bīstamu vielu izmantošanas ierobežošanu".
- 2006. gada 17. maijs, Direktīva **2006/42/EK**, "par mašīnu tehniku"
- 2014. gada 26. februāra direktīva **2014/30/ES** "par elektromagnētisko saderību";
- 2000. gada 8. maija direktīva **2000/14/EK** "par trokšņa emisiju vidē".

Lai iegūtu informāciju par trokšņa līmeni, skatiet sadaļu "Tehniskie dati".

Ir piemēroti šādi standarti:

**EN 60335-1:2012+A11:2014+A13:2017, EN 50636-2-92:2014, EN 55014-1:2017, EN 55014-2:2015**

Huskvarna, 2019-01-15



Claes Losdal, nodaļas vadītājs/dārzkopības izstrādājumi  
(pilnvarotais Husqvarna AB pārstāvis, kas atbild par tehnisko dokumentāciju)



---

# EK atbilstības deklarācija

---

## EK atbilstības deklarācija

**Husqvarna AB**, SE-561 82 Huskvarna, Zviedrija, tālr. nr.: +46-36-146500, apliecina, ka **sagatavotājs Husqvarna S 138C**, sākot ar sērijas numuru 2018XXXXXX un uz priekšu, atbilst PADOMES DIREKTĪVAS prasībām:

- 2011. gada 8. jūnija direktīva **2011/65/ES** "par dažu bīstamu vielu izmantošanas ierobežošanu".
- 2006. gada 17. maijs, Direktīva **2006/42/EK**, "par mašīnu tehniku"
- 2014. gada 26. februāra direktīva **2014/30/ES** "par elektromagnētisko saderību";
- 2000. gada 8. maija direktīva **2000/14/EK** "par trokšņa emisiju vidē".

Lai iegūtu informāciju par trokšņa līmeni, skatiet sadaļu "Tehniskie dati".

Ir piemēroti šādi standarti:

**EN 60335-1:2012+A11:2014+A13:2017, EN 50636-2-92:2014, EN 55014-1:2017, EN 55014-2:2015, EN 61000-3-2:2014, EN 61000-3-11:2000**

Huskvarna, 2019-01-15



Claes Losdal, nodaļas vadītājs/dārzkopības izstrādājumi  
(pilnvarotais Husqvarna AB pārstāvis, kas atbild par tehnisko dokumentāciju)

---

## Inhoud

---

Inleiding.....	402	Probleemoplossing.....	423
Veiligheid.....	406	Vervoer, opslag en verwerking.....	424
Montage.....	415	Technische gegevens.....	425
Werking.....	416	EG verklaring van overeenstemming.....	427
Onderhoud.....	420	EG verklaring van overeenstemming.....	428

---

## Inleiding

---

### Productbeschrijving

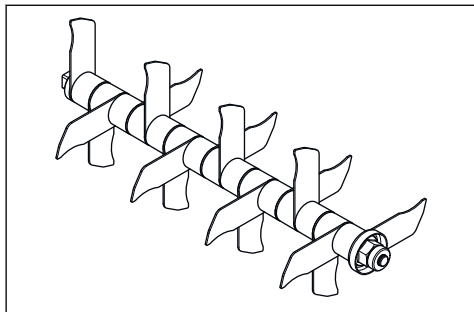
Het product is een handbediende elektrische verticuteermachine. Het product verwijdert dood materiaal van het gazon en maakt de grond los zodat water en lucht het gazon in kunnen. Het dode materiaal wordt verzameld in een grasopvangbak of op het gazon geplaatst. Het product heeft 2 typen verticuteerapparatuur.

### Verticuteerapparatuur

Raadpleeg *De verticuteerapparatuur vervangen op pagina 422* voor informatie over het vervangen van de verticuteerapparatuur.

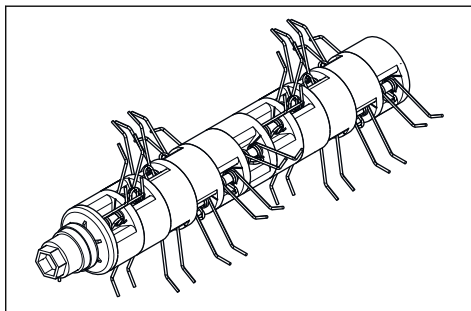
### Deltamessen

De deltamessen verwijderen dood materiaal en maaien de graswortels verticaal. Gebruik de deltamessen op hellingen, terrassen en in bodems met een grote hoeveelheid klei. De deltamessen zorgen ervoor dat het water in het gazon terechtkomt en voorkomen dat water zich op het oppervlak ophoopt



### Veertanden

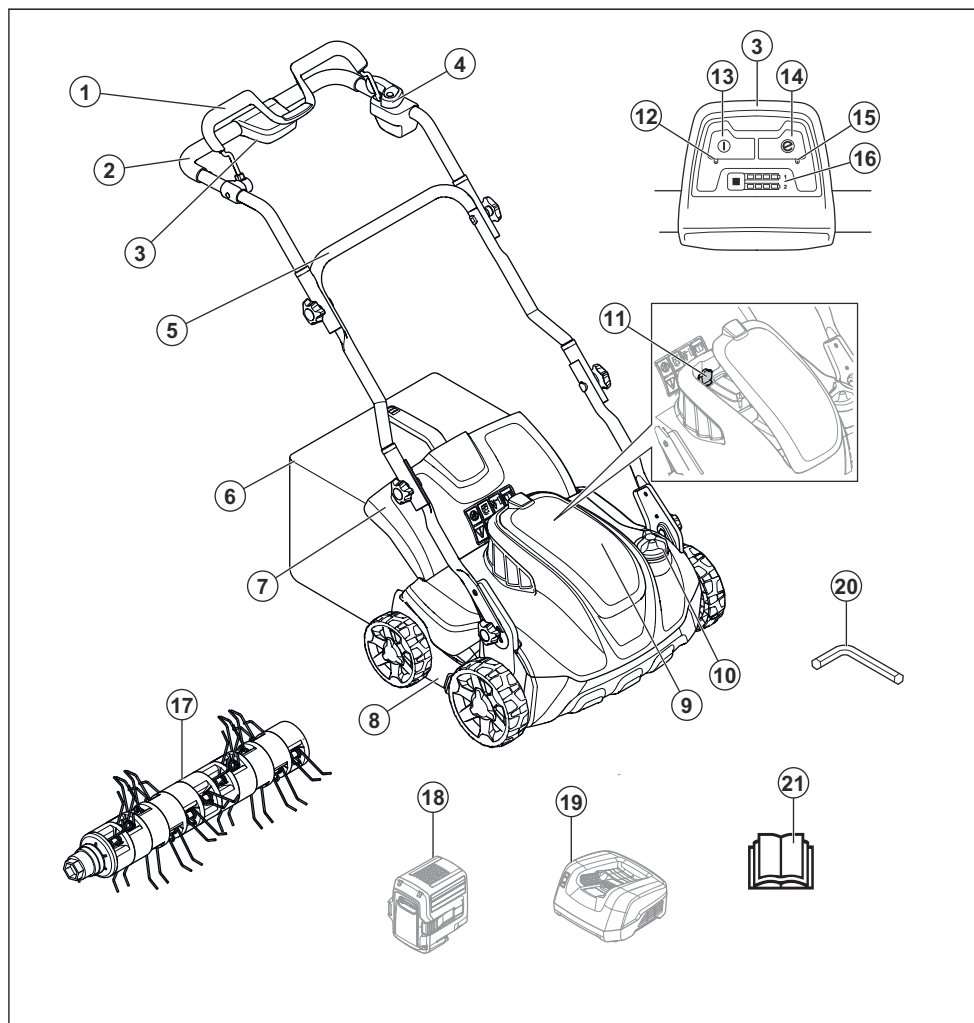
De veertanden verwijderen dood gras en ander dood materiaal zorgvuldig uit het gazon zonder de graswortels te beschadigen.



### Gebruik

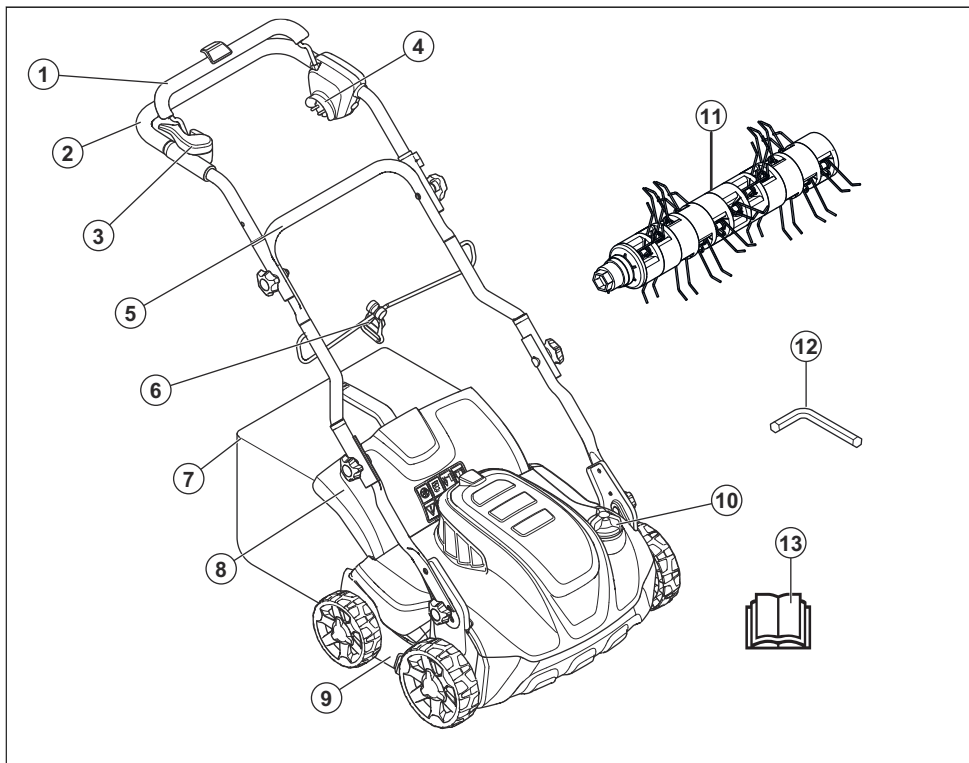
Gebruik het product om dood materiaal en mos te verwijderen en de grond los te maken in particuliere tuinen. Gebruik het product niet voor andere taken.

## Productoverzicht van model S 138i



- |  |  |
|--|--|
| 1. Remhendel van de motor              | 12. AAN/UIT-indicatie-led                  |
| 2. Bovenste hendel                     | 13. AAN/UIT-knop                           |
| 3. Bedieningspaneel                    | 14. SavE-knop                              |
| 4. Startvergrendeling                  | 15. SavE-indicatie-led                     |
| 5. Onderste hendel                     | 16. Indicatielampje acculading en accuknop |
| 6. Grasopvangbak                       | 17. Veertanden                             |
| 7. Achterklep                          | 18. Accu (accessoire)                      |
| 8. Afdekking van de verticuteermachine | 19. Acculader (accessoire)                 |
| 9. Accudeksel                          | 20. Inbussleutel                           |
| 10. Afstelknop voor de werkdiepte      | 21. Bedieningshandleiding                  |
| 11. Veiligheidssleutel                 |  |

## Productoverzicht van model S 138C



1. Remhendel van de motor
2. Bovenste hendel
3. Startvergrendeling
4. Contactdoos
5. Onderste hendel
6. Kabelklem
7. Grasopvangbak
8. Achterklep
9. Afdekking van de verticaleermachine
10. Afstelknop voor de werkdiepte
11. Veertanden
12. Inbussleutel
13. Bedieningshandleiding

letsel of overlijden van de gebruiker of anderen.



Lees de bedieningshandleiding door en zorg dat u de instructies hebt begrepen voordat u dit product gebruikt.


### Symbolen op het product





Waarschuwing:  
Onzorgvuldig of onjuist gebruik kan leiden tot




Kijk uit voor  
weggeslingerde en  
afgeketste voorwerpen.


 Houd personen en dieren op veilige afstand van het werkgebied.


 Waarschuwing: Houd handen en voeten uit de buurt van het roterende mes.

 Verwijder de veiligheidssleutel voordat u onderhoud aan het product uitvoert (model S 138i).

 Koppel het product los uit de contactdoos voordat u onderhoud aan het product uitvoert (model S 138C).

 Gevaar voor elektrische schokken (model S 138C).


 Niet blootstellen aan regen (model S 138i).

 Waarschuwing: Ga niet met het product over de voedingskabel heen, omdat dit een elektrische schok of beschadiging van het product kan veroorzaken (model S 138C).


**IPX4** Dit product biedt bescherming tegen opspattend water.

**EAC** Dit apparaat voldoet aan de geldende EAC-richtlijnen.

**CE** Dit product voldoet aan de geldende EG-richtlijnen.

 Het product voldoet aan de geldende UkrSEPRO-richtlijnen.

 Geluidsemis­sie naar de omgeving volgens de richtlijn van de Europese Gemeenschap. De emissie van het product is vermeld in het hoofdstuk "Technische gegevens" en op het label.

 Dubbele isolatie (model S 138C).



Lever dit product in bij een recyclepunt voor elektrische en elektronische apparatuur. (Alleen geldig voor Europa)



Startprocedure voor model S 138i: druk op de AAN/UIT-knop, maak de startvergrendeling los, druk de remhendel van de motor omlaag.



Scanbare code.

---

**Let op:** Andere symbolen/stickers op het product hebben betrekking op certificeringseisen voor bepaalde markten.

---

### Productaansprakelijkheid

Zoals uiteengezet in de wet voor productaansprakelijkheid zijn wij niet aansprakelijk voor schade die door ons product wordt veroorzaakt, indien:

- het product niet goed is gerepareerd.
- het product is gerepareerd met onderdelen die niet van de fabrikant afkomstig zijn, of onderdelen die niet zijn goedgekeurd door de fabrikant.
- het product een accessoire bevat dat niet afkomstig is van de fabrikant of niet is goedgekeurd door de fabrikant.
- het product niet is gerepareerd door een erkend servicepunt of door een erkende autoriteit.



Startprocedure voor model S 138C: maak de startvergrendeling los, druk de remhendel van de motor omlaag.



Laat de remhendel van de motor los om te stoppen.

---

## Veiligheid

---

### Veiligheidsdefinities

Waarschuwingen, voorzorgsmaatregelen en opmerkingen worden gebruikt om te wijzen op belangrijke delen van de handleiding.



**WAARSCHUWING:** Wordt gebruikt om te wijzen op de kans op ernstig of fataal letsel voor de gebruiker of omstanders wanneer de instructies in de

handleiding niet worden gevolgd.



**OPGELET:** Wordt gebruikt indien er een risico bestaat op schade aan het product en andere eigendommen of aan de omgeving wanneer de instructies in de handleiding niet worden gevolgd.

---

---

**Let op:** Geven verdere informatie die nodig is in een bepaalde situatie.

---

## Algemene veiligheidsinstructies

---



**WAARSCHUWING:** Lees de volgende waarschuwingen voordat u het product gaat gebruiken.

---

- Dit product is gevaarlijk als het verkeerd wordt gebruikt, of als u niet voorzichtig bent. Letsel of overlijden kunnen het gevolg zijn als u de veiligheidsvoorschriften negeert.
  - Dit product produceert tijdens bedrijf een elektromagnetisch veld. Dit veld kan onder bepaalde omstandigheden de werking van actieve of passieve medische implantaten verstoren. Om het risico op ernstig of dodelijk letsel te beperken, raden we personen met een medisch implantaat aan om contact op te nemen met hun arts en de fabrikant van het medische implantaat alvorens dit product te gaan gebruiken.
  - Wees altijd voorzichtig en gebruik uw gezond verstand.
- Als u niet zeker weet hoe u het product moet bedienen in een bepaalde situatie, stop dan en informeer bij uw Husqvarna dealer voordat u verdergaat.
- Denk erom dat de bediener of gebruiker verantwoordelijk is voor ongelukken of beschadigingen aan eigendommen.
  - Houd het product schoon. Zorg ervoor dat u de aanduidingen en stickers duidelijk kunt lezen.
  - Laat niemand het product gebruiken tenzij u zeker weet dat deze de inhoud van de gebruikershandleiding hebben gelezen en begrepen.
  - Laat het product niet door een kind bedienen.
  - Laat het product niet bedienen door een persoon die de instructies niet heeft gelezen.
  - Houd personen met een lichamelijke of geestelijke beperking die het product gebruiken, altijd in de gaten. Er moet te allen tijde een verantwoordelijke volwassene aanwezig zijn.
  - Gebruik het product nooit als u moe of ziek bent, of onder invloed van alcohol, drugs of medicijnen verkeert. Dit heeft een negatief effect op uw

visie, alertheid, coördinatie en oordeel.

- Gebruik het product niet als het defect is.
- Wijzig dit product niet of gebruik het niet als het door anderen kan zijn gewijzigd.

## Veiligheid van het werkgebied

---



**WAARSCHUWING:** Lees de volgende waarschuwingen voordat u het product gaat gebruiken.

---

- Verwijder objecten zoals takken, twijgen en stenen uit het werkgebied voordat u het product gaat gebruiken.
- Objecten die tegen de verticuteerapparatuur aankomen, kunnen worden uitgeworpen en schade veroorzaken aan personen en objecten. Houd omstanders en dieren op veilige afstand van het product.
- Gebruik het product nooit in slechte weersomstandigheden zoals mist, regen, sterke wind, hevige kou of als er gevaar is voor blikseminslag. Het gebruik van dit product bij slecht weer of op vochtige of natte plaatsen is vermoeiend. Slecht weer kan leiden tot

gevaarlijke situaties zoals gladde ondergronden.

- Kijk uit voor personen, objecten en situaties die een veilig gebruik van het product kunnen verhinderen.
- Kijk uit voor obstakels zoals wortels, stenen, takjes, kuilen en greppels. Obstakels kunnen moeilijk te zien zijn door hoog gras.
- Het gebruik van dit product op hellingen kan gevaarlijk zijn. Gebruik het product niet op een helling van meer dan 15°.
- Gebruik het product dwars over het oppervlak van hellingen. Ga niet van boven naar beneden.
- Wees voorzichtig wanneer u in de buurt komt van onoverzichtelijke bochten en voorwerpen die uw zicht kunnen belemmeren.

## Werkveiligheid

---



**WAARSCHUWING:** Lees de volgende waarschuwingen voordat u het product gaat gebruiken.

---

- Gebruik dit product alleen om dood materiaal en mos van gazons te verwijderen. Het is niet toegestaan om het



- product voor andere doeleinden te gebruiken.
- Maak altijd gebruik van persoonlijke beschermingsmiddelen. Zie *Persoonlijke beschermingsuitrusting op pagina 410*.
  - Gebruik het product niet in regen of natte omstandigheden. Het risico van een elektrische schok neemt toe als water het product binnendringt.
  - Gebruik dit product alleen als de verticuteerapparatuur en alle afdekkingen correct zijn bevestigd. Verkeerd bevestigde verticuteerapparatuur kan losraken en letsel veroorzaken.
  - Zorg ervoor dat de verticuteerapparatuur geen voorwerpen raakt zoals stenen en wortels. Hierdoor kan de verticuteerapparatuur beschadigd raken en de motoras verbuigen. Een gebogen as veroorzaakt zware trillingen en een zeer groot risico dat de verticuteerapparatuur losraakt.
  - Stop het product onmiddellijk als de verticuteerapparatuur een voorwerp raakt of als zich trillingen voordoen. Schakel de motor uit, zet de veiligheidssleutel op 0 en verwijder de accu (model S 138i) of koppel de voedingskabel los (model S 138C). Controleer het product op schade. Repareer schade of laat een erkende servicewerkplaats de reparatie uitvoeren.
  - Bevestig de motorremhendel nooit permanent aan de handgreep wanneer de motor wordt gestart.
  - Plaats het product op een stabiele, vlakke ondergrond en start het. Zorg ervoor dat de verticuteerapparatuur niet in aanraking komt met de grond of andere voorwerpen.
  - Blijf altijd achter het product wanneer u het gebruikt.
  - Zorg dat alle wielen op de grond blijven en houd 2 handen op de handgreep tijdens de bediening van het product. Houd uw handen en voeten uit de buurt van de roterende verticuteerapparatuur.
  - Kantel het product niet terwijl de motor draait.
  - Wees voorzichtig wanneer u het product naar achteren trekt.

- Til het product nooit op terwijl de motor draait. Als u het product moet optillen, schakel dan eerst de motor uit, zet de veiligheidssleutel op 0 en verwijder de accu (model S 138i) of koppel de voedingskabel los (model S 138C).
- Loop niet achteruit wanneer u het product bedient.
- Stop de motor als u in gebieden zonder gras komt, bijvoorbeeld op paden van grind, stenen en asfalt.
- Loop niet hard met het product wanneer de motor is ingeschakeld. Loop altijd rustig wanneer u het product bedient.
- Zet de motor uit voordat u de werkdiepte wijzigt. Voer nooit afstellingen uit terwijl de motor draait.
- Houd altijd toezicht op het product wanneer de motor draait. Schakel de motor uit en zorg ervoor dat de verticuteerapparatuur niet draait.

Draag altijd:

- Gehoorbescherming om het risico van gehoorschade tot een minimum te beperken.
- Stevige laarzen of schoenen met antislipzool. Draag geen sandalen en loopt niet op blote voeten.
- Een lange broek van stevige stof. Draag geen korte broek.

Draag indien nodig handschoenen, bijvoorbeeld bij monteren, inspecteren of reinigen van verticuteerapparatuur.



**WAARSCHUWING:** Gebruik goedgekeurde gehoorbescherming. Langdurige blootstelling aan lawaai kan leiden tot permanente gehoorbeschadiging.

### Veiligheidsvoorzieningen op het product



**WAARSCHUWING:** Lees de volgende waarschuwingen voordat u het product gaat gebruiken.

- Gebruik het product nooit wanneer de veiligheidsvoorzieningen defect zijn.
- Controleer de veiligheidsvoorzieningen regelmatig op een juiste werking. Als de veiligheidsvoorzieningen defect zijn, neem dan contact op met uw Husqvarna servicewerkplaats.

### De afdekkingen controleren

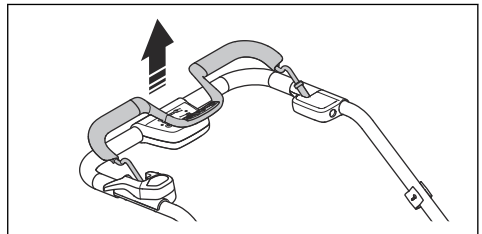
De afdekking van de verticuteermachine vermindert trillingen in het product en vermindert het risico op letsel door de verticuteerapparatuur.

- Controleer de afdekking aan de zijkant van de verticuteermachine op schade, zoals barsten.
- Controleer de achterste afdekking op schade, zoals barsten.

### Remhendel van de motor

De remhendel van de motor stopt de motor. Als de remhendel van de motor wordt losgelaten, stopt de motor.

Voor een inspectie van de motorrem start u de motor en laat u de motorremhendel los. Als de motor niet binnen 3 seconden stopt, laat de motorrem dan afstellen door een erkende Husqvarna servicewerkplaats.



## Veiligheidsinstructies voor bediening

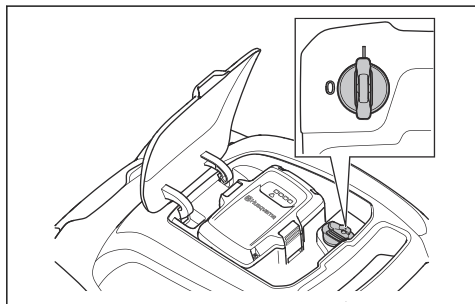
### Persoonlijke beschermingsuitrusting

Bij gebruik van het product moeten altijd goedgekeurde persoonlijke beschermingsmiddelen worden gebruikt. Een persoonlijke beschermingsuitrusting elimineert de risico's niet, maar vermindert de ernst van het letsel als er toch een ongeluk gebeurt. Vraag uw dealer om raad bij de aanschaf van de juiste veiligheidsuitrusting.

## Veiligheidsleutel

De veiligheidsleutel bevindt zich onder het accudeksel. De veiligheidsleutel zorgt voor verbinding met de accu die de motor van voeding voorziet.

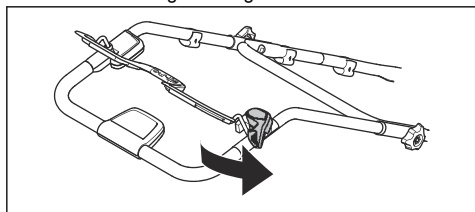
- Start de motor en schakel die weer uit bij wijze van controle van de veiligheidsleutel.
- Als de veiligheidsleutel naar behoren werkt, start de motor alleen wanneer de sleutel naar stand 1 wordt gedraaid.



## Startvergrendeling onderzoeken

Controleer de startvergrendeling om er zeker van te zijn dat deze de werking van de motor voorkomt.

1. Druk de hendel van de motorrem in de richting van de handgreep. De startvergrendeling stopt de beweging.
2. Duw de startvergrendeling naar buiten.



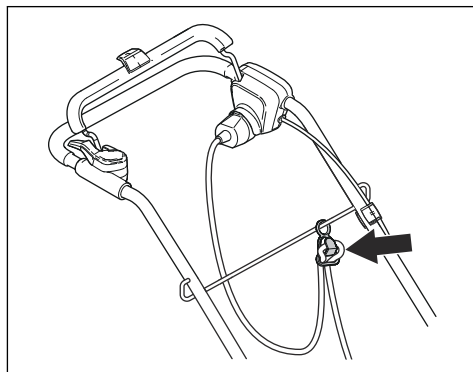
3. Laat de startvergrendeling los en controleer of deze teruggaat naar de oorspronkelijke stand.

## De houder voor de voedingskabel gebruiken (model S 138C)

De houder voor de voedingskabel vermindert de belasting op de contactdoos en de voedingskabel. De houder voor de voedingskabel verkleint ook de kans dat u valt.

1. Buig de voedingskabel in een smalle lus.
2. Plaats de lus in het gat in de houder voor de voedingskabel.
3. Leg de lus om de haak.

4. Trek aan de voedingskabel om de lus om de haak aan te halen.



## Veiligheid bij accu's



**WAARSCHUWING:** Lees de volgende waarschuwingen voordat u het product gaat gebruiken.

- Gebruik uitsluitend oplaadbare batterijen van Husqvarna als voedingsbron voor gerelateerde producten van Husqvarna. Gebruik de accu niet als voedingsbron voor andere apparaten, om letsel te voorkomen.
- Gebruik geen niet-oplaadbare accu's.
- Risico van elektrische schok. Breng de accuklemmen niet in contact met sleutels, munten, schroeven of ander metaal. Dit kan een kortsluiting van de accu veroorzaken.

- Plaats geen voorwerpen in de luchtspleten van de accu.
- Bescherm de accu tegen direct zonlicht, warmte of open vuur. De accu kan exploderen en brandwonden en/of chemische brandwonden veroorzaken.
- Bescherm de accu tegen regen en vocht.
- Houd de accu uit de buurt van magnetrons en hoge druk.
- Probeer de accu niet te demonteren of te slopen.
- Als er een accu lekt, zorg er dan voor dat de vloeistof niet in aanraking komt met uw huid of ogen. Als u in aanraking bent gekomen met de vloeistof, reinig het oppervlak dan met een ruime hoeveelheid water en raadpleeg een arts.
- Gebruik de accu bij temperaturen tussen -10 °C en 40 °C.
- Reinig de accu of acculader nooit met water. Zie *Accu en acculader reinigen op pagina 421*.
- Gebruik geen defecte of beschadigde accu.
- Sla accu's op uit de buurt van metalen voorwerpen, bijvoorbeeld spijkers, munten en sieraden.

## Veiligheidsvoorschriften voor acculader



**WAARSCHUWING:** Lees de volgende waarschuwingen voordat u het product gaat gebruiken.

---

- Gebruik de QC-acculaders uitsluitend om vervangende accu's van Husqvarna op te laden.
- Gevaar voor elektrische schokken en kortsluiting. Plaats geen voorwerpen in de luchtspleten van de oplader. Probeer de acculader niet te demonteren. Verbind de laadcontacten niet met metalen objecten. Gebruik een goedgekeurde wandcontactdoos.
- Dit product produceert tijdens bedrijf een elektromagnetisch veld. Dit veld kan onder bepaalde omstandigheden de werking van actieve of passieve medische implantaten verstoren. Om het risico op ernstig of fataal letsel te beperken, raden we personen met een medisch implantaat aan om contact op te nemen met hun arts en de fabrikant van het medische

implantaat voordat ze dit product gaan bedienen.

- Controleer regelmatig of de voedingskabel van de acculader niet beschadigd of gescheurd is.
- Til de acculader niet op aan de voedingskabel. Trek aan de stekker om de acculader uit de wandcontactdoos te halen. Trek niet aan de voedingskabel.
- Houd de voedingskabel en de verlengsnoeren uit de buurt van water, olie en scherpe randen. Let op dat de kabel niet bekneld raakt tussen deuren, hekken e.d. Anders kan de lader onder spanning komen te staan.
- Reinig de acculader nooit met water.
- De acculader kan worden gebruikt door kinderen vanaf 8 jaar en ouder en andere personen die ondanks hun fysieke, sensorische of geestelijke handicap of gebrek aan ervaring en kennis onder toezicht of instructie van een verantwoordelijke persoon in staat zijn veilig gebruik te maken van de acculader en op de hoogte zijn van alle gevaren. Kinderen mogen niet spelen met de acculader.

Kinderen mogen het apparaat niet zonder toezicht reinigen of onderhouden.

- Laad niet-oplaadbare accu's niet op in de acculader.
- Gebruik de acculader niet in de buurt van brandbare materialen of materialen die corrosie kunnen veroorzaken. Dek de acculader niet af. Haal de stekker van de acculader uit de wandcontactdoos bij rookontwikkeling of brand.
- Gebruik geen defecte of beschadigde acculader.
- De accu mag alleen binnenshuis worden opgeladen op een plek met voldoende ventilatie en zonder direct zonlicht. Laad de accu niet op in vochtige omstandigheden.

#### **Veiligheid voedingskabel**

Voor model S 138C.

- Het gebruik van een overstroombeveiliging met een afschakelstroom van 30 mA of minder wordt aanbevolen. Zelfs met een overstroombeveiliging is 100% veiligheid niet gegarandeerd en moet er altijd veilig worden gewerkt. Controleer uw overstroombeveiliging telkens als u deze gebruikt.

- Koppel het apparaat onmiddellijk los van het stroomnet als de voedingskabel doorgesneden is of als de isolatie beschadigd is.
- Raak een doorgesneden of beschadigde voedingskabel niet aan totdat de stroomtoevoer is uitgeschakeld.
- Repareer een doorgesneden of beschadigde voedingskabel niet. Vervang deze door een nieuwe kabel.

## Veiligheidsinstructies voor onderhoud



**WAARSCHUWING:** Lees de volgende waarschuwingen voordat u het product gaat gebruiken.

- Voer de onderhoudswerkzaamheden naar behoren uit om de levensduur van het product te verlengen en het risico op ongevallen te verlagen. Laat professionele reparaties uitvoeren door een erkende servicewerkplaats. Neem contact op met uw dichtstbijzijnde servicewerkplaats voor meer informatie.
  - Voer alleen onderhoudswerkzaamheden uit zoals beschreven in deze bedieningshandleiding. Verdergaande werkzaamheden moeten door een erkende servicewerkplaats worden uitgevoerd.
  - Draag handschoenen voor zwaar gebruik wanneer u de verticuteerapparatuur hanteert. De verticuteerapparatuur is zeer scherp en kan gemakkelijk snijwonden veroorzaken.
  - Houd de messen op de verticuteerapparatuur scherp en schoon voor optimale prestaties en veiligheid.
  - Laat het product regelmatig controleren door uw servicewerkplaats en laat
- Voor model S 138i: Om te voorkomen dat het product tijdens onderhoud per ongeluk wordt gestart, draait u de veiligheidssleutel naar 0 en verwijdert u de accu. Wacht minstens 5 seconden voordat u begint met het onderhoud.
  - Voor model S 138C: Koppel de voedingskabel los tijdens het onderhoud om onbedoeld starten te voorkomen.

noodzakelijke aanpassingen en reparaties uitvoeren.

- Vervang beschadigde, versleten of defecte onderdelen.
- Volg de instructies voor het vervangen van accessoires. Gebruik alleen accessoires van de fabrikant.
- Houd het product, de accu en de acculader, wanneer deze

niet in gebruik zijn, apart in een droge, afgesloten locatie binnenshuis. Zorg dat kinderen en niet-geautoriseerde personen geen toegang hebben tot het product, de accu of de acculader.

## Montage

### Inleiding



**WAARSCHUWING:** Lees het hoofdstuk over veiligheid voordat u het product monteert.

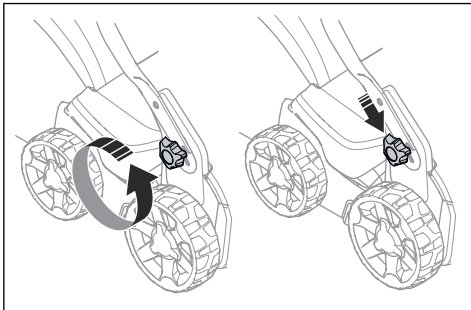


**WAARSCHUWING:** Voor model S 138i: Voorkom onbedoeld starten tijdens de montage door de veiligheidsleutel op 0 te zetten, de accu te verwijderen en ten minste 5 seconden te wachten.

Voor model S 138C: Koppel de voedingskabel los tijdens de montage om onbedoeld starten te voorkomen.

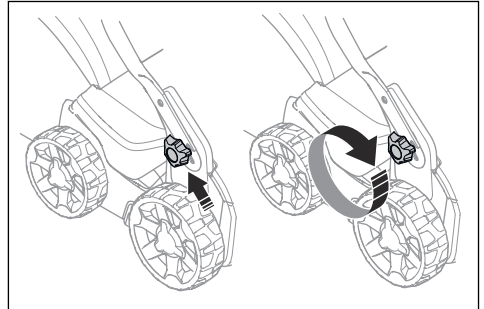
### Hendel monteren

1. Draai de onderste knoppen los.
2. Beweeg de knoppen naar het onderste uiteinde van de sleuven aan de linker- en rechterzijde van het product.



3. Stel de hendelhoogte af op een van de twee beschikbare posities.

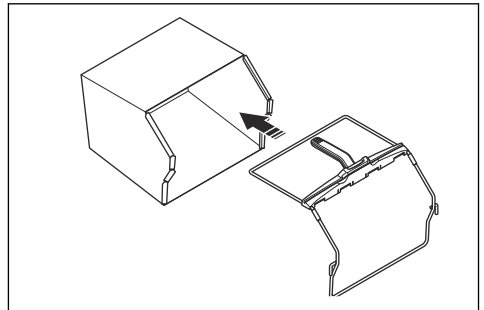
4. Beweeg de knoppen omhoog naar de handgreep tot de aanslag en u een klik hoort.



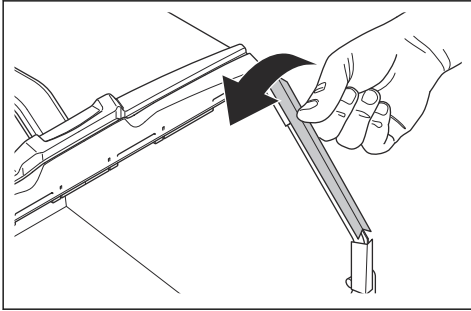
5. Draai de knoppen volledig vast.

### Grasopvangbak monteren

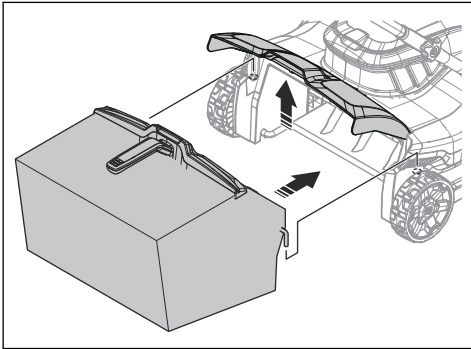
1. Breng het frame van de grasopvangbak aan in de graszak met het stevige gedeelte van de zak aan de onderzijde. Zorg dat de hendel van het frame aan de bovenkant van de graszak blijft.



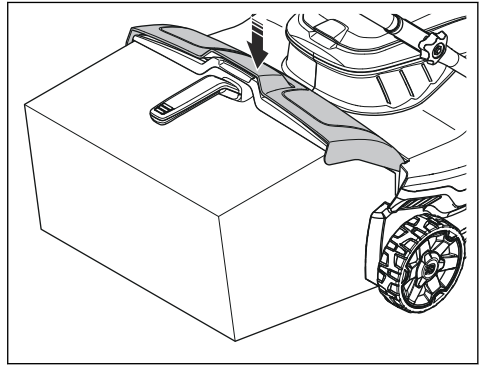
- Bevestig het onderste gedeelte van het frame van de grasopvangbak in de groef aan de onderzijde van de grasopvangbak.
- Bevestig de graszak met de klemmen aan het frame van de grasopvangbak.



- Til de achterklep op.
- Plaats de grasopvangbak in de correcte positie.



- Bevestig de grasopvangbak aan de bovenrand van het chassis. Zorg ervoor dat de achterste afdichting de grasopvangbak volledig afsluit om lekkage te voorkomen.



## Werking

### Inleiding



**WAARSCHUWING:** Voordat u het product gaat gebruiken, dient u het hoofdstuk over veiligheid te lezen en hebben begrepen.

### Husqvarna Connect

Husqvarna Connect is een gratis app voor uw mobiele apparaat. De Husqvarna Connect-app biedt uitgebreide functies voor uw Husqvarna-product:

- Uitgebreide productinformatie.
- Informatie over, en hulp bij, onderdelen en onderhoud van uw product.

### Husqvarna Connect gebruiken

- Download de Husqvarna Connect-app op uw mobiele apparaat.
- Registreer in de Husqvarna Connect-app.

- Volg de instructies in de Husqvarna Connect-app om verbinding te maken met het product en dit te registreren.

### De werkdiepte instellen

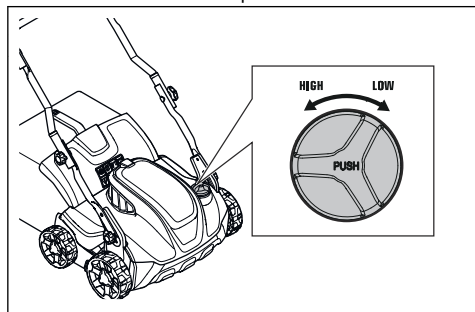


**WAARSCHUWING:** Stel de werkdiepte niet in wanneer u het product gebruikt.

- Duw en draai de afstelknop voor de werkdiepte linksom om de werkdiepte te vergroten.



2. Duw en draai de afstelknop voor de werkdiepte rechtsonom om de werkdiepte te verkleinen.



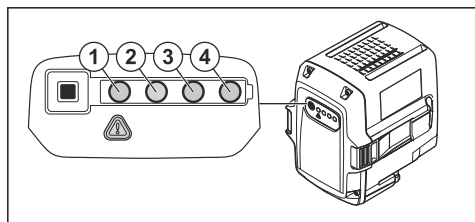
## Accu



**WAARSCHUWING:** Voordat u het product gebruikt, dient u het hoofdstuk over veiligheid te lezen en hebben begrepen. Zorg er ook voor dat u de bedieningshandleiding bij de accu en de acculader hebt gelezen en begrepen.

## Accustatus

Het display geeft de resterende accucapaciteit aan en geeft aan of er problemen zijn met de accu. De accucapaciteit wordt gedurende 5 seconden nadat het product is uitgeschakeld, weergegeven na het indrukken van de accu-indicatorknop. Het waarschuwingssymbool op de accu gaat branden als er een fout is opgetreden. Zie *Accu op pagina 423*.



LED-lampjes	Accustatus
Alle leds branden	Volledig opgeladen (75-100%)
Led 1, led 2, led 3 branden	De accu is 50%-75% opgeladen
Led 1, led 2 branden	De accu is 25%-50% opgeladen
Led 1 brandt	De accu is 0%-25% opgeladen.
LED 1 knippert	De accu is leeg. Laad de accu op.

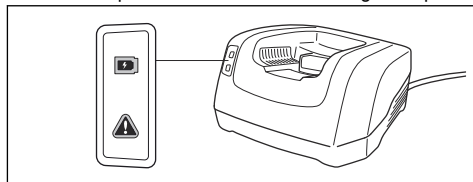
## De accu opladen

Laad de accu voor het eerste gebruik op. De accu is slechts 30% opgeladen wanneer deze aan de klant wordt geleverd.

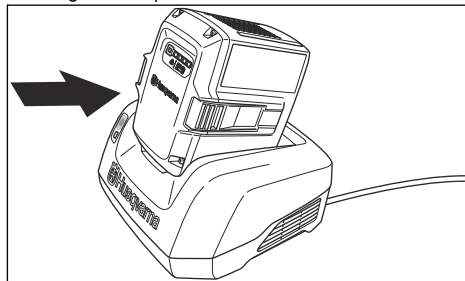
**Let op:** De acculader moet worden aangesloten op de spanning en frequentie die overeenkomen met de specificaties op het productplaatje.

De accu wordt niet opgeladen als de accutemperatuur hoger is dan 50°C. De acculader verlaagt de temperatuur van de accu voordat deze begint te laden.

1. Sluit een uiteinde van de voedingskabel van de acculader aan op de aansluiting van de acculader.
2. Sluit het andere uiteinde van de voedingskabel van de acculader aan op een geaarde wandcontactdoos. De LED op de acculader licht eenmaal groen op.



3. Plaats de accu in de acculader. Het groene lampje op de lader gaat branden wanneer de accu correct is aangesloten op de acculader.



4. Wanneer alle LED's op de accu branden, is de accu volledig opgeladen. Laad de accu max. 24 uur op.
5. Om de acculader uit de wandcontactdoos los te koppelen, dient u aan de stekker, niet aan de kabel te trekken.
6. Haal de accu uit de acculader.

## Acculaadstatus

Een Li-ionaccu van Husqvarna kan worden opgeladen en gebruikt bij alle laadniveaus. De accu wordt niet beschadigd. Een volledig opgeladen accu zal geen lading verliezen, zelfs niet wanneer de accu in de lader blijft staan.

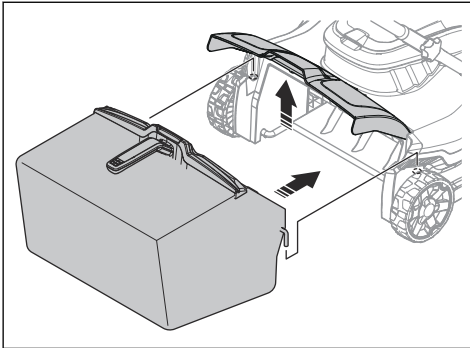
LED-display	Laadstatus
LED 1 knippert	0%-25%

LED-display	Laadstatus
Led 1 brandt, led 2 knippert	25%-50%
Led 1 en led 2 branden, led 3 knippert	50%-75%
Led 1, led 2 en led 3 branden, led 4 knippert	75%-100%
Led 1, led 2, led 3, led 4 branden	Volledig opgeladen

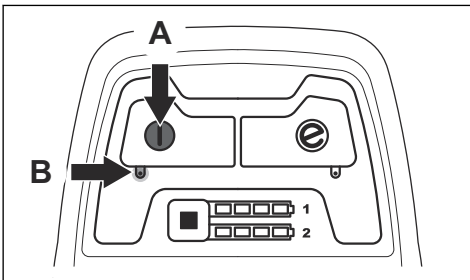
## S 138i gebruiken

### Product starten

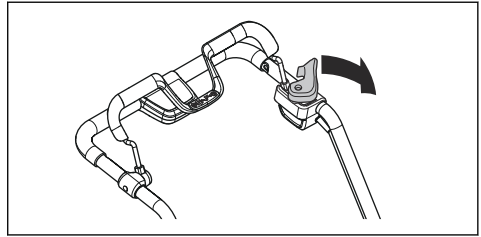
- Plaats een opgeladen accu in accucompartiment 1 onder het accudeksel. Plaats een tweede opgeladen accu in accucompartiment 2 voor een langere bedrijfstijd.
- Draai de veiligheidssleutel naar 1.



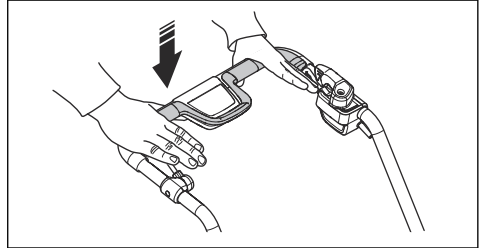
- Blijf achter het product.
- Druk op de AAN/UIT-knop (A) op het bedieningspaneel en de groene LED (B) gaat branden.



- Maak de startvergrendeling los.



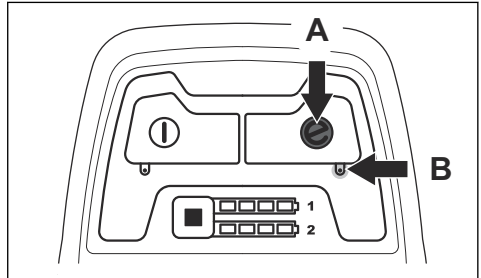
- Druk de hendel van de motorrem in de richting van de handgreep.



### De functie SavE gebruiken

Het product heeft een accubesparingsfunctie (SavE) die voor een langere bedrijfstijd zorgt.

- Druk op de knop SavE (A) om de functie te starten. De groene LED gaat branden.

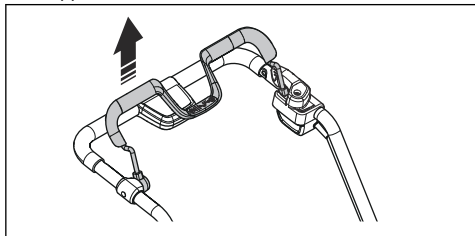


- Druk nogmaals op de knop SavE om de functie uit te schakelen. De groene LED (B) gaat uit.

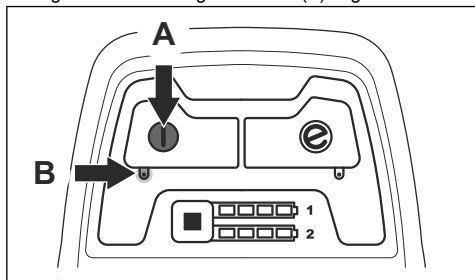
### Product stoppen

Het product stopt automatisch als het 10 minuten niet wordt bediend. Zet altijd de beveiligingssleutel op 0 wanneer u geen toezicht houdt op het product.

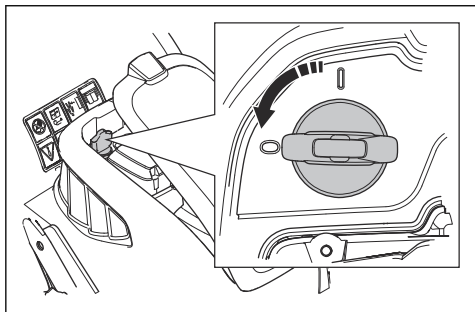
1. Laat de remhendel van de motor los om de motor te stoppen.



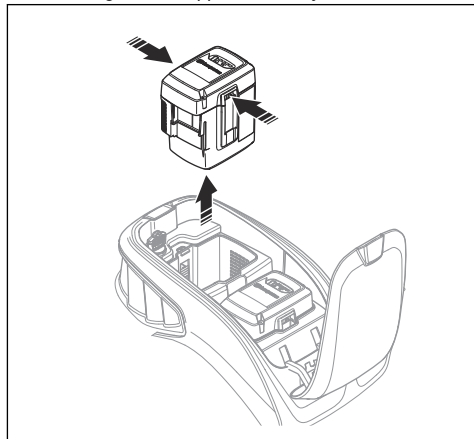
2. Houd de AAN/UIT-knop (A) op het bedieningspaneel ingedrukt totdat de groene LED (B) uitgaat.



3. Open het accudeksel en zet de veiligheidssleutel in de stand 0.



4. Om de accu te verwijderen, drukt u tegelijkertijd op de 2 ontgrendelknoppen en verwijdert u de accu.

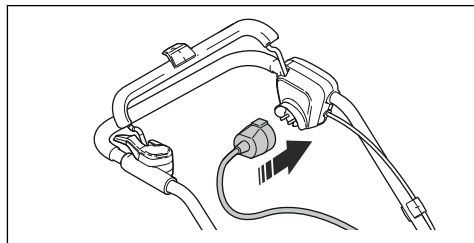


5. Laad de accu op wanneer deze zwak is. Voor meer informatie zie *De accu opladen op pagina 417*.

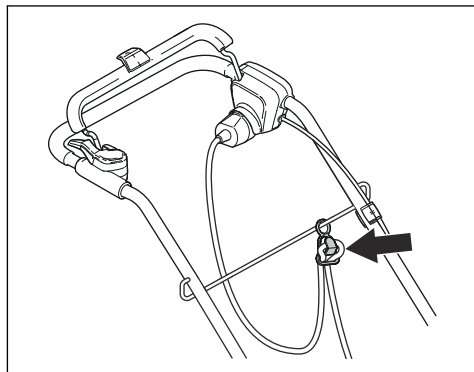
## S 138C gebruiken

### Product starten

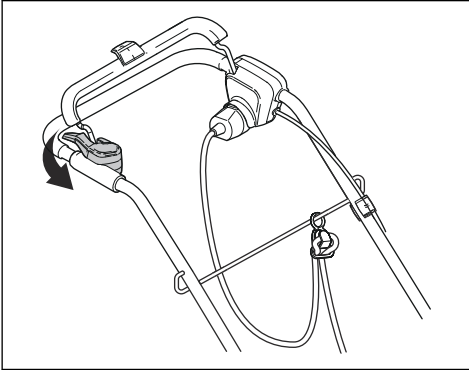
1. Sluit een voedingskabel aan op de contactdoos onder de hendel.



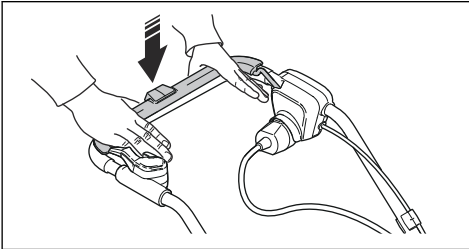
2. Breng de voedingskabel in de houder voor de voedingskabel aan. Zie *De houder voor de voedingskabel gebruiken (model S 138C) op pagina 411*.



3. Blijf achter het product.
4. Maak de startvergrendeling los.

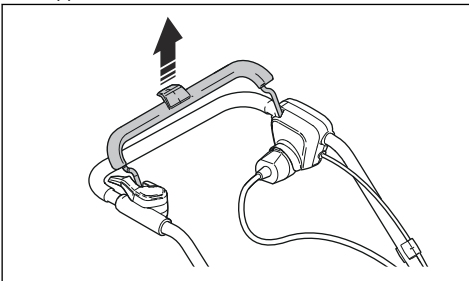


5. Druk de hendel van de motorrem in de richting van de handgreep.

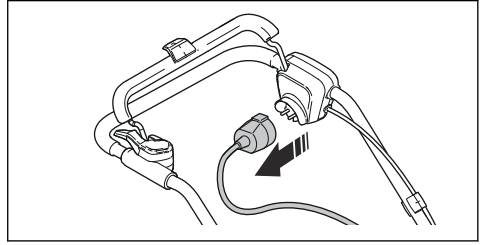


## Product stoppen

1. Laat de remhendel van de motor los om de motor te stoppen.



2. Koppel de voedingskabel los van het stroomnet en daarna van het product.



**OPGELET:** Trek de stekker er recht uit.  
Trek niet aan de voedingskabel.

---

## Onderhoud

---

### Inleiding



**WAARSCHUWING:** Voordat u onderhoud gaat uitvoeren, dient u het hoofdstuk over veiligheid te lezen en hebben begrepen.

Voor alle onderhouds- en reparatiewerkzaamheden aan het product is speciale training nodig. Wij garanderen de

beschikbaarheid van professionele reparaties en onderhoud. Indien uw dealer geen servicewerkplaats heeft, vraag hem dan naar de dichtstbijzijnde servicewerkplaats.

### Onderhoudsschema

De onderhoudsintervallen worden berekend op basis van het dagelijks gebruik van het product. De intervallen veranderen als het product niet dagelijks wordt gebruikt.

Voor onderhoud dat is gemarkeerd met \*, zie *Veiligheidsvoorzieningen op het product op pagina 410.*

S 138i en S 138C	Elk gebruik	Maandelijks	Elk seizoen
Voer een algemene inspectie uit.	X		
Reinig het product.	X		
Controleer de verticuteerapparatuur.	X		
Controleer of de veiligheidsvoorzieningen op het product in orde zijn. *	X		
Controleer de afdekkingen. *	X		
Controleer de remhendel van de motor. *	X		
Controleer de startvergrendeling. *	X		

Alleen S 138i	Elk gebruik	Maandelijks	Elk seizoen
Zorg dat de AAN/UIT-knop naar behoren werkt en in orde is.	X		
Controleer de accu op beschadigingen.	X		
Controleer het laadniveau van de accu.	X		
Controleer of de ontgrendelknoppen op de accu naar behoren werken en de accu in het product wordt vergrendeld.	X		
Controleer de acculader op beschadiging en zorg dat deze naar behoren werkt.		X	
Controleer de verbindingen tussen de accu en het product. Controleer ook de verbinding tussen de accu en de acculader.			X

## Algemene inspectie uitvoeren

- Controleer of de moeren en schroeven op het product goed zijn vastgedraaid.
- Zorg dat de kabels van het product zich in een positie vinden waarin ze niet beschadigd kunnen raken.

## Product reinigen

- Reinig de kunststof onderdelen met een schone en droge doek.
- Gebruik geen water om het product te reinigen. Water kan de accu of de motor binnendringen en kortsluiting of schade aan het product veroorzaken.
- Reinig het product niet met een hogedrukspuit.
- Laat nooit water rechtstreeks op de motor stromen.
- Gebruik een borstel om bladeren, gras en vuil te verwijderen.

## Accu en acculader reinigen



**OPGELET:** Reinig de accu of acculader nooit met water.

- Zorg ervoor dat de accu en de acculader schoon en droog zijn voordat u de accu in de acculader plaatst.
- Reinig de accupolen met perslucht of gebruik een zachte en droge doek.
- Reinig de oppervlakken van de accu en de acculader met een zachte en droge doek.

## De verticuteerapparatuur controleren



**WAARSCHUWING:** Voor modellen S 138i: Voorkom onbedoeld starten door de veiligheidssleutel op 0 te zetten, de accu te verwijderen en ten minste 5 seconden te wachten.

Voor model S 138C: Koppel de voedingskabel los om onbedoeld starten te voorkomen.



**WAARSCHUWING:** Draag veiligheidshandschoenen wanneer u onderhoud aan de verticuteerapparatuur uitvoert. De messen op de verticuteerapparatuur zijn zeer scherp en

kunnen gemakkelijk snijwonden veroorzaken.

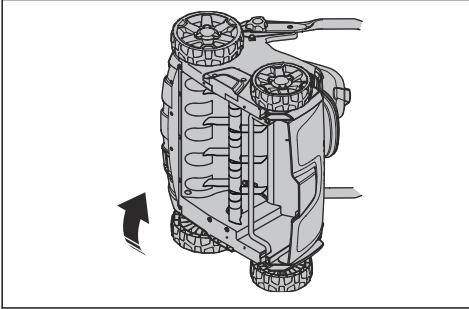
- Controleer de verticuteerapparatuur op beschadiging of scheuren. Vervang beschadigde verticuteerapparatuur altijd.

## De verticuteerapparatuur vervangen

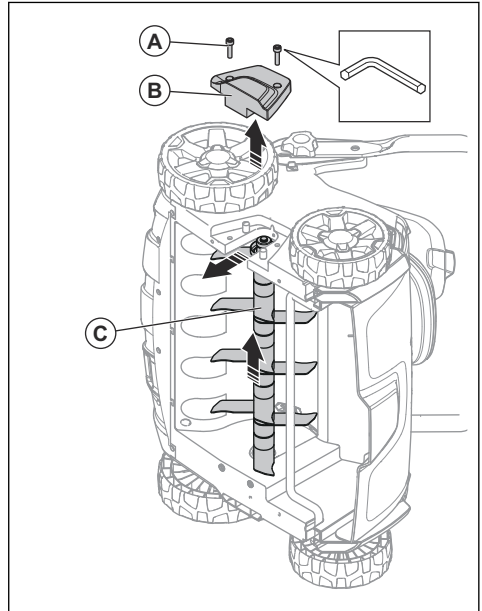


**WAARSCHUWING:** Draag veiligheidshandschoenen wanneer u onderhoud aan de verticuteerapparatuur uitvoert. De verticuteerapparatuur is zeer scherp en kan gemakkelijk snijwonden veroorzaken

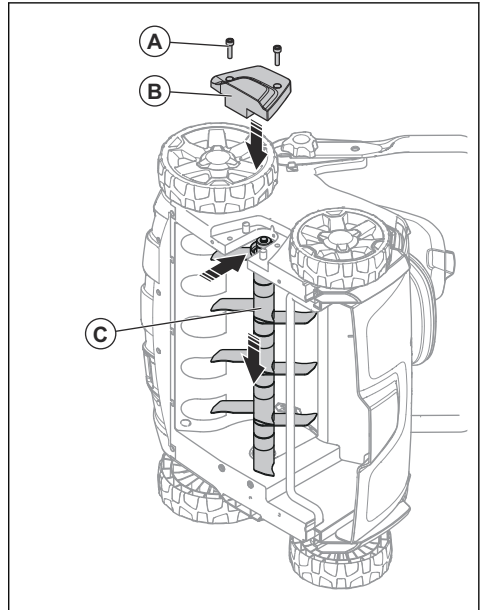
1. Plaats het product op zijn rechterzijde.



2. Verwijder de 2 schroeven (A) en de afdekking (B) van de verticuteermachine. Duw de verticuteerapparatuur (C) omhoog en naar buiten om hem te verwijderen.



3. Duw de nieuwe verticuteerapparatuur (C) in de groef en de opening. Bevestig de afdekking (B) van de verticuteermachine en de 2 schroeven (A)



## Probleemoplossing

### Accu

LED op de accu	Mogelijke fouten	Mogelijke procedure
De groene LED knippert	De accuspanning is laag	Laad de accu op. Zie <i>De accu opladen op pagina 417</i> .
De fout-LED knippert	De accu is zwak	Laad de accu op. Zie <i>De accu opladen op pagina 417</i> .
	De temperatuur in de werkomgeving is te hoog of te laag	Gebruik de accu bij temperaturen tussen -10 °C en 40 °C.
	Overspanning	Controleer of de netspanning overeenkomt met de spanning die is aangegeven op het typeplaatje op het product. Haal de accu uit de acculader. Wacht 5 seconden en probeer de accu opnieuw op te laden. Indien het probleem zich blijft voordoen, neem dan contact op met een erkende servicewerkplaats.
De fout-LED brandt	Celverschil te groot (1V)	Neem contact op met een erkende servicewerkplaats.

### Acculader

LED op de acculader	Mogelijke fouten	Mogelijke procedure
De fout-LED knippert	De temperatuur in de werkomgeving is te hoog of te laag	Gebruik de acculader bij temperaturen tussen 5 °C en 40 °C.
De fout-LED brandt		Neem contact op met een erkende servicewerkplaats

### Bedieningspaneel

Voor model S 138i

Fout	Foutcode (aantal keer knippen)	Mogelijke fouten	Mogelijke actie
De fout-led knippert	3	De motor is overbelast.	Verklein de werkdiepte. Zie <i>De werkdiepte instellen op pagina 416</i> . Als de fout-led blijft knippen, wordt de verticuteerapparatuur geblokkeerd. Voorkom onbedoeld starten door de veiligheids-sleutel op 0 te zetten, de accu te verwijderen en ten minste 5 seconden te wachten. Controleer of de verticuteerapparatuur vrij kan bewegen. Indien het probleem zich blijft voordoen, neem dan contact op met een erkende servicewerkplaats.
	5	Het motortoerental daalt te veel en de motor stopt.	
	9	De motorregeling is te warm.	Stop de motor en wacht tot hij is afgekoeld.
	7	Accufout of geen signaal van de accu.	Plaats de accu correct in het product en controleer de accuconnector. Zie <i>Accu-laadstatus op pagina 417</i> als de fout-led op de accu knippert.
Het product stopt		De accu is zwak.	Laad de accu op. Zie <i>De accu opladen op pagina 417</i> .
	0	Storing accuconnector.	Controleer de accuconnector.
Andere fouten	Als er andere fouten optreden, draait u de veiligheidssleutel naar 0, verwijdert u de accu en neemt u contact op met een erkende servicewerkplaats.		

---

## Vervoer, opslag en verwerking

---

### Transport

- De wettelijke vereisten voor gevaarlijke stoffen zijn van toepassing voor de Li-ion-accu's die in het product zitten.
- Voor commercieel transport moet aan speciale vereisten voor de verpakking en labels worden voldaan.
- Zorg dat u de regels voor gevaarlijke materialen in acht neemt bij het voorbereiden van het product voor transport. Er kunnen lokale voorschriften van toepassing zijn.
- Verwijder voor transport altijd de accu.
- Plaats tape op de accuconnectors en zorg ervoor dat de accu niet kan bewegen tijdens transport.
- Zet het product vast tijdens transport.

### Opslag

- Verwijder voor opslag altijd de accu.

- Om ongevallen te voorkomen, dient u ervoor te zorgen dat de accu tijdens opslag niet op het product is aangesloten.
- Bewaar de acculader in een afgesloten en droge ruimte.
- Bewaar de accu en de acculader op een droge, vocht- en vorstvrije plaats.
- Koppel de accu tijdens opslag los van de accu.
- Bewaar de accu niet op plaatsen waar statische elektriciteit aanwezig is. Bewaar de accu niet in een metalen doos.
- Bewaar de accu bij een temperatuur tussen 5 °C en 25 °C en nooit in direct zonlicht.
- Bewaar de acculader bij een temperatuur tussen 5 °C en 45 °C en nooit in direct zonlicht.
- Zorg ervoor dat de accu tussen de 30% en 50% is opgeladen alvorens langdurige opslag.
- Bewaar het product, de accu en de acculader in een afgesloten ruimte, buiten bereik van kinderen en onbevoegden.



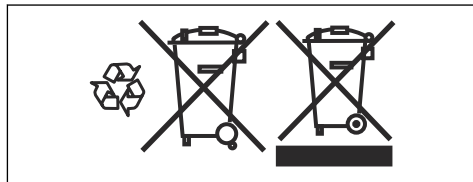
- Reinig het product en voer een volledige onderhoudsbeurt uit voordat u het product voor langere tijd opslaat.

## Afvoeren

Symbolen op het product of op de verpakking van het product geven aan dat dit product niet beschouwd kan worden als huishoudelijk afval. Het moet worden ingeleverd bij een geschikt inzamelstation voor het terugwinnen van elektrische en elektronische apparatuur.

Als u ervoor zorgt dat dit product goed wordt verwerkt, helpt u mogelijk negatieve gevolgen voor het milieu en

mensen door verkeerd afvalbeheer van dit product tegen te gaan. Neem voor meer informatie over het recyclen van dit product contact op met de gemeente, het afvalverwerkingsbedrijf of de winkel waar u het product hebt gekocht.



## Technische gegevens

### Technische gegevens

	S 138i	S 138C
<b>Motor</b>		
Motortype	BLDC (borstelloos) 36 V	Motor van AC-serie
Toerental apparatuur – SavE, tpm	3000	NVT
Toerental apparatuur – nominaal, tpm	3200	4200
Uitgangsvermogen motor – max. kW	1,28	1,8
Uitgangsvermogen motor – nominaal, kW	0,9	1,6
<b>Gewicht</b>		
Gewicht, kg	19,5 (zonder accu)	19,0
<b>Accu</b>		
Type accu	Accuserie Husqvarna	N.v.t.
<b>Gebruiksduur accu</b>		
Gebruiksduur accu, min, (onbelast gebruik) met SavE geactiveerd, met één Husqvarna 5,2Ah-accu (Bli200).	115	N.v.t.
Gebruiksduur accu, min, (onbelast gebruik) met standaardmodus geactiveerd, met één Husqvarna 5,2Ah-accu (Bli200).	102	N.v.t.
<b>Geluidsemissies <sup>46</sup></b>		
Geluidsvermogeniveau, gemeten dB(A)	89,2	95,7
Geluidsvermogeniveau, gegarandeerd L <sub>WA</sub> dB (A)	91	98
<b>Geluidsniveau <sup>47</sup></b>		
Geluidsdruk niveau bij het oor van de gebruiker, dB(A)	75,3	81,7

<sup>46</sup> Geluidsemissie naar de omgeving gemeten als geluidsvermogen (L<sub>WA</sub>) volgens EG-richtlijn 2000/14/EG.

<sup>47</sup> De gerapporteerde gegevens voor het geluidsdruk niveau vertonen een typische statistische spreiding (standaardafwijking) van 1,2 dB (A).

	S 138i	S 138C
<b>Trillingsniveau</b> <sup>48</sup>		
Handgreep, m/s <sup>2</sup>	5,5	8,3
<b>Werking</b>		
Werkdiepte max./min. mm	-8/+5	-8/+5
Werkbreedte, cm	37,5	37,5
Opzetstuk deltamessen	5973510-01	5973510-01
Opzetstuk veertanden	5973509-01	5973509-01
Capaciteit grasopvangbak, liter	45	45

Goedgekeurde accu's	Type	Accucapaciteit, Ah	Spanning, V	Gewicht, lb/kg
BLi20	Lithium-ion	4,0	36	2,6/1,2
BLi200	Lithium-ion	5,2	36	2,8/1,3
BLi300	Lithium-ion	9,4	36	4,1/1,9

Goedgekeurde laders voor de gespecificeerde accu's, BLi	Ingangsspanning, V	Frequentie, Hz	Vermogen, W
QC80	100-240	50-60	80
QC80F	12	0	80
QC330	100-240	50-60	330
QC500	100-240	50-60	500

<sup>48</sup> De gerapporteerde gegevens voor een trillingsniveau vertonen een typische statistische spreiding (standaardafwijking) van 0,2 m/s<sup>2</sup>.

---

# EG verklaring van overeenstemming

---

## EG verklaring van overeenstemming

**Husqvarna AB**, SE-561 82 Huskvarna, Zweden, tel.: +46-36-146500, verklaart dat de **verticuteermachine Husqvarna S 138i en** vanaf serienummer 2018XXXXXXX en verder, voldoet aan de voorschriften van de RICHTLIJN VAN DE RAAD:

- van 8 juni 2011 over de "beperking van het gebruik van bepaalde gevaarlijke stoffen" **2011/65/EU**
- van 17 mei 2006 "met betrekking tot machines" **2006/42/EG**
- van 26 februari 2014 "met betrekking tot elektromagnetische compatibiliteit" **2014/30/EU**
- van 8 mei 2000 "met betrekking tot geluidsemissies in het milieu" **2000/14/EG**

Raadpleeg voor informatie betreffende geluidsemissie de sectie met technische gegevens.

De volgende normen zijn van toepassing:

**EN 60335-1:2012+A11:2014+A13:2017, EN 50636-2-92:2014, EN 55014-1:2017, EN 55014-2:2015**

Huskvarna, 2019-01-15



Claes Losdal, Hoofd Ontwikkeling/Garden Products (gemachtigde vertegenwoordiger voor Husqvarna AB en verantwoordelijk voor technische documentatie).

---

## EG verklaring van overeenstemming

---

### EG verklaring van overeenstemming

**Husqvarna AB**, SE-561 82 Huskvarna, Zweden, tel.:  
+46-36-146500, verklaart dat de **verticuteermachine**  
**Husqvarna S 138C** vanaf serienummer 2018XXXXXXX  
en verder, voldoet aan de voorschriften van de  
RICHTLIJN VAN DE RAAD:

- van 8 juni 2011 over de "beperking van het gebruik van bepaalde gevaarlijke stoffen" **2011/65/EU**
- van 17 mei 2006 "met betrekking tot machines" **2006/42/EG**
- van 26 februari 2014 "met betrekking tot elektromagnetische compatibiliteit" **2014/30/EU**
- van 8 mei 2000 "met betrekking tot geluidsemissies in het milieu" **2000/14/EG**

Raadpleeg voor informatie betreffende geluidsemissie de sectie met technische gegevens.

De volgende normen zijn van toepassing:

**EN 60335-1:2012+A11:2014+A13:2017, EN 50636-2-92:2014, EN 55014-1:2017, EN 55014-2:2015, EN 61000-3-2:2014, EN 61000-3-11:2000**

Huskvarna, 2019-01-15



Claes Losdal, Hoofd Ontwikkeling/Garden Products  
(gemachtigde vertegenwoordiger voor Husqvarna AB en  
verantwoordelijk voor technische documentatie).

---

## INNHold

---

Innledning.....	429	Feilsøking.....	448
Sikkerhet.....	433	Transport, oppbevaring og avhending.....	449
Montering.....	441	Tekniske data.....	450
Drift.....	442	EF-samsvarserklæring.....	452
Vedlikehold.....	446	EF-samsvarserklæring.....	453

---

## Innledning

---

### Produktbeskrivelse

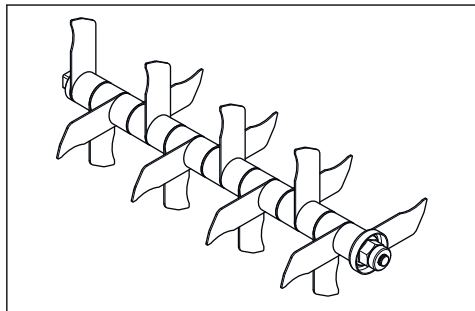
Produktet er en elektrisk vertikalskjærer som styres manuelt. Produktet fjerner gressfilt fra plenen og løser jorden, slik at luft og vann kommer inn i plenen. Gressfilten samles i en gressoppsamler eller slippes på plenen. Produktet har to typer utstyr for vertikalskjæring.

### Utstyr for vertikalskjæring

Se *Slik bytter du ut utstyr for vertikalskjæring på side 447* for nærmere opplysninger om hvordan du skifter utstyr for vertikalskjæring.

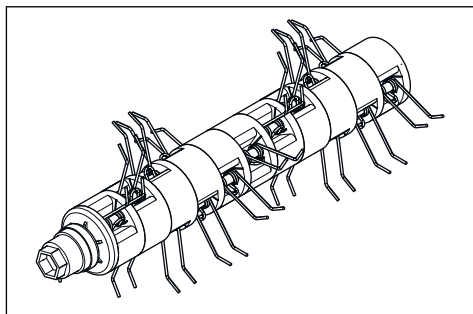
### Deltakniver

Deltaknivene fjerner gressfilt og klipper gressrøtter vertikalt. Bruk deltaknivene i skråninger, terrasseplener og i jord med mye leire. Deltakniver gjør at vann slipper inn i plenen og forhindrer at det samler seg vann på overflaten.



### Fjærtinder

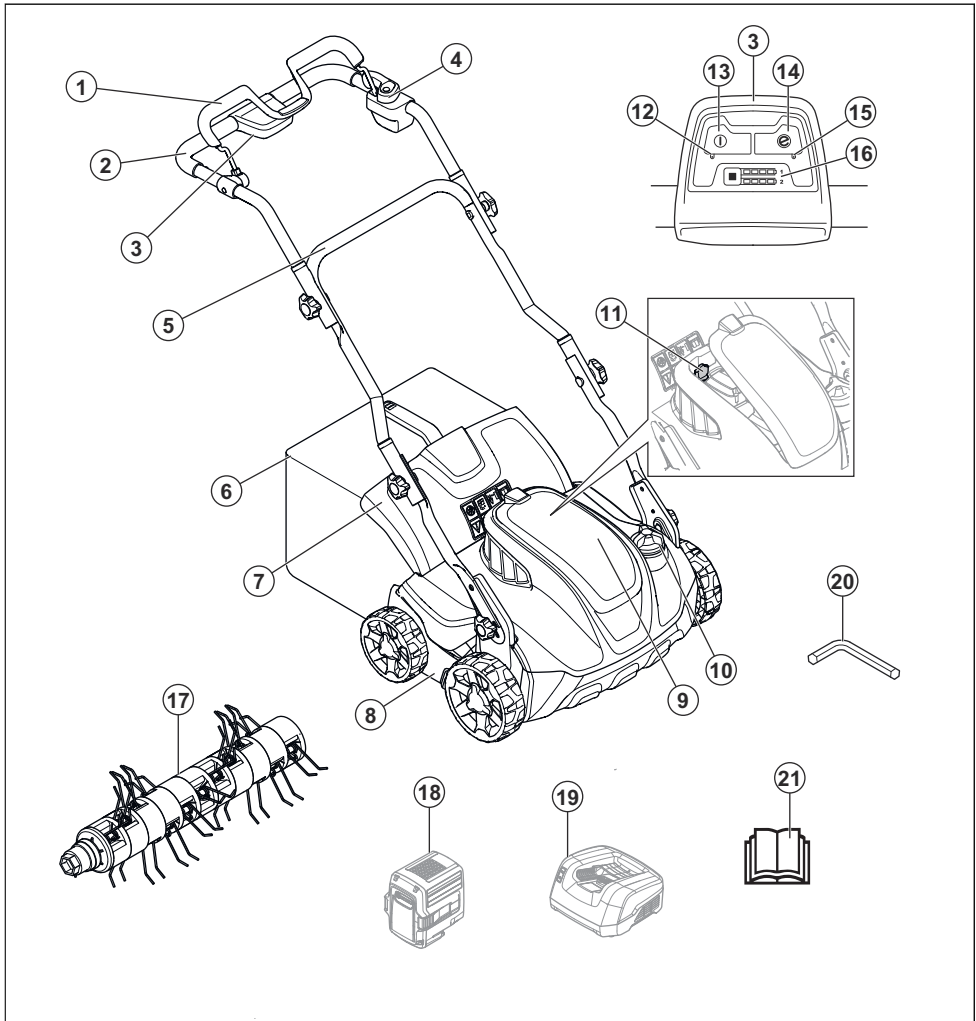
Fjærtindene fjerner dødt gress og gressfilt skånsomt fra plenen uten at gressrøttene skades.



### Bruksområder

Bruk produktet til å fjerne gressfilt og mose og til å løsne jord i private hager. Ikke bruk produktet til andre oppgaver.

## Produktoversikt for modell S 138i



1. Motorbrems håndtak

2. Øvre håndtak

3. Kontrollpanel

4. Startspærre

5. Nedre håndtak

6. Gressopsamler

7. Bakdeksel

8. Vertikalskjærerdeksel

9. Batterideksel

10. Justeringsknott for arbeidsdybde

11. Tenningsnøkkel

12. PÅ/AV-indikatorlampe

13. PÅ/AV-knapp

14. SavE-knapp

15. SavE-indikatorlampe

16. Indikator for batterilading og batteriknapp

17. Fjærtinder

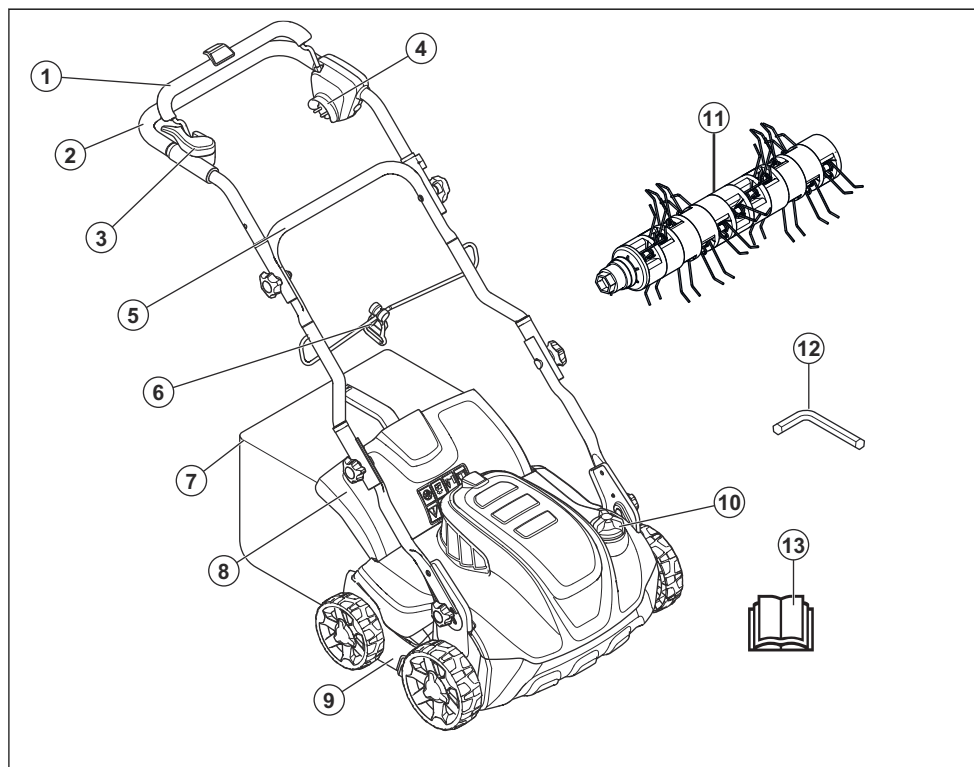
18. Batteri (tilbehør)

19. Batterilader (tilbehør)

20. Unbrakonøkkel

21. Bruksanvisning

## Produktoversikt for modell S 138C



1. Motorbremsåndtak
2. Øvre håndtak
3. Startsperr
4. Strømuttak
5. Nedre håndtak
6. Kabelklemme
7. Gressoppsamler
8. Bakdeksel
9. Vertikalskjærerdeksel
10. Justeringsknott for arbeidsdybde
11. Fjærtinder
12. Unbrakonøkkel
13. Bruksanvisning

### Symboler på produktet



Advarsel: Uforsiktig eller feilaktig bruk kan resultere i skader eller

dødsfall for brukeren eller tilskuere.



Les brukerhåndboken og forsikre deg om at du forstår instruksjonene før du bruker produktet.



Se opp for gjenstander som slynges ut og rikosjetterer.



Hold personer og dyr på trygg avstand fra arbeidsområdet.



Advarsel: Hold hender og føtter borte fra den roterende kniven.



Ta ut tenningsnøkkelen før du utfører vedlikehold på produktet (modell S 138i).



Koble produktet fra strømuttaket før du utfører vedlikehold på produktet (modell S 138C).



Fare for elektrisk støt (modell S 138C).



Må ikke utsettes for regn (modell S 138i).



Advarsel: Ikke skjær over strømledningen. Dette kan føre til elektrisk støt og/eller skade på produktet (modell S 138C).

**IPX4** Dette produktet har beskyttelse mot vannsprut.

**EAC** Dette produktet samsvarer med gjeldende EAC-direktiver.

**CE** Dette produktet er i overensstemmelse med gjeldende EU-direktiver.



Dette produktet samsvarer med gjeldende UkrSEPRO-direktiver.



Støyutslipp til omgivelsene ifølge EFs direktiv. Produktutslippene angis i kapittelet Tekniske data og på klistremerket.



Dobbel isolering (modell S 138C).



Lever dette produktet til et gjenvinningssanlegg for elektrisk og elektronisk utstyr. (Gjelder kun Europa)



Startprosedyre for modell S 138i: Trykk på PÅ/AV-knappen, løsne startsperran, og skyv motorbremshåndtaket ned.



Startprosedyre for modell S 138C: Løsne startsperran, og skyv



motorbremshåndtaket ned.



Slipp motorbremshåndtaket for å stoppe.



Kode som kan skannes.

**Merk:** Øvrige symboler/klistremerker angitt på produktet gjelder sertifiseringskrav for visse markeder.

## Produktansvar

Som nevnt i lovverket om produktansvar er vi ikke ansvarlig for skader som produktet vårt forårsaker, i følgende tilfeller:

- Produktet er reparert på feil måte.
- Produktet er reparert med deler som ikke kommer fra produsenten eller som ikke er godkjent av produsenten.
- Produktet har et tilbehør som ikke kommer fra produsenten eller som ikke er godkjent av produsenten.
- Produktet er ikke reparert på et godkjent servicesenter eller av en godkjent aktør.

---

## Sikkerhet

---

### Sikkerhetsdefinisjoner

Advarsler, oppfordringer og merknader brukes for å understreke spesielt viktige deler av bruksanvisningen.



**ADVARSEL:** Brukes hvis det er fare for personskade eller død for føreren eller andre personer om instruksjonene i håndboken ikke følges.



**OBS:** Brukes hvis det er fare for skade på produktet, annet materiell eller nærliggende områder om instruksjonene i håndboken ikke følges.

**Merk:** Brukes for å gi mer nødvendig informasjon for en spesifikk situasjon.

### Generelle sikkerhetsinstruksjoner



**ADVARSEL:** Les de følgende advarselinstruksjonene før du bruker produktet.

- Dette produktet er farlig hvis det brukes feil, eller hvis du ikke er forsiktig. Personskade eller død kan forekomme hvis du ikke følger sikkerhetsinstruksjonene.
- Dette produktet danner et elektromagnetisk felt når det er i bruk. Dette feltet kan under visse forhold forstyrre aktive eller passive

medisinske implantater. For å redusere faren for hendelser som kan føre til alvorlig eller livstruende skade, anbefaler vi at personer med medisinske implantater rådfører seg med lege og produsenten av det medisinske implantatet før dette produktet tas i bruk.

- Vær alltid forsiktig og bruk sunn fornuft. Hvis du ikke er sikker på hvordan du skal bruke produktet i en bestemt situasjon, må du stoppe og snakke med Husqvarna-forhandleren før du fortsetter.
- Husk at brukeren er ansvarlig for ulykker som involverer andre personer eller deres eiendom.
- Hold produktet rent. Sørg for at du kan lese skilt og merker.
- Ikke la en person bruke produktet med mindre du forsikrer deg om at de har lest og forstått innholdet i bruksanvisningen.
- Ikke la barn bruke produktet.
- Ikke la en person bruke produktet uten kunnskap om instruksjonene.
- Overvåk alltid personer med redusert fysisk eller mental kapasitet når de bruker produktet. En ansvarlig voksen må alltid være til stede.

- Ikke bruk produktet dersom du er trett eller syk eller under påvirkning av alkohol, andre rusmidler eller medisiner. Disse tingene har en negativ effekt på synet, vurderingsevnen og dømmekraften din.
- Ikke bruk produktet hvis det er defekt.
- Ikke modifier dette produktet, og ikke bruk det dersom det er mulig at andre har modifisert det.

### Sikkerhet i arbeidsområdet

---



**ADVARSEL:** Les de følgende advarselinstruksjonene før du bruker produktet.

---

- Fjern gjenstander som greiner, kvister og steiner fra området før du bruker produktet.
- Gjenstander som treffer utstyret for vertikalskjæring, kan slynges ut og forårsake skade på personer og gjenstander. Hold tilskuere og dyr på trygg avstand fra produktet.
- Bruk aldri produktet i dårlig vær, for eksempel i tåke, regn, sterk vind, sterk kulde, eller ved fare for lyn. Det er slitsomt å bruke produktet i dårlig vær

- eller på fuktige eller våte steder. Dårlig vær kan forårsake farlige forhold, for eksempel glatt underlag.
- Hold utkikk etter personer, objekter og situasjoner som kan forhindre sikker bruk av produktet.
  - Se etter hindringer, for eksempel røtter, steiner, kvister, fordypninger og grøfter. Høyt gress kan skjule hindringer.
  - Det kan være farlig å bruke produktet i skråninger. Ikke bruk produktet i skråninger som heller mer enn 15 grader.
  - Bruk produktet på tvers av skråninger. Ikke gå opp og ned.
  - Vær forsiktig når du nærmer deg skjulte hjørner eller gjenstander som blokkerer sikten.

## Arbeidssikkerhet



**ADVARSEL:** Les de følgende advarselinstruksjonene før du bruker produktet.

---

- Bruk personlig verneutstyr. Se *Personlig verneutstyr på side 436*.
- Produktet må ikke brukes i regn eller fuktige omgivelser. Fare for elektrisk støt øker hvis det kommer vann inn i produktet.
- Ikke bruk produktet med mindre utstyret for vertikalskjæring og alle deksler er riktig montert. Utstyr for vertikalskjæring som er feilmontert, kan løsne og forårsake personskade.
- Pass på at utstyret for vertikalskjæring ikke kommer borti gjenstander som steiner og røtter. Dette kan skade utstyret for vertikalskjæring og bøye motorakselen. En bøyd aksel kan forårsake mye vibrasjon og utgjør en svært høy fare for at utstyret for vertikalskjæring blir løst.
- Hvis utstyret for vertikalskjæring treffer en gjenstand eller det oppstår kraftige vibrasjoner, må produktet stanses øyeblikkelig. Stopp motoren, vri tenningsnøkkelen til 0, og fjern batteriet (modell S 138i), eller koble fra strømledningen (modell S 138C). Kontroller produktet for skader. Reparer skader, eller la et autorisert

- serviceverksted utføre reparasjon.
- Du må aldri feste motorbremshåndtaket permanent til håndtaket når motoren er i gang.
  - Plasser produktet på et stabilt, flatt underlag, og start det. Pass på at utstyret for vertikalskjæring ikke berører bakken eller andre gjenstander.
  - Hold deg alltid bak produktet når du bruker det.
  - La alle hjulene være på bakken, og hold begge hender på håndtaket når du bruker produktet. Hold hender og føtter borte fra det roterende utstyret for vertikalskjæring.
  - Unngå å vippe produktet opp mens motoren er i gang.
  - Vær forsiktig når du trekker produktet bakover.
  - Du må aldri løfte produktet når motoren er i gang. Hvis du må løfte produktet, stopper du først motoren, før du vrir tenningsnøkkelen til 0 og fjerner batteriet (modell S 138i) eller kobler fra strømledningen (modell S 138C).
  - Ikke gå bakover når du bruker produktet.

- Stopp motoren når du går over områder uten gress, for eksempel gangveier av grus, stein og asfalt.
- Ikke løp med produktet når motoren er på. Du må alltid gå mens du bruker produktet.
- Stopp motoren før du endrer arbeidsdybde. Utfør aldri justeringer mens motoren er i gang.
- La aldri produktet være ute av syne mens motoren er i gang. Stopp motoren, og forsikre deg om at utstyret for vertikalskjæring ikke roterer.

## Sikkerhetsinstruksjoner for drift

### Personlig verneutstyr

Du må alltid bruke godkjent personlig verneutstyr når du bruker produktet. Personlig verneutstyr eliminerer ikke skaderisikoen, men det reduserer virkningen av en skade hvis ulykken skulle være ute. Be forhandleren om hjelp ved valg av utstyr.

Bruk alltid:

- hørselsvern for å redusere faren for hørselsskade til et minimum.
- sklisikre og solide støvler eller sko. Ikke bruk sandaler og ikke gå barbert.
- tykke langbukser. Ikke bruk shorts.

Bruk hansker når det er nødvendig, for eksempel når du monterer, kontrollerer eller rengjør utstyret for vertikalskjæring.



**ADVARSEL:** Bruk godkjent hørselsvern. Langvarig eksponering for støy kan gi varige hørselsskader.

---

### Sikkerhetsutstyr på produktet



**ADVARSEL:** Les de følgende advarselinstruksjonene før du bruker produktet.

---

- Ikke bruk produktet dersom sikkerhetsutstyret er defekt.

- Utfør regelmessig kontroll av sikkerhetsstyret. Ta kontakt med ditt Husqvarna-serviceverksted, dersom sikkerhetsstyret er defekt.

### Slik kontrollerer du dekslene

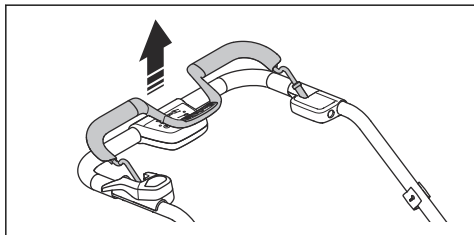
Vertikalskjæredekslet gir mindre vibrasjoner og minsker risikoen for skader forårsaket av utstyret for vertikalskjæring.

- Undersøk sidedekslet på vertikalskjæreren for å sikre at det ikke er noen skader, for eksempel sprekker.
- Undersøk bakdekslet for å sikre at det ikke er noen skader, for eksempel sprekker.

### Motorbremseshåndtak

Motorbremseshåndtaket stopper motoren. Når du slipper motorbremseshåndtaket, stopper motoren.

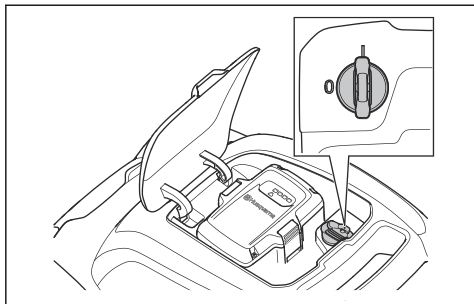
Hvis du vil kontrollere motorbremsen, starter du motoren og slipper deretter motorbremseshåndtaket. Hvis motoren ikke stopper innen tre sekunder, må du la et godkjent Husqvarna-serviceverksted justere motorbremsen.



### Tenningsnøkkel

Tenningsnøkkelen er under batteridekslet. Tenningsnøkkelen brukes til å koble til batteriet som forsyner motoren med strøm.

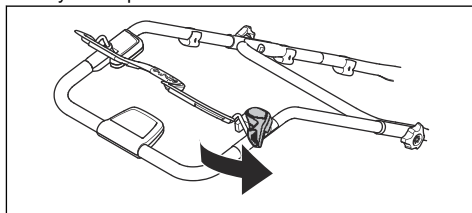
- Skru motoren på og av for å utføre en kontroll av tenningsnøkkelen.
- Hvis tenningsnøkkelen fungerer som den skal, starter motoren bare når du vrir nøkkelen til posisjon 1.



### Slik undersøker du startsperran

Utfør en kontroll av startsperran for å sikre at den hindrer driften av motoren.

1. Trykk motorbremseshåndtaket i retning av styret. Startsperran stopper bevegelsen.
2. Skyv startsperran ut.

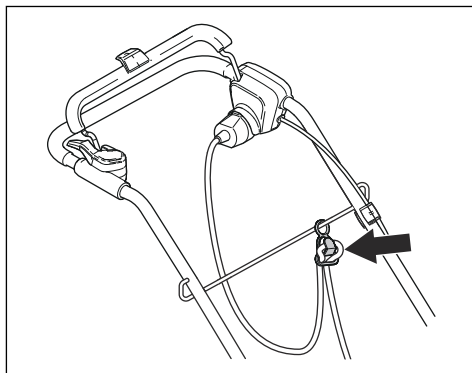


3. Løsne startsperran, og kontroller at den går tilbake til sin opprinnelige posisjon.

### Slik bruker du strømledningsholderen (modell S 138C)

Strømledningsholderen reduserer belastningen på stikkkontakten og strømledningen. Strømledningsholderen reduserer også faren for at du faller.

1. Bøy strømledningen for å danne en liten sløyfe.
2. Plasser sløyfen i hullet i strømledningsholderen.
3. Legg sløyfen rundt kroken.
4. Dra i strømledningen for å stramme sløyfen rundt kroken.



### Batterisikkerhet



**ADVARSEL:** Les de følgende advarslene før du bruker produktet.

- Bruk bare Husqvarna oppladbare batterier som strømforsyning for relaterte Husqvarna-produkter. For å unngå personskader må du ikke bruke batteriet som strømforsyning for andre enheter.
- Ikke bruk ikke-oppladbare batterier.
- Fare for elektrisk støt. Ikke la batteripolene komme i kontakt med nøkler, mynter, skruer eller andre metallgjenstander. Dette kan føre til kortslutning av batteriet.
- Ikke sett gjenstander inn i luftåpningene til batteriet.
- Hold batteriet unna sollys, varme og åpen ild. Batteriet kan eksplodere og forårsake forbrenninger og/eller kjemiske forbrenninger.
- Hold batteriet unna regn og fuktighet.
- Hold batteriet unna mikrobølger og høyt trykk.
- Ikke prøv å demontere eller ødelegge batteriet.
- Hvis batteriet lekker, må væsken ikke komme i kontakt med hud eller øyne. Hvis du har berørt væsken, må du rengjøre området med store mengder vann og oppsøke legehjelp.
- Bruk batteriet i temperaturer mellom  $-10$  og  $40$  °C.
- Ikke rengjør batteriet eller batteriladeren med vann. Se *Slik rengjør du batteriet og batteriladeren på side 447*.
- Ikke bruk et defekt eller skadet batteri.
- Oppbevar batteriene unna metallgjenstander, for eksempel spikre, mynter og smykker.

### Sikker bruk av batteriladeren



**ADVARSEL:** Les de følgende advarslene før du bruker produktet.

- Bruk QC-batteriladere bare til å lade Husqvarna-erstatningsbatteriene.
- Fare for elektrisk støt eller kortslutning. Ikke sett gjenstander inn i luftåpningene til laderen. Ikke prøv å demontere batteriladeren. Ikke la ladekontaktene berøre metallgjenstander. Bruk en godkjent stikkontakt.
- Dette produktet danner et elektromagnetisk felt når det er i bruk. Dette feltet kan under visse forhold forstyrre aktive eller passive medisinske implantater. For å redusere faren for forhold som

kan føre til alvorlig eller livstruende skade, anbefaler vi at personer med medisinske implantater rådfører seg med sin lege og produsenten av det medisinske implantatet før dette produktet tas i bruk.

- Kontroller regelmessig at strømledningen til batteriladeren ikke er skadet, og at det ikke er sprekker i den.
- Ikke løft batteriladeren etter strømledningen. For å koble laderen fra stikkkontakten drar du i støpselet. Ikke dra i ledningen.
- Hold strømledningen og skjøteledninger borte fra vann, olje og skarpe kanter. Pass på at kabelen ikke kommer i klem i dører, gjerder eller lignende. Det kan føre til at laderen blir strømførende.
- Ikke rengjør batteriladeren med vann.
- Batteriladeren kan brukes av barn over 8 år og personer med nedsatte fysiske og mentale evner eller personer uten erfaring eller kunnskap hvis de får tilsyn eller instruksjoner om hvordan de bruker batteriladeren på en sikker måte, og forstår farene ved bruken. Barn skal ikke

leke med batteriladeren.

Rengjøring og vedlikehold skal ikke utføres av barn uten tilsyn.

- Ikke lad engangsbatterier i batteriladeren.
- Ikke bruk batteriladeren i nærheten av brennbare materialer eller materialer som kan forårsake korrosjon. Batteriladeren må ikke tildekkes. Trekk ut støpselet til batteriladeren hvis det oppstår røyk eller brann.
- Ikke bruk en defekt eller skadet batterilader.
- Bare lad batteriet innendørs på et sted som har god luftsirkulasjon og er beskyttet mot direkte sollys. Ikke lad batteriet i fuktige omgivelser.

#### **Sikkerhet med strømledningen**

For modell S 138C.

- Det anbefales at man bruker en sikringsenhet (Residual Current Device, R.C.D.) som utløses ved maks. 30 mA. Selv når en sikringsenhet er installert, kan ikke 100 % sikkerhet garanteres, og sikre arbeidsprosedyrer må følges til enhver tid. Kontroller sikringsenheten hver gang du bruker den.
- Koble fra strømtilførselen umiddelbart dersom

strømledningen er kuttet eller isolasjonen er skadet.

- Ikke berør en kuttet eller skadet strømledning før strømtilførselen er koblet fra.
- Ikke prøv å reparere en kuttet eller skadet strømledning. Erstatt den ut med en ny.

## Sikkerhetsinstruksjoner for vedlikehold

---



**ADVARSEL:** Les de følgende advarselinstruksjonene før du bruker produktet.

---

- For modell S 138i: Når du skal hindre utilsiktet start under vedlikehold, vrir du om tenningsnøkkelen til 0 og tar ut batteriet. Vent i minst 5 sekunder før du begynner vedlikeholdet.
- For modell S 138C: Koble fra strømledningen for å hindre utilsiktet start under vedlikehold.
- Utfør vedlikeholdsarbeidet på riktig måte for å øke levetiden til produktet og redusere risikoen for ulykker. La et godkjent serviceverksted utføre det fagmessige vedlikeholdet. Snakk med nærmeste serviceverksted for mer informasjon.
- Utfør bare vedlikeholdsarbeid som er beskrevet i denne bruksanvisningen. Mer omfattende inngrep skal utføres av et godkjent serviceverksted.
- Bruk robuste hansker når du bruker utstyret for vertikalskjæring. Utstyret for vertikalskjæring er svært skarpt, og det er lett å skjære seg.
- Hold knivene på utstyret for vertikalskjæring skarpe og rene for å oppnå best og sikrest ytelse.
- La serviceverkstedet undersøke produktet regelmessig og utføre de nødvendige justeringene og reparasjonene.
- Skift ut alle skadde, slitte eller ødelagte deler.
- Følg instruksjonene for utskifting av tilbehør. Bruk bare tilbehør fra produsenten.
- Når de ikke er i bruk, oppbevarer du produktet, batteriet og batteriladeren fra hverandre i et tørt, innendørs og avlåst område. Kontroller at barn og personer som ikke er autoriserte, ikke kan få tilgang til produktet, batteriet eller batteriladeren.



# Montering

## Innledning



**ADVARSEL:** Før du monterer produktet, må du lese kapittelet om sikkerhet.

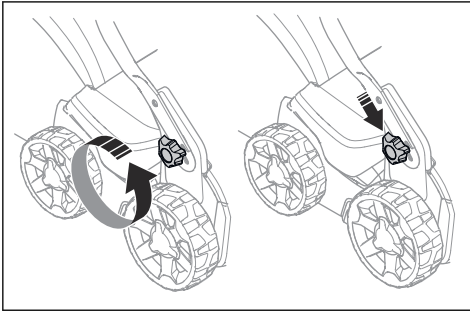


**ADVARSEL:** For modell S 138i: Når du skal hindre utilsiktet start ved montering, vrir du tenningsnøkkelen til 0, tar ut batteriet og venter i minst fem sekunder.

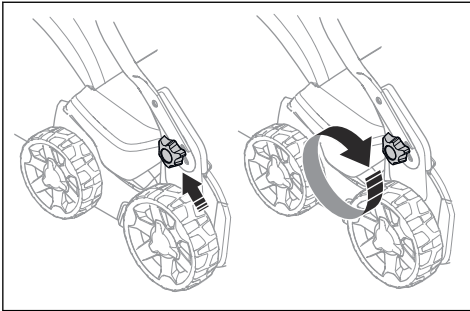
For modell S 138C: Koble fra strømledningen for å hindre utilsiktet start under montering.

## Slik monterer du håndtaket

1. Løsne de nedre knottene.
2. Flytt knottene til den nedre enden av sporene på venstre og høyre side av produktet.



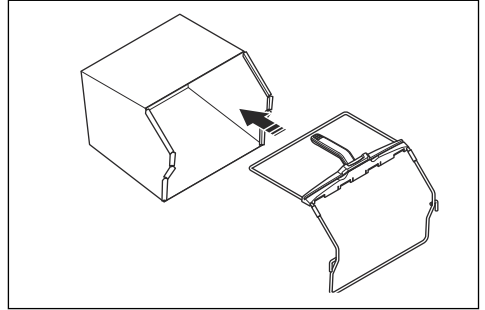
3. Angi høyden på håndtaket til én av de to tilgjengelige posisjonene.
4. Flytt knottene oppover i retning av håndtaket til de stopper og du hører et klikk.



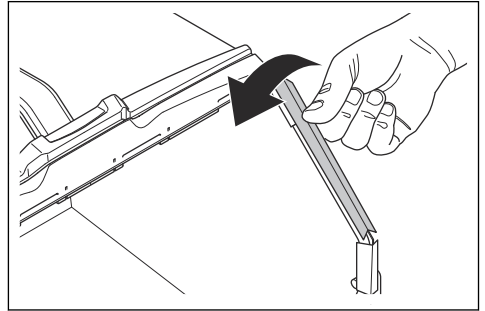
5. Trekk til knottene helt.

## Slik monterer du oppsamleren

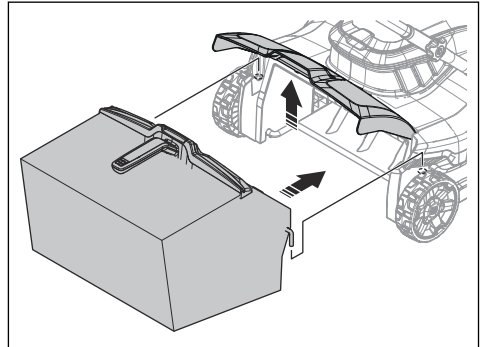
1. Fest oppsamlerammen til gressposen med den faste delen av posen på undersiden. Hold håndtaket på rammen på toppen av gressposen.



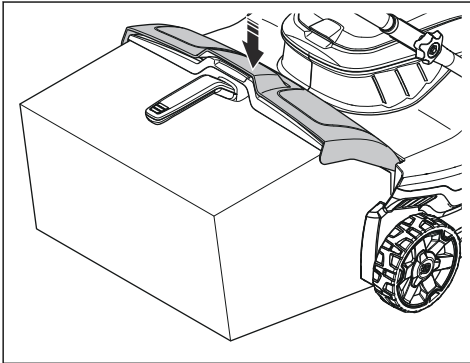
2. Fest nedre del av oppsamlerammen i sporet på bunnen av oppsamleren.
3. Fest gressposen til oppsamlerammen med klemmene.



4. Løft det bakre dekkelet.
5. Sett oppsamleren i riktig posisjon.



6. Fest oppsamleren til den øverste kanten av chassiset. Kontroller at det bakre dekselet sitter tett mot gressoppsamleren, slik at lekkasje forhindres.



---

## Drift

---

### Innledning



**ADVARSEL:** Før du bruker produktet, må du lese og forstå kapittelet om sikkerhet.

### Husqvarna Connect

Husqvarna Connect er en kostnadsfri app for mobilenheten din. Husqvarna Connect-appen gir utvidede funksjoner for Husqvarna-produktet ditt:

- utvidet produktinformasjon
- informasjon om og hjelp med produktdele og service

### Slik begynner du å bruke Husqvarna Connect

1. Last ned Husqvarna Connect-appen på mobilenheten din.
2. Utfør registrering i Husqvarna Connect-appen.
3. Følg instruksjonene i Husqvarna Connect-appen for å koble til og registrere produktet.

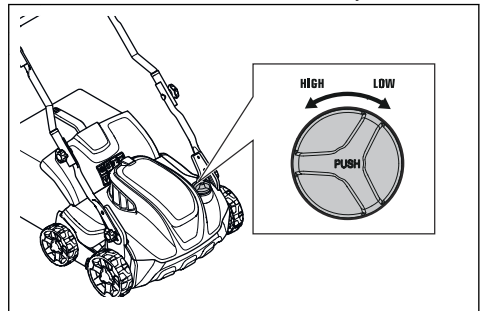
### Slik angir du arbeidsdybde



**ADVARSEL:** Ikke juster arbeidsdybden mens du bruker produktet.

1. Skyv inn og vri justeringsknotten for arbeidsdybde mot urviseren for å øke arbeidsdybden.

2. Skyv inn og vri justeringsknotten for arbeidsdybde med urviseren for å redusere arbeidsdybden.



### Batteri

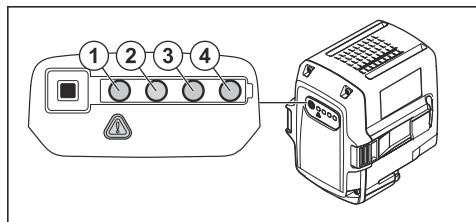


**ADVARSEL:** Før du bruker batteriet, må du lese og forstå kapittelet om sikkerhet. Du må også lese og forstå bruksanvisningen for batteriet og batteriladeren.

### Batteristatus

Displayet viser gjenværende batterikapasitet og eventuelle problemer med batteriet. Batterikapasiteten vises i 5 sekunder etter at produktet er slått av, eller når batteriindikatorknappen trykkes inn. Advarselssymbolet

på batteriet lyser hvis en feil oppstår. Se *Batteri på side 448*.



LED-lamper	Batteristatus
Alle LED-indikatorer lyser	Fullt ladet (75–100 %)
LED 1, LED 2, LED 3 lyser.	Batteriet er 50–75 % ladet.
LED 1, LED 2 lyser.	Batteriet er 25–50 % ladet.
LED 1 lyser.	Batteriet er 0–25 % ladet.
LED 1 blinker	Batteriet er utladet. Lad batteriet.

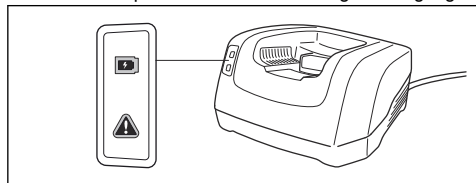
### Slik lader du batteriet

Lad batteriet før første gangs bruk. Batteriet er bare 30 % oppladet når det leveres til kunden.

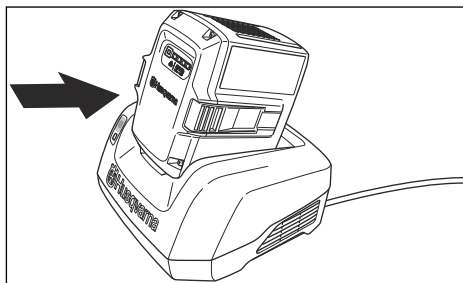
**Merk:** Batteriladeren må kobles til den spenningen og frekvensen som er angitt på typeskiltet.

Batteriet lades ikke hvis batteritemperaturen er over 50 °C. Batteriladeren reduserer batteriets temperatur før den begynner å lade.

1. Koble den ene enden av strømledningen for batteriladeren inn i kontakten på batteriladeren.
2. Koble den andre enden av strømledningen for batteriladeren inn i en jordet stikkontakt. LED-indikatoren på batteriladeren blinker grønt én gang.



3. Sett batteriet i batteriladeren. Den grønne lampen på laderen tennes når batteriet er riktig koblet til laderen.



4. Når alle LED-indikatorene på batteriet lyser, er batteriet fulladet. Lad batteriet i maks. 24 timer.
5. For å koble laderen fra stikkontakten må du dra i selve støpselet, ikke i ledningen.
6. Fjern batteriet fra batteriladeren.

### Batteriladestatus

Et Husqvarna Li-ionbatteri kan lades eller brukes ved et hvilket som helst lade nivå. Batteriet blir ikke skadet. Et fulladet batteris lade nivå reduseres ikke når batteriet blir stående i laderen.

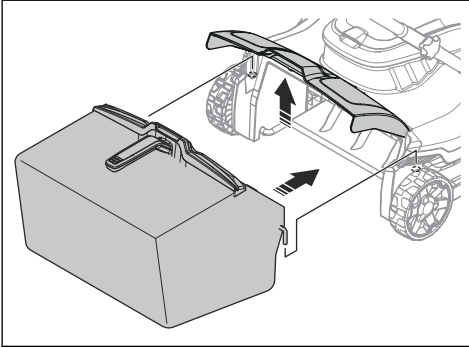
LED-display	Ladestatus
LED 1 blinker	0–25 %
LED 1 lyser, LED 2 blinker	25–50 %
LED 1, LED 2 lyser, LED 3 blinker	50–75 %
LED 1, LED 2, LED 3 lyser, LED 4 blinker	75–100 %
Lampe 1, lampe 2, lampe 3 og lampe 4 tennes	Fulladet

### Slik bruker du S 138i

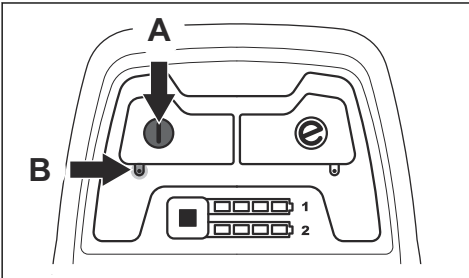
#### Slik starter du produktet

1. Sett inn et ladet batteri i batterirom nr. 1 under batteridekselet. For lengre driftstid kan du sett et andre oppladet batteri i batterirom nr. 2.

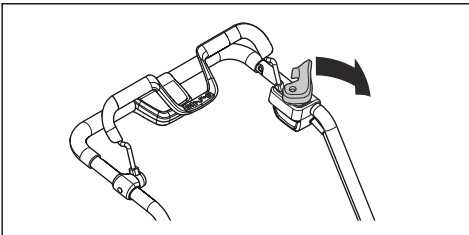
2. Vri tenningsnøkkelen til 1.



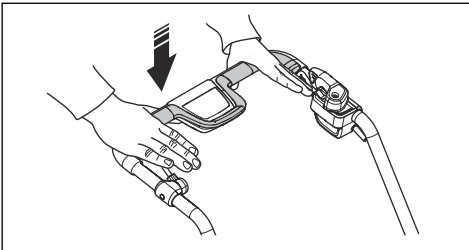
3. Stå bak produktet.
4. Trykk på PÅ/AV-knappen (A) på kontrollpanelet, så tennes den grønne LED-indikatoren (B).



5. Løsne startspærren.



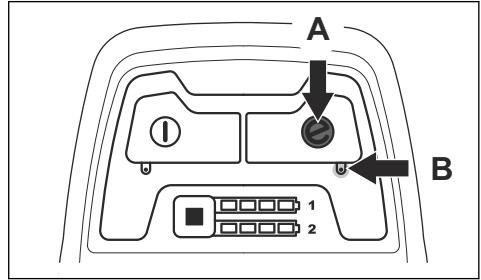
6. Trykk motorbremsåndtaket i retning av styret.



### Slik bruker du SavE-funksjonen

Produktet har en batterisparefunksjon (SavE) som gir lengre driftstid.

1. Trykk på SavE-knappen (A) for å starte funksjonen. Den grønne LED-indikatoren tennes.

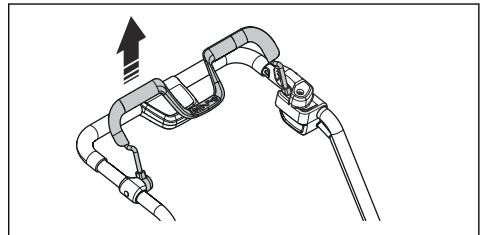


2. Trykk på SavE-knappen igjen for å stoppe funksjonen. Den grønne LED-indikatoren (B) slukkes.

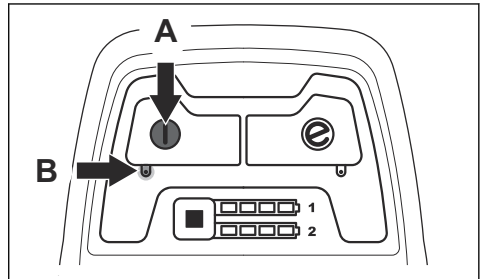
### Slik stopper du produktet

Produktet stopper automatisk hvis du ikke bruker det på ti minutter. Vri alltid tenningsnøkkelen til 0 før du slipper produktet ut av syne.

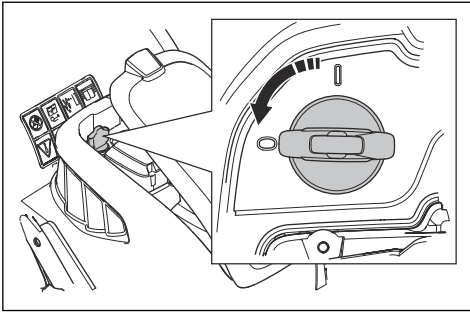
1. Slipp motorbremsåndtaket for å stoppe motoren.



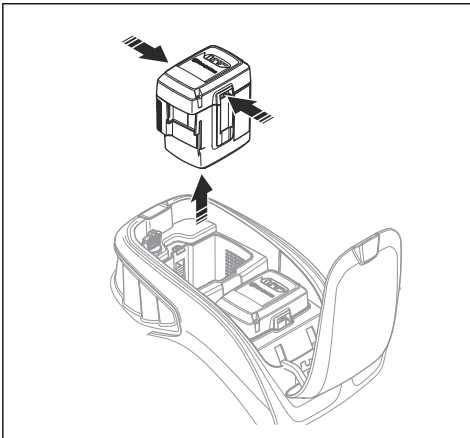
2. Trykk på PÅ/AV-knappen (A) på kontrollpanelet, så slukkes den grønne LED-indikatoren (B).



3. Åpne batteridekselet og vri tenningsnøkkelen til 0.



4. Når du skal ta ut batteriet, trykker du på de to utløserknappene samtidig og trekker ut batteriet.

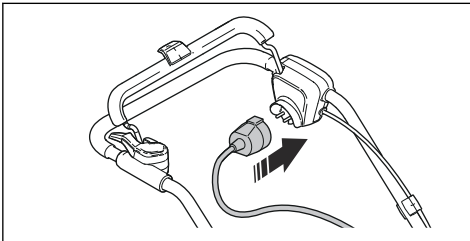


5. Lad batteriet hvis nivået er lavt. Du finner mer informasjon i *Slik lader du batteriet på side 443*.

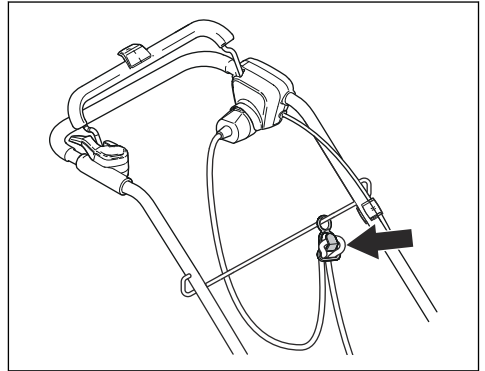
## Slik bruker du S 138C

### Slik starter du produktet

1. Koble strømledningen til kontakten under håndtaket.

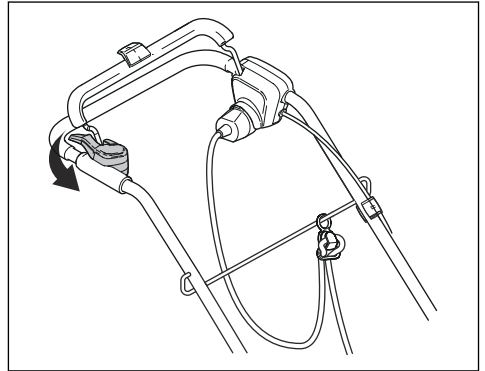


2. Sett strømledningen i strømledningsholderen. Se *Slik bruker du strømledningsholderen (modell S 138C) på side 437*.

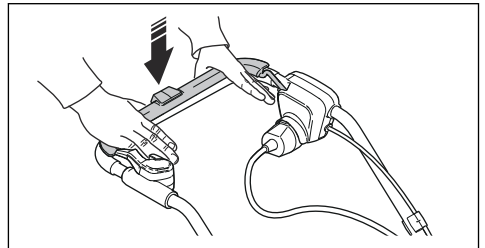


3. Stå bak produktet.

4. Løsne startsperreren.

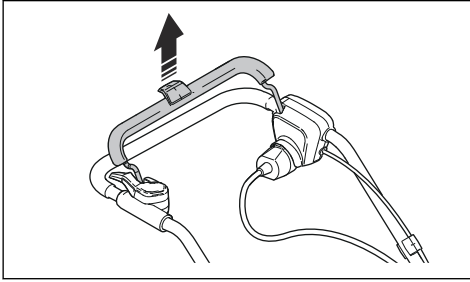


5. Trykk motorbremsåndtaket i retning av styret.

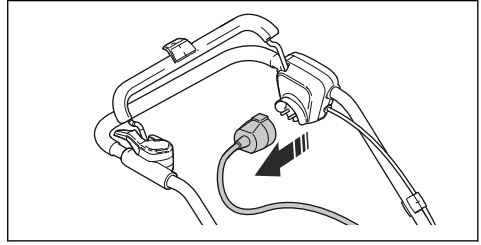


## Slik stopper du produktet

1. Slipp motorbremsåndtaket for å stoppe motoren.



2. Koble strømledningen fra stikkkontakten og deretter fra produktet.



**OBS:** Dra støpselet rett ut. Ikke dra i ledningen.

## Vedlikehold

### Innledning



**ADVARSEL:** Før du utfører vedlikeholdsarbeid, må du lese og forstå kapittelet om sikkerhet.

For alt vedlikehold og reparasjonsarbeid på produktet er det nødvendig med spesiell opplæring. Vi garanterer fagmessig reparasjon og service. Hvis forhandleren ikke er et serviceverksted, må du snakke med dem for å få informasjon om nærmeste serviceverksted.

### Vedlikeholdsskjema

Vedlikeholdsintervallene er beregnet med utgangspunkt i daglig bruk av produktet. Intervallene kan endres hvis produktet ikke brukes daglig.

For vedlikehold identifisert med \* kan du se *Sikkerhetsutstyr på produktet på side 436.*

S 138i og S 138C	Hver bruk	Månedlig	Hver sesong
Utfør en generell inspeksjon.	X		
Rengjør produktet.	X		
Undersøk utstyret for vertikalskjæring.	X		
Pass på at sikkerhetsutstyret på produktet ikke er defekt. *	X		
Undersøk dekslene. *	X		
Kontroller motorbremsåndtaket. *	X		
Kontroller startsperran. *	X		

Bare S 138i	Hver bruk	Månedlig	Hver sesong
Kontroller at PÅ/AV-knappen fungerer på riktig måte og ikke er defekt.	X		
Kontroller batteriet for skader.	X		
Kontroller batteriets ladenivå.	X		
Kontroller at utløserknappene på batteriet fungerer riktig og at batteriet låses fast i produktet.	X		

Bare S 138i	Hver bruk	Månedlig	Hver sesong
Undersøk batteriladeren for skader, og sørg for at den fungerer på riktig måte.		X	
Undersøk forbindelsene mellom batteriet og produktet. Undersøk også forbindelsen mellom batteriet og batteriladeren.			X

## Slik utfører du en generell inspeksjon

- Kontroller at mutrene og skruene på produktet er trukket til.
- Sørg for at kablene på produktet ikke er i en posisjon der de kan bli skadet.

## Slik rengjør du produktet

- Rengjør plastdelene med en tørr, ren klut.
- Ikke bruk vann til å rengjøre produktet. Vann kan komme inn i batteriet eller motoren og forårsake kortslutning eller skade på produktet.
- Produktet må ikke rengjøres med høytrykksspyler.
- Ikke spyl vann direkte på motoren.
- Bruk en børste for å fjerne løv, gress og smuss.

## Slik rengjør du batteriet og batteriladeren



**OBS:** Ikke rengjør batteriet eller batteriladeren med vann.

- Kontroller at batteriet og batteriladeren er rene og tørre før du setter batteriet i batteriladeren.
- Rengjør batteriklemmene med trykkluft, eller bruk en myk og tørr klut.
- Rengjør overflatene på batteriet og batteriladeren med en myk og tørr klut.

## Slik undersøker du utstyret for vertikalskjæring



**ADVARSEL:** For modellene S 138i: For å hindre utilsiktet start vrir du tenningsnøkkelen til 0, tar ut batteriet og venter i minst fem sekunder.

For modell S 138C: Koble fra strømledningen for å hindre utilsiktet start.



**ADVARSEL:** Bruk vernehansker når du utfører vedlikehold på utstyret for vertikalskjæring. Knivene på utstyret for vertikalskjæring er svært skarpe, og det er fort gjort å skjære seg.

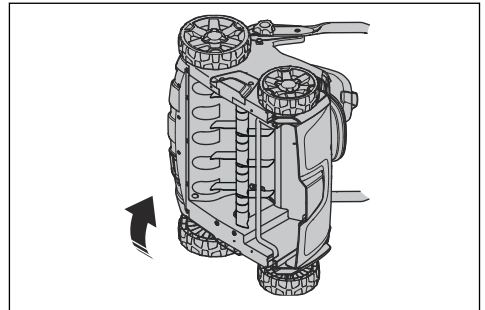
- Kontroller utstyret for vertikalskjæring med henblikk på skader og sprekkdannelse. Bytt alltid ut skadet utstyr for vertikalskjæring.

## Slik bytter du ut utstyr for vertikalskjæring

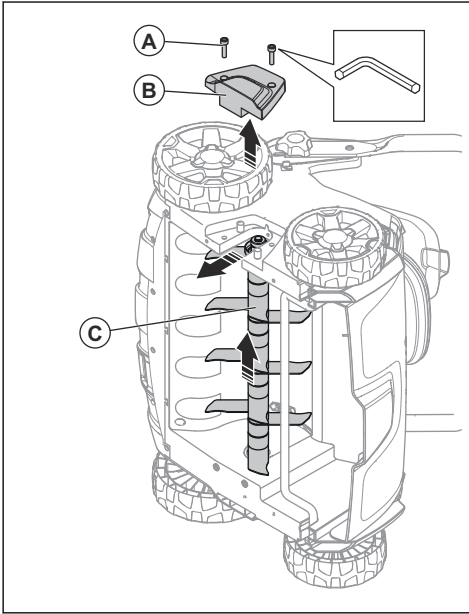


**ADVARSEL:** Bruk vernehansker når du utfører vedlikehold på utstyret for vertikalskjæring. Utstyret for vertikalskjæring er svært skarpt, og det er fort gjort å skjære seg.

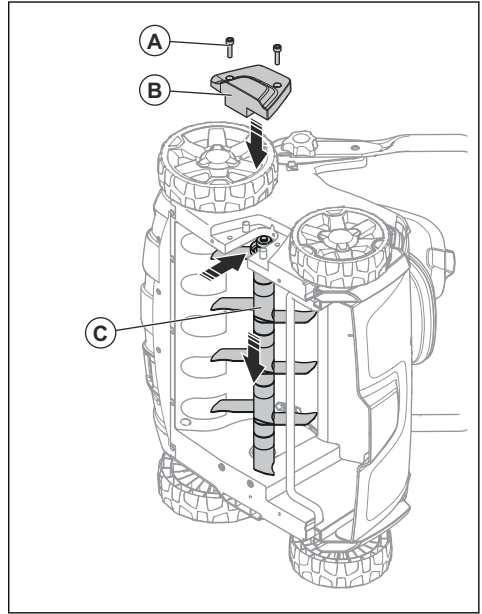
1. Legg produktet ned på produktets høyre side.



2. Fjern de to skruene (A) og vertikalskjærerdekselet (B). Skyv utstyret for vertikalskjæring (C) opp og ut for å fjerne det.



3. Skyv det nye utstyret for vertikalskjæring (C) inn i sporet og ned i hullet. Fest vertikalskjærerdekselet (B) og de to skruene (A).



## Feilsøking

### Batteri

LED-indikator på batteriet	Mulige feil	Mulig fremgangsmåte
Den grønne LED-indikatoren blinker.	Batterispenningen er lav.	Lad batteriet. Se <i>Slik lader du batteriet på side 443</i> .
LED-feilindikatoren blinker.	Batteriet er svakt.	Lad batteriet. Se <i>Slik lader du batteriet på side 443</i> .
	Temperaturen i arbeidsmiljøet er for høy eller for lav.	Bruk batteriet i temperaturer mellom $-10$ og $40$ °C.
	Overspenning	Kontroller at strømtilførselen er den samme som er angitt på typeskiltet på produktet.  Fjern batteriet fra batteriladeren. Vent i fem sekunder, og prøv å lade batteriet igjen. Hvis problemet vedvarer, kontakter du et autorisert serviceverksted.
LED-feilindikatoren er på.	For stor forskjell mellom cellene (1 V).	Ta kontakt med et godkjent serviceverksted.



## Batterilader

LED-indikator på batteriladeren.	Mulige feil	Mulig fremgangsmåte
LED-feilindikatoren blinker.	Temperaturen i arbeidsmiljøet er for høy eller for lav.	Bruk batteriladeren i temperaturer mellom 5 og 40 °C.
LED-feilindikatoren er på.		Ta kontakt med et godkjent serviceverksted.

## Kontrollpanel

For modell S 138i

Feil	Feilkode (antall lysblink)	Mulige feil	Mulig handling
LED-feillampen blinker.	3	Motoren er overbelastet.	Reduser arbeidsdybden. Se <i>Slik angir du arbeidsdybde på side 442</i> . Hvis LED-feillampen fortsetter å blinke, er utstyret for vertikalskjæring blokkert. Når du skal hindre utilsiktet start, vrir du tenningsnøkkelen til 0, tar ut batteriet og venter i minst fem sekunder. Kontroller at utstyret for vertikalskjæring kan bevege seg fritt. Hvis problemet vedvarer, kontakter du et autorisert serviceverksted.
	5	Motorturtallet faller for mye, og motoren stopper.	
	9	Motorstyringen er for varm.	Stopp motoren, og vent til den er avkjølt.
	7	Batterifeil eller ingen signaler fra batteriet	Sett batteriet inn i produktet på riktig måte, og undersøk batterikontakten. Hvis LED-feillampen på batteriet blinker, kan du se <i>Batteriladestatus på side 443</i> .
		Batteriet er svakt.	Lad batteriet. Se <i>Slik lader du batteriet på side 443</i> .
Produktet stopper.	6	Batteriet er svakt.	Lad batteriet. Se <i>Slik lader du batteriet på side 443</i> .
	0	Batterikontaktfeil	Undersøk batterikontakten.
Andre feil	Hvis det oppstår andre feil, må du vri tenningsnøkkelen til 0, ta ut batteriet, og ta kontakt med et godkjent serviceverksted.		

## Transport, oppbevaring og avhending

### Transport

- Loven om farlige varer gjelder de medfølgende Li-ion-batteriene.
- For kommersiell transport må spesielle krav på emballasje og etiketter følges.
- Sørg for at du overholder lovene om farlig materiale når du klargjør produktet for transport. Lokale forskrifter kan gjelde.
- Ta alltid ut batteriet før transport.

- Sett teip på batterikontaktene, og forsikre deg om at batteriet ikke kan bevege seg rundt under transport.
- Sikre produktet under transport.

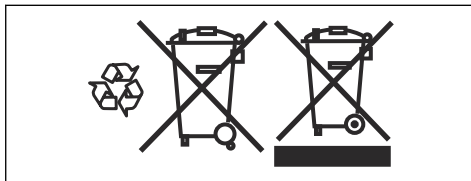
### Lagring

- Ta alltid ut batteriet når du skal oppbevare produktet.
- For å hindre ulykker må du sikre at batteriet ikke er koblet til produktet under oppbevaring.

- Oppbevar batteriladeren på et innelukket og tørt sted.
- Hold batteriet og laderen på et tørt sted der det ikke er fukt eller frost.
- Koble batteriet fra batteriladeren under oppbevaring.
- Batteriet må ikke oppbevares der det kan forekomme statisk elektrisitet. Ikke oppbevar batteriet i en metallkasse.
- Oppbevar batteriet et sted temperaturen er mellom 5 og 25 °C og borte fra sollys.
- Oppbevar batteriladeren et sted temperaturen er mellom 5 og 45 °C og borte fra sollys.
- Kontroller at batteriet er ladet til 30–50 % før du setter det til oppbevaring i lange perioder.
- Oppbevar produktet, batteriet og batteriladeren i et låsbart område, utilgjengelige for barn og uautoriserte personer.
- Rengjør produktet og utfør en fullstendig service før du setter det til oppbevaring i lang tid.

husholdningsavfall. Produktet skal innleveres til et gjenvinningsanlegg som gjenvinner elektrisk og elektronisk utstyr.

Ved å sikre at produktet håndteres på riktig måte, kan du bidra til å motvirke potensielt negative virkninger på miljø og mennesker, som kan oppstå som følge av at produktet ikke avfallshåndteres på riktig måte. Kontakt det lokale renovasjonsvesenet eller forhandleren der du kjøpte produktet hvis du ønsker mer detaljert informasjon.



## Avhending

Symbolene på produktet eller produktemballasjen indikerer at produktet ikke skal håndteres som

## Tekniske data

### Tekniske data

	S 138i	S 138C
<b>Motor</b>		
Motortype	BLDC (børsteløs) 36 V	AC-motorserie
Hastigheten til tilbehør – SaveE, turtall	3000	Ikke tilgjengelig
Hastigheten til tilbehør – nominelt turtall	3200	4200
Motoreffekt – maks. kW	1,28	1,8
Motoreffekt – nominell, kW	0,9	1,6
<b>Vekt</b>		
Vekt, kg	19,5 (uten batteri)	19,0
<b>Batteri</b>		
Batteritype	Husqvarna-batteriserien	NA
<b>Batteriets driftstid</b>		
Batteriets driftstid, min., (frikjøring) med SavE aktivert, med ett Husqvarna-batteri på 5,2 Ah (Bli200).	115	NA
Batteriets driftstid, min., (frikjøring) med standardmodus aktivert, med ett Husqvarna-batteri på 5,2 Ah (Bli200).	102	NA
<b>Støynivå</b> <sup>49</sup>		
Lydeffektnivå, målt dB (A)	89,2	95,7

<sup>49</sup> Utslipp av støy til omgivelsene målt som lydeffekt ( $L_{WA}$ ) samsvarer med EF-direktiv 2000/14/EF.

	S 138i	S 138C
Lydeffektnivå, garantert L <sub>WA</sub> dB (A)	91	98
<b>Lydnivåer</b> <sup>50</sup>		
Lydtrykksnivå ved brukerens øre, dB (A)	75,3	81,7
<b>Vibrasjonsnivåer</b> <sup>51</sup>		
Håndtak, m/s <sup>2</sup>	5,5	8,3
<b>Bruk</b>		
Arbeidsdybde, maks./min., mm	-8/+5	-8/+5
Arbeidsbredde, cm	37,5	37,5
Deltakniver tilbehør	5973510-01	5973510-01
Fjærtindertilbehør	5973509-01	5973509-01
Gressopsamlerkapasitet, liter	45	45

Godkjente batterier	Type	Batterikapasitet, Ah	Spenning, V	Vekt, lb/kg
BLi20	Litium-ion	4,0	36	2,6/1,2
BLi200	Litium-ion	5,2	36	2,8/1,3
BLi300	Litium-ion	9,4	36	4,1/1,9

Godkjente ladere for de spesifiserte batteriene, BLI	Inngangsspenning, V	Frekvens, Hz	Effekt, W
QC80	100–240	50–60	80
QC80F	12	0	80
QC330	100–240	50–60	330
QC500	100–240	50–60	500

<sup>50</sup> Rapporterte data for ekvivalent lydtrykksnivå for maskinen har en typisk statistisk spredning (standardavvik) på 1,2 dB (A).

<sup>51</sup> Rapporterte data for vibrasjonsnivå har en typisk statistisk spredning (standard avvik) på 0,2 m/s<sup>2</sup>.

## EF-samsvarserklæring

**Husqvarna AB**, SE-561 82 Huskvarna, Sverige, tlf.: +46 36 146500, erklærer at **vertikalskjærerøen Husqvarna S 138i** fra serienummer 2018XXXXXXX og fremover samsvarer med kravene i følgende RÅDSDIREKTIV:

- fra 8. juni 2011 på "begrense bruken av bestemte farlige stoffer" **2011/65/EU**
- fra 17. mai 2006, "angående maskiner" **2006/42/EF**
- fra 26. februar 2014 «angående elektromagnetisk kompatibilitet» **2014/30/EU**
- fra 8. mai 2000 "angående utslipp av støy til omgivelsene" **2000/14/EF**

For informasjon som gjelder støyutslipp kan du se kapittelet Tekniske data.

Følgende standarder er blitt tillempet:

**EN 60335-1:2012+A11:2014+A13:2017, EN 50636-2-92:2014, EN 55014-1:2017, EN 55014-2:2015**

Huskvarna, 2019-01-15



Claes Losdal, Development Manager / hageprodukter  
(autorisert representant for Husqvarna AB og ansvarlig for teknisk dokumentasjon)

---

## EF-samsvarserklæring

---

### EF-samsvarserklæring

**Husqvarna AB**, SE-561 82 Huskvarna, Sverige, tlf.: + 46 36 146500, erklærer at **vertikalskjæringen Husqvarna S 138C** fra serienummer 2018XXXXXX og fremover samsvarer med kravene i følgende RÅDSDIREKTIV:

- fra 8. juni 2011 på "begrense bruken av bestemte farlige stoffer" **2011/65/EU**
- fra 17. mai 2006, "angående maskiner" **2006/42/EF**
- fra 26. februar 2014 «angående elektromagnetisk kompatibilitet» **2014/30/EU**
- fra 8. mai 2000 "angående utslipp av støy til omgivelsene" **2000/14/EF**

For informasjon som gjelder støytuslipp kan du se kapittelet Tekniske data.

Følgende standarder er blitt tillempet:

**EN 60335-1:2012+A11:2014+A13:2017, EN 50636-2-92:2014, EN 55014-1:2017, EN 55014-2:2015, EN 61000-3-2:2014, EN 61000-3-11:2000**

Huskvarna, 2019-01-15



Claes Losdal, Development Manager / hageprodukter  
(autorisert representant for Husqvarna AB og ansvarlig for teknisk dokumentasjon)

---

## SPIS TREŚCI

---

Wstęp.....	454	Rozwiązywanie problemów.....	476
Bezpieczeństwo.....	458	Transport, przechowywanie i utylizacja.....	477
Montaż.....	468	Dane techniczne.....	478
Przeznaczenie.....	469	Deklaracja zgodności WE.....	480
Przegląd.....	473	Deklaracja zgodności WE.....	481

---

## Wstęp

---

### Opis produktu

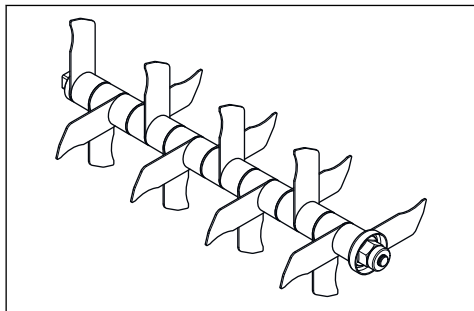
Produkt jest elektrycznym pchanym wertykulatorem. Produkt usuwa filc i mech z trawnika oraz rozluźnia glebę, aby umożliwić nawodnienie i napowietrzenie trawnika. Filc jest zbierany do kosza na trawę lub wyrzucany na trawnik. Produkt ma 2 rodzaje osprzętu wertykulacyjnego.

### Osprzęt wertykulacyjny

Patrz *Wymiana osprzętu wertykulacyjnego* na stronie 475, gdzie opisano sposób wymiany osprzętu wertykulacyjnego.

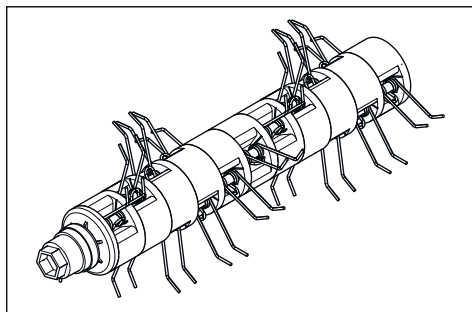
### Noże delta

Noże delta usuwają filc i nacinają korzenie trawy w pionie. Noże delta należy stosować na zboczach, tarasach i glebach, które mają dużą ilość gliny. Noże delta umożliwiają przedostanie się wody w głąb trawnika i zapobiegają jej gromadzeniu się na powierzchni



### Brona sprężynowa

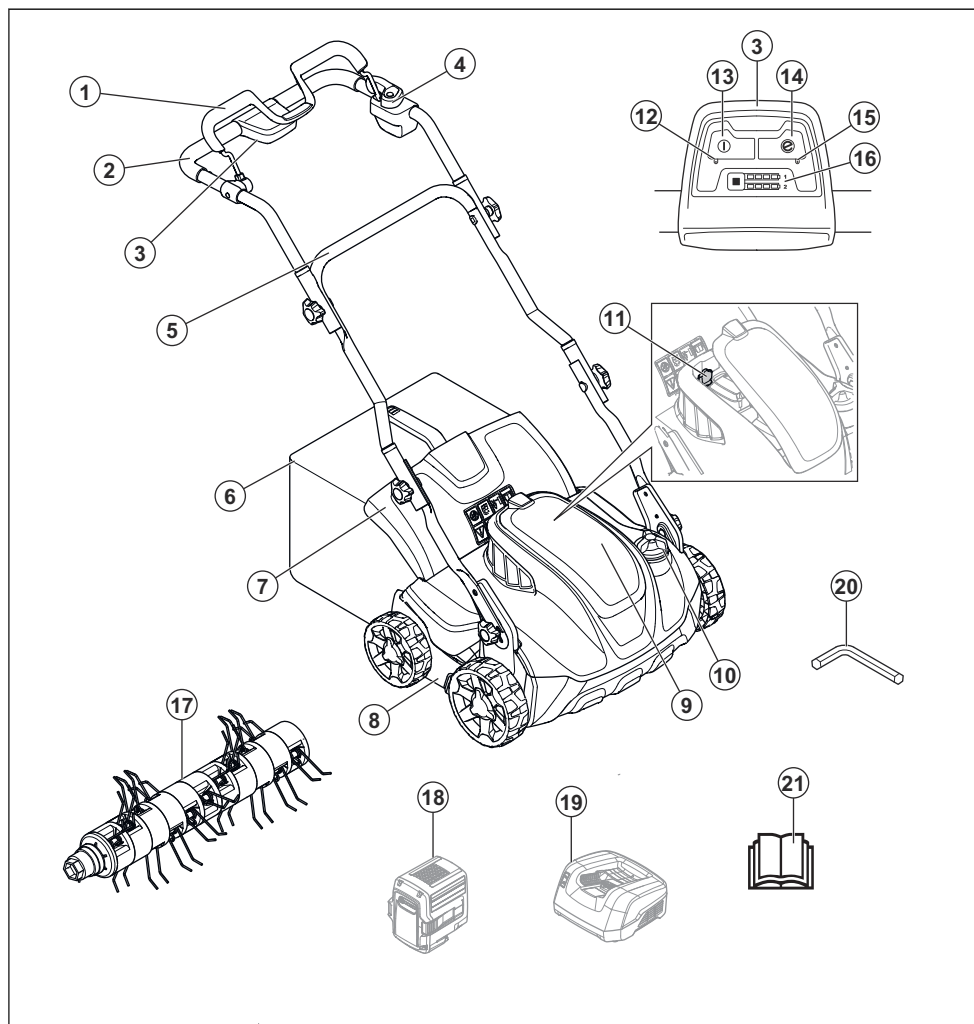
Brona sprężynowa delikatnie usuwa martwą trawę i filc z trawnika bez uszkodzania korzeni trawy.



### Przeznaczenie

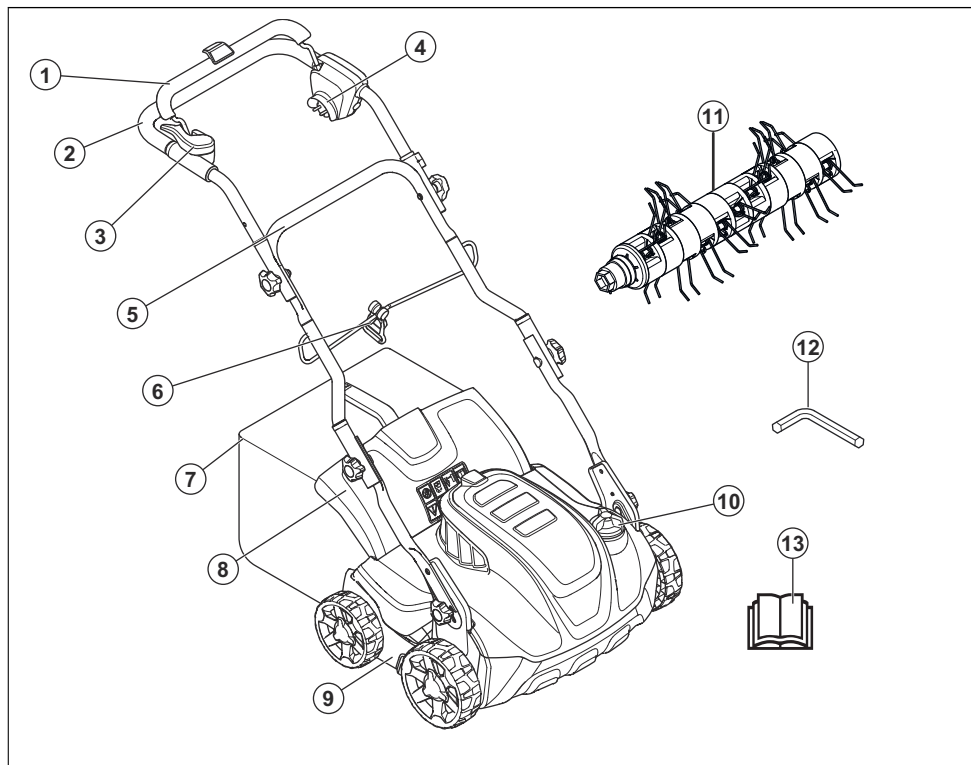
Produktu należy używać do usuwania filcu i mchu oraz do rozluźnienia gleby w prywatnych ogrodach. Nie używać produktu do innych zadań.

## Opis modelu S 138i



- |  |   |
|--|---|
| 1. Uchwyt hamulca silnika                          | 11. Kluczyk bezpieczeństwa                                  |
| 2. Uchwyt górny                                    | 12. Dioda LED wskaźnika wł./wyt.                            |
| 3. Panel sterowania                                | 13. Przycisk wł./wyt.                                       |
| 4. Zabezpieczenie przed niepożądanym uruchomieniem | 14. Przycisk SavE   |
| 5. Uchwyt dolny                                    | 15. Dioda LED wskaźnika SavE                                |
| 6. Pojemnik na trawę                               | 16. Wskaźnik naładowania akumulatora i przycisk akumulatora |
| 7. Pokrywa tylna                                   | 17. Brona sprężynowa  |
| 8. Osłona wertykulatora                            | 18. Akumulator (akcesorium)                                 |
| 9. Pokrywa akumulatora                             | 19. Ładowarka akumulatora (akcesorium)                      |
| 10. Pokrętko regulacji głębokości roboczej         | 20. Klucz sześciokątny                                      |

## Opis modelu S 138C



1. Uchwyt hamulca silnika
2. Uchwyt górny
3. Zabezpieczenie przed niepożądanym uruchomieniem
4. Gniazdo zasilania
5. Uchwyt dolny
6. Zacisk kabla
7. Pojemnik na trawę
8. Pokrywa tylna
9. Osłona wertykulatora
10. Pokrętko regulacji głębokości roboczej
11. Brama sprężynowa
12. Klucz sześciokątny
13. Instrukcja obsługi

lub nieprawidłowej obsługi mogą być obrażenia lub śmierć użytkownika bądź innych osób.



Przed użyciem produktu należy przeczytać ze zrozumieniem instrukcję obsługi.

### Symbole znajdujące się na produkcie





Ostrzeżenie:  
Następstwem nieuważnej





Należy uważać na odrzucane i rykoszetujące przedmioty.





 Ludzie i zwierzęta powinny przebywać w bezpiecznej odległości od obszaru roboczego.


 Ostrzeżenie: Ręce i stopy należy trzymać z dala od obracającego się ostrza.

 Przed przystąpieniem do konserwacji wyjąć kluczyk zabezpieczający (model S 138i).

 Przed rozpoczęciem czynności konserwacyjnych odłączyć produkt od gniazda zasilającego (model S 138C).

 Niebezpieczeństwo porażeniem prądem elektrycznym (model S 138C).


 Chronić przed deszczem (model S 138i).


 Ostrzeżenie: Nie należy używać produktu, jeśli pod spodem znajduje się przewód zasilający, ponieważ może to doprowadzić do porażenia prądem lub uszkodzenia produktu (model S 138C).


**IPX4** Produkt jest zabezpieczony przed rozbryzgami wody.

**EAC** Ten produkt jest zgodny z odpowiednimi dyrektywami EAC.

**CE** Niniejszy produkt jest zgodny z obowiązującymi dyrektywami wspólnoty europejskiej.

 Produkt jest zgodny z odpowiednimi dyrektywami UkrSEPRO.

 Emisja hałasu zgodna z Dyrektywą Wspólnoty Europejskiej. Hałas emitowany przez urządzenie jest określony w rozdziale „Dane techniczne” oraz na tabliczce znamionowej.

 Podwójna izolacja (model S 138C).



Produkt należy poddać recyklingowi w punkcie zbiórki sprzętu elektrycznego i elektronicznego. (Dotyczy tylko Europy)



Procedura uruchamiania dla modelu S 138i: nacisnąć przycisk WŁ./WYŁ., zwolnić blokadę rozruchu i popchnąć dźwignię hamulca silnika w dół.



Kod do przeskanowania.

**Uwaga:** Pozostałe symbole/naklejki samoprzylepne umieszczone na produkcie dotyczą wymogów związanych z certyfikatami w niektórych krajach.

## ODPOWIEDZIALNOŚĆ ZA PRODUKT

Zgodnie z przepisami dotyczącymi odpowiedzialności za produkt nie ponosimy odpowiedzialności za szkody spowodowane przez nasz produkt, jeśli:

- produkt jest nieprawidłowo naprawiany.
- produkt jest naprawiany przy użyciu części nie pochodzących od producenta lub niezatwierdzonych przez producenta.
- produkt jest wyposażony w akcesoria nie pochodzące od producenta lub niezatwierdzone przez producenta.
- produkt nie jest naprawiany w autoryzowanym centrum serwisowym lub przez autoryzowaną placówkę.



Procedura uruchomienia modelu S 138C: poluzować opóźniacz rozruchu, nacisnąć uchwyt hamulca silnika.



Zwolnić uchwyt hamulca silnika, aby zatrzymać.

## Bezpieczeństwo

### Definicje dotyczące bezpieczeństwa

Ostrzeżenia, uwagi i informacje są używane do zwrócenia uwagi na szczególnie ważne sekcje instrukcji obsługi.



**OSTRZEŻENIE:** Stosuje się, gdy istnieje ryzyko poważnych obrażeń lub śmierci operatora albo osób postronnych w

wyniku nieprzestrzegania instrukcji obsługi.



**UWAGA:** Stosuje się, gdy istnieje ryzyko uszkodzenia produktu, innych materiałów lub otoczenia w wyniku nieprzestrzegania instrukcji obsługi.

**Uwaga:** stosuje się, aby przekazać więcej informacji,

które są przydatne w danej sytuacji.

---

## Ogólne zasady bezpieczeństwa

---



**OSTRZEŻENIE:** Przed rozpoczęciem użytkowania produktu przeczytać następujące ostrzeżenia.

---

- Produkt ten może być niebezpieczny w przypadku jego nieprawidłowego użytkowania i niezachowania ostrożności. Nieprzestrzeganie instrukcji bezpieczeństwa może spowodować obrażenia ciała lub śmierć.
- Niniejszy produkt podczas pracy wytwarza pole elektromagnetyczne. W pewnych okolicznościach pole to może zakłócać pracę aktywnych lub pasywnych implantów medycznych. Przed użyciem tego produktu osoby z wszczepionym implantem medycznym powinny skonsultować się z lekarzem i producentem implantu w celu ograniczenia ryzyka poważnych lub śmiertelnych obrażeń.
- Zawsze zachowywać ostrożność i kierować się zdrowym rozsądkiem. Jeśli nie ma pewności, w jaki sposób należy obsługiwać ten produkt w konkretnej sytuacji, przed wznowieniem pracy należy porozmawiać z dealerem Husqvarna.
- Pamiętać o tym, że operator ponosi odpowiedzialność za wypadki z udziałem innych ludzi i ich własności.
- Utrzymywać produkt czystym. Upewnić się, że można łatwo odczytać oznaczenia i naklejki.
- Nie pozwalać używać maszyny jakimkolwiek osobom, które nie zapoznały się i nie zrozumiały zawartości instrukcji obsługi.
- Nie pozwalać dzieciom używać maszyny.
- Nie pozwalać osobom nieznanym instrukcji używać maszyny.
- Należy zawsze kontrolować osobę o ograniczonych możliwościach fizycznych lub umysłowych podczas używania produktu. Zawsze musi jej towarzyszyć odpowiedzialna osoba dorosła.
- Osoba, która jest zmęczona, chora lub pod wpływem alkoholu, narkotyków lub lekarstw nie może obsługiwać

urządzenia Stany te mają negatywny wpływ na wzrok, uwagę, koordynację i osąd.

- Nie stosować uszkodzonego produktu.
- Nie wolno dokonywać w maszynie zmian stanowiących modyfikację jej oryginalnej wersji. Nie używać maszyny, jeżeli istnieje podejrzenie, że ktoś inny wprowadził w niej zmiany.

## Bezpieczeństwo miejsca pracy



**OSTRZEŻENIE:** Przed rozpoczęciem użytkowania produktu przeczytać następujące ostrzeżenia.

- Usunąć obiekty, takie jak gałęzie, gałązki i kamienie z obszaru roboczego przed rozpoczęciem korzystania z maszyny.
- Obiekty, które zderzają się z osprzętem wertykalnym, mogą zostać wyrzucone i spowodować obrażenia osób i uszkodzenia przedmiotów. Osoby znajdujące się w pobliżu i zwierzęta powinny zachować bezpieczną odległość od maszyny.
- Nigdy nie należy używać produktu w niesprzyjających

warunkach np. we mgle, w deszczu, przy silnym wietrze, na silnym mrozie, gdy występuje ryzyko wyładowań atmosferycznych. Korzystanie z maszyny w niesprzyjających warunkach lub w wilgotnych czy mokrych lokalizacjach jest męczące. Niesprzyjające warunki pogodowe mogą stworzyć niebezpieczne warunki, takie jak śliskie powierzchnie.

- Należy uważać na osoby, przedmioty i sytuacje, które mogą uniemożliwić bezpieczną obsługę maszyny.
- Należy zwracać uwagę na przeszkody, takie jak korzenie, kamienie, gałązki, dziury i doły. Wysoka trawa może zasłaniać przeszkody.
- Używanie produktu na pochyłościach może być niebezpieczne. Nie należy używać maszyny na pochyłościach terenu przekraczających 15°.
- Należy używać maszyny, prowadząc ją w poprzek zbocza. Nie należy jeździć w górę i w dół zbocza.
- Zachować ostrożność podczas zbliżania się do narożników lub innych obiektów, które mogą ograniczać widoczność.

## Pracuj bezpiecznie

---



**OSTRZEŻENIE:** Przed rozpoczęciem użytkowania produktu przeczytać następujące ostrzeżenia.

---

- Produkt ten należy używać wyłącznie do usuwania filcu i mchu z trawników. Nie jest dozwolone wykorzystanie maszyny do innych zadań.
  - Stosować środki ochrony osobistej. Patrz *Środki ochrony osobistej na stronie 462*.
  - Nie używać urządzenia podczas deszczu ani w wilgotnym otoczeniu. Dostanie się wody do wnętrza urządzenia zwiększa ryzyko porażenia prądem.
  - Nie należy obsługiwać produktu, jeśli osprzęt wertykulacyjny oraz wszystkie osłony nie zostały prawidłowo zamocowane. Nieprawidłowo zamocowany osprzęt wertykulacyjny może się obluzować i spowodować obrażenia.
  - Należy upewnić się, że osprzęt wertykulacyjny nie uderza w żadne obiekty, takie jak kamienie czy korzenie.
- Może to spowodować uszkodzenie osprzętu wertykulacyjnego oraz wygięcie wału silnika. Zgięta oś powoduje silne wibracje oraz bardzo wysokie zagrożenie obluzowaniem osprzętu wertykulacyjnego.
- Jeśli osprzęt wertykulacyjny uderzy w jakikolwiek obiekt lub jeśli wystąpią wibracje, należy natychmiast wyłączyć produkt. Wyłączyć silnik, przekręcić kluczyk bezpieczeństwa w położenie 0, a następnie wyjąć akumulator (model S 138i) lub odłączyć przewód zasilający (model S 138C). Należy sprawdzić maszynę pod kątem uszkodzeń. Należy naprawić uszkodzenia lub zlecić przeprowadzenie naprawy przez autoryzowany punkt serwisowy.
  - Nigdy nie należy na stałe przymocowywać uchwytu hamulca silnikowego do uchwytu podczas pracy silnika.
  - Maszynę należy ustawić na stabilnej, płaskiej powierzchni i ją uruchomić. Należy upewnić się, że osprzęt wertykulacyjny nie uderza w podłoże ani inne przedmioty.
  - Podczas obsługi maszyny zawsze należy stać za nią.

- Podczas obsługi maszyny należy upewnić się, że wszystkie koła dotykają podłoża oraz trzymać na kierownicy obie dłonie. Ręce i stopy należy trzymać z dala od obracającego się osprzętu wertykalacyjnego.
- Nie przechylać produktu, kiedy uruchomiony jest silnik.
- Należy zachować ostrożność podczas ciągnięcia maszyny do tyłu.
- Nigdy nie należy podnosić maszyny przy włączonym silniku. Jeśli konieczne jest podniesienie produktu, należy najpierw wyłączyć silnik, przekręcić kluczyk bezpieczeństwa w położenie 0, a następnie wyjąć akumulator (model S 138i) lub odłączyć przewód zasilający (model S 138C).
- Nie należy poruszać się do tyłu podczas obsługi maszyny.
- Podczas poruszania się po obszarach bez trawy, na przykład po żwirowych, kamiennych lub asfaltowych ścieżkach, należy wyłączyć silnik.
- Nie należy biegać z maszyną przy włączonym silniku. Podczas obsługi maszyny

zawsze należy poruszać się chodem.

- Przed zmianą głębokości roboczej należy wyłączyć silnik. Nigdy nie należy wykonywać regulacji przy uruchomionym silniku.
- Nigdy nie należy pozostawiać maszyny poza zasięgiem wzroku przy włączonym silniku. Należy wyłączyć silnik i upewnić się, że osprzęt wertykalacyjny nie obraca się.

### Instrukcje bezpieczeństwa dotyczące obsługi

#### Środki ochrony osobistej

Podczas używania urządzenia należy zawsze mieć na sobie środki ochrony osobistej dopuszczone do użytku przez odpowiednie władze. Środki ochrony osobistej nie eliminują ryzyka odniesienia obrażeń, natomiast ograniczają ich rozmiar w razie zaistnienia wypadku. Poproś swojego dealera o pomoc w wyborze środków ochrony osobistej.

Zawsze należy zakładać:

- Ochronę słuchu w celu zminimalizowania ryzyka jego uszkodzenia.
- Mocne, przeciwpoślizgowe, wysokie obuwie ochronne lub obuwie robocze. Nie należy zakładać sandałów ani pracować bez obuwia.
- Długie spodnie z mocnej tkaniny. Nie zakładać szortów.

W razie konieczności zakładać rękawice, na przykład podczas mocowania, kontrolowania lub czyszczenia osprzętu wertykalacyjnego.



**OSTRZEŻENIE:** Należy stosować atestowane ochronniki słuchu. Długotrwałe przebywanie w hałasie może doprowadzić do trwałej utraty słuchu.

#### Zespoły zabezpieczające na osprzęcie



**OSTRZEŻENIE:** Przed rozpoczęciem użytkowania produktu przeczytać następujące ostrzeżenia.

- Nie należy używać maszyny z uszkodzonymi urządzeniami zabezpieczającymi.
- Regularnie przeprowadzać kontrole urządzeń zabezpieczających. Jeśli urządzenia zabezpieczające są uszkodzone, skontaktować się z warsztatem obsługi technicznej Husqvarna.

### Sprawdzanie osłon

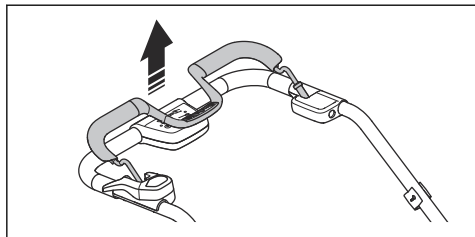
Osłona wertykulatora ogranicza drgania produktu i obniża ryzyko odniesienia obrażeń od osprzętu wertykulacyjnego.

- Sprawdzić boczną osłonę wertykulatora, aby upewnić się, że nie nosi ona znamion uszkodzenia, takich jak pęknięcia.
- Sprawdzić tylną osłonę wertykulatora, aby upewnić się, że nie nosi ona znamion uszkodzenia, takich jak pęknięcia.

### Uchwyt hamulca silnika

Uchwyt hamulca silnika zatrzymuje silnik. Po zwolnieniu uchwytu hamulca silnika następuje wyłączenie silnika.

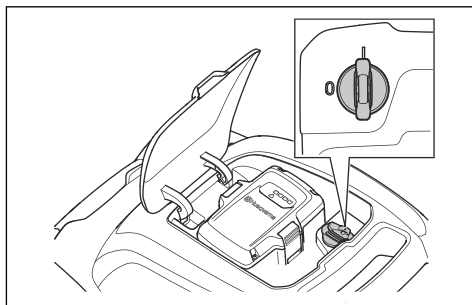
Aby przeprowadzić kontrolę hamulca silnika, należy uruchomić silnik, a następnie zwolnić uchwyt hamulca silnika. Jeśli silnik nie wyłączy się w czasie 3 sekund, autoryzowany punkt serwisowy Husqvarna powinien wyregulować hamulec silnika.



### Kluczyk bezpieczeństwa

Kluczyk bezpieczeństwa znajduje się pod pokrywą akumulatora. Kluczyk bezpieczeństwa służy do podłączenia akumulatora, który zasila silnik.

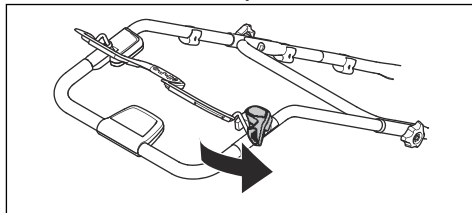
- Uruchomić i wyłączyć silnik, aby przeprowadzić kontrolę kluczyka bezpieczeństwa.
- Jeżeli kluczyk bezpieczeństwa działa prawidłowo, silnik uruchomi się tylko po przekręceniu kluczyka do położenia 1.



### Sprawdzanie zabezpieczenia przed niepożądanym uruchomieniem

Skontrolować zabezpieczenie przed niepożądanym uruchomieniem urządzenia, aby upewnić się, że zapobiega ono uruchomieniu silnika.

1. Pchnąć dźwignię hamulca silnika w stronę drążka sterującego. Zabezpieczenie przed niepożądanym uruchomieniem urządzenia zatrzymuje ruch.
2. Popchnąć zabezpieczenie przed niepożądanym uruchomieniem na zewnątrz.



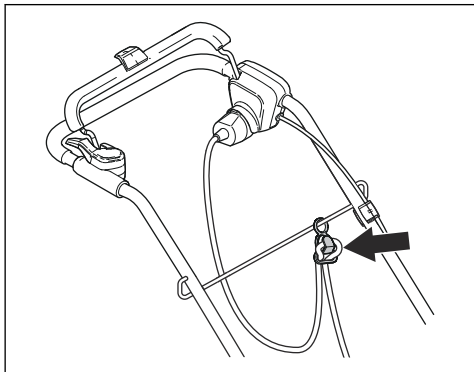
3. Zwolnić zabezpieczenie przed niepożądanym uruchomieniem urządzenia, aby upewnić się, że powróci do swojego położenia wyjściowego.

### Korzystanie z uchwytu przewodu zasilającego (model S 138C)

Uchwyt przewodu zasilającego zmniejsza naprężenie na gnieździe zasilania i przewodzie. Uchwyt przewodu zasilającego zmniejsza również ryzyko upadku użytkownika.

1. Zagiąć przewód zasilający, aby utworzyć małą pętlę.
2. Umieścić pętlę w otworze w uchwycie przewodu zasilającego.
3. Założyć pętlę wokół haka.

4. Pociągnąć za przewód zasilający, aby zacisnąć pętlę na haku.



## Zasady bezpieczeństwa związane z akumulatorem



**OSTRZEŻENIE:** Przed rozpoczęciem użytkowania produktu przeczytać następujące ostrzeżenia.

- Używać akumulatorów Husqvarna wyłącznie do zasilania powiązanych produktów Husqvarna. Aby uniknąć obrażeń, nie należy używać akumulatora jako źródła zasilania innych produktów.
- Nie korzystać z baterii jednorazowego użytku.
- Ryzyko porażenia prądem. Nie przykładać zacisków akumulatora do kluczy, monet, śrub lub innych metalowych przedmiotów. Może to spowodować zwarcie akumulatora.
- Nie wkładać żadnych przedmiotów do szczelin powietrznych akumulatora.
- Chronić akumulator przed bezpośrednim działaniem promieni słonecznych, wysoką temperaturą i otwartym płomieniem. Akumulator może wybuchnąć i spowodować oparzenia i/lub oparzenia chemiczne.
- Akumulator należy chronić przed deszczem i wodą.
- Akumulator należy chronić przed działaniem mikrofal i wysokiego ciśnienia.
- Nie próbować rozbierać ani rozbijać akumulatora.
- Jeśli doszło do wycieku z akumulatora, unikać kontaktu cieczy ze skórą i oczami. W przypadku dotknięcia cieczy przemyć skórę dużą ilością wody i zgłosić się do lekarza.
- Akumulator można użytkować w zakresie temperatur od  $-10^{\circ}\text{C}$  do  $40^{\circ}\text{C}$ .
- Do czyszczenia akumulatora ani ładowarki nie należy używać wody. Patrz *Czyszczenie akumulatora i ładowarki na stronie 474.*



- Nie należy używać wadliwego ani uszkodzonego akumulatora.
- Przechowywać akumulatory z dala od metalowych przedmiotów, takich jak gwoździe, monety czy biżuteria.

## Zasady bezpieczeństwa w czasie obsługi ładowarki



**OSTRZEŻENIE:** Przed rozpoczęciem użytkowania produktu przeczytać następujące ostrzeżenia.

- Używać ładowarki QC jedynie do ładowania akumulatorów wymiennych Husqvarna.
- Istnieje ryzyko porażenie prądem i zwarcia. Nie wkładać żadnych przedmiotów do szczelin wentylacyjnych ładowarki. Nie należy podejmować prób rozmontowania ładowarki. Nie zwierać końcówek ładowarki metalowymi przedmiotami. Należy korzystać z zatwierdzonego gniazda zasilania.
- Niniejszy produkt podczas pracy wytwarza pole elektromagnetyczne. W pewnych okolicznościach pole to może zakłócać pracę aktywnych lub pasywnych implantów medycznych. Przed użyciem tego produktu osoby z wszczepionym implantem medycznym powinny skonsultować się z lekarzem i producentem implantu w celu ograniczenia ryzyka poważnych lub śmiertelnych obrażeń.
- Należy regularnie sprawdzać, czy przewód zasilający ładowarki do akumulatora nie jest uszkodzony i popękany.
- Nie podnosić ładowarki do akumulatora za przewód zasilający. Aby odłączyć ładowarkę do akumulatora od gniazda, wyciągnąć wtyczkę. Nie ciągnąć z przewodów.
- Uważać, aby przewód zasilający i przedłużacze nie stykały się z wodą, olejem ani nie dotykały ostrych krawędzi. Uważać także, aby przewód nie został zakleszczony w drzwiach, furtkach, płotach itp. Może to spowodować, że ładowarka znajdzie się pod napięciem.
- Do czyszczenia ładowarki nie należy używać wody.
- Ładowarka do akumulatora może być używana przez dzieci, które przekroczyły 8 rok

życia, oraz przez osoby o ograniczonych zdolnościach fizycznych, sensorycznych bądź umysłowych lub nie posiadające odpowiedniego doświadczenia i wiedzy, jeśli są one pod nadzorem lub zostały poinstruowane w zakresie bezpiecznego użytkowania ładowarki i rozumieją wiążące się z nią zagrożenia. Dzieci nie mogą bawić się ładowarką do akumulatora. Dzieci nie mogą bez nadzoru czyścić urządzenia ani przeprowadzać jego konserwacji.

- Nie należy ładować akumulatorów nieprzeznaczonych do ładowania.
- Nie używać ładowarki do akumulatora w pobliżu łatwopalnych materiałów lub materiałów, które mogą powodować korozję. Ładowarki nie należy przykrywać. W razie zauważenia dymu lub ognia należy odłączyć ładowarkę od źródła zasilania.
- Nie należy używać wadliwej lub uszkodzonej ładowarki do akumulatora.
- Należy ładować akumulator wyłącznie wewnątrz budynku, w pomieszczeniu z dobrym

przepływem powietrza i z dala od światła słonecznego. Nie ładować akumulatora w wilgotnym otoczeniu.

#### **Bezpieczeństwo używania przewodu zasilającego**

Model S 138C.

- Zalecane jest stosowanie wyłącznika różnicowoprądowego (RCD) o prądzie wyłączeniowym nie większym niż 30 mA. Nawet gdy wyłącznik RCD jest zamontowany, nie ma 100% gwarancji bezpieczeństwa i należy zawsze przestrzegać procedur bezpiecznej pracy. Należy sprawdzać wyłącznik RCD przy każdym użyciu.
- Jeśli przewód zasilający jest przecięty lub izolacja jest uszkodzona, należy bezzwłocznie odłączyć zasilanie sieciowe.
- Nie wolno dotykać przeciętego ani uszkodzonego przewodu zasilającego, dopóki zasilanie elektryczne nie zostanie odłączone.
- Nie wolno naprawiać przeciętego lub uszkodzonego przewodu zasilającego. Wymienić go na nowy.

## Instrukcje bezpieczeństwa dotyczące konserwacji

---



**OSTRZEŻENIE:** Przed rozpoczęciem użytkowania produktu przeczytać następujące ostrzeżenia.

---

- Model S 138i: Aby zapobiec przypadkowemu włączeniu w trakcie prac konserwacyjnych, należy przekręcić kluczyk bezpieczeństwa w położenie „0” i wyjąć akumulator. Przed rozpoczęciem prac konserwacyjnych odczekać co najmniej 5 s.
- Model S 138C: Aby zapobiec przypadkowemu uruchomieniu podczas konserwacji, należy odłączyć przewód zasilający.
- Prace konserwacyjne należy wykonywać w prawidłowy sposób, aby zwiększyć żywotność produktu i zmniejszyć ryzyko wypadków. Wykonanie profesjonalnych napraw należy zlecić autoryzowanemu punktowi serwisowemu. Więcej informacji można uzyskać w najbliższym punkcie serwisowym.
- Należy wykonywać jedynie prace konserwacyjne opisane w instrukcji obsługi. Większe i bardziej skomplikowane prace muszą być wykonywane w autoryzowanym punkcie serwisowym.
- Podczas obsługi osprzętu wertykulacyjnego należy nosić specjalistyczne rękawice. Osprzęt wertykulacyjny jest bardzo ostry i może łatwo doprowadzić do skaleczenia.
- Aby uzyskać jak najlepsze efekty i zapewnić bezpieczeństwo, noże osprzętu wertykulacyjnego powinny być ostre i czyste.
- Regularnie oddawać urządzenie do autoryzowanego punktu serwisowego w celu jego kontroli i dokonania koniecznych regulacji lub napraw.
- Wymienić uszkodzone, zużyte lub zniszczone części.
- Należy przestrzegać instrukcji wymiany akcesoriów. Używać wyłącznie akcesoriów od producenta urządzenia.
- Gdy urządzenie nie jest użytkowane, należy przechowywać produkt, akumulator i ładowarkę z dala od siebie, w suchym i zamkniętym pomieszczeniu. Upewnić się, że dzieci ani

osoby niepowołane nie mogą uzyskać dostępu do produktu, akumulatora ani ładowarki.

## Montaż

### Wstęp



**OSTRZEŻENIE:** Przed montażem produktu należy przeczytać rozdział dotyczący bezpieczeństwa.

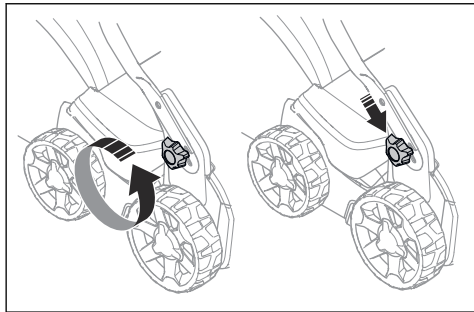


**OSTRZEŻENIE:** Model S 138i: Aby uniknąć niezamierzonego uruchomienia w trakcie montażu, należy przekręcić kluczyk zabezpieczający w położenie „0”, wyjąć akumulator i odczekać przynajmniej 5 s.

Model S 138C: Aby zapobiec przypadkowemu uruchomieniu podczas montażu, należy odłączyć przewód zasilający.

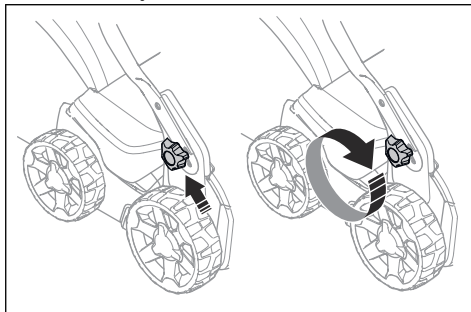
### Montaż uchwytu

1. Poluzować dolne pokrętki.
2. Przesunąć pokrętki do dolnych końców rowków po lewej i prawej stronie produktu.



3. Ustawić wysokość uchwytu w jedną z 2 dostępnych pozycji.

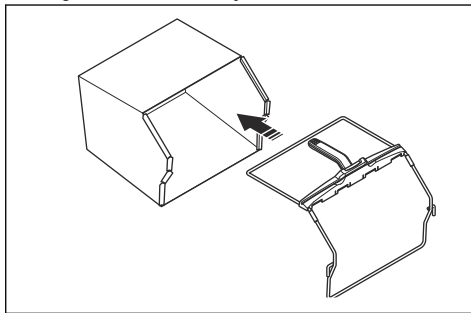
4. Przesunąć pokrętki w górę w kierunku uchwytu aż do zatrzaśnięcia.



5. Dokręcić do końca pokrętki.

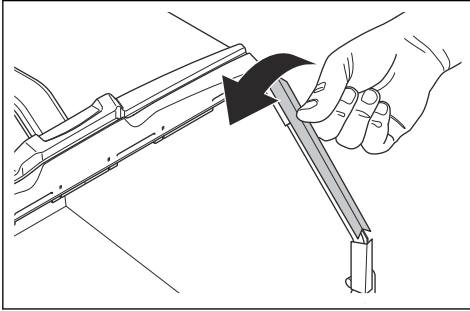
### Montaż pojemnika na trawę

1. Przymocować ramę pojemnika na trawę do worka na trawę tak, aby sztywna część worka znajdowała się na dole. Upewnić się, że uchwyt ramy znajduje się na górze worka na trawę.

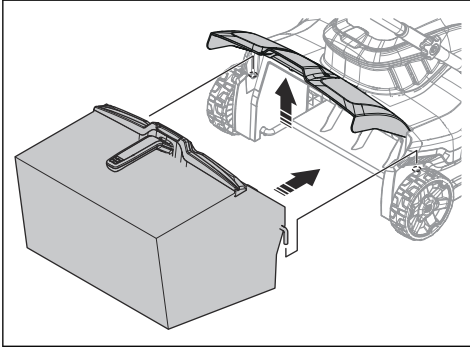


2. Zamocować dolną część ramy pojemnika na trawę w rowku na spodzie pojemnika na trawę.

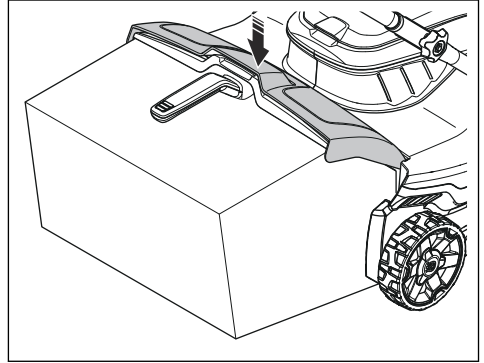
3. Przymocować worek do ramy pojemnika na trawę za pomocą zacisków.



4. Unieść tylną osłonę.  
5. Umieścić kosz na trawę we właściwej pozycji.



6. Zamocować zbiornik na trawę do górnej krawędzi obudowy. Upewnić się, że tylna osłona dociera do kosza na trawę, aby zapobiec wysypywaniu.



---

## Przeznaczenie

---

### Wstęp



**OSTRZEŻENIE:** Przed użyciem urządzenia należy przeczytać ze zrozumieniem rozdział poświęcony bezpieczeństwu.

### Ustawianie głębokości roboczej



**OSTRZEŻENIE:** Nie regulować głębokości roboczej podczas działania produktu.

### Husqvarna Connect

Husqvarna Connect to darmowa aplikacja na urządzenia mobilne. Husqvarna ConnectHusqvarna

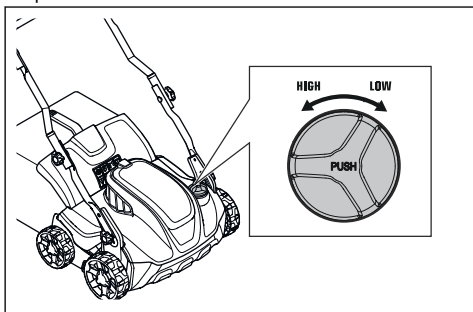
- Extended product information.
- Information about, and help with, product parts and servicing.

### Rozpoczęcie użytkowania Husqvarna Connect

1. Pobierz aplikację Husqvarna Connect na swoim urządzeniu mobilnym.
2. Zarejestruj się w aplikacji Husqvarna Connect.
3. Wykonaj instrukcje wyświetlane w aplikacji Husqvarna Connect, aby nawiązać połączenie i zarejestrować produkt.

1. Aby zwiększyć głębokość roboczą, należy nacisnąć i obrócić pokrętko regulacyjne głębokości roboczej w lewo.

2. Aby zmniejszyć głębokość roboczą, należy nacisnąć i obrócić pokrętkę regulacyjną głębokości roboczej w prawo.



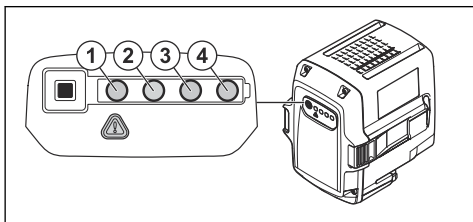
## Akumulator



**OSTRZEŻENIE:** Przed rozpoczęciem korzystania z akumulatora należy przeczytać ze zrozumieniem rozdział poświęcony bezpieczeństwu. Należy również przeczytać uważnie instrukcję obsługi dołączonej do akumulatora i ładowarki.

## Stan akumulatora

Na wyświetlaczu pokazywane są informacje o stanie naładowania akumulatora i sygnalizowane ewentualne problemy. Stan naładowania akumulatora jest wyświetlany przez 5 s po wyłączeniu urządzenia lub po naciśnięciu przycisku wskaźnika akumulatora. W przypadku wystąpienia błędu włącza się symbol ostrzegawczy na akumulatorze. Patrz *Akumulator na stronie 476*.



Diody LED	Stan akumulatora
Świecą się wszystkie diody LED.	W pełni naładowany (75–100%).
Świecą się diody LED 1, LED 2, LED 3.	Poziom naładowania akumulatora 50–75%.
Świecą się diody LED 1, LED 2.	Poziom naładowania akumulatora 25–50%.
Świeci się dioda LED 1.	Poziom naładowania akumulatora: 0–25%.

Diody LED	Stan akumulatora
Miga dioda LED 1.	Akumulator rozładowany. Naładuj akumulator.

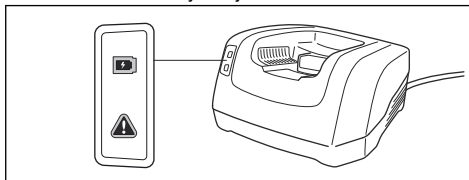
## Ładowanie akumulatora

Przed pierwszym użyciem należy naładować akumulator. W chwili dostawy do klienta akumulator jest naładowany jedynie w 30%.

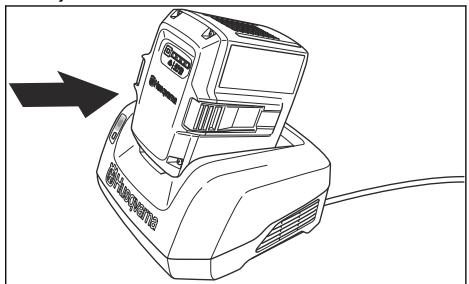
**Uwaga:** Ładowarka do akumulatora musi zostać podłączona do napięcia i częstotliwości wskazanych na tabliczce znamionowej.

Akumulator nie ładuje się, gdy temperatura akumulatora przekracza 50°C. Przed rozpoczęciem ładowania ładowarka zmniejsza temperaturę akumulatora.

1. Podłączyć jeden koniec przewodu zasilającego ładowarki do gniazda ładowarki.
2. Podłączyć drugi koniec przewodu zasilającego ładowarki do gniazda sieciowego z uziemieniem. Dioda ładowarki błysnie jeden raz na zielono.



3. Włożyć akumulator do ładowarki. Kiedy akumulator jest prawidłowo podłączony do ładowarki, włącza się na niej zielona dioda.



4. Akumulator jest całkowicie naładowany, gdy włącza się wszystkie diody. Akumulator można ładować przez maks. 24 godziny.
5. Aby odłączyć ładowarkę od gniazda sieciowego, należy ciągnąć za wtyczkę, a nie za przewód.
6. Akumulator należy wyjąć z ładowarki.

## Stan ładowania akumulatora

Akumulator litowo-jonowy Husqvarna można ładować i używać przy różnych poziomach naładowania. Akumulator nie jest uszkodzony. W pełni naładowany

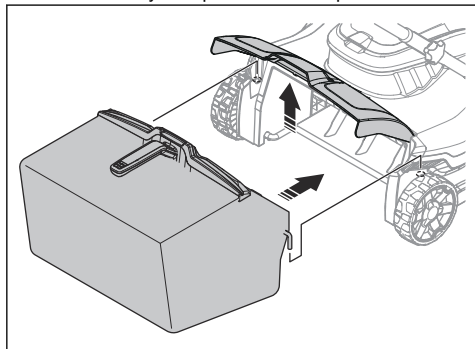
akumulator nie będzie się rozładowywał, nawet jeśli zostanie w ładowarce.

Wyświetlacz LED	Stan ładowania
Miga dioda LED 1.	0–25%
Dioda LED 1 świeci, a dioda LED 2 miga.	25–50%
Diody LED 1 i LED 2 świecą, a dioda LED 3 miga.	50–75%
Diody LED 1, LED 2 i LED 3 świecą, a dioda LED 4 miga.	75–100%
Świecą diody LED 1, LED 2, LED 3 i LED 4	Akumulator całkowicie naładowany

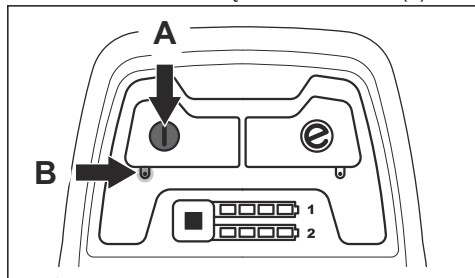
## Obsługa modelu S 138i

### Uruchamianie urządzenia

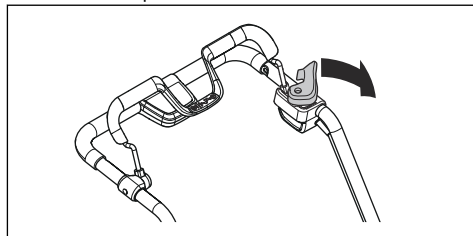
- Umieścić naładowany akumulator w komorze akumulatora nr 1 pod pokrywą akumulatora. Aby zapewnić dłuższy czas pracy, należy umieścić drugi akumulator w komorze akumulatora nr 2.
- Obrócić kluczyk bezpieczeństwa do położenia 1.



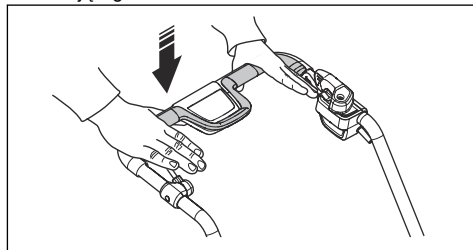
- Należy pozostawać za maszyną.
- Nacisnąć przycisk WŁ./WYŁ. (A) na panelu sterowania. Zaświeci się zielona dioda LED (B).



- Poluzować opóźniacz rozruchu.



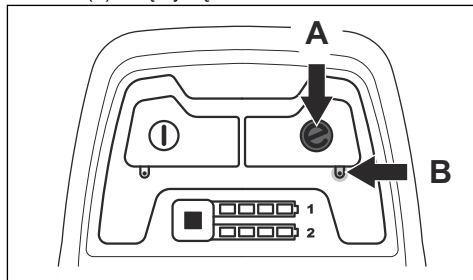
- Pchnąć dźwignię hamulca silnika w stronę drążka sterującego.



### Korzystanie z funkcji SavE

Urządzenie wyposażone jest w funkcję oszczędzania akumulatora (SavE), która zapewnia dłuższy czas pracy.

- Aby uruchomić funkcję, należy nacisnąć przycisk SavE (A). Włączy się zielona dioda.

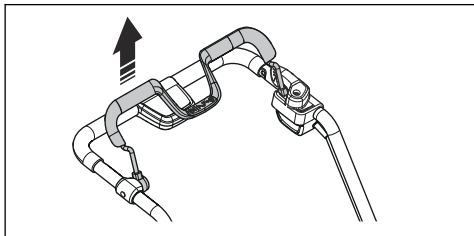


- Ponowne naciśnięcie przycisku SavE wyłączy funkcję. Zgaśnie zielona dioda (B).

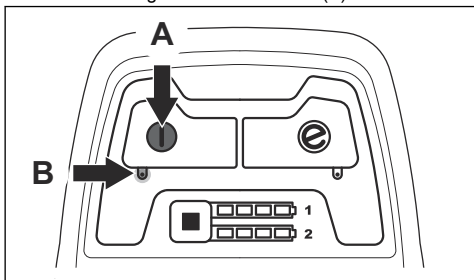
### Zatrzymywanie urządzenia

Urządzenie zatrzymuje się automatycznie, jeśli nie jest używane przez 10 min. Przed pozostawieniem produktu poza zasięgiem wzroku zawsze należy ustawić kluczyk bezpieczeństwa w położeniu 0.

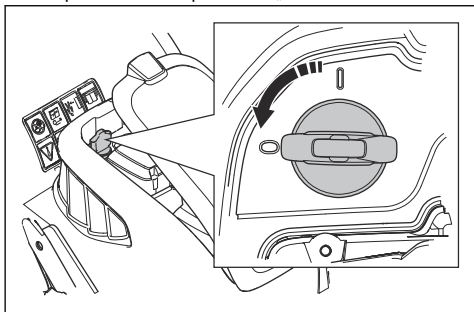
1. Aby wyłączyć silnik, należy zwolnić uchwyt hamulca silnika.



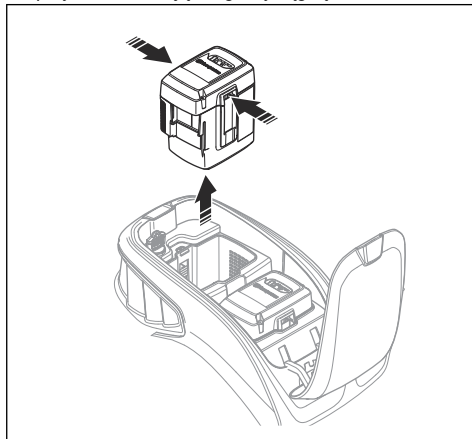
2. Nacisnąć przycisk WŁ./WYŁ. (A) na panelu sterowania. Zgaśnie zielona dioda (B).



3. Otworzyć pokrywę akumulatora i obrócić kluczyk bezpieczeństwa w położenie „0”.



4. Aby wyjąć akumulator, nacisnąć jednocześnie 2 przyciski zwalniające i go wyciągnąć.

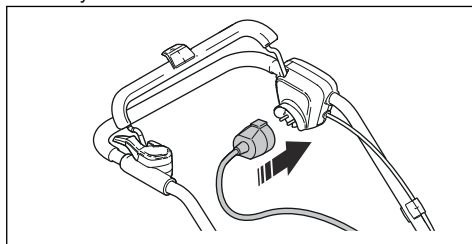


5. Jeżeli poziom naładowania akumulatora jest niski, należy go naładować. Więcej informacji można znaleźć w rozdziale *Ładowanie akumulatora na stronie 470.*

## Obsługa modelu S 138C

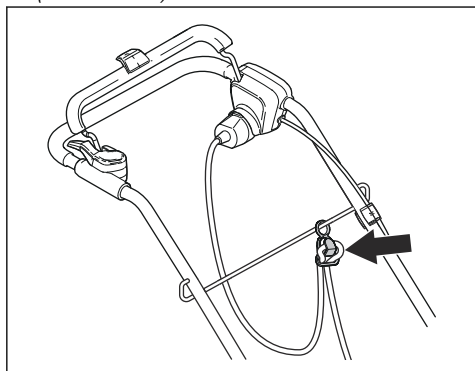
### Uruchamianie produktu

1. Podłączyć przewód zasilający do gniazda pod uchwytem.

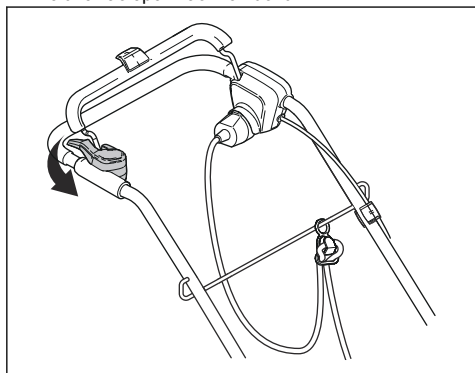




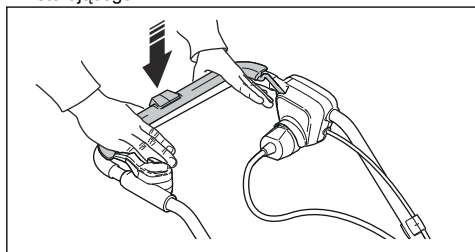
2. Umieścić przewód zasilania w uchwycie. Patrz *Korzystanie z uchwytu przewodu zasilającego (model S 138C) na stronie 463.*



3. Należy pozostawać za maszyną.  
4. Poluzować opóźniacz rozruchu.

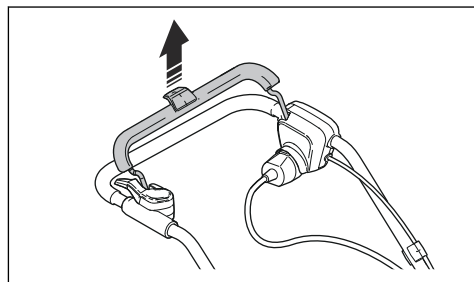


5. Pchnąć dźwignię hamulca silnika w stronę drążka sterującego.

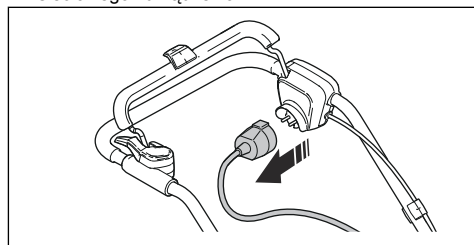


## Zatrzymywanie

1. Aby wyłączyć silnik, należy zwolnić uchwyt hamulca silnika.



2. Odłączyć przewód zasilający od zasilania sieciowego i urządzenia.



**UWAGA:** Wyciągnąć wtyk na wprost. Nie ciągnąć z przewód.

## Przegląd

### Wstęp



**OSTRZEŻENIE:** Przed przeprowadzeniem konserwacji należy przeczytać i zrozumieć rozdział o bezpieczeństwie.

Do wykonywania wszelkich prac serwisowych i naprawczych konieczne jest specjalistyczne przeszkolenie. Gwarantujemy dostępność profesjonalnych napraw i usług serwisowych. Jeśli dany dealer nie jest autoryzowanym punktem serwisowym,

poprosz sprzedawcę o informacje na temat najbliższego autoryzowanego punktu serwisowego.

ulegają zmianie, jeśli maszyna nie jest użytkowana codziennie.

Czynności konserwacyjne oznaczone znakiem \*, patrz *Zespoły zabezpieczające na osprzęcie na stronie 462.*

## Plan konserwacji

Odstępy pomiędzy konserwacjami obliczane są w oparciu o codzienne wykorzystanie produktu. Odstępy te

S 138i i S 138C	Każde użycie	Co miesi- ąc	Co sezon
Przeprowadzić ogólny przegląd.	X		
Wyczyścić produkt.	X		
Sprawdzić osprzęt wertykulacyjny.	X		
Sprawdzić, czy urządzenia zabezpieczające są sprawne. *	X		
Sprawdzić osłony. *	X		
Sprawdzić uchwyt hamulca silnika. *	X		
Sprawdzić blokadę rozruchu. *	X		

Tylko S 138i	Każde użycie	Co miesi- ąc	Co sezon
Sprawdzić, czy przycisk WŁ./WYŁ. działa poprawnie i jest sprawny.	X		
Sprawdzić akumulator pod kątem uszkodzeń.	X		
Sprawdzić naładowanie akumulatora.	X		
Sprawdzić, czy przyciski zwalniające akumulator działają prawidłowo oraz czy blokuje się on na miejscu w urządzeniu.	X		
Sprawdzić, czy ładowarka nie jest uszkodzona oraz czy działa prawidłowo.		X	
Sprawdzić połączenia pomiędzy akumulatorem a urządzeniem. Sprawdzić również połączenie pomiędzy akumulatorem a ładowarką.			X

## Przegląd ogólny

- Należy upewnić się, że nakrętki i śruby maszyny są dokręcone.
- Upewnić się, że przewody urządzenia nie znajdują się w położeniu, w którym mogłyby ulec uszkodzeniu.

## Czyszczenie produktu

- Plastikowe części należy czyścić czystą i suchą ściereczką.
- Do czyszczenia urządzenia nie należy używać wody. Woda mogłaby dostać się do akumulatora lub silnika i wywołać zwarcie lub uszkodzenie urządzenia.
- Nie używać myjek wysokociśnieniowych do czyszczenia urządzenia.
- Nie polewać silnika bezpośrednio wodą.
- W celu usunięcia liści, trawy i brudu należy użyć szczotki.

## Czyszczenie akumulatora i ładowarki



**UWAGA:** Do czyszczenia akumulatora ani ładowarki nie należy używać wody.

- Przed włożeniem akumulatora do ładowarki należy sprawdzić, czy akumulator i ładowarka są czyste i suche.
- Zaciski akumulatora należy czyścić sprężonym powietrzem lub miękką i suchą szmatką.
- Powierzchnie akumulatora i ładowarki należy czyścić miękką i suchą szmatką.

## Kontrola osprzętu wertykulacyjnego



**OSTRZEŻENIE:** Modele S 138i: Aby zapobiec przypadkowemu uruchomieniu, należy przekręcić kluczyk zabezpieczający

do położenia 0, wyjąć akumulator i odczekać przynajmniej 5 s.

Model S 138C: Aby zapobiec przypadkowemu uruchomieniu, należy odłączyć przewód zasilający.



**OSTRZEŻENIE:** W trakcie konserwacji osprzętu wertykulacyjnego należy używać rękawic ochronnych. Noże osprzętu wertykulacyjnego są bardzo ostre i mogą łatwo doprowadzić do skaleczenia.

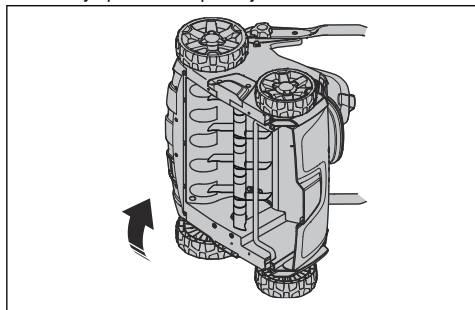
- Należy skontrolować, czy osprzęt wertykulacyjny nie jest uszkodzony ani pęknięty. Zawsze wymieniać uszkodzony osprzęt wertykulacyjny.

## Wymiana osprzętu wertykulacyjnego

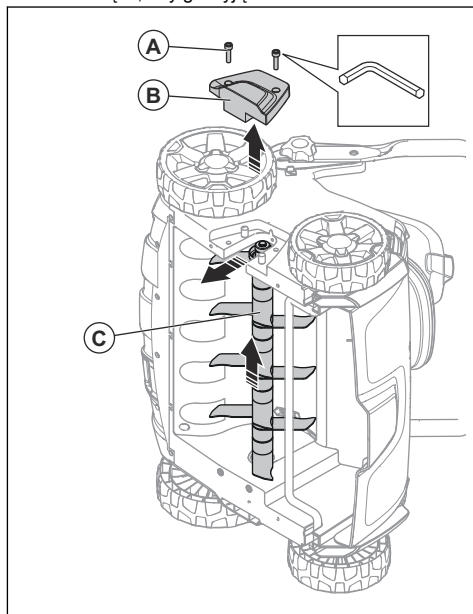


**OSTRZEŻENIE:** W trakcie konserwacji osprzętu wertykulacyjnego należy używać rękawic ochronnych. Osprzęt wertykulacyjny jest bardzo ostry i może łatwo doprowadzić do skaleczenia

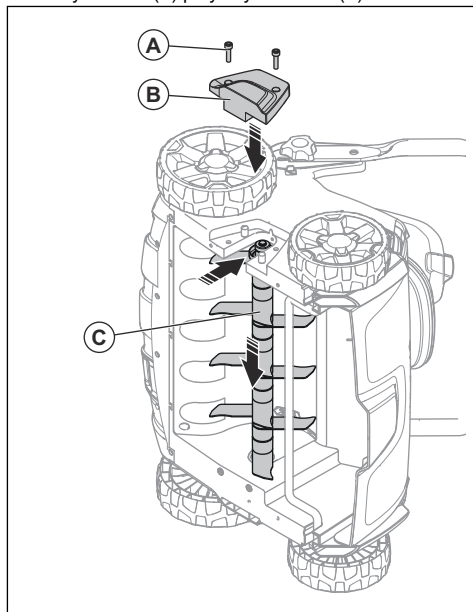
1. Położyć produkt na prawej stronie.



2. Wykręcić 2 śruby (A) i zdjąć osłonę wertykulatora (B). Popchnąć osprzęt wertykulacyjny (C) w górę i na zewnątrz, aby go wyjąć.



3. Wepchnąć nowy osprzęt wertykulacyjny (C) do rowka i w dół otworu. Zamocować osłonę wertykulatora (B) przy użyciu 2 śrub (A).



## Rozwiązywanie problemów

### Akumulator

Dioda na akumulatorze	Możliwe usterki	Możliwe działania
Miga zielona dioda	Napięcie akumulatora jest niskie	Naładuj akumulator. Patrz <i>Ładowanie akumulatora na stronie 470</i> .
Miga dioda błędu	Akumulator jest słaby	Naładuj akumulator. Patrz <i>Ładowanie akumulatora na stronie 470</i> .
	Temperatura środowiska pracy jest zbyt wysoka lub zbyt niska	Akumulator można użytkować w zakresie temperatur od -10°C do 40°C.
	Przebiecie	Sprawdź, czy napięcie sieciowe jest takie, jak podano na tabliczce znamionowej na urządzeniu.  Akumulator należy wyjąć z ładowarki. Odczekać 5 s i spróbować ponownie naładować akumulator. Jeśli problem utrzymuje się, skontaktować się z autoryzowanym punktem serwisowym.
Dioda błędu jest włączona	Zbyt wysoka różnica między ogniwa- mi (1 V).	Skontaktować się z autoryzowanym punktem ser- wisowym.

### Ładowarka

Dioda na ładowarce	Możliwe usterki	Możliwe działania
Miga dioda błędu	Temperatura środowiska pracy jest zbyt wysoka lub zbyt niska	Ładowarkę akumulatora można użytkować w zakresie temperatur od 5°C do 40°C.
Dioda błędu jest włączona		Skontaktować się z autoryzowanym punktem serwisowym

### Panel sterowania

Model S 138i

Błąd	Kod błędu (liczba błysków)	Możliwe usterki	Możliwe działania
Miga dioda LED błędu	3	Silnik jest przeciążony.	Zmniejszyć głębokość roboczą. Patrz <i>Ustawianie głębokości roboczej na stronie 469</i> . Jeśli dioda LED usterki nadal miga, osprzęt wertykulatory jest zablokowany. Aby uniknąć niezamierzonego uruchomienia, należy przekręcić kluczyk zabezpieczający w położenie 0, wyjąć akumulator i odczekać przynajmniej 5 s. Upewnić się, że osprzęt wertykulatory może się swobodnie obracać. Jeśli problem utrzymuje się, skontaktować się z autoryzowanym punktem serwisowym.
	5	Prędkość obrotowa silnika spada zbyt mocno i silnik wyłącza się.	
	9	Sterownik silnika jest zbyt gorący.	Wyłączyć silnik i poczekać, aż ostygnie.
	7	Błąd akumulatora lub brak sygnału z akumulatora.	Poprawnie umieścić akumulator w urządzeniu i sprawdzić złącze akumulatora. Jeśli miga dioda LED błędu na akumulatorze, patrz <i>Stan ładowania akumulatora na stronie 470</i> .
		Akumulator jest słaby.	Naładować akumulator. Patrz <i>Ładowanie akumulatora na stronie 470</i> .
Urządzenie wyłączy się.	6	Akumulator jest słaby.	Naładować akumulator. Patrz <i>Ładowanie akumulatora na stronie 470</i> .
	0	Usterka złącza akumulatora.	Sprawdzić złącze akumulatora.
Inne błędy	W przypadku wystąpienia innego błędu obrócić kluczyk bezpieczeństwa do położenia 0, wyjąć akumulator i skonsultować się z autoryzowanym warsztatem obsługi technicznej.		

## Transport, przechowywanie i utylizacja

### Transport

- Przepisy dotyczące towarów niebezpiecznych mają zastosowanie do dołączonych akumulatorów litowo-jonowych.
- W przypadku transportu komercyjnego należy przestrzegać specjalnych wymagań umieszczonych na opakowaniu i etykietach.
- W trakcie przygotowywania urządzenia do transportu należy upewnić się, że postępuje się zgodnie z przepisami dotyczącymi materiałów niebezpiecznych. Mogą obowiązywać również lokalne przepisy.
- Zawsze wyjmować akumulator na czas transportu.
- Na złączach akumulatora należy przykleić taśmę i upewnić się, że akumulator nie może się przemieszczać w trakcie transportu.
- W trakcie transportu urządzenie należy zamocować.

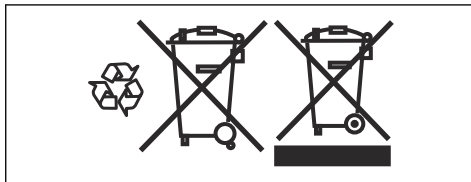
### Przechowywanie

- Zawsze wyjmować akumulator do przechowania.
- Aby uniknąć wypadków, upewnić się, że akumulator jest odłączony od produktu podczas przechowywania.
- Akumulator należy trzymać w zamkniętym i suchym miejscu.
- Akumulator i ładowarkę należy trzymać w suchym miejscu, w którym nie występuje wilgoć ani mróz.
- Na czas przechowywania odłączyć akumulator od ładowarki.
- Nie przechowywać akumulatora w miejscu, gdzie może występować elektryczność statyczna. Nie przechowywać akumulatora w metalowym pojemniku.
- Akumulator należy przechowywać w temperaturze od 5°C do 25°C, w miejscu osłoniętym przed działaniem promieni słonecznych.

- Ładowarkę należy przechowywać w temperaturze od 5°C do 45°C, w miejscu osłoniętym przed działaniem promieni słonecznych.
- Przed odstawieniem urządzenia na dłuższe przechowywanie należy upewnić się, że poziom naładowania akumulatora wynosi 30%–50%.
- Urządzenie, akumulator i ładowarkę należy trzymać w zamkniętym pomieszczeniu, niedostępnym dla dzieci ani osób nieupoważnionych.
- Przed odstawieniem urządzenia na dłuższe przechowywanie należy je wyczyścić oraz przeprowadzić pełny przegląd.

wtórnych, zajmującego się przetwarzaniem urządzeń elektrycznych oraz elektronicznych.

Przekazując produkt w odpowiednie miejsce, pomagasz przeciwdziałać jego potencjalnemu negatywnemu wpływowi na środowisko naturalne i ludzi. Aby uzyskać więcej informacji na temat recyklingu niniejszego produktu, skontaktować się z urzędem miasta lub gminy, przedsiębiorstwem gospodarki komunalnej albo punktem sprzedaży, w którym produkt został kupiony.



## Utylizacja

Symbole znajdujące się na urządzeniu oraz na opakowaniu informują o tym, że nie wolno traktować go jak zwykłego odpadu domowego. Musi ono zostać oddane do odpowiedniego punktu pobierania surowców

## Dane techniczne

### Dane techniczne

	S 138i	S 138C
<b>Silnik</b>		
Typ silnika	BLDC (bezszcotkowy) 36 V	Silnik AC
Prędkość osprzętu — SavE, obr./min	3000	ND.
Prędkość osprzętu — nominalna, obr./min	3200	4200
Moc silnika – maks., kW	1,28	1,8
Moc silnika – nominalna, kW	0,9	1,6
<b>Waga</b>		
Ciężar, kg	19,5 (bez akumulatora)	19,0
<b>Akumulator</b>		
Typ akumulatora	Akumulatory z serii Husqvarna	nie dot.
<b>Czas pracy na akumulatorze</b>		
Czas pracy akumulatora, min, (swobodna praca) w trybie SavE, z jednym akumulatorem Husqvarna 5,2 Ah (Bli200).	115	nie dot.
Czas pracy akumulatora, min, (swobodna praca) w trybie standardowym, z jednym akumulatorem Husqvarna 5,2 Ah (Bli200).	102	nie dot.
<b>Poziom hałasu</b> <sup>52</sup>		
Zmierzony poziom mocy akustycznej, w dB(A)	89,2	95,7
Poziom głośności, gwarantowana moc akustyczna [L <sub>WA</sub> dB(A)]	91	98

<sup>52</sup> Emisję hałasu do otoczenia zmierzono jako moc akustyczną (L<sub>WA</sub>), zgodnie z dyrektywą WE 2000/14/WE.

	S 138i	S 138C
<b>Poziomy głośności<sup>53</sup></b>		
Poziom ciśnienia akustycznego przy uchu operatora, dB(A)	75,3	81,7
<b>Poziomy wibracji<sup>54</sup></b>		
Uchwyt, m/s <sup>2</sup>	5,5	8,3
<b>Obsługa</b>		
Głębokość robocza maks./min., mm	-8/+5	-8/+5
Szerokość robocza, cm	37,5	37,5
Noże delta	5973510-01	5973510-01
Brona sprężynowa	5973509-01	5973509-01
Pojemność zbiornika na trawę, l	45	45

Zatwierdzone akumulatory	Typ	Pojemność akumulatora, Ah	Napięcie, V	Masa, funty/kg
BLi20	Litowo-jonowy	4,0	36	2,6/1,2
BLi200	Litowo-jonowy	5,2	36	2,8/1,3
BLi300	Litowo-jonowy	9,4	36	4,1/1,9

Zatwierdzone ładowarki obsługujące określone akumulatory, BLi	Napięcie wejściowe, V	Częstotliwość, Hz	Moc, W
QC80	100-240	50-60	80
QC80F	12	0	80
QC330	100-240	50-60	330
QC500	100-240	50-60	500

<sup>53</sup> Odnotowane dane dla ciśnienia akustycznego mają typowe rozproszenie statystyczne (odchylenie standardowe) w wysokości 1,2 dB (A).

<sup>54</sup> Odnotowane dane dla poziomu wibracji mają typowe rozproszenie statystyczne (odchylenie standardowe) w wysokości 0,2 m/s<sup>2</sup>.

---

# Deklaracja zgodności WE

---

## Deklaracja zgodności WE

**Husqvarna AB**, SE-561 82 Huskvarna, Szwecja, tel.:  
+46-36-146500, zapewnia, że **skaryfikatory Husqvarna S 138i** i od numeru seryjnego 2018XXXXXX są zgodne z przepisami zawartymi w DYREKTYWIE RADY:

- z dnia 8 czerwca 2011 roku, „dotyczącej ograniczenia użycia określonych substancji niebezpiecznych” **2011/65/UE**.
- z 17 maja 2006 r. „dotyczącej maszyn” **2006/42/WE**
- z 26 lutego 2014 roku, „dotyczącej kompatybilności elektromagnetycznej” **2014/30/UE**
- z 8 maja 2000 roku, „dotyczącej emisji hałasu do otoczenia” **2000/14/WE**

Informacje dotyczące emisji hałasu zostały podane w rozdziale „Dane techniczne”.

Zostały zastosowane następujące normy:

**EN 60335-1:2012+A11:2014+A13:2017, EN 50636-2-92:2014, EN 55014-1:2017, EN 55014-2:2015**

Huskvarna, 2019-01-15



Claes Losdal, menedżer ds. rozwoju/produkty ogrodowe  
(autoryzowany przedstawiciel Husqvarna AB oraz osoba odpowiedzialna za dokumentację techniczną).



---

# Deklaracja zgodności WE

---

## Deklaracja zgodności WE

Husqvarna AB, SE-561 82 Huskvarna, Szwecja, tel.:  
+46-36-146500, zapewnia, że **skaryfikatory Husqvarna S 138C** od numeru seryjnego 2018XXXXXXX są zgodne z przepisami zawartymi w DYREKTYWIE RADY:

- z dnia 8 czerwca 2011 roku, „dotyczącej ograniczenia użycia określonych substancji niebezpiecznych” **2011/65/UE**.
- z 17 maja 2006 r. „dotyczącej maszyn” **2006/42/WE**
- z 26 lutego 2014 roku, „dotyczącej kompatybilności elektromagnetycznej” **2014/30/UE**
- z 8 maja 2000 roku, „dotyczącej emisji hałasu do otoczenia” **2000/14/WE**

Informacje dotyczące emisji hałasu zostały podane w rozdziale „Dane techniczne”.

Zostały zastosowane następujące normy:

**EN 60335-1:2012+A11:2014+A13:2017, EN 50636-2-92:2014, EN 55014-1:2017, EN 55014-2:2015, EN 61000-3-2:2014, EN 61000-3-11:2000**

Huskvarna, 2019-01-15



Claes Losdal, menedżer ds. rozwoju/produkty ogrodowe  
(autoryzowany przedstawiciel Husqvarna AB oraz osoba odpowiedzialna za dokumentację techniczną).

---

## ÍNDICE

---

Introdução.....	482	Resolução de problemas.....	503
Segurança.....	486	Transporte, armazenamento e eliminação.....	504
Montagem.....	495	Especificações técnicas.....	505
Funcionamento.....	496	Declaração CE de conformidade.....	507
Manutenção.....	500	Declaração CE de conformidade.....	508

---

## Introdução

---

### Descrição do produto

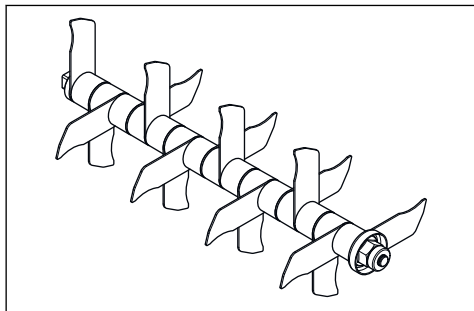
O produto é um escarificador elétrico de controlo apedido. O produto remove erva seca do relvado e solta o solo, para permitir a entrada de ar e água no relvado. A erva seca é recolhida num coletor de relva ou é lançada para o relvado. O produto tem 2 tipos de equipamento escarificador.

### Equipamento escarificador

Consulte *Substituir o equipamento escarificador na página 502* para obter informações sobre como substituir o equipamento escarificador.

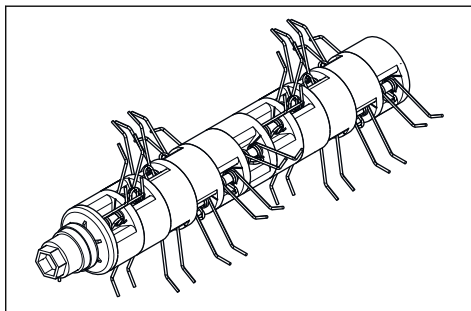
### Lâminas delta

As lâminas delta retiram a erva seca e cortam as raízes da relva na vertical. Utilize as lâminas delta em declives, terraços e em solos com uma quantidade elevada de argila. As lâminas delta deixam a água escorrer no relvado e evitam que a água acumule na superfície



### Dentes de mola

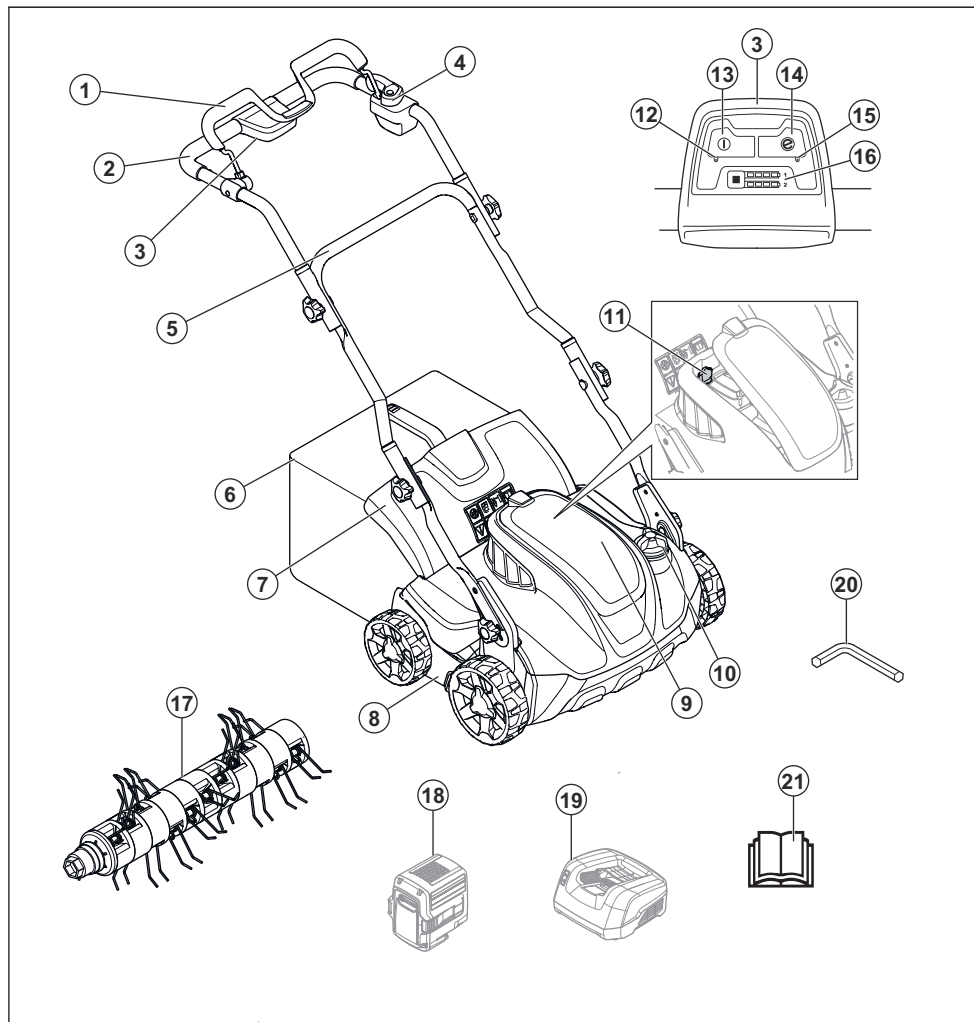
Os dentes de mola removem cuidadosamente a relva morta e a erva seca do relvado, sem qualquer dano para as raízes da relva.



### Finalidade

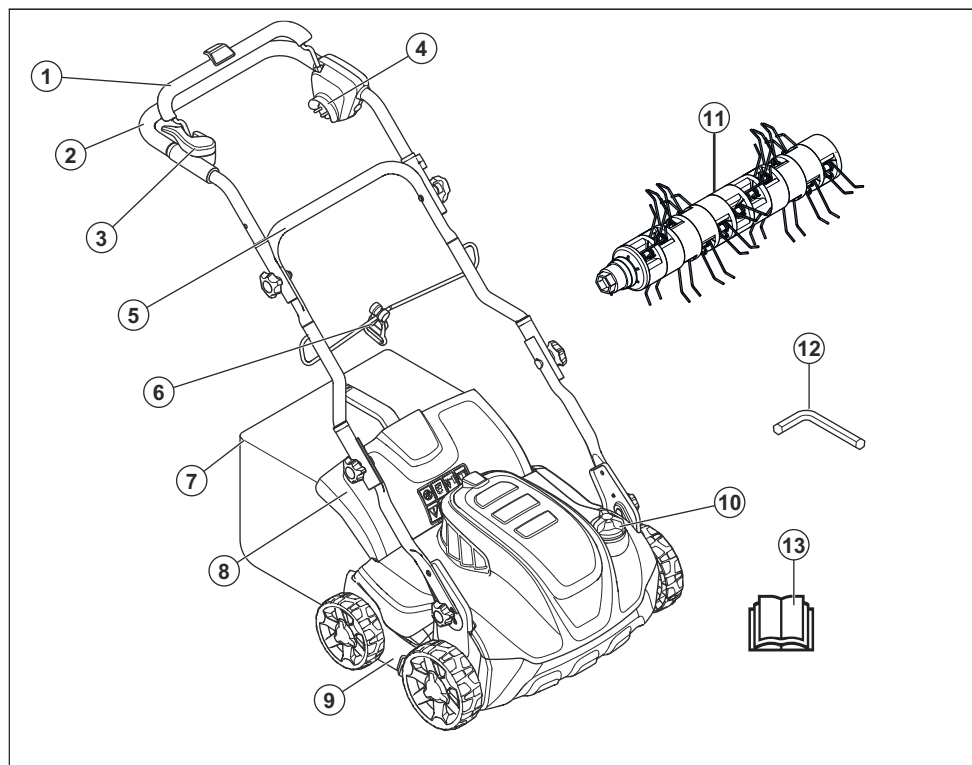
Utilize o produto para remover a erva seca e o musgo e para soltar o solo em jardins privados. Não utilize o produto para outras tarefas.

## Vista geral do modelo S 138i



- |  |  |
|--|--|
| 1. Manípulo de travão do motor                             | 11. Chave de segurança                               |
| 2. Barra superior do guiador                               | 12. LED indicador ON/OFF                             |
| 3. Painel de controlo                                      | 13. Botão ON/OFF                                     |
| 4. Inibidor de arranque                                    | 14. Botão SavE (economia)                            |
| 5. Barra inferior  | 15. LED indicador SavE                               |
| 6. Coletor de relva  | 16. Indicador de carga da bateria e botão da bateria |
| 7. Cobertura traseira                                      | 17. Dentes de mola                                   |
| 8. Cobertura do escarificador                              | 18. Bateria (acessório)                              |
| 9. Tapa da bateria   | 19. Carregador da bateria (acessório)                |
| 10. Manípulo de regulação da profundidade de funcionamento | 20. Chave sextavada                                  |
|  | 21. Manual do utilizador                             |

## Vista geral do modelo S 138C



1. Manípulo de travão do motor
2. Barra superior do guiador
3. Inibidor de arranque
4. Tomada
5. Barra inferior
6. Braçadeira de cabo
7. Coletor de relva
8. Cobertura traseira
9. Cobertura do escarificador
10. Manípulo de regulação da profundidade de funcionamento
11. Dentes de mola
12. Chave sextavada
13. Manual do utilizador

### Símbolos no produto



**Aviso:** a utilização indevida ou incorreta poderá provocar

ferimentos ou a morte do operador ou de terceiros.



Leia o manual do operador e certifique-se de que compreende as instruções antes de utilizar este produto.



Tenha cuidado com objetos projetados e ricochetes.



Mantenha as pessoas e os animais a uma

distância de segurança da área de trabalho.



**Aviso:** Mantenha as mãos e os pés afastados da lâmina rotativa.



Retire a chave de segurança antes de efetuar a manutenção do produto (modelo S 138i).



Desligue o produto da tomada elétrica antes de realizar tarefas de manutenção (modelo S 138C).



Perigo de choque elétrico (modelo S 138C).



Não expor à chuva (modelo S 138i).



**Aviso:** Não utilize o produto sobre o cabo de alimentação, uma vez que tal pode provocar um choque elétrico ou danos no produto (modelo S 138C).

**IPX4** Este produto possui proteção contra salpicos de água.

**EAC** Este produto está em conformidade com as diretivas EAC aplicáveis.

**CE** Este produto está em conformidade com as diretivas aplicáveis da CE.



O produto está em conformidade com as diretivas UkrSEPRO aplicáveis.



Emissões de ruído para o meio ambiente conforme diretiva da Comunidade Europeia. As emissões do produto são indicadas no capítulo de Especificações técnicas e na etiqueta.



Isolamento duplo (modelo S 138C).



Recicle este produto numa localização de reciclagem para equipamentos elétricos e eletrônicos. (Válido unicamente na Europa)



Procedimento de arranque para o modelo S 138i: prima o botão ON/OFF, desaperte o inibidor de arranque e empurre o punho do travão do motor para baixo.



Procedimento de arranque para o modelo S 138C: desaperte o inibidor de arranque e empurre o punho do

travão do motor para baixo.



Solte o punho do travão do motor para parar.



Código para leitura.

**Nota:** Os restantes símbolos/autocolantes existentes no produto dizem respeito às exigências de homologação de alguns países.

## Responsabilidade pelo produto

Como referido nas leis de responsabilidade pelo produto, não somos responsáveis por danos causados pelo nosso produto se:

- o produto tiver sido incorretamente reparado.
- o produto tiver sido reparado com peças que não sejam do fabricante ou que não sejam aprovadas pelo fabricante.
- o produto tiver um acessório que não seja do fabricante ou que não seja aprovado pelo fabricante.
- o produto não tiver sido reparado por um centro de assistência autorizado ou por uma autoridade aprovada.

## Segurança

### Definições de segurança

Os avisos, as precauções e as notas são utilizados para indicar partes especialmente importantes do manual.



**ATENÇÃO:** Utilizado no caso de existir risco de ferimento ou morte para o utilizador ou transeuntes, se não forem respeitadas as instruções do manual.



**CUIDADO:** Utilizado se existir risco de danos para o produto, para outros materiais ou para a área adjacente, se não forem respeitadas as instruções do manual.

**Nota:** Utilizado para disponibilizar informações adicionais necessárias numa determinada situação.

## Instruções de segurança gerais

---



**ATENÇÃO:** Leia as instruções de aviso que se seguem antes de utilizar o produto.

---

- Este produto é perigoso se for utilizado de forma incorreta ou se não o utilizador for cuidadoso. Podem ocorrer ferimentos graves ou mesmo morte se as instruções de segurança não forem respeitadas.
- Este produto produz um campo eletromagnético durante o funcionamento. Em determinadas circunstâncias, este campo pode interferir com o funcionamento de implantes médicos ativos ou passivos. Para diminuir o risco de ferimentos graves ou mortais, recomendamos que os portadores de implantes médicos consultem o seu médico e o fabricante do implante antes de utilizar este produto.
- Seja sempre cuidadoso e use o seu senso comum. Se não tiver a certeza sobre como utilizar o produto numa situação especial, pare e fale com o seu revendedor Husqvarna antes de continuar.
- Tenha em atenção que o utilizador é responsável pelos acidentes que incluam outras pessoas ou a respetiva propriedade.
- Mantenha o produto limpo. Certifique-se de que pode ler claramente os sinais e os autocolantes.
- O produto só pode ser utilizado por pessoas que lerem e compreenderam o conteúdo do manual do operador.
- Não deixe uma criança utilizar o produto.
- Não deixe que o produto seja utilizado por uma pessoa que não conhece as instruções.
- Monitorize sempre a utilização do produto por pessoas com diminuição da capacidade física ou mental. Tem de estar sempre presente um adulto responsável.
- Não utilize o produto se estiver cansado, doente ou sob a influência de álcool, drogas ou medicamentos. Estes têm um efeito negativo na sua visão, atenção, capacidade de discernimento ou controlo físico.
- Não utilize o produto se este apresentar algum defeito.

- Não altere este produto e não o utilize se houver a possibilidade de ter sido alterado por outros.

## Segurança no local de trabalho

---



**ATENÇÃO:** Leia as instruções de aviso que se seguem antes de utilizar o produto.

---

- Retire objetos como ramos, galhos e pedras da área de trabalho antes de utilizar o produto.
- Os objetos que embatem no equipamento escarificador podem ser projetados e causar danos a pessoas e objetos. Mantenha terceiros e animais a uma distância de segurança do produto.
- Nunca utilize o produto em más condições meteorológicas, como nevoeiro, chuva, ventos fortes, frio intenso e risco de trovoada. A utilização do produto em más condições meteorológicas ou em localizações molhadas ou com humidade é cansativa. As más condições meteorológicas podem causar condições perigosas, como superfícies escorregadias.

- Observe se há pessoas, objetos e situações que possam impedir o funcionamento seguro do produto.
- Observe se há obstáculos como raízes, pedras, ramos, buracos e valas. A relva longa pode ocultar obstáculos.
- Operar o produto em declives pode ser perigoso. Não utilize o produto em terrenos com um declive superior a 15°.
- Utilize o produto ao longo da face dos declives. Não se desloque para cima e para baixo.
- Tenha cuidado ao aproximar-se de esquinas com pouca visibilidade e de objetos que possam impedir uma boa visibilidade.

## Segurança do trabalho

---



**ATENÇÃO:** Leia as instruções de aviso que se seguem antes de utilizar o produto.

---

- Utilize este produto apenas para remover erva seca e musgo de relvados. Não é permitido utilizá-lo para outras tarefas.
- Use equipamento de proteção pessoal. Consulte



*Equipamento de proteção pessoal na página 490.*

- Não utilize o produto em condições de chuva ou de humidade. O risco de choque elétrico aumenta se entrar água no produto.
- Não utilize o produto, a menos que o equipamento escarificador e todas as coberturas estejam corretamente montados. Um equipamento escarificador montado incorretamente pode soltar-se e causar ferimentos pessoais.
- Certifique-se de que o equipamento escarificador não atinge objetos como pedras e raízes. Isto pode causar danos ao equipamento escarificador e dobrar o eixo do motor. Um eixo dobrado provoca fortes vibrações e um elevado risco de o equipamento escarificador se soltar.
- Se o equipamento escarificador atingir um objeto ou ocorrerem vibrações, pare o produto imediatamente. Desligue o motor, rode a chave de segurança para a posição 0 e retire a bateria (modelo S 138i) ou desligue o cabo de alimentação (modelo S 138C). Examine se o produto apresenta sinais de danos. Repare os danos ou solicite a reparação numa oficina autorizada.
- Nunca ligue o manípulo de travão do motor de modo permanente ao punho durante o arranque do motor.
- Coloque o produto numa superfície estável e plana e ligue-o. Certifique-se de que o equipamento escarificador não atinge o solo ou outros objetos.
- Mantenha-se sempre por trás do produto quando o operar.
- Mantenha todas as rodas no chão e as duas mãos sobre o punho quando utilizar o produto. Mantenha as mãos e os pés afastados do equipamento escarificador rotativo.
- Não incline o produto quanto ligar o motor.
- Tenha cuidado quando puxar o produto para trás.
- Nunca levante o produto quando ligar o motor. Se tiver de levantar o produto, desligue primeiro o motor e rode a chave de segurança para a posição 0 e retire a bateria (modelo S 138i) ou desligue o cabo de alimentação (modelo S 138C).

- Não caminhe para trás quando operar o produto.
- Desligue o motor quando se deslocar em zonas sem relva, por exemplo caminhos de gravilha, pedra e asfalto.
- Não corra com o produto quando o motor está ligado. Caminhe sempre que operar o produto.
- Pare o motor antes de mudar a profundidade de funcionamento. Nunca efetue ajustes com o motor ligado.
- Nunca deixe o produto fora de vista com o motor ligado. Pare o motor e certifique-se de que o equipamento escarificador não roda.

## Instruções de segurança para funcionamento

### Equipamento de proteção pessoal

Utilize sempre equipamento de proteção pessoal aprovado durante a utilização do produto. O equipamento de proteção pessoal não elimina o risco de ferimentos mas reduz a sua gravidade em caso de acidente. Consulte o seu revendedor na escolha do equipamento certo.

Use sempre:

- Protetores acústicos para minimizar o risco de danos auditivos permanentes.
- Botas ou sapatos antidesslizantes e estáveis. Não use sandálias e não ande descalço.
- Calças compridas grossas. Não utilize calções.

Use luvas quando necessário, por exemplo, aquando da montagem, inspeção ou limpeza do equipamento escarificador.



**ATENÇÃO:** Utilize protetores acústicos aprovados. A exposição prolongada a ruídos pode provocar danos auditivos permanentes.

## Dispositivos de segurança no produto



**ATENÇÃO:** Leia as instruções de aviso que se seguem antes de utilizar o produto.

- Não utilize o produto com dispositivos de segurança defeituosos.
- Verifique regularmente os dispositivos de segurança. Se os dispositivos de segurança estiverem defeituosos, fale com a sua oficina Husqvarna autorizada.

### Verificar as coberturas

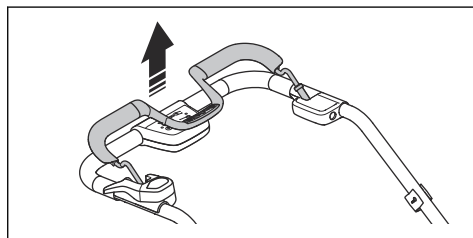
A cobertura do escarificador reduz as vibrações no produto e o risco de ferimentos causados pelo equipamento escarificador.

- Examine a cobertura lateral do escarificador para se certificar de que não existem danos, como fissuras.
- Examine a cobertura traseira para se certificar de que não existem danos, como fissuras.

### Manípulo de travão do motor

O manípulo de travão do motor para o motor. Quando soltar o manípulo de travão do motor, o motor para.

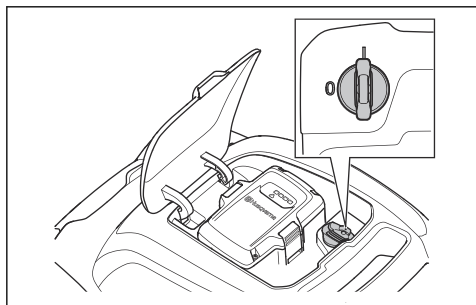
Para verificar o funcionamento do travão do motor, ligue o motor e, em seguida, solte manípulo do travão do motor. Se o motor não parar em 3 segundos, solicite o ajuste do travão do motor numa oficina Husqvarna autorizada.



### Chave de segurança

A chave de segurança encontra-se por baixo da tampa da bateria. A chave de segurança é utilizada para ligar a bateria que alimenta o motor.

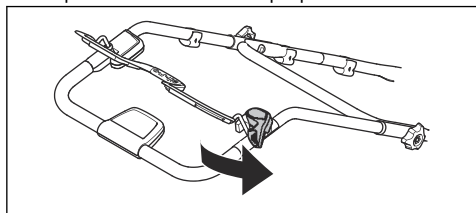
- Ligue e desligue o motor para verificar o funcionamento da chave de segurança.
- Se a chave de segurança funcionar corretamente, o motor só arranca quando a chave se encontra na posição 1.



### Verificar o inibidor de arranque

Verifique o inibidor de arranque para se certificar de que este impede o funcionamento do motor.

1. Empurre o manípulo de travão do motor no sentido da barra de direção. O inibidor de arranque para o movimento.
2. Empurre o inibidor de arranque para fora.



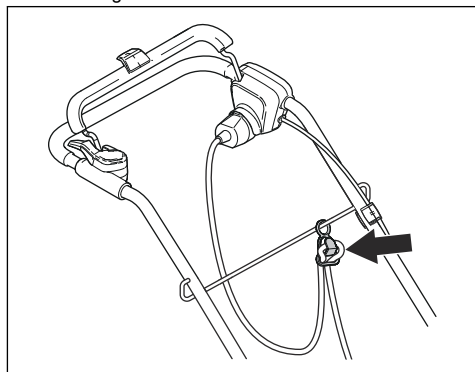
3. Solte o inibidor de arranque e certifique-se de que este volta à respetiva posição inicial.

### Utilizar o suporte do cabo de alimentação (modelo S 138C)

O suporte do cabo de alimentação diminui a pressão sobre a tomada e o cabo de alimentação. O suporte do cabo de alimentação também diminui o risco de queda.

1. Dobre o cabo de alimentação, criando um pequeno laço.
2. Coloque o laço dentro do orifício no suporte do cabo de alimentação.
3. Coloque o laço em redor do gancho.

4. Puxe o cabo de alimentação para apertar o laço em redor do gancho.



### Segurança da bateria



**ATENÇÃO:** Leia as instruções de aviso que se seguem antes de utilizar o produto.

- Utilize baterias recarregáveis Husqvarna como fonte de alimentação apenas para produtos Husqvarna relacionados. Para evitar ferimentos, não utilize a bateria como fonte de alimentação para outros produtos.
- Não utilize baterias não recarregáveis.
- Risco de choque elétrico. Não ligue os terminais da bateria a chaves, moedas, parafusos ou outros metais. Caso contrário, pode provocar um curto-circuito da bateria.

- Não coloque objetos nas aberturas de ventilação da bateria.
- Mantenha a bateria afastada do sol, calor ou de chamas abertas. A bateria pode explodir e causar queimaduras e/ou queimaduras químicas.
- Mantenha a bateria afastada de chuva e condições de humidade.
- Mantenha a bateria afastada de micro-ondas e alta pressão.
- Não tente desmontar ou partir a bateria.
- Em caso de fuga da bateria, evite o contacto do líquido com a pele ou com os olhos. Em caso de contacto com o líquido, limpe a área com água abundante e procure assistência médica.
- Utilize a bateria a temperaturas entre  $-10\text{ }^{\circ}\text{C}$  e  $40\text{ }^{\circ}\text{C}$ .
- Não limpe a bateria ou o carregador com água. Consulte o capítulo *Para limpar a bateria e o carregador da bateria na página 501*.
- Não utilize uma bateria danificada ou com defeito.
- Mantenha as baterias armazenadas afastadas de objetos metálicos como, por

exemplo, pregos, moedas, joias.

## Segurança do carregador de bateria

---



**ATENÇÃO:** Leia as instruções de aviso que se seguem antes de utilizar o produto.

---

- Utilize carregadores de bateria QC para carregar apenas baterias de substituição Husqvarna.
- Risco de choque elétrico ou curto-circuito. Não coloque objetos nas aberturas de ventilação do carregador. Não tente desmontar o carregador da bateria. Não ligue os terminais do carregador a objetos metálicos. Utilize uma tomada elétrica aprovada.
- Este produto produz um campo eletromagnético durante o funcionamento. Em determinadas circunstâncias, este campo pode interferir com o funcionamento de implantes médicos ativos ou passivos. Para diminuir o risco de condições que podem causar ferimentos ou morte, recomendamos que os portadores de implantes médicos consultem o seu

médico e o fabricante do implante antes de utilizar este produto.

- Certifique-se regularmente de que o cabo de alimentação do carregador da bateria não está danificado nem apresenta fissuras.
- Não utilize o cabo de alimentação para levantar o carregador da bateria. Para desligar o carregador da bateria de uma tomada elétrica, puxe a ficha. Não puxe o cabo de alimentação.
- Mantenha o cabo de alimentação e os cabos de extensão afastados de água, de óleo e de arestas afiadas. Certifique-se de que o cabo não fica entalado em portas, cercas ou equivalente. Isto pode fazer com que o carregador fique sob tensão.
- Não limpe o carregador da bateria com água.
- O carregador da bateria pode ser utilizado por crianças a partir dos 8 anos de idade e por pessoas com capacidades físicas, sensoriais ou mentais reduzidas, ou falta de experiência e conhecimentos, desde que as mesmas se encontrem sob supervisão ou tenham recebido instruções

acerca da utilização segura do carregador da bateria e compreendam os perigos envolvidos. As crianças não devem brincar com o carregador da bateria. As tarefas de limpeza e manutenção a cargo do utilizador não devem ser efetuadas por crianças sem a devida supervisão.

- Não carregue baterias não recarregáveis no carregador da bateria.
- Não utilize o carregador da bateria próximo de materiais inflamáveis ou materiais que possam provocar corrosão. Não cubra o carregador da bateria. Em caso de fumo ou fogo, desligue o carregador da bateria da tomada.
- Não utilize um carregador da bateria que esteja com defeito ou danificado.
- Carregue a bateria apenas em espaços interiores com boa ventilação e sem exposição à luz solar. Não carregue a bateria em condições de humidade.

#### **Segurança do cabo de alimentação**

Para o modelo S 138C.

- Recomenda-se a utilização de um dispositivo de corrente residual (R.C.D.) com uma

corrente de disparo que não deve ser superior a 30 mA. Mesmo com o R.D.C. instalado, não é possível garantir uma segurança total e os procedimentos de trabalho em segurança têm de ser sempre seguidos. Verifique o R.C.D. sempre que o utilizar.

- Desligue imediatamente da corrente se o cabo de alimentação estiver cortado ou se o isolamento estiver danificado.
- Não toque num cabo de alimentação cortado ou danificado até que a corrente elétrica seja desligada.
- Não repare um cabo de alimentação cortado ou danificado. Substitua-o por um novo.

## Instruções de segurança para manutenção



**ATENÇÃO:** Leia as instruções de aviso que se seguem antes de utilizar o produto.

- Para o modelo S 138i: Para evitar um arranque acidental durante a manutenção, rode a chave de segurança para a posição 0 e retire a bateria. Aguarde pelo menos 5

segundos antes de começar a manutenção.

- Para o modelo S 138C: Para evitar o arranque acidental durante a manutenção, desligue o cabo de alimentação.
- Efetue os trabalhos de manutenção corretamente para aumentar a vida útil do produto e reduzir o risco de acidentes. Solicite a realização de reparações profissionais numa oficina autorizada. Para mais informações, contacte a sua oficina autorizada.
- Efetue apenas os trabalhos de manutenção indicados neste manual do operador. As intervenções maiores têm de ser efetuadas por uma oficina autorizada.
- Calce luvas resistentes quando utilizar o equipamento escarificador. O equipamento escarificador é muito afiado e pode facilmente provocar cortes.
- Mantenha as lâminas do equipamento escarificador afiadas e limpas para garantir um desempenho melhor e mais seguro.
- Solicite à sua oficina autorizada a inspeção regular

do produto e a realização dos ajustes e reparações necessários.

- Substitua as peças danificadas, gastas ou partidas.
- Cumpra as instruções relativas à substituição dos acessórios. Utilize apenas os acessórios do fabricante.
- Quando não estiverem em funcionamento, mantenha o

produto, a bateria e carregador da bateria afastados num local seco, interior e fechado à chave. Certifique-se de que as crianças e as pessoas não autorizadas não conseguem ter acesso ao produto, à bateria ou ao carregador da bateria.

## Montagem

### Introdução



**ATENÇÃO:** Antes de montar o produto, leia o capítulo sobre segurança.

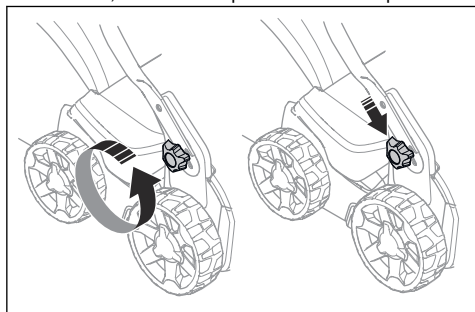


**ATENÇÃO:** Para o modelo S 138i: Para evitar um arranque acidental durante a montagem, rode a chave de segurança para a posição 0, retire a bateria e aguarde pelo menos 5 segundos.

Para o modelo S 138C: Para evitar o arranque acidental durante a montagem, desligue o cabo de alimentação.

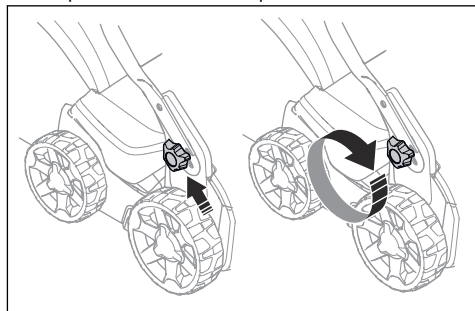
### Montar a barra

1. Desaperte os manípulos inferiores.
2. Desloque os botões para a extremidade inferior das ranhuras, dos lados esquerdo e direito do produto.



3. Defina a altura do punho para uma das 2 posições disponíveis.

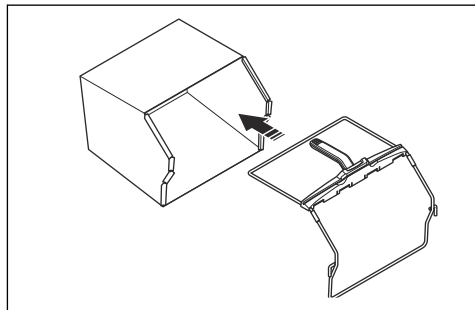
4. Desloque os botões para cima em direção ao punho, até pararem e ouvir um clique.



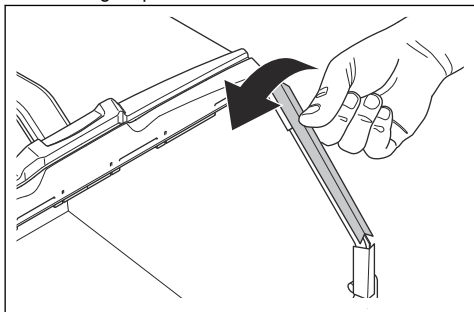
5. Aperte os botões totalmente.

### Montar o coletor de relva

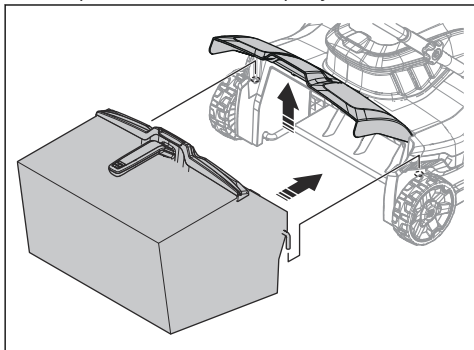
1. Coloque a estrutura do coletor de relva no saco de relva com a parte rígida do saco no fundo. Mantenha o punho da estrutura na parte superior do saco de relva.



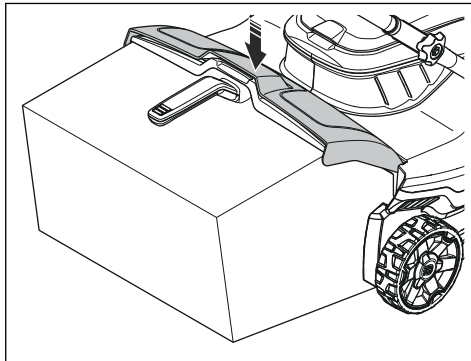
2. Fixe a secção inferior da estrutura do coletor de relva na ranhura da parte inferior do mesmo.
3. Fixe o saco de relva na estrutura do coletor de relva com os grampos.



4. Levante a cobertura traseira.
5. Coloque o coletor de relva na posição correta.



6. Prenda o coletor de relva à extremidade superior do chassis. Certifique-se de que a cobertura traseira está completamente encostada ao coletor de relva para prevenir fugas.



## Funcionamento

### Introdução



**ATENÇÃO:** Antes de utilizar o produto, tem ler e compreender o capítulo sobre segurança.

### Husqvarna Connect

A Husqvarna Connect é uma aplicação gratuita para o seu dispositivo móvel. A aplicação Husqvarna Connect disponibiliza funções alargadas para o seu produto Husqvarna:

- Informações alargadas sobre o produto.
- Informações sobre, e ajuda relacionada com peças e manutenção do produto.

### Começar a utilizar Husqvarna Connect

1. Transfira a aplicação Husqvarna Connect para o seu dispositivo móvel.
2. Registe-se na aplicação Husqvarna Connect.

3. Siga os passos das instruções na aplicação Husqvarna Connect para ligar e registar o produto.

### Definir a profundidade de funcionamento

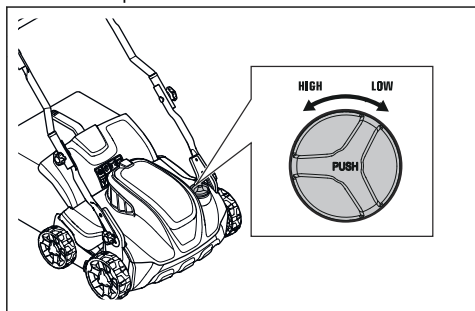


**ATENÇÃO:** Não ajuste a profundidade de funcionamento enquanto operar o produto.

1. Empurre e rode o manípulo de regulação da profundidade de funcionamento para a esquerda, para aumentar a profundidade de funcionamento.



- Empurre e rode o manípulo de regulação da profundidade de funcionamento para a direita, para diminuir a profundidade de funcionamento.



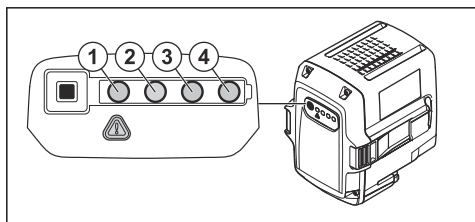
## Bateria



**ATENÇÃO:** Antes de utilizar a bateria, tem de ler e compreender o capítulo sobre segurança. Também tem de ler e compreender o manual do operador da bateria e do carregador da bateria.

## Estado da bateria

O visor indica a capacidade restante da bateria e a existência de problemas com a mesma. A capacidade da bateria é apresentada durante 5 segundos depois de desligar o produto ou se pressionar o botão indicador da bateria. O símbolo de aviso na bateria acende-se quando ocorre um erro. Consulte o capítulo *Bateria na página 503*.



Luzes LED	Estado da bateria
Todos os LED acesos	Carga completa (75%-100%)
LED 1, LED 2 e LED 3 acesos	A bateria tem uma carga de 50%-75%
LED 1 e LED 2 acesos	A bateria tem uma carga de 25%-50%
LED 1 aceso	A bateria tem uma carga de 0%-25%.
LED 1 intermitente	A bateria está descarregada. Carregue a bateria.

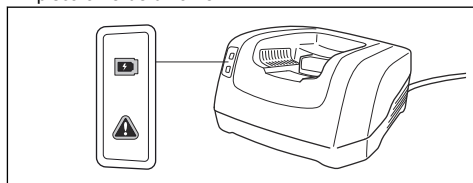
## Carregar a bateria

Carregue a bateria antes da primeira utilização. A bateria tem apenas 30% de carga quando é entregue ao cliente.

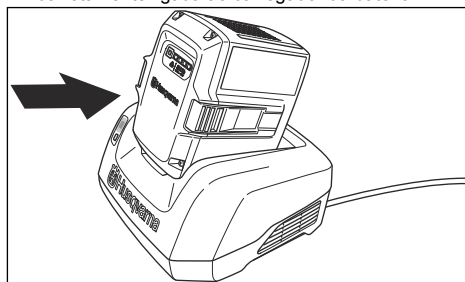
**Nota:** O carregador da bateria tem de ser ligado à tensão e à frequência especificadas na etiqueta de tipo.

A bateria não carrega se a sua temperatura for superior a 50 °C. O carregador da bateria diminui a temperatura da bateria antes de começar a carregar.

- Ligue uma extremidade do cabo de alimentação do carregador da bateria à tomada do carregador da bateria.
- Ligue a outra extremidade do cabo de alimentação do carregador da bateria a uma tomada elétrica com ligação à terra. O LED do carregador da bateria pisca a verde uma vez.



- Coloque a bateria no carregador da bateria. A luz verde do carregador acende-se se a bateria estiver corretamente ligada ao carregador da bateria.



- A bateria está totalmente carregada quando todos os LED se acenderem. Carregue a bateria no máximo durante 24 horas.
- Para desligar o carregador da bateria da tomada, retire a ficha e não o cabo de alimentação.
- Retire a bateria do carregador da bateria.

## Estado de carregamento da bateria

Uma bateria de íões de lítio Husqvarna pode ser carregada ou utilizada em todos os níveis de carga. A bateria não fica danificada. Uma bateria completamente carregada não perde a sua carga mesmo que seja deixada no carregador.

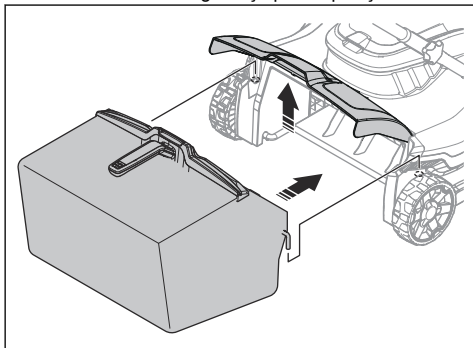
Ecrã LED	Estado de carga
LED 1 intermitente	0%-25%

Ecrã LED	Estado de carga
LED 1 aceso, LED 2 intermitente	25%-50%
LED 1 e LED 2 acesos, LED 3 intermitente	50%-75%
LED 1, LED 2 e LED 3 acesos, LED 4 intermitente	75%-100%
LED 1, LED 2, LED 3 e LED 4 acesos	Totalmente carregada

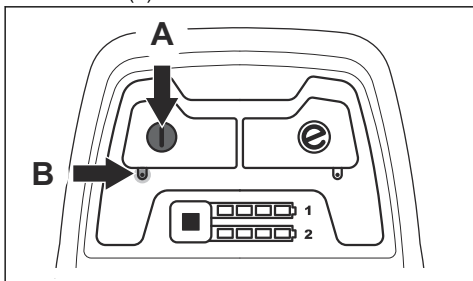
## Utilizar S 138i

### Arranque

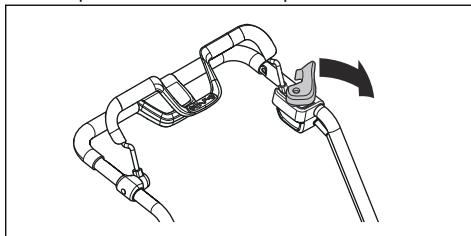
1. Coloque uma bateria carregada no compartimento da bateria com o número 1 por baixo da tampa da bateria. Para prolongar o tempo de funcionamento, coloque uma segunda bateria carregada no compartimento da bateria com o número 2.
2. Rode a chave de segurança para a posição 1.



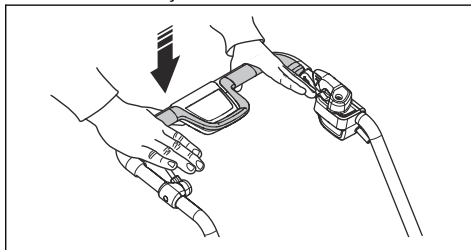
3. Mantenha-se atrás do produto.
4. Prima o botão ON/OFF (A) no painel de controlo. O LED verde (B) acende-se.



5. Desaperte o inibidor de arranque.



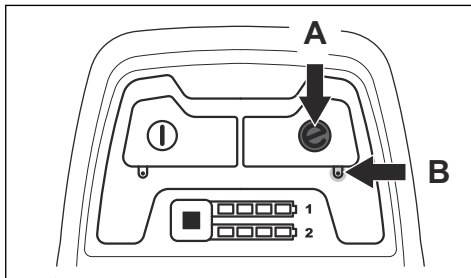
6. Empurre o manípulo de travão do motor no sentido da barra de direção.



### Utilizar a função SavE

O produto inclui uma função de poupança da bateria (SavE), que permite uma utilização mais prolongada.

1. Prima o botão SavE (A) para ativar a função. O LED verde acende-se.

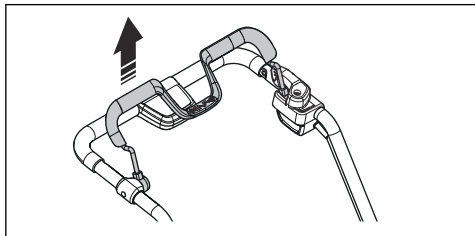


2. Prima o botão SavE novamente para desativar a função. O LED verde (B) apaga-se.

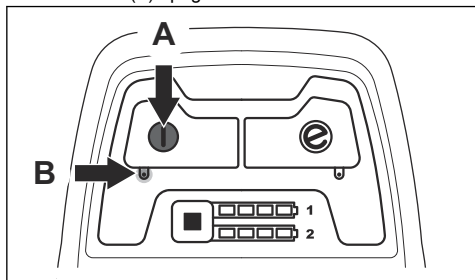
### Para desligar o produto

O produto para automaticamente se não o utilizar durante 10 minutos. Rode sempre a chave de segurança para a posição 0 antes de deixar o produto fora de vista.

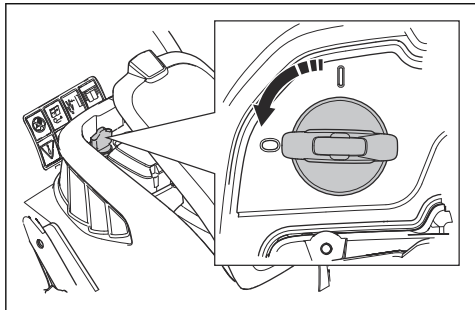
1. Solte o manípulo de travão do motor para parar o motor.



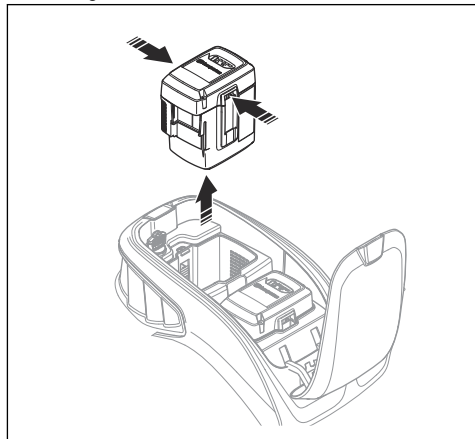
2. Prima o botão ON/OFF (A) no painel de controlo. O LED verde (B) apaga-se.



3. Abra a tampa da bateria e rode a chave de segurança para a posição 0.



4. Para retirar a bateria, prima os 2 botões de desengate simultaneamente e retire a bateria.

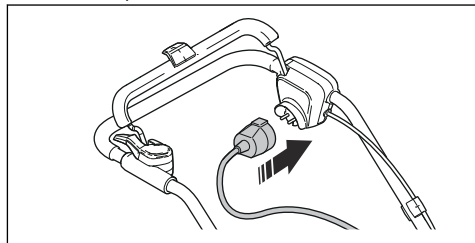


5. Carregue a bateria se estiver fraca. Para mais informações, consulte *Carregar a bateria na página 497*.

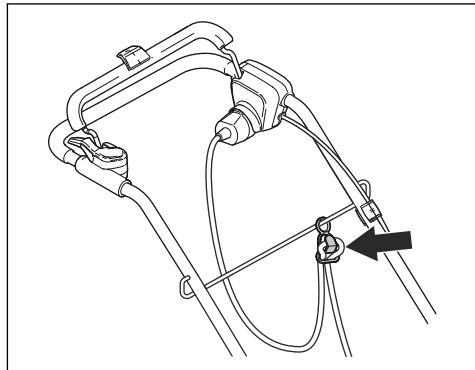
## Utilizar S 138C

### Arranque

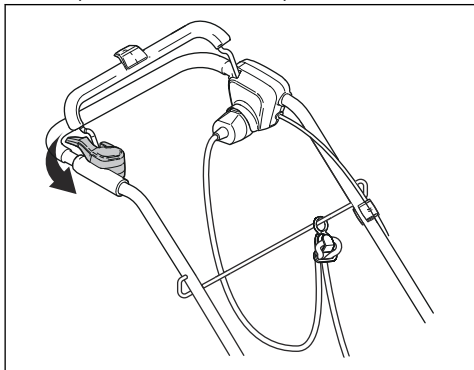
1. Ligue um cabo de alimentação à tomada na parte inferior do punho.



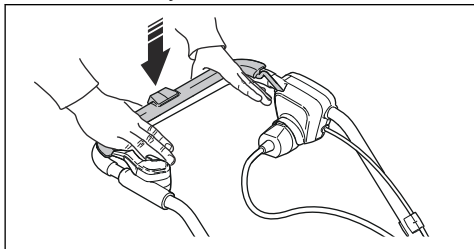
2. Coloque o cabo de alimentação no suporte do cabo de alimentação. Consulte *Utilizar o suporte do cabo de alimentação (modelo S 138C) na página 491*.



3. Mantenha-se atrás do produto.
4. Desaperte o inibidor de arranque.

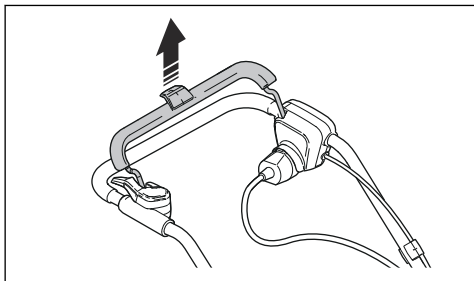


5. Empurre o manipulador de travão do motor no sentido da barra de direção.

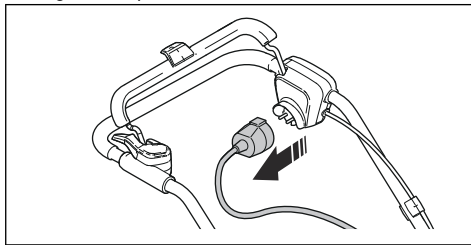


### Para desligar o produto

1. Solte o manipulador de travão do motor para parar o motor.



2. Desligue o cabo de alimentação da corrente e, em seguida, do produto.



**CUIDADO:** Retire a ficha. Não puxe o cabo de alimentação.

## Manutenção

### Introdução



**ATENÇÃO:** Antes de efetuar a manutenção, tem de ler e compreender o capítulo sobre segurança.

É necessária formação especial para realizar qualquer tarefa de manutenção ou reparação. Garantimos a

disponibilidade de reparações e manutenção profissionais. Se o seu revendedor não for uma oficina autorizada, pergunte-lhes onde se situa a oficina autorizada mais próxima.

### Esquema de manutenção

Os intervalos de manutenção são calculados a partir da utilização diária do produto. Os intervalos são alterados se o produto não for utilizado diariamente.

Relativamente às tarefas de manutenção identificadas com \*, consulte *Dispositivos de segurança no produto na página 490*.

S 138i e S 138C	A cada utilização	Mensalmente	A cada estação
Efetue uma inspeção geral.	X		
Limpe o produto.	X		
Examine o equipamento esçarificador.	X		
Certifique-se de que os dispositivos de segurança do produto não estão danificados. *	X		
Examine as coberturas. *	X		
Efetuar uma verificação do manípulo de travão do motor. *	X		
Verifique o inibidor de arranque. *	X		

Apenas S 138i	A cada utilização	Mensalmente	A cada estação
Certifique-se de que o botão ON/OFF funciona corretamente e não está avariado.	X		
Examine se a bateria apresenta sinais de danos.	X		
Verifique a carga da bateria.	X		
Certifique-se de que os botões de desengate da bateria funcionam corretamente e que a bateria encaixa no produto.	X		
Verificar a existência de danos no carregador da bateria e certificar-se de que funciona corretamente.		X	
Verificar as ligações entre a bateria e o produto. Verificar também a ligação entre a bateria e o carregador da bateria.			X

## Para efetuar uma inspeção geral

- Certifique-se de que as porcas e os parafusos do produto estão apertados.
- Certifique-se de que os cabos no produto não estão numa posição suscetível a danos.

## Limpar o produto

- Limpe os componentes plásticos com um pano seco e limpo.
- Não utilize água para limpar o produto. A água pode entrar na bateria ou no motor, provocando um curto-circuito ou danos no produto.
- Não utilize uma máquina de lavar à pressão para limpar o produto.
- Não verta água diretamente no motor.
- Utilize uma escova para remover folhas, relva e sujidade.

## Para limpar a bateria e o carregador da bateria



**CUIDADO:** Não limpe a bateria ou o carregador com água.

- Certifique-se de que a bateria e o carregador da bateria estão limpos e secos antes de colocar a bateria no carregador da bateria.
- Limpe os terminais da bateria com ar comprimido ou com um pano macio e seco.
- Limpe as superfícies da bateria e o carregador da bateria com um pano macio e seco.

## Examinar o equipamento esçarificador



**ATENÇÃO:** Para os modelos S 138i: Para evitar o arranque accidental, rode a chave de

segurança para a posição 0, retire a bateria e aguarde pelo menos 5 segundos.

Para o modelo S 138C: Para evitar o arranque acidental, desligue o cabo de alimentação.



**ATENÇÃO:** Use luvas de proteção quando realizar a manutenção do equipamento escarificador. As lâminas do equipamento escarificador são muito afiadas e podem facilmente provocar cortes.

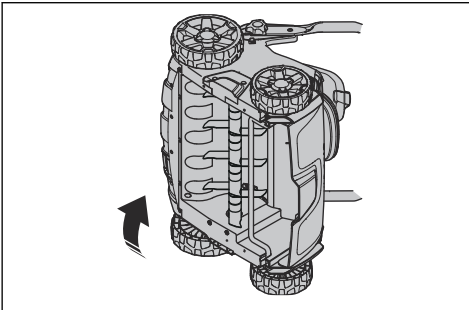
- Examine se o equipamento escarificador está danificado ou se apresenta fissuras. Substitua sempre um equipamento escarificador danificado.

## Substituir o equipamento escarificador

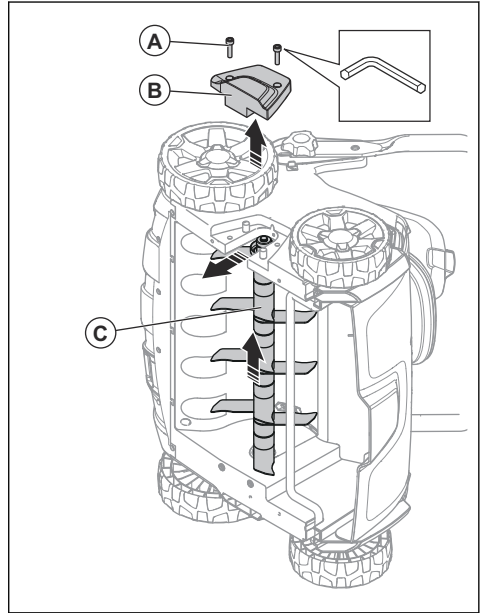


**ATENÇÃO:** Use luvas de proteção quando realizar a manutenção do equipamento escarificador. O equipamento escarificador é muito afiado e pode facilmente provocar cortes

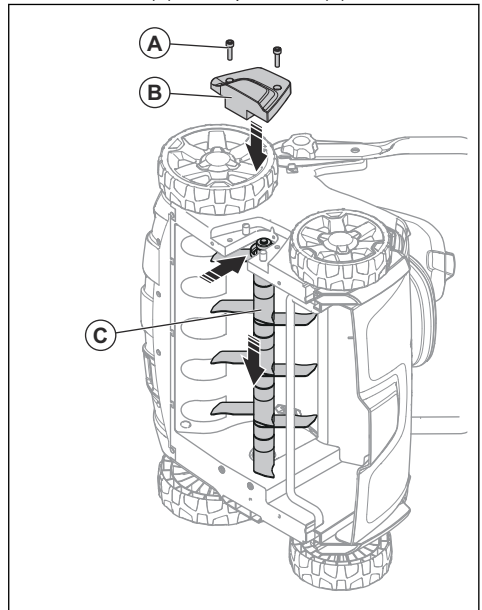
1. Coloque o produto sobre o seu lado direito.



2. Retire os 2 parafusos (A) e a cobertura do escarificador (B). Empurre o equipamento escarificador (C) para cima e para fora para o retirar.



3. Empurre o novo equipamento escarificador (C) para dentro da ranhura e do orifício. Fixe a cobertura do escarificador (B) e os 2 parafusos (A)



## Resolução de problemas

### Bateria

LED na bateria	Avarias possíveis	Procedimento possível
LED verde intermitente	Bateria com tensão baixa	Carregue a bateria. Consulte o capítulo <i>Carregar a bateria na página 497</i> .
LED de erro intermitente	Bateria fraca	Carregue a bateria. Consulte o capítulo <i>Carregar a bateria na página 497</i> .
	Temperatura no ambiente de trabalho demasiado alta/baixa	Utilize a bateria a temperaturas entre -10 °C e 40 °C.
	Sobretensão	Verifique se a tensão da rede elétrica corresponde à indicada na etiqueta de tipo no produto.  Retire a bateria do carregador da bateria. Aguarde 5 segundos e tente carregar a bateria novamente. Se o problema persistir, contacte uma oficina autorizada.
LED de erro ligado	Diferença elevada entre células (1 V)	Contacte uma oficina autorizada.

### Carregador da bateria

LED no carregador da bateria	Avarias possíveis	Procedimento possível
LED de erro intermitente	Temperatura no ambiente de trabalho demasiado alta/baixa	Utilize o carregador da bateria em ambientes com temperaturas entre 5 °C e 40 °C.
LED de erro ligado		Contacte uma oficina autorizada

### Painel de controlo

Para o modelo S 138i

Erro	Código de erro (número de intermitências)	Avarias possíveis	Ação possível
LED de erro intermitente	3	O motor está sobrecarregado.	Diminua a profundidade de funcionamento. Consulte <i>Definir a profundidade de funcionamento na página 496</i> . Se o LED de erro continuar a piscar, o equipamento escarificador encontra-se bloqueado. Para evitar um arranque acidental, rode a chave de segurança para a posição 0, retire a bateria e aguarde pelo menos 5 segundos. Certifique-se de que o equipamento escarificador se move livremente. Se o problema persistir, contacte uma oficina autorizada.
	5	A velocidade do motor desce demasiado e o motor para.	
	9	O controlo do motor está demasiado quente.	Desligue o motor e aguarde até arrefecer.
	7	Bateria com erro ou sem sinal.	Coloque a bateria no produto corretamente e examine o conector da bateria. Se o LED de erro da bateria ficar intermitente, consulte <i>Estado de carregamento da bateria na página 497</i> .
A bateria está fraca.		Carregue a bateria. Consulte <i>Carregar a bateria na página 497</i> .	
O produto para	6	A bateria está fraca.	Carregue a bateria. Consulte <i>Carregar a bateria na página 497</i> .
	0	Avaria do conector da bateria.	Examine o conector da bateria.
Outros erros	Se ocorrerem outros erros, rode a chave de segurança para a posição 0, retire a bateria e contacte uma oficina autorizada.		

---

## Transporte, armazenamento e eliminação

---

### Transporte

- Os requisitos da legislação sobre mercadorias perigosas aplicam-se às baterias de íões de lítio incluídas.
- Para um transporte comercial, é necessário cumprir os requisitos especiais na embalagem e nas etiquetas.
- Quando preparar o produto para transporte, certifique-se de que cumpre os regulamentos sobre mercadorias perigosas. Podem aplicar-se normas locais.
- Retire sempre a bateria para transporte.
- Coloque fita adesiva nos conectores da bateria e certifique-se de que a bateria não pode mover-se durante o transporte.
- Prenda o produto durante o transporte.

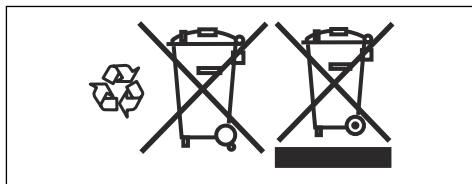
### Armazenamento

- Retire sempre a bateria durante o armazenamento.
- Para evitar acidentes, certifique-se de que a bateria não está ligada ao produto durante o armazenamento.
- Armazene o carregador da bateria apenas em espaços interiores secos.
- Armazene a bateria e o carregador da bateria num local seco, sem humidade nem gelo.
- Desligue a bateria do carregador da bateria durante o armazenamento.
- Não armazene a bateria num local onde possa haver eletricidade estática. Não armazene a bateria numa caixa metálica.
- Armazene a bateria num local onde a temperatura varie entre 5 °C e 25 °C e onde não fique exposta à luz solar.



- Armazene o carregador da bateria num local onde a temperatura varie entre 5 °C e 45 °C e onde não fique exposto à luz solar.
- Antes de armazenar a bateria durante longos períodos de tempo, certifique-se de que está carregada a 30-50%.
- Mantenha o produto, a bateria e o carregador de bateria num local fechado à chave, fora do alcance de crianças e de pessoas não autorizadas.
- Antes de armazenar o produto durante longos períodos de tempo, limpe-o e efetue uma manutenção completa do mesmo.

sobre o meio ambiente e as pessoas, que de outra forma pode resultar da gestão incorreta dos resíduos deste produto. Para informações mais detalhadas sobre a reciclagem deste produto, contacte o seu município, o serviço de recolha de resíduos domésticos ou a loja onde adquiriu o produto.



## Eliminação

Os símbolos no produto ou na respetiva embalagem indicam que este produto não deve ser tratado como um resíduo doméstico. Tem de ser enviado para uma estação de reciclagem adequada para a recuperação de equipamentos elétricos e eletrónicos.

Ao garantir que este produto é tratado corretamente, pode ajudar a neutralizar o potencial impacto negativo

## Especificações técnicas

### Especificações técnicas

	S 138i	S 138C
<b>Motor</b>		
Tipo de motor	BLDC (sem escova) 36V	Motor CC de série
Velocidade do acessório – SavE, rpm	3000	N/A
Velocidade do acessório – Nominal, rpm	3200	4200
Potência do motor – máx. kW	1,28	1,8
Potência do motor – nominal, kW	0,9	1,6
<b>Peso</b>		
Peso, kg	19,5 (sem bateria)	19,0
<b>Bateria</b>		
Tipo de bateria	Gama de equipamentos a bateria da Husqvarna	NA
<b>Tempo de operação da bateria</b>		
Tempo de operação da bateria, mín., (operação livre) com SavE ativado, com uma bateria Husqvarna de 5,2 Ah (Bli200).	115	NA
Tempo de operação da bateria, mín., (operação livre) com modo normal ativado, com uma bateria Husqvarna de 5,2 Ah (Bli200).	102	NA
<b>Emissões de ruído</b> <sup>55</sup>		

<sup>55</sup> Emissões de ruído para as imediações, medidas sob forma de potência sonora ( $L_{WA}$ ) em conformidade com a diretiva da CE 2000/14/CE.

	S 138i	S 138C
Nível de potência sonora, dB(A) medidos	89,2	95,7
Nível de potência sonora, garantido L <sub>WA</sub> dB (A)	91	98
<b>Níveis acústicos</b> <sup>56</sup>		
Nível de pressão sonora ao nível do ouvido do operador, dB(A)	75,3	81,7
<b>Níveis de vibração</b> <sup>57</sup>		
Punho, m/s <sup>2</sup>	5,5	8,3
<b>Funcionamento</b>		
Profundidade de funcionamento máx/mín., mm	-8/+5	-8/+5
Largura de funcionamento, cm	37,5	37,5
Acessório das lâminas delta	5973510-01	5973510-01
Acessório dos dentes de mola	5973509-01	5973509-01
Capacidade do coletor de relva, litros	45	45

Baterias aprovadas	Tipo	Capacidade da bateria, Ah	Tensão, V	Peso, kg
BLi20	lões de lítio	4,0	36	2,6/1,2
BLi200	lões de lítio	5,2	36	2,8/1,3
BLi300	lões de lítio	9,4	36	4,1/1,9

Carregadores aprovados para as baterias especificadas, BLi	Tensão de entrada, V	Frequência, Hz	Potência, W
QC80	100-240	50-60	80
QC80F	12	0	80
QC330	100-240	50-60	330
QC500	100-240	50-60	500

<sup>56</sup> Os dados comunicados relativamente ao nível de pressão de ruído têm uma dispersão estatística típica (desvio padrão) de 1,2 dB (A).

<sup>57</sup> Os dados comunicados relativamente ao nível de vibração têm uma dispersão estatística típica (desvio padrão) de 0,2 m/s<sup>2</sup>.

---

# Declaração CE de conformidade

---

## Declaração CE de conformidade

A **Husqvarna AB**, SE-561 82 Huskvarna, Suécia, tel: +46-36-146500, declara que o **escarificador Husqvarna S 138i** com os números de série 2018XXXXXX e posteriores, cumpre as disposições constantes na DIRETIVA DO CONSELHO:

- de 8 de junho de 2011 relativa à "restrição do uso de determinadas substâncias perigosas" **2011/65/UE**
- de 17 de maio de 2006 "referente a máquinas" **2006/42/CE**
- de 26 de fevereiro de 2014 "referente à compatibilidade eletromagnética" **2014/30/UE**
- de 8 de maio de 2000 "referente a emissões de ruído para o ambiente" **2000/14/CE**

Para mais informações relativas a emissões sonoras, consulte a secção Dados técnicos.

Foram respeitadas as seguintes normas:

**EN 60335-1:2012+A11:2014+A13:2017, EN 50636-2-92:2014, EN 55014-1:2017, EN 55014-2:2015**

Huskvarna, 2019-01-15



Claes Losdal, Chefe de Desenvolvimento/Produtos de Jardinagem (representante autorizado da Husqvarna AB e responsável pela documentação técnica.)

---

## Declaração CE de conformidade

---

### Declaração CE de conformidade

A **Husqvarna AB**, SE-561 82 Huskvarna, Suécia, tel: +46-36-146500, declara que o **escarificador Husqvarna S 138C** com os números de série 2018XXXXXX e posteriores, cumpre as disposições constantes na DIRETIVA DO CONSELHO:

- de 8 de junho de 2011 relativa à "restrição do uso de determinadas substâncias perigosas" **2011/65/UE**
- de 17 de maio de 2006 "referente a máquinas" **2006/42/CE**
- de 26 de fevereiro de 2014 "referente à compatibilidade eletromagnética" **2014/30/UE**
- de 8 de maio de 2000 "referente a emissões de ruído para o ambiente" **2000/14/CE**

Para mais informações relativas a emissões sonoras, consulte a secção Dados técnicos.

Foram respeitadas as seguintes normas:

**EN 60335-1:2012+A11:2014+A13:2017, EN 50636-2-92:2014, EN 55014-1:2017, EN 55014-2:2015, EN 61000-3-2:2014, EN 61000-3-11:2000**

Huskvarna, 2019-01-15



Claes Losdal, Chefe de Desenvolvimento/Produtos de Jardinagem (representante autorizado da Husqvarna AB e responsável pela documentação técnica.)

---

## CUPRINS

---

Introducere.....	509	Depanarea.....	529
Siguranță.....	513	Transportul, depozitarea și eliminarea.....	530
Asamblarea.....	521	Date tehnice.....	531
Funcționarea.....	523	Declarație de conformitate CE.....	533
Întreținerea.....	527	Declarație de conformitate CE.....	534

---

## Introducere

---

### Descrierea produsului

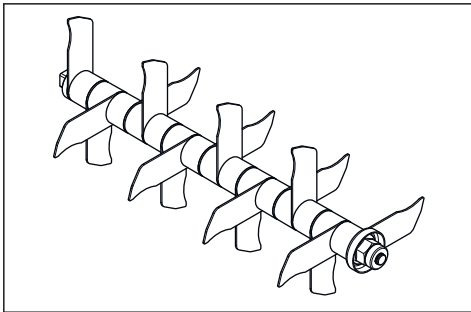
Produsul este un scarificator electric controlat de un operator-pieton. Produsul elimină resturile vegetale uscate de pe gazon și afânează solul pentru a permite aerului și apei să pătrundă în gazon. Resturile vegetale sunt strânse într-un colector de iarbă sau sunt eliberate pe gazon. Produsul are 2 tipuri de echipamente pentru scarificator.

### Echipamente pentru scarificator

Consultați *Pentru a înlocui echipamentul scarificatorului la pagina 528* pentru informații despre modalitatea de înlocuire a echipamentelor pentru scarificator.

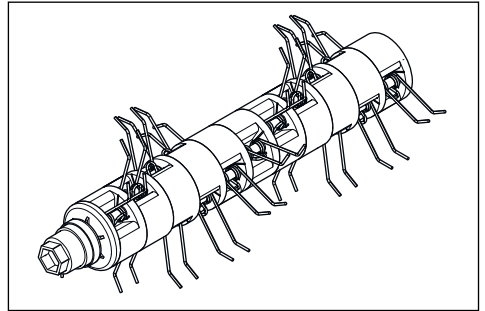
### Lamele Delta

Lamele Delta elimină resturile vegetale uscate și taie pe verticală rădăcinile ierbii. Utilizați lamele Delta pe pante, terase și soluri foarte argiloase. Lamele Delta permit apei să pătrundă în gazon și previn colectarea apei la suprafață



### Dispozitiv cu dinți și resort

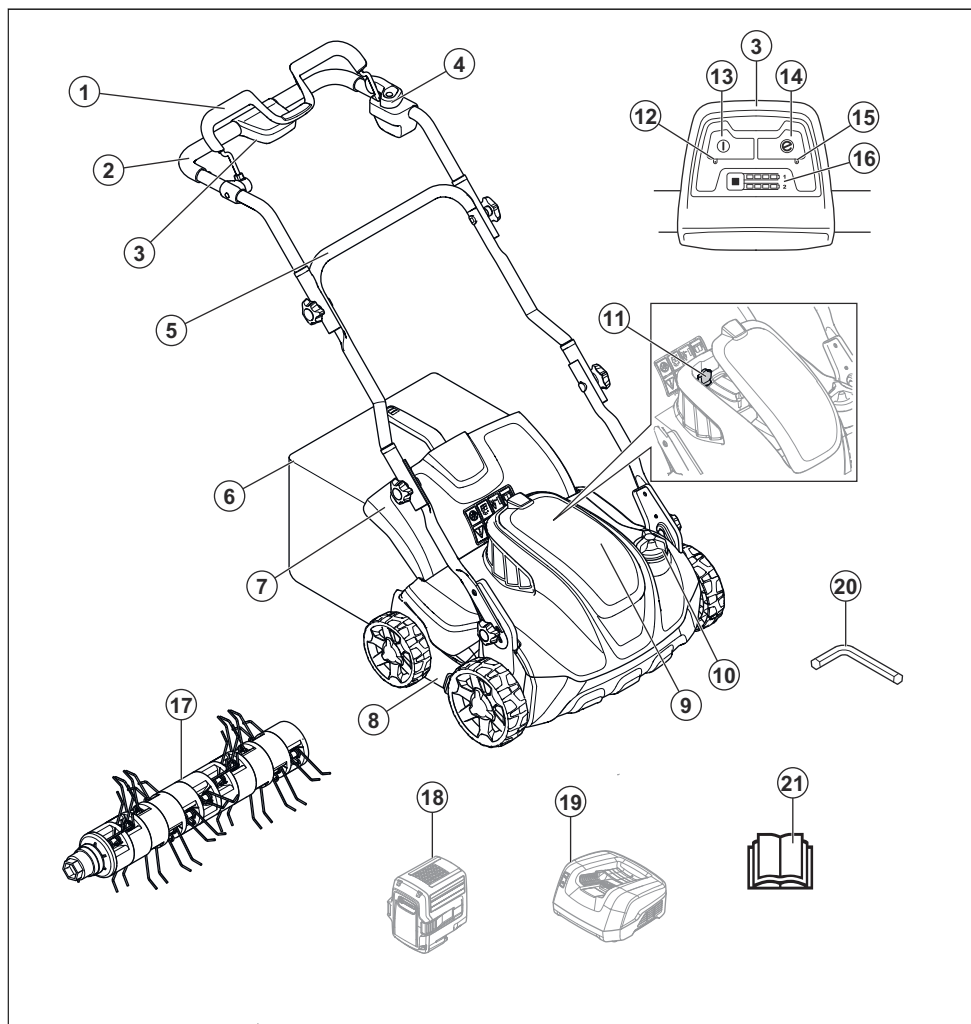
Dispozitivul cu dinți și resort elimină cu grijă iarba veștedă și resturile vegetale uscate de pe gazon, fără a deteriora rădăcinile ierbii.



### Domeniul de utilizare

Utilizați produsul pentru a elimina resturile vegetale uscate și mușchii, dar și pentru a afâna solul din grădinile private. Nu utilizați produsul pentru alte sarcini.

## Prezentare generală a modelului S 138i



1. Maneta frânei de motor

2. Mâner superior

3. Panoul de control

4. Inhibitorul de pornire

5. Mâner inferior

6. Colectorul de iarbă

7. Capac posterior

8. Capacul scarificatorului

9. Capacul bateriei

10. Butonul de reglare a adâncimii de lucru

11. Cheie de siguranță

12. LED indicator ON/OFF (Pornire/Oprire)

13. Buton ON/OFF (Pornire/Oprire)

14. Buton SaveE (Economisire)

15. LED indicator SaveE (Economisire)

16. Indicator de încărcare a bateriei și butonul bateriei

17. Dispozitiv cu dinți și resort

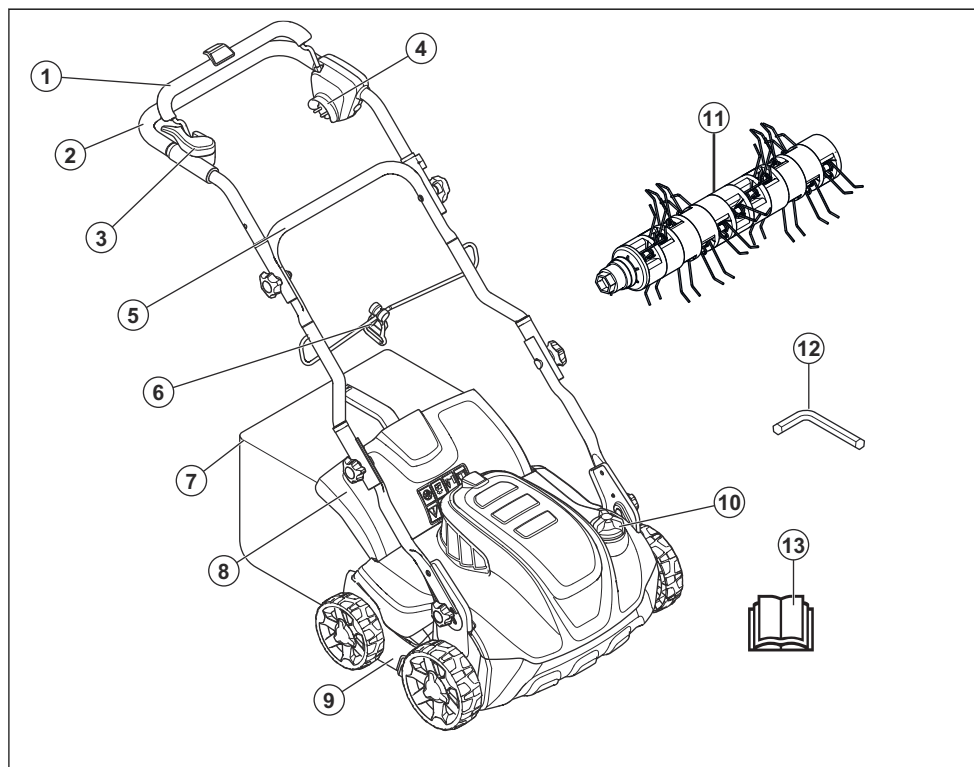
18. Baterie (accesoriu)

19. Încărcător de baterie (accesoriu)

20. Cheie hexagonală

21. Manualul operatorului

## Prezentare generală a modelului S 138C



1. Maneta frânei de motor
2. Mâner superior
3. Inhibitorul de pornire
4. Priză de alimentare
5. Mâner inferior
6. Clemă cablu
7. Colectorul de iarbă
8. Capac posterior
9. Capacul scarificatorului
10. Butonul de reglare a adâncimii de lucru
11. Dispozitiv cu dinți și resort
12. Cheie hexagonală
13. Manualul operatorului

### Simbolurile de pe produs



**Avertisment:** Utilizarea neatență sau incorectă poate cauza vătămări corporale sau moartea

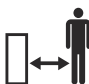
operatorului sau a altor persoane.





Citiți manualul operatorului și asigurați-vă că înțelegeți instrucțiunile înainte de a utiliza acest produs.





Feriți-vă de obiectele proiectate sau care ricoșează.


 Țineți persoanele și animalele la o distanță sigură de zona de lucru.


 Avertisment: Feriți-vă mâinile și picioarele de cuțitul rotativ.

 Scoateți cheia de siguranță înainte de a efectua operații de întreținere asupra produsului (modelul S 138i).

 Deconectați produsul de la priza electrică înainte de a efectua operații de întreținere asupra acestuia (modelul S 138C).

 Pericol de electrocutare (modelul S 138C).


 Nu expuneți la ploaie (modelul S 138i).

 Avertisment: Nu permiteți trecerea produsului peste cablul de alimentare deoarece acest lucru poate duce la electrocutare sau la deteriorarea produsului (modelul S 138C).


**IPX4** Acest produs este protejat împotriva stropilor de apă.

**EAC** Acest produs este în conformitate cu directivele EAC aplicabile.

**CE** Acest produs este în conformitate cu directivele UE aplicabile.

 Produsul este conform cu directivele UkrSEPRO aplicabile.

 Emisii de zgomot în mediu conform Directivei Comunității Europene. Nivelul de emisii al produsului este specificat în capitolul Date tehnice și pe etichetă.

 Izolație dublă (modelul S 138C).



Reciclați acest produs la un centru de reciclare pentru echipamente electrice și electronice. (Este valabilă numai pentru Europa)





Procedură de pornire pentru modelul S 138i: apăsați butonul ON/OFF (Pornire/Oprire), slăbiți inhibitorul de pornire, împingeți în jos maneta frânei de motor.

pornire, împingeți în jos maneta frânei de motor.



Eliberați maneta frânei de motor pentru oprire.



Cod scanabil.

**Nota:** Celelalte simboluri/etichete de pe produs se referă la cerințele de certificare pentru anumite piețe.



Procedură de pornire pentru modelul S 138C: slăbiți inhibitorul de

### Răspunderea pentru produs

Conform prevederilor legislației privind răspunderea pentru produs, nu ne asumăm răspunderea pentru daunele cauzate de produsul nostru dacă:

- produsul este reparat necorespunzător;
- produsul este reparat cu piese care nu provin de la producător sau care nu sunt aprobate de acesta;
- produsul are un accesoriu care nu provine de la producător sau care nu este aprobat de acesta;
- produsul nu este reparat la un centru de service omologat sau de o autoritate omologată;

## Siguranță

### Definiții privind siguranța

Avertismentele, atenționările și notele sunt utilizate pentru a desemna părți foarte importante din manual.



**AVERTISMENT:** Se utilizează dacă există risc de vătămare sau de deces pentru operator sau pentru trecători, în cazul în care instrucțiunile din manual nu sunt respectate.



**ATENȚIE:** Se utilizează dacă există un risc de deteriorare a produsului, a altor materiale sau a zonelor învecinate, dacă instrucțiunile din manual nu sunt respectate.

**Nota:** Se utilizează pentru a furniza mai multe informații care sunt necesare într-o situație dată.

## Instrucțiuni generale de siguranță

---



**AVERTISMENT:** Înainte de a utiliza produsul, citiți instrucțiunile de avertizare de mai jos.

---

- Acest produs este periculos dacă este utilizat incorect sau dacă nu sunteți atent. Nerespectarea instrucțiunilor de siguranță poate cauza vătămări corporale sau decesul.
- În timpul funcționării, acest produs produce un câmp electromagnetic. În anumite condiții, acest câmp poate interfera cu implanturile medicale active sau pasive. Pentru a reduce riscul de vătămări corporale grave sau mortale, recomandăm persoanelor cu implanturi medicale să consulte medicul și producătorul implantului medical înainte de a utiliza acest produs.
- Procedați întotdeauna cu atenție și folosiți-vă judecata. Dacă nu sunteți sigur cum să utilizați produsul într-o situație specială, opriți-l și adresați-vă distribuitorului Husqvarna înainte de a continua.
- Rețineți că operatorul poartă responsabilitatea privind orice accidente care implică alte persoane sau bunurile acestora.
- Păstrați produsul curat. Asigurați-vă că puteți citi clar semnele și etichetele.
- Nu permiteți niciunei persoane să utilizeze produsul dacă aceasta nu a citit și înțeles conținutul manualului operatorului.
- Nu permiteți copiilor să utilizeze produsul.
- Nu permiteți unei persoane care nu cunoaște instrucțiunile să utilizeze produsul.
- Monitorizați permanent o persoană cu capacități fizice sau mentale reduse care utilizează produsul. Un adult responsabil trebuie să fie prezent în permanență.
- Nu utilizați produsul atunci când sunteți obosit, bolnav sau dacă ați consumat alcool, droguri sau ați luat medicamente. Acestea vă afectează negativ acuitatea vizuală, atenția, coordonarea și judecata.
- Nu utilizați produsul dacă este defect.
- Nu modificați acest produs și nu îl utilizați dacă este posibil

să fi fost modificat de către alte persoane.

## Siguranța zonei de lucru

---



**AVERTISMENT:** Înainte de a utiliza produsul, citiți instrucțiunile de avertizare de mai jos.

---

- Înainte de a utiliza produsul, îndepărtați obiectele precum crengile, rămurelele și pietrele din zona de lucru.
- Obiectele care se lovesc de echipamentul scarificatorului pot ricoșa, provocând vătămări corporale și pagube materiale. Țineți trecătorii și animalele la o distanță sigură de produs.
- Nu utilizați produsul pe vreme rea, de exemplu pe ceață, ploaie, vânt puternic, la temperaturi exterioare foarte scăzute și atunci când există riscul de descărcări electrice. Utilizarea produsului pe vreme nefavorabilă sau pe teren umed sau inundat este obositoare. Vremea nefavorabilă poate conduce la apariția de situații periculoase, de exemplu suprafețe alunecoase.
- Verificați dacă există persoane, obiecte și situații care pot împiedica

funcționarea în siguranță a produsului.

- Atenție la obstacole, precum rădăcini, pietre, ramuri, gropi și șanțuri. În iarba înaltă se pot ascunde obstacole.
- Poate fi periculoasă operarea produsului pe pante. Nu utilizați produsul pe pante cu înclinație mai mare de 15°.
- Utilizați produsul de-a curmezișul pantei. Nu efectuați mișcări în sus și în jos.
- Procedați cu atenție atunci când vă apropiați de colțuri ascunse și de obiecte care blochează vederea.

## Siguranța în lucru

---



**AVERTISMENT:** Înainte de a utiliza produsul, citiți instrucțiunile de avertizare de mai jos.

---

- Utilizați acest produs doar pentru îndepărtarea resturilor vegetale uscate și a mușchiului de pe gazon. Nu este permisă utilizarea acestui produs pentru alte lucrări.
- Utilizați echipamentul de protecție personală. Consultați *Echipamentul individual de protecție la pagina 517*.
- Nu utilizați produsul în ploaie sau în condiții de umezeală.

Riscul de electrocutare crește dacă apa pătrunde în produs.

- Utilizați produsul doar după ce au fost montate corect echipamentul scarificatorului și toate capacele. Un echipament pentru scarificator montat incorect se poate desprinde, provocând vătămări corporale.
- Asigurați-vă că echipamentul scarificatorului nu lovește obiecte, precum pietre și rădăcini. Acestea pot deteriora echipamentul scarificatorului și pot îndoii arborele motorului. Un ax îndoit poate genera vibrații puternice și prezintă un risc foarte ridicat de slăbire a echipamentului scarificatorului.
- Dacă echipamentul scarificatorului lovește un obiect sau dacă observați vibrații, opriți produsul imediat. Opriți motorul, rotiți cheia de siguranță la 0 și scoateți bateria (modelul S 138i) sau deconectați cablul de alimentare (modelul S 138C). Examinați dacă produsul este deteriorat. Reparați defecțiunile sau solicitați unui agent de service autorizat să le repare.
- Nu atașați niciodată maneta frânei de motor la mâner, în mod permanent, atunci când motorul este pornit.
- Poziționați produsul pe o suprafață stabilă, plană și porniți-l. Asigurați-vă că echipamentul scarificatorului nu atinge solul sau alte obiecte.
- Stați întotdeauna în spatele produsului atunci când îl utilizați.
- Mențineți toate roțile pe sol și țineți ambele mâini pe mâner când utilizați produsul. Feriți-vă mâinile și picioarele de echipamentul scarificatorului care realizează mișcări rotative.
- Nu înclinați produsul când motorul este pornit.
- Fiți atent atunci când trageți produsul în spate.
- Nu ridicați niciodată produsul când motorul este pornit. Dacă trebuie să ridicați produsul, mai întâi opriți motorul, rotiți cheia de siguranță la 0 și scoateți bateria (modelul S 138i) sau deconectați cablul de alimentare (modelul S 138C).
- Nu mergeți cu spatele în timp ce utilizați produsul.
- Opriți motorul când traversați zone fără iarbă, de exemplu alei din pietriș, piatră și asfalt.

- Nu alergați cu produsul când motorul este pornit. Întotdeauna mergeți în timp ce utilizați produsul.
- Opriti motorul înainte de a schimba adâncimea de lucru. Nu efectuați niciodată reglaje cu motorul pornit.
- Nu lăsați niciodată produsul să iasă din câmpul vizual cu motorul pornit. Opriti motorul și asigurați-vă că echipamentul pentru scarificator nu se rotește.

## Instrucțiuni de siguranță pentru utilizare

### Echipamentul individual de protecție

Trebuie să folosiți echipament de protecție personală ori de câte ori folosiți produsul. Echipamentul de protecție individuală nu poate elimina riscul de rănire, dar poate reduce efectele unei răniri, în caz că se produce un accident. Cereți ajutorul dealerului dvs. pentru a alege echipamentul corect.

Purtați întotdeauna:

- Protecție pentru urechi pentru a reduce riscul de afectare a auzului.
- Ghete sau pantofi solizi, cu talpă antiderapantă. Nu purtați sandale și nu umblați desculți.
- Pantaloni lungi, groși. Nu purtați pantaloni scurți.

Purtați mănuși atunci când este necesar, de exemplu în momentul montării, inspectării sau curățării echipamentului pentru scarificator.



**AVERTISMENT:** Utilizați un sistem omologat de protecție a auzului. Expunerea pe termen lung la zgomot vă poate afecta ireversibil auzul.

### Dispozitivele de siguranță de pe produs



**AVERTISMENT:** Înainte de a utiliza produsul, citiți instrucțiunile de avertizare de mai jos.

- Nu utilizați un produs cu dispozitive de siguranță deteriorate.

- Verificați regulat dispozitivele de siguranță. Dacă dispozitivele de siguranță sunt defecte, contactați agentul de service Husqvarna.

### Verificarea capacelor

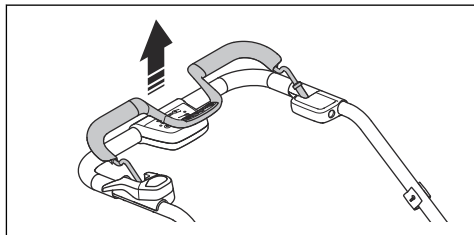
Capacul scarificatorului reduce vibrațiile în produs și reduce riscul de rănire de la echipamentul pentru scarificator.

- Examinați capacul lateral al scarificatorului și asigurați-vă că nu există defecte, precum fisuri.
- Examinați capacul posterior și asigurați-vă că nu există defecte, precum fisuri.

### Maneta frânei de motor

Maneta frânei de motor oprește motorul. Când maneta frânei de motor este eliberată, motorul se oprește.

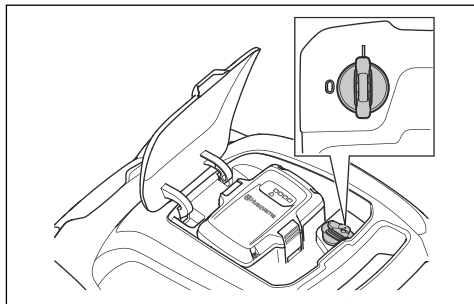
Pentru a efectua o inspecție a frânei de motor, porniți motorul și apoi eliberați maneta frânei de motor. Dacă motorul nu se oprește în 3 secunde, solicitați unui agent de service autorizat Husqvarna să regleze frâna de motor.



### Cheie de siguranță

Cheia de siguranță se află sub capacul bateriei. Cheia de siguranță este utilizată pentru conectarea bateriei care alimentează motorul cu energie.

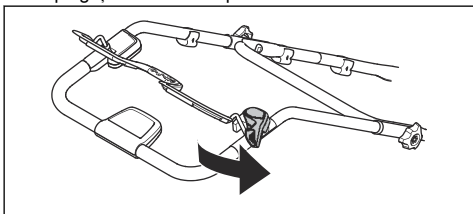
- Porniți și opriti motorul pentru a verifica cheia de siguranță.
- În cazul în care cheia de siguranță funcționează corect, motorul pornește doar atunci când cheia este în poziția 1.



### Pentru examinarea inhibitorului de pornire

Verificați inhibitorul de pornire pentru a vă asigura că acesta împiedică funcționarea demarorului.

1. Împingeți maneta frânei de motor în direcția mânerului. Inhibitorul de pornire oprește mișcarea.
2. Împingeți inhibitorul de pornire în afară.

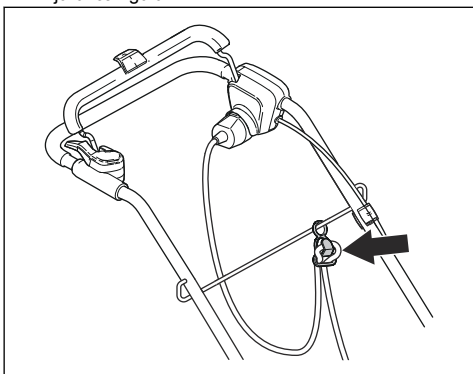


3. Eliberați inhibitorul de pornire și asigurați-vă că revine la poziția sa inițială.

### Pentru a utiliza suportul cablului de alimentare (model S 138C)

Suportul cablului de alimentare scade tensiunea asupra prizei de alimentare și asupra cablului de alimentare. Suportul cablului de alimentare scade, de asemenea, riscul de căderi.

1. Îndoiiți cablul de alimentare într-o buclă mică.
2. Puneți bucla în orificiul suportului cablului de alimentare.
3. Puneți bucla în jurul cârligului.
4. Trageți cablul de alimentare pentru a strânge bucla în jurul cârligului.



### Siguranța bateriei



**AVERTISMENT:** Înainte de a utiliza produsul, citiți instrucțiunile de avertizare de mai jos.

- Utilizați numai baterii reîncărcabile Husqvarna ca sursă de alimentare pentru produsele Husqvarna asociate. Pentru a evita rănirea, nu folosiți bateria ca sursă de alimentare pentru alte dispozitive.
- Nu utilizați baterii nereîncărcabile.
- Risc de electrocutare. Nu conectați bornele bateriei la chei, monede, șuruburi sau alte metale. Aceasta poate cauza scurtcircuitarea bateriei.
- Nu puneți obiecte în fantele de aerisire a bateriei.
- Feriți bateria de lumina solară, de căldură sau de flăcări deschise. Bateria poate exploda și provoca arsuri și/sau arsuri chimice.
- Feriți bateria de ploaie și de condiții de umezeală.
- Feriți bateria de microunde și de înaltă presiune.
- Nu încercați să demontați sau să spargeți bateria.
- Dacă există scurgeri de lichid dintr-o baterie, nu lăsați lichidul să intre în contact cu pielea sau ochii. Dacă ați atins lichidul, curățați zona cu apă din abundență și consultați medicul.

- Utilizați bateria la temperaturi între -10°C și 40°C.
- Nu curățați niciodată bateria sau încărcătorul cu apă. Consultați *Pentru a curăța bateria și încărcătorul la pagina 528*.
- Nu utilizați o baterie defectă sau deteriorată.
- Depozitați bateriile la distanță de obiecte de metal, de exemplu cuie, monede, bijuterii.

## Siguranța încărcătorului bateriei



**AVERTISMENT:** Înainte de a utiliza produsul, citiți instrucțiunile de avertizare de mai jos.

- Utilizați numai încărcătoare de baterii QC pentru a încărca bateriile de schimb Husqvarna.
- Pericol de electrocutare sau de scurtcircuit. Nu puneți obiecte în fantele de aerisire a încărcătorului. Nu încercați să dezasamblați încărcătorul de baterii. Nu conectați bornele încărcătorului la obiecte metalice. Folosiți o priză de curent aprobată.
- În timpul funcționării, acest produs produce un câmp electromagnetic. În anumite condiții, acest câmp poate interfera cu implanturile medicale active sau pasive. Pentru a scădea riscul de afecțiuni care pot conduce la vătămare sau la deces, recomandăm persoanelor cu implanturi medicale să consulte medicul și producătorul implantului medical înainte de a utiliza produsul.
- Asigurați-vă periodic că cablul de alimentare al încărcătorului de baterii nu este deteriorat și că nu prezintă fisuri.
- Nu ridicați încărcătorul bateriei ținând de cablul de alimentare. Pentru a deconecta încărcătorul de baterii de la priza de perete, trageți de ștecăr. Nu trageți de cablul de alimentare.
- Țineți cablul de alimentare și prelungitoarele la distanță de apă, ulei și muchiile ascuțite. Asigurați-vă că acest cablu nu este prins în uși, garduri sau în alte locuri similare. În caz contrar, încărcătorul poate intra sub tensiune.
- Nu curățați încărcătorul de baterii folosind apă.
- Acest încărcător de baterii poate fi utilizat de către copiii cu vârsta peste 8 ani și de

către persoane ce au capacități fizice, senzoriale sau mentale reduse sau care nu au experiența și cunoștințele necesare, dacă sunt supravegheate sau au primit instrucțiuni referitoare la utilizarea încărcătorului de baterii în siguranță și înțeleg riscurile implicate. Copiii nu trebuie să se joace cu încărcătorul de baterii. Curățarea și întreținerea nu se vor efectua de copii fără supraveghere.

- Nu încărcați baterii nereîncărcabile în încărcătorul de baterii.
- Nu utilizați încărcătorul de baterii în apropiere de materiale inflamabile sau materiale care pot cauza coroziune. Nu acoperiți încărcătorul bateriei. În caz de fum sau de incendiu, scoateți ștecărul încărcătorului de baterii.
- Nu utilizați un încărcător de baterii defect sau deteriorat.
- Încărcați bateria numai în interior, într-o încăpere cu aerisire adecvată și departe de lumina soarelui. Nu încărcați bateria în medii umede.

#### **Siguranța cablului de alimentare**

Pentru modelul S 138C.

- Se recomandă utilizarea unui dispozitiv cu curent rezidual (R.C.D.) cu un curent de declanșare de peste 30 mA. Chiar și în condițiile unui R.C.D. instalat, nu se poate garanta siguranța în proporție de 100%, fiind necesară respectarea permanentă a procedurilor de lucru în siguranță. Verificați valoarea R.C.D. la fiecare utilizare.
- Deconectați imediat de la priză în cazul în care cablul de alimentare este tăiat sau izolația este deteriorată.
- Nu atingeți un cablu de alimentare tăiat sau deteriorat până când alimentarea electrică nu este deconectată.
- Nu reparați un cablu de alimentare tăiat sau deteriorat. Înlocuiți-l cu unul nou.

#### **Instrucțiuni de siguranță pentru întreținere**



**AVERTISMENT:** Înainte de a utiliza produsul, citiți instrucțiunile de avertizare de mai jos.

---

- Pentru modelul S 138i: Pentru a preveni pornirea accidentală în timpul operațiilor de întreținere, rotiți cheia de siguranță la 0 și scoateți



bateria. Așteptați minimum 5 secunde înainte de a începe lucrările de întreținere.

- Pentru modelul S 138C: Pentru a preveni pornirea accidentală în timpul operațiilor de întreținere, deconectați cablul de alimentare.
- Efectuați lucrările de întreținere în mod corect pentru a prelungi durata de viață a produsului și reduce pericolul de accidente. Lucrările de reparații profesionale trebuie efectuate de un agent de service autorizat. Discutați cu agentul de service cel mai apropiat de dvs. pentru mai multe informații.
- Efectuați numai lucrările de întreținere care se regăsesc în acest manual al operatorului. Operațiile de service mai extinse trebuie efectuate de un agent de service autorizat.
- Puneți-vă mănuși de protecție rezistente atunci când utilizați

echipamentul pentru scarificatorului. Echipamentul scarificatorului este foarte ascuțit și vă puteți tăia foarte ușor.

- Mențineți lamele echipamentului scarificatorului ascuțite și curățate pentru performanță și siguranță optime.
- Permiteți agentului de service să verifice periodic produsul și să efectueze reglajele și reparațiile necesare.
- Înlocuiți piesele deteriorate, uzate sau defecte.
- Respectați instrucțiunile privind modul de schimbare a accesoriilor. Utilizați numai accesoriile furnizate de producător.
- Atunci când nu este în funcțiune, păstrați produsul, bateria și încărcătorul în interior, într-un loc uscat și încuiat. Asigurați-vă că persoanele neavizate și copiii nu au acces la produs, la baterie sau la încărcător.

---

## Asamblarea

---

### Introducere



**AVERTISMENT:** Înainte de a asambla produsul, citiți capitolul privind siguranța.



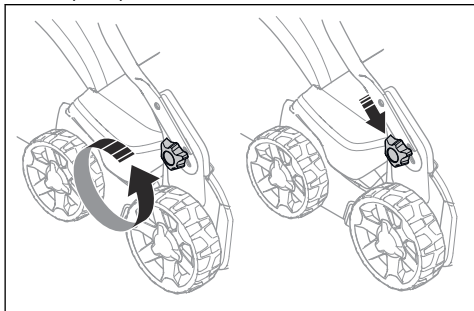
**AVERTISMENT:** Pentru modelul S 138i: Pentru a preveni pornirea accidentală în timpul asamblării, rotiți cheia de siguranță la 0, scoateți bateria și așteptați minimum 5 secunde.

Pentru modelul S 138C: Pentru a preveni pornirea accidentală în timpul asamblării, deconectați cablul de alimentare.

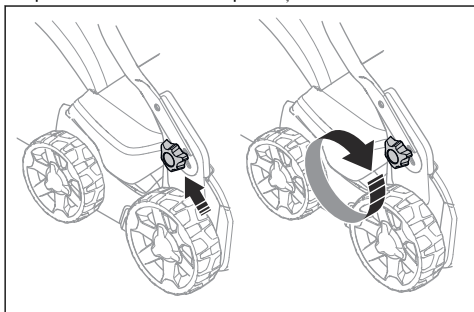
---

## Pentru a asambla mânerul

1. Slăbiți butoanele inferioare.
2. Deplasați butoanele spre capătul inferior al canelurilor de pe partea stângă și de pe partea dreaptă a produsului.



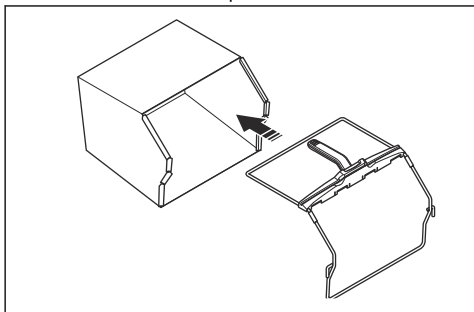
3. Setezi înălțimea mânerului într-una dintre cele 2 poziții disponibile.
4. Deplasați butoanele în sus în direcția mânerului, până când acestea se opresc și se aude un clic.



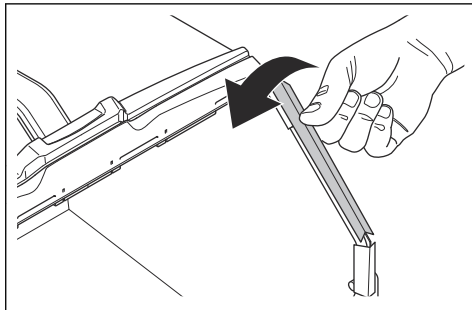
5. Strângeți rozetele până la capăt.

## Pentru a asambla colectorul de iarbă

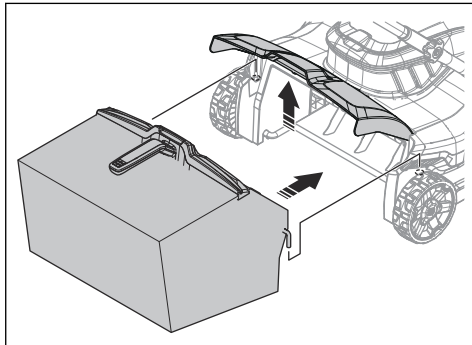
1. Prindeți cadrul colectorului de iarbă de sacul de iarbă, cu partea rigidă a sacului în jos. Mențineți mânerul cadrului deasupra sacului de iarbă.



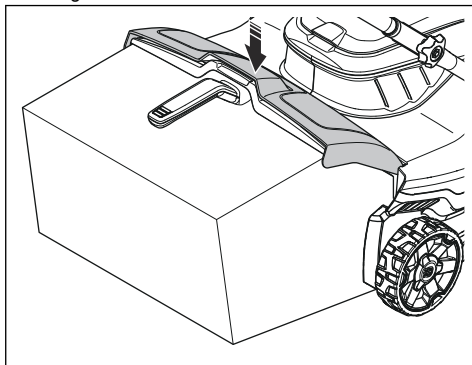
2. Atașați partea inferioară a cadrului colectorului de iarbă în canelura de pe partea inferioară a colectorului de iarbă.
3. Prindeți sacul de iarbă de cadrul colectorului de iarbă cu ajutorul clemelor.



4. Ridicați capacul posterior.
5. Mutați colectorul de iarbă în poziția corectă.



6. Fixați colectorul de iarbă de marginea superioară a carcasei. Asigurați-vă că capacul posterior se etanșează pe colectorul de iarbă pentru a preveni scurgerile.



# Funcționarea

## Introducere



**AVERTISMENT:** Înainte de a utiliza produsul, trebuie să citiți și să înțelegeți capitolul privind siguranța.

## Husqvarna Connect

Husqvarna Connect este o aplicație gratuită pentru dispozitivul dvs. mobil. Aplicația Husqvarna Connect vă oferă funcții extinse pentru produsul dvs. Husqvarna:

- Informații pe larg despre produs.
- Informații despre piese pentru produse și service și asistență pentru acestea.

## Pentru a începe să utilizați Husqvarna Connect

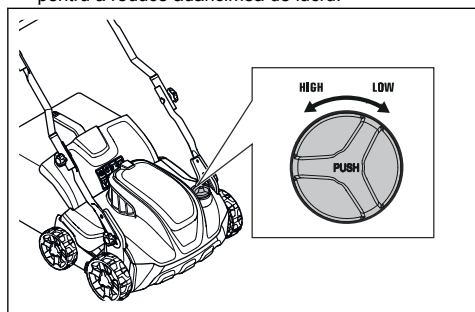
1. Descărcați aplicația Husqvarna Connect pe dispozitivul dvs. mobil.
2. Înregistrați-vă în aplicația Husqvarna Connect.
3. Urmați pașii cu instrucțiuni din aplicația Husqvarna Connect pentru a conecta și înregistra produsul.

## Setarea adâncimii de lucru



**AVERTISMENT:** Nu reglați adâncimea de lucru atunci când utilizați produsul.

1. Împingeți și rotiți butonul de reglare pentru adâncimea de lucru în sens invers acelor de ceasornic pentru a mări adâncimea de lucru.
2. Împingeți și rotiți butonul de reglare pentru adâncimea de lucru în sensul acelor de ceasornic pentru a reduce adâncimea de lucru.



## Bateria

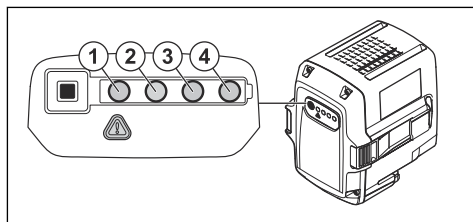


**AVERTISMENT:** Înainte de a utiliza bateria, trebuie să citiți și să înțelegeți capitolul privind siguranța. Trebuie, de asemenea, să

citiți și înțelegeți informațiile din manualul operatorului privind bateria și încărcătorul.

## Starea bateriei

Afișajul arată capacitatea rămasă a bateriei și dacă există probleme cu aceasta. Capacitatea bateriei este afișată timp de 5 secunde după ce produsul este oprit sau după ce este apăsat butonul indicatorului. Simbolul de avertisment de pe baterie se aprinde când apare o eroare. Consultați *Bateria la pagina 529*.



Lumini LED	Stare baterie
Toate LED-urile sunt aprinse	Complet încărcată (75 - 100 %)
Sunt aprinse LED-urile 1, 2 și 3	Bateria este încărcată în proporție de 50 - 75 %
Sunt aprinse LED-urile 1 și 2	Bateria este încărcată în proporție de 25 - 50 %
Este aprins LED-ul 1	Bateria este încărcată în proporție de 0-25 %
LED-ul 1 se aprinde intermitent	Bateria este descărcată. Încărcați bateria.

## Încărcarea bateriei

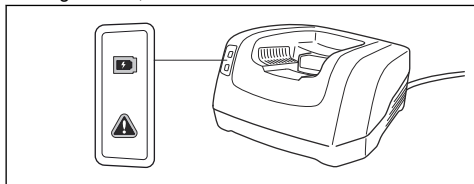
Încărcați bateria înainte de prima utilizare. Bateria este încărcată în proporție de doar 30 % la livrarea către client.

**Nota:** Încărcătorul trebuie conectat la o sursă de alimentare având tensiunea și frecvența specificate pe plăcuța de identificare.

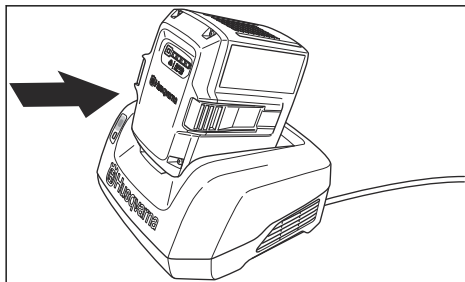
Bateria nu se încarcă dacă temperatura acesteia este mai mare de 50° C. Încărcătorul de baterii reduce temperatura bateriei înainte de a începe încărcarea.

1. Conectați un capăt al cablului de alimentare al încărcătorului la mufa acestuia.

2. Conectați celălalt capăt al cablului de alimentare al încărcătorului la o priză de curent cu împământare. LED-ul de pe încărcătorul bateriei se aprinde o singură dată, în culoarea verde.



3. Introduceți bateria în încărcătorul aferent. Lumina verde de pe încărcător se aprinde atunci când bateria este conectată corect la încărcător.



4. Atunci când toate LED-urile de pe baterie sunt aprinse, bateria este încărcată complet. Încărcați bateria timp de maximum 24 de ore.
5. Pentru a decupla încărcătorul de baterii de la priză de curent, trageți de ștecher și nu de cablul de alimentare.
6. Scoateți bateria din încărcător.

### Nivelul de încărcare a bateriei

O baterie Husqvarna Li-ion poate fi încărcată sau utilizată la toate nivelurile de încărcare. Bateria nu se deteriorează. O baterie complet încărcată nu-și reduce nivelul de încărcare atunci când este lăsată în încărcător.

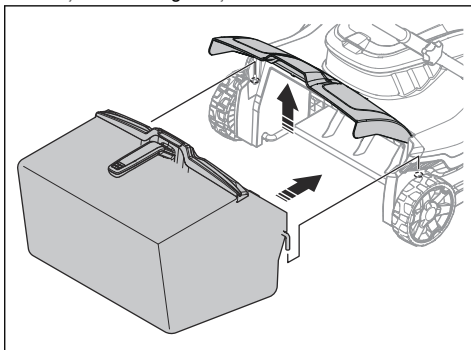
Afișaj LED	Nivelul de încărcare
LED-ul 1 se aprinde intermitent	0%-25%
LED-ul 1 este aprins, LED-ul 2 se aprinde intermitent	25%-50%
LED-urile 1 și 2 sunt aprinse, LED-ul 3 se aprinde intermitent	50%-75%
LED-urile 1, 2 și 3 sunt aprinse, LED-ul 4 se aprinde intermitent	75%-100%

Afișaj LED	Nivelul de încărcare
LED-urile 1, 2, 3 și 4 sunt aprinse	Încărcată complet

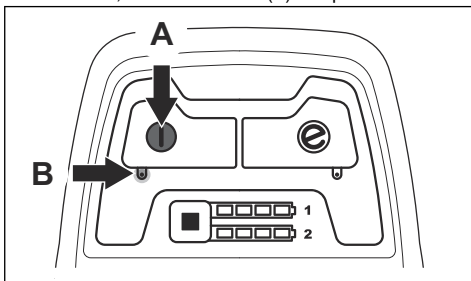
### Pentru a utiliza S 138i

#### Pomirea produsului

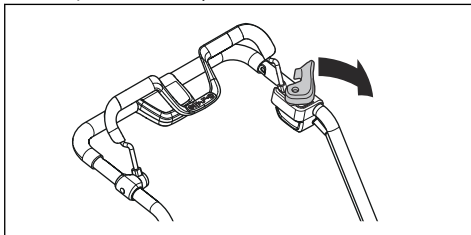
1. Puneți o baterie încărcată în compartimentul de baterii numărul 1 sub capacul bateriei. Pentru o durată mai lungă de funcționare, puneți a doua baterie încărcată în compartimentul de baterii numărul 2.
2. Rotiți cheia de siguranță la 1.



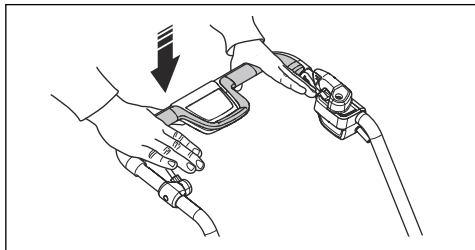
3. Stați în spatele produsului.
4. Apăsăți butonul de pornire/oprire (A) de pe panoul de control, iar LED-ul verde (B) se aprinde.



5. Slăbiți inhibitorul de pornire.



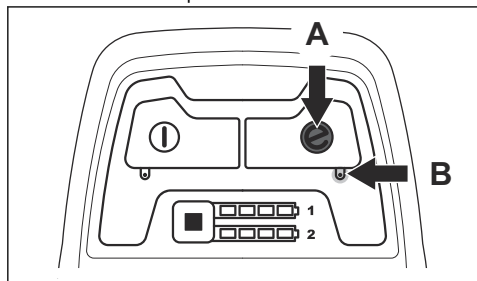
6. Împingeți maneta frânei de motor în direcția mânerului.



### Utilizarea funcției SavE

Produsul are o funcție de economisire a bateriei (Save) care asigură o durată mai lungă de funcționare.

1. Apăsați pe butonul SavE (A) pentru a activa funcția. LED-ul verde se aprinde.

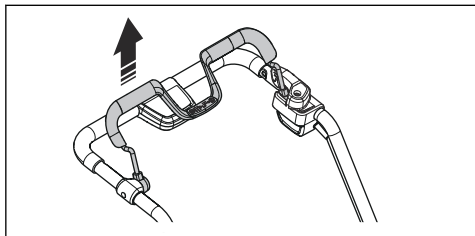


2. Apăsați din nou pe butonul SavE pentru a dezactiva funcția. LED-ul verde (B) se stinge.

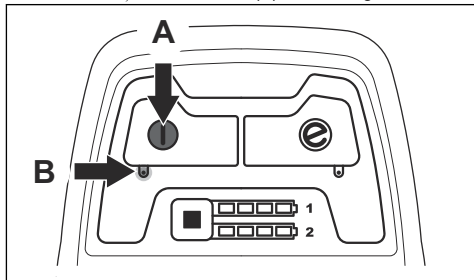
### Oprirea produsului

Produsul se oprește automat dacă nu-l utilizați timp de 10 minute. Rotiți întotdeauna cheia de siguranță la 0 înainte să lăsați produsul să iasă din câmpul vizual.

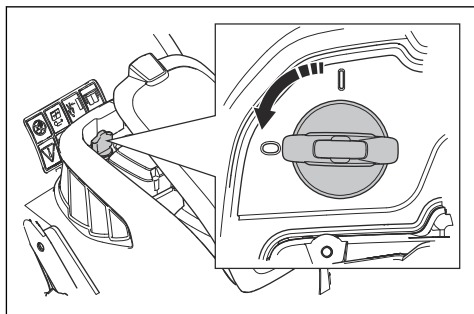
1. Eliberați maneta frânei de motor pentru a opri motorul.



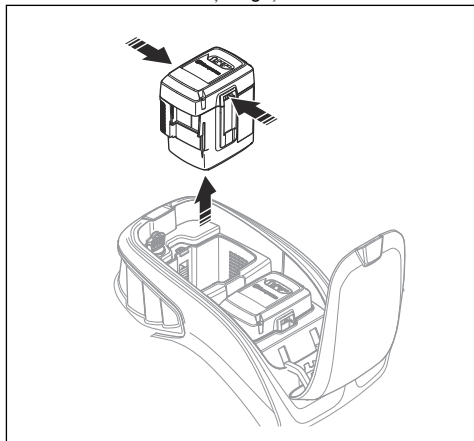
2. Apăsați butonul de pornire/oprire (A) de pe panoul de control și LED-ul verde (B) se va stinge.



3. Deschideți capacul bateriei și rotiți cheia de siguranță la 0.



4. Pentru a scoate bateria, apăsați concomitent cele 2 butoane de eliberare și trageți bateria în afară.

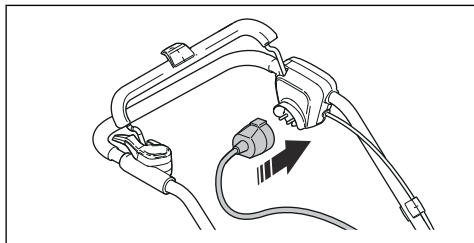


5. Încărcați bateria dacă este slabă. Pentru mai multe informații, consultați *Încărcarea bateriei la pagina 523*.

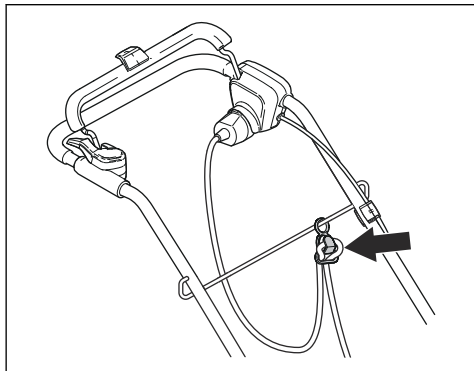
## Pentru a utiliza S 138C

### Pornirea produsului

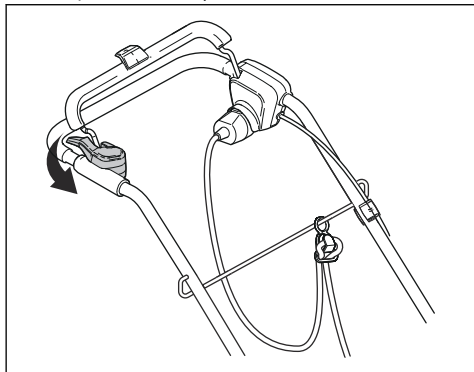
1. Conectați un cablu de alimentare la priza de sub mâner.



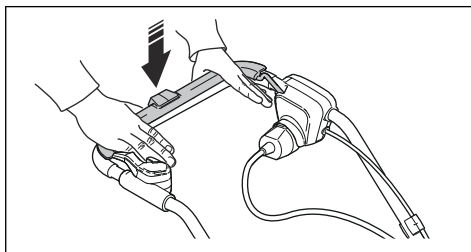
2. Puneți cablul de alimentare pe suportul cablului de alimentare. Consultați *Pentru a utiliza suportul cablului de alimentare (model S 138C)* la pagina 518.



3. Stați în spatele produsului.
4. Slăbiți inhibitorul de pornire.

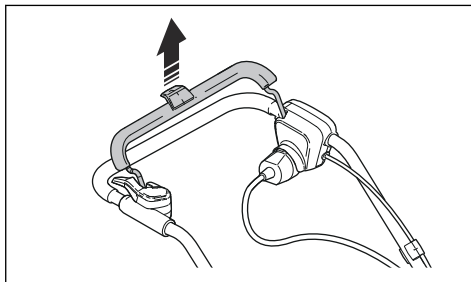


5. Împingeți maneta frânei de motor în direcția mânerului.

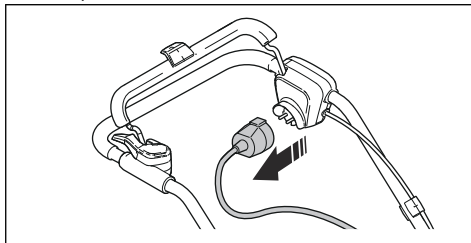


### Oprirea produsului

1. Eliberați maneta frânei de motor pentru a opri motorul.



2. Deconectați cablul de alimentare de la priză și apoi de la produs.



**ATENȚIE:** Trageți de ștecher în afară.  
Nu trageți de cablul de alimentare.

# Întreținerea

## Introducere



**AVERTISMENT:** Înainte de a efectua orice operații de întreținere, citiți și înțelegeți capitolul privind siguranța.

Toate lucrările de service și de reparații la produs necesită instruire specială. Garantăm disponibilitatea unor lucrări profesionale de reparații și service. Dacă distribuitorul dvs. nu este agent de service, solicitați acestuia informații cu privire la cel mai apropiat agent de service.

## Program de întreținere

Intervalele de întreținere sunt calculate având în vedere o utilizare zilnică a produsului. Intervalele se modifică dacă produsul nu este utilizat zilnic.

Pentru operațiuni de întreținere identificate cu \*, consultați *Dispozitivele de siguranță de pe produs la pagina 517.*

S 138i și S 138C	La fiecare utilizare	Lunar	În fiecare sezon
Efectuați o inspecție generală.	X		
Curățați produsul.	X		
Examinați echipamentul scarificatorului.	X		
Asigurați-vă că dispozitivele de siguranță ale produsului nu sunt defecte. *	X		
Examinați capacele. *	X		
Verificați maneta frânei de motor. *	X		
Verificați inhibitorul de pornire. *	X		

Numai S 138i	La fiecare utilizare	Lunar	În fiecare sezon
Asigurați-vă că butonul de pornire/oprire funcționează corect și nu este defect.	X		
Verificați dacă bateria este deteriorată.	X		
Verificați nivelul de încărcare a bateriei.	X		
Asigurați-vă că butoanele de eliberare de pe baterie funcționează corect și că bateria este fixată în produs.	X		
Verificați dacă încărcătorul de baterii nu prezintă deteriorări și asigurați-vă că funcționează corect.		X	
Examinați conexiunile dintre baterie și produs. Examinați, de asemenea, conexiunea dintre baterie și încărcător.			X

## Pentru a efectua o inspecție generală

- Asigurați-vă că șuruburile și piulițele produsului sunt strânse.
- Asigurați-vă că cablurile de pe produs nu sunt într-o poziție în care să poată fi deteriorate.

## Curățarea produsului

- Curățați componentele din plastic cu o cârpă curată și uscată.
- Nu utilizați apă pentru a curăța produsul. Apa poate pătrunde în baterie sau în motor și poate provoca scurtcircuitul sau poate avaria produsul.

- Nu utilizați o instalație de spălare cu presiune ridicată pentru a curăța produsul.
- Nu stropiți niciodată direct motorul cu apă.
- Folosiți o perie pentru a elimina frunzele, iarba și murdăria.

## Pentru a curăța bateria și încărcătorul



**ATENȚIE:** Nu curățați niciodată bateria sau încărcătorul cu apă.

- Asigurați-vă că bateria și încărcătorul sunt curate și uscate înainte să introduceți bateria în încărcător.
- Curățați bornele bateriei cu aer comprimat sau cu o cârpă moale și uscată.
- Curățați suprafețele bateriei și încărcătorul cu o cârpă moale și uscată.

## Examinarea echipamentului scarificatorului



**AVERTISMENT:** Pentru modelele S 138i: Pentru a preveni pornirea accidentală, rotiți cheia de siguranță la 0, scoateți bateria și așteptați cel puțin 5 secunde.

Pentru modelul S 138C: Pentru a preveni pornirea accidentală, deconectați cablul de alimentare.



**AVERTISMENT:** Purtați mănuși de protecție când efectuați întreținerea echipamentului scarificatorului. Lamele echipamentului scarificatorului sunt foarte ascuțite și vă puteți tăia foarte ușor.

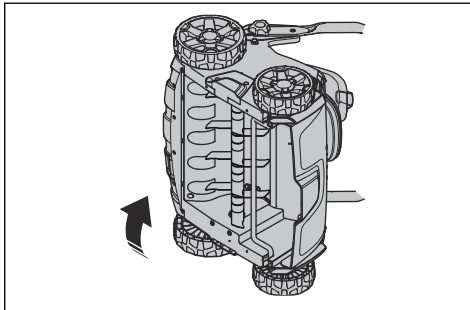
- Examinați echipamentul scarificatorului pentru a identifica eventuale deteriorări sau crăpături. Înlocuiți întotdeauna echipamentele pentru scarificator deteriorate.

## Pentru a înlocui echipamentul scarificatorului

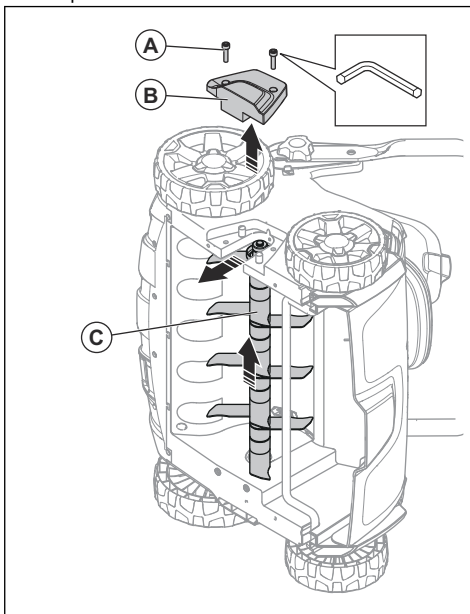


**AVERTISMENT:** Purtați mănuși de protecție când efectuați întreținerea echipamentului scarificatorului. Echipamentul scarificatorului este foarte ascuțit și vă puteți tăia foarte ușor

1. Puneți produsul pe partea sa dreaptă.

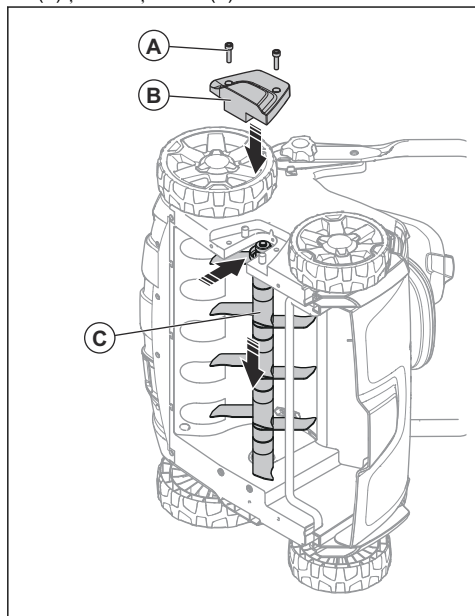


2. Îndepărtați cele 2 șuruburi (A) și capacul scarificatorului (B). Împingeți echipamentul scarificatorului (C) în sus și în afară pentru a-l îndepărta.





3. Împingeți noul echipament al scarificatorului (C) în canelură și în orificiu. Atașați capacul scarificatorului (B) și cele 2 șuruburi (A)



## Depanarea

### Bateria

LED pe baterie	Erori posibile	Procedură posibilă
LED-ul verde se aprinde intermitent	Tensiunea bateriei este redusă	Încărcați bateria. Consultați <i>Încărcarea bateriei la pagina 523</i> .
LED-ul de eroare se aprinde intermitent	Bateriei este aproape descărcată	Încărcați bateria. Consultați <i>Încărcarea bateriei la pagina 523</i> .
	Temperatura din mediul de lucru este prea mare sau prea mică	Utilizați bateria la temperaturi între -10°C și 40°C.
	Supratensiune	Verificați dacă tensiunea rețelei de alimentare este la fel cu cea indicată pe plăcuța de identificare de pe produs.  Scoateți bateria din încărcător. Așteptați 5 secunde și încercați din nou să încărcați bateria. Dacă problema persistă, discutați cu un agent de service autorizat.
LED-ul de eroare este aprins	Diferență prea mare între baterii (1 V)	Discutați cu un agent de service autorizat.

## Încărcător pentru acumulator

LED-ul de pe încărcătorul de baterii	Erori posibile	Procedură posibilă
LED-ul de eroare se aprinde intermitent	Temperatura din mediul de lucru este prea mare sau prea mică	Utilizați încărcătorul de baterii la temperaturi între 5 °C și 40 °C.
LED-ul de eroare este aprins		Discutați cu un agent de service autorizat

## Panoul de control

Pentru modelul S 138i

Eroare	Cod de eroare (număr de aprinderi intermitente)	Erori posibile	Acțiune posibilă
LED-ul de eroare se aprinde intermitent	3	Motorul este supraîncărcat.	Reduceți adâncimea de lucru. Consultați <i>Setarea adâncimii de lucru la pagina 523</i> . Dacă LED-ul de eroare continuă să se aprindă intermitent, echipamentul scarificatorului este blocat. Pentru a preveni pornirea accidentală, rotiți cheia de siguranță la 0, scoateți bateria și așteptați cel puțin 5 secunde. Asigurați-vă că echipamentul scarificatorului se poate mișca liber. Dacă problema persistă, discutați cu un agent de service autorizat.
	5	Turația motorului scade prea mult și motorul se oprește.	
	9	Controlul motorului este prea fierbinte.	
	7	Eroare la nivelul bateriei sau nu există semnal de la baterie.	
		Bateria este slabă.	Încărcați bateria. Consultați <i>Încărcarea bateriei la pagina 523</i> .
Produsul se oprește	6	Bateria este slabă.	Încărcați bateria. Consultați <i>Încărcarea bateriei la pagina 523</i> .
	0	Defecțiune la nivelul conectorului bateriei.	Examinați conectorul bateriei.
Alte erori	Dacă alte apar erori, rotiți cheia de siguranță la 0, scoateți bateria și contactați un agent de service autorizat.		

## Transportul, depozitarea și eliminarea

### Transportul

- Cerințele din legislația privind bunurile periculoase se aplică pentru bateriile Li-ion incluse.
- Pentru transporturile comerciale cerințele speciale de pe ambalaj și etichete trebuie respectate.
- Respectați cu atenție reglementările privind materialele periculoase atunci când pregătiți produsul pentru transport. Pot exista reglementări locale aplicabile.
- Înainte de transport scoateți întotdeauna bateria.

- Aplicați bandă pe bornele bateriei și asigurați-vă că aceasta nu se poate deplasa în timpul transportului.
- Fixați produsul în timpul transportului.

## Depozitarea

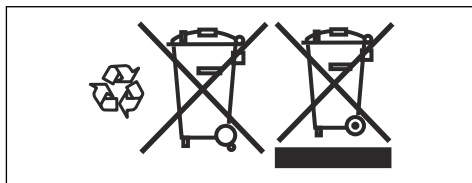
- Înainte de depozitare scoateți întotdeauna bateria.
- Pentru a preveni accidentele, asigurați-vă că bateria nu este conectată la produs în timpul depozitării.
- Păstrați încărcătorul într-un spațiu închis și uscat.
- Păstrați bateria și încărcătorul de baterie într-un spațiu uscat unde nu pătrunde umezeala sau înghețul.
- Deconectați bateria de la încărcător în timpul depozitării.
- Nu depozitați bateria într-un loc unde poate apărea electricitatea statică. Nu depozitați bateria într-o cutie metalică.
- Păstrați bateria într-un loc unde temperatura este cuprinsă între 5 °C și 25 °C și departe de lumina soarelui.
- Păstrați încărcătorul de baterii într-un loc unde temperatura este cuprinsă între 5 °C și 45 °C și departe de lumina soarelui.
- Asigurați-vă că bateria este încărcată în proporție de 30 % - 50 % înainte de a o depozita pe o perioadă lungă.
- Păstrați produsul, bateria și încărcătorul de baterii într-un loc încuiat, la care nu au acces copiii și persoanele neavizate.

- Curățați produsul și efectuați un service complet înainte de a depozita produsul pentru o perioadă lungă de timp.

## Dezafectarea

Simbolurile de pe produs sau de pe ambalajul acestuia indică faptul că acest produs nu poate fi tratat ca deșeu menajer. Trebuie trimis la un centru de reciclare corespunzător pentru recuperarea echipamentelor electrice și electronice.

Asigurându-vă că aveți grijă de acest produs în mod corect, puteți contribui la neutralizarea impactului negativ potențial asupra mediului înconjurător și asupra persoanelor; în caz contrar, putând conduce la gestionarea incorectă a deșeurilor acestui produs. Pentru informații mai detaliate referitoare la reciclarea acestui produs, contactați autoritățile, serviciul pentru deșuri menajere sau magazinul de unde ați achiziționat produsul.



## Date tehnice

### Date tehnice

	S 138i	S 138C
<b>Motor</b>		
Tip de motor	BLDC (fără perii) 36 V	Motor seria AC
Turație accesoriu - SavE, rot/min	3000	N/A
Turație accesoriu - Valoare nominală, rot/min	3200	4200
Putere motor - Valoare max., kW	1,28	1,8
Putere motor - Valoare nominală, kW	0,9	1,6
<b>Greutate</b>		
Greutate, kg	19,5 (fără baterie)	19,0
<b>Baterie</b>		
Tip de baterie	Seria Battery Husqvarna	Nu este cazul
<b>Durata de utilizare a bateriei</b>		
Durata de utilizare a bateriei, min. (funcționare autonomă) cu funcția SavE activată, cu o baterie Husqvarna de 5,2 Ah (Bli200).	115	Nu este cazul

	<b>S 138i</b>	<b>S 138C</b>
Durata de utilizare a bateriei, min, (funcționare autonomă) cu modul standard activat, cu o baterie Husqvarna de 5,2 Ah (BLi200).	102	Nu este cazul
<b>Emisii de zgomot</b> <sup>58</sup>		
Nivel de putere acustică măsurat dB (A)	89,2	95,7
Nivel de putere acustică garantat L <sub>WA</sub> dB(A)	91	98
<b>Niveluri de zgomot</b> <sup>59</sup>		
Nivel de presiune a sunetului la urechea operatorului, dB (A)	75,3	81,7
<b>Niveluri de vibrații</b> <sup>60</sup>		
Măner, m/s <sup>2</sup>	5,5	8,3
<b>Funcționare</b>		
Adâncime de lucru max/min, mm	-8/+5	-8/+5
Lățime de lucru, cm	37,5	37,5
Accesoriu lame Delta	5973510-01	5973510-01
Accesoriu dispozitiv cu dinți și resort	5973509-01	5973509-01
Capacitate colector de iarbă, litri	45	45

<b>Baterii aprobate</b>	<b>Tip</b>	<b>Capacitate baterie, Ah</b>	<b>Tensiune, V</b>	<b>Greutate, lb/kg</b>
BLi20	Litiu-ion	4,0	36	2,6/1,2
BLi200	Litiu-ion	5,2	36	2,8/1,3
BLi300	Litiu-ion	9,4	36	4,1/1,9

<b>Încărcătoarele aprobate pentru bateriile specificate, BLI</b>	<b>Tensiune de intrare, V</b>	<b>Frecvență, Hz</b>	<b>Putere, W</b>
QC80	100-240	50-60	80
QC80F	12	0	80
QC330	100-240	50-60	330
QC500	100-240	50-60	500

<sup>58</sup> Emisiile de zgomot în mediu măsurate ca putere acustică (L<sub>WA</sub>) în conformitate cu directiva CE 2000/14/CE.

<sup>59</sup> Datele raportate pentru presiunea nivelului de zgomot prezintă o distribuție statistică tipică (abatere standard) de 1,2 dB (A).

<sup>60</sup> Datele raportate pentru nivelul de vibrații prezintă o dispersie statistică tipică (abatere standard) de 0,2 m/s<sup>2</sup>.

---

## Declarație de conformitate CE

---

### Declarație de conformitate CE

**Husqvarna AB**, SE-561 82 Huskvarna, Suedia, tel.:  
+46-36-146500, declară că **scarificatorul Husqvarna S 138i**, începând cu numerele de serie 2018XXXXXXX, respectă cerințele DIRECTIVEI CONSILIULUI:

- din 8 iunie 2011 privind „restricțiile de utilizare a anumitor substanțe periculoase” **2011/65/UE**
- din 17 mai 2006 „referitoare la utilaje” **2006/42/CE**
- din 26 februarie 2014 „referitoare la compatibilitatea electromagnetică” **2014/30/UE**
- din 8 mai 2000 „referitoare la emisiile de zgomot în mediul înconjurător” **2000/14/CE**

Pentru informații privind emisiile de zgomot, consultați secțiunea cu Date tehnice.

Au fost aplicate următoarele standarde:

**EN 60335-1:2012+A11:2014+A13:2017, EN 50636-2-92:2014, EN 55014-1:2017, EN 55014-2:2015**

Huskvarna, 2019-01-15



Claes Losdal, Director de Dezvoltare/Produse de grădină (reprezentant autorizat al Husqvarna AB și responsabil cu documentația tehnică.)

---

## Declarație de conformitate CE

---

### Declarație de conformitate CE

**Husqvarna AB**, SE-561 82 Huskvarna, Suedia, tel.: +46-36-146500, declară că **scarificatorul Husqvarna S 138C**, începând cu numerele de serie 2018XXXXXXX, respectă cerințele DIRECTIVEI CONSILIULUI:

- din 8 iunie 2011 privind „restricțiile de utilizare a anumitor substanțe periculoase” **2011/65/UE**
- din 17 mai 2006 „referitoare la utilaje” **2006/42/CE**
- din 26 februarie 2014 „referitoare la compatibilitatea electromagnetică” **2014/30/UE**
- din 8 mai 2000 „referitoare la emisiile de zgomot în mediul înconjurător” **2000/14/CE**

Pentru informații privind emisiile de zgomot, consultați secțiunea cu Date tehnice.

Au fost aplicate următoarele standarde:

**EN 60335-1:2012+A11:2014+A13:2017, EN 50636-2-92:2014, EN 55014-1:2017, EN 55014-2:2015, EN 61000-3-2:2014, EN 61000-3-11:2000**

Huskvarna, 2019-01-15



Claes Losdal, Director de Dezvoltare/Produse de grădină (reprezentant autorizat al Husqvarna AB și responsabil cu documentația tehnică.)

---

## Содержание

---

Введение.....	535	Поиск и устранение неисправностей.....	558
Безопасность.....	539	Транспортировка, хранение и утилизация.....	559
Сборка.....	550	Технические данные.....	560
Эксплуатация.....	551	Декларация соответствия ЕС.....	563
Техническое обслуживание.....	555	Декларация соответствия ЕС.....	564

---

## Введение

---

### Описание изделия

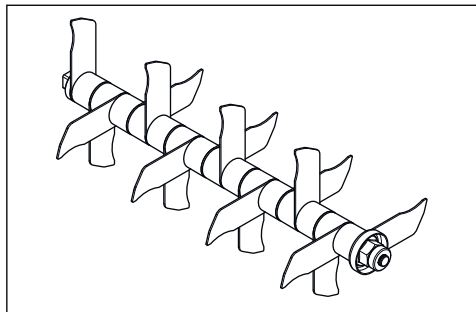
Изделие представляет собой пешеходный электрический скарификатор. Изделие удаляет с газона солому, а также рыхлит почву, обеспечивая проникновение в нее воздуха и воды. Солома собирается в травосборник или выбрасывается на газон. Изделие оснащено оборудованием скарификатора 2 типов.

### Оборудование скарификатора

Сведения о процедуре замены оборудования скарификатора см. в разделе *Замена оборудования скарификатора на стр. 557.*

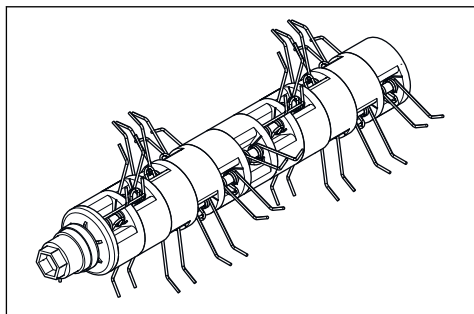
### Треугольные ножи

Треугольные ножи удаляют солому и вертикально срезают корни травы. Треугольные ножи следует использовать на склонах, террасах и для почв с высоким содержанием глины. Треугольные ножи позволяют воде проникать в почву, чтобы она не скапливалась на поверхности



### Пружинные зубцы

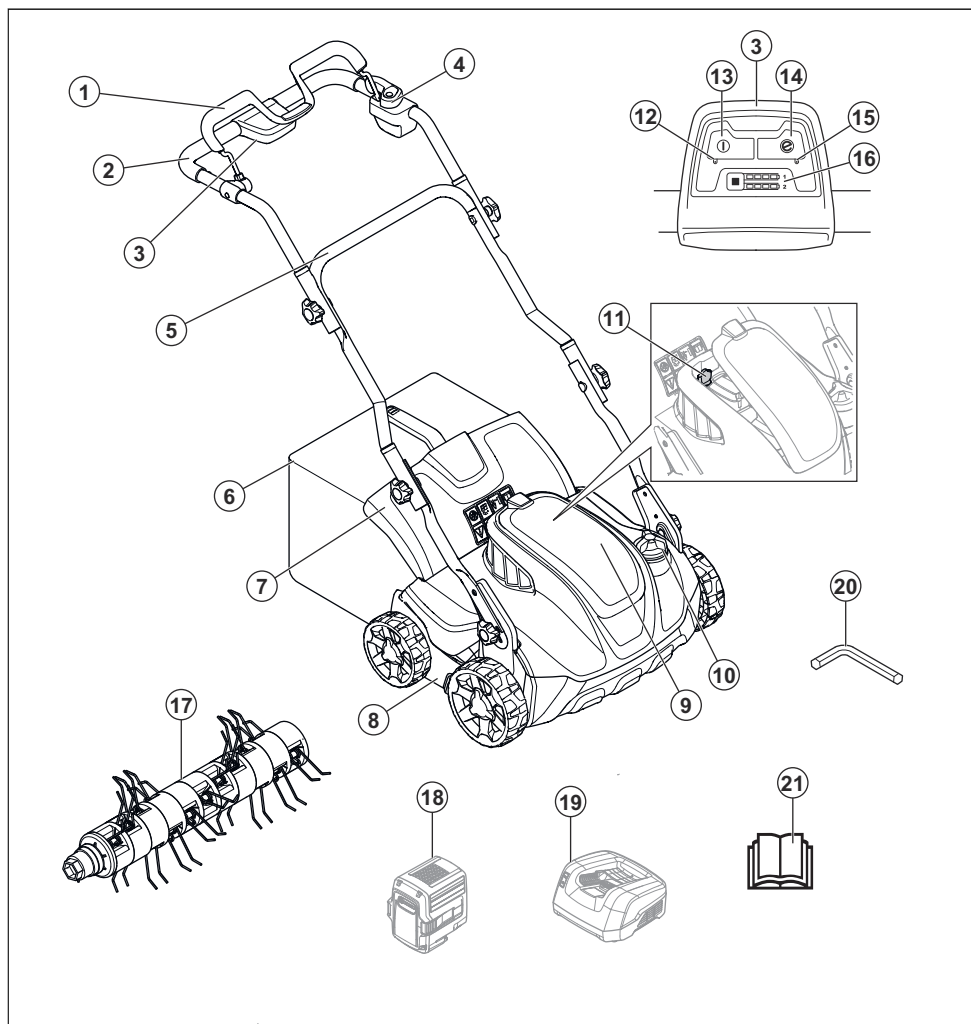
Пружинные зубцы бережно удаляют омертвевшую траву и солому с газона, не повреждая корни травы.



### Назначение

Изделие используется в частных садах для удаления соломы и мха, а также для рыхления почвы. Запрещается использовать изделие для других видов работ.

## Обзор модели S 138i

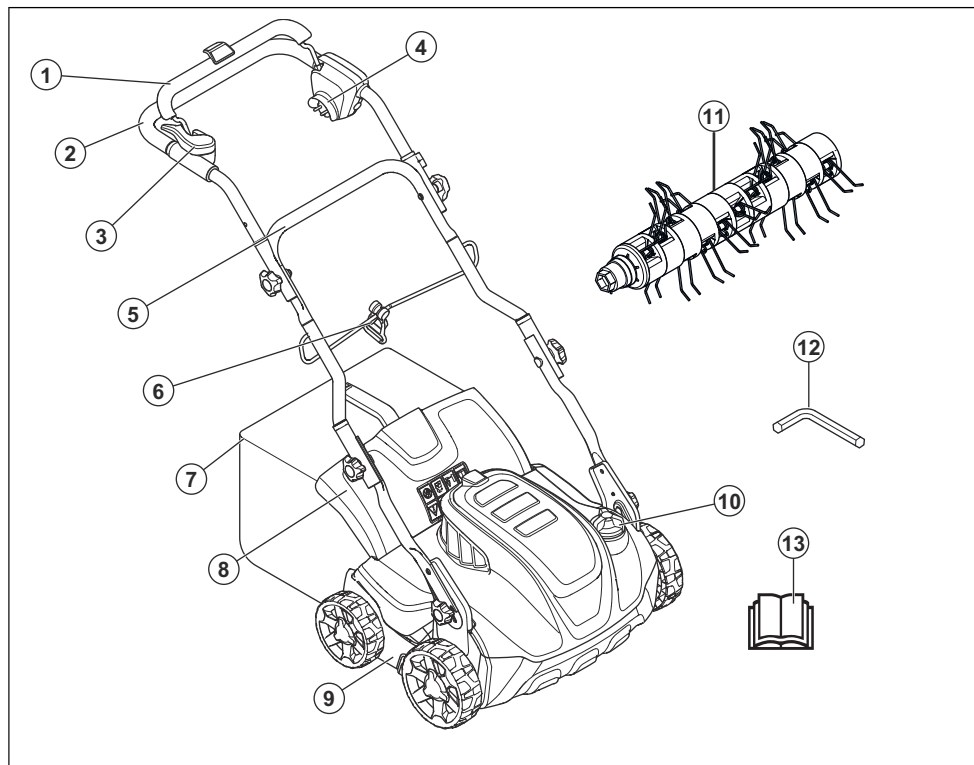


1. Рукоятка моторного тормоза
2. Верхняя рукоятка
3. Панель управления
4. Ограничитель запуска
5. Нижняя рукоятка
6. Травосборник
7. Задняя крышка
8. Крышка скарификатора
9. Крышка аккумулятора
10. Ручка регулировки рабочей глубины
11. Предохранительный ключ

12. Светодиодный индикатор вкл./выкл.
13. Кнопка вкл./выкл.
14. Кнопка SavE
15. Светодиодный индикатор SavE
16. Индикатор заряда аккумулятора и кнопка аккумулятора
17. Пружинные зубцы
18. Аккумулятор (принадлежность)
19. Зарядное устройство аккумулятора (принадлежность)
20. Шестигранный ключ
21. Шестигранный ключ



## Обзор модели S 138C



1. Рукоятка моторного тормоза
2. Верхняя рукоятка
3. Ограничитель запуска
4. Гнездо питания
5. Нижняя рукоятка
6. Кабельный зажим
7. Травосборник
8. Задняя крышка
9. Крышка скарификатора
10. Ручка регулировки рабочей глубины
11. Пружинные зубцы
12. Шестигранный ключ
13. Руководство по эксплуатации

эксплуатация может привести к травме или смерти оператора или других лиц.



Перед началом работы с изделием прочитайте руководство по эксплуатации и убедитесь, что понимаете приведенные здесь инструкции.



**Предупреждение:**  
Небрежная или неправильная



Берегитесь отскакивающих предметов и рикошетов.



Следите за тем, чтобы в зоне проведения работ не было посторонних людей или животных.



Предупреждение: Не приближайте руки или ноги к вращающемуся ножу.



Перед выполнением технического обслуживания изделия извлеките предохранительный ключ (модель S 138i).



Перед выполнением технического обслуживания изделия отключите изделие от электрической сети (модель S 138C).



Опасность поражения электрическим током (модель S 138C).



Не оставлять под дождем (модель S 138i).



Предупреждение: Запрещается при работе пересекать шнур питания, поскольку это

может привести к поражению электрическим током или повреждению изделия (модель S 138C).

**IPX4** Данное изделие имеет защиту от брызг воды с любого направления.

**EAC** Изделие соответствует действующим директивам EAC.

**CE** Данное изделие отвечает требованиям соответствующих директив ЕС.

**UKCA** Данное изделие отвечает требованиям соответствующих директив УкрСЕПРО.



Излучение шума в окружающую среду согласно Директиве Европейского Сообщества. Звуковое излучение данного изделия приведено в разделе "Технические данные" и на паспортной табличке.



Двойная изоляция (модель S 138C).



После завершения срока службы изделие необходимо передать в пункт переработки электрического и электронного оборудования. (Только для Европы)



Процедура запуска для модели S 138i: нажмите кнопку вкл./выкл., разблокируйте ограничитель запуска, нажмите рукоятку моторного тормоза.



Процедура запуска для модели S 138C: разблокируйте ограничитель запуска, нажмите рукоятку моторного тормоза.



Для остановки отпустите рукоятку моторного тормоза.



Сканируемый код.

**Примечание:** Другие символы/наклейки на изделии относятся к специальным требованиям сертификации на определенных рынках.

### Ответственность изготовителя

В соответствии с законами об ответственности изготовителя мы не несем ответственности за ущерб, вызванный эксплуатацией нашего изделия в результате:

- ненадлежащего ремонта изделия;
- использования для ремонта изделия неоригинальных деталей или деталей, не одобренных производителем;
- использования неоригинальных дополнительных принадлежностей или принадлежностей, не одобренных производителем;
- ремонта изделия в неавторизованном сервисном центре или неквалифицированным специалистом;

## Безопасность

### Инструкции по технике безопасности

Предупреждения, предостережения и примечания используются

для выделения особо важных пунктов руководства.



**ПРЕДУПРЕЖДЕНИЕ:** Используется, когда несоблюдение

инструкций руководства может привести к травмам или смерти оператора или находящихся рядом посторонних лиц.

---



**ВНИМАНИЕ:**

Используется, когда несоблюдение инструкций руководства может привести к повреждению изделия, других материалов или прилегающей территории.

---

**Примечание:** Используется для предоставления дополнительных сведений о конкретной ситуации.

---

**Общие инструкции по технике безопасности**

---



**ПРЕДУПРЕЖДЕНИЕ:** В обязательном порядке прочитайте следующие инструкции по технике безопасности, прежде чем приступать к эксплуатации изделия.

---

- При небрежном или неправильном обращении

изделие может оказаться опасным инструментом. Несоблюдение инструкций по технике безопасности может привести к травмам или смерти.

- Во время работы данное изделие создает электромагнитное поле. В определенных обстоятельствах это поле может создавать помехи для пассивных и активных медицинских имплантатов. В целях снижения риска серьезной или смертельной травмы лицам с медицинскими имплантатами рекомендуется проконсультироваться с врачом и изготовителем имплантата, прежде чем приступать к эксплуатации данного изделия.
- Будьте всегда осторожны и руководствуйтесь здравым смыслом. Если вы не уверены, как правильно эксплуатировать изделие в определенной ситуации, прекратите работу и проконсультируйтесь со своим дилером Husqvarna, прежде чем продолжить.
- Помните: ответственность за аварии, угрожающие другим

людям или их имуществу, несет оператор.

- Содержите изделие в чистоте. Следите за тем, чтобы знаки и наклейки были легко читаемыми.
- Не разрешайте пользоваться изделием людям, не убедившись сначала в том, что они прочитали и поняли содержание руководства по эксплуатации.
- Не позволяйте детям использовать изделие.
- Не разрешайте пользоваться изделием людям, которые не знакомы с данными инструкциями.
- Не оставляйте без присмотра людей с физическими или умственными нарушениями, использующих изделие. Они должны постоянно находиться под присмотром взрослого.
- Ни в коем случае не используйте изделие, если вы устали, больны или находитесь под воздействием спиртного, наркотических веществ или лекарственных препаратов. Это может повлиять на ваше зрение, реакцию,

координацию или оценку действительности.

- Запрещается использовать изделие, если оно повреждено.
- Запрещается вносить в изделие модификации или использовать изделие, если вы подозреваете, что в его конструкцию внесены изменения другими лицами.

### Техника безопасности на рабочем месте

---



**ПРЕДУПРЕЖДЕНИЕ:** В обязательном порядке прочитайте следующие инструкции по технике безопасности, прежде чем приступить к эксплуатации изделия.

---

- Уберите ветви, сучья, камни и прочие посторонние предметы из рабочей зоны перед началом эксплуатации изделия.
- Предметы, ударяющиеся об оборудование скарификатора, могут быть отброшены, что приведет к травмам или повреждению имущества. Следите за тем, чтобы посторонние лица и животные находились на

- безопасном расстоянии от изделия.
- Ни в коем случае не используйте изделие при неблагоприятных погодных условиях, например, в туман, дождь, при сильном ветре, низких температурах и риске удара молнии. Эксплуатация изделия при плохих погодных условиях или на сырых участках утомительна. Плохие погодные условия могут создавать опасные условия для работы, например, скользкие поверхности.
  - Следите за возможным появлением посторонних лиц, предметов или условий, которые могут препятствовать безопасной эксплуатации изделия.
  - Следите за возможным появлением препятствий, таких как корни, камни, сучья, ямы или рвы. Высокая трава может скрывать препятствия.
  - Эксплуатация изделия на склоне может представлять опасность. Запрещается использовать изделие на участках с уклоном более 15°.

- Используйте изделие поперек поверхности склона. Не передвигайтесь вверх и вниз по поверхности склона.
- Проявляйте особую осторожность при приближении к скрытым из видимости поворотам или предметам, которые могут затруднять обзор.

### Техника безопасности



**ПРЕДУПРЕЖДЕНИЕ:** В обязательном порядке прочитайте следующие инструкции по технике безопасности, прежде чем приступать к эксплуатации изделия.

---

- Используйте данное изделие только для удаления соломы и мха с газонов. Запрещается использовать изделие не по назначению.
- Пользуйтесь средствами индивидуальной защиты. См. раздел *Средства индивидуальной защиты на стр. 544.*
- Запрещается эксплуатировать изделие под дождем или в условиях высокой влажности. При попадании воды внутрь агрегата повышается риск

поражения электрическим током.

- Ни в коем случае не используйте изделие с отсутствующими или неправильно установленными кожухами или оборудованием скарификатора. Неправильно установленное оборудование скарификатора может высвободиться и причинить травму.
  - Следите за тем, чтобы оборудование скарификатора не ударялись посторонние предметы, например, камни и корни. Это может повредить оборудование скарификатора и привести к искривлению вала двигателя. При искривлении вала увеличивается уровень вибрации, что может привести к снижению надежности крепления оборудования скарификатора.
  - В случае столкновения оборудования скарификатора с посторонним предметом или возникновения вибрации незамедлительно остановите изделие.
- Остановите двигатель, поверните предохранительный ключ в положение "0" и снимите аккумулятор (модель S 138i) или отсоедините шнур питания (модель S 138C). Проверьте изделие на наличие повреждений. Выполните ремонт повреждений или обратитесь в авторизованный сервисный центр для выполнения ремонта.
- Во время работы двигателя не прижимайте рукоятку моторного тормоза к рукоятке агрегата на длительный период времени.
  - При запуске изделие должно находиться на устойчивой, ровной поверхности. Убедитесь, что оборудование скарификатора не касается грунта или любого другого предмета.
  - При работе с изделием всегда стойте сзади.
  - При работе с изделием все колеса должны стоять на земле; держите рукоятку обеими руками. Не приближайте руки или ноги к вращающемуся

оборудованию  
скарификатора.

- Запрещается наклонять изделие во время работы двигателя.
- Соблюдайте осторожность, когда тянете изделие назад.
- Запрещается поднимать изделие во время работы двигателя. Если требуется поднять изделие, сначала остановите двигатель, поверните предохранительный ключ в положение "0" и снимите аккумулятор (модель S 138i) или отсоедините шнур питания (модель S 138C).
- Запрещается двигаться назад при работе с изделием.
- Останавливайте двигатель при пересечении не покрытых травой зон, например, дорожек из гравия, камня или асфальта.
- Запрещается бегать с изделием во время работы двигателя. Работайте с изделием в спокойном темпе.
- Выключайте двигатель, прежде чем изменить рабочую глубину. Ни в коем случае не выполняйте

регулировку при  
работающем двигателе.

- Ни в коем случае не выпускайте из вида изделие с работающим двигателем. Остановите двигатель и убедитесь, что оборудование скарификатора не вращается.

## Инструкции по безопасности во время эксплуатации

### Средства индивидуальной защиты

Каждый раз при работе с инструментом следует использовать рекомендованные средства индивидуальной защиты. Средства индивидуальной защиты не могут полностью исключить риск получения травмы, но при несчастном случае они снижают тяжесть травмы. За помощью в выборе средств защиты обращайтесь к дилеру.

Всегда используйте:

- Средства защиты органов слуха, чтобы свести к минимуму возможность нарушения слуха.
- Устойчивая и нескользящая обувь. Не носите сандалии и не ходите босиком.
- Прочные длинные брюки. Не носите шорты.

При необходимости надевайте перчатки, например, при установке, осмотре или очистке оборудования скарификатора.



**ПРЕДУПРЕЖДЕНИЕ:** Всегда пользуйтесь защитными наушниками.

Продолжительное воздействие шума может повлечь за собой неизлечимое ухудшение слуха.

### Защитные устройства на изделии



**ПРЕДУПРЕЖДЕНИЕ:** В обязательном порядке прочитайте следующие инструкции по технике безопасности, прежде чем приступить к эксплуатации изделия.

- Запрещается использовать изделие с неисправными защитными устройствами.
- Регулярно выполняйте проверку защитных устройств. Если защитные устройства неисправны, обратитесь в сервисный центр Husqvarna.



## Проверка крышек

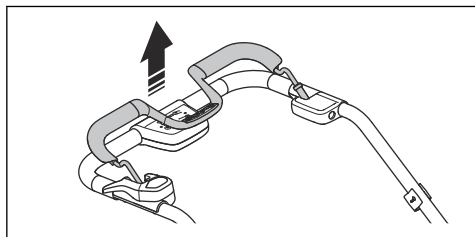
Крышка скарификатора снижает уровень вибрации изделия и риск травмирования оборудованием скарификатора.

- Проверьте боковую крышку скарификатора и убедитесь, что на ней отсутствуют повреждения, такие как трещины.
- Проверьте заднюю крышку и убедитесь, что на ней отсутствуют повреждения, такие как трещины.

## Рукоятка моторного тормоза

Рукоятка моторного тормоза предназначена для остановки двигателя. При отпускании рукоятки тормоза двигатель останавливается.

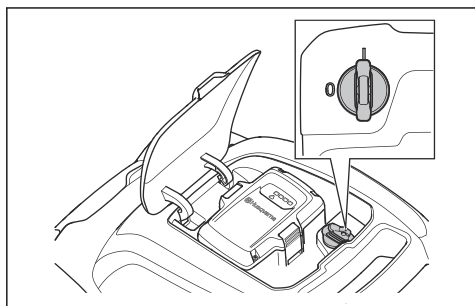
Чтобы проверить моторный тормоз, запустите двигатель, а затем отпустите рукоятку тормоза. Если двигатель не остановится через 3 секунды, обратитесь в авторизованный сервисный центр Husqvarna для регулировки моторного тормоза.



## Предохранительный ключ

Предохранительный ключ находится под крышкой аккумулятора. Он используется для подключения аккумулятора, от которого на двигатель поступает питание.

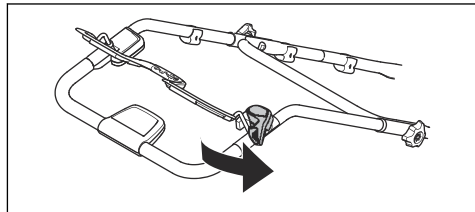
- Чтобы проверить работу предохранительного ключа, запустите и остановите двигатель.
- Если предохранительный ключ исправен, то двигатель запускается только при переводе ключа в положение "1".



## Проверка ограничителя запуска

Проверьте ограничитель запуска и убедитесь, что он блокирует работу двигателя.

1. Прижмите рукоятку моторного тормоза в направлении рукоятки агрегата. Ограничитель запуска остановит движение рукоятки.
2. Поверните ограничитель запуска в направлении, указанном стрелкой.

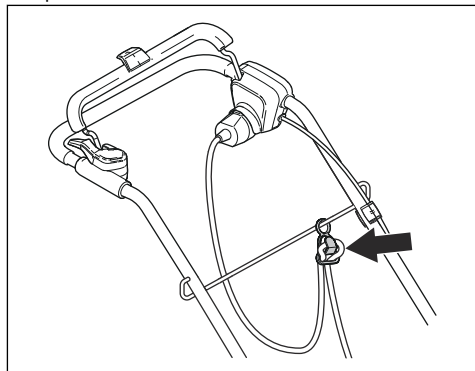


3. Разблокируйте ограничитель запуска и убедитесь, что он возвращается в исходное положение.

## Использование держателя шнура питания (модель S 138C)

Держатель шнура питания уменьшает нагрузку на гнездо и шнур питания. Кроме того, держатель шнура питания снижает риск вашего падения.

1. Сверните шнур питания в небольшую петлю.
2. Вставьте эту петлю в отверстие в держателе шнура питания.
3. Оберните петлю вокруг крюка.
4. Потяните шнур питания, чтобы затянуть петлю на крюке.



## Техника безопасности при работе с аккумулятором



**ПРЕДУПРЕЖДЕНИЕ: В обязательном порядке**

прочитайте следующие инструкции по технике безопасности, прежде чем приступить к эксплуатации изделия.

---

- Используйте перезаряжаемые аккумуляторы Husqvarna только с теми изделиями Husqvarna, для которых они предназначены. Во избежание травм запрещается использовать аккумулятор в качестве источника питания других агрегатов.
- Запрещается использовать одноразовые аккумуляторы.
- Риск поражения электрическим током. Не допускайте соприкосновения клемм аккумулятора с ключами, монетами, винтами или другими металлическими предметами. Это может привести к короткому замыканию аккумулятора.
- Не размещайте посторонние предметы на воздухозаборниках аккумулятора.
- Аккумулятор не должен подвергаться воздействию солнечного света, тепла или

открытого пламени. Аккумулятор может взорваться, став причиной ожогов, в том числе химических.

- Защищайте аккумулятор от дождя и сырости.
- Не подвергайте аккумулятор воздействию микроволн и высокого давления.
- Не пытайтесь разбирать или ломать аккумулятор.
- При возникновении утечки из аккумулятора не допускайте попадания жидкости на кожу или в глаза. Если вы прикоснулись к жидкости, промойте участок контакта большим количеством воды и обратитесь за медицинской помощью.
- Используйте аккумулятор при температуре в диапазоне от  $-10^{\circ}\text{C}$  до  $40^{\circ}\text{C}$ .
- Очистка аккумулятора или зарядного устройства водой запрещена. См. раздел *Очистка аккумулятора и зарядного устройства на стр. 556*.
- Запрещается использовать неисправный или поврежденный аккумулятор.
- Храните аккумуляторы вдали от металлических предметов, таких как гвозди,

монеты или ювелирные изделия.

## Техника безопасности при работе с зарядным устройством аккумулятора



**ПРЕДУПРЕЖДЕНИЕ:** В обязательном порядке прочитайте следующие инструкции по технике безопасности, прежде чем приступать к эксплуатации изделия.

- Для зарядки перезаряжаемых аккумуляторов Husqvarna используйте только зарядные устройства QC.
- Риск поражения электрическим током или короткого замыкания. Не размещайте посторонние предметы на воздухозаборниках зарядного устройства. Не пытайтесь разбирать зарядное устройство. Ни в коем случае не подключайте клеммы зарядного устройства к металлическим предметам. Используйте одобренные сетевые розетки.
- Во время работы данное изделие создает электромагнитное поле. В определенных обстоятельствах это поле может создавать помехи для пассивных и активных медицинских имплантатов. В целях снижения риска серьезной или смертельной травмы лицам с медицинскими имплантатами рекомендуется проконсультироваться с врачом и изготовителем имплантата, прежде чем приступать к эксплуатации данного изделия.
- Регулярно проверяйте кабель питания зарядного устройства на наличие повреждений или трещин.
- Не поднимайте зарядное устройство за кабель питания. Для отсоединения зарядного устройства от сетевой розетки потяните за вилку. Не тяните за кабель питания.
- Не допускайте контакта кабеля питания и удлинителя с водой, маслом или с острыми краями. Убедитесь, что кабель не передавлен дверью, калиткой и т.д. В противном случае зарядное устройство

может оказаться под напряжением.

- Запрещается чистить аккумулятор и зарядное устройство водой.
- Дети старше 8 лет и лица с ограниченными физическими, сенсорными или умственными способностями или недостатком опыта и знаний могут использовать зарядное устройство только под надзором или в случае предоставления инструкции относительно безопасной эксплуатации оборудования и возможных рисков. Не позволяйте детям играть с зарядным устройством. Очистка и техническое обслуживание пользователем не должны проводиться детьми без надзора.
- Не пытайтесь заряжать одноразовые аккумуляторные батареи в зарядном устройстве.
- Запрещается использовать зарядное устройство вблизи легковоспламеняющихся материалов и материалов, которые вызывают коррозию. Не накрывайте зарядное устройство. Вытащите вилку зарядного

устройства из розетки в случае появления дыма или огня.

- Запрещается использовать неисправное или поврежденное зарядное устройство.
- Заряжайте аккумулятор только в хорошо проветриваемом помещении вдали от солнечных лучей. Запрещается заряжать аккумулятор в условиях высокой влажности.

#### Защитное устройство для шнура питания

Для модели S 138C.

- При эксплуатации рекомендуется использовать устройство защитного отключения (УЗО) с током отключения не более 30 мА. Даже установка УЗО не полностью исключит все риски, поэтому следует всегда придерживаться правил техники безопасности. Проверяйте УЗО каждый раз при использовании.
- В случае повреждения шнура питания или изоляции следует незамедлительно отключить изделие от сети.
- Не касайтесь поврежденного или оборванного шнура,

пока он не будет отключен от источника питания.

- Не выполняйте ремонт оборванного или поврежденного шнура. Замените его новым.

## Инструкции по технике безопасности во время технического обслуживания



**ПРЕДУПРЕЖДЕНИЕ:** В обязательном порядке прочитайте следующие инструкции по технике безопасности, прежде чем приступить к эксплуатации изделия.

- Для модели S 138i: Во избежание случайного запуска во время обслуживания поверните предохранительный ключ в положение "0" и извлеките аккумулятор. Подождите не менее 5 секунд, прежде чем приступить к обслуживанию.
- Для модели S 138C: Во избежание случайного запуска во время технического обслуживания отсоедините шнур питания.
- Чтобы продлить срок службы агрегата и снизить вероятность несчастных случаев, соблюдайте все требования к проведению обслуживания. Для проведения ремонта обратитесь в авторизованный сервисный центр. Для получения дополнительной информации обратитесь в ближайшее представительство компании.
- Выполняйте техобслуживание строго в соответствии с инструкциями, приведенными в руководстве по эксплуатации. Более расширенное обслуживание выполняется авторизованной сервисной мастерской.
- При работе с оборудованием скарификатора надевайте прочные перчатки. Оборудование скарификатора очень острое, что при неосторожном обращении может легко привести к порезам.
- Для повышения качества и безопасности работы регулярно затачивайте и чистите ножи оборудования скарификатора.

- Регулярно обращайтесь в сервисный центр для проверки изделия и выполнения необходимой регулировки и ремонта.
- Замените поврежденные, сломанные или изношенные детали.
- Соблюдайте указания по замене принадлежностей. Пользуйтесь только оригинальными принадлежностями.
- Храните изделие, аккумулятор и зарядное устройство по отдельности в сухом помещении под замком. Не допускайте к изделию, аккумулятору и зарядному устройству детей и лиц, не имеющих соответствующего разрешения.

## Сборка

### Введение



**ПРЕДУПРЕЖДЕНИЕ:** Прежде чем выполнять сборку изделия, прочитайте раздел, посвященный технике безопасности.



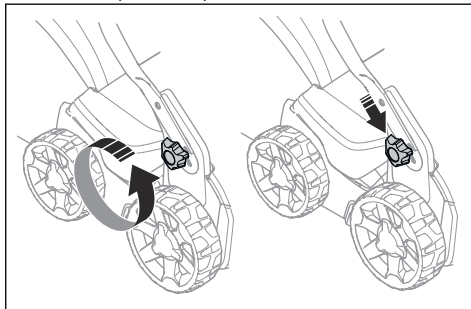
**ПРЕДУПРЕЖДЕНИЕ:** Для модели S 138i: Во избежание случайного запуска во время сборки переведите предохранительный ключ в положение "0", извлеките аккумулятор и подождите не менее 5 секунд.

Для модели S 138C: Во избежание случайного запуска во время сборки отсоедините шнур питания.

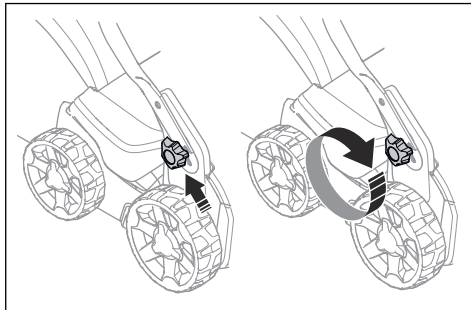
### Сборка рукоятки

1. Ослабьте нижние ручки.

2. Переместите ручки в нижние положения в пазах с левой и правой стороны изделия.



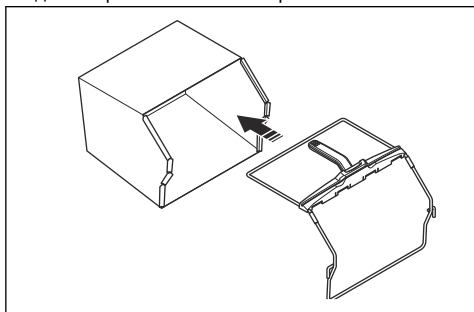
3. Установите рукоятку в одно из 2 доступных положений по высоте.
4. Переместите ручки вверх в направлении рукоятки до упора. Вы должны услышать щелчок.



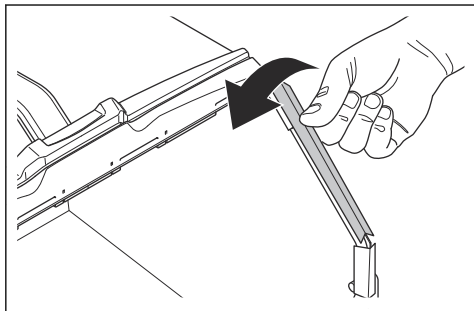
5. Надежно затяните ручки.

## Установка травосборника

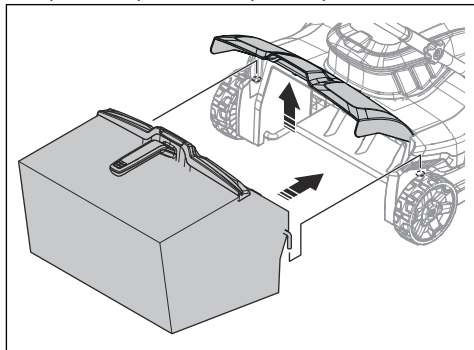
1. Установите раму травосборника на мешок травосборника таким образом, чтобы жесткая часть мешка оказалась внизу. Ручка рамы должна располагаться поверх мешка.



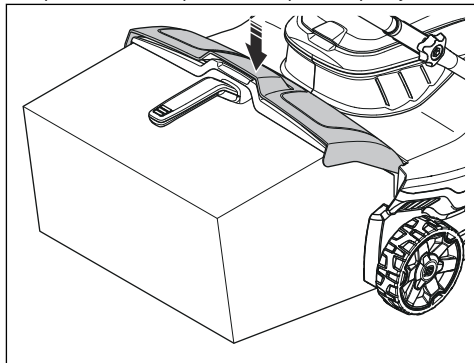
2. Установите нижнюю часть рамы травосборника в канавку в нижней части травосборника.
3. Закрепите мешок на раме травосборника зажимами.



4. Поднимите заднюю крышку.
5. Правильно разместите травосборник.



6. Установите травосборник на верхний край шасси. Во избежание утечек убедитесь, что задняя крышка плотно прилегает к травосборнику.



## Эксплуатация

### Введение



**ПРЕДУПРЕЖДЕНИЕ:** Перед эксплуатацией прибора необходимо внимательно изучить раздел безопасности.

### Husqvarna Connect

Husqvarna Connect представляет собой бесплатное приложение для мобильного устройства. Приложение Husqvarna Connect позволяет пользоваться расширенными функциями вашего изделия Husqvarna:

- Дополнительная информация об изделии.
- Сведения о деталях и помощь в техническом обслуживании.

### Как начать использовать Husqvarna Connect

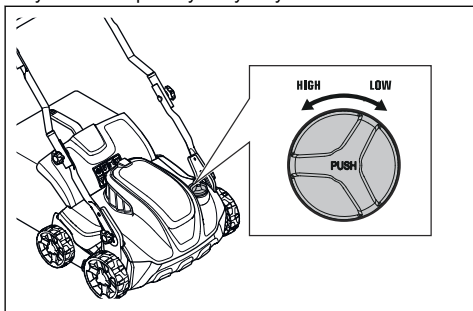
1. Загрузите приложение Husqvarna Connect на свое мобильное устройство.
2. Зарегистрируйтесь в приложении Husqvarna Connect.
3. Выполните пошаговые инструкции в приложении Husqvarna Connect для подключения и регистрации изделия.

### Настройка рабочей глубины



**ПРЕДУПРЕЖДЕНИЕ:** Запрещается регулировать рабочую глубину во время эксплуатации изделия.

1. Нажмите на ручку регулировки рабочей глубины и поверните ее против часовой стрелки, чтобы увеличить рабочую глубину.
2. Нажмите на ручку регулировки рабочей глубины и поверните ее по часовой стрелке, чтобы уменьшить рабочую глубину.



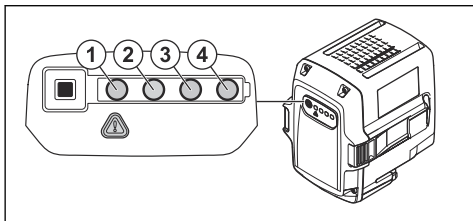
## Аккумулятор



**ПРЕДУПРЕЖДЕНИЕ:** Перед эксплуатацией аккумулятора ознакомьтесь с разделом, посвященным безопасности, и усвойте его содержание. Прочтите и усвойте также все сведения, приведенные в руководстве по эксплуатации аккумулятора и зарядного устройства.

## Состояние аккумулятора

Дисплей отображает оставшуюся емкость аккумулятора и наличие в нем неисправностей. Емкость аккумулятора отображается на дисплее в течение 5 секунд после отключения агрегата или после нажатия кнопки-индикатора аккумулятора. Предупреждающий знак на аккумуляторе загорается в случае возникновения ошибки. См. раздел *Аккумулятор на стр. 558*.



Светодиодные индикаторы	Состояние аккумулятора
Все светодиоды горят	Аккумулятор полностью заряжен (75-100 %).
Светодиоды 1, 2, 3 горят.	Заряд аккумулятора — 50-75 %.

Светодиодные индикаторы	Состояние аккумулятора
Светодиоды 1, 2 горят.	Заряд аккумулятора — 25-50 %.
Светодиод 1 горит.	Заряд аккумулятора — 0-25 %.
Светодиод 1 мигает.	Аккумулятор разряжен. Зарядите аккумулятор.

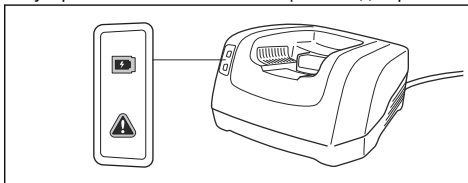
## Зарядка аккумулятора

Зарядите аккумулятор перед первым использованием. Поставляемый аккумулятор заряжен только на 30%.

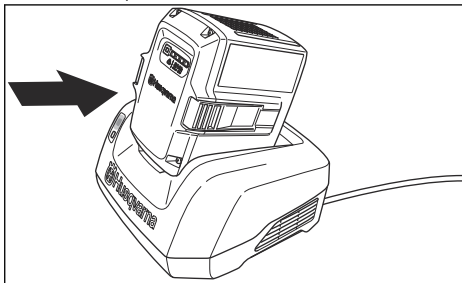
**Примечание:** Подсоединяйте зарядное устройство к сети питания с напряжением и частотой, указанными на паспортной табличке.

Зарядка не выполняется, если температура аккумулятора превышает 50°C. Прежде чем начать зарядку, зарядное устройство охлаждает аккумулятор до приемлемой температуры.

1. Вставьте один конец силового кабеля зарядного устройства в гнездо зарядного устройства.
2. Второй конец силового кабеля зарядного устройства вставьте в заземленную розетку сети электропитания. Светодиод на зарядном устройстве мигнет зеленым цветом один раз.



3. Вставьте аккумулятор в зарядное устройство. При правильном подключении аккумулятора к зарядному устройству загорается индикатор зеленого цвета.



4. Когда на аккумуляторе загорятся все светодиоды, это означает полную зарядку. Длительность зарядки аккумулятора не должна превышать 24 часа.



- Чтобы отсоединить зарядное устройство от розетки, потяните не за кабель, а за штекер.
- Извлеките аккумулятор из зарядного устройства.

### Состояние зарядки аккумулятора

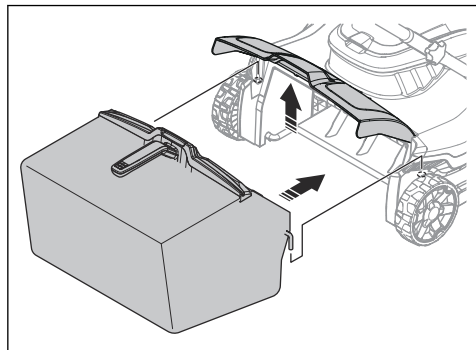
Литий-ионный аккумулятор Husqvarna можно заряжать и использовать при любом уровне зарядки. Это не приведет к повреждению аккумулятора. Полностью заряженный аккумулятор не разряжается, даже если оставить его в зарядном устройстве.

Светодиодный дисплей	Состояние процесса зарядки
Светодиод 1 мигает.	0%-25%
Светодиод 1 горит, светодиод 2 мигает.	25%-50%
Светодиоды 1, 2 горят, светодиод 3 мигает.	50%-75%
Светодиоды 1, 2, 3 горят, светодиод 4 мигает.	75%-100%
Горят светодиоды 1, 2, 3, 4	Полный уровень заряда

## Эксплуатация S 138i

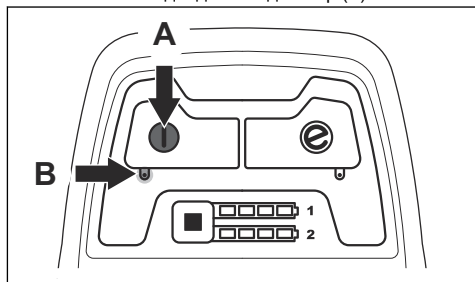
### Запуск изделия

- Вставьте заряженный аккумулятор в аккумуляторный отсек 1 под крышкой аккумулятора. Чтобы продлить время работы, вставьте второй заряженный аккумулятор в аккумуляторный отсек 2.
- Переведите предохранительный ключ в положение "1".

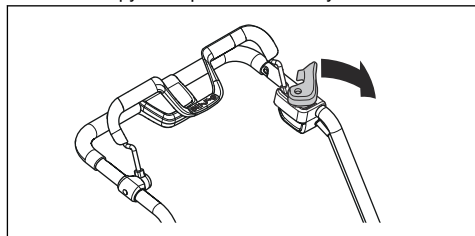


- Стойте сзади изделия.

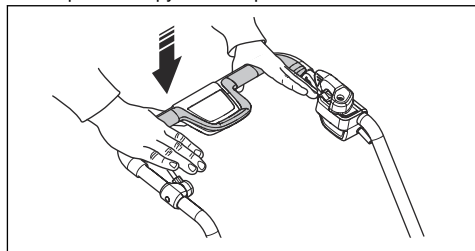
- Нажмите кнопку вкл./выкл. (A) на панели управления, после чего должен загореться зеленый светодиодный индикатор (B).



- Разблокируйте ограничитель запуска.



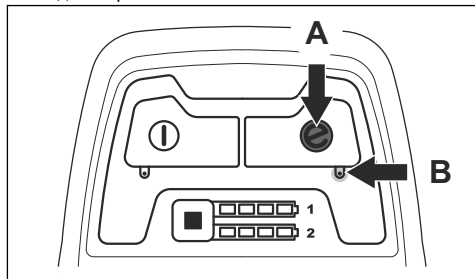
- Прижмите рукоятку моторного тормоза в направлении рукоятки агрегата.



### Использование функции SavE

На агрегате предусмотрена функция экономии ресурса аккумулятора (SavE), которая продлевает время работы.

- Чтобы включить эту функцию, нажмите кнопку SavE (A). Загорается зеленый светодиодный индикатор.

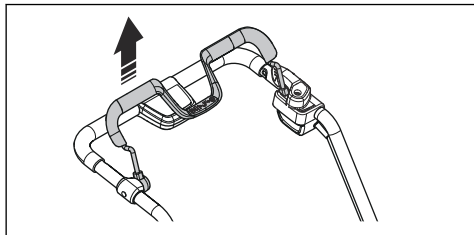


2. Чтобы отключить эту функцию, повторно нажмите кнопку SavE. Зеленый светодиодный индикатор (B) гаснет.

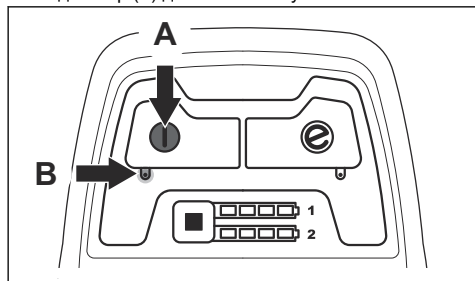
## Остановка изделия

Если изделие не используется в течение 10 минут, оно автоматически выключается. Прежде чем оставить изделие без присмотра, обязательно переведите предохранительный ключ в положение "0".

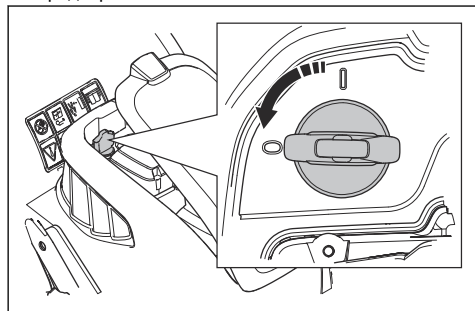
1. Отпустите рукоятку моторного тормоза, чтобы остановить двигатель.



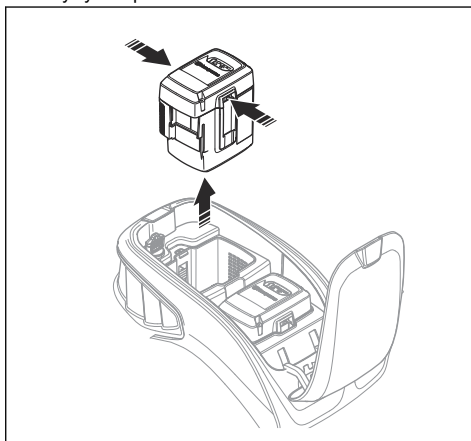
2. Нажмите кнопку вкл./выкл. (A) на панели управления, после чего зеленый светодиодный индикатор (B) должен погаснуть.



3. Откройте крышку аккумулятора и поверните предохранительный ключ в положение "0".



4. Чтобы извлечь аккумулятор, нажмите на 2 кнопки фиксатора одновременно и извлеките аккумулятор.

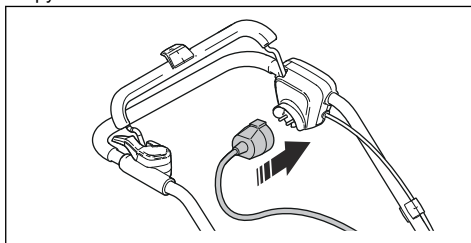


5. Зарядите аккумулятор с низким уровнем зарядки. Для получения дополнительных сведений см. раздел *Зарядка аккумулятора на стр. 552.*

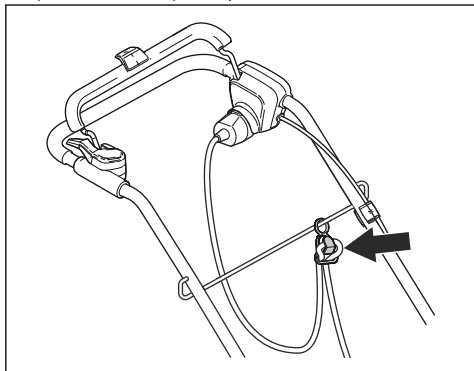
## Эксплуатация S 138C

### Запуск изделия

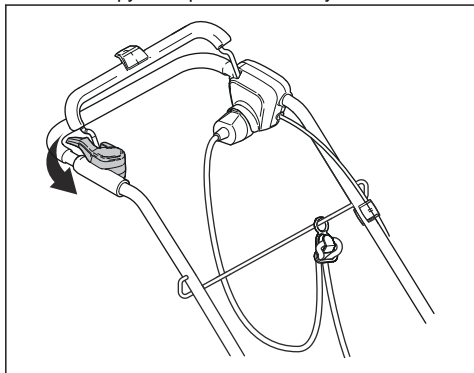
1. Подключите шнур питания к гнезду под рукояткой.



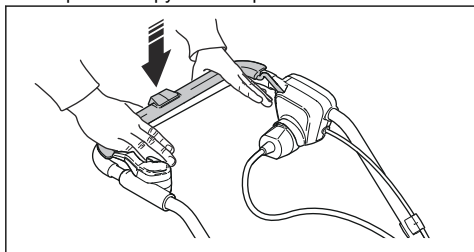
2. Поместите шнур питания в держатель. См. раздел *Использование держателя шнура питания (модель S 138C)* на стр. 545.



3. Стойте сзади изделия.  
4. Разблокируйте ограничитель запуска.

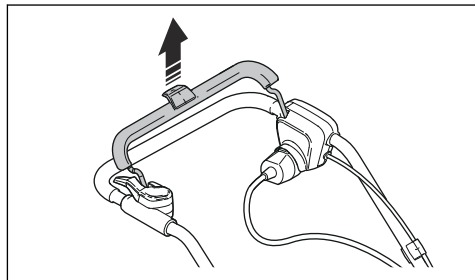


5. Прижмите рукоятку моторного тормоза в направлении рукоятки агрегата.

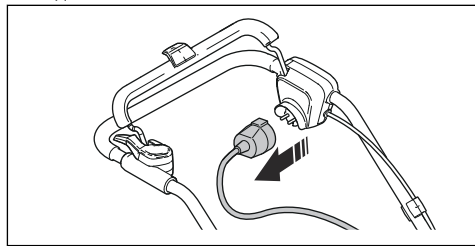


## Остановка изделия

1. Отпустите рукоятку моторного тормоза, чтобы остановить двигатель.



2. Отсоедините шнур питания от сети, а затем от изделия.



**ВНИМАНИЕ:** Извлеките штекер по прямой. Не тяните за кабель питания.

## Техническое обслуживание

### Введение

необходимо внимательно изучить и понять раздел безопасности.



**ПРЕДУПРЕЖДЕНИЕ:** Перед выполнением техобслуживания

Для выполнения любых работ по сервисному обслуживанию и ремонту изделия необходимо пройти специальное обучение. Мы гарантируем

доступность услуг по профессиональному ремонту и сервисному обслуживанию. Если ваш дилер не занимается сервисным обслуживанием, обратитесь к нему для получения информации о ближайшем сервисном центре.

изделие не используется ежедневно, интервалы техобслуживания изменятся.

Сведения о техническом обслуживании, отмеченном знаком \*, см. в разделе *Защитные устройства на изделии на стр. 544.*

## График технического обслуживания

График технического обслуживания рассчитан исходя из ежедневного использования изделия. Если

S 138i и S 138C	При каждом использовании	Ежемесячно	Каждый сезон
Выполните общий осмотр.	X		
Очистите изделие.	X		
Проверьте оборудование скарификатора.	X		
Убедитесь, что защитные устройства изделия исправны. *	X		
Проверьте крышки. *	X		
Проверьте рукоятку моторного тормоза. *	X		
Проверьте работу ограничителя запуска. *	X		

Только S 138i	При каждом использовании	Ежемесячно	Каждый сезон
Проверьте работу и состояние кнопки вкл./выкл.	X		
Проверьте аккумулятор на наличие повреждений.	X		
Проверьте уровень заряда аккумулятора.	X		
Проверьте работу кнопок фиксатора и надежность установки аккумулятора в изделии.	X		
Проверьте состояние и правильность работы зарядного устройства.		X	
Проверьте соединения между аккумулятором и агрегатом. Проверьте также соединения между аккумулятором и зарядным устройством.			X

## Выполнение общего осмотра

- Проверьте затяжку гаек и винтов на изделии.
- Убедитесь, что расположение кабелей не допускает возможности их повреждения.

## Очистка изделия

- Очистите пластмассовые детали чистой и сухой тканью.
- Не используйте воду для очистки изделия от загрязнений. Попадание воды в аккумулятор или двигатель может вызвать короткое замыкание или повредить изделие.

- Не используйте моечный агрегат высокого давления для очистки изделия.
- Не направляйте струю воды непосредственно на двигатель.
- Используйте щетку для удаления листьев, травы и грязи.

## Очистка аккумулятора и зарядного устройства



**ВНИМАНИЕ:** Очистка аккумулятора или зарядного устройства водой запрещена.

- Прежде чем устанавливать аккумулятор в зарядное устройство, убедитесь, что аккумулятор и зарядное устройство чистые и сухие.
- Используйте для очистки клемм аккумулятора сжатый воздух или мягкую и сухую ткань.
- Очистите поверхности аккумулятора и зарядного устройства мягкой и сухой тканью.

## Проверка оборудования скарификатора



**ПРЕДУПРЕЖДЕНИЕ:** Для моделей S 138i: Во избежание случайного запуска переведите предохранительный ключ в положение "0", извлеките аккумулятор и подождите не менее 5 секунд.

Для модели S 138C: Во избежание случайного запуска отсоедините шнур питания.



**ПРЕДУПРЕЖДЕНИЕ:** Надевайте защитные перчатки при техобслуживании оборудования скарификатора. Ножи на оборудовании скарификатора очень острые, что при неосторожном обращении может легко привести к порезам.

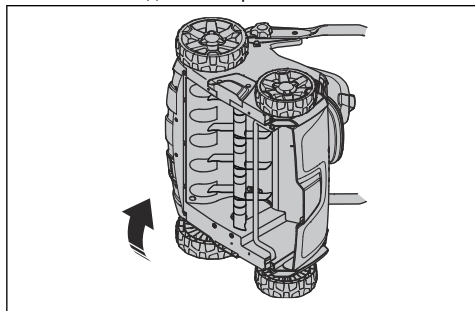
- Проверьте оборудование скарификатора на наличие повреждений или трещин. Всегда заменяйте поврежденное оборудование скарификатора.

## Замена оборудования скарификатора

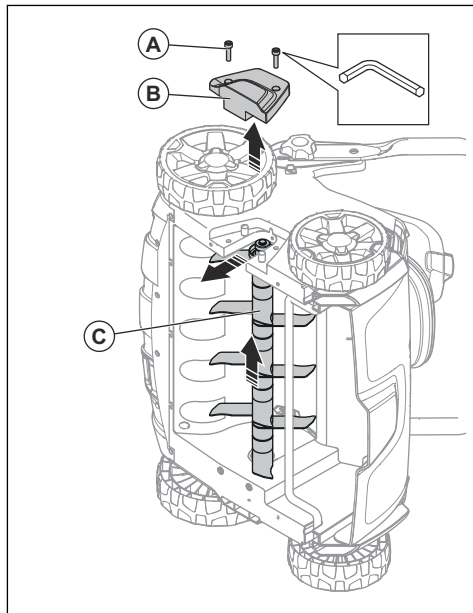


**ПРЕДУПРЕЖДЕНИЕ:** Надевайте защитные перчатки при техобслуживании оборудования скарификатора. Оборудование скарификатора очень острое, что при неосторожном обращении может легко привести к порезам

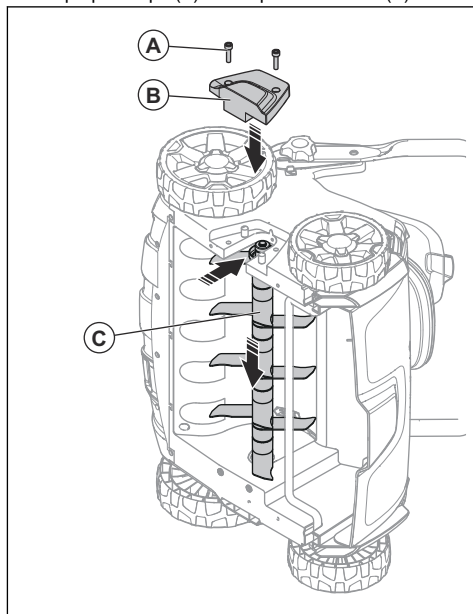
1. Положите изделие на правый бок.



2. Отверните 2 винта (A) и снимите крышку скарификатора (B). Потяните оборудование скарификатора (C) вверх и наружу, чтобы извлечь его.



3. Вставьте новое оборудование скарификатора (C) в паз и вниз по отверстию. Установите крышку скарификатора (B) и заверните 2 винта (A)



## Поиск и устранение неисправностей

### Аккумулятор

Светодиодный индикатор аккумулятора	Возможные неисправности	Порядок устранения
Мигает зеленый светодиод	Низкое напряжение аккумулятора	Зарядите аккумулятор. См. раздел <i>Зарядка аккумулятора на стр. 552.</i>
Мигает светодиод ошибки	Слишком низкий заряд аккумулятора	Зарядите аккумулятор. См. раздел <i>Зарядка аккумулятора на стр. 552.</i>
	Слишком высокая или слишком низкая температура окружающей среды	Используйте аккумулятор при температуре в диапазоне от -10°C до 40°C.
	Перегрузка по напряжению	Убедитесь, что напряжение в сети соответствует значению, указанному на паспортной табличке изделия.  Извлеките аккумулятор из зарядного устройства. Подождите 5 секунд и снова попытайтесь зарядить аккумулятор. Если неисправность не устранена, обратитесь в авторизованный сервисный центр.
Горит светодиод ошибки	Слишком большая разница в напряжении ячеек (1 В)	Обратитесь в авторизованный сервисный центр.

### Зарядное устройство

Светодиод на зарядном устройстве аккумулятора	Возможные неисправности	Порядок устранения
Мигает светодиод ошибки	Слишком высокая или слишком низкая температура окружающей среды	Используйте зарядное устройство при температуре в диапазоне от 5°C до 40°C.
Горит светодиод ошибки		Обратитесь в авторизованный сервисный центр

### Панель управления

Для модели S 138i

Ошибка	Код ошибки (количество миганий)	Возможные неисправности	Возможные действия
Мигает светодиод ошибки	3	Перегрузка двигателя.	Уменьшите рабочую глубину. См. раздел <i>Настройка рабочей глубины на стр. 551</i> . Если светодиодный индикатор ошибки продолжает мигать, оборудование скарификатора заблокировано. Во избежание случайного запуска переведите предохранительный ключ в положение "0", извлеките аккумулятор и подождите не менее 5 секунд. Убедитесь, что оборудование скарификатора свободно вращается. Если неисправность не устранена, обратитесь в авторизованный сервисный центр.
	5	Слишком низкая частота вращения двигателя привела к остановке двигателя.	
	9	Слишком высокая температура системы управления двигателем.	Остановите двигатель и подождите, пока он остынет.
	7	Ошибка аккумулятора или отсутствие сигнала от аккумулятора.	Установите аккумулятор в агрегат надлежащим образом и проверьте разъем аккумулятора. Если на аккумуляторе мигает светодиодный индикатор ошибки, см. раздел <i>Состояние зарядки аккумулятора на стр. 553</i> .
			Зарядите аккумулятор. См. раздел <i>Зарядка аккумулятора на стр. 552</i> .
Изделие останавливается	6	Слишком низкий заряд аккумулятора.	Зарядите аккумулятор. См. раздел <i>Зарядка аккумулятора на стр. 552</i> .
	0	Неисправность разъема аккумулятора.	Осмотрите разъем аккумулятора.
Прочие ошибки	При возникновении других ошибок поверните предохранительный ключ в положение "0", извлеките аккумулятор и обратитесь в авторизованный сервисный центр.		

## Транспортировка, хранение и утилизация

### Транспортировка

- На литий-ионные аккумуляторы в комплекте изделия распространяются требования, предъявляемые к опасным товарам.
- Соблюдайте специальные требования к перевозке коммерческим транспортом, указанные на упаковке и ярлыках.
- При подготовке изделия к транспортировке тщательно выполняйте все требования, предъявляемые к опасным веществам. Могут также применяться требования местного законодательства.

- Перед транспортировкой всегда извлекайте аккумулятор.
- Заклейте разъемы аккумулятора лентой и закрепите аккумулятор таким образом, чтобы во время транспортировки он не мог сместиться.
- Надежно закрепите изделие на время транспортировки.

### Хранение

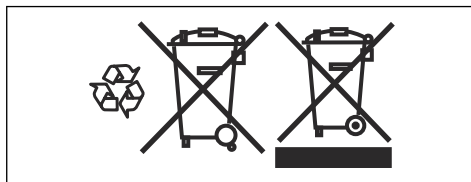
- Перед транспортировкой всегда извлекайте аккумулятор.

- Во избежание несчастных случаев при помещении изделия на хранение убедитесь, что в нем нет аккумулятора.
- Храните зарядное устройство в закрытом и сухом помещении.
- Храните аккумулятор и зарядное устройство в сухом отапливаемом помещении.
- Храните аккумулятор отдельно от зарядного устройства.
- Не допускается хранение аккумулятора в местах, где возможно возникновение статического электричества. Нельзя хранить аккумулятор в металлической коробке.
- Храните аккумулятор при температуре в пределах от 5°C до 25°C и не подвергайте воздействию прямых солнечных лучей.
- Храните зарядное устройство при температуре в пределах от 5°C до 45°C и не подвергайте воздействию прямых солнечных лучей.
- Перед помещением аккумулятора на длительное хранение убедитесь, что он заряжен до 30-50%.
- Храните изделие, аккумулятор и зарядное устройство в запечатом помещении, вне доступа детей и лиц, не имеющих соответствующего разрешения.
- Перед помещением изделия на длительное хранение очистите его от загрязнений и проведите полное обслуживание.

## Утилизация

Обозначения на изделии или его упаковке указывают, что данное изделие не может быть утилизировано в качестве бытовых отходов. Оно должно быть передано в соответствующий пункт для переработки электрического и электронного оборудования.

Обеспечив надлежащую утилизацию данного изделия, вы сможете предотвратить потенциальное отрицательное влияние на окружающую среду и здоровье людей, которое иначе могло быть последствием неправильной утилизации. Более подробную информацию о переработке данного изделия получите в Городском управлении, у службы, занимающейся переработкой бытовых отходов либо в магазине, где вы приобрели изделие.



## Технические данные

### Технические данные

	S 138i	S 138C
<b>Электродвигатель</b>		
Тип двигателя	Двигатель постоянного тока BLDC (бесщеточный), 36 В	Серийный двигатель перем. тока
Частота вращения оборудования – SavE, об/мин	3000	Неприменимо
Частота вращения оборудования – номинальная, об/мин	3200	4200
Мощность двигателя – макс., кВт	1,28	1,8
Мощность двигателя – номинальная, кВт	0,9	1,6
<b>Масса</b>		
Масса, кг	19,5 (без аккумулятора)	19,0
<b>Аккумулятор</b>		
Тип аккумулятора	Аккумуляторная серия Husqvarna	Нет данных
<b>Рабочий цикл аккумулятора</b>		



	S 138i	S 138C
Время непрерывной работы аккумулятора, минуты, (на холостом ходу) с включенной функцией SavE, с одним аккумулятором Husqvarna 5,2 А·ч (BLi200).	115	Нет данных
Время непрерывной работы аккумулятора, минуты, (на холостом ходу) в стандартном режиме, с одним аккумулятором Husqvarna 5,2 А·ч (BLi200).	102	Нет данных
<b>Излучение шума</b> <sup>61</sup>		
Уровень мощности звука, измеренный, дБ(А)	89,2	95,7
Уровень мощности шума, гарантированный L <sub>WA</sub> дБ (А)	91	98
<b>Уровни шума</b> <sup>62</sup>		
Уровень шумового давления на уши оператора, дБ(А)	75,3	81,7
<b>Уровни вибрации</b> <sup>63</sup>		
На ручке, м/с <sup>2</sup>	5,5	8,3
<b>Эксплуатация</b>		
Рабочая глубина, макс./мин., мм	-8/+5	-8/+5
Рабочая ширина, см	37,5	37,5
Оборудование, треугольные ножи	5973510-01	5973510-01
Оборудование, пружинные зубцы	5973509-01	5973509-01
Емкость травосборника, л	45	45

Рекомендованные аккумуляторы	Тип	Ресурс аккумулятора, А·ч	Напряжение, В	Масса, фунт/кг
BLi20	Литий-ионный	4,0	36	2,6/1,2
BLi200	Литий-ионный	5,2	36	2,8/1,3
BLi300	Литий-ионный	9,4	36	4,1/1,9

Рекомендованные зарядные устройства для указанных аккумуляторов, BLi	Входное напряжение, В	Частота, Гц	Мощность, Вт
QC80	100-240	50-60	80
QC80F	12	0	80
QC330	100-240	50-60	330

<sup>61</sup> Излучение шума в окружающую среду измеряется как шумовой эффект (L<sub>WA</sub>) согласно Директиве ЕС 2000/14/ЕС.

<sup>62</sup> Указанные данные об уровне шумового давления имеют типичный статистический разброс (стандартное отклонение) в 1,2 дБ (А).

<sup>63</sup> Указанные данные об уровне вибрации имеют типичный статистический разброс (стандартное отклонение) 0,2 м/с<sup>2</sup>.

Рекомендованные зарядные устройства для указанных аккумуляторов, BLi	Входное напряжение, В	Частота, Гц	Мощность, Вт
QC500	100-240	50-60	500

---

## Декларация соответствия ЕС

---

### Декларация соответствия ЕС

**Husqvarna AB**, SE-561 82 Huskvarna, Швеция, тел.: +46-36-146500, заявляет, что **скарификатор Husqvarna S 138i** с серийными номерами 2018XXXXXX и далее соответствует требованиям ДИРЕКТИВЫ СОВЕТА ЕС:

- от 8 июня 2011 года "об ограничении по использованию опасных веществ" **2011/65/EU**
- от 17 мая 2006 года "о машинах и механизмах" **2006/42/EC**
- от 26 февраля 2014 года "об электромагнитной совместимости" **2014/30/EU**
- от 8 мая 2000 года "об излучении шума в окружающую среду" **2000/14/EC**

Информация об излучении шума представлена в разделе технических данных.

Применяются следующие стандарты:

**EN 60335-1:2012+A11:2014+A13:2017, EN 50636-2-92:2014, EN 55014-1:2017, EN 55014-2:2015**

Huskvarna, 2019-01-15



Клаес Лосдал, Директор отдела разработок/Садовая техника (Уполномоченный представитель Husqvarna AB и ответственный за техническую документацию.)

---

## Декларация соответствия ЕС

---

### Декларация соответствия ЕС

**Husqvarna AB**, SE-561 82 Huskvarna, Швеция, тел.:

+46-36-146500, заявляет, что **скарификатор**

**Husqvarna S 138C** с серийными номерами

2018XXXXXXX и далее соответствует требованиям  
ДИРЕКТИВЫ СОВЕТА ЕС:

- от 8 июня 2011 года "об ограничении по использованию опасных веществ" **2011/65/EU**
- от 17 мая 2006 года "о машинах и механизмах" **2006/42/EC**
- от 26 февраля 2014 года "об электромагнитной совместимости" **2014/30/EU**
- от 8 мая 2000 года "об излучении шума в окружающую среду" **2000/14/EC**

Информация об излучении шума представлена в разделе технических данных.

Применяются следующие стандарты:

**EN 60335-1:2012+A11:2014+A13:2017, EN 50636-2-92:2014, EN 55014-1:2017, EN 55014-2:2015, EN 61000-3-2:2014, EN 61000-3-11:2000**

Huskvarna, 2019-01-15



Клаес Лосдал, Директор отдела разработок/Садовая техника (Уполномоченный представитель Husqvarna AB и ответственный за техническую документацию.)

---

## Obsah

---

Úvod.....	565	Riešenie problémov.....	585
Bezpečnosť.....	569	Preprava, skladovanie a likvidácia.....	586
Montáž.....	577	Technické údaje.....	587
Prevádzka.....	579	ES vyhlásenie o zhode.....	589
Údržba.....	582	ES vyhlásenie o zhode.....	590

---

## Úvod

---

### Popis výrobku

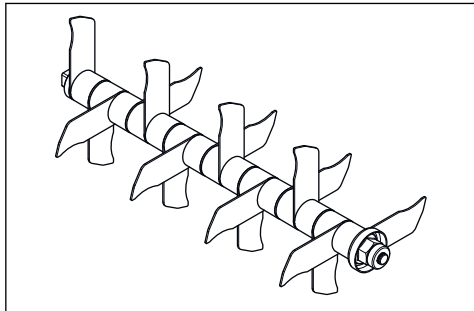
Elektrický odmachovač s chodiacou obsluhou. Výrobok odstraňuje z trávnik trávnu plst' a kypří pôdu, vďaka čomu umožňuje prenikanie vzduchu a vody do trávnik. Trávna plst' sa zhromažďuje do zberného koša alebo sa po spracovaní vypúšťa naspäť do trávnik. Výrobok obsahuje 2 typy výbavy odmachovača.

### Výbava odmachovača

Informácie o výmene výbavy odmachovača nájdete v časti *Výmena výbavy odmachovača na strane 584*.

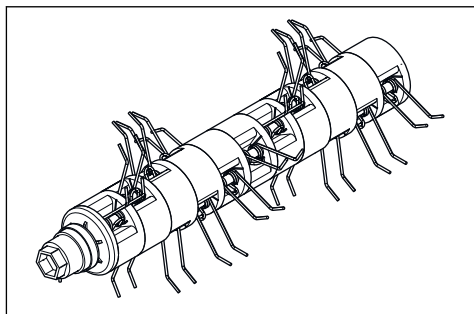
#### Nože typu Delta

Nože typu Delta odstraňujú trávnu plst' a kosia koreňky trávy vo vertikálnom smere. Nože typu Delta používajte na svahoch, terasách alebo pri pôdach s vysokým obsahom ílu. Nože typu Delta umožňujú prenikanie vody do trávnik a zabraňujú tak zhromažďovaniu vody na povrchu.



### Pružinové hroty

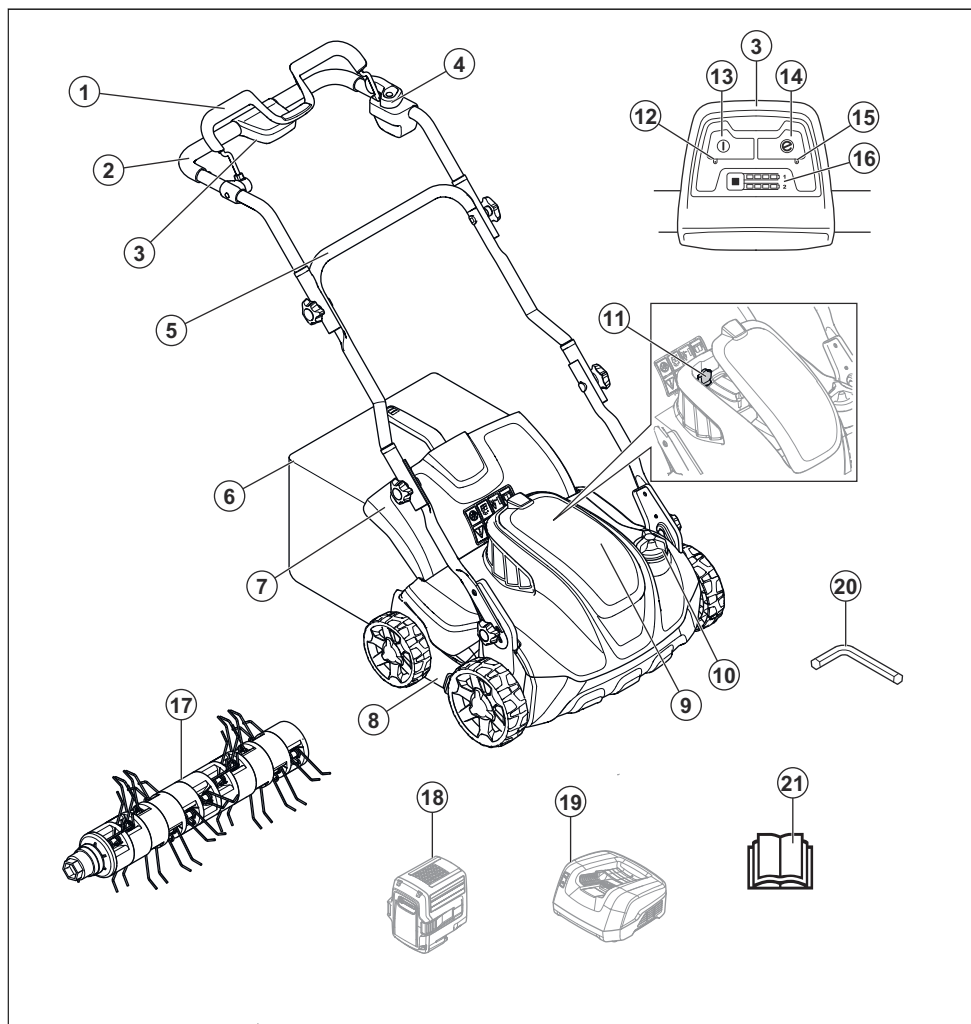
Pružinové hroty dôkladne odstraňujú odumretú trávu a trávnu plst' z trávnik bez poškodenia koreňkov trávy.



### Plánované použitie

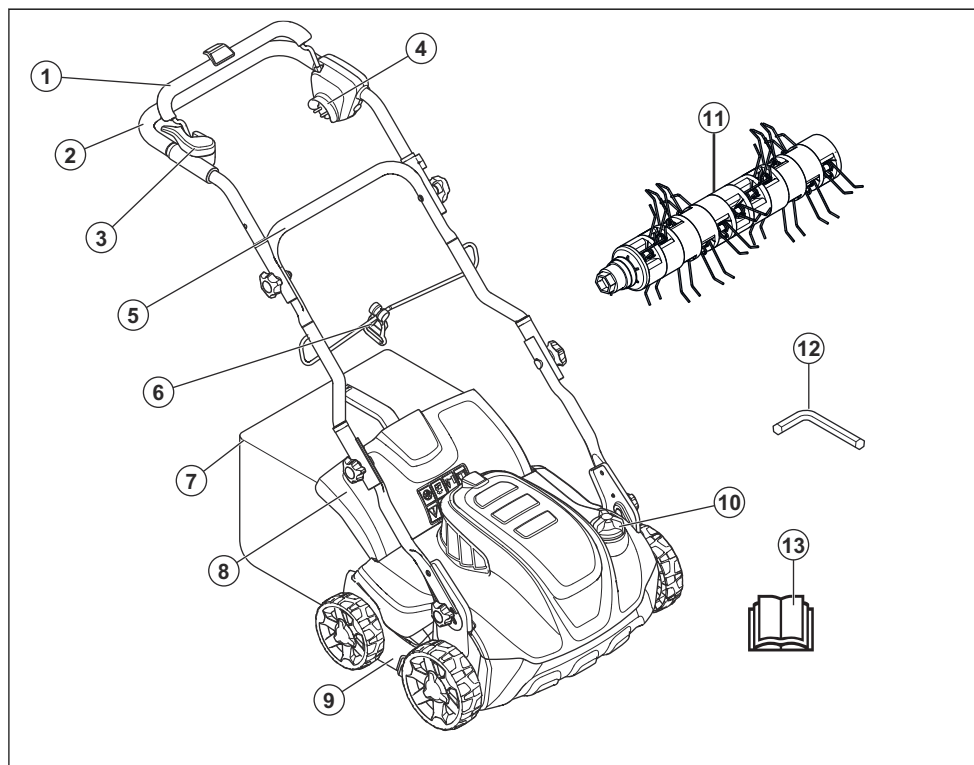
Výrobok používajte na odstraňovanie trávnej plsti a machu a na kyprenie pôdy v súkromných záhradách. Výrobok nepoužívajte na iné účely.

## Prehľad modelu S 138i



- |   |  |
|---|--|
| 1. Rukoväť motorovej brzdy                      | 12. Indikátor LED na vypínači                            |
| 2. Vrchná rukoväť                               | 13. Vypínač  |
| 3. Ovládací panel                               | 14. Tlačidlo Save  |
| 4. Poistka naštartovania                        | 15. Indikátor LED tlačidla Save                          |
| 5. Spodná rukoväť                               | 16. Indikátor nabitia akumulátora a tlačidlo akumulátora |
| 6. Zberný kôš                                   | 17. Pružinové hroty                                      |
| 7. Zadný kryt                                   | 18. Akumulátor (príslušenstvo)                           |
| 8. Kryt odmachovača                             | 19. Nabíjačka akumulátora (príslušenstvo)                |
| 9. Kryt akumulátora                             | 20. Imbusový kľúč  |
| 10. Otočný regulátor nastavenia pracovnej hĺbky | 21. Návod na obsluhu                                     |
| 11. Bezpečnostný kľúč                           |  |

## Prehľad modelu S 138C



1. Rukoväť motorovej brzdy
2. Vrchná rukoväť
3. Poistka naštartovania
4. Siet'ová zásuvka
5. Spodná rukoväť
6. Svorka lanka
7. Zberný kôš
8. Zadný kryt
9. Kryt odmachovača
10. Otočný regulátor nastavenia pracovnej hĺbky
11. Pružinové hroty
12. Imbusový kľúč
13. Návod na obsluhu

### Symbyly na výrobku



Upozornenie: Neopatrné alebo nesprávne používanie môže spôsobiť zranenie alebo

usmrtenie obsluhy alebo iných osôb.



Pred používaním tohto výrobku si prečítajte návod na obsluhu a uistite sa, že porozumiete uvedeným pokynom.



Dávajte pozor na vymrštené predmety a spätné nárazy.



Dbajte na to, aby osoby a zvieratá nevstupovali do pracovnej oblasti.



Upozornenie: Udržiavajte ruky a chodidlá mimo dosahu rotujúceho noža.



Pred vykonaním údržby výrobku vyťahnite bezpečnostný kľúč (model S 138i).



Pred vykonávaním údržby odpojte výrobok od elektrickej zásuvky (model S 138C).



Nebezpečenstvo úrazu elektrickým prúdom (model S 138C).



Nevystavujte dažďu (model S 138i).



Upozornenie: S výrobkom neprechádzajte cez napájací kábel, pretože môže dôjsť k úrazu elektrickým prúdom alebo poškodeniu výrobku (model S 138C).

**IPX4**

Tento výrobok je vybavený ochranou proti striekajúcej vode.

**EAC**

Tento výrobok je v súlade s príslušnými smernicami EAC.

**CE**

Tento výrobok je v súlade s príslušnými smernicami EÚ.



Tento produkt je v súlade s príslušnými smernicami UkrSEPRO.



Hlukové emisie do okolia sú v súlade so smernicou Európskej únie. Emisie výrobku sú špecifikované v kapitole s technickými údajmi tohto návodu a na štítku.



Dvojitá izolácia (model S 138C).



Tento výrobok recyklujte v miestnom re-cyklačnom zar-iadení určenom pre elektrické a elektronické zariadenia. (Uplatňuje sa iba na Európu)





Postup štartovania modelu S 138i: stlačte vypínač, uvoľnite poistku naštartovania a potlačte rukoväť motorovej brzdy nadol.



Postup štartovania modelu S 138C: uvoľnite poistku naštartovania, potlačte rukoväť motorovej brzdy nadol.



Zastavte uvoľnením rukoväti motorovej brzdy.



Snímateľný kód.

**Poznámka:** Ostatné symboly/emblémy na výrobku odkazujú na zvláštne požiadavky certifikácie pre určité trhy.

### Zodpovednosť za výrobok

V súlade s právnymi predpismi upravujúcimi zodpovednosť za výrobok nenesieme zodpovednosť za škody spôsobené naším výrobkom v dôsledku:

- nesprávne vykonanej opravy výrobku,
- opravy výrobku, pri ktorej neboli použité diely od výrobcu alebo diely schválené výrobcom,
- používania príslušenstva od iného výrobcu alebo príslušenstva, ktoré nie je schválené výrobcom,
- opravy výrobku, ktoré neboli vykonané v schválenom servisnom stredisku alebo schválenými kompetentnými osobami.

## Bezpečnosť

### Bezpečnostné definície

Výstrahy, upozornenia a poznámky slúžia na zdôraznenie mimoriadne dôležitých častí návodu.



**VÝSTRAHA:** Používa sa, ak pre obsluhu alebo osoby v okolí existuje nebezpečenstvo poranenia alebo smrti v prípade nedodržania pokynov v návode.



**VAROVANIE:** Používa sa, ak hrozí nebezpečenstvo poškodenia produktu, iných materiálov alebo okolitej oblasti v prípade nedodržania pokynov v návode.

**Poznámka:** Používa sa na poskytnutie informácií nad rámec nevyhnutných informácií v danej situácii.

## Všeobecné bezpečnostné pokyny



**VÝSTRAHA:** Skôr než budete výrobok používať, prečítajte si nasledujúce výstrahy.

- Tento výrobok je nebezpečný, ak sa nepoužíva správne alebo ak nie ste pri jeho používaní opatrní. V prípade nedodržania bezpečnostných pokynov hrozí poranenie alebo usmrtenie.
- Tento výrobok vytvára počas prevádzky elektromagnetické pole. Toto pole môže za určitých okolností spôsobovať rušenie aktívnych alebo pasívnych implantovaných lekárskeho prístrojov. Na zníženie rizika vážneho alebo smrteľného zranenia odporúčame, aby sa osoby s implantovanými lekárskeho prístrojmi poradili so svojim lekárom a výrobcom pomôcky ešte pred použitím tohto výrobku.
- Vždy zachovávajúte opatrnosť a riadte sa zdravým úsudkom. Ak si v určitých situáciách nie ste istí, ako máte výrobok používať, výrobok nepoužívajte a pred pokračovaním v práci sa poraďte s predajcom spoločnosti Husqvarna.
- Myslite na to, že operátor bude zodpovedný za nehody zahŕňajúce iné osoby alebo ich majetok.
- Výrobok udržiavajte čistý. Uistite sa, že sú symboly a emblémy čitateľné.
- Nedovoľte, aby výrobok používali iné osoby, pokiaľ sa neuistíte, že si prečítali tento návod na obsluhu a porozumeli jeho obsahu.
- Nedovoľte, aby výrobok používali deti.
- Nedovoľte, aby výrobok používali osoby, ktoré nepoznajú potrebné pokyny.
- Osoby so zníženými fyzickými alebo duševnými schopnosťami musia byť počas používania výrobku vždy pod dozorom. Vyžaduje sa neustála prítomnosť zodpovednej dospeléj osoby.
- Výrobok nepoužívajte, ak ste unavení, chorí alebo ste pod vplyvom alkoholu, drog alebo liekov. Vyššie uvedené prípady majú negatívny vplyv na váš zrak, ostražitosť, koordináciu a úsudok.
- Výrobok nepoužívajte, ak je poškodený.

- Výrobok žiadnym spôsobom neupravujte ani nepoužívajte, ak existuje možnosť, že bol upravený inými osobami.

## Bezpečnosť na pracovisku



**VÝSTRAHA:** Skôr než budete výrobok používať, prečítajte si nasledujúce výstrahy.

- Pred používaním výrobku odstráňte z pracovnej oblasti všetky predmety, ako sú napr. konáre, vetvy a kamene.
- Predmety, ktoré narazia na výbavu odmachovača, môžu byť vymrštené a spôsobiť poranenie osôb alebo poškodenie iných predmetov. Dávajte pozor, aby okolo stojace osoby a zvieratá nevstupovali do pracovnej oblasti.
- Výrobok nikdy nepoužívajte počas nepriaznivých poveternostných podmienok, napríklad v hmle, v daždi, v silnom vetre, v silnom mraze, pri vysokom riziku búrky. Používanie výrobku počas nepriaznivých poveternostných podmienok alebo na vlhkých alebo mokrych miestach je namáhavé. Nepriaznivé

poveternostné podmienky môžu mať za následok vznik nebezpečných podmienok, akými sú napr. klzké povrchy.

- Dávajte pozor na osoby, predmety a situácie, ktoré môžu zamedziť bezpečnej prevádzke výrobku.
- Dávajte pozor na prekážky, ako sú napr. korene, kamene, halúzky, jamy a priekopy. Vysoká tráva môže zakrývať prekážky.
- Používanie výrobku na svahoch môže byť nebezpečné. Výrobok nepoužívajte na svahoch so sklonom viac ako 15 °.
- S výrobkom sa pohybujte po vrstevnici. Nepohybujte sa smerom do svahu a zo svahu.
- V blízkosti skrytých rohov a objektov, ktoré vám bránia vo výhlade, sa pohybujte opatrne.

## Bezpečnosť pri práci



**VÝSTRAHA:** Skôr než budete výrobok používať, prečítajte si nasledujúce výstrahy.

- Tento výrobok používajte výlučne na odstraňovanie trávnej plsti a machu z trávnik. Výrobok sa nesmie používať na iné úlohy.

- Používajte osobné ochranné pomôcky. Pozrite si časť *Osobné ochranné vybavenie na strane 573.*
  - Výrobok nepoužívajte na daždi alebo vlhkých miestach. V prípade preniknutia vody do výrobku sa zvyšuje riziko zásahu elektrickým prúdom.
  - Výrobok nepoužívajte, pokiaľ nie sú všetky kryty a výbava odmachovača správne upevnené. Nesprávne pripojená výbava odmachovača sa môže uvoľniť a spôsobiť poranenia osôb.
  - Uistite sa, že výbava odmachovača nenarazí na predmety, ako sú napr. kamene alebo korene. Môže dôjsť k poškodeniu výbavy odmachovača a ohnutiú hriadeľa motora. Ohnutá náprava spôsobuje silné vibrácie a vzniká veľké nebezpečenstvo uvoľnenia výbavy odmachovača.
  - Ak výbava odmachovača narazí na predmet alebo ak cítite vibrácie, výrobok okamžite vypnite. Zastavte motor, otočte bezpečnostný kľúč do polohy 0 a vyberte akumulátor (model S 138i) alebo odpojte napájací kábel (model S 138C). Skontrolujte, či nie je výrobok poškodený.
- Opravte akékoľvek poškodenie alebo kontaktujte servisného zástupcu.
  - Keď je naštartovaný motor, rukoväť motorovej brzdy nesmie byť nikdy trvalo pripevnená k rukoväti.
  - Položte výrobok na stabilný, rovný povrch a naštartujte ho. Uistite sa, že sa rotujúca výbava odmachovača nedostane do kontaktu so zemou alebo inými predmetmi.
  - Pri obsluhu vždy stojte za výrobkom.
  - Pri obsluhu výrobku dávajte pozor, aby všetky kolesá dosadali na zem a rukoväť držte oboma rukami. Udržiavajte ruky a chodidlá mimo dosahu rotujúcej výbavy odmachovača.
  - Keď je motor spustený, výrobok nenakláňajte.
  - Pri ťahaní výrobku smerom dozadu buďte opatrní.
  - Výrobok nikdy nedvíhajte, keď je spustený motor. Ak musíte výrobok zdvihnúť, najskôr zastavte motor, otočte bezpečnostný kľúč do polohy 0 a vyberte akumulátor (model S 138i) alebo odpojte napájací kábel (model S 138C).
  - Počas obsluhy výrobku necúvajte.

- Pri prechádzaní cez oblasti bez trávy, ako sú napr. štrkové, kamenné a asfaltové chodníky, vypnite motor.
- Keď je zapnutý motor, s výrobkom neutekajte. Počas obsluhy výrobku vždy kráčajte.
- Pred zmenou pracovnej hĺbky zastavte motor. Nikdy nevykonávajte nastavenia so spusteným motorom.
- Nikdy nenechávajte výrobok bez dozoru, keď je zapnutý motor. Zastavte motor a uistite sa, že sa výbava odmachovača neotáča.

## Bezpečnostné pokyny pre prevádzku

### Osobné ochranné vybavenie

Pri akomkoľvek používaní výrobku musíte používať schválené osobné ochranné prostriedky. Osobné ochranné vybavenie nevylučuje riziko nehôd, ale môže znížiť účinky zranenia v prípade nehody. Pri výbere správneho vybavenia sa poraďte so svojím predajcom.

Vždy majte na sebe:

- Chrániče sluchu, aby ste minimalizovali riziko poškodenia sluchu.
- Pevné protišmykové čizmy alebo topánky. Nenoste sandále ani nepracujte bosí.
- Odolné dlhé nohavice. Nenoste krátke nohavice.

Keď je to potrebné, používajte rukavice: napríklad pri montáži, kontrole alebo čistení výbavy odmachovača.



**VÝSTRAHA:** Používajte schválené chrániče sluchu. Dlhodobé vystavenie hluku môže spôsobiť trvalé poškodenie sluchu.

### Bezpečnostné zariadenia na výrobku



**VÝSTRAHA:** Skôr než budete produkt používať, prečítajte si nasledujúce výstrahy.

- Nepoužívajte produkt, ktorý má chybné bezpečnostné zariadenia.

- Pravidelne kontrolujte bezpečnostné zariadenia. Ak sú bezpečnostné zariadenia chybné, obráťte sa na servisného zástupcu spoločnosti Husqvarna.

### Kontrola krytov

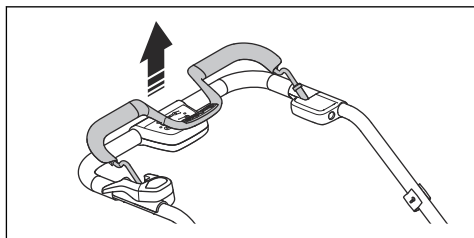
Kryt odmachovača tlmi vibrácie vo výrobku a znižuje riziko poranenia rotujúcou výbavou odmachovača.

- Skontrolujte bočný kryt odmachovača, aby ste sa uistili, že na ňom nie sú žiadne známky poškodenia, ako sú napr. praskliny.
- Skontrolujte zadný kryt, aby ste sa uistili, že na ňom nie sú žiadne známky poškodenia, ako sú napr. praskliny.

### Rukoväť motorovej brzdy

Rukoväť motorovej brzdy slúži na zastavenie motora. Keď rukoväť motorovej brzdy uvoľníte, motor sa zastaví.

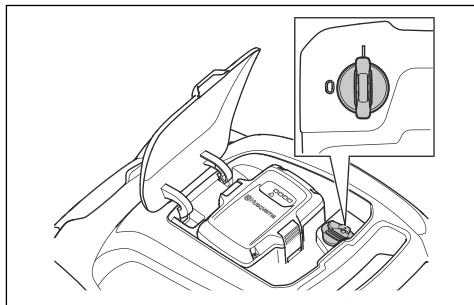
Ak chcete motorovú brzdú skontrolovať, naštartujte motor a potom uvoľníte rukoväť motorovej brzdy. Ak sa motor v priebehu 3 sekúnd nezastaví, požiadajte servisného zástupcu spoločnosti Husqvarna o nastavenie motorovej brzdy.



### Bezpečnostný kľúč

Bezpečnostný kľúč sa nachádza pod krytom akumulátora. Bezpečnostný kľúč slúži na pripojenie akumulátora, ktorý napája motor.

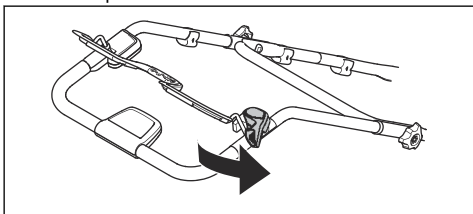
- Pred vykonaním kontroly bezpečnostného kľúča naštartujte a vypnite motor.
- Ak bezpečnostný kľúč funguje správne, motor sa spustí iba vtedy, keď je kľúč otočený v polohe 1.



### Kontrola poistky naštartovania

Skontrolujte poistku naštartovania, aby ste sa uistili, že zabraňuje prevádzke motora.

1. Potlačte páku pohonu smerom k hornej rukoväti. Poistka naštartovania zastaví pohyb.
2. Zatlačte poistku naštartovania smerom von.

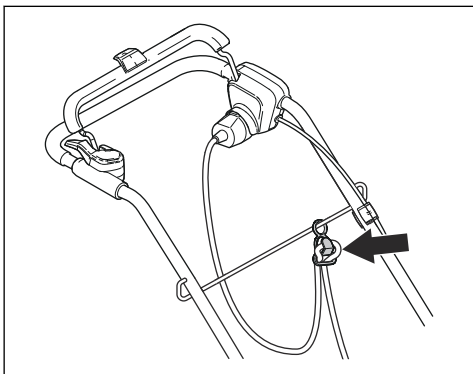


3. Uvoľnite poistku naštartovania a uistite sa, že sa vráti do svojej pôvodnej polohy.

### Používanie držiaka napájacieho kábla (model S 138C)

Držiak napájacieho kábla znižuje napätie pôsobiace na sieťovú zásuvku a napájací kábel. Držiak napájacieho kábla tiež znižuje riziko vášho pádu.

1. Ohnite napájací kábel a vytvorte malú slučku.
2. Vložte slučku do otvoru v držiaku napájacieho kábla.
3. Umiestnite slučku okolo háka.
4. Potiahnite napájací kábel, aby sa slučka utiahla okolo háka.



### Bezpečnosť batérie



**VÝSTRAHA:** Skôr než budete výrobok používať, prečítajte si nasledujúce výstrahy.

- Ako napájací zdroj používajte nabíjateľné batérie Husqvarna len pre výrobky typu Husqvarna. V prípade iných zariadení nepoužívajte batériu ako zdroj napájania, aby ste zabránili riziku zranenia.
- Nepoužívajte nenabíjateľné batérie.
- Nebezpečenstvo zásahu elektrickým prúdom. Nepripájajte konektory batérie ku kľúčom, minciam, skrutkám ani k iným kovovým predmetom. Môže dôjsť k skratu batérie.
- Do vetracích otvorov batérie nekladajte žiadne predmety.
- Batériu nevystavuje priamemu slnečnému žiareniu, teplu ani otvorenému ohňu. Batéria môže vybuchnúť a spôsobiť popálenie alebo poleptanie.
- Batériu nevystavuje dažďu ani vlhku.
- Batériu nevystavuje mikrovlnnému žiareniu ani vysokému tlaku.
- Nepokúšajte sa rozoberať ani rozdrviť batériu.
- V prípade úniku kvapaliny z batérie zabráňte zasiahnutiu pokožky a očí kvapalinou. V prípade kontaktu s kvapalinou umyte zasiahnutú oblasť veľkým množstvom

vody a vyhľadajte lekársku pomoc.

- Batériu používajte v prostredí, v ktorom sa teplota pohybuje od  $-10\text{ }^{\circ}\text{C}$  do  $40\text{ }^{\circ}\text{C}$ .
- Batériu ani nabíjačku batérií nečistite vodou. Pozrite si časť *Čistenie batérie a nabíjačky batérií na strane 583*.
- Nepoužívajte chybnú ani poškodenú batériu.
- Batérie uchovávajte v bezpečnej vzdialenosti od kovových predmetov, ako sú napr. klince, mince, šperky.

## Bezpečnosť nabíjačky batérií



**VÝSTRAHA:** Skôr než budete výrobok používať, prečítajte si nasledujúce výstrahy.

- Tento výrobok vytvára počas prevádzky elektromagnetické pole. Toto pole môže za určitých okolností spôsobovať rušenie aktívnych alebo pasívnych implantovaných lekárskeho prístrojov. Zníženie rizika podmienok, ktoré môžu viesť k vážnemu alebo aj smrteľnému poraneniu, si vyžaduje, aby sa osoby s implantovanými pomôckami poradili so svojím lekárom a výrobcom pomôcky ešte pred použitím tohto výrobku.
  - Pravidelne kontrolujte, či napájací kábel nabíjačky batérií nie je poškodený a či na ňom nie sú praskliny.
  - Nabíjačku batérií nedvíhajte za napájací kábel. Pri odpájaní nabíjačky batérií od sieťovej zásuvky ťahajte za zástrčku. Neťahajte za napájací kábel.
  - Udržiavajte všetky napájacie káble a predlžovacie káble v bezpečnej vzdialenosti od vody, oleja a ostrých hrán. Ubezpečte sa, že kábel nie je privretý vo dverách, plotoch a podobne. Môže to spôsobiť, že nabíjačka bude pod napätím.
  - Nabíjačku batérií nečistite vodou.
- Na nabíjanie náhradných batérií Husqvarna používajte len nabíjačky batérií QC.
  - Riziko zasiahnutia elektrickým prúdom alebo skratu. Do vetracích otvorov nabíjačky nevkladajte žiadne predmety. Nabíjačku batérií sa nepokúšajte rozoberať. Koncovky nabíjačky nikdy nepripájajte ku kovovým predmetom. Používajte schválenú elektrickú zásuvku.

- Nabíjačku batérií smú používať deti od 8 rokov a osoby s obmedzenými fyzickými, zmyslovými alebo mentálnymi schopnosťami alebo s nedostatkom skúseností a vedomostí, pokiaľ sú pod dohľadom alebo boli poučené o bezpečnom používaní nabíjačky batérií a chápu súvisiace riziká. Deti sa nesmú s nabíjačkou batérií hrať. Deti nesmú vykonávať čistenie ani údržbu zariadenia, ak nie sú pod dozorom.
- Nenabíjateľné batérie nenabíjajte v nabíjačke batérií.
- Nabíjačku batérií nepoužívajte v blízkosti horľavých materiálov alebo materiálov, ktoré spôsobujú koróziu. Nabíjačku batérií nezakrývajte. V prípade výskytu dymu alebo ohňa odpojte zástrčku nabíjačky batérií.
- Nepoužívajte chybnú alebo poškodenú nabíjačku batérií.
- Batériu nabíjajte len v interiéri na miestach s dobrým prúdením vzduchu a mimo slnečného svetla. Batériu nenabíjajte vo vlhkom prostredí.
- Odporúča sa používať prúdový chránič (R.C.D.) s aktiváciou pri prúde, ktorý nepresahuje hodnotu 30 mA. Ani pri inštalácii prúdového chrániča (R.D.C.) nie je možné zaručiť 100 % bezpečnosť, a preto je nutné vždy dodržiavať bezpečné pracovné postupy. Pred každým používaním zariadenia skontrolujte prúdový chránič (R.C.D.).
- Výrobok okamžite odpojte od siete, ak je napájací kábel prerezaný alebo ak je poškodená jeho izolácia.
- Nedotýkajte sa prerezaného alebo poškodeného napájacieho kábla, kým ho neodpojíte od elektrickej siete.
- Prerezaný alebo poškodený napájací kábel neopravujte. Vymeňte ju za novú.

### Bezpečnostné pokyny pre údržbu



**VÝSTRAHA:** Skôr než budete výrobok používať, prečítajte si nasledujúce výstrahy.

- Pre model S 138i: Otočte bezpečnostný kľúč do polohy 0 a vyberte akumulátor, aby ste zabránili náhodnému

#### Bezpečnosť pri používaní napájacieho kábla

Pre model S 138C.



- spusteniu počas údržby. Pred začiatkom údržby počkajte minimálne 5 sekúnd.
- Pre model S 138C: Neúmyselnému spusteniu počas vykonávania údržby predídete odpojením napájacieho kábla.
  - Správnym vykonaním údržby zvýšite životnosť výrobku a znížite nebezpečenstvo nehôd. Vykonanie odborných opráv zverte schválenému servisnému zástupcovi. Ďalšie informácie získate od najbližšieho servisného zástupcu.
  - Vykonávajte len údržbu uvedenú v tomto návode na obsluhu. Náročnejšie práce musí vykonávať schválený servisný zástupca.
  - Pri používaní výbavy odmachovača používajte odolné rukavice. Výbava odmachovača je veľmi ostrá a ľahko môže dôjsť k porezaniu.
  - Nože na výbave odmachovača udržiavajte ostré a čisté, aby ste dosiahli ten najlepší a najbezpečnejší výkon.
  - Nechajte výrobok pravidelne prehliadnuť servisným zástupcom a vykonať na ňom potrebné nastavenia a opravy.
  - Vymeňte všetky poškodené, opotrebované alebo zlomené diely.
  - Pri výmene príslušenstva sa riadte pokynmi. Používajte iba príslušenstvo od daného výrobcu.
  - Keď sa výrobok, akumulátor a nabíjačka batérií nepoužívajú, skladujte ich oddelene na suchom mieste uzamknuté v interiéri. Zaistite, aby sa k výrobku, akumulátoru ani k nabíjačke akumulátorov nedostali deti ani neoprávnené osoby.

---

## Montáž

---

### Úvod



**VÝSTRAHA:** Pred zostavením výrobku si prečítajte kapitolu o bezpečnosti.



**VÝSTRAHA:** Pre model S 138i: Neúmyselnému spusteniu počas montáže predídete otočením bezpečnostného kľúča do polohy 0, vybratím batérie a dodržaním aspoň 5-sekundovej prestávky.

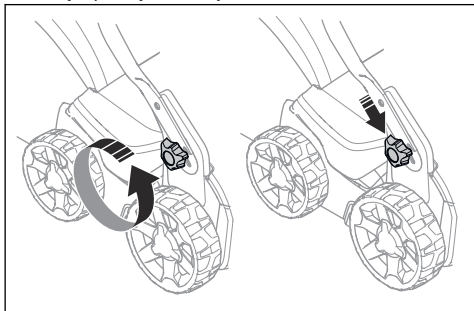
Pre model S 138C: Neúmyselnému spusteniu počas montáže predídete odpojením napájacieho kábla.

---

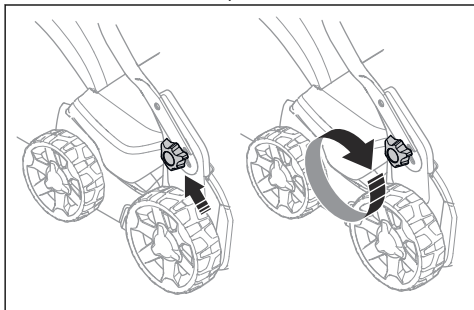
### Montáž rukoväti

1. Uvoľnite spodné gombíky.

2. Posuňte gombíky smerom k spodnej časti drážok na ľavej a pravej strane výrobku.



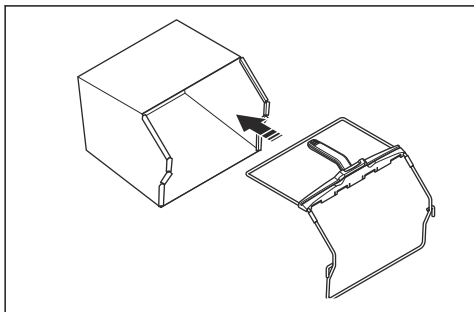
3. Nastavte výšku rukoväti do jednej z 2 dostupných polôh.
4. Posuňte gombíky nahor smerom k rukoväti, kým sa nezastavia a nebudete počuť kliknutie.



5. Gombíky utiahnite na doraz.

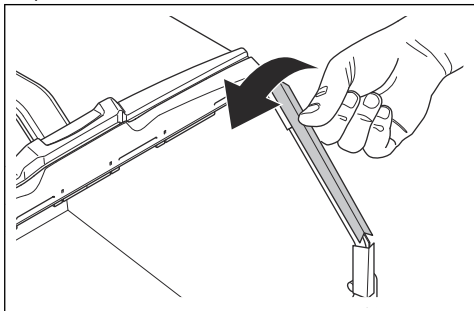
## Zostavenie zberného koša

1. Pripojte rám zberného koša k vaku na trávu tak, aby pevná časť vaku bola na spodnej strane. Rukoväť rámu držte nad vakom na trávu.

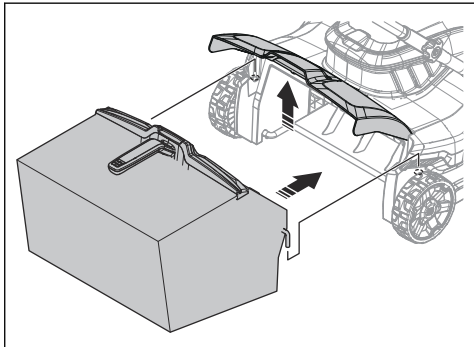


2. Pripojte spodnú časť rámu zberného koša do drážky v spodnej časti zberného koša.

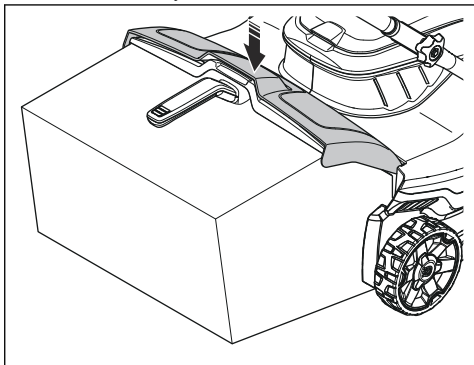
3. Vak na trávu pripojte k rámu zberného koša pomocou svoriek.



4. Nadvihnite zadný kryt.
5. Posuňte zberný kôš do správnej polohy.



6. Upevnite zberný kôš na horný okraj rámu. V záujme zabránenia netesnosti sa uistite, či zadný kryt pevne dosadá na zberný kôš.



## Úvod



**VÝSTRAHA:** Pred používaním výrobku si musíte prečítať kapitolu o bezpečnosti a porozumieť informáciám, ktoré sa v nej uvádzajú.

uvádzajú. Okrem toho si musíte prečítať návod na obsluhu batérie a nabíjačky batérií a porozumieť jeho obsahu.

## Husqvarna Connect

Husqvarna Connect je bezplatná aplikácia pre mobilné zariadenia. Aplikácia Husqvarna Connect prináša rozšírené funkcie pre výrobok Husqvarna:

- Rozšírené informácie o výrobku.
- Informácie a podpora vzťahujúce sa na súčasti výrobku a servis.

### Ak chcete začať, použite Husqvarna Connect

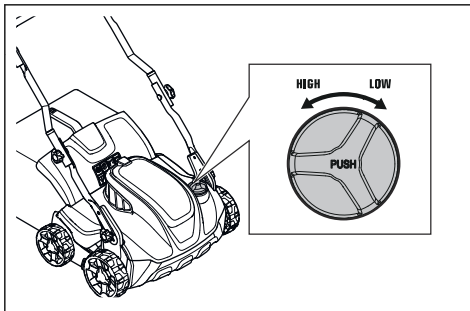
1. Stiahnite si aplikáciu Husqvarna Connect do mobilného zariadenia.
2. Zaregistrujte sa v aplikácii Husqvarna Connect.
3. Ak chcete pripojiť a zaregistrovať produkt, postupujte podľa pokynov v aplikácii Husqvarna Connect.

## Nastavenie pracovnej hĺbky



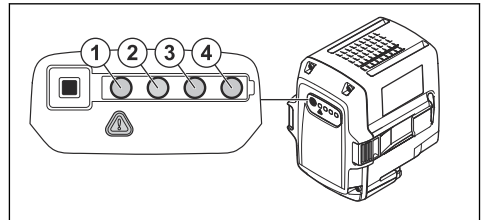
**VÝSTRAHA:** V žiadnom prípade nenastavujte pracovnú hĺbku počas používania výrobku.

1. Ak chcete zväčšiť pracovnú hĺbku, stlačte a otočte otočný regulátor nastavenia proti smeru hodinových ručičiek.
2. Ak chcete zmenšiť pracovnú hĺbku, stlačte a otočte otočný regulátor nastavenia v smere hodinových ručičiek.



## Stav batérie

Na displeji sa zobrazuje zostávajúca kapacita batérie a prípadné problémy s batériou. Kapacita batérie sa zobrazí na 5 sekúnd po vypnutí výrobku alebo po stlačení tlačidla indikátora batérie. Výstražný symbol na batérii sa rozsvieti, keď sa vyskytne chyba. Pozrite si časť *Batéria na strane 585*.



LED svetlá	Stav batérie
Všetky LED svetlá svietia	Plne nabitá (75 – 100 %)
Svieti LED 1, LED 2, LED 3	Batéria je nabitá na 50 % – 75 %
Svieti LED 1, LED 2	Batéria je nabitá na 25 % – 50 %
Svieti LED 1	Batéria je nabitá na 0 % – 25 %.
Bliká LED 1	Batéria je vybitá. Nabíte batériu.

## Nabíjanie batérie

Batériu nabíjajte pred prvým použitím. Pri dodaní zákazníkov je batéria nabitá len na 30 % kapacity.

**Poznámka:** Nabíjačka batérie musí byť pripojená k sieti s napätím a frekvenciou, ktoré sa uvádzajú na výkonovom štítku.

Batéria sa nenabíja, ak teplota batérie prekročí 50 °C. Pred začiatkom nabíjania nabíjačka batérií zníži teplotu batérie.

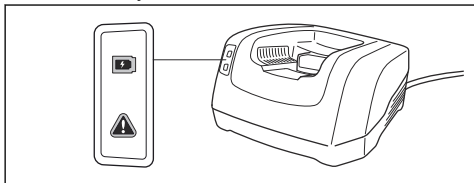
1. Jeden koniec napájacieho kábla nabíjačky batérií pripojte k zásuvke na nabíjačke batérií.

## Batéria

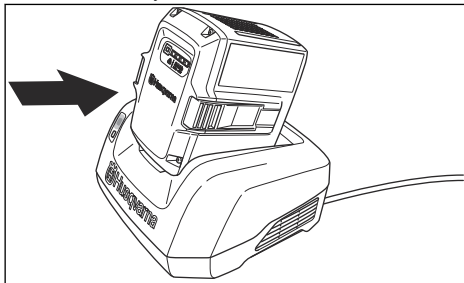


**VÝSTRAHA:** Pred používaním batérie si musíte prečítať kapitolu o bezpečnosti a porozumieť informáciám, ktoré sa v nej

2. Druhý koniec napájacieho kábla nabíjačky batérií pripojte k uzemnenej sieťovej zásuvke. Indikátor LED na nabíjačke batérií raz blikne nazeleno.



3. Vložte batériu do nabíjačky batérií. Po správnom pripojení batérie k nabíjačke batérií sa na nabíjačke rozsvieti zelený indikátor.



4. Keď svietia všetky indikátory LED na batérii, batéria je plne nabitá. Batériu nabíjajte maximálne 24 hodín.
5. Pri odpájaní nabíjačky batérií od sieťovej zásuvky ťahajte za zástrčku, nie za šnúru.
6. Vyberte batériu z nabíjačky batérií.

## Stav nabíjania batérie

Lítium-iónová batéria Husqvarna sa dá nabíjať a používať pri všetkých úrovniach nabitia. Batéria nie je poškodená. Kapacita úplne nabitých batérií sa neznižuje, keď ju necháte v nabíjačke.

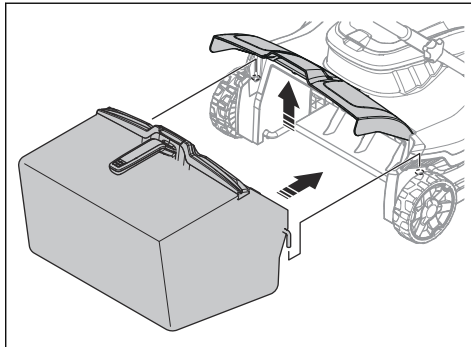
LED displej	Stav nabíjania
Bliká LED 1	0 % – 25 %
LED 1 svieti, LED 2 bliká	25 % – 50 %
LED 1, LED 2 svietia, LED 3 bliká	50 % – 75 %
LED 1, LED 2, LED 3 svietia, LED 4 bliká	75 % – 100 %
LED 1, LED 2, LED 3, LED 4 svietia	Úplne nabitá

## Obsluha modelu S 138i

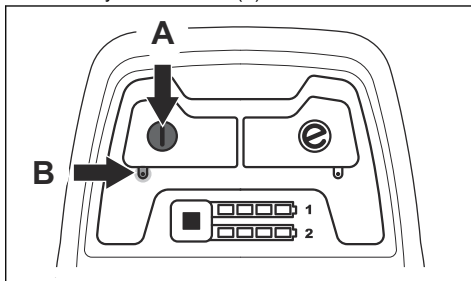
### Zapnutie výrobku

1. Nabíty akumulátor vložte do priestoru akumulátora číslo 1 pod krytom akumulátora. Na zaistenie dlhšieho času prevádzky vložte druhý nabitý akumulátor do priestoru akumulátora číslo 2.

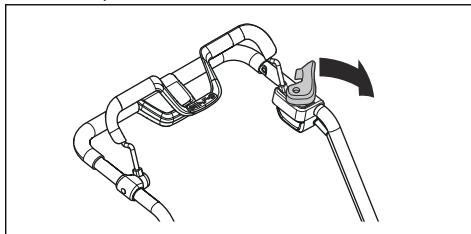
2. Otočte bezpečnostný kľúč do polohy 1.



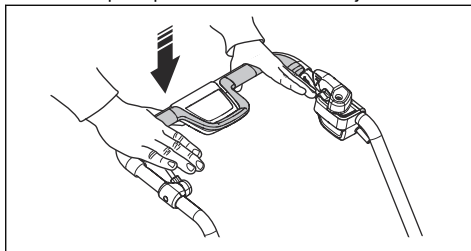
3. Stojte za výrobkom.
4. Stlačte vypínač (A) na ovládacom paneli a rozsvieti sa zelený indikátor LED (B).



5. Povoľte poistku naštartovania.



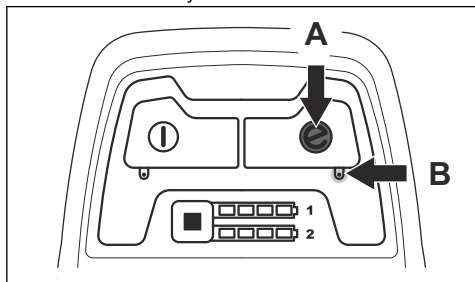
6. Potlačte páku pohonu smerom k hornej rukoväti.



### Používanie funkcie SavE

Výrobok je vybavený funkciou na šetrenie energie akumulátora (SavE), ktorá mu umožní dosiahnuť dlhší prevádzkový čas.

1. Funkciu spustíte stlačením tlačidla Save (A). Rozsvieti sa zelený indikátor LED.

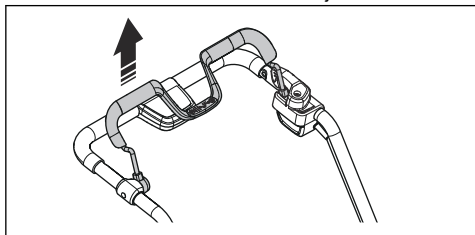


2. Funkciu zastavíte opätovným stlačením tlačidla Save. Zelený indikátor LED (B) zhasne.

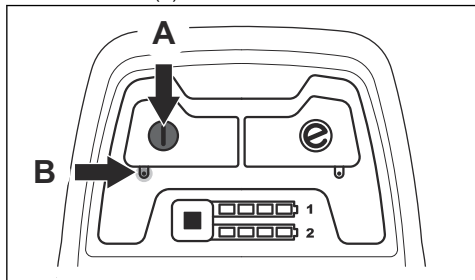
## Vypnutie výrobku

Výrobok sa automaticky zastaví, ak ho nepoužívate aspoň 10 minút. Skôr než spustíte výrobok z dohľadu, vždy otočte bezpečnostný kľúč do polohy 0.

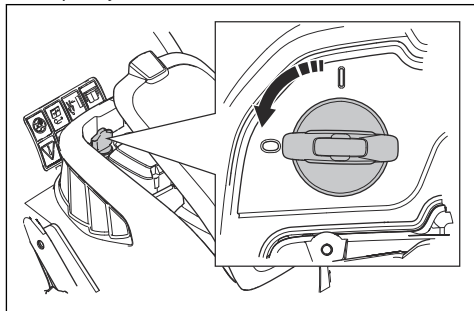
1. Motor zastavíte uvoľnením brzdovej rukoväti motora.



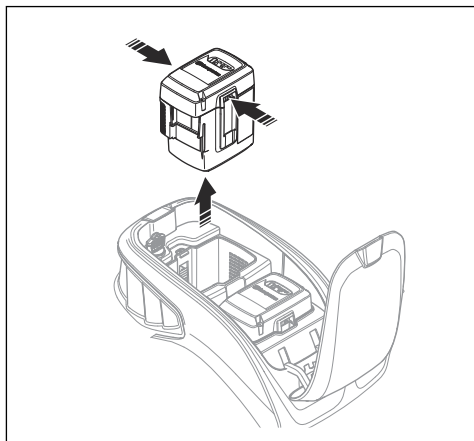
2. Stlačte vypínač (A) na ovládacom paneli a zelený indikátor LED (B) zhasne.



3. Otvorte kryt akumulátora a otočte bezpečnostný kľúč do polohy 0.



4. Akumulátor vyberte súčasným zatlačením 2 uvoľňovacích tlačidiel a potiahnutím akumulátora smerom von.

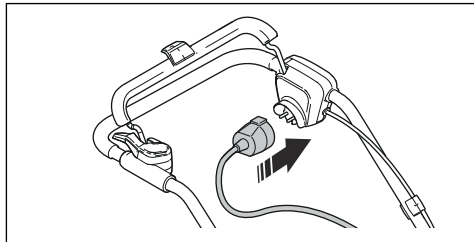


5. Ak má akumulátor nízku kapacitu, nabíjte ho. Ďalšie informácie sú uvedené v časti *Nabíjanie batérie* na strane 579.

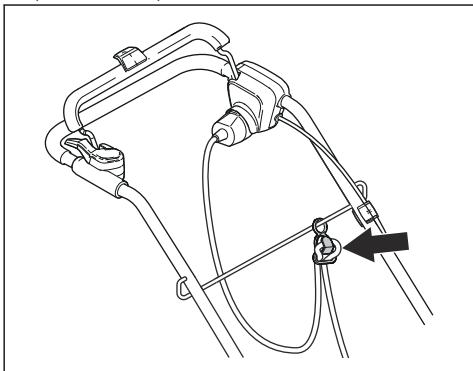
## Obsluha modelu S 138C

### Zapnutie výrobku

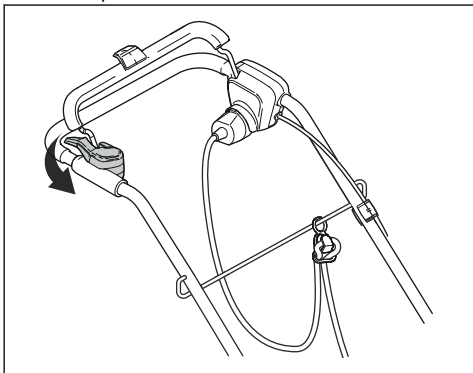
1. Pripojte napájací kábel do zásuvky pod držadlom.



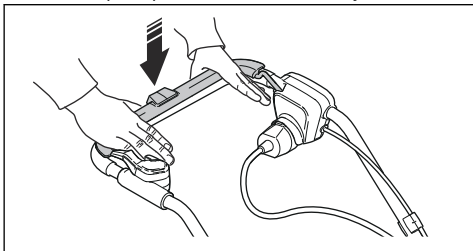
2. Vložte napájací kábel do držiaka napájacieho kábla. Pozrite si časť *Používanie držiaka napájacieho kábla (model S 138C)* na strane 574.



3. Stojte za výrobkom.  
4. Povoľte poistku naštartovania.

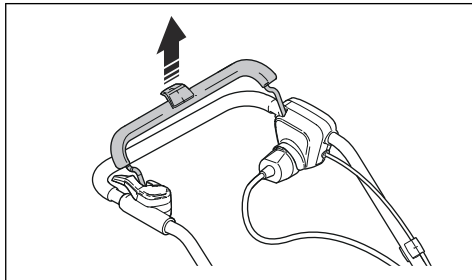


5. Potlačte páku pohonu smerom k hornej rukoväti.

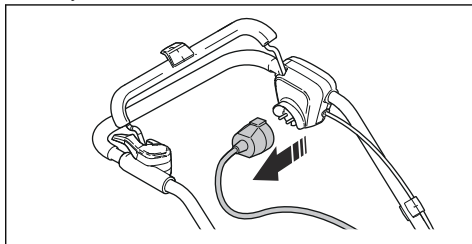


## Vypnutie výrobku

1. Motor zastavíte uvoľnením brzdovej rukoväti motora.



2. Odpojte napájací kábel od elektrickej siete a potom od výrobku.



**VAROVANIE:** Zástrčku vytiahnite priamo von. Neťahajte za napájací kábel.

## Údržba

### Úvod



**VÝSTRAHA:** Pred vykonávaním akejkoľvek údržby si musíte prečítať kapitolu o bezpečnosti a porozumieť jej.

Údržba a opravné práce na výrobku si vyžadujú špeciálne školenie. Zaručujeme dostupnosť profesionálnych opravných prác a údržby. Ak váš predajca nie je servisný zástupca, kontaktujte predajcu, ktorý vám poskytne informácie o najbližšom servisnom zástupcovi.

## Plán údržby

Intervaly údržby sú vypočítané na základe každodenného používania výrobku. Ak sa výrobok nepoužíva každý deň, tieto intervaly sa menia.

Informácie o prvkoch údržby označených symbolom „\*\*“ nájdete v časti *Bezpečnostné zariadenia na výrobku na strane 573.*

S 138i a S 138C	Pri každom použití	Mesačne	Každú sezónu
Vykonajte všeobecnú kontrolu.	X		
Vyčistite výrobok.	X		
Skontrolujte výbavu odmachovača.	X		
Skontrolujte, či sú bezpečnostné zariadenia na výrobku nepoškodené. *	X		
Skontrolujte kryty. *	X		
Skontrolujte rukoväť motorovej brzdy. *	X		
Skontrolujte poistku naštartovania. *	X		

Len model S 138i	Pri každom použití	Mesačne	Každú sezónu
Skontrolujte správnosť funkcie vypínača a zistite, či nemá poruchu.	X		
Skontrolujte, či nie je poškodený akumulátor.	X		
Skontrolujte nabitie akumulátora.	X		
Skontrolujte, či uvoľňovacie tlačidlá na akumulátore fungujú správne a riadne zaistia akumulátor vo výrobku.	X		
Skontrolujte, či nabíjačka akumulátorov nie je poškodená, a presvedčte sa, či funguje správne.		X	
Skontrolujte prepojenia medzi akumulátorom a výrobkom. Skontrolujte aj prepojenie medzi akumulátorom a nabíjačkou akumulátorov.			X

## Vykonanie všeobecnej kontroly

- Uistite sa, že sú dotiahnuté matice a skrutky na výrobku.
- Skontrolujte, či káble výrobku nie sú v polohe, v ktorej by sa mohli poškodiť.

## Čistenie výrobku

- Plastové diely čistite čistou a suchou handričkou.
- Výrobok neumývajte vodou. Voda môže preniknúť do batérie alebo motora a spôsobiť skrat alebo poškodenie výrobku.
- Na čistenie výrobku nepoužívajte vysokotlakový čistič.
- Nikdy nelejte vodu priamo na motor.
- Pomocou kefy odstráňte listy, trávu a nečistoty.

## Čistenie batérie a nabíjačky batérií



**VAROVANIE:** Batériu ani nabíjačku batérií nečistite vodou.

- Pred vloženíím batérie do nabíjačky batérií skontrolujte, či sú batéria a nabíjačka batérií čisté a suché.
- Svorky batérie čistite stlačeným vzduchom alebo mäkkou a suchou handričkou.
- Povrch batérie a nabíjačky batérií čistite mäkkou a suchou handričkou.

## Kontrola výbavy odmachovača



**VÝSTRAHA:** Pre modely S 138i: Aby ste zabránili náhodnému spusteniu, otočte bezpečnostný kľúč do polohy 0, vyberte akumulátor a počkajte minimálne 5 sekúnd.

Pre model S 138C: Neúmyselnému spusteniu predídete odpojením napájacieho kábla.



**VÝSTRAHA:** Pri vykonávaní údržby výbavy odmachovača používajte ochranné rukavice. Čepele výbavy odmachovača sú veľmi ostré a ľahko môže dôjsť k porezaniu.

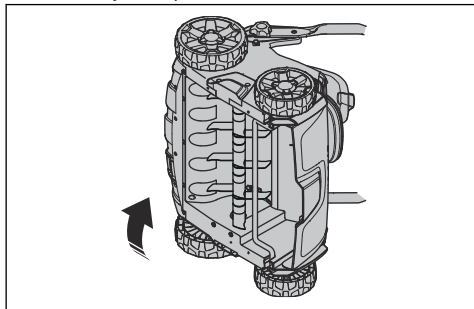
- Skontrolujte, či sa na výbave odmachovača nenachádzajú známky poškodenia alebo praskliny. Poškodenú výbavu odmachovača vždy vymeňte.

## Výmena výbavy odmachovača

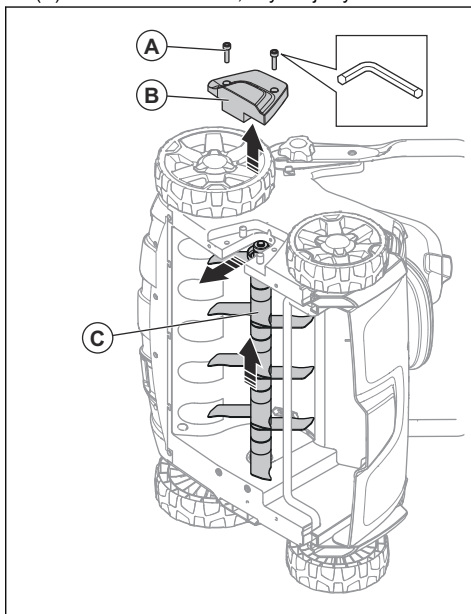


**VÝSTRAHA:** Pri vykonávaní údržby výbavy odmachovača používajte ochranné rukavice. Výbava odmachovača je veľmi ostrá a ľahko môže dôjsť k porezaniu.

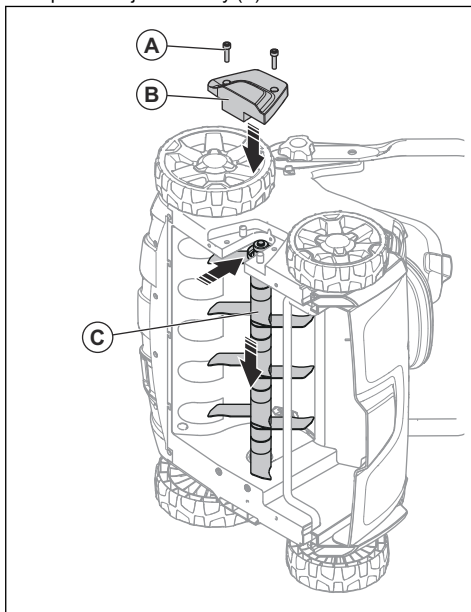
1. Položte výrobok pravou stranou nadol.



2. Odskrutkujte 2 skrutky (A) a zložte kryt odmachovača (B). Potlačte výbavu odmachovača (C) smerom nahor a von, aby ste ju vybrali.



3. Zatlačte novú výbavu odmachovača (C) do drážky a nadol do otvoru. Pripevnite kryt odmachovača (B) a priskrutkujte 2 skrutky (A).





## Riešenie problémov

### Batéria

Indikátory LED na batérii	Možné poruchy	Možný postup
Bliká zelený indikátor LED	Napätie batérie je nízke	Nabite batériu. Pozrite si časť <i>Nabíjanie batérie na strane 579</i> .
Bliká indikátor LED, ktorý signalizuje poruchu	Kapacita batérie je nízka	Nabite batériu. Pozrite si časť <i>Nabíjanie batérie na strane 579</i> .
	Teplota pracovného prostredia je príliš vysoká alebo príliš nízka	Batériu používajte v prostredí, v ktorom sa teplota pohybuje od $-10\text{ }^{\circ}\text{C}$ do $40\text{ }^{\circ}\text{C}$ .
	Prepätie	Skontrolujte, či sieťové napätie zodpovedá údajom uvedenému na výkonovom štítku výrobku.  Vyberte batériu z nabíjačky batérií. Počkajte 5 sekúnd a znova vyskúšajte nabiť batériu. Ak problém pretrváva, obráťte sa na autorizovaného servisného zástupcu.
Svieti indikátor LED, ktorý signalizuje poruchu	Rozdiel v článkoch príliš veľký (1 V)	Obráťte sa na schváleného servisného zástupcu.

### Nabíjačka batérií

Indikátor LED na nabíjačke batérií	Možné poruchy	Možný postup
Bliká indikátor LED, ktorý signalizuje poruchu	Teplota pracovného prostredia je príliš vysoká alebo príliš nízka	Nabíjačku batérií používajte pri teplotách od $5\text{ }^{\circ}\text{C}$ do $40\text{ }^{\circ}\text{C}$ .
Svieti indikátor LED, ktorý signalizuje poruchu		Obráťte sa na schváleného servisného zástupcu

### Ovládací panel

Pre model S 138i

Chyba	Chybový kód (počet bliknutí)	Možné poruchy	Možná činnosť
Bliká dióda LED signalizujúca poruchu	3	Motor je preťažený.	Zmenšite pracovnú hĺbku. Pozrite si časť <i>Nastavenie pracovnej hĺbky na strane 579</i> . Ak dióda LED signalizujúca poruchu bliká aj naďalej, výbava odmachovača je zablokovaná. Aby ste zabránili náhodnému spusteniu, otočte bezpečnostný kľúč do polohy 0, vyberte akumulátor a počkajte minimálne 5 sekúnd. Skontrolujte, či sa výbava odmachovača môže voľne otáčať. Ak problém pretrváva, obráťte sa na autorizovaného servisného zástupcu.
	5	Otáčky motora výrazne klesajú a motor sa zastavuje.	
	9	Riadenie motora je príliš horúce.	Zastavte motor a počkajte, kým nevychladne.
	7	Chyba akumulátora alebo žiaden signál z akumulátora.	Vložte akumulátor do výrobku správne a skontrolujte konektor akumulátora. Ak bliká dióda LED signalizujúca poruchu na akumulátore, pozrite si časť <i>Stav nabíjania batérie na strane 580</i> .
		Kapacita akumulátora je nízka.	Nabite akumulátor. Pozrite si časť <i>Nabíjanie batérie na strane 579</i> .
Výrobok sa zastaví	6	Kapacita akumulátora je nízka.	Nabite akumulátor. Pozrite si časť <i>Nabíjanie batérie na strane 579</i> .
	0	Chyba konektora akumulátora.	Skontrolujte konektor akumulátora.
Ďalšie chyby	Ak sa vyskytnú ďalšie chyby, otočte bezpečnostný kľúč do polohy 0, vyberte akumulátor a obráťte sa na autorizovaného servisného zástupcu.		

## Preprava, skladovanie a likvidácia

### Preprava

- Právne predpisy upravujúce nebezpečný tovar sa vzťahujú aj na používané lítium-iónové batérie.
- Pri obchodnej preprave treba dodržiavať špeciálne požiadavky týkajúce sa balenia a štítkov.
- Počas prípravy výrobku na prepravu zaistíte, aby ste spĺňali právne predpisy týkajúce sa nebezpečných materiálov. Na túto situáciu sa môžu vzťahovať aj miestne nariadenia.
- Pred prepravou vždy vyberte batériu.
- Konektory batérie prelepte páskou a zaistíte, aby sa batéria počas prepravy nehýbala.
- Počas prepravy výrobok zaistíte.

### Skladovanie

- Pred uložením vždy vyberte batériu.
- Aby ste predišli nehodám, ubezpečte sa, že batéria nie je počas skladovania pripojená k výrobku.

- Nabíjačku batérie skladujte v uzavretých a suchých priestoroch.
- Batériu a nabíjačku batérie skladujte v uzavretých a suchých priestoroch, kde nie sú vystavené vlhkosti ani mrazu.
- Počas skladovania odpojte batériu od nabíjačky.
- Neskladujte batériu na mieste s výskytom statickej elektriny. Batériu nekladajte do kovovej skrinky.
- Batériu skladujte v priestoroch, kde sa teplota pohybuje od 5 °C do 25 °C, a nikdy ju nevystavujte priamemu slnečnému svetlu.
- Nabíjačku batérie skladujte v priestoroch, kde sa teplota pohybuje od 5 °C do 45 °C, a nikdy ju nevystavujte priamemu slnečnému svetlu.
- Pred dlhodobým skladovaním sa uistite, že batéria je nabitá na 30 – 50 % kapacity.
- Výrobok, batériu a nabíjačku batérie skladujte v uzamknutom priestore mimo dosahu detí a neoprávnených osôb.

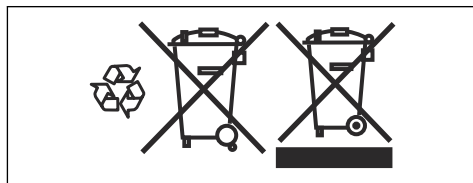
- Pred dlhodobým uskladnením výrobok vyčistíte a vykonajte kompletný servis.

## Likvidácia

Symbyly na výrobku alebo na obale výrobku označujú, že sa tento výrobok nesmie likvidovať ako domáci odpad. Musí sa odovzdať do príslušnej recyklačnej stanice pre recykláciu elektrických a elektronických zariadení.

Zaistením správnej likvidácie tohto výrobku pomôžete zabrániť potenciálnemu negatívemu dopadu na životné prostredie a zdravie ľudí, ktorý by inak mohol byť dôsledkom nesprávnej likvidácie tohto výrobku.

Podrobnejšie informácie o recyklácii tohto výrobku získate na mestskom úrade, od služby zaisťujúcej spracovanie domáceho odpadu alebo v predajni, kde ste výrobok zakúpili.



## Technické údaje

### Technické údaje

	S 138i	S 138C
<b>Motor</b>		
Typ motora	BLDC (bezkontaktný) 36V	Sériový motor AC
Otáčky nadstavca – SavE, ot./min.	3 000	–
Otáčky nadstavca – menovité, ot./min.	3 200	4 200
Výstupný výkon motora – max., kW	1,28	1,8
Výstupný výkon motora – menovitý, kW	0,9	1,6
<b>Hmotnosť</b>		
Hmotnosť, kg	19,5 (bez akumulátora)	19,0
<b>Akumulátor</b>		
Typ akumulátora	Rad akumulátorov Husqvarna	–
<b>Prevádzková doba akumulátora</b>		
Prevádzková doba akumulátora, min, (prevádzka naprázdno) s aktivovanou funkciou SavE, s batériou 5,2 Ah Husqvarna (Bli200).	115	–
Prevádzková doba akumulátora, min, (prevádzka naprázdno) s aktivovaným štandardným režimom, s 5,2 Ah batériou Husqvarna (Bli200).	102	–
<b>Emisie hluku<sup>64</sup></b>		
Nameraná úroveň hlučnosti dB(A)	89,2	95,7
Zaručená úroveň hlučnosti L <sub>WA</sub> dB(A)	91	98
<b>Úrovně hlučnosti<sup>65</sup></b>		
Hladina akustického tlaku pri uchu obsluhy, dB(A)	75,3	81,7

<sup>64</sup> Hladina hluku meraná ako akustický tlak (L<sub>WA</sub>) v súlade s európskou smernicou 2000/14/ES.

<sup>65</sup> Uvádzané údaje pre hladinu akustického tlaku majú typický štatistický rozptyl (štandardnú odchýlku) 1,2 dB (A).

	S 138i	S 138C
<b>Úrovne vibrácií<sup>66</sup></b>		
Rukoväť, m/s <sup>2</sup>	5,5	8,3
<b>Prevádzka</b>		
Pracovná hĺbka max./min., mm	-8/+5	-8/+5
Pracovná šírka, cm	37,5	37,5
Nadstavec s nožmi typu Delta	5973510-01	5973510-01
Nadstavec s pružinovými hrotmi	5973509-01	5973509-01
Kapacita zberného koša, litre	45	45

Schválené batérie	Typ	Kapacita akumulátora, Ah	Napätie, V	Hmotnosť, kg (lb)
BLi20	Lítium-iónová	4,0	36	2,6/1,2
BLi200	Lítium-iónová	5,2	36	2,8/1,3
BLi300	Lítium-iónová	9,4	36	4,1/1,9

Schválené nabíjačky pre uvedené batérie, BLi	Vstupné napätie, V	Frekvencia, Hz	Výkon, W
QC80	100 – 240	50 – 60	80
QC80F	12	0	80
QC330	100 – 240	50 – 60	330
QC500	100 – 240	50 – 60	500

<sup>66</sup> Uvádzané údaje pre ekvivalentný stupeň vibrácií majú typický štatistický rozptyl (štandardnú odchýlku) 0,2 m/s<sup>2</sup>.

---

# ES vyhlásenie o zhode

---

## ES vyhlásenie o zhode

**Husqvarna AB**, SE-561 82 Huskvarna, Švédsko, tel.: +46-36-146500, vyhlasuje, že **odmachovač Husqvarna S 138i** výrobnými číslami 2018XXXXXXX a novšími spĺňa požiadavky SMERNICE RADY:

- z 8. júna 2011 o „obmedzení používania určitých nebezpečných látok“ **2011/65/EÚ**,
- zo 17. mája 2006, „Smernica o strojoch“ **2006/42/EÚ**,
- z 26. februára 2014 „vzťahujúcej sa na elektromagnetickú kompatibilitu“, **2014/30/EÚ**,
- z 8. mája 2000 „o emisiách hluku v prostredí“ **2000/14/EÚ**.

Informácie týkajúce sa emisií hluku nájdete v kapitole Technické údaje.

Boli uplatnené nasledujúce normy:

**EN 60335-1:2012+A11:2014+A13:2017, EN 50636-2-92:2014, EN 55014-1:2017, EN 55014-2:2015**

Huskvarna, 2019-01-15



Claes Losdal, manažér vývoja/záhradné produkty  
(autorizovaný zástupca spoločnosti Husqvarna AB  
a osoba zodpovedná za technickú dokumentáciu)

---

## ES vyhlásenie o zhode

---

### ES vyhlásenie o zhode

**Husqvarna AB**, SE-561 82 Huskvarna, Švédsko, tel.:  
+46-36-146500, vyhlasuje, že **odmachovač Husqvarna S 138C** s výrobným číslom 2018XXXXXXX a novším spĺňa požiadavky SMERNICE RADY:

- z 8. júna 2011 o „obmedzení používania určitých nebezpečných látok“ **2011/65/EÚ**,
- zo 17. mája 2006, „Smernica o strojoch“ **2006/42/EÚ**,
- z 26. februára 2014 „vzťahujúcej sa na elektromagnetickú kompatibilitu“, **2014/30/EÚ**,
- z 8. mája 2000 „o emisiách hluku v prostredí“ **2000/14/EÚ**.

Informácie týkajúce sa emisií hluku nájdete v kapitole Technické údaje.

Boli uplatnené nasledujúce normy:

**EN 60335-1:2012+A11:2014+A13:2017, EN 50636-2-92:2014, EN 55014-1:2017, EN 55014-2:2015, EN 61000-3-2:2014, EN 61000-3-11:2000**

Huskvarna, 2019-01-15



Claes Losdal, manažér vývoja/záhradné produkty  
(autorizovaný zástupca spoločnosti Husqvarna AB  
a osoba zodpovedná za technickú dokumentáciu)

---

## VSEBINA

---

Uvod.....	591	Odpravljanje težav.....	610
Varnost.....	595	Transport skladiščenje in odstranitev.....	611
Montaža.....	603	Tehnični podatki.....	612
Delovanje.....	604	Izjava ES o skladnosti.....	614
Vzdrževanje.....	608	Izjava ES o skladnosti.....	615

---

## Uvod

---

### Opis izdelka

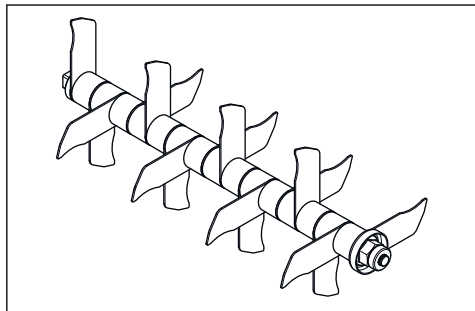
Izdelek je potisni električni prezračevalnik. Namenjen je odstranjevanju slame s trave in zrahlja zemljo, da postane bolj prepustna za vodo in zrak. Slama se zbira v zbiralniku za travo ali pa se vrača na travo. Izdelek ima 2 vrsti opreme za prezračevanje

### Oprema za prezračevanje

Informacije o zamenjavi opreme za prezračevanje so vam na voljo v *Zamenjava opreme za prezračevanje na strani 609*.

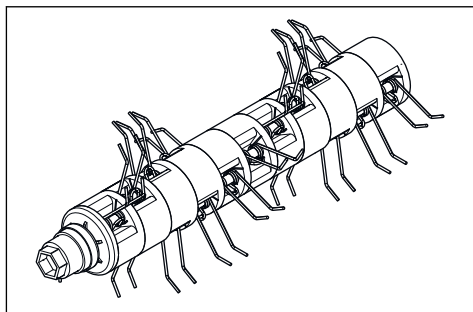
### Delta noži

Delta noži odstranjujejo travo in režejo travne korenine v navpični smeri. Uporabljajte jih na naklonih, terasah in pri zemlji z visoko vsebnostjo gline. Delta noži olajšajo pronicanje vode v travo in preprečujejo nastajanje lužic na površju



### Vzmetni zobje

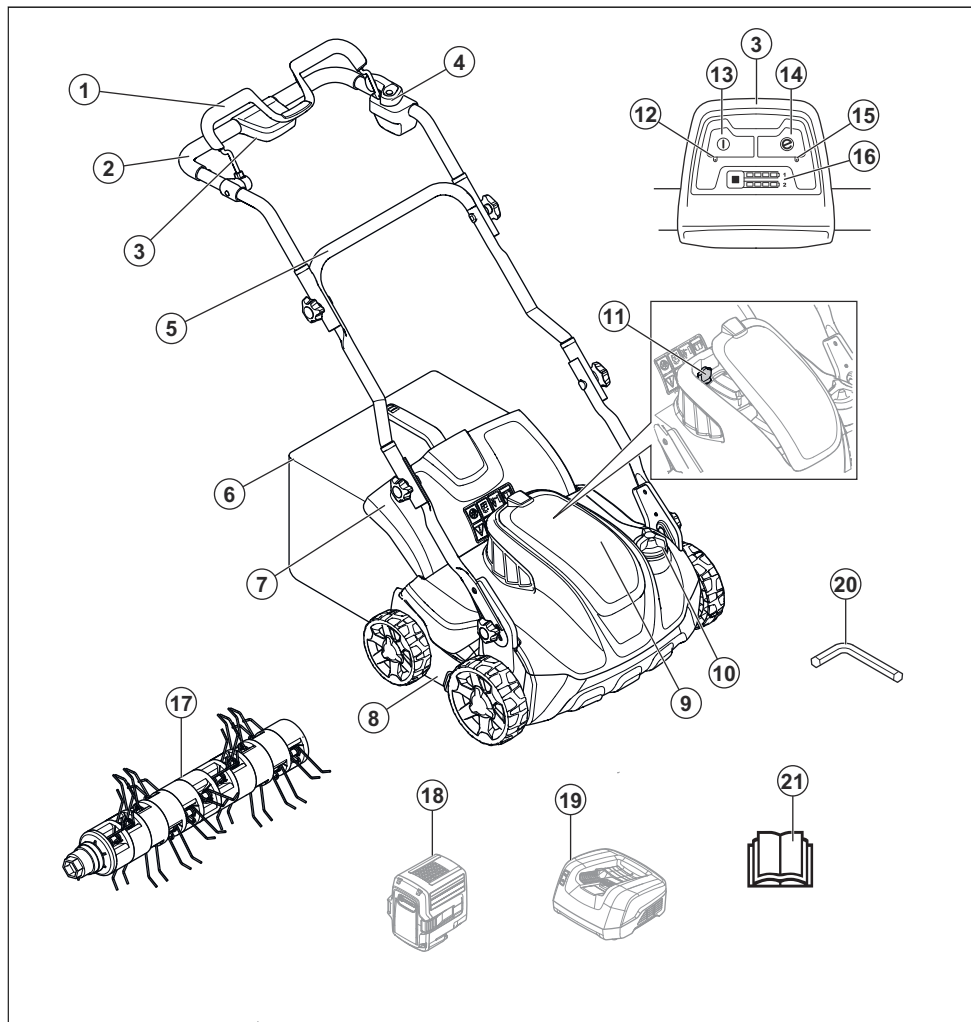
Vzmetni zobje nežno odstranjujejo odmrlo travo in seno s trave, ne da bi pri tem poškodovali travne korenine.



### Namen uporabe

Izdelek uporabljajte za odstranjevanje slame in mahu ter za rahljanje zemlje v zasebnih vrtovih. Izdelka ne uporabljajte za druga opravila.

## Pregled izdelka za model S 138i



1. Motorna zavorna ročica

2. Zgornji ročaj

3. Kontrolna plošča

4. Blokada vžiga

5. Spodnji ročaj

6. Zbiralnik za travo

7. Zadnji pokrov

8. Pokrov prezračevalnika

9. Pokrov baterije

10. Gumb za nastavev globine obdelave

11. Varnostni ključ

12. Indikator LED za vklop/izklop

13. Gumb za vklop/izklop

14. Gumb Save

15. Indikator LED Save

16. Indikator napolnjenosti baterije in gumb baterije

17. Vzmetni zobje

18. Baterija (dodatna oprema)

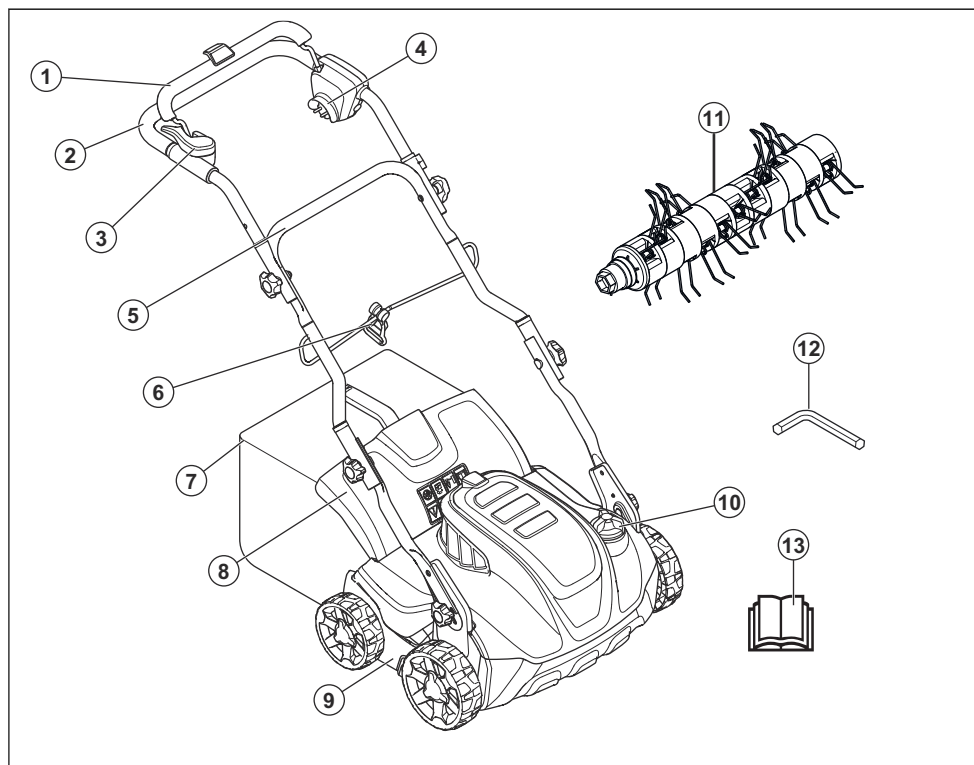
19. Baterijski polnilnik (dodatna oprema)

20. Ključ Inbus

21. Navodila za uporabo



## Pregled izdelka za model S 138C



1. Motorna zavorna ročica
2. Zgornji ročaj
3. Blokada vžiga
4. Vtičnica
5. Spodnji ročaj
6. Spojka
7. Zbiralnik za travo
8. Zadnji pokrov
9. Pokrov prezračevalnika
10. Gumb za nastavev globine obdelave
11. Vzmetni zobje
12. Ključ Inbus
13. Navodila za uporabo

### Znaki na izdelku



Opozorilo: Neprevidna ali napačna uporaba lahko povzroči poškodbe in celo

smrt uporabnika ali drugih.



Pred uporabo tega izdelka morate prebrati navodila za uporabo ter jih razumeti.



Pazite na leteče in odbite predmete.



Poskrbite, da so osebe in živali na varni razdalji od delovnega območja.



Opozorilo: Roke in noge držite stran od vrtljivega rezila.



Pred vzdrževanjem izdelka odstranite varnostni ključ (model S 138i).



Pred vzdrževanjem morate izdelek odklopiti iz električne vtičnice (model S 138C).



Nevarnost električnega udara (model S 138C).



Izdelek ne sme biti izpostavljen dežju (model S 138i).



Opozorilo: Pazite, da pri košnji ne zapeljete čez napajalni kabel, saj s tem povzročite električni udar ali poškodbe izdelka (model S 138C).

**IPX4** Izdelek je zaščiten pred pljuski vode.

**EAC** Izdelek je skladen z veljavnimi direktivami EAC.

**CE** Izdelek je v skladu z veljavnimi direktivami ES.



Izdelek je skladen z veljavnimi direktivami UkrSEPRO.



Emisija hrupa v okolje v skladu z direktivo Evropske skupnosti. Podatek za emisijo izdelka je naveden v poglavju "Tehnični podatki" ter na nalepki.



Dvojna izolacija (model S 138C).



Izdelek je treba oddati v zbirnem centru za reciklažo električne in elektronske opreme. (Velja samo za Evropo)



Postopek zagona pri modelu S 138i: pritisnite gumb za vklop/izklop, sprostite blokada vžiga ter pritisnite motorno zavorno ročico navzdol.



Postopek zagona pri modelu /S 138C: sprostite blokado vžiga ter potisnite motorno zavorno ročico navzdol.



Za zaustavitev sprostite ročico zavore motorja.



Bralna koda.

**Opomba:** Ostali simboli in oznake na izdelku se nanašajo na zahteve za certifikacijo, ki veljajo za nekatere trge.

## Odgovornost proizvajalca

Kot je navedeno v zakonodaji, ki ureja odgovornost proizvajalca, ne prevzemamo nikakršne odgovornosti za poškodbe, ki bi jih naši izdelki povzročili v naslednjih primerih:

- Izdelek ni pravilno popravljen.
- Izdelek je popravljen z deli, ki jih ni izdelal ali odobril proizvajalec.
- Na izdelku je nameščena dodatna oprema, ki je ni izdelal ali odobril proizvajalec.
- Izdelek ni bil popravljen v pooblaščenem servisnem centru ali pri pooblaščenem organu.

## Varnost

### Varnostne definicije

Opozorila, svarila in opombe opozarjajo na posebej pomembne dele priročnika.



**OPOZORILO:** Se uporabi, če obstaja nevarnost telesne poškodbe ali smrti uporabnika ali opazovalcev ob neupoštevanju navodil v tem priročniku.



**POZOR:** Se uporabi, če obstaja nevarnost poškodbe izdelka, drugih materialov ali okolice ob neupoštevanju navodil v tem priročniku.

**Opomba:** Se uporabi za podajanje podrobnejših informacij, potrebnih v dani situaciji.

### Splošna varnostna navodila



**OPOZORILO:** Pred uporabo izdelka preberite navodila v povezavi z opozorili v nadaljevanju.

- Ta izdelek je lahko nevaren, če ga ne uporabljate pravilno ali če niste previdni. Če ne upoštevate varnostnih navodil, lahko nastopijo poškodbe ali celo smrt.
- Izdelek med delovanjem ustvarja elektromagnetno polje. To polje lahko v nekaterih pogojih moti delovanje aktivnih ali pasivnih

medicinskih vsadkov. Uporabnikom medicinskih vsadkov svetujemo, da se pred uporabo tega izdelka posvetujejo z zdravnikom ali proizvajalcem medicinskega vsadka, s čimer zmanjšajo nevarnost resnih ali smrtnih poškodb.

- Vedno bodite previdni in ravnajte razumno. Če niste prepričani, kako upravljati ta izdelek v določeni situaciji, prenehajte z delom in se pogovorite z vašim prodajalcem Husqvarna.
- Ne pozabite, da je uporabnik odgovoren za nesreče, ki jih povzroči drugim ljudem ali njihovi lastnini.
- Stroj redno čistite. Pozorno preberite znake in nalepke.
- Ne dovolite osebi, ki ni prebrala in ne razume vsebine navodil za uporabo, da upravlja ta izdelek.
- Izdelka ne smejo uporabljati otroci.
- Izdelka ne smejo uporabljati osebe, ki ne poznajo navodil za uporabo.
- Če izdelek uporabljajo osebe z zmanjšanimi fizičnimi ali intelektualnimi sposobnostmi, jih nenehno nadzorujte. Vedno

mora biti prisotna odgovorna odrasla oseba.

- Izdelka ne uporabljajte, ko ste utrujeni, bolni, ali pod vplivom alkohola, drog ali zdravil. To negativno vpliva na vaš vid, pozornost, koordinacijo in presojo.
- Izdelka ne uporabljajte, če je poškodovan.
- Izdelka ne spreminjajte ali uporabljajte, če obstaja možnost, da so ga spremenile tretje osebe.

## Varnost delovnega področja

---



**OPOZORILO:** Pred uporabo izdelka preberite navodila v povezavi z opozorili v nadaljevanju.

---

- Z delovnega območja pred začetkom dela odstranite predmete, kot so veje, vejice in kamni.
- Predmete, ki pridejo v stik s prezračevalnikom, lahko izvrže, zaradi česar lahko poškodujejo osebe in druge predmete. Opazovalci in živali naj bodo na varni razdalji od izdelka.
- Izdelka nikoli ne uporabljajte v slabem vremenu, kot je megla, dež, močan veter, izreden mraz ter nevarnost strele. Če

izdelek uporabljate v slabem vremenu ali v vlažnih ali mokrih okoljih, vas bo to utrudilo. Slabo vreme lahko povzroči nevarne pogoje, kot je spolzka podlaga.

- Bodite pozorni na osebe, predmete in situacije, ki lahko preprečijo varno obratovanje izdelka.
- Bodite pozorni na ovire, kot so korenine, kamni, veje, jame in jarki. Visoka trava lahko prekriva ovire.
- Uporaba izdelka na naklonu je lahko nevarna. Izdelka ne uporabljajte na pobočjih z naklonom, večjim od 15°.
- Izdelek uporabljajte prečno na pobočje. Ne premikajte se navzgor in navzdol.
- Bodite previdni, kadar se približujete kotom in predmetom, ki omejujejo pogled.

## Varnost pri delu



**OPOZORILO:** Pred uporabo izdelka preberite navodila v povezavi z opozorili v nadaljevanju.

---

- Izdelek uporabljajte samo za odstranjevanje slame in mahu s travnatih površin. Ne

uporabljajte ga za druga opravila.

- Uporabljajte osebno zaščitno opremo. Glejte *Osebna zaščitna oprema na strani 598*.
- Izdelka ne uporabljajte dežju ali visoki vlagi. Nevarnost električnega udara se poveča, če v izdelek vdre voda.
- Izdelka ne uporabljajte, če oprema za prezračevanje in vsi pokrovi niso nameščeni pravilno. Nepravilno nameščena oprema za prezračevanje se lahko sname in povzroči poškodbe.
- Pazite, da oprema za prezračevanje ne udarja ob predmete, npr. kamenje in korenine. To lahko poškoduje opremo za prezračevanje in ukrivi motorno gred. Če je os zvrta, povzroča močno tresenje in visoko tveganje, da se oprema za prezračevanje zvije.
- Če oprema za prezračevanje trči ob predmet ali začutite vibracije, izdelek nemudoma izklopite. Izklopite motor, varnostni ključ obrnite v položaj "0" in odstranite baterijo (model S 138i) ali izklopite kabel (model S 138C). Preglejte, ali je izdelek

morda poškodovan. Poškodbe popravite ali pa popravilo prepustite pooblaščenemu serviserju.

- Ročice zavore motorja nikoli ne pritrdite trajno na ročaj, ko motor deluje.
- Izdelek vklopite na stabilni in ravni podlagi. Pazite, da oprema za prezračevanje ne udarja ob tla ali druge predmete.
- Vedno bodite za izdelkom, ko ga upravljate.
- Ko upravljate izdelek, morajo biti vsa kolesa na tleh, prav tako pa imejte na ročaju obe roki. Roke in noge držite stran od vrtljive opreme za prezračevanje.
- Pri delujočem motorju izdelka nikoli ne nagibajte.
- Ko izdelek potegnete nazaj, bodite previdni.
- Izdelka ne dvigajte, ko motor deluje. Če morate izdelek dvigniti, najprej izklopite motor, nato varnostni ključ obrnite v položaj "0" in odstranite baterijo (model S 138i) ali izklopite kabel (model S 138C).
- Med uporabo izdelka ne hodite vzvratno.
- Izklopite motor, ko se premikate prek področij brez

trave, npr. poti iz gramoza, kamna in asfalta.

- Pri delujočem motorju ne tecite z izdelkom. Pri uporabi tega izdelka vedno hodite.
- Pred spreminjanjem globine obdelave ustavite motor. Ne izvajajte nastavitev, ko motor deluje.
- Izdelek z delujočim motorjem morate imeti vedno na očeh. Izklopite motor in se prepričajte, da se oprema za prezračevanje ne vrti.

## Varnostna navodila za uporabo

### Osebna zaščitna oprema

Ob vsaki uporabi izdelka obvezno uporabljajte ustrezno osebno zaščitno opremo. Osebna zaščitna oprema ne izključuje nevarnosti poškodb, vendar v primeru nesreče omili posledice. Pri izbiri zaščitne opreme se posvetujte z vašim trgovcem.

Pri delu vedno uporabljajte:

- zaščito za sluh, da zmanjšate možnost okvare sluha;
- trpežne škornje ali čevlje, ki ne drsijo. Ne nosite sandalov in ne hodite bosi;
- trpežne, dolge hlače. Ne nosite kratkih hlač.

Po potrebi nosite rokavice, na primer pri nameščanju, pregledovanju ali čiščenju oprema za prezračevanje.



**OPOZORILO:** Uporabljajte odobreno zaščito za sluh. Dolgotrajna izpostavljenost hrupu lahko povzroči trajne okvare sluha.

### Varnostne naprave na izdelku



**OPOZORILO:** Pred uporabo izdelka preberite navodila v povezavi z opozorili v nadaljevanju.

- Ne uporabljajte izdelka s poškodovanimi varnostnimi napravami.
- Redno preverjajte varnostne naprave. Če so varnostne naprave poškodovane, se obrnite na pooblaščen servisno delavnico Husqvarna.

## Preverjanje pokrovov

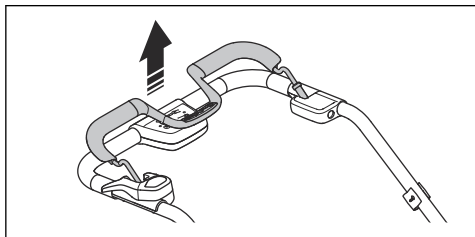
Pokrov opreme za prežračevanje blaži tresljaje v izdelku in zmanjšuje nevarnost poškodb zaradi opreme za prežračevanje.

- Preglejte stranski pokrov opreme za prežračevanje in se prepričajte, da ni poškodovan, na primer razpokan.
- Preglejte zadnji pokrov in se prepričajte, da ni poškodovan, na primer razpokan.

## Motorna zavorna ročica

Zavorna ročica motorja izklopi motor. Ko spustite zavorno ročico motorja, se motor ustavi.

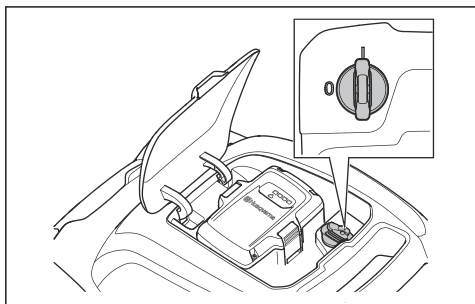
Za preverjanje motorne zavore morate motor zagnati, potem pa ročico zavore motorja sprostiti. Če se motor ne izklopi v 3 sekundah, mora izdelek preveriti pooblaščen servisler Husqvarna, ki mora nato nastaviti motorno zavoro.



## Varnostni ključ

Varnostni ključ najdete pod pokrovom baterije. Varnostni ključ se uporablja za priklop baterije, ki napaja motor.

- Zaženite in izklopite motor, da preverite varnostni ključ.
- Če varnostni ključ deluje pravilno, se motor zažene šele, ko ključ obrnete v položaj 1.

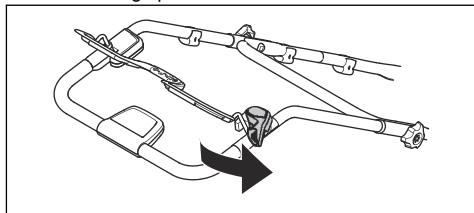


## Za pregled blokade vžiga

Preverite blokado vžiga in se prepričajte, da onemogoča zagon motorja.

1. Ročico motorne zavore potisnite v smer ročaja. Blokada vžiga ustavi premikanje.

2. Blokado vžiga potisnite ven.

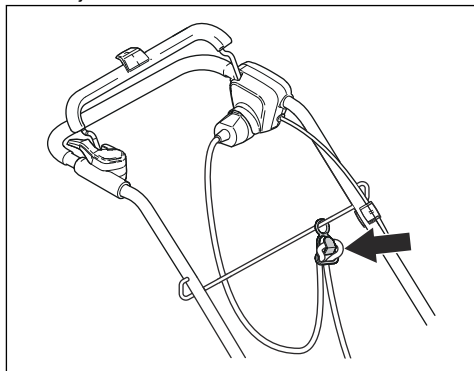


3. Sprostite gumb blokade vžiga in se prepričajte, da se vrne v izhodiščni položaj.

## Uporaba nosilca napajalnega kabla (model S 138C)

Nosilec napajalnega kabla zmanjšuje obremenitve, ki sta jim izpostavljena vtičnica in kabel. Nosilec napajalnega kabla poleg tega tudi zmanjšuje nevarnost padca.

1. Napajalni kabel zvijte v majhno zanko.
2. Zanko vstavite v odprtino nosilca napajalnega kabla.
3. Zanko namestite na kavelj.
4. Povlecite za napajalni kabel in ga tako zategnite ob kavelj.



## Varna uporaba baterije



**OPOZORILO:** Pred uporabo izdelka preberite navodila v povezavi z opozorili v nadaljevanju.

- Kot vir napajanja uporabljajte akumulatorske baterije Husqvarna; samo za povezane izdelke Husqvarna.

Za preprečevanje poškodb baterije ne uporabljajte za napajanje drugih naprav.

- Ne uporabljajte baterij za enkratno uporabo.
- Nevarnost električnega udara. Poli baterije ne smejo priti v stik s ključi, kovanci, vijaki ali drugimi kovinskimi deli. To lahko povzroči kratek stik baterije.
- V zračne reže baterije ne vstavljajte predmetov.
- Baterije ne izpostavljajte neposredni sončni svetlobi, vročini ali odprtemu ognju. Baterija lahko eksplodira in povzroči opekline in/ali kemične opekline.
- Baterije ne izpostavljate dežju in vlagi.
- Baterije ne izpostavljajte mikrovalovom in visokemu tlaku.
- Baterije ne poskušajte razstaviti ali odpreti.
- Če baterija pušča, pazite, da tekočina ne pride v stik s telesom ali očmi. Če ste se tekočine dotaknili, območje očistite z obilo vode in poiščite zdravniško pomoč.
- Baterijo uporabljajte v okolju s temperaturami med  $-10\text{ }^{\circ}\text{C}$  in  $40\text{ }^{\circ}\text{C}$ .

- Baterije ali polnilnika nikoli ne čistite z vodo. Glejte *Čiščenje baterije in baterijskega polnilnika na strani 609*.
- Ne uporabljajte poškodovanih ali pokvarjenih baterije.
- Baterije med skladiščenjem ne smejo priti v stik s kovinskimi predmeti, na primer žebli, kovanci ali nakitom.

### Varna uporaba polnilnika baterije

---



**OPOZORILO:** Pred uporabo izdelka preberite navodila v povezavi z opozorili v nadaljevanju.

---

- Za polnjenje nadomestnih baterij Husqvarna uporabljajte samo polnilnike baterij QC.
- Nevarnost električnega udara ali kratkega stika. V zračne reže polnilnika ne vstavljajte predmetov. Polnilnika baterije ne poskušajte razstaviti. Poli na polnilniku se ne smejo dotikati kovinskih predmetov. Uporabljajte homologirano omrežno vtičnico.
- Izdelek med delovanjem ustvarja elektromagnetno polje. To polje lahko v nekaterih pogojih moti delovanje aktivnih ali pasivnih medicinskih vsadkov.



Uporabnikom medicinskih vsadkov svetujemo, da se pred uporabo tega izdelka posvetujejo z zdravnikom ali proizvajalcem medicinskega vsadka, s čimer zmanjšajo nevarnost resnih ali smrtnih poškodb.

- Redno preverjajte, da napajalni kabel polnilnika ni poškodovan in ni napokan.
- Polnilnika baterije ne dvigujte za napajalni kabel. Polnilnik baterije odklopite iz stenske vtičnice tako, da povlečete vtič. Nikoli ne vlecite za napajalni kabel.
- Pazite, da se napajalni kabel in kabelski podaljški ne dotaknejo vode, olja in ostrih robov. Kabli ne smejo biti preščipnjeni med vrata, ograje in podobne dele. Zaradi tega je lahko polnilnik pod napetostjo.
- Polnilnika baterije nikoli ne čistite z vodo.
- Polnilec baterije lahko uporabljajo otroci, stari 8 let in več, ter osebe z omejenimi telesnimi, zaznavalnimi ali duševnimi sposobnostmi ali s pomanjkanjem izkušenj in znanja, če so pri tem pod nadzorom ali jih o varni uporabi ter morebitnih

nevarnostih podučijo odgovorna oseba. Otroci se s polnilnikom ne smejo igrati. Otroci naprave brez nadzora ne smejo čistiti, ali opravljati običajnih uporabnikovih vzdrževalnih posegov.

- V baterijskem polnilniku ne polnite baterij za enkratno uporabo.
- Polnilnika baterije ne uporabljajte v bližini gorljivih materialov ali materialov, ki povzročajo korozijo. Ne pokrivajte polnilnika baterije. V primeru dima ali požara izvlecite vtič polnilnika baterije.
- Ne uporabljajte poškodovanega ali pokvarjenega polnilnika baterije.
- Baterijo polnite le v zaprtih prostorih z dobrim prezračevanjem, kjer je zaščitena pred neposredno sončno svetlobo. Baterijske enote ne polnite v stiku z vodo ali vlago.

#### **Varnost napajalnega kabla**

Model S 138C.

- Priporočena je uporaba naprave na diferenčni tok (R.C.D.) s sprožilnim tokom do največ 30 mA. Tudi z nameščenim R.C.D. 100-% varnost ni zagotovljena, zato

je treba obvezno spoštovati navodila za varno delo. Pred vsako uporabo preverite delovanje naprave na diferenčni tok (R.C.D.).

- V primeru poškodovane izolacije izdelek takoj odklopite iz električnega napajanja.
- Ne dotikajte se prerezanega ali poškodovanega kabla, dokler ne odklopite električnega napajanja.
- Ne popravljajte prerezanega ali poškodovanega napajalnega kabla. Zamenjajte ga z novim.

## Varnostna navodila za vzdrževanje

---



**OPOZORILO:** Pred uporabo izdelka preberite navodila v povezavi z opozorili v nadaljevanju.

---

- Model S 138i: Za preprečevanje neželenega zagona med vzdrževanjem morate varnostni ključ obrniti v položaj 0 in odstraniti baterijo. Pred začetkom vzdrževalnih del počakajte najmanj 5 sekund.
- Model S 138C: Za preprečevanje neželenega vklopa med vzdrževanjem odklopite napajalni kabel.
- Vzdrževalna dela opravljajte pravilno in tako podaljšajte življenjsko dobo izdelka ter zmanjšajte nevarnost nesreč. Pooblaščen servisier naj opravi popravila, za katera je zahtevano profesionalno osebje. Za več informacij se obrnite na najbližjega servisnega zastopnika.
- Vzdrževalna dela opravite tako, kot piše v teh navodilih za uporabo. Zahtevnejše posege mora opraviti pooblaščen servisier.
- Pri delu z opremo za prezračevanje morate nositi močne zaščitne rokavice. Oprema za prezračevanje je izjemno ostra, zato lahko hitro pride do poškodb.
- Za najboljše in najvarnejše delovanje morajo biti rezila opreme za prezračevanje ostra in čista.
- Izdelek naj redno preverja in po potrebi nastavlja ter popravlja pooblaščen servisna delavnica.
- Zamenjajte poškodovane, obrabljene ali zlomljene dele.
- Upoštevajte navodila za zamenjavo dodatne opreme. Uporabljajte samo dodatno opremo, ki jo odobri proizvajalec.

- Ko izdelka ne uporabljate, morate izdelek, baterijo in polnilnik baterije hraniti ločeno v suhem, zaprtem in zaklenjenem prostoru. Otroci

in osebe, katerim uporaba ni dovoljena, ne smejo imeti dostopa do izdelka, baterije ali polnilnika baterije.

## Montaža

### Uvod



**OPOZORILO:** Preden sestavite izdelek, preberite poglavje o varnosti.

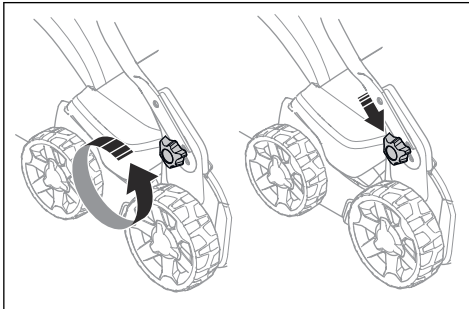


**OPOZORILO:** Model S 138i: Neželen vklop med sestavljanjem preprečite tako, da ključ obrnete v položaj 0, odstranite baterijo in počakate vsaj 5 sekund.

Model S 138C: Za preprečevanje neželenega vklopa med sestavljanjem odklopite napajalni kabel.

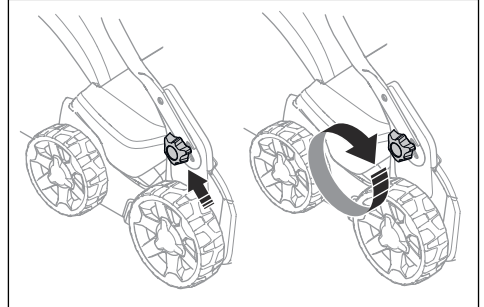
### Montaža ročice

1. Sprostite spodnja gumbna vijaka.
2. Gumbna vijaka na levi in desni strani izdelka pomaknite v spodnji del utorov.



3. Višino ročice prestavite v enega od 2 razpoložljivih položajev.

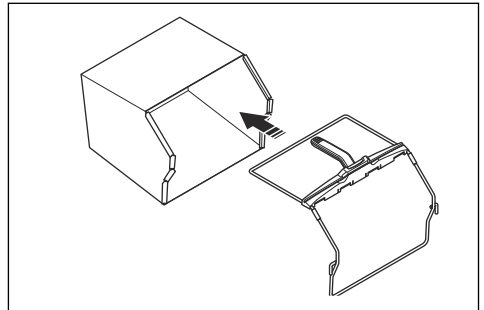
4. Premaknite gumbna vijaka do konca navzgor proti ročici, da zaslišite klik.



5. Popolnoma zategnite gumbne vijake.

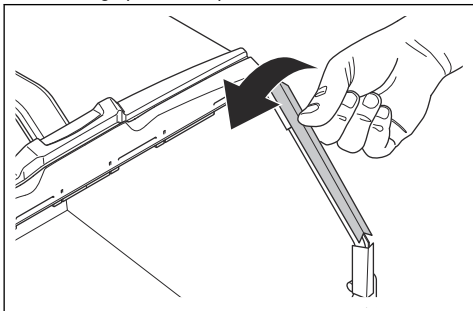
### Namestitev zbiralnika za travo

1. Ogrodje zbiralnika za travo vstavite v vrečo za travo tako, da je trdi del vrečke na dnu. Ročaj ogrodja zbiralnika za travo mora biti vedno na vrhu.



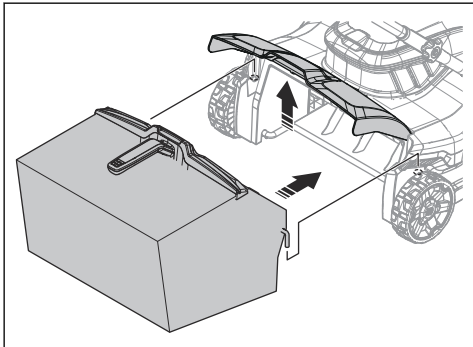
2. Spodnji del ogrodja zbiralnika za travo vstavite v utor na dnu zbiralnika za travo.

3. Vrečo za travo namestite na ogrodje zbiralnika za travo in ga pritrdite z sponkami.

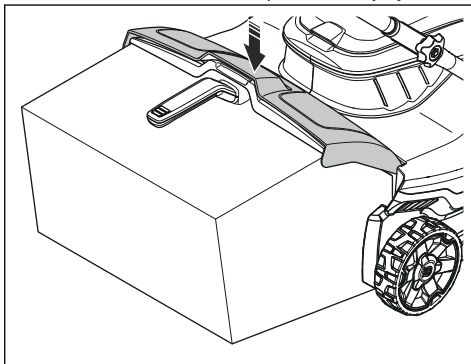


4. Dvignite zadnji pokrov.

5. Zbiralnik za travo potisnite v pravilen položaj.



6. Zbiralnik za travo pritrdite na zgornji rob ohišja. Prepričajte se, da se zadnji pokrov tesno prilega zbiralniku za travo, da ne bi prišlo do uhajanja.



---

## Delovanje

---

### Uvod



**OPOZORILO:** Pred uporabo izdelka morate prebrati in razumeti poglavje o varnosti.

### Husqvarna Connect

Husqvarna Connect je brezplačna aplikacija za vašo mobilno napravo. Aplikacija Husqvarna Connect omogoča razširitev funkcij vašega izdelka Husqvarna:

- Dodatne informacije o izdelku.
- Informacije o izdelku, delih in servisu ter pomoč.

### Začetek uporabe: Husqvarna Connect

1. V mobilno napravo si prenesite aplikacijo Husqvarna Connect.
2. Registrirajte se v aplikaciji Husqvarna Connect.
3. Za vzpostavitev povezave in registracijo izdelka sledite navodilom v aplikaciji Husqvarna Connect.

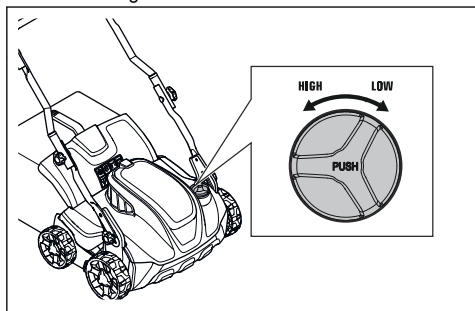
### Nastavitev globine obdelave



**OPOZORILO:** Globine obdelave ne nastavljajte med uporabo izdelka.

1. Če želite povečati globino obdelave, pritisnite gumb za nastavitev globine obdelave ter ga zavrtite v nasprotni smeri urinega kazalca.

2. Če želite zmanjšati globino obdelave, pritisnite gumb za nastavitev globine obdelave ter ga zavrtite v smeri urinega kazalca.



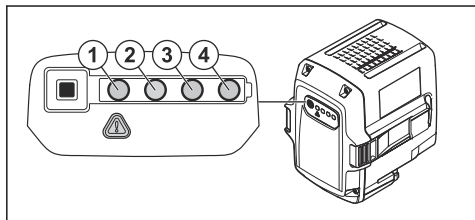
## Baterija



**OPOZORILO:** Pred uporabo baterije morate prebrati in razumeti poglavje o varnosti. Prebrati in razumeti morate tudi navodila za uporabo, ki so priložena bateriji in polnilniku.

## Stanje baterije

Na zaslonu je prikazana preostala napolnjenost baterije in podatki o morebitnih težavah z baterijo. Napolnjenost baterije je prikazana še 5 sekund po izklopu naprave ali pritisku gumba indikatorja baterije. V primeru napake sveti na bateriji opozorilni indikator. Glejte *Baterija na strani 610*.



Indikatorji LED	Stanje baterije
Vsi indikatorji LED svetijo	Polna napolnjenost (75–100 %)
Svetijo indikatorji LED 1, 2 in 3	50–75-odstotna napolnjenost
Svetita indikatorji LED 1 in 2	25–50-odstotna napolnjenost
Sveti indikator LED 1	0–25-odstotna napolnjenost
Indikator LED 1 utripa	Baterija je prazna. Napolnite baterijo.

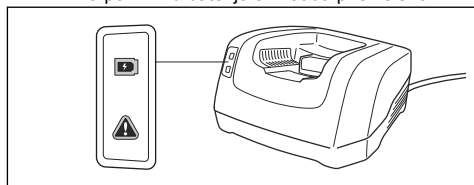
## Polnjenje baterije

Baterijo pred prvo uporabo napolnite. Baterija je ob dobavi napolnjena na 30 %.

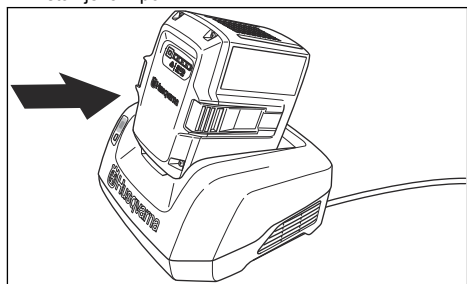
**Opomba:** Baterijski polnilnik mora biti priključen na napetost in frekvenco, ki sta navedena na tipski ploščici.

Če je temperatura baterije višja od 50 °C, se ne polni. Polnilnik baterije pred polnjenjem zniža temperaturo baterije.

1. En konec napajalnega kabla vstavite v konektor v polnilniku baterije.
2. Drugi konec napajalnega kabla polnilnika priklopite v primerno ozemljeno električno vtičnico. Indikator LED na polnilniku baterije enkrat utripne zeleno.



3. Baterijo vstavite v polnilnik baterije. Zeleni indikator na polnilniku se vklopi, ko je baterija pravilno vstavljena v polnilnik.



4. Ko se vsi indikatorji LED na bateriji vklopijo, je baterija popolnoma napolnjena. Baterijo polnite največ 24 ur.
5. Polnilnik baterije iz stenske vtičnice izvalcite za vtič, ne za kabel.
6. Odstranite baterijo iz polnilnika.

## Stanje napolnjenosti baterije

Litij-ionske baterije Husqvarna lahko polnite in uporabljate pri vseh nivojih napolnjenosti. Baterija se ne poškoduje. Napolnjenost popolnoma napolnjene baterije ne pada, če jo pustite v polnilniku.

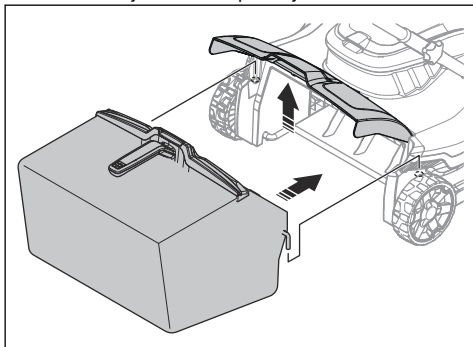
Indikatorji LED	Stanje napolnjenosti
Indikator LED 1 utripa	0–25 %
LED 1 sveti, LED 2 utripa	25–50 %

Indikatorji LED	Stanje napolnjenosti
LED 1 in 2 svetita, LED 3 utripa	50–75 %
LED 1, 2 in 3 svetijo, LED 4 utripa	75–100 %
LED 1, 2, 3 in 4 svetijo	Polna napolnjenost

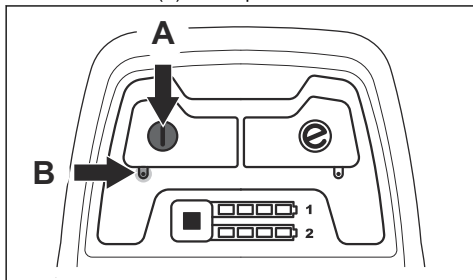
## Uporaba S 138i

### Zagon izdelka

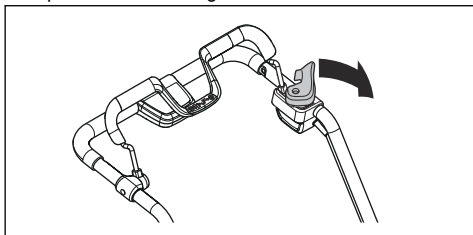
1. Napolnjeno baterijo vstavite v prostorček 1 pod pokrovom baterije. Za daljše delovanje v prostorček 2 vstavite še eno napolnjeno baterijo.
2. Varnostni ključ obrnite v položaj 1.



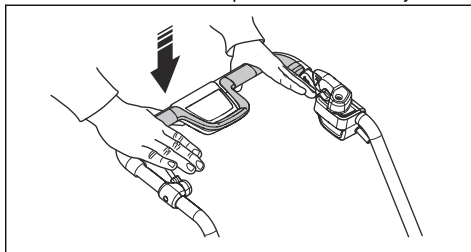
3. Ostanite za izdelkom.
4. Pritisnite gumb VKLOP/IZKLOP (A) na krmilni plošči in zelena LED (B) se vklopi.



5. Sprostite blokado vžiga.



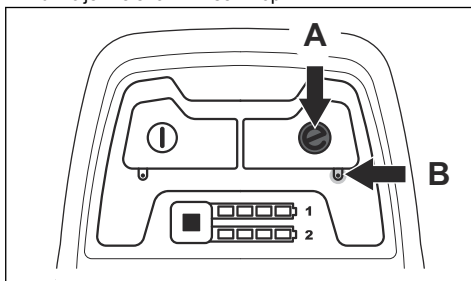
6. Ročico motorne zavore potisnite v smer ročaja.



### Za uporabo funkcije SavE

Izdelek je opremljen s funkcijo varčevanja z baterijo (SavE), ki omogoča daljši čas delovanja.

1. Pritisnite gumb SavE (A) za začetek izvajanja funkcije. Zelena LED se vklopi.

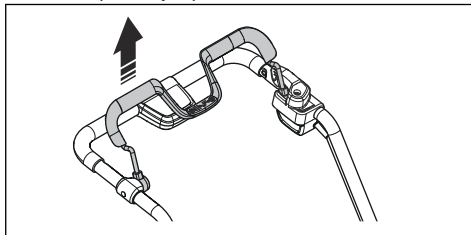


2. Znova pritisnite gumb SavE za konec izvajanja funkcije. Zelena LED (B) se izklopi.

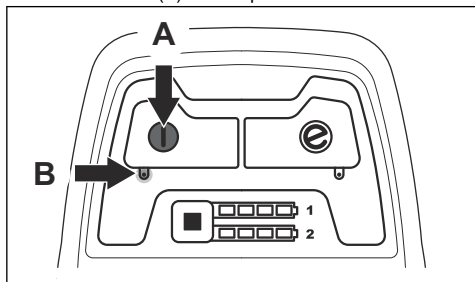
### Izklop izdelka

Izdelek se samodejno izklopi po 10 minutah mirovanja. Pred zapiščanjem izdelka morate varnostni ključ obvezno obrniti v položaj 0.

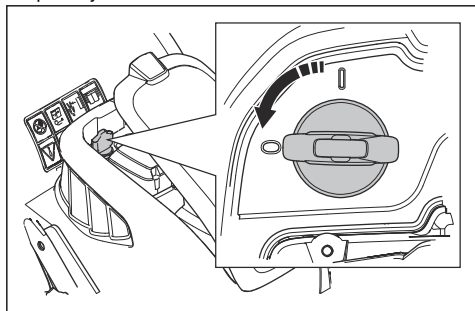
1. Za izklop motorja sprostite ročico motorne zavore.



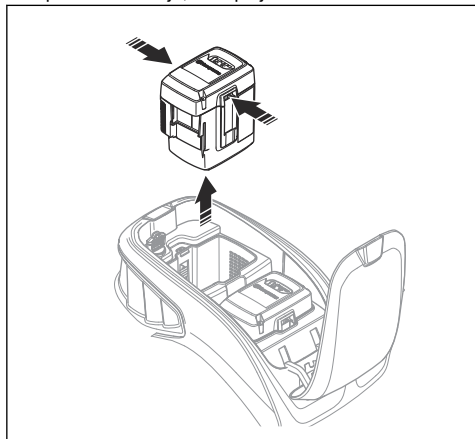
2. Pritisnite gumb VKLOP/IZKLOP (A) na krmilni plošči in zelena LED (B) se izklopi.



3. Odprite pokrov baterije in varnostni ključ obrnite v položaj 0.



4. Za odstranitev baterije hkrati pritisnite 2 gumba za sprostitve baterije, nato pa jo izvlčite.

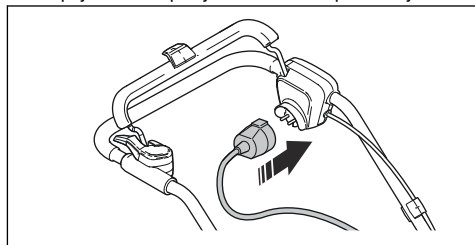


5. Napolnite baterijo, če je izpraznjena. Za več informacij glejte *Polnjenje baterije na strani 605*.

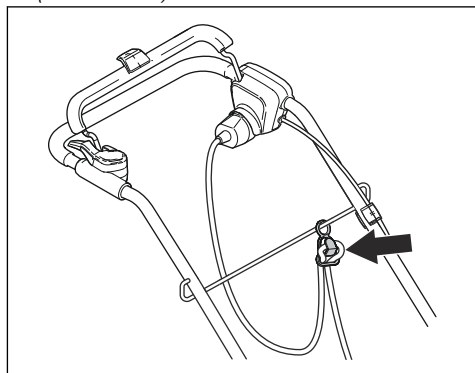
## Uporaba S 138C

### Zagon izdelka

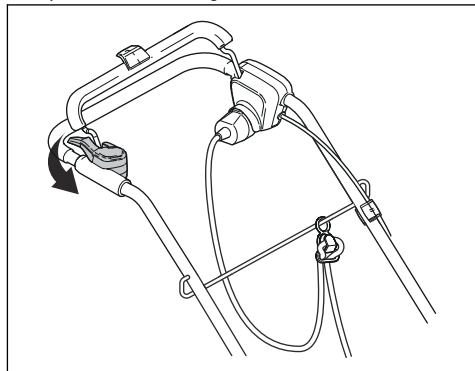
1. Napajalni kabel priključite v vtičnico pod ročajem.



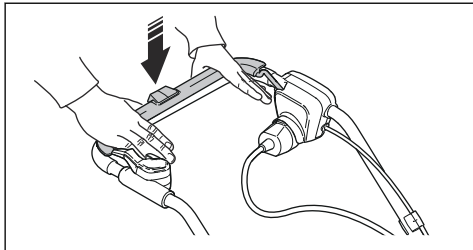
2. Napajalni kabel vstavite v nosilec napajalnega kabla. Glejte poglavje *Uporaba nosilca napajalnega kabla (model S 138C) na strani 599*.



3. Ostanite za izdelkom.
4. Sprostite blokado vžiga.

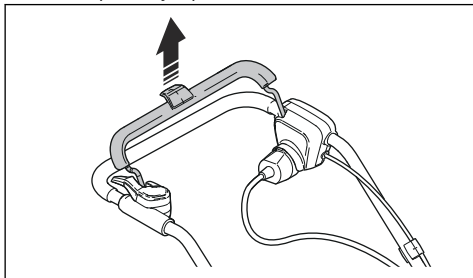


5. Ročico motorne zavore potisnite v smer ročaja.

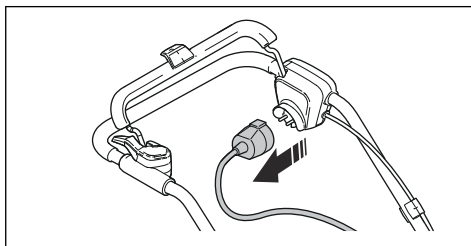


### Izklop izdelka

1. Za izklop motorja sprostite ročico motorne zavore.



2. Napajalni kabel odklopite iz električne vtičnice in nato še iz izdelka.



**POZOR:** Vtič povlecite naravnost iz vtičnice. Nikoli ne vlecite za napajalni kabel.

## Vzdrževanje

### Uvod



**OPOZORILO:** Pred izvajanjem vzdrževalnih del morate prebrati in razumeti poglavje o varnosti.

Za servisiranje in popravila na izdelku posebno usposabljanje ni potrebno. Zagotavljamo, da vam bodo na voljo strokovna popravila in servisiranje. Če vaš prodajalec ni pooblaščen serviser, ga povprašajte, kje je naslednja najbližja pooblaščená servisna delavnica.

### Urník vzdrževanja

Izračunani intervali vzdrževanja veljajo za vsakodnevno uporabo izdelka. Intervali se spremenijo, če izdelka ne uporabljate vsakodnevno.

Za vzdrževalne posege, označene z zvezdico \*, glejte *Varnostne naprave na izdelku na strani 598*.

S 138i in S 138C	Pri vsaki uporabi	Mesečno	Vsako sezono
Opravite splošen pregled.	X		
Izdelek očistite.	X		
Preverite opremo za prezračevanje.	X		
Prepričajte se, da varnostne naprave izdelka niso poškodovane. *	X		
Preglejte pokrove. *	X		
Preverite ročico motorne zavore. *	X		
Preverite blokado vžiga. *	X		



Samo S 138i	Pri vsaki uporabi	Mesečno	Vsako sezono
Prepričajte se, da gumb za VKLOP/IZKLOP deluje pravilno in ni pokvarjen.	X		
Preverite, ali je baterija poškodovana.	X		
Preverite napolnjenost baterije.	X		
Prepričajte se, da gumba za sprostitev na bateriji delujeta pravilno in omogočata pravilen zaklep baterije v izdelku.	X		
Preverite, ali je polnilnik baterije poškodovan, in se prepričajte, da pravilno deluje.		X	
Preverite povezave med baterijo in izdelkom. Preverite tudi povezave med baterijo in polnilnikom baterije.			X

## Izvajanje splošnih pregledov

- Prepričajte se, da so matice in vijaki na izdelku dobro priviti.
- Prepričajte se, da kablji na izdelku niso v položaju, v katerem bi se lahko poškodovali.

## Čiščenje izdelka

- Plastične dele čistite s čisto in suho krpo.
- Izdelka ne čistite z vodo. Voda lahko vdre v baterijo ali motor in povzroči kratki stik ali poškoduje izdelek.
- Izdelka ne čistite z visokotlačnim čistilnikom.
- Vode ne zlivajte neposredno na motor.
- S krtačo odstranite listje, travo in umazanijo.

## Čiščenje baterije in baterijskega polnilnika



**POZOR:** Baterije ali polnilnika nikoli ne čistite z vodo.

- Pred vstavljanjem baterije v polnilnik baterije se prepričajte, da sta baterija in polnilnik baterije čista in suha.
- Pola baterije očistite s stisnjanim zrakom ali za čiščenje uporabite mehko in suho krpo.
- Površine baterije in polnilnika očistite z mehko in suho krpo.

## Pregledovanje opreme za prezračevanje



**OPOZORILO:** Za modele S 138i: Za preprečevanje neželenega vklopa varnostni ključ obrnite v položaj "0", odstranite baterijo in počakajte najmanj 5 sekund.

Model S 138C: Za preprečevanje neželenega vklopa odklopite napajalni kabel.



**OPOZORILO:** Pri vzdrževanju opreme za prezračevanje uporabite zaščitne rokavice. Režila opreme za prezračevanje so izjemno ostra, zato lahko hitro pride do uresnjen.

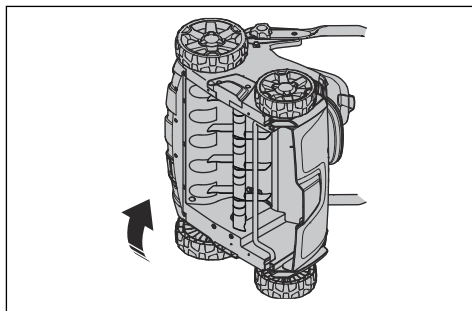
- Preverite, ali je oprema za prezračevanje poškodovana oziroma razpokana. Če je oprema za prezračevanje poškodovana, jo zamenjajte.

## Zamenjava opreme za prezračevanje

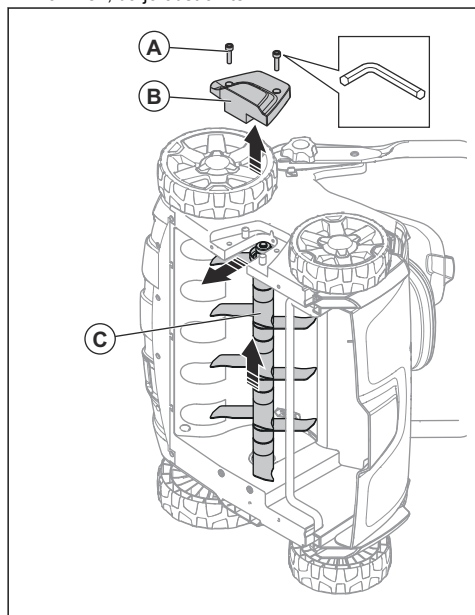


**OPOZORILO:** Pri vzdrževanju opreme za prezračevanje uporabite zaščitne rokavice. Oprema za prezračevanje je izjemno ostra, zato lahko hitro pride do uresnjen.

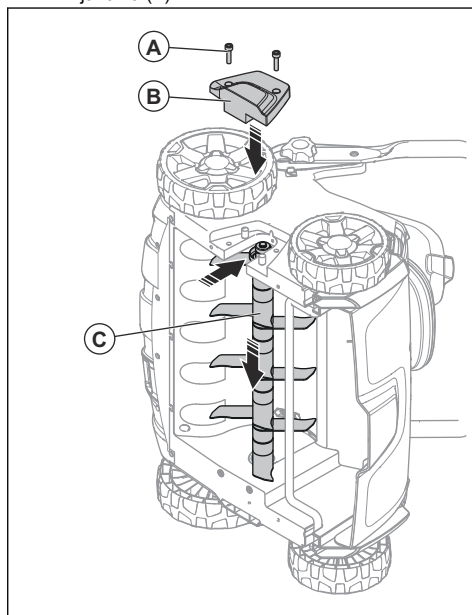
1. Izdelek odložite na desno stran.



2. Odstranite 2 vijaka (A) in pokrov prezračevalnika (B). Potisnite opremo za prezračevanje (C) navzgor in navzven, da jo odstranite.



3. Novo opremo za prezračevanje (C) potisnite v utor in v odprtino. Pokrov prezračevalnika (B) znova privijte z 2 vijakoma (A).



## Odpravljanje težav

### Baterija

LED na bateriji	Možne napake	Možen postopek
Zelena LED utripa	Napetost baterije je prenizka	Napolnite baterijo. Glejte <i>Polnjenje baterije na strani 605</i> .
Indikator LED za napako utripa	Napolnjenost baterije je nizka	Napolnite baterijo. Glejte <i>Polnjenje baterije na strani 605</i> .
	Temperatura v delovnem okolju je previsoka ali prenizka	Baterijo uporabljajte v okolju s temperaturami med $-10\text{ }^{\circ}\text{C}$ in $40\text{ }^{\circ}\text{C}$ .
	Prenapetost	Preverite, ali je napetost omrežja enaka napetosti, navedeni na tipski ploščici izdelka.  Odstranite baterijo iz polnilnika. Počakajte 5 sekund in baterijo poskusite napolniti znova. Če se napaka ponavlja, se obrnite na pooblaščenega servisnega zastopnika.
Indikator LED za napako sveti	Prevelika razlika med celicami (1 V).	Obrnite se na pooblaščenega servisnega zastopnika.

## Polnilnik baterije

LED na polnilniku baterije	Možne napake	Možen postopek
Indikator LED za napako utripa	Temperatura v delovnem okolju je previsoka ali prenizka	Polnilnik baterije uporabljajte v okolju s temperaturami med 5 °C in 40 °C.
Indikator LED za napako sveti		Obrnite se na pooblaščenega servisnega zastopnika

## Kontrolna plošča

Za model S 138i

Napaka	Koda napake (število utripov)	Možne napake	Možen ukrep
Dioda LED za napako utripa	3	Motor je preobremenjen.	Zmanjšajte globino obdelave. Glejte razdelek <i>Nastavitev globine obdelave na strani 604</i> . Če indikator LED za napako nenehno utripa, se je oprema za prezračevanje zagozdila. Neželen vklop preprečite tako, da varnostni ključ obrnete v položaj 0, odstranite baterijo in počakate vsaj 5 sekund. Prepričajte se, da se lahko oprema za prezračevanje neovirano premika. Če se napaka ponavlja, se obrnite na pooblaščenega servisnega zastopnika.
	5	Število vrtljajev motorja preveč upade in motor se izklopi.	
	9	Krmilnik motorja je prevroč.	Izklopite motor in počakajte, da se ohladi.
	7	Napaka baterije ali baterija ne oddaja signala.	Baterijo pravilno vstavite v izdelek in preverite priključek baterije. Če indikator LED za napako baterije utripa, glejte <i>Stanje napolnjenosti baterije na strani 605</i> .
Izdelek se ustavi		Napolnjenost baterije je nizka.	Napolnite baterijo. Glejte razdelek <i>Napolnjenje baterije na strani 605</i> .
	0	Napaka priključka baterije.	Preverite priključek baterije.
Druge napake	Če pride do drugih napak, obrnite ključ v položaj 0, odstranite baterijo in se obrnite na pooblaščenega serviserja.		

## Transport skladiščenje in odstranitve

### Prevoz

- Za vstavljene litij-ionske baterijske enote veljajo zahteve zakonodaje o nevarnem blagu.
- Pri transportu v komercialne namene morate upoštevati posebne zahteve, navedene na pakiranju in nalepkah.
- Pri pripravi izdelka za transport morate upoštevati uredbe za ravnanje z nevarnimi materiali. Veljajo lokalni predpisi.
- Baterijo pri prevozu vedno odstranite.
- Na priključke baterije namestite izolacijski trak in se prepričajte, da se baterija med transportom ne more premikati.

- Med izdelek pritrdite.

## Skladiščenje

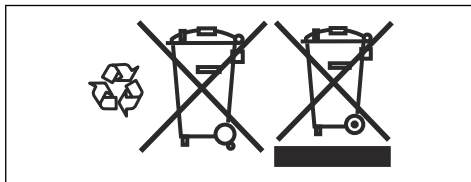
- Baterijo pri skladiščanju vedno odstranite.
- Za preprečevanje nesreč baterija med skladiščanjem ne sme biti priklopljena.
- Polnilnik baterije vedno hranite v zaprtem in suhem prostoru.
- Baterijo in polnilnik baterije hranite v zaprtem prostoru, kjer ni vlage ali nevarnosti zamrzovanja.
- Med shranjevanjem baterijo odstranite iz polnilnika.
- Baterijske ne shranjujte na mestu, kjer je lahko prisotna statična elektrika. Baterije ne shranjujte v kovinski škatli.
- Baterijo hranite v prostoru s temperaturo med 5 °C in 25 °C, ki je zaščiten pred neposredno sončno svetlobo.
- Polnilnik baterije hranite v prostoru s temperaturo med 5 °C in 45 °C, ki je zaščiten pred neposredno sončno svetlobo.
- Pred dolgotrajnejšim skladiščanjem mora biti baterija napolnjena med 30 % in 50 %.
- Izdelek, baterijo in polnilnik hranite v zaklenjenem prostoru, do katerega otroci in nepooblaščen osebe nimajo dostopa.

- Pred dolgotrajnejšim skladiščanjem izdelek očistite in opravite popoln servis.

## Odlaganje

Simboli na izdelku ali njegovi embalaži opozarjajo, da izdelka ne smete obravnavati kot gospodinjstvega odpadka. Odnesti ga je treba v ustrezno zbirališče, kjer bodo poskrbeli za recikliranje električnih in elektronskih naprav.

Z zagotavljanjem pravilne obravnave izdelka boste pomagali preprečiti njegov morebiten škodljiv učinek na okolje in ljudi, do katerega bi lahko prišlo, kot posledica nepravilnega upravljanja z odpadki. Podrobnejše informacije o recikliranju tega izdelka lahko dobite v svoji občini, v komunalnem podjetju ali v trgovini, kjer ste ga kupili.



## Tehnični podatki

### Tehnični podatki

	S 138I	S 138C
<b>Motor</b>		
Tip motorja	BLDC (breztrtačni enosmerni) 36 V	Zaporedni izmenični motor
Št. vrtljajev priključka – SavE, vrt/min	3000	Ni navedeno
Št. vrtljajev priključka – nazivno, vrt/min	3200	4200
Najvišja izhodna moč motorja v kW	1,28	1,8
Nazivna izhodna moč motorja v kW	0,9	1,6
<b>Teža</b>		
Teža, kg	19,5 (brez baterije)	19,0
<b>Baterija</b>		
Vrsta baterije	Serija baterij Husqvarna	Ni podatka
<b>Avtonomija baterije</b>		
Avtonomija baterije, najkrajša, (prosto delovanje) z aktivirano funkcijo SavE, z eno baterijo Husqvarna z močjo 5,2 Ah (Bli200).	115	Ni podatka
Avtonomija baterije, najkrajša, (prosto delovanje) z aktiviranim standardnim načinom, z eno baterijo Husqvarna moči 5,2 Ah (Bli200).	102	Ni podatka

	S 138i	S 138C
<b>Emisije hrupa</b> <sup>67</sup>		
Raven zvočne moči, izmerjena v dB (A)	89,2	95,7
Raven zvočne moči, zajamčena L <sub>WA</sub> v dB(A)	91	98
<b>Nivoji hrupa</b> <sup>68</sup>		
Nivo zvočnega tlaka pri ušesu operaterja, dB(A)	75,3	81,7
<b>Ravni vibracij</b> <sup>69</sup>		
Ročaj, m/s <sup>2</sup>	5,5	8,3
<b>Delovanje</b>		
Največja/najmanjša globina obdelave v mm	-8/+5	-8/+5
Širina obdelave v cm	37,5	37,5
Priključek z delta noži	5973510-01	5973510-01
Priključek z vzmetnimi zobmi	5973509-01	5973509-01
Prostornina zbiralnika za travo v litrih	45	45

Homologirane baterije	Vrsta	Zmogljivost baterije, Ah	Napetost, V	Teža, kg/lb
BLi20	Litij-ionska	4,0	36	1,2/2,6
BLi200	Litij-ionska	5,2	36	1,3/2,8
BLi300	Litij-ionska	9,4	36	1,9/4,1

Odobreni polnilniki za določene baterije, BLI	Vhodna napetost, V	Frekvenca, Hz	Moč, W
QC80	100-240	50-60	80
QC80F	12	0	80
QC330	100-240	50-60	330
QC500	100-240	50-60	500

<sup>67</sup> Emisije hrupa v okolje, merjene kot moč zvoka (L<sub>WA</sub>), v skladu z direktivo ES 2000/14/ES.

<sup>68</sup> Zabeleženi podatki za zvočni tlak imajo tipično statistično razpršitev (standardni odklon) 1,2 dB(A).

<sup>69</sup> Zabeleženi podatki za raven vibracij imajo tipično statistično razpršitev (standardni odklon) v višini 0,2 m/s<sup>2</sup>.

---

## Izjava ES o skladnosti

---

### Izjava ES o skladnosti

**Husqvarna AB**, SE-561 82 Huskvarna, Sweden, tel:

+46-36-146500, izjavlja, da so **prezračevalniki**  
**Husqvarna S 138i** od serijske številke 2018XXXXXX  
dalje skladni z zahtevami DIREKTIVE SVETA:

- z dne 8. junija 2011 o omejevanju uporabe nekaterih nevarnih snovi v električni in elektronski opremi, **2011/65/EU**
- z dne 17. maja 2006, ki se nanaša na stroje, **2006/42/ES**
- z dne 26. februarja 2014 o elektromagnetni združljivosti **2014/30/EU**
- z dne 8. maja 2000 o emisijah hrupa v okolje **2000/14/ES**

Za informacije v zvezi z emisijo hrupa glejte poglavje "Tehnični podatki".

Uporabljeni so naslednji standardi:

**EN 60335-1:2012+A11:2014+A13:2017, EN 50636-2-92:2014, EN 55014-1:2017, EN 55014-2:2015**

Huskvarna, 2019-01-15



Claes Losdal, Vodja oddelka za razvoj vrtnih opreme  
(pooblaščen zastopnik družbe Husqvarna AB in odgovorni za sestavo tehnične dokumentacije)

---

# Izjava ES o skladnosti

---

## Izjava ES o skladnosti

**Husqvarna AB**, SE-561 82 Huskvarna, Sweden, tel:  
+46-36-146500, izjavlja, da so **prezračevalniki**  
**Husqvarna S 138C** od serijske številke 2018XXXXXX  
dalje skladni z zahtevami DIREKTIVE SVETA:

- z dne 8. junija 2011 o omejevanju uporabe nekaterih nevarnih snovi v električni in elektronski opremi, **2011/65/EU**
- z dne 17. maja 2006, ki se nanaša na stroje, **2006/42/ES**
- z dne 26. februarja 2014 o elektromagnetni združljivosti **2014/30/EU**
- z dne 8. maja 2000 o emisijah hrupa v okolje **2000/14/ES**

Za informacije v zvezi z emisijo hrupa glejte poglavje "Tehnični podatki".

Uporabljeni so naslednji standardi:

**EN 60335-1:2012+A11:2014+A13:2017, EN 50636-2-92:2014, EN 55014-1:2017, EN 55014-2:2015, EN 61000-3-2:2014, EN 61000-3-11:2000**

Huskvarna, 2019-01-15



Claes Losdal, Vodja oddelka za razvoj vrtno opreme  
(pooblaščen zastopnik družbe Husqvarna AB in  
odgovorni za sestavo tehnične dokumentacije)

---

## Sadržaj

---

Uvod.....	616	Rešavanje problema.....	636
Bezbednost.....	620	Transport, skladištenje i odlaganje.....	637
Sklapanje.....	628	Tehnički podaci.....	638
Rukovanje.....	630	EZ deklaracija o usaglašenosti.....	640
Održavanje.....	634	EZ deklaracija o usaglašenosti.....	641

---

## Uvod

---

### Opis proizvoda

Proizvod je električni ditačer koji kontroliše rukovalac. Proizvod uklanja tač (slamu) sa travnjaka i čini zemljište rastresitijim kako bi vazduh i voda prodrli u travnjak. Tač se prikuplja u hvatač trave ili se izbacuje na travnjak. Proizvod ima dve vrste opreme za ditačer.

### Oprema za ditačer

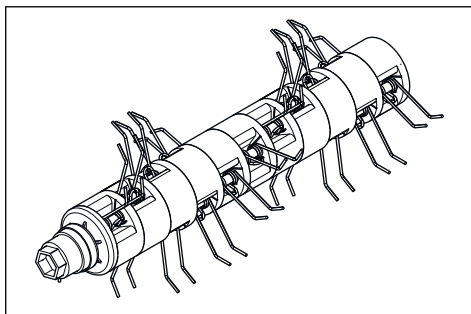
Pogledajte *Zamena opreme za ditačer na stranici 635* za informacije kako da zamenite opremu za ditačer.

### Delta sečiva

Delta sečiva uklanjaju tač i režu koren trave vertikalno. Koristite delta sečiva na nagibima, ravnim uzdignutim oblastima i zemljištima koja imaju veliku količinu gline. Delta sečiva omogućavaju da voda proдре u travnjak i sprečavaju da se voda sakuplja na površini.

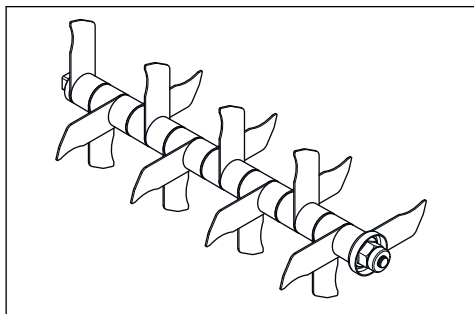
### Opružni zupci

Opružni zupci pažljivo uklanjaju mrtvu travu i tač sa travnjaka bez oštećenja korena trave.



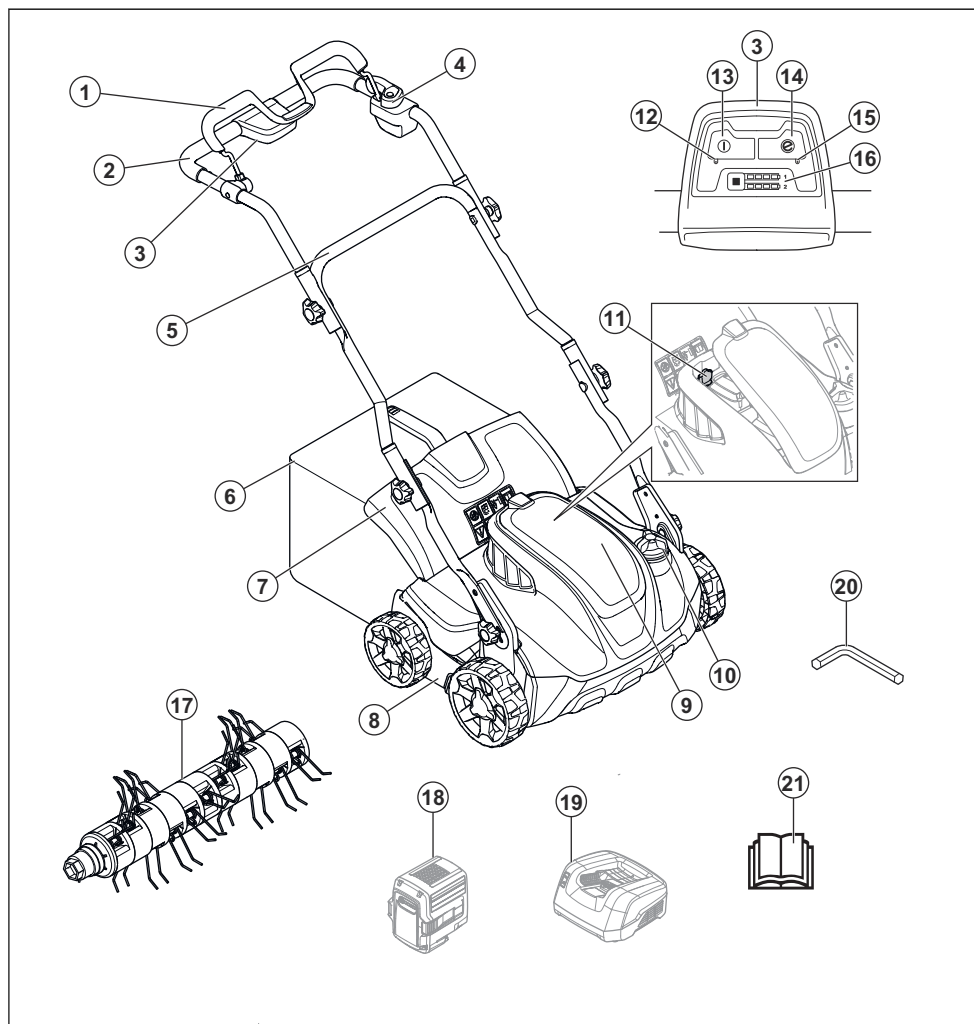
### Namena

Koristite proizvod u privatnim vrtovima za uklanjanje tača i mahovine i da učinite zemljište rastresitijim. Nemojte koristiti proizvod za druge zadatke.



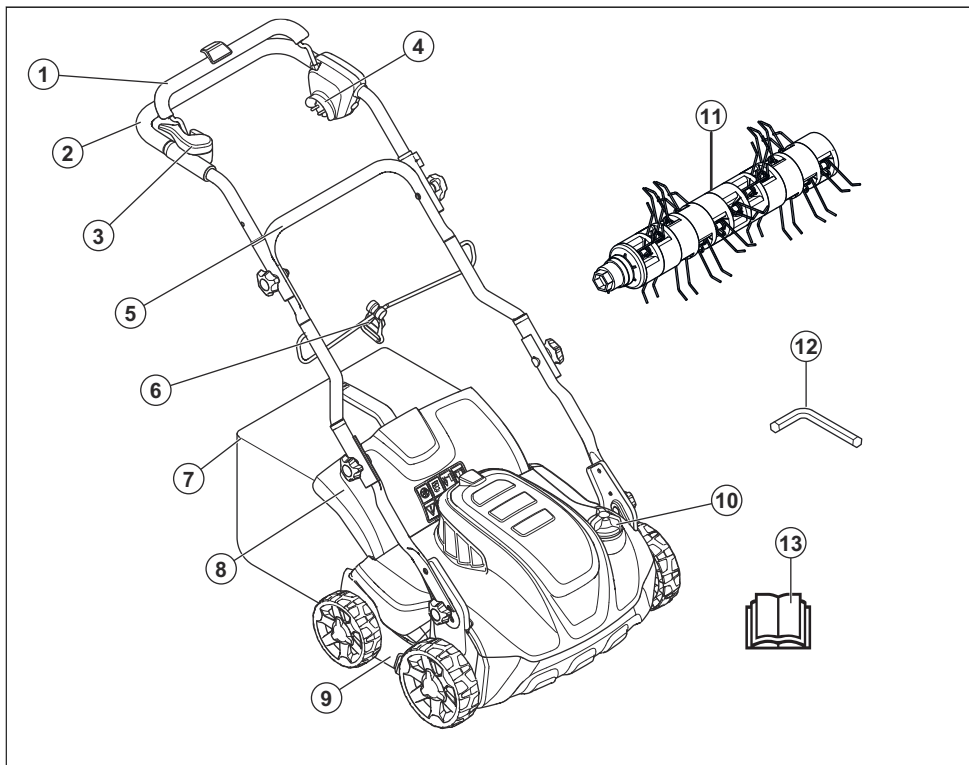


## Pregled proizvoda za model S 138i



- |                                       |   |
|---------------------------------------|---|
| 1. Ručica kočnice motora              | 12. LED lampica indikatora za uključivanje/isključivanje (ON/OFF) |
| 2. Gornja ručica                      | 13. Dugme za uključivanje/isključivanje (ON/OFF)                  |
| 3. Kontrolna tabla                    | 14. Dugme Save  |
| 4. Inhibitor pokretanja               | 15. LED lampica indikatora Save                                   |
| 5. Donja ručica                       | 16. Indikator punjenja akumulatora i dugme akumulatora            |
| 6. Hvatač trave                       | 17. Opužni zupci  |
| 7. Zadnji poklopac                    | 18. Akumulator (oprema)   |
| 8. Poklopac ditačera                  | 19. Punjač akumulatora (oprema)                                   |
| 9. Poklopac akumulatora               | 20. Šestougaoni ključ   |
| 10. Dugme za podešavanje radne dubine | 21. Korisničko uputstvo   |
| 11. Bezbednosni ključ                 |   |

## Pregled proizvoda za model S 138C



1. Ručica kočnice motora
2. Gornja ručica
3. Inhibitor pokretanja
4. Utičnica za struju
5. Donja ručica
6. Kablovska stezaljka
7. Hvatač trave
8. Zadnji poklopac
9. Poklopac ditačera
10. Dugme za podešavanje radne dubine
11. Opružni zupci
12. Šestougaoni ključ
13. Korisničko uputstvo

smrti rukovaoca ili drugih osoba.



Pre korišćenja proizvoda, pročitajte korisničko uputstvo i budite sigurni da razumete njegov sadržaj.

### Simboli na proizvodu



Upozorenje: Nepažljiva ili nepravilna upotreba može dovesti do povrede ili



Pazite na odbačene predmete i odskakivanja.



Pazite da ljudi i životinje budu na bezbednoj

udaljenosti od radnog područja.



Upozorenje: Udaljite šake i stopala od rotirajućeg sečiva.



Uklonite bezbednosni ključ pre radova na održavanju proizvoda (model S 138i).



Isključite proizvod iz priključka za struju pre radova na održavanju proizvoda (model S 138C).



Opasnost od strujnog udara (model S 138C).



Nemojte izlagati kiši (model S 138i).



Upozorenje: Nemojte rukovati proizvodom preko kabla za napajanje jer to može rezultirati strujnim udarom ili oštećenjem proizvoda (model S 138C).

**IPX4** Ovaj proizvod ima zaštitu od prskanja vode.

**EAC** Ovaj proizvod je usaglašen sa važećim EAC direktivama.

**CE** Ovaj proizvod je u saglasnosti sa važećim direktivama EZ.



Proizvod je usaglašen sa važećim UkrSEPRO direktivama.



Emisije buke u životnoj sredini prema direktivi Evropske zajednice. Emisije proizvoda su navedene u poglavlju Tehnički podaci i na nalepnici.



Dvostruka izolacija (model S 138C).



Reciklirajte ovaj proizvod na lokaciji za recikliranje električne i elektronske opreme. (Odnosi se samo na Evropu)



Postupak pokretanja za model S 138i: pritisnite dugme za uključivanje/isključivanje (ON/OFF), otpustite inhibitor pokretanja, pritisnite nadole ručicu kočnice motora.



Postupak pokretanja za model S 138C: otpustite inhibitor pokretanja,

pritisnite nadole ručicu kočnice motora.



Otpustite ručicu kočnice motora za zaustavljanje.



Kôd koji se može skenirati.

---

**Napomena:** Ostali simboli/nalepnice koji su navedeni na proizvodu važe za specifične zahteve sertifikata na određenim tržištima.

---

### Odgovornost za proizvod

Kako je izloženo u zakonima o odgovornosti za proizvode, mi nismo odgovorni za oštećenja prouzrokovana našim proizvodom u sledećim slučajevima:

- proizvod je popravljen na pogrešan način
- proizvod je popravljen korišćenjem delova koji nisu napravljeni ili odobreni od strane proizvođača
- proizvod ima opremu koja ne potiče ili nije odobrena od strane proizvođača
- proizvod nije popravljen u ovlašćenom servisnom centru ili od strane ovlašćenog stručnjaka

---

## Bezbednost

---

### Bezbednosne definicije

Upozorenja, mere opreza i napomene se koriste da ukažu na naročito važne delove korisničkog uputstva.



**UPOZORENJE:** Koristi se ako, usled nepoštovanja uputstava, postoji rizik od nastanka telesnih povreda ili smrti kod rukovaoca ili prisutnih osoba.

---



**OPREZ:** Koristi se ako, usled nepoštovanja uputstava, postoji rizik od nastanka oštećenja na proizvodu, drugim materijalima ili susednim oblastima.

---

**Napomena:** Koristi se za pružanje više informacija koje su neophodne u datoj situaciji.

---

## Opšta bezbednosna uputstva

---



### UPOZORENJE:

Pročitajte upozoravajuća uputstva koja slede pre korišćenja proizvoda.

---

- Proizvod je opasan ako se koristi na nepravilan način ili ako niste oprezni. Može doći do telesne povrede ili smrti ako se ne pridržavate bezbednosnih uputstava.
- Ovaj proizvod pri radu stvara elektromagnetno polje. Ovo polje u određenim uslovima može da izazove smetnje na aktivnim i pasivnim medicinskim implantima. U cilju smanjenja rizika od uslova nastanka teških ili smrtnih telesnih povreda, preporučujemo osobama koje imaju medicinske implante da se pre upotrebe ovog proizvoda konsultuju sa lekarom ili proizvođačem implanta.
- Uvek budite pažljivi i koristite zdrav razum. Ako niste sigurni kako da rukujete proizvodom u određenoj situaciji, prekinite rad i obratite se Husqvarna prodavcu pre nastavka rada.
- Imajte na umu da će se rukovalac smatrati odgovornim za nesrećne slučajeve koji uključuju druge osobe ili njihovu imovinu.
- Održavajte proizvod čistim. Pobrinite se da jasno možete pročitati znakove i nalepnice.
- Nemojte dozvoliti da druga osoba koristi proizvod osim ako se niste uverili da je pročitala i razumela sadržaj korisničkog uputstva.
- Nemojte dozvoliti da dete rukuje proizvodom.
- Nemojte dozvoliti da osoba, bez znanja u pogledu uputstava, rukuje proizvodom.
- Uvek nadzirite osobu sa smanjenim fizičkim ili mentalnim sposobnostima koja koristi proizvod. Odgovorna odrasla osoba mora biti prisutna sve vreme.
- Nemojte da koristite proizvod kada ste umorni, bolesni ili pod uticajem alkohola, droge ili lekova. To ima negativan uticaj na vašu moć vida, opreznost, koordinaciju i rasuđivanje.
- Nemojte da koristite proizvod ako je pokvaren.
- Nemojte vršiti izmene na proizvodu i nemojte koristiti proizvod ako postoji mogućnost da su druge osobe vršile izmene na njemu.

## Bezbednost u oblasti rada

---



### UPOZORENJE:

Pročitajte upozoravajuća uputstva koja slede pre korišćenja proizvoda.

---

- Uklonite predmete kao što su grane, grančice i kamenje iz radnog područja pre nego što počnete da koristite proizvod.
- Predmeti koji udare o opremu za ditačer mogu da budu izbačeni i izazovu povredu osoba ili oštećenje predmeta. Pazite da prisutne osobe i životinje budu na bezbednoj udaljenosti od proizvoda.
- Nikada nemojte koristiti proizvod u lošim vremenskim uslovima kao što su magla, kiša, jak vetar, intenzivna hladnoća i kada postoji opasnost od pojave munja. Korišćenje proizvoda u lošim vremenskim uslovima ili na vlažnim lokacijama je zamorno. Loši vremenski uslovi mogu da izazovu opasne okolnosti, kao što su klizave površine.
- Vodite računa o osobama, predmetima i situacijama koji bi mogli da spreče bezbedan rad proizvoda.

- Pazite na prepreke, kao što su korenje, kamenje, grančice, jame i jarci. Visoka trava može da sakrije prepreke.
- Rukovanje proizvodom na nagibima može biti opasno. Nemojte koristiti proizvod na terenu koji ima nagib veći od 15°.
- Rukujte proizvodom preko prednjih strana nagiba. Nemojte ga pomerati gore i dole.
- Budite pažljivi kada se približavate skrivenim uglovima i predmetima koji bi mogli da blokiraju vaš vidik.

## Bezbednost na radu

---



### UPOZORENJE:

Pročitajte upozoravajuća uputstva koja slede pre korišćenja proizvoda.

---

- Koristite proizvod samo za uklanjanje tača i mahovine sa travnjaka. Nije dozvoljeno njegovo korišćenje za druge zadatke.
- Koristite ličnu zaštitnu opremu. Pogledajte *Lična zaštitna oprema na stranici 624*.
- Nemojte raditi sa proizvodom po kiši ili u vlažnim uslovima. Opasnost od strujnog udara se

- povećava ako voda prodre u proizvod.
- Nemojte raditi sa proizvodom ako oprema za ditačer i svi poklopci nisu pravilno postavljeni. Nepravilno postavljena oprema za ditačer se može otkaçiti i prouzrokovati telesnu povredu.
  - Pobrinite se da oprema za ditačer ne udara o predmete kao što su kamenje ili korenje. To može dovesti do oštećenja opreme za ditačer i savijanja osovine motora. Savijena osovina proizvodi velike vibracije i postoji povećana opasnost da se oprema za ditačer olabavi.
  - Ako oprema za ditačer udari o predmet ili ako se pojave vibracije, odmah zaustavite proizvod. Zaustavite motor, okrenite bezbednosni ključ u položaj 0 i uklonite akumulator (model S 138i) ili iskopčajte kabl za napajanje (model S 138C). Pregledajte proizvod u pogledu oštećenja. Otklonite oštećenja ili dozvolite ovlašćenom servisnom agentu da izvrši popravku.
  - Nikada nemojte postavljati ručicu kočnice motora trajno na ručku kada je motor pokrenut.
  - Postavite proizvod na stabilnu, ravnu površinu i pokrenite ga. Vodite računa da oprema za ditačer ne dodiruje tlo ili druge predmete.
  - Uvek stojte iza proizvoda kada radite sa njim.
  - Vodite računa da svi točkići ostanu na tlu i držite dve ruke na ručki kada rukujete proizvodom. Udaljite šake i stopala od rotirajuće opreme za ditačer.
  - Nemojte naginjati proizvod kada je motor pokrenut.
  - Budite pažljivi kada povlačite proizvod unazad.
  - Nikada nemojte podizati proizvod kada je motor pokrenut. Ako morate podići proizvod, prvo zaustavite motor, okrenite bezbednosni ključ u položaj 0 i uklonite akumulator (model S 138i) ili iskopčajte kabl za napajanje (model S 138C).
  - Nemojte hodati unazad kada radite sa proizvodom.
  - Zaustavite motor kada se krećete preko područja bez trave, na primer, stazica napravljenih od šljunka, kamena i asfalta.
  - Nemojte trčati sa proizvodom kada je motor pokrenut. Uvek

hodajte kada radite sa proizvodom.

- Zaustavite motor pre nego što promenite radnu dubinu. Nikada nemojte da vršite podešavanja dok je motor pokrenut.
- Nikada nemojte dozvoliti da proizvod ostane bez nadzora dok je motor pokrenut. Zaustavite motor i uverite se da se oprema za ditačer ne okreće.

## Bezbednosna uputstva za rad

### Lična zaštitna oprema

Morate koristiti odobrenu ličnu zaštitnu opremu kada god rukujete proizvodom. Lična zaštitna oprema ne može da otkloni potpuno opasnost od povrede, ali će umanjiti stepen povrede ako dođe do nezgode. Zamolite prodavca da vam pomogne u izboru odgovarajuće opreme.

Uvek nosite:

- Zaštitu za uši kako bi se rizik od povrede sluha sveo na najmanju moguću meru.
- Čvrste čizme ili cipele koje ne klizaju. Nemojte nositi sandale ili hodati bosih nogu.
- Teške, duge pantalone. Nemojte nositi kratku odeću.

Nosite rukavice kada je potrebno, na primer, prilikom postavljanja, pregleda ili čišćenja opreme za ditačer.



**UPOZORENJE:** Koristite odobrenu zaštitu za uši. Dugotrajno izlaganje buci može prouzrokovati trajne povrede sluha.

### Bezbednosni uređaji na proizvodu



**UPOZORENJE:** Pročitajte upozoravajuća uputstva koja slede pre korišćenja proizvoda.

- Nemojte koristiti proizvod na kojem su oštećeni bezbednosni uređaji.
- Redovno proveravajte bezbednosne uređaje. Ako su bezbednosni uređaji neispravni, obratite se svom Husqvarna servisnom agentu.

### Pregled poklopaca

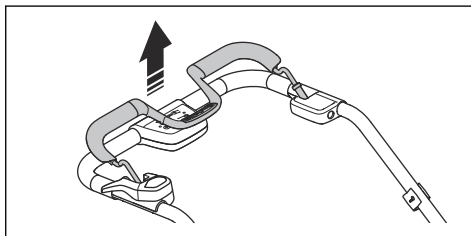
Poklopac ditačera smanjuje vibracije u proizvodu, kao i rizik od povrede od opreme za ditačer.

- Pregledajte bočni poklopac ditačera kako biste se uverili da nema oštećenja kao što su naprsline.
- Pregledajte zadnji poklopac kako biste se uverili da nema oštećenja kao što su naprsline.

### Ručica kočnice motora

Ručica kočnice motora zaustavlja motor. Kada je ručica kočnice motora otpuštena, motor se zaustavlja.

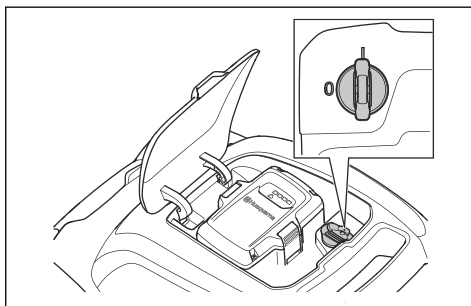
Da biste izvršili proveru kočnice motora, pokrenite motor a zatim otpustite ručicu kočnice motora. Ako se motor ne zaustavi u roku od 3 sekunde, neka ovlašćeni Husqvarna servisni agent izvrši podešavanje kočnice motora.



### Bezbednosni ključ

Bezbednosni ključ se nalazi ispod poklopca akumulatora. Bezbednosni ključ se koristi za povezivanje akumulatora koji snabdeva motor napajanjem.

- Pokrenite i zaustavite motor da biste izvršili proveru bezbednosnog ključa.
- Ako bezbednosni ključ ispravno funkcioniše, motor se pokreće samo kada je ključ u položaju 1.



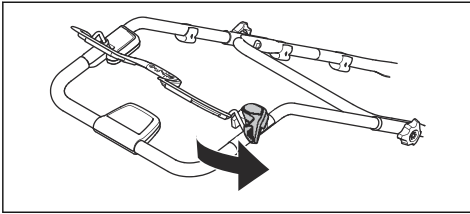
### Provera inhibitora pokretanja

Izvršite proveru inhibitora pokretanja kako biste se uverili da sprečava rad motora.

1. Pritisnite ručicu kočnice motora u smeru upravljača. Inhibitor pokretanja zaustavlja kretanje.



2. Pritisnite inhibitor pokretanja ka spolja.

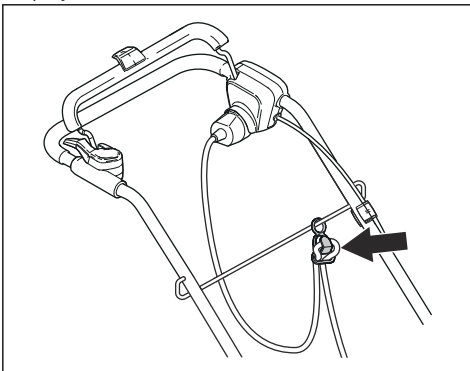


3. Otpustite inhibitor pokretanja i uverite se da se vraća u početni položaj.

#### Korišćenje držača kablja za napajanje (model S 138C)

Držač kablja za napajanje smanjuje pritisak na utičnicu napajanja i kabl za napajanje. Držač kablja za napajanje takođe smanjuje vaš rizik od pada.

1. Savijte kabl za napajanje u malu petlju.
2. Postavite petlju u otvor na držaču kablja za napajanje.
3. Stavite petlju oko kuke.
4. Povucite kabl za napajanje kako biste zategnuli petlju oko kuke.



## Bezbedna upotreba akumulatora



### UPOZORENJE:

Pročitajte upozoravajuća uputstva koja slede pre korišćenja proizvoda.

- Koristite Husqvarna punjive akumulatorne kao izvor napajanja samo za

odgovarajuće Husqvarna proizvode. Kako bi se sprečila povreda, nemojte koristiti akumulator kao izvor napajanja za druge uređaje.

- Nemojte koristiti akumulatorne koji se ne mogu puniti.
- Opasnost od strujnog udara. Nemojte povezivati terminale akumulatora na ključeve, kovanice, vijke ili druge metalne predmete. To može dovesti do kratkog spoja akumulatora.
- Nemojte stavljati predmete u proreze za vazduh akumulatora.
- Držite akumulator tako da ne bude izložen sunčevoj svetlosti, toploti ili otvorenom plamenu. Akumulator može da eksplodira i izazove opekotine i/ili hemijske opekotine.
- Držite akumulator tako da ne bude izložen kiši i vlažnim uslovima.
- Držite akumulator dalje od mikrotalasnih pećnica i visokog pritiska.
- Nemojte pokušavati da rastavite ili lomite akumulator.
- Ako akumulator curi, ne dozvolite da vam ta tečnost dospe na kožu ili u oči. Ako ste dodirnuli tečnost, isperite

površinu velikom količinom vode i obratite se doktoru.

- Koristite akumulator na temperaturama između -10 °C i 40 °C.
- Nemojte čistiti akumulator ili punjač akumulatora vodom. Pogledajte *Čišćenje akumulatora i punjača akumulatora na stranici 635*.
- Nemojte koristiti defektan ili oštećen akumulator.
- Držite akumulatore uskladištene tako da budu udaljeni od metalnih predmeta kao što su ekseri, kovanice, nakit.

## Bezbedna upotreba punjača akumulatora



### UPOZORENJE:

Pročitajte upozoravajuća uputstva koja slede pre korišćenja proizvoda.

- Koristite QC punjače akumulatora samo za punjenje Husqvarna zamenskih akumulatora.
- Opasnost od strujnog udara ili kratkog spoja. Nemojte stavljati predmete u proreze za vazduh punjača. Nemojte pokušavati da rasklopite punjač akumulatora. Nemojte povezivati terminale punjača

na metalne predmete. Koristite odobrenu mrežnu utičnicu.

- Ovaj proizvod pri radu stvara elektromagnetno polje. Ovo polje u određenim uslovima može da izazove smetnje na aktivnim i pasivnim medicinskim implantima. U cilju smanjenja rizika od uslova od nastanka teških ili smrtnih povreda, preporučujemo osobama koje imaju medicinske implante da se pre upotrebe ovog uređaja konsultuju sa lekarom ili proizvođačem implanta.
- Redovno proveravajte da kabl za napajanje punjača akumulatora nije oštećen i da na njemu ne postoje naprsline.
- Nemojte podizati punjač akumulatora za kabl za napajanje. Da biste iskopčali punjač akumulatora sa mrežne utičnice, povucite utikač. Ne vucite kabl za napajanje.
- Držite kabl za napajanje i produžni kabl dalje od vode, ulja i oštrih ivica. Uverite se da kabl nije priklješten vratima, ogradom ili sličnim stvarima. Time punjač može da dođe pod napon.
- Nemojte čistiti punjač akumulatora vodom.

- Punjač akumulatora mogu koristiti deca uzrasta 8 godina i starija i osobe sa smanjenim fizičkim, senzornim ili mentalnim sposobnostima ili nedostatkom iskustva i znanja ako su pod nadzorom ili su upućeni u pogledu korišćenja punjača akumulatora na bezbedan način i razumeju povezane opasnosti. Deca ne smeju da se igraju sa punjačem akumulatora. Deca ne smeju da čiste i održavaju uređaj bez nadzora.
- Nemojte puniti akumulatore koji se ne pune u punjaču akumulatora.
- Nemojte koristiti punjač akumulatora u blizini zapaljivih materijala ili materijala koji mogu da izazovu koroziju. Nemojte pokrivati punjač akumulatora. Izvucite utikač kabla iz punjača akumulatora ako se pojave dim ili vatra.
- Nemojte koristiti defektan ili oštećen punjač akumulatora.
- Akumulator puniti samo u zatvorenom prostoru u prostoriji sa dobrom ventilacijom i podalje od sunčeve svetlosti. Nemojte puniti akumulator u vlažnim uslovima.

## Bezbedna upotreba kabla za napajanje

Za model S 138C.

- Korišćenje uređaja za rezidualnu struju (R.C.D.) sa prekidnom strujom ne većom od 30 mA se preporučuje. Čak i sa postavljenim uređajem za rezidualnu struju, 100% bezbednost se ne može garantovati i potrebno je sve vreme pridržavati se bezbednih radnih procedura. Prilikom svakog korišćenja proverite uređaj za rezidualnu struju.
- Odmah iskopčajte iz električne mreže ako je kabl za napajanje presečen ili ako se izolacija ošteti.
- Nemojte dodirivati presečeni ili oštećeni kabl za napajanje dok se ne isključi električno napajanje.
- Ne popravljajte presečen ili oštećen kabl za napajanje. Zamenite ga novim.

## Bezbednosna uputstva za održavanje



### UPOZORENJE:

Pročitajte upozoravajuća uputstva koja slede pre korišćenja proizvoda.

---

- Za model S 138i: Kako biste sprečili slučajno pokretanje

tokom održavanja, okrenite bezbednosni ključ u položaj 0 i uklonite akumulator. Sačekajte najmanje 5 sekundi pre nego što počnete da vršite održavanje.

- Za model S 138C: Kako biste sprečili slučajno pokretanje tokom održavanja, iskopčajte kabl za napajanje.
- Pravilno vršite rad na održavanju kako biste povećali radni vek proizvoda i smanjili rizik od nesrećnih slučajeva. Neka ovlašćeni servisni agent izvrši stručne popravke. Obratite se najbližem servisnom agentu za više informacija.
- Vršite samo one radove na održavanju proizvoda koji su navedeni u ovom korisničkom uputstvu. Svaki veći rad mora da izvrši ovlašćeni servisni agent.
- Nosite čvrste rukavice kada koristite opremu za ditačer.

Oprema za ditačer je veoma oštra i lako dolazi do posekotina.

- Održavajte sečiva na opremi za ditačer ostrim i čistim kako biste dobili najbolje i najbezbednije performanse.
- Neka servisni agent redovno proverava proizvod i vrši potrebna podešavanja i popravke.
- Zamenite oštećene, pohabane ili pokvarene delove.
- Pridržavajte se uputstava za zamenu opreme. Koristite samo opremu od proizvođača.
- Kada se ne koriste, čuvajte proizvod, akumulator i punjač akumulatora odvojeno na suvom i zaključanom zatvorenom mestu. Pobrinite se da deca i neovlašćene osobe ne mogu imati pristup proizvodu, akumulatoru ili punjaču akumulatora.

---

## Sklapanje

---

### Uvod



**UPOZORENJE:** Pre sklapanja proizvoda, pročitajte poglavlje o bezbednosti.



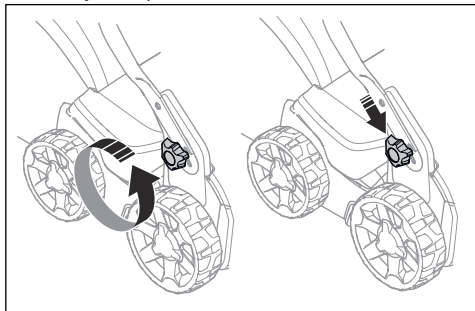
**UPOZORENJE:** Za model S 138i: Kako biste sprečili slučajno pokretanje tokom sklapanja, okrenite bezbednosni ključ u položaj 0, uklonite akumulator i sačekajte najmanje 5 sekundi.

Za model S 138C: Kako biste sprečili slučajno pokretanje tokom sklapanja, iskopčajte kabl za napajanje.

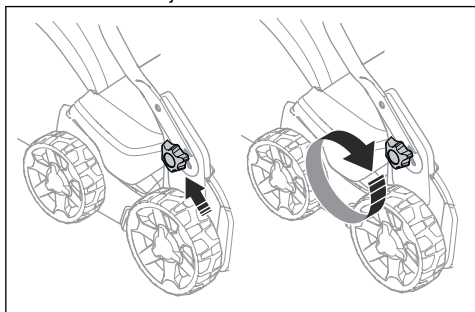
### Sklapanje ručke

1. Olabavite donju dugmad.

2. Pomerite dugmad u donji kraj žlebova na levoj i desnoj strani proizvoda.



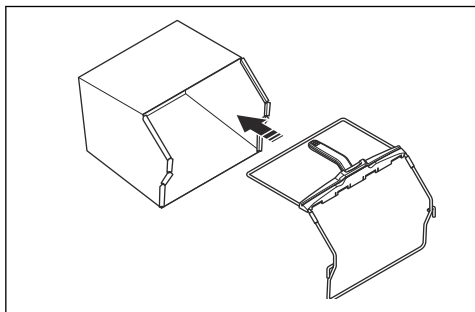
3. Stavite ručku u jedan od 2 položaja za visinu.  
4. Pomerite dugmad nagore u smeru ručke dok se ne zaustave i ne čujete klik zvuk.



5. Potpuno zategnite dugmad.

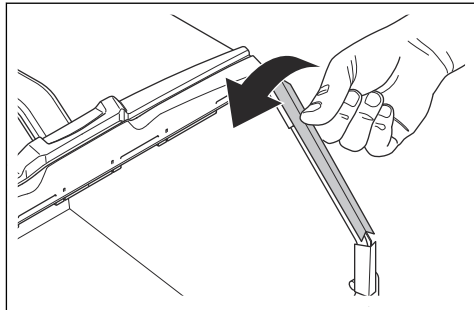
## Sklapanje hvatača trave

1. Postavite ram hvatača trave na vreću za travu tako da krut deo vreće bude na dnu. Ručica rama treba da bude na vrhu vreće za travu.

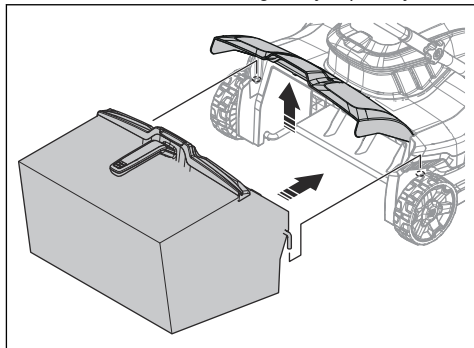


2. Postavite donji deo rama hvatača trave u žleb na dnu hvatača trave.

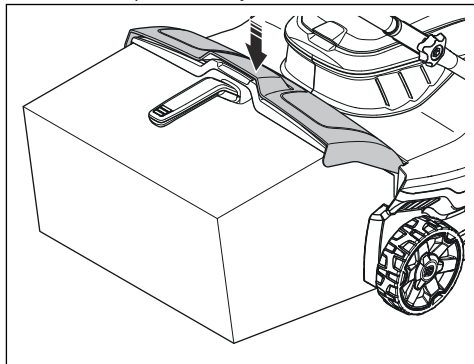
3. Pričvrstite okvir vreće za travu spojnicama.



4. Podignite zadnji poklopac.  
5. Pomerite hvatač trave u odgovarajući položaj.



6. Pričvrstite hvatač trave na gornju ivicu šasije. Uverite se da zadnji poklopac dobro naleže na hvatač trave kako bi se sprečilo curenje.



# Rukovanje

## Uvod



**UPOZORENJE:** Pre rada sa proizvodom, morate pročitati i razumeti poglavlje o bezbednosti.

## Husqvarna Connect

Husqvarna Connect je besplatna aplikacija za mobilne uređaje. Aplikacija Husqvarna Connect pruža proširene funkcije za proizvod Husqvarna:

- Dodatne informacije o proizvodu.
- Informacije o delovima proizvoda i servisiranju i pomoći u vezi s njima.

## Da biste počeli koristiti Husqvarna Connect

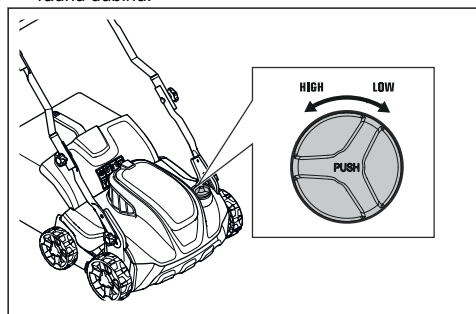
1. Preuzmite aplikaciju Husqvarna Connect na svoj mobilni uređaj.
2. Registrujte se u aplikaciji Husqvarna Connect.
3. Pratite uputstva u aplikaciji Husqvarna Connect da biste se spojili i registrovali proizvod.

## Podešavanje radne dubine



**UPOZORENJE:** Nemojte podešavati radnu dubinu dok rukujete proizvodom.

1. Pritisnite i okrenite dugme za podešavanje radne dubine suprotno kretanju kazaljke na satu da biste povećali radnu dubinu.
2. Pritisnite i okrenite dugme za podešavanje radne dubine u pravcu kazaljke na satu da biste smanjili radnu dubinu.



## Akumulator

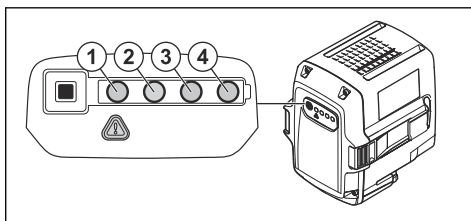


**UPOZORENJE:** Pre korišćenja akumulatora, morate pročitati i razumeti poglavlje o bezbednosti. Takođe morate pročitati i

razumeti korisničko uputstvo za akumulator i punjač akumulatora.

## Status akumulatora

Displej prikazuje preostali kapacitet akumulatora kao i da li postoje problemi sa akumulatorom. Kapacitet akumulatora se prikazuje 5 sekundi nakon isključivanja proizvoda ili pritiska na dugme indikatora akumulatora. Simbol upozorenja na akumulatoru se prikazuje kada je došlo do greške. Pogledajte *Akumulator na stranici 636*.



LED lampice	Status akumulatora
Sve LED lampice svetle	Potpuno napunjeno (75-100%)
LED br. 1, LED br. 2, LED br. 3 svetle	Akumulator je 50%-75% napunjen
LED br. 1, LED br. 2 svetle	Akumulator je 25%-50% napunjen
LED br. 1 svetli	Akumulator je 0%-25% napunjen.
LED br. 1 trepće	Akumulator je prazan. Napunite akumulator.

## Punjenje akumulatora

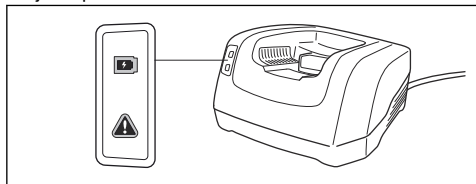
Napunite akumulator pre prvog korišćenja. Akumulator je samo 30% napunjen prilikom isporuke kupcu.

**Napomena:** Punjač akumulatora je potrebno povezati na napon i frekvenciju navedenu na nazivnoj pločici.

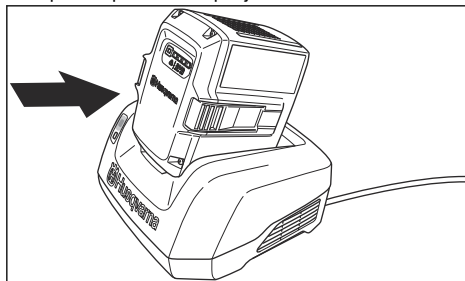
Akumulator se ne puni ako je temperatura akumulatora iznad 50 °C. Punjač akumulatora smanjuje temperaturu akumulatora pre početka punjenja.

1. Povežite jedan kraj kabela za napajanje za punjač akumulatora u utičnicu punjača akumulatora.

2. Povežite drugi kraj kabla za napajanje za punjač akumulatora u uzemljenu mrežnu utičnicu. LED lampica na punjaču akumulatora trepće zeleno jedanput.



3. Stavite akumulator u punjač akumulatora. Zelena lampica na punjaču svetli kada je akumulator ispravno povezan na punjač akumulatora.



4. Akumulator je potpuno napunjen kada na njemu svetle sve LED lampice. Punite akumulator najviše 24 sata.
5. Da biste iskopčali punjač akumulatora iz mrežne utičnice, povucite utikač, a ne kabl za napajanje.
6. Izvadite akumulator iz punjača akumulatora.

### Status punjenja akumulatora

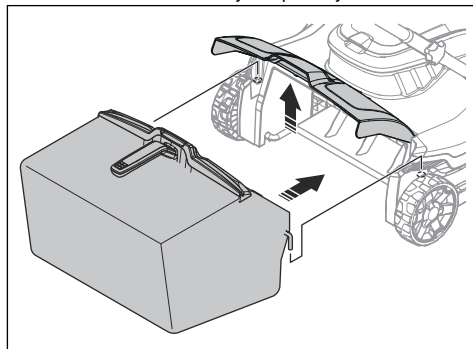
Husqvarna litijum-jonski akumulator se može puniti ili koristiti na svim nivoima punjenja. Akumulator nije oštećen. Potpuno napunjen akumulator neće smanjiti punjenje kada je akumulator ostavljen na punjaču.

LED displej	Status punjenja
LED br. 1 trepće	0%-25%
LED br. 1 svetli, LED br. 2 trepće	25%-50%
LED br. 1, LED br. 2 svetle, LED br. 3 trepće	50%-75%
LED br. 1, LED br. 2, LED br. 3 svetle, LED br. 4 trepće	75%-100%
LED br. 1, LED br. 2, LED br. 3, LED br. 4 svetle	Potpuno napunjeno

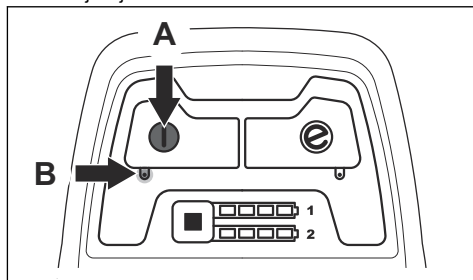
## Rad sa S 138i

### Pokretanje proizvoda

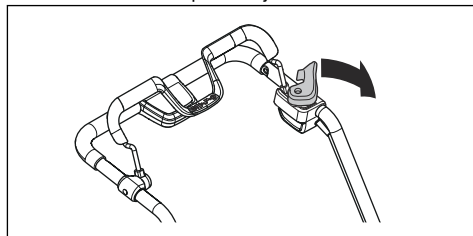
1. Napunjen akumulator stavite u odeljak za akumulator broj 1 ispod poklopca akumulatora. Za duže vreme rada, stavite drugi napunjen akumulator u odeljak za akumulator broj 2.
2. Okrenite bezbednosni ključ u položaj 1.



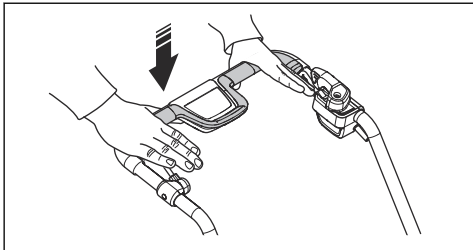
3. Stanite iza proizvoda.
4. Pritisnite dugme za uključivanje/isključivanje (ON/OFF) (A) na kontrolnoj tabli i zelena LED lampica (B) se uključuje.



5. Olabavite inhibitor pokretanja.



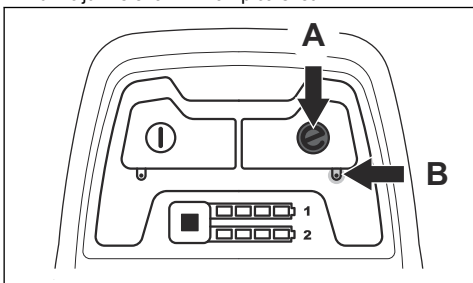
6. Pritisnite ručicu kočnice motora u smeru upravljača.



### Korišćenje funkcije SavE

Proizvod ima funkciju uštede akumulatora (SavE) koja pruža duže vreme rada.

1. Pritisnite dugme SavE (A) da biste pokrenuli funkciju. Zelena LED lampica (B) se isključuje.

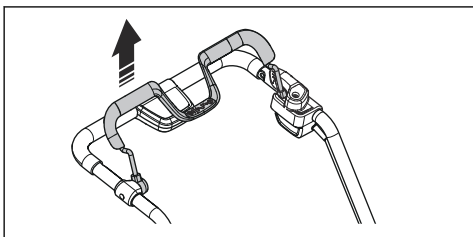


2. Ponovo pritisnite dugme SavE da biste zaustavili funkciju. Zelena LED lampica (B) se isključuje.

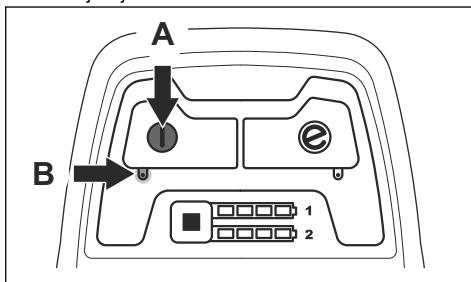
### Zaustavljanje proizvoda

Proizvod se automatski zaustavlja ako ne radite sa njim tokom 10 minuta. Uvek okrenite bezbednosni ključ u položaj 0 pre nego što ostavite proizvod bez nadzora.

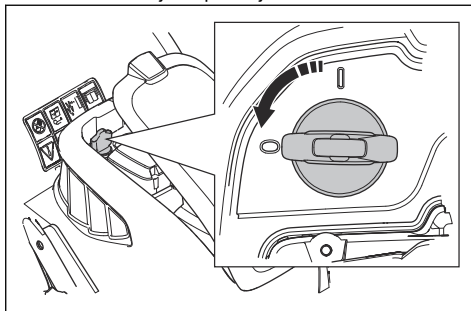
1. Otpustite ručicu kočnice motora da biste zaustavili motor.



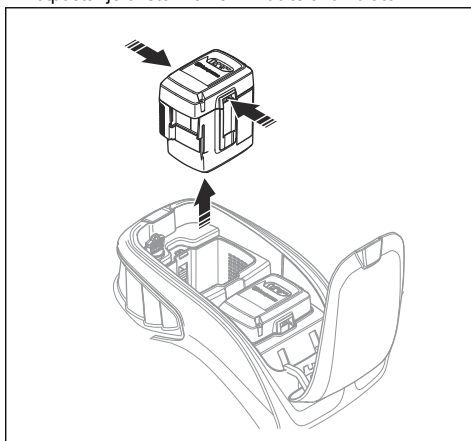
2. Pritisnite dugme za uključivanje/isključivanje (ON/OFF) (A) na kontrolnoj tabli i zelena LED lampica (B) se isključuje.



3. Otvorite poklopac akumulatora i okrenite bezbednosni ključ u položaj 0.



4. Da biste uklonili akumulator, pritisnite 2 dugmeta za otpuštanje u isto vreme i izvucite akumulator.



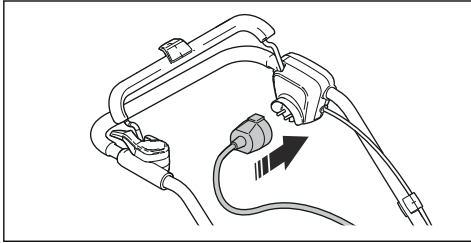
5. Napunite akumulator ako je prazan. Za više informacija, pogledajte *Punjenje akumulatora na stranici 630*.



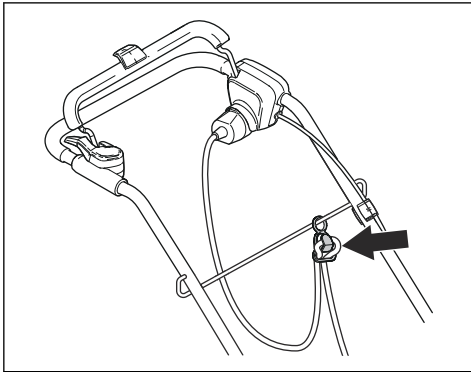
## Rad sa S 138C

### Pokretanje proizvoda

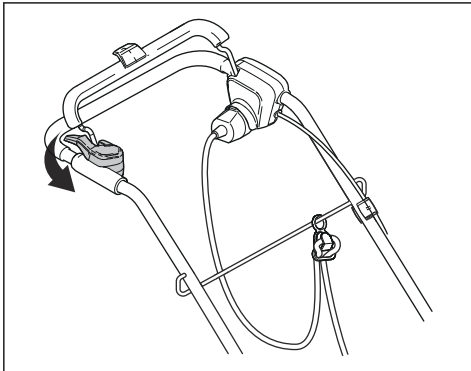
1. Prikjučite kabl za napajanje u utičnicu ispod ručke.



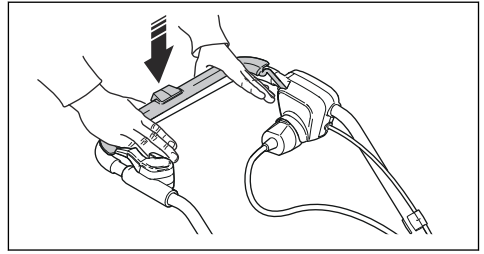
2. Stavite kabl za napajanje u držač kabla za napajanje. Pogledajte *Korišćenje držača kabla za napajanje (model S 138C) na stranici 625.*



3. Stanite iza proizvoda.
4. Olabavite inhibitor pokretanja.

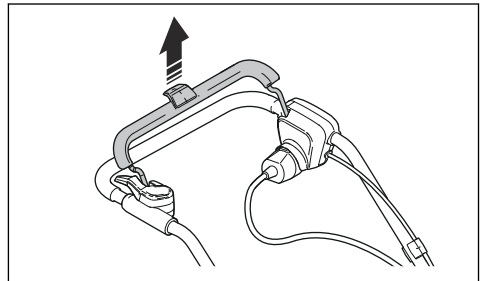


5. Pritisnite ručicu kočnice motora u smeru upravljača.

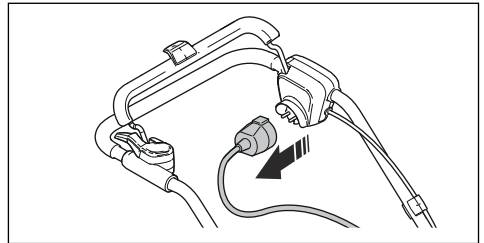


### Zaustavljanje proizvoda

1. Otpustite ručicu kočnice motora da biste zaustavili motor.



2. Iskopčajte kabl za napajanje iz mrežnog napajanja a zatim iz proizvoda.



**OPREZ:** Izvucite utikač. Ne vucite kabl za napajanje.

# Održavanje

## Uvod



**UPOZORENJE:** Pre održavanja, morate pročitati i razumeti poglavlje o bezbednosti.

Za sva servisiranja i popravke proizvoda, potrebna je specijalna obuka. Garantujemo dostupnost stručnih popravki i servisiranja. Ako vaš prodavac nije servisni agent, obratite mu se za informacije o najbližem servisnom agentu.

## Šema održavanja

Intervali održavanja su izračunati na osnovu svakodnevnog korišćenja proizvoda. Intervali se menjaju ako se proizvod ne koristi svakodnevno.

Za održavanje označeno sa \*, pogledajte *Bezbednosni uređaji na proizvodu na stranici 624.*

S 138i i S 138C	Svaka upotreba	Mesečno	Svaka sezona
Izvršite generalni pregled.	X		
Očistite proizvod.	X		
Pregledajte opremu za ditačer.	X		
Uverite se da bezbednosni uređaji na proizvodu nisu neispravni. *	X		
Pregledajte poklopce. *	X		
Proverite ručicu kočnice motora. *	X		
Proverite inhibitor pokretanja. *	X		

Samo S 138i	Svaka upotreba	Mesečno	Svaka sezona
Uverite se da dugme za uključivanje/isključivanje (ON/OFF) ispravno radi i da nije defektno.	X		
Pregledajte akumulator u pogledu oštećenja.	X		
Proverite punjenje akumulatora.	X		
Uverite se da dugmad za otpuštanje na akumulatoru ispravno rade i da akumulator pravilno stoji u proizvodu.	X		
Pregledajte punjač akumulatora u pogledu oštećenja i uverite se da ispravno radi.		X	
Pregledajte konektore između akumulatora i proizvoda. Takođe pregledajte konektore između akumulatora i punjača akumulatora.			X

## Vršenje opšteg pregleda

- Uverite se da su navrtke i zavrtnji na proizvodu zategnuti.
- Uverite se da kablovi na proizvodu nisu u položaju u kojem se mogu oštetiti.

## Čišćenje proizvoda

- Očistite plastične delove čistom i suvom krpom.

- Nemojte čistiti proizvod vodom. Voda može da prode u akumulator ili motor i izazove kratak spoj ili oštećenje proizvoda.
- Nemojte da koristite čistač pod visokim pritiskom za čišćenje proizvoda.
- Nemojte direktno ispirati motor vodom.
- Uklonite lišće, travu i prljavštinu pomoću četke.

## Čišćenje akumulatora i punjača akumulatora



**OPREZ:** Nemojte čistiti akumulator ili punjač akumulatora vodom.

- Uverite se da su akumulator i punjač akumulatora čisti i suvi pre stavljanja akumulatora na punjač akumulatora.
- Očistite terminale akumulatora komprimovanim vazduhom ili pomoću meke i suve krpe.
- Očistite površine akumulatora i punjača akumulatora pomoću meke i suve krpe.

## Pregled opreme za ditačer



**UPOZORENJE:** Za modele S 138i: Kako biste sprečili slučajno pokretanje, okrenite bezbednosni ključ u položaj 0, uklonite akumulator i sačekajte najmanje 5 sekundi.

Za model S 138C: Kako biste sprečili slučajno pokretanje, iskopčajte kabl za napajanje.



**UPOZORENJE:** Nosite zaštitne rukavice kada vršite održavanje na opremi za ditačer. Sečiva na opremi za ditačer su veoma oštra i lako dolazi do posekotina.

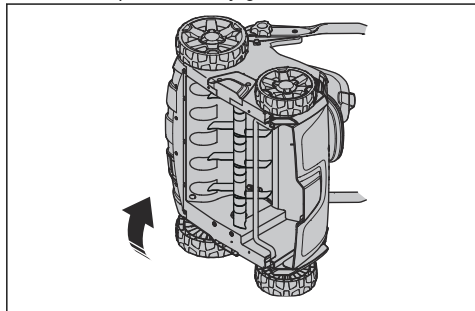
- Pregledajte opremu za ditačer u pogledu oštećenja ili naprslina. Uvek zamenite oštećenu opremu za ditačer.

## Zamena opreme za ditačer

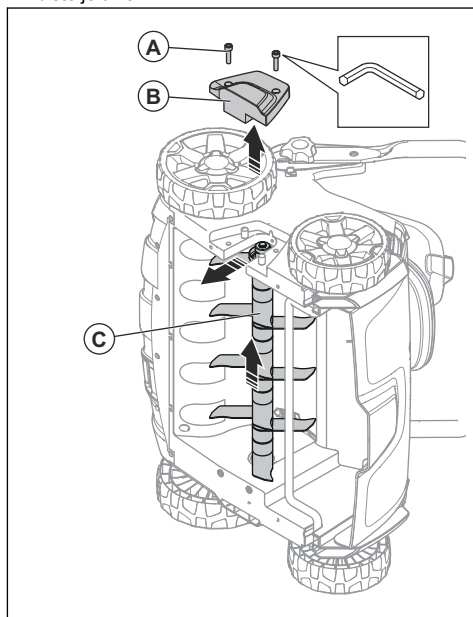


**UPOZORENJE:** Nosite zaštitne rukavice kada vršite održavanje na opremi za ditačer. Oprema za ditačer je veoma oštra i lako dolazi do posekotina.

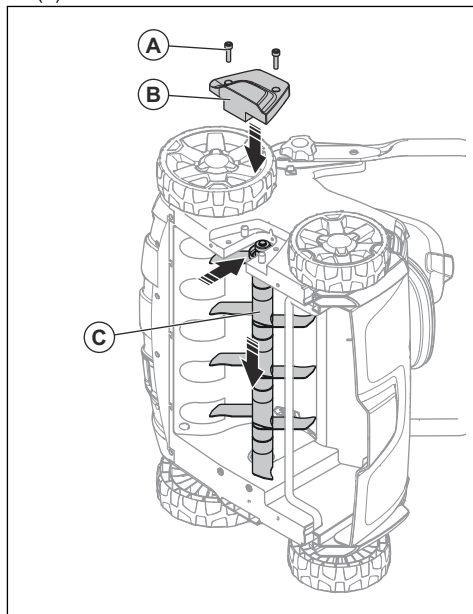
1. Postavite proizvod na njegovu desnu stranu.



2. Uklonite 2 zavrtnja (A) i poklopac ditačera (B). Pritisnite opremu za ditačer (C) nagore i izvan kako biste je uklonili.



3. Pritisnite novu opremu za ditačer (C) u žleb i nadole u otvor. Postavite poklopac ditačera (B) i 2 zavrtnja (A).



## Rešavanje problema

### Akumulator

LED lampice na akumulatoru	Moguće greške	Mogući postupak
Zelena LED lampica trepće	Napon akumulatora je nizak	Napunite akumulator. Pogledajte <i>Punjenje akumulatora na stranici 630</i> .
LED lampica greške trepće	Akumulator je slab	Napunite akumulator. Pogledajte <i>Punjenje akumulatora na stranici 630</i> .
	Temperatura u radnom okruženju je previsoka ili preniska	Koristite akumulator na temperaturama između -10 °C i 40 °C.
	Prenapon	Proverite da li napon mreže odgovara onom koji je naveden na nazivnoj pločici proizvoda.  Izvadite akumulator iz punjača akumulatora. Sačekajte 5 sekundi i ponovo pokušajte punjenje akumulatora. Ako problem nastavi da se pojavljuje, obratite se ovlašćenom servisnom agentu.
LED lampica greške je uključena	Razlika između ćelija je prevelika (1 V)	Obratite se ovlašćenom servisnom agentu.

### Punjač akumulatora

LED lampice na punjaču akumulatora	Moguće greške	Mogući postupak
LED lampica greške trepće	Temperatura u radnom okruženju je previsoka ili preniska	Koristite punjač akumulatora na temperaturama između 5 °C i 40 °C.
LED lampica greške je uključena		Obratite se ovlašćenom servisnom agentu

### Kontrolna tabla

Za model S 138i

Greška	Kôd greške (broj treptaja)	Moguće greške	Moguća radnja
LED lampica greške trepće	3	Motor je preopterećen.	Smanjite radnu dubinu. Pogledajte <i>Podešavanje radne dubine na stranici 630</i> . Ako LED lampica greške nastavi da trepće, oprema za ditačer je blokirana. Kako biste sprečili slučajno pokretanje, okrenite bezbednosni ključ u položaj 0, uklonite akumulator i sačekajte najmanje 5 sekundi. Uverite se da se oprema za ditačer može slobodno okretati. Ako problem nastavi da se pojavljuje, obratite se ovlašćenom servisnom agentu.
	5	Brzina motora prekomerno opada i motor se zaustavlja.	
	9	Kontrola motora je prevruća.	Zaustavite motor i sačekajte da se ohladi.
	7	Greška akumulatora ili nema signala sa akumulatora.	Pravilno postavite akumulator u proizvod i pregledajte konektor akumulatora. Ako LED lampica greške na akumulatoru trepće, pogledajte <i>Status punjenja akumulatora na stranici 631</i> .
		Akumulator je slab.	Napunite akumulator. Pogledajte <i>Punjenje akumulatora na stranici 630</i> .
Proizvod se zaustavlja	6	Akumulator je slab.	Napunite akumulator. Pogledajte <i>Punjenje akumulatora na stranici 630</i> .
	0	Kvar konektora akumulatora.	Pregledajte konektor akumulatora.
Druge greške	Ako se pojave druge greške, okrenite bezbednosni ključ u položaj 0, uklonite akumulator i obratite se ovlašćenom servisnom agentu.		

## Transport, skladištenje i odlaganje

### Transport

- Zahtevi u pogledu transporta opasnih materija primenjuju se na sadržane litijum-jonske akumulate.
- Za komercijalni transport moraju se poštovati posebni zahtevi koji su navedeni na pakovanju i nalepnicama.
- Pobrinite se da se pridržavate propisa za transport opasnih materija prilikom pripreme proizvoda za transport. Lokalni propisi se mogu primenjivati.
- Uvek uklonite akumulator pre transporta.
- Stavite traku na konektore akumulatora i uverite se da se akumulator ne može pomerati tokom transporta.
- Fiksirajte proizvod tokom transporta.

### Skladištenje

- Uvek uklonite akumulator pre skladištenja.

- Kako bi se sprečili nesrećni slučajevi, uverite se da akumulator nije povezan na proizvod tokom skladištenja.
- Držite punjač akumulatora u zatvorenom i suvom prostoru.
- Držite akumulator i punjač akumulatora u suvom prostoru gde nema vlage ili mraza.
- Iskopčajte akumulator sa punjača akumulatora tokom skladištenja.
- Ne čuvajte akumulator na mestima gde može doći do statičkog pražnjenja. Ne čuvajte akumulator u metalnoj kutiji.
- Čuvajte akumulator na mestu gde je temperatura između 5 °C i 25 °C i van direktne sunčeve svetlosti.
- Čuvajte punjač akumulatora na mestu gde je temperatura između 5 °C i 45 °C i van direktne sunčeve svetlosti.
- Pobrinite se da je akumulator napunjen na 30% - 50% pre skladištenja na duži vremenski period.

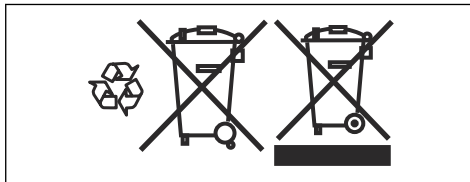
- Čuvajte proizvod, akumulator i punjač akumulatora na zaključanom mestu izvan domašaja dece i neovlašćenih osoba.
- Očistite proizvod i izvršite kompletno servisiranje pre nego što uskladištite proizvod na duži vremenski period.

mogući negativni uticaj na životnu sredinu i ljude, do kojeg bi u suprotnom došlo u slučaju nepravilnog odlaganja ovog proizvoda na otpad. Za detaljnije informacije o recikliranju ovog proizvoda, obratite se vašoj opštini, „Gradskoj čistoći“ ili osoblju u prodavnici u kojoj ste proizvod kupili.

## Odlaganje

Simboli na proizvodu ili njegovom pakovanju ukazuju na to da se ovim proizvodom ne može rukovati kao otpadom iz domaćinstva. On se mora odneti u odgovarajući reciklažni pogon za obnavljanje električne i elektronske opreme.

Starajući se da se na odgovarajući način pobrinite za ovaj proizvod, možete da pomognete da se ublaži



## Tehnički podaci

### Tehnički podaci

	S 138i	S 138C
<b>Motor</b>		
Tip motora	BLDC (bez četkica) 36 V	Seriya AC motora
Brzina dodatka – SavE, o/min	3000	Nije dostupno
Brzina dodatka – nominalna, o/min	3200	4200
Izlazna snaga motora – maks. kW	1,28	1,8
Izlazna snaga motora – nominalna, kW	0,9	1,6
<b>Težina</b>		
Težina, kg	19,5 (bez akumulatora)	19,0
<b>Akumulator</b>		
Tip akumulatora	Husqvarna serija akumulatora	N/D
<b>Vreme rada akumulatora</b>		
Vreme rada akumulatora, min, (slobodan rad) sa aktiviranim funkcijom SavE, sa jednim Husqvarna 5,2 Ah akumulatorom (Bli200).	115	N/D
Vreme rada akumulatora, min, (slobodan rad) sa aktiviranim standardnim režimom, sa jednim Husqvarna 5,2 Ah akumulatorom (Bli200).	102	N/D
<b>Emisija buke <sup>70</sup></b>		
Nivo zvučne snage, mereno dB (A)	89,2	95,7
Nivo zvučne snage, garantovano L <sub>WA</sub> dB (A)	91	98
<b>Nivoi zvuka <sup>71</sup></b>		

<sup>70</sup> Emisije buke u životnoj sredini merene kao zvučna snaga (L<sub>WA</sub>) u skladu sa direktivom 2000/14/EZ.

<sup>71</sup> Prijavljeni podaci za nivo zvučnog pritiska imaju tipičnu statističku disperziju (standardna devijacija) od 1,2 dB (A).

	<b>S 138i</b>	<b>S 138C</b>
Nivo zvučnog pritiska na uho rukovaoca, dB (A)	75,3	81,7
<b>Nivoi vibracije <sup>72</sup></b>		
Ručka, m/s <sup>2</sup>	5,5	8,3
<b>Rukovanje</b>		
Maks./min. radna dubina, mm	-8/+5	-8/+5
Radna dubina, cm	37,5	37,5
Dodatak delta sečiva	5973510-01	5973510-01
Dodatak opružnih zubaca	5973509-01	5973509-01
Kapacitet hvatača trave, litara	45	45

<b>Odobreni akumulatori</b>	<b>Tip</b>	<b>Kapacitet akumulatora, Ah</b>	<b>Napon, V</b>	<b>Težina, lb/kg</b>
BLi20	Litijum-jonski	4,0	36	2,6/1,2
BLi200	Litijum-jonski	5,2	36	2,8/1,3
BLi300	Litijum-jonski	9,4	36	4,1/1,9

<b>Odobreni punjači za navedene akumulatore, BLi</b>	<b>Ulazni napon, V</b>	<b>Frekvencija, Hz</b>	<b>Snaga, W</b>
QC80	100–240	50–60	80
QC80F	12	0	80
QC330	100–240	50–60	330
QC500	100–240	50–60	500

<sup>72</sup> Podaci o nivou vibracije imaju tipičnu statističku disperziju (standardnu devijaciju) od 0,2 m/s<sup>2</sup>.

---

## EZ deklaracija o usaglašenosti

---

### EZ deklaracija o usaglašenosti

**Husqvarna AB**, SE-561 82 Huskvarna, Švedska, tel:  
+46-36-146500, izjavljuje da su **ditačeri Husqvarna S**  
**138i** od serijskog broja 2018XXXXXX i nadalje  
usuglašeni sa zahtevima DIREKTIVE VEĆA:

- od 8. juna 2011., o „ograničenju upotrebe određenih opasnih supstanci“ **2011/65/EU**
- od 17. maja 2006., „u vezi sa mašinerijom“ **2006/42/EZ**
- od 26. februara 2014, „koja se odnosi na elektromagnetnu kompatibilnost“ **2014/30/EU**
- od 8. maja 2000., „koja se odnosi na emisije buke u okruženju“ **2000/14/EZ**

Za informacije o emisiji buke, pogledajte poglavlje Tehnički podaci.

Primenjeni su sledeći standardi:

**EN 60335-1:2012+A11:2014+A13:2017, EN**  
**50636-2-92:2014, EN 55014-1:2017, EN 55014-2:2015**

Huskvarna, 2019-01-15



Claes Losdal, Menadžer razvoja/Baštenski proizvodi  
(Ovlašćeni predstavnik kompanije Husqvarna AB i  
odgovorna osoba za tehničku dokumentaciju.)



---

## EZ deklaracija o usaglašenosti

---

### EZ deklaracija o usaglašenosti

**Husqvarna AB**, SE-561 82 Huskvarna, Švedska, tel:  
+46-36-146500, izjavljuje da su **ditačeri Husqvarna S**  
**138C** od serijskog broja 2018XXXXXXX i nadalje  
usuglašeni sa zahtevima DIREKTIVE VEĆA:

- od 8. juna 2011., o „ograničenju upotrebe određenih opasnih supstanci“ **2011/65/EU**
- od 17. maja 2006., „u vezi sa mašinerijom“ **2006/42/EZ**
- od 26. februara 2014, „koja se odnosi na elektromagnetnu kompatibilnost“ **2014/30/EU**
- od 8. maja 2000., „koja se odnosi na emisije buke u okruženju“ **2000/14/EZ**

Za informacije o emisiji buke, pogledajte poglavlje Tehnički podaci.

Primenjeni su sledeći standardi:

**EN 60335-1:2012+A11:2014+A13:2017, EN**  
**50636-2-92:2014, EN 55014-1:2017, EN 55014-2:2015,**  
**EN 61000-3-2:2014, EN 61000-3-11:2000**

Huskvarna, 2019-01-15



Claes Losdal, Menadžer razvoja/Baštenski proizvodi  
(Ovlašćeni predstavnik kompanije Husqvarna AB i  
odgovorna osoba za tehničku dokumentaciju.)

---

## Innehåll

---

Introduktion.....	642	Felsökning.....	661
Säkerhet.....	646	Transport, förvaring och kassering.....	662
Montering.....	654	Tekniska data.....	663
Drift.....	655	EG-försäkrän om överensstämmelse.....	665
Underhåll.....	659	EG-försäkrän om överensstämmelse.....	666

---

## Introduktion

---

### Produktbeskrivning

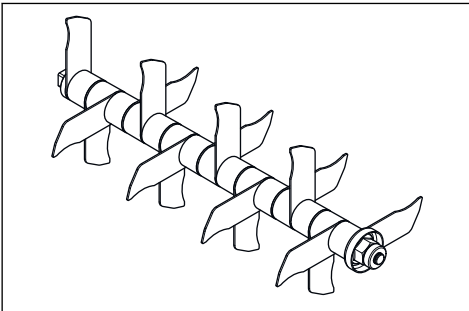
Produkten är en eldriven vertikalskärare som styrs av en gående person. Produkten tar bort dött gräs och luckrar upp jorden så att luft och vatten kan tränga in i gräsmattan. Det döda gräset samlas i en gräsupsamlare eller släpps ut på gräsmattan. Produkten har två typer av vertikalskärningsutrustning.

### Vertikalskärningsutrustning

Se *Byta ut vertikalskärningsutrustningen på sida 660* för information om hur vertikalskärningsutrustningen byts ut.

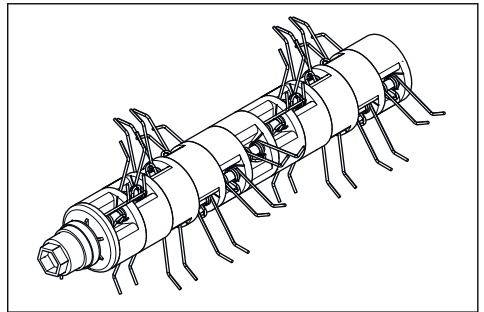
### Deltaknivar

Deltaknivarerna tar bort dött gräs och kapar gräsrotterna vertikalt. Använd deltaknivarerna i sluttningar, på avsatser och i jordar med hög lerhalt. Deltaknivarerna gör att vatten kan tränga ned i gräsmattan och förhindrar vattenansamling vid ytan.



### Fjädertänder

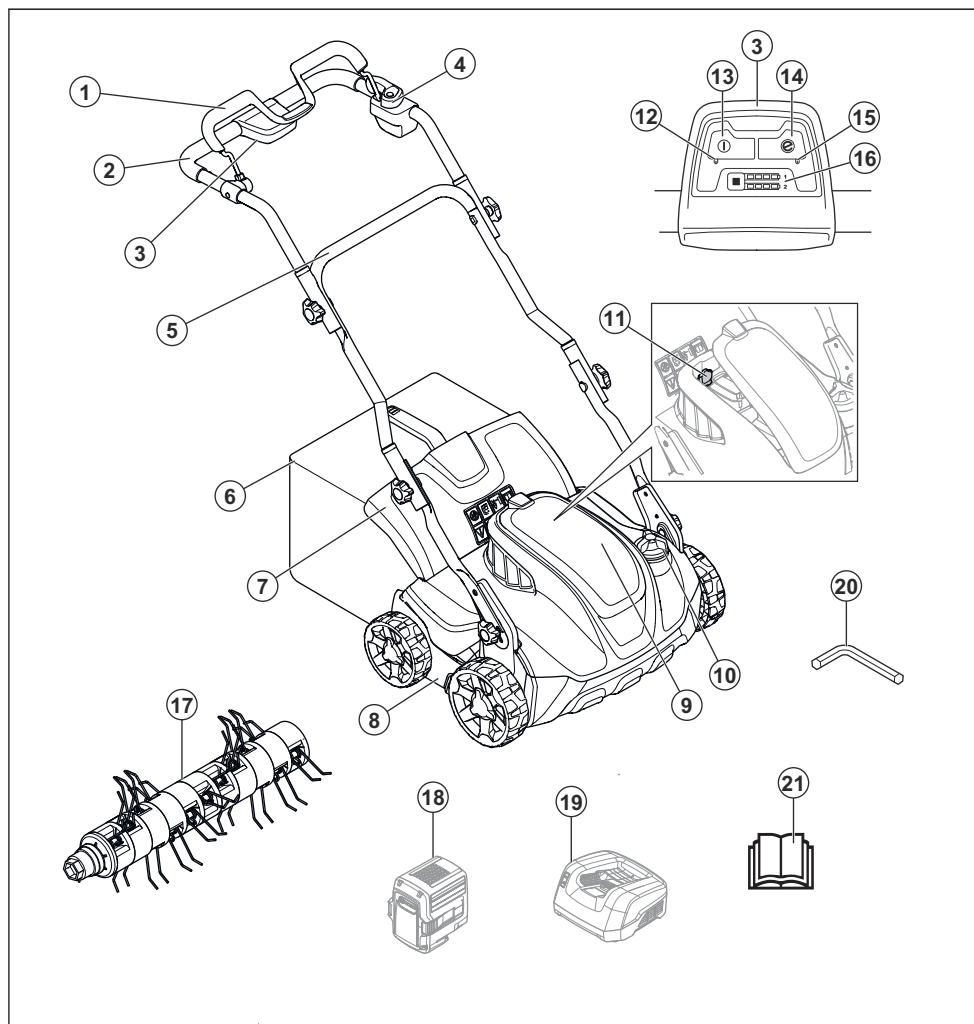
Fjädertänderna tar varsamt bort gräsrester utan att skada gräsrotterna.



### Avsedd användning

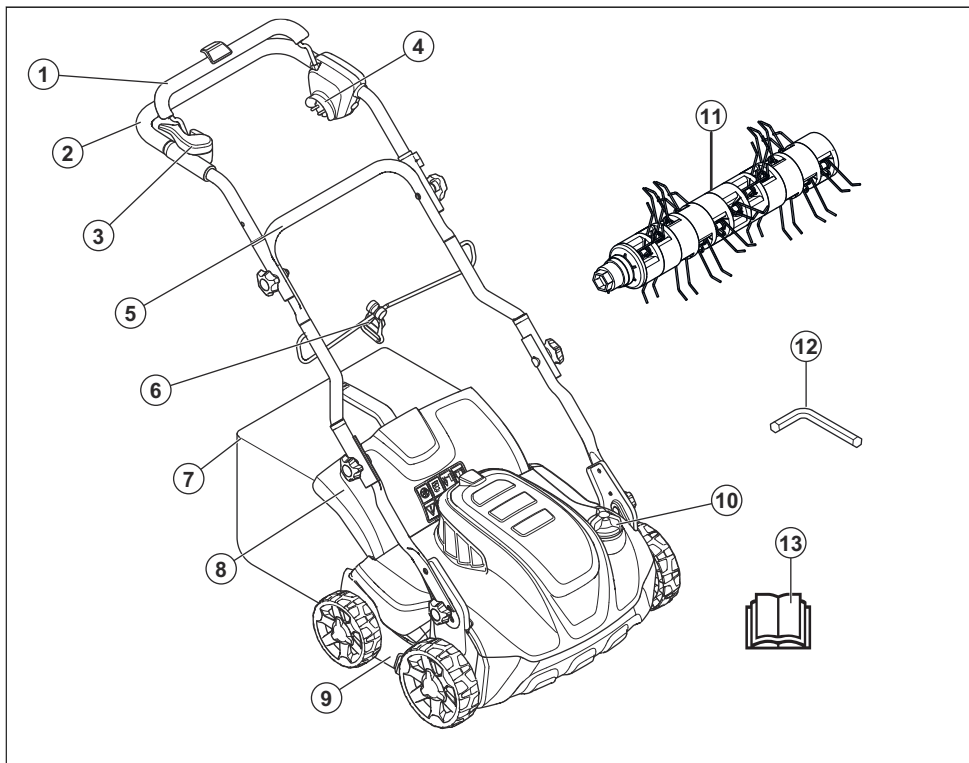
Använd produkten för att ta bort dött gräs och mossor och för att luckra upp jorden i trädgården. Använd inte produkten till andra uppgifter.

## Produktöversikt för modell S 138i



- |                                     |  |
|-------------------------------------|--|
| 1. Motorbromsbygel                  | 12. PÅ/AV-lysdiod                              |
| 2. Övre handtag                     | 13. Knappen PÅ/AV                              |
| 3. Reglagepanel                     | 14. Knappen SavE                               |
| 4. Startspärr                       | 15. SavE-lysdiod                               |
| 5. Undre handtag                    | 16. Batteriladdningsindikator och batteriknapp |
| 6. Gräsuppsamlare                   | 17. Fjädertänder                               |
| 7. Bakre kåpa                       | 18. Batteri (tillbehör)                        |
| 8. Vertikalskärarkåpa               | 19. Batteriladdare (tillbehör)                 |
| 9. Batterilock                      | 20. Insexnyckel                                |
| 10. Inställningsvred för arbetsdjup | 21. Bruksanvisning                             |
| 11. Säkerhetsnyckel                 |  |

## Produktöversikt för modell S 138C



1. Motorbromsbygel
2. Övre handtag
3. Startspärr
4. Strömuttag
5. Undre handtag
6. Kabelklämma
7. Gräsuppsamlare
8. Bakre kåpa
9. Vertikalskärarkåpa
10. Inställningsvred för arbetsdjup
11. Fjädertänder
12. Insexnyckel
13. Bruksanvisning

### Symboler på produkten



Varning! Slarvigt eller felaktigt användande kan resultera i skador eller

dödsfall för operatören eller andra.



Läs igenom bruksanvisningen och se till att du förstår innehållet innan du använder produkten.



Akta dig för utslungade föremål och rikoschetter.



Håll alltid människor och djur på säkert avstånd från arbetsområdet.



Varning! Håll händer och fötter borta från den roterande kniven.



Ta ur tändningsnyckeln innan du utför underhåll på produkten (modell S 138i).



Koppla bort produkten från eluttaget innan du utför underhåll på produkten (modell S 138C).



Risk för elektriska stötar (modell S 138C).



Utsätt inte för regn (modell S 138i).



Varning! Se till att produkten inte hamnar över nätsladden. Det kan orsaka elektriska stötar eller skada produkten (modell S 138C).

**IPX4** Produkten har skydd mot vattenstänk.

**EAC** Produkten överensstämmer med gällande EAC-direktiv.

**CE** Produkten överensstämmer med gällande EG-direktiv.



Produkten överensstämmer med gällande UkrSEPRO-direktiv.



Bulleremissioner till omgivningen enligt Europeiska Gemenskapens direktiv. Produktens emission anges i avsnittet Tekniska data och på etiketten.



Dubbelisolerad (modell S 138C).



Återvinn produkten vid en återvinningsstation för elektrisk och elektronisk utrustning. (Gäller endast Europa)



Startprocedur för modell S 138i: Tryck på knappen PÅ/AV, lyft på startspärren och tryck ned motorbromsbygeln.



Startprocedur för modell S 138C: lyft på

startspärren, tryck ned motorbromsbygeln.



Stoppa genom att släppa motorbromsbygeln.



Kod som kan skannas.

**Notera:** Övriga symboler/etiketter på produkten avser specifika krav för certifieringar på vissa marknader.

## Produktansvar

Enligt lagstiftningen för produktansvar ansvarar vi inte för skador som vår produkt orsakar om:

- produkten repareras felaktigt
- produkten repareras med delar som inte kommer från tillverkaren eller inte har godkänts av tillverkaren
- produkten har ett tillbehör som inte kommer från tillverkaren eller inte har godkänts av tillverkaren
- produkten inte repareras vid ett godkänt servicecenter eller av en godkänd person.

---

## Säkerhet

---

### Säkerhetsdefinitioner

Varningar, försiktighetsåtgärder och anmärkningar används för att betona speciellt viktiga delar i bruksanvisningen.



**WARNING:** Används om det finns risk för skador eller dödsfall för föraren eller kringstående om anvisningarna i bruksanvisningen inte följs.



**OBSERVERA:** Används om det finns risk för skada på produkten, annat material eller det angränsande området om anvisningarna i bruksanvisningen inte följs.

**Notera:** Används för att ge mer information som är nödvändig i en viss situation.

### Allmänna säkerhetsanvisningar



**WARNING:** Läs varningsinstruktionerna nedan innan du använder produkten.

- Denna produkt är farlig om den används på fel sätt, och om du inte är försiktig. Skada eller dödsfall kan inträffa om du inte följer säkerhetsinstruktionerna.
- Denna produkt alstrar ett elektromagnetiskt fält under drift. Detta fält kan under vissa omständigheter ge påverkan på aktiva eller passiva medicinska implantat. För att reducera risken för

omständigheter som kan leda till allvarliga eller livshotande skador rekommenderar vi därför personer med implantat att rådgöra med läkare samt tillverkaren av det medicinska implantatet innan denna produkt används.

- Var alltid försiktig och använd sunt förnuft. Om du inte vet hur du ska använda produkten i en särskild situation ska du stanna den och tala med en Husqvarna-återförsäljare innan du fortsätter.
- Tänk på att föraren kommer att hållas ansvarig för olyckor som involverar andra människor eller deras egendom.
- Håll produkten ren. Se till att du kan läsa skyltar och dekaler tydligt.
- Låt inte någon använda produkten om du inte är säker på att personen har läst och förstår innehållet i bruksanvisningen.
- Låt inte barn använda produkten.
- Låt inte en person utan kännedom om instruktionerna använda produkten.
- Övervaka alltid en person med nedsatt fysisk eller mental kapacitet som använder

produkten. En vuxen person måste vara närvarande hela tiden.

- Använd aldrig produkten om du är trött, sjuk eller om du är påverkad av alkohol, droger eller läkemedel. Detta har en negativ inverkan på din syn, ditt omdöme och din kroppskontroll.
- Använd inte produkten om den är trasig.
- Modifiera aldrig den här produkten och använd den inte om det är möjligt att den har blivit modifierad av andra.

## Säkerhet i arbetsområdet

---



**WARNING:** Läs varningsinstruktionerna nedan innan du använder produkten.

---

- Ta bort föremål som grenar, kvistar och stenar från arbetsområdet innan du använder produkten.
- Objekt som slår mot vertikalskäraren kan slungas ut och orsaka skador på personer och föremål. Håll alltid människor och djur på säkert avstånd från produkten.
- Använd aldrig produkten i dåligt väder, som dimma, regn, hård vind, extrem kyla

och risk för blixtnedslag. Det är ansträngande att använda produkten i dåligt väder eller på fuktiga eller våta platser. Dåligt väder kan leda till farliga förhållanden, t.ex. hala ytor.

- Håll utkik efter personer, föremål och situationer som kan förhindra säker användning av produkten.
- Håll utkik efter hinder, som rötter, stenar, grenar, gropar och diken. Långt gräs kan dölja hinder.
- Det kan vara farligt att använda produkten i sluttningar. Använd inte produkten i terräng som lutar mer än 15°.
- Klipp tvärs över sluttningar. Inte upp och ned.
- Var uppmärksam när du närmar dig dolda hörn och föremål som skymmer sikten.

## Arbetssäkerhet



**WARNING:** Läs varningsinstruktionerna nedan innan du använder produkten.

---

- Använd enbart den här produkten för att ta bort dött gräs och mossor från gräsmattor. Det är inte tillåtet

att använda den för andra uppgifter.

- Använd personlig skyddsutrustning. Se *Personlig skyddsutrustning på sida 649*.
- Använd inte produkten i regn eller vid blöta förhållanden. Risken för elektriska stötar ökar om vatten kommer in i produkten.
- Använd inte produkten om inte vertikalskärningsutrustningen och alla kåpor är korrekt monterade. Felaktigt monterad vertikalskärningsutrustning kan lossna och orsaka personskador.
- Se till att vertikalskärningsutrustningen inte slår emot föremål som stenar och rötter. Detta kan orsaka skador på vertikalskärningsutrustningen och böja motoraxeln. En böjd axel orsakar kraftiga vibrationer och risken för att vertikalskärningsutrustningen lossnar blir mycket hög.
- Om vertikalskärningsutrustningen träffar ett föremål eller om det uppstår vibrationer ska du omedelbart stanna produkten. Slå av motorn, vrid tändningsnyckeln till 0 och ta



- bort batteriet (modell S 138i) eller koppla ur nätsladden (modell S 138C). Kontrollera om det finns några skador på produkten. Reparera skadorna eller låt en behörig serviceverkstad utföra reparationen.
- Fäst aldrig motorbromsbygeln permanent på handtaget när motorn är igång.
  - Ställ produkten på ett stabilt plant underlag och starta den. Se till att vertikalskärningsutrustningen inte vidrör marken eller andra föremål.
  - Håll dig alltid bakom produkten när du använder den.
  - Låt alla hjul stå på marken och håll båda händerna på handtaget när du använder produkten. Håll händer och fötter borta från den roterande vertikalskärningsutrustningen.
  - Luta inte produkten när motorn är igång.
  - Var försiktig när du drar produkten bakåt.
  - Lyft aldrig upp produkten när motorn är igång. Om du måste lyfta produkten stänger du av motorn, vrider tändningsnyckeln till 0 och tar bort batteriet (modell S 138i) eller kopplar ur nätsladden (modell S 138C).
- Gå inte baklänges när du använder produkten.
  - Stäng av motorn när du rör dig över områden utan gräs, t.ex. gångar av grus, sten och asfalt.
  - Spring inte med produkten när motorn är igång. Gå alltid när du använder produkten.
  - Stäng av motorn innan du ändrar arbetsdjupet. Gör aldrig justeringar med motorn igång.
  - Lämna aldrig produkten utanför ditt synfält med motorn igång. Stäng av motorn och se till att vertikalskärningsutrustningen inte roterar.

## Säkerhetsinstruktioner för drift

### Personlig skyddsutrustning

Godkänd personlig skyddsutrustning ska användas då du använder produkten. Personlig skyddsutrustning kan inte eliminera skaderisken, men den reducerar effekten av en skada vid ett eventuellt olyckstillbud. Be din återförsäljare om hjälp vid val av utrustning.

Använd alltid:

- Hörselskydd för att minimera risken för hörselskador.
- Halkfria, stabila stövlar eller skor. Använd inte sandaler och gå inte barfota.
- Tjocka långbyxor. Använd inte shorts.

Använd handskar när det behövs, till exempel vid montering, inspektion och rengöring av vertikalskärningsutrustningen.



**WARNING:** Använd godkända hörselskydd. Långvarig exponering för buller kan ge bestående hörselskador.

---

## Säkerhetsanordningar på produkten



**VARNING:** Läs varningsinstruktionerna nedan innan du använder produkten.

- Använd inte en produkt med defekta säkerhetsanordningar.
- Kontrollera säkerhetsanordningarna regelbundet. Om säkerhetsanordningarna är defekta ska du prata med din Husqvarna serviceverkstad.

### Kontrollera kåporna

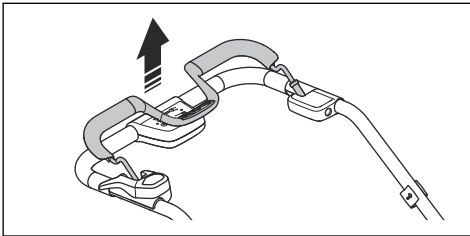
Vertikalskärarkåpan dämpar vibrationerna och minskar risken för skador orsakade av vertikalskärningsutrustningen.

- Undersök vertikalskärarens sidokåpa för att se till att den inte har några skador, t.ex. sprickor.
- Undersök den bakre kåpan för att se till att den inte har några skador, t.ex. sprickor.

### Motorbromsbygel

Motorbromsbygeln stänger av motorn. När motorbromsbygeln släpps stannar motorn.

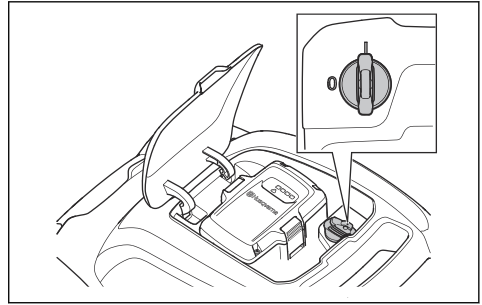
För att inspektera motorbromsen ska du starta motorn och sedan släppa motorbromsbygeln. Om motorn inte stannar inom tre sekunder ska du låta en godkänd Husqvarna-serviceverkstad justera motorbromsen.



### Säkerhetsnyckel

Säkerhetsnyckeln finns under batteriluckan. Säkerhetsnyckeln används för att koppla batteriet som förser motorn med ström.

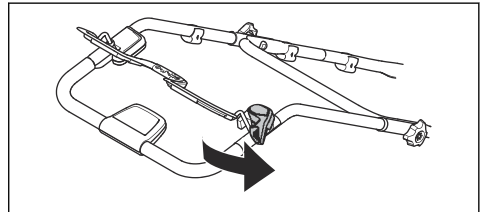
- Starta och stäng av motorn för att kontrollera säkerhetsnyckeln.
- Om säkerhetsnyckeln fungerar som den ska startar motorn endast när nyckeln är i position 1.



### Undersöka startspärren

Gör en kontroll av startspärren för att se till att den hindrar drift av motorn.

1. Tryck motorbromsbygeln i handtagets riktning. Startspärren stoppar rörelsen.
2. Tryck ut startspärren.

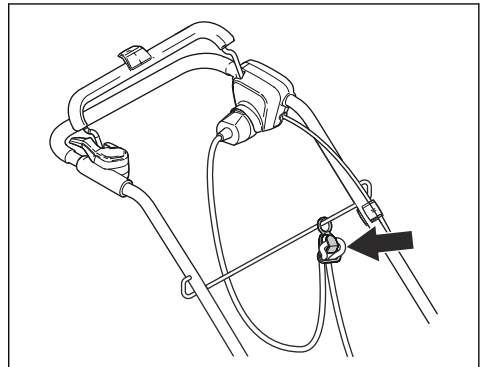


3. Lossa startspärren och se till att den går tillbaka till ursprungsläget.

### Använda nätsladdshållaren (modell S 138C)

Nätsladdshållaren minskar belastningen på nätuttaget och nätsladden. Nätsladdshållaren minskar också risken för att du ska falla.

1. Gör en smal ögla genom att böja nätsladden.
2. Placera ögla i hålet i nätsladdshållaren.
3. Placera ögla runt kroken.
4. Dra åt nätsladden så ögla spänns åt runt kroken.



## Batterisäkerhet

---



**WARNING:** Läs varningsinstruktionerna nedan innan du använder produkten.

---

- Använd endast laddningsbara batterier från Husqvarna som strömkälla för relaterade Husqvarna-produkter. På grund av risken för skador ska du inte använda batteriet som strömkälla för andra enheter.
- Använd inte batterier som inte är laddningsbara.
- Risk för elektrisk stöt. Anslut inte batteripolerna till nycklar, mynt, skruvar eller andra metallföremål. Det kan orsaka kortslutning i batteriet.
- Placera inte föremål i luftspringorna på batteriet.
- Håll batteriet borta från direkt solljus, värme och öppen eld. Batteriet kan explodera och orsaka brännskador och/eller kemiska brännskador.
- Håll batteriet borta från regn och fuktiga förhållanden.
- Håll batteriet borta från mikrovågor och högt tryck.
- Försök inte ta isär eller krossa batteriet.
- Om batteriet läcker ska du inte låta vätskan komma i kontakt

med huden eller ögonen. Om du har rört vid vätskan ska du rengöra området med stora mängder vatten och kontakta läkare.

- Använd batteriet vid temperaturer mellan  $-10\text{ °C}$  och  $40\text{ °C}$ .
- Rengör inte batteriet eller batteriladdaren med vatten. Se *Rengöra batteriet och batteriladdaren på sida 660*.
- Använd inte ett defekt eller skadat batteri.
- Håll batterier som förvaras borta från metallföremål, exempelvis spikar, mynt och smycken.

## Säkerhet, batteriladdare

---



**WARNING:** Läs varningsinstruktionerna nedan innan du använder produkten.

---

- Använd endast QC-batteriladdare för att ladda utbytesbatterier från Husqvarna.
- Risk för elektrisk stöt eller kortslutning. Placera inte föremål i luftspringorna på laddaren. Försök inte plocka isär batteriladdaren. Anslut inte laddarens kontakter till

- metallföremål. Använd ett godkänt eluttag.
- Denna produkt alstrar ett elektromagnetiskt fält under drift. Detta fält kan under vissa omständigheter ge påverkan på aktiva eller passiva medicinska implantat. För att reducera risken för omständigheter som kan leda till allvarliga eller livshotande skador rekommenderar vi därför personer med implantat att rådgöra med läkare samt tillverkaren av det medicinska implantatet innan denna maskin används.
  - Kontrollera regelbundet att nätsladden till batteriladdaren är oskadad och att inga sprickor finns.
  - Lyft inte batteriladdaren i nätsladden. Koppla bort batteriladdaren från eluttaget genom att dra i kontakten. Dra inte i nätsladden.
  - Håll nätsladd och skarvsladd borta från vatten, olja och skarpa kanter. Var uppmärksam så att inte kabeln kläms i dörrar, stängsel eller liknande. Det kan annars medföra att laddaren blir strömförande.
  - Rengör inte batteriladdaren med vatten.
- Batteriladdaren kan användas av barn från 8 år och uppåt och personer med olika funktionshinder eller bristande erfarenhet och kunskap om de hålls under uppsikt eller får instruktioner om säker användning av batteriladdaren och förstår de risker användandet medför. Barn får inte leka med batteriladdaren. Rengöring och underhåll får inte utföras av barn utan tillsyn.
  - Ladda aldrig batterier som inte är laddningsbara i batteriladdaren.
  - Använd inte batteriladdaren nära brandfarliga material eller material som kan orsaka korrosion. Täck inte över batteriladdaren. Dra ut stickkontakten till batteriladdaren vid rökutveckling eller brand.
  - Använd aldrig defekta eller skadade batteriladdare.
  - Ladda endast batteriet inomhus där den inte utsätts för solljus och i ett rum med bra luftflöde. Ladda inte batteriet vid fuktiga förhållanden.

#### **Nätsladdssäkerhet**

För modell S 138C.

- Vi rekommenderar användning av en jordfelsbrytare (RCD) med frångående vid högst 30 mA. Även med en jordfelsbrytare installerad kan 100 % säkerhet inte garanteras och säkra arbetsmetoder måste alltid följas. Kontrollera jordfelsbrytaren varje gång du använder den.
- Tänk på att koppla bort produkten från eluttaget om nätsladden eller isoleringen är skadad.
- Vidrör inte en skadad nätsladd förrän strömmen har kopplats ifrån.
- Reparera inte en skadad nätsladd. Byt till en ny.
- För modell S 138C: Koppla ifrån nätsladden för att förhindra oavsiktlig start vid underhåll.
- Utför underhållsarbete på rätt sätt för att öka produktens livslängd och minska risken för olyckor. Låt en godkänd serviceverkstad utföra fackmannamässig reparation. Tala med din närmaste serviceverkstad för mer information.
- Utför endast det underhållsarbete som anges i den här bruksanvisningen. Mer omfattande arbete ska utföras av en godkänd serviceverkstad.
- Använd kraftiga arbetshandskar när du använder vertikalskärningsutrustningen. Vertikalskärningsutrustningen är mycket vass och skärskador uppstår lätt.
- Håll vertikalskärningsutrustningen välslipad och ren för optimal och säker prestanda.
- Låt din serviceverkstad regelbundet kontrollera produkten och göra nödvändiga inställningar och reparationer.

## Säkerhetsinstruktioner för underhåll



**WARNING:** Läs varningsinstruktionerna nedan innan du använder produkten.

---

- För modell S 138i: För att förhindra oavsiktlig start vid underhåll ska du vrida säkerhetsnyckeln till 0 och ta bort batteriet. Vänta i minst fem sekunder innan du påbörjar underhåll.

- Byt ut skadade, slitna och trasiga delar.
- Följ instruktionerna för byte av tillbehör. Använd endast tillbehör från tillverkaren.
- När den inte används ska du hålla produkten, batteriet och

batteriladdaren ifrån varandra på ett torrt och låst utrymme inomhus. Se till att barn och personer som inte är godkända inte kan få tillgång till produkten, batteriet eller batteriladdaren.

## Montering

### Introduktion



**WARNING:** Innan du monterar produkten ska du läsa säkerhetskapitlet.

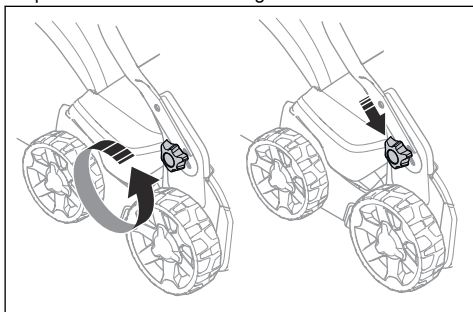


**WARNING:** För modell S 138i: Förhindra oavsiktlig start vid montering genom att vrida säkerhetsnyckeln till 0, ta bort batteriet och vänta minst fem sekunder.

För modell S 138C: Koppla ifrån nätsladden för att förhindra oavsiktlig start vid montering.

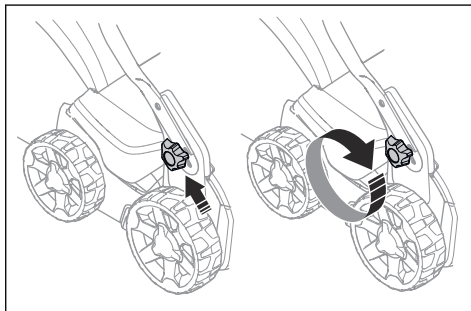
### Montera handtaget

1. Lossa de nedre vreden.
2. Flytta vreden till den nedre delen av spåren på produktens vänstra och högra sida.



3. Ställ in handtagshöjden till ett av två tillgängliga lägen.

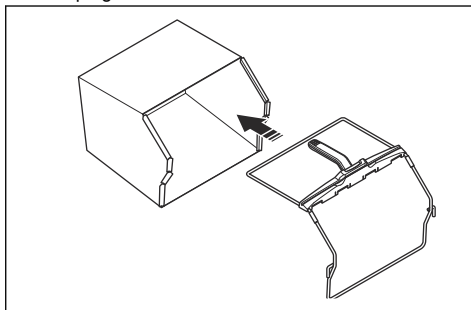
4. Skjut vreden uppåt mot handtaget tills det tar stopp och du hör ett klick.



5. Dra åt vreden helt.

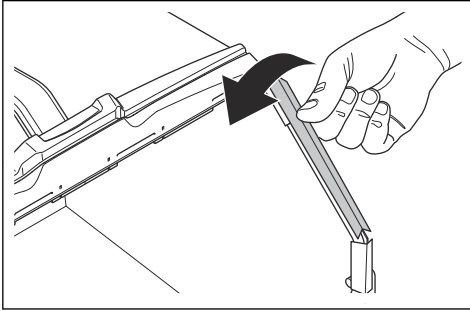
### Montera gräsuppsamlaren

1. Fäst gräsuppsamlarens ram i gräsbehållaren, med behållarens stela del nedåt. Håll ramens handtag ovanpå gräsbehållaren.



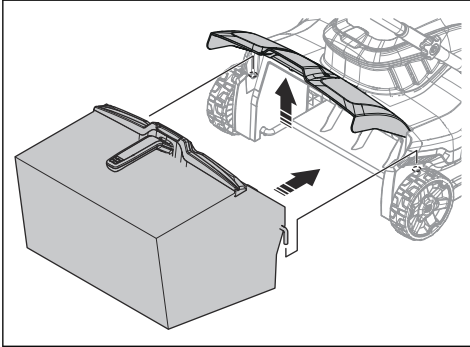
2. Sätt fast den nedre delen av gräsuppsamlarens ram i spåret på undersidan av gräsuppsamlaren.

3. Fäst gräsbehållaren på gräsuppsamlarens ram med klämmorna.

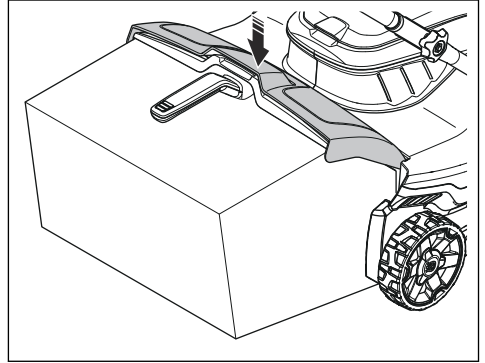


4. Lyft den bakre kåpan.

5. Flytta gräsuppsamlaren till rätt läge.



6. Fäst gräsuppsamlaren i den övre kanten på chassit. Kontrollera att den bakre kåpan ligger helt tätt mot gräsuppsamlaren för att förhindra läckage.



---

## Drift

---

### Introduktion



**VARNING:** Innan du använder produkten måste du läsa igenom och förstå kapitlet om säkerhet.

### Husqvarna Connect

Husqvarna Connect är en kostnadsfri app för mobila enheter. Husqvarna Connect-appen utökar funktionerna för Husqvarna-produkten:

- Mer produktinformation.
- Information om, och hjälp med, produktdelar och service.

### Börja använda Husqvarna Connect

1. Hämta Husqvarna Connect-appen på din mobila enhet.
2. Utför registreringen i Husqvarna Connect-appen.
3. Följ instruktionerna i Husqvarna Connect-appen för att ansluta och registrera produkten.

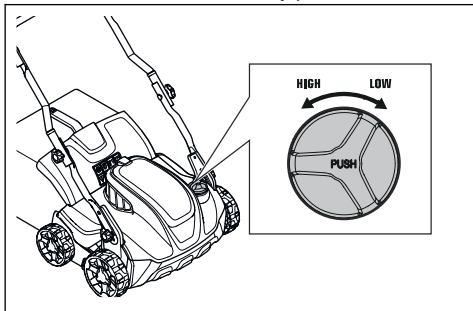
### Ställa in arbetsdjupet



**VARNING:** Ställ inte in arbetsdjupet när du använder produkten.

1. Tryck in och vrid inställningsvredet för arbetsdjup moturs för att öka arbetsdjupet.

2. Tryck in och vrid inställningsvredet för arbetsdjup medurs för att minska arbetsdjupet.



## Batteri

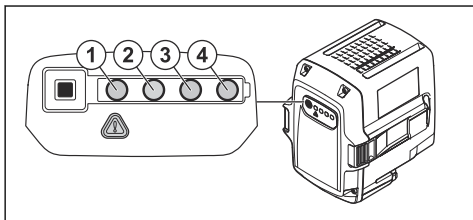


**WARNING:** Innan du använder batteriet måste du läsa igenom och förstå kapitlet om säkerhet. Du måste också läsa igenom och förstå den bruksanvisning som medföljer batteriet och batteriladdaren.

## Batteristatus

Displayen visar den återstående batterikapaciteten och om det föreligger problem med batteriet.

Batterikapaciteten visas i fem sekunder efter att produkten har stängts av eller batteriindikatorknappen har tryckts in. Varningssymbolen på batteriet tänds när ett fel har inträffat. Se *Batteri på sida 661*.



Lysdioder	Batteristatus
Alla lysdioder är tända	Fulladdat (75–100 %)
Lysdiod 1, 2 och 3 lyser	Batteriet är 50–75 % laddat
Lysdiod 1 och 2 lyser	Batteriet är 25–50 % laddat
Lysdiod 1 lyser	Batteriet är 0–25 % laddat.
Lysdiod 1 blinkar	Batteriet är tomt. Ladda batteriet.

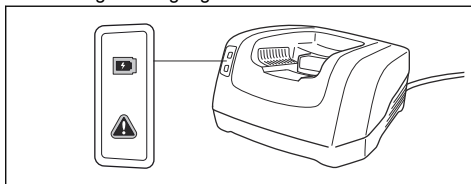
## Ladda batteriet

Ladda batteriet före första användning. Batteriet är endast 30 % laddat när det levereras till kunden.

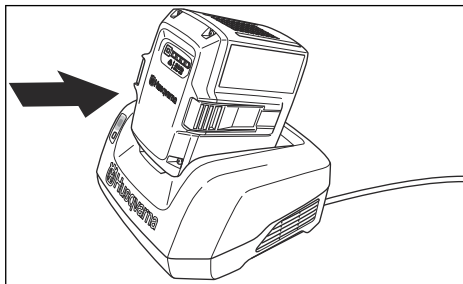
**Notera:** Batteriladdaren måste vara kopplad till den spänning och frekvens som anges på typskylten.

Batteriet laddas inte om batteritemperaturen är över 50 °C. Batteriladdaren sänker batteriets temperatur innan den börjar ladda.

1. Anslut den ena änden av batteriladdarens nätsladd till batteriladdarens uttag.
2. Anslut den andra änden av batteriladdarens nätsladd till ett jordat uttag. Lysdioden på batteriladdaren blinkar grönt en gång.



3. Sätt i batteriet i batteriladdaren. Den gröna lampan på laddaren tänds när batteriet är korrekt anslutet till laddaren.



4. När alla lysdioder på batteriet lyser är batteriet fulladdat. Ladda batteriet i högst 24 timmar.
5. Koppla bort batteriladdaren ur vägguttaget genom att dra i kontakten, inte i nätsladden.
6. Ta ut batteriet ur batteriladdaren.

## Batteriladdningsstatus

Ett litiumjonbatteri från Husqvarna kan laddas eller användas vid alla laddningsnivåer. Batteriet inte är skadat. Ett fulladdat batteri laddas inte ur även om batteriet sitter kvar i laddaren.

LED-display	Laddningsstatus
Lysdiod 1 blinkar	0–25 %
Lysdiod 1 lyser, 2 blinkar	25–50%
Lysdioderna 1 och 2 lyser, 3 blinkar	50–75 %

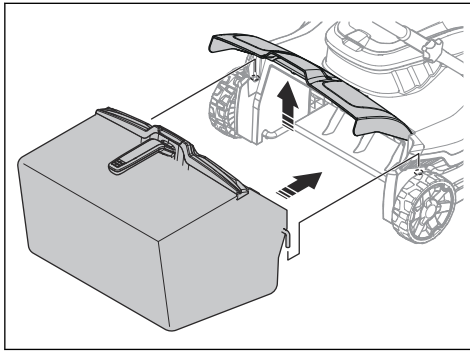


LED-display	Laddningsstatus
Lysdioderna 1, 2 och 3 lyser, 4 blinkar	75–100%
Lysdioderna 1, 2, 3 och 4 lyser	Fulladdat

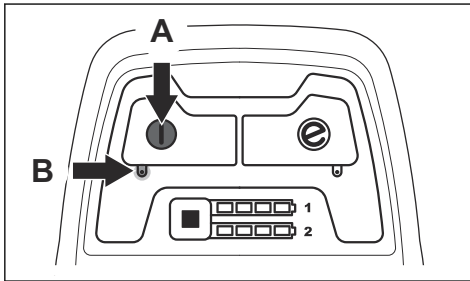
## Använda S 138i

### Starta produkten

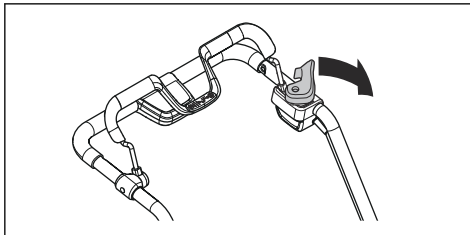
1. Sätt ett laddat batteri i batterifack nummer 1 under batteriluckan. För längre drifttid sätter du ett andra laddat batteri i batterifack nummer 2.
2. Vrid säkerhetsnyckeln till 1.



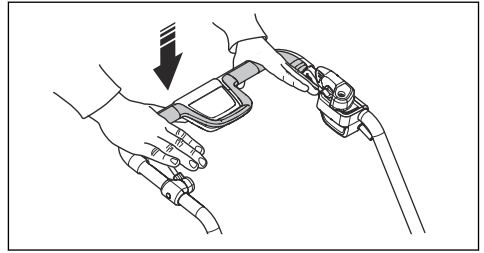
3. Stå bakom produkten.
4. Tryck på PÅ/AV-knappen (A) på reglagepanelen så tänds den gröna lysdioden (B).



5. Lossa startspärren.



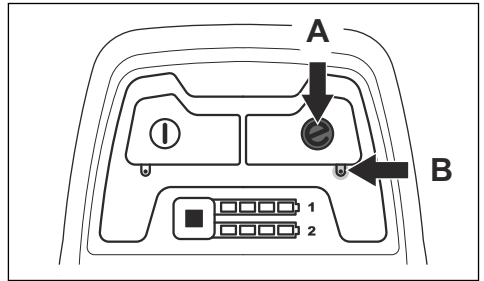
6. Tryck motorbromsbygeln i handtagets riktning.



### Använda SavE-funktionen

Produkten har en batterisparfunktion (SavE) som ger längre drifttid.

1. Tryck på SavE-knappen (A) för att starta funktionen. Den gröna lysdioden tänds.

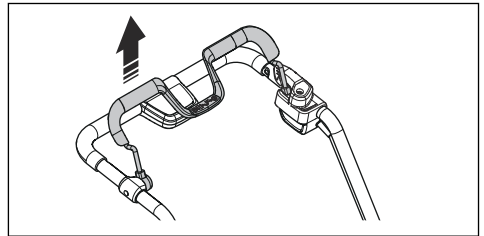


2. Tryck på SavE-knappen igen för att stänga av funktionen. Den gröna lysdioden (B) slocknar.

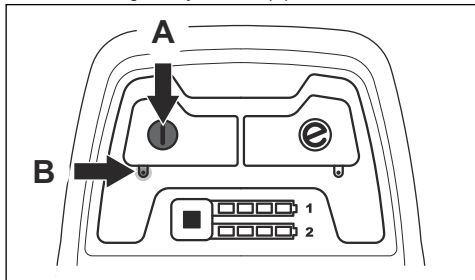
### Stänga av produkten

Produkten stängs av automatiskt om du inte använder den på tio minuter. Vrid alltid säkerhetsnyckeln till 0 innan du lämnar produkten utom synhåll.

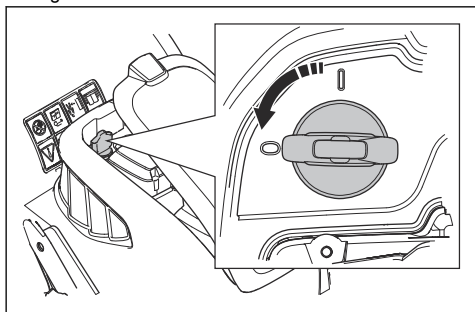
1. Släpp motorbromsbygeln för att stänga av motorn.



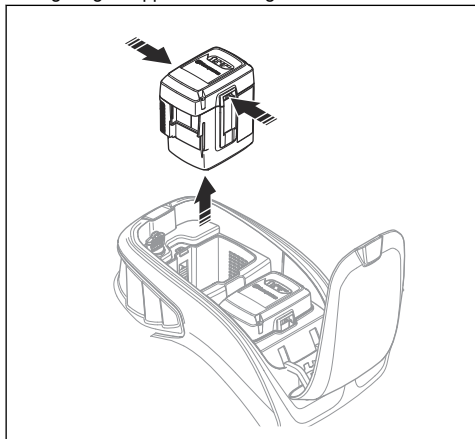
- Tryck på PÅ/AV-knappen (A) på reglagepanelen så släcks den gröna lysdioden (B).



- Öppna batteriluckan och vrid säkerhetsnyckeln till läget 0.



- För att ta bort batteriet trycker du på de två frigöringsknapparna samtidigt och drar ut batteriet.

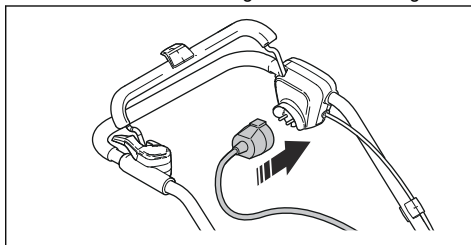


- Ladda batteriet om det är svagt. Mer information finns på *Ladda batteriet på sida 656*.

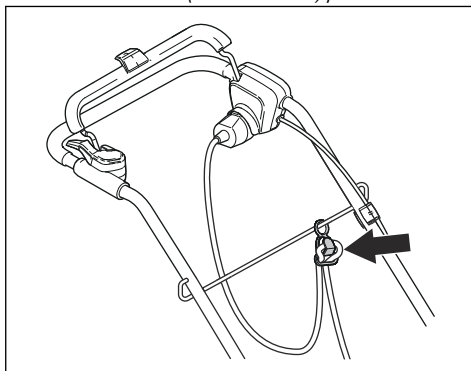
## Använda S 138C

### Starta produkten

- Anslut nätsladden till uttaget nedanför handtaget.

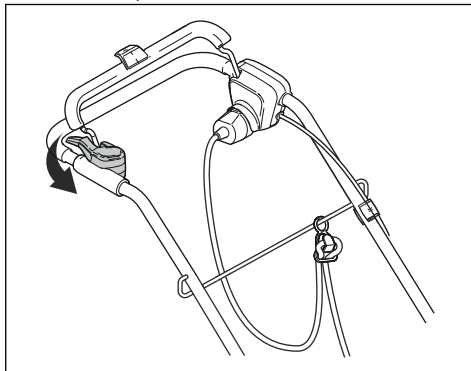


- Sätt nätsladden i sladdhållaren. Se *Använda nätsladdshållaren (modell S 138C) på sida 650*.

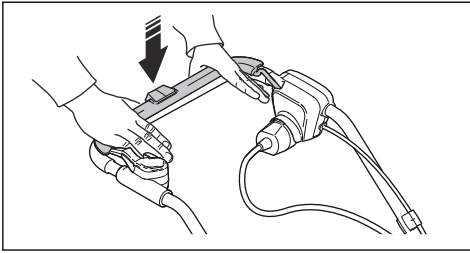


- Stå bakom produkten.

- Lossa startspärren.

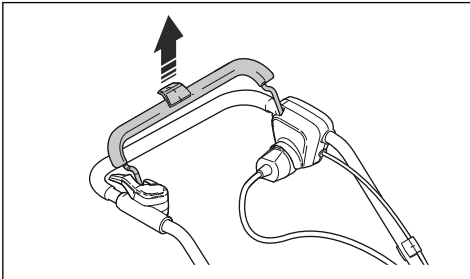


5. Tryck motorbromsbygeln i handtagets riktning.

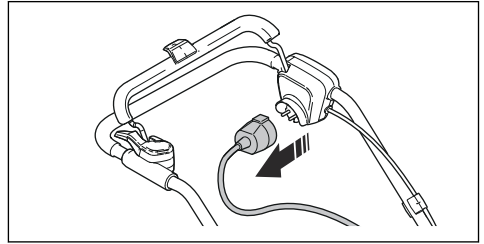


### Stänga av produkten

1. Släpp motorbromsbygeln för att stänga av motorn.



2. Koppla bort nätsladden från eluttaget och därefter ur produkten.



**OBSERVERA:** Dra kontakten rakt ut.  
Drag inte i nätsladden.

## Underhåll

### Introduktion



**VARNING:** Innan du utför underhåll måste du läsa och förstå kapitlet om säkerhet.

För allt service- och reparationsarbete på produkten krävs särskild utbildning. Vi garanterar att du kan få en fackmannamässig reparation och service utförd. Om din återförsäljare inte är en serviceverkstad kan du tala med dem för information om närmaste serviceverkstad.

### Underhållsschema

Underhållsintervallen beräknas utifrån daglig användning av produkten. Intervallen ändras om produkten inte används dagligen.

För underhåll som markeras med \*, se *Säkerhetsanordningar på produkten på sida 650.*

S 138i och S 138C	Varje användning	Varje månad	Varje säsong
Utför en allmän inspektion.	X		
Rengör produkten.	X		
Inspektera vertikalskärningsutrustningen.	X		
Kontrollera att produktens säkerhetsanordningar inte är defekta. *	X		
Undersök kåporna. *	X		
Kontrollera motorbromsbygeln. *	X		
Kontrollera startspärren. *	X		

Endast S 138i	Varje användning	Varje månad	Varje säsong
Se till att PÅ/AV-knappen fungerar som den ska och inte är defekt.	X		
Undersök om det finns några skador på batteriet.	X		
Kontrollera batteriladdningen.	X		
Se till att frigöringsknapparna på batteriet fungerar och låser fast batteriet i produkten.	X		
Undersök om batteriladdaren har skador och se till att den fungerar som den ska.		X	
Undersök anslutningarna mellan batteriet och produkten. Undersök även anslutningen mellan batteriet och batteriladdaren.			X

## Allmän inspektion

- Se till att skruvar och muttrar på produkten är åtdragna.
- Se till att produktens kablar inte är i ett läge där de kan skadas.

## Rengöra produkten

- Rengör plastdelar med en ren och torr trasa.
- Använd inte vatten för att rengöra produkten. Vatten kan tränga in i batteriet eller motorn och orsaka kortslutning eller skada på produkten.
- Undvik att använda högttrycksvätt när du rengör maskinen.
- Spola inte vatten direkt på motorn.
- Använd en borste för att ta bort löv, gräs och smuts.

## Rengöra batteriet och batteriladdaren



**OBSERVERA:** Rengör inte batteriet eller batteriladdaren med vatten.

- Se till att batteriet och batteriladdaren är rena och torra innan du sätter i batteriet i batteriladdaren.
- Rengör batteripolerna med tryckluft eller med en mjuk, torr trasa.
- Rengör ytorna på batteriet och batteriladdaren med en mjuk, torr trasa.

## Inspektera vertikalskärningsutrustningen



**WARNING:** För modellerna S 138i: Förhindra oavsiktlig start genom att vrida säkerhetsnyckeln till 0, ta bort batteriet och vänta minst fem sekunder.

För modell S 138C: Koppla ifrån nätsladden för att förhindra oavsiktlig start.



**WARNING:** Använd skyddshandskar när du utför underhåll på vertikalskärningsutrustningen. Knivarna på vertikalskärningsutrustningen är mycket vassa och skärskador uppstår lätt.

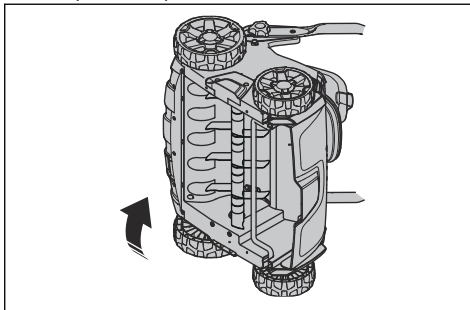
- Kontrollera att vertikalskärningsutrustningen inte är skadad eller har sprickor. Byt alltid ut skadad vertikalskärningsutrustning.

## Byta ut vertikalskärningsutrustningen

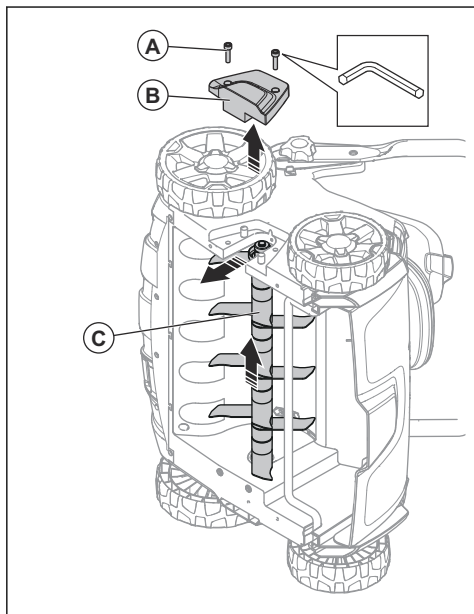


**WARNING:** Använd skyddshandskar när du utför underhåll på vertikalskärningsutrustningen. Vertikalskärningsutrustningen är mycket vass och skärskador uppstår lätt.

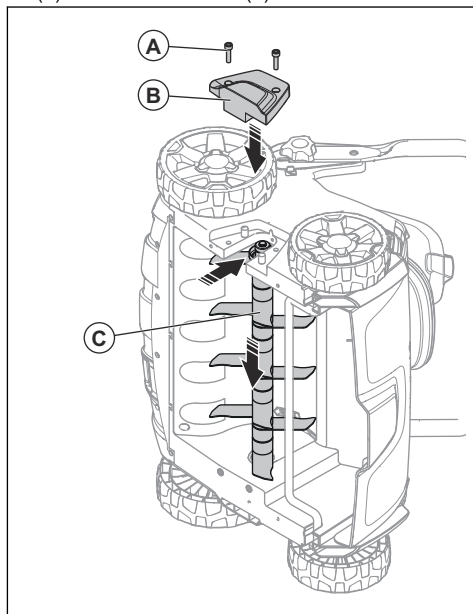
1. Ställ produkten på sidan.



2. Ta bort de två skruvarna (A) och vertikalskärarkåpan (B). Tryck vertikalskärningsutrustningen (C) uppåt och utåt för att ta bort den.



3. Skjut den nya vertikalskärningsutrustningen (C) in i spåret och ned i hålet. Montera vertikalskärarkåpan (B) och de två skruvarna (A).



## Felsökning

### Batteri

Lysdiod på batteriet	Eventuella fel	Möjliga åtgärder
Den gröna lysdioden blinkar	Batterispänningen är låg	Ladda batteriet. Se <i>Ladda batteriet på sida 656</i> .
Lysdioden för fel blinkar	Batteriet är svagt	Ladda batteriet. Se <i>Ladda batteriet på sida 656</i> .
	Temperaturen i arbetsmiljön är för hög eller för låg	Använd batteriet vid temperaturer mellan $-10\text{ °C}$ och $40\text{ °C}$ .
	Överspänning	Kontrollera att nätspänningen stämmer med den som anges på produktens typskylt. Ta ut batteriet ur batteriladdaren. Vänta fem sekunder och försök att ladda batteriet igen. Om problemet kvarstår kan du tala med en auktoriserad serviceverkstad.
Lysdioden för fel lyser	För stor batteriskillnad (1 V)	Tala med en godkänd serviceverkstad.

## Batteriladdare

Lysdiod på batteriladdaren	Eventuella fel	Möjliga åtgärder
Lysdioden för fel blinkar	Temperaturen i arbetsmiljön är för hög eller för låg	Använd batteriladdaren i temperaturer mellan 5 °C och 40 °C.
Lysdioden för fel lysar		Tala med en godkänd serviceverkstad

## Reglagepanel

För modell S 138i

Fel	Felkod (antal blinkningar)	Eventuella fel	Möjlig åtgärd
Lysdiod för fel blinkar	3	Motorn är överbelastad.	Minska arbetsdjupet. Se <i>Ställa in arbetsdjupet på sida 655</i> . Om lysdioden för fel fortsätter att blinka är vertikalskärningsutrustningen blockerad. Förhindra oavsiktlig start genom att vrida säkerhetsnyckeln till 0, ta bort batteriet och vänta minst fem sekunder. Se till att vertikalskärningsutrustningen kan röra sig fritt. Om problemet kvarstår kan du tala med en auktoriserad serviceverkstad.
	5	Motorns varvtal sjunker för mycket och motorn stängs av.	
	9	Motorstyrningen är för varm.	Stäng av motorn och vänta tills den har svalnat.
	7	Batterifel eller ingen signal från batteriet.	Sätt batteriet i produkten på rätt sätt och undersök batterianslutningen. Om lysdioden för fel på batteriet blinkar, se <i>Batteriladdningsstatus på sida 656</i> .
Produkten stannar		Batteriet är svagt.	Ladda batteriet. Se <i>Ladda batteriet på sida 656</i> .
	6	Batteriet är svagt.	Ladda batteriet. Se <i>Ladda batteriet på sida 656</i> .
	0	Batterianslutningsfel.	Undersök batterianslutningen.
Övriga fel	Om andra fel uppstår vrid du säkerhetsnyckeln till 0, tar bort batteriet och kontakter en godkänd serviceverkstad.		

## Transport, förvaring och kassering

### Transport

- Kraven i lagstiftningen för farligt gods gäller för de medföljande litiumjonbatterierna.
- För kommersiella transporterna måste särskilda krav på förpackning och etiketter följas.
- Se till att du följer kraven gällande farligt material när du förbereder produkten för transport. Lokala föreskrifter kan gälla.
- Ta alltid loss alltid batteriet vid transport.

- Sätt tejp på batterikontakterna och se till att batteriet inte kan röra sig under transport.
- Sätt fast produkten under transport.

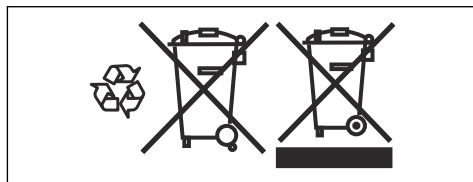
### Förvaring

- Ta alltid ut batteriet vid förvaring.
- Förhindra olyckor genom att se till att batteriet inte är kopplat till produkten vid förvaring.
- Förvara batteriladdaren på en sluten och torr plats.

- Förvara batteriet och batteriladdaren på en torr plats där det inte finns någon fukt eller frost.
- Koppla ur batteriet från batteriladdaren vid förvaring.
- Förvara inte batteriet där statisk elektricitet kan uppkomma. Förvara inte batteriet i en metallåda.
- Förvara batteriet i temperaturer mellan 5 °C och 25 °C, och inte i direkt solljus.
- Förvara batteriladdaren i temperaturer mellan 5 °C och 45 °C, och inte i direkt solljus.
- Se till att batteriet är 30–50 % laddat innan du förvarar det under längre perioder.
- Förvara produkten, batteriet och batteriladdaren i ett låst utrymme utom räckhåll för barn och personer som inte är godkända.
- Rengör produkten och gör en fullständig service innan du ska förvara produkten under en längre tid.

Istället ska den överlämnas till lämplig återvinningsstation för återvinning av elektrisk och elektronisk utrustning.

Genom att se till att denna produkt omhändertas ordentligt kan du hjälpa till att motverka potentiella negativa konsekvenser på miljö och människor, vilka annars kan orsakas genom oriktig avfallshantering av denna produkt. För mer detaljerad information om återvinning av denna produkt, kontakta din kommun, din hushållsavfallsservice eller affären där du köpte produkten.



## Kassering

Symbolen på produkten eller dess förpackning indikerar att denna produkt inte får hanteras som hushållsavfall.

## Tekniska data

### Tekniska data

	S 138i	S 138C
<b>Motor</b>		
Motortyp	BLDC (borstlös) 36 V	Seriens AC-motor
Utrustningens varvtal – SavE, varv/min	3 000	N/A
Utrustningens varvtal – nominellt, varv/min	3 200	4 200
Motoreffekt – max. kW	1,28	1,8
Motoreffekt – nominell, kW	0,9	1,6
<b>Vikt</b>		
Vikt, kg	19,5 (utan batteri)	19,0
<b>Batteri</b>		
Batterityp	Husqvarna Battery-serien	Ej tillämpligt
<b>Batteritid</b>		
Batteritid, min. (fri drift) med SavE aktiverat, med ett 5,2 Ah-batteri från Husqvarna (Bli200).	115	Ej tillämpligt
Batteritid, min. (fri drift) med standardläge aktiverat, med ett 5,2 Ah-batteri från Husqvarna (Bli200).	102	Ej tillämpligt
<b>Bulleremissioner</b> <sup>73</sup>		
Ljudeffektnivå, uppmätt dB (A)	89,2	95,7
Ljudeffektnivå, garanterad L <sub>WA</sub> dB(A)	91	98

<sup>73</sup> Emission av buller till omgivningen uppmätt som ljudeffekt (L<sub>WA</sub>) enligt EG-direktiv 2000/14/EG.

	S 138i	S 138C
<b>Ljudnivåer</b> <sup>74</sup>		
Ljudtrycksnivå vid användarens öra, dB (A)	75,3	81,7
<b>Vibrationsnivåer</b> <sup>75</sup>		
Handtag, m/s <sup>2</sup>	5,5	8,3
<b>Drift</b>		
Arbetsdjup, max/min, mm	-8/+5	-8/+5
Arbetsbredd, cm	37,5	37,5
Deltaknivar, tillbehör	5973510-01	5973510-01
Fjädertänder, tillbehör	5973509-01	5973509-01
Gräsuppsamlarens kapacitet, liter	45	45

Godkända batterier	Typ	Batterikapacitet, Ah	Spänning, V	Vikt, lb/kg
BLi20	Litiumjonbatteri	4,0	36	2,6/1,2
BLi200	Litiumjonbatteri	5,2	36	2,8/1,3
BLi300	Litiumjonbatteri	9,4	36	4,1/1,9

Laddare som är godkända för de angivna batterierna, BLi	Inspänning, V	Frekvens, Hz	Effekt, W
QC80	100–240	50–60	80
QC80F	12	0	80
QC330	100–240	50–60	330
QC500	100–240	50–60	500

<sup>74</sup> Redovisade data för ljudtrycksnivå har ett typiskt spridningsmått (standardavvikelse) på 1,2 dB (A).

<sup>75</sup> Rapporterade data för vibrationsnivå har en typisk statistisk spridning (standardavvikelse) på 0,2 m/s<sup>2</sup>.



---

# EG-försäkran om överensstämmelse

---

## EG-försäkran om överensstämmelse

**Husqvarna AB**, SE-561 82 Huskvarna, Sverige, tel:  
+46-36-146500, försäkrar härmed att **vertikalskäraren**  
**Husqvarna S 138i** från serienummer 2018XXXXXXX  
och framåt uppfyller kraven i RÅDETS DIREKTIV:

- av den 8 juni 2011 angående "begränsning av användning av vissa farliga ämnen" **2011/65/EU**
- av den 17 maj 2006 "angående maskiner" **2006/42/EG**
- av den 26 februari 2014 "angående elektromagnetisk kompatibilitet" **2014/30/EU**
- av den 8 maj 2000 "angående emission av buller i miljön" **2000/14/EG**

Information om emission av buller finns i kapitlet  
Tekniska data.

Följande standarder har tillämpats:

**EN 60335-1:2012+A11:2014+A13:2017, EN**  
**50636-2-92:2014, EN 55014-1:2017, EN 55014-2:2015**

Huskvarna, 2019-01-15



Claes Losdal, utvecklingschef/trädgårdsprodukter  
(auktoriserad representant för Husqvarna AB samt  
ansvarig för tekniskt underlag)

---

# EG-försäkran om överensstämmelse

---

## EG-försäkran om överensstämmelse

Husqvarna AB, SE-561 82 Huskvarna, Sverige, tel:  
+46-36-146500, försäkrar härmed att **vertikalskäraren**  
**Husqvarna S 138C** från serienummer 2018XXXXXXX  
och framåt uppfyller kraven i RÅDETS DIREKTIV:

- av den 8 juni 2011 angående "begränsning av användning av vissa farliga ämnen" **2011/65/EU**
- av den 17 maj 2006 "angående maskiner" **2006/42/EG**
- av den 26 februari 2014 "angående elektromagnetisk kompatibilitet" **2014/30/EU**
- av den 8 maj 2000 "angående emission av buller i miljön" **2000/14/EG**

Information om emission av buller finns i kapitlet  
Tekniska data.

Följande standarder har tillämpats:

**EN 60335-1:2012+A11:2014+A13:2017, EN**  
**50636-2-92:2014, EN 55014-1:2017, EN 55014-2:2015,**  
**EN 61000-3-2:2014, EN 61000-3-11:2000**

Huskvarna, 2019-01-15



Claes Losdal, utvecklingschef/trädgårdsprodukter  
(auktorerad representant för Husqvarna AB samt  
ansvarig för tekniskt underlag)

## İçindekiler

Giriş.....	667	Sorun giderme.....	686
Güvenlik.....	671	Taşıma, depolama ve atma.....	687
Montaj.....	679	Teknik veriler.....	688
Kullanım.....	680	AT Uyumluluk Bildirimi.....	690
Bakım.....	684	AT Uyumluluk Bildirimi.....	691

## Giriş

### Ürün açıklaması

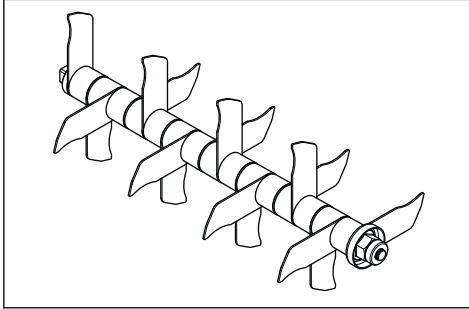
Ürün, yaya kumandalı bir elektrikli çim havalandırıcıdır. Ürün, çimenlik alandaki ayrık otları temizleyip toprağı gevşeterek çimenlik alana hava ve su girmesini sağlar. Ayrık otlar, çim toplama sepetinde toplanır veya çimenlik alana bırakılır. Bu üründe 2 tip çim havalandırıcı ekipmanı vardır.

### Çim havalandırıcı ekipmanı

Çim havalandırıcı ekipmanının değiştirilmesi hakkında bilgi için bkz. *Çim havalandırıcı ekipmanını değiştirme sayfası: 685.*

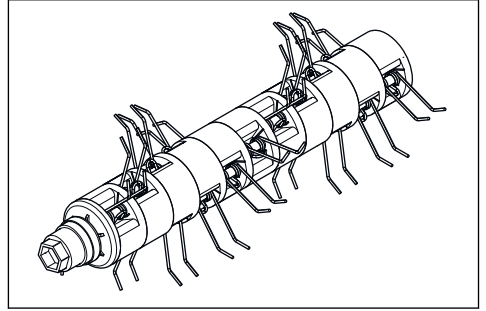
### Delta bıçaklar

Delta bıçaklar ayrık otları temizler ve çim köklerini dikey olarak keser. Delta bıçakları eğimli alanlarda, yamaçlarda ve çok miktarda killi topraklarda kullanılır. Delta bıçaklar, suyun çimenlik alanın içine işlemesini sağlayarak yüzeyde birikmesini önler



### Yaylı dişler

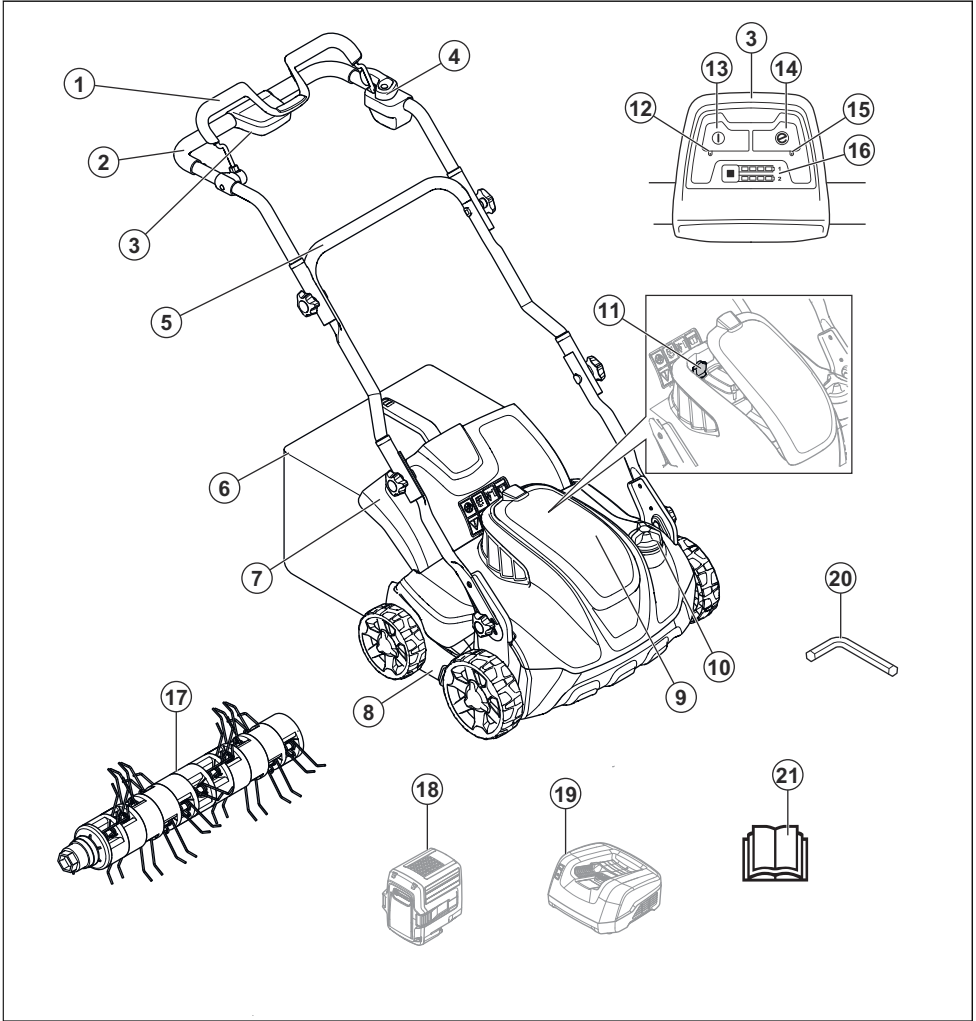
Yaylı dişler, çimenlik alandaki kuru çimleri ve ayrık otları çim köklerine zarar vermeden itinayla temizler.



### Kullanım amacı

Bu ürünü özel bahçelerdeki toprağı gevşetmenin yanı sıra ayrık ot ve yosunları temizlemek için kullanılır. Ürünü başka işler için kullanmayın.

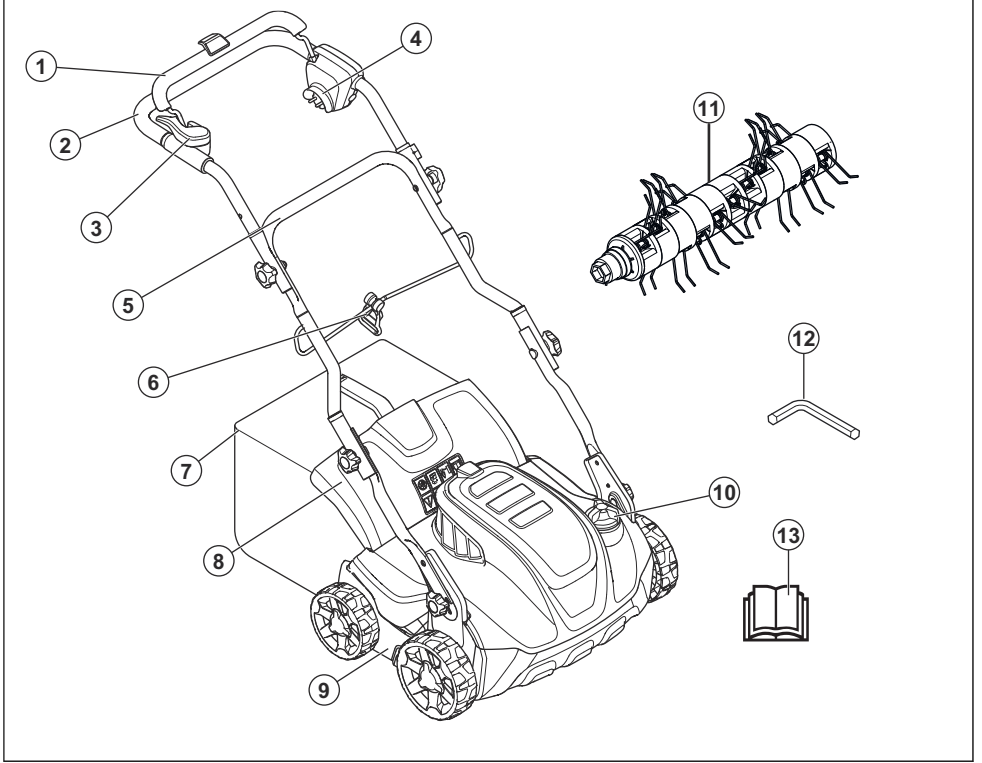
## S 138i modeline genel bakış



1. Motor fren kolu
2. Üst tutacak
3. Kontrol paneli
4. Başlatma engelleyici
5. Alt kol
6. Çim toplama sepeti
7. Arka kapak
8. Çim havalandırıcı kapağı
9. Akü kapağı
10. Çalışma derinliği ayar düğmesi
11. Güvenlik anahtarı

12. AÇIK/KAPALI gösterge LED'i
13. AÇMA/KAPAMA düğmesi
14. SavE düğmesi
15. SavE gösterge LED'i
16. Akü şarj göstergesi ve akü düğmesi
17. Yaylı dişler
18. Akü (Aksesuar)
19. Akü şarj cihazı (Aksesuar)
20. Alyan anahtarı
21. Kullanım kılavuzu

## S 138C modeline genel bakış



1. Motor fren kolu
2. Üst tutacak
3. Başlatma engelleyici
4. Elektrik prizi
5. Alt kol
6. Kablo kelepçesi
7. Çim toplama sepeti
8. Arka kapak
9. Çim havalandırıcı kapağı
10. Çalışma derinliği ayar düğmesi
11. Yaylı dişler
12. Alyan anahtarı
13. Kullanım kılavuzu

### Ürün üzerindeki semboller



**Uyarı: Dikkatsiz ya da yanlış kullanım, operatörün veya başkalarının**

**yaralanmasına veya ölmesine neden olabilir.**



**Bu ürünü kullanmadan önce kullanım kılavuzunu okuyun ve talimatları anladığınızdan emin olun.**



**Atilan nesnelere ve seken cisimlere dikkat edin.**



**İnsanları ve hayvanları çalışma alanından güvenli bir uzaklıkta tutun.**



Uyarı: El ve ayaklarınızı döner bıçaktan uzak tutun.



Ürün üzerinde bakım yapmadan önce güvenlik anahtarını çıkarın (S 138i modeli).



Ürün üzerinde bakım yapmadan önce ürünün elektrik priziyle bağlantısını kesin (S 138C modeli).



Elektrik çarpması tehlikesi (S 138C modeli).



Yağmura maruz bırakmayın (S 138i modeli).



Uyarı: Elektrik çarpmasına veya ürünün zarar görmesine neden olabileceğinden ürünü güç kablosunun üzerinden geçirmeyin (S 138C modeli).



Ürün, geçerli UkrSEPRO direktiflerine uygundur.



Avrupa Topluluğu Direktifi uyarınca çevreye yayılan gürültü emisyonu. Ürünün emisyonu Teknik veriler bölümünde ve etiketin üstünde belirtilmektedir.



Çift izolasyon (S 138C modeli).



Bu ürünü, elektrikli ve elektronik ekipmanlara uygun bir geri dönüşüm noktasında geri dönüştürün. (Sadece Avrupa için geçerlidir)



S 138i modeli için çalıştırma prosedürü: AÇMA/KAPATMA düğmesine basın, başlatma engelleyiciyi gevşetin, motor freni kolunu aşağıya doğru itin.

**IPX4** Ürün, su sıçramasına karşı korumalıdır.

**EAC** Bu ürün, geçerli EAC direktiflerine uygundur.

**CE** Bu ürün geçerli AB direktiflerine uygundur.



S 138C modeli için  
çalıştırma prosedürü:  
başlatma engelleyiciyi  
gevşetin, motor fren  
kolunu aşağı bastırın.



Durdurmak için motor fren  
kolunu serbest bırakın.



Taranabilir kod.

**Not:** Ürünün üzerindeki diğer semboller/etiketler, bazı pazarların sertifikalandırma gereklilikleri ile ilgilidir.

## Ürün sorumluluğu

Ürün sorumluluğu yasalarında belirtildiği üzere;

- ürünün hatalı bir şekilde onarılması,
- ürünün, üretici tarafından onaylanmayan veya üreticiden alınmayan parçalarla tamir edilmesi,
- üründe, üreticiden alınmayan veya üretici tarafından onaylanmayan bir aksesuar bulunması,
- ve ürünün, onaylı bir servis merkezinde veya yetkili bir kurum tarafından tamir edilmemesi durumunda oluşabilecek hasarlardan sorumlu değiliz.

## Güvenlik

### Güvenlik tanımları

Kılavuzdaki önemli kısımları  
vurgulamak için uyarılar ve  
notlar kullanılmıştır.



**UYARI:** Kılavuzdaki  
talimatlara uyulmadığı  
takdirde operatör veya  
çevredeki kişiler için ciddi  
yaranma veya ölüm  
tehlikesi varsa kullanılır.



**DİKKAT:** Kılavuzdaki  
talimatlara uyulmadığı  
takdirde ürünün, diğer  
malzemelerin veya  
çevrenin zarar görme  
riski olduğunda kullanılır.

**Not:** Belirli bir durumda bilgi  
verilmesi gerektiğinde kullanılır.

### Genel güvenlik talimatları



**UYARI:** Ürünü  
kullanmadan önce  
aşağıdaki uyarı  
talimatlarını okuyun.

- Bu ürün yanlış kullanıldığında veya dikkatli olmazsanız tehlikelidir. Güvenlik talimatlarına uyulmaması yaralanmalara veya ölüme yol açabilir.
- Bu ürün, çalışırken elektromanyetik bir alan oluşturur. Bu alan, bazı koşullarda aktif veya pasif tıbbi implantlarda girişime neden edebilir. Ciddi veya ölümcül yaralanma riskini azaltmak için tıbbi implantı olan kişilerin, bu ürünü kullanmadan önce doktorlarına ve tıbbi implant

üreticilerine danışmalarını öneririz.

- Her zaman dikkatli olun ve sağduyunuzu kullanın. Özel bir durumda aracı nasıl kullanacağınızdan emin değilseniz durun ve devam etmeden önce Husqvarna yetkili satıcınızla görüşün.
- Diğer insanları veya bu insanlara ait mülkleri içeren kazalardan operatörün sorumlu tutulacağını unutmayın.
- Ürünü temiz tutun. İşaretleri ve etiketleri net bir şekilde okuyabildiğinizden emin olun.
- Kullanım kılavuzunun içindekileri okuyup anladığınızdan emin olmadan kimsenin ürünü kullanmasına izin vermeyin.
- Ürünü, bir çocuğun kullanmasına izin vermeyin.
- Talimatlar hakkında bilgisi olmayan birinin ürünü kullanmasına izin vermeyin.
- Fiziksel veya zihinsel kapasitesi düşük olan bir kişi ürünü kullanırken bu kişiyi daima gözetim altında tutun. Sorumluluk sahibi bir yetişkin her zaman orada olmalıdır.
- Ürünü yorgun, hasta veya alkol ya da ilaç etkisi altındayken kullanmayın. Bu

durum görüş, dikkat, koordinasyon ve doğru bir şekilde düşünmenizi olumsuz yönde etkiler.

- Arızalıysa ürünü kullanmayın.
- Başkaları tarafından değiştirilmiş olma olasılığı varsa bu ürünü değiştirmeyin veya kullanmayın.

## Çalışma alanı güvenliği



**UYARI:** Ürünü kullanmadan önce aşağıdaki uyarı talimatlarını okuyun.

- Ürünü kullanmadan önce çalışma alanındaki dal, çalı çırpı ve taş gibi nesnelere alın.
- Çim havalandırıcı ekipmanına çarpan nesnelere fırlatılarak kişi ve nesnelere zarar görmesine neden olabilir. Etraftaki insanları ve hayvanları üründen güvenli bir uzaklıkta tutun.
- Ürünü sis, yağmur, kuvvetli rüzgar, şiddetli soğuk ve yıldırım düşmesi riski gibi olumsuz hava koşullarında hiçbir zaman kullanmayın. Ürünü olumsuz hava koşullarında veya nemli ya da ıslak yerlerde kullanmak yorucudur. Kötü hava, kaygan



- yüzeyler gibi tehlikeli koşullara neden olabilir.
- Ürünün güvenli bir şekilde çalışmasını önleyebilecek kişi, nesne ve durumlara dikkat edin.
  - Kök, taş, çalı çırpı, çukur, hendek gibi engellere dikkat edin. Uzun çim nesnelere saklayabilir.
  - Ürünü eğimli yerlerde kullanmak tehlikeli olabilir. Ürünü 15°'den daha eğimli zeminlerde kullanmayın.
  - Yokuşlarda ürünü yatay olarak kullanın. Yukarı ve aşağı hareket ettirmeyin.
  - Gizli köşelere ve açık görüşü engelleyen nesnelere yanına giderken dikkatli olun.

## Çalışma güvenliği



**UYARI:** Ürünü kullanmadan önce aşağıdaki uyarı talimatlarını okuyun.

- Ürünü yağmurda veya ıslak koşullarda çalıştırmayın. Ürünün içine su girerse elektrik çarpması riski artar.
- Çim havalandırıcı ekipmanını ve tüm kapakları doğru bir şekilde takmadan ürünü çalıştırmayın. Yanlış bir şekilde takılan çim havalandırıcı ekipmanı gevşeyerek yaralanmanıza neden olabilir.
- Çim havalandırıcı ekipmanının taş veya kök gibi nesnelere çarpmamasına dikkat edin. Aksi takdirde çim havalandırıcı ekipmanı zarar görebilir ve motor mili bükülebilir. Bükülmüş aks, ağır titreşime ve çok yüksek bir çim havalandırıcı ekipmanı gevşemesi riskine neden olabilir.
- Çim havalandırıcı ekipmanı bir cisme çarpar veya titreşim olursa ürünü hemen durdurun. Motoru durdurun, güvenlik anahtarını 0 konumuna getirin ve aküyü çıkarın (S 138i modelinde) veya güç kablosunun bağlantısını kesin (S 138C modelinde). Üründe hasar olup olmadığını kontrol edin. Hasarları onarın veya yetkili bir servis noktasının onarım yapmasını sağlayın.

- Bu ürünü sadece çimenlik alanlardaki ayırık ot ve yosunları temizlemek için kullanın. Ürünün başka işler için kullanılması yasaktır.
- Kişisel koruyucu araçlar kullanın. Bkz. *Kişisel koruyucu ekipman sayfa: 674.*

- Motor çalıştırıldığında motor fren kolunu asla sürekli olarak kola takmayın.
- Ürünü sabit ve düz bir yüzeye koyup çalıştırın. Çim havalandırıcı ekipmanının yere veya diğer nesnelere çarpmadığından emin olun.
- Ürünü çalıştırırken her zaman arkasında durun.
- Ürünü kullanırken tüm tekerleklerin yere basmasını sağlayın ve 2 elinizi kolun üzerinde tutun. Ellerinizi ve ayaklarınızı döner çim havalandırıcı ekipmanından uzakta tutun.
- Motor çalışırken ürünü yatırmayın.
- Ürünü arkaya doğru çekerken dikkatli olun.
- Motor çalışırken ürünü hiçbir zaman yukarı kaldırmayın. Ürünü kaldırmamız gerekiyorsa önce motoru durdurun, güvenlik anahtarını 0 konumuna getirin ve aküyü çıkarın (S 138i modelinde) veya güç kablosunun bağlantısını kesin (S 138C modelinde).
- Ürünü kullanırken arkaya doğru yürümeyin.
- Çakıl, taş ve asfalt gibi malzemelerden yapılmış, çim

- olmayan alanlardan geçerken motoru durdurun.
- Motor çalışırken ürünle birlikte koşmayın. Ürünü kullanırken her zaman yürüyün.
- Çalıştırma derinliğini değiştirmeden önce motoru durdurun. Motor çalışırken asla ayarlama yapmayın.
- Motor çalışırken ürünün görüş alanından çıkmasına asla izin vermeyin. Motoru durdurun ve çim havalandırıcı ekipmanının dönmediğinden emin olun.

## Kullanım için güvenlik talimatları

### Kişisel koruyucu ekipman

Ürünü her kullandığınızda, onaylanan kişisel koruyucu ekipmanları kullanmalısınız. Kişisel koruyucu ekipman yaralanma riskini ortadan kaldırmaz, ancak bir kaza durumunda yaralanmanın ciddiyetini azaltacaktır. Doğru ekipmanı seçmek için satıcınızdan yardım isteyin.

Her zaman aşağıdakileri kullanın:

- İşitme bozukluğu riskini minimum seviyeye indirmek için kulak koruma ekipmanı.
- Sağlam, kaymayan botlar veya ayakkabılar. Sandalet giymeyin veya ürünü çıplak ayakla kullanmayın.
- Ağır, uzun pantolonlar. Şort giymeyin.

Çim havalandırıcı ekipmanını takma, kontrol etme veya temizleme gibi eldiven gerektiren durumlarda eldiven takın.



**UYARI:** Onaylanmış kulak koruma ekipmanı kullanın. Uzun süre gürültüye maruz kalmak kalıcı işitme bozukluğuna yol açabilir.

### Ürünün üzerindeki güvenlik aletleri



**UYARI:** Ürünü kullanmadan önce aşağıdaki uyarı talimatlarını okuyun.

- Güvenlik araçları arızalı olan bir ürünü kullanmayın.
- Güvenlik araçlarını düzenli olarak kontrol edin. Güvenlik araçları arızalıysa Husqvarna servis noktanızla görüşün.

## Kapakları kontrol etme

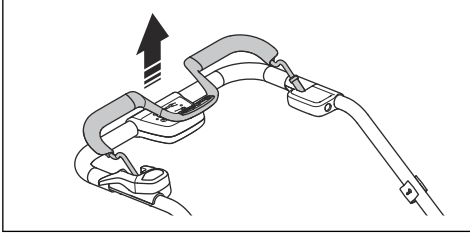
Çim havalandırıcı kapağı, üründeki titreşimleri ve çim havalandırıcı ekipmanıyla yaralanma riskini azaltır.

- Çatlak gibi hasarlar olmadığından emin olmak için yan çim havalandırıcı kapağını inceleyin.
- Çatlak gibi hasarlar olmadığından emin olmak için arka kapağı inceleyin.

## Motor fren kolu

Motor fren kolu motoru durdurur. Motor fren kolu serbest bırakıldığında motor durur.

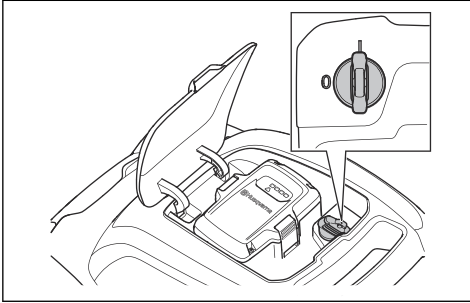
Motor frenini kontrol etmek için motoru çalıştırıp motor fren kolunu serbest bırakın. Motor 3 saniye içinde durmazsa motor frenini onaylı bir Husqvarna servis noktasına ayarlatın.



## Güvenlik anahtarı

Güvenlik anahtarı, akü kapağının altındadır. Güvenlik anahtarı, motora güç sağlayan aküyü bağlamak için kullanılır.

- Güvenlik anahtarını kontrol etmek için motoru çalıştırın ve durdurun.
- Güvenlik anahtarı doğru çalışıyorsa motor sadece anahtar 1 konumuna getirildiğinde çalışır.

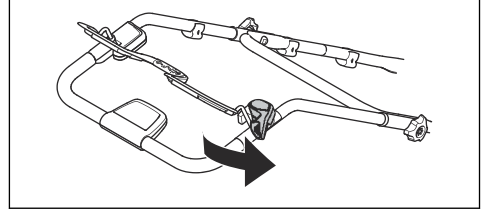


## Başlatma engelleyicinin kontrol edilmesi

Motorun çalışmasını engellediğinden emin olmak için başlatma engelleyiciyi kontrol edin.

1. Motor freni kolunu gidonun yönünde itin. Başlatma engelleyici hareketi durdurur.

2. Başlatma engelleyiciyi dışarı doğru itin.

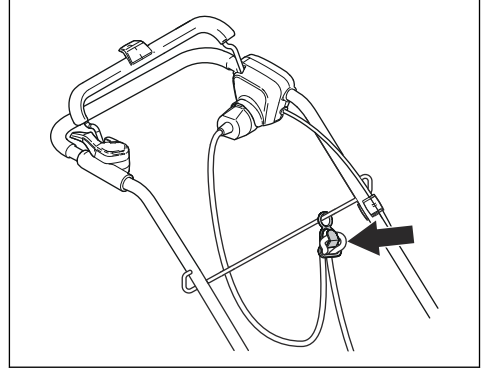


3. Başlatma engelleyiciyi serbest bırakın ve başlangıç konumuna geri döndüğünden emin olun.

## Güç kablosu tutucusunu kullanma (S 138C modeli)

Güç kablosu tutucusu, prizdeki ve güç kablosundaki gerilimi azaltır. Güç kablosu tutucusu, düşme riskinizi de azaltır.

1. Güç kablosunu bükerek küçük bir halka oluşturun.
2. Halkayı güç kablosu tutucusundaki deliğe yerleştirin.
3. Halkayı kancanın etrafına yerleştirin.
4. Kancanın etrafındaki halkayı sıkamak için güç kablosunu çekin.



## Akü güvenliği



**UYARI:** Ürünü kullanmadan önce aşağıdaki uyarı talimatlarını okuyun.

- Yalnızca ilgili Husqvarna ürünleri için güç kaynağı olarak Husqvarna şarj edilebilir akülerini kullanın. Yaralanmayı

önlemek için aküyü başka cihazların güç kaynağı olarak kullanmayın.

- Şarj edilebilir olmayan akü kullanmayın.
- Elektrik çarpması riski. Akü terminallerini anahtarlara, madeni paralara, vidalara veya diğer metallere bağlamayın. Bu, aküde kısa devreye neden olabilir.
- Akünün hava deliklerine herhangi bir nesne koymayın.
- Aküyü doğrudan güneş ışığından, ısı kaynaklarından veya açık alevden uzak tutun. Akü patlayabilir ve yanıklara ve/veya kimyasal yanıklara neden olabilir.
- Aküyü yağmurdan ve ıslak koşullardan uzak tutun.
- Aküyü mikrodalgalardan ve yüksek basınçtan uzak tutun.
- Aküyü parçalarına ayırmaya veya kırmaya çalışmayın.
- Aküde sızıntı varsa sıvının vücudunuza veya gözlerinize temas etmesine izin vermeyin. Sıvıya dokunduysanız etkilenen bölgeyi bolca suyla yıkayın ve tıbbi yardım alın.
- Aküyü -10°C ile 40°C arasındaki sıcaklıklarda kullanın.
- Aküyü veya akü şarj cihazını suyla temizlemeyin. Bkz.

*Aküyü ve şarj cihazını temizlemek için sayfada: 685.*

- Hatalı veya hasarlı aküleri kullanmayın.
- Aküleri çivi, madeni para, mücevher gibi metal nesnelere uzak bir yerde saklayın.

## Akü şarj cihazı güvenliği



**UYARI:** Ürünü kullanmadan önce aşağıdaki uyarı talimatlarını okuyun.

- QC akü şarj cihazlarını yalnızca Husqvarna yedek akülerini şarj etmek için kullanın.
- Elektrik çarpması veya kısa devre riski. Şarj cihazının hava deliklerine herhangi bir nesne koymayın. Akü şarj cihazını parçalarına ayırmaya çalışmayın. Şarj cihazı terminallerini metal nesnelere bağlamayın. Onaylı bir elektrik prizi kullanın.
- Bu ürün, çalışırken elektromanyetik bir alan oluşturur. Bu alan, bazı koşullarda aktif veya pasif tıbbi implantlarda girişime neden edebilir. Ciddi veya ölümcül yaralanma riskini azaltmak için tıbbi implantı olan kişilerin, bu

ürünü kullanmadan önce doktorlarına ve tıbbi implant üreticilerine danışmalarını öneririz.

- Akü şarj cihazının güç kablosunun hasarlı olmadığını ve üzerinde çatlaklar bulunmadığını düzenli olarak kontrol edin.
- Akü şarj cihazını güç kablosundan tutup kaldırmayın. Akü şarj cihazını elektrik prizinden çıkarmak için fişi çekin. Güç kablosunu çekmeyin.
- Güç kablosunu ve uzatma kablolarını sudan, yağdan ve keskin kenarlı cisimlerden uzak tutun. Kabloların kapılara, çitlere veya benzeri yerlere sıkışmadığından emin olun. Bu durum şarj cihazının elektrik yüklenmesine sebep olabilir.
- Akü şarj cihazını suyla temizlemeyin.
- Akü şarj cihazı, gözetim altında tutuldukları ya da akü şarj cihazının güvenli şekilde kullanımına ilişkin talimatlar sağlandığı ve gerçekleştirilecek tehlikeler açıklandığı sürece 8 yaş ve üzeri çocuklar ve fiziksel, duyuşsal veya zihinsel yetenekleri sınırlı olan ya da

yetersiz deneyim ve bilgiye sahip kişiler tarafından kullanılabilir. Çocuklar akü şarj cihazı ile oynamamalıdır. Temizlik ve kullanıcı bakım işlemleri gözetim olmadan çocuklar tarafından gerçekleştirilmemelidir.

- Şarj edilemeyen aküleri akü şarj cihazında şarj etmeyin.
- Akü şarj cihazını, yanıcı malzemelerin veya korozyona neden olabilecek malzemelerin yakınında kullanmayın. Akü şarj cihazının üzerini kapatmayın. Duman veya ateş çıkması durumunda akü şarj cihazının fişini çekip çıkarın.
- Hatalı veya hasarlı akü şarj cihazlarını kullanmayın.
- Aküyü yalnızca kapalı alanda, iyi hava akışı olan ve güneş ışığından uzak bir odada şarj edin. Aküyü ıslak koşullarda şarj etmeyin.

#### **Güç kablosu güvenliği**

S 138C modeli için.

- Maksimum 30 mA kesme akımına sahip bir Artık Akım Cihazı (R.C.D.) kullanılması önerilir. R.C.D. takılıyken bile %100 güvenlik garanti edilemez ve güvenli çalışma prosedürlerine her zaman uyulması gerekir. Her

kullanımda R.C.D.nizi kontrol edin.

- Güç kablosunda kesik veya yalıtımda hasar varsa derhal elektrik şebekesiyle bağlantısını kesin.
- Elektrik kaynağı bağlantısı kesilmeden kesik veya hasar görmüş güç kablolarına dokunmayın.
- Kopmuş veya hasarlı güç kablolarını onarmayın. Yenisiyle değiştirin.

### Bakım için güvenlik talimatları



**UYARI:** Ürünü kullanmadan önce aşağıdaki uyarı talimatlarını okuyun.

- S 138i modeli için: Bakım sırasında yanlışlıkla çalıştırmayı önlemek için güvenlik anahtarını 0 konumuna getirin ve aküyü çıkarın. Bakıma başlamadan önce en az 5 saniye bekleyin.
- S 138C modeli için: Bakım sırasında yanlışlıkla çalıştırmayı önlemek için güç kablosunu çıkarın.
- Ürünün ömrünü uzatmak ve kaza riskini azaltmak için bakım işini doğru şekilde yapın. Onaylı bir servis noktasında profesyonel

onarım yaptırın. Daha fazla bilgi için size en yakın servis noktası ile görüşün.

- Yalnızca bu kullanım kılavuzunda belirtilen bakım çalışmasını yapın. Bu kapsamın dışındaki işlemler onaylı bir servis noktası tarafından yapılmalıdır.
- Çim havalandırıcı ekipmanını kullanırken ağır hizmet tipi eldiven giyin. Çim havalandırıcı ekipmanı çok keskindir ve kolaylıkla kesiklere yol açabilir.
- En iyi ve en güvenli performans için çim havalandırıcı ekipmanındaki bıçakların keskin ve temiz olmasına özen gösterin.
- Servis noktanızın düzenli olarak ürünü kontrol etmesini ve gerekli ayarları ve onarımları yapmasını sağlayın.
- Hasarlı, aşınmış veya bozuk parçaları değiştirin.
- Aksesuar değiştirmeye ilgili talimatlara uyun. Yalnızca üreticiden gelen aksesuarları kullanın.
- Çalışmadığı zaman ürünü, aküyü ve akü şarj cihazını ayrı olarak kuru, kapalı ve kilitli bir alanda saklayın. Çocukların ve onaylı olmayan kişilerin ürüne,

aküye veya akü şarj cihazına erişemediklerinden emin olun.

## Montaj

### Giriş



**UYARI:** Ürünü monte etmeden önce, güvenlik bölümünü okuyun.

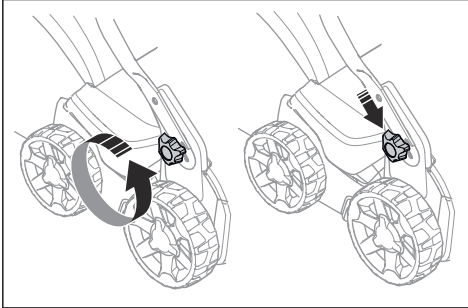


**UYARI:** S 138i modeli için: Montaj sırasında yanlışlıkla çalıştırmayı önlemek için güvenlik anahtarını 0 konumuna getirin, aküyü çıkarın ve en az 5 saniye bekleyin.

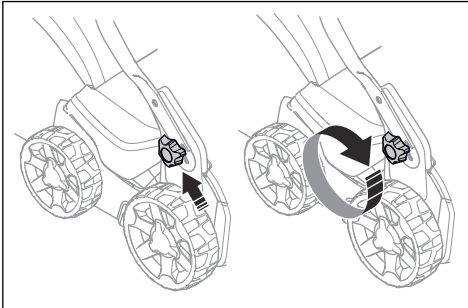
S 138C modeli için: Montaj sırasında yanlışlıkla çalıştırmayı önlemek için güç kablosunu çıkarın.

### Kolun takılması

1. Alt düğmeleri gevşetin.
2. Düğmeleri ürünün sol ve sağ tarafındaki girintilerin alttaki ucuna getirin.



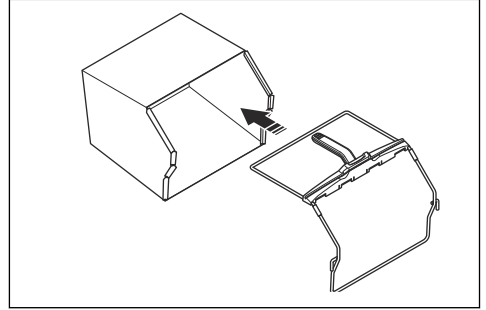
3. Kol yüksekliğini mevcut 2 konumdan birine ayarlayın.
4. Düğmeleri durana ve tık sesi duyulana kadar kol yönünde yukarı hareket ettirin.



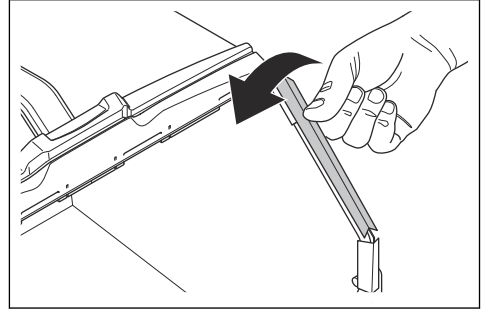
5. Düğmeleri tamamen sıkın.

### Çim toplama sepetinin takılması

1. Çim toplama sepeti çerçevesini, torbanın sert kısmı aşağı gelecek şekilde çim torbasına takın. Çerçevenin kolunu çim torbasının üst kısmında tutun.

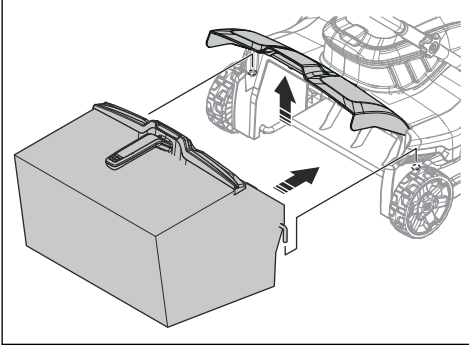


2. Çim toplama sepeti çerçevesinin alt kısmını çim toplama sepetinin altındaki oluğa takın.
3. Çim torbasını, klipslerle çim toplama sepeti çerçevesine takın.

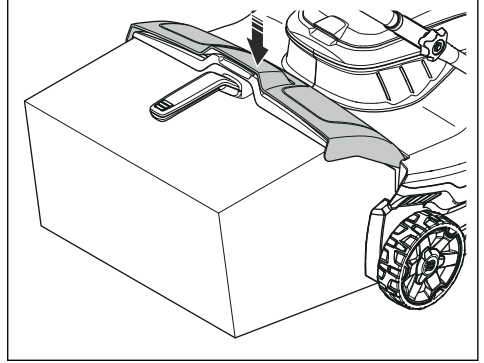


4. Arka kapağı kaldırın.

5. Çim toplama sepetini doğru konuma getirin.



6. Çim toplama sepetini şasinın üst kenarına takın. Dökülmeyi önlemek için arka kapağın çim toplama sepetine oturduğundan emin olun.



## Kullanım

### Giriş



**UYARI:** Ürünü kullanmadan önce güvenlik bölümünü okuyup anlamalısınız.

### Husqvarna Connect

Husqvarna Connect, mobil cihazınız için ücretsiz bir uygulamadır. Husqvarna Connect uygulaması, Husqvarna ürününüz için ayrıntılı işlevler sunar:

- Ayrıntılı ürün bilgileri.
- Ürün parçaları ve servis hakkında bilgi ve yardım.

### Husqvarna Connect uygulamasını kullanmaya başlamak için

1. Husqvarna Connect uygulamasını mobil cihazınıza indirin.
2. Husqvarna Connect uygulamasında kaydolun.
3. Ürünü bağlamak ve kaydettirmek için Husqvarna Connect uygulamasındaki talimatları izleyin.

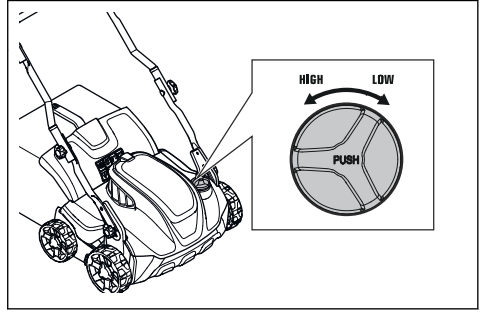
### Çalışma derinliğini ayarlama



**UYARI:** Ürünü çalıştırırken çalışma derinliğini ayarlamayın.

1. Çalışma derinliğini artırmak için çalışma derinliği ayar düğmesine basın ve saat yönünün tersine çevirin.

2. Çalışma derinliğini azaltmak için çalışma derinliği ayar düğmesine basın ve saat yönünde çevirin.



### Akü



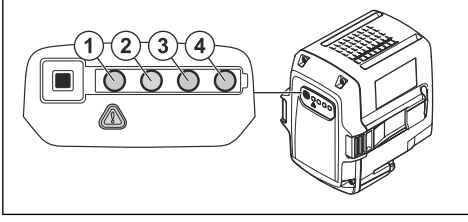
**UYARI:** Aküyü kullanmadan önce güvenlik bölümünü okuyup anlamalısınız. Akü ve akü şarj cihazına ait kullanım kılavuzunu da okuyup anlamalısınız.

### Akü durumu

Ekranında, kalan akü kapasitesi ve aküyle ilgili sorun olup olmadığı gösterilir. Akü kapasitesi, ürün kapatıldıktan veya akü göstergesi düğmesine basıldıktan sonra 5 saniye süreyle gösterilir. Bir hata meydana geldiğinde



akünün üzerindeki uyarı simgesi yanar. Bkz. *Akü sayfada: 686.*



LED ışıklar	Akü durumu
Tüm LED'ler yanmaktadır	Tamamen dolu (%75-100)
LED 1, LED 2, LED 3 yanıyor	Akü %50-%75 dolu
LED 1, LED 2 yanıyor	Akü %25-%50 dolu
LED 1 yanıyor	Akü %0-%25 doludur.
LED 1 yanıp sönüyor	Akü boştur. Aküyü şarj edin.

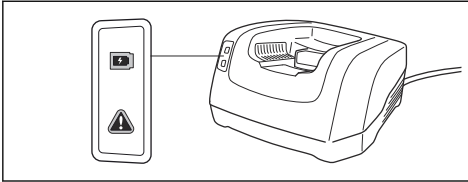
## Aküyü şarj etme

İlk kullanımdan önce aküyü şarj edin. Akü, müşteriye tedarik edildiğinde yalnızca %30 oranında doludur.

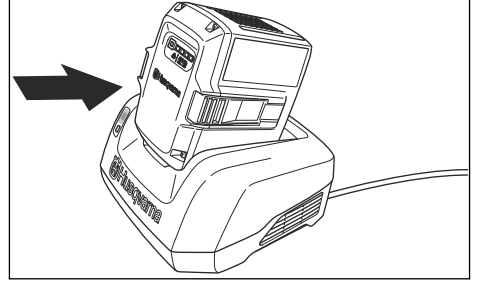
**Not:** Akü şarj cihazı, nominal değerler plakasında belirtilen voltaj ve frekansa bağlanmalıdır.

Akü sıcaklığı 50°C'nin üzerindeyse akü şarj olmaz. Akü şarj cihazı, şarj işlemine başlamadan önce akünün sıcaklığını düşürür.

1. Akü şarj cihazının güç kablosunun bir ucunu akü şarj cihazının soketine bağlayın.
2. Akü şarj cihazının güç kablosunun diğer ucunu topraklamalı bir elektrik prizine bağlayın. Akü şarj cihazındaki LED bir kez yeşil renkte yanıp söner.



3. Aküyü şarj cihazına yerleştirin. Akü, akü şarj cihazına doğru şekilde bağlandığında, şarj cihazı üzerindeki yeşil ışık yanar.



4. Akü üzerindeki tüm LED'ler yandığında akü tam olarak şarj olmuştur. Aküyü en fazla 24 saat boyunca şarj edin.
5. Akü şarj cihazını elektrik prizinden çıkarmak için güç kablosunu değil fişi çekin.
6. Aküyü şarj cihazından çıkarın.

## Akü şarj durumu

Bir Husqvarna Lityum iyon akü tüm şarj seviyelerinde şarj edilebilir veya kullanılabilir. Akü bundan zarar görmez. Tamamen şarj olmuş bir akü, şarj cihazının içinde kalırsa akünün şarjı azalmaz.

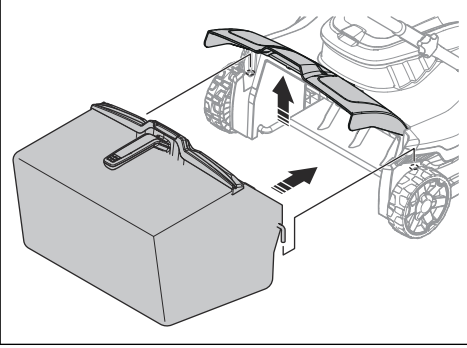
LED ekran	Şarj durumu
LED 1 yanıp sönüyor	%0-%25
LED 1 yanıyor, LED 2 yanıp sönüyor	%25-%50
LED 1, LED 2 yanıyor, LED 3 yanıp sönüyor	%50-%75
LED 1, LED 2, LED 3 yanıyor, LED 4 yanıp sönüyor	%75-%100
LED 1, LED 2, LED 3, LED 4 yanıyor	Tamamen dolu

## Çalıştırma S 138i

### Ürünü çalıştırma

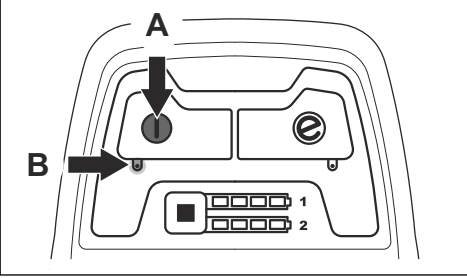
1. Şarj olmuş bir aküyü, akü kapağının altındaki 1 numaralı akü bölümüne yerleştirin. Daha uzun süreli çalışma için şarj olmuş ikinci bir aküyü 2 numaralı akü bölümüne yerleştirin.

2. Güvenlik anahtarını 1 konumuna getirin.

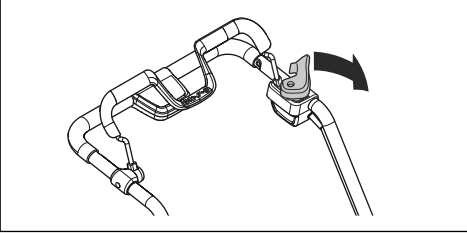


3. Ürünün arkasında durun.

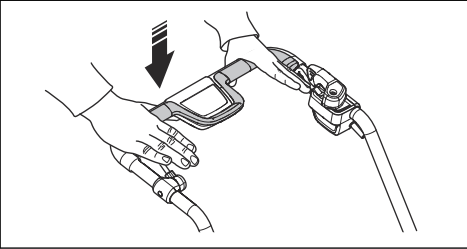
4. Kontrol panelindeki AÇMA/KAPAMA düğmesine (A) basın, yeşil LED (B) yanar.



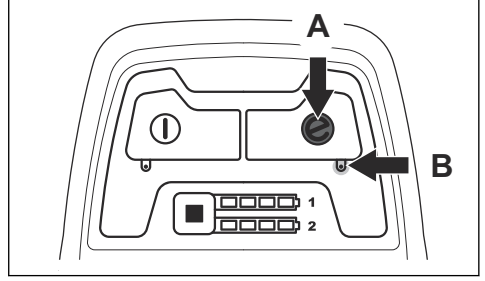
5. Başlatma engelleyiciyi gevşetin.



6. Motor freni kolunu gidonun yönünde itin.



1. İşlevi başlatmak için SavE düğmesine (A) basın. Yeşil LED yanar.

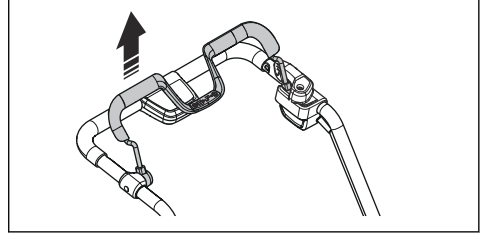


2. İşlevi durdurmak için SavE düğmesine tekrar basın. Yeşil LED (B) söner.

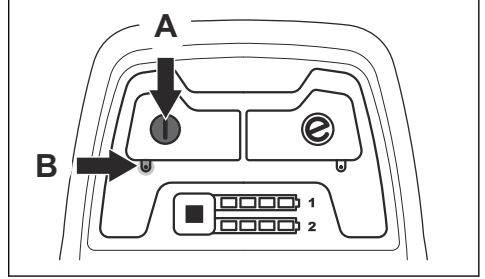
## Ürünü durdurma

10 dakika boyunca çalıştırmazsanız ürün otomatik olarak durur. Ürünü görüş alanınızın dışında bırakmadan önce güvenlik anahtarını her zaman 0 konumuna getirin.

1. Motoru durdurmak için motor fren kolunu serbest bırakın.



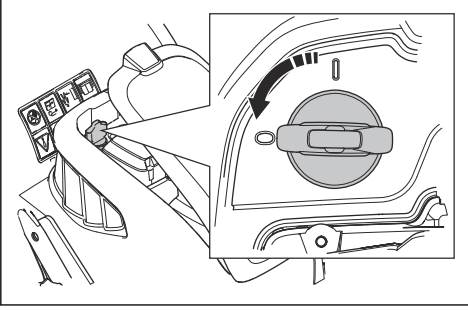
2. Kontrol panelindeki AÇMA/KAPAMA düğmesine (A) basın, yeşil LED (B) söner.



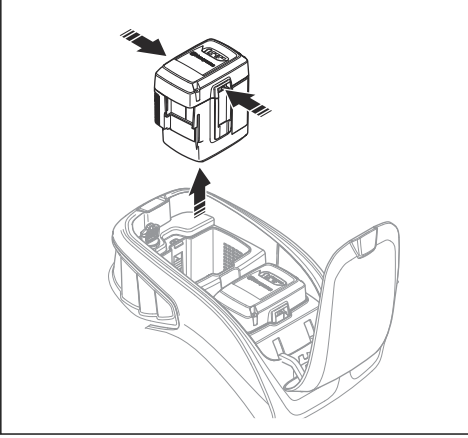
## SavE işlevinin kullanılması

Üründe, daha uzun süre çalışma sağlayan bir akü tasarruf işlevi (SavE) bulunur.

3. Akü kapağını açın ve güvenlik anahtarını 0 konumuna getirin.



4. Aküyü çıkarmak için 2 serbest bırakma düğmesine aynı anda basın ve aküyü çekip çıkarın.

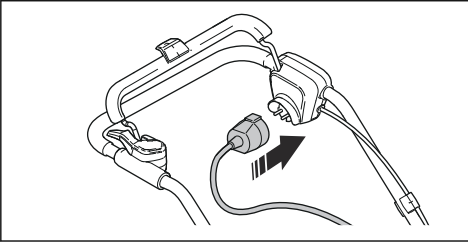


5. Akünün gücü zayıfsa aküyü şarj edin. Daha fazla bilgi için bkz. *Aküyü şarj etme sayfa: 681.*

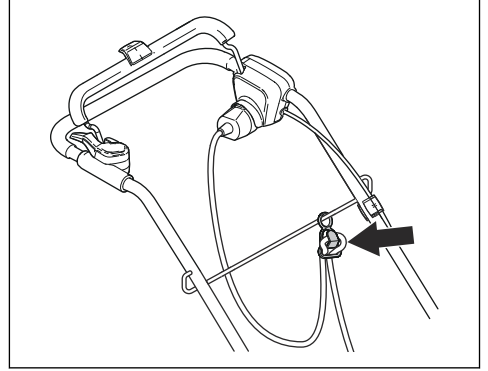
## Çalıştırma S 138C

### Ürünü çalıştırma

1. Kolin altındaki sokete bir güç kablosu bağlayın.

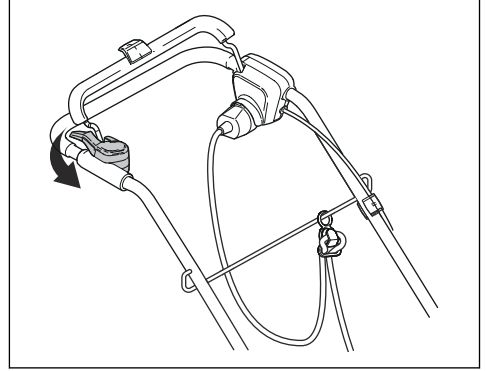


2. Güç kablosunu, güç kablosu tutucusuna yerleştirin. Bkz. *Güç kablosu tutucusunu kullanma (S 138C modeli) sayfa: 675.*

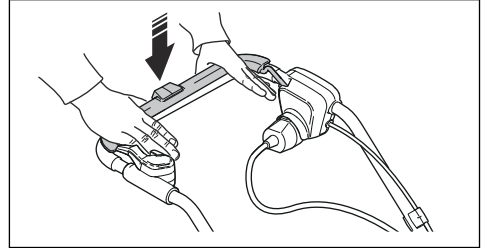


3. Ürünün arkasında durun.

4. Başlatma engelleyiciyi gevşetin.

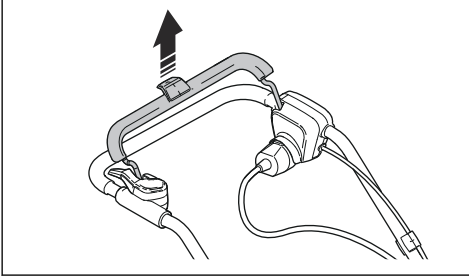


5. Motor freni kolunu gidonun yönünde itin.

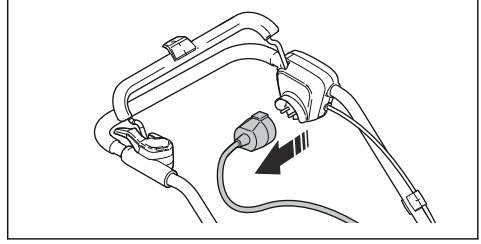


## Ürünü durdurma

1. Motoru durdurmak için motor fren kolunu serbest bırakın.



2. Güç kablosunun elektrik şebekesiyle ve ardından ürünle bağlantısını kesin.



**DİKKAT:** Fişi düz bir doğrultuda çekin. Güç kablosunu çekmeyin.

## Bakım

### Giriş



**UYARI:** Bakım yapmadan önce güvenlik bölümünü okuyup anlamanız gerekir.

Ürüne uygulanacak tüm servis ve onarım işlemleri için özel eğitim gereklidir. Profesyonel onarım ve servis hizmetlerinin mevcut bulunduğunu garanti etmekteyiz.

Yetkili satıcınız servis noktası değilse kendisiyle görüşüp en yakınınızdaki servis noktası hakkında bilgi edinin.

### Bakım takvimi

Bakım aralıkları, ürünün günlük kullanımına göre hesaplanır. Ürün her gün kullanılmazsa aralıklar değişir.

\* İşaretili bakım işlemleri için bkz. *Ürünün üzerindeki güvenlik aletleri sayfa: 674.*

S 138i ve S 138C	Her kullanımda	Aylık olarak	Her mevsimde
Genel inceleme yapma.	X		
Ürünü temizleme.	X		
Çim havalandırıcı ekipmanını inceleme.	X		
Üründeki güvenlik araçlarının hatalı olmadığından emin olma. *	X		
Kapakları kontrol etme. *	X		
Motor fren kolunu kontrol etme. *	X		
Başlatma engelleyiciyi kontrol etme. *	X		

Yalnızca S 138i	Her kullanımda	Aylık olarak	Her mevsimde
AÇMA/KAPAMA düğmesinin doğru şekilde çalıştığından ve hatalı olmadığından emin olma.	X		
Aküde hasar kontrolü yapma.	X		
Akü şarjını kontrol etme.	X		
Aküdeki serbest bırakma düğmelerinin doğru şekilde çalıştığından ve akünün ürüne sabitlendiğinden emin olma.	X		

Yalnızca S 138i	Her kulları- nımda	Aylık olarak	Her mev- simde
Akü şarj cihazında hasar kontrolü yapma ve cihazın doğru şekilde çalıştığından emin olma.		X	
Akü ile ürün arasındaki bağlantıları kontrol etme. Akü ile akü şarj cihazı arasındaki bağlantıyı kontrol etme.			X

## Genel denetim yapma

- Ürünün üzerindeki somun ve vidaların sıkı olduğundan emin olun.
- Üründeki kabloların hasar görebilecekleri bir konumda olmadığından emin olun.

## Ürünün temizlenmesi

- Plastik parçaları temiz ve kuru bir bezle temizleyin.
- Ürünü temizlemek için su kullanmayın. Aküye veya motora su girebilir ve üründe kısa devreye veya hasara neden olabilir.
- Ürünü temizlemek için yüksek basınçlı yıkayıcı kullanmayın.
- Motora doğrudan su tutmayın.
- Yaprak, çim ve kirleri gidermek için fırça kullanın.

## Aküyü ve şarj cihazını temizlemek için



**DİKKAT:** Aküyü veya akü şarj cihazını suyla temizlemeyin.

- Aküyü akü şarj cihazına yerleştirmeden önce akünün ve akü şarj cihazının temiz ve kuru olduğundan emin olun.
- Akü terminallerini basınçlı hava ile temizleyin veya yumuşak ve kuru bir bez ile silin.
- Akü ve akü şarj cihazının yüzeylerini yumuşak ve kuru bir bezle temizleyin.

## Çim havalandırıcı ekipmanını kontrol etme



**UYARI:** S 138i modelleri için: Yanlışlıkla çalıştırmayı önlemek için güvenlik anahtarını 0 konumuna getirin, aküyü çıkarın ve en az 5 saniye bekleyin.

S 138C modeli için: Yanlışlıkla çalıştırmayı önlemek için güç kablosunu çıkarın.



**UYARI:** Çim havalandırıcı ekipmanında bakım yaparken koruyucu eldiven kullanın. Çim havalandırıcı ekipmanındaki bıçaklar çok keskindir ve kolaylıkla kesiklere yol açabilir.

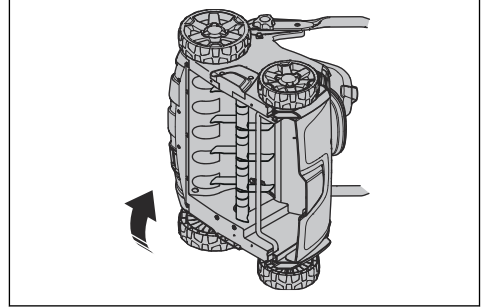
- Çim havalandırıcı ekipmanında hasar veya çatlak olup olmadığını inceleyin. Hasarlı bir çim havalandırıcı ekipmanını mutlaka değiştirin.

## Çim havalandırıcı ekipmanını değiştirme

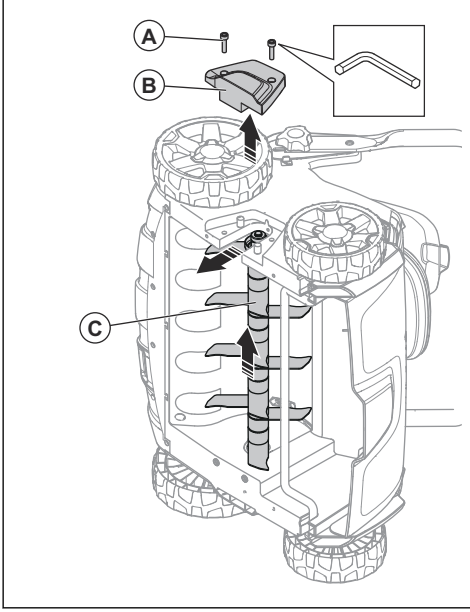


**UYARI:** Çim havalandırıcı ekipmanında bakım yaparken koruyucu eldiven kullanın. Çim havalandırıcı ekipmanı çok keskindir ve kolaylıkla kesiklere yol açabilir

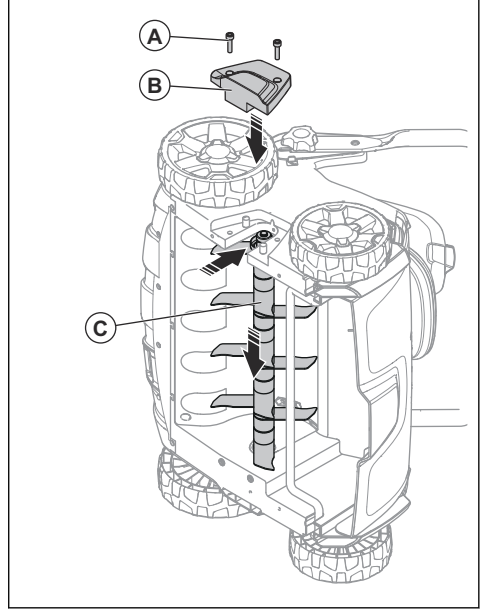
1. Ürünü sağa yatırın.



2. 2 vidayı (A) ve çim havalandırıcı kapağını (B) çıkarın. Çim havalandırıcı ekipmanını (C) yukarı ve dışarı doğru iterek çıkarın.



3. Yeni çim havalandırıcı ekipmanını (C) yuvaya yerleştirin ve aşağıdaki deliğe doğru itin. Çim havalandırıcı kapağını (B) ve 2 vidayı (A) takın



## Sorun giderme

### Akü

Aküdeki LED	Olası arızalar	Olası prosedür
Yeşil LED yanıp sönüyor	Akü voltajı düşüktür	Aküyü şarj edin. Bkz. <i>Aküyü şarj etme sayfada: 681.</i>
Hata LED'i yanıp sönüyor	Akünün gücü zayıftır	Aküyü şarj edin. Bkz. <i>Aküyü şarj etme sayfada: 681.</i>
	Çalışma ortamındaki sıcaklık çok yüksek veya çok düşüktür	Aküyü -10°C ile 40°C arasındaki sıcaklıklarda kullanın.
	Aşırı voltaj	Şebeke voltajının, ürünün nominal değerler plakasındakiyle aynı olduğundan emin olun. Aküyü şarj cihazından çıkarın. 5 saniye bekleyin ve aküyü şarj etmeyi tekrar deneyin. Sorun devam ederse yetkili bir servis noktasıyla görüşün.
Hata LED'i yanıyor	Hücre farkı çok fazla (1 V)	Onaylı bir servis noktasıyla görüşün.

## Akü şarj cihazı

Akü şarj cihazındaki LED	Olası arızalar	Olası prosedür
Hata LED'i yanıp sönüyor	Çalışma ortamındaki sıcaklık çok yüksek veya çok düşüktür	Akü şarj cihazını 5°C ile 40°C arasındaki sıcaklıklarda kullanın.
Hata LED'i yanıyor		Onaylı bir servis noktasıyla görüşün

## Kontrol paneli

S 138i modeli için

Hata	Hata kodu (Yanıp sönmeye sayısı)	Olası arızalar	Olası işlem
Hata LED'i yanıp sönüyor	3	Motor aşırı yükli'dür.	Çalışma derinliğini azaltın. Bkz. <i>Çalışma derinliğini ayarlama sayfa: 680</i> . Hata LED'i yanıp sönmeye devam ederse çim havalandırıcı ekipmanı tıkanmıştır. Yanlışlıkla çalıştırmayı önlemek için güvenlik anahtarını 0 konumuna getirin, aküyü çıkarın ve en az 5 saniye bekleyin. Çim havalandırıcı ekipmanının serbestçe hareket edebildiğinden emin olun. Sorun devam ederse yetkili bir servis noktasıyla görüşün.
	5	Motor devri çok düşüyor ve motor duruyor.	
	9	Motor denetleyicisi çok sıcak.	Motoru durdurun ve soğuyana kadar bekleyin.
	7	Akü hatası oluştu veya akü sinyali yok.	Aküyü ürüne doğru şekilde yerleştirin ve akü konektörünü kontrol edin. Aküdeki hata LED'i yanıp sönerse bkz. <i>Akü şarj durumu sayfa: 681</i> .
Ürün duruyor	6	Akünün gücü zayıftır.	Aküyü şarj edin. Bkz. <i>Aküyü şarj etme sayfa: 681</i> .
	0	Akü konektörü arızası.	Akü konektörünü kontrol edin.
Diğer hatalar	Başka hatalar oluşursa güvenlik anahtarını 0 konumuna getirin, aküyü çıkarın ve onaylı bir servis noktasıyla görüşün.		

## Taşıma, depolama ve atma

### Taşıma

- Ürün içindeki Lityum iyon aküler Tehlikeli Maddeler Kanunu gerekliliklerine tabidir.
- Ticari amaçlı taşımalarda, paketdeki ve etiketlerdeki özel gerekliliklere uyulmalıdır.
- Ürünü taşıma için hazırlarken tehlikeli malzeme yönetmeliklerine uyduğunuzdan emin olun. Yerel yönetmelikler uygulanabilir.
- Ürünü taşırken aküyü kesinlikle çıkarın.

- Akü konektörlerine bant yapıştırın ve taşıma sırasında akünün hareket edemeyeceğinden emin olun.
- Taşıma sırasında ürünü bağlayın.

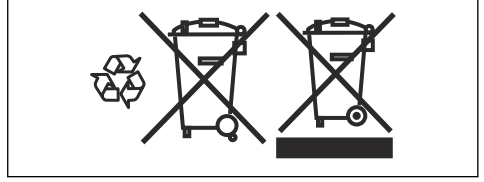
### Saklama

- Ürünü depolarken aküyü kesinlikle çıkarın.
- Kazaları önlemek için depolama sırasında akünün ürüne bağlı olmadığından emin olun.

- Akü şarj cihazını kapalı ve kuru bir alanda tutun.
- Aküyü ve akü şarj cihazını, nem veya don olmayan kuru bir alanda tutun.
- Depolama sırasında aküyü şarj cihazından ayırın.
- Aküyü, statik elektrik oluşabilecek yerlerde tutmayın. Aküyü metal bir kutuda tutmayın.
- Aküyü, sıcaklığın 5°C ile 25°C arasında olduğu ve güneş ışığı almayan yerlerde tutun.
- Akü şarj cihazını, sıcaklığın 5°C ile 45°C arasında olduğu ve güneş ışığı almayan yerlerde tutun.
- Uzun süreli depolamadan önce akünün %30 - %50 dolu olduğundan emin olun.
- Ürünü, aküyü ve akü şarj cihazını, çocukların ve onaylı olmayan kişilerin erişemeyeceği kilitli bir alanda tutun.
- Uzun süreli depolamadan önce ürünü temizleyin ve ürüne eksiksiz bir bakım yaptırın.

belirir. Elektrikli ve elektronik ekipman, kurtarma için uygun bir geri dönüşüm istasyonuna gönderilmelidir.

Bu ürüne doğru önemin verilmesini sağlayarak, çevreye ve insanlara olabilecek potansiyel negatif etkisini önlemeye yardımcı olabilirsiniz, aksi takdirde bu ürünün yanlış atık yönetimi durumunda negatif etkiler meydana gelebilir. Bu ürünün geri dönüşümü hakkında daha ayrıntılı bilgi için belediyenize, mahallenizdeki atık hizmetine veya ürünü satın aldığınız mağazaya danışın.



## Atma

Ürün veya ürün ambalajı üzerinde bulunan semboller, bu ürünün evsel atık olarak değerlendirilemeyeceğini

## Teknik veriler

### Teknik veriler

	S 138i	S 138C
<b>Motor</b>		
Motor tipi	BLDC (fırçasız) 36V	AC Serisi Motor
Ataşman devri – SavE, dev/dak	3000	Geçerli değil
Ataşman devri – Nominal, dev/dak	3200	4200
Motor çıkışı – maks. kW	1,28	1,8
Motor çıkışı – Nominal, kW	0,9	1,6
<b>Ağırlık</b>		
Ağırlık, kg	19,5 (aküsüz)	19,0
<b>Akü</b>		
Akü tipi	Husqvarna Akü Serisi	Yok
<b>Akü çalışma süresi</b>		
Bir adet Husqvarna 5,2 Ah akü (Blı200) ile birlikte SavE etkin durumdayken dakika cinsinden akü çalışma süresi (serbest çalışma).	115	Yok
Bir adet Husqvarna 5,2 Ah akü (Blı200) ile birlikte stand-art mod etkin durumdayken dakika cinsinden akü çalışma süresi (serbest çalışma).	102	Yok
<b>Gürültü yayma</b> <sup>76</sup>		
Ses gücü seviyesi, ölçülmüş dB (A)	89,2	95,7

<sup>76</sup> 2000/14/AT sayılı AT direktifi uyarınca ses gücü (L<sub>WA</sub>) olarak çevrede ölçülen gürültü yayma seviyesi.



	S 138i	S 138C
Ses gücü seviyesi, $L_{WA}$ dB (A) garantili	91	98
<b>Ses seviyeleri</b> <sup>77</sup>		
Operatörün kulağında ses basıncı düzeyi, dB (A)	75,3	81,7
<b>Titreşim seviyeleri</b> <sup>78</sup>		
Kol, $m/s^2$	5,5	8,3
<b>Kullanım</b>		
Maks/min çalışma derinliği, mm	-8/+5	-8/+5
Çalışma genişliği, cm	37,5	37,5
Delta bıçakları ataşmanı	5973510-01	5973510-01
Yaylı dişler ataşmanı	5973509-01	5973509-01
Çim toplama sepeti kapasitesi, litre	45	45

Onaylı aküler	Tip	Akü kapasitesi, Ah	Voltaj, V	Ağırlık, lb/kg
BLi20	Lityum iyon	4,0	36	2,6/1,2
BLi200	Lityum iyon	5,2	36	2,8/1,3
BLi300	Lityum iyon	9,4	36	4,1/1,9

Belirtilen aküler için onaylı şarj cihazları, BLi	Giriş voltajı, V	Frekans, Hz	Güç, W
QC80	100-240	50-60	80
QC80F	12	0	80
QC330	100-240	50-60	330
QC500	100-240	50-60	500

<sup>77</sup> Ses basıncı düzeyi için bildirilen verilerdeki tipik istatistik dağılım (standart sapma) 1,2 dB (A) şeklindedir.

<sup>78</sup> Titreşim düzeyi için bildirilen verilerin tipik istatistik dağılımı (standart sapması) 0,2  $m/sn^2$  şeklindedir.

---

# AT Uyumluluk Bildirimi

---

## AT Uyumluluk Bildirimi

**Husqvarna AB**, SE-561 82 Huskvarna, İsveç, tel.:  
+46-36-146500, 2018XXXXXXXX ve sonraki seri  
numaralı **Husqvarna S 138i model çim havalandırıcının**  
aşağıdaki KONSEY DİREKTİFİ gereksinimleriyle uyumlu  
olduğunu beyan eder:

- 8 Haziran 2011 tarihli ve **2011/65/AB** sayılı "belirli tehlikeli maddelerin kısıtlanmasına" ilişkin direktif
- 17 Mayıs 2006 tarihli ve **2006/42/AT** sayılı "makinelere ilgili" direktif
- 26 Şubat 2014 tarihli ve **2014/30/AB** sayılı "elektromanyetik uyumlulukla ilgili" direktif
- 8 Mayıs 2000 tarihli ve **2000/14/AT** sayılı "çevredeki gürültü emisyonları ile ilgili" direktif

Gürültü emisyonları ile ilgili bilgi için Teknik veriler bölümüne bakın.

Aşağıdaki standartlar uygulanmıştır:

**EN 60335-1:2012+A11:2014+A13:2017, EN 50636-2-92:2014, EN 55014-1:2017, EN 55014-2:2015**

Huskvarna, 2019-01-15



Claes Losdal, Geliştirme Müdürü/Bahçe Ürünleri  
(Husqvarna AB yetkili temsilcisi ve teknik dokümantasyon sorumlusu.)

---

# AT Uyumluluk Bildirimi

---

## AT Uyumluluk Bildirimi

**Husqvarna AB**, SE-561 82 Huskvarna, İsveç, tel.: +46-36-146500, 2018XXXXXXX ve sonraki seri numaralı **Husqvarna S 138C model çim havalandırıcının** aşağıdaki KONSEY DİREKTİFİ gereksinimleriyle uyumlu olduğunu beyan eder:

- 8 Haziran 2011 tarihli ve **2011/65/AB** sayılı "belirli tehlikeli maddelerin kısıtlanmasına" ilişkin direktif
- 17 Mayıs 2006 tarihli ve **2006/42/AT** sayılı "makinelele ilgili" direktif
- 26 Şubat 2014 tarihli ve **2014/30/AB** sayılı "elektromanyetik uyumlulukla ilgili" direktif
- 8 Mayıs 2000 tarihli ve **2000/14/AT** sayılı "çevredeki gürültü emisyonları ile ilgili" direktif

Gürültü emisyonları ile ilgili bilgi için Teknik veriler bölümüne bakın.

Aşağıdaki standartlar uygulanmıştır:

**EN 60335-1:2012+A11:2014+A13:2017, EN 50636-2-92:2014, EN 55014-1:2017, EN 55014-2:2015, EN 61000-3-2:2014, EN 61000-3-11:2000**

Huskvarna, 2019-01-15



Claes Losdal, Geliştirme Müdürü/Bahçe Ürünleri  
(Husqvarna AB yetkili temsilcisi ve teknik dokümantasyon sorumlusu.)

---

## Зміст

---

Вступ.....	692	Усунення несправностей.....	715
Безпека.....	696	Транспортування, зберігання й утилізація.....	716
Збирання.....	706	Технічні характеристики.....	717
Експлуатація.....	708	Декларація відповідності ЄС.....	719
ТЕХНІЧНЕ ОБСЛУГОВУВАННЯ.....	712	Декларація відповідності ЄС.....	720

---

## Вступ

---

### Опис виробу

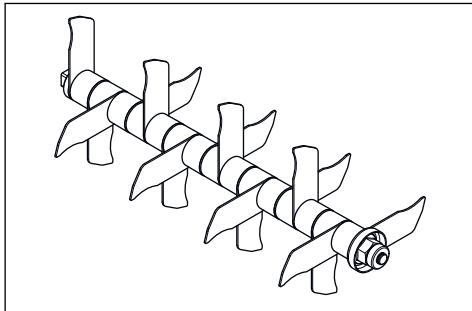
Цей виріб – це електричний ґрунторозпушувач, керований пішим оператором. Він прибирає з газону солому й розпушує ґрунт, щоб у газон потрапляло повітря й вода. Солома збирається в травозбірник чи викидається знову на газон. Виріб має дві ґрунторозпушувальні насадки.

### Ґрунторозпушувальне обладнання

Інформацію щодо заміни ґрунторозпушувального обладнання див. у *Заміненні ґрунторозпушувального обладнання на сторінці 713*.

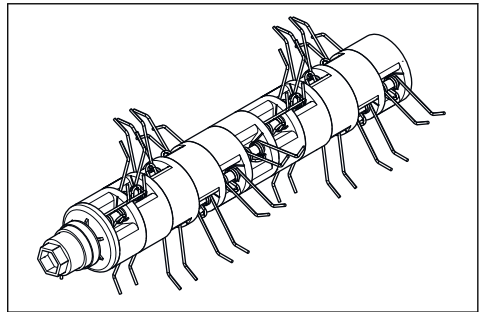
### Трикутні леза

Трикутні леза прибирають солому й вертикально підрізують корені трави. Використовуйте трикутні леза на схилах, терасах і ґрунті, який містить багато глини. Трикутні леза дають воді змогу потрапляти в газон і запобігають її скупченню на поверхні



### Паросткові зубці

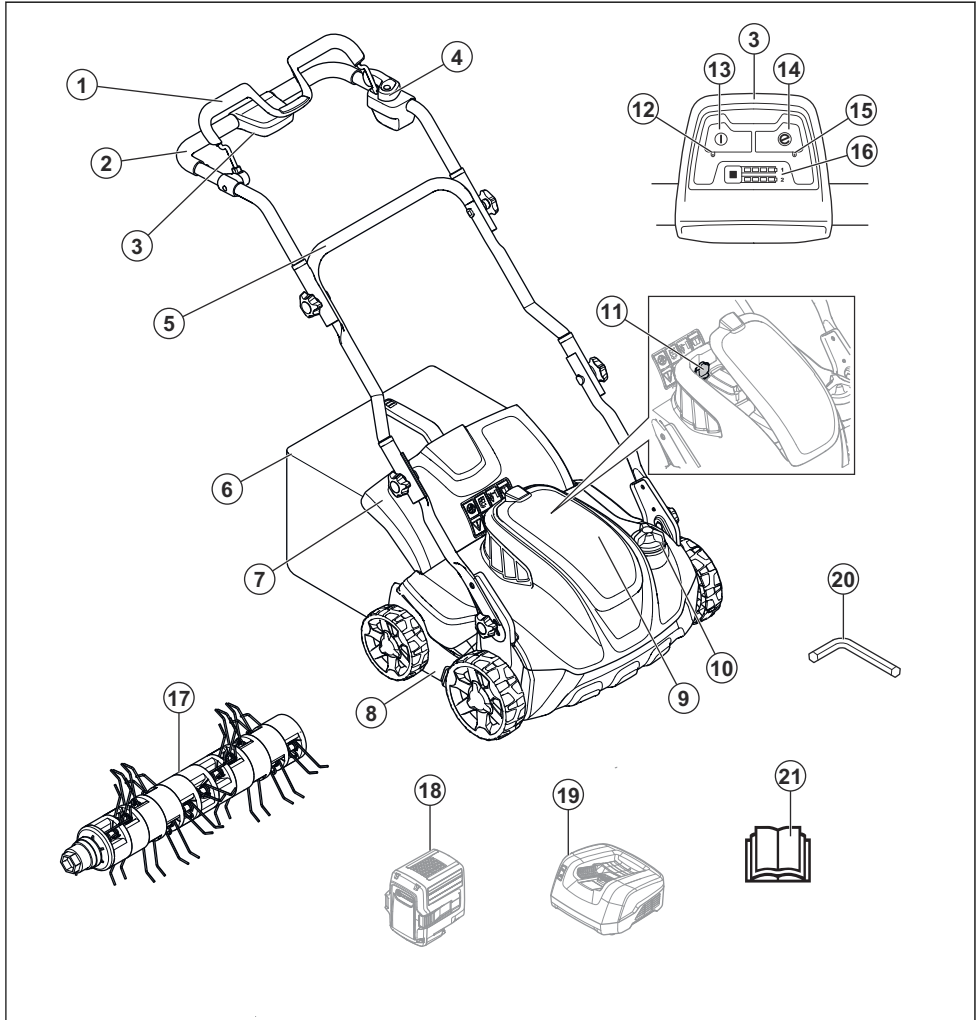
Паросткові зубці обережно прибирають із газону суху траву й солому без шкоди корінню трави.



### Призначення

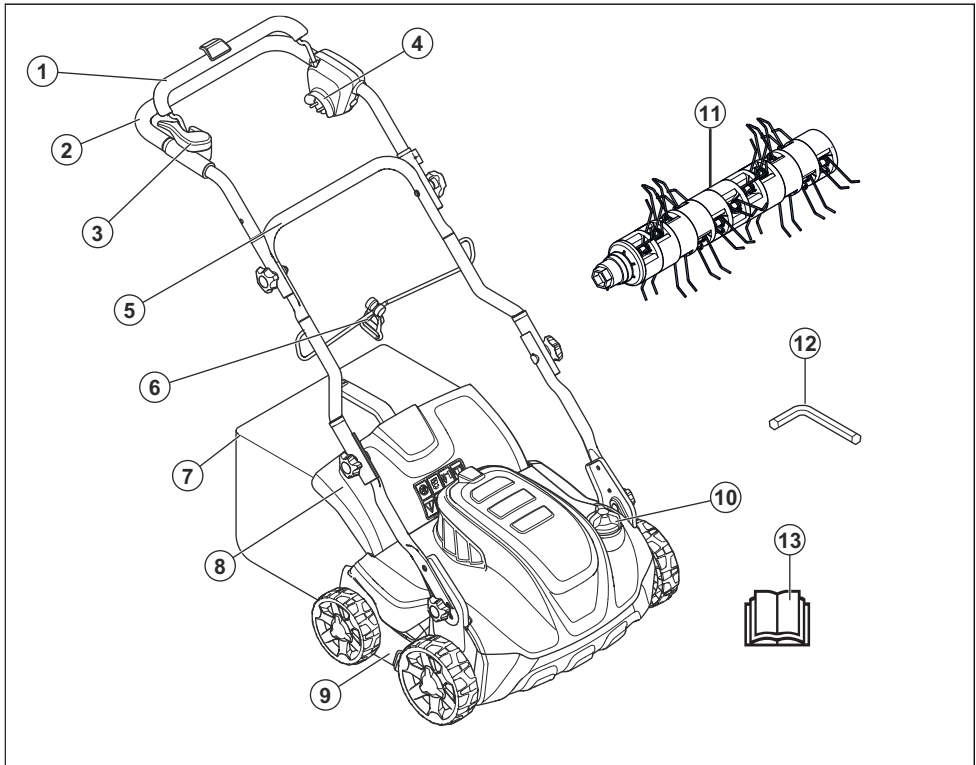
Використовуйте виріб для прибирання соломи й моху та розпушення ґрунту в приватних садах. Забороняється використовувати продукт для інших завдань.

## Огляд моделі S 138i



- |                                       |   |
|---------------------------------------|---|
| 1. Ручка зупинення двигуна            | 12. Світлодіодний індикатор «УВІМК./ВИМКН.»                 |
| 2. Верхня ручка                       | 13. Кнопка «УВІМК./ВИМКН.»                                  |
| 3. Панель керування                   | 14. Кнопка SavE   |
| 4. Обмежувач запуску                  | 15. Світлодіодний індикатор функції SavE                    |
| 5. Нижня ручка                        | 16. Індикатор стану заряду акумулятора й кнопка акумулятора |
| 6. Травозбірник                       | 17. Паросткові зубці  |
| 7. Задній кожух                       | 18. Акумулятор (додатковий аксесуар)                        |
| 8. Кришка ґрунторозпушувача           | 19. Зарядний пристрій (додатковий аксесуар)                 |
| 9. Кришка акумулятора                 | 20. Шестигранний ключ                                       |
| 10. Ручка регулювання робочої глибини | 21. Посібник користувача                                    |
| 11. Ключ безпеки                      |   |

## Огляд моделі S 138C



1. Ручка зупинення двигуна
2. Верхня ручка
3. Обмежувач запуску
4. Розетка
5. Нижня ручка
6. Кабельний затискач
7. Травозбірник
8. Задній кожух
9. Кришка ґрунторозпушувача
10. Ручка регулювання робочої глибини
11. Паросткові зубці
12. Шестигранний ключ
13. Посібник користувача

смерті оператора чи інших осіб.



Перед використанням виробу прочитайте посібник користувача й переконайтеся, що ви зрозуміли наведені в ньому вказівки.

### Символи на виробі



Увага! Неуважне чи неправильне використання може призвести до травм або



Остерігайтеся рикошету й об'єктів, які можуть вилітати з-під виробу.



Сторонні особи та тварини повинні перебувати на безпечній відстані від робочої зони.



Увага! Тримайте руки та ноги на відстані від леза, що обертається.



Перед технічним обслуговуванням виробу виймайте ключ безпеки (модель S 138i).



Перед технічним обслуговуванням виробу від'єднуйте його від електромережі (модель S 138C).



Небезпека ураження електричним струмом. (модель S 138C).



Захищайте від дощу (модель S 138i).





Увага! Не переїжджайте шнур живлення виробом, оскільки це може спричинити ураження електричним струмом або пошкодження виробу (модель S 138C).


**IPX4** Цей виріб захищено від бризок.

**EAC** Виріб відповідає вимогам застосованих директив EAC.

**CE** Цей виріб відповідає вимогам відповідних директив ЄС.

 Виріб відповідає вимогам відповідних директив УкрСЕПРО.

 Рівень випромінювання шуму в середовище відповідає директиві Європейської Спільноти. Рівень випромінювання шуму виробу вказано в розділі «Технічні дані» і на паспортній табличці.

 Подвійна ізоляція (модель S 138C).



Утилізацію виробу необхідно проводити на підприємстві з переробки відходів електричного й електронного обладнання. (Лише для країн Європи.)



Порядок запуску для моделі S 138i: натисніть кнопку «УВИМК./ВИМК.», відпустіть обмежувач запуску й натисніть ручку зупинення двигуна.



Процедура запуску для моделі S 138C: відпустіть обмежувач запуску, натисніть ручку зупинення двигуна.



Щоб зупинити двигун, відпустіть ручку зупинення двигуна.



Сканований код.

**Зверніть увагу:** Інші позначення на виробі відповідають вимогам спеціальних сертифікатів для певних ринків.

### Відповідальність за якість продукції

Згідно із законом про відповідальність за якість продукції ми не несемо відповідальності за будь-які пошкодження, спричинені роботою наших виробів, якщо:

- виріб було неправильно відремонтовано;
- виріб було відремонтовано із використанням деталей, виготовлених не виробником або не затверджених ним;
- виріб обладнано аксесуаром, виготовленим не виробником або не затвердженим ним;
- виріб було відремонтовано в неавторизованому сервісному центрі або неавторизованою компанією;

## Безпека

### Визначення щодо безпеки

Попередження, застереження й примітки служать для наголошення на особливо важливих положеннях посібника.



### ПОПЕРЕДЖЕННЯ:

Вказує на те, що в разі порушення інструкцій, наведених у цьому посібнику, існує небезпека поранення



або смерті оператора чи інших осіб, що знаходяться поруч.

---



**УВАГА:** Вказує на те, що в разі порушення інструкцій, наведених у цьому посібнику, існує небезпека пошкодження виробу, інших матеріалів або навколишніх об'єктів.

---

### **Зверніть увагу:**

Використовується для надання додаткової інформації щодо певної ситуації.

---

### **Загальні правила техніки безпеки**

---



**ПОПЕРЕДЖЕННЯ:** Перш ніж розпочати використання виробу, уважно прочитайте наведені нижче попередження.

---

- Цей виріб може бути небезпечним у разі неправильного або недбалого використання. Порушення правил техніки

безпеки може призвести до травм або смерті.

- Під час роботи цього виробу утворюється електромагнітне поле. Це поле може за деяких умов взаємодіяти з активними чи пасивними медичними імплантатами. Щоб зменшити ризик тяжких або смертельних травм, рекомендуємо особам із медичними імплантатами проконсультуватися зі своїм лікарем і виробником медичного імплантату перед початком експлуатації цього виробу.
- Завжди будьте обережні та керуйтеся здоровим глуздом. Якщо ви маєте сумніви щодо того, як користуватися виробом у конкретній ситуації, припиніть роботу та проконсультуйтеся з дилером Husqvarna.
- Пам'ятайте, що оператор несе відповідальність за нещасні випадки, у результаті яких постраждали інші особи або їхнє майно.
- Підтримуйте виріб чистим. Переконайтеся, що знаки та наклейки знаходяться в читабельному стані.

- Не дозволяйте використовувати виріб стороннім людям доки не переконаєтеся, що вони прочитали та зрозуміли весь зміст посібника користувача.
- Не давайте використовувати прилад дітям.
- Не давайте використовувати прилад особам, що не ознайомилися з інструкціями.
- Завжди наглядуйте за особами з обмеженими фізичними чи розумовими можливостями, що використовують виріб. Біля виробу, що працює, повинна завжди знаходитися відповідальна доросла особа.
- Забороняється використовувати виріб, якщо ви втомлені, хворі, чи перебуваєте під впливом наркотиків, алкоголю або медикаментів. Ці фактори мають негативний вплив на ваш зір, зосередженість, свідомість та координацію рухів.
- Забороняється використовувати виріб у разі його несправності.
- Забороняється зміни в конструкцію виробу чи

використовувати виріб, якщо є підозра, що його було змінено сторонніми особами.

## Безпека в робочій зоні



### **ПОПЕРЕДЖЕННЯ:**

Перш ніж розпочати використання виробу, уважно прочитайте наведені нижче попередження.

- Перед використанням виробу приберіть з робочої зони всі гілки, лозу та каміння.
- Предмети, що потраплять на ґрунторозпушувальне обладнання, можуть відлетіти й поранити сторонніх осіб або пошкодити інші предмети. Сторонні особи та тварини повинні знаходитися на безпечній відстані від виробу.
- Забороняється використовувати виріб за поганої погоди на кшталт туману, дощу, сильного вітру, значного холоду або грози. Робота в погану погоду або на вологих ділянках виснажує. Погана погода може стати причиною

- небезпечних умов роботи, таких як слизькі поверхні.
- Бережіться осіб, предметів та ситуацій, які можуть зашкодити безпечній роботі виробу.
  - Бережіться перешкод на кшталт коріння, каміння, гілок, ям або канав. Висока трава може приховувати перешкоди.
  - Експлуатація виробу на схилах може становити небезпеку. Не використовуйте виріб на ділянках із нахилом понад 15°.
  - Використовуйте виріб на схилах у горизонтальному напрямку. Не рухайтесь вгору і вниз.
  - Будьте обережні, наближаючись до прихованих кутів та предметів, які можуть закривати поле зору.

## Техніка безпеки



### ПОПЕРЕДЖЕННЯ:

Перш ніж розпочати використання виробу, уважно прочитайте наведені нижче попередження.

- Використовуйте цей виріб для прибирання соломи й моху з газонів, на яких росте лише трава. Заборонено використовувати виріб для інших цілей.
- Використовуйте засоби індивідуального захисту. Див. *Засоби індивідуального захисту на сторінці 701*.
- Не використовуйте виріб під дощем або в умовах підвищеної вологості. Потраплення води у виріб збільшує загрозу ураження електричним струмом.
- Забороняється використовувати виріб без правильно встановленого ґрунторозпушувального обладнання й усіх кожухів. Неправильно встановлене ґрунторозпушувальне обладнання може від'єднатися й призвести до травм.
- Слідкуйте, щоб ґрунторозпушувальне обладнання не зачіпляло сторонні предмети на кшталт каміння й коріння. Це може призвести до пошкодження ґрунторозпушувального обладнання й згинання вала двигуна. Зігнута вісь викликає значні вібрації та призводить до ризику

від'єднання  
ґрунторозпушувального  
обладнання від виробу.

- У разі зіткнення  
ґрунторозпушувального  
обладнання з будь-яким  
стороннім предметом чи  
появи вібрації негайно  
зупиніть виріб. Зупиніть  
двигун, поверніть ключ  
безпеки в положення «0» і  
вийміть акумулятор (модель  
S 138i) або від'єдняйте шнур  
живлення (модель S 138C).  
Перевіряйте виріб на  
наявність пошкоджень.  
Виправляйте пошкодження  
або здавайте виріб на  
ремонт в авторизований  
центр обслуговування.
- Забороняється закріплювати  
ручку зупинення двигуна на  
рукоятці, коли працює  
двигун.
- Поставте виріб на тверду  
рівну поверхню й увімкніть  
його. При цьому  
ґрунторозпушувальне  
обладнання не повинно  
торкатися землі або інших  
предметів.
- Під час роботи з виробом  
завжди залишайтеся позаду  
нього.
- Під час роботи з виробом всі  
колеса мають залишатися на

землі, а обидві руки треба  
тримати на ручці. Тримайте  
руки й ноги на безпечній  
відстані від  
ґрунторозпушувального  
обладнання, що  
обертається.

- Не нахилийте виріб, коли  
двигун увімкнений.
- Будьте обережні під час руху  
у зворотному напрямку.
- Забороняється піднімати  
виріб, коли двигун  
увімкнений. Якщо потрібно  
підняти виріб, зупиніть  
двигун, поверніть ключ  
безпеки в положення «0» і  
вийміть акумулятор (модель  
S 138i) або від'єдняйте шнур  
живлення (модель S 138C).
- Не рухайтесь у зворотному  
напрямку під час роботи з  
виробом.
- Вимикайте двигун під час  
руху через ділянки без трави  
на кшталт доріжок із гравію,  
каменю або асфальту.
- Не бігайте з виробом, коли  
двигун увімкнений. Під час  
роботи з виробом необхідно  
ходити зі звичайною  
швидкістю.
- Вимикайте двигун, перш ніж  
змінювати робочу глибину.  
Забороняється виконувати

регулювання при  
ввімкненому двигуні.

- Забороняється залишати виріб без нагляду коли двигун працює. Зупиніть двигун і переконайтеся, що ґрунторозпушувальне обладнання не обертається.

## Правила техніки безпеки під час використання

### Засоби індивідуального захисту

Кожного разу під час роботи з виробом обов'язково користуйтеся затвердженими засобами індивідуального захисту. Засоби індивідуального захисту не можуть повністю ліквідувати небезпеку травм, але в разі нещасного випадку вони знизять ступінь серйозності травми. Зверніться до продавця по допомогу у виборі правильних засобів захисту.

Обов'язково вдягайте:

- Захисні навушники, щоб знизити ризик погіршення слуху.
- Міцні черевики або чоботи із підшовою, що не ковзає. Не надягайте на час роботи сандалі та не ходіть босоніж.
- Цупкі довгі штани. Не носіть під час роботи шорти.

За необхідності надягайте захисні рукавиці, наприклад під час установлення, перевірки або чищення ґрунторозпушувального обладнання.



**ПОПЕРЕДЖЕННЯ:** Користуйтеся відповідними захисними навушниками. Тривала робота в умовах сильного шуму може призвести до необоротних порушень слуху.

### Механізми безпеки на пристрої



**ПОПЕРЕДЖЕННЯ:** Перш ніж розпочати використання виробу, уважно прочитайте наведені нижче попередження.

- Не використовуйте виріб із пошкодженими захисними пристроями.
- Регулярно перевіряйте захисні пристрої. У випадку пошкодження захисних пристроїв зверніться до центру обслуговування Husqvarna.

### Перевірка кожухів

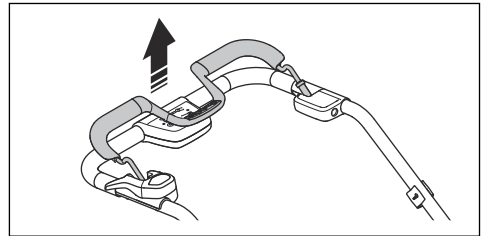
Кожух ґрунторозпушувача частково поглинає вібрацію виробу й знижує небезпеку травмування ґрунторозпушувальним обладнанням.

- Огляньте боковий кожух ґрунторозпушувача й переконайтеся, що він не має пошкоджень на кшталт тріщин.
- Огляньте задній кожух і переконайтеся, що він не має пошкоджень на кшталт тріщин.

### Ручка зупинення двигуна

Ручка зупинення двигуна зупиняє двигун. За відпускання ручки зупинення двигуна він зупиняється.

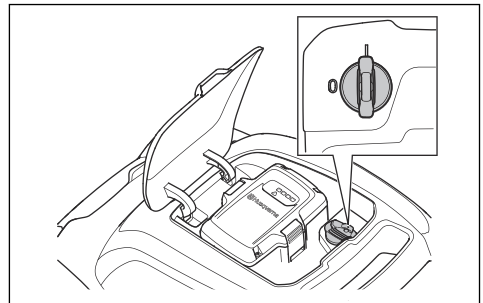
Щоб перевірити роботу гальма двигуна, запустіть двигун, а потім відпустіть ручку зупинення. Якщо двигун не зупиняється протягом 3 секунд, необхідно передати виріб в авторизований центр обслуговування Husqvarna для налаштування гальма двигуна.



### Ключ безпеки

Ключ безпеки розташований під кришкою акумуляторного відсіку. Ключ безпеки призначений для з'єднання з акумулятором, який у свою чергу живить двигун.

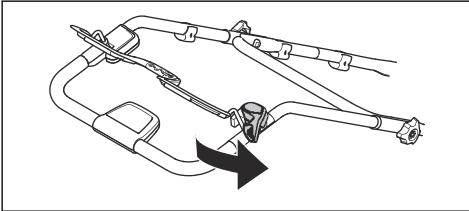
- Для перевірки ключа безпеки запустіть і зупиніть двигун.
- Якщо ключ безпеки справний, двигун заводиться лише тоді, коли ключ перебуває в положенні «1».



### Перевірка обмежувача запуску

Перевірте обмежувач запуску, щоб переконатися, що він дійсно блокує роботу двигуна.

1. Перемістіть ручку зупинення двигуна в напрямку рукоятки. Обмежувач запуску блокує рух.
2. Потягніть обмежувач запуску.

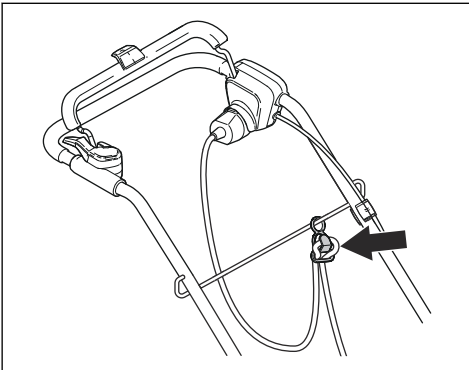


3. Відпустіть обмежувач запуску та переконайтеся, що він повертається до початкового положення.

### Використання тримача шнура живлення (модель S 138C)

Тримач шнура живлення зменшує механічне навантаження на розетку та шнур живлення. Тримач шнура живлення також знижує ризик того, що ви перечепитесь через нього.

1. Зігніть шнур живлення, утворивши вузьку петлю.
2. Вставте петлю в отвір у тримачу шнура живлення.
3. Надягніть петлю на гачок.
4. Потягніть за шнур живлення, щоб затягнути петлю навколо гачка.



### Заходи безпеки під час роботи з акумуляторами



#### ПОПЕРЕДЖЕННЯ:

Перш ніж розпочати використання виробу,

уважно прочитайте наведені нижче попередження.

- Для живлення виробів Husqvarna необхідно використовувати лише акумулятори Husqvarna. Щоб уникнути травмування, забороняється використовувати акумулятор в якості джерела живлення для інших приладів.
- Не використовуйте одноразові батареї.
- Небезпека ураження електричним струмом. Забороняється під'єднувати клеми акумулятора до ключів, монет, гвинтів або інших металевих предметів. Це може призвести до короткого замикання в акумуляторі.
- Забороняється вставляти предмети у вентиляційні отвори акумулятора.
- Тримайте акумулятор подалі від прямих сонячних променів, джерел тепла та відкритого вогню. Акумулятор може вибухнути, що призведе до опіків та / або хімічних опіків.
- Бережіть акумулятор від дощу та вологи.

- Захищайте акумулятор від впливу мікрохвиль чи високого тиску.
- Забороняється розбирати чи ламати акумулятор.
- У разі витікання рідини з акумулятора слідкуйте, щоб вона не потрапила на тіло чи в очі. Якщо рідина потрапила на шкіру, промийте вражену ділянку великою кількістю води та зверніться за медичною допомогою.
- Акумулятор дозволяється використовувати за температури від  $-10\text{ }^{\circ}\text{C}$  до  $+40\text{ }^{\circ}\text{C}$ .
- Заборонено мити батарею чи зарядний пристрій водою. Див. *Чищення акумулятора та зарядного пристрою на сторінці 713.*
- Не використовуйте несправний чи пошкоджений акумулятор.
- Зберігайте акумулятор подалі від металевих предметів на кшталт цвяхів, монет, ювелірних виробів.

### Заходи безпеки при роботі із зарядним пристроєм



#### ПОПЕРЕДЖЕННЯ:

Перш ніж розпочати використання виробу, уважно прочитайте

наведені нижче попередження.

- Для заряджання замінних акумуляторів Husqvarna необхідно використовувати лише зарядні пристрої QC.
- Ризик короткого замикання й ураження електричним струмом. Забороняється вставляти предмети у вентиляційні отвори зарядного пристрою. Заборонено розбирати зарядний пристрій. Не торкайтеся металевих предметів контактами зарядного пристрою. Використовуйте сертифіковані електричні розетки.
- Під час роботи цього виробу утворюється електромагнітне поле. Це поле може за деяких умов взаємодіяти з активними чи пасивними медичними імплантатами. Щоб зменшити ризик тяжких або смертельних травм, рекомендуємо особам із медичними імплантатами проконсультуватися зі своїм лікарем і виробником медичного імплантату перед початком експлуатації цього виробу.

- Регулярно перевіряйте шнур живлення зарядного пристрою на предмет пошкоджень та тріщин.
- Забороняється підіймати зарядний пристрій, тримаючи його за шнур живлення. Щоб від'єднати зарядний пристрій від настінної розетки, витягніть штепсельну вилку. У жодному разі не тягніть за шнур живлення.
- Тримайте шнур живлення та подовжувачі на безпечній відстані від води, мастил і гострих предметів. Переконайтеся, що кабель не здавлено дверима, огорожею або іншими предметами. У такому випадку зарядний пристрій може опинитися під напругою.
- Заборонено мити зарядний пристрій водою.
- Діти віком від 8 років та особи з обмеженими фізичними, сенсорними або психічними можливостями або особи, які не мають досвіду та знань, можуть використовувати зарядний пристрій лише під наглядом або після належного інструктажу щодо безпечного його використання, за умови розуміння ними пов'язаних із таким використанням ризиків. Дітям забороняється грати із зарядним пристроєм. Дітям забороняється чистити зарядний пристрій і здійснювати його технічне обслуговування без нагляду.
- Не намагайтеся заряджати одноразові батареї за допомогою зарядного пристрою.
- Забороняється використовувати зарядний пристрій поблизу легкозаймистих або корозійних матеріалів. Заборонено накривати зарядний пристрій. При появі диму чи вогню витягніть штепсель зарядного пристрою з розетки.
- Не використовуйте зарядний пристрій з ознаками пошкодження.
- Заряджати акумулятор слід тільки в добре провітрюваних приміщеннях та подалі від сонячного світла. Не заряджайте акумулятор у вологому середовищі.

**Захисний пристрій для шнура живлення**

Для моделі S 138C.



- Рекомендовано використовувати пристрій захисного підключення (ПЗП) зі струмом вимкнення не більше 30 мА. Навіть якщо ПЗП встановлено, це не гарантує повної гарантії безпеки, тому завжди слід дотримуватися правил техніки безпеки. Перевіряйте ПЗП перед кожним використанням.
- Якщо шнур живлення перерізано або пошкоджено ізоляцію, негайно від'єднайте виріб від електромережі.
- Не торкайтеся пошкодженого чи перерізаного шнура живлення, доки не від'єднаєте виріб від електромережі.
- Не ремонтуйте перерізаний або пошкоджений кабель живлення. Замініть його новим.
- Для моделі S 138i: Для запобігання ненавмисному запуску двигуна під час обслуговування переведіть ключ безпеки в положення «0» та вийміть акумулятор. Перед початком обслуговування зачекайте щонайменше 5 секунд.
- Для моделі S 138C: Щоб запобігти випадковому запуску двигуна під час обслуговування, від'єднайте шнур живлення.
- Виконуйте технічне обслуговування правильно, адже це допоможе збільшити термін експлуатації виробу та зменшить небезпеку виникнення нещасних випадків. Доручайте професійний ремонт уповноваженому центру обслуговування. Більш детальну інформацію можна дізнатися в найближчому центрі обслуговування.

## Правила техніки безпеки під час обслуговування



### ПОПЕРЕДЖЕННЯ:

Перш ніж розпочати використання виробу, уважно прочитайте наведені нижче попередження.

- Виконуйте лише те технічне обслуговування, що наведено в цьому посібнику користувача. Більш серйозні роботи повинні виконуватися працівниками сертифікованих центрів обслуговування.

- Під час роботи з ґрунторозпушувальним обладнанням завжди надягайте міцні рукавиці. Ґрунторозпушувальне обладнання дуже гостре, тож ним можна легко порізатися.
- Для найвищої продуктивності й безпеки слід підтримувати леза ґрунторозпушувального обладнання гострими та чистими.
- Регулярно віддавайте виріб у центр обслуговування, де його будуть перевіряти, робити необхідні налаштування або ремонт.
- Замінюйте пошкоджені, зношені або зламані деталі.
- Дотримуйтеся інструкцій щодо заміни аксесуарів. Користуйтеся аксесуарами лише від виробника обладнання.
- Коли виріб не використовується, зберігайте його окремо від акумулятора та зарядного пристрою в сухому закритому приміщенні. Переконайтеся, що діти та особи без належної підготовки не зможуть отримати доступ до виробу, акумулятора чи зарядного пристрою.

## Збирання

### Вступ



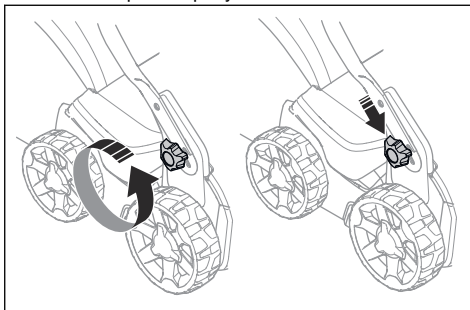
**ПОПЕРЕДЖЕННЯ:** Перед монтажем виробу необхідно прочитати розділ про заходи безпеки.



**ПОПЕРЕДЖЕННЯ:** Для моделі S 138i: Щоб запобігти випадковому ввімкненню виробу під час збирання, поверніть ключ безпеки в положення «0», вийміть акумуляторну батарею та почекайте принаймні 5 секунд.

Для моделі S 138C: Щоб запобігти випадковому запуску двигуна під час монтажу, від'єднайте шнур живлення.

2. Пересуньте головки у нижню частину прорізів зліва та справа виробу.

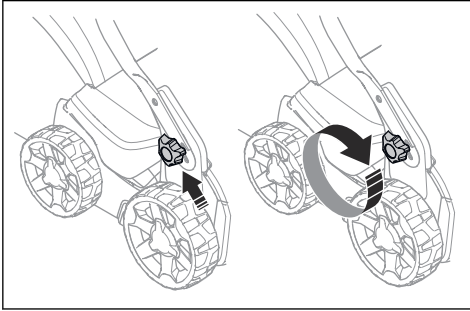


3. Встановіть висоту ручки в одне з двох доступних положень.

### Монтаж ручки

1. Відпустіть нижні фіксувальні головки.

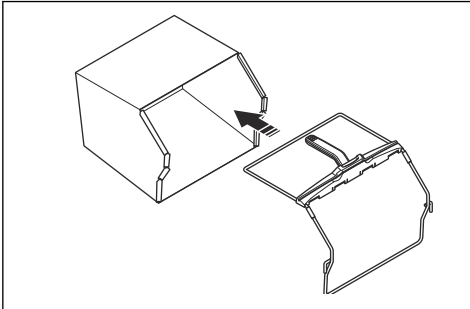
4. Пересуньте головки вгору в напрямку ручки, доки вони не зупиняться та ви не почуєте клацання.



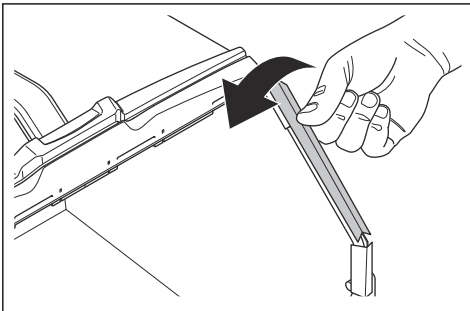
5. Надійно затягніть фіксувальні головки.

## Монтаж травозбірника

1. Встановіть раму травозбірника на мішок для трави. Твердий бік мішка має бути знизу. Тримайте рукоятку рами зверху мішка для трави.

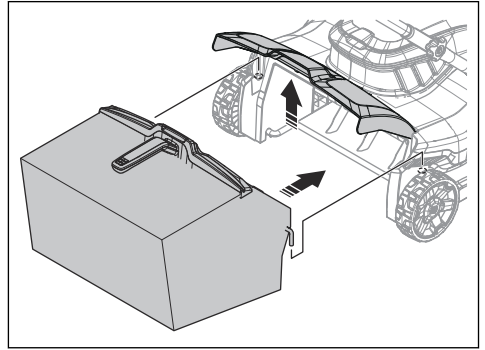


2. Вставте нижню частину рами травозбірника в паз знизу травозбірника.  
3. Зафіксуйте мішок для трави на рамі травозбірника за допомогою затискачів.

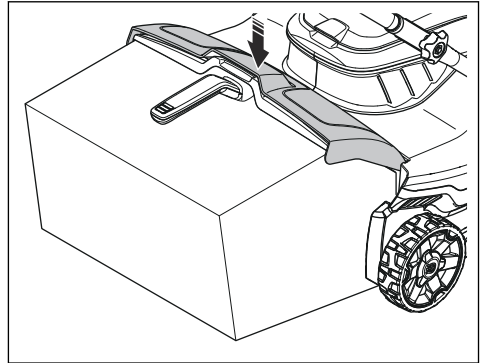


4. Підніміть задню кришку.

5. Установіть травозбірник у правильне положення.



6. Під'єднайте травозбірник до верхньої кромки рами. Переконайтеся, що задній кожух щільно прилягає до травозбірника, щоб уникнути випадіння трави.



# Експлуатація

## Вступ



**ПОПЕРЕДЖЕННЯ:** Перед експлуатацією виробу обов'язково прочитайте й усвідомте зміст розділу про заходи безпеки.

## Husqvarna Connect

Husqvarna Connect є безкоштовною програмою для мобільного пристрою. У програмі Husqvarna Connect доступна ціла низка розширених функцій для користування Husqvarna:

- розширена інформація про виріб;
- відомості про деталі й обслуговування виробу, а також довідкова інформація.

## Щоб почати користуватися Husqvarna Connect

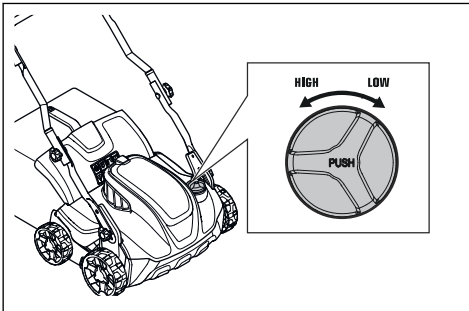
1. Завантажте програму Husqvarna Connect на свій мобільний пристрій.
2. Зареєструйтеся в програмі Husqvarna Connect.
3. Виконайте кроки з реєстрації в програмі Husqvarna Connect, щоб під'єднати та зареєструвати виріб.

## Установлення робочої глибини



**ПОПЕРЕДЖЕННЯ:** Забороняється налаштовувати робочу глибину під час експлуатації виробу.

1. Натисніть і поверніть ручку регулювання робочої глибини проти годинникової стрілки, щоб збільшити робочу глибину.
2. Натисніть і поверніть ручку регулювання робочої глибини за годинниковою стрілкою, щоб зменшити робочу глибину.



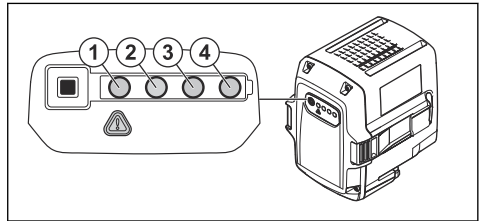
## Акумулятор



**ПОПЕРЕДЖЕННЯ:** Перед використанням акумулятора обов'язково прочитайте й усвідомте зміст розділу про заходи безпеки. Також необхідно прочитати й усвідомити зміст посібника користувача для акумулятора та зарядного пристрою.

## Стан акумулятора

На дисплеї відображаються поточний стан заряду акумулятора та можливі проблеми під час його роботи. Поточний стан заряду акумулятора відображається протягом 5 секунд після вимкнення виробу або натискання індикаторної кнопки акумулятора. У разі виникнення будь-якої помилки на дисплеї акумулятора з'являється попереджувальний символ. Див. *Акумулятор на сторінці 715*.



Світлодіодні індикатори	Стан акумулятора
Горять усі світлодіодні індикатори	Акумулятор заряджений повністю (75-100 %)
Горять світлодіодні індикатори 1, 2 та 3	Акумулятор заряджений на 50-75 %.
Горять світлодіодні індикатори 1 та 2	Акумулятор заряджений на 25-50 %.
Горить світлодіодний індикатор 1	Акумулятор заряджений на 0-25 %
Блимає світлодіодний індикатор 1	Акумулятор розряджений. Зарядіть акумулятор

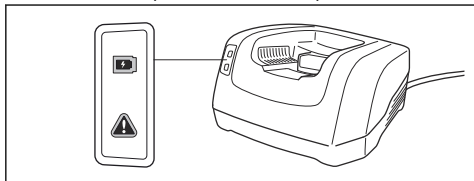
## Зарядка акумулятора

Перед першим використанням акумулятор слід зарядити. Акумулятор постачається зарядженим лише на 30 % ємності.

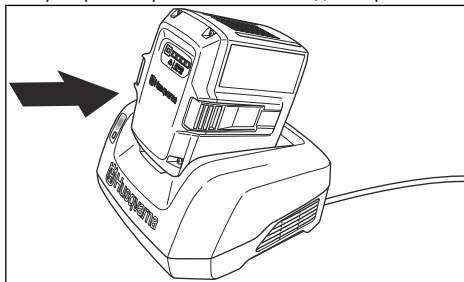
**Зверніть увагу:** Зарядний пристрій слід під'єднувати лише до джерел електроживлення з напругою та частотою, вказаними на табличці з паспортними даними.

Акумулятор не заряджається, якщо його температура перевищує 50°C. Перед початком заряджання зарядний пристрій зменшує температуру акумулятора.

1. Під'єднайте один кінець шнура живлення зарядного пристрою до його роз'єму.
2. Під'єднайте інший кінець шнура живлення зарядного пристрою до електричної розетки із заземленням. Світлодіод зарядного пристрою блимне один раз зеленим кольором.



3. Встановіть акумулятор у зарядний пристрій. Якщо акумулятор підключено правильно, на зарядному пристрої загоряється зелений індикатор.



4. Якщо загоряються всі світлодіодні індикатори, це означає, що акумулятор повністю заряджений. Тривалість заряджання акумулятора не повинна перевищувати 24 години.
5. Щоб від'єднати зарядний пристрій із розетки, тримайтеся тільки за штепсель, не тягніть за шнур.
6. Вийміть акумулятор із зарядного пристрою.

### Стан заряджання акумулятора

Літій-іонний акумулятор Husqvarna можна заряджати та використовувати за будь-якого рівня зарядки. Акумулятор не буде пошкоджено. Повністю заряджена акумуляторна батарея не втрачає заряд, якщо її залишити в зарядному пристрої.

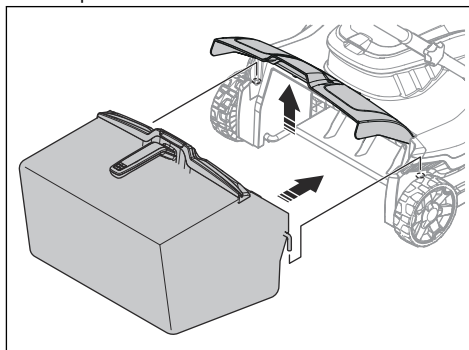
Світлодіодний дисплей	Стан зарядки
Блимає світлодіодний індикатор 1	0-25 %
Горить світлодіодний індикатор 1, блимає світлодіодний індикатор 2	25-50 %

Світлодіодний дисплей	Стан зарядки
Горять світлодіодні індикатори 1, 2, блимає світлодіодний індикатор 3	50-75 %
Горять світлодіодні індикатори 1, 2, 3, блимає світлодіодний індикатор 4	75-100 %
Горять світлодіодні індикатори 1, 2, 3, 4	Заряджено повністю

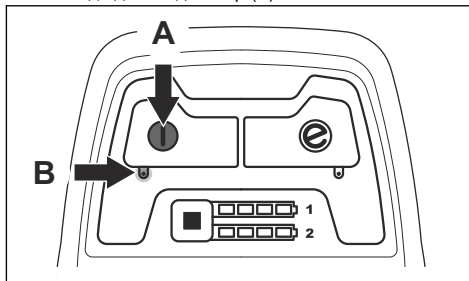
## Експлуатація S 138i

### Запуск виробу

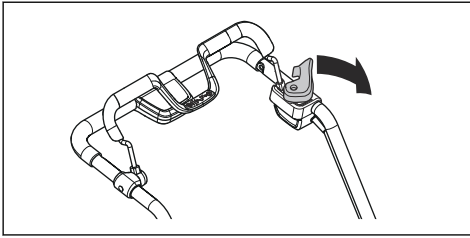
1. Встановіть акумулятор в акумуляторний відсік №1 під кришкою. Для більш тривалого часу використання вставте другий заряджений акумулятор в акумуляторний відсік №2.
2. Поверніть ключ безпеки в положення «1».



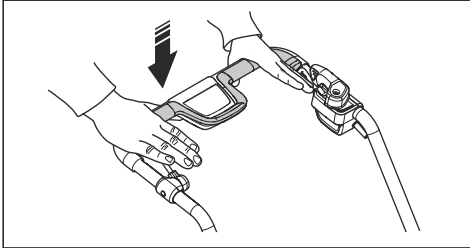
3. Залишайтеся позаду виробу.
4. Натисніть кнопку «УВІМК./ВИМКН.» (А) на панелі керування, після чого ввімкнеться зелений світлодіодний індикатор (В).



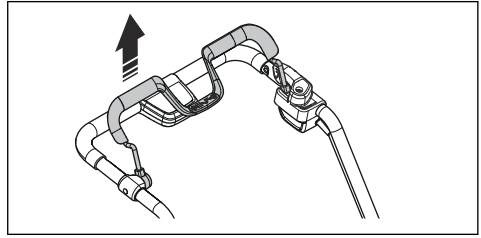
5. Відпустіть обмежувач запуску.



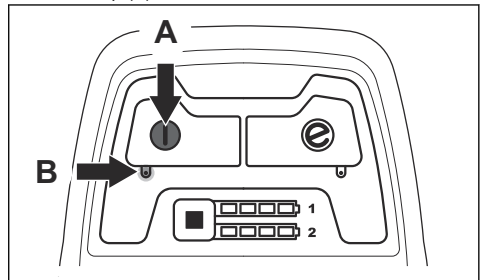
6. Перемістіть ручку зупинення двигуна в напрямку рукоятки.



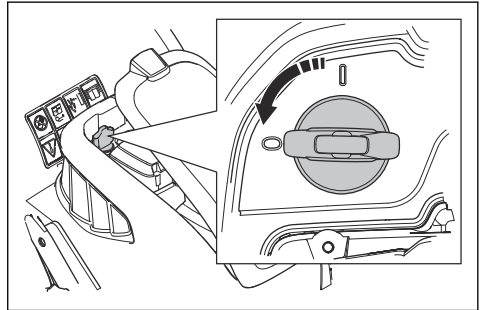
1. Для зупинення двигуна відпустіть ручку зупинення двигуна.



2. Натисніть кнопку «УВІМК./ВИМКН.» (А) на панелі керування, після чого зелений світлодіодний індикатор (В) вимкнеться.



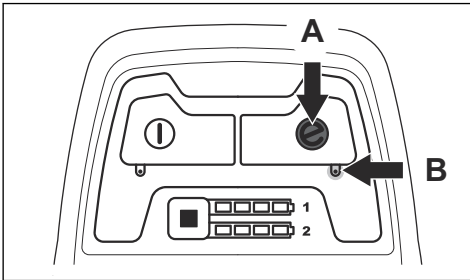
3. Відкрийте кришку акумуляторного відсіку та поверніть ключ безпеки в положення «0».



### Використання функції SavE

Виріб оснащений функцією збереження заряду акумулятора (SavE), що дозволяє подовжити час використання.

1. Для ввімкнення функції натисніть кнопку SavE (А). Увімкнеться зелений світлодіодний індикатор.

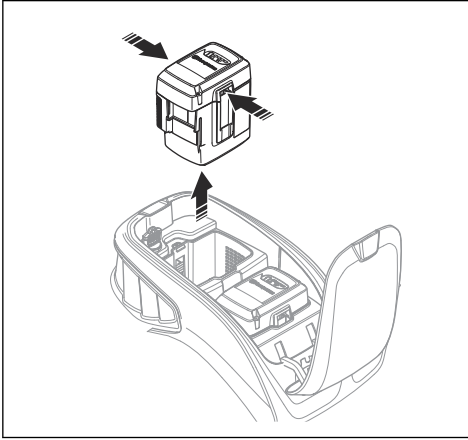


2. Для вимкнення функції натисніть кнопку SavE ще раз. Зелений світлодіодний індикатор (В) вимкнеться.

### Зупинка виробу

Якщо ви не користуєтеся виробом протягом 10 хвилин, він автоматично зупиняється. Залишаючи виріб без нагляду, завжди повертайте ключ безпеки в положення «0».

4. Щоб вийняти акумулятор, одночасно натисніть дві кнопки фіксатора й витягніть його.

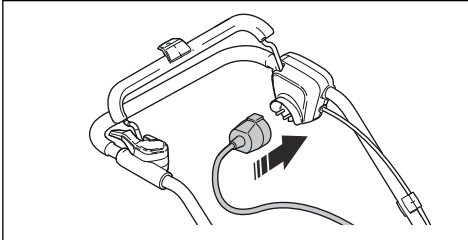


5. Якщо рівень заряду акумулятора низький, зарядіть його. Докладніше див. *Зарядка акумулятора на сторінці 708.*

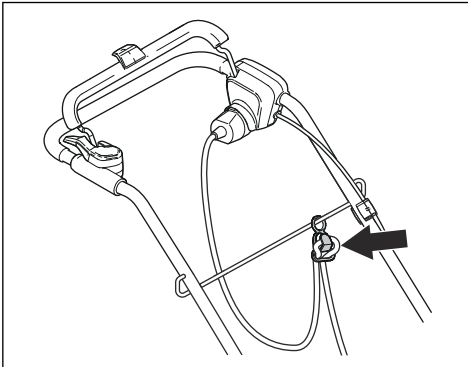
## Експлуатація S 138C

### Запуск виробу

1. Вставте шнур живлення в гніздо під рукою.

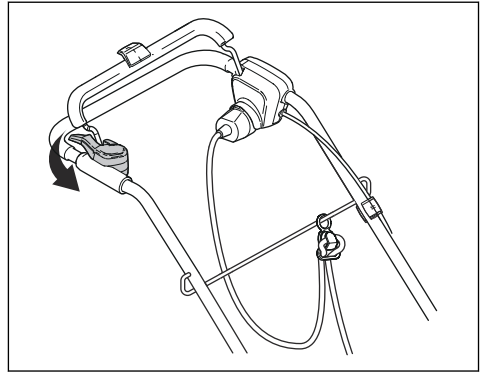


2. Вставте шнур живлення у тримач шнура живлення. Див. *Використання тримача шнура живлення (модель S 138C) на сторінці 702.*

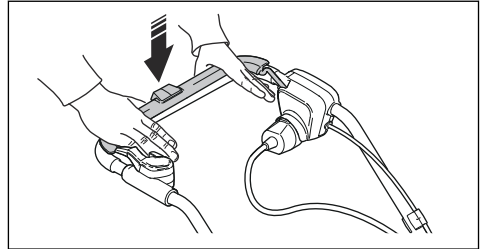


3. Залишайтеся позаду виробу.

4. Відпустіть обмежувач запуску.

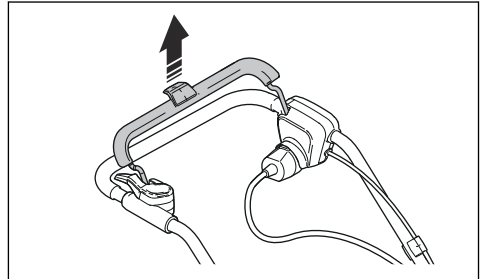


5. Перемістіть ручку зупинення двигуна в напрямку рукоятки.

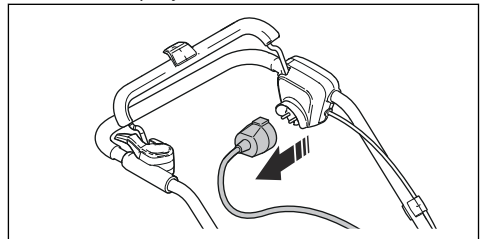


### Зупинка виробу

1. Для зупинення двигуна відпустіть ручку зупинення двигуна.



2. Від'єднайте шнур живлення від електромережі, а потім від виробу.





**УВАГА:** Тягніть штепсель назад, не розхитуючи. У жодному разі не тягніть за шнур живлення.

## ТЕХНІЧНЕ ОБСЛУГОВУВАННЯ

### Вступ



**ПОПЕРЕДЖЕННЯ:** Перед виконанням робіт із технічного обслуговування обов'язково прочитайте й усвідомте зміст розділу про заходи безпеки.

Для всіх робіт з обслуговування та ремонту необхідна спеціальна підготовка. Ми гарантуємо доступність послуг із професійного ремонту та обслуговування. Якщо ваш дилер не є одночасно центром обслуговування, зверніться до нього по

інформацію щодо найближчого центру обслуговування.

### Графік технічного обслуговування

Інтервали технічного обслуговування вказані з урахуванням щоденного використання виробу. Інтервали змінюються для іншої частоти використання виробу.

Відомості про види обслуговування, позначені зірочкою (\*), див. у розділі *Механізми безпеки на пристрої на сторінці 701.*

S 138i й S 138C	Перед кожним використанням	Щомісяця	Щоквартально
Загальна перевірка.	X		
Чищення виробу.	X		
Перевірка ґрунторозпושувального обладнання.	X		
Перевірка справності захисних систем виробу. *	X		
Перевірка кожухів. *	X		
Перевірка ручки зупинення двигуна. *	X		
Перевірка обмежувача запуску. *	X		

Тільки S 138i	Перед кожним використанням	Щомісяця	Щоквартально
Перевірка справності роботи кнопки «УВІМК./ВИМК.».	X		
Перевірка акумулятора на наявність пошкоджень.	X		
Перевірка рівня заряду акумулятора.	X		
Перевірка справності кнопок виймання акумулятора та надійності утримування акумулятора у виробі.	X		
Перевірка зарядного пристрою на наявність пошкоджень та правильності його роботи.		X	
Перевірка з'єднань між акумулятором та виробом. Перевірка з'єднань між акумулятором та зарядним пристроєм.			X



## Процедура загальної перевірки

- Переконайтеся, що всі гайки й гвинти на виробі затягнуті.
- Переконайтеся, що кабелі встановлені так, щоб вони не пошкодилися.

## Чищення виробу

- Для очищення пластмасових деталей використовуйте суху чисту тканину.
- Не користуйтеся водою для очищення виробу. Вода може потрапити в акумулятор чи двигун та призвести до короткого замикання або пошкодження виробу.
- Для чищення виробу не використовуйте миючий апарат високого тиску.
- Заборонено лити воду безпосередньо на двигун.
- Прибирайте листя, траву та бруд за допомогою щітки.

## Чищення акумулятора та зарядного пристрою



**УВАГА:** Заборонено мити батарею чи зарядний пристрій водою.

- Перш ніж вставити акумулятор у зарядний пристрій, переконайтеся, що акумулятор і зарядний пристрій чисті й сухі.
- Чистити контакти акумулятора потрібно стисненим повітрям або за допомогою м'якої сухої ганчірки.
- Чистити поверхню акумулятора та зарядного пристрою потрібно за допомогою м'якої сухої ганчірки.

## Перевірка ґрунторозпушувального обладнання



**ПОПЕРЕДЖЕННЯ:** Для моделей S 138i: щоб запобігти випадковому запуску двигуна, поверніть ключ безпеки в положення «0», вийміть акумулятор і зачекайте принаймні 5 секунд.

Для моделі S 138C: Щоб запобігти випадковому запуску двигуна, від'єднайте шнур живлення.



**ПОПЕРЕДЖЕННЯ:** Під час технічного обслуговування ґрунторозпушувального обладнання використовуйте захисні рукавиці. Леза на ґрунторозпушувальному обладнанні є дуже гострими, тож ними можна легко порізатися.

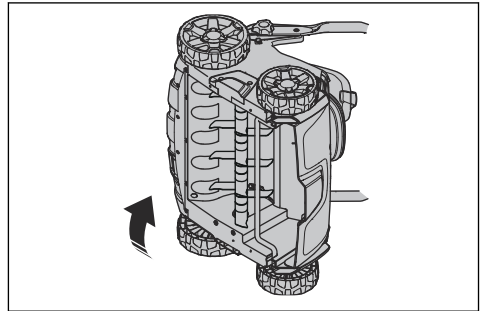
- Перевірте ґрунторозпушувальне обладнання на наявність пошкоджень або тріщин. Обов'язково замінійте пошкоджене ґрунторозпушувальне обладнання.

## Замінення ґрунторозпушувального обладнання

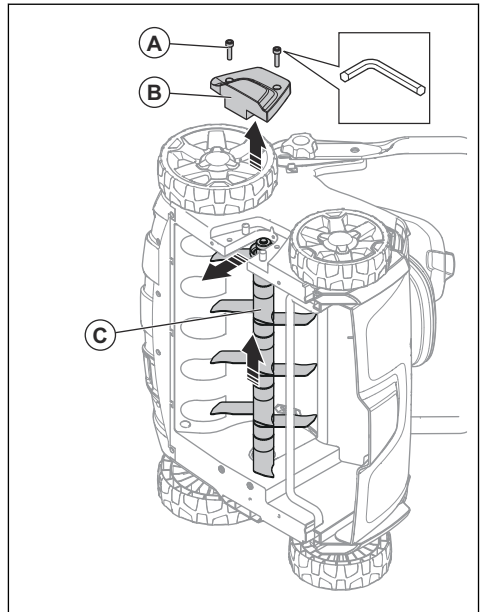


**ПОПЕРЕДЖЕННЯ:** Під час технічного обслуговування ґрунторозпушувального обладнання використовуйте захисні рукавиці. Ґрунторозпушувальне обладнання дуже гостре, тож ним можна легко порізатися

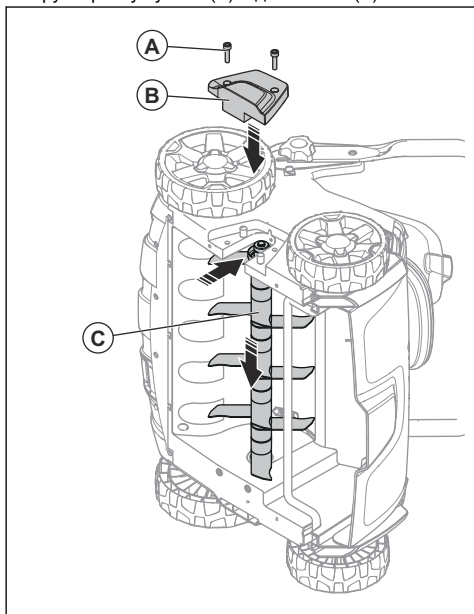
1. Покладіть виріб на праву сторону.



2. Відкрутіть 2 гвинти (A) й кожух ґрунторозпушувача (B). Потягніть за ґрунторозпушувальне обладнання (C) й зніміть його.



3. Вставте нове ґрунторозпушувальне обладнання (С) у паз і далі в отвір. Установіть кожух ґрунторозпушувача (В) й два гвинти (А)



## Усунення несправностей

### Акумулятор

Світлодіоди на акумуляторі	Можливі несправності	Можливі виправлення
Блимає зелений світлодіодний індикатор	Напруга акумулятора занадто мала	Зарядіть акумулятор Див. <i>Зарядка акумулятора на сторінці 708.</i>
Блимає світлодіодний індикатор помилки	Занадто низький рівень заряду акумулятора	Зарядіть акумулятор Див. <i>Зарядка акумулятора на сторінці 708.</i>
	Температура робочого середовища занадто висока чи занадто низька	Акумулятор дозволяється використовувати за температури від -10°C до 40°C.
	Перенапруга	Переконайтеся, що напруга відповідає значенням, зазначеним на таблиці з паспортними даними виробу.  Вийміть акумулятор із зарядного пристрою. Почекайте 5 секунд і спробуйте зарядити акумулятор. Якщо усунути несправність не вдалося, зв'яжіться з уповноваженим центром обслуговування.
Світлодіодний індикатор помилки ввімкнений	Завелика різниця напруги між елементами акумуляторної батареї (1 В).	Зверніться в авторизований центр обслуговування.

### Зарядний пристрій акумулятора

Світлодіодний індикатор на зарядному пристрої	Можливі несправності	Можливі виправлення
Блимає світлодіодний індикатор помилки	Температура робочого середовища занадто висока чи занадто низька	Зарядний пристрій дозволяється використовувати за температури від 5°C до 40°C.
Світлодіодний індикатор помилки ввімкнений		Зверніться в авторизований центр обслуговування

### Панель керування

Для моделі S 138i

Помилка	Код помилки (кількість спалахів)	Можливі несправності	Рекомендовані дії
Блимає світлодіодний індикатор помилки.	3	Двигун перевантажено.	Зменште робочу глибину. Див. <i>Установлення робочої глибини на сторінці 708</i> . Якщо світлодіодний індикатор помилки продовжує блимати, ґрунторозпушувальне обладнання заблоковано. Щоб запобігти випадковому ввімкненню виробу, поверніть ключ безпеки в положення «0», вийміть акумуляторну батарею й почекайте принаймні 5 секунд. Переконайтеся в тому, що ґрунторозпушувальне обладнання рухається вільно. Якщо усунути несправність не вдалося, зв'яжіться з уповноваженим центром обслуговування.
	5	Частота обертання двигуна занадто падає, і він зупиняється.	
	9	Елементи керування двигуном занадто нагрілися.	Зупиніть двигун і почекайте, доки він охолоне.
	7	Помилка акумулятора або відсутність сигналу від нього.	Правильно вставте акумулятор у виріб і перевірте його роз'єм. Якщо світлодіодний індикатор на акумуляторі продовжує блимати, див. <i>Стан заряджання акумулятора на сторінці 709</i> .
Виріб зупиняється	6	Занизький рівень заряду акумулятора.	Зарядіть акумулятор. Див. <i>Зарядка акумулятора на сторінці 708</i> .
	0	Несправність роз'єму акумулятора.	Огляньте роз'єм акумулятора.
Інші помилки	У разі появи інших помилок поверніть ключ безпеки в положення «0», вийміть акумулятор і зверніться до затвердженого центру обслуговування.		

## Транспортування, зберігання й утилізація

### Транспортування

- До літій-іонних акумуляторів, що йдуть у комплекті, застосовується законодавство щодо небезпечних товарів.
- Під час транспортування цивільним транспортом слід дотримуватися спеціальних вимог, що зазначені на пакуванні та наклейках.
- У разі підготовки виробу до транспортування переконайтеся, що ви дотримуєтеся законодавства щодо небезпечних матеріалів. Крім того, можуть застосовуватися місцеві норми.
- Перед перевезенням виробу слід завжди виймати акумуляторну батарею.

- Заклейте з'єднувачі акумулятора стрічкою та переконайтеся, що під час транспортування він буде надійно зафіксований.
- Під час транспортування закріплюйте виріб.

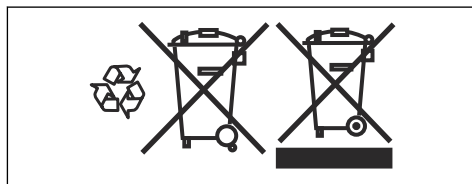
### Зберігання

- Перед зберіганням виробу слід завжди виймати акумулятор.
- Задля уникнення нещасних випадків переконайтеся, що під час зберігання акумулятор не під'єднаний до виробу.
- Зберігайте зарядний пристрій у сухому місці в закритому приміщенні.

- Зберігайте акумулятор та зарядний пристрій у сухому місці, захищеному від вологи та холоду.
- Під час зберігання від'єднуйте акумулятор від зарядного пристрою.
- Заборонено зберігати акумулятор у місці, де можуть утворюватися статичні заряди. Не зберігайте акумулятор у металевій коробці.
- Зберігайте акумулятор за температури від 5°C до 25°C у захищеному від прямих сонячних променів місці.
- Зберігайте зарядний пристрій за температури від 5°C до 45°C у захищеному від прямих сонячних променів місці.
- Перед тривалим зберіганням акумуляторної батареї переконайтеся, що рівень її заряду становить 30–50 %.
- Зберігайте виріб, акумулятор та зарядний пристрій у закритому приміщенні, куди не зможуть отримати доступ діти та особи без належної підготовки.
- Перед тривалим зберіганням промийте виріб та проведіть повне технічне обслуговування.

відходами. Утилізацію цього виробу слід здійснювати на спеціалізованому підприємстві з переробки відходів електричного й електронного обладнання.

Належна утилізація виробу допоможе запобігти потенційному негативному впливу на стан навколишнього середовища та здоров'я людей, який може стати наслідком некоректної обробки відходів. Докладну інформацію про утилізацію цього виробу можна отримати в органах місцевого самоврядування, місцевих службах переробки відходів або в магазині, де було придбано цей пристрій.



## Утилізація

Символи на виробі або його упаковці вказують на те, що його не слід утилізувати разом з побутовими

## Технічні характеристики

### Технічні дані

	S 138i	S 138C
<b>Двигун</b>		
Тип двигуна	Двигун постійного струму (без щіток) 36 В	Серія двигунів змінного струму
Частота обертання насадки – SavE, об/хв	3000	Не застосовується
Частота обертання насадки – номінальна, об/хв	3200	4200
Вихідна потужність двигуна – максимальна, кВт	1,28	1,8
Вихідна потужність двигуна – номінальна, кВт	0,9	1,6
<b>Вага</b>		
Вага, кг	19,5 (без акумулятора)	19,0
<b>Акумулятор</b>		
Тип акумулятора	Серія Husqvarna	Н/Д
<b>Тривалість роботи акумулятора</b>		
Тривалість роботи акумулятора, хв (холостий хід), з активованою функцією SavE, з одним акумулятором Husqvarna ємністю 5,2 А·год (Bli200).	115	Н/Д
Тривалість роботи акумулятора, хв (холостий хід), у стандартному режимі роботи, з одним акумулятором Husqvarna ємністю 5,2 А·год (Bli200).	102	Н/Д

	S 138i	S 138C
<b>Випромінювання шуму</b> <sup>79</sup>		
Рівень звукової потужності, вимірюваний у децибелах (А)	89,2	95,7
Рівень звукової потужності, гарантований L <sub>WA</sub> дБ(А)	91	98
<b>Рівні звуку</b> <sup>80</sup>		
Рівень звукового тиску у вусі оператора, дБ(А)	75,3	81,7
<b>Рівні вібрації</b> <sup>81</sup>		
Ручка, м/с <sup>2</sup>	5,5	8,3
<b>Експлуатація</b>		
Мін. / макс. робоча глибина, мм	-8 / +5	-8 / +5
Робоча ширина, см	37,5	37,5
Насадка з трикутними лезами	5973510-01	5973510-01
Насадка з паростковими зубцями	5973509-01	5973509-01
Місткість травозбірника, л	45	45

Схвалені акумулятори	Тип	Ємність батареї, ампер-години	Напруга, В	Вага, фунти/кг
BLi20	Літій-іонний	4,0	36	2,6/1,2
BLi200	Літій-іонний	5,2	36	2,8/1,3
BLi300	Літій-іонний	9,4	36	4,1 / 1,9

Схвалені зарядні пристрої для вказаних батарей, BLi	Вхідна напруга, В	Частота, Гц	Потужність, Вт
QC80	100-240	50-60	80
QC80F	12	0	80
QC330	100-240	50-60	330
QC500	100-240	50-60	500

<sup>79</sup> Випромінювання шуму в середовище, виміряне як звукова потужність (L<sub>WA</sub>), відповідає директиві ЄС 2000/14/ЄС.

<sup>80</sup> Заявлені дані про рівень шумового тиску мають стандартну статистичну розбіжність (стандартне відхилення) в 1,2 дБ(А).

<sup>81</sup> Заявлені дані щодо рівня вібрації мають стандартну статистичну розбіжність (стандартне відхилення) у 0,2 м/с<sup>2</sup>.

---

## Декларація відповідності ЄС

---

### Декларація відповідності ЄС

Ми, **Husqvarna AB**, SE-561 82 місто Хускварна, Швеція, телефон: +46-36-146500, заявляємо, що **ґрунторозпушувачі Husqvarna S 138i** із серійними номерами 2018XXXXXXX і далі відповідають вимогам ДИРЕКТИВИ РАДИ ЄС:

- від 8 червня 2011 р. «Про обмеження використання деяких небезпечних речовин» **2011/65/EU**
- від 17 травня 2006 р. «стосовно механічного обладнання» **2006/42/EC**
- від 26 лютого 2014 р. «Про електромагнітну сумісність» **2014/30/EU**
- від 8 травня 2000 р. «Про випромінювання шуму до навколишнього середовища» **2000/14/EC**

Відомості стосовно випромінювання шуму див. у розділі «Технічні дані».

Застосовано такі стандарти:

**EN 60335-1:2012+A11:2014+A13:2017, EN 50636-2-92:2014, EN 55014-1:2017, EN 55014-2:2015**

Husqvarna, 2019-01-15



Клаес Лосдал (Claes Losdal), директор із питань розвитку / продукції для садівництва (уповноважений представник компанії Husqvarna AB, що відповідає за технічну документацію).

---

## Декларація відповідності ЄС

---

### Декларація відповідності ЄС

**Ми, Husqvarna AB**, SE-561 82 місто Хускварна, Швеція, телефон: +46-36-146500, заявляємо, що **грунторозпушувачі Husqvarna S 138C** із серійними номерами 2018XXXXXX і далі відповідають вимогам ДИРЕКТИВИ РАДИ ЄС:

- від 8 червня 2011 р. «Про обмеження використання деяких небезпечних речовин» **2011/65/EU**
- від 17 травня 2006 р. «стосовно механічного обладнання» **2006/42/EC**
- від 26 лютого 2014 р. «Про електромагнітну сумісність» **2014/30/EU**
- від 8 травня 2000 р. «Про випромінювання шуму до навколишнього середовища» **2000/14/EC**

Відомості стосовно випромінювання шуму див. у розділі «Технічні дані».

Застосовано такі стандарти:

**EN 60335-1:2012+A11:2014+A13:2017, EN 50636-2-92:2014, EN 55014-1:2017, EN 55014-2:2015, EN 61000-3-2:2014, EN 61000-3-11:2000**

Huskvarna, 2019-01-15



Клаес Лосдал (Claes Losdal), директор із питань розвитку / продукції для садівництва (уповноважений представник компанії Husqvarna AB, що відповідає за технічну документацію).











[www.husqvarna.com](http://www.husqvarna.com)

Original instructions  
Оригинални инструкции  
Původní pokyny  
Originale instruktioner  
Originalanweisungen  
Αρχικές οδηγίες  
Instrucciones originales  
Originaaljuhend  
Alkuperäiset ohjeet  
Instructions d'origine  
Originalne upute  
Eredeti útmutatás  
Istruzioni originali  
Originalios instrukcijos

Lietošanas pamācība  
Originale instructies  
Originale instruksjoner  
Oryginalne instrukcje  
Instruções originais  
Instrucţiuni iniţiale  
Оригинальные инструкции  
Pôvodné pokyny  
Izvirna navodila  
Originalna uputstva  
Bruksanvisning i original  
Orjinal talimatlar  
Оригинальні інструкції

1141102-38



2019-11-07