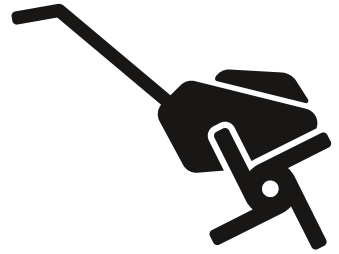


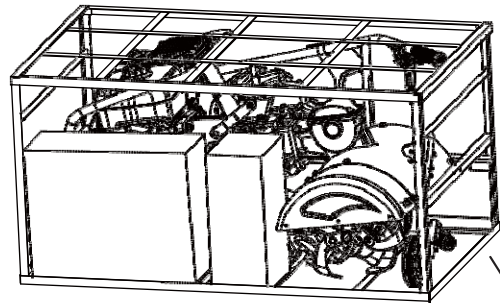
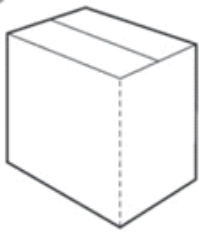


Husqvarna®

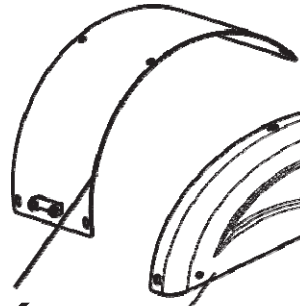


TR262

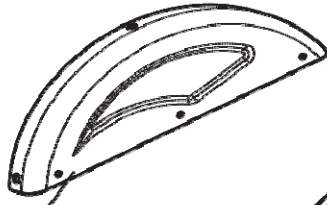
EN	Operator's manual	1-8
FR	Manuel d'utilisation	9-16
ES	Manual de usuario	17-24
PT	Manual do utilizador	25-32



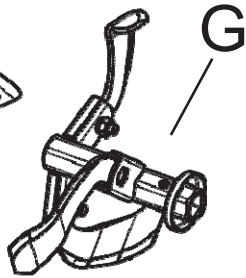
A



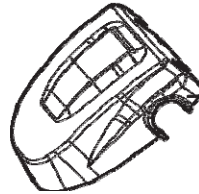
K



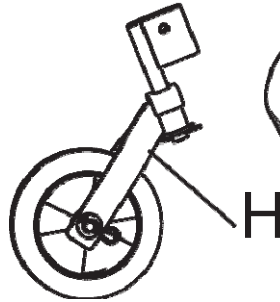
D



G



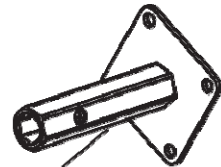
E



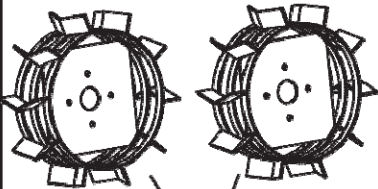
H



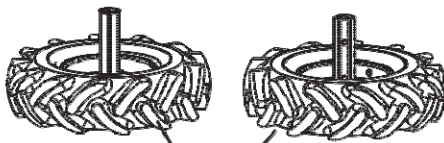
M



B



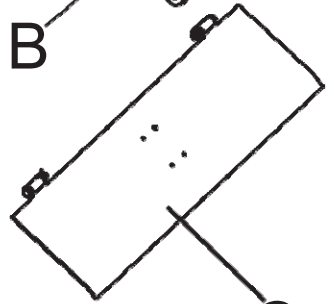
F



J



I

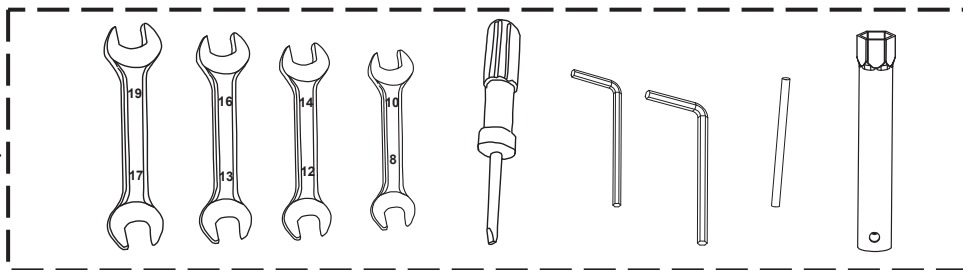


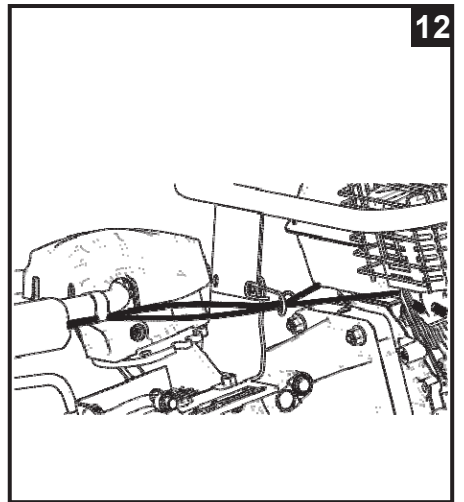
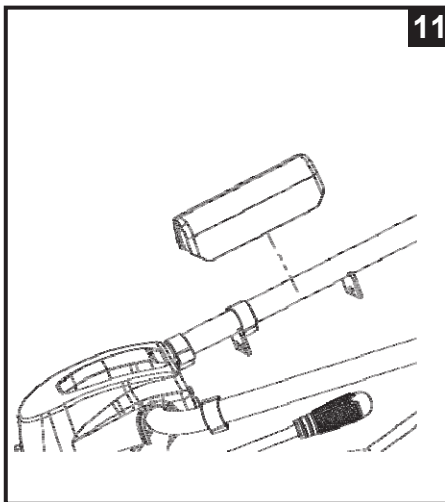
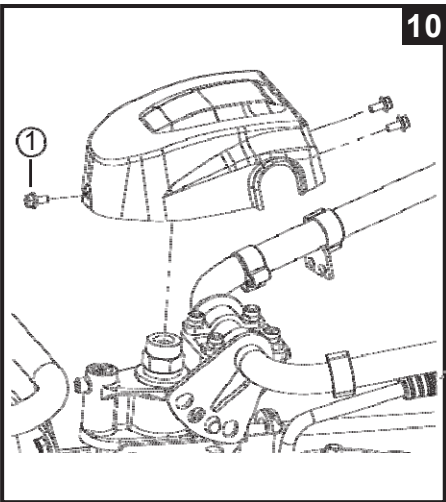
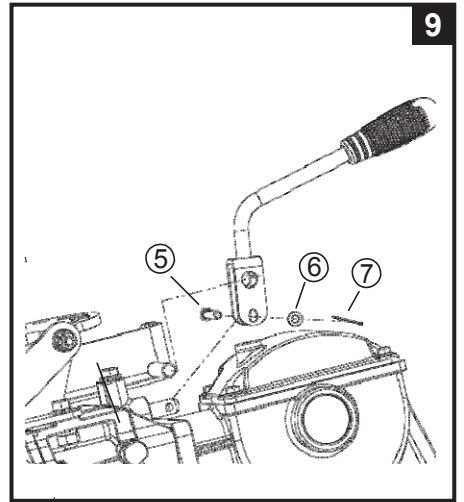
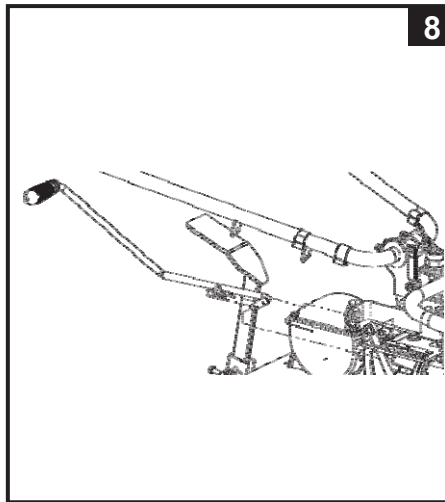
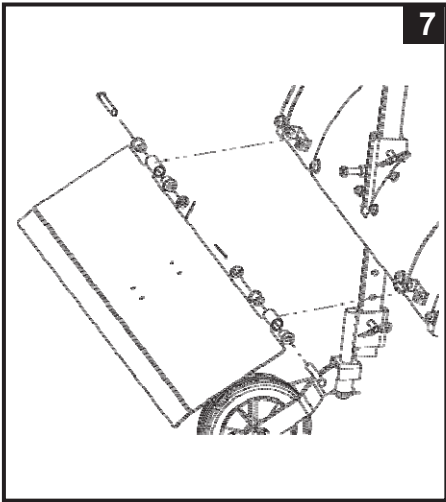
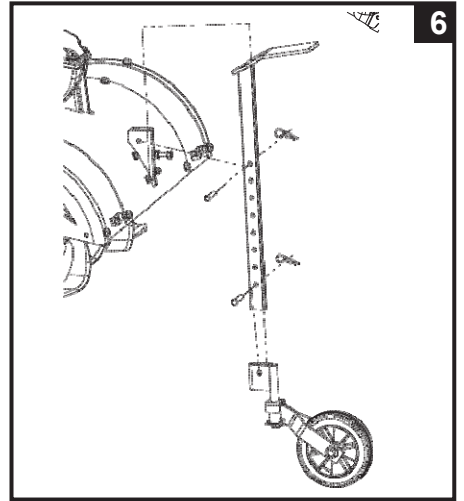
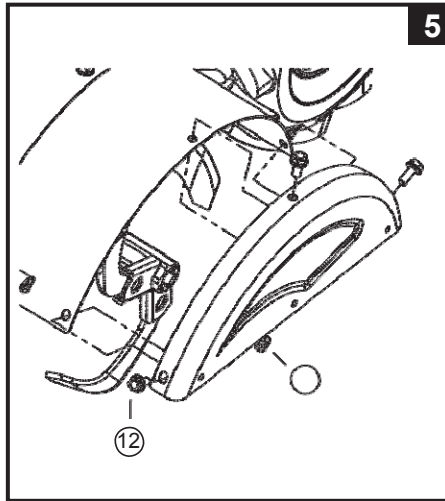
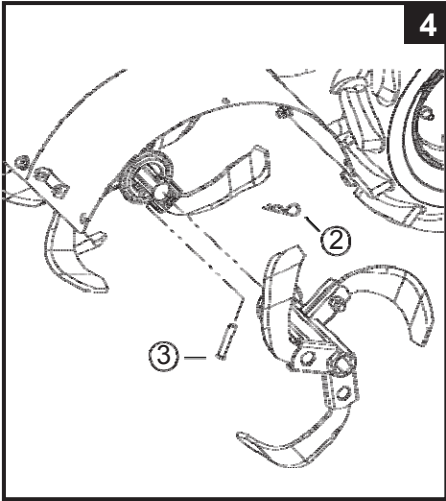
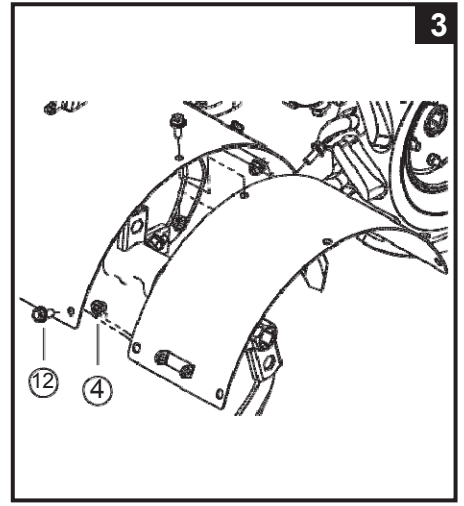
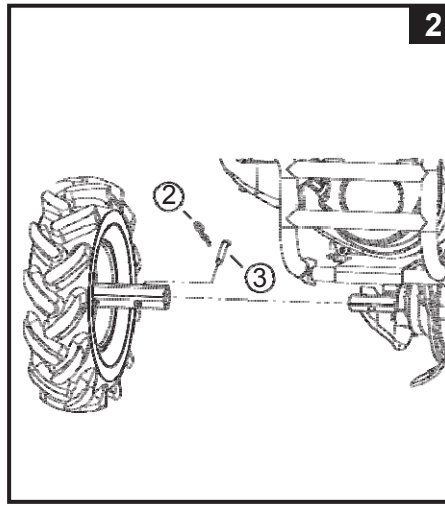
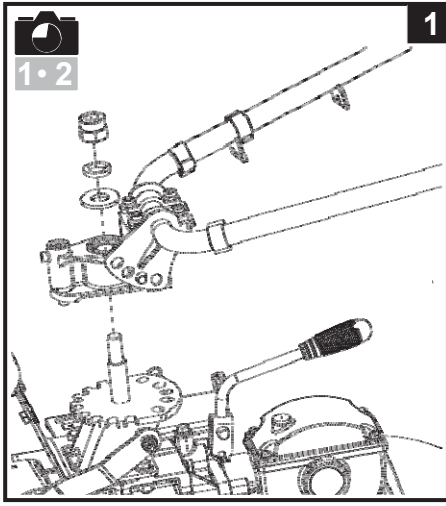
C

N

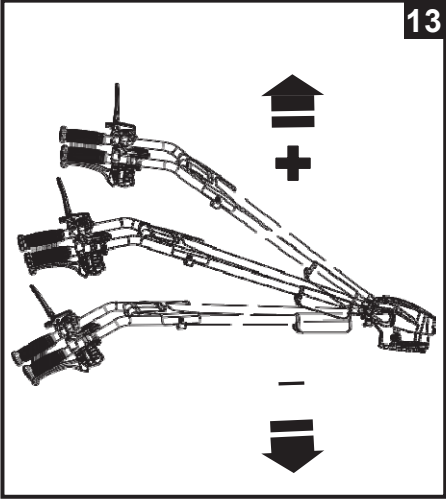
- | | | | | | | | |
|--|-------|--|-------|--|-------|--|-------|
| | ① X 3 | | ② X 4 | | ⑦ X 1 | | ⑫ X 6 |
| | ③ X 4 | | ④ X 6 | | ⑧ X 8 | | ⑨ X 8 |
| | ⑤ X 1 | | ⑥ X 1 | | ⑩ X 8 | | ⑪ X 8 |

O

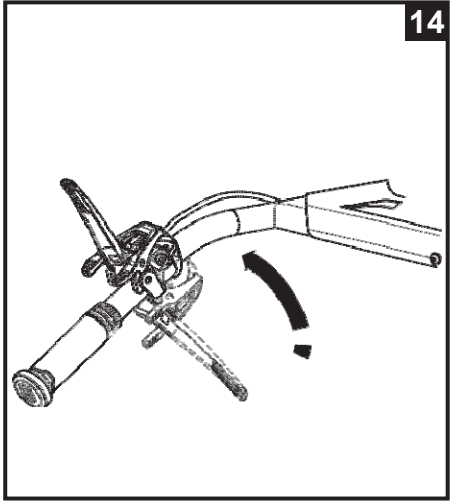




13

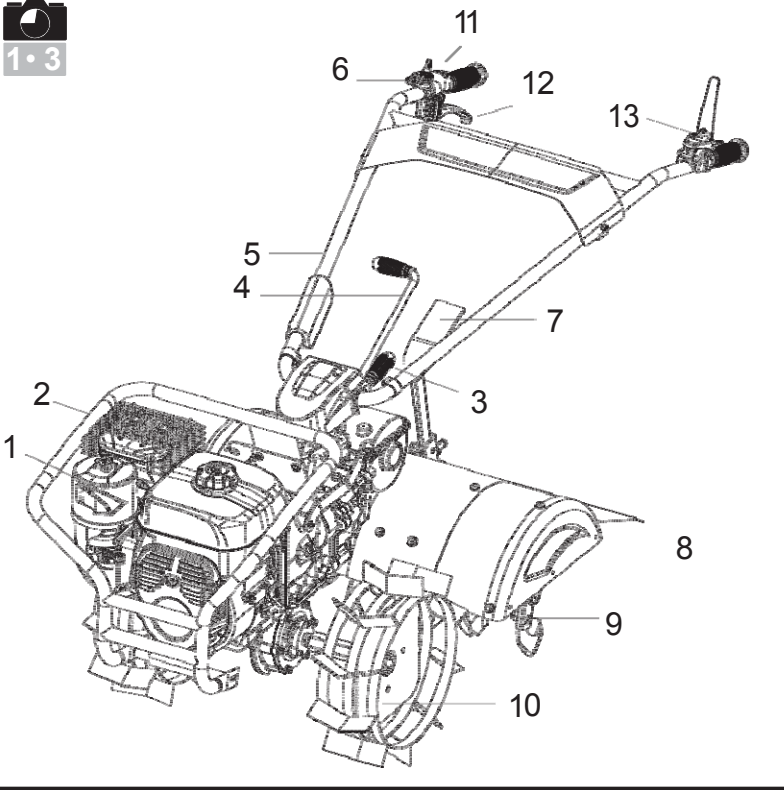


14





1.3

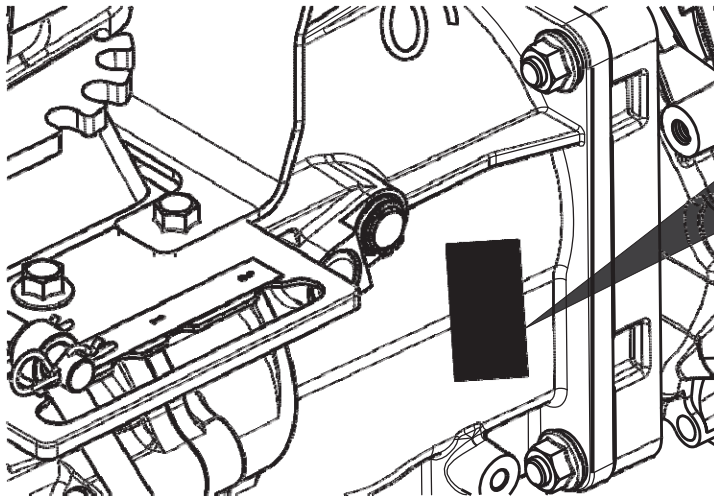


1.4

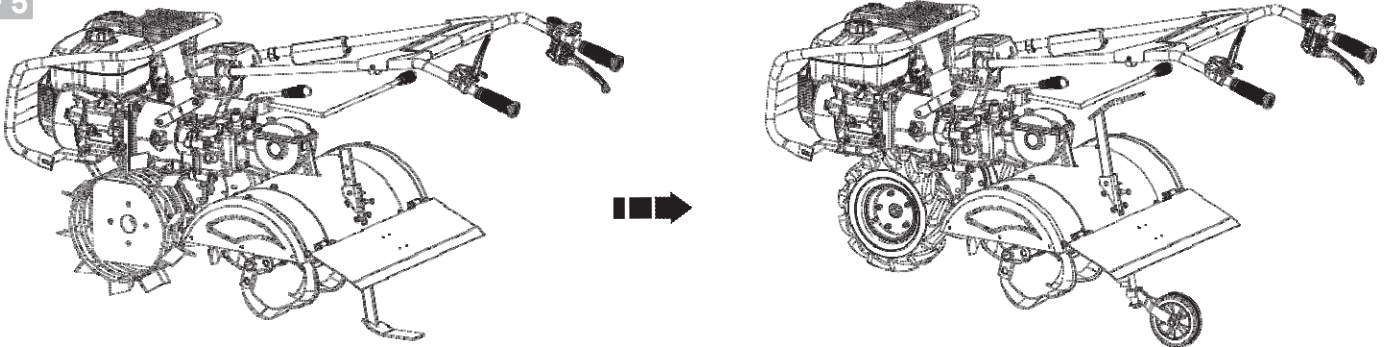
Husqvarna Prod. year

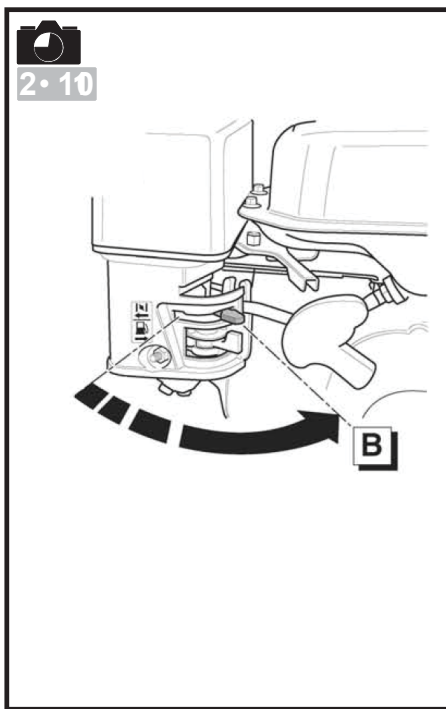
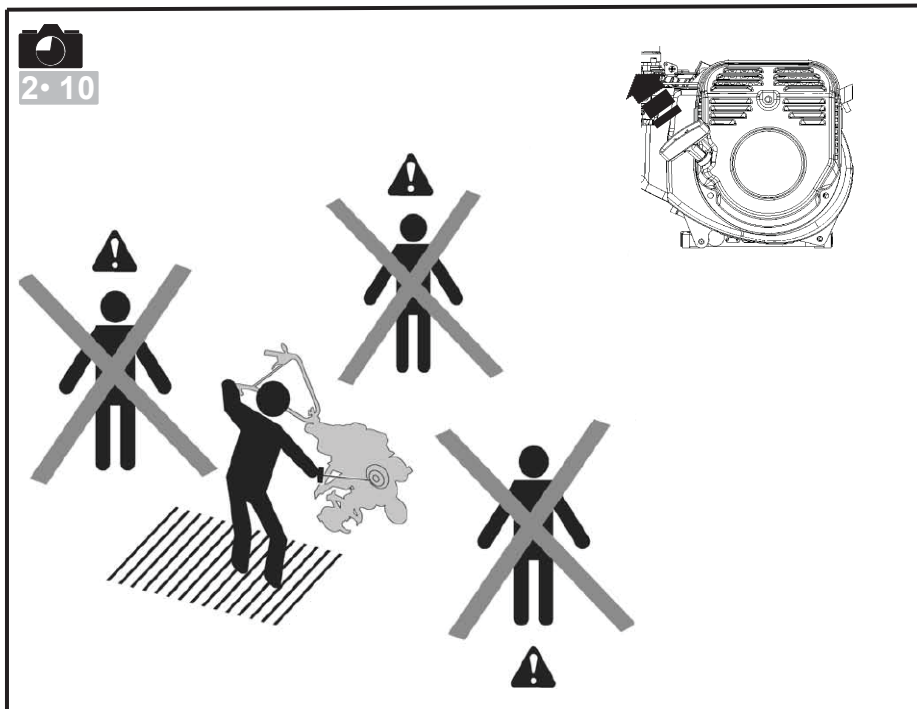
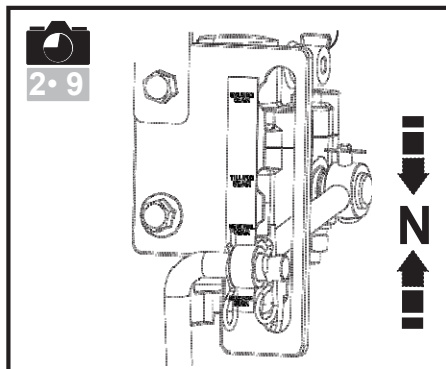
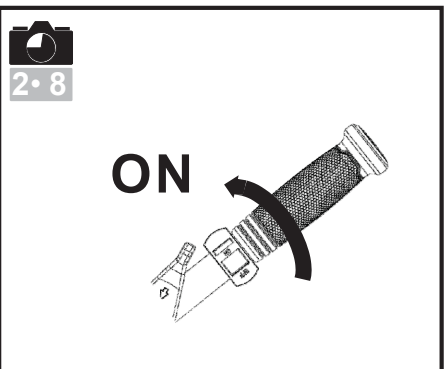
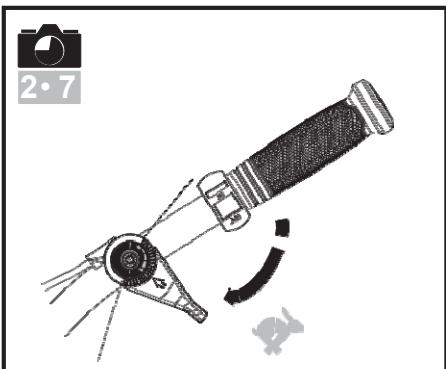
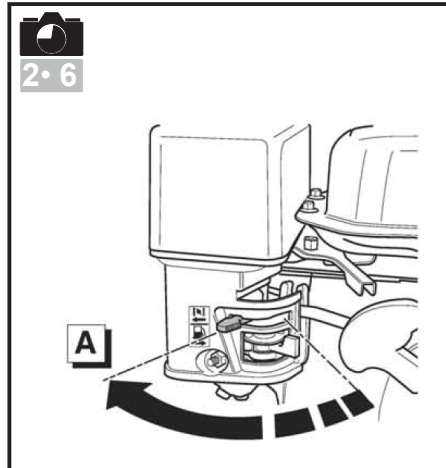
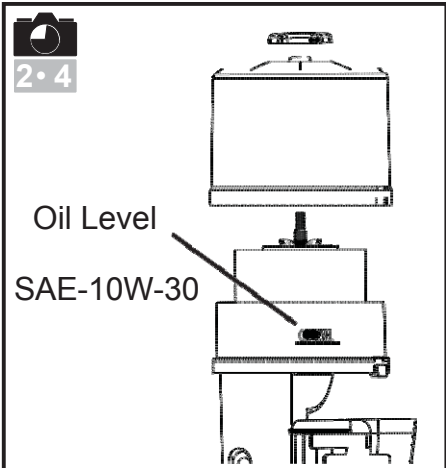
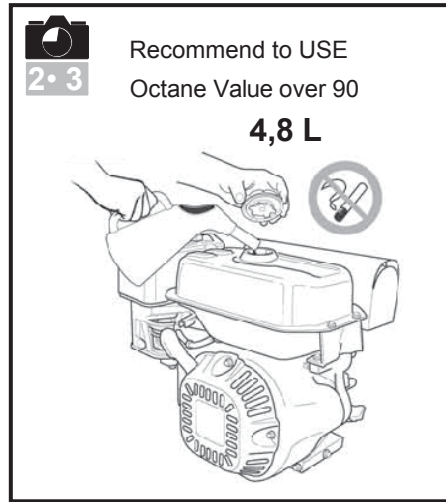
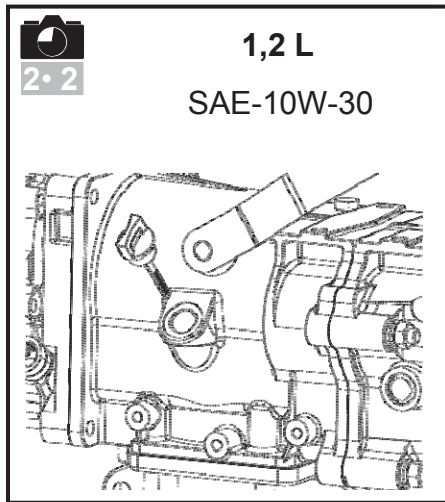
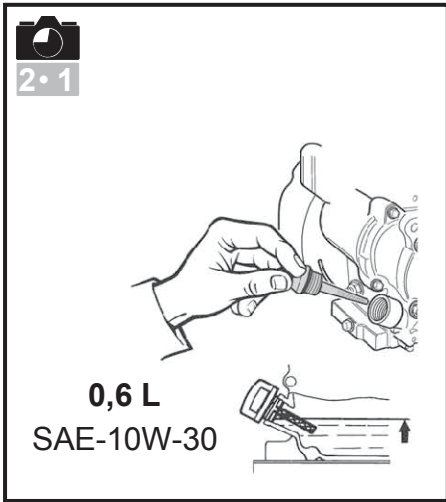
Serial No	<input type="text"/>
Article no.	<input type="text"/>
Model	<input type="text"/>
Tilling scope	<input type="text"/>
Tilling depth	<input type="text"/>
Gear shifting	<input type="text"/>
Engine displacement	<input type="text"/>
Engine oil quality	<input type="text"/>
Engine oil capacity	<input type="text"/>
Gear box oil quality	<input type="text"/>
Gear box oil capacity	<input type="text"/>
Nominal power	<input type="text"/>
Net weight	<input type="text"/>
Fuel (octan/cetan)	<input type="text"/>

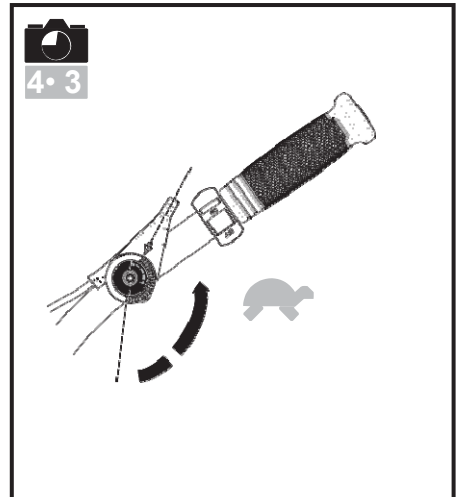
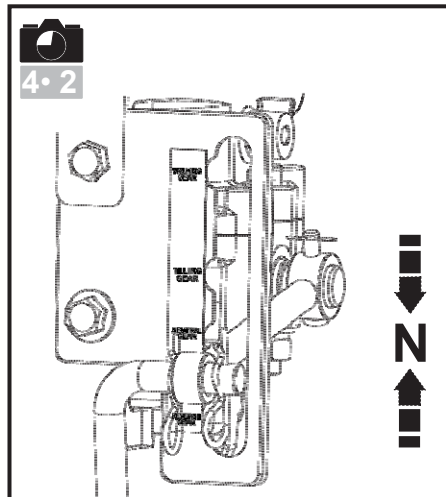
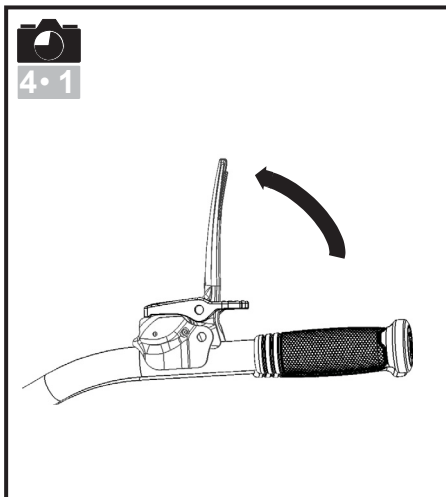
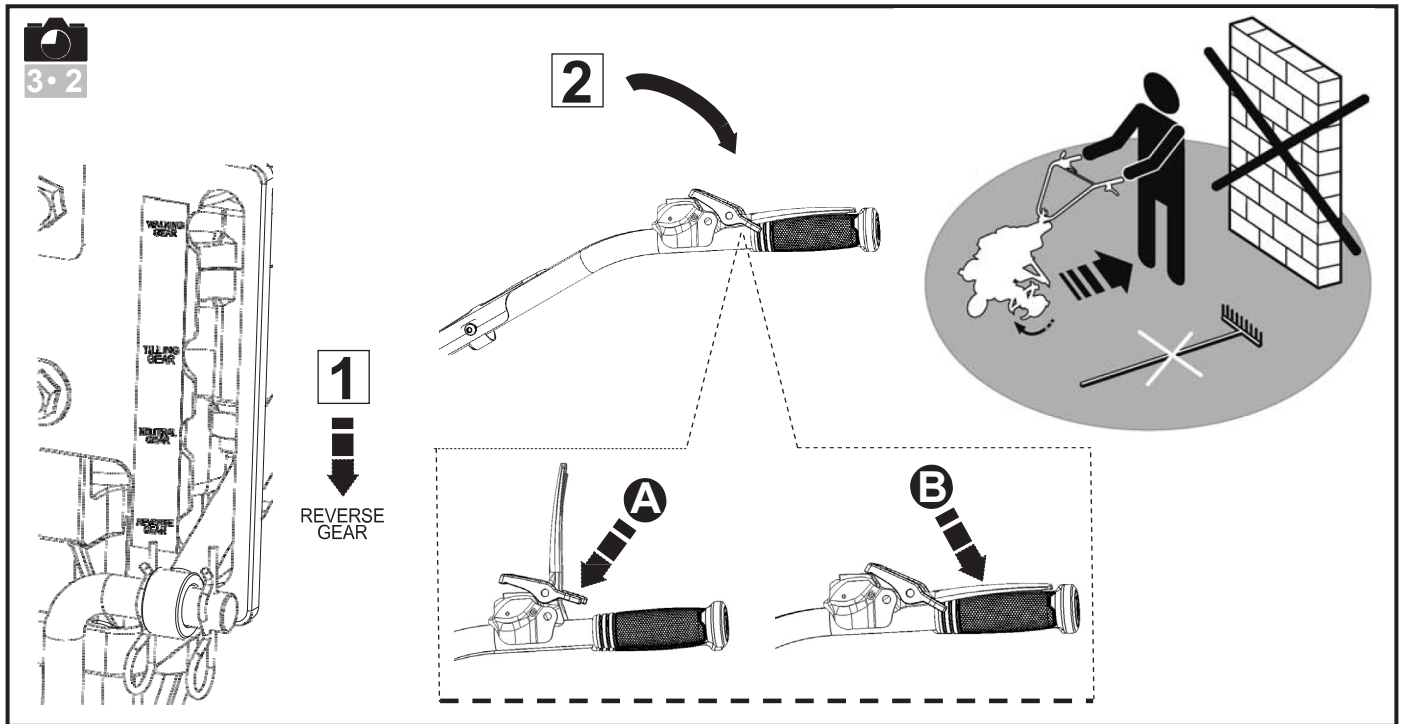
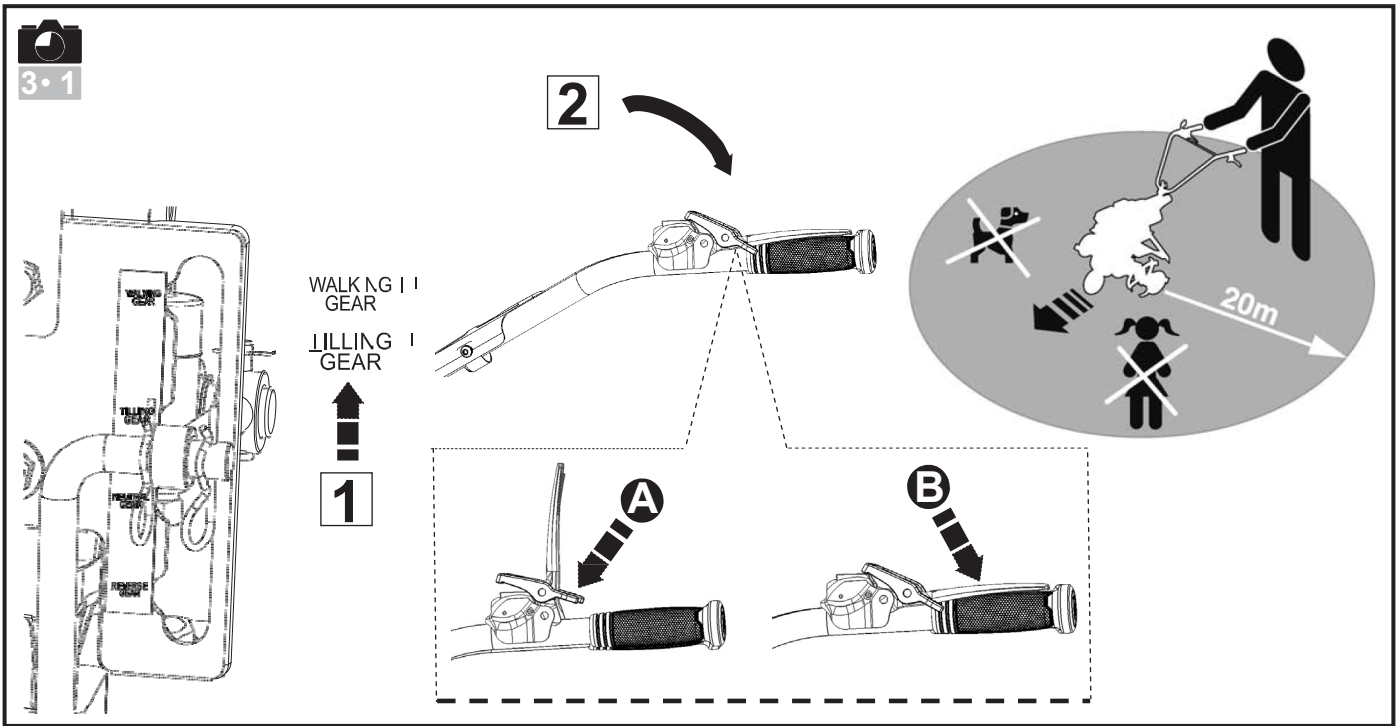
HUSQVARNA AB
SE-561 82 HUSKVARNA
SWEDEN

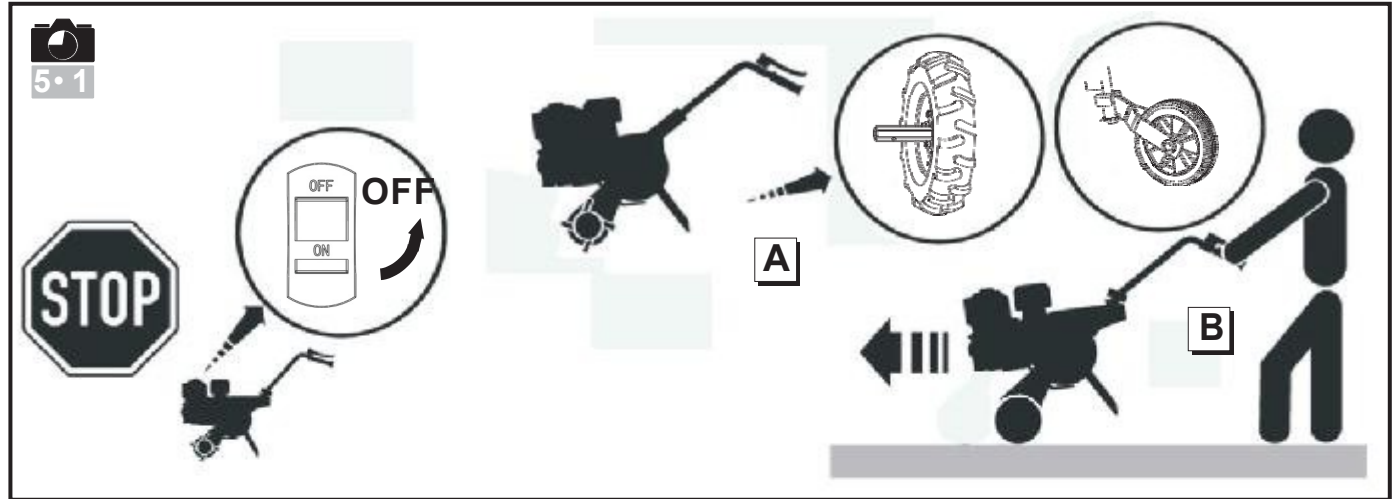
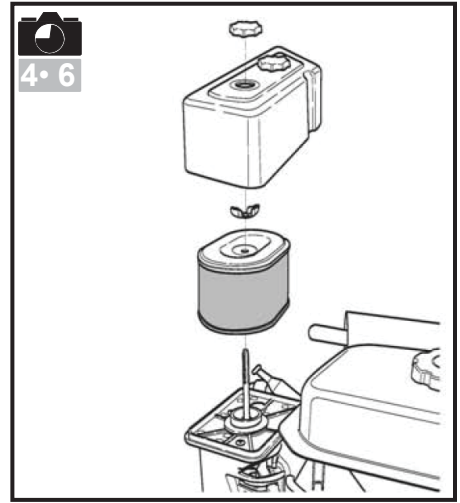


1.5









CONTENTS

Contents

CONTENTS

Contents 2

KEY TO SYMBOLS

Symbols 3

Explanation of warning levels 3

SAFETY INSTRUCTIONS

General 4

Preparation 4

Use 4

Maintenance 5

Transport and storage 5

Fueling 5

ASSEMBLING AND ADJUSTMENTS

Unpacking 6

Assembly 6

Description of the components 6

Type plate 6

Transport wheel 6

STARTING AND STOPPING

Before starting 7

Start the machine 7

Use 7

Forwards 7

Reverse 7

Stopping 7

Moving the machine 7

MAINTENANCE AND SERVICE

Maintenance schedule 8

General 8

TECHNICAL DATA

Technical data 9

KEY TO SYMBOLS

Symbols

These symbols are on the machine and in the instructions.

WARNING! Careless or incorrect use can result in serious or fatal injury to the operator or others.



Please read the operator's manual carefully and make sure you understand the instructions before using the machine.



Use a helmet with hearing protector



Reverse

REVERSE GEAR

Neutral

NEUTRAL GEAR

Tilling speed

TILLING GEAR

Walking speed

WALKING GEAR

Fast



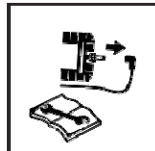
Slow



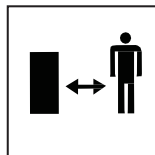
Warning: rotating parts. Keep hands and feet clear.



The ignition lead should always be removed from the spark plug before repair, cleaning or maintenance work.



Keep your distance!



Explanation of warning levels

The warnings are graded in three levels.

WARNING!



WARNING! Used if there is a risk of serious injury or death for the operator or damage to the surroundings if the instructions in the manual are not followed.

IMPORTANT!

IMPORTANT! Used if there is a risk of injury to the operator or damage to the surroundings if the instructions in the manual are not followed.

CAUTION!

CAUTION! Used if there is a risk of damage to materials or the machine if the instructions in the manual are not followed.

SAFETY INSTRUCTIONS

General

- These instructions are for your safety. Read them carefully.
- Read all the instructions in this operator's manual and on the machine before you start it. Ensure you understand them and then observe them.
- If you have any problems or questions about the tiller, please contact your Husqvarna dealer for more information.



WARNING! Only use the machine for the purpose it is designed for, tilling the ground. Any other use may be dangerous or cause damage to the machine.

- Learn how to use the machine and its controls safely and learn to how to stop quickly. Also learn to recognize the safety decals.
- The operator is responsible for any unsafe situations or risks that people and property are exposed to.
- Never start to work with the machine before the working area is clear and you have a firm foothold. Look out for any obstacles with unexpected movement. Take great care when working on sloping ground.
- Only allow the machine to be used by adults who are familiar with its use.
- Never allow children or other persons not trained in the use of the machine to use or service it. Local laws may regulate the age of the user.
- Keep unauthorized persons at a distance. Children, animals, onlookers and helpers should be kept outside the safety zone of 20 m. Stop the machine immediately if anyone approaches.
- Never use the machine if you are tired, if you have consumed alcohol, if you are taking other drugs or medication that can affect your vision, judgement or co-ordination.
- Pay particular attention on hard ground. The machine has the tendency to be much less stable on cultivated ground.



WARNING! This machine produces an electromagnetic field during operation. This field may under some circumstances interfere with active or passive medical implants. To reduce the risk of serious or fatal injury, we recommend persons with medical implants to consult their physician and the medical implant manufacturer before operating this machine.

- Never use the machine when barefoot. Always wear protective shoes or protective boots, preferably with steel toes. Never wear loose-fitting clothing, jewelry or similar that can get caught in moving parts. Use hearing protection to minimize the risk of hearing impairment.

Preparation

- Inspect the working area. Remove all loose objects, such as stones, broken glass, nails, steel wire, string, etc. that could be projected by the machine.
- Check the entire machine before starting. Replace worn or damaged parts. Check that there are no fuel leaks and that all guards and covers are complete and fastened securely. Check all nuts and screws.
- Check that the electrical cables are intact and in good condition.

Use

- Never use the machine to transport people.
- Compliance with and strict adherence to the conditions of operation, service and repair as specified by the manufacturer also constitute essential elements of the intended use.
- Stop the engine when the machine is not in use.
- Walk with the machine, do not run.
- Pay close attention when pulling the machine towards you or reversing the direction of rotation.
- Keep a safe distance from the rotating blades, set by the length of the steering column. Keep your hands and feet away from the rotating blades.
- The engine and the exhaust system become very hot during operation. Risk of burn injuries if touched.
- Only use the machine in daylight or in other well-lit conditions.
- Do not use the machine on ground that slopes more than 20°.
- Work across slopes, not up or down.



WARNING! Under no circumstances should you modify the original design of the machine without approval from the manufacturer. Always use original spare parts. Unauthorized modifications and/or accessories may lead to serious injury or death to the user or others.

The warranty is not valid if non genuine parts are used.

Stop the engine immediately if the following occurs:

- Excessive vibration and / or noise.
- Mechanical jam preventing motor from turning.
- Difficulties to engage or disengage the clutch.
- A collision with a foreign object.
- Deterioration of the engine stop cable.

If the engine halt cable is severed, use the starter control to stop the engine. For more information see section "Start the engine"

Allow the machine to cool down. Disconnect the HT lead from the spark plug. Check that the machine is not damaged. If the machine is damaged, hand it in to an authorized service workshop for repair.

SAFETY INSTRUCTIONS

Maintenance

- Always stop the engine before repair, cleaning, maintenance work or when changing the tools on the machine.
- Regular maintenance is essential for safety and to maintain the levels of performance.
- Wear heavy-duty gloves when changing the tools on the machine.
- Replace the rotating blade in complete sets to keep them balanced. Always use genuine parts.
- Check that nuts and screws are tight.
- Never use a machine that has a faulty muffler. Contact an authorized service workshop.

IMPORTANT! For your own safety, do not alter the characteristics of the machine. Do not change the engine speed settings and do not run the engine at excess speed.

Transport and storage

- Allow the machine to cool before putting it in storage.
- Store the machine and fuel in such a way that there is no risk that leaking fuel or fumes can cause any damage.
- The machine should always be stored in a dry place away from open fire, sparks or intense heat.
- Fuel and fuel vapour are highly flammable. Take care when handling fuel and oil. Bear in mind the risk of fire, explosion and inhaling fumes.
- When storing and transporting fuel always use approved containers intended for this purpose.
- Do not try to lift the machine. Use a method of handling adapted to the weight of the machine and to the situation.
- Take extra care when loading it onto or off a vehicle or trailer. Use a suitable ramp.
- Use an approved trailer to transport the machine. Secure the machine with approved tightening straps. Ensure that no part of the machine are squashed or damaged by the tightening straps. It is a good idea to cover the machine.
- For more information about moving of the machine during work, see section "Moving".

Fueling

- Always stop the engine and let it cool for a few minutes before refuelling.
- Refuel in a well ventilated area with the engine turned off.



WARNING! Petrol is highly inflammable. Exercise care and refuel outdoors. Fire, open flame and smoking are prohibited.

Clean the area around the fuel cap. Tighten the fuel cap carefully after refuelling. If the cap is not properly tightened the cap might vibrate lose and fuel may escape from the fuel tank creating a fire hazard. Move the machine at least 3 m from the refueling point before starting it.

- Bear in mind the risk of fire, explosion and inhaling fumes. Do not fill so that the fuel runs over. Wipe up all spillage on the ground and machine. If you spill fuel on yourself or your clothes. Change your clothes. Move the machine at least 3 metres away from the refuelling area before starting.
- The engine emits carbon monoxide, which is a colourless, poisonous gas. Do not use the machine in enclosed spaces.

ASSEMBLING AND ADJUSTMENTS

Unpacking

Illustration: 1 • 1

IMPORTANT! Make sure to not cut the cables or scratch the machine when cutting the edges of the case.

References	Content of the case
A	Engine parts
B	Wheel axle
C	Back tine cover
D	Side cover, R
E	Handlebar cover
F	Iron wheel
G	Tine assy, R
H	Rear wheel
I	Drag bar
J	Wheel
K	Tine cover
L	Shifting lever
M	Tidy cover
N	Hardware bag
O	Tool bag

Assembly

Illustration: 1 • 2



WARNING! Inappropriate assembly of this rotary tiller could cause severe injuries. Ensure that you follow all the instructions carefully.

- Fitting the handlebar. **(Figure 1)**
- Fitting the wheels. **(Figure 2)**
- Fitting the tine cover. **(Figure 3)**
- Fitting the right tine assy. **(Figure 4)**
- Fitting the side cover. **(Figure 5)**
- Fitting the drag bar and support wheel. **(Figure 6)**
- Fitting the back cover. **(Figure 7)**
- Fitting the shifting lever. **(Figure 8)**
- Fitting the PTO lever. **(Figure 9)**
- Fitting the handlebar cover. **(Figure 10)**
- Fitting the tidy cover. **(Figure 11)**
- Tidy the cables. **(Figure 12)**
 - Put the cables through the holding spring.
 - Fit the cables in cable clip.

- Adjust the height of the handle by engage the right lever. **(Figure 13)**
- Fitting the clutch control. **(Figure 14)**
 - Turn to proper side and fasten the bolt.

Any dismantling operation must only be performed by an authorized service workshop.

CAUTION! After assembling the machine completely, tighten the bolts and screws with moderation. Do not overtighten.

Description of the components

Illustration: 1 • 3

- 1 Engine
- 2 Bumper
- 3 PTO lever
- 4 Shifting lever
- 5 Handlebar
- 6 Throttle control
- 7 Drag bar
- 8 Tine cover
- 9 Tine
- 10 Iron wheel
- 11 ON/OFF switch
- 12 Lever for handle height adjust
- 13 Clutch control

Type plate

Illustration: 1 • 4

- 1 Serial number
- 2 Article number
- 3 Tilling scope
- 4 Gear shifting
- 5 Engine displacement
- 6 Engine oil Quality (viscosity):
- 7 Engine oil capacity
- 8 Gear box oil quality
- 9 Gear box oil capacity
- 10 Nominal power
- 11 Net weight
- 12 Fuel

Transport wheel

Illustration: 1 • 5

Change the cultivator from working status to transporting status. Change the iron wheel to tyre, assemble the rear wheel.

For more information about moving of the machine, see section "Moving".

STARTING AND STOPPING

Before starting

- Check the engine oil level and top up if necessary. Illustration: 2 • 1
- Check the oil level of the gear box, and top up if necessary. Illustration: 2 • 2
- Check the fuel level. Fill if necessary. Illustration: 2 • 3
 - Recommended to use: Octane Value over 90.
- Oiling the air filter Illustration: 2 • 4

Start the machine.

- Open the fuel tap. Illustration: 2 • 5
- Set the choke control in the A position. Illustration: 2 • 6
- Throttle control Illustration: 2 • 7
 - Push the throttle control to full throttle position.



- Set the on/off switch to ON to attain start throttle setting. Illustration: 2 • 8
- Shifting lever Illustration: 2 • 9
 - Put the gear shift lever in the "N" position (neutral).
- Pull the recoil start handle Illustration: 2 • 10



WARNING! When the machine starts, remain in the safety zone

- Set the choke control in the B position. Illustration: 2 • 11

Use



WARNING! Keep unauthorised persons at a distance. Children, animals, onlookers and helpers should be kept outside the safety zone of 20 m. Stop the machine immediately if anyone approaches.

Forwards

Illustration: 3 • 1

- Use the shifting lever to control the drive speed.

Tilling speed

TILLING GEAR

Walking speed (Only for transportation, not suitable for tilling.)

WALKING GEAR

- Press down the trigger lock on the handle (A) and push the clutch lever in towards the handle (B).
- The cultivator starts to rotate when you push the clutch down towards the handle and stops rotating when you release the clutch.

Reverse

Illustration: 3 • 2

IMPORTANT! The cultivator starts to rotate when you push the clutch down towards the handle and stops rotating when you release the clutch. It is important to release the clutch lever before using reverse.

- Slide the control to "R" position.

REVERSE GEAR



WARNING! The use of reverse is dangerous! Ensure that there are no obstacles behind you and reduce the engine revs before engaging the clutch.

- Press down the trigger lock on the handle (A) and push the clutch lever in towards the handle (B).

Stopping

- Release the clutch lever. Illustration: 4 • 1
- Put the gear shift lever in the "N" position (neutral). Illustration: 4 • 2

NEUTRAL GEAR

- Move the throttle control to the MIN. position. Illustration: 4 • 3



- Use the stop switch to switch off the engine. Illustration: 4 • 4
- Close the fuel tap. Illustration: 4 • 5

Moving the machine

Illustration: 5 • 1

- The engine must be switched off before moving. See instructions under section Stopping.
- Change the iron wheels to tyres and assemble the rear wheel when transporting. (Figure A)

MAINTENANCE AND SERVICE

Maintenance schedule

The following is a list of the maintenance steps that must be performed on the machine.

Maintenance	Illustration	Daily maintenance before starting	Maintenance interval in hours			
			20 hours or every month	50 hours or every 3 months	100 hours or every 6 months	300 hours or once a year
Clean the machine.		X				
Check that nuts and screws are tight and without damage.		X				
Clean the air filter. Replace if necessary.	4 • 6	X		X*		X**
Check the engine's oil level	2 • 1, 2 • 4	X				
Check the oil level of the gear box, and top up if necessary.	2 • 2	X				
Check for any leakage of fuel, engine oil and lubrication.		X				
Check the fuel level. Fill if necessary.	2 • 3	X				
If the machine starts to vibrate abnormally, immediately check.		X				
Change the oil and lubrication of the engine and the gearbox.			X		X	
Clean the fuel filter and its surrounding components.					X	X**
Clean the spark plug and the spark plug cap.					X	
Replace the spark plug.						X
Check/Adjust the play in the engine valves						X**
Clean the combustion chamber						X**
Check the fuel circuit						X**

* Clean more often in condition of use where the air is dusty or laden with aerial debris.

** Not essential except in the event of performance problems. Contact an authorized service workshop.



WARNING! Remove the foam plastic filter. Wash the filter well in tepid soapy water. After cleaning, rinse the filter well in clean water. Squeeze out and allow the filter to dry. **NOTE!** High pressure compressed air can damage the foam. Do not use compressed air or solvent with petroleum to clean the air filter.

General



WARNING! Before carrying out repair work, cleaning or inspection, the machine must be in standstill and turned off.

Never make adjustments with the machine running

Always use genuine parts.

- Never wear jewellery, watches or similar when cleaning, carrying out repair work on or inspecting the machine.

Do not modify safety equipment. Check regularly to be sure it works properly.

Always exercise care and use your common sense. Avoid all situations which you consider to be beyond your capability. If you still feel uncertain about operating procedures after reading these instructions, you should consult an expert before continuing. Contact an authorized service workshop.

TECHNICAL DATA

Technical data

	TR262
Tilling width, mm	620
Tilling depth, mm	100 - 160
Engine	WM170FB/P-2
Fuel	Petrol
Fuel tank capacity, liters	4,8
Oil tank capacity, litre	0,6
Cylinder displacement, cm ³	212
Max power hp (kW) @ rpm	6,1(4,5) @3600
Gears	R, N, T, W
Oil capacity gearbox, liters	1,2
Gross weight, kg	115
Net weight, kg	102
Packaging size, mm	1280×740×660

IMPORTANT! When the service life of this product has been served and it is no longer used it should be returned to the dealer or to an applicable station for recycling.

IMPORTANT! We reserve the right to change specifications and designs without prior notice so as to implement improvements. Note that no legal claims are valid on the basis of information in this manual. Use only genuine parts for repairs. The warranty is not valid if non genuine parts are used.

SOMMAIRE

Sommaire

SOMMAIRE

Table des matières 9

EXPLICATIONS DES SYMBOLES

Symboles 10

Explication des niveaux d'avertissement 10

INSTRUCTIONS DE SÉCURITÉ

Généralités 11

Préparation 11

Utilisation 11

Entretien 12

Transport et rangement 12

Remplissage d'essence 12

MONTAGE ET RÉGLAGES

Déballage 13

Montage 13

Description des composants 13

Plaque signalétique 13

Roue de transport 13

DÉMARRAGE ET ARRÊT

Avant la mise en marche 14

Démarrage de la machine 14

Utilisation 14

Marche avant 14

Marche arrière 14

Arrêt 14

Déplacement de la machine 14

ENTRETIEN ET RÉPARATION

Calendrier d'entretien 15

Généralités 15

CARACTÉRISTIQUES TECHNIQUES

Caractéristiques techniques 16

EXPLICATIONS DES SYMBOLES

Symboles

Ces symboles se trouvent sur la machine et dans les instructions.

AVERTISSEMENT ! Une utilisation négligente ou erronée peut occasionner des blessures graves voire mortelles, pour l'utilisateur ou les personnes à proximité.



Veillez lire attentivement et bien assimiler le manuel d'utilisation avant d'utiliser la machine.



Utilisez un casque avec protège-oreilles.



Marche arrière

**MARCHE
ARRIÈRE**

Neutre

POINT MORT

Vitesse de labourage

**VITESSE DE
LABOURAGE**

Vitesse de marche

**VITESSE DE
MARCHE**

Rapide



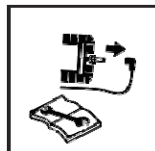
Lent



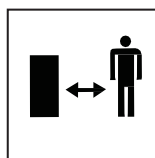
Avertissement : pièces en rotation.
Gardez les mains et les pieds éloignés.



Le câble d'allumage doit toujours être retiré de la bougie avant tous travaux de réparation, de nettoyage ou de maintenance.



Restez à distance !



Explication des niveaux d'avertissement

Il existe trois niveaux d'avertissement.

AVERTISSEMENT !



AVERTISSEMENT ! Symbole utilisé en cas de risque de blessures très graves ou de mort pour l'utilisateur ou de dommages pour les environs si les instructions du manuel ne sont pas suivies.

IMPORTANT !

IMPORTANT ! Symbole utilisé en cas de risque de blessures pour l'utilisateur ou de dommages pour les environs si les instructions du manuel ne sont pas suivies.

MISE EN GARDE !

MISE EN GARDE ! Symbole utilisé en cas de risque de dommages pour le matériel ou la machine si les instructions du manuel ne sont pas suivies.

INSTRUCTIONS DE SÉCURITÉ

Généralités

- Ces instructions concernent votre sécurité. Lisez-les attentivement.
- Lisez toutes les instructions contenues dans ce manuel et apposées sur la machine avant de la démarrer. Assurez-vous de bien les comprendre et de les respecter.
- Si vous avez des problèmes ou des questions au sujet du motoculteur, veuillez contacter votre revendeur Husqvarna pour plus d'informations.



AVERTISSEMENT ! Utilisez uniquement la machine aux fins auxquelles elle a été conçue, à savoir labourer le sol. Toute autre utilisation peut être dangereuse ou endommager la machine.

- Apprenez à utiliser la machine et ses commandes en toute sécurité et à vous arrêter rapidement. Apprenez également à reconnaître les autocollants de sécurité.
- L'opérateur est responsable de la sécurité des personnes et des biens face aux situations et aux risques auxquels ils sont exposés.
- Ne commencez jamais à travailler avec la machine sans avoir le champ libre et des appuis sûrs. Identifier les obstacles éventuels dans le cas de déplacement inattendu. Observez la plus grande prudence lors de travail sur des terrains en pente.
- Seuls des adultes habitués à l'utilisation de la machine sont autorisés à s'en servir.
- Ne laissez jamais d'enfants ou d'autres personnes ne possédant pas la formation requise utiliser ou entretenir la machine. L'âge minimum de l'utilisateur peut être régi par les législations locales.
- Maintenez à distance toutes personnes étrangères au travail. Les enfants, les animaux, les spectateurs et les collègues de travail devront se tenir en dehors de la zone de sécurité, soit à au moins 20 m. Arrêtez immédiatement la machine à l'approche de quelqu'un.
- N'utilisez jamais la machine en cas de fatigue, d'absorption d'alcool ou de prise de médicaments susceptibles d'affecter l'acuité visuelle, le jugement ou la coordination.
- Il convient d'être particulièrement attentif sur sol dur. La machine a tendance à être beaucoup moins stable sur les sols cultivés.



AVERTISSEMENT ! Cette machine génère un champ électromagnétique en fonctionnement. Ce champ peut dans certaines circonstances perturber le fonctionnement d'implants médicaux actifs ou passifs. Pour réduire le risque de blessures graves ou mortelles, les personnes portant des implants médicaux doivent consulter leur médecin et le fabricant de leur implant avant d'utiliser cette machine.

- N'utilisez jamais la machine pieds nus. Portez toujours des chaussures ou bottes de protection, dotées d'embouts de sécurité de préférence. Ne portez jamais de vêtements lâches, bijoux ou autre pouvant s'accrocher dans les pièces mobiles. Utilisez des protège-oreilles afin de minimiser le risque de perte auditive.

Préparation

- Inspecter la zone de travail. Retirez tous les objets tels que les pierres, les morceaux de verre, les clous, les fils de fer, les bouts de ficelle, etc. pouvant être projetés par la machine.
- Vérifiez intégralement la machine avant de commencer à l'utiliser. Remplacez les pièces usées ou endommagées. Vérifiez qu'il n'y a aucune fuite de carburant et que tous les capots et caches de protection sont en place et solidement fixés. Contrôlez tous les écrous et boulons.
- Vérifiez que les câbles électriques sont intacts et en bon état.

Utilisation

- N'utilisez jamais la machine pour transporter des personnes.
- Pour que le produit soit utilisé conformément à son utilisation prévue, il est essentiel de respecter les conditions d'utilisation, d'entretien et de réparation énoncées par le fabricant.
- Arrêtez le moteur lorsque la machine n'est pas utilisée.
- Lorsque vous utilisez la machine, ne courez pas, marchez.
- Faites très attention lorsque vous tirez la machine vers vous ou que vous inversez son sens de rotation.
- Gardez une distance de sécurité avec les lames en rotation, selon la longueur de la colonne de direction. Maintenez les mains et les pieds à distance des lames en rotation.
- Le moteur et le système d'échappement des gaz deviennent très chauds pendant le fonctionnement. Risque de brûlure en cas de contact.
- Utilisez la machine uniquement à la lumière du jour ou dans des conditions d'éclairage appropriées.
- N'utilisez pas la machine sur un sol dont la pente est supérieure à 20°.
- Travaillez en travers des pentes et non pas dans la direction de la pente.



AVERTISSEMENT ! Vous ne devez en aucun cas modifier la conception d'origine de la machine sans l'approbation du fabricant. Utilisez toujours les pièces de rechange d'origine. Les modifications et accessoires non autorisés peuvent entraîner des blessures graves, voire mortelles à l'utilisateur ou aux autres personnes présentes.

La garantie n'est pas valide si d'autres pièces que les pièces d'origine sont utilisées.

Arrêtez immédiatement le moteur dans les cas suivants :

- Vibration et bruit excessifs.
- Blocage mécanique empêchant le moteur de tourner.
- Difficultés pour embrayer ou débrayer l'embrayage.
- Collision avec un corps étranger.
- Détérioration du câble d'arrêt du moteur.

Si le câble d'arrêt du moteur est sectionné, coupez le moteur à l'aide de la commande de démarreur. Pour de plus amples informations, consultez la section « Démarrage du moteur ».

Laissez la machine refroidir. Débranchez le câble HT de la bougie. Vérifiez que la machine n'a subi aucun dommage. Si la machine est endommagée, confiez-la à un atelier d'entretien agréé.

INSTRUCTIONS DE SÉCURITÉ

Entretien

- Coupez toujours le moteur avant d'effectuer des travaux de réparation, de nettoyage, d'entretien ou avant le remplacement des outils de la machine.
- Un entretien régulier est essentiel pour garantir la sécurité et maintenir le niveau de performance de la machine.
- Portez des gants de travail épais pour remplacer les outils de la machine.
- Remplacez les lames en rotation par jeux complets pour maintenir leur équilibre. Utilisez toujours des pièces d'origine.
- Assurez-vous que toutes les vis et tous les écrous sont bien serrés.
- N'utilisez jamais une machine dont le silencieux est défectueux. Contactez un atelier d'entretien agréé.

IMPORTANT ! Pour votre propre sécurité, ne modifiez pas les caractéristiques de votre machine. Ne modifiez pas les réglages de vitesse du moteur et ne faites pas tourner le moteur à des vitesses excessives.

Transport et rangement

- Laissez refroidir la machine avant de la remiser.
- Entrez la machine et le carburant de façon à éviter le risque de fuite ou de vapeurs de carburant pouvant causer des dégâts.
- La machine doit toujours être remise dans un endroit sec et tenue à l'écart des sources de feu, d'étincelles ou de chaleur intense.
- Le carburant et les vapeurs de carburant sont extrêmement inflammables. Observez la plus grande prudence en manipulant le carburant et l'huile. Pensez aux risques d'incendie, d'explosion et d'inhalation des vapeurs.
- Lors du stockage et du transport de carburant, utilisez toujours un récipient homologué et conçu à cet effet.
- N'essayez pas de soulever la machine. Utilisez une méthode de manutention adaptée au poids de la machine et à la situation.
- Soyez très prudent lorsque vous chargez ou déchargez la machine d'un véhicule ou d'une remorque. Utilisez une rampe appropriée.
- Utilisez une remorque approuvée pour le transport de la machine. Sécurisez la machine avec des sangles de serrage agréées. Assurez-vous qu'aucune partie de la machine n'est écrasée ou endommagée par les sangles de serrage. Il est judicieux de couvrir la machine.
- Pour plus d'informations sur le déplacement de la machine pendant son utilisation, consultez la section « Déplacement ».

Remplissage d'essence

- Coupez le moteur et laissez-le refroidir pendant quelques minutes avant de faire le plein.
- Faites l'appoint en carburant dans un endroit bien aéré, avec le moteur éteint.



AVERTISSEMENT ! L'essence est hautement inflammable. Faites l'appoint en carburant avec prudence à l'extérieur. Feu et flammes nues sont prohibés ; il est également interdit de fumer.

Essuyez le pourtour des bouchons des réservoirs. Serrer soigneusement le bouchon du réservoir après le remplissage. Si le bouchon n'est pas serré correctement, il risque de s'ouvrir à cause des vibrations et du carburant peut alors s'échapper du réservoir de carburant, entraînant un risque d'incendie. Avant de mettre la machine en marche, déplacez-la à au moins 3 mètres de l'endroit où a été fait le plein.

- Pensez aux risques d'incendie, d'explosion et d'inhalation des vapeurs. Ne pas faire déborder le réservoir de carburant. Essuyer soigneusement toutes les éclaboussures sur le sol et la machine. Si l'utilisateur a renversé du carburant sur lui ou sur ses vêtements. Changer de vêtements. Éloigner la machine d'au moins trois mètres de l'endroit où le plein a été fait avant de la mettre en marche.
- Le moteur rejette du monoxyde de carbone, un gaz nocif et incolore. N'utilisez pas la machine dans des espaces confinés.

MONTAGE ET RÉGLAGES

Déballage

Illustration : 1 • 1

IMPORTANT ! Assurez-vous de ne pas couper les câbles ou rayer la machine lorsque vous coupez les bords de la boîte.

Références	Contenu de la boîte
A	Pièces de moteur
B	Axe de roue
C	Capot de protection des dents arrière
D	Capot latéral, droit
E	Capot de guidon
F	Roue en fonte
G	Bloc de dents, droit
H	Roue arrière
I	Barre de glissement
J	Roue
K	Capot de protection des dents
L	Levier de vitesses
M	Capot de rangement
N	Sac de matériel
O	Sacoche à outils

Montage

Illustration : 1 • 2



AVERTISSEMENT ! Le montage inapproprié de ce motoculteur rotatif peut provoquer de graves blessures. Assurez-vous de suivre attentivement toutes les instructions.

- Montage du guidon. **(Figure 1)**
- Montage des roues. **(Figure 2)**
- Montage du capot de protection des dents. **(Figure 3)**
- Montage du bloc de dents droit. **(Figure 4)**
- Montage du capot latéral. **(Figure 5)**
- Montage de la barre de glissement et de la roue de support. **(Figure 6)**
- Montage du capot arrière. **(Figure 7)**
- Montage du levier de vitesses. **(Figure 8)**
- Montage du levier de la PDF. **(Figure 9)**
- Montage du capot de guidon. **(Figure 10)**
- Montage du capot de rangement. **(Figure 11)**
- Rangez les câbles. **(Figure 12)**
 - Passez les câbles à travers le ressort de retenue.
 - Installez les câbles dans les clips.

- Réglez la hauteur de la poignée à l'aide du levier droit. **(Figure 13)**
- Montage de la commande d'embrayage. **(Figure 14)**
 - Tournez-la du côté approprié et serrez le boulon.

Toute opération de démontage doit être effectuée uniquement par un atelier autorisé.

MISE EN GARDE ! Après l'assemblage complet de la machine, serrez les boulons et vis avec modération. Ne serrez pas trop fort.

Description des composants

Illustration : 1 • 3

- 1 Moteur
- 2 Pare-chocs
- 3 Levier de la PDF
- 4 Levier de vitesses
- 5 Guidon
- 6 Commande d'accélération
- 7 Barre de glissement
- 8 Capot de protection des dents
- 9 Dent
- 10 Roue en fonte
- 11 Interrupteur de marche/arrêt
- 12 Levier pour le réglage de la hauteur de la poignée
- 13 Commande d'embrayage

Plaque signalétique

Illustration : 1 • 4

- 1 Numéro de série
- 2 Référence
- 3 Portée du labourage
- 4 Changement de vitesse
- 5 Cylindrée du moteur
- 6 Qualité de l'huile moteur (viscosité) :
- 7 Contenance du réservoir d'huile moteur
- 8 Qualité de l'huile pour boîte de vitesses
- 9 Contenance du réservoir d'huile de la boîte de vitesses
- 10 Puissance nominale
- 11 Poids net
- 12 Carburant

Roue de transport

Illustration : 1 • 5

Faites passer le cultivateur du mode fonctionnement au mode transport. Remplacez la roue en fonte par le pneu et montez la roue arrière.

Pour plus d'informations sur le déplacement de la machine, consultez la section « Déplacement ».

DÉMARRAGE ET ARRÊT

Avant la mise en marche

- Vérifiez le niveau d'huile moteur et faites l'appoint si nécessaire. Illustration : 2 • 1
- Contrôlez le niveau d'huile dans la boîte de vitesses et faites l'appoint si nécessaire. Illustration : 2 • 2
- Vérifiez le niveau de carburant. Faites l'appoint si nécessaire. Illustration : 2 • 3
 - Nous vous recommandons d'utiliser : un indice d'octane supérieur à 90.
- Lubrification du filtre à air, illustration : 2 • 4

Démarrez la machine.

- Ouvrez le robinet à carburant. Illustration : 2 • 5
- Placez la commande du starter sur la position A. Illustration : 2 • 6
- Commande d'accélération, illustration : 2 • 7
 - Poussez la commande d'accélération en position de plein régime.



- Appuyez sur l'interrupteur de marche/arrêt afin de définir le réglage d'accélération pour le démarrage. Illustration : 2 • 8
- Levier de vitesses, illustration : 2 • 9
 - Mettez le levier de vitesses en position « N » (point mort).
- Tirez sur la poignée du lanceur, illustration : 2 • 10



AVERTISSEMENT ! Lorsque la machine démarre, restez dans la zone de sécurité.

- Placez la commande du starter sur la position B. Illustration : 2 • 11

Utilisation



AVERTISSEMENT ! Maintenir à distance toutes les personnes non concernées par le travail. Les enfants, les animaux, les spectateurs et les collègues de travail devront se tenir en dehors de la zone de sécurité, soit à au moins 20 m. Arrêtez immédiatement l'appareil à l'approche de quelqu'un.

MARCHE AVANT

Illustration : 3 • 1

- Utilisez le levier de vitesses pour régler la vitesse d'entraînement.

Vitesse de labourage

VITESSE DE LABOURAGE

Vitesse de marche (pour le transport uniquement, ne convient pas au labourage).

VITESSE DE MARCHÉ

- Poussez le blocage de la gâchette de la poignée (A) vers le bas et poussez le levier d'embrayage vers la poignée (B).
- Le cultivateur commence à tourner lorsque l'on pousse l'embrayage vers la poignée et arrête de tourner lorsque l'on relâche l'embrayage.

Marche arrière

Illustration : 3 • 2

IMPORTANT ! Le cultivateur commence à tourner lorsque l'on pousse l'embrayage vers la poignée et arrête de tourner lorsque l'on relâche l'embrayage. Il est primordial de désengager l'embrayage avant de reculer.

- Placez la gâchette sur la position R (marche arrière).

MARCHE ARRIÈRE



AVERTISSEMENT ! Il est dangereux de reculer ! Veillez à l'absence d'obstacles et diminuez le régime moteur avant d'engager l'embrayage.

- Poussez le blocage de la gâchette de la poignée (A) vers le bas et poussez le levier d'embrayage vers la poignée (B).

Arrêt

- Relâcher le levier d'embrayage. Illustration : 4 • 1
- Mettez le levier de vitesses en position « N » (point mort).
- Illustration : 4 • 2

POINT MORT

- Déplacez la commande d'accélération vers la position MIN. siège. Illustration : 4 • 3



- Le bouton d'arrêt est utilisé pour arrêter le moteur. Illustration : 4 • 4
- Fermez le robinet de carburant. Illustration : 4 • 5

Déplacement de la machine

Illustration : 5 • 1

- Arrêtez le moteur avant tout déplacement de la machine. Voir les instructions à la section « Arrêt ».
- Remplacez la roue en fonte par le pneu et montez la roue arrière. (Figure A)

ENTRETIEN ET RÉPARATION

Calendrier d'entretien

Voici une liste des entretiens à effectuer sur la machine.

Entretien	Illustration	Entretien quotidien avant le démarrage	Intervalle d'entretien en heures			
			Toutes les 20 heures ou tous les mois	Toutes les 50 heures ou tous les 3 mois	Toutes les 100 heures ou tous les 6 mois	Toutes les 300 heures ou une fois par an
Nettoyez la machine.		X				
Assurez-vous que les vis et les écrous sont bien serrés et intacts.		X				
Nettoyez le filtre à air. Remplacez si nécessaire.	4 • 6	X		X*		X**
Contrôlez le niveau d'huile moteur.	2 • 1, 2 • 4	X				
Contrôlez le niveau d'huile dans la boîte de vitesses et faites l'appoint si nécessaire.	2 • 2	X				
Vérifiez l'absence de fuite de carburant, d'huile moteur ou de lubrifiant.		X				
Vérifiez le niveau de carburant. Faites l'appoint si nécessaire.	2 • 3	X				
Si la machine commence à vibrer de façon anormale, vérifiez-la immédiatement.		X				
Vidangez l'huile et le lubrifiant du moteur et de la boîte de vitesses.			X		X	
Nettoyez le filtre à carburant et ses composants environnants.					X	X**
Nettoyez la bougie et le chapeau de bougie.					X	
Remplacez la bougie.						X
Vérifiez/ajustez le jeu des soupapes du moteur						X**
Nettoyez la chambre de combustion						X**
Contrôlez le circuit de carburant.						X**

* Nettoyez-le plus souvent en cas d'utilisation dans un environnement où l'air est poussiéreux ou chargé de débris en suspension dans l'air.

** Non indispensable, sauf en cas de problèmes de performances. Contactez un atelier d'entretien agréé.



AVERTISSEMENT ! Retirez le filtre en mousse plastique. Nettoyez soigneusement le filtre dans de l'eau savonneuse tiède. Après le nettoyage, rincez soigneusement le filtre dans de l'eau propre. Essorez le filtre et laissez-le sécher. **REMARQUE !** Un air comprimé présentant une pression trop élevée risque d'endommager le caoutchouc mousse. N'utilisez pas d'air comprimé ou de solvant à base de pétrole pour nettoyer le filtre à air.

Généralités



AVERTISSEMENT ! Avant d'effectuer des travaux de réparation, de nettoyage ou de contrôle, immobilisez et éteignez la machine.

N'effectuez jamais de réglages lorsque la machine en marche.

Utilisez toujours des pièces d'origine.

• Ne portez jamais de bijoux, de montre ou d'accessoires similaires lorsque vous nettoyez, réparez ou inspectez la machine. Ne modifiez pas l'équipement de sécurité. Contrôlez-le régulièrement pour vérifier qu'il fonctionne correctement.

Soyez toujours prudent et faites appel à votre bon sens. Évitez les situations que vous n'êtes pas sûr de maîtriser. Si, après avoir lu ces instructions, vous n'êtes toujours pas sûr de la procédure à suivre, demandez conseil à un expert avant de poursuivre. Contactez un atelier d'entretien agréé.

Caractéristiques techniques

Caractéristiques techniques

	TR262
Largeur de labourage, en millimètres	620
Profondeur de labourage, en millimètres	100 - 160
Moteur	WM170FB/P-2
Carburant	Essence
Contenance du réservoir de carburant, en litres	4,8
Contenance du réservoir d'huile, en litres	0,6
Cylindrée, en centimètres cubes	212
Puissance maximale en ch (kW) @ tr/min	6,1 (4,5) à 3 600
Vitesses	R (marche arrière), N (point mort), T (labourage), W (marche)
Contenance en huile de la boîte de vitesses, en litres	1,2
Poids brut, en kilogrammes	115
Poids net, en kg	102
Taille de l'emballage, en mm	1 280 × 740 × 660

IMPORTANT ! Lorsque ce produit arrive à la fin de sa durée de vie et n'est plus utilisé, il convient de le retourner au revendeur ou de le remettre à un organisme de recyclage compétent.

IMPORTANT ! Nous nous réservons le droit de modifier les spécifications et la conception du produit sans préavis afin de mettre en œuvre des améliorations. Veuillez noter qu'aucune réclamation légale ne sera recevable sur la base des informations contenues dans ce manuel. Pour toute réparation, utilisez exclusivement des pièces de rechange d'origine. La garantie n'est pas valable si d'autres pièces sont utilisées.

ÍNDICE

Contenido

ÍNDICE

Contenido	17
CLAVE DE LOS SÍMBOLOS	
Símbolos	18
Explicación de los niveles de advertencia	18
INSTRUCCIONES DE SEGURIDAD	
Generalidades	19
Preparación	19
Uso	19
Mantenimiento	20
Transporte y almacenamiento	20
Llenado de combustible	20
MONTAJE Y AJUSTES	
Desembalaje	21
Montaje	21
Descripción de los componentes	21
Placa de identificación	21
Rueda de transporte	21
ARRANQUE Y PARADA	
Antes de arrancar	22
Arranque de la máquina	22
Uso	22
Avance	22
Marcha atrás	22
Parada	22
Traslado de la máquina	22
MANTENIMIENTO Y SERVICIO	
Programa de mantenimiento	23
Generalidades	23
DATOS TÉCNICOS	
Datos técnicos	24

CLAVE DE LOS SÍMBOLOS

Símbolos

Los siguientes símbolos se encuentran en la máquina y en las instrucciones.

ADVERTENCIA: El uso negligente o erróneo puede provocar daños graves o mortales al operador o a terceras personas.



Lea detenidamente el manual de usuario y asegúrese de estar familiarizado con las instrucciones antes de utilizar la máquina.

Utilice un casco con protectores auriculares.



Marcha atrás

MARCHA ATRÁS

Posición neutra

PUNTO MUERTO

Velocidad de trabajo

MARCHA DE TRABAJO

Velocidad de desplazamiento

MARCHA DE DESPLAZAMIENTO

Rápido



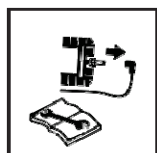
Lento



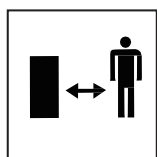
Advertencia: piezas giratorias. Mantenga alejados los pies y las manos.



El cable de encendido debe retirarse siempre de la bujía antes de realizar trabajos de reparación, limpieza o mantenimiento.



Respete las distancias de seguridad.



Explicación de los niveles de advertencia

Las advertencias se clasifican en tres niveles.

ADVERTENCIA:



ADVERTENCIA: Se utiliza en caso de existir riesgo de lesiones graves o mortales para el usuario o de daños para el entorno en caso de no seguirse las instrucciones del manual.

IMPORTANTE:



IMPORTANTE: Se utiliza en caso de existir riesgo de lesiones para el usuario o de daños para el entorno de no seguirse las instrucciones del manual.

ATENCIÓN:



ATENCIÓN: Se utiliza en caso de existir riesgo de daños materiales o de daños en la máquina de no seguirse las instrucciones del manual.

INSTRUCCIONES DE SEGURIDAD

General

- Estas instrucciones son para su seguridad. Léalas detenidamente.
- Lea todas las instrucciones del presente manual de usuario y de la máquina antes de arrancarla. Asegúrese de estar familiarizado con ellas y sigalas.
- Si tiene cualquier problema o duda sobre la motoazada, póngase en contacto con su distribuidor de Husqvarna para obtener más información.



ADVERTENCIA: Utilice la máquina únicamente para la finalidad para la que se ha diseñado: arar el terreno. Cualquier otro uso puede ser peligroso o provocar daños en la máquina.

- Aprenda a utilizar la máquina y sus controles de forma segura, así como a pararla rápidamente. Aprenda también a reconocer las etiquetas de seguridad.
- Cualquier situación insegura o peligro a los que se vean expuestos tanto personas como objetos materiales es responsabilidad del usuario.
- Antes de comenzar a trabajar con la máquina, compruebe siempre que el área de trabajo está despejada de obstáculos y personas, y de que tiene los pies firmes sobre el suelo. Controle posibles obstáculos en caso de movimientos repentinos. Proceda con sumo cuidado al trabajar en terreno inclinado.
- Únicamente deje que utilicen la máquina aquellos adultos familiarizados con su uso.
- No permita nunca que niños u otras personas sin la debida formación para utilizar la máquina la utilicen o realicen tareas de mantenimiento en ella. Es posible que la edad mínima que deban tener los usuarios esté establecida en la legislación en vigor.
- Mantenga alejadas a las personas no autorizadas. Los niños, los animales, la gente que mira y los ayudantes deben permanecer fuera de la zona de seguridad de 20 m. Pare la máquina inmediatamente si alguien se acerca.
- Nunca utilice la máquina si está cansado, si ha consumido alcohol o si está tomando drogas de otro tipo o medicación que pudieran afectar a sus capacidades de visión, decisión o coordinación.
- Preste especial atención en terrenos duros. La máquina tiende a ser mucho menos estable en terrenos cultivados.



ADVERTENCIA: Esta máquina genera un campo electromagnético durante el funcionamiento. Este campo magnético puede, en determinadas circunstancias, interferir con implantes médicos activos o pasivos. Para reducir el riesgo de lesiones graves o letales, las personas que utilizan implantes médicos deben consultar con su médico y con el fabricante del implante médico antes de emplear esta máquina.

- Nunca utilice la máquina descalzo. Lleve siempre calzado de seguridad o botas de protección, preferiblemente con puntera de acero. Nunca lleve ropa suelta, joyas u otros objetos que puedan quedar atrapados en las piezas móviles. Utilice protectores auriculares para reducir al mínimo el riesgo de sufrir daños crónicos en el oído.

Preparación

- Inspeccione la zona de trabajo. Retire todos los objetos sueltos, como piedras, cristales rotos, clavos, alambres de acero, cuerdas, etc., que pudieran salir despedidos por acción de la máquina.
- Inspeccione la máquina en su totalidad antes de arrancarla. Sustituya las piezas desgastadas o deterioradas. Compruebe que no haya fugas de combustible, que no falte ningún componente de cualquiera de las protecciones y cubiertas, y que estas estén firmemente fijadas. Inspeccione todas las tuercas y los tornillos.
- Compruebe que los cables eléctricos estén intactos y en buen estado.

Uso

- No utilice nunca la máquina para transportar personas.
- El cumplimiento estricto de las condiciones de uso, mantenimiento y reparación conforme a las instrucciones del fabricante también es un aspecto esencial del uso previsto.
- Pare el motor cuando la máquina no esté en uso.
- Camine con la máquina, no corra.
- Preste atención al tirar de la máquina hacia usted o al invertir el sentido de rotación.
- Guarde una distancia de seguridad con respecto a las cuchillas giratorias; esta distancia viene determinada por la longitud de la columna de dirección. Mantenga alejados los pies y las manos de las cuchillas giratorias.
- El motor y el sistema de escape se calientan mucho durante el funcionamiento. Existe riesgo de quemaduras en caso de contacto.
- Utilice la máquina únicamente con la luz del día o en condiciones de buena iluminación.
- No utilice la máquina en terrenos con pendientes de más de 20° de inclinación.
- En pendientes, trabaje siempre de lado: no suba ni baje por ellas.



ADVERTENCIA: Está totalmente prohibido modificar el diseño original de la máquina sin la aprobación previa del fabricante. Utilice siempre piezas de repuesto originales. Las modificaciones o la utilización de accesorios no autorizados pueden ocasionar lesiones graves o incluso la muerte del usuario o de otras personas.

La garantía no es válida si no se utilizan piezas originales.

Detenga el motor inmediatamente si ocurre lo siguiente:

- vibración o ruido excesivos;
- atascos mecánicos que impidan girar al motor;
- problemas para embragar o desembragar;
- colisiones contra objetos extraños;
- deterioro del cable de parada del motor.

Si el cable de parada del motor se rompe, utilice el control de arranque para detener el motor. Para obtener más información, consulte el apartado sobre arranque del motor.

Espera a que la máquina se enfríe. Desconecte el cable de encendido de la bujía. Verifique que la máquina no esté dañada. Si la máquina está dañada, llévela a un taller de servicio oficial para repararla.

INSTRUCCIONES DE SEGURIDAD

Mantenimiento

- Pare siempre el motor antes de llevar a cabo trabajos de reparación, limpieza o mantenimiento, y cuando vaya a cambiar las herramientas de la máquina.
- Llevar a cabo las tareas de mantenimiento periódico es fundamental para garantizar la seguridad y mantener el nivel de rendimiento.
- Use guantes resistentes al cambiar las herramientas de la máquina.
- Sustituya todas las cuchillas como conjuntos completos para mantenerlas equilibradas. Utilice siempre piezas originales.
- Compruebe que los tornillos y las tuercas estén apretados.
- Nunca utilice una máquina que tenga un silenciador defectuoso. Contacte con un taller de servicio autorizado.

IMPORTANTE: Por su propia seguridad, no modifique las características de la máquina. No modifique la configuración de régimen del motor ni mantenga en marcha el motor a regímenes excesivamente elevados.

Transporte y almacenamiento

- Deje que la máquina se enfríe antes de almacenarla.
- Almacene la máquina y el combustible de manera que no exista riesgo de fugas ni de emisión de humos que pudieran causar algún daño.
- La máquina siempre debe almacenarse en un lugar seco, alejada de fuego, chispas y calor intenso.
- El combustible y los vapores de combustible son muy inflamables. Proceda con cuidado en la manipulación del combustible y el aceite. Tenga en cuenta los riesgos de incendio, explosión e intoxicación respiratoria.
- Para almacenar y transportar combustible se deben utilizar recipientes diseñados y homologados para tal efecto.
- No intente levantar la máquina. Utilice un método de manejo adaptado al peso de la máquina y a la situación.
- Proceda con especial precaución al cargarla en un vehículo o remolque, así como al descargarla. Utilice una rampa adecuada.
- Use solo un remolque homologado para el transporte de la máquina. Amarre la máquina con cinchas de sujeción aprobadas. Asegúrese de que ninguna parte de la máquina quede aplastada o dañada por las cinchas de sujeción. Se recomienda cubrir la máquina.
- Para obtener más información sobre el traslado de la máquina durante el trabajo, consulte la sección "Traslado de la máquina".

Llenado de combustible

- Pare siempre el motor y espere unos minutos a que se enfríe antes de repostar combustible.
- Reposte en una zona bien ventilada y con el motor apagado.



ADVERTENCIA: La gasolina es altamente inflamable. Proceda con precaución y reposte al aire libre. Está prohibido encender fuego, llamas abiertas o fumar.

Seque minuciosamente alrededor de las tapas de los depósitos. Después de repostar, apriete bien la tapa del depósito de combustible. Si el tapón no está correctamente apretado, podría aflojarse con la vibración y producirse una fuga de combustible del depósito que podría causar riesgo de incendio. Antes de arrancarla, aparte la máquina a 3 m como mínimo del lugar de repostaje.

- Tenga en cuenta los riesgos de incendio, explosión e intoxicación respiratoria. No permita que el combustible rebose al repostar. Seque los derrames de gasolina del suelo y en la máquina. Si ha derramado combustible sobre sí mismo o su ropa: cámbiese de ropa. Antes de arrancar, aparte la máquina hasta un mínimo de 3 metros del lugar de repostaje.
- El motor emite monóxido de carbono, un gas incoloro y tóxico. No utilice la máquina en espacios cerrados.

MONTAJE Y AJUSTES

Desembalaje

Ilustración: 1 • 1

IMPORTANTE: Tenga cuidado de no cortar los cables ni arañar la máquina al cortar los bordes de la caja.

Referencias	Contenido de la caja
A	Piezas del motor
B	Eje de la rueda
C	Cubierta trasera de los dientes
D	Cubierta lateral, lado derecho
E	Cubierta del manillar
F	Rueda de hierro
G	Juego de dientes, lado derecho
H	Rueda trasera
I	Barra de tiro
J	Rueda
K	Cubierta de los dientes
L	Palanca de cambio
M	Cubierta
N	Bolsa de tornillería
O	Maletín de herramientas

Montaje

Ilustración: 1 • 2



ADVERTENCIA: Si el montaje de esta motoazada no se efectúa correctamente, pueden producirse lesiones graves. Siga escrupulosamente todas las instrucciones.

- Montaje del manillar. **(Figura 1)**
- Montaje de las ruedas. **(Figura 2)**
- Montaje de la cubierta de los dientes. **(Figura 3)**
- Montaje del juego de dientes del lado derecho. **(Figura 4)**
- Montaje de la cubierta lateral. **(Figura 5)**
- Montaje de la barra de tiro y la rueda de soporte. **(Figura 6)**
- Montaje de la cubierta trasera. **(Figura 7)**
- Montaje de la palanca de cambio. **(Figura 8)**
- Montaje de la palanca de la TDF. **(Figura 9)**
- Montaje de la cubierta del manillar. **(Figura 10)**
- Montaje de la cubierta. **(Figura 11)**
- Organización de los cables. **(Figura 12)**
 - Pase los cables a través del muelle de sujeción.
 - Fije los cables con la abrazadera.

- Ajuste de la altura del manillar accionando la palanca derecha. **(Figura 13)**
- Montaje del control del embrague. **(Figura 14)**
 - Gire hacia el lado correcto y apriete el perno.

Los trabajos de desmontaje deben realizarse siempre en un taller autorizado.

ATENCIÓN: Después de montar la máquina por completo, apriete todos los pernos y tornillos con moderación. No apriete en exceso.

Descripción de los componentes

Ilustración: 1 • 3

- 1 Motor
- 2 Parachoques
- 3 Palanca de la TDF
- 4 Palanca de cambio
- 5 Manillar
- 6 Acelerador
- 7 Barra de tiro
- 8 Cubierta de los dientes
- 9 Diente
- 10 Rueda de hierro
- 11 Interruptor de encendido/apagado
- 12 Palanca de ajuste de altura del manillar
- 13 Control del embrague

Placa de identificación

Ilustración: 1 • 4

- 1 Número de serie
- 2 Referencia
- 3 Anchura de trabajo
- 4 Cambio de marchas
- 5 Cilindrada del motor
- 6 Calidad (viscosidad) del aceite del motor
- 7 Capacidad del aceite del motor
- 8 Calidad del aceite de la caja de engranajes
- 9 Capacidad del aceite de la caja de engranajes
- 10 Potencia nominal
- 11 Peso neto
- 12 Carburante

Rueda de transporte

Ilustración: 1 • 5

Cambie el cultivador del estado de funcionamiento al estado de transporte. Cambie la rueda de hierro por el neumático y monte la rueda trasera.

Para obtener más información sobre cómo transportar la máquina, consulte la sección "Traslado de la máquina".

ARRANQUE Y PARADA

Antes de arrancar

- Compruebe el nivel del aceite del motor y rellene si es necesario. Ilustración: 2 • 1
- Compruebe el nivel de aceite de la caja de engranajes y rellene si es necesario. Ilustración: 2 • 2
- Compruebe el nivel de combustible. Rellene si es necesario. Ilustración: 2 • 3
 - Producto recomendado: Combustible con un octanaje superior a 90.
- Engrase del filtro de aire. Ilustración: 2 • 4

Arranque de la máquina

- Abra la llave de combustible. Ilustración: 2 • 5
- Coloque el estrangulador en la posición A. Ilustración: 2 • 6
- Acelerador. Ilustración: 2 • 7
 - Empuje el acelerador a la posición de aceleración máxima.



- Coloque el interruptor de encendido/apagado en la posición de encendido para alcanzar el valor de aceleración necesario para el arranque. Ilustración: 2 • 8
- Palanca de cambio. Ilustración: 2 • 9
- Coloque la palanca de cambio en la posición N (punto muerto).
- Tire del asa de la cuerda de arranque. Ilustración: 2 • 10



ADVERTENCIA: Cuando la máquina arranque, permanezca dentro de la zona de seguridad.

- Coloque el estrangulador en la posición B. Ilustración: 2 • 11

Uso



ADVERTENCIA: Mantenga alejados a los terceros. Los niños, los animales, la gente que mira y los ayudantes deben permanecer fuera de la zona de seguridad de 20 m. Pare la máquina inmediatamente si alguien se acerca.

Avance

Ilustración: 3 • 1

- Utilice la palanca de cambio para controlar la velocidad de avance.
Velocidad de trabajo

MARCHA DE TRABAJO

Velocidad de desplazamiento (solo para el transporte; no es apta para el trabajo).

MARCHA DE DESPLAZAMIENTO

- Pulse el bloqueador del acelerador del manillar (A) y presione la palanca de embrague hacia dentro, dirección al manillar (B).
- El motocultor comienza a girar cuando se pulsa el embrague hacia abajo, en dirección al manillar, y deja de hacerlo cuando se suelta el embrague.

Marcha atrás

Ilustración: 3 • 2

IMPORTANTE: El motocultor comienza a girar cuando se pulsa el embrague hacia abajo, en dirección al manillar, y deja de hacerlo cuando se suelta el embrague. Es importante soltar la palanca de embrague antes de utilizar la marcha atrás.

- Coloque el mando en la posición "R".

MARCHA ATRÁS



ADVERTENCIA: El uso de la marcha atrás es peligroso. Verifique que no haya obstáculos detrás de usted y reduzca el régimen del motor antes de embragar.

- Pulse el bloqueador del acelerador del manillar (A) y presione la palanca de embrague hacia dentro, dirección al manillar (B).

Parada

- Suelte la palanca de embrague. Ilustración: 4 • 1
- Coloque la palanca de cambio en la posición N (punto muerto). Ilustración: 4 • 2

PUNTO MUERTO

- Coloque el acelerador en la posición MIN. Ilustración: 4 • 3



- Utilice el botón de parada para detener el motor. Ilustración: 4 • 4
- Cierre la llave de combustible. Ilustración: 4 • 5

Traslado de la máquina

Ilustración: 5 • 1

- Para trasladar la máquina, el motor debe estar apagado. Consulte las instrucciones en la sección Parada.
- Cambie las ruedas de hierro por neumáticos y monte la rueda trasera cuando vaya a proceder al transporte. **(Figura A)**

MANTENIMIENTO Y SERVICIO

Programa de mantenimiento

La siguiente es una lista de los pasos de mantenimiento que es necesario llevar a cabo en la máquina.

Mantenimiento	Ilustración	Mantenimiento diario previo al arranque	Intervalo de mantenimiento en horas			
			20 horas o cada mes	50 horas o cada 3 meses	100 horas o cada 6 meses	300 horas o una vez al año
Limpie la máquina.		X				
Compruebe que los tornillos y las tuercas estén apretados y no hayan sufrido daños.		X				
Limpie el filtro de aire. Sustitúyala si es necesario.	4 • 6	X		X*		X**
Compruebe el nivel de aceite del motor.	2 • 1 / 2 • 4	X				
Compruebe el nivel de aceite de la caja de engranajes y reponga si es necesario.	2 • 2	X				
Compruebe que no haya fugas de combustible, aceite del motor ni lubricante.		X				
Compruebe el nivel de combustible. Rellene si es necesario.	2 • 3	X				
Si la máquina empieza a vibrar de manera anómala, compruébela inmediatamente.		X				
Cambie el aceite y el lubricante del motor y de la caja de cambios.			X		X	
Limpie el filtro de combustible y los componentes situados a su alrededor.					X	X**
Limpie la bujía y el sombrerete de la bujía.					X	
Cambie la bujía.						X
Compruebe y ajuste el juego de las válvulas del motor.						X**
Limpie la cámara de combustión.						X**
Inspeccione el circuito de combustible.						X**

* Limpie con mayor frecuencia en aquellos casos en los que el aire ambiental sea polvoriento o esté cargado de residuos.

** No es esencial, salvo en caso de problemas de rendimiento. Póngase en contacto con un taller de servicio autorizado.



ADVERTENCIA: Saque el filtro de espuma plástica. Limpie bien el filtro en una solución de agua jabonosa tibia. Tras limpiar el filtro, enjuáguelo bien con agua limpia. Estruje el filtro y deje que se seque. **NOTA:** El aire comprimido a una presión demasiado alta puede dañar la espuma. No use aire comprimido ni disolventes a base de petróleo para limpiar el filtro de aire.

General



ADVERTENCIA: Antes de llevar a cabo trabajos de reparación, limpieza o inspección, la máquina debe estar parada y apagada.

Nunca realice ajustes con la máquina en marcha.

Utilice siempre piezas originales.

- Nunca lleve joyas, relojes u otros objetos similares durante la realización de trabajos de limpieza, reparación o inspección en la máquina.

No efectúe modificaciones en el equipo de seguridad. Inspecciónelo con regularidad para asegurarse de que funciona correctamente.

Proceda con cuidado y emplee el sentido común. Evite todas aquellas situaciones que considere que sobrepasen sus capacidades. Si continúa teniendo dudas sobre los procedimientos de uso y funcionamiento después de haber leído estas instrucciones, debe consultar a un experto antes de continuar. Póngase en contacto con un taller de servicio autorizado.

DATOS TÉCNICOS

Datos técnicos

	TR262
Anchura de trabajo, mm	620
Profundidad de trabajo, mm	100 - 160
Motor	WM170FB/P-2
Carburante	Gasolina
Capacidad del depósito de combustible, litros	4,8
Capacidad del depósito de aceite, litros	0,6
Cilindrada, cm ³	212
Potencia máxima, CV (kW) a rpm	6,1 (4,5) a 3600
Marchas	R, N, T y W
Capacidad de aceite de la caja de cambios, litros	1,2
Peso bruto, kg	115
Peso neto, kg	102
Tamaño del embalaje, mm	1280 × 740 × 660

IMPORTANTE: Una vez que la vida útil de este producto haya llegado a su fin y haya dejado de utilizarse, debe llevarse al distribuidor o a un centro autorizado para su reciclaje.

IMPORTANTE: Nos reservamos el derecho a modificar las especificaciones y diseños sin previo aviso con el fin de introducir mejoras. Tenga en cuenta que no se pueden realizar reclamaciones legales válidas en base a la información de este manual. Utilice solo piezas originales para las reparaciones. La garantía no es válida si no se utilizan piezas originales.

CONTEÚDO

Conteúdo

CONTEÚDO	
Conteúdo	25
LEGENDA DOS SÍMBOLOS	
Símbolos	26
Explicações dos níveis de advertência	26
INSTRUÇÕES DE SEGURANÇA	
Geral	27
Preparação	27
Uso	27
Manutenção	28
Transporte e armazenamento	28
Abastecimento	28
MONTAGEM E AJUSTES	
Remoção da embalagem	29
Montagem	29
Descrição dos componentes	29
Plaqueta de identificação	29
Roda de transporte	29
PARTIDA E PARADA	
Antes de ligar	30
Partida na máquina	30
Uso	30
Para a frente	30
Marcha a ré	30
Parada	30
Movimentação da máquina	30
MANUTENÇÃO E SERVIÇO	
Programa de manutenção	31
Geral	31
DADOS TÉCNICOS	
Dados técnicos	32

LEGENDA DOS SÍMBOLOS

Símbolos

Esses símbolos estão na máquina e nas instruções.

AVISO! Descuido ou uso incorreto pode resultar em ferimentos graves ou fatais para o operador ou outras pessoas.



Leia atentamente o manual do operador e certifique-se de que tenha entendido as instruções antes de usar a máquina.



Use um capacete com protetor acústico



Marcha a ré

MARCHA A RÉ

Neutro

NEUTRO

Velocidade de preparação do solo

EQUIPAMENTOS DE PREPARAÇÃO DO SOLO

Velocidade de deslocamento

EQUIPAMENTOS DE DESLOCAMENTO

Rápido



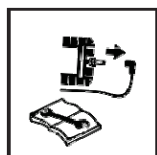
Lento



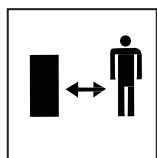
Aviso: peças giratórias. Mantenha as mãos e os pés afastados.



O cabo de ignição deve sempre ser removido da vela de ignição antes do trabalho de reparo, de limpeza ou de manutenção.



Mantenha distância!



Explicação dos níveis de aviso

Os avisos são classificados em três níveis.

AVISO!



AVISO! Usado se houver risco de ferimentos graves ou morte para o operador ou danos aos arredores no caso de as instruções no manual não serem seguidas.

IMPORTANTE!

IMPORTANTE! Usado se houver risco de ferimentos ao operador ou danos ao entorno no caso de as instruções no manual não serem seguidas.

CUIDADO!

CUIDADO! Usado se houver risco de danos aos materiais ou à máquina no caso de as instruções no manual não serem seguidas.

INSTRUÇÕES DE SEGURANÇA

Geral

- Estas instruções são para sua segurança. Estude-os com atenção.
- Leia todas as instruções neste manual do operador e na máquina antes de ligá-la. Certifique-se de compreendê-las e segui-las.
- Se você tiver problemas ou dúvidas sobre o motocultivador, entre em contato com seu revendedor Husqvarna para obter mais informações.



AVISO! Use a máquina somente para a finalidade à qual se destina, a preparação do solo. Qualquer outro uso pode ser perigoso ou causar danos à máquina.

- Saiba como usar a máquina e seus controles com segurança e aprenda a pará-la rapidamente. Aprenda também a reconhecer os decalques de segurança.
- O operador é responsável por quaisquer situações perigosas ou riscos aos quais as pessoas e suas propriedades estão expostas.
- Nunca inicie o trabalho na máquina sem que a área de trabalho esteja livre e você tenha uma base firme. Tome cuidado com obstáculos ao fazer movimentos inesperados. Tome muito cuidado ao trabalhar em terrenos em declive.
- Somente permita que a máquina seja usada por adultos familiarizados com seu uso.
- Nunca permita que crianças nem outras pessoas não treinadas no uso da máquina a utilizem ou façam a manutenção desta. As leis locais podem regular a idade do usuário.
- Mantenha pessoas não autorizadas distantes da máquina. Crianças, animais, pessoas que estejam observando e ajudantes devem permanecer fora da zona de segurança de 20 metros. Pare a máquina imediatamente se alguém se aproximar.
- Nunca use a máquina se estiver cansado, se tiver consumido álcool, se estiver tomando outras drogas ou medicamentos que possam afetar sua visão, julgamento ou coordenação.
- Preste atenção especial em solos duros. A máquina tem a tendência de ser muito menos estável em terrenos cultivados.



AVISO! Esta máquina produz um campo eletromagnético durante a operação. Sob certas circunstâncias, esse campo poderá interferir com implantes médicos de natureza ativa ou passiva. Para reduzir os riscos de ferimentos sérios ou de lesões fatais, recomendamos que as pessoas que tenham implantes médicos consultem seu médico e o fabricante do implante antes de operar esta máquina.

- Nunca use a máquina quando estiver descalço. Sempre use sapatos ou botas de proteção, de preferência com bico de aço. Não use roupas folgadas, joias ou itens similares que possam ficar presos em peças móveis. Use proteção auditiva para minimizar o risco de deficiência auditiva.

Preparação

- Inspeção a área de trabalho. Remova todos os objetos soltos, como pedras, vidro quebrado, pregos, fio de aço, cordões, etc. que possam ser lançados pela máquina.
- Verifique toda a máquina antes de dar partida. Substitua as peças desgastadas ou danificadas. Verifique se não há vazamentos de combustível e se todas as proteções e tampas estão inteiras e presas com segurança. Verifique todas as porcas e parafusos.
- Verifique se os cabos elétricos estão intactos e em boas condições.

Uso

- Nunca use a máquina para transportar pessoas.
- A conformidade com, e o cumprimento estrito das, condições de operação, serviço e reparo, conforme especificadas pelo fabricante, também são elementos essenciais do uso pretendido.
- Desligue o motor quando a máquina não estiver em uso.
- Ande com a máquina, não corra.
- Preste bastante atenção ao puxar a máquina em sua direção ou ao reverter a direção de rotação.
- Mantenha uma distância segura das lâminas giratórias, o que é definido pelo comprimento da coluna de direção. Mantenha mãos e pés afastados das lâminas giratórias.
- O motor e o sistema de escapamento ficam muito quentes durante a operação. Há risco de lesões por queimadura em caso de contato.
- Use a máquina somente à luz do dia ou em outras condições bem iluminadas.
- Não use a máquina em solo com inclinações superiores a 20°.
- Trabalhe lateralmente em declives, não para cima ou para baixo.



AVISO! Em nenhuma circunstância você deve modificar o projeto original da máquina sem autorização prévia do fabricante. Utilize sempre peças originais. Modificações e/ou acessórios não autorizados podem originar ferimentos graves, ou morte do usuário ou de outras pessoas.

A garantia não terá validade se forem utilizadas peças não originais.

Desligue o motor imediatamente se ocorrer o seguinte:

- Vibração excessiva e/ou ruído.
- Congestionamento mecânico impedindo que o motor gire.
- Dificuldades para engatar ou desengatar a embreagem.
- Colisão com corpo estranho.
- Deterioração do cabo de parada do motor.

Se o cabo de parada do motor estiver cortado, use o controle do motor de partida para parar o motor. Para obter mais informações, consulte a seção "Partida do motor"

Deixe a máquina esfriar. Desconecte o cabo de alta tensão da vela de ignição. Verifique se a máquina não está danificada. Se a máquina estiver danificada, entregue-a a uma oficina autorizada para reparo.

INSTRUÇÕES DE SEGURANÇA

Manutenção

- Sempre desligue o motor antes de reparar, limpar, fazer manutenção ou ao trocar as ferramentas na máquina.
- Manutenções regulares são essenciais para a segurança e para manter os níveis de desempenho.
- Use luvas reforçadas ao trocar as ferramentas da máquina.
- Substitua as lâminas giratórias em conjuntos completos para mantê-las balanceadas. Use sempre peças originais.
- Verifique se as porcas e os parafusos estão apertados.
- Nunca use uma máquina que tenha um defeito no silenciador. Entre em contato com uma oficina de serviço autorizada.

IMPORTANTE! Para sua própria segurança, não altere as características da máquina. Não altere os ajustes de rotação do motor e não opere o motor em rotação excessiva.

Transporte e armazenamento

- Deixe a máquina resfriar antes de armazená-la.
- Armazene a máquina e o combustível de tal forma que não haja risco de vazamento de combustível ou de vapores poderem causar danos.
- A máquina deve ser sempre armazenada em um local seco, longe de fogo aberto, faíscas ou calor intenso.
- O combustível e vapor do combustível são altamente inflamáveis. Tome cuidado ao manusear o combustível e o óleo. Tenha em mente o risco de incêndio, explosão e inalação de gases.
- Ao armazenar e transportar combustível, sempre use recipientes aprovados destinados a essa finalidade.
- Não tente levantar a máquina. Use um método de manuseio adaptado ao peso da máquina e à situação.
- Tome muito cuidado colocá-la em, ou a retirar de, um veículo ou reboque. Use uma rampa adequada.
- Use um reboque aprovado para transportar a máquina. Prenda a máquina com cintas de aperto aprovadas. Certifique-se de que nenhuma parte da máquina seja esmagada ou danificada pelas cintas de aperto. É uma boa ideia cobrir a máquina.
- Para obter mais informações sobre como mover a máquina durante o trabalho, consulte a seção "Movimentação".

Abastecimento

- Sempre desligue o motor e deixe-o esfriar por alguns minutos antes de reabastecer.
- Reabasteça em uma área bem ventilada com o motor desligado.



AVISO! A gasolina é altamente inflamável. Tenha cuidado e reabasteça ao ar livre. Fogo, chamas abertas e fumar são proibidos.

Limpe a área ao redor da tampa do depósito. Após o reabastecimento, aperte cuidadosamente a tampa de combustível. Se a tampa não estiver corretamente apertada, ela poderá vibrar e se soltar, e combustível poderá vazar do tanque, criando risco de fogo. Antes de ligar a máquina, afaste-a por, no mínimo, 3 metros de distância do ponto de reabastecimento.

- Tenha em mente o risco de incêndio, explosão e inalação de gases. Ao abastecer, não deixe o combustível transbordar. Limpe todos os derramamentos no solo e na máquina. Se você deixou cair combustível sobre si ou sobre suas roupas, troque-as. Antes de ligar a máquina, afaste-a por, no mínimo, 3 metros de distância da área de reabastecimento.
- O motor emite monóxido de carbono, que é um gás incolor e venenoso. Não use a máquina em espaços fechados.

MONTAGEM E AJUSTES

Remoção da embalagem

Ilustração: 1 • 1

IMPORTANTE! Certifique-se de não cortar os cabos nem arranhar a máquina ao cortar as bordas da embalagem.

Referências	Conteúdo da embalagem
A	Peças do motor
B	Eixo da roda
C	Capa dos dentes traseira
D	Tampa lateral, direita
E	Tampa da alça
F	Roda de ferro
G	Conjunto dos dentes, direito
H	Roda traseira
I	Barra de arrasto
J	Roda
K	Capa dos dentes
L	Alavanca de câmbio
M	Tampa protetora
N	Bolsa de acessórios
O	Bolsa de ferramentas

Montagem

Ilustração: 1 • 2



AVISO! A montagem incorreta deste motocultivador giratório pode causar ferimentos graves. Siga todas as instruções atentamente.

- Instalação da alça. (Figura 1)
- Instalação das rodas. (Figura 2)
- Instalação da capa dos dentes. (Figura 3)
- Instalação do conjunto dos dentes direito. (Figura 4)
- Instalação da tampa lateral. (Figura 5)
- Instalação da barra de arrasto e da roda de suporte. (Figura 6)
- Instalação da tampa traseira. (Figura 7)
- Instalação da alavanca de câmbio. (Figura 8)
- Instalação da alavanca de PTO. (Figura 9)
- Instalação da tampa da alça. (Figura 10)
- Instalação da tampa protetora. (Figura 11)
- Organize os cabos. (Figura 12)
 - Passe os cabos pela mola de retenção.
 - Encaixe os cabos no grampo do cabo.

- Ajuste a altura da alça acionando a alavanca direita. (Figura 13)
- Encaixe do controle de embreagem. (Figura 14)
 - Gire para o lado correto e aperte o parafuso.

Qualquer operação de desmontagem só deve ser realizada por uma oficina de serviço autorizada.

CUIDADO! Após a montagem completa da máquina, aperte os parafusos com moderação. Não aperte demais.

Descrição dos componentes

Ilustração: 1 • 3

- 1 Motor
- 2 Para-choque
- 3 Alavanca da PTO
- 4 Alavanca de câmbio
- 5 Barra de direção
- 6 Controle do acelerador
- 7 Barra de arrasto
- 8 Capa dos dentes
- 9 Dente
- 10 Roda de ferro
- 11 Botão Liga/Desliga
- 12 Alavanca para ajuste da altura da alça
- 13 Controle da embreagem

Plaqueta de identificação

Ilustração: 1 • 4

- 1 Número de série
- 2 Número do artigo
- 3 Escopo de trabalho
- 4 Alavanca de câmbio
- 5 Deslocamento do motor
- 6 Qualidade do óleo do motor (viscosidade):
- 7 Capacidade de óleo do motor
- 8 Qualidade de óleo da caixa de câmbio
- 9 Capacidade de óleo da caixa de câmbio
- 10 Potência nominal
- 11 Peso líquido
- 12 Combustível

Roda de transporte

Ilustração: 1 • 5

Troque o motocultivador do status de trabalho para o status de transporte. Troque a roda de ferro por pneu, monte a roda traseira.

Para obter mais informações sobre a movimentação da máquina, consulte a seção "Movimentação".

PARTIDA E PARADA

Antes de dar partida

- Verifique o nível de óleo do motor e complete se necessário. Ilustração: 2 • 1
- Verifique o nível de óleo da caixa de câmbio e complete se necessário. Ilustração: 2 • 2
- Verifique o nível de combustível. Reabasteça se necessário. Ilustração: 2 • 3
- Recomendação de uso: Octanagem acima de 90.
- Lubrificação do filtro de ar Ilustração: 2 • 4

Partida na máquina.

- Abra o registro de combustível. Ilustração: 2 • 5
- Posicione o controle do afogador na posição A. Ilustração: 2 • 6
- Controle do acelerador Ilustração: 2 • 7
- Empurre o controle do acelerador para a posição de aceleração total.



- Coloque o interruptor liga/desliga na posição ON para obter o ajuste de aceleração inicial. Ilustração: 2 • 8
- Alavanca de câmbio Ilustração: 2 • 9
- Coloque a alavanca de câmbio na posição "N" (neutro).
- Puxe a alça de arranque Ilustração: 2 • 10



AVISO! Ao ligar a máquina, mantenha-se na zona de segurança

- Posicione o controle do afogador na posição B. Ilustração: 2 • 11

Uso



AVISO! Mantenha pessoas não autorizadas distantes da máquina. Crianças, animais, pessoas que estejam observando e ajudantes devem permanecer fora da zona de segurança de 20 metros. Pare a máquina imediatamente se alguém se aproximar.

Para a frente

Ilustração: 3 • 1

- Use a alavanca de câmbio para controlar a velocidade de acionamento.

Velocidade de preparação do solo

EQUIPAMENTOS DE PREPARAÇÃO DO SOLO

Velocidade de deslocamento (somente para transporte, não adequada para preparação de solo.)

EQUIPAMENTOS DE DESLOCAMENTO

- Pressione para baixo a trava do gatilho na alça (A) e empurre a alavanca da embreagem na direção da alça (B).
- O motocultivador começa a girar ao empurrar a embreagem para baixo em direção à alça e para de girar ao soltar a embreagem.

Marcha a ré

Ilustração: 3 • 2

IMPORTANTE! O motocultivador começa a girar ao empurrar a embreagem para baixo em direção à alça e para de girar ao soltar a embreagem. É importante liberar a alavanca da embreagem antes de usar a marcha a ré.

- Deslize o controle para a posição "R".

MARCHA A RÉ



AVISO! O uso da marcha a ré é perigoso! Certifique-se de que não haja obstáculos atrás de você e reduza as rotações do motor antes de engatar a embreagem.

- Pressione para baixo a trava do gatilho na alça (A) e empurre a alavanca da embreagem na direção da alça (B).

Parada

- Solte a alavanca da embreagem. Ilustração: 4 • 1
- Coloque a alavanca de câmbio na posição "N" (neutro). Ilustração: 4 • 2

MARCHA NEUTRA

- Mova o controle do acelerador para a posição MIN. position. Ilustração: 4 • 3



- Use o interruptor de parada para desligar o motor. Ilustração: 4 • 4
- Feche o registro de combustível. Ilustração: 4 • 5

Movimentação da máquina

Ilustração: 5 • 1

- O motor deve ser desligado antes da movimentação. Consulte as instruções na seção Parada.
- Troque as rodas de ferro por pneus e monte a roda traseira ao transportar. (Figura A)

MANUTENÇÃO E SERVIÇO

Cronograma de manutenção

A seguir, há uma lista das etapas de manutenção que devem ser executadas na máquina.

Manutenção	Ilustração	Manutenção diária antes da partida	Intervalo de manutenção em horas			
			20 horas ou todo mês	50 horas ou a cada 3 meses	100 horas ou a cada 6 meses	300 horas ou uma vez por ano
Limpe a máquina.		X				
Verifique se as porcas e os parafusos estão apertados e sem danos.		X				
Limpe o filtro de ar. Substitua se necessário.	4 • 6	X		X*		X**
Verifique o nível de óleo do motor	2 • 1, 2 • 4	X				
Verifique o nível de óleo da caixa de câmbio e complete se necessário.	2 • 2	X				
Verifique se há vazamento de combustível, óleo do motor e lubrificação.		X				
Verifique o nível de combustível. Reabasteça se necessário.	2 • 3	X				
Se a máquina começar a vibrar de forma anormal, verifique imediatamente.		X				
Troque o óleo e a lubrificação do motor e da caixa de câmbio.			X		X	
Limpe o filtro de combustível e seus componentes ao redor.					X	X**
Limpe a vela de ignição e a tampa da vela de ignição.					X	
Substitua a vela de ignição.						X
Verifique/ajuste a folga nas válvulas do motor						X**
Limpe a câmara de combustão						X**
Verifique o circuito de combustível						X**

* Limpe com mais frequência em condições de uso em que o ar tenha muito pó ou esteja carregado com partículas aéreas.

** Não é essencial, exceto em caso de problemas de desempenho. Entre em contato com uma oficina de serviço autorizada.



AVISO! Remova o filtro de espuma plástica. Lave bem o filtro em água morna com sabão. Após a limpeza, enxágue bem o filtro em água limpa. Aperte o filtro e deixe-o secar. **OBSERVAÇÃO!** Ar comprimido sob alta pressão pode danificar a espuma. Não use ar comprimido ou solvente com petróleo para limpar o filtro de ar.

Geral



AVISO! Antes de realizar trabalhos de reparo, limpeza ou inspeção, a máquina deverá estar parada e desligada.

Nunca faça ajustes com a máquina em funcionamento

Use sempre peças originais.

- Nunca use joias, relógios ou similares ao limpar, realizar trabalhos de reparo na máquina nem durante a inspeção.

Não modifique os equipamentos de segurança. Verifique regularmente para ter certeza de que o funcionamento está correto.

Sempre tenha cuidado e use o bom senso. Evite todas as situações que você considerar estarem além da sua capacidade. Caso ainda não tenha certeza sobre os procedimentos operacionais após ler estas instruções, consulte um especialista antes de continuar. Entre em contato com uma oficina de serviço autorizada.

DADOS TÉCNICOS

Dados técnicos

	TR262
Largura de preparação do solo, mm	620
Profundidade de preparação do solo, mm	100 - 160
Motor	WM170FB/P-2
Combustível	Gasolina
Capacidade do tanque de combustível, litros	4,8
Capacidade do reservatório de óleo, litros	0,6
Cilindrada, cm ³	212
Potência máx. hp (kW) a rpm	6,1(4,5) a 3600
Marchas	R, N, T, W
Capacidade de óleo da caixa de câmbio, litros	1,2
Peso bruto, kg	115
Peso líquido, kg	102
Dimensões da embalagem, mm	1280×740×660

IMPORTANTE! Quando a vida útil deste produto tiver chegado ao final e ele não for mais utilizado, devolva-o ao revendedor ou a uma estação de reciclagem aplicável.

IMPORTANTE! Reservamo-nos o direito de alterar as especificações e o projeto sem prévia notificação, de modo a implementar melhorias. Nenhuma reivindicação judicial terá validade com base em informações fornecidas neste manual. Em caso de reparos, use apenas peças originais. A garantia não terá validade se forem utilizadas peças não originais.



www.husqvarna.com

Original instructions
Instructions d'origine
Instrucciones originales
Instruções originais

1142087-38



2019-10-15