



Husqvarna®



524LK

Contents

Introduction.....	2	Troubleshooting.....	20
Safety.....	4	Transportation and storage.....	21
Safety instructions for maintenance.....	11	Technical data.....	21
Assembly.....	11	Accessories.....	22
Operation.....	12	Warranty.....	24
Maintenance.....	16		

Introduction

Product description

The product is a grass trimmer with a combustion engine.

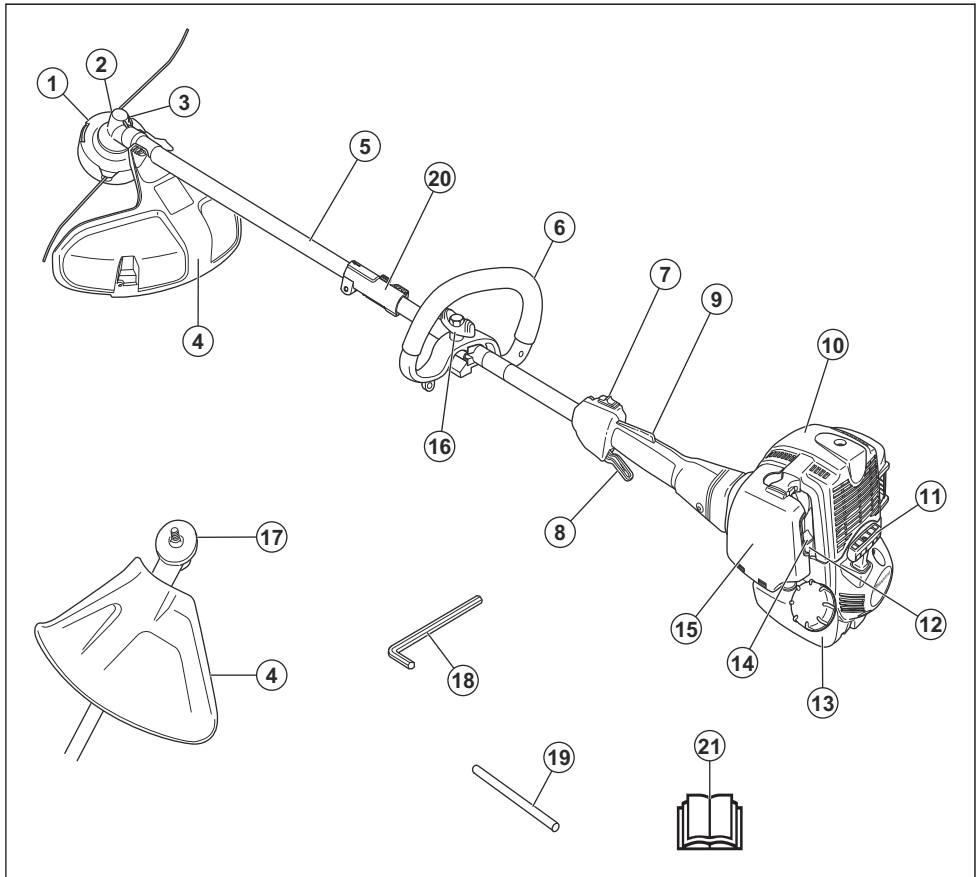
Work is constantly in progress to increase your safety and efficiency during operation. Speak to your servicing dealer for more information.

Intended use

The product is used with a trimmer head to cut grass. Do not use the product for other tasks than grass trimming and grass clearing.

Note: National regulations can set limit to the operation of the product.

Product overview



1. Trimmer head
2. Bevel gear
3. Grease filler cap
4. Cutting attachment guard
5. Shaft
6. Loop Handle
7. Stop switch
8. Throttle trigger
9. Throttle trigger lockout
10. Cylinder cover
11. Starter rope handle
12. Air purge bulb
13. Fuel tank
14. Choke control
15. Air filter cover
16. Handle adjustment

17. Drive disc
18. Hex key
19. Locking pin
20. Shaft coupling
21. Operator's manual

Symbols on the product



Be careful and use the product correctly. This product can cause serious injury or death to the operator or others.



Read the operator's manual carefully and make sure that you understand the instructions before you use this product.



Use a protective helmet in locations where objects can fall on you. Use approved hearing protection. Use approved eye protection.



Use approved protective gloves.



Use heavy-duty slip-resistant boots.



The product can cause objects to eject, which can cause injury.



Maximum speed of the output shaft.



Keep a minimum of 15 m distance to persons and animals during operation of the product.



Only use flexible cutting wire. Do not use metal cutting equipment for grass trimming.



The arrows show the limit for the handle position.



Air purge bulb.



Choke.



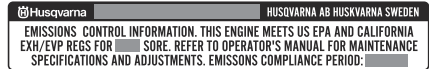
Fuel.

yyyywwxxxx

The rating plate shows the serial number. **yyyy** is the production year, **ww** is the production week.

Note: Other symbols/decals on the product refer to certification requirements for some markets.

EPA III



The Emissions Compliance Period referred to on the Emission Compliance label indicates the number of operating hours for which the engine has been shown to meet Federal and California emissions requirements.

California Proposition 65



WARNING

The engine exhaust from this product contains chemicals known to the State of California to cause cancer, birth defects or other reproductive harm.

Safety

Safety definitions

Warnings, cautions and notes are used to point out specially important parts of the manual.



WARNING: Used if there is a risk of injury or death for the operator or bystanders if the instructions in the manual are not obeyed.



CAUTION: Used if there is a risk of damage to the product, other materials or the adjacent area if the instructions in the manual are not obeyed.

Note: Used to give more information that is necessary in a given situation.

General safety instructions



WARNING: Read the warning instructions that follow before you use the product.

- A clearing saw, brushcutter or trimmer can be dangerous if used carelessly or incorrectly and can cause serious injury or death to the operator or others. It is extremely important that you read and understand the contents of this operator's manual.
 - Under no circumstances may the design of the product be modified without the permission of the manufacturer. Never use a product that has been modified in any way from its original specification and always use original accessories. Non-authorized modifications and/or accessories can result in serious personal injury or the death of the operator or others.
 - The inside of the muffler contain chemicals that may be carcinogenic. Avoid contact with these elements in the event of a damaged muffler.
 - This product produces an electromagnetic field during operation. This field may under some circumstances interfere with active or passive medical implants. To reduce the risk of serious or fatal injury, we recommend persons with medical implants to consult their physician and the medical implant manufacturer before operating this product.
- and ignition lead are undamaged to avoid the risk of electric shock.
 - Never use the product if you are fatigued, while under the influence of alcohol or drugs, medication or anything that could affect your vision, alertness, coordination or judgement.
 - Do not use the product in bad weather such as dense fog, heavy rain, strong wind, intense cold, etcetera. Working in bad weather is tiring and often brings added risks, such as icy ground, unpredictable felling direction, etcetera.
 - The only accessories you can operate with this engine unit are the cutting attachments that we recommend. Refer to *Accessories on page 22*.
 - Never allow children to use or be in the vicinity of the product. As the product is equipped with a spring-loaded start/stop switch and can be started by low speed and force on the starter handle, even small children under some circumstances can produce the force necessary to start the product. This can mean a risk of serious personal injury. Therefore remove the spark plug cap when the product is not under close supervision.
 - Running an engine in a confined or badly ventilated area can result in death due to asphyxiation or carbon monoxide poisoning.
 - The complete clutch cover and shaft must be fitted before the product is started, otherwise the clutch can come loose and cause personal injury.
 - Ensure that no people or animals come closer than 15 m while you work. When several operators are working in the same area the safety distance should be at least 15 m. Otherwise there is a risk of serious personal injury. Stop the product immediately if anyone approaches. Never swing the product around without first checking behind you to make sure that no one is within the safety zone.
 - Ensure that people, animals or other things can not affect your control of the product or that they do not come in contact with the cutting attachment or loose objects that are thrown out by the cutting attachment. However, do not use the product unless you are able to call for help in the event of an accident.
 - Always inspect the working area. Remove all loose objects such as stones, broken glass, nails, steel wire, string, etcetera, that could be thrown out or become wrapped around the cutting attachment.
 - Make sure that you can move and stand safely. Check the area around you for possible obstacles (roots, rocks, branches, ditches, etcetera) in case

Safety instructions for operation



WARNING: Read the warning instructions that follow before you use the product.

- You must understand the difference between grass clearing and grass trimming before use.
- If you encounter a situation where you are uncertain how to proceed you should ask an expert. Contact your dealer or your service workshop. Avoid all usage which you consider to be beyond your capability.
- Never use a product that is faulty. Carry out the safety checks, maintenance and service instructions described in this manual. Some maintenance and service measures must be carried out by trained and qualified specialists. Refer to *Maintenance on page 16*.
- All covers, guards and handles must be fitted before you start the product. Ensure that the spark plug cap

you have to move suddenly. Take great care when you work on sloping ground.



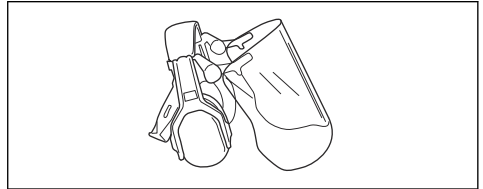
- Do not use a product with a damaged spark plug cap.
- Do not use a product with a defective muffler.
- Keep all parts of your body away from the rotating cutting attachment and hot surfaces.
- Never use a product with a faulty muffler
- Never start or use the product indoors, near combustible material or in spaces that lacks proper ventilation. The exhaust fumes from the engine contain carbon monoxide, an odorless, poisonous and highly dangerous gas. Also, the exhaust fumes are hot and may contain sparks that can start a fire.

Personal protective equipment

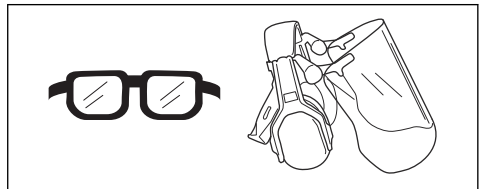


WARNING: Read the warning instructions that follow before you use the product.

- Always use approved personal protective equipment when you use the product. Personal protective equipment cannot fully prevent injury but it decreases the degree of injury if an accident does occur. Let your dealer help you select the right equipment.
- Use approved hearing protection that provides adequate noise reduction. Long-term exposure to noise can result in permanent hearing impairment.

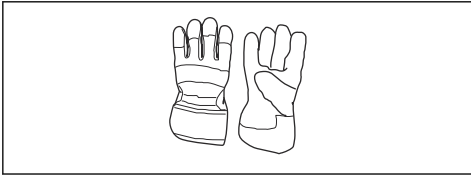


- Use approved eye protection. If you use a visor, you must also use approved protective goggles. Approved protective goggles must comply with the ANSI Z87.1 standard in the USAs or EN 166 in EU countries.



- Use gloves when necessary, for example when you attach, examine or clean the cutting equipment.

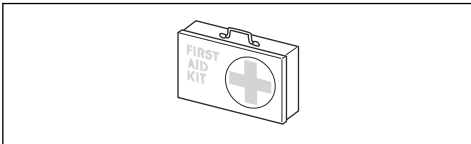
- Keep a good balance and a firm foothold at all times. Do not overreach.
- Always hold the product with both hands. Hold the product on the right side of your body.
- Keep the cutting attachment below waist level.
- Switch off the engine before you move to another area. Fit the transportation guard before you carry or transport the equipment any distance.
- Never put the product down with the engine running unless you have it in clear sight.
- Stop the engine and cutting equipment before you remove material that has wound around the blade shaft. Neither the operator of the product nor anyone else may attempt to remove the cut material while the engine is running or the cutting equipment is rotating, as this can result in serious injury. The bevel gear can get hot during use and may remain so for a while afterwards. You could get burnt if you touch it.
- Watch out for thrown objects. Always wear approved eye protection. Never lean over the cutting attachment guard. Stones, rubbish, etcetera, can be thrown up into the eyes which can cause blindness or serious injury.
- Sometimes branches or grass get caught between the guard and cutting attachment. Always stop the engine before you clean the product.
- Always slow the engine to idle speed after each working operation. Long periods at full throttle without any load on the engine can lead to serious engine damage.
- Listen out for warning signals or shouts when you wear hearing protection. Always remove your hearing protection as soon as the engine stops.
- Overexposure to vibration can lead to circulatory damage or nerve damage in people who have impaired circulation. Contact your doctor if you experience symptoms of overexposure to vibration. These symptoms include numbness, loss of feeling, tingling, pricking, pain, loss of strength, changes in skin color or condition. These symptoms normally appear in the fingers, hands or wrists.



- Use protective boots with steel toes and non-slip soles.



- Use clothing made of a strong fabric. Always use heavy, long pants and long sleeves. Do not use loose clothing that can catch on twigs and branches. Do not wear jewelry, short pants, sandals or go with bare feet. Put your hair up safely above shoulder level.
- Keep first aid equipment close at hand.



Safety devices on the product



WARNING: Read the warning instructions that follow before you use the product.

In this section the product's safety features, its purpose and how checks and maintenance should be carried out to ensure that it operates correctly. See instructions under the heading *Product overview on page 3* to find where these parts are located on your product.

The life span of the product can be reduced and the risk of accidents can increase if product maintenance is not carried out correctly and if service and/or repairs are not carried out professionally. If you need further information please contact your nearest servicing dealer.



WARNING: Never use a product with defective safety components. The product's safety equipment must be inspected and maintained as described in this section. If your product fails any of these checks, contact your service agent to get it repaired.

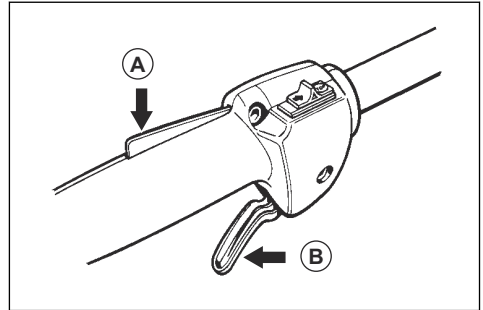


CAUTION: All servicing and repair work on the machine requires special training. This is especially true of the machine's safety equipment. If your machine fails any of the checks described below you must contact your service agent. When you buy any of our products we guarantee the availability of professional repairs and service. If the retailer who sells your machine is not a servicing dealer, ask him for the address of your nearest service agent.

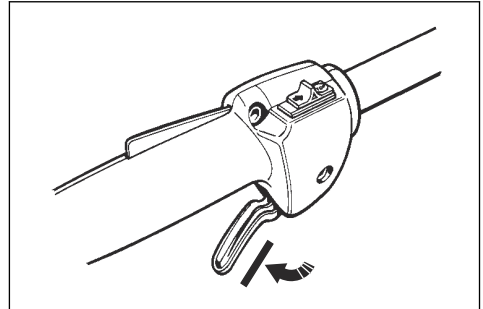
To do a check of the throttle trigger lockout

The throttle trigger lockout prevents accidental operation of the throttle control.

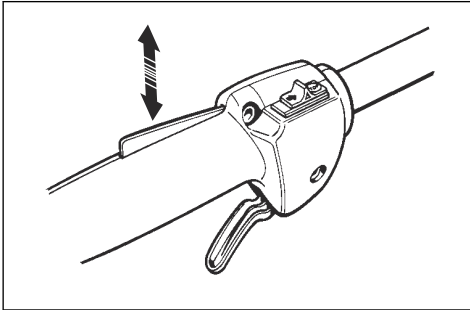
1. Push the throttle trigger lockout (A) and make sure that the throttle control is released (B).



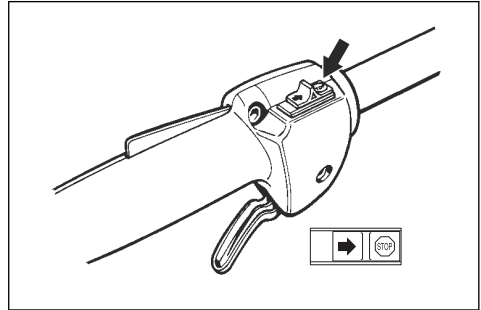
2. Release the throttle trigger lockout and make sure that the throttle control is locked at idle speed.



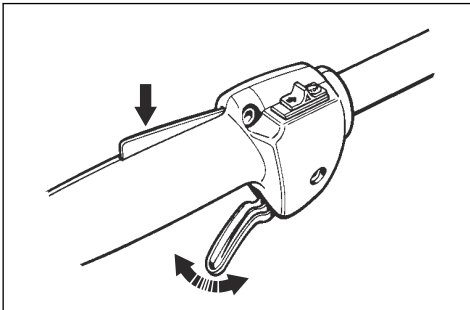
3. Push the throttle trigger lockout and make sure that it goes back to its initial position when you release it.



2. Move the stop switch to the stop position and make sure that the engine stops.



4. Make sure that the throttle control and throttle trigger lockout move freely and that the return springs operate correctly.



To do a check of the cutting attachment guard



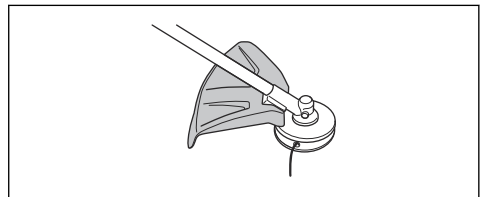
WARNING: Do not use a cutting attachment without an approved and correctly attached cutting attachment guard. Refer to, *Accessories on page 22.*



WARNING: Always use the recommended cutting attachment guard for the cutting attachment that you use. If an incorrect or faulty cutting attachment guard is fitted this can cause serious personal injury. Refer to, *Technical data on page 21.*

5. Start the product and apply full throttle. Refer to *To start the product on page 14.*
6. Release the throttle control and make sure that the cutting attachment stops. If the cutting attachment rotates with the throttle in the idle position, do a check of the carburetor adjustments. Refer to *Maintenance on page 16.*

The cutting attachment guard prevents injuries from objects that eject in the direction of the operator. It also prevents injuries that occur if you touch the cutting attachment.



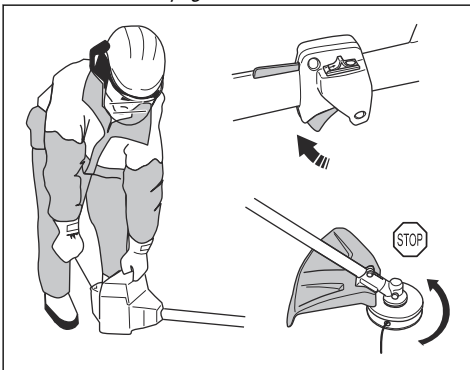
1. Do a visual check for damages, for example cracks.
2. Replace the cutting attachment guard if it is damaged.

To do a check of the vibration damping system



WARNING: Use of incorrectly wound cord or an incorrect cutting attachment increases the level of vibration.

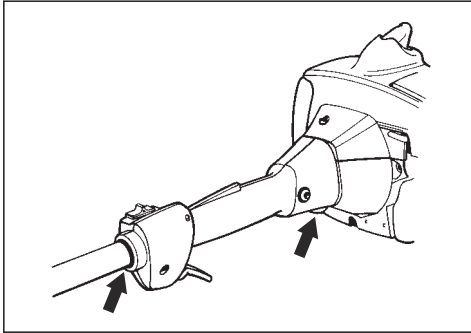
The vibration damping system decreases vibration in the handles to a minimum which makes the operation



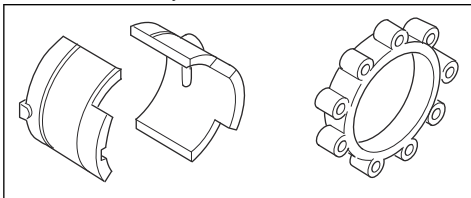
To do a check of the stop switch

1. Start the engine.

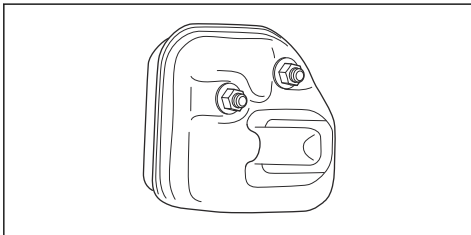
easier. The vibration damping system decreases the vibrations between the engine unit and the shaft unit.



1. Stop the engine.
2. Do a visual check for deformation and damage for example, cracks.
3. Make sure that the vibration damping units are attached correctly.



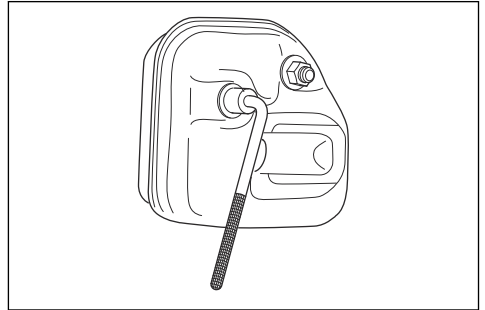
To do a check of the muffler



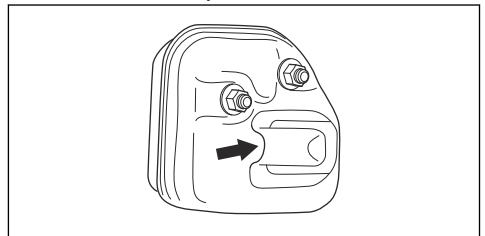
The muffler keeps noise levels to a minimum and sends exhaust fumes away from the operator.

- Do a visual check for damage and deformation.

- Make sure that the muffler is correctly attached to the product.



- If the muffler on your product has a spark arrester screen, do a visual check. Replace the spark arrester screen if it is damaged.
 - a) Clean the spark arrester screen if it is blocked. A blocked spark arrester screen causes the engine to become too hot which causes damage to the engine.
 - b) Make sure that the spark arrester mesh is attached correctly.



To attach and remove the locknut

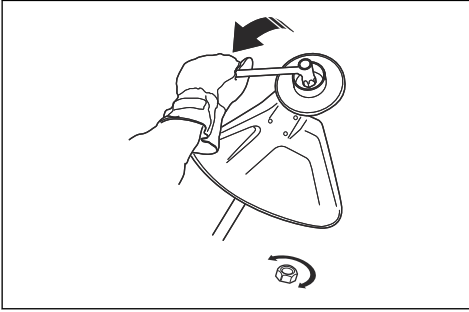


WARNING: Stop the engine, use protective gloves and be careful around the sharp edges of the cutting attachment.

A locknut is used to attach some types of cutting attachments. The locknut has a left thread.

- To attach, tighten the locknut in the opposite direction to the direction of turning of the cutting attachment.
- To remove the locknut, loosen the locknut in the same direction as the cutting attachment rotates.

- To loosen and tighten the locknut, use a socket wrench with a long shaft. The arrow in the picture shows the area where you can operate the socket wrench.



WARNING: When you loosen and tighten the locknut, there is a risk of injury from the blade. You must always make sure that the blade guard prevents injury to your hand when you do this.

Note: Make sure that you cannot turn the locknut by hand. Replace the nut if the nylon lining does not have a resistance of a minimum of 1.5 Nm. The locknut must be replaced after it has been put on approximately 10 times.

Cutting equipment

Select correct cutting equipment and do maintenance on the cutting equipment to:

- Get maximum cutting performance.
- Increase lifetime of the cutting equipment.



WARNING: Only use cutting attachments with the guards we recommend! See *Accessories on page 22*. Refer to the instructions for the cutting attachment to find the correct way to load the trimmer line and the correct trimmer line diameter.



WARNING: A defective cutting attachment may increase the risk of accidents.

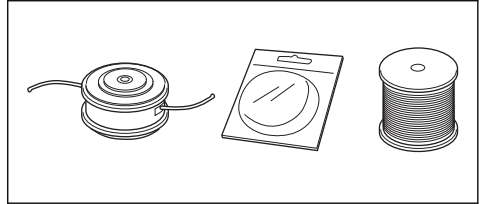


WARNING: Always stop the engine before you do the work on the cutting attachment. This continues to rotate after you release the throttle. Make sure that the cutting attachment has stopped fully and disconnect the spark plug cap before you start the work on it.

Trimmer head



WARNING: Always make sure the trimmer line is wound tightly and evenly around the drum to prevent harmful vibration.



- Only use recommended trimmer heads and trimmer lines.
- Only use recommended cutting attachments.
- Smaller machines requires small trimmer heads and vice versa.
- The length of the trimmer line is important. A longer trimmer line requires greater engine power than a shorter trimmer line of the same diameter.
- Make sure that the cutter on the trimmer guard is intact. This cuts the trimmer line to the correct length.
- Soak the trimmer line in water for a couple of days before use to increase the life length.

Fuel Safety



WARNING: Read the warning instructions that follow before you use the product.

- Never start the product if you spill fuel on it. Wipe the spillage of and allow remaining fuel to evaporate.
- Never start the product if you spill fuel on yourself or your clothes. Change your clothes and wash any part of your body that has come in contact with fuel. Use soap and water.
- Never start the product if the product is leaking fuel. Check regularly for leaks from the fuel cap and fuel lines.
- Always put the product on a flat surface and make sure the cutting attachment cannot come in contact with any object while you add fuel.
- Take care when handling fuel. Bear in mind the risk of fire, explosion and inhaling fumes.
- Observe caution when handling fuel and make sure there is adequate ventilation. Fuel and fuel fumes are highly inflammable and can cause serious injury when inhaled or allowed to come in contact with the skin.
- Mix and pour fuel outdoors, where there are no sparks or flames.
- Do not smoke or place hot objects near fuel.
- Always stop the engine and let it cool off for a few minutes before you refuel.

- Open the fuel cap slowly so that any excess pressure is released gently when you refuel.
- Tighten the fuel cap carefully after you refueled.
- Clean the area around the fuel cap. Contamination in the tank can cause operating problems.
- Always move the product 3m (10ft) or further from the refuelling area and source before starting.

Safety instructions for maintenance



WARNING: Always stop the engine before you do any work on the cutting attachment. The cutting attachment continues to rotate even after the throttle has been released. Ensure that the cutting attachment has stopped completely and disconnect the spark plug before you start to work on it.



WARNING: Make sure that the trimmer cord is wound tightly and evenly around the drum, otherwise the product will generate harmful vibration.



WARNING: A faulty cutting attachment may increase the risk of accidents.

- Only use cutting attachments with the guards we recommend. Refer to *Accessories* on page 22.

Assembly

Introduction



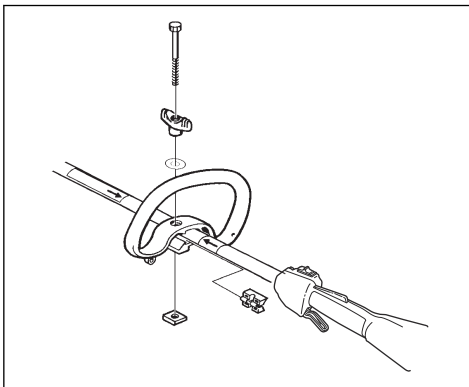
WARNING: Before you assemble the product, you must read and understand the safety chapter.



WARNING: Remove the spark plug cable from the spark plug before you assemble the product.

To assemble the loop handle

1. Put the loop handle onto the shaft, between the arrows.

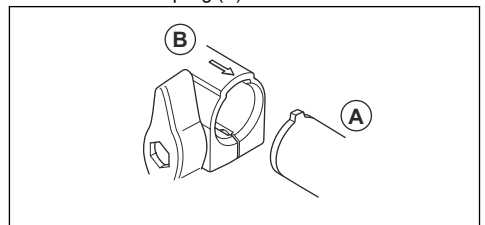


2. Put the spacer into the slot of the loop handle.
3. Install the nut, the knob and the screw. Do not tighten fully.

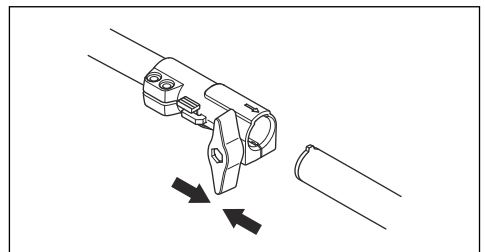
4. Adjust the product to an applicable operation position.
5. Tighten the knob.

To assemble the two-piece shaft

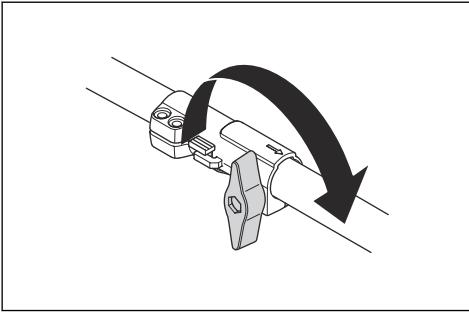
1. Turn the knob to loosen the coupling.
2. Align the tab of the cutting attachment (A) with the arrow of the coupling (B).



3. Carefully push the shaft into the coupling until you hear a click.

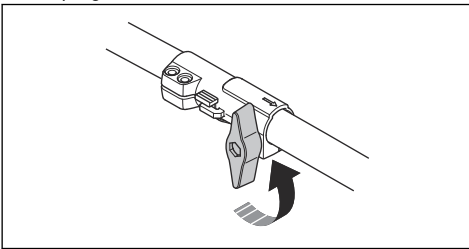


4. Tighten the knob fully.

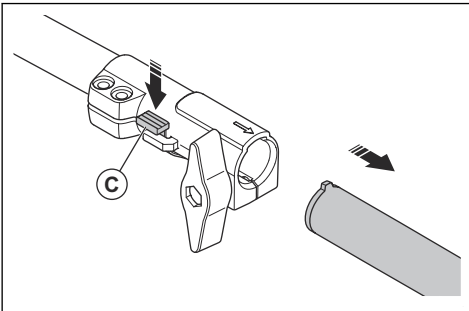


To disassemble the two-piece shaft

1. Turn the knob 3 turns or more to loosen the coupling.

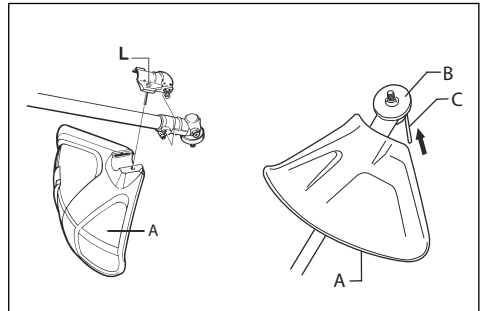


2. Push and hold the button (C).
3. Hold tight in the end of the shaft that the engine is attached to.
4. Pull the attachment straight out of the coupling.

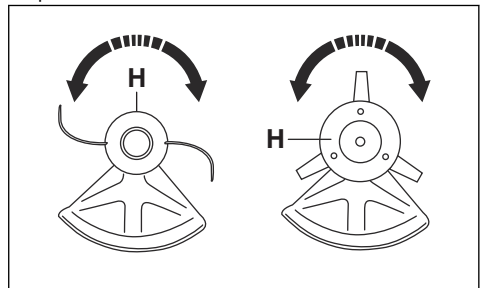


To assemble the cutting attachment guard and trimmer head

1. Attach the correct cutting attachment guard (A) for the trimmer head. Refer to *Accessories* on page 22.
2. Put the cutting attachment guard onto the fitting on the shaft.
3. Attach with the bolt (L).



4. Install the drive disc (B) on the output shaft.
5. Turn the output shaft until one of the holes in the drive disc aligns with the related hole in the gear housing.
6. Put the locking pin (C) in the hole to lock the shaft.
7. Turn the trimmer head /plastic blades (H) in the opposite direction from which the trimmer head/ plastic blades rotates.



Operation

Introduction

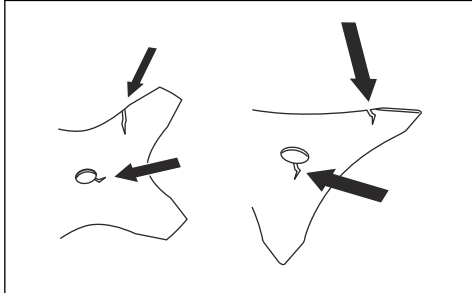


WARNING: Before you operate the product, you must read and understand the safety chapter.

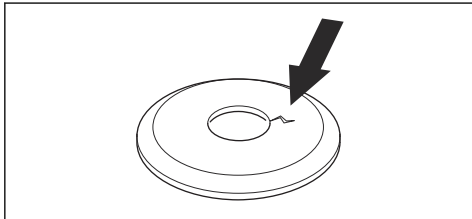
Before you operate the product

- Examine the work area to make sure that you know the type of terrain, the slope of the ground and if there are obstacles such as stones, branches and ditches.
- Do an overhaul inspection of the product.
- Do the safety inspections, maintenance and servicing that are given in this manual.

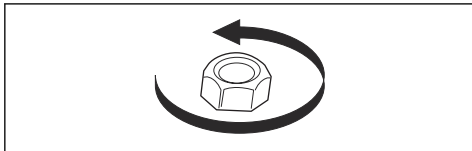
- Make sure that all covers, guards, handles and the cutting equipment are correctly attached and not damaged.
- Make sure that there are no cracks at the bottom of the grass blade teeth or by the center hole of the blade. Replace the blade if it is damaged.



- Examine the support flange for cracks. Replace the support flange if it is damaged.

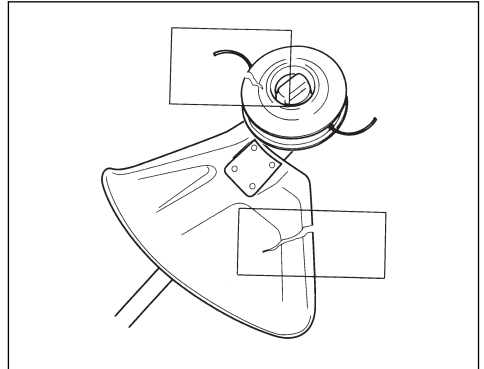


- Make sure that the locknut can not be removed by hand. If you can remove it by hand, it does not lock the cutting attachment sufficiently and you must replace it.



- Examine the trimmer head and trimmer guard for damages or cracks. Replace the trimmer head and

trimmer guard if they have been hit or if they have cracks.



Fuel

This product has a two-stroke engine.



CAUTION: Incorrect type of fuel can result in engine damage. Use a mixture of gasoline and two-stroke oil.

Premixed fuel

- Use Husqvarna premixed alkylate fuel of a good quality, for best performance and extension of the engine life. This fuel contains less harmful chemicals compared to regular fuel, which decreases harmful exhaust fumes. The quantity of remains after combustion is lower with this fuel, which keeps the components of the engine more clean.

To mix fuel

Gasoline

- Use good quality unleaded gasoline with a maximum of 10% ethanol contents.



CAUTION: Do not use gasoline with an octane grade less than 90 RON/87 AKI. Use of a lower octane grade can cause engine knocking, which causes engine damages.

- We recommend that you use gasoline of a higher octane grade for work with continuously high rpm.

Two-stroke oil

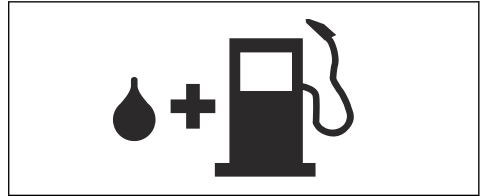
- For best results and performance use Husqvarna two-stroke oil.
- If Husqvarna two-stroke oil is not available, use a two-stroke oil of good quality for air-cooled engines. Speak to your servicing dealer to select the correct oil.



CAUTION: Do not use two-stroke oil for water-cooled outboard engines, also referred to as outboard oil. Do not use oil for four-stroke engines.

To fill the fuel tank

1. Clean the area around the fuel tank cap.

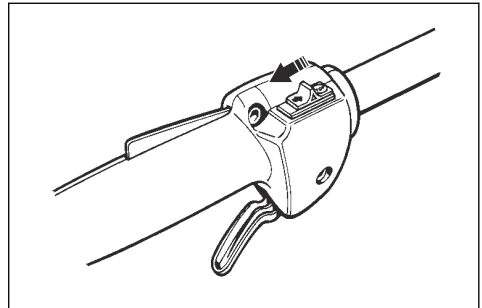


2. Shake the container and make sure that the fuel is fully mixed.
3. Remove the fuel tank cap and fill the fuel tank.
4. Tighten the fuel tank cap carefully.
5. Move the product 3 m/10 ft or more away from the refueling area and fuel source before you start the engine.

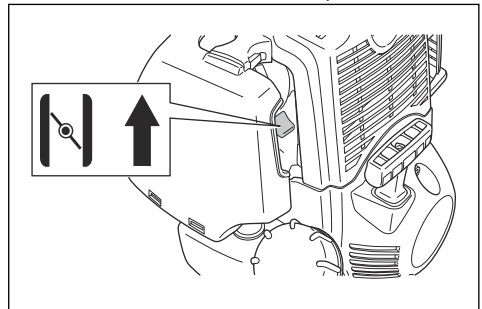
Note: To see where the fuel tank is on your product, refer to *Product overview on page 3*.

To start the product

1. Move the stop switch to the start position.



2. Set the choke control to the choke position.

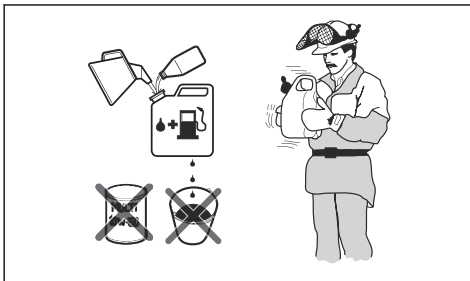


To mix gasoline and two-stroke oil

Gasoline, liter	Two-stroke oil, liter
	2% (50:1)
5	0.10
10	0.20
15	0.30
20	0.40
US gallon	US fl. oz.
1	2 ½
2 1/2	6 ½
5	12 ¾



CAUTION: Small errors can influence the ratio of the mixture drastically when you mix small quantities of fuel. Measure the quantity of oil carefully and make sure that you get the correct mixture.

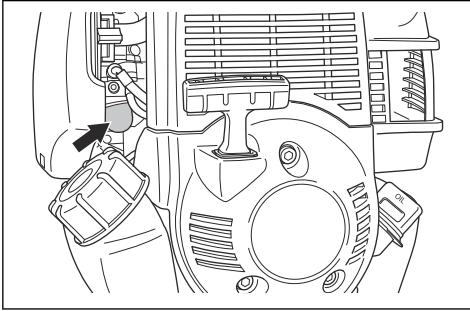


1. Fill half the quantity of gasoline in a clean container for fuel.
2. Add the full quantity of oil.
3. Shake the fuel mixture.
4. Add the remaining quantity of gasoline to the container.
5. Carefully shake the fuel mixture.

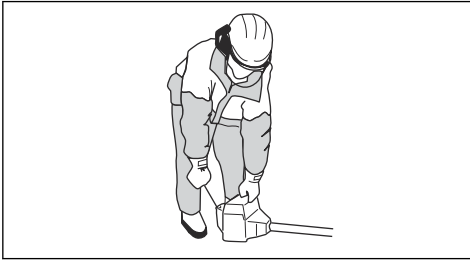


CAUTION: Do not mix fuel for more than 1 month at a time.

3. Push the air purge bulb until fuel starts to fill the air purge bulb.



4. Hold the product to the ground.
5. Pull the starter rope handle slowly with your right hand until you feel resistance.



WARNING: Do not wind the starter rope around your hand.



CAUTION: Do not pull the starter rope to full extension and do not let go of the starter rope handle. This can cause damage to the product.

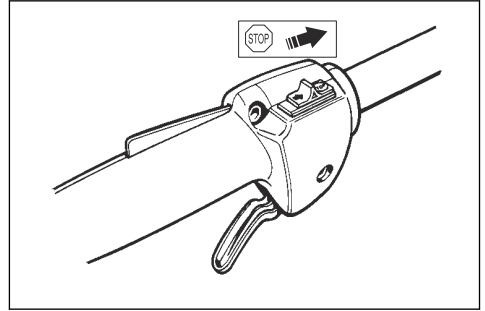
6. Pull the starter rope handle quickly and with force until the engine starts.
7. Set the choke control to the operation position.



WARNING: Keep body parts away from the spark plug cap. Risk of burn injuries. Do not use the product with a damaged spark plug cap. Risk of electrical shock.

To stop the product

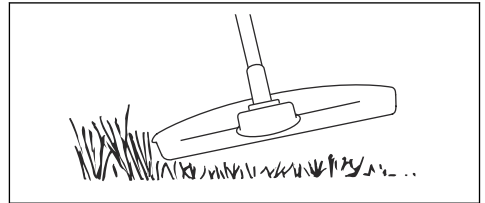
- Move the stop switch to the stop position to stop the engine.



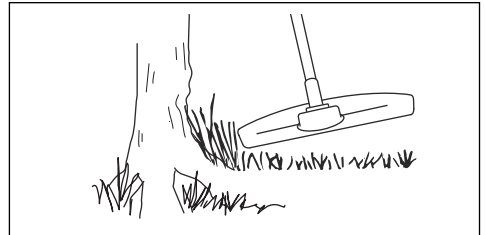
Grass trimming with a trimmer head

To trim the grass

1. Hold the trimmer head immediately above the ground at an angle. Do not push the trimmer line into the grass.

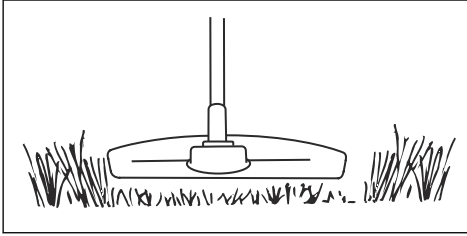


2. Decrease the length of the trimmer line by 10-12 cm / 4-4.75 in.
3. Decrease the engine speed to decrease the risk of damage to plants.
4. Use 80 % throttle when you cut grass near objects.

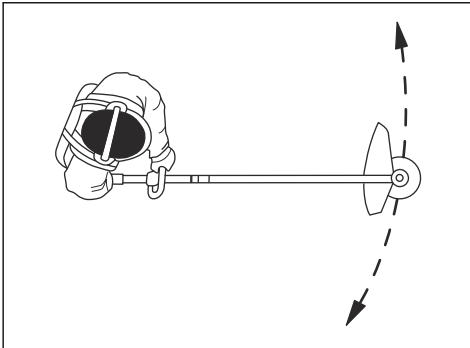


To cut the grass

1. Make sure that the trimmer line is parallel to the ground when you cut the grass.



2. Do not push the trimmer head to the ground. This can cause damage to the product.
3. Move the product from side to side when you cut grass. Use full speed.



To sweep the grass

The airflow from the rotating trimmer line can be used to remove cut grass from an area.

1. Hold the trimmer head and the trimmer line parallel to the ground and above the ground.
2. Apply full throttle.
3. Move the trimmer head from side to side and sweep the grass.



WARNING: Clean the trimmer head cover each time you assemble new trimmer line to prevent unbalance and vibrations in the handles. Also do a check of the other parts of the trimmer head and clean it if necessary.

Maintenance

Introduction



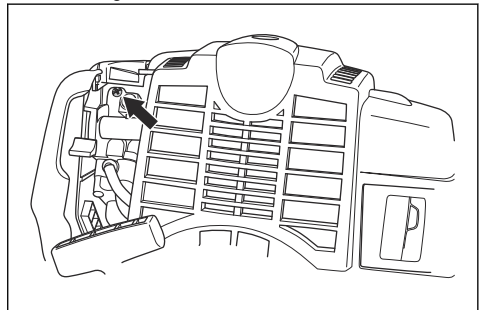
WARNING: Before you do any maintenance work you must read and understand the safety chapter.

To adjust the idle speed

Your Husqvarna product is made to specifications that decrease harmful emissions.

1. Make sure that the air filter is clean and the air filter cover is attached before you adjust the idle speed.
2. Adjust the idle speed with the idle speed screw T which is identified with "T" mark.

- a) Turn the idle speed screw T clockwise until the cutting attachment starts to rotate.



- b) Turn the idle speed screw T counterclockwise until the cutting attachment stops.



WARNING: If the cutting attachment does not stop when you adjust the idle speed, speak to your servicing dealer. Do not use the product until it is correctly adjusted or repaired.

- The idle speed is correct when the engine operates smoothly in all positions. The idle speed must be below the speed when the cutting attachment starts to rotate.

Note: Refer to *Technical data on page 21* for the recommended idle speed.

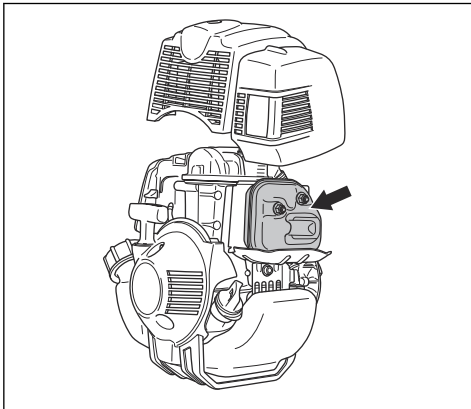
To do maintenance on the muffler



WARNING: The muffler decreases the noise level and points the exhaust gases away from the operator. The exhaust gases are hot and can contain sparks. This can cause fire if pointed against dry and flammable material.

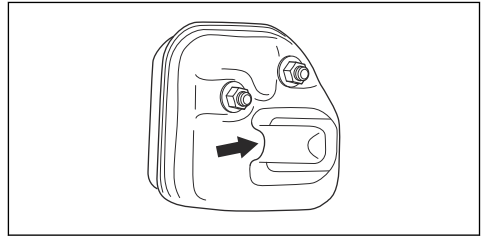


WARNING: Mufflers with catalytic converters become hot during operation. Risk of burn or fire. This also applies at idle speed. To examine if your product has a catalytic converter, refer to *Technical data on page 21*.



- Stop the engine and let the muffler become cool.
- Remove the muffler cover.
- If the muffler on your product has a spark arrester screen, do these steps:
 - Do a visual check. Replace the spark arrester screen if it is damaged.

- Clean the spark arrester screen if it is blocked. Clean weekly if your product has a catalytic converter. Clean monthly if your product does not have a catalytic converter.



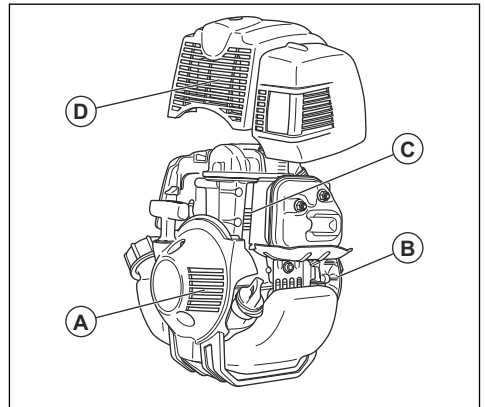
CAUTION: A blocked spark arrester screen causes the engine to become too hot which causes damage to the engine.



CAUTION: If the spark arrester screen is frequently blocked, it can be a sign that performance of the catalytic converter is decreased. Speak to your servicing dealer to examine the muffler. A blocked spark arrester screen causes overheating and results in damage to the cylinder and piston.

To clean the cooling system

The parts of the cooling system are the air intake on the starter (A), the fins on the flywheel (B), the cooling fins on the cylinder (C) and the cylinder cover (D).



- Clean the cooling system with a brush weekly or more frequently if it is necessary.
- Make sure that the cooling system is not dirty or blocked.



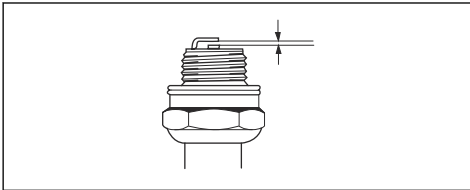
CAUTION: A dirty or blocked cooling system can make the product too hot, which can cause damage to the product.

To examine the spark plug



CAUTION: Always use the recommended spark plug type. Incorrect spark plug type can cause damage to the product.

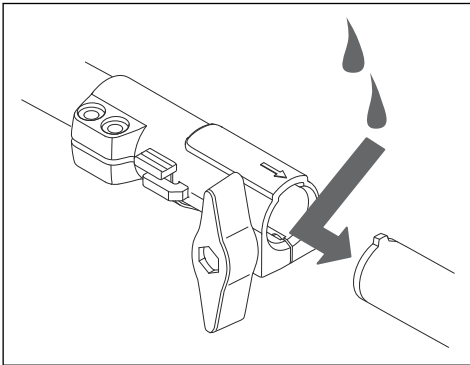
- Examine the spark plug if the engine is low on power, is not easy to start or does not operate correctly at idle speed.
- To decrease the risk of unwanted material on the spark plug electrodes, obey these instructions:
 - a) Make sure that the idle speed is correctly adjusted.
 - b) Make sure that the fuel mixture is correct.
 - c) Make sure that the air filter is clean.
- If the spark plug is dirty, clean it and make sure that the electrode gap is correct, refer to *Technical data on page 21*.



- Replace the spark plug if it is necessary.

To apply grease to the two-piece shaft

- Apply grease to the end of the drive shaft after each 30 hours of operation.

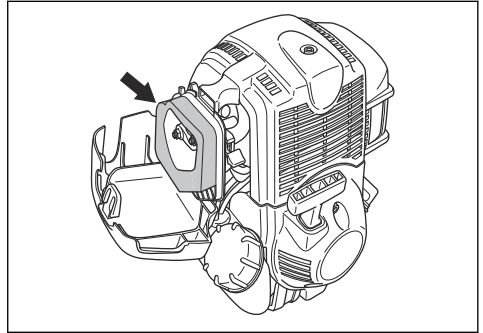


To clean the air filter

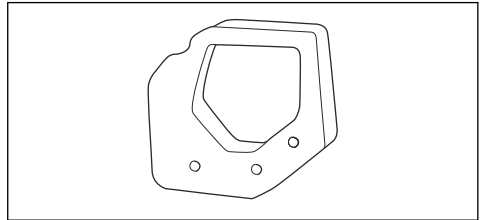


CAUTION: An air filter that is damaged, very dirty or soaked with fuel must always be replaced.

An air filter that is used for a long time can not be fully cleaned. Replace the air filter regularly and always replace a defective air filter.



1. Move the choke lever up, to close the choke valve.
2. Remove the air filter cover and remove the air filter.



3. Clean the air filter with warm soap water.
4. Clean the inner surface of the air filter cover. Use air or a brush.
5. Do a check of the surface of the rubber seal. Replace the filter on the rubber seal if it is damaged.
6. Make sure that the filter is dry before you install it.

To apply oil to the air filter



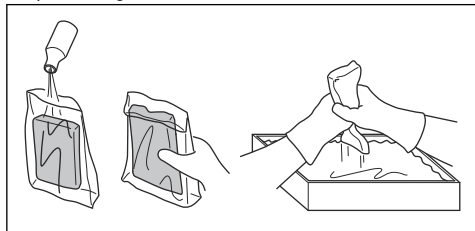
CAUTION: Always use Husqvarna special air-filter oil. Do not use other types of oil.



WARNING: Put on protective gloves. The air-filter oil can cause skin irritation.

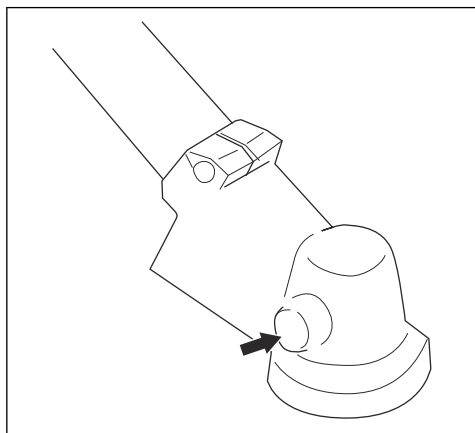
1. Put the air filter in a plastic bag.
2. Put the oil in the plastic bag.
3. Rub the plastic bag to supply the oil equally across the air filter.

4. Push the unwanted oil out of the air filter while in the plastic bag.



Bevel gear

The bevel gear is filled to $\frac{3}{4}$ with grease at the factory. Before you use the product, make sure that the grease level has not changed. Use Husqvarna special grease if it is necessary to fill up. Do not replace the grease in the bevel gear. Let servicing personnel do the repair of the bevel gear.



Maintenance schedule

The following is a list of the maintenance steps that must be performed on the product. Most of the items are described in *Maintenance on page 16*

Note: The user must only carry out the maintenance and service work described in this operator's manual. More extensive work must be carried out by an authorized service workshop.

Maintenance	Daily	Weekly	Monthly
Clean the external surface.	X		
Make sure that the throttle trigger lock and the throttle works correctly from a safety point of view.	X		
Do a check of the stop switch to make sure that it works correctly.	X		
Make sure that the cutting attachment does not rotate at idle speed.	X		
Clean the air filter. Replace if necessary.	X		
Examine the cutting attachment guard for damages and cracks. Replace the guard if it has been exposed to impact or is cracked.	X		
Examine the trimmer head for damages and cracks. Replace if damaged.	X		
Make sure that the screws and nuts are tight.	X		
Examine the engine, the fuel tank and the fuel lines for leaks.	X		

Maintenance	Daily	Weekly	Monthly
Clean the cooling system.		X	
Examine the starter and the starter rope for damages.		X	
Examine the vibration damping elements for damages and cracks.		X	
Clean the outside of the spark plug. Remove it and do a check of the electrode gap. Adjust the gap to the correct distance (see, <i>To examine the spark plug on page 18</i>) or replace the spark plug. Make sure that the spark plug is fitted with a suppressor.		X	
Clean the outside of the carburettor and the space around it.		X	
Do a check of the bevel gear to make sure that it is filled three-quarters with lubricant. Use special grease to fill if necessary.		X	
Clean or replace the spark arrestor mesh on the muffler (only applies to mufflers without a catalytic converter).		X	
Do a check of the fuel filter for contamination and the fuel hose for cracks or other defects. Replace if necessary.			X
Do a check of all cables and connections.			X
Do a check of the clutch, clutch springs and the clutch drum for wear. Replace if necessary by an authorized service workshop.			X
Replace the spark plug. Make sure that the spark plug is fitted with a suppressor.			X
Check and clean the spark arrestor mesh on the muffler (only applies to mufflers without a catalytic converter).			X

Troubleshooting

The engine does not start

Check	Possible cause	Procedure
Stop switch.	The stop switch is in the stop position.	Set the stop switch to the start position.
Starter pawls.	The starter pawls cannot move freely.	Remove the starter cover and clean around the starter pawls.
		Let an approved service agent help you.
Fuel tank.	Incorrect fuel type.	Drain the fuel tank and fill with correct fuel.

Check	Possible cause	Procedure
Spark plug.	The spark plug is dirty or wet.	Make sure that the spark plug is dry and clean.
	The spark plug electrode gap is incorrect.	Clean the spark plug. Make sure that the electrode gap is correct. Make sure that the spark plug has a suppressor.
		Refer to technical data for correct electrode gap.
The spark plug is loose.	Tighten the spark plug.	

The engine starts but stops again

Check	Possible cause	Procedure
Fuel tank.	Incorrect fuel type.	Empty the fuel tank and fill it with correct fuel.
Air filter.	The air filter is clogged.	Clean the air filter.

Transportation and storage

Transportation and storage

- Always allow the product to cool down before storage.
- For storage and transportation of the product and fuel, make sure that there are no leaks or fumes. Sparks or open flames, for example from electrical devices or boilers, can start a fire.
- Always use approved containers for storage and transportation of fuel.
- Empty the fuel before transportation or before long-term storage. Discard the fuel at an applicable disposal location.
- Attach the transport guard during transportation and storage.
- Remove the spark plug cap from the spark plug.
- Attach the product during transportation. Make sure that it cannot move.
- Clean and do servicing on the product before long-term storage.

Technical data

	524LK
Engine	
Cylinder displacement, cu.in/cm ³	1.53/25
Idle speed, rpm	3100
Recommended max. speed, rpm	11000
Maximum engine power acc. to ISO 8893, kW/hp @ rpm	0.7/7000
Catalytic converter muffler	No

	524LK
Speed of output shaft, rpm	8300
Ignition system	
Spark plug	NGK CMR5H
Electrode gap, in./mm	0.024/0.6
Fuel system	
Fuel tank capacity, US Pint/l	1.16/0.55
Weight	
Weight, lb/kg	11.9/5.4

Accessories

Accessories

The accessories used in combination with the specified power heads have been evaluated to ANSI B175.3-2013 Grass Trimmers and Brushcutters Safety Requirements.

These combinations have been evaluated by Underwriters Laboratories Inc. (UL) and are consequently UL listed.

524LK		
Approved accessories	Type	Cutting attachment guard, art. no.
Blade shaft thread M10		
Plastic blades	Tricut Ø 255 mm (separate blades have part number 531 01 77-15)	588 54037-01/ 58811 79-01 503 93 42-02 / 503 97 71-01
	Tricut Ø 300 mm (separate blades have part number 531 01 77-15)	588 54 37-01

524LK		
Trimmer head	Trimmy Fix (Ø 2.4 mm cord)	588 54 37-01 / 588 11 79-01 503 93 42-02 / 503 97 71-01
	Superauto II (Ø 2.4-2.7 mm cord)	588 54 37-01 / 588 11 79-01 503 93 42-02 / 503 97 71-01
	S35 (Ø 2.4-3.0 mm cord)	588 54 37-01 / 588 11 79-01 503 93 42-02 / 50397 71-01
	T25 (Ø 2.0 - 2.7 mm line)	588 54 37-01 / 588 11 79-01 503 93 42-02 / 503 97 71-01
	T35, T35x (Ø 2.4-3.0 mm cord)	588 54 37-01 / 588 11 79-01 503 93 42-02 / 503 97 71-01
	Alloy (Ø 2.0-3.3 mm cord)	588 54 37-01 / 588 11 79-01 503 93 42-02 / 503 97 71-01

The accessories are recommended for use in combination with the specified power heads and have been evaluated to applicable ISO- and EN safety

requirement standards by the Swedish Machinery Testing Institute.

Approved attachments	Use with
Clean sweep attachment SR600-2	524LK
Hedge trimmer attachment HA110	524LK
Hedge trimmer attachment HA850	524LK
Edger attachment EA850	524LK
Saw attachment PA1100	524LK
Trimmer attachment TA850	524LK
Extension attachment EX850	524LK
Cultivator attachment CA230	524LK
Blower attachment BA101	524LK
Bristle brush attachment BR600	524LK
Dethatcher attachment DT600	524LK
Brushcutter attachment BCA850-24	524LK
Saw attachment PAX1100	524LK
Saw attachment PAX730	524LK

Warranty

CALIFORNIA, U.S FEDERAL, AND CANADA EXHAUST AND EVAPORATIVE EMISSIONS CONTROL WARRANTY STATEMENT

YOUR WARRANTY RIGHTS AND OBLIGATIONS

The California Air Resources Board (CARB), U.S. Environmental Protection Agency (EPA), Environment and Climate Change Canada and Husqvarna Professional Products, Inc. are pleased to explain the exhaust and evaporative emissions ("emissions") control system warranty on your 2019-2020* small off-road engine. In California, new equipment that use small off-road engines must be designed, built, and equipped to meet State's stringent anti-smog standards. Husqvarna Professional Products, Inc. must warrant the emissions control system on your small off-road engine for the periods of time listed below provided there has been no abuse, neglect or improper maintenance of your small off-road engine or equipment leading to the failure of the emissions control system. Your emissions control system may include parts such as the carburetor or fuel injection system, the ignition system, catalytic convertor, fuel tanks, fuel lines (for liquid fuel and fuel vapors), fuel caps, valves, canisters, filters, clamps and other associated components. Also included may be hoses, belts, connectors, and other emission-related assemblies. Where a warrantable condition exists, Husqvarna Professional Products, Inc. will repair your small off-road engine at no cost to you including diagnosis, parts and labor.

MANUFACTURER'S WARRANTY COVERAGE

The exhaust and evaporative emissions control system on your small off-road engine is warranted for two years. If any emissions-related part on your small off-road engine is defective, the part will be repaired or replaced by Husqvarna Professional Products, Inc..

OWNER'S WARRANTY RESPONSIBILITIES

- As the small off-road engine owner, you are responsible for performance of the required maintenance listed in your owner's manual. Husqvarna Professional Products, Inc. recommends that you retain all receipts covering maintenance on your small off-road engine, but Husqvarna Professional Products, Inc. cannot deny warranty coverage solely for the lack of receipts or for your failure to ensure the performance of all scheduled maintenance.
- As the small off-road engine owner, you should however be aware that Husqvarna Professional Products, Inc. may deny you warranty coverage if your small off-road engine or a part has failed due to abuse, neglect, or improper maintenance or unapproved modifications.

- You are responsible for presenting your small off-road engine to a Husqvarna Professional Products, Inc. authorized servicing dealer as soon as the problem exists. The warranty repairs shall be completed in a reasonable amount of time, not to exceed 30 days. If you have any questions regarding your warranty rights and responsibilities, you should contact Husqvarna Professional Products, Inc. in USA at 1-800-487-5951, in CANADA at 1-800-805-5523 or send e-mail correspondence to emissions@husqvarnagroup.com or warranty@hpp-emissions.com.

WARRANTY COMMENCEMENT DATE

The warranty period begins on the date the engine or equipment is delivered to an ultimate purchaser.

LENGTH OF COVERAGE

Husqvarna Professional Products, Inc. warrants to the ultimate purchaser and each subsequent owner that the engine or equipment is designed, built, and equipped so as to conform with all applicable regulations adopted by CARB and EPA, and is free from defects in materials and workmanship that causes the failure of a warranted part for a period of two years.

WHAT IS COVERED

REPAIR OR REPLACEMENT OF PARTS: Repair or replacement of any defective warranted part will be performed at no charge to you at a brand authorized servicing dealer. Except for repairs and replacement under this Emission Control Warranty, you may choose a repair shop or other person to maintain, replace or repair emission control devices and systems. However, Husqvarna Professional Products, Inc. recommends that all maintenance, replacement and repairs of emission control devices and systems be performed by a brand authorized servicing dealer.

IMPORTANT: This product is compliant with U.S. EPA Phase 3 regulations for exhaust and evaporative emissions. To ensure EPA Phase 3, California Air Resources Board and Environment and Climate Change Canada regulation, we recommend using only genuine product branded replacement parts. Use of non-compliant replacement parts is a violation of federal and state laws.

WARRANTY PERIOD: Any warranted part which is not scheduled for replacement as required maintenance, or which is scheduled only for regular inspection to the effect of "repair or replace as necessary" is warranted for 2 years (or time defined in the product warranty statement, whichever is longer) from the date of purchase by the initial consumer purchaser. Any warranted part which is scheduled for replacement as required maintenance is warranted for the period of the time up to the first scheduled replacement for that part.

Any part repaired or replaced under the warranty must be warranted for the remaining warranty period.

DIAGNOSIS: You will not be charged for diagnostic labor that leads to the determination that a warranted part is in fact defective, provided that such diagnostic work is performed at a brand authorized servicing dealer.

OTHER DAMAGES: Husqvarna Professional Products, Inc. will repair other engine components caused by the failure of a warranted part still under warranty.

EMISSION WARRANTY PARTS LIST

1. Carburetor and intake parts or fuel injection system.
2. Air filter and fuel filter covered up to maintenance schedule.
3. Spark Plug, covered up to maintenance schedule.
4. Ignition Module.
5. Mufflers with catalyst and exhaust manifolds.
6. Fuel tank, fuel lines (for liquid fuel and fuel vapors), fuel cap, carbon canister and tip-over/anti-slosh valves as applicable.**
7. Electronic Controls, Vacuum, temperature, and time sensitive valves and switches.
8. Hoses, connectors, and assemblies.
9. All other components the failure of which would increase the engine's exhaust and evaporative emissions of any regulated pollutant as set forth at the following:
 - For California see California Code of Regulations, 13 CCR §2405(d) and 2760(d).
 - For U.S. and Canada see US Federal Code of Regulations, 40 C.F.R 1068 Appendix I (iii).

WHAT IS NOT COVERED

All failures caused by abuse, neglect, unapproved modifications, misuse or improper maintenance are not covered.

ADD -ON OR MODIFIED PARTS: Add-on or modified parts that are not exempted by CARB or EPA may not be used. The use of any non-exempted add-on or modified parts will be grounds for disallowing a warranty claim. Husqvarna Professional Products, Inc. will not be liable to warrant failures of warranted parts caused by the use of a non-exempted add-on or modified part.

HOW TO FILE A CLAIM

If you have any questions regarding your warranty rights and responsibilities, you should contact your nearest authorized servicing dealer or call Husqvarna Professional Products, Inc. in USA at 1-800-487-5951, in CANADA at 1-800-805-5523 or send e-mail correspondence to emissions@husqvarnagroup.com or warranty@hpp-emissions.com.

WHERE TO GET WARRANTY SERVICE

Warranty services or repairs are provided through all Husqvarna Professional Products, Inc. authorized servicing dealers. If the nearest authorized servicing

dealer is more than 100 miles from your location, Husqvarna Professional Products, Inc. will arrange and pay for the shipping costs to and from a brand authorized servicing dealer or otherwise arrange for warranty service in accordance with applicable regulations.

MAINTENANCE, REPLACEMENT AND REPAIR OF EMISSION-RELATED PARTS

Any replacement part may be used in the performance of any warranty maintenance or repairs and must be provided without charge to the owner. Such use will not reduce the warranty obligations of the manufacturer.

MAINTENANCE STATEMENT

The owner is responsible for the performance of all required maintenance, as defined in the owner's manual.

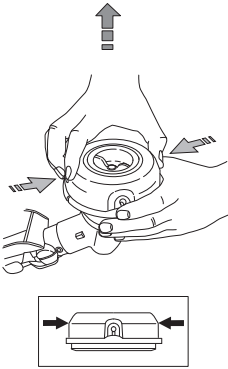
* Current and following model year will be updated annually in the warranty statement provided to the consumer. For example, in 2012 model year, 2012-2013 will be specified.

** Evaporative emission parts.

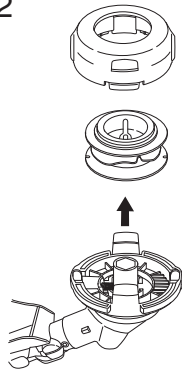
S35



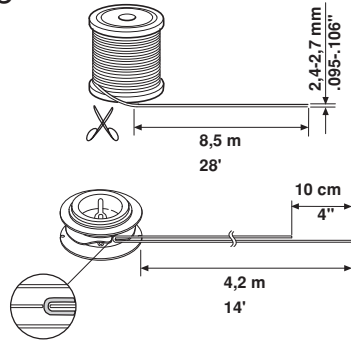
1



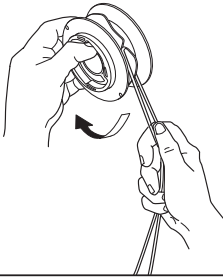
2



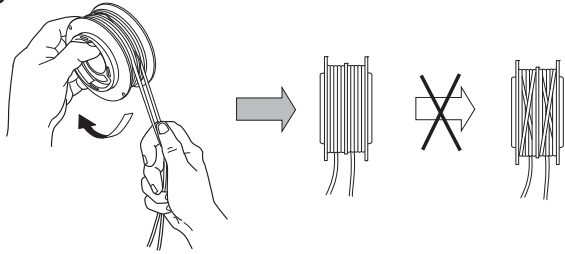
3



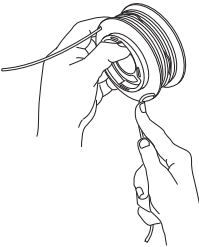
4



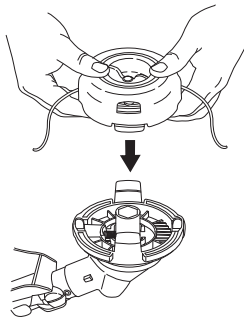
5



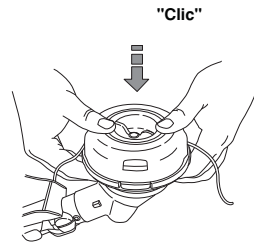
6



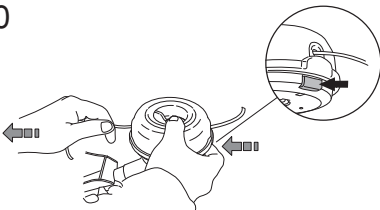
7



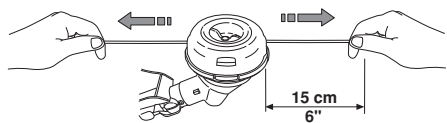
8



10



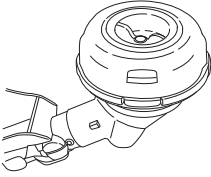
11



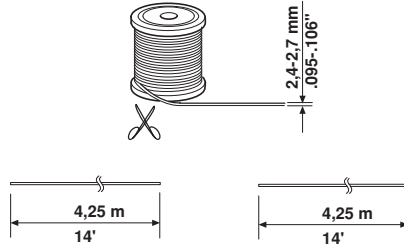
S35



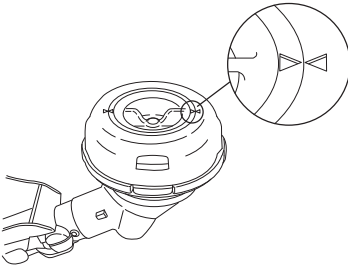
1



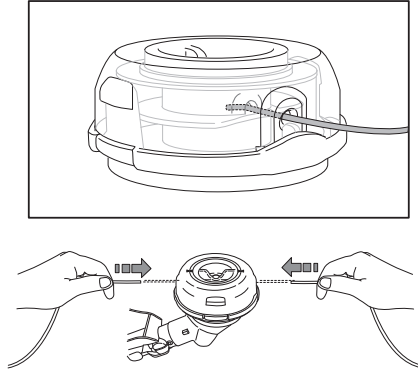
2



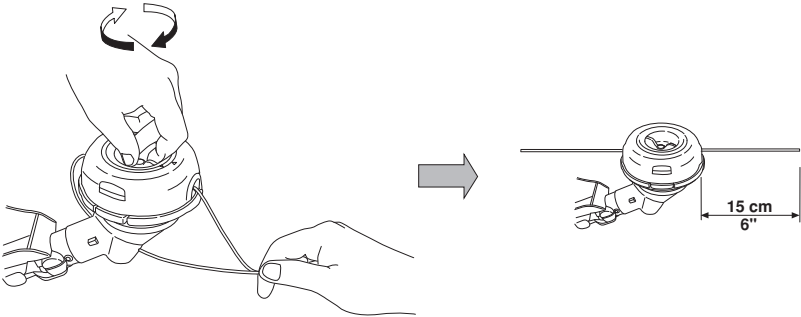
3



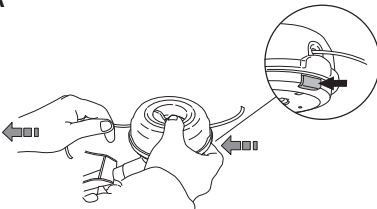
4



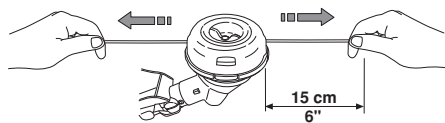
5



A



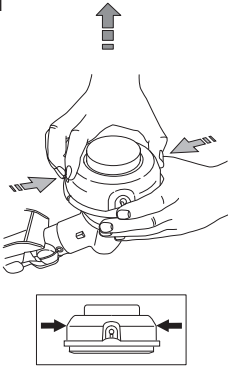
B



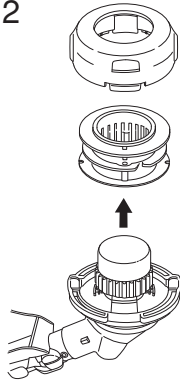
T35, T35x



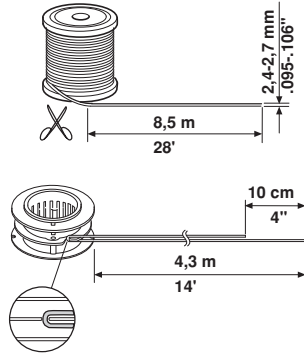
1



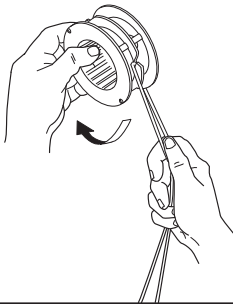
2



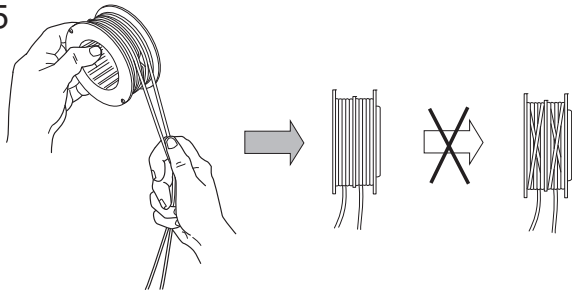
3



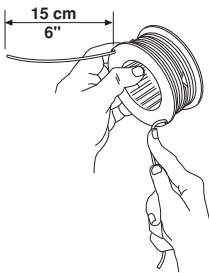
4



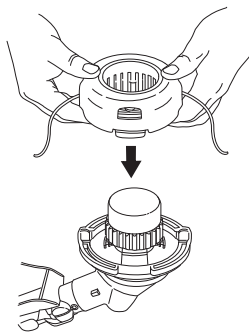
5



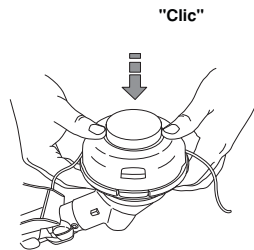
6



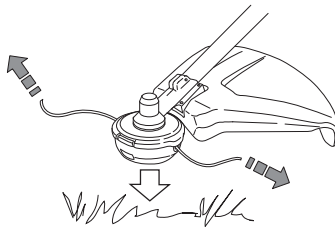
7



8



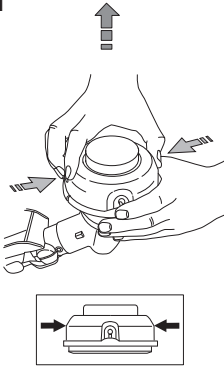
9



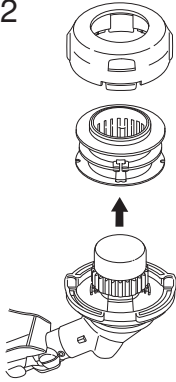
T25



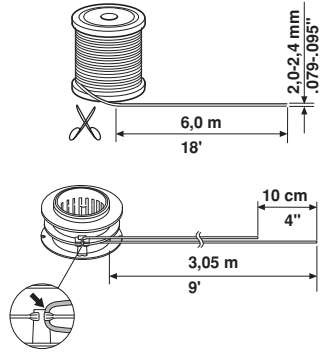
1



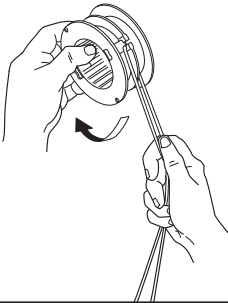
2



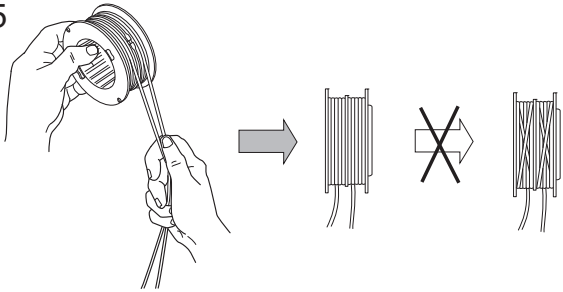
3



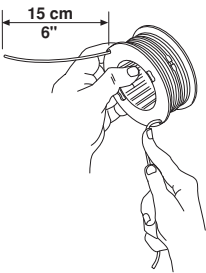
4



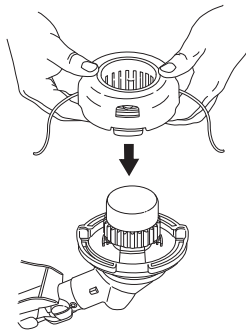
5



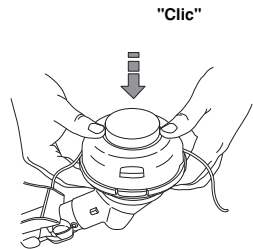
6



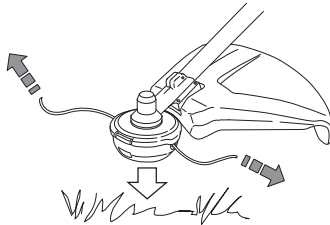
7



8



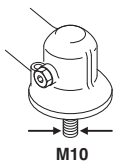
9



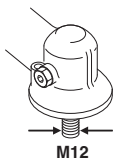
Alloy



1



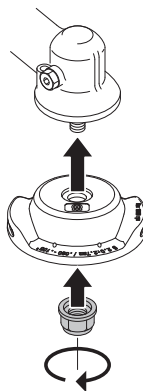
ø 2,0 - 2,4 mm / .080-.095"



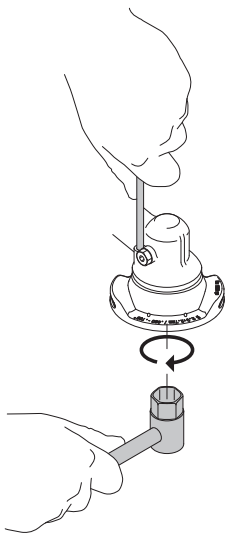
ø 2,0 - 3,3 mm / .080-.130"



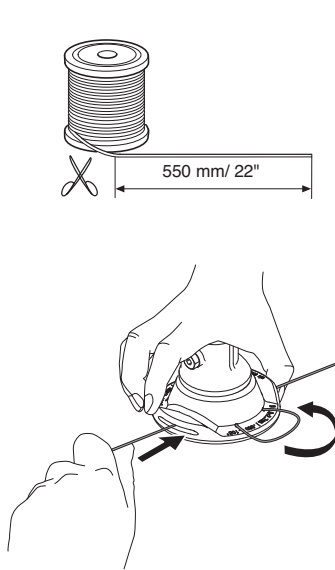
2



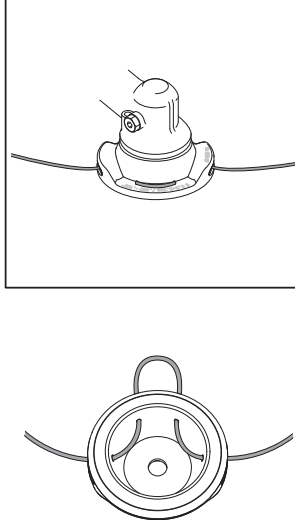
3



4



5





www.husqvarna.com

Original instructions

1141956-49



2019-10-03