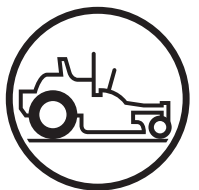




www.husqvarna.com

**Grass Catcher
54 Inch Mower
Collecteur D'herbe
Tondeuse de 54 po.
Recogedor De Césped
Segadora de 54 Pulgada**



Operator / Parts Manual

591111501

Please read the operator's manual carefully and make sure you understand the instructions before using the machine.

Lisez très attentivement et soyez certain de comprendre ces instructions avant d'utiliser cette machine.

Por favor lea cuidadosamente y comprenda estas intrucciones antes de usar esta maquina.

05-01-2019 SR

114 09 43-20 Rev. 1



CONGRATULATIONS on the purchase of a new grass catcher. It has been designed, engineered and manufactured to give the best possible dependability and performance.

If you experience a problem not easily remedied contact the nearest authorized service center/ department. They have competent, well-trained technicians and the proper tools for service and repairs.

Please read and retain this manual. The instructions will enable you to assemble and maintain your collection system properly. Always observe the SAFETY RULES.

KNOW YOUR GRASS CATCHER

READ THIS OPERATION MANUAL AND SAFETY RULES BEFORE ASSEMBLING OR OPERATING YOUR COLLECTION SYSTEM. Compare the illustrations with the carton contents to familiarize yourself with the parts before starting the assembly. Study the operating instructions and safety precautions thoroughly to insure proper functioning of your Grass Catcher and to prevent injury to yourself and others. Save this manual for future reference.

CAUTION! DO NOT operate mower with grass catcher partially installed.

- DO NOT operate mower with grass catcher, unless the front weights are installed (if equipped).
- Disengage blades and stop engine before leaving mower seat to empty containers, unclogging chutes, etc.
- Close cover before starting.
- Disengage mower blades when crossing driveways or gravel surfaces and other areas where thrown objects could be a hazard.
- DO NOT attempt to vacuum cans or other potentially hazardous projectiles.

WARNING! THIS CUTTING MACHINE IS CAPABLE OF AMPUTATING HANDS AND FEET AND THROWING OBJECTS. FAILURE TO OBSERVE THE FOLLOWING SAFETY INSTRUCTIONS COULD RESULT IN SERIOUS INJURY OR DEATH.

CAUTION! Do not leave grass in bagger containers. Remove grass from the containers after each use and before storing. Failure to do so may result in spontaneous combustion which could develop into a fire.

CAUTION! Grass catcher components are subject to wear, damage and deterioration, which could expose moving parts or allow objects to be thrown. Frequently check components and replace with manufacturer's recommended parts, when necessary.

CAUTION! The operation of any mower can result in foreign objects thrown into the eyes, which can result in severe eye damage. ALWAYS wear safety glasses or eye shields before starting your mower and while mowing. Standard safety glasses are recommended or a wide vision safety mask for over spectacles.

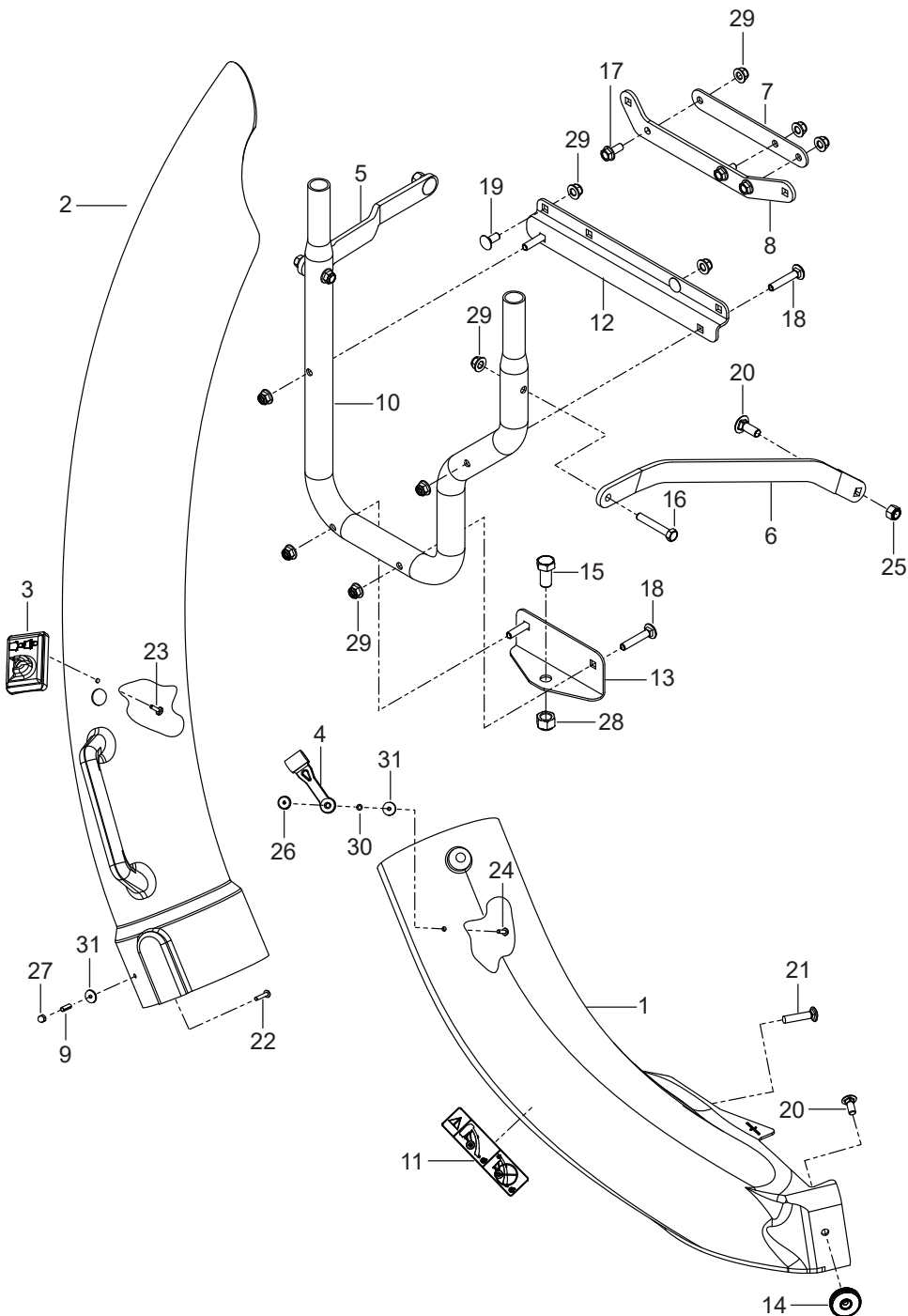
TABLE OF CONTENTS

SAFETY	2
ASSEMBLY	5
REPAIR PARTS	8

PIEZAS DE REPARACIÓN

Artículo	No De Pieza	Cant.	Descripción
1	582 69 36-01	1	Conducto, Inferior
2	582 69 34-01	1	Conducto, Superior
3	532 13 09-33	1	Indicador, Desechar Bolsa
4	539 10 80-88	1	Pestillo, Cubierta
5	575 95 33-02	1	Correa, Soporte, Izq
6	539 13 21-98	1	Correa, Soporte, Der
7	576 22 15-02	1	Placa, Espaciador
8	576 22 14-02	1	Soporte
9	532 00 72-06	1	Espaciador, Dividido
10	539 13 10-91	1	montaje, Tubo
11	539 10 81-63	1	Etiqueta, Recogedor De Césped
12	539 13 21-94	1	Soporte de montaje, Superior
13	539 13 21-92	1	Soporte de montaje, Inferior
14	593 17 47-01	2	Perilla
15	874 78 08-16	1	Perno 1/2-13 x 1
16	874 78 05-32	2	Perno 5/16-18 x 2
17	874 49 05-12	3	Perno 5/16-18 x 3/4
18	539 99 08-61	4	Perno De Cabeza Redonda Sqnk 5/16-18 x 1-3/4
19	539 99 03-16	2	Perno De Cabeza Redonda Sqnk 5/16-18 x 3/4
20	539 99 06-45	3	Perno De Cabeza Redonda Sqnk 3/8-16 x 1
21	872 11 06-14	1	Perno De Cabeza Redonda Sqnk 3/8-16 x 1-3/4
22	532 08 71-75	1	Tornillo #10-24 x 1-1/8
23	818 02 10-08	1	Tornillo #10-14 x 1/2
24	871 08 10-10	1	Tornillo #10-24 x 5/8
25	539 97 69-79	2	Tuerca 3/8-16 Nyloc
26	532 00 20-29	1	Tuerca, Soldada Cromada
27	532 06 08-67	1	Tuerca #10-24 Acorn
28	873 80 08-00	1	Tuerca 1/2-13 Nyloc
29	539 11 28-99	1	Tuerca 5/16-18 Flg Nyloc
30	810 07 10-00	1	Arandela 3/16 Bloqueo
31	532 05 27-84	2	Arandela 3/16 x 3/4 16 Ga

PIEZAS DE REPARACIÓN



Tips For Improved Bagging

Follow the mower operation instructions in the Owner's Manual.

When using the grass catcher on a lawn where grass and leaf bagging equipment has not been used previously, thatch and debris that has accumulated for long periods of time is picked up. The amount collected and the total time of operation may be greater than will be experienced with regular use of the grass catcher.

- Run throttle at full speed when bagging.
- Select a ground speed low enough to give good mower cutting performance, good quality cut and good bagging performance.
NOTE: It may be necessary to overlap width of cut to suit conditions.
- If grass is extremely tall, it should be mowed twice. The first cut should be at one of the highest settings, the second time to desired height.
- Use the left hand side of mower for trimming.
- Avoid cutting wet grass or in the morning while the dew is still heavy. Grass clippings collected under these conditions tend to be sticky and adhere to the walls of the flow path causing clogging.
- The bagger is equipped with a full bagger indicator. Movement of the wheel increases as the bags fill. The wheel will be spinning fastest just before the bags fill completely. When the wheel stops, it indicates that the bags are full and the chutes have become clogged.

NOTE: To help prevent clogging of chutes, check/empty bags when the wheel is spinning fast. Experience will teach you the best time to empty the bags. Care should be taken not to damage the parts and that the wheel spins freely at the beginning of each use.

If the grass catcher fails to pick up cut grass or leaves, it is an indication that clogging has occurred in the system or that the grass catcher containers are full.

- a. Disengage blades, place motion control levers in neutral position.
 - Unlatch and raise cover
 - Slide containers out, discard clippings
 - Replace containers, close and latch cover
- b. Unlatch chutes and check for clogging.
 - Remove debris in chute.
 - Reassemble and latch chutes

c. Check to insure full bagger indicator is not clogged.

- The air passage hole must be clear of debris. Gently insert a small twig or wire into the passage way to clear.

Plastic trash bags (3.0 mil, 30 gallon) can be inserted inside grass catcher containers for ease of debris disposal. To remove the plastic trash bags when full:

- a. Disengage the blades, shift into neutral, engage the park brake and stop the engine.
- b. Raise the seat, unlatch and raise the cover.
- c. Remove one container at a time by grasping container handles and pulling toward the rear, off of the tube rails.
- d. With the container resting on the ground, close and tie the top of the plastic lawn bag.
- e. Tip the container on its side and slide the filled bag from the container.
- f. Install a new plastic lawn bag with the edges of the bag draped over upper lip of the container.
- g. Reinstall containers making sure right container overlaps left container at center supports.
- h. Close the cover and latch it over center support tubes.

General Operation

- Read, understand and follow all instructions in the mower Operator Manual and on the machine before starting.
- Keep machine free of grass, leaves or other debris buildup which can touch hot exhaust/engine parts and burn. Do not allow the mower deck to plow leaves or other debris which can cause buildup to occur.
- Stop engine before removing grass catcher or unclogging chute.
- Do not operate the mower without either the entire grass catcher or the guard in place.
- Clear the area of objects such as rocks, stones, toys, wire etc., which could be picked up and thrown by the blades.
- Keep machine free of grass, leaves, or other debris buildup.
- Clean oil or fuel spills.
- Allow machine to cool before storing.
- Never make adjustments or repairs with the engine running.

General Recommendations

Observe the safety rules in the mower Operator Manual when performing maintenance.

- Before each use check for loose fasteners.
- Clean unit thoroughly after each use.

Blade Care

- For best results mower blades must be kept sharp. Replace bent or damaged blades.
- See the instructions in the mower Operator Manual.

Storage

When grass catcher is to be stored for a period of time, clean it thoroughly, remove all dirt, grass, leaves, etc. Store in a clean, dry place.

NOTE: When the terms RH (right hand) or LH (left hand) are used, it refers to when the operator is seated on the mower.

PIEZAS DE REPARACIÓN

Artículo	No De Pieza	Cant.	Descripción
1	532 19 53-73	1	Cubierta
2	532 40 02-26	3	Contenedor, Bolsa Suave
3	532 13 08-95	2	Manija, Cubierta
4	532 17 69-90	1	Bastidor, Recogedor
5	532 19 27-09	1	Pantalla, Cubierta
6	532 17 40-83	4	Tapón, Extremo Del Tubo
8	532 19 27-86	2	Pasador, Bisagra
9	532 19 26-03	1	Junta
10	532 19 25-50	1	Junta, Cubierta
11	539 10 80-96	2	Horquilla
12	539 97 69-52	6	Tornillo #10-24 x 5/8
13	539 97 69-77	6	Tuerca #10-24 Crownlock

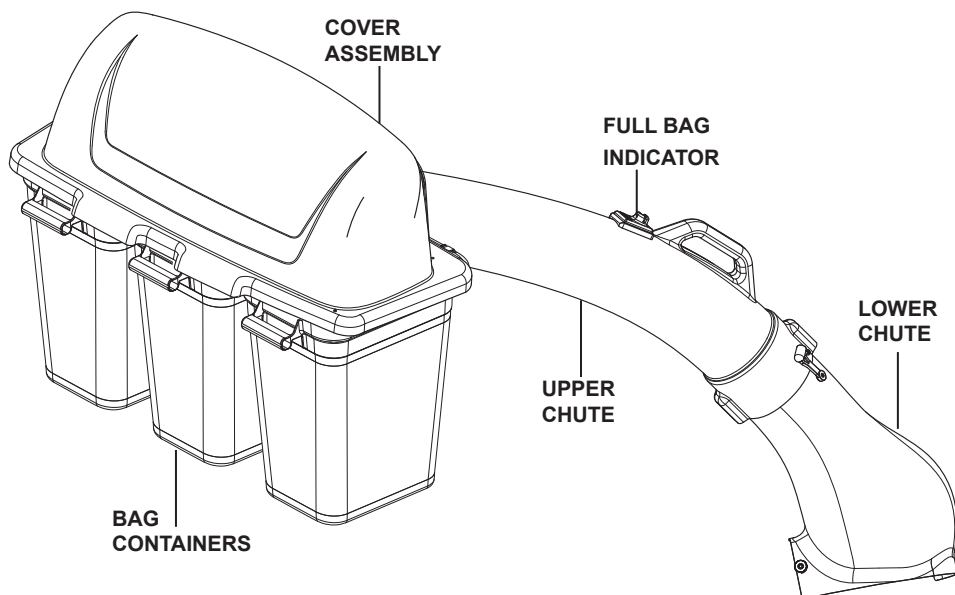
Tools Required

- Wrench 7/16" or ratchet and socket
- Wrench 1/2" or ratchet and socket

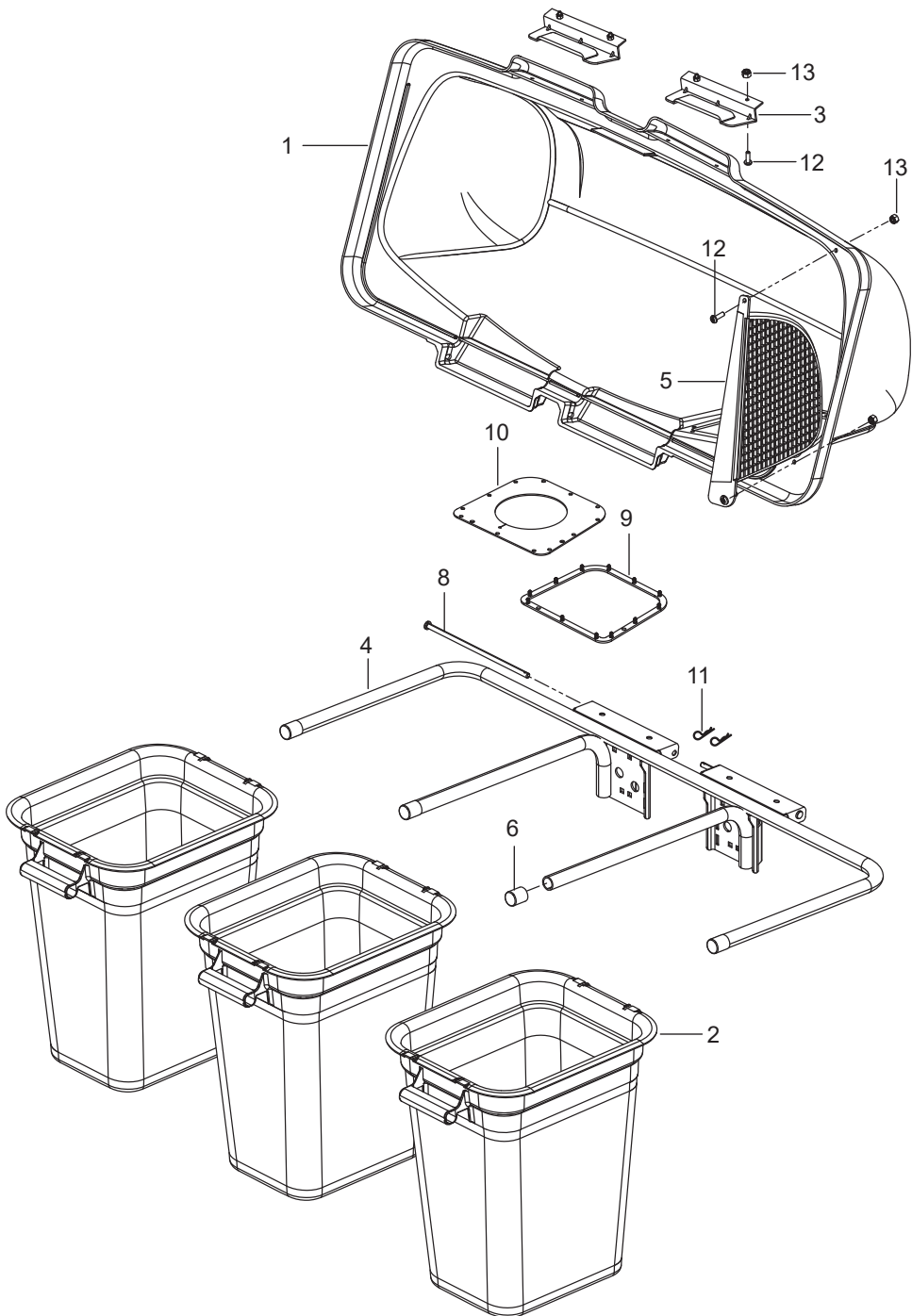
Container Contents

- | | |
|-------------------------|-----------------|
| 3 - Soft bag containers | 1 - Upper chute |
| 1 - Catcher mount | 1 - Lower chute |
| 1 - Cover Assembly | Bag of Hardware |

Parts Identification



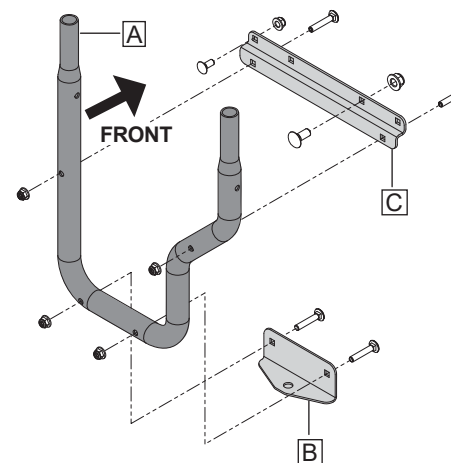
NOTA: TODOS LOS SUJETADORES SON GRADO 5 A MENOS QUE SE ESPECIFIQUE LO CONTRARIO.



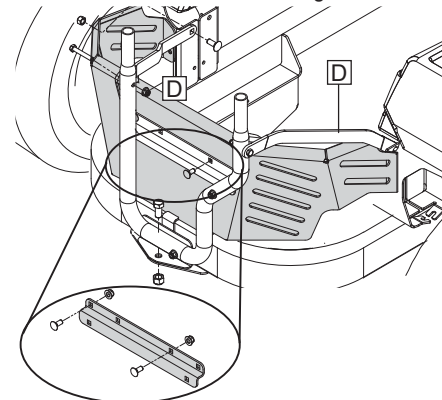
Bagger Mount

Full Rear Guard

1. Find the mount tube (A), lower mount hitch (B) and upper mount hitch (C) from the kit. Attach the upper and lower mounts to the mount tube with four 5/16-16 x 1-3/4 round head shoulder bolts and nuts. Be sure the elbowed arm of the tube is on the right side with the mount hitches installed to the front.



2. Attach the tube assembly to the machine at the upper hitch mount with two 5/16-18 x 3/4 round head shoulder bolts and nuts. Use the outer left hole and the inner right.

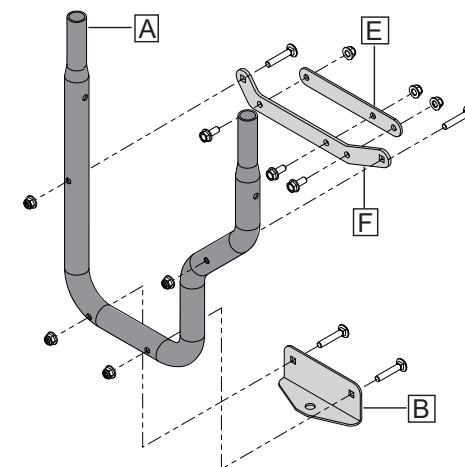


3. Install the mount straps (D), bends to the inside, on the outside of the mount tube using 5/16-18 x 2 hex bolts and nuts.
4. Attach the front end of the mount straps to the fuel tank brackets with 3/8-16 x 1 round head shoulder bolts and nuts.

5. Attach the lower mount hitch to the frame with one 1/2-13 x 1 hex bolt and nut.
6. Tighten all hardware.

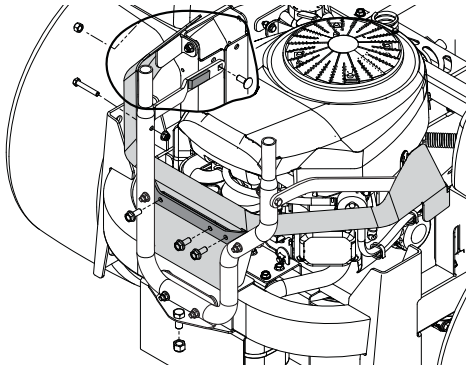
Semi Rear Guard

1. Find the mount tube (A), lower mount hitch (B), spacer plate (E) and support bracket (F) from the kit. Attach the mount hitch to the mount tube with 5/16-18 x 1-3/4 round head shoulder bolts and nuts. Be sure that the elbowed arm of the tube is on the right side with the mount hitch installed to the front.
2. Attach the support bracket to the tube assembly with two 5/16-18 x 1-3/4 round head shoulder bolts and nuts.
3. Attach the lower mount hitch to the frame with a 1/2-13 x 1 hex bolt and nut.



4. Install the mount straps (bends are to the inside) on the outside of the mount tube using 5/16-18 x 2 hex bolts and nuts.
5. Attach the front end of the mount straps to the fuel tank brackets with 3/8-16 x 1 round head shoulder bolts and nuts.

- To prevent contact of the left hand strap with the EFM (Electronic Fuel Management) box on the engine, place the foam strip on the inside of the strap, next to the box. (Illustration location is approximate.)

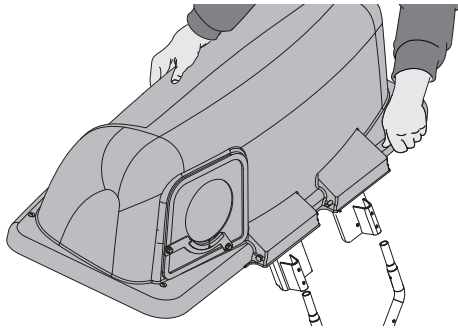


- It may necessary to drill holes into the rear guard to accept the hardware for the support bracket and spacer plate. Using the bracket as a template, drill 5/16" holes.
- Place the spacer plate between the support bracket and the rear guard and attach both to the rear guard with 5/16-18 x 3/4 hex bolts and nuts.
- Tighten all hardware.

Mounting Cover Assembly

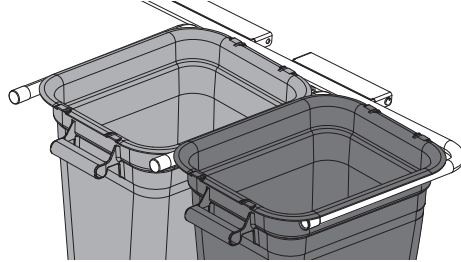
NOTE: Assistance from another person may ease mounting the cover assembly to mower.

- Lift and rotate the cover to align the cover brackets with the support assembly tubes.
- Move the cover down over the support tubes.



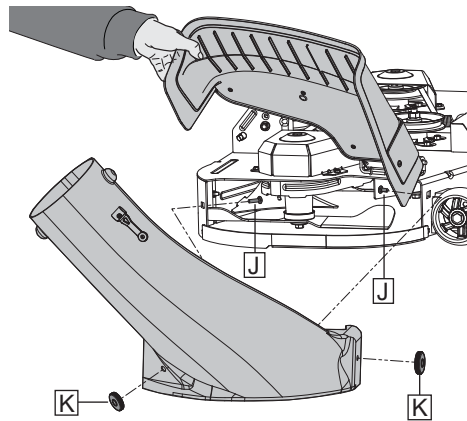
Container Assembly

- Install the containers on the support frame, overlapping containers at the center supports.
- Close the cover and lock the latch handles over the center support tubes.



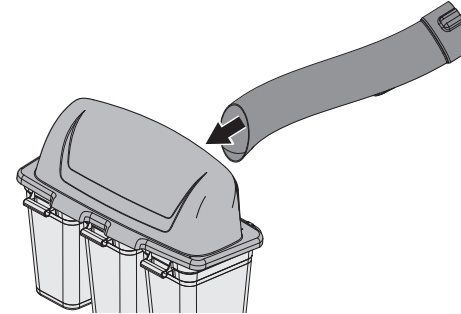
Lower Chute

- Raise the mower deck to its highest cutting position.
- Raise and hold the deflector shield in the upright position.
- Set the lower chute over the mower opening and align the holes on the lower chute with the holes on the mower deck.
- Insert the bolts (J) through the mower and chute and fasten with knobs (K).

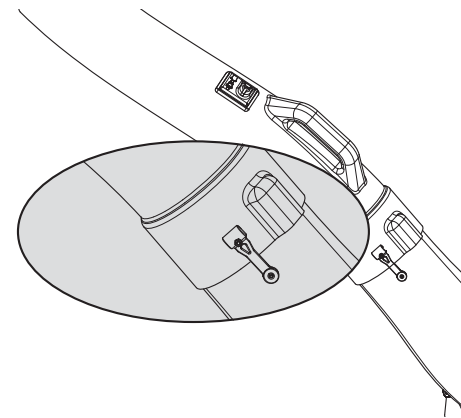


Conducto superior

- Baje el equipo a la posición de corte más baja.
- Montar el tubo superior introduciendo la parte terminal curvada en el orificio en la parte trasera de la tapa. Sosteniendo el conducto superior según lo demostrado y torciendo mientras que la instalación en el cubierta ayudará a mantener el sello de goma lugar Manija cuidadosamente para no dañar indicador de bolsa llena.



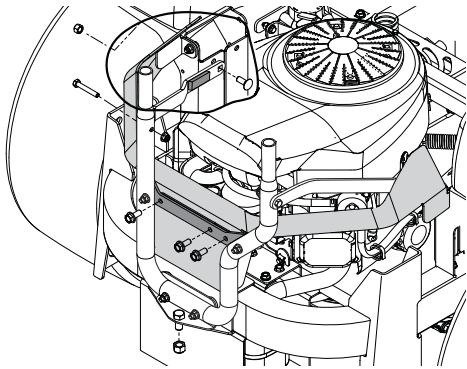
- Deslice el conducto superior sobre el conducto inferior, alineando las muescas y canales.
- Expanda la correa elástica que se engancha en la tuerca ciega en el conducto superior para asegurar.



Nivelación del equipo de corte

Asegúrese de que el equipo esté correctamente nivelado para obtener el mejor rendimiento del cortacésped. Consulte el manual de usuario del cortacésped para obtener instrucciones.

- Para evitar el contacto de la correa de la mano izquierda con la caja EFM (gestión electrónica del combustible) en el motor, coloque la tira de espuma en el interior de la correa, junto a la caja. (La ubicación en la ilustración es aproximada).

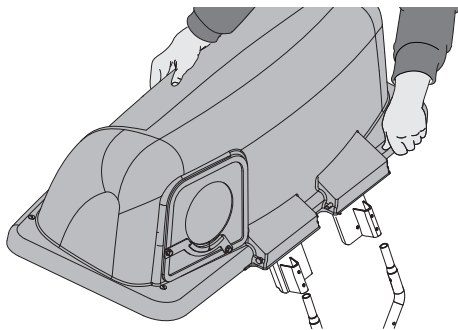


- Puede ser necesario taladrar agujeros en el protector trasero para introducir la tornillería del soporte angular y la placa espaciadora. Con el soporte como referencia, taladre agujeros de 5/16".
- Coloque la placa espaciadora entre el soporte angular y la protección trasera y fije ambos a la protección trasera pernos y tuercas hexagonales 5/16-18 x 3/4.
- Apriete todos los tornillos.

Montaje del conjunto de la cubierta

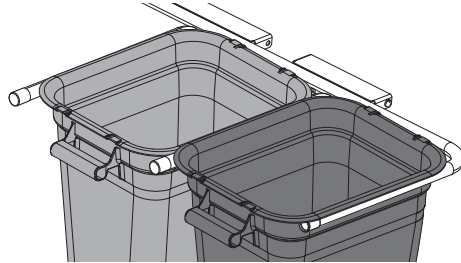
NOTA: La ayuda de otra persona puede facilitar el montaje del conjunto de la cubierta al cortacésped.

- Levante y gire la cubierta para alinear los soportes de esta con los tubos del conjunto de soporte
- Deslice la cubierta hacia abajo sobre los tubos de soporte hasta que quede fija.



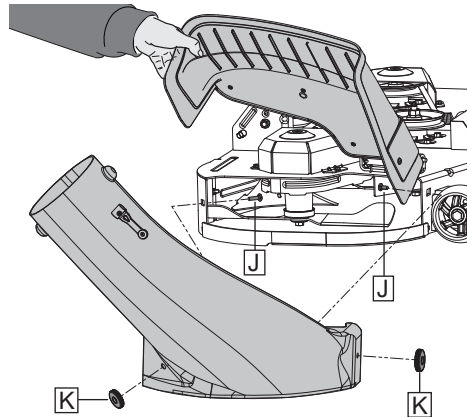
Montaje de los contenedores

- Instale los contenedores en el bastidor de soporte, traslapando los contenedores en el tubo central.
- Cierre la cubierta y asegure el manillar con pestillo sobre los tubos de soporte.



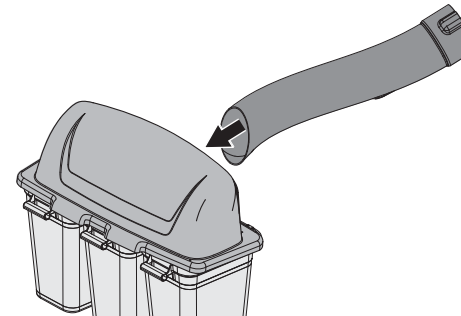
Conducto inferior

- Eleve el equipo a la posición de corte más elevada.
- Levante y sujete el protector desviador en posición vertical.
- Coloque el conducto inferior por encima de la apertura del cortacésped y alinee los orificios en el conducto inferior con los orificios del equipo de corte.
- Inserte los pernos (J) a través del cortacésped y el conducto y fije con perillas (K).

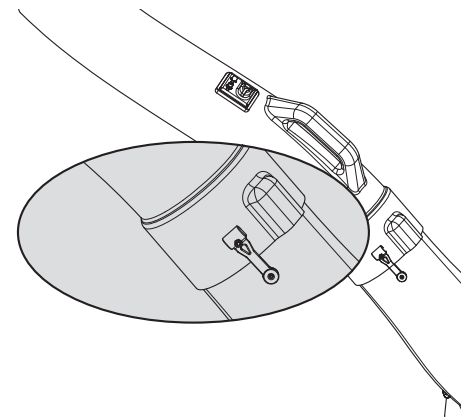


Upper Chute

- Lower the mower deck to the lowest cutting position.
- Insert the upper chute through the opening in the cover assembly, twisting the chute to keep the cover gasket in place. Handle the chute carefully to prevent damage to the full bag indicator.

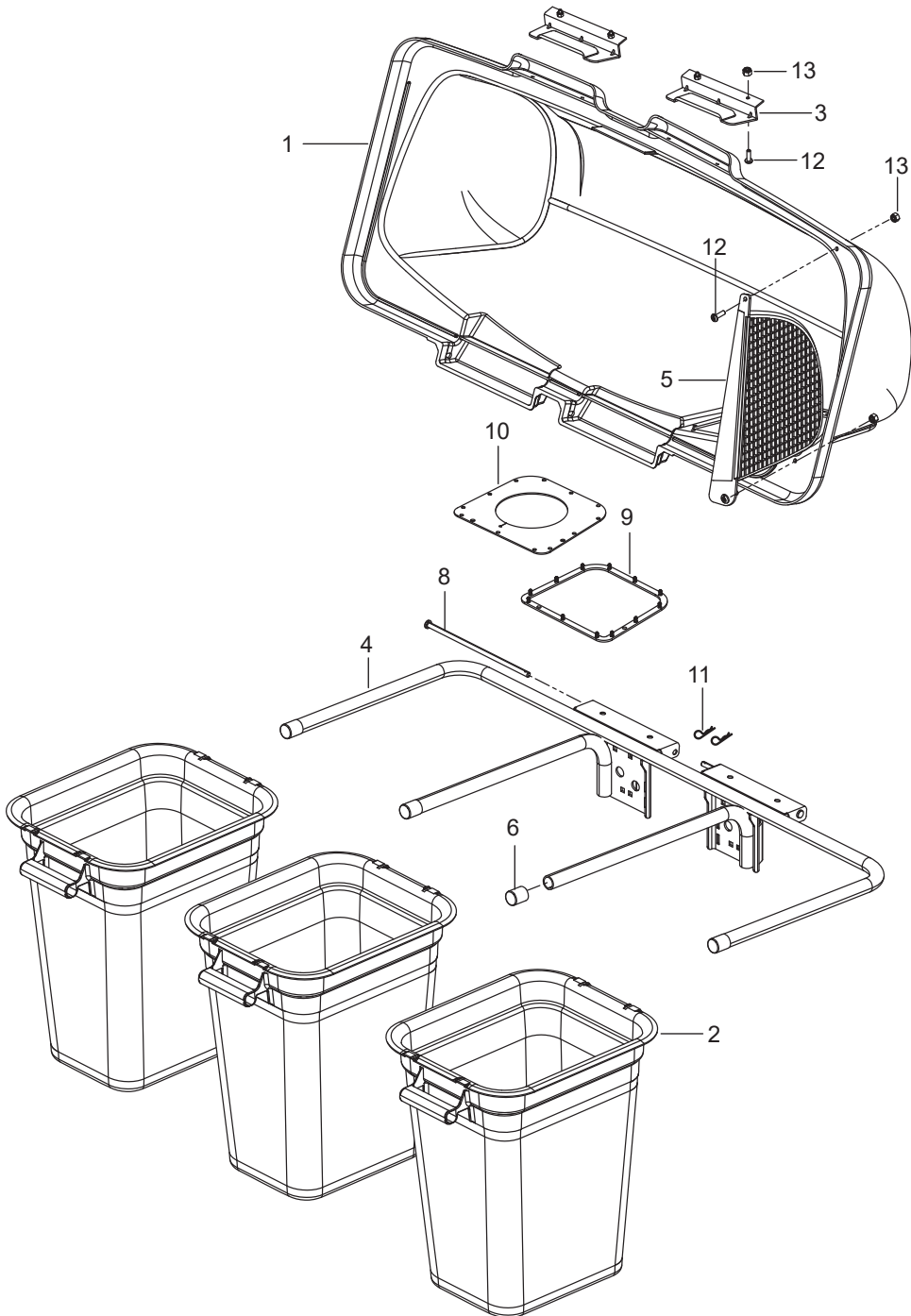


- Move the upper chute onto lower chute, lining up the notches and channels.
- Stretch bungee latch up onto acorn nut on upper chute.



Leveling Mower Deck

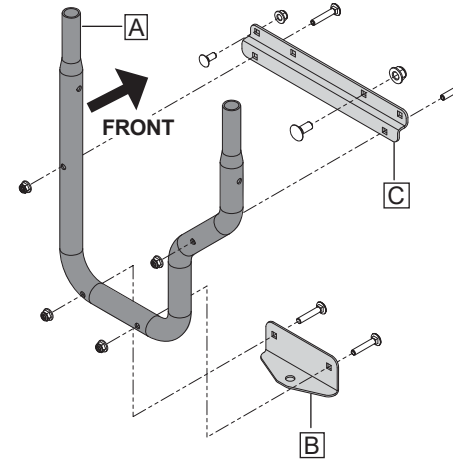
Be sure deck is properly leveled for best mower performance. See the mower's Operator Manual for instructions.



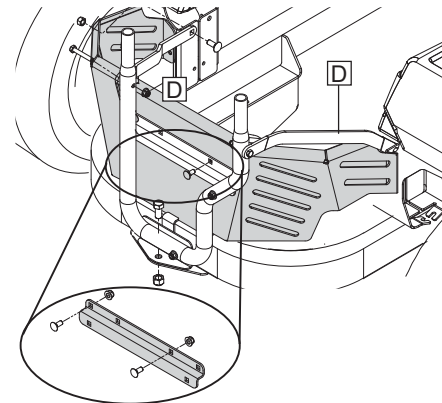
Montaje del recogedor

Protector trasero completo

1. Encuentre el tubo de montaje (A), el enganche de montaje inferior (B) y el enganche de montaje superior (C) del kit. Fije los soportes superior e inferior en el tubo de montaje con cuatro pernos de tope de cabeza redonda y tuercas de reborde



2. 5/16-16 x 1-3/4. Asegúrese de que el brazo acodado del tubo está en el lado derecho con los enganches de montaje instalados en la parte delantera.

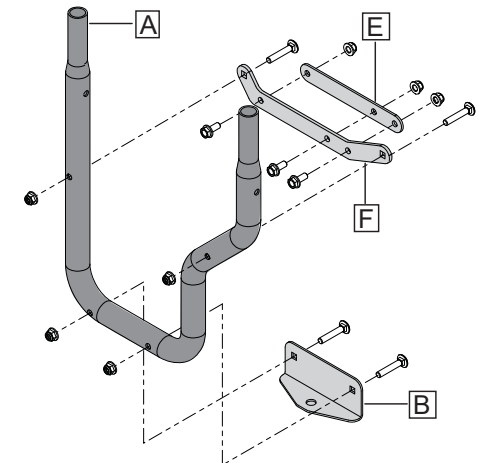


3. Instale las correas de las bridas (D), con los pliegues hacia el interior, en el exterior del tubo de montaje usando pernos y tuercas hexagonales de 5/16-18 x 2.

4. Las partes delanteras de las correas de las bridas están fijadas a la parte interior del bastidor del cortacésped con pernos de tope y tuercas de cabeza redonda de 3/8-16 x 1.
5. Fije el enganche de montaje inferior al bastidor con un perno y una tuerca hexagonales de 1/2-13 x 1.
6. Apriete todos los tornillos.

Protección trasera media

1. Encuentre el tubo de montaje (A), el enganche de montaje inferior (B), la placa espaciadora (E) y el soporte angular (F) del kit. Acople el enganche de montaje en el tubo de montaje con los pernos de tope de cabeza redonda y las tuercas 5/16 -18 x 1-3/4. Asegúrese de que el brazo acodado del tubo se encuentre en el lado derecho con el enganche de montaje instalado en la parte delantera.
2. Fije el soporte angular al conjunto del tubo con dos tornillos de tope de cabeza redonda y tuercas 5/16 -18 x 1 1/4.
3. Fije el enganche de montaje inferior al bastidor con un perno hexagonal y tuercas de 1/2-13 x 1.



4. Instale las bridas de montaje (los pliegues van hacia el interior) en la parte exterior del tubo de montaje usando pernos y tuercas hexagonales 5/16-18 x 2.
5. Fije el extremo delantero de las bridas de montaje a los soportes del depósito de combustible con pernos de tope de cabeza redonda y tuercas 3/8-16 x 1.

- Mantenga la máquina sin césped, hojas o acumulación de otros residuos que puedan tocar las partes calientes del escape/motor e incendiarse. No permita que el equipo de corte levante hojas u otra basura que pueda causar acumulaciones.
- Detenga el motor antes de extraer el recogedor de césped o de desatascar el conducto.
- No opere el cortacésped sin todo el recogedor de césped ni el dispositivo de protección en su sitio.
- Limpie el área de objetos como rocas, piedras, juguetes, cables, etc., que podrían ser recogidos y arrojados por las cuchillas.
- Mantenga la máquina sin césped, hojas o acumulación de otros residuos.
- Limpie cualquier derrame de aceite o combustible antes de operar o almacenar la máquina.
- Permita que la máquina se enfríe antes de almacenarla.
- Nunca haga ajustes o reparaciones con el motor en funcionamiento.

Recomendaciones generales

Siempre tenga en cuenta las reglas de seguridad al realizar cualquier tipo de mantenimiento.

- Antes de cada uso, compruebe si hay sujetadores flojos.
- Limpie la unidad exhaustivamente después de cada uso.

Cuidado de la cuchilla

- Para obtener los mejores resultados, las cuchillas de corte se deben mantener afiladas. Sustituya las cuchillas dobladas o dañadas.
- Consulte las instrucciones en el manual del operador del cortacésped.

Almacenamiento

Cuando se vaya a almacenar el recogedor de césped durante un tiempo, límpielo perfectamente, retire toda la suciedad, césped, hojas, etc. Almacénelo en un lugar limpio y seco.

REPAIR PARTS

Ref.	Part No.	Qty	Description
1	532 19 53-73	1	Cover
2	532 40 02-26	3	Container, Soft Bag
3	532 13 08-95	2	Handle, Bagger Cover
4	532 17 69-90	1	Frame, Bagger
5	532 19 27-09	1	Screen, Cover
6	532 17 40-83	4	Plug, Tubing End
8	532 19 27-86	2	Pin, Hinge
9	532 19 26-03	1	Gasket, Seal
10	532 19 25-50	1	Seal, Cover
11	539 10 80-96	2	Hair Pin
12	539 97 69-52	6	Screw #10-24 x 5/8
13	539 97 69-77	6	Nut #10-24 Crownlock

Herramientas necesarias

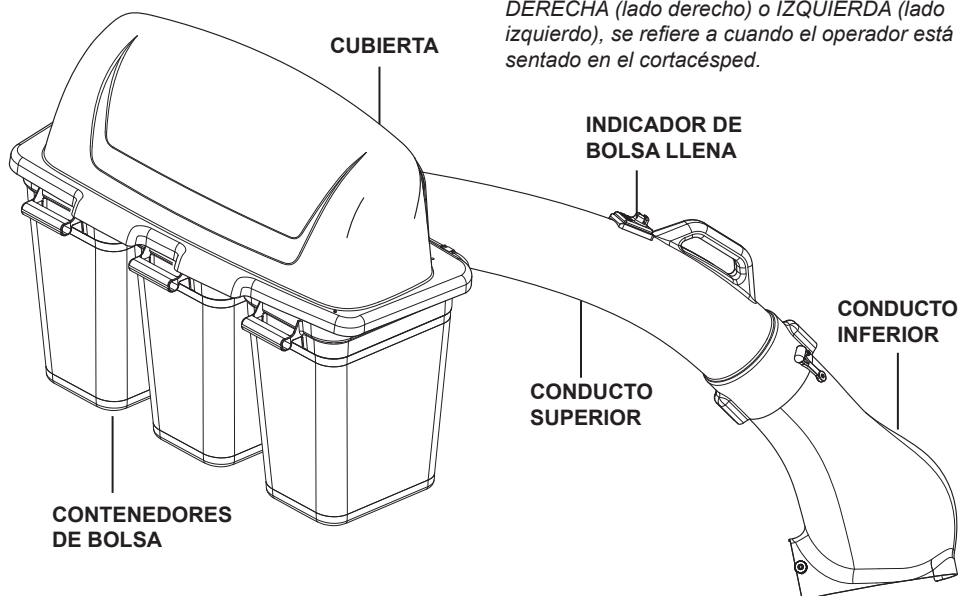
- Llave inglesa 7/16" o llave de vaso y un trinquete
- Llave inglesa 1/2" o llave de vaso y un trinquete

Contenido del contenedor

- 3 - Contenedores suaves de bolsa
- 1 - Conducto superior 1 - Conducto inferior
- 1 - Soporte de montaje 1 - Conjunto de cubierta
- 1 - Bolsa de tornillería

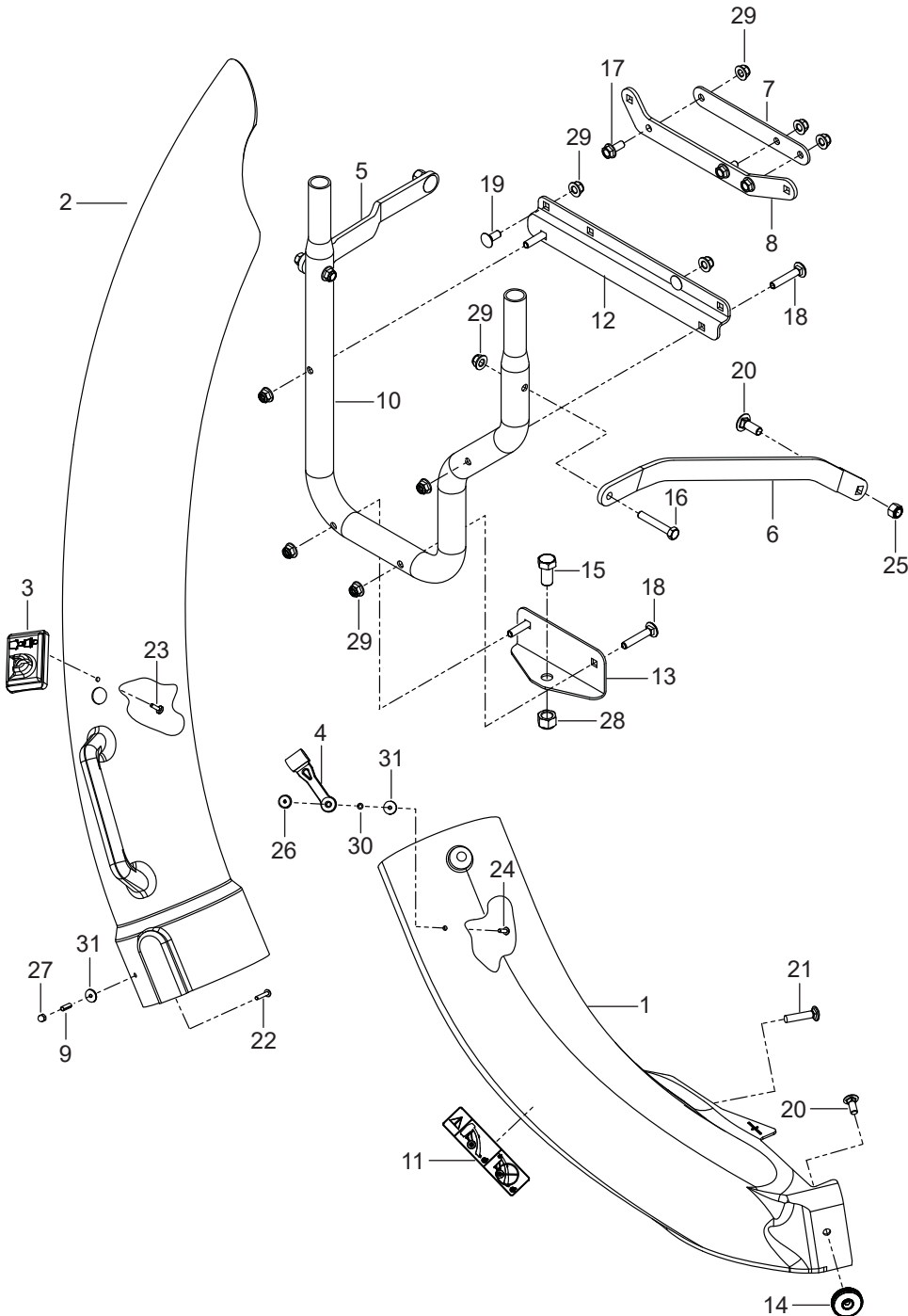
NOTA: Cuando se utilicen los términos DERECHA (lado derecho) o IZQUIERDA (lado izquierdo), se refiere a cuando el operador está sentado en el cortacésped.

Identificación de las piezas



NOTE: ALL FASTENERS ARE GRADE 5 UNLESS OTHERWISE SPECIFIED.

REPAIR PARTS



Sugerencias para mejorar el embolsado

Siga las instrucciones de operación del cortacésped en el Manual del operador.

Cuando se utiliza el recogedor de césped sobre un césped en donde el equipo de embolsado de césped y hojas no se ha utilizado anteriormente, se recoge la paja y los residuos que se han acumulado durante largos períodos de tiempo. La cantidad recogida y el tiempo total de funcionamiento pueden ser superiores a los que se experimentaron con el uso regular del recogedor de césped.

- Siempre accione el acelerador a máxima velocidad durante el embolsado.
- Seleccione una velocidad lo suficientemente baja para proporcionar un buen rendimiento de corte del cortacésped, un corte de buena calidad y un buen rendimiento de embolsado.

NOTA: Es posible que sea necesario traslapar el ancho de corte para adaptarse a las condiciones.

- Si el césped está muy alto, debe cortarse dos veces. El primer corte debe hacerse en uno de los ajustes más altos, el segundo en la altura deseada.
- Utilice el lado izquierdo del cortacésped para el recorte.
- Evite el corte húmedo del césped o durante la mañana cuando el rocío todavía es excesivo. Los recortes de césped recogidos en estas condiciones tienden a ser pegajosos y se adhieren a las paredes de la ruta de flujo provocando atascos.
- El saco está dotado de un indicador de saco lleno. El movimiento de la rueda aumenta mientras las bolsas van llenándose. La rueda girará más rápidamente justo antes de que las bolsas se llenen completamente. Cuando la rueda se para, indica que las bolsas están llenas y los tubos están obstruidos.

NOTA: Para ayudar a prevenir la obstrucción de los tubos, hay que controlar y/o vaciar las bolsas cuando la rueda gira rápidamente. Con la experiencia se aprenderá cuál es el momento ideal para vaciar las bolsas. Hay que tener cuidado a no dañar las partes y que la rueda gire libremente al principio de cada utilización.

Si el recogedor de césped no recoge el césped cortado ni las hojas, es una indicación de que ha ocurrido una obstrucción en el sistema o de que los contenedores del recogedor de césped están llenos.

- Desacople las cuchillas, coloque las palancas de control de movimiento en la posición neutra.
 - Desenganche y levante la tapa.
 - Deslice hacia afuera los contenedores y deseche los recortes.
 - Vuelva a colocar los contenedores, cierre la tapa y enganche.
- Desenganche los conductos y compruebe en busca de obstrucciones.
 - Elimine todos los residuos del conducto.
 - Vuelva a montar y enganche los conductos.
- Controlar que el indicador de la bolsa llena no esté obstruido.
 - El orificio para el paso del aire tiene que estar libre de residuos. Introducir con cuidado una ramita o un alambre pequeño en el paso para desobturar.

Se pueden insertar bolsas de plástico para la basura (3.0 mil, 30 galones) dentro de los contenedores del recogedor de césped para facilitar la eliminación de los residuos. Para retirar las bolsas de plástico para la basura cuando están llenas:

- Desacople las cuchillas, cambie a la posición neutra, acople el freno de estacionamiento y detenga el motor.
- Desenganche y levante la tapa.
- Quite un contenedor a la vez sujetando los manillares del contenedor y jalando hacia la parte trasera, fuera de los rieles del tubo.
- Con el contenedor apoyado en el suelo, cierre y asegure la parte superior de la bolsa de plástico para césped.
- Incline el contenedor sobre su lado y deslice la bolsa llena del contenedor.
- Instale una nueva bolsa de plástico para césped con los bordes de la bolsa envueltos sobre el labio superior del contenedor.
- Vuelva a instalar los contenedores asegurándose de que el contenedor derecho se traslapa con el contenedor izquierdo en los soportes centrales.
- Cierre la tapa y asegure los enganches sobre los tubos de soporte centrales.

Uso general

- Lea, entienda y siga todas las instrucciones en el manual y en la máquina antes de comenzar.

ENHORABUENA por la compra de un nuevo sistema de recolección. Ha sido diseñado, creado y fabricado para darle la mejor confiabilidad y rendimiento posibles.

Si experimenta algún problema que no pueda solucionar fácilmente, comuníquese con su centro de servicio/departamento autorizado más cercano. Ellos tienen técnicos competentes, bien entrenados y las herramientas adecuadas para realizar el servicio y las reparaciones.

Por favor lea y conserve este manual. Estas instrucciones le permitirán montar y mantener su sistema de recolección adecuadamente. Siempre cumpla con las REGLAS DE SEGURIDAD.

CONOZCA SU RECOGEDOR DE CÉSPED

LEA ESTE MANUAL DE OPERACIÓN Y LAS REGLAS DE SEGURIDAD ANTES DE MONTAR O PONER EN FUNCIONAMIENTO SU SISTEMA DE RECOLECCIÓN. Compare las ilustraciones con el contenido de la caja para familiarizarse con las piezas antes de comenzar el montaje. Estudie las instrucciones de operación y las precauciones de seguridad detalladamente para asegurar el correcto funcionamiento de su recogedor de césped y para evitar lesiones personales y a otros. Conserve este manual para futuras consultas.

⚠ ¡PRECAUCIÓN! NO haga funcionar el cortacésped con el recogedor de césped instalado parcialmente.

- NO haga funcionar el cortacésped con recogedor de césped, a menos que los contrapesos delanteros estén instalados (si se incluyen).
- Desconecte las cuchillas y detenga el motor antes de abandonar el asiento del cortacésped para vaciar los contenedores, desatascar los conductos, etc.
- Cierre la tapa antes de arrancar.
- Desacople las cuchillas de corte al cruzar caminos de acceso o superficies de grava y otras áreas en donde lanzar objetos podría ser un peligro.
- NO intente aspirar latas ni otros proyectiles potencialmente peligrosos.

⚠ ¡ADVERTENCIA! ESTA MÁQUINA CORTADORA ES CAPAZ DE AMPUTAR MANOS Y PIES Y DE ARROJAR OBJETOS. SI NO CUMPLE CON LAS SIGUIENTES INSTRUCCIONES DE SEGURIDAD PUEDE CAUSAR DAÑOS GRAVES O LA MUERTE.

⚠ ¡PRECAUCIÓN! No deje césped en los contenedores del recogedor. Vacíe los contenedores después de cada uso y antes de almacenarlos. No hacerlo podría provocar una combustión espontánea que se puede convertir en un incendio.

⚠ ¡PRECAUCIÓN! Los componentes del recogedor de césped están sujetos a desgaste, daños y deterioro, lo que podría exponer las piezas móviles o permitir que los objetos salgan disparados. Revise con frecuencia los componentes y sustitúyalas con piezas recomendadas por el fabricante, cuando sea necesario.

⚠ ¡PRECAUCIÓN! El funcionamiento de cualquier cortacésped puede hacer que se arrojen objetos extraños hacia los ojos, lo que puede provocar una lesión ocular grave. SIEMPRE utilice gafas de seguridad o protectores oculares antes de arrancar su cortacésped y durante el corte del césped. Se recomiendan gafas de seguridad estándares o una máscara de seguridad de visión amplia sobre los anteojos.

TABLA DE MATERIAS

REGLAS DE SEGURIDAD	22
MONTAJE	25
PIEZAS DE REPARACIÓN	28

REPAIR PARTS

Ref.	Part No.	Qty	Description
1	582 69 36-01	1	Chute, Lower
2	582 69 34-01	1	Chute, Upper
3	532 13 09-33	1	Indicator, Dump Bag
4	539 10 80-88	1	Latch, Hood
5	575 95 33-02	1	Strap, Support, Left
6	539 13 21-98	1	Strap, Support, Right
7	576 22 15-02	1	Plate, Spacer
8	576 22 14-02	1	Bracket, Support
9	532 00 72-06	1	Spacer, Split
10	539 13 10-91	1	Mount, Tube
11	539 10 81-63	1	Decal, Catcher
12	539 13 21-94	1	Mount Hitch, Upper
13	539 13 21-92	1	Mount Hitch, Lower
14	593 17 47-01	2	Knob, Knurled
15	874 78 08-16	1	Bolt 1/2-13 x 1 Hex Head
16	874 78 05-32	2	Bolt 5/16-18 x 2 Hex Head
17	874 49 05-12	3	Bolt 5/16-18 x 3/4 Hex Flange
18	539 99 08-61	4	Bolt 5/16-18 x 1-3/4 Round Head Square Neck
19	539 99 03-16	2	Bolt 5/16-18 x 3/4 Round Head Square Neck
20	539 99 06-45	3	Bolt 3/8-16 x 1 Round Head Square Neck
21	872 11 06-14	1	Bolt 3/8-16 x 1-3/4 Round Head Square Neck
22	532 08 71-75	1	Screw #10-24 x 1-1/8
23	818 02 10-08	1	Screw #10-14 x 1/2
24	871 08 10-10	1	Screw #10-24 x 5/8
25	539 97 69-79	2	Nut 3/8-16 Nyloc
26	532 00 20-29	1	Nut, Weld Plated
27	532 06 08-67	1	Nut #10-24 Acorn
28	873 80 08-00	1	Nut 1/2-13 Nyloc
29	539 11 28-99	1	1 Nut 5/16-18 Flange Nyloc
30	810 07 10-00	1	Washer 3/16 Lock
31	532 05 27-84	2	Washer 3/16 x 3/4 16 Gauge

NOTE: ALL FASTENERS ARE GRADE 5 UNLESS OTHERWISE SPECIFIED.

FÉLICITATIONS pour votre achat d'un nouveau système deramassage. Il a été conçu et fabriqué pour vous donner la meilleure fiabilité et le meilleur rendement possible.

Si vous avez des problèmes que vous ne pouvez pas résoudre, veuillez prendre contact avec le centre de services autorisé le plus proche. Vous y trouverez les techniciens qualifiés et les outils appropriés pour la réparation et l'entretien de ce modèle.

Veuillez lire et conserver ce manuel. Les instructions vous permettront de monter et d'entretenir correctement votre système de ramassage. Suivez toujours les RÈGLES DE SÉCURITÉ.



MISE EN GARDE! N'utilisez pas la tondeuse lorsque le ramasse-herbe est partiellement installé.

- N'utilisez pas la tondeuse avec le ramasse-herbe, sans avoir installé les contre-poids à l'avant (le cas échéant).
- Dégagez les lames et arrêtez le moteur avant de quitter le poste de conduite pour vider les bacs, déboucher l'orifice de décharge des glissières, etc.
- Fermez le couvercle avant de démarrer.
- Dégagez les lames de la tondeuse avant de traverser des routes ou des chemins de gravier et d'autres zones où la projection d'objets pourrait représenter un danger.
- NE tentez pas d'aspirer des boîtes de conserve ou d'autres projectiles potentiellement dangereux.



AVERTISSEMENT! CETTE MACHINE COUPANTE PEUT AMPUTER LES MAINS ET LES PIEDS ET PROJETER DES OBJETS. L'INOBSERVATION DES CONSIGNES DE SÉCURITÉ SUIVANTES PEUT ENTRAÎNER DES BLESSURES GRAVES OU MORTELLES.

CONNAISSEZ VOTRE COLLECTEUR

D'HERBE LISEZ CE MANUEL DU PROPRIÉTAIRE ET LES RÈGLES DE SÉCURITÉ AVANT DE MONTER OU D'UTILISER VOTRE SYSTÈME DE RAMASSAGE. Comparez les illustrations avec le contenu du carton pour vous familiariser avec les pièces avant de commencer le montage. Étudiez complètement les instructions d'utilisation et les précautions de sécurité pour assurer le bon fonctionnement de votre ramasse-herbe et pour éviter les blessures à vous-même et aux autres. Conservez ce manuel aux fins de référence.



MISE EN GARDE! Ne laissez pas d'herbe dans les bacs à gazon. Videz les bacs après chaque utilisation et avant tout entreposage. Le non respect de cette consigne pourrait avoir comme résultat une combustion spontanée qui pourrait provoquer un incendie.



MISE EN GARDE! Les composants du ramasse-herbe sont sujets à l'usure, aux dommages et à la détérioration. Ils pourraient donc exposer les parties mobiles ou permettre la projection d'objets. Vérifiez fréquemment ces différents éléments et remplacez-les, si nécessaire, par des pièces détachées recommandées par le fabricant.



MISE EN GARDE! Le fonctionnement d'une tondeuse peut être la cause de projections de corps étrangers dans les yeux et de blessures graves. Portez toujours des lunettes de protection ou une visière-écran avant et pendant le fonctionnement de votre tondeuse. Nous recommandons de porter une visière-écran ou des lunettes de protection standard.

PIÈCES DE RECHANGE

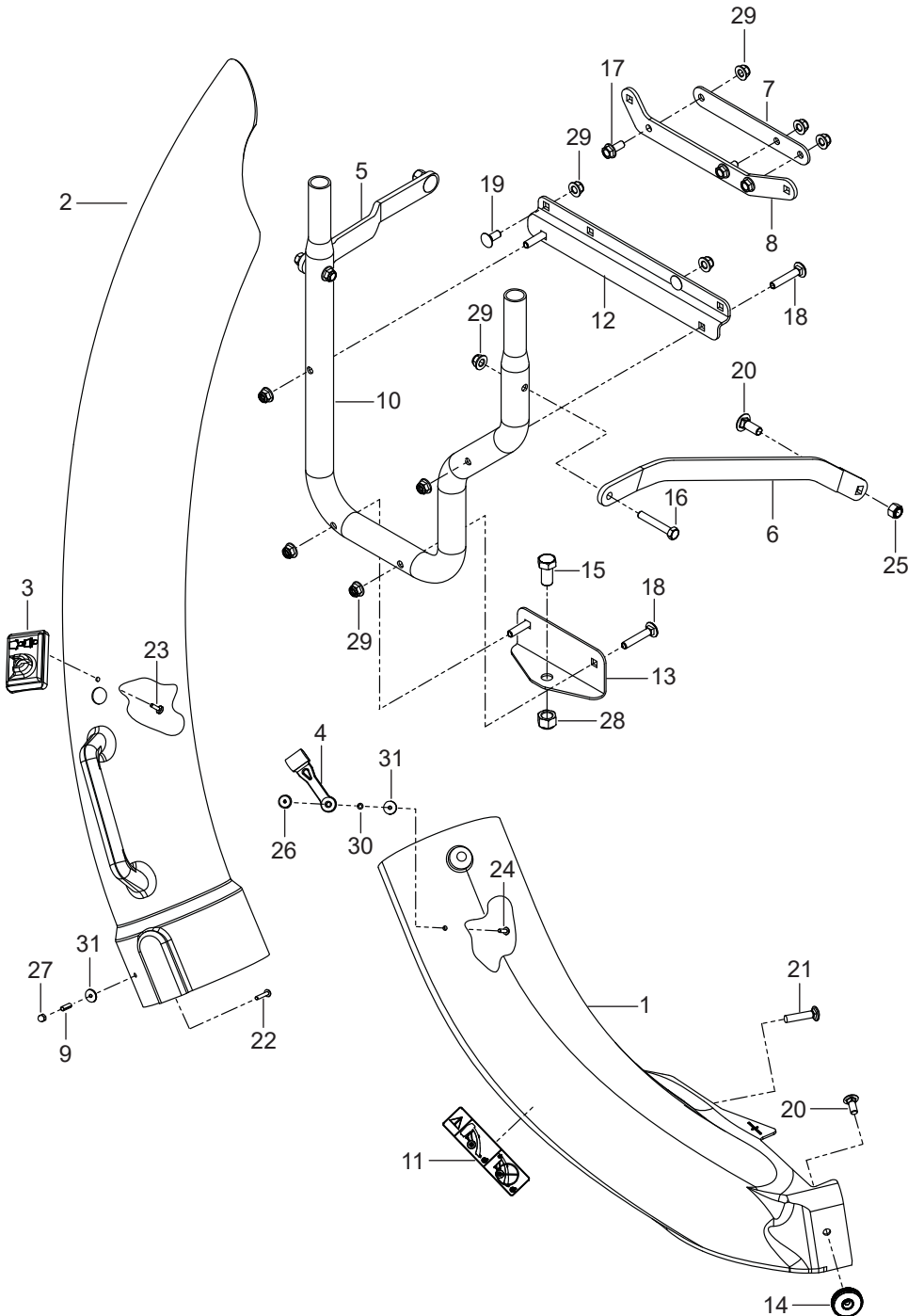
Réf. N°	Pièce N°	Qté	Description
1	582 69 36-01	1	Goulotte, Inférieure
2	582 69 34-01	1	Goulotte, Supérieure
3	532 13 09-33	1	Indicateur, Sacs Pleins
4	539 10 80-88	1	Verrou, Couvercle
5	575 95 33-02	1	Barre, Support, Gauche
6	539 13 21-98	1	Barre, Support, Droite
7	576 22 15-02	1	Plaque, Entretoise
8	576 22 14-02	1	Support
9	532 00 72-06	1	Entretoise, Fendue
10	539 13 10-91	1	Support, Tube
11	539 10 81-63	1	Autocollant, Collecteur
12	539 13 21-94	1	Support, Supérieure
13	539 13 21-92	1	Support Inférieure
14	593 17 47-01	2	Bouton Du Guidon
15	874 78 08-16	1	Boulon 1/2-13 x 1
16	874 78 05-32	2	Boulon 5/16-18 x 2
17	874 49 05-12	3	Boulon 5/16-18 x 3/4
18	539 99 08-61	4	Boulon 5/16-18 x 1-3/4 À Tête Ronde, Fraisée
19	539 99 03-16	2	Boulon 5/16-18 x 3/4 À Tête Ronde, Fraisée
20	539 99 06-45	3	Boulon 3/8-16 x 1 À Tête Ronde, Fraisée
21	872 11 06-14	1	Boulon 3/8-16 x 1-3/4 À Tête Ronde, Fraisée
22	532 08 71-75	1	Vis #10-24 x 1-1/8
23	818 02 10-08	1	Vis #10-14 x 1/2
24	871 08 10-10	1	Vis #10-24 x 5/8
25	539 97 69-79	2	Écrou 3/8-16 Élastique
26	532 00 20-29	1	Écrou, Weld Plated
27	532 06 08-67	1	Écrou #10-24 Acorn
28	873 80 08-00	1	Écrou 1/2-13 Élastique
29	539 11 28-99	1	Écrou 5/16-18 Élastique
30	810 07 10-00	1	Rondelle 3/16 Blocage
31	532 05 27-84	2	Rondelle 3/16 x 3/4 Cal.16

TABLE DE MATIERES

RÈGLES DE SÉCURITÉ	12
MONTAGE	15
PIÈCES DE RECHANGE	18

REMARQUE : TOUTES LES ATTACHES SONT DE GRADE 5 À MOINS D'INDICATIONS CONTRAIRES.

PIÈCES DE RECHANGE



Conseils pour améliorer le ramassage

Suivez les instructions d'utilisation de la tondeuse dans votre manuel de l'opérateur.

Quand vous utilisez votre collecteur d'herbe sur une pelouse où aucun équipement de ramassage d'herbe et de feuille n'a été utilisé, vous ramassez le feutre racinaire et les débris qui se sont accumulés pendant de longues périodes. La quantité recueillie et le temps d'utilisation totale peuvent être supérieurs à ceux dont vous prendrez l'habitude en utilisant régulièrement un collecteur d'herbe.

- Maintenez toujours l'accélérateur à plein régime pendant le ramassage.
- Choisissez une vitesse assez basse qui permettra un rendement, une bonne qualité de coupe ainsi qu'un bon rendement de ramassage.
REMARQUE : Il peut être nécessaire de chevaucher les largeurs de coupe selon les conditions rencontrées.
- Quand l'herbe est très haute, elle doit être coupée deux fois; choisissez l'un des réglages les plus hauts pour la première coupe, puis effectuez la seconde coupe à la hauteur souhaitée.
- Utilisez le côté gauche de la tondeuse pour rogner.
- Évitez de tondre le gazon mouillé ou lorsqu'il y a beaucoup de rosée le matin. L'herbe coupée qui s'est amassée dans ces conditions a tendance à coller aux parois et à obstruer le ramasse-herbe.
- Le ensacheur est équipé d'un indicateur. Le mouvement de la roue augmente au fur et à mesure que les sacs se remplissent. Le mouvement de rotation de la roue sera le plus rapide juste avant que les sacs soient complètement remplis. La roue s'arrête lorsque les sacs sont pleins et que les goulottes sont bloquées.
REMARQUE: Afin d'éviter le blocage des chutes, vérifiez/vidés les sacs lorsque la roue tourne rapidement. L'expérience vous montrera le temps idéal pour vider les sacs. Faites attention pour que les pièces ne soient pas avariées et la boule bouge librement au commencement de chaque utilisation.

Si le ramasse-herbe cesse de ramasser l'herbe coupée ou les feuilles, cela indique que le système est obstrué ou que les bacs du ramasse-herbe sont pleins.

- a. Dégagez les lames, mettez les leviers de changement de vitesse/mouvement au point mort.

- Déverrouillez et soulevez le couvercle
 - Retirez les bacs en les faisant glisser et jetez l'herbe coupée
 - Remettez en place les bacs, fermez le couvercle et verrouillez le loquet
- b. Déverrouillez les glissières et vérifiez si elles sont obstruées.
 - Enlevez tous les débris des goulottes.
 - Réassemblez et verrouillez les goulottes
 - c. Vérifiez que l'indicateur de sac plein n'a pas été obstrué.
 - Le trou du passage d'air doit être libre des débris. Insérez doucement une petite brindille ou un petit fil dans le passage à dégager.

Les sacs-poubelle de plastique (3.0 mil, 30 gallons) peuvent être insérés dans les bacs du ramasse-herbe pour faciliter l'élimination des débris. Pour enlever les sacs-poubelle de plastique quand ils sont pleins :

- a. Dégagez les lames, mettez le levier de changement de vitesse au point mort, enclenchez le frein de stationnement et coupez le moteur.
- b. Déverrouillez et soulevez le couvercle.
- c. Enlevez un (1) bac à la fois en saisissant les poignées du bac. Tirez vers l'arrière et faites-le glisser hors des rails du tube.
- d. Posez le bac sur le sol puis fermez et fixez le sommet du sac-poubelle.
- e. Basculez le bac sur son côté et faites glisser le sac-poubelle plein hors du bac.
- f. Mettez en place un nouveau sac-poubelle avec les bords du sac drapés sur le bord supérieur du bac.
- g. Remettez en place les bacs mais veillez à faire chevaucher le bac de droite et le bac de gauche sur le support central.
- h. Fermez le couvercle et fixez les loquets sur les tubes-soutiens centraux.

Utilisation générale

- Il est impératif avant de démarrer la machine de lire, de comprendre et de suivre toutes les instructions présentes dans le manuel d'utilisation et sur la machine.
- Maintenez la machine libre d'herbe, de feuilles ou de toute autre accumulation de débris qui peut toucher les pièces chaudes d'échappement/du moteur et brûler. Ne laissez pas le châssis de la tondeuse labourer les feuilles ou d'autres débris qui peuvent produire l'accumulation.

- Arrêtez le moteur avant d'enlever le ramasse-herbe ou de déboucher l'orifice de décharge.
- N'utilisez jamais la tondeuse sans le ramasse-herbe ou le déflecteur de décharge. Soyez conscient de l'orientation de la décharge de l'herbe coupée. Ne dirigez jamais cette décharge vers quelqu'un.
- Garder la machine exempte d'herbe, de feuilles ou de toute autre accumulation de débris.
- Nettoyez les éclaboussures d'huile ou d'essence.
- Laissez la machine refroidir avant de la remiser.
- Ne tentez aucun réglage, aucune réparation lorsque le moteur est en marche.

REMARQUE : L'utilisation des termes RH (côté droit) ou LH (côté gauche) correspond à la position de l'opérateur assis sur la tondeuse.

Recommandations générales

Observez toujours les règles de sécurité quand vous faites l'entretien.

- Avant chaque utilisation, vérifiez que les attaches ne sont pas desserrées.
- Nettoyez complètement la machine après chaque utilisation.

Soin des lames

- Pour obtenir les meilleurs résultats possible, les lames de tondeuse doivent toujours être tranchantes. Remplacez les lames courbées ou endommagées.
- Voyez les instructions dans le manuel de l'opérateur de la tondeuse.

Entreposage

Lorsque le ramasse-herbe doit être entreposé pendant une certaine période, nettoyez-le avec soin, enlevez toutes les saletés, herbe, feuilles, etc. Entrez-le dans un endroit propre et sec.

PIÈCES DE RECHANGE

Réf. N°	Pièce N°	Qté	Description
1	532 19 53-73	1	Couvercle
2	532 40 02-26	3	Bac, Sac Souple
3	532 13 08-95	2	Guidon, Couvercle
4	532 17 69-90	1	Cadre, Ensacheur
5	532 19 27-09	1	Écran, Couvercle
6	532 17 40-83	4	Capuchon, Extrémité De Tube
8	532 19 27-86	2	Goupille, Charnière
9	532 19 26-03	1	Garniture
10	532 19 25-50	1	Garniture, Couvercle
11	539 10 80-96	2	Goupille Épingle
12	539 97 69-52	6	Vis #10-24 x 5/8
13	539 97 69-77	6	Écrou #10-24 Auto-Serrant

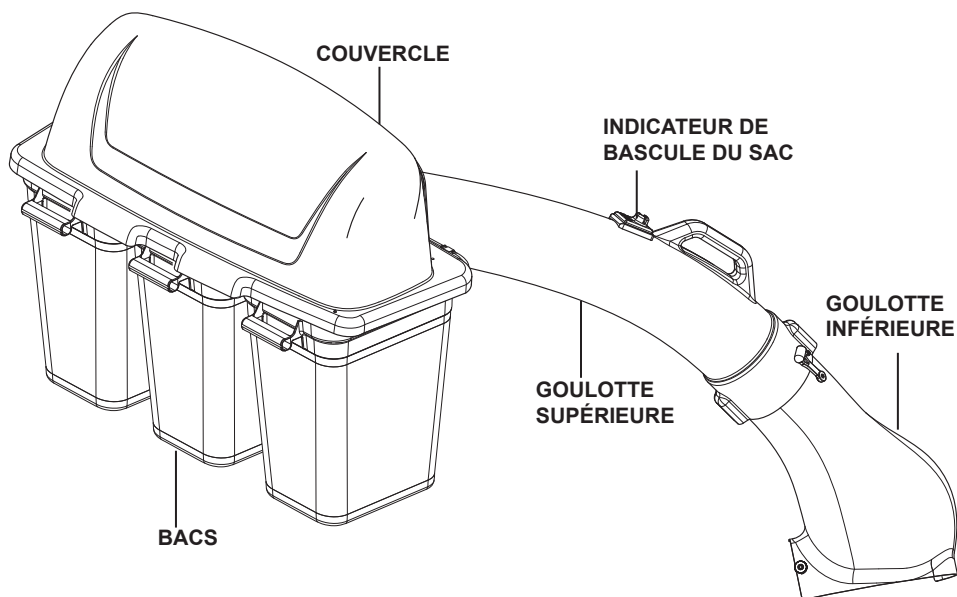
Outils nécessaires

- Clé 7/16" ou cliquet avec douille de
- Clé 1/2" ou cliquet avec douille de

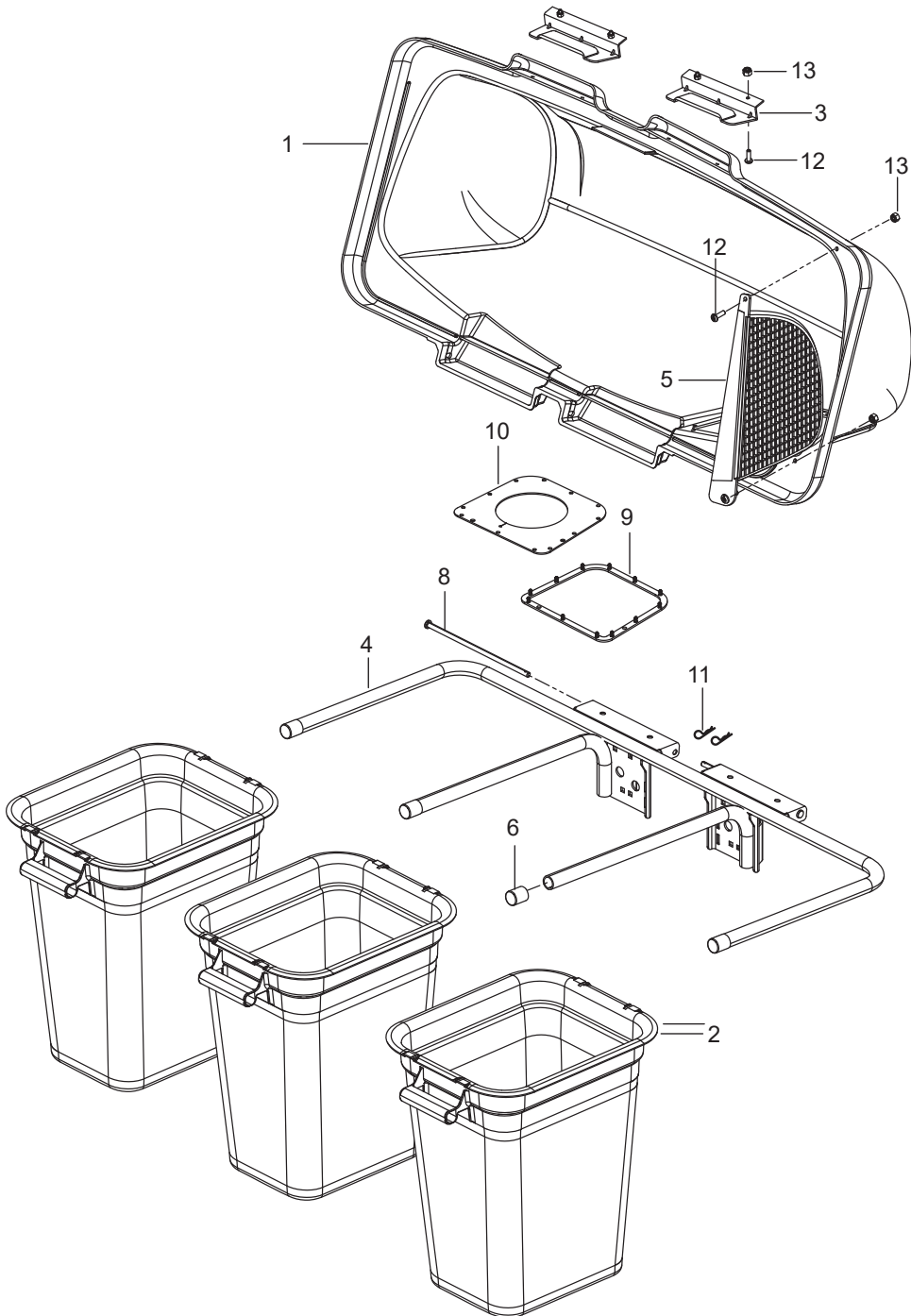
Contenu du carton

- 3 - Bacs à sac souple
- 1 - Goulotte supérieure
- 1 - Support de ramasse-herbe
- 1 - Goulotte inférieure
- 1 - Couvercle
- 1 - Sachet de fixations

Identification des pièces



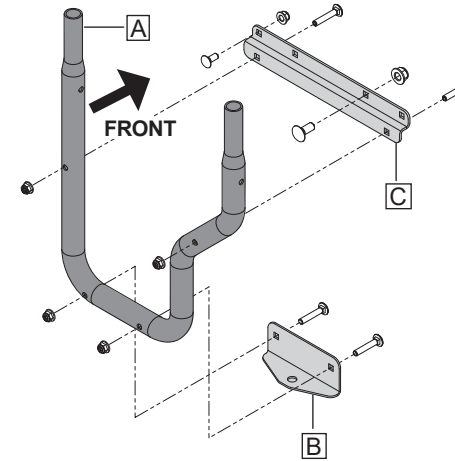
REMARQUE : TOUTES LES ATTACHES SONT DE GRADE 5 À MOINS D'INDICATIONS CONTRAIRES.



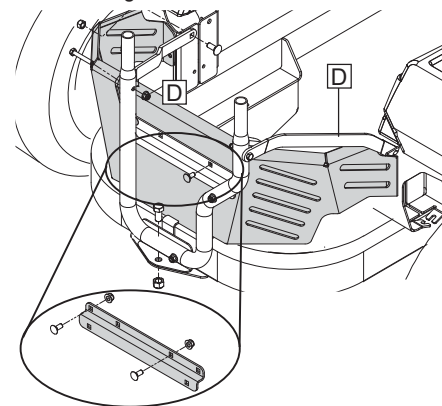
Assemblage de l'ensacheur

Protection arrière complète

1. Identifier le tube d'assemblage (A), le support d'assemblage inférieur (B) et le support d'assemblage supérieur (C) de la trousse. Fixer les supports inférieurs et supérieurs au tube d'assemblage à l'aide de quatre boulons à épaulement à tête ronde de 5/16-16 x 1-3/4 et de quatre écrous. S'assurer que le bras en coude du tube se trouve du côté droit, avec l'attelage de montage installé à l'avant.



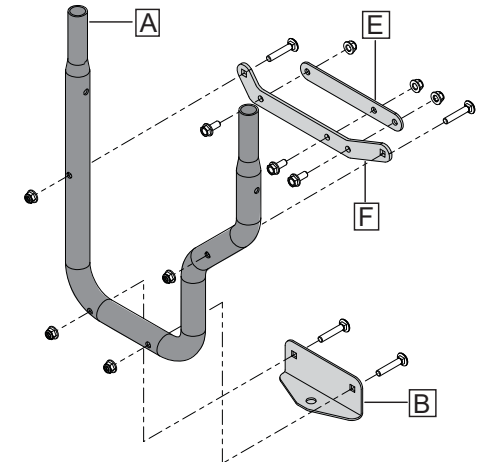
2. Fixer l'ensemble à la machine à l'aide de deux boulons à épaulement à tête ronde de 5/16 -18 x 3/4 et de deux écrous. Utiliser le trou gauche externe et le trou droit interne.
3. Poser les courroies de montage (D) (les plis sont vers l'intérieur) sur l'extérieur des tubes de montage à l'aide des boulons et écrous à tête hexagonale 5/16- 18 x 2.



4. La partie avant des courroies de montage est fixée aux supports du réservoir de carburant à l'aide de boulons à épaulement et écrous à tête ronde 3/8-16 x 1.
5. À l'aide d'un boulon et écrou à tête hexagonale 1/2-13 x 1, fixer l'attelage de montage inférieur au cadre.
6. Serrer toutes les pièces de quincaillerie.

Protection arrière partielle

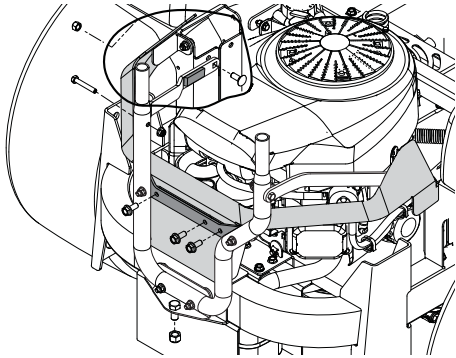
1. Sélectionner le tube de montage (A), l'attelage de montage inférieur (B), la plaque d'espacement (E) et le support de montage (F) dans la trousse. À l'aide des boulons à épaulement et écrous à tête ronde de 5/16 -18 x 1-3/4, fixer l'attelage de montage au tube de montage de la façon illustrée. S'assurer que le bras en coude du tube se trouve du côté droit, avec l'attelage de montage installé à l'avant.
2. Fixer le support de montage au tube à l'aide de deux boulons à épaulement et écrous à tête ronde de 5/16 -18 x 1-3/4.
3. À l'aide d'un boulon et écrou à tête hexagonale 1/2-13 x 1, fixer l'attelage de montage inférieur au cadre.



4. Poser les courroies de montage (les plis sont vers l'intérieur) sur l'extérieur des tubes de montage à l'aide des boulons et écrous à tête hexagonale 5/16- 18 x 2.
5. La partie avant des courroies de montage est fixée aux supports du réservoir de carburant à l'aide de boulons à épaulement et écrous à tête ronde 3/8-16 x 1.

MONTAGE

6. Pour éviter tout contact de la courroie gauche et du boîtier EFM (gestion électronique du carburant) sur le moteur, placer une bande de mousse sur l'intérieur de la courroie, près du boîtier. (L'emplacement sur l'illustration est approximatif.)

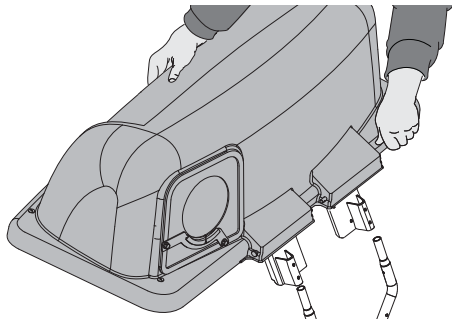


7. Il peut être nécessaire de percer des trous sur le protecteur arrière pour pouvoir installer les pièces de quincaillerie pour le support et la plaque d'espacement. En utilisant le support comme gabarit, percer des trous de 5/16".
8. Glisser la plaque d'espacement entre le support de montage et le protecteur arrière, puis les fixer tous les deux au protecteur arrière à l'aide des boulons et écrous 5/16-18 x 3/4.
9. Serrer toutes les pièces de quincaillerie.

Montage du couvercle

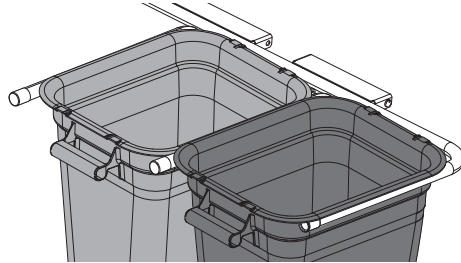
REMARQUE : Pour faciliter le montage du couvercle sur la tondeuse, demandez de l'aide à une autre personne.

1. Soulevez et tournez le couvercle pour aligner les supports du couvercle et les tubessupports.
2. Faites glisser le couvercle sur les tubessupports pour l'enclencher en place.



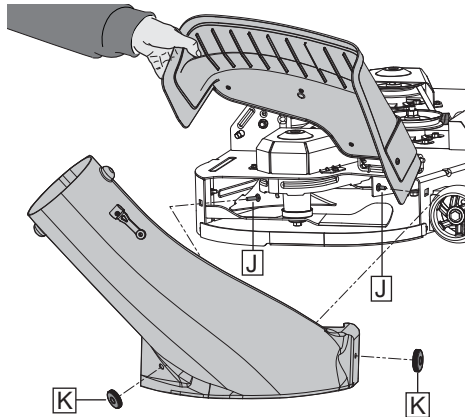
Montage des bacs

1. Installez les contenants sur les supports, en les superposant sur le support central.
2. Fermez le couvercle et verrouillez les poignées de loquet au-dessus des tubes de support.



Goulotte inférieure

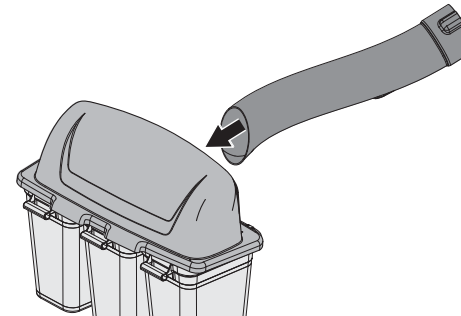
1. Soulevez l'unité à la position de coupe la plus haute.
2. Soulevez et maintenez l'écran déflecteur en position relevée.
3. Positionner la goulotte inférieure sur l'ouverture de la tondeuse et aligner les trous des deux pièces.
4. Insérer les boulons (J) à travers la tondeuse et la goulotte et serrer à l'aide des boutons (K).



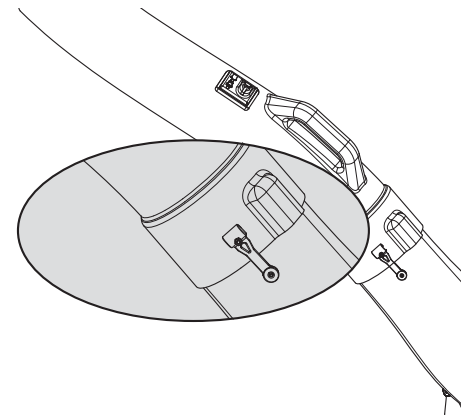
MONTAGE

Goulotte supérieure

1. Abaissez l'unité de coupe sur la position de coupe la plus basse.
2. Montez la glissière supérieure en insérant l'extrémité courbée dans le trou en l'arrière du couvercle. Tenant la glissière supérieure et tordant tandis que l'installation dans le couvercle aidera à garder le joint en caoutchouc en place. Faites attention pour que l'indicateur de sac déchargement ne soit pas avarié.



3. Insérez la goulotte supérieure dans la goulotte inférieure en alignant les crans et les profilés.
4. Étirez le verrou élastique jusqu'à l'écrou borgne de la goulotte supérieure, puis engagez-le.



Mise à niveau de l'unité de coupe

L'unité de coupe de la tondeuse doit être de niveau pour obtenir le meilleur rendement. Consultez les directives du manuel de l'opérateur de la tondeuse.