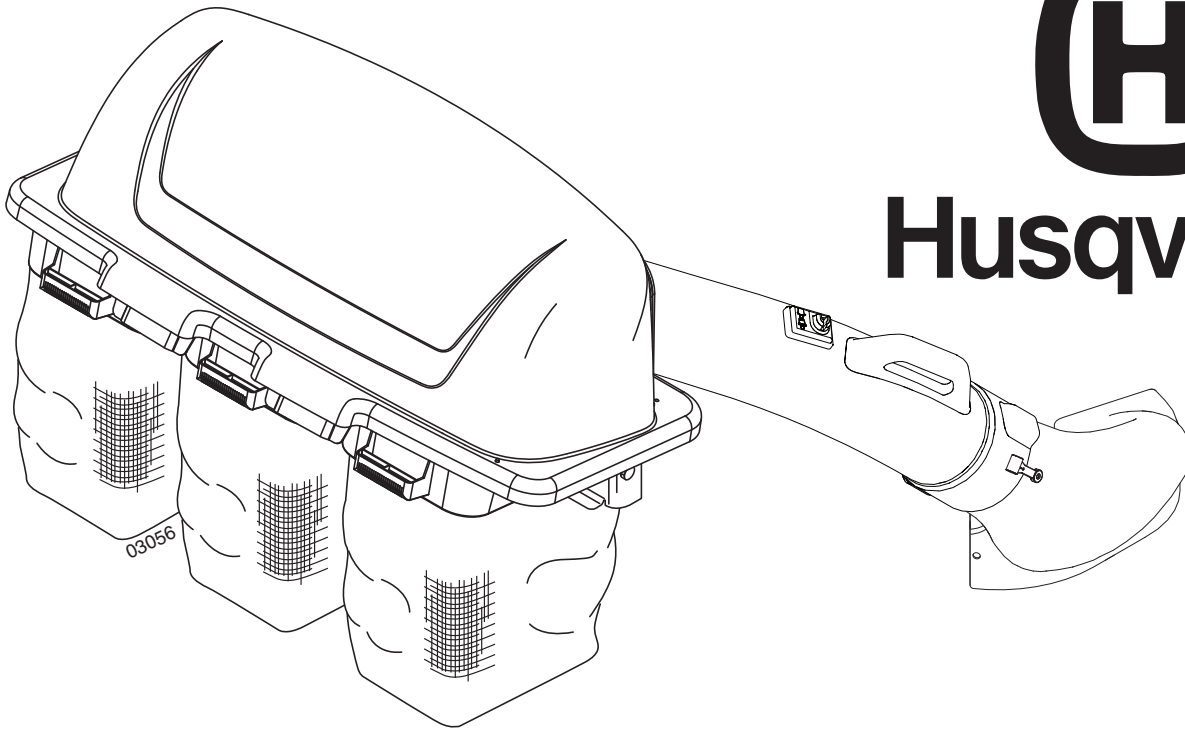




Husqvarna[®]



OWNER'S MANUAL
Product No. 591111301
54 Inch Mower
Grass Collector

- **Assembly**
- **Operation**
- **Customer Responsibilities**
- **Repair Parts**

MANUEL DU PROPRIÉTAIRE
Numéro de Produit 591111301
Tondeuse de 137 cm (54 po.)
Collecteur d'herbe

- **Montage**
- **Utilisation**
- **Responsabilités du Client**
- **Pièces de Rechange**

MANUAL DEL DUEÑO
Número de Producto 591111301
Segadora de 137 cm (54 Pulgada)
Colector De Hierba

- **Montaje**
- **Operación**
- **Mantenimiento**
- **Partes del Reparación**



SAFETY RULES

Safe Operation Practices for Ride-On Mowers



DANGER: THIS CUTTING MACHINE IS CAPABLE OF AMPUTATING HANDS AND FEET AND THROWING OBJECTS. FAILURE TO OBSERVE THE FOLLOWING SAFETY INSTRUCTIONS COULD RESULT IN SERIOUS INJURY OR DEATH.



WARNING: In order to prevent accidental starting when setting up, transporting, adjusting or making repairs, always disconnect spark plug wire and place wire where it cannot contact spark plug.



WARNING: Do not coast down a hill in neutral, you may lose control of the tractor.



WARNING: Tow only the attachments that are recommended by and comply with specifications of the manufacturer of your tractor. Use common sense when towing. Operate only at the lowest possible speed when on a slope. Too heavy of a load, while on a slope, is dangerous. Tires can lose traction with the ground and cause you to lose control of your tractor.

I. CHILDREN



WARNING! CHILDREN CAN BE INJURED BY THIS EQUIPMENT. The American Academy of Pediatrics recommends that children be a minimum of 12 year of age before operating a pedestrian controlled lawn mower and a minimum of 16 years of age before operating a riding lawn mower.



WARNING! CHILDREN CAN BE SERIOUSLY INJURED OR KILLED BY THIS EQUIPMENT. Carefully read and follow all of the safety instructions below.

Tragic accidents can occur if the operator is not alert to the presence of children. Children are often attracted to the machine and the mowing activity. Never assume that children will remain where you last saw them.

- Keep children out of the mowing area and in the watchful care of a responsible adult **other than** the operator.
- Be alert and turn machine off if a child enters the area.
- Before and while backing, look behind and down for small children.
- Never carry children, even with the blades shut off. They may fall off and be seriously injured or interfere with safe machine operation. Children who have been given rides in the past may suddenly appear in the mowing area for another ride and be run over or backed over by the machine.
- Never allow children to operate the machine.
- Use extreme caution when approaching blind corners, shrubs, trees, or other objects that may block your view of a child.

II. GENERAL OPERATION

- Read, understand, and follow all instructions on the machine and in the manual before starting.
- Do not put hands or feet near rotating parts or under the machine. Keep clear of the discharge opening at all times.
- Only allow responsible adults, who are familiar with the instructions, to operate the machine.

- Clear the area of objects such as rocks, toys, wire, etc., which could be picked up and thrown by the blades.
- Ensure the area is clear of bystanders before operating. Stop machine if anyone enters the area.
- Never carry passengers.
- Do not mow in reverse unless absolutely necessary. Always look down and behind before and while backing.
- Never direct discharged material toward anyone. Avoid discharging material against a wall or obstruction. Material may ricochet back toward the operator. Stop the blades when crossing gravel surfaces.
- Do not operate machine without the entire grass catcher, discharge chute, or other safety devices in place and working.
- Slow down before turning.
- Never leave a running machine unattended. Always turn off blades, set parking brake, stop engine, and remove keys before dismounting.
- Disengage blades when not mowing. Shut off engine and wait for all parts to come to a complete stop before cleaning the machine, removing the grass catcher, or unclogging the discharge chute.
- Operate machine only in daylight or good artificial light.
- Do not operate the machine while under the influence of alcohol or drugs.
- Watch for traffic when operating near or crossing roadways.
- Use extreme caution when loading or unloading the machine into a trailer or truck.
- Always wear eye protection when operating machine.
- Use ear protectors to avoid damage to hearing.
- Data indicates that operators, age 60 years and above, are involved in a large percentage of riding mower-related injuries. These operators should evaluate their ability to operate the riding mower safely enough to protect themselves and others from serious injury.
- Follow the manufacturer's recommendation for wheel weights or counterweights.
- Keep machine free of grass, leaves or other debris build-up which can touch hot exhaust / engine parts and burn. Do not allow the mower deck to plow leaves or other debris which can cause build-up to occur. Clean any oil or fuel spillage before operating or storing the machine. Allow machine to cool before storage.

III. SLOPE OPERATION



WARNING! When loading or unloading this machine, do not exceed the maximum recommended operation angle of 15°.

Slopes are a major factor related to loss of control and tip-over accidents, which can result in severe injury or death. Operation on all slopes requires extreme caution. If you cannot back up the slope or if you feel uneasy on it, do not mow it.

- Mow up and down slopes, not across.
- Watch for holes, ruts, bumps, rocks, or other hidden objects. Uneven terrain could overturn the machine. Tall grass can hide obstacles.
- Choose a low ground speed so that you will not have to stop or shift while on the slope.
- Do not mow on wet grass. Tires may lose traction. Always keep the machine in gear when going down slopes.
- Do not shift to neutral and coast downhill.



SAFETY RULES



Safe Operation Practices for Ride-On Mowers

- Avoid starting, stopping, or turning on a slope. If the tires lose traction, disengage the blades and proceed slowly straight down the slope.
- Keep all movement on the slopes slow and gradual. Do not make sudden changes in speed or direction, which could cause the machine to roll over.
- Use extreme caution while operating machine with grass catchers or other attachments; they can affect the stability of the machine. Do not use on steep slopes.
- Do not try to stabilize the machine by putting your foot on the ground.
- Do not mow near drop-offs, ditches, or embankments. The machine could suddenly roll over if a wheel is over the edge or if the edge caves in.
- If machine stops while going uphill, disengage blades, shift into reverse and back down slowly.
- Do not turn on slopes unless necessary, and then, turn slowly and gradually downhill, if possible.

- Never fill containers inside a vehicle or on a truck or trailer bed with plastic liner. Always place containers on the ground away from your vehicle when filling.
- Remove gas-powered equipment from the truck or trailer and refuel it on the ground. If this is not possible, then refuel such equipment with a portable container, rather than from a gasoline dispenser nozzle.
- Keep the nozzle in contact with the rim of the fuel tank or container opening at all times until fueling is complete. Do not use a nozzle lock-open device.
- If fuel is spilled on clothing, change clothing immediately.
- Never overfill fuel tank. Replace gas cap and tighten securely.



IV. TOWING

- Tow only with a machine that has a hitch designed for towing. Do not attach towed equipment except at the hitch point.
- Follow the manufacturer's recommendation for weight limits for towed equipment and towing on slopes.
- Never allow children or others in or on towed equipment.
- On slopes, the weight of the towed equipment may cause loss of traction and loss of control.
- Travel slowly and allow extra distance to stop.

V. SERVICE

SAFE HANDLING OF GASOLINE

To avoid personal injury or property damage, use extreme care in handling gasoline. Gasoline is extremely flammable and the vapors are explosive.

- Extinguish all cigarettes, cigars, pipes, and other sources of ignition.
- Use only approved gasoline container.
- Never remove gas cap or add fuel with the engine running.
- Allow engine to cool before refueling.
- Never fuel the machine indoors.
- Never store the machine or fuel container where there is an open flame, spark, or pilot light such as on a water heater or other appliances.

GENERAL SERVICE

- Never operate machine in a closed area.
- Keep all nuts and bolts tight to ensure the equipment is in safe working condition.
- Never tamper with safety devices. Never interfere with the intended function of a safety device or reduce the protection provided by a safety device. Check their proper operation regularly. NEVER operate a machine with a safety device that does not function properly.
- Keep machine free of grass, leaves, or other debris build-up. Clean oil or fuel spillage and remove any fuel-soaked debris. Allow machine to cool before storing.
- If you strike a foreign object, stop and inspect the machine. Repair, if necessary, before restarting.
- Never make any adjustments or repairs with the engine running.
- Check grass catcher components and the discharge chute frequently and replace with manufacturer's recommended parts, when necessary.
- Mower blades are sharp. Wrap the blade or wear gloves, and use extreme caution when servicing them.
- Check brake operation frequently. Adjust and service as required.
- Maintain or replace safety and instruction labels, as necessary.



Use ear protectors to avoid damage to hearing.



Always wear eye protection when operating machine.

CONGRATULATIONS on your purchase of a new Grass Catcher. It has been designed, engineered and manufactured to give you the best possible dependability and performance.

Should you experience any problems you cannot easily remedy, please contact your nearest authorized service center/department. They have competent, well trained technicians and the proper tools to service or repair this unit.

Please read and retain this manual. The instructions will enable you to assemble and maintain your Grass Catcher properly. Always observe the "SAFETY RULES".

TABLE OF CONTENTS

SAFETY RULES	2-3
CARTON CONTENTS	4
ASSEMBLY	5-7
OPERATION	8
CUSTOMER RESPONSIBILITIES.....	9

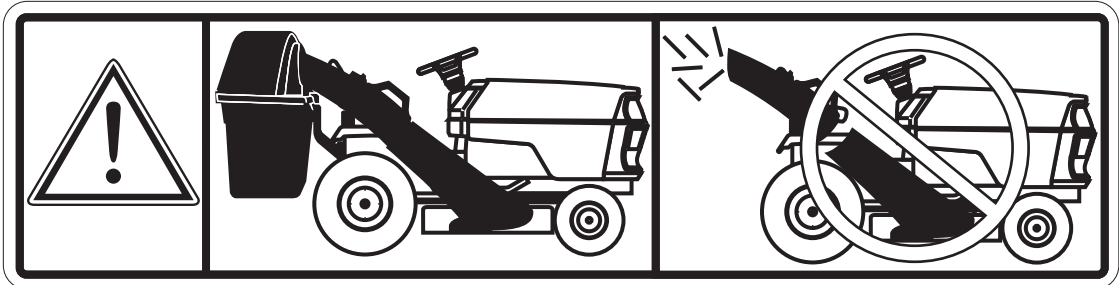
STORAGE.....	09
REPAIR PARTS	10-11
ESPAÑOL	22
FRANCÉS	12

KNOW YOUR GRASS CATCHER

READ THIS OWNER'S MANUAL AND SAFETY RULES BEFORE ASSEMBLING OR OPERATING YOUR GRASS CATCHER. Compare the illustrations with the carton contents to familiarize yourself with the parts before starting the assembly. Study the operating instructions and safety precautions thoroughly to insure proper functioning of your Grass Catcher and to prevent injury to yourself and others. Save this manual for future reference.



The operation of any tractor can result in foreign objects thrown into the eyes, which can result in severe eye damage. Always wear safety glasses or eye shields before starting your tractor and while mowing. We recommend a wide vision safety mask for over the spectacles or standard safety glasses.



COMPLETE BAGGER MUST BE IN PLACE BEFORE OPERATING MOWER

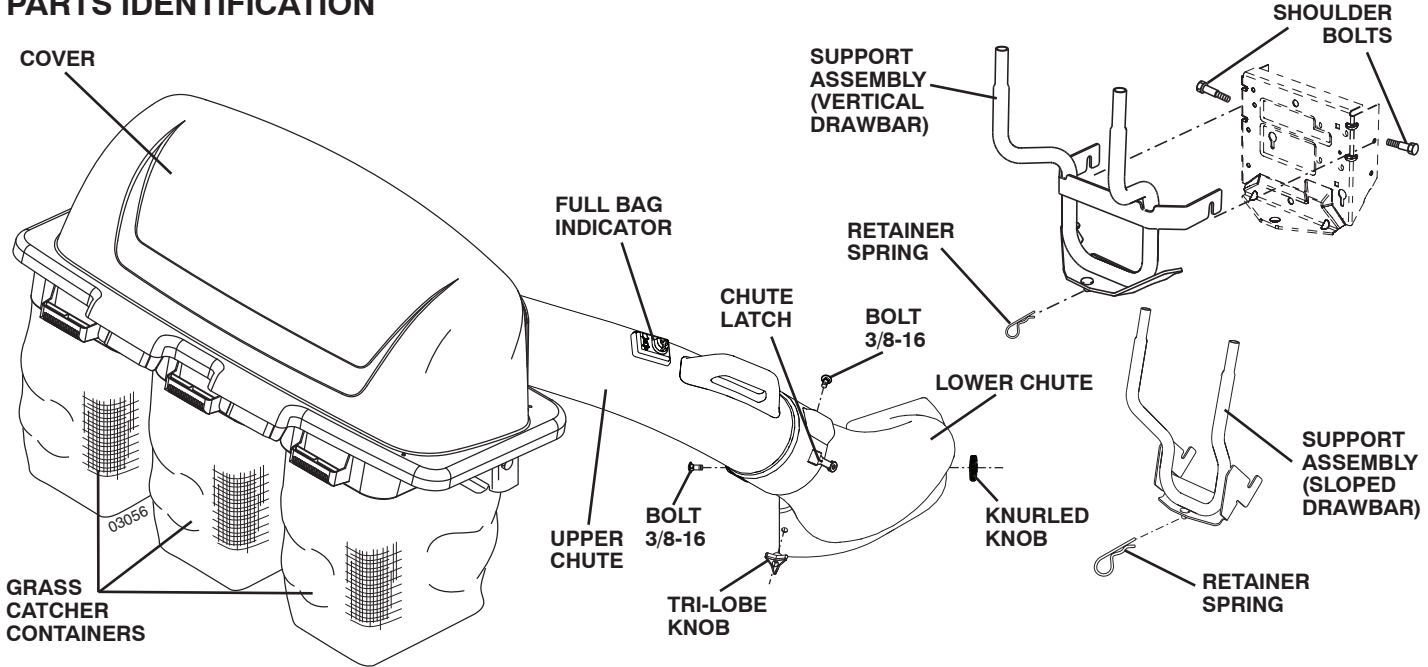
UNPACKING INSTRUCTIONS

- Remove all parts and packing materials from carton.
- Check carton contents against list. Be sure all parts are there.

CARTON CONTENTS:

- | | |
|----------------------|---------------------|
| (3) Containers | (1) Retainer Spring |
| (1) Upper Chute | (2) Shoulder Bolts |
| (1) Lower Chute | (2) Bolts 3/8-16 |
| (2) Support Assembly | (1) Knurled Knob |
| (1) Cover Assembly | (1) Tri-lobe Knob |

PARTS IDENTIFICATION



NOTE: When right hand (R.H.) and left hand (L.H.) are mentioned in this manual, it means when you are seated on the tractor, in the operator's position.

CAUTION: BEFORE ASSEMBLING GRASS CATCHER TO TRACTOR:



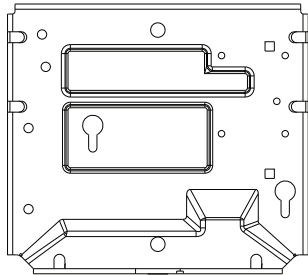
- Depress clutch/brake pedal fully and set parking brake.
- Place gearshift/motion control lever in "NEUTRAL" position.
- Place attachment clutch in "DISENGAGED" position.
- Turn ignition key "OFF" and remove key.
- Make sure the blade and all moving parts have completely stopped.
- Disconnect spark plug wire from plug and place where it cannot come in contact with plug.

ASSEMBLY

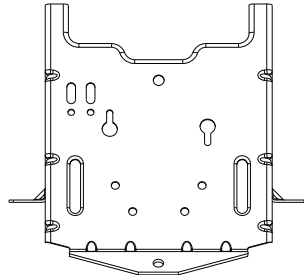
1 BAGGER SUPPORT ASSEMBLY

Determine which type drawbar you have on your tractor. Compare the drawbar illustrations below to the drawbar located at the rear of your tractor.

Follow the support assembly instructions that apply to your type drawbar.



DRAWBAR A
(Vertical Drawbar)



DRAWBAR B
(Sloping Drawbar)

DRAWBAR A (See Figs. 1A, 1B & 1C)

1. Remove and discard the upper bolt on both sides of the drawbar. Using the same holes, install the shoulder bolts supplied and tighten securely.

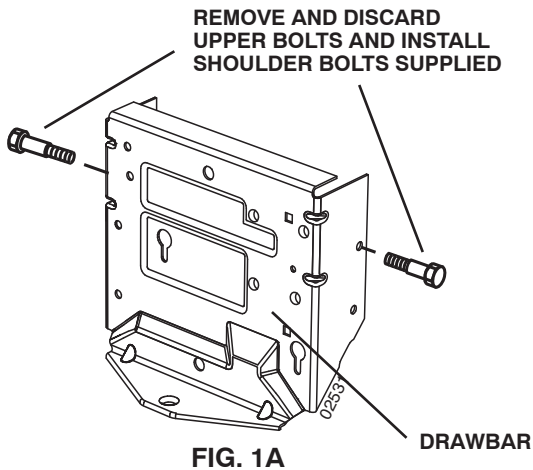


FIG. 1A

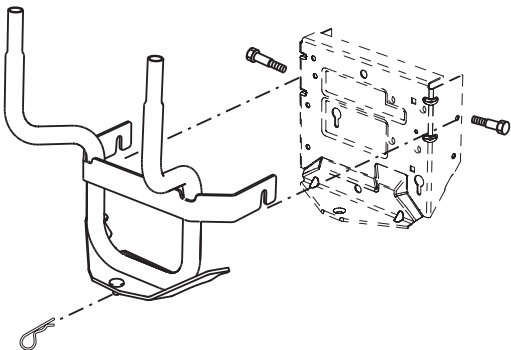


FIG. 1B

2. Align support assembly pin with hole in drawbar and hang assembly over the shoulder bolts.
3. Be sure support assembly is seated properly and secure with retainer spring supplied.

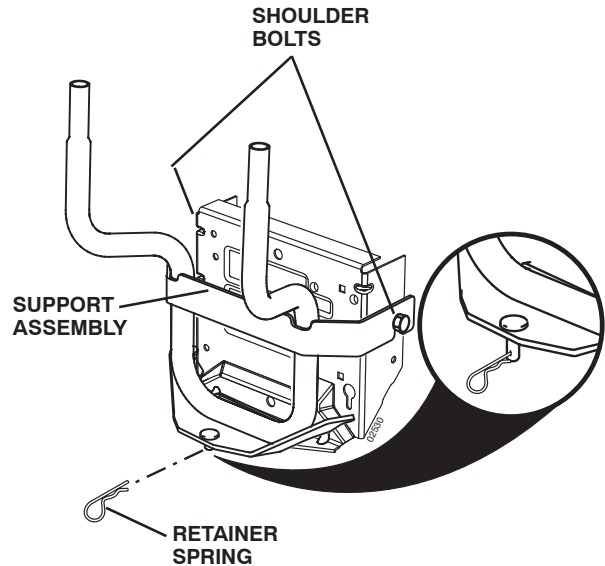


FIG. 1C

DRAWBAR B (See Fig. 1D)

1. Slide flanges of support assembly into drawbar slots first, then, pivot backwards inserting pin into drawbar pin hole.
2. Be sure support assembly is seated properly, then secure with retainer spring.

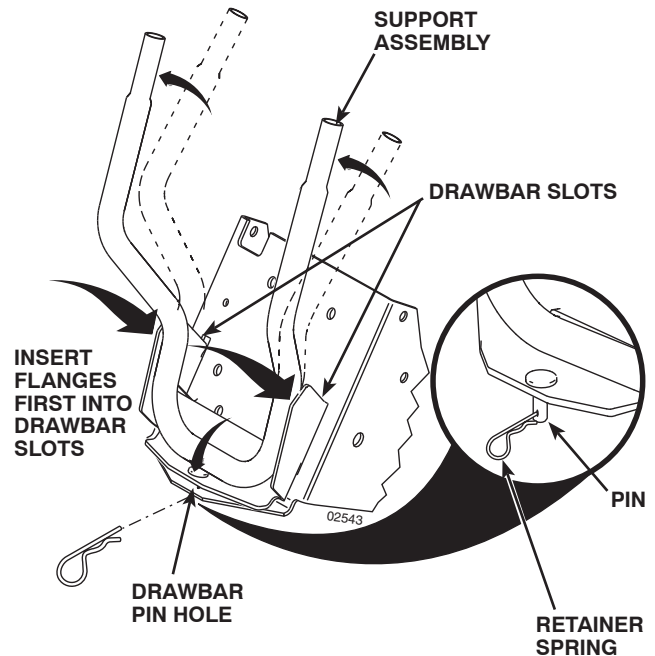


FIG. 1D

2 MOUNTING COVER ASSEMBLY TO SUPPORT ASSEMBLY (See Fig. 2)

NOTE: For ease of assembly, you may wish to obtain the assistance of another person for mounting cover assembly to tractor.

1. Position cover assembly on ground behind tractor.
2. Lift and rotate cover to align cover brackets with support assembly tubes.
3. Slide cover assembly down onto the support tubes.

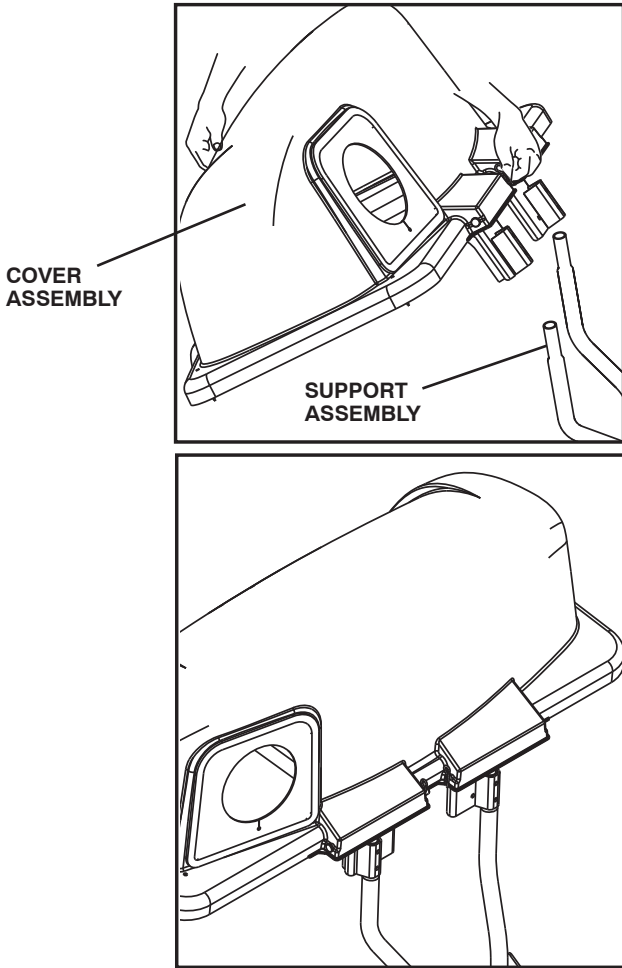


FIG. 2

3 CONTAINER MOUNTING (See Fig. 3)

1. Install one container to left side first. Install another container to center position and one in right position.

NOTE: Left edge of right container should always overlap right edge of left container at center supports.

2. Close cover and lock latches over center support tubes. To lock and release latches, pull back on latch handles.

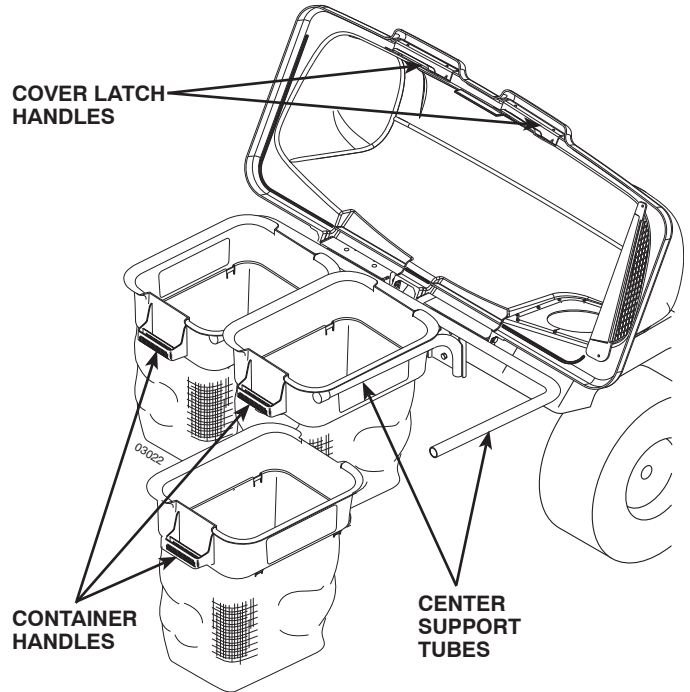


FIG. 3

4 LOWER CHUTE (See Fig. 4)

1. Raise mower to its highest cutting position.
2. Check the position of the deck gauge wheels. If necessary, move the right front gauge wheel to either of the two lower holes. If it is desired to cut in extreme low cut (for example, prior to aeration and overseeding), use the included wing nuts instead of the knobs and move the gauge wheels to the top holes.
3. Raise and hold deflector shield in upright position.
4. Position lower chute over mower opening and align holes on lower chute with holes on mower.
5. Insert the bolts through the mower and chute and fasten with tri-lobe knob and knurled knob.



CAUTION: Do not remove deflector shield from mower. Raise and hold shield when attaching lower chute and allow it to rest on chute while in operation.

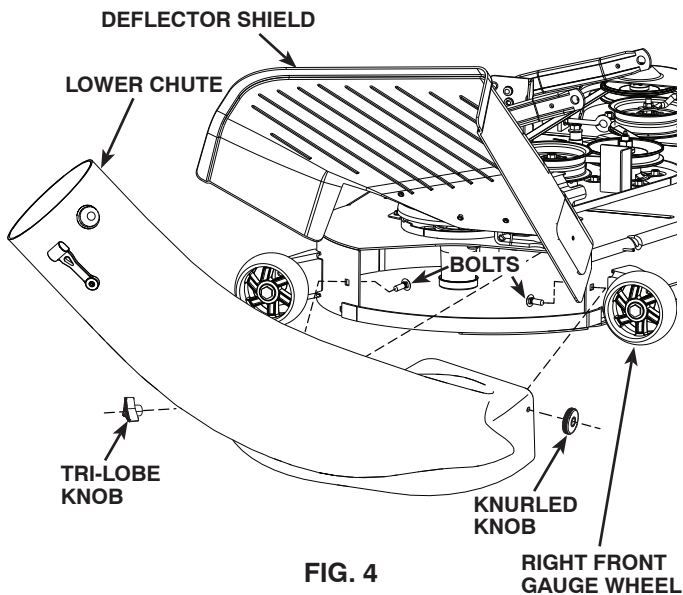


FIG. 4

5 UPPER CHUTE (See Figs. 5A and 5B)

1. Lower mower to its lowest cutting position.
2. Assemble upper chute by inserting curved end into hole in back of cover.

TIP: Holding upper chute as shown and twisting while installing in cover will help keep the rubber seal in place.

NOTE: Handle carefully so as not to damage full bag indicator.

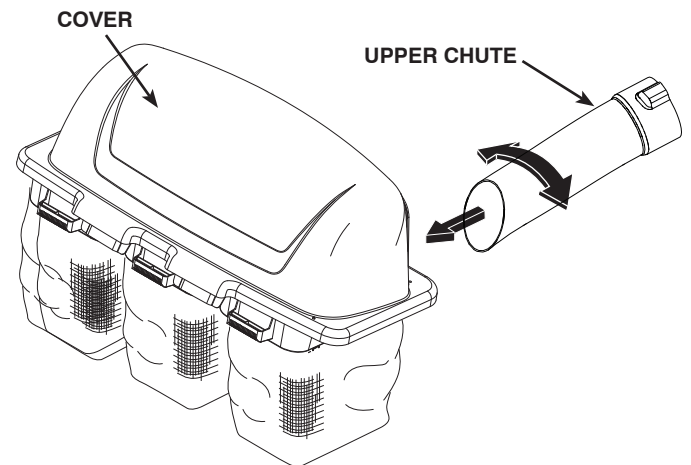


FIG. 5A

3. Push in and turn upper chute until it is in line with lower chute.
4. Align the bosses on lower chute with alignment slots on upper chute and slide together.
5. Secure with rubber latch by hooking hole in latch over latch pin.

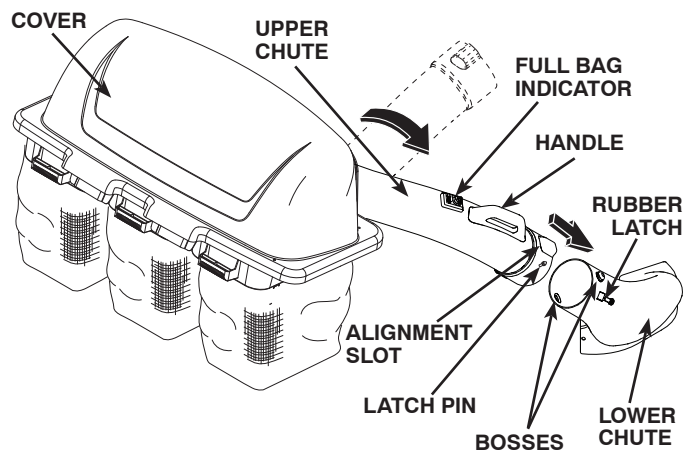


FIG. 5B

6 LEVEL MOWER DECK

- Be sure deck is properly leveled for best mower performance. See your tractor's owner's manual for instructions.

OPERATION

TIPS FOR IMPROVED BAGGING OPERATION:

Follow the mower operation instructions in your tractor owner's manual.

When operating your grass catcher on a lawn where grass and leaf bagging equipment has not been used, you are picking up thatch and debris that has accumulated for long periods of time. The amount collected and the total time of operation may be greater than you will experience with regular use of your grass catcher.

- Always run throttle at full speed when bagging.
- Select a gear low enough to give good mower cutting performance, good quality cut and good bagging performance.

NOTE: It may be necessary to overlap width of cut to suit your conditions.

- If grass is extremely tall, it should be mowed twice. The first time relatively high, the second time to desired height.
- Use left hand side of mower for trimming.
- Plastic trash bags can be inserted inside grass catcher containers for ease of debris disposal. To remove the plastic trash bags when full:
 - a. Disengage blades, shift into neutral, engage the parking brake and stop the engine.
 - b. Raise seat. Unlatch and raise cover.
 - c. Remove one container at a time by grasping container handles and pulling toward the rear, off of the tube rails.
 - d. With the container resting on the ground, close and secure the top of the plastic lawn bag.
 - e. Tip the container on its side and slide the filled bag from the container.
 - f. Install a new plastic lawn bag with the edges of the bag draped over upper lip of the container.
 - g. Repeat for other containers.
 - h. Reinstall containers making sure right container overlaps left container at center supports.
 - j. Close cover and secure latches over center support tubes.
- Avoid cutting wet grass or in the morning while the dew is still heavy. Grass clippings collected under these conditions tend to be sticky and adhere to the walls of the flow path causing clogging.

- Your bagger is equipped with a full bagger indicator. Movement of the wheel increases as the bags fill. The wheel will be spinning fastest just before the bags fill completely. When the wheel stops, it indicates that the bags are full and the chutes have become clogged.

NOTE: To help prevent clogging of chutes, check/empty bags when the wheel is spinning fast. Experience will teach you the best time to empty the bags.

Care should be taken not to damage the parts and that the wheel spins freely at the beginning of each use.

- If the grass catcher fails to pick up cut grass or leaves, it is an indication that clogging has occurred in the system or that the grass catcher containers are full. Usually this is indicated by the stopped movement of the full bagger indicator.
 - a. Disengage blades, shift into neutral, engage the parking brake and stop the engine.
 - Raise seat. Unlatch and raise cover.
 - Slide out containers and dispose of clippings .
 - Replace containers, close cover, and latch.
 - b. Unlatch chutes and check for clogging.
 - Remove all debris in chutes.
 - Reassemble and latch chutes
 - c. Check to insure full bagger indicator has not become clogged.
 - The air passage hole must be clear of debris. Gently insert a small twig or wire into passageway to clear.



CAUTION

- Do not operate mower with grass catcher partially installed.
- Disengage blades and stop engine before leaving tractor seat to empty containers, unclogging chutes, etc.
- Close cover before starting.
- Disengage mower when crossing driveways or gravel surfaces and other areas where thrown objects could be a hazard.
- Do not attempt to vacuum up cans or other potentially hazardous projectiles.

CUSTOMER RESPONSIBILITIES

GENERAL RECOMMENDATIONS

Always observe safety rules when performing any maintenance.

- Before each use check for loose fasteners.
- Clean unit thoroughly after each use.

BLADE CARE

For best results mower blades must be kept sharp. Replace bent or damaged blades.

- See BLADE CARE instructions in your tractor owner's manual.



CAUTION: BEFORE PERFORMING ANY MAINTENANCE, SERVICE OR ADJUSTMENTS:

- Depress clutch brake pedal fully and set parking brake.
- Place gearshift/motion control lever in "NEUTRAL" position.
- Place clutch control in "DISENGAGED" position.
- Turn ignition key to "OFF" position.
- Make sure blades and all moving parts have completely stopped.
- Disconnect spark plug wire(s) from spark plug(s) and place wire where it cannot come in contact with plug.



CAUTION: Grass catcher components are subject to wear, damage and deterioration, which could expose moving parts or allow objects to be thrown. Frequently check components and replace with manufacturer's recommended parts, when necessary.

STORAGE

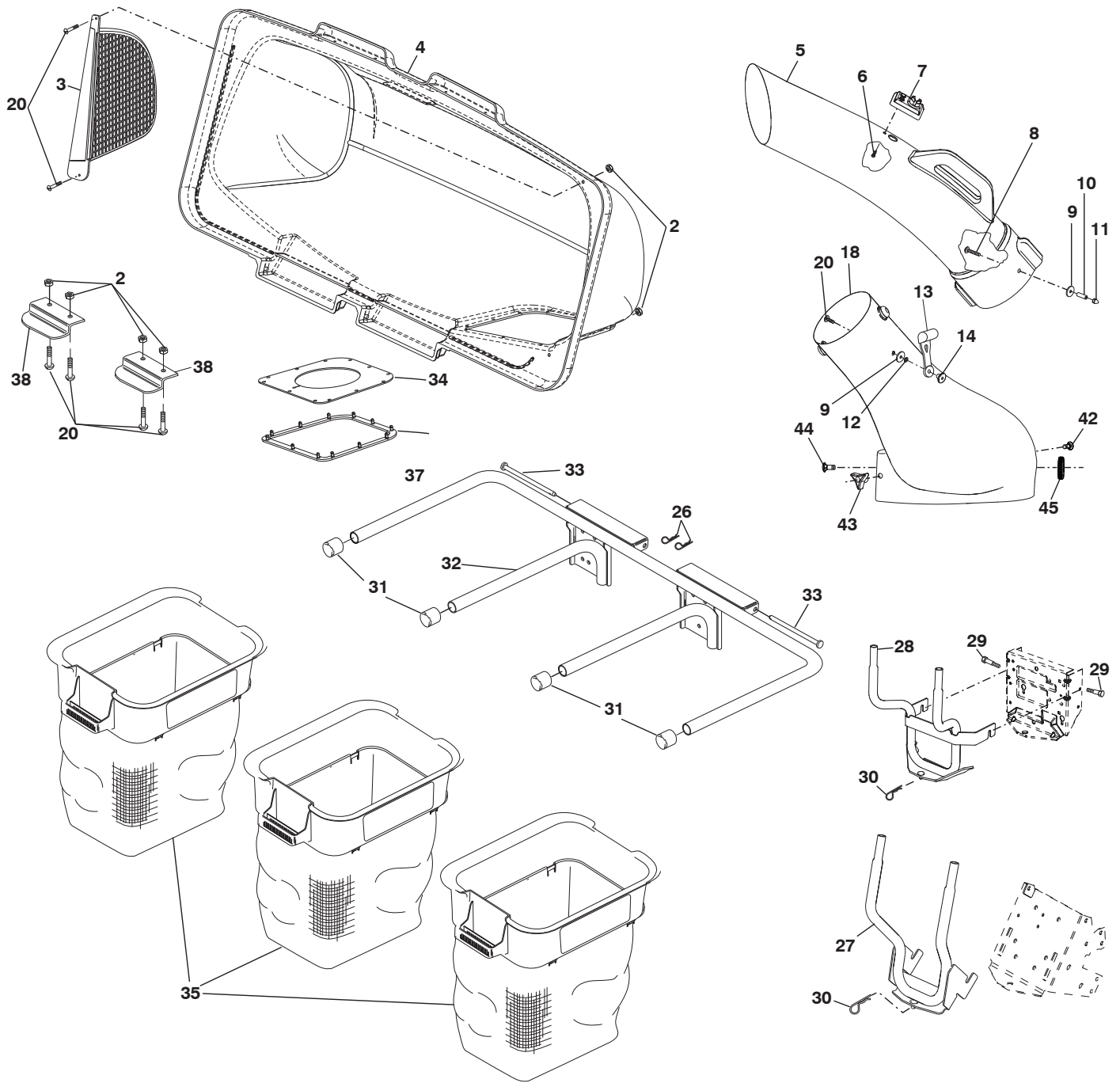
When grass catcher is to be stored for a period of time, clean it thoroughly, remove all dirt, grass, leaves, etc. Store in a clean, dry place.



CAUTION: Do not leave grass in bagger containers. Empty containers after each use and before storing. Failure to do so may result in spontaneous combustion which could develop into a fire.

REPAIR PARTS

GRASS CATCHER - MFG. ID NO. 591 11 13-01



REPAIR PARTS

GRASS CATCHER - MFG. ID NO. 591 11 13-01

KEY NO.	PART NO.	DESCRIPTION
2	532 06 91-80	Nut, Crownlock #10-24
3	532 19 27-09	Screen, Cover
4	532 19 53-73	Cover Assembly (Includes 34, 37)
5	582 69 32-01	Chute, Upper
6	818 02 10-08	Screw, Special #10-14 x 1/2
7	532 13 09-33	Full Bag Indicator
8	532 08 71-75	Screw, #10-24 x 1-1/8
9	532 05 27-84	Washer 3/16 x 3/4 x 16 Ga.
10	532 00 72-06	Spacer, Split
11	532 06 08-67	Nut, Acorn #10-24
12	810 07 10-00	Washer, lock
13	532 10 98-08	Latch, Chute
14	532 12 50-04	Nut, Weld
18	582 69 36-01	Chute, Lower
20	871 16 10-10	Screw #10-24 x 5/8
26	532 00 49-39	Spring, Retainer
27	532 41 44-45	Support Assembly
28	532 42 07-32	Support Assembly
29	532 17 69-97	Shoulder Bolt
30	532 16 58-98	Spring, Retainer
31	532 17 40-83	Plug, Tubing End
32	532 41 44-44	Bagger, Frame
33	532 19 27-86	Pin, Hinge
34	532 19 25-50	Gasket, Cover
35	532 40 02-26	Container
37	532 19 26-03	Seal, Cover
38	532 13 08-95	Latch Handle, Cover
42	872 11 06-08	Bolt 3/8-16 x 1
43	532 17 88-99	Tri-lobe Knob
44	872 11 06-14	Bolt 3/8-16 x 1-3/4
45	593 17 47-01	Knurled Knob
--	114 12 46-20	Owner's Manual, English/French/Spanish

NOTE: All component dimensions given in U.S. inches
1 inch = 25.4 mm.



RÈGLES DE SÉCURITÉ



Conseils pour l'utilisation en toute sécurité des tracteurs

DANGER: CET TRACTEUR PEUT AMPUTER LES MAINS, LES PIEDS ET PROJETER DES OBJETS. L'INOBSERVATION DES RÈGLES DE SÉCURITÉ SUIVANTES PEUT ÊTRE LA CAUSE DE BLESSURES SÉRIEUSES ET MÊMES MORTELLES.



AVERTISSEMENT: Débranchez toujours le fil de bougie d'allumage et pour prévenir les démarrages accidentels, posez-le de telle façon qu'il ne puisse pas entrer en contact avec la bougie d'allumage lors de l'installation, du transport, des ajustements ou des réparations.



AVERTISSEMENT: Ne descendez pas les pentes à point mort, vous pourriez perdre la commande du tracteur.



AVERTISSEMENT: Remorquez seulement les accessoires recommandés par et selon les spécifications du fabricant de votre tracteur. Utilisez votre bon sens pendant que vous remorquez. Opérez seulement avec la vitesse la plus réduite pendant que vous allez sur une pente. Il est dangereux d'avoir un chargement trop lourd pendant que vous opérez sur une pente. Les pneus peuvent détruire la traction avec la terre et vous faire perdre la commande de votre tracteur.

I. ENFANTS



AVERTISSEMENT: LES ENFANTS PEUVENT ÊTRE BLESSÉS PAR CET ÉQUIPEMENT. L'American Academy of Pediatrics recommande que les enfants soient âgés d'au moins 12 ans avant de pouvoir utiliser une tondeuse à conducteur à pied et d'au moins 16 ans dans le cas d'un tracteur à gazon.



AVERTISSEMENT: LES ENFANTS PEUVENT ÊTRE GRAVEMENT BLESSÉS OU TUÉS PAR CET ÉQUIPEMENT. Lisez attentivement et respectez toutes les consignes de sécurité ci-dessous.

Des accidents tragiques peuvent avoir lieu si l'opérateur ne fait pas très attention en présence d'enfants. Les enfants sont souvent très attirés par la machine et par la tonte. Ne croyez jamais que les enfants restent immobiles à l'endroit où vous venez de les laisser.

- Les enfants doivent se tenir hors de la zone de tonte et sous la supervision d'un adulte responsable, **autre que** l'opérateur.
- Faites extrêmement attention et éteignez le moteur si un enfant pénètre dans la zone.
- Regardez toujours s'il n'y a pas d'enfants en bas âge vers le bas et vers l'arrière avant et pendant la marche arrière.
- Ne transportez jamais d'enfant même si les lames ne tournent pas. Ils pourraient tomber et se blesser gravement ou gêner le fonctionnement de la machine. Les enfants qui ont déjà été transportés auparavant risquent de se précipiter dans la zone de tonte pour faire un autre tour et d'être renversés par la machine.
- Ne laissez jamais les enfants utiliser la machine.
- Faites extrêmement attention à proximité des angles morts, des arbustes, des arbres ou d'autres objets susceptibles de cacher un enfant à la vue.

II. FONCTIONNEMENT GÉNÉRAL

- Veuillez lire, comprendre et suivre les instructions que vous trouverez sur la machine et dans le manuel avant de commencer.
- Ne mettez ni vos mains ni vos pieds à proximité des parties tournantes ou sous la machine. Les orifices d'évacuation doivent être toujours libres.
- Seuls les adultes responsables doivent être autorisés à utiliser la machine.

- Débarrassez la zone des objets comme les pierres, les jouets, les fils de fer, etc.. susceptibles d'être prélevés et projetés par les lames.
- Vérifiez si personne ne stationne dans la zone avant de commencer. Si quelqu'un pénètre dans la zone arrêtez la machine.
- Ne portez jamais de passager.
- Ne tondez pas en marche arrière, sauf en cas de nécessité absolue. Regardez toujours vers le bas et vers l'arrière avant et pendant la marche arrière.
- Ne dirigez jamais le matériau déchargé vers qui que ce soit. Évitez de décharger le matériau contre un mur ou un obstacle. Le matériau risque de rebondir vers l'opérateur. Arrêtez les lames lorsque vous traversez des allées gravillonnées.
- Ne pas faire fonctionner la machine sans le bac de ramassage complet, la goulotte de décharge ou tout autre dispositif de sécurité en place et en fonction.
- Ralentissez avant de tourner,
- Ne laissez jamais la machine en marche sans surveillance. Arrêtez toujours les lames, tirez le frein à main, arrêtez le moteur et enlevez les clés avant de descendre.
- Débrayer les lames quand on ne tond pas. Arrêtez le moteur et attendez que toutes les pièces soient complètement arrêtées avant de nettoyer la machine, de retirer le bac de ramassage ou de dégager la goulotte de décharge.
- Ne faites marcher la machine que le jour ou à la lumière artificielle,
- Ne faites pas marcher la machine si vous êtes sous l'influence de l'alcool ou de drogues.
- Faites attention à la circulation si vous opérez à proximité d'une route ou si vous la traversez.
- Faites extrêmement attention lorsque vous chargez la machine sur un camion ou une remorque.
- Portez toujours des lunettes de protection lorsque vous utilisez la machine.
- Utilisez des protecteurs d'oreilles pour éviter d'endommager l'audition.
- Les statistiques montrent que les accidents provoqués par des tondeuses autoportées sont plus fréquents chez les opérateurs de plus de 60 ans. Ces personnes doivent évaluer leur capacité de conduire une tondeuse en garantissant un niveau de sécurité adéquat à eux-mêmes et aux autres.
- Respectez les recommandations du fabricant au niveau des poids des roues et des contrepoids.
- Libérez la machine des brins d'herbe, des feuilles ou autres débris accumulés susceptibles de toucher le tuyau d'échappement ou les parties chaudes du moteur et de brûler. Ne laissez pas le bas de la tondeuse cisailer des feuilles ou d'autres débris susceptibles de s'accumuler. Nettoyez l'huile et le carburant éventuellement versé avant d'utiliser ou de ranger la machine. Laissez la machine refroidir avant de la ranger.

III. FONCTIONNEMENT DANS LES PENTES



AVERTISSEMENT: Au moment de charger ou de décharger la machine, ne pas dépasser l'angle de fonctionnement maximal recommandé de 15°.

Les pentes sont très souvent à l'origine de pertes de contrôle et de tonneaux, susceptibles de provoquer de graves blessures, même mortelles. Soyez très prudent lorsque vous opérez dans les pentes. Si vous n'êtes pas en mesure d'affronter les pentes ou si vous vous sentez mal à l'aise, ne les tondez pas.

- Tondez les pentes en montant et en descendant, jamais transversalement.
- Faites attention aux trous, aux ornières, aux bosses ou autres objets cachés. La machine risque de capoter sur les sols inégaux. L'herbe haute peut cacher des obstacles.
- Sélectionnez une vitesse sol faible afin de ne pas devoir ralentir ou changer de vitesse dans les pentes.



RÈGLES DE SÉCURITÉ



Conseils pour l'utilisation en toute sécurité des tracteurs

- Ne tondez pas sur l'herbe humide. Les pneus risquent de mal adhérer. Laissez toujours la machine embrayée lorsque vous descendez une pente.
- Ne mettez jamais au point mort dans les descentes.
- Evitez d'effectuer les démarrages, arrêts ou virages dans les pentes. Si les pneus n'adhèrent plus, dégagez les lames et procédez lentement vers le bas de la pente.
- Dans les pentes n'effectuez que des mouvements lents et progressifs. Ne changez jamais brusquement de vitesse ou de direction afin de ne pas faire culbuter la machine.
- Faites extrêmement attention lorsque vous utilisez la machine avec un ramasse herbe ou d'autres accessoires ; ils risquent de nuire à la stabilité de la machine. Ne l'utilisez pas sur les pentes très raides.
- N'essayez pas de stabiliser la machine en mettant un pied à terre.
- Ne tondez jamais à proximité des ravins, des fossés ou des talus. La machine risque de culbuter à l'improviste par-dessus bord ou de précipiter si le bord s'écroule.
- Si la machine s'arrête en montée, dégagez les lames, engagez la marche arrière et reculez lentement.
- N'effectuez pas de virage dans les pentes si cela n'est pas strictement nécessaire, et dans ce cas tournez lentement et progressivement dans la descente.
- Il est strictement interdit d'ôter le capuchon du carburant ou d'ajouter du carburant lorsque le moteur est en marche.
- Laissez le moteur refroidir avant de faire le plein.
- Ne faites jamais le plein à l'intérieur.
- Ne rangez jamais la machine ou le récipient du carburant dans un endroit en présence d'une flamme libre, d'étincelles ou d'une flamme pilote, comme par exemple un chauffe-eau ou d'autres appareils.
- Ne remplissez jamais les récipients dans un véhicule ou un camion ou une remorque ayant un revêtement en plastique. Placez toujours les récipients au sol, loin du véhicule, avant de les remplir.
- Déchargez les appareils à essence du camion ou de la remorque et faites le plein au sol. Si cela est impossible, faites le plein avec un récipient portable plutôt qu'avec une pompe.
- Laissez la buse au contact du bord du réservoir d'essence ou de l'ouverture du récipient jusqu'à la fin de l'opération de remplissage. N'utilisez pas de dispositif de verrouillage de la buse ouverte.
- Si du carburant tombe sur vos vêtements, changez-les immédiatement.
- Ne faites jamais déborder le réservoir. Remettez le capuchon de gaz en place et serrez solidement.



IV. REMORQUAGE

- Ne remorquez qu'avec un véhicule conçu pour l'attelage. N'accrochez l'appareil remorqué qu'au crochet d'attelage.
- Suivez les recommandations du fabricant quant aux limites de poids des appareils remorqués et au remorquage dans les pentes.
- Ne laissez jamais les enfants ou d'autres personnes à bord des appareils remorqués.
- Dans les pentes, le poids de l'appareil remorqué risque de provoquer une perte de traction ou de contrôle.
- Circulez lentement en maintenant les distances pour vous arrêter.

V. ENTRETIEN

MANIPULATION SÛRE DE L'ESSENCE

Manipulez l'essence avec une prudence extrême afin d'éviter les blessures personnelles et les dégâts matériels. L'essence est extrêmement inflammable et les vapeurs sont explosives.

- Eteignez les cigarettes, les cigares, les pipes et toutes les autres sources d'inflammation.
- N'utilisez que des récipients d'essence homologués.



Utilisez des protecteurs d'oreilles pour éviter d'endommager l'audition.



Portez toujours des lunettes de protection lorsque vous utilisez la machine.

FÉLICITATIONS sur votre achat d'un ramasse-herbe. Il a été conçu, façonné, et fabriqué à vous donner le meilleur fiabilité et le meilleur rendement possible. Si vous auriez les problèmes que vous ne pouvez pas résoudre, veuillez prendre contact le centre d'entretien autorisé le plus proche. Vous y trouverez les techniciens bien qualifiés et les outils appropriés pour la réparation et l'entretien de ce modèle.

Veuillez lire et conserver ce manuel. Les instructions vous pourront monter et entretenir correctement votre ramasse-herbe. Suivez toujours les "Règles de Sécurité".

SOMMAIRE

RÈGLES DE SÉCURITÉ.....	12-13
CONTENU DU CARTON	14
MONTAGE	15-17
UTILISATION	18
RESPONSABILITÉS DU CLIENT	19

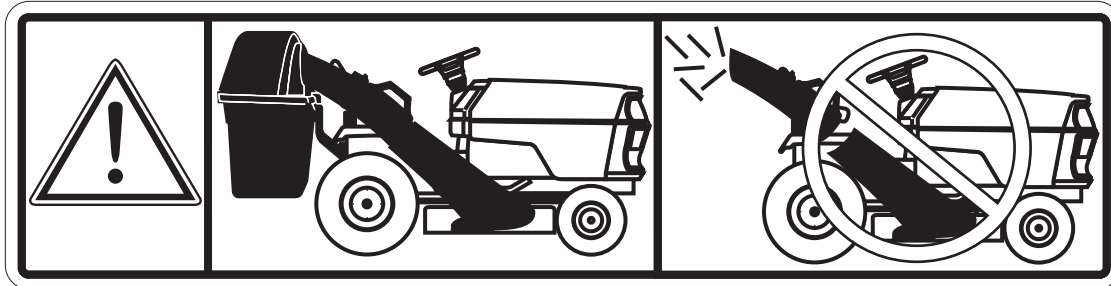
ENTREPOSAGE.....	19
PIÈCES DE RECHANGE.....	20-21
INGLÉS	2
ESPAÑOL	22

CONNAISSEZ VOTRE RAMASSE-HERBE

LISEZ CE MANUEL DU PROPRIÉTAIRE ET LES RÈGLES DE SÉCURITÉ AVANT DE MONTER OU UTILISER VOTRE RAMASSE-HERBE. Comparez les illustrations avec le contenu du carton pour se mettre au courant avant de commencer le montage. Étudiez complètement les instructions d'utilisation et les précautions de sécurité d'assurer le bon fonctionnement de votre ramasse-herbe et d'éviter les blessures à vous-même et aux autres. Conservez ce manuel pour la référence d'avenir.



L'utilisation de tout tracteur peut jeter les objets étrangers dans les yeux qui peut aboutir au dommage sévère pour les yeux. Portez toujours les lunettes de sécurité ou les lunettes de protection avant de démarrer votre tracteur et lors de l'utilisation. Nous recommandons une visière de sécurité panoramique pour ceux qui portent des verres correctives ou des lunettes de sécurité standard.

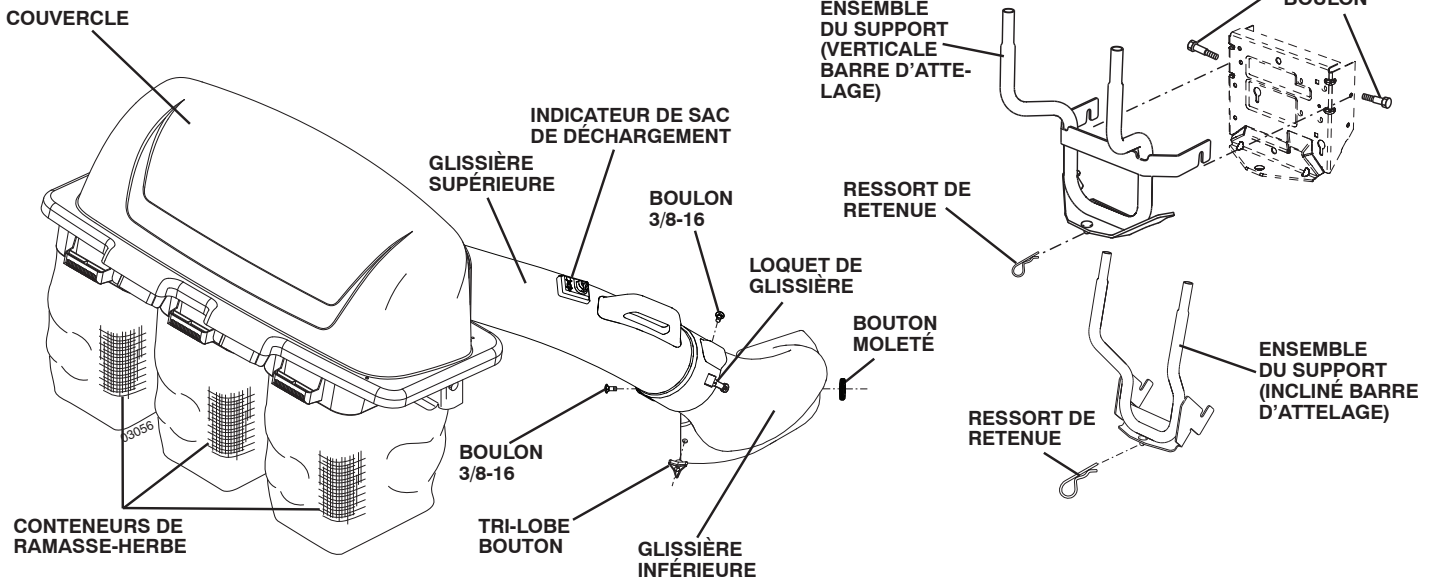


LE SAC DOIT ÊTRE COMPLÈTEMENT EN PLACE AVANT D'UTILISER LA TONDEUSE

INSTRUCTIONS DE DÉBALLAGE

- Enlevez tous les matériaux d'emballage et les pièces du carton.
- Vérifiez le contenu de carton contre le tableau. Assurez-vous que toutes les pièces soient là.

IDENTIFICATION DES PIÈCES



CONTENU DU CARTON:

- | | |
|--------------------------|------------------------|
| (3) Conteneurs | (1) Ressort de retenue |
| (1) Glissière supérieure | (2) Endosser le boulon |
| (1) Glissière inférieure | (2) Boulon 3/8-16 |
| (2) Ensemble du support | (1) Bouton moleté |
| (1) Sac des pièces | (1) Tri-lobe Boulon |

REMARQUE: Quand le côté droit (C.D.) et le côté gauche (C.G.) sont mentionnés dans ce manuel, il se réfère à la position de l'opérateur sur le siège du tracteur.



ATTENTION: AVANT DE MONTER LE RAMASSE-HERBE AU TRACTEUR:

- Appuyez sur la pédale de frein/embrayage et engagez le frein de stationnement.
- Mettez le levier de changement de vitesse/commande de mouvement dans la position de point mort "N".
- Mettez l'embrayage d'accessoire dans la position de débrayée "DISENGAGED".
- Tournez la clé de contact dans la position d'arrêt et enlevez la clé.
- Faites attention que la lame et toutes les pièces mobiles ont complètement arrêté.
- Débranchez le fil de bougie d'allumage de la bougie d'allumage et mettez le fil où il ne peut pas toucher la bougie.

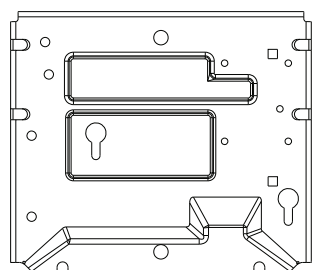
MONTAGE

1 ENSEMBLE DU SUPPORT DE L'ENSACHEUSE

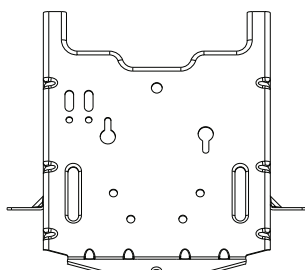
Déterminez quel type de barre d'attelage vous avez sur votre tracteur.

Comparez les illustrations de barres d'attelage ci-dessous à la barre située à l'arrière de votre tracteur.

Utilisez l'ensemble de support approprié pour votre type de barre d'attelage.



BARRE D'ATTELAGE A
(VERTICALE)



BARRE D'ATTELAGE B
(INCLINÉ)

BARRE D'ATTELAGE A (VOIR LES FIGS. 1A, 1B ET 1C)

1. Enlevez et jetez le boulon supérieur des deux côtés de la barre d'attelage. En utilisant les mêmes trous, installez les boulons à épaulement fournis et serrez solidement.

ENLEVEZ ET JETEZ LES BOULONS SUPÉRIEURS ET INSTALLEZ LES BOULONS À ÉPAULEMENT FOURNIS

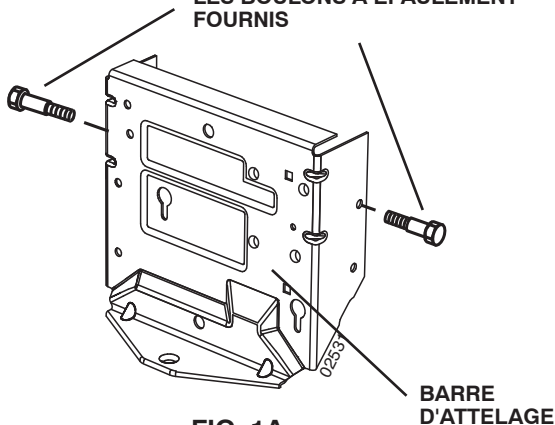


FIG. 1A

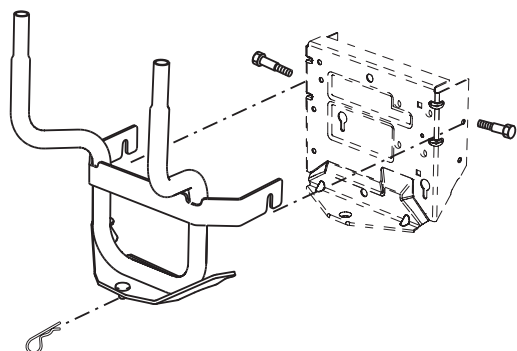


FIG. 1B

2. Alignez la goupille de l'ensemble du support avec le trou de la barre d'attelage et accrochez l'ensemble par-dessus des boulons à épaulement.
3. Assurez-vous que l'ensemble du support soit convenablement placé et fixé avec le ressort de retenue.

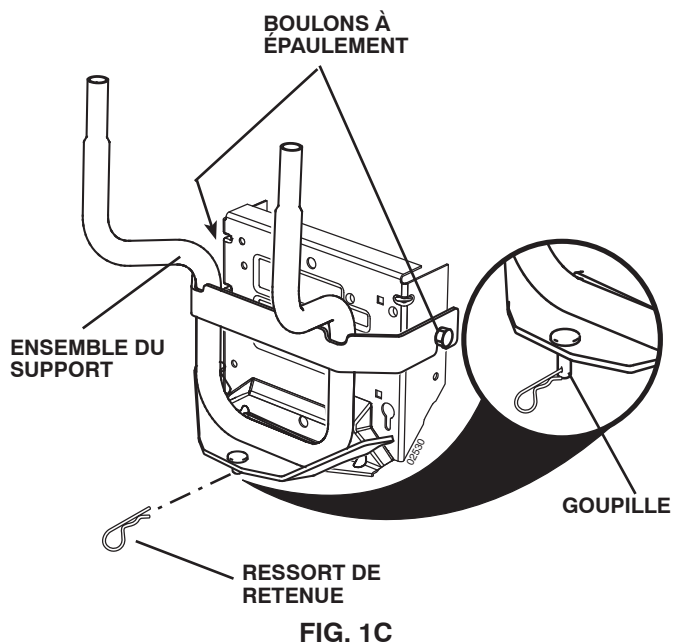


FIG. 1C

BARRE D'ATTELAGE B (VOIR LA FIG. 1D)

1. Faire d'abord glisser les brides du support dans les fentes de la barre d'attelage, puis pivoter en arrière pour insérer la broche dans le trou de la barre d'attelage.
2. S'assurer que le support est bien en place puis le fixer à l'aide du ressort de maintien.

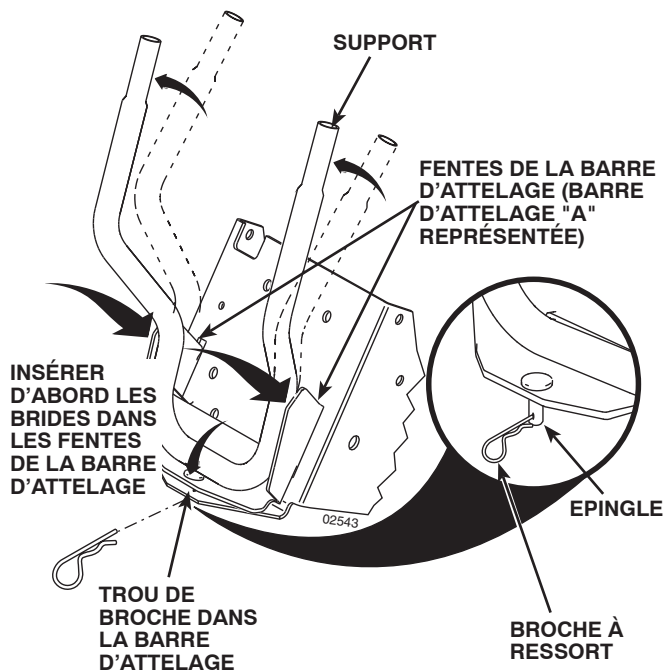


FIG. 1D

2 MONTAGE DU CAPOT SUR LE SUPPORT (Voir la Fig. 2)

REMARQUE : Pour faciliter l'assemblage, demander l'aide d'une autre personne pour la pose de l'ensemble capot sur le tracteur.

1. Soulever le capot et aligner les pattes avec les tubes d'assemblage du support.
2. Faire glisser le capot vers le bas sur les tubes de support.

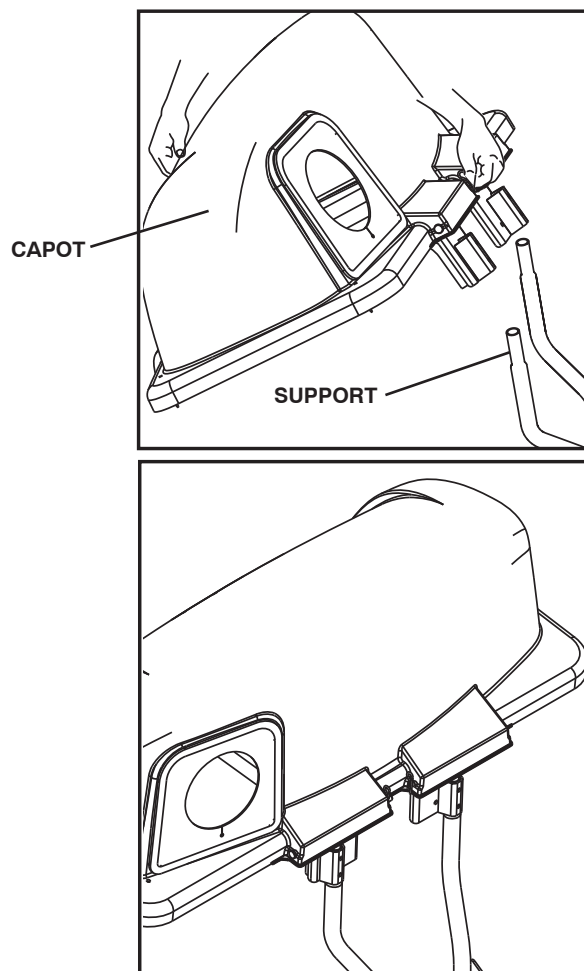


FIG. 2

3 MONTER LE BAC À GAZON (Voir la Fig. 3)

1. Installez premièrement un bac à gazon au côté à gauche. Installez un autre bac au centre et le dernier au côté à droite.

REMARQUE: Un bac à droite devrait toujours chevaucher le bac à gauche aux soutiens centraux.

2. Fermez le couvercle et verrouillez les poignées de loquet par-dessus des tuyaux de soutien central.

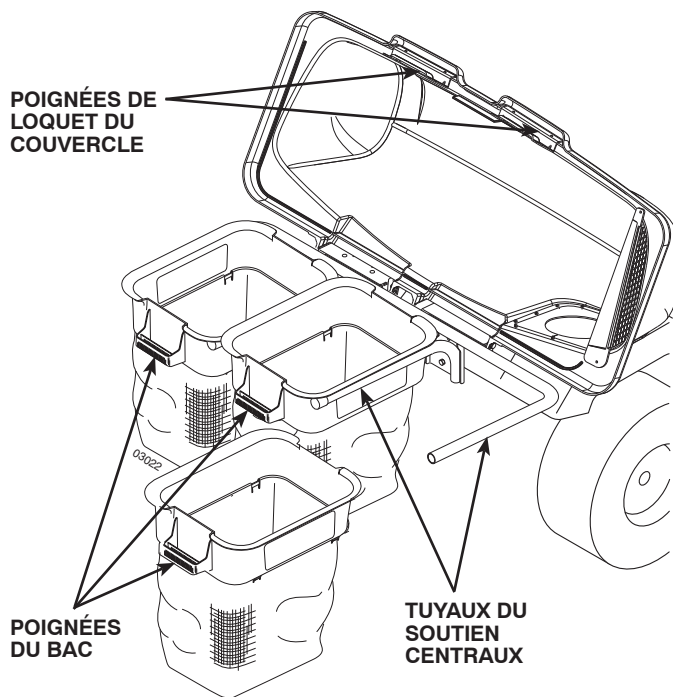


FIG. 3

4 GLISSIÈRE INFÉRIEURE (Voir la Fig. 4)

1. Lever la tondeuse à la hauteur de coupe la plus élevée.
2. Vérifier la position des roues de jauge de l'unité de coupe. Si nécessaire, déplacer la roue de jauge avant droite dans un des deux trous inférieurs. S'il est préférable de couper à la hauteur de coupe très basse (par exemple, avant l'aération du terrain ou l'ensemencement excédentaire) alors, utiliser les écrous à ailettes au lieu des boutons et déplacer les roues de jauge dans les trous supérieurs.
3. Soulever et maintenir la protection du déflecteur en position relevée.
4. Positionner la goulotte inférieure sur l'ouverture de la tondeuse et aligner les trous des deux pièces.
5. Insérer les boulons à travers la tondeuse et la goulotte et serrer à l'aide du bouton à trois lobes et du bouton moleté.



ATTENTION: N'enlevez pas le déflecteur de décharge de la tondeuse. Soulevez et tenez le déflecteur quand vous fixez la glissière inférieure et permettez-le de reposer sur la glissière pendant l'utilisation.

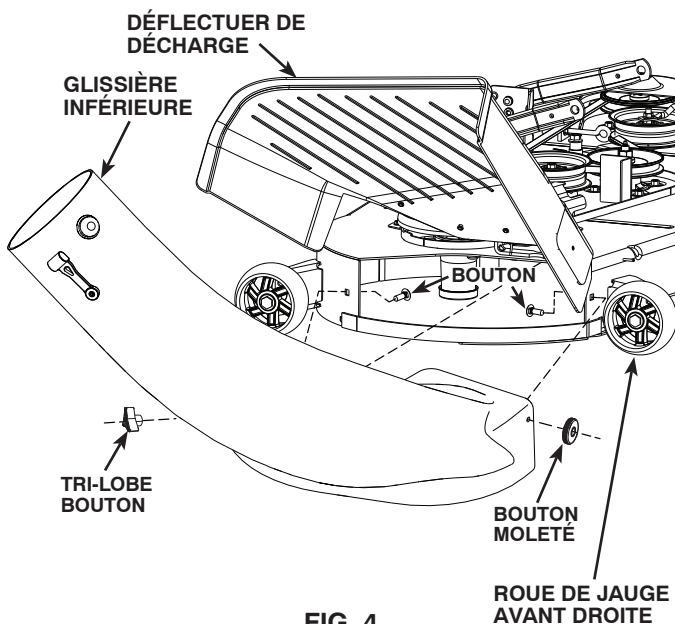


FIG. 4

5 GLISSIÈRE SUPÉRIEURE (Voir Figs. 5A & 5B)

1. Baissez le carter de tondeuse à la position de coupe plus basse.
2. Montez la glissière supérieure en insérant l'extrémité courbée dans le trou en l'arrière du couvercle.

TIP: Tenant le glissière supérieur comme montré et tordant tandis que l'installation dans la couvercle aidera à garder le joint en caoutchouc en place.

REMARQUE: Faites attention pour que l'indicateur de sac déchargement ne soit pas avarié.

3. Intercalez et tournez la glissière supérieure jusqu'à ce qu'elle aligne avec la glissière inférieure.

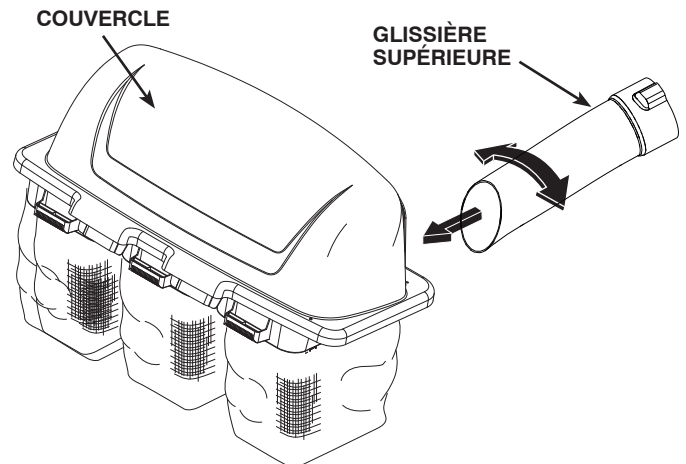


FIG. 5A

4. Alignez les bosses sur la glissière inférieure avec les fentes d'alignement sur la glissière supérieure et glissez-les ensemble.
5. Fixez avec le loquet de caoutchouc en accrochant le loquet par-dessus de la goupille de loquet.

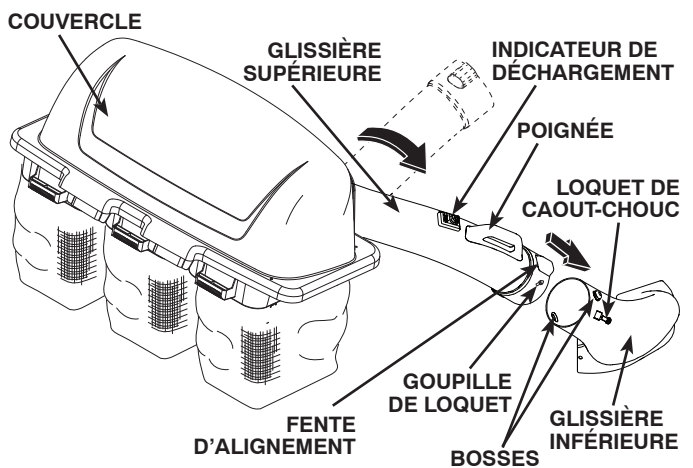


FIG. 5B

6 NIVELER LE CARTER DE TONDEUSE

- Faites attention que le carter de tondeuse est correctement nivelé pour le meilleur rendement de la tondeuse. Référez-vous au manuel du propriétaire de votre tracteur pour les instructions.

UTILISATION

CONSEILS POUR AMÉLIORER LE RAMASSAGE:

Suivez les instructions de l'utilisation de la tondeuse dans votre manuel du propriétaire de tracteur.

Quand vous utilisez votre ramasse-herbe sur une pelouse où l'équipement du ramassage d'herbe et de feuille n'a pas été utilisé, vous ramassez le chaume et les débris qui ont accumulé pendant les durées longues. La quantité rassemblée et le temps de l'exploitation peuvent être plus grands que vous éprouverez avec l'utilisation habituelle de votre ramasse-herbe.

- Mettez toujours la commande des gaz à pleine force pendant le ramassage.
- Choisissez une vitesse assez basse qui permettra un rendement, une bonne qualité de coupe ainsi qu'un bon rendement de ramassage.

REMARQUE: Il peut être nécessaire chevaucher la largeur de coupe pour convenir à vos conditions.

- Quand l'herbe est extrêmement longue, elle doit être coupée deux fois; la première fois relativement haute, la deuxième fois à la hauteur désirée.
- Utilisez le côté à gauche de la tondeuse pour rogner.
- Les sac-poubelles de plastique peuvent être insérés dans les conteneurs du ramasse-herbe pour faciliter la disposition des débris. Pour enlever les sac-poubelles de plastique quand ils sont pleins:
 - a. Dégagez les lames, mettez le levier de changement de vitesse au point mort, enclenchez le frein de stationnement et coupez le moteur.
 - b. Soulevez le siège. Levez le loquet et soulevez la couverture.
 - c. Enlevez un (1) conteneur à une fois en empoignant les poignées de conteneur. Vous le tirez vers l'arrière et glissez-les des tubes.
 - d. Posez le conteneur sur la terre puis fermez et fixez le sommet du sac-poubelle.
 - e. Basculez le conteneur sur son côté et glissez le sac-poubelle plein hors du conteneur.
 - f. Mettez en place un nouveau sac-poubelle avec les bords du sac drapés sur le bord supérieur du conteneur.
 - g. Répétez les instructions ci-dessus pour l'autre conteneur.
 - h. Remettez en place les conteneurs mais faites attention que le conteneur à droite chevauche le conteneur à gauche sur le soutien central.
 - j. Fermez le couvercle et fixez le loquet sur le tuyau du soutien central.
- Évitez de tondre le gazon mouillé ou pendant le matin lorsque la rosée est très lourde. L'herbe coupée qui a amassée sous ces conditions a une tendance à coller aux parois et à bloquer le ramasse-herbe.
- Votre ensacheur est équipé d'un indicateur pour vous infor-

mer que l'ensacheur est plein. Le mouvement de la roue augmente au fur et à mesure que les sacs se remplissent. Le mouvement de rotation de la roue sera le plus rapide juste avant que les sacs soient complètement remplis. La roue s'arrête lorsque les sacs sont pleins et que les goulottes sont bloquées.

REMARQUE: Afin d'éviter le blocage des chutes, vérifiez/vidiez les sacs lorsque la roue tourne rapidement. L'expérience vous montrera le temps idéal pour vider les sacs.

Faites attention pour que les pièces ne soient pas avariées et la boule bouge librement au commencement de chaque utilisation.

- Si le ramasse-herbe cesse de ramasser l'herbe coupée ou les feuilles, il sera une indication d'un blocage dans le système ou que les conteneurs du ramasse-herbe sont pleins. Ceci est indiqué quand l'indicateur de sac plein ne bouge pas.
 - a. Dégagez les lames, mettez le levier de changement de vitesse au point mort, enclenchez le frein de stationnement et coupez le moteur.
 - Soulevez le siège, décliquez et soulevez le couvercle.
 - Glissez les conteneurs et déposez de l'herbe coupée.
 - Remettez en place les conteneurs, fermez le couvercle et encliquez le loquet.
 - b. Décliquez les glissières et cherchez pour les blocages.
 - Enlevez tous les débris dans les glissières.
 - Montez encore et encliquez les glissières
 - c. Vérifiez que l'indicateur de sac plein n'a pas été obstrué.
 - Le trou du passage d'air doit être libre des débris. Insérez doucement une petite brindille ou un petit fil dans le passage à dégager.



ATTENTION

- **N'utilisez pas la tondeuse avec le ramasse-herbe installé partiellement.**
- **Dégagez les lames et coupez le moteur avant de descendre le siège de tracteur à vider les conteneurs, débouchez les glissières, etc.**
- **Fermez le couvercle avant de démarrer le moteur.**
- **Dégagez la tondeuse lorsque vous traversez des surfaces en gravier ou lorsqu'il y a un danger que des objets pourraient être projetés.**
- **N'essayez pas de ramasser les bidons ou les autres objets qui pourraient être dangereux.**

RESPONSABILITÉS DU CLIENT

RECOMMANDATIONS GÉNÉRALES

Observez toujours les règles de sécurité quand vous faites l'entretien.

- Avant chaque utilisation, vérifiez pour les attaches lâches.
- Nettoyez complètement le produit après chaque utilisation.



ATTENTION: AVANT D'EFFECTUER TOUS L'ENTRETIEN, L'INSPECTION, OU RÉGLAGE:

- Appuyez complètement sur la pédale de frein/embrayage et fixez le frein de stationnement.
- Mettez le levier de commande de changement de vitesse/mouvement en position à point mort (N).
- Mettez le levier de commande d'embrayage en la position débrayée (DISENGAGED).
- Tournez la clé de contact en position d'arrêt (OFF).
- Assurez-vous que les lames et toutes les pièces mobiles soient complètement arrêtées.
- Débranchez le(s) fil(s) de bougie d'allumage et posez-le(s) de telle façon qu'il(s) ne puisse pas entrer en contact avec la (les) bougie(s).

SOIN DES LAMES

Pour obtenir les meilleurs résultats, les lames de tondeuse doivent être conservées tranchantes. Remplacez les lames courbées ou avariées.

- Voyez les instructions du Soins des Lames dans le manuel du propriétaire de votre tracteur.



ATTENTION: Les composants du ramasse-herbe sont fabriqués du matériau très résistant. Cependant, en cas d'usure excessive ou endommagement, remplacez-les immédiatement. Les composants doivent être conformés aux spécifications du fabricant afin d'assurer un bon fonctionnement et la sécurité du produit.

ENTREPOSAGE

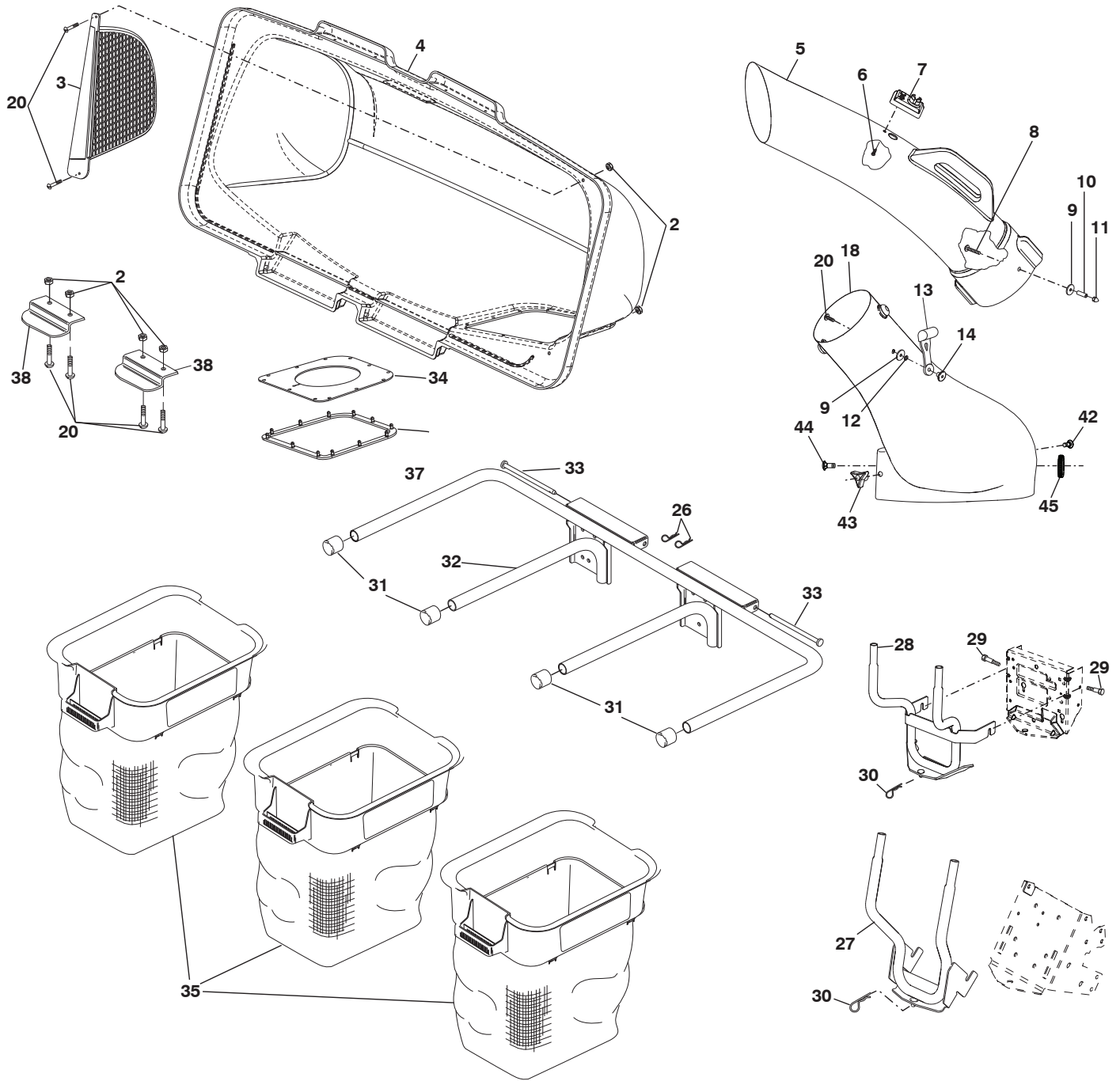
Quand le ramasse-herbe doit être entreposé pour une certaine période, nettoyez-le soigneusement. Enlevez toutes les saletés, la graisse, les débris de feuille. Entreposez dans un espace propre et sec.



ATTENTION: Ne permettez pas de rester de l'herbe coupée dans le ramasse-herbe! Ceci peut causer un danger d'incendie. Videz les conteneurs après chaque usage et avant d'entreposer.

PIÈCES DE RECHANGE

RAMASSE-HERBE - NUMÉRO DE MFG. ID 591 11 13-01



PIÈCES DE RECHANGE

RAMASSE-HERBE - NUMÉRO DE MFG. ID 591 11 13-01

NO. DE RÉF.	NO DE PIÈCE	DESCRIPTION
2	532 06 91-80	Écrou auto-serrant #10-24
3	532 19 27-09	Écran de couvercle
4	532 19 53-73	Couvercle (Y compris 34 et 37)
5	582 69 32-01	Glissière supérieure
6	818 02 10-08	Vis spéciale #10-14 x 1/2
7	532 13 09-33	Indicateur de sac plein
8	532 08 71-75	Vis #10-24 x 1-1/8
9	532 05 27-84	Rondelle 3/16 x 3/4 x 16 Ja.
10	532 00 72-06	Entretoise fendue
11	532 06 08-67	Écrou borgne #10-24
12	810 07 10-00	Rondelle frein
13	532 10 98-08	Loquet de glissière
14	532 12 50-04	Axe de loquet
18	582 69 36-01	Glissière inférieure
20	871 16 10-10	Vis #10-24 x 5/8
26	532 00 49-39	Ressort de retenue
27	532 41 44-45	Ensemble du support
28	532 42 07-32	Soutenir l'assemblée
29	532 17 69-97	Endosser le boulon
30	532 16 58-98	Ressort de retenue
31	532 17 40-83	Capuchon d'extrémité de tuyau
32	532 41 44-44	Cadre de ramasse-herbe
33	532 19 27-86	Goupille de charnière
34	532 19 25-50	Garniture de couvercle
35	532 40 02-26	Bac à gazon
37	532 19 26-03	Sceau de couvercle
38	532 13 08-95	Poignée de loquet de couvercle
42	872 11 06-08	Boulon 3/8-16 x 1
43	532 17 88-99	Tri-lobé bouton
44	872 11 06-14	Boulon 3/8-16 x 1-3/4
45	593 17 47-01	Bouton moleté
--	114 12 46-20	Manuel de propriétaire, Anglais/Espagnol/Français

REMARQUE: Toutes les dimensions de composant sont données en pouces É.-U. --1 pouce = 25,4 mm



REGLAS DE SEGURIDAD



Prácticas de Operación Seguras para las Segadoras Conducibles

PELIGRO: ESTA MAQUINA CORTADORA ES CAPAZ DE AMPUTAR LAS MANOS Y LOS PIES Y DE LANZAR OBJETOS. SI NO SE OBSERVAN LAS INSTRUCCIONES DE SEGURIDAD SIGUIENTES SE PUEDEN PRODUCIR LESIONES GRAVES O LA MUERTE.



ADVERTENCIA: Siempre desconecte el alambre de la bujía y póngalo donde no pueda entrar en contacto con la bujía, para evitar el arranque por accidente, durante la preparación, el transporte, el ajuste o cuando se hacen reparaciones.



ADVERTENCIA: No avance cuesta abajo a punto muerto ya que podría perder el control del tractor.



ADVERTENCIA: Remolque solamente los accesorios recomendados y conformes a las características indicadas por el fabricante de su tractor. Tenga cuidado y prudencia al utilizar el tractor. Cuando se encuentre en un declive, opere utilizando exclusivamente la velocidad más baja. En caso de un declive una carga excesiva podría resultar peligrosa. Los neumáticos pueden perder la tracción con el suelo y hacerle perder el control de su tractor.

I. NIÑOS



ADVERTENCIA: LOS NIÑOS PUEDEN SUFRIR DAÑOS CON EL USO DE ESTE EQUIPO. La Academia Estadounidense de Pediatría (American Academy of Pediatrics) recomienda que sólo se permita a niños con una edad mínima de 12 años manejar máquinas cortacésped manuales, y al menos de 16 años para manejar tractores cortacésped.



ADVERTENCIA: LOS NIÑOS PUEDEN SUFRIR HERIDAS GRAVES O MUERTE A CAUSA DE ESTE EQUIPO. Lea y siga atentamente todas las instrucciones siguientes

Si el operador no pone atención a la presencia de los niños pueden ocurrir accidentes trágicos. Los niños a menudo están atraídos por la máquina y las actividad de cortar. No dar por hecho de que los niños se queden adonde estaban la última vez que los vistes.

- Mantener los niños fuera del área de corte y vigilados por un adulto responsable **que no sea el** operador.
- Estar alerta y apagar la máquina si un niño entra en el área.
- Antes y durante la marcha atrás, mirar adelante y abajo para ver si hay niños pequeños.
- Nunca llevar niños, incluso si hay las cuchillas apagadas. Podrían caer y herirse seriamente o interferir con el funcionamiento seguro de la máquina. Los niños que se han llevado precedentemente pueden aparecer de pronto en el área de corte por otro paseo y ser atropellados o tumbados por la máquina.
- Nunca dejar que los niños manipulen la máquina.
- Tener el máximo cuidado cuando se acerca a cantos ciegos, arbustos, árboles u otros objetos que pueden impedir la vista de niños.

II. FUNCIONAMIENTO GENERAL

- Leer, entender y seguir todas las instrucciones sobre la máquina y en el manual antes de empezar.
- No poner las manos o los pies cerca de partes giratorias o debajo de la máquina. Mantener siempre limpia la abertura de descarga.
- Permitir el funcionamiento de la máquina sólo a adultos que tengan familiaridad con las instrucciones.

- Limpiar el área de objetos como piedras, juguetes, cables, etc. que pueden ser recogidos y disparados con las cuchillas.
- Asegurarse de que el área esté libre de otras personas antes de ponerla en marcha. Parar la máquina si alguien entra en el área.
- Nunca llevar pasajeros.
- No cortar marcha atrás al no ser absolutamente necesario. Mirar siempre abajo y delante mientras se procede atrás.
- Nunca dirigir el material descargado hacia nadie. Evitar descargar material contra paredes u obstrucciones. El material podría rebotar hacia el operador. Parar las cuchillas cuando se pasan superficies de grava.
- No maneje la máquina si no tiene la trampa para césped completa, la canaleta de descarga u otros dispositivos de seguridad en su lugar y en funcionamiento.
- Ralentizar antes de girar.
- Nunca dejar una máquina encendida sin vigilancia. Apagar siempre las cuchillas, poner el freno de estacionamiento, parar el motor, y quitar las llaves antes de bajar.
- Desenganche las hojas cuando no esté cortando césped. Apague el motor y espere hasta que todas las partes se detengan por completo antes de limpiar la máquina, retirar la trampa para césped o destapar la canaleta de descarga.
- Hacer funcionar la máquina sólo con la luz del día o luz artificial buena.
- No hacer funcionar la máquina estando bajo los efectos de alcohol o droga.
- Poner atención al tráfico cuando se opera cerca de calles o se cruzan.
- Poner la máxima atención al cargar o descargar la máquina en una caravana o camión.
- Llevar siempre gafas de protección cuando se hace funcionar la máquina.
- Use protectores de oídos para evitar daños en la audición.
- Los datos indican que los operadores a partir de los 60 años están afectados por un gran porcentaje de heridas relativas a la conducción del cortacésped. Estos operadores tendrían que evaluar su habilidad de hacer funcionar el cortacésped de modo lo bastante seguro para proteger a sí mismos y a otras personas de heridas graves.
- Seguir las recomendaciones del fabricante para los pesos y contrapesos de las ruedas.
- Mantener la máquina libre de hierba, hojas u otros escombros que pueden tocar el tubo de escape / partes del motor calientes y quemarse. No permitir que el puente del cortacésped cargue hojas u otros residuos que pueden causar acumulaciones. Limpiar toda salpicadura de aceite o carburante antes de hacer operaciones sobre la máquina o guardarla. Dejarla enfriar antes de guardarla.

III. FUNCIONAMIENTO EN PENDIENTES

Las pendientes son el mayor factor de accidentes relativos a la pérdida de control y vuelco, que pueden causar severas heridas o muerte. El funcionamiento en pendientes requiere una atención extra. Si no es posible hacer marcha atrás en una pendiente o si te sientes incomodo, no la cortes.



ADVERTENCIA: Al cargar o descargar la máquina, no sobrepase el ángulo máximo recomendado de 15°.

- Cortar hacia arriba y abajo de una pendiente, no de modo horizontal.
- Poner atenciones a los hoyos, las raíces, los bultos, las piedras u otros objetos escondidos. El terreno irregular puede volcar la máquina. La hierba alta puede esconder obstáculos.
- Escoger una velocidad de marcha baja de modo que no sea necesario pararse o cambiar estando en una pendiente.



REGLAS DE SEGURIDAD



Prácticas de Operación Seguras para las Segadoras Conducibles

- No cortar la hierba mojada. Las ruedas pueden perder tracción. Poner siempre una marcha cuando se está en pendientes.
- No poner en punto muerto e ir cuesta abajo.
- Evitar arrancar, pararse o girar en una pendiente. Si las ruedas pierden tracción, desconectar las cuchillas y proceder despacio cuesta abajo en la pendiente.
- Mantener todo los movimientos en las pendientes lentos y gradual. No hacer cambios repentinos de velocidad o dirección, ya que pueden causar el escape de la máquina.
- Poner la máxima atención cuando la máquina funciona con captadores de hierba u otros dispositivos enganchados; pueden afectar la estabilidad de la máquina. No usar en pendientes empinados.
- No intentar estabilizar la máquina poniendo el pie en el terreno.
- No cortar cerca de bajadas, cunetas y orillas. Las máquina puede volcarse improvisamente si una rueda está en el borde o se hunde.
- Si la máquina se para mientras va cuesta arriba, desconectar las cuchillas, poner la marcha atrás y ir hacia atrás despacio.
- No girar estando en pendientes si no es necesario, y luego girar despacio y gradualmente cuesta abajo, si es posible.
- dejar enfriar el motor antes del abastecimiento de la gasolina.
- Nunca abastecer la máquina al interior de un local.
- Nunca guardar la máquina o el contenedor del carburante donde haya una llama abierta, chispas o una luz piloto como un calentador de agua u otros dispositivos.
- Nunca llenar los contenedores al interior de un vehículo o en una caravana o camión recubiertos con un forro de plástico. Colocar siempre los contenedores en el terreno lejos del vehículo cuando se está llenando.
- Quitar el equipo de gas del camión o caravana y abastecerlo en el terreno. Si no es posible, abastecer dicho equipo con un contenedor portátil, más bien que de un surtidor de gasolina.
- Mantener la boquilla a contacto del borde del depósito de carburante o la abertura del contenedor durante toda la operación de abastecimiento. No utilizar un dispositivo con boquilla cerrada-abierta.
- Si se vierte carburante sobre la ropa, cambiarse la ropa inmediatamente.
- Nunca llenar el depósito más de lo debido. Volver a colocar el tapón del gas y cerrar de modo firme.



IV. REMOLQUE

- Remolcar sólo con una máquina que tenga un gancho diseñado para remolcar. Enganchar el equipo o remolcar sólo en el punto dispuesto al efecto.
- Seguir las recomendaciones del productor con respecto a los límites del equipo por remolcar y el remolque en pendientes.
- Nunca permitir que niños u otras personas estén dentro del equipo por remolcar.
- En pendientes, el peso del equipo remolcado puede causar la pérdida de tracción y la pérdida de control.
- Viajar despacio y dejar más distancia para frenar.

V. SERVICIO

MANIPULACIÓN SEGURA DE LA GASOLINA

Para evitar heridas personales o daños a las cosas, poner el máximo cuidado a la hora de manipular la gasolina. La gasolina es extremadamente inflamable y los vapores son explosivos.

- Apagar todos los cigarrillos, cigarros, pipas y otras fuentes de ignición.
- Usar sólo contenedores para gasolina aprobados.
- Nunca quitar el tapón de la gasolina o añadir carburante con el motor en marcha.



Use protectores de oídos para evitar daños en la audición.



Llevar siempre gafas de protección cuando se hace funcionar la máquina.

FELICITACIONES por la compra de su tractor. Ha sido diseñado, planificado y fabricado para darle la mejor confiabilidad y el mejor rendimiento posible.

En el caso de que se encuentre con cualquier problema que no pueda solucionar fácilmente, haga el favor de ponerse en contacto con un centro de servicio Sears o con un otro centro de servicio cualificado. Cuenta con representantes bien capacitados y competentes y con las herramientas adecuadas para darle servicio o para reparar este tractor.

Haga el favor de leer y de guardar este manual. Estas instrucciones le permitirán montar y mantener su unidad en forma adecuada. Siempre observe las "REGLAS DE SEGURIDAD."

TABLA DE MATERIAS

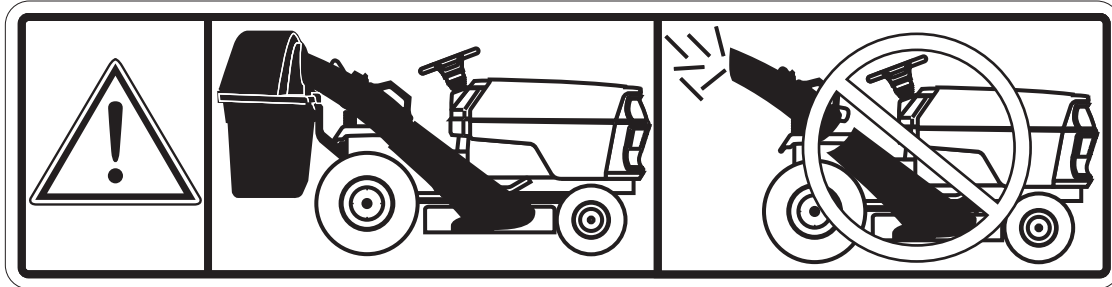
REGLAS DE SEGURIDAD.....	22-23	ALMACENAJE.....	29
CONTENIDO DE CARTÓN.....	24	PARTES DE REPARACIÓN	30-31
MONTAJE	25-27	INGLÉS	2
OPERACIÓN.....	28	FRANCÉS	12
MANTENIMIENTO	29		

FAMILIARICÉSE CON SU RECOGEDORA DE CÉSPED

LEA ESTE MANUAL DEL DUEÑO Y LAS REGLAS DE SEGURIDAD ANTES DE OPERAR SU RECOGEDORA DE CÉSPED. Compare las ilustraciones con su Recogedora de Césped para familiarizarse con las ubicaciones de los diversos controles y ajustes. Guarde este manual para referencia en el futuro.



La operación de cualquier Recogedora de Césped puede hacer que salten objetos extraños dentro de sus ojos, lo que puede producir daños graves en éstos. Siempre use anteojos de seguridad o protecciones para los ojos mientras opere su tractor o cuando haga ajustes o reparaciones. Recomendamos gafas de seguridad o una máscara de visión amplia de seguridad usada sobre las gafas.



EL RECOGEDORA DE CÉSPED COMPLETO DEBE ESTAR EN LUGAR ANTES DE FUNCIONAR EL CORTACÉSPEDES

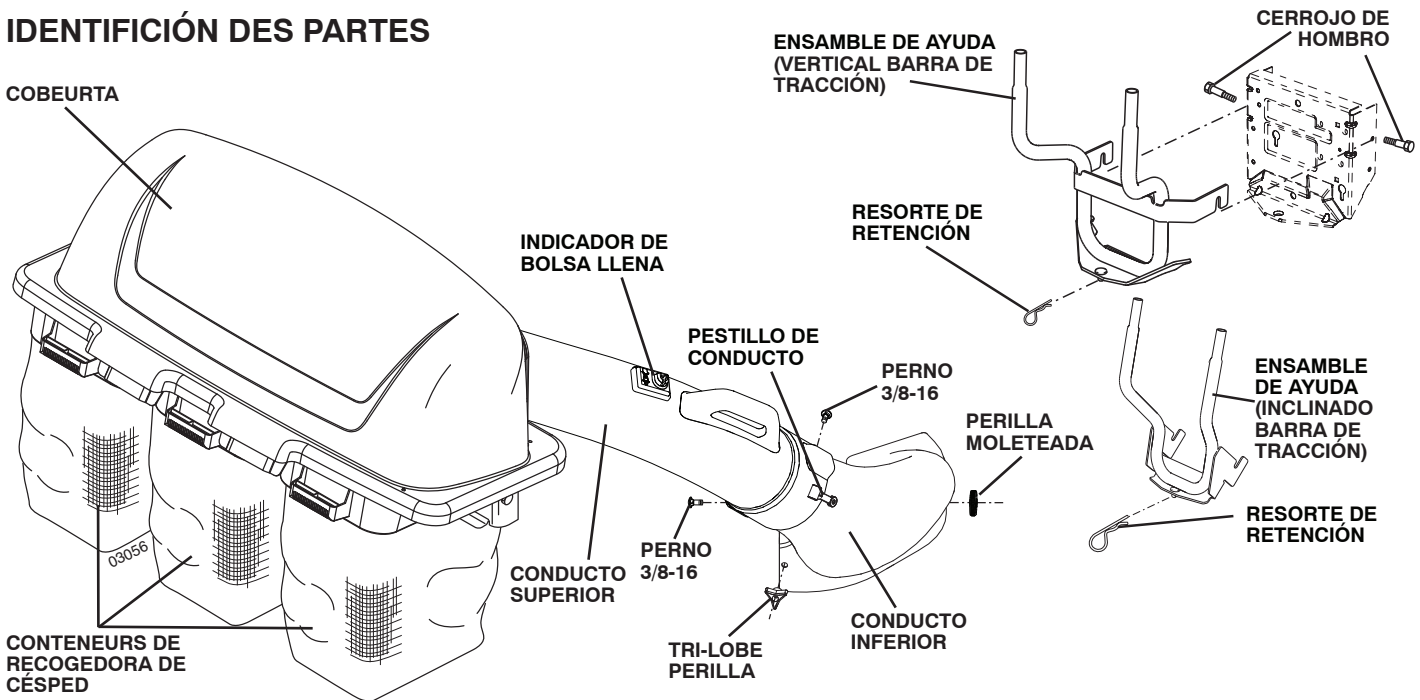
INSTRUCCIONES DE DÉBALLAGE

- Remueva partes y los materiales del embalaje.
- Compruebe el contenido del cartón contra lista. Sea seguro que todas las partes están allí.

CONTENIDO DE CARTÓN:

- | | |
|--------------------------|--------------------------|
| (3) Cartóns | (1) Resorte de retención |
| (1) Conducto superior | (2) Cerrojo de hombro |
| (1) Conducto inferior | (2) Perno 3/8-16 |
| (2) Ensamble de Cobeurta | (1) Perilla moleteada |
| (1) Ensamble de Ayuda | (1) Tri-lobe Perilla |

IDENTIFICACIÓN DES PARTES



AVISO: Cuando en este manual se mencionan los términos “mano derecha” o “mano izquierda” se refiere a cuando usted se encuentra en la posición de operación (sentado/a detrás del volante de dirección).

ADVERTENCIA: ANTES DE ENSAMBLE RECOGEDORA DE CÉSPED A TRACTOR:

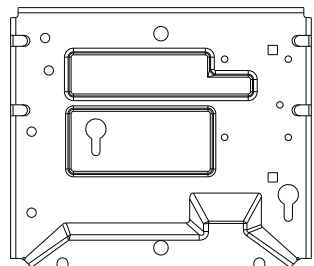
1. Presione el pedal de freno completamente y aplique el freno de estacionamiento.
2. Ponga el embrague del accesorio en la posición desenganchado (DISENGAGED).
3. Ponga la llave de ignición en la posición de apagado (STOP) y remuévala.
4. Asegúrese que las cuchillas y que todas las partes movibles se hayan detenido completamente.
5. Desconecte el alambre de la bujía y póngalo en donde no pueda entrar en contacto con ésta.



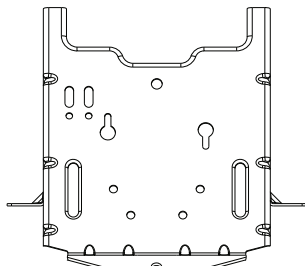
MONTAGE

1 CONJUNTO DE SOPORTE (Vea las Figuras 1A y 1B y 1C)

Determinar el conjunto del soporte correcto para su tractor. Los conjuntos de soporte están marcados "A" y "B". Comparar las ilustraciones de la barra de enganche con la barra de enganche situada en la parte trasera de su tractor. Usar el conjunto del soporte indicado para su tractor y descartar el otro conjunto.



**BARRA DE TRACCIÓN A
(VERTICAL)**



**BARRA DE TRACCIÓN B
(INCLINADO)**

1. Primero deslizar las placas (1) del conjunto de soporte en los orificios de la barra de enganche, después, pivotar hacia atrás introduciendo la clavija (2) en el orificio de la clavija de la barra de enganche.

**QUITE Y DESECHE EL PER-
NOS Y INSTALE PERNOS DON
RESALTO PROVISTO**

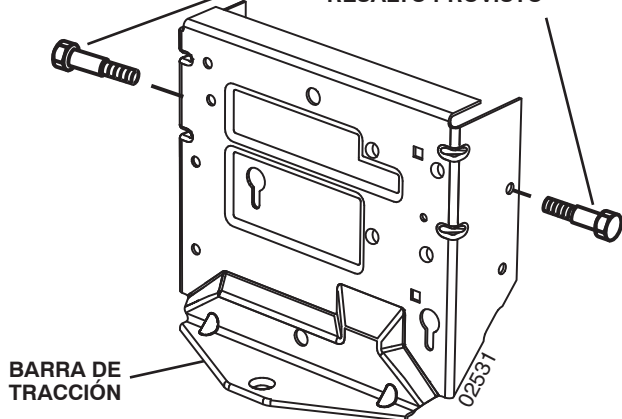


FIG. 1A

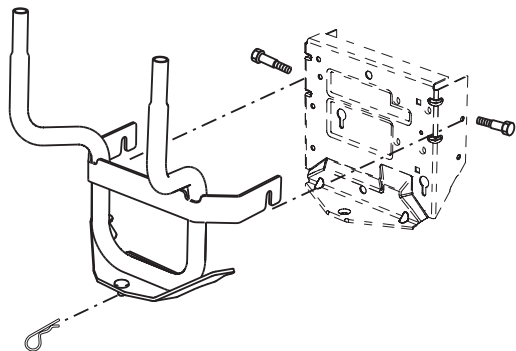


FIG. 1B

2. Alinee el pasador del ensamble del soporte con el agujero de la barra de tracción y cuelgue el ensamble sobre los pernos de tope.
3. Asegúrese de que el ensamble del soporte esté asentado correctamente y asegurado con el resorte de retención incluido.

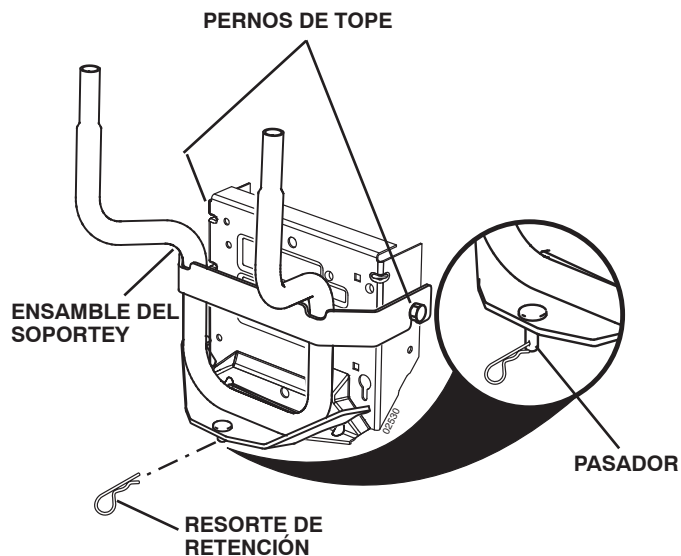


FIG. 1C

BARRA DE TRACCIÓN B (See Fig. 1D)

1. Primero deslice las bridas del conjunto de soporte en las ranuras de la barra de tracción; después, pivotee hacia atrás e inserte el pasador en el agujero para el pasador de la barra de tracción.
2. Asegúrese de que el conjunto de soporte esté correctamente asentado y después asegúrelo con un resorte de retención.

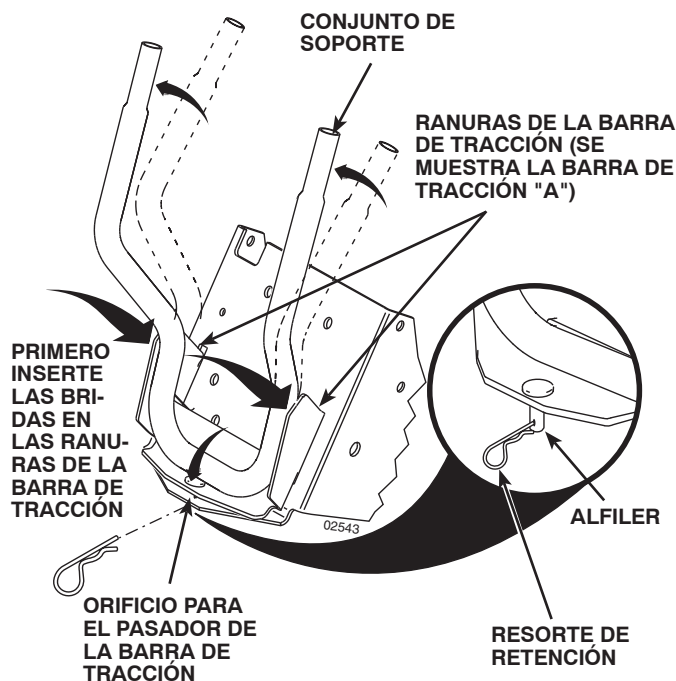


FIG. 1D

2 MONTAJE DEL CONJUNTO DE CUBIERTA EN EL CONJUNTO DE SOPORTE (Vea la Figura 2)

NOTA: Para que el armado le resulte sencillo, puede solicitar ayuda a otra persona cuando monta el conjunto de cubierta en el tractor.

1. Levante la cubierta y alinee las escuadras de la cubierta con los tubos del conjunto de soporte.
2. Deslice el conjunto de cubierta sobre los tubos de soporte.



03024

FIG. 2

3 MONTAJE DEL CONTENEURS (Vea la Figura 3)

1. Primero instalar un contenedor en el lado izquierdo. Instalar otro contenedor en la posición central y el último contenedor en la posición derecha.

NOTA: El borde izquierdo del contenedor derecho tiene que cubrir siempre el lado derecho del contenedor izquierdo en los soportes centrales.

2. Cerrar la tapa y fijar las manijas del gancho sobre los tubos del soporte central.

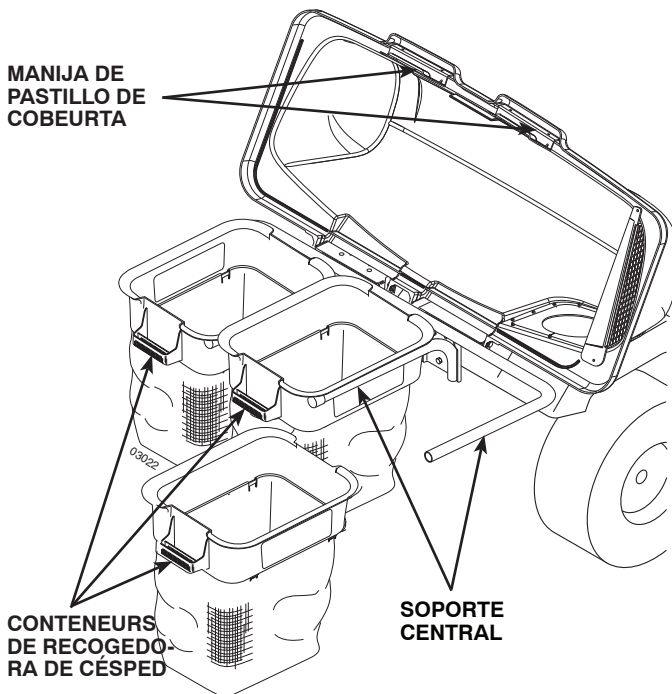


FIG. 3

4 CONDUCTO INFERIOR (Vea la Figura 4)

1. Eleve el cortacésped a la posición de corte más alta.
2. Verifique la posición de las ruedas calibradoras del equipo. Si es necesario, mueva la rueda calibradora delantera derecha a uno de los dos agujeros inferiores. Si se desea lograr un corte realmente bajo (por ejemplo, antes de la aireación y la sobrecultivación), use las tuercas de mariposa que se incluyen en lugar de las perillas y mueva las ruedas calibradoras a los agujeros superiores.
3. Levante y sujete el protector desviador en posición vertical.
4. Coloque el conducto inferior sobre la abertura del cortacésped y alinee los agujeros en el conducto inferior con los del cortacésped.
5. Inserte los pernos a través del cortacésped y el conducto y fije con los tri-lobe perilla y los perilla moleteada.



ADVERTENCIA: No quitar la tapa deflectora del cortacésped. Alzar y mantener la tapa cuando se conecta el tubo inferior y permitirle que se apoye en el tubo mientras funciona.

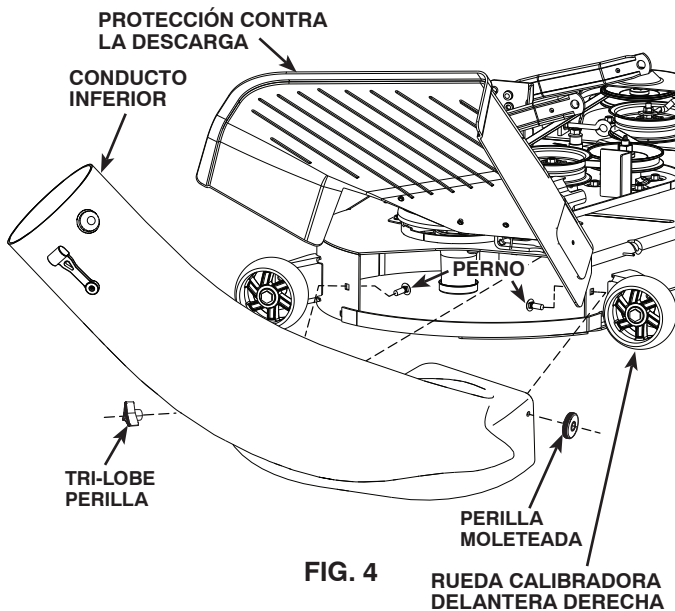


FIG. 4

RUEDA CALIBRADORA DELANTERA DERECHA

5 CONDUCTO SUPERIOR (Vea las Figuras 5A y 5B)

1. Bajar el cortacésped hasta su posición de corte más baja.
2. Montar el tubo superior (1) introduciendo la parte terminal curvada en el orificio en la parte trasera de la tapa (2).

CONSEJO: Sosteniendo el conducto superior según lo demostrado y torciendo mientras que la instalación en cobeurta ayudará a mantener el sello de goma lugar.

AVISO: Manija cuidadosamente para no dañar indicador de bolsa llena.

COBEURTA

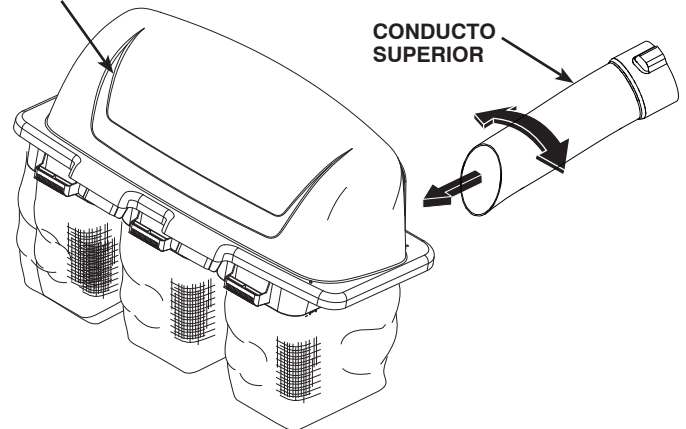


FIG. 5A

3. Empujar y girar el tubo superior hasta que esté alineado con el tubo inferior.
4. Alinear los realces en el tubo inferior con las muescas de alineación en el tubo superior y deslizarlos juntos.
5. Fijarlos con el gancho de goma enganchando el orificio en el gancho sobre la clavija del gancho.

COBEURTA

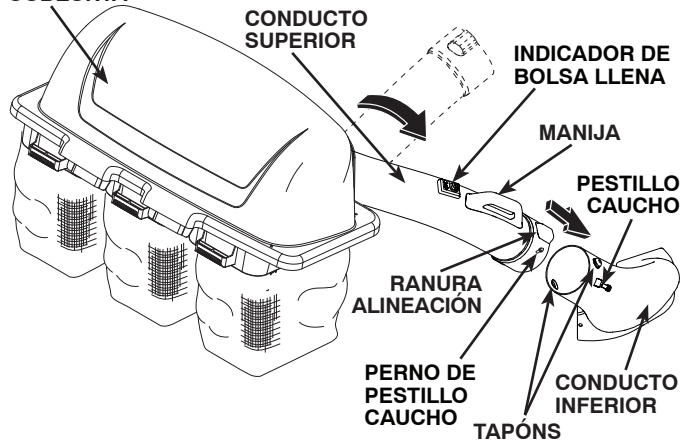


FIG. 5B

6 NIVEL EL SEGADORA

- Cerciorarse de que el cortacésped esté correctamente nivelado para tener el mejor resultado de corte. Vea la manual del dueño de tractor para otras instrucciones.

OPERACIÓN

CONSEJOS PARA MEJORAR EL FUNCIONAMIENTO DEL CAPTADOR:

Seguir las instrucciones de funcionamiento del cortacésped en el manual del usuario del tractor.

Cuando se pasa el captador de hierba por un césped en el que no se ha usado por mucho tiempo el equipo para recoger hierba y hojas, se recogerán pajas y escombros que se han acumulado durante mucho tiempo. La cantidad recogida y el tiempo total de funcionamiento serán menores si se usa el captador de hierba regularmente.

- Mantener siempre la maneta a la máxima velocidad cuando se recoge con el captador.
- Seleccionar un engranaje lo bastante bajo para tener un resultado óptimo de corte con el cortacésped y un buen resultado de recogida.

NOTA: Puede ser necesario superponer la anchura del corte para adaptarse a las propias condiciones.

- Si la hierba es extremadamente alta, habrá que cortarla dos veces. La primera vez relativamente alta, la segunda vez hasta la altura deseada.
- Usar el lado izquierdo del cortacésped para desbastar.
- Es posible colocar bolsas de plástico para la basura al interior de los contenedores del depósito de hierba para facilitar la eliminación de los residuos. Para quitar las bolsas de plástico para la basura cuando están llenas:
 - a. Desenganchar las hojas, poner en neutro, poner el freno de estacionamiento y apagar el motor.
 - b. Levantar el asiento. Quitar el gancho y levantar la tapa.
 - c. Quitar un contenedor a la vez asiendo las manijas del contenedor y tirando hacia la parte trasera, fuera de las guías del tubo.
 - d. Con el contenedor apoyado en el suelo, cerrar y fijar la parte superior de la bolsa del césped de plástico.
 - e. Volcar el contenedor sobre su lado y extraer la bolsa llena del contenedor.
 - f. Instalar una nueva bolsa de césped de plástico con los bordes de la bolsa plegados sobre el labio superior del contenedor .
 - g. Repetir para los otros contenedores.
 - h. Volver a instalar los contenedores asegurándose de que el contenedor derecho cubra el contenedor izquierdo el los soportes centrales.
 - j. Cerrar la tapa y fijar los ganchos sobre los tubos de soporte centrales.
- Evitar cortar hierba mojada o por la mañana mientras el rocío todavía es pesada. La hierba recogida en estas condiciones tiende a ser pegajosa y adherir a las paredes del tubo de paso causando obstrucciones.
- Tu saco está dotado de un indicador de saco lleno. El

movimiento de la rueda aumenta mientras las bolsas van llenándose. La rueda girará más rápidamente justo antes de que las bolsas se llenen completamente. Cuando la rueda se para, indica que las bolsas están llenas y los tubos están obstruidos.

NOTA: Para ayudar a prevenir la obstrucción de los tubos, hay que controlar y/o vaciar las bolsas cuando la rueda gira rápidamente. Con la experiencia se aprenderá cuál es el momento ideal para vaciar las bolsas.

- Hay que tener cuidado a no dañar las partes y que la rueda gire libremente al principio de cada utilización.
- Si el captador no logra recoger la hierba cortada o las hojas, esto indica que el sistema está atascado o que los contenedores del captador de hierba están llenos. Normalmente esto se indica a través de la parada del movimiento del indicador de bolsa llena.
 - a. Desenganchar las hojas, poner en neutro, poner el freno de estacionamiento y apagar el motor.
 - Levantar el asiento. Quitar el gancho y levantar la tapa.
 - Extraer los contenedores y echar lo que se ha recogido.
 - Volver a colocar los contenedores, cerrar la tapa y el gancho.
 - b. Desenganchar los tubos y controlar si hay obstrucciones.
 - Quitar todos los residuos presentes en los tubos.
 - Volver a ensamblar y enganchar los tubos.
 - c. Controlar que el indicador de la bolsa llena no esté obstruido.
 - El orificio para el paso del aire tiene que estar libre de residuos. Introducir con cuidado una ramita o un alambre pequeño en el paso para desobturar.

ADVERTENCIA



No hacer funcionar el cortacésped con el depósito de hierba parcialmente instalado.

- **Desenganchar las hojas y apagar el motor antes de abandonar el asiento del tractor para vaciar los contenedores, desobstruir los tubos, etc.**
- **Cerrar la tapa antes de empezar.**
- **Desconectar el cortacésped cuando se cruzan caminos para los coches o superficies con grava y otras áreas donde objetos pueden salir disparados y representar un peligro.**
- **No intentar limpiar con aspiradora bidones u otros proyectiles potencialmente peligrosos.**

MANTENIMIENTO

RECOMENDACIONES GENERALES

Cuando se realiza cualquier operación de mantenimiento hay que seguir siempre las normas de seguridad.

- Antes de cualquier uso controlar que no hayan cierres sueltos.
- Limpiar bien la unidad después de cada uso.

CUIDADO DE LAS HOJAS

Para un mejor resultado las hojas del cortacésped han de mantenerse afiladas. Sustituir las hojas plegadas o dañadas.

- Véase las instrucciones CUIDADO DE LAS HOJAS en el manual del instrucciones del tractor.



ADVERTENCIA: ANTES DE REALIZAR CUALQUIER OPERACIÓN DE MANTENIMIENTO, SERVICIO O AJUSTE:

- **Presionar el pedal del embrague y freno hasta el fondo y poner el freno de estacionamiento.**
- **Colocar la palanca de mando del cambio/movimiento en la posición neutra (N).**
- **Colocar el mando del cambio en la posición "DESACOPLADO".**
- **Girar a llave de encendido en la posición "OFF".**
- **Asegurarse de que las hojas y todas las partes de movimiento estén completamente paradas.**
- **Desconectar el cable(s) de la bujía de encendido y colocar el cable en un lugar donde no pueda entrar en contacto con la bujía.**



ADVERTENCIA: Los componentes del captador están sujetos a desgaste, daños y deterioro, hecho que puede dejar expuestas las partes en movimiento o permitir que los objetos salgan disparados. Controlar los componentes frecuentemente y sustituirlos con las partes recomendadas por el fabricante, cuando sea necesario.

ALMACENAJE

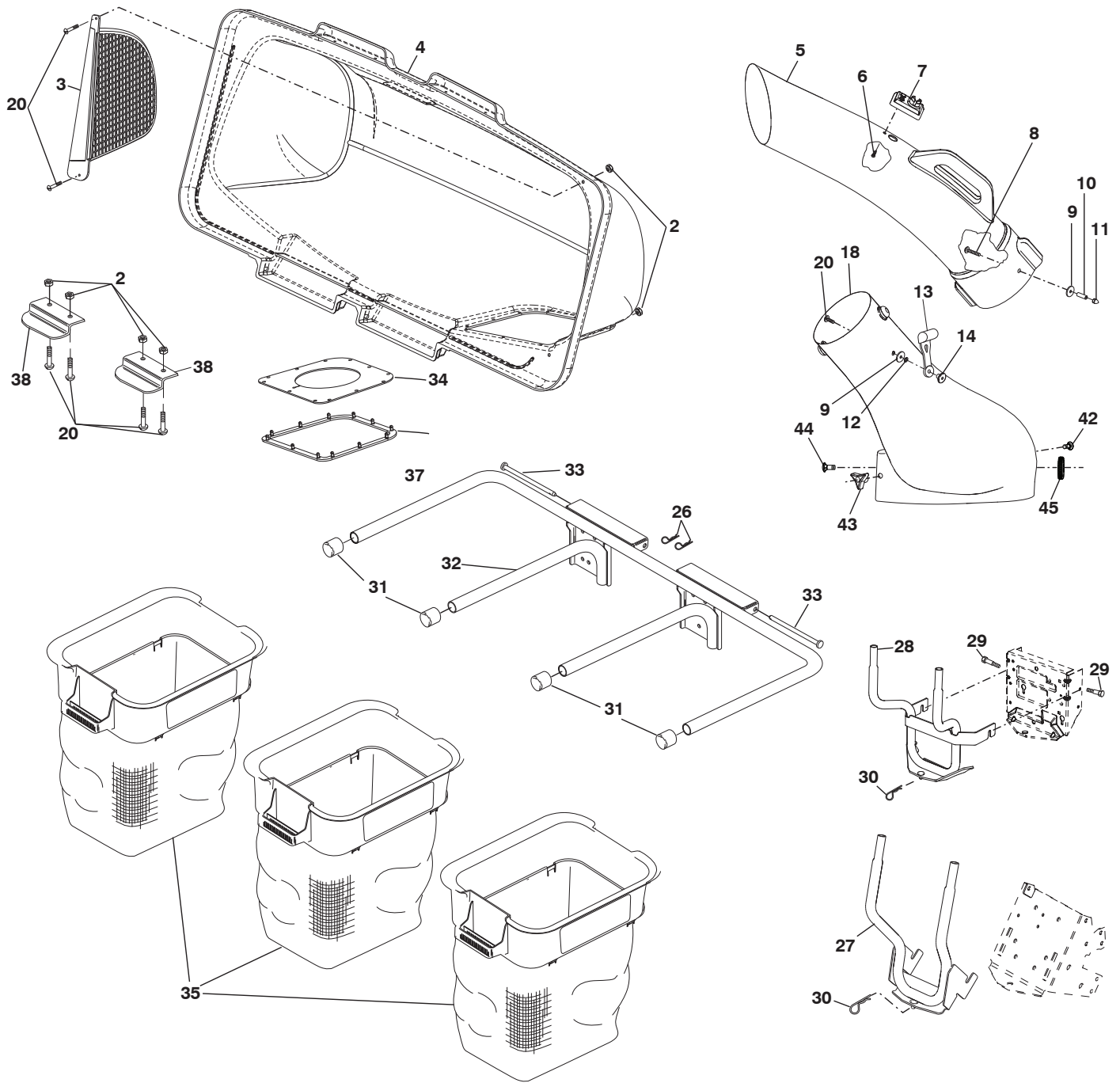
Cuando llega la hora de guardar el captador de hierba por un largo periodo de tiempo, hay que limpiarlo bien, eliminar toda suciedad, hierba, hojas, etc. Guardarlo en un lugar limpio y seco.



ADVERTENCIA: No dejar hierba en los contenedores. Vaciar los contenedores depuse de cada uso antes de guardarlos. No observar esta regla puede causar combustión espontánea que puede desarrollarse en un incendio.

PARTES DEL REPARACIÓN

RECOGEDORA DE CÉSPED ID DE FAB. NO. 591 11 13-01



PARTES DEL REPARACIÓN

RECOGEDORA DE CÉSPED ID DE FAB. NO. 591 11 13-01

NO. DE LLAVE	NO. DE PARTE	DESCRIPCIÓN
2	532 06 91-80	Teurca de seguridad #10-24
3	532 19 27-09	Pantalla de cobeurta
4	532 19 53-73	Cobeurta (Incluye 34 y 37)
5	582 69 32-01	Conducto superior
6	818 02 10-08	Perno especial #10-14 x 1/2
7	532 13 09-33	Indicador de bolsa llena
8	532 08 71-75	Perno #10-24 x 1-1/8
9	532 05 27-84	Arandela 3/16 x 3/4 x 16
10	532 00 72-06	Espaciador
11	532 06 08-67	Teurca cerrada #10-24
12	810 07 10-00	Arandela de seguridad
13	532 10 98-08	Pestillo de conducto
14	532 12 50-04	Tuerca de soldadura
18	582 69 36-01	Conducto inferior
20	871 16 10-10	Perno #10-24 x 5/8
26	532 00 49-39	Resorte de vuelta
27	532 41 44-45	Ensamble de ayuda
28	532 42 07-32	Sostenga la Asamblea
29	532 17 69-97	Cerrojo de hombro
30	532 16 58-98	Resorte de vuelta
31	532 17 40-83	Tapas del extremo de la tubería
32	532 41 44-44	Chasis de recogedora de césped
33	532 19 27-86	Perno de articulación
34	532 19 25-50	Junta de cobeurta
35	532 40 02-26	Conteneur
37	532 19 26-03	Ojal de caucho de cobeurta
38	532 13 08-95	Manija de pastillo de cobeurta
42	872 11 06-08	Perno 3/8-16 x 1
43	532 17 88-99	Tri-lobe perilla
44	872 11 06-14	3/8-16 x 1-3/4
45	593 17 47-01	Perilla moleteada
- -	114 12 46-20	Manual del dueño, Inglés/Francés/Español

NOTA: Las dimensiones de todos los componentes están expresadas en pulgadas americanas. 1 pulgada = 25,4 mm



www.husqvarna.com