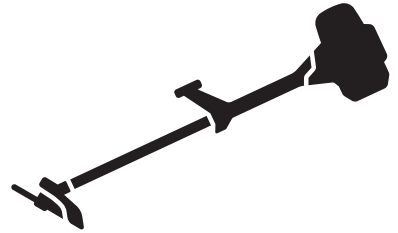




Husqvarna®



325iLK+TAB850

EN Operator's manual
ES-MX Manual del usuario
FR-CA Manuel d'utilisation

2-20
21-39
40-59

Contents

Introduction.....	2	Troubleshooting.....	17
Safety.....	4	Transportation, storage and disposal.....	17
Assembly.....	10	Technical data.....	18
Operation.....	12	Accessories.....	19
Maintenance.....	15		

Introduction

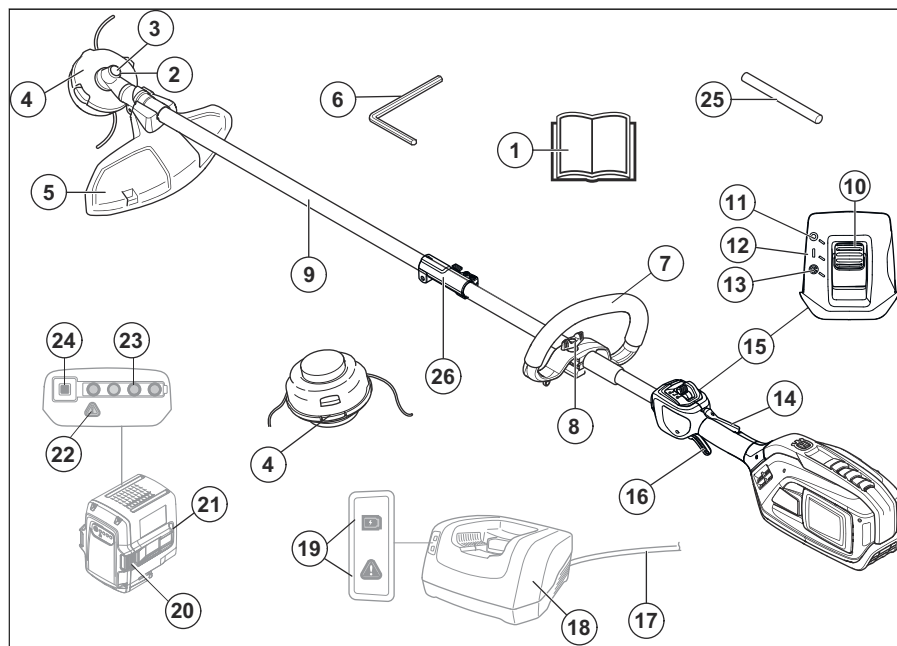
Intended use

Use the product with a trimmer head to cut different types of vegetation. Do not use the product for other tasks than grass trimming and grass clearing.

Note: National or local regulations can regulate the use. Comply with given regulations.

Only use the product with accessories that are approved by the manufacturer. See *Accessories on page 19*.

Product overview



1. Operator's manual
2. Bevel gear
3. Hole for locking pin
4. Trimmer head
5. Cutting attachment guard
6. 4 mm hex

7. Loop handle
8. Knob
9. Shaft
10. Power lever
11. Stop position indication
12. Start position indication

13. SavE position indication
14. Power trigger lockout
15. User interface
16. Power trigger
17. Battery charger cord
18. Battery charger
19. Power and Warning LED
20. Battery release buttons
21. Battery
22. Warning LED
23. LED indicator for the state of charge
24. Battery indicator button
25. Locking pin
26. Coupling for attachment

Symbols on the product



WARNING! This product can be dangerous! Careless or incorrect use can result in serious or fatal injury to the operator or others. It is extremely important that you read and understand the contents of the operator's manual. Please read the operator's manual carefully and make sure you understand the instructions before the product is used.



Use a protective helmet in locations where objects can fall on you. Use approved hearing protection. Use approved eye protection.



Maximum speed of the output shaft.



Rated voltage, V



Direct current.



The product can cause objects to eject, which can cause injury.



Use approved protective gloves.



Use heavy-duty slip-resistant boots.



Only use non-metallic, flexible cutting attachments, i.e. trimmer heads with trimmer cord.



The operator must ensure that no people or animals come closer than 15 metres. When several operators are working at the same site a safety distance of at least 15 metres must be in effect. The attachment can forcibly throw objects that can bounce back. This can result in serious eye injuries if the recommended safety equipment is not used.



Do not use in rain.



Keep all parts of your body away from the hot surfaces.

yyyywwxxxx

The rating plate shows the serial number. **yyyy** is the production year, **ww** is the production week and **xxxx** is the sequential number.

Note: Other symbols/decals on the product refer to certification requirements for other commercial areas.

California Proposition 65

! WARNING

This product contains or emits a chemical known to the State of California to cause cancer or birth defects or other reproductive harm.

Manufacturer

Husqvarna AB

Drottningatan 2, SE-561 82 Huskvarna, Sweden, tel: +46-36-146500

Product liability

As referred to in the product liability laws, we are not liable for damages that our product causes if:

- the product is incorrectly repaired.
- the product is repaired with parts that are not from the manufacturer or not approved by the manufacturer.
- the product has an accessory that is not from the manufacturer or not approved by the manufacturer.

- the product is not repaired at an approved service center or by an approved authority.

Safety

Safety definitions

Warnings, cautions and notes are used to point out specially important parts of the manual.



WARNING: Used if there is a risk of injury or death for the operator or bystanders if the instructions in the manual are not obeyed.



CAUTION: Used if there is a risk of damage to the product, other materials or the adjacent area if the instructions in the manual are not obeyed.

Note: Used to give more information that is necessary in a given situation.

IMPORTANT SAFETY INSTRUCTIONS

Read all instructions



WARNING: When using electric gardening appliances, basic safety precautions should always be followed to reduce the risk of fire, electric shock, and personal injury, including the following:

General power tool safety warnings



WARNING: Read all safety warnings, instructions, illustrations and specifications provided with this power tool. Failure to follow all instructions listed below may result in electric shock, fire and/or serious injury.

Note: Save all warnings and instructions for future reference. The term "power tool" in the warnings refers to your mains-operated (corded) power tool or battery-operated (cordless) power tool.

Work area safety

- **Keep work area clean and well lit.** Cluttered or dark areas invite accidents.
- **Do not operate power tools in explosive atmospheres, such as in the presence of flammable liquids, gases or dust.** Power tools create sparks which may ignite the dust or fumes.

- **Keep children and bystanders away while operating a power tool.** Distractions can cause you to lose control.

Electrical safety

- **Power tool plugs must match the outlet. Never modify the plug in any way. Do not use any adapter plugs with earthed (grounded) power tools.** Unmodified plugs and matching outlets will reduce risk of electric shock.
- **Avoid body contact with earthed or grounded surfaces, such as pipes, radiators, ranges and refrigerators.** There is an increased risk of electric shock if your body is earthed or grounded.
- **Do not expose power tools to rain or wet conditions.** Water entering a power tool will increase the risk of electric shock.
- **Do not abuse the cord. Never use the cord for carrying, pulling or unplugging the power tool. Keep cord away from heat, oil, sharp edges or moving parts.** Damaged or entangled cords increase the risk of electric shock.
- **When operating a power tool outdoors, use an extension cord suitable for outdoor use.** Use of a cord suitable for outdoor use reduces the risk of electric shock.
- **If operating a power tool in a damp location is unavoidable, use a residual current device (RCD) protected supply.** Use of a RCD reduces the risk of electric shock.

Personal safety

- **Stay alert, watch what you are doing and use common sense when operating a power tool. Do not use a power tool while you are tired or under the influence of drugs, alcohol or medication.** A moment of inattention while operating power tools may result in serious personal injury.
- **Use personal protective equipment. Always wear eye protection.** Protective equipment such as dust mask, non-skid safety shoes, hard hat or hearing protection used for appropriate conditions will reduce personal injuries.
- **Prevent unintentional starting. Ensure the switch is in the off-position before connecting to power source and/or battery pack, picking up or carrying the tool.** Carrying power tools with your finger on the switch or energising power tools that have the switch on invites accidents.
- **Remove any adjusting key or wrench before turning the power tool on.** A wrench or a key left attached to a rotating part of the power tool may result in personal injury.

- **Do not overreach. Keep proper footing and balance at all times.** This enables better control of the power tool in unexpected situations.
- **Dress properly. Do not wear loose clothing or jewellery. Keep your hair and clothing away from moving parts.** Loose clothes, jewellery or long hair can be caught in moving parts.
- **If devices are provided for the connection of dust extraction and collection facilities, ensure these are connected and properly used.** Use of dust collection can reduce dust-related hazards.
- **Do not let familiarity gained from frequent use of tools allow you to become complacent and ignore tool safety principles.** A careless action can cause severe injury within a fraction of a second.

Power tool use and care

- **Do not force the power tool. Use the correct power tool for your application.** The correct power tool will do the job better and safer at the rate for which it was designed.
- **Do not use the power tool if the switch does not turn it on and off.** Any power tool that cannot be controlled with the switch is dangerous and must be repaired.
- **Disconnect the plug from the power source and/or remove the battery pack, if detachable, from the power tool before making any adjustments, changing accessories, or storing power tools.** Such preventive safety measures reduce the risk of starting the power tool accidentally.
- **Store idle power tools out of the reach of children and do not allow persons unfamiliar with the power tool or these instructions to operate the power tool.** Power tools are dangerous in the hands of untrained users.
- **Maintain power tools and accessories. Check for misalignment or binding of moving parts, breakage of parts and any other condition that may affect the power tool's operation. If damaged, have the power tool repaired before use.** Many accidents are caused by poorly maintained power tools.
- **Keep cutting tools sharp and clean.** Properly maintained cutting tools with sharp cutting edges are less likely to bind and are easier to control.
- **Use the power tool, accessories and tool bits etc. in accordance with these instructions, taking into account the working conditions and the work to be performed.** Use of the power tool for operations different from those intended could result in a hazardous situation.
- **Keep handles and grasping surfaces dry, clean and free from oil and grease.** Slippery handles and grasping surfaces do not allow for safe handling and control of the tool in unexpected situations.

Battery tool use and care

- **Recharge only with the charger specified by the manufacturer.** A charger that is suitable for one type

of battery pack may create a risk of fire when used with another battery pack.

- **Use power tools only with specifically designated battery packs.** Use of any other battery packs may create a risk of injury and fire.
- **When battery pack is not in use, keep it away from other metal objects, like paper clips, coins, keys, nails, screws or other small metal objects, that can make a connection from one terminal to another.** Shorting the battery terminals together may cause burns or a fire.
- **Under abusive conditions, liquid may be ejected from the battery; avoid contact. If contact accidentally occurs, flush with water. If liquid contacts eyes, additionally seek medical help.** Liquid ejected from the battery may cause irritations or burns.
- **Do not use a battery pack or tool that is damaged or modified.** Damaged or modified batteries may exhibit unpredictable behaviour resulting in fire, explosion or risk of injury.
- **Do not expose a battery pack or tool to fire or excessive temperature.** Exposure to fire or temperature above 130 °C may cause explosion.
- **Follow all charging instructions and do not charge the battery pack or tool outside the temperature range specified in the instructions.** Charging improperly or at temperatures outside the specified range may damage the battery and increase the risk of fire.

Service

- **Have your power tool serviced by a qualified repair person using only identical replacement parts.** This will ensure that the safety of the power tool is maintained.
- **Never service damaged battery packs.** Service of battery packs should only be performed by the manufacturer or authorized service providers.

Other general safety information

- Deactivate the product before you move to another area. Always remove the battery when passing the product to another person.
- Never put the product down unless you have deactivated it and removed the battery. Do not leave the product unsupervised when it is switched on.
- The cutting tool does not stop immediately after the product is turned off.
- Before using the product and after any impact, check for signs of wear or damage and repair as necessary.
- If anything jams in the cutting attachment while you operate the product, stop and deactivate the product. Make sure that the cutting attachment stops completely. Remove the battery before you clean, inspect or repair the product and/or the cutting equipment.
- Do a check of the product before use. Refer to, *Safety devices on the product on page 8* and

Maintenance on page 15. Do not use a defective product. Do the safety checks, maintenance and service instructions described in this manual.

- Faulty cutting attachment can increase the risk of accidents.
- Check the gear for dirt and cracks. Clean off grass and leaves from the gear using a brush. Gloves should be worn when necessary.
- Always ensure that ventilation openings are kept clear of debris.
- Check that the trimmer head is completely attached to the trimmer.
- All covers, guards and handles must be fitted before starting.
- Check that the product is in perfect working order. Check that all nuts and screws are tight.
- Check that the trimmer head and trimmer guard are not damaged or cracked. Replace the trimmer head or trimmer guard if it has been exposed to impact or are cracked. Always use the recommended guard for the cutting attachment you are using. See chapter on Technical data.
- This product is a dangerous tool if you are not careful or if you use the product incorrectly. This product can cause serious injury or death to the operator or others.
- This appliance is not intended for use by persons (including children) with reduced physical, sensory or mental capabilities, or lack of experience and knowledge, unless they have been given supervision or instruction concerning use of the appliance by a person responsible for their safety. Children should be supervised to ensure that they do not play with the appliance.
- Never allow children to use or be in the vicinity of the machine. Since the machine is easy to start, children may be able to start it if they are not kept under full surveillance. This can mean a risk of serious personal injury. Therefore disconnect the battery when the machine is not under close supervision.
- Never allow children or other persons not trained in the use of the product and/or the battery to use or service it.
- Store the equipment in a lockable area so that it is out of reach of children and unauthorized persons.
- The transport guard must always be used for storage and transport.
- Keep hands and feet away from the cutting area at all times and especially when switching on the motor.
- Keep your hands and feet away from the cutting attachment until it has stopped completely when the product is deactivated.
- Do not remove the cut material, or let other persons remove cut material, while the product is activated or the cutting equipment rotates, as this can result in serious injury.
- Keep in mind that it is you, the operator that is responsible for not exposing people or their property to accidents or hazards.
- Under no circumstances may the design of the product be modified without the permission of the manufacturer. Always use original accessories. Non-authorized modifications and/or accessories can result in serious personal injury or the death of the operator or others. Your warranty may not cover damage or liability caused by the use of non-authorized accessories or replacement parts.
- The only accessories you can operate with this product are the cutting attachments recommended in the technical data chapter.
- Never use a product that has been modified in any way from its original specification
- Never use a product that is faulty. Carry out the safety checks, maintenance and service instructions described in this manual. Some maintenance and service measures must be carried out by trained and qualified specialists. See instructions under the Maintenance heading.
- Working in bad weather is tiring and often brings added risk. Due to the added risk, it is not recommended to use the machine in very bad weather, for instance in dense fog, heavy rain, strong winds, intense cold, risk of lightning, etc
- Never work from a ladder, stool or any other raised position that is not fully secured.
- Store Idle Appliances Indoors – When not in use, appliances should be stored indoors
- It is not possible to cover every conceivable situation you can face. Always exercise care and use your common sense. Avoid all situations which you consider to be beyond your capability. If you still feel uncertain about operating procedures after reading these instructions, you should consult an expert before continuing.
- Ensure that no people or animals come closer than 15 meters while you work. When several operators are working in the same area the safety distance should be at least 15 metres. Otherwise there is a risk of serious personal injury. Stop the product immediately if anyone approaches. Never swing the product around without first checking behind you to make sure that no one is within the safety zone.
- If anything jams in the cutting attachment while you operate the product, stop and deactivate the product. Make sure that the cutting attachment stops completely. Remove the battery before you clean, inspect or repair the product and/or the cutting equipment.
- Ensure that people, animals or other things can not affect your control of the product or that they do not come in contact with the cutting attachment or loose objects that are thrown out by the cutting attachment. However, do not use the product unless you are able to call for help in the event of an accident.

- Make sure that you can move and stand safely. Check the area around you for possible obstacles (roots, rocks, branches, ditches, etcetera) in case you have to move suddenly. Take great care when you work on sloping ground.
- Walk, never run.
- Inspect the working area. Remove all loose objects, such as stones, broken glass, nails, steel wire, string etc. that could be thrown out or become wrapped around the cutter or cutter guard.
- Watch out for stumps of branches that can be thrown out when you cut. Do not cut too close to the ground where stones and other objects can be thrown out.
- Make sure that no clothes or parts of the body come in contact with the cutting attachment when the product is activated. Keep the product below waist level.
- Watch out for thrown objects. Always wear approved eye protection. Never lean over the cutting attachment guard. Stones, rubbish, etc., can be thrown up into the eyes which can cause blindness or serious injury.
- Listen out for warning signals or shouts when you wear hearing protection. Always remove your hearing protection as soon as the product stops.
- If any unwanted vibrations occur, tap out new line to give the line the correct length to stop the vibrations.
- If the product starts vibrating abnormally, stop the product and remove the battery.
- Overexposure to vibration can lead to circulatory damage or nerve damage in persons who have poor circulation. Speak to your physician if you experience symptoms of overexposure to vibration. Such symptoms include numbness, loss of feeling, tingling, pricking, pain, loss of strength, changes in skin color or condition. These symptoms usually show in the fingers, hands or wrists.
- Always hold the product with both hands. Hold the product on the right side of your body.

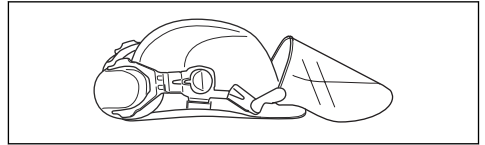
Personal protective equipment



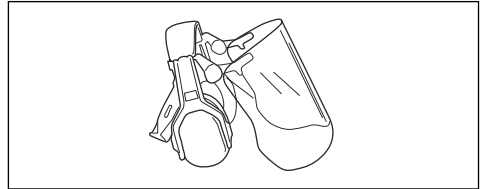
WARNING: Read the warning instructions that follow before you use the product.

- Always use approved personal protective equipment when you use the product. Personal protective equipment cannot fully prevent injury but it decreases the degree of injury if an accident does occur. Let your dealer help you select the right equipment.

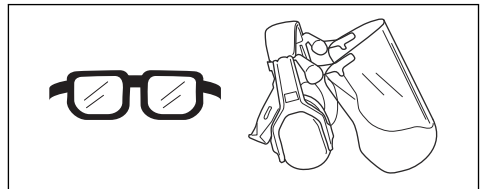
- Use a protective helmet where there is a risk of falling objects.



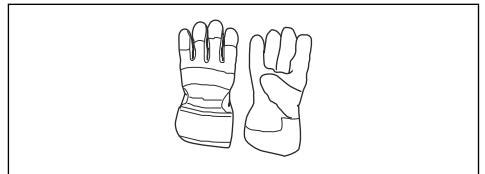
- Use approved hearing protection that provides adequate noise reduction. Long-term exposure to noise can result in permanent hearing impairment.



- Use approved eye protection. If you use a visor, you must also use approved protective goggles. Approved protective goggles must comply with the ANSI Z87.1 standard in the USA or EN 166 in EU countries.



- Use gloves when necessary, for example when you attach, examine or clean the cutting equipment.



- Use sturdy non-slip boots.



- Use clothing made of a strong fabric. Always use heavy, long pants and long sleeves. Do not use loose clothing that can catch on twigs and branches. Do not wear jewelry, short pants, sandals or go with

bare feet. Put your hair up safely above shoulder level.

- Keep first aid equipment close at hand.



Safety devices on the product



WARNING: Read the warning instructions that follow before you use the product.

In this section the product's safety features, its purpose and how checks and maintenance should be carried out to ensure that it operates correctly. See instructions under the heading *Introduction on page 2* to find where these parts are located on your product.

The life span of the product can be reduced and the risk of accidents can increase if product maintenance is not carried out correctly and if service and/or repairs are not carried out professionally. If you need further information please contact your nearest servicing dealer.



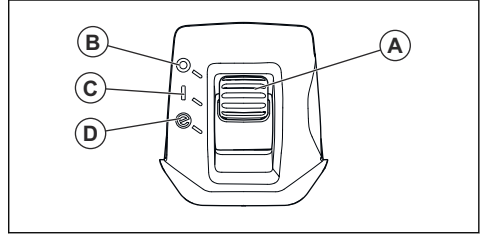
WARNING: Never use a product with defective safety components. The product's safety equipment must be inspected and maintained as described in this section. If your product fails any of these checks, contact your service agent to get it repaired.



CAUTION: All servicing and repair work on the machine requires special training. This is especially true of the machine's safety equipment. If your machine fails any of the checks described below you must contact your service agent. When you buy any of our products we guarantee the availability of professional repairs and service. If the retailer who sells your machine is not a servicing dealer, ask him for the address of your nearest service agent.

To use the user interface

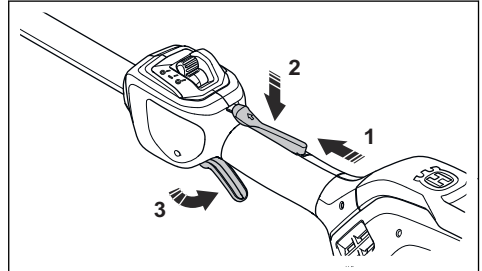
1. To operate the user interface, the power lever (A) is pushed into three different positions.



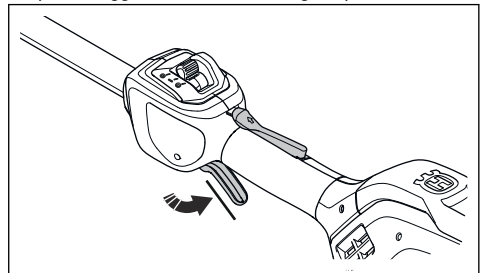
- a) Stop position (B), the product is off.
- b) Start position (C), the product is on.
- c) SavE position (D), the SavE mode is on.

To do a check of the power trigger lockout

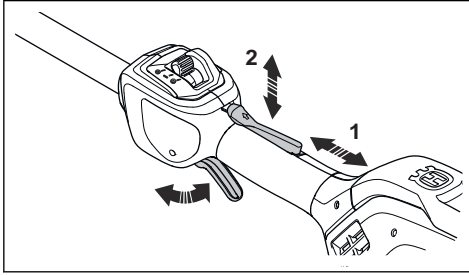
The power trigger lockout is designed to prevent accidental operation. When you push the power trigger lockout forward (1) and then press the power trigger (3) against the handle (2), the power trigger (3) is released. When you release the handle, the power trigger and the power trigger lockout both move back to their original positions. This movement is operated by three independent springs.



1. Make sure that the power trigger is locked when the power trigger lockout is in its original position.



2. Press the power trigger and make sure it returns to its original position when you release it.



3. Make sure that the power trigger and the power trigger lockout moves freely and that the return spring operates correctly.
4. Start the product, refer to *To start the product on page 13*.
5. Apply full speed.
6. Release the power trigger and make sure that the cutting attachment stops and remains still.

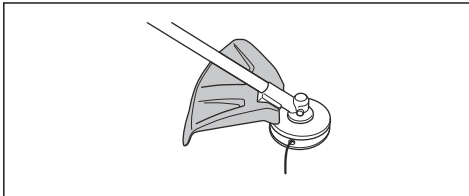
To do a check of the cutting attachment guard



WARNING: Do not use a cutting attachment without an approved and correctly attached cutting attachment guard. Always use the recommended cutting attachment guard for the cutting attachment that you use, see *Accessories on page 19*. If an incorrect or faulty cutting attachment guard is attached this can cause serious personal injury.

The cutting attachment guard stops objects that ejects in the direction of the operator. It also prevents injuries that occur if you touch the cutting attachment.

1. Stop the motor and remove the battery.
2. Do a visual check for damages, for example cracks.



3. Replace the cutting attachment guard if it is damaged.

Trimmer head

- Always use the correct trimmer head, cutting attachments and always use the recommended trimmer line. Refer to *Accessories on page 19* and the assembly in the end of the Manual.
- Make sure that the cutter on the trimmer guard is not damaged.

- Make sure that the trimmer line is wound tightly and equally around the drum to prevent unusual vibrations from the product. Different cord lengths can result in vibrations that are not necessary. Tap the trimmer head to get correct length on the cord.

To increase the life of the cord it can be soaked in water for 2 days or more before assembly. This will make the cord more resistant.

Safety instructions for assembly



WARNING: Read, understand and obey these instructions carefully before you use the product.

- Remove the battery from the product before you assemble the product.
- Use approved protective gloves.
- A defective or incorrect guard can cause injury. Do not use a cutting attachment that does not have an approved guard attached.
- Make sure that you assemble the cover and shaft correct before you start the product.
- The drive disc and support flange must engage correctly in the centre hole of the cutting attachment. A cutting attachment that is attached incorrectly can cause injury or death.
- If a harness is supplied with the attachment, the harness must be correctly attached to the product. The harness makes operation safe and prevents injury to the operator or other persons.

Safety instructions for maintenance



WARNING: Read the warning instructions that follow before you do maintenance on the product.

- Remove the battery before you do maintenance, other checks or assemble the product.
- The operator must only do the maintenance and servicing shown in this operator's manual. Turn to your servicing dealer for maintenance and servicing of a larger extension.
- Do not clean the battery or the battery charger with water. Strong detergent can cause damage to the plastic.
- If you do not do maintenance, it decreases the life cycle of the product and increases the risk of accidents.
- Special training is necessary for all servicing and repair work, especially for the safety devices on the product. If not all checks in this operator's manual are approved after you have done maintenance, turn to your servicing dealer. We guarantee that there are professional repairs and servicing available for your product.
- Only use original spare parts.

- Always use heavy duty gloves when you repair the cutting attachment. The blades are very sharp and can easily cause injuries.

- Stay Alert – Watch what you are doing. Use common sense. Do not operate appliance when you are tired.
- Store Idle Appliances Indoors – When not in use, appliances should be stored indoors in dry, and high or locked-up place – out of reach of children.
- Maintain Appliance With Care – Keep cutting edge sharp and clean for best performance and to reduce the risk of injury. Follow instructions for lubricating and changing accessories. Keep handles dry, clean, and free from oil and grease.
- Check Damaged Parts – Before further use of the appliance, a guard or other part that is damaged should be carefully checked to determine that it will operate properly and perform its intended function. Check for alignment of moving parts, binding of moving parts, breakage of parts, mounting, and any other condition that may affect its operation. A guard or other part that is damaged should be properly repaired or replaced by an authorized service center unless indicated elsewhere in this manual.

Other safety information

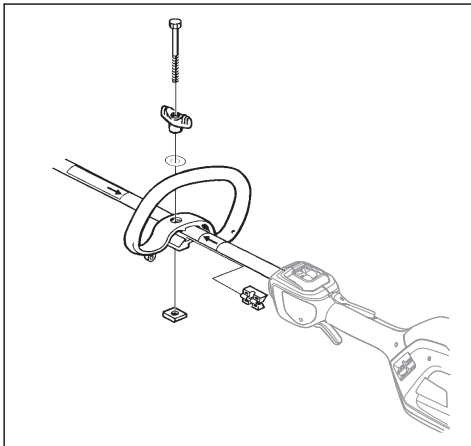
- Avoid Dangerous Environment – Don't use appliances in damp or wet locations.
- Don't Use In Rain.
- Keep Children Away – All visitors should be kept at a distance from work area.
- Dress Properly – Do not wear loose clothing or jewelry. They can be caught in moving parts. Use of rubber gloves and substantial footwear is recommended when working outdoors. Wear protective hair covering to contain long hair.
- Use Safety Glasses – Always use face or dust mask if operation is dusty.
- Use Right Appliance – Do not use appliance for any job except that for which it is intended.
- Avoid Unintentional Starting – Don't carry plugged-in appliance with finger on switch. Be sure switch is off when plugging in.
- Don't Force Appliance – It will do the job better and with less likelihood of a risk of injury at the rate for which it was designed.
- Don't Overreach – Keep proper footing and balance at all times.

SAVE THESE INSTRUCTIONS

Assembly

To assemble the loop handle

1. Attach the loop handle onto the shaft between the arrows. Do not place loop handle or suspension ring on label.

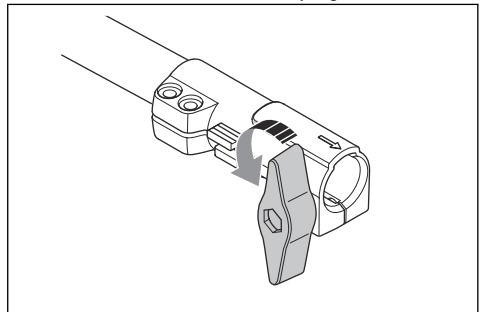


2. Move the spacer into the slot of the loop handle.
3. Attach the nut, the knob and the screw, do not make it to tight.

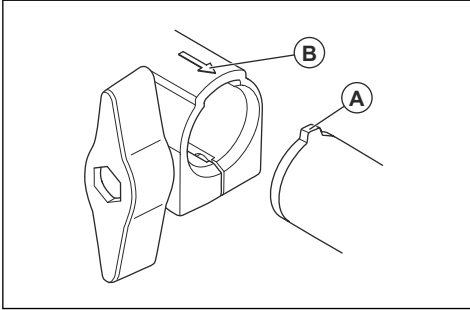
4. Adjust the product to a comfortable position.
5. Tighten the bolt.

To assemble the two-piece shaft

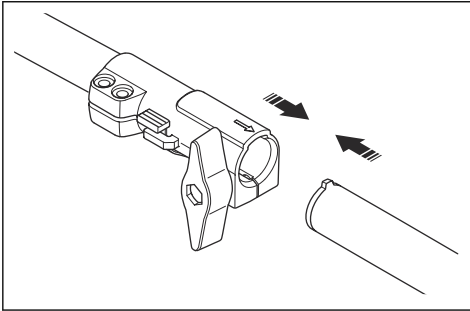
1. Turn the knob to loosen the coupling.



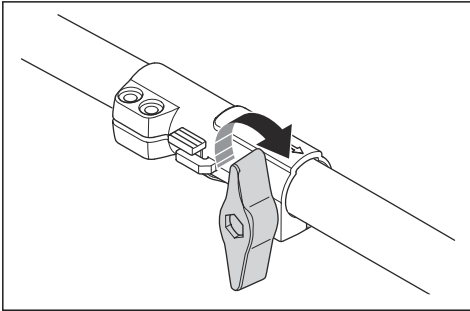
2. Align the tab (A) with the arrow (B) on the coupling.



3. Push the shaft into the coupling until it clicks into position.

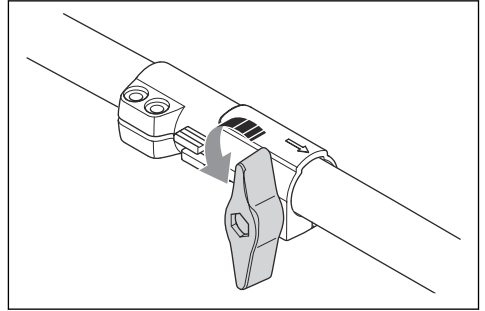


4. Tighten the knob fully.

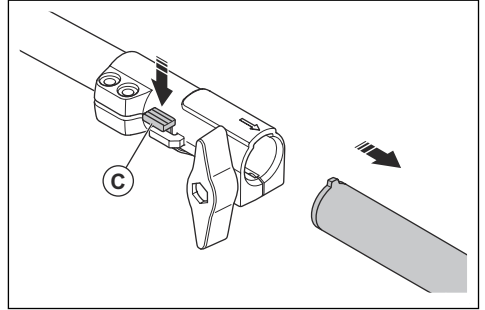


To disassemble the two-piece shaft

1. Turn the knob 3 turns or more to loosen the coupling.

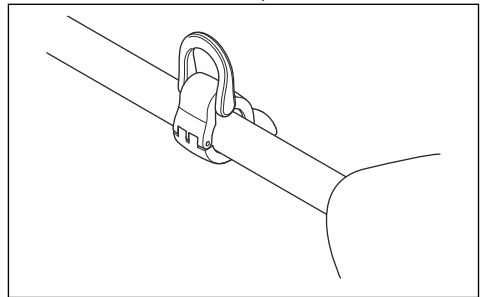


2. Push and hold the button (C).
3. Hold tight in the end of the shaft that the motor is attached to.
4. Pull the attachment out of the coupling.



To install the suspension ring if applicable

1. Install the suspension ring between the arrows on the rear handle and the loop handle.



Note: Do not put the loop handle on the decal.

2. Adjust the ring to make the product balanced, and easy to use.

To assemble the cutting equipment

The cutting equipment includes a cutting attachment and a cutting attachment guard.



WARNING: Use protective gloves.



WARNING: Always use the cutting attachment guard that is recommended for the cutting attachment. See *Accessories* on page 19.



WARNING: An incorrectly attached cutting attachment can result in injury or death.

Assembly of trimmer heads



WARNING: When you install the cutting attachment it is very important that the raised section on the drive disc/support flange engages correctly in the centre hole of the cutting attachment. If the cutting attachment is install incorrectly it can result in serious and/or fatal personal injury.

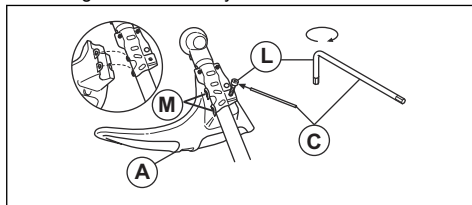


WARNING: Never use a cutting attachment without an approved guard. See the chapter on Technical data. If an incorrect or faulty guard, or the J-handle is missing when using metallic cutting attachment, is fitted this can cause serious personal injury.

To attach the trimmer guard for a trimmer head

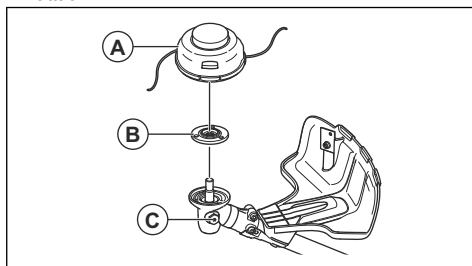
1. Hang the trimmer guard (A) onto the two hooks on the plate holder (M).

2. Bend the guard around the shaft and attach it with the bolt (L) on the opposite side of the shaft.
3. Put the locking pin (C) in the groove on the bolt head and tighten the bolt fully.



To attach a trimmer head

1. Put the drive disc (B) on the output shaft.
2. Turn the output shaft to align one of the holes in the drive disc with the related hole in the gear housing.
3. Put the locking pin (C) in the hole to lock the shaft.
4. Turn the trimmer head (A) counterclockwise to attach.



Operation

Introduction



WARNING: Read and understand the safety chapter before you use the product.

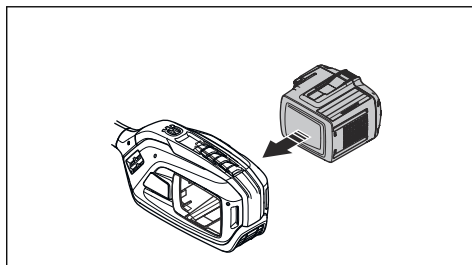
To connect the battery to the product



WARNING: Only use Husqvarna original batteries with the product.

1. Make sure that the battery is fully charged.

2. Push the battery into the battery holder of the product. The battery locks into position when you hear a click.





CAUTION: If the battery does not move easily into the battery holder, the battery is not installed correctly. This can cause damage to the product.

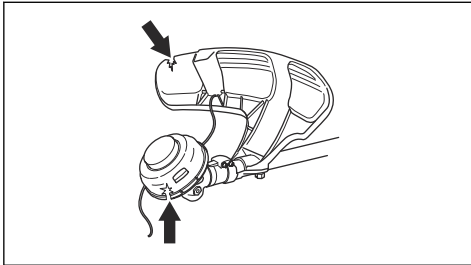
3. Make sure that the battery is installed correctly.

Work position

- Hold the product with 2 hands.
- Hold the product on the right side of your body.
- Keep the cutting attachment below waist level.
- Keep body parts away from the hot surfaces.
- Keep body parts away from the cutting attachment.

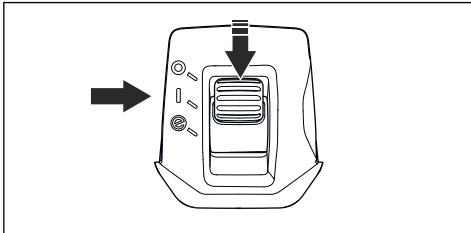
Before you operate the product

- Examine the work area to make sure that you know the type of terrain, the slope of the ground and if there are obstacles such as stones, branches and ditches.
- Do an overhaul inspection of the product.
- Do the safety inspections, maintenance and servicing that are given in this manual.
- Make sure that all covers, guards, handles and the cutting equipment are correctly attached and not damaged.
- Examine the trimmer head and cutting attachment guard for damages or cracks. Replace the trimmer head and cutting attachment guard if they have been hit or if they have cracks.



To start the product

1. Push the power lever the start position.

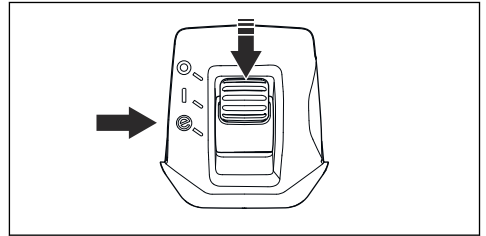


2. Use the power trigger to control the speed.

To start the SavE function

The product has a power saving function. The SavE function gives the longest operation time from the battery.

1. Push the control lever to SavE symbol. The maxspeed is now limited.



2. Push the Control lever to 1 or 0 to quit the SavE function.

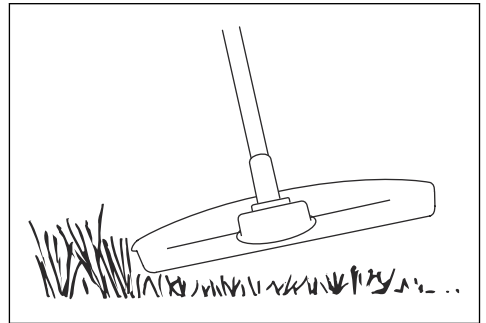
Automatic shutdown function

The product is equipped with a shutdown function that deactivates the product if it is not used.

Grass trimming with a trimmer head

To trim the grass

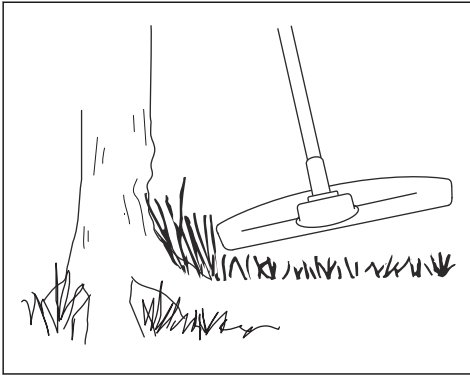
1. Hold the trimmer head immediately above the ground at an angle.



Do not push the grass trimmer line into the grass.

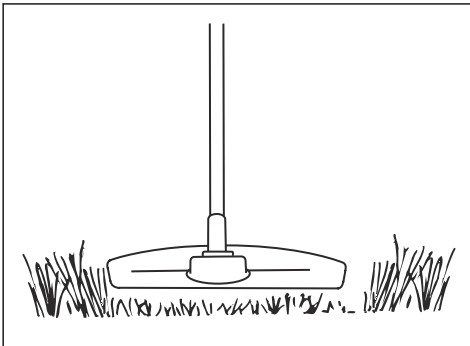
2. Decrease the length of the grass trimmer line by 10-12 cm (4-4.75 in) and decrease the motor speed to decrease the risk of damage to plants.

3. Use 80 % speed when you cut grass near objects.



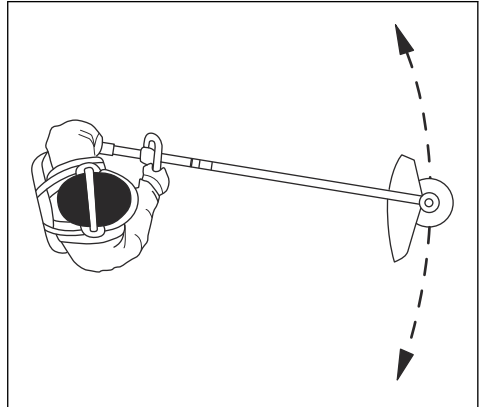
To cut the grass

1. Make sure that the grass trimmer line is parallel to the ground when you cut.



2. Do not push the trimmer head to the ground. The ground and the product can be damaged.
3. Do not let the trimmer head touch the ground continuously, it can cause damage to the trimmer head.

4. Use full speed when you move the product from side to side to cut grass.



Make sure that the grass trimmer line is parallel to the ground.

To sweep the grass

The airflow from the rotating trimmer cord can be used to remove cut grass from an area.

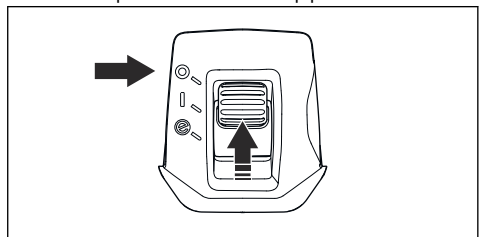
1. Hold the trimmer head and its cord parallel to the ground and above the ground.
2. Apply full speed.
3. Move the trimmer head from side to side and sweep the grass.



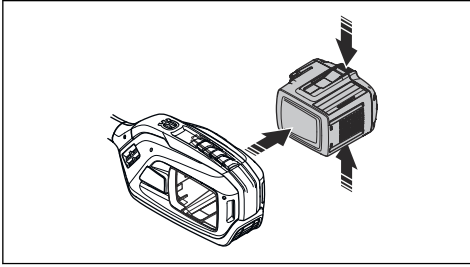
WARNING: Clean the trimmer head cover each time you assemble new trimmer cord to prevent unbalance and vibrations in the handles. Also do a check of the other parts of the trimmer head and clean it if necessary.

To stop the product

1. Release the power trigger or the power trigger lockout.
2. Push the power lever to the stop position.



3. Push the release buttons on the battery and pull the battery out.



Maintenance

Introduction



WARNING: Before you do any maintenance work you must read and understand the safety chapter.

Maintenance schedule



WARNING: Remove the battery before you do maintenance.

The following is a list of the maintenance steps that you must do on the product.

Maintenance	Daily	Weekly	Monthly
Clean the external parts of the product with a dry cloth. Do not use water.	X		
Examine that the start and stop button works correctly and is not damaged.	X		
Make sure that the power trigger and the power trigger lockout function correctly from a safety point of view.	X		
Make sure that all controls work and are not damaged.	X		
Keep the handles dry, clean and free from oil and grease.	X		
Make sure that the cutting attachment is not damaged. Replace the cutting attachment if it is damaged.	X		
Make sure that the cutting attachment guard is not damaged. Replace the cutting attachment guard if it is damaged.	X		
Make sure that the screws and nuts are tight.	X		
Make sure that the battery release buttons on the battery works and locks the battery in the product.	X		
Make sure that the battery is not damaged.	X		
Make sure that the battery is charged.	X		
Make sure that the battery charger is not damaged and operates correctly.	X		
Examine all cables, couplings and connections. Make sure they are not damaged and free from dirt.		X	
Check that the bevel gear is filled three-quarters full with lubricant. Fill if necessary using special grease.		X	
Do a check of the connections between the battery and the product. Do a check of the connection between the battery and the battery charger.			X

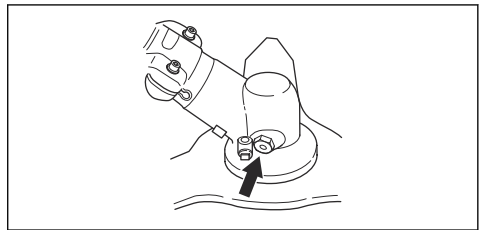
To clean the product, the battery and the battery charger

1. Clean the product with a dry cloth after use.
2. Clean the battery and battery charger with a dry cloth. Keep the battery guide tracks clean.
3. Make sure that the terminals on the battery and the battery charger are clean before the battery is put in the battery charger or the product.

Bevel gear

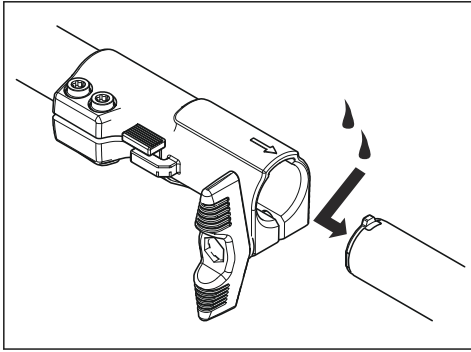
The bevel gear is filled to $\frac{3}{4}$ with grease at the factory. Before use, make sure that the grease level has not changed. Use Husqvarna special grease if it is necessary to fill up. Do not change the grease in the

bevel gear. Let servicing personnel do the repair of the bevel gear.



Two piece-shaft

Apply grease to the end of the drive shaft after each 30 hours of operation. There is a risk that the drive shaft ends (splined coupling) on models with two-piece shafts will seize if they are not lubricated regularly.



Troubleshooting

Troubleshooting

Issue	Possible faults	Possible action
The product does not start.	Low battery voltage.	Charge the battery.
	Temperature deviation.	Let the product cool down.
	Dirt on battery connectors.	Clean with compressed air or a soft brush.
	Servicing is necessary.	Speak to your servicing agent.

Transportation, storage and disposal

Transportation and storage

- The supplied Li-ion batteries obey the Dangerous Goods Legislation requirements.
- Obey the special requirement on package and labels for commercial transportation, including by third parties and forwarding agents.
- Speak to a person with special training in dangerous material before you send the product. Obey all applicable national regulations.
- Use tape on open contacts when you put the battery in a package. Put the battery in the package tightly to prevent movement.
- Remove the battery for storage or transportation.
- Put the battery and the battery charger in a space that is dry and free from moisture and frost.
- Do not keep the battery in an area where static electricity can occur. Do not keep the battery in a metal box.
- Put the battery in storage where the temperature is between 5°C/41°F and 25°C/77°F and away from open sunlight.
- Put the battery charger in storage where the temperature is between 5 °C/41 °F and 45°C/113°F and away from open sunlight.
- Use the battery charger only when the surrounding temperature is between 5°C/41°F and 40°C/104°F.
- Charge the battery 30% to 50% before you put it in storage for long periods.
- Put the battery charger in storage in a space that is closed and dry.
- Keep the battery away from the battery charger during storage. Do not let children and other not approved persons to touch the equipment. Keep the equipment in a space that you can lock.
- Clean the product and do a full servicing before you put the product in storage for a long time.
- Use the transportation guard on the product to prevent injuries or damage on the product during transportation and storage.
- Attach the product safely during transportation.

Disposal of the battery, battery charger and product

Symbols on the product or the package of the product means that the product is not domestic waste. Recycle it at a recycling station for electrical and electronic

equipment. This helps to prevent damage to the environment and to persons.

Get in touch with your local authorities, domestic waste service or your dealer for more information about how to recycle your product.

Technical data

Technical data

	325iLK together with TAB850
Motor	
Motor type	BLDC (brushless) 36V
Speed of output shaft, 1/min	5800
Cutting width, mm/inch	420/16.5
Weight	
Weight (325iLK with TAB850) kg/lb	3.8/8.4
Weight (325iLK with TAB850 incl. battery BLI200) kg/lb	5.1/11.3
Noise levels¹	
Equivalent sound pressure level at the operator's ear, measured according to ISO 22868, dB (A):	
Equipped with trimmer head (original)	82
Vibration levels²	
Vibration levels at handles, measured according to ISO 22867, m/s ²	
Equipped with trimmer head (original), left/right	3.6/1.4

Approved batteries

Battery	BLI 200
Type	Lithium-ion
Battery capacity, Ah	5.2
Nominal voltage, V	36
Weight, kg (lb)	1.3 (2.9)

¹ Reported data for equivalent sound pressure level for the machine has a typical statistical dispersion (standard deviation) of 3 dB (A).

² Reported data for vibration level has a typical statistical dispersion (standard deviation) of 1.5 m/s².

Approved battery chargers

Battery charger	QC330
Input voltage, V	100-240
Frequency, Hz	50-60
Power, W	330

Accessories

Accessories

Approved accessories	Accessory type	Cutting attachment guard, art. no.
Trimmer line Ø 2.0-2.3 mm	Whisper twist trimmer line, maximum Ø 2.3 mm	
Trimmer head	T25 (Whisper twist trimmer line, maximum Ø 2.3 mm)	597 01 62-01
	T35 (Whisper twist trimmer line, maximum Ø 2.3 mm)	597 01 62-01

Accessories

Approved attachments	Attachment number ³	Attachment group ⁴	Use with
Trimmer attachment TAB850		Included in product	325iLK
Brushcutter attachment BCA850	1	1-10	325iLK
Blower attachment BA101	11	11-20	325iLK
Edger attachment ECA850	21	21-30	325iLK
Edger attachment ESA850	22	21-30	325iLK
Hedge trimmer attachment HA850	31	31-40	325iLK
Saw attachment PAB1100	44	41-50	325iLK
Clean sweep attachment SR600-2	51	51-60	325iLK
Bristle brush attachment BR600	52	51-60	325iLK

³ This is a specific number of an approved attachment within in an attachment group.

⁴ The approved attachments are divided into attachment groups. Each attachment group has similar features and decals.

Approved attachments	Attachment number ³	Attachment group ⁴	Use with
Dethatcher attachment DT600	53	51-60	325iLK
Cultivator attachment CA230	54	51-60	325iLK

³ This is a specific number of an approved attachment within in an attachment group.

⁴ The approved attachments are divided into attachment groups. Each attachment group has similar features and decals.

Contenido

Introducción.....	21	Solución de problemas.....	36
Seguridad.....	23	Transporte, almacenamiento y eliminación de residuos.....	36
Montaje.....	30	Datos técnicos.....	37
Funcionamiento.....	32	Accesorios.....	38
Mantenimiento.....	34		

Introducción

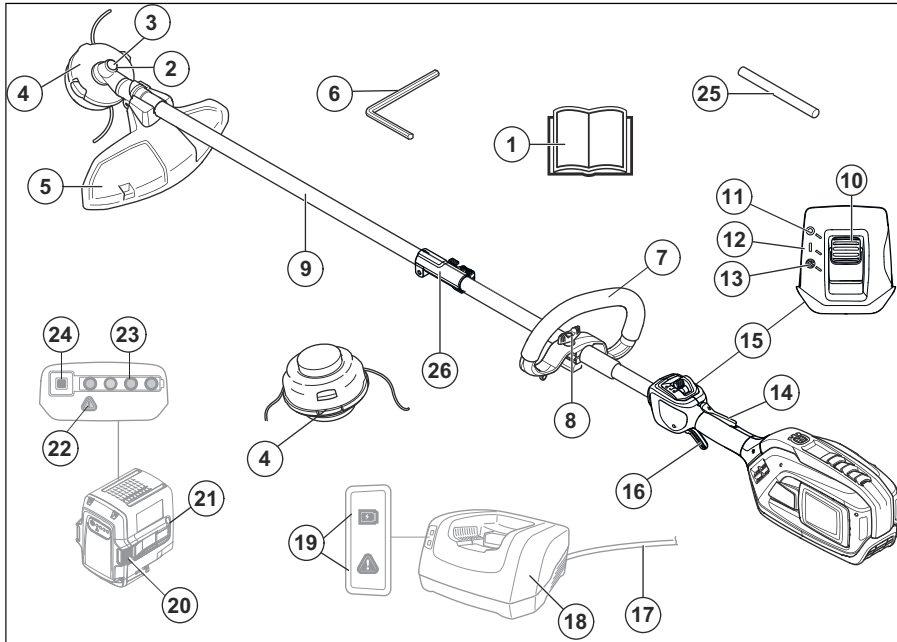
Uso previsto

Utilice el producto con un cabezal de corte para cortar distintos tipos de vegetación. No utilice el producto para otras tareas que no sean cortar y desbrozar césped.

Tenga en cuenta: El uso puede estar regulado por normas nacionales o locales. Cumpla con las normas indicadas.

Utilice el producto solo con accesorios aprobados por el fabricante. Consulte *Accesorios en la página 38*.

Descripción general de la máquina



1. Manual del usuario
2. Engranaje angulado
3. Orificio para pasador de bloqueo
4. Cabezal de corte
5. Protección del equipo de corte
6. Hexagonal de 4 mm
7. Mango cerrado
8. Perilla
9. Eje
10. Palanca de encendido
11. Indicación de posición de parada
12. Indicación de posición de arranque
13. Indicación de posición Save
14. Bloqueo del gatillo de alimentación

15. Interfaz de usuario
16. Gatillo de alimentación
17. Cable del cargador de batería
18. Cargador de batería
19. LED de advertencia y encendido
20. Botones de liberación de la batería
21. Batería
22. Luz LED de advertencia
23. LED indicador del estado de carga
24. Botón del indicador de batería
25. Pasador de bloqueo
26. Acoplamiento para el accesorio

Símbolos en la máquina



ADVERTENCIA: Este producto puede ser peligroso. El uso incorrecto o descuidado puede provocar daños mortales al operador u otras personas. Es muy importante que lea y comprenda el contenido del manual de usuario. Lea cuidadosamente el manual de instrucciones y asegúrese de comprender las indicaciones antes de utilizar el producto.



Utilice un casco protector en lugares donde puedan caer objetos sobre usted. Use protección auricular aprobada. Use protección ocular homologada.



Régimen máximo del eje de salida.



Voltaje nominal, V



Corriente continua.



El producto puede provocar que los objetos salgan expulsados, lo que puede causar lesiones.



Use guantes protectores homologados.



Use botas antideslizantes de servicio pesado.



Utilice solo accesorios de corte flexibles no metálicos, es decir, cabezales de corte con hilo de recortadora.



El operador se debe asegurar de que ninguna persona o animal se acerque a menos de 15 metros. Cuando varios operadores trabajan en el mismo lugar, se debe establecer una distancia de seguridad de, al menos, 15 metros. El accesorio puede echar a volar objetos violentamente que pueden rebotar. Lo anterior puede provocar heridas graves en los ojos si no se utiliza el equipo de seguridad recomendado.



No utilice los aparatos cuando llueva.



Mantenga todas las partes del cuerpo lejos de las superficies calientes.

yyyywwxxxx

La placa de características muestra el número de serie. **yyyy** es el año de fabricación, **ww** es la semana de producción y **xxxx** es el número secuencial.

Tenga en cuenta: Otros símbolos o etiquetas del producto hacen referencia a requisitos de certificación para otras zonas comerciales.

Propuesta 65 de California

! ¡ADVERTENCIA!

Este producto contiene o emite productos químicos que pueden causar cáncer, defectos congénitos u otros daños en el sistema reproductor.

Fabricante

Husqvarna AB

Drottningatan 2, SE-561 82 Huskvarna, Sweden, tel: +46-36-146500

Responsabilidad del fabricante

Como se menciona en las leyes de responsabilidad del fabricante, no nos hacemos responsables de los daños que cause nuestro producto si:

- el producto se repara incorrectamente
- el producto se repara con piezas que no son del fabricante o que este no autoriza
- el producto tiene un accesorio que no es del fabricante o que este no autoriza
- el producto no se repara en un centro de servicio autorizado o por una autoridad aprobada.

Definiciones de seguridad

Las advertencias, precauciones y notas se utilizan para señalar las piezas particularmente importantes del manual.



ADVERTENCIA: Se utilizan para señalar el riesgo de lesiones graves o mortales para el operador o para aquellos que se encuentren cerca si no se siguen las instrucciones del manual.



AVISO: Se utilizan para señalar el riesgo de dañar la máquina, otros materiales o el área adyacente si no se siguen las instrucciones del manual.

Tenga en cuenta: Se utilizan para entregar más información necesaria en situaciones particulares.

INSTRUCCIONES DE SEGURIDAD IMPORTANTES

Lea todas las instrucciones



ADVERTENCIA: Cuando utilice aparatos eléctricos para jardines, siga siempre las precauciones de seguridad básicas para reducir el riesgo de incendio, sacudida eléctrica y daños personales, como los siguientes:

Advertencias de seguridad generales de la herramienta eléctrica



ADVERTENCIA: Lea todas las advertencias de seguridad, las instrucciones, las ilustraciones y las especificaciones que se suministran con esta herramienta eléctrica. En caso de no seguir todas las instrucciones que se entregan a continuación, se pueden producir sacudidas eléctricas, incendios o daños graves.

Tenga en cuenta: Guarde todas las advertencias e instrucciones para futuras referencias. El término "herramienta eléctrica" que se indica en las advertencias hace referencia a la herramienta eléctrica (con cable) operada con corriente o a la herramienta eléctrica operada con baterías (inalámbrica).

Seguridad en el área de trabajo

- **Mantenga el área de trabajo limpia y bien iluminada.** Las áreas desordenadas u oscuras pueden generar accidentes.
- **No opere herramientas eléctricas en atmósferas explosivas, como ante presencia de gases, polvo o líquidos inflamables.** Las herramientas eléctricas generan chispas que pueden encender el polvo o humos.
- **Mantenga alejados a niños y transeúntes mientras opera una herramienta eléctrica.** Las distracciones pueden hacerle perder el control.

Seguridad eléctrica

- **Los enchufes de la herramienta eléctrica deben coincidir con la toma de corriente. Nunca modifique el enchufe de ninguna forma. No utilice enchufes con adaptador con herramientas eléctricas conectadas a tierra.** Los enchufes sin modificaciones y las tomas correspondientes reducen el riesgo de sacudida eléctrica.
- **Evite el contacto corporal con superficies conectadas a tierra, como tuberías, radiadores, estufas y refrigeradores.** Existe un mayor riesgo de sacudida eléctrica si su cuerpo está conectado a tierra.
- **No exponga las herramientas eléctricas a la lluvia o a la humedad.** Si entra agua en una herramienta eléctrica, aumenta el riesgo de sacudida eléctrica.
- **No haga mal uso del cable. Nunca utilice el cable para transportar, tirar o desconectar la herramienta eléctrica. Mantenga el cable alejado del calor, el aceite, los bordes afilados o las piezas en movimiento.** Cables dañados o enredados aumentan el riesgo de sacudida eléctrica.
- **Al operar una herramienta eléctrica en exteriores, utilice un cable de extensión apto para su uso al aire libre.** La utilización de un cable apto para el uso al aire libre reduce el riesgo de sacudida eléctrica.
- **Si no se puede evitar el uso de una herramienta eléctrica en un lugar húmedo, utilice un suministro de corriente residual (RCD, por sus siglas en inglés) protegido.** El uso de un RCD reduce el riesgo de que se produzcan sacudidas eléctricas.

Seguridad personal

- **Permanezca alerta, vea lo que está haciendo y use el sentido común cuando opere una herramienta eléctrica. No utilice una herramienta eléctrica si está cansado o bajo la influencia de drogas, alcohol o medicamentos.** Un momento de distracción a la hora de operar una herramienta eléctrica puede generar daños personales graves.
- **Utilice equipo de protección personal. Siempre utilice protección ocular.** El equipo de protección (como máscara contra polvo, calzado de seguridad

antideslizante, casco o protectores auriculares) que se utiliza en condiciones pertinentes reducirá los daños personales.

- **Evite el arranque accidental. Asegúrese de que el interruptor esté en la posición de apagado antes de conectarse a una fuente de energía o insertar una unidad de batería, así como cuando recoge o transporta la herramienta.** Al transportar herramientas eléctricas con su dedo en el interruptor o al suministrarles corriente con el interruptor en la posición de encendido, se pueden provocar accidentes.
- **Quite cualquier llave de ajuste antes de encender la herramienta eléctrica.** Una llave conectada a una pieza giratoria de la herramienta eléctrica puede causar daños personales.
- **No se estire demasiado. Mantenga una posición y un equilibrio adecuados en todo momento.** Esto permite un mejor control de la herramienta eléctrica en situaciones inesperadas.
- **Vístase adecuadamente. No use ropa suelta ni joyas. Mantenga el pelo y la ropa lejos de las piezas en movimiento.** La ropa suelta, las joyas o el cabello largo pueden quedar atrapados en las partes que se mueven.
- **Si se proporcionan dispositivos para la conexión de instalaciones de recolección y extracción de polvo, asegúrese de que estos se conecten y utilicen de manera pertinente.** El uso de recolectores de polvo puede reducir los peligros relacionados con el polvo.
- **No se confíe de los conocimientos obtenidos a partir del uso frecuente de las herramientas ni pase por alto los principios de seguridad de uso de las herramientas.** Una acción negligente puede causar una lesión grave en una fracción de segundo.

Uso y cuidado de la herramienta eléctrica

- **No fuerce la herramienta eléctrica. Utilice la herramienta eléctrica correcta según su aplicación.** Con la herramienta eléctrica correcta, hará el trabajo mejor y de manera más segura a razón del propósito para la cual fue diseñada.
- **No utilice la herramienta eléctrica si no se puede encender o apagar con el interruptor.** Cualquier herramienta eléctrica que no se puede controlar con el interruptor conlleva peligros y se debe reparar.
- **Desconecte el enchufe de la fuente de energía o retire la unidad de batería, si es desmontable, de la herramienta eléctrica antes de hacer ajustes, cambiar accesorios o almacenar la herramienta eléctrica.** Tales medidas de seguridad preventivas reducen el riesgo de arranque accidental de la herramienta eléctrica.
- **Almacene las herramientas eléctricas inactivas fuera del alcance de los niños y no permita que personas que no estén familiarizadas con la herramienta eléctrica o con estas instrucciones operen la herramienta eléctrica.** Las herramientas eléctricas conllevan peligros en manos de usuarios inexpertos.

- **Realice mantenimiento en las herramientas eléctricas y los accesorios. Revise en busca de atascamiento o desalineación de las piezas móviles, rotura de piezas o cualquier otra condición que pueda afectar el funcionamiento de la herramienta eléctrica. Si se daña, repare la herramienta eléctrica antes de su uso.** Muchos de los accidentes se deben a herramientas eléctricas con un mal mantenimiento.
- **Mantenga las herramientas de corte afiladas y limpias.** Las herramientas de corte con un mantenimiento correcto y bordes cortantes afilados son menos propensas a atascamientos y más fáciles de controlar.
- **Utilice la herramienta eléctrica, los accesorios, las barrenas, etc. de acuerdo con estas instrucciones, conforme a las condiciones de trabajo y la tarea que se debe realizar.** El uso de la herramienta eléctrica en operaciones distintas de las previstas podría generar una situación peligrosa.
- **Mantenga los mangos y las superficies de agarre secos, limpios y sin grasa ni aceite.** Los mangos y las superficies de agarre resbaladizas no permiten un manejo seguro ni el control de la herramienta en situaciones imprevistas.

Uso y cuidado de la herramienta a batería

- **Recargue únicamente con el cargador especificado por el fabricante.** Un cargador apto para un tipo de unidad de batería puede implicar riesgo de incendio si se usa con otra unidad de batería distinta.
- **Utilice las herramientas eléctricas únicamente con las unidades de batería específicas para ellas.** El uso de otras unidades de batería puede implicar riesgo de lesiones e incendio.
- **Cuando la unidad de batería no esté en uso, manténgala alejada de otros objetos metálicos, como sujetapapeles, monedas, llaves, clavos, tornillos u otros objetos metálicos pequeños que puedan provocar una conexión entre los terminales.** Si hace un puente entre los terminales de la batería, puede causar quemaduras o un incendio.
- **En condiciones extremas, la batería puede expulsar líquido; evite el contacto. Si se produjera un contacto accidentalmente, enjuáguese con agua. Si el líquido entra en contacto con los ojos, además, acuda a un médico.** El líquido expulsado de la batería puede causar irritaciones o quemaduras.
- **No utilice una unidad de batería ni una herramienta dañada o modificada.** Las baterías dañadas o modificadas pueden presentar un funcionamiento impredecible que puede provocar un incendio, una explosión o un riesgo de lesiones.
- **No exponga una unidad de batería ni una herramienta al fuego o una temperatura excesiva.** La exposición al fuego o una temperatura superior a 130 °C puede causar una explosión.
- **Siga todas las instrucciones de carga y no cargue la batería ni la herramienta en condiciones que superen el rango de temperatura especificado en las**

instrucciones. De lo contrario, podría dañar la batería y aumentar el riesgo de incendio.

Servicio

- **Asegúrese de que un experto calificado realice la reparación de la herramienta eléctrica solo con piezas de repuesto idénticas.** Esto garantizará que se mantenga la seguridad de la herramienta eléctrica.
- **Nunca realice servicio a unidades de baterías dañadas.** Solo el fabricante o los proveedores de servicios autorizados deben realizar el servicio de las unidades de batería.

Otra información de seguridad general

- Apague el producto antes de pasar a otra área. Siempre retire la batería cuando otra persona deba operar la máquina.
- Nunca ponga el producto hacia abajo, a menos que se encuentre desactivado y sin batería. No deje el producto sin supervisión cuando se encuentre activado.
- La herramienta de corte no se detiene inmediatamente después de que el producto se apaga.
- Antes de utilizar el producto y después de cualquier impacto, revíselo en busca de desgaste o daños y repare los componentes según sea necesario.
- Si algo se atasca en el equipo de corte durante la operación, detenga el trabajo y desactive el producto. Asegúrese de que el equipo de corte se detenga por completo. Retire la batería antes de limpiar, inspeccionar o reparar el producto o el equipo de corte.
- Revise el producto antes de utilizarlo. Consulte *Dispositivos de seguridad en el producto en la página 27* y *Mantenimiento en la página 34*. No use un producto defectuoso. Realice los controles de seguridad, el mantenimiento y las instrucciones de servicio descritos en este manual.
- Un equipo de corte defectuoso puede aumentar el riesgo de accidentes.
- Revise los engranajes en busca de suciedad y grietas. Limpie con un cepillo los restos de césped y hojas que se encuentren en el engranaje. Se deben utilizar guantes cuando sea necesario.
- Asegúrese de que las aberturas de ventilación estén despejadas y no tengan suciedad.
- Compruebe que el cabezal de corte esté completamente conectado a la recortadora.
- Todas las cubiertas, blindajes y manillas se deben montar antes del uso.
- Verifique que el producto se encuentra en perfectas condiciones de funcionamiento. Verifique que todas las tuercas y tornillos estén firmes.
- Compruebe que el cabezal de corte y la protección de la recortadora no estén agrietados o dañados. Reemplace el cabezal de corte o la protección de la recortadora si se han expuesto a algún golpe o

presentan alguna grieta. Siempre utilice la protección recomendada para el equipo de corte correspondiente. Consulte el capítulo sobre datos técnicos.

- Este producto puede ser una herramienta peligrosa si no se maneja con cuidado o si utiliza el producto de forma incorrecta. Este producto puede causar daños graves o fatales al operador o a otras personas.
- Este aparato no está diseñado para ser utilizado por personas (incluidos niños) con capacidades físicas, sensoriales o cognitivas reducidas, o que carezcan de la experiencia y los conocimientos necesarios, a menos que sean supervisados o hayan recibido instrucciones sobre el uso del aparato por parte de una persona responsable de su seguridad. A los niños se los debe supervisar para asegurar que no jueguen con el aparato.
- Nunca permita que los niños utilicen la máquina o que estén cerca de esta. Ya que la máquina es fácil de encender, los niños podrían hacerlo si no se les vigila por completo. Esto puede significar riesgo de daños personales graves. Por lo tanto, desconecte la batería cuando la máquina no cuente con la supervisión adecuada.
- Nunca permita que los niños u otras personas no capacitadas para el uso del producto o la batería usen o revisen la máquina.
- Almacene el equipo en un área bloqueable para que esté fuera del alcance de los niños y personas no autorizadas.
- La protección para transportes siempre debe utilizarse durante el almacenamiento y transporte.
- Mantenga siempre las manos y los pies alejados del área de corte en todo momento y, especialmente, cuando encienda el motor.
- Mantenga las manos y los pies alejados del equipo de corte hasta que se haya detenido por completo cuando se desactive el producto.
- No retire el material de corte ni deje que otras personas lo hagan mientras el producto está encendido o el equipo de corte siga girando, ya que puede provocar daños graves.
- Tenga en cuenta que usted, el operador, es responsable de no exponer a las personas o su propiedad a accidentes o peligros.
- Bajo ninguna circunstancia se puede modificar el diseño del producto sin autorización del fabricante. Siempre utilice accesorios originales. Las modificaciones o accesorios no autorizados pueden provocar daños personales o la muerte del operador u otras personas. Es posible que su garantía no cubra daños o responsabilidades causadas por el uso de accesorios o piezas de repuesto no autorizados.
- Los únicos accesorios que se pueden utilizar con este producto son los accesorios de corte que se recomiendan en el capítulo de datos técnicos.

- Nunca utilice un producto que haya sido modificado de cualquier modo con respecto a la especificación original.
- Nunca utilice un producto que esté defectuoso. Realice las comprobaciones de seguridad, el mantenimiento y las instrucciones de servicio descritas en este manual. Especialistas capacitados y calificados deben llevar a cabo algunas medidas de mantenimiento y servicio. Consulte las instrucciones bajo el título Mantenimiento.
- Trabajar en condiciones meteorológicas adversas resulta agotador y generalmente presenta más riesgos. Debido a los riesgos adicionales, no se recomienda utilizar el producto en condiciones meteorológicas adversas, por ejemplo, con niebla densa, lluvia copiosa, vientos fuertes, frío intenso, cuando exista riesgo de relámpagos, etc.
- No trabaje nunca desde una escalera, taburete ni ninguna otra posición elevada que no cumpla a cabalidad con las normas de seguridad.
- Almacene los aparatos inactivos en espacios cerrados: Cuando no se utilicen, los aparatos se deben almacenar en espacios cerrados.
- No es posible abordar todas las situaciones posibles que puede afrontar. Siempre tenga cuidado y use su sentido común. Evite todas las situaciones que considere que están más allá de su capacidad. Si todavía se siente inseguro acerca de los procedimientos operativos después de leer estas instrucciones, debería consultar a un experto antes de continuar.
- Asegúrese de que ninguna persona o animal se acerque a menos de 15 metros mientras trabaja. Cuando haya varios usuarios trabajando en el mismo lugar, la distancia de seguridad debe ser de al menos 15 metros. De lo contrario, existe el riesgo de daños personales graves. Detenga el producto de inmediato si alguien se acerca. Nunca balancee el producto sin mirar primero hacia atrás para asegurarse de que nadie se encuentre dentro de la zona de seguridad.
- Si algo se atasca en el equipo de corte durante la operación, detenga el trabajo y desactive el producto. Asegúrese de que el equipo de corte se detenga por completo. Retire la batería antes de limpiar, inspeccionar o reparar el producto o el equipo de corte.
- Asegúrese de que ni personas, ni animales ni ningún objeto o elemento puedan influir en su control del producto o que no entren en contacto con el equipo de corte u objetos flojos que son lanzados por el equipo de corte. No obstante, no utilice el producto a menos que pueda pedir ayuda en caso de accidente.
- Cerciórese de que puede caminar y mantenerse de pie con seguridad. Revise el área a su alrededor para detectar posibles obstáculos (raíces, piedras, ramas, zanjas, etc.) en caso de que tenga que moverse repentinamente. Tenga sumo cuidado al trabajar en terreno inclinado.
- Camine, nunca corra.
- Inspeccione la zona de trabajo. Quite todos los objetos sueltos, como piedras, vidrios rotos, clavos, alambres de acero, cuerdas, etc., que puedan salir disparados o se puedan enredar en la cortadora o la protección de la cortadora.
- Tenga cuidado con los trozos de rama que puedan salir despedidos durante el corte. No corte demasiado cerca del suelo, donde piedras y otros objetos puedan ser lanzados.
- Asegúrese de que ninguna prenda de vestir o parte del cuerpo entre en contacto con el equipo de corte cuando el producto se encuentre activado. Ajuste el producto para que se mantenga debajo de la cintura.
- Esté atento a que no salgan objetos despedidos. Use siempre protección ocular homologada. Nunca se apoye sobre la protección del accesorio de corte. Es posible que piedras, residuos, etc., salgan disparados en dirección a los ojos lo que puede provocar ceguera o lesiones graves.
- Preste atención a las señales de advertencia o gritos cuando utilice protectores auriculares. Siempre retire sus protectores auriculares apenas se detenga el producto.
- Si se genera alguna vibración inesperada, saque más hilo con la longitud correcta para detener las vibraciones.
- Si el producto comienza a vibrar anormalmente, detenga su funcionamiento y retire la batería.
- La sobreexposición a las vibraciones puede producir trastornos vasculares o daños al sistema nervioso en personas que padecen de problemas de circulación. Comuníquese con su médico si experimenta síntomas de sobreexposición a las vibraciones. Estos síntomas son entumecimiento, pérdida de sensibilidad, hormigueo, ardor, dolor, pérdida de fuerza, cambios en el color o el estado de la piel. Normalmente, estos síntomas se presentan en los dedos, las manos o las muñecas.
- Siempre sujete el producto con ambas manos. Mantenga el producto al lado derecho de su cuerpo.

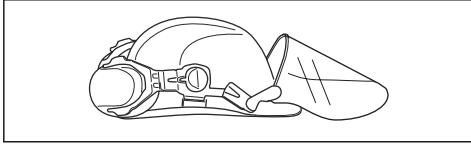
Equipo de protección personal



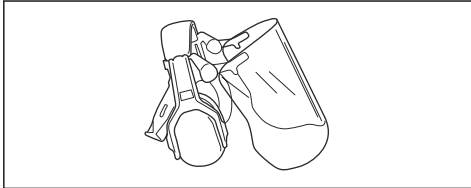
ADVERTENCIA: Lea atentamente las instrucciones de advertencia siguientes antes de usar el producto.

- Utilice siempre el equipo de protección personal adecuado cuando use el producto. El equipo de protección personal no puede impedir el riesgo de lesiones, pero disminuirá el grado de lesión si ocurre un accidente. Permita que su distribuidor le ayude seleccionar el equipo adecuado.

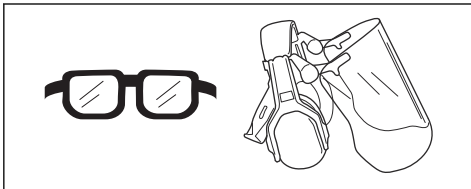
- Utilice un casco protector cuando exista el riesgo de caída de objetos.



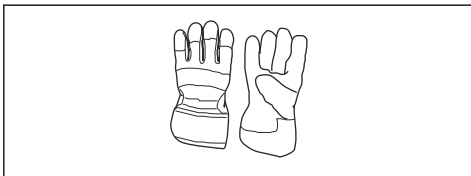
- Utilice protectores auriculares aprobados que proporcionen una reducción de ruido adecuada. La exposición prolongada al ruido puede causar la pérdida permanente de la audición.



- Use protección ocular homologada. Si utiliza un visor, también debe usar gafas protectoras homologadas. Las gafas protectoras homologadas deben cumplir con la norma ANSI Z87.1 de EE. UU. o EN 166 para países de la UE.



- Utilice guantes cuando sea necesario, por ejemplo, cuando conecte, examine o limpie el equipo de corte.



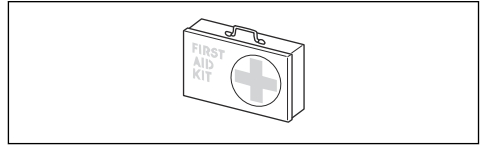
- Utilice botas resistentes antideslizantes.



- Utilice ropa de material resistente. Use siempre pantalones largos y gruesos, y mangas largas. Evite usar ropas holgadas que se puedan enganchar con

ramas. No trabaje con joyas, pantalones cortos, sandalias ni con los pies descalzos. Asegure su cabello por encima del nivel de los hombros.

- Mantenga un equipo de primeros auxilios a mano.



Dispositivos de seguridad en el producto



ADVERTENCIA: Lea atentamente las instrucciones de advertencia siguientes antes de usar el producto.

En esta sección se describen las características de seguridad del producto y su propósito, y cómo deben llevarse a cabo las comprobaciones y el mantenimiento para asegurarse de que funciona correctamente. Consulte las instrucciones bajo el título *Introducción en la página 27* para ver dónde están situados estos componentes en el producto.

La vida útil del producto se puede reducir y el riesgo de accidentes puede aumentar si el mantenimiento del producto no se realiza correctamente y si el servicio o las reparaciones no se llevan a cabo de forma profesional. Si necesita más información, comuníquese con su taller de servicio más cercano.



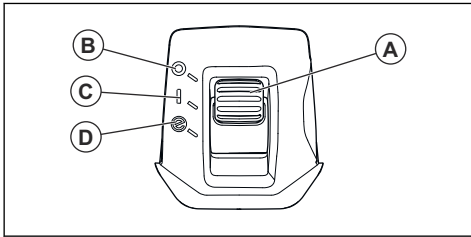
ADVERTENCIA: No utilice nunca un producto con componentes de seguridad defectuosos. El equipo de seguridad del producto se debe inspeccionar y mantener tal como se describe en esta sección. Si el producto no pasa exitosamente alguna de estas comprobaciones, póngase en contacto con el taller de servicio para que lo reparen.



AVISO: Todos los trabajos de servicio y reparación de la máquina requieren una formación especial. Esto aplica especialmente al equipo de seguridad. Si la máquina no pasa exitosamente alguna de las comprobaciones indicadas a continuación, póngase en contacto con el taller de servicio. La compra de alguno de nuestros productos le garantiza la disponibilidad de mantenimiento y servicio profesionales. Si el comerciante que vende la máquina no es un concesionario de servicio, pídale la dirección del taller de servicio más cercano.

Para usar la interfaz de usuario

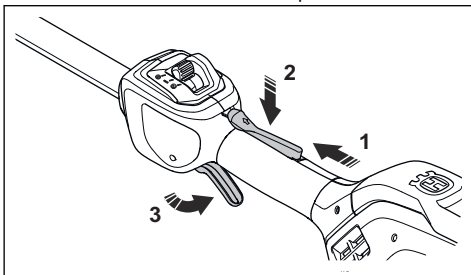
1. Para operar la interfaz de usuario, la palanca de encendido (A) se coloca en tres posiciones diferentes.



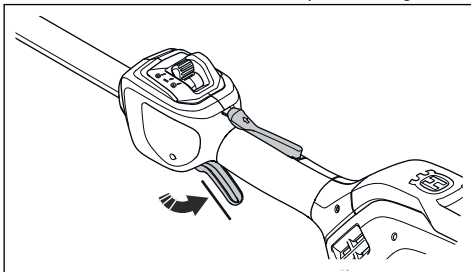
- a) Posición de parada (B), el producto está apagado.
- b) Posición de arranque (C), el producto está encendido.
- c) Posición SavE (D), el modo SavE está activado.

Comprobación del bloqueo del gatillo de alimentación

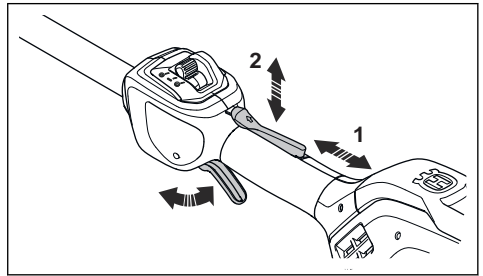
El bloqueo del gatillo de alimentación está diseñado para impedir la activación involuntaria. Si presiona el bloqueo del gatillo de alimentación hacia delante (1), y luego, presiona el bloqueo del gatillo de alimentación contra el mango (2), el gatillo de alimentación (3) se suelta. Cuando suelte la manija, el gatillo de alimentación y el bloqueo del gatillo de alimentación volverán a sus posiciones iniciales. Este movimiento se controla mediante tres muelles independientes.



1. Asegúrese de que el gatillo de alimentación esté bloqueado cuando el bloqueo del gatillo de alimentación se encuentre en su posición original.



2. Presione el gatillo de alimentación y asegúrese de que vuelva a su posición original cuando lo suelte.



3. Asegúrese de que el gatillo de alimentación y su bloqueo se muevan con facilidad y que el resorte de retorno funcione correctamente.
4. Arranque el producto, consulte *Para poner en marcha la máquina en la página 33*.
5. Acelere al máximo.
6. Suelte el gatillo de alimentación y asegúrese de que el equipo de corte se detenga y permanezca inmóvil.

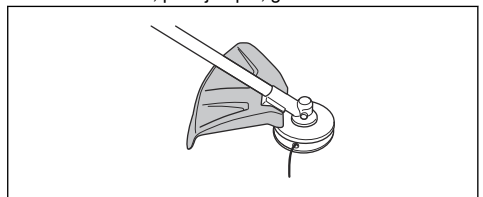
Comprobación de la protección del equipo de corte



ADVERTENCIA: No utilice un equipo de corte sin una protección para equipo de corte aprobada y correctamente acoplada. Utilice siempre la protección recomendada para el equipo de corte correspondiente. Para obtener más información, consulte *Accesorios en la página 38*. Un montaje incorrecto o defectuoso de la protección del equipo de corte puede provocar lesiones personales graves.

La protección del equipo de corte evita que un objeto salga disparado en dirección al operador. También evita lesiones que se producen si toca el equipo de corte.

1. Detenga el motor y retire la batería.
2. Realice una comprobación visual para determinar si existen daños, por ejemplo, grietas.



3. Reemplace la protección del equipo de corte si está dañada.

Cabezal de corte

- Utilice siempre el cabezal y el equipo de corte correctos, además del hilo de recortadora

recomendado. Consulte *Accesorios en la página 38* y el montaje al final del manual.

- Asegúrese de que la cortadora en la protección de la recortadora no esté dañada.
- Asegúrese de que el hilo de la recortadora esté enrollado firme y uniformemente alrededor del tambor para evitar vibraciones inusuales del producto. Distintas longitudes de hilo puede provocar vibraciones que no son necesarias. Golpee el cabezal de corte para conseguir la longitud correcta del hilo.

Para prolongar la duración del hilo, puede remojarlo en agua durante dos días o más antes del montaje. Esto hará que el hilo sea más resistente.

Instrucciones de seguridad para el montaje



ADVERTENCIA: Antes de utilizar el producto, lea, comprenda y siga estas instrucciones cuidadosamente.

- Retire la batería del producto antes de montar el producto.
- Use guantes protectores homologados.
- Una protección defectuosa o incorrecta puede provocar lesiones. No utilice un accesorio de corte que no tenga una protección aprobada instalada.
- Antes de arrancar el producto, asegúrese de montar la cubierta y el eje de manera adecuada.
- El disco de arrastre y la brida de apoyo se deben encajar correctamente en el orificio central del equipo de corte. Un equipo de corte mal colocado puede causar daños o incluso la muerte.
- Si se suministra un arnés con el accesorio, se debe fijar correctamente al producto. El arnés hace que la operación sea segura y evita lesiones al operador o a otras personas.

Instrucciones de seguridad para el mantenimiento



ADVERTENCIA: Lea atentamente las instrucciones de advertencia antes de realizar mantenimiento al producto.

- Retire la batería antes de hacer el mantenimiento, otras revisiones o el armado del producto.
- El operador solo debe hacer el mantenimiento y el servicio que se indica en el manual del usuario. Acuda a su concesionario de servicio cuando deba realizar mantenimiento y servicio a mayor escala.
- No limpie con agua la batería o el cargador de batería. Los detergentes fuertes pueden dañar el plástico.
- Si no realiza el mantenimiento, disminuye la vida útil del producto y aumenta el riesgo de accidentes.

- Se necesita capacitación especial para todos los trabajos de servicio y reparación, especialmente de los dispositivos de seguridad del producto. Si no se aprueban todas las comprobaciones establecidas en este manual del usuario después de realizar el mantenimiento, acuda al concesionario de servicio. Garantizamos que existen reparaciones y servicios profesionales disponibles para su producto.
- Solo utilice piezas de repuesto originales.
- Siempre utilice guantes para trabajo pesado cuando repare el equipo de corte. La cuchilla tiene mucho filo y puede provocar cortes fácilmente.

Otra información de seguridad

- Evite las zonas peligrosas: no utilice los aparatos en lugares húmedos o mojados.
- No los utilice bajo la lluvia.
- Mantenga a los niños alejados: se debe mantener alejados a todos los visitantes de la zona de trabajo.
- Utilice la indumentaria adecuada: no use ropa suelta ni joyas. Pueden quedarse atrapadas en las piezas móviles. Se recomienda el uso de guantes de goma y calzado resistente cuando se trabaja en exteriores. Use un gorro protector para contener el pelo largo.
- Uso de antiparras: utilice siempre protección facial o máscara contra polvo si la operación genera polvo.
- Utilice el aparato de forma adecuada: no utilice el aparato para ningún trabajo que no sea el previsto.
- Evite los arranques accidentales: no transporte el aparato conectado con el dedo sobre el interruptor. Asegúrese de que el interruptor esté apagado antes de conectarlo.
- No fuerce el aparato: obtendrá mejores resultados y menos probabilidades de sufrir lesiones si lo utiliza a la velocidad para la que fue diseñado.
- No se estire demasiado: mantenga una posición y un equilibrio adecuados en todo momento.
- Manténgase alerta: observe lo que hace. Utilice el sentido común. No utilice el aparato si está cansado.
- Almacene los aparatos inactivos en espacios cerrados: cuando no se utilicen, los aparatos se deben almacenar en espacios cerrados, secos, altos o con llave, fuera del alcance de los niños.
- Manipule el aparato con cuidado: mantenga afilado y limpio el borde cortante para obtener un mejor rendimiento y reducir el riesgo de lesiones. Siga las instrucciones de lubricación y cambio de accesorios. Mantenga los mangos secos, limpios y sin grasa ni aceite.
- Revise las piezas dañadas: antes de volver a utilizar el aparato, se debe revisar minuciosamente una protección u otra pieza que presente daños para determinar si funciona correctamente y si sirve para su función prevista. Revise la alineación de las piezas móviles, las uniones de piezas móviles, la rotura de piezas, el montaje y cualquier otra condición que pueda afectar su funcionamiento. Un centro de servicio autorizado debe reparar adecuadamente o reemplazar una protección u otra

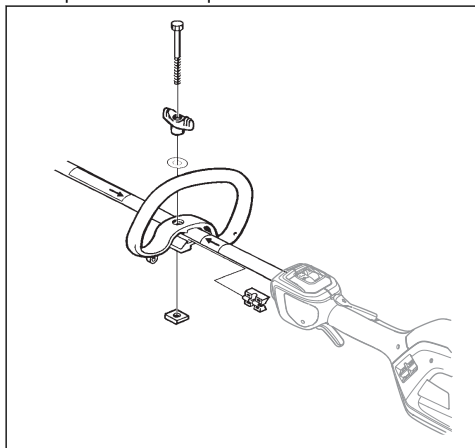
pieza que presente daños, a menos que en este manual se indique otro lugar.

GUARDE ESTAS INSTRUCCIONES

Montaje

Conexión del mango cerrado

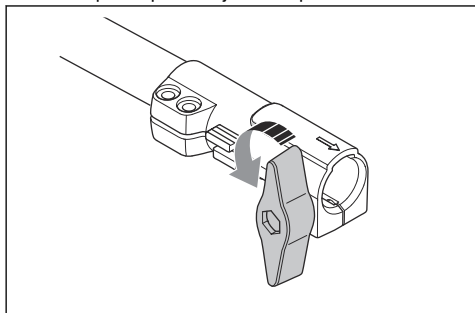
1. Fije el mango cerrado sobre el eje entre las flechas. No coloque el mango cerrado ni el anillo de suspensión en la etiqueta.



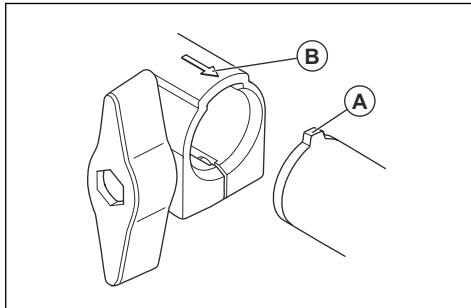
2. Mueva el separador en la ranura del mango cerrado.
3. Fije la tuerca, la perilla y el tornillo; no apriete demasiado.
4. Ajuste el producto a una posición cómoda.
5. Apriete el perno.

Para montar el eje de dos piezas

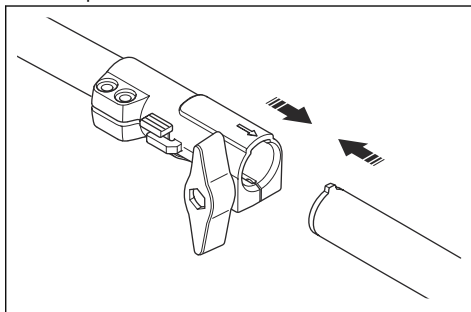
1. Gire la perilla para aflojar el acoplamiento.



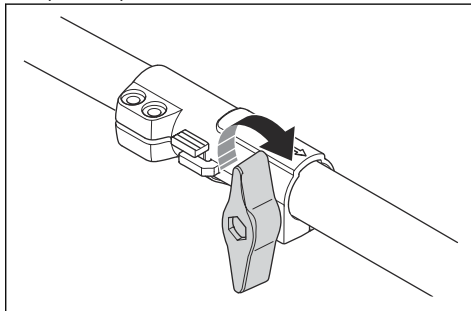
2. Alinee la pestaña (A) con la flecha (B) en el acoplamiento.



3. Empuje el eje en el acoplamiento hasta que encaje en su posición.

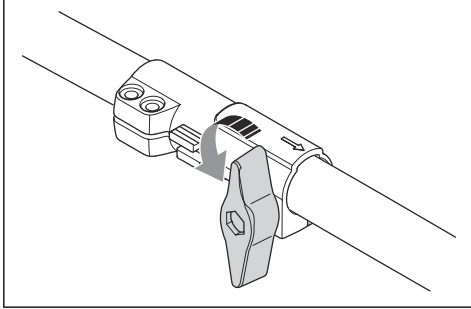


4. Apriete la perilla hasta el fondo.

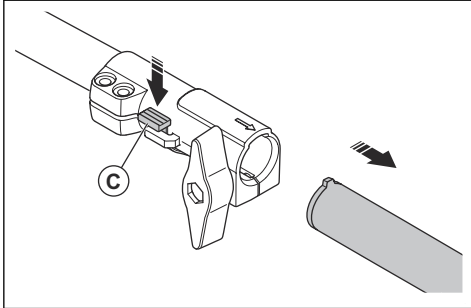


Para desmontar el eje de dos piezas

1. Gire la perilla unas 3 vueltas o más para aflojar el acoplamiento.

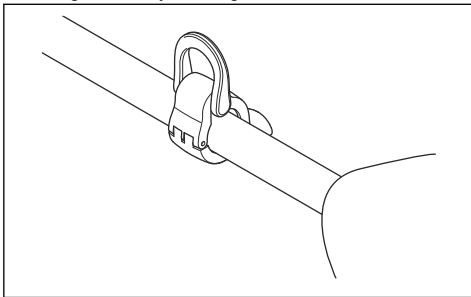


2. Mantenga presionado el botón (C).
3. Apriete fuertemente hacia abajo el extremo del eje al que está fijado el motor.
4. Tire del accesorio para sacarlo del acoplamiento.



Para instalar el anillo de suspensión, si corresponde

1. Instale el anillo de suspensión entre las flechas del mango trasero y el mango cerrado.



Tenga en cuenta: No coloque el mango cerrado en la etiqueta.

2. Ajuste el anillo para que el producto esté equilibrado y sea fácil de usar.

Para montar el equipo de corte

El equipo de corte incluye otro equipo de corte y una protección para este equipo de corte.



ADVERTENCIA: Use guantes protectores.



ADVERTENCIA: Utilice siempre la protección del equipo de corte recomendada para el equipo de corte. Consulte *Accesorios en la página 38*.



ADVERTENCIA: Un equipo de corte mal colocado puede provocar lesiones o incluso la muerte.

Montaje de los cabezales de corte



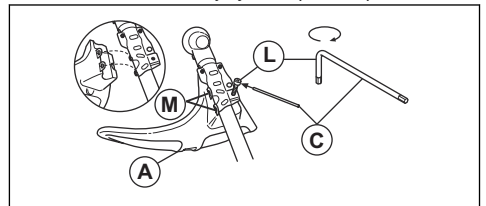
ADVERTENCIA: Cuando instale el equipo de corte es muy importante que la sección elevada en el disco de arrastre/brida de apoyo se acople correctamente en el orificio central del equipo de corte. Una instalación incorrecta del equipo de corte puede causar daños personales graves o fatales.



ADVERTENCIA: Nunca use un equipo de corte sin una protección aprobada. Consulte el capítulo sobre datos técnicos. Si se instala una de las protecciones que no sea la correcta o esté defectuosa, o falta el mango en J cuando se utiliza el equipo de corte metálico, se pueden producir daños personales graves.

Para colocar el protector de la recortadora en el cabezal de corte

1. Cuelgue la protección de la recortadora (A) en los dos ganchos del soporte de la placa (M).
2. Doble la protección alrededor del eje y fijela con el perno (L) en el lado opuesto del eje.
3. Coloque el pasador de bloqueo (C) en la ranura de la cabeza del tornillo y ajústelo por completo.

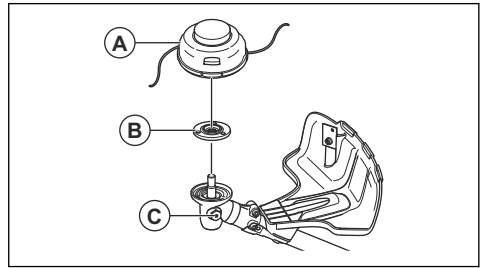


Fijación del cabezal de corte

1. Coloque el disco de arrastre (B) en el eje de salida.

2. Gire el eje de salida hasta que uno de los orificios en el disco de arrastre se alinee con el orificio correspondiente en la caja de engranajes.
3. Coloque el pasador de bloqueo (C) en el orificio para bloquear el eje.

4. Gire el cabezal de corte (A) hacia la izquierda para fijarlo.



Funcionamiento

Introducción



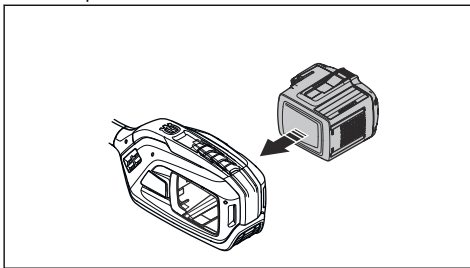
ADVERTENCIA: Asegúrese de leer y comprender el capítulo de seguridad antes de utilizar el producto.

Para conectar la batería al producto



ADVERTENCIA: Utilice solo baterías originales Husqvarna en el producto.

1. Asegúrese de que la batería esté totalmente cargada.
2. Presione la batería en el compartimiento de batería del producto. Cuando escuche un clic, significará que la batería se encuentra fija en su posición correspondiente.



AVISO: Si la batería no se mueve con facilidad, la instalación de la batería no se realizó correctamente. Esto puede provocar daños al producto.

3. Asegúrese de que la batería esté correctamente instalada.

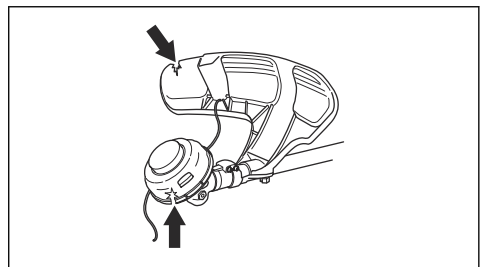
Posición de trabajo

- Sostenga el producto con ambas manos.
- Mantenga el producto al lado derecho de su cuerpo.

- Mantenga el equipo de corte por debajo de la cintura.
- Mantenga las partes del cuerpo alejadas de las superficies calientes.
- Mantenga las partes del cuerpo alejadas del accesorio de corte.

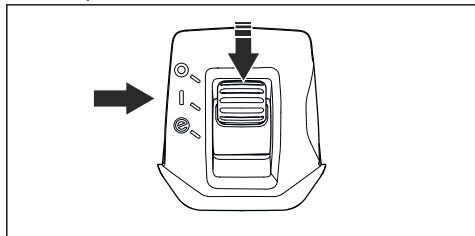
Antes de usar el producto

- Inspeccione el área de trabajo para asegurarse de que conoce el tipo de terreno, la pendiente del terreno y para notar la presencia de obstáculos como piedras, ramas y zanjas.
- Realice una inspección de reacondicionamiento del producto.
- Haga las inspecciones de seguridad, mantenimiento y servicio que figuran en este manual.
- Asegúrese de que todas las cubiertas, las protecciones, las manijas y el equipo de corte estén fijados correctamente y que no presenten daños.
- Inspeccione el cabezal de corte y la protección del equipo de corte para determinar si presentan daños o grietas. Reemplace el cabezal de corte y el accesorio de corte si recibieron golpes o si presentan grietas.



Para poner en marcha la máquina

1. Mueva la palanca de encendido a la posición de arranque.

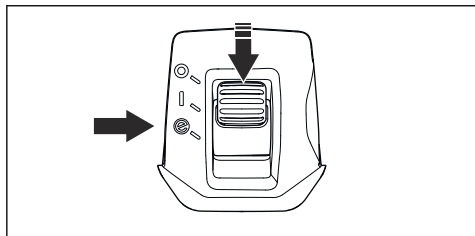


2. Utilice el gatillo de alimentación para controlar la velocidad.

Activación de la función SavE

El producto cuenta con la función de ahorro de energía. La función SavE permite el mayor tiempo de funcionamiento de la batería.

1. Mueva la palanca de control hacia el símbolo SavE. La velocidad máxima ahora es limitada.



2. Mueva la palanca de control a 1 o 0 para salir de la función SavE.

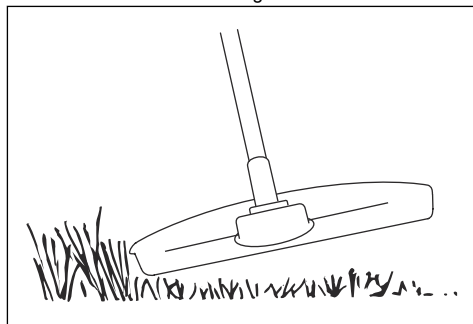
Función de apagado automático

El producto está equipado con una función de apagado automático que desactiva el producto si no se utiliza.

Recorte de césped con cabezal de corte

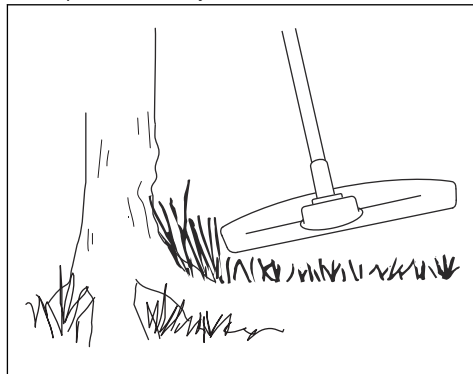
Para recortar el césped

1. Sostenga el cabezal de corte inmediatamente sobre el nivel del suelo en un ángulo.



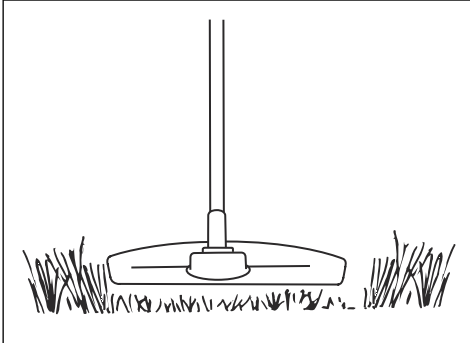
No presione la línea de la recortadora de césped contra este.

2. Disminuya la longitud del hilo de la recortadora de césped en unos 10 a 12 cm (de 4 a 4,75 pulgadas) y disminuya el régimen del motor para disminuir el riesgo de dañar las plantas.
3. Utilice una aceleración de un 80 % cuando corte el césped cerca de objetos.

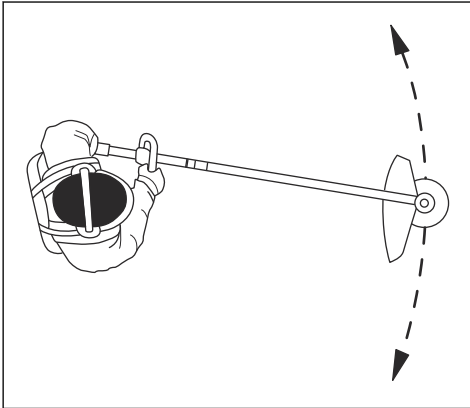


Para cortar el césped

1. Asegúrese de que el hilo de la recortadora de césped esté paralelo al suelo cuando corte.



2. No presione el cabezal de corte contra el suelo. Puede dañar el suelo y el producto.
3. No permita que el cabezal de corte toque el suelo continuamente, ya que esto puede causar daños al cabezal de corte.
4. Utilice la máxima velocidad cuando mueva el producto de un lado al otro para cortar el césped.



Asegúrese de que el hilo de la recortadora de césped esté paralelo al suelo.

Para barrer el césped

El flujo de aire del hilo giratorio de la recortadora puede usarse para eliminar el césped cortado de una zona.

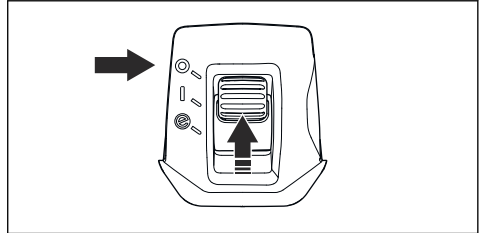
1. Mantenga el cabezal de corte y el hilo paralelos al suelo y por encima del suelo.
2. Acelere al máximo.
3. Mueva el cabezal de corte de lado a lado y barra la hierba.



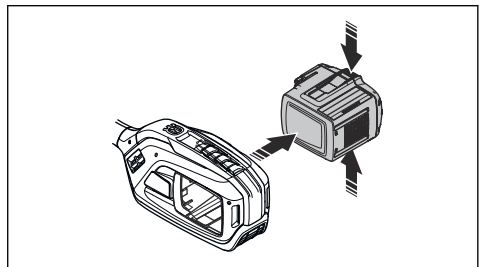
ADVERTENCIA: Limpie la cubierta del cabezal de corte cada vez que monte el nuevo hilo de la recortadora para evitar desestabilizaciones y vibraciones en los manillares. También realice una comprobación de las demás piezas del cabezal de corte y límpielo si es necesario.

Para detener la máquina

1. Suelte el gatillo de alimentación o el bloqueo del gatillo de alimentación.
2. Mueva la palanca de encendido a la posición de detención.



3. Presione los botones de liberación de la batería y retírela.



Mantenimiento

Introducción



ADVERTENCIA: Antes de realizar el mantenimiento, debe leer y entender el capítulo de seguridad.

Programa de mantenimiento



ADVERTENCIA: Retire la batería antes de realizar mantenimiento.

La siguiente es una lista de pasos de mantenimiento que se deben realizar en el producto.

Mantenimiento	Diario	Una vez por semana	Una vez al mes
Limpe las piezas externas del producto con un paño seco. No utilice agua.	X		
Verifique que el botón de arranque y de detención funcione correctamente y no esté dañado.	X		
Asegúrese de que el gatillo de alimentación y el bloqueo del gatillo de alimentación funcionen correctamente en términos de seguridad.	X		
Asegúrese de que todos los controles funcionen y no estén dañados.	X		
Mantenga los mangos secos, limpios y sin grasa ni aceite.	X		
Asegúrese de que el equipo de corte no esté dañado. Reemplace el equipo de corte si está dañado.	X		
Asegúrese de que la protección del equipo de corte no esté dañada. Reemplace la protección del equipo de corte si está dañada.	X		
Asegúrese de que las tuercas y los tornillos estén apretados.	X		
Asegúrese de que los botones de liberación de la batería funcionen y que fijen la batería al producto.	X		
Asegúrese de que la batería no esté dañada.	X		
Asegúrese de que la batería esté cargada.	X		
Asegúrese de que el cargador de la batería no esté dañado y funcione correctamente.	X		
Examine todos los cables, los acoplamientos y las conexiones. Asegúrese de que no estén dañados y que no tengan indicios de suciedad.		X	
Compruebe que el engranaje angulado se haya llenado tres cuartos con lubricante. Si es necesario, llene con grasa especial.		X	
Realice una comprobación de las conexiones entre la batería y el producto. Examine también la conexión entre la batería y el cargador de batería.			X

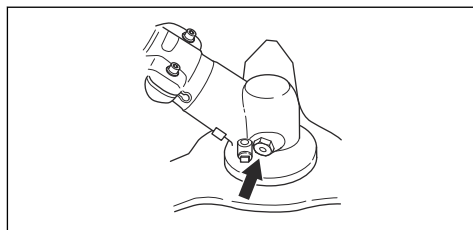
Para limpiar el producto, la batería y el cargador de batería

1. Limpie el producto con un paño seco después del uso.
2. Limpie la batería y el cargador de la batería con un paño seco. Mantenga limpios los rieles de guía de la batería.
3. Asegúrese de que las terminales en la batería y en el cargador de la batería estén secos antes de que la batería se coloque en el cargador de la batería o en el producto.

Engranaje angulado

El engranaje angulado se llena a $\frac{3}{4}$ con grasa en la fábrica. Antes de su uso, asegúrese de que el nivel de grasa no haya cambiado. Utilice la grasa especial

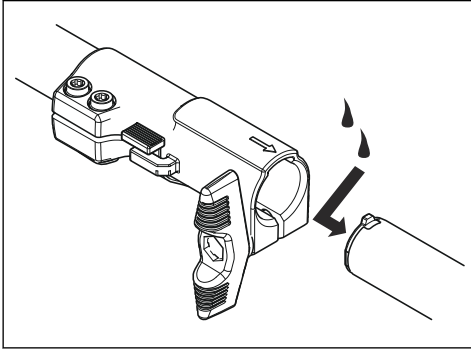
Husqvarna si es necesario rellenar. No cambie la grasa del engranaje angulado. Deje que el personal de servicio realice la reparación del engranaje angulado.



Eje de dos piezas

Aplice grasa al extremo del eje propulsor cada 30 horas de funcionamiento. Existe riesgo de que los extremos del eje propulsor (acoplamiento ranurado) de

los modelos con ejes de dos piezas se agarrotan si no se lubrican regularmente.



Solución de problemas

Solución de problemas

Problema	Posibles fallas	Posible medida
El producto no arranca.	Voltaje de batería bajo.	Cargue la batería.
	Variación de temperatura.	Deje que el producto se enfríe.
	Suciedad en los conectores de la batería.	Limpia con aire comprimido o un cepillo suave.
	Se requiere mantenimiento.	Comuníquese con su taller de servicio.

Transporte, almacenamiento y eliminación de residuos

Transporte y almacenamiento

- Las baterías de iones de litio proporcionadas siguen los requisitos de la Legislación de productos peligrosos.
- Siga los requisitos especiales sobre el embalaje y las etiquetas para transportes comerciales, incluidos los de terceros y transportistas.
- Comuníquese con una persona con capacitación especial sobre materiales peligrosos antes de enviar el producto. Siga todas las normas nacionales aplicables.
- Utilice cinta sobre los contactos abiertos cuando coloque la batería en un paquete. Coloque firmemente la batería en el paquete para evitar el movimiento.
- Retire la batería para almacenarla o transportarla.
- Coloque la batería y el cargador de la batería en un lugar seco, donde no haya humedad ni heladas.
- No mantenga la batería en un área donde pueda generarse electricidad estática. No mantenga la batería en una caja metálica.
- Guarde la batería en un lugar donde la temperatura oscile entre los 5 °C/41 °F y los 25 °C/77 °F, lejos de la luz solar directa.
- Guarde el cargador de la batería en un lugar donde la temperatura oscile entre los 5 °C/41 °F y los 45 °C/113 °F, lejos de la luz solar directa.
- Utilice el cargador de la batería solamente cuando la temperatura ambiente oscile entre los 5 °C/41 °F y los 40 °C/104 °F.
- Cargue la batería de un 30 % a un 50 % antes de almacenarla durante períodos prolongados.
- Almacene el cargador de la batería en un espacio cerrado y seco.
- Mantenga la batería lejos del cargador de la batería durante el almacenamiento. No permita que niños y

- otras personas sin autorización toquen el equipo. Mantenga el equipo en un espacio que pueda cerrar.
- Limpie el producto y realice un mantenimiento total antes de almacenarlo durante un período prolongado.
 - Utilice protección para transportes en el producto para evitar lesiones o daños en el producto durante su transporte y almacenamiento.
 - Fije el producto de manera segura durante el transporte.

constituyen residuos domésticos. Recíclelo en una planta de reciclaje para equipo eléctrico y electrónico. Esto ayuda a evitar daños al medioambiente y a las personas.

Póngase en contacto con las autoridades locales, de residuos domésticos o con su distribuidor para obtener más información sobre cómo reciclar el producto.

Eliminación de la batería, el cargador de la batería y el producto

Los símbolos que aparecen en el producto o en el paquete del producto indican que los componentes no

Datos técnicos

Datos técnicos

	325iLK junto con TAB850
Motor	
Tipo de motor	BLDC (sin escobillas), 36 V
Velocidad del eje de salida, 1/min	5800
Ancho de corte, mm/pulg.	420/16,5
Peso	
Peso (325iLK con TAB850) kg/lb	3,8/8,4
Peso (325iLK con TAB850 con batería BLi200) kg/lb	5,1/11,3
Niveles de ruido⁵	
Nivel de presión acústica equivalente en el oído del operador, medido según la norma ISO 22868, dB (A):	
Equipada con cabezal de corte (original)	82
Niveles de vibración⁶	
Niveles de vibración en los mangos, medidos según la norma ISO 22867, m/s ²	
Equipado con un cabezal de corte (original), izquierdo/derecho	3,6/1,4

⁵ Los datos registrados para el nivel de presión acústica equivalente de la máquina tienen una dispersión estadística típica (desviación estándar) de 3 dB (A).

⁶ Los datos informados en cuanto al nivel de vibración tienen una dispersión estadística típica (desviación estándar) de 1,5 m/s².

Baterías aprobadas

Batería	BLi 200
Tipo	Iones de litio
Capacidad de la batería, Ah	5,2
Voltaje nominal, V	36
Peso, kg (lb)	1,3 (2,9)

Cargadores de batería aprobados

Cargador de batería	QC330
Voltaje de entrada, V	100-240
Frecuencia, Hz	50-60
Potencia, W	330

Accesorios

Accesorios

Accesorios aprobados	Tipo de accesorio	Protección del equipo de corte, art. n.º
Hilo de la recortadora Ø de 2,0 mm a 2,3 mm	Hilo de la recortadora desplegable, con un máximo de Ø 2,3 mm	
Cabezal de corte	T25 (hilo de la recortadora desplegable, Ø 2,3 mm máximo)	597 01 62-01
	T35 (hilo de la recortadora desplegable, Ø 2,3 mm máximo)	597 01 62-01

Accesorios

Accesorios homologados	Número de accesorio ⁷	Grupo de accesorios ⁸	Usar con
Accesorio de recorte TAB850		Incluido en el producto	325iLK
Accesorio quita arbustos BCA850	1	1-10	325iLK
Accesorio de soplador BA101	11	11-20	325iLK
Accesorio de rebordeadora ECA850	21	21-30	325iLK
Accesorio de rebordeadora ESA850	22	21-30	325iLK
Accesorio de cortasetos HA850	31	31-40	325iLK
Accesorio de sierra PAB1100	44	41-50	325iLK
Limpie el accesorio de barredora SR600-2	51	51-60	325iLK
Accesorio de cepillo de cerdas BR600	52	51-60	325iLK
Accesorio de escarificador DT600	53	51-60	325iLK
Accesorio de cultivadora CA230	54	51-60	325iLK

⁷ Este es un número específico de un accesorio aprobado dentro de un grupo de accesorios.

⁸ Los accesorios aprobados se dividen en grupos de accesorios. Cada grupo de accesorios tiene características y etiquetas similares.

Table des matières

Introduction.....	40	Dépannage.....	56
Sécurité.....	42	Transport, entreposage et mise au rebut.....	56
Montage.....	49	Données techniques.....	57
Fonctionnement.....	51	Accessoires.....	58
Entretien.....	54		

Introduction

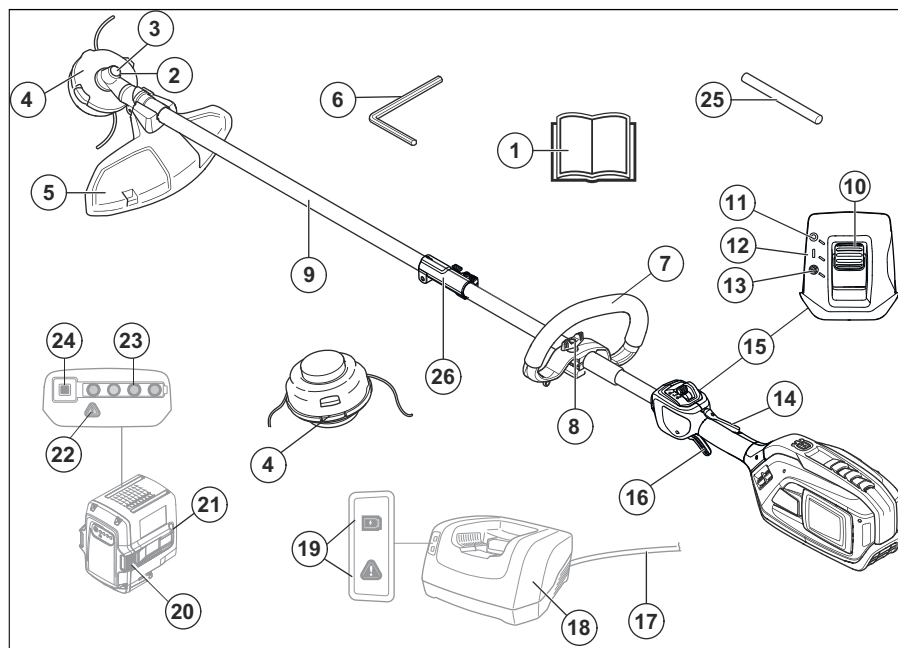
Utilisation prévue

Utiliser le produit avec une tête de désherbage pour couper les différents types de végétation. Ne pas utiliser le produit pour des tâches autres que la coupe d'herbe.

Remarque : Des réglementations nationales ou locales peuvent réglementer l'utilisation. Respecter les réglementations en vigueur.

Utilisez le produit seulement avec des accessoires homologués par le fabricant. Voir *Accessoires à la page 58*.

Présentation du produit



- | | |
|---|-------------------------|
| 1. Manuel d'utilisation | 6. Hex. 4 mm |
| 2. Pignon conique | 7. Poignée en boucle |
| 3. Trou de la goupille de blocage | 8. Bouton |
| 4. Tête de désherbage | 9. Arbre |
| 5. Dispositif de protection de l'outil de coupe | 10. Levier de puissance |

11. Indicateur de position d'arrêt
12. Indicateur de position de démarrage
13. Indicateur de position SavE
14. Mécanisme de verrouillage de la gâchette
15. Interface utilisateur
16. Gâchette
17. Fil du chargeur de batteries
18. Chargeur de batterie
19. DEL d'alimentation et d'avertissement
20. Boutons de déverrouillage de la batterie
21. Batterie
22. DEL d'avertissement
23. Voyant DEL du système de charge
24. Bouton indicateur de la batterie
25. Goupille de blocage
26. Raccord pour accessoire

Symboles figurant sur l'appareil



AVERTISSEMENT! Cet appareil peut être dangereux! S'il est utilisé de manière insouciante ou non appropriée, cela pourrait causer des blessures graves voire mortelles pour l'utilisateur ou pour d'autres personnes. Il est extrêmement important de lire et de comprendre le contenu du manuel d'utilisation. Lire attentivement le manuel d'utilisation et veiller à bien comprendre les instructions avant d'utiliser l'appareil.



Utiliser un casque de protection dans les endroits où des objets peuvent tomber sur vous. Utiliser un dispositif de protection homologué pour les oreilles. Utiliser un dispositif de protection homologué pour les yeux.



Vitesse de rotation maximale de l'arbre de sortie.

V

Tension nominale, V



Courant continu.



L'appareil peut projeter des objets, ce qui peut causer des blessures.



Utiliser des gants de protection homologués.



Utiliser des bottes antidérapantes robustes.



Utiliser uniquement des équipements de coupe flexibles non métalliques, c'est-à-dire des têtes de désherbage avec fil de coupe.



L'utilisateur doit s'assurer qu'aucune personne ou aucun animal ne s'approche à moins de 15 mètres. Lorsque plusieurs utilisateurs travaillent sur le même lieu de travail, il faut garder une distance de sécurité d'au moins 15 mètres. L'outil peut projeter violemment des objets qui peuvent rebondir. Cela peut provoquer des lésions oculaires graves si l'équipement de sécurité recommandé n'est pas utilisé.



Ne pas utiliser sous la pluie.



Tenir toute partie du corps à l'écart des surfaces chaudes.

yyyywwxxxx

La plaque signalétique indique le numéro de série. **yyyy** représente l'année de production, **ww** indique la semaine de production et **xxxx** indique le numéro séquentiel.

Remarque : Les autres symboles/autocollants présents sur l'outil renvoient aux exigences en matière de certification pour d'autres zones commerciales.

Proposition 65 de la Californie

! ATTENTION!

Ce produit contient ou émet un produit chimique qui, d'après l'État de Californie, peuvent causer le cancer, des malformations congénitales ou autre danger pour la reproduction.

Fabricant

Husqvarna AB

Drottningatan 2, SE-561 82 Huskvarna, Sweden, tel: +46-36-146500

Responsabilité concernant le produit

Comme indiqué dans les lois en vigueur sur la responsabilité concernant les produits, nous ne serons pas tenus responsables des dommages que notre produit causerait dans les situations suivantes :

- Le produit n'est pas réparé de façon adéquate.

- Le produit est réparé avec des pièces qui ne sont pas fournies ou homologuées par le fabricant.
- Le produit comprend un accessoire qui n'est pas fourni ou homologué par le fabricant.
- Le produit n'est pas réparé par un centre de service après-vente agréé ou par une autorité homologuée.

Sécurité

Définitions relatives à la sécurité

Les avertissements, recommandations et remarques soulignent des points du manuel qui revêtent une importance particulière.



AVERTISSEMENT: Indique la présence d'un risque de blessure ou de décès de l'utilisateur ou de personnes à proximité si les instructions du manuel ne sont pas suivies.



MISE EN GARDE : Indique la présence d'un risque de dommages au produit, à d'autres appareils ou à la zone adjacente si les instructions du manuel ne sont pas suivies.

Remarque : Utilisé pour donner des renseignements plus détaillés qui sont nécessaires dans une situation donnée.

IMPORTANTES CONSIGNES DE SÉCURITÉ

Lire toutes les instructions



AVERTISSEMENT: Lors de l'utilisation d'appareils de jardinage électriques, toujours respecter les règles de sécurité de base afin de réduire les risques d'incendie, d'électrocution et de blessure, dont les règles suivantes :

Consignes générales de sécurité relatives aux outils électriques



AVERTISSEMENT: Consulter l'ensemble des avertissements relatifs à la sécurité, des instructions, des illustrations et des spécifications transmis avec cet outil électrique. Le non-respect des instructions indiquées ci-dessous peut provoquer une décharge, un incendie ou des blessures graves.

Remarque : Conserver ces instructions et consignes pour consultation ultérieure. Dans les avertissements, le terme « outil électrique » fait référence à votre appareil électrique branché sur le secteur ou alimenté par batterie (sans fil).

Sécurité de l'aire de travail

- **Maintenir l'aire de travail propre et bien éclairée.** Les endroits sombres ou encombrés sont propices aux accidents.
- **Ne pas utiliser des outils électriques dans des atmosphères explosives, notamment en présence de liquides, gaz ou poussières inflammables.** Les outils électriques produisent des étincelles qui peuvent enflammer les poussières et les vapeurs.
- **Tenir les enfants et les spectateurs à distance lorsque l'outil électrique est en marche.** Un moment d'inattention pourrait vous en faire perdre le contrôle.

Sécurité électrique

- **La fiche d'un outil électrique doit être adaptée à la prise. Ne jamais modifier la fiche. Ne jamais utiliser une fiche d'adaptation avec un outil électrique mis à la terre.** Les fiches non modifiées et les prises adaptées à la fiche permettent de réduire les risques d'électrocution.
- **Éviter d'entrer en contact avec les surfaces mises à la terre (tuyaux, radiateurs, cuisinières, réfrigérateurs, etc.).** Le risque d'électrocution est plus important si le corps est mis à terre.
- **Ne pas exposer les outils électriques à la pluie ou à l'humidité.** L'infiltration d'eau dans un outil électrique augmente le risque d'électrocution.
- **Toujours manipuler le cordon avec soin. Ne jamais utiliser le cordon pour porter, tirer ou débrancher l'outil électrique. Tenir le cordon à l'écart de la chaleur, de l'huile, des bords tranchants et des pièces mobiles.** Les cordons endommagés ou emmêlés augmentent le risque d'électrocution.
- **Pour le travail à l'extérieur, utiliser une rallonge adaptée à l'usage extérieur.** L'utilisation d'une telle rallonge réduit le risque d'électrocution.
- **S'il est impossible d'éviter de faire fonctionner la machine électrique dans un endroit humide, utiliser une alimentation avec dispositif de protection par courant différentiel résiduel (RCD).** Les disjoncteurs de courant résiduel réduisent le risque d'électrocution.

Sécurité personnelle

- **Lors de l'utilisation d'un outil électrique, toujours demeurer attentif et faire preuve de bon sens. Ne pas utiliser l'outil électrique si vous êtes fatigué ou sous l'emprise de drogues, de l'alcool ou de médicaments.** Tout moment d'inattention pendant l'utilisation d'un outil électrique peut causer de graves blessures.
- **Utiliser de l'équipement de protection individuelle. Toujours porter des lunettes de protection.** En utilisant l'équipement de protection (masque antipoussière, chaussures de sécurité antidérapantes, casque, dispositif de protection pour les oreilles, etc.) qui convient aux conditions, on réduit les risques de blessure.
- **Prévenir les démarrages accidentels. Vérifier que l'interrupteur est à la position d'arrêt avant de brancher l'outil dans la prise ou le bloc d'alimentation, de le saisir ou de le transporter.** Le transport des outils électriques en maintenant le doigt sur l'interrupteur d'alimentation et le branchement d'outils alors que l'interrupteur est à la position de marche expose à des accidents.
- **Retirer toute clé ou clavette de réglage avant de mettre l'outil sous tension.** Une clé ou une clavette reliée à une pièce mobile de l'outil électrique peut causer une blessure.
- **Ne pas trop se pencher vers l'avant. Toujours se tenir bien campé et en équilibre.** Cela permet de mieux contrôler l'outil électrique lors d'un imprévu.
- **S'habiller de façon appropriée. Ne jamais porter des vêtements amples ou des bijoux. Garder les cheveux et les vêtements loin des pièces mobiles.** Les vêtements amples, bijoux et cheveux longs peuvent se prendre dans les pièces en mouvement.
- **Si des dispositifs sont fournis pour raccorder des systèmes de collecte et d'extraction de la poussière, s'assurer que ceux-ci sont utilisés et correctement branchés.** L'utilisation de dépoussiéreurs peut réduire les risques associés à la poussière.
- **Ne pas laisser la parfaite connaissance de l'outil acquise en raison de l'utilisation fréquente de ce dernier engendrer la complaisance et le non respect des principes de sécurité relatifs à l'outil.** Une négligence peut provoquer de graves blessures en une fraction de seconde.

Utilisation et entretien des outils électriques

- **Ne pas forcer sur l'outil électrique. Utiliser l'outil électrique qui convient au travail à effectuer.** De cette façon, le résultat sera meilleur et le travail sera effectué de façon plus sécuritaire et au régime pour lequel l'outil électrique a été conçu.
- **Ne pas utiliser l'outil électrique si l'interrupteur ne permet pas la mise sous tension et l'arrêt de l'outil.** Tout outil électrique dont l'interrupteur est défectueux représente un danger et doit être réparé.
- **Débrancher la fiche de la source d'alimentation ou retirer le bloc de batteries de l'outil électrique avant**

de procéder aux réglages, de changer les accessoires ou de ranger l'outil. Ces mesures de sécurité réduisent le risque de mise sous tension accidentelle.

- **Ranger les outils électriques hors de la portée des enfants et ne pas laisser des personnes qui ne connaissent pas l'outil ou les présentes consignes utiliser celui-ci.** Les outils électriques représentent un danger lorsqu'ils sont entre les mains d'utilisateurs non formés.
- **Entretenir les outils électriques et les accessoires. Vérifier l'outil à la recherche de pièces brisées, de mauvais alignement ou de blocage des pièces mobiles et de toute autre situation pouvant nuire au bon fonctionnement de l'outil. Si l'outil est endommagé, il faut le réparer avant de l'utiliser.** De nombreux accidents sont causés par des outils mal entretenus.
- **Maintenir les outils tranchants aiguisés et propres.** Les outils tranchants correctement entretenus dont les bords de coupe sont bien affûtés sont moins susceptibles de se coincer et plus faciles à contrôler.
- **Utiliser l'outil électrique, les accessoires, les forets, etc., conformément aux présentes instructions et en tenant compte des conditions de travail et de la tâche à réaliser.** L'utilisation de l'outil électrique pour des opérations autres que celles pour lesquelles il est prévu peut entraîner des dangers.
- **Garder les poignées et les surfaces de préhension sèches, propres et exemptes d'huile et de graisse.** Les poignées et les surfaces de préhension glissantes ne permettent pas de manipuler l'outil de manière sécuritaire, ni d'en conserver le contrôle lorsqu'une situation inattendue se présente.

Utilisation et entretien des outils électriques à batteries

- **Ne recharger qu'avec le chargeur indiqué par le fabricant.** Un chargeur convenant à un type de bloc de batteries particulier peut entraîner un risque d'incendie s'il est utilisé avec un autre bloc de batteries.
- **N'utiliser des outils électriques qu'avec les blocs de batteries spécifiquement indiqués.** L'utilisation d'autres groupes de batteries peut entraîner un risque de blessure et d'incendie.
- **Lorsqu'on n'utilise pas le bloc de batteries, le tenir à l'écart d'objets métalliques, tels que les trombones, pièces de monnaie, clés, clous, vis ou autres petits objets en métal, qui peuvent établir une connexion entre les bornes.** La mise en court-circuit des bornes de batteries peut provoquer des brûlures ou un incendie.
- **Une utilisation abusive peut laisser s'échapper du liquide de la batterie; éviter tout contact. En cas de contact accidentel, rincer abondamment à l'eau. Si du liquide entre en contact avec les yeux, consulter en outre un médecin immédiatement.** Le liquide échappé de la batterie peut provoquer des irritations ou des brûlures.

- **Ne pas utiliser un bloc de batteries ou un outil défectueux ou modifié.** Les batteries endommagées ou modifiées peuvent se comporter de manière inattendue et provoquer un incendie, une explosion ou des blessures potentielles.
- **Ne pas exposer un bloc de batteries ou l'outil au feu ou à une température excessive.** Une exposition au feu ou à une température supérieure à 130 °C peut provoquer une explosion.
- **Suivre toutes les instructions de charge et ne pas charger la batterie ou l'outil en dehors de la plage de températures spécifiée dans les instructions.** Charge incorrectement ou à des températures en dehors de la plage spécifiée peut endommager la batterie et augmenter les risques d'incendie.
- S'assurer que la tête de désherbage est correctement fixée.
- Tous les couvercles, dispositifs de protection et poignées doivent être montés avant le démarrage.
- Vérifier que l'appareil est en parfait état de marche. Vérifier le serrage de l'ensemble des écrous et des vis.
- Inspecter la tête de désherbage et le carter de protection à la recherche de dommages et de fissures. Remplacer la tête de désherbage ou le carter de protection si l'un ou l'autre a reçu des coups ou est fissuré. Toujours utiliser le dispositif de protection recommandé pour l'outil de coupe utilisé. Se reporter aux caractéristiques techniques.
- Ce produit est un outil dangereux s'il est utilisé de façon insouciant ou inappropriée. Cet outil peut causer des blessures graves, ou même mortelles, à l'utilisateur et à d'autres personnes.
- Cet appareil n'est pas destiné à être utilisé par des personnes (notamment des enfants) aux capacités physiques, sensorielles ou mentales limitées, ou manquant d'expérience et de connaissances, sauf si elles ont bénéficié de la surveillance ou des instructions concernant l'utilisation de l'appareil par une personne responsable de leur sécurité. Les enfants doivent être supervisés afin de s'assurer qu'ils ne jouent pas avec les appareils.

Réparations

- **Faire entretenir votre outil électrique par un technicien qualifié et utiliser uniquement des pièces de rechange identiques aux pièces d'origine.** L'entretien adéquat de l'outil permet une utilisation plus sécuritaire.
- **Ne jamais tenter de réparer un bloc de batteries endommagé.** La réparation des blocs de batteries ne devrait être effectuée que par le fabricant ou les fournisseurs de service autorisés.

Autres renseignements de sécurité générale

- Mettre l'appareil hors tension avant de passer à une autre zone. Toujours retirer la batterie avant de transférer l'appareil à une autre personne.
- Ne jamais déposer l'appareil sans le mettre hors tension et retirer la batterie. Ne pas laisser l'appareil sans surveillance quand il est sous tension.
- L'outil de coupe ne s'immobilise pas immédiatement quand le moteur est coupé.
- Avant d'utiliser l'appareil ou après tout impact, vérifier s'il y a des signes éventuels d'usure ou de dommages et procéder aux réparations nécessaires.
- Si un objet se bloque dans l'outil de coupe alors que l'appareil est utilisé, arrêter l'appareil et le mettre hors tension. Vérifier que l'outil de coupe s'est immobilisé. Retirer la batterie avant de nettoyer, inspecter ou réparer l'appareil ou l'outil de coupe.
- Vérifier le produit avant son utilisation. Se reporter aux sections *Dispositifs de sécurité sur l'outil à la page 46* et *Entretien à la page 54*. Ne pas utiliser l'outil s'il est défectueux. Effectuer les vérifications de sécurité, de maintenance et d'entretien conformément aux instructions fournies dans ce manuel.
- Un outil de coupe inadéquat peut accroître le risque d'accident.
- Inspecter les engrenages pour détecter des saletés ou des fissures. Nettoyer les herbes et les feuilles présentes sur les engrenages à l'aide d'une brosse. Au besoin, porter des gants.
- Toujours s'assurer de l'absence de débris dans les orifices de ventilation.
- Ne jamais laisser des enfants utiliser l'appareil ou se tenir à proximité de celui-ci. L'appareil étant facile à démarrer, les enfants peuvent le faire démarrer s'ils sont laissés sans surveillance. Cela peut entraîner un risque de blessure grave. Par conséquent, débrancher la batterie lorsque l'appareil n'est pas sous surveillance.
- Ne jamais laisser des enfants ni des personnes n'ayant pas été formées à l'utilisation de l'appareil ou de sa batterie utiliser ou entretenir l'appareil.
- Remiser l'équipement dans une zone verrouillable, de façon à le mettre hors de portée des enfants et des personnes non autorisées.
- La protection de transport doit toujours être utilisée pendant l'entreposage et le transport.
- Tenir les mains et les pieds éloignés en tout temps de la zone de coupe, et plus particulièrement lors du démarrage du moteur.
- Lors de la mise hors tension de l'appareil, garder les mains et les pieds à l'écart de l'outil de coupe jusqu'à l'immobilisation de celui-ci.
- Ne pas retirer l'herbe coupée ou laisser d'autres personnes retirer l'herbe coupée lorsque le moteur est en marche ou que l'outil de coupe tourne, car il peut en résulter des blessures graves.
- Garder en tête que c'est vous, l'utilisateur, qui êtes responsable de protéger les personnes et leurs biens de tout accident ou danger.
- La conception du produit ne peut en aucun cas être modifiée sans l'autorisation du fabricant. Toujours utiliser des accessoires d'origine. Les modifications et les accessoires non autorisés peuvent engendrer

des blessures graves ou la mort de l'utilisateur ou d'autres personnes. Votre garantie ne couvre pas les dommages ou la responsabilité causés par l'utilisation d'accessoires ou de pièces de rechange non autorisés.

- Les seuls accessoires qui peuvent être utilisés avec cet appareil sont les outils de coupe recommandés dans les caractéristiques techniques.
- Ne jamais utiliser un appareil qui a été modifié de quelque manière que ce soit par rapport aux spécifications d'origine.
- Ne jamais utiliser un appareil défectueux. Effectuer les vérifications de sécurité, de maintenance et d'entretien conformément aux instructions fournies dans ce manuel. Certaines réparations et tâches d'entretien doivent être effectuées par des spécialistes formés et qualifiés. Voir les instructions à la section Entretien.
- Le fait de travailler par mauvais temps est éprouvant et augmente les risques. En raison des risques supplémentaires, il n'est pas recommandé d'utiliser l'appareil par très mauvais temps, par exemple en cas de brouillard épais, de pluie diluvienne, de vent violent, de froid intense, de risque d'éclair, etc.
- Ne jamais travailler debout sur une échelle, un tabouret, ou dans une autre position élevée n'offrant pas une sécurité maximale.
- Ranger l'appareil à l'intérieur quand il n'est pas utilisé.
- Il n'est pas possible de couvrir toutes les situations imaginables qui pourraient se produire. Toujours faire preuve d'attention et de bon sens. Éviter toutes les situations qui vous semblent difficiles. En cas d'incertitude au sujet des procédures d'utilisation après avoir lu ces instructions, consulter un expert avant de continuer.
- S'assurer qu'aucune personne ni aucun animal ne s'approche à moins de 15 mètres pendant le travail. Lorsque plusieurs utilisateurs travaillent dans la même zone, la distance de sécurité doit être d'au moins quinze mètres. Le non-respect de cette directive peut entraîner de graves blessures. Arrêter l'appareil immédiatement si une personne s'approche. Ne jamais entamer un mouvement de balancement avec l'appareil sans d'abord jeter un coup d'œil derrière pour s'assurer que personne ne se trouve dans la zone de sécurité.
- Si un objet se bloque dans l'outil de coupe alors que l'appareil est utilisé, arrêter l'appareil et le mettre hors tension. Vérifier que l'outil de coupe s'est immobilisé. Retirer la batterie avant de nettoyer, inspecter ou réparer l'appareil ou l'outil de coupe.
- S'assurer qu'aucune personne ni aucun animal ou objet ne gêne le contrôle de l'appareil ou n'entre en contact avec l'outil de coupe ou des objets projetés par l'outil de coupe. Ne pas utiliser l'appareil s'il est impossible d'appeler de l'aide en cas d'accident.
- S'assurer qu'il est possible de se déplacer et de se tenir debout en toute sécurité. Repérer les obstacles éventuels (racines, roches, branches, fossés, etc.)

en cas de déplacement imprévu. Faire très attention lors du travail sur une pente.

- Toujours marcher, ne jamais courir.
- Inspecter l'aire de travail. Retirer tous les objets mobiles tels que les pierres, le verre cassé, les clous, les fils de fer, les cordes, etc., qui pourraient être projetés ou s'enrouler autour de l'outil de coupe ou de son dispositif de protection.
- Prendre garde aux éclats de bois qui peuvent être projetés lors de la coupe. Ne pas couper trop près du sol; des pierres ou d'autres objets pourraient d'être projetés.
- S'assurer qu'aucun vêtement ni aucune partie du corps n'entre en contact avec l'outil de coupe lorsque l'appareil est sous tension. Tenir l'appareil sous le niveau de la taille.
- Faire preuve de prudence à l'égard des projections d'objets. Toujours porter des lunettes de protection homologuées. Ne jamais se pencher au-dessus du dispositif de protection de l'outil de coupe. Des pierres, des débris, etc. peuvent être projetés dans vos yeux, ce qui peut causer la cécité ou des blessures graves.
- Quand un dispositif de protection pour les oreilles est utilisé, rester attentif aux appels ou cris d'avertissement. Toujours retirer le dispositif de protection pour les oreilles dès que l'appareil s'arrête.
- Si une vibration inhabituelle survient, dérouler le fil pour qu'il soit à la bonne longueur et que la vibration cesse.
- Si l'appareil commence à vibrer de manière anormale, l'arrêter et retirer la batterie.
- Une surexposition aux vibrations peut entraîner des problèmes circulatoires ou des troubles nerveux, en particulier chez les personnes ayant des troubles circulatoires. Parler à un médecin en cas de symptômes liés à une surexposition aux vibrations. Voici certains de ces symptômes : engourdissement, perte de sensibilité, fourmillement, picotement, douleur, faiblesse musculaire, décoloration ou modification de l'épiderme. Ces symptômes apparaissent habituellement aux doigts, aux mains et aux poignets.
- Toujours tenir l'appareil des deux mains. Tenir l'appareil sur le côté droit du corps.

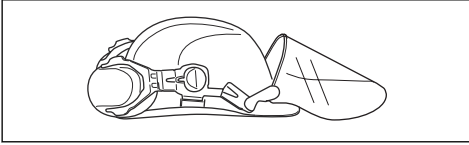
Équipement de protection personnelle



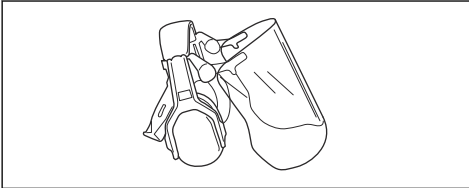
AVERTISSEMENT: Lire les messages d'avertissement qui suivent avant d'utiliser l'appareil.

- Toujours utiliser un équipement de protection personnelle homologué lors de l'utilisation de l'appareil. Cet équipement de protection personnelle n'élimine pas complètement les risques de blessures, mais il peut en réduire la gravité en cas d'accident. Laisser le concessionnaire vous aider à sélectionner l'équipement adéquat.

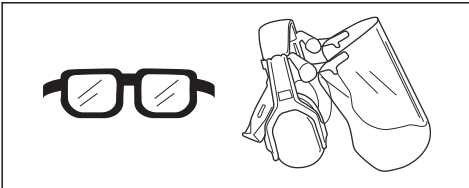
- Porter un casque de protection en cas de risque de chute d'objets.



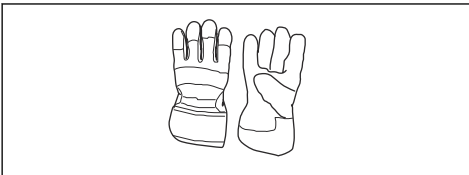
- Porter un dispositif de protection pour les oreilles homologué qui procure une réduction adéquate du bruit. L'exposition prolongée au bruit peut causer des lésions auditives permanentes.



- Utiliser un dispositif de protection homologué pour les yeux. Porter également des lunettes de protection homologuées en cas d'utilisation d'une visière. Les lunettes de protection homologuées doivent être conformes à la norme ANSI Z87.1 aux États-Unis ou à la norme EN 166 dans les pays de l'Union européenne.



- Utiliser des gants au besoin, par exemple lors de la fixation, de l'examen ou du nettoyage de l'outil de coupe.



- Porter des bottes antidérapantes robustes.



- Utiliser des vêtements faits de tissus résistants. Toujours utiliser des pantalons longs et lourds et des manches longues. Ne pas porter des vêtements amples qui peuvent se prendre dans les broussailles et les branches. Ne pas porter des bijoux, des pantalons courts, des sandales et ne pas marcher pieds nus. Garder les cheveux au-dessus des épaules.
- Garder une trousse de premiers soins à portée de main.



Dispositifs de sécurité sur l'outil



AVERTISSEMENT: Lire les messages d'avertissement qui suivent avant d'utiliser l'outil.

Cette section décrit l'équipement de sécurité du produit, son but et la façon d'en effectuer les inspections et l'entretien afin de s'assurer qu'il fonctionne correctement. Voir les instructions à la section *Introduction à la page 40* pour savoir où se trouvent ces pièces sur votre produit.

La durée de vie du produit peut être réduite et le risque d'accident peut augmenter si l'entretien de la machine n'est pas effectué correctement et si l'entretien ou les réparations ne sont pas effectués de façon professionnelle. Pour obtenir de plus amples informations, veuillez communiquer avec votre concessionnaire le plus proche.



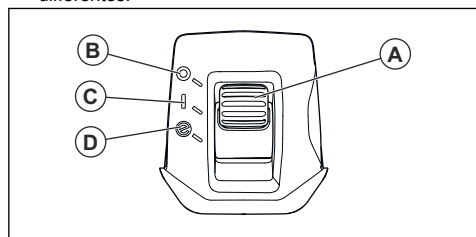
AVERTISSEMENT: N'utilisez jamais un produit dont les composants de sécurité sont défectueux. L'équipement de sécurité du produit doit être inspecté et entretenu selon les directives de la présente section. Si une inspection de la machine détecte une panne, communiquez avec un atelier spécialisé pour réparation.



MISE EN GARDE : Tous les travaux de réparation nécessitent une formation spéciale. Ceci concerne particulièrement l'équipement de sécurité de la machine. Si les contrôles suivants ne donnent pas un résultat positif, vous devez communiquer avec un atelier spécialisé. L'achat de l'un de nos produits offre à l'acheteur la garantie d'un service et de réparations qualifiés. Si le détaillant qui vous a vendu la machine n'est pas un centre de service agréé, demandez-lui l'adresse de l'atelier spécialisé le plus proche.

Utilisation de l'interface utilisateur

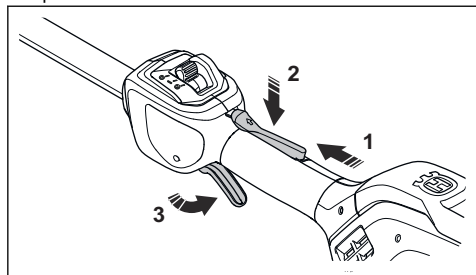
1. Pour utiliser l'interface utilisateur, le levier d'alimentation (A) est poussé dans trois positions différentes.



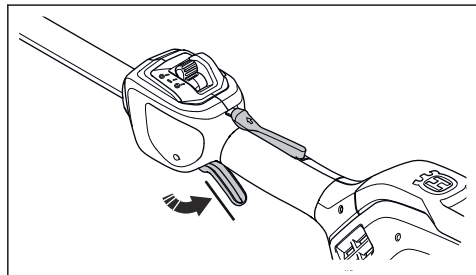
- a) Position d'arrêt (B), le produit est arrêté.
- b) Position de démarrage (C), le produit est en marche.
- c) Position SavE (D), le mode SavE est activé.

Vérification du verrouillage de la gâchette

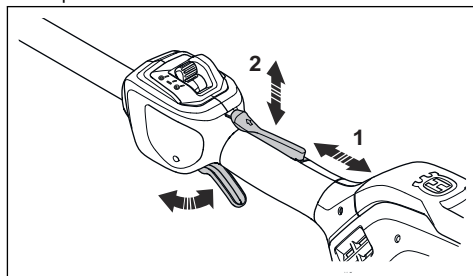
Le mécanisme de verrouillage de la gâchette empêche le fonctionnement accidentel de celle-ci. Lorsqu'on appuie sur le dispositif de verrouillage de la gâchette de puissance vers l'avant (1), puis sur le dispositif de verrouillage de la gâchette de puissance contre la poignée (2), la gâchette de puissance (3) est relâchée. Quand la poignée est relâchée, la gâchette et son mécanisme de verrouillage retournent à leur position initiale. Ce mouvement est actionné par trois ressorts indépendants.



1. Vérifier que la gâchette de puissance est verrouillée quand le dispositif de verrouillage est à sa position initiale.



2. Appuyer sur la gâchette et vérifier qu'elle retourne à sa position initiale une fois relâchée.



3. Vérifier que la gâchette de puissance et son dispositif de verrouillage bougent librement et que le ressort de rappel fonctionne correctement.
4. Démarrer le produit, voir section *Mise sous tension de l'appareil à la page 52*.
5. Faire tourner le moteur à plein régime.
6. Relâcher la gâchette et vérifier que l'outil de coupe s'immobilise.

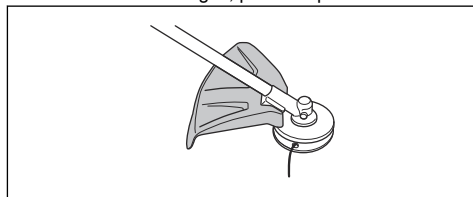
Vérification du dispositif de protection de l'outil de coupe



AVERTISSEMENT: Ne pas utiliser un outil de coupe dépourvu du dispositif de protection homologué correctement fixé. Toujours utiliser le dispositif de protection recommandé pour l'outil de coupe utilisé. Voir *Accessoires à la page 58*. L'utilisation d'un dispositif de protection défectueux ou inapproprié peut causer des blessures graves.

Le dispositif de protection de l'outil de coupe arrête les objets projetés en direction de l'opérateur. Il empêche également de subir des blessures en cas de contact avec l'outil de coupe.

1. Arrêter le moteur et retirer la batterie.
2. Effectuer une inspection visuelle pour détecter d'éventuels dommages, par exemple des fissures.



3. Remplacer le dispositif de protection de l'outil de coupe s'il est endommagé.

Tête de coupe

- Utilisez toujours la tête de désherbage et l'équipement de coupe appropriés ainsi que le fil de

coupe recommandé. Se reporter à *Accessoires à la page 58* et son ensemble à la fin du manuel.

- Vérifier que le couteau monté sur le carter de protection n'est pas endommagé.
- Vérifier que le fil de coupe est enroulé serré et de manière égale autour du tambour afin de prévenir les vibrations inhabituelles. Les longueurs de fil différentes peuvent engendrer des vibrations non nécessaires. Appuyez sur la tête de désherbage pour obtenir la bonne longueur de fil.

Pour accroître la durée utile du fil, le tremper dans l'eau pendant deux jours ou plus avant de l'installer sur l'appareil. De cette façon, le fil sera plus résistant.

Consignes de sécurité pour l'assemblage



AVERTISSEMENT: Lire, comprendre et respecter scrupuleusement ces instructions avant d'utiliser le produit.

- Retirer la batterie du produit avant d'assembler le produit.
- Utiliser des gants de protection homologués.
- Une protection défectueuse ou incorrecte peut causer des blessures. Ne pas utiliser un outil de coupe qui ne dispose pas d'une protection homologuée fixée.
- S'assurer d'assembler adéquatement le couvercle et l'arbre avant de démarrer le moteur.
- Le disque d'entraînement et la bride de support doivent s'engager correctement dans le trou central de l'outil de coupe. Un outil de coupe qui n'est pas correctement fixé peut engendrer des blessures ou la mort.
- Si un harnais est fourni avec l'outil, celui-ci doit être correctement fixé à l'outil. Le harnais permet un fonctionnement sécuritaire et prévient les blessures à l'utilisateur ou à d'autres personnes.

Consignes de sécurité pour l'entretien



AVERTISSEMENT: Lire les messages d'avertissement qui suivent avant de procéder à l'entretien du produit.

- Retirer la batterie avant d'effectuer l'entretien, de procéder à d'autres contrôles ou d'assembler le produit.
- L'opérateur ne doit effectuer que les travaux de réparation et d'entretien décrits dans ce manuel d'utilisation. Se rendre dans le centre de service agréé pour les travaux de réparation ou d'entretien plus importants.
- Ne pas nettoyer la batterie ou le chargeur de batterie avec de l'eau. Les détergents puissants peuvent endommager le plastique.
- En absence d'entretien, cela réduit la durée de vie du produit et augmente le risque d'accidents.

- Une formation spécifique est nécessaire pour tous les travaux d'entretien et de réparation, en particulier pour les dispositifs de sécurité sur le produit. Si toutes les vérifications indiquées dans ce manuel d'utilisation ne sont pas homologuées une fois l'entretien effectué, se rendre dans le centre de service La disponibilité des réparations et des entretiens effectués de façon professionnelle est garantie pour votre produit.
- Utiliser des pièces de rechange d'origine.
- Toujours porter des gants très résistants lors de la réparation de l'outil de coupe. Les lames sont très tranchantes et peuvent facilement provoquer des coupures.

Autres renseignements relatifs à la sécurité

- Éviter les environnements dangereux – ne pas utiliser d'appareils dans des endroits humides ou mouillés.
- Ne pas utiliser sous la pluie.
- Tenir à l'écart des enfants : tous les visiteurs doivent être tenus à bonne distance de la zone de travail.
- S'habiller convenablement – ne jamais porter de vêtements amples ou de bijoux. Ils peuvent se coincer dans les pièces mobiles. Il est recommandé de porter des gants en caoutchouc et des chaussures robustes pour travailler à l'extérieur. Le cas échéant, portez un couvre-chef pour couvrir les cheveux longs.
- Porter des lunettes de sécurité – toujours porter un masque à poussière en cas d'utilisation de l'appareil en milieu poussiéreux.
- Utiliser le bon appareil – ne pas utiliser un appareil pour une autre tâche que celle à laquelle il est destiné.
- Prévenir les démarrages accidentels – ne pas laisser le doigt sur la gâchette d'un appareil branché lors de son transport. S'assurer que l'interrupteur est en position d'arrêt lors du branchement.
- Ne pas forcer l'appareil – il offre de meilleurs résultats et le travail est effectué de façon plus sécuritaire s'il tourne au régime pour lequel il a été conçu.
- Ne pas se pencher trop en avant – garder l'équilibre et un bon appui au sol en tout temps.
- Rester vigilant – être conscient de ce que l'on fait. Faire preuve de bon sens Ne pas faire fonctionner l'appareil lorsqu'on est fatigué.
- Ranger les appareils inutilisés à l'intérieur – lorsqu'ils ne sont pas utilisés, les appareils doivent être rangés à l'intérieur, dans un endroit sec et en hauteur ou verrouillé, hors de portée des enfants.
- Entretenir l'appareil avec soin – garder l'arête de coupe bien affûtée et propre pour obtenir des performances optimales et réduire les risques de blessures. Respecter les instructions concernant la lubrification et le changement des accessoires.

Garder les poignées sèches, propres et exemptes d'huile et de graisse.

- Vérifier les pièces endommagées – avant toute utilisation de l'appareil, il convient de vérifier soigneusement qu'une protection ou toute autre pièce endommagée fonctionne correctement et remplit sa fonction prévue. Vérifier l'alignement des pièces mobiles, le grippage des pièces mobiles, la rupture de pièces, le montage et tout autre état susceptible de nuire à son fonctionnement. Une

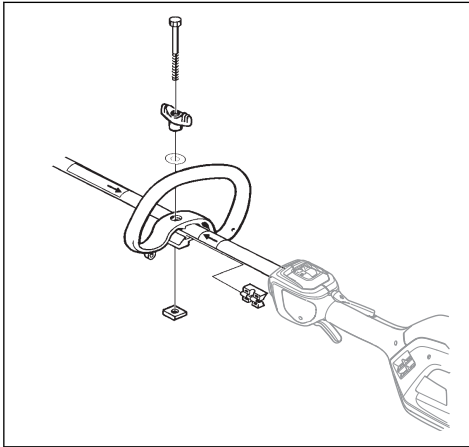
protection ou toute autre pièce endommagée doit être réparée ou remplacée adéquatement par un centre d'entretien autorisé, sauf indication contraire dans ce manuel.

CONSERVER CES INSTRUCTIONS

Montage

Pour monter le guidon en boucle

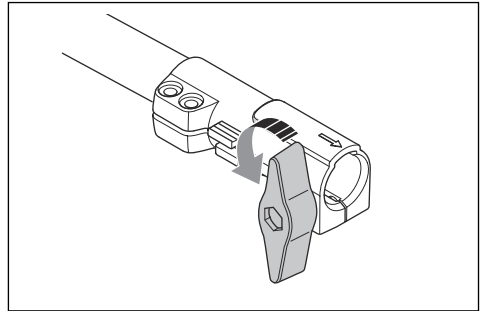
1. Fixer le guidon en boucle sur l'arbre entre les flèches. Ne pas placer le guidon en boucle ou l'anneau de suspension sur l'étiquette.



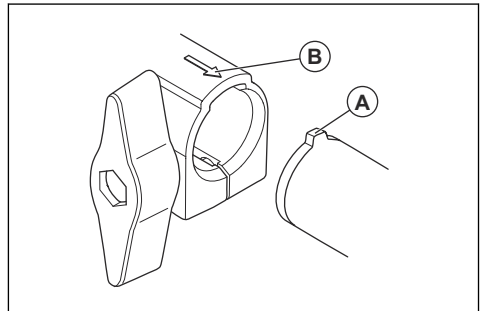
2. Déplacer l'entretoise dans la fente du guidon en boucle.
3. Fixer l'écrou, le bouton et la vis, sans trop les serrer.
4. Régler le produit dans une position confortable.
5. Serrer le boulon.

Assemblage de l'arbre démontable

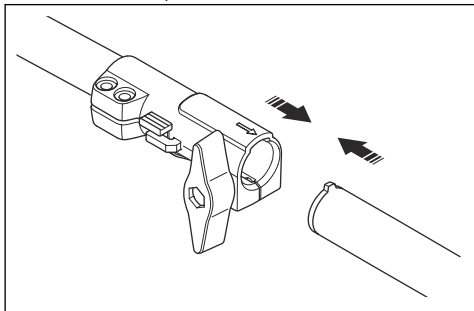
1. Tourner le bouton pour desserrer le raccord.



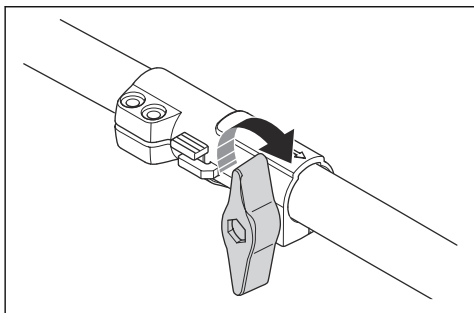
2. Aligner la languette (A) avec la flèche (B) sur le raccord.



3. Enfoncer l'arbre dans le raccord jusqu'à ce qu'il s'enclenche en position.

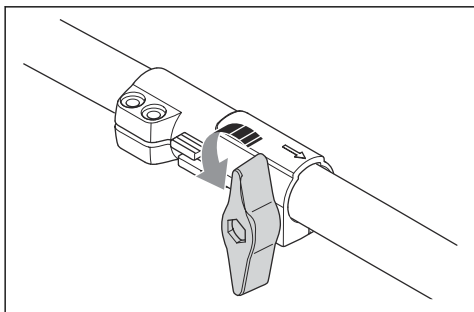


4. Serrer le bouton à fond.



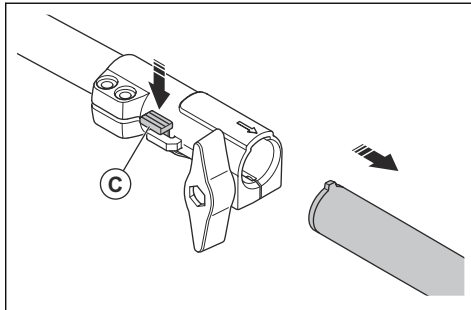
Pour démonter l'arbre en deux pièces

1. Tourner le bouton de 3 tours ou plus pour desserrer le raccord.



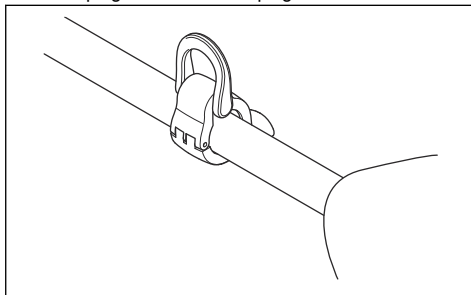
2. Appuyer longuement sur le bouton (C).
3. Tenir fermement vers l'extrémité de l'arbre auquel est rattaché le moteur.

4. Tirer l'accessoire pour l'extraire du raccord.



Installation de l'anneau de suspension, le cas échéant

1. Installer l'anneau de suspension entre les flèches sur la poignée arrière et la poignée en boucle.



Remarque : Ne pas placer la poignée en boucle sur l'autocollant.

2. Ajuster l'anneau pour équilibrer le produit et en faciliter l'utilisation.

Pour assembler l'équipement de coupe

L'équipement de coupe comprend un outil de coupe et un dispositif de protection de l'outil de coupe.



AVERTISSEMENT: Porter des gants de protection.



AVERTISSEMENT: Toujours utiliser le dispositif de protection de l'outil de coupe recommandé pour l'outil de coupe. Voir *Accessoires à la page 58*.



AVERTISSEMENT: Un outil de coupe mal fixé peut entraîner des blessures voire la mort.

Assemblage des têtes de désherbage



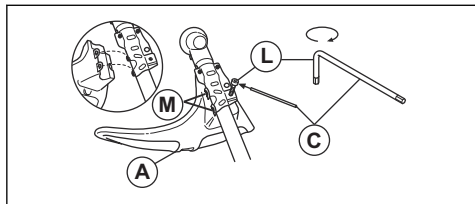
AVERTISSEMENT: Lors de l'installation de l'équipement de coupe, il est très important que la partie surélevée du disque d'entraînement et de la bride de support s'engage correctement dans le trou central de l'équipement de coupe. Si l'outil de coupe est mal installé, il peut causer des blessures graves, voire mortelles.



AVERTISSEMENT: Ne jamais utiliser un accessoire de coupe sans protecteur approuvé. Se reporter au chapitre portant sur les caractéristiques techniques. Si une protection incorrecte ou défectueuse est installée, ou si la poignée en J est manquante lors de l'utilisation d'un équipement de coupe métallique, cela peut provoquer des blessures graves.

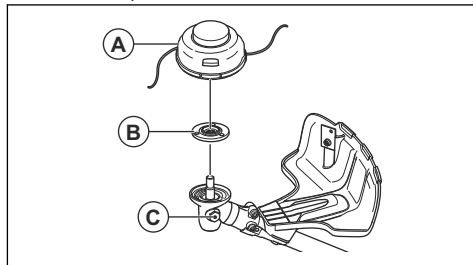
Pour fixer le carter de protection d'une tête de désherbage

1. Accrocher le carter de protection (A) sur les deux crochets du support de plaque (M).
2. Plier la protection autour de l'arbre et la fixer à l'aide du boulon (L) sur le côté opposé de l'arbre.
3. Placer la goupille de verrouillage (C) dans la rainure de la tête du boulon et serrer le boulon à fond.



Fixation d'une tête de désherbage

1. Installer le disque d'entraînement (B) sur l'arbre de sortie.
2. Tourner l'arbre de sortie pour aligner l'un des trous dans le disque d'entraînement avec le trou correspondant dans le carter d'engrenage.
3. Placer la goupille de blocage (C) dans le trou pour bloquer l'arbre.
4. Tourner la tête de désherbage (A) dans le sens antihoraire pour la fixer.



Fonctionnement

Introduction



AVERTISSEMENT: Lire et comprendre le chapitre sur la sécurité avant d'utiliser le produit.

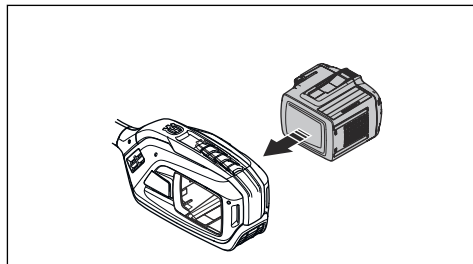
Branchement de la batterie



AVERTISSEMENT: Utiliser uniquement des batteries d'origine Husqvarna avec le produit.

1. Vérifier que la batterie est chargée à bloc.

2. Pousser la batterie dans le porte-batterie de l'appareil. Quand la batterie se bloque en position, un déclic se fait entendre.





MISE EN GARDE : Si la batterie ne s'insère pas facilement dans le porte-batterie, elle n'est pas bien installée. Cela pourrait endommager le produit.

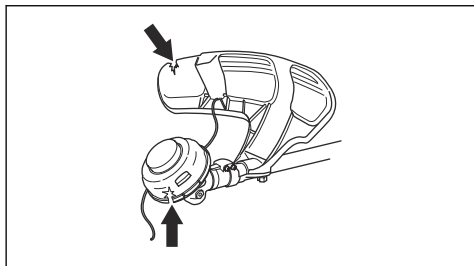
3. Vérifier que le protège-main est bien installé.

Position de travail

- Tenir l'outil avec les deux mains.
- Tenir l'outil sur le côté droit du corps.
- Tenir l'outil de coupe sous la taille de l'utilisateur.
- Garder les parties du corps à l'écart des surfaces chaudes.
- Garder les parties du corps à l'écart de l'outil de coupe.

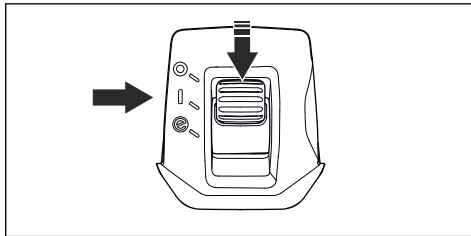
Avant d'utiliser le produit

- Examiner la zone de travail pour s'assurer de connaître le type de terrain, l'inclinaison du sol et s'il y a des obstacles tels que des pierres, des branches et des fossés.
- Effectuer une inspection relative à la révision du produit.
- Effectuer les inspections de sécurité, les réparations et l'entretien indiqués dans ce manuel.
- S'assurer que tous les couvercles, toutes les protections, toutes les poignées et tous les équipements de coupe sont correctement fixés et en bon état.
- Examiner la tête de désherbage et le dispositif de protection de l'outil de coupe pour détecter d'éventuels dommages ou fissures. Remplacer la tête de désherbage et le dispositif de protection de l'outil de coupe s'ils ont subi des chocs ou s'ils présentent des fissures.



Mise sous tension de l'appareil

1. Pousser le levier de puissance à la position de démarrage.

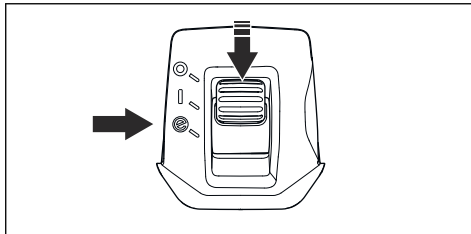


2. Utiliser le commutateur d'activation pour commander la vitesse.

Utilisation de la fonction SavE

Ce produit est doté d'une fonction d'économie de la batterie. La fonction SavE permet à la batterie de fournir la plus longue durée de fonctionnement.

1. Pousser le levier de commande jusqu'au symbole SavE. La vitesse maximale est désormais limitée.



2. Pousser le levier de commande sur 1 ou 0 pour quitter la fonction SavE.

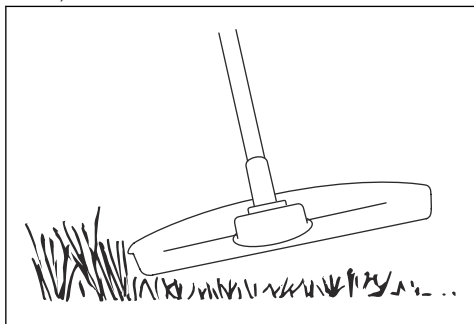
Fonction d'arrêt automatique

L'outil est équipé d'une fonction d'arrêt qui met l'outil hors fonction quand il n'est pas utilisé.

Désherbage au moyen d'une tête de coupe

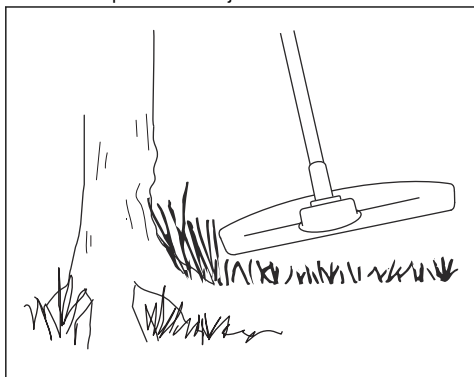
Tonte du gazon

1. Tenir la tête de désherbage tout juste au-dessus du sol, en l'inclinant.



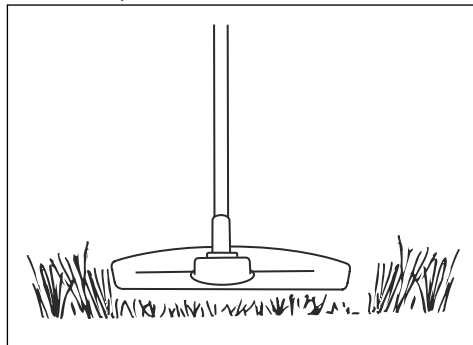
Ne pas appuyer le fil coupe-herbe dans l'herbe.

2. Réduire la longueur du fil coupe-herbe de 10 à 12 cm (4 à 4,75 po) et réduire la vitesse du moteur pour réduire le risque de dommages aux plantes.
3. Utiliser 80 % de la vitesse lorsqu'on doit couper l'herbe à proximité d'objets.

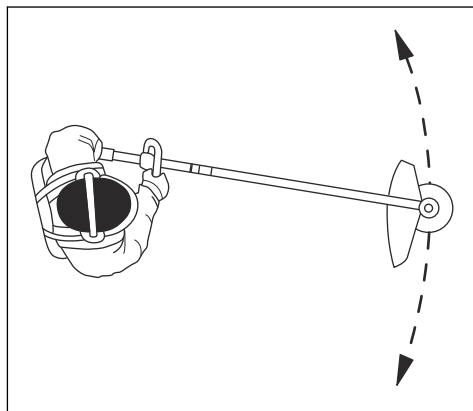


Pour couper l'herbe

1. Pour effectuer une coupe, vérifier que le fil coupe-herbe est parallèle au sol.



2. Ne pas appuyer la tête de désherbage sur le sol. Cela peut endommager le sol et le produit.
3. Ne pas laisser la tête de désherbage toucher le sol en permanence; cela peut l'endommager.
4. Faire tourner le moteur à plein régime lorsqu'on déplace le produit d'un côté à l'autre pour couper l'herbe.



Vérifier que le fil coupe-herbe est parallèle au sol.

Pour balayer l'herbe

Le flux d'air du fil de coupe en rotation peut être utilisé pour retirer l'herbe coupée d'une zone.

1. Maintenir la tête de coupe et son fil parallèle au sol et au-dessus du sol.
2. Faire tourner le moteur à plein régime.
3. Déplacer la tête de coupe d'un côté à l'autre et balayer l'herbe.

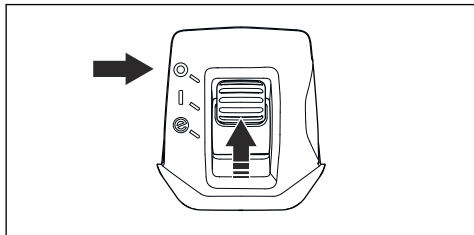


AVERTISSEMENT: Nettoyer le bouchon de la tête de désherbage chaque fois que s'effectue l'assemblage du nouveau fil de coupe afin d'éviter un déséquilibre et des

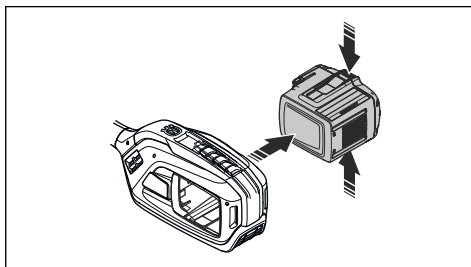
vibrations dans les poignées. En outre, vérifier les autres parties de la tête de coupe et les nettoyer au besoin.

Mise hors tension de l'appareil

1. Relâcher la gâchette ou son mécanisme de verrouillage.
2. Pousser le levier de puissance jusqu'à la position d'arrêt.



3. Appuyer sur les boutons de déverrouillage de la batterie et retirer la batterie.



Entretien

Introduction



AVERTISSEMENT: Avant de procéder à l'entretien, lire et bien comprendre le chapitre sur la sécurité.

Calendrier d'entretien



AVERTISSEMENT: Retirer la batterie avant de procéder à l'entretien.

Voici les mesures d'entretien à effectuer sur l'outil.

Entretien	Quotidien	Hebdo-madaire	Mensuel
Nettoyer les pièces externes de l'appareil avec un chiffon sec. Ne pas utiliser d'eau.	X		
Vérifier que le bouton de marche/arrêt n'est pas endommagé et qu'il fonctionne correctement.	X		
Vérifier que la gâchette et son mécanisme de verrouillage fonctionnent correctement et de façon sécuritaire.	X		
Vérifier que toutes les commandes fonctionnent et qu'elles ne sont pas endommagées.	X		
Garder les poignées sèches, propres et exemptes d'huile et de graisse.	X		
Vérifier que l'outil de coupe n'est pas endommagé. Remplacer l'outil de coupe s'il est endommagé.	X		
Vérifier que le dispositif de protection de l'outil de coupe n'est pas endommagé. Remplacer le dispositif de protection s'il est endommagé.	X		
Vérifier que les vis et les écrous sont bien serrés.	X		
Vérifier que les boutons de déverrouillage de la batterie fonctionnent et gardent la batterie bien fixée à l'appareil.	X		
Vérifier que la batterie n'est pas endommagée.	X		
Vérifier que la batterie est chargée.	X		

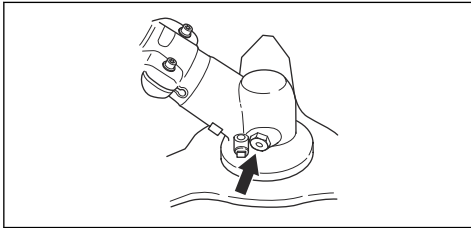
Entretien	Quotidien	Hebdomadaire	Mensuel
Vérifier que le chargeur de batterie n'est pas endommagé et qu'il fonctionne correctement.	X		
Vérifier tous les câbles, raccords et connexions. S'assurer qu'ils sont en bon état et exempts de saletés.		X	
Vérifier que le renvoi d'angle est rempli de lubrifiant aux trois quarts. Faire un appoint de graisse au besoin, à l'aide d'une graisse spéciale.		X	
Vérifier les points de connexion entre la batterie et l'appareil. Examiner également le point de connexion entre la batterie et le chargeur.			X

Pour nettoyer le produit, la batterie et le chargeur de batterie.

1. Nettoyer le produit à l'aide d'un chiffon sec après utilisation.
2. Nettoyer la batterie et chargeur de batterie à l'aide d'un chiffon sec. Garder les chemins de guidage de la batterie propres.
3. S'assurer que les bornes de la batterie et le chargeur de batterie sont propres avant de placer la batterie dans le chargeur de batterie ou sur le produit.

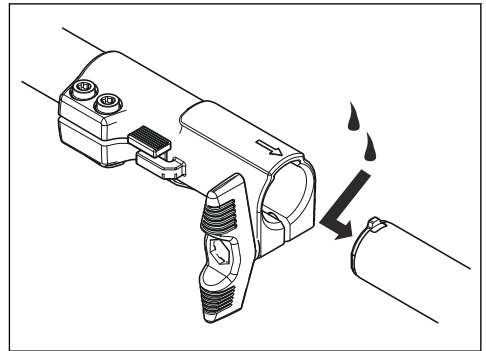
Pignon conique

Le pignon conique est rempli au 3/4 avec de la graisse en usine. Avant toute utilisation, s'assurer que le niveau de graisse n'a pas changé. Utiliser de la graisse spéciale Husqvarna s'il est nécessaire de faire le plein. Ne pas modifier la graisse dans le pignon conique. Laisser le personnel d'entretien effectuer la réparation du pignon conique.



Arbre en deux pièces

Appliquer de la graisse sur l'extrémité de l'arbre d'entraînement après chaque 30 heures de fonctionnement. Il y a un risque que les extrémités de l'arbre d'entraînement (raccords cannelés) des modèles avec arbres en deux pièces se grippent si elles ne sont pas lubrifiées régulièrement.



Dépannage

Dépannage

Problème	Anomalies potentielles	Action possible
Le produit ne démarre pas	Tension de batterie faible.	Charger la batterie.
	Écart de température.	Laisser l'outil refroidir!
	Les connecteurs de batterie sont encrassés.	Nettoyer à l'aide d'air comprimé ou d'une brosse douce.
	L'entretien est nécessaire.	Communiquer avec un atelier spécialisé.

Transport, entreposage et mise au rebut

Transport et entreposage

- Les batteries au lithium-ion fournies respectent les exigences de la loi sur les produits dangereux.
- Respecter l'exigence spéciale relative à l'emballage et aux étiquettes pour le transport commercial, y compris par des tiers et des transitaires.
- Communiquer avec une personne ayant une formation spéciale en matière de composés dangereux avant d'envoyer le produit. Respecter tous les règlements nationaux applicables.
- Utiliser du ruban adhésif sur des contacts ouverts lorsque vous emballez la batterie. Placer la batterie dans un emballage hermétique pour éviter tout mouvement.
- Déposer la batterie à des fins de remisage ou de transport.
- Placer la batterie et le chargeur de batterie dans un espace sec et exempt d'humidité et de gel.
- Ne pas maintenir la batterie dans une zone où l'électricité statique peut se développer. Ne pas entreposer la batterie dans une boîte métallique.
- Entreposer la batterie dans un endroit où la température est comprise entre 5 °C (41 °F) et 25 °C (77 °F) et à l'écart des rayons directs du soleil.
- Entreposer le chargeur de batterie dans un endroit où la température est comprise entre 5 °C (41 °F) et 45°C (113 °F) et à l'écart des rayons directs du soleil.
- Utiliser le chargeur de batterie seulement lorsque la température ambiante est comprise entre 5 °C (41 °F) et 40 °C (104 °F).

- Charger la batterie entre 30 % et 50 % avant de la remettre pour une longue période.
- Entreposer le chargeur de batterie dans un endroit clos et sec.
- Tenir la batterie à l'écart du chargeur de batterie pendant la période d'entreposage. Ne pas laisser des enfants et d'autres personnes non autorisées toucher l'équipement. Maintenir l'équipement dans un endroit qui peut être verrouillé.
- Nettoyer le produit et effectuer un entretien complet avant de l'entreposer dans le local de rangement pendant une longue période.
- Utiliser le fourreau de transport sur le produit afin d'éviter des blessures ou des dommages au produit pendant le transport et le remisage.
- Fixer le produit de façon sécuritaire pendant le transport.

Mise au rebut de la batterie, du chargeur de batterie et de l'outil

Les symboles figurant sur l'outil ou son emballage indiquent qu'il ne s'agit pas d'une ordure ménagère. Recycler dans un centre de recyclage pour équipements électriques et électroniques. De cette façon, vous ne nuirez pas à l'environnement.

Pour savoir comment recycler ce produit, communiquer avec les autorités locales, le service de ramassage des ordures ménagères ou votre concessionnaire.

Données techniques

Données techniques

	325iLK avec TAB850
Moteur	
Type de moteur	BLDC (sans balais) 36 V
Régime de l'arbre de sortie, tr/min	5800
Largeur de coupe, mm/po	420/16,5
Poids	
Poids (325iLK avec TAB850), kg/lb	3,8/8,4
Poids (325iLK avec TAB850 incl. batterie BLi200), kg/lb	5,1/11,3
Niveaux de bruit⁹	
Niveau de pression sonore équivalent à l'oreille de l'utilisateur mesuré selon la norme ISO 22868, dB (A) :	
Équipé d'une tête de coupe (origine)	82
Niveaux de vibrations¹⁰	
Niveau de vibration à la poignée mesuré selon la norme ISO 22867, m/s ²	
Équipé avec tête de coupe (origine), gauche/droite	3,6/1,4

Batteries approuvées

Batterie	BLi 200
Type	Lithium-ion
Capacité de la batterie, Ah	5,2
Tension nominale, V	36
Poids, kg (lb)	1,3 (2,9)

Chargeurs de batteries approuvés

Chargeur de batterie	QC330
Tension d'entrée, V	100 à 240

⁹ Les données se rapportant à la pression sonore équivalente de l'appareil présentent une dispersion statistique type (écart standard) de 3 dB (A).

¹⁰ Les données signalées pour le niveau de vibration présentent une dispersion statistique type (écart standard) de 1,5 m/s².

Chargeur de batterie	QC330
Fréquence, Hz	50 à 60
Puissance, W	330

Accessoires

Accessoires

Accessoires homologués	Type d'accessoires	Protection de l'outil de coupe, réf. art.
Diam. du fil coupe-herbe 2,0 à 2,3 mm	Fil de coupe-herbe torsadé Whisper, diam. maximal de 2,3 mm	
Tête de désherbage	T25 (fil de coupe-herbe torsadé Whisper, diam. maximal de 2,3 mm)	597 01 62-01
	T35 (fil de coupe-herbe torsadé Whisper, diam. maximal de 2,3 mm)	597 01 62-01

Accessoires

Accessoires approuvés	Numéro d'accessoire ¹¹	Groupe d'accessoires ¹²	Utilisation avec
Accessoire de coupe TAB850		Inclus avec le produit	325iLK
Accessoire de débroussailluse BCA850	1	1-10	325iLK
Accessoire pour aspirateur-souffleur BA101	11	11-20	325iLK
Accessoire pour taille-bordures ECA850	21	21-30	325iLK
Accessoire pour taille-bordures ESA850	22	21-30	325iLK
Accessoire de taille-haie HA850	31	31-40	325iLK
Accessoire de sciage PAB1100	44	41-50	325iLK
Accessoire de balayeuse SR600-2	51	51-60	325iLK
Accessoire pour brosse en soies BR600	52	51-60	325iLK
Accessoire pour démousseur DT600	53	51-60	325iLK

¹¹ Il s'agit d'un numéro propre à un accessoire approuvé dans un groupe d'accessoires.

¹² Les accessoires approuvés sont divisés en groupes d'accessoires. Chaque groupe d'accessoires présente des caractéristiques et des autocollants similaires.

Accessoires approuvés	Numéro d'accessoire ¹¹	Groupe d'accessoires ¹²	Utilisation avec
Accessoire pour cultivateur CA230	54	51-60	325iLK

¹¹ Il s'agit d'un numéro propre à un accessoire approuvé dans un groupe d'accessoires.

¹² Les accessoires approuvés sont divisés en groupes d'accessoires. Chaque groupe d'accessoires présente des caractéristiques et des autocollants similaires.



www.husqvarna.com

Original instructions
Instrucciones originales
Instructions d'origine

1142132-49



2019-12-05