



Husqvarna®



LE121P, LE221R

EN Operator's manual
ES-MX Manual del usuario
FR-CA Manuel d'utilisation

2-21
22-43
44-66

Contents

Introduction.....	2	Maintenance.....	16
Safety.....	6	Troubleshooting.....	17
Assembly.....	9	Transportation, storage and disposal.....	19
Operation.....	12	Technical data.....	20

Introduction

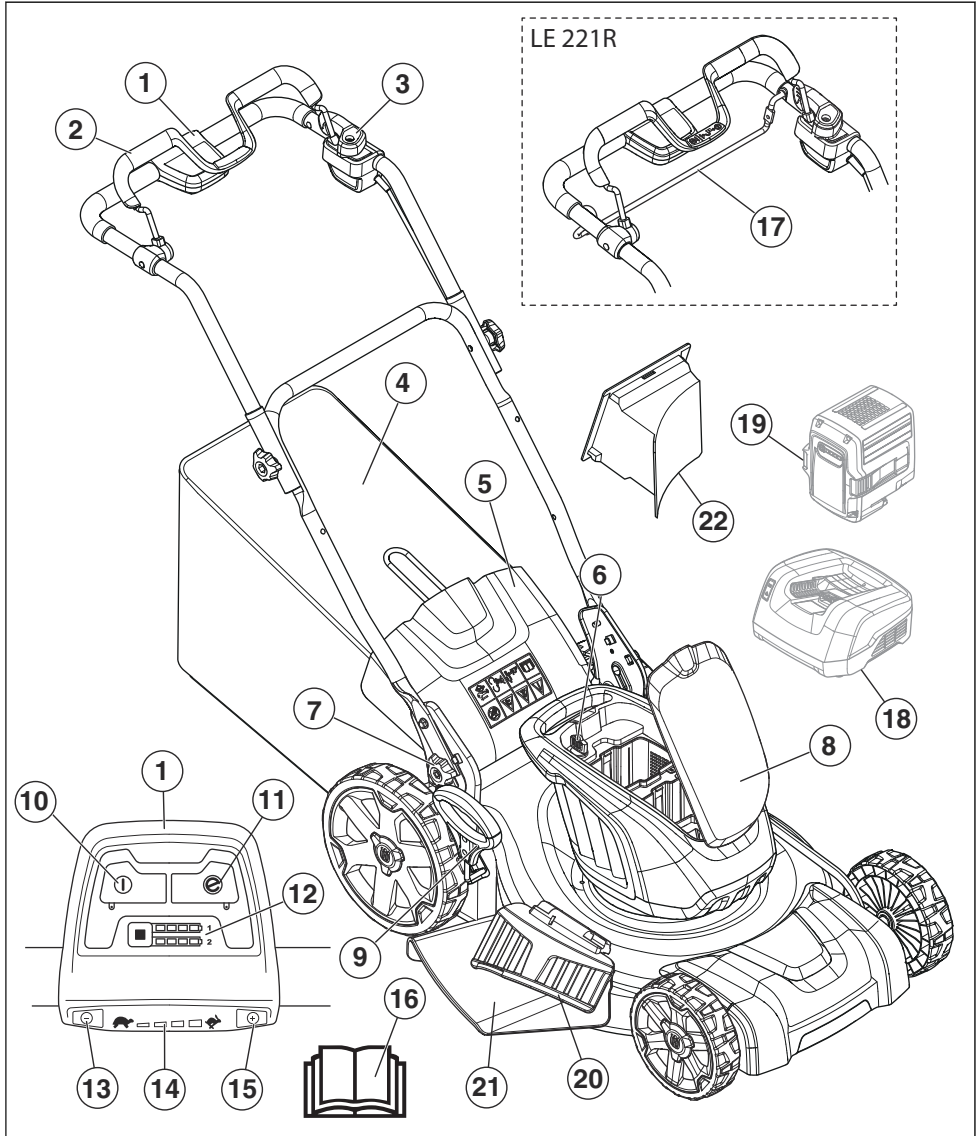
Product description

The product is a pedestrian-controlled rotary lawn mower. The grass is collected in a grass catcher. Remove the grass catcher to get rear discharge of the grass. Attach a mulch kit (accessory) to cut the grass into fertilizer.

Intended use

Use the product to cut grass in private gardens. Do not use the product for other tasks.

Product overview



- | | |
|---|---|
| <ul style="list-style-type: none"> 1. Control panel 2. Motor brake handle 3. Start inhibitor 4. Grass catcher 5. Rear cover 6. Safety key 7. Handle knob | <ul style="list-style-type: none"> 8. Battery cover 9. Cutting height control 10. ON/OFF button 11. SavE button 12. Battery charge indicator and battery button 13. Decrease speed button(only LE 221R) 14. Speed level indicator (only LE 221R) |
|---|---|

15. Increase speed button (only LE 221R)
16. Operator's manual
17. Drive bail (only LE 221R)
18. Battery charger (Accessory)
19. Battery (Accessory)
20. Discharge chute cover
21. Discharge chute
22. Mulch plug



Slow



Fast



Scannable code.

Symbols on the product



Careless or incorrect use can result in injury or death to the operator or others.



Warning: Please read the operator's manual carefully and make sure that you understand the instructions before use.



Keep persons and animals at a safe distance from the work area.



Look out for thrown objects and ricochets.



Keep hands and feet away from the rotating blade.



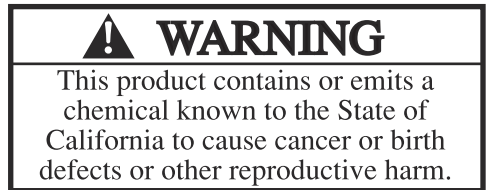
Keep hands and feet away from rotating parts.



Remove the safety key before you do repair work or maintenance. (model LE 121P/LE 221R)

Note: Other symbols/decals on the product refer to certification requirements for some markets.

Warning labels



IPX1 IPX1 - Drip protected (model LE 121P/LE 221R)



Do not expose to rain (model LE 121P/LE 221R)



Start procedure for model LE 121P/LE 221R: push ON/OFF button, loosen start inhibitor, push motor brake handle down.



Release motor brake handle to stop.

AVOID SERIOUS INJURY OR DEATH

- Read the operator's manual. Go across slopes, not up and down. Do not mow when children or others are around.
- Look down and behind before and while moving. Remove objects that could be thrown by the blade.
- Keep safety devices (guards, shields, switches, etc.) in place and working.
- To reduce risk of electric shock, do not expose unit to water or operate unit on wet ground.
- Disconnect from supply circuit before opening, cleaning or changing accessories.
- To reduce the risk of injury, do not operate without guards in place.
- To reduce the risk of injury, inspect catcher assembly frequently and replace with recommended replacement if there are signs of wear or deterioration. Keep hands and feet away – rotating blade hazard. Keep bystanders and children away.
- Remove battery pack when not in use.
- For use only with BLi20/BLi150/BLi200 battery.

DANGER DE BLESSURES GRAVES OU MORTELLES

- Lisez attentivement le manuel d'utilisation. Tondez dans pentes et les talus en diagonale, et non à la verticale. N'utilisez pas la tondeuse à proximité d'enfants ou autres personnes.
- Scrutez attentivement le sol si vous devez reculer avec la machine et débarrassez la zone de travail de tout objet risquant d'être projeté.
- Assurez-vous que les dispositifs de sécurité (protections, écrans, interrupteurs, etc.) sont bien en place et fonctionnels.
- Pour diminuer les risques de choc électrique, ne mouillez pas l'appareil ou ne l'utilisez pas sur un sol humide.
- Débranchez le circuit d'alimentation avant de l'ouvrir, de le nettoyer ou de changer les accessoires.
- Afin de réduire le risque de blessures, n'utilisez pas la machine si les dispositifs de protection ne sont pas en place.
- Afin de réduire le risque de blessures, inspectez régulièrement l'ensemble trémie de collecte/bac à herbe et remplacez les pièces usées par des pièces recommandées. Il y a un risque de mutilation des doigts ou des orteils. Gardez les enfants et les autres personnes à distance.
- Retirez le bloc-piles lorsque l'outil est inutilisé.
- Pour usage seulement avec batterie BLi20/BLi150/BLi200.

Product liability

As referred to in the product liability laws, we are not liable for damages that our product causes if:

- the product is incorrectly repaired.
- the product is repaired with parts that are not from the manufacturer or not approved by the manufacturer.
- the product has an accessory that is not from the manufacturer or not approved by the manufacturer.
- the product is not repaired at an approved service center or by an approved authority.

Safety

Safety definitions

Warnings, cautions and notes are used to point out specially important parts of the manual.



WARNING: Used if there is a risk of injury or death for the operator or bystanders if the instructions in the manual are not obeyed.



CAUTION: Used if there is a risk of damage to the product, other materials or the adjacent area if the instructions in the manual are not obeyed.

Note: Used to give more information that is necessary in a given situation.

Safety instructions



WARNING: When using electric lawn mowers, basic safety precautions should always be followed to prevent electrical shock and personal injury, including the following:

- Read all instructions.
- Avoid dangerous environment. Do not operate the product in damp or wet locations.
- Do not operate the product in the rain.
- Keep children away. All visitors should be kept at a safe distance from the work area.
- Dress properly. Do not wear loose clothing or jewelry than can be caught in moving parts. Use rubber gloves and footwear when working outdoors.
- Use safety glasses. Always use a face mask or dust mask if operation is dusty.
- Do not use the product for any job except that for which it is intended.
- Do not force the product. It will do the job better and safer at the rate for which it was designed.
- Do not overreach. Keep proper footing and balance at all times.
- Stay alert. Watch what you are doing. Use common sense. Do not operate the product when you are tired.
- When not in use, the product should be stored in an indoor dry and locked-up place out of reach of children.
- Maintain the product with care. Keep the cutting edges sharp and clean for best and safest performance. Follow instructions for lubricating and changing accessories. Keep handles dry, clean, and free from oil and grease.
- Keep guards in place and in working order.
- Keep blades sharp.
- Keep hands and feet away from cutting area.
- Objects struck by the lawn mower blade can cause severe injuries to persons. The lawn should always be carefully examined and cleared of all objects prior to each mowing.
- If any foreign object is hit or if vibrations occur, obey these instructions: Switch off the motor, turn the safety key to "0" and remove the battery. Inspect the product for damage. Repair any damage or contact an authorised service agent.
- Use identical replacement blades only.
- The product can be a dangerous tool if used incorrectly or carelessly, which can cause serious or fatal injury to the operator or others.
- Keep in mind that the operator is responsible for accidents or hazards occurring to other people or their property.
- The product must be kept clean. Signs and stickers must be fully legible.
- It is not possible to cover every conceivable situation you can face. Always exercise care and use your common sense. If you get into a situation where you feel unsafe, stop and seek expert advice. Contact your dealer, service agent or an experienced user. Do not attempt any task that you feel unsure of!
- Do not let a child operate the product.
- Do not let a person, without knowledge of the instructions, operate the product.
- Always monitor a person, with decreased physical capacity or mental capacity, that uses the product. A responsible adult must always be there.
- Never use the product if you are fatigued, while under the influence of alcohol or drugs, medication or anything that could affect your vision, alertness, coordination or judgement.
- Unauthorized modifications and/or accessories may lead to serious injury or death to the user or others. Under no circumstances may the design of the product be modified without the permission of the manufacturer.
- Do not modify this product or use it if it appears to have been modified by others.
- Never use a product that is faulty. Carry out the safety checks, maintenance and service instructions described in this manual. Some maintenance and service measures must be carried out by trained and qualified specialists. See instructions in the section *Maintenance on page 16*.
- Always use original accessories.

Work area safety

- Remove branches, twigs, stones and other objects from the lawn before you start to cut.

- Keep persons, including children, and animals at a safe distance from the work area.
- Objects that hit against the cutting equipment can be ejected and cause damage to persons and objects.
- Do not use the product in bad weather, including fog, rain, moist or wet locations, strong winds, intense cold and risk of lightning. Doing work in bad weather can cause fatigue and dangerous conditions, such as slippery surfaces.
- Examine your work area to make sure that your control of the product cannot be prevented.
- Be careful of roots, stones, twigs, pits and ditches. High grass can conceal obstacles.
- Do not operate the product on slopes that are more than 15 degrees.
- Operate the product along slopes. Do not move up and down the slope.
- Be careful when you go near hidden corners and objects that can prevent your view.
- Never lift up the product when the motor is started. If you must lift the product, first stop the motor, turn the safety key to 0 and remove the battery.
- Do not walk rearward when you operate the product.
- Stop the motor when you move across areas without grass, for example paths made of gravel, stone and asphalt.
- Do not run with the product when the motor is started. Always walk when you operate the product.
- Stop the motor before you change the cutting height. Never make adjustments with the motor started.
- Never let the product stay out of view with the motor started. Stop the motor and make sure that the cutting equipment does not rotate.

Safety instructions for operation

Personal protective equipment



WARNING: Read the warning instructions that follow before you use the product.

Work safety



WARNING: Read the warning instructions that follow before you use the product.

- Use this product to cut grass lawns only. It is not permitted to use it for other tasks.
- Use personal protective equipment. See *Personal protective equipment on page 7*.
- Do not operate the product in rain or wet conditions. The risk of electrical shock increases if water enters the product.
- Do not operate the product unless the blade and all covers are attached correctly. An incorrectly attached blade can come loose and cause personal injury.
- Make sure that the blade does not hit objects such as stones and roots. This can do damage to the blade and bend the motor shaft. A bent axle causes heavy vibration and a very high risk that the blade becomes loose.
- If the blade hits an object or if vibrations occur, stop the product immediately. Stop the motor, turn the safety key to 0 and remove the battery. Examine the product for damages. Repair damages or let an authorised service agent do the repair.
- Never attach the motor brake handle permanently to the handle when the motor is started.
- Put the product on a stable, flat surface and start it. Make sure that the blade does not hit the ground or other objects.
- Always stay behind the product when you operate it.
- Let all the wheels stay on the ground and keep 2 hands on the handle when you operate the product. Keep your hands and feet away from the rotating blades.
- Do not tilt the product when the motor is started.
- Be careful when you pull the product rearward.

- Personal protective equipment cannot fully prevent injury but it decreases the degree of injury if an accident does occur. Let your dealer help you select the right equipment.
- Use hearing protection if the noise level is higher than 85 dB.
- Use heavy-duty slip-resistant boots or shoes. Do not use open shoes or go with bare feet.
- Use heavy, long pants.
- Use protective gloves when necessary, for example when you attach, examine or clean the cutting equipment.

Safety devices on the product



WARNING: Read the warning instructions that follow before you use the product.

- Do not use a product with defective safety devices.
- Do a check of the safety devices regularly. If the safety devices are defective, speak to your Husqvarna service agent.

To do a check of the cutting cover

The cutting cover decreases vibrations in the product and decreases the risk of injury from the blade.

- Examine the cutting cover to make sure that there are no damages such as cracks.

Grass catcher

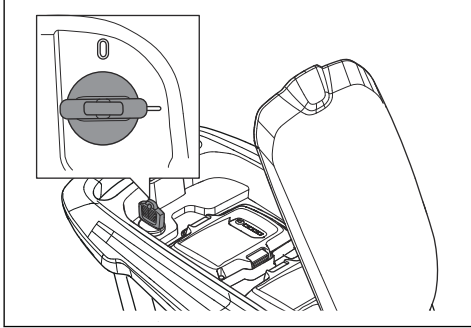
The grass catcher prevents injury to the operator from the rotating blade. The grass catcher wears during operation of the product. Regularly examine the grass

catcher and replace it if it has damages. Replace only with a grass catcher approved by the manufacturer.

Safety key

The safety key is below the battery lid. The safety key connects the battery that supplies the motor with power.

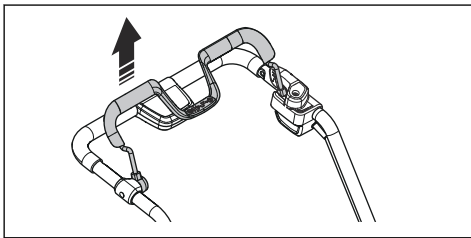
- Start and stop the motor to do a check of the safety key.
- If the safety key operates correctly, the motor can only start when the safety key is in position 1.



Motor brake handle

The motor brake handle stops the motor. When the motor brake handle is released, the motor stops.

To do a check of the motor brake, start the motor and then release the motor brake handle. If the motor does not stop in 3 seconds, let an approved Husqvarna service agent adjust the motor brake.

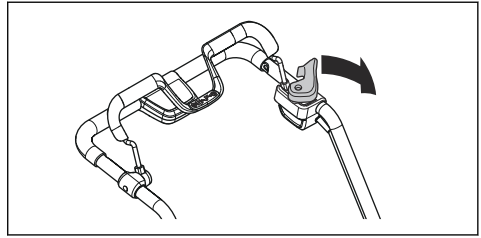


To examine the start inhibitor

Do a check of the start inhibitor to make sure that it prevents operation of the motor.

1. Push the motor brake handle in the direction of the handlebar. The start inhibitor stops the movement.

2. Push the start inhibitor out.



3. Release the start inhibitor and make sure that it goes back to its initial position.

Battery and battery charger safety

Read the operator's manual for the battery and the battery charger and make sure that you understand the instructions before you use the product.

Battery safety



WARNING: Read the warning instructions that follow before you use the product.

- Use Husqvarna rechargeable batteries as a power supply for related Husqvarna products only. To prevent injury, do not use the battery as a power supply for other devices.
- Do not use non-rechargeable batteries.
- Risk of electrical shock. Do not connect the battery terminals to keys, coins, screws or other metal. This can cause a short circuit of the battery.
- Handle batteries carefully in order not to cause a short circuit with conducting materials such as rings, bracelets, and keys. The battery or conductor can overheat and cause burn injuries.
- Do not put objects into the air slots of the battery.
- Keep the battery away from sunlight, heat or open flame. The battery can explode and cause burns and/or chemical burns.
- Keep the battery away from rain and wet conditions.
- Keep the battery away from microwaves and high pressure.
- Do not try to disassemble or break the battery.
- Do not open or mutilate the battery. Released electrolyte is corrosive and can cause damage to the eyes or skin. It is poisonous if swallowed.
- If the battery leaks, do not let the liquid touch your body or eyes. If you have touched the liquid, clean the area with a large quantity of water and get medical aid.
- Use the battery in temperatures between -10°C and 40°C.
- Do not clean the battery or the battery charger with water. See *To clean the battery and the battery charger on page 16*.
- Do not use a defective or damaged battery.

- Keep batteries in storage away from metal objects such as nails, coins, jewellery.

Battery charger

The battery chargers, QC, are only used for charging of Husqvarna replacement batteries.

- Minimise the risk of electric shock or short circuit as follows: Never insert any object into the charger's cooling slots. Do not try to dismantle the battery charger. Never connect the charger terminals to metal objects. Use approved and intact wall sockets.
- This machine produces an electromagnetic field during operation. This field may under some circumstances interfere with active or passive medical implants. To reduce the risk of serious or fatal injury, we recommend persons with medical implants to consult their physician and the medical implant manufacturer before operating this machine.
- Regularly check that the battery charger connection wire is intact and that there are no cracks in it.
- Never carry the battery charger using the cord and never pull out the plug by pulling the cord.
- Keep all cables and extension leads away from water, oil and sharp edges. Make sure the cable is not jammed in doors, fences or the like. Otherwise it can cause the charger to become live.
- Never clean the battery or the battery charger with water.
- The battery charger can be used by children aged from 8 years and above and persons with reduced physical, sensory, or mental capabilities or lack of experience and knowledge if they have been given supervision or instruction concerning use of the appliance in a safe way and understand the hazards involved. Children shall not play with the appliance. Cleaning and user maintenance shall not be made by children without supervision.
- Do not charge non-rechargeable batteries in the battery charger.
- Do not use the battery charger close to corrosive or flammable materials. Do not cover the battery charger. Pull out the plug to the battery charger in the event of smoke or fire.

- Do not use a faulty or damaged battery charger or battery.
- Only charge the battery indoors and protected from direct sunlight and do not charge the battery in any wet conditions.

Safety instructions for maintenance



WARNING: Read the warning instructions that follow before you use the product.

- To prevent accidental start during maintenance, turn the safety key to 0 and remove the battery. Wait at minimum 5 seconds before you start the maintenance.
- Do the maintenance work correctly to increase the lifetime of the product and decrease the risk of accidents. Let an approved service agent do the professional repairs. Speak to your nearest service agent for more information.
- Only do the maintenance work written in this operator's manual. More extensive work must be done by an approved service agent.
- Put on heavy duty gloves when you use the cutting equipment. The blade is very sharp and cuts can easily occur.
- Keep the cutting edges sharp and clean for the best and safest performance.
- Let your service agent regularly examine the product and make necessary adjustments and repairs.
- Replace damaged, worn or broken parts.
- Obey the instructions for how to change accessories. Only use accessories from the manufacturer.
- When not in operation, keep the product, battery and battery charger apart in a dry, indoor and locked area. Make sure that children and persons that are not approved cannot get access to the product, battery or battery charger.

SAVE THESE INSTRUCTIONS

Assembly

Introduction



WARNING: Before you assemble the product, read the safety chapter.



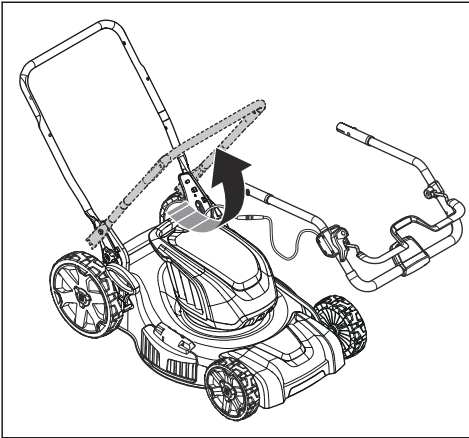
WARNING: To prevent accidental start during assembly, turn the safety key to 0, remove the battery and wait at minimum 5 seconds.

To assemble the handle

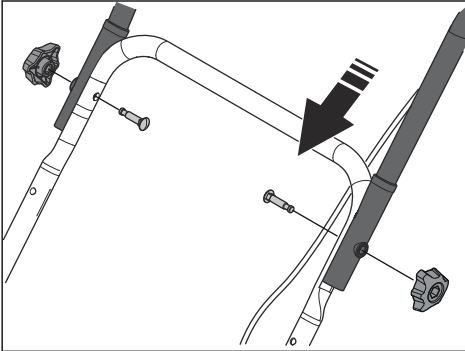


CAUTION: Make sure that the cable run along the inner part of the handlebar. Make sure that the cable do not get pinched when you assemble the handlebar.

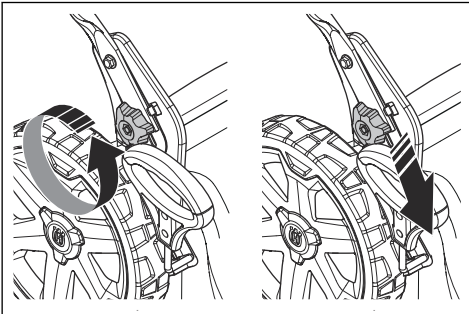
1. Raise the lower handlebar.



2. Assemble the upper handlebar with the lower handlebar. Tighten the knobs.

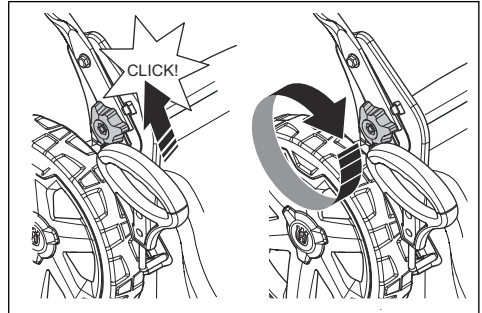


3. Move the knobs to the lower end of the grooves on the two sides of the product.



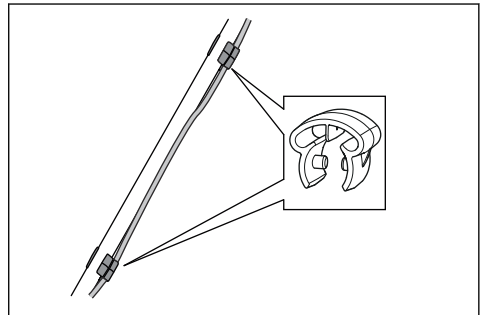
4. Set the handle height in one of the 2 available positions.

5. Move the knobs up in the direction of the handle until they stop and you hear a click.

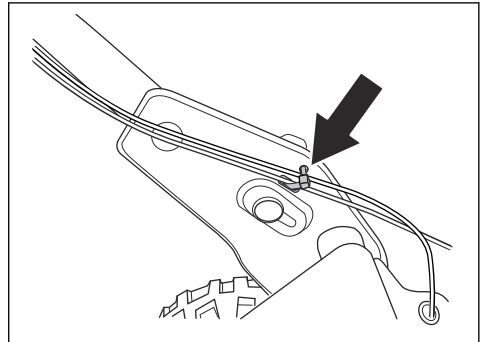


6. Tighten the knobs fully on the two sides of the product.

7. Put the wires in the cable brackets. Make sure the wires are not twisted. Attach the cable brackets to the handlebar.

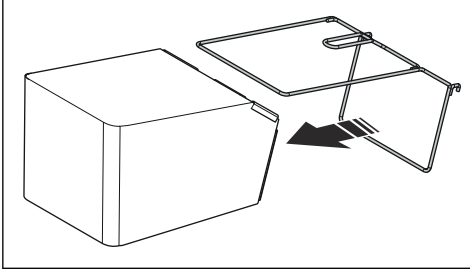


8. Use a cable tie to attach the cables to the handlebar bracket.

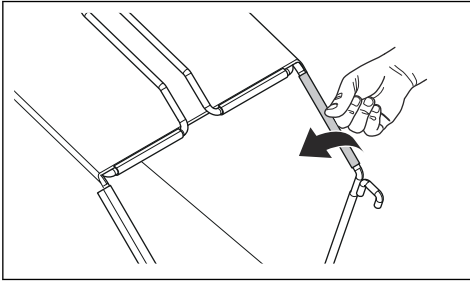


To assemble the grass catcher

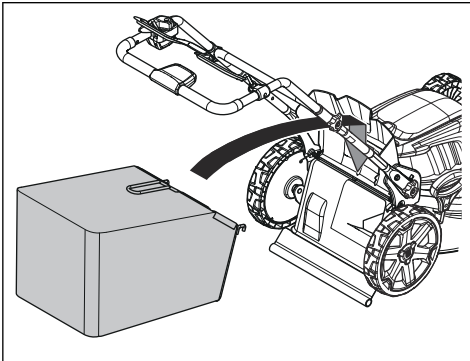
1. Attach the grass catcher frame to the grass bag with the rigid part of the bag on the bottom. Keep the handle of the frame on top of the grass bag.



2. Attach the grass bag to the grass catcher frame with the clips.



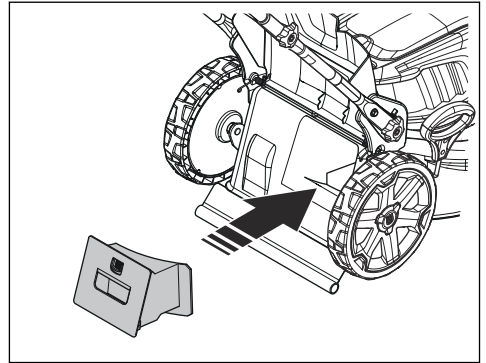
3. Lift the rear cover and attach the grass catcher to the rod of the rear cover.



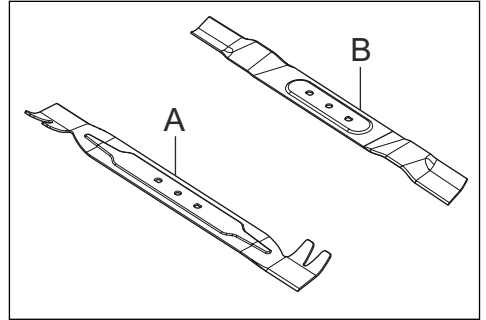
To assemble the mulch plug

1. Lift up the rear cover and remove the grass catcher.
2. Remove the side discharge chute (if installed) and close the side discharge cover.

3. Put the mulch plug into the discharge channel.

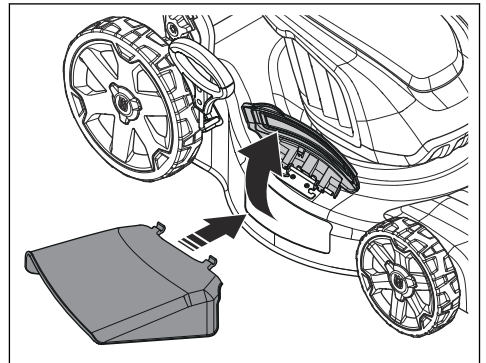


4. Replace the blade (A) with the mulch blade (B).



To assemble the discharge chute

1. Remove the grass catcher.
2. Install the mulch plug and close the rear cover.
3. Lift the discharge chute cover and install the discharge chute.



4. Make sure that the discharge chute cover rests on the discharge chute.

Operation

Introduction



WARNING: Before you operate the product, you must read and understand the safety chapter.

Husqvarna Connect

Husqvarna Connect is a free app for your mobile device. The Husqvarna Connect app gives extended functions for your Husqvarna product:

- Extended product information.
- Information about, and help with, product parts and servicing.

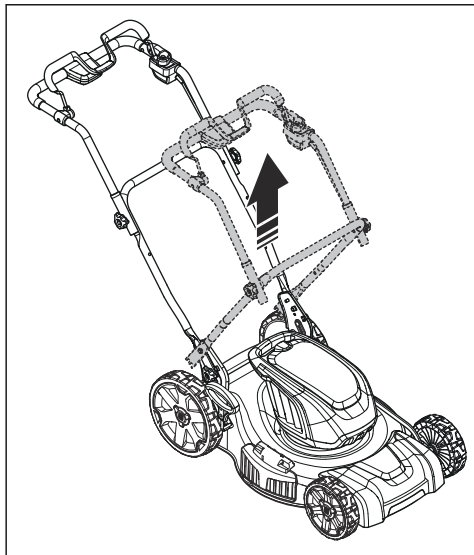
To start to use Husqvarna Connect

1. Download the Husqvarna Connect app on your mobile device.
2. Register in the Husqvarna Connect app.
3. Do the instruction steps in the Husqvarna Connect app to connect and register the product.

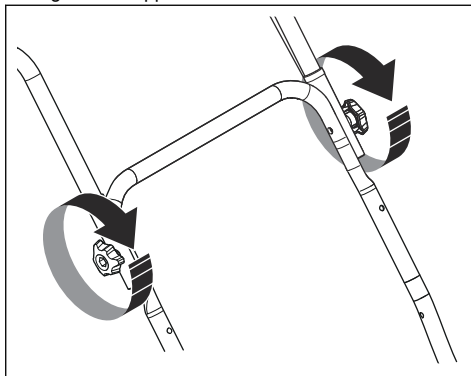
To set the product in operation position

If the handle is folded to its transport position (see *To set the product in transport position on page 19*), follow this procedure to make sure the handle goes back its operation position.

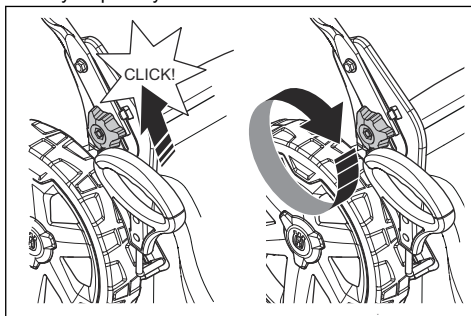
1. Lift the handlebar.



2. Tighten the upper knobs.



3. Move the knobs up in the direction of the handle until they stop and you hear a click.

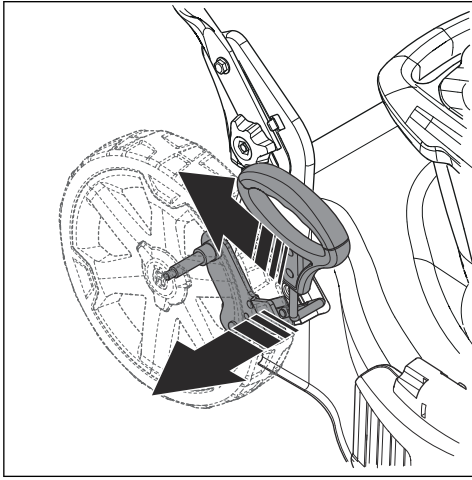


4. Tighten the knobs fully.

To set the cutting height

The cutting height can be adjusted in 7 levels.

1. Move the cutting height lever out and reward to increase the cutting height.
2. Move the cutting height lever out and forward to decrease the cutting height.



CAUTION: Do not set the cutting height too low. The blades can hit the ground if the surface of the lawn is not flat.

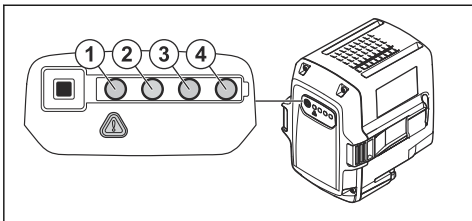
Battery



WARNING: Before you use the battery, you must read and understand the safety chapter. You must also read and understand the operator's manual for the battery and the battery charger.

Battery status

The display shows the remaining battery capacity and if there are problems with the battery. The battery capacity is shown for 5 seconds after the product is switched off or the battery indicator button is pressed. The warning symbol on the battery is on when an error has occurred. See *Battery on page 17*.



LED lights	Battery status
All LEDs are lit	Fully charged (75-100%)
LED 1, LED 2, LED 3 are lit	The battery is 50%-75% charged

LED lights	Battery status
LED 1, LED 2 are lit	The battery is 25%-50% charged
LED 1 is lit	The battery is 0%-25% charged.
LED 1 flashes	The battery is empty. Charge the battery.

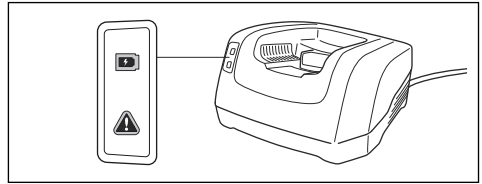
To charge the battery

Charge the battery before the first use. The battery is only 30% charged when supplied to the customer.

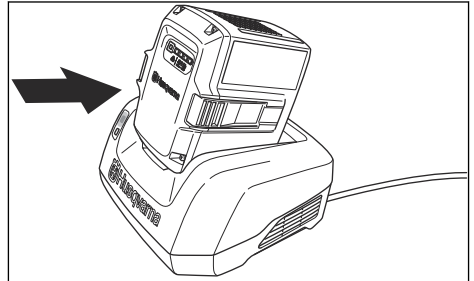
Note: The battery charger must be connected to the voltage and frequency specified on the rating plate.

The battery does not charge if the battery temperature is above 50°C. The battery charger decreases the temperature of the battery before it starts to charge.

1. Connect one end of the power cord for the battery charger into the socket of the battery charger.
2. Connect the other end of the power cord for the battery charger in an grounded mains socket. The LED on the battery charger flashes green one time.



3. Put the battery in the battery charger. The green light on the charger comes on when the battery is correctly connected to the battery charger.



4. When all LEDs on the battery have come on the battery is fully charged. Charge the battery for maximum 24 hours.
5. To disconnect the battery charger from the mains socket, pull the plug, not the power cord.
6. Remove the battery from the battery charger.

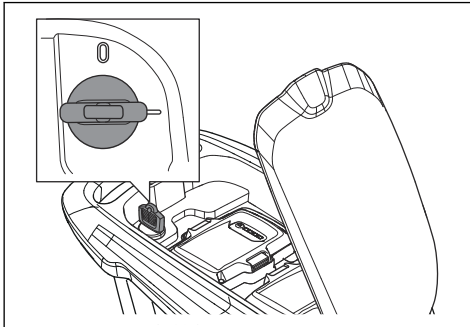
Battery charging status

A Husqvarna Li-ion battery can be charged or used at all charging levels. The battery is not damaged. A fully charged battery will not decrease its charge when the battery is left in the charger.

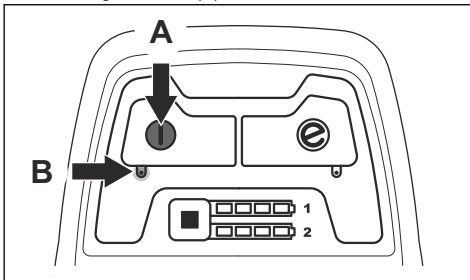
LED display	Charging status
LED 1 flashes	0%-25%
LED 1 is lit, LED 2 flashes	25%-50%
LED 1, LED 2 are lit, LED 3 flashes	50%-75%
LED 1, LED 2, LED 3 are lit, LED 4 flashes	75%-100%
LED 1, LED 2, LED 3, LED 4 are lit	Fully charged

To start the product

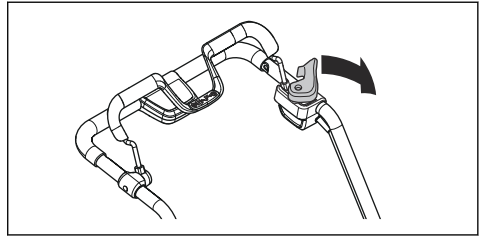
- Put a charged battery in battery compartment number 1 below the battery lid. For longer operation time, put a second charged battery in battery compartment number 2.
- Turn the safety key to 1.



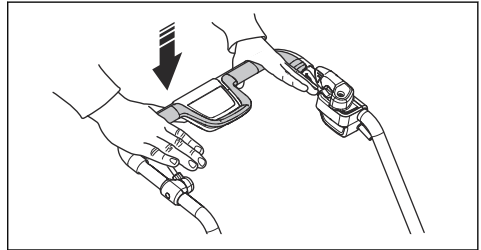
- Stay behind the product.
- Press the ON/OFF button (A) on the control panel and the green LED (B) comes on.



- Loosen the start inhibitor.

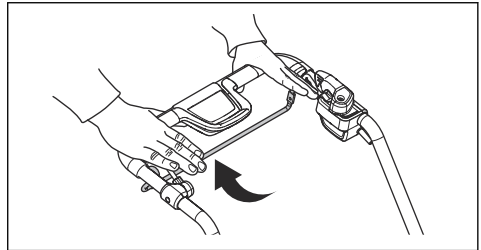


- Push the motor brake handle in the direction of the handlebar.

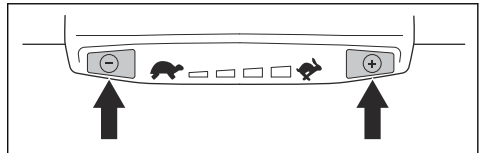


To use the drive on the wheels (LE 221R)

- Pull the drive bail in the direction of the handlebar to start the drive.



- Press + and - on the control panel to set the drive speed in 4 steps.

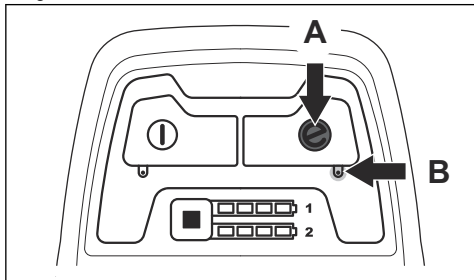


- Release the drive bail to disengage the drive, for example when you go near an obstacle.

To use the SavE function

The product has a battery saving function (SavE) that gives longer operation time.

1. Press the SavE button (A) to start the function. The green LED comes on.



2. Press the SavE button again to stop the function. The green LED (B) goes out.

The SavE function stops automatically if the ground conditions make it necessary to have a higher output. The SavE function starts automatically when the ground conditions let it.

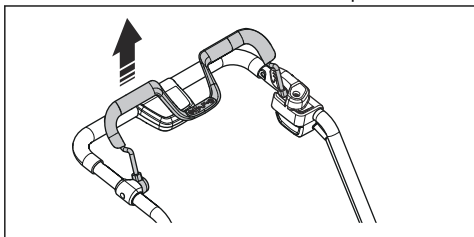
High load function

When the product cuts long or wet grass, the motor automatically increases rpm. The motor goes back to standard mode when high load is not necessary.

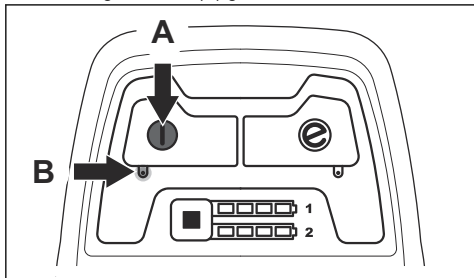
To stop the product

The product stops automatically if you do not operate it for 10 minutes. Always turn the safety key to 0 before you let the product out of view.

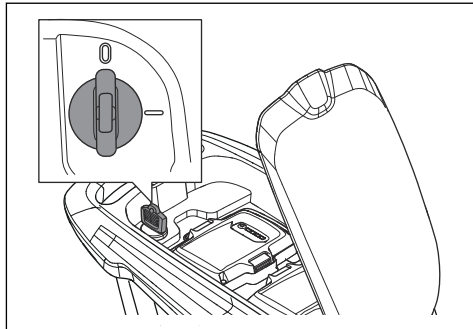
1. Release the motor brake handle to stop the motor.



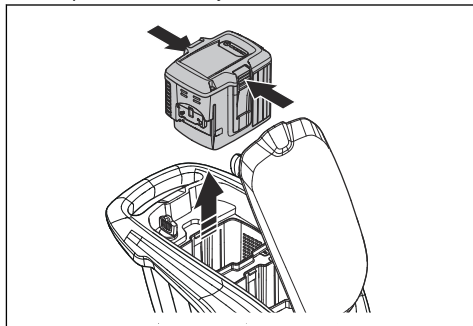
2. Press the ON/OFF button (A) on the control panel and the green LED (B) goes out.



3. Open the battery lid and turn the safety key to 0.



4. To remove the battery, press the two release buttons and pull out the battery.



5. Charge the battery if it is weak. For more information, see *To charge the battery on page 13*.

To get a good result

- Always use a sharp blade. A blunt blade gives an irregular result and the cut surface of the grass becomes yellow. A sharp blade also uses less energy than a blunt blade.
- Do not cut more than $\frac{1}{3}$ of the length of the grass. Cut first with the cutting height set high. Examine the result and lower the cutting height to an applicable level. If the grass is very long, drive slowly and cut 2 times if necessary.
- Cut in different directions each time to prevent stripes in the lawn.

To cut grass without a grass catcher or mulch plug attached

- Lift up the rear cover and remove the grass catcher.
- If a mulch plug and a mulch blade are attached, remove them.
- Close the rear cover before you operate the product.

When you operate the product, the cut grass discharges below the rear cover.

Maintenance

Introduction



WARNING: Before you do maintenance, you must read and understand the safety chapter.

For all servicing and repair work on the product, special training is necessary. We guarantee the availability of professional repairs and servicing. If your dealer is not a service agent, speak to them for information about the nearest service agent.

Maintenance schedule

The maintenance intervals are calculated from daily use of the product. The intervals change if the product is not used daily.

For maintenance identified with * see instructions in *Safety devices on the product on page 7.*

	Each use	Monthly	Each season
Do a general inspection	X		
Clean the product	X		
Do a check of the start inhibitor *	X		
Make sure that the safety devices on the product are not defective *	X		
Examine the cutting equipment	X		
Examine the cutting cover *	X		
Do a check of the motor brake handle *	X		
Make sure that the ON/OFF button operates correctly and is not defective	X		
Examine the battery for damage	X		
Do a check of the battery charge	X		
Make sure that the release buttons on the battery operates correctly and that the battery locks into the product	X		
Examine the battery charger for damage and make sure that it operates correctly.		X	
Examine the connections between the battery and the product. Also examine the connection between the battery and the battery charger.			X

To do a general inspection

- Make sure that the nuts and screws on the product are tightened.
- Make sure that the cables on the product are not in a position where they can get damaged.

To clean the product

- Clean plastic parts with a clean and dry cloth.
- Do not use water to clean the product. Water can enter the battery or the motor and cause short circuit or damage to the product.
- Do not use a high pressure washer to clean the product.
- Do not flush water directly on the motor.

- Use a brush to remove leaves, grass and dirt.

To clean the battery and the battery charger



CAUTION: Do not clean the battery or the battery charger with water.

- Make sure that the battery and the battery charger are clean and dry before you put the battery into the battery charger.
- Clean the battery terminals with compressed air or use a soft and dry cloth.

- Clean the surfaces of the battery and the battery charger with a soft and dry cloth.

To examine the cutting equipment



WARNING: To prevent accidental start, turn the safety key to 0, remove the battery and wait a minimum 5 seconds.



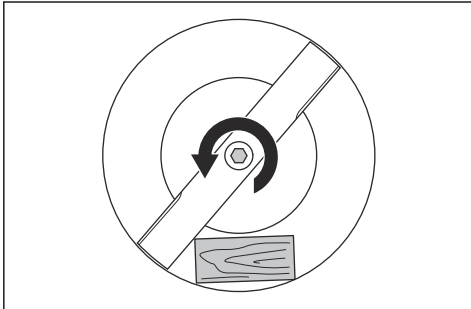
WARNING: Use protective gloves when you do maintenance on the cutting equipment. The blade is very sharp and cuts can easily occur.

1. Examine the cutting equipment for damage or cracks. Always replace a damaged cutting equipment.
2. Look at the blade to see if it is damaged or blunt.

Note: It is necessary to balance the blade after it is sharpened. Let a service center sharpen, replace and balance the blade. If you hit an obstacle that causes the product to stop, replace the damaged blade. Let the service center estimate if the blade can be sharpened or must be replaced.

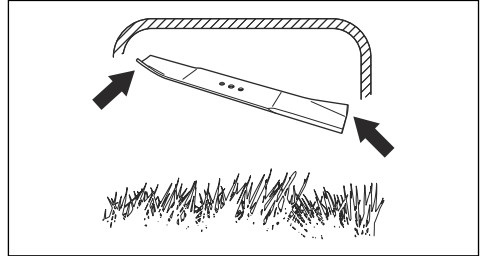
To remove and replace the blade

1. Lock the blade with a block of wood.

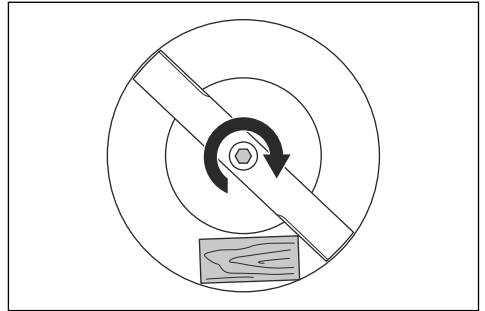


2. Remove the blade bolt.
3. Remove the blade.
4. Examine the blade support and blade bolt to see if there are damages.

5. Examine the motor shaft to make sure that it is not bent.
6. When you attach the new blade, point the angled ends of the blade in the direction of the cutting cover.



7. Make sure that the blade is aligned with the center of the motor shaft.
8. Lock the blade with a block of wood. Attach the spring washer and tighten the bolt and washer with a torque of 23–28 Nm.



9. Pull the blade around by hand and make sure that it turns freely.



WARNING: Use heavy duty gloves. The blade is very sharp and cuts can easily occur.

10. Start the product to do a test of the blade. If the blade is not correctly attached, there is vibration in the product or the cutting result is unsatisfactory.

Troubleshooting

Battery

LED on the battery	Possible faults	Possible procedure
The green LED is flashing	The battery voltage is low	Charge the battery. See <i>To charge the battery on page 13</i> .

LED on the battery	Possible faults	Possible procedure
The error LED flashes	The battery is weak	Charge the battery. See <i>To charge the battery on page 13</i> .
	The temperature in the work environment is too high or too low	Use the battery in temperatures between -10°C and 40°C.
	Overvoltage	Check that the mains voltage is the same as on the rating plate on the product. Remove the battery from the battery charger. Wait 5 seconds and try again to charge the battery. If the problem continues, speak to an authorised service agent.
The error LED is on	Cell difference too much (1V)	Speak to an approved service agent.

Battery charger

LED on the battery charger	Possible faults	Possible procedure
The error LED flashes	The temperature in the work environment is too high or too low	Use the battery charger in temperatures between 5°C and 40°C.
The error LED is on		Speak to an approved service agent

Control panel

For problems, other than those in this section, speak to your service agent.

Keypad	Error code (Number of flashes)	Possible faults	Possible action
Error LED flashes	3	The motor is overloaded	Increase the cutting height. See <i>To set the cutting height on page 12</i> .
	5	The motor speed drops too much, and the motor stops	
	10	The motor control is too hot	Stop the motor and wait until it has become cool
	2	The blade is blocked	To prevent accidental start turn the safety key to 0, remove the battery and wait a minimum 5 seconds. Make sure that the blade can rotate freely. If the problem continues, speak to an authorised service agent
	9	Battery error or no signal from battery	Put the battery in the product correctly and examine the battery connector. If the error LED on the battery flashes, see <i>Battery on page 13</i> .
The product stops	8	The battery is weak	Charge the battery. See <i>To charge the battery on page 13</i> .
	0	Battery connector failure	Examine the battery connector

Transportation, storage and disposal

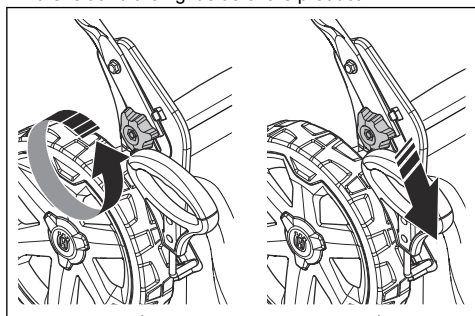
Introduction



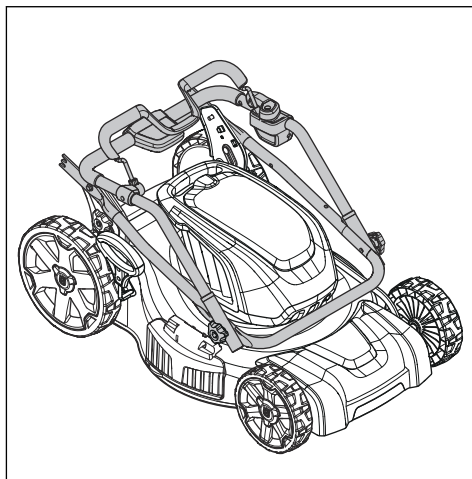
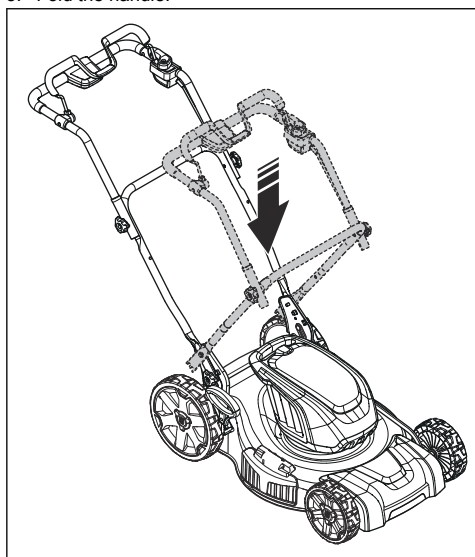
WARNING: To prevent unintentional start during transport turn the safety key to "0", remove the battery and wait at least 5 seconds.

To set the product in transport position

1. Remove the grass catcher (if installed).
2. Loosen the lower knobs.
3. Move the knobs to the lower end of the grooves on the left and the right side of the product.



4. Loosen the upper knobs.
5. Fold the handle.



Transportation

- The Dangerous Goods Legislation requirements apply to the contained Li-ion batteries.
- For commercial transports special requirements on package and labels must be obeyed.
- Make sure that you obey the regulations for dangerous material when you prepare the product for transport. Local regulations can apply.
- Always remove the battery for transport.
- Put tape on the battery connectors and make sure that the battery cannot move around during transport.
- Attach the product during transport.

Storage

- Always remove the battery for storage.
- To prevent accidents, make sure that the battery is not connected to the product during storage.
- Keep the battery charger in a closed and dry space.
- Keep the battery and the battery charger in a dry space where there is no moisture or frost.
- Disconnect the battery from the battery charger during storage.
- Do not keep the battery where static electricity can occur. Do not keep the battery in a metal box.
- Keep the battery where the temperature is between 5°C and 25°C and out of sunlight.
- Keep the battery charger where the temperature is between 5°C and 45°C and out of sunlight.
- Make sure that the battery is charged to 30% - 50% before you put it in storage for long periods.

- Keep the product, battery and battery charger in a locked area out of reach for children and not approved persons.
- Clean the product and do a complete servicing before you put the product in storage for a long time.

By ensuring that this product is taken care of correctly, you can help to counteract the potential negative impact on the environment and people that can otherwise result through the incorrect waste management of this product. For more detailed information about recycling this product, contact your municipality, your domestic waste service or the shop from where you purchased the product.

Disposal

The product must be submitted to an appropriate recycling station for the recovery of electrical and electronic equipment.

Technical data

Technical data , LE 121PLE 221R

	LE 121P	LE 221R
Cutting motor		
Motor type	BLDC (brushless) 36V	BLDC (brushless) 36V
Motor speed – SavE, rpm	2600	2600
Motor speed – Nominal, rpm	3000	3000
Motor speed – High load, rpm	3500	3500
Motor output – max. kW	1.2	1.2
Motor output – Nominal, kW	0.75	0.75
Overcurrent limit (Current limit: 900W-35A)	35 (+/-) 1A	35 (+/-) 1A
Drive motor		
Motor output – Nominal, kW	N/A	0.25
Self walk speed, km/h	N/A	3.0–4.5
Speed adjustment levels	N/A	4
Weight		
Weight without battery, kg	23,5	30.6
Battery ¹		
Type of battery	Husqvarna Battery Series	Husqvarna Battery Series
Battery runtime		
Battery runtime, min. (free run) with SavE activated, with one Husqvarna 5.2 Ah battery (BLi200).	43	43
Battery runtime, min. (free run) with standard mode activated, with one Husqvarna 5.2 Ah battery (BLi200).	30	30
Noise emissions ²		
Sound power level, measured dB (A)	89	89
Sound power level, guaranteed L _{WA} dB (A)	91	91

¹ For best results and performance the Husqvarna battery BLi200 is recommended.

² Noise emissions in the environment measured as sound power (L_{WA}) in conformity with EC directive 2000/14/EC.

	LE 121P	LE 221R
Sound levels ³		
Sound pressure level at the operators ear, dB (A)	77	77
Vibration levels ⁴		
Handle, m/s ²	0.45 - 0.52	0.45 - 0.52
Cutting		
Cutting height, mm	20-75 mm	20-75 mm
Cutting width, cm	51	51
Blade	Collect 592 87 04-01	Collect 592 87 04-01
	Mulch 592 87 06-01	Mulch 592 87 06-01
Bagger capacity, litre	65	65

Approved batteries	Type	Battery capacity, Ah	Voltage, V	Weight, lb/kg
BLi20	Lithium-ion	4.0	36	2.6/1.2
BLi150	Lithium-ion	4.2	36	2.8/1.3
BLi200	Lithium-ion	5.2	36	2.8/1.3

Approved chargers for the specified batteries, BLi	Input voltage, V	Frequency, Hz	Power, W
QC80	100-240	50-60	100
QC330	100-240	50-60	330

Distributor

Husqvarna Professional Products, Inc.

Charlotte, NC 28269

Support / Help

If you require assistance or have questions concerning the application, operation, maintenance or parts for your product:

- Visit our website: www.husqvarna.com
- Call Us Toll Free: 1-800-487-5951

³ Reported data for noise pressure level has a typical statistical dispersion (standard deviation) of 1.2 dB (A).

⁴ Reported data for vibration level has a typical statistical dispersion (standard deviation) of 0.2 m/s². Vibration standard EN 60335-2-77:2017 chapter 20.105

Contenido

Introducción.....	22	Mantenimiento.....	36
Seguridad.....	26	Solución de problemas.....	39
Montaje.....	30	Transporte, almacenamiento y eliminación de residuos.....	40
Funcionamiento.....	32	Datos técnicos.....	42

Introducción

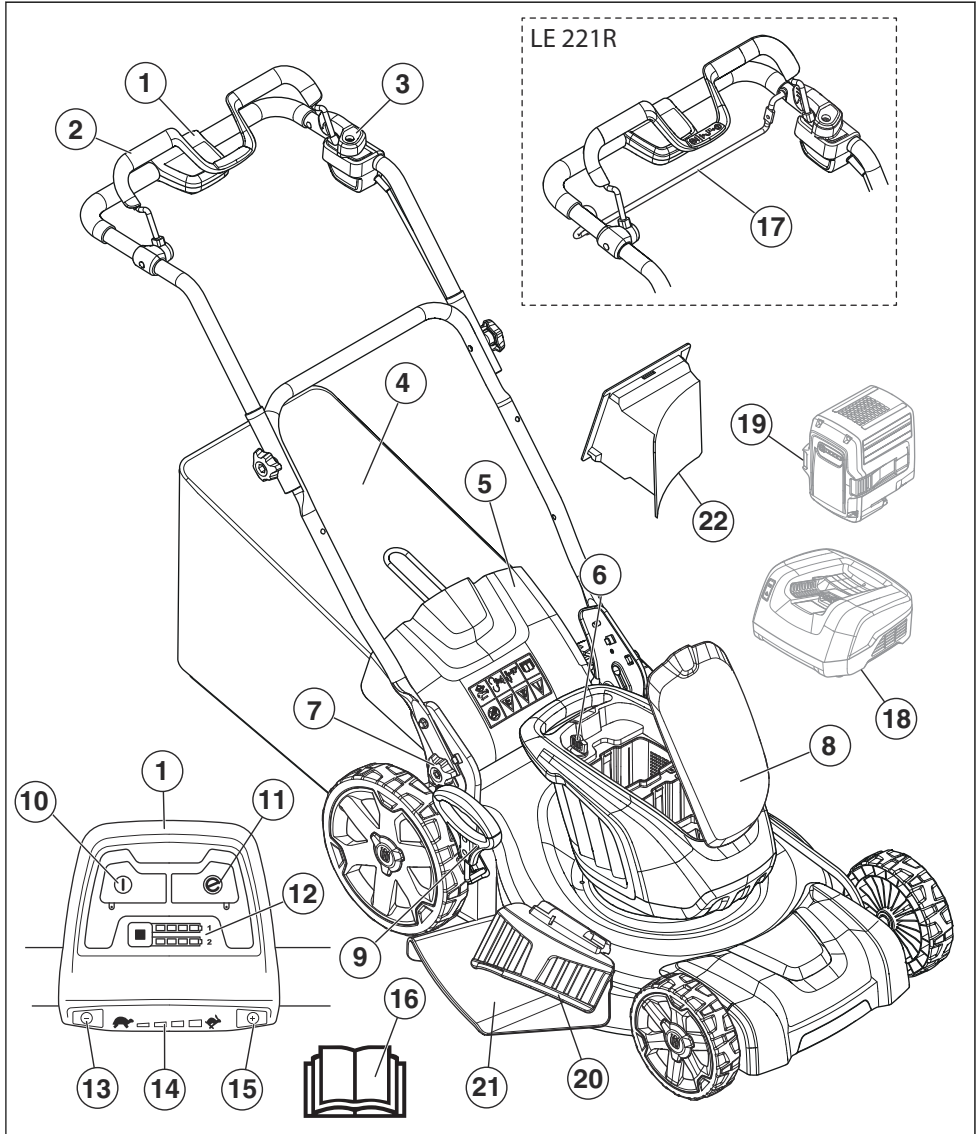
Descripción de la máquina

El producto es un cortacésped motocultor giratorio. El césped se acumula en un recogedor de césped. Quite el recogedor de césped para descargar el césped por la parte trasera. Conecte un kit de trituración (accesorio) para cortar el césped y convertirlo en fertilizante.

Uso específico

Utilice el producto para cortar el césped en jardines privados. No utilice el producto para otras tareas.

Descripción general de la máquina



1. Panel de control
2. Palanca de freno del motor
3. Bloqueo de arranque
4. Recogedor de césped
5. Cubierta trasera
6. Llave de seguridad
7. Perilla del mango
8. Cubierta de la batería
9. Control de altura de corte
10. Botón de encendido/apagado
11. Botón SaveE
12. Indicador de carga y botón de la batería
13. Botón de disminución de velocidad (solo LE 221R)
14. Indicador de nivel de velocidad (solo LE 221R)
15. Botón de la batería
16. Manual de usuario
17. Detalle de la palanca de freno del motor y el bloqueo de arranque (solo LE 221R)
18. Recogedor de césped
19. Recogedor de césped
20. Pedal
21. Pedal
22. Recogedor de césped

15. Botón de aumento de velocidad (solo LE 221R)
16. Manual del usuario
17. Agarradera de control (solo LE 221R)
18. Cargador de la batería (accesorio)
19. Batería (accesorio)
20. Tapa del conducto de expulsión
21. Conducto de expulsión
22. Conector del manto

Símbolos en la máquina



El uso incorrecto o descuidado puede ocasionar lesiones o la muerte al operador u otras personas.



Advertencia: Lea atentamente el manual del instrucciones y asegúrese de que entiende las instrucciones antes de usar el producto.



Mantenga a las personas y animales a una distancia de seguridad del área de trabajo.



Tenga cuidado con los objetos que puedan salir despedidos o producir algún impacto por efectos de rebote.



Mantenga las manos y los pies alejados de las cuchillas giratorias.



Mantenga las manos y los pies alejados de las piezas giratorias.



Retire la llave de seguridad antes de hacer trabajos de reparación o mantenimiento. (modelo LE 121P/LE 221R)

IPX1

IPX1: protección contra goteo (modelo LE 121P/LE 221R)



No exponga a la lluvia (modelo LE 121P/LE 221R)



Procedimiento de arranque para el modelo LE 121P/LE 221R: presione el botón de encendido/apagado, afloje el bloqueo de arranque, presione la palanca de freno del motor hacia abajo.



Suelte la palanca de freno del motor para detener la máquina.



Lento



Rápido



Código escaneable.

Tenga en cuenta: Otros símbolos o etiquetas en la máquina hacen referencia a requisitos de certificación para algunos mercados.

Etiquetas de advertencia



AVOID SERIOUS INJURY OR DEATH

- Read the operator's manual. Go across slopes, not up and down. Do not mow when children or others are around.
- Look down and behind before and while moving. Remove objects that could be thrown by the blade.
- Keep safety devices (guards, shields, switches, etc.) in place and working.
- To reduce risk of electric shock, do not expose unit to water or operate unit on wet ground.
- Disconnect from supply circuit before opening, cleaning or changing accessories.
- To reduce the risk of injury, do not operate without guards in place.
- To reduce the risk of injury, inspect catcher assembly frequently and replace with recommended replacement if there are signs of wear or deterioration. Keep hands and feet away – rotating blade hazard. Keep bystanders and children away.
- Remove battery pack when not in use.
- For use only with BLi20/BLi150/BLi200 battery.

DANGER DE BLESSURES GRAVES OU MORTELLES

- Lisez attentivement le manuel d'utilisation, Tondez dans pentes et les talus en diagonale, et non à la verticale, N'utilisez pas la tondeuse à proximité d'enfants ou autres personnes.
- Scrutez attentivement le sol si vous devez reculer avec la machine et débarrassez la zone de travail de tout objet risquant d'être projeté.
- Assurez-vous que les dispositifs de sécurité (protections, écrans, interrupteurs, etc.) sont bien en place et fonctionnels.
- Pour diminuer les risques de choc électrique, ne mouillez pas l'appareil ou ne l'utilisez pas sur un sol humide,
- Débranchez le circuit d'alimentation avant de l'ouvrir, de le nettoyer ou de changer les accessoires,
- Afin de réduire le risque de blessures, n'utilisez pas la machine si les dispositifs de protection ne sont pas en place
- Afin de réduire le risque de blessures, inspectez régulièrement l'ensemble trémie de collecte/bac à herbe et remplacez les pièces usées par des pièces recommandées. Il y a un risque de mutilation des doigts ou des orteils. Gardez les enfants et les autres personnes à distance.
- Retirez le bloc-piles lorsque l'outil est inutilisé.
- Pour usage seulement avec batterie BLi20/BLi150/BLi200.

Responsabilidad del fabricante

Como se menciona en las leyes de responsabilidad del fabricante, no nos hacemos responsables de los daños que cause nuestro producto si:

- el producto se repara incorrectamente
- el producto se repara con piezas que no son del fabricante o que este no autoriza
- el producto tiene un accesorio que no es del fabricante o que este no autoriza
- el producto no se repara en un centro de servicio autorizado o por una autoridad aprobada.

Seguridad

Definiciones de seguridad

Las advertencias, precauciones y notas se utilizan para señalar las piezas particularmente importantes del manual.



ADVERTENCIA: Se utilizan para señalar el riesgo de lesiones graves o mortales para el operador o para aquellos que se encuentren cerca si no se siguen las instrucciones del manual.



AVISO: Se utilizan para señalar el riesgo de dañar la máquina, otros materiales o el área adyacente si no se siguen las instrucciones del manual.

Tenga en cuenta: Se utilizan para entregar más información necesaria en situaciones particulares.

Instrucciones de seguridad



ADVERTENCIA: Para evitar sacudidas eléctricas y daños personales cuando se utilizan cortacéspedes eléctricos, tenga siempre en cuenta precauciones de seguridad básicas, incluidas las siguientes:

- Lea todas las instrucciones.
- Evite entornos peligrosos. No utilice el producto en lugares húmedos o mojados.
- No utilice el producto bajo la lluvia.
- Mantenga a los niños alejados. Todos los visitantes deben mantenerse a una distancia segura del área de trabajo.
- Vístase adecuadamente. No utilice ropa suelta o joyas que puedan quedar atrapadas en las piezas móviles. Utilice guantes de goma y calzado cuando trabaje en el exterior.
- Utilice gafas de seguridad. Utilice siempre protección facial o una máscara contra polvo si la operación genera polvo.
- Utilice el producto únicamente para realizar el trabajo para el que está destinado.
- No fuerce el producto. Obtendrá resultados mejores y más seguros si lo utiliza a la velocidad para la cual fue diseñado.
- No se estire demasiado. Mantenga una posición y un equilibrio adecuados en todo momento.
- Manténgase alerta. Tenga cuidado con lo que está haciendo. Utilice el sentido común. No utilice el producto si está cansado.
- Cuando no esté en uso, el producto se debe almacenar en un lugar bajo techo, seco y con llave, fuera del alcance de los niños.
- Mantenga el producto con cuidado. Mantenga los bordes cortantes afilados y limpios para obtener un rendimiento óptimo y más seguro. Siga las instrucciones de lubricación y cambio de accesorios. Mantenga los mangos secos, limpios y sin grasa ni aceite.
- Mantenga las protecciones en su sitio y en buen estado.
- Mantenga las cuchillas afiladas.
- Mantenga las manos y los pies alejados de la zona de corte.
- Los objetos que salen despedidos por la cuchilla del cortacésped pueden provocar daños graves a las personas. Antes de realizar cada corte, examine minuciosamente el césped y retire todos los objetos.
- Si se golpea algún objeto extraño o si se producen vibraciones, siga estas instrucciones: apague el motor, gire la llave de seguridad a la posición "0" y retire la batería. Inspeccione el producto en busca de daños. Repare cualquier daño o comuníquese con un taller de servicio autorizado.
- Utilice solo cuchillas de repuesto idénticas.
- La máquina puede ser una herramienta peligrosa si se usa incorrectamente o se manipula sin precaución, lo que puede causar lesiones graves o mortales para el operador u otras personas.
- Tenga en cuenta que el operador es responsable de los accidentes o los peligros que ocurren a otras personas o sus propiedades.
- El producto se debe mantener limpio. Los avisos y los autoadhesivos deben ser perfectamente legibles.
- No es posible abordar todas las situaciones posibles que puede afrontar. Siempre tenga cuidado y use su sentido común. Si entra en una situación en la que se sienta inseguro, deténgase y busque el asesoramiento de expertos. Póngase en contacto con el distribuidor, el agente de servicio o un usuario experimentado. No intente realizar ninguna tarea en la cual se sienta inseguro.
- No deje que un niño utilice el producto.
- No permita que una persona que no conozca las instrucciones utilice el producto.
- Siempre esté pendiente de una persona que utilice el producto si es que tiene capacidades físicas o mentales reducidas. Un adulto responsable debe estar siempre allí.
- No utilice nunca el producto si está cansado, bajo la influencia del alcohol o las drogas, medicamentos o cualquier cosa que pudiera afectar su visión, vigilancia, coordinación o criterio.
- Las modificaciones o los accesorios no autorizados pueden provocar graves lesiones o incluso la muerte al usuario u otras personas. Bajo ninguna circunstancia se puede modificar el diseño del producto sin el permiso del fabricante.

- No modifique este producto ni lo utilice si parece haber sido modificado por otros.
- Nunca utilice un producto que esté defectuoso. Realice las comprobaciones de seguridad, el mantenimiento y las instrucciones de servicio descritas en este manual. Especialistas capacitados y calificados deben llevar a cabo algunas medidas de mantenimiento y servicio. Consulte las instrucciones en la sección *Mantenimiento en la página 36*.
- Siempre utilice accesorios originales.

Seguridad en el área de trabajo

- Retire las ramas, palos, piedras y otros objetos del césped antes de empezar a cortar.
- Mantenga a las personas, incluidos los niños, y a los animales a una distancia segura del área de trabajo.
- Los objetos que se golpean contra el equipo de corte podrían salir expulsados y causar daños a personas y objetos.
- No utilice el producto en condiciones climáticas desfavorables, incluida la niebla, lluvia y humedad o en lugares con humedad, fuertes vientos, frío intenso y con riesgo de relámpagos. Trabajar en condiciones climáticas desfavorables puede causar fatiga y provocar condiciones peligrosas, como superficies resbaladizas.
- Examine la zona de trabajo para asegurarse de que no haya nada que pueda causar la pérdida de control del producto.
- Tenga cuidado con raíces, piedras, ramas, fosos y zanjas. El césped muy alto puede ocultar obstáculos.
- No utilice el producto en pendientes con más de 15 grados de inclinación.
- Utilice el producto a lo largo de las pendientes. No lo utilice subiendo y bajando la pendiente.
- Tenga cuidado al pasar cerca de esquinas ocultas y objetos que puedan obstaculizar la visión.

Seguridad en el trabajo



ADVERTENCIA: Lea atentamente las instrucciones de advertencia siguientes antes de usar el producto.

- Utilice este producto solamente para cortar césped. No se permite el uso en otras tareas.
- Utilice equipo de protección personal. Consulte *Equipo de protección personal en la página 27*.
- No utilice el producto en condiciones húmedas o con lluvia. El riesgo de sacudida eléctrica aumenta si ingresa agua al producto.
- No utilice el producto a menos que la cuchilla y todas las cubiertas estén fijadas correctamente. Si la cuchilla está fijada de manera incorrecta, podría soltarse y causar daños personales.
- Asegúrese de que la cuchilla no golpee objetos, como piedras y raíces. Esto puede causar daños a la cuchilla y doblar el eje del motor. Si el eje se

dobla, se producirán vibraciones excesivas y habrá un riesgo muy alto de que la cuchilla se afloje.

- Si la cuchilla golpea un objeto o si se producen vibraciones, detenga el producto de inmediato. Detenga el motor, gire la llave de seguridad a la posición "0" y retire la batería. Examine el producto en busca de daños. Repare los daños o solicite a un taller de servicio autorizado que realice la reparación.
- Nunca fije la palanca de freno del motor de forma permanente al mango cuando el motor se ponga en marcha.
- Coloque el producto en una superficie plana y estable, y póngalo en marcha. Asegúrese de que la cuchilla no golpee el suelo u otros objetos.
- Siempre manténgase detrás del producto cuando lo use.
- Haga que todas las ruedas permanezcan sobre el suelo y mantenga las dos manos en el mango cuando utilice el producto. Mantenga las manos y los pies alejados de las cuchillas giratorias.
- No incline el producto cuando el motor esté en marcha.
- Tenga cuidado cuando tire el producto hacia atrás.
- Nunca levante el producto cuando el motor esté en marcha. Si debe levantar el producto, primero detenga el motor, gire la llave de seguridad a la posición 0 y retire la batería.
- No camine hacia atrás cuando utilice el producto.
- Detenga el motor cuando se desplace en áreas sin césped, por ejemplo, en caminos de grava, piedra y asfalto.
- No corra con el producto cuando el motor esté en marcha. Siempre camine cuando utilice el producto.
- Detenga el motor antes de cambiar la altura de corte. Nunca haga ajustes con el motor en marcha.
- No deje el producto desatendido con el motor en marcha. Detenga el motor y asegúrese de que el equipo de corte no gire.

Instrucciones de seguridad para el funcionamiento

Equipo de protección personal



ADVERTENCIA: Lea atentamente las instrucciones de advertencia siguientes antes de usar el producto.

- El equipo de protección personal no puede impedir el riesgo de lesiones, pero disminuirá el grado de lesión si ocurre un accidente. Permita que su distribuidor le ayude seleccionar el equipo adecuado.
- Utilice protectores auriculares si el nivel de ruido es superior a 85 dB.
- Utilice botas o zapatos antideslizantes resistentes. No utilice zapatos abiertos ni trabaje con los pies descalzos.

- Utilice pantalones largos y gruesos.
- Utilice guantes protectores cuando sea necesario, por ejemplo, cuando fije, examine o limpie el equipo de corte.

Dispositivos de seguridad en el producto



ADVERTENCIA: Lea atentamente las instrucciones de advertencia siguientes antes de usar el producto.

- No utilice un producto con dispositivos de seguridad defectuosos.
- Revise los dispositivos de seguridad de forma regular. Si los dispositivos de seguridad están defectuosos, comuníquese con su taller de servicio Husqvarna.

Para comprobar la cubierta de corte

La cubierta de corte reduce las vibraciones del producto y el riesgo de lesiones ocasionadas por la cuchilla.

- Examine la cubierta de corte para asegurarse de que no haya daños, por ejemplo, grietas.

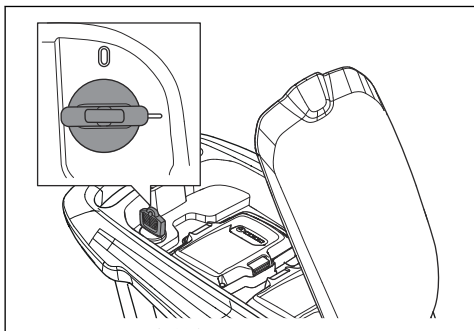
Recogedor de césped

El recogedor de césped evita que la cuchilla giratoria dañe al operador. El recogedor de césped se desgasta durante el funcionamiento del producto. Examine regularmente el recogedor de césped y cámbielo si tiene daños. Reemplácelo solo con un recogedor de césped aprobado por el fabricante.

Llave de seguridad

La llave de seguridad está bajo la tapa de la batería. La llave de seguridad conecta la batería que suministra energía al motor.

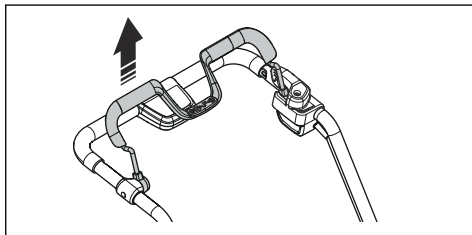
- Arranque y detenga el motor para revisar la llave de seguridad.
- Si la llave de seguridad funciona correctamente, el motor arranca solo cuando la llave está en la posición 1.



Palanca de freno del motor

La palanca de freno del motor detiene el motor. Cuando se suelta la palanca de freno del motor, el motor se detiene.

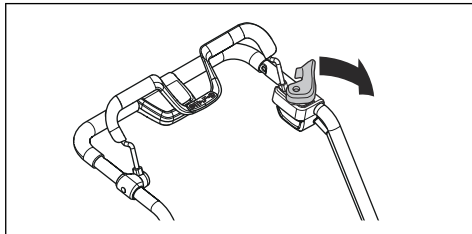
Para realizar una inspección del freno del motor, arranque el motor y luego suelte la palanca de freno del motor. Si el motor no se detiene en 3 segundos, solicite a un taller de servicio Husqvarna autorizado que ajuste el freno del motor.



Para revisar el bloqueo de arranque

Revise el bloqueo de arranque para asegurarse de que impide el funcionamiento del motor.

1. Presione la palanca de freno del motor en la dirección del manillar. El bloqueo de arranque detiene el movimiento.
2. Presione el bloqueo de arranque hacia afuera.



3. Libere el bloqueo de arranque y asegúrese de que vuelva a su posición inicial.

Seguridad de la batería y del cargador de batería

Lea el manual de usuario de la batería y el cargador de batería, y asegúrese de entender las instrucciones antes de usar el producto.

Seguridad de la batería



ADVERTENCIA: Lea atentamente las instrucciones de advertencia siguientes antes de usar el producto.

- Utilice baterías recargables Husqvarna como fuente de alimentación solo en otros productos Husqvarna relacionados. Para evitar daños, no utilice la batería como fuente de alimentación en otros dispositivos.

- No utilice baterías no recargables.
- Riesgo de sacudida eléctrica. No conecte los terminales de la batería a llaves, monedas, tornillos u otros objetos metálicos. Esto puede provocar un cortocircuito de la batería.
- Manipule las baterías con cuidado para no provocar un cortocircuito con materiales conductores, como anillos, brazaletes y llaves. La batería o el conductor pueden recalentarse y causar quemaduras.
- No introduzca objetos en las ranuras de aire de la batería.
- Mantenga la batería alejada de la luz solar, del calor o de llamas. La batería puede explotar y causar quemaduras o quemaduras químicas.
- Mantenga la batería alejada de condiciones húmedas y de la lluvia.
- Mantenga la batería alejada de microondas y de alta presión.
- No intente desarmar o romper la batería.
- No abra ni corte la batería. El electrodo que sale es corrosivo y puede provocar daños a los ojos o la piel. Es tóxico si se ingiere.
- Si se produce una filtración en la batería, no permita que el líquido entre en contacto con la piel o los ojos. Si toca el líquido, limpie el área con agua abundante y solicite asistencia médica.
- Utilice la batería en temperaturas de entre -10°C y 40°C .
- No limpie con agua la batería o el cargador de batería. Consulte *Para limpiar la batería y el cargador de batería en la página 37*.
- No utilice una batería dañada o defectuosa.
- Almacene las baterías alejadas de objetos metálicos, como clavos, monedas o joyas.
- Nunca utilice el cable para transportar el cargador de la batería ni tampoco desconecte el enchufe jalando el cable.
- Mantenga todos los cables y extensiones alejados del agua, aceite y bordes afilados. Asegúrese de que el cable no quede atrapado en puertas, cercos ni elementos similares. De lo contrario, puede provocar la electrificación del cargador.
- Nunca limpie con agua la batería o el cargador de la batería.
- El cargador de la batería puede ser utilizado por niños de 8 años y más, y por personas con capacidades físicas, sensoriales o cognitivas reducidas, o que no tengan el conocimiento o la experiencia si se les supervisa o da instrucciones en relación con el uso del aparato de manera segura y si comprenden los peligros involucrados. Los niños no deben jugar con el aparato. La limpieza y el mantenimiento por parte del usuario no debe hacerlo un niño sin supervisión.
- No cargue baterías no recargables en el cargador.
- No utilice el cargador cerca de materiales inflamables o corrosivos. No cubra el cargador. Desconecte el cargador del enchufe en caso de incendio o humo.
- No utilice baterías o cargadores defectuosos ni dañados.
- Cargue la batería solo en interiores y protegida de la luz directa del sol. Tampoco cargue la batería en condiciones húmedas.

Cargador de batería

Los cargadores de batería QC se utilizan solamente para la carga de Husqvarna baterías de reemplazo.

- Minimice el riesgo de sacudidas eléctricas o cortocircuito como se indica a continuación: No inserte ningún objeto en las ranuras de enfriamiento del cargador. No intente desmontar el cargador de batería. Nunca conecte los terminales del cargador a objetos metálicos. Utilice enchufes de pared aprobados y en buen estado.
- Esta máquina produce un campo electromagnético durante el funcionamiento. Este campo puede, en determinadas circunstancias, interferir con implantes médicos activos o pasivos. Para reducir el riesgo de lesiones graves o mortales, recomendamos a las personas con implantes médicos consultar a su médico y al fabricante del implante médico antes de usar esta máquina.
- Compruebe con regularidad que el cable de conexión del cargador de la batería esté intacto y que no tenga roturas.
- Para evitar el arranque accidental durante el mantenimiento, gire la llave de seguridad a la posición 0 y retire la batería. Espere como mínimo 5 segundos antes de empezar el mantenimiento.
- No los trabajos de mantenimiento correctamente para aumentar la vida útil del producto y reducir el riesgo de accidentes. Solicite a un taller de servicio autorizado que realice las reparaciones profesionales. Póngase en contacto con su servicio más cercano para obtener más información.
- Solo lleve a cabo el mantenimiento indicado en este manual del propietario. Un taller de servicio aprobado debe realizar el trabajo de mantenimiento más detallado.
- Utilice guantes resistentes cuando utilice el equipo de corte. La hoja está muy afilada y se pueden producir cortes con mucha facilidad.
- Mantenga los bordes cortantes afilados y limpios para obtener un rendimiento óptimo y más seguro.



ADVERTENCIA: Lea atentamente las instrucciones de advertencia siguientes antes de usar el producto.

Instrucciones de seguridad para el mantenimiento

- Permita que su taller de servicio examine regularmente la máquina y realice los ajustes y reparaciones necesarios.
- Cambie las piezas dañadas, desgastadas o rotas.
- Siga las instrucciones de cambio de accesorios. Utilice solo accesorios del fabricante.
- Cuando no esté en funcionamiento, mantenga el producto, la batería y el cargador de batería aparte en un lugar bajo techo, seco y con llave. Asegúrese

de que niños y personas no autorizadas no puedan acceder al producto, la batería o el cargador de batería.

GUARDE ESTAS INSTRUCCIONES

Montaje

Introducción



ADVERTENCIA: Antes de montar el producto, lea el capítulo sobre seguridad.



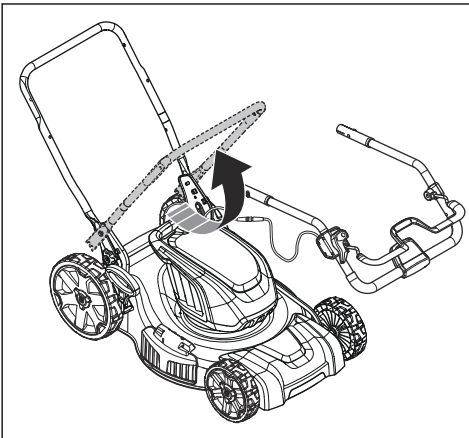
ADVERTENCIA: Para evitar el arranque accidental durante el montaje, gire la llave de seguridad a la posición 0, quite la batería y espere como mínimo 5 segundos.

Para montar el mango

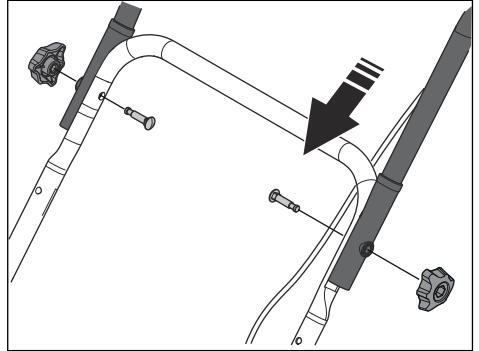


AVISO: Asegúrese de que el cable pase por toda la parte interior del manillar. Asegúrese de que el cable no quede atascado cuando monte el manillar.

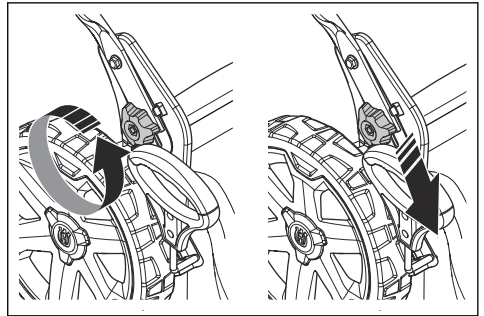
1. Levante el manillar inferior.



2. Monte el manillar superior con el manillar inferior. Apriete las perillas.

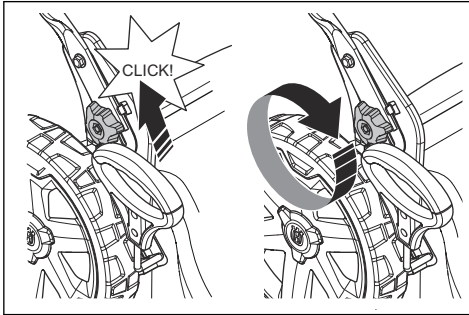


3. Mueva las perillas para el extremo inferior de las ranuras en ambos lados del producto.

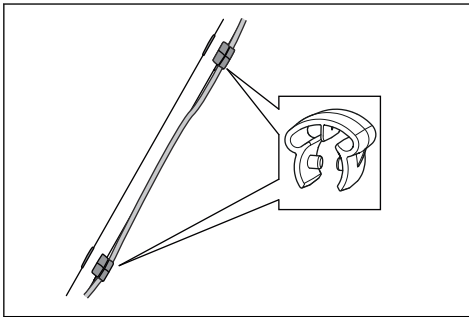


4. Coloque la altura del manillar en una de las 2 posiciones disponibles.

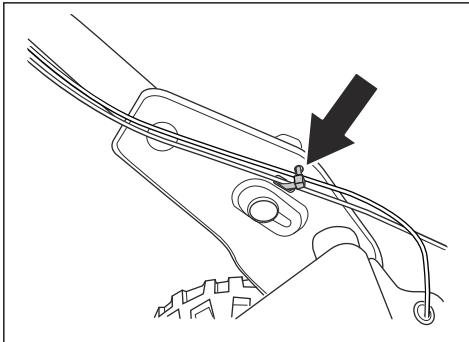
5. Mueva las palancas hacia arriba en la dirección del mango hasta que se detengan y escuche un clic.



6. Apriete bien las perillas en ambos lados del producto.
7. Coloque los cables en los soportes del cable. Asegúrese de que los cables no se doblen. Fije los soportes del cable en el manillar.

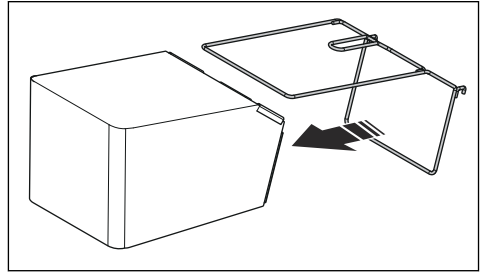


8. Utilice una brida de cable para amarrar los cables al soporte del manillar.

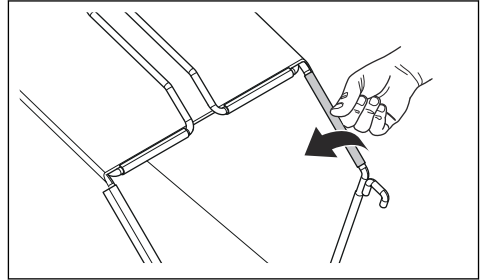


Para montar el recogedor de césped

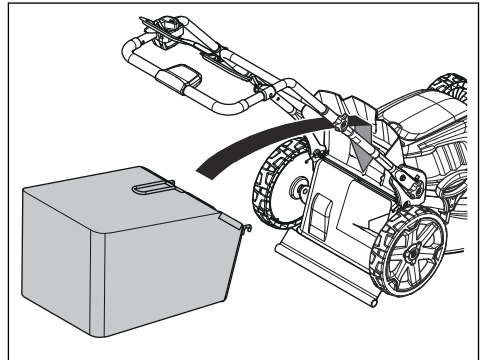
1. Instale el bastidor del recogedor de césped en la bolsa para césped con la parte rígida de la bolsa en la parte inferior. Mantenga el mango del bastidor en la parte superior de la bolsa del césped.



2. Fije la bolsa del césped al bastidor del recogedor de césped con los clips.



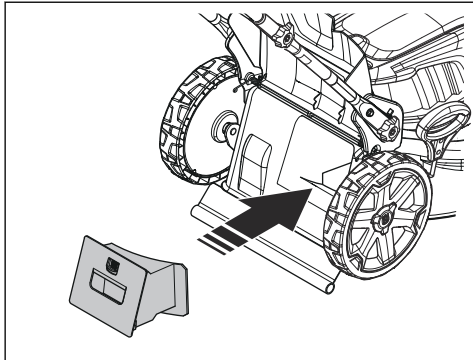
3. Levante la cubierta trasera y fije el recogedor de césped a su varilla.



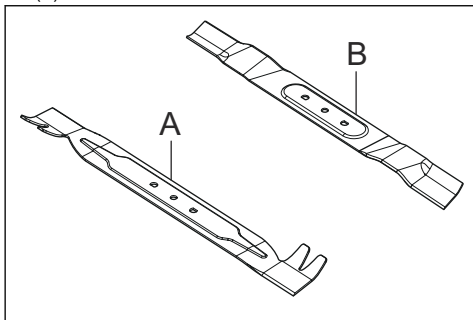
Para montar el tapón de mantillo

1. Levante la cubierta trasera y saque el recogedor de césped.
2. Retire el conducto de expulsión lateral (si está instalado) y cierre la cubierta de expulsión lateral.

3. Instale el tapón de mantillo en el canal de expulsión.

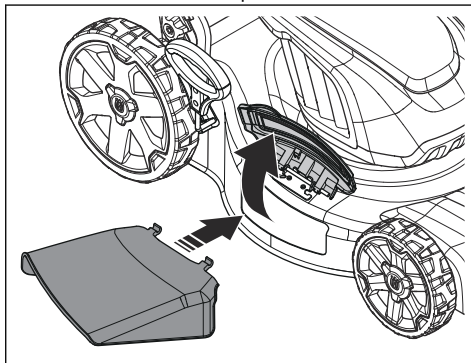


4. Reemplace la cuchilla (A) con la cuchilla de mantillo (B).



Para montar el conducto de expulsión

1. Retire el recogedor de césped.
2. Instale el tapón de mantillo y cierre la cubierta trasera.
3. Levante la cubierta del conducto de expulsión e instale el conducto de expulsión.



4. Asegúrese de que la cubierta del conducto de expulsión se apoye sobre este.

Funcionamiento

Introducción



ADVERTENCIA: Antes de utilizar el producto, debe leer y entender el capítulo sobre seguridad.

Husqvarna Connect

La aplicación Husqvarna Connect es gratuita para su dispositivo móvil. La aplicación Husqvarna Connect proporciona funciones extendidas para su producto Husqvarna:

- Información extendida del producto.
- Información y solución de problemas relacionadas con las piezas y el mantenimiento del producto.

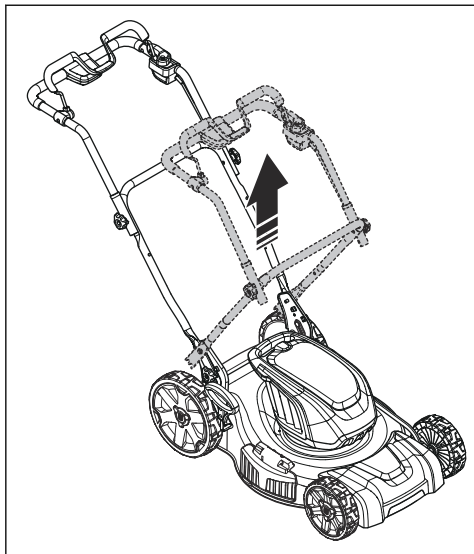
Para empezar a utilizar Husqvarna Connect

1. Descargue la aplicación Husqvarna Connect en su dispositivo móvil.
2. Regístrese en la aplicación Husqvarna Connect.
3. Realice las instrucciones en la aplicación Husqvarna Connect para conectar y registrar el producto.

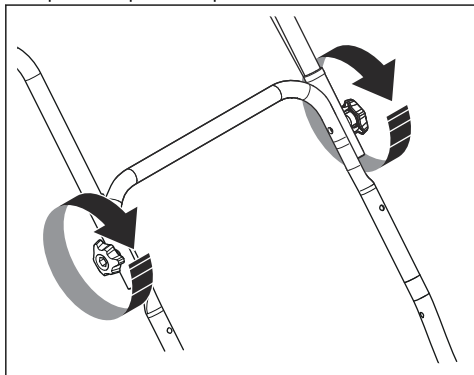
Para poner el producto en posición de funcionamiento

Si el mango está plegado en posición de transporte (consulte *Para poner el producto en posición de transporte en la página 40*), siga este procedimiento para asegurarse de que este vuelva a la posición de operación.

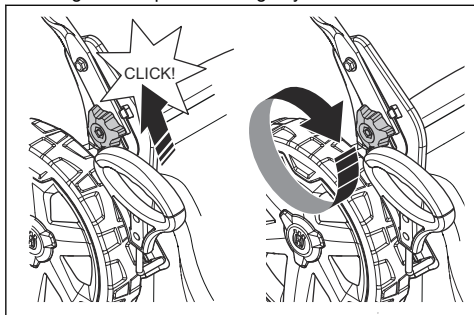
1. Levante el manillar.



2. Apriete las perillas superiores.



3. Mueva las palancas hacia arriba en la dirección del mango hasta que se detengan y escuche un clic.

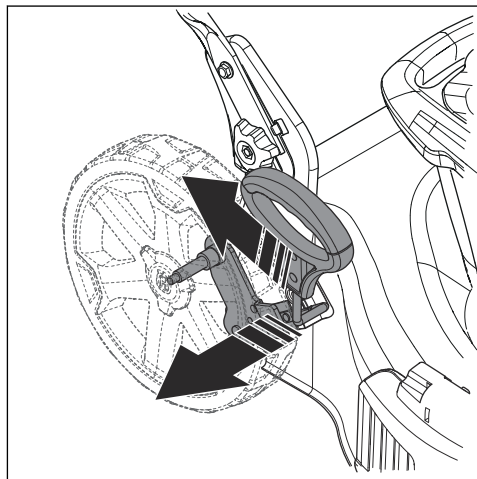


4. Apriete bien las perillas.

Para ajustar la altura de corte

La altura de corte puede ajustarse en 7 niveles.

1. Mueva la palanca de altura de corte hacia afuera y atrás para aumentar la altura de corte.
2. Mueva la palanca de altura de corte hacia afuera y adelante para reducir la altura de corte.



AVISO: No coloque una altura de corte demasiado baja. Las cuchillas pueden golpear el suelo si la superficie de césped no es plana.

Batería

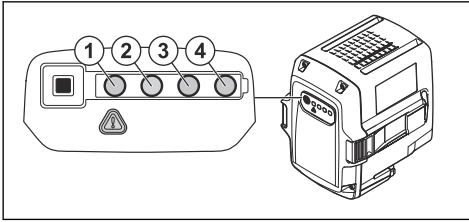


ADVERTENCIA: Antes de utilizar la batería, debe leer y entender el capítulo sobre seguridad. Además, debe leer y entender el manual de usuario de la batería y el cargador de batería.

Estado de la batería

La pantalla muestra la capacidad restante de la batería y cualquier problema que pueda tener esta. La capacidad de la batería se muestra durante 5 segundos después de que el producto se apaga o cuando se presiona el botón del indicador de la batería. El símbolo

de advertencia de la batería se enciende cuando se produce un error. Consulte *Batería en la página 39*.



Luces LED	Estado de la batería
Todas las luces LED están encendidas.	Totalmente cargada (75-100 %).
Las luces LED 1, 2 y 3 están encendidas.	La batería está entre un 50 % y un 75 % cargada.
Las luces LED 1 y 2 están encendidas.	La batería está entre un 25 % y un 50 % cargada.
La luz LED 1 está encendida.	La batería está entre un 0 % - 25 % cargada.
La luz LED 1 parpadea	La batería está vacía. Cargue la batería.

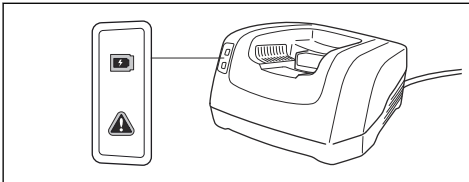
Para cargar la batería

Cargue la batería antes del primer uso. La batería solo tiene un 30 % de carga cuando se entrega al cliente.

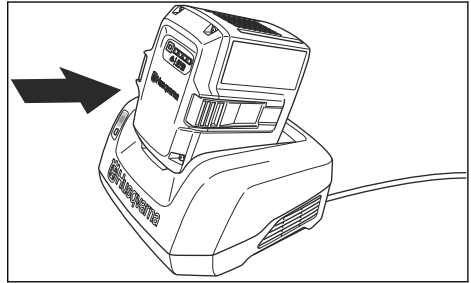
Tenga en cuenta: El cargador de batería se debe conectar según el voltaje y la frecuencia especificados en la placa de características.

La batería no se carga si su temperatura es superior a 50 °C. El cargador de batería disminuye la temperatura de la batería antes de empezar a cargarse.

1. Conecte un extremo del cable de alimentación del cargador de batería en la toma del cargador.
2. Conecte el otro extremo del cable de alimentación del cargador de batería en una toma de corriente con conexión a tierra. La luz LED del cargador de batería parpadea en verde una vez.



3. Coloque la batería en el cargador. Cuando la batería se conecta correctamente en el cargador, se enciende la luz verde en el cargador.



4. Cuando todas las luces LED de la batería están encendidas, la batería está completamente cargada. Cargue la batería por un máximo de 24 horas.
5. Para desconectar el cargador de batería de la toma de corriente, tire del enchufe, no del cable de alimentación.
6. Quite la batería del cargador de la batería.

Estado de carga de la batería

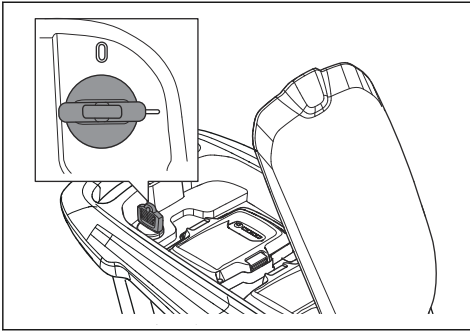
Una batería de iones de litio Husqvarna se puede cargar o utilizar en todos los niveles de carga. La batería no sufre daños. Una batería completamente cargada no disminuirá su carga cuando se deja en el cargador.

Pantalla LED	Estado de carga
La luz LED 1 parpadea	0 %-25 %
La luz LED 1 está encendida; la luz LED 2 parpadea.	25 %-50 %
Las luces LED 1 y 2 están encendidas; la luz LED 3 parpadea.	50 %-75 %
Las luces LED 1, 2 y 3 están encendidas; la luz LED 4 parpadea.	75 %-100 %
Las LED 1, 2, 3 y 4 están encendidas	Completamente cargada

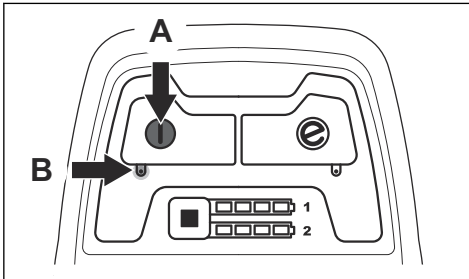
Para poner en marcha la máquina

1. Coloque una batería cargada en el compartimento de baterías número 1 por debajo de la tapa de la batería. Para un tiempo de funcionamiento mayor, coloque una segunda batería cargada en el compartimento de baterías número 2.

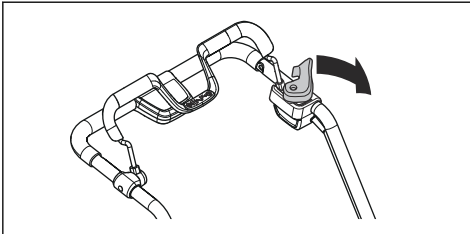
2. Gire la llave de seguridad a 1.



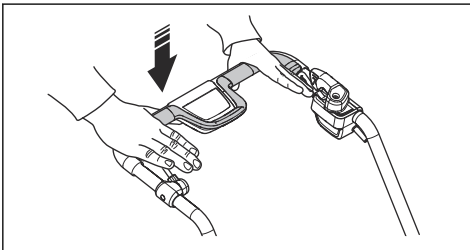
3. Manténgase detrás del producto.
4. Presione el botón de encendido/apagado (A) en el panel de control y el LED verde (B) se encenderá.



5. Libere el bloqueo de arranque.

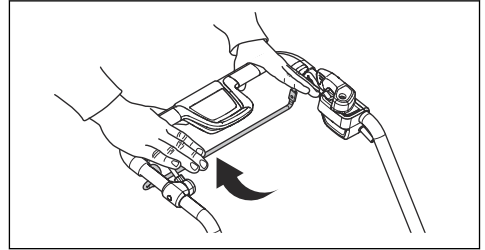


6. Presione la palanca de freno del motor en la dirección del manillar.

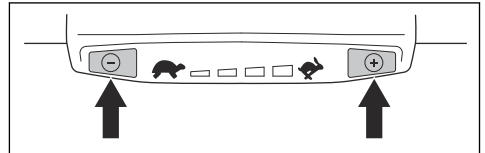


Para usar la transmisión de las ruedas (LE 221R)

- Tire de la agarradera de control en el sentido del manillar para arrancar la transmisión.



- Pulse + y - en el panel de control para ajustar la velocidad de desplazamiento en 4 pasos.

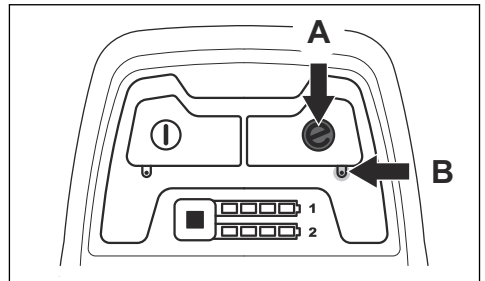


- Suelte la agarradera de control para desacoplar la transmisión, por ejemplo, cuando se acerque a un obstáculo.

Utilice la función de ahorro (Save)

El producto tiene una función de ahorro de batería (Save) que proporciona un mayor tiempo de funcionamiento.

1. Presione el botón SaveE (A) para iniciar la función. El LED verde se enciende.



2. Presione el botón SaveE para detener la función. El LED verde (B) se apaga.

La función SaveE se detiene automáticamente si las condiciones del terreno requieren un mayor rendimiento. La función SaveE se inicia automáticamente cuando las condiciones del terreno lo permiten.

Función de carga alta

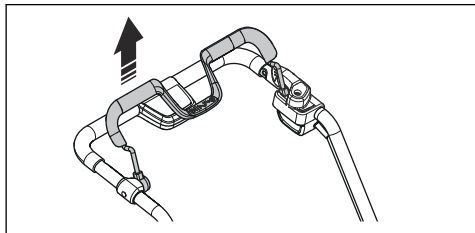
Cuando el producto corta césped húmedo o largo, el motor aumenta automáticamente las rpm. El motor

vuelve al modo estándar cuando no se requiere carga alta.

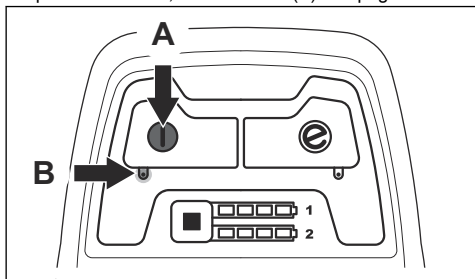
Para detener la máquina

El producto se detiene automáticamente si no se utiliza durante 10 minutos. Coloque siempre la llave de seguridad en 0 antes de dejar el producto desatendido.

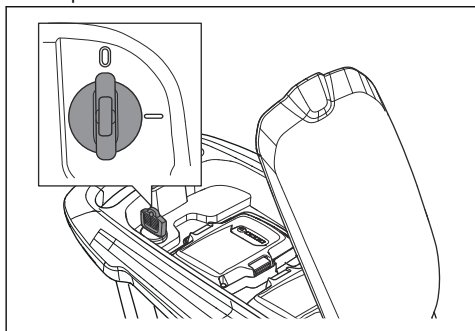
1. Suelte la palanca de freno del motor para detener el motor.



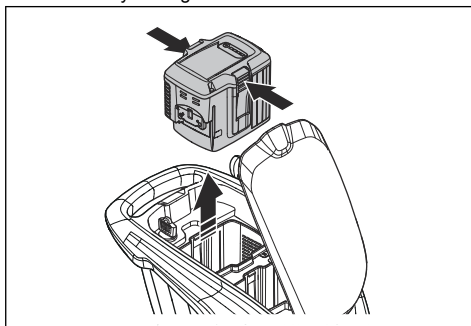
2. Presione el botón de encendido/apagado (A) en el panel de control; el LED verde (B) se apagará.



3. Abra la tapa de la batería y gire la llave de seguridad a la posición 0.



4. Para extraer la batería, presione los dos botones de liberación y extraiga la batería.



5. Cargue la batería si tiene poca carga. Para obtener más información, consulte *Para cargar la batería en la página 34*.

Para conseguir un buen resultado

- Utilice siempre una cuchilla afilada. Si usa una cuchilla desafilada, obtendrá un resultado irregular y la superficie de corte del césped adquirirá un tono amarillo. Además, con una cuchilla afilada se usa menos energía que con una desafilada.
- No corte más de $\frac{1}{3}$ de la longitud del césped. Corte primero con el ajuste de altura de corte alto. Examine el resultado y baje la altura de corte a un nivel pertinente. Si el césped está demasiado largo, trabaje lentamente y corte dos veces si es necesario.
- Corte en diferentes direcciones cada vez para evitar crear rayas en el césped.

Para cortar el césped sin un recogedor de césped o tapón de mantillo acoplado

- Levante la cubierta trasera y saque el recogedor de césped.
- Si hay un tapón de mantillo y una cuchilla de mantillo acoplados, sáquelos.
- Cierre la cubierta trasera antes de usar el producto.

Cuando utiliza el producto, el césped cortado se descarga bajo la cubierta trasera.

Mantenimiento

Introducción



ADVERTENCIA: Antes de realizar el mantenimiento, debe leer y entender el capítulo sobre seguridad.

Para todos los trabajos de mantenimiento y reparación del producto, se requiere capacitación especial. Garantizamos la disponibilidad de trabajos de mantenimiento y reparación profesionales. Si el concesionario no cuenta con un taller de servicio, pídale información acerca del taller de servicio más cercano.

Programa de mantenimiento

Los intervalos de mantenimiento se calculan a partir del uso diario del producto. Los intervalos cambian si el producto no se utiliza a diario.

Para realizar el mantenimiento que se identifica con un asterisco (*), consulte las instrucciones en *Dispositivos de seguridad en el producto en la página 28.*

	En cada uso	Una vez al mes	Cada temporada
Realice una inspección general.	X		
Limpie el producto.	X		
Realice una inspección del inhibidor de arranque.*	X		
Asegúrese de que los dispositivos de seguridad del producto no estén defectuosos.*	X		
Examine el equipo de corte.	X		
Examine la cubierta de corte.*	X		
Realice una inspección de la palanca de freno del motor.*	X		
Asegúrese de que el botón de ENCENDIDO/APAGADO funcione correctamente y que no esté defectuoso.	X		
Examine la batería en busca de daños.	X		
Realice una inspección del cargador de batería.	X		
Asegúrese de que los botones de liberación de la batería funcionen correctamente y que la batería se fije en el producto.	X		
Examine el cargador de batería en busca de daños y asegúrese de que funcione correctamente.		X	
Examine las conexiones entre la batería y el producto. Examine también la conexión entre la batería y el cargador de batería.			X

Para hacer una inspección general

- Asegúrese de que las tuercas y los tornillos en el producto estén apretados.
- Asegúrese de que los cables en el producto no estén en una posición donde puedan dañarse.

Para limpiar el producto

- Limpie las piezas de plástico con un paño limpio y seco.
- No utilice agua para limpiar el producto. El agua puede ingresar a la batería o el motor, y causar un cortocircuito o daños en el producto.
- No use limpiadores de alta presión para limpiar el producto.
- No arroje agua directamente sobre el motor.
- Utilice un cepillo para retirar las hojas, el césped y la suciedad.

Para limpiar la batería y el cargador de batería



AVISO: No limpie con agua la batería o el cargador de batería.

- Asegúrese de que la batería y el cargador de batería estén limpios y secos antes de colocar la batería en el cargador.
- Limpie los terminales de la batería con aire comprimido o utilice un paño suave y seco.
- Limpie las superficies de la batería y el cargador de batería con un paño suave y seco.

Para examinar el equipo de corte



ADVERTENCIA: Para evitar el arranque accidental, gire la llave de seguridad a la posición 0, quite la batería y espere como mínimo 5 segundos.



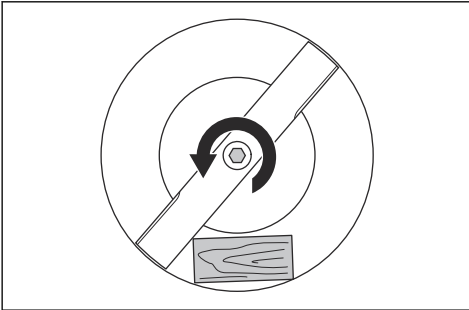
ADVERTENCIA: Utilice guantes protectores cuando realice tareas de mantenimiento en el equipo de corte. La hoja está muy afilada y se pueden producir cortes con mucha facilidad.

1. Examine el equipo de corte en busca de daños o grietas. Siempre reemplace un equipo de corte dañado.
2. Revise la cuchilla para ver si está dañada o desafilada.

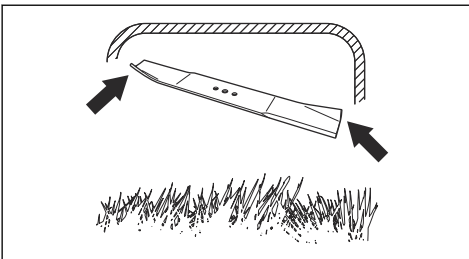
Tenga en cuenta: Es necesario equilibrar la cuchilla después de afilarla. Solicite a un centro de servicio que afile, reemplace y equilibre la cuchilla. Si golpea un obstáculo que haga que el producto se detenga, reemplace la cuchilla dañada. Solicite al centro de servicio que estime si la cuchilla se puede afilar o si se debe reemplazar.

Para quitar y reemplazar la cuchilla

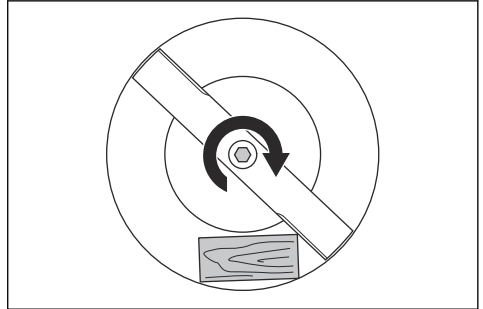
1. Bloquee la cuchilla con un bloque de madera.



2. Retire el tornillo de la cuchilla.
3. Extraiga la cuchilla.
4. Examine el soporte de la cuchilla y el tornillo de la cuchilla para ver si tienen daños.
5. Examine el eje del motor para asegurarse de que no está doblado.
6. Cuando se conecta la nueva cuchilla, punto los extremos de la cuchilla en la dirección de la cubierta de corte.



7. Asegúrese de que la cuchilla esté alineada con el centro del eje del motor.
8. Bloquee la cuchilla con un bloque de madera. Fije la arandela del muelle y apriete el perno y la arandela con un par de 23-28 Nm.



9. Gire la cuchilla manualmente y asegúrese de que gira sin problemas.



ADVERTENCIA: Utilice guantes resistentes. La hoja está muy afilada y se pueden producir cortes con mucha facilidad.

10. Arranque el producto para hacer una prueba de la hoja. Si la cuchilla no se fija correctamente, se producirá vibración en el producto o no obtendrá el resultado de corte deseado.

Solución de problemas

Batería

Luz LED de la batería	Posibles fallas	Procedimiento posible
La luz LED verde parpadea.	La tensión de la batería es baja.	Cargue la batería. Consulte <i>Para cargar la batería en la página 34</i> .
La luz LED de error parpadea.	La batería no tiene carga.	Cargue la batería. Consulte <i>Para cargar la batería en la página 34</i> .
	La temperatura en el entorno de trabajo es demasiado alta o demasiado baja.	Utilice la batería en temperaturas de entre -10 °C y 40 °C.
	Sobretensión	Revise que la tensión de la red de electricidad sea la misma que se indica en la placa de características del producto. Quite la batería del cargador de la batería. Espere 5 segundos e intente cargar la batería nuevamente. Si el problema persiste, comuníquese con un taller de servicio autorizado.
La luz LED de error está encendida.	Demasiada diferencia de la celda (1 V)	Comuníquese con un taller de servicio autorizado.

Cargador de batería

Luz LED del cargador de batería	Posibles fallas	Procedimiento posible
La luz LED de error parpadea.	La temperatura en el entorno de trabajo es demasiado alta o demasiado baja.	Utilice el cargador de batería en temperaturas de entre 5 °C y 40 °C.
La luz LED de error está encendida.		Comuníquese con un taller de servicio autorizado.

Panel de control

En caso de observar problemas distintos a los descritos en esta sección, comuníquese con su taller de servicio.

Teclado	Código de error (cantidad de destellos)	Posibles fallas	Posible medida
La luz LED de error parpadea	3	El motor está sobrecargado	Aumente la altura de corte. Consulte <i>Para ajustar la altura de corte en la página 33.</i>
	5	La velocidad del motor descendiendo demasiado y el motor se detiene	
	10	El control del motor está demasiado caliente	Detenga el motor y espere hasta que se enfríe
	2	La cuchilla se bloquea	Para evitar el arranque accidental, gire la llave de seguridad a la posición 0, quite la batería y espere como mínimo 5 segundos. Asegúrese de que la cuchilla pueda girar libremente. Si el problema persiste, comuníquese con un taller de servicio autorizado
	9	Hay un error de la batería o no hay señal de la batería	Coloque la batería en el producto correctamente y examine el conector de la batería. Si la luz LED de error de la batería parpadea, consulte <i>Batería en la página 33.</i>
El producto se detiene	8	La batería tiene poca carga	Cargue la batería. Consulte <i>Para cargar la batería en la página 34.</i>
	0	Falla del conector de la batería	Examine el conector de la batería

Transporte, almacenamiento y eliminación de residuos

Introducción

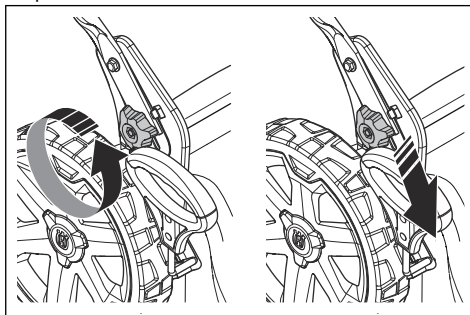


ADVERTENCIA: Para evitar el arranque involuntario durante el transporte, gire la llave de seguridad a la posición "0", quite la batería y espere al menos 5 segundos.

Para poner el producto en posición de transporte

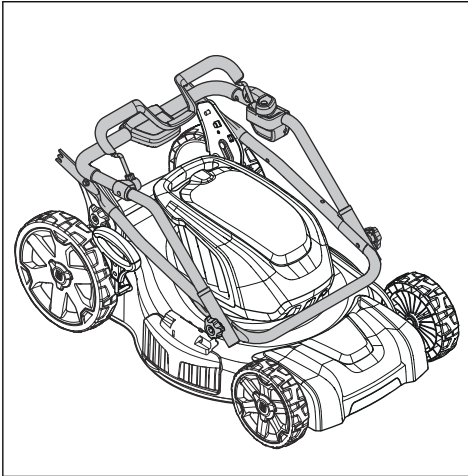
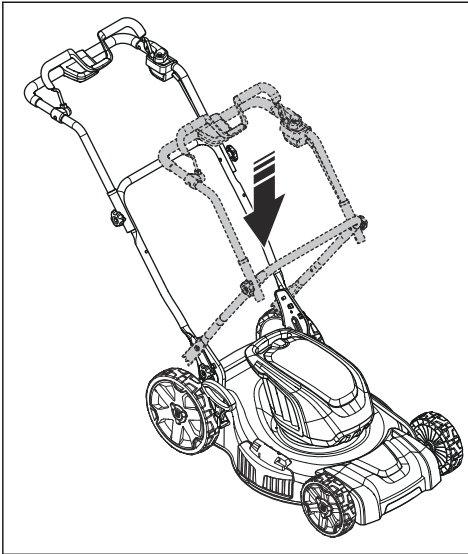
1. Retire el recogedor de césped (si está instalado).
2. Afloje las perillas inferiores.

3. Mueva las perillas hasta el extremo inferior de las ranuras del lado izquierdo y del lado derecho del producto.



4. Afloje las perillas superiores.

5. Pliegue el manillar.



Transporte

- Los requisitos de la legislación de productos peligrosos se aplican a las baterías de iones de litio.
- Para fines de transporte comercial, se deben seguir los requisitos especiales indicados en el paquete y las etiquetas.
- Asegúrese de seguir las regulaciones para materiales peligrosos cuando prepare el producto

para el transporte. Es posible que se apliquen normativas locales.

- Siempre retire la batería para el transporte.
- Coloque cinta adhesiva en los conectores de la batería y asegúrese de que la batería no se mueva durante el transporte.
- Fije el producto durante el transporte.

Almacenamiento

- Siempre retire la batería para el almacenamiento.
- Para evitar accidentes, asegúrese de que la batería no esté conectada al producto durante el almacenamiento.
- Mantenga el cargador de batería en un lugar cerrado y seco.
- Mantenga la batería y el cargador de batería en un lugar seco donde no haya humedad ni heladas.
- Desconecte la batería del cargador de batería durante el almacenamiento.
- No mantenga la batería en lugares donde se pueda generar electricidad estática. No mantenga la batería en una caja metálica.
- Mantenga la batería en un lugar donde la temperatura sea de entre 5 °C y 25 °C, y alejada de la luz solar.
- Mantenga el cargador de batería en un lugar donde la temperatura sea de entre 5 °C y 45 °C, y alejado de la luz solar.
- Asegúrese de que la batería tenga entre un 30 % y un 50 % de carga antes de almacenarla durante períodos prolongados.
- Mantenga el producto, la batería y el cargador de batería en un área con llave, fuera del alcance de niños y personas no autorizadas.
- Limpie el producto y realice un mantenimiento completo antes de almacenarlo durante un período prolongado.

Eliminación

El producto se debe enviar a una estación de reciclaje apropiada para la recuperación del equipo eléctrico y electrónico.

Si se asegura de mantener correctamente esta máquina, puede contribuir a contrarrestar los posibles efectos negativos en el medioambiente y en las personas que, de lo contrario, podrían resultar afectadas debido a la gestión incorrecta de los residuos de este producto. Para obtener información más detallada sobre el reciclaje de este producto, comuníquese con su municipalidad, servicio de recolección de residuos domésticos o con la tienda donde compró el producto.

Datos técnicos

Datos técnicos, LE 121PLE 221R

	LE 121P	LE 221R
Motor de corte		
Tipo de motor	BLDC (sin escobillas), 36 V	BLDC (sin escobillas), 36 V
Velocidad del motor: SavE, rpm	2600	2600
Velocidad del motor: nominal, rpm	3000	3000
Velocidad del motor: carga alta, rpm	3500	3500
Potencia del motor: máxima, kW	1,2	1,2
Potencia del motor: nominal, kW	0,75	0,75
Límite de sobrecorriente (límite de corriente: 900 W-35 A)	35 (+/-) 1 A	35 (+/-) 1 A
Motor de accionamiento		
Potencia del motor: nominal, kW	N/D	0,25
Velocidad de autopropulsión, km/h	N/D	3,0-4,5
Niveles de ajuste de velocidad	N/D	4
Peso		
Peso sin la batería, kg	23,5	30,6
Batería ⁵		
Tipo de batería	Serie de batería Husqvarna	Serie de batería Husqvarna
Duración de la batería		
Duración de la batería, min, (funcionamiento continuo) con SavE activado, con una batería Husqvarna (BLi200) de 5,2 Ah.	43	43
Duración de la batería, min, (funcionamiento continuo) con modo estándar activado, con una batería Husqvarna (BLi200) de 5,2 Ah.	30	30
Emisiones sonoras ⁶		
Nivel de potencia acústica, medido en dB (A)	89	89
Nivel de potencia acústica, L _{WA} dB (A) garantizada	91	91
Niveles acústicos ⁷		
Nivel de presión acústica en el oído del operador, dB(A)	77	77

⁵ Para obtener los mejores resultados y un mejor rendimiento, se recomienda la batería BLi200 Husqvarna.

⁶ Las emisiones sonoras en el medio ambiente medidas como potencia acústica (L_{WA}) en conformidad con la directiva CE 2000/14/CE.

⁷ Los datos informados en cuanto al nivel de presión sonora tienen una dispersión estadística típica (desviación estándar) de 1,2 dB(A).

	LE 121P	LE 221R
Niveles de vibración ⁸		
Manilla, m/s ²	0,45 - 0,52	0,45 - 0,52
Corte		
Altura de corte, mm	20-75 mm	20-75 mm
Anchura de corte, cm	51	51
Cuchilla	Recolector 592 87 04-01	Recolector 592 87 04-01
	Mantillo 592 87 06-01	Mantillo 592 87 06-01
Capacidad del recogedor, litros	65	65

Baterías aprobadas	Tipo	Capacidad de la batería, Ah	Voltaje, V	Peso, lb/kg
BLi20	lones de litio	4,0	36	2,6/1,2
BLi150	lones de litio	4,2	36	2,8/1,3
BLi200	lones de litio	5,2	36	2,8/1,3

Cargadores de baterías aprobados para las baterías especificadas, BLi	Voltaje de entrada, V	Frecuencia, Hz	Potencia, W
QC80	100-240	50-60	100
QC330	100-240	50-60	330

Distribuidor

Husqvarna Professional Products, Inc.

Charlotte, NC 28269

Soporte/ayuda

Si necesita asistencia o tiene alguna pregunta acerca de la aplicación, operación, mantenimiento o piezas de su producto:

- Visite nuestro sitio web: www.husqvarna.com
- Llámenos de manera gratuita: 1-800-487-5951

⁸ Los datos informados en cuanto al nivel de vibración tienen una dispersión estadística típica (desviación estándar) de 0,2 m/s². Norma de vibración EN 60335-2-77:2017 capítulo 20.105

Table des matières

Introduction.....	44	Entretien.....	59
Sécurité.....	48	Dépannage.....	62
Montage.....	52	Transport, entreposage et mise au rebut.....	63
Fonctionnement.....	55	Données techniques.....	65

Introduction

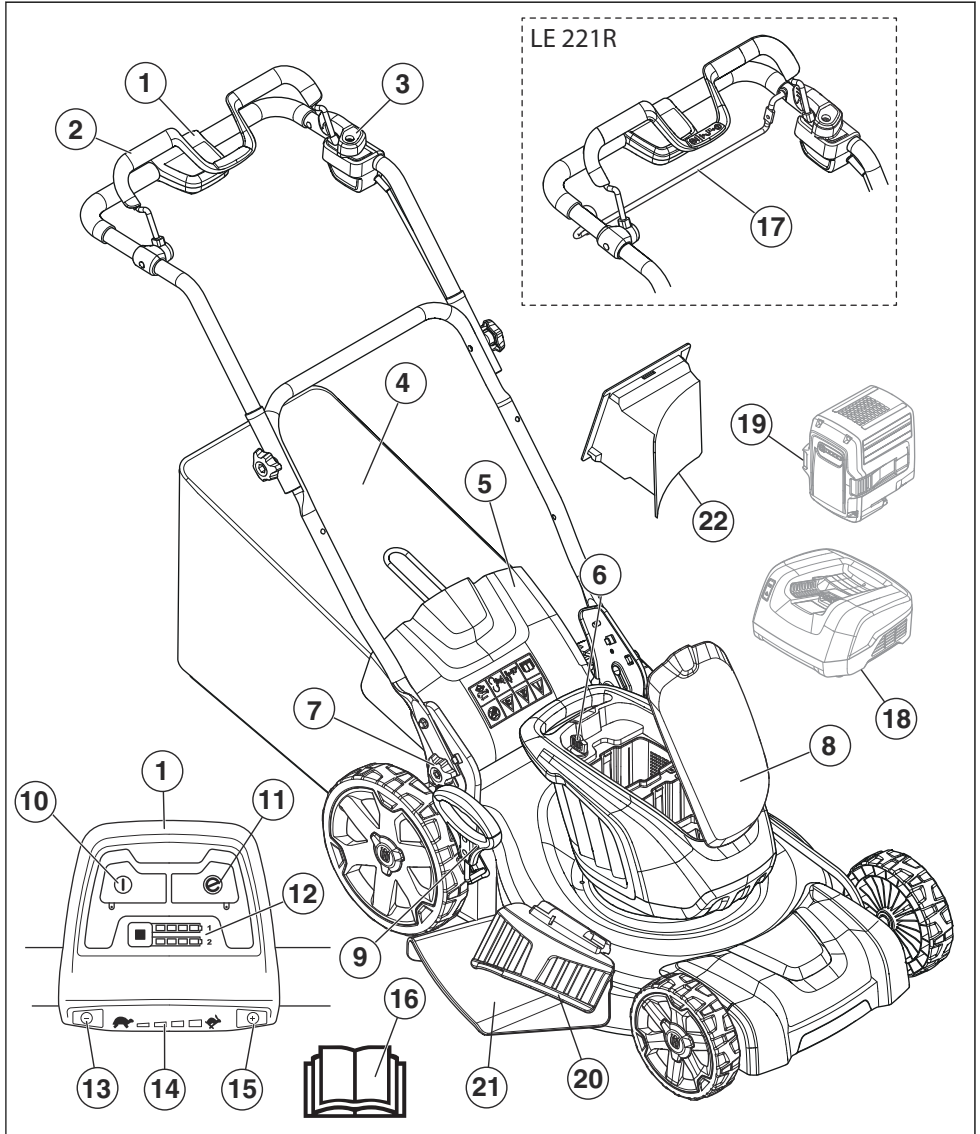
Description du produit

Le produit est une tondeuse rotative à conducteur accompagnant. L'herbe est recueillie dans un collecteur d'herbe. Retirer le collecteur d'herbe afin d'activer la décharge arrière de l'herbe. Fixer une trousse de broyeur (accessoire) pour couper l'herbe en engrais.

Utilisation prévue

Utiliser le produit pour couper l'herbe dans les jardins privés. Ne pas utiliser cet outil pour d'autres tâches.

Présentation du produit



- 1. Panneau de commande
- 2. Poignée de freinage du moteur
- 3. Commande antidémarrage
- 4. Collecteur d'herbe
- 5. Couvercle arrière
- 6. Clé de sécurité
- 7. Bouton de poignée

- 8. Couvercle de batterie
- 9. Commande de hauteur de coupe
- 10. Bouton ON/OFF (marche/arrêt)
- 11. Bouton Save
- 12. Indicateur de charge de batterie et bouton de batterie

13. Bouton de diminution de la vitesse (LE 221R seulement)
14. Indicateur de niveau vitesse (LE 221R seulement)
15. Bouton d'augmentation de la vitesse (LE 221R seulement)
16. Manuel d'utilisation
17. Barre d'entraînement (LE 221R seulement)
18. Chargeur de batterie (accessoire)
19. Batterie (accessoire)
20. Couvercle de goulotte de décharge
21. Goulotte de décharge
22. Bouchon de broyage

Procédure de démarrage du modèle LE 121P/LE 221R : appuyer sur bouton ON/OFF (marche/arrêt), desserrer la commande antidémarrage, pousser la poignée de freinage du moteur vers le bas.



Symboles figurant sur le produit



Une utilisation insouciante ou inappropriée peut causer des blessures à l'utilisateur ou à d'autres personnes ou causer leur mort.



Avertissement : Avant d'utiliser l'appareil, lire attentivement le manuel d'utilisation et veiller à bien comprendre les directives.



Garder les personnes et les animaux à une distance sécuritaire de l'aire de travail.



Faire attention aux objets projetés et aux ricochets.



Garder les mains et les pieds à l'écart de la lame en rotation.



Garder les mains et les pieds à l'écart des pièces en rotation.



Retirer la clé de sécurité avant d'effectuer des travaux de réparation ou d'entretien. (modèle LE 121P/LE 221R)

IPX1

IPX1 – Protégé contre les gouttes (modèle LE 121P/LE 221R)



Ne pas exposer à la pluie (modèle LE 121P/LE 221R)



Relâcher la poignée de freinage du moteur pour arrêter.



Lent



Rapide



Code à numériser

Remarque : Les autres symboles et autocollants apposés sur le produit se rapportent aux exigences en matière de certification pour certains marchés.

Étiquettes d'avertissement



ATTENTION!

Ce produit contient ou émet un produit chimique qui, d'après l'État de Californie, peuvent causer le cancer, des malformations congénitales ou autre danger pour la reproduction.

AVOID SERIOUS INJURY OR DEATH

- Read the operator's manual. Go across slopes, not up and down. Do not mow when children or others are around.
- Look down and behind before and while moving. Remove objects that could be thrown by the blade.
- Keep safety devices (guards, shields, switches, etc.) in place and working.
- To reduce risk of electric shock, do not expose unit to water or operate unit on wet ground.
- Disconnect from supply circuit before opening, cleaning or changing accessories.
- To reduce the risk of injury, do not operate without guards in place.
- To reduce the risk of injury, inspect catcher assembly frequently and replace with recommended replacement if there are signs of wear or deterioration. Keep hands and feet away – rotating blade hazard. Keep bystanders and children away.
- Remove battery pack when not in use.
- For use only with BLi20/BLi150/BLi200 battery.

DANGER DE BLESSURES GRAVES OU MORTELLES

- Lisez attentivement le manuel d'utilisation. Tondez dans pentes et les talus en diagonale, et non à la verticale. N'utilisez pas la tondeuse à proximité d'enfants ou autres personnes.
- Scrutez attentivement le sol si vous devez reculer avec la machine et débarrassez la zone de travail de tout objet risquant d'être projeté.
- Assurez-vous que les dispositifs de sécurité (protections, écrans, interrupteurs, etc.) sont bien en place et fonctionnels.
- Pour diminuer les risques de choc électrique, ne mouillez pas l'appareil ou ne l'utilisez pas sur un sol humide.
- Débranchez le circuit d'alimentation avant de l'ouvrir, de le nettoyer ou de changer les accessoires.
- Afin de réduire le risque de blessures, n'utilisez pas la machine si les dispositifs de protection ne sont pas en place.
- Afin de réduire le risque de blessures, inspectez régulièrement l'ensemble trémie de collecte/bac à herbe et remplacez les pièces usées par des pièces recommandées. Il y a un risque de mutilation des doigts ou des orteils. Gardez les enfants et les autres personnes à distance.
- Retirez le bloc-piles lorsque l'outil est inutilisé.
- Pour usage seulement avec batterie BLi20/BLi150/BLi200.

Responsabilité concernant le produit

Comme indiqué dans les lois en vigueur sur la responsabilité concernant les produits, nous ne serons pas tenus responsables des dommages que notre produit causerait dans les situations suivantes :

- Le produit n'est pas réparé de façon adéquate.
- Le produit est réparé avec des pièces qui ne sont pas fournies ou homologuées par le fabricant.
- Le produit comprend un accessoire qui n'est pas fourni ou homologué par le fabricant.
- Le produit n'est pas réparé par un centre de service après-vente agréé ou par une autorité homologuée.

Définitions relatives à la sécurité

Les avertissements, recommandations et remarques soulignent des points du manuel qui revêtent une importance particulière.



AVERTISSEMENT: Indique la présence d'un risque de blessure ou de décès de l'utilisateur ou de personnes à proximité si les instructions du manuel ne sont pas suivies.



MISE EN GARDE : Indique la présence d'un risque de dommages au produit, à d'autres appareils ou à la zone adjacente si les instructions du manuel ne sont pas suivies.

Remarque : Utilisé pour donner des renseignements plus détaillés qui sont nécessaires dans une situation donnée.

Consignes de sécurité



AVERTISSEMENT: Lors de l'utilisation des tondeuses à gazon électrique, des précautions de base doivent toujours être prises afin d'éviter les risques d'électrocution et de blessure, y compris les suivantes :

- Lire toutes les instructions
- Éviter les environnements dangereux. Ne pas utiliser l'outil dans des endroits humides ou mouillés.
- Ne pas utiliser l'outil sous la pluie.
- Tenir les enfants à distance. Tous les visiteurs doivent rester à une distance suffisante de la zone de travail.
- S'habiller de façon adéquate. Ne pas porter de vêtements amples ou de bijoux pouvant se prendre dans les pièces en mouvement. Utiliser des gants en caoutchouc et des chaussures lorsque vous travaillez à l'extérieur.
- Utiliser des lunettes de sécurité. Toujours porter un masque ou une protection anti-poussière pour le visage en cas d'utilisation de l'appareil en milieu poussiéreux
- Ne pas utiliser ce produit pour des tâches autres que celle pour laquelle il est conçu.
- Ne pas soumettre l'outil à une contrainte. L'outil produit de meilleurs résultats et le travail est effectué de façon plus sécuritaire s'il tourne au régime pour lequel il a été conçu.
- Ne pas trop se pencher en avant. Toujours se tenir bien campé et en équilibre.
- Rester vigilant. Regarder ce que vous faites. Faire preuve de bon sens Ne pas faire fonctionner le produit lorsqu'on est fatigué.
- Lorsqu'il n'est pas utilisé, le produit doit être remis dans un endroit clos sec et verrouillé, hors de portée des enfants.
- Entretenir le produit avec soin. Maintenir les bords tranchants aiguisés et propres pour obtenir le meilleur rendement et le fonctionnement le plus sûr. Respecter les instructions concernant la lubrification et le changement des accessoires. Garder les poignées sèches, propres et exemptes d'huile et de graisse.
- Garder les protections en place et en bon état d'utilisation.
- Maintenir les lames tranchantes.
- Garder les mains et les pieds éloignés de la zone de coupe.
- Les objets heurtés par la lame de tondeuse peuvent engendrer de graves blessures. Toujours examiner le gazon avec attention et éliminer tout objet avant de commencer chaque tonte.
- Si la machine touche un objet étranger quelconque ou produit des vibrations, faire ce qui suit : Couper le moteur, placer la clé de sécurité à la position « 0 » et retirer la batterie. Inspecter le produit à la recherche de dommages. Réparer les dommages éventuels ou communiquer avec un agent d'entretien agréé.
- Utiliser seulement des lames de rechange identiques.
- Cet appareil peut être dangereux s'il est utilisé incorrectement ou avec insouciance; il peut causer des blessures graves ou mortelles à l'opérateur ou à des personnes à proximité.
- Garder en tête que l'opérateur ou l'utilisateur est responsable des accidents et des risques survenant à d'autres personnes, ainsi que de ses biens.
- Le produit doit être propre. Les signes et les autocollants doivent être entièrement lisibles.
- Il n'est pas possible de couvrir toutes les situations imaginables auxquelles vous pourrez faire face. Toujours faire preuve d'attention et de bon sens. En cas d'appréhension, arrêter la machine et demander l'avis d'un expert. Communiquer avec le distributeur, l'agent de maintenance ou un utilisateur expérimenté. Ne pas tenter d'effectuer des tâches si vous avez des doutes!
- Ne pas laisser un enfant utiliser l'outil.
- Ne laisser personne utiliser l'outil sans connaître les instructions.
- Toujours surveiller les personnes qui ont des capacités physiques ou mentales réduites et qui utilisent l'outil. Un adulte responsable doit toujours être présent.
- Ne jamais utiliser le produit sous l'effet de la fatigue, sous l'influence de l'alcool, de drogues, de

médicaments ou de toute substance qui pourrait affecter la vision, l'attention, la coordination des gestes ou le jugement.

- Les modifications et/ou les accessoires non autorisés peuvent entraîner des blessures graves ou la mort de l'utilisateur ou d'autres personnes. La conception du produit ne peut en aucun cas être modifiée sans l'autorisation du fabricant.
- Ne pas modifier ce produit ou l'utiliser s'il semble avoir été modifié par d'autres.
- N'utilisez jamais un produit défectueux. Effectuer les vérifications de sécurité, de maintenance et d'entretien conformément aux instructions fournies dans ce manuel. Certaines mesures de maintenance et d'entretien doivent être effectuées par des spécialistes formés et qualifiés. Consulter les instructions fournies dans la section *Entretien à la page 59*.
- Toujours utiliser des accessoires d'origine.

Sécurité de la zone de travail

- Retirer les branches, les brindilles, les pierres et d'autres objets de la pelouse avant de commencer à couper.
- Garder les personnes, y compris les enfants et les animaux à une distance sécuritaire de l'aire de travail.
- Les objets qui heurtent l'équipement de coupe peuvent être projetés et causer des dommages aux personnes et aux objets environnants.
- Ne pas utiliser l'outil par mauvais temps, y compris dans le brouillard, sous la pluie, dans des endroits exposés à l'humidité, humides ou fortement venteux, en cas de froid intense ou en présence d'un risque de foudre. Effectuer le travail par mauvais temps peut causer une fatigue et des conditions dangereuses, telles que les surfaces glissantes.
- Vérifier l'aire de travail pour vous assurer de toujours garder le contrôle de l'outil.
- Faire attention aux racines, aux pierres, aux branches, aux fosses et aux fossés. L'herbe haute peut dissimuler des obstacles.
- Ne pas utiliser la tondeuse dans des pentes dont l'inclinaison est supérieure à 15 degrés.
- Utiliser le produit le long des pentes. Ne pas le déplacer vers le haut et vers le bas de la pente.
- Faire preuve de prudence à l'approche des recoins et des objets qui peuvent bloquer la vue.

Sécurité du travail



AVERTISSEMENT: Lire les messages d'avertissement qui suivent avant d'utiliser l'outil.

- Utiliser de l'équipement de protection individuelle. Voir *Équipement de protection personnelle à la page 50*.
 - Ne pas utiliser l'outil dans une zone mouillée. Le risque de choc électrique augmente si de l'eau pénètre dans le produit.
 - Ne faire fonctionner le produit que si la lame et tous les capots sont fixés de façon adéquate. Une lame mal fixée risque de se détacher et d'occasionner des blessures personnelles.
 - S'assurer que la lame ne touche pas les objets tels que les pierres et les racines. Cela peut endommager la lame et tordre l'arbre du moteur. Un essieu tordu peut engendrer de fortes vibrations et occasionner un risque important que la lame se détache.
 - Si la lame heurte un objet ou si des vibrations se produisent, arrêter immédiatement le produit. Couper le moteur, placer la clé de sécurité à la position « 0 » et retirer la batterie. Examiner le produit pour détecter d'éventuels dommages. Réparer les dommages ou laisser un agent d'entretien agréé faire la réparation.
 - Ne jamais fixer la poignée de frein moteur en permanence à la poignée lorsque le moteur a démarré.
 - Placer le produit sur une surface stable et plane et lancez-le. Vérifier que l'outil de coupe ne touche pas le sol ou tout autre objet.
 - Toujours rester derrière le produit lorsqu'on l'utilise.
 - Lors de l'utilisation du produit, laisser toutes les roues reposer au sol et garder les deux mains sur la poignée. Garder les mains et les pieds à l'écart des lames en rotation.
 - Ne pas incliner le produit alors que le moteur est en marche.
 - Rester prudent lorsqu'on tire le produit vers l'arrière.
 - Ne jamais soulever le produit alors que le moteur est en marche. Si on doit soulever le produit, couper d'abord le moteur, placer la clé de sécurité à la position « 0 » et retirer la batterie.
 - Ne pas utiliser le produit en marche arrière.
 - Couper le moteur lorsqu'on se déplace dans une zone sans herbe, par exemple les chemins de gravier, de pierre et d'asphalte.
 - Ne pas courir avec le produit alors que le moteur est en marche. Toujours marcher lors de l'utilisation du produit.
 - Arrêter le moteur avant de changer la hauteur de coupe. Ne jamais faire de réglage alors que le moteur est en marche.
 - Ne jamais laisser le produit rester hors de vue alors que le moteur est en marche. Arrêter le moteur et vérifier que l'outil de coupe ne tourne pas.
- Utiliser ce produit seulement pour couper l'herbe des pelouses. Il est interdit de l'utiliser pour d'autres travaux.

Consignes de sécurité pour l'utilisation

Équipement de protection personnelle



AVERTISSEMENT: Lire les messages d'avertissement qui suivent avant d'utiliser l'appareil.

- Cet équipement de protection personnelle n'élimine pas complètement les risques de blessures, mais il peut en réduire la gravité en cas d'accident. Laisser le concessionnaire vous aider à sélectionner l'équipement adéquat.
- Utiliser des protecteurs d'oreille si le niveau sonore est supérieur à 85 dB.
- Utiliser des bottes ou des chaussures antidérapantes robustes. Ne pas utiliser des chaussures ouvertes ou rester les pieds nus.
- Porter un pantalon long et robuste.
- Utiliser des gants de protection au besoin, par exemple lors de la fixation, de l'examen ou du nettoyage de l'équipement de coupe.

Dispositifs de sécurité sur l'outil



AVERTISSEMENT: Lire les messages d'avertissement qui suivent avant d'utiliser l'outil.

- Ne pas utiliser un outil dont les dispositifs de protection sont défectueux.
- Vérifier régulièrement les dispositifs de sécurité. Si les dispositifs de sécurité sont défectueux, parler à votre agent d'entretien Husqvarna.

Vérification du carter de coupe

Le carter de coupe réduit les vibrations dans le produit et diminue le risque de blessure par la lame.

- Examinez le carter de coupe pour s'assurer qu'il n'y a pas de dommages tels que des fissures.

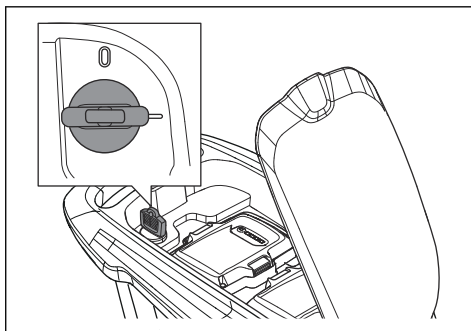
Collecteur d'herbe

Le collecteur d'herbe empêche toute blessure à l'utilisateur de la lame rotative. Le collecteur d'herbe s'use au cours de l'utilisation du produit. Examiner régulièrement le collecteur d'herbe et le remplacer s'il présente des dommages. Remplacer seulement par un collecteur d'herbe approuvé par le fabricant.

Clé de sécurité

La clé de sécurité se trouve sous le couvercle de la batterie. Elle relie la batterie qui alimente le moteur.

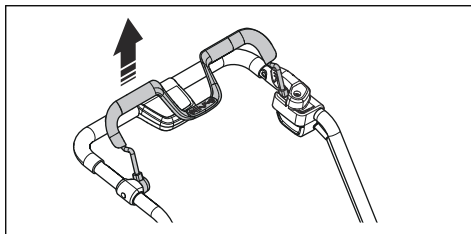
- Démarrer et arrêter le moteur pour vérifier la clé de sécurité.
- Si la clé de sécurité fonctionne correctement, le moteur ne peut démarrer que lorsque la clé est placée à la position 1.



Poignée de freinage du moteur

La poignée de freinage du moteur permet de couper le moteur. Lorsqu'on relâche la poignée de freinage du moteur, le moteur s'arrête.

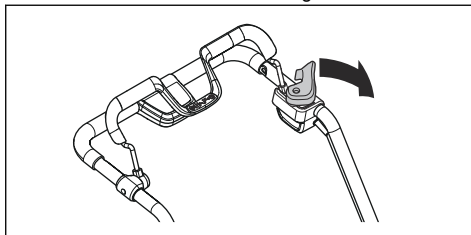
Pour effectuer l'inspection du frein du moteur, démarrer le moteur, puis relâcher la poignée de freinage du moteur. Si le moteur ne s'arrête pas en 3 secondes, communiquer avec un agent d'entretien Husqvarna agréé pour régler le frein du moteur.



Vérification de la commande antidémarrage

Vérifier la commande antidémarrage pour veiller à qu'elle n'empêche pas le fonctionnement du moteur.

1. Pousser la poignée de freinage du moteur vers le guidon. La commande antidémarrage arrête le mouvement.
2. Sortir la commande antidémarrage.



3. Relâcher la commande antidémarrage et s'assurer qu'elle retourne à sa position initiale.

Sécurité de la batterie et du chargeur de batterie

Lire attentivement le manuel d'instructions de la batterie et du chargeur de batterie et veiller à bien comprendre les directives avant d'utiliser l'appareil.

Sécurité en matière de batteries



AVERTISSEMENT: Lire les messages d'avertissement qui suivent avant d'utiliser l'outil.

- Utiliser des piles rechargeables Husqvarna en tant que source d'alimentation pour les produits associés Husqvarna seulement. Pour éviter les blessures, ne pas utiliser la batterie en tant que source d'alimentation pour d'autres appareils.
 - Ne pas utiliser des batteries non rechargeables.
 - Risque de décharge électrique. Ne pas raccorder les bornes de la batterie à des clés, des pièces de monnaie, des vis ou tout autre élément métallique. Cela peut provoquer un court-circuit de la batterie.
 - Manipuler les batteries avec précaution afin de ne pas provoquer un court-circuit avec des matériaux conducteurs tels que les bagues, les bracelets et les clés. La batterie ou le conducteur peuvent surchauffer et causer des brûlures graves.
 - Ne pas placer d'objets dans les fentes de ventilation de la batterie.
 - Maintenir la batterie à l'écart de la lumière du soleil, de la chaleur et des flammes nues. La batterie peut exploser et causer des brûlures et/ou des brûlures chimiques.
 - Garder la batterie à l'écart de la pluie et de l'humidité.
 - Garder la batterie à l'écart des micro-ondes et des pressions élevées.
 - Ne pas essayer de démonter ou de briser la batterie.
 - Ne pas ouvrir ou endommager la batterie. L'électrolyte qu'elle contient est corrosif et peut causer des brûlures aux yeux et à la peau. Elle est toxique en cas d'ingestion.
 - S'il y a une fuite au niveau de la batterie, ne pas laisser le liquide toucher la peau ou les yeux. Si on touche le liquide, nettoyer la zone avec une grande quantité d'eau et consulter un médecin.
 - Utiliser la batterie à une température comprise entre -10 °C et 40 °C.
 - Ne pas nettoyer la batterie ou le chargeur de batterie avec de l'eau. Voir *Pour nettoyer la batterie et le chargeur de batterie*. à la page 60.
 - Ne pas utiliser une batterie défectueuse ou endommagée.
 - Garder les piles dans le local de rangement, à l'écart des objets métalliques tels que les clous, les pièces de monnaie et les bijoux.
- ### Chargeur de batterie
- Les chargeurs de batterie QC ne sont utilisés que pour charger les batteries de rechange Husqvarna.
- Réduire comme suit le risque de choc électrique ou de court-circuit : Ne jamais insérer d'objet dans les fentes de refroidissement du chargeur. Ne pas essayer de démonter le chargeur de batterie. Ne jamais connecter les bornes du chargeur à un objet en métal. Utiliser des prises murales approuvées et intactes.
 - Cette machine produit un champ électromagnétique pendant le fonctionnement. Ce champ magnétique peut, dans certains cas, nuire aux implants médicaux actifs ou passifs. Pour réduire le risque de blessures graves ou mortelles, nous recommandons aux personnes ayant des implants médicaux de consulter leur médecin et le fabricant de l'implant médical avant d'utiliser la machine.
 - Vérifier régulièrement que le câble de connexion du chargeur de la batterie est en bon état et qu'il n'a subi aucun dommage.
 - Ne jamais transporter le chargeur de batterie à l'aide de cordon et ne jamais débrancher la prise en tirant sur le cordon.
 - Tenir les câbles et les rallonges à l'abri de l'eau, de l'huile et des arrêtes coupantes. S'assurer que le câble n'est pas coincé dans une porte, une barrière ou quoi que ce soit de semblable. Autrement, le chargeur pourrait être mis hors tension.
 - Ne jamais nettoyer la batterie ou le chargeur de batterie avec de l'eau.
 - Le chargeur de batterie peut être utilisé par des enfants âgés de 8 ans et plus, des personnes à capacités physique, mentale ou sensorielle réduites ou des personnes avec un manque d'expérience et de connaissances s'ils sont supervisés ou s'ils ont reçu des instructions concernant l'utilisation de l'appareil de manière sécuritaire et s'ils comprennent les risques impliqués. Les enfants ne doivent pas jouer avec l'appareil. Le nettoyage et l'entretien ne doivent pas être effectués par un enfant sans supervision.
 - Ne pas tenter de charger une batterie non rechargeable dans le chargeur.
 - Ne pas utiliser le chargeur de batterie à proximité de matériaux corrosifs ou inflammables. Ne pas essayer de couvrir le chargeur de batterie. Débrancher la prise du chargeur de batterie en cas de fumée ou d'incendie.
 - Ne jamais se servir d'un chargeur ou d'une batterie si l'un ou l'autre est endommagé ou défectueux.
 - Charger la batterie à l'intérieur uniquement et la mettre à l'abri d'une exposition au soleil directe. Ne pas charger si les conditions sont humides.

Consignes de sécurité pour la maintenance



AVERTISSEMENT: Lire les messages d'avertissement qui suivent avant d'utiliser l'outil.

- Afin d'éviter tout démarrage accidentel pendant les travaux d'entretien, placer la clé de sécurité à la position « 0 » et retirer la batterie. Attendre au minimum cinq secondes avant de démarrer l'entretien.
- Effectuer les travaux d'entretien de façon adéquate afin d'augmenter la durée de vie de l'outil et réduire le risque d'accidents. Demander à un agent d'entretien agréé de remplacer l'interrupteur d'arrêt. Parler à votre agent d'entretien le plus proche pour obtenir des renseignements supplémentaires.
- N'effectuer que les travaux d'entretien tel qu'indiqué dans ce manuel d'utilisation. Les travaux plus importants doivent être effectués par un agent d'entretien agréé.
- Porter des gants de protection robustes lors de l'utilisation de l'équipement de coupe. La lame est

très affûtée et des coupures peuvent se produire facilement.

- Maintenir les bords tranchants aiguisés et propres pour obtenir le meilleur rendement et le fonctionnement le plus sûr.
- Demander régulièrement à l'agent d'entretien de vérifier l'outil et d'effectuer les ajustements et les réparations nécessaires.
- Remplacer les pièces endommagées, usées ou brisées.
- Respecter les instructions relatives au changement des accessoires. Utiliser seulement des accessoires fournis par le fabricant.
- Lorsqu'il n'est pas en fonctionnement, conserver le produit, la batterie et le chargeur de batterie à l'écart, dans un endroit clos, sec et verrouillé. S'assurer que des enfants et des personnes non autorisés ne puissent accéder au produit, à la batterie ou au chargeur de batterie.

CONSERVER CES INSTRUCTIONS

Montage

Introduction



AVERTISSEMENT: Avant d'installer le produit, consulter le chapitre sur la sécurité.



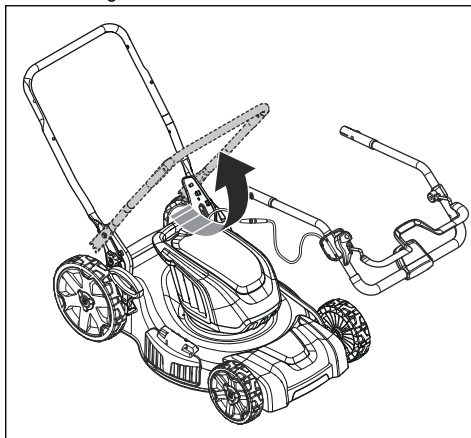
AVERTISSEMENT: Afin d'éviter tout démarrage accidentel pendant l'assemblage, placer la clé de sécurité à la position « 0 », retirer la batterie et attendre au moins cinq secondes.

Montage de la poignée

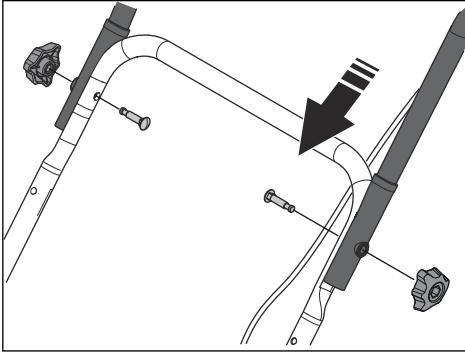


MISE EN GARDE : S'assurer que le câble est acheminé le long de la partie intérieure du guidon. S'assurer que le câble ne se coince pas lorsque le guidon est monté.

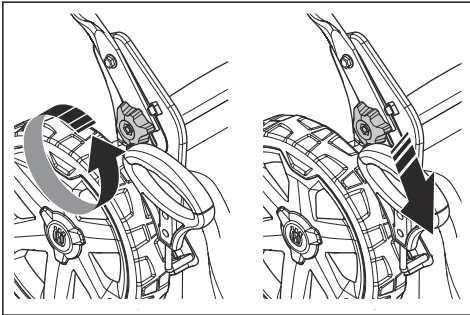
1. Lever le guidon inférieur.



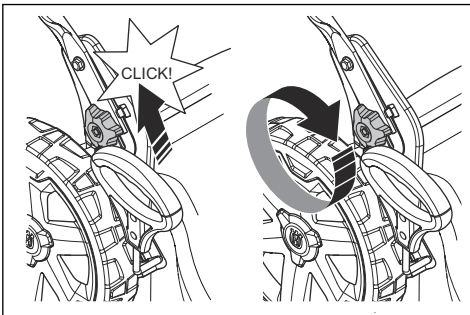
2. Assembler le guidon supérieur avec le guidon inférieur. Serrer les boutons.



3. Déplacer les boutons jusqu'à l'extrémité inférieure des rainures sur les deux côtés du produit.

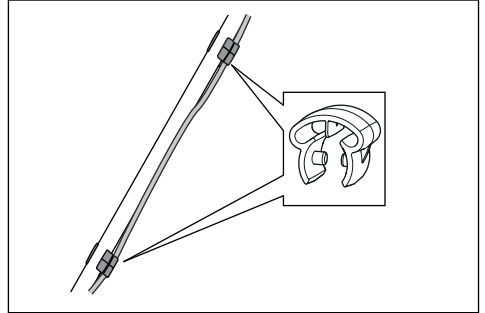


4. Régler la hauteur de la poignée à l'une des 2 positions disponibles.
5. Déplacer les boutons vers le haut dans la direction de la poignée jusqu'à ce qu'ils s'arrêtent et qu'un dé clic se fasse entendre.

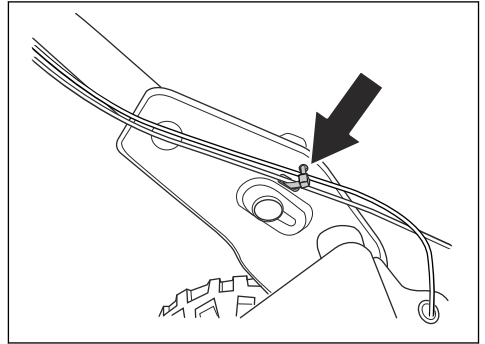


6. Serrer fermement les boutons sur les deux côtés du produit.

7. Placer les câbles dans les supports de câble. S'assurer que les câbles ne sont pas tordus. Fixer les supports de câble sur le guidon.

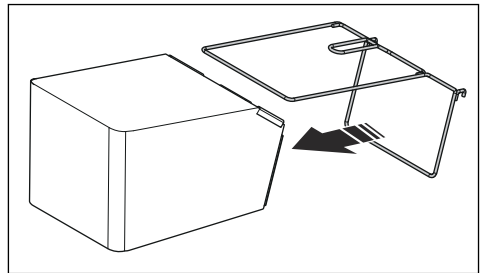


8. Utiliser une attache pour fixer les câbles au support de guidon.

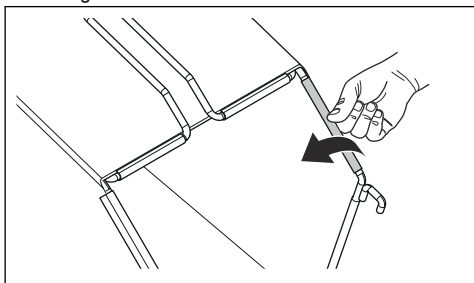


Pour assembler le collecteur d'herbe

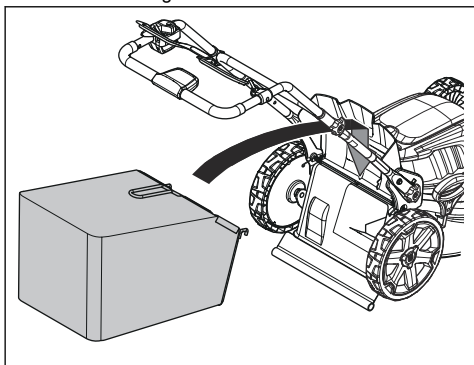
1. Fixer le châssis du collecteur d'herbe sur le sac à herbe en orientant la partie rigide du sac vers le bas. Maintenir la poignée du cadre sur le dessus du sac à herbe.



2. Fixer le sac à herbe au collecteur d'herbe à l'aide des agrafes.

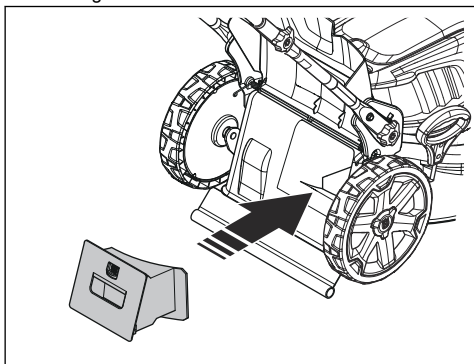


3. Soulever le couvercle arrière et fixer le collecteur d'herbe sur la tige du couvercle arrière.

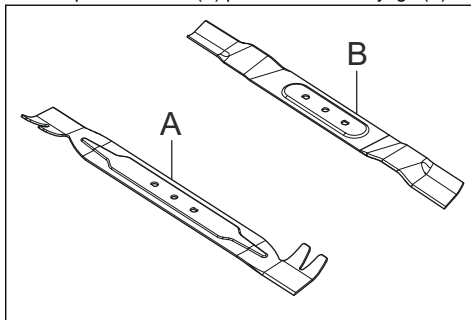


Montage du bouchon de broyage

1. Soulever le couvercle arrière et retirer le collecteur d'herbe.
2. Retirer la goulotte de décharge latérale (si elle est installée) et fermer le couvercle de décharge latéral.
3. Placer le bouchon de broyage dans le canal de décharge.

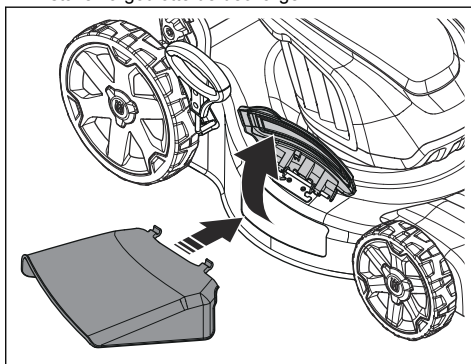


4. Remplacer la lame (A) par la lame de broyage (B).



Montage de la goulotte de décharge

1. Retirer le collecteur d'herbe.
2. Installer le bouchon de broyage et fermer le couvercle arrière.
3. Soulever le couvercle de la goulotte de décharge et installer la goulotte de décharge.



4. S'assurer que le couvercle de la goulotte de décharge repose sur la goulotte de décharge.

Fonctionnement

Introduction



AVERTISSEMENT: Avant d'utiliser le produit, lire et bien comprendre le chapitre sur la sécurité.

Husqvarna Connect

Husqvarna Connect est une application gratuite pour votre appareil mobile. L'application Husqvarna Connect offre des renseignements détaillés sur votre produit Husqvarna :

- Renseignements détaillés sur le produit.
- Renseignements et aide au sujet des pièces de rechange et de l'entretien du produit.

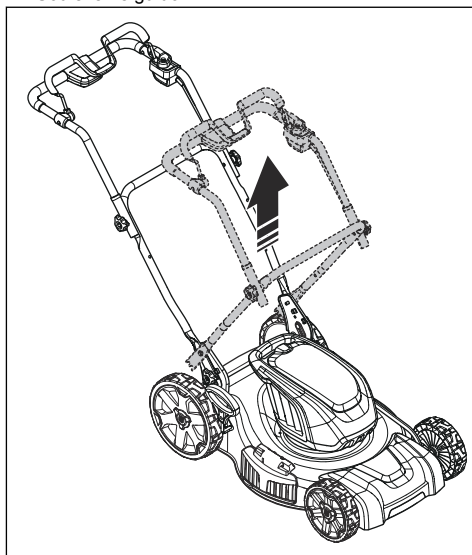
Pour commencer à utiliser Husqvarna Connect

1. Télécharger l'application Husqvarna Connect sur votre appareil mobile.
2. S'inscrire dans l'application Husqvarna Connect.
3. Suivre les étapes décrites dans l'application Husqvarna Connect pour connecter et enregistrer le produit.

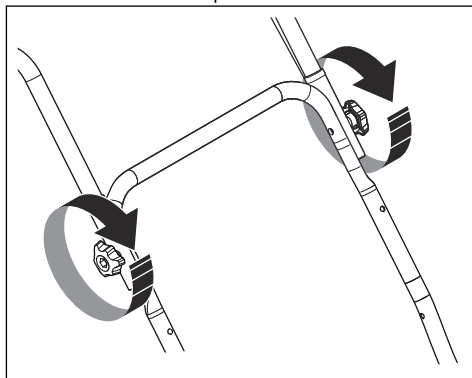
Pour régler l'outil en position d'utilisation

Si la poignée est rabattue en position de transport (voir *Pour régler l'outil en position de transport à la page 63*), suivre cette procédure pour s'assurer que la poignée retourne en position de fonctionnement.

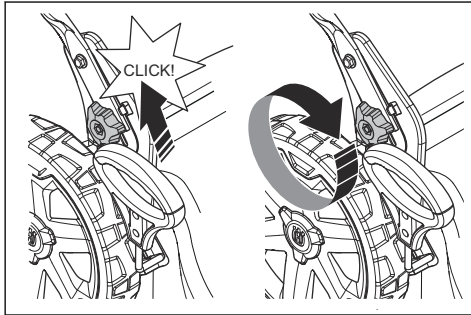
1. Soulever le guidon.



2. Serrer les boutons supérieurs.



- Déplacer les boutons vers le haut dans la direction de la poignée jusqu'à ce qu'ils s'arrêtent et qu'un dé clic se fasse entendre.

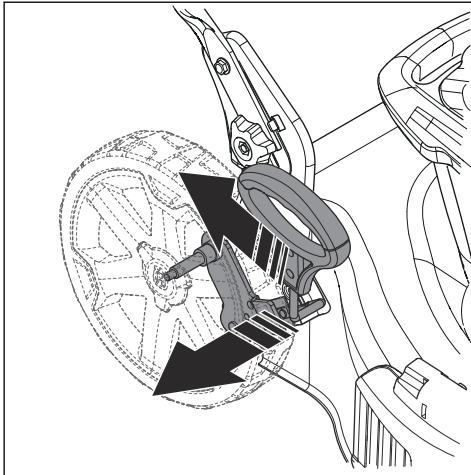


- Serrer les boutons à fond.

Réglage de la hauteur de coupe

La hauteur de coupe peut être réglée à 7 niveaux.

- Déplacer le levier de réglage de la hauteur de coupe vers l'extérieur et l'arrière pour augmenter la hauteur de coupe.
- Déplacer le levier de réglage de la hauteur de coupe vers l'extérieur et l'avant pour diminuer la hauteur de coupe.



MISE EN GARDE : Ne pas régler la hauteur de coupe trop basse. Les lames peuvent heurter le sol si la surface de la pelouse n'est pas plate.

Batterie

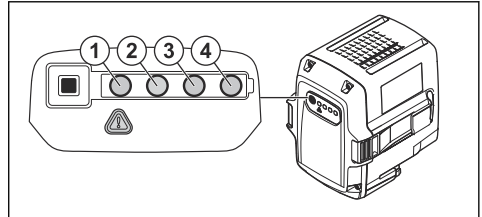


AVERTISSEMENT: Avant d'utiliser la batterie, lire et bien comprendre le chapitre sur la sécurité. Lire et comprendre

également le manuel d'utilisation de la batterie et du chargeur de batterie.

État de la batterie

L'écran indique la capacité de la batterie et tout problème éventuel lié à son fonctionnement. La capacité de la batterie s'affiche pendant 5 secondes dès que vous mettez le produit hors tension ou que vous appuyez sur le bouton de l'indicateur de la batterie. Le symbole d'avertissement sur la batterie s'allume lorsqu'une erreur se produit. Voir *Batterie à la page 62*.



Éclairages DEL	État de la batterie
Toutes les DEL sont allumées.	Batterie complètement chargée (entre 75 et 100 %).
Les DEL 1, DEL 2 et DEL 3 sont allumées	La batterie est chargée entre 50 % et 75 %.
Les DEL 1, DEL 2 sont allumées	La batterie est chargée entre 25% et 50 %.
La DEL 1 est allumée	La batterie est chargée de 0 % à 25 %.
La DEL 1 clignote	La batterie est à plat. Charger la batterie.

Pour charger la batterie

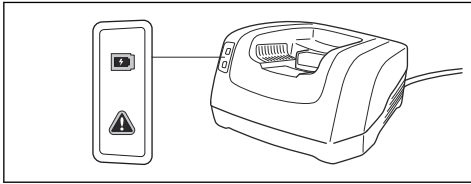
Charger la batterie avant la première utilisation. La batterie n'est chargée qu'à 30 % au moment de la livraison au client.

Remarque : Brancher le chargeur de batterie à la tension et la fréquence indiquées sur la plaque signalétique.

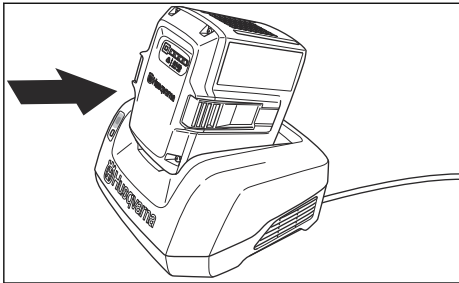
La batterie ne se charge pas si la température de la batterie est supérieure à 50 °C. Le chargeur de batterie réduit la température de la batterie avant qu'elle commence à se charger.

- Brancher une extrémité du cordon d'alimentation du chargeur de batterie dans la prise du chargeur de batterie.

2. Brancher l'autre extrémité du cordon d'alimentation du chargeur de batterie dans une prise de terre d'alimentation secteur. La DEL du chargeur de batterie clignote en vert une fois.



3. Insérer la batterie dans le chargeur de batterie. Le témoin vert, sur le chargeur, s'allume lorsque la batterie est branchée de façon adéquate au chargeur de batterie.



4. Lorsque toutes les DEL de la batterie s'allument, la batterie est complètement chargée. Charger la batterie pendant au plus 24 heures.
5. Pour débrancher le chargeur de batterie de la prise d'alimentation secteur, tirer sur la fiche, et non pas sur le cordon d'alimentation.
6. Retirer la batterie du chargeur de batterie.

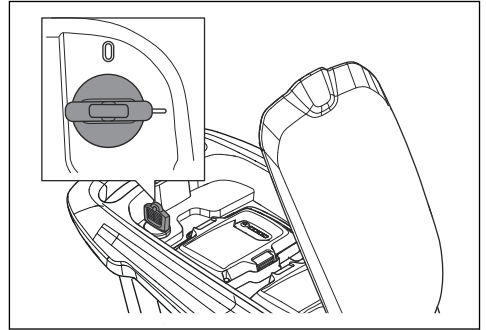
État d charge de la batterie

Une batterie Husqvarna au lithium-ion peut être chargée ou utilisée à tous les niveaux de charge. La batterie n'est pas endommagée. La charge d'une batterie complètement chargée ne diminue pas lorsque la batterie est laissée dans le chargeur.

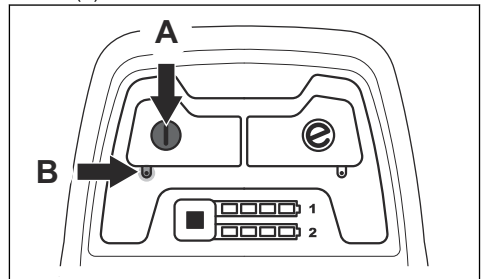
Affichage à DEL	État de charge
La DEL 1 clignote	Entre 0 % et 25 %
La DEL 1 est allumée, la DEL 2 clignote	Entre 25 % et 50 %
Les DEL 1 et DEL 2 sont allumées, la DEL 3 clignote	Entre 50 % et 75 %
Les DEL 1, DEL 2 et DEL 3 sont allumées, la DEL 4 clignote	Entre 75 % et 100 %
Les DEL 1, DEL 2, DEL 3 et DEL 4 sont allumées	Complètement chargée

Pour démarrer la tondeuse

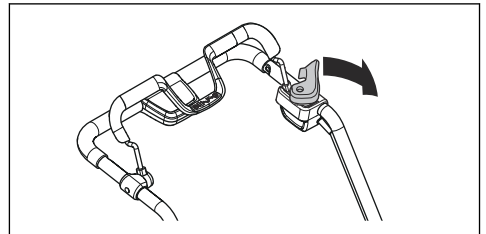
1. Placer une batterie chargée dans le compartiment de batterie numéro 1 situé sous le couvercle de batterie. Pour obtenir une durée de fonctionnement plus longue, placer une deuxième batterie chargée dans le compartiment de batterie numéro 2.
2. Tourner la clé de sécurité à la position 1.



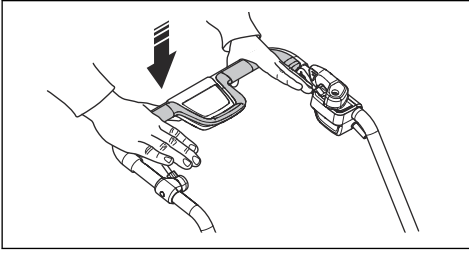
3. Rester derrière le produit.
4. Appuyer sur le bouton ON/OFF (marche/arrêt) (A) sur le panneau de commande, et le témoin à DEL vert (B) s'allume.



5. Desserrer la commande antidémarrage.

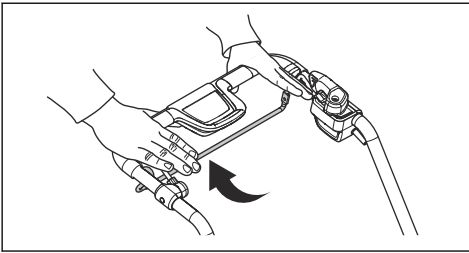


6. Pousser la poignée de freinage du moteur vers le guidon.

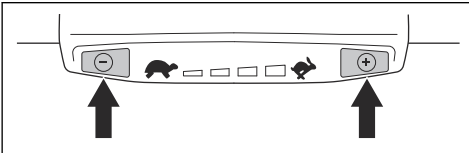


Utilisation de l'entraînement des roues (LE 221R)

- Tirer la barre d'entraînement vers le guidon pour lancer l'entraînement.



- Appuyer sur « + » et « - » sur le panneau de commande pour régler la vitesse d'entraînement en 4 étapes.

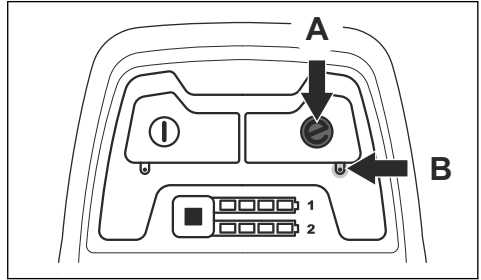


- Relâcher la barre d'entraînement pour désengager l'entraînement, par exemple à l'approche d'un obstacle.

Pour utiliser la fonction SavE (économie)

Le produit est doté d'une fonction d'économie de la batterie (SavE) qui prolonge la durée de fonctionnement.

1. Appuyer sur le bouton SavE (A) pour activer la fonction. La DEL verte s'allume.



2. Appuyer de nouveau sur le bouton SavE pour désactiver la fonction. La DEL verte (B) s'éteint.

La fonction SavE s'arrête automatiquement lorsque les conditions du sol exigent une puissance plus élevée. La fonction SavE s'active automatiquement lorsque les conditions du sol le permettent.

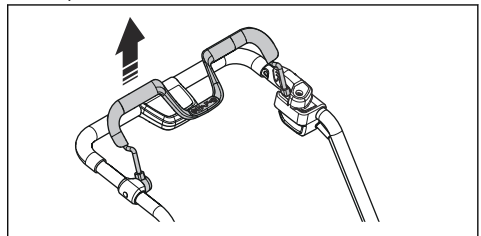
Fonction charge élevée

Lorsque le produit coupe de l'herbe longue ou humide, le régime du moteur augmente automatiquement. Le moteur repasse au mode normal lorsque la charge élevée n'est pas nécessaire.

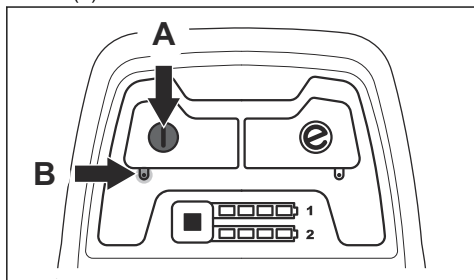
Arrêt du produit

Le produit s'arrête automatiquement si on ne l'utilise pas pendant 10 minutes. Il faut toujours mettre la clé de sécurité à la position 0 avant de laisser le produit sans surveillance.

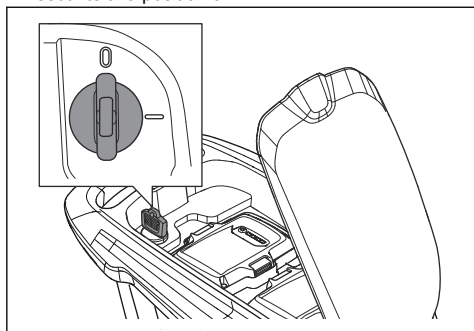
1. Relâcher la poignée de freinage du moteur pour couper le moteur.



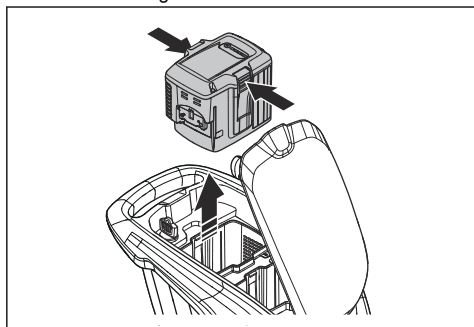
- Appuyer sur le bouton ON/OFF (marche/arrêt) (A) sur le panneau de commande, et le témoin à DEL vert (B) s'éteint.



- Ouvrir le couvercle de la batterie et tourner la clé de sécurité à la position 0.



- Pour retirer la batterie, appuyer sur les deux boutons de déverrouillage et retirer la batterie.



- Charger la batterie si elle est faible. Pour en savoir plus, voir *Pour charger la batterie à la page 56*.

Pour obtenir un bon résultat

- Toujours utiliser une lame affûtée. Une lame émoussée donne un résultat aléatoire et rend la surface de coupe de l'herbe jaune. Une lame affûtée utilise moins d'énergie qu'une lame émoussée.
- Ne pas couper plus de la moitié de la longueur de l'herbe. Couper d'abord en réglant la hauteur de coupe sur une valeur élevée. Examiner le résultat et abaisser la hauteur de coupe sur un niveau applicable. Si l'herbe est très longue, travailler lentement et tondre deux fois au besoin.
- Couper dans des directions différentes à chaque fois pour éviter la formation de rayures sur le gazon.

Coupage de l'herbe sans collecteur d'herbe ou sans bouchon de broyage

- Soulever le couvercle arrière et retirer le collecteur d'herbe.
- Si un bouchon de broyage et une lame de broyage sont fixés, les retirer.
- Fermer le couvercle arrière avant d'utiliser le produit.

Lors de l'utilisation du produit, l'herbe coupée est déchargée sous le couvercle arrière.

Entretien

Introduction



AVERTISSEMENT: Avant de procéder à l'entretien, lire et bien comprendre le chapitre sur la sécurité.

Pour tous les travaux d'entretien et de réparation sur le produit, une formation spécifique est nécessaire. La

disponibilité des réparations et des entretiens effectués de façon professionnelle est garantie. Si un distributeur n'est pas un agent d'entretien, communiquer avec lui pour connaître l'agent d'entretien le plus proche.

Calendrier d'entretien

La fréquence d'entretien est calculée sur la base d'une utilisation quotidienne. Les intervalles changent si le produit n'est pas utilisé tous les jours.

Pour les intervalles d'entretien identifiées par * voir les instructions à la section *Dispositifs de sécurité sur l'outil* à la page 50.

	Chaque utilisation	Mensuel	Chaque saison
Effectuer une inspection générale	X		
Nettoyer le produit.	X		
Vérifier le dispositif antidémarrage *	X		
S'assurer que les dispositifs de sécurité du produit ne sont pas défectueux *	X		
Examiner l'équipement de coupe	X		
Examiner le carter de coupe *	X		
Vérifier la poignée du frein moteur *	X		
S'assurer que le bouton ON/OFF(marche/arrêt) fonctionne de façon adéquate et n'est pas défectueux	X		
Examiner la batterie afin de détecter d'éventuels dommages	X		
Vérifier la charge de la batterie	X		
S'assurer que les boutons de déverrouillage de la batterie fonctionnent de façon adéquate, et que la batterie se bloque dans le produit	X		
Examiner le chargeur de batterie afin de détecter d'éventuels dommages et s'assurer qu'il fonctionne de façon adéquate.		X	
Examiner les raccords entre la batterie et le produit. Examiner également le raccord entre la batterie et le chargeur de batterie.			X

Pour effectuer une inspection générale

- S'assurer que les écrous et les vis sur le produit sont serrés.
- S'assurer que les câbles sur le produit ne sont pas dans une position où ils risquent d'être endommagés.

Pour nettoyer l'outil

- Nettoyer les pièces en plastique à l'aide d'un chiffon propre et sec.
- Ne pas utiliser de l'eau pour nettoyer le produit. L'eau pourrait pénétrer dans la batterie ou le moteur et engendrer des court-circuit ou endommager le produit.
- Ne pas utiliser de nettoyeur à haute pression pour nettoyer la tondeuse.
- Ne pas verser de l'eau directement sur le moteur.
- Utiliser une brosse pour enlever les feuilles, l'herbe et la saleté.

Pour nettoyer la batterie et le chargeur de batterie.



MISE EN GARDE : Ne pas nettoyer la batterie ou le chargeur de batterie avec de l'eau.

- S'assurer que la batterie et le chargeur de batterie sont propres et secs avant de raccorder la batterie au chargeur de batterie.
- Nettoyer les cosses batterie avec de l'air comprimé ou utiliser un chiffon doux et sec.
- Nettoyer les surfaces de la batterie et le chargeur de batterie au moyen d'un chiffon sec et doux.

Pour examiner l'équipement de coupe



AVERTISSEMENT: Afin d'éviter tout démarrage accidentel, placer la clé de sécurité à la position « 0 », retirer la batterie et attendre au moins cinq secondes.



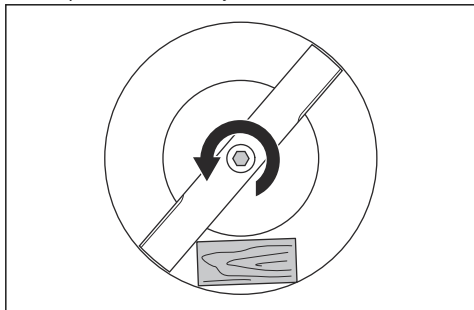
AVERTISSEMENT: Utiliser des gants de protection lors des opérations d'entretien sur l'équipement de coupe. La lame est très affûtée et des coupures peuvent se produire facilement.

1. Examiner l'équipement de coupe pour détecter les éventuels dommages ou fissures. Toujours remplacer les équipements endommagés.
2. Regarder la lame pour voir si elle est endommagée ou émoussée.

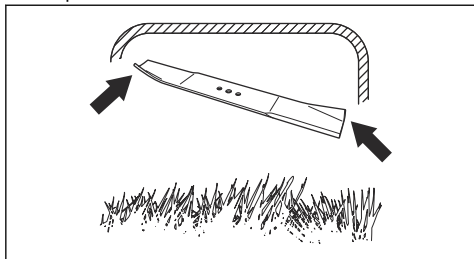
Remarque : Il est nécessaire d'équilibrer la lame après l'avoir affûtée. Demander à un centre d'entretien d'affûter, de remplacer et d'équilibrer la lame. Si on frappe un obstacle qui occasionne l'arrêt du produit, remplacer la lame endommagée. Demander au centre d'entretien d'estimer si la lame peut être affûtée ou si elle doit être remplacée.

Retrait et remplacement de la lame

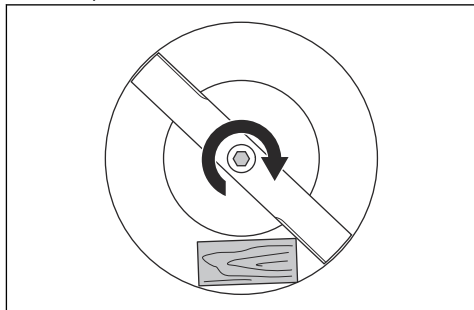
1. Bloquer la lame au moyen d'un bloc de bois.



2. Retirer le boulon de la lame.
3. Retirer la lame.
4. Examiner le support de lame et le boulon de lame pour déceler des dommages.
5. Examiner l'arbre du moteur pour s'assurer qu'il n'est pas plié.
6. Pour monter la lame neuve, orienter les extrémités angulaires de la lame vers le couvercle de l'unité de coupe.



7. S'assurer que la lame est alignée avec le centre de l'arbre du moteur.
8. Bloquer la lame au moyen d'un bloc de bois. Fixer la rondelle élastique et serrer le boulon et la rondelle à un couple entre 23 et 28 Nm.



9. Tirer la lame à la main pour s'assurer qu'elle tourne librement.



AVERTISSEMENT: Porter des gants robustes. La lame est très affûtée et des coupures peuvent se produire facilement.

10. Démarrer l'outil pour effectuer un test de la lame. Si la lame n'est pas correctement fixée, le produit produira des vibrations ou des résultats de coupe insatisfaisants.

Dépannage

Batterie

DEL sur la batterie	Anomalies potentielles	Procédure possible
La DEL verte clignote	La tension de la batterie est faible	Charger la batterie. Voir <i>Pour charger la batterie à la page 56.</i>
La DEL d'erreur clignote	La charge de la batterie est faible.	Charger la batterie. Voir <i>Pour charger la batterie à la page 56.</i>
	La température de l'environnement de travail est trop élevée ou trop basse	Utiliser la batterie à une température comprise entre -10 °C et 40 °C.
	Sur-tension	Vérifier que la tension de secteur correspond à la valeur indiquée sur la plaque signalétique. Retirer la batterie du chargeur de batterie. Attendre cinq secondes et essayer à nouveau de charger la batterie. Si le problème persiste, communiquer avec un agent d'entretien agréé.
La DEL d'erreur est allumée	Différence trop grande entre les éléments (1 V)	Communiquer avec un agent de réparation agréé.

Chargeur de batterie

DEL sur le chargeur de batterie	Anomalies potentielles	Procédure possible
La DEL d'erreur clignote	La température de l'environnement de travail est trop élevée ou trop basse	Utiliser le chargeur de batterie à une température comprise entre 5 °C et 40 °C.
La DEL d'erreur est allumée		Communiquer avec un agent de réparation agréé

Panneau de commande

En cas de problème autre que ceux indiqués dans cette section, consulter son agent d'entretien.

Clavier	Code d'erreur (nombre de clignotements)	Anomalies potentielles	Action possible
Le voyant à DEL d'erreur clignote	3	Le moteur est surchargé	Augmenter la hauteur de coupe Voir <i>Réglage de la hauteur de coupe à la page 56.</i>
	5	La vitesse du moteur diminue trop, et le moteur arrête	
	10	La commande du moteur est trop chaude	Arrêter le moteur et attendre qu'il refroidisse
	2	La lame est bloquée.	Afin d'éviter tout démarrage accidentel, placer la clé de sécurité à la position 0, retirer la batterie et attendre au moins 5 secondes. S'assurer que la lame tourne librement. Si le problème persiste, consulter un agent d'entretien agréé
	9	Erreur de batterie ou aucun signal de la batterie	Placer correctement la batterie dans le produit et vérifier le connecteur de batterie. Si la DEL d'erreur sur la batterie clignote, voir <i>Batterie à la page 56.</i>
Le produit s'arrête	8	La batterie est faible	Charger la batterie. Voir <i>Pour charger la batterie à la page 56.</i>
	0	Défaillance du connecteur de batterie	Examiner le connecteur de batterie

Transport, entreposage et mise au rebut

Introduction

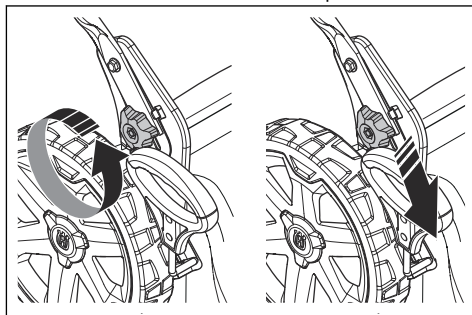


AVERTISSEMENT: Afin d'éviter tout démarrage accidentel pendant le transport, placer la clé de sécurité à la position « 0 », retirer la batterie et attendre au moins cinq secondes.

Pour régler l'outil en position de transport

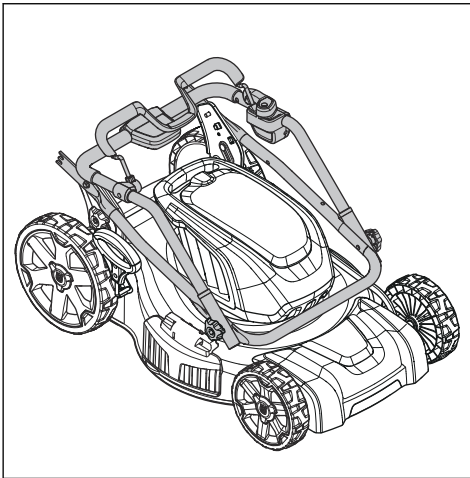
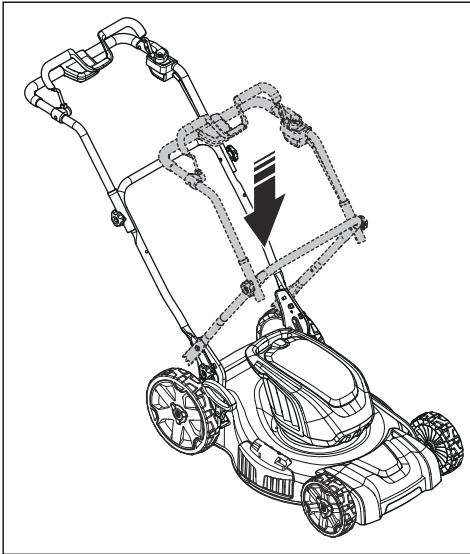
1. Retirer le collecteur d'herbe (si installé).
2. Desserrer les boutons inférieurs.

3. Déplacer les boutons jusqu'à l'extrémité inférieure des rainures sur les deux côtés du produit.



4. Desserrer les boutons supérieurs.

5. Rabattre la poignée.



Transport

- Les exigences de la législation relative aux produits dangereux s'appliquent aux batteries Li-ion.
- Les exigences spéciales relatives au transport commercial pour l'emballage et les étiquettes doivent être respectées.
- Lorsqu'on prépare le produit pour le transport, s'assurer de respecter la réglementation relative aux

produits dangereux. Les réglementations locales peuvent s'appliquer.

- Toujours retirer la batterie pendant le transport.
- Appliquer du ruban adhésif sur les connecteurs de batterie et s'assurer que la batterie ne puisse pas bouger pendant le transport.
- Fixer le produit pendant le transport.

Entreposage

- Toujours retirer la batterie pour l'entreposage.
- Pour éviter tout accident, s'assurer que la batterie n'est pas raccordée au produit pendant l'entreposage.
- Entreposer le chargeur de batterie dans un endroit sec et fermé.
- Garder la batterie et le chargeur de batterie dans un endroit sec où il n'y a pas d'humidité ou de glace.
- Débrancher la batterie du chargeur de batterie pendant la période d'entreposage.
- Ne pas entreposer la batterie dans une zone où l'électricité statique peut se développer. Ne pas entreposer la batterie dans une boîte métallique.
- Entreposer la batterie dans un endroit où la température se situe entre 5°C et 25°C toujours à l'abri de la lumière directe du soleil.
- Entreposer le chargeur de batterie dans un endroit où la température se situe entre 5°C et 45°C toujours à l'abri de la lumière directe du soleil.
- S'assurer que la charge de la batterie est comprise entre 30 et 50 % de sa capacité avant de la remettre pour une longue période.
- Entreposer le produit, la batterie et le chargeur de batterie dans une zone verrouillée hors de portée pour les enfants et les personnes non autorisées.
- Nettoyer le produit et effectuer un entretien complet avant de l'entreposer dans le local de rangement pendant une longue période.

Mise au rebut

Le produit doit être déposé dans un centre de recyclage pour la récupération des équipements électriques et électroniques.

En veillant à ce que ce produit soit traité de façon adéquate, vous contribuez à réduire l'impact négatif potentiel sur l'environnement et les personnes de la mauvaise gestion des déchets. Pour obtenir de plus amples renseignements sur le recyclage de ce produit, communiquez avec votre municipalité, son service de déchets ménagers ou le magasin où vous avez acheté le produit.

Données techniques

Données techniques, LE 121PLE 221R

	LE 121P	LE 221R
Moteur de coupe		
Type de moteur	BLDC (sans balais) 36 V	BLDC (sans balais) 36 V
Régime du moteur – SavE, tr/min	2 600	2 600
Régime du moteur – nominal, tr/min	3 000	3 000
Régime du moteur – charge élevée, tr/min	3 500	3 500
Puissance du moteur – kW max.	1,2	1,2
Puissance du moteur – nominale, kW	0,75	0,75
Limite de surintensité (limite de courant : 900 W-35 A)	35 (+/-) 1 A	35 (+/-) 1 A
Moteur d'entraînement		
Puissance du moteur – nominale, kW	S.O.	0,25
Vitesse de marche automatique, km/h	S.O.	3,0 à 4,5
Niveaux de réglage de la vitesse	S.O.	4
Poids		
Poids sans batterie, kg	23,5	30,6
Batterie ⁹		
Type de batterie	Husqvarna Série de la batterie	Husqvarna Série de la batterie
Autonomie de la batterie		
Autonomie de la batterie, min (fonctionnement libre), fonction SavE activée, avec une Husqvarna batterie de 5,2 Ah (BLi200).	43	43
Autonomie de la batterie, min (fonctionnement libre), mode standard activé, avec une Husqvarna batterie de 5,2 Ah (BLi200).	30	30
Émissions sonores ¹⁰		
Niveau de puissance sonore, mesuré en dB(A)	89	89
Niveau de puissance acoustique garanti L _{WA} dB(A)	91	91
Niveaux sonores ¹¹		
Niveau de pression sonore au niveau de l'oreille de l'utilisateur, en dB(A)	77	77

⁹ Pour obtenir un fonctionnement et des résultats optimaux, la batterie Husqvarna BLi200 est recommandée.

¹⁰ Émission du bruit dans l'environnement mesurée en tant que puissance acoustique (L_{WA}) conforme à la directive européenne 2000/14/EC.

¹¹ Les données signalées pour le niveau de pression sonore présentent une dispersion statistique type (écart type) de 1,2 dB(A).

	LE 121P	LE 221R
Niveaux de vibrations ¹²		
Poignée, m/s ²	0,45 à 0,52	0,45 à 0,52
Coupe		
Hauteur de coupe, mm	20 à 75 mm	20 à 75 mm
Largeur de coupe, cm	51	51
Lame	Collecteur 592 87 04-01 Broyage 592 po 87 06 04-01	Collecteur 592 87 04-01 Broyage 592 po 87 06 04-01
Capacité du sac, litres	65	65

Batteries approuvées	Type	Capacité de la batterie, Ah	Tension, V	Poids, lb/kg
BLi20	Lithium-ion	4,0	36	2,6/1,2
BLi150	Lithium-ion	4,2	36	2,8/1,3
BLi200	Lithium-ion	5,2	36	2,8/1,3

Chargeurs homologués pour les batteries indiquées, BLi	Tension d'entrée, V	Fréquence, Hz	Puissance, W
QC80	100 à 240	50 à 60	100
QC330	100 à 240	50 à 60	330

Distributeur

Husqvarna Professional Products, Inc.

Charlotte, NC 28269 ÉTATS-UNIS

Soutien/aide

Si vous avez besoin d'aide ou si vous avez des questions concernant l'utilisation, le fonctionnement, l'entretien ou les pièces pour votre produit :

- Rendez-vous sur notre site web à l'adresse : www.husqvarna.com
- Appelez nous sans frais : 1 800-487-5951

¹² Les données signalées pour le niveau de vibration présentent une dispersion statistique type (écart standard) de 0,2 m/s². Norme en matière de vibration EN 60335-2-77:2017 chapitre 20.105



www.husqvarna.com

Original instructions
Instrucciones originales
Instructions d'origine

1159709-49



2019-11-04