

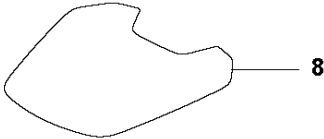
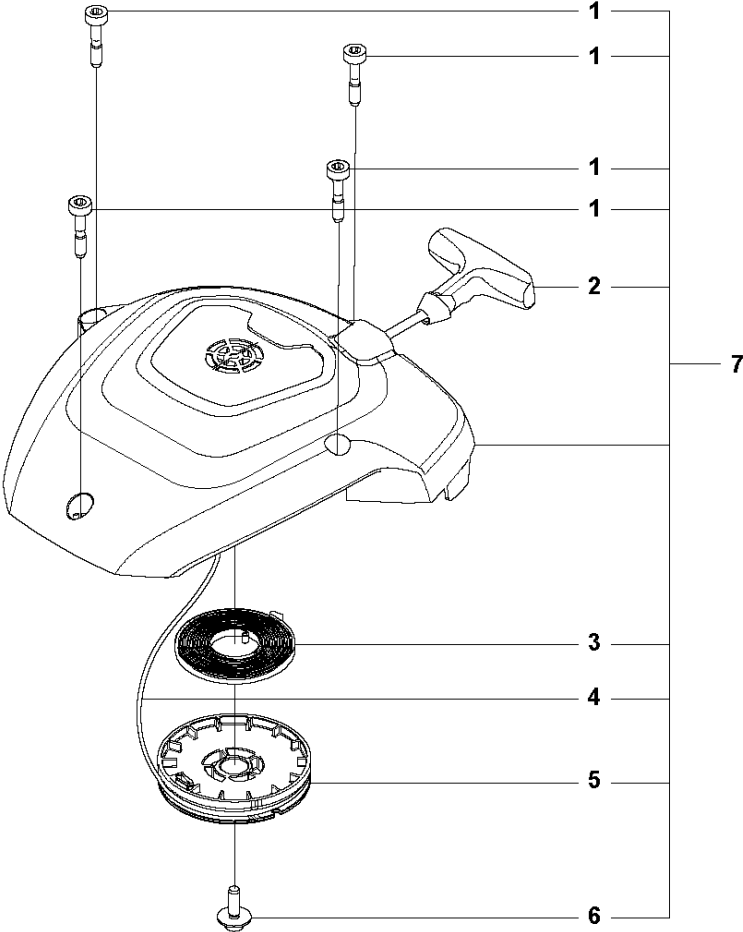


SPARE PARTS LIST

HEDGE TRIMMERS/POLE HEDGE
TRIMMERS

522 HDR60 S, 522 HDR75 S

A 522HDR60S, 522HDR75S
STARTER

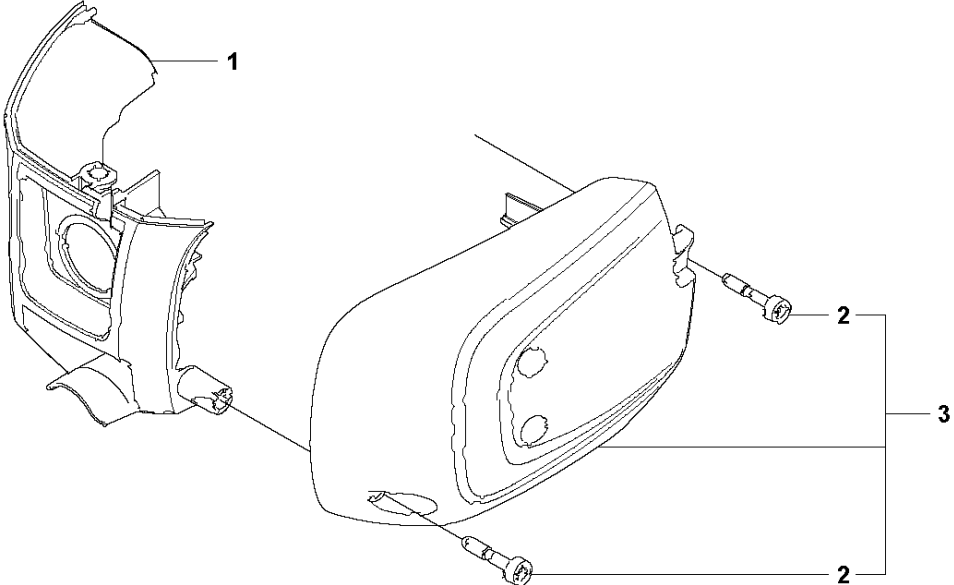


STARTER

522 HDR60 S, 522 HDR75 S

| Ref | Part No | Description | Remark | QTY | KIT |
|-----|--------------|----------------|-----------|-----|-----|
| 1 | 504 08 80-01 | SCREW ITXSCM | | 4 | 7 |
| 2 | 575 48 95-01 | STARTER HANDLE | | 1 | 7 |
| 3 | 575 89 64-01 | SPRING | | 1 | 7 |
| 4 | 574 28 69-02 | STARTER CORD | | 1 | 7 |
| 5 | 590 04 90-01 | STARTER PULLEY | | 1 | 7 |
| 6 | 577 22 61-02 | SCREW ITXSCT | | 1 | 7 |
| 7 | 597 02 89-01 | STARTER ASSY | | 1 | |
| 8 | 593 88 89-02 | LABEL | 522HDR60S | 1 | |
| 8 | 593 88 89-04 | LABEL | 522HDR75S | 1 | |

B 522HDR60S, 522HDR75S
CYLINDER COVER

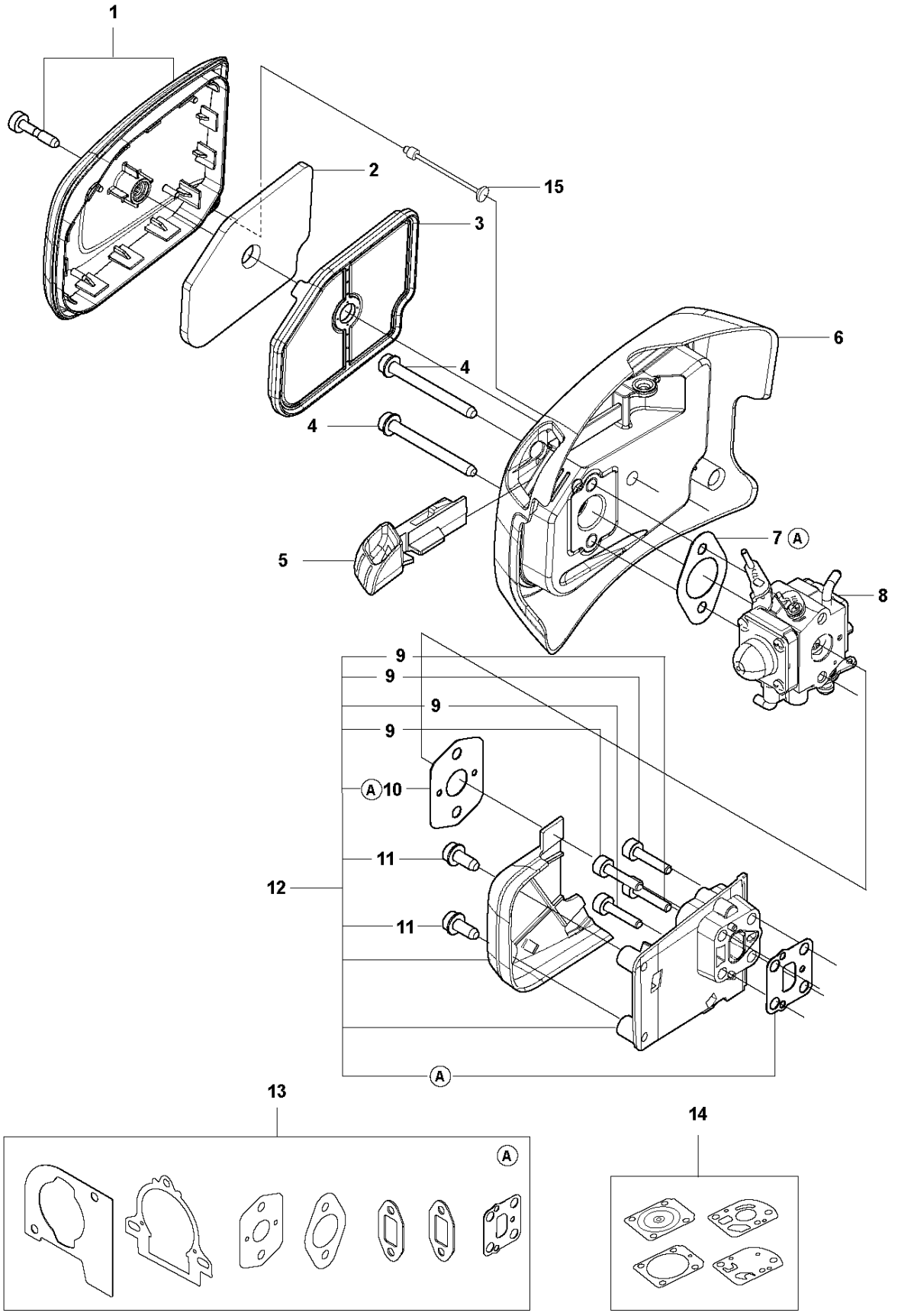


CYLINDER COVER

522 HDR60 S, 522 HDR75 S

| Ref | Part No | Description | Remark | QTY | KIT |
|-----|--------------|----------------|--------|-----|-----|
| 1 | 590 04 99-01 | CYLINDER COVER | | 1 | |
| 2 | 504 08 80-01 | SCREW ITXSCM | | 2 | 3 |
| 3 | 597 02 06-01 | HEAT PROTECTOR | | 1 | |

C 522HDR60S, 522HDR75S
CARBURETOR & AIRFILTER

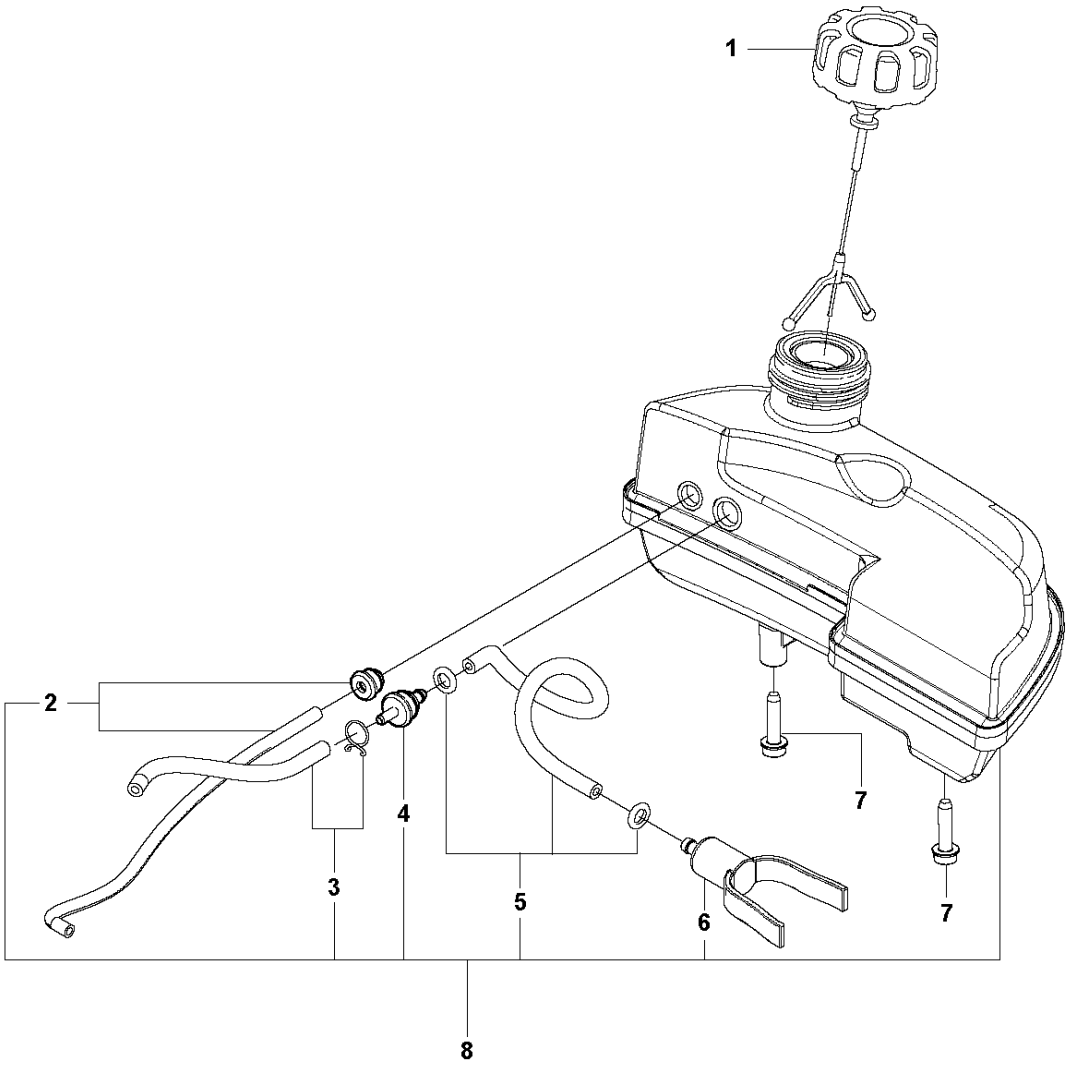


CARBURETOR & AIR FILTER

522 HDR60 S, 522 HDR75 S

| Ref | Part No | Description | Remark | QTY | KIT |
|-----|--------------|--------------------|-------------|-----|--------|
| 1 | 597 02 91-01 | FILTER COVER | | 1 | |
| 2 | 590 04 79-01 | FILTER | | 1 | |
| 3 | 590 04 07-01 | FILTER | | 1 | |
| 4 | 573 92 58-02 | SCREW ITXSCFT | | 2 | |
| 5 | 590 04 16-01 | CHOKE | | 1 | |
| 6 | 590 03 95-01 | FILTER HOLDER ASSY | | 1 | |
| 7 | 577 88 24-02 | GASKET | | 1 | 13 |
| 8 | 596 65 83-01 | CARBURETTOR | | 1 | |
| 9 | 525 76 09-04 | SCREW ITXSCM | | 4 | 12 |
| 10 | 525 54 85-01 | GASKET | | 1 | 12, 13 |
| 11 | 573 92 58-05 | SCREW ITXSCFT | | 2 | 12 |
| 12 | 597 02 90-01 | MANIFOLD | | 1 | |
| 13 | 597 02 10-01 | GASKET KIT | | 1 | |
| 14 | 588 98 60-01 | CARBURETTOR KIT | CARBURETTOR | 1 | |
| 15 | 590 74 01-01 | SNAP LOCKING | | 1 | |

D 522HDR60S, 522HDR75S
FUEL TANK

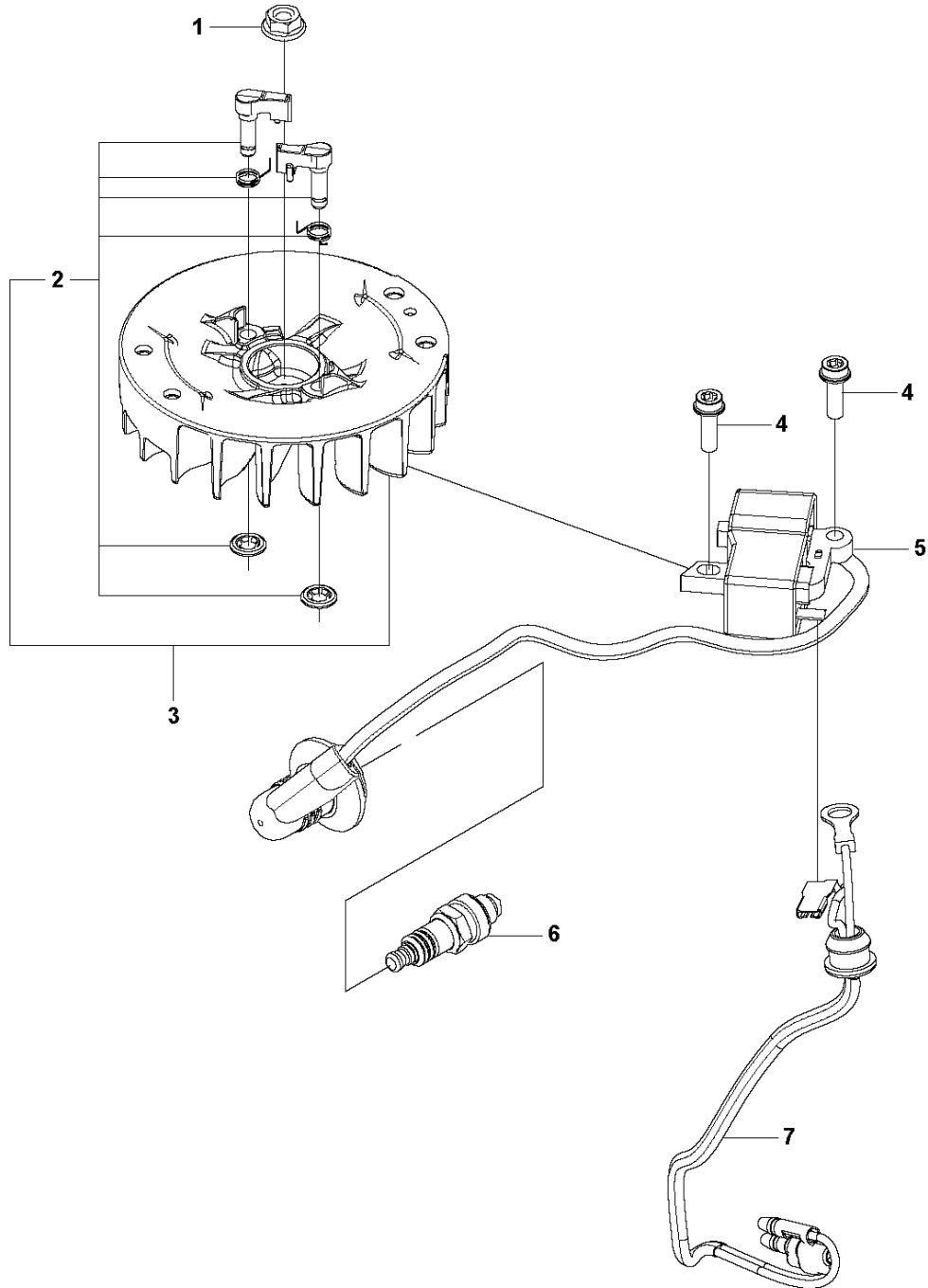


FUEL TANK

522 HDR60 S, 522 HDR75 S

| Ref | Part No | Description | Remark | QTY | KIT |
|-----|--------------|---------------|--------|-----|-----|
| 1 | 504 11 32-01 | TANK CAP | | 1 | |
| 2 | 597 02 12-01 | HOSE KIT | | 1 | 8 |
| 3 | 597 02 13-01 | HOSE KIT | | 1 | 8 |
| 3 | 597 02 13-02 | HOSE KIT | | 1 | 8 |
| 4 | 578 29 56-01 | HOSE NIPPLE | | 1 | 8 |
| 5 | 597 02 14-01 | HOSE KIT | | 1 | 8 |
| 6 | 574 60 39-01 | FUEL FILTER | | 1 | 8 |
| 7 | 521 51 81-01 | SCREW | | 2 | |
| 8 | 597 02 15-01 | FUEL TANK KIT | | 1 | |

E 522HDR60S, 522HDR75S
IGNITION SYSTEM



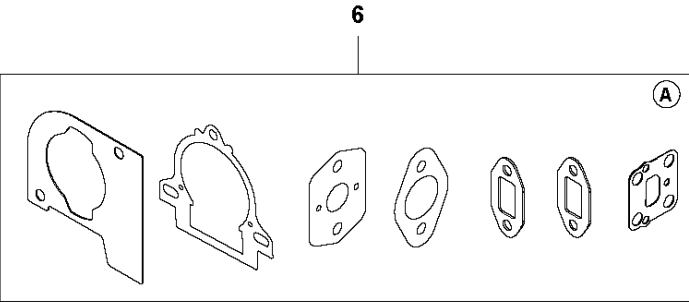
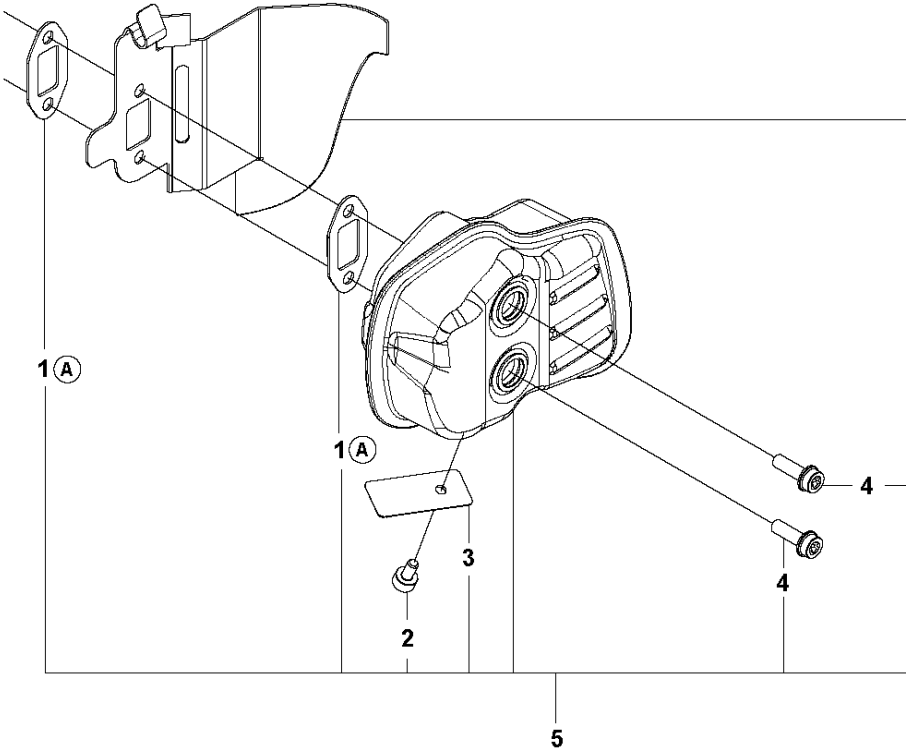
IGNITION SYSTEM

522 HDR60 S, 522 HDR75 S

| Ref | Part No | Description | Remark | QTY | KIT |
|-----|--------------|---------------------|--------|-----|-----|
| 1 | 731 71 16-51 | HEXAGON NUT FLANGE | | 1 | |
| 2 | 597 02 93-01 | SCREW KIT | | 1 | 3 |
| 3 | 525 73 95-01 | FLYWHEEL ASSY | | 1 | |
| 4 | 525 75 51-01 | SCREW ITXSCFM | | 2 | |
| 5 | 585 07 40-02 | IGNITION MODULE | | 1 | |
| 6 | 503 23 54-01 | SPARK PLUG | | 1 | |
| 7 | 574 48 89-04 | SHORT CIRCUIT CABLE | | 1 | |

F 522HDR60S, 522HDR75S

MUFFLER

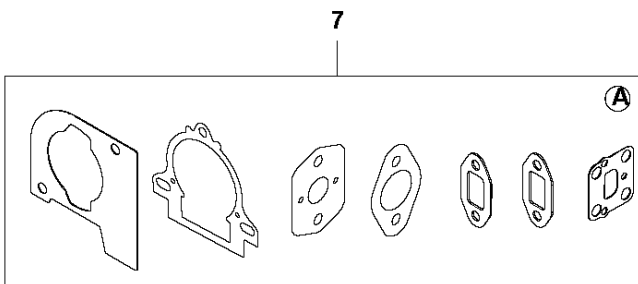
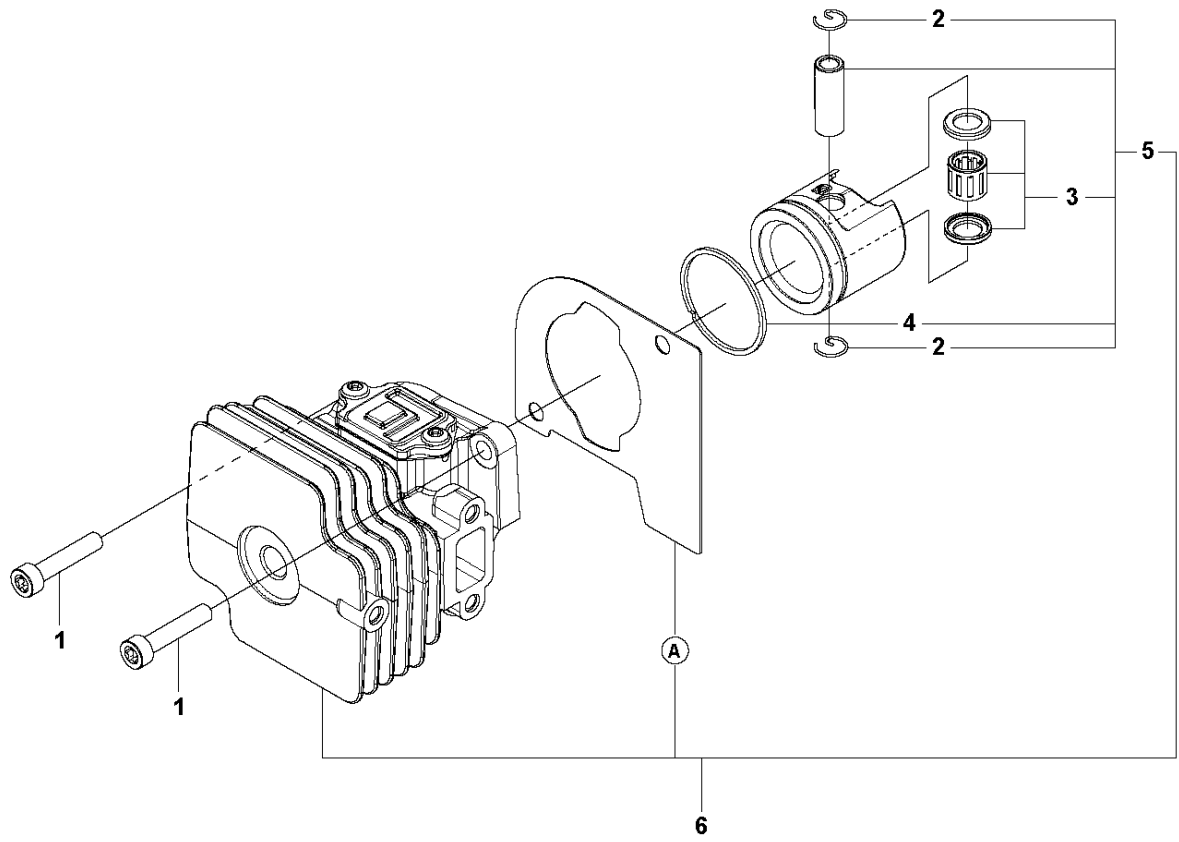


MUFFLER

522 HDR60 S, 522 HDR75 S

| Ref | Part No | Description | Remark | QTY | KIT |
|-----|--------------|----------------|--------|-----|------|
| 1 | 522 99 73-01 | GASKET | | 2 | 5, 6 |
| 2 | 504 08 79-01 | SCREW ITXSCM | | 1 | 5 |
| 3 | 525 74 16-01 | SPARK ARRESTER | | 1 | 5 |
| 4 | 525 75 51-01 | SCREW ITXSCFM | | 2 | 5 |
| 5 | 593 87 64-01 | MUFFLER ASSY | | 1 | |
| 6 | 597 02 10-01 | GASKET KIT | | 1 | |

G 522HDR60S, 522HDR75S
CYLINDER & PISTON

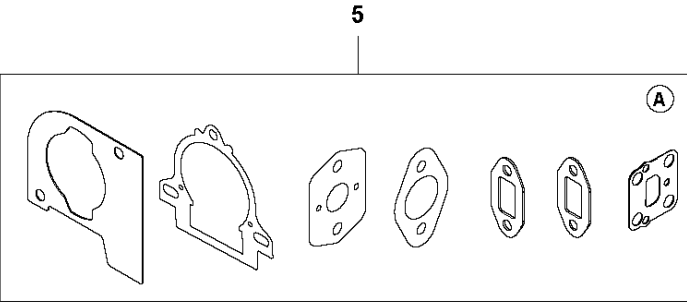
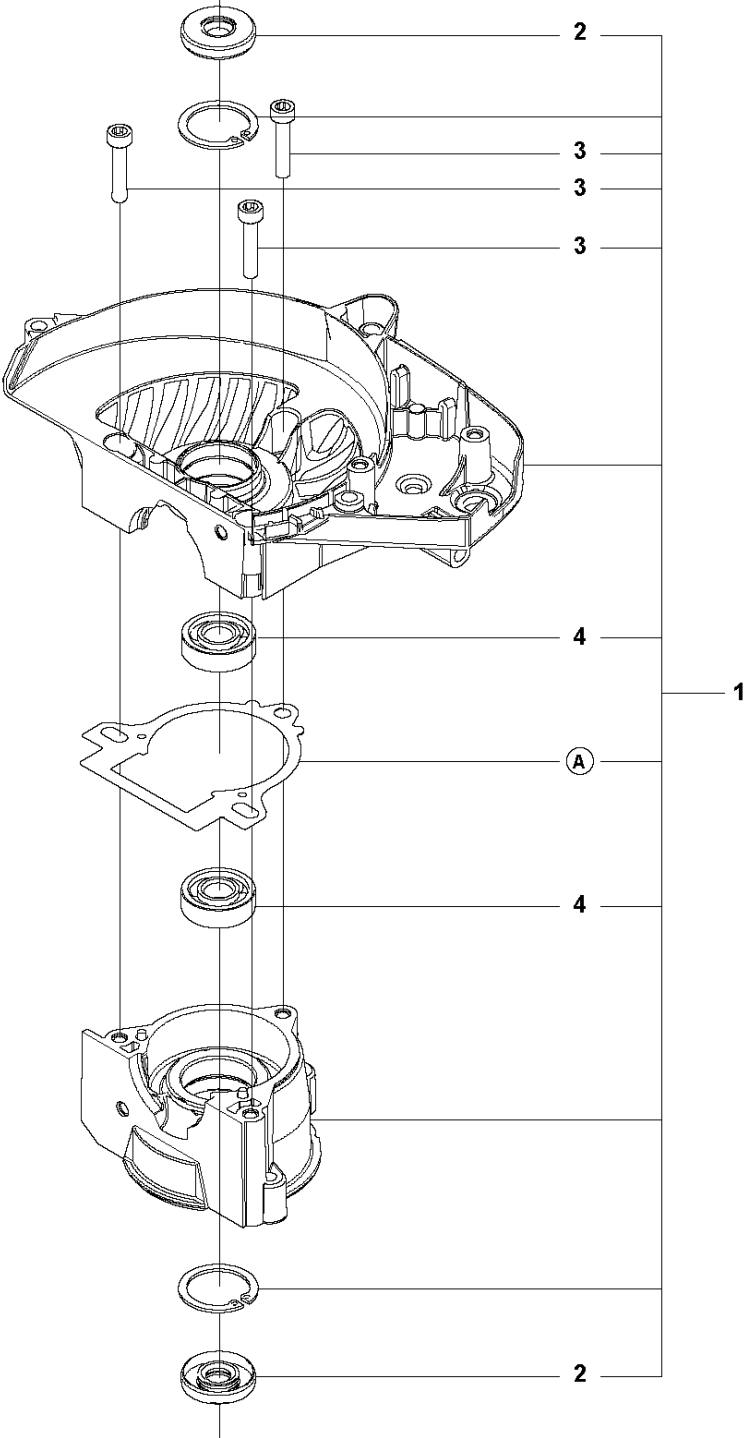


CYLINDER PISTON

522 HDR60 S, 522 HDR75 S

| Ref | Part No | Description | Remark | QTY | KIT |
|-----|--------------|---------------|--------|-----|------|
| 1 | 525 82 50-01 | SCREW ITXSCM | | 2 | |
| 2 | 737 44 08-00 | CIRCLIP | | 2 | 5, 6 |
| 3 | 597 29 22-01 | BEARING KIT | | 1 | 5, 6 |
| 4 | 505 15 58-02 | PISTON RING | | 1 | 5, 6 |
| 5 | 510 22 36-04 | PISTON ASSY | | 1 | 6 |
| 6 | 597 02 44-01 | CYLINDER ASSY | | 1 | |
| 7 | 597 02 10-01 | GASKET KIT | | 1 | |

H 522HDR60S, 522HDR75S
CRANKCASE

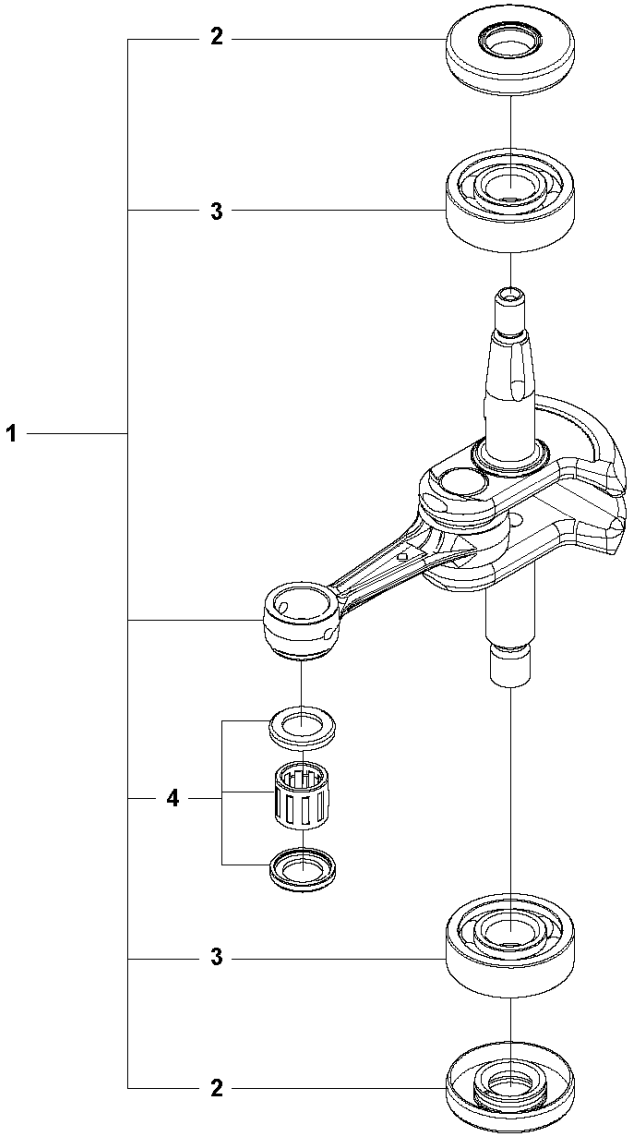


CRANKCASE

522 HDR60 S, 522 HDR75 S

| Ref | Part No | Description | Remark | QTY KIT | |
|-----|--------------|----------------|--------|---------|---|
| 1 | 597 02 36-01 | CRANKCASE ASSY | | 1 | |
| 2 | 525 63 73-01 | SEALING RING | | 2 | 1 |
| 3 | 525 82 50-01 | SCREW ITXSCM | | 3 | 1 |
| 4 | 525 72 84-01 | BALL BEARING | | 2 | 1 |
| 5 | 597 02 10-01 | GASKET KIT | | 1 | |

**522HDR60S, 522HDR75S
CRANK SHAFT**

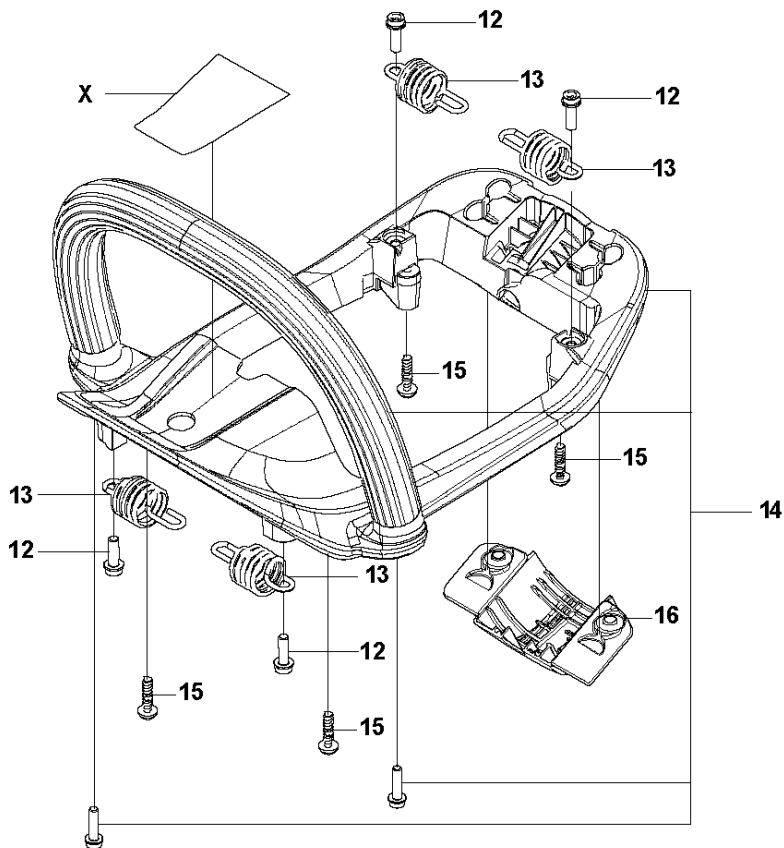
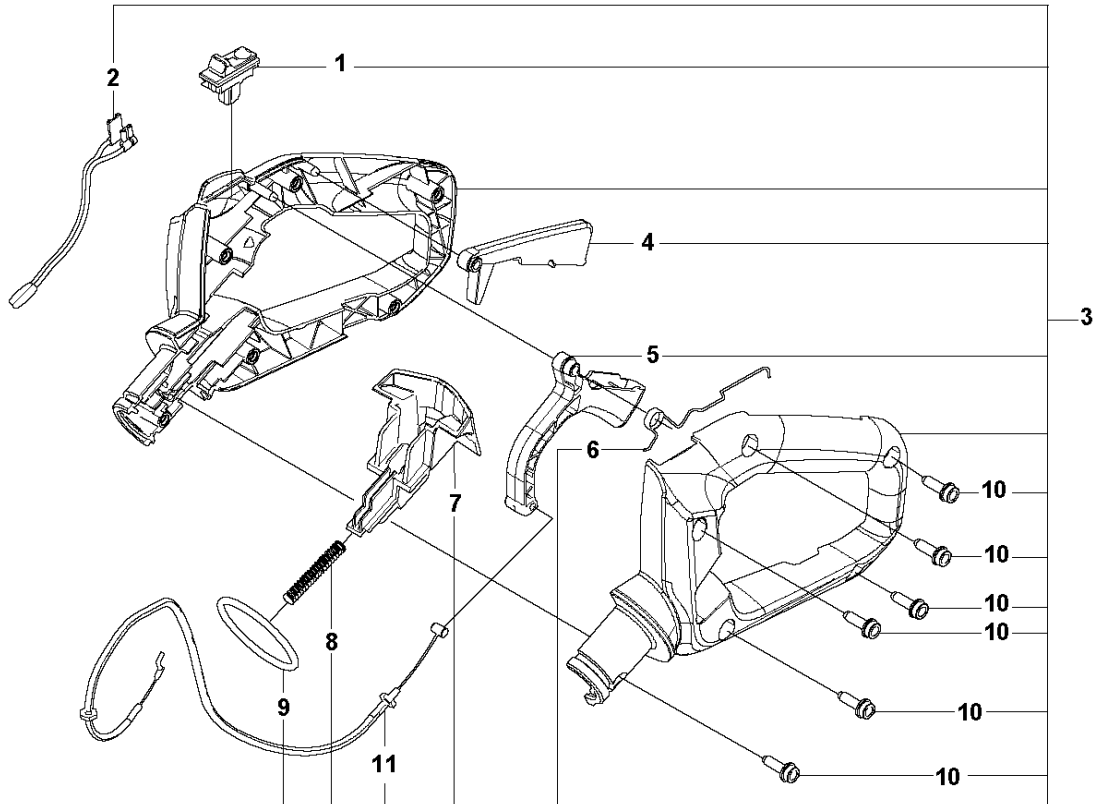


CRANKSHAFT

522 HDR60 S, 522 HDR75 S

| Ref | Part No | Description | Remark | QTY KIT | |
|-----|--------------|----------------|--------|---------|---|
| 1 | 577 67 00-02 | CRANKSHAFT KIT | | 1 | |
| 2 | 525 63 73-01 | SEALING RING | | 2 | 1 |
| 3 | 525 72 84-01 | BALL BEARING | | 2 | 1 |
| 4 | 597 29 22-01 | BEARING KIT | | 1 | 1 |

J 522HDR60S, 522HDR75S
HANDLE

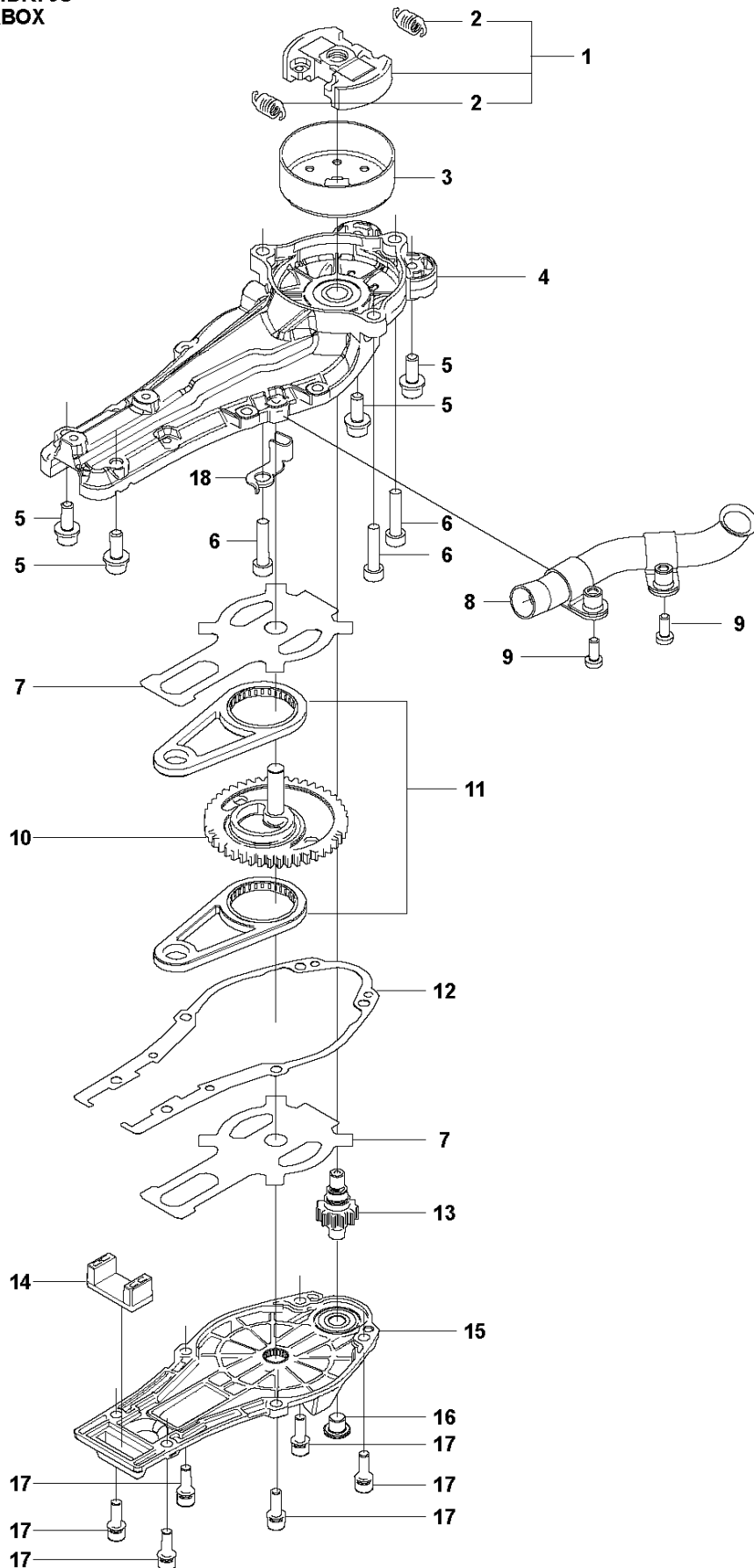


HANDLE & CONTROLS

522 HDR60 S, 522 HDR75 S

| Ref | Part No | Description | Remark | QTY | KIT |
|-----|--------------|---------------------|--------|-----|-----|
| 1 | 537 41 90-01 | SWITCH | | 1 | 3 |
| 2 | 574 48 88-06 | SHORT CIRCUIT CABLE | | 1 | 3 |
| 3 | 597 02 40-01 | REAR HANDLE | | 1 | |
| 4 | 580 27 68-01 | THROTTLE LOCKOUT | | 1 | 3 |
| 5 | 590 05 76-01 | THROTTLE CONTROL | | 1 | 3 |
| 6 | 590 68 66-01 | SPRING | | 1 | 3 |
| 7 | 590 05 77-01 | LOCKING BUTTON | | 1 | 3 |
| 8 | 504 08 98-02 | RECOIL SPRING | | 1 | 3 |
| 9 | 575 23 20-02 | O-RING | | 1 | 3 |
| 10 | 573 92 58-01 | SCREW ITXSCFT | | 6 | 3 |
| 11 | 575 57 21-02 | THROTTLE CABLE ASSY | | 1 | 3 |
| 12 | 525 75 51-01 | SCREW ITXSCFM | | 4 | |
| 13 | 590 64 77-01 | SPRING | | 4 | |
| 14 | 597 02 41-01 | FRONT HANDLE ASSY | | 1 | |
| 15 | 521 51 81-01 | SCREW | | 4 | |
| 16 | 591 15 69-01 | PROTECTION | | 1 | |

K 522HDR60S, 522HDR75S
CLUTCH & GEARBOX

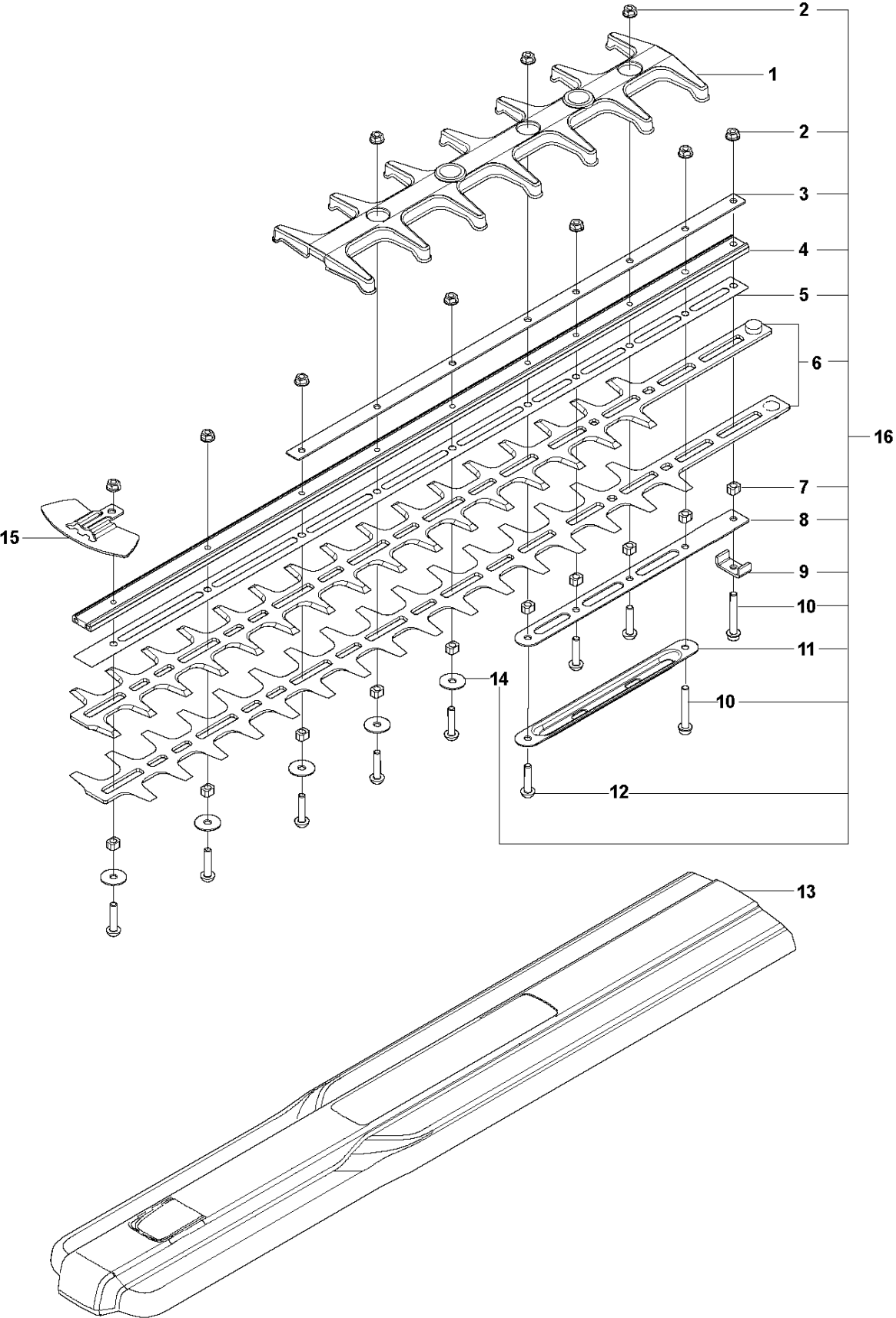


GEAR HOUSING

522 HDR60 S, 522 HDR75 S

| Ref | Part No | Description | Remark | QTY | KIT |
|-----|--------------|-------------------|--------|-----|-----|
| 1 | 582 19 31-01 | CLUTCH ASSY | | 1 | |
| 2 | 590 81 96-01 | CLUTCH SPRING | | 2 | 1 |
| 3 | 590 53 64-02 | CLUTCH DRUM | | 1 | |
| 4 | 597 37 17-01 | GEAR HOUSING ASSY | | 1 | |
| 5 | 576 59 08-01 | BOLT | | 4 | |
| 6 | 544 21 84-03 | SCREW ITXSCM | | 3 | |
| 7 | 590 53 69-01 | PLATE | | 2 | |
| 8 | 591 04 69-01 | EXHAUST PIPE ASSY | | 1 | |
| 9 | 525 75 51-01 | SCREW ITXSCFM | | 2 | |
| 10 | 593 65 14-01 | GEAR | | 1 | |
| 11 | 597 02 17-01 | ROD | | 1 | |
| 12 | 590 53 77-01 | GASKET | | 1 | |
| 13 | 590 53 66-01 | GEAR | | 1 | |
| 14 | 590 53 71-01 | SEALING | | 1 | |
| 15 | 597 37 18-01 | GEAR HOUSING ASSY | | 1 | |
| 16 | 590 64 94-01 | SCREW PLUG | | 1 | |
| 17 | 575 70 10-01 | SCREW | | 6 | |
| 18 | 593 82 11-01 | WIRE HOLDER | | 1 | |

L 522HDR60S, 522HDR75S
CUTTING EQUIPMENT

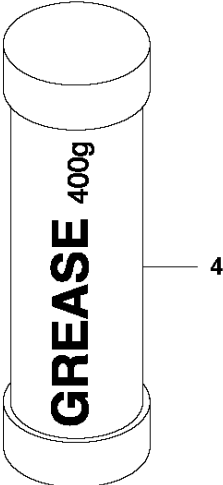
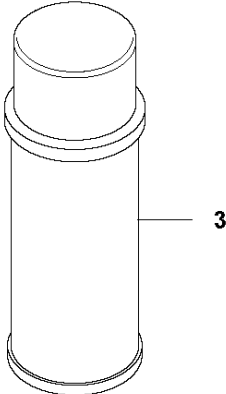
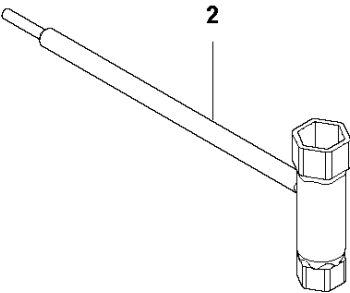
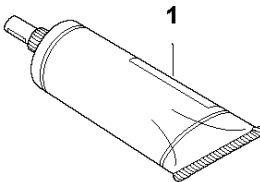


CUTTING EQUIPMENT

522 HDR60 S, 522 HDR75 S

| Ref | Part No | Description | Remark | QTY | KIT |
|-----|--------------|------------------|-----------|-----|-----|
| 1 | 598 77 60-01 | PROTECTOR BAR | | 1 | |
| 2 | 592 75 13-01 | NUT | 522HDR60S | 10 | 16 |
| 2 | 592 75 13-01 | NUT | 522HDR75S | 12 | 16 |
| 3 | 592 84 87-01 | BAR PLATE | | 1 | 16 |
| 4 | 590 32 71-01 | GUIDE BAR | 522HDR60S | 1 | 16 |
| 4 | 590 32 71-02 | GUIDE BAR | 522HDR75S | 1 | 16 |
| 5 | 590 32 75-01 | WEAR PLATE | 522HDR60S | 1 | 16 |
| 5 | 590 32 76-01 | WEAR PLATE | 522HDR75S | 1 | 16 |
| 6 | 597 02 19-01 | BLADE KIT | 522HDR60S | 1 | 16 |
| 6 | 597 02 21-01 | BLADE KIT | 522HDR75S | 1 | 16 |
| 7 | 592 65 43-01 | SPACER | 522HDR60S | 10 | 16 |
| 7 | 592 65 43-01 | SPACER | 522HDR75S | 12 | 16 |
| 8 | 590 32 82-01 | BAR PLATE | 522HDR60S | 1 | 16 |
| 8 | 590 32 83-01 | BAR PLATE | 522HDR75S | 1 | 16 |
| 9 | 590 33 93-01 | BRACKET | | 1 | 16 |
| 10 | 525 75 51-09 | SCREW ITXSCFM | | 2 | 16 |
| 11 | 592 88 94-01 | BAR PLATE | | 1 | 16 |
| 12 | 592 73 25-01 | SCREW | 522HDR60S | 8 | 16 |
| 12 | 592 73 25-01 | SCREW | 522HDR75S | 10 | 16 |
| 13 | 590 65 14-01 | TRANSPORT GUARD | 522HDR60S | 1 | |
| 13 | 590 65 14-03 | TRANSPORT GUARD | 522HDR75S | 1 | |
| 14 | 592 73 81-01 | WASHER | | 5 | 16 |
| 15 | 590 71 26-01 | PROTECTION | | 1 | |
| 16 | 597 25 43-02 | CUTTING DECK KIT | 522HDR60S | 1 | |
| 16 | 597 25 43-03 | CUTTING DECK KIT | 522HDR75S | 1 | |

M 522HDR60S, 522HDR75S
ACCESSORIES



ACCESSORIES

522 HDR60 S, 522 HDR75 S

| Ref | Part No | Description | Remark | QTY KIT |
|-----|--------------|--------------------|--------|---------|
| 1 | 587 29 99-01 | GREASE | | 1 |
| 2 | 575 73 82-01 | COMBINATION WRENCH | | 1 |
| 3 | 544 14 21-01 | GREASE | UL21 | 1 |
| 4 | 588 81 48-01 | GREASE | | 1 |