



Husqvarna®

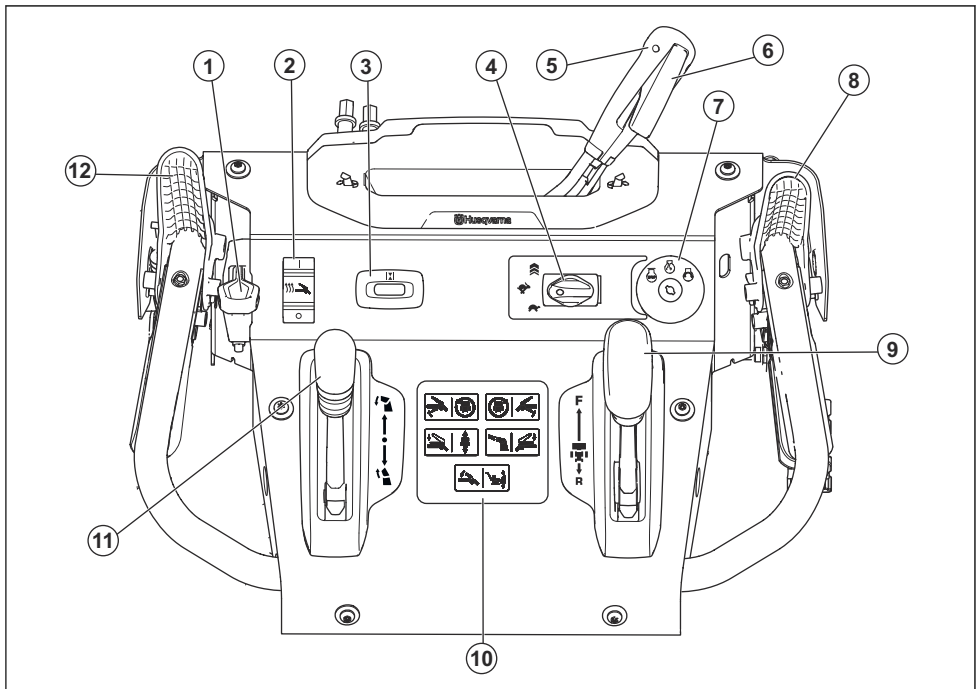


ST 424, ST 427, ST 430, ST 424T, ST 427T,
ST 430T

EN	Operator's manual	2-30
DE	Bedienungsanweisung	31-63
FR	Manuel d'utilisation	64-96
ES	Manual de usuario	97-129
IT	Manuale dell'operatore	130-162
NL	Gebruiksaanwijzing	163-193

1. Fuel tank cap
2. Muffler
3. Oil fill/dipstick (for ST 424T/427T/430T only)
4. Battery cover
5. Discharge chute lever
6. Auger engagement
7. Drive speed lever
8. Control panel
9. Remote control lever
10. Drive engagement
11. Steering triggers
12. Handle knobs
13. Wheel (for ST 424/427/430 only)
14. Dipstick (for ST 424/427/430 only)
15. Oil fill (for ST 424/427/430 only)
16. Oil drain
17. Starter rope handle
18. Fuel ON/OFF switch (for ST 424/427/430 only)
19. Primer (for ST 424/427/430 only)
20. Continuous track (for ST 424T/427T/430T only)
21. Auger bucket
22. Skid plate
23. Augers
24. Tool for cleaning
25. Discharge chute
26. Discharge chute deflector
27. LED light

Product overview



1. Adjustment lever for the auger bucket
2. ON/OFF switch for the heated grip
3. Hour meter and oil change reminder
4. Throttle
5. Discharge chute lever
6. Release lever
7. Ignition slot
8. Auger engagement
9. Drive speed lever
10. Symbols label
11. Remote control lever for the discharge chute deflector
12. Drive engagement

Product description

The product is a snow thrower that is used to remove snow from the ground.

Intended use

This product can be used to remove snow from fields, roads, walkways and driveways. Do not use it on slopes that are greater than 20°. Do not use the product in areas where there is much debris, dirt and protruding stones.

Symbols on the product

Note: If the decals on the product are damaged, contact the distributor to replace them.



Warning.



Read the operator's manual.



Power on.



Start the engine.



Engine off.



Boost.



Fast.



Slow.



Oil change reminder.



Heated handles.



Remove key before maintenance.



Hot surface.



Risk of fire.



Beware of thrown objects.



Keep bystanders away.



Do not breathe in exhaust fumes.



Move slowly rearward.



Risk of falling.



Turn left.



Turn right.



Throw snow.



Change auger bucket height.

Product liability

As referred to in the product liability laws, we are not liable for damages that our product causes if:

- the product is incorrectly repaired.
- the product is repaired with parts that are not from the manufacturer or not approved by the manufacturer.
- the product has an accessory that is not from the manufacturer or not approved by the manufacturer.
- the product is not repaired at an approved service center or by an approved authority.

Safety

Safety definitions

The definitions below give the level of severity for each signal word.



WARNING: Injury to persons.



CAUTION: Damage to the product.

Note: This information makes the product easier to use.

General safety instructions

- Use the product correctly. Injury or death is a possible result of incorrect use. Only use the product for the tasks found in this manual. Do not use the product for other tasks.
- Obey the instructions in this manual. Obey the safety symbols and the safety instructions. If the operator does not obey the instructions and the symbols, injury, damage or death is a possible result.
- Do not discard this manual. Use the instructions to assemble, to operate and to keep your product in good condition. Use the instructions for correct installation of attachments and accessories. Only use approved attachments and accessories.
- Do not use a damaged product. Obey the maintenance schedule. Only do the maintenance work that you find an instruction about in this manual. An approved service center must do all other maintenance work.
- This manual cannot include all situations that can occur when you use the product. Be careful and use your common sense. Do not operate the product or do maintenance to the product if you are not sure about the situation. Speak to a product expert, your dealer, service agent or approved service center for information.
- Disconnect the spark plug cable before you assemble the product, put the product into storage or do maintenance.
- Do not use the product if it is changed from its initial specification. Do not change a part of the product without approval from the manufacturer. Only use parts that are approved by the manufacturer. Injury or death is a possible result of incorrect maintenance.
- Do not breathe in the fumes from the engine. Long term inhalation of the engine's exhaust fumes is a health risk.
- Do not start the product indoors or near flammable material. The exhaust fumes are hot and can contain a spark which can start a fire. Not sufficient airflow can cause injury or death because of asphyxiation or carbon monoxide.
- When you use this product the engine makes an electromagnetic field. The electromagnetic field can cause damage to medical implants. Speak to your physician and medical implant manufacturer before you operate the product.
- Do not let a child operate the product. Do not let a person, without knowledge of the instructions operate the product.
- Make sure that you always monitor a person, with decreased physical capacity or mental capacity, that uses the product. A responsible adult must be there at all times.
- Lock the product in an area that children and unapproved persons cannot access.
- The product can eject objects and cause injuries. Obey the safety instructions to decrease the risk of injury or death.
- Do not go away from the product when the engine is on.
- The operator of the product is responsible if an accident occurs.
- Before and while you walk rearward, look behind and down for small children, animals or other risks that can cause you to fall.
- Make sure that parts are not damaged before you use the product.
- Make sure that you are at a minimum 15 m (50 ft) away from other persons or animals before you use the product. Make sure that a person in adjacent area knows that you will use the product.
- Refer to national or local laws. They can prevent or decrease the operation of the product in some conditions.

Safety instructions for operation

- Do not put hands or feet near or under rotating parts. Keep clear of the discharge opening at all times.
- Exercise extreme caution when operating on or crossing gravel drives, walks, or roads. Stay alert for hidden hazards or traffic.
- After striking a foreign object, stop the engine (motor), remove the wire from the spark plug, disconnect the cord on electric motors, thoroughly inspect the product for any damage, and repair the damage before restarting and operating the product.
- If the product starts to vibrate abnormally, stop the engine (motor) and check immediately for the cause. Vibration is generally a warning of trouble.
- Stop the engine (motor) whenever you leave the operating position, before unclogging the auger housing or chute deflector, and when making any repairs, adjustments or inspections.

- When cleaning, repairing or inspecting the product, stop the engine and make certain the augers and all moving parts have stopped. Disconnect the spark plug wire and keep the wire away from the plug to prevent someone from accidentally starting the engine.
- Do not run the engine indoors, except when starting the engine and for transporting the product in or out of the building. Open the outside doors; exhaust fumes are dangerous.
- Exercise extreme caution when operating on slopes.
- Never operate the product without proper guards, and other safety protective devices in place and working.
- Never direct the chute deflector toward people or areas where property damage can occur. Keep children and others away.
- Do not overload the product capacity by attempting to clear snow at too fast a rate.
- Never operate the product at high transport speeds on slippery surfaces. Look behind and use care when operating in reverse.
- Disengage power to the augers when the product is transported or not in use.
- Use only attachments and accessories approved by the manufacturer of the product (such as wheel weights, counterweights, or cabs).
- Never operate the product without good visibility or light. Always be sure of your footing, and keep a firm hold on the handles. Walk; never run.
- Never touch a hot engine or muffler.
- Keep the nozzle in contact with the rim of the fuel tank or container opening at all times, until refueling is complete. Do not use a nozzle lock-open device.
- Replace gasoline cap securely and wipe up spilled fuel.
- If fuel is spilled on clothing, change clothing immediately.
- Use extension cords and receptacles as specified by the manufacturer for all units with electric drive motors or electric starting motors.
- Adjust the auger housing height to clear gravel or crushed rock surface.
- Never attempt to make any adjustments while the engine (motor) is running (except when specifically recommended by the manufacturer).
- Always wear safety glasses or eye shields during operation or while performing an adjustment or repair to protect eyes from foreign objects that may be thrown from the machine.

Personal protective equipment

Always use the correct personal protective equipment when you operate the product. This includes, at minimum, sturdy footwear, eye protection and hearing protection. Personal protective equipment does not erase the risk of injury but may decrease the grade of injury if an accident occurs.

- Always wear safety glasses or eye protection while you operate the product or do maintenance or repairs.
- Always wear appropriate winter garments when you operate the product.
- Always use heavy-duty slip-resistant boots with good ankle support while you operate the product.
- Do not wear loose fitting clothing that can get caught in moving parts.
- Use approved protective gloves, if necessary. For example, when attaching, examining or cleaning the blade.
- Always use approved ear protection while you operate the product. Noise for a long period can cause noise-induced hearing loss.

Safety devices on the product

- Make sure that you regularly do the maintenance to the product.
 - The life of the product increases.
 - The risk of accidents decreases.

Let an approved dealer or an approved service center regularly examine the product to do adjustments or repairs.

- Do not use a product with damaged protective equipment. If the product is damaged, speak to an approved service center.

Work area safety

- Thoroughly inspect the area where the equipment is to be used and remove all doormats, sleds, boards, wires, and other foreign objects.
- Disengage all clutches and shift into neutral before starting the engine (motor).
- Do not operate the product without wearing adequate winter garments. Avoid loose fitting clothing that can get caught in moving parts. Wear footwear that will improve footing on slippery surfaces.
- Handle fuel with care; it is highly flammable.
 - Use an approved fuel container.
 - Never add fuel to a running engine or hot engine.
 - Fill fuel tank outdoors with extreme care. Never fill fuel tank indoors.
 - Never fill containers inside a vehicle or on a truck or trailer bed with a plastic liner. Always place containers on the ground, away from your vehicle, before filling.
 - When practical, remove gas-powered equipment from the truck or trailer and refuel it on the ground. If this is not possible, then refuel such equipment on a trailer with a portable container, rather than from a gasoline dispenser nozzle.

Muffler

The muffler keeps the noise levels to a minimum and sends the exhaust fumes away from the operator.

Do not use the product if the muffler is missing or defective. A defective muffler increases the noise level and the risk of fire.

Examine the muffler regularly to make sure that it is attached correctly and not damaged.



CAUTION: The muffler becomes very hot during and after use and when the engine operates at idle speed. Be careful near flammable materials and/or fumes to prevent fire.

Fuel safety



WARNING: Read the warning instructions that follow before you use the product.

- Do not start the product if there is fuel or engine oil on the product. Remove the unwanted fuel/oil and let the product dry.
- If you spill fuel on your clothing, change clothing immediately.
- Do not get fuel on your body, it can cause injury. If you get fuel on your body, use soap and water to remove the fuel.
- Do not start the product if the engine has a leak. Examine the engine for leaks regularly.
- Be careful with fuel. Fuel is flammable and the fumes are explosive and can cause injuries or death.
- Do not breathe in the fuel fumes, it can cause injury. Make sure that there is a sufficient airflow.
- Do not smoke near the fuel or the engine.
- Do not put warm objects near the fuel or the engine.
- Do not add the fuel when the engine is on.
- Make sure that the engine is cool before you refuel.
- Before you refuel, open the fuel tank cap slowly and release the pressure carefully.
- Do not add fuel to the engine in an indoor area. Not sufficient airflow can cause injury or death because of asphyxiation or carbon monoxide.
- Tighten the fuel tank cap fully. If the fuel tank cap is not tightened, there is a risk of fire.
- Move the product a minimum of 3 m (10 ft) from the position where you filled the tank before a start.
- Do not put too much fuel in the fuel tank.

Battery safety



WARNING: A damaged battery can cause an explosion and cause injury. If the battery

has a deformation or is damaged, speak to an approved Husqvarna service agent.



WARNING: Read the warning instructions that follow before you use the product.

- Use protective glasses when you are near batteries.
- Do not wear watches, jewelry or other metal objects near the battery.
- Keep the battery out of reach for children.
- Charge the battery in a space with good airflow.
- Keep flammable materials at a minimum clearance of 1 m when you charge the battery.
- Discard replaced batteries. See *Disposal on page 29*.
- Explosive gases can come from the battery. Do not smoke near the battery. Keep the battery away from open flames and sparks.

Safety instructions for maintenance



WARNING: Read the warning instructions that follow before you use the product.

- The exhaust fumes from the engine contain carbon monoxide, an odorless, poisonous and very dangerous gas. Do not start the engine indoors or in closed spaces.
- Before you do the maintenance on the product, stop the engine and remove the ignition cable from the spark plug.
- Use protective gloves when you do maintenance on the blades. The blades are very sharp and cuts can easily occur.
- Accessories and changes to the product that are not approved by the manufacturer, can cause serious injury or death. Do not change the product. Always use accessories that are approved by the manufacturer.
- If the maintenance is not done correctly and regularly, the risk of injury and damage to the product increases.
- Only do the maintenance as given in this operator's manual. All other servicing must be done by an approved service agent.
- Let an approved service agent do servicing on the product regularly.
- Replace damaged, worn or broken parts.

Assembly

To remove the product from the carton

1. Remove loose parts included with the product. Cut the four corners of the carton and put the end panels down flat.
2. Remove the two screws that attach the auger housing to the pallet. Remove the steel brackets from the skid plates if they have it.
3. Remove all package materials.
4. Remove the product from the carton and make sure no loose parts are left in the carton.



Locknuts 1/4-20 (6)



Locknut 5/16-18 (1)



Locknut 1/4-20 (1)



Nylon washer (1)



Carriage bolt 5/16-18 x 5/8 (1)



Roll pin (1)



Release lever (1)



Discharge chute lever



Spring (1)



Shoulder bolt 1/4-20 (1)

Tools required

- 3/8 in. wrench (1)
- 7/16 in. wrench (1)
- 1/2 in. wrench (1)
- 9/16 in. deep socket (1)

Loose parts



Discharge chute (1)



ON/OFF key (s)



Carriage bolts 5/16-18 x 2 1/4 (2)



Chute retainer



Handle knobs (2)



Locknut 3/8 (1)



Locknut 3/18-16 (1)



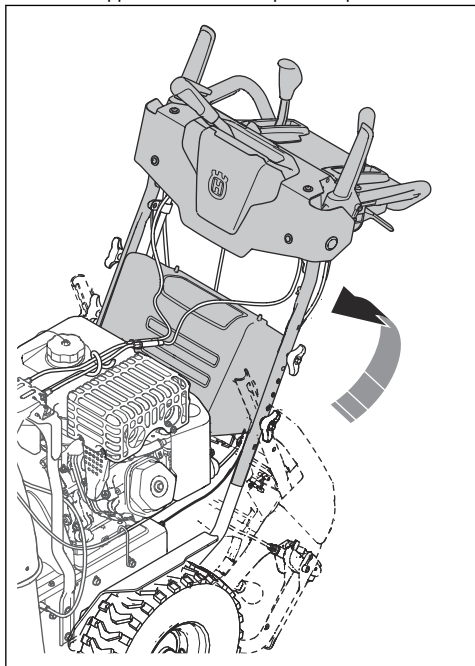
(ST 424/427/430) Cable holder (1)



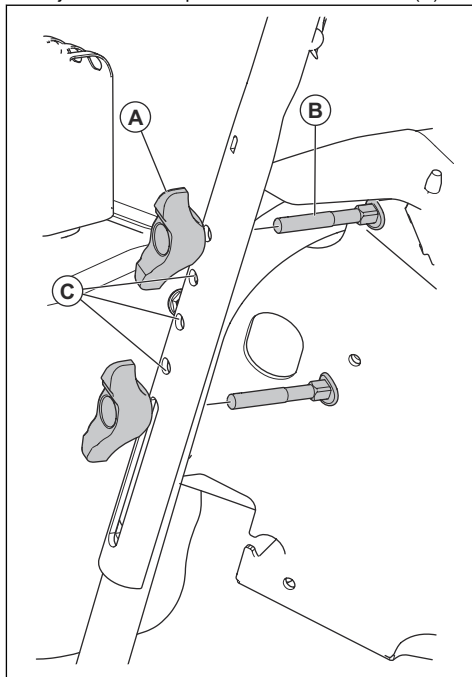
Shear pins 1/4-20 x 1.81 (6)

To install the handle

1. Lift the upper handle to the operation position.



2. Adjust the handle position to one of the holes (C).

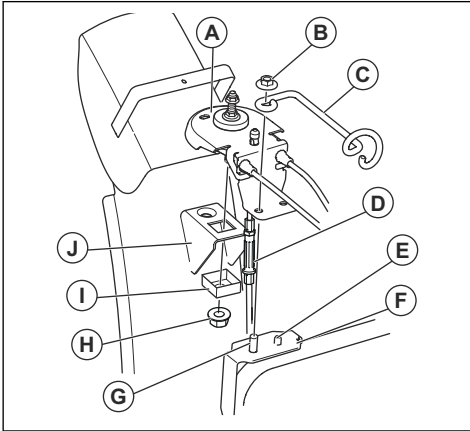


3. Put the bolt (B) through the hole (C).
4. Attach the knob (A) to the bolt and tighten the knob.
5. Attach more carriage bolts (B) and handle knobs (A) to attach the upper handle to the lower handle.

To install the discharge chute

1. Put the deflector assembly for the discharge chute on the top of the discharge chute. The discharge opening must point to the front of the product.
2. Put the rotator head (A) on the discharge chute bracket (J).
3. Align the pins below the rotator head with the holes in the discharge chute bracket.

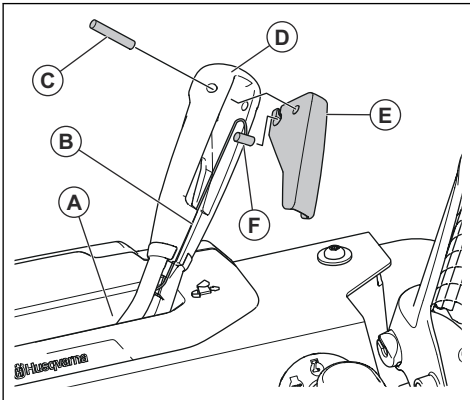
- Put the rotator head on the pin (E), and the threaded stud (G) on the bracket (E).



- Attach a locknut (B) on the threaded stud and tighten.
- Attach the square retainer (I) with a locknut (H).
- For ST 424/427/430 only: Put the cables through the cable holder (C)

To install the discharge chute lever and the release cable

- Push the knob (D) down on the discharge chute lever. Use a rubber mallet if it is necessary.
- Attach the release cable to the discharge chute lever at connection (A).

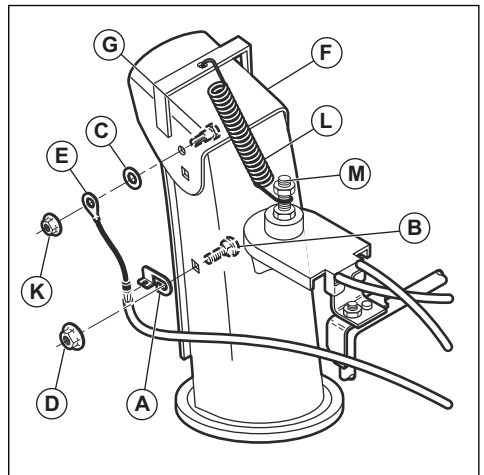


- Put the release cable in the groove (B) on the discharge chute lever.
- Install the cable barrel fitting (F) to the release lever (E).
- Install the release lever (E) to the discharge chute lever and attach it with the roll pin (C).

- Adjust the release cable. See *To adjust the release cable of the discharge chute on page 24*.
- Adjust the left and right discharge chute cables. See *To adjust the left and right discharge chute cables on page 24*.

To install the remote control for the discharge chute deflector

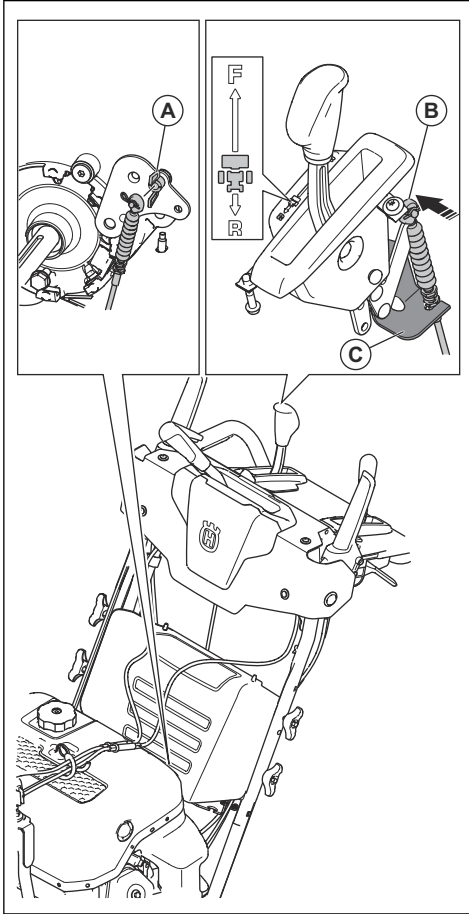
- Attach the cable bracket (A) to the discharge chute with a carriage bolt (B) and a 5/16-18 locknut (D). Tighten the bolt.
- Install the cable eyelet (E) to the discharge chute deflector (F). Use a shoulder bolt (G), a nylon washer (C), and tighten with a 1/4-20 locknut (K). The cable eyelet will be loose on the shoulder bolt.
- Attach the spring (L) between the hex nut (M) on the rotator head and the hole on the discharge chute deflector.



To install the speed control cable

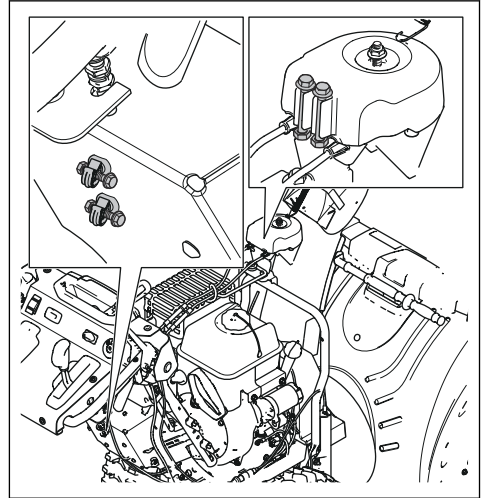
- Put the drive speed lever in the neutral position.
- Attach the speed control cable (B) to the drive speed lever with a retaining pin.
- Attach the speed control cable to the bracket (C) with 2 1/2 in wrenches. Make sure that the drive speed lever stays in the neutral position.

4. Remove the screw and wing nut (A) on the bellcrank to let the bellcrank move.



To attach replacement shear pins

- Attach the replacement shear pins on the cover of the remote control or on the battery box.



Operation

Before you start the product

- Keep persons and animals away from the work area.
- Do daily maintenance. See *Maintenance schedule on page 16*.
- Make sure the ignition lead fits correctly on the spark plug.
- Add oil or gasoline, if necessary. See *To fill fuel on page 11*.

To fill the engine with oil



CAUTION: Do not rotate the dipstick when you check the oil. Do not fill above the mark.

1. Remove the oil cap and clean the dipstick. See *Product overview on page 2* for the location of the dipstick.
2. Add oil to the top mark on the dipstick. Use the dipstick to do a check of the oil level at regular intervals.
3. Put the oil cap back.

To fill fuel

If available, use low-emission/alkylate gasoline. If low-emission/alkylate gasoline is not available, use good quality unleaded gasoline or leaded gasoline. Use gasoline with an octane number of 90 RON out of North

America (87 AKI in North America) or higher, and with a maximum of 10% ethanol (E10).

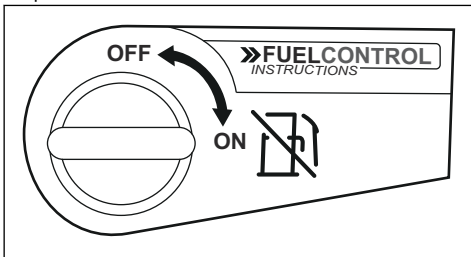


CAUTION: Do not use gasoline with an octane number less than 90 RON out of North America (87 AKI in North America). This can cause damage to the product.

1. Open the fuel tank cap slowly to release the pressure.
2. Fill slowly with a fuel can. If you spill fuel, remove it with a cloth and let remaining fuel dry off.
3. Clean the area around the fuel tank cap.
4. Tighten the fuel tank cap fully. If the fuel tank cap is not tightened, there is a risk of fire.
5. Move the product a minimum of 3 m (10 ft) from the position where you filled the tank, before a start.

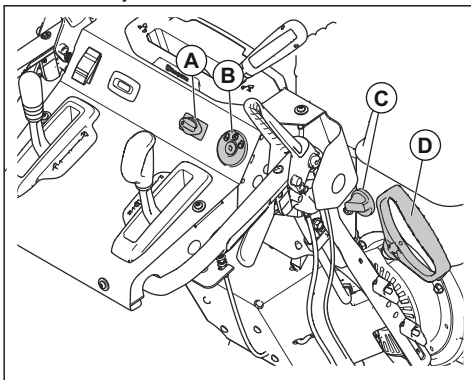
To use the fuel switch (for ST 424/427/430 only)

- Turn the fuel switch to open or close the fuel valve. Operate the product with the fuel switch in the OPEN position.



To start the engine, manual start

1. Put the ON/OFF key into the ignition slot (B). Do not turn the key.



2. For ST 424/427/430 only: Turn the fuel ON/OFF switch (C) to the ON position.
3. Put the throttle control (A) to the FAST position.

4. Turn the ON/OFF key to the ON position.
5. For ST 424/427/430 only: If the temperature is lower than -17°C (0°F), push the primer 3 times. See *Product overview on page 2* for primer position.



CAUTION: Do not push the primer too many times. It can prevent the engine from starting. If the engine is flooded, wait some minutes before you try to start. Do not push the primer.

6. Pull the starter rope handle (D).



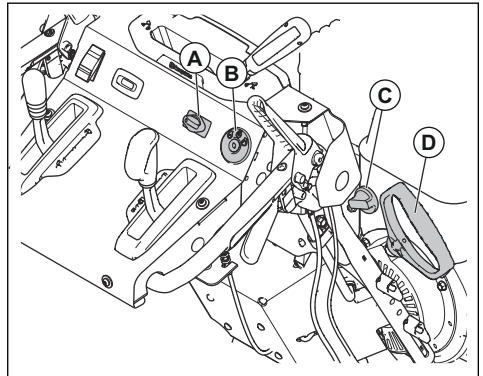
CAUTION: Do not release the starter rope handle quickly. Move it slowly to the start position.

Note: If the starter rope is frozen, slowly pull out as much rope out of the starter as you can. Release the starter rope handle. If the engine does not start, do the procedure again or use the electric starter.

7. Run the engine 2-3 minutes at very low speed before you start to throw snow.
8. If the engine does not run smoothly, turn it off.

To start the engine, electric start

1. Put the ON/OFF key into the ignition slot (B). Do not turn the key.
2. For ST 424/427/430 only: Turn the fuel ON/OFF switch (C) to the ON position.
3. Put the throttle control (A) to the FAST position.
4. Put the ON/OFF key to the ON position.



5. For ST 424/427/430 only: If the temperature is lower than -17°C (0°F), push the primer 3 times. See *Product overview on page 2* for primer position.



CAUTION: Do not push the primer too many times. It can prevent the engine from starting. If the engine is flooded, wait some minutes before you try to start. Do not push the primer.

6. Turn the ON/OFF key to START. When the engine starts, release the key.



CAUTION: Do not run the starter for more than 5 seconds each time you try to start. Wait 5 to 10 seconds between each try.

7. Run the engine 2-3 minutes at very low speed before you start to throw snow.

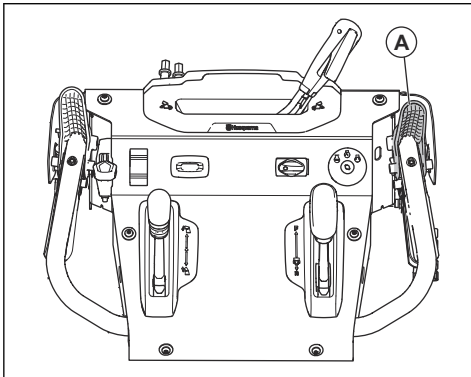
To operate the product



CAUTION: Do not partially engage drive or auger levers for an extended period of time; this can lead to premature wear or burning of the belts.

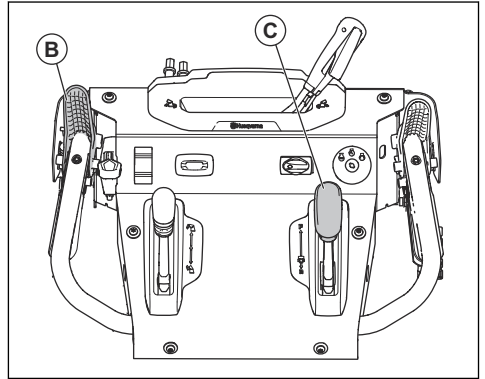
Note: When both the drive engagement and auger engagement are engaged, the drive engagement will lock the auger engagement in position. Use the right hand to control the snow discharge chute.

1. To engage the auger blades, push the auger engagement (A) to the handle to engage the auger and throw snow.

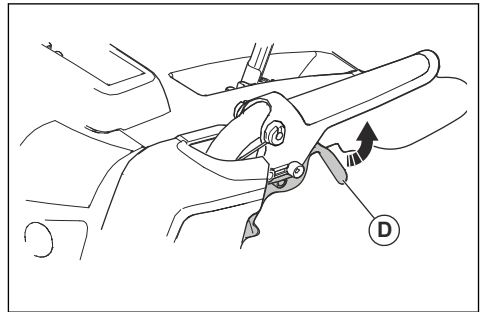


2. Raise the drive speed control lever (C) from the middle position to make the product move forward when the drive engagement (B) is engaged.

3. Lower the drive speed control lever from the middle position to make the product move rearward when the drive engagement is engaged.



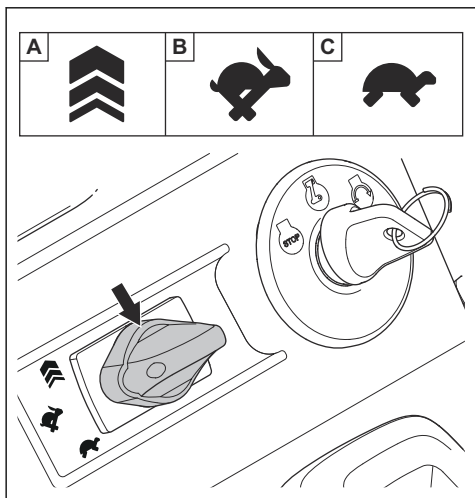
4. To make the product move in the selected direction, hold the drive engagement against the handle.
5. If the product has power steering, hold the left steering trigger (D) to turn left. Hold the right steering trigger to turn right.



Throttle control

Note: If the snow is wet or heavy, use the fast or boost modes.

The throttle control adjusts the engine speed. It has 3 modes: boost, fast and slow.



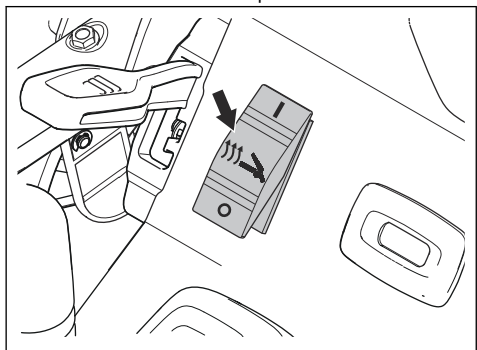
- Boost (A): to increase speed when the product is operated but does not throw snow, or to increase the distance that snow is thrown.
- Fast (B): standard operation
- Slow (C): to decrease the distance that snow is thrown, or to decrease engine noise

To use the throttle control

- Turn the throttle control to change the engine speed.

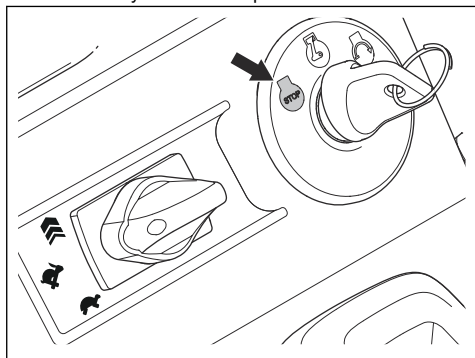
To use the heated handles

- Push the switch to I to start the heated handles.
- Push the switch to O to stop the heated handles.



To stop the product

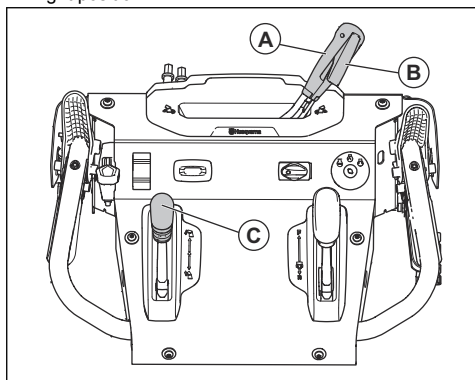
1. Turn the key to the STOP position.



2. Remove the ON/OFF key.

To adjust the discharge chute and the discharge chute deflector

1. Push the release lever (B) on the discharge chute lever (A) and adjust the discharge chute to the left or right position.



2. Move the remote control lever (C) to adjust the snow throwing distance.
 - a) Move the remote control lever up to decrease the snow throwing distance.
 - b) Move the remote control lever down to increase the snow throwing distance.

To adjust the skid plates

The skid plates prevent damage to the bottom of the snow thrower. Adjust the skid plates (A) when the locknut (B) is loose, or the skid plate is not at the correct distance from the ground. No adjustment is necessary for standard installation.

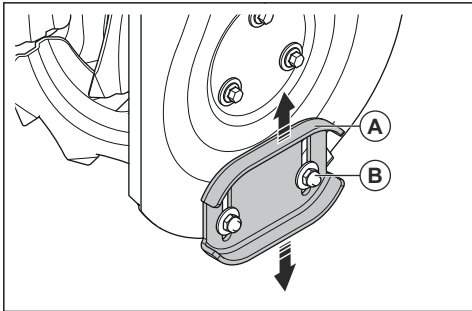
1. Loosen the locknut (B) with a 13 mm (½ in.) open wrench.
2. Move the skid plates (A) up or down.

- a) On flat surfaces set the distance between the scraper bar and the ground to 5-6 mm (0.2-0.25 in).
- b) On rough surfaces set the skid plates (A) in a position where the scraper bar is above the top of the ground.



WARNING: Make sure that gravel and stones do not go into the product. Objects that eject at high speed can cause injury.

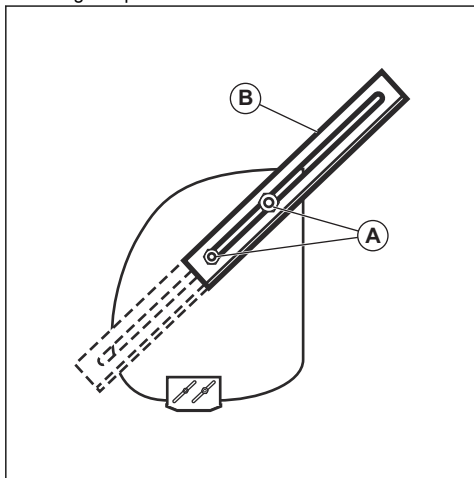
3. Tighten the locknut (B).



To use the drift cutters (if equipped)

Use the drift cutters to cut through snowdrifts deeper than the front of the product.

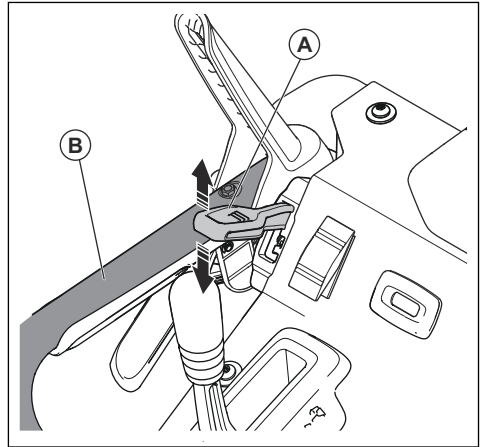
1. Loosen the adjustment nuts (A) on both sides of the product to allow each drift cutter (B) to be raised to its highest position.



2. Tighten the nuts.
3. Lower the drift cutters after use.

To adjust the height of the auger bucket (for ST 424T/427T/430T only)

1. Push the lever (A) down.



2. Move the handles (B) up or down to adjust the height of the auger bucket.
3. Release the lever (A) to lock the auger bucket in position.

Note: The auger bucket can be set to an unlocked position. This lets the auger bucket adapt to the terrain. To set the auger bucket to the unlocked position, push the lever (A) down and to the right.

To prevent freeze-up after use

Note: Controls and moving parts can be blocked by ice. Do not apply much force to the controls. If you cannot operate a control or a part, start the engine and let it operate for some minutes.

1. Start the engine and let it operate for some minutes. Stop the engine and wait for all moving parts to stop.
2. Remove snow and loose ice from the product.
3. Remove snow and loose ice from the base of the discharge chute.
4. Turn the discharge chute deflector to the left direction and to the right direction to remove ice and water.
5. Set the key to the "OFF" position.
6. If the product does not have an electric starter, pull the starter rope handle several times to remove ice and water.

To get a good result

- Always run the engine at full throttle or near full throttle.

- Always adapt the speed of the product to the snow situation and adjust the speed with the drive speed control lever. Make sure that the product throws snow evenly.
- It is easier and more efficient to remove snow immediately after it falls.
- Always throw snow downwind whenever possible.
- On flat surfaces, like asphalt roads, raise the skid plates up to 5-6 mm (0.2-0.25 in) off the ground.
- The scraper bar is reversible. When it becomes worn almost to the edge of the housing, reverse it. Replace the scraper bar if it is damaged, or if both sides are worn.
- Do not dispatch the chute deflector if it is clogged.
- If the product does not move forward due to unforeseen circumstances, release the drive engagement immediately or move the ON/OFF key to the "OFF" position.

Maintenance

Introduction

When the product is in use, bolts can loosen and components can become worn. This can cause

malfunction like incorrect tolerance clearance, increased oil consumption, or misalignment of various components. Do regular maintenance on the product to prevent malfunction.

Maintenance schedule

Maintenance	Daily	At 15 hour intervals	At 20 hour intervals	At 40 hour intervals	At 100 hour intervals
Tighten nuts and screws	X				
Do a check of the engine oil level	X				
Replace the engine oil			X		
Do a check of and adjust the track tension (only ST 424T/427T/430T)		X			
Make sure that there are no fuel or oil leaks	X				
Remove obstacles in the auger	X				
Lubricate the interlock catches ¹			X		
Lubricate the cable attachments ²			X		
Do a check of the tire pressure (only ST 424/427/430) ³				X	

¹ Also lubricate at the beginning of each season.

² Also lubricate at the beginning of each season.

³ See Technical data for correct tire pressure.

Maintenance	Daily	At 15 hour intervals	At 20 hour intervals	At 40 hour intervals	At 100 hour intervals
Inspect and replace the spark plug before use at the start of a season and at recommended interval					X

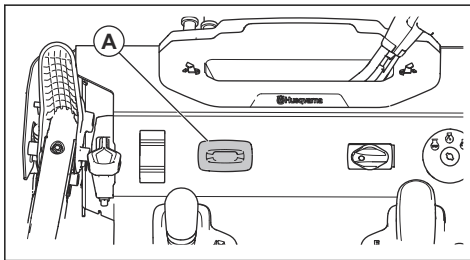
Note: The gearbox does not need maintenance.

To do a general inspection

- Make sure that the nuts and screws on the product are tightened.

Oil change reminder

The oil change reminder (A) is a function that points out that an oil change is necessary. The oil change reminder lights up the oil can symbol on the display after 20 hours of operation. The oil can symbol is then on for 2 hours or until a manual reset is done.



To reset the oil change reminder

1. Turn the ON/OFF key to the ON position, and keep it in the ON position for 1 second.
2. Turn the ON/OFF key to the STOP position, and keep it in the STOP position for 1 second.
3. Do this procedure 4 more times.

To do a check of the oil level



CAUTION: A too low oil level can do damage to the engine. Do a check of the oil level before you start the product.

1. Put the product on level ground.
2. Remove the oil tank cap with the attached dipstick.
3. Clean the oil from the dipstick.
4. Put the dipstick fully into the oil tank to give a correct picture of the oil level.
5. Remove the dipstick.
6. Examine the oil level on the dipstick.

7. If the oil level is low, fill with engine oil and do a check of the oil level again.

To replace the engine oil

1. Run the engine a few minutes to make the oil warm. Warm oil flows better and includes more contaminants.



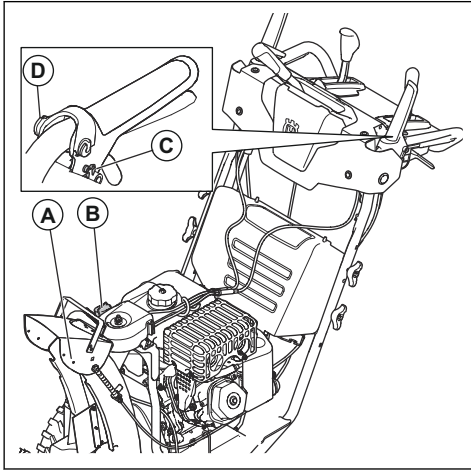
WARNING: The engine oil is hot. Avoid skin contact with the used engine oil.

2. Put the product on level ground.
3. Remove the ON/OFF key.
4. Put a container below the oil drain plug.
5. Remove the oil drain plug, tip the product and drain the used oil in the container.
6. Put the product back to the operating position.
7. Install the oil drain plug and tighten it by hand.
8. Fill the engine with oil, see *To fill the engine with oil on page 11*.

To lubricate the product

- Lubricate the pivot points (A) with oil.
- Lubricate the engine (B) with oil.
- Lubricate the interlock catches (C) with a small quantity of lithium grease.

- Lubricate the cable connections for the drive and auger levers (D) with oil.



Battery

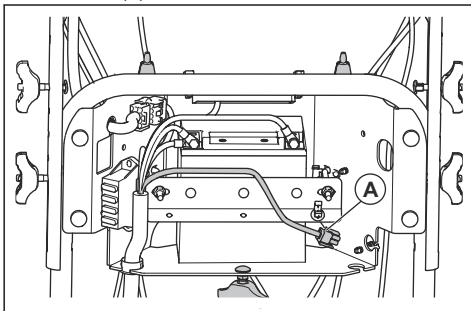
Battery maintenance

Note: The battery on your product is maintenance free. Do not open or remove the caps or the covers.

To charge the battery

Note: Before long term storage, charge the battery with a battery charger to extend the life of the battery.

1. Remove the battery cover. Refer to *To replace the battery on page 18*.
2. Clean the terminals. Refer to *To clean the battery and the terminals on page 18*.
3. Connect the battery charger to the battery charger connector (A).



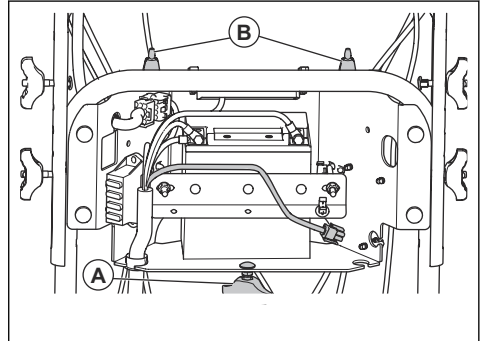
4. When the battery is charged, disconnect the battery charger.
5. Install the battery cover.

To replace the battery



WARNING: Risk of electrical shock. Do not let metal objects touch the 2 battery terminals. This can cause a short circuit of the battery.

1. Loosen the knob (A), then tilt the bottom of the cover in the direction of the engine. Lift the battery cover off the holders (B).



2. Disconnect the BLACK battery cable.



WARNING: The BLACK cable must be disconnected first.

3. Disconnect the RED battery cable.
4. Loosen the nuts and remove the battery strap.
5. Carefully remove the battery from the product.
6. Install a new battery.
7. Connect the RED battery cable and tighten the bolt.



WARNING: Risk of sparks. The RED cable must be connected first.

8. Connect the BLACK cable and tighten the bolt.
9. Install the battery cover.

To clean the battery and the terminals

1. Remove the battery. Refer to *To replace the battery on page 18*.
2. Flush the battery with plain water and let it become dry.
3. Clean the terminals and battery cable ends with a wire brush until they are bright.
4. Lubricate the terminals with grease.
5. Install the battery. See *To replace the battery on page 18*.
6. Install the battery cover.

Muffler

The muffler keeps the noise levels to a minimum and sends the exhaust fumes away from the operator.

Do not use the product if the muffler is missing or defective. A defective muffler increases the noise level and the risk of fire.

Examine the muffler regularly to make sure that it is attached correctly and not damaged.



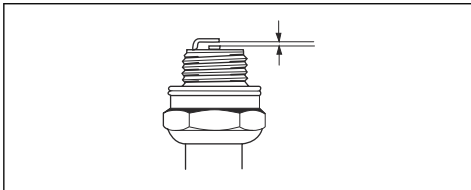
CAUTION: The muffler becomes very hot during and after use and when the engine operates at idle speed. Be careful near flammable materials and/or fumes to prevent fire.

To examine the spark plug



CAUTION: Always use the recommended spark plug type. Incorrect spark plug type can cause damage to the product.

- Examine the spark plug if the engine is low on power, is not easy to start or does not operate correctly at idle speed.
- To decrease the risk of unwanted material on the spark plug electrodes, obey these instructions:
 - a) Make sure that the idle speed is correctly adjusted.
 - b) Make sure that the fuel mixture is correct.
 - c) Make sure that the air filter is clean.
- If the spark plug is dirty, clean it and make sure that the electrode gap is correct, see *Technical data on page 29*.



- Replace the spark plug if it is necessary.

To inspect the augers and the scraper bar

1. Before each use, inspect the augers and the scraper bar for wear.
2. If the edge of the scraper bar is worn, reverse the scraper bar. If the scraper bar has damages or is worn on both edges, replace it.
3. If the edges of the augers are worn, contact an authorized service center to replace them.

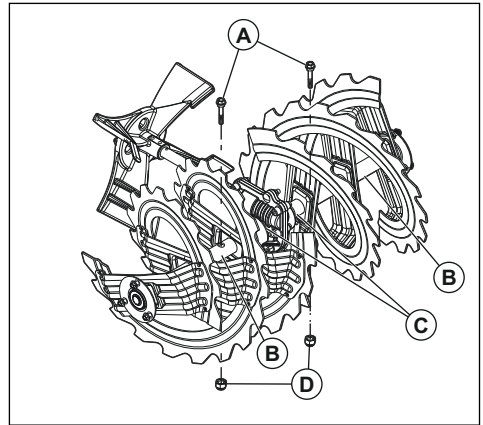
To replace the auger shear pins

The auger shear pins protect the product from damage. The auger shear pins break if an object comes into the moving parts.



CAUTION: Use only original equipment shear pins supplied with the product.

1. If an auger shear pin breaks, stop the engine and wait for the moving parts to stop.
2. Remove the ON/OFF key and disconnect the spark plug cable.
3. Align the hole in the auger hub (B) with the hole in the auger shaft (C) and install a new $\frac{1}{4}$ - 20 x 2 shear pin (A).
4. Install a $\frac{1}{4}$ -20 locknut (D) on the shear pin and tighten.



5. Put the ON/OFF key in the ignition and connect the spark plug cable to the spark plug.

To replace the impeller shear pins

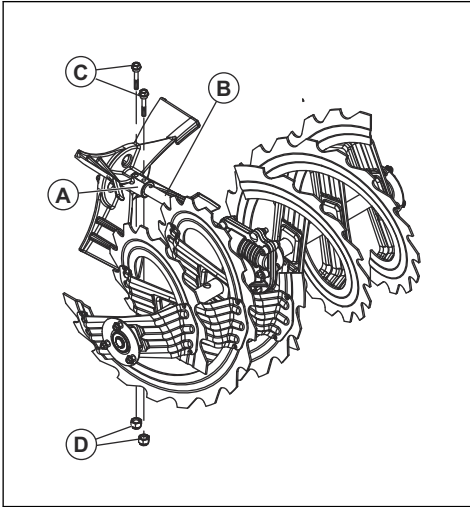
The impeller shear pins protect the product from damage. The impeller shear pins break if an object comes into the moving parts.



CAUTION: Use only original equipment shear pins supplied with the product.

1. If an impeller shear pin breaks, stop the engine and wait for the moving parts to stop.
2. Remove the ON/OFF key and disconnect the spark plug cable.
3. Align the hole in the impeller hub (A) with the holes in the impeller shaft (B) and install a new $\frac{1}{4}$ -20 shear pin (C).

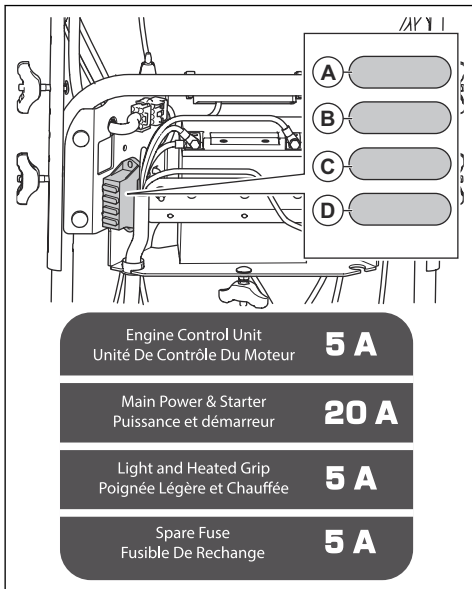
4. Install a ¼-20 locknut (D) on the shear pin and tighten.



5. Put the ON/OFF key in the ignition and connect the spark plug cable to the spark plug.

To replace the fuse

The fuse holders are installed behind the battery cover.



- Replace the fuse for engine control unit (A) with a 5 A fuse.
- Replace the fuse for the starter solenoid (B) with a 20 A fuse.

- Replace the fuse for the LED and the heated grip (C) with a 5 A fuse.
- Position (D) contains a backup 5 A fuse.

To examine the tires

- Keep the tires free of fuel, oil and chemicals to prevent damage to the rubber.
- Keep the tires away from stumps, stones, ruts, sharp objects and other objects which can cause damage to the tires.
- Keep the tire pressure correct, see *Technical data on page 29*.

To clear a clogged discharge chute deflector

Do not unclog the discharge chute deflector before the following operations are made.

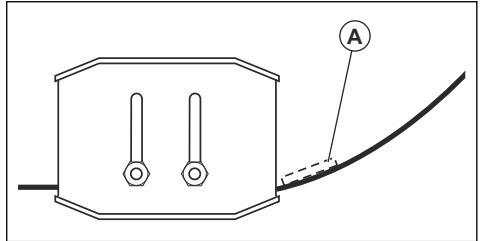
1. Release the auger engagement and the drive engagement at the same time.
2. Wait 10 seconds to make sure that the augers have stopped.
3. Stop the product.
4. Use the tool for cleaning (at least 37 cm (15 in.) long, included in some models) to remove the clog.



WARNING: Do not put your hands into the discharge chute deflector or inside the auger bucket.

To replace the scraper bar

1. Put the scraper bar (A) in a reversed position when it is worn to the edge of the housing.



2. Replace the scraper bar if it is worn on both sides or if it is damaged.

Drive belts



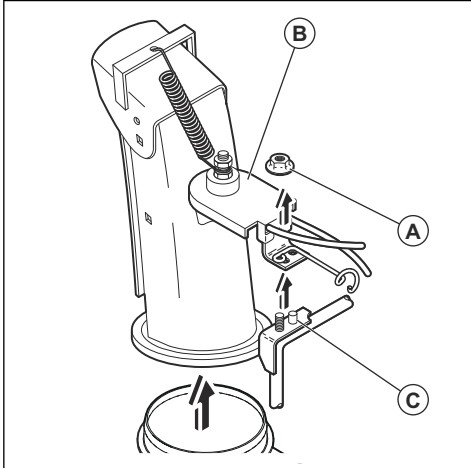
WARNING: The v-belts on your product are of special construction and should be replaced by original equipment manufacturer (OEM) belts available from your nearest service center. To use other belts than OEM can cause personal injury or damage to the product.



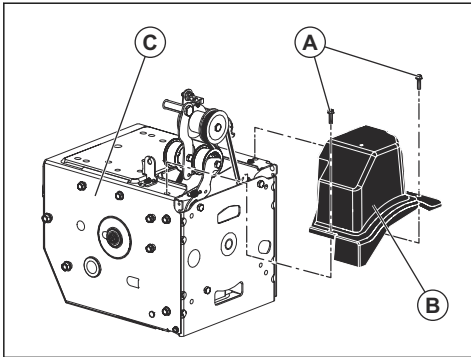
WARNING: The belt replacement requires separation of the product. While separating the auger housing from the frame, it is important that an assistant stands in the operating position and holds the product handles. Serious personal injury and/or damage to the product could occur if the product falls during the belt replacement process.

To prepare for replacement of the belts

1. Remove the fuel from the fuel tank.
2. Loosen the lock nut (A) that secures the chute rotator head (B) to the mounting bracket (C) to remove the discharge chute.



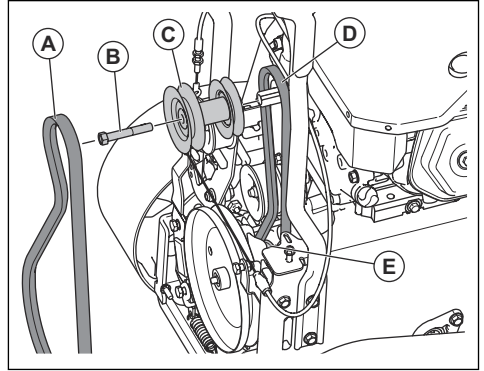
3. Loosen the two screws (A) that secure the belt cover (B) to the frame (C) and remove the belt cover.



To remove the drive belt

1. Remove the auger belt (A). See *To remove the auger belt (for ST 424/427/430 only) on page 22.*

2. Remove the 9/16 in. pulley bolt (B) and remove the engine pulley (C) from the engine.



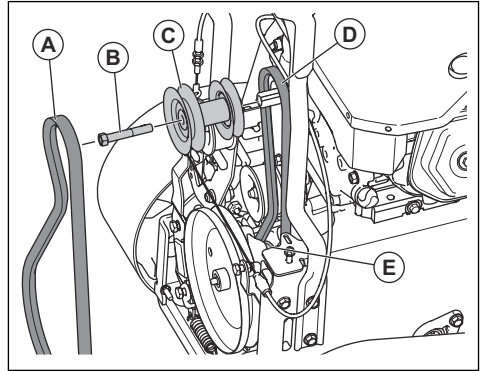
3. Remove the drive belt (D) from the lower pulley (E).

To install the drive belt

1. Put the drive belt onto the lower pulley (E).

Note: Make sure that the drive belt is put in the lower pulley groove properly.

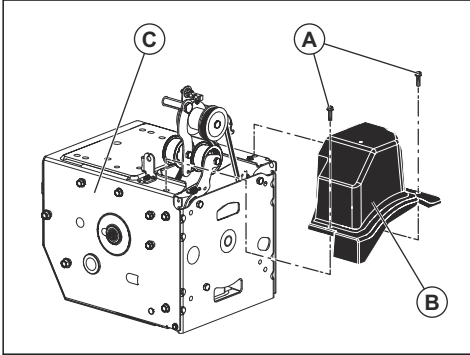
2. Put the drive belt in the groove of the engine pulley (C).



3. Install the 9/16 in. pulley bolt (B) and attach the engine pulley (C) on the engine. Tighten the pulley bolt (41-47 Nm/30-35 Ft. Lbs).
4. Install the auger belt (A). See *To install the auger belt on page 23.*
5. Operate all controls to make sure that the drive belt is installed correctly and that all components move correctly.

To install the belt cover

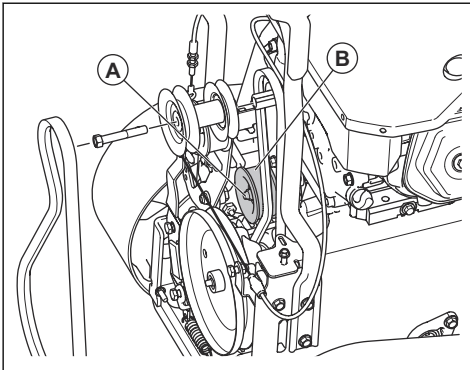
1. Install the belt cover (B) on the frame (C) and tighten the two screws (A).



2. Install the discharge chute.

To adjust the drive belt tension

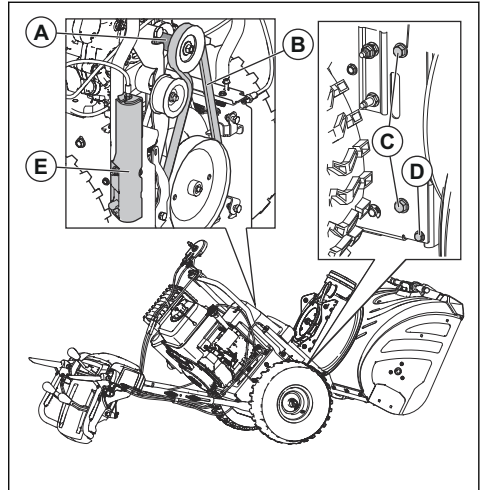
1. Remove the belt cover. See *To prepare for replacement of the belts on page 21*.
2. Loosen the idler pulley nut (A).
3. Move the idler pulley (B) in the direction of the belt to increase the belt tension. Move it away from the belt to decrease the belt tension.



4. Tighten the idler pulley nut (A).
5. Press and then release the drive speed control lever. If the drive belt has tension when the drive speed control lever is released, move the idler pulley away from the drive belt to release the belt tension.
6. Install the belt cover. See *To install the belt cover on page 22*.

To remove the auger belt (for ST 424/427/430 only)

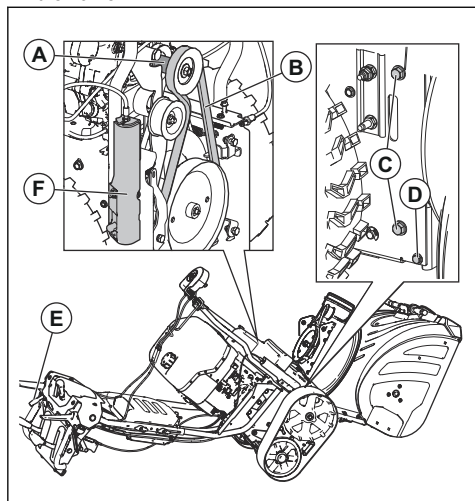
1. Remove the 5/16" nut and the cable cover (E) from the frame.



2. Remove the top 5/16" bolts and the lower 1/4" bolts (D) from the 2 sides of the frame. Do not discard the bolts.
3. Loosen but do not remove the lower 5/16" bolts (C) on the 2 sides of the frame.
4. Remove the auger belt (B) from the engine pulley (A).
5. Tilt the rear section down. The front section tilts forward at the same time. The bottom bolt is a hinge between the front and rear sections.
6. Put a wooden block below the hinge point to set the product in the tilted position.
7. Move the auger brake arm and remove the auger belt (B) from around the auger brake arm.

To remove the auger belt (for ST 424T/427T/430T only)

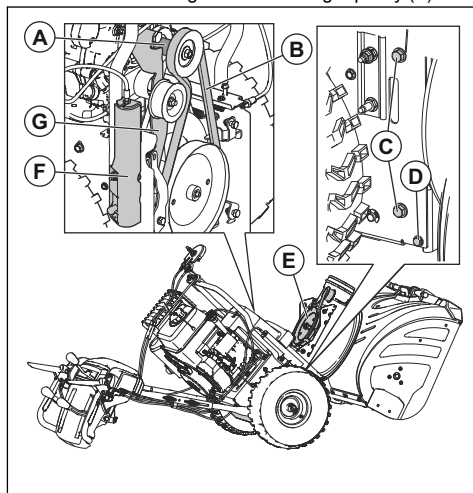
1. Remove the 5/16" nut and the cable cover (E) from the frame.



2. Remove the top 5/16" bolts from the 2 sides of the frame. Do not discard the bolts.
3. Remove the lower 5/16" bolts (C) on the 2 sides of the frame.
4. Remove the auger belt (B) from the engine pulley (A).
5. Use the adjustment lever for the auger bucket to tilt the rear section down. The front section tilts forward at the same time. The bottom bolt is a hinge between the front and rear sections.
6. Put a wooden block below the hinge point to set the product in the tilted position.
7. Move the auger brake arm and remove the auger belt (B) from around the auger brake arm.

To install the auger belt

1. Move the auger brake arm (G). Put the auger belt around and in the groove of the auger pulley (E).



CAUTION: Make sure that the belt is not caught between the frame and auger housing as you put the unit together.

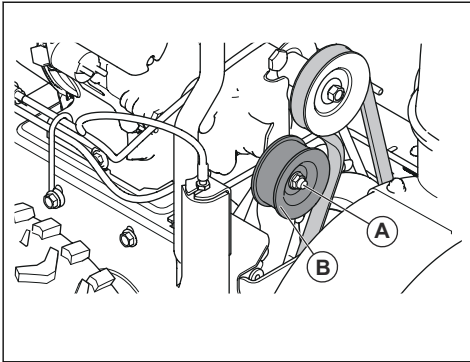
2. Remove the wooden block from below the product.
3. Lift the handles to tilt the rear section up. The front section tilts back and pivots to attach to the rear section.
4. Make sure that the belt is put in the auger pulley (E) groove correctly.
5. Install the 5/16" bolts (C), and tighten (11-16 Nm).
6. For ST 424/427/430 only: Install the 1/4" bolts (D) and tighten (5-8 Nm).
7. Install the auger belt (B) on the engine pulley (A). Make sure that the belt is put correctly around the idler pulley and installed correctly in the engine pulley groove.
8. Install the cable cover (F) and the 5/16" nut on the frame.
9. Operate all controls to make sure that the auger belt is installed correctly and that all components are moving correctly.

To adjust the auger belt tension

Note: An assistant is necessary to do this task.

1. Remove the belt cover. See *To prepare for replacement of the belts on page 21.*

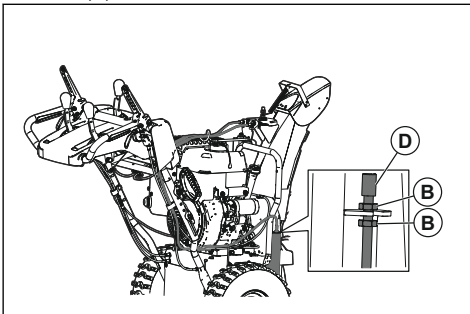
- Loosen the idler pulley nut (A).



- Move the idler pulley (B) in the direction of the auger belt to increase the belt tension. Move it away from the auger belt to decrease the belt tension.
- Tighten the idler pulley nut (A).
- Have the assistant stay 3 m (10 feet) in front of the product to monitor the movement of the auger.
- Push and then release the auger engagement to start and stop the auger.
- Measure the time for the auger to stop moving. If the auger stops after more than 5 seconds, release the belt tension.
- When the auger stops moving after less than 5 seconds, install the belt cover. See *To install the belt cover on page 22*.

To adjust the auger control cable

- Remove the cable cover on the right hand side of the frame (D).

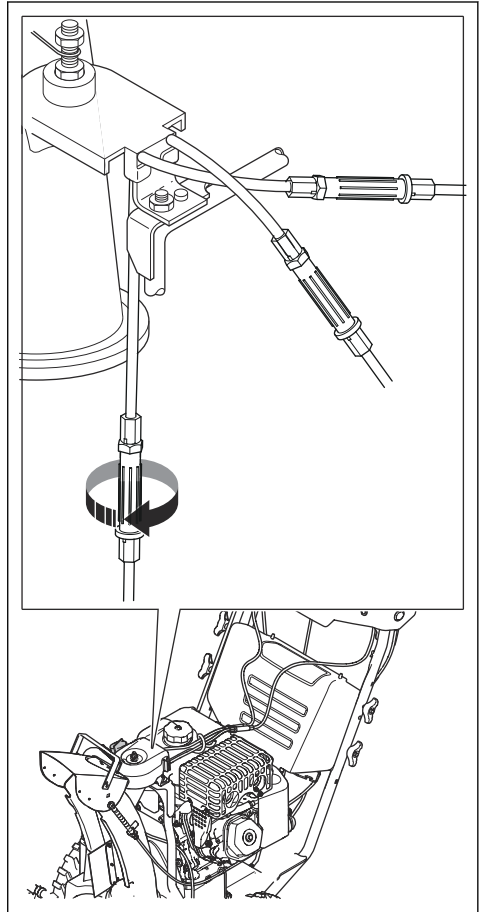


- To remove slack from the auger control cable, unscrew the bottom jam nut (B) and tighten the top jam nut (B) until the auger belt tension has increased.
- Retest the auger engagement. Repeat adjustment as needed until only a small amount of slack remains in the cable when the lever is disengaged.
- Tighten the bottom jam nut to lock in the tension.

Note: You may also tension the auger belt by adjusting the idler pulley as a secondary option. If the adjustment does not resolve the problem, replace the auger belt. See *To install the auger belt on page 23*.

To adjust the release cable of the discharge chute

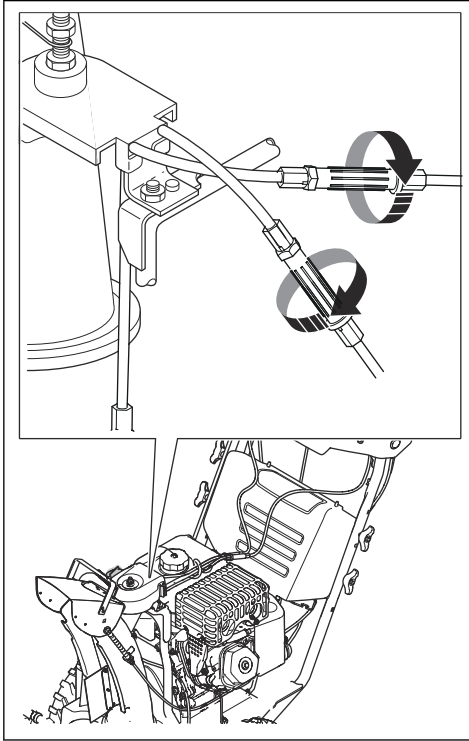
- To adjust the release cable, turn the cable adjuster until the release lever of the discharge chute does not move freely.



To adjust the left and right discharge chute cables

- Put the discharge chute lever in the center position.

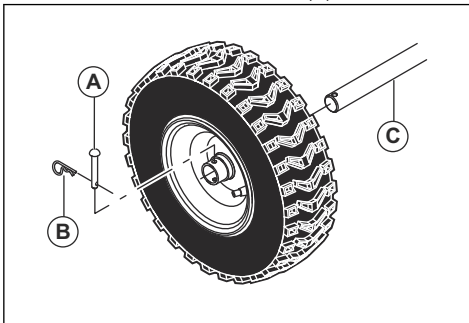
- Turn the cable adjusters until the discharge chute points straight forward, and the cables are tight.



- Loosen the cable adjusters $\frac{1}{4}$ turn to make the cables less tight.

To remove the wheels

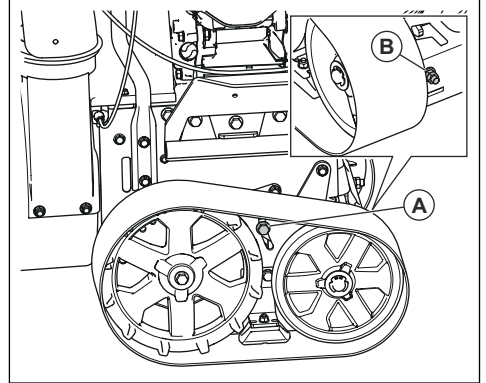
- Remove the wheel pin (A) and the retainer pin (B).
- Remove the wheel from the axle (C).



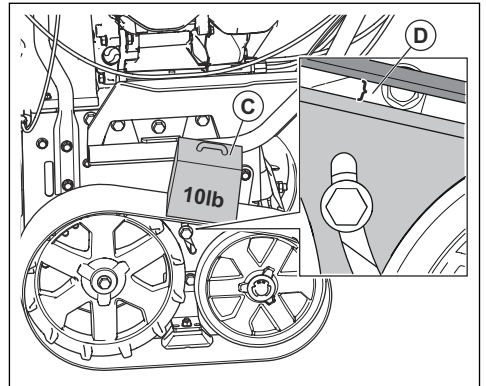
To adjust the tension of the continuous tracks (for ST 424T/427T/430T only)

Note: Tools that are necessary for this task: a $\frac{9}{16}$ " deep socket, a $\frac{9}{16}$ " wrench and a 5 kg (10 lbs) weight.

- Loosen the locking screw (A) 1 turn.
- Remove the rear locknut (B) to give access to the adjustment nut.



- Put a 5 kg (10 lbs) weight (C) on top of the continuous track, in the center between the 2 wheels.
- Turn the adjustment nut (B) until the distance (D) between the continuous track and the steel plate is between 3.175 and 6.350 mm (0.125 and 0.250 in.) wide.



- Attach the locking screw (A) and then the rear locknut (B).

To clean the product

- Clean plastic parts with a clean and dry cloth.
- Do not use a high pressure washer to clean the product.
- Do not flush water directly on the motor.

- Use a brush to remove leaves, grass and dirt.

Troubleshooting

Problem	Possible cause	Solution
The product does not start	The safety ignition key is not inserted.	Insert the safety ignition key.
	The product is out of fuel.	Fill the fuel tank with fresh, clean gasoline.
	The ON/OFF key is OFF.	Move the ON/OFF key to ON position.
	The engine is not primed.	Prime the engine.
	The engine is flooded.	Wait a few minutes before restarting, DO NOT prime. Restart the engine while full throttle and the choke in OFF (CLOSE) position.
	The spark plug cable is not connected.	Connect the cable to the spark plug.
	The spark plug is bad.	Replace the spark plug.
	There is water in the fuel or the fuel is too old.	Empty the fuel tank and carburetor. Fill the fuel tank with fresh, clean gasoline.
	There is vapor locked in the fuel line.	Make sure that all the fuel line is below the outlet of the fuel tank. The fuel line should run continuously down from fuel tank to carburetor.
	Other causes.	Inspect the starting procedures carefully in this manual.
	The fuel switch (if equipped) is in CLOSE (OFF) position.	Turn the fuel switch to OPEN (ON) position.
	The throttle is in STOP position.	Move the throttle to FAST position.
	The starting battery is not charged.	Charge the starting battery.
	The starting battery needs to be replaced.	Replace the starting battery.
	The engine control unit does not receive power.	Inspect the ECU fuse and wiring.
	The starter solenoid does not engage.	Inspect the starter fuse and wiring.
	The fuel injector does not trigger. (For ST 424T/427T/430T only)	Contact an authorized service center.
The fuel pump does not receive power. (For ST 424T/427T/430T only)	Contact an authorized service center.	

Problem	Possible cause	Solution
Decreased power	The spark plug cable is not connected.	Connect the cable to the spark plug.
	The product throws too much snow.	Decrease the speed and the width of the swath.
	The fuel tank cap is covered with ice or snow.	Remove the ice and the snow on and around the fuel tank cap.
	The muffler is dirty or clogged.	Clean or replace the muffler.
	Improper cable length.	Adjust the cable.
	The muffler is blocked.	Make sure that the engine is cool. Clear the blockage.
	The air intake of the carburetor is blocked.	Make sure that the engine is cool. Clear the blockage.
The engine idles or runs roughly	The fuel line is blocked.	Clean the fuel line.
	There is water in the fuel or the fuel is too old.	Empty the fuel tank and carburetor. Fill the fuel tank with fresh, clean gasoline.
	The carburetor needs to be replaced.	Contact an authorized service center.
	The fuel injector does not trigger.	Contact an authorized service center.
Excessive vibration / Handle movement	Some parts are loose. The augers are damaged.	Tighten all fasteners. Replace the damaged parts. If vibration remains, contact an authorized service center.
	The handles are not positioned correctly.	Make sure that the handles are locked into position.
	The adjustment lever nuts are loose.	Tighten the nuts until the handle feels safe.
The starter rope handle is hard to pull	The starter rope handle is frozen.	Slowly pull out as much rope out of the starter as possible and release the starter rope handle. If the engine does not start, repeat the procedure or use the electrical starter.
	The starter rope is interfering with components.	The starter rope should not touch any cables or hoses.

Problem	Possible cause	Solution
Loss of traction drive/ slowing of drive speed	The belt slips.	Adjust the cable. Adjust the belt.
	The belt is worn.	Check / replace the belt. Adjust the pulley.
Loss of snow discharge or slowing of snow discharge	The belt is off the pulley.	Check / reinstall the belt. Adjust the pulley.
	The chute deflector is clogged.	Clean the chute deflector.
	Foreign objects clog the augers.	Remove the debris or the foreign object from the augers.
	The shear pin is broken.	Replace the broken shear pin.
	Excessive snow and ice build up in between continuous track components.	Remove snow and ice build up from in between continuous track components.
The lights are not on (if so equipped)	The engine is not running.	Start the engine.
	The cable connection is loose.	Do a check of the cable connections at the engine and the lights.
	The LED is burnt out.	Replace the LED light module. Individual LEDs can not be replaced.
	The fuse is blown.	Replace the fuse. Make sure that there is no short circuit.
The chute rotator is difficult to move	There is debris in the chute rotator mechanism.	Clean the internal parts of the chute rotator mechanism.
	The cables are kinked or damaged.	Make sure that the cables are not kinked. Replace the cables that are damaged.
	The release cable needs adjustment.	Adjust the release cable.
The product turns to one side	The tire pressure is not equal.	Adjust the tire pressure and fill the tire.
	The product drives with only one wheel.	Inspect the tire lock pin.
	Uneven sled adjustment.	Adjust the skid plates and the sledge.
	Uneven skid plates adjustment.	Adjust the skid plates and the sledge.

Transportation, storage and disposal

Transportation and storage

- For storage and transportation of the product and fuel, make sure that there are no leaks or fumes. Sparks or open flames, for example from electrical devices or boilers, can start a fire.
- Always use approved containers for storage and transportation of fuel.
- Empty the fuel tank before you put the product in storage for a long period of time. Discard the fuel at an applicable disposal location
- Safely attach the product during transportation to prevent damage and accidents.
- Keep the product in a locked area to prevent access for children or persons that are not approved.
- Keep the product in a dry and frost free area.
- Charge the battery during long-term storage. Examine and clean the battery terminals before long-term storage.

Disposal

- Obey the local recycling requirements and applicable regulations.
- Discard all chemicals, such as engine oil or antifreeze, at a service center or at an applicable disposal location.
- When the product is no longer in use, send it to a Husqvarna dealer or discard it at a recycling location.
- Discard the battery at a service center or discard it at a disposal location for used batteries.

Technical data

Technical data

	ST 424	ST 427	ST 430	ST 424T	ST 427T	ST 430T
Dimensions						
Weight, with empty tanks, kg	140	145	150	160	165	170
Max. operating tire pressure, PSI	18	18	20	N/A	N/A	N/A
Engine						
Brand	Husqvarna	Husqvarna	Husqvarna	Husqvarna	Husqvarna	Husqvarna
Displacement, cc	291	369	414	306	369	420
Fuel type	Unleaded regular (maximum 10% ethanol)					
Fuel capacity, gal / l	0.62 / 2.35	0.62 / 2.35	0.62 / 2.35	0.95 / 3.60	0.95 / 3.60	0.95 / 3.60
Oil type (API SJ-SN)	SAE 5W30 (below 0°C (32°F))					
Oil capacity fl. oz. / l	32 / 0.95	38 / 1.12	38 / 1.12	32 / 0.95	38 / 1.12	38 / 1.12
Electrical system						
Spark plug	F6RTC					
Spark plug electrode gap (in. / mm)	0.027 / 0.686					
Noise emissions ⁴						
Sound power level, measured dB(A)	<105 db	<105 db	<105 db	<105 db	<105 db	<105 db
Sound power level, guaranteed L _{WA} dB(A)	105 db	105 db	105 db	105 db	105 db	105 db
Vibration levels, a_{hveq} ⁵						
Vibration level on the handle, m/s ²	4.57 m/s ²	5.07 m/s ²	5.83 m/s ²	4.11 m/s ²	4.65 m/s ²	5.25 m/s ²

⁴ Noise emissions in the environment measured as sound power (L_{WA}) in conformity with EC directives 2000/14/EC and 2005/88/EC.

⁵ Vibration level according to ISO 5349-2 EN 1033.

EC Declaration of Conformity

CONTENTS OF THE EC DECLARATION OF CONFORMITY

We, Husqvarna, SE-561 82 Huskvarna, SWEDEN,
declare under our sole responsibility that the represented
product:

Description	Snowthrower
Brand	Husqvarna
Platform / Type / Model	ST 424, ST 427, ST 430, ST 424T, ST 427T, ST 430T
Batch	Serial number dating 2018 and onwards

complies fully with the following EU directives and
regulations:

Directive/Regulation	Description
2006/42/EC	"relating to machinery"
2014/30/EU	"relating to electromagnetic compatibility"
2000/14/EC; 2005/88/EC	"relating to outdoor noise"

Harmonized standards and/or technical specifications
applied are as follows: EN ISO 12100, ISO 14982, ISO
8437, ISO 3744, EN 1032

In accordance with directive 2000/14/EC, Annex V, the
declared sound values are stated in the technical data
section of this manual and in the signed EC Declaration
of Conformity.

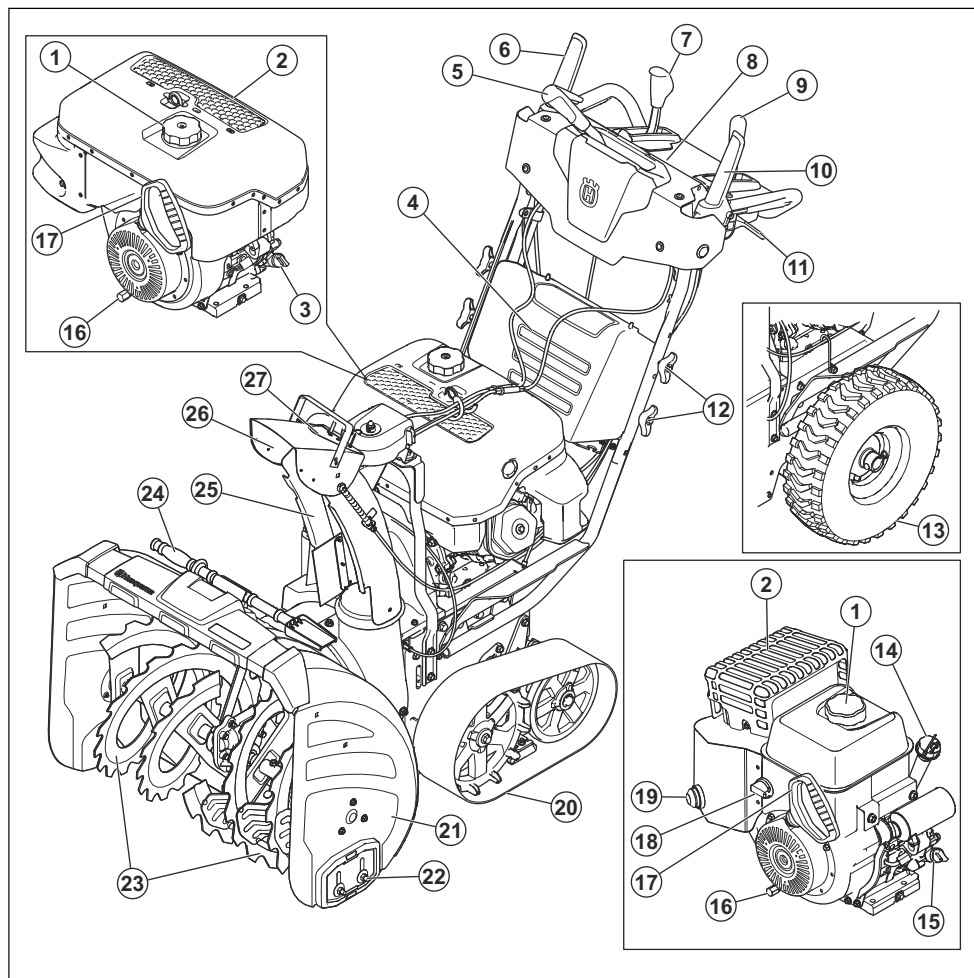
The supplied snowthrower conforms to the example that
underwent examination.

Inhalt

Einleitung.....	31	Fehlerbehebung.....	59
Sicherheit.....	34	Transport, Lagerung und Entsorgung.....	61
Montage.....	37	Technische Angaben.....	62
Betrieb.....	41	EG-Konformitätserklärung.....	63
Wartung.....	47		

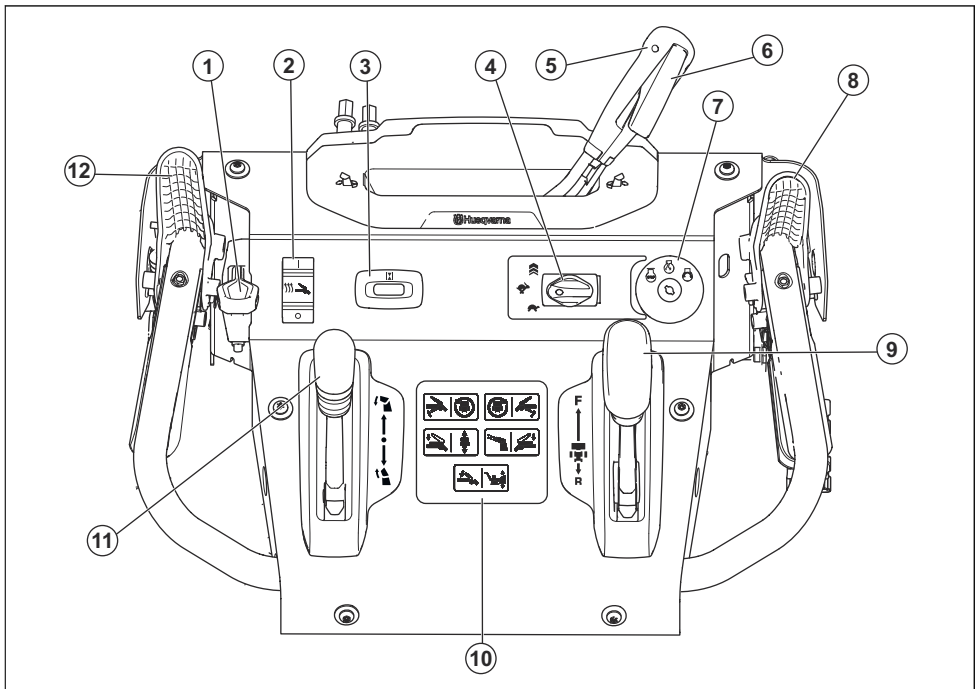
Einleitung

Produktübersicht



- | | |
|--|--|
| 1. Kraftstofftankdeckel | 15. Ölfüllung (nur für ST 424/427/430) |
| 2. Schalldämpfer | 16. Ölablass |
| 3. Ölfüllung/Messstab (nur für ST 424T/427T/430T) | 17. Startseilhandgriff |
| 4. Akkuabdeckung | 18. EIN-/AUS-Schalter für die Kraftstoffzufuhr (nur für ST 424/427/430) |
| 5. Auswurfschüttenhebel | 19. Primer (nur für ST 424/427/430) |
| 6. Betätigung der Schnecke | 20. Gleiskette (nur für ST 424T/427T/430T) |
| 7. Antriebsgeschwindigkeitshebel | 21. Schneckenschaufel |
| 8. Bedienfeld | 22. Gleitplatte |
| 9. Fernsteuerhebel | 23. Schnecken |
| 10. Antriebsaktivierung | 24. Werkzeug für die Reinigung |
| 11. Lenkhebel | 25. Auswurfsammler |
| 12. Griffknöpfe | 26. Leitblech für den Auswurfsammler |
| 13. Rad (nur für ST 424/427/430) | 27. LED-Leuchte |
| 14. Messstab (nur für ST 424/427/430) | |

Produktübersicht



- | | |
|--|--|
| 1. Einstellhebel der Schneckenschaufel | 11. Fernsteuerhebel für das Leitblech für den Auswurfsammler |
| 2. EIN-/AUS-Schalter für beheizten Griff | 12. Betätigung des Antriebs |
| 3. Betriebsstundenzähler und Ölwechselerinnerung | |
| 4. Gashebel | |
| 5. Auswurfschüttenhebel | |
| 6. Freigabehebel | |
| 7. Zündungsschlit | |
| 8. Betätigung der Schnecke | |
| 9. Antriebsgeschwindigkeitshebel | |
| 10. Etikett mit Symbolen | |

Produktbeschreibung

Bei dem Produkt handelt es sich um eine Schneefräse, die zum Räumen von Schnee eingesetzt wird.

Verwendungszweck

Dieses Gerät lässt sich verwenden, um Schnee von Feldern, Straßen, Gehwegen und aus Einfahrten zu entfernen. Verwenden Sie die Schneefräse nicht auf Hängen mit mehr als 20° Neigung. Verwenden Sie das Gerät nicht in stark durch Schutt und Schmutz verunreinigten Bereichen und nicht in Bereichen, in denen Steine aus der Oberfläche hervorragen.

Symbole auf dem Gerät

Hinweis: Wenn die Aufkleber auf dem Gerät beschädigt sind, kontaktieren Sie den Händler, um diese ersetzen zu lassen.



Warnung.



Lesen Sie die Bedienungsanleitung.



Eingeschaltet.



Starten Sie den Motor.



Motor aus.



Boost.



Schnell.



Langsam.



Ölwechselerinnerung.



Beheizte Handgriffe.



Ziehen Sie den Schlüssel vor der Wartung ab.



Heiße Oberfläche.



Es besteht die Gefahr von Brandentwicklungen.



Achten Sie auf hochgeschleuderte Gegenstände.



Lassen Sie keine Passanten näher kommen.



Atmen Sie die Abgase nicht ein.



Bewegen sich langsam nach hinten.



Absturzgefahr.



Drehen Sie sich nach links.



Drehen Sie sich nach rechts.



Beginnen Sie mit dem Schneeräumen.



Ändern Sie die Höhe der Schneekschaufel.

Produkthaftung

Im Sinne der Produkthaftungsgesetze übernehmen wir keine Haftung für Schäden, die unser Gerät verursacht, wenn...

- das Gerät nicht ordnungsgemäß repariert wurde.
- das Gerät mit Teilen repariert wurde, die nicht vom Hersteller stammen oder vom Hersteller zugelassen sind.

- ein Zubehöriteil mit dem Gerät verwendet wird, das nicht vom Hersteller stammt oder vom Hersteller zugelassen ist.
- das Gerät nicht bei einem zugelassenen Service Center oder von einer zugelassenen offiziellen Stelle repariert wurde.

Sicherheit

Sicherheitsdefinitionen

Die nachstehenden Definitionen geben den Schweregrad für jedes Signalwort an.



WARNUNG: Personenschäden.



ACHTUNG: Schäden am Gerät.

Hinweis: Diese Informationen erleichtern die Verwendung des Geräts.

Allgemeine Sicherheitshinweise

- Verwenden Sie das Gerät ordnungsgemäß. Eine falsche Verwendung kann zu schweren bis tödlichen Verletzungen führen. Verwenden Sie das Gerät nur für die in dieser Betriebsanleitung aufgeführten Arbeiten. Verwenden Sie das Gerät nicht für andere Aufgaben.
- Beachten Sie die Anweisungen in dieser Bedienungsanleitung. Beachten Sie die Symbole und die Sicherheitshinweise. Die Nichtbeachtung der Anweisungen und Symbole kann zu Verletzungen oder zum Tod führen.
- Werfen Sie diese Bedienungsanleitung nicht weg. Verwenden Sie die Anweisungen für das Zusammensetzen und den Betrieb, und halten Sie Ihr Gerät in gutem Zustand. Befolgen Sie die Anweisungen für die korrekte Installation von Anbaugeräten und Zubehöriteilen. Verwenden Sie ausschließlich zugelassene Anbaugeräte und Zubehöriteile.
- Verwenden Sie das Gerät nicht, wenn es beschädigt ist. Halten Sie sich an den Wartungsplan. Führen Sie nur diejenigen Wartungsarbeiten aus, die Sie in den Anweisungen in dieser Bedienungsanleitung finden. Alle sonstigen Wartungsarbeiten müssen von einer autorisierten Servicewerkstatt durchgeführt werden.
- Diese Bedienungsanleitung kann nicht alle Situationen abdecken, die bei der Verwendung des Geräts auftreten können. Seien Sie immer vorsichtig und arbeiten Sie mit gesundem Menschenverstand. Führen Sie keine Arbeiten mit oder Wartungen am Gerät durch, wenn Sie sich in einer Situation unsicher sind. Wenden Sie sich an einen Produktfachmann, Ihren Fachhändler, Ihren Service Vertreter oder das autorisierte Service Center für weitere Informationen.
- Ziehen Sie den Zündkerzenstecker ab, bevor Sie das Gerät zusammenbauen, einlagern oder warten.
- Verwenden Sie das Gerät nicht, wenn es nicht mehr der ursprünglichen Spezifikation entspricht. Ändern Sie kein Teil des Geräts ohne Genehmigung des Herstellers. Verwenden Sie nur Teile, die vom Hersteller genehmigt wurden. Eine falsche Wartung kann zu schweren bis tödlichen Verletzungen führen.
- Atmen Sie die Abgase des Motors nicht ein. Das Einatmen der Motorabgase über längere Zeit kann eine Gefahr für die Gesundheit darstellen.
- Das Gerät sollte nicht im Innenbereich oder in der Nähe von feuergefährlichen Stoffen gestartet werden. Die Abgase sind heiß und können Funken erzeugen, die einen Brand verursachen können. Eine mangelhafte Luftzirkulation kann zu schweren oder tödlichen Verletzungen durch Ersticken oder eine Kohlenmonoxidvergiftung führen.
- Wenn Sie das Gerät nutzen, erzeugt der Motor ein elektromagnetisches Feld. Das elektromagnetische Feld kann medizinische Implantate beschädigen. Sprechen Sie vor der Inbetriebnahme des Geräts mit Ihrem Arzt und dem Hersteller des medizinischen Implantats.
- Lassen Sie nicht zu, dass Kinder das Gerät verwenden. Erlauben Sie nicht, dass Personen ohne Kenntnis der Anweisungen das Gerät bedienen.
- Stellen Sie sicher, dass Personen mit verminderter physischer oder psychischer Leistungsfähigkeit dieses Gerät nicht unbeobachtet verwenden. Es muss immer ein verantwortlicher Erwachsener anwesend sein.
- Verschießen Sie das Gerät in einem Bereich, zum dem Kinder und nicht autorisierte Personen keinen Zugang haben.
- Das Gerät kann Objekte auswerfen und Verletzungen verursachen. Beachten Sie die Sicherheitshinweise, um das Risiko von Verletzungen oder Tod zu verringern.
- Entfernen Sie sich nicht vom Gerät, wenn der Motor eingeschaltet ist.
- Der Bediener des Geräts trägt bei einem Unfall die Verantwortung.
- Schauen Sie vor dem und während des Rückwärtslaufens nach hinten und nach unten, ob kleine Kinder, Tiere oder andere Gefahren im Weg sind, wegen derer Sie stürzen könnten.
- Überprüfen Sie vor dem Gebrauch das Gerät auf schadhafte Teile.
- Achten Sie vor dem Gebrauch des Geräts darauf, einen Mindestabstand von 15 m von anderen Personen oder von Tieren einzuhalten. Stellen Sie

sicher, dass eine Person in einem angrenzenden Bereich weiß, dass Sie das Gerät benutzen.

- Halten Sie sich an nationale und lokale gesetzliche Bestimmungen. Diese können den Betrieb des Geräts unter bestimmten Bedingungen verhindern oder einschränken.

Sicherheitshinweise für den Betrieb

- Halten Sie Hände und Füße von rotierenden Geräteteilen fern und achten Sie darauf, dass Hände oder Füße nicht unter rotierende Geräteteile geraten. Halten Sie sich stets von der Auswurföffnung fern.
- Äußerste Vorsicht ist angebracht, wenn Sie das Gerät auf bekiesten Flächen einsetzen oder solche Flächen damit überqueren. Achten Sie auf versteckte Gefahrenquellen und auf den Verkehr.
- Wenn die Schneefräse auf einen Fremdkörper trifft, stoppen Sie den Motor, entfernen Sie das Zündkabel von der Zündkerze, lösen Sie bei Elektromotoren das Netzkabel, untersuchen Sie das Gerät sorgfältig auf Beschädigungen und beheben Sie eventuelle Beschädigungen, bevor Sie das Gerät wieder in Betrieb nehmen.
- Falls das Gerät außergewöhnlich stark vibriert, stoppen Sie den Motor und prüfen Sie sofort die Ursache der Vibration. Vibration weist meist auf einen Fehler hin.
- Stoppen Sie den Motor, wenn Sie die Arbeit mit dem Gerät unterbrechen (also die Arbeitsposition verlassen), bevor Sie Verstopfungen an der Schnecke oder am Leitblech der Auswurfschütte beseitigen und immer dann, wenn Sie Reparaturen, Einstellungen oder Überprüfungen vornehmen.
- Stoppen Sie vor dem Reinigen, Reparieren oder Überprüfen des Geräts den Motor und vergewissern Sie sich, dass die Schnecken und alle beweglichen Teile zum Stillstand gekommen sind. Ziehen Sie das Zündkabel ab und halten Sie es von der Zündkerze fern, sodass ein unbeabsichtigtes Starten des Motors durch Dritte ausgeschlossen ist.
- Betreiben Sie den Motor nicht in geschlossenen Räumen, außer, wenn der Motor angelassen wird und zum Transportieren des Geräts in ein Gebäude hinein bzw. aus einem Gebäude heraus. Öffnen Sie die Außentüren; Abgase sind gefährlich.
- Bei Arbeiten auf abschüssigem Gelände ist äußerste Vorsicht geboten.
- Benutzen Sie das Produkt nur, wenn alle vorgeschriebenen Sicherheits- und Schutzvorrichtungen vorhanden und in Betrieb sind.
- Richten Sie das Leitblech der Auswurfschütte so aus, dass der ausgeworfene Schnee keine Personen treffen und keine Sachschäden verursachen kann. Halten Sie Kinder und andere Personen fern.
- Überlasten Sie das Gerät nicht, indem Sie versuchen, den Schnee zu schnell zu räumen.
- Lassen Sie das Gerät auf rutschigen Flächen nie in hoher Transportgeschwindigkeit laufen. Wenn Sie das Gerät im Rückwärtsgang bedienen, gehen Sie

vorsichtig vor und achten Sie auf den Bereich hinter sich.

- Schalten Sie die Stromzufuhr zu den Schnecken ab, wenn die Schneefräse transportiert wird oder nicht in Gebrauch ist.
- Verwenden Sie nur Zusatzgeräte und Zubehör, das vom Produkthersteller zugelassen ist (z. B. Radgewichte, Gegengewichte oder Bedienerkabinen).
- Arbeiten Sie nie mit dem Gerät, wenn schlechte Sicht- und Lichtverhältnisse vorherrschen. Achten Sie darauf, nicht auszurutschen, und halten Sie die Schneefräse am Griff gut fest. Gehen Sie langsam, rennen Sie nicht.
- Berühren Sie Motor und Schalldämpfer nicht, solange diese Geräteteile heiß sind.

Sicherheit im Arbeitsbereich

- Inspizieren Sie sorgfältig das Gelände, in dem das Gerät eingesetzt werden soll, und entfernen Sie alle losen Gegenstände wie Fußabtreter, Schlitten, Ski, Kabel und Sonstiges.
- Kuppeln Sie alle Kupplungen aus und schalten Sie die Schneefräse in den Leerlauf, bevor Sie den Motor starten.
- Bedienen Sie das Gerät nur in geeigneter Winterbekleidung. Tragen Sie keine zu locker sitzende Kleidung, die sich in beweglichen Teilen des Geräts verfangen könnte. Tragen Sie Schuhe, die Ihnen auf rutschigen Flächen sicheren Halt geben.
- Gehen Sie mit Kraftstoff vorsichtig um. Kraftstoff ist leicht entflammbar.
 - Verwenden Sie einen geprüften Benzinkanister.
 - Füllen Sie nie Kraftstoff nach, während der Motor läuft oder stark erhitzt ist.
 - Füllen Sie den Kraftstofftank nur im Freien nach und gehen Sie dabei mit großer Umsicht vor. Füllen Sie den Kraftstofftank nie in geschlossenen Räumen.
 - Füllen Sie Benzinkanister nie in einem Fahrzeug oder auf der Ladefläche eines Transporters oder LKWs mit Kunststoffverkleidung. Füllen Sie Benzinkanister grundsätzlich auf dem Boden und in ausreichend Abstand zu Fahrzeugen.
 - Tanken Sie benzinbetriebene Geräte, wenn möglich, auf dem Boden und in ausreichend Abstand von Fahrzeugen auf. Wenn das nicht möglich ist, tanken Sie benzinbetriebene Geräte auf der Ladefläche auf, und zwar aus einem transportablen Kanister, nicht direkt aus der Zapfsäule.
 - Der Zapfhahn muss die Einfüllöffnung des Kraftstofftanks bzw. Benzinkanisters während des Tankens ständig berühren. Verwenden Sie keine Vorrichtung zum dauerhaften Offenhalten des Zapfhahns.
 - Schrauben Sie den Tank bzw. Kanister sorgsam zu und wischen Sie verschütteten Kraftstoff weg.

- Gerät Kraftstoff auf die Kleidung, wechseln Sie diese sofort.
- Verwenden Sie bei Geräten mit Elektroantriebsmotoren oder Elektrostartmotoren die vom Hersteller angegebenen Verlängerungskabel und Steckdosen.
- Verstellen Sie die Höhe des Schneckengehäuses entsprechend der zu beräumenden Kies- oder Schotterflächen.
- Versuchen Sie nie bei laufendem Motor Einstellungen irgendwelcher Art vorzunehmen, es sei denn, dies wird vom Hersteller ausdrücklich so empfohlen.
- Tragen Sie beim Betrieb, beim Einstellen oder bei einer Reparatur des Geräts immer eine Schutzbrille oder einen anderen Augenschutz, um die Augen zu schützen, falls Gegenstände vom Gerät durch die Luft geschleudert werden.

Persönliche Schutzausrüstung

Verwenden Sie beim Arbeiten mit dem Gerät stets die geeignete persönliche Schutzausrüstung. Dazu gehören mindestens festes Schuhwerk, Schutzbrille und Gehörschutz. Die persönliche Schutzausrüstung beseitigt die Verletzungsgefahr nicht, kann aber bei einem Unfall den Verletzungsgrad mindern.

- Tragen Sie immer eine Schutzbrille oder einen anderen Augenschutz, wenn Sie das Gerät bedienen oder wenn Sie Wartungs- und Reparaturarbeiten durchführen.
- Tragen Sie stets geeignete Winterbekleidung, wenn Sie das Gerät bedienen.
- Tragen Sie stets robuste Stiefel mit rutschhemmender Sohle, die guten Halt bis über die Knöchel bieten, wenn Sie das Produkt bedienen.
- Tragen Sie keine locker sitzende Kleidung, die sich in beweglichen Teilen verfangen könnte.
- Tragen Sie gegebenenfalls zugelassene Schutzhandschuhe. Zum Beispiel beim Einbauen, Überprüfen oder Reinigen der Schneckenflügel.
- Tragen Sie immer einen zugelassenen Gehörschutz beim Arbeiten mit dem Gerät. Lärmbelastung über einen längeren Zeitraum kann zu lärmbedingten Hörschäden führen.

Sicherheitsvorrichtungen am Gerät

- Achten Sie darauf, das Gerät regelmäßig zu warten.
 - Dies erhöht die Lebensdauer des Geräts.
 - Die Gefahr von Unfällen sinkt.

Lassen Sie einen Vertragshändler oder ein autorisiertes Service Center das Gerät regelmäßig überprüfen, um Einstellungen oder Reparaturen vorzunehmen.

- Benutzen Sie kein Gerät mit defekten Schutzvorrichtungen. Wenn das Gerät beschädigt ist, wenden Sie sich an ein autorisiertes Service Center.

Schalldämpfer

Der Schalldämpfer senkt den Geräuschpegel so weit wie möglich und hält die Abgase des Motors vom Anwender fern.

Verwenden Sie das Gerät nicht, wenn der Schalldämpfer fehlt oder defekt ist. Ein defekter Schalldämpfer erhöht den Geräuschpegel und die Brandgefahr.

Überprüfen Sie den Schalldämpfer regelmäßig, um sicherzustellen, dass er richtig angebracht und nicht beschädigt ist.



ACHTUNG: Der Schalldämpfer wird während und nach Gebrauch und wenn der Motor im Leerlauf läuft, sehr heiß. Seien Sie in der Nähe von entzündlichen Materialien und/oder Dämpfen besonders vorsichtig, um Brandgefahr zu verhindern.

Sicherer Umgang mit Kraftstoff



WARNUNG: Lesen Sie die folgenden Warnhinweise, bevor Sie das Gerät benutzen.

- Starten Sie das Gerät nicht, wenn sich Kraftstoff oder Öl darauf befindet. Entfernen Sie den unerwünschten Kraftstoff bzw. das Öl und lassen Sie das Gerät trocknen.
- Wechseln Sie sofort die Kleidung, wenn Sie Kraftstoff darauf verschütten.
- Lassen Sie keinen Kraftstoff auf Ihren Körper gelangen, denn dies kann zu Verletzungen führen. Wenn Kraftstoff auf Ihre Haut gelangt, waschen Sie diesen mit Wasser und Seife ab.
- Starten Sie das Gerät nicht, wenn der Motor undicht ist. Überprüfen Sie den Motor regelmäßig auf Undichtigkeiten.
- Gehen Sie vorsichtig mit Kraftstoff um. Kraftstoff ist feuergefährlich, und die Dämpfe sind explosiv und können zu Verletzungen oder sogar zum Tod führen.
- Atmen Sie die Kraftstoffdämpfe nicht ein, denn sie sind gesundheitsschädigend. Achten Sie auf ausreichende Belüftung.
- Rauchen Sie nicht in der Nähe des Kraftstoffs oder des Motors.
- Stellen Sie keine heißen Gegenstände in der Nähe des Kraftstoffs oder Motors ab.
- Füllen Sie keinen Kraftstoff nach, während der Motor läuft.
- Vergewissern Sie sich, dass der Motor abgekühlt ist, bevor Sie Kraftstoff nachfüllen.
- Öffnen Sie vor dem Nachfüllen den Tankdeckel langsam und lassen Sie den Druck vorsichtig entweichen.
- Füllen Sie keinen Kraftstoff in den Motor, wenn Sie sich in einem Innenraum befinden. Eine mangelhafte Luftzirkulation kann zu schweren oder tödlichen

Verletzungen durch Ersticken oder eine Kohlenmonoxidvergiftung führen.

- Schrauben Sie den Kraftstofftankdeckel fest zu. Wenn der Tankverschluss nicht fest zugeschraubt ist, besteht Feuergefahr.
- Bewegen Sie das Produkt vor dem Starten mindestens 3 m von der Stelle fort, an der Sie den Tank befüllt hatten.
- Überfüllen Sie den Kraftstofftank nicht.

Sicherer Umgang mit Akkus



WARNUNG: Ein beschädigter Akku kann eine Explosion verursachen und zu Verletzungen führen. Wenn der Akku deformiert oder beschädigt ist, wenden Sie sich an eine zugelassene Husqvarna Servicewerkstatt.



WARNUNG: Lesen Sie die folgenden Warnhinweise, bevor Sie das Gerät benutzen.

- Verwenden Sie in der Nähe von Akkus stets eine Schutzbrille.
- Tragen Sie keine Uhren, Schmuck oder andere Gegenstände aus Metall in der Nähe des Akkus.
- Bewahren Sie den Akku außerhalb der Reichweite von Kindern auf.
- Laden Sie den Akku in einem Bereich mit guter Belüftung auf.
- Halten Sie entflammbare Materialien in einem Mindestabstand von 1 m, wenn Sie den Akku aufladen.
- Entsorgen Sie ausgetauschte Akkus. Siehe *Entsorgung auf Seite 62*.
- Von der Batterie können explosive Gase ausgehen. Rauchen Sie nicht in der Nähe der Batterie! Halten

Sie den Akku von offenen Flammen oder Funken fern.

Sicherheitshinweise für die Wartung



WARNUNG: Lesen Sie die folgenden Warnhinweise, bevor Sie das Gerät benutzen.

- Die Abgase des Motors enthalten Kohlenmonoxid, ein geruchloses, giftiges und sehr gefährliches Gas. Starten Sie den Motor nicht in Innenräumen oder in geschlossenen Räumen.
- Bevor Sie an dem Produkt eine Wartung durchführen, schalten Sie den Motor aus und ziehen Sie das Zündkabel von der Zündkerze ab.
- Tragen Sie Schutzhandschuhe, wenn Sie Wartungsarbeiten an den Schneckenflügeln durchführen. Die Flügel ist sehr scharf und man schneidet sich sehr leicht.
- Zubehörteile und Änderungen am Produkt, die vom Hersteller nicht genehmigt wurden, können zu schweren Verletzungen oder zum Tod führen. Verändern Sie das Produkt nicht. Verwenden Sie immer Teile, die vom Hersteller genehmigt wurden.
- Wenn die Wartung nicht ordnungsgemäß und regelmäßig erfolgt, erhöht sich die Verletzungsgefahr und das Risiko für eine Beschädigung des Produkts.
- Führen Sie nur Wartungsarbeiten durch, die gemäß dieser Betriebsanleitung vorgegeben sind. Alle anderen Wartungsarbeiten müssen von einer autorisierten Servicewerkstatt durchgeführt werden.
- Lassen Sie eine autorisierte Servicewerkstatt das Gerät regelmäßig warten.
- Ersetzen Sie beschädigte, abgenutzte oder defekte Teile.

Montage

So nehmen Sie das Gerät aus dem Karton

1. Entfernen Sie alle losen Teile, die im Lieferumfang des Geräts enthalten sind. Schneiden Sie die vier Ecken des Kartons ab, und klappen Sie die Endstreifen flach nach unten.
2. Entfernen Sie die beiden Schrauben, mit denen das Schneckengehäuse auf der Palette befestigt ist. Entfernen Sie ggf. die Stahlklammern von den Gleitplatten.
3. Entfernen Sie alle Verpackungsmaterialien.
4. Nehmen Sie das Gerät aus dem Karton, und stellen Sie sicher, dass keine losen Teile im Karton verbleiben.

Lose Teile



Auswurfsammler (1)



ON/OFF-Schlüssel



Schlossschrauben 5/16-18 x 2 1/4" (2)



Schachthalterung



Griffknöpfe (2)



Sicherungsmutter 3/8 (1)



Sicherungsmutter 3/18-16 (1)



(ST 424/427/430) Kabelhalter (1)



Scherbolzen 1/4-20 x 1,81 (6)



Sicherungsmuttern 1/4-20 (6)



Sicherungsmutter 5/16-18 (1)



Sicherungsmutter 1/4-20 (1)



Nylonscheibe (1)



Schlossschraube 5/16-18 x 5/8 (1)



Spannstift (1)



Freigabehebel (1)



Auswurfschüttenhebel



Feder (1)



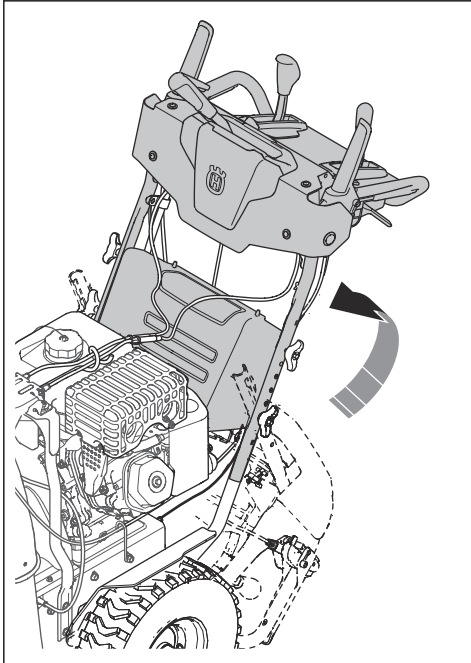
Bundbolzen 1/4-20 (1)

Erforderliche Werkzeuge

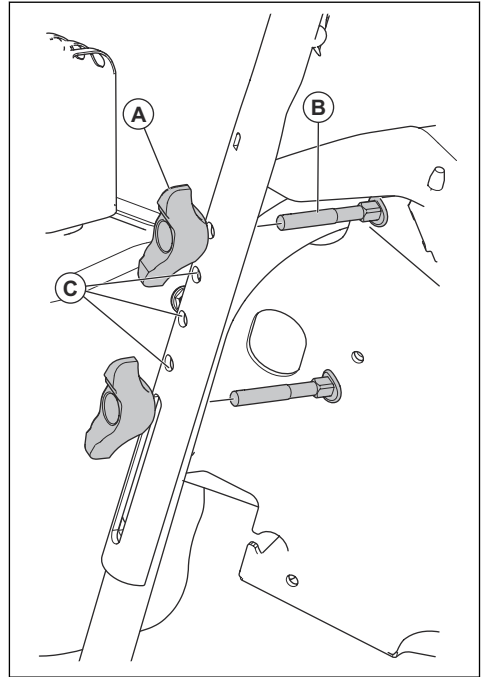
- 3/8-Zoll-Schraubenschlüssel (1)
- 7/16-Zoll-Schraubenschlüssel (1)
- 1/2-Zoll-Schraubenschlüssel (1)
- 9/16-Zoll-Steckschlüssel lang (1)

So montieren Sie den Griff

1. Heben Sie den oberen Griff an, bis die Betriebsposition erreicht ist.



2. Stellen Sie die Griffposition auf eine der Löcher (C).

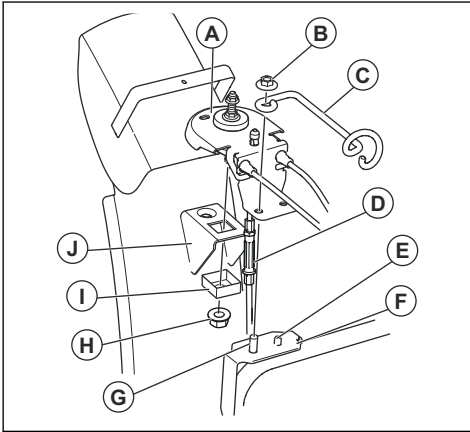


3. Schieben Sie die Schraube (B) durch das Loch (C).
4. Bringen Sie den Knopf (A) an der Schraube an und ziehen Sie den Knopf fest.
5. Bringen Sie zur Befestigung des oberen Griffs an den unteren Griff weitere Schlossschrauben (B) und Griffknöpfe (A) an.

So bringen Sie den Auswurfsammler an

1. Setzen Sie die Leitblecheinheit für den Auswurfsammler auf die Oberseite des Auswurfsammlers. Die Auswurföffnung muss zur Vorderseite des Geräts zeigen.
2. Platzieren Sie den Kopf (A) der Auswurfschüttdrehung auf dem Auswurfschüttenhalter (J).
3. Richten Sie die Stifte unter dem Kopf der Auswurfschüttdrehung an den Löchern des Auswurfschüttenhalters aus.

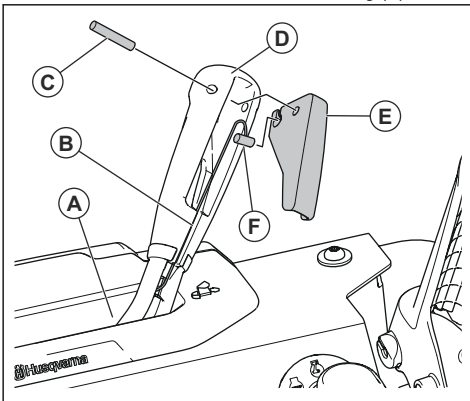
- Platzieren Sie den Kopf der Auswurfschüttdrehung auf dem Bolzen (E) und den Gewindebolzen (G) auf dem Halter (E).



- Bringen Sie eine Sicherungsmutter (B) auf dem Gewindebolzen an und ziehen Sie sie fest an.
- Befestigen Sie die rechteckige Halterung (I) mit einer Sicherungsmutter (H).
- Nur bei ST 424/427/430 : Führen Sie die Kabel durch den Kabelhalter (C)

So bringen Sie den Auswurfschüttenhebel und das Auslösekabel an

- Drücken Sie den Knopf (D) auf dem Auswurfschüttenhebel nach unten. Verwenden Sie einen Gummihammer, falls erforderlich.
- Befestigen Sie das Auslösekabel am Auswurfschüttenhebel an der Verbindung (A).

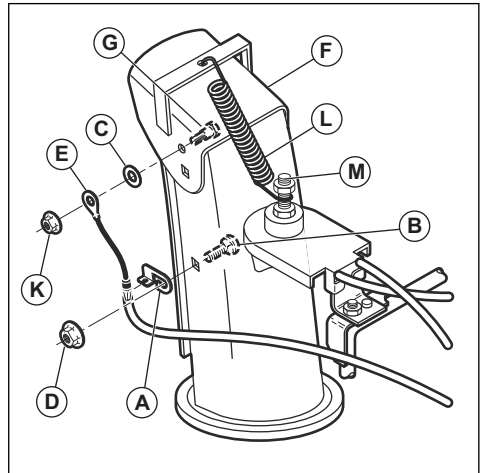


- Legen Sie das Auslösekabel in die Nut (B) auf dem Auswurfschüttenhebel.

- Bringen Sie die Kabelzylinderhalterung (F) am Freigabehebel (E) an.
- Bringen Sie die den Freigabehebel (E) am Auswurfschüttenhebel an und befestigen Sie ihn mit dem Spannstift (C).
- Stellen Sie das Auslösekabel ein. Siehe *So stellen Sie das Auslösekabel des Auswurfsammlers ein auf Seite 56.*
- Stellen Sie das linke und rechte Auswurfschüttenkabel ein. Siehe *So stellen Sie das linke und rechte Auswurfschüttenkabel ein auf Seite 56.*

So installieren Sie die Fernbedienung für das Leitblech für den Auswurfsammler

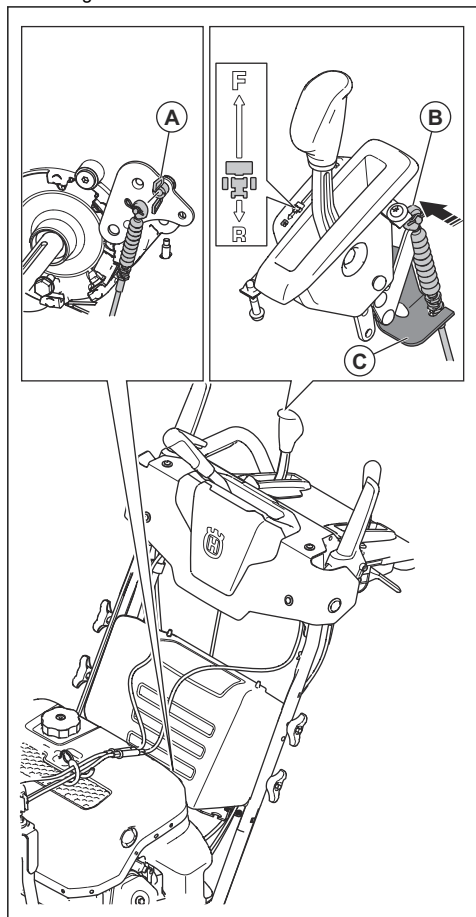
- Befestigen Sie die Kabelklemme (A) mit einer Schlossschraube (B) und einer 5/16-18 Sicherungsmutter (D) am Auswurfsammler. Ziehen Sie dann die Schraube fest an.
- Bringen Sie die Kabelöse (E) am Leitblech für den Auswurfsammler (F) an. Verwenden Sie einen Bundbolzen (G), eine Nylonscheibe (C) und ziehen Sie sie mit einer Sicherungsmutter 1/4-20 (K) fest. Die Kabelöse sitzt locker auf dem Bundbolzen.
- Bringen Sie die Feder (L) zwischen der Sechskantmutter (M) auf dem Kopf der Auswurfsammlerdrehung und der Bohrung auf dem Leitblech für den Auswurfsammler an.



So installieren Sie den Drehzahlregelungszug

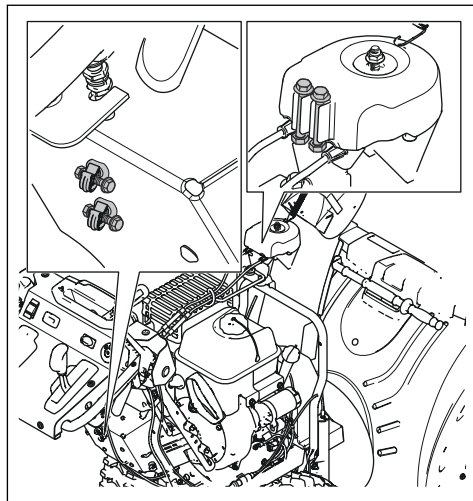
- Bringen Sie den Antriebsgeschwindigkeitshebel in die Neutralstellung.

2. Befestigen Sie den Drehzahlregelungszug (B) am Antriebsgeschwindigkeitshebel mit einem Arretierstift.
3. Befestigen Sie den Drehzahlregelungszug mit zwei ½-Zoll-Schraubenschlüsseln am Halter (C). Stellen Sie sicher, dass der Antriebsgeschwindigkeitshebel in der Neutralstellung bleibt.
4. Entfernen Sie die Schraube und die Flügelmutter (A) auf dem Winkelhebel, damit sich der Winkelhebel bewegen kann.



So befestigen Sie Ersatzscherbolzen

- Befestigen Sie die Ersatzscherbolzen an der Abdeckung auf der Fernbedienung oder am Akkufach.



Betrieb

Bevor Sie das Produkt starten

- Sorgen Sie dafür, dass sich im Arbeitsbereich keine Unbefugten oder Tiere aufhalten.
- Warten Sie das Gerät täglich. Siehe *Wartungsplan auf Seite 47*.
- Stellen Sie sicher, dass das Zündkabel ordnungsgemäß mit der Zündkerze verbunden ist.
- Füllen Sie Öl oder Benzin nach, falls erforderlich. Siehe *So füllen Sie Kraftstoff ein auf Seite 42*.

So befüllen Sie den Motor mit Öl



ACHTUNG: Drehen Sie auf keinen Fall den Ölmesstab, wenn Sie den Ölstand prüfen. Nicht über die Füllstandsanzeige hinaus befüllen.

1. Öleinfülldeckel abnehmen und den Messstab abwischen. Siehe Information zur Position *Produktübersicht auf Seite 31* des Messstabs.
2. Füllen Sie Öl bis zur oberen Markierung am Messstab nach. Verwenden Sie den Messstab, um den Ölstand in regelmäßigen Abständen zu prüfen.
3. Setzen Sie den Öleinfülldeckel wieder an Ort und Stelle auf.

So füllen Sie Kraftstoff ein

Falls vorhanden, verwenden Sie schadstoffarmes Benzin/Alkylatbenzin. Wenn schadstoffarmes Benzin/Alkylatbenzin nicht verfügbar ist, verwenden Sie ein qualitativ hochwertiges bleifreies Benzin oder verbleites Benzin. Verwenden Sie außerhalb Nordamerikas Benzin mit einer Oktanzahl von mindestens 90 ROZ (87 AKI in Nordamerika) und mit einem Ethanolgehalt von maximal 10 % (E10).

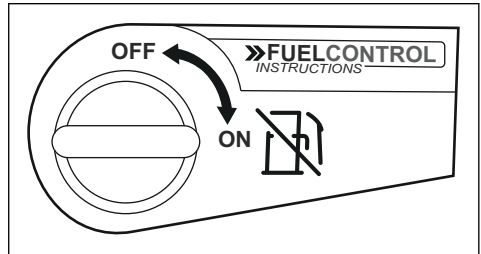


ACHTUNG: Verwenden Sie außerhalb Nordamerikas kein Benzin mit einer Oktanzahl von weniger als 90 ROZ (87 AKI in Nordamerika). Dies kann das Gerät beschädigen.

1. Öffnen Sie den Tankdeckel langsam, damit der Druck entweichen kann.
2. Füllen Sie langsam mit einem Kraftstoffkanister auf. Wenn Sie Kraftstoff verschütten, entfernen Sie ihn mit einem Tuch und lassen Sie den verbleibenden Treibstoff trocknen.
3. Säubern Sie den Bereich um den Tankdeckel herum.
4. Schrauben Sie den Kraftstofftankdeckel fest zu. Wenn der Tankverschluss nicht fest zugeschraubt ist, besteht Feuergefahr.
5. Bewegen Sie das Produkt vor dem Starten mindestens 3 m von der Stelle fort, an der Sie den Tank befüllt hatten.

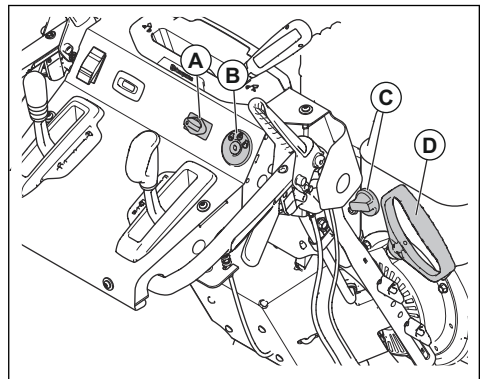
So verwenden Sie den Kraftstoffschalter (nur für ST 424/427/430)

- Drehen Sie den Kraftstoffschalter, um das Kraftstoffventil zu öffnen oder zu schließen. Betreiben Sie das Gerät mit dem Kraftstoffschalter in der geöffneten Stellung.



So lassen Sie den Motor an, Manuelles Anlassen des Motors

1. Stecken Sie den EIN-/AUS-Schlüssel in den Zündungsschlit (B). Drehen Sie den Schlüssel nicht.



2. Nur bei ST 424/427/430 : Drehen Sie den EIN-/AUS-Schalter (C) für die Kraftstoffzufuhr in die Position ON.
3. Stellen Sie den Gashebel (A) in die Stellung FAST für schnelles Fahren.
4. Drehen Sie den EIN-/AUS-Schlüssel in die Position ON.
5. Nur bei ST 424/427/430 : Wenn die Temperatur unter -17°C fällt, drücken Sie den Primer 3 Mal. Siehe *Produktübersicht auf Seite 31* zur Primerposition.



ACHTUNG: Drücken Sie den Primer nicht zu oft. Dies kann dazu führen, dass der Motor nicht startet. Falls der Motor „abgesoffen“ ist, warten Sie einige

Minuten, bevor Sie versuchen, ihn zu starten. Drücken Sie den Primer nicht.

- Ziehen Sie den Startseilhandgriff (D).



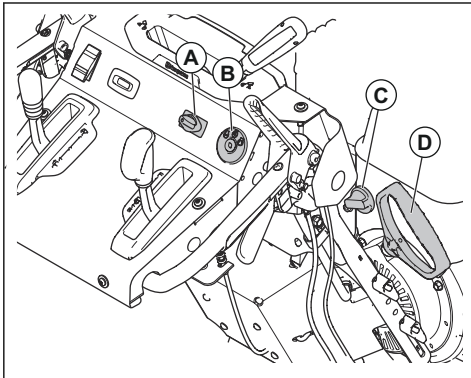
ACHTUNG: Lassen Sie den Startseilhandgriff nicht schnell wieder los. Bewegen Sie ihn langsam in die Startposition.

Hinweis: Wenn das Startseil gefroren ist, ziehen Sie langsam so viel Seil aus der Startvorrichtung wie möglich. Lösen Sie den Startseilhandgriff. Wenn der Motor nicht startet, wiederholen Sie den Vorgang oder nutzen Sie den elektrischen Anlasser.

- Lassen Sie den Motor 2 bis 3 Minuten im niedrigen Drehzahlbereich drehen, bevor Sie mit dem Schneeräumen beginnen.
- Wenn der Motor nicht reibungslos läuft, schalten Sie ihn aus.

So lassen Sie den Motor an, Elektrisches Anlassen des Motors

- Stecken Sie den EIN-/AUS-Schlüssel in den Zündungsschlitze (B). Drehen Sie den Schlüssel nicht.
- Nur bei ST 424/427/430 : Drehen Sie den EIN-/AUS-Schalter (C) für die Kraftstoffzufuhr in die Position ON.
- Stellen Sie den Gashebel (A) in die Stellung FAST für schnelles Fahren.
- Stellen Sie den EIN-/AUS-Schalter in die Position ON.



- Nur bei ST 424/427/430 : Wenn die Temperatur unter -17°C fällt, drücken Sie den Primer 3 Mal. Siehe *Produktübersicht auf Seite 31* zur Primerposition.



ACHTUNG: Drücken Sie den Primer nicht zu oft. Dies kann dazu führen, dass der Motor nicht startet. Falls der Motor

„abgesoffen“ ist, warten Sie einige Minuten, bevor Sie versuchen, ihn zu starten. Drücken Sie den Primer nicht.

- Drehen Sie den EIN-/AUS-Schlüssel auf START. Wenn der Motor anspringt, lassen Sie den Zündschlüssel los.



ACHTUNG: Aktivieren Sie den Anlasser bei jedem Startversuch nicht länger als fünf Sekunden. Warten Sie zwischen jedem Versuch 5 bis 10 Sekunden.

- Lassen Sie den Motor 2 bis 3 Minuten im niedrigen Drehzahlbereich drehen, bevor Sie mit dem Schneeräumen beginnen.

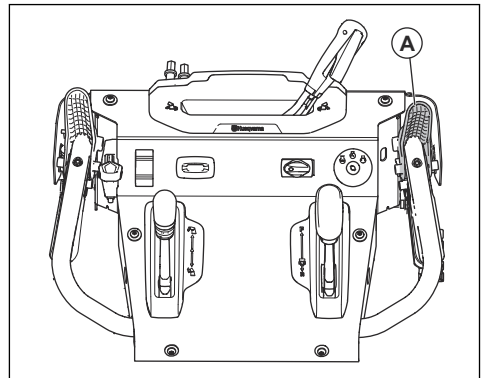
Inbetriebnahme des Produkts



ACHTUNG: Lassen Sie auf keinen Fall die Antriebs- oder Schneckenhebel über einen längeren Zeitraum aktiviert. Dies kann zu vorzeitigem Verschleiß oder einem Verbrennen der Antriebsriemen führen.

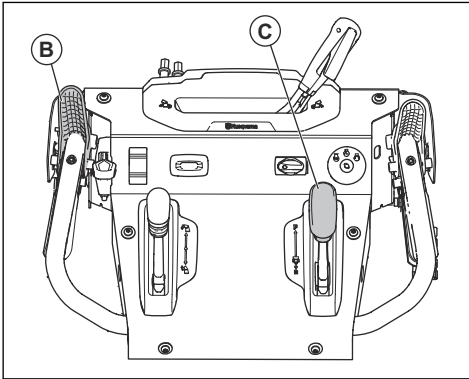
Hinweis: Wenn sowohl die Antriebsaktivierung als auch die Schneckenaktivierung eingeschaltet sind, verriegelt die Antriebskupplung die Schneckenkupplung in ihrer Position. Mit der rechten Hand lässt sich der Auswurfsammler für den Schneeauswurf steuern.

- Zum Aktivieren der Schneckenflügel drücken Sie die Schneckenkupplung (A) in Richtung Griff, um die Schnecke zu aktivieren und Schnee zu räumen.

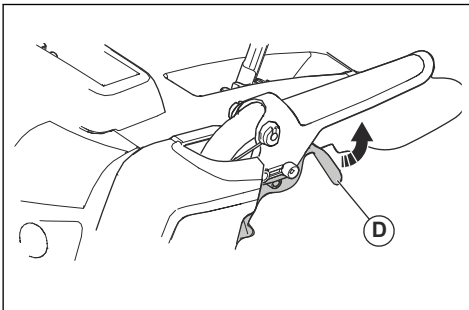


- Stellen Sie den Steuerhebel für die Antriebsdrehzahl (C) von der Mittelstellung nach oben, damit das Gerät vorwärts fährt, wenn die Antriebsaktivierung (B) eingeschaltet ist.

3. Stellen Sie den Steuerhebel für die Antriebsdrehzahl von der Mittelstellung nach unten, damit das Gerät rückwärts fährt, wenn die Antriebsaktivierung eingeschaltet ist.



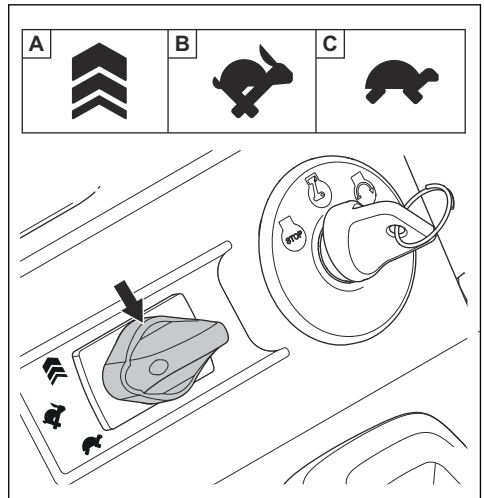
4. Damit das Gerät in die gewählte Richtung fährt, müssen Sie Antriebsaktivierung gegen den Griff gedrückt halten.
5. Wenn das Gerät mit einer Servolenkung ausgestattet ist, halten Sie den linken Lenkhebel (D) gedrückt, um nach links zu fahren. Halten Sie den rechten Lenkhebel gedrückt, um nach rechts zu fahren.



Gashebel

Hinweis: Wenn der Schnee nass oder schwer ist, verwenden Sie den schnellen oder den Boost-Modus.

Der Gashebel regelt die Motordrehzahl. Er verfügt über 3 Modi: Boost, Fast und Slow.



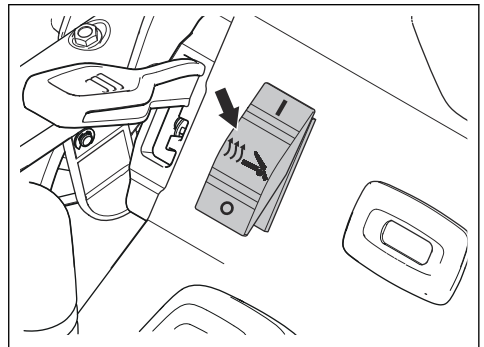
- Boost (A): zur Erhöhung der Geschwindigkeit, wenn das Gerät betrieben wird, aber keinen Schnee räumt, oder um die Distanz zu vergrößern, mit der der Schnee ausgeworfen wird.
- Schnell (B): standardmäßig
- Langsam (C): zur Verringerung der Distanz, mit der der Schnee ausgeworfen wird, oder zum Verringern der Motorgeräusche

So verwenden Sie den Gashebel

- Drehen Sie den Gashebel, um die Motordrehzahl zu verändern.

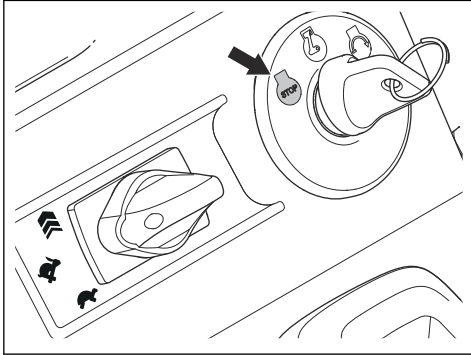
So verwenden Sie die beheizten Handgriffe

- Drücken Sie den Schalter auf I zum Aktivieren der beheizten Griffe.
- Drücken Sie den Schalter auf O zum Deaktivieren der beheizten Griffe.



So stoppen Sie das Gerät

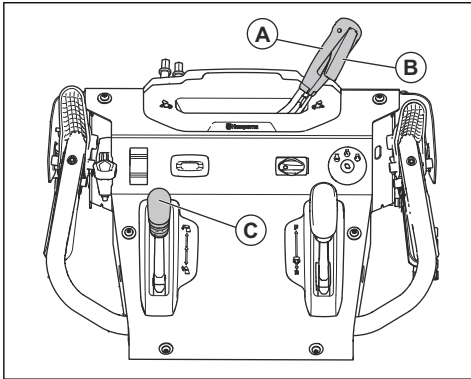
1. Drehen Sie den Schlüssel in die Position STOPP.



2. Ziehen Sie den EIN-/AUS-Schlüssel ab.

So stellen Sie den Auswurfsammler und das Leitblech für den Auswurfsammler ein

1. Drücken Sie den Freigabehebel (B) auf dem Auswurfsammlerhebel (A) und stellen Sie den Auswurfsammler auf die linke oder rechte Position.



2. Bewegen Sie den Fernsteuerhebel (C) zum Einstellen der Distanz, mit der der Schnee ausgeworfen wird.
 - a) Bewegen Sie den Fernsteuerhebel nach oben, um die Distanz, mit der der Schnee ausgeworfen wird, zu verringern.
 - b) Bewegen Sie den Fernsteuerhebel nach unten, um die Distanz, mit der der Schnee ausgeworfen wird, zu vergrößern.

So stellen Sie die Gleitplatten ein

Die Gleitplatten verhindern Schäden an der Unterseite der Schneefräse. Stellen Sie die Gleitplatten (A) ein, wenn die Sicherungsmutter (B) locker ist, sonst haben die Gleitplatten nicht den richtigen Abstand zum Boden.

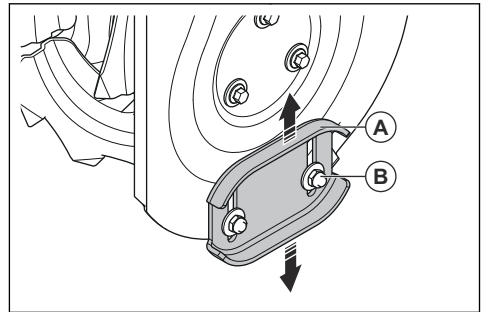
Für die Standardinstallation ist kein Einstellen erforderlich.

1. Lösen Sie die Sicherungsmutter (B) mit einem offenen 13-mm-Schraubenschlüssel.
2. Bewegen Sie die Gleitplatten (A) nach oben oder nach unten.
 - a) Stellen Sie auf ebenen Oberflächen die Entfernung zwischen der Schürfleiste und dem Boden auf 5-6 mm ein.
 - b) Stellen Sie auf rauen Oberflächen die Gleitplatten (A) in eine Position, in der sich die Schürfleiste über dem Boden befindet.



WARNUNG: Stellen Sie sicher, dass Kies und Steine nicht in das Gerät gelangen können. Objekte, die bei hoher Geschwindigkeit ausgeworfen werden, können zu Verletzungen führen.

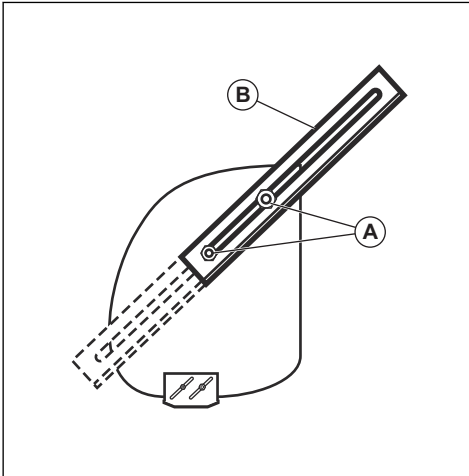
3. Ziehen Sie die Sicherungsmutter (B) an.



So verwenden Sie die Drift Cutter (je nach Ausstattung)

Verwenden Sie die Drift Cutter zum Durchschneiden von Schneewehen, wobei der Schnitt tiefer als die Vorderseite des Geräts erfolgt.

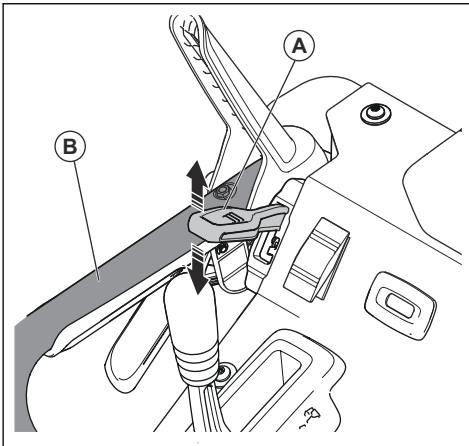
1. Lösen Sie die Einstellmuttern (A) auf beiden Seiten des Geräts, damit der Drift Cutter (B) angehoben und in seiner höchsten Position arretiert werden kann.



2. Muttern festziehen.
3. Senken Sie den Drift Cutter nach Gebrauch wieder ab.

So stellen Sie die Höhe der Schneckschaufel ein (nur für ST 424T/427T/430T)

1. Drücken Sie den Hebel (A) nach unten.



2. Bewegen Sie die Griffe (B) nach oben oder nach unten, um die Höhe der Schneckschaufel einzustellen.
3. Lösen Sie den Hebel (A), damit die Schneckschaufel einrastet.

Hinweis: Die Schneckschaufel kann auf eine entriegelte Position eingestellt werden. Dadurch kann sich die Schneckschaufel an das Gelände anpassen. Drücken Sie zum Einstellen der Schneckschaufel auf die entriegelte Position den Hebel (A) nach unten und nach rechts.

So schützen Sie das Gerät nach Gebrauch vor dem Einfrieren

Hinweis: Bedienelemente und bewegliche Teile können durch Eis blockiert sein. Wenden Sie nicht besonders viel Kraft auf die Bedienelemente an. Wenn Sie eine Steuerung oder ein Bauteil nicht bedienen können, starten Sie den Motor und lassen Sie ihn einige Minuten lang laufen.

1. Starten Sie den Motor und lassen Sie ihn einige Minuten lang im Leerlauf laufen. Stoppen Sie den Motor und warten Sie, bis alle beweglichen Teile zum Stillstand gekommen sind.
2. Entfernen Sie Schnee und lockeres Eis vom Gerät.
3. Entfernen Sie Eis und Schnee von der Basis des Auswurfsammlers.
4. Drehen Sie das Leitblech für den Auswurfsammler nach links und rechts, um Eis und Wasser zu entfernen.
5. Bringen Sie den Zündschlüssel in Stellung OFF.
6. Wenn das Gerät nicht über einen elektrischen Anlasser verfügt, ziehen Sie den Startseilhandgriff mehrere Male, um Eis und Wasser zu entfernen.

So erhalten Sie ein gutes Arbeitsergebnis

- Lassen Sie den Motor stets mit Vollgas oder fast mit Vollgas laufen.
- Passen Sie die Drehzahl des Geräts immer den Schneeverhältnissen und regeln Sie die Drehzahl mit dem Drehzahlregelungshebel. Stellen Sie sicher, dass das Gerät den Schnee gleichmäßig auswirft.
- Es ist einfacher und effizienter, den Schnee sofort zu räumen, nachdem er gefallen ist.
- Achten Sie darauf, dass der Schnee vom Gerät möglichst in Windrichtung ausgeworfen wird.
- Auf ebenen Flächen, wie etwa auf asphaltierten Straßen, heben Sie die Gleitplatten bis auf 5-6 mm (0,2-0,25 in) vom Boden an.
- Die Schürfleiste ist umdrehbar. Wenn sie bis fast an die Gehäusekante verschlissen ist, drehen Sie sie um. Ersetzen Sie die Schürfleiste, falls diese beschädigt ist oder wenn beide Seiten verschlissen sind.
- Nehmen Sie das Leitblech für den Auswurfsammler nicht ab, wenn es verstopft ist.

- Wenn das Gerät aus unvorhersehbaren Gründen nicht vorwärts fährt, lassen Sie die Antriebsaktivierung sofort los oder bewegen Sie den EIN-/AUS-Schlüssel in die Position „OFF“.

Wartung

Einleitung

Wenn das Gerät im Einsatz ist, können sich Schrauben lösen und Baugruppen können verschleiften. Dies kann zu Störungen, wie z. B. zu einem falschen

Passungsspiel, einem erhöhten Ölverbrauch oder zu einer falschen Ausrichtung der verschiedenen Baugruppen führen. Führen Sie regelmäßig Wartungsarbeiten am Gerät durch, um Störungen zu vermeiden.

Wartungsplan

Wartung	Täglich	Alle 15 Betriebsstunden	Alle 20 Betriebsstunden	Alle 40 Betriebsstunden	Alle 100 Betriebsstunden
Ziehen Sie alle Muttern und Schrauben an.	X				
Kontrollieren Sie den Motorölstand	X				
Wechseln Sie das Motoröl			X		
Führen Sie eine Überprüfung und Einstellung der Gleiskettenspannung durch (nur ST 424T/427T/430T)		X			
Stellen Sie sicher, dass keine Kraftstoff- oder Ölleckagen vorhanden sind	X				
Beseitigen Sie Hindernisse in der Schnecke	X				
Schmieren Sie die Sicherungsarretierungen ⁶			X		
Schmieren Sie die Kabelbefestigungen ⁷			X		
Kontrollieren Sie den Reifendruck (nur ST 424/427/430) ⁸				X	

⁶ Schmieren Sie auch zu Beginn jeder Saison.

⁷ Schmieren Sie auch zu Beginn jeder Saison.

⁸ Angaben zum richtigen Reifendruck finden Sie in den Technischen Daten.

Wartung	Täglich	Alle 15 Betriebsstunden	Alle 20 Betriebsstunden	Alle 40 Betriebsstunden	Alle 100 Betriebsstunden
Prüfen und ersetzen Sie die Zündkerze vor der Verwendung zu Beginn der Saison und in empfohlenen Intervallen					X

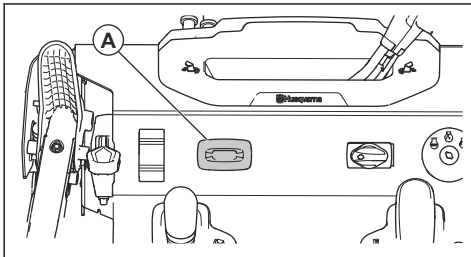
Hinweis: Das Getriebe muss nicht gewartet werden.

So führen Sie eine allgemeine Inspektion durch

- Stellen Sie sicher, dass die Muttern und Schrauben am Produkt nicht beschädigt sind.

Ölwechselerinnerung

Die Ölwechselerinnerung (A) ist eine Funktion, die darauf hinweist, dass ein Ölwechsel erforderlich ist. Die Ölwechselerinnerung aktiviert das Ölkannistersymbol auf dem Display nach 20 Betriebsstunden. Das Ölkannistersymbol leuchtet dann für 2 Stunden oder bis eine manuelle Rücksetzung erfolgt ist.



So setzen Sie die Ölwechselerinnerung zurück

1. Drehen Sie den EIN-/AUS-Schlüssel in die Position ON und halten Sie ihn eine Sekunde lang in der Position ON.
2. Drehen Sie den EIN-/AUS-Schlüssel in die Position STOPP und halten Sie ihn eine Sekunde lang in der Position STOPP.
3. Wiederholen Sie diesen Vorgang vier weitere Male.

So prüfen Sie den Ölstand



ACHTUNG: Ein zu niedriger Ölstand kann den Motor beschädigen. Prüfen Sie den Ölstand, bevor Sie das Produkt starten.

1. Stellen Sie das Produkt auf einer ebenen Fläche ab.

2. Entfernen Sie den Öltankverschluss mit dem beigefügten Messstab.
3. Reinigen Sie den Messstab von Öl.
4. Tauchen Sie den Messstab vollständig in den Ölbehälter ein, um ein korrektes Bild über den Ölstand zu erhalten.
5. Entfernen Sie den Messstab.
6. Prüfen Sie den Ölstand am Messstab.
7. Wenn der Ölstand zu niedrig ist, füllen Sie Motoröl ein, und kontrollieren Sie den Ölstand erneut.

So wechseln Sie das Motoröl

1. Lassen Sie den Motor ein paar Minuten laufen, damit sich das Öl erwärmt. Warmes Öl fließt besser ab und nimmt mehr Verunreinigungen auf.



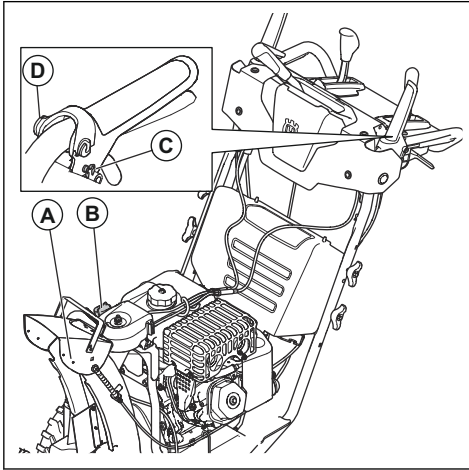
WARNUNG: Das Motoröl ist heiß. Vermeiden Sie Hautkontakt mit gebrauchtem Motoröl.

2. Stellen Sie das Produkt auf einer ebenen Fläche ab.
3. Ziehen Sie den EIN-/AUS-Schlüssel ab.
4. Stellen Sie einen Behälter unter den Ölablasshahn.
5. Entfernen Sie den Ölablasshahn, kippen Sie das Gerät an und lassen Sie das Altöl in einen Behälter fließen.
6. Bringen Sie das Gerät wieder in die Betriebsposition.
7. Bringen Sie den Ölablasshahn an und ziehen Sie ihn mit der Hand an.
8. Füllen Sie Öl auf den Motor auf, siehe dazu *So befüllen Sie den Motor mit Öl auf Seite 42.*

So schmieren Sie das Gerät

- Schmieren Sie die Drehpunkte (A) mit Öl.
- Schmieren Sie den Motor (B) mit Öl.
- Schmieren Sie die Sicherheitsarretierungen (C) mit einer kleinen Menge Lithiumfett.

- Schmieren Sie die Kabelverbindungen für Steuer- und Schneckenhebel (D) mit Öl.



Akku

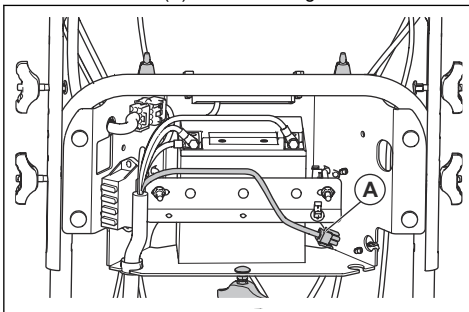
Akkuwartung

Hinweis: Der Akku im Gerät ist wartungsfrei. Öffnen oder entfernen Sie keine Kappen oder Abdeckungen.

So laden Sie den Akku

Hinweis: Laden Sie den Akku vor der Langzeitaufbewahrung mit einem Ladegerät auf, um seine Lebensdauer zu verlängern.

1. Entfernen Sie die Akkuabdeckung. Siehe *So ersetzen Sie den Akku auf Seite 49*.
2. Reinigen Sie die Klemmen. Siehe *So reinigen Sie den Akku und die Klemmen auf Seite 49*.
3. Schließen Sie das Akkuladegerät an den Steckverbinder (A) des Akkuladegeräts an.



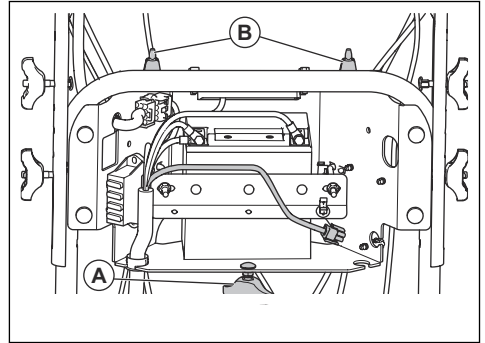
4. Wenn der Akku aufgeladen ist, trennen Sie das Ladegerät.
5. Setzen Sie die Akkuabdeckung auf.

So ersetzen Sie den Akku



WARNUNG: Es besteht die Gefahr von elektrischen Schlägen. Die 2 Akkuklemmen dürfen nicht von Metallgegenständen berührt werden. Dadurch kann es zu einem Kurzschluss des Akkus kommen.

1. Lösen Sie den Knopf (A), kippen Sie dann den unteren Teil der Abdeckung in Richtung des Motors. Heben Sie die Akkuabdeckung aus den Haltern (B).



2. Trennen Sie das SCHWARZE Akkukabel.



WARNUNG: Das SCHWARZE Kabel muss zuerst getrennt werden.

3. Trennen Sie das ROTE Akkukabel.
4. Lösen Sie die Muttern und entfernen Sie das Batterieband.
5. Entfernen Sie den Akku vorsichtig aus dem Gerät.
6. Bauen Sie eine neue Batterie ein.
7. Schließen Sie das ROTE Akkukabel an und ziehen Sie die Schraube an.



WARNUNG: Risiko der Funkenbildung. Das ROTE Kabel muss zuerst angeschlossen werden.

8. Schließen Sie das SCHWARZE Kabel an und ziehen Sie dann die Schraube an.
9. Setzen Sie die Akkuabdeckung auf.

So reinigen Sie den Akku und die Klemmen

1. Entfernen Sie den Akku. Siehe *So ersetzen Sie den Akku auf Seite 49*.
2. Spülen Sie den Akku mit klarem Wasser ab und lassen Sie ihn trocknen.
3. Reinigen Sie die Klemmen und die Akkukabelenden mit einer Drahtbürste, bis diese glänzen.
4. Schmieren Sie die Klemmen mit Fett.
5. Setzen Sie den Akku ein. Siehe *So ersetzen Sie den Akku auf Seite 49*.

6. Setzen Sie die Akkuabdeckung auf.

Schalldämpfer

Der Schalldämpfer senkt den Geräuschpegel so weit wie möglich und hält die Abgase des Motors vom Anwender fern.

Verwenden Sie das Gerät nicht, wenn der Schalldämpfer fehlt oder defekt ist. Ein defekter Schalldämpfer erhöht den Geräuschpegel und die Brandgefahr.

Überprüfen Sie den Schalldämpfer regelmäßig, um sicherzustellen, dass er richtig angebracht und nicht beschädigt ist.



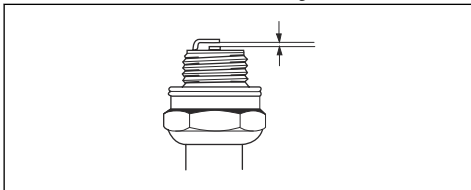
ACHTUNG: Der Schalldämpfer wird während und nach Gebrauch und wenn der Motor im Leerlauf läuft, sehr heiß. Seien Sie in der Nähe von entzündlichen Materialien und/oder Dämpfen besonders vorsichtig, um Brandgefahr zu verhindern.

So überprüfen Sie die Zündkerze



ACHTUNG: Verwenden Sie stets den vom Hersteller empfohlenen Zündkerzentyp! Die Verwendung eines falschen Zündkerzentyps kann zu Schäden am Gerät führen.

- Überprüfen Sie die Zündkerze, wenn der Motor nur schwache Leistung bringt, sich nur schwer starten lässt oder im Leerlauf nicht ordnungsgemäß funktioniert.
- Wenn Sie diese Anweisungen befolgen, verringern Sie die Gefahr von unerwünschtem Material an den Elektroden der Zündkerze:
 - a) Stellen Sie sicher, dass die Leerlaufdrehzahl richtig eingestellt ist.
 - b) Vergewissern Sie sich, dass das Kraftstoffgemisch korrekt ist.
 - c) Vergewissern Sie sich, dass der Luftfilter sauber ist.
- Ist die Zündkerze verschmutzt, so ist sie zu reinigen; gleichzeitig ist zu prüfen, ob der Elektrodenabstand korrekt ist, siehe *Technische Angaben auf Seite 62*.



- Tauschen Sie die Zündkerze bei Bedarf aus.

So kontrollieren Sie Schnecken und Schürfleiste

1. Führen Sie vor jedem Gebrauch eine Verschleißkontrolle der Schnecken und der Schürfleiste durch.
2. Wenn die Kante der Schürfleiste verschlissen ist, drehen Sie die Schürfleiste um. Wenn die Schürfleiste Beschädigungen aufweist oder an beiden Kanten verschlissen, ersetzen Sie sie.
3. Wenn die Kanten der Schnecken verschlissen sind, wenden Sie sich an ein autorisiertes Service Center, damit die Schnecken ersetzt werden.

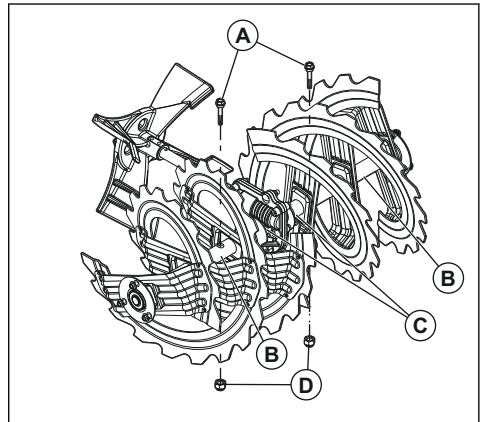
So ersetzen Sie die Scherbolzen der Schnecke

Die Scherbolzen der Schnecke schützen das Gerät vor Beschädigungen. Die Scherbolzen der Schnecke brechen ab, wenn ein Gegenstand in die beweglichen Teile gelangt.



ACHTUNG: Verwenden Sie Scherbolzen nur als Originalteil, wie sie im Lieferumfang des Geräts enthalten sind.

1. Wenn ein Scherbolzen einer Schnecke bricht, stellen Sie den Motor ab und warten, bis die beweglichen Teile zum Stillstand gekommen sind.
2. Ziehen Sie den EIN-/AUS-Schlüssel ab und trennen Sie das Zündkerzenkabel.
3. Richten Sie die Bohrung in der Schneckenabe (B) auf die Bohrung in der Schneckenwelle (C) aus und installieren Sie einen neuen 1/4 - 20 x 2-Scherbolzen (A).
4. Installieren Sie eine 1/4-20-Sicherungsmutter (D) auf dem Scherbolzen und ziehen Sie diese fest an.



5. Führen Sie den EIN-/AUS-Schlüssel in das Zündschloss ein und schließen Sie das Zündkerzenkabel wieder an die Zündkerze an.

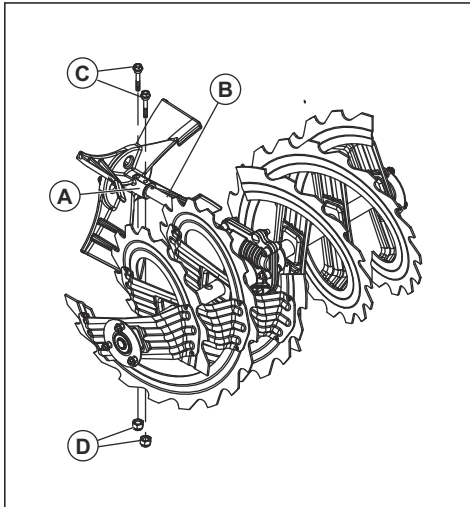
So ersetzen Sie die Scherbolzen am Lüfterrad

Die Scherbolzen am Lüfterrad schützen das Gerät vor Beschädigungen. Die Scherbolzen am Lüfterrad brechen ab, wenn ein Gegenstand in die beweglichen Teile gelangt.



ACHTUNG: Verwenden Sie Scherbolzen nur als Originalteil, wie sie im Lieferumfang des Geräts enthalten sind.

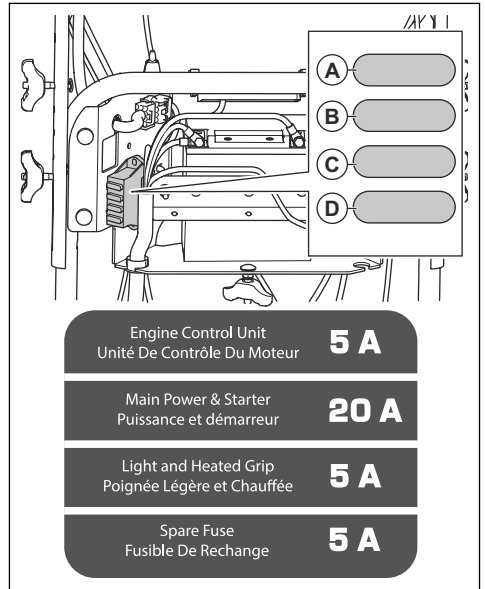
1. Wenn ein Scherbolzen am Lüfterrad bricht, stellen Sie den Motor ab und warten, bis die beweglichen Teile zum Stillstand gekommen sind.
2. Ziehen Sie den EIN-/AUS-Schlüssel ab und trennen Sie das Zündkerzenkabel.
3. Richten Sie die Bohrung in der Lüfterradnabe (A) auf die Bohrungen in der Lüfterradwelle (B) aus und installieren Sie einen neuen ¼-20-Scherbolzen (C).
4. Installieren Sie eine ¼-20-Sicherungsmutter (D) auf dem Scherbolzen und ziehen Sie diese fest an.



5. Führen Sie den EIN-/AUS-Schlüssel in das Zündschloss ein und schließen Sie das Zündkerzenkabel wieder an die Zündkerze an.

So tauschen Sie die Sicherung aus

Die Sicherungsträger sind hinter der Akkuabdeckung angebracht.



- Ersetzen Sie die Sicherung für die Motorsteuereinheit (A) mit einer 5-A-Sicherung.
- Ersetzen Sie die Sicherung für den Anlassermagnetschalter (B) mit einer 20-A-Sicherung.
- Ersetzen Sie die Sicherung für die LED und den beheizten Griff (C) mit einer 5-A-Sicherung.
- Position (D) enthält eine 5-A-Sicherung.

So prüfen Sie die Bereifung

- Vermeiden Sie, dass die Reifen mit Kraftstoff, Öl und Chemikalien in Berührung kommen, damit der Gummi keinen Schaden nimmt.
- Vermeiden Sie den Kontakt der Reifen mit Baumstümpfen, Steinen, Spurrillen, scharfen Gegenständen oder anderen Gegenständen, die zu Schäden an den Reifen führen können.
- Verwenden Sie immer den richtigen Reifendruck, siehe *Technische Angaben auf Seite 62*.

So beseitigen Sie eine Verstopfung am Leitblech für den Auswurfsammler

Beseitigen Sie niemals eine Verstopfung am Leitblech für den Auswurfsammler, bevor die nachfolgend genannten Arbeiten vorgenommen wurden.

1. Lösen Sie Schneckenaktivierung und Antriebsaktivierung gleichzeitig.

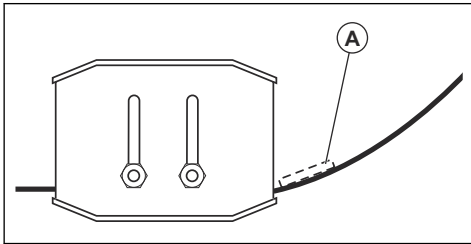
2. Warten Sie 10 Sekunden um sicherzugehen, dass die Schnecken zum Stillstand gekommen sind.
3. Halten Sie das Gerät an.
4. Verwenden Sie das Reinigungswerkzeug (mindestens 37 cm lang, bei einigen Modellen im Lieferumfang enthalten) zum Beseitigen der Verstopfung.



WARNUNG: Achten Sie darauf, dass Ihre Hände nicht in das Innere des Leitblechs für den Auswurfsammler oder in die Schneekenschaufel gelangen.

So wechseln Sie die Schürfleiste

1. Bringen Sie die Schürfleiste (A) in umgekehrter Position an, wenn sie bis an die Gehäusekante verschlissen ist.



2. Ersetzen Sie die Schürfleiste, wenn sie auf beiden Seiten verschlissen ist oder wenn sie beschädigt ist.

Treibriemen



WARNUNG: Die Keilriemen an Ihrem Gerät sind eine Spezialausführung und müssen durch Keilriemen vom Originalhersteller (OEM) ersetzt werden, die im Service Center in Ihrer Nähe erhältlich sind. Die Verwendung anderer als der Keilriemen vom Originalhersteller kann zu Verletzungen führen oder Schäden am Gerät verursachen.

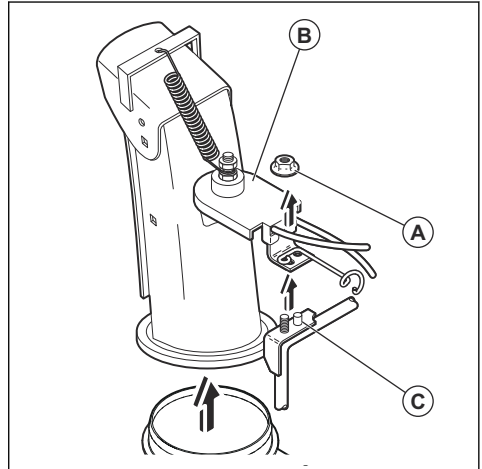


WARNUNG: Um den Riemen ersetzen zu können, muss das Gerät zerlegt werden. Beim Trennen des Schneckengehäuses vom Rahmen ist es wichtig, dass eine zweite Person in der Betriebsposition steht und die Gerätegriffe festhält. Wenn das Gerät während des Ersetzungsvorgangs umstürzt, können sich Personen schwer verletzen und/oder es können Schäden am Gerät auftreten.

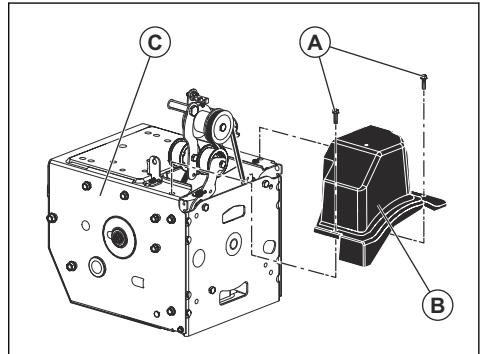
So bereiten Sie den Austausch der Riemen vor

1. Leeren Sie den Kraftstofftank.

2. Lösen Sie die Sicherungsmutter (A) zur Befestigung des Kopfes der Auswurfschüttdrehung (B) an der Halterung (C), um die Auswurfschütze zu entfernen.



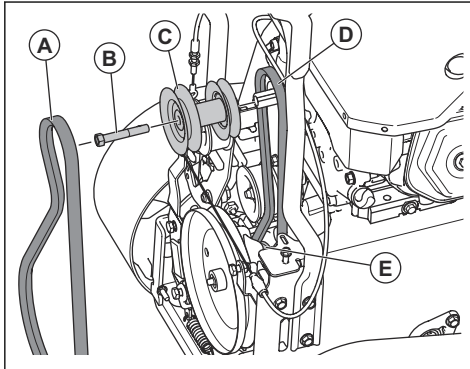
3. Lösen Sie die beiden Schrauben (A), mit denen die Riemenabdeckung (B) am Rahmen (C) befestigt ist, und entfernen Sie die Riemenabdeckung.



So entfernen Sie den Treibriemen

1. Entfernen Sie den Schneckenriemen (A). Siehe *So bauen Sie den Schneckenriemen aus (nur für ST 424/427/430)* auf Seite 54.

- Entfernen Sie die Schraube (B) der 9/16-Zoll-Riemenscheibe und entfernen Sie die Motor-Riemenscheibe (C) vom Motor.



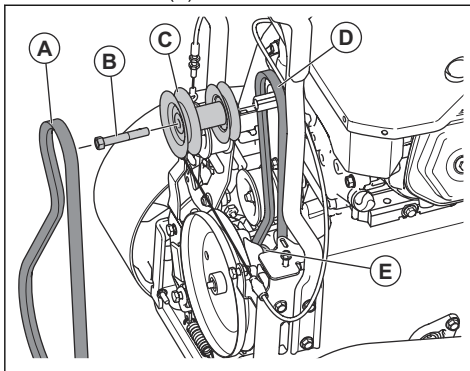
- Nehmen Sie den Treibriemen (D) von der unteren Riemenscheibe (E) ab.

So installieren Sie den Treibriemen

- Setzen Sie den Treibriemen auf die untere Riemenscheibe (E) auf.

Hinweis: Stellen Sie sicher, dass sich der Treibriemen ordnungsgemäß in der Nut der unteren Riemenscheibe befindet.

- Setzen Sie den Treibriemen in die Nut auf der Motor-Riemenscheibe (C).

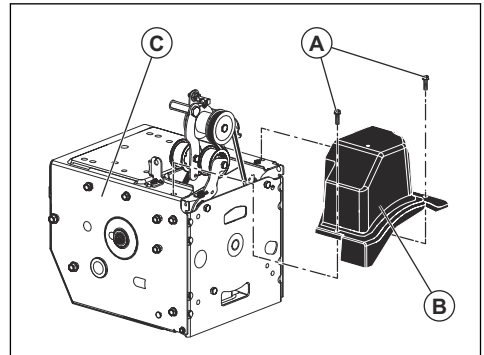


- Installieren Sie die Schraube (B) der 9/16-Zoll-Riemenscheibe und bringen Sie die Motor-Riemenscheibe (C) auf dem Motor an. Ziehen Sie die Schraube der Riemenscheibe an (41 bis 47 Nm).
- Montieren Sie den Schneckenriemen (A). Siehe *So installieren Sie den Schneckenriemen auf Seite 55*.

- Betätigen Sie alle Bedienelemente, um sicherzustellen, dass der Treibriemen ordnungsgemäß installiert ist und dass der Bewegungsablauf aller Baugruppen ordnungsgemäß funktioniert.

So installieren Sie die Riemenabdeckung

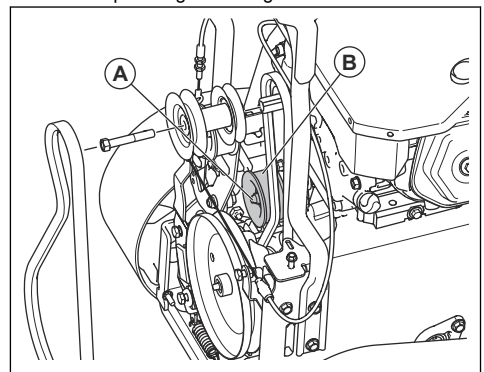
- Installieren Sie die Riemenabdeckung (B) auf dem Rahmen (C) und ziehen Sie die beiden Schrauben (A) an.



- Bringen Sie die Auswurfschütte an.

So stellen Sie die Spannung des Treibriemens ein

- Entfernen Sie die Riemenabdeckung. Siehe *So bereiten Sie den Austausch der Riemen vor auf Seite 52*.
- Lösen Sie die Mutter der Umlenkrolle (A).
- Bewegen Sie die Riemenscheibe (B) in Richtung des Riemens, um die Riemenspannung zu erhöhen. Bewegen Sie sie vom Riemen weg, um die Riemenspannung zu verringern.

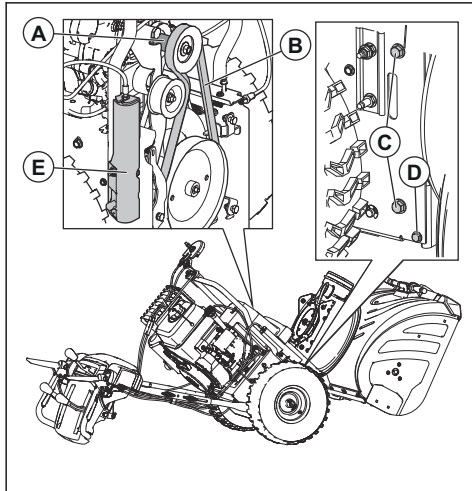


- Ziehen Sie die Mutter (A) der Umlenkrolle an.

5. Betätigen Sie den Steuerhebel für die Antriebsdrehzahl und lassen Sie ihn dann los. Wenn der Treibriemen unter Spannung steht, wenn der Steuerhebel für die Antriebsdrehzahl losgelassen wird, bewegen Sie die Riemenscheibe vom Treibriemen weg, um die Riemen Spannung zu lösen.
6. Montieren Sie die Riemenabdeckung. Siehe *So installieren Sie die Riemenabdeckung auf Seite 53.*

So bauen Sie den Schneckenriemen aus (nur für ST 424/427/430)

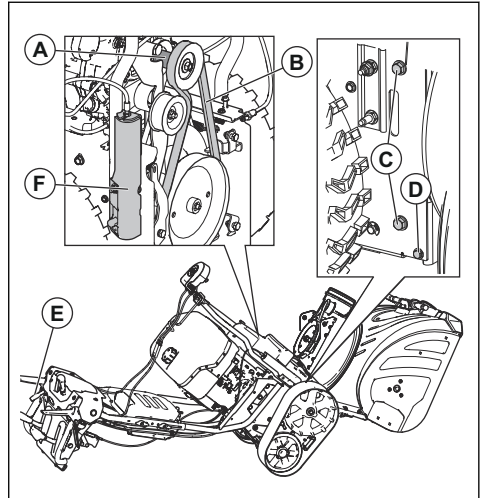
1. Entfernen Sie die 5/16"-Mutter und nehmen Sie die Kabelabdeckung (E) vom Rahmen ab.



2. Entfernen Sie die oberen 5/16" Schrauben und die unteren 1/4"-Schrauben (D) von den beiden Seiten des Rahmens. Werfen Sie die Schrauben nicht weg.
3. Lösen Sie die unteren 5/16"-Schrauben (C) auf den beiden Seiten des Rahmens, aber bauen Sie diese nicht ab.
4. Entfernen Sie den Schneckenriemen (B) von der Motorriemenscheibe (A).
5. Kippen Sie die hintere Gerätepartie nach unten. Der vordere Teil wird gleichzeitig nach vorn geneigt. Die untere Schraube ist ein Scharnier zwischen der vorderen und der hinteren Gerätepartie.
6. Legen Sie einen Holzklötzchen unter das Scharnier, mit dem Sie das Gerät in der angekippten Position halten.
7. Bewegen Sie den Bremsarm der Schnecke und entfernen Sie den um den Bremsarm der Schnecke herum liegenden Schneckenriemen (B).

So bauen Sie den Schneckenriemen aus (nur für ST 424T/427T/430T)

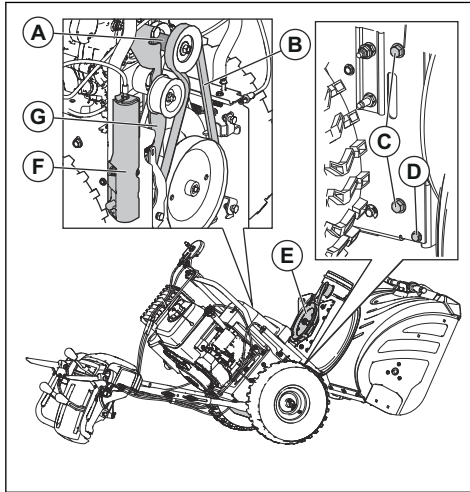
1. Entfernen Sie die 5/16"-Mutter und nehmen Sie die Kabelabdeckung (E) vom Rahmen ab.



2. Entfernen Sie die oberen 5/16" Schrauben von den beiden Seiten des Rahmens. Werfen Sie die Schrauben nicht weg.
3. Entfernen Sie die unteren 5/16"-Schrauben (C) auf den beiden Seiten des Rahmens.
4. Entfernen Sie den Schneckenriemen (B) von der Motorriemenscheibe (A).
5. Verwenden Sie den Einstellhebel für die Schneckenschaukel, um den hinteren Teil nach unten zu kippen. Der vordere Teil wird gleichzeitig nach vorn geneigt. Die untere Schraube ist ein Scharnier zwischen der vorderen und der hinteren Gerätepartie.
6. Legen Sie einen Holzklötzchen unter das Scharnier, mit dem Sie das Gerät in der angekippten Position halten.
7. Bewegen Sie den Bremsarm der Schnecke und entfernen Sie den um den Bremsarm der Schnecke herum liegenden Schneckenriemen (B).

So installieren Sie den Schneckenriemen

1. Bewegen Sie den Bremsarm (G) der Schnecke. Legen Sie den Schneckenriemen darum und in die Nut der Schneckenriemenscheibe (E).



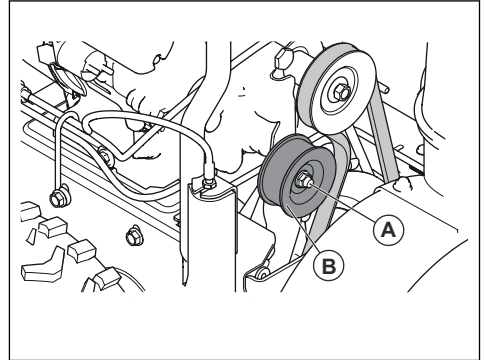
ACHTUNG: Stellen Sie sicher, dass der Riemen nicht zwischen Rahmen und Schneckengehäuse hängen bleibt, wenn Sie die Geräteeinheit zusammenbauen.

2. Entfernen Sie den unter dem Gerät liegenden Holzklötz.
3. Heben Sie die Griffe an, um die hintere Gerätepartie nach oben zu kippen. Die vordere Gerätepartie kippt nach hinten und schwenkt, damit die hintere Gerätepartie angebracht werden kann.
4. Stellen Sie sicher, dass sich der Riemen ordnungsgemäß im Nut der Schneckenriemenscheibe (E) befindet.
5. Installieren Sie die 5/16"-Schrauben (C) und ziehen Sie diese fest (11-16 Nm).
6. Nur bei ST 424/427/430 : Installieren Sie die 1/4"-Schrauben (D) und ziehen Sie diese fest (5-8 Nm).
7. Montieren Sie den Schneckenriemen (B) auf der Motorriemenscheibe (A). Stellen Sie sicher, dass der Riemen ordnungsgemäß um die Umlenkrolle herum aufgelegt ist und richtig in der Nut der Motorriemenscheibe liegt.
8. Installieren Sie die Kabelabdeckung (F) und die 5/16"-Mutter auf dem Rahmen.
9. Betätigen Sie alle Bedienelemente, um sicherzustellen, dass der Schneckenriemen ordnungsgemäß installiert ist und dass der Bewegungsablauf aller Baugruppen ordnungsgemäß funktioniert.

So stellen Sie die Schneckenriemenspannung ein

Hinweis: Eine zweite Person ist erforderlich, um diese Aufgabe zu erledigen.

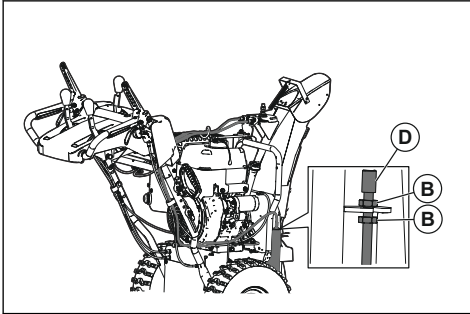
1. Entfernen Sie die Riemenabdeckung. Siehe *So bereiten Sie den Austausch der Riemen vor auf Seite 52*.
2. Lösen Sie die Mutter der Umlenkrolle (A).



3. Bewegen Sie die Riemenscheibe (B) in Richtung des Schneckenriemens, um die Riemenspannung zu erhöhen. Schieben Sie sie vom Schneckenriemen weg, um die Riemenspannung zu verringern.
4. Ziehen Sie die Mutter (A) der Umlenkrolle an.
5. Die zweite Person soll sich 3 m vor das Gerät stellen, um die Bewegung der Schnecke zu überwachen.
6. Betätigen und lösen Sie die Schneckenaktivierung zum Starten und Stoppen der Schnecke.
7. Messen Sie die Zeit, die vergeht, bis die Schnecke sich nicht mehr bewegt. Wenn sich die Schnecke nach mehr als 5 Sekunden nicht mehr bewegt, lösen Sie die Riemenspannung.
8. Wenn sich die Schnecke nach weniger als 5 Sekunden nicht mehr bewegt, installieren Sie die Riemenabdeckung. Siehe *So installieren Sie die Riemenabdeckung auf Seite 53*.

So stellen Sie das Steuerkabel der Schnecke ein

1. Entfernen Sie die Kabelabdeckung auf der rechten Seite des Rahmens.

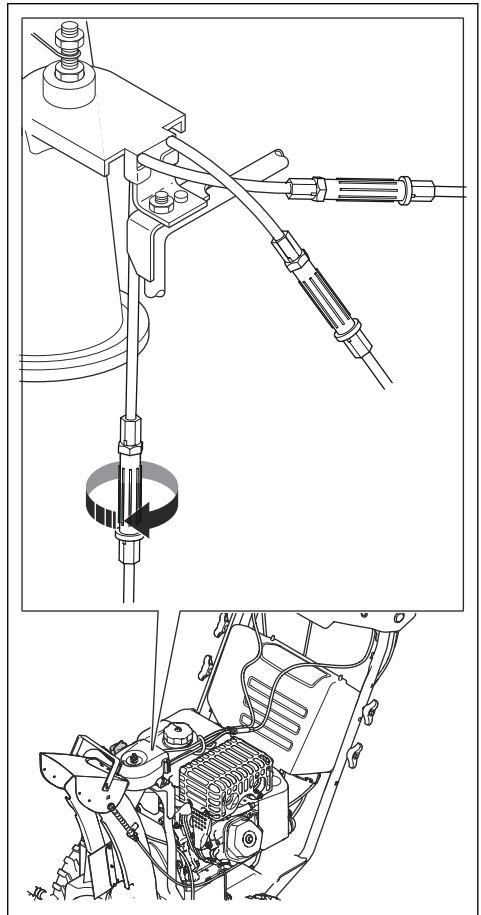


2. Um das Durchhängen des Steuerkabels der Schnecke zu beseitigen, lösen Sie die untere Gegenmutter (B) und ziehen Sie die obere Gegenmutter (B) solange an, bis eine höhere Riemenspannung des Schneckenriemens erreicht ist.
3. Führen Sie eine erneute Prüfung der Schneckenaktivierung durch. Wiederholen Sie den Einstellvorgang nach Bedarf, bis das Kabel bei ausgekuppeltem Hebel nur noch wenig durchhängt.
4. Ziehen Sie die untere Gegenmutter an, um die eingestellte Spannung zu arretieren.

Hinweis: Sie können die Spannung des Schneckenriemens auch einstellen, indem Sie als zweite Möglichkeit die Einstellung an der Umlenkrolle vornehmen. Wenn der Einstellvorgang das Problem nicht beseitigt, ersetzen Sie den Keilriemen der Schnecke. Siehe *So installieren Sie den Schneckenriemen auf Seite 55*.

So stellen Sie das Auslösekabel des Auswurfsammlers ein

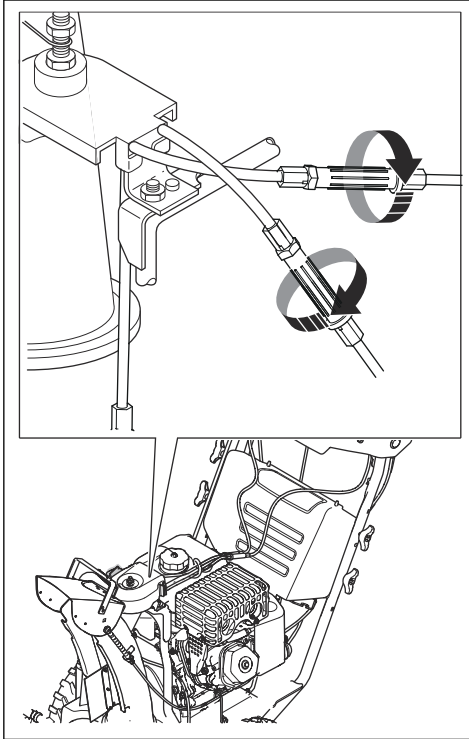
1. Drehen Sie zum Einstellen des Auslösekabels den Kabeleinsteller, bis sich der Freigabehebel für das Leitblech für den Auswurfsammler nicht frei bewegen lässt.



So stellen Sie das linke und rechte Auswurfschüttenkabel ein

1. Stellen Sie den Auswurfschüttenhebel in die mittlere Position.

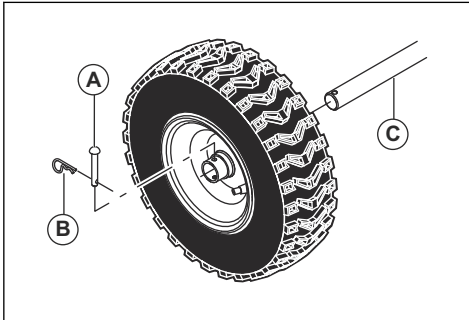
2. Drehen Sie die Kabeleinsteller, bis der Auswurfsammler gerade nach vorn zeigt und die Kabel fest angezogen sind.



3. Lösen Sie die Kabeleinsteller um eine Vierteldrehung, damit das Kabel weniger fest sitzt.

So entfernen Sie die Räder

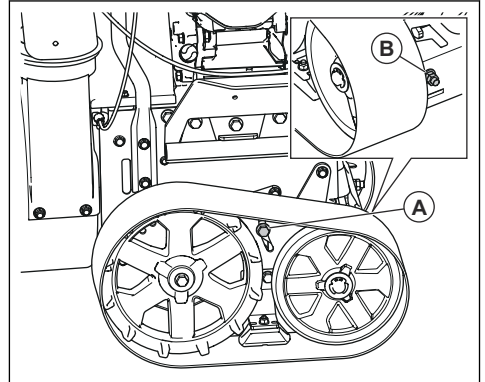
1. Entfernen Sie den Radbolzen (A) und den Haltebolzen (B).
2. Entfernen Sie das Rad von der Achse (C).



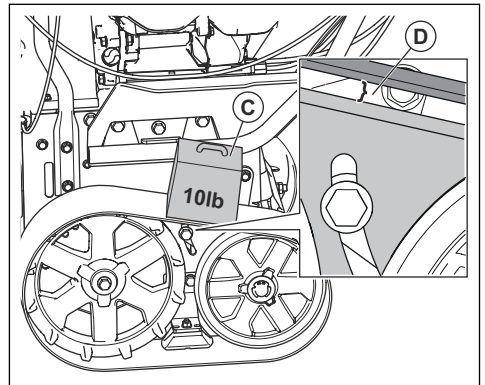
So stellen Sie die Spannung der Gleisketten ein (nur für ST 424T/427T/430T)

Hinweis: Werkzeuge, die für diese Arbeit nötig sind: ein 9/16-Zoll-Steckschlüssel lang, ein 9/16-Zoll-Schraubenschlüssel und einem 5-kg-Gewicht.

1. Lösen Sie die Sicherungsschraube (A) mit einem Dreh.
2. Entfernen Sie die hintere Sicherungsmutter (B), um Zugriff auf die Stellmutter zu haben.



3. Stellen Sie ein 5-kg-Gewicht (C) auf die Gleiskette in die Mitte zwischen den 2 Rädern.
4. Drehen Sie die Stellmutter (B), bis der Abstand (D) zwischen der Gleiskette und der Stahlplatte zwischen 3,175 und 6,350 mm breit ist.



5. Befestigen Sie die Sicherungsschraube (A) und dann die hintere Sicherungsmutter (B).

So reinigen Sie das Gerät

- Kunststoffteile mit einem sauberen und trockenen Tuch reinigen.

- Reinigen Sie das Gerät nicht mit einem Hochdruckreiniger.
- Lassen Sie kein Wasser direkt auf den Motor gelangen.
- Verwenden Sie einen Pinsel, um Blätter, Gras und Schmutz zu entfernen.

Fehlerbehebung

Störung	Mögliche Ursache	Lösung
Das Gerät springt nicht an	Der Sicherheitszündschlüssel ist nicht eingesteckt.	Stecken Sie den Sicherheitszündschlüssel ein.
	Das Gerät erhält keinen Kraftstoff.	Füllen Sie frischen sauberen Kraftstoff in den Kraftstofftank.
	Der EIN-/AUS-Schlüssel befindet sich in Stellung OFF.	Bringen Sie den EIN-/AUS-Schlüssel in die Stellung ON.
	Die Primerpumpe des Motors wurde nicht betätigt.	Betätigen Sie die Primerpumpe des Motors.
	Der Motor hat zuviel Kraftstoff bekommen.	Warten Sie einige Minuten, bevor Sie neu starten. Drücken Sie die Primerpumpe nicht. Starten Sie den Motor neu und lassen Sie ihn bei Vollgas laufen. Der Choke muss sich dabei in Stellung OFF (CLOSE) befinden.
	Das Zündkerzenkabel ist nicht angeschlossen.	Verbinden Sie das Kabel mit der Zündkerze.
	Die Zündkerze ist defekt.	Tauschen Sie die Zündkerze aus.
	Es befindet sich Wasser im Kraftstoff oder der Kraftstoff ist zu alt.	Leeren Sie den Kraftstofftank und den Vergaser. Füllen Sie frischen sauberen Kraftstoff in den Kraftstofftank.
	In der Kraftstoffleitung befinden sich Dämpfe.	Stellen Sie sicher, dass die gesamte Kraftstoffleitung unterhalb des Kraftstofftankauslasses verläuft. Die Kraftstoffleitung muss vom Kraftstofftank zum Vergaser durchgehend in Abwärtsrichtung verlaufen.
	Sonstige Ursachen.	Prüfen Sie die Vorgehensweisen zum Anlassen, wie in diesem Handbuch beschrieben, sorgfältig.
	Der Kraftstoffschalter (je nach Ausstattung) befindet sich in Stellung CLOSE (OFF).	Bringen Sie den Kraftstoffschalter in die Stellung OPEN (ON).
	Der Gashebel befindet sich in Stellung STOP.	Bringen Sie den Gashebel in die Stellung FAST.
	Die Starterbatterie ist nicht geladen.	Laden Sie die Starterbatterie.
	Die Starterbatterie muss ausgetauscht werden.	Tauschen Sie die Starterbatterie aus.
	Die Motorsteuereinheit erhält keinen Strom.	Prüfen Sie die ECU-Sicherung und -Verkabelung.
	Der Anlassermagnetschalter kann nicht aktiviert werden.	Prüfen Sie die Sicherung und die Verkabelung des Anlassers.
Das Einspritzventil löst nicht aus. (Nur für ST 424T/427T/430T)	Wenden Sie sich an ein autorisiertes Service Center.	
Die Kraftstoffpumpe erhält keinen Strom. (Nur für ST 424T/427T/430T)	Wenden Sie sich an ein autorisiertes Service Center.	

Störung	Mögliche Ursache	Lösung
Eingeschränkte Leistung	Das Zündkerzenkabel ist nicht angeschlossen.	Verbinden Sie das Kabel mit der Zündkerze.
	Das Gerät wirft zu viel Schnee aus.	Verringern Sie Drehzahl und Räumbreite.
	Der Kraftstofftankdeckel ist mit Eis oder Schnee bedeckt.	Entfernen Sie das Eis und den Schnee auf dem und um den Kraftstofftankdeckel herum.
	Der Schalldämpfer ist verschmutzt oder verstopft.	Reinigen oder wechseln Sie den Schalldämpfer.
	Falsche Kabellänge.	Stellen Sie das Kabel ein.
	Der Schalldämpfer ist verstopft.	Stellen Sie sicher, dass der Motor kalt ist. Beseitigen Sie die Verstopfung.
	Der Lufteinlass des Vergasers ist verstopft.	Stellen Sie sicher, dass der Motor kalt ist. Beseitigen Sie die Verstopfung.
	Das Einspritzventil löst nicht aus.	Wenden Sie sich an ein autorisiertes Service Center.
Motor läuft im Leerlauf oder unregelmäßig (stottert).	Die Kraftstoffleitung ist verstopft.	Reinigen Sie die Kraftstoffleitung.
	Es ist Wasser im Kraftstoff- oder der Kraftstoff ist zu alt.	Leeren Sie den Kraftstofftank und den Vergaser. Befüllen Sie den Tank mit frischem sauberen Kraftstoff.
	Der Vergaser muss ausgetauscht werden.	Wenden Sie sich an ein autorisiertes Service Center.
	Das Einspritzventil löst nicht aus.	Wenden Sie sich an ein autorisiertes Service Center.
Starke Vibrationen / der Handgriff bewegt sich	Einige Teile sind lose. Die Schnecke ist beschädigt.	Alle Schrauben anziehen. Ersetzen Sie die beschädigten Teile. Wenn die Vibrationen weiterhin auftreten, wenden Sie sich an ein autorisiertes Service Center.
	Die Griffe wurden nicht richtig positioniert.	Stellen Sie sicher, dass die Griffe in der richtigen Position verriegelt sind.
	Die Muttern des Einstellhebels haben sich gelockert.	Ziehen Sie die Muttern an, bis Ihnen der Griff ein sicheres Griffgefühl gibt.
Der Startseilhandgriff lässt sich schwer ziehen	Der Startseilhandgriff ist eingefroren.	Ziehen Sie langsam soviel wie möglich Seil aus dem Anlasser und lassen Sie den Startseilhandgriff wieder los. Wenn der Motor nicht startet, wiederholen Sie den Vorgang oder nutzen Sie den elektrischen Anlasser.
	Das Startseil behindert sich gegenseitig mit anderen Bauteilen.	Das Startseil sollte nicht mit Kabeln oder Schläuchen in Verbindung kommen.

Störung	Mögliche Ursache	Lösung
Verlust des Fahrantriebs/ Verlangsamung der Antriebsgeschwindigkeit	Der Riemen rutscht durch.	Justieren Sie das Kabel. Stellen Sie den Riemen ein.
	Der Riemen ist verschlissen.	Prüfen/ersetzen Sie den Riemen. Stellen Sie die Riemenscheibe ein.
Es wird nicht mehr genügend Schnee ausgeworfen oder der Auswurf des Schnees ist verlangsamt	Der Riemen befindet sich nicht mehr auf der Riemenscheibe.	Prüfen Sie den Riemen und bauen Sie ihn wieder ein. Stellen Sie die Riemenscheibe ein.
	Das Leitblech für den Auswurfsammler ist verstopft.	Reinigen Sie das Leitblech für den Auswurfsammler.
	Fremdkörper verstopfen die Schnecken.	Entfernen Sie den Schmutz bzw. die Fremdkörper von den Schnecken.
	Der Scherbolzen ist gebrochen.	Ersetzen Sie den gebrochenen Scherbolzen.
	Zu viel Schnee und Eis zwischen den Gleiskettenkomponenten.	Entfernen Sie den Schnee und das Eis zwischen den Gleiskettenkomponenten.
Die LEDs (sofern vorhanden) sind nicht in Betrieb	Der Motor läuft nicht.	Starten Sie den Motor.
	Die Kabelverbindung hat sich gelockert.	Überprüfen Sie die Kabelverbindungen am Motor und an den Leuchten.
	Die LED ist durchgebrannt.	Ersetzen Sie das LED-Leuchtenmodul. Einzelne LEDs können nicht ersetzt werden.
	Die Hauptsicherung ist durchgebrannt.	Sicherung auswechseln. Stellen Sie sicher, dass kein Kurzschluss vorliegt.
Die Auswurf-schüttendrehung lässt sich nur schwer bewegen	Der Mechanismus der Auswurf-schüttendrehung ist verschmutzt.	Reinigen Sie die innenliegenden Bauteile des Mechanismus der Auswurf-schüttendrehung.
	Die Kabel weisen Knicke oder Beschädigungen auf.	Stellen Sie sicher, dass die Kabel nicht geknickt sind. Ersetzen Sie die beschädigten Kabel.
	Das Auslösekabel muss eingestellt werden.	Stellen Sie das Auslösekabel ein.
Das Gerät zieht beim Fahren nach einer Seite	Der Reifendruck ist nicht auf beiden Seiten identisch.	Passen Sie den Reifendruck an und füllen Sie Luft auf die Reifen auf.
	Das Gerät fährt mit nur einem Rad.	Prüfen Sie den Sicherungsstift der Reifen.
	Ungleichmäßige Einstellung des Schlittens.	Stellen Sie die Gleitplatten und den Schlitten ein.
	Ungleichmäßige Einstellung der Gleitplatten.	Stellen Sie die Gleitplatten und den Schlitten ein.

Transport, Lagerung und Entsorgung

Transport und Lagerung

- Für die Lagerung und den Transport des Produkts und des Kraftstoffs ist darauf zu achten, dass keine Lecks oder Dämpfe vorhanden sind. Funken oder offene Flammen, zum Beispiel von elektrischen Geräten oder einem Boiler, können ein Feuer auslösen.
- Verwenden Sie für die Lagerung und den Transport von Kraftstoff immer zugelassene Behälter.
- Leeren Sie den Kraftstofftank, bevor Sie das Produkt über einen längeren Zeitraum einlagern. Entsorgen Sie den Kraftstoff in einer geeigneten Abfallentsorgungsstelle.
- Sichern Sie das Produkt während des Transports ab, um Schäden und Unfälle zu vermeiden.
- Bewahren Sie das Produkt in einem verschlossenen Bereich auf, um einen unerlaubten Zugriff durch Kinder oder andere Personen zu verhindern.

- Bewahren Sie das Produkt an einem trockenen und frostfreien Raum auf.
- Laden Sie den Akku während einer Langzeitaufbewahrung. Prüfen und reinigen Sie die Akkuklemmen vor der Langzeitaufbewahrung.

- Entsorgen Sie alle Chemikalien, z. B. Motoröl oder Frostschutzmittel, in einer Servicewerkstatt oder in einer geeigneten Abfallentsorgungsstelle.
- Wenn Sie das Produkt nicht mehr benutzen, senden Sie es an einen Husqvarna Händler oder entsorgen Sie es in einer Wiederverwertungsanlage.
- Entsorgen Sie den Akku in einer Servicewerkstatt oder einer Beseitigungsanlage für Altbatterien.

Entsorgung

- Befolgen Sie die örtlichen Recyclinganforderungen und geltenden Vorschriften.

Technische Angaben

Technische Angaben

	ST 424	ST 427	ST 430	ST 424T	ST 427T	ST 430T
Abmessungen						
Gewicht mit leeren Tanks, kg	140	145	150	160	165	170
Max. Betriebsreifendruck, PSI	18	18	20	N/A	N/A	N/A
Motor						
Marke	Husqvarna	Husqvarna	Husqvarna	Husqvarna	Husqvarna	Husqvarna
Hubraum, cm ³	291	369	414	306	369	420
Kraftstofftyp	Bleifrei, normal (max. 10 % Ethanol)					
Kraftstoffmenge, l	0,62/2,35	0,62/2,35	0,62/2,35	3,60	3,60	3,60
Ölsorte (API-SJ-SN)	SAE 5W30 (unter 0 °C (32 °F))					
Ölmenge, l	32/0,95	38/1,12	38/1,12	32/0,95	38/1,12	38/1,12
Elektrisches System						
Zündkerze	F6RTC					
Zündkerze, Elektrodenabstand (mm)	0,686					
Geräuschemissionen⁹						
Schallleistungspegel, gemessen dB(A)	<105 dB	<105 dB	<105 dB	<105 dB	<105 dB	<105 dB
Schallleistungspegel, garantiert L _{WA} dB(A)	105 dB	105 dB	105 dB	105 dB	105 dB	105 dB
Vibrationspegel, a_{hveq}¹⁰						
Vibrationspegel am Griff, m/s ²	4,57 m/s ²	5,07 m/s ²	5,83 m/s ²	4,11 m/s ²	4,65 m/s ²	5,25 m/s ²

⁹ Umweltbelastende Geräuschemissionen, gemessen als Schallleistung (L_{WA}) gemäß EG-Richtlinien 2000/14/EG und 2005/88/EG.

¹⁰ Vibrationspegel gemäß ISO 5349-2 EN 1033.

EG-Konformitätserklärung

INHALT DER EU-KONFORMITÄTSERKLÄRUNG

Wir, Husqvarna, SE-561 82 Huskvarna, SCHWEDEN,
erklären in alleiniger Verantwortung, dass das Gerät
Folgendem genügt:

Beschreibung	Schneefräse
Marke	Husqvarna
Plattform/Typ/Modell	ST 424, ST 427, ST 430, ST 424T, ST 427T, ST 430T
Charge	Seriennummer ab 2018

Es erfüllt die folgenden EU-Vorschriften und -Richtlinien:

Richtlinie/Verordnung	Beschreibung
2006/42/EG	„bezüglich Maschinenrichtlinie“
2014/30/EG	„bezüglich EMV-Richtlinie“
2000/14/EG, 2005/88/EG	„bezüglich Richtlinie über umweltbelastende Geräuschemissionen“

Harmonisierte Normen und/oder technische
Spezifikationen gelten wie folgt: EN ISO 12100, ISO
14982, ISO 8437, ISO 3744, EN 1032

Die im Abschnitt „Technische Daten“ in dieser
Bedienungsanleitung und in der signierten EU-
Konformitätserklärung angegebenen Schallwerte
entsprechen der EU-Richtlinie 2000/14/EG, Anhang V.

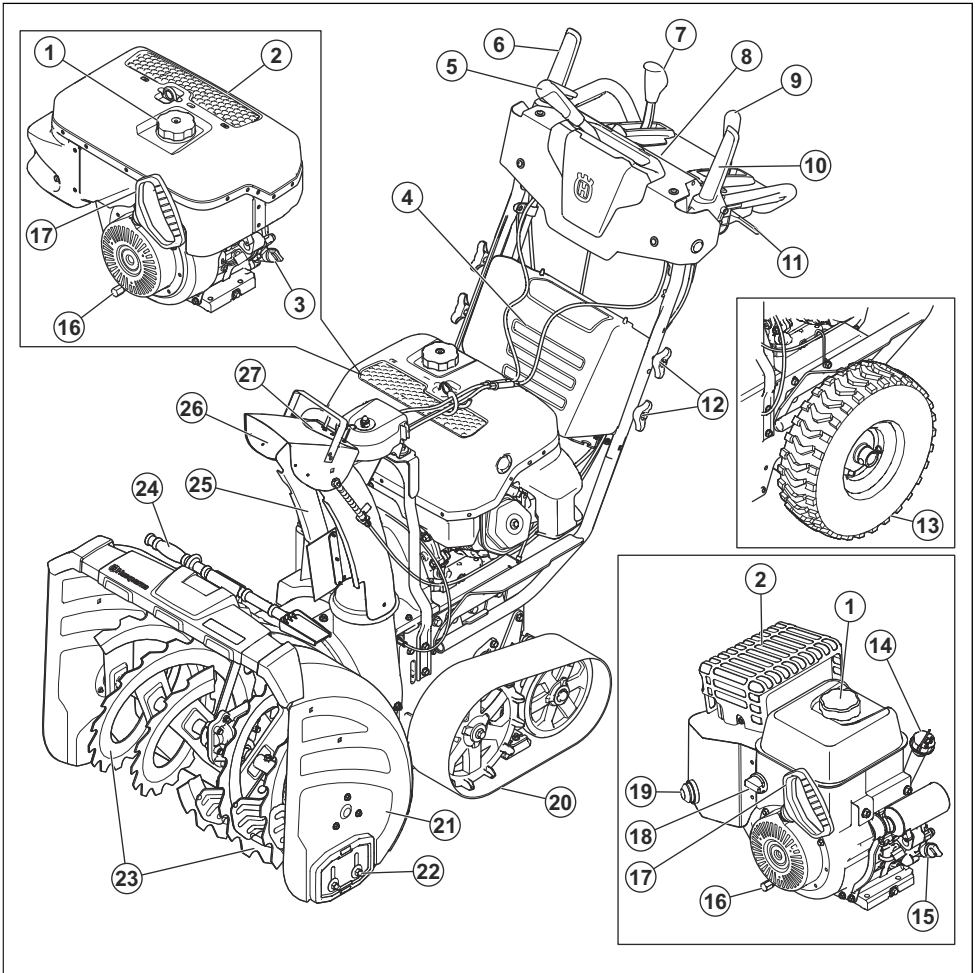
Die gelieferte Schneefräse entspricht dem
Geräteexemplar, das die Prüfung durchlaufen hat.

Sommaire

Introduction.....	64	Dépannage.....	91
Sécurité.....	67	Transport, entreposage et mise au rebut.....	93
Montage.....	70	Caractéristiques techniques.....	94
Utilisation.....	74	Déclaration de conformité CE.....	96
Entretien.....	79		

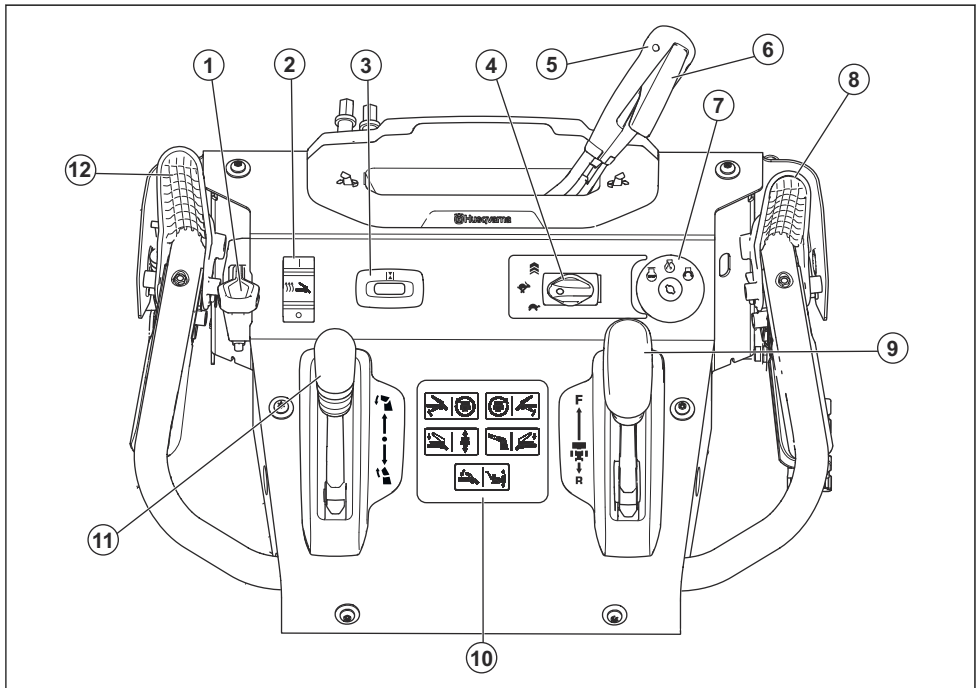
Introduction

Aperçu du produit



1. Bouchon du réservoir d'essence
2. Silencieux
3. Remplissage d'huile/jauge (pour les modèles ST 424T/427T/430T uniquement)
4. Capot de la batterie
5. Levier de la goulotte d'éjection
6. Engagement de la vis sans fin
7. Levier de vitesse d'entraînement
8. Panneau de commande
9. Levier de commande à distance
10. Engagement de l'entraînement
11. Gâchettes de direction
12. Boutons de poignée
13. Roue (pour les modèles ST 424/427/430 uniquement)
14. Jauge (pour les modèles ST 424/427/430 uniquement)
15. Remplissage d'huile (pour les modèles ST 424/427/430 uniquement)
16. Vidange d'huile
17. Poignée du câble du démarreur
18. Interrupteur marche/arrêt du carburant (pour les modèles ST 424/427/430 uniquement)
19. Amorceur (pour les modèles ST 424/427/430 uniquement)
20. Chenille (pour les modèles ST 424T/427T/430T uniquement)
21. Godet à vis sans fin
22. Plaque de protection
23. Vis sans fin
24. Outil de nettoyage
25. Goulotte d'éjection
26. Déflecteur de la goulotte d'éjection
27. Voyant LED

Aperçu du produit



1. Levier de réglage du godet à vis sans fin
2. Interrupteur marche/arrêt des poignées chauffantes
3. Compteur horaire et rappel de changement d'huile
4. Accélération
5. Levier de la goulotte d'éjection
6. Levier de dégagement
7. Fente d'allumage
8. Engagement de la vis sans fin
9. Levier de vitesse d'entraînement
10. Étiquette des symboles
11. Levier de commande à distance pour le déflecteur de la goulotte d'éjection
12. Engagement de la transmission

Description du produit

Le produit est une souffleuse utilisée pour retirer la neige du sol.

Utilisation prévue

Ce produit peut être utilisé pour retirer la neige des champs, des routes, des allées et des trottoirs. Ne l'utilisez pas sur des pentes de plus de 20°. N'utilisez pas ce produit dans des zones où il y a beaucoup de débris, de saletés et de pierres qui dépassent.

Symboles concernant le produit

Remarque: Si les autocollants sur le produit sont endommagés, contactez le distributeur afin de les remplacer.



Avertissement.



Lisez le manuel d'utilisation.



Sous tension.



Démarrez le moteur.



Moteur à l'arrêt.



Boost.



Rapide.



Lent.



Rappel de changement d'huile.



Poignées chauffantes.



Déposez la clé avant l'entretien.



Surface chaude.



Risque d'incendie.



Prenez garde aux projections d'objets.



Éloignez les personnes à proximité.



Ne respirez pas les gaz d'échappement.



Déplacez-vous lentement vers l'arrière.



Risque de chute.



Tournez à gauche.



Tournez à droite.



Projetez de la neige.



Modifiez la hauteur du godet à vis sans fin.

Responsabilité

Conformément à la loi sur la responsabilité du fait des produits, nous déclinons toute responsabilité pour tout dommage causé par notre produit si :

- le produit n'est pas correctement réparé ;

- le produit est réparé avec des pièces qui ne proviennent pas du fabricant ou qui ne sont pas homologuées par le fabricant ;
- le produit est équipé d'un accessoire qui ne provient pas du fabricant ou qui n'est pas homologué par le fabricant ;
- le produit n'est pas réparé par un centre d'entretien agréé ou par une autorité homologuée.

Sécurité

Définitions de sécurité

Les définitions ci-dessous indiquent le niveau de gravité pour chaque mention d'avertissement.



AVERTISSEMENT: Blessures aux personnes.



REMARQUE: Dommages au produit.

Remarque: Cette information facilite l'utilisation du produit.

Instructions générales de sécurité

- Utilisez le produit correctement. Une utilisation inappropriée peut causer des blessures graves, voire mortelles. Utilisez uniquement le produit pour les tâches décrites dans le présent manuel. N'utilisez pas ce produit pour d'autres travaux.
- Respectez les instructions de ce manuel. Respectez les symboles et les instructions de sécurité. Le non-respect des instructions et des symboles par l'opérateur peut causer des blessures graves, voire mortelles, ou des dommages.
- Ne jetez pas ce manuel. Utilisez les instructions pour assembler, utiliser et conserver votre produit en bon état. Utilisez les instructions pour l'installation appropriée des équipements et accessoires. Utilisez uniquement des équipements et accessoires homologués.
- N'utilisez pas de produit endommagé. Respectez le schéma d'entretien. Effectuez uniquement les travaux d'entretien dont les instructions sont comprises dans ce manuel. Tous les autres travaux d'entretien doivent être effectués par un centre d'entretien agréé.
- Ce manuel ne peut pas inclure toutes les situations qui peuvent se produire lorsque vous utilisez le produit. Soyez prudent et utilisez votre bon sens. N'utilisez pas ou n'effectuez pas de travaux d'entretien sur le produit si vous n'êtes pas sûr de la situation. Contactez un spécialiste du produit, votre revendeur, votre agent d'entretien ou centre d'entretien agréé pour plus d'informations.
- Déconnectez la bougie avant d'assembler, de stocker ou d'effectuer l'entretien du produit.
- N'utilisez pas le produit si ses caractéristiques initiales ont été changées. Ne remplacez pas une pièce du produit sans l'approbation du fabricant. Utilisez uniquement les pièces qui sont approuvées par le fabricant. Un entretien inapproprié peut causer des blessures graves, voire mortelles.
- Ne respirez pas les fumées provenant du moteur. À long terme, l'inhalation de gaz d'échappement dégagés par le moteur constitue un danger pour la santé.
- Ne démarrez pas le produit dans un local clos ou à proximité de matériaux inflammables. Les gaz d'échappement sont très chauds et peuvent contenir une étincelle pouvant provoquer un incendie. Un débit d'air insuffisant peut causer des blessures graves, voire mortelles dues à une asphyxie ou au monoxyde de carbone.
- Lorsque vous utilisez ce produit, le moteur crée un champ électromagnétique. Le champ électromagnétique peut endommager les implants médicaux. Consultez votre médecin et le fabricant de votre implant avant d'utiliser ce produit.
- Ne laissez pas un enfant utiliser le produit. Ne laissez personne utiliser le produit sans en connaître les instructions d'utilisation.
- Assurez-vous de toujours surveiller une personne aux capacités physiques ou mentales réduites qui utilise le produit. Un adulte responsable doit être présent à tout moment.
- Stockez le produit dans une zone dont l'accès est fermé aux enfants et aux personnes non autorisées.
- Le produit peut projeter des objets et causer des blessures. Respectez les consignes de sécurité afin de réduire le risque de blessures graves ou mortelles.
- Ne vous éloignez pas du produit lorsque le moteur est allumé.
- L'opérateur du produit est tenu responsable en cas d'accident.
- Avant et pendant que vous marchez à reculons, regardez derrière vous et à vos pieds pour vérifier la présence éventuelle de jeunes enfants, d'animaux ou d'autres risques qui pourraient vous faire tomber.
- Assurez-vous que les pièces ne soient pas endommagées avant d'utiliser le produit.
- Assurez-vous de maintenir une distance minimum de 15 m (50 ft) entre vous et les autres personnes ou animaux avant d'utiliser le produit. Assurez-vous que toute personne présente dans une zone adjacente sache que vous allez utiliser le produit.

- Référez-vous aux lois nationales ou locales. Elles peuvent empêcher ou limiter le fonctionnement du produit dans certaines conditions.

Consignes de sécurité pour le fonctionnement

- Ne placez pas vos mains ou vos pieds à proximité ou sous les organes mobiles. Restez toujours éloigné de l'ouverture de l'éjecteur.
- Soyez extrêmement prudent lorsque vous utilisez la machine sur des routes, des trottoirs ou des chemins avec graviers. Restez vigilant par rapport aux risques cachés ou au trafic
- Si vous percutez un corps étranger, arrêtez le moteur, retirez le câble de la bougie, débranchez le câble (moteur électrique) et inspectez attentivement le produit pour vous assurer de l'absence de dégâts. En cas d'endommagement, réparez-les avant de redémarrer et de réutiliser le produit.
- Si le produit commence à vibrer de façon anormale, arrêtez le moteur et cherchez-en immédiatement la cause. Les vibrations sont généralement le signe d'une anomalie.
- Arrêtez le moteur à chaque fois que vous quittez la zone de travail, avant de débloquer le carter de la vis sans fin ou le déflecteur de la goulotte, et lorsque vous effectuez un réglage, une réparation ou une inspection de la machine.
- Lorsque vous souhaitez nettoyer, réparer ou inspecter le produit, coupez le moteur et vérifiez que les vis sans fin ainsi que toutes les pièces mobiles se sont immobilisées. Débranchez le câble des bougies et tenez-le éloigné des bougies afin d'éviter tout démarrage accidentel du moteur.
- Ne mettez pas le moteur en marche à l'intérieur, sauf lors du démarrage du moteur et pour sortir ou rentrer le produit dans le bâtiment. Ouvrez les portes vers l'extérieur ; les gaz d'échappement du moteur sont dangereux.
- Soyez extrêmement prudent lorsque vous utilisez la machine sur des terrains en pente.
- N'utilisez jamais le produit si les dispositifs de protection ne sont pas en place et en état de marche.
- N'orientez jamais le déflecteur de la goulotte vers des personnes ou vers des endroits où les éventuelles projections pourraient causer des dégâts. Maintenez les enfants et les animaux domestiques à bonne distance.
- Ne surchargez pas la capacité du produit en essayant de déblayer la neige à trop grande vitesse.
- N'utilisez jamais le produit à une vitesse élevée sur des surfaces glissantes. Lorsque vous reculez, regardez derrière vous et déplacez-vous lentement.
- Desserrez les vis sans fin lorsque vous transportez le produit ou ne l'utilisez pas.
- N'utilisez que les attaches et accessoires approuvés par le fabricant du produit (poids des roues, contrepoids ou cabines).

- N'utilisez jamais ce produit si la visibilité ou la luminosité n'est pas bonne. Gardez les pieds toujours bien daplomb sur le sol et maintenez la poignée avec fermeté. Marchez, ne courez jamais.
- Ne touchez jamais le moteur ou le silencieux quand il est chaud.

Sécurité dans l'espace de travail

- Inspectez attentivement la zone de travail avant d'utiliser l'équipement. Enlevez les paillasons, planches, fils et autres corps étrangers.
- Débrayez et passez le point mort avant de démarrer le moteur.
- N'utilisez pas le produit sans porter de vêtements d'hiver adéquats. Évitez de porter des vêtements amples susceptibles de se prendre dans les organes mobiles. Passez des chaussures assurant une bonne adhérence sur les surfaces glissantes
- Manipulez l'essence avec précaution car elle est hautement inflammable.
 - Utiliser un récipient homologué pour le stockage du carburant.
 - Ne faites jamais l'appoint en essence lorsque le moteur est en marche ou chaud.
 - Remplissez le réservoir à l'extérieur, en prenant toutes les précautions qui s'imposent. Ne remplissez jamais le réservoir à l'intérieur
 - Ne remplissez jamais le bidon à l'intérieur d'un véhicule ou sur un camion ou une remorque avec une bâche en plastique. Avant de le remplir, placez toujours le récipient sur le sol, loin de votre véhicule.
 - Dans la mesure du possible, descendez le matériel du camion ou de la remorque et faites l'appoint à même le sol. En cas d'impossibilité, faites l'appoint sur la remorque à l'aide d'un récipient portable et non à l'aide d'un pistolet à essence.
 - Gardez le pistolet en permanence en contact avec le bord du réservoir à essence ou du récipient, jusqu'à la fin de l'appoint. N'utilisez pas un pistolet avec un dispositif de blocage en position ouverte.
 - Remettez le bouchon du réservoir bien en place et essuyez les traces d'essence.
 - Changez immédiatement vos vêtements s'ils ont été en contact avec l'essence.
- Pour les machines à moteur à entraînement ou à démarrage électrique, utilisez des rallonges conformes à celles spécifiées par le fabricant.
- Réglez la hauteur du carter de la vis sans fin pour dégager une surface avec du gravier ou des cailloux.
- N'essayez jamais d'effectuer des réglages lorsque le moteur tourne (à moins que cela ne soit spécialement recommandé par le fabricant).
- Portez toujours des lunettes ou un masque de protection pour les yeux pendant l'utilisation de la machine ou lorsque vous effectuez un réglage ou

une réparation, de sorte à protéger vos yeux en cas de projection de corps étrangers.

Équipement de protection individuelle

Utilisez toujours un équipement de protection individuelle approprié lors de tout travail avec l'appareil. Cela comprend, au minimum, des chaussures robustes, des protections pour les yeux et des protège-oreilles. L'équipement de protection individuel n'élimine pas les risques, mais il peut réduire la gravité des blessures en cas d'accident.

- Portez toujours des lunettes de sécurité ou des protections pour les yeux pendant l'utilisation du produit ou pendant son entretien ou sa réparation.
- Portez toujours des vêtements d'hiver appropriés lorsque vous utilisez le produit.
- Utilisez toujours des bottes antidérapantes très résistantes qui soutiennent bien les chevilles pendant que vous utilisez le produit.
- Ne portez pas de vêtements lâches pouvant s'accrocher dans les pièces mobiles.
- Utilisez des gants de protection homologués, si nécessaire. Par exemple, lorsque vous fixez, examinez ou nettoyez la lame.
- Utilisez toujours des protections auditives homologuées lorsque vous faites fonctionner le produit. Une exposition au bruit sur de longues périodes peut provoquer une perte d'audition.

Dispositifs de sécurité sur le produit

- Assurez-vous de régulièrement entretenir le produit.
 - La durée de vie du produit augmente.
 - Le risque d'accident diminue.

Laissez un revendeur ou un centre d'entretien agréé régulièrement examiner le produit pour effectuer des réglages ou des réparations.

- N'utilisez pas un produit dont les équipements de protection sont endommagés. Si le produit est endommagé, contactez un centre d'entretien agréé.

Silencieux

Le silencieux maintient les niveaux sonores à un minimum et envoie les gaz d'échappement loin de l'utilisateur.

N'utilisez pas ce produit si le silencieux est manquant ou défectueux. Le silencieux est en mauvais état augmente le niveau sonore et le risque d'incendie.

Examinez le silencieux régulièrement pour s'assurer qu'il est correctement connecté et qu'il n'est pas endommagé.



REMARQUE: Le silencieux devient très chaud pendant et après utilisation et lorsque le moteur fonctionne au ralenti. Faites attention à proximité des matériaux inflammables et/ou des fumées afin d'éviter tout risque d'incendie.

Sécurité carburant



AVERTISSEMENT: Lisez les instructions qui suivent avant d'utiliser le produit.

- Ne démarrez pas le produit si du carburant ou de l'huile moteur a été renversé(e) sur le produit. Essuyez le carburant/l'huile et attendez que le produit sèche.
- Si vous avez renversé du carburant sur vos vêtements, changez de vêtements immédiatement.
- Évitez tout contact de la peau avec le carburant. Le carburant peut causer des blessures. Si votre peau entre en contact avec le carburant, lavez les parties qui ont été en contact avec de l'eau et du savon.
- Ne démarrez pas le produit s'il y a une fuite de moteur. Vérifiez régulièrement s'il y a des fuites de moteur.
- Faites attention avec le carburant. Le carburant est inflammable et ses vapeurs sont explosives. Il peut causer des blessures graves, voire mortelles.
- Ne respirez pas les vapeurs de carburant, elles peuvent causer des blessures. Assurez-vous que la ventilation est suffisante.
- Ne fumez pas à proximité du carburant ou du moteur.
- Ne mettez pas d'objets chauds à proximité du carburant ou du moteur.
- N'ajoutez pas de carburant lorsque le moteur est allumé.
- Assurez-vous que le moteur est froid avant de faire le plein de carburant.
- Avant de faire le plein, ouvrez le bouchon du réservoir de carburant lentement et relâchez la pression avec précaution.
- N'ajoutez pas de carburant au moteur dans un espace intérieur. Un débit d'air insuffisant peut causer des blessures graves, voire mortelles dues à une asphyxie ou au monoxyde de carbone.
- Serrez complètement le bouchon du réservoir de carburant. Si le bouchon du réservoir de carburant n'est pas serré, il y a un risque d'incendie.
- Déplacez le produit à un minimum de 3 m (10 ft) de l'endroit où a été fait le plein de carburant avant de démarrer le produit.
- Ne remplissez pas trop le réservoir de carburant.

Consignes de sécurité relatives à l'utilisation de la batterie



AVERTISSEMENT: Une batterie endommagée peut exploser et causer des blessures. Si la batterie présente une déformation ou est endommagée, contactez un agent d'entretien Husqvarna agréé.



AVERTISSEMENT: Lisez les instructions qui suivent avant d'utiliser le produit.

- Portez des lunettes de protection lorsque vous êtes à proximité des batteries.
- Ne portez pas de montres, de bijoux ou d'autres objets métalliques à côté de la batterie.
- Conservez la batterie hors de portée des enfants.
- Rechargez la batterie dans un espace bien aéré.
- Conservez les matériaux inflammables à une distance minimale de 1 m lorsque vous rechargez la batterie.
- Mettez au rebut les batteries remplacées. Consultez la section *Mise au rebut à la page 94*.
- La batterie est susceptible de dégager des gaz explosifs. Ne fumez pas à proximité de la batterie. Maintenez la batterie à l'écart des flammes nues et des étincelles.

Consignes de sécurité pour l'entretien



AVERTISSEMENT: Lisez les instructions qui suivent avant d'utiliser le produit.

- Les gaz d'échappement du moteur contiennent du monoxyde de carbone, un gaz inodore, toxique et

très dangereux. Ne démarrez pas le moteur en intérieur ou dans des espaces fermés.

- Avant de procéder à l'entretien du produit, arrêtez le moteur et débranchez le câble d'allumage de la bougie.
- Utilisez des gants de protection lorsque vous procédez à l'entretien des lames. Les lames sont très tranchantes et des coupures peuvent survenir facilement.
- Les accessoires et les modifications apportées au produit qui ne sont pas approuvés par le fabricant peuvent causer des blessures très graves, voire mortelles. Ne modifiez pas le produit. Utilisez toujours des accessoires qui sont approuvés par le fabricant.
- Si l'entretien n'est pas effectué correctement et régulièrement, le risque de blessures et d'endommagement du produit augmente.
- Effectuez uniquement les tâches d'entretien décrites dans le présent manuel de l'opérateur. Toutes les autres tâches d'entretien doivent être effectuées par un atelier spécialisé agréé.
- Demandez à un atelier spécialisé d'effectuer régulièrement l'entretien du produit.
- Remplacez les pièces endommagées, usées ou cassées.

Montage

Pour retirer le produit du carton

1. Retirez toutes les pièces détachées fournies avec le produit. Coupez les quatre coins du carton et placez les panneaux d'extrémité vers le bas et à plat.
2. Déposez les deux vis qui fixent le carter de la vis sans fin à la palette. Déposez les supports en acier des plaques de protection, le cas échéant.
3. Retirez tous les matériaux d'emballage.
4. Retirez le produit du carton et assurez-vous qu'aucune pièce détachée ne reste dans le carton.

Pièces détachées



Goulotte d'éjection (1)



Clé de marche/arrêt (s)



Boulons de carrosserie 5/16-18 x 2 ¼ po (2)



Support de retenue de la goulotte



Boutons de poignée (2)



Contre-écrou 3/8 (1)



Contre-écrou 3/18-16 (1)



Support de câble (1) (ST 424/427/430)



Goupilles de tonte ¼-20 x 1,81 (6)



Contre-écrous ¼-20 (6)



Contre-écrou 5/16-18 (1)



Contre-écrou ¼-20 (1)



Rondelle en nylon (1)



Boulon de carrosserie 5/16-18 x 5/8 (1)



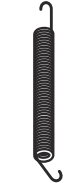
Goupille du rouleau (1)



Levier de dégagement (1)



Levier de la goulotte d'éjection



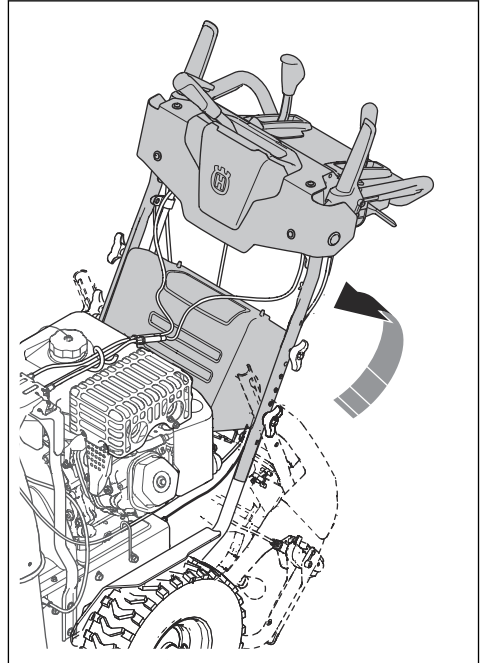
Ressort (1)



Boulon à épaulement ¼-20 (1)

Pour installer la poignée

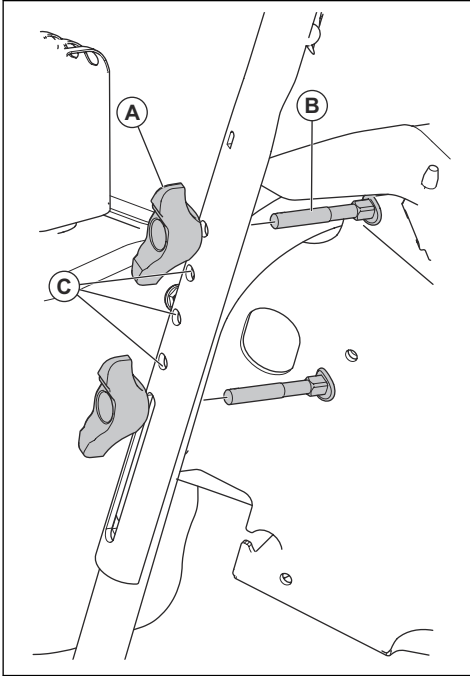
1. Soulevez la poignée supérieure en position de fonctionnement.



Outils nécessaires

- Clé de 3/8 pouce (1)
- Clé de 7/16 pouce (1)
- Clé de 1/2 pouce (1)
- Douille longue de 9/16 pouce (1)

- Réglez la position de la poignée sur l'un des trous (C).

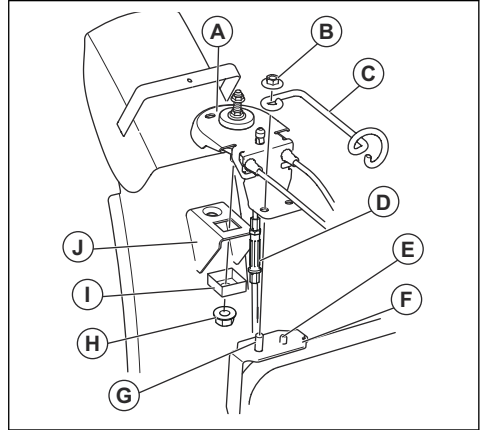


- Insérez le bouton (B) à travers le trou (C).
- Fixez le bouton (A) sur le boulon et serrez le bouton.
- Fixez plus de boulons de carrosserie (B) et de boutons de poignée (A) pour fixer la poignée supérieure sur la poignée inférieure.

Pour installer la goulotte d'éjection

- Placez l'ensemble du déflecteur de la goulotte d'éjection sur la partie supérieure de la goulotte d'éjection. L'ouverture d'éjection doit être orientée vers l'avant du produit.
- Placez la tête de rotation (A) sur le support de la goulotte d'éjection (J).
- Alignez les goupilles sous la tête de rotation avec les trous du support de la goulotte d'éjection.

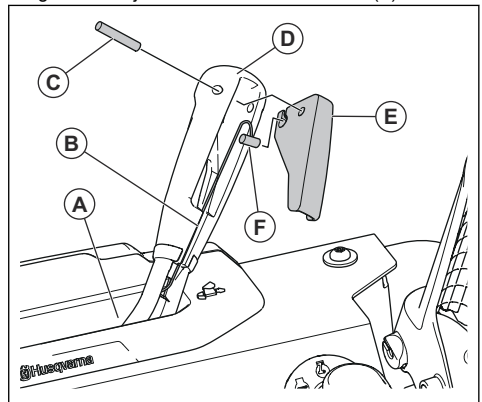
- Placez la tête de rotation sur la goupille (E) et sur le goujon fileté (G) sur le support de montage (E).



- Fixez un contre-écrou (B) sur le goujon fileté et serrez.
- Fixez le dispositif de retenue carré (I) à l'aide d'un contre-écrou (H).
- Pour ST 424/427/430 uniquement : Placez les câbles à travers le support de câble (C)

Pour installer le levier de la goulotte d'éjection et le câble de dégagement

- Poussez le bouton (D) vers le bas sur le levier de la goulotte d'éjection. Utilisez un maillet en caoutchouc si nécessaire.
- Fixez le câble de dégagement sur le levier de la goulotte d'éjection au niveau du raccord (A).

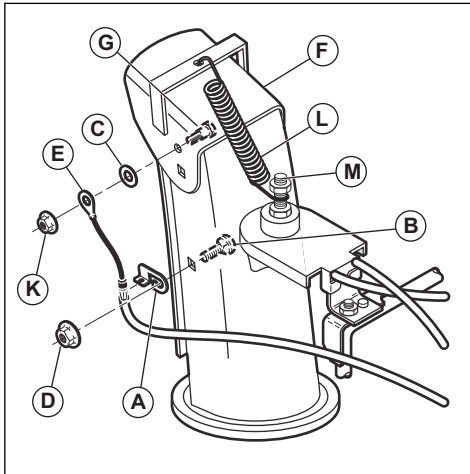


- Placez le câble de dégagement dans la rainure (B) sur le levier de la goulotte d'éjection.
- Installez le raccord de câble (F) sur le levier de dégagement (E).

5. Installez le levier de dégagement (E) sur le levier de la goulotte d'éjection et fixez-le à l'aide de la goupille du rouleau (C).
6. Ajustez le câble de dégagement. Consultez la section *Pour régler le câble de dégagement de la goulotte d'éjection à la page 89.*
7. Réglez les câbles gauche et droit de la goulotte d'éjection. Consultez la section *Réglage des câbles gauche et droit de la goulotte d'éjection à la page 89.*

Pour installer la commande à distance du déflecteur de la goulotte d'éjection

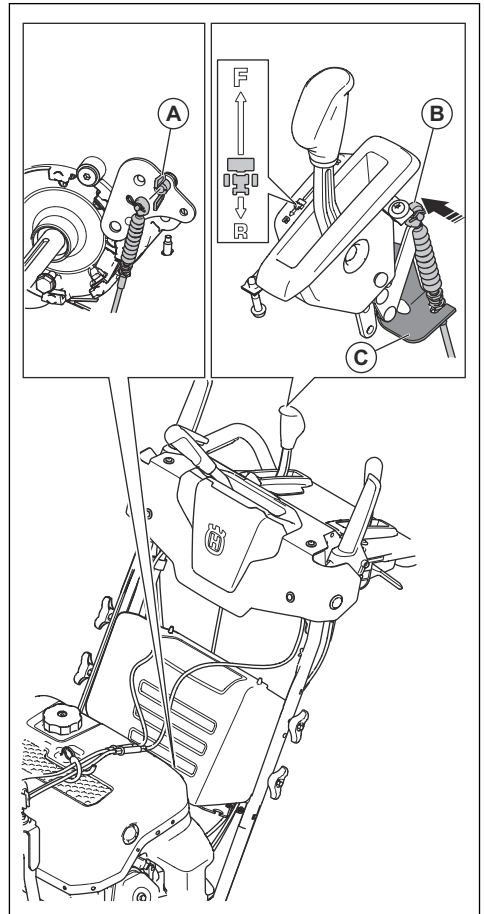
1. Fixez le support de câble (A) sur la goulotte d'éjection avec un boulon de carrosserie (B) et un contre-écrou 5/16-18 (D). Serrez le boulon.
2. Installez l'œillet du câble (E) sur le déflecteur de la goulotte d'éjection (F). Utilisez un boulon à épaulement (G), une rondelle en nylon (C), et serrez-les à l'aide d'un contre-écrou ¼-20 (K). L'œillet du câble ne sera pas serré au niveau du boulon à épaulement.
3. Fixez le ressort (L) entre l'écrou hexagonal (M) sur la tête de rotation et le trou sur le déflecteur de la goulotte d'éjection.



Pour installer le câble de régulation de vitesse

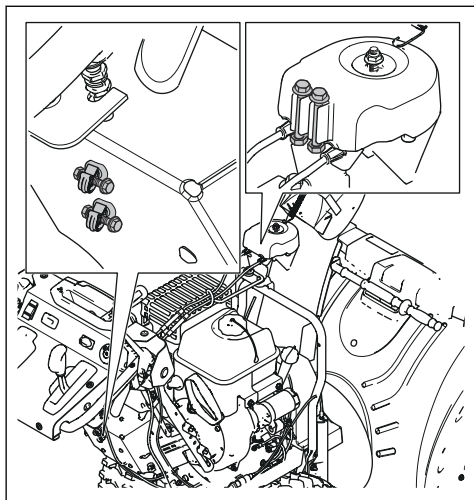
1. Placez le levier de vitesse en position neutre.
2. Fixez le câble de régulation de vitesse (B) sur le levier de vitesse à l'aide d'une goupille de retenue.
3. Fixez le câble de régulation de vitesse sur le support (C) à l'aide de clés de 2 ½ pouces. Assurez-vous que le levier de vitesse est en position neutre.

4. Retirez la vis et l'écrou à ailettes (A) du levier coudé afin de permettre le mouvement du levier coudé.



Pour fixer les goupilles de tonte de remplacement

- Fixez les goupilles de tonte de remplacement sur le couvercle de la commande à distance ou sur le boîtier de batterie.



Utilisation

Avant de démarrer le produit

- Veillez à ce que les personnes et les animaux soient à une distance suffisante de la zone de travail.
- Effectuez l'entretien quotidien. Consultez la section *Calendrier de maintenance à la page 79*.
- Assurez-vous que le câble d'allumage est bien placé sur la bougie.
- Ajoutez de l'huile ou de l'essence, si nécessaire. Consultez la section *Pour remplir le réservoir de carburant à la page 74*.

Pour remplir le moteur d'huile



REMARQUE: Ne faites pas tourner la jauge lorsque vous vérifiez l'huile. Ne remplissez pas au-delà du repère.

1. Déposez le bouchon du réservoir d'huile et nettoyez la jauge. Reportez-vous à *Aperçu du produit à la page 64* pour connaître l'emplacement de la jauge.
2. Ajoutez de l'huile jusqu'au repère supérieur de la jauge. Utilisez la jauge pour vérifier le niveau d'huile à intervalles réguliers.
3. Remplacez le bouchon du réservoir d'huile.

Pour remplir le réservoir de carburant

Si cela est possible, utilisez de l'essence d'alkylate/écologique. Si vous ne pouvez pas vous procurer de l'essence d'alkylate/écologique, utilisez de l'essence au plomb ou de l'essence sans plomb de bonne qualité. Utilisez de l'essence avec un indice d'octane de 90 RON hors Amérique du Nord (87 AKI en Amérique du Nord) ou plus, et avec un maximum de 10 % d'éthanol (E10).



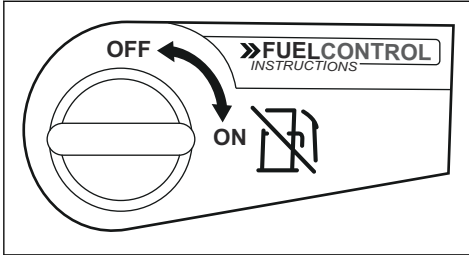
REMARQUE: N'utilisez pas d'essence avec un indice d'octane inférieur à 90 RON hors Amérique du Nord (87 AKI en Amérique du Nord). Cela peut endommager le produit.

1. Ouvrez lentement le couvercle du réservoir de carburant pour relâcher la pression.
2. Remplissez lentement le réservoir à l'aide d'un bidon de carburant. Si vous renversez du carburant, essuyez-le à l'aide d'un chiffon et laissez le carburant restant sécher.
3. Essuyez le pourtour du bouchon du réservoir de carburant.
4. Serrez complètement le bouchon du réservoir de carburant. Si le bouchon du réservoir de carburant n'est pas serré, il y a un risque d'incendie.

5. Déplacez le produit à un minimum de 3 m (10 ft) de l'endroit où a été fait le plein de carburant avant de démarrer le produit.

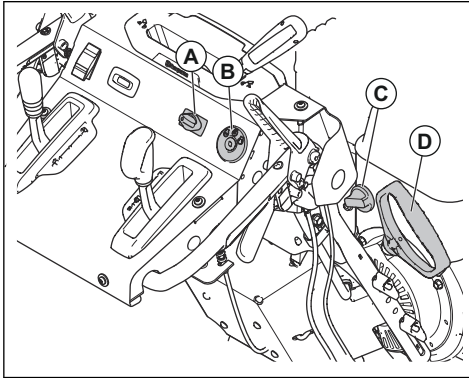
Utilisation de l'interrupteur de carburant (pour les modèles ST 424/427/430 uniquement)

- Tournez l'interrupteur de carburant pour ouvrir ou fermer le robinet de carburant. Utilisez le produit avec l'interrupteur de carburant en position OPEN (ouvert).



Pour démarrer le moteur, démarrage manuel

1. Placez la clé de marche/arrêt dans la fente d'allumage (B). Ne tournez pas la clé.



2. Pour ST 424/427/430 uniquement : Mettez l'interrupteur marche/arrêt du carburant (C) en position ON (marche).
3. Placez la commande d'accélération (A) en position FAST (rapide).
4. Tournez la clé de marche/arrêt en position ON (marche).
5. Pour ST 424/427/430 uniquement : Si la température est inférieure à -17°C (0°F), appuyez 3 fois sur l'amorceur. Consultez la section *Aperçu du produit* à la page 64 pour en savoir plus sur la position de l'amorceur.



REMARQUE: N'appuyez pas sur l'amorceur de trop nombreuses reprises. Cela peut empêcher le moteur de démarrer. Si le moteur est noyé, attendez quelques minutes avant de tenter de démarrer. N'appuyez pas sur l'amorceur.

6. Tirez la poignée du câble du démarreur (D).



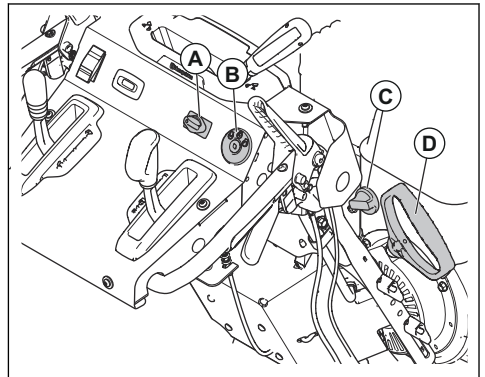
REMARQUE: Ne relâchez pas la poignée du câble du démarreur rapidement. Ramenez-la lentement en position initiale.

Remarque: Si le câble du démarreur est gelé, retirez lentement autant de câble que possible du démarreur. Relâchez la poignée du câble du démarreur. Si le moteur ne démarre pas, effectuez la procédure ou utilisez le démarreur électrique.

7. Faites tourner le moteur au ralenti pendant 2 à 3 minutes avant de commencer à projeter de la neige.
8. Si le moteur ne fonctionne pas correctement, éteignez-le.

Pour démarrer le moteur, démarrage électrique

1. Placez la clé de marche/arrêt dans la fente d'allumage (B). Ne tournez pas la clé.
2. Pour ST 424/427/430 uniquement : Mettez l'interrupteur marche/arrêt du carburant (C) en position ON (marche).
3. Placez la commande d'accélération (A) en position FAST (rapide).
4. Mettez la clé marche/arrêt (B) en position ON (marche).



5. Pour ST 424/427/430 uniquement : Si la température est inférieure à -17 °C (0 °F), appuyez 3 fois sur l'amorceur. Consultez la section *Aperçu du produit à la page 64* pour en savoir plus sur la position de l'amorceur.



REMARQUE: N'appuyez pas sur l'amorceur à de trop nombreuses reprises. Cela peut empêcher le moteur de démarrer. Si le moteur est noyé, attendez quelques minutes avant de tenter de nouveau de le démarrer. N'appuyez pas sur l'amorceur.

6. Tournez la clé de marche/arrêt pour DÉMARRER. Quand le moteur démarre, relâchez la clé.



REMARQUE: Ne faites pas tourner le démarreur pendant plus de 5 secondes lorsque vous essayez de démarrer. Attendez 5 à 10 secondes entre chaque tentative.

7. Faites tourner le moteur au ralenti pendant 2 à 3 minutes avant de commencer à projeter de la neige.

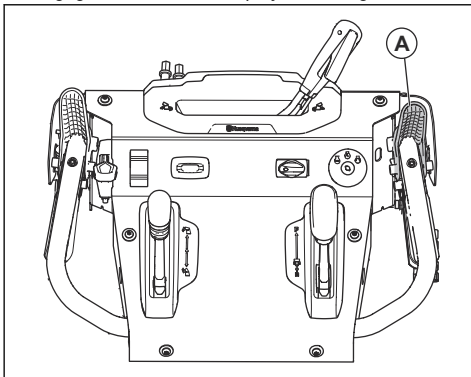
Pour utiliser le produit



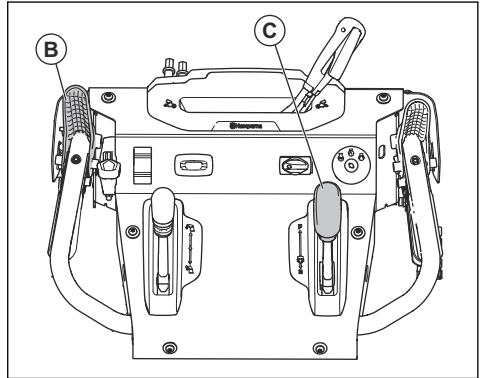
REMARQUE: N'engagez pas partiellement l'entraînement ou les leviers de la vis sans fin pendant une durée prolongée ; cela pourrait entraîner une usure prématurée ou brûler les courroies.

Remarque: Lorsque les engagements de la vis sans fin et de l'entraînement sont engagés, l'engagement de l'entraînement bloque l'engagement de la vis sans fin dans la bonne position. Utilisez votre main droite pour contrôler la goulotte d'éjection de neige.

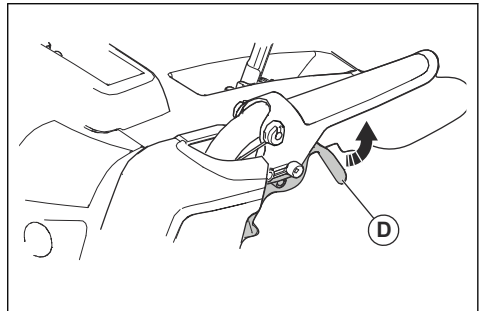
1. Pour engager les lames de la vis sans fin, poussez l'enclenchement de la vis (A) sur la poignée pour engager la vis sans fin et projeter la neige.



2. Soulevez le levier de régulation du régime d'entraînement (C) depuis la position centrale pour que le produit se déplace vers l'avant lorsque l'engagement de l'entraînement (B) est engagé.
3. Abaissez le levier de régulation du régime d'entraînement depuis la position centrale pour que le produit se déplace vers l'arrière lorsque l'engagement de l'entraînement est engagé.



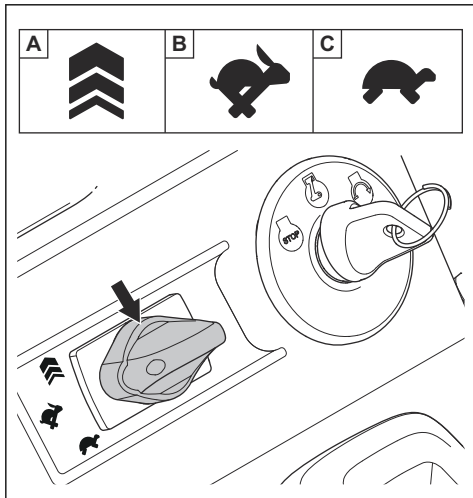
4. Pour que le produit se déplace dans la direction sélectionnée, maintenez l'engagement de l'entraînement contre la poignée.
5. Si le produit est équipé de la direction assistée, tenez la gâchette de direction gauche (D) pour tourner à gauche. Tenez la gâchette de direction droite pour tourner à droite.



Commande d'accélération

Remarque: Si la neige est humide ou lourde, utilisez les modes Rapide ou Boost.

La commande d'accélération permet de modifier la vitesse du moteur. Il existe 3 modes : boost, rapide et lent.



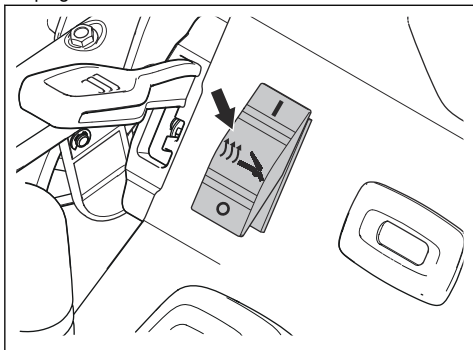
- Boost (A) : pour augmenter la vitesse lorsque le produit est utilisé, mais ne projette pas de neige, ou pour augmenter la distance à laquelle la neige est projetée.
- Rapide (B) : fonctionnement standard
- Lent (C) : pour diminuer la distance à laquelle la neige est projetée, ou pour réduire le bruit du moteur

Pour utiliser la commande d'accélération

- Tournez la commande d'accélération pour modifier la vitesse du moteur.

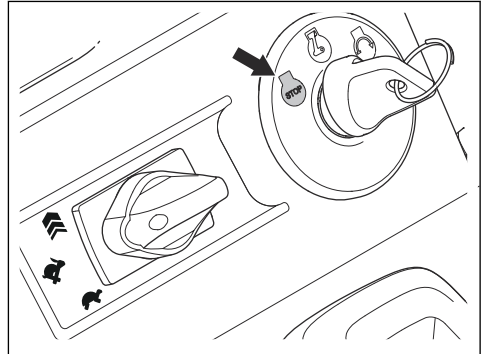
Pour utiliser les poignées chauffantes

- Positionnez l'interrupteur sur I pour démarrer les poignées chauffantes.
- Positionnez le commutateur sur O pour arrêter les poignées chauffantes.



Pour arrêter le produit

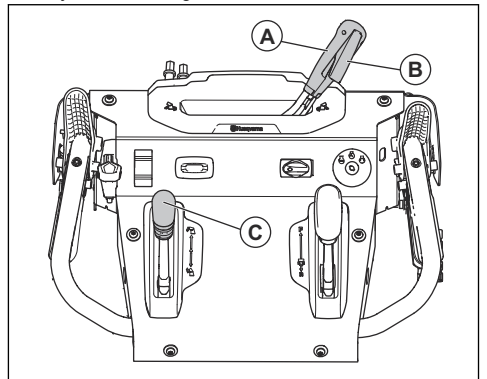
1. Tournez la clé sur la position STOP.



2. Retirez la clé de marche/arrêt.

Pour régler la goulotte d'éjection et le déflecteur de la goulotte d'éjection

1. Poussez le levier de dégagement (B) sur le levier de la goulotte d'éjection (A) et réglez la goulotte d'éjection vers la gauche ou vers la droite.



2. Déplacez le levier de commande à distance (C) pour régler la distance d'éjection de la neige.
 - a) Déplacez le levier de commande à distance vers le haut pour réduire la distance d'éjection de la neige.
 - b) Déplacez le levier de commande à distance vers le bas pour augmenter la distance d'éjection de la neige.

Pour régler les plaques de protection

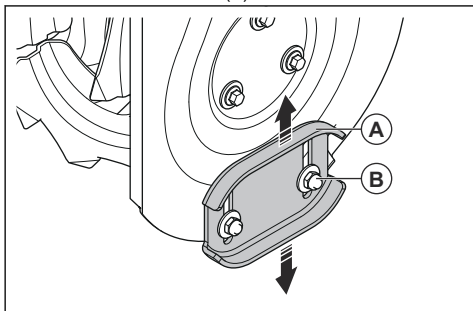
Les plaques de protection empêchent d'endommager le dessous de la souffeuse à neige. Réglez les plaques de protection (A) lorsque le contre-écrou (B) est desserré, ou lorsque la plaque de protection n'est pas à la bonne distance du sol. Aucun réglage n'est requis pour l'installation standard.

1. Desserrez le contre-écrou (B) à l'aide d'une clé plate de 13 mm (½ po).
2. Déplacez les plaques de protection (A) vers le haut ou vers le bas.
 - a) Sur les surfaces planes, réglez la distance entre la barre du grattoir et le sol à 5-6 mm (0,2 - 0,25 po).
 - b) Sur des surfaces rugueuses, placez les plaques de protection (A) dans une position où la barre du grattoir est au-dessus du sol.



AVERTISSEMENT: Veillez à ce que le gravier et les pierres n'entrent pas dans le produit. Les objets éjectés à grande vitesse peuvent causer des blessures.

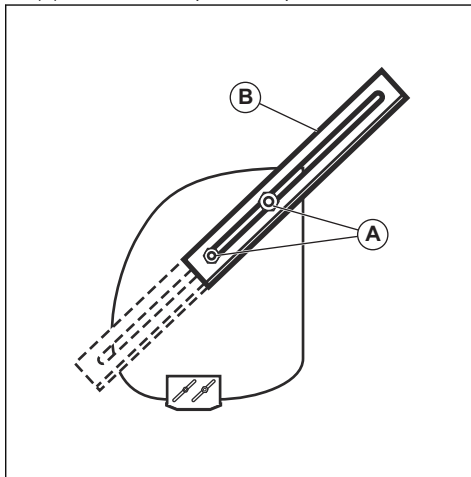
3. Serrez le contre-écrou (B).



Pour utiliser les barres de coupe (selon l'équipement)

Utilisez les barres de coupe pour couper plus profondément dans les congères que l'avant du produit.

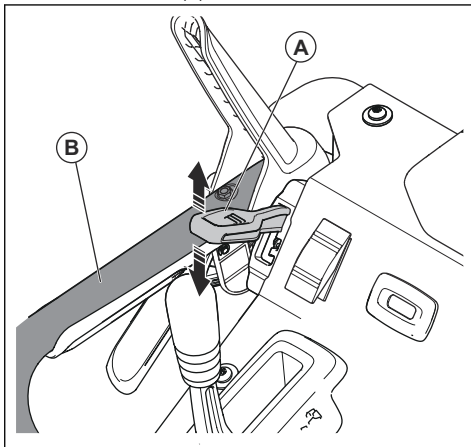
1. Desserrez les écrous de réglage (A) des deux côtés du produit pour permettre à chaque barre de coupe (B) de s'élever à la position la plus haute.



2. Serrez les écrous.
3. Abaissez les barres de coupe après utilisation.

Pour régler la hauteur du godet à vis sans fin (pour les modèles ST 424T/427T/430T uniquement)

1. Poussez le levier (A) vers le bas.



2. Soulevez ou abaissez les poignées (B) afin de régler la hauteur du godet à vis sans fin.
3. Relâchez le levier (A) pour bloquer la position du godet à vis sans fin.

Remarque: Le godet à vis sans fin peut être réglé sur une position déverrouillée. Cela permet au godet à vis sans fin de s'adapter au terrain. Pour placer le godet à

vis sans fin en position déverrouillée, poussez le levier (A) vers le bas et vers la droite.

Pour empêcher le gel après utilisation

Remarque: Les commandes et les pièces mobiles peuvent être bloquées par la glace. Ne forcez pas trop sur les commandes. Si vous ne pouvez pas actionner une commande ou une pièce, démarrez le moteur et laissez-le tourner pendant quelques minutes.

1. Démarrez le moteur et laissez-le tourner quelques minutes. Arrêtez le moteur et attendez que tous les organes mobiles s'immobilisent.
2. Retirez la neige et la glace lâche du produit.
3. Retirez la neige et la glace lâche à la base de la goulotte d'éjection.
4. Tournez le déflecteur de la goulotte d'éjection vers la gauche et vers la droite pour enlever la glace et l'eau.
5. Mettez la clé en position « OFF » (arrêt).
6. Si le produit ne possède pas de démarreur électrique, tirez la poignée du câble du démarreur plusieurs fois pour enlever la glace et l'eau.

Pour obtenir de bons résultats

- Faites toujours tourner le moteur à plein régime ou à régime presque plein.
- Adaptez toujours la vitesse du produit à la situation d'enneigement et adaptez la vitesse avec le levier de régulation du régime d'entraînement. Assurez-vous que le produit évacue la neige uniformément.
- Il est plus facile et plus efficace d'éliminer la neige immédiatement après la chute.
- Soufflez toujours la neige dans la direction du vent si possible.
- Sur les surfaces planes, comme les routes goudronnées, relevez les plaques de protection jusqu'à 5 à 6 mm (0,2 à 0,25 po) au-dessus du sol.
- La barre du grattoir est réversible. Lorsqu'elle est usée presque jusqu'au bord du logement, inversez-la. Remplacez la barre du grattoir si elle est endommagée ou si les deux côtés sont usés.
- N'utilisez pas le déflecteur de la goulotte s'il est bouché.
- Si le produit n'avance pas en raison de circonstances exceptionnelles, relâchez immédiatement l'engagement de l'entraînement ou mettez la clé de marche/arrêt en position OFF (arrêt).

Entretien

Introduction

Lorsque le produit est en cours d'utilisation, les boulons peuvent se desserrer et des composants peuvent s'user. Cela peut entraîner un dysfonctionnement comme un

mauvais jeu de tolérance, une augmentation de la consommation d'huile ou un défaut d'alignement de différents éléments. Effectuez un entretien régulier sur le produit pour éviter tout dysfonctionnement.

Calendrier de maintenance

Entretien	Au quotidien	Toutes les 15 heures	Toutes les 20 heures	Toutes les 40 heures	Toutes les 100 heures
Serrez les écrous et les vis	X				
Contrôlez le niveau d'huile moteur	X				
Changez l'huile moteur			X		
Contrôlez et réglez la tension des chenilles (pour les modèles ST 424T/427T/430T uniquement)		X			

Entretien	Au quotidien	Toutes les 15 heures	Toutes les 20 heures	Toutes les 40 heures	Toutes les 100 heures
Assurez-vous qu'il n'y a pas de fuite d'huile ou de carburant	X				
Retirez les obstacles se trouvant dans la vis sans fin	X				
Lubrifiez les loquets de verrouillage ¹¹			X		
Lubrifiez les attaches du câble ¹²			X		
Contrôlez la pression des pneus (pour les modèles ST 424/427/430 uniquement) ¹³				X	
Inspectez et remplacez la bougie avant utilisation au début de la saison et aux intervalles recommandés					X

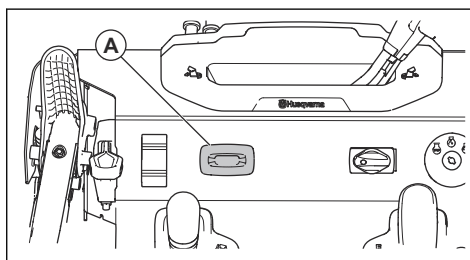
Remarque: La boîte de vitesses ne nécessite pas d'entretien.

Pour faire une inspection générale

- Assurez-vous que les vis et les écrous du produit sont serrés.

Rappel de changement d'huile

Le rappel de changement d'huile (A) est une fonction qui indique qu'un changement d'huile est nécessaire. Le rappel de changement d'huile illumine le symbole de bidon d'huile après 20 heures de fonctionnement. Le symbole de bidon d'huile reste allumé pendant 2 heures ou jusqu'à ce qu'une remise à zéro manuelle soit effectuée.



Pour réinitialiser le rappel de changement d'huile

1. Tournez la clé de marche/arrêt en position ON (marche), et maintenez-la dans cette position pendant 1 seconde.
2. Tournez la clé de marche/arrêt en position STOP (arrêt), et maintenez-la dans cette position pendant 1 seconde.
3. Répétez cette procédure 4 fois de suite.

¹¹ Lubrifiez également au début de chaque saison.

¹² Lubrifiez également au début de chaque saison.

¹³ Reportez-vous à la rubrique des caractéristiques techniques pour connaître la pression correcte des pneus.

Pour contrôler le niveau d'huile



REMARQUE: Un niveau d'huile trop bas peut endommager le moteur. Contrôlez le niveau d'huile avant de démarrer le produit.

1. Placez le produit sur un sol plat.
2. Retirez le bouchon du réservoir d'huile et la jauge qui y est attachée.
3. Nettoyez l'huile sur la jauge.
4. Insérez entièrement la jauge dans le réservoir d'huile pour connaître le véritable niveau d'huile.
5. Enlevez la jauge.
6. Inspectez le niveau d'huile sur la jauge.
7. Si le niveau d'huile est bas, faites l'appoint d'huile moteur et contrôlez à nouveau le niveau d'huile.

Pour remplacer l'huile moteur

1. Faites tourner le moteur quelques minutes pour chauffer l'huile. L'huile chaude s'écoule plus facilement et emporte avec elle plus de contaminants.



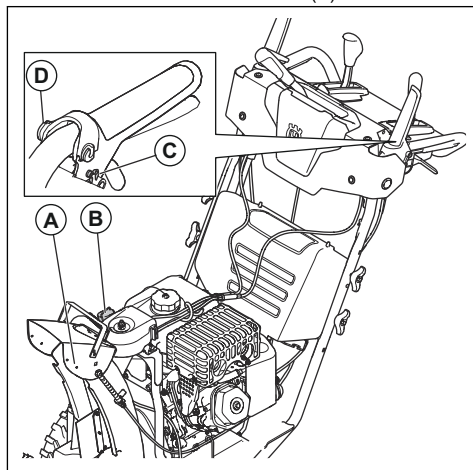
AVERTISSEMENT: L'huile du moteur est chaude. Évitez tout contact entre la peau et l'huile moteur usagée

2. Placez le produit sur un sol plat.
3. Retirez la clé de marche/arrêt.
4. Placez un récipient sous le bouchon de vidange d'huile.
5. Déposez le bouchon de vidange d'huile, faites basculer le produit et vidangez l'huile usagée dans le conteneur.
6. Remettez le produit en position de fonctionnement.
7. Installez le bouchon de vidange d'huile et serrez-le à la main.
8. Remplissez le carter d'huile (voir *Pour remplir le moteur d'huile à la page 74*).

Pour lubrifier le produit

- Lubrifiez les points de pivot (A) avec de l'huile.
- Lubrifiez le moteur (B) avec de l'huile.
- Lubrifiez les loquets de verrouillage (C) avec une petite quantité de graisse au lithium.

- Lubrifiez les raccords de câble des leviers d'entraînement et de vis sans fin (D) avec de l'huile.



Batterie

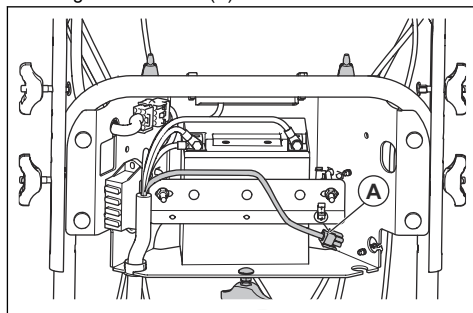
Maintenance de la batterie

Remarque: la batterie de votre machine est un modèle sans entretien. N'ouvrez pas les bouchons ou les capots, ne les déposez pas non plus.

Pour charger la batterie

Remarque: Avant un stockage à long terme, chargez la batterie avec un chargeur de batterie pour prolonger sa durée de vie.

1. Déposez le capot de batterie. Reportez-vous à la section *Remplacement de la batterie à la page 82*.
2. Nettoyez les bornes. Reportez-vous à la section *Nettoyer la batterie et les bornes à la page 82*.
3. Branchez le chargeur de batterie au connecteur du chargeur de batterie (A).



4. Lorsque la batterie est chargée, débranchez le chargeur de batterie.

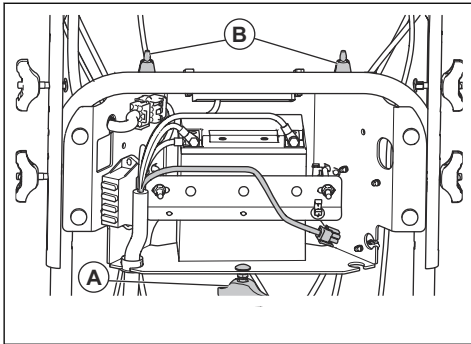
5. Installez le capot de batterie.

Remplacement de la batterie



AVERTISSEMENT: Risque de choc électrique. Ne laissez pas d'objets métalliques entrer en contact avec les 2 bornes de la batterie. Cela peut provoquer un court-circuit de la batterie.

1. Desserrez le bouton (A), puis inclinez le bas du capot en direction du moteur. Relevez le capot de batterie des supports (B).



2. Débranchez le câble de batterie NOIR.



AVERTISSEMENT: Le câble NOIR doit être débranché en premier.

3. Débranchez le câble de batterie ROUGE.
4. Desserrez les écrous et déposez la sangle de batterie.
5. Sortez délicatement la batterie de la machine.
6. Installez une batterie neuve.
7. Branchez le câble de batterie ROUGE et serrez le boulon.



AVERTISSEMENT: Risque d'étincelles. Le câble ROUGE doit être connecté en premier.

8. Connectez le câble NOIR et serrez le boulon.
9. Installez le capot de batterie.

Nettoyer la batterie et les bornes

1. Retirez la batterie. Reportez-vous à la section *Remplacement de la batterie à la page 82*.
2. Rincez la batterie à l'eau du robinet et laissez sécher.
3. Nettoyez les bornes et les extrémités des câbles de batterie avec une brosse en métal jusqu'à ce qu'elles brillent.
4. Lubrifiez les bornes avec de la graisse.

5. Installez la batterie. Consultez la section *Remplacement de la batterie à la page 82*.

6. Installez le capot de batterie.

Silencieux

Le silencieux maintient les niveaux sonores à un minimum et envoie les gaz d'échappement loin de l'utilisateur.

N'utilisez pas ce produit si le silencieux est manquant ou défectueux. Le silencieux est en mauvais état augmente le niveau sonore et le risque d'incendie.

Examinez le silencieux régulièrement pour s'assurer qu'il est correctement connecté et qu'il n'est pas endommagé.



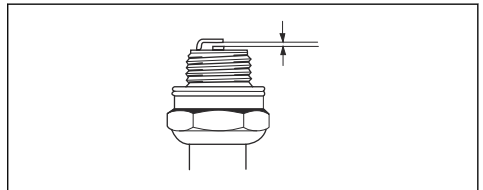
REMARQUE: Le silencieux devient très chaud pendant et après utilisation et lorsque le moteur fonctionne au ralenti. Faites attention à proximité des matériaux inflammables et/ou des fumées afin d'éviter tout risque d'incendie.

Pour vérifier la bougie



REMARQUE: Utilisez toujours le type de bougie recommandé. Un type de bougie inadéquat peut endommager le produit.

- Inspectez la bougie si le moteur manque de puissance, n'est pas facile à démarrer ou ne fonctionne pas correctement lorsqu'il tourne au régime de ralenti.
- Afin de réduire le risque de matériaux indésirables présents sur les électrodes de la bougie, procédez comme suit :
 - a) Assurez-vous que le régime de ralenti est correctement réglé.
 - b) Assurez-vous que le mélange de carburant est correct.
 - c) Assurez-vous que le filtre à air est propre.
- Si la bougie est encrassée, nettoyez-la et vérifiez que l'écartement des électrodes est correct, consultez les *Caractéristiques techniques à la page 94*.



- Remplacez la bougie si nécessaire.

Pour inspecter les vis sans fin et la barre du grattoir

1. Avant chaque utilisation, vérifiez l'absence d'usure sur les vis sans fin et la barre du grattoir.
2. Si le bord de la barre du grattoir est usé, inversez la barre du grattoir. Si la barre du grattoir est endommagée ou est usée sur les deux bords, remplacez-la.
3. Si les bords des vis sans fin sont usés, contactez un centre de service agréé pour les remplacer.

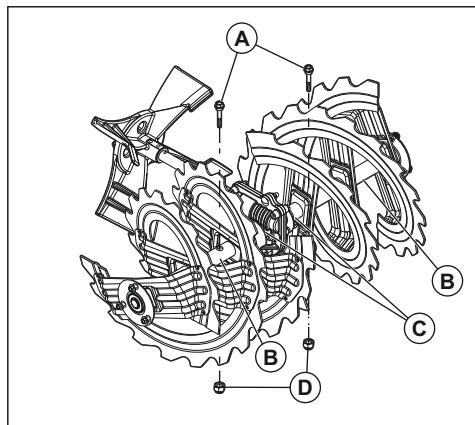
Pour remplacer les goupilles de tonte de la vis sans fin

Les goupilles de tonte de la vis sans fin préservent le produit de tout dommage. Les goupilles de tonte de la vis sans fin se cassent si un objet s'insère dans les pièces mobiles.



REMARQUE: Utilisez uniquement les goupilles de tonte de l'équipement d'origine fournies avec le produit.

1. Si une goupille de tonte de la vis sans fin se casse, arrêtez le moteur et attendez que les pièces mobiles s'immobilisent.
2. Retirez la clé de marche/arrêt et débranchez le câble de la bougie.
3. Alignez l'orifice du moyeu de la vis sans fin (B) sur l'orifice de l'arbre de la vis sans fin (C) et installez une goupille de tonte neuve de $\frac{1}{4} - 20 \times 2$ (A).
4. Installez un contre-écrou de $\frac{1}{4}-20$ (D) sur la goupille de tonte et serrez.



5. Placez la clé de marche/arrêt dans le contact, puis branchez le câble de la bougie à la bougie.

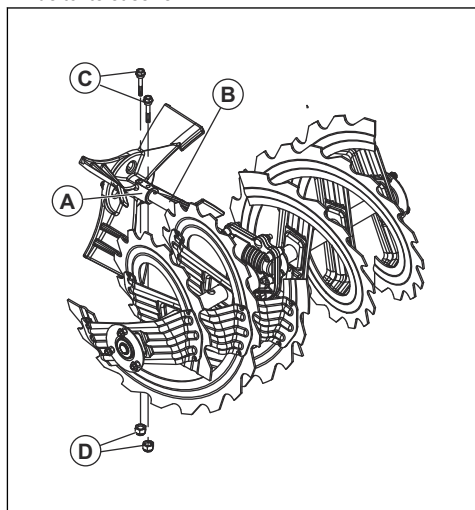
Pour remplacer les goupilles de tonte de la roue à ailette

Les goupilles de tonte de la roue à ailette préservent le produit de tout dommage. Les goupilles de tonte de la roue à ailette se cassent si un objet s'insère dans les pièces mobiles.



REMARQUE: Utilisez uniquement les goupilles de tonte de l'équipement d'origine fournies avec le produit.

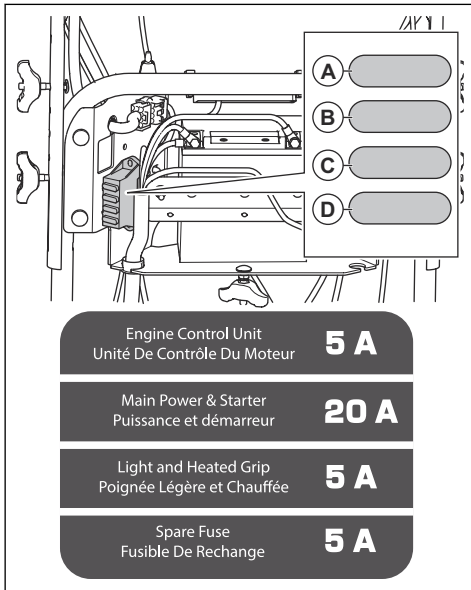
1. Si une goupille de tonte de la roue à ailette se casse, arrêtez le moteur et attendez que les pièces mobiles s'immobilisent.
2. Retirez la clé de marche/arrêt et débranchez le câble de la bougie.
3. Alignez l'orifice du moyeu de la roue à ailette (A) sur l'orifice de l'arbre de la roue à ailette (B) et installez une goupille de tonte neuve de $\frac{1}{4}-20$ (C).
4. Installez un contre-écrou de $\frac{1}{4}-20$ (D) sur la goupille de tonte et serrez.



5. Placez la clé de marche/arrêt dans le contact, puis branchez le câble de la bougie à la bougie.

Remplacer le fusible

Les porte-fusibles sont installés derrière le capot de batterie.



- Remplacez le fusible du système de régulation moteur (A) par un fusible de 5 A.
- Remplacez le fusible de l'électrovanne de démarreur (B) par un fusible de 20 A.
- Remplacez le fusible du voyant LED et de la poignée chauffante (C) par un fusible de 5 A.
- La position (D) contient un fusible de secours de 5 A.

Pour examiner les pneus

- Évitez que les pneus entrent en contact avec du carburant, de l'huile et des produits chimiques pour ne pas endommager le caoutchouc.
- Maintenez les pneus à l'écart des souches, des pierres, des ornières, des objets pointus et de tout autre objet pouvant les endommager.
- Conservez une pression correcte des pneus (consultez *Caractéristiques techniques à la page 94*).

Pour déboucher un déflecteur de goutte d'éjection

Ne débouchez pas le déflecteur de goutte d'éjection avant d'avoir réalisé les opérations suivantes.

1. Relâchez l'engagement de la vis sans fin et l'engagement de l'entraînement en même temps.
2. Attendez 10 secondes pour vous assurer que les vis sans fin se sont immobilisées.

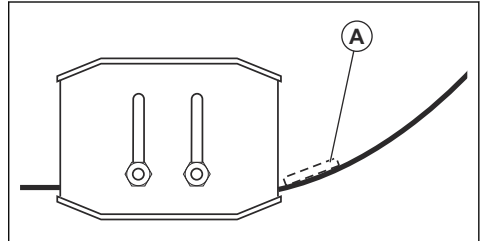
3. Arrêtez le produit.
4. Utilisez l'outil de nettoyage (d'au moins 37 cm (15 po) de long, inclus dans certains modèles) pour déposer le bouchon.



AVERTISSEMENT: Ne mettez pas les mains dans le déflecteur de goutte d'éjection ou à l'intérieur du godet de la vis sans fin.

Pour remplacer la barre du grattoir

1. Placez la barre du grattoir (A) en position inverse lorsqu'elle est usée sur le bord du carter.



2. Remplacez la barre du grattoir si elle est usée des deux côtés ou si elle est endommagée.

Courroies d'entraînement



AVERTISSEMENT: Les courroies trapézoïdales de votre produit sont de conception spéciale et doivent être remplacées par un fabricant d'équipement d'origine (OEM). Des courroies sont disponibles auprès de votre centre de service le plus proche. L'utilisation d'autres courroies que celles d'un OEM peut causer des blessures ou des dégâts sur le produit.

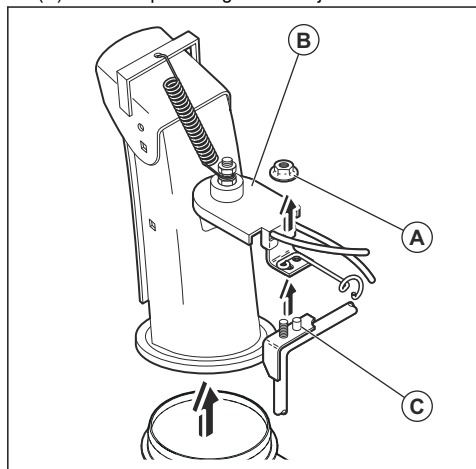


AVERTISSEMENT: Le remplacement de la courroie nécessite le démontage du produit. Tout en séparant le carter de la vis sans fin du châssis, il est important qu'un assistant se tienne en position de fonctionnement et maintienne les poignées du produit. Des blessures graves et/ou des dommages au produit pourraient se produire si le produit tombe pendant le remplacement de la courroie.

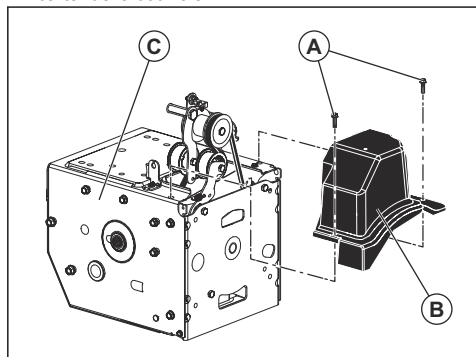
Pour préparer le remplacement des courroies

1. Vidangez le carburant du réservoir de carburant.

2. Desserrez le contre-écrou (A) qui fixe la tête de rotation de la goulotte (B) sur le support de montage (C) afin de déposer la goulotte d'éjection.



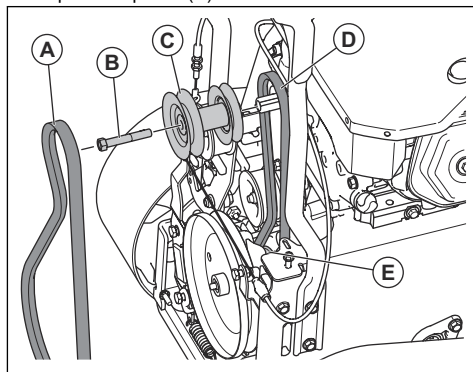
3. Desserrez les deux vis (A) qui maintiennent le carter de la courroie (B) sur le châssis (C) et enlevez le carter de la courroie.



Pour déposer la courroie d'entraînement

1. Déposez la courroie de la vis sans fin (A). Consultez la section *Pour retirer la courroie de vis sans fin (modèle ST 424/427/430 uniquement) à la page 86.*

2. Déposez le boulon de la poulie de 9/16 po (B) et déposez la poulie (C) du moteur.



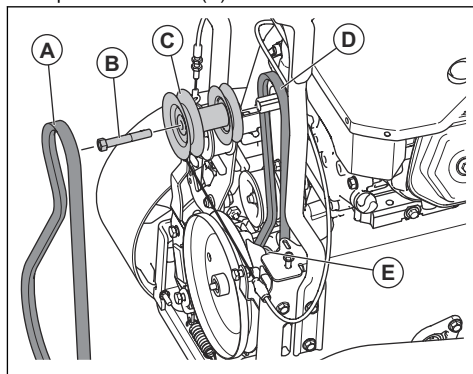
3. Déposez la courroie d'entraînement (D) de la poulie inférieure (E).

Pour installer la courroie d'entraînement

1. Placez la courroie d'entraînement sur la poulie inférieure (E).

Remarque: Assurez-vous que la courroie d'entraînement est correctement placée dans la gorge de la poulie inférieure.

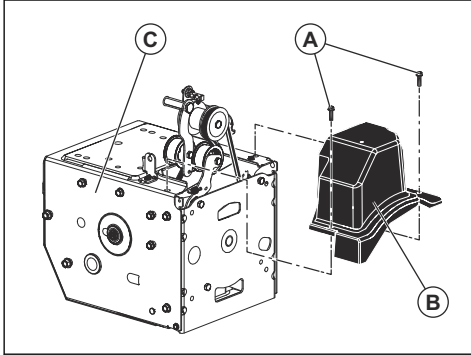
2. Placez la courroie d'entraînement dans la gorge de la poulie du moteur (C).



3. Installez le boulon de la poulie de 9/16 po (B) et fixez la poulie (C) sur le moteur. Serrez le boulon de poulie (41-47 Nm/30-35 ft Lbs).
4. Installez la courroie de la vis sans fin (A). Consultez la section *Pour installer la courroie de vis sans fin à la page 87.*
5. Actionnez toutes les commandes pour vous assurer que la courroie d'entraînement est correctement installée et que tous les composants se déplacent correctement.

Pour installer le carter de la courroie

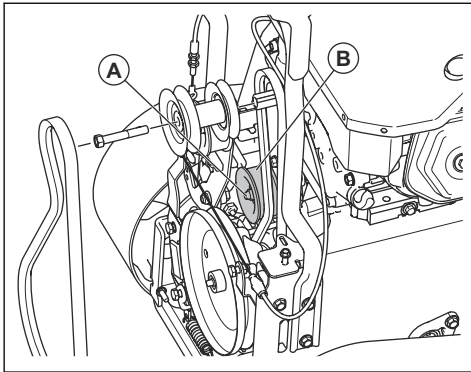
1. Installez le carter de la courroie (B) sur le châssis (C) et serrez les deux vis (A).



2. Installez la goulotte d'éjection.

Pour régler la tension de la courroie d'entraînement

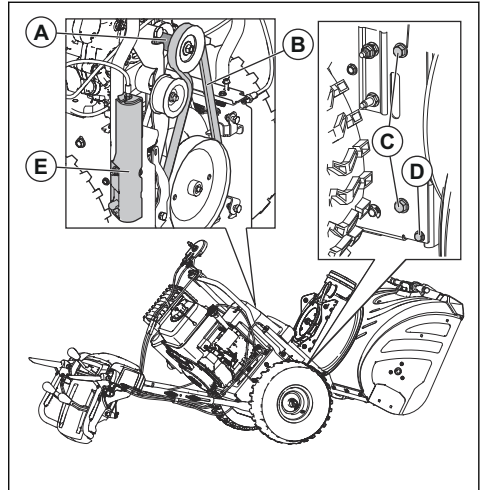
1. Déposez le carter de la courroie. Consultez la section *Pour préparer le remplacement des courroies à la page 84*.
2. Desserrez l'écrou de la poulie folle (A).
3. Déplacez la poulie folle (B) dans la direction de la courroie pour augmenter la tension de la courroie. Écartez-la de la courroie afin de réduire la tension de la courroie.



4. Serrez l'écrou de la poulie folle (A).
5. Appuyez sur le levier de régulation du régime d'entraînement puis relâchez-le. Si la courroie d'entraînement est tendue lorsque le levier de régulation du régime d'entraînement est relâché, éloignez la poulie folle de la courroie d'entraînement pour libérer la tension de la courroie.
6. Installez le carter de la courroie. Consultez la section *Pour installer le carter de la courroie à la page 86*.

Pour retirer la courroie de vis sans fin (modèle ST 424/427/430 uniquement)

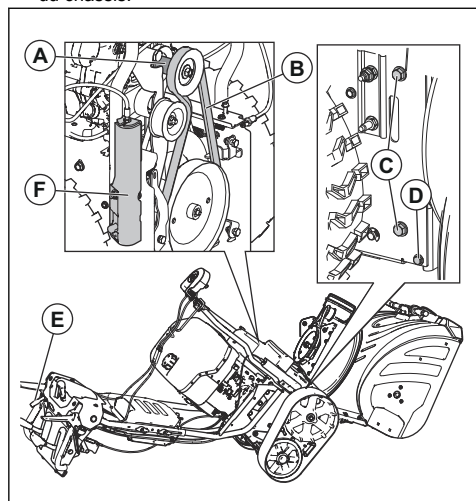
1. Déposez l'écrou de 5/16" et le capot de câbles (E) du châssis.



2. Déposez les écrous supérieurs de 5/16" et inférieurs de 1/4" (D) des 2 côtés du châssis. Ne jetez pas les boulons.
3. Desserrez, sans les déposer, les boulons inférieurs de 5/16" (C) des 2 côtés du châssis.
4. Déposez la courroie de vis sans fin (B) de la poulie du moteur (A).
5. Inclinez la partie arrière vers le bas. La partie avant s'incline vers l'avant en même temps. Le boulon inférieur est une charnière entre les sections avant et arrière.
6. Placez une cale de bois sous le point de charnière pour incliner le produit.
7. Déplacez le levier de frein de la vis sans fin et déposez la courroie de vis sans fin (B) autour du levier.

Pour retirer la courroie de vis sans fin (modèle ST 424T/427T/430T uniquement)

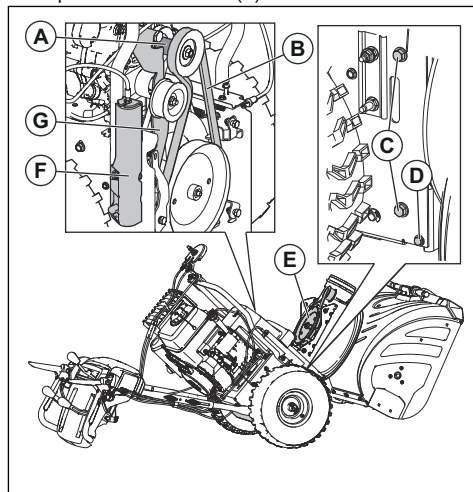
1. Déposez l'écrou de 5/16" et le capot de câbles (E) du châssis.



2. Déposez les écrous 5/16" des 2 côtés du châssis. Ne jetez pas les boulons.
3. Déposez les boulons inférieurs de 5/16" (C) des 2 côtés du châssis.
4. Déposez la courroie de vis sans fin (B) de la poulie du moteur (A).
5. Utilisez le levier de réglage du godet à vis sans fin pour incliner la partie arrière vers le bas. La partie avant s'incline vers l'avant en même temps. Le boulon inférieur est une charnière entre les sections avant et arrière.
6. Placez une cale de bois sous le point de charnière pour incliner le produit.
7. Déplacez le levier de frein de la vis sans fin et déposez la courroie de vis sans fin (B) autour du levier.

Pour installer la courroie de vis sans fin

1. Déplacez le levier de frein de vis sans fin (G). Placez la courroie de vis sans fin autour et dans la gorge de la poulie de vis sans fin (E).



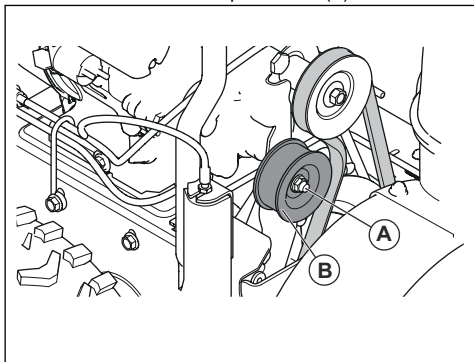
REMARQUE: Assurez-vous que la courroie n'est pas coincée entre le châssis et le carter de la vis sans fin pendant que vous montez l'unité.

2. Retirez la cale de bois placée sous le produit.
3. Soulevez les poignées pour incliner la partie arrière vers le haut. La partie avant s'incline vers l'arrière et pivote pour se fixer à la partie arrière.
4. Assurez-vous que la courroie est correctement placée dans la rainure de la poulie de la vis sans fin (E).
5. Installez les boulons 5/16" (C) et serrez-les (11 à 16 Nm).
6. Pour ST 424/427/430 uniquement : Installez les boulons de 1/4" (D) et serrez-les (5 à 8 Nm).
7. Installez la courroie de vis sans fin (B) sur la poulie du moteur (A). Assurez-vous que la courroie est placée correctement autour de la poulie folle et bien installée dans la rainure de la poulie du moteur.
8. Installez le cache-câbles (F) et l'écrou de 5/16" sur le châssis.
9. Actionnez toutes les commandes pour s'assurer que la courroie de vis sans fin est correctement installée et que tous les composants se déplacent correctement.

Réglage de la tension de la courroie de vis sans fin

Remarque: Un assistant est nécessaire pour effectuer cette tâche.

1. Déposez le carter de la courroie. Consultez la section *Pour préparer le remplacement des courroies à la page 84.*
2. Desserrez l'écrou de la poulie folle (A).



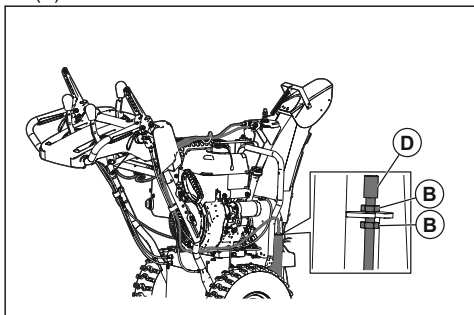
3. Déplacez la poulie folle (B) dans le sens de la courroie de vis sans fin pour augmenter la tension de la courroie. Écartez-la de la courroie de vis sans fin afin de réduire la tension de la courroie.
4. Serrez l'écrou de la poulie folle (A).
5. Demandez à l'assistant de se placer à 3 m (10 pieds) devant le produit pour surveiller le mouvement de la vis sans fin.
6. Poussez puis relâchez l'engagement de la vis sans fin pour démarrer et arrêter la vis sans fin.
7. Mesurez le temps nécessaire pour que la vis sans fin s'immobilise. Si la vis sans fin s'immobilise après plus de 5 secondes, relâchez la tension de la courroie.
8. Lorsque la vis sans fin s'immobilise après moins de 5 secondes, installez le carter de la courroie. Consultez la section *Pour installer le carter de la courroie à la page 86.*

2. Pour éliminer le mou du câble de commande de la vis sans fin, dévissez l'écrou de blocage inférieur (B) et serrez l'écrou de blocage supérieur (B) jusqu'à ce que la tension de la courroie de vis sans fin ait augmenté.
3. Testez à nouveau l'engagement de la vis sans fin. Renouvelez le réglage selon les besoins jusqu'à ce qu'il ne reste qu'un peu de mou dans le câble lorsque le levier est désengagé.
4. Serrez l'écrou de blocage inférieur afin de verrouiller la tension.

Remarque: Comme solution secondaire, vous pouvez également tendre la courroie de vis sans fin en réglant la poulie folle. Si le réglage ne résout pas le problème, remplacez la courroie de la vis sans fin. Consultez la section *Pour installer la courroie de vis sans fin à la page 87.*

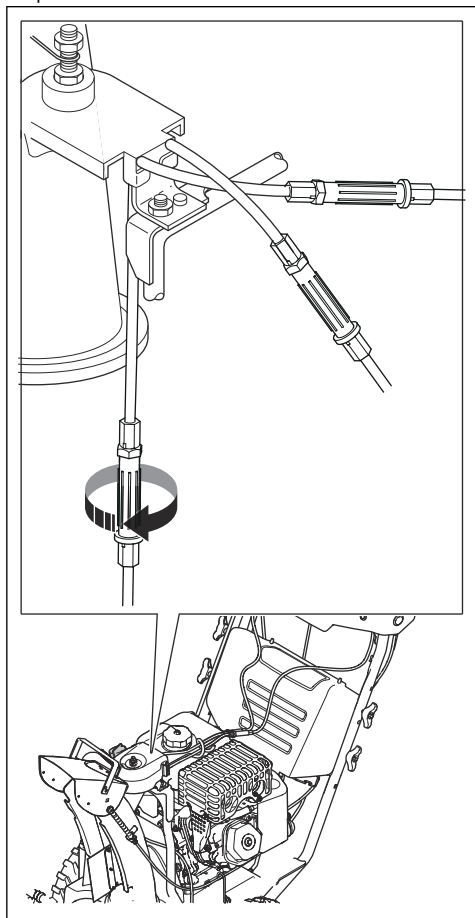
Pour régler le câble de commande de la vis sans fin

1. Déposez le cache-câbles sur le côté droit du châssis (D).



Pour régler le câble de dégagement de la goulotte d'éjection

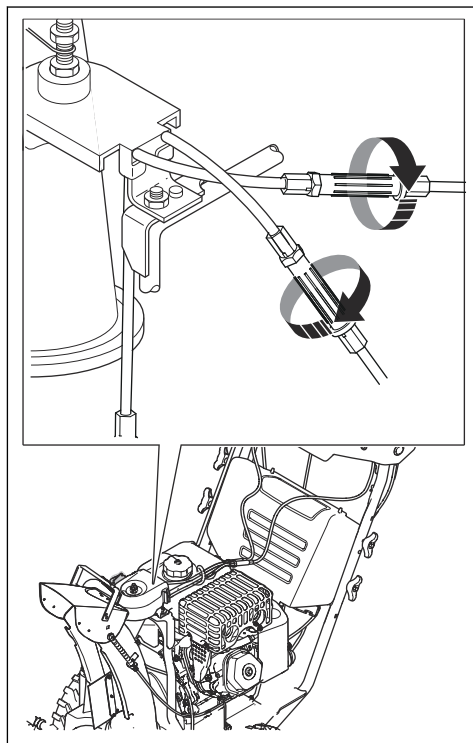
1. Pour régler le câble de dégagement, tournez le dispositif de réglage du câble jusqu'à ce que le levier de dégagement de la goulotte d'éjection ne bouge plus librement.



Réglage des câbles gauche et droit de la goulotte d'éjection

1. Placez le levier de la goulotte d'éjection en position centrale.

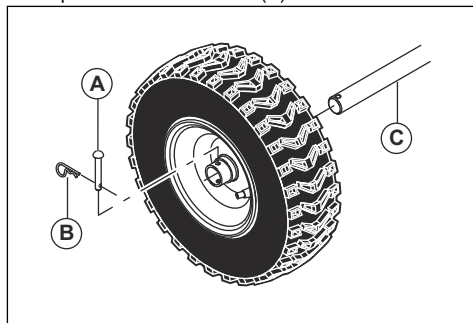
2. Tournez les tendeurs du câble jusqu'à ce que la goulotte d'éjection soit orientée vers l'avant et que les câbles soient bien serrés.



3. Desserrez les tendeurs du câble d'un quart de tour pour desserrer les câbles.

Pour déposer les roues

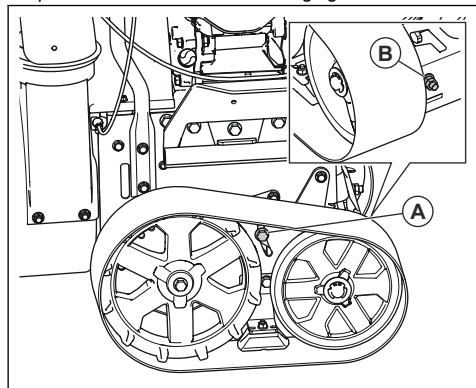
1. Déposez l'axe de la roue (A) et la goupille de retenue (B).
2. Déposez la roue de l'arbre (C).



Pour régler la tension des chenilles (pour les modèles ST 424T/427T/430T uniquement)

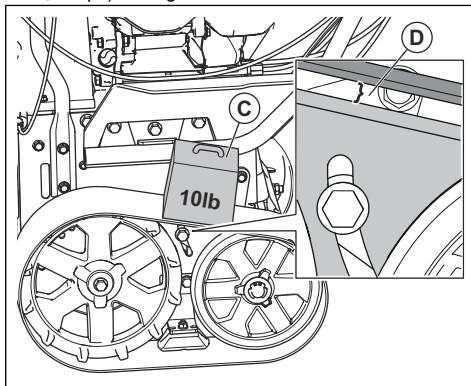
Remarque: Outils nécessaires pour cette tâche : une douille longue de 9/16 po, une clé de 9/16 po et un poids de 5 kg (10 livres).

1. Desserrez les vis de blocage (A) d'un tour.
2. Déposez le contre-écrou arrière (B) afin de permettre l'accès à l'écrou de réglage.



3. Placez un poids de 5 kg (10 livres) (C) sur le dessus de la chenille, au centre entre les 2 roues.

4. Tournez l'écrou de réglage (B) jusqu'à ce que la distance (D) entre la chenille et la plaque d'acier soit comprise entre 3,175 et 6,350 mm (0,125 et 0,250 po) de large.



5. Fixez la vis de verrouillage (A), puis le contre-écrou arrière (B).

Pour nettoyer le produit

- Nettoyez les éléments en plastique avec un chiffon sec et propre.
- N'utilisez pas de nettoyeur haute pression pour le nettoyage du produit.
- Ne jetez pas d'eau directement sur le moteur.
- Utilisez une brosse pour enlever les feuilles, l'herbe et la saleté.

Dépannage

Problème	Cause possible	Solution
Le produit ne démarre pas	La clé de contact n'est pas insérée.	Insérez la clé de contact.
	Le produit est en panne de carburant.	Faites le plein de carburant.
	La clé de marche/arrêt est en position STOP (arrêt).	Mettez la clé de marche/arrêt sur la position ON (marche).
	Le moteur n'est pas amorcé.	Amorcez le moteur.
	Le moteur est noyé.	<p>Patiencez quelques minutes avant de redémarrer, n'actionnez PAS l'amorceur.</p> <p>Redémarrez le moteur à plein régime et avec le starter en position arrêt (CLOSE [fermé]).</p>
	Le câble de la bougie n'est pas branché.	Branchez le câble à la bougie.
	La bougie d'allumage est défectueuse.	Remplacez la bougie.
	De l'eau est présente dans le carburant ou le carburant est trop vieux.	Videz le réservoir de carburant et le carburateur. Faites le plein de carburant.
	De la vapeur est bloquée dans la conduite de carburant.	Vérifiez que l'intégralité de la conduite de carburant est acheminée en dessous de la sortie du réservoir de carburant. La conduite de carburant doit être acheminée vers le bas, du réservoir de carburant vers le carburateur.
	Autres causes.	Étudiez attentivement les procédures de démarrage dans ce manuel.
	L'interrupteur de carburant (le cas échéant) est en position fermée (OFF).	Mettez l'interrupteur de carburant en position ouverte (ON).
	L'accélération est en position STOP (arrêt).	Positionnez l'accélération en position FAST (rapide).
	La batterie de démarrage n'est pas chargée.	Rechargez la batterie de démarrage.
	La batterie de démarrage doit être remplacée.	Remplacez la batterie de démarrage.
	Le système de régulation moteur n'est pas alimenté.	Inspectez le fusible et le câblage du système de régulation moteur.
L'électrovanne de démarreur ne s'active pas.	Inspectez le fusible et le câblage du démarreur.	
L'injecteur de carburant ne se déclenche pas. (Pour les modèles ST 424T/427T/430T uniquement)	Contactez un centre de service agréé.	
La pompe à carburant n'est pas alimentée. (Pour les modèles ST 424T/427T/430T uniquement)	Contactez un centre de service agréé.	

Problème	Cause possible	Solution
Puissance réduite	Le câble de la bougie n'est pas branché.	Branchez le câble à la bougie.
	Le produit souffle trop de neige.	Diminuez la vitesse et la largeur de la surface balayée.
	Le bouchon du réservoir de carburant est couvert de glace ou de neige.	Enlevez la glace ou la neige sur et autour du bouchon de réservoir de carburant.
	Le silencieux est sale ou bouché.	Nettoyez ou remplacez le silencieux.
	La longueur du câble n'est pas la bonne.	Ajustez le câble.
	Le silencieux est obstrué.	Assurez-vous que le moteur est froid. Dégagez l'obstruction.
	La prise d'air du carburateur est bloquée.	Assurez-vous que le moteur est froid. Dégagez l'obstruction.
	L'injecteur de carburant ne se déclenche pas.	Contactez un centre de service agréé.
Le moteur tourne au ralenti ou a des ratés	La conduite de carburant est obstruée.	Nettoyez la conduite de carburant.
	De l'eau est présente dans le carburant ou le carburant est trop vieux.	Videz le réservoir de carburant et le carburateur. Faites le plein de carburant.
	Le carburateur doit être remplacé.	Contactez un centre de service agréé.
	L'injecteur de carburant ne se déclenche pas.	Contactez un centre de service agréé.
Vibration excessive/jeu de la poignée	Certaines pièces sont desserrées. Les vis sans fin sont endommagées.	Serrez toutes les fixations. Remplacez les pièces endommagées. Si les vibrations persistent, contactez un centre de service agréé.
	Les poignées ne sont pas correctement positionnées.	Assurez-vous que les poignées sont verrouillées en position.
	Les écrous du levier de réglage sont desserrés.	Serrez les écrous jusqu'à ce que la poignée soit sécurisée.
La poignée du câble du démarreur est difficile à tirer.	La poignée du câble du démarreur a gelé.	Tirez doucement sur le câble pour en sortir autant que possible du démarreur et relâchez la poignée du câble du démarreur. Si le moteur ne démarre pas, répétez la procédure ou utilisez le démarreur électrique.
	Le câble du démarreur interfère avec des pièces.	Le câble du démarreur ne doit pas toucher les câbles ou les tuyaux.

Problème	Cause possible	Solution
Perte de traction/ralentissement de la vitesse d'entraînement Absence ou ralentissement de l'éjection de la neige	La courroie glisse.	Ajustez le câble. Ajustez la courroie.
	La courroie est usée.	Vérifiez/remplacez la courroie. Ajustez la poulie.
	La courroie n'est plus sur la poulie.	Vérifiez/remplacez la courroie. Ajustez la poulie.
	Le déflecteur de goulotte est colmaté.	Nettoyez le déflecteur de goulotte.
	Des corps étrangers bouchent les vis sans fin.	Retirez les débris ou le corps étranger dans les vis sans fin.
	La goupille de tonte est cassée.	Remplacez la goupille de tonte cassée.
	Accumulation excessive de neige et de glace entre les éléments des chenilles.	Éliminez la neige et la glace accumulées entre les éléments des chenilles.
L'éclairage n'est pas allumé (selon l'équipement)	Le moteur ne tourne pas.	Démarrez le moteur.
	Le câble de connexion est desserré.	Vérifiez les branchements du câble au niveau du moteur et des feux.
	La LED est grillée.	Remplacez le module de témoins LED. Les LED individuelles ne peuvent pas être remplacées.
	Le fusible principal est grillé.	Remplacez le fusible. Assurez-vous qu'il n'y a pas de court-circuit.
Le rotateur de la goulotte est difficile à déplacer.	Des débris sont présents dans le mécanisme de rotation de la goulotte.	Nettoyez les composants internes du mécanisme de rotation de la goulotte.
	Les câbles sont entortillés ou endommagés.	Assurez-vous que les câbles ne sont pas entortillés. Remplacez les câbles endommagés.
	Le câble de dégagement doit être réglé.	Ajustez le câble de dégagement.
Le produit se déporte d'un côté.	La pression des pneus est inégale.	Réglez la pression des pneus et gonflez le pneu.
	Le produit n'est entraîné que par une seule roue.	Inspectez la goupille de blocage des pneus.
	Réglage du glissement irrégulier.	Réglez les plaques de protection et le traîneau.
	Réglage des plaques de protection irrégulières.	Réglez les plaques de protection et le traîneau.

Transport, entreposage et mise au rebut

Transport et stockage

- Pour le stocker et transporter le produit et le carburant, assurez-vous qu'il n'y a pas de fuite ou de vapeurs. Les étincelles ou les flammes nues

produites par exemple par des appareils électriques ou chaudières peuvent provoquer un incendie.

- Utilisez uniquement des récipients homologués pour le transport et le stockage de carburant.

- Videz le réservoir de carburant avant de remiser le produit pendant une longue période. Mettez le carburant au rebut dans une déchetterie appropriée
- Sécurisez le produit lors de son transport pour éviter tout dommage ou accident.
- Conservez le produit dans un endroit verrouillé afin que des enfants ou personnes qui ne sont pas autorisées à l'utiliser ne puissent pas y avoir accès.
- Conservez le produit dans un endroit sec et à l'abri du gel.
- Chargez la batterie avant de la remiser pour une période prolongée. Examinez et nettoyez les bornes de batterie avant tout remisage pour une période prolongée.

Mise au rebut

- Respectez les consignes locales de recyclage et la réglementation en vigueur.
- Mettez au rebut tous les produits chimiques, tels que l'huile moteur ou l'antigel, dans un centre d'entretien ou une déchetterie appropriée.
- Lorsque vous n'utilisez plus le produit, renvoyez-le à un Husqvarnaconcessionnaire ou mettez-le au rebut dans une déchetterie.
- Mettez la batterie au rebut dans un centre d'entretien ou dans un point de collecte de piles usagées.

Caractéristiques techniques

Caractéristiques techniques

	ST 424	ST 427	ST 430	ST 424T	ST 427T	ST 430T
Dimensions						
Poids, avec réservoirs vides, kg	140	145	150	160	165	170
Pression de fonctionnement des pneus maximale, PSI	18	18	20	ND	ND	ND
Moteur						
Marque	Husqvarna	Husqvarna	Husqvarna	Husqvarna	Husqvarna	Husqvarna
Cylindrée, cm3	291	369	414	306	369	420
Type de carburant	Ordinaire sans plomb (10 % d'éthanol maximum)					
Contenance du réservoir de carburant, gal/l	0,62 / 2,35	0,62 / 2,35	0,62 / 2,35	0,95/3,60	0,95/3,60	0,95/3,60
Type d'huile (API SJ-SN)	SAE 5W30 (en dessous de 0 °C (32 °F))					
Contenance du réservoir d'huile, fl.oz./l	32 / 0,95	38 / 1,12	38 / 1,12	32 / 0,95	38 / 1,12	38 / 1,12
Système électrique						
Bougie	F6RTC					
Bougie, écartement des électrodes (po / mm)	0,027/0,686					
Émissions sonores ¹⁴						
Niveau de puissance sonore mesuré dB (A)	< 105 dB	< 105 dB	< 105 dB	< 105 dB	< 105 dB	< 105 dB
Niveau de puissance sonore, garanti L _{WA} dB(A)	105 dB	105 dB	105 dB	105 dB	105 dB	105 dB

¹⁴ Émissions sonores dans l'environnement mesurées comme puissance sonore (L_{WA}) selon les directives européennes 2000/14/CE et 2005/88/CE.

	ST 424	ST 427	ST 430	ST 424T	ST 427T	ST 430T
Niveaux de vibration, a_{Hveq}¹⁵						
Niveau de vibrations sur la poignée, en m/s^2	4,57 m/s^2	5,07 m/s^2	5,83 m/s^2	4,11 m/s^2	4,65 m/s^2	5,25 m/s^2

¹⁵ Niveau de vibrations conforme à la norme ISO 5349-2 EN 1033.

Déclaration de conformité CE

CONTENU DE LA DÉCLARATION DE CONFORMITÉ DE LA CE

Nous, Husqvarna, SE-561 82 Huskvarna, SUÈDE, déclarons sous notre responsabilité exclusive que le produit représenté :

Description	Souffleuse à neige
Marque	Husqvarna
Plate-forme / Type / Modèle	ST 424, ST 427, ST 430, ST 424T, ST 427T, ST 430T
Lot	Numéro de série à partir de 2018

est entièrement conforme à la réglementation et aux directives de l'UE suivantes :

Directive/Réglementation	Description
2006/42/EC	« relative aux machines »
2014/30/UE	« relative à la compatibilité électromagnétique »
2000/14/CE ; 2005/88/CE	« relative au bruit extérieur »

Les normes harmonisées et/ou les spécifications techniques appliquées sont comme suit : EN ISO 12100, ISO 14982, ISO 8437, ISO 3744, EN 1032

Conformément à la directive 2000/14/CE, Annexe V, les valeurs déclarées saines sont stipulées dans la section Données techniques de ce manuel et dans la Déclaration de Conformité signée de la CE.

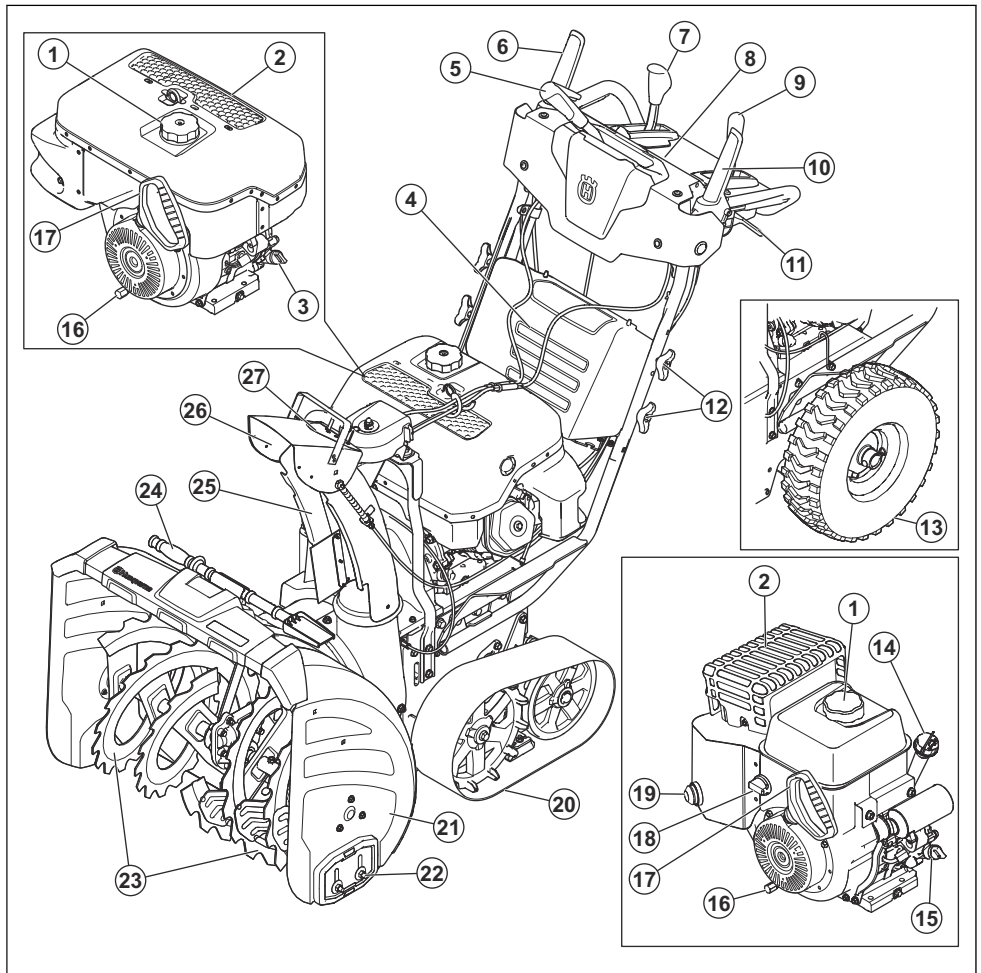
La souffleuse à neige fournie correspond à l'exemplaire soumis à l'examen.

Contenido

Introducción.....	97	Resolución de problemas.....	124
Seguridad.....	100	Transporte, almacenamiento y eliminación.....	126
Montaje.....	103	Datos técnicos.....	127
Funcionamiento.....	107	Declaración de conformidad CE.....	129
Mantenimiento.....	112		

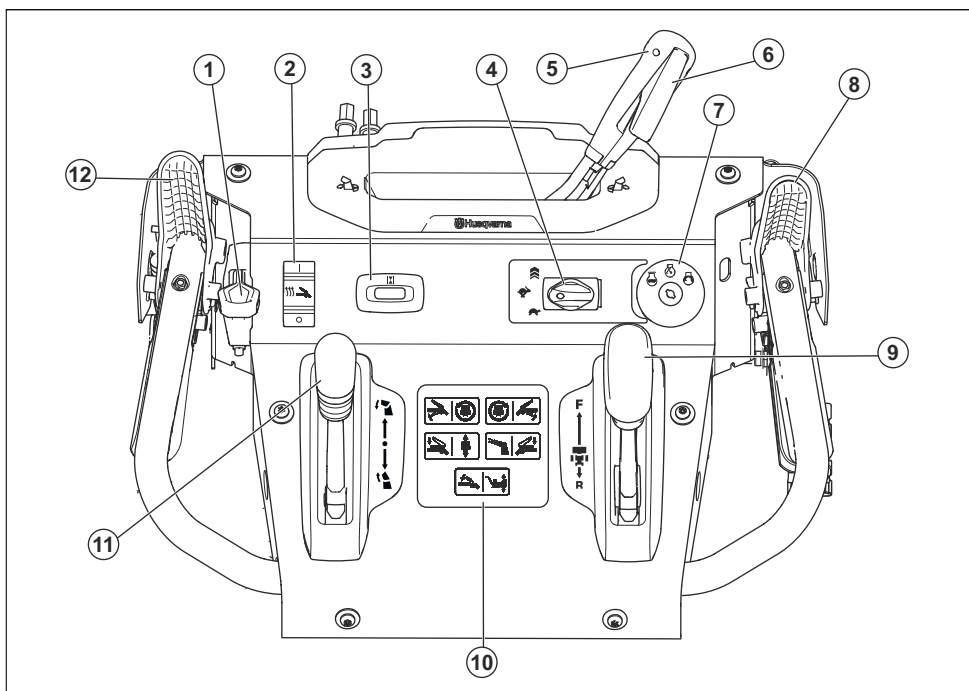
Introducción

Descripción del producto



1. Tapón del depósito de combustible
2. Silenciador
3. Boca de llenado/varilla de nivel de aceite (solo para ST 424T/427T/430T)
4. Tapa de la batería
5. Palanca del conducto de expulsión
6. Acoplamiento del sinfín
7. Palanca de velocidad de transmisión
8. Panel de control
9. Palanca de control remoto
10. Engranado de la transmisión
11. Mandos de dirección
12. Pomos del manillar
13. Rueda (solo para ST 424/427/430)
14. Varilla de nivel de aceite (solo para ST 424/427/430)
15. Boca de llenado de aceite (solo para ST 424/427/430)
16. Drenaje de aceite
17. Empuñadura de la cuerda de arranque
18. Interruptor de activación/desactivación del combustible (solo para ST 424/427/430)
19. Cebador (solo para ST 424/427/430)
20. Oruga continua (solo para ST 424T/427T/430T)
21. Tolva del sinfín
22. Disco protector
23. Sinfines
24. Herramienta para limpieza
25. Conducto de expulsión
26. Deflector del conducto de expulsión
27. Indicador LED

Descripción del producto



1. Palanca de ajuste de la tolva del sinfín
2. Interruptor de encendido/apagado de la empuñadura calefactada
3. Contador de horas y piloto de cambio de aceite
4. Acelerador
5. Palanca del conducto de expulsión
6. Palanca liberadora
7. Ranura de encendido
8. Acoplamiento del sinfín
9. Palanca de velocidad de transmisión
10. Etiqueta de símbolos
11. Palanca de control remoto del deflector del conducto de expulsión
12. Engranado de la transmisión

Descripción del producto

Este producto es un quitanieves que se utiliza para retirar la nieve del suelo.

Uso previsto

Este producto puede utilizarse para retirar la nieve de campos, carreteras, caminos y vías de acceso. No lo use en pendientes superiores a 20°. No utilice el producto en zonas donde haya muchos residuos, suciedad y piedras prominentes.

Símbolos que aparecen en el producto

Nota: Si las etiquetas del producto están dañadas, póngase en contacto con el distribuidor para sustituirlas.



Advertencia.



Lea el manual de instrucciones.



Encendido.



Arranque el motor.



Motor apagado.



Sobrealimentación (Boost).



Rápido.



Lento.



Piloto de cambio de aceite.



Calefacción de los mangos.



Quite la llave antes de realizar cualquier operación de mantenimiento.



Superficie caliente.



Riesgo de incendio.



Tenga cuidado con los objetos que puedan salir despedidos.



Mantenga alejados a los transeúntes.



No inhale los gases de escape.



Desplácese lentamente cuando vaya marcha atrás.



Riesgo de caída.



Gire a la izquierda.



Gire a la derecha.



Quitanieves.



Cambie la altura de la tolva del sinfín.

Responsabilidad sobre el producto

Como se estipula en las leyes de responsabilidad del producto, no nos hacemos responsables de los daños y perjuicios causados por nuestro producto si:

- El producto se ha reparado incorrectamente.
- El producto se ha reparado con piezas que no eran del fabricante o no autorizadas por el fabricante.
- El producto tiene un accesorio que no es del fabricante o no está autorizado por este.

- El producto no se ha reparado en un centro de servicio autorizado o por un organismo homologado.

Seguridad

Definiciones de seguridad

Las definiciones siguientes indican el nivel de gravedad para cada palabra de señalización de riesgo.



ADVERTENCIA: Lesiones a personas.



PRECAUCIÓN: Daños en el producto.

Nota: Esta información hace que el producto sea más fácil de usar.

Instrucciones generales de seguridad

- Use el producto correctamente. Las lesiones o la muerte son un posible resultado de un uso incorrecto. Utilice el producto solo para las tareas indicadas en este manual. No utilice el producto para otras tareas.
 - Respete las instrucciones de este manual. Respete los símbolos de seguridad y las instrucciones de seguridad. Si el operador no respeta las instrucciones y los símbolos, pueden producirse lesiones, daños materiales o la muerte.
 - No se deshaga de este manual. Utilice las instrucciones para montar su producto, utilizarlo y mantenerlo en buen estado. Utilice las instrucciones para la correcta instalación de los complementos y accesorios. Utilice únicamente complementos y accesorios autorizados.
 - No utilice un producto dañado. Respete el programa de mantenimiento. Realice solamente el trabajo de mantenimiento indicado en las instrucciones de este manual. Todos los demás trabajos de mantenimiento debe hacerlos un centro de servicio autorizado.
 - Este manual no puede incluir todas las situaciones que pueden producirse cuando utilice el producto. Proceda con cuidado y utilice el sentido común. No utilice el producto ni realice el mantenimiento del producto si no está seguro de cuál es la situación. Hable con un experto en el producto, su distribuidor, un taller de servicio o centro de servicio autorizado para obtener información.
 - Desconecte el cable de la bujía antes de montar el producto, almacenarlo o realizar tareas de mantenimiento.
 - No utilice el producto si se ha modificado respecto de sus especificaciones iniciales. No cambie una parte del producto sin la autorización del fabricante.
- Utilice únicamente las piezas que están autorizadas por el fabricante. Las lesiones o la muerte son un posible resultado de un mantenimiento incorrecto.
 - No inhale los vapores del motor. La inhalación a largo plazo de los gases de escape supone un riesgo para la salud.
 - Nunca arranque el producto en interiores ni cerca de material inflamable. Los gases de escape están calientes y pueden contener una chispa que puede iniciar un incendio. Una circulación de aire insuficiente puede causar lesiones o la muerte por asfixia o inhalación de monóxido de carbono.
 - Al utilizar este producto, el motor emite un campo electromagnético. El campo electromagnético puede provocar daños en implantes médicos. Consulte a su médico y al fabricante del implante médico antes de usar el producto.
 - No deje que un niño maneje el producto. No permita que nadie maneje el producto sin conocer las instrucciones.
 - Si una persona con discapacidad física o mental usa el producto, asegúrese de supervisarla en todo momento. Debe haber presente en todo momento una persona mayor de edad responsable.
 - Cierre con llave el producto en un área a la que no puedan acceder las personas no autorizadas ni los niños.
 - El producto puede proyectar objetos con fuerza y causar lesiones. Respete las instrucciones de seguridad para reducir el riesgo de lesiones o muerte.
 - No deje desatendido el producto con el motor encendido.
 - El operador del producto es el responsable si se produce un accidente.
 - Antes y mientras camina hacia atrás, mire hacia atrás y al suelo para ver si hay niños, animales o cualquier otro riesgo que pueda hacerle caer.
 - Asegúrese de que las piezas no estén dañadas antes de utilizar el producto.
 - Asegúrese de que se encuentra a una distancia mínima de 15 m (50 pies) de otras personas o animales antes de utilizar el producto. Asegúrese de que cualquier persona que se encuentre cerca sabe que va a usar el producto.
 - Consulte las leyes nacionales o locales. Pueden prohibir o limitar el funcionamiento del producto en circunstancias determinadas.

Instrucciones de seguridad para el funcionamiento

- No coloque manos ni pies cerca ni debajo de las piezas giratorias. Manténgase siempre alejado de la compuerta de descarga.
- Tenga sumo cuidado cuando trabaje o camine por entradas, paseos o caminos de grava. Manténgase alerta ante peligros ocultos o tráfico.
- Si golpea un objeto extraño, detenga el motor, desconecte el cable de la bujía, desconecte el cable si el motor es eléctrico, inspeccione atentamente el producto en busca de daños y, si existen, repárelos antes de volver a poner en marcha y utilizar el producto.
- Si el producto comenzase a vibrar anormalmente, detenga el motor y compruebe inmediatamente el motivo. La vibración suele ser un síntoma de la existencia de algún problema.
- Detenga el motor cuando abandone la posición de conducción, antes de desatascar el alojamiento del sinfín o el deflector del conducto, y cuando realice reparaciones, ajustes o inspecciones.
- Cuando limpie, repare o revise el producto, detenga el motor y compruebe que los sinfines y todas las piezas móviles se han detenido. Desconecte el cable de la bujía y manténgalo alejado de ella para evitar que alguien ponga en marcha el motor de manera accidental.
- No haga funcionar el motor en un recinto cerrado a menos que lo haga solo para arrancarlo o para sacar o guardar el producto en un edificio. Abra las puertas al exterior; los gases de escape son nocivos.
- Tenga sumo cuidado al desplazarse en pendientes.
- Nunca utilice el producto sin protecciones adecuadas ni los demás dispositivos de protección en su sitio y operativos.
- No dirija el deflector del conducto hacia personas o zonas donde puedan causarse daños materiales. Mantenga alejados a los niños y demás personas.
- No sobrecargue la capacidad del producto al intentar eliminar nieve a una velocidad excesiva.
- No desplace el producto a gran velocidad en superficies resbaladizas. Mire hacia atrás y tenga cuidado cuando retroceda.
- Desconecte la alimentación de los sinfines cuando desplace o no utilice el producto.
- Utilice únicamente accesorios homologados por el fabricante del producto (por ejemplo, los pesos de las ruedas, contrapesos o cabinas).
- Nunca haga funcionar el producto si la visibilidad o la iluminación no son adecuadas. Pise siempre con cuidado y mantenga las asas aferradas con firmeza. Camine, en ningún caso corra.
- No toque el motor ni el silenciador si están calientes.

Seguridad en el área de trabajo

- Inspeccione detenidamente la zona donde va a utilizar el equipo y retire alfombrillas, trineos, tableros, cables y todo tipo de objetos.
- Desconecte todos los embragues y ponga el cambio en punto muerto antes de arrancar el motor.
- No utilice el producto sin llevar una indumentaria adecuada para el invierno. No utilice ropa holgada que pueda quedar atrapada entre las piezas móviles. Utilice calzado que facilite el desplazamiento por superficies resbalosas.
- Maneje el combustible con cuidado, es muy inflamable.
 - Utilice un recipiente para combustible homologado.
 - Nunca añada combustible a un motor en marcha o caliente.
 - Llene el depósito de combustible en el exterior y con mucho cuidado. Nunca llene el depósito en interiores.
 - Nunca llene recipientes dentro de un vehículo ni sobre una camioneta o un remolque con revestimientos plásticos. Antes de llenar los recipientes colóquelos en el suelo, alejados del vehículo.
 - Cuando resulte práctico, retire el equipo con motor de gasolina de la camioneta o el remolque y recargue el depósito en el suelo. Si tal cosa no es posible, recargue el equipo en el remolque con un recipiente portátil, en lugar de hacerlo con una boquilla de dispensador de gasolina.
 - Mantenga la boquilla en contacto permanente con el borde del depósito de combustible o la abertura del recipiente hasta terminar la recarga. No use los dispositivos de bloqueo de la boquilla del surtidor.
 - Vuelva a colocar el tapón de gasolina con firmeza y limpie los restos de combustible vertido.
 - Si se derrama gasolina en su ropa, cámbiese inmediatamente.
- Utilice los cables prolongadores y enchufes especificados por el fabricante de las unidades con motores de tracción o de arranque eléctricos.
- Ajuste la altura del alojamiento del sinfín de tal forma que quede cierta separación entre este y la superficie de grava o roca triturada.
- Nunca intente realizar ajustes con el motor en marcha (excepto cuando lo recomiende específicamente el fabricante).
- Utilice siempre gafas de seguridad o protección para los ojos durante el funcionamiento o al realizar ajustes o reparaciones, con el fin de proteger los ojos de los objetos extraños que puede despedir la máquina.

Equipo de protección personal

Utilice siempre el equipo de protección personal adecuado cuando utilice el producto. Esto incluye, como mínimo, calzado robusto, protección ocular y protectores auriculares. El equipo de protección personal no elimina el riesgo de lesiones, pero reduce su efecto en caso de accidente.

- Utilice siempre gafas de seguridad o protección ocular cuando use el producto o realice tareas de mantenimiento o reparación.
- Utilice siempre una indumentaria apropiada para el invierno cuando trabaje con el producto.
- Utilice siempre botas de trabajo antideslizantes con refuerzos en los tobillos cuando trabaje con el producto.
- No lleve ropa suelta que pueda quedar atrapada en las piezas móviles.
- Utilice guantes protectores homologados si es necesario. Por ejemplo, al acoplar, revisar o limpiar la hoja.
- Utilice siempre protección auditiva homologada mientras utiliza el producto. La exposición al ruido durante un periodo de tiempo prolongado puede causar pérdida de audición.

Dispositivos de seguridad en el producto

- Asegúrese de efectuar regularmente el mantenimiento del producto.
 - La vida útil del producto aumenta.
 - El riesgo de accidentes disminuye.
- Deje que un concesionario autorizado o un centro de servicio autorizado examine regularmente el producto para realizar ajustes o reparaciones.
- No utilice un producto con equipo de protección dañado. Si el producto está dañado, hable con un centro de servicio autorizado.

Silenciador

El silenciador mantiene al mínimo los niveles de ruido y aparta los gases de escape del operador.

No utilice el producto si el silenciador no está instalado o está defectuoso. Un silenciador defectuoso aumenta el nivel de ruido y el riesgo de incendio.

Examine el silenciador con frecuencia para asegurarse de que está montado correctamente y que no está dañado.



PRECAUCIÓN: El silenciador se calienta mucho durante y después de su uso, y cuando el motor funciona a ralentí. Tenga cuidado cerca de materiales inflamables o gases para evitar incendios.

Seguridad en el uso del combustible



ADVERTENCIA: Lea las siguientes instrucciones de advertencia antes de utilizar el producto.

- No arranque el producto si está manchado con combustible o aceite del motor. Retire el combustible/aceite no deseado y deje secar el producto.
- Si derrama combustible sobre la ropa, cámbiese inmediatamente.
- Evite el contacto con el combustible; puede provocarle lesiones. Si entra en contacto con el combustible, utilice agua y jabón para eliminar el combustible.
- No arranque el motor si el producto tiene una fuga. Examine frecuentemente si hay fugas en el motor.
- Tenga cuidado con el combustible. El combustible es inflamable, sus vapores son explosivos y puede provocar lesiones o la muerte.
- No inhale los vapores de combustible, ya que pueden causar lesiones. Asegúrese de que hay ventilación suficiente.
- No fume cerca del combustible o el motor.
- No coloque objetos calientes cerca del combustible o el motor.
- No agregue el combustible con el motor encendido.
- Asegúrese de que el motor esté frío antes de repostar.
- Antes de repostar, abra la tapa del depósito de combustible lentamente y deje salir el exceso de presión con cuidado.
- No añada combustible al motor en interiores. Una circulación de aire insuficiente puede causar lesiones o la muerte por asfixia o inhalación de monóxido de carbono.
- Apriete el tapón del depósito de combustible completamente. Si el tapón del depósito de combustible no se aprieta, existe riesgo de incendio.
- Antes de arrancarlo, lleve el producto a 3 m (10 pies) de distancia como mínimo del punto en el que llenó el depósito.
- No ponga demasiado combustible en el depósito de combustible.

Seguridad de la batería



ADVERTENCIA: Una batería dañada puede explotar y causar lesiones. Si la batería está deformada o dañada, póngase en contacto con un taller de servicio Husqvarna homologado.



ADVERTENCIA: Lea las siguientes instrucciones de advertencia antes de utilizar el producto.

- Use gafas protectoras cuando esté cerca de las baterías.
- No lleve relojes, joyas ni otros objetos metálicos cerca de la batería.
- Mantenga la batería fuera del alcance de los niños.
- Cargue la batería en un espacio con buena ventilación.
- Cuando cargue la batería, mantenga los materiales inflamables a una holgura mínima de 1 m.
- Deseche las baterías sustituidas. Consulte *Eliminación en la página 127*.
- Pueden salir gases explosivos de la batería. No fume cerca de la batería. Mantenga la batería lejos de llamas abiertas y chispas.

Instrucciones de seguridad para el mantenimiento



ADVERTENCIA: Lea las siguientes instrucciones de advertencia antes de utilizar el producto.

- Los gases de escape del motor contienen monóxido de carbono, que es un gas inodoro, tóxico y muy

peligroso. No arranque el motor en interiores ni en espacios cerrados.

- Antes de realizar el mantenimiento del producto, detenga el motor y desconecte el cable de encendido de la bujía.
- Utilice guantes protectores cuando realice el mantenimiento de las hojas. Las hojas están muy afiladas y se pueden producir cortes con mucha facilidad.
- Los accesorios y modificaciones en el producto que no estén aprobados por el fabricante pueden causar daños graves o la muerte. No modifique el producto. Utilice siempre accesorios autorizados por el fabricante.
- Si el mantenimiento no se realiza correctamente y de forma regular, aumenta el riesgo de lesiones y daños en el producto.
- Realice únicamente las tareas de mantenimiento que se indican en este manual de usuario. Todos los demás trabajos de mantenimiento deben llevarse a cabo en un taller de servicio autorizado.
- Lleve el producto a un taller de servicio autorizado para realizar el mantenimiento de forma regular.
- Cambie las piezas dañadas, desgastadas o rotas.

Montaje

Extracción del producto de su embalaje

1. Saque las piezas sueltas que acompañan al producto. Corte las cuatro esquinas del embalaje de cartón y apoye los paneles en el suelo.
2. Retire los dos tornillos que sujetan el alojamiento del sinfín al palé. Retire los soportes de acero de las planchas protectoras en caso de que las hubiera.
3. Retire todos los materiales de embalaje.
4. Saque el producto del embalaje y asegúrese de que no queden piezas sueltas en él.



Retén del conducto de expulsión



Pomos del manillar (2)



Contratuercas de 3/8 (1)



Contratuercas de 3/16-16 (1)

Piezas sueltas



Conducto de expulsión (1)



Llave de encendido/apagado (s)



Pernos de 5/16-18 x 2 1/4 pulg. (2)



(ST 424/427/430) Soporte de cables (1)



Pasadores de seguridad 1/4-20 x 1.81 (6)



Contratuercas de 1/4-20 (6)



Contratuerca de 5/16-18 (1)



Contratuerca de 1/4-20 (1)



Arandela de nailon (1)



Perno de 5/16-18 x 5/8 (1)



Pasador cilíndrico (1)



Palanca liberadora (1)



Palanca del conducto de expulsión



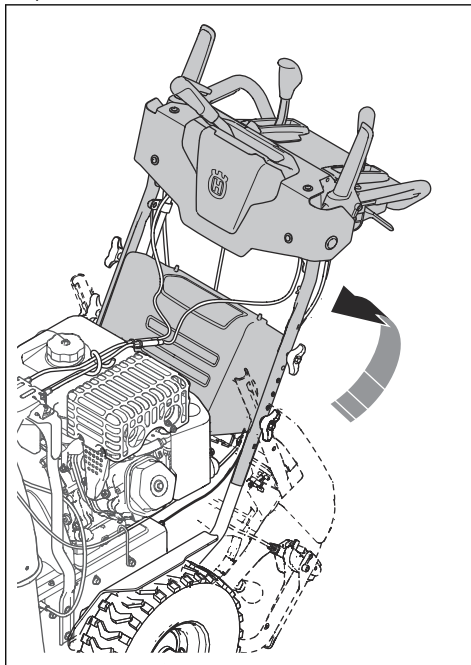
Muelle (1)



Perno de tope de 1/4-20 (1)

Instalación del manillar

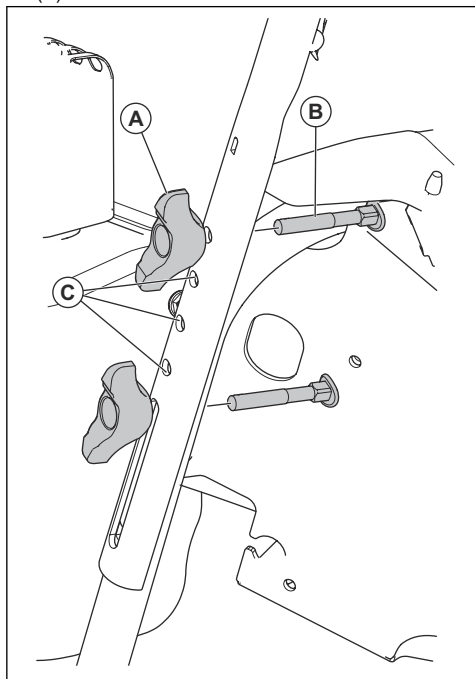
1. Levante la parte superior del manillar hasta la posición de funcionamiento.



Herramientas necesarias

- Llave de 3/8" (1)
- Llave de 7/16" (1)
- Llave de 1/2" (1)
- Vaso hondo de 9/16" (1)

- Ajuste la posición del manillar a uno de los orificios (C).

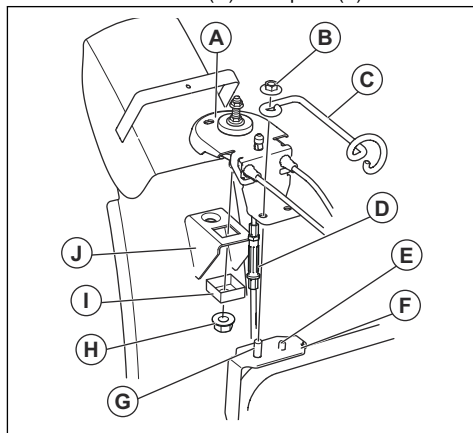


- Coloque el perno (B) en el orificio (C).
- Fije el pomo (A) en el perno y apriete el pomo.
- Fije más pernos (B) y pomos (A) para acoplar la parte superior del manillar a la parte inferior del manillar.

Instalación del conducto de expulsión

- Coloque el conjunto del deflector del conducto de expulsión en la parte superior del conducto de expulsión. La compuerta de expulsión debe estar orientada hacia la parte delantera del producto.
- Coloque el cabezal del rotador (A) en el soporte del conducto de expulsión (J).
- Alinee los pasadores debajo del cabezal del rotador con los orificios del soporte del conducto de expulsión.

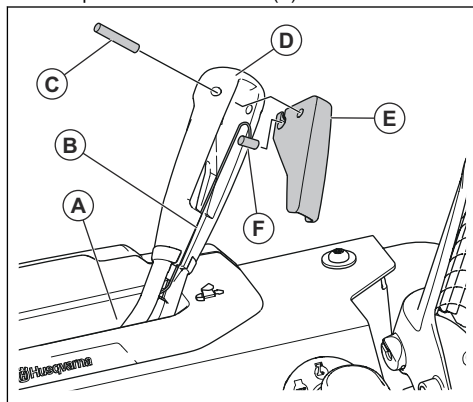
- Coloque el cabezal del rotador en el pasador (E) y en la varilla roscada (G) del soporte (E).



- Coloque una contratuerca (B) en la varilla roscada y apriétela.
- Fije el retén cuadrado (I) con una contratuerca (H).
- Solo para ST 424/427/430 Pase los cables a través del soporte de cables (C)

Instalación de la palanca del conducto de expulsión y el cable liberador

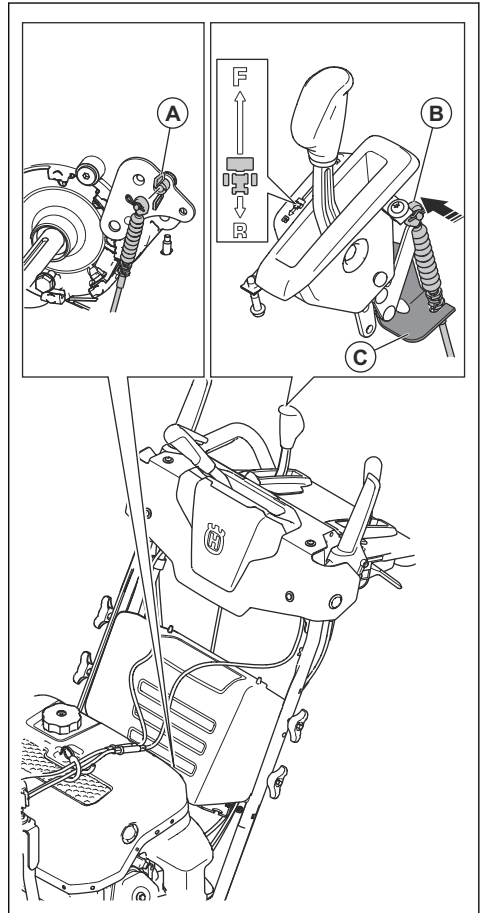
- Tire del pomo (D) hacia abajo en la palanca del conducto de expulsión. Utilice un mazo de goma si es necesario.
- Conecte el cable liberador a la palanca del conducto de expulsión en la conexión (A).



- Coloque el cable liberador en la ranura (B) de la palanca del conducto de expulsión.
- Coloque el barrilete del cable (F) en la palanca liberadora (E).

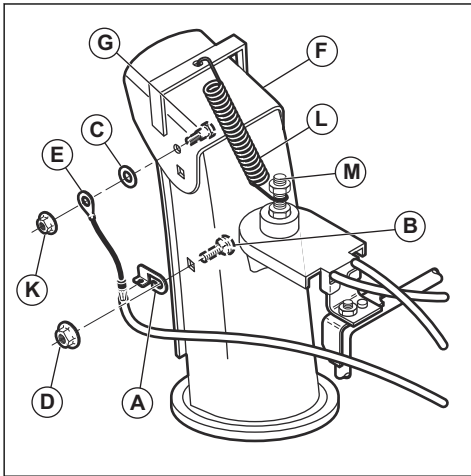
5. Instale la palanca liberadora (E) en la palanca del conducto de expulsión y fijela con el pasador cilíndrico (C).
6. Ajuste el cable liberador. Consulte *Ajuste del cable liberador del conducto de expulsión en la página 121*.
7. Ajuste los cables izquierdo y derecho del conducto de expulsión. Consulte *Ajuste de los cables izquierdo y derecho del conducto de expulsión en la página 122*.

4. Retire el tornillo y la tuerca de mariposa (A) de la palanca acodada para que la palanca acodada pueda moverse.



Instalación del control remoto del deflector del conducto de expulsión

1. Fije el soporte del cable (A) al conducto de expulsión con un perno (B) y una contratuerca de 5/16-18 (D). Apriete el perno.
2. Instale el ojal del cable (E) en el deflector del conducto de expulsión (F). Utilice un perno de tope (G), una arandela de nailon (C), y apriete con una contratuerca de 1/4-20 (K). El ojal del cable quedará suelto en el perno de tope.
3. Enganche el muelle (L) entre la tuerca hexagonal (M) del cabezal del rotador y el orificio del deflector del conducto de expulsión.

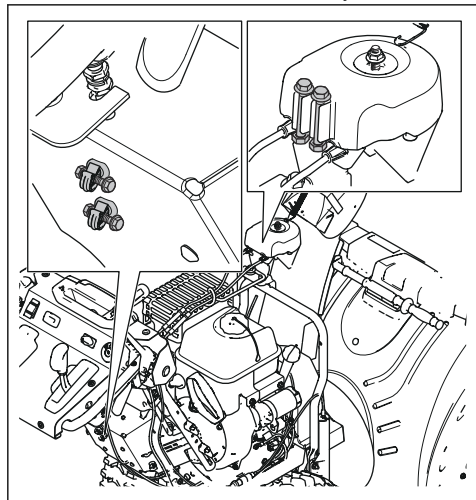


Instalación del cable de ajuste del régimen

1. Coloque la palanca de velocidad de transmisión en la posición neutra.
2. Fije el cable de ajuste del régimen (B) a la palanca de velocidad de transmisión con un pasador de retención.
3. Fije el cable de ajuste del régimen al soporte (C) con llaves de 2 1/2 pulg. Asegúrese de que la palanca de velocidad de transmisión permanezca en la posición neutra.

Fijar los pasadores de seguridad de repuesto

- Fije los pasadores de seguridad de repuesto en la cubierta del control remoto o en la caja de la batería.



Funcionamiento

Antes de arrancar el producto

- Asegúrese de que no haya personas ni animales en la zona de trabajo.
- Realice el mantenimiento diario. Consulte *Programa de mantenimiento en la página 112*.
- Asegúrese de que el cable de encendido está colocado correctamente en la bujía.
- Añada aceite o gasolina, si es necesario. Consulte *Repostaje de combustible en la página 107*.

Llenado del motor con aceite



PRECAUCIÓN: No gire la varilla de nivel cuando compruebe el nivel de aceite. No llene por encima de la marca.

1. Quite el tapón del depósito de aceite y limpie la varilla de nivel. Consulte *Descripción del producto en la página 97* para conocer la ubicación de la varilla de nivel.
2. Añada aceite hasta alcanzar la marca superior de la varilla de nivel. Utilice la varilla de nivel para comprobar de forma periódica el nivel de aceite.
3. Vuelva a colocar el tapón del depósito de aceite.

Repostaje de combustible

Si es posible, utilice de gasolina de bajas emisiones/alquilatos. Si no puede utilizar gasolina de bajas

emisiones/alquilatos, utilice una gasolina sin plomo o gasolina con plomo de buena calidad. Fuera de Norteamérica, utilice gasolina con un octanaje de 90 RON o más (87 AKI en Norteamérica) y con un máximo de 10 % de etanol (E10).

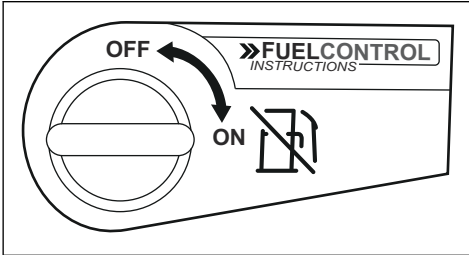


PRECAUCIÓN: No utilice gasolina con un octanaje inferior a 90 RON fuera de Norteamérica (87 AKI en Norteamérica). Esto puede provocar daños en el producto.

1. Abra el tapón del depósito de combustible lentamente para liberar la presión.
2. Llene lentamente con una lata de combustible. Si derrama combustible, límpielo con un paño y deje que el combustible restante se seque.
3. Limpie la zona de alrededor del tapón del depósito de combustible.
4. Apriete el tapón del depósito de combustible completamente. Si el tapón del depósito de combustible no se aprieta, existe riesgo de incendio.
5. Antes de arrancarlo, lleve el producto a 3 m (10 pies) de distancia como mínimo del punto en el que llenó el depósito.

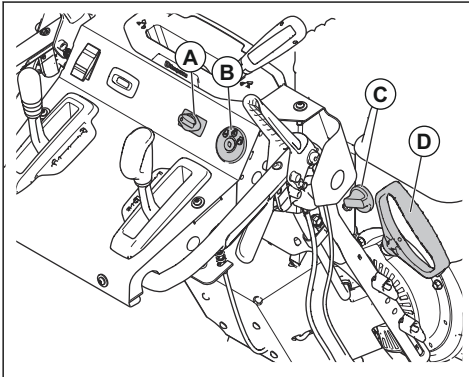
Uso del interruptor de combustible (solo para ST 424/427/430)

- Accione el interruptor de combustible para abrir o cerrar el paso de combustible. Cuando utilice el producto, el interruptor de combustible debe encontrarse en la posición OPEN (abierto).



Arranque manual del motor

1. Coloque la llave de encendido/apagado en la ranura de encendido (B). No gire la llave.



2. Solo para ST 424/427/430 Coloque el interruptor de activación/desactivación del combustible (C) en la posición ON (activación).
3. Sitúe el acelerador (A) en la posición FAST (alta velocidad).
4. Gire la llave de encendido/apagado a la posición de encendido.
5. Solo para ST 424/427/430 Si la temperatura es inferior a -17°C (0°F), presione el cebador 3 veces. Consulte *Descripción del producto en la página 97* para ver la posición de cebador.



PRECAUCIÓN: No presione el cebador demasiadas veces. Podría dificultar el arranque del motor. Si el motor se ha ahogado, espere unos minutos antes de intentar arrancarlo. No presione el cebador.

6. Tire de la empuñadura de la cuerda de arranque (D).



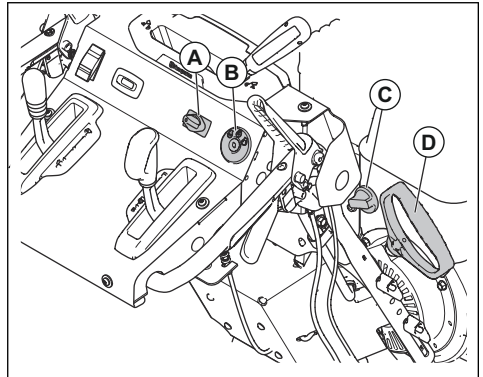
PRECAUCIÓN: No suelte la empuñadura de la cuerda de arranque demasiado rápido. Muévela a la posición inicial lentamente.

Nota: Si la cuerda de arranque está congelada, saque lentamente toda la cuerda que sea posible del mecanismo de arranque. Suelte la empuñadura de la cuerda de arranque. Si el motor no arranca, realice el procedimiento de nuevo o utilice el mecanismo de arranque eléctrico.

7. Haga funcionar el motor 2-3 minutos a régimen muy bajo antes de trabajar con el quitanieves.
8. Si el motor no funciona con suavidad, apáguelo.

Arranque eléctrico del motor

1. Coloque la llave de encendido/apagado en la ranura de encendido (B). No gire la llave.
2. Solo para ST 424/427/430 Coloque el interruptor de activación/desactivación del combustible (C) en la posición ON (activación).
3. Sitúe el acelerador (A) en la posición FAST (alta velocidad).
4. Sitúe la llave de encendido/apagado en la posición de encendido.



5. Solo para ST 424/427/430 Si la temperatura es inferior a -17°C (0°F), presione el cebador 3 veces. Consulte *Descripción del producto en la página 97* para ver la posición de cebador.



PRECAUCIÓN: No presione el cebador demasiadas veces. Podría dificultar el arranque del motor. Si el motor se ha ahogado, espere unos minutos antes de intentar arrancarlo. No presione el cebador.

6. Gire la llave de encendido/apagado a la posición START (arranque). Una vez arrancado el motor, suelte la llave.



PRECAUCIÓN: No accione el mecanismo de arranque durante más de 5 segundos cada vez que intente arrancar. Espere entre 5 y 10 segundos entre cada intento.

7. Haga funcionar el motor 2-3 minutos a régimen muy bajo antes de trabajar con el quitanieves.

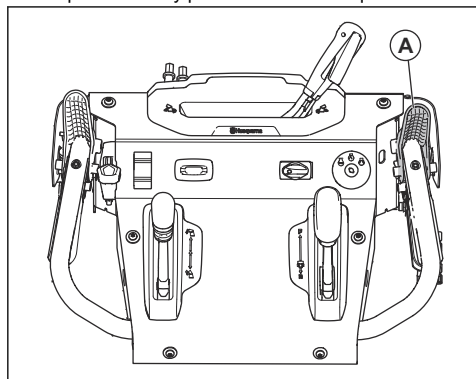
Manejo del producto



PRECAUCIÓN: No acople parcialmente las palancas del sinfín o de la transmisión durante un periodo excesivo de tiempo; esto puede provocar el desgaste prematuro de las correas o que estas se quemen.

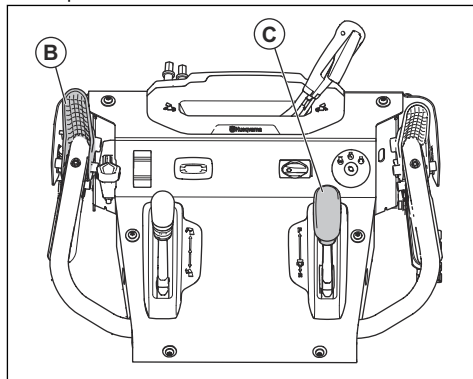
Nota: Cuando se acople tanto el acoplamiento de la transmisión como el del sinfín, el acoplamiento de la transmisión fijará la posición del acoplamiento del sinfín. Utilice la mano derecha para manejar el conducto de expulsión de nieve.

1. Para acoplar las hojas del sinfín, empuje el acoplamiento del sinfín (A) hacia el manillar para acoplar el sinfín y poner en marcha el quitanieves.

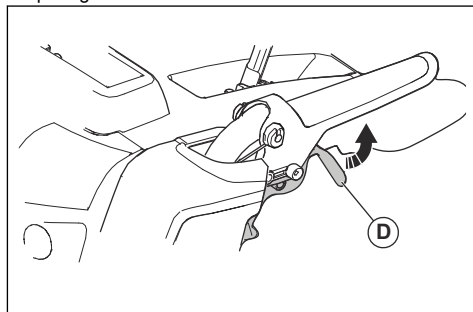


2. Levante la palanca de control de velocidad de la transmisión (C) de la posición intermedia para que el producto se mueva hacia delante cuando el acoplamiento de la transmisión (B) esté activado.

3. Baje la palanca de control de velocidad de la transmisión de la posición intermedia para que el producto se mueva hacia atrás cuando el acoplamiento de la transmisión esté activado.



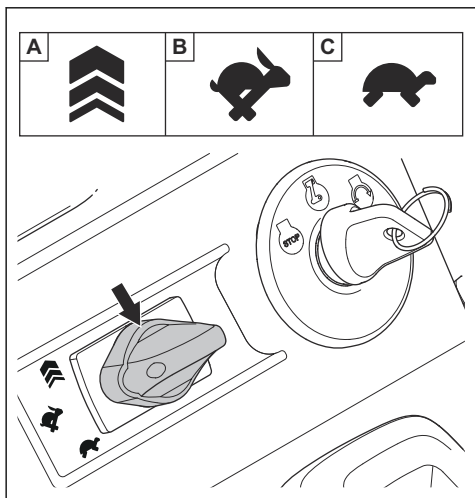
4. Para que el producto se mueva en el sentido seleccionado, sujete el acoplamiento de la transmisión contra el manillar.
5. Si el producto cuenta con dirección asistida, accione el mando de dirección izquierdo (D) para girar a la izquierda. Accione el mando de dirección derecho para girar a la derecha.



Acelerador

Nota: En caso de nieve húmeda o densa, utilice los modos rápido o de sobrealimentación.

El acelerador ajusta el régimen del motor. Dispone de 3 modos: sobrealimentación, rápido y lento.



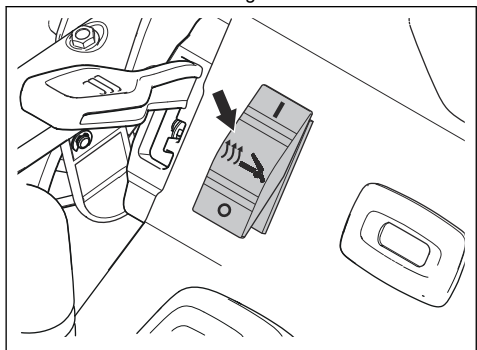
- Sobrealimentación (A): para aumentar la velocidad cuando el producto está en funcionamiento pero no expulsa nieve, o bien para aumentar la distancia a la que se expulsa la nieve.
- Rápido (B): funcionamiento estándar
- Lento (C): para disminuir la distancia a la que se expulsa la nieve, o bien para disminuir el ruido del motor

Uso del acelerador

- Accione el acelerador para cambiar el régimen del motor.

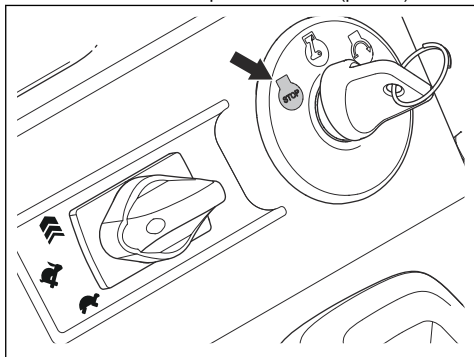
Uso de la calefacción de los mangos

- Ponga el interruptor en la posición I para activar la calefacción de los mangos.
- Ponga el interruptor en la posición O para desactivar la calefacción de los mangos.



Para detener el producto

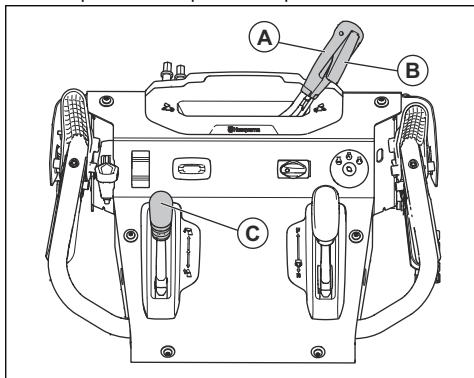
1. Gire la llave hasta la posición STOP (parada).



2. Quite la llave de encendido/apagado.

Ajuste del conducto de expulsión y del deflector del conducto de expulsión

1. Presione la palanca liberadora (B) de la palanca del conducto de expulsión (A) para ajustar el conducto de expulsión en la posición izquierda o derecha.



2. Mueva la palanca de control remoto (C) para ajustar la distancia de expulsión de la nieve.
 - a) Mueva la palanca de control remoto hacia arriba para disminuir la distancia de expulsión de la nieve.
 - b) Mueva la palanca de control remoto hacia abajo para aumentar la distancia de expulsión de la nieve.

Ajuste de las planchas protectoras

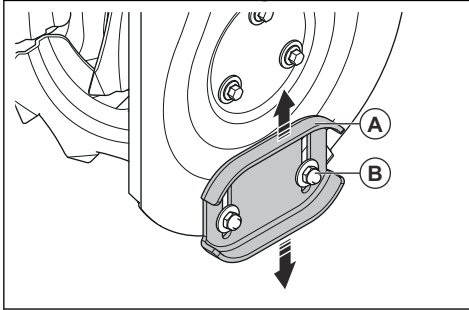
Las planchas protectoras evitan daños en la parte inferior del quitanieves. Ajuste las planchas protectoras (A) cuando la contratuerca (B) esté suelta, o cuando la plancha protectora no esté a la distancia correcta del suelo. En una instalación estándar, no es necesario realizar ajustes.

1. Afloje la contratuerca (B) con una llave fija de 13 mm (½ pulg.).
2. Mueva las placas protectoras (A) hacia arriba o hacia abajo.
 - a) En terrenos llanos, establezca una distancia entre el faldón rascador y el suelo de 5-6 mm (0,2-0,25 pulg.).
 - b) En terrenos irregulares, coloque las placas protectoras (A) en una posición en la que el faldón rascador pase por encima del suelo.



ADVERTENCIA: Evite la entrada de piedras y grava en el producto. Los objetos expulsados a gran velocidad pueden causar lesiones.

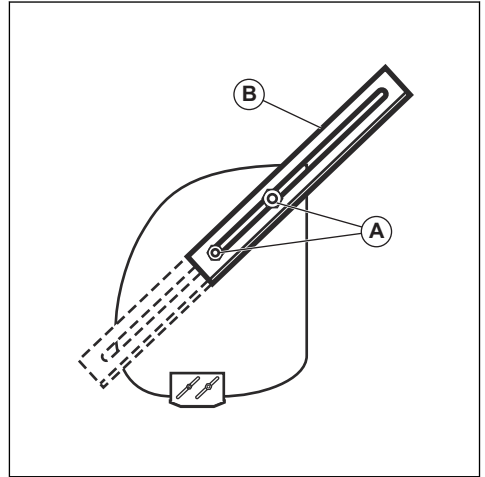
3. Apriete la contratuerca (B).



Uso del accesorio para ventisqueros (si dispone de ello)

Utilice el accesorio para ventisqueros para atravesar ventisqueros con una profundidad superior a la parte frontal del producto.

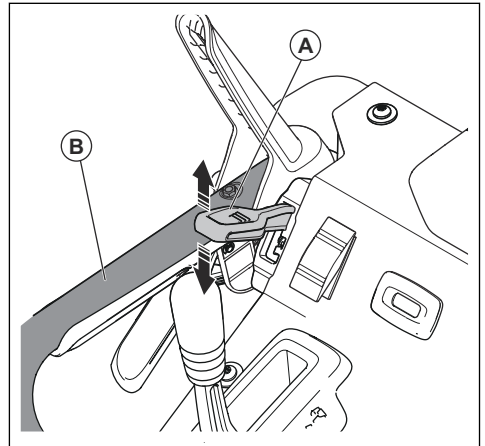
1. Afloje las tuercas de ajuste (A) de ambos lados del producto para elevar los accesorios para ventisqueros (B) a la posición más alta.



2. Apriete las tuercas.
3. Baje los accesorios para ventisqueros después de usarlos.

Ajuste de la altura de la tolva del sinfín (solo para ST 424T/427T/430T)

1. Tire de la palanca (A) hacia abajo.



2. Mueva el manillar (B) hacia arriba o hacia abajo para ajustar la altura de la tolva del sinfín.
3. Suelte la palanca (A) para bloquear la posición de la tolva del sinfín.

Nota: Se puede establecer la tolva del sinfín en posición de desbloqueo. Esto hace que la tolva del sinfín se adapte al terreno. Para establecer la tolva del sinfín en

posición de desbloqueo, tire de la palanca (A) hacia abajo y hacia la derecha.

Evitar la congelación tras el uso

Nota: El hielo puede bloquear las piezas móviles y los mandos. No fuerce en exceso los mandos. Si no accionar un mando o mover un componente, ponga en marcha el motor y déjelo funcionar unos minutos.

1. Arranque el motor y déjelo en marcha unos minutos. Detenga el motor y espere a que se detengan todas las piezas móviles.
2. Quite la nieve y el hielo suelto del producto.
3. Quite la nieve y el hielo suelto de la base del conducto de expulsión.
4. Mueva el deflector del conducto de expulsión a la izquierda y a la derecha para retirar el hielo y el agua.
5. Sitúe la llave en la posición "OFF" (apagado).
6. Si el producto no cuenta con mecanismo de arranque eléctrico, tire de la empuñadura de la cuerda de arranque varias veces para retirar el hielo y el agua.

- Adapte siempre la velocidad del producto a las condiciones de la nieve y ajuste la velocidad con la palanca de control de velocidad de la transmisión. Asegúrese de que el producto expulsa la nieve de manera uniforme.
- Es más fácil y eficaz retirar la nieve justo después de nevar.
- Siempre que sea posible, arroje la nieve en la dirección del viento.
- En terrenos llanos, como carreteras de asfalto, separe las planchas protectoras a un máximo de 5-6 mm (0,2-0,25 in) del suelo.
- El faldón rascador es reversible. Cuando se haya desgastado prácticamente hasta el borde del alojamiento, puede darle la vuelta. Cambie el faldón rascador si está dañado o si se ha desgastado por ambos lados.
- No envíe el deflector del conducto si está obstruido.
- Si el producto no se mueve hacia delante debido a circunstancias imprevistas, desactive el acoplamiento de la transmisión de inmediato o gire la llave de encendido/apagado a la posición OFF (apagado).

Para obtener un buen resultado

- Haga funcionar siempre el motor a aceleración máxima o casi a aceleración máxima.

Mantenimiento

Introducción

Al usar el producto, los pernos pueden aflojarse y los componentes pueden desgastarse. Esto puede causar

averías y fallos como valores incorrectos de holgura, mayor consumo de aceite o desalineación de varios componentes. Para evitar averías, someta periódicamente el producto a labores de mantenimiento.

Programa de mantenimiento

Mantenimiento	Diario	A intervalos de 15 horas	A intervalos de 20 horas	A intervalos de 40 horas	A intervalos de 100 horas
Apriete las tuercas y tornillos.	X				
Compruebe el nivel de aceite del motor	X				
Cambie el aceite del motor			X		
Compruebe y ajuste la tensión de las orugas (solo ST 424T/427T/430T)		X			

Mantenimiento	Diario	A intervalos de 15 horas	A intervalos de 20 horas	A intervalos de 40 horas	A intervalos de 100 horas
Asegúrese de que no haya fugas de combustible o aceite	X				
Retire los obstáculos del sinfín	X				
Lubrique los enganches del bloqueo de seguridad ¹⁶			X		
Lubrique los anclajes de los cables ¹⁷			X		
Compruebe la presión de los neumáticos (solo ST 424/427/430) ¹⁸				X	
Inspeccione y sustituya la bujía antes de usarla, al principio de cada temporada y en el intervalo recomendado					X

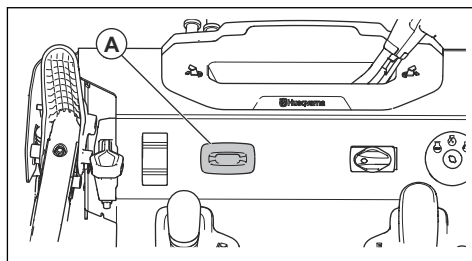
Nota: La caja de cambios no necesita mantenimiento.

Para realizar una inspección general

- Asegúrese de que las tuercas y los tornillos del producto estén bien apretados.

Piloto de cambio de aceite

El piloto de cambio de aceite (A) es una función que indica la necesidad de un cambio de aceite. El piloto de cambio de aceite ilumina el símbolo de la lata de aceite en la pantalla tras 20 horas de funcionamiento. El símbolo de la lata de aceite se ilumina durante 2 horas o hasta que se efectúa un restablecimiento manual.



Restablecer el piloto de cambio de aceite

1. Gire la llave de encendido/apagado a la posición de encendido y manténgala en la posición de encendido durante 1 segundo.
2. Gire la llave de encendido/apagado a la posición STOP (parada) y manténgala en la posición STOP (parada) durante 1 segundo.
3. Repita este procedimiento otras 4 veces.

¹⁶ Lubrique también al principio de cada temporada.

¹⁷ Lubrique también al principio de cada temporada.

¹⁸ Consulte los datos técnicos para conocer la presión correcta de los neumáticos.

Para realizar una comprobación del nivel de aceite



PRECAUCIÓN: Un nivel de aceite demasiado bajo puede causar daños en el motor. Compruebe el nivel de aceite antes de arrancar el producto.

1. Coloque el producto sobre una superficie nivelada.
2. Retire el tapón del depósito de aceite con la varilla de nivel acoplada.
3. Limpie el aceite de la varilla de nivel de aceite.
4. Introduzca la varilla de nivel totalmente en el depósito de aceite para obtener un resultado correcto del nivel de aceite.
5. Quite la varilla de nivel.
6. Compruebe el nivel de aceite que indica la varilla de nivel.
7. Si el nivel de aceite es bajo, llene con aceite de motor y vuelva a comprobar el nivel de aceite.

Sustitución del aceite del motor

1. Mantenga el motor en marcha durante unos minutos para calentar el aceite. El aceite caliente fluye mejor y transporta más contaminantes.



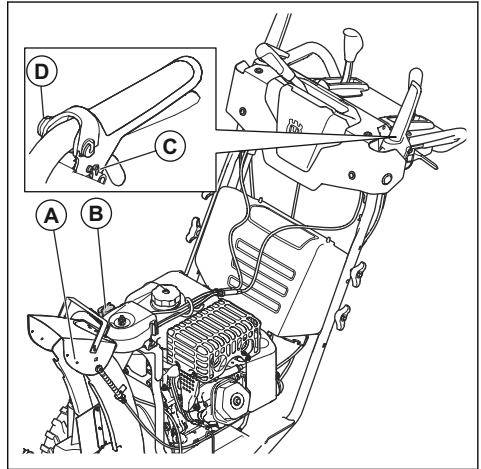
ADVERTENCIA: El aceite del motor está caliente. Evite el contacto de la piel con el aceite de motor usado.

2. Coloque el producto sobre una superficie nivelada.
3. Quite la llave de encendido/apagado.
4. Coloque un recipiente debajo del tapón de vaciado de aceite.
5. Quite el tapón de vaciado de aceite, incline el producto y vierta el aceite usado en el recipiente.
6. Coloque de nuevo el producto en la posición de funcionamiento.
7. Coloque el tapón de vaciado de aceite y apriételo con la mano.
8. Llene el motor con aceite; consulte *Llenado del motor con aceite en la página 107*.

Lubricación del producto

- Lubrique los puntos de articulación (A) con aceite.
- Lubrique el motor (B) con aceite.
- Lubrique los enganches del bloqueo de seguridad (C) con una pequeña cantidad de grasa de litio.

- Lubrique las conexiones de los cables de las palancas de la transmisión y del sinfín (D) con aceite.



Batería

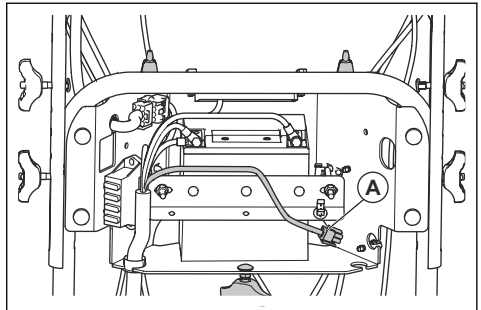
Mantenimiento de la batería

Nota: La batería del producto no requiere mantenimiento. No abra ni retire las tapas ni las cubiertas.

Carga de la batería

Nota: Antes de almacenar el producto durante un largo periodo de tiempo, cargue la batería con un cargador para prolongar la vida útil de la batería.

1. Retire la cubierta de la batería. Consulte la sección *Sustitución de la batería en la página 115*.
2. Limpie los terminales. Consulte la sección *Limpieza de la batería y los terminales en la página 115*.
3. Conecte el cargador de la batería al conector del cargador (A).



4. Cuando la batería esté cargada, desconecte el cargador.

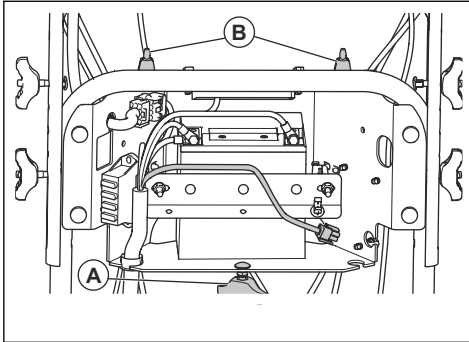
5. Coloque la cubierta de la batería.

Sustitución de la batería



ADVERTENCIA: Riesgo de descarga eléctrica. Evite que los 2 terminales de la batería entren en contacto con objetos metálicos. Esto puede provocar un cortocircuito en la batería.

1. Afloje el pomo (A) e incline la parte inferior de la cubierta en dirección al motor. Retire la cubierta de la batería de los soportes (B).



2. Desconecte el cable NEGRO de la batería.



ADVERTENCIA: Debe desconectarse en primer lugar el cable NEGRO.

3. Desconecte el cable ROJO de la batería.
4. Afloje las tuercas y retire la correa de la batería.
5. Retire con cuidado la batería del producto.
6. Instale una nueva batería.
7. Conecte el cable ROJO de la batería y apriete el perno.



ADVERTENCIA: Riesgo de chispas. Debe conectarse en primer lugar el cable ROJO.

8. Conecte el cable NEGRO y apriete el perno.
9. Coloque la cubierta de la batería.

Limpieza de la batería y los terminales

1. Desmonte la batería. Consulte la sección *Sustitución de la batería en la página 115*.
2. Enjuague la batería con agua normal y deje que se seque.
3. Limpie los terminales y los extremos de los cables de la batería con un cepillo de alambre hasta que estén brillantes.
4. Lubrique los terminales con grasa.

5. Instale la batería. Consulte *Sustitución de la batería en la página 115*.

6. Coloque la cubierta de la batería.

Silenciador

El silenciador mantiene al mínimo los niveles de ruido y aparta los gases de escape del operador.

No utilice el producto si el silenciador no está instalado o está defectuoso. Un silenciador defectuoso aumenta el nivel de ruido y el riesgo de incendio.

Examine el silenciador con frecuencia para asegurarse de que está montado correctamente y que no está dañado.



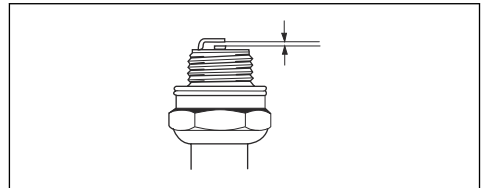
PRECAUCIÓN: El silenciador se calienta mucho durante y después de su uso, y cuando el motor funciona a ralentí. Tenga cuidado cerca de materiales inflamables o gases para evitar incendios.

Para examinar la bujía



PRECAUCIÓN: Utilice siempre el tipo de bujía recomendado. El uso de un tipo de bujía incorrecto puede causar averías en el producto.

- Examine la bujía si el motor tiene baja potencia, no es fácil de arrancar o no funciona correctamente al régimen de ralentí.
- Para reducir el riesgo de material no deseado en los electrodos de la bujía, siga estas instrucciones:
 - a) Asegúrese de que el régimen de ralentí está bien ajustado.
 - b) Asegúrese de que la mezcla de combustible sea correcta.
 - c) Asegúrese de que el filtro de aire esté limpio.
- Si la bujía está muy sucia, límpiela y asegúrese de que la distancia entre los electrodos sea la correcta, consulte *Datos técnicos en la página 127*.



- Sustituya la bujía si fuese necesario.

Inspección de los sinfines y el faldón rascador

1. Antes de cada uso, inspeccione si los sinfines y el faldón rascador presentan desgaste.

- Si el borde del faldón rascador está desgastado, dele la vuelta. Si el faldón rascador está dañado o tiene ambos lados desgastados, cámbielo.
- Si los bordes de los sinfines están desgastados, póngase en contacto con un centro de servicio autorizado para sustituirlos.

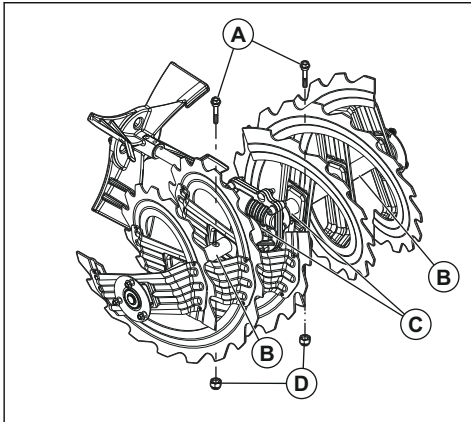
Sustitución de los pasadores de seguridad del sinfín

Los pasadores de seguridad del sinfín protegen el producto contra posibles daños. Los pasadores de seguridad del sinfín se rompen si algún objeto interfiere en las piezas móviles.



PRECAUCIÓN: Utilice únicamente los pasadores de seguridad originales que se suministran con el producto.

- Si un pasador de seguridad del sinfín se rompe, detenga el motor y espere a que las piezas móviles se detengan.
- Quite la llave de encendido/apagado y desconecte el cable de la bujía.
- Alinee el orificio del buje del sinfín (B) con el orificio del eje del sinfín (C) e instale un nuevo pasador de seguridad de $\frac{1}{4}$ -20 x 2 (A).
- Instale una contratuerca de $\frac{1}{4}$ -20 (D) en el pasador de seguridad y apriétela.



- Coloque la llave de encendido/apagado en el contacto y conecte el cable de la bujía.

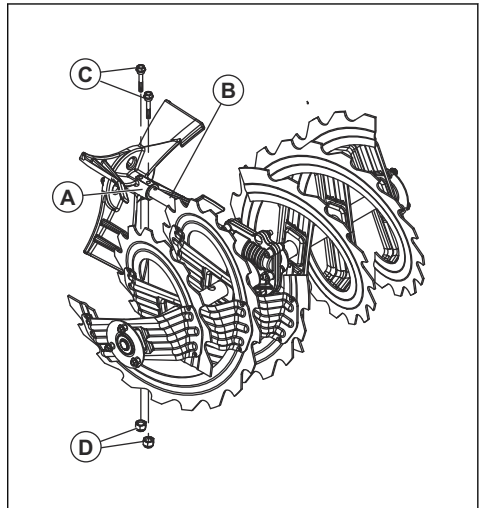
Sustitución de los pasadores de seguridad del propulsor

Los pasadores de seguridad del propulsor protegen el producto contra posibles daños. Los pasadores de seguridad del propulsor se rompen si algún objeto interfiere en las piezas móviles.



PRECAUCIÓN: Utilice únicamente los pasadores de seguridad originales que se suministran con el producto.

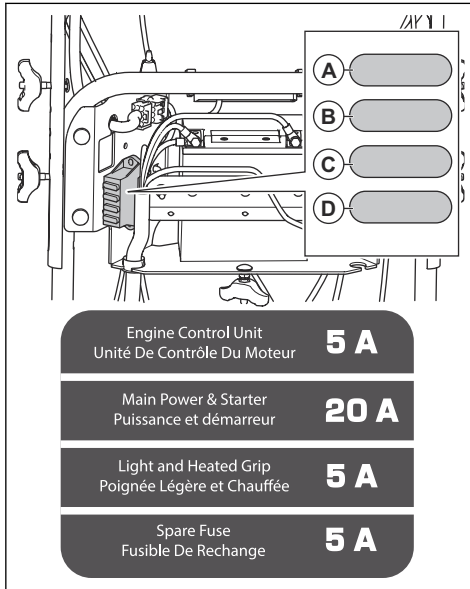
- Si un pasador de seguridad del propulsor se rompe, detenga el motor y espere a que las piezas móviles se detengan.
- Quite la llave de encendido/apagado y desconecte el cable de la bujía.
- Alinee el orificio del buje del propulsor (A) con los orificios del eje del propulsor (B) e instale un nuevo pasador de seguridad de $\frac{1}{4}$ -20 (C).
- Instale una contratuerca de $\frac{1}{4}$ -20 (D) en el pasador de seguridad y apriétela.



- Coloque la llave de encendido/apagado en el contacto y conecte el cable de la bujía.

Sustitución de fusibles

Los portafusibles están detrás de la cubierta de la batería.



- Sustituya el fusible de la unidad de control del motor (A) por un fusible de 5 A.
- Sustituya el fusible del solenoide del mecanismo de arranque (B) por un fusible de 20 A.
- Sustituya el fusible del LED y de la empuñadura calefactada (C) por un fusible de 5 A.
- La posición (D) contiene un fusible de reserva de 5 A.

Comprobación de los neumáticos

- Para evitar desperfectos en la goma, evite el contacto de los neumáticos con combustible, aceite y productos químicos.
- Evite el contacto de los neumáticos con tocones, piedras, surcos, objetos afilados y cualquier otro elemento que pueda dañarlos.
- Mantenga los neumáticos a la presión adecuada; consulte *Datos técnicos en la página 127*.

Despejar un deflector del conducto de expulsión obstruido

No despeje el deflector del conducto de expulsión hasta que haya efectuado las siguientes acciones.

1. Desactive el acoplamiento del sinfín y de la transmisión al mismo tiempo.
2. Espere 10 segundos para asegurarse de que los sinfines se han detenido.

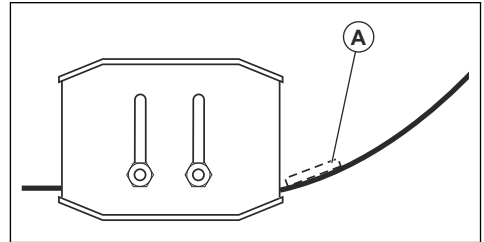
3. Pare el producto.
4. Utilice la herramienta para limpieza (de al menos 37 cm (15 pulg.) de longitud incluida en algunos modelos) para despejar la obstrucción.



ADVERTENCIA: No ponga las manos en el deflector del conducto de expulsión ni en el interior de la tolva del sinfín.

Sustitución del faldón rascador

1. Dé la vuelta al faldón rascador (A) si se desgasta hasta el borde del alojamiento.



2. Cambie el faldón rascador si está dañado o tiene ambos lados desgastados.

Correas de transmisión.



ADVERTENCIA: Las correas trapezoidales del producto tienen una estructura especial y deben cambiarse por correas originales, las cuales podrá adquirir en el centro de servicio más cercano. Usar correas que no sean originales podría causar daños personales o daños en el producto.

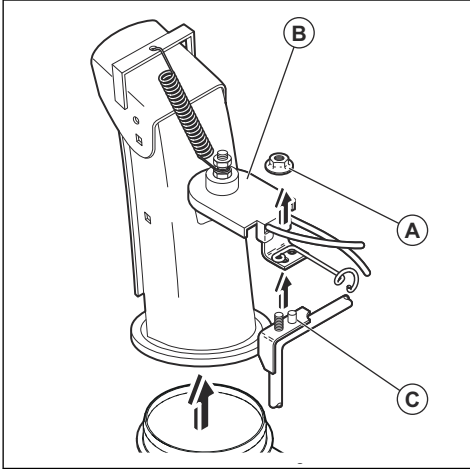


ADVERTENCIA: Para cambiar la correa es necesario separar el producto. Al separar el alojamiento del sinfín del bastidor, es importante que otra persona se sitúe en la posición de manejo y sujete el manillar. Si el producto se cae durante la sustitución de la correa, podrían producirse lesiones personales graves y/o daños en el producto.

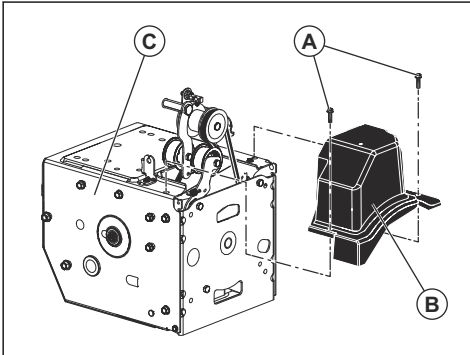
Preparación para cambiar las correas

1. Vacíe el combustible del depósito de combustible.

2. Afloje la contratuerca (A) que fija el cabezal del rotador del conducto (B) al soporte de montaje (C) para poder retirar el conducto de expulsión.



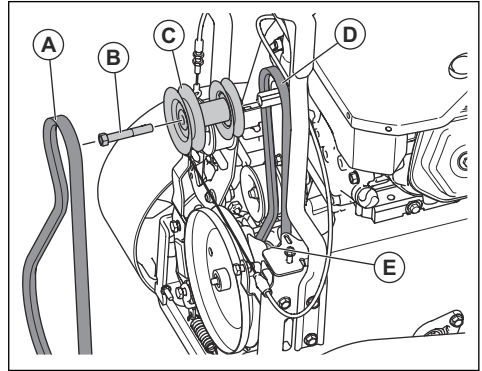
3. Afloje los dos tornillos (A) que fijan la cubierta de la correa (B) al bastidor (C) y retire la cubierta de la correa.



Extracción de la correa de transmisión

1. Retire la correa del sinfín (A). Consulte *Extracción de la correa del sinfín (solo para ST 424/427/430)* en la página 119.

2. Retire el perno de 9/16 pulg. de la polea (B) y la polea del motor (C) del motor.



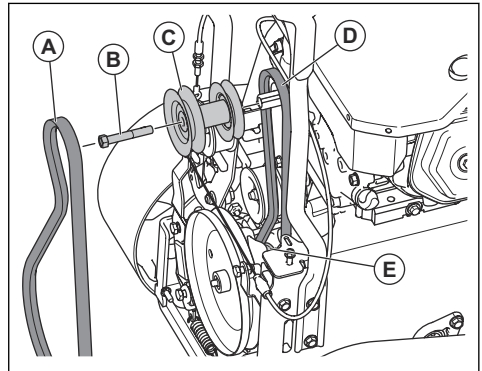
3. Retire la correa de transmisión (D) de la polea inferior (E).

Instalación de la correa de transmisión

1. Coloque la correa de transmisión en la polea inferior (E).

Nota: Asegúrese de que la correa de transmisión esté bien colocada en la ranura de la polea inferior.

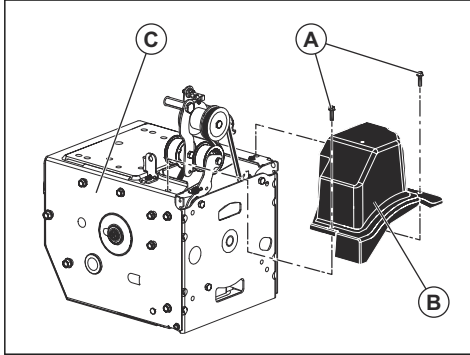
2. Coloque la correa de transmisión en la ranura de la polea del motor (C).



3. Instale el perno de 9/16 pulg. de la polea (B) y fije la polea del motor (C) al motor. Apriete el perno de la polea (41-47 Nm/30-35 ft lb).
4. Instale la correa del sinfín (A). Consulte *Instalación de la correa del sinfín* en la página 120.
5. Maniobre todos los controles para verificar que la correa de transmisión está bien montada y que todos los componentes se mueven correctamente.

Instalación de la cubierta de la correa

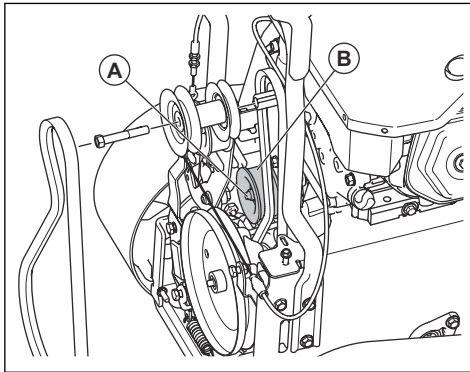
1. Instale la cubierta de la correa (B) en el bastidor (C) y apriete los dos tornillos (A).



2. Instale el conducto de expulsión.

Ajuste de la tensión de la correa de transmisión

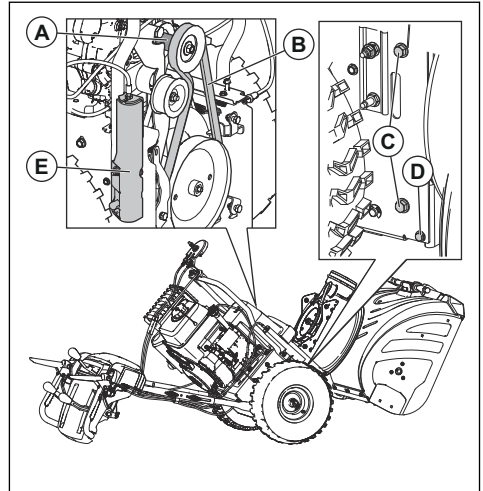
1. Retire la cubierta de la correa. Consulte *Preparación para cambiar las correas en la página 117*.
2. Afloje la tuerca de la polea tensora (A).
3. Mueva la polea tensora (B) en dirección a la correa para aumentar la tensión de la correa. Aléjela de la correa para reducir la tensión de la correa.



4. Apriete la tuerca de la polea tensora (A).
5. Presione y suelte la palanca de control de velocidad de la transmisión. Si la correa de transmisión está tensa cuando se suelta la palanca de control de velocidad de la transmisión, aleje la polea tensora de la correa de transmisión para destensar la correa.
6. Instale la cubierta de la correa. Consulte *Instalación de la cubierta de la correa en la página 119*.

Extracción de la correa del sinfín (solo para ST 424/427/430)

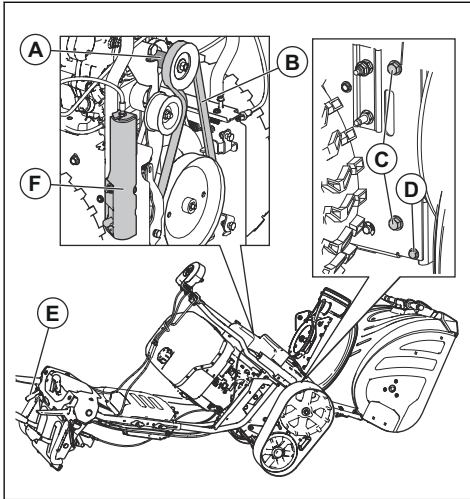
1. Retire la tuerca de 5/16 in y la cubierta del cable (E) del bastidor.



2. Retire los pernos superiores de 5/16 in y los pernos inferiores de 1/4 in (D) de los 2 lados del bastidor. No deseche los pernos.
3. Afloje los pernos inferiores de 5/16 in (C) de los 2 lados del bastidor sin llegar a retirarlos.
4. Retire la correa del sinfín (B) de la polea del motor (A).
5. Inclina la sección trasera hacia abajo. La parte delantera se inclina hacia adelante al mismo tiempo. El perno inferior actúa como bisagra entre la parte delantera y la trasera.
6. Coloque un taco de madera debajo del punto de articulación para que el producto permanezca inclinado.
7. Mueva el brazo de freno del sinfín y retire la correa del sinfín (B) de alrededor del brazo de freno del sinfín.

Extracción de la correa del sinfín (solo para ST 424T/427T/430T)

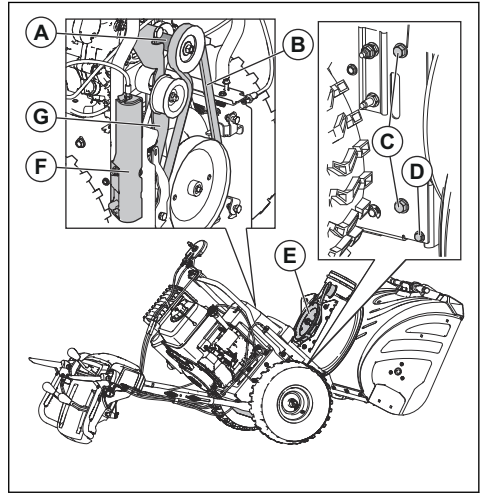
1. Retire la tuerca de 5/16 in y la cubierta del cable (E) del bastidor.



2. Retire los pernos superiores de 5/16 in de los 2 lados del bastidor. No deseche los pernos.
3. Retire los pernos inferiores de 5/16 in (C) de los 2 lados del bastidor.
4. Retire la correa del sinfín (B) de la polea del motor (A).
5. Utilice la palanca de ajuste de la tolva del sinfín para inclinar la parte trasera hacia abajo. La parte delantera se inclina hacia delante al mismo tiempo. El perno inferior actúa como bisagra entre la parte delantera y la trasera.
6. Coloque un taco de madera debajo del punto de articulación para que el producto permanezca inclinado.
7. Mueva el brazo de freno del sinfín y retire la correa del sinfín (B) de alrededor del brazo de freno del sinfín.

Instalación de la correa del sinfín

1. Mueva el brazo de freno del sinfín (G). Coloque la correa del sinfín alrededor y en la ranura de la polea del sinfín (E).



PRECAUCIÓN: Asegúrese de que la correa no quede atrapada entre el bastidor y el alojamiento del sinfín al ensamblar la unidad.

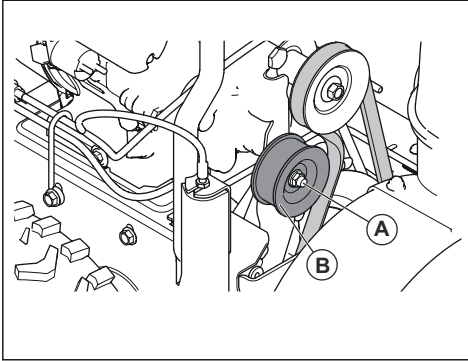
2. Retire el taco de madera que colocó debajo del producto.
3. Levante el manillar para inclinar hacia arriba la parte trasera. La parte delantera se inclina y gira para acoplarse con la parte trasera.
4. Asegúrese de que la correa esté bien colocada en la ranura de la polea del sinfín (E).
5. Instale los pernos de 5/16 in (C) y apriételes (11-16 Nm).
6. Solo para ST 424/427/430 Instale los pernos de 1/4 in (D) y apriételes (5-8 Nm).
7. Instale la correa del sinfín (B) en la polea del motor (A). Asegúrese de colocar bien la correa alrededor de la polea tensora y en la ranura de la polea del motor.
8. Instale la cubierta del cable (F) y la tuerca de 5/16 in en el bastidor.
9. Maniobre todos los controles para verificar que la correa del sinfín esté bien montada y que todos los componentes se mueven correctamente.

Ajuste de la tensión de la correa del sinfín

Nota: Necesitará a un ayudante para realizar esta tarea.

1. Retire la cubierta de la correa. Consulte *Preparación para cambiar las correas en la página 117*.

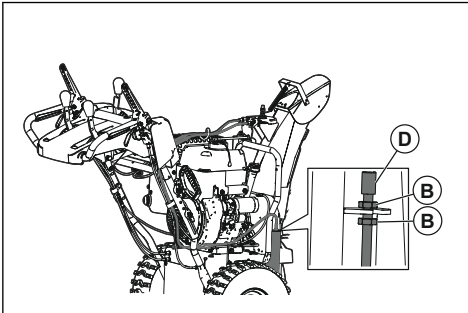
2. Afloje la tuerca de la polea tensora (A).



3. Mueva la polea tensora (B) en dirección a la correa del sinfín para aumentar la tensión de la correa. Aléjela de la correa del sinfín para reducir la tensión de la correa.
4. Apriete la tuerca de la polea tensora (A).
5. El ayudante debe permanecer a 3 m (10 pies) delante del producto para controlar el movimiento del sinfín.
6. Presione y suelte el acoplamiento del sinfín para poner en marcha y detener el sinfín.
7. Mida el tiempo que tarda el sinfín en dejar de moverse. Si el sinfín tarda más de 5 segundos en detenerse, destense la correa.
8. Cuando el sinfín tarde menos de 5 segundos en dejar de moverse, instale la cubierta de la correa. Consulte *Instalación de la cubierta de la correa en la página 119*.

Ajuste del cable de control del sinfín

1. Retire la cubierta del cable del lado derecho del bastidor (D).



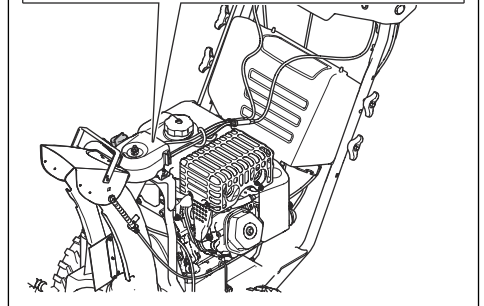
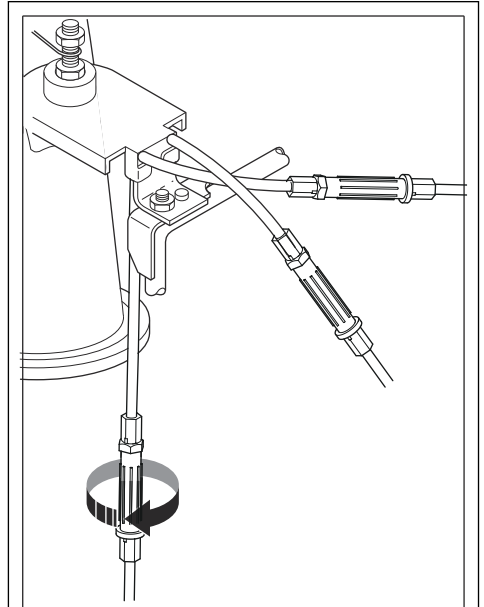
2. Para eliminar la holgura el cable de control del sinfín, afloje la tuerca de inmovilización inferior (B) y apriete la tuerca de inmovilización superior (B) hasta que la tensión de la correa del sinfín haya aumentado.

3. Vuelva a probar el acoplamiento del sinfín. Repita el ajuste según considere necesario hasta que el cable presente una holgura mínima cuando la palanca esté desacoplada.
4. Apriete la tuerca de inmovilización inferior para fijar la tensión.

Nota: Es posible tensar también la correa del sinfín ajustando la polea tensora. Si el ajuste no resuelve el problema, cambie la correa del tornillo sin fin. Consulte *Instalación de la correa del sinfín en la página 120*.

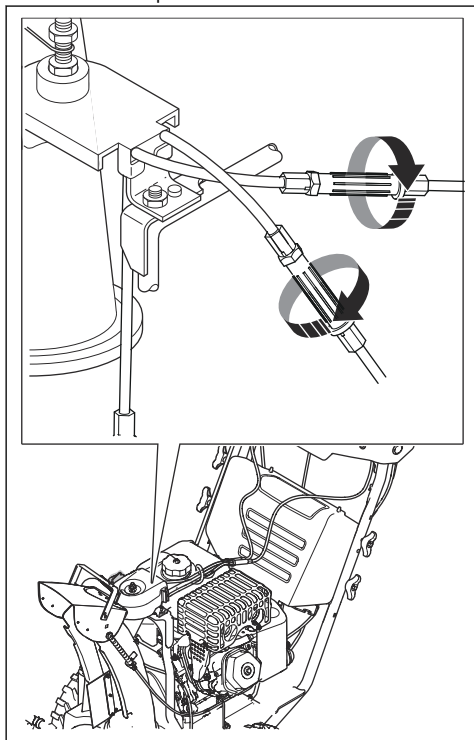
Ajuste del cable liberador del conducto de expulsión

1. Para ajustar el cable liberador, gire el ajustador del cable hasta que la palanca liberadora del conducto de expulsión no se mueva libremente.



Ajuste de los cables izquierdo y derecho del conducto de expulsión

1. Coloque la palanca del conducto de expulsión en la posición central.
2. Gire los ajustadores de los cables hasta que el conducto de expulsión apunte hacia adelante y los cables estén apretados.

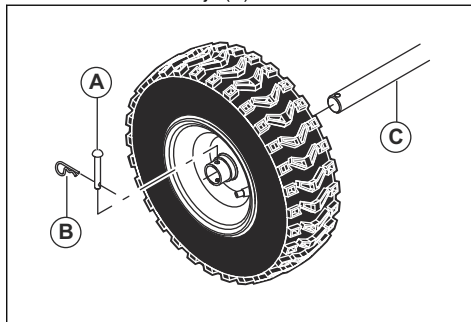


3. Afloje los ajustadores de los cables $\frac{1}{4}$ de vuelta para que los cables queden menos apretados.

Para desmontar las ruedas

1. Retire el pasador de la rueda (A) y el pasador de retención (B).

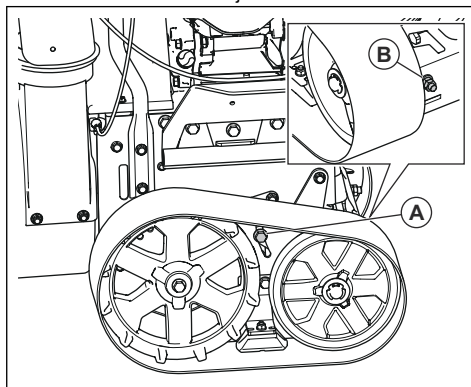
2. Retire la rueda del eje (C).



Ajuste de la tensión de las orugas continuas (solo para ST 424T/427T/430T)

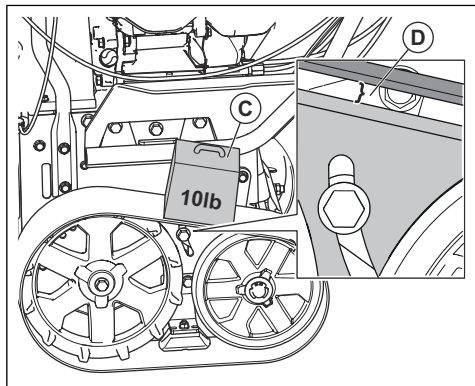
Nota: Herramientas necesarias para esta tarea: un vaso hondo de 9/16", una llave de 9/16" y un peso de 5 kg (10 lb).

1. Afloje el tornillo de fijación (A) 1 vuelta.
2. Retire la contratuerca trasera (B) para poder acceder a la tuerca de ajuste.



3. Coloque un peso de 5 kg (10 lb) (C) en la parte superior de la oruga continua, en el centro de las 2 ruedas.

4. Gire la tuerca de ajuste (B) hasta que la distancia (D) entre la oruga continua y la plancha de acero sea de entre 3,175 y 6,350 mm (0,125 y 0,250 pulg.) de ancho.



5. Coloque el tornillo de fijación (A) y, a continuación, la contratuerca trasera (B).

Limpieza del producto

- Limpie las piezas de plástico con un paño limpio y seco.
- No utilice un equipo de limpieza a alta presión para limpiar el producto.
- No vierta agua directamente sobre el motor.
- Use un cepillo para retirar las hojas, la hierba y la suciedad.

Resolución de problemas

Problema	Causa posible	Solución
El producto no arranca	La llave de encendido de seguridad no está insertada.	Introduzca la llave de encendido de seguridad.
	El producto no tiene combustible.	Llene el depósito de combustible con gasolina nueva y limpia.
	La llave de encendido/apagado está en posición OFF (apagado).	Coloque la llave de encendido/apagado en la posición ON (encendido).
	El motor no está cebado.	Cebe el motor.
	El motor está ahogado.	Espere unos minutos antes de volver a arrancar y no presione el cebador. Ponga en marcha el motor con la aceleración al máximo y el estrangulador desactivado (posición CLOSE [cerrado]).
	El cable de la bujía no está conectado.	Conecte el cable a la bujía.
	La bujía está defectuosa.	Cambie la bujía.
	Hay agua en el combustible o el combustible es demasiado antiguo.	Vacíe el depósito de combustible y el carburador. Llene el depósito de combustible con gasolina nueva y limpia.
	Hay vapor en la tubería de combustible.	Asegúrese de que la tubería de combustible se encuentra totalmente por debajo de la salida del depósito de combustible. La tubería de combustible debe discurrir hacia abajo desde el depósito de combustible hasta el carburador.
	Otras causas.	Revise detenidamente los procedimientos de arranque explicados en este manual.
	El interruptor de combustible (si dispone de ello) está cerrado (apagado).	Abra (active) el interruptor de combustible.
	El acelerador está en la posición STOP (parado).	Ponga el acelerador en la posición FAST (alta velocidad).
	La batería de arranque no está cargada.	Cargue la batería de arranque.
	Es necesario sustituir la batería de arranque.	Sustituya la batería de arranque.
	La unidad de control del motor no recibe alimentación.	Inspeccione el fusible ECU y el cableado.
	El solenoide del mecanismo de arranque no se acopla.	Inspeccione el fusible del mecanismo de arranque y el cableado.
	El inyector de combustible no se activa. (Solo para ST 424T/427T/430T)	Contacte con un centro de servicio autorizado.
La bomba de combustible no recibe alimentación. (Solo para ST 424T/427T/430T)	Contacte con un centro de servicio autorizado.	

Problema	Causa posible	Solución
Potencia reducida	El cable de la bujía no está conectado.	Conecte el cable a la bujía.
	El producto expulsa mucha nieve.	Reduzca la velocidad y la anchura de la hilera.
	El tapón del depósito de combustible está cubierto de hielo o nieve.	Retire el hielo y la nieve del tapón del depósito de combustible y de alrededor de él.
	El silenciador está sucio u obstruido.	Limpie o sustituya el silenciador.
	Longitud del cable incorrecta.	Ajuste el cable.
	El silenciador está obstruido.	Asegúrese de que el motor esté frío. Despeje la obstrucción.
	La toma de aire del carburador está obstruida.	Asegúrese de que el motor esté frío. Despeje la obstrucción.
	El inyector de combustible no se activa.	Contacte con un centro de servicio autorizado.
El motor funciona de forma irregular cuando está a ralentí o a un régimen normal de funcionamiento	La tubería de combustible está obstruida.	Limpie la tubería de combustible.
	Hay agua en el combustible o el combustible es demasiado antiguo.	Vacíe el depósito de combustible y el carburador. Llene el depósito de combustible con gasolina nueva y limpia.
	Es necesario cambiar el carburador.	Contacte con un centro de servicio autorizado.
	El inyector de combustible no se activa.	Contacte con un centro de servicio autorizado.
Exceso de vibración o movimiento en el manillar	Hay piezas flojas. Los sinfines están dañados.	Apriete todas las conexiones. Cambie las piezas dañadas. Si la vibración persiste, póngase en contacto con un centro de servicio autorizado.
	El manillar no está bien colocado.	Asegúrese de que el manillar esté bien fijado en su posición.
	Las tuercas de la palanca de ajuste están flojas.	Apriete las tuercas hasta que el manillar dé sensación de seguridad.
Cuesta trabajo tirar de la empuñadura de la cuerda de arranque	La empuñadura de la cuerda de arranque está congelada.	Saque lentamente toda la cuerda que sea posible y suelte la empuñadura de la cuerda de arranque. Si el motor no arranca, repita el procedimiento o utilice el mecanismo de arranque eléctrico.
	La cuerda de arranque interfiere en los componentes.	La cuerda de arranque no debe entrar en contacto con ningún cable o manguera.

Problema	Causa posible	Solución
Pérdida de tracción/velocidad baja de la transmisión	La correa resbala.	Ajuste el cable. Ajuste la correa.
	La correa está desgastada.	Revise/cambie la correa. Ajuste la polea.
	La correa se sale de la polea.	Revise/reinstale la correa. Ajuste la polea.
No se expulsa nieve o se expulsa lentamente	El deflector del conducto está obstruido.	Despeje el deflector del conducto.
	Los sinfines están obstruidos por objetos extraños.	Retire los residuos o el objeto extraño de los sinfines.
	El pasador de seguridad está roto.	Cambie el pasador de seguridad roto.
	Se ha acumulado demasiado hielo y nieve entre los componentes de las orugas continuas.	Retire el hielo y la nieve acumulados entre los componentes de las orugas continuas.
Las luces no están encendidas (si dispone de ello)	El motor no está en marcha.	Arranque el motor.
	El cable está mal conectado.	Compruebe las conexiones del cable del motor y las luces.
	El LED está fundido.	Cambie el módulo de luz LED. No es posible cambiar LED individuales.
	El fusible está fundido.	Cambie el fusible. Asegúrese de que no haya ningún cortocircuito.
El rotador del conducto se mueve con dificultad	Hay suciedad en el mecanismo del rotador del conducto.	Limpie las piezas internas del mecanismo del rotador del conducto.
	Los cables están doblados o dañados.	Compruebe que los cables no estén doblados. Cambie los cables si están dañados.
	Es preciso ajustar el cable liberador.	Ajuste el cable liberador.
El producto se desvía a un lado	La presión de los neumáticos es desigual.	Ajuste la presión de los neumáticos y llene los neumáticos.
	El producto se mueve con una sola rueda.	Inspeccione el pasador de bloqueo de las ruedas.
	Ajuste irregular del trineo.	Ajuste las planchas protectoras y el trineo.
	Ajuste irregular de las planchas protectoras.	Ajuste las planchas protectoras y el trineo.

Transporte, almacenamiento y eliminación

Transporte y almacenamiento

- Para el transporte y almacenamiento del producto y del combustible, asegúrese de que no haya fugas ni humos. Las chispas o llamas abiertas, por ejemplo, de dispositivos eléctricos o calderas, pueden producir un incendio.
- Use siempre recipientes homologados para el transporte y almacenamiento de combustible.
- Vacíe el depósito de combustible antes de poner el producto en almacenamiento durante un largo periodo de tiempo. Deseche el combustible en una ubicación adecuada para su eliminación.
- Asegure el producto durante el transporte para evitar daños y accidentes.
- Mantenga el producto en un área cerrada para impedir el acceso a niños o personas no autorizadas.
- Mantenga el producto en un lugar seco y al abrigo de las heladas.

- Cargue la batería cuando se almacene el producto durante un largo periodo de tiempo. Examine y limpie los terminales de la batería antes de almacenar el producto durante un periodo largo.
- Cuando ya no use el producto, envíelo a un distribuidor Husqvarna o deséchelo en un punto de reciclaje.
- Deseche la batería en un centro de servicio o déjela en unas instalaciones para residuos que recoja baterías agotadas.

Eliminación

- Respete los requisitos de reciclaje locales y las normas aplicables.
- Deseche todos los productos químicos, como el aceite de motor o el anticongelante, en un centro de servicio o una ubicación adecuada para su eliminación.

Datos técnicos

Datos técnicos

	ST 424	ST 427	ST 430	ST 424T	ST 427T	ST 430T
Dimensiones						
Peso con depósitos vacíos, kg	140	145	150	160	165	170
Presión máx. de los neumáticos en funcionamiento, PSI	18	18	20	N/P	N/P	N/P
Motor						
Marca	Husqvarna	Husqvarna	Husqvarna	Husqvarna	Husqvarna	Husqvarna
Cilindrada, cc	291	369	414	306	369	420
Tipo de combustible	Regular sin plomo (máximo de 10 % de etanol)					
Capacidad de combustible, gal/l	2,35/0,62	2,35/0,62	2,35/0,62	3,60/0,95	3,60/0,95	3,60/0,95
Tipo de aceite (API SJ-SN)	SAE 5W30 (bajo 0 °C (32 °F)).					
Capacidad de aceite, fl. oz./l	0,95/32	1,12/38	1,12/38	0,95/32	1,12/38	1,12/38
Sistema eléctrico						
Bujía	F6RTC					
Distancia entre los electrodos de la bujía (pulg./mm)	0,686/0,027					
Emisiones de ruido ¹⁹						
Nivel de potencia acústica medida, dB(A)	<105 dB	<105 dB	<105 dB	<105 dB	<105 dB	<105 dB
Nivel de potencia acústica garantizado L _{WA} dB(A)	105 dB	105 dB	105 dB	105 dB	105 dB	105 dB
Niveles de vibración, a_{hveq} ²⁰						

¹⁹ Emisiones sonoras en el entorno medidas como potencia acústica (L_{WA}) según las directivas 2000/14/CE y 2005/88/CE

²⁰ Nivel de vibración conforme a ISO 5349-2 EN 1033.

	ST 424	ST 427	ST 430	ST 424T	ST 427T	ST 430T
Nivel de vibración en el manillar, m/s ²	4,57 m/s ²	5,07 m/s ²	5,83 m/s ²	4,11 m/s ²	4,65 m/s ²	5,25 m/s ²

Declaración de conformidad CE

CONTENIDO DE LA DECLARACIÓN DE CONFORMIDAD CE

Nosotros, Husqvarna, SE-561 82 Huskvarna, SUECIA, declaramos bajo nuestra exclusiva responsabilidad que el producto representado:

Descripción	Quitanieves
Marca	Husqvarna
Plataforma/tipo/modelo	ST 424, ST 427, ST 430, ST 424T, ST 427T, ST 430T
Lote	Número de serie a partir del 2018 en adelante

Cumple las siguientes directivas y normas de la UE:

Directiva/Norma	Descripción
2006/42/CE	"relativa a las máquinas"
2014/30/UE	"relativa a la compatibilidad electromagnética"
2000/14/CE; 2005/88/CE	"relativa al ruido en exteriores"

Las normas armonizadas o especificaciones técnicas aplicadas son las siguientes: EN ISO 12100, ISO 14982, ISO 8437, ISO 3744, EN 1032

De acuerdo con la directiva 2000/14/CE, Anexo V, los valores de sonido declarados se indican en el capítulo Datos técnicos de este manual y en la declaración de conformidad CE firmada.

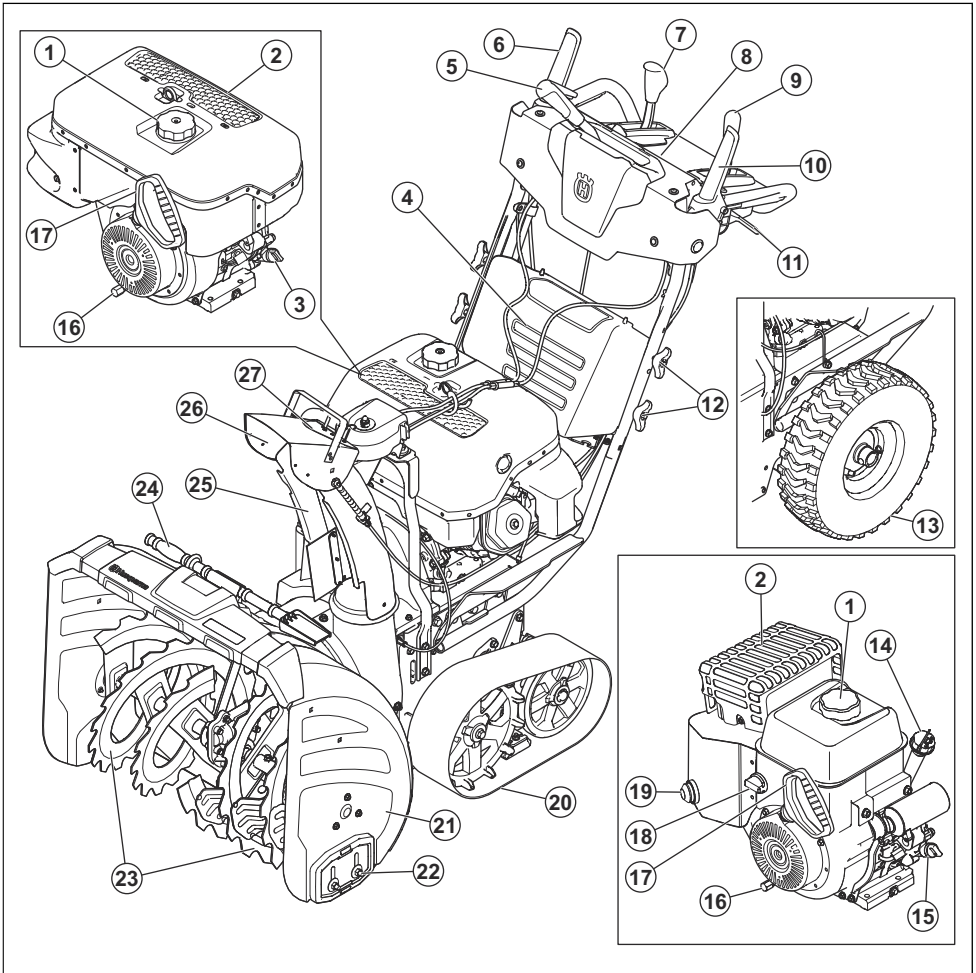
El quitanieves suministrado concuerda con el ejemplar que fue sometido a examen.

Sommario

Introduzione.....	130	Ricerca dei guasti.....	157
Sicurezza.....	133	Trasporto, stoccaggio e smaltimento.....	159
Montaggio.....	136	Dati tecnici.....	160
Utilizzo.....	140	Dichiarazione di conformità CE.....	162
Manutenzione.....	145		

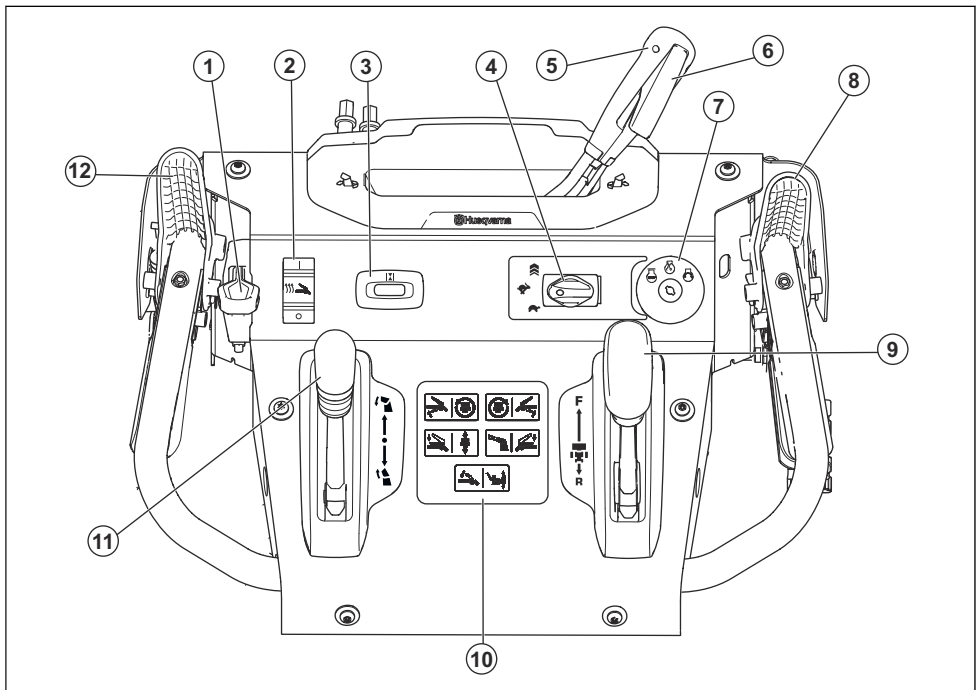
Introduzione

Panoramica del prodotto



1. Tappo del serbatoio del carburante
2. Marmitta
3. Rifornimento dell'olio/asta di livello (solo per ST 424T/427T/430T)
4. Sportello del vano batterie
5. Leva scivolo di scarico
6. Innesto della coclea
7. Leva della trasmissione
8. Pannello di comando
9. Leva di comando remoto
10. Innesto della trasmissione
11. Comandi dello sterzo
12. Manopole dell'impugnatura
13. Ruota (solo per ST 424/427/430)
14. Astia di livello (solo per ST 424/427/430)
15. Rifornimento dell'olio (solo per ST 424/427/430)
16. Scarico dell'olio
17. Impugnatura della fune di avviamento
18. Interruttore ON/OFF del carburante (solo per ST 424/427/430)
19. Pompa (solo per ST 424/427/430)
20. Cingolo (solo per ST 424T/427T/430T)
21. Benna miscelatrice
22. Piastra di scorrimento
23. Coclee
24. Strumenti per la pulizia
25. Scivolo di scarico
26. Deflettore scivolo di scarico
27. Spia LED

Panoramica del prodotto



1. Leva di regolazione della benna miscelatrice
2. Interruttore ON/OFF della manopola riscaldata
3. Contatore e promemoria cambio olio
4. Acceleratore
5. Leva scivolo di scarico
6. Leva di sblocco
7. Bloccetto di accensione
8. Innesto della coclea
9. Leva della trasmissione
10. Etichetta dei simboli
11. Leva di comando remoto per il deflettore dello scivolo di scarico
12. Innesto della trasmissione

Descrizione del prodotto

Il prodotto è uno spazzaneve utilizzato per rimuovere la neve da terra.

Usò previsto

Questo prodotto può essere utilizzato per rimuovere la neve da campi, strade, sentieri e vialetti. Non usate l'apparecchio su dislivelli superiori a 20°. Non utilizzare il dispositivo in aree in cui siano presenti detriti, sporcizia e pietre sporgenti.

Simboli riportati sul prodotto

Nota: Se le etichette sul prodotto sono danneggiate, contattare il distributore per sostituirle.



Avvertenza.



Leggere il manuale dell'operatore.



Inserire l'alimentazione.



Avviare il motore.



Arrestare il motore.



Boost.



Veloce.



Lento.



Promemoria cambio olio.



Impugnature riscaldate.



Togliere la chiave prima della manutenzione.



Superficie calda.



Rischio di incendio.



Prestare attenzione agli oggetti lanciati.



Tenere lontano persone e animali dalla zona di lavoro.



Non respirare i fumi di scarico.



Spostarsi lentamente all'indietro.



Pericolo di caduta.



Girare verso sinistra.



Girare verso destra.



Lanciare la neve.



Modificare l'altezza della benna miscelatrice.

Responsabilità del prodotto

Come indicato nelle leggi vigenti in materia di responsabilità obbligatoria sul prodotto, non siamo responsabili per eventuali danni causati dal nostro prodotto se:

- Il prodotto viene riparato in modo errato.
- Il prodotto viene riparato con parti che non provengono o non sono omologate dal produttore.
- Il prodotto contiene un accessorio che non proviene o non è omologato dal produttore.
- Il prodotto non viene riparato presso un centro di assistenza autorizzato o presso un'autorità competente.

Definizioni di sicurezza

Le definizioni riportate di seguito forniscono il livello di gravità per ciascuna delle parole di avvertenza.



AVVERTENZA: Lesioni alle persone.



ATTENZIONE: Danni al prodotto.

Nota: Queste informazioni rendono più semplice l'uso del prodotto.

Istruzioni di sicurezza generali

- Utilizzare il prodotto in modo corretto. Un uso improprio può causare lesioni o la morte. Utilizzare il prodotto solo per le attività riportate nel presente manuale. Non utilizzare il prodotto per altre attività.
- Attenersi alle istruzioni contenute nel presente manuale. Rispettare i simboli di sicurezza e le istruzioni di sicurezza. In caso di mancata osservanza delle istruzioni e dei relativi simboli, si potrebbero causare lesioni personali, danni o la morte.
- Non gettare il presente manuale. Utilizzare le istruzioni per assemblare, azionare e mantenere il prodotto in buone condizioni. Utilizzare le istruzioni per installare correttamente attrezzature e accessori. Utilizzare esclusivamente attrezzature e accessori omologati.
- Non utilizzare un prodotto danneggiato. Attenersi al programma di manutenzione. Eseguire solo gli interventi di manutenzione riportati nelle istruzioni di questo manuale. Tutti gli altri interventi di manutenzione devono essere effettuati da un centro di assistenza autorizzato.
- Il presente manuale non include tutte le situazioni che possono verificarsi quando si utilizza il prodotto. Prestare la massima attenzione e usare il buon senso. Non utilizzare mai il prodotto o eseguire interventi di manutenzione sul prodotto se non si è sicuri. Per ulteriori informazioni parlare con un esperto del prodotto, il vostro rivenditore, l'officina o il centro di assistenza autorizzato.
- Scollegare il cavo della candela prima di assemblare il prodotto, conservarlo in magazzino o eseguire la manutenzione.
- Non utilizzare il prodotto se è stato modificato in qualche modo rispetto alle caratteristiche iniziali. Non sostituire una parte del prodotto senza previa approvazione del produttore. Utilizzare solo parti

approvate dal produttore. Una manutenzione impropria può causare lesioni o la morte.

- Non respirare i fumi provenienti dal motore. L'inalazione prolungata dei fumi di scarico del motore è dannosa per la salute.
- Non avviare il prodotto in ambienti chiusi o vicino a materiale infiammabile. I fumi di scarico sono molto caldi e possono contenere scintille in grado di provocare incendi. Un flusso d'aria insufficiente può causare lesioni o la morte dovute ad asfissia o al monossido di carbonio.
- Quando si utilizza questo prodotto, il motore genera un campo elettromagnetico. Il campo elettromagnetico può danneggiare gli impianti medici. Rivolgersi al medico e al produttore degli impianti medici prima di utilizzare il prodotto.
- Non consentire ai bambini di utilizzare il prodotto. Non permettere a chiunque non conosca le istruzioni di utilizzare il prodotto.
- Assistere sempre una persona, con capacità fisica o mentale ridotta, quando utilizza il prodotto. È necessaria sempre la supervisione di un adulto responsabile.
- Conservare il prodotto in un'area a cui bambini o persone non autorizzate non possano accedere.
- Il prodotto può espellere oggetti e causare lesioni. Attenersi alle istruzioni di sicurezza per ridurre il rischio di lesioni o morte.
- Non allontanarsi dal prodotto con il motore in funzione.
- L'operatore del prodotto è responsabile in caso di incidente.
- Prima e durante la retromarcia, guardare indietro e in basso accertandosi che non vi siano bambini piccoli, animali o altri rischi che potrebbero comportare una caduta.
- Verificare che i componenti non siano danneggiati prima di utilizzare il prodotto.
- Tenersi a una distanza di almeno 15 m (50 piedi) da persone o animali prima di utilizzare il prodotto. Verificare che le persone circostanti siano a conoscenza del fatto che il prodotto verrà azionato.
- Fare riferimento alle normative nazionali o locali, in quanto possono impedire o limitare il funzionamento del prodotto in determinate condizioni.

Istruzioni di sicurezza per il funzionamento

- Non porre le mani o i piedi vicino o sotto le parti rotanti. Restare sempre lontani dall'apertura di scarico.
- Procedere con estrema cautela quando si attraversano superfici ghiaiose, sentieri o strade. Prestare attenzione ai pericoli nascosti o al traffico.

- Se si urta un corpo estraneo, fermare il motore, rimuovere il cavo dalla candela, staccare il filo per i motori elettrici, controllare attentamente il prodotto per verificare se abbia subito danni e riparare gli eventuali danni prima di riavviare e utilizzare il prodotto.
- Se il prodotto inizia a vibrare in maniera anomala, arrestare il motore e individuare immediatamente la causa. Le vibrazioni generalmente sono sintomo di problemi.
- Spegnerne il motore ogni volta che si lascia la posizione di lavoro, prima di liberare da intasamenti il carter della coclea o il deflettore di scarico, e quando si eseguono riparazioni, regolazioni o controlli.
- Prima di ogni intervento di pulizia, riparazione o controllo del prodotto, spegnere il motore e verificare che le trivelle e tutte le parti mobili siano ferme. Scollegare il cavo da tutte le candele e allontanarlo in modo da impedire che qualcuno possa accendere il motore accidentalmente.
- Non avviare il motore in spazi chiusi, se non quando si avvia il motore e per il trasporto del prodotto all'interno o all'esterno dell'edificio. Aprire le porte esterne; i fumi di scarico sono pericolosi.
- Procedere con estrema cautela quando si aziona la macchina in pendenza.
- Non azionare mai il prodotto senza i ripari e gli altri dispositivi di protezione installati e funzionanti.
- Non rivolgere mai il deflettore di scarico verso le persone o verso aree dove potrebbero verificarsi danni. Tenere lontani i bambini e le persone in genere.
- Non sovraccaricare il prodotto tentando di rimuovere la neve troppo velocemente.
- Non azionare mai il prodotto ad alte velocità di marcia su superfici scivolose. Guardarsi indietro e procedere con cautela quando si lavora in retromarcia.
- Disinserire le trivelle quando si deve trasportare o non si utilizza il prodotto.
- Usare solo gruppi di taglio e accessori approvati dal produttore del prodotto (come pesi delle ruote, contrappesi e cabine).
- Non utilizzare mai il prodotto senza una buona visibilità o senza luce. Accertarsi sempre di avere una buona presa con i piedi sul terreno e con le mani sul manubrio. Procedere adagio; non correre.
- Non toccare mai il motore o la marmitta caldi.

Sicurezza dell'area di lavoro

- Ispezionare attentamente l'area in cui la macchina deve essere utilizzata e rimuovere stuoini, slitte, assi, cavi e qualsiasi altro oggetto.
- Disinserire tutte le frizioni e mettere la leva del cambio in folle prima di avviare il motore.
- Non utilizzare il prodotto indossando indumenti invernali non adeguati. Non indossare indumenti lenti che potrebbero impigliarsi nelle parti mobili.

Indossare calzature che favoriscano la presa sulle superfici scivolose.

- Maneggiare il carburante con attenzione in quanto è altamente infiammabile.
 - Utilizzare una tanica carburante approvata.
 - Non aggiungere mai carburante quando il motore è in funzione o caldo.
 - Riempire il serbatoio del carburante all'aperto e con estrema attenzione. Non riempire mai il serbatoio del carburante al chiuso.
 - Non riempire mai i contenitori all'interno di un veicolo o sul pianale di un autocarro o di un rimorchio con copertura di materiale plastico. Collocare sempre i contenitori a terra, lontano dal veicolo, prima di riempirli.
 - Quando possibile, rimuovere le macchine a benzina dall'autocarro o dal rimorchio e rifornirle a terra. Se questo non è possibile, rifornire le macchine su un rimorchio utilizzando un contenitore di carburante portatile e non l'erogatore di un distributore di benzina.
 - Mantenere l'erogatore sempre a contatto con il bordo dell'apertura del serbatoio o del contenitore di carburante, fino al termine del rifornimento. Non usare un dispositivo di blocco che tenga aperto l'ugello.
 - Reinscrivere saldamente il tappo del serbatoio della benzina e asciugare il carburante fuoriuscito.
 - Se si versa della benzina sui propri indumenti, cambiare indumenti immediatamente.
- Utilizzare fili di prolunga e prese come specificati dal costruttore per tutte le macchine con motori elettrici o motorini di avviamento elettrici.
- Regolare l'altezza del carter della coclea per eliminare la ghiaia o la superficie rocciosa frantumata.
- Non tentare mai di effettuare regolazioni a motore acceso (salvo i casi esplicitamente consigliati dal produttore).
- Indossare sempre occhiali o maschere di sicurezza durante l'uso o quando si esegue una regolazione o una riparazione, per proteggere gli occhi dai corpi estranei che potrebbero essere lanciati dalla macchina.

Abbigliamento protettivo personale

Indossare sempre il corretto abbigliamento protettivo personale durante l'utilizzo del prodotto. Questo include, come minimo, calzature robuste e dispositivi di protezione per gli occhi e per le orecchie. L'uso dell'abbigliamento protettivo personale non elimina il rischio di lesioni, ma ne riduce la gravità in caso di incidente.

- Indossare sempre occhiali di sicurezza o protezioni per gli occhi quando si utilizza il prodotto o si eseguono manutenzione o riparazioni.

- Indossare sempre indumenti invernali appropriati durante il funzionamento del prodotto.
- Usare sempre stivali robusti anti-scivolo con un buon supporto per le caviglie durante l'utilizzo del prodotto.
- Non indossare mai abiti larghi che potrebbero restare impigliati nelle parti in movimento.
- Utilizzare guanti protettivi omologati, se necessario. Ad esempio, quando si collega, si esamina o si pulisce la lama.
- Utilizzare sempre protezioni acustiche omologate durante l'uso del prodotto. Un rumore prolungato può provocare la perdita dell'udito.

Dispositivi di sicurezza sul prodotto

- Eseguire regolarmente la manutenzione del prodotto.
 - Ciò aumenta la durata del prodotto.
 - E riduce il rischio di incidenti.

Far esaminare il prodotto da un rivenditore o un centro di assistenza autorizzati per eventuali regolazioni o riparazioni.

- Non utilizzare un prodotto con abbigliamento protettivo danneggiato. Se il prodotto è danneggiato, rivolgersi a un centro di assistenza autorizzato.

Marmitta

La marmitta assicura il minimo livello acustico e allontana i fumi di scarico dall'operatore.

Non utilizzare il prodotto se la marmitta è mancante o difettosa. Una marmitta difettosa aumenta il livello acustico e il rischio di incendio.

Esaminare la marmitta periodicamente per assicurarsi che sia collegata correttamente e che non sia danneggiata.



ATTENZIONE: La marmitta si surriscalda durante e dopo l'uso e quando il motore funziona al regime minimo. Prestare attenzione in prossimità di materiali infiammabili e/o fumi per evitare incendi.

Sicurezza nell'uso del carburante



AVVERTENZA: Leggere le seguenti avvertenze prima di utilizzare il prodotto.

- Non avviare il prodotto nel caso in cui vi sia carburante o olio motore su di esso. Rimuovere il carburante/olio indesiderato e lasciare che il prodotto si asciughi.
- In caso di perdite di carburante sugli indumenti, cambiarsi immediatamente.
- Il carburante non deve arrivare a contatto con il corpo, poiché può causare lesioni. In caso di

contatto del carburante con il corpo, rimuoverlo con acqua e sapone.

- Non avviare il prodotto se il motore presenta una perdita. Esaminare regolarmente il motore per verificare la presenza di eventuali perdite.
- Prestare la massima attenzione con il carburante. Il carburante è infiammabile e i fumi sono esplosivi quindi possono causare lesioni o morte.
- Non respirare i fumi del carburante perché possono causare lesioni. Accertarsi che ci sia un flusso d'aria sufficiente.
- Non fumare in prossimità del carburante o del motore.
- Non posizionare oggetti caldi in prossimità del carburante o del motore.
- Non aggiungere carburante a motore acceso.
- Assicurarsi che il motore sia freddo prima di effettuare il rifornimento.
- Prima di effettuare il rifornimento, aprire lentamente il tappo del serbatoio carburante e rilasciare la pressione con cautela.
- Non aggiungere carburante al motore in un ambiente chiuso. Un flusso d'aria insufficiente può causare lesioni o la morte dovute ad asfissia o al monossido di carbonio.
- Stringere completamente il tappo del serbatoio del carburante. Se il tappo del serbatoio carburante non è serrato, vi è il rischio di incendio.
- Prima dell'avviamento, spostare il prodotto di almeno 3 m (10 ft) dal punto in cui è stato riempito il serbatoio del carburante.
- Non rabboccare il serbatoio con una quantità eccessiva di carburante.

Sicurezza batterie



AVVERTENZA: Una batteria danneggiata può esplodere e causare lesioni. Se la batteria presenta una deformazione o è danneggiata, rivolgersi a un'officina autorizzata Husqvarna.



AVVERTENZA: Leggere le seguenti avvertenze prima di utilizzare il prodotto.

- Utilizzare occhiali protettivi quando si è in prossimità delle batterie.
- Non indossare orologi, gioielli o altri oggetti metallici nelle vicinanze della batteria.
- Tenere la batteria fuori dalla portata dei bambini.
- Caricare la batteria in un luogo con buon ricambio d'aria.
- Tenere i materiali infiammabili a una distanza minima di 1 m quando si carica la batteria.
- Smaltire le batterie sostituite. Vedere *Smaltimento alla pagina 160*.

- Gas esplosivi possono fuoriuscire dalla batteria. Non fumare in prossimità della batteria. Tenere la batteria lontano da fiamme libere e scintille.

Istruzioni di sicurezza per la manutenzione



AVVERTENZA: Leggere le seguenti avvertenze prima di utilizzare il prodotto.

- I fumi di scarico del motore contengono monossido di carbonio, un gas inodore, velenoso ed estremamente pericoloso. Non avviare il motore in ambienti o spazi chiusi.
- Prima di eseguire la manutenzione del prodotto, arrestare il motore e rimuovere il cavo di accensione dalla candela.
- Indossare guanti protettivi quando si eseguono interventi di manutenzione sulle lame. Le lame sono molto affilate e ci si può ferire facilmente.

- Accessori e modifiche apportate al prodotto che non siano stati approvati dal costruttore possono causare gravi lesioni, anche fatali. Non apportare modifiche al prodotto. Utilizzare sempre accessori approvati dal produttore.
- Se la manutenzione non viene eseguita correttamente e con regolarità, aumenta il rischio di lesioni personali e danni al prodotto.
- Eseguire esclusivamente gli interventi di manutenzione riportati nel presente manuale operatore. Tutti gli altri interventi di manutenzione devono essere svolti da un'officina autorizzata.
- Rivolgersi a un'officina autorizzata per far svolgere regolarmente interventi di manutenzione sul prodotto.
- Sostituire le parti danneggiate, usurate o rotte.

Montaggio

Per rimuovere il prodotto dalla confezione

1. Rimuovere le parti sfuse incluse con il prodotto. Tagliare i quattro angoli del cartone e posare i pannelli terminali in piano.
2. Rimuovere le due viti che fissano il carter della coclea al pallet. Rimuovere le staffe in acciaio dalle piastre di scorrimento se presenti.
3. Rimuovere tutto il materiale da imballaggio.
4. Rimuovere il prodotto dalla confezione e assicurarsi che non vi siano lasciate parti sfuse.



Fermo dello scivolo



Manopole dell'impugnatura (2)



Controdado 3/8 (1)



Controdado 3/18-16 (1)



Scivolo di scarico (1)



(ST 424/427/430) Supporto cavo (1)



Perni di tranciamento 1/4-20 x 1.81 (6)



Chiave di accensione/spengimento (s)



Controdadi 1/4-20 (6)



Bulloni di trasporto 5/16 - 18 x 2 1/4" (2)



Controdado 5/16-18 (1)



Controdado ¼-20 (1)



Rondella in nylon (1)



Bulloni di trasporto 5/16-18 x 5/8 (1)



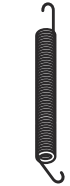
Spina elastica (1)



Leva di sblocco (1)



Leva scivolo di scarico



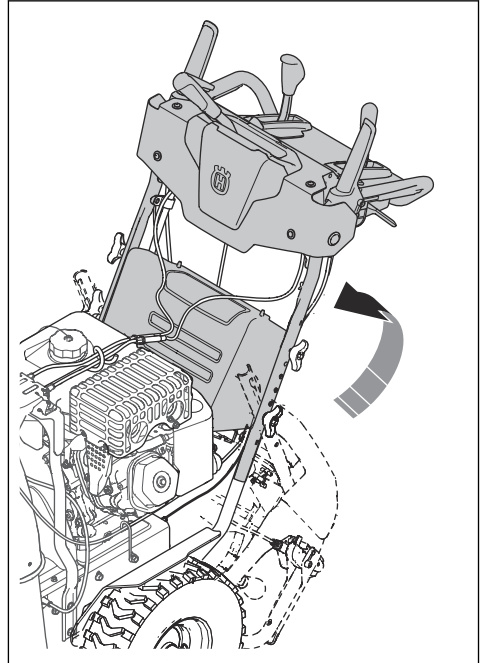
Molla (1)



Bullone con flangia ¼-20 (1)

Installazione dell'impugnatura

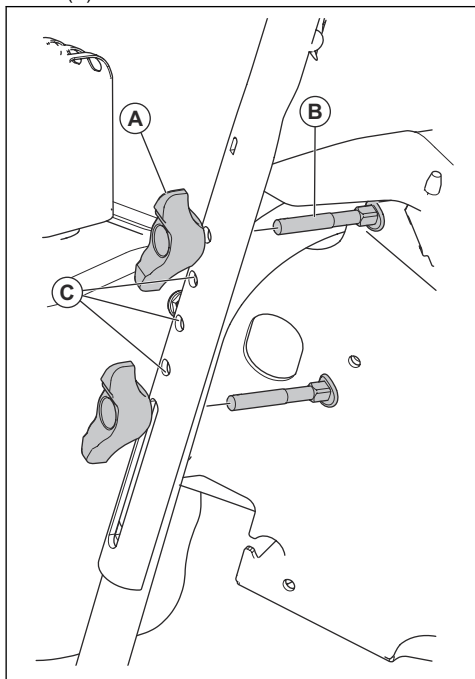
1. Sollevare l'impugnatura superiore in posizione di funzionamento.



Utensili richiesti

- Chiave da 3/8" (1)
- Chiave da 7/16" (1)
- Chiave da 1/2" (1)
- Chiave a bussola da 9/16" (1)

2. Regolare la posizione dell'impugnatura su uno dei fori (C).

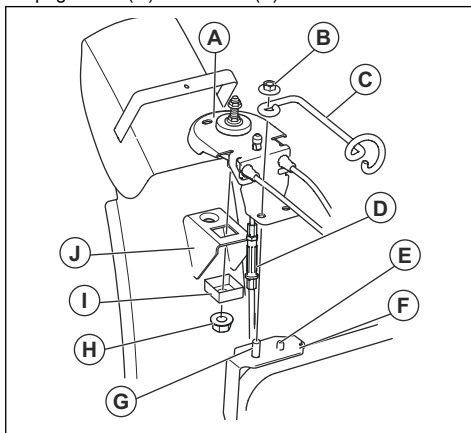


3. Inserire il bullone (B) attraverso il foro (C).
4. Fissare la manopola (A) al bullone e serrarla.
5. Montare più bulloni di trasporto (B) e manopole dell'impugnatura (A) per fissare l'impugnatura superiore all'impugnatura inferiore.

Montaggio dello scivolo di scarico

1. Posizionare il complessivo del deflettore dello scivolo di scarico sulla parte superiore dello scivolo. L'apertura di scarico deve essere rivolta verso la parte anteriore del prodotto.
2. Posizionare la testina rotore (A) sulla staffa dello scivolo di scarico (J).
3. Allineare i perni sotto alla testina rotore con i fori della staffa dello scivolo di scarico.

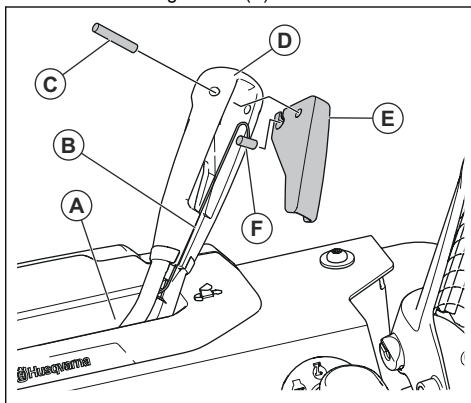
4. Posizionare la testina rotore sul perno (E) e la vite prigioniera (G) sulla staffa (E).



5. Fissare un controdado (B) sulla vite prigioniera e serrare.
6. Fissare il fermo quadrato (I) con un controdado (H).
7. Solo per ST 424/427/430 : Inserire i cavi attraverso il supporto del cavo (C)

Installazione del deflettore dello scivolo di scarico e del cavo di rilascio

1. Premere la manopola (D) verso il basso sulla leva dello scivolo di scarico. Utilizzare un mazzuolo di gomma se necessario.
2. Collegare il cavo di rilascio alla leva dello scivolo di scarico sul collegamento (A).

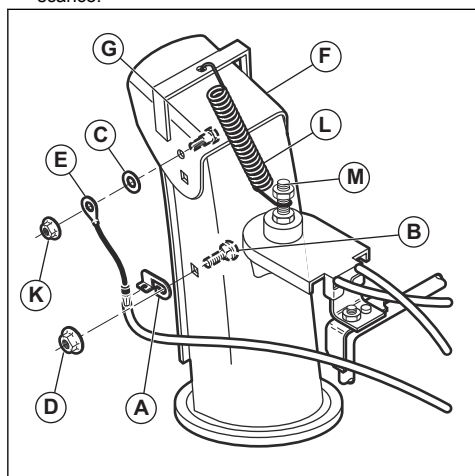


3. Inserire il cavo di rilascio nella scanalatura (B) sulla leva dello scivolo di scarico.
4. Installare il raccordo del cilindro del cavo (F) nella leva di rilascio (E).
5. Installare la leva di rilascio (E) sulla leva dello scivolo di scarico e fissarla con la spina elastica (C).

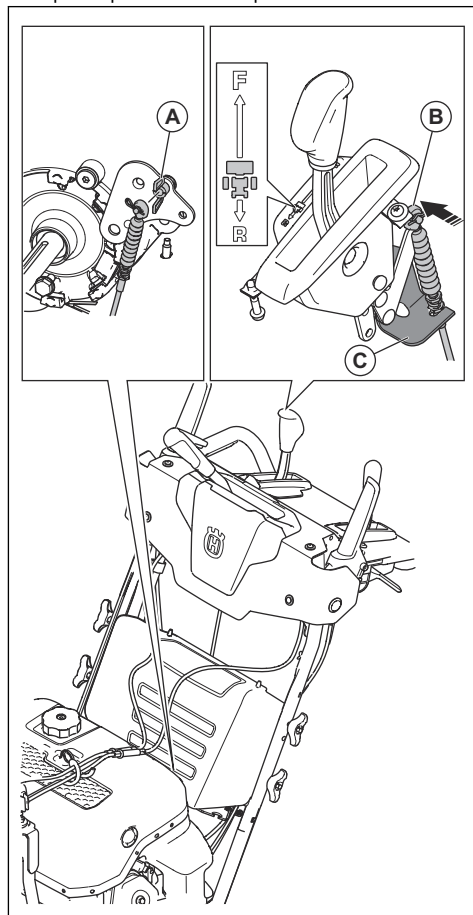
6. Regolare il cavo di rilascio. Vedere *Regolazione del cavo di rilascio dello scivolo di scarico alla pagina 154*.
7. Regolare i cavi dello scivolo di scarico destro e sinistro. Vedere *Regolazione dei cavi dello scivolo di scarico destro e sinistro alla pagina 154*.

Installazione del telecomando per il deflettore dello scivolo di scarico

1. Fissare la staffa del cavo (A) allo scivolo di scarico con un bullone di trasporto (B) e un controdado 5/16-18 (D). Serrare il bullone.
2. Montare l'occhiello del cavo (E) sul deflettore dello scivolo di scarico (F). Utilizzare un bullone di spallamento (G), una rondella di nylon (C), quindi serrare con un controdado da ¼ 20 (K). L'occhiello del cavo sarà allentato sul bullone di spallamento.
3. Fissare la molla (L) tra il dado esagonale (M) sulla testina rotore e il foro sul deflettore dello scivolo di scarico.



4. Rimuovere le viti e il dado a farfalla (A) sulla leva a squadra per far muovere quest'ultima.

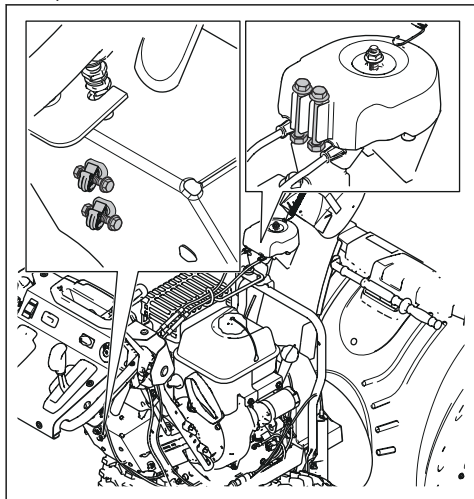


Installazione del cavo della trasmissione

1. Posizionare la leva della trasmissione in posizione di folle.
2. Collegare il cavo della trasmissione (B) alla leva della trasmissione con un perno di fissaggio.
3. Collegare il cavo della trasmissione alla staffa (C) con chiavi da 2 1/2". Accertarsi che la leva della trasmissione sia in posizione di folle.

Fissaggio dei perni di tranciamento di ricambio

- Collegare i perni di tranciamento di ricambio sul coperchio del telecomando o sul vano batterie.



Utilizzo

Prima di utilizzare il prodotto

- Tenere persone e animali all'esterno dell'area di lavoro.
- Eseguire la manutenzione giornaliera. Vedere *Programma di manutenzione alla pagina 145*.
- Accertarsi che il cavo di accensione si inserisca correttamente sulla candela.
- Aggiungere olio o benzina, se necessario. Vedere *Per il rifornimento del carburante alla pagina 140*.

Per riempire il motore con olio



ATTENZIONE: Non ruotare l'asta di livello dell'olio quando si effettua il controllo dell'olio. Non riempire oltre il contrassegno.

1. Rimuovere il tappo dell'olio e pulire l'asta di livello. Per la posizione dell'asta di livello, vedere *Panoramica del prodotto alla pagina 130*.
2. Aggiungere l'olio fino al contrassegno superiore sull'asta di livello. Utilizzare l'asta di livello per fare un controllo del livello dell'olio a intervalli regolari.
3. Rimettere il tappo dell'olio.

Per il rifornimento del carburante

Se disponibile, utilizzare benzina alchilata/a basso livello di emissioni. Se non è disponibile benzina alchilata/a basso livello di emissioni, utilizzare benzina senza

piombo di buona qualità o benzina contenente piombo. Utilizzare benzina con un numero minimo di ottani pari a 90 RON al di fuori del Nordamerica (87 AKI in Nordamerica) e con una percentuale massima di etanolo del 10% (E10).

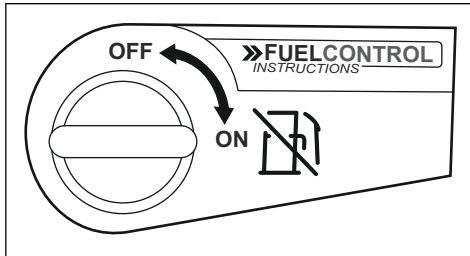


ATTENZIONE: Non utilizzare mai benzina con un numero di ottani inferiore a 90 RON al di fuori del Nord America (87 AKI in Nordamerica). Ciò può causare danni al prodotto.

1. Aprire lentamente il tappo del serbatoio del carburante per rilasciare la pressione.
2. Riempire lentamente il serbatoio con una tanica di carburante. Se si versa del carburante, rimuoverlo con un panno e lasciare asciugare eventuali residui.
3. Pulire l'area intorno al tappo del serbatoio del carburante.
4. Stringere completamente il tappo del serbatoio del carburante. Se il tappo del serbatoio carburante non è serrato, vi è il rischio di incendio.
5. Prima dell'avviamento, spostare il prodotto di almeno 3 m (10 ft) dal punto in cui è stato riempito il serbatoio del carburante.

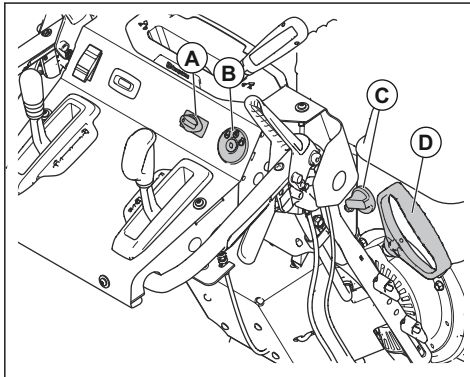
Utilizzo dell'interruttore carburante (solo per ST 424/427/430)

- Ruotare l'interruttore del carburante per aprire o chiudere la valvola del carburante. Utilizzare il prodotto con l'interruttore del carburante in posizione "APERTO".



Avviamento del motore, avviamento manuale

1. Inserire la chiave ON/OFF nel blocchetto di accensione (B). Non girare la chiave.



2. Solo per ST 424/427/430 : Portare l'interruttore ON/OFF del carburante (C) nella posizione ON.
3. Portare il comando dell'acceleratore (A) nella posizione VELOCE.
4. Girare la chiave ON/OFF nella posizione ON
5. Solo per ST 424/427/430 : Se la temperatura è inferiore a -17°C (0°F), premere la pompa 3 volte. Vedere *Panoramica del prodotto alla pagina 130* per la posizione della pompa.



ATTENZIONE: Non premere la pompa troppe volte. Può impedire l'avviamento del motore. Se il motore è ingolfato, attendere alcuni minuti prima di provare ad avviare. Non premere la pompa.

6. Tirare l'impugnatura di avviamento (D).



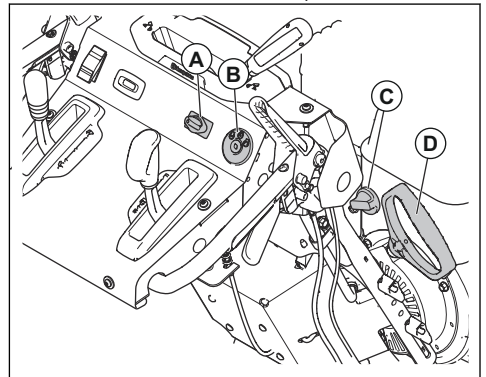
ATTENZIONE: Non rilasciare l'impugnatura di avviamento rapidamente. Riportarla in posizione di avviamento lentamente.

Nota: Se la fune di avviamento è congelata, estrarla il più lentamente possibile. Rilasciare l'impugnatura di avviamento. Se il motore non si avvia, ripetere la procedura oppure utilizzare l'avviamento elettrico.

7. Avviare il motore a un regime molto basso per 2-3 minuti prima di iniziare a spazzare la neve.
8. Se il motore non funziona in modo fluido, spegnerlo.

Avviamento del motore, avviamento elettrico

1. Inserire la chiave ON/OFF nel blocchetto di accensione (B). Non girare la chiave.
2. Solo per ST 424/427/430 : Portare l'interruttore ON/OFF del carburante (C) nella posizione ON.
3. Portare il comando dell'acceleratore (A) nella posizione VELOCE.
4. Portare la chiave ON/OFF nella posizione ON



5. Solo per ST 424/427/430 : Se la temperatura è inferiore a -17°C (0°F), premere la pompa 3 volte. Vedere *Panoramica del prodotto alla pagina 130* per la posizione della pompa.



ATTENZIONE: Non premere la pompa troppe volte. Può impedire l'avviamento del motore. Se il motore è ingolfato, attendere alcuni minuti prima di provare ad avviare. Non premere la pompa.

6. Girare la chiave ON/OFF nella posizione START. Quando il motore si avvia, rilasciare la chiave.



ATTENZIONE: Non far girare il motorino di avviamento per più di 5 secondi a ogni tentativo. Attendere 5-10 secondi tra ogni tentativo.

- Avviare il motore a un regime molto basso per 2-3 minuti prima di iniziare a spazzare la neve.

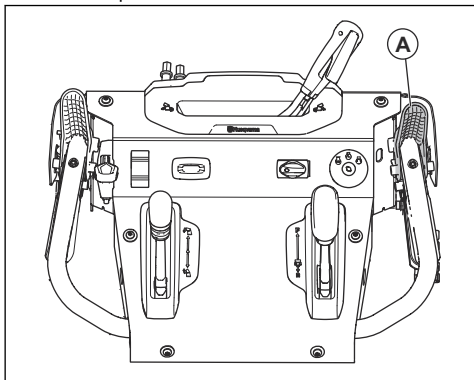
Utilizzo del prodotto



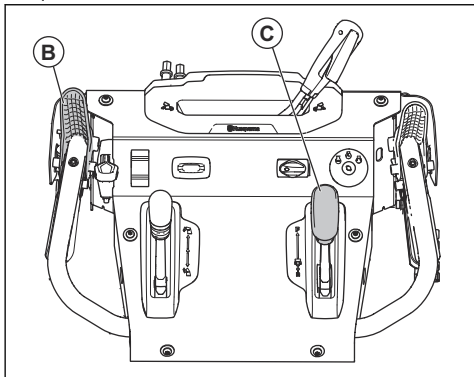
ATTENZIONE: Non innestare parzialmente le leve di trasmissione o della coclea per un lungo periodo di tempo; ciò può portare ad un'usura prematura o bruciature delle cinghie.

Nota: Quando sia l'innesto della trasmissione sia l'innesto della coclea sono inseriti, l'innesto della trasmissione bloccherà l'innesto della coclea in posizione. Usare la mano destra per controllare lo scivolo di scarico della neve.

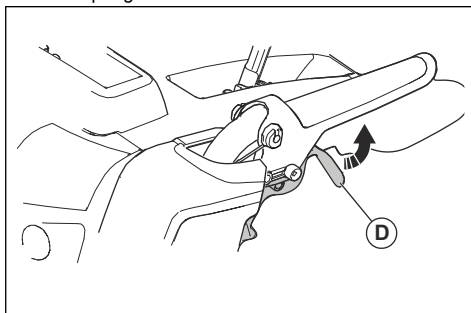
- Per innestare le lame della coclea, spingere l'innesto della coclea (A) verso l'impugnatura per innestare la coclea e spazzare la neve.



- Sollevare la leva della trasmissione (C) dalla posizione centrale per far spostare in avanti il prodotto quando la trasmissione (B) è inserita.
- Abbassare la leva della trasmissione dalla posizione centrale per far spostare il prodotto all'indietro, quando la trasmissione è inserita.



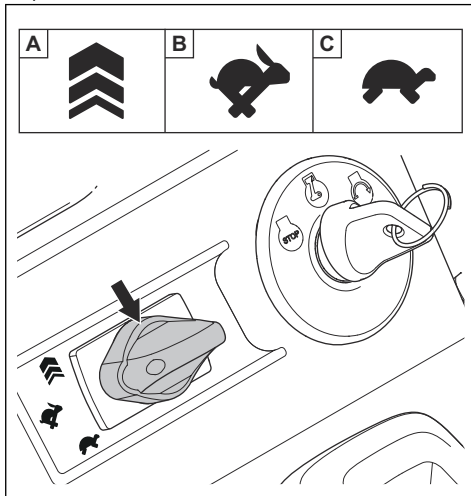
- Per far spostare il prodotto nella direzione selezionata, tenere l'innesto della trasmissione contro la maniglia.
- Se il prodotto in uso dispone dell'idroguida, tenere il comando sinistro dello sterzo (D) per girare a sinistra. Tenere premuto il comando destro dello sterzo per girare a destra.



Comando dell'acceleratore

Nota: Se la neve è bagnata o pesante, utilizzare le modalità veloce o boost.

Il comando dell'acceleratore regola il regime del motore. Dispone di 3 modalità: boost, lenta e veloce.



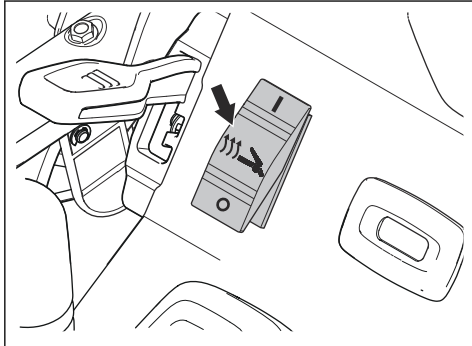
- Boost (A): per aumentare la velocità quando il prodotto viene azionato, ma non lancia la neve, oppure per aumentare la distanza di getto della neve.
- Veloce (B): funzionamento standard
- Lenta (C): per diminuire la distanza di getto della neve oppure per ridurre la rumorosità del motore

Utilizzo del comando dell'acceleratore

- Girare il comando dell'acceleratore per cambiare il regime del motore.

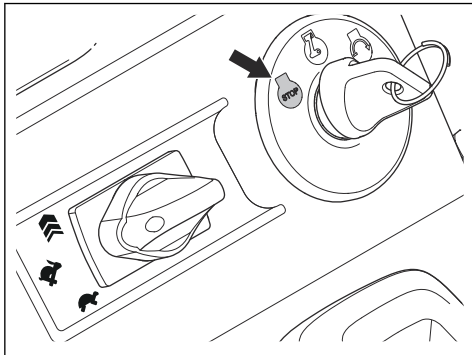
Utilizzo delle impugnature riscaldate

- Premere l'interruttore nella posizione I per attivare le impugnature riscaldate.
- Premere l'interruttore nella posizione O per disattivare le impugnature riscaldate.



Arresto del prodotto

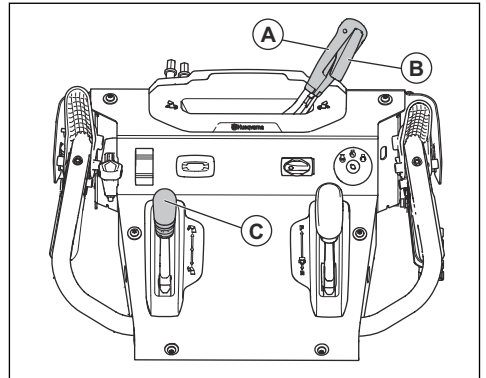
1. Girare la chiave nella posizione STOP.



2. Rimuovere la chiave di accensione/spengimento.

Regolazione dello scivolo di scarico e del relativo deflettore

1. Premere la leva di rilascio (B) sullo scivolo di scarico (A) e regolare lo scivolo di scarico sulla posizione sinistra o destra.



2. Spostare la leva del telecomando (C) per regolare la distanza del getto di neve.
 - a) Sollevare la leva del telecomando per ridurre la distanza del getto di neve.
 - b) Abbassare la leva del telecomando per aumentare la distanza del getto di neve.

Regolazione delle piastre di scorrimento

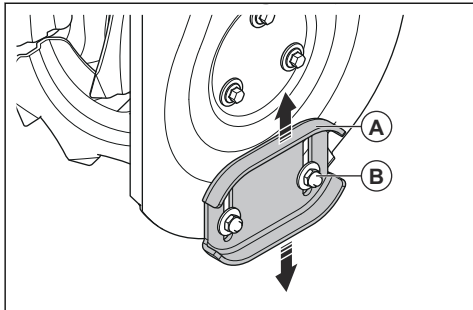
Le piastre di scorrimento evitano di danneggiare la parte inferiore dello spazzaneve. Regolare le piastre di scorrimento (A) quando il controdado (B) è allentato, oppure la piastra di scorrimento non è alla giusta distanza dal suolo. Non sono necessarie regolazioni per un'installazione standard.

1. Allentare il controdado (B) con una chiave da 13 mm (1/2").
2. Spostare le piastre di scorrimento (A) verso l'alto o verso il basso.
 - a) Su superfici piane impostare la distanza tra la barra raschiante e il terreno su 5-6 mm (0,2 - 0,25").
 - b) Su superfici ruvide regolare le piastre di scorrimento (A) in una posizione in cui la barra raschiante si trovi sopra la parte superiore del terreno.



AVVERTENZA: Accertarsi che ghiaia e sassi non entrino nel prodotto. Oggetti espulsi ad alta velocità possono causare lesioni gravi.

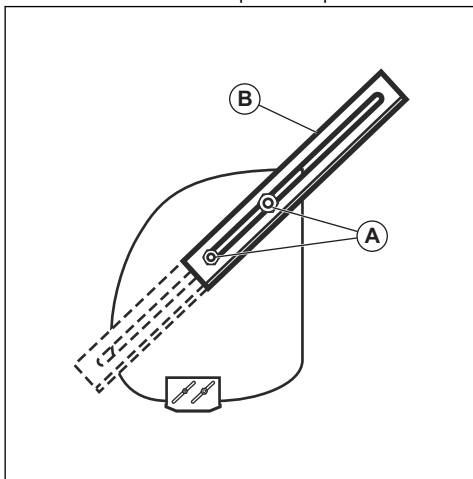
3. Serrare il controdado (B).



Per utilizzare le frese da neve (se in dotazione)

Utilizzare le frese da neve per tagliare i cumuli di neve più in profondità rispetto alla parte anteriore del prodotto.

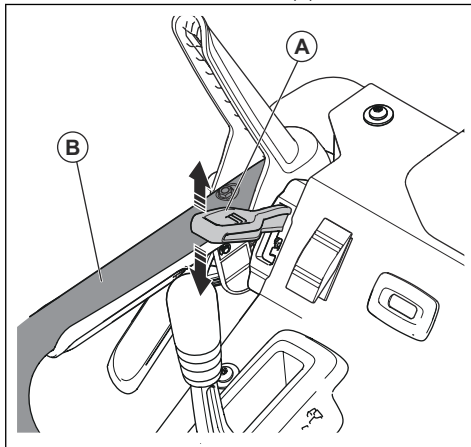
1. Allentare i dadi di regolazione (A) su entrambi i lati del prodotto per consentire a ogni fresa da neve (B) di essere sollevata nella posizione più alta.



2. Serrare i dadi.
3. Abbassare la fresa da neve dopo l'uso.

Regolazione dell'altezza della benna miscelatrice (solo per ST 424T/427T/430T)

1. Premere verso il basso la leva (A).



2. Spostare le impugnature (B) verso l'alto o verso il basso per regolare l'altezza della benna miscelatrice.
3. Rilasciare la leva (A) per bloccare in posizione la benna miscelatrice.

Nota: La benna miscelatrice può essere impostata su una posizione di sblocco. Questo consente alla benna miscelatrice di adattarsi al terreno. Per impostare la benna miscelatrice in posizione di sblocco, premere la leva (A) verso il basso e verso destra.

Per evitare il congelamento dopo l'uso

Nota: I comandi e le parti mobili possono essere ostruite da ghiaccio. Non esercitare forza eccessiva sui comandi. Se non è possibile azionare un comando o una parte, avviare il motore e lasciarlo in funzione per alcuni minuti.

1. Avviare il motore e lasciarlo girare per qualche minuto. Fermare il motore e attendere l'arresto di tutte le parti mobili.
2. Rimuovere neve e ghiaccio dal prodotto.
3. Rimuovere neve e ghiaccio dalla base dello scivolo di scarico.
4. Ruotare il deflettore dello scivolo di scarico a sinistra e a destra per rimuovere acqua e ghiaccio.
5. Impostare la chiave in posizione "OFF".
6. Se il prodotto non dispone di un avviatore elettrico, tirare l'impugnatura del cavo di avviamento più volte per rimuovere acqua e ghiaccio.

Per ottenere un buon risultato

- Far girare il motore sempre a pieno regime o vicino al massimo.
- Adattare sempre la velocità del prodotto alla situazione della neve e regolare la velocità con la leva della trasmissione. Accertarsi che il prodotto spazzi la neve in modo uniforme.
- È più facile ed efficiente rimuovere la neve subito dopo la caduta.
- Quando possibile, lanciare la neve sottovento.
- Su superfici piane, come strade asfaltate, sollevare le piastre di scorrimento fino a 5-6 mm (0,2 - 0,25 poll) dal suolo.
- La barra raschiante è reversibile. Quando diviene usurata quasi fino al bordo dell'alloggiamento, rovesciarla. Sostituire la barra raschiante se è danneggiata, o se entrambi i lati sono usurati.
- Non spedire il deflettore dello scivolo se è intasato.
- Se il prodotto non si sposta in avanti a causa di circostanze impreviste, rilasciare immediatamente l'innesto della trasmissione o portare la chiave ON/OFF su OFF.

Manutenzione

Introduzione

Quando il prodotto è in uso, i bulloni possono allentarsi e i componenti possono diventare usurati. Ciò può causare un malfunzionamento come distanza di

tolleranza scorretta, aumento del consumo di olio, o disallineamento dei vari componenti. Eseguire la manutenzione periodica del prodotto per evitare malfunzionamenti.

Programma di manutenzione

Manutenzione	Giornaliera	A intervalli di 15 ore	A intervalli di 20 ore	A intervalli di 40 ore	A intervalli di 100 ore
Serrare dadi e viti	X				
Effettuare un controllo del livello dell'olio motore	X				
Sostituire l'olio motore			X		
Effettuare il controllo e la regolazione del cingolo (solo ST 424T/427T/430T)		X			
Assicurarsi che non vi siano perdite di olio o carburante	X				
Rimuovere gli ostacoli nella coclea	X				
Lubrificare i fermi di blocco ²¹			X		
Lubrificare i fissaggi dei cavi ²²			X		

²¹ Lubrificare inoltre all'inizio di ogni stagione.

²² Lubrificare inoltre all'inizio di ogni stagione.

Manutenzione	Giornaliera	A intervalli di 15 ore	A intervalli di 20 ore	A intervalli di 40 ore	A intervalli di 100 ore
Effettuare un controllo della pressione pneumatici (solo ST 424/427/430) ²³				X	
Ispezionare e sostituire la candela prima dell'uso all'inizio della stagione e in base all'intervallo raccomandato					X

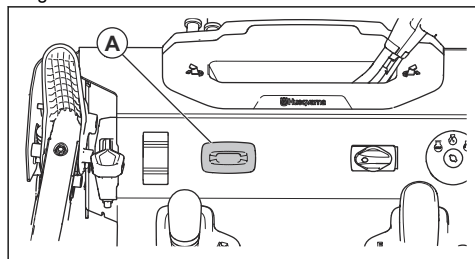
Nota: La trasmissione non richiede alcuna manutenzione.

Per effettuare un'ispezione generale

- Controllare che tutti i dadi e le viti del prodotto siano ben serrati.

Promemoria cambio olio

Il promemoria cambio olio (A) è una funzione che indica che è necessario sostituire l'olio. Il promemoria cambio olio accende il simbolo della latta di olio sul display dopo 20 ore di funzionamento. Il simbolo della latta di olio rimane quindi acceso per 2 ore o finché non viene eseguito un reset manuale.



Reset del promemoria del cambio olio

- Portare la chiave ON/OFF su ON, e mantenerla su ON per 1 secondo.
- Portare la chiave ON/OFF su STOP, e mantenerla su STOP per 1 secondo.
- Ripetere questa procedura altre 4 volte.

Per eseguire il controllo del livello dell'olio



ATTENZIONE: Se il livello dell'olio è troppo basso si possono verificare danni al motore. Controllare il livello dell'olio prima di avviare il prodotto.

- Posizionare il prodotto su un terreno in piano.
- Rimuovere il tappo del serbatoio dell'olio con l'annessa asta di livello.
- Pulire l'olio dall'asta di livello.
- Inserire l'asta di livello interamente all'interno del serbatoio dell'olio per avere un'immagine corretta del livello dell'olio.
- Rimuovere l'asta di livello.
- Controllare il livello dell'olio sull'asta di livello.
- Se il livello dell'olio è basso, rabboccare con olio motore ed eseguire nuovamente un controllo del livello dell'olio.

Cambio dell'olio motore

- Azionare il motore per alcuni minuti per riscaldare l'olio. L'olio caldo scorre meglio e contiene più impurità.



AVVERTENZA: L'olio del motore è caldo. Evitare il contatto della pelle con l'olio motore usato.

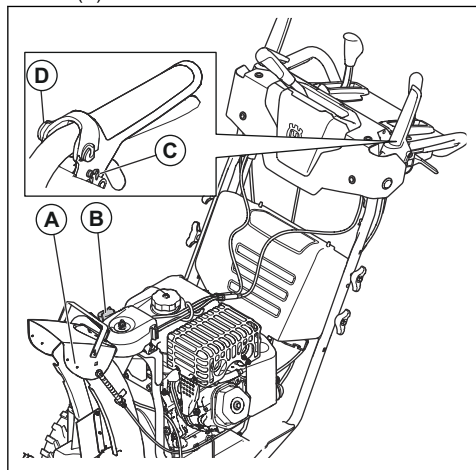
- Posizionare il prodotto su un terreno in piano.
- Rimuovere il tasto on/off.
- Collocare un contenitore sotto il tappo di drenaggio dell'olio.
- Rimuovere il tappo di drenaggio dell'olio, inclinare il prodotto e scaricare l'olio usato nel contenitore.
- Ripartire il prodotto in posizione di funzionamento.

²³ Vedere i Dati tecnici per la corretta pressione dei pneumatici.

- Montare il tappo di drenaggio dell'olio e serrarlo a mano.
- Riempire il motore con olio, vedere *Per riempire il motore con olio alla pagina 140*.

Lubrificazione del prodotto

- Lubrificare i punti di articolazione (A) con l'olio.
- Lubrificazione del motore (B) con l'olio.
- Lubrificare i fermi di blocco (C) con una piccola quantità di grasso al litio.
- Lubrificare con dell'olio le connessioni dei cavi per le leve (D) di trasmissione e coclea.



Batteria

Manutenzione della batteria

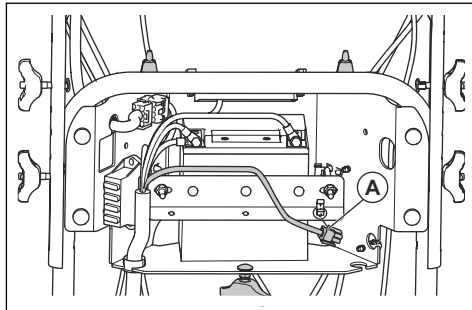
Nota: La batteria del prodotto non necessita di manutenzione. Non aprire o rimuovere i cappucci o i coperchi.

Ricarica della batteria

Nota: Prima del rimessaggio stagionale, caricare la batteria con un caricabatteria per prolungarne la durata.

- Rimuovere il coperchio della batteria. Vedere *Sostituzione della batteria alla pagina 147*.
- Pulire i terminali. Vedere *Pulizia della batteria e dei morsetti alla pagina 148*.

- Collegare il caricabatteria al relativo connettore (A).



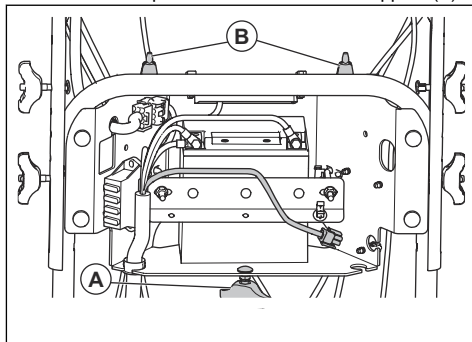
- Quando la batteria è carica, scollegare il caricabatteria.
- Montare il coperchio della batteria.

Sostituzione della batteria



AVVERTENZA: Rischio di scosse elettriche. Non permettere che oggetti metallici vengano a contatto con i 2 morsetti della batteria. Ciò può causare un corto circuito della batteria.

- Allentare la manopola (A), quindi inclinare la parte inferiore del coperchio in direzione del motore. Sollevare il coperchio della batteria dai supporti (B).



- Scollegare il cavo della batteria NERO.



AVVERTENZA: Il cavo NERO deve essere scollegato per primo.

- Scollegare il cavo della batteria ROSSO.
- Svitare i dadi e rimuovere la fettuccia della batteria.
- Rimuovere con cautela la batteria dal prodotto.
- Montare una batteria nuova.
- Collegare il cavo della batteria ROSSO e serrare il bullone.



AVVERTENZA: Pericolo di scintille. Il cavo ROSSO deve essere collegato per primo.

8. Collegare il cavo NERO e serrare il bullone.
9. Montare il coperchio della batteria.

Pulizia della batteria e dei morsetti

1. Rimuovere la batteria. Vedere *Sostituzione della batteria alla pagina 147*.
2. Sciacquare la batteria con dell'acqua e asciugarla.
3. Pulire i morsetti e le estremità dei cavi della batteria con una spazzola metallica fino a renderli lucidi.
4. Ingrassare i morsetti.
5. Installare la batteria. Vedere *Sostituzione della batteria alla pagina 147*.
6. Montare il coperchio della batteria.

Marmitta

La marmitta assicura il minimo livello acustico e allontana i fumi di scarico dall'operatore.

Non utilizzare il prodotto se la marmitta è mancante o difettosa. Una marmitta difettosa aumenta il livello acustico e il rischio di incendio.

Esaminare la marmitta periodicamente per assicurarsi che sia collegata correttamente e che non sia danneggiata.



ATTENZIONE: La marmitta si surriscalda durante e dopo l'uso e quando il motore funziona al regime minimo. Prestare attenzione in prossimità di materiali infiammabili e/o fumi per evitare incendi.

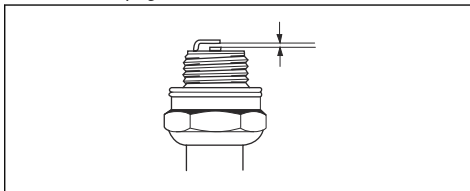
Per esaminare la candela



ATTENZIONE: Usare candele originali o del tipo raccomandato. Un tipo di candela errato può danneggiare il prodotto.

- Controllare la candela nel caso in cui il motore giri a bassa potenza, risulti difficile da avviare o non funzioni correttamente al regime minimo.
- Per ridurre il rischio di materiale superfluo sugli elettrodi delle candele, osservare le seguenti istruzioni:
 - a) Accertarsi che il regime minimo sia regolato correttamente.
 - b) Accertarsi che la miscela sia corretta.
 - c) Accertarsi che il filtro dell'aria sia pulito.

- Se la candela è incrostata, pulirla e controllare che la distanza tra gli elettrodi sia corretta; vedere *Dati tecnici alla pagina 160*.



- Sostituire la candela secondo necessità.

Per ispezionare la coclea e la barra raschiante

1. Prima di ogni utilizzo, controllare che la coclea e la barra raschiante non presentino segni di usura.
2. Se il bordo della barra raschiante è usurato, rovesciare la lama raschiante. Se la barra raschiante presenta danni o è usurata su entrambi i bordi, sostituirla.
3. Se i bordi delle coclee sono usurati, contattare un centro di assistenza autorizzato per sostituirli.

Per sostituire i perni di tranciamento della coclea

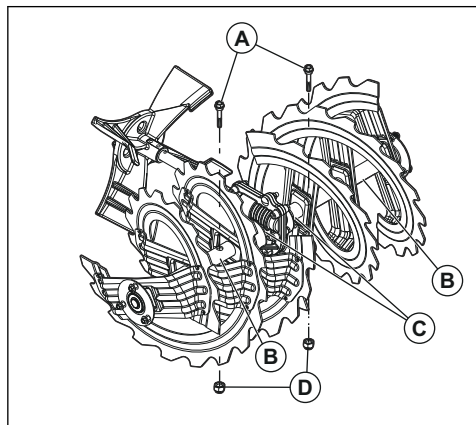
I perni di tranciamento della coclea proteggono il prodotto da eventuali danni. I perni di tranciamento della coclea si rompono se un oggetto entra nelle parti in movimento.



ATTENZIONE: Utilizzare solo perni di tranciamento originali forniti con il prodotto.

1. Se un perno di sicurezza della coclea si rompe, arrestare il motore e attendere che le parti in movimento si arrestino.
2. Rimuovere la chiave ON/OFF e scollegare il cavo della candela.
3. Allineare il foro nel mozzo della coclea (B) con il foro sull'albero della coclea (C) e installare un nuovo perno di sicurezza (A) 1/4 - 20 x 2.

4. Installare un controdado (D) ¼-20 sul perno di tranciamento e serrare.



5. Posizionare la chiave ON/OFF nell'accensione e collegare il cavo della candela alla candela.

Per sostituire i perni di tranciamento del girante

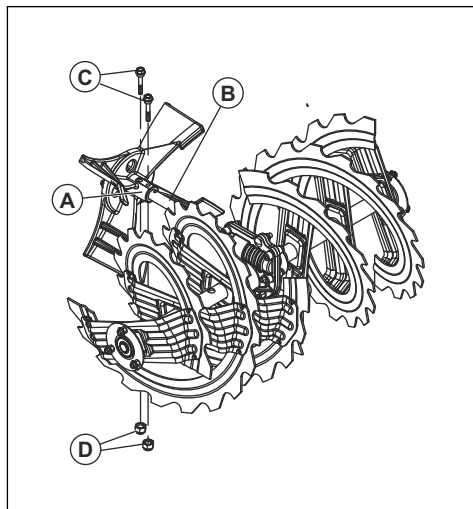
I perni di tranciamento del girante proteggono il prodotto da eventuali danni. I perni di tranciamento del girante si rompono se un oggetto entra nelle parti in movimento.



ATTENZIONE: Utilizzare solo perni di tranciamento originali forniti con il prodotto.

1. Se un perno di tranciamento del girante si rompe, arrestare il motore e attendere che le parti in movimento si arrestino.
2. Rimuovere la chiave ON/OFF e scollegare il cavo della candela.
3. Allineare il foro nel mozzo del girante (A) con i fori dell'albero del girante (B) e installare un nuovo perno di tranciamento ¼-20 (C).

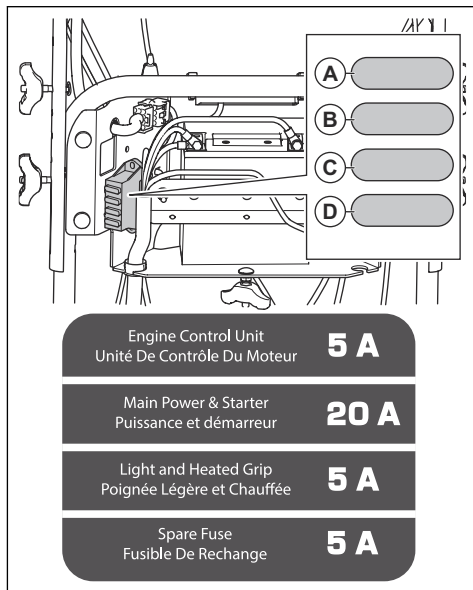
4. Installare un controdado (D) ¼-20 sul perno di tranciamento e serrare.



5. Posizionare la chiave ON/OFF nell'accensione e collegare il cavo della candela alla candela.

Sostituzione del fusibile

I portafusibili sono montati dietro il coperchio del vano batterie.



- Sostituire il fusibile della centralina del motore (A) con un fusibile da 5 A.

- Sostituire il fusibile del solenoide di avviamento (B) con un fusibile da 20 A.
- Sostituire il fusibile del LED e dell'impugnatura riscaldata (C) con un fusibile da 5 A.
- La posizione (D) contiene un fusibile di emergenza da 5 A.

Esaminare gli pneumatici

- Mantenere gli pneumatici privi di carburante, olio e prodotti chimici per evitare di danneggiare la gomma.
- Mantenere gli pneumatici lontano da ceppi, pietre, solchi, oggetti appuntiti e altri oggetti che potrebbero causare danni ai pneumatici.
- Mantenere la corretta pressione dei pneumatici, fare riferimento a *Dati tecnici alla pagina 160*.

Rimozione di un deflettore dello scivolo ostruito

Non sbloccare il deflettore dello scivolo di scarico prima di aver eseguito le seguenti operazioni.

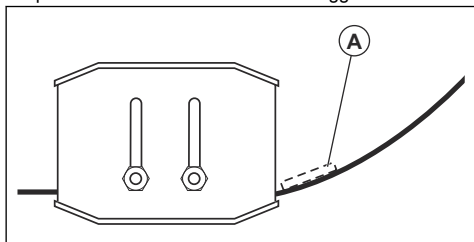
1. Rilasciare l'innesto della coclea e l'innesto della trasmissione allo stesso tempo.
2. Attendere 10 secondi per assicurarsi che le coclee siano ferme.
3. Arrestare il prodotto.
4. Utilizzare lo strumento di pulizia (almeno 37 cm (15")), in dotazione su alcuni modelli, per rimuovere l'ostruzione.



AVVERTENZA: Non mettere le mani nel deflettore dello scivolo di scarico o all'interno della benna miscelatrice.

Per sostituire la barra raschiante

1. Quando la barra raschiante (A) è usurata, portarla in posizione inversa sul bordo dell'alloggiamento.



2. Sostituire la barra raschiante se è usurata su entrambi i lati o se è danneggiata.

Cinghie di trasmissione



AVVERTENZA: Le cinghie trapezoidali sul prodotto sono di costruzione speciale e devono essere sostituite dalle cinghie originali del produttore (OEM) disponibili

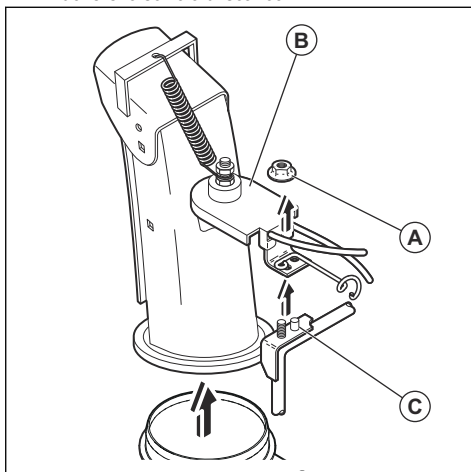
presso il centro di assistenza più vicino. L'uso di cinghie diverse da quelle OEM può causare lesioni personali o danni al prodotto.



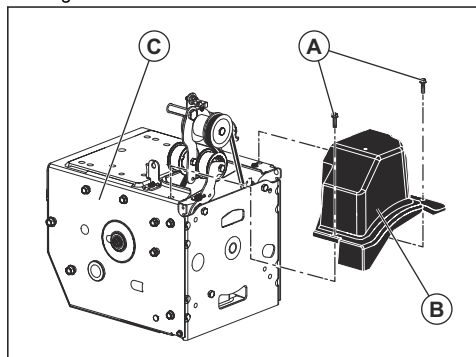
AVVERTENZA: La sostituzione della cinghia richiede la separazione dal prodotto. Mentre si separa il carter della coclea dal telaio, è importante che un assistente si trovi in posizione di lavoro e mantenga le maniglie del prodotto. Potrebbero verificarsi gravi lesioni personali e/o danni al prodotto se il prodotto cade durante il processo di sostituzione della cinghia.

Prepararsi alla sostituzione delle cinghie

1. Rimuovere il carburante dal serbatoio del carburante.
2. Allentare il controdado (A) che fissa la testa rotore di scarico (B) ai supporti di montaggio (C) per rimuovere lo scivolo di scarico.

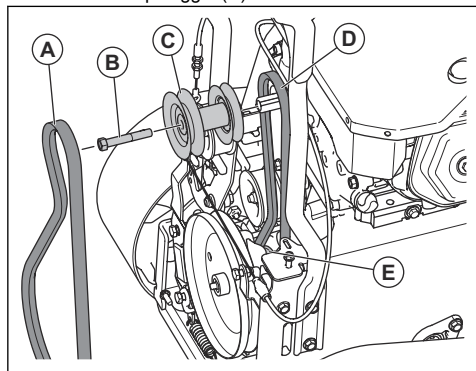


3. Allentare le due viti (A) che fissano il coperchio della cinghia (B) al telaio (C) e togliere il coperchio della cinghia.



Rimozione della cinghia di trasmissione

1. Rimuovere la cinghia della coclea (A). Vedere *Rimozione della cinghia della coclea (solo per ST 424/427/430) alla pagina 152.*
2. Rimuovere il bullone della puleggia da 9/16" (B) e rimuovere la puleggia (C) dal motore.



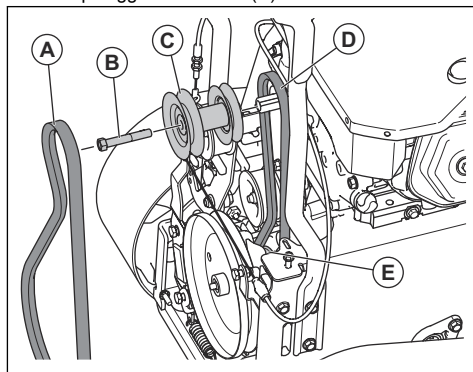
3. Rimuovere la cinghia di trasmissione (D) dalla puleggia inferiore (E).

Installazione della cinghia di trasmissione

1. Inserire la cinghia di trasmissione nella puleggia inferiore (E).

Nota: Assicurarsi che la cinghia di trasmissione sia inserita correttamente nella scanalatura della puleggia inferiore.

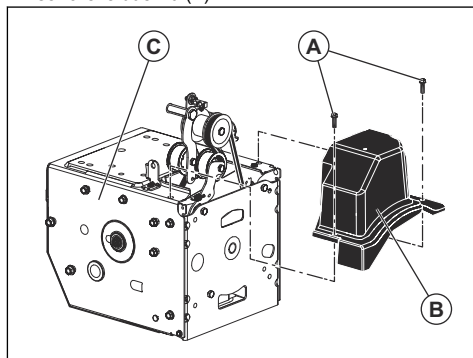
2. Inserire la cinghia di trasmissione nella scanalatura della puleggia del motore (C).



3. Installare il bullone della puleggia da 9/16" (B) e fissare la puleggia (C) al motore. Serrare il bullone della puleggia (41-47 Nm/30-35 ft. lbs).
4. Installare la cinghia della coclea (A). Vedere *Installazione della cinghia della coclea alla pagina 153.*
5. Azionare tutti i comandi per assicurarsi che la cinghia di trasmissione sia installata correttamente e che tutti i componenti si muovano correttamente.

Per rimuovere il coperchio cinghia

1. Montare il coperchio della cinghia (B) sul telaio (C) e serrare le due viti (A).

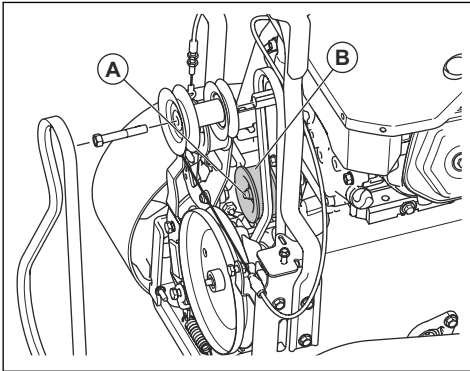


2. Montare lo scivolo di scarico.

Regolazione della tensione della cinghia

1. Rimuovere il coperchio cinghia. Vedere *Prepararsi alla sostituzione delle cinghie alla pagina 150.*
2. Allentare il dado della puleggia del galoppino (A).

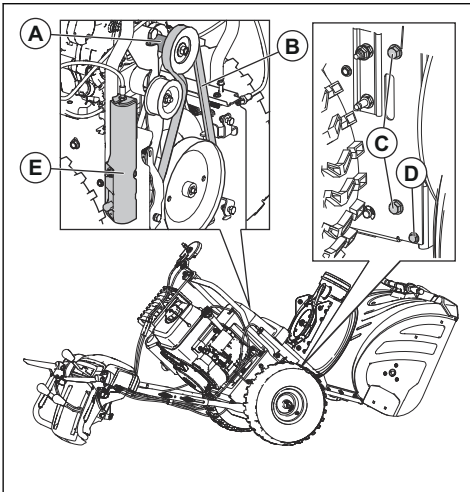
3. Spostare la puleggia del galoppino (B) nella direzione della cinghia per aumentare la tensione della cinghia. Spostarla verso l'esterno della cinghia per ridurre la tensione della cinghia.



4. Serrare il dado della puleggia del galoppino (A).
5. Premere e rilasciare la leva della trasmissione. Se la cinghia di trasmissione è in tensione quando la leva della trasmissione viene rilasciata, spostare la puleggia del galoppino dalla cinghia di trasmissione per rilasciare la tensione della cinghia.
6. Installare il coperchio della cinghia. Vedere *Per rimuovere il coperchio cinghia alla pagina 151*.

Rimozione della cinghia della coclea (solo per ST 424/427/430)

1. Rimuovere il dado da 5/16" e la copertura del cavo (E) dal telaio.

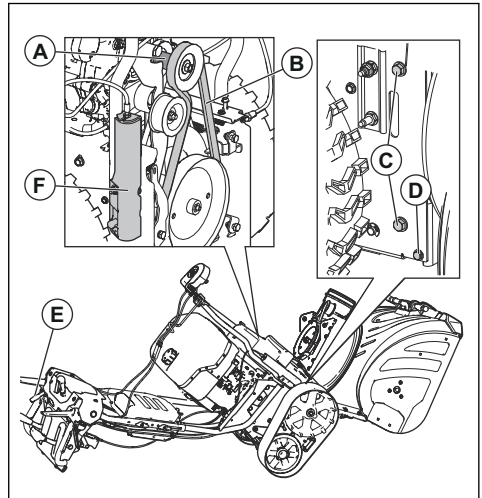


2. Rimuovere i bulloni superiore, da 5/16", e inferiore, da 1/4", (D) dai 2 lati del telaio. Non gettare i bulloni.
3. Allentare senza rimuovere i bulloni inferiori 5/16" (C) sui 2 lati del telaio.

4. Rimuovere la cinghia della coclea (B) dalla puleggia del motore (A).
5. Inclinare la parte posteriore verso il basso. La parte anteriore si inclina in avanti allo stesso tempo. Il bullone inferiore è una cerniera tra le sezioni anteriori e posteriori.
6. Collocare un blocco di legno sotto il punto di incernieramento per impostare il prodotto in posizione ribaltata.
7. Spostare il braccio del freno della coclea e rimuovere la cinghia della coclea (B) dal braccio del freno.

Rimozione della cinghia della coclea (solo per ST 424T/427T/430T)

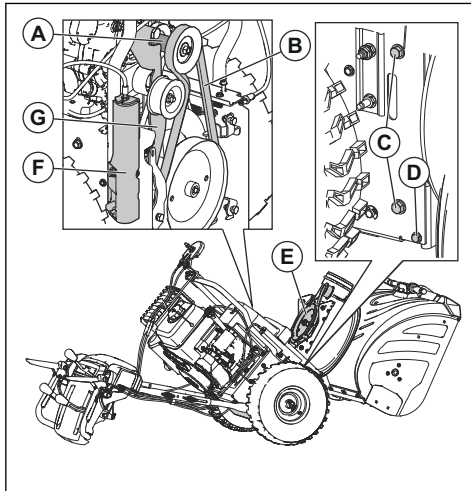
1. Rimuovere il dado da 5/16" e la copertura del cavo (E) dal telaio.



2. Rimuovere il bullone superiore da 5/16" dai 2 lati del telaio. Non gettare i bulloni.
3. Rimuovere i bulloni inferiori da 5/16" (C) sui 2 lati del telaio.
4. Rimuovere la cinghia della coclea (B) dalla puleggia del motore (A).
5. Usare la leva di regolazione della benna miscelatrice per regolare l'inclinazione della parte posteriore verso il basso. La parte anteriore si inclina in avanti allo stesso tempo. Il bullone inferiore è una cerniera tra le sezioni anteriori e posteriori.
6. Collocare un blocco di legno sotto il punto di incernieramento per impostare il prodotto in posizione ribaltata.
7. Spostare il braccio del freno della coclea e rimuovere la cinghia della coclea (B) dal braccio del freno.

Installazione della cinghia della coclea

1. Spostare il braccio del freno della coclea (G).
Posizionare la cinghia della coclea intorno e nella scanalatura della puleggia della coclea (E).



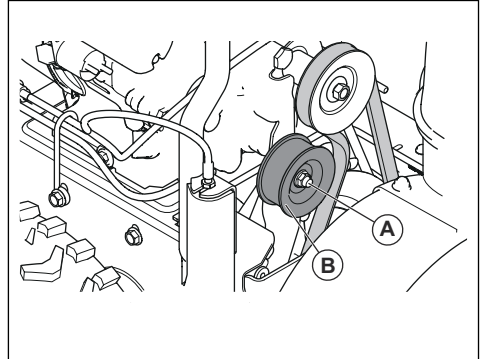
ATTENZIONE: Assicurarsi che la cinghia non sia incastrata tra il telaio e il carter della coclea durante il montaggio.

2. Rimuovere il blocco di legno dalla parte inferiore del prodotto.
3. Sollevare le maniglie per regolare l'inclinazione della parte posteriore verso l'alto. La sezione anteriore si inclina all'indietro e ruota per fissarsi alla parte posteriore.
4. Assicurarsi che la cinghia sia posizionata nella scanalatura della puleggia della coclea (E) correttamente.
5. Installare i bulloni 5/16" (C), quindi serrare (11-16 Nm).
6. Solo per ST 424/427/430 : Installare i bulloni da 1/4" (D) e serrare (5-8 Nm).
7. Installare la cinghia della coclea (B) sulla puleggia del motore (A). Assicurarsi che la cinghia sia posizionata correttamente attorno alla puleggia del galoppino e installata correttamente nella scanalatura della puleggia del motore.
8. Installare la copertura del cavo (F) e il dado da 5/16" sul telaio.
9. Azionare tutti i comandi per accertarsi che la cinghia della coclea sia installata correttamente e che tutti i componenti siano correttamente in movimento.

Regolazione della tensione della cinghia della coclea

Nota: È richiesta l'assistenza di un'altra persona per questa attività.

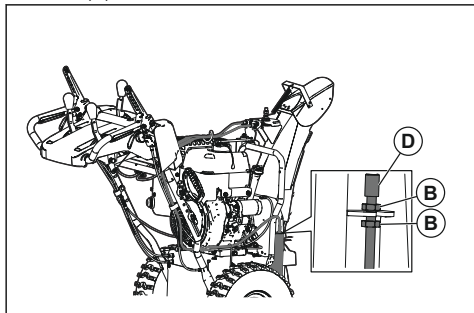
1. Rimuovere il coperchio cinghia. Vedere *Prepararsi alla sostituzione delle cinghie alla pagina 150*.
2. Allentare il dado della puleggia del galoppino (A).



3. Spostare la puleggia del galoppino (B) nella direzione della cinghia della coclea per aumentare la tensione della cinghia. Spostarla verso l'esterno dalla cinghia della coclea per ridurre la tensione della cinghia.
4. Serrare il dado della puleggia del galoppino (A).
5. Chiedere ad un assistente di rimanere a una distanza di 3 m (10 piedi) davanti al prodotto per monitorare il movimento della coclea.
6. Premere e rilasciare l'innesto della coclea per avviare e arrestare la coclea.
7. Misurare il tempo di arresto della coclea. Se la coclea si ferma dopo meno di 5 secondi, rilasciare a tensione della cinghia.
8. Quando la coclea smette di girare dopo meno di 5 secondi, installare il coperchio della cinghia. Vedere *Per rimuovere il coperchio cinghia alla pagina 151*.

Regolazione del cavo di comando della coclea

1. Rimuovere il coperchio del cavo sul lato destro del telaio (D).

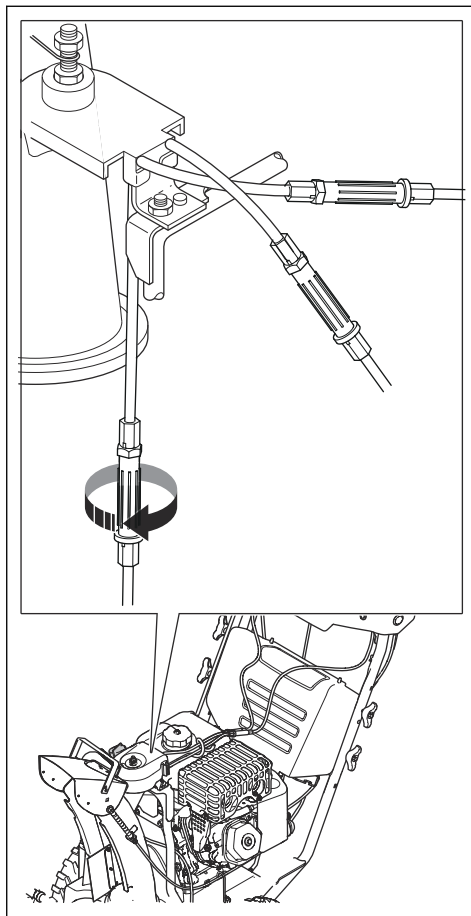


2. Per eliminare il gioco dal cavo di comando della coclea, svitare il controdado inferiore (B) e serrare il controdado superiore (B) fino a quando la tensione della cinghia della coclea è stata aumentata.
3. Verificare nuovamente l'innesto della coclea. Ripetere la regolazione secondo necessità fino a quando solo una piccola quantità di gioco rimane nel cavo quando la leva viene disinserita.
4. Serrare il controdado inferiore per bloccare la tensione.

Nota: Inoltre, è possibile tendere la cinghia della coclea regolando la puleggia del galoppino come seconda scelta. Se la regolazione non risolve il problema, sostituire la cinghia della coclea. Vedere *Installazione della cinghia della coclea alla pagina 153*.

Regolazione del cavo di rilascio dello scivolo di scarico

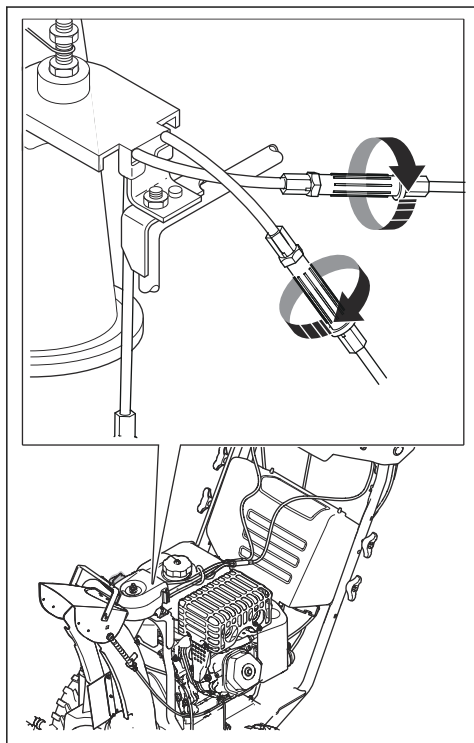
1. Per regolare il cavo di rilascio, ruotare il dispositivo di regolazione fino a quando la leva di rilascio dello scivolo di scarico non si muove liberamente.



Regolazione dei cavi dello scivolo di scarico di scarico destro e sinistro

1. Portare la leva dello scivolo di scarico in posizione centrale.

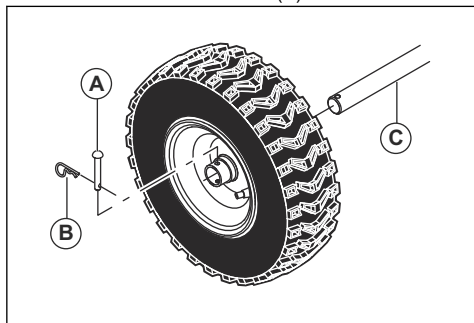
2. Ruotare il dispositivo di regolazione del cavo fino a che lo scivolo di scarico non è rivolto in avanti e i cavi non sono ben serrati.



3. Allentare il dispositivo di regolazione del cavo di $\frac{1}{4}$ di giro per rendere i cavi meno serrati.

Smontaggio delle ruote

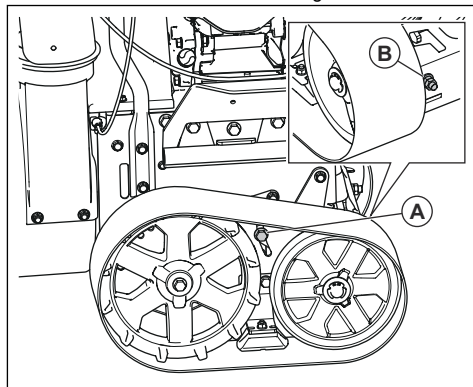
1. Rimuovere il perno della ruota (A) e il perno di bloccaggio (B).
2. Rimuovere la ruota dall'asse (C).



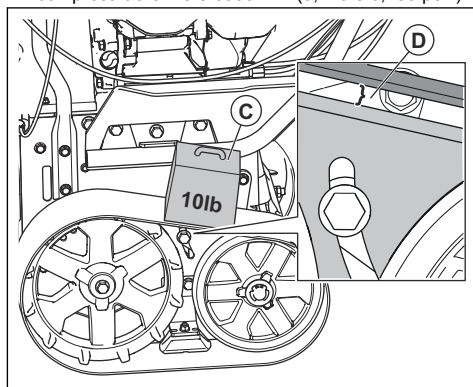
Regolazione dei cingoli (solo per ST 424T/427T/430T)

Nota: Gli strumenti necessari per questa attività sono: una chiave a bussola da 9/16", una chiave da 9/16" e un peso di 5 Kg (10 lb).

1. Allentare le vite di bloccaggio (A) di 1 giro.
2. Rimuovere il controdado posteriore (B) per consentire l'accesso al dado di regolazione.



3. Posizionare un peso di 5 Kg (10 lb) (C) sulla parte superiore del cingolo, al centro tra le 2 ruote.
4. Ruotare il dado di regolazione (B) fino a che la distanza (D) tra il cingolo e la piastra di acciaio non è compresa tra 3175 e 6350 mm (0,125 e 0,250 poll.).



5. Fissare la vite di bloccaggio (A), quindi il controdado posteriore (B).

Per pulire il prodotto

- Pulire le parti in plastica con un panno pulito e asciutto.
- Non utilizzare una lancia ad alta pressione per pulire il prodotto.
- Non dirigere getti d'acqua sul motore.

- Utilizzare una spazzola per rimuovere foglie, erba e sporcizia.

Ricerca dei guasti

Problema	Possibile causa	Soluzione
Il prodotto non si avvia	La chiave di accensione di sicurezza non è inserita.	Inserire la chiave di accensione di sicurezza.
	Il prodotto ha esaurito il carburante.	Riempire il serbatoio del carburante con benzina nuova e pulita.
	L'interruttore ON/OFF è sulla posizione OFF.	Spostare l'interruttore ON/OFF sulla posizione ON.
	Adescamento del motore non eseguito.	Adescare il motore.
	Il motore è ingolfato.	Attendere alcuni minuti prima di riavviarlo, NON eseguire l'adescamento. Riavviare il motore a pieno regime e il comando dell'aria in posizione OFF (CLOSE).
	Il cavo della candela non è collegato.	Collegare il cavo alla candela.
	La candela è difettosa.	Sostituire la candela.
	Presenza di acqua nel carburante o il carburante è troppo vecchio.	Svuotare il serbatoio del carburante e il carburatore. Riempire il serbatoio del carburante con benzina nuova e pulita.
	È presente dello sporco nel tubo del carburante.	Accertarsi che tutte le tubazioni del carburante si trovino al di sotto dell'uscita del serbatoio del carburante. Il condotto dovrebbe scorrere verso il basso senza interruzioni dal serbatoio del carburante al carburatore.
	Altre cause.	Ispezionare attentamente le procedure di avviamento nel presente manuale.
	L'interruttore del carburante (se in dotazione) si trova nella posizione CLOSE (OFF).	Posizionare l'interruttore del carburante in posizione OPEN (ON).
	L'acceleratore è in posizione di arresto STOP.	Portare l'acceleratore in posizione FAST (veloce).
	La batteria di avviamento non è carica.	Caricare la batteria di avviamento.
	La batteria di avviamento deve essere sostituita.	Sostituire la batteria di avviamento.
	La centralina del motore non riceve corrente.	Ispezionare il fusibile e il cablaggio dell'ECU.
Il solenoide del motorino di avviamento non si innesta.	Controllare il fusibile e il cablaggio del motorino di avviamento.	
L'iniettore di carburante non si innesca. (Solo per ST 424T/427T/430T)	Contattare un'officina di assistenza autorizzata.	
La pompa del carburante non riceve corrente. (Solo per ST 424T/427T/430T)	Contattare un'officina di assistenza autorizzata.	

Problema	Possibile causa	Soluzione
Potenza ridotta	Il cavo della candela non è collegato.	Collegare il cavo alla candela.
	Il prodotto getta troppa neve.	Diminuire la velocità e la larghezza dell'andana.
	Il tappo del serbatoio del carburante è coperto di ghiaccio o di neve.	Togliere il ghiaccio e la neve sopra e intorno al tappo del serbatoio del carburante.
	La marmitta è sporca o intasata.	Pulire o sostituire la marmitta.
	Lunghezza cavo errata.	Regolare il cavo.
	La marmitta è bloccata.	Assicurarsi che il motore sia freddo. Eliminare l'inceppamento.
	Le prese d'aria del carburatore sono bloccate.	Assicurarsi che il motore sia freddo. Eliminare l'inceppamento.
	L'iniettore di carburante non si innesca.	Contattare un'officina di assistenza autorizzata.
Il motore gira al minimo o funziona male	Il tubo del carburante è intasato.	Pulire il tubo del carburante.
	Presenza di acqua nel carburante o il carburante è troppo vecchio.	Svuotare il serbatoio del carburante e il carburatore. Riempire il serbatoio del carburante con benzina nuova e pulita.
	Il carburatore deve essere sostituito.	Contattare un'officina di assistenza autorizzata.
	L'iniettore di carburante non si innesca.	Contattare un'officina di assistenza autorizzata.
Vibrazione/Movimento della maniglia eccessivi	Alcune parti sono allentate. Le coccie sono danneggiate.	Serrare tutte le viti. Sostituire tutte le parti danneggiate. Se la vibrazione persiste, contattare un centro di assistenza autorizzato.
	Le leve non sono posizionate correttamente.	Accertarsi che le impugnature siano bloccate in posizione.
	I dadi della leva di regolazione sono allentati.	Serrare i dadi fino a quando la maniglia sia sicura.
L'impugnatura del cavo di avviamento è difficile da tirare	L'impugnatura del cavo di avviamento è congelata.	Estrarre lentamente il più possibile la corda dall'avviamento e rilasciare l'impugnatura del cavo di avviamento. Se il motore non si avvia, ripetere la procedura oppure utilizzare l'avviamento elettrico.
	Il cavo di avviamento interferisce con i componenti.	Il cavo di avviamento non deve toccare i cavi o i tubi flessibili.

Problema	Possibile causa	Soluzione
Perdita di trazione/rallentamento della velocità della trasmissione Perdita di scarico della neve o rallentamento nello scarico della neve	La cinghia slitta.	Regolare il cavo. Regolare la cinghia.
	La cinghia è usurata.	Controllare/sostituire la cinghia. Regolare la puleggia.
	La cinghia è fuori dalla puleggia.	Controllare/reinstallare la cinghia. Regolare la puleggia.
	Il deflettore di scarico è intasato.	Pulire il deflettore di scarico.
	Oggetti estranei ostruiscono le coclee.	Rimuovere i detriti o l'oggetto estraneo dalle coclee.
	Il perno di tranciamento è rotto.	Sostituire il perno di tranciamento rotto.
Le spie sono spente (se in dotazione)	Accumuli di neve e ghiaccio eccessivi si fermano tra i componenti della cinghia.	Togliere gli accumuli di neve e ghiaccio dai componenti della cinghia.
	Il motore non è in funzione.	Avviare il motore.
	Il collegamento del cavo è allentato.	Controllare i collegamenti dei cavi del motore e delle luci.
	Il LED è bruciato.	Sostituire il modulo luci LED. Singoli LED non possono essere sostituiti.
Il rotore di scarico è difficile da spostare	Il fusibile è bruciato.	Sostituire il fusibile. Accertarsi che non ci sia un cortocircuito.
	Sono presenti dei residui nel meccanismo del rotore di scarico.	Pulire le parti interne del meccanismo del rotore di scarico.
	I cavi sono attorcigliati o danneggiati.	Assicurarsi che i bulloni non siano attorcigliati. Sostituire i cavi danneggiati.
Il prodotto ruota su un lato	Il cavo di rilascio deve essere regolato.	Regolare il cavo di rilascio.
	La pressione dei pneumatici non è uguale.	Regolare la pressione dei pneumatici e riempirli.
	Il prodotto viene azionato con una sola ruota.	Ispezionare il perno di bloccaggio del pneumatico.
	Regolazione della slitta irregolare.	Regolare le piastre di scorrimento e la slitta.
	Regolazione delle piastre di scorrimento irregolare.	Regolare le piastre di scorrimento e la slitta.

Trasporto, stoccaggio e smaltimento

Trasporto e conservazione

- Per trasportare e conservare il prodotto e il carburante, accertarsi che non vi siano perdite o fumi. Scintille o fiamme aperte, provocate ad esempio da dispositivi elettrici o caldaie, possono innescare un incendio.
- Utilizzare sempre contenitori approvati per la conservazione e il trasporto del carburante.
- Svuotare il serbatoio del carburante prima di riporre il prodotto per un lungo periodo di tempo. Smaltire il carburante presso un apposito centro di smaltimento
- Fissare in sicurezza il prodotto durante il trasporto per evitare danni o incidenti.

- Conservare il prodotto in un'area chiusa a chiave per impedire l'accesso a bambini o persone non autorizzate.
- Conservare il prodotto in un luogo asciutto e al riparo dal gelo.
- Effettuare una carica della batteria in caso di rimessaggio a lungo termine. Ispezionare e pulire i morsetti della batteria prima di lunghi periodi di rimessaggio.
- Smaltire tutte le sostanze chimiche, quali olio motore o soluzione antigelo, presso un centro assistenza o un centro di smaltimento applicabili.
- Quando il prodotto non è più in uso, inviarlo a un rivenditore Husqvarna o smaltirlo presso un impianto di riciclo.
- Smaltire la batteria presso un'officina o un centro specializzato nello smaltimento delle batterie usate.

Smaltimento

- Rispettare le norme locali sul riciclaggio e le normative vigenti.

Dati tecnici

Dati tecnici

	ST 424	ST 427	ST 430	ST 424T	ST 427T	ST 430T
Dimensioni						
Peso con serbatoi vuoti, kg	140	145	150	160	165	170
Pressione di esercizio degli pneumatici max., PSI	18	18	20	N/A	N/A	N/A
Motore						
Marchio	Husqvarna	Husqvarna	Husqvarna	Husqvarna	Husqvarna	Husqvarna
Cilindrata, cc	291	369	414	306	369	420
Tipo di carburante	Normale senza piombo (massimo 10% di etanolo).					
Capacità serbatoio carburante, gal / l	0,62 / 2,35	0,62 / 2,35	0,62 / 2,35	0,95 / 3,60	0,95 / 3,60	0,95 / 3,60
Tipo di olio (API SJ-SN)	SAE 5W30 (inferiore a 0 °C (32 °F))					
Capacità serbatoio olio fl. oz. / l	32 / 0,95	38 / 1,12	38 / 1,12	32 / 0,95	38 / 1,12	38 / 1,12
Impianto elettrico						
Candela	F6RTC					
Distanza tra gli elettrodi della candela, (poll. / mm)	0,027 / 0,686					
Emissioni di rumore ²⁴						
Livello potenza acustica, misurato dB(A)	<105 db	<105 db	<105 db	<105 db	<105 db	<105 db
Livello di potenza acustica, garantito L _{WA} dB(A)	105 db	105 db	105 db	105 db	105 db	105 db
Livelli di vibrazioni, a_{hveq} ²⁵						

²⁴ Emissioni di rumore nell'ambiente misurate come potenza sonora (L_{WA}) ai sensi delle direttive CE 2000/14/CE e 2005/88/EC.

²⁵ Livello di vibrazioni in base alla norma ISO 5349-2 EN 1033.

	ST 424	ST 427	ST 430	ST 424T	ST 427T	ST 430T
Livello di vibrazioni sull'impugnatura, m/s ²	4,57 m/s ²	5,07 m/s ²	5,83 m/s ²	4,11 m/s ²	4,65 m/s ²	5,25 m/s ²

Dichiarazione di conformità CE

CONTENUTO DELLA DICHIARAZIONE DI CONFORMITÀ CE

Husqvarna AB, SE-561 82 Husqvarna, SVEZIA, dichiara sotto la propria esclusiva responsabilità che il prodotto indicato:

Descrizione	Spazzaneve
Marchio	Husqvarna
Piattaforma / Tipo / Modello	ST 424, ST 427, ST 430, ST 424T, ST 427T, ST 430T
Lotto	A partire dal numero di serie 2018 e successivi

è pienamente conforme alle seguenti norme e direttive UE:

Direttiva/norma	Descrizione
2006/42/CE	"relativa alle macchine"
2014/30/UE	"sulla compatibilità elettromagnetica"
2000/14/CE; 2005/88/CE	"sul rumore esterno"

Le norme armonizzate e/o le specifiche tecniche applicate sono le seguenti: EN ISO 12100, ISO 14982, ISO 8437, ISO 3744, EN 1032

In conformità alla direttiva 2000/14/CE, Allegato V, i valori per i livelli sonori dichiarati sono riportati nella sezione Dati tecnici del presente manuale e nel documento firmato Dichiarazione di conformità CE.

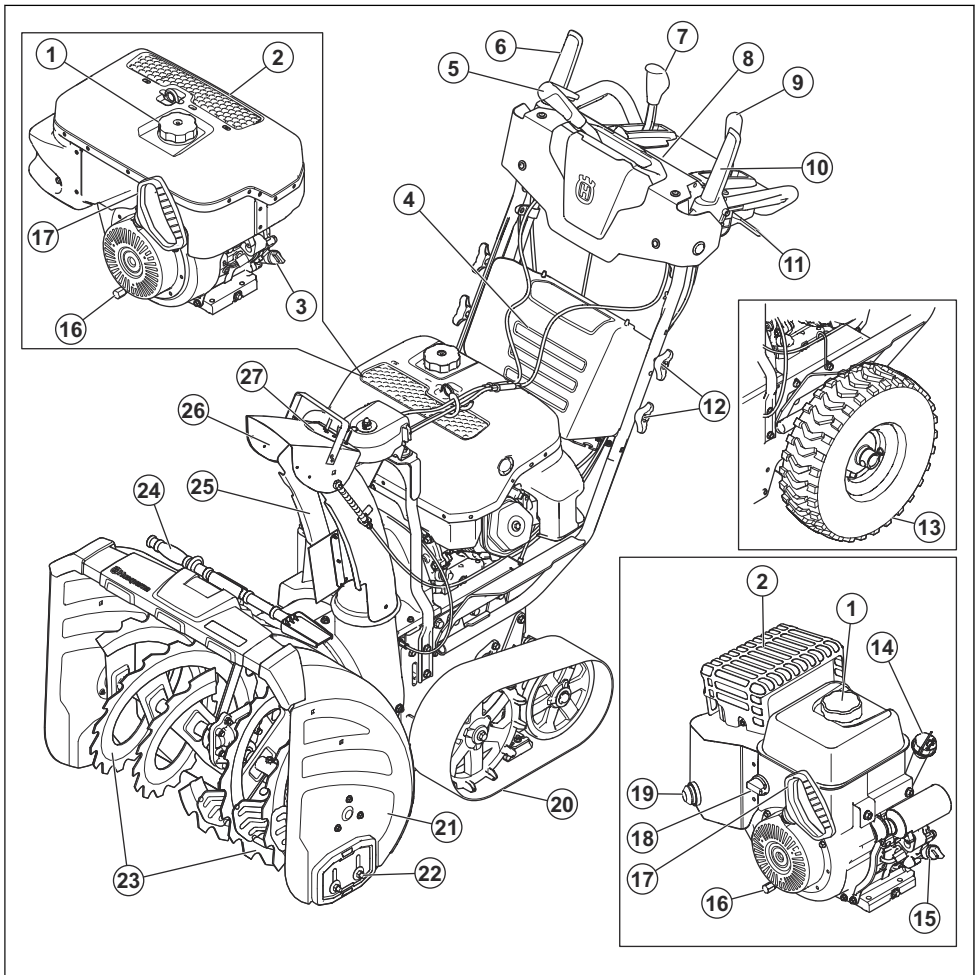
Lo spazzaneve fornito è conforme agli esemplari sottoposti a omologazione.

Inhoud

Inleiding.....	163	Probleemoplossing.....	189
Veiligheid.....	166	Vervoer, opslag en verwerking.....	191
Montage.....	169	Technische gegevens.....	192
Werking.....	173	EG verklaring van overeenstemming.....	193
Onderhoud.....	178		

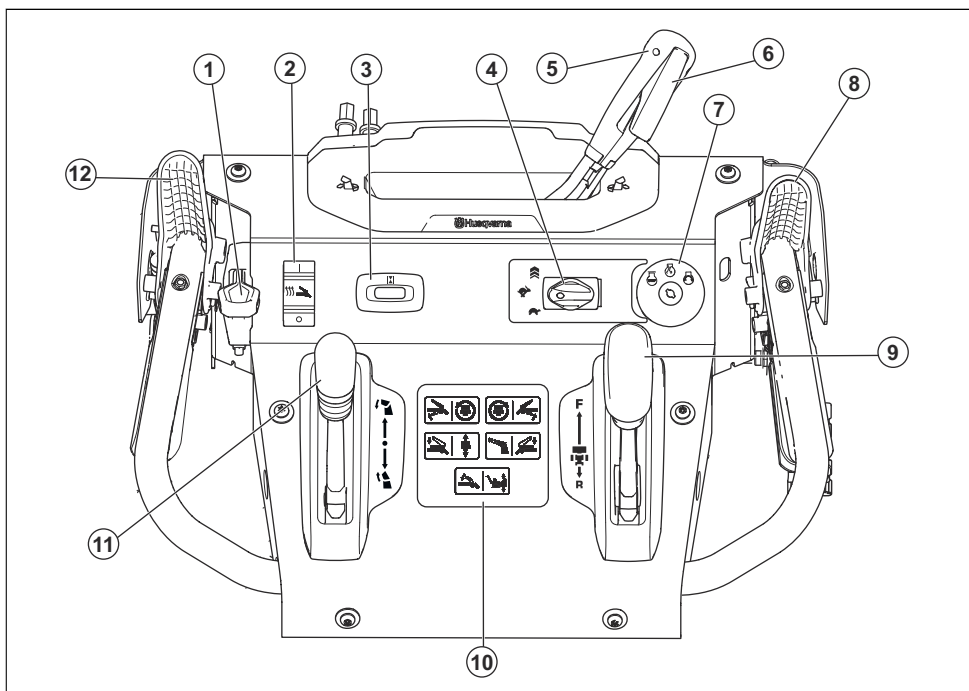
Inleiding

Productoverzicht



1. Dop benzinetank
2. Geluiddemper
3. Olievuldop/peilstok (alleen voor ST 424T/427T/430T)
4. Accudeksel
5. Hendel uitworptrechter
6. Inschakeling van de vijzel
7. Rijsnelheidshendel
8. Bedieningspaneel
9. Afstandsbedieningshendel
10. Inschakeling van de aandrijving
11. Drukschakelaars stuurinrichting
12. Knoppen hendel
13. Wiel (alleen voor ST 424/427/430)
14. Peilstok (alleen voor ST 424/427/430)
15. Olievuldop (alleen voor ST 424/427/430)
16. Olieaftappunt
17. Startkoordhendel
18. AAN/UIT-schakelaar brandstof (alleen voor ST 424/427/430)
19. Balgie (alleen voor ST 424/427/430)
20. Rups (alleen voor ST 424T/427T/430T)
21. Vijzelbak
22. Glijplaat
23. Vijzels
24. Reinigingstool
25. Uitworptrechter
26. Deflector uitworptrechter
27. Ledlampje

Productoverzicht



1. Afstelhendel voor de vijzelbak
2. AAN/UIT-schakelaar voor de verwarmde handgreep
3. Urenteller en waarschuwingsindicator olieversing
4. Gashendel
5. Hendel uitworptrechter
6. Vrijgavehendel
7. Contactslot
8. Inschakeling van de vijzel
9. Rijsnelheidshendel
10. Label met symbolen
11. Afstandsbedieningshendel voor de deflector van de uitworptrechter
12. Inschakeling van de aandrijving

Productbeschrijving

Dit product is een sneeuwuimer waarmee sneeuw van de grond kan worden verwijderd.

Gebruik

Dit product kan worden gebruikt om sneeuw te verwijderen van velden, wegen, paden en opritten. Gebruik het niet op hellingen met een grotere hellingshoek dan 20°. Gebruik het product niet op terreinen waar veel puin, vuil en uitstekende stenen aanwezig zijn.

Symbolen op het product

Let op: Neem contact op met de distributeur om beschadigde stickers te laten vervangen.



Waarschuwing.



Lees de bedieningshandleiding.



Inschakelen.



Start de motor.



Motor uit.



Boost.



Snel.



Langzaam.



Waarschuwingindicator olie verversen.



Verwarmde handgrepen.



Verwijder de sleutel voor onderhoud.



Warm oppervlak.



Risico op brand.



Pas op voor wegschietende voorwerpen.



Houd omstanders uit de buurt.



Adem geen uitlaatgassen in.



Beweeg langzaam naar achteren.



Valrisico.



Linksaf.



Rechtsaf.



Sneeuw uitwerpen.



De hoogte van de vizelbak wijzigen.

Productaansprakelijkheid

Zoals uiteengezet in de wet voor productaansprakelijkheid zijn wij niet aansprakelijk voor schade die door ons product wordt veroorzaakt, indien:

- het product niet goed is gerepareerd.
- het product is gerepareerd met onderdelen die niet van de fabrikant afkomstig zijn, of onderdelen die niet zijn goedgekeurd door de fabrikant.

- het product een accessoire bevat dat niet afkomstig is van de fabrikant of niet is goedgekeurd door de fabrikant.

- het product niet is gerepareerd door een erkend servicepunt of door een erkende autoriteit.

Veiligheid

Veiligheidsdefinities

De onderstaande definities geven de mate van ernst weer voor elk trefwoord.



WAARSCHUWING: Letsel aan personen.



OPGELET: Schade aan het product.

Let op: Deze informatie maakt het product eenvoudiger in gebruik.

Algemene veiligheidsinstructies

- Gebruik het product op de juiste manier. Onjuist gebruik leidt mogelijk tot letsel of de dood. Gebruik het product uitsluitend voor de taken die in deze handleiding worden genoemd. Gebruik het product niet voor andere taken.
- Volg de instructies in deze handleiding op. Volg de veiligheidssymbolen en veiligheidsinstructies op. Het niet in acht nemen van de instructies en de symbolen kan leiden tot letsel, schade of de dood.
- Gooi deze handleiding niet weg. Gebruik de instructies voor het monteren, gebruiken en onderhouden van uw product. Gebruik de instructies voor een correcte installatie van opzetstukken en accessoires. Gebruik alleen goedgekeurde opzetstukken en accessoires.
- Gebruik nooit een beschadigd product. Neem het onderhoudsschema in acht. Voer alleen onderhoudswerkzaamheden uit waarvoor u in deze handleiding een instructie aantreft. Alle overige onderhoudswerkzaamheden moeten door een erkend servicepunt worden uitgevoerd.
- Deze handleiding kan niet alle situaties beschrijven die zich voor kunnen doen wanneer u dit product gebruikt. Wees voorzichtig en gebruik uw gezond verstand. Gebruik het product niet en voer geen onderhoudswerkzaamheden aan het product uit als u niet zeker bent van de situatie. Neem voor meer informatie contact op met een productexpert, uw dealer, servicewerkplaats of erkende servicepunt.
- Koppel de bougiekabel los voordat u het product monteert, het product opstaat of onderhoudswerkzaamheden uitvoert.
- Gebruik het product niet als de oorspronkelijke specificatie is gewijzigd. Vervang geen onderdelen van het product zonder toestemming van de fabrikant. Gebruik alleen onderdelen die zijn goedgekeurd door de fabrikant. Onjuist onderhoud kan leiden tot letsel of de dood.
- Adem geen dampen in van de motor. Langdurig inademen van de uitlaatgassen van de motor kan een gevaar voor de gezondheid opleveren.
- Start het product niet in gesloten ruimtes of in de buurt van licht ontvlambaar materiaal. De uitlaatgassen zijn heet en kunnen vonken veroorzaken die tot brand kunnen leiden. Onvoldoende ventilatie kan leiden tot ernstig letsel of de dood door verstikking of het inademen van koolmonoxide.
- Wanneer u dit product gebruikt, genereert de motor een elektromagnetisch veld. Het elektromagnetische veld kan schade veroorzaken aan medische implantaten. Raadpleeg uw arts en de fabrikant van het medische implantaat voordat u het product gebruikt.
- Laat het product niet door een kind bedienen. Laat het product niet bedienen door personen die de instructies niet hebben gelezen.
- Zorg ervoor dat u personen met een lichamelijke of geestelijke beperking die het product gebruiken, altijd in de gaten houdt. Er moet te allen tijde een verantwoordelijke volwassene aanwezig zijn.
- Berg het product op in een afgesloten ruimte die niet toegankelijk is voor kinderen of onbevoegde personen.
- Het product kan objecten uitwerpen en letsel veroorzaken. Neem de veiligheidsinstructies in acht om het risico op letsel of de dood te verlagen.
- Blijf in de buurt van het product wanneer de motor is ingeschakeld.
- De gebruiker van het product is verantwoordelijk indien zich een ongeval voordoet.
- Kijk voordat en terwijl u naar achteren loopt, naar achteren en omlaag, zodat u kleine kinderen, dieren of andere risico's waardoor u kunt vallen, kunt zien.
- Zorg dat er geen onderdelen beschadigd zijn, voordat u het product gebruikt.
- Zorg ervoor dat u minimaal 15 m (50 ft) van andere personen en dieren verwijderd bent, voordat u het product gaat gebruiken. Zorg ervoor dat personen in aangrenzende gebieden weten dat u het product gaat gebruiken.
- Neem nationale en lokale wetgeving in acht. Deze kan het gebruik van het product in sommige situaties beperken of verbieden.

Veiligheidsinstructies voor bediening

- Plaats geen handen of voeten in de buurt van of onder draaiende delen. Blijf altijd uit de buurt van de afvoeropening.
- Ga uiterst behoedzaam te werk als u de machine gebruikt op met grind bedekte opritten, paden of wegen of als u een dergelijke ondergrond kruit. Wees alert op verborgen gevaren of verkeer.
- Ga na het raken van een vreemd voorwerp als volgt te werk: stop de motor, koppel de kabel los van de bougie, koppel bij elektrische machines de voeding los, inspecteer het product grondig op eventuele schade en repareer de schade alvorens het product opnieuw te starten en te gebruiken.
- Als het product abnormaal gaat trillen, moet u de motor stoppen en onmiddellijk op zoek gaan naar de oorzaak. Trilling is over het algemeen een voorteken van problemen.
- Schakel de motor altijd uit als u uw gebruikshouding verlaat, alvorens de vizelbehuizing of uitworptrechter te ontstoppen en tijdens het repareren, afstellen of inspecteren van de machine.
- Stop de motor en zorg ervoor dat de vizels en alle bewegende onderdelen tot stilstand zijn gekomen alvorens het product schoon te maken, te repareren of te inspecteren. Koppel de bougiekabel los en leg de kabel uit de buurt van de bougie om te voorkomen dat iemand de motor onbedoeld start.
- Laat de motor niet binnen lopen, behalve bij het starten van de motor en voor het transport van het product in of uit het gebouw. Open de buitendeuren; uitlaatgassen zijn gevaarlijk.
- Ga uiterst behoedzaam te werk als u de machine op hellingen gebruikt.
- Gebruik het product nooit zonder de juiste beschermkappen en andere veiligheidsvoorzieningen op hun plaats en in bedrijf.
- Richt de uitworptrechter nooit op personen of op plaatsen waar schade aan eigendommen kan ontstaan. Houd kinderen en andere personen uit de buurt.
- Verg niet te veel van de capaciteit van het product door te veel sneeuw tegelijk te willen verwijderen.
- Gebruik het product nooit bij hoge transportsnelheden op gladde oppervlakken. Kijk achterom en ga behoedzaam te werk als u de machine in zijn achterruit gebruikt.
- Ontkoppel de voeding naar de vizels als het product wordt getransporteerd of niet in gebruik is.
- Gebruik uitsluitend hulpstukken en accessoires die zijn goedgekeurd door de fabrikant van het product (zoals wielvervaarders, contragewichten of cabines).
- Gebruik het product nooit zonder goed zicht of licht. Zorg er altijd voor dat u stevig staat en de hendels stevig vasthoudt. U dient uitsluitend te lopen, nooit te rennen.
- Raak een hete motor of demper nooit aan.

Veiligheid van het werkgebied

- Onderwerp het gebied waar de machine gebruikt gaat worden aan een grondige inspectie en verwijder alle deurmatten, sleeën, ski's, draden en andere voorwerpen.
- Ontkoppel alle koppelingen en plaats de machine in de neutrale stand alvorens de motor te starten.
- Gebruik het product niet wanneer u geen geschikte winterkleding draagt. Draag geen wijde kleding die verstrikt kan raken in bewegende delen. Draag schoeisel dat de stabiliteit op gladde oppervlakken verbetert.
- Ga voorzichtig om met brandstof; deze is uiterst brandbaar.
 - Gebruik een jerrycan die is goedgekeurd voor brandstoffen.
 - Tank de machine nooit af bij draaiende motor of als de motor nog heet is.
 - Tank de machine altijd buiten af en ga hierbij uiterst zorgvuldig te werk. Tank de machine nooit binnen af.
 - Vul jerrycans nooit binnen een voertuig of op de vloer van een vrachtwagen of aanhanger als deze met kunststof is afgewerkt. Zet jerrycans vóór het vullen altijd op de grond, uit de buurt van uw auto.
 - Plaats als dit praktisch mogelijk is, op benzine draaiende machines eerst van de vrachtwagen of aanhanger op de grond af. Als dit niet mogelijk is, verdient het de voorkeur de machines op een aanhanger af te tanken met behulp van een draagbare jerrycan in plaats van rechtstreeks via het vulpistool van een benzinepomp.
 - Houd de tuit voortdurend in contact met de rand van de brandstofftank of de jerrycanopening, totdat het aftanken is voltooid. Gebruik geen automatische sluitklep.
 - Plaats de benzinedop zorgvuldig terug en neem gemorste brandstof op.
 - Als u brandstof op uw kleding knoeit, trek dan onmiddellijk andere kleding aan.
- Gebruik voor alle machines met elektrische aandrijving of elektrische startmotor verlengkabels en contactdozen zoals gespecificeerd door de fabrikant.
- Stel de hoogte van de vizelbehuizing zodanig af dat deze een oppervlak van grind of gebroken steenslag niet raakt.
- Probeer nooit om aanpassingen te maken terwijl de motor loopt (behalve wanneer dit specifiek wordt aangeraden door de fabrikant).
- Draag tijdens het gebruik of bij het afstellen of repareren van de machine altijd een veiligheidsbril of een gelaatsscherm, om de ogen te beschermen tegen voorwerpen die mogelijk uit de machine worden geworpen.

Persoonlijke beschermingsmiddelen

Draag altijd de juiste persoonlijke beschermingsmiddelen wanneer u het apparaat gebruikt. Dit omvat minimaal stevig schoeisel, oog- en gehoorbescherming. Persoonlijke beschermingsmiddelen nemen de letselrisico's niet weg, maar kunnen de ernst van het letsel beperken als er toch een ongeluk gebeurt.

- Draag altijd een veiligheidsbril of oogbescherming tijdens het gebruik van het product of tijdens het uitvoeren van onderhoud of het repareren van de machine.
- Draag altijd geschikte winterkleding wanneer u het product gebruikt.
- Gebruik altijd hoogwaardige slipbestendige laarzen met goede ondersteuning van de enkels terwijl u het product bedient.
- Draag nooit loszittende kleding die vast kan komen te zitten in de bewegende onderdelen.
- Draag indien nodig goedgekeurde veiligheidshandschoenen. Bijvoorbeeld bij het bevestigen, onderzoeken of reinigen van het mes.
- Gebruik altijd goedgekeurde gehoorbescherming wanneer u het product gebruikt. Langdurig lawaai kan gehoorverlies veroorzaken.

Veiligheidsvoorzieningen op het product

- Zorg ervoor dat u regelmatig onderhoudswerkzaamheden uitvoert aan het product.
 - De levensduur van het product neemt toe.
 - Het risico van ongevallen neemt af.

Laat het product regelmatig door een erkende dealer of een erkend servicepunt controleren, zodat er aanpassingen en reparaties uitgevoerd kunnen worden.

- Gebruik geen product met beschadigde beschermingsmiddelen. Als het product beschadigd is, neemt u dan contact op met een erkend servicepunt.

Geluiddemper

De uitlaatdemper is bedoeld om het geluidsniveau zo laag mogelijk te houden en om de uitlaatgassen weg te voeren van de gebruiker.

Gebruik het product niet als de demper ontbreekt of beschadigd is. Bij een defecte uitlaatdemper stijgt het geluidsniveau en neemt het risico op brand toe.

Inspecteer de uitlaatdemper regelmatig om te verifiëren of die goed vastzit en niet beschadigd is.



OPGELET: De uitlaatdemper wordt erg heet tijdens en na gebruik en wanneer de motor draait bij stationair toerental. Wees voorzichtig in de buurt van brandbare

materialen en/of dampen om brand te voorkomen.

Brandstofveiligheid



WAARSCHUWING: Lees de volgende waarschuwingen voordat u het product gaat gebruiken.

- Start het product niet als er brandstof of motorolie op het product aanwezig is. Verwijder de ongewenste brandstof/olie en laat het product drogen.
- Als u brandstof op uw kleding morst, trek dan direct andere kleding aan.
- Zorg dat er geen brandstof op uw lichaam terecht komt, dit kan letsel veroorzaken. Als er brandstof op uw lichaam terecht komt, verwijder deze dan met water en zeep.
- Start het product niet als er sprake is van een motorlekkage. Controleer de motor regelmatig op lekkage.
- Wees voorzichtig met brandstof. Brandstof is licht ontvlambaar en de dampen zijn explosief. Ze kunnen letsel veroorzaken of leiden tot de dood.
- Adem geen brandstofdampen in, dit kan letsel veroorzaken. Zorg voor voldoende ventilatie.
- Rook niet in de buurt van de brandstof of de motor.
- Plaats geen warme voorwerpen in de buurt van de brandstof of de motor.
- Vul geen brandstof bij terwijl de motor is ingeschakeld.
- Zorg ervoor dat de motor koud is wanneer u brandstof bijvult.
- Draai de tankdop langzaam open en laat de druk voorzichtig ontsnappen voordat u brandstof bijvult.
- Vul geen brandstof voor de motor bij in een afgesloten ruimte. Onvoldoende ventilatie kan leiden tot ernstig letsel of de dood door verstikking of het inademen van koolmonoxide.
- Draai de tankdop volledig aan. Als de tankdop niet volledig is aangedraaid, bestaat een risico op brand.
- Verplaats het product minstens 3 m (10 ft) van de plaats waar u de brandstoftank hebt gevuld, voordat u het product start.
- Doe niet te veel brandstof in de brandstoftank.

Veiligheid bij accu's



WAARSCHUWING: Een beschadigde accu kan exploderen en letsel veroorzaken. Als de accu vervaardigd of beschadigd is, neem dan contact op met een erkende Husqvarna servicewerkplaats.



WAARSCHUWING: Lees de volgende waarschuwingen voordat u het product gaat gebruiken.

- Draag een veiligheidsbril wanneer u zich in de buurt van accu's begeeft.
- Draag geen horloges, sieraden of andere metalen voorwerpen in de buurt van de accu.
- Houd de accu buiten het bereik van kinderen.
- Laad de batterij op in een goed geventileerde ruimte.
- Houd ontvlambare materialen op een minimumafstand van 1 m wanneer u de batterij oplaadt.
- Voer vervangen accu's af. Zie *Afvoeren op pagina 192*.
- Er kunnen explosieve gassen uit de accu vrijkomen. Rook niet in de buurt van de accu. Houd de accu uit de buurt van open vuur en vonken.
- Voordat u het onderhoud van het product uitvoert, zet u de motor uit en verwijdert u de ontstekingskabel van de bougie.
- Draag veiligheidshandschoenen wanneer u onderhoud aan de messen verricht. De messen zijn zeer scherp en kunnen gemakkelijk snijwonden veroorzaken.
- Accessoires en wijzigingen aan het product die niet zijn goedgekeurd door de fabrikant, kunnen leiden tot ernstig letsel of overlijden. Breng geen wijzigingen aan het product aan. Gebruik alleen accessoires die zijn goedgekeurd door de fabrikant.
- Als het onderhoud niet correct en regelmatig wordt uitgevoerd, neemt de kans op letsel of schade aan het product toe.
- Voer alleen onderhoud uit zoals beschreven in deze bedieningshandleiding. Alle overige onderhoudswerkzaamheden moeten worden uitgevoerd door een erkende servicewerkplaats.
- Laat een erkende servicewerkplaats regelmatig onderhoud aan het product uitvoeren.
- Vervang beschadigde, versleten of defecte onderdelen.

Veiligheidsinstructies voor onderhoud



WAARSCHUWING: Lees de volgende waarschuwingen voordat u het product gaat gebruiken.

- Uitlaatgassen van de motor bevatten koolmonoxide, een geurloos, giftig en uiterst gevaarlijk gas. Start de motor nooit binnenshuis of in gesloten ruimten.

Montage

Het product uit de verpakking verwijderen

1. Verwijder losse onderdelen die bij het product worden geleverd. Snijd de vier hoeken van de doos en leg de eindplaten plat neer.
2. Verwijder de twee schroeven waarmee de vijzelbehuizing aan de pallet is bevestigd. Verwijder de stalen beugels van de glijplaten als deze aanwezig zijn.
3. Verwijder alle verpakkingsmaterialen.
4. Haal het product uit de doos en zorg ervoor dat er geen losse onderdelen in de doos blijven zitten.

Losse onderdelen



Uitworpfunnel (1)



AAN/UIT-sleutel (s)



Slotbouten 5/16-18 x 2 1/4" (2)



Trechterhouder



Knoppen hendel (2)



Borgmoer 3/8 (1)



Borgmoer 3/18-16 (1)



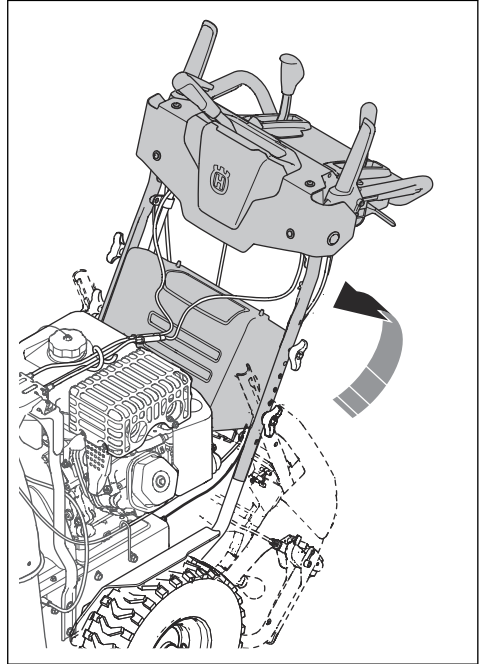
(ST 424/427/430) Kabelhouder (1)



Breekpennen 1/4-20 x 1,81 (6)

De hendel installeren

1. Til de bovenste hendel naar de bedieningspositie.



Borgmoeren ¼-20 (6)



Borgmoer 5/16-18 (1)



Borgmoer ¼-20 (1)



Nylon ring (1)



Slotbout 5/16-18 x 5/8 (1)



Rolpen (1)



Vrijgavehendel (1)



Hendel uitworptrechter



Veer (1)

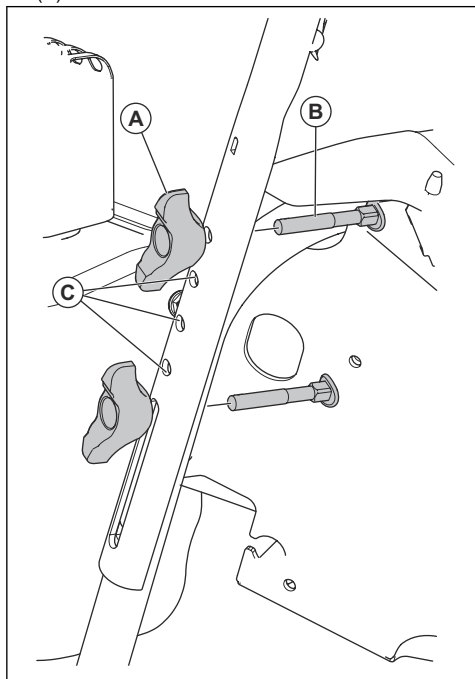


Borstbout ¼-20 (1)

Vereiste gereedschappen

- 3/8"-sleutel (1)
- 7/16"-sleutel (1)
- 1/2"-sleutel (1)
- 9/16" diepe dop (1)

2. Stel de hendelpositie in op een van de openingen (C).

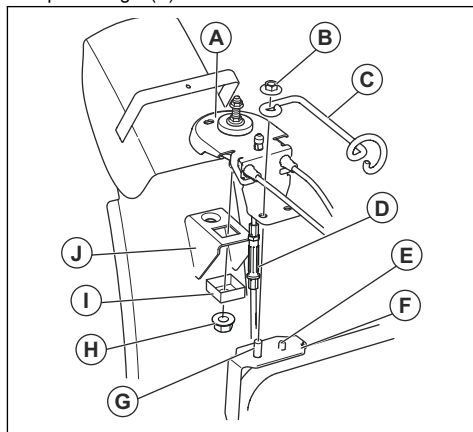


3. Plaats de bout (B) door het gat (C).
4. Bevestig de knop (A) aan de bout en draai de knop vast.
5. Plaats meer slotbouten (B) en hendelknoppen (A) om de bovenste hendel aan de onderste hendel te bevestigen.

De uitworptrechter installeren

1. Plaats de deflectoreenheid voor de uitworptrechter op de bovenkant van de uitworptrechter. De uitvoeropening moet naar de voorzijde van het product wijzen.
2. Plaats de rotorkop (A) op de beugel van de uitworptrechter (J).
3. Lijn de pennen onder de rotorkop uit met de openingen in de beugel van de uitworptrechter.

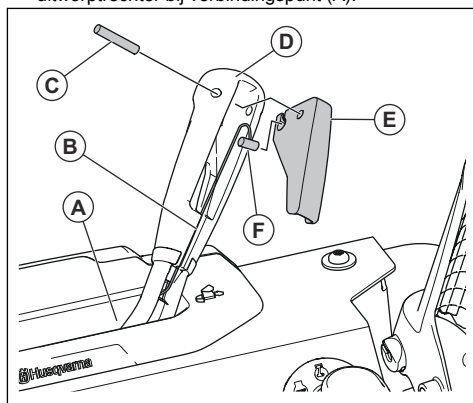
4. Plaats de rotorkop op de pen (E) en de tapbout (G) op de beugel (E).



5. Bevestig een borgmoer (B) op de tapbout en draai deze vast.
6. Bevestig de vierkante houder (I) met een borgmoer (H).
7. Alleen voor ST 424/427/430 : Haal de kabels door de kabelhouder (C)

De hendel van de uitworptrechter en de ontgrendelkabel installeren

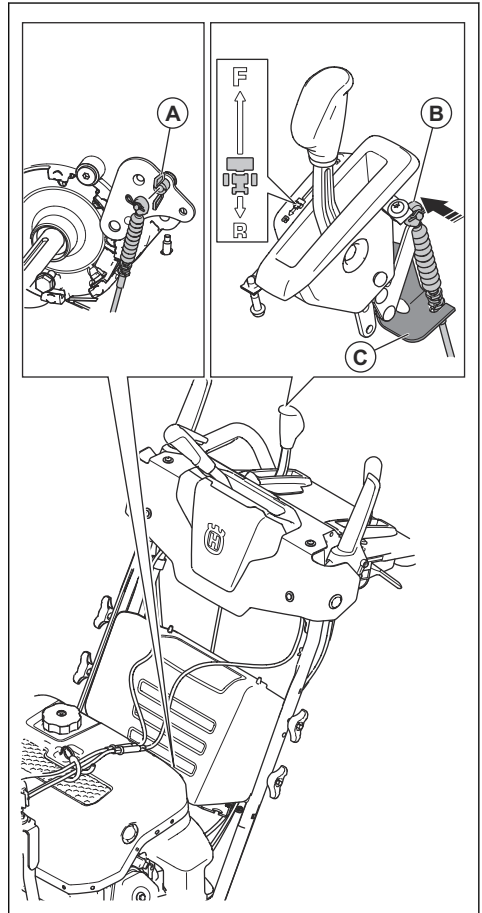
1. Druk de knop (D) omlaag op de hendel van de uitworptrechter. Gebruik indien nodig een rubberhamer.
2. Bevestig de ontgrendelkabel aan de hendel van de uitworptrechter bij verbindingspunt (A).



3. Plaats de ontgrendelkabel in de groef (B) op de hendel van de uitworptrechter.
4. Monteer de kabelcilinderbevestiging (F) op de vrijgavehendel (E).

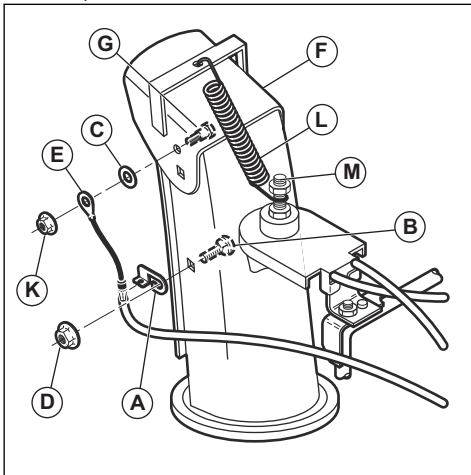
5. Monteer de vrijgavehendel (E) op de hendel van de uitworptrechter en bevestig deze met de rolpen (C).
6. Stel de ontgrendelkabel af. Zie *De ontgrendelkabel van de uitworptrechter afstellen op pagina 186*.
7. Stel de linker- en rechterkabel van de uitworptrechter af. Zie *De linker- en rechterkabel van de uitworptrechter afstellen op pagina 187*.

4. Verwijder de schroef en vleugelmoer (A) op de besturingstuimelaar zodat de tuimelaar kan bewegen.



De afstandsbediening voor de deflector van de uitworptrechter installeren

1. Bevestig de kabelbeugel (A) aan de uitworptrechter met een slotbout (B) en een borgmoer van 5/16-18 (D). Draai de bout vast.
2. Monteer het kabeloog (E) op de deflector van de uitworptrechter (F). Gebruik een borstbout (G), een nylon ring (C) en zet deze vast met een borgmoer van 1/4-20 (K). Het kabeloog ligt los op de borstbout.
3. Bevestig de veer (L) tussen de zeskantmoer (M) op de rotorkop en de opening op de deflector van de uitworptrechter.

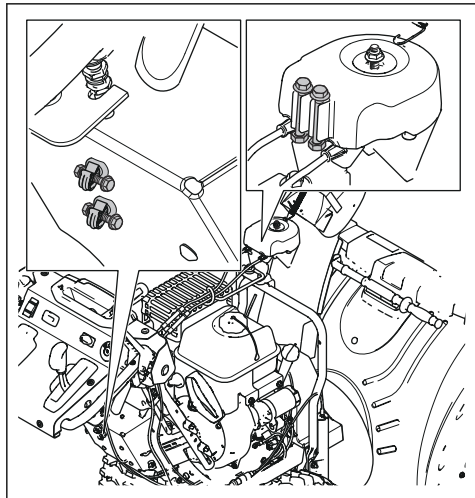


De kabel van de toerenregeling installeren

1. Zet de rijsnelheidshendel in de neutrale stand.
2. Bevestig de kabel (B) van de toerenregeling aan de rijsnelheidshendel met een borgpen.
3. Bevestig de toerentalregelkabel aan de beugel (C) met een 2 1/2"-sleutel. Zorg ervoor dat de rijsnelheidshendel in de neutrale stand blijft staan.

Vervangende breekpennen bevestigen

- Bevestig de vervangende breekpennen op het deksel van de afstandsbediening of op de accubak.



Werking

Voordat u het product inschakelt

- Houd personen en dieren buiten het werkgebied.
- Voer dagelijks onderhoud uit. Zie *Onderhoudsschema op pagina 178*.
- Zorg ervoor dat de startkabel correct aan de bougie bevestigd is.
- Vul indien nodig olie of benzine bij. Zie *Brandstof bijvullen op pagina 173*.

De motor met olie vullen



OPGELET: Draai de peilstok niet wanneer u de olie controleert. Niet vullen boven de markering.

1. Verwijder de oliedop en maak de peilstok schoon. Zie *Productoverzicht op pagina 163* voor de locatie van de peilstok.
2. Vul olie bij tot de bovenste markering op de peilstok. Controleer de olie regelmatig met de peilstok.
3. Plaats de oliedop terug.

Brandstof bijvullen

Gebruik emissiearme of alkylaatz benzine, indien beschikbaar. Als er geen emissiearme of alkylaatz benzine beschikbaar is, gebruik dan een loodvrije benzine van goede kwaliteit, of loodhoudende benzine. Gebruik een benzine met een octaangetal van minimaal 90 RON buiten Noord-Amerika (87 AKI in

Noord-Amerika) of hoger en met maximaal 10% ethanol (E10).

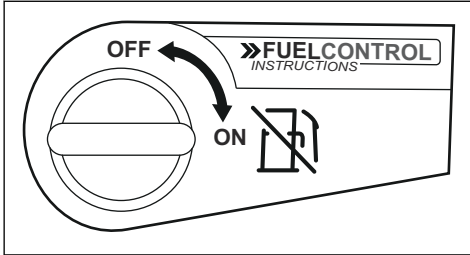


OPGELET: Gebruik geen benzine met een octaangetal lager dan 90 RON buiten Noord-Amerika (87 AKI in Noord-Amerika). Dit kan schade aan het product veroorzaken.

1. Draai de brandstoftankdop langzaam los om de druk te laten ontsnappen.
2. Vul langzaam met een benzinejerrycan. Als u brandstof morst, verwijder deze dan met een doek en laat de resterende brandstof opdrogen.
3. Maak het gebied rondom de brandstoftankdop goed schoon.
4. Draai de tankdop volledig aan. Als de tankdop niet volledig is aangedraaid, bestaat een risico op brand.
5. Verplaats het product minstens 3 m (10 ft) van de plaats waar u de brandstoftank hebt gevuld, voordat u het product start.

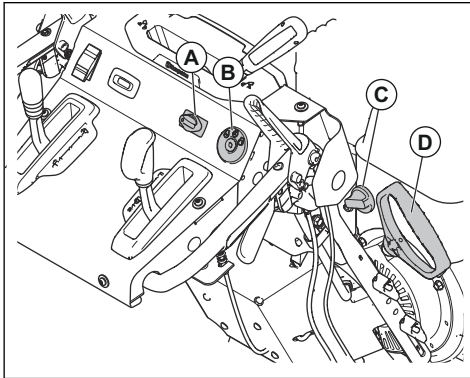
De brandstofsckelaar gebruiken (alleen voor ST 424/427/430)

- Draai de brandstofsckelaar om de brandstofklep te openen of te sluiten. Bedien het product met de brandstofsckelaar in de stand OPEN.



De motor starten, handmatige start

1. Plaats de AAN/UIT-sleutel in het contactslot (B). Draai de sleutel niet rond.



2. Alleen voor ST 424/427/430 : Zet de AAN/UIT-sckelaar (C) voor brandstof in de stand AAN.
3. Zet de gashendel (A) in de snelle stand.
4. Draai de AANUIT-sleutel naar de stand AAN.
5. Alleen voor ST 424/427/430 : Als de temperatuur lager is dan -17°C (0°F), duwt u het balgje 3 keer in. Zie *Productoverzicht op pagina 163* voor de stand van het balgje.



OPGELET: Duw het balgje niet te vaak in. Hierdoor kan het gebeuren dat de motor niet start. Als de motor verzopen is, wacht u enkele minuten voordat u hem probeert te starten. Duw het balgje niet in.

6. Trek aan de startkoordhendel (D).



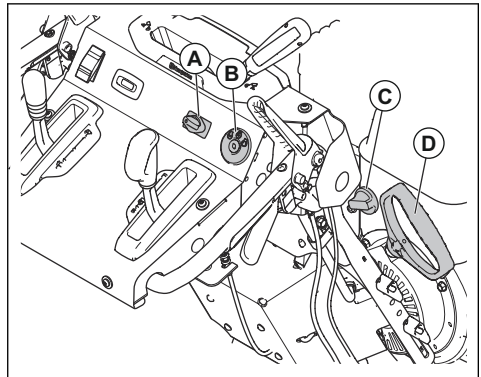
OPGELET: Laat de startkoordhendel niet snel los. Beweeg deze langzaam terug naar de startpositie.

Let op: Als het startkoord is vastgelopen, trek dan langzaam zoveel touw uit de startmotor als u kunt. Laat de startkoordhendel los. Als de motor niet start, herhaalt u de procedure of gebruikt u de elektrische startmotor.

7. Laat de motor 2-3 minuten op zeer lage snelheid draaien voordat u begint met sneeuwruimen.
8. Schakel de motor uit wanneer deze niet normaal draait.

De motor starten, elektrische start

1. Plaats de AAN/UIT-sleutel in het contactslot (B). Draai de sleutel niet rond.
2. Alleen voor ST 424/427/430 : Zet de AAN/UIT-sckelaar (C) voor brandstof in de stand AAN.
3. Zet de gashendel (A) in de snelle stand.
4. Zet de AAN/UIT-sleutel in de stand AAN.



5. Alleen voor ST 424/427/430 : Als de temperatuur lager is dan -17°C (0°F), duwt u het balgje 3 keer in. Zie *Productoverzicht op pagina 163* voor de stand van het balgje.



OPGELET: Duw het balgje niet te vaak in. Hierdoor kan het gebeuren dat de motor niet start. Als de motor verzopen is, wacht u enkele minuten voordat u hem probeert te starten. Duw het balgje niet in.

6. Draai de AAN/UIT-sleutel naar START. Laat de sleutel los wanneer de motor start.



OPGELET: Laat de startmotor telkens bij het starten niet meer dan 5 seconden lopen. Wacht 5 tot 10 seconden voordat u het weer probeert.

7. Laat de motor 2-3 minuten op zeer lage snelheid draaien voordat u begint met sneeuwruimen.

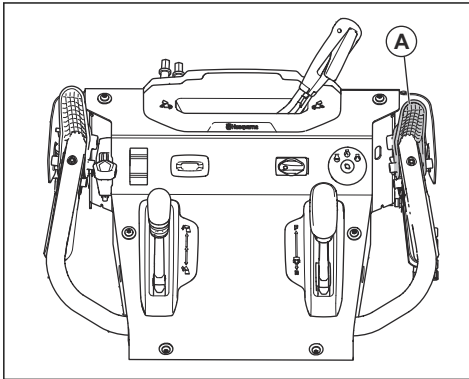
Het product gebruiken



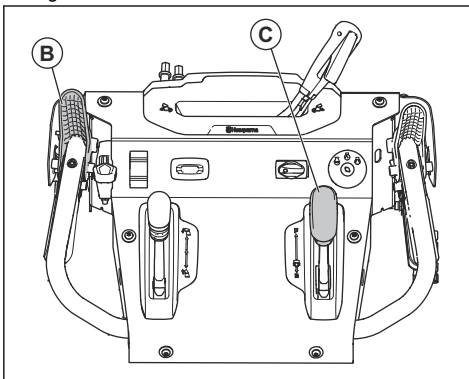
OPGELET: Laat de aandrijving of de vijzelhendels niet gedurende een langere periode gedeeltelijk aangrijpen; dit kan leiden tot voortijdige slijtage of verbranding van de riemen.

Let op: Wanneer zowel de aandrijving als de vijzel aangrijpen, wordt vijzel door de aandrijving op zijn plaats gehouden. Bedien de sneeuwuitworptrechter met de rechterhand.

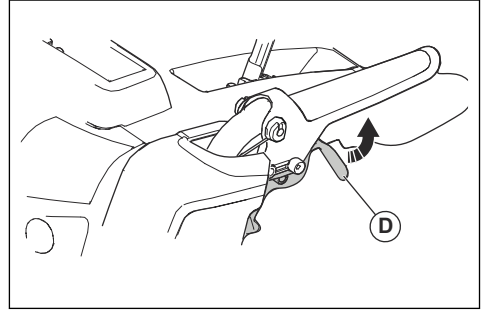
1. Om de vijzelmessen in te schakelen, drukt u de vijzelinschakeling (A) naar de hendel om de vijzel in te schakelen en sneeuw te ruimen.



2. Zet de besturingshendel (C) voor de rijnsnelheid van de middelste stand omhoog om het product naar voren te laten bewegen wanneer de aandrijving (B) is ingeschakeld.
3. Breng de besturingshendel rijnsnelheid van de middelste stand omlaag om het product naar achteren te laten bewegen wanneer de aandrijving is ingeschakeld.



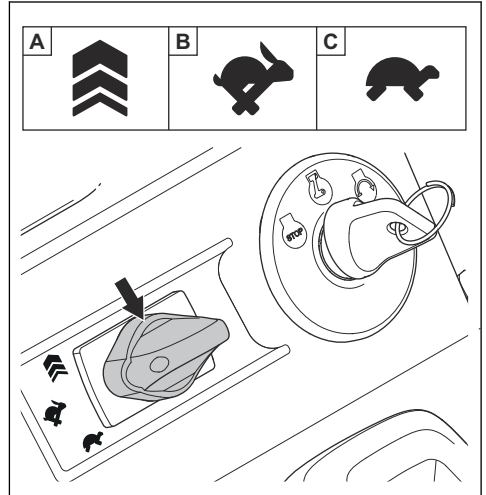
4. Om het product in de geselecteerde richting te laten bewegen, houdt u de inschakeling van de aandrijving tegen de handgreep aan.
5. Als het product stuurbekrachtiging heeft, houdt u de linkerdrukschakelaar (D) van de stuurinrichting vast om naar links te gaan. Houd de rechterdrukschakelaar van de stuurinrichting vast om naar rechts te gaan.



Gashendel

Let op: Als de sneeuw nat of zwaar is, gebruikt u de snelle of de boost-modus.

De gashendel regelt het motortoerental. Deze heeft 3 modi: boost, snel en langzaam.



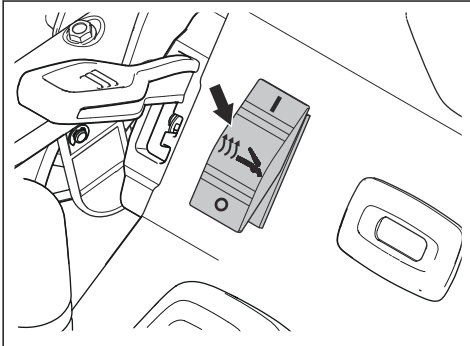
- Boost (A): om de snelheid te verhogen wanneer het product wordt gebruikt maar geen sneeuw uitwerpt of om de afstand te vergroten waarover sneeuw wordt uitgeworpen.
- Snel (B): standaardwerking
- Langzaam (C): om de afstand te verminderen waarover de sneeuw wordt uitgeworpen of om het motorgeluid te verminderen

De gashendel gebruiken

- Draai aan de gashendel om het motortoerental te wijzigen.

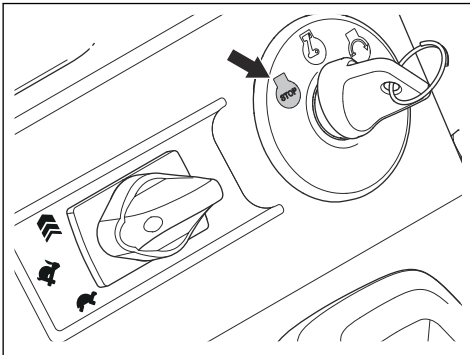
De verwarmde handgrepen gebruiken

- Duw de schakelaar naar I om de verwarmde handgrepen in te schakelen.
- Duw de schakelaar naar O om de verwarmde handgrepen uit te schakelen.



Product stoppen

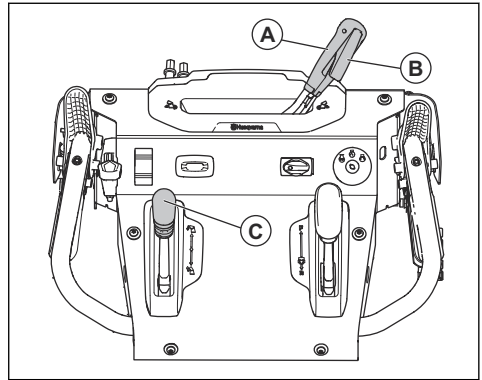
1. Draai de sleutel naar de stand STOP.



2. Verwijder de AAN/UIT-sleutel.

De uitworptrechter en de deflector van de uitworptrechter afstellen

1. Duw de vrijgavehendel (B) op de hendel (A) van de uitworptrechter en stel de uitworptrechter af naar links of rechts.



2. Met de afstandsbedieningshendel (C) kunt u de uitworpafstand van de sneeuw afstellen.
 - a) Beweeg de afstandsbedieningshendel omhoog om de uitworpafstand te verkleinen.
 - b) Beweeg de afstandsbedieningshendel omlaag om de uitworpafstand te vergroten.

De glijplaten afstellen

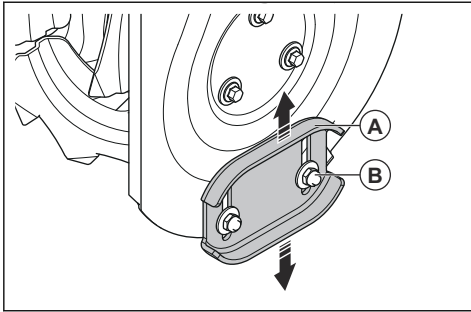
De glijplaten voorkomen dat de onderkant van de sneeuwruimer beschadigd raakt. Stel de glijplaten (A) af wanneer de borgmoer (B) los is, of wanneer de glijplaat niet de juiste afstand tot de grond heeft. Er is geen afstelling nodig voor de normale installatie.

1. Draai de borgmoer (B) los met een steeksleutel van 13 mm (1/2").
2. Verplaats de glijplaten (A) omhoog of omlaag.
 - a) Op vlakke oppervlakken stelt u de afstand tussen de schraapbalk en de grond af op 5-6 mm (0,2-0,25").
 - b) Op ruwe oppervlakken plaatst u de glijplaten (A) in een positie waarbij de schraapbalk boven het hoogste punt van de grond ligt.



WAARSCHUWING: Zorg ervoor dat geen grind en stenen het product binnendringen. Objecten die op hoge snelheid worden uitgeworpen, kunnen letsel veroorzaken.

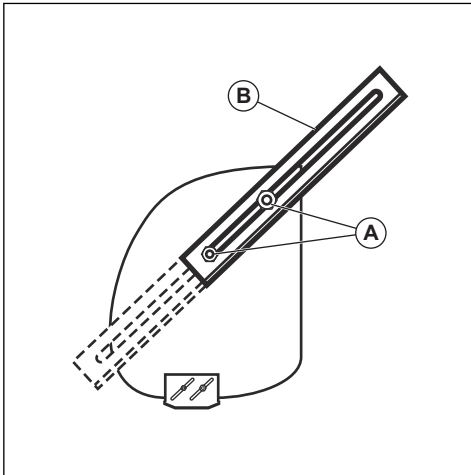
3. Draai de borgmoer (B) vast.



De snijmessen gebruiken (indien aanwezig)

Gebruik de snijmessen om dieper door sneeuwbanken te snijden dan de voorkant van het product.

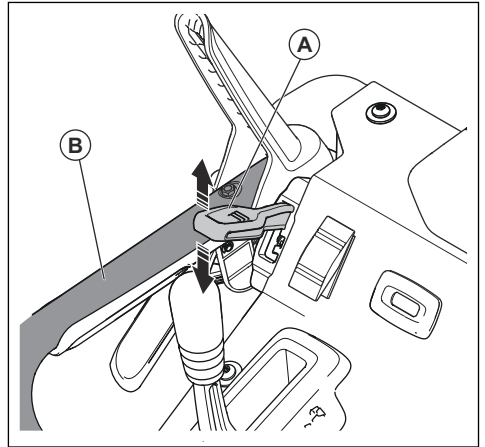
1. Draai de stelmoeren (A) aan beide zijden van het product los om elk snijmes (B) in de hoogste stand te zetten.



2. Draai de moeren vast.
3. Laat de messen na gebruik zakken.

De hoogte van de vijzelbak instellen (alleen voor ST 424T/427T/430T)

1. Duw de hendel (A) omlaag.



2. Beweeg de handgrepen (B) omhoog of omlaag om de hoogte van de vijzelbak aan te passen.
3. Laat de hendel (A) los om de vijzelbak op zijn positie te vergrendelen.

Let op: De vijzelbak kan op een ontgrendelde stand worden ingesteld. Hierdoor kan de vijzelbak zich aan het terrein aanpassen. Duw de hendel (A) omlaag en naar rechts om de vijzelbak in de ontgrendelde stand in te zetten.

Vastlopen na gebruik voorkomen

Let op: Bedieningselementen en bewegende onderdelen kunnen vastlopen door ijs. Oefen niet veel kracht uit op de bedieningselementen. Als u een bedieningselement of onderdeel niet kunt bedienen, start u de motor en laat u deze enkele minuten draaien.

1. Start de motor en laat deze enkele minuten draaien. Stop de motor en wacht totdat alle bewegende delen tot stilstand zijn gekomen.
2. Verwijder sneeuw en los ijs van het product.
3. Verwijder sneeuw en los ijs van de onderkant van de uitworptrechter.
4. Draai de deflector van de uitworptrechter naar links en naar rechts om ijs en water te verwijderen.
5. Zet de sleutel in de stand "UIT".
6. Als het product geen elektrische starter heeft, trekt u enkele keren aan de starthendel van het startkoord om ijs en water te verwijderen.

Een goed resultaat verkrijgen

- Laat de motor altijd draaien met volgas of bijna volgas.
- Pas de snelheid van het product altijd aan de sneeuwsituatie aan en pas de snelheid aan met de besturingshendel voor de rijsnelheid. Zorg ervoor dat het product gelijkmatig sneeuw ruimt.
- Het is eenvoudiger en efficiënter om sneeuw direct na het vallen te ruimen.
- Werk zo mogelijk altijd van de wind af.
- Op vlakke oppervlakken, zoals asfaltwegen, zet u de glijplaten 5-6 mm (0,2-0,25") van de grond.
- De schraapbalk is omkeerbaar. Wanneer deze bijna tot de rand van de behuizing is versleten, draait u deze om. Vervang de schraapbalk als deze beschadigd is, of als beide zijden versleten zijn.
- Maak de uitworptrechter niet los als deze verstopt is.
- Als het product door onvoorziene omstandigheden niet in beweging komt, laat u de inschakeling van de aandrijving direct los of zet u de AAN/UIT-sleutel in de stand UIT.

Onderhoud

Inleiding

Wanneer het product in gebruik is, kunnen de bouten losraken en onderdelen slijten. Dit kan een storing

veroorzaken, zoals een onjuiste speling, een verhoogd olieverbruik of een verkeerde uitlijning van diverse onderdelen. Voer periodiek onderhoud aan het product uit om storingen te voorkomen.

Onderhoudsschema

Onderhoud	Elke dag	Elke 15 uur	Elke 20 uur	Elke 40 uur	Elke 100 uur
Draai moeren en bouten aan	X				
Controleer het motoroliepeil	X				
Ververs de motorolie			X		
Controleer de spanning van de rupsbanden en stel deze af (alleen ST 424T/427T/430T)		X			
Controleer op brandstof- of olie-lekkage	X				
Verwijder obstakels in de vijzel	X				
Smeer de grensels ²⁶			X		
Smeer de kabelbevestigingen ²⁷			X		
Controleer de bandenspanning (alleen ST 424/427/430) ²⁸				X	

²⁶ Smeer deze ook aan het begin van elk seizoen.

²⁷ Smeer deze ook aan het begin van elk seizoen.

²⁸ Zie Technische gegevens voor de juiste bandenspanning.

Onderhoud	Elke dag	Elke 15 uur	Elke 20 uur	Elke 40 uur	Elke 100 uur
Controleer en vervang de bougie vóór gebruik aan het begin van een seizoen en op het aanbevolen onderhoudsinterval					X

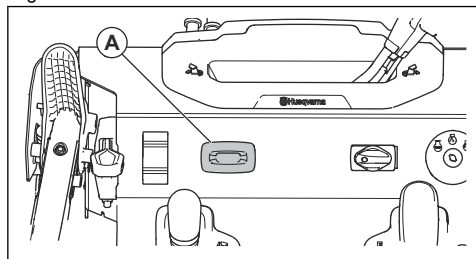
Let op: De versnellingsbak heeft geen onderhoud nodig.

Algemene inspectie uitvoeren

- Controleer of de moeren en schroeven op het product goed zijn vastgedraaid.

Waarschuwingindicator olie verversen

De waarschuwingindicator voor het verversen van de olie (A) geeft aan dat een olieversing noodzakelijk is. Deze waarschuwingindicator verschijnt na 20 bedrijfsuren op het display. Het oliekansymbool brandt dan gedurende 2 uur of totdat een handmatige reset is uitgevoerd.



De waarschuwingindicator voor het verversen van de olie resetten

- Zet de AAN/UIT-sleutel in de stand AAN en houd hem gedurende 1 seconde vast in deze positie.
- Zet de AAN/UIT-sleutel in de stand STOP en houd hem gedurende 1 seconde vast in deze positie.
- Herhaal deze procedure 4 keer.

Oliepeil controleren



OPGELET: Een te laag oliepeil kan ernstige schade aan de motor veroorzaken. Voer een controle van het oliepeil uit voordat u het product start.

- Zet het product op een vlakke ondergrond.
- Verwijder de olietankdop met de bijgevoegde peilstok.
- Veeg de olie van de peilstok.

- Steek de peilstok volledig in de olietank om een goed beeld van het oliepeil te krijgen.
- Verwijder de peilstok.
- Controleer het oliepeil op de peilstok.
- Als het oliepeil laag is, vult u bij met motorolie en controleert u het oliepeil opnieuw.

De motorolie verversen

- Laat de motor een paar minuten draaien om de olie op te warmen. Warme olie stroomt beter en voert meer verontreinigingen mee naar buiten.



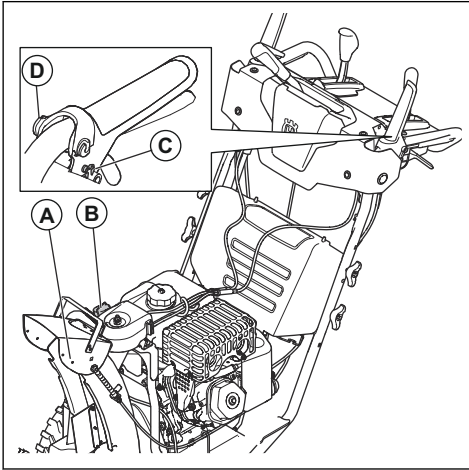
WAARSCHUWING: De motorolie is heet. Laat geen gebruikte motorolie in contact komen met de huid.

- Zet het product op een vlakke ondergrond.
- Verwijder de AAN/UIT-sleutel.
- Plaats een opvangbak onder de olieaftapplug.
- Verwijder de olieaftapplug, kantel het product en laat de gebruikte olie in de opvangbak lopen.
- Plaats het product weer in de gebruikspositie.
- Bevestig de olieaftapplug en draai deze met de hand vast.
- Vul de motor met olie, zie *De motor met olie vullen op pagina 173*.

Het product smeren

- Smeer de scharnierpunten (A) met olie.
- Smeer de motor (B) met olie.
- Smeer de grendels (C) in met een kleine hoeveelheid lithiumvet.

- Smeer de kabelverbindingen voor de aandrijving en de vijzelhendels (D) met olie.



Batterij

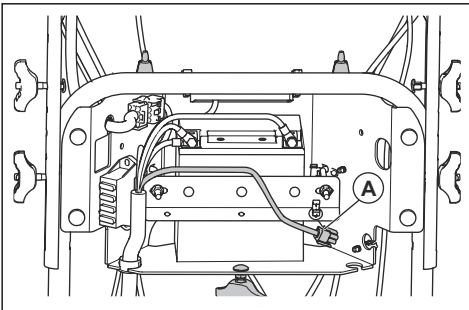
Accuonderhoud

Let op: De accu van uw machine is onderhoudsvrij. Maak de afdekkingen of kappen niet open en verwijder ze niet.

De accu opladen

Let op: Laad bij langdurige opslag de accu eerst op met een acculader om de levensduur van de accu te verlengen.

1. Verwijder het accudeksel. Zie *Accu vervangen op pagina 180*.
2. Reinig de klemmen. Zie *De accu en de klemmen reinigen op pagina 180*.
3. Sluit de acculader aan op de connector (A) van de acculader.



4. Wanneer de accu is opgeladen, koppelt u de acculader los.

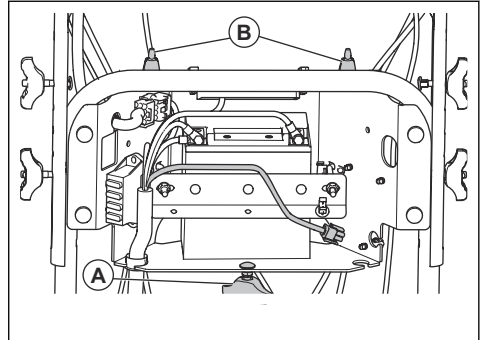
5. Plaats het accudeksel.

Accu vervangen



WAARSCHUWING: Risico van elektrische schok. Zorg dat er geen metalen voorwerpen in contact komen met de 2 accupolen. Dit kan kortsluiting van de accu veroorzaken.

1. Draai de knop (A) los en kantel de onderkant van het deksel in de richting van de motor. Til het accudeksel van de houders (B) op.



2. Koppel de ZWARTE accukabel los.



WAARSCHUWING: De ZWARTE kabel moet eerst worden losgekoppeld.

3. Koppel daarna de RODE accukabel los.
4. Draai de moeren los en verwijder de borgriem van de accu.
5. Verwijder de accu voorzichtig uit de machine.
6. Installeer dan een nieuwe accu.
7. Sluit de RODE accukabel aan en draai de bout vast.



WAARSCHUWING: Gevaar voor vonkvorming. De RODE kabel moet eerst worden aangesloten.

8. Sluit vervolgens de ZWARTE kabel aan en zet de bout vast.
9. Plaats het accudeksel.

De accu en de klemmen reinigen

1. Verwijder de accu. Zie *Accu vervangen op pagina 180*.
2. Spoel de accu af met schoon water en maak hem droog.
3. Reinig de polen en accukabeluiteinden met een draadborstel totdat ze glimmen.
4. Smeer de polen met vet.
5. Plaats de accu. Zie *Accu vervangen op pagina 180*.

6. Plaats het accudeksel.

Geluiddemper

De uitlaatdemper is bedoeld om het geluidsniveau zo laag mogelijk te houden en om de uitlaatgassen weg te voeren van de gebruiker.

Gebruik het product niet als de demper ontbreekt of beschadigd is. Bij een defecte uitlaatdemper stijgt het geluidsniveau en neemt het risico op brand toe.

Inspecteer de uitlaatdemper regelmatig om te verifiëren of die goed vastzit en niet beschadigd is.



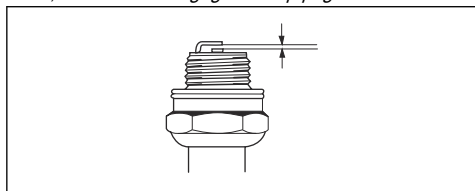
OPGELET: De uitlaatdemper wordt erg heet tijdens en na gebruik en wanneer de motor draait bij stationair toerental. Wees voorzichtig in de buurt van brandbare materialen en/of dampen om brand te voorkomen.

Bougie controleren



OPGELET: Gebruik altijd het juiste bougietype. Een verkeerd type bougie kan schade aan het product veroorzaken.

- Controleer de bougie als de motor weinig vermogen heeft, niet gemakkelijk te starten is of stationair niet goed draait.
- Volg deze instructies om het risico van ongewenst materiaal op de elektroden van de bougie te beperken:
 - a) Zorg ervoor dat het stationair toerental altijd juist is afgesteld.
 - b) Zorg dat het brandstofmengsel correct is.
 - c) Zorg dat het luchtfilter schoon is.
- Maak de bougie schoon als deze vuil is en controleer of de afstand tussen de elektroden correct is, zie *Technische gegevens op pagina 192*.



- Vervang de bougie indien nodig.

De vijzels en de schraapbalk controleren

1. Controleer vóór elk gebruik de vijzels en de schraapbalk op slijtage.
2. Als de rand van de schraapbalk versleten is, draait u de schraapbalk om. Als de schraapbalk aan beide kanten is beschadigd of versleten, vervangt u deze.

3. Als de randen van de vijzels versleten zijn, neemt u contact op met een erkend servicepunt om ze te vervangen.

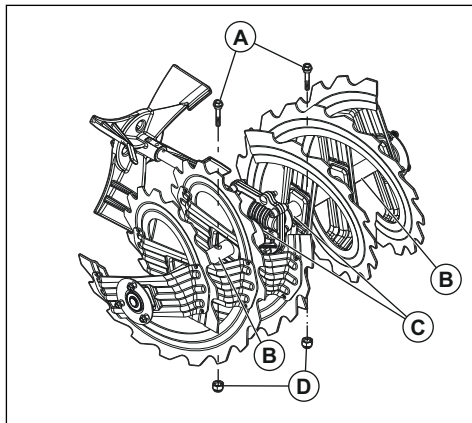
Breekpenen van de vijzel vervangen

De breekpenen van de vijzel beschermen het product tegen schade. De breekpenen van de vijzel breken als een object in de bewegende delen komt.



OPGELET: Gebruik alleen de originele breekpenen die met het product worden meegeleverd.

1. Als een breekpen van de vijzel breekt, stop dan de motor en wacht tot de bewegende delen tot stilstand zijn gekomen.
2. Verwijder de AAN/UIT-sleutel en maak de bougiekabel los.
3. Breng het gat in de naaf van de vijzel (B) in lijn met het gat in de vijzelas (C) en monteer een nieuwe breekpen van 1/4 - 20 x 2 (A).
4. Monteer een 1/4-20 borgmoer (D) op de breekpen en draai deze vast.



5. Steek de AAN/UIT-sleutel in het contact en sluit de bougiekabel aan op de bougie.

Breekpenen van de rotor vervangen

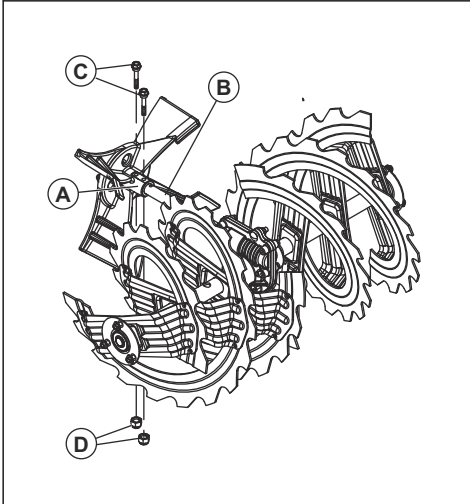
De breekpenen van de rotor beschermen het product tegen schade. De breekpenen van de rotor breken als een object in de bewegende delen komt.



OPGELET: Gebruik alleen de originele breekpenen die met het product worden meegeleverd.

1. Als een breekpen van de rotor breekt, stop dan de motor en wacht tot de bewegende delen tot stilstand zijn gekomen.
2. Verwijder de AAN/UIT-sleutel en maak de bougiekabel los.

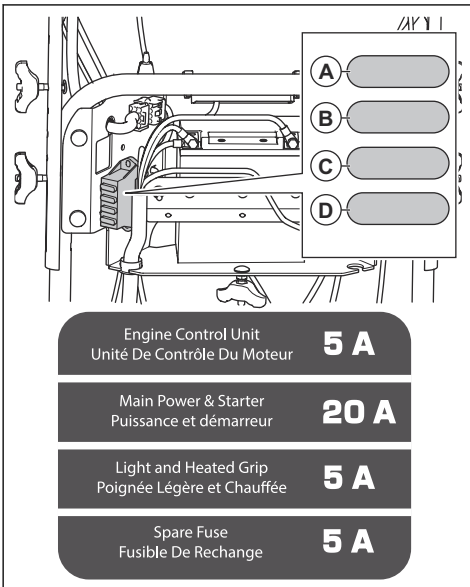
- Breng het gat in de naaf van de rotor (A) in lijn met het gat in de vijzelas (B) en monteer een nieuwe ¼ -20 breekpen (C).
- Monteer een ¼-20 borgmoer (D) op de breekpen en draai deze vast.



- Steek de AAN/UIT-sleutel in het contact en sluit de bougiekabel aan op de bougie.

De zekering vervangen

De zekeringhouders bevinden zich achter het accudeksel.



- Vervang de zekering voor de motorregeleenheid (A) met een 5A-zekering.
- Vervang de zekering van de elektromagneet (B) van de startmotor met een 20A-zekering.
- Vervang de zekering voor de led en de verwarmde handgreep (C) met een 5A-zekering.
- Positie (D) bevat een reservezekering van 5 A.

De banden inspecteren

- Houd de banden vrij van brandstof, olie en chemicaliën om schade aan het rubber te voorkomen.
- Houd de banden uit de buurt van boomstronken, stenen, geulen, scherpe voorwerpen en andere voorwerpen die schade aan de banden kunnen veroorzaken.
- Houd de banden correct op spanning, zie *Technische gegevens op pagina 192*.

De deflector van de uitworptrechter leegmaken wanneer deze verstopt is

Maak de deflector van de uitworptrechter pas leeg als u de volgende handelingen hebt verricht.

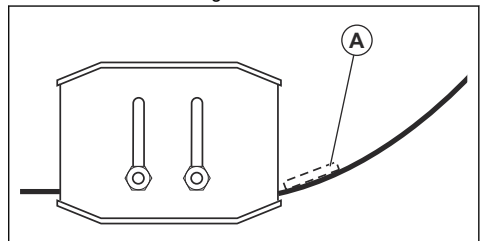
- Laat de inschakeling van de vijzel en van de aandrijving gelijktijdig los.
- Wacht 10 seconden om er zeker van te zijn dat de vijzels gestopt zijn.
- Stop het apparaat.
- Gebruik de reinigingstool (ten minste 37 cm (15") lang, bijgeleverd bij sommige modellen) om de verstopping te verwijderen.



WAARSCHUWING: Steek uw handen niet in de deflector van de uitworptrechter of in de vijzelbak.

De schraapbalk vervangen

- Draai de schraapbalk (A) om wanneer deze aan de rand van de behuizing versleten raakt.



- Vervang de schraapbalk als deze aan beide zijden versleten is of als deze beschadigd is.

Aandrijfriemen



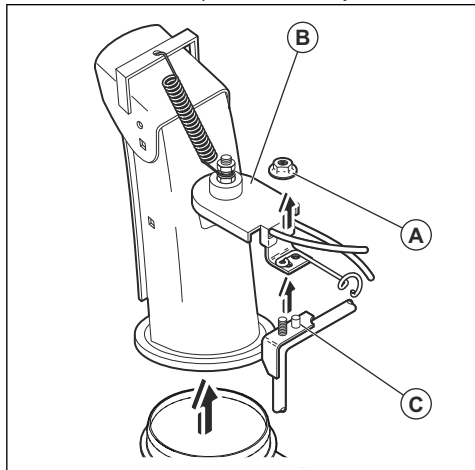
WAARSCHUWING: De V-riemen op uw product hebben een speciale constructie en moeten worden vervangen door riemen van de oorspronkelijke fabrikant, verkrijgbaar bij het dichtstbijzijnde servicepunt. Het gebruik van andere riemen dan die van de oorspronkelijke fabrikant kan leiden tot persoonlijk letsel of schade aan het product.



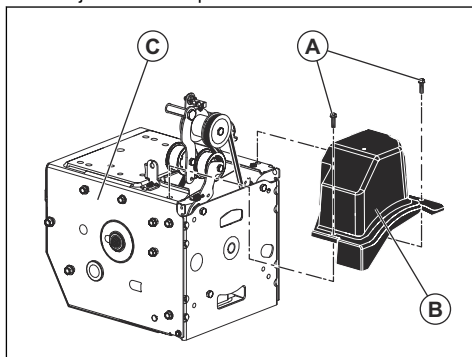
WAARSCHUWING: Voor de vervanging van de riem moet het product worden gedemonteerd. Wanneer u de vijzelbehuizing losmaakt van het frame is het belangrijk dat een assistent in de bedieningsstand staat en de producthandgrepen vasthoudt. Ernstig lichamelijk letsel en/of schade aan het product kan optreden als het product tijdens het vervangen van de riem valt.

Voorbereiding voor het vervangen van de riemen

1. Tap de brandstof af uit de brandstoftank.
2. Draai de borgmoer (A) los waarmee de uitworprotokop (B) aan de bevestigingsbeugel (C) vastzit om de uitworptrechter te verwijderen.

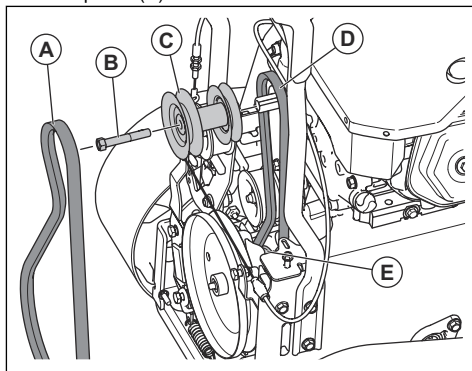


3. Draai de twee schroeven (A) los waarmee de riemkap (B) aan het frame (C) is bevestigd en verwijder de riemkap.



De aandrijfriem verwijderen

1. Verwijder de vijzelriem (A). Zie *De vijzelriem verwijderen (alleen voor ST 424/427/430)* op pagina 184.
2. Verwijder de 9/16"-poeliebout (B) en verwijder de motorpoelie (C) van de motor.



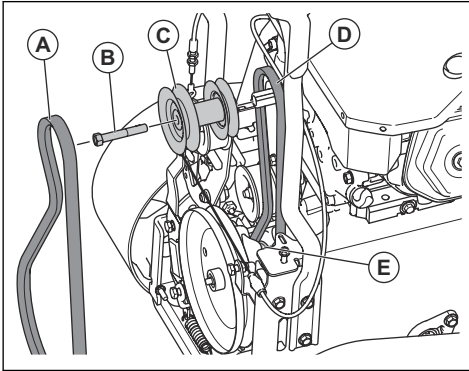
3. Verwijder de aandrijfriem (D) van de onderste poelie (E).

De aandrijfriem aanbrengen

1. Plaats de aandrijfriem op de onderste poelie (E).

Let op: Zorg ervoor dat de aandrijfriem correct in de groef van de onderste poelie valt.

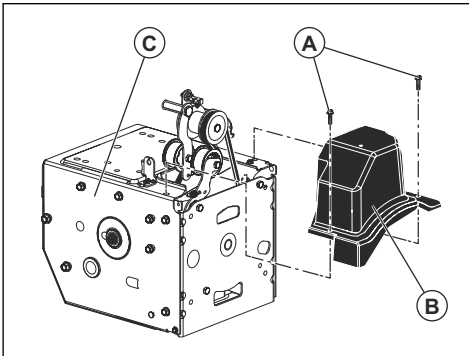
- Plaats de aandrijfriem in de groef van de motorpoelie (C).



- Monteer de 9/16"-poeliebout (B) en bevestig de motorpoelie (C) op de motor. Zet de poeliebout vast (41-47 Nm/30-35 Ft. lbs).
- Monteer de vijzelriem (A). Zie *De vijzelriem aanbrengen op pagina 185*.
- Bedien alle bedieningselementen om er zeker van te zijn dat de aandrijfriem correct is gemonteerd en dat alle onderdelen correct bewegen.

De riemkap installeren

- Breng de riemkap (B) aan op het frame (C) en draai de twee schroeven (A) vast.

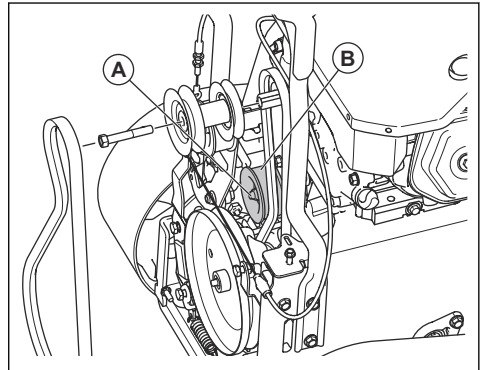


- Installeer de uitworptrechter.

De spanning van de aandrijfriem aanpassen

- Verwijder de riemafdekking. Zie *Voorbereiding voor het vervangen van de riemen op pagina 183*.
- Draai de moer (A) van de geleidepoelie los.

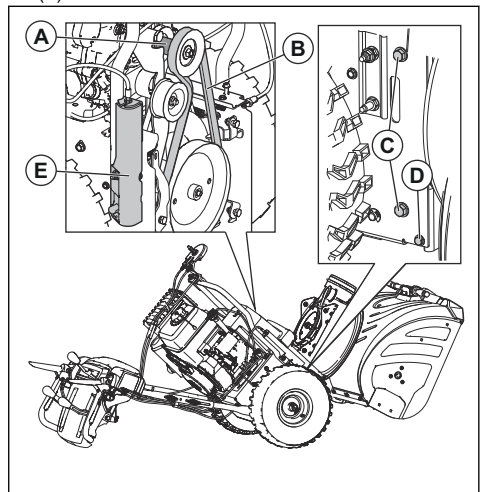
- Beweeg de geleidepoelie (B) dichter naar de riem om de riemspanning te vergroten. Beweeg deze van de riem af om de riemspanning te verkleinen.



- Draai de moer (A) van de geleidepoelie vast.
- Druk de rijsnelheidshendel in en laat hem weer los. Als de aandrijfriem nog gespannen is wanneer de rijsnelheidshendel wordt losgelaten, verplaatst u de geleidepoelie weg van de aandrijfriem om de spanning van de riem te halen.
- Monteer de riemkap. Zie *De riemkap installeren op pagina 184*.

De vijzelriem verwijderen (alleen voor ST 424/427/430)

- Verwijder de moer van 5/16" en de kabelafdekking (E) van het frame.

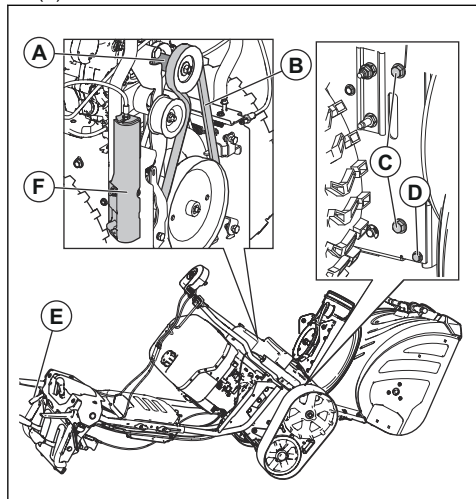


- Verwijder de bovenste 5/16"-bouten en de onderste 1/4"-bouten (D) van de 2 zijden van het frame. Gooi de bouten niet weg.
- Draai de onderste bouten van 5/16" (C) aan de 2 zijden van het frame los, maar verwijder ze niet.

- Haal de vizielriem (B) van de motorpoelie (A).
- Kantel het achterste gedeelte omlaag. Het voorste gedeelte kantelt tegelijkertijd naar voren. De onderste bout is een scharnier tussen het voorste en achterste deel.
- Plaats een houten blok onder het scharnierpunt om het product in de gekantelde stand te zetten.
- Verplaats de vizielremarm en verwijder de vizielriem (B) die rond de vizielremarm zit.

De vizielriem verwijderen (alleen voor ST 424T/427T/430T)

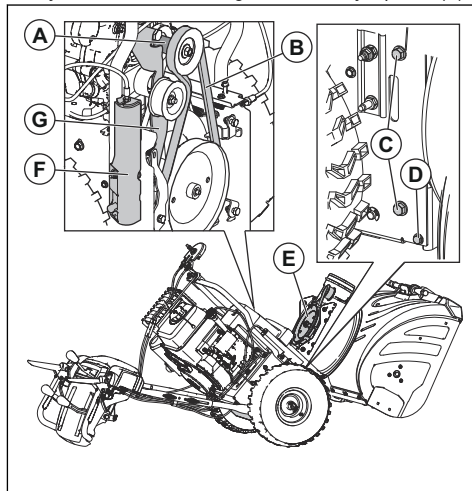
- Verwijder de moer van 5/16" en de kabelafdekking (E) van het frame.



- Verwijder de bovenste 5/16"-bouten van de 2 zijden van het frame. Gooi de bouten niet weg.
- Verwijder de onderste 5/16"-bouten (C) aan de 2 zijden van het frame.
- Haal de vizielriem (B) van de motorpoelie (A).
- Gebruik de afstelhendel voor de vizielbak om het achterste deel naar beneden te kantelen. Het voorste gedeelte kantelt tegelijkertijd naar voren. De onderste bout is een scharnier tussen het voorste en achterste deel.
- Plaats een houten blok onder het scharnierpunt om het product in de gekantelde stand te zetten.
- Verplaats de vizielremarm en verwijder de vizielriem (B) die rond de vizielremarm zit.

De vizielriem aanbrengen

- Verplaats de vizielremarm (G). Bevestig de vizielriem rond en in de groef van de vizielpoelie (E).



OPGELET: Zorg ervoor dat de riem niet tussen het frame en het vizielhuis komt als u de eenheid in elkaar zet.

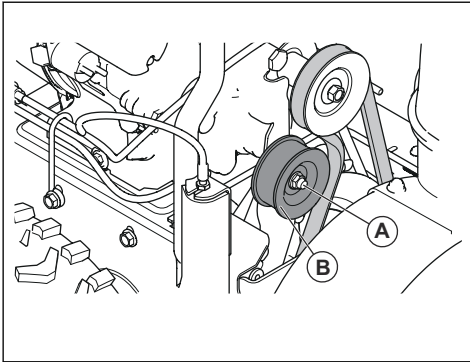
- Verwijder het houten blok van onder het product.
- Til de hendels omhoog om het achterste gedeelte omhoog te kantelen. Het voorste gedeelte kantelt naar achteren en draait zodat het op het achterste gedeelte wordt bevestigd.
- Zorg ervoor dat de riem correct in de groef van de vizielpoelie (E) valt.
- Monteer de bouten van 5/16" (C) en draai ze vast (11-16 Nm).
- Alleen voor ST 424/427/430 : Monteer de bouten van 1/4" (B) en draai ze vast (5-8 Nm).
- Plaats de vizielriem (B) op de motorpoelie (A). Zorg ervoor dat de riem correct om de geleidepoelie en in de groef van de motorpoelie valt.
- Monteer het kabeldeksel (F) en de moer van 5/16" op het frame.
- Bedien alle bedieningselementen om er zeker van te zijn dat de vizielriem correct is gemonteerd en dat alle onderdelen correct bewegen.

De vizielriemspanning aanpassen

Let op: Voor deze taak is de hulp van een assistent vereist.

- Verwijder de riemafdekking. Zie *Voorbereiding voor het vervangen van de riemen op pagina 183*.

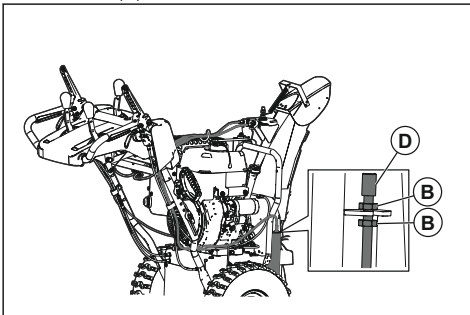
2. Draai de moer (A) van de geleidepoelie los.



3. Verplaats de geleidepoelie (B) in de richting van de vjizelriem om de riemspanning te vergroten. Verplaats de geleidepoelie weg van de vjizelriem om de riemspanning te verkleinen.
4. Draai de moer (A) van de geleidepoelie vast.
5. Laat uw assistent 3 m (10 ft) voor het product staan om de beweging van de vjizel in de gaten te houden.
6. Duw de vjizelinschakeling in en laat hem weer los om de vjizel te starten en te stoppen.
7. Meet de tijd die de vjizel nodig heeft om tot stilstand te komen. Haal de spanning van de riem wanneer de vjizel meer dan 5 seconden nodig heeft om tot stilstand te komen.
8. Wanneer de vjizel na minder dan 5 seconden tot stilstand komt, monteert u de riemkap. Zie *De riemkap installeren op pagina 184*.

De bedieningskabel van de vjizel afstellen

1. Verwijder de kabelafdekking aan de rechterkant van het frame (D).



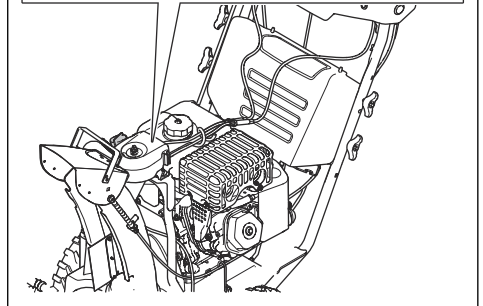
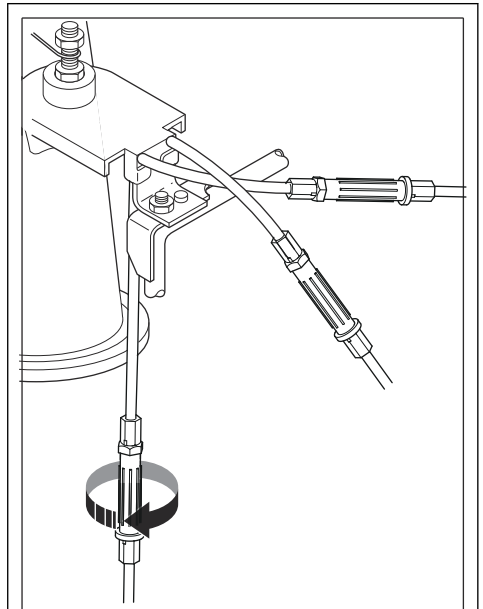
2. Om de bedieningskabel van de vjizel strakker te trekken, schroeft u de onderste contramoer (B) los en draait u de bovenste contramoer (B) aan totdat de riemspanning van de vjizel is toegenomen.

3. Test de inschakeling van de vjizel opnieuw. Herhaal de afstelling naar behoefte tot er nog maar weinig spanning op de kabel staat wanneer de hendel wordt uitgeschakeld.
4. Draai de onderste borgmoer vast om de spanning vast te houden.

Let op: U kunt de vjizelriem ook spannen door als secundaire optie de spanrol aan te passen. Als de afstelling het probleem niet verhelpt, vervang dan de riem van de grondboor. Zie *De vjizelriem aanbrengen op pagina 185*.

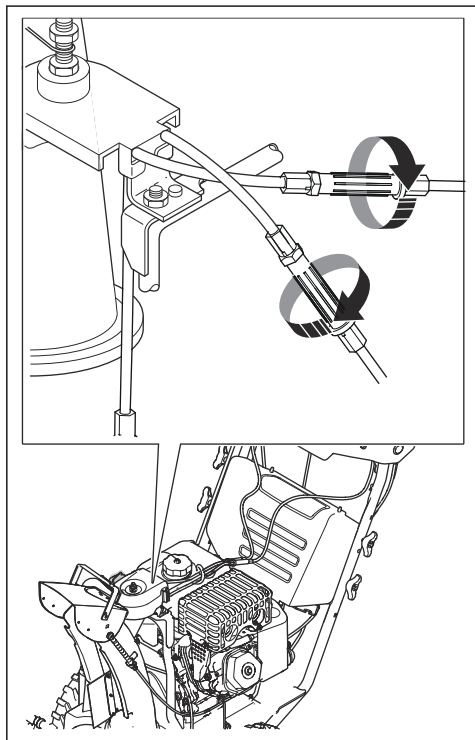
De ontgrendelkabel van de uitwortrecther afstellen

1. Om de ontgrendelkabel af te stellen, draait u aan de kabelversteller totdat de vrijgavehendel van de uitwortrecther niet meer vrij kan bewegen.



De linker- en rechterkabel van de uitworptrechter afstellen

1. Plaats de hendel van de uitworptrechter in de middenstand.
2. Draai aan de kabelverstellers totdat de uitworptrechter recht vooruit wijst en de kabels strak staan.

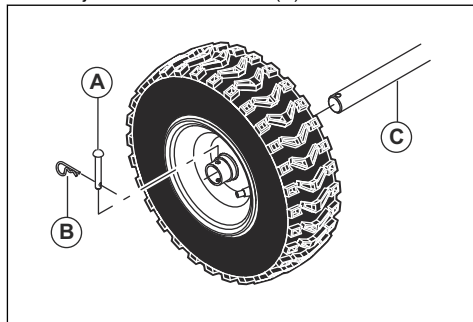


3. Draai de kabelverstellers ¼-slag los om de kabels minder strak te maken.

De wielen verwijderen

1. Verwijder de wielen (A) en de borgpen (B).

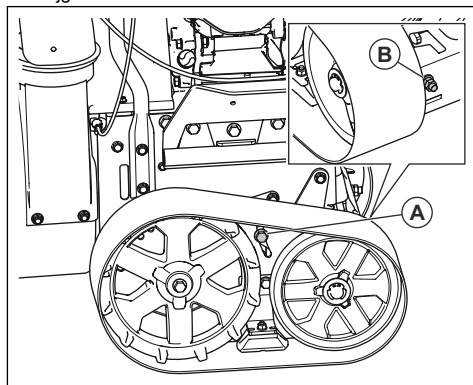
2. Verwijder het wiel van de as (C).



De spanning van de rupsbanden afstellen (alleen voor ST 424T/427T/430T)

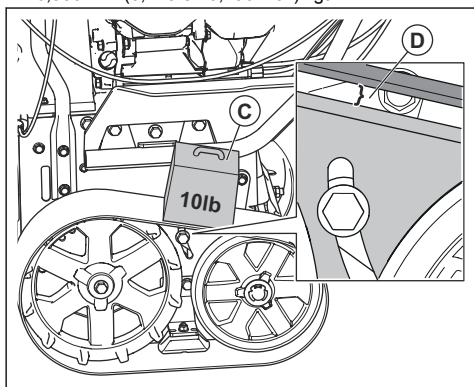
Let op: Gereedschappen die nodig zijn voor deze taak: een diepe dop van 9/16", een 9/16"-sleutel en een gewicht van 5 kg (10 lbs).

1. Draai de borgschroef (A) 1 slag los.
2. Verwijder de achterste borgmoer (B) om toegang te krijgen tot de stelmoer.



3. Plaats een gewicht van 5 kg (10 lbs) (C) bovenop de rupsband, in het midden tussen de 2 wielen.

4. Draai aan de stelmoer (B) totdat de afstand (D) tussen de rups en de stalen plaat tussen 3,175 en 6,350 mm (0,125 en 0,250 inch) ligt.



5. Bevestig de borgschroef (A) en vervolgens de achterste borgmoer (B).

Product reinigen

- Reinig de kunststof onderdelen met een schone en droge doek.
- Reinig het product niet met een hogedrukspuit.
- Laat nooit water rechtstreeks op de motor stromen.
- Gebruik een borstel om bladeren, gras en vuil te verwijderen.

Probleemoplossing

Probleem	Mogelijke oorzaak	Oplossing
Het product start niet	De veiligheidscontactsleutel is niet ingestoken.	Plaats de veiligheidscontactsleutel.
	Het product bevat geen brandstof meer.	Vul de brandstoftank met nieuwe, schone benzine.
	De AAN/UIT-sleutel is UIT.	Zet de AAN/UIT-sleutel in de stand AAN.
	Er is geen brandstof in de motor geïnjecteerd.	Injecteer brandstof in de motor.
	De motor is 'verzopen'.	Wacht enkele minuten alvorens opnieuw te starten, injecteer NIET. Start de motor opnieuw terwijl het gaspedaal volledig is ingetrapt en de choke UIT (DICHT) is.
	De bougiekabel is niet aangesloten.	Sluit de kabel aan op de bougie.
	De bougie is defect.	Vervang de bougie.
	Er zit water in de brandstof of de brandstof is te oud.	Leeg de brandstoftank en de carburateur. Vul de brandstoftank met nieuwe, schone benzine.
	Er zit damp in de brandstofleiding.	Zorg dat de hele brandstofleiding onder de uitgang van de brandstoftank loopt. De brandstofleiding moet ononderbroken omlaag lopen van de brandstoftank naar de carburateur.
	Andere oorzaken.	Inspecteer de startprocedures in deze handleiding zorgvuldig.
	De brandstofschakelaar (indien aanwezig) staat in de stand DICHT (UIT).	Zet de motorschakelaar in de stand OPEN (AAN).
	De gashendel staat in de stand STOP.	Zet de gashendel in de snelle stand.
	De startaccu is niet opgeladen.	Laad de startaccu op.
	De startaccu moet worden vervangen.	Vervang de startaccu.
	De motorregeleenheid ontvangt geen voeding.	Controleer de ECU-zekering en bedrading.
	De elektromagneet (B) van de startmotor kan niet worden ingeschakeld.	Inspecteer de zekering en bedrading en van de startmotor.
De brandstofverstuiver wordt niet geactiveerd. (Alleen voor ST 424T/427T/430T)	Neem contact op met een erkend servicepunt.	
De brandstofpomp krijgt geen voeding. (Alleen voor ST 424T/427T/430T)	Neem contact op met een erkend servicepunt.	

Probleem	Mogelijke oorzaak	Oplossing
Verminderd vermogen	De bougiekabel is niet aangesloten.	Sluit de kabel aan op de bougie.
	Het product ruimt te veel sneeuw.	Verlaag de snelheid en de breedte van het zwad.
	De dop van de brandstoftank is bedekt met ijs of sneeuw.	Verwijder ijs en sneeuw op en rond de brandstoftankdop.
	De demper is vuil of verstopt.	Reinig of vervang de demper.
	Incorrecte kabellengte.	Pas de kabellengte aan.
	De demper is geblokkeerd.	Zorg ervoor dat de motor afkoelt. Verwijder de blokkade.
	De luchtinlaat van de carburateur is geblokkeerd.	Zorg ervoor dat de motor afkoelt. Verwijder de blokkade.
	De brandstofverstuiver wordt niet geactiveerd.	Neem contact op met een erkend servicepunt.
De motor stopt of loopt stroef	De brandstofleiding is verstopt.	Maak de brandstoftank schoon.
	Er zit water in de brandstof of de brandstof is te oud.	Leeg de brandstoftank en de carburateur. Vul de brandstoftank met nieuwe, schone benzine.
	De carburateur moet worden vervangen.	Neem contact op met een erkend servicepunt.
	De brandstofverstuiver wordt niet geactiveerd.	Neem contact op met een erkend servicepunt.
Overmatige trilling / beweging van de handgreep	Sommige onderdelen zitten los. De vijzels zijn beschadigd.	Zet alle afsluitingen vast. Vervang de beschadigde onderdelen. Neem contact op met een erkend servicepunt. als de trillingen niet verdwijnen.
	De handgrepen zijn niet goed geplaatst.	Zorg ervoor dat de handgrepen in de juiste stand zijn vergrendeld.
	De moeren van de afstelhendels zitten los.	Haal de moeren aan tot de hendel veilig aanvoelt.
De starthendel van het startkoord is moeilijk aan te trekken	De starthendel van het startkoord is vastgelopen.	Trek langzaam zoveel mogelijk koord uit de starter en laat de startkoordhendel vervolgens los. Indien de motor niet start, herhaalt u de procedure of gebruikt u de elektrische startmotor.
	Het startkoord komt tussen andere onderdelen.	Het startkoord mag geen kabels of slangen raken.

Probleem	Mogelijke oorzaak	Oplossing
Verlies van tractieaandrijving/afname van de rijsnelheid Verlies van sneeuwlozing of langzaam wordende sneeuwlozing	De riem slipt.	Pas de kabel lengte aan. Pas de riem aan.
	De riem is versleten.	Controleer/vervang de riem. Pas de poelie aan.
	De riem is van de poelie gelopen.	Controleer/installeer de riem. Pas de poelie aan.
	De uitworptrechter zit verstopt.	Reinig de uitworptrechter.
	Vreemde voorwerpen verstoppende de vijzels.	Verwijder het vuil of het vreemde voorwerp uit de vijzels.
	De breekpen is defect.	Vervang de defecte breekpen.
	Overmatige sneeuw- en ijsafzetting tussen de rupsbanddelen.	Verwijder sneeuw- en ijsafzetting tussen de rupsbanddelen.
De lichten zijn niet aan (indien aanwezig)	De motor draait niet.	Start de motor.
	De kabelverbinding is los.	Controleer de kabelverbindingen bij de motor en de lampen.
	De ledlamp is doorgebrand.	Vervang de ledlamp module. Individuele led's kunnen niet worden vervangen.
	De zekering is doorgebrand.	Vervang de zekering. Controleer of er geen kortsluiting is.
De uitworprotor beweegt stroef	Er zit vuil in het mechanisme van de uitworprotor.	Reinig de interne onderdelen van het uitworprotormechanisme.
	De kabels zijn geknikt of beschadigd.	Controleer of de kabels niet geknikt zijn. Vervang de kabels die beschadigd zijn.
	De ontgrendelkabel moet worden afgesteld.	Stel de ontgrendelkabel af.
Het product draait naar één kant	De bandenspanning is niet gelijk.	Pas de bandenspanning aan en vul de band.
	Het product rijdt met slechts één wiel.	Controleer de borgpen van de band.
	Ongelijkmatige sledeafstelling.	Stel de glijplaten en de slede af.
	Ongelijkmatige glijplatafstelling.	Stel de glijplaten en de slede af.

Vervoer, opslag en verwerking

Transport en opslag

- Controleer voor opslag en vervoer van het product en de brandstof of er geen lekken of dampen zijn. Vonken of open vuur, bijvoorbeeld van elektrische apparaten of ketels, kunnen tot brand leiden.
- Gebruik altijd goedgekeurde containers voor opslag en transport van brandstof.
- Leeg de brandstoftank voordat u het product voor langere tijd opslaat. De brandstof via een geschikte verwijderingslocatie afvoeren
- Zet het product tijdens het vervoer veilig vast om schade en ongevallen te voorkomen.
- Bewaar het product in een afgesloten ruimte om toegang door kinderen of onbevoegde personen te verhinderen.

- Bewaar het product in een droge en vorstvrije ruimte.
- Laad de accu op bij langdurige opslag. Controleer en reinig de accupolen voor langdurige opslag.

Afvoeren

- Neem de plaatselijk geldende wet- en regelgeving voor recycling in acht.

- Voer alle chemicaliën, zoals olie of antivries, af via een servicecentrum of een geschikte verwijderingslocatie.
- Wanneer het product niet langer in gebruik is, stuur het dan naar een Husqvarna dealer of voer het af via een recyclingslocatie.
- Lever de accu in bij een servicecentrum of bij een bedrijf dat oude accu's verwerkt.

Technische gegevens

Technische gegevens

	ST 424	ST 427	ST 430	ST 424T	ST 427T	ST 430T
Afmetingen						
Gewicht, met lege tanks, kg	140	145	150	160	165	170
Max bandenspanning in bedrijf, PSI	18	18	20	NVT	NVT	NVT
Motor						
Merk	Husqvarna	Husqvarna	Husqvarna	Husqvarna	Husqvarna	Husqvarna
Cilinderinhoud, cc	291	369	414	306	369	420
Brandstoftype	Normaal loodvrij (maximaal 10% ethanol)					
Brandstofcapaciteit, gal/l	0,62/2,35	0,62/2,35	0,62/2,35	0,95/3,60	0,95/3,60	0,95/3,60
Type olie (API SJ-SN)	SAE 5W30 (onder 0 °C (32 °F))					
Oliecapaciteit fl. oz./l	32/0,95	38/1,12	38/1,12	32/0,95	38/1,12	38/1,12
Elektrisch systeem						
Bougie	F6RTC					
Afstand tussen de elektroden van de bougie (inch/mm)	0,027/0,686					
Geluidsemisies ²⁹						
Geluidsvermogeniveau, gemeten dB(A)	<105 DB	<105 DB	<105 DB	<105 DB	<105 DB	<105 DB
Geluidsvermogeniveau, gegarandeerd L _{WA} dB(A)	105 dB	105 dB	105 dB	105 dB	105 dB	105 dB
Trillingsniveaus, a_{hveq} ³⁰						
Trillingsniveau op de handel, m/s ²	4,57 m/s ²	5,07 m/s ²	5,83 m/s ²	4,11 m/s ²	4,65 m/s ²	5,25 m/s ²

²⁹ Geluidsemisie naar de omgeving gemeten als geluidsvermogen (L_{WA}) volgens EG-richtlijnen 2000/14/EG en 2005/88/EG.

³⁰ Trillingsniveau volgens EN 5349-2 EN 1033.

EG verklaring van overeenstemming

INHOUD VAN DE EG-VERKLARING VAN OVEREENSTEMMING

Wij, Husqvarna, SE-561 82 Huskvarna, ZWEDEN,
verklaren onder onze alleenverantwoordelijkheid dat het
gerepresenteerde product:

Beschrijving	Sneeuwblazer
Merk	Husqvarna
Platform / Type / Model	ST 424, ST 427, ST 430, ST 424T, ST 427T, ST 430T
Partij	Serienummer vanaf 2018 en verder

volledig voldoet aan de volgende EU-richtlijnen en -
regelgeving:

Richtlijn/Verordening	Beschrijving
2006/42/EG	"betreffende machines"
2014/30/EU	"betreffende elektromagnetische compatibiliteit"
2000/14/EG; 2005/88/EG	"betreffende geluid buitenshuis"

Toegepaste geharmoniseerde normen en/of technische
specificaties zijn als volgt: EN ISO 12100, ISO 14982,
ISO 8437, ISO 3744, EN 1032

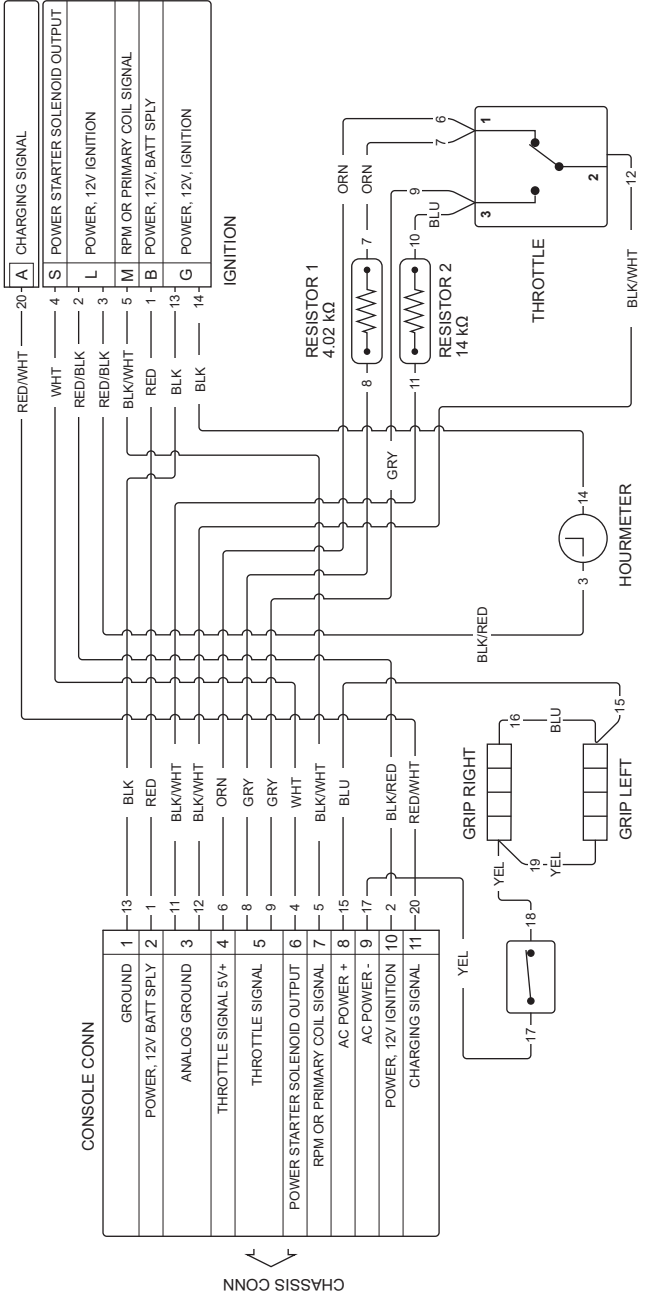
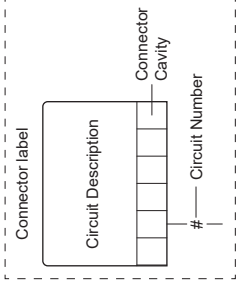
In overeenstemming met richtlijn 2000/14/EG, bijlage V,
staan de verklaarde geluidswaarden vermeld in de
sectie met technische gegevens van deze handleiding
en in de ondertekende EG-verklaring van
overeenstemming.

De geleverde sneeuwblazer is conform het geteste
exemplaar.

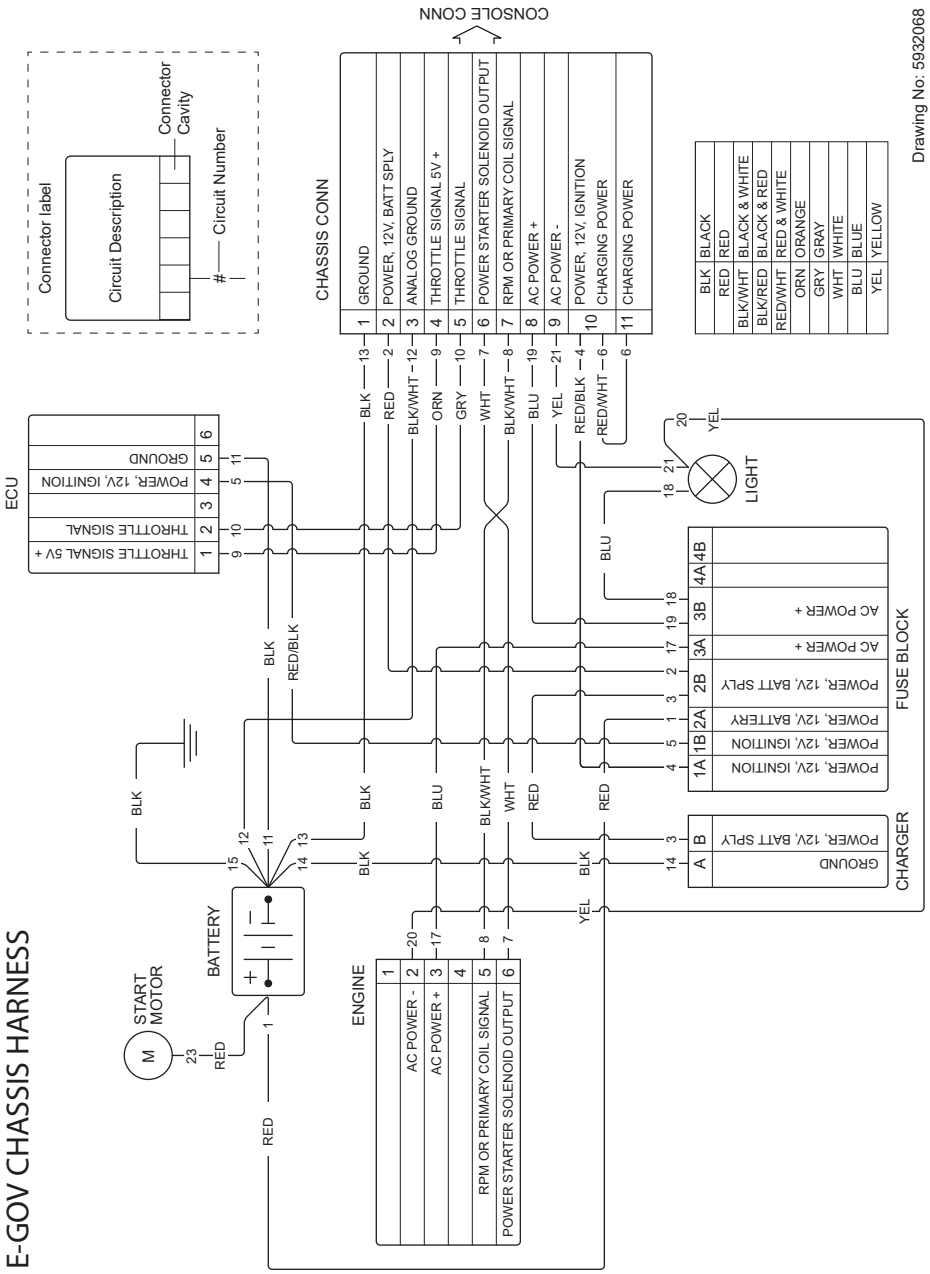
UPPER - CONTROL HARNESS

BLK	BLACK
RED	RED
BLK/WHT	BLACK & WHITE
BLK/RED	BLACK & RED
RED/WHT	RED & WHITE
GRN	GRAY
ORN	ORANGE
WHT	WHITE
BLU	BLUE
YEL	YELLOW

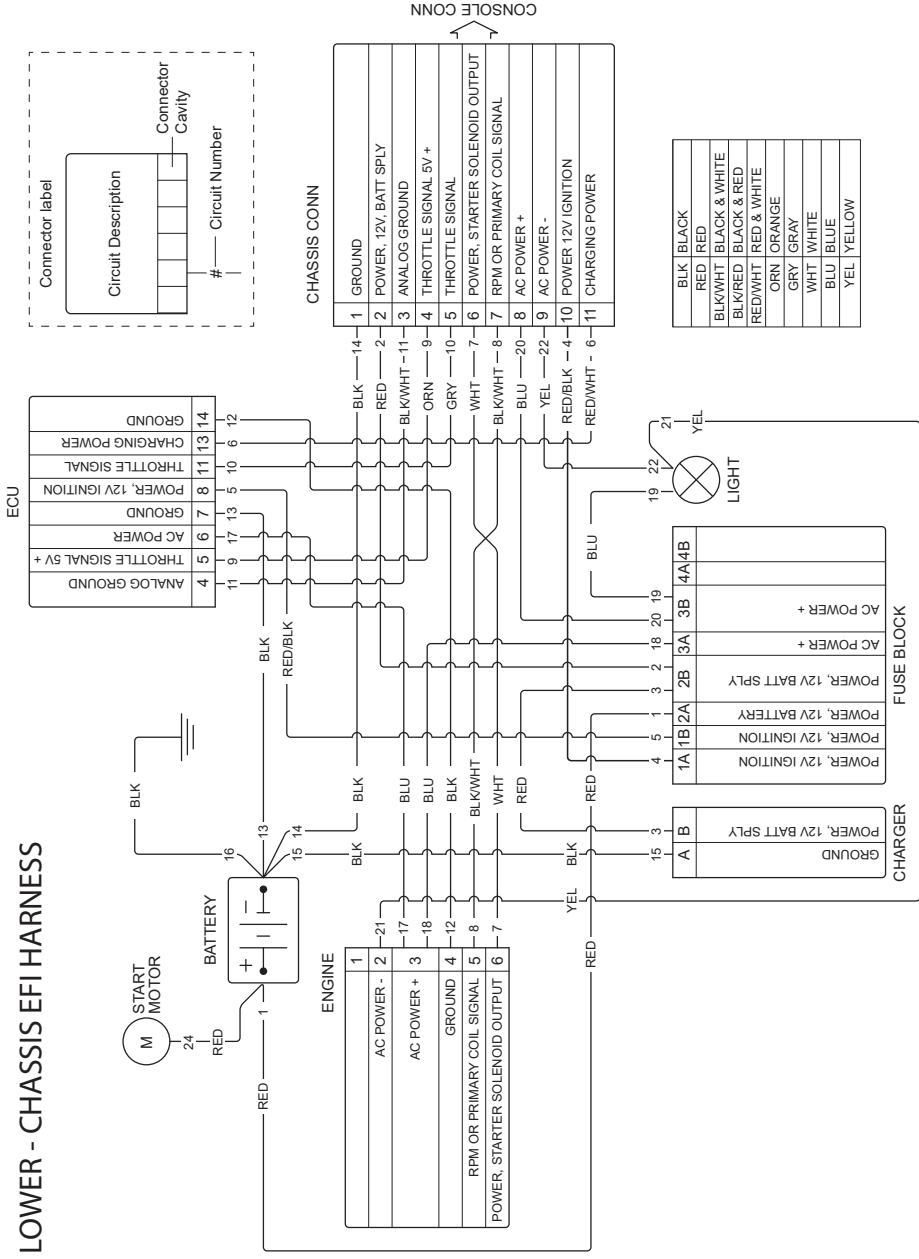
POSITION	ROTATION	FUNCTION	CONTACT
1	0°	OFF	G + M
2	45°	RUN	L + B + A
3	85°	START	L + B + S



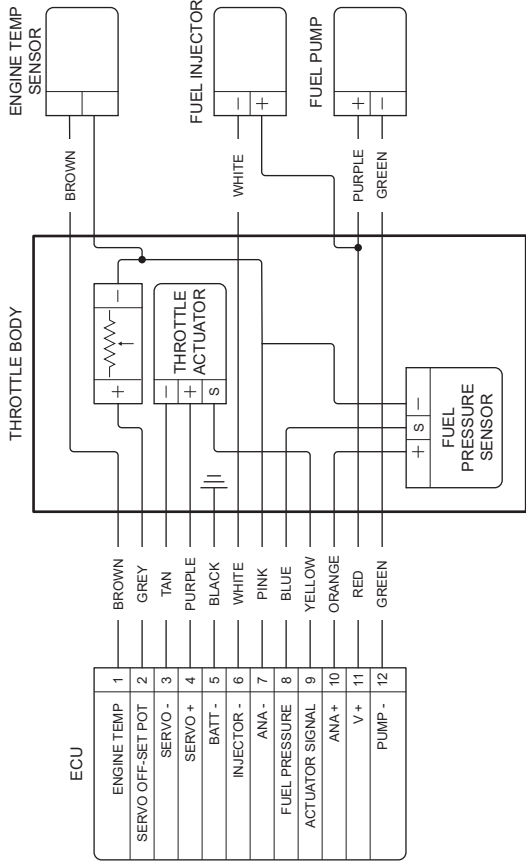
E-GOV CHASSIS HARNESS



LOWER - CHASSIS EFI HARNESS

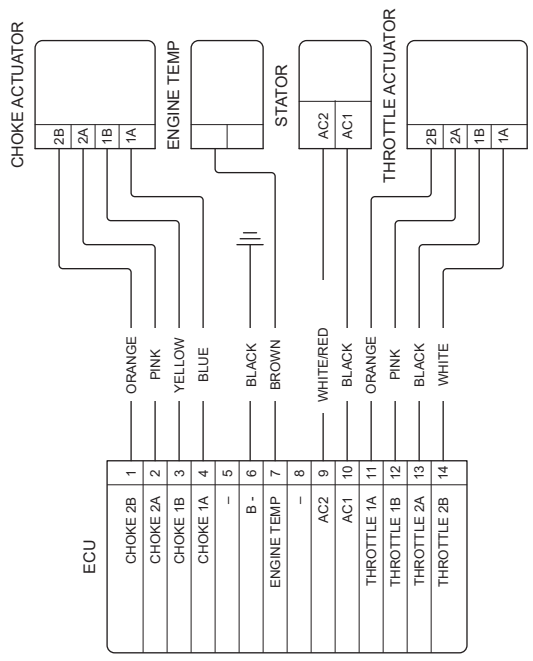


LCT EFI Throttle Body Harness



S = SIGNAL

EGOV Engine Harness





www.husqvarna.com

Original instructions
Originalanweisungen
Instructions d'origine

Instrucciones originales
Istruzioni originali
Originele instructies

1140723-20



2020-01-08