

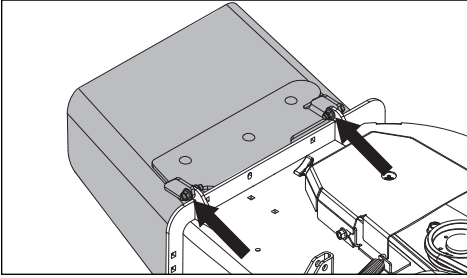
INSTALLATION INSTRUCTIONS

48" MULCH KIT - 592 810501

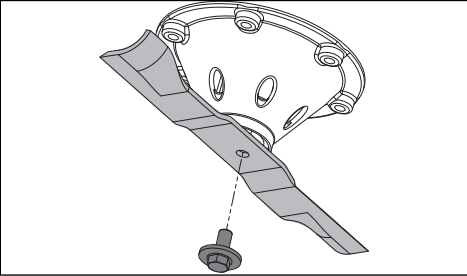


Please read the mower manual carefully and ensure you understand the instructions. The instructions will enable you to assemble and maintain your tractor properly. Always observe the "SAFETY RULES".

1. Remove and retain the existing discharge chute and hardware from the deck.

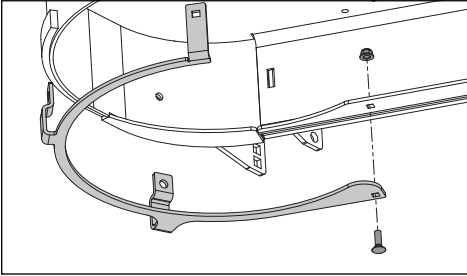


2. Raise and support the mower. Remove and retain the existing blade bolts and cutting blades.

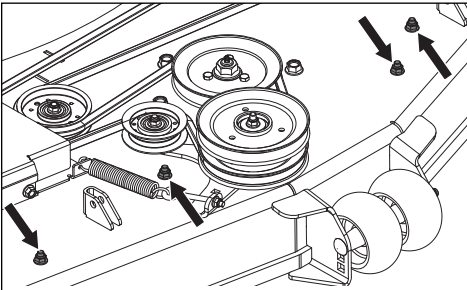


3. Loosely install the left debris baffle to the underside of the deck with the screw and nut.

Note: To achieve proper fit, it is important that all fasteners are left loose until all pieces are installed.

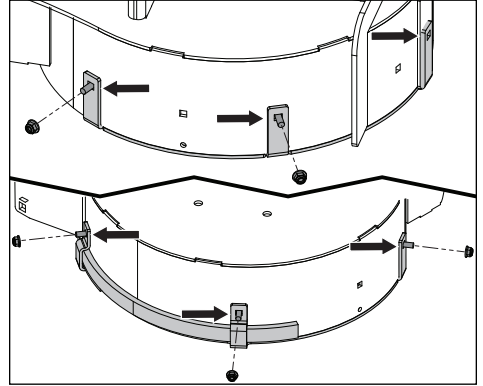


4. Position the mulch baffles to the underside of the deck and secure loosely with the nuts.

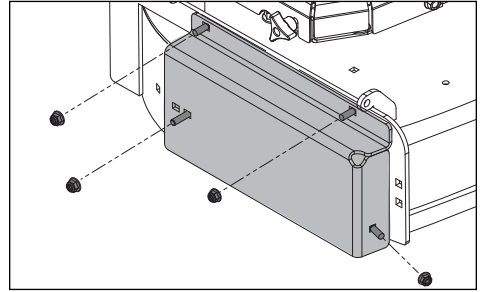


5. Loosely install the debris baffles to the deck and the previously installed mulch baffles with the nuts and bolts.

Note: If the deck is missing required mounting holes then drilling is required. Using the left and right debris baffles as templates, center punch and drill 8.0 mm (5/16") holes as needed. Use additional hardware to attach the baffles to the deck.



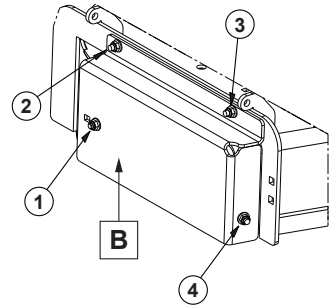
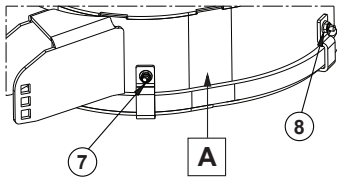
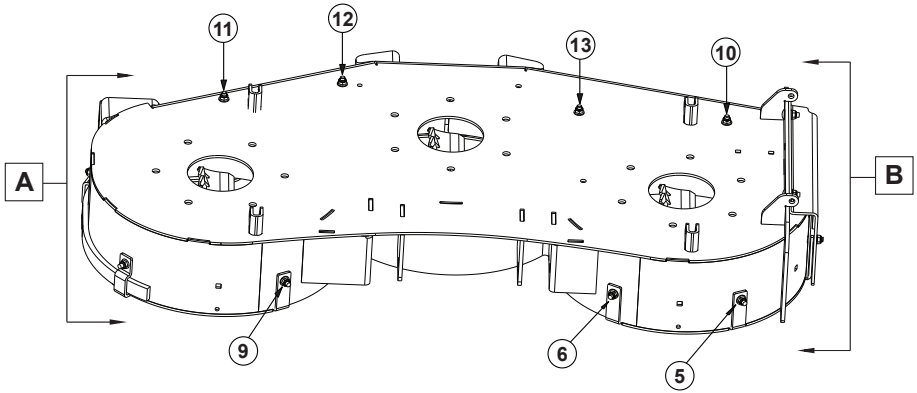
6. Loosely install the mulch cover to the deck and the previously installed right mulch baffle and right debris baffle with the nuts and bolts.



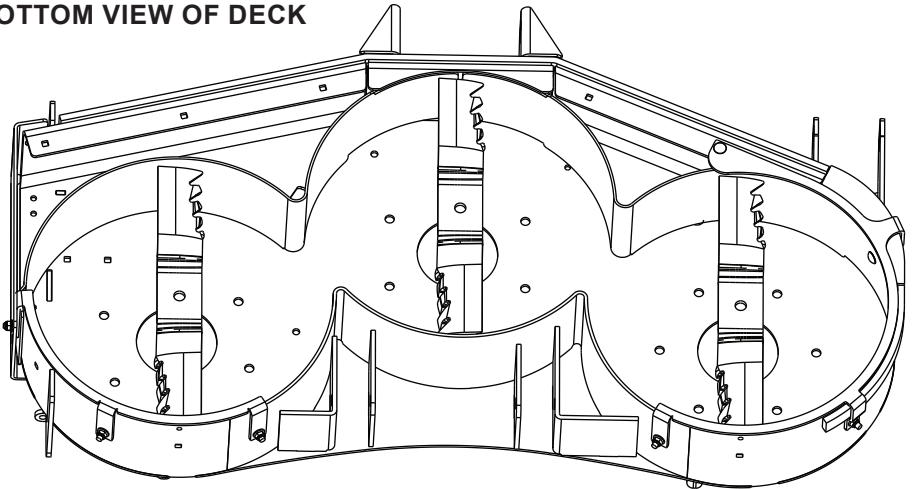
7. Tighten all loose hardware in the order shown in the **Squence Diagram** to 10-15 ft-lbs.
8. Install the new mulching blades with the previously removed blade bolts. Torque blade bolts to 122 Nm (90 ft-lb). Check the clearance between the blades and baffles.
9. Remove the supports and lower the mower to its normal position.

SEQUENCE DIAGRAM

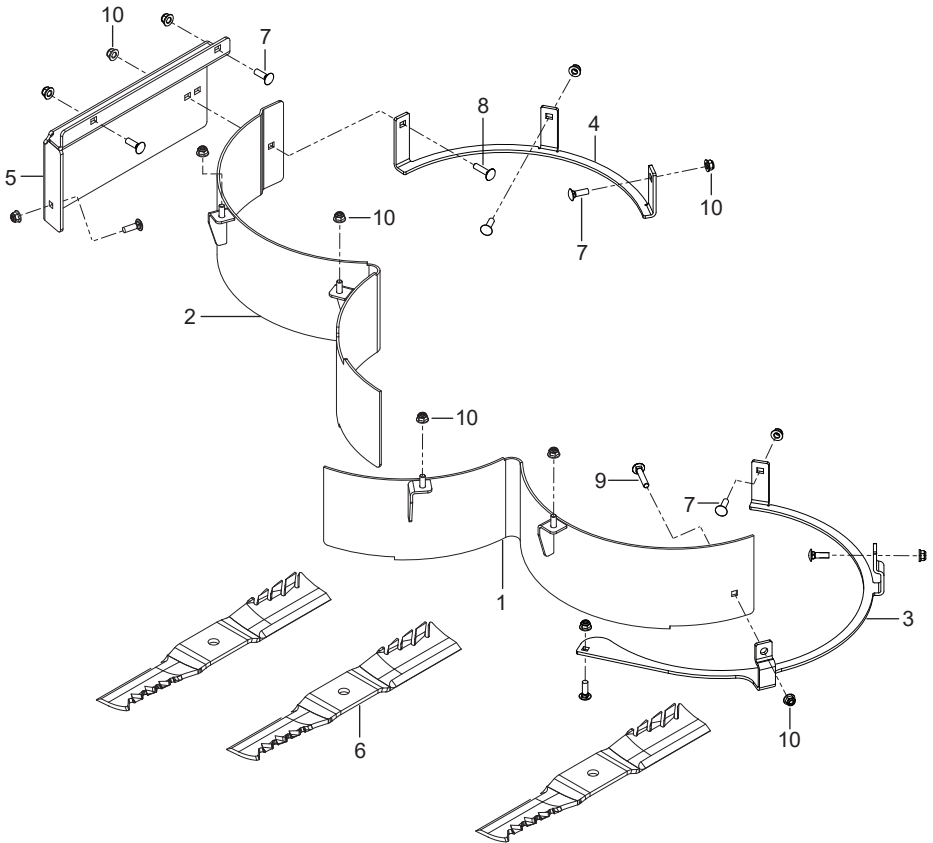
Torque to 10-15 ft-lbs.



BOTTOM VIEW OF DECK



REPAIR PARTS



Ref.	Part No.	Qty	Description
1	591 34 99-02	1	Baffle, Mulch Left
2	591 35 00-02	1	Baffle, Mulch Right
3	593 00 96-02	1	Baffle, Debris Left
4	593 00 95-02	1	Baffle, Debris Right
5	592 90 00-02	1	Cover, Mulch
6	593 07 80-02	3	Blade, Mulching
7	539 99 02-08	8	Bolt 5/16-18 x 1 Round Head Square Neck
8	539 10 04-72	1	Bolt 5/16-18 x 1-1/4 Round Head Square Neck
9	539 99 08-61	1	Bolt 5/16-18 x 1-3/4 Round Head Square Neck
10	539 11 28-99	14	Nut 5/16-18 Hex Flange Nyloc