

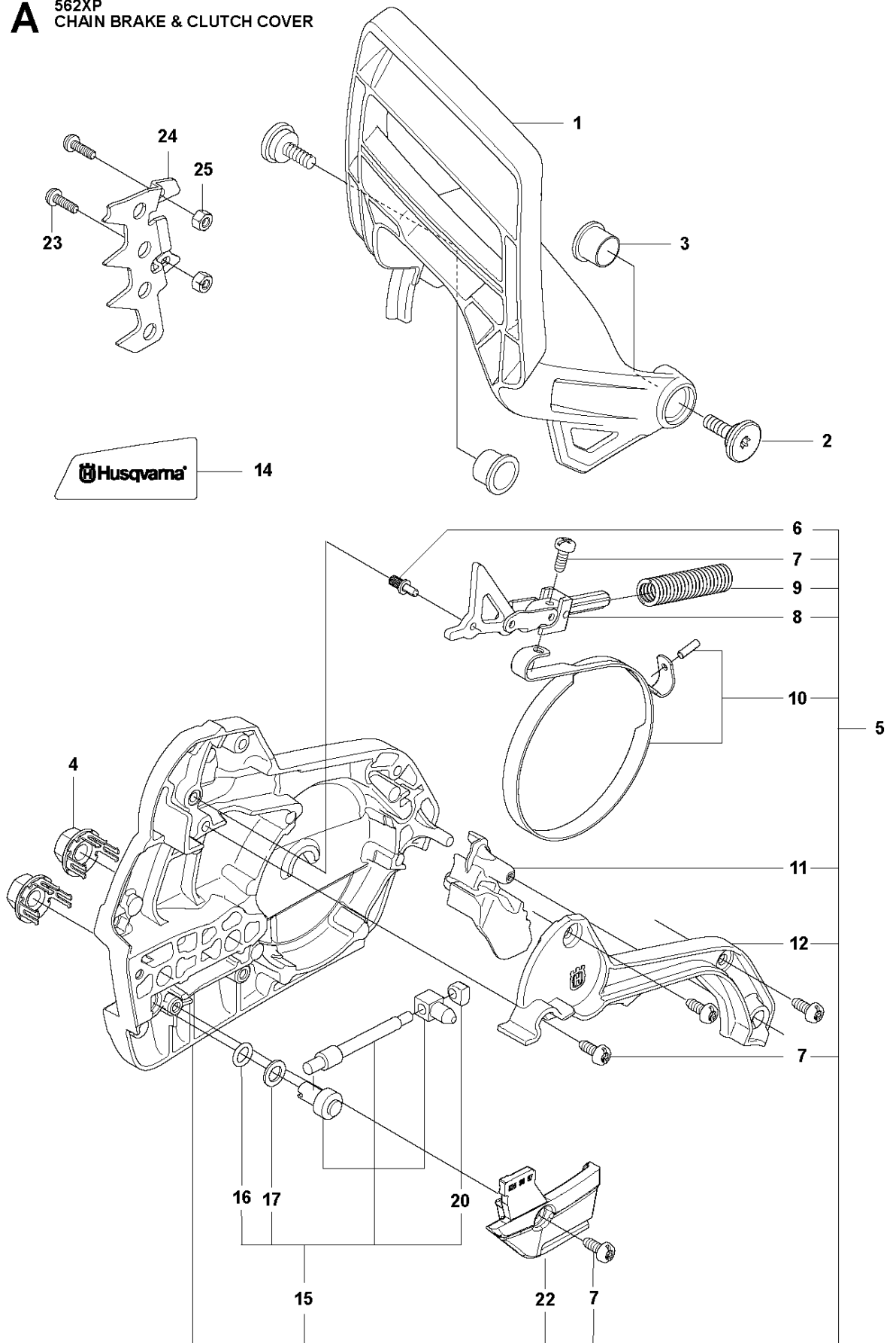


SPARE PARTS LIST

CHAIN SAWS

562 XP/XPG

A 562XP
CHAIN BRAKE & CLUTCH COVER

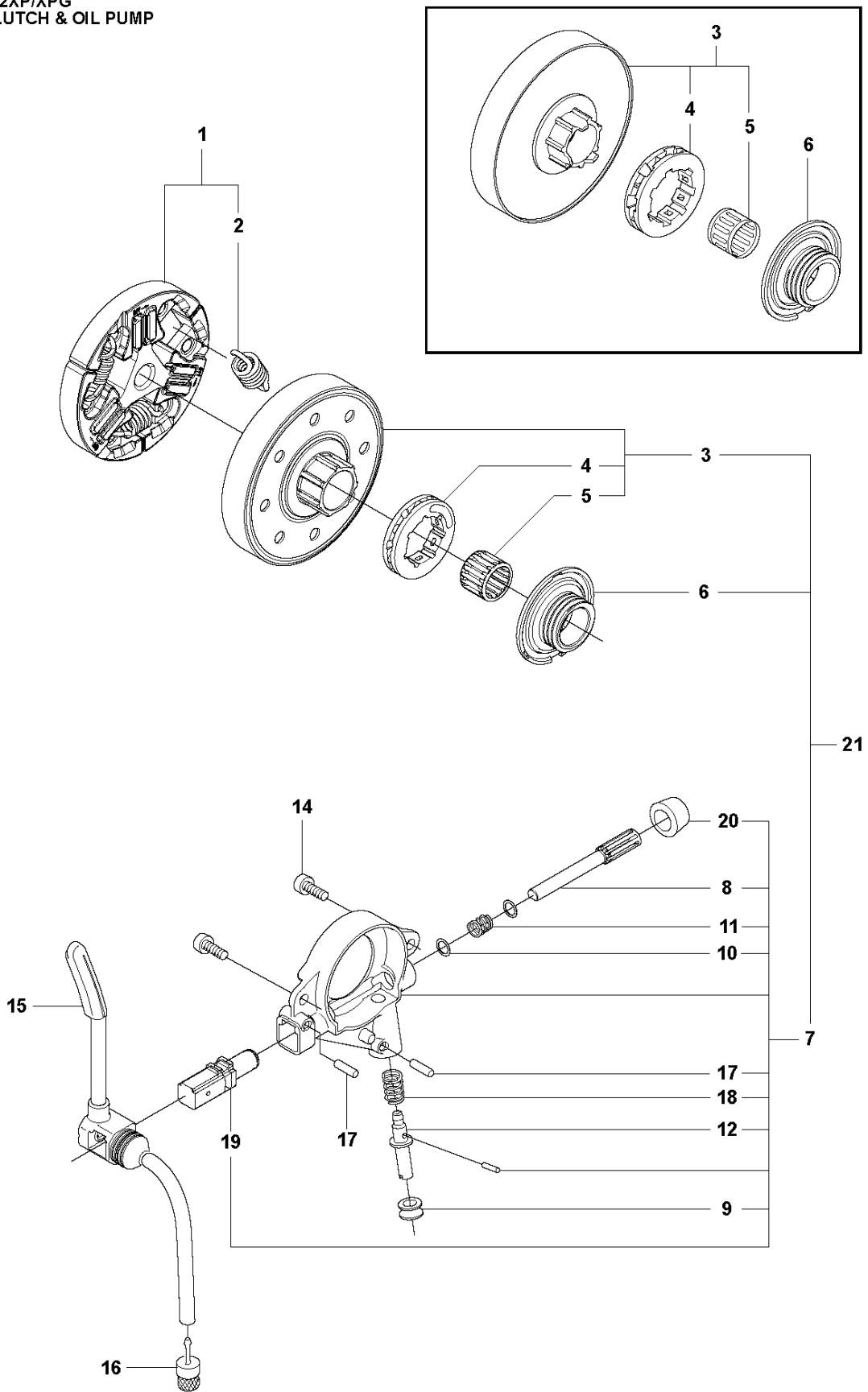


CHAIN BRAKE & CLUTCH COVER

562 XP/XPG

Ref	Part No	Description	Remark	QTY KIT	
1	525 25 06-02	HAND GUARD		1	
2	526 83 45-01	SCREW		2	
3	577 78 02-01	BUSHING		2	
4	505 19 73-01	NUT		2	
5	525 74 33-05	CLUTCH COVER ASSY		1	
6	503 75 18-01	PIN		1	5
7	526 22 18-01	SCREW CITXPANT		5	5
8	505 19 93-01	KNEE JOINT ASSY		1	5
9	503 90 83-01	BRAKE SPRING		1	5
10	505 19 95-02	BRAKE BAND ASSY		1	5
11	505 20 16-01	GUARD		1	5
12	505 19 97-03	COVER		1	5
14	523 05 80-01	LABEL	- up to s/n 20202399999	1	
15	575 26 04-02	CHAIN TENSIONER KIT		1	5
16	740 48 07-02	O-RING		1	15
17	503 23 00-63	WASHER		1	15
20	537 01 74-01	BEARING SLEEVE		1	15
22	525 38 87-01	CHAIN GUIDE		1	5
23	575 79 35-01	SCREW ITXPANM		2	
24	577 97 52-01	SPIKE OUTER		1	
25	503 22 24-01	LOCK NUT		2	

B 562XP/XPG
CLUTCH & OIL PUMP

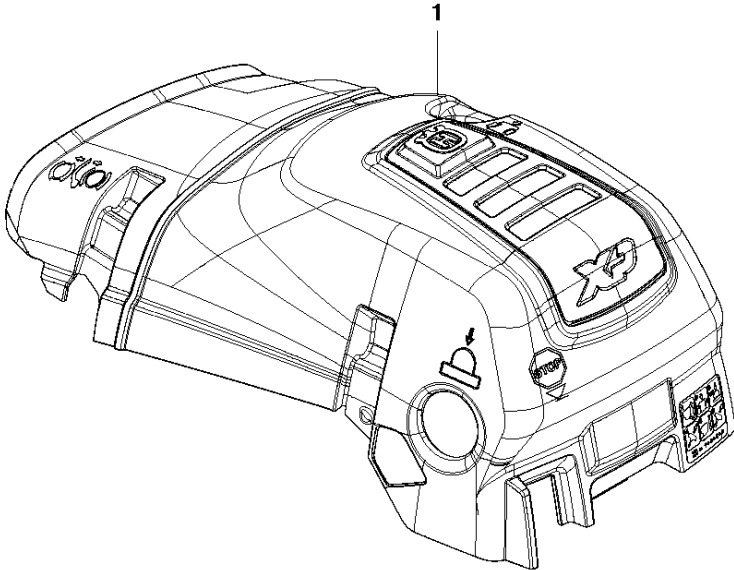


CLUTCH & OIL PUMP

562 XP/XPG

Ref	Part No	Description	Remark	QTY	KIT
1	589 80 90-02	CLUTCH ASSY		1	
2	502 16 47-01	CLUTCH SPRING	s/n from 20164100193 -	1	1
2	580 65 35-02	CLUTCH SPRING	s/n from 20133400001 - up to s/n 20164100192	3	1
3	575 26 10-05	CLUTCH DRUM ASSY	- up to s/n 20202200048 ".325" x7"	1	
3	575 26 10-06	CLUTCH DRUM	- up to s/n 20202200048 "3/8" x7"	1	
3	575 26 10-08	CLUTCH DRUM ASSY	s/n from 20202200049 - "3/8" x7"	1	21
4	501 45 74-02	RIM		1	3
4	501 59 80-02	RIM	"3/8" x7"	1	3
5	503 25 34-01	NEEDLE BEARING		1	3
6	577 60 11-01	WORM WHEEL	- up to s/n 20202200048	1	
6	586 20 46-01	WORM WHEEL	s/n from 20202200049 - "3/8"	1	21
7	505 19 99-09	OIL PUMP ASSY		1	
8	505 20 02-03	PUMP PISTON		1	7
9	505 20 03-01	CASING		1	7
10	503 23 00-60	WASHER		2	7
11	503 89 16-01	SPRING		1	7
12	505 15 70-01	ADJUSTMENT SCREW		1	7
14	526 81 81-02	SCREW ITXSCM		2	
15	575 84 78-01	OIL HOSE		1	
16	504 71 00-03	OIL PLUMMET		1	
17	720 12 33-00	PARALLEL PIN		2	7
18	503 89 15-01	SPRING		1	7
19	505 20 01-01	PUMP CYLINDER		1	7
20	503 62 49-03	SEALING PLUG		1	7
21	598 93 77-04	CLUTCH DRUM ASSY	s/n from 20202200049 - "3/8"	1	

C 562XP
CYLINDER COVER



2

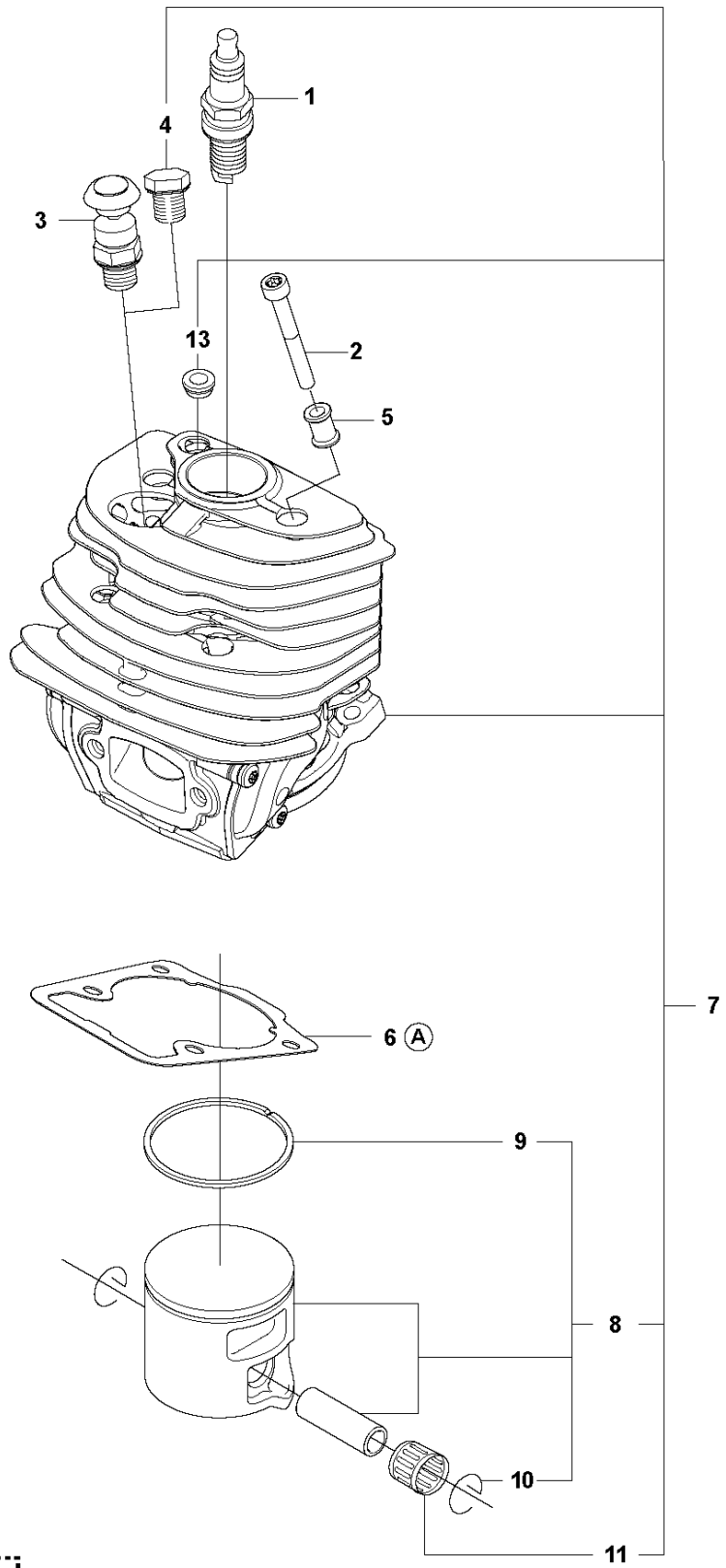


CYLINDER COVER

562 XP/XPG

Ref	Part No	Description	Remark	QTY	KIT
1	587 24 87-02	CYLINDER COVER ASSY		1	
2	587 14 95-01	LABEL		1	1

D 562XP
CYLINDER PISTON

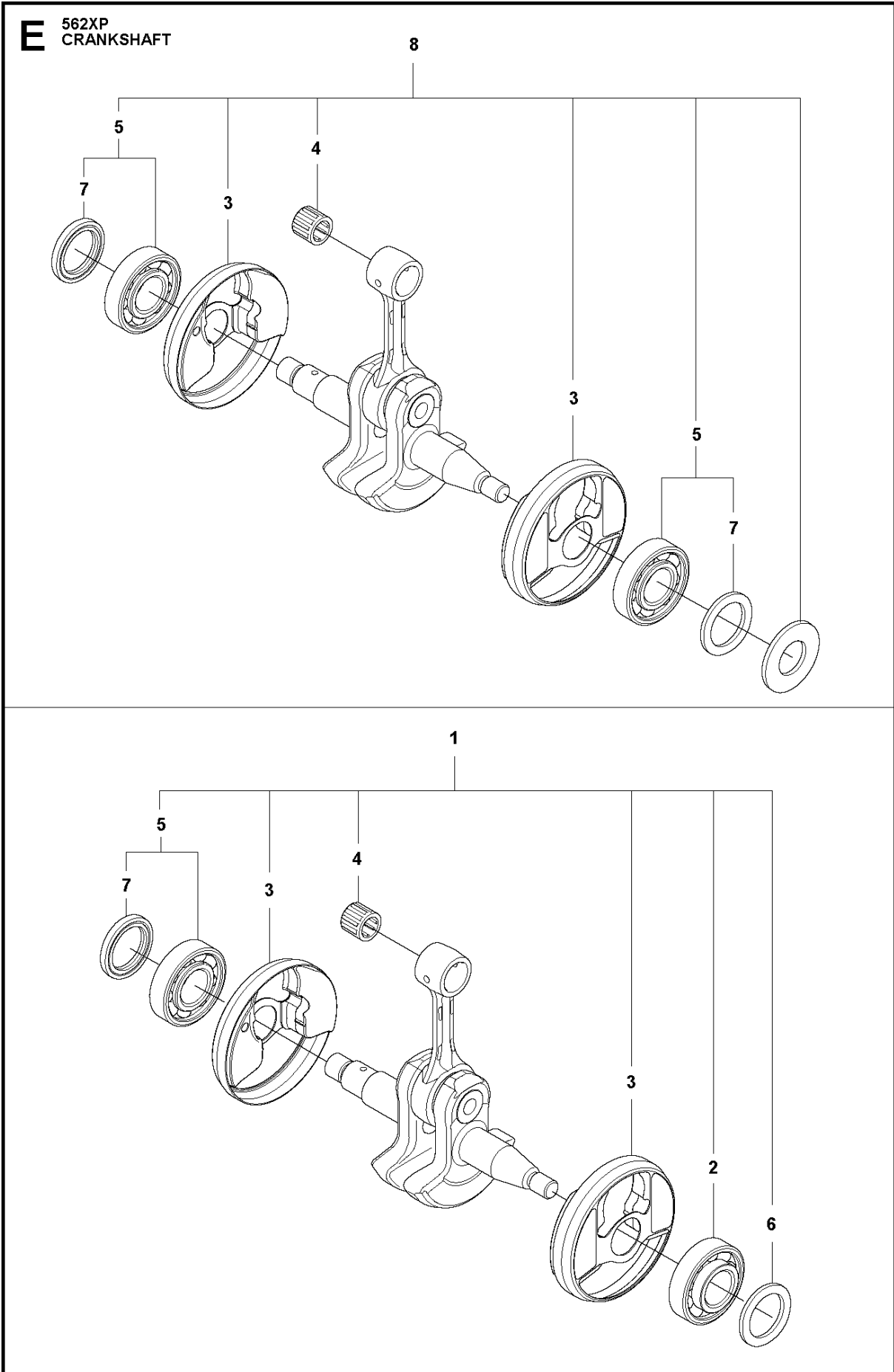


12
Ⓐ Set of gaskets

CYLINDER PISTON

562 XP/XPG

Ref	Part No	Description	Remark	QTY	KIT
1	574 51 96-01	SPARK PLUG		1	
2	582 39 27-01	SCREW		4	
3	575 27 69-01	DECOMPRESSION VALVE		1	
4	503 55 22-01	PLUG		1	
5	576 71 76-02	SLEEVE		4	
6	510 16 49-01	GASKET		1	12
7	575 35 58-05	CYLINDER ASSY		1	
8	584 80 78-06	PISTON ASSY		1	7
9	505 21 57-01	PISTON RING		1	8, 7
10	737 44 10-00	SNAP RING		2	8, 7
11	503 25 63-02	NEEDLE BEARING		1	7
12	575 27 00-03	GASKET KIT	A=set of gaskets	1	
13	520 29 11-01	BUSHING		1	7

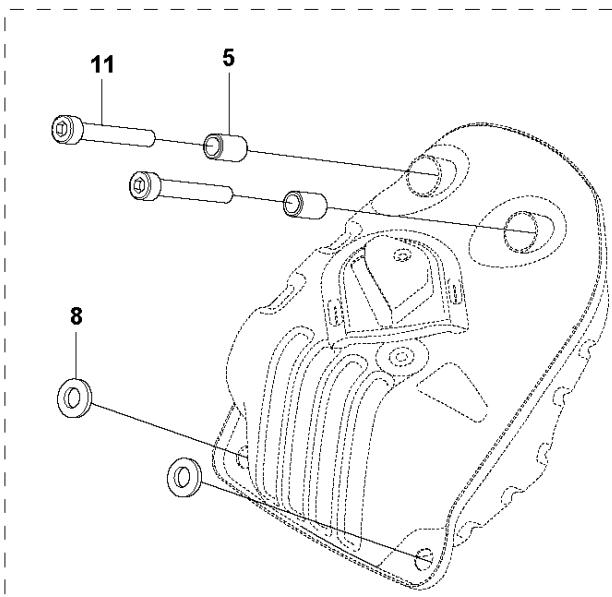
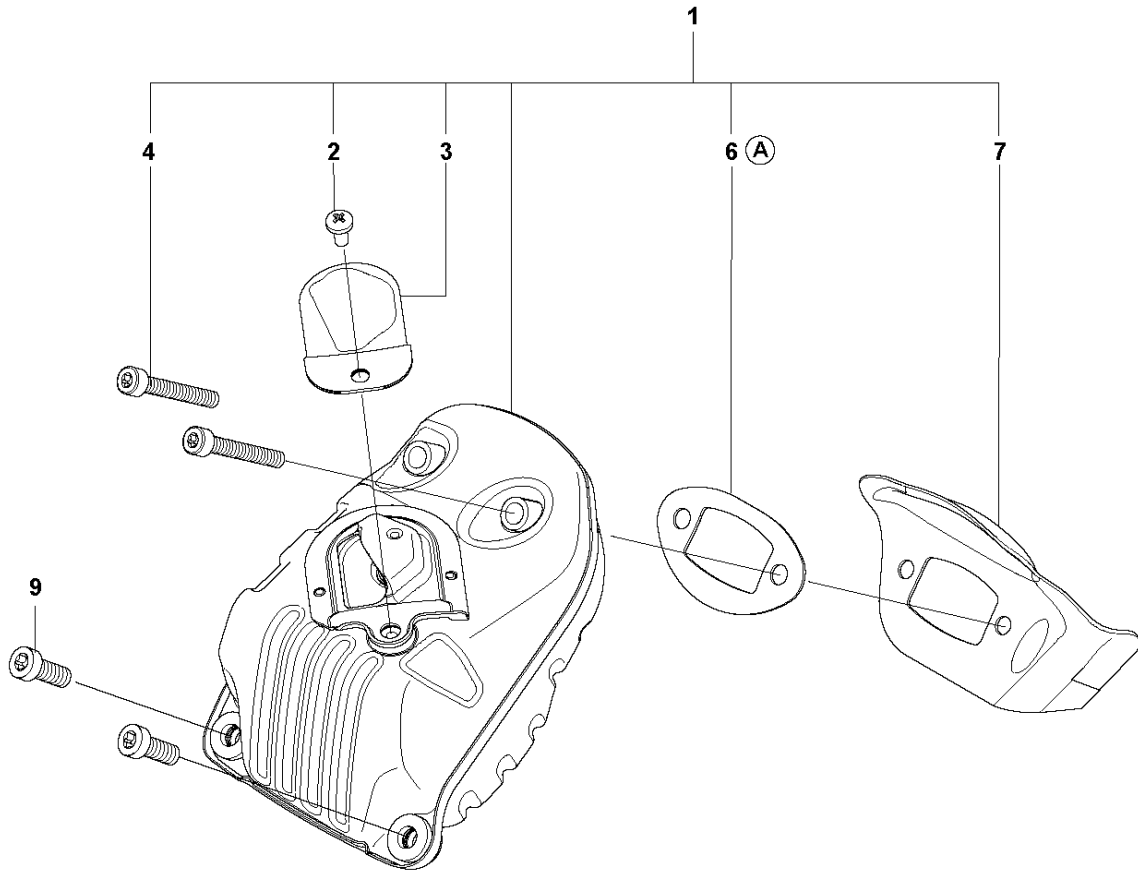


CRANKSHAFT

562 XP/XPG

Ref	Part No	Description	Remark	QTY	KIT
1	575 54 52-15	CRANKSHAFT ASSY	- up to s/n 20202399999	1	
2	505 13 35-03	BALL BEARING	- up to s/n 20202399999	1	1
3	505 13 36-01	CUP		2	1, 8
4	503 25 63-02	NEEDLE BEARING		1	1, 8
5	525 43 42-04	BALL BEARING		1	1
5	525 43 42-04	BALL BEARING		2	8
6	525 39 12-01	RADIAL SEAL	- up to s/n 20202399999	1	1
7	505 41 61-01	RADIAL SEAL		1	1, 5, 8
8	575 54 52-19	CRANKSHAFT ASSY	s/n from 20202400001 -	1	

F 562XP
MUFFLER



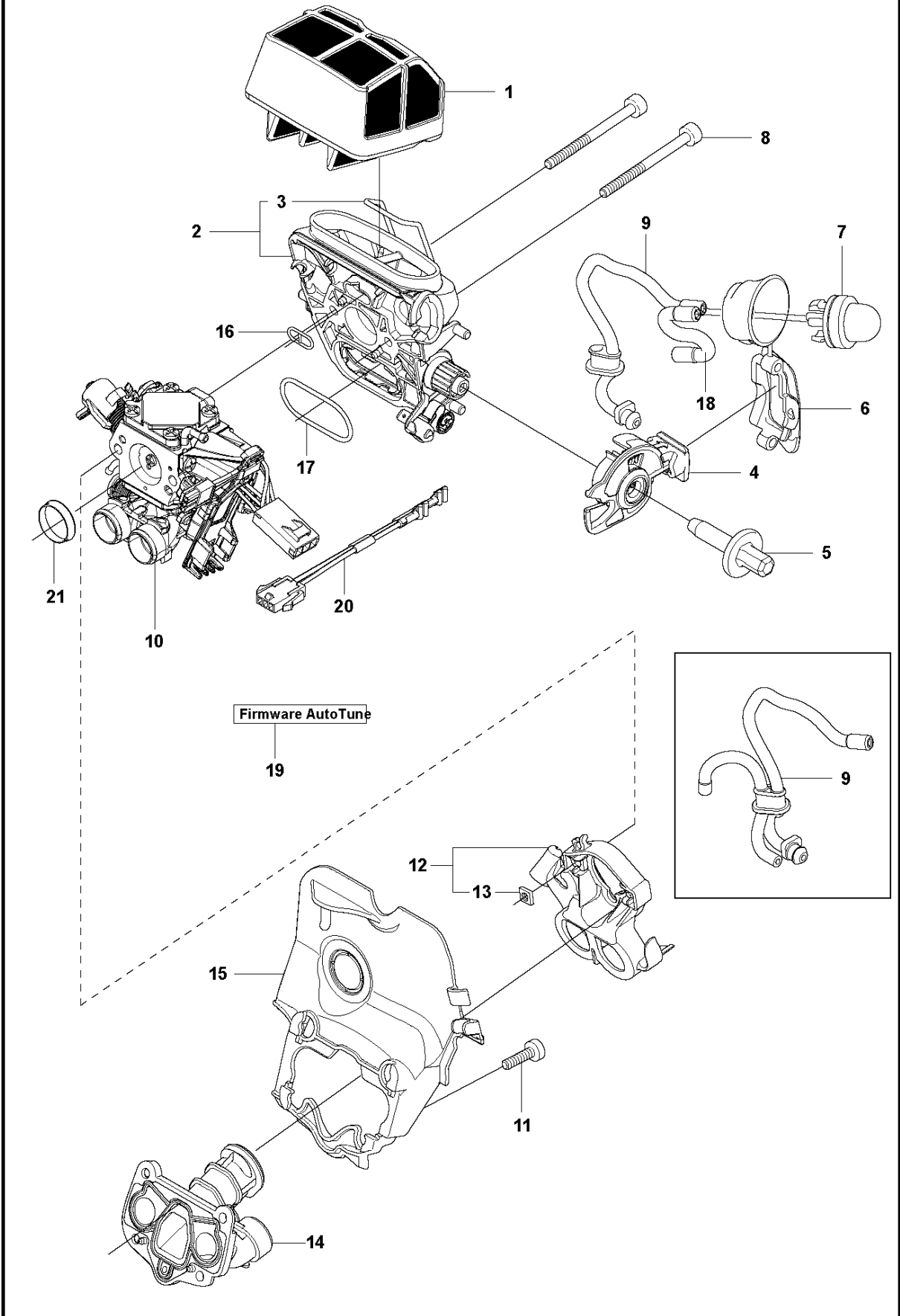
10
(A) Set of gaskets

MUFFLER

562 XP/XPG

Ref	Part No	Description	Remark	QTY KIT	
1	581 91 48-02	MUFFLER KIT		1	
2	724 12 87-59	SCREW CRPANM		1	1
3	505 17 13-01	SPARK ARRESTER		1	1
4	525 82 51-06	SCREW ITXSCM	s/n from 20133400001 -	2	1
5	577 65 63-01	SLEEVE	s/n up to - 20133399999	2	
6	581 91 85-01	GASKET		1	1, 10
7	585 17 87-01	HEAT DEFLECTOR		1	1
8	577 90 22-01	WASHER	s/n up to - 20133399999	2	
9	525 76 25-01	SCREW ITXSCM		2	
10	575 27 00-03	GASKET KIT	A=set of gaskets	1	
11	725 53 76-55	SCREW IHSCM	s/n up to - 20133399999	2	1

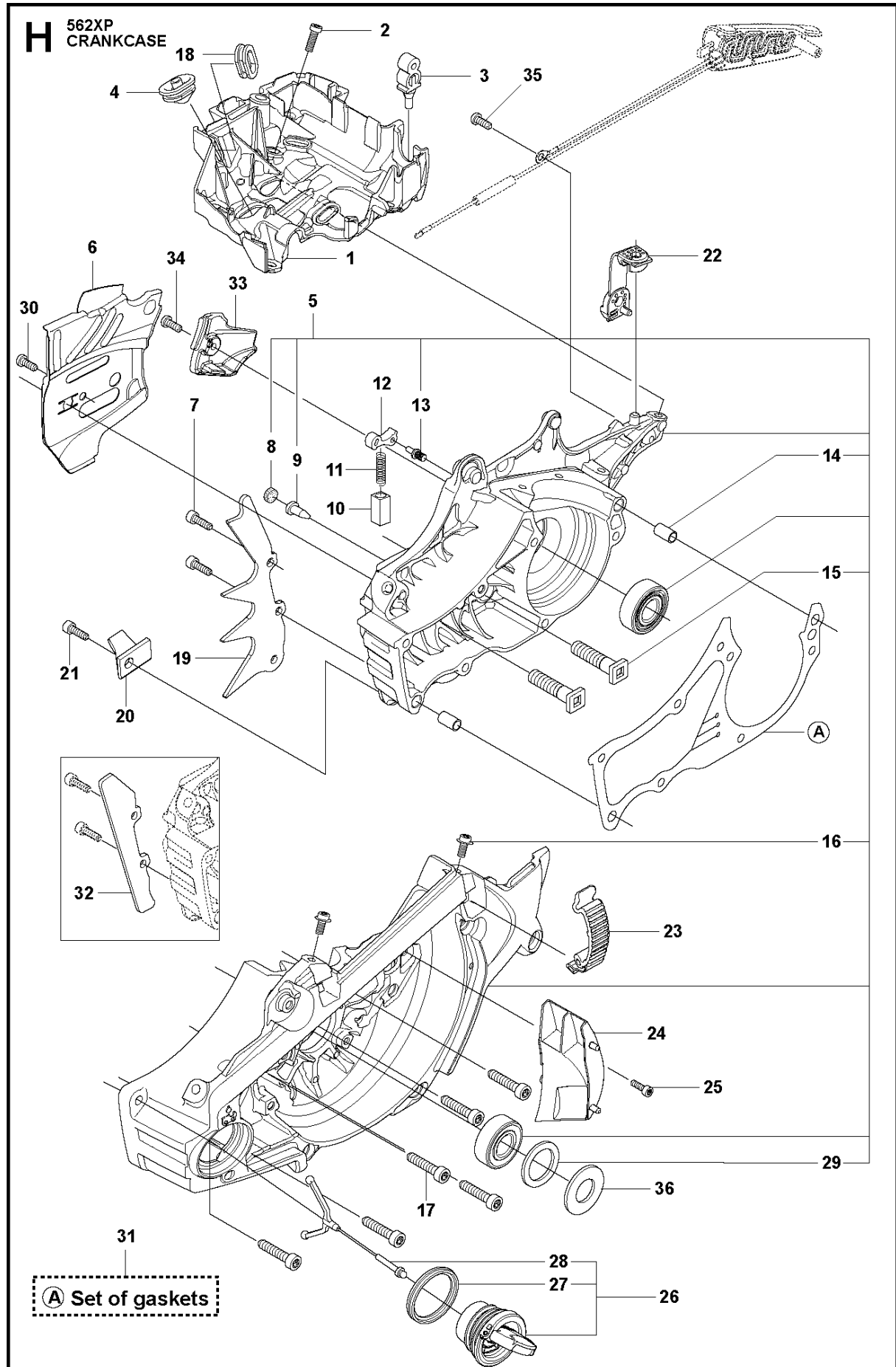
G 562XP
CARBURETOR & AIR FILTER



CARBURETOR & AIR FILTER

562 XP/XPG

Ref	Part No	Description	Remark	QTY	KIT
1	522 67 50-01	AIR FILTER ASSY	NYLON 80 µm black	1	
1	522 67 50-02	AIR FILTER ASSY	NYLON 44 µm yellow	1	
1	522 67 50-03	AIR FILTER ASSY	FELT white	1	
1	522 67 50-04	AIR FILTER ASSY	NYLON 25 µm orange	1	
2	525 39 79-05	FILTER HOLDER ASSY	XP	1	
2	525 39 79-06	FILTER HOLDER ASSY	XPG	1	
3	505 17 69-01	SHACKLE		1	2
4	510 01 72-02	CHOKE CONTROL ASSY		1	
5	505 15 62-01	SCREW		1	
6	525 58 81-01	SEALING		1	
7	503 93 66-01	PURGE		1	
8	574 35 35-03	SCREW ITXSCM		2	
9	587 64 54-04	VENTILATING HOSE	s/n from 20154800001	1	9
9	589 35 71-01	VENTILATING HOSE	s/n up to - 20154799999	1	
9	525 34 43-03	FUEL HOSE	XP s/n from 20173800688	1	
10	501 46 33-05	CARBURETTOR KIT	ZAMA140058A	1	
10	579 19 41-01	CARBURETTOR	s/n up to - 20121401172 (ZAMA EL44)	1	
11	526 81 81-01	SCREW ITXSCM		4	
12	505 16 52-02	FLANGE		1	
13	503 22 65-03	SQUARE NUT		2	12
14	583 96 41-03	INLET PIPE		1	
14	583 96 41-04	INLET PIPE	Cold resistant	1	
15	520 29 09-01	INTERMEDIATE WALL		1	
16	525 61 92-01	SEALING		1	
17	525 61 90-01	SEALING		1	
18	523 05 68-01	FUEL HOSE		1	
19	.	TBD	Download from your local supportsite		
20	577 53 64-01	WIRING ASSY	s/n from 20121401173 -	1	
21	582 02 51-01	SUPPORT SLEEVE		1	



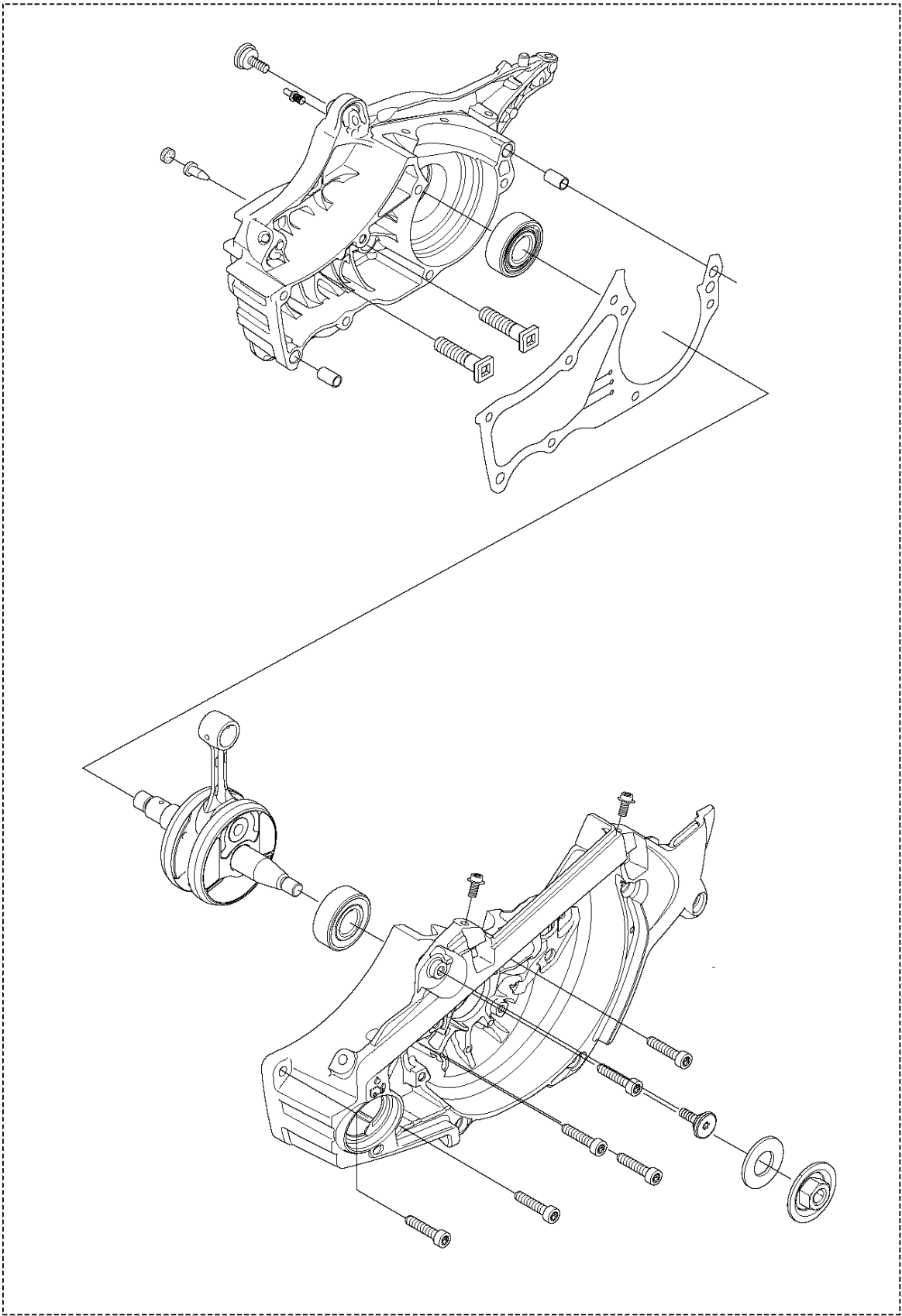
CRANKCASE

562 XP/XPG

Ref	Part No	Description	Remark	QTY	KIT
1	588 19 39-01	CARBURETTOR AREA BASE		1	
2	525 75 52-02	SCREW ITXSCFM		4	
3	503 86 93-01	SUPPORT		2	
4	581 55 92-01	BELLOWS		1	
5	575 38 02-23	CRANKCASE ASSY		1	
6	522 74 29-01	CHAIN GUIDE PLATE		1	
7	575 79 35-01	SCREW ITXPANM		2	
8	537 40 35-01	FILTER		1	5
9	530 02 61-19	CHECK VALVE		1	5
10	537 21 07-01	SPRING GUIDE		1	
11	503 43 65-01	POSITION SPRING		1	
12	505 20 12-01	CATCH		1	
13	503 75 18-01	PIN		1	5
14	593 80 60-01	GUIDE BUSHING		2	5
15	522 89 38-01	BAR BOLT		2	5
16	525 82 44-01	SCREW ITXSCM		2	5
17	575 84 11-04	SCREW ITXSCM		6	
18	537 08 83-01	GROMMET		1	
19	577 93 52-01	SPIKE		1	
20	522 89 39-01	CHAIN CATCHER		1	
21	525 79 81-03	SCREW ITXSCFT		1	
22	505 12 58-01	DEFLECTION LIMITER		1	
23	503 89 47-03	SNAP LOCKING		3	
24	588 06 55-01	AIR NOZZLE		1	
25	526 81 81-01	SCREW ITXSCM		1	
26	522 62 00-03	TANK CAP ASSY		1	
27	589 24 11-01	GASKET		1	26
28	503 57 89-01	HOLDER		1	26
29	525 39 12-01	RADIAL SEAL	- up to s/n 20202399999	2	5
30	525 88 74-01	SCREW CITXPANT		1	
31	575 27 00-03	GASKET KIT	A=set of gaskets	1	
32	525 34 76-01	BUMPER		1	
33	577 38 68-01	CHAIN GUIDE		1	
34	525 88 74-01	SCREW CITXPANT		1	
35	526 22 18-01	SCREW CITXPANT		1	
36	596 91 13-01	PROTECTIVE CAP	s/n from 20202400001 -	1	

H2 562XP
CRANKCASE SHORT BLOCK

1

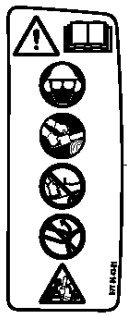
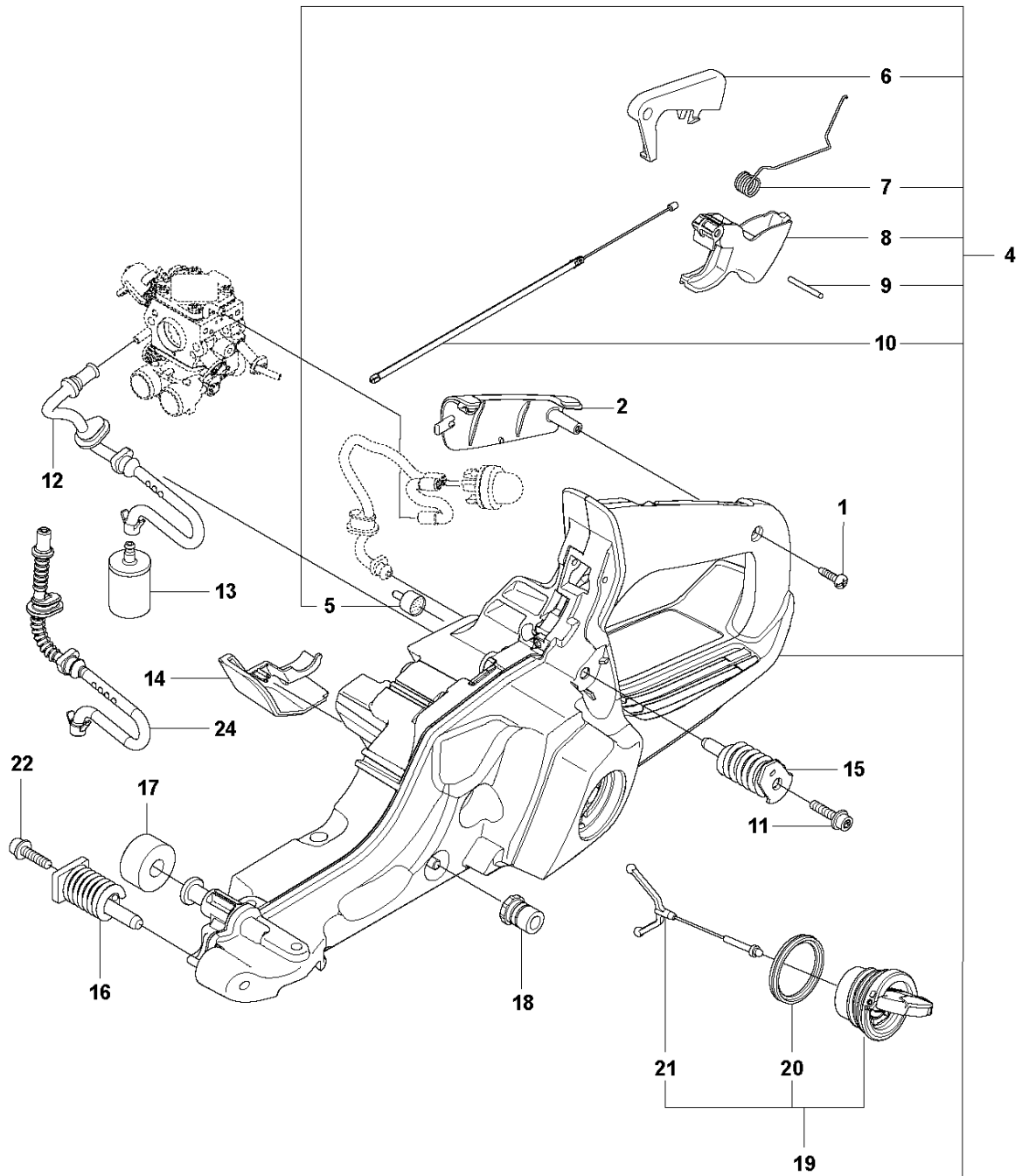


SHORT BLOCK

562 XP/XPG

Ref	Part No	Description	Remark	QTY KIT
1	580 66 37-12	SHORT BLOCK		1

J 562XP
FUEL TANK



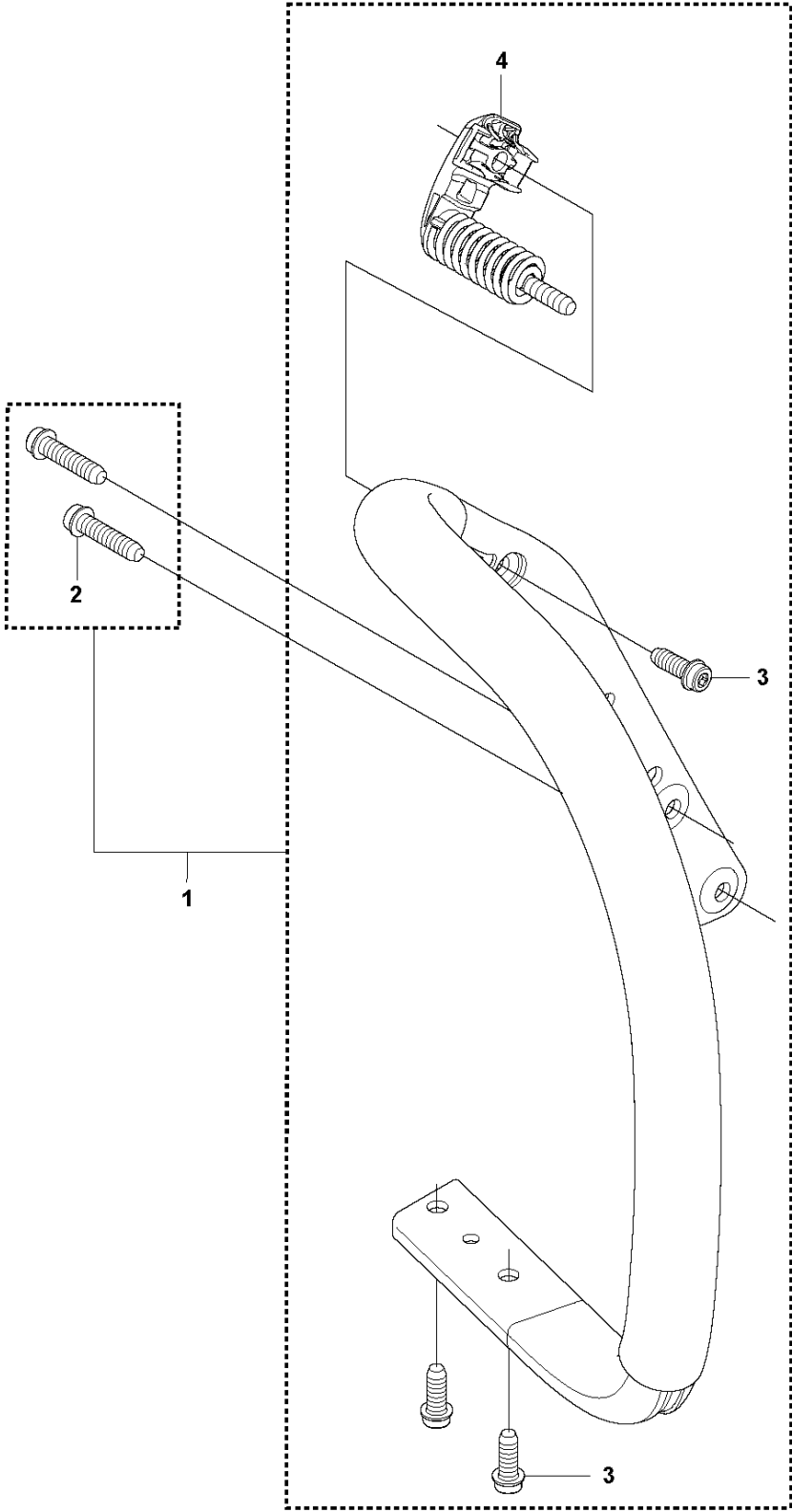
23

FUEL TANK

562 XP/XPG

Ref	Part No	Description	Remark	QTY	KIT
1	525 88 74-02	SCREW CITXPANT		1	
2	504 10 63-01	HANDLE INSERT		1	
4	575 38 22-05	FUEL TANK ASSY		1	
5	501 15 29-01	TANK VENT ASSY		1	4
6	544 09 98-01	THROTTLE LOCKOUT		1	4
7	544 09 99-01	SPRING		1	4
8	505 15 77-01	THROTTLE		1	4
9	720 18 25-20	PARALLEL PIN		1	4
10	521 88 79-01	THROTTLE CABLE ASSY		1	
11	525 79 81-02	SCREW ITXSCFT		1	
12	573 99 35-03	FUEL HOSE		1	
13	503 44 32-01	FUEL FILTER		1	
14	505 16 59-01	COVER	not XPW	1	
15	586 31 21-03	ANTIVIBRATION ELEMENT		1	
16	505 12 87-02	ANTIVIBRATION ELEMENT		1	
17	523 08 55-01	DEFLECTION LIMITER		1	
18	501 00 76-01	SUPPORT		1	
19	522 62 00-03	TANK CAP ASSY		1	
20	589 24 11-01	GASKET		1	19
21	503 57 89-01	HOLDER		1	19
22	525 79 81-03	SCREW ITXSCFT		1	
23	577 84 43-01	DECAL		1	4
24	577 50 41-01	FUEL HOSE		1	

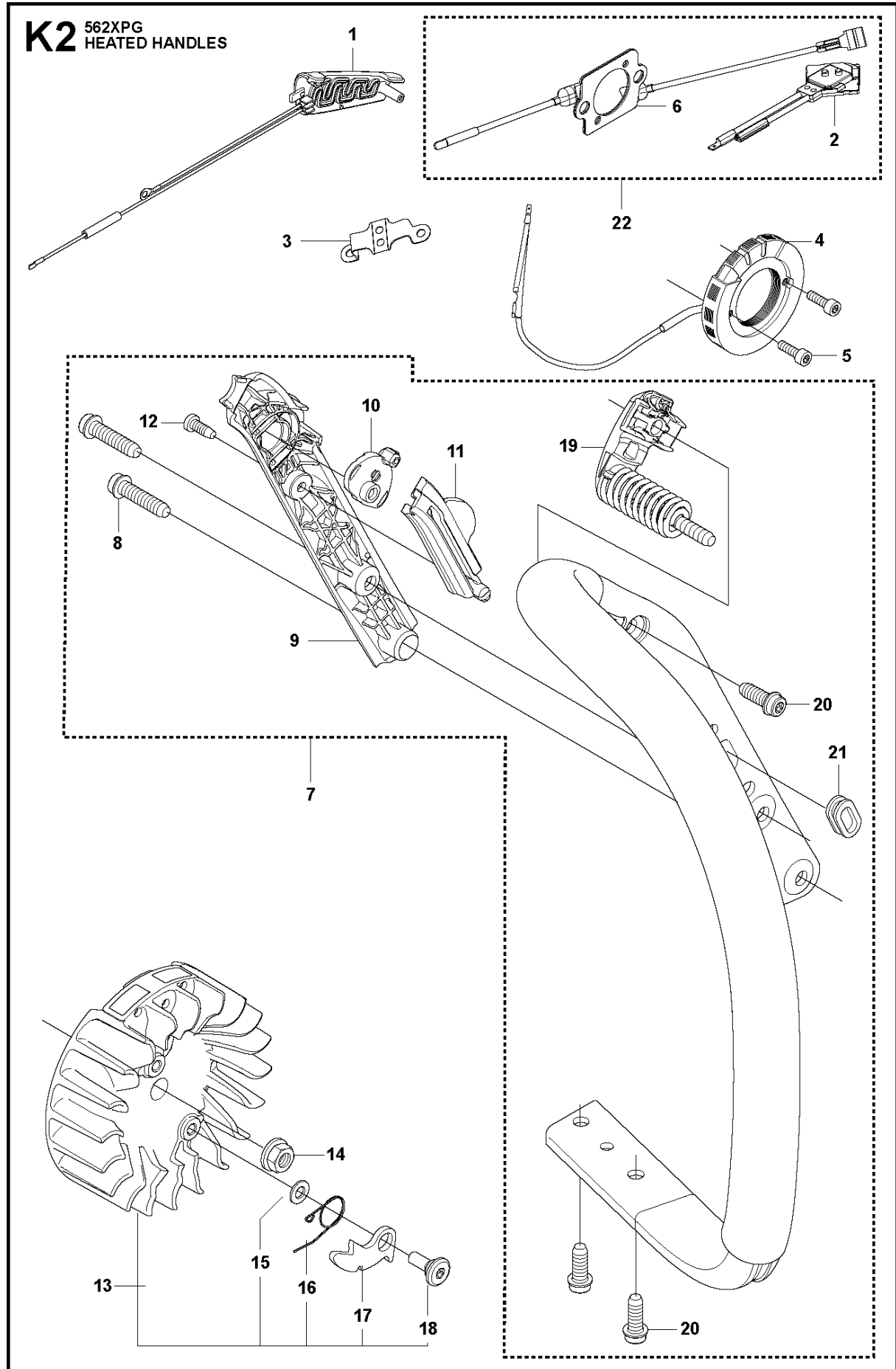
K1 562XP
HANDLE



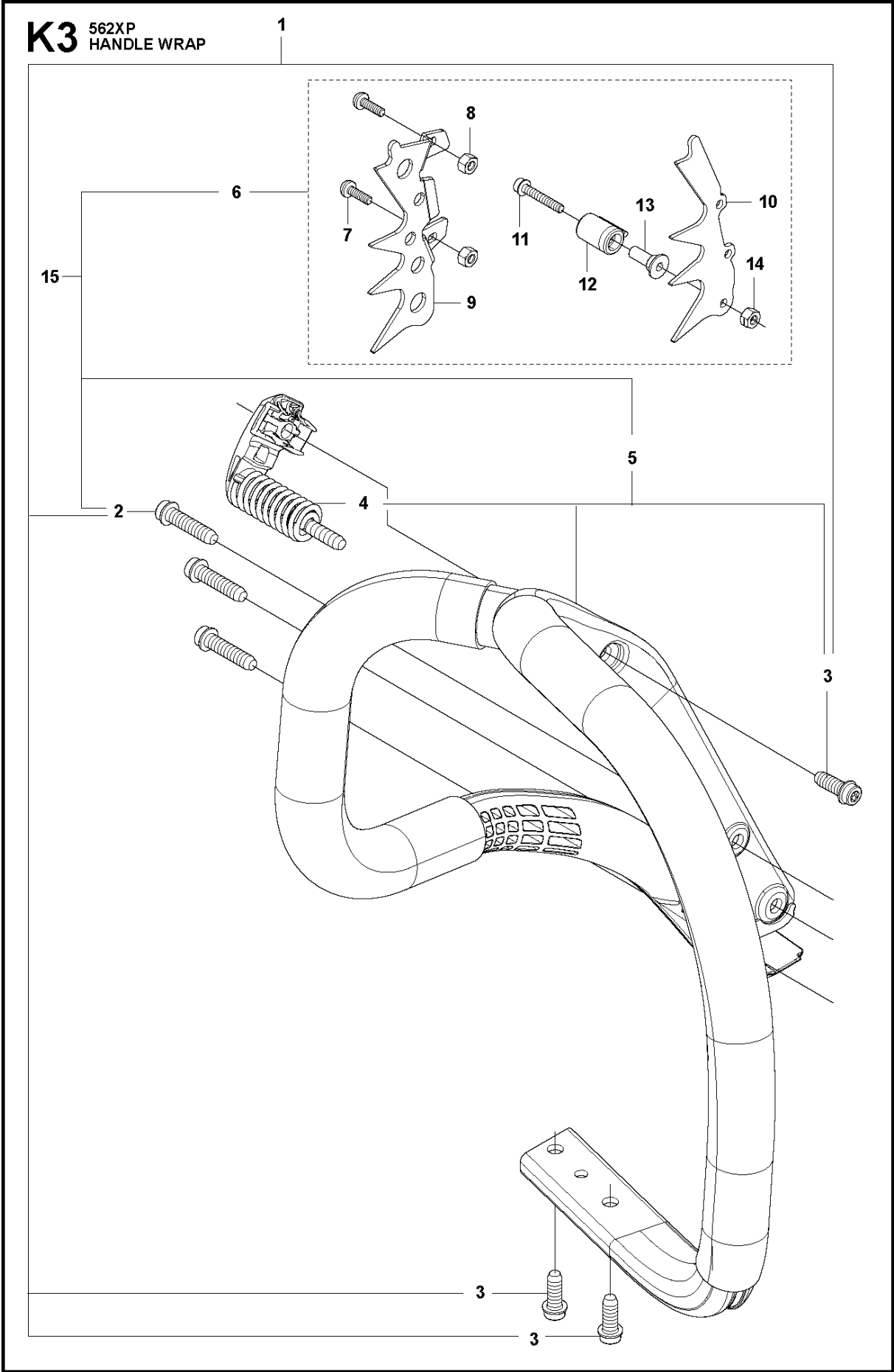
HANDLE

562 XP/XPG

Ref	Part No	Description	Remark	QTY	KIT
1	575 38 89-03	FRONT HANDLE		1	
2	525 79 81-03	SCREW ITXSCFT		2	1
3	525 79 81-01	SCREW ITXSCFT		3	1
4	505 12 97-05	ANTIVIBRATION ELEMENT		1	1



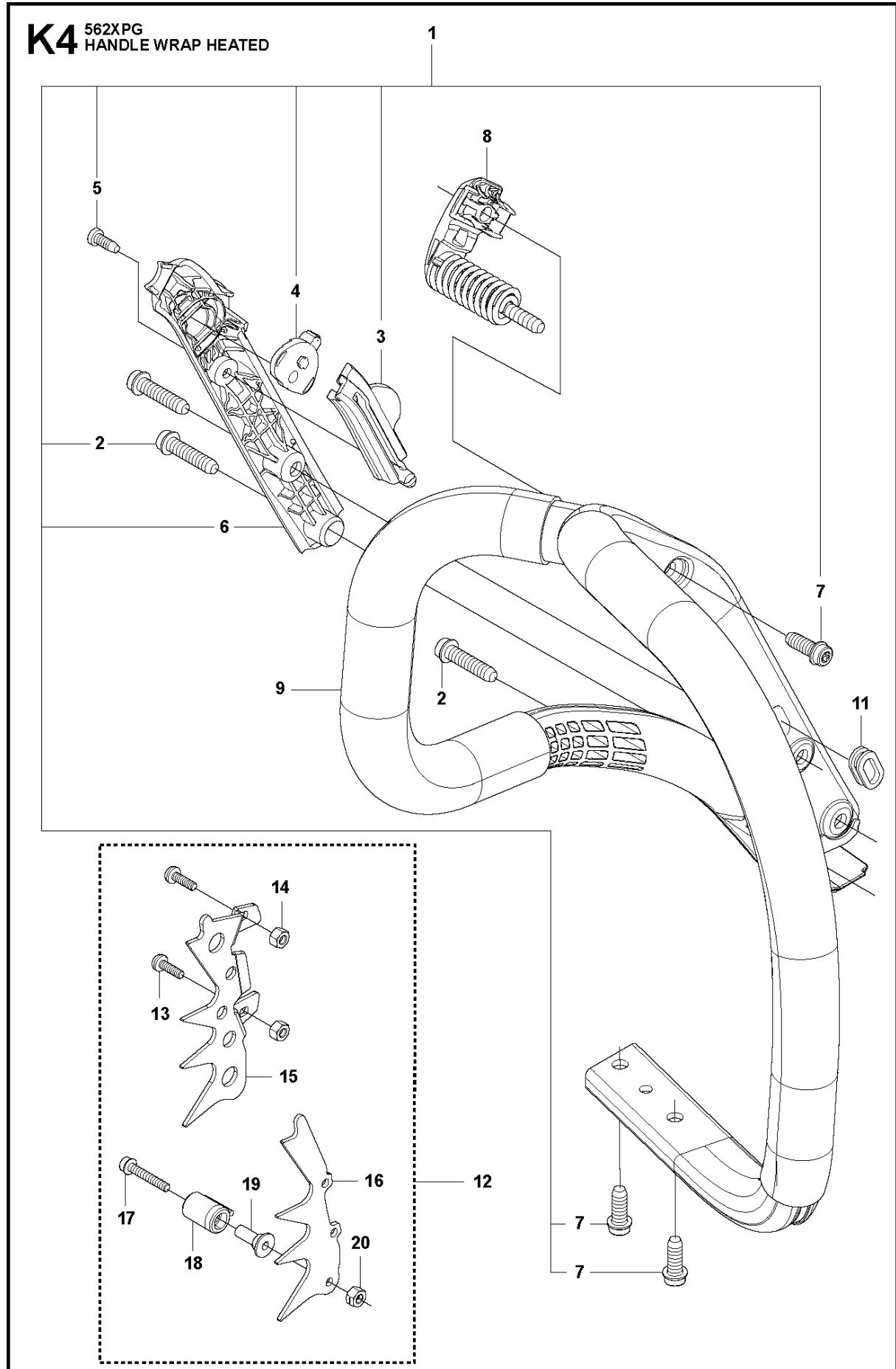
Ref	Part No	Description	Remark	QTY	KIT
1	522 74 19-01	HANDLE INSERT		1	
2	578 86 46-01	THERMOSTAT ASSY		1	22
3	537 21 08-01	RETAINER		1	
4	522 61 14-01	GENERATOR STATOR		1	
5	526 81 81-02	SCREW ITXSCM		2	
6	588 16 86-02	FOIL ELEMENT		1	22
7	575 38 89-04	FRONT HANDLE		1	
8	525 79 81-03	SCREW ITXSCFT		2	7
9	505 15 74-03	COVER		1	7
10	537 25 25-01	CONTACT PLATE		1	7
11	510 09 78-01	CONTACT PLATE		1	7
12	525 88 74-02	SCREW CITXPANT		1	7
13	504 87 24-04	FLYWHEEL ASSY		1	
14	503 22 04-01	NUT		1	
15	503 23 00-42	WASHER		2	13
16	501 67 35-01	SPRING		2	13
17	501 67 32-01	PAWL		2	13
18	506 00 69-01	SCREW		2	13
19	505 12 97-05	ANTIVIBRATION ELEMENT		1	7
20	525 79 81-01	SCREW ITXSCFT		3	7
21	537 08 83-01	GROMMET		1	7
22	582 82 96-01	THERMOSTAT ASSY	s/n up to 20164199999	1	



HANDLE WRAP

562 XP/XPG

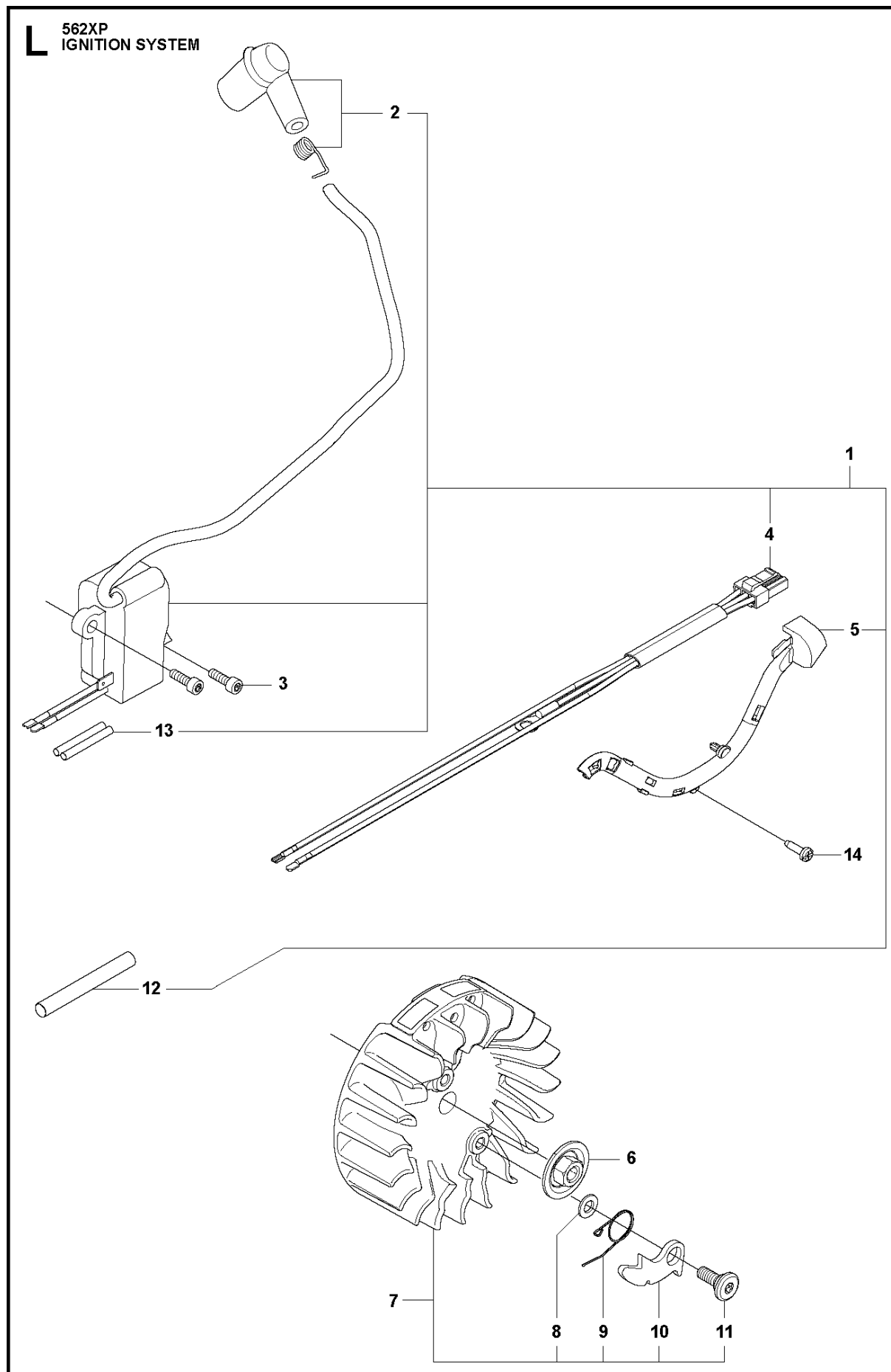
Ref	Part No	Description	Remark	QTY	KIT
1	576 94 51-04	SCREW KIT	Only screws	1	
3	525 79 81-01	SCREW ITXSCFT		1	1
2	525 79 81-03	SCREW ITXSCFT		3	1, 15
3	525 79 81-01	SCREW ITXSCFT		2	1, 5
4	505 12 97-05	ANTIVIBRATION ELEMENT		1	5
5	505 15 69-03	FRONT HANDLE ASSY	incl. 5743863-01	1	15
6	576 87 30-04	SPIKE		1	15
7	575 79 35-01	SCREW ITXPANM		2	6, 1
8	503 22 24-01	LOCK NUT		2	6
9	577 97 63-01	SPIKE OUTER	Spike Wrap	1	6
10	577 97 61-01	SPIKE	Spike Wrap	1	6
11	525 75 51-03	SCREW ITXSCFM		1	6
12	537 02 44-01	WEAR PROTECTION		1	6
13	537 08 92-01	CHAIN CATCHER		1	6
14	503 22 24-01	LOCK NUT		1	6
15	588 96 64-01	HANDLE		1	



HANDLE WRAP HEATED

562 XP/XPG

Ref	Part No	Description	Remark	QTY KIT	
1	576 94 51-05	HANDLE KIT		1	
2	525 79 81-03	SCREW ITXSCFT		3	1
3	510 09 78-01	CONTACT PLATE		1	1
4	537 25 25-01	CONTACT PLATE		1	1
5	525 88 74-01	SCREW CITXPANT		1	1
6	505 15 74-03	COVER		1	1
7	525 79 81-01	SCREW ITXSCFT		2	1
7	525 79 81-01	SCREW ITXSCFT		1	9
8	505 12 97-05	ANTIVIBRATION ELEMENT		1	9
9	505 15 69-04	FRONT HANDLE ASSY	incl. 5743863-01	1	
11	537 08 83-01	GROMMET		1	9
12	576 87 30-04	SPIKE		1	
13	575 79 35-01	SCREW ITXPANM		2	12, 1
14	503 22 24-01	LOCK NUT		2	12
15	577 97 63-01	SPIKE OUTER		1	12
16	577 97 61-01	SPIKE		1	12
17	525 75 51-03	SCREW ITXSCFM		1	12
18	537 02 44-01	WEAR PROTECTION		1	12
19	537 08 92-01	CHAIN CATCHER		1	12
20	503 22 24-01	LOCK NUT		1	12

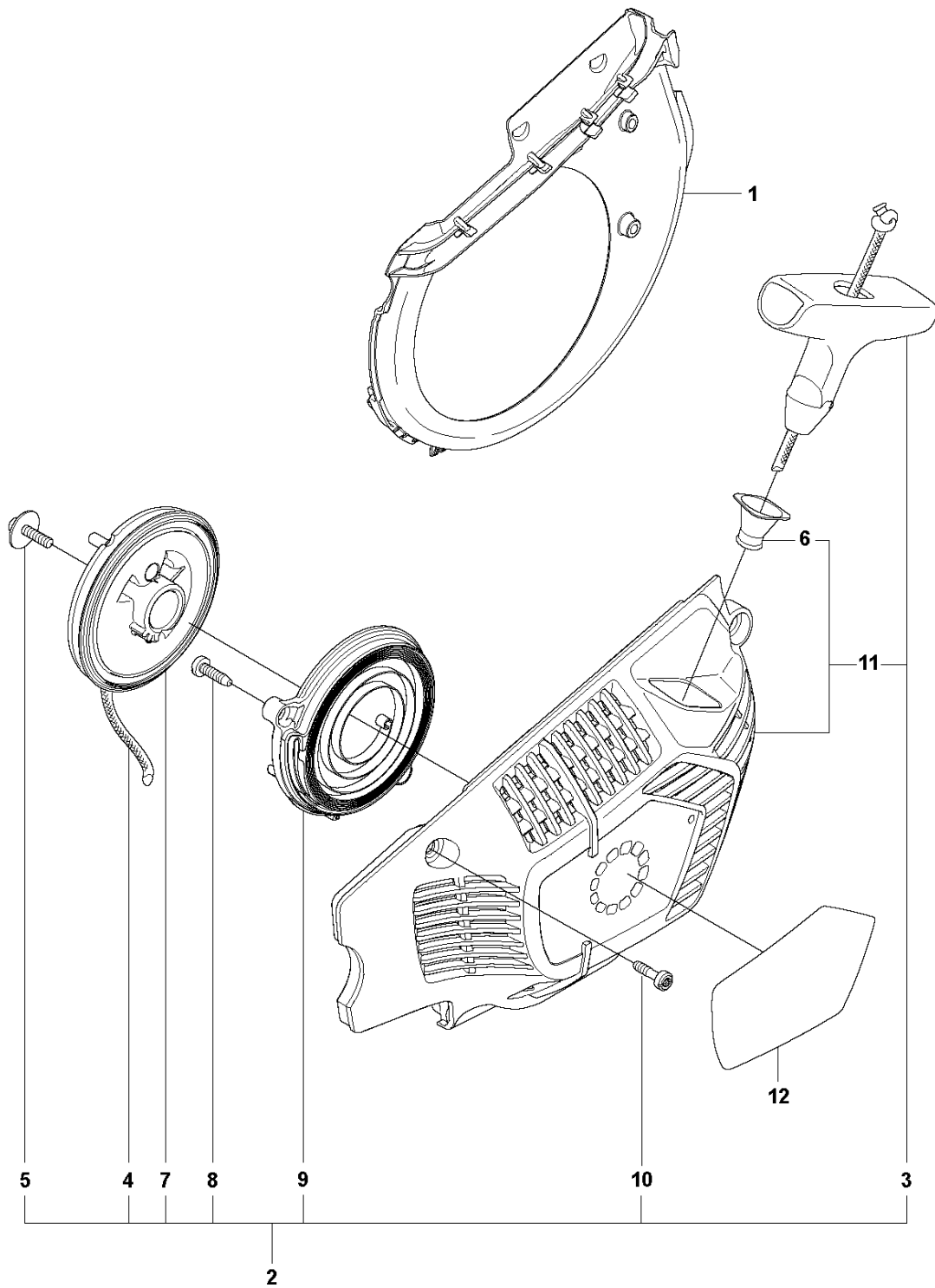


IGNITION SYSTEM

562 XP/XPG

Ref	Part No	Description	Remark	QTY	KIT
1	522 79 51-06	IGNITION MODULE ASSY	s/n up to - 20121401172 (14MHz)	1	
1	581 72 34-02	IGNITION MODULE ASSY	s/n from 20121401173 - (8MHz)	1	
2	501 48 54-04	SPARK PLUG CAP ASSY		1	1
3	525 75 52-03	SCREW ITXSCFM		2	
4	575 43 06-01	WIRING ASSY	s/n up to - 20121401172 (14MHz)	1	
4	577 96 76-01	WIRING ASSY	s/n from 20121401173 - (8MHz)	1	1
5	505 17 82-01	CABLE HOLDER		1	1
6	585 32 18-01	NUT		1	
7	504 87 24-03	FLYWHEEL ASSY	XP	1	
7	504 87 24-04	FLYWHEEL ASSY	XPG	1	
8	503 23 00-42	WASHER		2	
9	501 67 35-01	SPRING		2	
10	501 67 32-01	PAWL		2	
11	506 00 69-01	SCREW		2	
12	504 04 35-05	CABLE COVER		1	1
13	503 23 85-01	SHRINKAGE HOSE		2	1
14	525 88 74-01	SCREW CITXPANT		1	

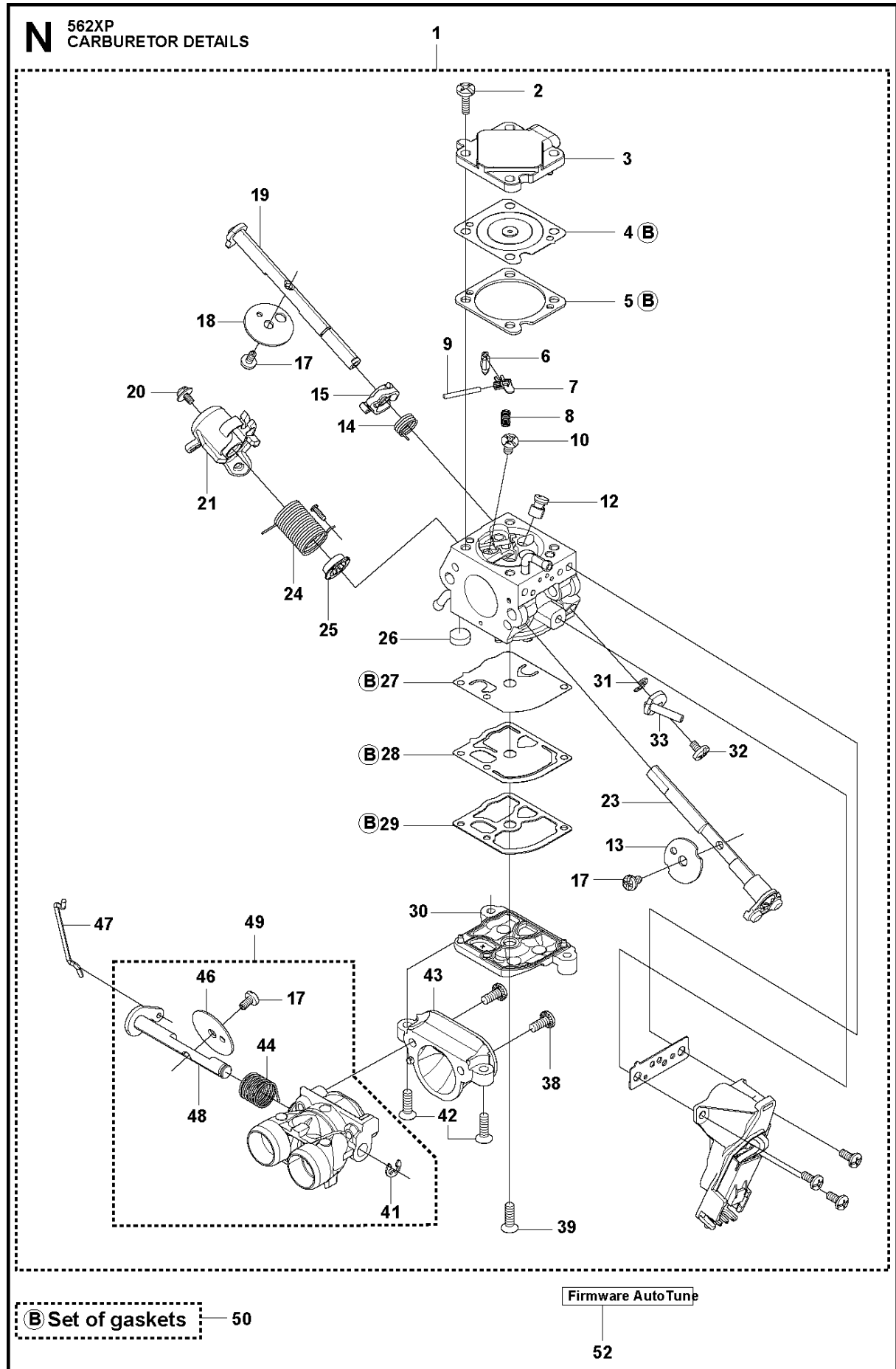
M 562XP
STARTER



STARTER

562 XP/XPG

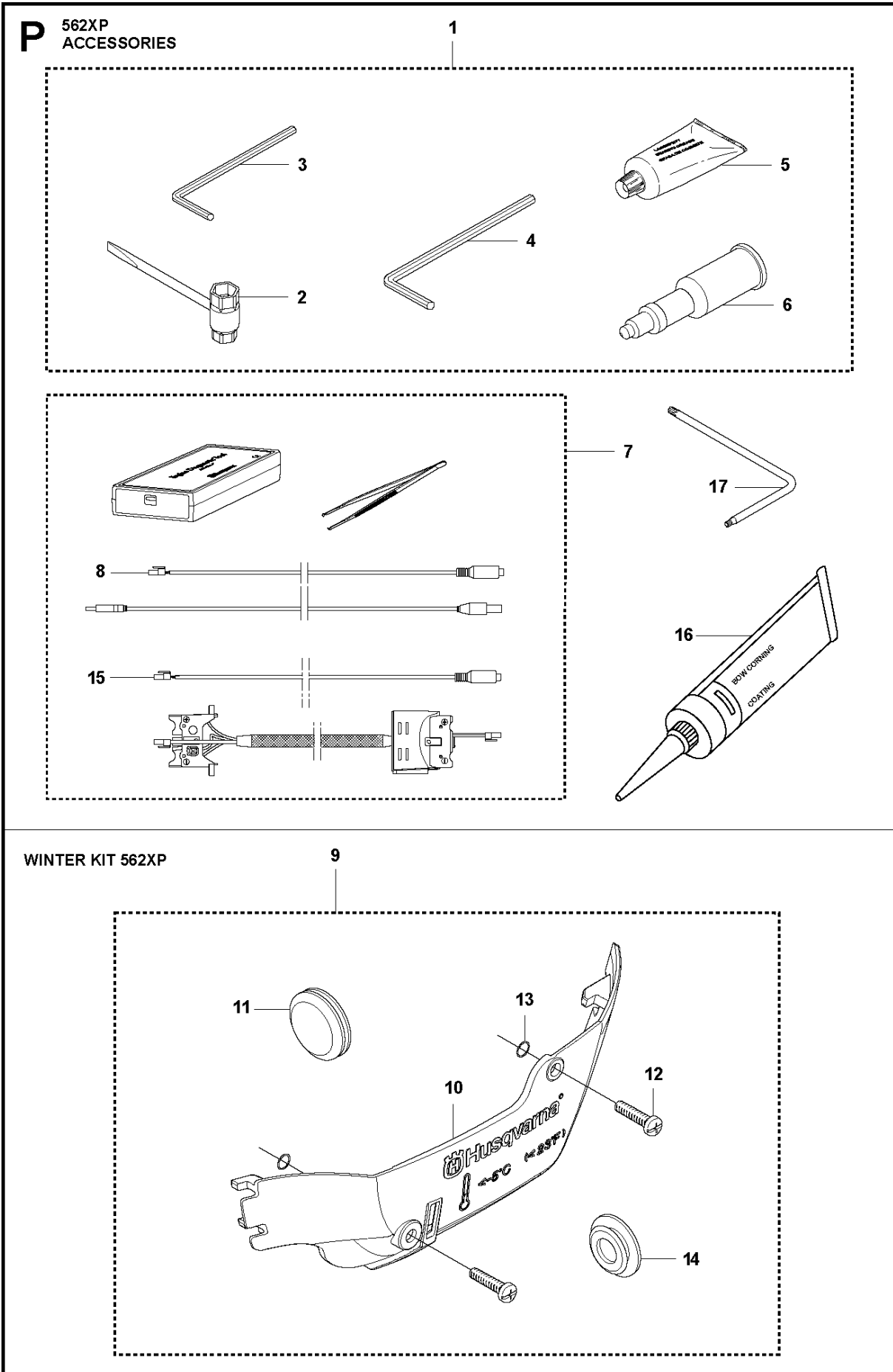
Ref	Part No	Description	Remark	QTY	KIT
1	505 15 75-01	AIR CONDUCTOR		1	
2	505 15 92-04	STARTER ASSY		1	
3	537 23 25-01	STARTER HANDLE		1	2
4	505 30 51-25	STARTER CORD		1	2
5	576 35 66-01	SCREW ITXSCT		1	2
6	537 28 32-01	SLEEVE		1	2, 11
7	505 15 81-01	STARTER PULLEY ASSY		1	2
8	525 88 74-01	SCREW CITXPANT		2	2
9	505 15 79-02	SPRING CASSETTE ASSY		1	2
10	525 82 45-01	SCREW CITXPANMO		4	2
11	505 15 91-02	STARTER HOUSING		1	2
12	523 03 56-05	LABEL	XP	1	
12	523 03 56-06	LABEL	XPG	1	



CARBURETOR DETAILS

562 XP/XPG

Ref	Part No	Description	Remark	QTY	KIT
1	579 19 41-01	CARBURETTOR	s/n up to - 20121401172 (ZAMA EL44)	1	
1	501 46 33-05	CARBURETTOR KIT	ZAMA140055A	1	
2	522 54 51-01	SCREW		4	1
3	522 51 72-01	COVER		1	1
4	522 51 74-01	DIAPHRAGM		1	1, 50
5	522 51 75-01	GASKET		1	1, 50
6	503 47 97-01	VALVE		1	1
7	503 66 59-01	LEVER		1	1
8	537 38 34-01	SPRING		1	1
9	503 48 00-01	PIN RETAINING SCREW		1	1
10	503 48 01-01	SCREW		1	1
12	576 41 42-01	MAIN NOZZLE		1	1
13	523 07 72-01	VALVE	s/n up to - 20121401172 (ZAMA EL44)	1	1
13	578 17 62-01	THROTTLE VALVE	s/n 20121401173 - 20141399999 (ZAMA EL46)	1	
13	583 97 47-01	THROTTLE VALVE	s/n from 2014140001 - (ZAMA EL48/140055A)	1	
14	522 51 87-01	SPRING		1	1
15	522 51 77-01	LEVER		1	1
17	503 48 18-01	SCREW		3	1
18	504 62 77-01	CHOKE VALVE		1	1
19	522 51 83-01	SHAFT ASSY		1	1
20	502 07 84-01	SCREW		1	1
21	522 51 78-01	THROTTLE LEVER		1	1
23	522 51 85-01	THROTTLE SHAFT		1	1
24	502 07 87-01	SPRING		1	1
25	502 07 98-01	COLLAR		1	1
26	503 53 57-01	STRAINER		1	1
27	537 38 31-01	DIAPHRAGM PUMP		1	1, 50
28	537 40 33-01	DIAPHRAGM		1	1, 50
29	537 02 01-01	GASKET		1	1, 50
30	575 54 43-01	COVER		1	1
31	504 02 67-01	CIRCLIP		1	1
32	503 47 90-01	SCREW		1	1
33	522 51 76-01	CHOKE LEVER		1	1
38	506 39 66-01	SCREW		5	1
39	522 51 81-01	SCREW		1	1
41	537 38 52-01	CLIP		1	1
42	522 51 80-01	SCREW		2	1
43	575 54 44-01	INLET		1	1
44	522 51 86-01	SPRING		1	1
46	537 17 70-01	VALVE		1	1
47	522 51 79-01	ROD		1	1
48	522 51 82-01	SHAFT ASSY		1	1
49	578 22 78-01	THROTTLE VALVE ASSY		1	1
50	522 51 89-01	KIT	B=set of gaskets	1	
52	.	TBD	Download from your local supportsite		



ACCESSORIES

562 XP/XPG

Ref	Part No	Description	Remark	QTY KIT	
1	575 43 92-01	TOOL		1	
2	522 52 11-01	COMBINATION WRENCH		1	1
3	503 55 86-01	SPANNER		1	1
4	503 55 86-02	SPANNER		1	1
5	503 62 12-01	GREASE		1	1
6	501 91 14-01	GREASE GUN		1	1
7	583 89 71-01	DIAGNOSTIC TOOL KIT		1	
8	576 18 34-01	CABLE ASSY	Diagnostics cable 14 Mhz	1	7
9	522 98 65-02	WINTER KIT		1	
10	505 16 61-01	WINTER COVER		1	9
11	503 40 59-01	WINTER PLUG		1	9
12	503 21 70-16	SCREW CCRPANT		2	9
13	740 42 01-00	O-RING		2	9
14	578 12 55-01	WINTER PLUG		1	9
15	576 95 22-01	CABLE ASSY	Diagnostics cable 8 MHz	1	7
16	503 26 72-01	GLUE		1	
17	575 88 07-01	WRENCH		1	

Illustrated part list IPL update

Instruction

Husqvarna Division; Handheld

Husqvarna



Product Name(s)

H562XP/XPG

Description of change

1. We have removed the label 535 05 80-01 on Clutch cover assy and added a moulded logo "Husqvarna". New colour: **Metallic Rough**.
2. New forged adapter has been implemented on the Clutch drum, the new Worm wheel has a new design due to this new adapter. The old Worm wheel 577 60 11-01 will **NOT** fit the new Clutch drum, and the new Worm wheel will **NOT** fit the old Clutch drum.
3. New Oil pump 505 19 99-09 with increased diameter has been introduced to fit the new Clutch drum. New colour: **Natural**.

New Clutch drum assy Kit, 598 93 77-04 is added. The Kit consist of: The new Clutch drum assy 575 26 10-08, new Oil pump 505 19 99-09 and new Worm wheel 586 20 46-01.

4. A new Ball bearing 525 43 42-04 is replacing -03. New Crankshaft 575 54 52-19 has an additional Ball bearing 525 43 42-04 and a Protective cap 596 91 13-01.
5. A new Crankcase assy 575 38 02-23 has been implemented with a new Fly wheel side and an additional Ball bearing 525 43 42-04. New colour: **Metallic Rough**.

Page H2 added with Shortblock 580 66 37-12.

6. We have introduced a Protective cap 596 91 13-01 to prevent dirt from getting into the crankcase. **NOTE:** Can only be used on new Crankcase assy 575 38 02-23 and Shortblock 580 66 37-12.

Comments

1. Clutch cover assy 525 74 33-05 is fully exchangeable. New colour: **Metallic Rough**.
2. Clutch drum and Worm wheel are **NOT** exchangeable.
3. Oil Pump is fully exchangeable. New colour: **Natural**.
Clutch drum assy kit 598 93 77-04 is fully exchangeable.
4. Ball bearing 525 43 42-04 is fully exchangeable with 525 43 42-03.
Ball bearing 525 43 42-04 is **NOT** fully exchangeable with 505 13 35-03.
5. Crankcase assy 575 38 02-23 and Shortblock 580 66 37-12 are fully exchangeable.
New colour: **Metallic Rough**.
6. Protective cap is **NOT** fully exchangeable. **NOTE:** Only for use on new Crankcase 575 38 02-23 and Shortblock 580 66 37-12.

Introduced from

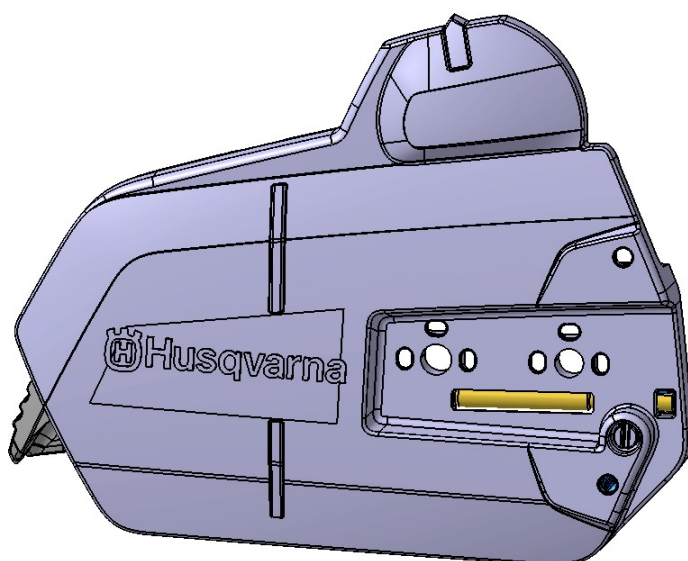
Serial number / Date	Remark
S/n 20202200049	Valid for Clutch drum assy / Worm wheel / Oil pump
S/n 20202400001	Valid for Clutch cover / Crankcase / Ball bearing / Crankshaft

IPL updates

Page Title	Ref. no	New part no	Name	Excl. part no.	Remark
Chain brake & clutch cover	5	525 74 33-05	Clutch cover assy	525 74 33-03	
	14	523 05 80-01	Label		Remain as spare part
Clutch & oil pump	3	575 26 10-08	Clutch drum assy RIM 3/8 7T		New spare part
	6	586 20 46-01	Worm wheel 3/8 Large SMS		New spare part
	7	505 19 99-09	Oil pump assy Large SMS	505 19 99-06	
	21	598 93 77-04	Clutch drum assy KIT 3/8 Large SMS		New spare part
Crankshaft	3	525 43 42-04	Ball bearing	525 43 42-03	
	7	575 54 52-19	Crankshaft assy		New spare part
Crankcase	5	575 38 02-23	Crankcase assy	575 38 02-18	
	14	593 80 60-01	Guide bushing	501 27 08-01	
	36	596 91 13-01	Protective cap		New spare part
Shortblock	1	580 66 37-12	Shortblock	580 66 37-10	New page H2

1. Clutch cover

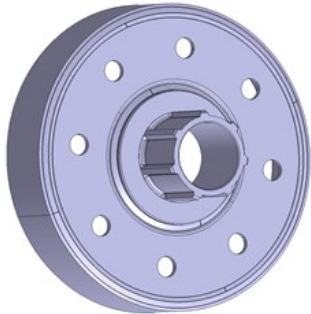
New version.



525 74 33-05

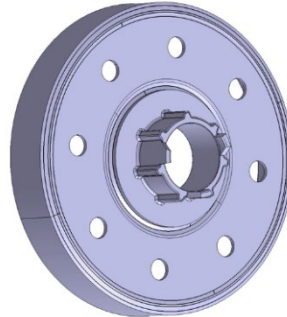
2. Clutch drum

New version.



575 26 10-08

Old version.

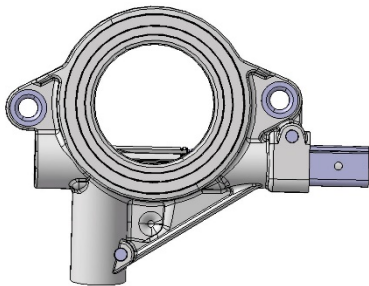


575 26 10-05/-06



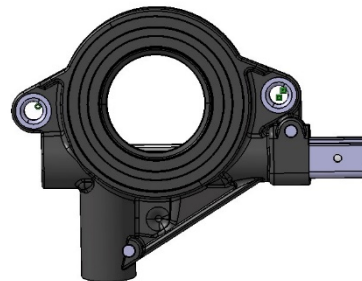
3. Oil pump

New version.



505 19 99-09

Old version.

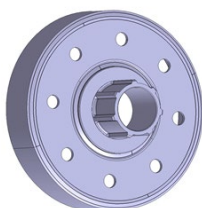


505 19 99-06

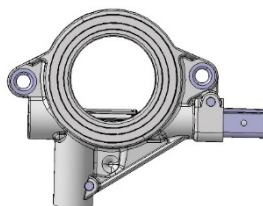


Clutch drum assy kit 598 93 77-04

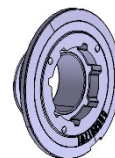
New



+

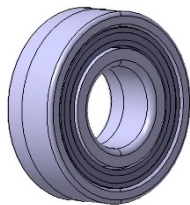


+



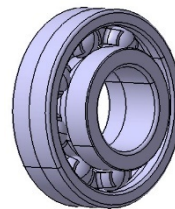
4. Crankshaft 575 54 52-19 / Crankcase 575 38 02-23 / Shortblock 580 66 37-12

New version.



525 43 42-04

Old version.



505 13 35-03



Protective cap

New



596 91 13-01