

ILLUSTRATED PARTS LIST

MODEL NUMBER ST 224

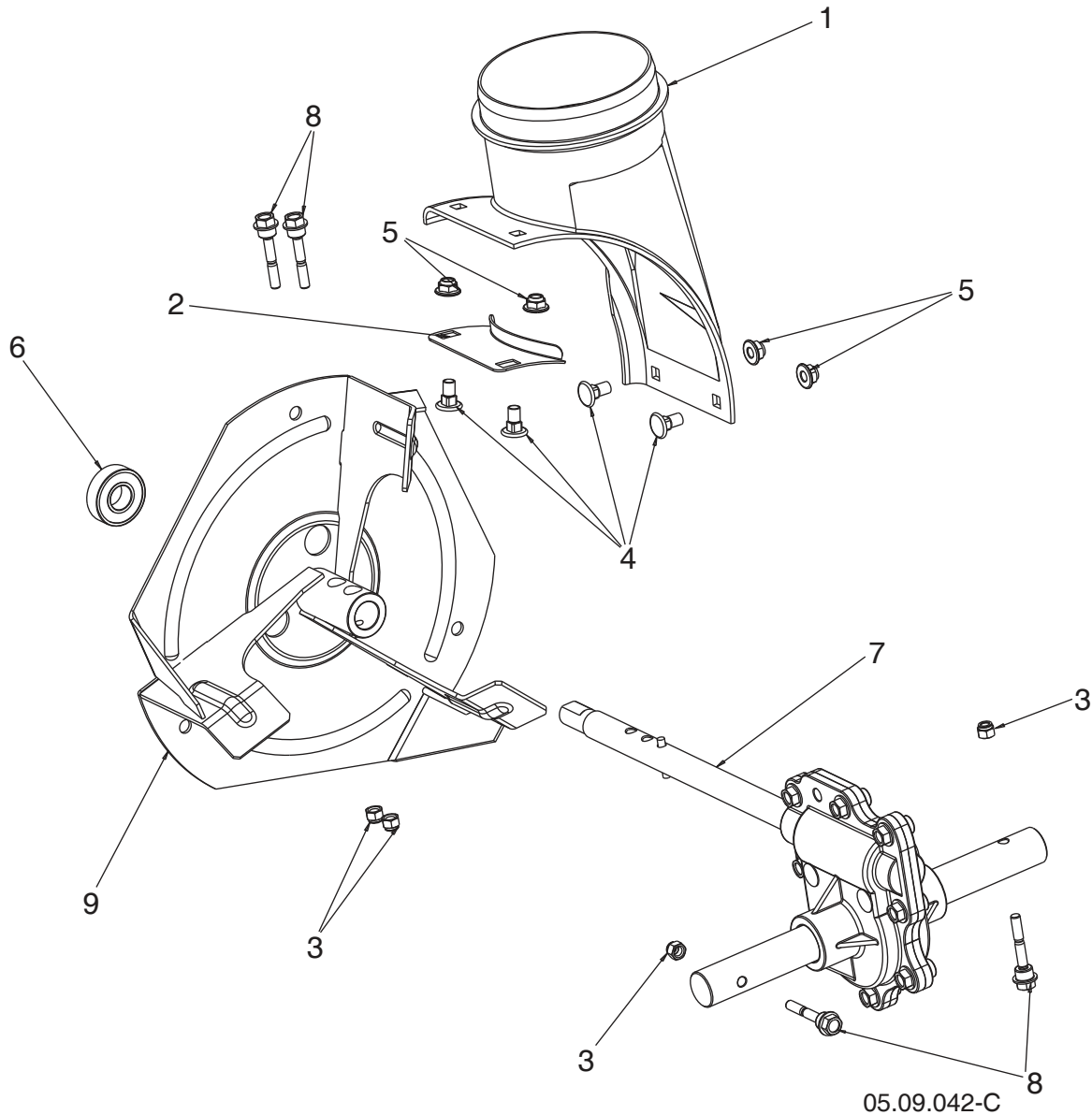
PRODUCT NUMBER 970 46 85-01

MFG. ID. NUMBER 97046850100

REPAIR PARTS

AUGER HOUSING / IMPELLER ASSEMBLY

SNOW THROWER - MODEL NO. **ST 224** (97046850100), PRODUCT NO. 970 46 85-01



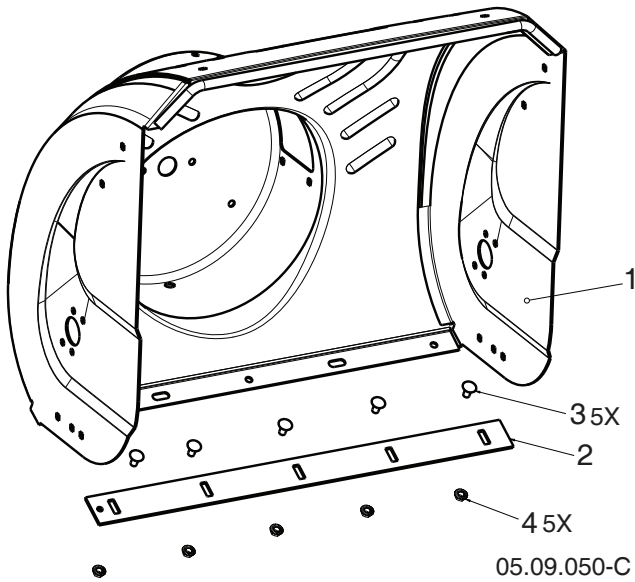
Ref.	Part No.	Description
1	585 05 69-01	CHUTE.DISCHARGE.BASE
2	597 43 30-02	BRACKET.CORNER.DISCHARGE.
3	595 08 66-01	NUT.HEX.NYLOC.1/4-20
4	585 69 12-01	BOLT CAR WAF BLK 5/16-18 X .488
5	585 69 13-01	NUT.HEX.FLANGE.5/16-18 NYLOCK
6	532 19 87-91	BEARING.1501389.BALL
7	597 67 19-01	TRANSMISSION.GEARBOX.ALUM.DD
8	588 07 75-02	BOLT. 1/4-20 X 1- 13/16 SHEAR
9	586 60 72-02	IMPELLER.STEEL.SNOW.479

NOTE: All component dimensions given in U.S. inches. 1 inch = 25.4 mm
IMPORTANT: Use only Original Equipment Manufacturer (O.E.M.) replacement parts. Failure to do so could be hazardous, damage your snow thrower and void your warranty.

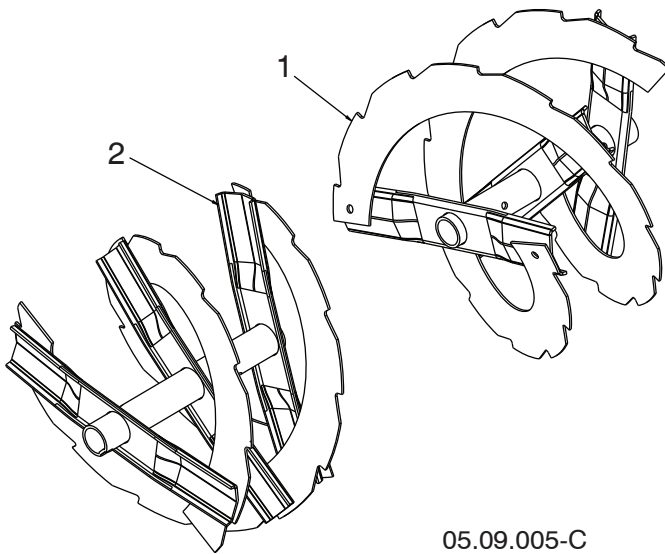
REPAIR PARTS

AUGER HOUSING / IMPELLER ASSEMBLY

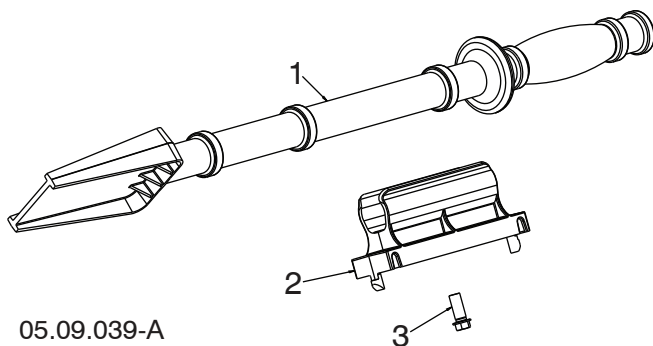
SNOW THROWER - MODEL NO. ST 224 (97046850100), PRODUCT NO. 970 46 85-01



Ref.	Part No.	Description
1	593 87 29-02	AUGER HOUSING
2	532 40 78-25	SCRAPER BAR
3	596 03 94-01	CARRIAGE BOLT 5/16-18 X .625 GR5
4	596 03 92-01	NUT 5/19-18



Ref.	Part No.	Description
1	587 19 10-01	AUGER WELD RIB LH 24
2	585 54 42-01	AUGER WELD RIB RH 24



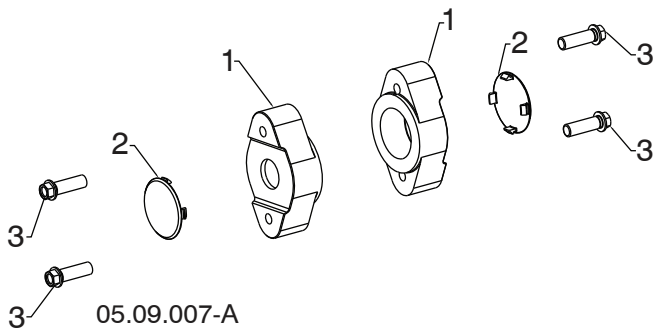
Ref.	Part No.	Description
1	532 19 21-99	TOOL CLEANOUT
2	532 40 54-00	CLIP CLEANOUT TOOL
3	532 19 41-89	SCREW HEX WASHER 13-16 X 5/8

NOTE: All component dimensions given in U.S. inches. 1 inch = 25.4 mm
IMPORTANT: Use only Original Equipment Manufacturer (O.E.M.) replacement parts.
 Failure to do so could be hazardous, damage your snow thrower and void your warranty.

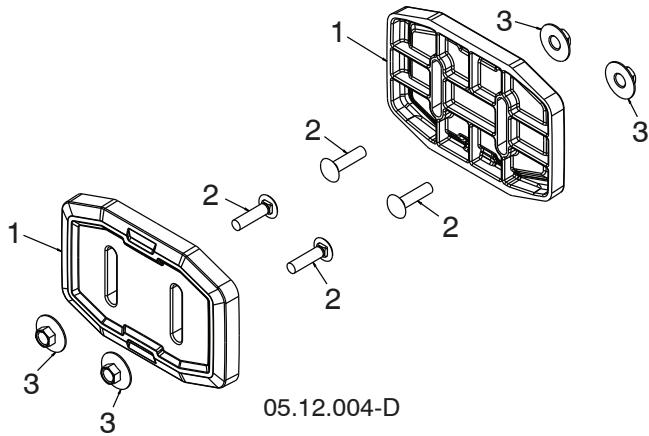
REPAIR PARTS

AUGER HOUSING / IMPELLER ASSEMBLY

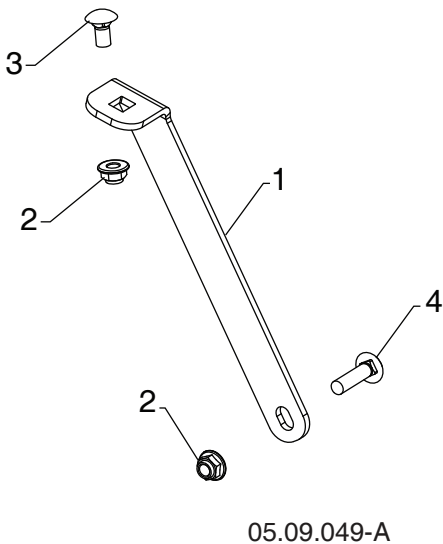
SNOW THROWER - MODEL NO. **ST 224** (97046850100), PRODUCT NO. 970 46 85-01



Ref.	Part No.	Description
1	532 42 04-78	AUGER BEARING
2	532 41 19-39	BEARING PLUG
3	584 29 94-01	SCREW HI-LO WASHD 5/16-14 X 1.00



Ref.	Part No.	Description
1	583 83 88-01	SKID SHOW UHMW
2	585 80 29-01	BOLT CARR BLK 5/16-18 X 1.25
3	585 80 28-01	NUT HEX 5/16-18 LRG FLG



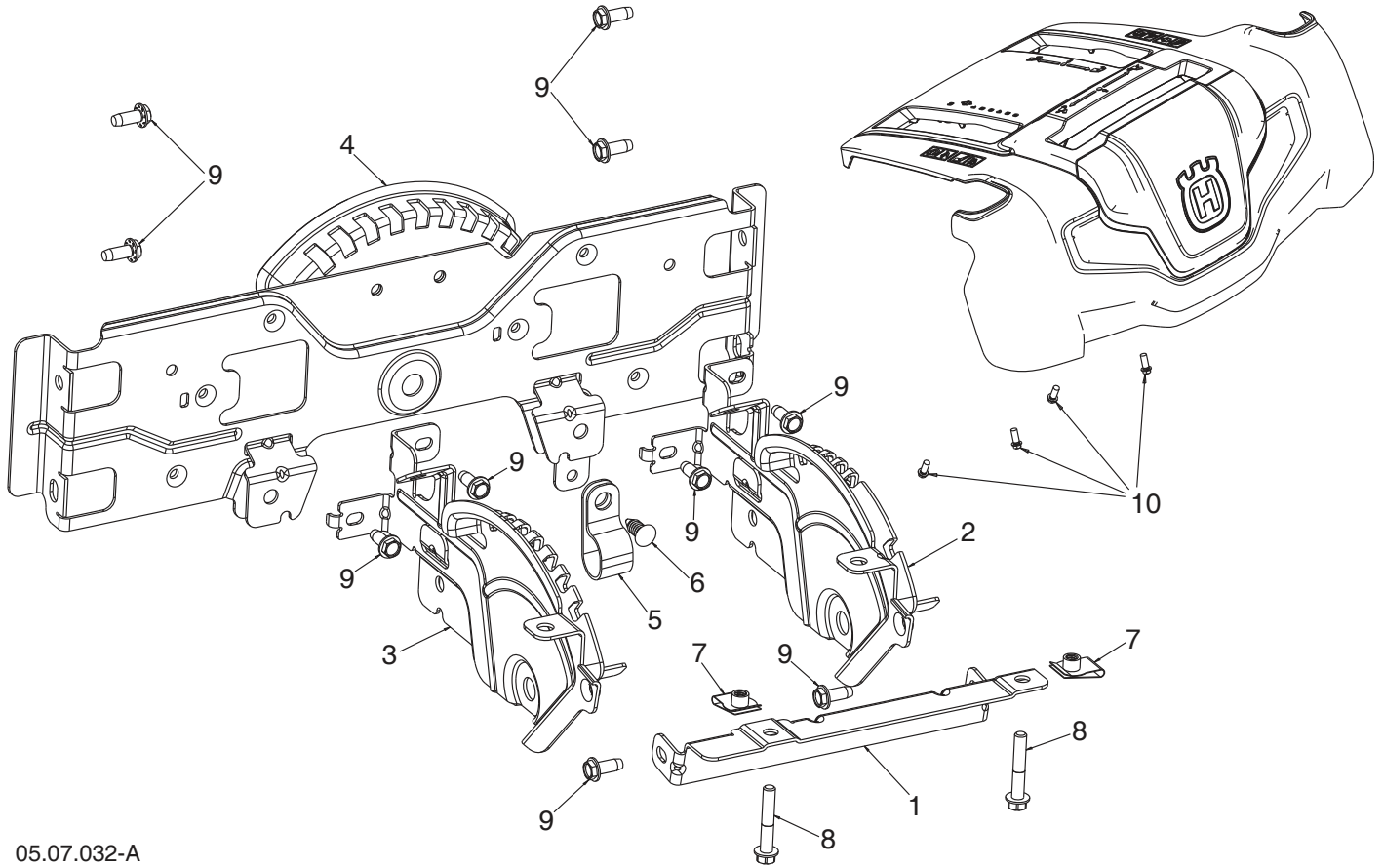
Ref.	Part No.	Description
1	589 32 30-02	SUPPORT GEARBOX LS
2	585 69 13-01	NUT HEX FLG NYLOCK BLK 5/16-18
3	585 83 20-01	BOLT CARRIAGE BLK 5/16-18 X 5/8 BLK
4	872 11 05-10	BOLT CARRIAGE 5/16-18 X 1-1/4

NOTE: All component dimensions given in U.S. inches. 1 inch = 25.4 mm
IMPORTANT: Use only Original Equipment Manufacturer (O.E.M.) replacement parts. Failure to do so could be hazardous, damage your snow thrower and void your warranty.

REPAIR PARTS

CONTROL PANEL / DISCHARGE CHUTE

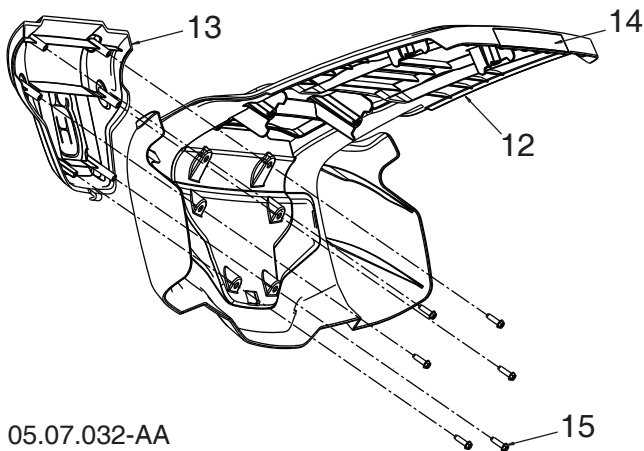
SNOW THROWER - MODEL NO. ST 224 (97046850100), PRODUCT NO. 970 46 85-01



05.07.032-A

Ref.	Part No.	Description
1	597 99 19-02	BRACKET REAR MNT
2	597 99 22-02	BRACKET ASM SPEED CONTROL
3	597 99 23-02	BRACKET ASM DEFLECTOR CONTROL
4	597 99 24-02	BRACKET ASM FRONT MNT
5	532 19 79-91	P-CLIP
6	532 42 81-24	FIR TREE FASTENER

Ref.	Part No.	Description
7	532 41 76-93	1/4-20 U-NUT
8	501 40 66-01	SCREW HEX HD 1/4-20 X 1.50
9	817 06 04-10	SCREW HEX WASHER HD 1/4-20 X 5/8
10	532 19 41-89	SCREW HI-LO 13-16 X 5/8 HEX WASHER HD



05.07.032-AA

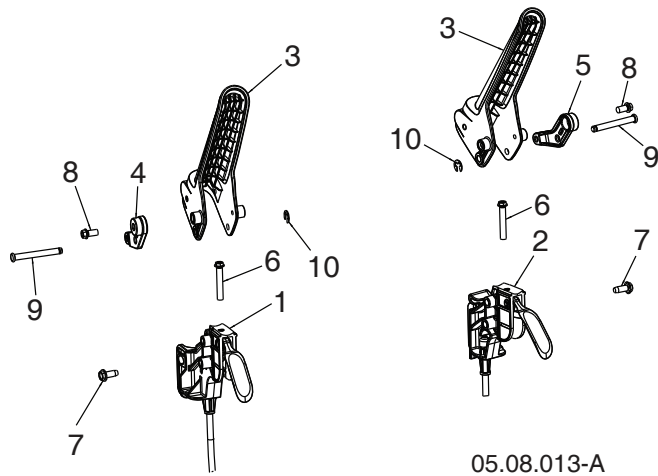
Ref.	Part No.	Description
12	598 80 37-01	CONSOLE BASE
13	598 80 38-01	CONSOLE APPLIQUE
14	532 16 34-09	FLANGE HEAD SCREW 12-16 HI-LOW X .625L
15	598 81 20-01	WARNING DECAL - SNOW

NOTE: All component dimensions given in U.S. inches. 1 inch = 25.4 mm
IMPORTANT: Use only Original Equipment Manufacturer (O.E.M.) replacement parts. Failure to do so could be hazardous, damage your snow thrower and void your warranty.

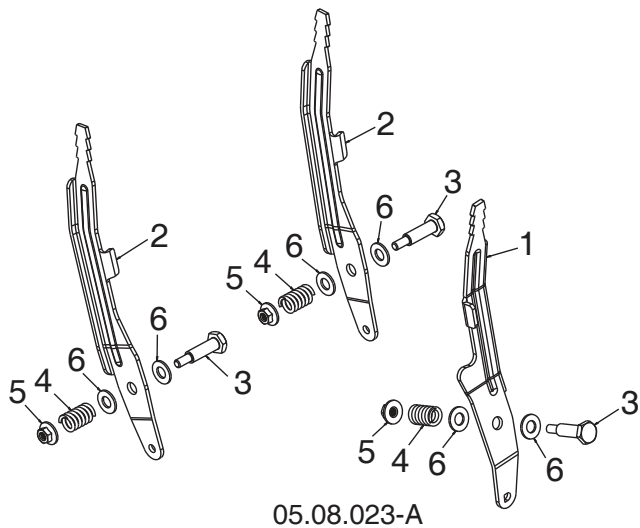
REPAIR PARTS

CONTROL PANEL / DISCHARGE CHUTE

SNOW THROWER - MODEL NO. ST 224 (97046850100), PRODUCT NO. 970 46 85-01



Ref.	Part No.	Description
1	588 26 39-01	CABLE, POWER STEER - LHS
2	588 26 39-02	CABLE, POWER STEER - RHS
3	587 46 30-01	LEVER, CONTROL
4	587 73 97-01	LEVER, CABLE ARM - LHS
5	587 73 97-02	LEVER, CABLE ARM - RHS
6	581 32 95-01	SCREW HI-LO 13-16 X 1.50
7	817 06 04-10	SCREW 1/4-20 X .625
8	817 41 13-08	SCREW HI-LW 13-16 X .500
9	588 14 77-01	PIN, GROOVED
10	812 00 00-14	E-RING



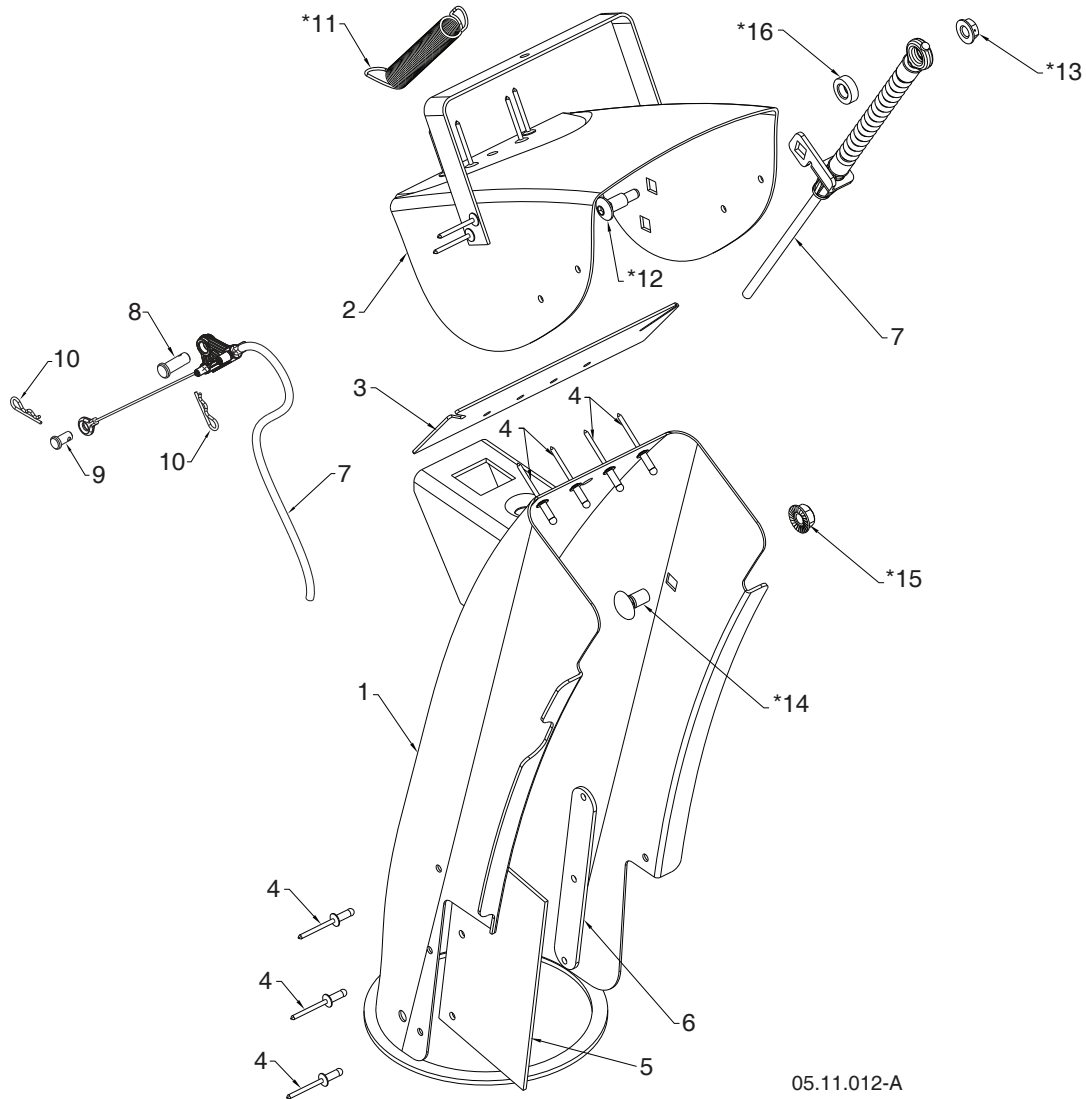
Ref.	Part No.	Description
1	596 78 68-02	LEVER CONTROL CHUTE ROTATOR D HOLE
2	581 12 39-02	LEVER CONTROL SPEED/DEFLECTOR
3	581 32 97-02	BOLT SHOULDER 1/4-20
4	581 32 96-01	SPRING COMPRESSION
5	586 66 89-01	NUT FL LOCK 1/4-20
6	532 17 92-46	WASHER NYLON .375ID x .750OD x .062THK

NOTE: All component dimensions given in U.S. inches. 1 inch = 25.4 mm
IMPORTANT: Use only Original Equipment Manufacturer (O.E.M.) replacement parts. Failure to do so could be hazardous, damage your snow thrower and void your warranty.

REPAIR PARTS

CONTROL PANEL / DISCHARGE CHUTE

SNOW THROWER - MODEL NO. ST 224 (97046850100), PRODUCT NO. 970 46 85-01



05.11.012-A

Ref.	Part No.	Description
1	588 07 78-02	CHUTE WELDMENT (INCLUDES 1, 2, 3, 4, 5, 6)
2	-----	DEFLECTOR WELDMENT
3	-----	DEFLECTOR SEAL
4	-----	POP RIVET
5	-----	CHUTE SNOW SHIELD
6	-----	SHIELD STRAP RETAINER
7	598 45 05-01	CONTROL.CHUTE.DEFLECTOR. BOWDEN
8	581 32 94-01	PIN CLEVIS 5/16 X .875

Ref.	Part No.	Description
9	585 80 83-01	PIN CLEVIS 1/4 X .312
10	532 42 33-03	HAIRPIN RETAINER
*11	532 18 45-05	DEFLECTOR SPRING
*12	501 41 73-01	CARRIAGE BOLT 1/4-20 X .544
*13	585 69 14-01	NUT 1/4-20
*14	585 83 20-01	CARRIAGE BOLT 3/8-16 X .625
*15	873 97 05-00	NUT 5/16-18
*16	501 41 74-01	WASHER .326 X .625 X .205 NYLON

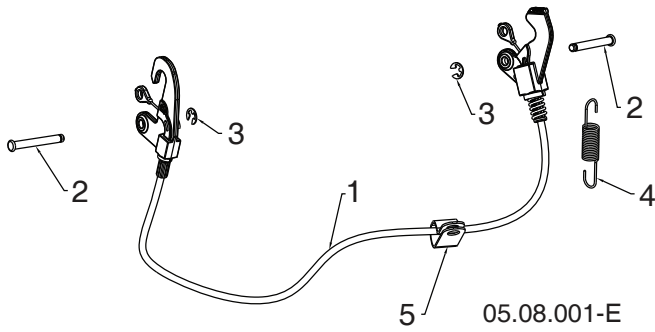
NOTE: ALL ITEMS MARKED WITH AN * ARE PROVIDED IN THE BAG OF ITEMS SHIPPED LOOSE WITH PRODUCT.

NOTE: All component dimensions given in U.S. inches. 1 inch = 25.4 mm
IMPORTANT: Use only Original Equipment Manufacturer (O.E.M.) replacement parts. Failure to do so could be hazardous, damage your snow thrower and void your warranty.

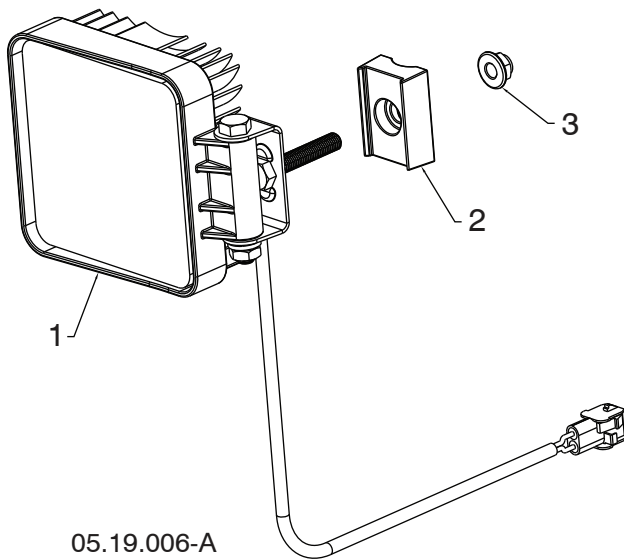
REPAIR PARTS

CONTROL PANEL / DISCHARGE CHUTE

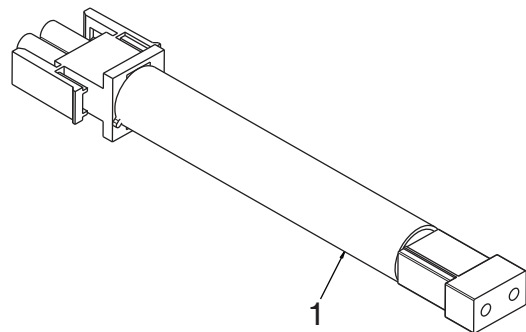
SNOW THROWER - MODEL NO. **ST 224** (97046850100), PRODUCT NO. 970 46 85-01



Ref.	Part No.	Description
1	593 85 34-01	CABLE INTERLOCK
2	532 43 17-62	PIN GROOVED
3	812 00 00-14	E-RING
4	581 15 12-02	SPRING RETURN
5	532 19 79-91	CLIP CABLE BLACK



Ref.	Part No.	Description
1	590 07 13-01	4.25 X 4.25 LIGHT
2	590 73 98-01	LIGHT MOUNTING BRACKET
3	594 94 44-01	HEX HD 5/16-18 FLANGE NYLOCK



Ref.	Part No.	Description
1	598 45 87-01	HARNES ELEC JUMPER LIGHT TO ENGINE

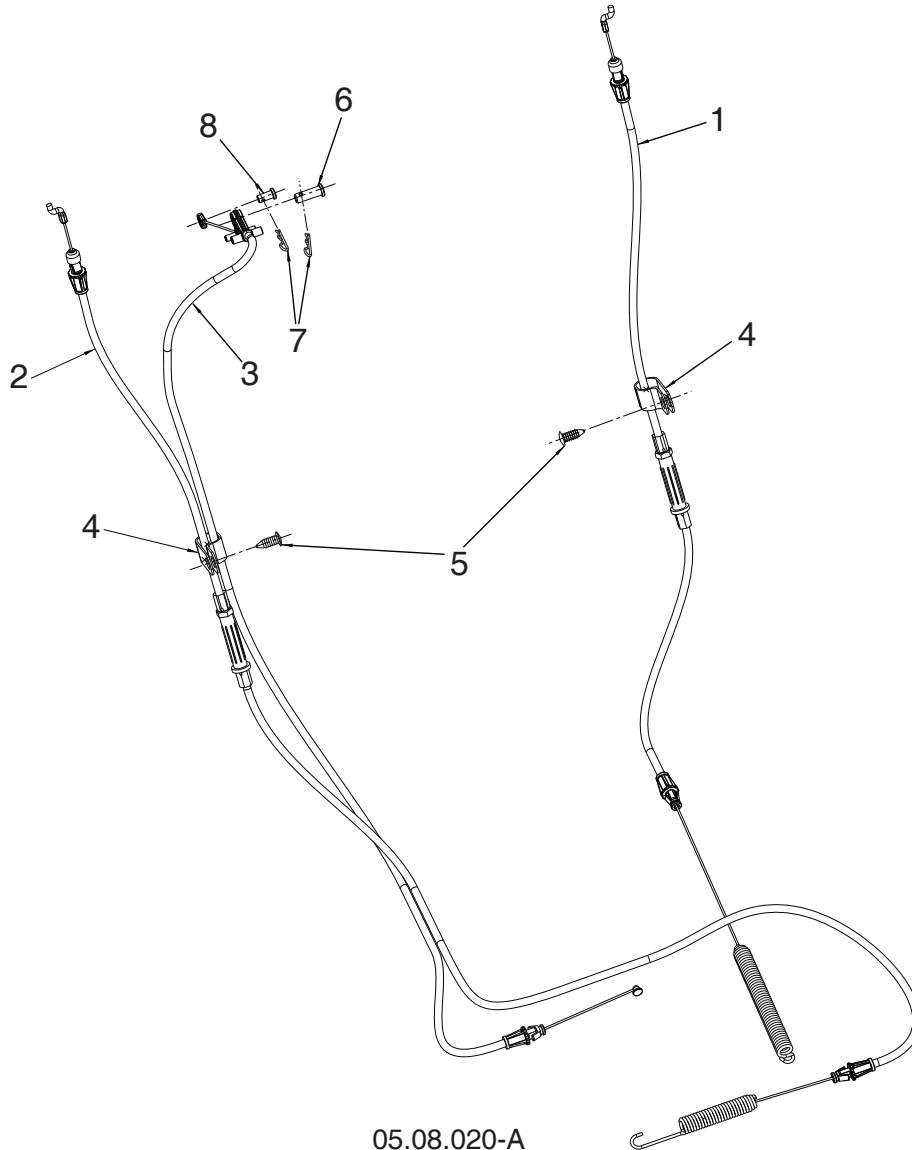
05.19.013-A

NOTE: All component dimensions given in U.S. inches. 1 inch = 25.4 mm
IMPORTANT: Use only Original Equipment Manufacturer (O.E.M.) replacement parts. Failure to do so could be hazardous, damage your snow thrower and void your warranty.

REPAIR PARTS

CONTROL PANEL / DISCHARGE CHUTE

SNOW THROWER - MODEL NO. **ST 224** (97046850100), PRODUCT NO. 970 46 85-01



05.08.020-A

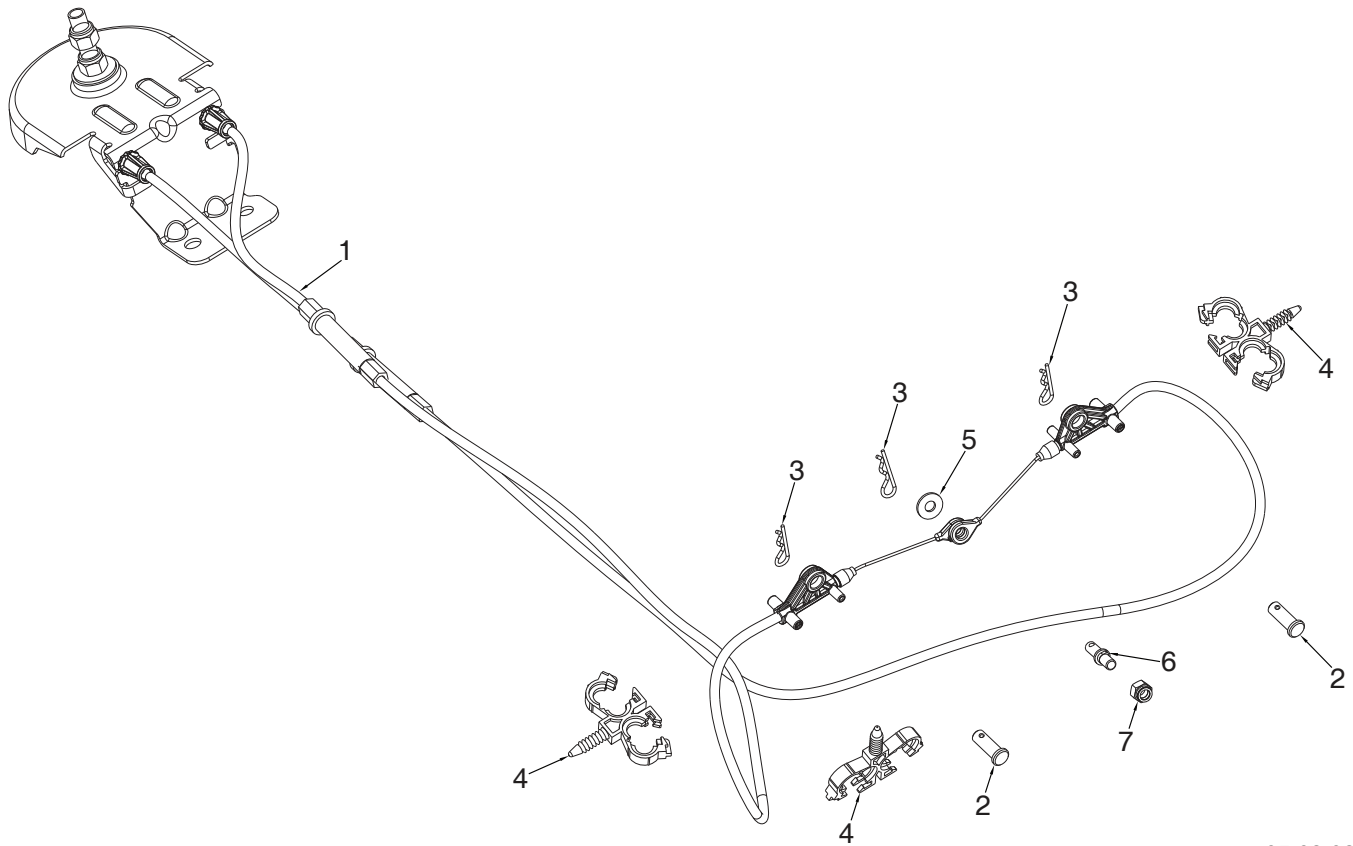
Ref.	Part No.	Description
1	582 51 90-02	CABLE CONTROL DRIVE
2	588 11 38-02	CABLE CONTROL AUGER
3	598 45 04-01	CABLE CONTROL SPEED
4	532 19 79-91	CLIP CABLE
5	532 42 81-24	FASTENER PUSH .250
6	581 32 94-01	PIN CLEVIS 5/16
7	532 42 33-03	HAIRPIN
8	585 80 83-01	PIN CLEVIS 1/4

NOTE: All component dimensions given in U.S. inches. 1 inch = 25.4 mm
IMPORTANT: Use only Original Equipment Manufacturer (O.E.M.) replacement parts. Failure to do so could be hazardous, damage your snow thrower and void your warranty.

REPAIR PARTS

CONTROL PANEL / DISCHARGE CHUTE

SNOW THROWER - MODEL NO. **ST 224** (97046850100), PRODUCT NO. 970 46 85-01



05.08.022-A

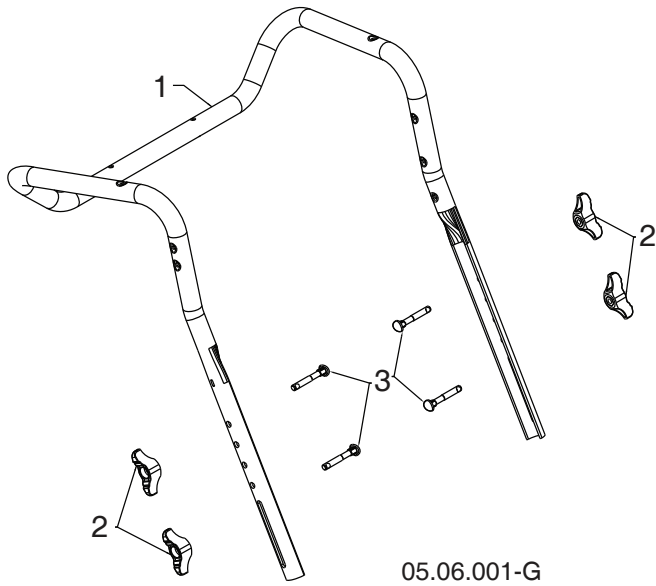
Ref.	Part No.	Description
1	598 80 34-01	CABLE ROTATOR ASM
2	581 32 94-01	PIN CLEVIS 5/16 X 7/8
3	532 42 33-03	HAIRPIN SOFT ZINC
4	584 65 22-01	CLIP CONDUIT DOUBLE
5	586 68 21-01	WASHER FLAT NYLON
6	596 71 72-01	CLEVIS RIGID PIN 5/16 X 1
7	595 08 66-01	NUT 1/4-20 HEX NYLOC

NOTE: All component dimensions given in U.S. inches. 1 inch = 25.4 mm
IMPORTANT: Use only Original Equipment Manufacturer (O.E.M.) replacement parts. Failure to do so could be hazardous, damage your snow thrower and void your warranty.

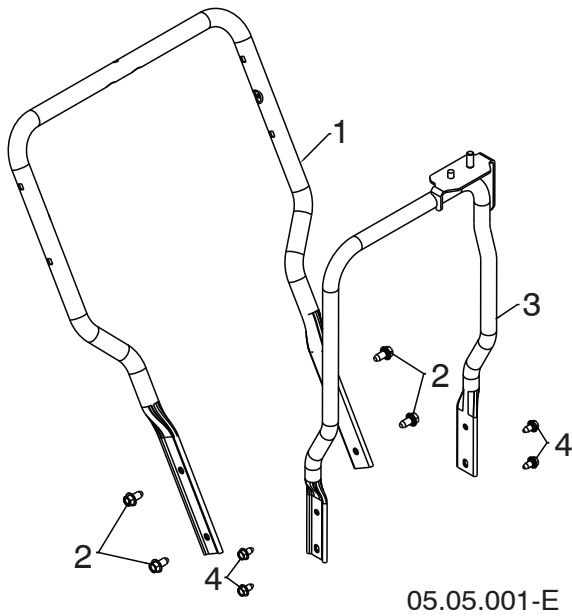
REPAIR PARTS

HANDLES

SNOW THROWER - MODEL NO. ST 224 (97046850100), PRODUCT NO. 970 46 85-01



Ref.	Part No.	Description
1	588 16 08-03	UPPER HANDLE
2	532 19 19-38	HANDLE KNOB STD BLACK
3	588 05 99-01	SCREW 5/16-18 X 2.25 CONCAVE HEAD WITH PATCH



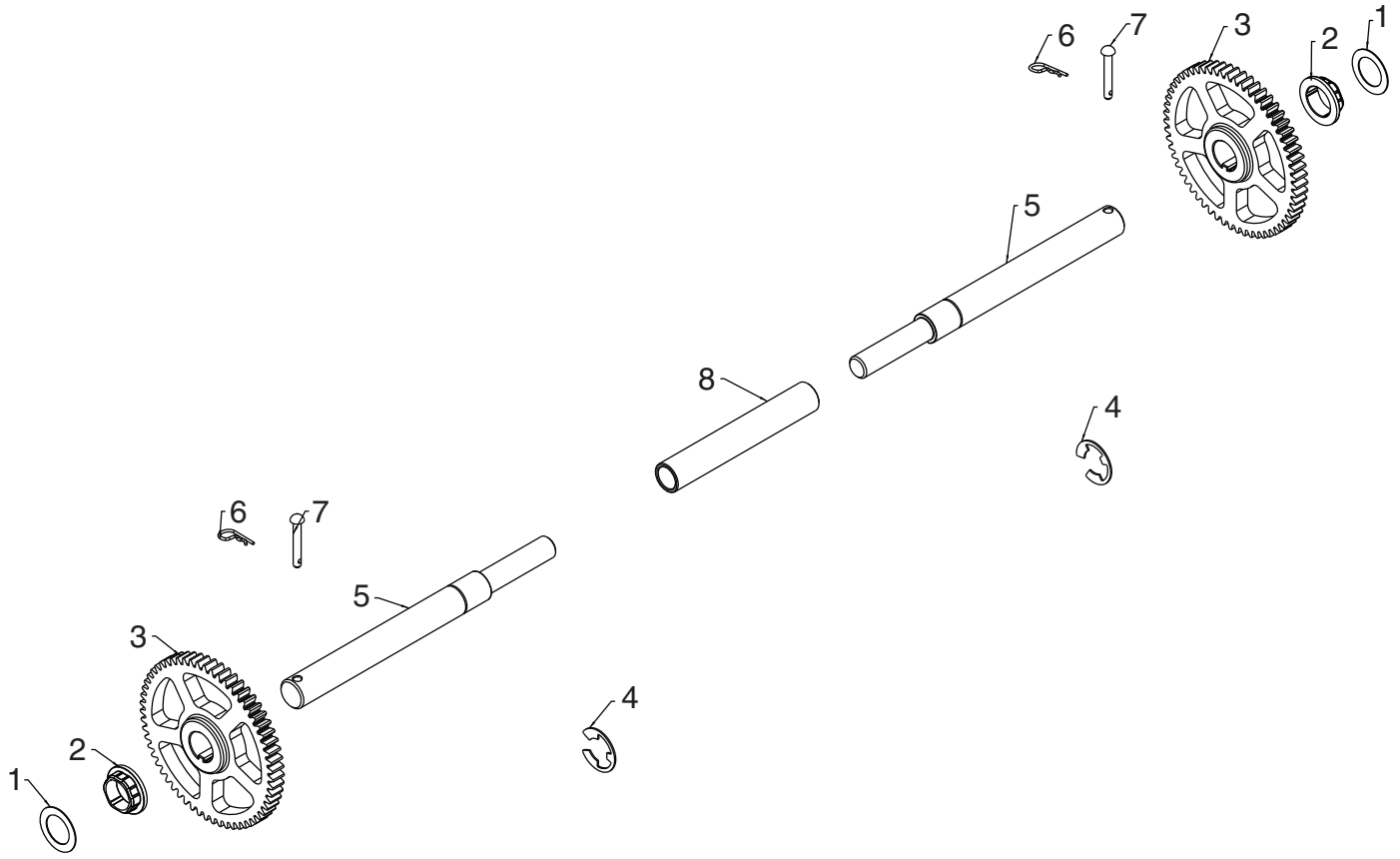
Ref.	Part No.	Description
1	588 67 21-03	LOWER HANDLE
2	817 00 06-12	SCREW HEX WASH HD 3/8-16 X .75
3	589 26 45-04	CHUTE ROTATOR SUPPORT ASM
4	817 00 05-10	BOLT HEX 5/16-18

NOTE: All component dimensions given in U.S. inches. 1 inch = 25.4 mm
IMPORTANT: Use only Original Equipment Manufacturer (O.E.M.) replacement parts.
 Failure to do so could be hazardous, damage your snow thrower and void your warranty.

REPAIR PARTS

DRIVE

SNOW THROWER - MODEL NO. **ST 224** (97046850100), PRODUCT NO. 970 46 85-01



05.03.002-B

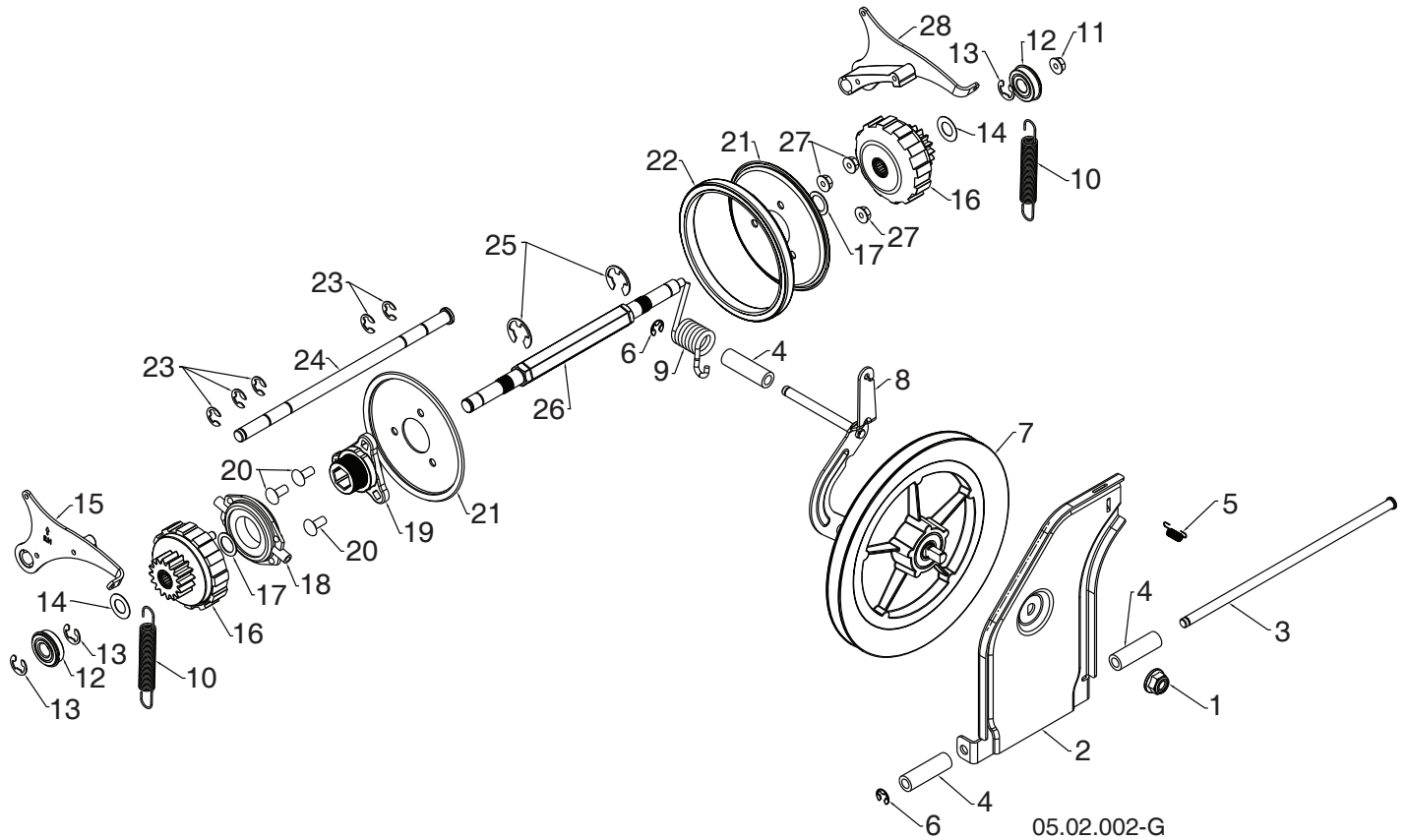
Ref.	Part No.	Description
1	532 44 49-49	WASHER 1.00
2	587 97 89-01	BUSHING HEX 1 SHAFT
3	588 51 86-01	GEAR 59T DRIVEN
4	812 00 00-53	RETAINING RING
5	580 75 26-01	AXLE SHAFT SPLIT
6	532 12 47-88	RETAINER SPRING 1 ZINC
7	532 17 12-71	RIVET RD HD DRILLED 1/4 DIA
8	580 75 25-01	AXLE SLEEVE

NOTE: All component dimensions given in U.S. inches. 1 inch = 25.4 mm
IMPORTANT: Use only Original Equipment Manufacturer (O.E.M.) replacement parts. Failure to do so could be hazardous, damage your snow thrower and void your warranty.

REPAIR PARTS

DRIVE

SNOW THROWER - MODEL NO. ST 224 (97046850100), PRODUCT NO. 970 46 85-01



Ref.	Part No.	Description
1	521 99 11-01	NUT HEX FLANGE LK 1/2-13
2	587 70 34-02	SWING PLATE FRICTION PULL
3	581 12 30-01	ROD TIP PLATE
4	581 73 27-01	SPACER DRIVE
5	532 19 38-85	LATCH SPRING
6	812 00 00-07	E-RING RETAINER
7	581 32 84-01	FRICTION DISC COMBO PULLEY
8	587 19 34-03	BRACKET YOKE ASSEMBLY
9	589 26 22-03	SPRING TORSION DRIVE
10	585 26 38-01	EXTENSION SPRING
11	585 69 15-01	NUT HEX FLANGE LOCK 5/16-18
12	580 75 62-01	BEARING 9/16 I.D. 1622-2RSNR
13	580 75 61-02	RETAINING RING 1622-2RSNR
14	580 75 13-01	WASHER FLAT .59 I.D. X 1.065 X 25 GA

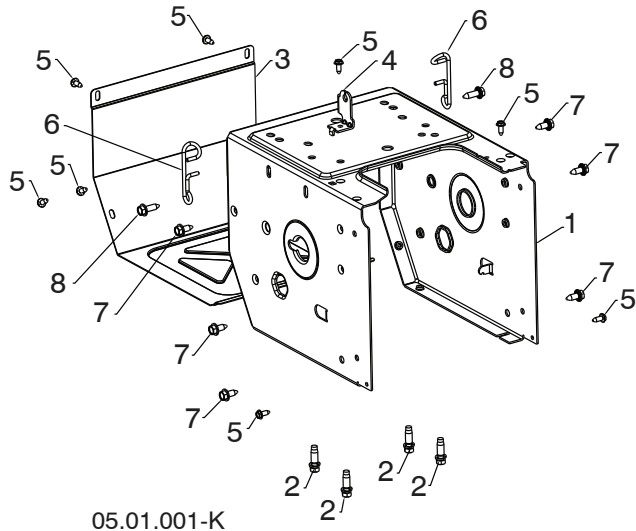
Ref.	Part No.	Description
15	580 75 66-01	PAWL ASM RH
16	580 75 60-01	GEAR ASM PLANETARY
17	580 75 63-01	WASHER FLAT .6875 I.D. X 1.00 X 21 GA
18	532 17 53-44	TRUNNION BEARING ASM
19	581 09 09-01	HUB RUBBER WHEEL
20	872 11 05-06	BOLT CARRIAGE 5/16-18 X .75
21	581 09 10-02	PLATE RUBBER WHEEL
22	581 09 11-01	RING RUBBER WHEEL
23	586 64 43-01	E-RING
24	580 75 51-01	ROD PAWL
25	812 00 00-22	E-RING
26	580 75 24-01	SHAFT REDUCTION PWR STR
27	532 75 11-53	NUT HEX FLANGE LK 5/16-18
28	580 75 67-01	PAWL ASM LH

NOTE: All component dimensions given in U.S. inches. 1 inch = 25.4 mm
IMPORTANT: Use only Original Equipment Manufacturer (O.E.M.) replacement parts. Failure to do so could be hazardous, damage your snow thrower and void your warranty.

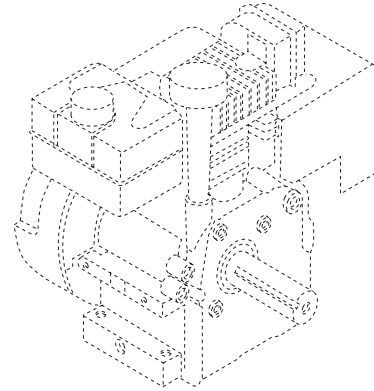
REPAIR PARTS

CHASSIS / ENGINE / PULLEYS

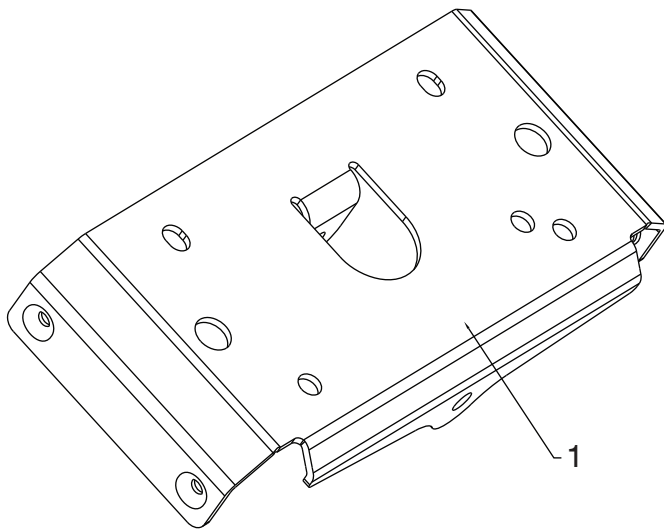
SNOW THROWER - MODEL NO. **ST 224** (97046850100), PRODUCT NO. 970 46 85-01



05.01.001-K



Ref.	Part No.	Description
--	590 21 86-03	COMPLETE LCT ENGINE PW2HK18650178E
1	580 83 94-05	FRAME
2	532 15 04-06	ENGINE BOLT 3/8-16 X 1.280 DOG-POINT
3	580 83 95-05	FRAME COVER
4	501 06 04-03	SHIFTER BRACKET
5	582 90 69-01	SCREW HEX WASHER 1/4-20 X .625
6	588 95 45-01	WIREFORM SUPPORT CABLE
7	532 42 88-67	BOLT HEXHD WASHER 5/16-18 X .750
8	593 33 72-01	BOLT HEXHD WASHER 5/16-18 X 1.000



05.01.002-A

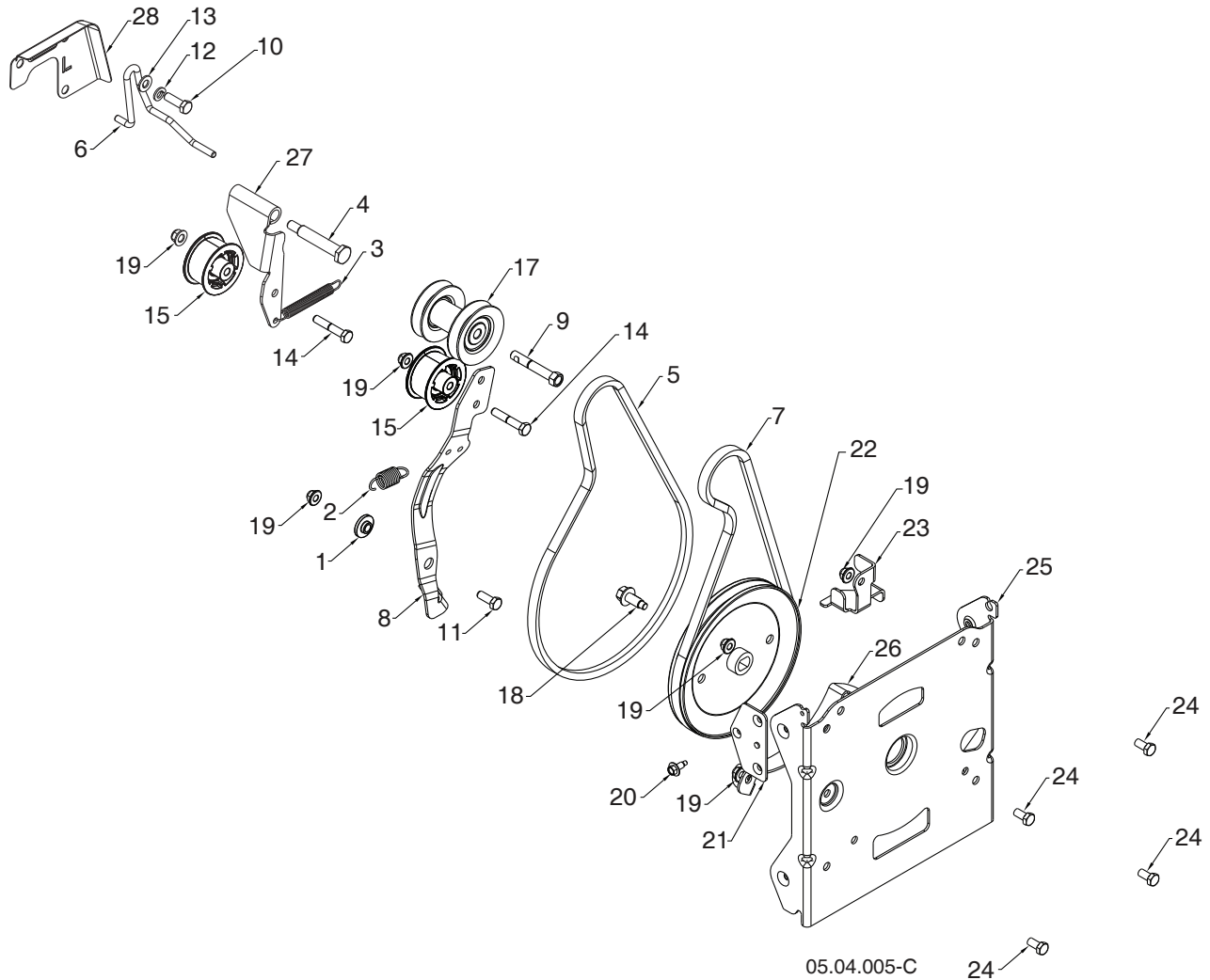
Ref.	Part No.	Description
1	583 94 05-02	SMALL MOUNTING PLATE

NOTE: All component dimensions given in U.S. inches. 1 inch = 25.4 mm
IMPORTANT: Use only Original Equipment Manufacturer (O.E.M.) replacement parts. Failure to do so could be hazardous, damage your snow thrower and void your warranty.

REPAIR PARTS

CHASSIS / ENGINE / PULLEYS

SNOW THROWER - MODEL NO. ST 224 (97046850100), PRODUCT NO. 970 46 85-01



Ref.	Part No.	Description
1	587 34 37-01	BUSHING BRAKE ARM
2	587 03 12-01	SPRING RETURN IDLER ARM
3	580 75 30-01	SPRING RETURN IDLER ARM
4	581 41 38-01	BOLT SHOULDER 5/16-24 X 2.15
5	582 64 07-01	BELT DRIVE 3L
6	598 64 44-01	BELT GUIDE 4L IMPELLER 3L DRIVE
7	501 81 82-01	BELT IMPELLER LOW CRANK
8	580 83 11-06	ARM IDLER AUTO PH .676
9	589 26 22-03	BOLT ENGINE PULLEY
10	874 61 05-16	SCREW 5/16-24 X 1.00
11	596 32 22-01	BOLT HXHD 5/16-18 X .875
12	596 23 88-01	LOCKWASHER 5/16 SPLIT HVY
13	596 20 41-01	WASHER 11/32 X 3/4 X 16GA
14	874 76 05-28	BOLT HXHD 5/16-18 X 1.75

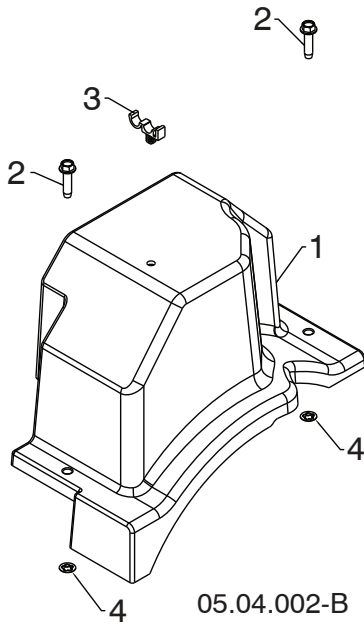
Ref.	Part No.	Description
15	581 1414-02	PULLEY IDLER 2.0 WITH SPACER
17	589 26 22-03	PULLEY ENGINE
18	595 51 79-01	SCREW FLANGE HEAD 3/8-16
19	594 94 44-01	NUT NYLOK FLANGE 5/16-18
20	585 51 78-01	SCREW 1/4-20 X .65 W/DOG POINT
21	590 04 46-02	BRACKET NUT BZP
22	590 69 92-01	PULLEY IMPELLER DD 4L
23	587 58 72-02	GUIDE LOWER AUGER BELT .479
24	596 03 16-01	BOLT HXHD 5/16-18 X 5/8
25	581 59 25-03	BRACKET AUG HOUSING INTER .479
26	581 63 20-02	BRACKET BELT KEEPER LOWER .479
27	593 19 25-02	ARM IDLER DRIVE
28	598 71 19-02	LC FRICTION DRIVE GUTTER COVER

NOTE: All component dimensions given in U.S. inches. 1 inch = 25.4 mm
IMPORTANT: Use only Original Equipment Manufacturer (O.E.M.) replacement parts. Failure to do so could be hazardous, damage your snow thrower and void your warranty.

REPAIR PARTS

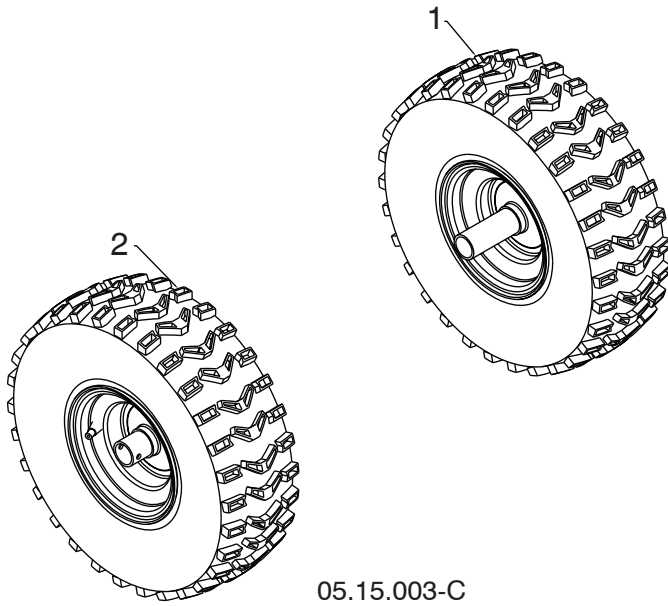
CHASSIS / ENGINE / PULLEYS

SNOW THROWER - MODEL NO. **ST 224** (97046850100), PRODUCT NO. 970 46 85-01



Ref.	Part No.	Description
1	587 10 54-01	BELT COVER BLACK ASSEMBLY (INCLUDES 2 & 4)
2	-----	BOLT HEX WSH THDRL 1/4-20 X 1
3	532 14 50-06	CABLE GUIDE
4	-----	PALNUT 1/4 IN

NOTE: All component dimensions given in U.S. inches. 1 inch = 25.4 mm
IMPORTANT: Use only Original Equipment Manufacturer (O.E.M.) replacement parts. Failure to do so could be hazardous, damage your snow thrower and void your warranty.



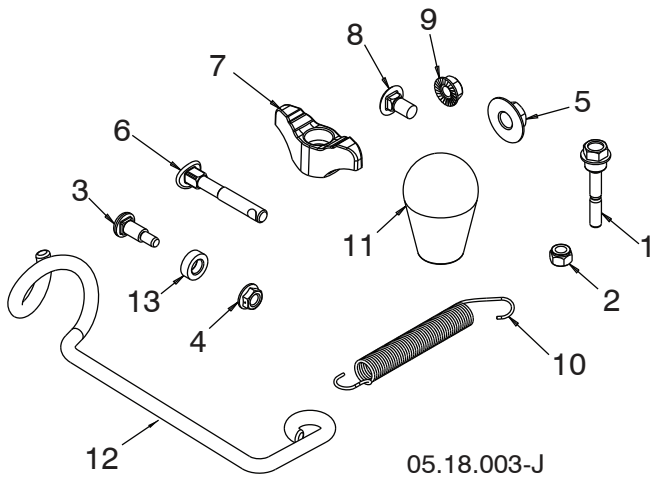
Ref.	Part No.	Description
1	586 71 04-01	WHEEL 15X5.00 NPS LH 1.00
2	586 71 03-01	WHEEL 15X5.00 NPS RH 1.00

NOTE: All component dimensions given in U.S. inches. 1 inch = 25.4 mm
IMPORTANT: Use only Original Equipment Manufacturer (O.E.M.) replacement parts.
 Failure to do so could be hazardous, damage your snow thrower and void your warranty.

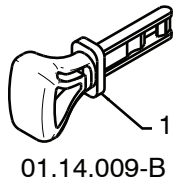
REPAIR PARTS

BAG OF PARTS

SNOW THROWER - MODEL NO. **ST 224** (97046850100), PRODUCT NO. 970 46 85-01



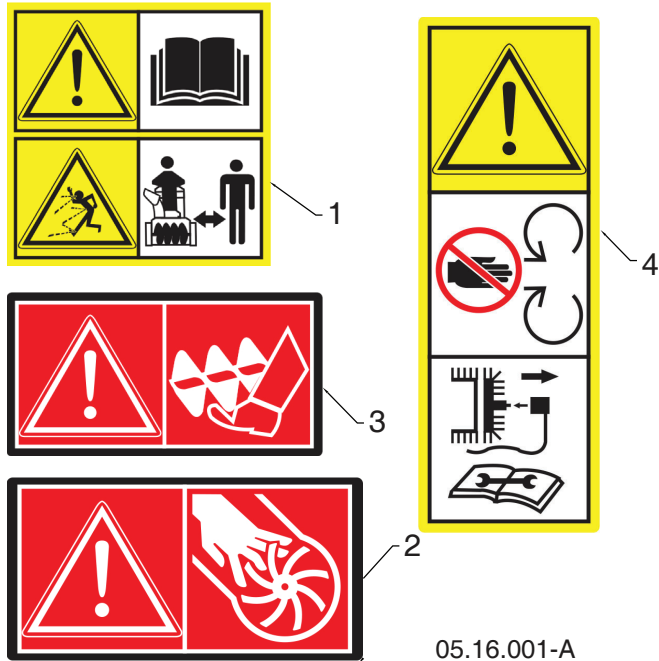
Ref.	Part No.	Description
1	588077502	BOLT 1/4-20 X 1.81
2	595086601	NUT NYLOCK 1/4-20
3	501417301	BOLT SHOULDER
4	585 69 14-01	NUT HEX FL 1/4-20 CTR
5	585 69 10-01	NUT NYLOCK 3/8-16
6	588 05 99-01	BOLT 5/16-18 X 2.25 CONCAVE
7	532 18 97-13	KNOB 5/16-18 TWO-WING
8	585 83 20-01	BOLT 5/16-18 X .625
9	873 97 05-00	NUT SERR FL LOCK 5/16-18
10	532 18 45-05	SPRING DEFLECT CHUTE
11	581 69 75-01	KNOB SOFT TOUCH SLOTTED
12	596 97 68-01	SUPPORT ROTATION CABLE
13	501 41 74-01	WASHER NYLON



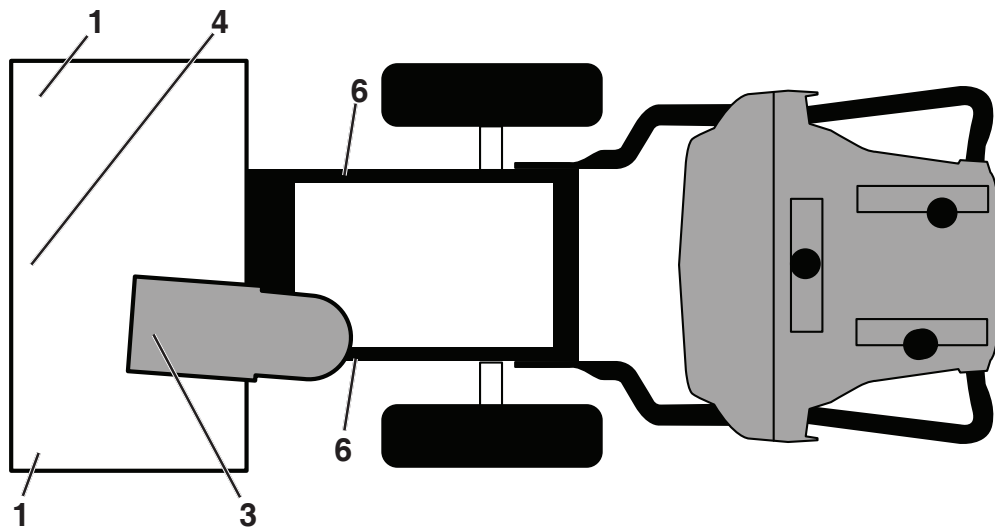
Ref.	Part No.	Description
1	532 44 30-59	SAFETY IGNITION KEY KIT

NOTE: All component dimensions given in U.S. inches. 1 inch = 25.4 mm
IMPORTANT: Use only Original Equipment Manufacturer (O.E.M.) replacement parts.
 Failure to do so could be hazardous, damage your snow thrower and void your warranty.

SNOW THROWER - MODEL NO. ST 224 (97046850100), PRODUCT NO. 970 46 85-01



Ref.	Part No.	Description
1	532 18 40-45	DECAL AUGER
2	590 81 22-01	DECAL CHUTE
3	532 19 96-83	DECAL AUGER SAFETY
4	532 18 40-28	DECAL BELT GUIDE



Ref.	Part No.	Description
1	532 19 96-83	DECAL, DANGER
3	590 81 22-01	DECAL, DANGER, DEFLECTOR
4	532 18 40-45	DECAL, DANGER
6	532 18 40-28	DECAL
--	590 69 72-01	DECAL, ENG. RECOIL (NOT SHOWN)

Ref.	Part No.	Description
--	532 17 45-72	DECAL, CANADA IGNITION (NOT SHOWN)
--	588 59 71-01	DECAL, AUGER HSQ (NOT SHOWN)
--	114 22 63-49	OPERATOR'S MANUAL, ENGLISH, FRENCH, SPANISH

NOTE: All component dimensions given in U.S. inches. 1 inch = 25.4 mm
IMPORTANT: Use only Original Equipment Manufacturer (O.E.M.) replacement parts. Failure to do so could be hazardous, damage your snow thrower and void your warranty.

ENGINE, LCT

COMPLETE ENGINE-590218603

GEN I 208cc Snow Engines

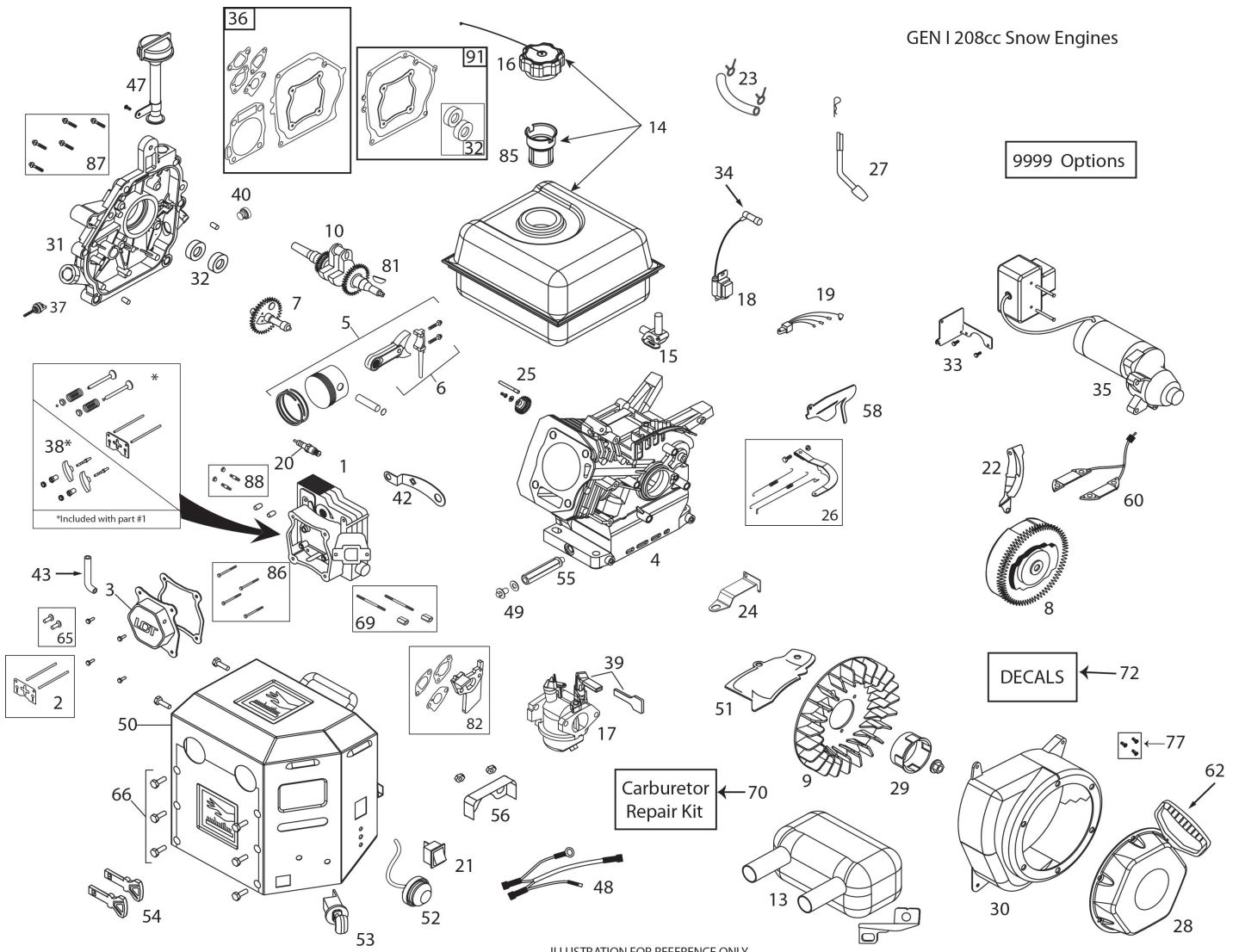


ILLUSTRATION FOR REFERENCE ONLY

Ref.	Part No.	Description
1	532 42 05-78	Cylinder Head Assembly
2	532 42 05-79	Push Rod & Plate Kit
3	532 42 05-80	Valve Cover (incl. Gasket)
5	532 42 05-82	Piston & Rod Assembly
7	532 42 05-84	Camshaft
8	595 01 24-01	Flywheel - Electric Start w/ 6 magnets
9	532 42 05-86	Cooling Fan - Flywheel
10	532 44 66-42	Crankshaft
13	599 71 66-01	Muffler Assembly
14	532 43 65-64	Fuel Tank (2.7L Black w/ Cap)
15	532 42 92-34	Fuel Tank On/Off Valve
16	532 42 49-42	Fuel Tank Cap

Ref.	Part No.	Description
17	587 14 79-01	Carburetor (w/gskts)
18	532 44 39-34	Ignition Coil (CDI)
20	532 42 49-39	Spark Plug
22	585 77 24-01	Shield - Flywheel
23	532 43 21-44	Fuel Hose Kit
24	532 42 92-59	Speed Control Bracket (Fixed)
25	532 42 96-46	Governor Gear Assembly
26	581 76 87-01	Governor Arm & Link Kit
27	532 42 06-02	Governor Arm Paddle
28	532 43 69-67	Recoil Starter Assy
29	532 43 69-68	Starter Cup
30	599 71 67-01	Blower Housing

NOTE: All component dimensions given in U.S. inches. 1 inch = 25.4 mm
IMPORTANT: Use only Original Equipment Manufacturer (O.E.M.) replacement parts. Failure to do so could be hazardous, damage your snow thrower and void your warranty.

ENGINE, LCT

Ref.	Part No.	Description
31	581 00 73-01	Crankcase Cover Assy
32	532 42 95-99	Oil Seal Kit (2 Pcs)
34	532 43 69-66	Spark Plug Boot
35	532 43 64-66	120V Electric Starter
36	532 42 96-01	Engine Gasket Kit
37	532 42 09-61	Small Black Oil Dipstick
38	532 42 96-91	Rocker Arm Kit
39	532 42 92-24	Choke Control Knob
40	532 42 95-98	Non-Removable Plastic Plug
43	580 35 34-01	Breather Tube
47	581 00 72-01	High Oil-Fill Tube/Dipstick (Press-In Type)
48	595 01 25-01	Wire Harness
49	532 43 54-95	Oil Drain Plug w/washer
50	595 01 26-01	Heater Box
51	532 43 71-19	Shield - Cylinder
52	532 42 49-49	Primer Bulb With Hose
53	532 42 49-54	Safety Key Switch (incl. keys)
54	532 44 30-59	Key Set - Red (2)
55	532 43 26-86	Oil Drain Tube
56	see ref 58	Part of ref 58, all one piece
57	532 43 66-72	CE Compliant Muffler Shield
58	595 01 27-01	Gov and Carb Shield - Composite (also repls 56,79,80)
59	532 43 65-62	Fuel Tank Skirt

COMPLETE ENGINE-590218603

Ref.	Part No.	Description
60	532 44 38-93	60 watt AC Charging Coil
61	532 43 27-52	Fuel Control Knob
65	581 37 28-01	Tappet Kit (Set of 2)
69	532 42 49-51	Carburetor Studs & Coupling Kit
70	580 35 36-02	Carburetor Repair Kit
72	587 15 22-01	LABEL KIT
74	587 82 11-01	Muffler Heat Shield Cover
77	532 43 26-88	Recoil Bolt Kit (3 bolts per kit)
78	581 45 93-01	Breather Tube Bracket
79	see ref 58	Part of ref 58, all one part
80	see ref 58	Part of ref 58, all one part
81	585 29 72-01	Woodruff Flywheel Keys
82	585 02 05-03	CARBURETOR SPACER KIT
85	586 32 56-01	Fuel Tank Strainer
86	586 32 73-02	Cylinder Head Bolt Kit (4)
87	586 32 69-01	CC Cover Bolt Kit (6)
88	586 32 68-01	Muffler Mtg Stud Kit (2)
91	587 52 57-01	Crankshaft Gasket Kit
97	589 75 26-01	Muffler Manifold Shield
9999	590 92 08-01	Starter Switch Box Screws
9999	586 32 62-01	High Altitude Jet (>6,000 feet)
9999	597 93 00-01	Starter Motor Mounting Bolts
9999	579 80 64-01	Bolt Kit - Blower Hsg-Heater Box-Tank Skirt

NOTE: All component dimensions given in U.S. inches. 1 inch = 25.4 mm
IMPORTANT: Use only Original Equipment Manufacturer (O.E.M.) replacement parts.
Failure to do so could be hazardous, damage your snow thrower and void your warranty.