

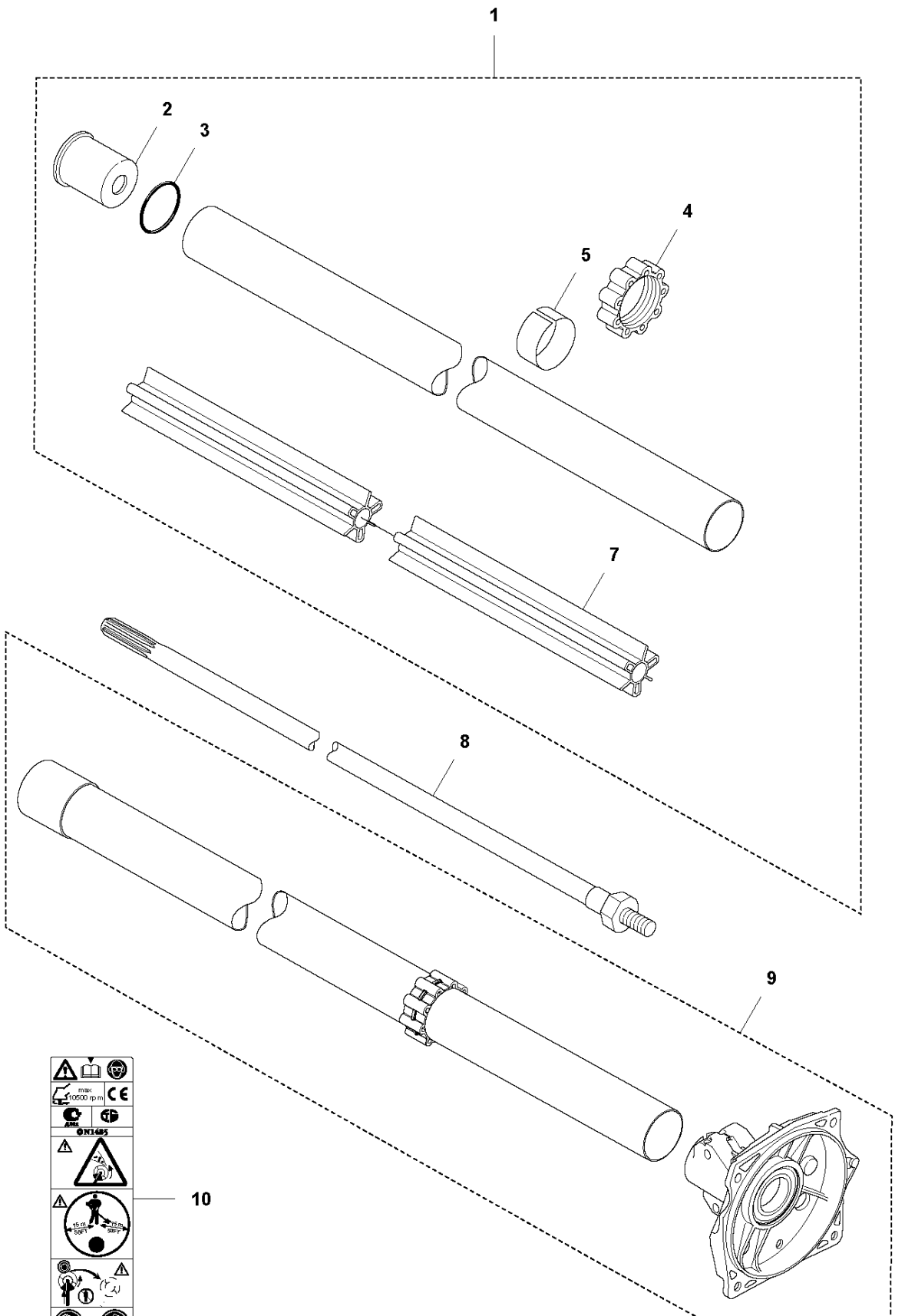


SPARE PARTS LIST

BRUSHCUTTERS/CLEARING SAWS

545FX AT

B 545FX AT, 545FXT AT
SHAFT



10

The safety label contains the following information:

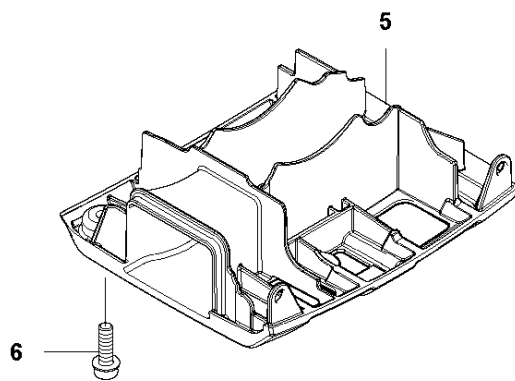
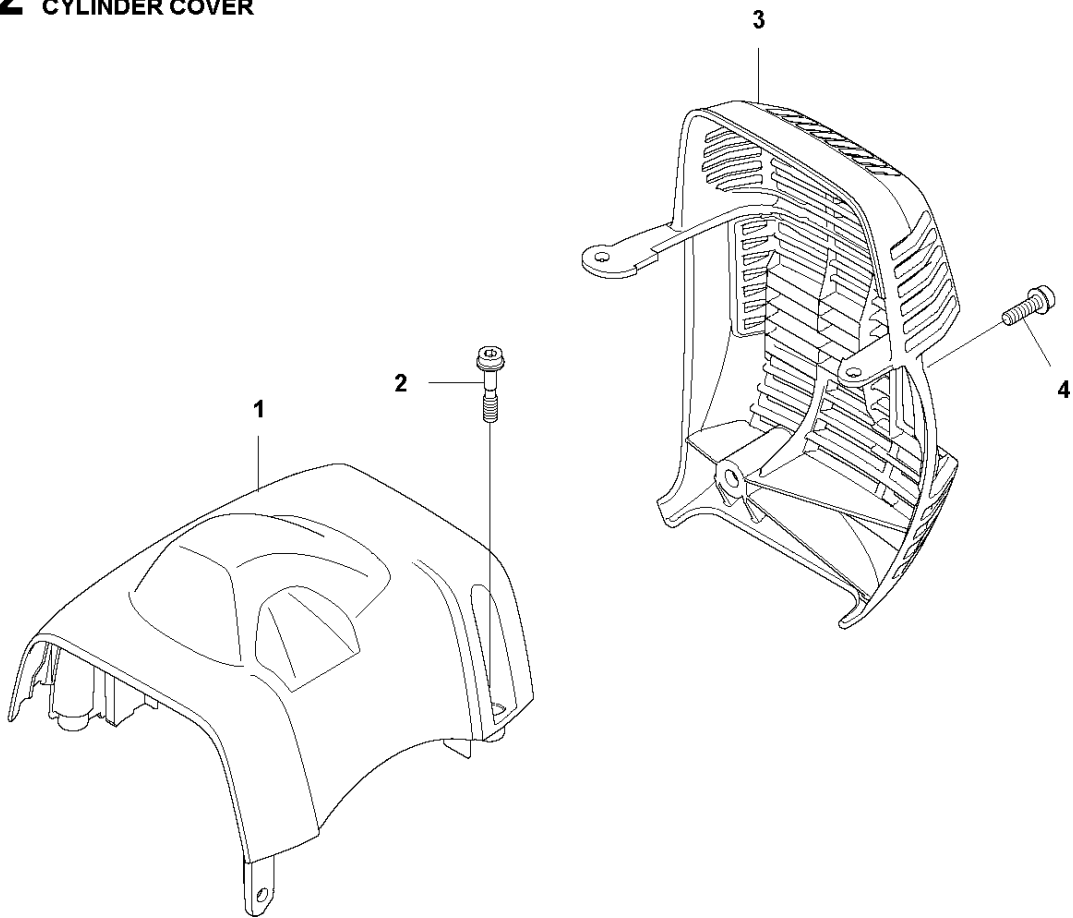
- Warning symbols: a triangle with an exclamation mark, a triangle with a hand, a triangle with a lightning bolt, a triangle with a person, a triangle with a hand, a triangle with a lightning bolt, a triangle with a hand, a triangle with a lightning bolt.
- Text: "max 10000 rpm", "CE", "DANGER", "15 m", "30 m", "100 m", "200 m", "300 m", "400 m", "500 m", "600 m", "700 m", "800 m", "900 m", "1000 m", "1100 m", "1200 m", "1300 m", "1400 m", "1500 m", "1600 m", "1700 m", "1800 m", "1900 m", "2000 m", "2100 m", "2200 m", "2300 m", "2400 m", "2500 m", "2600 m", "2700 m", "2800 m", "2900 m", "3000 m", "3100 m", "3200 m", "3300 m", "3400 m", "3500 m", "3600 m", "3700 m", "3800 m", "3900 m", "4000 m", "4100 m", "4200 m", "4300 m", "4400 m", "4500 m", "4600 m", "4700 m", "4800 m", "4900 m", "5000 m", "5100 m", "5200 m", "5300 m", "5400 m", "5500 m", "5600 m", "5700 m", "5800 m", "5900 m", "6000 m", "6100 m", "6200 m", "6300 m", "6400 m", "6500 m", "6600 m", "6700 m", "6800 m", "6900 m", "7000 m", "7100 m", "7200 m", "7300 m", "7400 m", "7500 m", "7600 m", "7700 m", "7800 m", "7900 m", "8000 m", "8100 m", "8200 m", "8300 m", "8400 m", "8500 m", "8600 m", "8700 m", "8800 m", "8900 m", "9000 m", "9100 m", "9200 m", "9300 m", "9400 m", "9500 m", "9600 m", "9700 m", "9800 m", "9900 m", "10000 m".

SHAFT

545FX AT

Ref	Part No	Description	Remark	QTY KIT	
1	586 26 26-14	TUBE ASSY	from s/n 20194300361 - . For older products use kit 5978421-03	1	
2	544 02 94-01	SPACER		2	1
3	506 11 03-01	O-RING		1	1
4	537 30 98-01	ANTIVIBRATION ELEMENT		1	1
5	537 30 97-02	TAPE		1	1
7	523 01 88-01	BEARING SHAFT		1	1
8	503 95 54-01	DRIVE SHAFT		1	
9	597 84 21-03	CLUTCH COVER ASSY	up to s/n - 20194300360.	1	
10	589 29 51-01	LABEL		1	

G2 545FX AT, 545FXT AT
CYLINDER COVER



7 — **545 FX**
AutoTune™

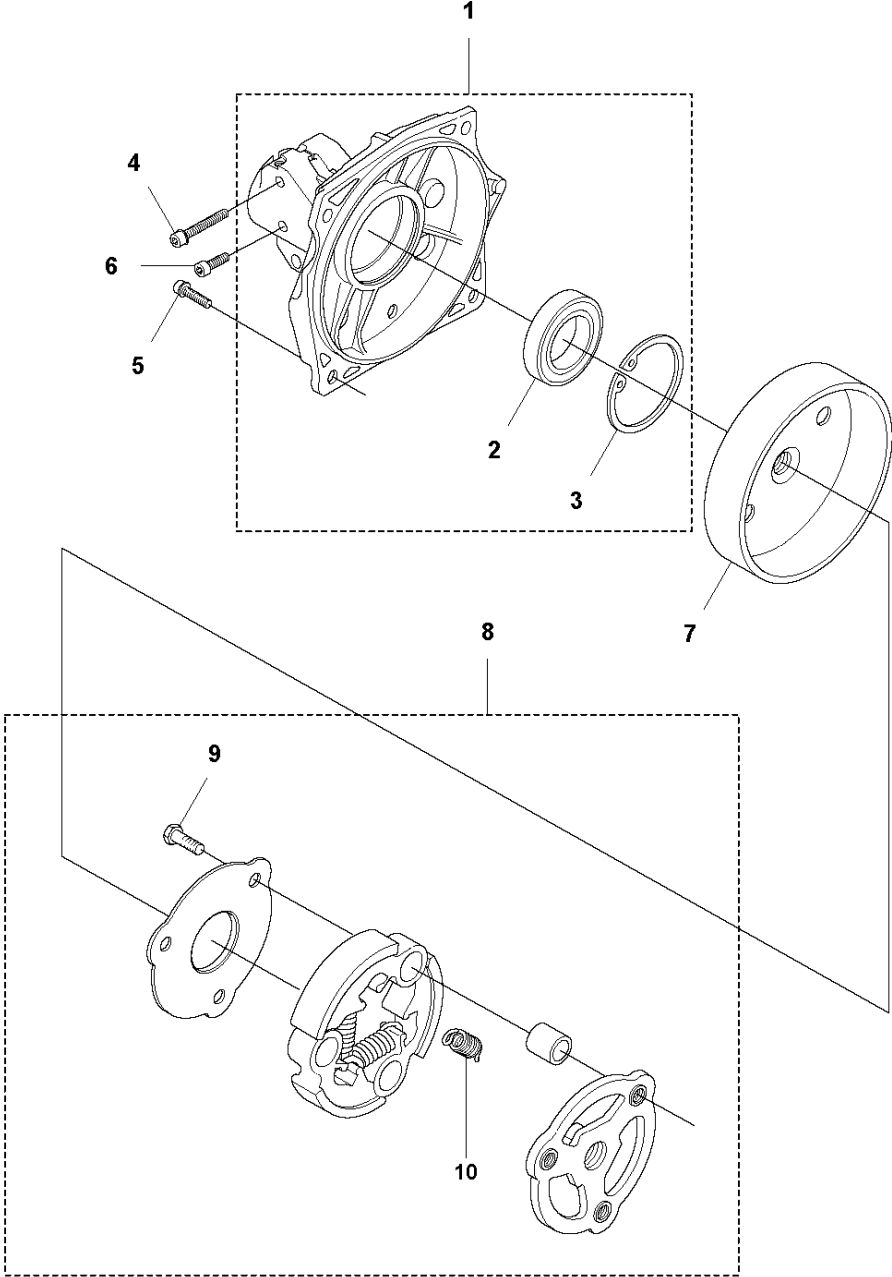
8 — **545 FXT**
AutoTune™

CYLINDER COVER

545FX AT

Ref	Part No	Description	Remark	QTY KIT
1	579 45 04-01	CYLINDER COVER		1
2	574 47 70-04	SCREW IHSCFMO		3
3	576 92 00-05	HEAT PROTECTOR		1
4	503 20 07-74	SCREW IHSCFM		1
5	579 81 75-01	SKID PLATE		1
6	503 20 07-74	SCREW IHSCFM		2
7	582 80 54-02	LABEL		1
8	582 80 54-03	LABEL		1

F 545RXT AT, 545FX AT, 545FXT AT
CLUTCH

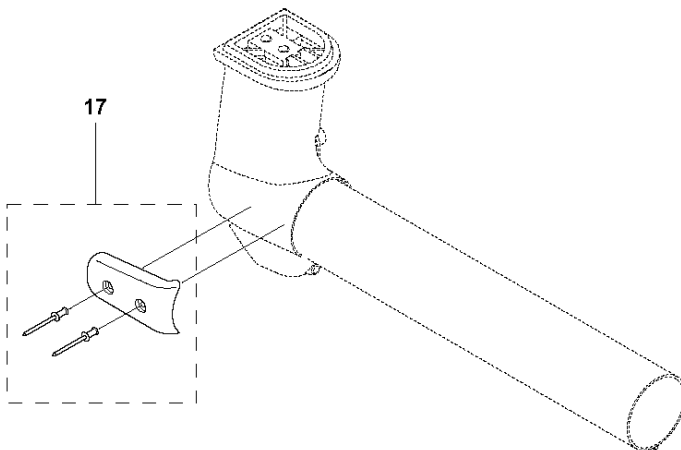
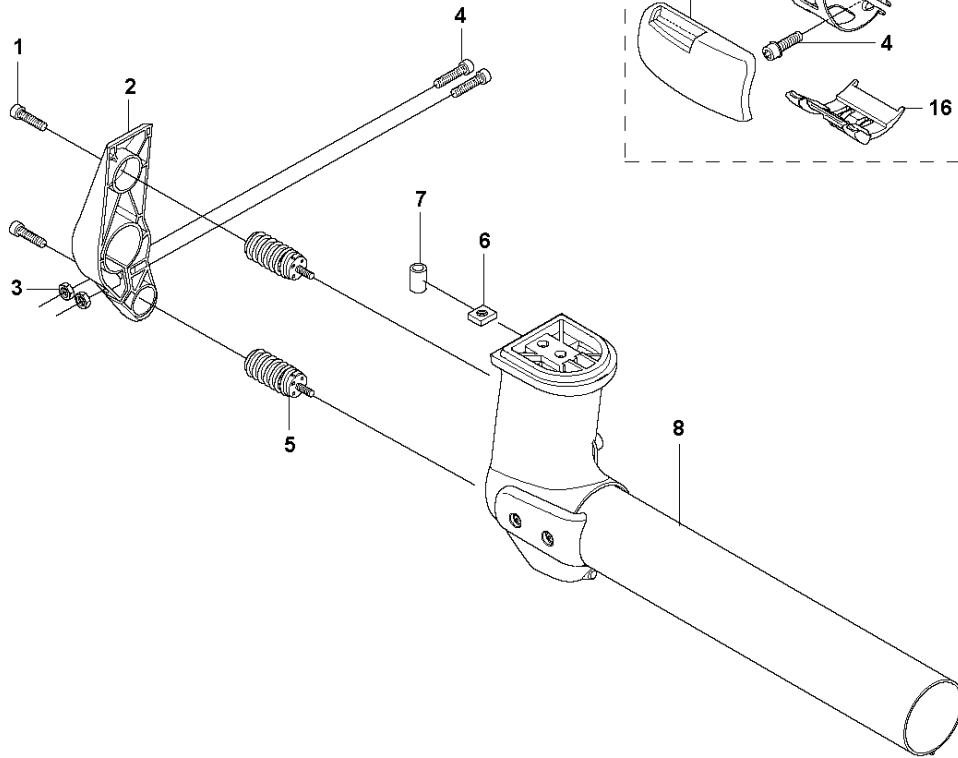


CLUTCH

545FX AT

Ref	Part No	Description	Remark	QTY KIT	
1	503 95 41-05	CLUTCH COVER	from s/n 20194300361 - . For older products use kit 5978421-03	1	
2	738 22 02-19	BALL BEARING		1	1
3	735 31 33-10	CIRCLIP		1	1
4	503 20 02-30	SCREW IHSCFM		2	
5	503 20 02-20	SCREW IHSCFM		4	
6	503 20 07-70	SCREW IHSCFM	from s/n 20194300361 -	1	
6	503 20 20-01	SCREW IHSCM	up to s/n - 20194300360.	1	
7	544 90 07-01	CLUTCH DRUM ASSY		1	
8	594 51 23-01	CLUTCH ASSY		1	
9	503 20 18-02	SCREW EHHM		3	8
10	505 43 53-02	CLUTCH SPRING		3	8

C2 545FX AT, 545FXT AT
SUSPENSION

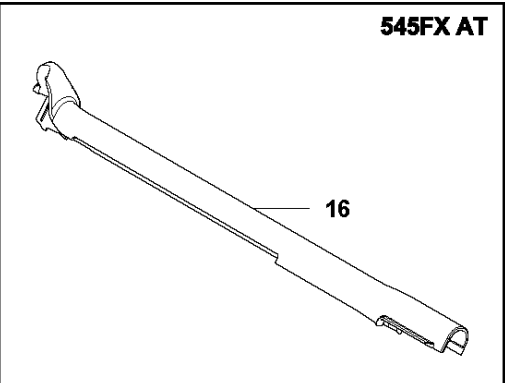
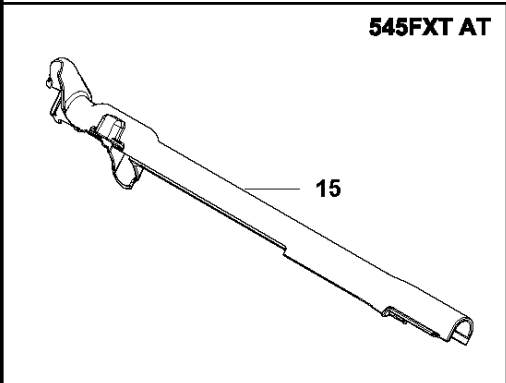
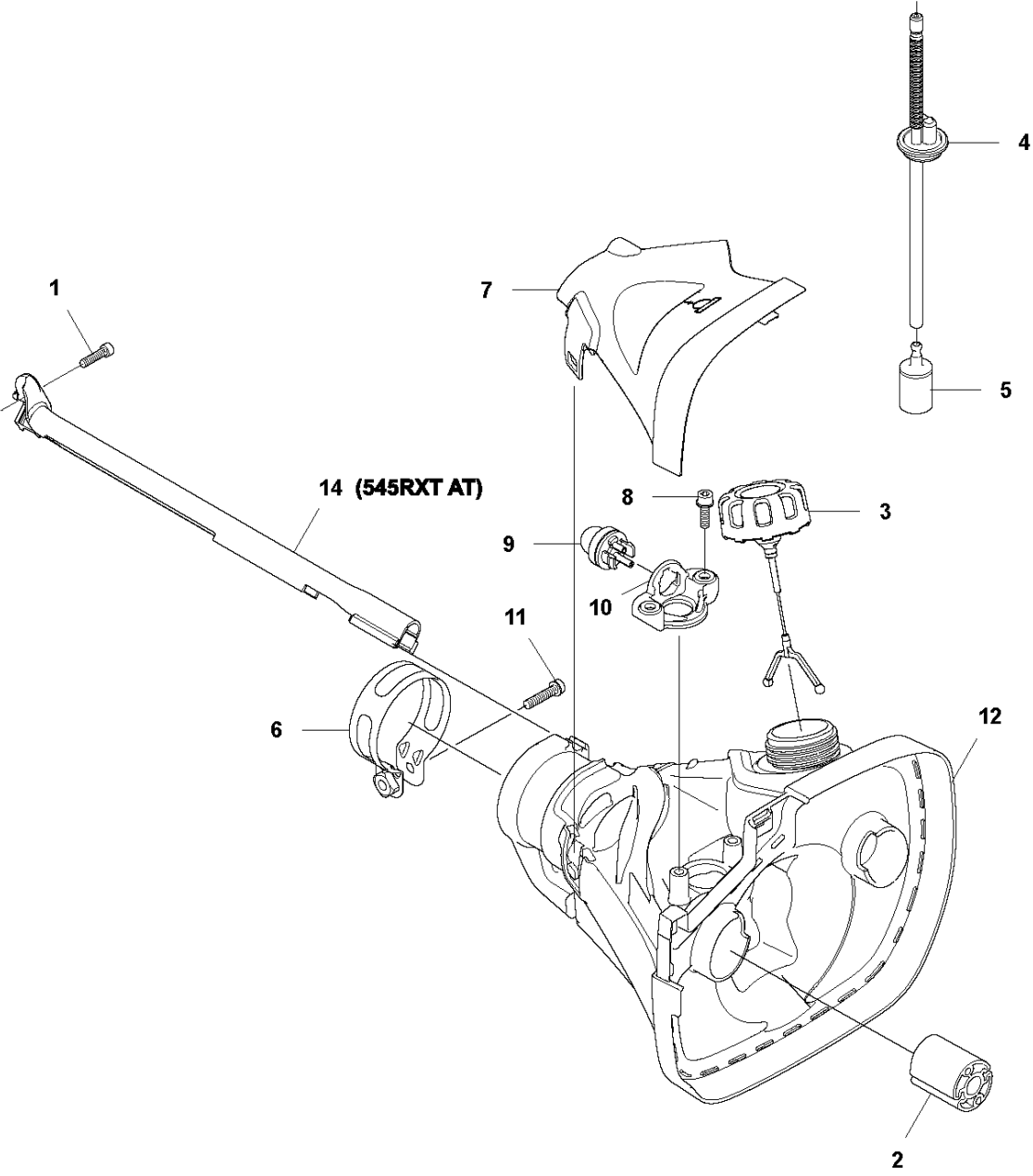


SUSPENSION

545FX AT

Ref	Part No	Description	Remark	QTY	KIT
1	503 20 03-16	SCREW IHSCFM		2	
2	589 01 58-01	HOLDER		1	
3	503 22 10-12	HEXAGON NUT		2	
4	503 20 02-25	SCREW IHSCFM		2	9
5	588 82 99-01	ANTIVIBRATION ELEMENT		2	
6	502 19 71-01	SQUARE NUT		1	
7	503 85 73-02	COVER		1	
8	581 97 89-01	SUSPENSION		1	
9	577 37 57-01	LOOP		1	
10	537 19 79-01	BAND		1	9
11	537 20 18-03	LOOP		1	9
12	577 20 83-01	LEVER		1	9
13	537 42 73-01	NUT		1	9
14	503 23 00-11	WASHER	One bag containing 10 pcs	1	9
15	544 25 07-01	WEAR PROTECTION		1	9
16	577 29 93-01	GUIDE RAIL		1	9
17	586 20 27-01	WEAR PROTECTION		1	

E 545RXT AT, 545FX AT, 545FXT AT
FUEL TANK

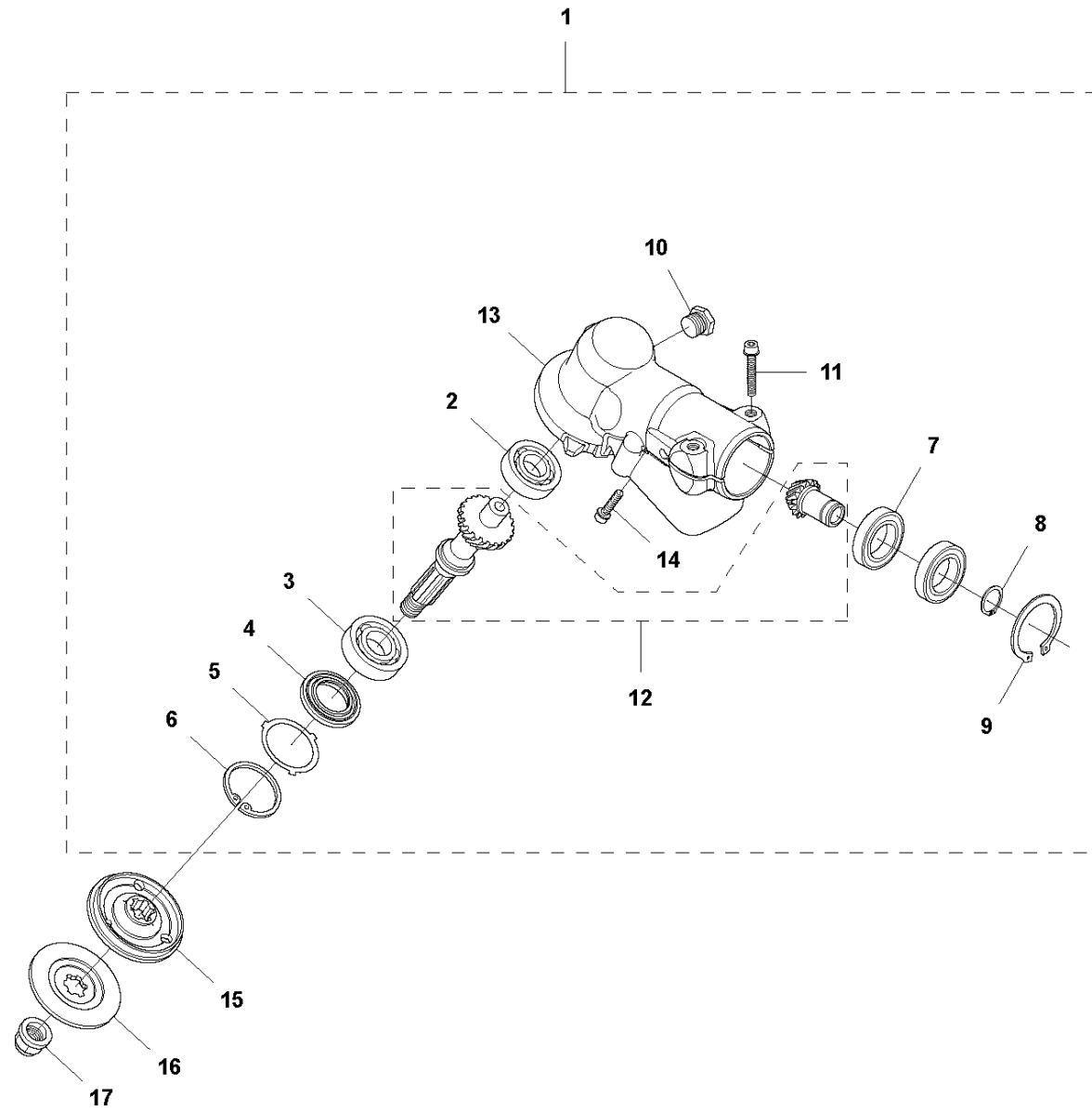


FUEL TANK

545FX AT

Ref	Part No	Description	Remark	QTY KIT
1	503 20 02-16	SCREW IHSCFM		1
2	510 20 87-01	ANTIVIBRATION ELEMENT		1
3	504 11 32-01	TANK CAP		1
4	544 21 54-01	FUEL HOSE		1
5	503 44 32-01	FUEL FILTER		1
6	581 84 89-01	CLAMP		1
7	580 77 10-01	COVER LID		1
8	503 21 75-16	SCREW IHSCFT		2
9	503 93 66-01	PURGE		1
10	544 21 53-01	BRACKET		1
11	503 20 03-02	SCREW IHSCFM		1
12	580 77 08-01	FUEL TANK ASSY		1
14	537 17 25-01	COVER	RXT AT	1
15	584 14 81-01	WIRING PROTECTION	FXT AT	1
16	537 17 25-02	COVER	FX AT	1

A2 545FX AT, 545FXT AT
BEVEL GEAR

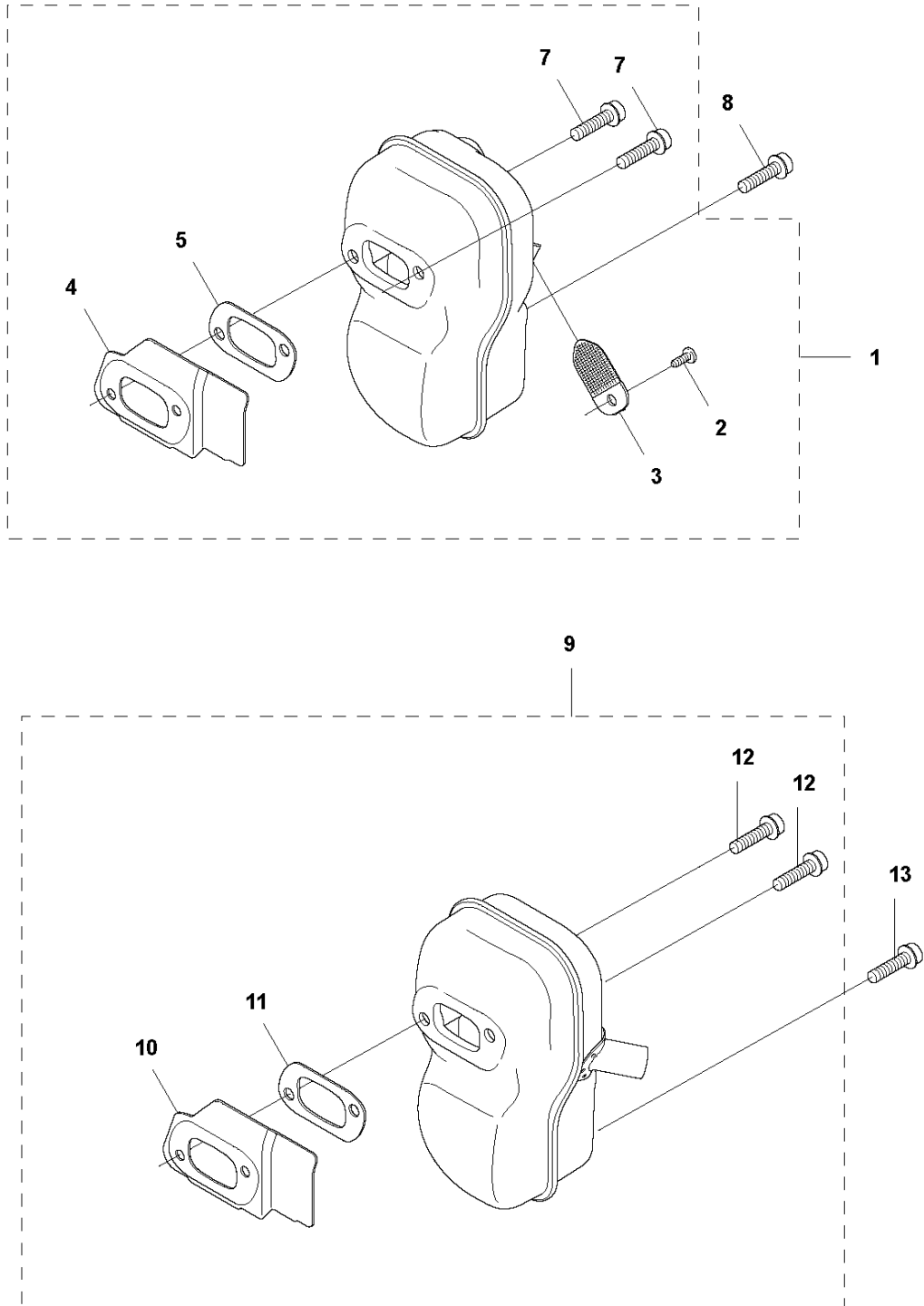


BEVEL GEAR

545FX AT

Ref	Part No	Description	Remark	QTY	KIT
1	588 16 33-01	GEAR ASSY		1	
2	738 21 01-10	BALL BEARING		1	1
3	503 25 08-01	BEARING		1	1
4	503 26 17-01	SEALING		1	1
5	503 75 89-01	COVER WASHER		1	1
6	735 31 33-10	CIRCLIP		1	1
7	738 21 87-12	BALL BEARING		2	1
8	735 31 17-00	CIRCLIP		1	1
9	735 31 31-10	CIRCLIP		1	1
10	503 20 15-01	SCREW		1	1
11	503 20 02-25	SCREW IHSCFM		2	1
12	587 97 76-01	GEAR		1	1
13	502 29 79-01	GEAR HOUSING		1	1
14	503 20 03-16	SCREW IHSCFM		4	1
15	544 19 78-01	DRIVER		1	
16	537 34 35-02	SUPPORT FLANGE		1	
17	502 29 11-01	BLADE NUT		1	

H1 545RXT AT, 545FX AT
MUFFLER

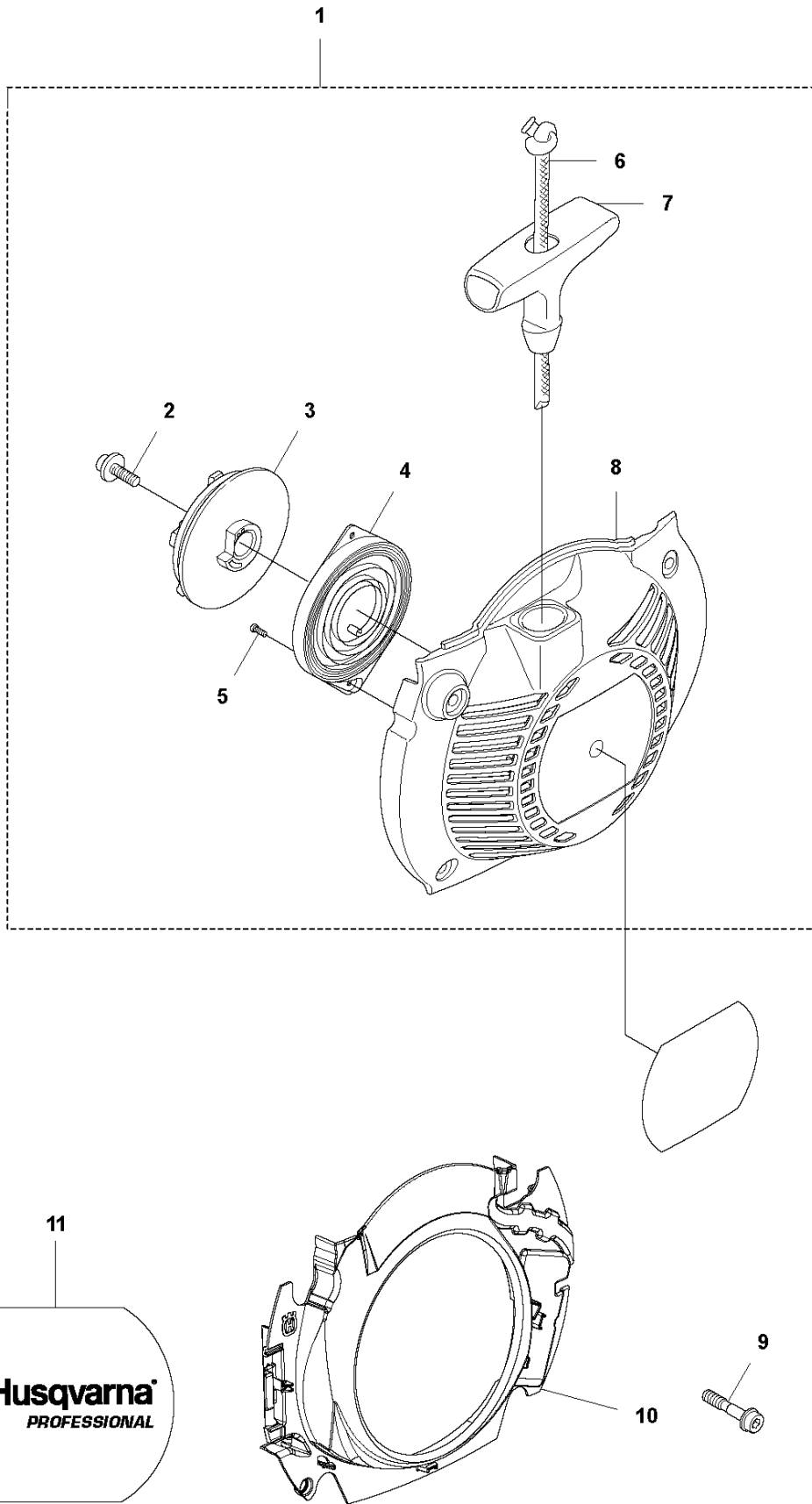


MUFFLER

545FX AT

Ref	Part No	Description	Remark	QTY	KIT
1	574 38 11-06	MUFFLER KIT	FF	1	
2	724 12 87-59	SCREW CRPANM		1	1
3	522 60 95-01	SPARK ARRESTER SCREEN		1	1
4	522 93 87-01	HEAT DEFLECTOR		3	1
5	522 95 44-01	GASKET		1	1
7	503 20 07-76	SCREW IHSCFM		2	1
8	503 20 07-76	SCREW IHSCFM		1	
9	574 38 11-05	MUFFLER KIT	PIPE	1	
10	522 93 87-01	HEAT DEFLECTOR		1	9
11	522 95 44-01	GASKET		1	9
12	503 20 07-76	SCREW IHSCFM		2	9
13	503 20 07-76	SCREW IHSCFM		1	

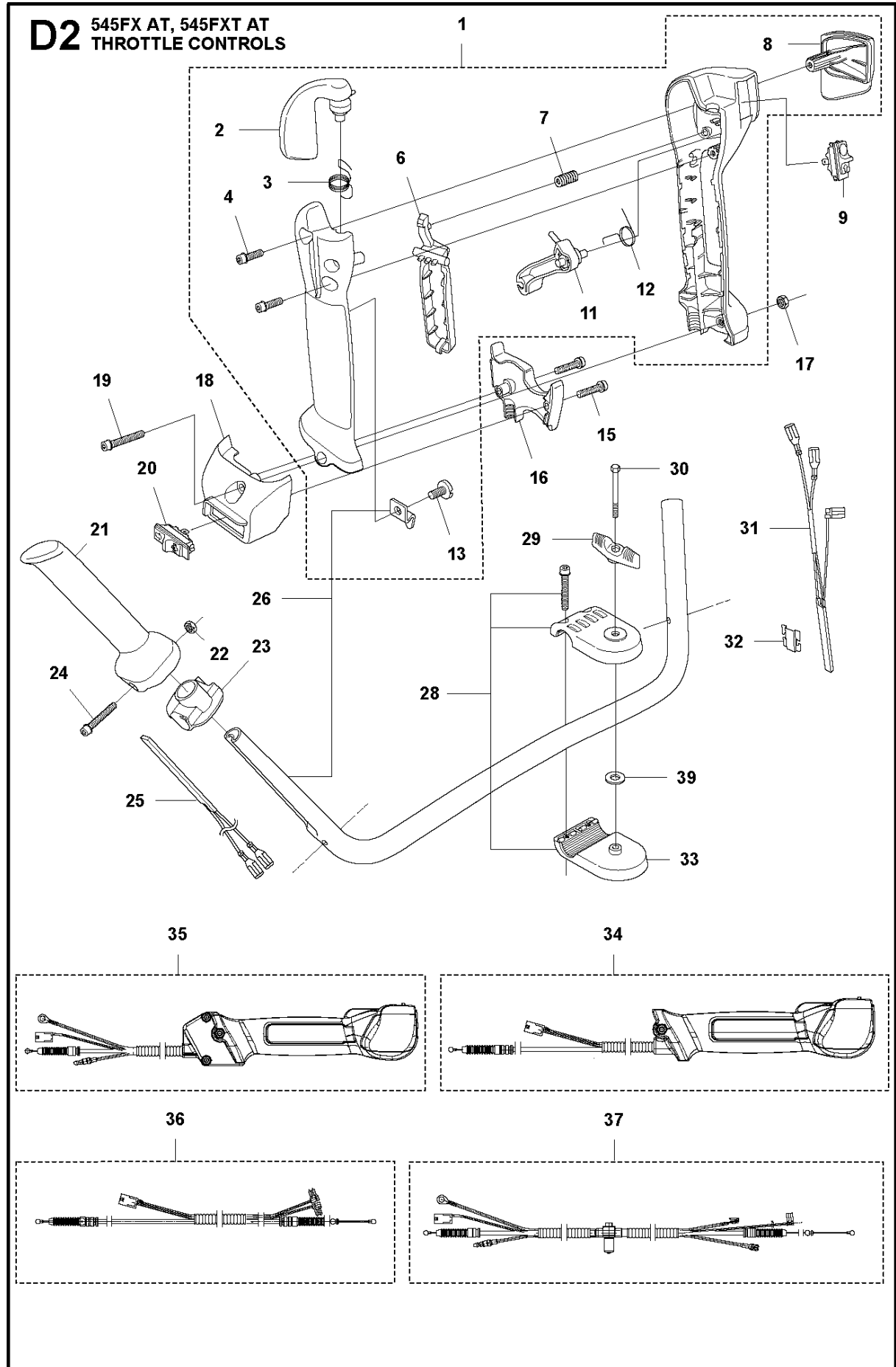
K 545RXT AT, 545FX AT, 545FXT AT
STARTER



STARTER

545FX AT

Ref	Part No	Description	Remark	QTY	KIT
1	573 96 08-01	STARTER		1	
2	503 21 69-16	SCREW IHSC T		1	1
3	503 95 73-01	STARTER PULLEY		1	1
4	502 20 06-01	SPRING CASSETTE ASSY		1	1
5	503 21 29-10	SCREW CCRPANT		2	1
6	505 30 51-25	STARTER CORD		1	1
7	537 23 25-01	STARTER HANDLE		1	1
8	502 15 77-01	STARTER ASSY		1	1
9	574 47 70-04	SCREW IHSCFMO	Captive Screw	4	
10	579 43 47-01	COOLING AIR CONDUCTOR		1	
11	576 46 81-02	LABEL		1	

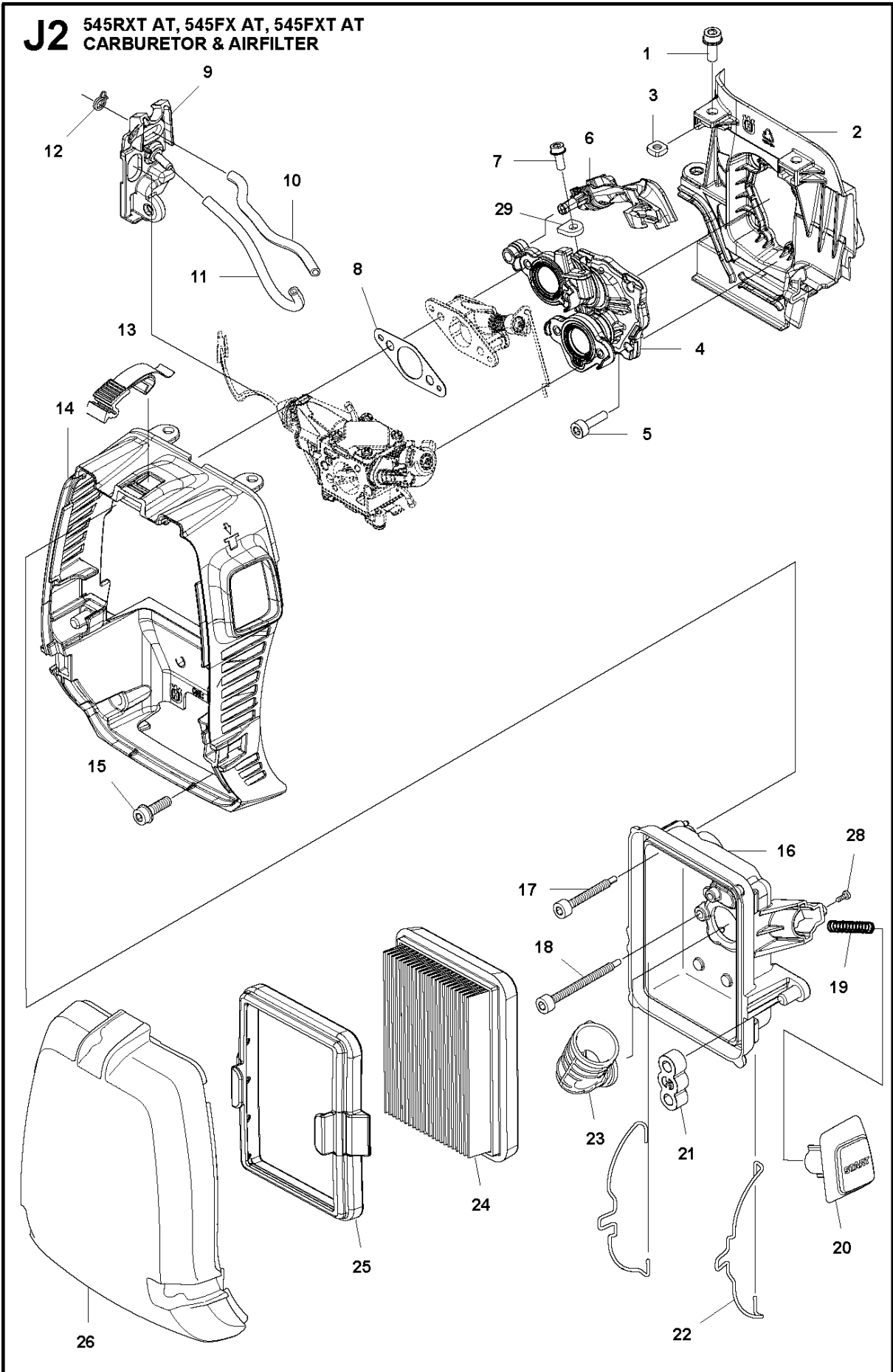


THROTTLE CONTROLS

545FX AT

Ref	Part No	Description	Remark	QTY	KIT
1	537 19 72-13	THROTTLE HANDLE	Thumb-operated throttle	1	34, 35
2	537 26 34-01	THROTTLE TRIGGER		1	1, 34, 35
3	537 35 32-01	SPRING		1	1, 34, 35
4	503 21 75-20	SCREW IHSCFT		2	1, 34, 35
6	537 15 56-01	THROTTLE LOCKOUT		1	1, 34, 35
7	537 19 97-01	SPRING		1	1, 34, 35
8	537 18 24-01	COVER		1	1, 34, 35
9	537 41 90-01	SWITCH		1	34, 35
11	537 26 35-01	THROTTLE LEVER		1	1, 34, 35
12	537 34 27-01	SPRING		1	1, 34, 35
13	503 21 70-10	SCREW CCRPANT		1	1, 34, 35
15	503 21 66-74	SCREW IHSCFT	FXT AT	2	35
16	537 20 16-01	RETAINER	FXT AT	1	35
17	731 23 14-05	HEXAGON NUT		1	
18	537 20 15-01	RETAINER	FXT AT	1	35
19	503 20 07-82	SCREW IHSCFM	FX AT	1	
19	503 20 07-84	SCREW IHSCFM	FXT AT	1	35
20	503 71 82-02	SWITCH	FXT AT	1	35
21	537 17 28-05	HANDLE		1	
22	731 23 14-05	HEXAGON NUT		1	
23	537 17 29-02	BRACKET		1	
24	503 20 02-45	SCREW IHSCFM		1	
25	537 22 72-01	ELEMENT	FXT AT	1	35
26	525 88 20-01	HANDLEBAR	FX AT	1	
26	525 88 20-02	HANDLEBAR	FXT AT	1	
28	595 30 36-01	HANDLEBAR BRACKET	s/n from 20173300001 up to 20181100180	1	
28	596 28 33-01	HANDLEBAR BRACKET		1	
29	502 20 38-01	KNOB		1	
30	725 23 83-81	SCREW EHHM		1	
31	537 22 71-01	ELEMENT	FXT AT	1	35
32	537 26 51-01	SECURING PLATE	FXT AT	2	35
33	537 12 91-01	HANDLE BRACKET		1	
34	589 93 41-01	THROTTLE HANDLE ASSY	FX AT, Thumb-operated throttle	1	
35	589 93 41-03	THROTTLE HANDLE ASSY	FXT AT, Thumb-operated throttle	1	
36	579 25 48-01	WIRING ASSY	FX AT	1	34
37	579 25 48-03	WIRING ASSY	FXT AT	1	35
39	502 28 21-01	WASHER		1	

J2 545RXT AT, 545FX AT, 545FXT AT
CARBURETOR & AIRFILTER

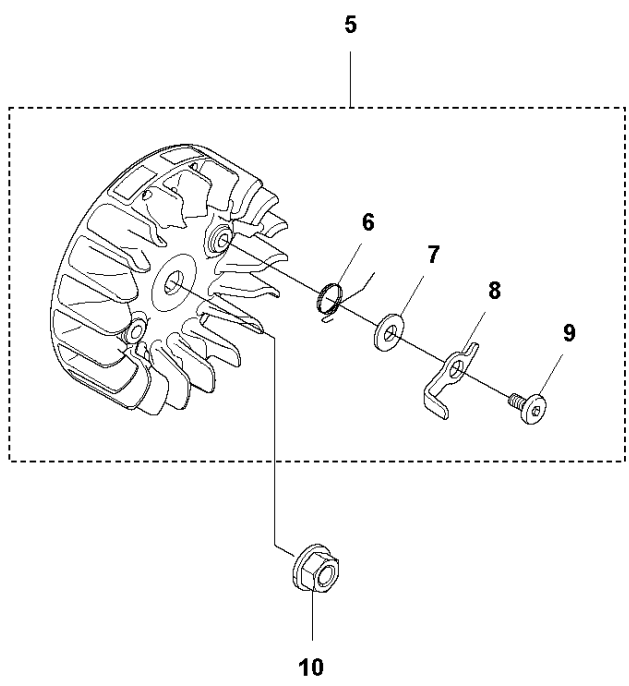
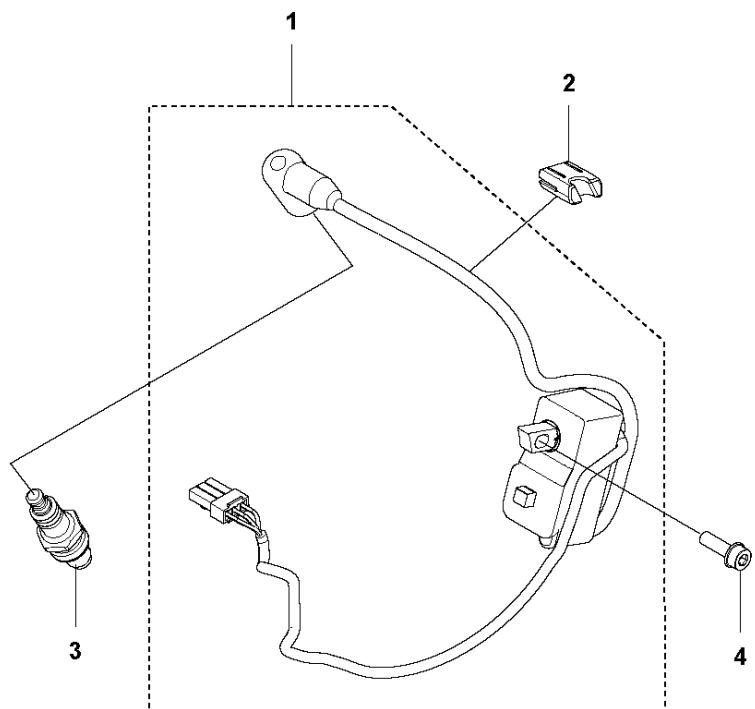


CARBURETOR & AIR FILTER

545FX AT

Ref	Part No	Description	Remark	QTY	KIT
1	503 20 07-12	SCREW IHSCFM		2	
2	579 43 55-01	INSULATION WALL		1	
3	503 22 65-04	SQUARE NUT		2	2
4	580 83 28-02	INLET PIPE ASSY		1	
5	503 20 25-16	SCREW IHSCM		4	
6	579 48 06-01	WIRE HOLDER		1	
7	503 20 20-08	SCREW IHSCM		1	
8	501 16 93-01	GASKET		1	
9	579 48 09-01	GROMMET		1	
10	537 04 24-03	FUEL HOSE		1	
11	581 75 61-18	FUEL HOSE		1	
12	502 63 55-01	HOSE CLAMP		1	
13	503 74 01-02	SNAP LOCKING		3	14
14	579 45 03-03	FRAME ASSY		1	
15	503 20 07-74	SCREW IHSCFM		2	
16	579 48 26-01	HOLDER		1	
17	583 93 73-02	SCREW IHSCM		2	
18	583 93 73-01	SCREW IHSCM		2	
19	582 08 75-01	SPRING		1	
20	581 86 50-01	START BUTTON		1	
21	580 80 23-01	SUPPORT		2	
22	579 48 49-01	SHACKLE		2	
23	579 48 32-01	AIR INTAKE		1	
24	588 95 66-01	AIR FILTER	Paper	1	
25	501 18 68-01	FRAME		1	
26	579 45 24-01	PROTECTIVE COVER		1	
28	724 12 22-01	SCREW CRPANM		1	
29	574 40 44-01	LOCK NUT		1	

L1 545RXT AT, 545FX AT
IGNITION SYSTEM

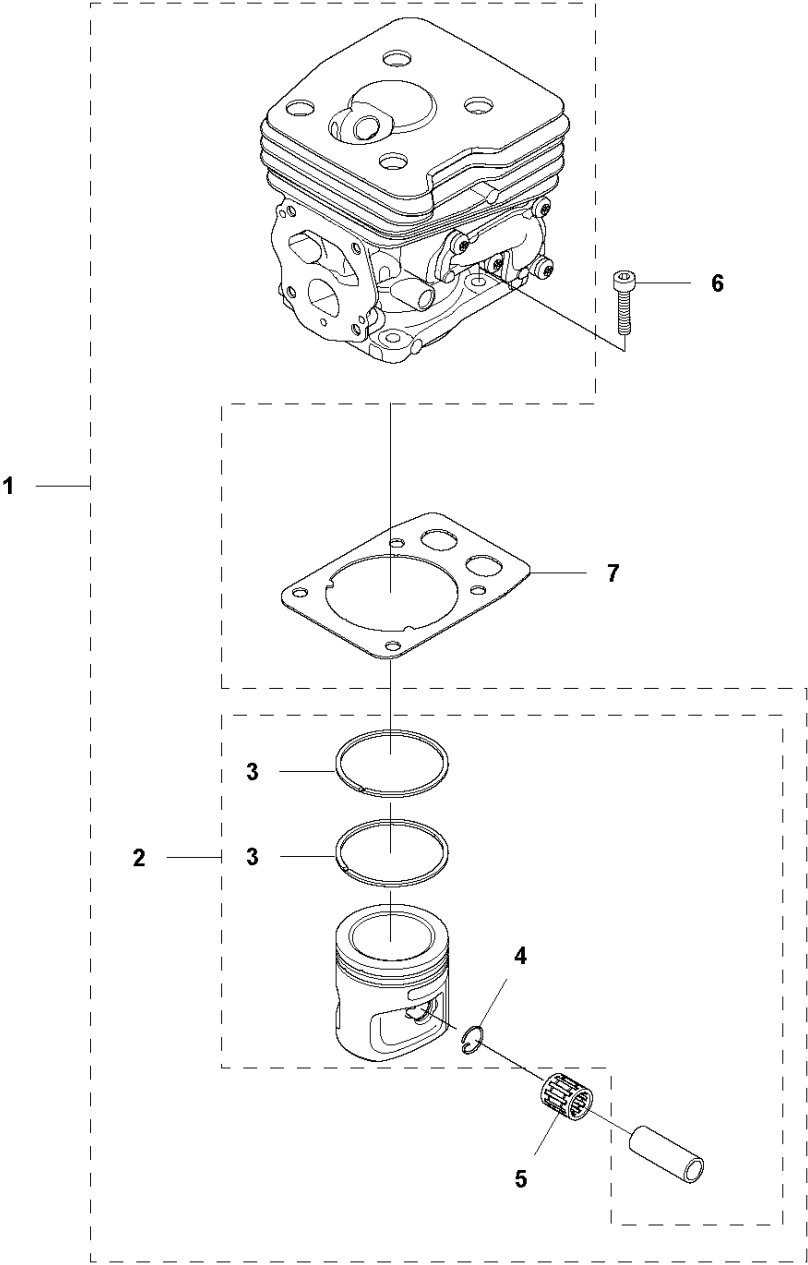


IGNITION SYSTEM

545FX AT

Ref	Part No	Description	Remark	QTY KIT	
1	582 72 33-01	IGNITION MODULE ASSY		1	
2	593 24 70-01	CABLE GUIDE		1	
3	574 51 96-01	SPARK PLUG		1	
4	503 20 07-74	SCREW IHSCFM		2	
5	578 12 63-01	FLYWHEEL ASSY		1	
6	503 81 29-02	SPRING		2	5
7	503 23 00-42	WASHER		2	5
8	503 81 24-01	STARTER PAWL		2	5
9	501 81 99-03	SCREW		2	5
10	503 22 04-01	NUT		1	

M 545RXT AT, 545FX AT, 545FXT AT
CYLINDER & PISTON

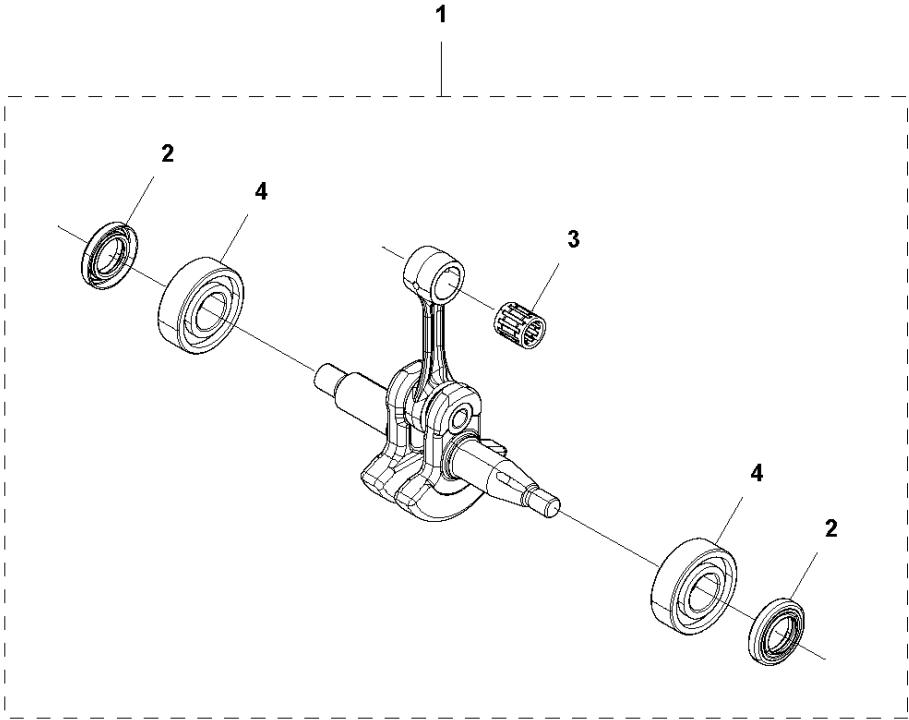


CYLINDER PISTON

545FX AT

Ref	Part No	Description	Remark	QTY	KIT
1	577 27 49-03	CYLINDER KIT		1	
2	576 28 27-02	PISTON ASSY		1	1
3	576 28 30-01	PISTON RING		2	1, 2
4	737 44 10-00	SNAP RING		1	1, 2
5	503 25 63-01	NEEDLE BEARING		1	1
6	725 53 33-55	SCREW IHSCM		4	
7	587 15 34-01	GASKET		1	

N 545RXT AT, 545FX AT, 545FXT AT
CRANK SHAFT

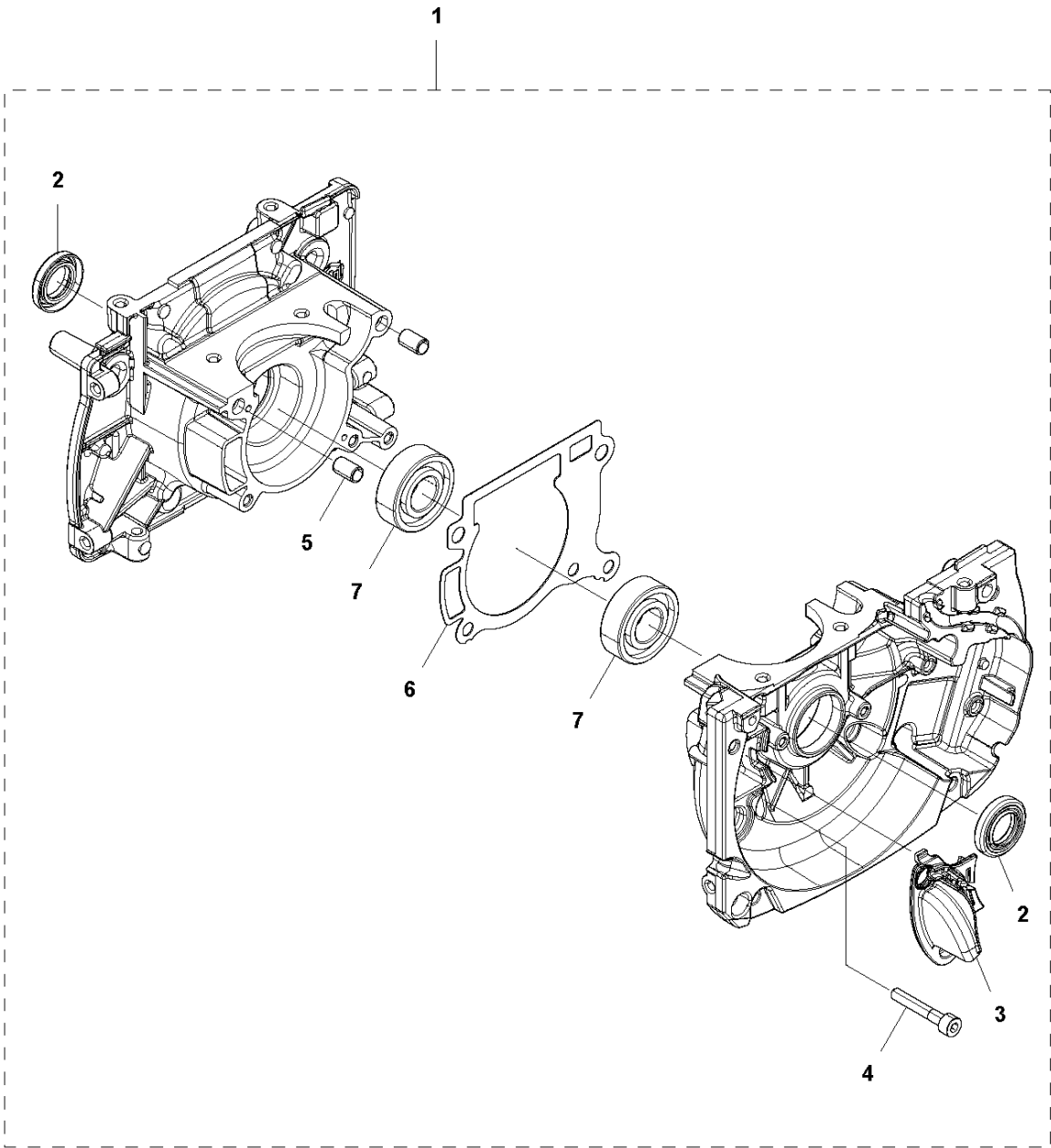


CRANKSHAFT

545FX AT

Ref	Part No	Description	Remark	QTY	KIT
1	577 27 48-02	CRANKSHAFT KIT		1	
2	589 21 03-01	RADIAL SEAL		2	1
3	503 25 63-01	NEEDLE BEARING		1	1
4	503 25 08-01	BEARING		2	1

P 545RXT AT, 545FX AT, 545FXT AT
CRANKCASE

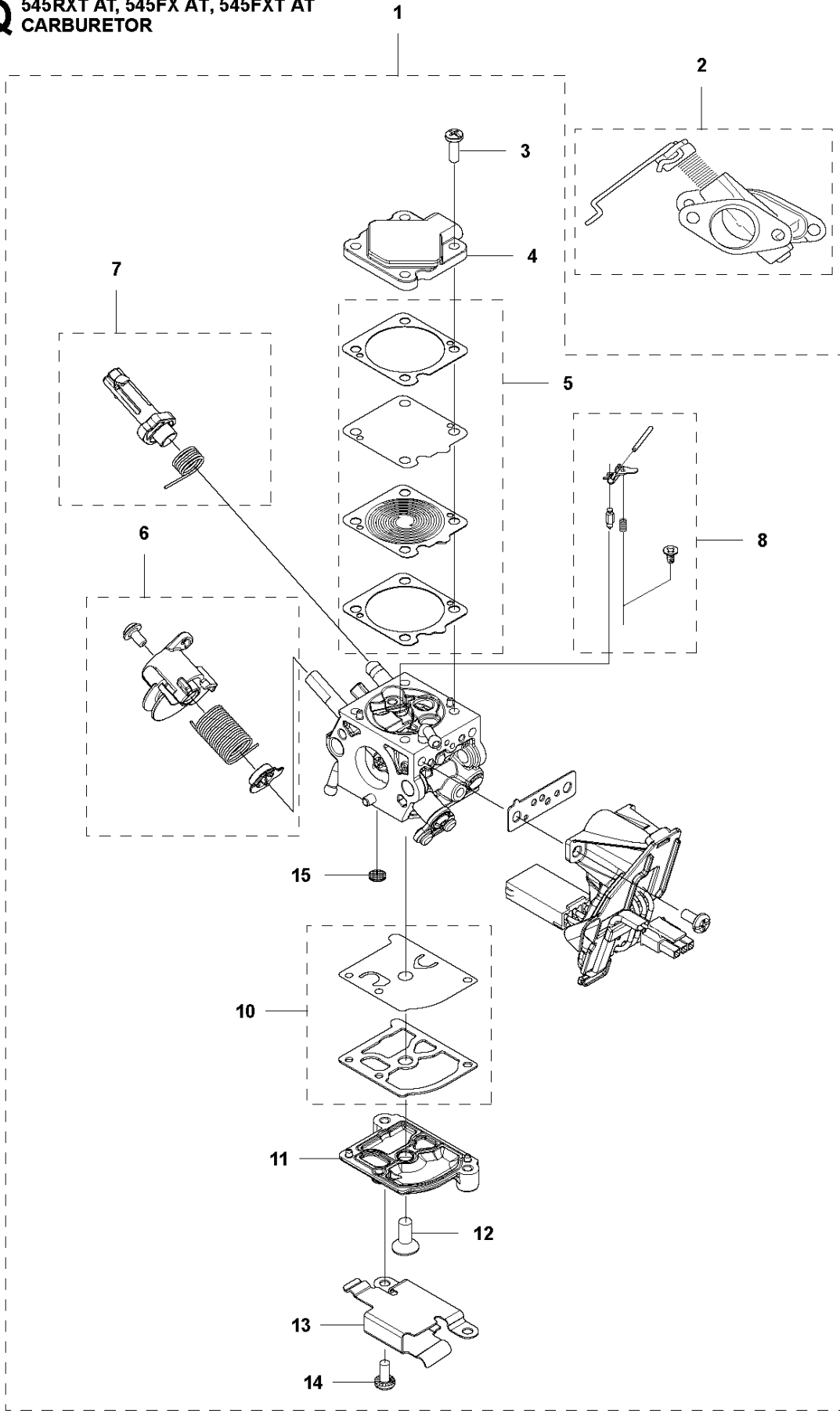


CRANKCASE

545FX AT

Ref	Part No	Description	Remark	QTY	KIT
1	589 77 26-01	CRANKCASE KIT		1	
2	589 21 03-01	RADIAL SEAL		2	1
3	579 48 89-01	NOZZLE		1	1
4	503 20 02-30	SCREW IHSCFM		5	1
5	593 80 60-01	GUIDE BUSHING		2	1
6	593 77 75-01	GASKET		1	1
7	503 25 08-01	BEARING		2	1

Q 545RXT AT, 545FX AT, 545FXT AT
CARBURETOR

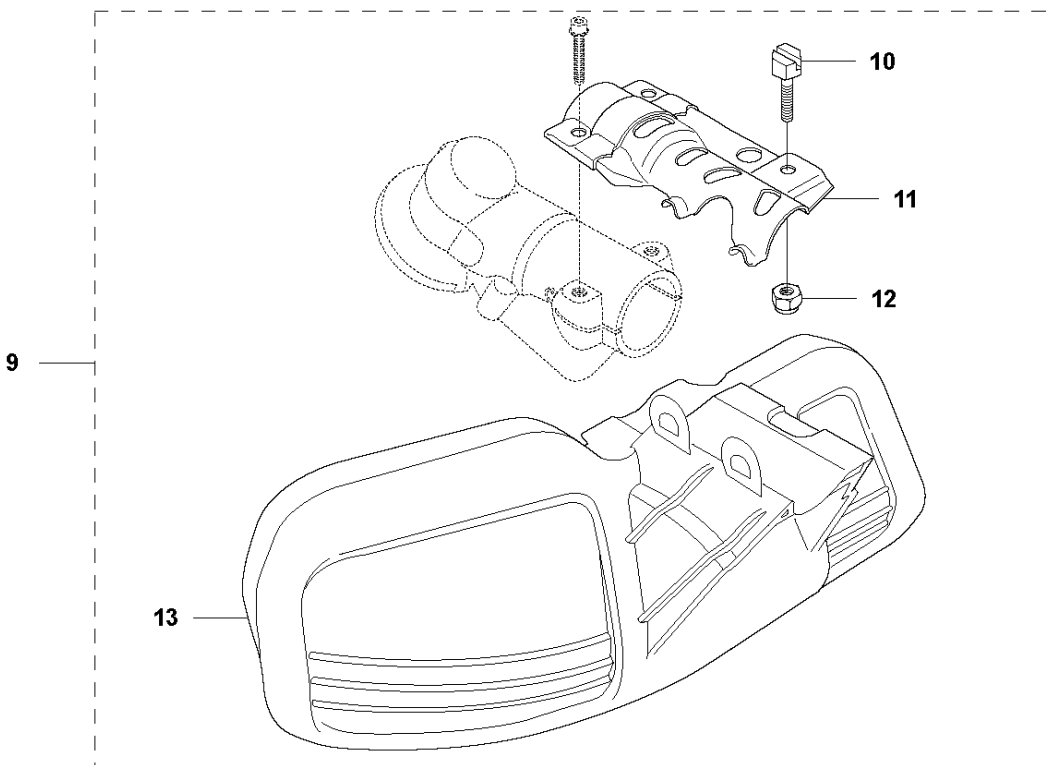
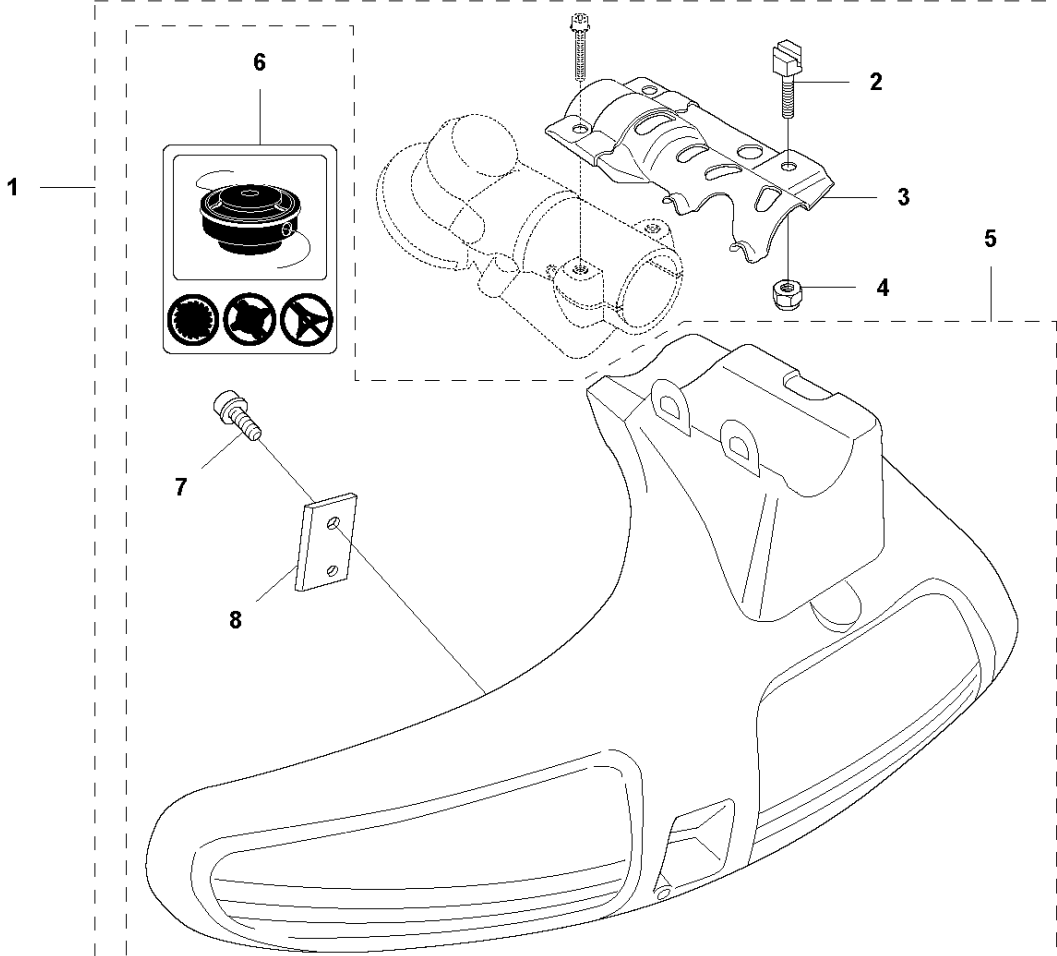


CARBURETOR

545FX AT

Ref	Part No	Description	Remark	QTY	KIT
1	589 29 29-01	CARBURETTOR		1	
2	578 98 93-01	HOUSING ASSY		1	
3	537 00 31-01	SCREW		4	1
4	574 35 81-01	COVER		1	1
5	582 36 64-01	GASKET KIT		1	1
6	589 28 84-01	CARBURETTOR KIT		1	1
7	589 28 78-01	CARBURETTOR KIT		1	1
8	589 28 85-01	CARBURETTOR KIT		1	1
10	589 28 86-01	CARBURETTOR KIT		1	1
11	579 26 52-01	COVER		1	1
12	574 35 90-01	SCREW		1	1
13	583 90 90-01	BRACKET		1	1
14	574 35 91-01	SCREW		2	1
15	501 66 61-01	SCREEN		1	

R5 545FX AT, 545FXT AT
ACCESSORIES

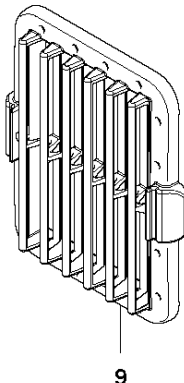
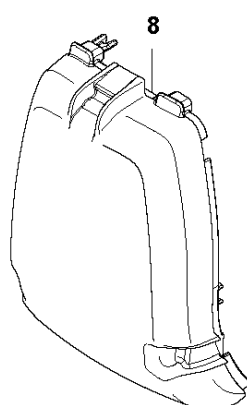
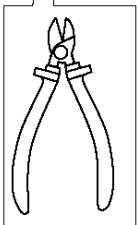
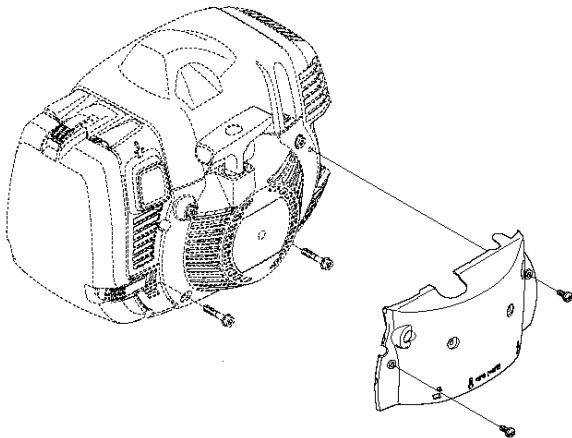
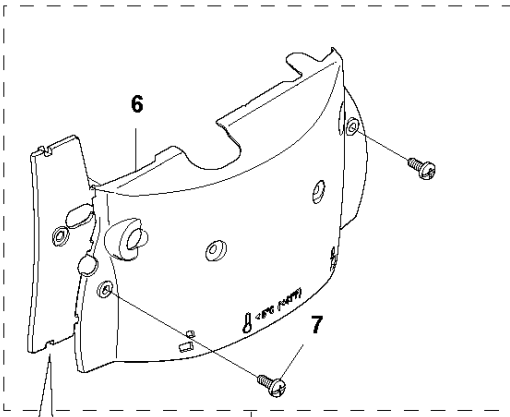
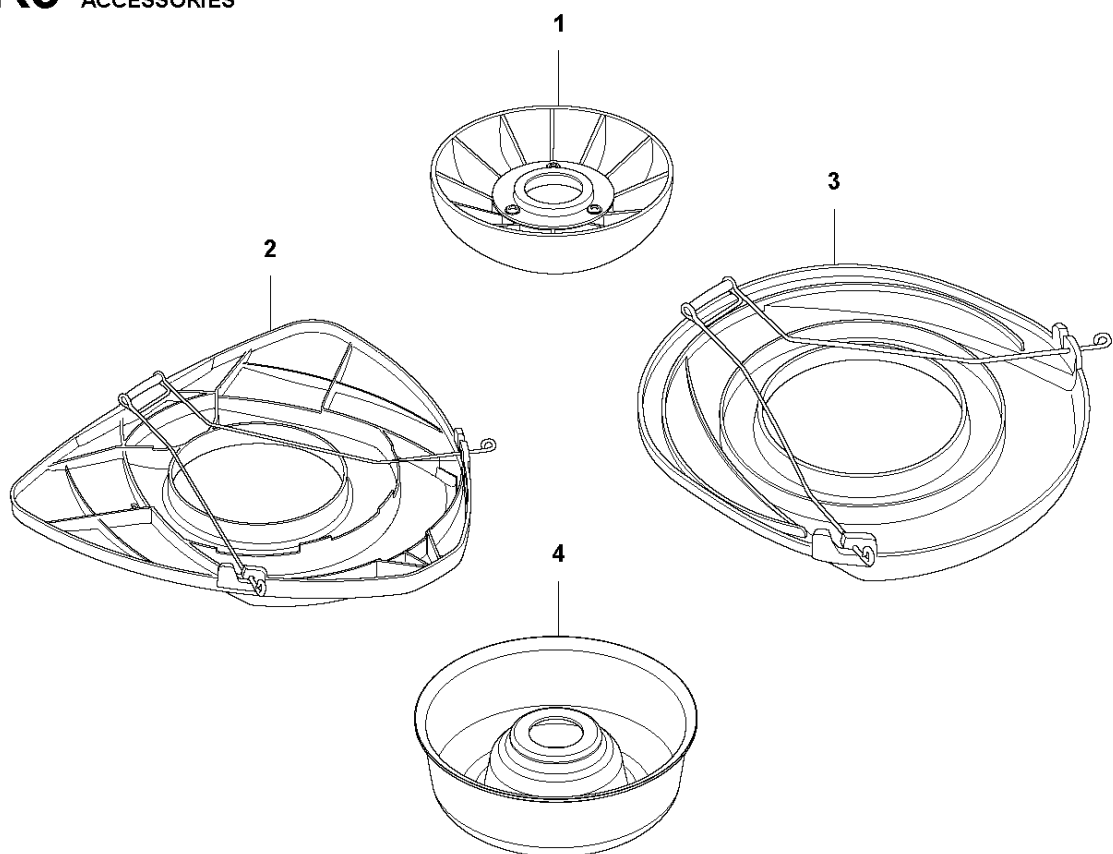


ACCESSORIES

545FX AT

Ref	Part No	Description	Remark	QTY	KIT
1	537 29 73-01	TRIMMER GUARD ASSY		1	
2	537 18 95-01	SCREW		1	1
3	537 23 03-01	ATTACHMENT PLATE		1	1
4	732 21 16-01	LOCK NUT		1	1
5	503 95 43-02	TRIMMER GUARD		1	1
6	503 74 29-01	DECAL		1	1,5
7	503 21 07-16	SCREW IHSCT		1	1,5
8	537 28 53-01	BLADE		1	1,5
9	537 29 74-01	BLADE GUARD		1	
10	537 18 95-01	SCREW		1	9
11	537 23 03-01	ATTACHMENT PLATE		1	9
12	732 21 16-01	LOCK NUT		1	9
13	537 28 85-01	BLADE GUARD		1	9

R3 545RXT AT, 545FX AT, 545FXT AT
ACCESSORIES

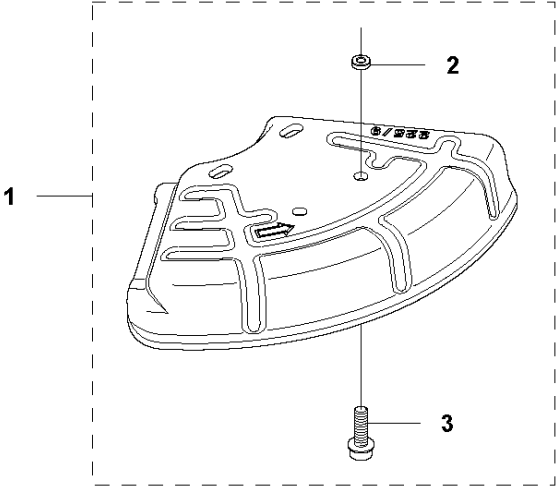


ACCESSORIES

545FX AT

Ref	Part No	Description	Remark	QTY	KIT
1	502 15 70-02	SUPPORT CUP		1	
2	544 35 91-01	TRANSPORT GUARD		1	
3	537 31 29-01	TRANSPORT GUARD		1	
4	544 38 02-01	SUPPORT CUP		1	
5	577 04 39-01	WINTER KIT		1	
6	522 55 09-01	WINTER COVER		1	5
7	503 21 70-10	SCREW CCRPANT		3	5
8	590 07 41-01	WINTER COVER		1	
9	590 08 02-03	AIR FILTER	Nylon 25 μ , Winter	1	

R4 545FX AT, 545FXT AT
ACCESSORIES

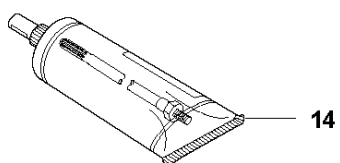
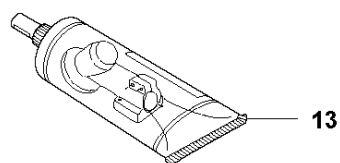
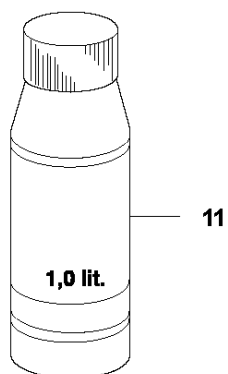
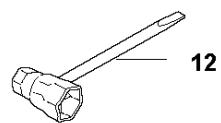
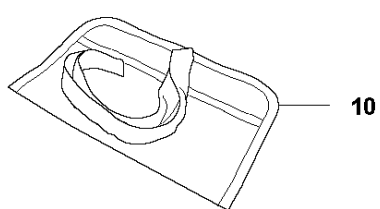
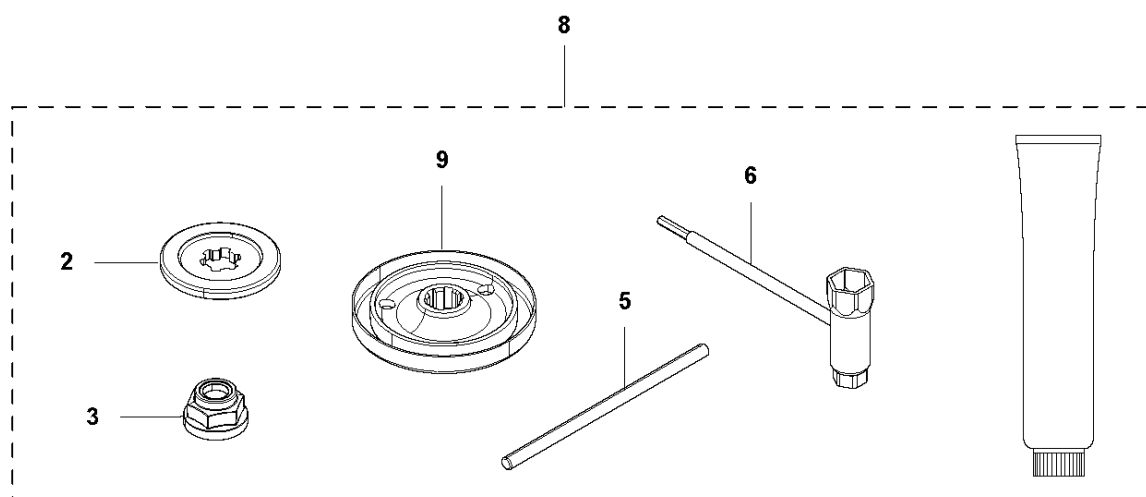
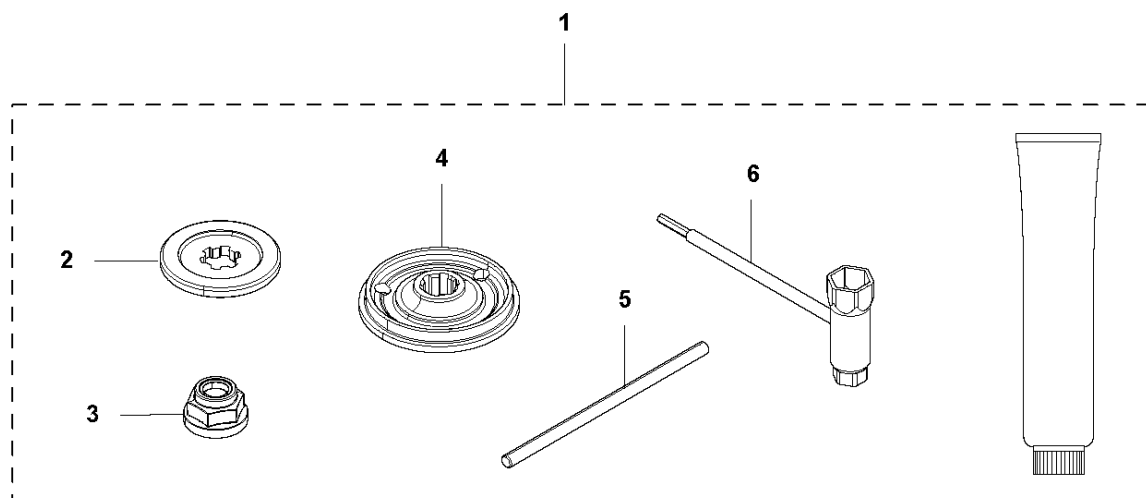


ACCESSORIES

545FX AT

Ref	Part No	Description	Remark	QTY	KIT
1	574 50 67-02	SAW BLADE GUARD		1	
2	574 03 95-01	LOCK NUT		4	1
3	503 20 03-16	SCREW IHSCFM		4	1

R1 545RXT AT, 545FX AT, 545FXT AT
ACCESSORIES

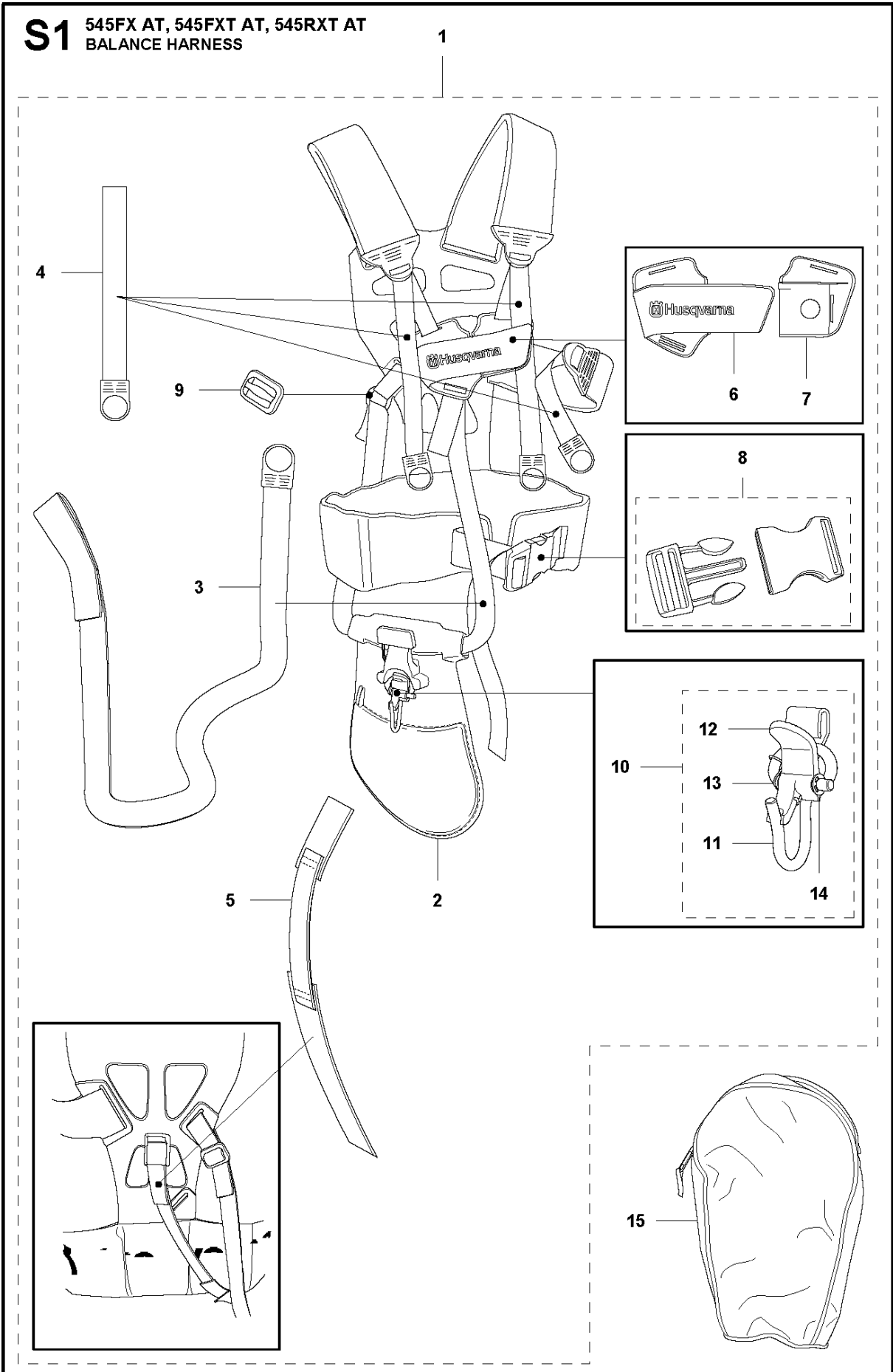


ACCESSORIES

545FX AT

Ref	Part No	Description	Remark	QTY	KIT
1	502 21 60-24	ACCESSORY BAG		1	
2	537 34 35-02	SUPPORT FLANGE		1	1,8
3	502 29 11-01	BLADE NUT		1	1
4	544 19 78-01	DRIVER		1	1
5	502 28 59-01	STOP		1	1
6	537 36 21-02	COMBINATION WRENCH		1	1
8	502 21 60-27	ACCESSORY BAG		1	
9	537 35 14-02	DRIVER		1	
10	501 19 22-01	TOOL		1	
12	501 69 17-02	COMBINATION WRENCH		1	
11	531 00 92-48	FILTER OIL		1	
13	503 97 64-01	GREASE		1	
14	503 80 17-01	GREASE		1	

S1 545FX AT, 545FXT AT, 545RXT AT
BALANCE HARNESS

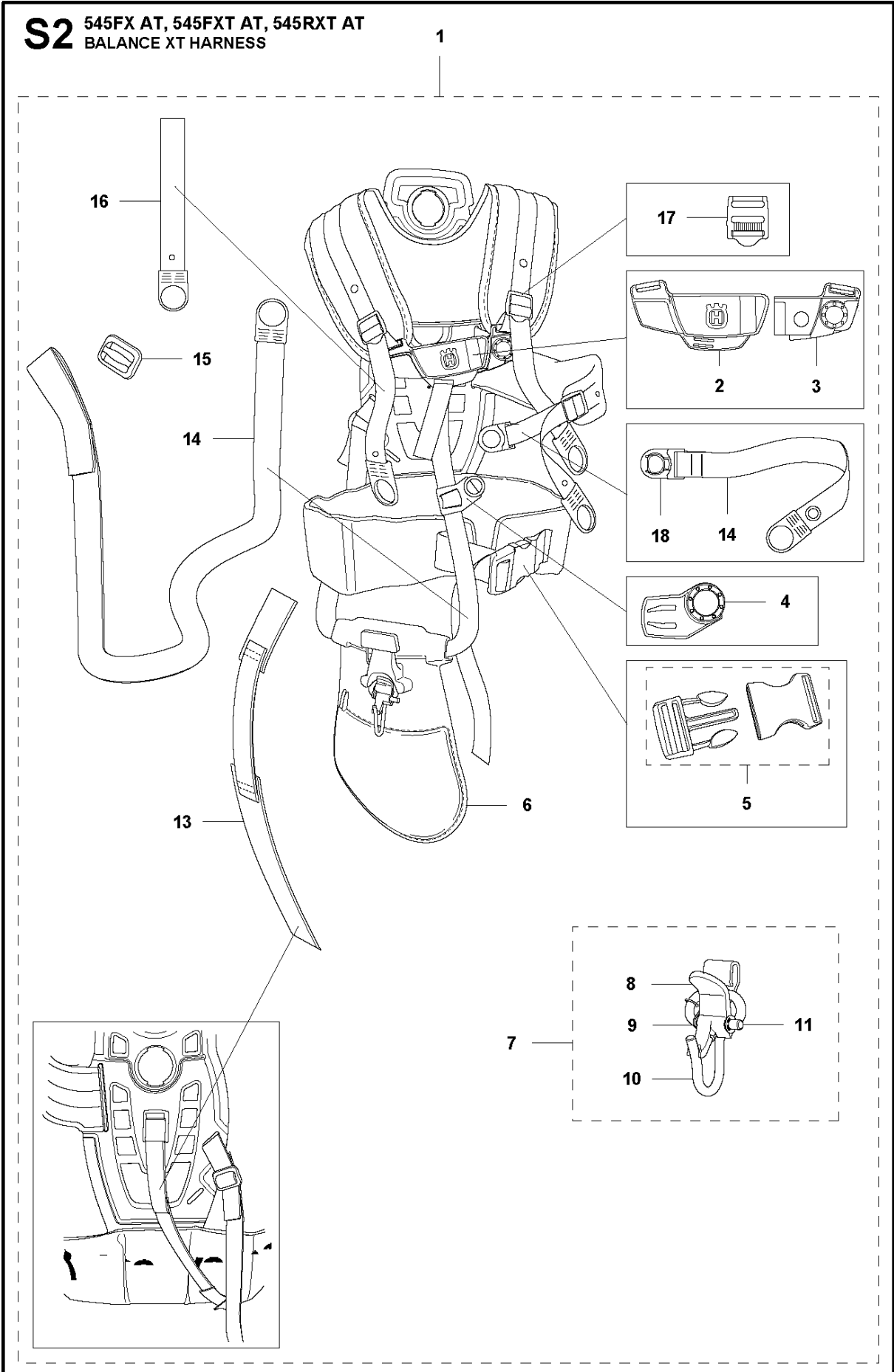


HARNESS

545FX AT

Ref	Part No	Description	Remark	QTY	KIT
1	578 44 97-01	HARNESS		1	
2	544 90 17-01	HIP PAD		1	1
3	503 99 61-03	BAND		1	1
4	503 99 61-01	BAND		3	1
5	537 15 35-01	STRAP		1	1
6	537 28 84-01	BUCKLE		1	1
7	537 28 83-01	BUCKLE		1	1
8	537 33 15-01	BUCKLE		1	1
9	537 28 70-01	BUCKLE		1	1
10	544 96 07-02	WELT HOOK		1	1
11	502 02 29-02	HOOK		1	1, 10
12	502 02 30-02	LOCK		1	1, 10
13	586 34 10-01	SPRING		1	1, 10
14	735 31 09-20	E-CLIP		1	1, 10
15	537 30 66-01	BAG	Triobalance Tool bag	1	

S2 545FX AT, 545FXT AT, 545RXT AT
BALANCE XT HARNESSES



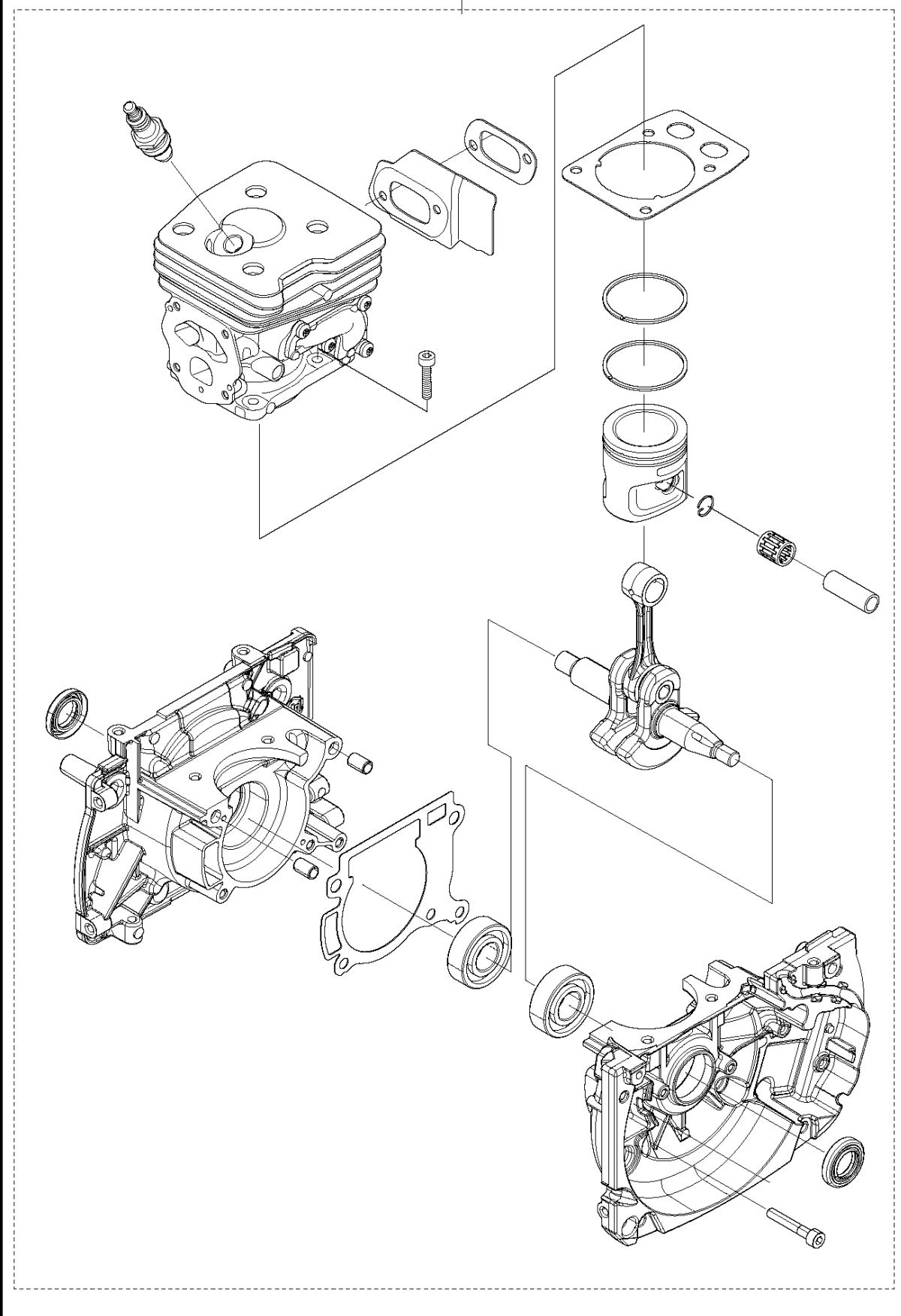
HARNESS

545FX AT

Ref	Part No	Description	Remark	QTY	KIT
1	578 44 98-01	HARNESS		1	
3	504 54 51-01	BUCKLE		3	1
2	504 54 52-01	BUCKLE		1	
4	504 63 75-01	SNAP LOCKING		1	1
5	537 33 15-01	BUCKLE		1	1
6	544 90 17-01	HIP PAD		1	1
7	544 96 07-02	WELT HOOK		1	1
8	502 02 30-02	LOCK		1	1, 7
9	586 34 10-01	SPRING		1	1, 7
10	502 02 29-02	HOOK		1	1, 7
11	735 31 09-20	E-CLIP		1	1, 7
13	537 15 35-01	STRAP		1	1
14	503 99 61-04	BAND		1	1
15	537 28 70-01	BUCKLE		1	1
16	503 99 61-07	BAND		1	
17	505 44 46-01	BUCKLE		1	
18	504 63 74-01	SNAP LOCKING		1	

T 545 RXT AT, 545FX AT, 545FXT AT
SHORT BLOCK

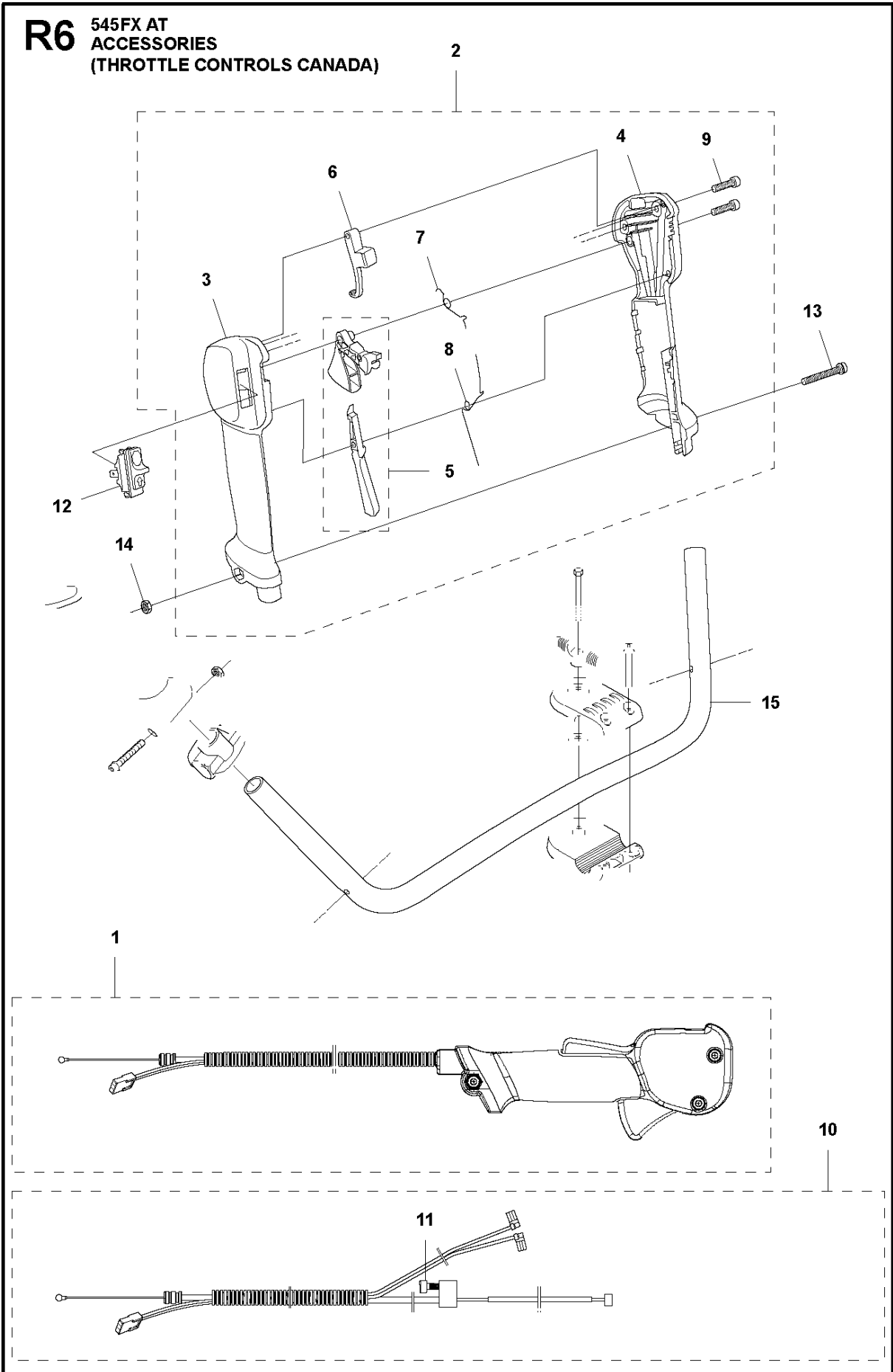
1



SHORT BLOCK

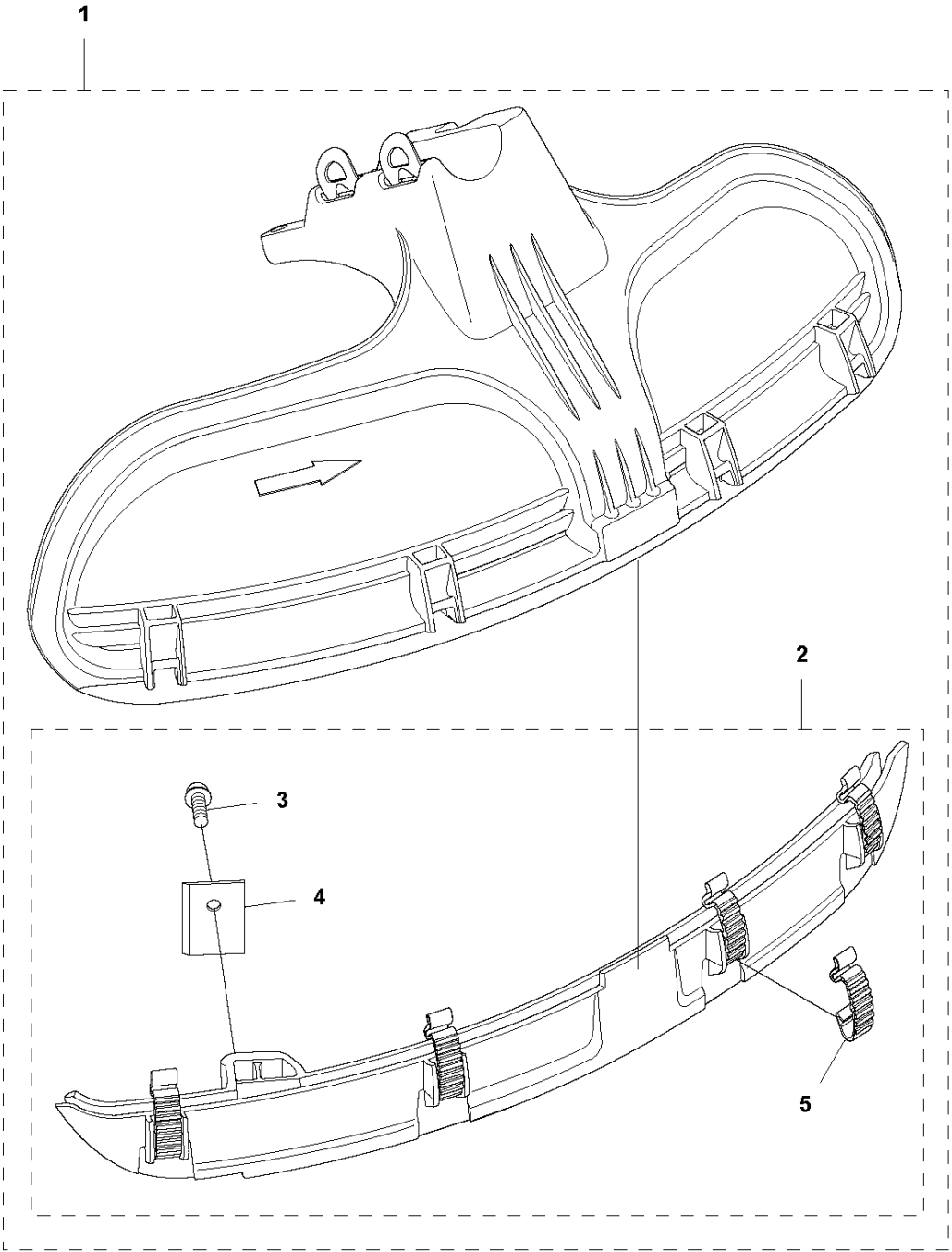
545FX AT

Ref	Part No	Description	Remark	QTY KIT
1	590 09 28-01	SHORT BLOCK		1



Ref	Part No	Description	Remark	QTY KIT	
1	577 07 19-06	THROTTLE HANDLE ASSY	Index finger-operated throttle	1	
2	577 07 19-10	THROTTLE HANDLE ASSY	Index finger-operated throttle	1	1
3	537 18 07-11	HANDLE HALF		1	1, 2
4	537 18 08-11	HANDLE HALF		1	1, 2
5	506 49 77-01	THROTTLE CONTROL		1	1, 2
6	585 06 59-01	BUTTON		1	1, 2
7	537 17 42-01	SPRING THROTTLE TRIG		1	1, 2
8	537 17 43-01	SPRING		1	1, 2
9	503 21 66-74	SCREW IH SCT		2	1, 2
10	579 25 45-02	WIRING ASSY		1	1, 10
11	503 21 66-18	SCREW IH SCT		1	
12	537 41 90-01	SWITCH		1	
13	503 20 07-82	SCREW IH SCFM		1	
14	503 22 10-13	HEXAGON NUT		1	
15	505 43 33-03	HANDLEBAR		1	

R6 545FX AT, 545FXT AT
ACCESSORIES



ACCESSORIES

545FX AT

Ref	Part No	Description	Remark	QTY	KIT
1	544 46 43-01	COMBINATION GUARD		1	
2	544 46 44-01	COMBINATION GUARD		1	1
3	503 21 75-72	SCREW IHSCFT		1	1, 2
4	503 79 88-02	BLADE		1	1, 2
5	537 38 72-01	SNAP LOCKING		1	1, 2

Illustrated Parts List - IPL Update



Product Name(s)

545FX AT

Description of change

Changed design.

Comments

Backward compatible

Introduced from

Serial number / Date	Remark
2020-02	

IPL updates

Page title	Ref. no	New part no	Name	Excl. part no.	Remark
Carburetor & Air filter	14	579 45 03-03	Frame assy	579 45 03-01	