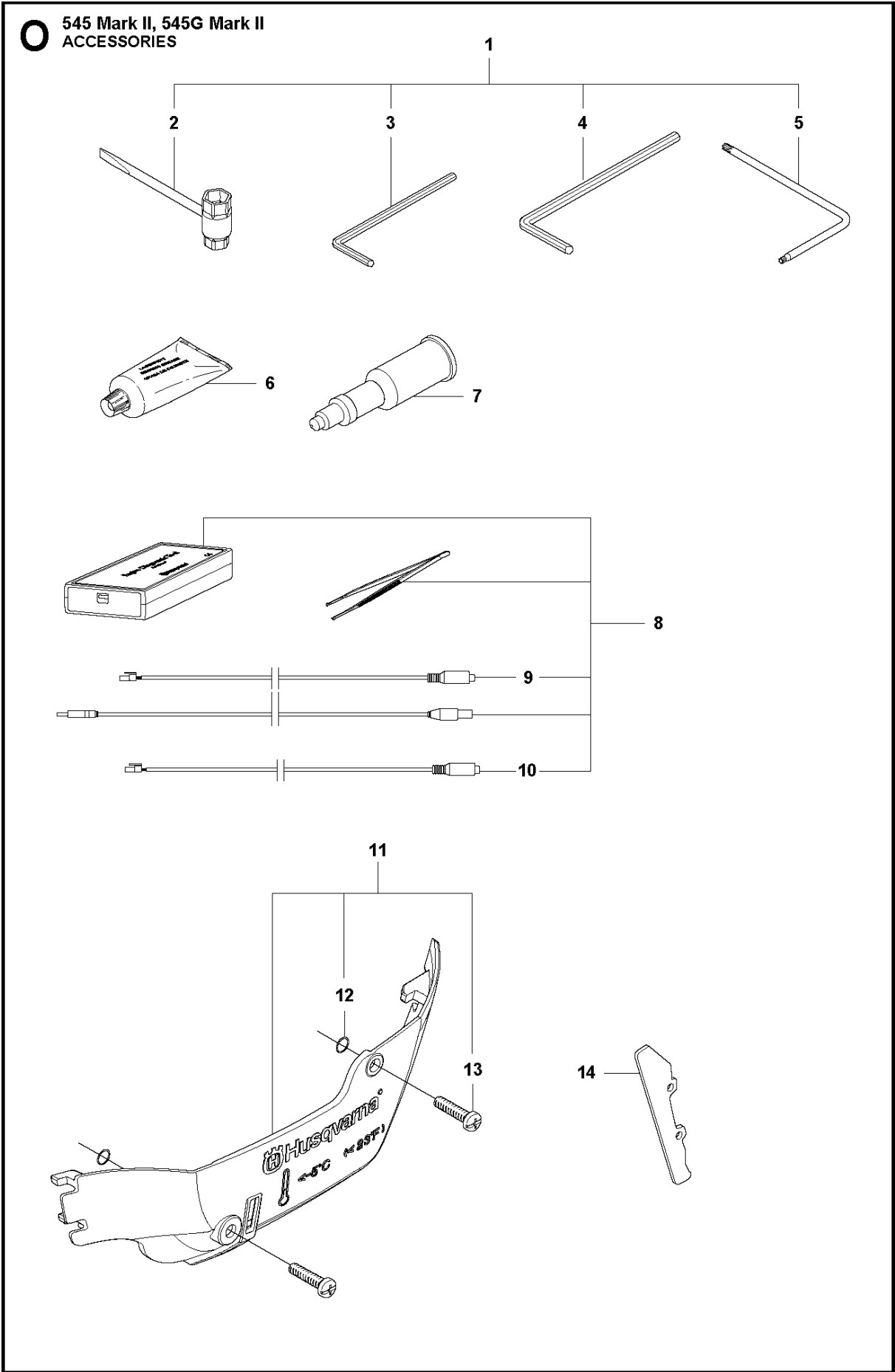




SPARE PARTS LIST

CHAIN SAWS

545 Mark II, 545G Mark II

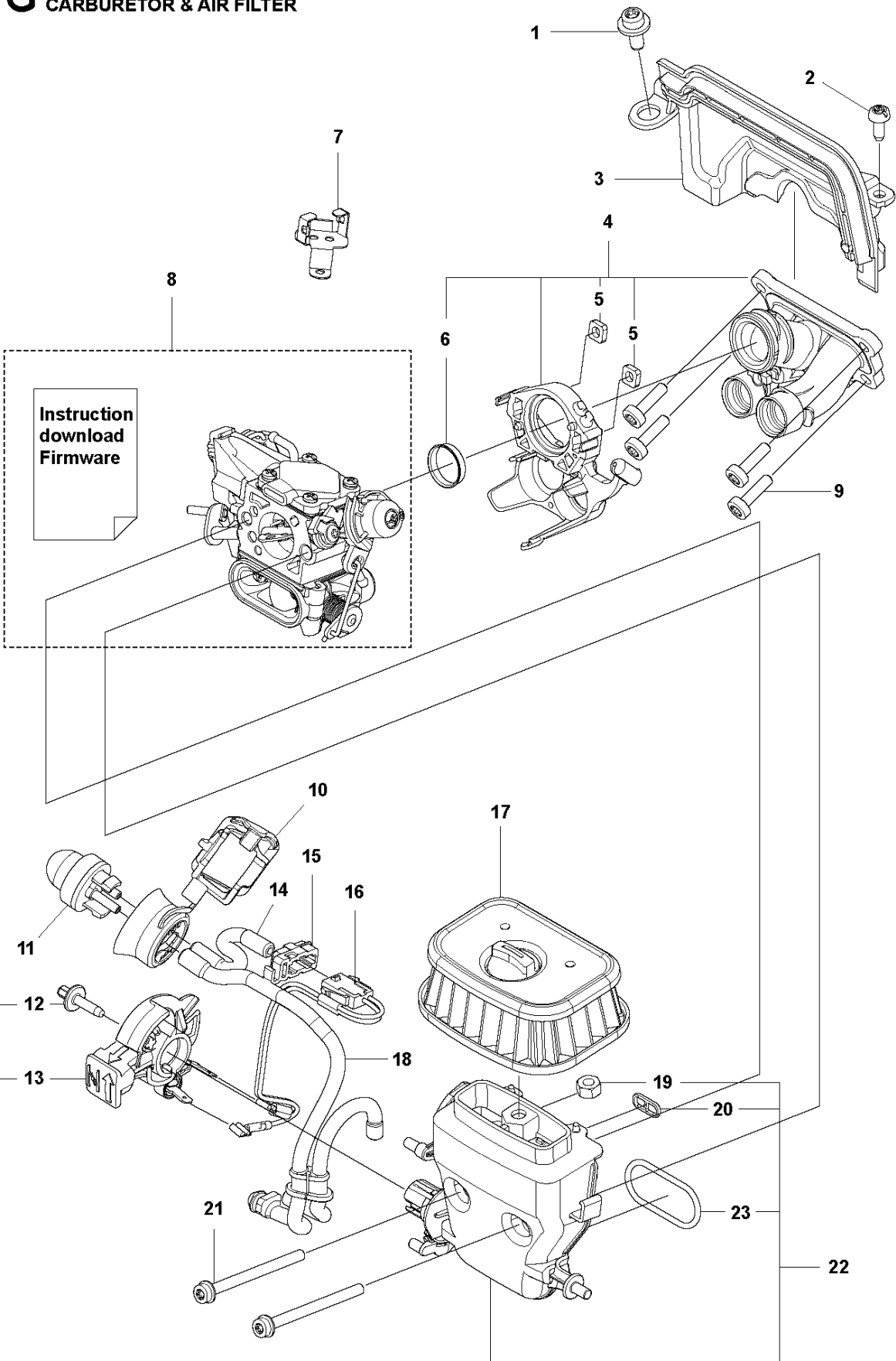


ACCESSORIES

545 Mark II, 545G Mark II

Ref	Part No	Description	Remark	QTY	KIT
1	503 55 85-11	TOOL		1	
2	522 52 11-01	COMBINATION WRENCH		1	1
3	502 21 58-01	WRENCH		1	1
4	503 55 86-02	SPANNER		1	1
5	575 88 07-01	WRENCH		1	1
6	503 62 12-01	GREASE		1	
7	501 91 14-01	GREASE GUN		1	
8	583 89 71-01	DIAGNOSTIC TOOL KIT		1	
9	576 18 34-01	CABLE ASSY		1	8
10	576 95 22-01	CABLE ASSY		1	8
11	595 96 76-01	WINTER KIT		1	
12	740 42 01-00	O-RING		2	11
13	503 21 70-16	SCREW CCRPANT		1	11
14	594 74 53-01	BUMPER		1	

G 545 Mark II, 545G Mark II
CARBURETOR & AIR FILTER



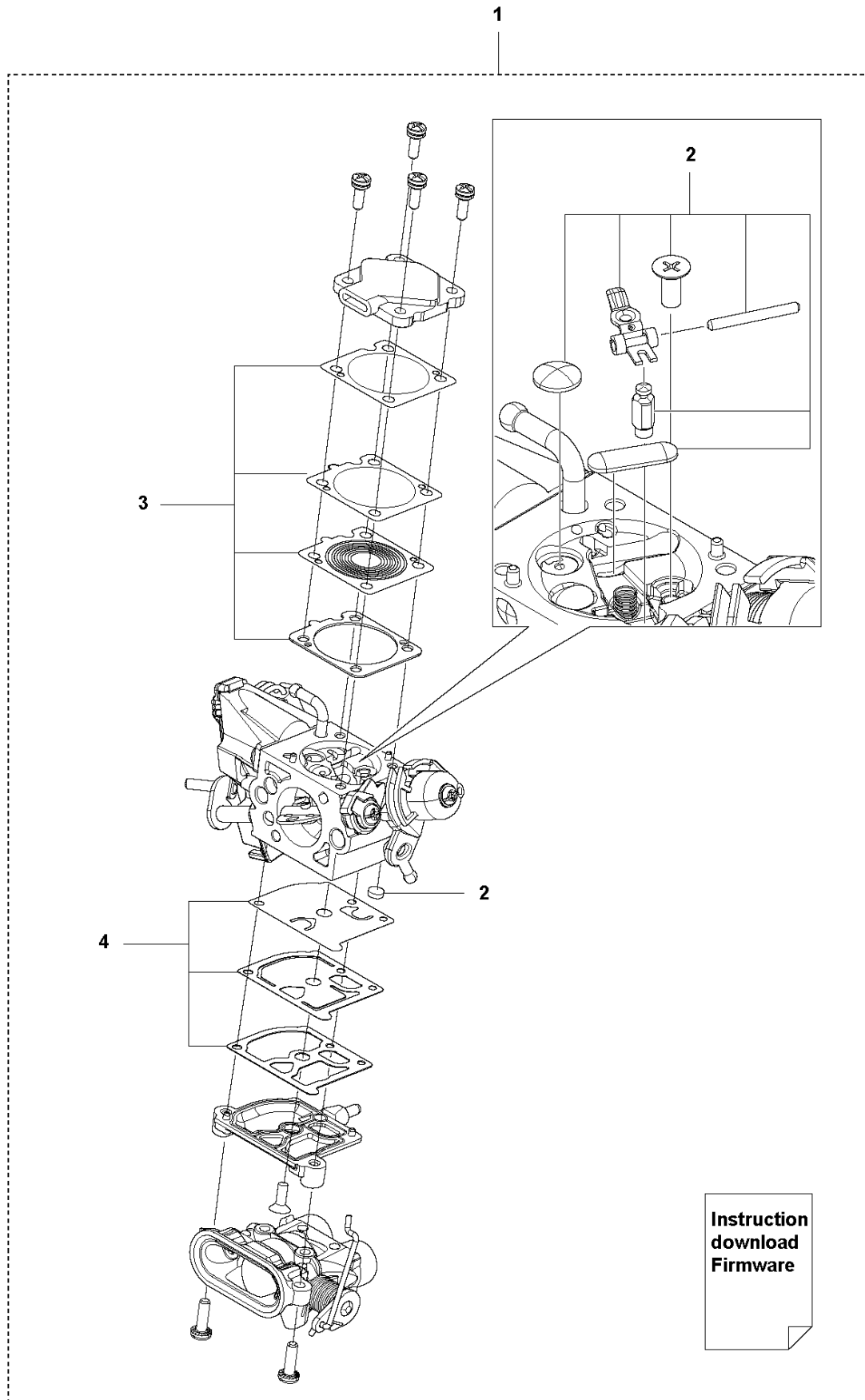
CARBURETOR & AIR FILTER

545 Mark II, 545G Mark II

Ref	Part No	Description	Remark	QTY	KIT
1	525 82 44-01	SCREW ITXSCM		1	
2	526 22 18-01	SCREW CITXPANT		1	
3	589 58 45-01	INSULATION WALL		1	
4	593 78 49-01	INLET PIPE ASSY		1	
5	503 22 65-03	SQUARE NUT		2	4
6	585 19 50-01	SUPPORT SLEEVE		1	4
7	589 34 06-01	RETAINER		1	
8	596 21 92-02	CARBURETTOR KIT		1	
9	526 81 81-01	SCREW ITXSCM		4	
10	525 58 81-01	SEALING		1	
11	503 93 66-01	PURGE		1	
12	505 15 62-01	SCREW		1	22
13	510 01 72-02	CHOKE CONTROL ASSY		1	22
14	523 05 68-01	FUEL HOSE		1	
15	589 34 07-01	CONTACT CLAMP		1	
16	577 53 64-02	WIRING ASSY		1	
17	590 45 88-02	AIR FILTER ASSY	Yellow, Mesh 25 microns	1	
17	590 45 88-01	AIR FILTER ASSY	Black, Mesh 64 microns	1	
17	590 45 88-03	AIR FILTER ASSY	Nature, Non woven	1	
18	525 34 43-03	FUEL HOSE		1	
19	731 23 14-01	HEXAGON NUT		1	22
20	525 61 92-01	SEALING		1	22
21	581 14 31-01	SCREW ITXSCFM		2	
22	589 55 07-01	FILTER HOLDER ASSY	Black	1	
23	525 61 90-01	SEALING		1	22

N 545 Mark II, 545G Mark II
CARBURETOR DETAILS

AT-15

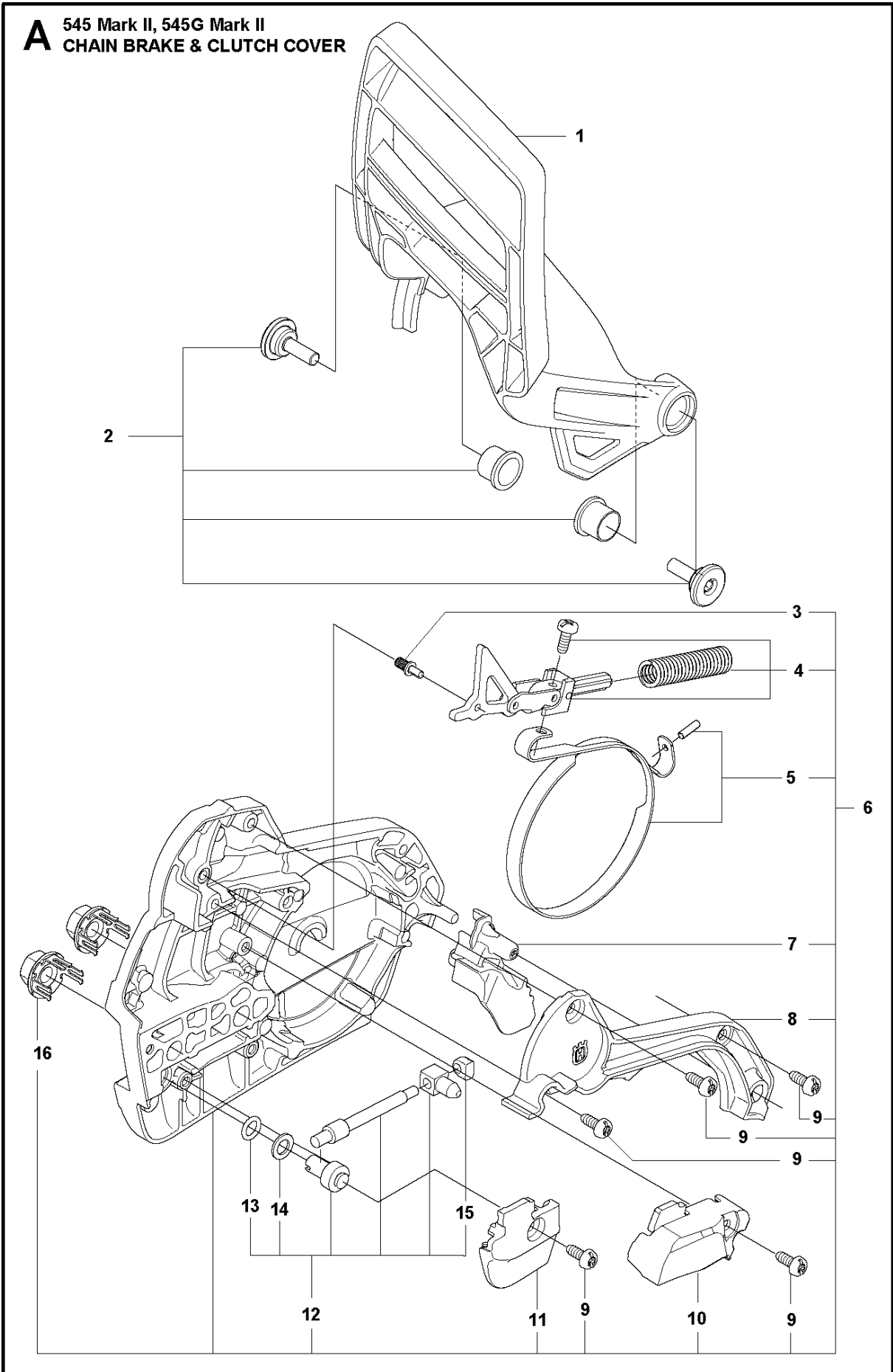


CARBURETOR DETAILS

545 Mark II, 545G Mark II

Ref	Part No	Description	Remark	QTY KIT	
1	596 21 92-02	CARBURETTOR KIT	AT-15	1	
2	582 36 62-01	REPAIR KIT		1	1
3	582 36 64-01	DIAPHRAGM & GASKET KIT		1	1
4	596 96 92-01	GASKET KIT		1	1

A 545 Mark II, 545G Mark II
CHAIN BRAKE & CLUTCH COVER

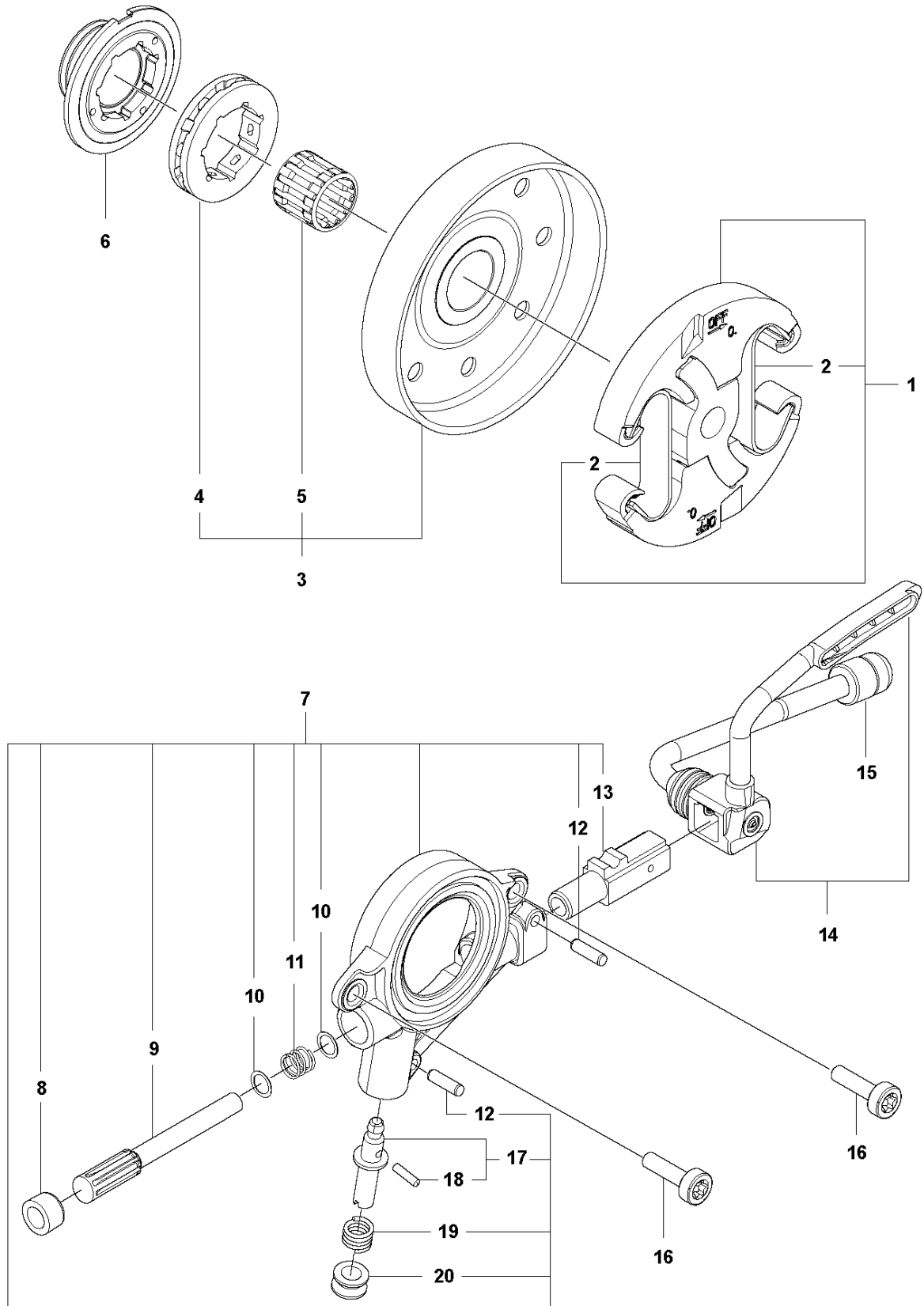


CHAIN BRAKE & CLUTCH COVER

545 Mark II, 545G Mark II

Ref	Part No	Description	Remark	QTY	KIT
1	591 08 36-01	HAND GUARD		1	
2	596 21 82-01	SCREW KIT		1	
3	503 75 18-01	PIN		1	6
4	596 21 81-01	KNEE JOINT ASSY		1	6
5	505 19 95-02	BRAKE BAND ASSY		1	6
6	501 84 61-02	CLUTCH COVER ASSY		1	
7	505 20 16-01	GUARD		1	6
8	505 19 97-03	COVER		1	6
9	526 22 18-01	SCREW CITXPANT		5	6
10	592 97 52-01	CHAIN GUIDE		1	6
11	505 19 98-01	CHAIN GUIDE		1	6
12	575 26 04-03	CHAIN TENSIONER KIT		1	6
13	740 48 07-02	O-RING		1	6,12
14	503 23 00-63	WASHER		1	6,12
15	537 01 74-01	BEARING SLEEVE		1	6,12
16	505 19 73-01	NUT		2	6

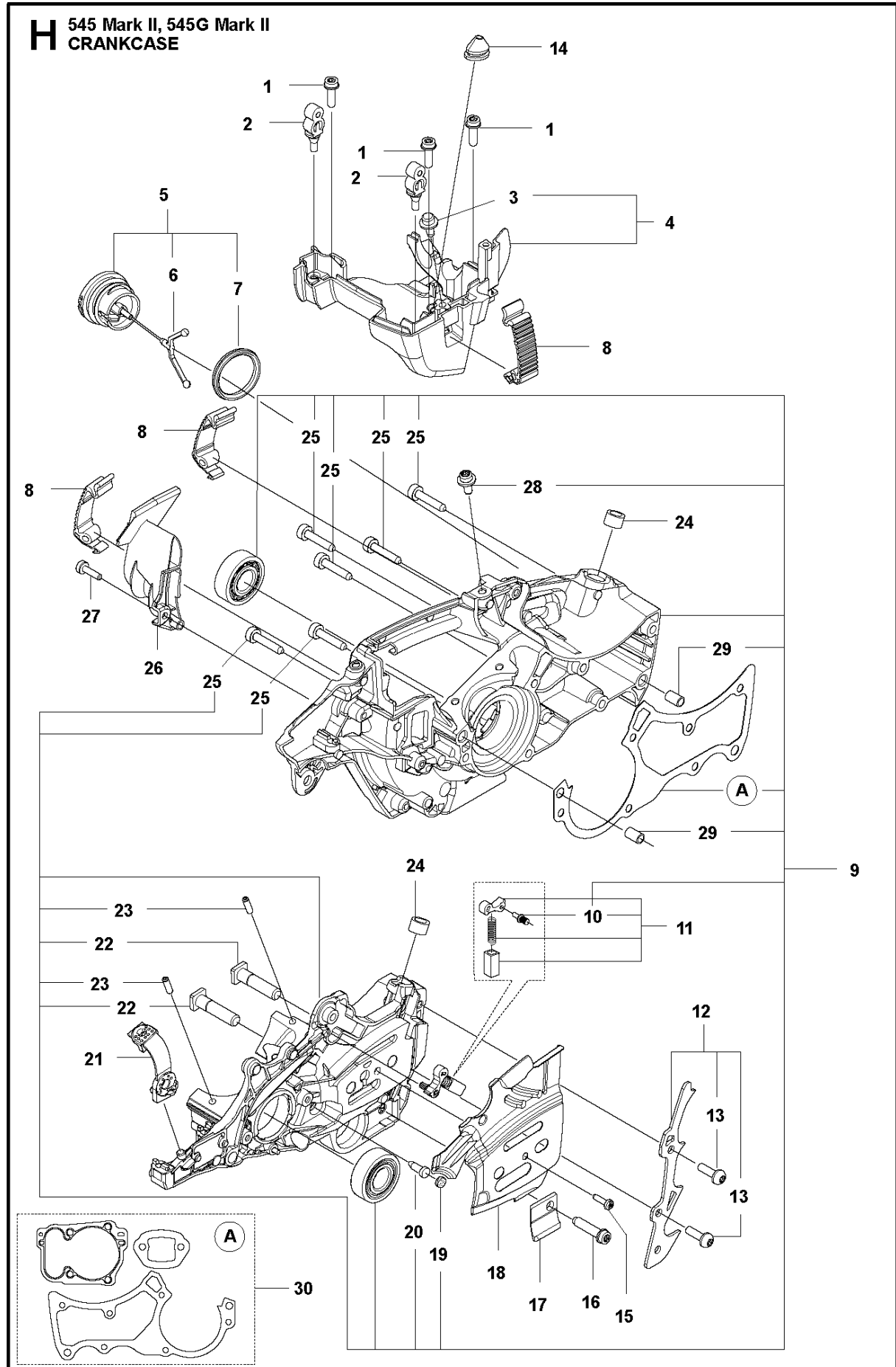
B 545 Mark II, 545G Mark II
CLUTCH & OIL PUMP



CLUTCH & OIL PUMP

545 Mark II, 545G Mark II

Ref	Part No	Description	Remark	QTY	KIT
1	577 51 82-01	CLUTCH ASSY		1	
2	537 35 91-01	CLUTCH SPRING		2	1
3	596 21 83-01	CLUTCH DRUM ASSY		1	
4	501 45 74-02	RIM		1	3
5	503 25 52-01	NEEDLE BEARING		1	3
6	582 81 40-01	WORM WHEEL		1	
7	505 19 99-11	OIL PUMP ASSY		1	
8	503 62 49-01	SEALING PLUG		1	7
9	505 20 02-04	PUMP PISTON		1	7
10	503 23 00-60	WASHER		2	7
11	503 89 16-01	SPRING		1	7
12	720 12 33-00	PARALLEL PIN		2	7
13	505 20 01-01	PUMP CYLINDER		1	7
14	505 20 04-01	OIL HOSE		1	
15	504 71 00-03	OIL PLUMMET		1	14
16	526 81 81-01	SCREW ITXSCM		2	
17	505 15 70-01	ADJUSTMENT SCREW		1	7
18	721 11 64-30	GROOVED PIN		1	17, 7
19	503 89 15-01	SPRING		1	7
20	505 20 03-01	CASING		1	7

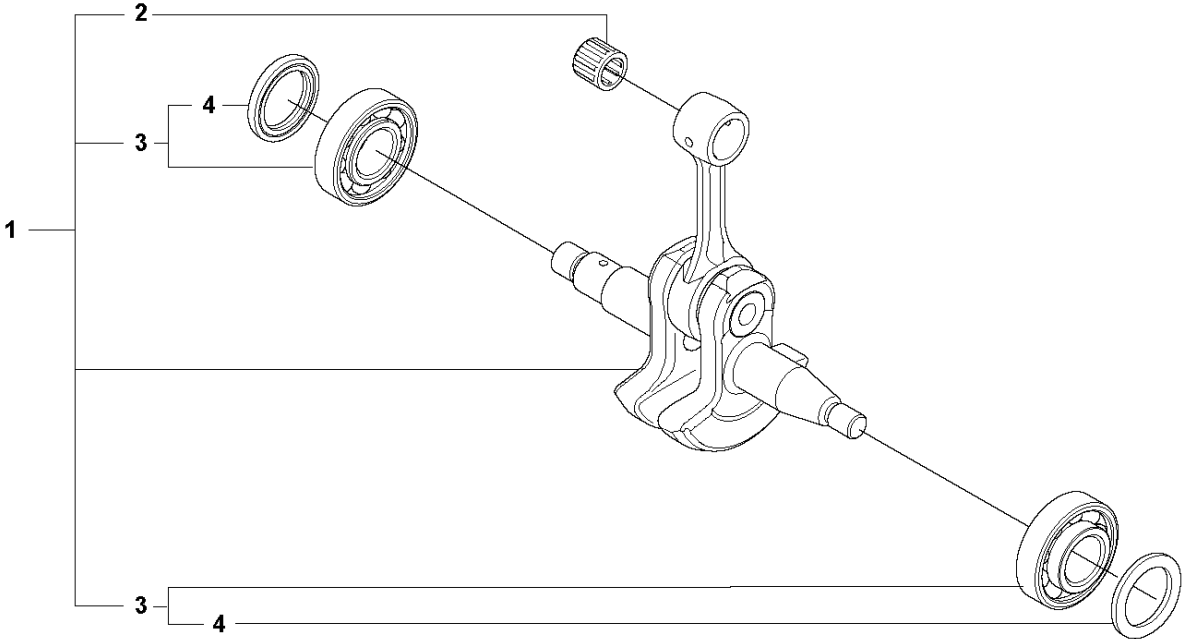


CRANKCASE

545 Mark II, 545G Mark II

Ref	Part No	Description	Remark	QTY	KIT
1	575 88 57-03	SCREW ITXSCFM		3	
2	503 86 93-01	SUPPORT		2	
3	544 33 16-01	GUIDE PIN		1	4
4	582 28 52-01	CARBURETTOR AREA BASE		1	
5	522 62 00-03	TANK CAP ASSY		1	
6	503 57 89-01	HOLDER		1	5
7	589 24 11-01	GASKET		1	5
8	503 89 47-03	SNAP LOCKING		3	
9	595 89 77-01	CRANKCASE KIT		1	
10	503 75 18-01	PIN		1	9, 11
11	596 35 14-01	CATCH		1	9
12	596 35 13-01	SPIKE		1	
13	575 79 35-01	SCREW ITXPANM		2	12
14	581 55 92-01	BELLOWS		1	
15	525 88 74-01	SCREW CITXPANT		1	
16	525 79 81-03	SCREW ITXSCFT		1	
17	537 37 79-02	CHAIN CATCHER		1	
18	589 72 19-01	CHAIN GUIDE PLATE		1	
19	537 40 35-01	FILTER		1	9
20	530 02 61-19	CHECK VALVE		1	9
21	505 12 58-01	DEFLECTION LIMITER		1	
22	505 21 73-01	BAR BOLT		2	9
23	720 12 69-52	PARALLEL PIN		2	9
24	589 33 13-01	SLEEVE		2	
25	503 21 53-25	SCREW ITXSCM		6	9
26	582 28 59-01	AIR NOZZLE		1	
27	526 81 81-01	SCREW ITXSCM		1	
28	525 82 44-01	SCREW ITXSCM		1	9
29	501 27 08-02	GUIDE BUSHING		2	9
30	595 89 76-01	GASKET KIT		1	

E 545 Mark II, 545G Mark II
CRANKSHAFT

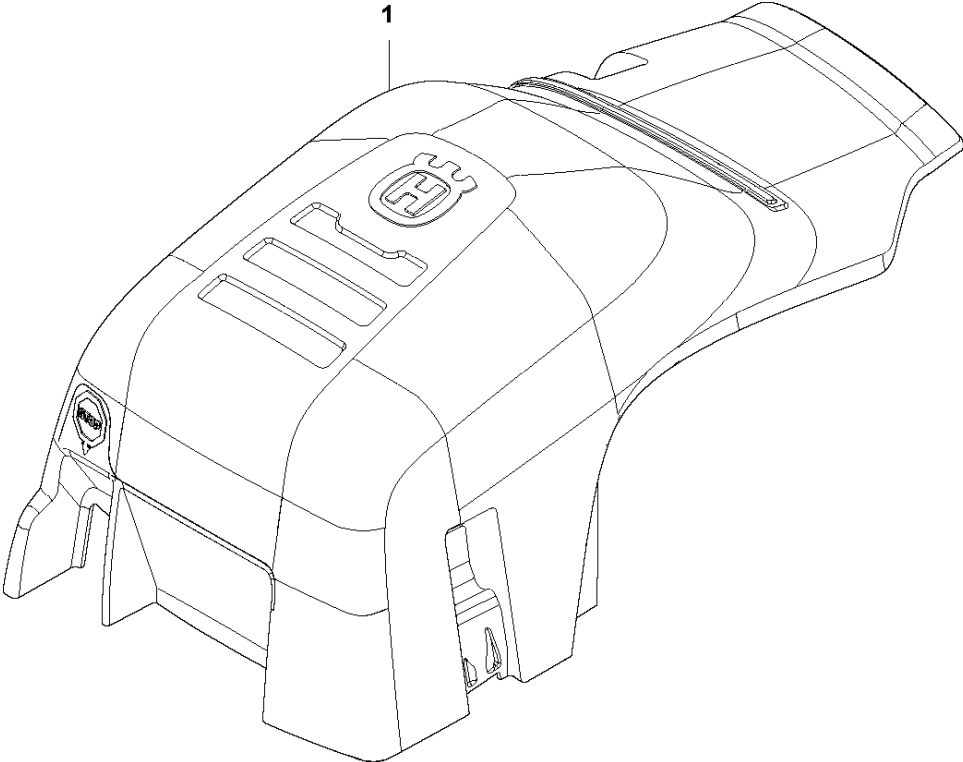


CRANKSHAFT

545 Mark II, 545G Mark II

Ref	Part No	Description	Remark	QTY KIT	
1	596 21 85-01	CRANKSHAFT KIT		1	
2	501 10 31-01	NEEDLE BEARING		1	1
3	525 43 42-03	BALL BEARING		2	1
4	505 41 61-01	RADIAL SEAL		2	1,3

C 545 Mark II, 545G Mark II
CYLINDER COVER

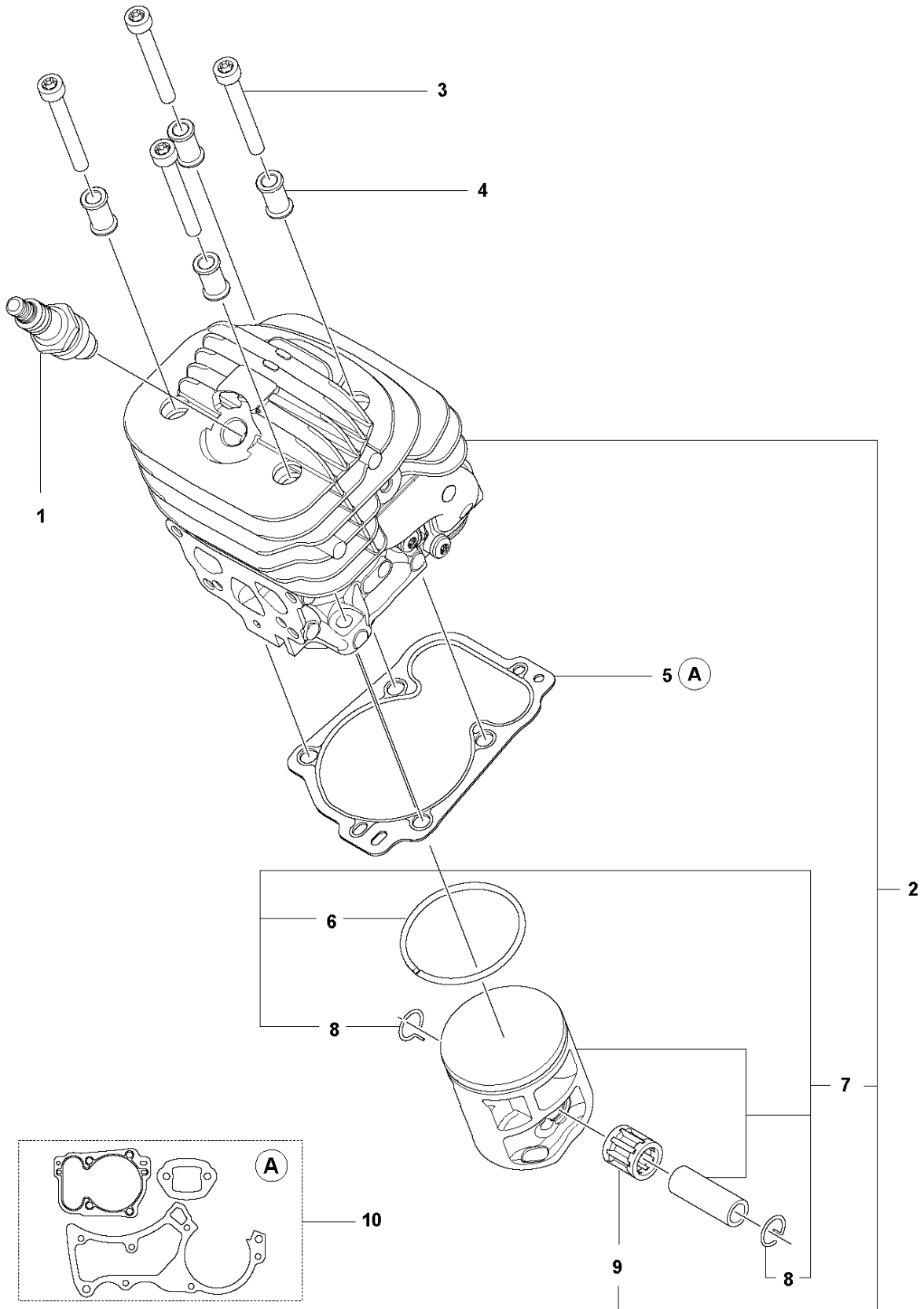


CYLINDER COVER

545 Mark II, 545G Mark II

Ref	Part No	Description	Remark	QTY KIT
1	591 49 34-01	CYLINDER COVER		1

D 545 Mark II, 545G Mark II
CYLINDER AND PISTON

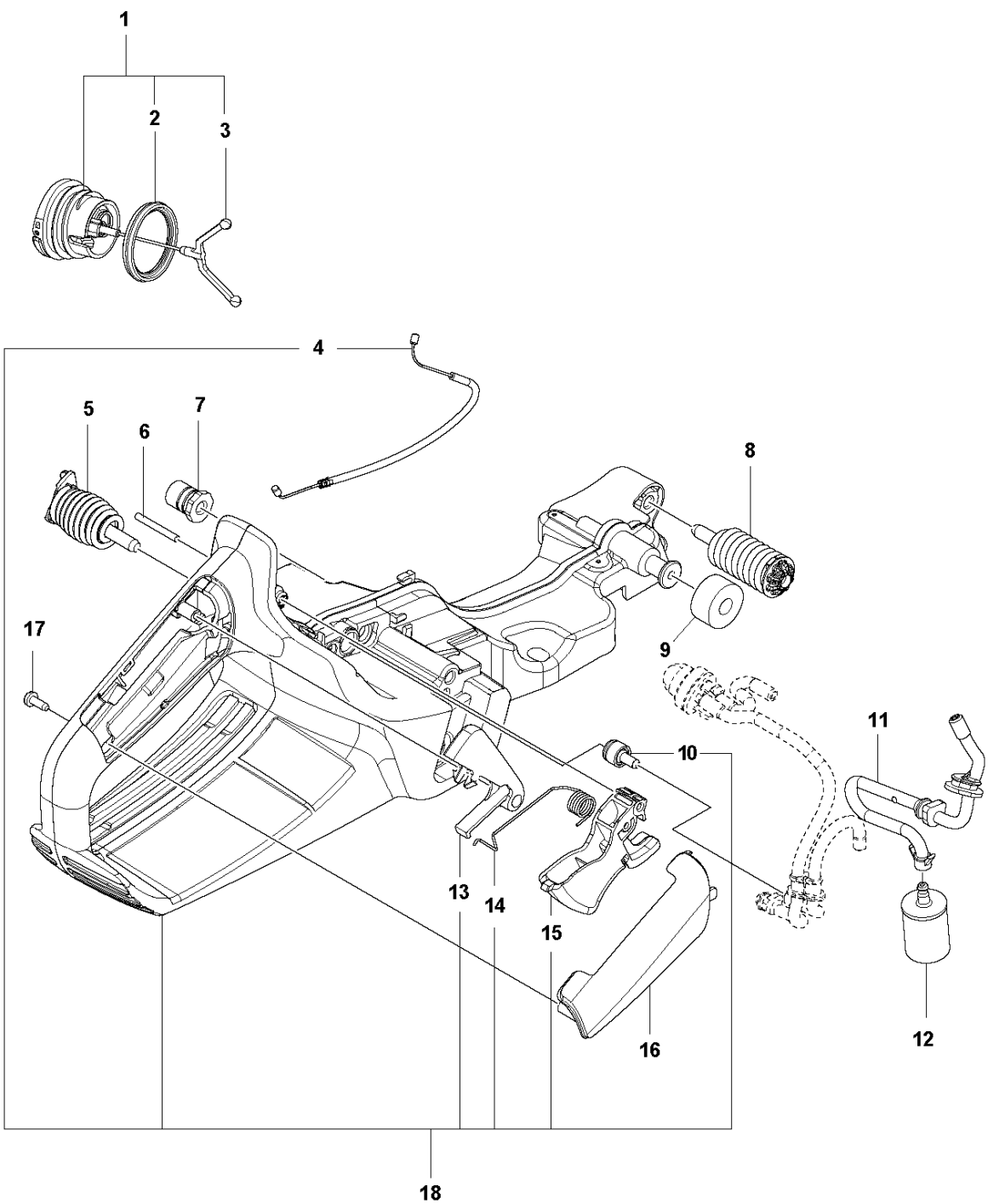


CYLINDER PISTON

545 Mark II, 545G Mark II

Ref	Part No	Description	Remark	QTY	KIT
1	574 51 96-01	SPARK PLUG		1	
2	590 33 05-04	CYLINDER KIT		1	
3	525 82 49-07	SCREW ITXSCM		4	
4	576 71 76-02	SLEEVE		4	
5	591 17 74-01	GASKET		1	
6	582 70 28-01	PISTON RING		1	2,7
7	582 64 56-02	PISTON ASSY		1	2
8	737 44 10-00	SNAP RING		2	2,7
9	501 10 31-01	NEEDLE BEARING		1	2,7
10	595 89 76-01	GASKET KIT		1	

J 545 Mark II, 545G Mark II
FUEL TANK

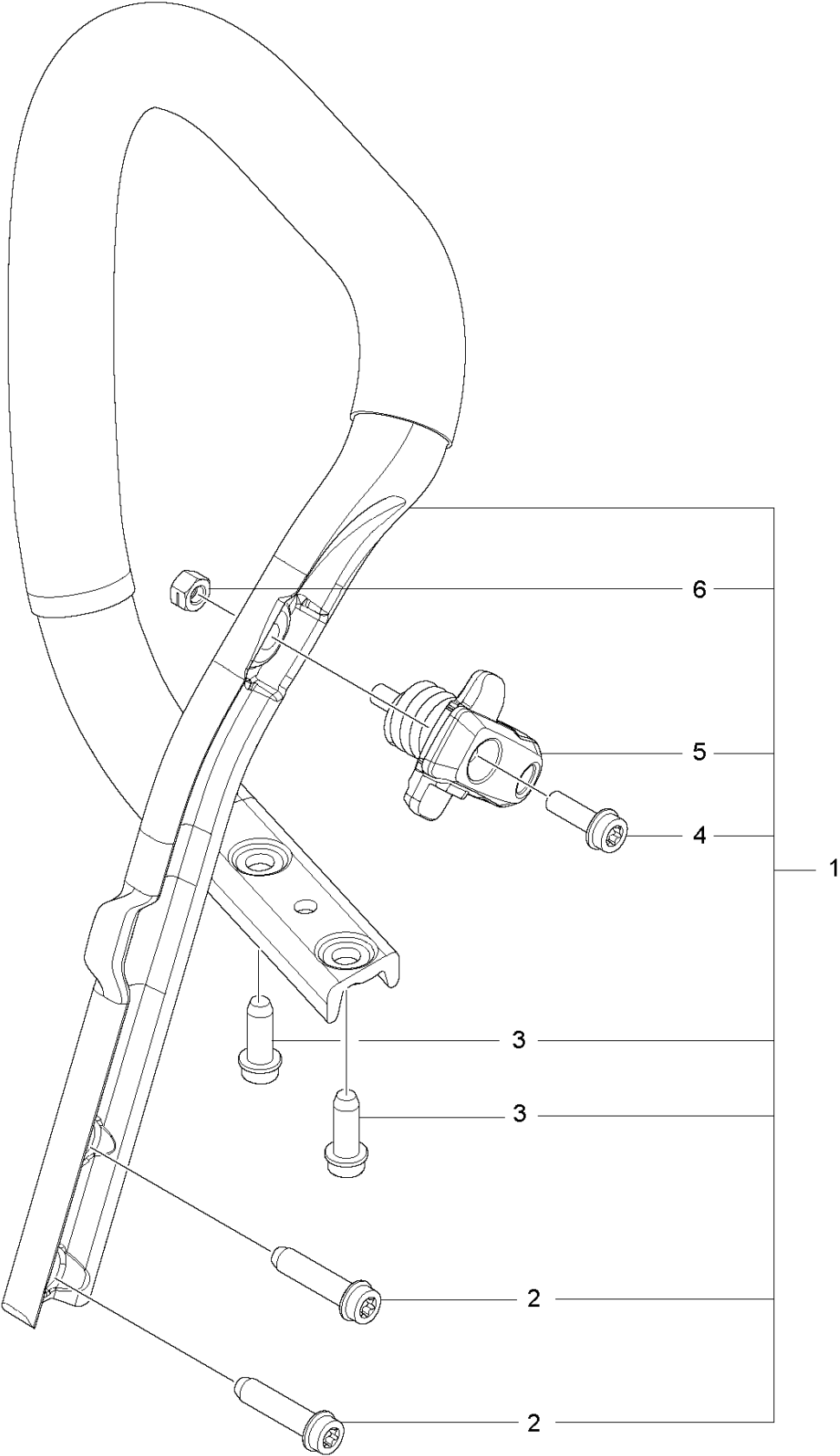


FUEL TANK

545 Mark II, 545G Mark II

Ref	Part No	Description	Remark	QTY	KIT
1	522 62 00-03	TANK CAP ASSY		1	
2	589 24 11-01	GASKET		1	1
3	503 57 89-01	HOLDER		1	1
4	596 55 00-01	THROTTLE CABLE ASSY		1	
5	596 88 20-01	ANTIVIBRATION ELEMENT		1	
6	720 18 25-20	PARALLEL PIN		1	
7	501 00 76-01	SUPPORT		1	
8	590 37 74-01	ANTIVIBRATION ELEMENT		1	
9	523 08 55-01	DEFLECTION LIMITER		1	
10	501 15 29-01	TANK VENT ASSY		1	19
11	577 50 41-01	FUEL HOSE		1	
12	503 44 32-01	FUEL FILTER		1	
12	503 44 32-02	FUEL FILTER	Mega pack (100 pcs)	1	
13	544 09 98-01	THROTTLE LOCKOUT		1	19
14	544 09 99-01	SPRING		1	19
15	505 15 77-01	THROTTLE		1	19
16	504 10 63-01	HANDLE INSERT		1	
17	525 88 74-02	SCREW CITXPANT		1	
18	596 55 40-02	FUEL TANK KIT		1	

K1 545 Mark II
HANDLE

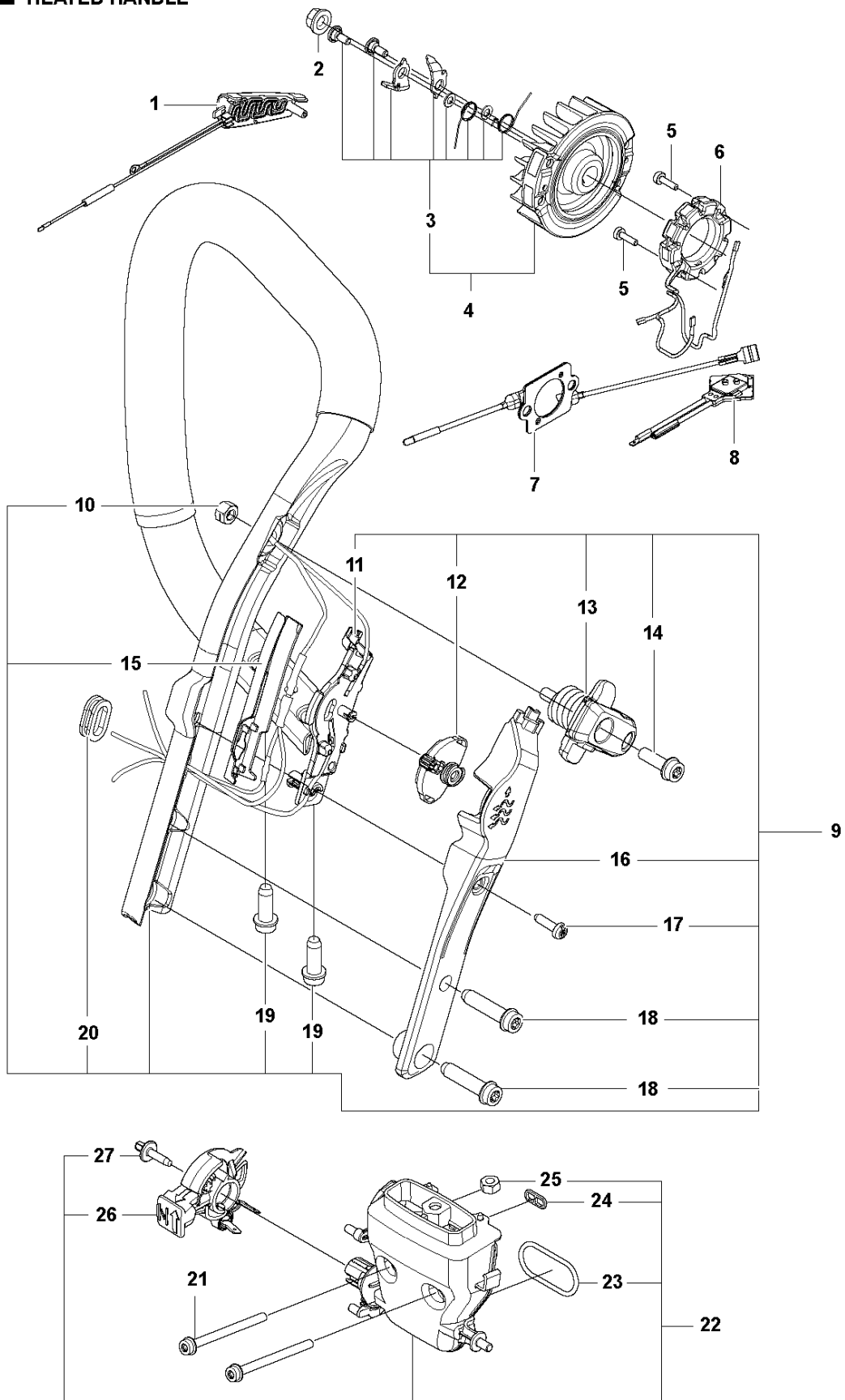


HANDLE

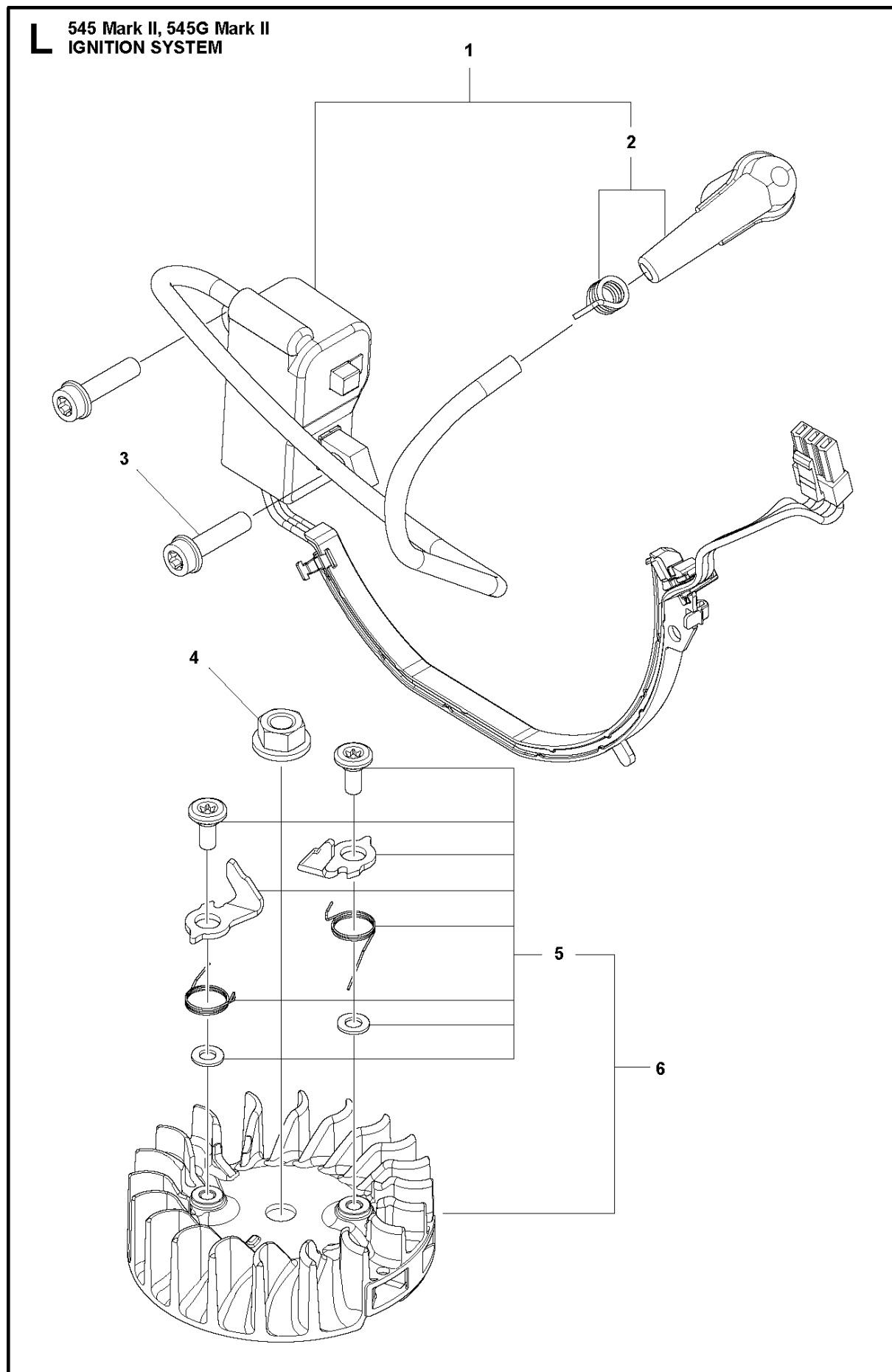
545 Mark II, 545G Mark II

Ref	Part No	Description	Remark	QTY KIT	
1	582 01 49-01	HANDLE SYSTEM		1	
2	525 79 81-03	SCREW ITXSCFT		2	1
3	525 79 81-01	SCREW ITXSCFT		2	1
4	525 75 51-01	SCREW ITXSCFM		1	1
5	595 30 34-01	ANTIVIBRATION ELEMENT		1	1
6	503 22 24-01	LOCK NUT		1	1

K2 545G Mark II
HEATED HANDLE



Ref	Part No	Description	Remark	QTY	KIT
1	590 26 09-01	HANDLE INSERT		1	
2	503 22 04-01	NUT		1	
3	596 23 06-01	SCREW KIT		1	4
4	522 93 78-06	FLYWHEEL ASSY		1	
5	526 81 81-02	SCREW ITXSCM		2	
6	590 26 03-01	STATOR ASSY		1	
7	588 16 86-03	FOIL ELEMENT		1	
8	590 68 83-01	THERMOSTAT ASSY		1	
9	582 01 49-02	HANDLE SYSTEM		1	
10	503 22 24-01	LOCK NUT		1	9
11	590 20 19-01	CONTACT PLATE		1	9
12	537 25 25-01	CONTACT PLATE		1	9
13	595 30 34-01	ANTIVIBRATION ELEMENT		1	9
14	525 75 51-01	SCREW ITXSCFM		1	9
15	596 20 14-01	PROTECTION		1	9
16	590 20 18-01	COVER		1	9
17	578 77 61-02	SCREW ITXPANT		1	9
18	525 79 81-03	SCREW ITXSCFT		2	9
19	525 79 81-01	SCREW ITXSCFT		2	9
20	537 08 83-01	GROMMET		1	9
21	581 14 31-01	SCREW ITXSCFM		2	
22	589 55 07-02	FILTER HOLDER ASSY	Blue	1	
23	525 61 90-01	SEALING		1	22
24	525 61 92-01	SEALING		1	22
25	731 23 14-01	HEXAGON NUT		1	22
26	510 01 72-02	CHOKE CONTROL ASSY		1	22
27	505 15 62-01	SCREW		1	22

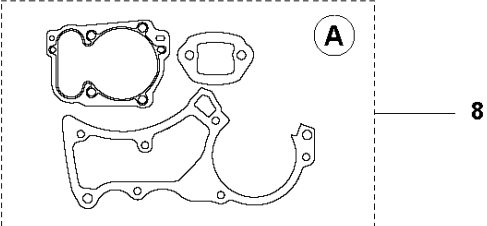
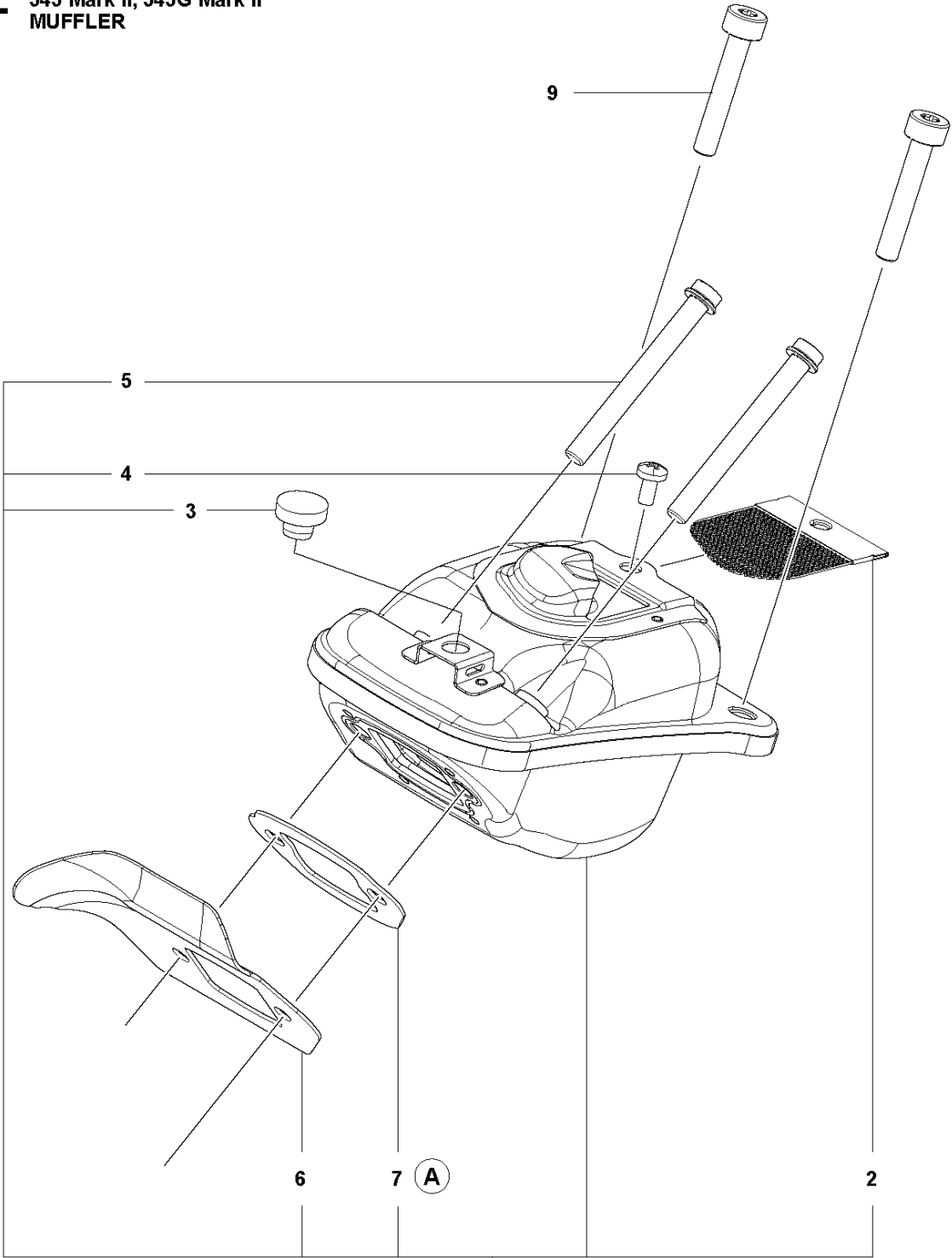


IGNITION SYSTEM

545 Mark II, 545G Mark II

Ref	Part No	Description	Remark	QTY	KIT
1	582 77 73-01	IGNITION MODULE ASSY		1	
2	596 35 29-01	CAP ASSY		1	1
3	525 75 51-02	SCREW ITXSCFM		2	
4	503 22 04-01	NUT		1	
5	596 23 06-01	SCREW KIT		1	8
6	522 93 78-05	FLYWHEEL ASSY		1	

F 545 Mark II, 545G Mark II
MUFFLER

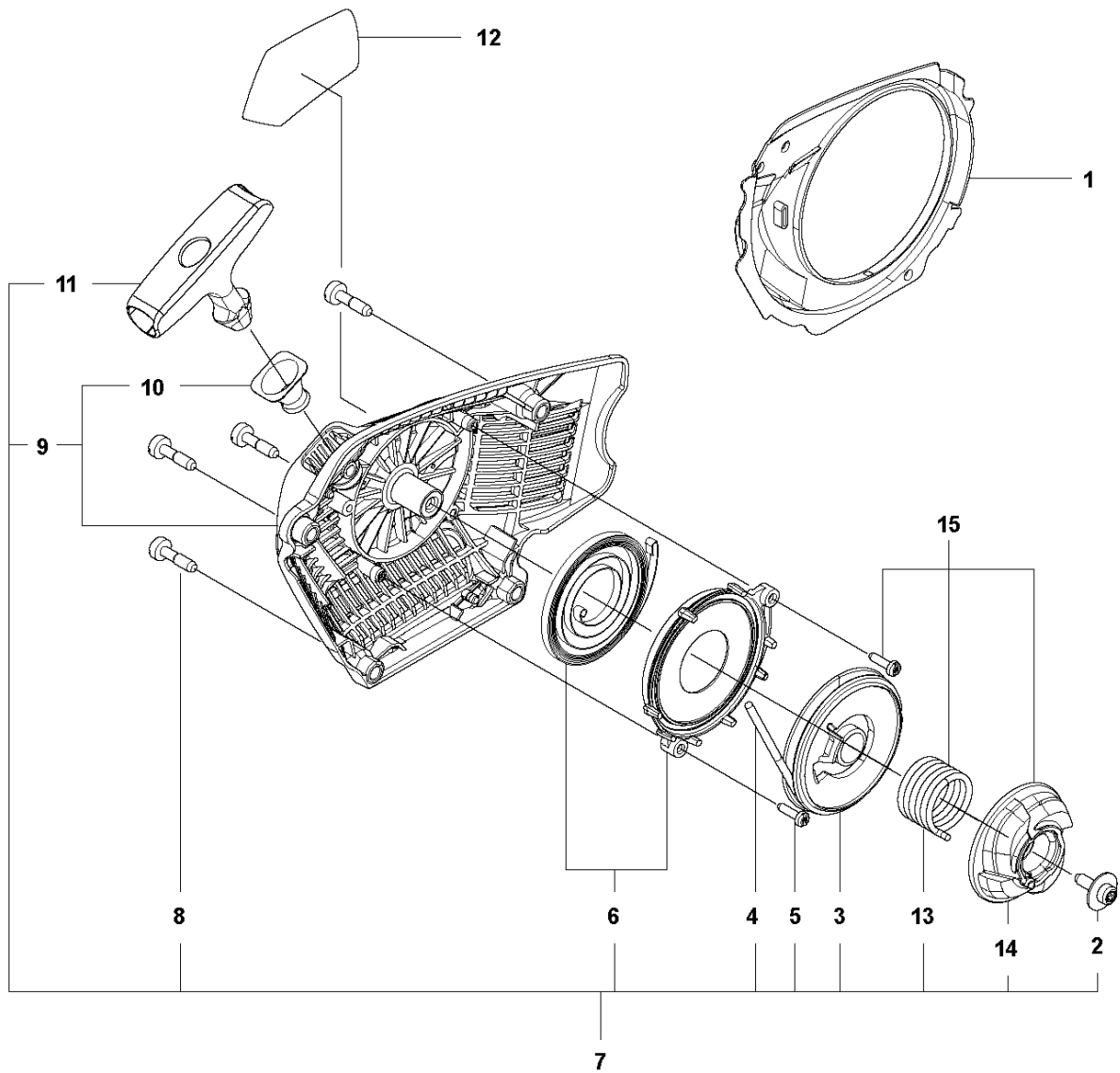


MUFFLER

545 Mark II, 545G Mark II

Ref	Part No	Description	Remark	QTY	KIT
1	583 79 87-01	MUFFLER KIT		1	
2	583 79 93-01	SPARK ARRESTER		1	1
3	501 51 54-02	SUPPORT		1	
4	724 12 87-59	SCREW CRPANM		1	1
5	525 82 51-07	SCREW ITXSCM		2	1
6	583 79 90-01	HEAT DEFLECTOR		1	1
7	583 79 88-01	MUFFLER GASKET		1	1
9	582 88 55-01	SCREW		2	
8	595 89 76-01	GASKET KIT		1	

M1 545 Mark II, 545G Mark II
STARTER

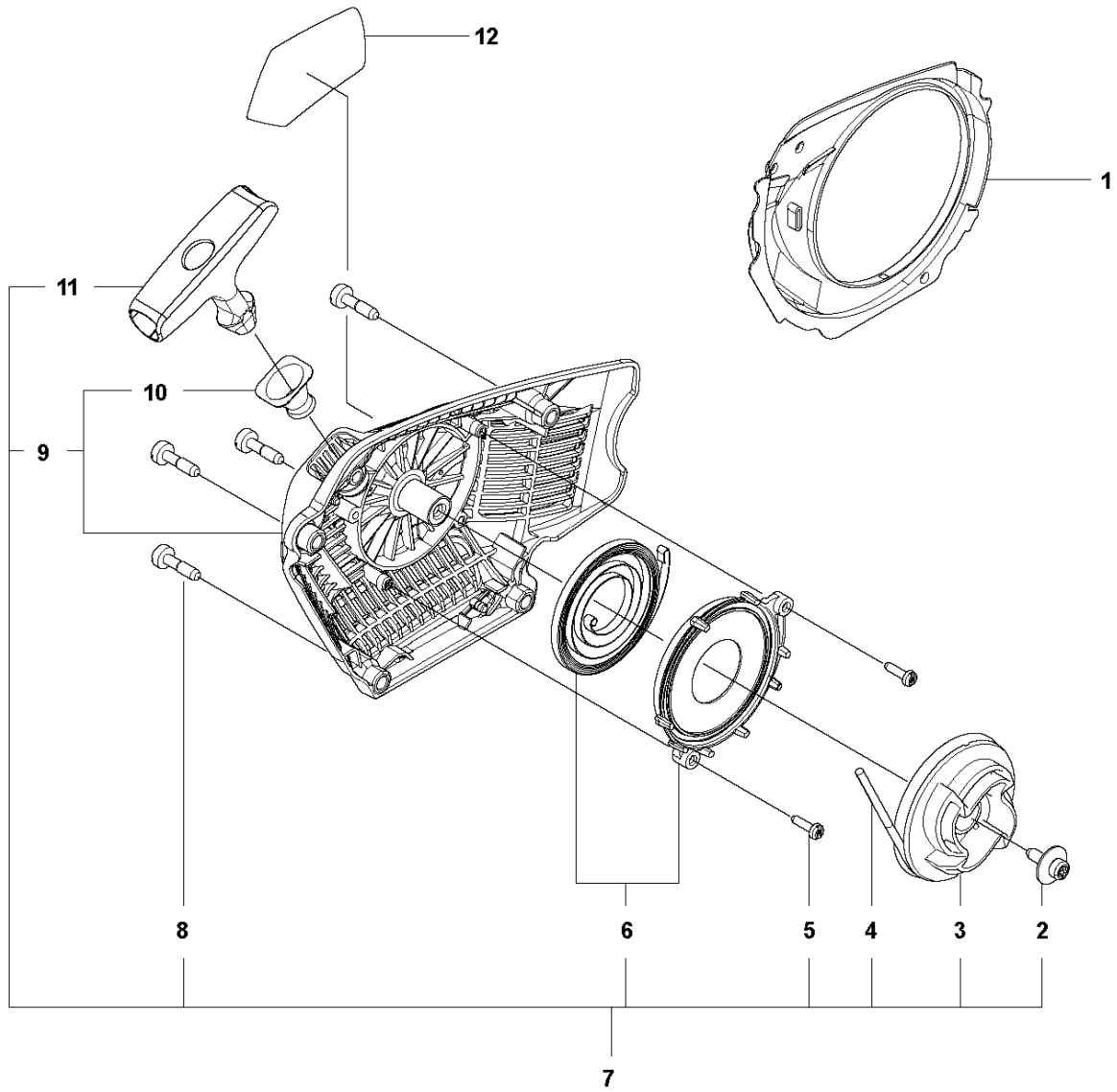


STARTER

545 Mark II, 545G Mark II

Ref	Part No	Description	Remark	QTY	KIT
1	582 86 69-01	COOLING AIR CONDUCTOR		1	
2	576 35 66-01	SCREW ITXSCT		1	7
3	582 50 32-02	STARTER PULLEY	From s/n 20200300011 -	1	7, 15
4	503 85 89-02	STARTER ROPE		1	7
5	525 88 74-01	SCREW CITXPANT		2	7
6	505 15 79-02	SPRING CASSETTE ASSY		1	7
7	596 23 05-01	STARTER ASSY		1	
8	525 82 45-01	SCREW CITXPANMO		4	7
9	582 50 34-01	STARTER HOUSING		1	7
10	537 28 32-01	SLEEVE		1	7
11	537 23 25-01	STARTER HANDLE		1	7
12	590 61 34-03	LABEL	545	1	
12	590 61 34-04	LABEL	545G	1	
13	582 64 49-01	TORSION SPRING		1	7, 15
14	582 50 31-02	DRIVER	From s/n 20200300011 -	1	7, 15
15	599 28 92-01	STARTER PULLEY	Up to s/n - 20200300010	1	

M2 545 Mark II, 545G Mark II
STARTER



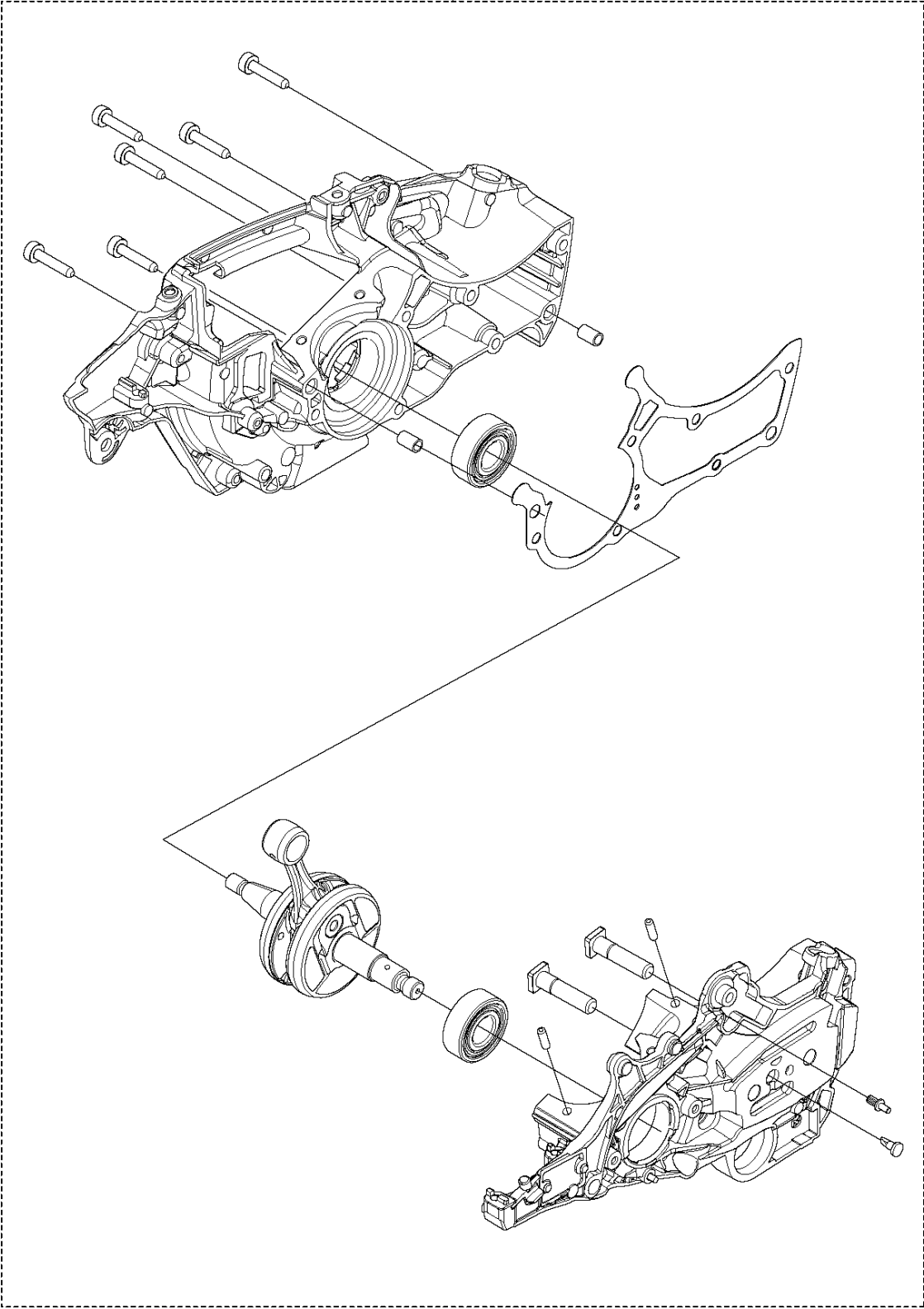
STARTER

545 Mark II, 545G Mark II

Ref	Part No	Description	Remark	QTY	KIT
1	582 86 69-01	COOLING AIR CONDUCTOR		1	
2	576 35 66-01	SCREW ITXSCT		1	7
3	582 65 07-02	STARTER PULLEY		1	7
4	505 30 51-25	STARTER CORD		1	7
5	525 88 74-01	SCREW CITXPANT		2	7
6	505 15 79-02	SPRING CASSETTE ASSY		1	7
7	596 23 03-01	STARTER ASSY		1	
8	525 82 45-01	SCREW CITXPANMO		4	7
9	582 50 34-01	STARTER HOUSING		1	7
10	537 28 32-01	SLEEVE		1	7
11	537 23 25-01	STARTER HANDLE		1	7
12	590 61 34-03	LABEL	545	1	
12	590 61 34-04	LABEL	545G	1	

H2 545 Mark II, 545G Mark II
CRANKCASE SHORT BLOCK

1



SHORT BLOCK

545 Mark II, 545G Mark II

Ref	Part No	Description	Remark	QTY KIT
1	595 94 50-02	SHORT BLOCK		1

Illustrated Parts List - IPL Update



Product Name(s)

545 Mark II & 545G Mark II

Description of change

1. We have made some improvement on the Driver regarding the guiding against starter housing center pin.
As a result of the changes on the Driver, Starter Pulley has also been changed.
This change is NOT fully exchangeable.
2. We have added a new Kit 599 28 92-01. Contains: 582 50 31-02 new Driver, 582 50 32-02 new Starter Pulley and 582 64 49-01 old Torsion Spring.
3. We have added a Starter assy, Std as an alternative. New page Starter M2 added.

Comments

Kit 599 28 92-01 and Starter assy 596 23 03-01 is fully exchangeable.

Introduced from

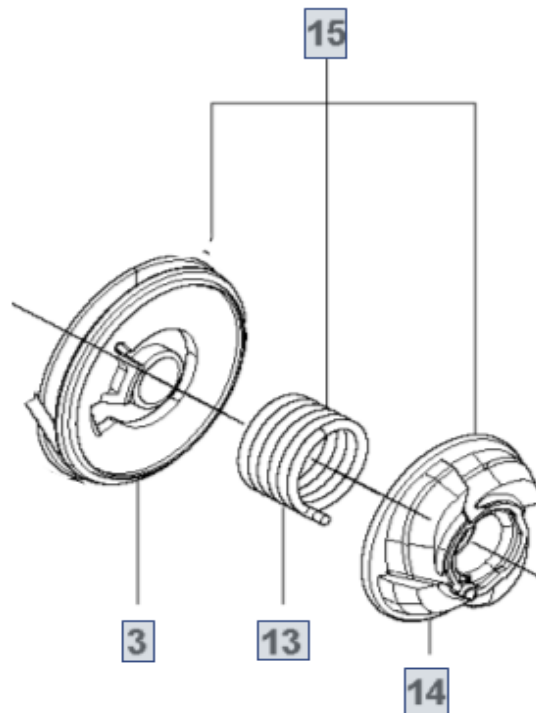
Serial number / Date	Remark
s/n 20200300011	Valid for Driver 582 50 31-02 and Starter Pulley 582 50 32-02.

IPL updates

Page Title	Ref. no	New part no	Name	Excl. part no.	Remark
Starter M1	3	582 50 32-02	Starter pulley		New spare part
	14	582 50 31-02	Driver		New spare part
	15	599 28 92-01	Starter pulley kit	582 50 31-01 582 50 32-01	
Starter M2		596 23 03-01	Starter assy, Std		Page M2 added

Illustrated Parts List - IPL Update

3. New Starter Pulley Kit.



4. New Starter Assy, Std. Page M2.

