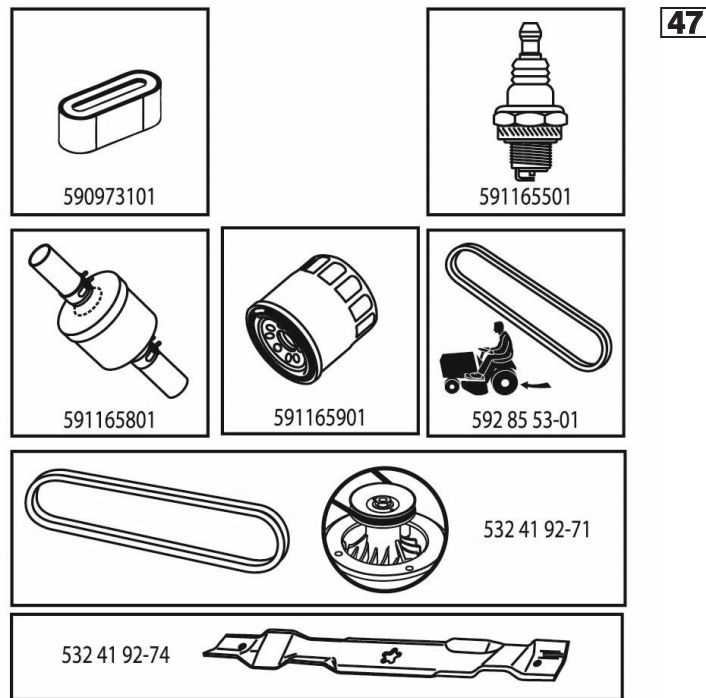


ILLUSTRATED PARTS LIST

MODEL NO. 96051018700

CUSTOMER CATALOG NO. TC 130

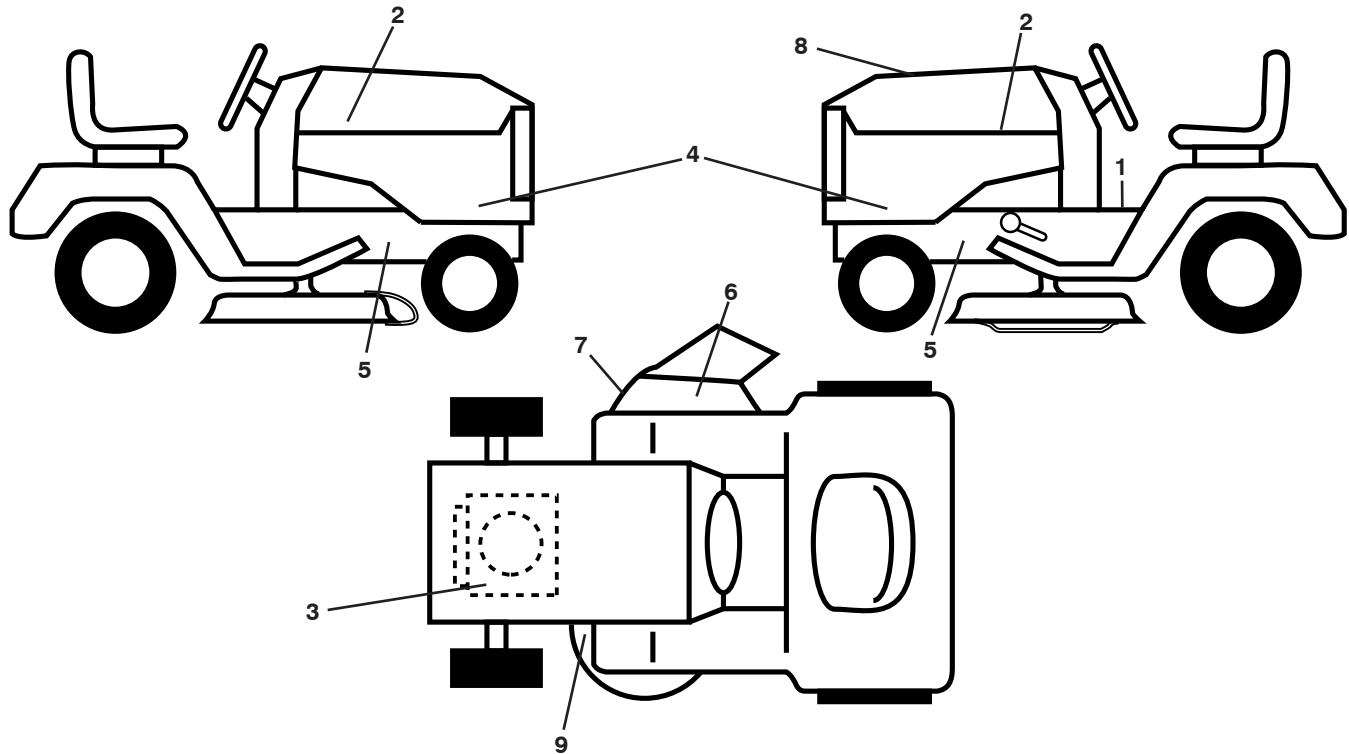
PRODUCT NO. 960 51 01-87



47

597570701

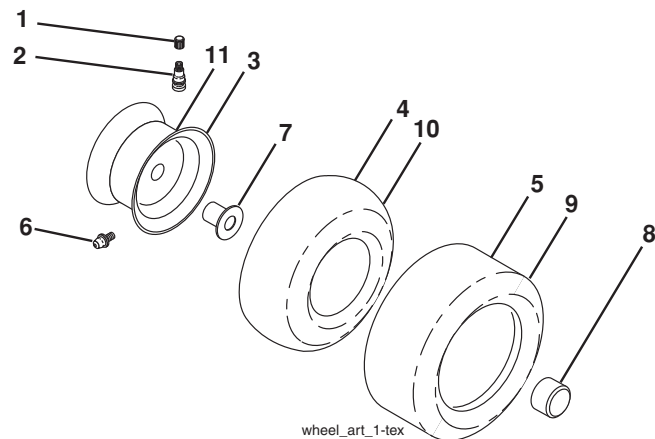
TRACTOR - MODEL NO. TC 130 (96051018700), PRODUCT NO. 960 51 01-87
DECALS 27



| KEY NO. | PART NO. | DESCRIPTION |
|---------|--------------|--------------------------------|
| 1 | 586 04 73-02 | Decal, Operators |
| 2 | 501 13 14-01 | Decal, Hood Logo |
| 3 | 581 57 97-01 | Decal, Warning Eng. Symbols |
| 4 | 587 39 64-01 | Decal, Hood Panel |
| 5 | 581 57 96-01 | Decal, Chassis Hot Muffler |
| 6 | 584 90 46-01 | Decal, Deck/Deflect. Warning |
| 7 | 581 57 94-01 | Decal, Warning Deflect/Ctfingr |

| KEY NO. | PART NO. | DESCRIPTION |
|---------|--------------|-------------------------------|
| 8 | 597 57 07-01 | Decal, Rpl |
| 9 | 581 58 00-04 | Decal, Mower V-Belt Schematic |
| -- | 581 72 48-01 | Decal, Bypass |
| -- | 532 44 14-09 | Pad, Footrest, LH |
| -- | 532 44 14-10 | Pad, Footrest, RH |
| -- | 114 13 43-28 | Manual, Operator's English |

WHEELS AND TIRES



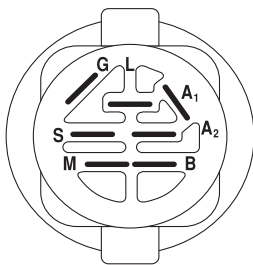
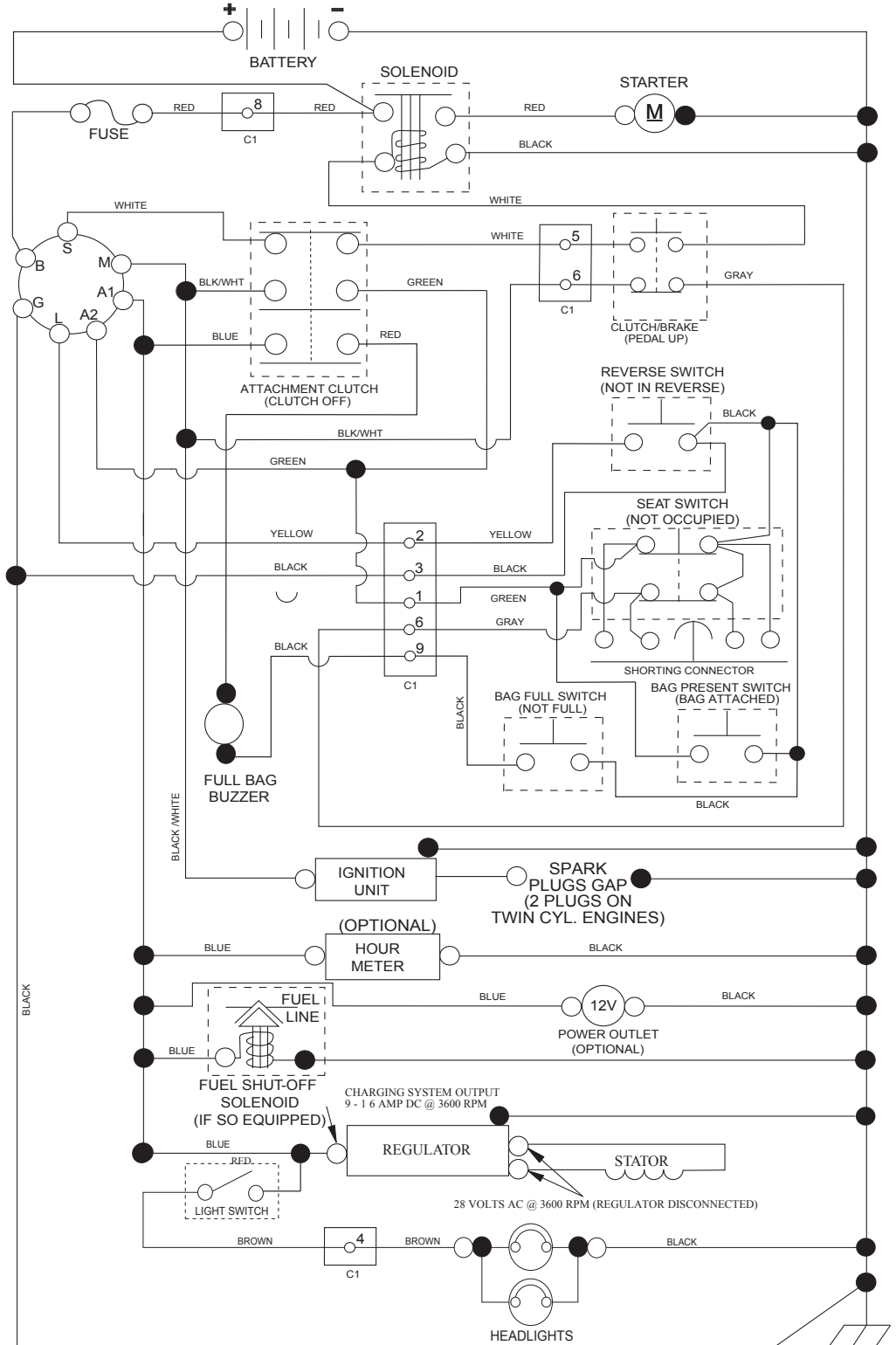
| KEY NO. | PART NO. | DESCRIPTION |
|---------|--------------|---------------------------------------|
| 1 | 532 05 91-92 | Cap Valve Tire |
| 2 | 532 06 51-39 | Stem Valve |
| 3 | 532 42 52-61 | Rim Asm 6 x 3.25 Front |
| 4 | 532 42 16-52 | Tube Front 13x5-6 (Service Item Only) |
| 5 | 532 12 34-10 | Tire Front 13 x 5-6 |
| 6 | 532 00 02-78 | Fitting Grease (Front Wheel Only) |
| 7 | 532 00 90-40 | Bearing Flange (Front Wheel Only) |
| 8 | 532 17 50-39 | Cap Axle Blk 1 50 x 1 00 |
| 9 | 532 10 62-30 | Tire Rear 16 x 6.5-8 |
| 10 | 532 00 71-54 | Tube Rear (Service Item Only) |
| 11 | 532 42 52-62 | Rim Asm 8 x 5.375 Rear |
| -- | 532 14 43-34 | Sealant, Tire (10 oz. Tube) |

NOTE: All component dimensions given in U.S. inches
 1 inch = 25.4 mm

TRACTOR - MODEL NO. TC 130 (96051018700), PRODUCT NO. 960 51 01-87

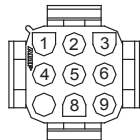
SCHEMATIC 38

SCH26

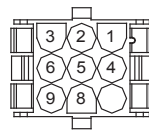


IGNITION SWITCH

| POSITION | CIRCUIT | "MAKE" |
|--------------|------------|--------|
| OFF | M+G+A1 | |
| RUN/OVERRIDE | B+A1 | |
| RUN | B+A1 | L+A2 |
| START | B + S + A1 | |



CHASSIS HARNESS CONNECTOR (C1) (MATING SIDE)



DASH HARNESS CONNECTOR (C2) (MATING SIDE)

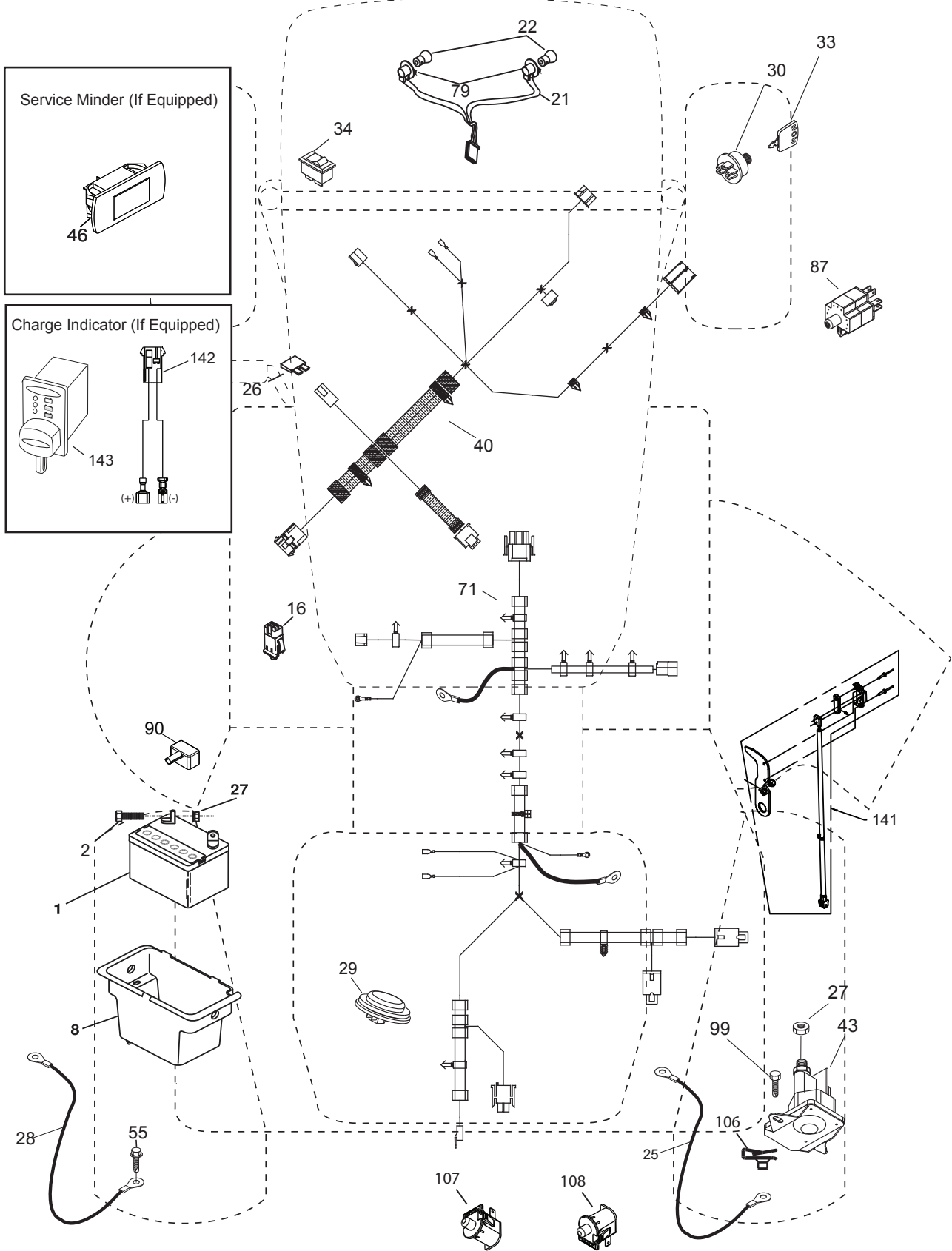
WIRING INSULATED CLIPS
NOTE: IF WIRING INSULATED CLIPS WERE REMOVED FOR SERVICING OF UNIT, THEY SHOULD BE RE-INSTALLED TO PROPERLY SECURE YOUR WIRING.

● NON-REMOVABLE CONNECTIONS

○ REMOVABLE CONNECTIONS

TRACTOR - MODEL NO. TC 130 (96051018700), PRODUCT NO. 960 51 01-87
ELECTRICAL 32

S02S

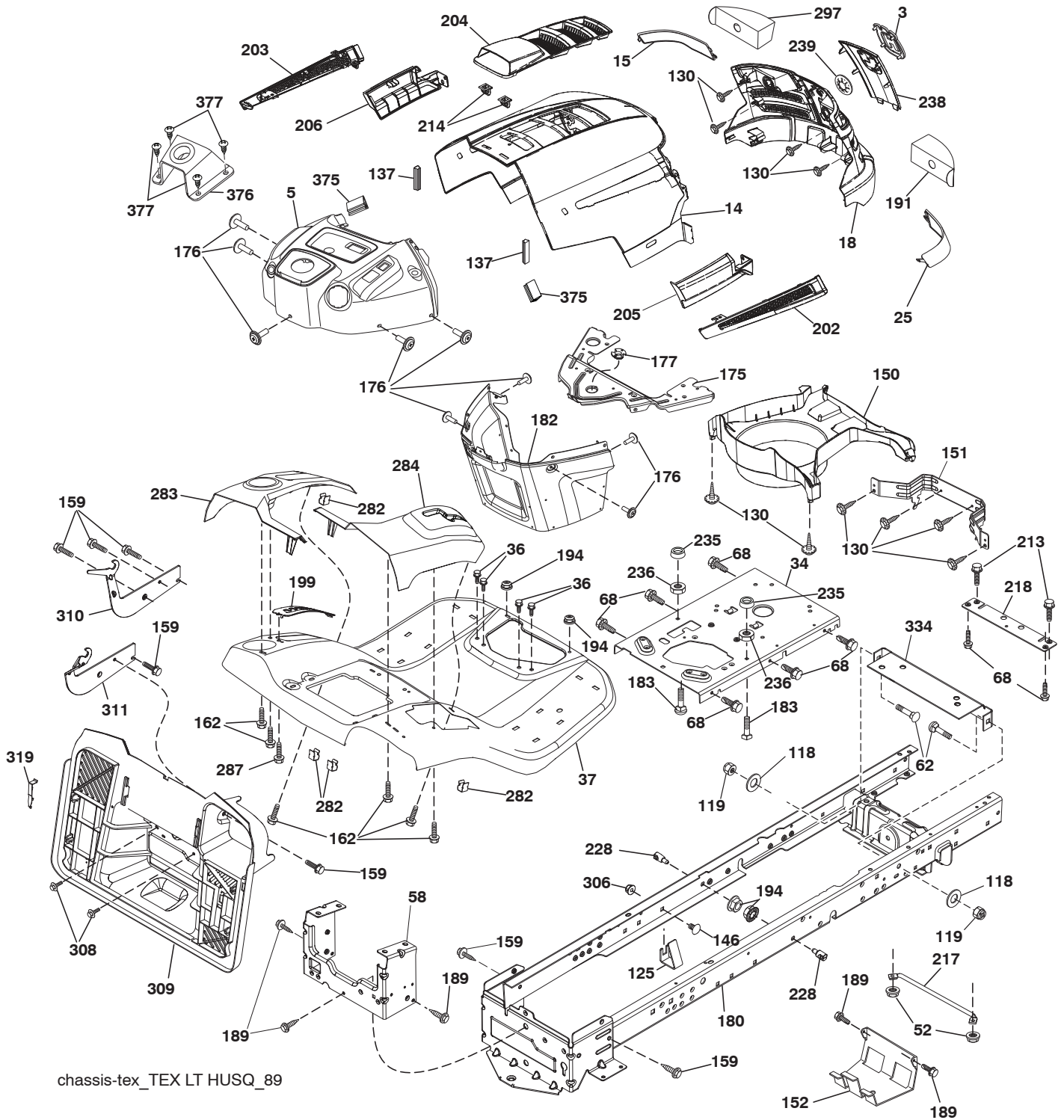


**TRACTOR - MODEL NO. TC 130 (96051018700), PRODUCT NO. 960 51 01-87
ELECTRICAL 32**

| KEY NO. | PART NO. | DESCRIPTION |
|----------------|-----------------|---------------------------------|
| 1 | 532 16 34-65 | Battery |
| 2 | 874 76 04-12 | Bolt Hex Head 1/4-20 x 3/4 |
| 8 | 532 41 97-91 | Box Battery |
| 16 | 532 17 61-38 | Switch Interlock Push-In |
| 21 | 532 40 02-52 | Harness Socket Light w/4152J |
| 22 | 532 00 41-52 | Bulb Light |
| 25 | 532 41 66-94 | Cable Starter |
| 26 | 532 17 51-58 | Fuse |
| 27 | 596 13 36-01 | Locknut, Keps. 1/4-20 |
| 28 | 532 42 16-86 | Cable, Ground |
| 29 | 532 40 15-45 | Switch, Seat |
| 30 | 532 19 33-50 | Switch, Ign |
| 33 | 532 41 19-35 | Key/Chain |
| 34 | 532 11 07-12 | Switch Light/Reset |
| 40 | 585 84 99-01 | Harness Ign. Dash |
| 43 | 582 04 28-02 | Solenoid W/Brass, Plunger, ZN |
| 46 | 594 91 91-01 | Hourmeter.Delta. |
| 55 | 817 06 05-12 | Screw Thdrol 5/16-18 x 3/4 TYTT |
| 71 | 501 13 34-01 | Harness Ign. Chassis |
| 79 | 532 17 52-42 | Socket Asm. Bulb |
| 87 | 532 42 10-60 | Switch Railmount NO-NC-NC |
| 90 | 532 43 53-95 | Cover Terminal |
| 99 | 817 67 04-12 | Screw 1/4-20 x 3/4 |
| 106 | 532 17 48-14 | Nut Speed 1/4-20 |
| 107 | 532 42 10-61 | Switch Snapmount No #2 |
| 108 | 532 42 10-62 | Switch Snapmount NC |
| 141 | 532 41 69-77 | Kit T2 ROS |
| 142 | 583 85 78-01 | Charge Port Pigtail |
| 143 | 532 44 80-59 | Charge Port |

NOTE: All component dimensions given in U.S. inches
1 inch = 25.4 mm

TRACTOR - MODEL NO. TC 130 (96051018700), PRODUCT NO. 960 51 01-87
CHASSIS AND ENCLOSURES 39



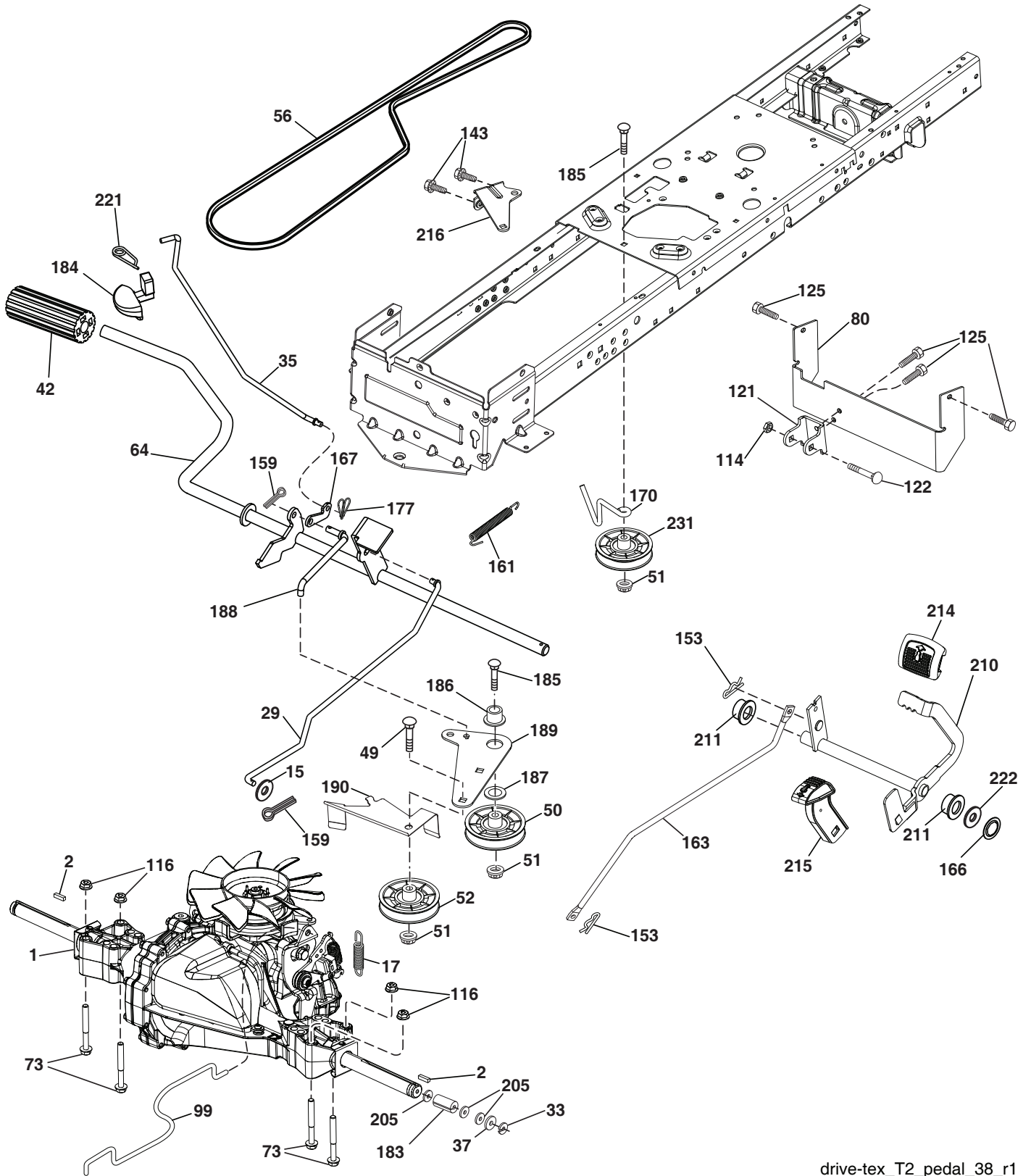
chassis-tex_TEX LT HUSQ_89

**TRACTOR - MODEL NO. TC 130 (96051018700), PRODUCT NO. 960 51 01-87
CHASSIS AND ENCLOSURES 39**

| KEY NO. | PART NO. | DESCRIPTION | KEY NO. | PART NO. | DESCRIPTION |
|------------|--------------|------------------------------------|------------|--------------|----------------------------------|
| 3 | 581 05 63-01 | Logo | 202 | 532 44 13-42 | Vent Side Hood RH |
| 5 | 585 52 98-02 | Dash | 203 | 532 44 13-43 | Vent Side Hood LH |
| 14 | 532 44 12-67 | Hood | 204 | 532 44 13-75 | Vent Top Hood |
| 15 | 532 44 14-28 | Lens LH | 205 | 532 44 13-44 | Skirt Side RH |
| 18 | 532 43 94-21 | Grille, Asm | 206 | 532 44 13-45 | Skirt Side LH |
| 25 | 532 44 14-27 | Lens RH | 213 | 596 03 05-01 | Bolt, Hex. Hd. 5/16-18 unc x 3/4 |
| 34 | 593 94 44-02 | Plate, Engine, Welded Chas.127" | 214 | 532 19 91-45 | Clip Retainer |
| 36 | 817 06 05-12 | Screw 5/16-18 x 3/4 | 217 | 532 40 91-67 | Rod Pivot Hood |
| 37 | 532 44 14-19 | Fender | 218 | 532 19 63-95 | X-Piece Hood Stop |
| 52 | 596 04 05-01 | Nutlock, Hex. Prvl. 5/16-18 | 228 | 593 82 40-01 | Stud, W/"D" Anti-rotation |
| 58 | 532 41 22-80 | Drawbar Upper | 235 | 596 56 42-01 | Spacer, Fender, Clr. Zn |
| 62 | 596 72 82-01 | Bolt, Carri, 3/8-16 x 1" Gr. 5 | 236 | 873 93 05-00 | Nut Lock 5/16-18 unc |
| 68 | 596 03 07-01 | Screw, Hexagon, 5/16-18 x 1/2 | 238 | 532 44 13-74 | Trim |
| 118 | 819 13 13-16 | Washer 13/32 x 13/16 x 16 Ga. | 239 | 532 40 48-83 | Clip Tinnerman |
| 119 | 596 32 26-01 | Nut, Crownlock, 3/8-16 unc | 282 | 532 41 41-10 | Clip Retainer |
| 125 | 581 68 48-01 | Clip Fuel Line | 283 | 532 44 05-31 | Console Deck Lift |
| 130 | 596 32 17-01 | Screw, #10 x 0.750 BOS Thread | 284 | 532 44 05-30 | Console Shift |
| 137 | 532 40 75-90 | Bumper Dash | 287 | 817 60 04-06 | Screw Hex Washhead 1/4-20 x 3/8 |
| 146 | 581 85 79-01 | Bolt | 297 | 532 40 66-65 | Insert Reflective LH |
| 150 | 532 40 66-62 | Air Duct | 306 | 873 90 06-00 | Nut Lock |
| 151 | 532 40 78-07 | Bracket Pivot | 308 | 532 17 18-77 | Bolt 5/16-18 unc x 3/4 |
| 152 | 532 19 95-35 | Shield Browning | 309 | 532 43 02-46 | Backplate Bagger SRD |
| 159 | 817 00 06-12 | Screw Kexwsh Thdr 3/8-16 x 3/4 | 310 | 532 44 54-28 | Bracket Hangar Bag LH |
| 162 | 596 13 41-01 | Screw, Hex. Tap. 1/4-15 x 1/2 | 311 | 532 44 54-30 | Bracket Hangar Bag RH |
| 175 | 532 19 94-72 | Crossmember | 319 | 532 17 46-62 | Bracket Actuator Bagger |
| 176 | 532 40 07-76 | Screw 10-24 x 5/8 | 334 | 532 44 25-37 | Bracket Engine |
| 177 | 532 19 52-28 | Bushing Steering | 375 | 586 90 82-01 | Dash Clip-On Bumper |
| 180 | 532 41 46-85 | Chassis | 376 | 589 45 87-01 | Upper Steering Mount |
| 182 | 532 40 71-76 | Dash Lower | 377 | 589 45 53-01 | Screw 10 x 1/2 |
| 183 | 595 30 57-01 | Screw, Hexagon, 5/16-18 x 1-1/4 | | | |
| 189 | 817 00 05-12 | Screw 5/16-18 x 3/4 | | | |
| 191 | 532 41 65-01 | Insert Reflective RH | | | |
| 194 | 596 13 57-01 | Nutlock, Prvl, Torq. 5/16-18 x .68 | | | |
| 199 | 532 41 87-39 | Plate Deck Lift | | | |

NOTE: All component dimensions given in U.S. inches
1 inch = 25.4 mm

TRACTOR - MODEL NO. TC 130 (96051018700), PRODUCT NO. 960 51 01-87
DRIVE **40**



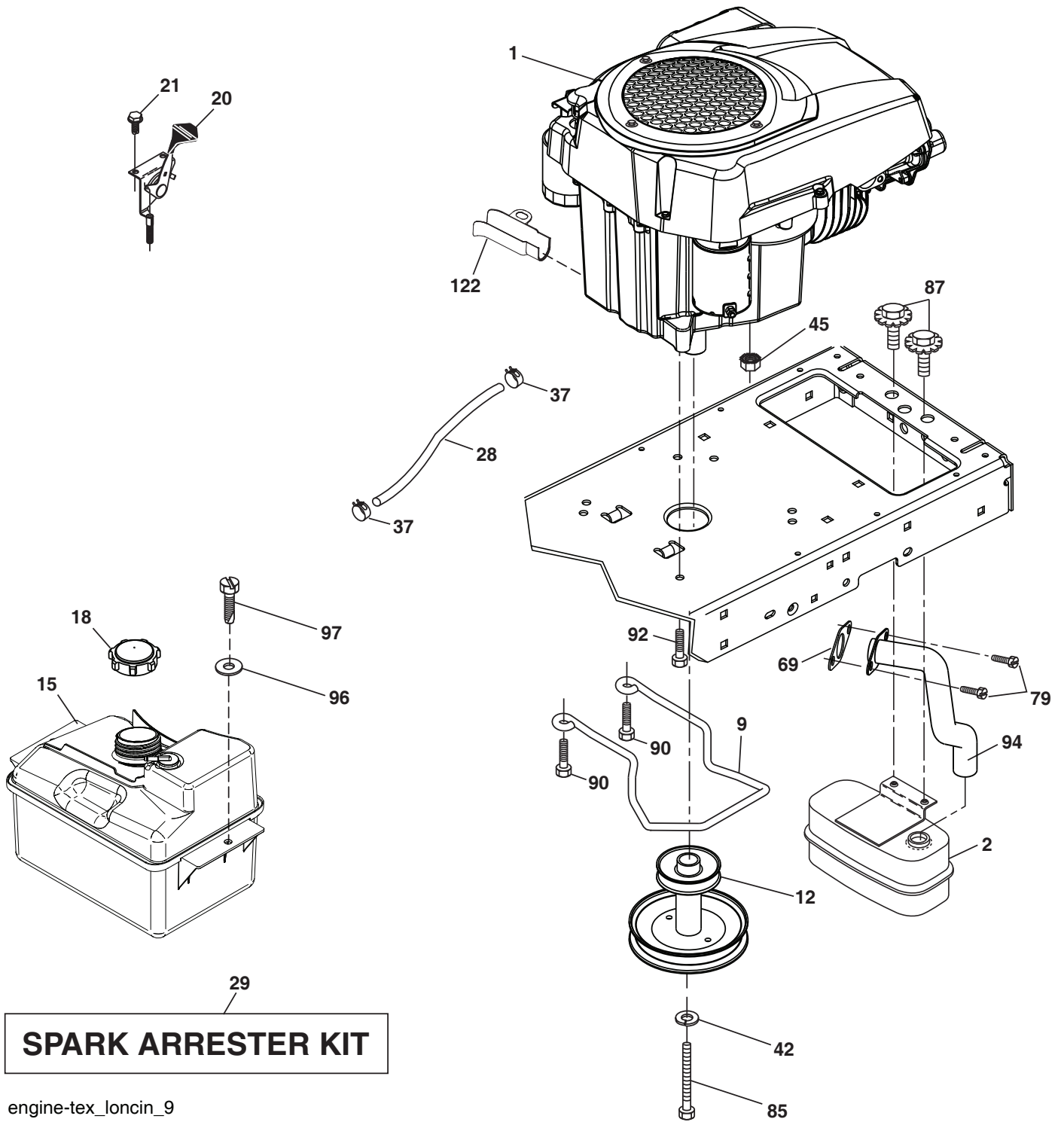
drive-tex_T2_pedal_38_r1

**TRACTOR - MODEL NO. TC 130 (96051018700), PRODUCT NO. 960 51 01-87
DRIVE **40****

| KEY NO. | PART NO. | DESCRIPTION | KEY NO. | PART NO. | DESCRIPTION |
|----------------|-----------------|--|----------------|-----------------|-------------------------------------|
| 1 | ----- | Transaxle, Hydro Gear T2-BDBE-1X2B-18X1 (587392201) (Order parts from transaxle manufacturer.) | 161 | 532 10 57-09 | Spring, Return, Clutch |
| 2 | 532 12 35-83 | Key Square | 163 | 594 00 72-01 | Rod, Control, T2. Pedal |
| 15 | 819 13 13-16 | Washer 13/32 x 13/16 x 16 Ga. | 166 | 532 42 91-64 | Nut Push .625 |
| 17 | 532 19 72-96 | Spring, Brake | 167 | 532 40 52-57 | Latch Brake Parking |
| 29 | 532 42 32-39 | Rod, Brake | 170 | 532 41 34-30 | Keeper Belt Centerspan |
| 33 | 812 00 00-01 | Ring E | 177 | 587 22 53-01 | Pin, Cotter, Locking, Bowtie, 1 in. |
| 35 | 596 87 48-01 | Rod, Control, Park, Txlt. Clr. Zinc | 183 | 532 15 69-72 | Spacer Axle |
| 37 | 532 12 17-49 | Washer 25/32 x 1-1/4 x 16 Ga. | 184 | 532 41 14-84 | Handle Parking Brake |
| 42 | 532 00 88-83 | Cover, Foot Pedal | 185 | 872 11 06-22 | Bolt |
| 49 | 596 13 62-01 | Bolt, Cup Head, 3/8-16 x 3/4 | 186 | 532 19 43-21 | Spacer Retainer |
| 50 | 532 19 43-27 | Pulley Idler Flat | 187 | 596 13 55-01 | Washer, 13/32 x 2 Clear, Zinc |
| 51 | 873 90 06-00 | Lock Nut 3/8-16 | 188 | 582 21 70-01 | Link Clutch Ground Drive, Long |
| 52 | 532 19 43-26 | Idler V-Groove Offset | 189 | 532 19 43-17 | Bellcrank Ground Drive |
| 56 | 592 85 53-01 | V-Belt, Drive | 190 | 532 19 43-18 | Keeper Bellcrank Ground Drive |
| 64 | 532 19 78-65 | Shaft Asm. Pedal Brake Control | 205 | 532 12 17-48 | Washer 25/32 x 1-5/8 x 16 Ga. |
| 73 | 595 31 66-01 | Bolt, HHD W/Flange, 5/16-18 Gr. 5 | 210 | 532 40 09-80 | Rocker Asm. Pedal Control |
| 80 | 581 55 07-01 | Strap Torque | 211 | 532 12 01-83 | Bearing Nylon |
| 99 | 532 40 84-18 | Rod Spring Bypass | 214 | 532 42 12-63 | Pedal Pad Forward |
| 114 | 596 58 37-02 | Nut, Hex. 5/16-18 Nyloc, Blk. Zinc | 215 | 586 60 65-02 | Pedal Reverse |
| 116 | 596 13 57-01 | Nut, Lock, Prvl. Torq. 5/16-18 x .68 | 216 | 532 19 61-31 | Bracket Pulley Idler |
| 121 | 532 17 56-11 | Bracket Strap Torque | 221 | 532 40 31-87 | Retainer Spring Clip Handle |
| 122 | 872 01 05-20 | Bolt 5/16-18 x 2.50 | 222 | 879 21 20-10 | Washer 21/32 x 1-1/4 10 Ga. |
| 125 | 817 00 05-12 | Screw 5/16-18 x 3/4 | 231 | 532 40 72-87 | Idler V-Groove |
| 143 | 596 03 07-01 | Screw, Hexagon, 5/16-18 x 1/2 | | | |
| 153 | 532 00 44-97 | Retainer Spring 1" | | | |
| 159 | 596 02 95-01 | Pin, Cotter, 1/8 Dia. x 3/4 | | | |

NOTE: All component dimensions given in U.S. inches
1 inch = 25.4 mm

TRACTOR - MODEL NO. TC 130 (96051018700), PRODUCT NO. 960 51 01-87
ENGINE 24



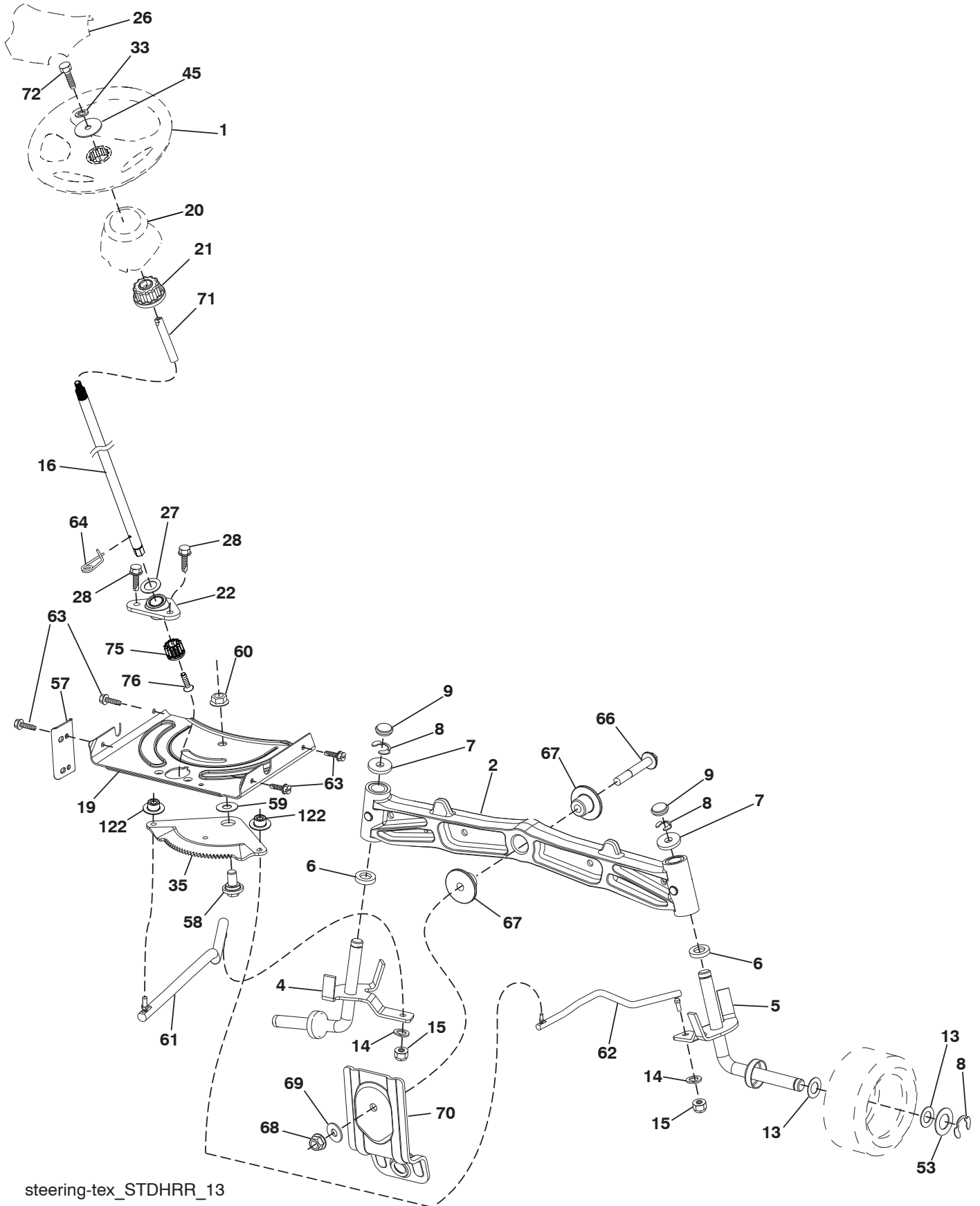
engine-tex_loncin_9

**TRACTOR - MODEL NO. TC 130 (96051018700), PRODUCT NO. 960 51 01-87
ENGINE 24**

| KEY NO. | PART NO. | DESCRIPTION |
|----------------|-----------------|---|
| 1 | 593 23 04-01 | Engine Husqvarna Model No. HS 452cc Engine IPL available separately. |
| 2 | 590 64 53-01 | Muffler |
| 9 | 582 54 03-02 | Keeper Belt Engine |
| 12 | 532 14 01-86 | Pulley Engine |
| 15 | 581 28 99-01 | Tank Fuel |
| 18 | 532 43 02-20 | Cap Fuel |
| 20 | 532 18 38-97 | Control Throttle |
| 21 | 596 32 17-01 | Screw, #10 x 0.750 BOS Thread |
| 28 | 532 13 70-40 | Fuel Line |
| 29 | 532 13 71-80 | Spark Arrester Kit |
| 37 | 532 12 34-87 | Clamp Hose |
| 42 | 596 23 89-01 | Washer, 7/16 in. Clr. Zn |
| 45 | 593 35 64-01 | Hexagon Flange Serrated |
| 69 | 590 86 35-01 | Gasket |
| 79 | 596 13 42-02 | Screw, Hex. Socket, 5/16-18 x 3/4 |
| 85 | 501 60 65-01 | Bolt Hex 7/16-20 x 4 Gr. 5 1.5 |
| 87 | 532 17 18-77 | Bolt 5/16-18 unc x 3/4 |
| 90 | 817 00 06-16 | Screw 3/8-16 x 1 |
| 92 | 817 12 06-16 | Screw 3/8-16 x 1 |
| 94 | 590 86 47-01 | Exhaust Tube |
| 96 | 596 13 53-01 | Washer, Plain, 9/32 x 7/8 Clr. Zn |
| 97 | 817 67 04-12 | Screw 1/4-20 x 3/4 |
| 122 | 532 42 19-22 | Extension Drain Oil |

NOTE: All component dimensions given in U.S. inches
1 inch = 25.4 mm

TRACTOR - MODEL NO. TC 130 (96051018700), PRODUCT NO. 960 51 01-87
STEERING ASSEMBLY [41]



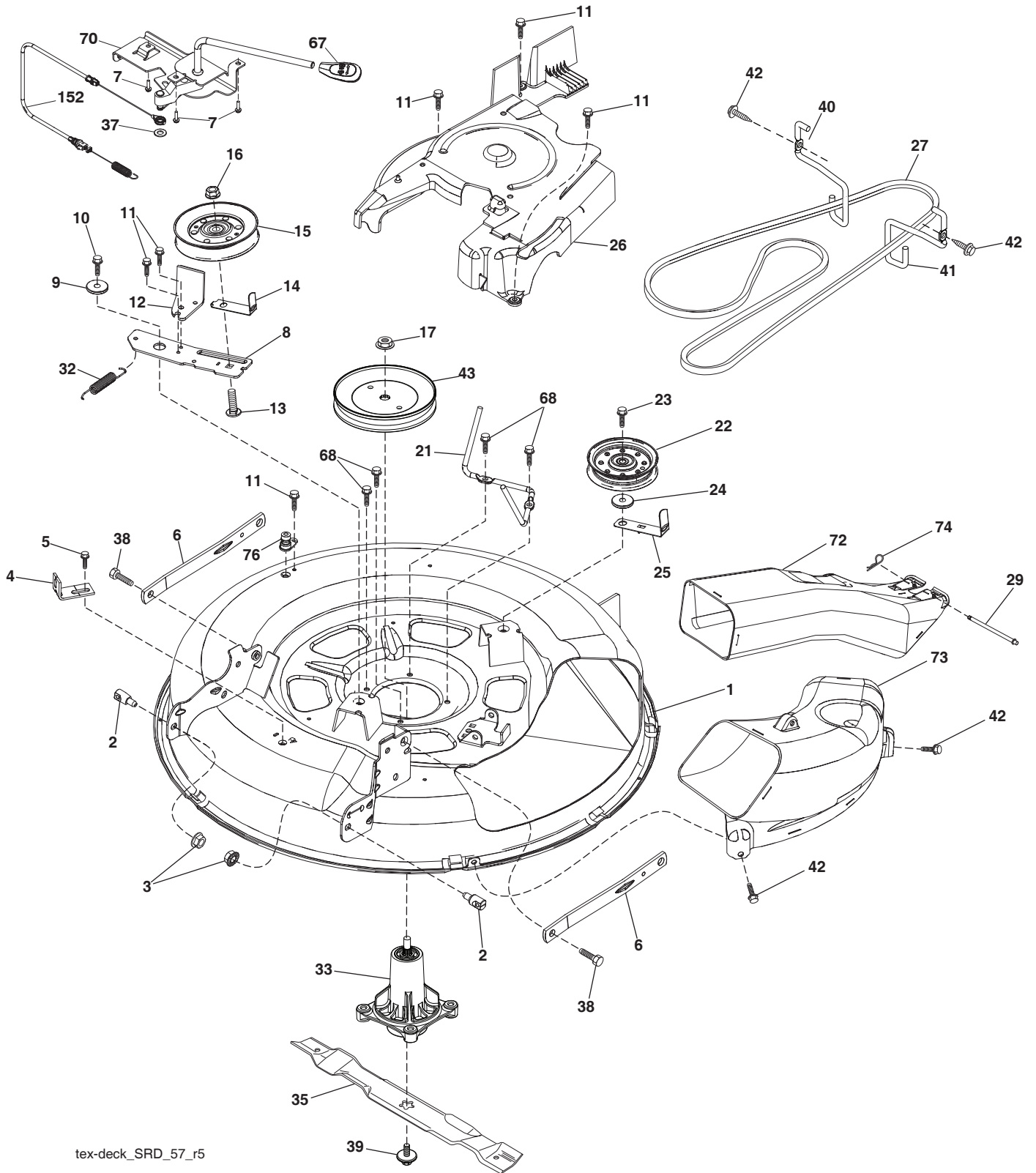
steering-tex_STDHRR_13

TRACTOR - MODEL NO. TC 130 (96051018700), PRODUCT NO. 960 51 01-87
STEERING ASSEMBLY 41

| KEY NO. | PART NO. | DESCRIPTION |
|----------------|-----------------|--|
| 1 | 532 43 99-97 | Wheel, Steering |
| 2 | 532 19 59-68 | Axle Cast |
| 4 | 532 41 68-45 | Spindle Asm., LH |
| 5 | 532 41 68-46 | Spindle Asm., RH |
| 6 | 532 00 62-66 | Washer.Thrust..75 x 1.230 |
| 7 | 532 12 17-48 | Washer 25/32 x 1-5/8 x 16 Ga. |
| 8 | 812 00 00-29 | Ring, Klip #T5304-75 |
| 9 | 532 12 12-32 | Cap, Spindle |
| 13 | 532 12 17-49 | Washer, 25/32 x 1-1/4 x 16 Ga. |
| 14 | 596 23 87-01 | Washer, Spring, Lock, .381 ID x .680 |
| 15 | 873 54 06-00 | Nut, Crown Lock 3/8-24 unf |
| 16 | 585 86 92-02 | Steering Shaft |
| 19 | 532 19 47-29 | Plate Steering |
| 20 | 532 44 14-25 | Boot, Steering |
| 21 | 532 18 67-37 | Adapter, Wheel Steering |
| 22 | 585 02 98-02 | Bearing |
| 26 | 532 43 97-43 | Insert, Wheel Steering |
| 27 | 596 93 34-01 | Washer, Plain |
| 28 | 817 00 06-12 | Screw 3/8-16 x 3/4 |
| 33 | 539 99 01-87 | Washer Lock 5/16 |
| 35 | 532 19 47-32 | Gear, Sector Plate |
| 45 | 596 04 00-01 | Washer, 11/32 x 2-3/8 Clr. Zn |
| 53 | 532 18 89-67 | Washer Hardened .793 x 1.637 x .060 |
| 57 | 532 40 74-65 | Bracket Upstop |
| 58 | 532 19 47-47 | Bolt Shoulder Sector Pivot CFM |
| 59 | 532 19 47-48 | Washer Thrust Sector Steering |
| 60 | 873 97 10-00 | Nut Flange Lock 5/8-11 |
| 61 | 597 07 02-02 | Draglink, LH. Adj. Std. Clrzn. |
| 62 | 597 07 03-02 | Draglink, RH. Adj. Std. Clrzn. |
| 63 | 817 00 05-12 | Screw 5/16-18 x 3/4 |
| 64 | 532 19 98-49 | Retainer Clip Spring Steering |
| 66 | 871 02 07-48 | Bolt Hex Fghd 7/16-14 x 3 Serr |
| 67 | 532 19 47-37 | Bushing PM Front Axle |
| 68 | 873 90 07-00 | Nut Lock Flange 7/16-14 Gr. 5 |
| 69 | 532 19 91-62 | Washer 1.5 x .505 x .118 |
| 70 | 532 41 70-65 | Bracket Deck Susp. Front |
| 71 | 532 19 07-52 | Shaft Extension Steering |
| 72 | 596 03 97-01 | Bolt, Hex Head, 5/16-18 unc x 4" Gr. 5 |
| 75 | 580 68 37-01 | Pinion |
| 76 | 580 68 36-01 | Screw Head Sock |
| 122 | 532 44 49-62 | Cap Gear Sector |

NOTE: All component dimensions given in U.S. inches
1 inch = 25.4 mm

TRACTOR - MODEL NO. TC 130 (96051018700), PRODUCT NO. 960 51 01-87
MOWER DECK 44



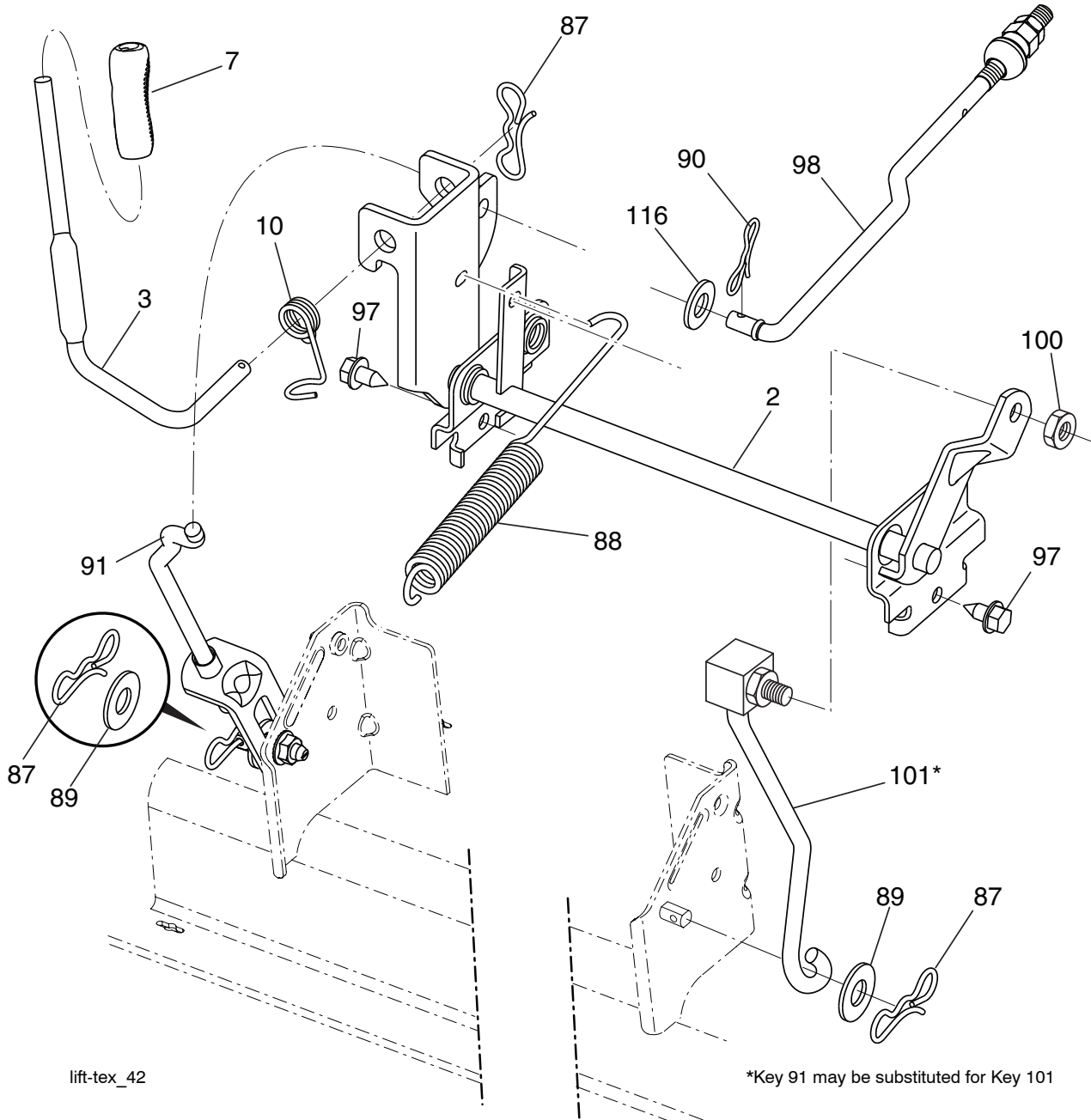
tex-deck_SRD_57_r5

TRACTOR - MODEL NO. TC 130 (96051018700), PRODUCT NO. 960 51 01-87
MOWER DECK 44

| KEY NO. | PART NO. | DESCRIPTION |
|----------------|-----------------|--|
| 1 | 532 43 44-87 | Kit. SVC. Weldment. 30" 419272X428 |
| 2 | 593 82 40-01 | Stud W/"D" Anti-Rotation |
| 3 | 596 13 57-01 | Nutlock, Prvl. Torq. 5/16-18 x .68 |
| 4 | 532 41 76-45 | Bracket.Clutch.Cable |
| 5 | 817 00 05-10 | Bolt 5/16-18 |
| 6 | 532 41 88-63 | Arm.Susp.Mower.Rear.Srd |
| 7 | 596 32 17-01 | Screw, #10 x 0.750 BOS Thread |
| 8 | 532 42 02-52 | Arm.Idler.30"Srd |
| 9 | 532 19 90-92 | Spacer,Retainer |
| 10 | 817 00 06-16 | Screw.3/8 - 16X1 Smsgml Tap/RBlk |
| 11 | 532 13 77-29 | Screw.Thd.Roll.1/4 - 20 X 5/8 |
| 12 | 532 19 94-70 | Arm.Brake.Mower.38"LH.Tex |
| 13 | 596 13 61-01 | Bolt, Cup Head, 3/8-16 x 1-1/2 |
| 14 | 532 15 60-85 | Keeper.Belt.Idler |
| 15 | 532 14 67-63 | Pulley Idler.V-Groove.Dim 4.25 |
| 16 | 873 90 06-00 | Nut Lock FIG 3/8 - 16 unc |
| 17 | 596 13 48-01 | Nut, Hex 9/16-18 x 1.010 |
| 21 | 532 41 69-10 | Keeper.Belt.Mandrel.30" |
| 22 | 596 48 14-01 | Pulley, Idler, Flat, 3. Clear, Zinc |
| 23 | 596 56 40-03 | Bolt, Hex. 3/8-16 x 1.78 Clrzinc |
| 24 | 596 13 49-01 | Washer, Plain, 3/8 x 7/8 |
| 25 | 532 42 02-53 | Keeper.Belt.30"Srd |
| 26 | 532 42 02-55 | Cover.Mandrel.30" |
| 27 | 532 41 92-71 | Belt-V.Drive.Mower.30" |
| 29 | 593 88 51-01 | Rod, Hinge |
| 32 | 532 40 18-72 | Spring.Return.Deck.38/46" |
| 33 | 587 81 97-01 | Kit, Mandrel, Non-greaseable, Tall (includes mandrel and bolts) |
| 35 | 532 41 92-74 | Blade.Mower.Bagging.30R |
| 37 | 596 56 53-01 | Washer, 3/8 x 0.08 in. St. Clr. Zinc |
| 38 | 532 19 65-39 | Bolt.Shoulder |
| 39 | 584 30 93-01 | Screw 7/16-20 x 1 Hex |
| 40 | 532 41 92-70 | Keeper.Belt.Engine.LH |
| 41 | 532 41 92-65 | Keeper.Belt.Engine.RH |
| 42 | 817 00 06-12 | Screw Hexwsh THDR 3/8-16x3/4 BL |
| 43 | 532 41 68-77 | Pulley.Mandrel.6.5 Pd.30" |
| 67 | 532 40 30-12 | Handle.Clutch.Cable |
| 68 | 584 95 39-01 | Bolt.Hex.Wshr Hd .313-18 x 1.19 |
| 70 | 532 40 12-46 | Clutch.Asm.Manual.LT.Pred |
| 72 | 532 41 72-36 | Chute.Upper.SRD 30R |
| 73 | 532 42 52-74 | Chute Lower SRD 30R |
| 74 | 596 91 96-01 | Pin, Hair, Cotter 1/8 x 1-3/4 |
| 76 | 532 41 55-98 | Washout Port |
| 152 | 532 43 51-11 | Cable.Mech.Clutch.30R/30S/38 |
| - - | 532 44 08-00 | Replacement Mower Complete |

NOTE: All component dimensions given in U.S. inches
1 inch = 25.4 mm

TRACTOR - MODEL NO. TC 130 (96051018700), PRODUCT NO. 960 51 01-87
MOWER LIFT 45

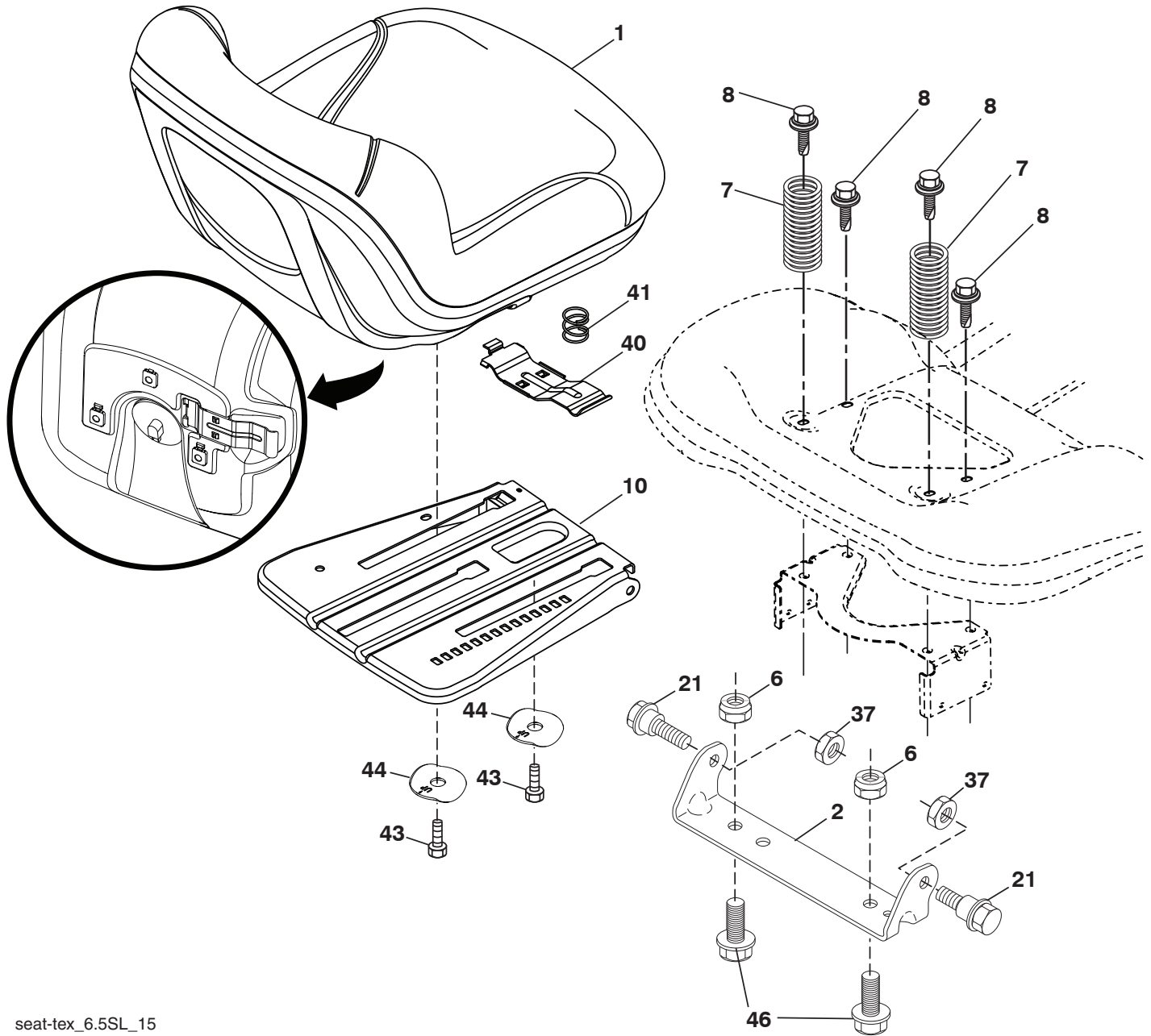


| KEY NO. | PART NO. | DESCRIPTION |
|---------|--------------|----------------------------------|
| 2 | 532 42 20-27 | Shaft Asm., Cross Lift |
| 3 | 594 01 80-01 | Handle, Liftlever, LT. Std. Wide |
| 7 | 580 96 23-01 | Grip, Lever |
| 10 | 532 19 63-14 | Spring Torsion |
| 87 | 532 19 42-09 | Pin Cotter 7/16 Bow Tie Lock |
| 88 | 532 41 07-10 | Spring.Decklift.Assist |
| 89 | 819 19 19-12 | Washer Clear Zinc |
| 90 | 532 19 42-08 | Pin Cotter 5/16 Bow Tie Lock |
| 91 | 589 46 48-03 | Link, Assy. Lift Rear |

| KEY NO. | PART NO. | DESCRIPTION |
|---------|--------------|-------------------------------------|
| 97 | 817 00 06-12 | Screw 3/8-16 x .75 Smgml Tap/R.Z |
| 98 | 581 50 69-02 | Link, Asm. Mwr. Front |
| 100 | 595 30 59-01 | Nut, Hex. Locknut 3/8-16 |
| 101 | 532 40 70-03 | Link Asm. Lift Fixed |
| 116 | 594 97 65-01 | Washer.Round.15/32 x 15 x 16 x .065 |

NOTE: All component dimensions given in U.S. inches
 1 inch = 25.4 mm

**TRACTOR - MODEL NO. TC 130 (96051018700), PRODUCT NO. 960 51 01-87
SEAT ASSEMBLY 42**



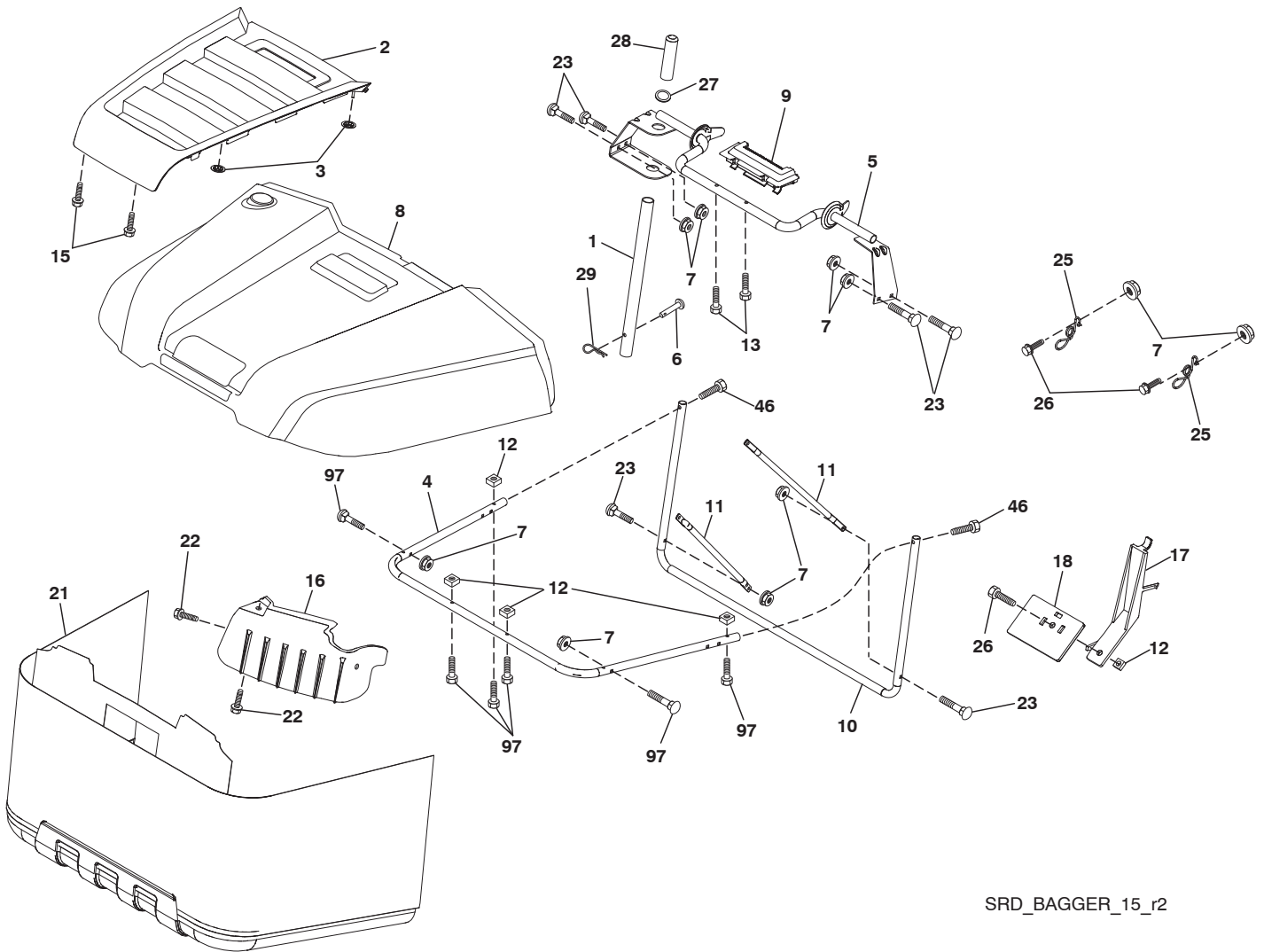
seat-tex_6.5SL_15

| KEY NO. | PART NO. | DESCRIPTION |
|---------|--------------|---------------------------------|
| 1 | 532 43 98-19 | Seat |
| 2 | 532 18 01-66 | Bracket Pivot Fender |
| 6 | 873 80 06-00 | Nut, Lock w/Ins. 3/8-16 unc |
| 7 | 589 48 35-01 | Spring, Seat Cprsn |
| 8 | 532 17 18-77 | Bolt 5/16-18 unc x 3/4 w/Sems |
| 10 | 596 65 74-02 | Plate.Seat.Slide. |
| 21 | 587 90 78-01 | Bolt, Shoulder 5/16-18 x 5/8 |
| 37 | 596 58 37-02 | Nut, W/Nonmetal, Ins. Blk. Zinc |

| KEY NO. | PART NO. | DESCRIPTION |
|---------|--------------|---------------------------------|
| 40 | 595 08 81-02 | Handle, Seat, Slide, E-Dip x431 |
| 41 | 532 19 82-00 | Spring Latch Seat |
| 43 | 874 76 06-12 | Bolt 3/8-16 x 3/4 |
| 44 | 501 05 18-01 | Washer Winged 3/8 ID 1.5 OD |
| 46 | 588 09 04-01 | Bolt 3/8-16 x 1, 1.25 |

NOTE: All component dimensions given in U.S. inches
1 inch = 25.4 mm

TRACTOR - MODEL NO. TC 130 (96051018700), PRODUCT NO. 960 51 01-87
BAGGER **46**



SRD_BAGGER_15_r2

**TRACTOR - MODEL NO. TC 130 (96051018700), PRODUCT NO. 960 51 01-87
BAGGER 46**

| KEY NO. | PART NO. | DESCRIPTION |
|----------------|-----------------|--------------------------------|
| 1 | 532 42 86-10 | Tube Handle Bagger SRD |
| 2 | 532 44 13-58 | Applique |
| 3 | 532 41 38-08 | Nut Push |
| 4 | 579 78 54-01 | Frame Asm Bagger Top |
| 5 | 532 41 76-32 | Frame Asm Top Bagger SRD |
| 6 | 532 12 68-75 | Drilled Rivit |
| 7 | 873 90 04-00 | Nut Hex Flange 1/4-20 unc |
| 8 | 532 44 12-61 | Bagger Top |
| 9 | 532 41 76-29 | Insert Handle Bagger |
| 10 | 532 41 71-90 | Frame Front |
| 11 | 532 41 71-88 | Tubing Brace Bagger |
| 12 | 532 42 17-93 | Nut Square 1/4 |
| 13 | 532 42 17-80 | Screw 1/4 x 1.150 HXWSH |
| 15 | 532 42 18-01 | Screw #8 Flat Head Drill Tip |
| 16 | 532 42 15-66 | Deflector Bagger |
| 17 | 532 42 17-49 | Lever Bagger Full |
| 18 | 532 42 17-50 | Paddle Bagger Full |
| 21 | 532 42 99-81 | Bag Asm SRD |
| 22 | 596 13 41-01 | Screw, Hex. Tap. 1/4-15 x 1/2 |
| 23 | 872 04 04-10 | Bolt Carr 1/4-20 unc x 1-1/4 |
| 25 | 532 42 16-14 | Spring Latch Bagger |
| 26 | 817 49 04-12 | Screw Hex Thdrol 1/4-20 x 3/4 |
| 27 | 532 42 12-62 | Grommet, Rubber SRD |
| 28 | 532 16 57-87 | Grip Handle Black |
| 29 | 532 19 42-08 | Pin Cotter 5/16 Bow Tie Lock |
| 46 | 501 40 66-01 | Screw Hexcap 1/4 x 20 x 1.500 |
| 97 | 590 10 57-01 | Screw Torx Butn HD 1/4-20-1.5" |

NOTE: All component dimensions given in U.S. inches
1 inch = 25.4 mm

