

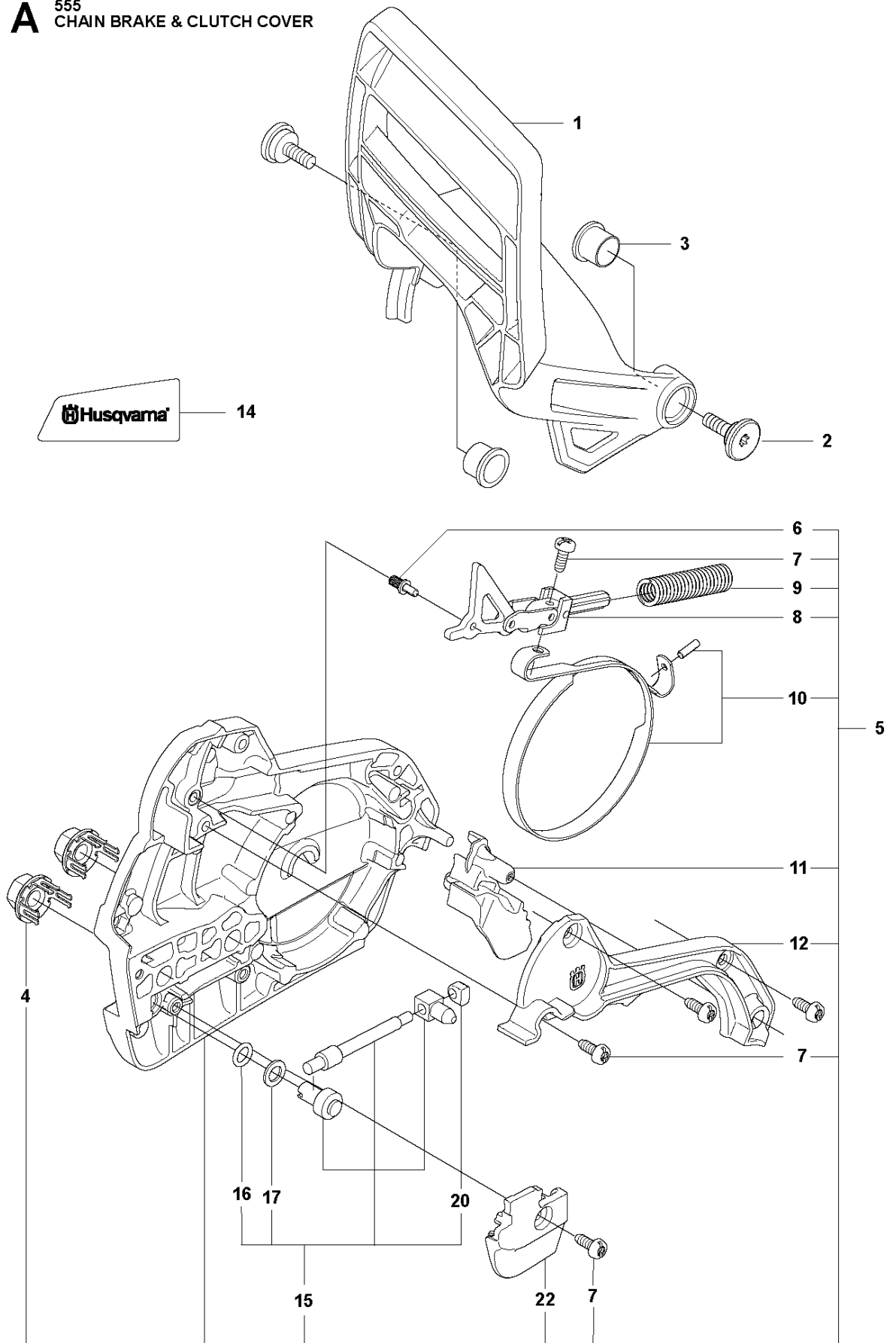


SPARE PARTS LIST

CHAIN SAWS

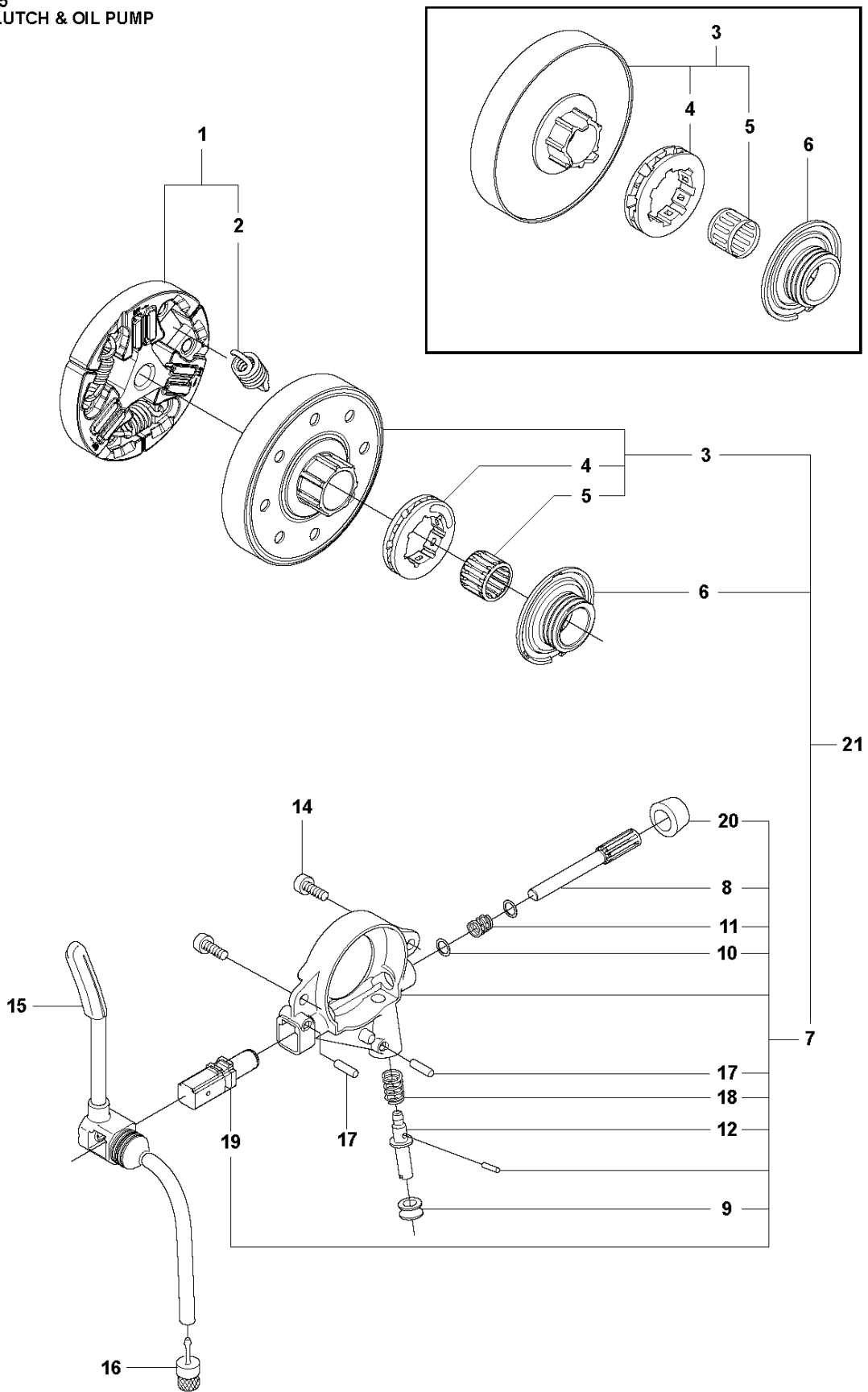
555

A 555
CHAIN BRAKE & CLUTCH COVER



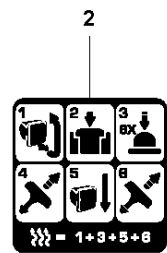
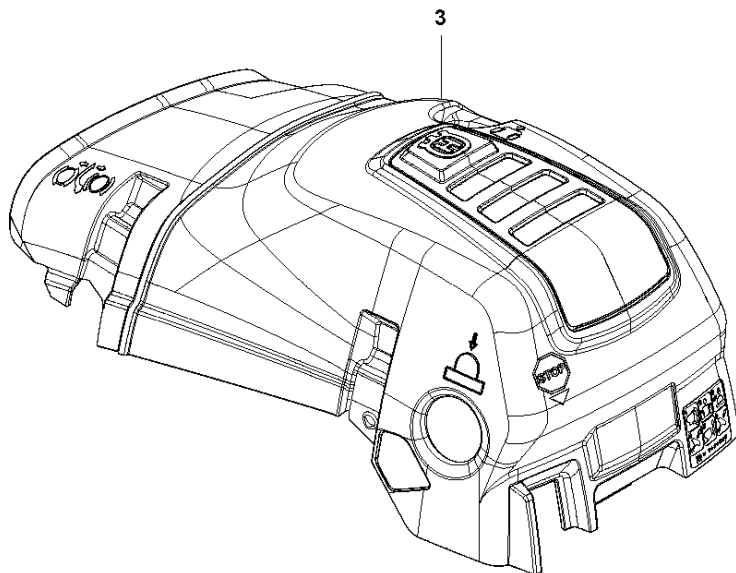
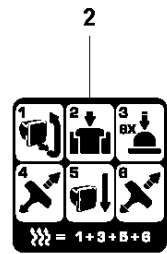
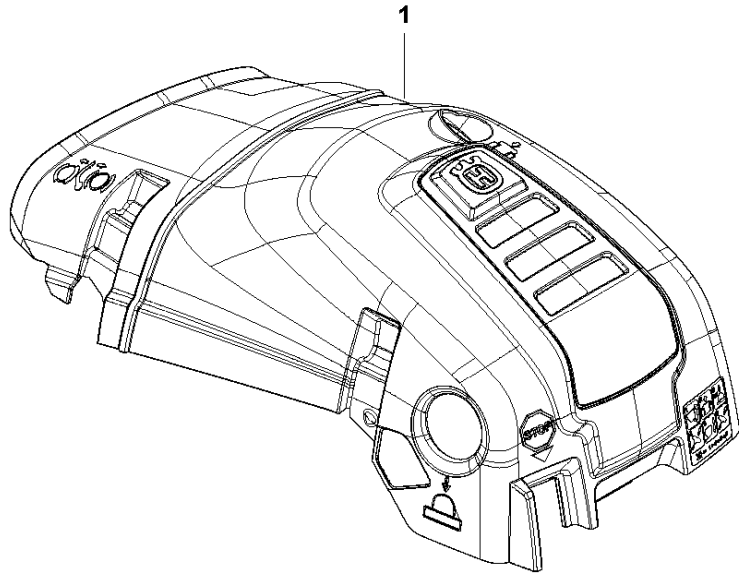
Ref	Part No	Description	Remark	QTY	KIT
1	505 20 09-02	HAND GUARD		1	
2	526 83 45-01	SCREW		2	
3	577 78 02-01	BUSHING		2	
4	505 19 73-01	NUT		2	5
5	501 84 61-02	CLUTCH COVER ASSY		1	
6	503 75 18-01	PIN		1	5
7	526 22 18-01	SCREW CITXPANT		5	5
8	505 19 93-01	KNEE JOINT ASSY		1	5
9	503 90 83-01	BRAKE SPRING		1	5
10	505 19 95-02	BRAKE BAND ASSY		1	5
11	505 20 16-01	GUARD		1	5
12	505 19 97-03	COVER		1	5
14	523 05 80-01	LABEL	- up to s/n 20202399999	1	
15	575 26 04-03	CHAIN TENSIONER KIT		1	5
16	740 48 07-02	O-RING		1	15, 5
17	503 23 00-63	WASHER		1	15, 5
20	537 01 74-01	BEARING SLEEVE		1	15, 5
22	505 19 98-01	CHAIN GUIDE		1	5

B 555
CLUTCH & OIL PUMP



Ref	Part No	Description	Remark	QTY	KIT
1	589 80 90-02	CLUTCH ASSY		1	
2	580 65 35-02	CLUTCH SPRING	s/n from 20132500001 - up to s/n 20164100192	3	1
2	502 16 47-01	CLUTCH SPRING	s/n from 20164100193 -	3	1
3	575 26 10-05	CLUTCH DRUM ASSY	"- up to s/n 20202200048 ""3/8"" x7""	1	
3	575 26 10-07	CLUTCH DRUM ASSY	"s/n from 20202200049 - ""3/8"" x7""	1	21
3	575 26 10-06	CLUTCH DRUM	"- up to s/n 20202200048 ""3/8"" x7""	1	
3	575 26 10-08	CLUTCH DRUM ASSY	"s/n from 20202200049 - ""3/8"" x7""	1	21
4	501 45 74-02	RIM	".325""x7"	1	3
4	501 59 80-02	RIM	"3/8""x7"	1	3
5	503 25 34-01	NEEDLE BEARING		1	3
6	505 20 08-01	WORM WHEEL	- up to s/n 20202200048	1	
6	586 20 17-01	WORM WHEEL	"s/n from 20202200049 - ""3/8""	1	21
6	587 63 30-01	WORM WHEEL	"s/n from 20202200049 - ""3/8""	1	21
7	505 19 99-08	OIL PUMP ASSY		1	21
8	505 20 02-02	PUMP PISTON		1	7
9	505 20 03-01	CASING		1	7
10	503 23 00-60	WASHER		2	7
11	503 89 16-01	SPRING		1	7
12	505 15 70-01	ADJUSTMENT SCREW		1	7
14	526 81 81-02	SCREW ITXSCM		2	
15	505 20 04-01	OIL HOSE		1	
16	504 71 00-03	OIL PLUMMET		1	
17	720 12 33-00	PARALLEL PIN		2	7
18	503 89 15-01	SPRING		1	7
19	505 20 01-01	PUMP CYLINDER		1	7
20	503 62 49-02	SEALING PLUG		1	7
21	598 93 77-01	CLUTCH DRUM ASSY	"s/n from 20202200049 - ""3/8""	1	
21	598 93 77-02	CLUTCH DRUM ASSY	"s/n from 20202200049 - ""3/8""	1	

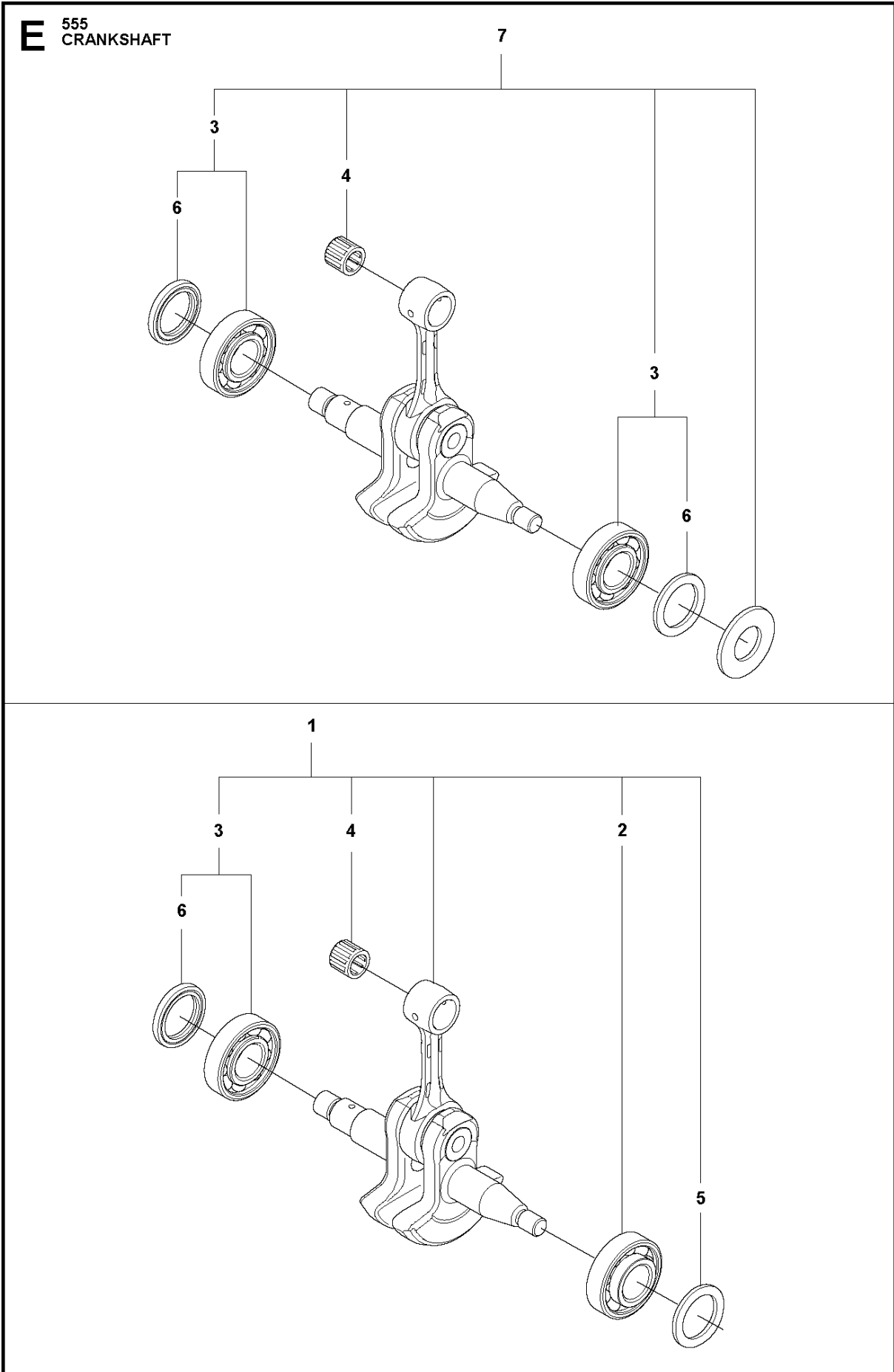
C 555
CYLINDER COVER



CYLINDER COVER

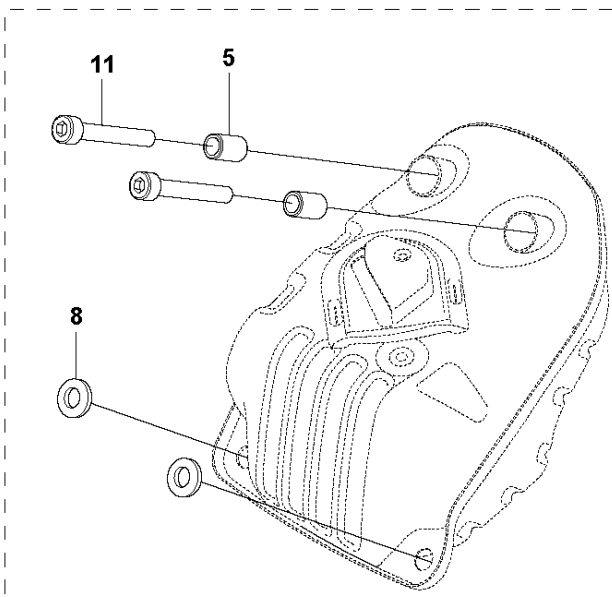
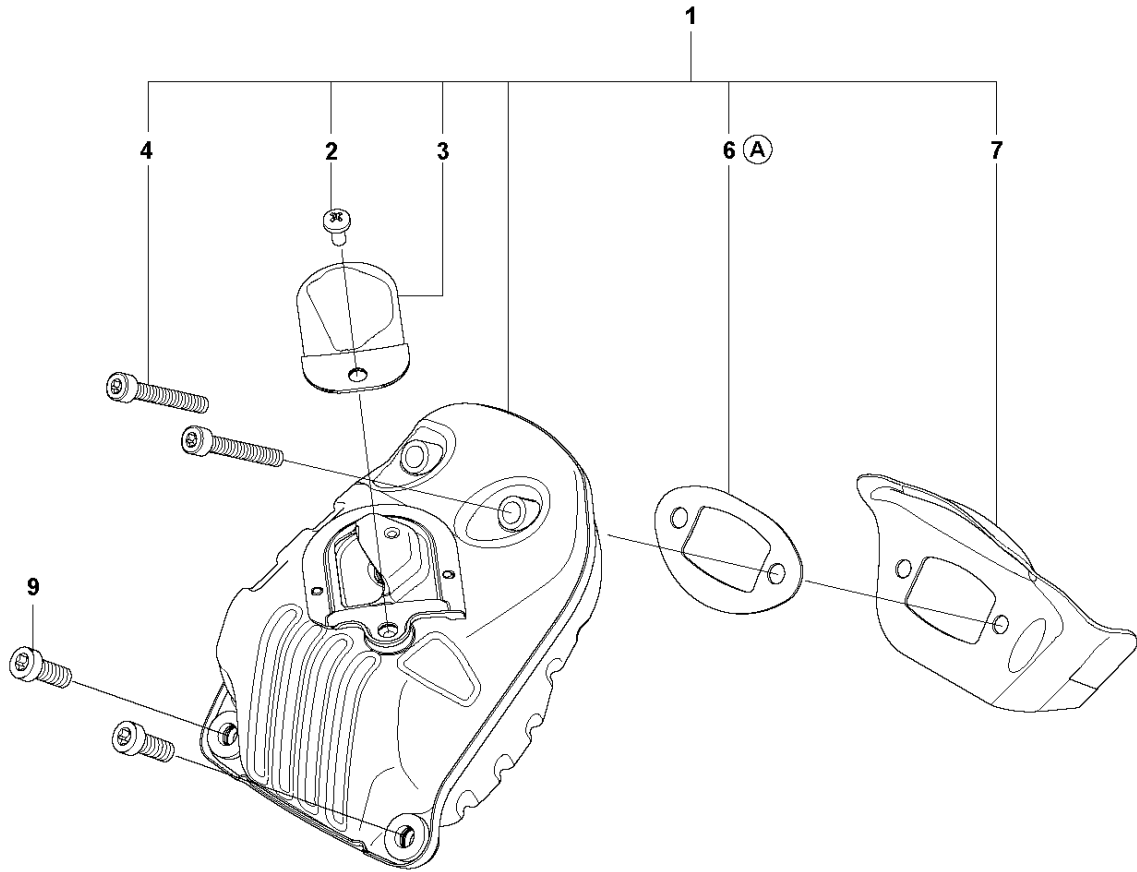
Ref	Part No	Description	Remark	QTY	KIT
1	587 24 85-04	CYLINDER COVER ASSY	s/n up to - 20202699999	1	
2	587 14 95-01	LABEL		1	1, 3
3	587 24 87-03	CYLINDER COVER ASSY		1	

Ref	Part No	Description	Remark	QTY	KIT
1	531 00 86-15	SPARK PLUG		1	
2	582 39 27-01	SCREW		4	
3	575 27 69-01	DECOMPRESSION VALVE		1	
4	503 55 22-01	PLUG		1	7
5	576 71 76-02	SLEEVE		4	
6	510 16 49-01	GASKET		1	12
7	575 35 58-06	CYLINDER ASSY		1	
8	584 80 78-06	PISTON ASSY		1	7
9	505 21 57-01	PISTON RING		1	8, 7
10	737 44 10-00	SNAP RING		2	8, 7
11	503 25 63-02	NEEDLE BEARING		1	7
12	575 27 00-03	GASKET KIT	A=set of gaskets	1	
13	520 29 11-01	BUSHING		1	7



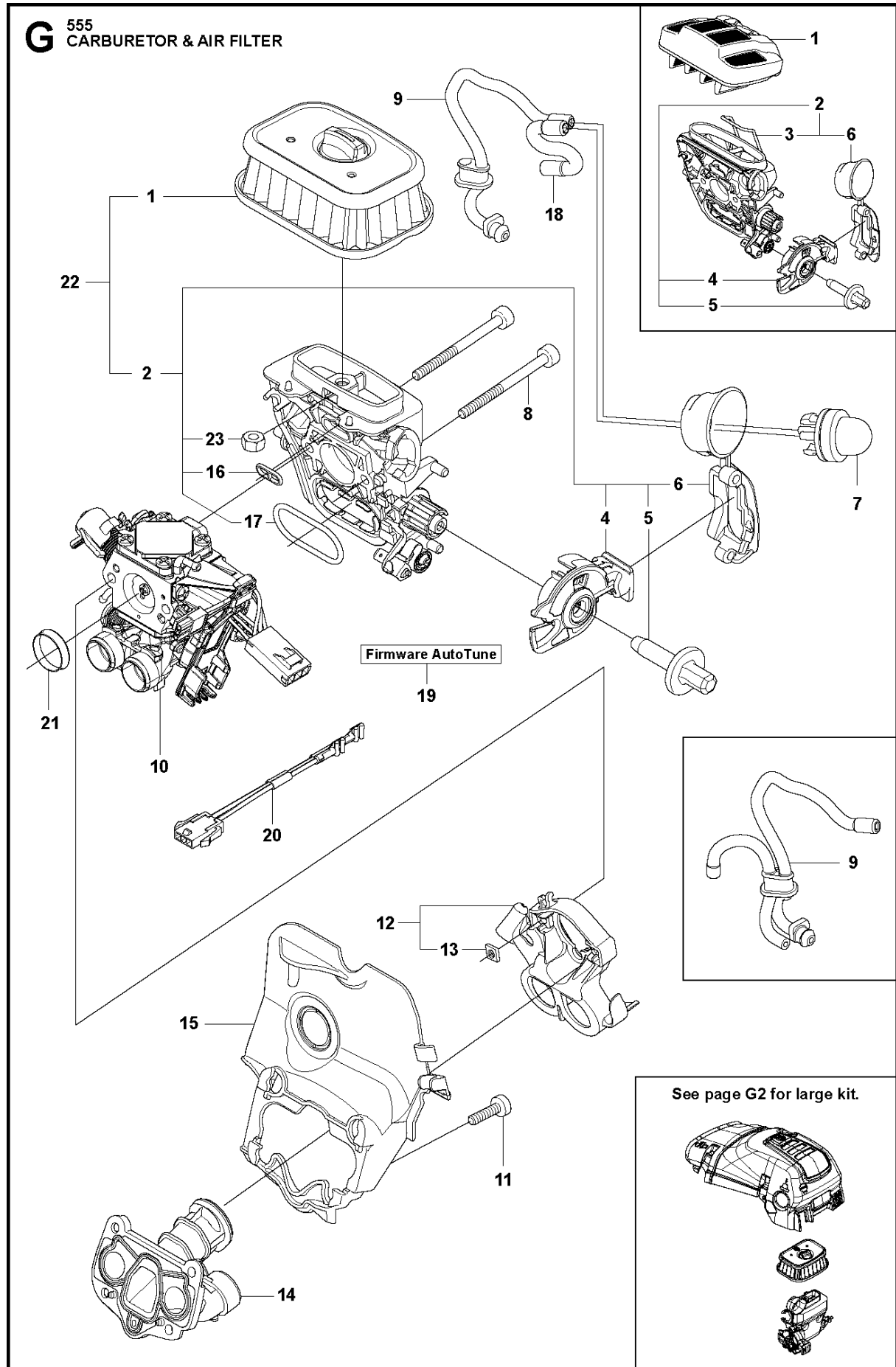
Ref	Part No	Description	Remark	QTY	KIT
1	575 54 52-14	CRANKSHAFT ASSY	- up to s/n 20202399999	1	
2	505 13 35-03	BALL BEARING	- up to s/n 20202399999	1	1
3	525 43 42-04	BALL BEARING		2	7
3	525 43 42-04	BALL BEARING		1	1
4	503 25 63-02	NEEDLE BEARING		1	1,7
5	525 39 12-01	RADIAL SEAL	- up to s/n 20202399999	1	1
6	505 41 61-01	RADIAL SEAL		1	1, 3, 7
7	575 54 52-18	CRANKSHAFT ASSY	s/n from 20202400001 -	1	

F 555
MUFFLER



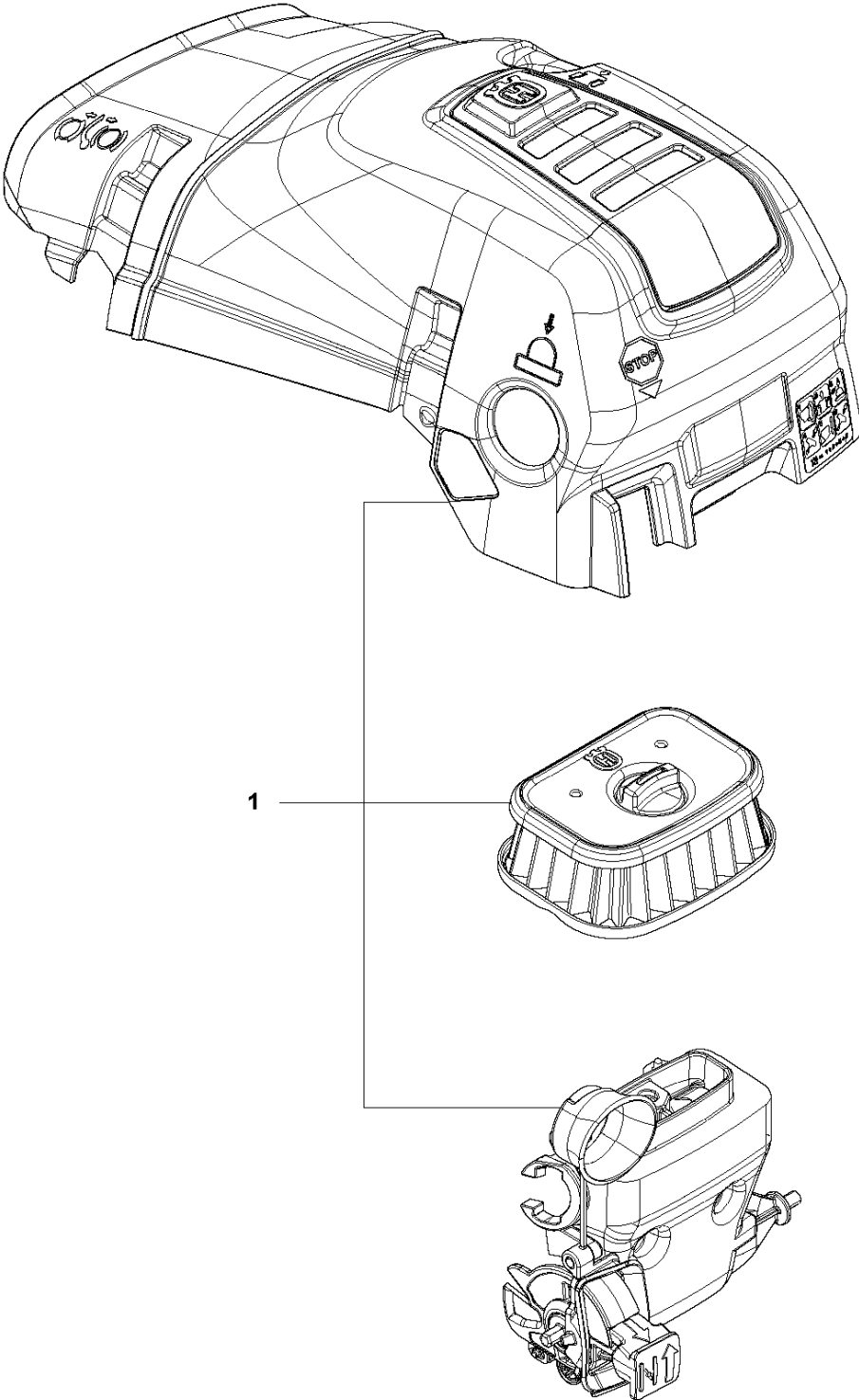
10
(A) Set of gaskets

Ref	Part No	Description	Remark	QTY	KIT
1	581 91 48-02	MUFFLER KIT		1	
2	724 12 87-59	SCREW CRPANM		1	1
3	505 17 13-01	SPARK ARRESTER		1	1
4	525 82 51-06	SCREW ITXSCM	s/n from 20132500001 -	2	1
5	577 65 63-01	SLEEVE	s/n up to - 20132499999	2	
6	581 91 85-01	GASKET		1	1, 10
7	585 17 87-01	HEAT DEFLECTOR		1	1
8	577 90 22-01	WASHER	s/n up to - 20132499999	2	
9	525 76 25-01	SCREW ITXSCM		2	
10	575 27 00-03	GASKET KIT	A=set of gaskets	1	
11	725 53 76-55	SCREW IHSCM	s/n up to - 20132499999	2	

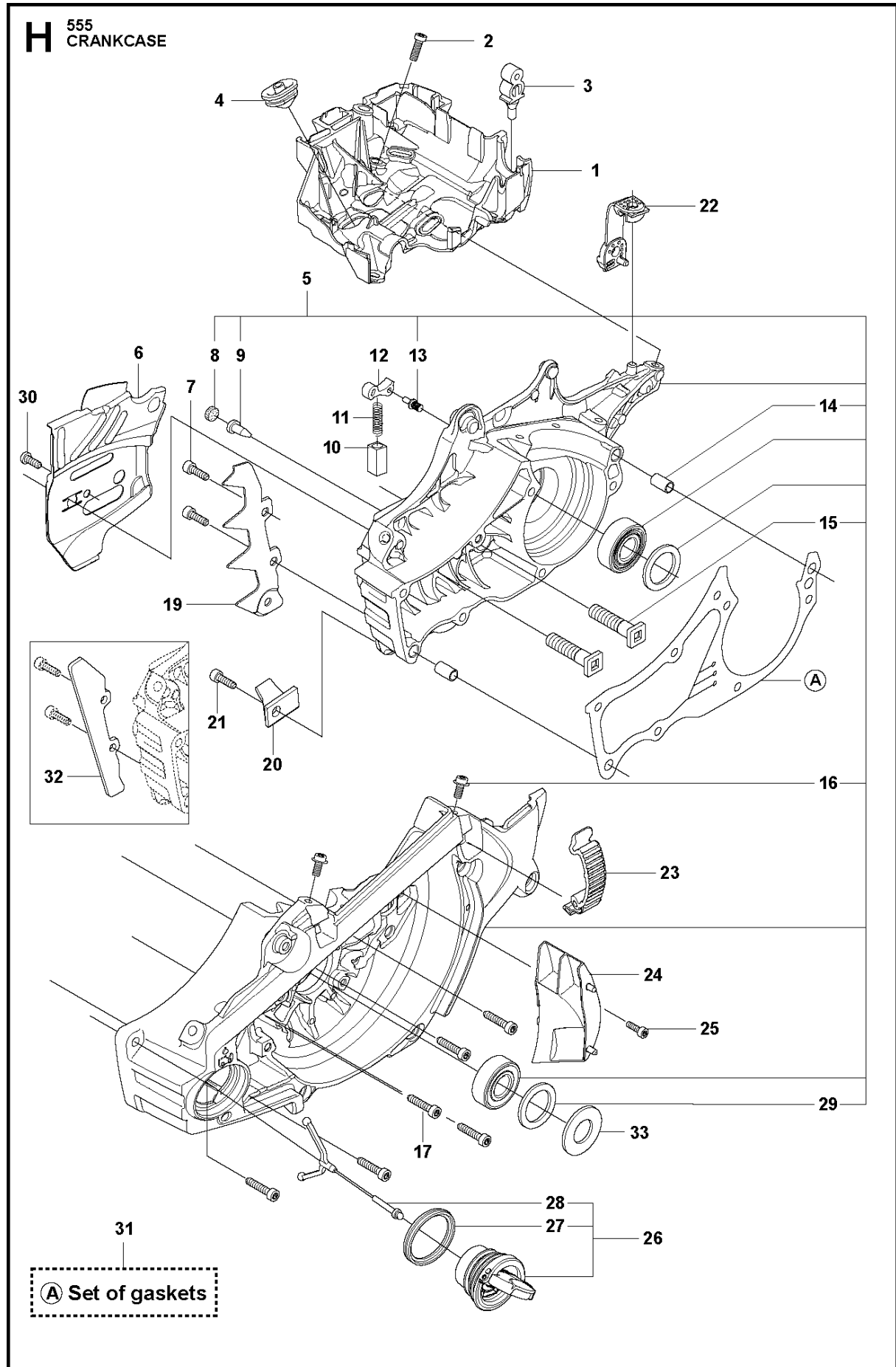


Ref	Part No	Description	Remark	QTY	KIT
1	590 45 88-01	AIR FILTER ASSY	NYLON 64 µm Black s/n from 20202700001 -	1	
1	590 45 88-02	AIR FILTER ASSY	NYLON 25 µm Yellow s/n from 20202700001 -	1	22
1	590 45 88-03	AIR FILTER ASSY	Non Woven Nature s/n from 20202700001 -	1	
1	505 12 63-04	AIR FILTER ASSY	NYLON 80 µm Black s/n up to - 20202699999	1	
1	505 12 63-05	AIR FILTER ASSY	NYLON 44 µm Yellow s/n up to - 20202699999	1	
1	505 12 63-06	AIR FILTER ASSY	FELT White s/n up to - 20202699999	1	
1	505 12 63-07	AIR FILTER ASSY	NYLON 25 µm Orange s/n up to - 20202699999	1	
2	525 39 79-05	FILTER HOLDER ASSY	s/n up to - 20202699999	1	22
2	597 27 55-01	FILTER HOLDER ASSY	s/n from 20202700001 -	1	
3	505 17 69-01	SHACKLE	s/n up to - 20202699999	1	2
4	510 01 72-02	CHOKE CONTROL ASSY		1	2, 22
5	505 15 62-01	SCREW		1	2, 22
6	525 58 81-01	SEALING		1	2, 22
7	503 93 66-01	PURGE		1	
8	574 35 35-03	SCREW ITXSCM		2	
9	587 64 54-04	VENTILATING HOSE	s/n from 20154500385	1	9
9	589 35 71-01	VENTILATING HOSE	s/n up to - 20154500384	1	
9	525 34 43-03	FUEL HOSE	s/n from 20173800688	1	
10	579 19 41-01	CARBURETTOR	s/n up to - 20121499999 (ZAMA EL44)	1	
10	501 46 33-06	CARBURETTOR KIT	ZAMA140059A	1	
11	526 81 81-01	SCREW ITXSCM		4	
12	505 16 52-02	FLANGE		1	
13	503 22 65-03	SQUARE NUT		2	12
14	583 96 41-03	INLET PIPE		1	
14	583 96 41-04	INLET PIPE	Cold resistant	1	
15	520 29 09-01	INTERMEDIATE WALL		1	
16	525 61 92-01	SEALING		1	2, 22
17	525 61 90-01	SEALING		1	2, 22
18	523 05 68-01	FUEL HOSE		1	
19	.	TBD	Download from your local supportsite	1	
20	577 53 64-01	WIRING ASSY	s/n from 20121500001 -	1	
21	582 02 51-01	SUPPORT SLEEVE		1	
22	598 93 45-01	FILTER UNIT		1	
23	731 23 14-01	HEXAGON NUT	s/n from 20202700001 -	1	

G2 555
KIT ASSY

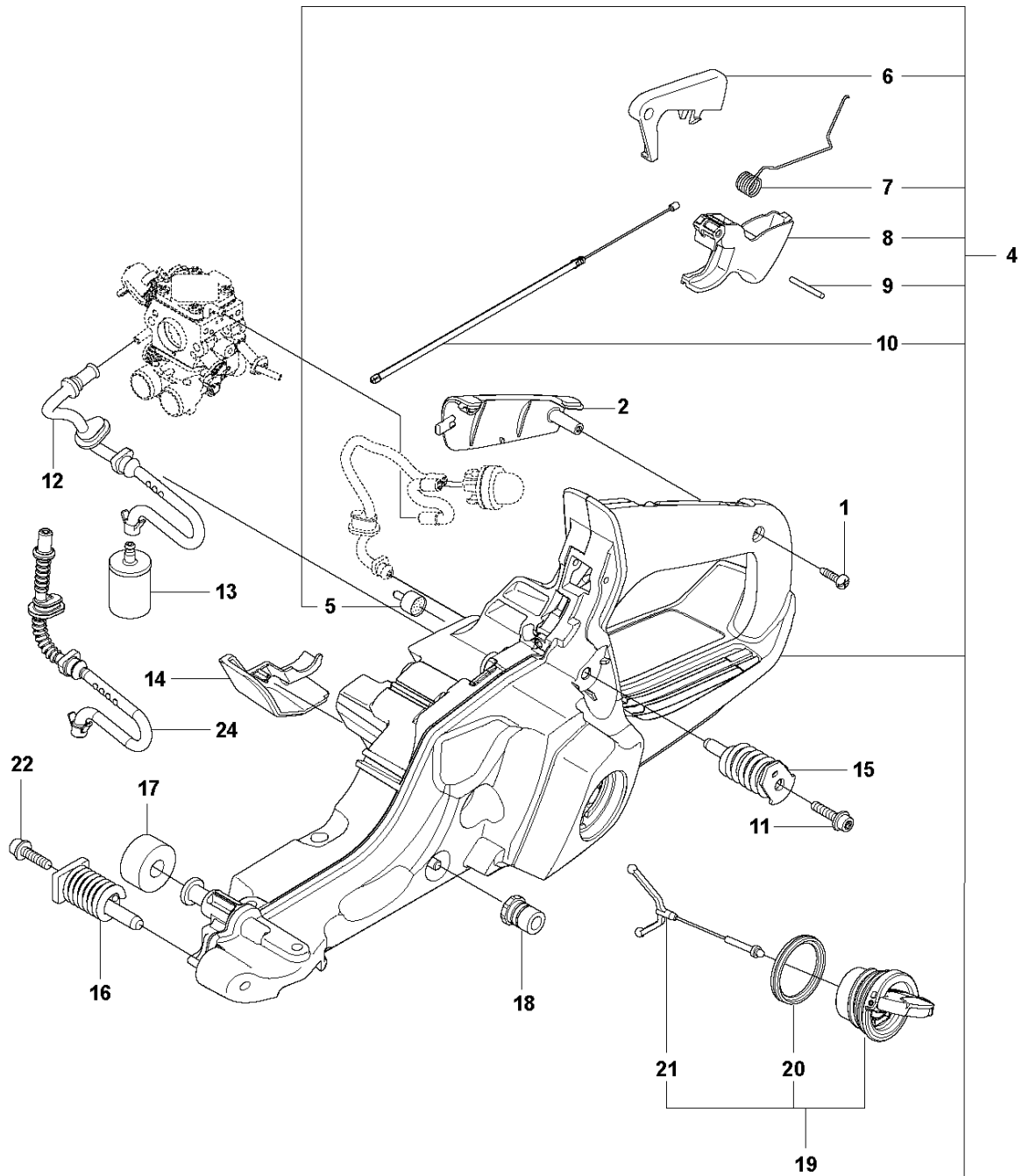


Ref	Part No	Description	Remark	QTY KIT
1	598 93 47-01	FILTER UNIT		1



Ref	Part No	Description	Remark	QTY	KIT
1	588 19 39-01	CARBURETTOR AREA BASE		1	
2	525 75 52-02	SCREW ITXSCFM		4	
3	503 86 93-01	SUPPORT		2	
4	581 55 92-01	BELLOWS		1	
5	575 38 02-21	CRANKCASE ASSY		1	
6	505 20 11-01	CHAIN GUIDE PLATE		1	
7	575 79 35-01	SCREW ITXPANM		2	
8	537 40 35-01	FILTER		1	5
9	530 02 61-19	CHECK VALVE		1	5
10	537 21 07-01	SPRING GUIDE		1	
11	503 43 65-01	POSITION SPRING		1	
12	505 20 12-01	CATCH		1	
13	503 75 18-01	PIN		1	5
14	593 80 60-01	GUIDE BUSHING		2	5
15	505 21 73-01	BAR BOLT		2	5
16	525 82 44-01	SCREW ITXSCM		2	5
17	575 84 11-04	SCREW ITXSCM		6	
19	577 93 52-01	SPIKE		1	
20	537 37 79-02	CHAIN CATCHER		1	
21	525 79 81-03	SCREW ITXSCFT		1	
22	505 12 58-01	DEFLECTION LIMITER		1	
23	503 89 47-03	SNAP LOCKING	GREY	3	
24	588 06 55-01	AIR NOZZLE		1	
25	526 81 81-01	SCREW ITXSCM		1	
26	522 62 00-03	TANK CAP ASSY		1	
27	589 24 11-01	GASKET		1	26
28	503 57 89-01	HOLDER		1	26
29	525 39 12-01	RADIAL SEAL	- up to s/n 20202399999	1	5
30	525 88 74-01	SCREW CITXPANT		1	
31	575 27 00-03	GASKET KIT	A=set of gaskets	1	
32	574 88 98-01	ENCLOSED KIT		1	
33	596 91 13-01	PROTECTIVE CAP	s/n from 20202400001 -	1	

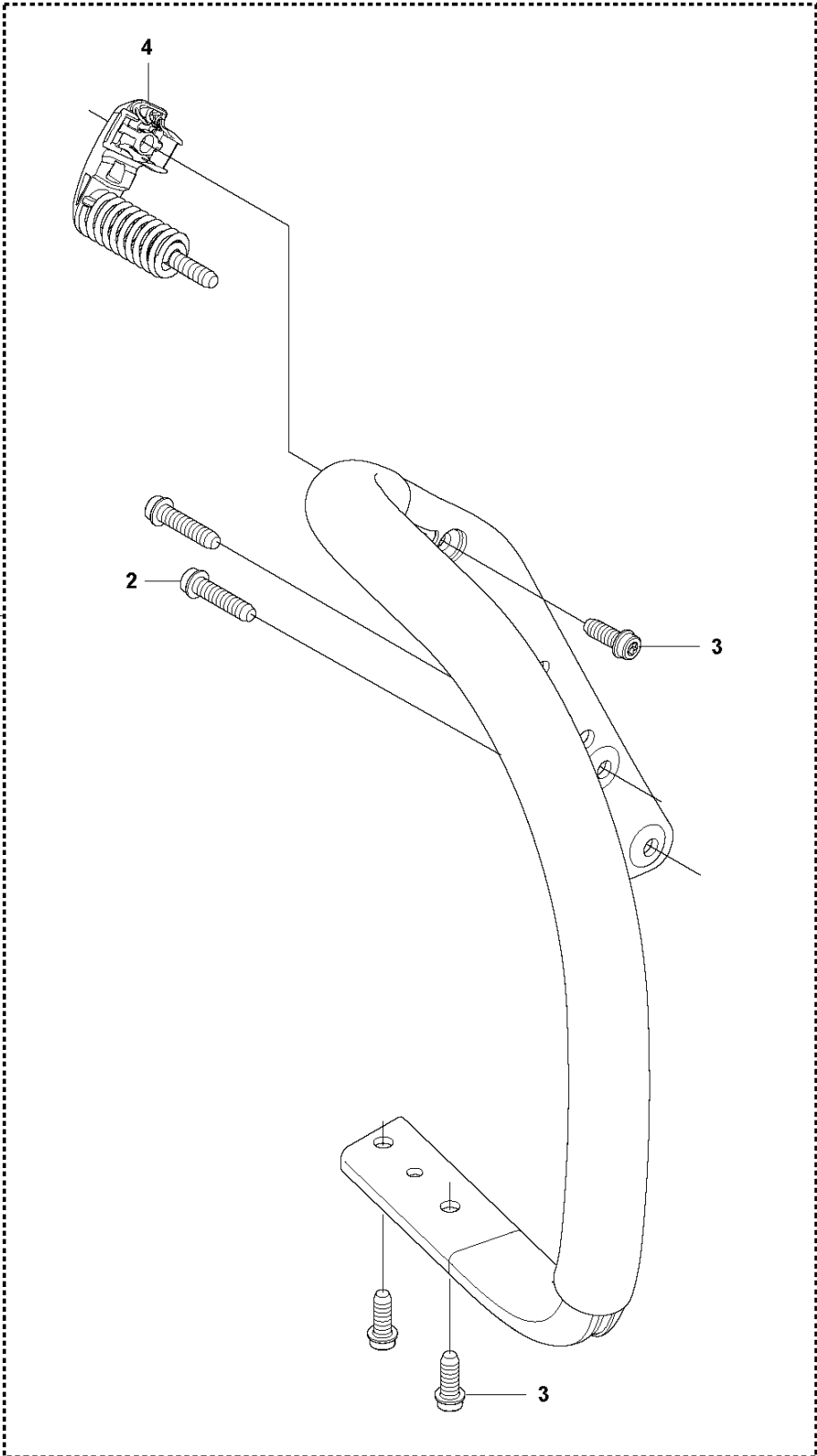
J 555
FUEL TANK



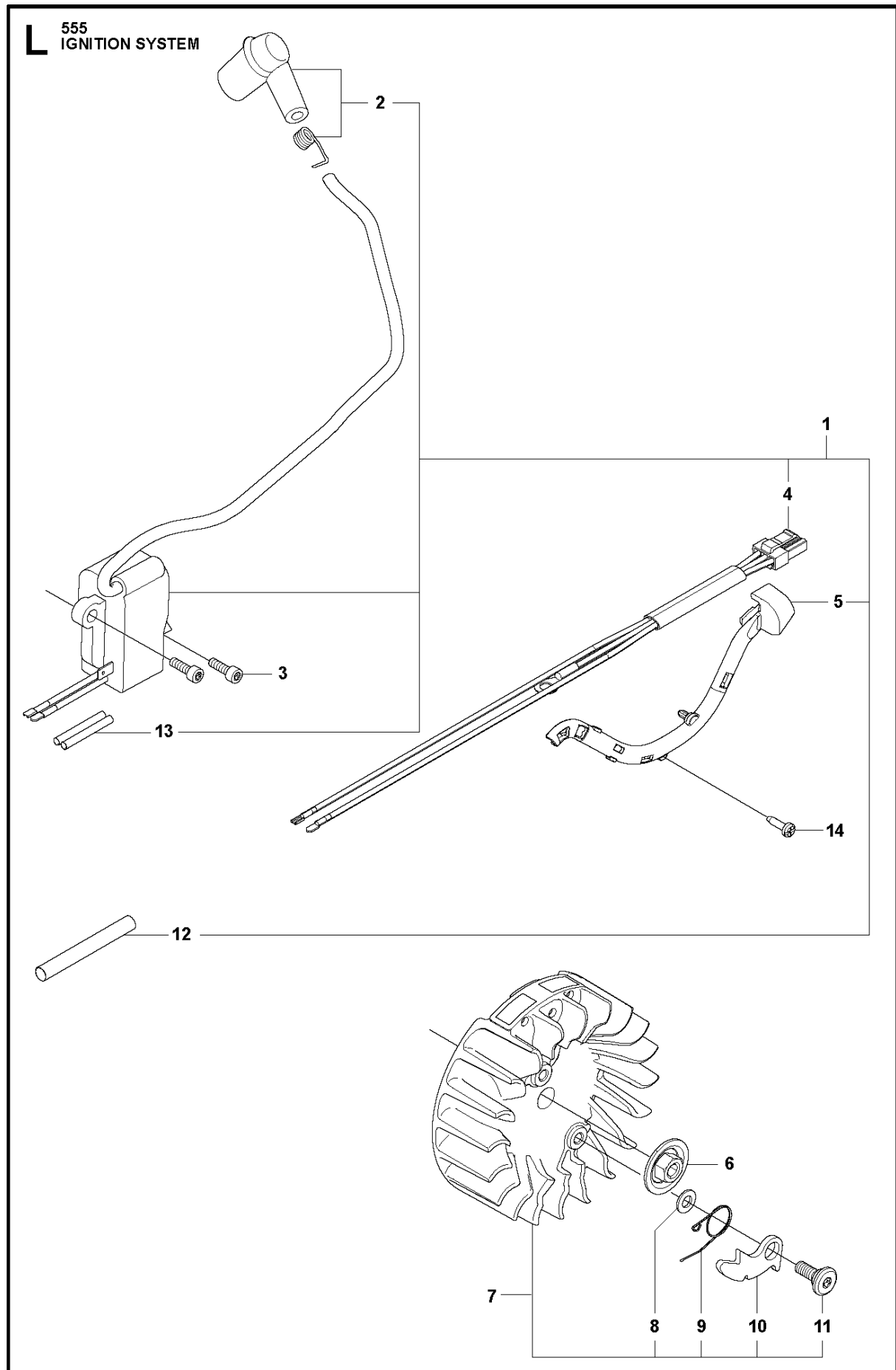
23

Ref	Part No	Description	Remark	QTY	KIT
1	525 88 74-02	SCREW CITXPANT		1	
2	504 10 63-01	HANDLE INSERT		1	
4	575 38 22-05	FUEL TANK ASSY		1	
5	501 15 29-01	TANK VENT ASSY		1	4
6	544 09 98-01	THROTTLE LOCKOUT		1	4
7	544 09 99-01	SPRING		1	4
8	505 15 77-01	THROTTLE		1	4
9	720 18 25-20	PARALLEL PIN		1	4
10	521 88 79-01	THROTTLE CABLE ASSY		1	4
11	525 79 81-03	SCREW ITXSCFT		1	
12	573 99 35-03	FUEL HOSE		1	
13	503 44 32-01	FUEL FILTER		1	
14	505 16 59-01	COVER		1	
15	586 31 21-03	ANTIVIBRATION ELEMENT		1	
16	505 12 87-02	ANTIVIBRATION ELEMENT		1	
17	523 08 55-01	DEFLECTION LIMITER		1	
18	501 00 76-01	SUPPORT		1	
19	522 62 00-03	TANK CAP ASSY		1	
20	589 24 11-01	GASKET		1	19
21	503 57 89-01	HOLDER		1	19
22	525 79 81-03	SCREW ITXSCFT		1	
23	577 84 43-01	DECAL		1	4
24	577 50 41-01	FUEL HOSE		1	

K 555
HANDLE

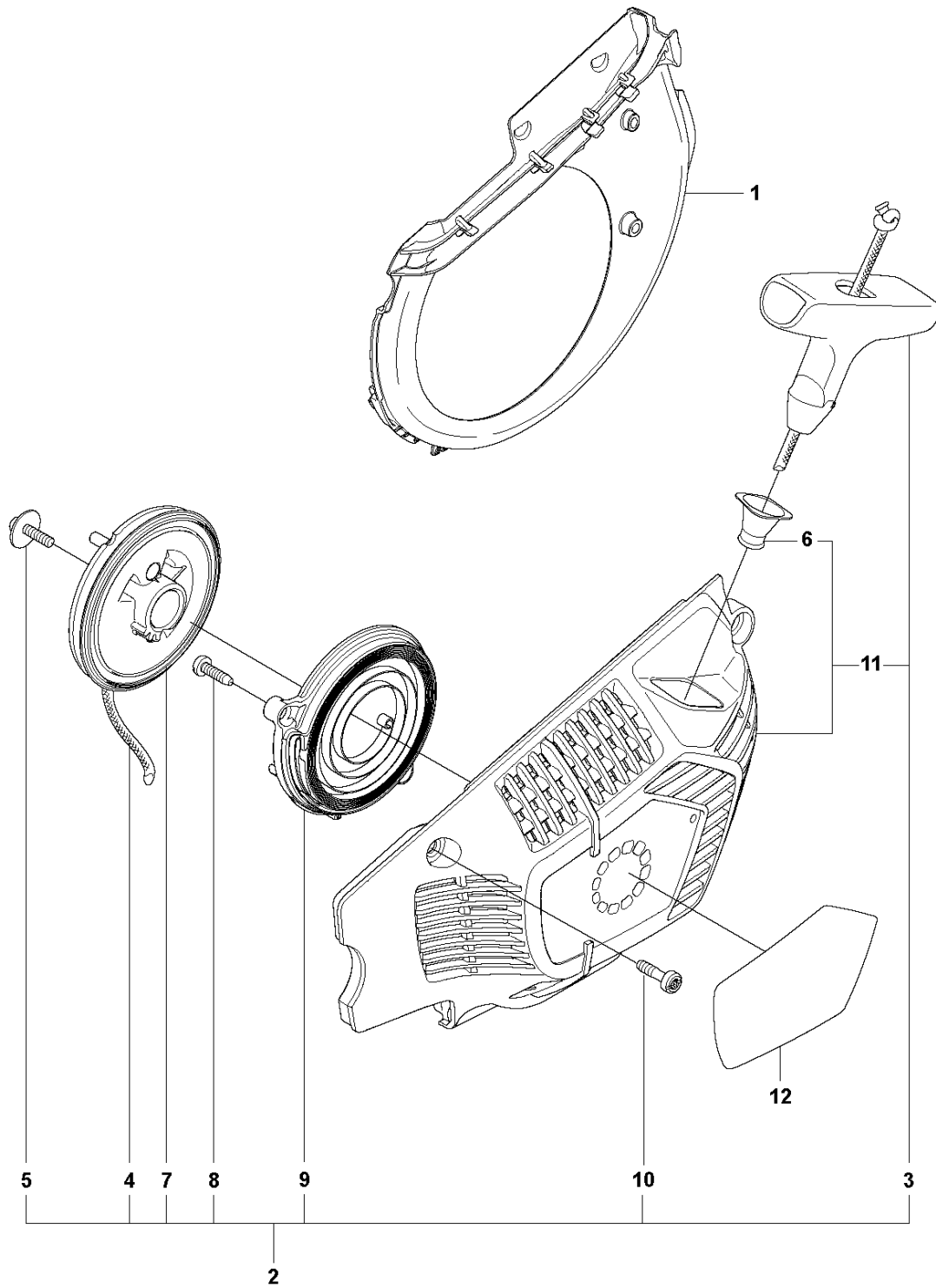


Ref	Part No	Description	Remark	QTY	KIT
1	575 38 89-03	FRONT HANDLE		1	
2	525 79 81-03	SCREW ITXSCFT		2	1
3	525 79 81-01	SCREW ITXSCFT		3	1
4	505 12 97-05	ANTIVIBRATION ELEMENT		1	1

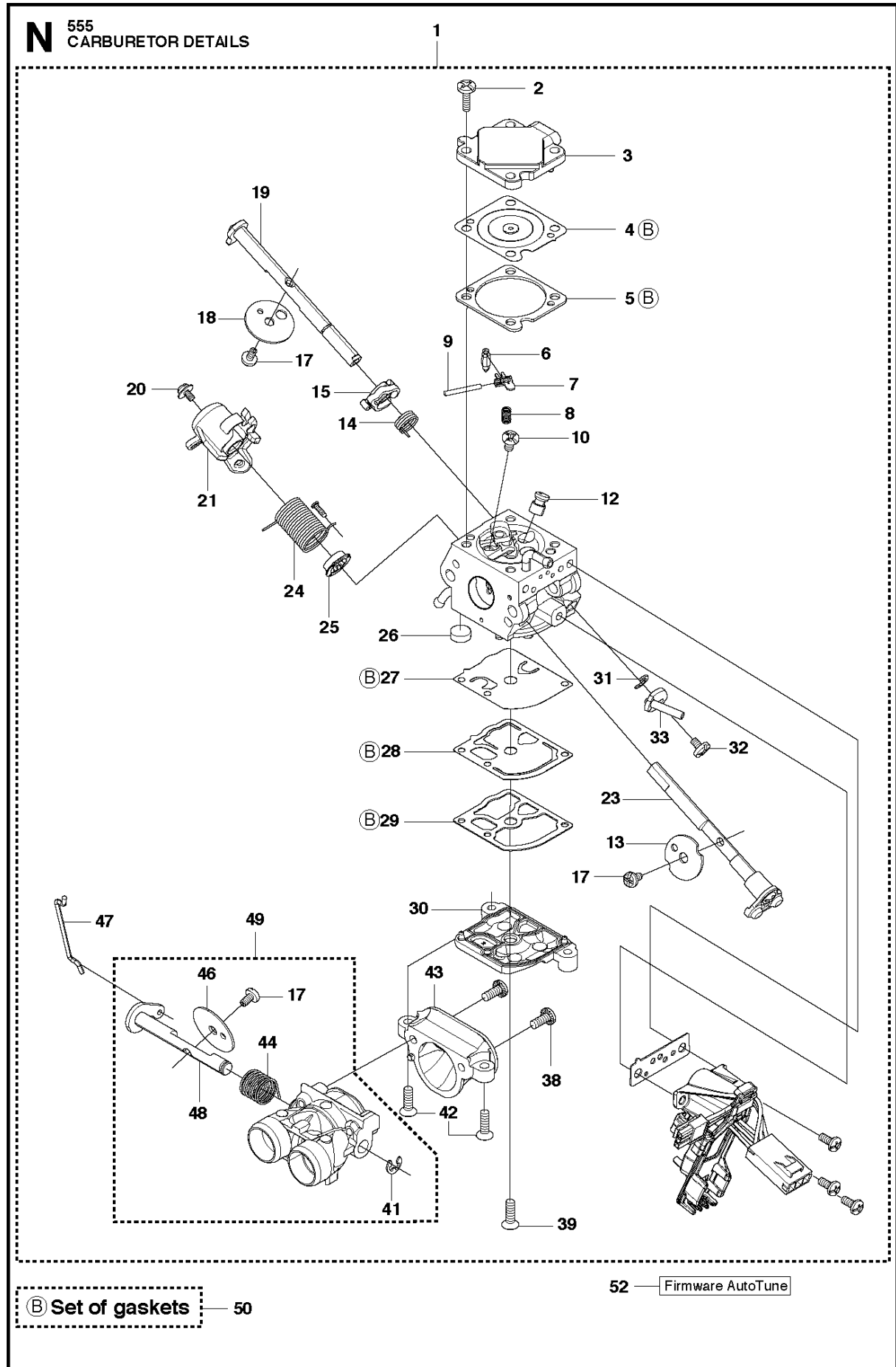


Ref	Part No	Description	Remark	QTY	KIT
1	522 79 51-07	IGNITION MODULE ASSY	s/n up to - 20121499999 (14MHz)	1	
1	581 72 35-02	IGNITION MODULE ASSY	s/n from 20121500001 - (8MHz)	1	
2	501 48 54-04	SPARK PLUG CAP ASSY		1	1
3	525 75 52-03	SCREW ITXSCFM		2	
4	575 43 06-01	WIRING ASSY	s/n up to - 20121499999 (14MHz)	1	
4	577 96 76-01	WIRING ASSY	s/n from 20121500001 - (8MHz)	1	1
5	505 17 82-01	CABLE HOLDER		1	1
6	585 32 18-01	NUT		1	
7	504 87 24-03	FLYWHEEL ASSY		1	
8	503 23 00-42	WASHER		2	7
9	501 67 35-01	SPRING		2	7
10	501 67 32-01	PAWL		2	7
11	506 00 69-01	SCREW		2	7
12	504 04 35-05	CABLE COVER		1	1
13	503 23 85-01	SHRINKAGE HOSE		2	1
14	525 88 74-01	SCREW CITXPANT		1	

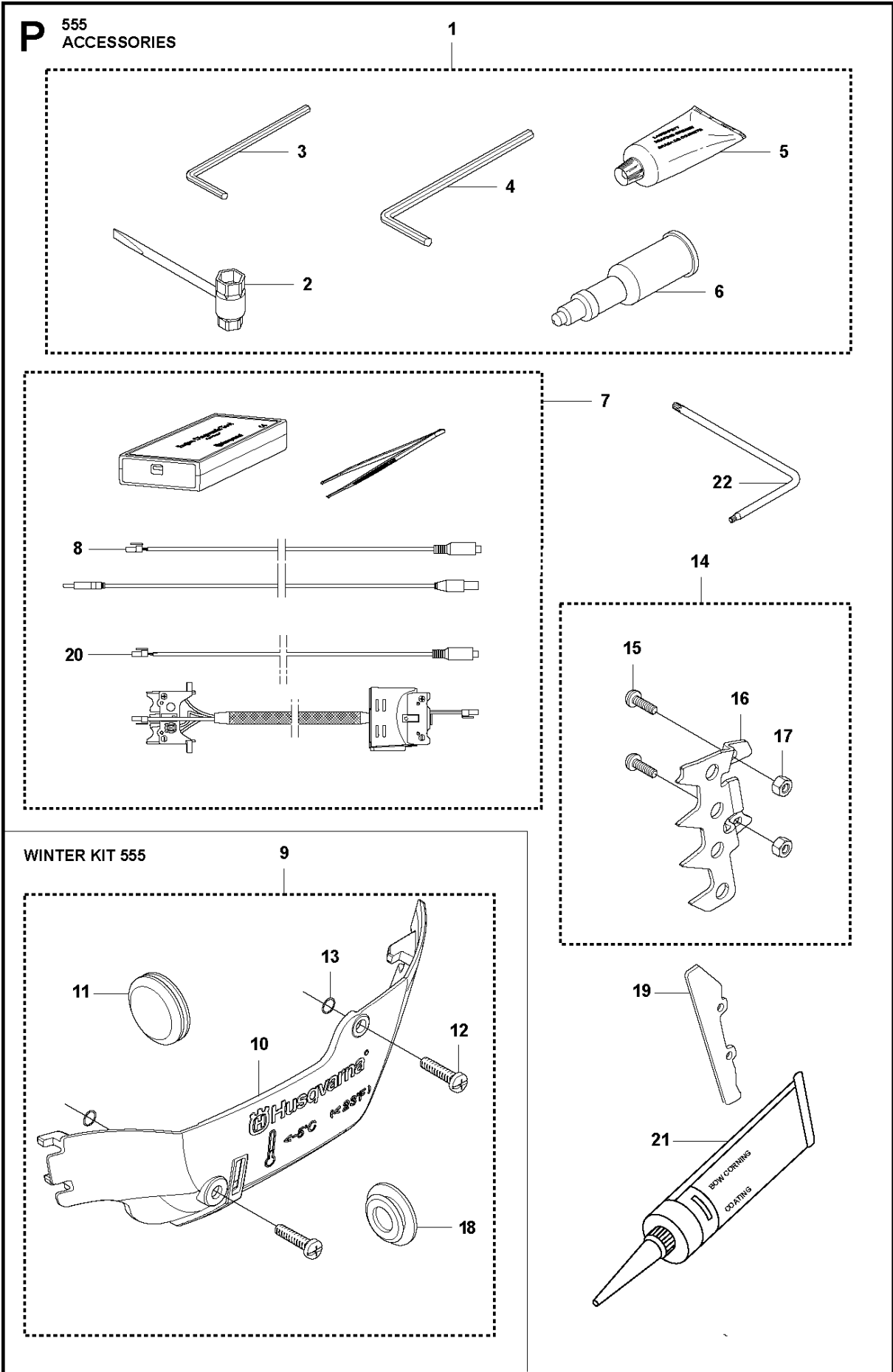
M 555
STARTER



Ref	Part No	Description	Remark	QTY	KIT
1	505 15 75-01	AIR CONDUCTOR		1	
2	505 15 92-04	STARTER ASSY		1	
3	537 23 25-01	STARTER HANDLE		1	2
4	505 30 51-25	STARTER CORD		1	2
5	576 35 66-01	SCREW ITXSCT		1	2
6	537 28 32-01	SLEEVE		1	2, 11
7	505 15 81-01	STARTER PULLEY ASSY		1	2
8	525 88 74-01	SCREW CITXPANT		2	2
9	505 15 79-02	SPRING CASSETTE ASSY		1	2
10	525 82 45-01	SCREW CITXPANMO		4	2
11	505 15 91-02	STARTER HOUSING		1	2
12	523 03 56-01	LABEL		1	



Ref	Part No	Description	Remark	QTY	KIT
1	579 19 41-01	CARBURETTOR	s/n up to - 20121499999 (ZAMA EL44)	1	
1	501 46 33-06	CARBURETTOR KIT	ZAMA140059A	1	
2	522 54 51-01	SCREW		4	1
3	522 51 72-01	COVER		1	1
4	522 51 74-01	DIAPHRAGM		1	1, 50
5	522 51 75-01	GASKET		1	1, 50
6	503 47 97-01	VALVE		1	1
7	503 66 59-01	LEVER		1	1
8	537 38 34-01	SPRING		1	1
9	503 48 00-01	PIN RETAINING SCREW		1	1
10	503 48 01-01	SCREW		1	1
12	576 41 42-01	MAIN NOZZLE		1	1
13	523 07 72-01	VALVE	s/n up to - 20121401172 (ZAMA EL44)	1	1
13	579 05 91-01	THROTTLE VALVE	s/n 20121401173 - 20142499999 (ZAMA EL47)	1	
13	583 97 49-01	THROTTLE VALVE	s/n 20142500001 - (ZAMAEL49/140056A)	1	
14	522 51 87-01	SPRING		1	1
15	522 51 77-01	LEVER		1	1
17	503 48 18-01	SCREW		3	1
18	504 62 77-01	CHOKE VALVE		1	1
19	522 51 83-01	SHAFT ASSY		1	1
20	502 07 84-01	SCREW		1	1
21	522 51 78-01	THROTTLE LEVER		1	1
23	522 51 85-01	THROTTLE SHAFT		1	1
24	502 07 87-01	SPRING		1	1
25	502 07 98-01	COLLAR		1	1
26	503 53 57-01	STRAINER		1	1
27	537 38 31-01	DIAPHRAGM PUMP		1	1, 50
28	537 40 33-01	DIAPHRAGM		1	1, 50
29	537 02 01-01	GASKET		1	1, 50
30	575 54 43-01	COVER		1	1
31	504 02 67-01	CIRCLIP		1	1
32	503 47 90-01	SCREW		1	1
33	522 51 76-01	CHOKE LEVER		1	1
38	506 39 66-01	SCREW		5	
39	522 51 81-01	SCREW		1	1
41	537 38 52-01	CLIP		1	1
42	522 51 80-01	SCREW		2	1
43	575 54 44-01	INLET		1	1
44	522 51 86-01	SPRING		1	1
46	537 17 70-01	VALVE		1	1
47	522 51 79-01	ROD		1	1
48	522 51 82-01	SHAFT ASSY		1	1
49	578 22 78-01	THROTTLE VALVE ASSY		1	1
50	522 51 89-01	KIT	B=set of gaskets	1	



Ref	Part No	Description	Remark	QTY KIT	
1	575 43 92-01	TOOL		1	
2	522 52 11-01	COMBINATION WRENCH		1	1
3	503 55 86-01	SPANNER		1	1
4	503 55 86-02	SPANNER		1	1
5	503 62 12-01	GREASE		1	1
6	501 91 14-01	GREASE GUN		1	1
7	583 89 71-01	DIAGNOSTIC TOOL KIT		1	
8	576 18 34-01	CABLE ASSY	Diagnostics cable 14 Mhz	1	7
9	522 98 65-02	WINTER KIT		1	
10	505 16 61-01	WINTER COVER		1	9
11	503 40 59-01	WINTER PLUG		1	9
12	503 21 70-16	SCREW CCRPANT		2	9
13	740 42 01-00	O-RING		2	9
14	577 01 40-03	SPIKE OUTER		1	
15	575 79 35-01	SCREW ITXPANM		2	14
16	577 96 25-01	SPIKE OUTER		1	14
17	503 22 24-01	LOCK NUT		2	14
18	578 12 55-01	WINTER PLUG		1	9
19	574 88 98-01	ENCLOSED KIT		1	
20	576 95 22-01	CABLE ASSY	Diagnostics cable 8 MHz	1	7
21	503 26 72-01	GLUE		1	
22	575 88 07-01	WRENCH		1	

Illustrated part list IPL update

Instruction

Husqvarna Division; Handheld

Husqvarna



Product Name(s)

H555

Description of change

1. New improved design of air filter holder and air filter have been introduced.
2. We have introduced a new Cylinder cover assy 587 24 87-03 to fit the new filter solution. The new Cylinder cover is higher than the old one.
3. Two new Filter unit kits have been added, if users want to update old chain saws to the new Filter system.
598 93 45-01: New filter 25 µm 590 45 88-02 + New Filter holder 597 27 55-01.
598 93 47-01: New filter 25 µm 590 45 88-02 + New Filter holder 597 27 55-01 + New Cylinder Cover 587 24 87- 03.

Comments

1. Filter holder assy 597 27 55 and air filter assy 590 45 88 are NOT exchangeable.
2. Cylinder cover assy is fully exchangeable. New cover fits on old saws.

Introduced from

Serial number / Date	Remark
S/n 20202700001	Valid for Cylinder cover assy/ Filter holder assy, Air filter assy and Snap locking

IPL updates

Page Title	Ref. no	New part no	Name	Excl. part no.	Remark
Carburetor & air filter	1	590 45 88-01	Air filter assy		New Spare part 64µm - Black
	1	590 45 88-02	Air filter assy		New Spare part 25µm - Yellow
	1	590 45 88-03	Air filter assy		New Spare part NonWoven - Nature
	2	597 27 55-01	Filter holder assy		New Spare part
	22	598 93 45-01	Filter unit		New Spare part
	23	731 23 14-01	Hexagon nut		New Spare part
G2	1	598 93 47-01	Filter unit, large		New Spare part
Cylinder cover	3	587 24 87-03	Cylinder cover assy		New Spare part

This document is only controlled and updated in the online version of How We Work – Classification level:Internal

Owner:Thomas Engvall

Version: 1.0DocId: HWWDOC-1878489343-5822

Editor:Thomas Engvall

Approved: 2019-03-07 by Thomas Engvall

Illustrated part list IPL update

Instruction

Husqvarna Division; Handheld

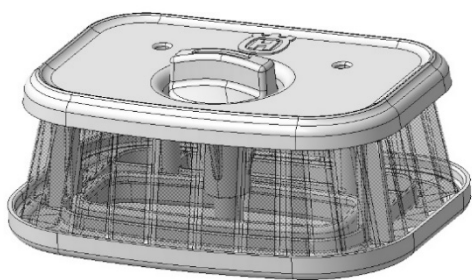
Husqvarna



Page Title	Ref. no	New part no	Name	Excl. part no.	Remark
Crankcase	23	503 89 47-03 Grey	Snap locking	503 89 47-01 Orange	Remain as spare part

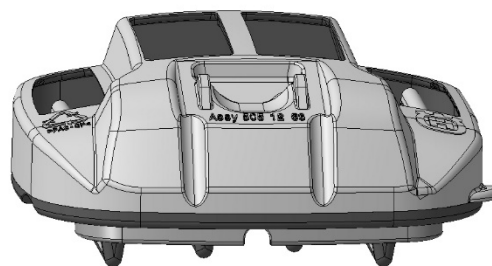
1. Air filter

New version



590 45 88-01/-02/-03

Old version

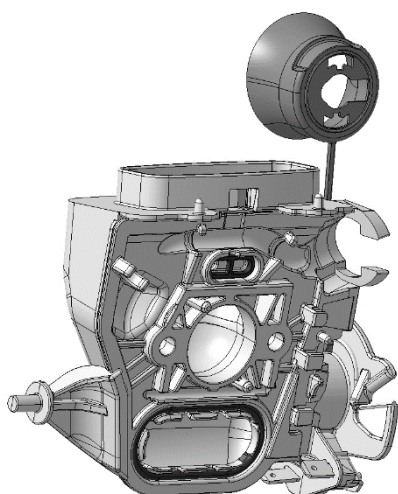


505 12 63-04/-05/-06/-07



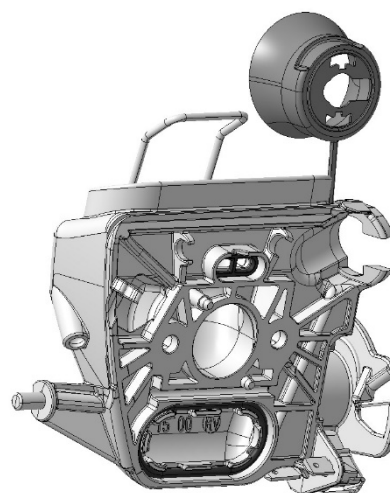
Filterholder

New version



597 27 55-01

Old version



525 39 79-05



This document is only controlled and updated in the online version of How We Work – Classification level:Internal

Owner:Thomas Engvall

Version: 1.0DocId: HWWDOC-1878489343-5822

Editor:Thomas Engvall

Approved: 2019-03-07 by Thomas Engvall

Illustrated part list IPL update

Instruction

Husqvarna Division; Handheld

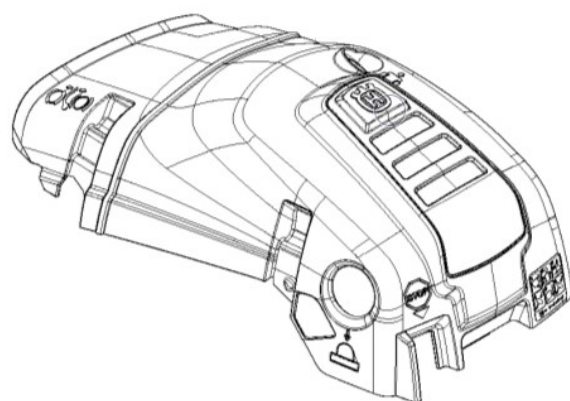
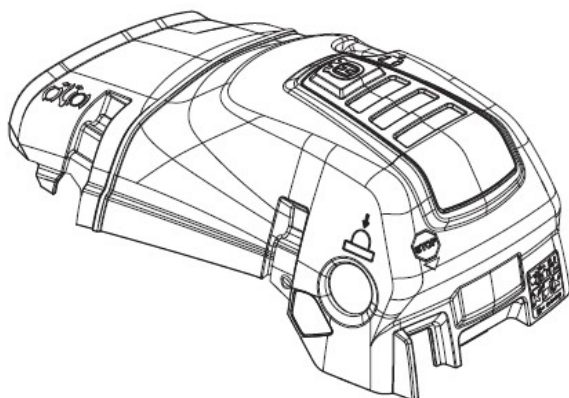
Husqvarna



2. Cylinder Cover

New version

Old version



587 24 87-03

587 24 85-04

Illustrated part list IPL update

Instruction

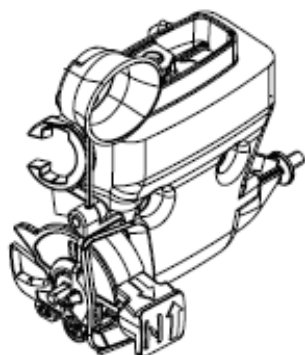
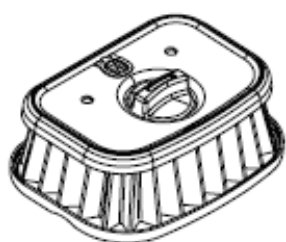
Husqvarna Division; Handheld

Husqvarna



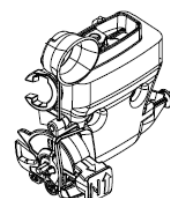
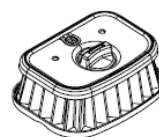
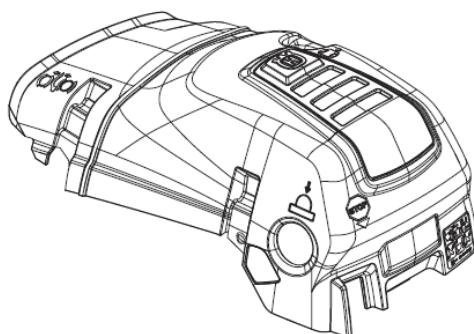
3. Filter units.

New Kit.



598 93 45-01

New Kit, Large.



598 93 47-01