

**ILLUSTRATED PARTS LIST**

**MODEL NUMBER ST 224**

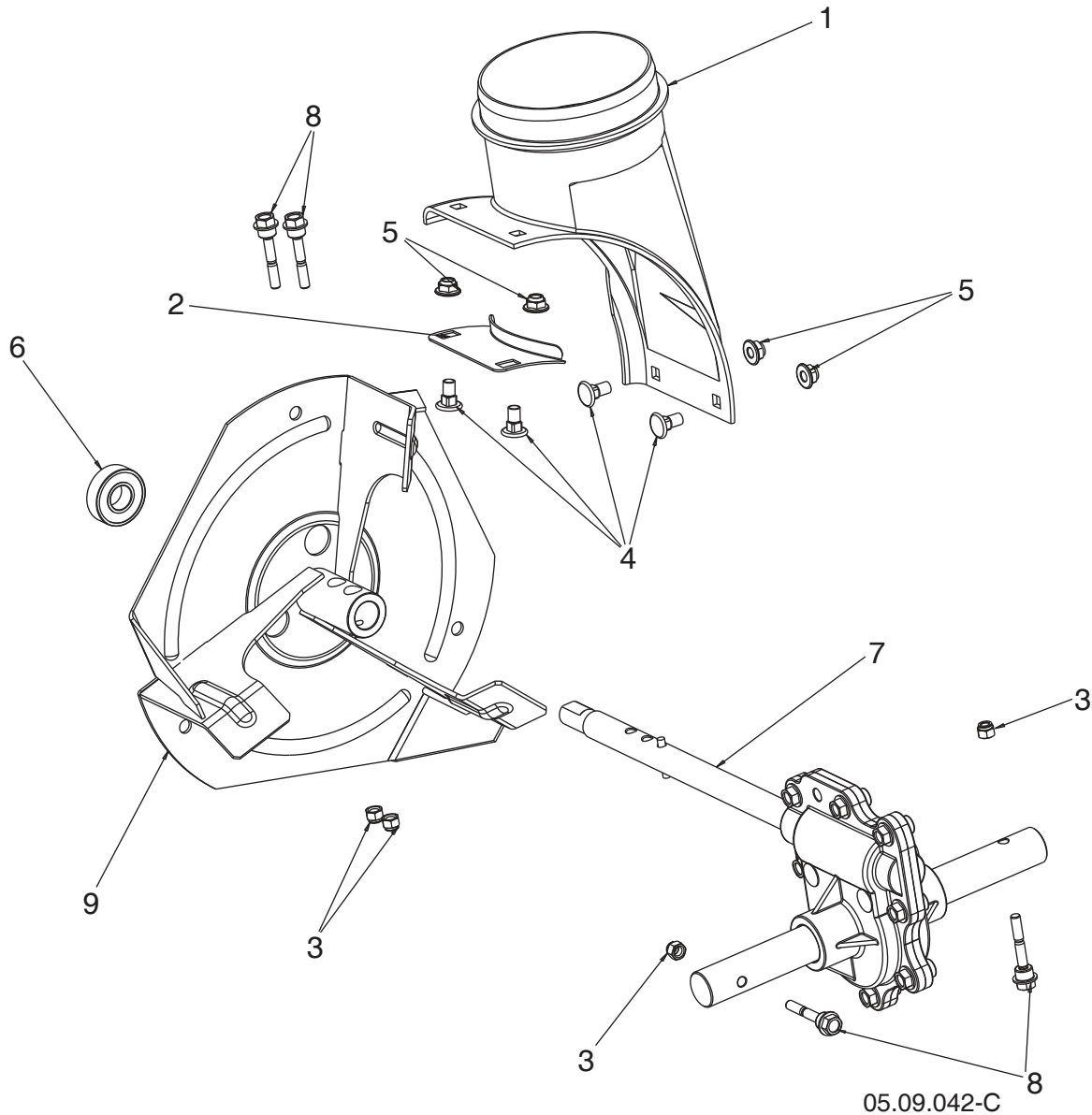
**PRODUCT NUMBER 970 46 85-01**

**MFG. ID. NUMBER 97046850100**

# REPAIR PARTS

# AUGER HOUSING / IMPELLER ASSEMBLY

SNOW THROWER - MODEL NO. **ST 224** (97046850100), PRODUCT NO. 970 46 85-01



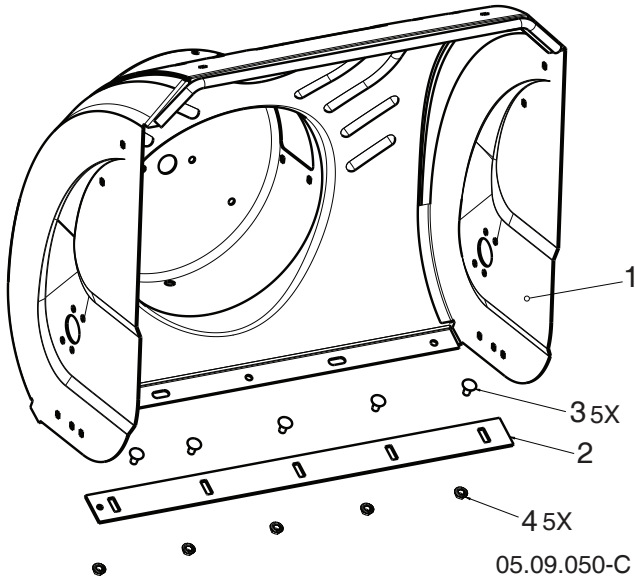
| Ref. | Part No.     | Description                     |
|------|--------------|---------------------------------|
| 1    | 585 05 69-01 | CHUTE.DISCHARGE.BASE            |
| 2    | 597 43 30-02 | BRACKET.CORNER.DISCHARGE.       |
| 3    | 595 08 66-01 | NUT.HEX.NYLOC.1/4-20            |
| 4    | 585 69 12-01 | BOLT CAR WAF BLK 5/16-18 X .488 |
| 5    | 585 69 13-01 | NUT.HEX.FLANGE.5/16-18 NYLOCK   |
| 6    | 532 19 87-91 | BEARING.1501389.BALL            |
| 7    | 597 67 19-01 | TRANSMISSION.GEARBOX.ALUM.DD    |
| 8    | 588 07 75-02 | BOLT. 1/4-20 X 1- 13/16 SHEAR   |
| 9    | 586 60 72-02 | IMPELLER.STEEL.SNOW.479         |

**NOTE:** All component dimensions given in U.S. inches. 1 inch = 25.4 mm  
**IMPORTANT:** Use only Original Equipment Manufacturer (O.E.M.) replacement parts. Failure to do so could be hazardous, damage your snow thrower and void your warranty.

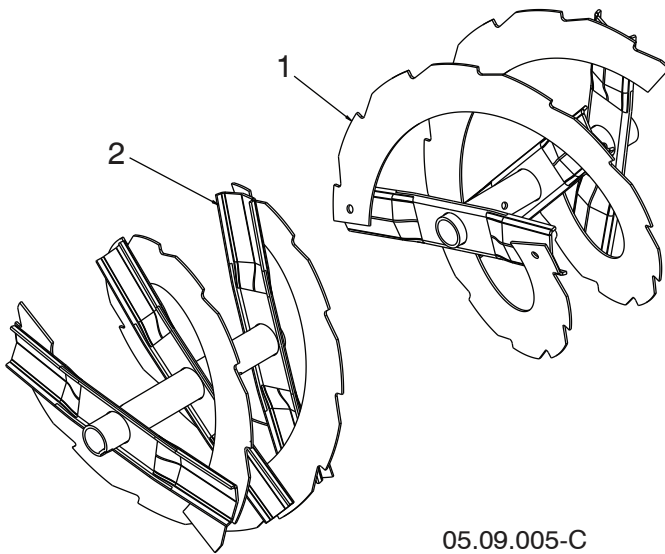
# REPAIR PARTS

# AUGER HOUSING / IMPELLER ASSEMBLY

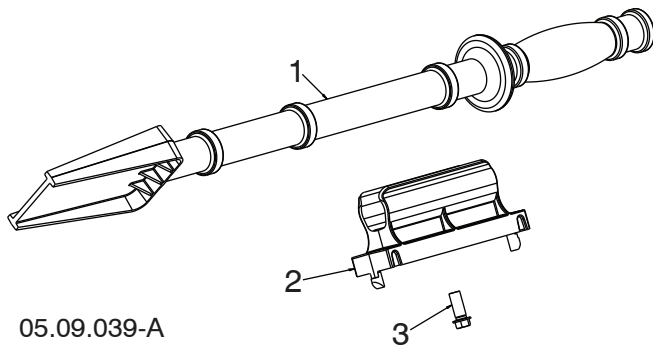
SNOW THROWER - MODEL NO. ST 224 (97046850100), PRODUCT NO. 970 46 85-01



| Ref. | Part No.     | Description                      |
|------|--------------|----------------------------------|
| 1    | 593 87 29-02 | AUGER HOUSING                    |
| 2    | 532 40 78-25 | SCRAPER BAR                      |
| 3    | 596 03 94-01 | CARRIAGE BOLT 5/16-18 X .625 GR5 |
| 4    | 596 03 92-01 | NUT 5/19-18                      |



| Ref. | Part No.     | Description          |
|------|--------------|----------------------|
| 1    | 587 19 10-01 | AUGER WELD RIB LH 24 |
| 2    | 585 54 42-01 | AUGER WELD RIB RH 24 |



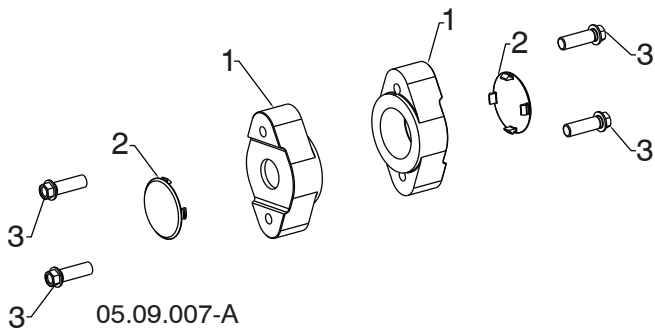
| Ref. | Part No.     | Description                  |
|------|--------------|------------------------------|
| 1    | 532 19 21-99 | TOOL CLEANOUT                |
| 2    | 532 40 54-00 | CLIP CLEANOUT TOOL           |
| 3    | 532 19 41-89 | SCREW HEX WASHER 13-16 X 5/8 |

**NOTE:** All component dimensions given in U.S. inches. 1 inch = 25.4 mm  
**IMPORTANT:** Use only Original Equipment Manufacturer (O.E.M.) replacement parts.  
 Failure to do so could be hazardous, damage your snow thrower and void your warranty.

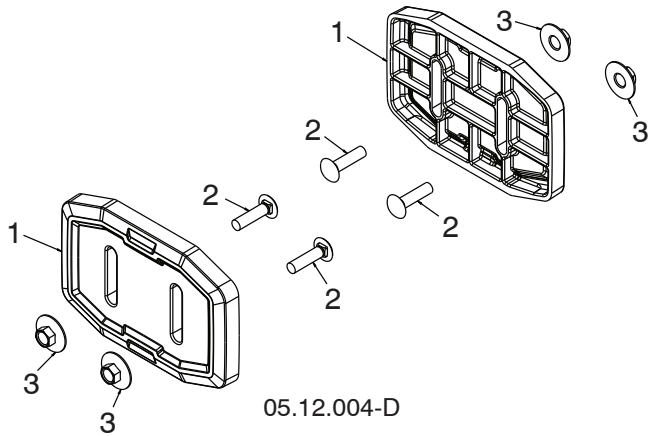
# REPAIR PARTS

# AUGER HOUSING / IMPELLER ASSEMBLY

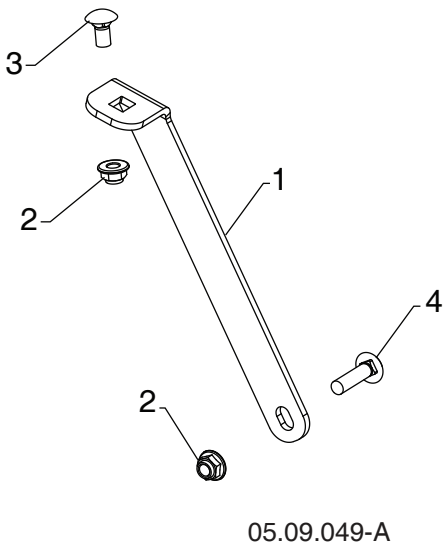
SNOW THROWER - MODEL NO. **ST 224** (97046850100), PRODUCT NO. 970 46 85-01



| Ref. | Part No.     | Description                      |
|------|--------------|----------------------------------|
| 1    | 532 42 04-78 | AUGER BEARING                    |
| 2    | 532 41 19-39 | BEARING PLUG                     |
| 3    | 584 29 94-01 | SCREW HI-LO WASHD 5/16-14 X 1.00 |



| Ref. | Part No.     | Description                  |
|------|--------------|------------------------------|
| 1    | 583 83 88-01 | SKID SHOE UHMW               |
| 2    | 585 80 29-01 | BOLT CARR BLK 5/16-18 X 1.25 |
| 3    | 585 80 28-01 | NUT HEX 5/16-18 LRG FLG      |



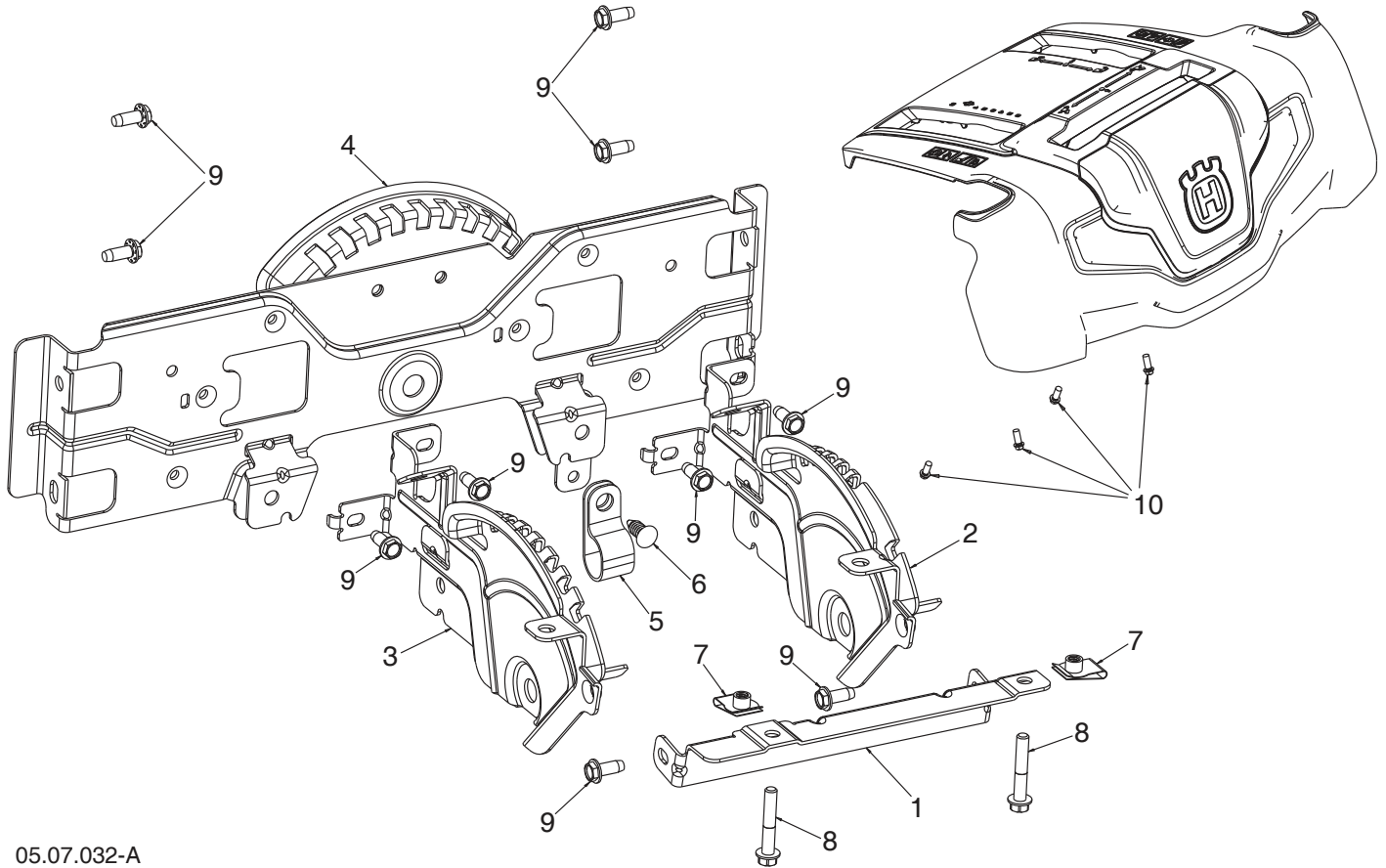
| Ref. | Part No.     | Description                         |
|------|--------------|-------------------------------------|
| 1    | 589 32 30-02 | SUPPORT GEARBOX LS                  |
| 2    | 585 69 13-01 | NUT HEX FLG NYLOCK BLK 5/16-18      |
| 3    | 585 83 20-01 | BOLT CARRIAGE BLK 5/16-18 X 5/8 BLK |
| 4    | 872 11 05-10 | BOLT CARRIAGE 5/16-18 X 1-1/4       |

**NOTE:** All component dimensions given in U.S. inches. 1 inch = 25.4 mm  
**IMPORTANT:** Use only Original Equipment Manufacturer (O.E.M.) replacement parts. Failure to do so could be hazardous, damage your snow thrower and void your warranty.

# REPAIR PARTS

# CONTROL PANEL / DISCHARGE CHUTE

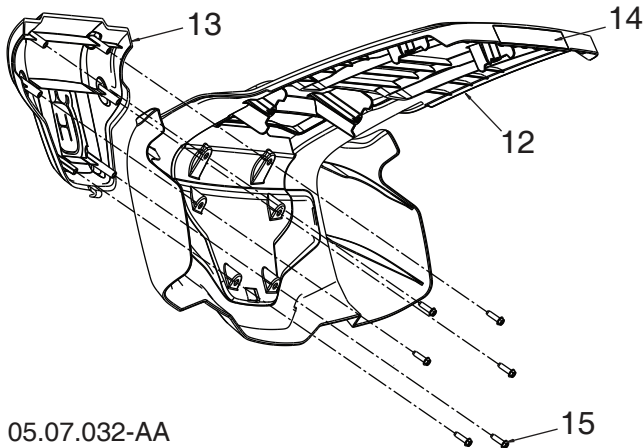
SNOW THROWER - MODEL NO. ST 224 (97046850100), PRODUCT NO. 970 46 85-01



05.07.032-A

| Ref. | Part No.     | Description                   |
|------|--------------|-------------------------------|
| 1    | 597 99 19-02 | BRACKET REAR MNT              |
| 2    | 597 99 22-02 | BRACKET ASM SPEED CONTROL     |
| 3    | 597 99 23-02 | BRACKET ASM DEFLECTOR CONTROL |
| 4    | 597 99 24-02 | BRACKET ASM FRONT MNT         |
| 5    | 532 19 79-91 | P-CLIP                        |
| 6    | 532 42 81-24 | FIR TREE FASTENER             |

| Ref. | Part No.     | Description                           |
|------|--------------|---------------------------------------|
| 7    | 532 41 76-93 | 1/4-20 U-NUT                          |
| 8    | 501 40 66-01 | SCREW HEX HD 1/4-20 X 1.50            |
| 9    | 817 06 04-10 | SCREW HEX WASHER HD 1/4-20 X 5/8      |
| 10   | 532 19 41-89 | SCREW HI-LO 13-16 X 5/8 HEX WASHER HD |



05.07.032-AA

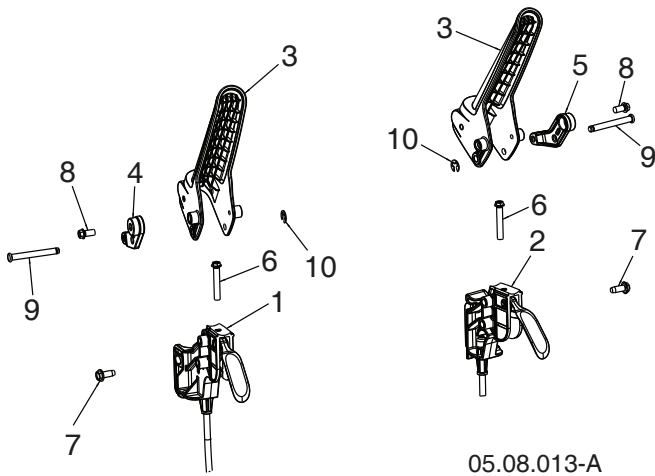
| Ref. | Part No.     | Description                            |
|------|--------------|--|
| 12   | 598 80 37-01 | CONSOLE BASE                           |
| 13   | 598 80 38-01 | CONSOLE APPLIQUE                       |
| 14   | 532 16 34-09 | FLANGE HEAD SCREW 12-16 HI-LOW X .625L |
| 15   | 598 81 20-01 | WARNING DECAL - SNOW                   |

**NOTE:** All component dimensions given in U.S. inches. 1 inch = 25.4 mm  
**IMPORTANT:** Use only Original Equipment Manufacturer (O.E.M.) replacement parts. Failure to do so could be hazardous, damage your snow thrower and void your warranty.

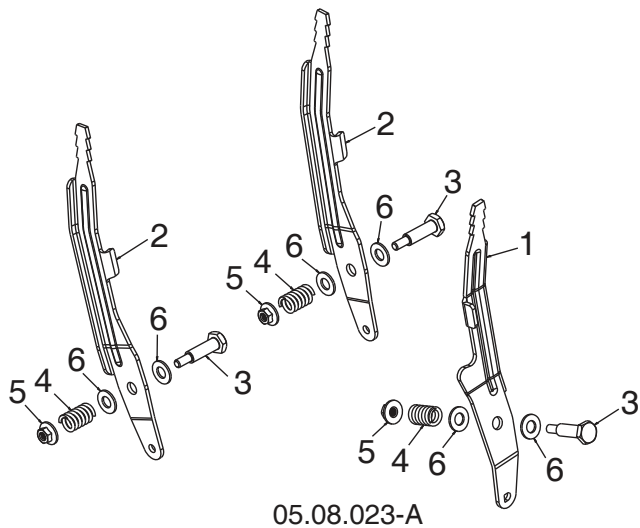
# REPAIR PARTS

# CONTROL PANEL / DISCHARGE CHUTE

SNOW THROWER - MODEL NO. **ST 224** (97046850100), PRODUCT NO. 970 46 85-01



| Ref. | Part No.     | Description              |
|------|--------------|--------------------------|
| 1    | 588 26 39-01 | CABLE, POWER STEER - LHS |
| 2    | 588 26 39-02 | CABLE, POWER STEER - RHS |
| 3    | 587 46 30-01 | LEVER, CONTROL           |
| 4    | 587 73 97-01 | LEVER, CABLE ARM - LHS   |
| 5    | 587 73 97-02 | LEVER, CABLE ARM - RHS   |
| 6    | 581 32 95-01 | SCREW HI-LO 13-16 X 1.50 |
| 7    | 817 06 04-10 | SCREW 1/4-20 X .625      |
| 8    | 817 41 13-08 | SCREW HI-LW 13-16 X .500 |
| 9    | 588 14 77-01 | PIN, GROOVED             |
| 10   | 812 00 00-14 | E-RING                   |



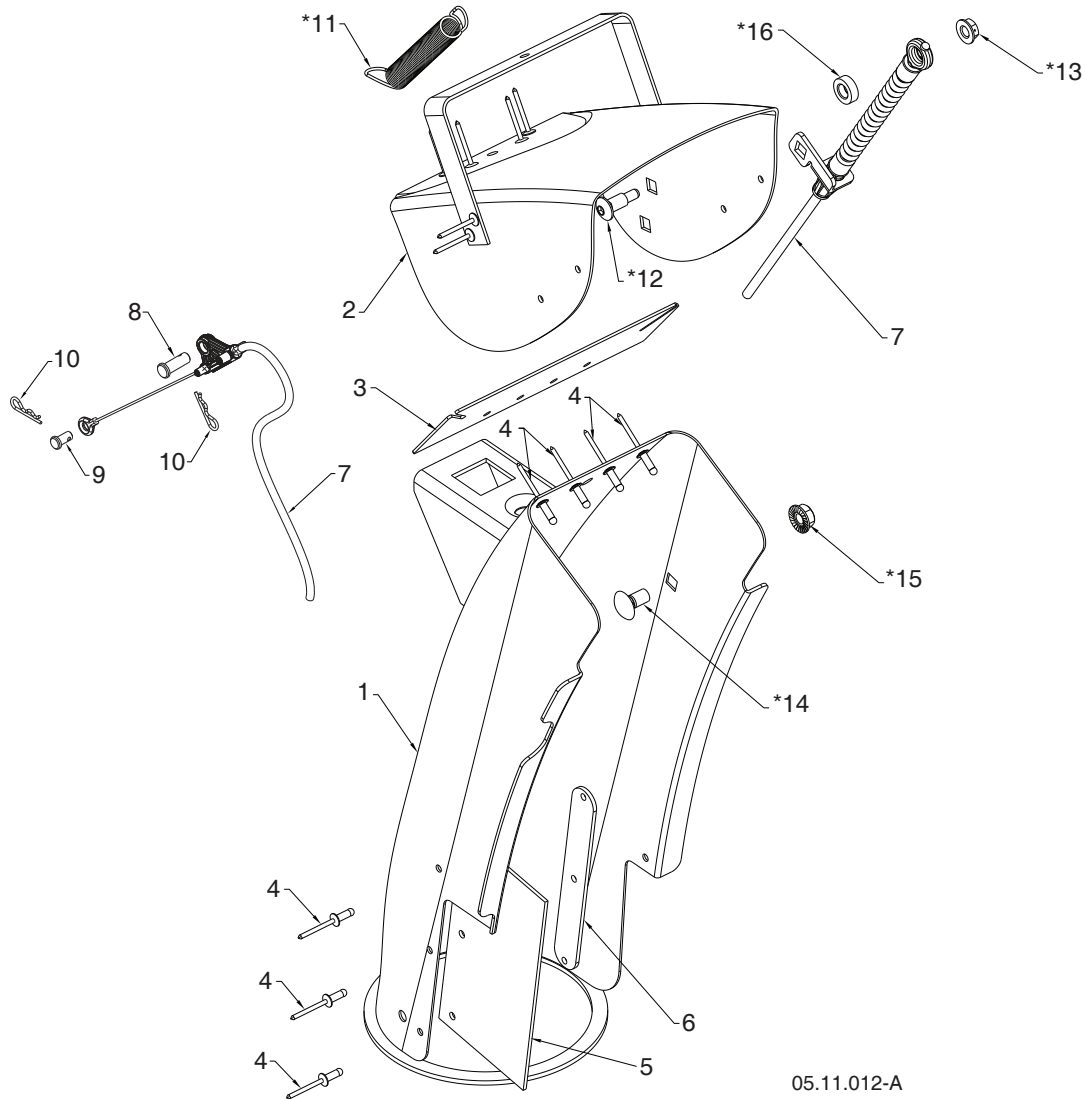
| Ref. | Part No.     | Description                            |
|------|--------------|--|
| 1    | 596 78 68-02 | LEVER CONTROL CHUTE ROTATOR D HOLE     |
| 2    | 581 12 39-02 | LEVER CONTROL SPEED/DEFLECTOR          |
| 3    | 581 32 97-02 | BOLT SHOULDER 1/4-20                   |
| 4    | 581 32 96-01 | SPRING COMPRESSION                     |
| 5    | 586 66 89-01 | NUT FL LOCK 1/4-20                     |
| 6    | 532 17 92-46 | WASHER NYLON .375ID x .750OD x .062THK |

**NOTE:** All component dimensions given in U.S. inches. 1 inch = 25.4 mm  
**IMPORTANT:** Use only Original Equipment Manufacturer (O.E.M.) replacement parts. Failure to do so could be hazardous, damage your snow thrower and void your warranty.

# REPAIR PARTS

# CONTROL PANEL / DISCHARGE CHUTE

SNOW THROWER - MODEL NO. ST 224 (97046850100), PRODUCT NO. 970 46 85-01



05.11.012-A

| Ref. | Part No.     | Description                                |
|------|--------------|--|
| 1    | 588 07 78-02 | CHUTE WELDMENT (INCLUDES 1, 2, 3, 4, 5, 6) |
| 2    | -----        | DEFLECTOR WELDMENT                         |
| 3    | -----        | DEFLECTOR SEAL                             |
| 4    | -----        | POP RIVET                                  |
| 5    | -----        | CHUTE SNOW SHIELD                          |
| 6    | -----        | SHIELD STRAP RETAINER                      |
| 7    | 598 45 05-01 | CONTROL.CHUTE.DEFLECTOR. BOWDEN            |
| 8    | 581 32 94-01 | PIN CLEVIS 5/16 X .875                     |

| Ref. | Part No.     | Description                     |
|------|--------------|---------------------------------|
| 9    | 585 80 83-01 | PIN CLEVIS 1/4 X .312           |
| 10   | 532 42 33-03 | HAIRPIN RETAINER                |
| *11  | 532 18 45-05 | DEFLECTOR SPRING                |
| *12  | 501 41 73-01 | CARRIAGE BOLT 1/4-20 X .544     |
| *13  | 585 69 14-01 | NUT 1/4-20                      |
| *14  | 585 83 20-01 | CARRIAGE BOLT 3/8-16 X .625     |
| *15  | 873 97 05-00 | NUT 5/16-18                     |
| *16  | 501 41 74-01 | WASHER .326 X .625 X .205 NYLON |

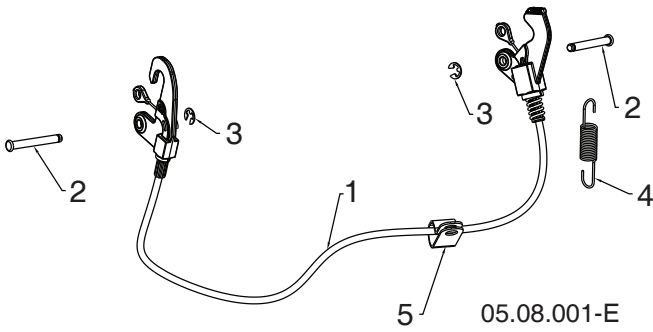
**NOTE:** ALL ITEMS MARKED WITH AN \* ARE PROVIDED IN THE BAG OF ITEMS SHIPPED LOOSE WITH PRODUCT.

**NOTE:** All component dimensions given in U.S. inches. 1 inch = 25.4 mm  
**IMPORTANT:** Use only Original Equipment Manufacturer (O.E.M.) replacement parts. Failure to do so could be hazardous, damage your snow thrower and void your warranty.

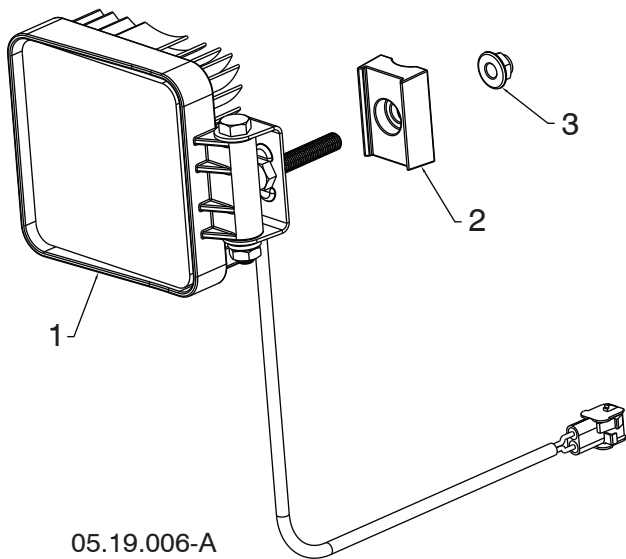
# REPAIR PARTS

# CONTROL PANEL / DISCHARGE CHUTE

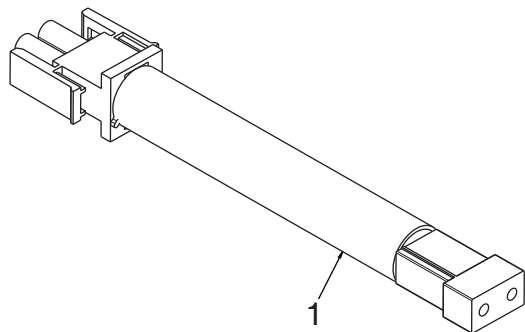
SNOW THROWER - MODEL NO. **ST 224** (97046850100), PRODUCT NO. 970 46 85-01



| Ref. | Part No.     | Description      |
|------|--------------|------------------|
| 1    | 593 85 34-01 | CABLE INTERLOCK  |
| 2    | 532 43 17-62 | PIN GROOVED      |
| 3    | 812 00 00-14 | E-RING           |
| 4    | 581 15 12-02 | SPRING RETURN    |
| 5    | 532 19 79-91 | CLIP CABLE BLACK |



| Ref. | Part No.     | Description                  |
|------|--------------|------------------------------|
| 1    | 590 07 13-01 | 4.25 X 4.25 LIGHT            |
| 2    | 590 73 98-01 | LIGHT MOUNTING BRACKET       |
| 3    | 594 94 44-01 | HEX HD 5/16-18 FLANGE NYLOCK |



| Ref. | Part No.     | Description                        |
|------|--------------|------------------------------------|
| 1    | 598 45 87-01 | HARNES ELEC JUMPER LIGHT TO ENGINE |

05.19.013-A

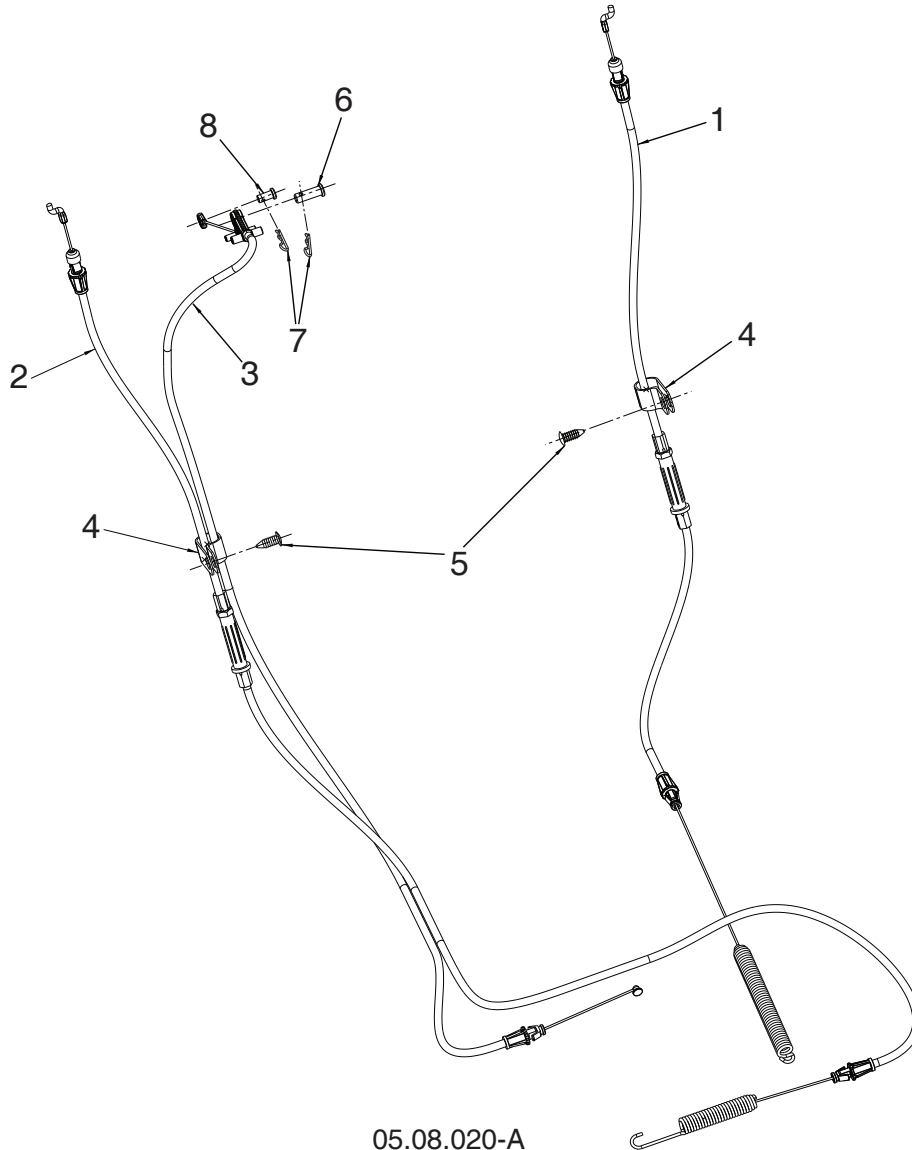
**NOTE:** All component dimensions given in U.S. inches. 1 inch = 25.4 mm  
**IMPORTANT:** Use only Original Equipment Manufacturer (O.E.M.) replacement parts. Failure to do so could be hazardous, damage your snow thrower and void your warranty.



# REPAIR PARTS

# CONTROL PANEL / DISCHARGE CHUTE

SNOW THROWER - MODEL NO. **ST 224** (97046850100), PRODUCT NO. 970 46 85-01



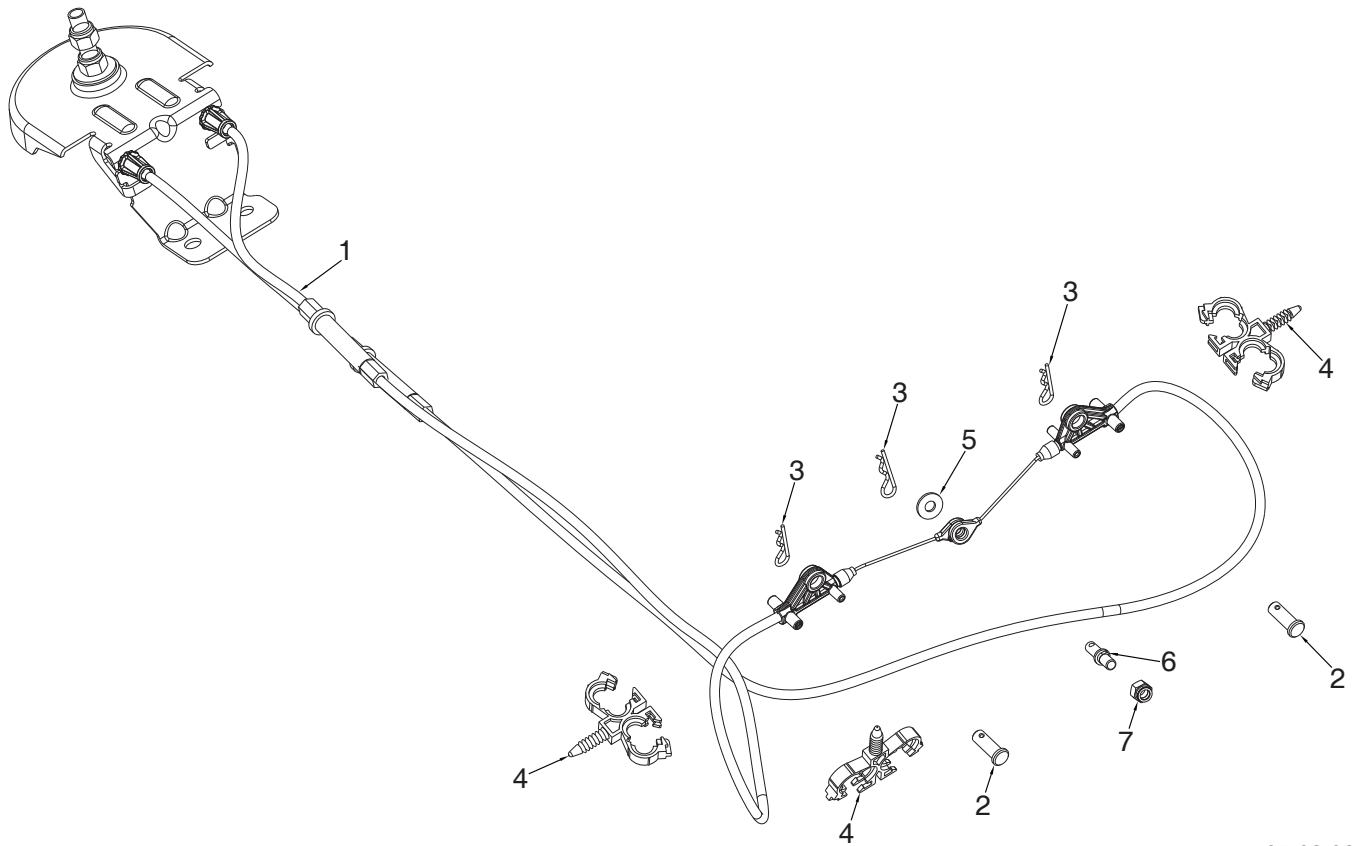
| Ref. | Part No.     | Description         |
|------|--------------|---------------------|
| 1    | 582 51 90-02 | CABLE CONTROL DRIVE |
| 2    | 588 11 38-02 | CABLE CONTROL AUGER |
| 3    | 598 45 04-01 | CABLE CONTROL SPEED |
| 4    | 532 19 79-91 | CLIP CABLE          |
| 5    | 532 42 81-24 | FASTENER PUSH .250  |
| 6    | 581 32 94-01 | PIN CLEVIS 5/16     |
| 7    | 532 42 33-03 | HAIRPIN             |
| 8    | 585 80 83-01 | PIN CLEVIS 1/4      |

**NOTE:** All component dimensions given in U.S. inches. 1 inch = 25.4 mm  
**IMPORTANT:** Use only Original Equipment Manufacturer (O.E.M.) replacement parts. Failure to do so could be hazardous, damage your snow thrower and void your warranty.

# REPAIR PARTS

# CONTROL PANEL / DISCHARGE CHUTE

SNOW THROWER - MODEL NO. **ST 224** (97046850100), PRODUCT NO. 970 46 85-01



05.08.022-A

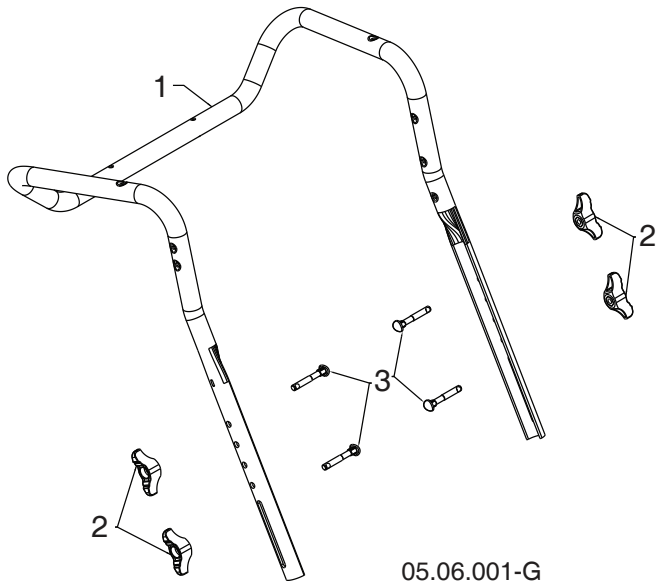
| Ref. | Part No.     | Description               |
|------|--------------|---------------------------|
| 1    | 598 80 34-01 | CABLE ROTATOR ASM         |
| 2    | 581 32 94-01 | PIN CLEVIS 5/16 X 7/8     |
| 3    | 532 42 33-03 | HAIRPIN SOFT ZINC         |
| 4    | 584 65 22-01 | CLIP CONDUIT DOUBLE       |
| 5    | 586 68 21-01 | WASHER FLAT NYLON         |
| 6    | 596 71 72-01 | CLEVIS RIGID PIN 5/16 X 1 |
| 7    | 595 08 66-01 | NUT 1/4-20 HEX NYLOC      |

**NOTE:** All component dimensions given in U.S. inches. 1 inch = 25.4 mm  
**IMPORTANT:** Use only Original Equipment Manufacturer (O.E.M.) replacement parts. Failure to do so could be hazardous, damage your snow thrower and void your warranty.

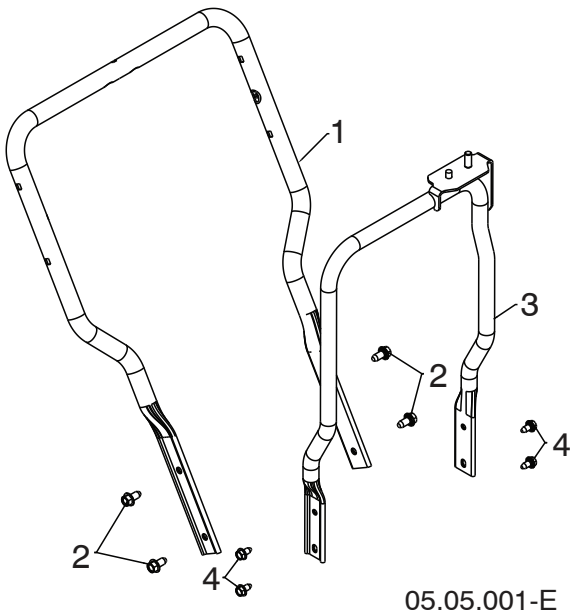
# REPAIR PARTS

# HANDLES

## SNOW THROWER - MODEL NO. ST 224 (97046850100), PRODUCT NO. 970 46 85-01



| Ref. | Part No.     | Description                                  |
|------|--------------|--|
| 1    | 588 16 08-03 | UPPER HANDLE                                 |
| 2    | 532 19 19-38 | HANDLE KNOB STD BLACK                        |
| 3    | 588 05 99-01 | SCREW 5/16-18 X 2.25 CONCAVE HEAD WITH PATCH |



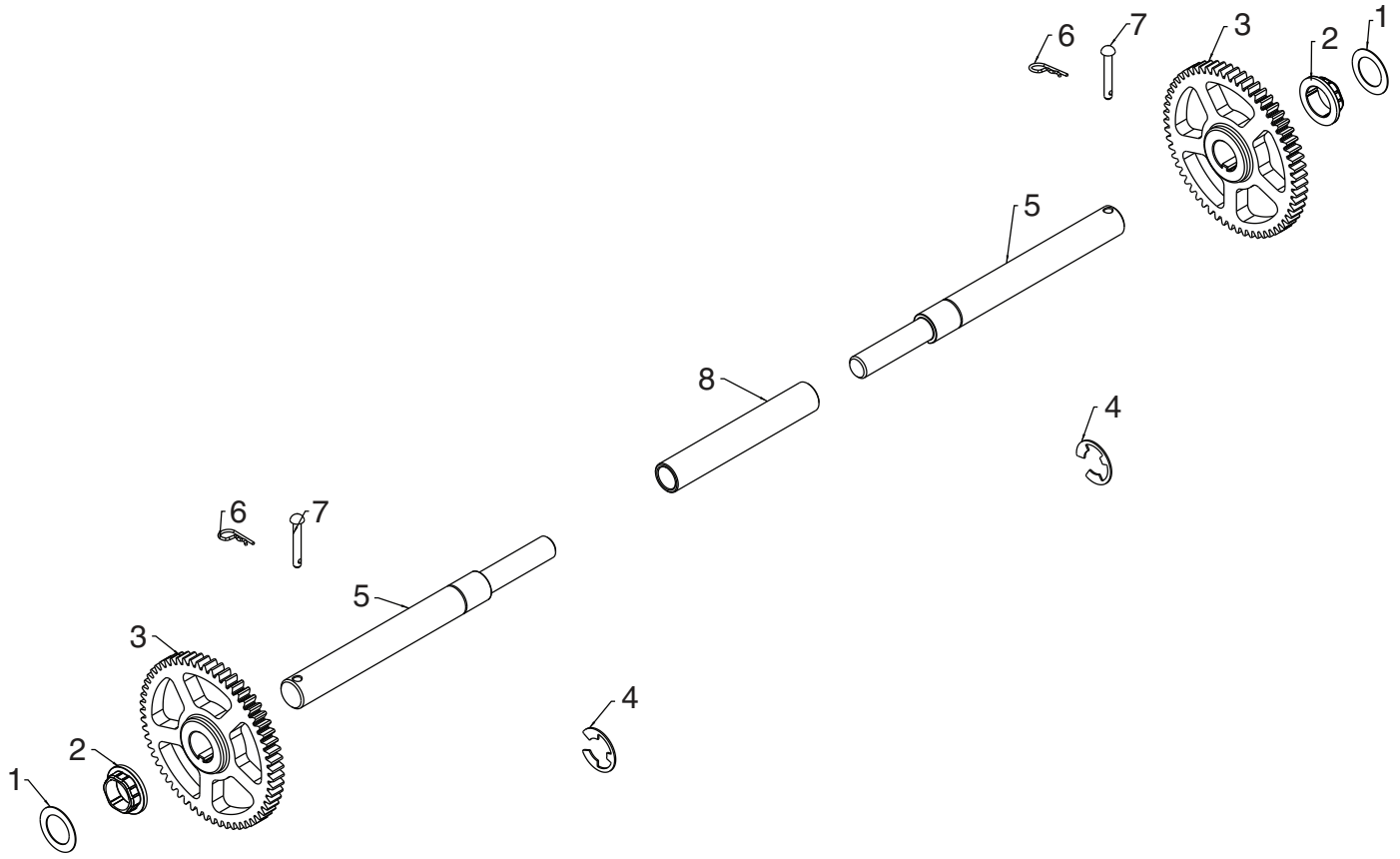
| Ref. | Part No.     | Description                    |
|------|--------------|--------------------------------|
| 1    | 588 67 21-03 | LOWER HANDLE                   |
| 2    | 817 00 06-12 | SCREW HEX WASH HD 3/8-16 X .75 |
| 3    | 589 26 45-04 | CHUTE ROTATOR SUPPORT ASM      |
| 4    | 817 00 05-10 | BOLT HEX 5/16-18               |

**NOTE:** All component dimensions given in U.S. inches. 1 inch = 25.4 mm  
**IMPORTANT:** Use only Original Equipment Manufacturer (O.E.M.) replacement parts.  
 Failure to do so could be hazardous, damage your snow thrower and void your warranty.

# REPAIR PARTS

# DRIVE

SNOW THROWER - MODEL NO. **ST 224** (97046850100), PRODUCT NO. 970 46 85-01



05.03.002-B

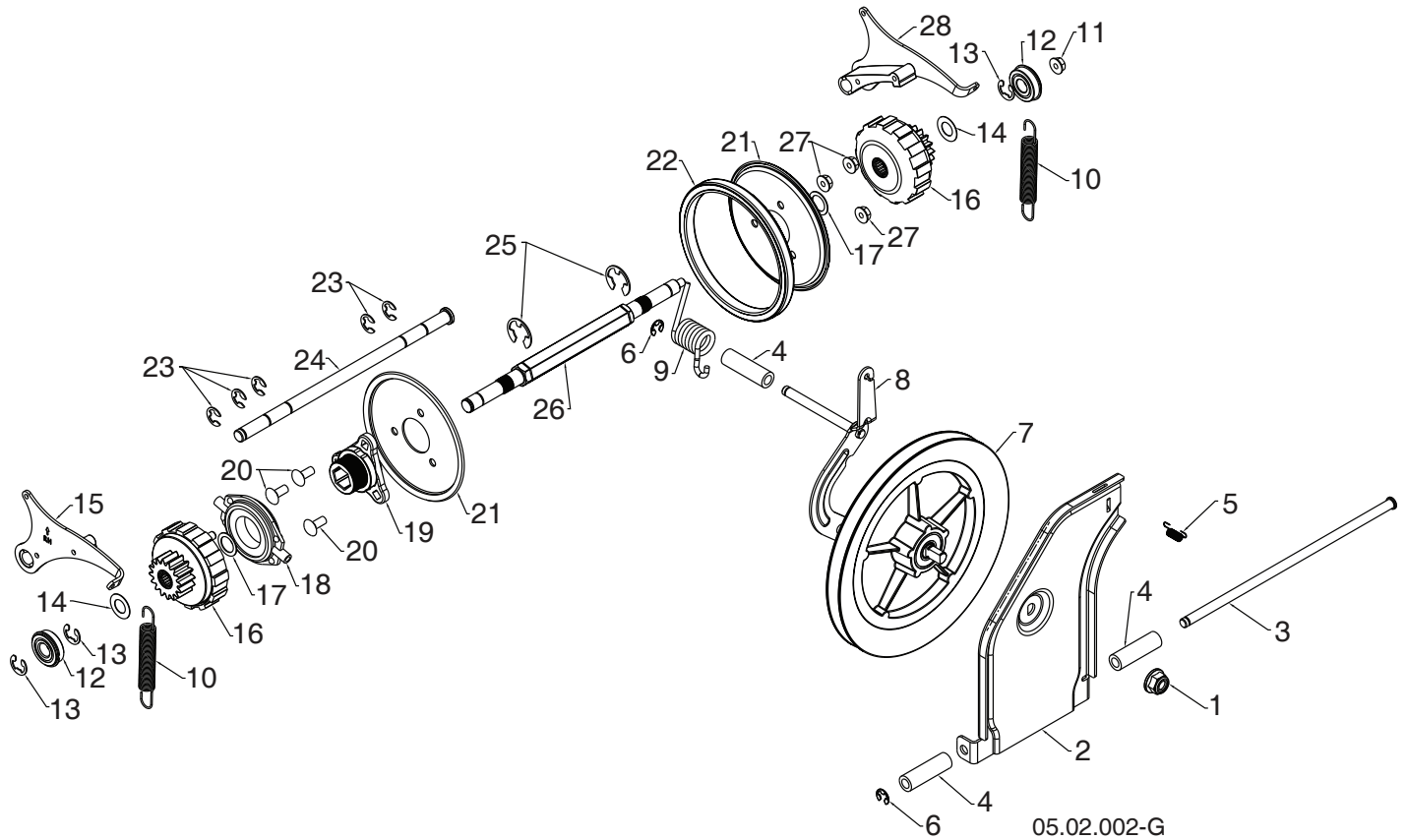
| Ref. | Part No.     | Description                 |
|------|--------------|-----------------------------|
| 1    | 532 44 49-49 | WASHER 1.00                 |
| 2    | 587 97 89-01 | BUSHING HEX 1 SHAFT         |
| 3    | 588 51 86-01 | GEAR 59T DRIVEN             |
| 4    | 812 00 00-53 | RETAINING RING              |
| 5    | 580 75 26-01 | AXLE SHAFT SPLIT            |
| 6    | 532 12 47-88 | RETAINER SPRING 1 ZINC      |
| 7    | 532 17 12-71 | RIVET RD HD DRILLED 1/4 DIA |
| 8    | 580 75 25-01 | AXLE SLEEVE                 |

**NOTE:** All component dimensions given in U.S. inches. 1 inch = 25.4 mm  
**IMPORTANT:** Use only Original Equipment Manufacturer (O.E.M.) replacement parts.  
 Failure to do so could be hazardous, damage your snow thrower and void your warranty.

# REPAIR PARTS

# DRIVE

## SNOW THROWER - MODEL NO. ST 224 (97046850100), PRODUCT NO. 970 46 85-01



| Ref. | Part No.     | Description                          |
|------|--------------|--------------------------------------|
| 1    | 521 99 11-01 | NUT HEX FLANGE LK 1/2-13             |
| 2    | 587 70 34-02 | SWING PLATE FRICTION PULL            |
| 3    | 581 12 30-01 | ROD TIP PLATE                        |
| 4    | 581 73 27-01 | SPACER DRIVE                         |
| 5    | 532 19 38-85 | LATCH SPRING                         |
| 6    | 812 00 00-07 | E-RING RETAINER                      |
| 7    | 581 32 84-01 | FRICTION DISC COMBO PULLEY           |
| 8    | 587 19 34-03 | BRACKET YOKE ASSEMBLY                |
| 9    | 589 26 22-03 | SPRING TORSION DRIVE                 |
| 10   | 585 26 38-01 | EXTENSION SPRING                     |
| 11   | 585 69 15-01 | NUT HEX FLANGE LOCK 5/16-18          |
| 12   | 580 75 62-01 | BEARING 9/16 I.D. 1622-2RSNR         |
| 13   | 580 75 61-02 | RETAINING RING 1622-2RSNR            |
| 14   | 580 75 13-01 | WASHER FLAT .59 I.D. X 1.065 X 25 GA |

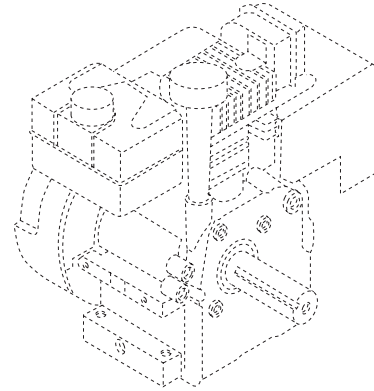
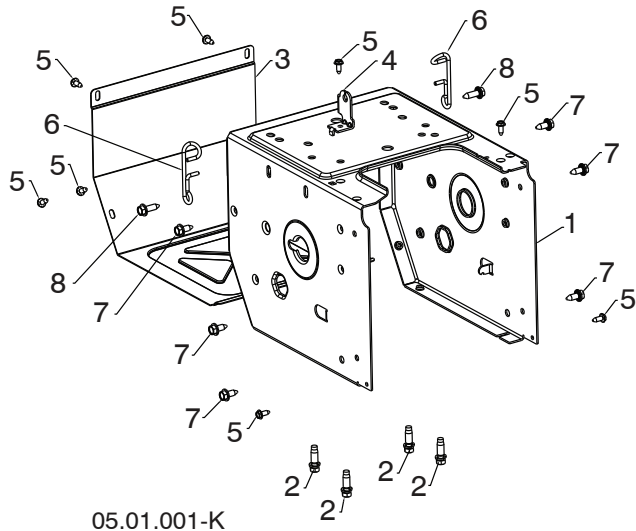
| Ref. | Part No.     | Description                           |
|------|--------------|---------------------------------------|
| 15   | 580 75 66-01 | PAWL ASM RH                           |
| 16   | 580 75 60-01 | GEAR ASM PLANETARY                    |
| 17   | 580 75 63-01 | WASHER FLAT .6875 I.D. X 1.00 X 21 GA |
| 18   | 532 17 53-44 | TRUNNION BEARING ASM                  |
| 19   | 581 09 09-01 | HUB RUBBER WHEEL                      |
| 20   | 872 11 05-06 | BOLT CARRIAGE 5/16-18 X .75           |
| 21   | 581 09 10-02 | PLATE RUBBER WHEEL                    |
| 22   | 581 09 11-01 | RING RUBBER WHEEL                     |
| 23   | 586 64 43-01 | E-RING                                |
| 24   | 580 75 51-01 | ROD PAWL                              |
| 25   | 812 00 00-22 | E-RING                                |
| 26   | 580 75 24-01 | SHAFT REDUCTION PWR STR               |
| 27   | 532 75 11-53 | NUT HEX FLANGE LK 5/16-18             |
| 28   | 580 75 67-01 | PAWL ASM LH                           |

**NOTE:** All component dimensions given in U.S. inches. 1 inch = 25.4 mm  
**IMPORTANT:** Use only Original Equipment Manufacturer (O.E.M.) replacement parts. Failure to do so could be hazardous, damage your snow thrower and void your warranty.

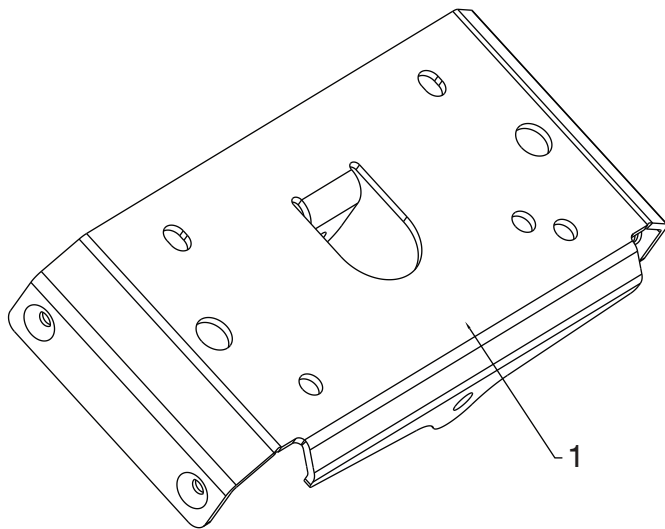
# REPAIR PARTS

# CHASSIS / ENGINE / PULLEYS

SNOW THROWER - MODEL NO. **ST 224** (97046850100), PRODUCT NO. 970 46 85-01



| Ref. | Part No.     | Description                          |
|------|--------------|--------------------------------------|
| --   | 590 21 86-03 | COMPLETE LCT ENGINE PW2HK18650178E   |
| 1    | 580 83 94-05 | FRAME                                |
| 2    | 532 15 04-06 | ENGINE BOLT 3/8-16 X 1.280 DOG-POINT |
| 3    | 580 83 95-05 | FRAME COVER                          |
| 4    | 501 06 04-03 | SHIFTER BRACKET                      |
| 5    | 582 90 69-01 | SCREW HEX WASHER 1/4-20 X .625       |
| 6    | 588 95 45-01 | WIREFORM SUPPORT CABLE               |
| 7    | 532 42 88-67 | BOLT HEXHD WASHER 5/16-18 X .750     |
| 8    | 593 33 72-01 | BOLT HEXHD WASHER 5/16-18 X 1.000    |



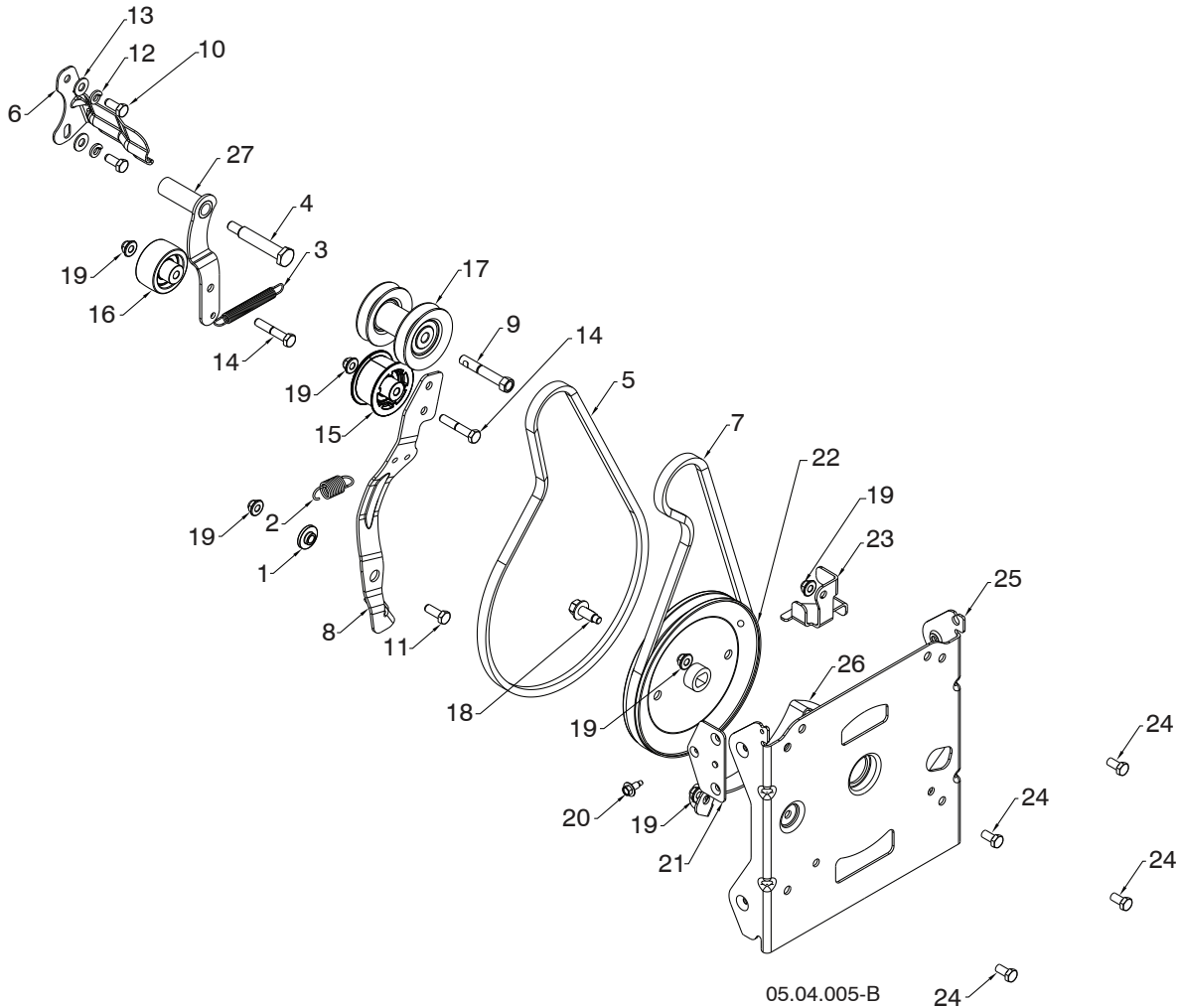
| Ref. | Part No.     | Description          |
|------|--------------|----------------------|
| 1    | 583 94 05-02 | SMALL MOUNTING PLATE |

**NOTE:** All component dimensions given in U.S. inches. 1 inch = 25.4 mm  
**IMPORTANT:** Use only Original Equipment Manufacturer (O.E.M.) replacement parts. Failure to do so could be hazardous, damage your snow thrower and void your warranty.

# REPAIR PARTS

# CHASSIS / ENGINE / PULLEYS

## SNOW THROWER - MODEL NO. ST 224 (97046850100), PRODUCT NO. 970 46 85-01



| Ref. | Part No.     | Description                      |
|------|--------------|----------------------------------|
| 1    | 587 34 37-01 | BUSHING BRAKE ARM                |
| 2    | 587 03 12-01 | SPRING RETURN IDLER ARM          |
| 3    | 580 75 30-01 | SPRING RETURN IDLER ARM          |
| 4    | 581 41 38-01 | BOLT SHOULDER 5/16-24 X 2.15     |
| 5    | 584 21 61-02 | BELT DRIVE 4L X 38.19            |
| 6    | 588 49 28-02 | BRACKET BELT KEEPER 007          |
| 7    | 501 81 82-01 | BELT IMPELLER LOW CRANK          |
| 8    | 580 83 11-06 | ARM IDLER AUTO PH .676           |
| 9    | 582 38 84-01 | BOLT ENGINE PULLEY               |
| 10   | 581 41 38-01 | CAPSCREW HEXHD 5/16-24 X .75 GR5 |
| 11   | 596 32 22-01 | BOLT HEXHD 5/16-18 X .875        |
| 12   | 596 23 88-01 | LOCKWASHER 5/16 SPLIT HVY        |
| 13   | 596 20 41-01 | WASHER 11/32 X 3/4 X 16GA        |
| 14   | 874 76 05-28 | BOLT HXHD 5/16-18 X 1.75         |

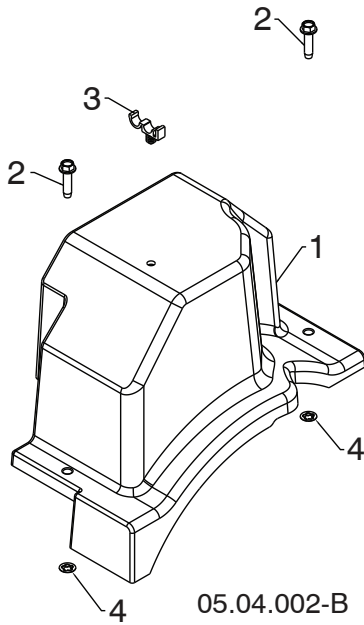
| Ref. | Part No.     | Description                    |
|------|--------------|--------------------------------|
| 15   | 586 88 02-02 | PULLEY IDLER 2.0 WITH SPACER   |
| 16   | 586 88 02-02 | PULLEY IDLER 2.0 O/ SPACER     |
| 17   | 587 89 37-03 | PULLEY ASM IMPELLER /DRIVE     |
| 18   | 595 51 79-01 | SCREW FLANGE HEAD 3/8-16       |
| 19   | 594 94 44-01 | NUT NYLOK FLANGE 5/16-18       |
| 20   | 585 51 78-01 | SCREW 1/4-20 X .65 W/DOG POINT |
| 21   | 590 04 46-02 | BRACKET NUT BZP                |
| 22   | 590 69 92-01 | PULLEY IMPELLER DD 4L          |
| 23   | 587 58 72-02 | GUIDE LOWER AUGER BELT .479    |
| 24   | 596 03 16-01 | BOLT HXHD 5/16-18 X 5/8        |
| 25   | 581 59 25-02 | BRACKET AUG HOUSING INTER .479 |
| 26   | 581 63 20-02 | BRACKET BELT KEEPER LOWER .479 |
| 27   | 581 33 82-03 | ARM IDLER DRIVE                |

**NOTE:** All component dimensions given in U.S. inches. 1 inch = 25.4 mm  
**IMPORTANT:** Use only Original Equipment Manufacturer (O.E.M.) replacement parts. Failure to do so could be hazardous, damage your snow thrower and void your warranty.

# REPAIR PARTS

# CHASSIS / ENGINE / PULLEYS

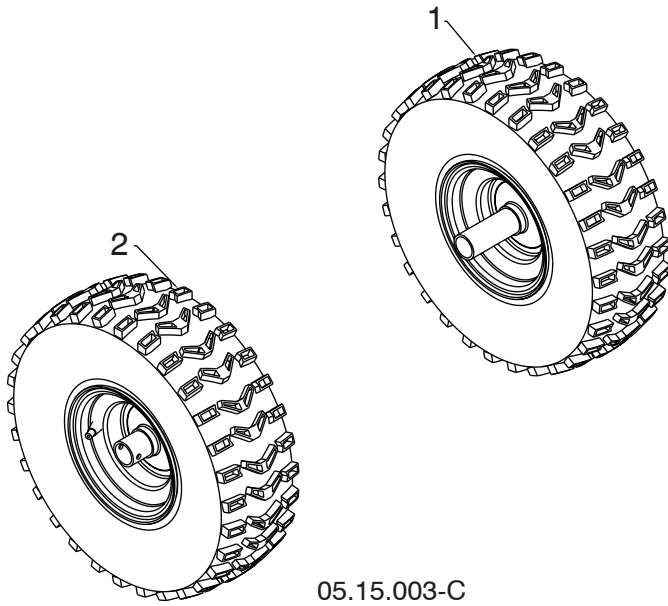
SNOW THROWER - MODEL NO. **ST 224** (97046850100), PRODUCT NO. 970 46 85-01



| Ref. | Part No.     | Description                                |
|------|--------------|--|
| 1    | 587 10 54-01 | BELT COVER BLACK ASSEMBLY (INCLUDES 2 & 4) |
| 2    | -----        | BOLT HEX WSH THDRL 1/4-20 X 1              |
| 3    | 532 14 50-06 | CABLE GUIDE                                |
| 4    | -----        | PALNUT 1/4 IN                              |

**NOTE:** All component dimensions given in U.S. inches. 1 inch = 25.4 mm  
**IMPORTANT:** Use only Original Equipment Manufacturer (O.E.M.) replacement parts. Failure to do so could be hazardous, damage your snow thrower and void your warranty.





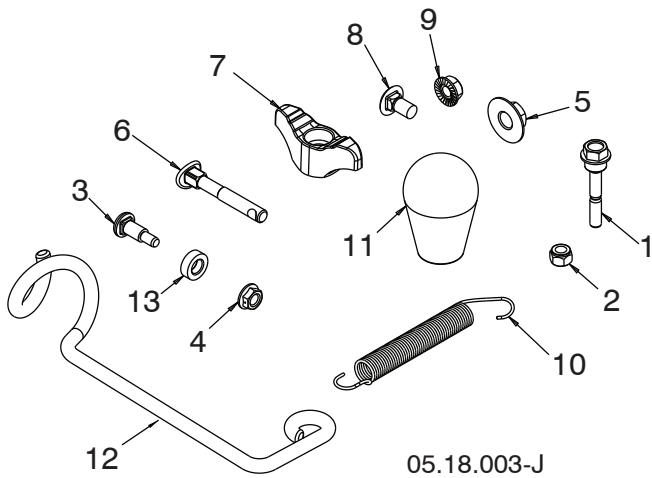
| Ref. | Part No.     | Description               |
|------|--------------|---------------------------|
| 1    | 586 71 04-01 | WHEEL 15X5.00 NPS LH 1.00 |
| 2    | 586 71 03-01 | WHEEL 15X5.00 NPS RH 1.00 |

**NOTE:** All component dimensions given in U.S. inches. 1 inch = 25.4 mm  
**IMPORTANT:** Use only Original Equipment Manufacturer (O.E.M.) replacement parts.  
Failure to do so could be hazardous, damage your snow thrower and void your warranty.

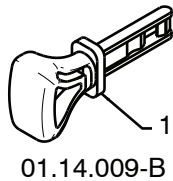
## REPAIR PARTS

## BAG OF PARTS

SNOW THROWER - MODEL NO. **ST 224** (97046850100), PRODUCT NO. 970 46 85-01



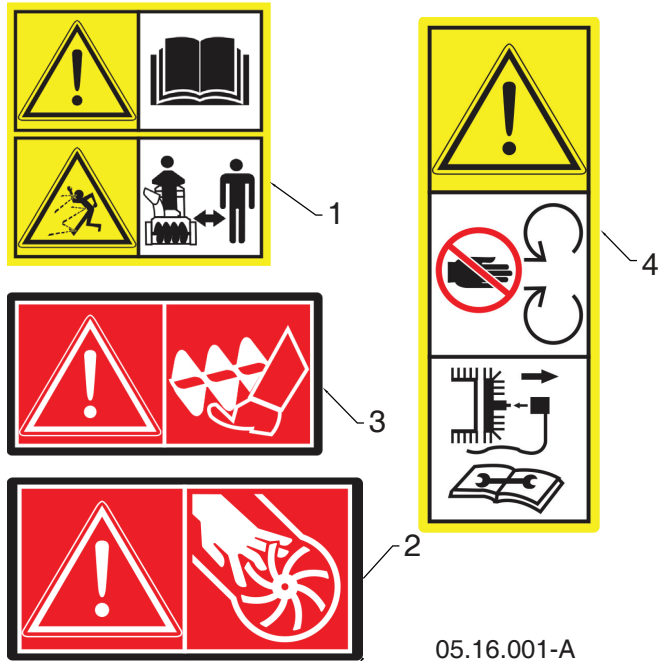
| Ref. | Part No.     | Description                 |
|------|--------------|-----------------------------|
| 1    | 588077502    | BOLT 1/4-20 X 1.81          |
| 2    | 595086601    | NUT NYLOCK 1/4-20           |
| 3    | 501417301    | BOLT SHOULDER               |
| 4    | 585 69 14-01 | NUT HEX FL 1/4-20 CTR       |
| 5    | 585 69 10-01 | NUT NYLOCK 3/8-16           |
| 6    | 588 05 99-01 | BOLT 5/16-18 X 2.25 CONCAVE |
| 7    | 532 18 97-13 | KNOB 5/16-18 TWO-WING       |
| 8    | 585 83 20-01 | BOLT 5/16-18 X .625         |
| 9    | 873 97 05-00 | NUT SERR FL LOCK 5/16-18    |
| 10   | 532 18 45-05 | SPRING DEFLECT CHUTE        |
| 11   | 581 69 75-01 | KNOB SOFT TOUCH SLOTTED     |
| 12   | 596 97 68-01 | SUPPORT ROTATION CABLE      |
| 13   | 501 41 74-01 | WASHER NYLON                |



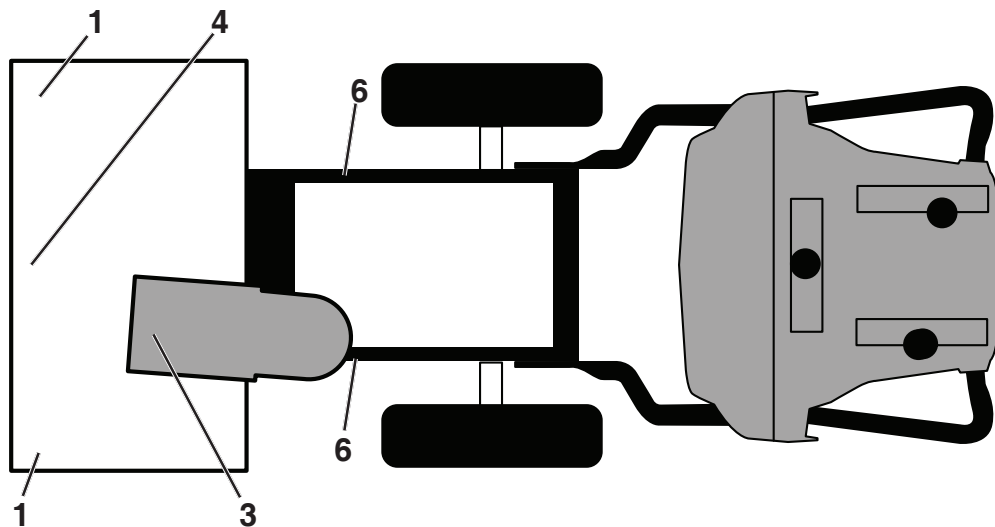
| Ref. | Part No.     | Description             |
|------|--------------|-------------------------|
| 1    | 532 44 30-59 | SAFETY IGNITION KEY KIT |

**NOTE:** All component dimensions given in U.S. inches. 1 inch = 25.4 mm  
**IMPORTANT:** Use only Original Equipment Manufacturer (O.E.M.) replacement parts.  
 Failure to do so could be hazardous, damage your snow thrower and void your warranty.

SNOW THROWER - MODEL NO. ST 224 (97046850100), PRODUCT NO. 970 46 85-01



| Ref. | Part No.     | Description        |
|------|--------------|--------------------|
| 1    | 532 18 40-45 | DECAL AUGER        |
| 2    | 590 81 22-01 | DECAL CHUTE        |
| 3    | 532 19 96-83 | DECAL AUGER SAFETY |
| 4    | 532 18 40-28 | DECAL BELT GUIDE   |



| Ref. | Part No.     | Description                    |
|------|--------------|--------------------------------|
| 1    | 532 19 96-83 | DECAL, DANGER                  |
| 3    | 590 81 22-01 | DECAL, DANGER, DEFLECTOR       |
| 4    | 532 18 40-45 | DECAL, DANGER                  |
| 6    | 532 18 40-28 | DECAL                          |
| --   | 590 69 72-01 | DECAL, ENG. RECOIL (NOT SHOWN) |

| Ref. | Part No.     | Description                                 |
|------|--------------|---|
| --   | 532 17 45-72 | DECAL, CANADA IGNITION (NOT SHOWN)          |
| --   | 588 59 71-01 | DECAL, AUGER HSQ (NOT SHOWN)                |
| --   | 114 22 63-49 | OPERATOR'S MANUAL, ENGLISH, FRENCH, SPANISH |

**NOTE:** All component dimensions given in U.S. inches. 1 inch = 25.4 mm  
**IMPORTANT:** Use only Original Equipment Manufacturer (O.E.M.) replacement parts. Failure to do so could be hazardous, damage your snow thrower and void your warranty.

# ENGINE, LCT

# COMPLETE ENGINE-590218603

GEN I 208cc Snow Engines

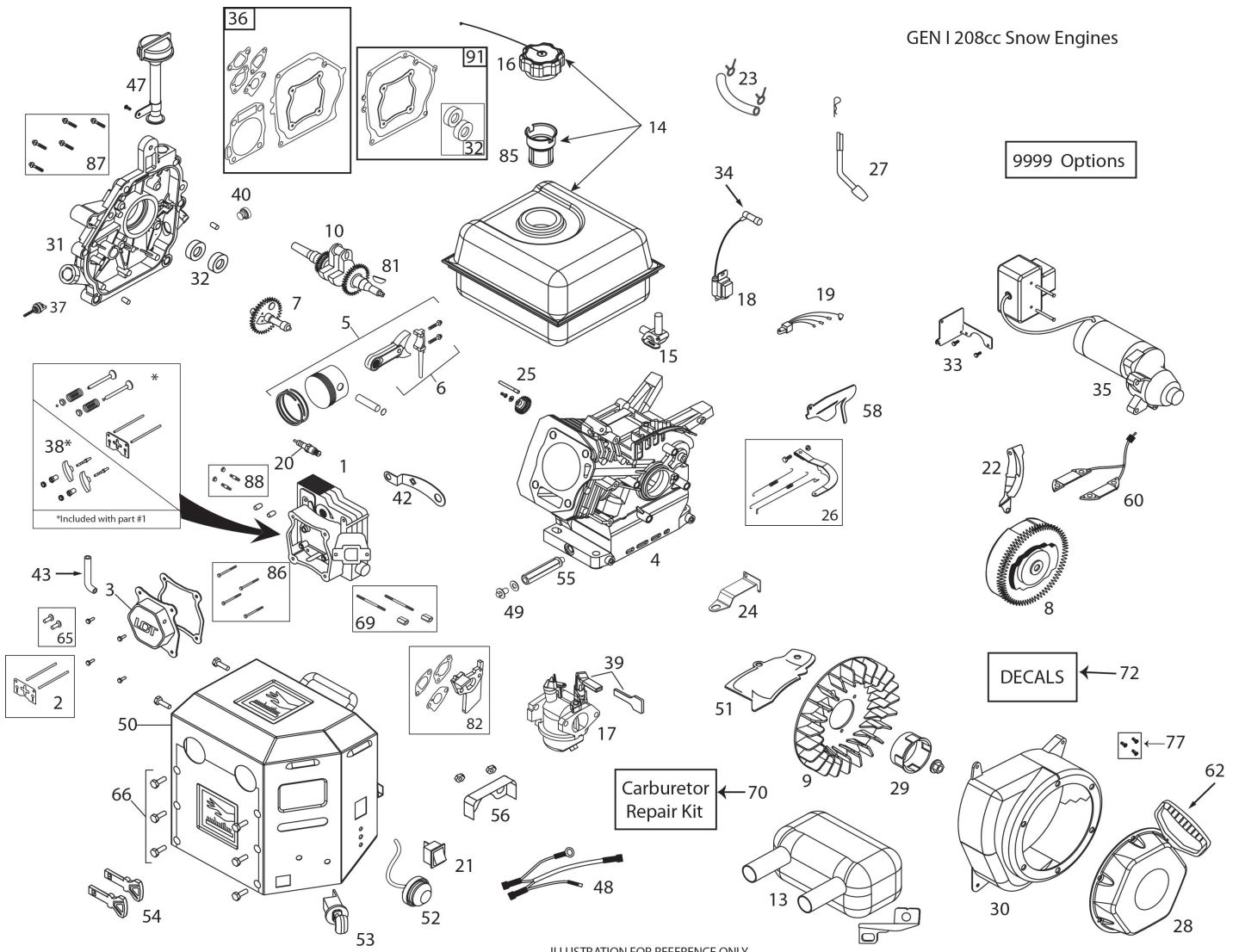


ILLUSTRATION FOR REFERENCE ONLY

| Ref. | Part No.     | Description                            |
|------|--------------|--|
| 1    | 532 42 05-78 | Cylinder Head Assembly                 |
| 2    | 532 42 05-79 | Push Rod & Plate Kit                   |
| 3    | 532 42 05-80 | Valve Cover (incl. Gasket)             |
| 5    | 532 42 05-82 | Piston & Rod Assembly                  |
| 7    | 532 42 05-84 | Camshaft                               |
| 8    | 595 01 24-01 | Flywheel - Electric Start w/ 6 magnets |
| 9    | 532 42 05-86 | Cooling Fan - Flywheel                 |
| 10   | 532 44 66-42 | Crankshaft                             |
| 13   | 599 71 66-01 | Muffler Assembly                       |
| 14   | 532 43 65-64 | Fuel Tank (2.7L Black w/ Cap)          |
| 15   | 532 42 92-34 | Fuel Tank On/Off Valve                 |
| 16   | 532 42 49-42 | Fuel Tank Cap                          |

| Ref. | Part No.     | Description                   |
|------|--------------|-------------------------------|
| 17   | 587 14 79-01 | Carburetor (w/gskts)          |
| 18   | 532 44 39-34 | Ignition Coil (CDI)           |
| 20   | 532 42 49-39 | Spark Plug                    |
| 22   | 585 77 24-01 | Shield - Flywheel             |
| 23   | 532 43 21-44 | Fuel Hose Kit                 |
| 24   | 532 42 92-59 | Speed Control Bracket (Fixed) |
| 25   | 532 42 96-46 | Governor Gear Assembly        |
| 26   | 581 76 87-01 | Governor Arm & Link Kit       |
| 27   | 532 42 06-02 | Governor Arm Paddle           |
| 28   | 532 43 69-67 | Recoil Starter Assy           |
| 29   | 532 43 69-68 | Starter Cup                   |
| 30   | 599 71 67-01 | Blower Housing                |

**NOTE:** All component dimensions given in U.S. inches. 1 inch = 25.4 mm  
**IMPORTANT:** Use only Original Equipment Manufacturer (O.E.M.) replacement parts. Failure to do so could be hazardous, damage your snow thrower and void your warranty.

## ENGINE, LCT

| Ref. | Part No.     | Description   |
|------|--------------|---|
| 31   | 581 00 73-01 | Crankcase Cover Assy                                  |
| 32   | 532 42 95-99 | Oil Seal Kit (2 Pcs)                                  |
| 34   | 532 43 69-66 | Spark Plug Boot                                       |
| 35   | 532 43 64-66 | 120V Electric Starter                                 |
| 36   | 532 42 96-01 | Engine Gasket Kit                                     |
| 37   | 532 42 09-61 | Small Black Oil Dipstick                              |
| 38   | 532 42 96-91 | Rocker Arm Kit  |
| 39   | 532 42 92-24 | Choke Control Knob                                    |
| 40   | 532 42 95-98 | Non-Removable Plastic Plug                            |
| 43   | 580 35 34-01 | Breather Tube   |
| 47   | 581 00 72-01 | High Oil-Fill Tube/Dipstick (Press-In Type)           |
| 48   | 595 01 25-01 | Wire Harness  |
| 49   | 532 43 54-95 | Oil Drain Plug w/washer                               |
| 50   | 595 01 26-01 | Heater Box  |
| 51   | 532 43 71-19 | Shield - Cylinder                                     |
| 52   | 532 42 49-49 | Primer Bulb With Hose                                 |
| 53   | 532 42 49-54 | Safety Key Switch (incl. keys)                        |
| 54   | 532 44 30-59 | Key Set - Red (2)                                     |
| 55   | 532 43 26-86 | Oil Drain Tube  |
| 56   | see ref 58   | Part of ref 58, all one piece                         |
| 57   | 532 43 66-72 | CE Compliant Muffler Shield                           |
| 58   | 595 01 27-01 | Gov and Carb Shield - Composite (also repls 56,79,80) |
| 59   | 532 43 65-62 | Fuel Tank Skirt                                       |

## COMPLETE ENGINE-590218603

| Ref. | Part No.     | Description                                 |
|------|--------------|---|
| 60   | 532 44 38-93 | 60 watt AC Charging Coil                    |
| 61   | 532 43 27-52 | Fuel Control Knob                           |
| 65   | 581 37 28-01 | Tappet Kit (Set of 2)                       |
| 69   | 532 42 49-51 | Carburetor Studs & Coupling Kit             |
| 70   | 580 35 36-02 | Carburetor Repair Kit                       |
| 72   | 587 15 22-01 | LABEL KIT                                   |
| 74   | 587 82 11-01 | Muffler Heat Shield Cover                   |
| 77   | 532 43 26-88 | Recoil Bolt Kit (3 bolts per kit)           |
| 78   | 581 45 93-01 | Breather Tube Bracket                       |
| 79   | see ref 58   | Part of ref 58, all one part                |
| 80   | see ref 58   | Part of ref 58, all one part                |
| 81   | 585 29 72-01 | Woodruff Flywheel Keys                      |
| 82   | 585 02 05-03 | CARBURETOR SPACER KIT                       |
| 85   | 586 32 56-01 | Fuel Tank Strainer                          |
| 86   | 586 32 73-02 | Cylinder Head Bolt Kit (4)                  |
| 87   | 586 32 69-01 | CC Cover Bolt Kit (6)                       |
| 88   | 586 32 68-01 | Muffler Mtg Stud Kit (2)                    |
| 91   | 587 52 57-01 | Crankshaft Gasket Kit                       |
| 97   | 589 75 26-01 | Muffler Manifold Shield                     |
| 9999 | 590 92 08-01 | Starter Switch Box Screws                   |
| 9999 | 586 32 62-01 | High Altitude Jet (>6,000 feet)             |
| 9999 | 597 93 00-01 | Starter Motor Mounting Bolts                |
| 9999 | 579 80 64-01 | Bolt Kit - Blower Hsg-Heater Box-Tank Skirt |

**NOTE:** All component dimensions given in U.S. inches. 1 inch = 25.4 mm  
**IMPORTANT:** Use only Original Equipment Manufacturer (O.E.M.) replacement parts.  
Failure to do so could be hazardous, damage your snow thrower and void your warranty.