



Husqvarna®

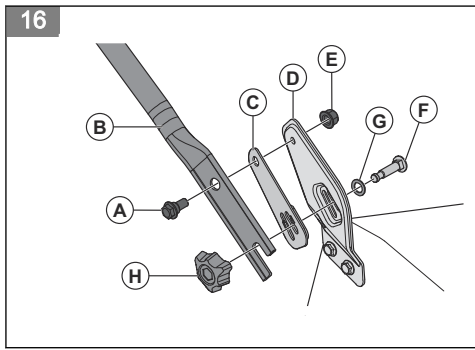
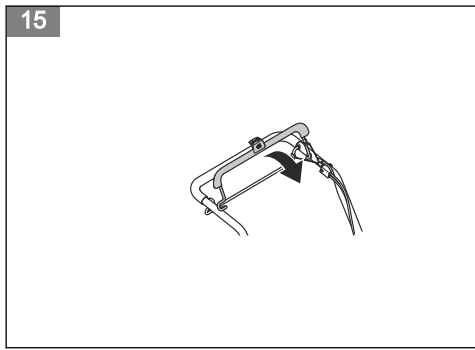
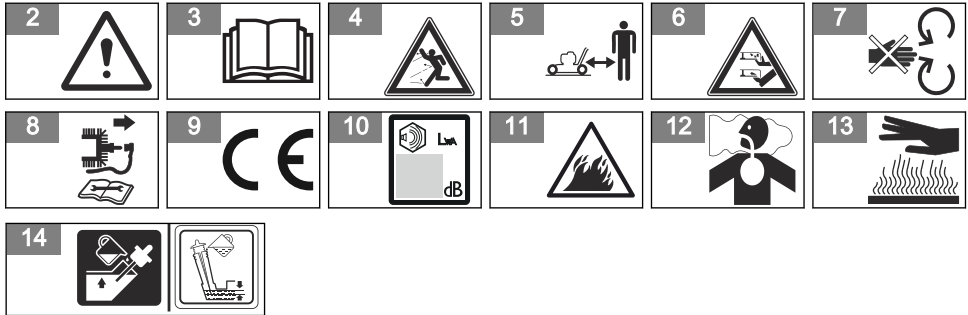
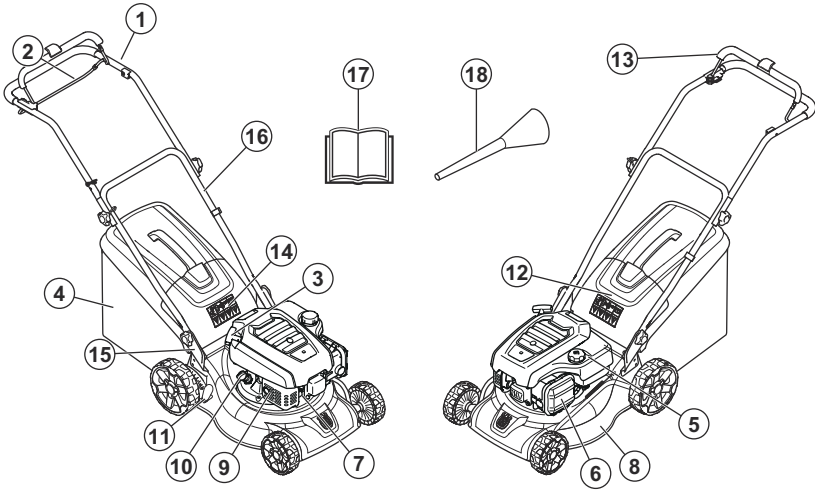


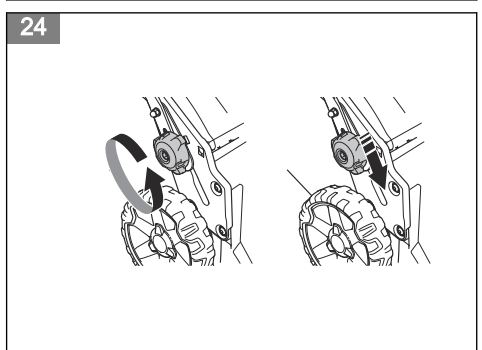
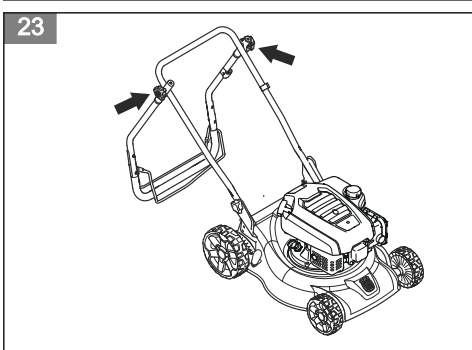
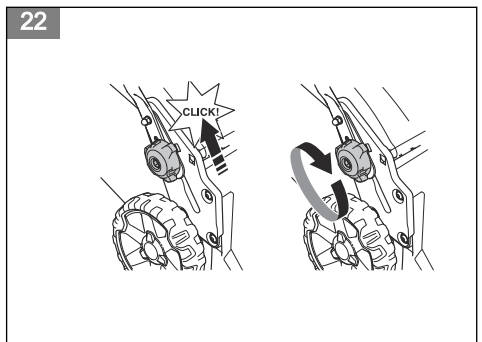
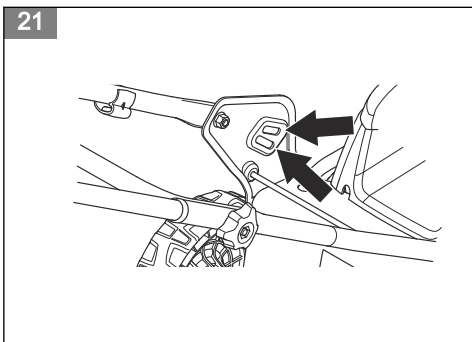
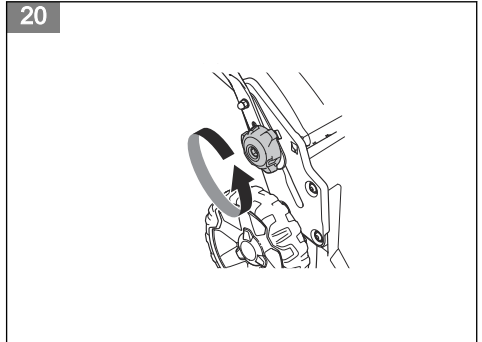
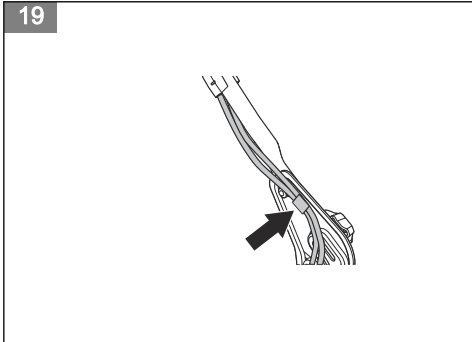
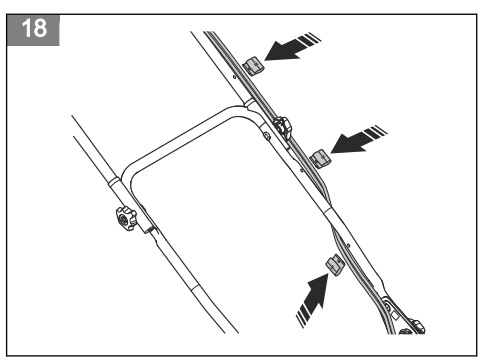
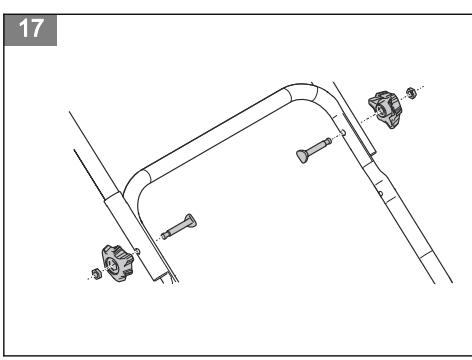
LC 140P, LC 140SP

EN	Operator's manual	7-17
FR	Manuel d'utilisation	18-29
ES	Manual de usuario	30-41
PT-BR	Manual do operador	42-53
PT	Manual do utilizador	54-66

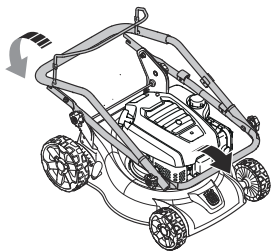
LC 140SP

LC 140P

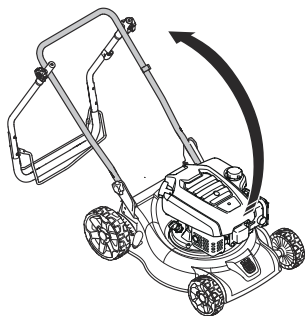




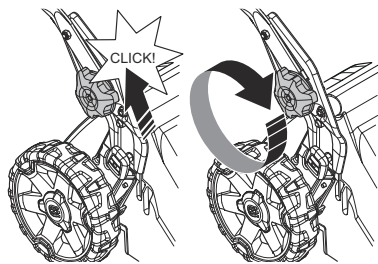
25



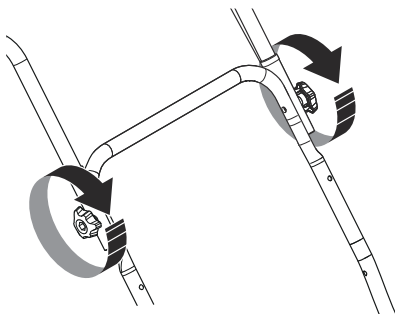
26



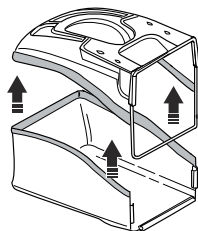
27



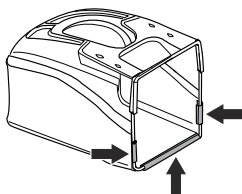
28



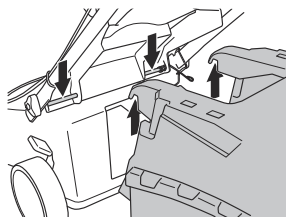
29



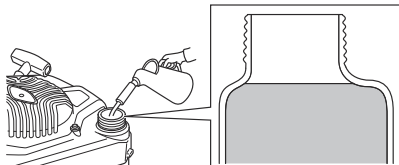
30



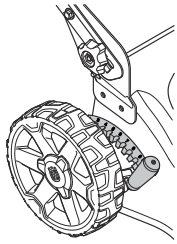
31



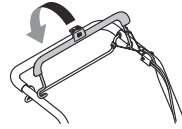
32



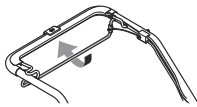
33



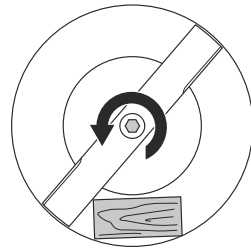
34



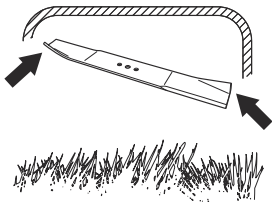
35



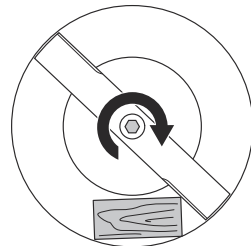
36



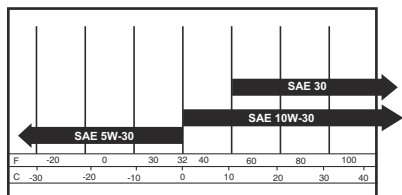
37



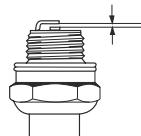
38



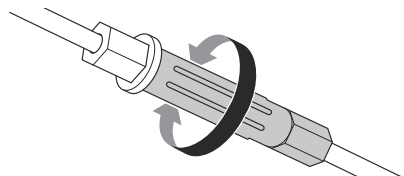
39



40



41



Contents

Introduction.....	7	Maintenance.....	12
Safety.....	8	Engine troubleshooting.....	15
Assembly.....	10	Transportation, storage and disposal.....	16
Operation.....	11	Technical data.....	16

Introduction

Product description

The product is a pedestrian-controlled rotary lawn mower. The grass is collected in a grass catcher. Remove the grass catcher to get rear discharge of the grass.

Product overview

(Fig. 1)

1. Handle / handlebar
2. Drive bail (LC 140SP)
3. Starter rope handle
4. Grass catcher
5. Fuel tank
6. Air filter
7. Spark plug
8. Cutting cover
9. Muffler
10. Oil tank cap
11. Cutting height lever
12. Rear cover
13. Engine brake handle
14. Symbols
15. Lower handle assembly
16. Lower handle
17. Operator's manual
18. Oil funnel

Symbols on the product

- (Fig. 2) **WARNING!** Be careful and use the product correctly. This product can cause serious injury or death to the operator or others.
- (Fig. 3) Please read the operator's manual carefully and make sure that you understand the instructions before use.
- (Fig. 4) Look out for thrown objects and ricochets.
- (Fig. 5) Keep persons and animals at a safe distance from the work area.
- (Fig. 6) **Warning:** Keep hands and feet away from the rotating blade.

Intended use

Use the product to cut grass. Do not use the product for other tasks.

- (Fig. 7) **Warning:** Keep hands and feet away from rotating parts.
- (Fig. 8) Stop the engine and remove the ignition cable before repairs or maintenance.
- (Fig. 9) This product is in accordance with applicable EC directives.
- (Fig. 10) Noise emission to the environment according to the European Community's Directive. The product's emission is specified in the Technical data chapter and on the label.
- (Fig. 11) Risk of fire.
- (Fig. 12) Do not breathe in exhaust fumes. The exhaust fumes from the engine contain carbon monoxide, an odourless, poisonous and very dangerous gas. Do not start the engine indoors or in closed spaces.
- (Fig. 13) Hot surface.
- (Fig. 14) Fill the engine with oil before you start the product..

Note: Other symbols/decals on the product refer to certification requirements for some commercial areas.

Euro V Emissions



WARNING: Tampering with the engine voids the EU type-approval of this product.

Product liability

As referred to in the product liability laws, we are not liable for damages that our product causes if:

- the product is incorrectly repaired.
- the product is repaired with parts that are not from the manufacturer or not approved by the manufacturer.

- the product has an accessory that is not from the manufacturer or not approved by the manufacturer.
- the product is not repaired at an approved service center or by an approved authority.

Safety

Safety definitions

Warnings, cautions and notes are used to point out specially important parts of the manual.



WARNING: Used if there is a risk of injury or death for the operator or bystanders if the instructions in the manual are not obeyed.



CAUTION: Used if there is a risk of damage to the product, other materials or the adjacent area if the instructions in the manual are not obeyed.

Note: Used to give more information that is necessary in a given situation.

- Keep children away from the work area. A responsible adult must be there at all times.
- Do not let a person, without knowledge of the instructions, operate the product.
- Always monitor a person, with decreased physical capacity or mental capacity, that uses the product. A responsible adult must be there at all times.
- Do not use the product if you are tired, ill, or under the influence of alcohol, drugs or medicine. This has a negative effect on your vision, alertness, coordination and judgment.
- Do not use the product if it is defective.
- Do not change this product or use it if it is possible that it has been changed by others.
- Do not change the adjustment for the engine speed control.

General safety instructions



WARNING: Read the warning instructions that follow before you use the product.

- This product is dangerous if used incorrectly or if you are not careful. Injury or death can occur if you do not obey the safety instructions.
- This product produces an electromagnetic field during operation. This field may under some circumstances interfere with active or passive medical implants. To reduce the risk of serious or fatal injury we recommend persons with medical implants to consult their physician and the medical implant manufacturer before operating this product.
- Always be careful and use your common sense. If you are not sure how to operate the product in a special situation, stop and speak to your Husqvarna dealer before you continue.
- Keep in mind that the operator will be held responsible for accidents that involve other persons or their property.
- Keep the product clean. Make sure that you can clearly read signs and decals.
- Do not let a person use the product unless you make sure that they read and understand the contents of the operator's manual.
- Do not let a child operate the product.

Work area safety



WARNING: Read the warning instructions that follow before you use the product.

- Remove objects such as branches, twigs and stones from the work area before you use the product.
- Objects that hit against the cutting equipment can eject and cause damage to persons and objects. Keep bystanders and animals at a safe distance from the product.
- Never use the product in bad weather such as fog, rain, strong winds, intense cold and risk of lightning. To use the product in bad weather or in moist or wet locations is tiring. Bad weather can cause dangerous conditions, such as slippery surfaces.
- Look out for persons, objects and situations that can prevent safe operation of the product.
- Look out for obstacles, such as roots, stones, twigs, pits and ditches. Long grass can hide obstacles.
- To cut grass on slopes can be dangerous. Do not use the product on ground that slopes more than 15°.
- Operate the product across the face of slopes. Do not move up and down.
- Be careful when you go near hidden corners and objects that prevent a clear view.

Work safety



WARNING: Read the warning instructions that follow before you use the product.

- Use this product to cut grass lawns only. It is not permitted to use it for other tasks.
- Use personal protective equipment. Refer to *Personal protective equipment on page 9*.
- Make sure that you know how to stop the engine quickly in an emergency.
- Never start the engine in a closed space or near flammable material. The exhaust fumes from the engine are hot and can contain sparks which can start a fire.
- Do not operate the product unless the blade and all covers are attached correctly. An incorrectly attached blade can come loose and cause personal injury.
- Make sure that the blade does not hit objects such as stones and roots. This can do damage to the blade and bend the engine shaft. A bent axle causes heavy vibration and a very high risk that the blade becomes loose.
- If the blade hits an object or if vibrations occur, stop the product immediately. Disconnect the ignition cable from the spark plug. Examine the product for damages. Repair damages or let an authorised service agent do the repair.
- Never attach the engine brake handle permanently to the handle when the engine is started.
- Put the product on a stable, flat surface and start it. Make sure that the blade does not hit the ground or other objects.
- Always stay behind the product when you operate it.
- Let all the wheels stay on the ground and keep 2 hands on the handle when you operate the product. Keep your hands and feet away from the rotating blades.
- Do not tilt the product when the engine is started.
- Be careful when you pull the product rearward.
- Never lift up the product when the engine is started. If you must lift the product, first stop the engine and disconnect the ignition cable from the spark plug.
- Do not walk rearward when you operate the product.
- Stop the engine when you move across areas without grass, for example paths made of gravel, stone and asphalt.
- Do not run with the product when the engine is started. Always walk when you operate the product.
- Stop the engine before you change the cutting height. Never make adjustments with the engine started.
- Never let the product stay out of view with the engine started. Stop the engine and make sure that the cutting equipment does not rotate.

Safety instructions for operation

Personal protective equipment



WARNING: Read the warning instructions that follow before you use the product.

- Personal protective equipment cannot fully prevent injury but it decreases the degree of injury if an accident does occur. Let your dealer help you select the right equipment.
- Use hearing protection if the noise level is higher than 85 dB.
- Use heavy-duty slip-resistant boots or shoes. Do not use open shoes or go with bare feet.
- Use heavy, long pants.
- Use protective gloves when necessary, for example when you attach, examine or clean the cutting equipment.

Safety devices on the product



WARNING: Read the warning instructions that follow before you use the product.

- Do not use a product with defective safety devices.
- Do a check of the safety devices regularly. If the safety devices are defective, speak to your Husqvarna service agent.

To do a check of the cutting cover

The cutting cover decreases vibrations in the product and decreases the risk of injury from the blade.

- Examine the cutting cover to make sure that there are no damages such as cracks.

To do a check of the engine brake handle

The engine brake handle stops the engine. When the engine brake handle is released, the engine stops.

- Start the engine and then release the engine brake handle. If the engine does not stop in 3 seconds, let an approved Husqvarna service agent adjust the engine brake. (Fig. 15)

Muffler

The muffler keeps the noise levels to a minimum and sends the exhaust fumes away from the operator.

Do not use the product if the muffler is missing or defective. A defective muffler increases the noise level and the risk of fire.



WARNING: The muffler becomes very hot during and after use and when the engine operates at idle speed. Be careful near

flammable materials and/or fumes to prevent fire.

- Move the product a minimum of 3 m / 10 ft from the position where you filled the tank before a start.
- Do not fill the fuel tank fully. Heat causes the fuel to expand. Keep a space at the top of the fuel tank.

Fuel safety



WARNING: Read the warning instructions that follow before you use the product.

- Do not start the product if there is fuel or engine oil on the product. Remove the unwanted fuel/oil and let the product dry.
- If you spill fuel on your clothing, change clothing immediately.
- Do not get fuel on your body, it can cause injury. If you get fuel on your body, use soap and water to remove the fuel.
- Do not start the product if the engine has a leak. Examine the engine for leaks regularly.
- Be careful with fuel. Fuel is flammable and the fumes are explosive and can cause injuries or death.
- Do not breathe in the fuel fumes, it can cause injury. Make sure that there is a sufficient airflow.
- Do not smoke near the fuel or the engine.
- Do not put warm objects near the fuel or the engine.
- Do not add the fuel when the engine is on.
- Make sure that the engine is cool before you refuel.
- Before you refuel, open the fuel tank cap slowly and release the pressure carefully.
- Do not add fuel to the engine in an indoor area. Not sufficient airflow can cause injury or death because of asphyxiation or carbon monoxide.
- Tighten the fuel tank cap fully. If the fuel tank cap is not tightened, there is a risk of fire.



WARNING: Read the warning instructions that follow before you use the product.

- The exhaust fumes from the engine contain carbon monoxide, an odourless, poisonous and very dangerous gas. Do not start the engine indoors or in closed spaces.
- Before you do the maintenance on the product, stop the engine and remove the ignition cable from the spark plug.
- Use protective gloves when you do maintenance on the cutting equipment. The blade is very sharp and cuts can easily occur.
- Accessories and changes to the product that are not approved by the manufacturer, can cause serious injury or death. Do not change the product. Always use accessories that are approved by the manufacturer.
- If the maintenance is not done correctly and regularly, the risk of injury and damage to the product increases.
- Only do the maintenance as given in this owner's manual. All other servicing must be done by an approved Husqvarna service agent.
- Let an approved Husqvarna service agent do servicing on the product regularly.
- Replace damaged, worn or broken parts.

Assembly

To assemble the handle

1. Push the screw (A) through the handle (B), the plastic washer (C) and the handle support bracket (D). (Fig. 16)
2. Tighten the nut (E) fully.
3. Push the screw (F) through the washer (G) and the handle support bracket.
4. Tighten the knob (H) fully.
5. Align the holes in the handlebar with the holes in the lower handle and attach the screws, washers and knobs. Tighten the knobs fully. (Fig. 17)
6. Attach the cables to the handle with the cable holders. (Fig. 18)

Note: Make sure that the tension in the cables is not too high. A too high tension can cause damage to the cable if the handle is folded to transport position.

7. Put the cables around the hook at the bottom of the handle. (Fig. 19)

To adjust the handle height

1. Loosen the lower knobs. (Fig. 20)
2. Remove the knob, washer, and screw on the left and the right side.
3. The handle can be set to 2 different heights. Put the screw in one of the 2 holes on the left and the right side. (Fig. 21)
4. Attach the screws, washers and knobs.
5. Move the knobs up in the direction of the handle until they stop and you hear a click. Tighten the knobs fully. (Fig. 22)

To set the product in transport position

1. Remove the grass catcher.
2. Loosen the knobs on the upper handle and fold the handle down. (Fig. 23)

- Loosen the lower knobs.
- Move the knobs to the lower end of the grooves on the left and the right side of the product. (Fig. 24)
- Fold the handle forward. (Fig. 25)

To set the product in operation position

- Lift the handlebar until the lower handle locks in operation position. (Fig. 26)
- Move the knobs up in the direction of the handle until they stop and you hear a click.
- Tighten the knobs fully. (Fig. 27)
- Lift the top part of the handlebar.

- Tighten the knobs fully. (Fig. 28)

To assemble the grass catcher

- Put the top part of the grass catcher onto the lower part of the grass catcher. (Fig. 29)
- Attach the grass catcher frame with the clips. (Fig. 30)
- Lift the rear cover.
- Attach the hooks on the grass catcher to the top edge of the chassis. (Fig. 31)
- Put the lower part of the grass catcher into the grass discharge channel.

Operation

Introduction



WARNING: Before you operate the product, you must read and understand the safety chapter.

Husqvarna Connect

Husqvarna Connect is a free app for your mobile device. The Husqvarna Connect app gives extended functions for your Husqvarna product:

- Extended product information.
- Information about, and help with, product parts and servicing.

To start to use Husqvarna Connect

- Download the Husqvarna Connect app on your mobile device.
- Register in the Husqvarna Connect app.
- Do the instruction steps in the Husqvarna Connect app to connect and register the product.

Before you operate the product

- Read the operator's manual carefully and make sure that you understand the instructions.
- Examine the cutting equipment to make sure that it is correctly attached and adjusted. See *To examine the cutting equipment on page 13*.
- Fill the fuel tank. See *To fill fuel on page 11*.
- Fill the oil tank and do a check of the oil level. See *To do a check of the oil level on page 14*.

To fill fuel

If available, use gasoline with a low emission grade/alkylate fuel. If gasoline with a low emission grade/alkylate fuel is not available, use good quality unleaded gasoline or leaded gasoline with octane number not less than 91.



CAUTION: Do not use gasoline with an octane number less than 91 RON. This can cause damage to the product.



CAUTION: Replace the fuel filter yearly or more frequently if it is necessary. A new fuel filter is available at your Husqvarna dealer.



CAUTION: Always stop the engine before you fill fuel.



CAUTION: Do not use pressurized starting fluids.

- Open the fuel tank cap slowly to release the pressure.
- Fill slowly with a fuel can. If you spill fuel, remove it with a cloth and let remaining fuel dry off. (Fig. 32)
- Clean the area around the fuel tank cap.
- Tighten the fuel tank cap fully. If the fuel tank cap is not tightened, there is a risk of fire.
- Move the product a minimum of 3 m / 10 ft from the position where you filled the tank before a start.

To set the cutting height

- Move the cutting height lever rearward to increase the cutting height.
- Move the cutting height lever forward to decrease the cutting height. (Fig. 33)



CAUTION: Do not set the cutting height too low. The blades can hit the ground if the surface of the lawn is not level.

To start the product

1. Make sure that the ignition cable is connected to the spark plug.
2. Stay behind the product.
3. Hold the engine brake handle against the handlebar. (Fig. 34)
4. Hold the starter rope handle with your right hand.
5. Slowly pull out the starter rope until you feel some resistance.
6. Pull with force to start the engine.



WARNING: Do not twist the starter rope around your hand.

To use the drive on the wheels

- Push the drive bail in the direction of the handlebar. (Fig. 35)
- Release the drive bail to disengage the drive, for example when you go near an obstacle.

- Before you pull the product rearward, disengage the drive and push the product forward approximately 10 cm.

To stop the product

- To stop the drive only, release the drive bail.
- To stop the engine, release the engine brake handle.

To get a good result

- Always use a sharp blade. A blunt blade gives an irregular result and the cut surface of the grass becomes yellow. A sharp blade also uses less energy than a blunt blade.
- Do not cut more than $\frac{1}{3}$ of the length of the grass. Cut first with the cutting height set high. Examine the result and lower the cutting height to an applicable level. If the grass is very long, drive slowly and cut 2 times if necessary.
- Cut in different directions each time to prevent stripes in the lawn.

Maintenance

Introduction



WARNING: Before you do maintenance, you must read and understand the safety chapter.

For all servicing and repair work on the product, special training is necessary. We guarantee the availability of professional repairs and servicing. If your dealer is not a service agent, speak to them for information about the nearest service agent.

Maintenance schedule



CAUTION: Make sure that the air filter is up and not against the ground when you tilt the product. Risk of engine damage.

The maintenance intervals are calculated from daily use of the product. The intervals change if the product is not used daily.

For maintenance identified with * refer to instructions in *Safety devices on the product on page 9*.

Maintenance	Daily	Monthly	Each season
Do a general inspection	X		
Examine the oil level	X		
Replace the oil (the first time after 5 h of use, then after each 50 h of use) ¹			X
Clean the product	X		
Examine the cutting equipment	X		
Examine the cutting cover *	X		
Examine the engine brake handle *	X		
Examine the muffler *		X	

¹ If the product is operated with heavy load or in high ambient temperatures, replace the engine oil each 25 hours.

Maintenance	Daily	Monthly	Each season
Examine the spark plug. Clean or replace the spark plug if it is necessary			X
Examine the air filter	X		
Clean the air filter ²		X	
Replace the air filter			X
Examine the fuel system			X
Clean the cooling fins on the cylinder		X	
Examine and adjust the clutch wire (LC 140SP)			X

To do a general inspection

- Make sure that all nuts and screws on the product are tightened correctly.

To clean the product externally

- Use a brush to remove leaves, grass and dirt.
- Make sure that the air intake on the top of the engine is not blocked.
- Do not use a high pressure washer to clean the product.
- If you use water to clean the product, do not flush water directly on the engine.

To clean the inner surface of the cutting cover

1. Empty the fuel tank.
2. Tilt the product. Make sure that the spark plug point up.



CAUTION: If the product is put with the air filter down, the engine can become damaged.

3. Hose down the inner surface of the cutting cover with water.

To examine the cutting equipment



WARNING: To prevent accidental start remove the ignition cable from the spark plug.



WARNING: Use protective gloves when you do maintenance on the cutting equipment. The blade is very sharp and cuts can easily occur.

1. Examine the cutting equipment for damage or cracks. Always replace a damaged cutting equipment.

2. Look at the blade to see if it is damaged or blunt.

Note: It is necessary to balance the blade after it is sharpened. Let a service center sharpen, replace and balance the blade. If you hit an obstacle that causes the product to stop, replace the damaged blade. Let the service center estimate if the blade can be sharpened or must be replaced.

To replace the blade

1. Lock the blade with a block of wood. (Fig. 36)
2. Remove the blade bolt.
3. Remove the blade.
4. Examine the blade support and blade bolt to see if there are damages.
5. Examine the engine shaft to make sure that it is not bent.
6. When you attach the new blade, point the angled ends of the blade in the direction of the cutting cover. (Fig. 37)
7. Make sure that the blade is aligned with the center of the engine shaft.
8. Lock the blade with a block of wood. Attach the spring washer and tighten the bolt and washer with a torque of 45–60 Nm. (Fig. 38)
9. Pull the blade around by hand and make sure that it turns freely.



WARNING: Use heavy duty gloves. The blade is very sharp and cuts can easily occur.

10. Start the product to do a test of the blade. If the blade is not correctly attached, there is vibration in the product or the cutting result is unsatisfactory.

² Clean more often under dusty conditions or when airborne debris is present. Replace air filter, if it is very dirty.

To do a check of the oil level



CAUTION: A too low oil level can do damage to the engine. Do a check of the oil level before you start the product.

1. Put the product on level ground.
2. Remove the oil tank cap with the attached dipstick.
3. Clean the oil from the dipstick.
4. Put the dipstick fully into the oil tank to give a correct picture of the oil level.
5. Remove the dipstick.
6. Examine the oil level on the dipstick.
7. If the oil level is low, fill with engine oil and do a check of the oil level again.

Note: Use a funnel to prevent spill.

To replace the engine oil



WARNING: Engine oil is very hot directly after the engine is stopped. Let the engine become cool before you drain the engine oil. If you spill engine oil on your skin, clean with soap and water.

(Fig. 39)

Note: Use 4-stroke engine oil. Make sure to use the correct viscosity for the ambient temperature.

1. Operate the product until the fuel tank is empty.
2. Remove the ignition cable from the spark plug.
3. Remove the oil tank cap.
4. Drain the engine oil from the oil tank with an oil pump (accessory).
5. Fill with new engine oil of the type recommended in *Technical data on page 16*.
6. Do a check of the oil level. Refer to *To do a check of the oil level on page 14*.

To clean the foam plastic filter

1. Remove the air filter cover and remove the foam plastic filter.
2. Clean the foam plastic filter with soap and water.
3. Flush the foam plastic filter in clean water.
4. Squeeze the water from the foam plastic filter and let it dry.



CAUTION: Do not use compressed air. It can cause damage to the foam plastic filter.

5. Lubricate the foam plastic filter with engine oil.
6. Press a clean cloth against the foam plastic filter to remove unwanted oil.
7. Put the air filter back. Make sure that the air filter fully seals against the air filter holder.
8. Put the air filter cover back.

To examine the spark plug



CAUTION: Always use the recommended spark plug type. Incorrect spark plug type can cause damage to the product.

- Examine the spark plug if the engine is low on power, is not easy to start or does not operate correctly at idle speed.
- To decrease the risk of unwanted material on the spark plug electrodes, obey these instructions:
 - a) Make sure that the idle speed is correctly adjusted.
 - b) Make sure that the fuel mixture is correct.
 - c) Make sure that the air filter is clean.
- If the spark plug is dirty, clean it and make sure that the electrode gap is correct, refer to *Technical data on page 16*. (Fig. 40)
- Replace the spark plug if it is necessary.

To examine the fuel system

- Examine the fuel tank cap and the seal for the fuel tank cap to make sure that there are no damages.
- Examine the fuel hose to make sure that there are no leaks. If the fuel hose is damaged, let a service agent replace it.

To adjust the clutch wire (LC 140SP)

For the situations that follow, it is necessary to decrease the length of the clutch wire:

- The drive of the wheels does not engage when you pull the drive bail or the speed control lever.
- The product moves slowly when the drive of the wheels is engaged.

For the situations that follow, it is necessary to extend the length of clutch wire:

- The product moves when the drive of the wheels is not engaged.
- Adjust the clutch wire.
 - a) To decrease the length of clutch wire, turn the adjuster screw counterclockwise.
 - b) To extend the length of the clutch wire, turn the adjustment screw clockwise. (Fig. 41)

If the product continues to drive unsatisfactory after the adjustment, speak to your servicing dealer

Engine troubleshooting

Problem	Possible cause	Solution
The engine does not start.	The ignition cable is not connected correctly.	Connect the ignition cable to the spark plug.
	The fuel tank is empty.	Fill the fuel tank with correct fuel type.
	The fuel is old.	Drain the fuel tank and the carburetor. Refuel with new gasoline.
	There is dirt in the carburetor or fuel line.	Clean the carburetor and/or fuel line.
	The spark plug is defective.	Adjust the electrode gap, clean or replace the spark plug.
	There is fuel on the spark plug.	Clean the spark plug.
The engine does not stop.	The stop mechanism is defective.	Disconnect the ignition cable from the spark plug. Let an approved service agent repair the product.
The engine does not operate smoothly.	The ignition cable is not connected correctly.	Connect the ignition cable to the spark plug.
	There is dirt in the fuel line or the fuel has expired.	Clean the fuel line. Fill the fuel tank with new fuel of the correct type.
	There is blockage in the fuel tank cap.	Clean the fuel tank cap.
	There is water or dirt in the fuel system.	Drain the fuel tank. Fill the fuel tank with new fuel of the correct type.
	The air filter is dirty.	Clean the air filter.
	The carburetor must be adjusted.	Let a servicing dealer adjust the carburetor.
The engine becomes too hot.	The engine oil level is too low.	Fill engine oil.
	The air flow is not sufficient.	Clean the air filter and the air filter housing.
	The carburetor must be adjusted.	Let a servicing dealer adjust the carburetor.
There is misfire in the engine when it operates at high speed.	The electrode gap in the spark plug is too small.	Adjust the electrode gap.
Unusual noises from the engine during normal load.	Incorrect type of gasoline.	Drain the fuel tank and the carburetor. Refuel with new gasoline. Refer to <i>To fill fuel on page 11</i> . If the problem continues speak to your local service dealer.
The engine does not operate smoothly at idle speed.	The spark plug is dirty, defective or the electrode gap is too wide.	Adjust the electrode gap or replace the spark plug.
	The carburetor must be adjusted.	Adjust the carburetor.
	The air filter is dirty.	Clean the air filter.

Transportation, storage and disposal

Transportation and storage

- For storage and transportation of the product and fuel, make sure that there are no leaks or fumes. Sparks or open flames, for example from electrical devices or boilers, can start a fire.
- Always use approved containers for storage and transportation of fuel.
- Empty the fuel tank before you put the product in storage for a long period of time. Discard the fuel at an applicable disposal location
- Safely attach the product during transportation to prevent damage and accidents.

- Keep the product in a locked area to prevent access for children or persons that are not approved.
- Keep the product in a dry and frost free area.

Disposal

- Obey the local recycling requirements and applicable regulations.
- Discard all chemicals, such as engine oil or fuel, at a service center or at an applicable disposal location.
- When the product is no longer in use, send it to a Husqvarna dealer or discard it at a recycling location.

Technical data

Technical data

	LC 140P	LC 140SP
Engine		
Brand	Husqvarna	Husqvarna
Engine model name	HS 123A	HS 123A
Engine type	Single cylinder, 4-Stroke, Forced Air Cooling, OHV	Single cylinder, 4-Stroke, Forced Air Cooling, OHV
Displacement, cm ³	123	123
Speed, rpm	3000	3000
Nominal engine output, kW ³	1.95	1.95
Ignition system		
Spark plug	Husqvarna HQT-7	Husqvarna HQT-7
Electrode gap, mm	0.7-0.8	0.7-0.8
Fuel and lubrication system		
Engine lubrication type	Splash	Splash
Fuel tank capacity, litre	0.9	0.9
Oil tank capacity, litre	0.5	0.5
Engine oil ⁴	Husqvarna SAE 30	Husqvarna SAE 30

³ The power rating of the engine indicated is the average net output (at specified rpm) of a typical production engine for the engine model measured to SAE standard J1349/ISO1585. Mass production engines may differ from this value. Actual power output for the engine installed on the final product will depend on the operating speed, environmental conditions and other values.

⁴ If SAE-30 oil is used at temperatures lower than +5 °C, there is a risk that it does not lubricate the engine sufficiently. This can cause engine damage. Refer to *To replace the engine oil on page 14* for the correct oil for low temperatures.

	LC 140P	LC 140SP
Weight		
With empty tanks, kg	25.2	26.8
Noise emissions⁵		
Sound power level, measured, dB(A)	93	93
Sound power level, guaranteed, L _{WA} dB(A)	95	95
Sound levels⁶		
Sound pressure level at operators ear, dB(A)	81	81
Vibration levels⁷		
Vibrations handlebar, m/s ²	5.6	7.6
Cutting equipment		
Cutting height, mm	25–75	25–75
Cutting width, mm	400	400
Cutting system	Collection / Rear discharge	Collection / Rear discharge
Blades - standard	Collection 5873863-10	Collection 5873863-10
Grass catcher capacity, liter	50	50
Drive		
Self walk speed, km/h	–	4

⁵ Noise emissions in the environment measured as sound power (L_{WA}) in conformity with EC directive 2000/14/EC.

⁶ Reported data for noise pressure level has a typical statistical dispersion (standard deviation) of 1.2 dB (A).

⁷ Reported data for vibration level has a typical statistical dispersion (standard deviation) of 0.2 m/s².

Sommaire

Introduction.....	18	Entretien.....	24
Sécurité.....	19	Dépannage moteur.....	27
Montage.....	22	Transport, entreposage et mise au rebut.....	28
Utilisation.....	22	Caractéristiques techniques.....	28

Introduction

Description du produit

Le produit est une tondeuse rotative à pousser. L'herbe est recueillie dans un collecteur d'herbe. Retirez le collecteur d'herbe pour permettre l'éjection arrière de l'herbe.

Aperçu du produit

(Fig. 1)

1. Poignée/Guidon
2. Manette de commande (LC 140SP)
3. Poignée du câble du démarreur
4. Collecteur d'herbe
5. Réservoir de carburant
6. Filtre à air
7. Bougie
8. Capot de coupe
9. Silencieux
10. Bouchon du réservoir d'huile
11. Levier de hauteur de coupe
12. Couvercle arrière
13. Poignée de frein moteur
14. Symboles
15. Ensemble de poignée inférieure
16. Poignée inférieure
17. Manuel de l'opérateur
18. Entonnoir à huile

Symboles concernant le produit

- (Fig. 2) **AVERTISSEMENT !** Soyez prudent et utilisez le produit correctement. Ce produit peut causer des blessures graves, voire mortelles, à l'opérateur ou à d'autres personnes.
- (Fig. 3) Veuillez lire attentivement le manuel d'utilisation et assurez-vous de bien comprendre les instructions avant utilisation.
- (Fig. 4) Attention : projections et ricochets.
- (Fig. 5) Maintenez les personnes et les animaux à une distance suffisante de la zone de travail.

Utilisation prévue

Utilisez le produit pour couper l'herbe. N'utilisez pas ce produit pour d'autres travaux.

- (Fig. 6) Avertissement : Maintenez les mains et les pieds à distance de la lame en rotation.
- (Fig. 7) Avertissement : Maintenez les pieds et les mains à distance des pièces en mouvement.
- (Fig. 8) Coupez le moteur et retirez le câble d'allumage avant toute réparation ou opération d'entretien.
- (Fig. 9) Ce produit est conforme aux directives CE en vigueur.
- (Fig. 10) Émissions sonores dans l'environnement selon la directive de la Communauté européenne. Les émissions du produit sont indiquées au chapitre Caractéristiques techniques et sur les autocollants.
- (Fig. 11) Risque d'incendie.
- (Fig. 12) Ne respirez pas les gaz d'échappement. Les gaz d'échappement du moteur contiennent du monoxyde de carbone, un gaz inodore, toxique et très dangereux. Ne démarrez pas le moteur en intérieur ou dans des espaces fermés.
- (Fig. 13) Surface chaude.
- (Fig. 14) Remplissez le moteur d'huile avant de démarrer le produit.

Remarque: Les autres symboles/autocollants présents sur le produit concernent des exigences de certification spécifiques à certaines zones commerciales.

Émissions Euro V



AVERTISSEMENT: toute altération du moteur a pour effet d'annuler l'homologation de type UE de ce produit.

Responsabilité

Conformément à la loi sur la responsabilité du fait des produits, nous déclinons toute responsabilité pour tout dommage causé par notre produit si :

- le produit n'est pas correctement réparé ;
- le produit est réparé avec des pièces qui ne proviennent pas du fabricant ou qui ne sont pas homologuées par le fabricant ;
- le produit est équipé d'un accessoire qui ne provient pas du fabricant ou qui n'est pas homologué par le fabricant ;
- le produit n'est pas réparé par un centre d'entretien agréé ou par une autorité homologuée.

Sécurité

Définitions de sécurité

Des avertissements, des recommandations et des remarques sont utilisés pour souligner des parties spécialement importantes du manuel.



AVERTISSEMENT: Symbole utilisé en cas de risque de blessures ou de mort pour l'opérateur ou les personnes à proximité si les instructions du manuel ne sont pas respectées.



REMARQUE: Symbole utilisé en cas de risque de dommages pour le produit, d'autres matériaux ou les environs si les instructions du manuel ne sont pas respectées.

Remarque: Symbole utilisé pour donner des informations supplémentaires pour une situation donnée.

Instructions générales de sécurité



AVERTISSEMENT: Lisez les instructions qui suivent avant d'utiliser le produit.

- Ce produit est dangereux s'il est utilisé de manière incorrecte ou imprudente. Des blessures graves ou mortelles peuvent se produire si vous ne respectez pas les instructions de sécurité.
- Ce produit génère un champ électromagnétique durant son fonctionnement. Ce champ peut dans certaines circonstances perturber le fonctionnement d'implants médicaux actifs ou passifs. Pour réduire le risque de blessures graves ou mortelles, les personnes portant des implants médicaux doivent consulter leur médecin et le fabricant de leur implant avant d'utiliser ce produit.
- Soyez toujours prudent et utilisez votre bon sens. Si vous ne savez pas comment faire fonctionner le produit dans une situation particulière, ne l'utilisez pas et contactez votre Husqvarna revendeur avant de poursuivre.

- N'oubliez pas que l'opérateur sera tenu responsable des accidents occasionnés à des tiers et à leurs biens.
- Maintenez le produit propre. Assurez-vous que vous pouvez lire clairement les avertissements et les autocollants.
- Ne laissez personne utiliser le produit avant d'avoir lu et compris le contenu du manuel de l'opérateur.
- Ne laissez pas un enfant utiliser le produit.
- Maintenez les enfants éloignés de la zone de travail. Un adulte responsable doit être présent à tout moment.
- Ne laissez pas une personne utiliser le produit si elle ne connaît pas les instructions.
- Surveillez constamment les personnes aux capacités physiques ou mentales réduites qui utilisent ce produit. Un adulte responsable doit être présent à tout moment.
- N'utilisez jamais l'appareil si vous êtes fatigué ou malade, ou si vous êtes sous l'emprise d'alcool, de drogues ou de médicaments. Cela a un effet négatif sur votre vision, votre vigilance, votre coordination et votre jugement.
- N'utilisez pas le produit si celui-ci est défectueux.
- Ne modifiez jamais le produit et ne l'utilisez jamais s'il est susceptible d'avoir été modifié par un tiers.
- Ne modifiez pas le réglage de régulation du régime moteur.

Sécurité dans l'espace de travail



AVERTISSEMENT: Lisez les instructions qui suivent avant d'utiliser le produit.

- Retirez les objets tels que les branches, les brindilles et les pierres de la zone de travail avant d'utiliser le produit.
- Les objets heurtant l'équipement de coupe peuvent être éjectés et causer des blessures ou des dégâts matériels. Maintenez les personnes aux alentours et les animaux à une distance suffisante du produit.
- N'utilisez jamais le produit par mauvais temps, par exemple en cas de brouillard, de pluie, de vent violent, de froid intense et de risque d'éclair. Utilisez

le produit par mauvais temps ou dans des environnements humides est fatigant. Le mauvais temps peut rendre les conditions de travail dangereuses : des surfaces peuvent par exemple devenir glissantes.

- Identifiez les éventuels personnes, objets et situations susceptibles de nuire à la sécurité du fonctionnement du produit.
- Soyez attentif aux obstacles tels que les racines, les pierres, les brindilles, les fosses et les fossés. L'herbe haute peut cacher des obstacles.
- Il peut être dangereux de couper l'herbe sur des terrains en pente. N'utilisez pas le produit sur un sol dont la pente est supérieure à 15°.
- Faites fonctionner le produit en travers de la courbe de la pente, jamais de haut en bas.
- Soyez prudent lorsque vous vous approchez de coins cachés et d'objets qui empêchent d'avoir une vue dégagée.

Sécurité du travail



AVERTISSEMENT: Lisez les instructions qui suivent avant d'utiliser le produit.

- Utilisez le produit uniquement pour couper les pelouses. Il est interdit d'utiliser le produit pour d'autres travaux.
- Utilisez un équipement de protection personnelle. Reportez-vous à la section *Équipement de protection individuelle* à la page 20.
- Assurez-vous que vous savez arrêter le moteur rapidement en cas d'urgence.
- Ne démarrez jamais le moteur dans un espace clos ou à proximité matériaux inflammables. Les gaz d'échappement du moteur sont très chauds et peuvent contenir des étincelles pouvant provoquer un incendie.
- Faites fonctionner le produit uniquement si la lame et tous les couvercles sont fixés correctement. Une lame fixée de manière inadéquate risque de se détacher et de causer des blessures personnelles.
- Assurez-vous que la lame ne touche pas des objets tels que des pierres et des racines. Cela peut ne pas endommager la lame et tordre l'arbre du moteur. Un arbre tordu génère de fortes vibrations, il y a alors un risque important que la lame se détache.
- Arrêtez immédiatement le produit s'il vibre ou bute sur un objet. Débranchez le câble d'allumage de la bougie. Vérifiez que le produit n'est pas endommagé. Réparez les éventuels dommages ou demandez à un atelier spécialisé agréé procéder aux réparations.
- N'attachez jamais la poignée de frein moteur en permanence à la poignée de commande quand le moteur est mis en marche.
- Placez le produit sur une surface stable et plane, puis lancez-le. Vérifiez que la lame ne touche pas sol ou tout autre objet.

- Restez toujours derrière le produit lorsque vous l'utilisez.
- Faites reposer toutes les roues sur le sol et conservez vos deux mains sur la poignée lorsque vous faites fonctionner le produit. Maintenez les mains et les pieds à distance des lames en rotation.
- N'inclinez pas le produit quand le moteur est mis en marche.
- Soyez prudent lorsque vous tirez le produit vers l'avant.
- Ne soulevez jamais le produit quand le moteur est mis en marche. Si vous devez soulever le produit, coupez d'abord le moteur et débranchez le câble d'allumage de la bougie.
- Ne marchez pas vers l'arrière lorsque vous utilisez le produit.
- Arrêtez le moteur lorsque vous vous déplacez à travers des zones exemptes d'herbe, par exemple des chemins de gravier, de pierre ou d'asphalte.
- Ne courez pas lorsque vous utilisez le produit et que le moteur est mis en marche. Vous devez toujours marcher lorsque vous utilisez le produit.
- Arrêtez le moteur avant de modifier la hauteur de coupe. N'effectuez jamais de réglages pendant que le moteur tourne.
- Ne quittez jamais le produit des yeux pendant que le moteur tourne. Arrêtez le moteur et assurez-vous que l'équipement de coupe ne tourne pas.

Consignes de sécurité pour le fonctionnement

Équipement de protection individuelle



AVERTISSEMENT: Lisez les instructions qui suivent avant d'utiliser le produit.

- L'équipement de protection individuel ne protège pas complètement des blessures, mais il diminue la gravité des blessures en cas d'accident. Faites appel à votre revendeur pour vous aider à sélectionner l'équipement adéquat.
- Utilisez des protège-oreilles si le niveau sonore est supérieur à 85 dB.
- Portez des bottes ou chaussures antidérapantes à usage intensif. Ne portez pas de chaussures ouvertes et ne soyez pas pieds nus lorsque vous utilisez le produit.
- Utilisez des pantalons longs et épais.
- Portez des gants de protection en cas de besoin, par exemple lorsque vous fixez, examinez ou nettoyez l'équipement de coupe.

Dispositifs de sécurité sur le produit



AVERTISSEMENT: Lisez les instructions qui suivent avant d'utiliser le produit.

- N'utilisez pas un produit avec des dispositifs de sécurité défectueux.
- Contrôlez les dispositifs de sécurité régulièrement. Si les dispositifs de sécurité sont défectueux, parlez-en à votre agent d'entretien Husqvarna.
- Ne respirez pas les vapeurs de carburant, elles peuvent causer des blessures. Assurez-vous que la ventilation est suffisante.
- Ne fumez pas à proximité du carburant ou du moteur.
- Ne mettez pas d'objets chauds à proximité du carburant ou du moteur.

Pour contrôler le capot de coupe

Le capot de coupe réduit les vibrations dans le produit et réduit le risque de blessures provoquées par la lame.

- Examinez le capot de coupe pour vous assurer qu'il ne présente pas de dommages tels que des fissures.

Pour contrôler la poignée de frein moteur

La poignée de frein moteur arrête le moteur. Lorsque la poignée de frein moteur est relâchée, le moteur s'arrête.

- Démarrez le moteur, puis relâchez la poignée de frein moteur. Si le moteur ne s'arrête pas au bout de 3 secondes, demandez à un Husqvarna atelier spécialisé agréé de régler le frein moteur. (Fig. 15)

Silencieux

Le silencieux est conçu pour réduire au maximum le niveau sonore et rejeter les gaz d'échappement loin de l'utilisateur.

N'utilisez pas la machine si le silencieux est manquant ou défectueux. Un silencieux en mauvais état augmente le niveau sonore et le risque d'incendie.



AVERTISSEMENT: Le silencieux devient très chaud pendant et après utilisation et lorsque le moteur fonctionne au régime de ralenti. Soyez vigilant à proximité des matériaux inflammables et/ou des fumées pour prévenir tout risque d'incendie.

Sécurité carburant



AVERTISSEMENT: Lisez les instructions qui suivent avant d'utiliser le produit.

- Ne démarrez pas le produit si du carburant ou de l'huile moteur a été renversé(e) sur le produit. Essuyez le carburant/l'huile et attendez que le produit sèche.
- Si vous avez renversé du carburant sur vos vêtements, changez de vêtements immédiatement.
- Évitez tout contact de la peau avec le carburant. Le carburant peut causer des blessures. Si votre peau entre en contact avec le carburant, lavez les parties qui ont été en contact avec de l'eau et du savon.
- Ne démarrez pas le produit s'il y a une fuite de moteur. Vérifiez régulièrement s'il y a des fuites de moteur.
- Faites attention avec le carburant. Le carburant est inflammable et ses vapeurs sont explosives. Il peut causer des blessures graves, voire mortelles.
- Les gaz d'échappement du moteur contiennent du monoxyde de carbone, un gaz inodore, toxique et très dangereux. Ne démarrez pas le moteur en intérieur ou dans des espaces fermés.
- Avant de procéder à l'entretien du produit, arrêtez le moteur et débranchez le câble d'allumage de la bougie.
- Utilisez des gants de protection lorsque vous procédez à l'entretien de l'équipement de coupe. La lame est très tranchante et des coupures peuvent survenir facilement.
- Les accessoires et les modifications apportées au produit qui ne sont pas approuvés par le fabricant peuvent causer des blessures très graves, voire mortelles. Ne modifiez pas le produit. Utilisez toujours des accessoires qui sont approuvés par le fabricant.
- Si l'entretien n'est pas effectué correctement et régulièrement, le risque de blessures et d'endommagement du produit augmente.
- Effectuez uniquement les tâches d'entretien décrites dans le présent manuel d'utilisation. Toutes les autres tâches d'entretien doivent être effectuées par un Husqvarna atelier spécialisé agréé.

Consignes de sécurité pour l'entretien



AVERTISSEMENT: Lisez les instructions qui suivent avant d'utiliser le produit.

- Demandez à un Husqvarna atelier spécialisé d'effectuer régulièrement l'entretien du produit.
- Remplacez les pièces endommagées, usées ou cassées.

Montage

Pour monter la poignée

1. Poussez la vis (A) dans la poignée (B), la rondelle en plastique (C) et le support de poignée (D). (Fig. 16)
2. Serrez entièrement l'écrou (E).
3. Poussez la vis (F) dans la rondelle (G) et le support de poignée.
4. Serrez entièrement le bouton (H).
5. Alignez les trous du guidon avec les trous de la poignée inférieure et fixez les vis, les rondelles et les boutons. Serrez fermement les boutons. (Fig. 17)
6. Fixez les câbles à la poignée avec les supports de câble. (Fig. 18)

Remarque: Assurez-vous que la tension dans les câbles n'est pas trop élevée. Une tension trop élevée peut endommager le câble si la poignée est rabattue en position de transport.

7. Placez les câbles autour du crochet sur la partie inférieure de la poignée. (Fig. 19)

Pour régler la hauteur de la poignée

1. Desserrez les boutons inférieurs. (Fig. 20)
2. Déposez le bouton, la rondelle et la vis de chaque côté.
3. La poignée peut être réglée sur 2 hauteurs différentes. Placez la vis dans l'un des 2 trous de chaque côté. (Fig. 21)
4. Fixez les vis, les rondelles et les boutons.
5. Déplacez les boutons vers le haut, en direction de la poignée, jusqu'à ce qu'ils s'arrêtent et qu'un clic se fasse entendre. Serrez fermement les boutons. (Fig. 22)

Pour régler le produit en position de transport

1. Retirez le collecteur d'herbe.

2. Desserrez les boutons de la poignée supérieure et repliez la poignée vers le bas. (Fig. 23)
3. Desserrez les boutons inférieurs.
4. Faites glisser les boutons jusqu'aux extrémités inférieures des rainures sur le côté gauche et le côté droit de la machine. (Fig. 24)
5. Pliez la poignée vers l'avant. (Fig. 25)

Pour régler le produit en position de fonctionnement

1. Soulevez le guidon jusqu'à ce que la poignée inférieure se verrouille en position de fonctionnement. (Fig. 26)
2. Déplacez les boutons vers le haut, en direction de la poignée, jusqu'à ce qu'ils s'arrêtent et qu'un clic se fasse entendre.
3. Serrez fermement les boutons. (Fig. 27)
4. Soulevez la partie supérieure du guidon.
5. Serrez fermement les boutons. (Fig. 28)

Montage du collecteur d'herbe

1. Insérez la partie supérieure du collecteur d'herbe dans la partie inférieure du collecteur d'herbe. (Fig. 29)
2. Fixez le châssis du collecteur d'herbe à l'aide des clips. (Fig. 30)
3. Soulevez le capot arrière.
4. Fixez les crochets du collecteur d'herbe sur le bord supérieur du châssis. (Fig. 31)
5. Placez la partie inférieure du collecteur d'herbe dans le canal d'éjection de l'herbe.

Utilisation

Introduction



AVERTISSEMENT: Avant d'utiliser le produit, vous devez lire et comprendre le chapitre sur la sécurité.

Husqvarna Connect

Husqvarna Connect est une application gratuite pour votre appareil mobile. L'application Husqvarna Connect offre des fonctions étendues à votre produit Husqvarna :

- Informations produit détaillées.
- Informations et aide sur les pièces et l'entretien du produit.

Pour commencer à utiliser Husqvarna Connect

1. Téléchargez l'application Husqvarna Connect sur votre appareil mobile.
2. Enregistrez-vous sur l'application Husqvarna Connect.
3. Suivez les instructions de l'application Husqvarna Connect pour vous connecter et enregistrer le produit.

Avant d'utiliser le produit

1. Lisez attentivement le manuel d'utilisation et assurez-vous de bien comprendre les instructions.
2. Examinez l'équipement de coupe pour vous assurer qu'il est bien fixé et réglé. Consultez la section *Pour inspecter l'équipement de coupe à la page 25*.
3. Remplissez le réservoir de carburant. Consultez la section *Pour remplir le réservoir de carburant à la page 23*.
4. Remplissez le réservoir d'huile et contrôlez le niveau d'huile. Consultez la section *Pour contrôler le niveau d'huile à la page 25*.

Pour remplir le réservoir de carburant

Le cas échéant, utilisez de l'essence à faibles émissions/un carburant alkylate. Si vous ne disposez pas d'essence à faibles émissions/de carburant alkylate, utilisez de l'essence sans plomb de bonne qualité ou de l'essence au plomb dont l'indice d'octane n'est pas inférieure à 91.



REMARQUE: N'utilisez pas d'essence avec un indice d'octane inférieur à 91 RON. Cela peut endommager le produit.



REMARQUE: Remplacez le filtre à carburant une fois par an ou plus fréquemment, si nécessaire. Un nouveau filtre à carburant est disponible chez votre revendeur Husqvarna.



REMARQUE: Arrêtez toujours le moteur avant de remplir le réservoir de carburant.



REMARQUE: N'utilisez pas de fluides de démarrage sous pression.

1. Ouvrez lentement le couvercle du réservoir de carburant pour relâcher la pression.
2. Remplissez lentement le réservoir à l'aide d'un bidon de carburant. Si vous renversez du carburant, essuyez-le à l'aide d'un chiffon et laissez le carburant restant sécher. (Fig. 32)

3. Essayez le pourtour du bouchon du réservoir de carburant.
4. Serrez complètement le bouchon du réservoir de carburant. Si le bouchon du réservoir de carburant n'est pas serré, il y a un risque d'incendie.
5. Déplacez le produit à un minimum de 3 m/10 ft de l'endroit où a été fait le plein de carburant avant de démarrer le produit.

Pour régler la hauteur de coupe

1. Déplacez le levier de hauteur de coupe vers l'arrière pour augmenter la hauteur de coupe.
2. Déplacez le levier de hauteur de coupe vers l'avant pour diminuer la hauteur de coupe. (Fig. 33)



REMARQUE: La hauteur de coupe ne doit pas être réglée trop bas. Les lames peuvent toucher le sol si la surface de la pelouse n'est pas plane.

Pour démarrer le produit

1. Assurez-vous que le câble d'allumage est branché sur la bougie.
2. Restez derrière le produit.
3. Tenez la poignée de freinage du moteur contre le guidon. (Fig. 34)
4. Tenez la poignée du câble du démarreur de votre main droite.
5. Tirez lentement sur le câble du démarreur jusqu'à ce que vous sentiez une certaine résistance.
6. Tirez avec force pour démarrer le moteur.



AVERTISSEMENT: N'enroulez pas le câble du démarreur autour de votre main.

Pour appliquer l'entraînement aux roues

- Poussez la manette de commande en direction du guidon. (Fig. 35)
- Relâchez la manette de commande pour désengager l'entraînement, lorsque vous vous rendez à proximité d'un obstacle par exemple.
- Avant de tirer le produit vers l'arrière, désengagez l'entraînement et poussez le produit d'environ 10 cm vers l'avant.

Pour arrêter le produit

- Pour arrêter uniquement l'entraînement, relâchez la manette de commande.
- Pour arrêter le moteur, relâchez la poignée de freinage du moteur.

Obtenir de bons résultats

- Utilisez toujours une lame correctement affûtée. Une lame émoussée produit un résultat irrégulier et l'herbe jaunira à la surface de la coupe. De plus, une lame affûtée consomme moins d'énergie qu'une lame émoussée.

- Ne coupez pas plus d'un tiers de la longueur de l'herbe. Coupez d'abord avec une hauteur de coupe élevée. Examinez le résultat et abaissez la hauteur de coupe à un niveau convenable. Si l'herbe est très longue, tondez lentement, et deux fois si nécessaire.
- Tondez toujours dans différentes directions afin d'éviter de faire des lignes dans la pelouse.

Entretien

Introduction



AVERTISSEMENT: Avant d'effectuer des travaux d'entretien, vous devez lire et comprendre le chapitre sur la sécurité.

Une formation spécifique est nécessaire pour effectuer tous les travaux d'entretien et de réparation du produit. Nous garantissons qu'il vous est possible d'obtenir des services de réparation et d'entretien effectués par des professionnels. Si votre concessionnaire n'est pas un atelier spécialisé, demandez-lui des informations à propos de l'atelier spécialisé le plus proche.

Calendrier d'entretien



REMARQUE: Assurez-vous que le filtre à air est orienté vers le haut et qu'il n'est pas contre le sol lorsque vous inclinez le produit. Risque de détérioration du moteur.

Les intervalles d'entretien sont calculés selon une utilisation quotidienne du produit. Les intervalles sont différents si le produit n'est pas utilisé tous les jours.

Pour les travaux d'entretien suivis d'un astérisque (*), reportez-vous aux instructions dans la section *Dispositifs de sécurité sur le produit à la page 20.*

Entretien	Au quotidien	Une fois par mois	À chaque saison
Faites une inspection générale	X		
Inspectez le niveau d'huile	X		
Changez l'huile (la première fois après 5 h d'utilisation, puis toutes les 50 h d'utilisation) ⁸			X
Nettoyez le produit	X		
Inspectez l'équipement de coupe	X		
Inspectez le capot de coupe *	X		
Inspectez la poignée de frein moteur *	X		
Inspectez le silencieux *		X	
Vérifiez la bougie. Nettoyez ou remplacez la bougie si nécessaire			X
Inspectez le filtre à air	X		
Nettoyez le filtre à air ⁹		X	
Remplacez le filtre à air			X
Inspectez le système de carburant			X
Nettoyez les ailettes de refroidissement sur le cylindre.		X	
Contrôlez et réglez le câble d'embrayage (LC 140SP)			X

⁸ Si le produit est utilisé avec une charge lourde ou à une température ambiante élevée, remplacez l'huile moteur toutes les 25 heures.

⁹ Nettoyez-le plus souvent en cas de conditions poussiéreuses ou en présence de rejets aériens. Remplacez le filtre à air s'il est très sale.

Pour faire une inspection générale

- Assurez-vous que l'ensemble des vis et des écrous du produit sont correctement serrés.

Pour nettoyer la partie extérieure du produit

- Utilisez une brosse pour enlever les feuilles, l'herbe et la saleté.
- Assurez-vous que la prise d'air sur le dessus du moteur n'est pas obstruée.
- N'utilisez pas de nettoyeur haute pression pour le nettoyage du produit.
- Si vous utilisez de l'eau pour nettoyer le produit, ne projetez jamais d'eau directement sur le moteur.

Pour nettoyer la surface interne du capot de coupe

- Videz le réservoir de carburant.
- Inclinez le produit. Assurez-vous que la bougie pointe vers le haut.



REMARQUE: Si le produit est posé avec le filtre à air vers le bas, le moteur peut être endommagé.

- Lavez au jet la surface intérieure du capot de coupe.

Pour inspecter l'équipement de coupe



AVERTISSEMENT: Afin d'éviter tout démarrage accidentel, débranchez le câble d'allumage de la bougie.



AVERTISSEMENT: Utilisez des gants de protection lorsque vous procédez à l'entretien de l'équipement de coupe. La lame est très tranchante et des coupures peuvent survenir facilement.

- Inspectez l'équipement de coupe afin de détecter d'éventuels dommages ou fissures. Remplacez toujours un équipement de coupe endommagé.
- Inspectez la lame pour voir si elle est endommagée ou émoussée.

Remarque: Il est nécessaire d'équilibrer la lame après l'avoir affûtée. Demandez à un centre d'entretien d'affûter, de remplacer et d'équilibrer la lame. Si vous heurtez un obstacle qui entraîne l'arrêt du produit, remplacez la lame endommagée. Demandez au centre d'entretien d'évaluer si la lame peut être affûtée ou si elle doit être remplacée.

Pour remplacer la lame

- Bloquez la lame avec un bloc en bois. (Fig. 36)
- Retirez le boulon de lame.

- Retirez la lame.
- Examinez le support de lame et le boulon de lame pour voir s'ils sont endommagés.
- Examinez l'arbre du moteur pour vous assurer qu'il n'est pas tordu.
- Lorsque vous fixez la nouvelle lame, orientez le tranchant en direction du capot de coupe. (Fig. 37)
- Assurez-vous que la lame est alignée par rapport au centre de l'arbre du moteur.
- Bloquez la lame avec un bloc en bois. Fixez la rondelle ressort, puis serrez le boulon et la rondelle à un couple de 45–60 Nm. (Fig. 38)
- Déplacez la lame à la main et vérifiez qu'elle tourne librement.



AVERTISSEMENT: Utilisez des gants de travail épais. La lame est très tranchante et des coupures peuvent survenir facilement.

- Démarrez le produit pour tester la lame. Si la lame n'est pas correctement fixée, le produit vibre ou le résultat de coupe n'est pas satisfaisant.

Pour contrôler le niveau d'huile



REMARQUE: Un niveau d'huile trop bas peut endommager le moteur. Contrôlez le niveau d'huile avant de démarrer le produit.

- Placez le produit sur un sol plat.
- Retirez le bouchon du réservoir d'huile et la jauge qui y est attachée.
- Nettoyez l'huile sur la jauge.
- Insérez entièrement la jauge dans le réservoir d'huile pour connaître le véritable niveau d'huile.
- Enlevez la jauge.
- Inspectez le niveau d'huile sur la jauge.
- Si le niveau d'huile est bas, faites l'appoint d'huile moteur et contrôlez à nouveau le niveau d'huile.

Remarque: Utilisez un entonnoir pour éviter tout déversement.

Pour remplacer l'huile moteur



AVERTISSEMENT: L'huile moteur est très chaude juste après l'arrêt du moteur. Laissez le moteur refroidir avant de vidanger l'huile moteur. Si vous renversez de l'huile moteur sur votre peau, nettoyez avec de l'eau et du savon.

(Fig. 39)

Remarque: Utilisez de l'huile moteur 4 temps. Veillez à utiliser la viscosité appropriée à la température ambiante.

1. Faites fonctionner le produit jusqu'à ce que le réservoir de carburant soit vide.
2. Débranchez le câble d'allumage de la bougie.
3. Retirez le bouchon du réservoir d'huile.
4. Vidangez l'huile moteur du réservoir d'huile à l'aide d'une pompe à huile (accessoire).
5. Faites le plein avec de la nouvelle huile moteur du type recommandé dans *Caractéristiques techniques à la page 28*.
6. Contrôlez le niveau d'huile. Reportez-vous à la section *Pour contrôler le niveau d'huile à la page 25*.

Pour nettoyer le filtre en mousse plastique

1. Retirez le couvercle du filtre à air et le filtre en mousse plastique.
2. Nettoyez le filtre en mousse plastique avec de l'eau et du savon.
3. Rincez le filtre en mousse plastique dans de l'eau propre.
4. Pressez le filtre en mousse plastique pour en faire sortir l'eau et laissez-le sécher.



REMARQUE: N'utilisez pas d'air comprimé. Cela peut endommager le filtre en mousse plastique.

5. Lubrifiez le filtre en mousse plastique à l'aide d'huile moteur.
6. Appliquez un chiffon propre sur le filtre en mousse plastique pour retirer l'excédent d'huile.
7. Remettez le filtre à air en place. Veillez à assurer une bonne étanchéité entre le filtre à air et le support du filtre.
8. Remettez le couvercle de filtre à air en place.

Pour vérifier la bougie



REMARQUE: Utilisez toujours le type de bougie recommandé. Un type de bougie inadéquat peut endommager le produit.

- Inspectez la bougie si le moteur manque de puissance, n'est pas facile à démarrer ou ne

fonctionne pas correctement lorsqu'il tourne au régime de ralenti.

- Afin de réduire le risque de matériaux indésirables présents sur les électrodes de la bougie, procédez comme suit :
 - a) Assurez-vous que le régime de ralenti est correctement réglé.
 - b) Assurez-vous que le mélange de carburant est correct.
 - c) Assurez-vous que le filtre à air est propre.
- Si la bougie est encrassée, nettoyez-la et vérifiez que l'écartement des électrodes est correct ; reportez-vous à la section *Caractéristiques techniques à la page 28*. (Fig. 40)
- Remplacez la bougie si nécessaire.

Pour examiner le système de carburant

- Examinez le couvercle du réservoir de carburant et le joint du couvercle du réservoir de carburant pour vous assurer qu'ils ne sont pas endommagés.
- Examinez le tuyau à carburant pour vous assurer qu'il n'y a pas de fuite. Si le tuyau à carburant est endommagé, demandez à un atelier spécialisé de le remplacer.

Pour régler le câble d'embrayage (LC 140SP)

Pour les situations suivantes, il est nécessaire de réduire la longueur du câble d'embrayage :

- L'entraînement des roues ne s'engage pas lorsque vous tirez la manette de commande ou le levier de commande de vitesse.
- Le produit se déplace lentement lorsque l'entraînement des roues est engagé.

Pour les situations suivantes, il est nécessaire d'augmenter la longueur du câble d'embrayage :

- Le produit se déplace lorsque l'entraînement des roues n'est pas engagé.
- Réglez le câble d'embrayage.
 - a) Pour réduire la longueur du câble d'embrayage, tournez la vis de réglage dans le sens contraire des aiguilles d'une montre.
 - b) Pour augmenter la longueur du câble d'embrayage, tournez la vis de réglage dans le sens des aiguilles d'une montre. (Fig. 41)

Si le produit continue à ne pas fonctionner correctement après le réglage, contactez votre atelier d'entretien

Dépannage moteur

Problème	Cause possible	Solution
Le moteur ne démarre pas.	Le câble d'allumage n'est pas branché correctement.	Branchez le câble d'allumage à la bougie.
	Le réservoir de carburant est vide.	Remplissez le réservoir de carburant avec le carburant adéquat.
	Le carburant est vieux.	Vidangez le réservoir de carburant et le carburateur. Faites le plein d'essence propre.
	Il y a des saletés dans le carburateur ou dans la durite de carburant.	Nettoyez le carburateur et/ou la durite de carburant.
	La bougie d'allumage est défectueuse.	Réglez l'écartement des électrodes, nettoyez ou remplacez la bougie.
	Présence de carburant sur la bougie.	Nettoyez la bougie.
Le moteur ne s'arrête pas.	Le mécanisme d'arrêt est défectueux.	Débranchez le câble d'allumage de la bougie. Faites réparer le produit par un atelier de réparation homologué.
Le moteur ne fonctionne pas correctement.	Le câble d'allumage n'est pas branché correctement.	Branchez le câble d'allumage à la bougie.
	Des saletés sont présentes dans la durite de carburant ou le carburant a expiré.	Nettoyez la conduite de carburant. Remplissez le réservoir de carburant avec du carburant neuf adéquat.
	Le bouchon du réservoir de carburant est colmaté.	Nettoyez le bouchon du réservoir de carburant.
	De l'eau ou de la saleté sont présentes dans le système de carburant.	Videz le réservoir de carburant. Remplissez le réservoir de carburant avec du carburant neuf adéquat.
	Le filtre à air est sale.	Nettoyez le filtre à air.
	Le carburateur doit être réglé.	Laissez un concessionnaire régler le carburateur.
Le moteur devient trop chaud.	Le niveau d'huile moteur est trop bas.	Remplissez l'huile moteur.
	Le débit d'air est insuffisant.	Nettoyez le filtre à air et le boîtier du filtre à air.
	Le carburateur doit être réglé.	Laissez un concessionnaire régler le carburateur.
Des ratés proviennent du moteur lorsqu'il fonctionne à grande vitesse.	L'écartement des électrodes dans la bougie est trop petit.	Réglez l'écartement des électrodes.
Bruits inhabituels du moteur en charge normale.	Type d'essence incorrect.	Vidangez le réservoir de carburant et le carburateur. Faites le plein d'essence propre. Reportez-vous à la section <i>Pour remplir le réservoir de carburant à la page 23</i> . Si le problème persiste, contactez votre revendeur local.

Problème	Cause possible	Solution
Le moteur ne fonctionne pas correctement lorsqu'il tourne au régime de ralenti.	La bougie est sale, défectueuse ou l'écartement des électrodes est trop grand.	Ajustez l'écartement des électrodes ou remplacez la bougie.
	Le carburateur doit être réglé.	Réglez le carburateur.
	Le filtre à air est sale.	Nettoyez le filtre à air.

Transport, entreposage et mise au rebut

Transport et stockage

- Pour le stocker et transporter le produit et le carburant, assurez-vous qu'il n'y a pas de fuite ou de vapeurs. Les étincelles ou les flammes nues produites par exemple par des appareils électriques ou chaudières peuvent provoquer un incendie.
- Utilisez uniquement des récipients homologués pour le transport et le stockage de carburant.
- Videz le réservoir de carburant avant de remettre le produit pendant une longue période. Mettez le carburant au rebut dans une déchetterie appropriée.
- Sécurisez le produit lors de son transport pour éviter tout dommage ou accident.
- Conservez le produit dans un endroit verrouillé afin que des enfants ou personnes qui ne sont pas autorisées à l'utiliser ne puissent pas y avoir accès.

- Conservez le produit dans un endroit sec et à l'abri du gel.

Mise au rebut

- Respectez les consignes locales de recyclage et la réglementation en vigueur.
- Mettez au rebut tous les produits chimiques tels que l'huile moteur ou le carburant à un centre d'entretien ou à une déchetterie appropriée.
- Lorsque vous n'utilisez plus le produit, renvoyez-le à un Husqvarna concessionnaire ou mettez-le au rebut dans une déchetterie.

Caractéristiques techniques

Caractéristiques techniques

	LC 140P	LC 140SP
Moteur		
Marque	Husqvarna	Husqvarna
Nom de modèle du moteur	HS 123A	HS 123A
Type de moteur	Un cylindre, 4 temps, refroidissement par air forcé, OHV	Un cylindre, 4 temps, refroidissement par air forcé, OHV
Cylindrée, cm ³	123	123
Vitesse, tr/min.	3 000	3 000
Puissance nominale du moteur, kW ¹⁰	1,95	1,95

¹⁰ La puissance nominale du moteur indiquée est la puissance nette moyenne (à un régime en tr/min spécifié) d'un moteur de production typique pour le modèle de moteur mesurée selon la norme SAE J1349/ISO1585. Les moteurs produits à grande échelle peuvent s'écarter de cette valeur. La puissance effective du moteur installé sur le produit fini dépend de la vitesse de fonctionnement, des conditions environnementales et d'autres valeurs.

	LC 140P	LC 140SP
Système d'allumage		
Bougie	Husqvarna HQT-7	Husqvarna HQT-7
Écartement des électrodes, mm	0,7-0,8	0,7-0,8
Système de graissage/de carburant		
Type de lubrification du moteur	Projection	Projection
Capacité du réservoir de carburant, litres	0,9	0,9
Contenance du réservoir d'huile, litres	0,5	0,5
Huile moteur ¹¹	Husqvarna SAE 30	Husqvarna SAE 30
Poids		
Réservoirs vides, en kg	25,2	26,8
Émissions sonores¹²		
Niveau de puissance sonore mesuré, dB (A)	93	93
Niveau de puissance sonore, garanti, L _{WA} dB(A)	95	95
Niveaux sonores¹³		
Niveau de pression sonore au niveau de l'oreille de l'utilisateur, dB(A)	81	81
Niveaux de vibrations¹⁴		
Vibrations au niveau du guidon, m/s ²	5,6	7,6
Équipement de coupe		
Hauteur de coupe, en mm	25-75	25-75
Profondeur de coupe, en mm	400	400
Système de coupe	Ramassage/éjection arrière	Ramassage/éjection arrière
Lames - standard	Ramassage 5873863-10	Ramassage 5873863-10
Capacité du collecteur d'herbe, en litres	50	50
Entraînement		
Vitesse de marche, km/h	-	4

¹¹ Si l'huile SAE-30 est utilisée à des températures inférieures à +5 °C, il y a un risque qu'elle ne lubrifie pas suffisamment le moteur. Cela peut endommager le moteur. Reportez-vous à la section *Pour remplacer l'huile moteur à la page 25* afin de connaître l'huile appropriée pour les basses températures.

¹² Émissions sonores dans l'environnement mesurées comme puissance sonore (L_{WA}) selon la directive européenne CE 2000/14/CE.

¹³ Les données reportées pour le niveau de pression sonore montrent une dispersion statistique typique (déviation standard) de 1,2 dB(A).

¹⁴ Les données reportées pour le niveau de vibrations montrent une dispersion statistique typique (déviation standard) de 0,2 m/s².

Contenido

Introducción.....	30	Mantenimiento.....	36
Seguridad.....	31	Resolución de problemas del motor.....	39
Montaje.....	34	Transporte, almacenamiento y eliminación.....	40
Funcionamiento.....	34	Datos técnicos.....	40

Introducción

Descripción del producto

El producto es un cortacésped giratorio conducido a pie. La hierba se recoge en un recogedor de césped. Retire el recogedor de césped para utilizar la descarga trasera de hierba.

Descripción del producto

(Fig. 1)

1. Manillar
2. Mango de transmisión (LC 140SP)
3. Empuñadura de la cuerda de arranque
4. Recogedor de césped
5. Depósito de combustible
6. Filtro de aire
7. Bujía
8. Cubierta del equipo de corte
9. Silenciador
10. Tapón del depósito de aceite
11. Palanca de la altura de corte
12. Cubierta trasera
13. Palanca del freno del motor
14. Símbolos
15. Conjunto de manillar inferior
16. Empuñadura inferior
17. Manual de usuario
18. Embudo para aceite

Símbolos que aparecen en el producto

- (Fig. 2) **ADVERTENCIA:** Tenga cuidado y utilice el producto correctamente. Este producto puede ocasionar lesiones graves o mortales tanto al operador como a cualquier otra persona.
- (Fig. 3) Lea detenidamente el manual de usuario y asegúrese de que entiende las instrucciones antes de usar la máquina.
- (Fig. 4) Tenga cuidado con los objetos lanzados o rebotados.
- (Fig. 5) Mantenga a las personas y animales a una distancia de seguridad respecto a la zona de trabajo.

Uso previsto

Utilice el producto para cortar hierba. No utilice el producto para otras tareas.

(Fig. 6) **Advertencia:** Mantenga alejados las manos y los pies de la cuchilla giratoria.

(Fig. 7) **Advertencia:** Mantenga alejados las manos y los pies de las piezas giratorias.

(Fig. 8) Detenga el motor y quite el cable de encendido antes de realizar tareas de mantenimiento o reparación.

(Fig. 9) Este producto cumple con las directivas CE vigentes.

(Fig. 10) Las emisiones sonoras en el entorno según la directiva de la Comunidad Europea. Las emisiones del producto se indican en el capítulo «Datos técnicos» y en la etiqueta.

(Fig. 11) Riesgo de incendio.

(Fig. 12) No inhale los gases de escape. Los gases de escape del motor contienen monóxido de carbono, que es un gas inodoro, tóxico y muy peligroso. No arranque el motor en interiores ni en espacios cerrados.

(Fig. 13) Superficie caliente.

(Fig. 14) Llene el motor de aceite antes de arrancar el producto.

Nota: Los demás símbolos/etiquetas que aparecen en el producto corresponden a requisitos de homologación específicos de algunas zonas comerciales.

Emisiones Euro V



ADVERTENCIA: La manipulación del motor anula la homologación de la UE de este producto.

Responsabilidad sobre el producto

Como se estipula en las leyes de responsabilidad del producto, no nos hacemos responsables de los daños y perjuicios causados por nuestro producto si:

- El producto se ha reparado incorrectamente.
- El producto se ha reparado con piezas que no eran del fabricante o no autorizadas por el fabricante.
- El producto tiene un accesorio que no es del fabricante o no está autorizado por este.
- El producto no se ha reparado en un centro de servicio autorizado o por un organismo homologado.

Seguridad

Definiciones de seguridad

Las advertencias, precauciones y notas se utilizan para destacar información especialmente importante del manual.



ADVERTENCIA: Indica un riesgo de lesiones o incluso de muerte del usuario o de las personas cercanas si no se respetan las instrucciones del manual.



PRECAUCIÓN: Indica un riesgo de daños en el producto, otros materiales o el área adyacente si no se respetan las instrucciones del manual.

Nota: Se usa para proporcionar más información necesaria en una situación determinada.

Instrucciones generales de seguridad



ADVERTENCIA: Lea las siguientes instrucciones de advertencia antes de utilizar el producto.

- Este producto es una herramienta peligrosa si se usa incorrectamente o si no se tiene cuidado. Puede causar lesiones graves o incluso la muerte si no siguen las instrucciones de seguridad.
- Este producto genera un campo electromagnético durante el funcionamiento. Este campo magnético puede, en determinadas circunstancias, interferir con implantes médicos activos o pasivos. Para reducir el riesgo de que se den condiciones que provocarían lesiones graves o letales, las personas que utilizan implantes médicos deben consultar con su médico y con el fabricante del implante antes de poner en marcha este producto.
- Proceda siempre con cuidado y utilice siempre el sentido común. Si no está seguro de cómo manejar el producto en una situación especial, pare y consulte con su distribuidor Husqvarna antes de continuar.

- Debe tenerse en cuenta que el operador será responsable de los accidentes que involucren a otras personas o a su propiedad.
- Mantenga el producto limpio. Asegúrese de que puede leer claramente las etiquetas.
- No permita que nadie utilice el producto a menos que se asegure de que haya leído y comprendido el contenido del manual de usuario.
- No deje que un niño maneje el producto.
- Mantenga a los niños alejados de la zona de trabajo. Debe haber presente en todo momento una persona mayor de edad responsable.
- No permita que nadie maneje el producto sin conocer las instrucciones.
- Si una persona con discapacidad física o mental usa el producto, asegúrese de supervisarla en todo momento. Debe haber presente en todo momento una persona mayor de edad responsable.
- No utilice el producto si está cansado, enfermo o si se encuentra bajo los efectos de alcohol, drogas o medicamentos. Esto tiene un efecto negativo en su visión, vigilancia, coordinación y capacidad de decisión.
- No utilice el producto si está defectuoso.
- No modifique este producto ni lo utilice si puede haber sido modificado por otras personas.
- No cambie el ajuste del régimen del motor.

Seguridad en el área de trabajo



ADVERTENCIA: Lea las siguientes instrucciones de advertencia antes de utilizar el producto.

- Retire objetos tales como ramas, palos y piedras de la zona de trabajo antes de usar el producto.
- Los objetos que chocan contra el equipo de corte pueden salir despedidos y causar daños a personas y objetos. Mantenga a las personas y los animales a una distancia de seguridad respecto al producto.
- No utilice el producto en condiciones climáticas desfavorables, como niebla, lluvia, viento fuerte, frío intenso y riesgo de relámpagos. El uso del producto en condiciones climáticas desfavorables o en entornos húmedos o mojados produce mucho

cansancio. El mal tiempo puede causar condiciones peligrosas, como superficies resbaladizas.

- Preste atención a las personas, objetos y situaciones que puedan impedir el funcionamiento seguro del producto.
- Tenga cuidado con los posibles obstáculos, como raíces, piedras, ramas, hoyos y zanjas. El césped crecido puede esconder obstáculos.
- Cortar el césped en pendientes puede resultar peligroso. No utilice el producto en pendientes de más de 15°.
- Utilice el producto a lo largo de las laderas de las pendientes. No se desplace hacia arriba y hacia abajo.
- Tenga cuidado cuando se acerque a esquinas y objetos escondidos que puedan bloquear su campo de visión.

Seguridad en el trabajo



ADVERTENCIA: Lea las siguientes instrucciones de advertencia antes de utilizar el producto.

- Utilice este producto para cortar solamente césped. No está permitido utilizar el producto para otras tareas.
- Utilice el equipo de protección personal. Consulte la sección *Equipo de protección personal en la página 32*.
- Asegúrese de que saber cómo detener el motor rápidamente en caso de emergencia.
- Nunca arranque el motor en un espacio cerrado ni cerca de materiales inflamables. Los gases de escape del motor están calientes y pueden contener chispas que pueden provocar un incendio.
- No utilice el producto a menos que la cuchilla y todas las cubiertas estén fijadas correctamente. Una cuchilla fijada incorrectamente puede soltarse y provocar daños personales.
- Asegúrese de que la cuchilla no golpea ningún objeto, como piedras y raíces. Esto puede causar daños a la cuchilla y doblar el eje del motor. Un eje doblado causa vibraciones excesivas y un riesgo muy alto de que la cuchilla se suelte.
- Si la cuchilla choca con algún objeto o si se producen vibraciones, pare el producto inmediatamente. Desconecte el cable de encendido de la bujía. Examine el producto para comprobar si presenta daños. Repare los daños o lleve el producto a un taller de servicio autorizado para realizar la reparación.
- No acople la maneta del freno del motor permanentemente al mango cuando el motor esté encendido.
- Ponga el producto en una superficie plana y estable, y arránquelo. Asegúrese de que la cuchilla no entre en contacto con el suelo u otros objetos.

- Manténgase siempre detrás del producto durante su uso.
- Mientras utilice el producto, mantenga todas las ruedas apoyadas en el suelo y las dos manos en el manillar. Mantenga alejados las manos y los pies de las cuchillas giratorias.
- No incline el producto con el motor en marcha.
- Tenga cuidado cuando tire del producto hacia atrás.
- Nunca levante el producto con el motor en marcha. Si tiene que levantar el producto, primero apague el motor y desconecte el cable de encendido de la bujía.
- No camine hacia atrás mientras utiliza el producto.
- Detenga el motor cuando se desplace por áreas sin hierba, por ejemplo, caminos de grava, piedra y asfalto.
- No corra con el producto con el motor en marcha. Camine siempre mientras utiliza el producto.
- Detenga el motor antes de cambiar la altura de corte. Nunca realice ajustes con el motor en marcha.
- No deje el producto desatendido con el motor en marcha. Pare el motor y asegúrese de que el equipo de corte no gire.

Instrucciones de seguridad para el funcionamiento

Equipo de protección personal



ADVERTENCIA: Lea las siguientes instrucciones de advertencia antes de utilizar el producto.

- El equipo de protección personal no elimina completamente el riesgo de lesiones, pero reduce la gravedad de las lesiones en caso de accidente. Deje que el distribuidor le ayude a seleccionar el equipo adecuado.
- Utilice protectores auriculares si el nivel de ruido es superior a 85 dB.
- Utilice botas o zapatos de trabajo antideslizantes. No utilice calzado abierto ni vaya descalzo.
- Utilice pantalones largos gruesos.
- Utilice guantes protectores cuando sea necesario, por ejemplo, para el montaje, inspección o limpieza del equipo de corte.

Dispositivos de seguridad en el producto



ADVERTENCIA: Lea las siguientes instrucciones de advertencia antes de utilizar el producto.

- No utilice un producto que tenga dispositivos de seguridad defectuosos.
- Realice una comprobación de los dispositivos de seguridad con frecuencia. Si los dispositivos de seguridad están defectuosos, hable con su taller de servicio Husqvarna.

Comprobación de la cubierta del equipo de corte

La cubierta del equipo de corte disminuye las vibraciones en el producto y el riesgo de lesiones provocadas por la cuchilla.

- Examine la cubierta de corte para asegurarse de que no haya daños como, por ejemplo, grietas.

Comprobación de la maneta de freno del motor

La maneta del freno del motor detiene el motor. Cuando se suelta la maneta del freno del motor, el motor se para.

- Arranque el motor y, a continuación, suelte la maneta de freno. Si el motor no se detiene en 3 segundos, lleve el producto a un taller de servicio Husqvarna autorizado para realizar el ajuste del freno del motor. (Fig. 15)

Silenciador

El silenciador mantiene al mínimo los niveles de ruido y aparta los gases de escape del operador.

No utilice el producto si el silenciador no está instalado o está defectuoso. Un silenciador defectuoso aumenta el nivel de ruido y el riesgo de incendio.



ADVERTENCIA: El silenciador se calienta mucho durante y después de su uso, y cuando el motor funciona a ralentí. Tenga cuidado cerca de materiales inflamables o gases para evitar incendios.

Seguridad en el uso del combustible



ADVERTENCIA: Lea las siguientes instrucciones de advertencia antes de utilizar el producto.

- No arranque el producto si está manchado con combustible o aceite del motor. Retire el combustible/aceite no deseado y deje secar el producto.
- Si derrama combustible sobre la ropa, cámbiese inmediatamente.
- Evite el contacto con el combustible; puede provocarle lesiones. Si entra en contacto con el combustible, utilice agua y jabón para eliminar el combustible.
- No arranque el motor si el producto tiene una fuga. Examine frecuentemente si hay fugas en el motor.
- Tenga cuidado con el combustible. El combustible es inflamable, sus vapores son explosivos y puede provocar lesiones o la muerte.
- No inhale los vapores de combustible, ya que pueden causar lesiones. Asegúrese de que hay ventilación suficiente.
- No fume cerca del combustible o el motor.

- No coloque objetos calientes cerca del combustible o el motor.
- No agregue el combustible con el motor encendido.
- Asegúrese de que el motor esté frío antes de repostar.
- Antes de repostar, abra la tapa del depósito de combustible lentamente y deje salir el exceso de presión con cuidado.
- No añada combustible al motor en interiores. Una circulación de aire insuficiente puede causar lesiones o la muerte por asfixia o inhalación de monóxido de carbono.
- Apriete el tapón del depósito de combustible completamente. Si el tapón del depósito de combustible no se aprieta, existe riesgo de incendio.
- Antes de arrancar el producto, llévelo a 3 m (10 pies) de distancia como mínimo del punto en el que llenó el depósito.
- No llene el depósito de combustible por completo. El calor hace que el combustible se expanda. Deje espacio en la parte superior del depósito de combustible.

Instrucciones de seguridad para el mantenimiento



ADVERTENCIA: Lea las siguientes instrucciones de advertencia antes de utilizar el producto.

- Los gases de escape del motor contienen monóxido de carbono, que es un gas inodoro, tóxico y muy peligroso. No arranque el motor en interiores ni en espacios cerrados.
- Antes de realizar el mantenimiento del producto, detenga el motor y desconecte el cable de encendido de la bujía.
- Utilice guantes protectores cuando realice el mantenimiento del equipo de corte. La cuchilla está muy afilada y se pueden producir cortes con mucha facilidad.
- Los accesorios y modificaciones en el producto que no estén aprobados por el fabricante pueden causar daños graves o la muerte. No modifique el producto. Utilice siempre accesorios autorizados por el fabricante.
- Si el mantenimiento no se realiza correctamente y de forma regular, aumenta el riesgo de lesiones y daños en el producto.
- Realice únicamente las tareas de mantenimiento que se indican en este manual del propietario. Todos los demás trabajos de mantenimiento deben llevarse a cabo en un taller de servicio Husqvarna autorizado.
- Lleve el producto a un taller de servicio Husqvarna autorizado para realizar el mantenimiento de forma regular.
- Cambie las piezas dañadas, desgastadas o rotas.

Montaje

Montaje del manillar

1. Coloque el tornillo (A) a través del manillar (B), la arandela de plástico (C) y el soporte del manillar (D). (Fig. 16)
2. Apriete la tuerca (E) completamente.
3. Coloque el tornillo (F) a través de la arandela (G) y el soporte del manillar.
4. Apriete la ruedecilla (H) por completo.
5. Alinee los orificios de la parte superior del manillar con los de la parte inferior y fije los tornillos, arandelas y ruedecillas. Apriete las ruedecillas por completo. (Fig. 17)
6. Fije los cables al manillar con los soportes. (Fig. 18)

Nota: Asegúrese de los cables no estén demasiado tensos. Una tensión demasiado alta puede provocar daños en el cable si el manillar se pliega en la posición de transporte.

7. Coloque los cables alrededor del gancho en la parte inferior del manillar. (Fig. 19)

Para regular la altura del manillar

1. Afloje las ruedecillas inferiores. (Fig. 20)
2. Retire la ruedecilla, la arandela y el tornillo del lado izquierdo y del derecho.
3. El manillar puede ajustarse en 2 alturas diferentes. Vuelva a colocar los tornillos en uno de los 2 orificios del lado izquierdo y del derecho. (Fig. 21)
4. Fije los tornillos, las arandelas y las ruedecillas.
5. Mueva las ruedecillas hacia arriba, en dirección al manillar, hasta que finalice su recorrido y escuche un clic. Apriete las ruedecillas por completo. (Fig. 22)

Para ajustar el producto en la posición de transporte

1. Retire el recogedor de césped.

2. Afloje las ruedecillas del manillar superior y pliegue este hacia abajo. (Fig. 23)
3. Afloje las ruedecillas inferiores.
4. Mueva las ruedecillas hacia el extremo inferior de las ranuras en el lado izquierdo y derecho del producto. (Fig. 24)
5. Doble el mango hacia delante. (Fig. 25)

Ajuste del producto en la posición de trabajo

1. Levante el manillar hasta que la parte inferior de este quede bloqueado en la posición de trabajo. (Fig. 26)
2. Mueva las ruedecillas hacia arriba, en dirección al manillar, hasta que finalice su recorrido y escuche un clic.
3. Apriete las ruedecillas a fondo. (Fig. 27)
4. Levante la parte superior del manillar.
5. Apriete las ruedecillas a fondo. (Fig. 28)

Para montar el recogedor de césped

1. Coloque la parte superior del recogedor de césped sobre la parte inferior del mismo. (Fig. 29)
2. Fije el bastidor del recogedor de césped con los clips. (Fig. 30)
3. Levante la cubierta trasera.
4. Encaje los ganchos del recogedor de césped en el borde superior del chasis. (Fig. 31)
5. Coloque la parte inferior del recogedor de césped en el canal de descarga.

Funcionamiento

Introducción



ADVERTENCIA: Antes de utilizar el producto, debe leer y entender el capítulo sobre seguridad.

Husqvarna Connect

Husqvarna Connect es una aplicación gratuita para su dispositivo móvil. La aplicación Husqvarna Connect

proporciona más funciones para su producto Husqvarna:

- Información ampliada sobre el producto.
- Información y asistencia sobre piezas y mantenimiento de productos.

Para empezar a utilizar Husqvarna Connect

1. Descargue la aplicación Husqvarna Connect en su dispositivo móvil.

2. Registre una cuenta en la aplicación Husqvarna Connect.
3. Siga las instrucciones de la aplicación Husqvarna Connect para conectarse y registrar el producto.

Antes de utilizar el producto

1. Lea detenidamente el manual de usuario y asegúrese de que entiende las instrucciones.
2. Examine el equipo de corte para asegurarse de que está conectado y ajustado correctamente. Consulte *Para inspeccionar el equipo de corte en la página 37*.
3. Llene el depósito de combustible. Consulte *Repostaje de combustible en la página 35*.
4. Llene el depósito de aceite y realice una comprobación del nivel de aceite. Consulte *Para realizar una comprobación del nivel de aceite en la página 37*.

Repostaje de combustible

Si puede, utilice gasolina con bajas emisiones/alquilatos. Si no puede utilizar gasolina con bajas emisiones/alquilatos, utilice una gasolina sin plomo o gasolina con plomo de buena calidad con un octanaje no inferior a 91.



PRECAUCIÓN: No utilice gasolina con un octanaje inferior a 91 octanos RON. Esto puede provocar daños en el producto.



PRECAUCIÓN: Cambie el filtro de combustible una vez al año o más a menudo si fuera necesario. Puede adquirir un nuevo filtro de combustible a través de su distribuidor Husqvarna.



PRECAUCIÓN: Pare siempre el motor antes de añadir combustible.



PRECAUCIÓN: No utilice líquidos de arranque presurizados.

1. Abra el tapón del depósito de combustible lentamente para liberar la presión.
2. Llene lentamente con una lata de combustible. Si derrama combustible, límpielo con un paño y deje que el combustible restante se seque. (Fig. 32)
3. Limpie la zona de alrededor del tapón del depósito de combustible.
4. Apriete el tapón del depósito de combustible completamente. Si el tapón del depósito de combustible no se aprieta, existe riesgo de incendio.

5. Antes de arrancar el producto, llévalo a 3 m (10 pies) de distancia como mínimo del punto en el que llenó el depósito.

Para ajustar la altura de corte

1. Mueva la palanca de altura de corte hacia atrás para aumentar la altura de corte.
2. Mueva la palanca de altura de corte hacia delante para reducir la altura de corte. (Fig. 33)



PRECAUCIÓN: No ajuste la altura de corte demasiado baja. Las cuchillas pueden golpear el suelo si la superficie del césped no está nivelada.

Para arrancar el producto

1. Asegúrese de que el cable de encendido está conectado a la bujía.
2. Manténgase detrás del producto.
3. Sujete la maneta del freno del motor contra el manillar. (Fig. 34)
4. Sostenga la empuñadura de arranque con la mano derecha.
5. Tire lentamente de la cuerda de arranque hasta sentir cierta resistencia.
6. Tire con fuerza para arrancar el motor.



ADVERTENCIA: No se enrolle la cuerda de arranque alrededor de la mano.

Uso de la transmisión de las ruedas

- Empuje el mango de transmisión hacia el manillar. (Fig. 35)
- Suelte el mango de transmisión para desacoplar la transmisión, por ejemplo, cuando se acerque a un obstáculo.
- Antes de tirar del producto hacia atrás, desacople la transmisión y empuje el producto hacia adelante aproximadamente 10 cm.

Para detener el producto

- Para detener solo la transmisión, basta con soltar el mango de transmisión.
- Para detener el motor, suelte la maneta del freno del motor.

Para obtener un buen resultado

- Use siempre una cuchilla afilada. Una cuchilla roma proporciona un resultado irregular y la superficie de corte de la hierba adquiere un tono amarillo. Una cuchilla afilada también utiliza menos energía que una cuchilla roma.
- No corte más de $\frac{1}{3}$ de la longitud del césped. Corte primero con una altura de corte alta. Examine el

resultado y baje la altura de corte al nivel que corresponda. Si la hierba está muy larga, vaya despacio y corte dos veces si es necesario.

- Corte en direcciones distintas cada vez para evitar crear rayas en el césped.

Mantenimiento

Introducción



ADVERTENCIA: Antes de realizar cualquier trabajo de mantenimiento, debe leer y entender el capítulo sobre seguridad.

Para todos los trabajos de mantenimiento y reparación del producto, es necesario realizar una formación especial. Nosotros garantizamos que los trabajos de mantenimiento y reparación sean realizados por profesionales. Si su distribuidor no es un taller de servicio, pídale información sobre el taller de servicio más cercano.

Programa de mantenimiento



PRECAUCIÓN: Asegúrese de que el filtro de aire esté hacia arriba y no contra el suelo cuando incline el producto. Podría dañar el motor.

Los intervalos de mantenimiento se calculan a partir del uso diario del producto. Los intervalos cambian si el producto no se utiliza a diario.

Para las tareas de mantenimiento identificadas con un *, consulte las instrucciones de *Dispositivos de seguridad en el producto en la página 32*.

Mantenimiento	Diario	Mensual	Cada temporada
Inspección general	X		
Compruebe el nivel de aceite	X		
Cambie el aceite (la primera vez a las 5 horas de uso; después, cada 50 h de uso) ¹⁵			X
Limpie el producto	X		
Inspeccione el equipo de corte	X		
Examine la cubierta de corte *	X		
Examine de la maneta del freno del motor*	X		
Inspeccione el silenciador*		X	
Examine la bujía. Limpie o sustituya la bujía si fuese necesario			X
Inspección del filtro de aire	X		
Limpie el filtro de aire ¹⁶		X	
Sustituya el filtro de aire			X
Inspeccione el sistema de combustible			X
Limpie las aletas de refrigeración del cilindro		X	
Inspeccione y ajuste el cable de embrague (LC 140SP)			X

Para realizar una inspección general

- Asegúrese de que todas las tuercas y los tornillos del producto estén apretados correctamente.

Para limpiar el producto externamente

- Use un cepillo para retirar las hojas, la hierba y la suciedad.

¹⁵ Si se utiliza el producto con una carga pesada o a temperaturas elevadas, sustituya el aceite del motor cada 25 horas.

¹⁶ Límpielo con mayor frecuencia en condiciones polvorientas o cuando haya residuos en el aire. Si está muy sucio, sustituya el filtro de aire.

- Asegúrese de que la toma de aire de la parte superior del motor no esté obstruida.
- No utilice un equipo de limpieza a alta presión para limpiar el producto.
- Si utiliza agua para limpiar el producto, no dirija el chorro directamente sobre el motor.

Para limpiar la superficie interior de la cubierta de corte

1. Vacíe el depósito de combustible.
2. Inclíne el producto. Asegúrese de que la bujía apunta hacia arriba.



PRECAUCIÓN: Si el producto se pone con el filtro de aire hacia abajo, el motor puede dañarse.

3. Limpie la superficie interior de la cubierta de corte con una manguera de agua.

Para inspeccionar el equipo de corte



ADVERTENCIA: Para evitar el arranque accidental, desconecte el cable de encendido de la bujía.



ADVERTENCIA: Utilice guantes protectores cuando realice el mantenimiento del equipo de corte. La cuchilla está muy afilada y se pueden producir cortes con mucha facilidad.

1. Inspeccione el equipo de corte para comprobar si presenta daños o grietas. Sustituya siempre un equipo de corte dañado.
2. Inspeccione la cuchilla para comprobar si está dañada o roma.

Nota: Después de afilar la cuchilla, es necesario equilibrarla. El afilado, la sustitución y el equilibrado de la cuchilla deben realizarse en un centro de servicio. Si choca con un obstáculo que haga que el producto se pare, sustituya la cuchilla dañada. Lleve el producto a un centro de servicio, donde estimarán si la cuchilla puede afilarse o debe sustituirse.

Para sustituir la cuchilla

1. Bloquee la cuchilla con un bloque de madera. (Fig. 36)
2. Extraiga el tornillo de la cuchilla.
3. Desmonte la cuchilla.
4. Inspeccione el soporte de la cuchilla y el tornillo de la cuchilla para comprobar si presentan daños.
5. Inspeccione el eje del motor para asegurarse de que no está doblado.
6. Cuando instale la nueva cuchilla, colóquela con los extremos en ángulo en dirección a la cubierta de corte. (Fig. 37)

7. Asegúrese de que la cuchilla quede alineada con el centro del eje del motor.
8. Bloquee la cuchilla con un bloque de madera. Coloque la arandela elástica, y apriete el perno y la arandela con un par de 45–60 Nm. (Fig. 38)
9. Mueva la cuchilla en distintas direcciones manualmente y compruebe que gira libremente.



ADVERTENCIA: Use guantes resistentes. La cuchilla está muy afilada y se pueden producir cortes con mucha facilidad.

10. Arranque el producto para hacer una prueba de la cuchilla. Si la cuchilla no está correctamente fijada, se produce una vibración en el producto o el resultado de corte no es satisfactorio.

Para realizar una comprobación del nivel de aceite



PRECAUCIÓN: Un nivel de aceite demasiado bajo puede causar daños en el motor. Compruebe el nivel de aceite antes de arrancar el producto.

1. Coloque el producto sobre una superficie nivelada.
2. Retire el tapón del depósito de aceite con la varilla de nivel acoplada.
3. Limpie el aceite de la varilla de nivel de aceite.
4. Introduzca la varilla de nivel totalmente en el depósito de aceite para obtener un resultado correcto del nivel de aceite.
5. Quite la varilla de nivel.
6. Compruebe el nivel de aceite que indica la varilla de nivel.
7. Si el nivel de aceite es bajo, llene con aceite de motor y vuelva a comprobar el nivel de aceite.

Nota: Utilice un embudo para evitar derrames.

Sustitución del aceite del motor



ADVERTENCIA: El aceite del motor está muy caliente inmediatamente después de apagar el motor. Deje que el motor se enfríe antes de vaciar el aceite del motor. Si derrama aceite del motor y entra en contacto con la piel, lávese con agua y jabón.

(Fig. 39)

Nota: Utilice aceite para motores de 4 tiempos. Asegúrese de utilizar la viscosidad correcta para la temperatura ambiente.

1. Ponga el producto en funcionamiento hasta que el depósito de combustible se vacíe.
2. Quite el cable de encendido de la bujía.
3. Retire el tapón del depósito de aceite.
4. Drene el aceite del motor del depósito de aceite con una bomba de aceite (accesorio).
5. Llene el depósito con aceite de motor nuevo del tipo recomendado en *Datos técnicos en la página 40*.
6. Compruebe el nivel de aceite. Consulte la sección *Para realizar una comprobación del nivel de aceite en la página 37*.

Para limpiar el filtro de espuma plástica

1. Saque la cubierta del filtro de aire y extraiga el filtro de espuma plástica.
2. Limpie el filtro de espuma plástica con agua y jabón.
3. Enjuague el filtro de espuma plástica con agua limpia.
4. Escurra el agua del filtro de espuma plástica y deje que se seque.



PRECAUCIÓN: No utilice aire comprimido. Esto puede provocar daños en el filtro de espuma plástica.

5. Lubrique el filtro de espuma plástica con aceite de motor.
6. Frote el filtro de espuma plástica con un paño limpio para retirar el aceite sobrante.
7. Vuelva a colocar el filtro de aire. Asegúrese de que el filtro de aire selle totalmente el soporte del filtro de aire.
8. Vuelva a colocar la cubierta del filtro de aire.

Para examinar la bujía



PRECAUCIÓN: Utilice siempre el tipo de bujía recomendado. El uso de un tipo de bujía incorrecto puede causar averías en el producto.

- Examine la bujía si el motor tiene baja potencia, no es fácil de arrancar o no funciona correctamente al régimen de ralentí.
- Para reducir el riesgo de material no deseado en los electrodos de la bujía, siga estas instrucciones:

- a) Asegúrese de que el régimen de ralentí está bien ajustado.
 - b) Asegúrese de que la mezcla de combustible sea correcta.
 - c) Asegúrese de que el filtro de aire esté limpio.
- Si la bujía está sucia, límpiela y asegúrese de que la distancia entre los electrodos sea la correcta, consulte *Datos técnicos en la página 40*. (Fig. 40)
 - Sustituya la bujía si fuese necesario.

Para inspeccionar el sistema de combustible

- Examine el tapón del depósito de combustible y la junta del tapón para comprobar que no presenten daños.
- Examine la manguera de combustible para asegurarse de que no haya fugas. Si la manguera de combustible está dañada, lleve el producto a un taller de servicio para sustituirla.

Ajuste del cable del embrague (LC 140SP)

En las situaciones siguientes, es necesario reducir la longitud del cable del embrague:

- La transmisión de las ruedas no engrana cuando se tira del mango de transmisión o de la palanca de control de régimen.
- El producto se mueve lentamente con la transmisión de las ruedas engranada.

En las situaciones siguientes, es necesario alargar la longitud del cable del embrague:

- El producto se mueve sin que la transmisión de las ruedas esté engranada.
- Ajuste del cable del embrague:
 - a) Para reducir la longitud del cable del embrague, gire el tornillo de ajuste hacia la izquierda.
 - b) Para alargar la longitud del cable del embrague, gire el tornillo de ajuste hacia la derecha. (Fig. 41)

Si el producto continúa sin funcionar de manera satisfactoria después del ajuste, póngase en contacto con el distribuidor.

Resolución de problemas del motor

Problema	Causa posible	Solución
El motor no arranca.	El cable de encendido no está conectado correctamente.	Conecte el cable de encendido a la bujía.
	El depósito de combustible está vacío.	Llene el depósito de combustible con el tipo de combustible adecuado.
	El combustible es antiguo.	Drene el depósito de combustible y el carburador. Reposte con gasolina nueva.
	Hay suciedad en el carburador o la tubería de combustible.	Limpie el carburador, la tubería de combustible o ambos.
	La bujía está defectuosa.	Ajuste la distancia entre los electrodos y limpie o sustituya la bujía.
	Hay combustible en la bujía.	Limpie la bujía.
El motor no para.	El mecanismo de parada está defectuoso.	Desconecte el cable de encendido de la bujía. Lleve el producto a un taller de servicio autorizado para que lo reparen.
El motor no funciona correctamente.	El cable de encendido no está conectado correctamente.	Conecte el cable de encendido a la bujía.
	Hay suciedad en la tubería de combustible o el combustible ha caducado.	Limpie la tubería de combustible. Llene el depósito de combustible con combustible nuevo del tipo correcto.
	Hay una obstrucción en el tapón del depósito de combustible.	Limpie el tapón del depósito de combustible.
	Hay agua o suciedad en el sistema de combustible.	Vacíe el depósito de combustible. Llene el depósito de combustible con combustible nuevo del tipo correcto.
	El filtro de aire está sucio.	Limpie el filtro de aire.
	Es necesario ajustar el carburador.	Lleve el carburador a un taller de servicio para que lo ajusten.
El motor se calienta demasiado.	El nivel de aceite del motor es demasiado bajo.	Reponga con aceite de motor.
	El caudal de aire no es suficiente.	Limpie el filtro de aire y la caja del filtro de aire.
	Es necesario ajustar el carburador.	Lleve el carburador a un taller de servicio para que lo ajusten.
Se produce un fallo de encendido en el motor cuando funciona a régimen alto.	La distancia entre los electrodos de la bujía es demasiado corta.	Ajuste la distancia entre los electrodos.

Problema	Causa posible	Solución
El motor emite ruidos extraños con una carga normal.	Tipo de gasolina incorrecto.	Drene el depósito de combustible y el carburador. Reposte con gasolina nueva. Consulte la sección <i>Repostaje de combustible en la página 35</i> . Si el problema persiste, póngase en contacto con su taller de servicio más cercano.
El motor no funciona correctamente al ralentí.	La bujía está sucia o defectuosa, o la distancia entre los electrodos es demasiado grande.	Ajuste la distancia entre los electrodos o sustituya la bujía.
	Es necesario ajustar el carburador.	Ajuste el carburador.
	El filtro de aire está sucio.	Limpie el filtro de aire.

Transporte, almacenamiento y eliminación

Transporte y almacenamiento

- Para el transporte y almacenamiento del producto y del combustible, asegúrese de que no haya fugas ni humos. Las chispas o llamas abiertas, por ejemplo, de dispositivos eléctricos o calderas, pueden producir un incendio.
- Use siempre recipientes homologados para el transporte y almacenamiento de combustible.
- Vacíe el depósito de combustible antes de poner el producto en almacenamiento durante un largo periodo de tiempo. Deseche el combustible en una ubicación adecuada para su eliminación.
- Asegure el producto durante el transporte para evitar daños y accidentes.
- Mantenga el producto en un área cerrada para impedir el acceso a niños o personas no autorizadas.

- Mantenga el producto en un lugar seco y al abrigo de las heladas.

Eliminación

- Respete los requisitos de reciclaje locales y las normas aplicables.
- Deseche todos los productos químicos, como el aceite de motor o el combustible, en un centro de servicio o una ubicación adecuada para su eliminación.
- Cuando ya no use el producto, envíelo a un distribuidor Husqvarna o deséchelo en un punto de reciclaje.

Datos técnicos

Datos técnicos

	LC 140P	LC 140SP
Motor		
Marca	Husqvarna	Husqvarna
Nombre del modelo del motor	HS 123A	HS 123A
Tipo de motor	Monocilíndrico, 4 tiempos, refrigeración forzada por aire, OHV	Monocilíndrico, 4 tiempos, refrigeración forzada por aire, OHV
Cilindrada, cm ³	123	123
Velocidad, rpm	3000	3000

	LC 140P	LC 140SP
Potencia nominal del motor, kW ¹⁷	1,95	1,95
Sistema de encendido		
Bujía	Husqvarna HQT-7	Husqvarna HQT-7
Distancia entre electrodos, mm	0,7-0,8	0,7-0,8
Sistema de combustible y lubricación		
Tipo de lubricación del motor	Salpicadura	Salpicadura
Capacidad del depósito de gasolina, litros	0.9	0.9
Capacidad del depósito de aceite, litros	0,5	0,5
Aceite del motor ¹⁸	Husqvarna SAE 30	Husqvarna SAE 30
Peso		
Con los depósitos vacíos, kg	25,2	26,8
Emisiones de ruido¹⁹		
Nivel de potencia acústica medida, dB(A)	93	93
Nivel de potencia acústica garantizado, L _{WA} dB(A)	95	95
Niveles acústicos²⁰		
Nivel de presión sonora en el oído del operario, dB(A)	81	81
Niveles de vibraciones²¹		
Vibración en el manillar, m/s ²	5,6	7,6
Equipo de corte		
Altura de corte, mm	25-75	25-75
Anchura de corte, mm	400	400
Sistema de corte	Recogida/descarga trasera	Recogida/descarga trasera
Cuchillas: estándar	Recogedor 5873863-10	Recogedor 5873863-10
Capacidad del recogedor de césped, litros	50	50
Transmisión		
Velocidad de movimiento, km/h	–	4

¹⁷ La potencia de salida del motor indicada es la potencia neta media (al régimen especificado) de un motor de producción típico para el modelo de motor conforme a la norma SAE J1349/ISO1585. Los motores fabricados en serie podrían presentar valores diferentes. La potencia de salida real del motor instalado en el producto final dependerá de la velocidad de funcionamiento, las condiciones medioambientales y otros valores.

¹⁸ Si utiliza aceite SAE-30 a temperaturas inferiores a +5 °C, existe el riesgo de que no lubrique el motor correctamente. Esto puede ocasionar daños en el motor. Consulte *Sustitución del aceite del motor en la página 37* para saber cuál es el aceite correcto para temperaturas bajas.

¹⁹ Emisiones sonoras en el entorno medidas como potencia acústica (L_{WA}) según la directiva CE 2000/14/CE.

²⁰ Los datos referidos del nivel de presión sonora tienen una dispersión estadística habitual (desviación típica) de 1,2 dB (A).

²¹ Los datos referidos del nivel de vibración poseen una dispersión estadística habitual (desviación típica) de 0,2 m/s².

Conteúdo

Introdução.....	42	Manutenção.....	48
Segurança.....	43	Solução de problemas do motor.....	51
Montagem.....	46	Transporte, armazenamento e descarte.....	52
OPERAÇÃO.....	46	Dados técnicos.....	52

Introdução

Descrição do produto

O produto é um cortador de grama giratório operado por pessoas comuns. A grama é armazenada em um coletor de grama. Remova o coletor de grama para retirar a descarga traseira da grama.

Visão geral do produto

(Fig. 1)

1. Alça / barra de direção
2. Braço de acionamento (LC 140SP)
3. Alça da corda de arranque
4. Coletor de grama
5. Reservatório de combustível
6. Filtro de ar
7. Vela de ignição
8. Tampa de corte
9. Silencioso
10. Tampa do tanque de óleo
11. Alavanca da altura de corte
12. Tampa traseira
13. Alça do freio do motor
14. Símbolos
15. Montagem da alça inferior
16. Alça inferior
17. Manual do operador
18. Funil de óleo

Símbolos no produto

- (Fig. 2) AVISO! Seja cuidadoso e use o produto corretamente. Este produto pode causar ferimentos graves ou morte do operador ou de outras pessoas.
- (Fig. 3) Leia atentamente o manual do operador e certifique-se de que tenha entendido as instruções antes de usar.
- (Fig. 4) Cuidado com objetos arremessados e ricochetes.
- (Fig. 5) Mantenha pessoas e animais a uma distância segura da área de trabalho.

Uso previsto

Use o produto para cortar grama. Não use o produto para outras tarefas.

(Fig. 6) Aviso: Mantenha mãos e pés afastados da lâmina giratória.

(Fig. 7) Aviso: Mantenha mãos e pés afastados de peças giratórias.

(Fig. 8) Antes de realizar reparos ou manutenção, desligue o motor e retire o cabo de ignição.

(Fig. 9) Este produto está de acordo com as diretivas vigentes da CE.

(Fig. 10) Emissão de ruídos para o ambiente de acordo com a Diretiva da Comunidade Europeia. As emissões do produto estão especificadas no capítulo de dados técnicos e na etiqueta.

(Fig. 11) Risco de incêndio.

(Fig. 12) Não inspire os gases de escape. Os gases de escape do motor contém monóxido de carbono, um gás inodoro, tóxico e muito perigoso. Não ligue o motor em ambientes internos ou fechados.

(Fig. 13) Superfície quente.

(Fig. 14) Abasteça o motor com óleo antes de ligar o produto.

Observação: Outros símbolos/decalques no produto referem-se aos requisitos de certificação para outras áreas comerciais.

Emissões Euro V



AVISO: Interferências no motor anulam a aprovação tipo EU deste produto.

Responsabilidade legal do produto

Como mencionado na legislação de responsabilidade do produto, não somos responsáveis por danos causados pelo nosso produto caso:

- o produto seja reparado incorretamente.
- o produto seja reparado com peças que não sejam da marca do fabricante ou aprovadas pelo fabricante.
- o produto tenha um acessório que não seja da marca do fabricante ou não seja aprovado pelo fabricante.
- o produto não seja reparado em um centro de atendimento aprovado ou por uma autoridade aprovada.

Segurança

Definições de segurança

Avisos, cuidados e observações são utilizados para chamar a atenção para partes especialmente importantes do manual.



AVISO: Utilizado se existir um risco de ferimentos ou morte para o operador ou a terceiros se as instruções no manual não forem respeitadas.



CUIDADO: Utilizado se existir um risco de danos para o produto, outros materiais ou para a área adjacente, se as instruções no manual não forem respeitadas.

Observação: Utilizados para conferir mais informações necessárias em uma determinada situação.

Instruções gerais de segurança



AVISO: Antes de usar o produto, leia as instruções de aviso que seguem.

- Este produto é perigoso se utilizado de forma incorreta ou se você não tiver cuidado. Ferimentos ou morte podem acontecer, caso você não siga as instruções de segurança.
- Este produto produz um campo eletromagnético durante a operação. Sob certas circunstâncias esse campo poderá interferir com implantes médicos de natureza ativa ou passiva. Para reduzir o risco de lesões graves ou fatais, recomendamos que as pessoas que tenham implantes médicos consultem seu médico e o fabricante do implante antes de operar este produto.
- Sempre tome cuidado e use o bom senso. Se não souber como operar o produto em uma situação específica, pare e fale com seu Husqvarna revendedor antes de continuar.
- Tenha em atenção que o operador será responsável por acidentes que envolvam terceiros ou a sua propriedade.

- Mantenha o produto limpo. Cerifique-se de que consegue ler claramente sinais e decalques.
- Não deixe outra pessoa usar o produto, a menos que você se certifique que ela leia e compreenda o conteúdo do manual do operador.
- Não permita que o produto seja operado por crianças.
- Mantenha crianças afastadas da área de trabalho. Um adulto responsável deve estar presente em todos os momentos.
- Não permita que o produto seja operado por uma pessoa sem conhecimento das instruções.
- Pessoas com capacidade física ou mental reduzida devem ser sempre monitoradas caso usem o produto. Um adulto responsável deve estar presente em todos os momentos.
- Não utilize o produto se estiver cansado doente ou sob a influência de álcool, drogas ou remédios. Isso possui um efeito negativo na sua visão, consciência, coordenação e no seu julgamento.
- Não utilize o produto se estiver com defeito.
- Não altere este produto, nem o utilize caso haja a possibilidade de ter sido modificado por outras pessoas.
- Não altere o ajuste do controle de rotação do motor.

Segurança da área de trabalho



AVISO: Antes de usar o produto, leia as instruções de aviso que seguem.

- Antes de usar o produto, retire todos os objetos, como ramos, galhos ou pedras da área de trabalho.
- Objetos que batam contra o equipamento de corte podem ejetar e causar danos a pessoas ou objetos. Mantenha terceiros ou animais a uma distância segura do produto.
- Nunca utilize o produto em condições climáticas ruins, como neblina, chuva, ventos fortes, frio intenso e risco de raios. Utilizar o produto em condições climática ruins ou em locais úmidos ou molhados é exaustivo. Condições climáticas ruins podem levar a condições perigosas, como superfícies escorregadias.

- Veja se há pessoas, objetos e situações que podem impedir a operação segura do produto.
- Veja se há obstáculos, como raízes, pedras, galhos, buracos e valas. Gramas altas podem ocultar obstáculos.
- Cortar a grama em declives pode ser perigoso. Não utilize o produto em terrenos com inclinações superiores a 15°.
- Opere o produto paralelamente à face da inclinação. Não movimente para cima e para baixo.
- Tenha cuidado ao se aproximar de cantos e objetos ocultos que podem impedir que você tenha uma visão clara.

Segurança no trabalho



AVISO: Antes de usar o produto, leia as instruções de aviso que seguem.

- Utilize este produto somente para cortar gramados. Seu uso não é permitido para outras tarefas.
- Use sempre equipamentos de proteção individual. Consulte *Equipamento de Proteção Individual na página 44*.
- Certifique-se de saber como parar o motor rapidamente em caso de emergência.
- Nunca dê a partida no motor em um espaço fechado ou próximo de materiais inflamáveis. Os gases de escape do motor são quentes e podem conter faíscas capazes de iniciar um incêndio.
- Não opere o produto, a menos que o disco e todas as tampas estejam fixados corretamente. Um disco fixado incorretamente pode se soltar e causar ferimentos.
- Certifique-se de que o disco não atinja objetos, como pedras e raízes. Isso pode danificar o disco dobrar o eixo do motor. Um eixo dobrado causa fortes vibrações e um risco elevado de que o disco se solte.
- Se o disco atingir um objeto ou se ocorrer vibrações, desligue o produto imediatamente. Desconecte o cabo de ignição da vela de ignição. Examine o produto à procura de danos. Repare os danos ou leve a uma oficina autorizada para fazer os reparos.
- Nunca fixe a alça do freio do motor permanentemente à alça, quando o motor estiver ligado.
- Coloque o produto em uma superfície firme e plana e ligue-o. Certifique-se de que o disco não atinja o chão ou outros objetos.
- Fique sempre atrás do produto ao operá-lo.
- Deixe que todas as rodas fiquem sobre o chão e mantenha 2 dedos na alça ao operar o produto. Mantenha mãos e pés afastados dos discos giratórios.
- Não incline o produto com o motor ligado.
- Tenha cuidado ao puxar o produto para trás.

- Nunca levante o produto quando o motor estiver ligado. Se você precisar levantar o produto, primeiro, desligue o motor e desconecte o cabo de ignição da vela de ignição.
- Não ande para trás ao operar o produto.
- Desligue o motor ao se locomover em áreas sem grama, por exemplo, caminhos feitos de cascalho, pedra e asfalto.
- Não corra com o produto quando o motor estiver ligado. Sempre ande ao operar o produto.
- Desligue o motor antes de mudar a altura de corte. Nunca faça ajustes com o motor ligado.
- Nunca deixe o produto sem vigilância com o motor ligado. Desligue o motor e certifique-se de que o equipamento de corte não gira.

Instruções de segurança para operação

Equipamento de Proteção Individual



AVISO: Antes de usar o produto, leia as instruções de aviso que seguem.

- O equipamento de proteção individual não evita totalmente ferimentos, mas diminui o grau do ferimento em caso de acidente. Deixe seu revendedor ajudar você a escolher o equipamento certo.
- Caso o nível de ruído seja superior a 85 dB, use proteção auditiva.
- Use botas ou calçados antiderrapantes para trabalhos pesados. Não utilize calçados abertos e não fique descalço.
- Use calças compridas de tecido grosso.
- Use luvas de proteção quando necessário, por exemplo, ao ligar, examinar ou limpar o equipamento de corte.

Dispositivos de segurança no produto



AVISO: Antes de usar o produto, leia as instruções de aviso que seguem.

- Não use o produto com dispositivos de segurança com defeito.
- Verifique os dispositivos de segurança regularmente. Se os dispositivos de segurança estiverem com defeito, entre em contato sua Husqvarna oficina autorizada.

Para fazer uma verificação da tampa de corte

A tampa de corte diminui vibrações no produto e reduz o risco de ferimentos do disco.

- Examine a tampa de corte para se certificar de que não há danos, como rachaduras.

Para fazer uma verificação da alça de freio do motor

A alça do freio do motor desliga o motor. Quando a alça do freio do motor é solta, o motor desliga.

- Dê partida no motor e, em seguida, solte a alça de freio do motor. Se o motor não desligar em 3 segundos, leve a uma Husqvarna oficina autorizada para fazer o ajuste do freio do motor. (Fig. 15)

Silencioso

O silencioso mantém os níveis de ruído em um nível mínimo e desvia os gases de escape para longe do operador.

Não utilize o produto se o silenciador estiver ausente ou com defeito. Um silenciador com defeito aumenta o nível de ruído e o risco de incêndio.



AVISO: O silenciador fica muito quente durante e após a utilização e quando o motor funciona em marcha lenta. Tenha cuidado ao se aproximar de materiais inflamáveis e/ou gases de escape para evitar incêndios.

Segurança do combustível



AVISO: Antes de usar o produto, leia as instruções de aviso que seguem.

- Não ligue o produto se houver combustível ou óleo de motor sobre ele. Remova o combustível/óleo indesejado e deixe o produto secar.
- Se você derramar combustível em sua roupa, troque as roupas imediatamente.
- Não deixe combustível cair no seu corpo, ele pode causar lesões. Se você derramar combustível no seu corpo, use sabão e água para removê-lo.
- Não ligue o produto se o motor tiver um vazamento. Examine o motor à procura de vazamentos regularmente.
- Tome cuidado com o combustível. Combustível é inflamável e os vapores são explosivos e podem causar lesões ou morte.
- Não inspire os vapores de combustível, eles podem causar lesões. Certifique-se de que haja fluxo de ar suficiente.
- Não fume nas proximidades do combustível ou do motor.
- Não coloque objetos quentes nas proximidades do combustível ou do motor.
- Não adicione combustível quando o motor estiver ligado.

- Certifique-se de que o motor esteja frio antes de reabastecer.
- Antes de reabastecer, abra a tampa do tanque de combustível lentamente e libere a pressão cuidadosamente.
- Não adicione combustível ao motor em uma área coberta. Um fluxo de ar insuficiente pode causar ferimentos ou morte por asfixia ou monóxido de carbono.
- Aperte a tampa do tanque de combustível. Se a tampa do tanque de combustível não estiver apertada, há um risco de incêndio.
- Mova o produto para um mínimo de 3 m (10 pés) da posição na qual você abasteceu o tanque antes de ligar o motor.
- Não encha o tanque de combustível completamente. Calor faz com que o combustível para expandir. Mantenha um espaço na parte superior do depósito de combustível.

Instruções de segurança para manutenção



AVISO: Antes de usar o produto, leia as instruções de aviso que seguem.

- Os gases de escape do motor contém monóxido de carbono, um gás inodoro, tóxico e muito perigoso. Não ligue o motor em ambientes internos ou fechados.
- Antes de fazer a manutenção do produto, desligue o motor e remova o cabo de ignição da vela de ignição.
- Use luvas de proteção ao fazer a manutenção no equipamento de corte. O disco é muito afiado e pode cortar facilmente.
- Acessórios e alterações no produto não aprovados pelo fabricante podem causar ferimentos graves ou morte. Não modifique o produto. Use somente os acessórios aprovados pelo fabricante.
- Se a manutenção não for feita correta e regularmente, o risco de ferimentos e danos ao produto aumenta.
- Faça a manutenção somente como indicado no manual do proprietário. Todas as outras operações de manutenção devem ser realizadas por uma Husqvarna oficina autorizada.
- Leve o produto regularmente a uma Husqvarna oficina autorizada.
- Substitua peças danificadas, desgastadas ou quebradas.

Montagem

Para montar a alça

1. Empurre o parafuso (A) através da alça (B), da arruela plástica (C) e do suporte de apoio da alça (D). (Fig. 16)
2. Aperte a porca (E) totalmente.
3. Empurre o parafuso (F) através da arruela (G) e do suporte de apoio da alça.
4. Aperte o botão (H) totalmente.
5. Alinhe os furos na barra de direção com os furos na alça inferior e aperte parafusos, arruelas e botões. Aperte os botões totalmente. (Fig. 17)
6. Prenda os cabos na alça com os suportes de cabo. (Fig. 18)

Observação: Certifique-se de que os cabos não estejam muito esticados. Uma tensão demasiada pode causar danos no cabo se a alça estiver dobrada para a posição de transporte.

7. Coloque os cabos ao redor do gancho na parte inferior da alça. (Fig. 19)

Para ajustar a altura da alça

1. Solte os botões inferiores. (Fig. 20)
2. Remova o botão, a arruela e o parafuso dos lados esquerdo e direito.
3. A alça pode ser ajustada em 2 alturas diferentes. Coloque o parafuso em um dos 2 orifícios à esquerda e à direita. (Fig. 21)
4. Fixe os parafusos, as arruelas e os botões.
5. Mova os botões para cima na direção da alça, até que eles parem e você ouça o som de clique. Aperte os botões totalmente. (Fig. 22)

Para colocar o produto na posição de transporte

1. Remova o coletor de grama.
2. Solte os botões na alça superior e dobre a alça para baixo. (Fig. 23)
3. Solte os botões inferiores.
4. Mova os botões para a extremidade inferior dos sulcos nos lados esquerdo e direito do produto. (Fig. 24)
5. Dobre a alça para frente. (Fig. 25)

Para colocar o produto na posição de operação

1. Levante a barra de direção até que a alça inferior trave na posição de operação. (Fig. 26)
2. Mova os botões para cima na direção da alça, até que eles parem e você ouça o som de clique.
3. Aperte os botões totalmente. (Fig. 27)
4. Levante a parte superior da barra de direção.
5. Aperte os botões totalmente. (Fig. 28)

Para montar o coletor de grama

1. Coloque a parte superior do coletor de grama na parte inferior do coletor de grama. (Fig. 29)
2. Prenda a estrutura do coletor de grama com os grampos. (Fig. 30)
3. Levante a tampa traseira.
4. Prenda os ganchos no coletor de grama na borda superior do chassi. (Fig. 31)
5. Coloque a parte inferior do coletor de grama no canal de descarga da grama.

OPERAÇÃO

Introdução



AVISO: Antes de operar o produto, você deve ler e entender o capítulo sobre segurança.

Husqvarna Connect

Husqvarna Connect é um aplicativo gratuito para seu dispositivo móvel. O aplicativo Husqvarna Connect oferece funções estendidas para o seu produto Husqvarna:

- Informações estendidas sobre o produto.
- Informações e ajuda com peças do produto e manutenção.

Para começar a usar o Husqvarna Connect

1. Baixe o aplicativo Husqvarna Connect em seu dispositivo móvel.
2. Inscreva-se no aplicativo Husqvarna Connect.
3. Siga as instruções no aplicativo Husqvarna Connect para conectar e registrar o produto.

Antes de operar o produto

1. Leia atentamente o manual do operador e certifique-se de que tenha entendido as instruções.
2. Examine o equipamento de corte para se certificar de que esteja preso e ajustado corretamente. Consulte *Para examinar o equipamento de corte na página 49*.

3. Abasteça o tanque de combustível. Consulte *Para abastecer com combustível na página 47*.
4. Encha o tanque de óleo e verifique o nível do óleo. Consulte *Para fazer uma verificação do nível do óleo na página 49*.

Para abastecer com combustível

Se disponível, use gasolina com um combustível de baixo grau de emissão/alquilato. Se a gasolina com baixo grau emissão/alquilato não estiver disponível, use gasolina sem chumbo de boa qualidade ou gasolina com chumbo com octanagem de no mínimo 91.



CUIDADO: Não use gasolina com octanagem menor que 91 RON. Isso pode causar danos ao produto.



CUIDADO: Substitua o filtro de combustível anualmente ou com mais frequência, se necessário. Um novo filtro de combustível estará disponível em seu concessionário Husqvarna.



CUIDADO: Sempre desligue o motor antes de abastecer.



CUIDADO: Não use fluidos de partida pressurizados.

1. Abra a tampa do tanque de combustível devagar, para liberar a pressão.
2. Encha o tanque lentamente com o galão de combustível. Se derramar combustível, remova-o com um pano e deixe o restante secar. (Fig. 32)
3. Limpe a área ao redor da tampa do tanque de combustível.
4. Aperte a tampa do reservatório de combustível. Se a tampa do reservatório de combustível não estiver apertada, há um risco de incêndio.
5. Mova o produto para um mínimo de 3 m (10 pés) da posição na qual você abasteceu o tanque antes de ligar o motor.

Para ajustar a altura de corte

1. Mova a alavanca da altura de corte para trás, para elevar a altura de corte.
2. Mova a alavanca da altura de corte para frente para diminuir a altura de corte. (Fig. 33)



CUIDADO: Não deixe a altura de corte muito baixa. Os discos podem atingir o chão, caso a superfície da grama não esteja nivelada.

Para iniciar o produto

1. Certifique-se de que o cabo de ignição esteja conectado à vela de ignição.
2. Fique atrás do produto.
3. Segure a alça do freio do motor contra a barra de direção. (Fig. 34)
4. Segure a alça da corda de arranque com sua mão direita.
5. Puxe a corda de arranque devagar, até sentir um pouco de resistência.
6. Puxe com força para dar partida no motor.



AVISO: Não enrole a corda de arranque ao redor de sua mão.

Para utilizar a tração nas rodas

- Empurre o braço de acionamento em direção à barra de direção. (Fig. 35)
- Solte o braço de acionamento para desengatar, por exemplo, quando você chegar próximo a um obstáculo.
- Antes de puxar o produto para trás, desengate a transmissão e empurre o produto para frente por aproximadamente 10 cm.

Para parar o produto

- Para parar somente o acionamento, solte o braço de acionamento.
- Para desligar o motor, solte a alça do freio do motor.

Para obter um bom resultado

- Use sempre um disco afiado. Um disco cego proporciona um resultado irregular e a superfície de corte da grama fica amarela. Um disco afiado também gasta menos energia do que um disco cego.
- Não corte mais do que $\frac{1}{3}$ do comprimento da grama. Corte primeiro com o ajuste de altura de corte alta. Examine o resultado e diminua a altura de corte para um nível apropriado. Se a grama estiver muito alta, dirija devagar e corte 2 vezes, se necessário.
- Cada vez que cortar a grama, faça em diferentes direções para evitar listras no gramado.

Manutenção

Introdução



AVISO: Antes de fazer a manutenção, você deve ler e entender o capítulo sobre segurança.

Para todos os serviços de manutenção e reparos no produto é necessário treinamento especial. Garantimos a disponibilidade de reparos e manutenção profissionais. Se o seu revendedor não for uma oficina autorizada, peça informações para saber qual é a oficina autorizada mais próxima.

Cronograma de manutenção



CUIDADO: Certifique-se de que o filtro de ar esteja para cima e não contra o solo ao inclinar o produto. Risco de danos ao motor.

Os intervalos de manutenção são calculados com base no uso diário do produto. Os intervalos mudam se o produto não for usado diariamente.

Para manutenção identificada com *, consulte as instruções em *Dispositivos de segurança no produtona página44*.

Manutenção	Diariamente	Mensal	A cada temporada
Fazer uma inspeção geral	X		
Examinar o nível de óleo	X		
Trocar o óleo (na primeira vez, após 5 horas de uso; depois, a cada 50 horas de uso) ²²			X
Limpar o produto	X		
Examinar o equipamento de corte	X		
Examinar a tampa de corte *	X		
Examinar a alça do freio do motor *	X		
Examinar o silenciador *		X	
Examine a vela de ignição. Limpe ou substitua a vela de ignição, se for necessário.			X
Examine o filtro de ar	X		
Limpe o filtro de ar ²³		X	
Substitua o filtro de ar			X
Examinar o sistema de combustível			X
Limpe as aletas de arrefecimento do cilindro		X	
Examine e ajuste o cabo da embreagem (LC 140SP)			X

Para fazer uma inspeção geral

- Certifique-se de que todas as porcas e parafusos do produto estejam apertados corretamente.

Para limpar o produto externamente

- Utilize um pincel para remover folhas, grama e sujeira.
- Certifique-se de que a entrada de ar na parte superior do motor não esteja bloqueada.

²² Se o produto for operado com carga pesada ou em temperaturas ambientes altas, substitua o óleo do motor a cada 25 horas.

²³ Limpe com mais frequência em ambientes poeirentos ou quando houver detritos no ar. Substitua o filtro de ar, se estiver muito sujo.

- Não use lavadora de alta pressão para limpar o produto.
- Se utilizar água para limpar o produto, não jogue-a diretamente no motor.

Para limpar a superfície interna da tampa de corte

1. Esvazie o reservatório de combustível.
2. Incline o produto. Certifique-se de que a vela de ignição esteja virada para cima.



CUIDADO: Se produto for colocado com o filtro de ar para baixo, pode danificar o motor.

3. Lave a superfície interna da tampa de corte com água.

Para examinar o equipamento de corte



AVISO: Para evitar que o produto ligue acidentalmente, remova o cabo de ignição da vela de ignição.



AVISO: Use luvas de proteção ao fazer a manutenção no equipamento de corte. O disco é muito afiado e pode cortar facilmente.

1. Verifique o equipamento de corte quanto a danos ou rachaduras. Sempre substitua um equipamento de corte danificado.
2. Examine o disco para verificar se está danificado ou cego.

Observação: É necessário equilibrar o disco após ser afiado. Leve a um centro de atendimento para afiar, substituir e equilibrar o disco. Se você atingir um obstáculo que causar a parada do produto, substitua o disco danificado. Leve o produto a um centro de atendimento para avaliar se o disco pode ser afiado ou deve ser substituído.

Para substituir o disco

1. Bloqueie o disco com um bloco de madeira. (Fig. 36)
2. Remova o parafuso do disco.
3. Remova o disco.
4. Examine o suporte e o parafuso do disco para verificar se há danos.
5. Examine o eixo do motor para se certificar de que não está dobrado.
6. Ao colocar um novo disco, aponte as extremidades em ângulo do disco na direção da tampa de corte. (Fig. 37)
7. Certifique-se de que o disco esteja alinhado com o centro do eixo do motor.

8. Bloqueie o disco com um bloco de madeira. Prenda a arruela da mola e aperte o parafuso e a arruela com torque de 45–60 Nm. (Fig. 38)
9. Puxe o disco, girando-o, e certifique-se de que ele se movimenta livremente.



AVISO: Use luvas resistentes. O disco é muito afiado e pode cortar facilmente.

10. Ligue o produto para fazer um teste do disco. Se o disco não estiver preso corretamente, o produto vibrará ou o resultado do corte não será satisfatório.

Para fazer uma verificação do nível do óleo



CUIDADO: O nível muito baixo do óleo pode danificar o motor. Antes de ligar o produto, faça uma verificação do nível do óleo.

1. Coloque o produto em uma superfície nivelada.
2. Remova a tampa do tanque de óleo com a vareta fornecida.
3. Limpe o óleo da vareta.
4. Coloque a vareta totalmente dentro do tanque de óleo para ter uma noção correta do nível do óleo.
5. Remova a vareta.
6. Examine o nível de óleo na vareta.
7. Se o nível de óleo estiver baixo, encha com óleo de motor e faça uma verificação do nível do óleo novamente.

Observação: Use um funil para evitar derramamento.

Para substituir o óleo do motor



AVISO: O óleo do motor fica muito quente após o motor ser desligado. Deixe o motor esfriar antes de drenar o óleo do motor. Se derramar óleo de motor na sua pele, limpe com água e sabão.

(Fig. 39)

Observação: Use óleo de motor de 4 tempos. Certifique-se de usar a viscosidade correta para a temperatura ambiente.

1. Opere o produto até esvaziar o tanque de combustível.
2. Remova o cabo de alta tensão da vela de ignição.
3. Remova a tampa do tanque de óleo.
4. Drene o óleo do motor do depósito de óleo com uma bomba de óleo (acessório).

5. Encha com o novo tipo de óleo de motor, recomendado em *Dados técnicos* na página 52.
6. Faça uma verificação do nível do óleo. Consulte *Para fazer uma verificação do nível do óleo* na página 49.

Para limpar o filtro de espuma plástica

1. Remova a tampa do filtro de ar e remova o filtro de espuma plástica.
2. Limpe o filtro de espuma plástica com água e sabão.
3. Enxágue o filtro de espuma plástica em água limpa.
4. Retire a água do filtro de espuma plástica e deixe secar.



CUIDADO: Não utilize ar comprimido. Isso pode causar danos ao filtro de espuma plástica.

5. Lubrifique o filtro de espuma plástica com óleo de motor.
6. Pressione um pano limpo sobre o filtro de espuma plástica para retirar o óleo em excesso.
7. Coloque o filtro de ar de volta no lugar. Certifique-se de que o filtro de ar esteja firmemente apertado contra o suporte do filtro de ar.
8. Coloque a tampa do filtro de ar de volta no lugar.

Para examinar a vela de ignição



CUIDADO: Use sempre o tipo de vela de ignição recomendado. O tipo errado de vela de ignição pode causar danos ao produto.

- Se o motor apresentar baixa potência, não iniciar com facilidade ou não operar corretamente em marcha lenta, examine a vela de ignição.
- Para diminuir o risco de presença de material indesejado nos eletrodos da vela de ignição, siga as seguintes instruções:
 - a) Certifique-se de que a marcha lenta esteja ajustada corretamente.

- b) Certifique-se de que a mistura de combustível esteja correta.
 - c) Certifique-se de que o filtro de ar esteja limpo.
- Se a vela de ignição estiver suja, limpe-a e verifique se a folga do eletrodo está correta, consulte *Dados técnicos* na página 52. (Fig. 40)
 - Substitua a vela de ignição, se for necessário.

Para examinar o sistema de combustível

- Examine a tampa do tanque de combustível e a vedação da tampa do tanque de combustível, para se certificar de que não há danos.
- Examine a mangueira de combustível, para se certificar de que não há vazamentos. Se a mangueira de combustível estiver danificada, vá a uma oficina autorizada para substituí-la.

Para ajustar o cabo da embreagem (LC 140SP)

Para as situações a seguir, é necessário diminuir o comprimento do cabo da embreagem:

- A tração das rodas não engata ao puxar o braço de acionamento ou a alavanca de controle de rotação.
- O produto se move lentamente quando a tração das rodas é engatada.

Para as situações a seguir, é necessário aumentar o comprimento do cabo da embreagem:

- O produto se move quando a tração das rodas não é engatada.
- Ajuste o cabo da embreagem.
 - a) Para diminuir o comprimento do cabo da embreagem, gire o parafuso de ajuste no sentido anti-horário.
 - b) Para aumentar o comprimento do cabo da embreagem, gire o parafuso de ajuste no sentido horário. (Fig. 41)

Caso a tração do produto continue insatisfatória após o ajuste, fale com seu revendedor

Solução de problemas do motor

Problema	Possível causa	Solução
O motor não liga.	O cabo de ignição não está conectado corretamente.	Conecte o cabo de ignição à vela de ignição.
	O reservatório de combustível está vazio.	Abasteça o reservatório de combustível com o tipo de combustível correto.
	O combustível é antigo.	Drene o reservatório de combustível e o carburador. Reabasteça com gasolina nova.
	Há sujeira no carburador ou na linha de combustível.	Limpe o carburador e/ou a linha de combustível.
	A vela de ignição está com defeito.	Ajuste a folga entre os eletrodos, limpe ou substitua a vela de ignição.
	Há combustível na vela de ignição.	Limpe a vela de ignição.
O motor não desliga.	O mecanismo de parada está com defeito.	Desconecte o cabo de ignição da vela de ignição. Leve o produto a uma oficina autorizada para reparação.
O motor não funciona corretamente.	O cabo de ignição não está conectado corretamente.	Conecte o cabo de ignição à vela de ignição.
	Há sujeira na linha de combustível ou o combustível expirou.	Limpe a linha de combustível. Abasteça o reservatório de combustível com combustível novo e do tipo correto.
	Há uma obstrução na tampa do reservatório de combustível.	Limpe a tampa do reservatório de combustível.
	Há água ou sujeira no sistema de combustível.	Drene o combustível do reservatório. Abasteça o reservatório de combustível com combustível novo e do tipo correto.
	O filtro de ar está sujo.	Limpe o filtro de ar.
	O carburador precisa ser ajustado.	Solicite os serviços de um revendedor autorizado para ajustar o carburador.
O motor superaquece.	O nível de óleo do motor está muito baixo.	Abasteça o reservatório de óleo do motor.
	O fluxo de ar não é suficiente.	Limpe o filtro de ar e o alojamento do filtro de ar.
	O carburador precisa ser ajustado.	Solicite os serviços de um revendedor autorizado para ajustar o carburador.
Há uma falha de ignição no motor quando ele opera em alta velocidade.	A folga do eletrodo na vela de ignição é muito pequena.	Ajuste a folga do eletrodo.

Problema	Possível causa	Solução
Ruídos incomuns do motor durante a carga normal.	Tipo incorreto de gasolina.	Drene o reservatório de combustível e o carburador. Reabasteça com gasolina nova. Consulte <i>Para abastecer com combustível na página 47</i> . Se o problema continuar, fale com seu revendedor de manutenção local.
O motor não funciona corretamente em marcha lenta.	A vela de ignição está suja, com defeito ou a folga do eletrodo está muito grande.	Ajuste a distância entre os eléctrodos ou substitua a vela de ignição.
	O carburador precisa ser ajustado.	Ajuste o carburador.
	O filtro de ar está sujo.	Limpe o filtro de ar.

Transporte, armazenamento e descarte

Transporte e armazenamento

- Para transporte e armazenamento do produto e combustível, certifique-se de que não haja vazamentos ou gases de escape. Faíscas ou chamas abertas, por exemplo, de dispositivos elétricos ou caldeiras, podem iniciar um incêndio.
- Sempre utilize recipientes aprovados para armazenamento e transporte de combustível.
- Esvazie o tanque de combustível antes de armazenar o produto por um longo período de tempo. Descarte o combustível em um local apropriado
- Fixe o produto de forma segura durante o transporte, para evitar danos e acidentes.
- Mantenha o produto em um local bloqueado para evitar o acesso de crianças ou de pessoas não autorizadas.

- Mantenha o produto em um local seco e livre de congelamento.

Descarte

- Respeite os requisitos locais de reciclagem e as regulamentações aplicáveis.
- Descarte todos os produtos químicos, como óleo de motor ou combustível, em um centro de serviço ou em um local apropriado para o descarte.
- Quando o produto não for mais utilizado, envie-o para um Husqvarna revendedor ou descarte-o em um local para reciclagem.

Dados técnicos

Dados técnicos

	LC 140P	LC 140SP
Motor		
Marca	Husqvarna	Husqvarna
Nome do modelo do motor	HS 123A	HS 123A
Tipo do motor	Monocilíndrico, 4 tempos, arrefecimento de ar forçado, OHV	Monocilíndrico, 4 tempos, arrefecimento de ar forçado, OHV
Cilindrada, cm ³	123	123
Rotação, rpm	3.000	3.000

	LC 140P	LC 140SP
Potência nominal do motor, kW ²⁴	1,95	1,95
Sistema de ignição		
Vela de ignição	Husqvarna HQT-7	Husqvarna HQT-7
Folga do eletrodo	0,7-0,8	0,7-0,8
Sistema de combustível e lubrificação		
Tipo de lubrificação do motor	Respingo	Respingo
Capacidade do tanque de combustível, litros	0,9	0,9
Capacidade do tanque de óleo, litros	0,5	0,5
Óleo do motor ²⁵	Husqvarna SAE 30	Husqvarna SAE 30
Peso		
Com tanques vazios, kg	25,2	26,8
Emissões de ruído²⁶		
Nível da potência sonora, medido, dB(A)	93	93
Nível da potência sonora, garantido, L _{WA} dB(A)	95	95
Níveis sonoros²⁷		
Nível de pressão sonora no ouvido do operador, dB (A)	81	81
Níveis de vibração²⁸		
Vibrações na barra de direção, m/s ²	5,6	7,6
Equipamento de corte		
Altura de corte, mm	25-75	25-75
Largura de corte, mm	400	400
Sistema de corte	Coleta/descarte traseiro	Coleta/descarte traseiro
Lâminas - padrão	Coleta 5873863-10	Coleta 5873863-10
Capacidade do coletor de grama, litros	50	50
Acionamento		
Velocidade de deslocamento autônomo, km/h.	–	4

²⁴ A potência nominal do motor indicada é a potência média líquida (em rpm especificado) de um típico motor de produção para o modelo do motor medido no padrão SAE J1349/ISO1585. Os motores de produção em massa podem apresentar diferenças nesse valor. A potência real para o motor instalado no produto final vai depender da velocidade de operação, das condições ambientais e de outros valores.

²⁵ Se óleo SAE-30 for utilizado a temperaturas inferiores +5 °C, existe o risco de o motor não receber lubrificação suficiente. Isso pode causar danos ao motor. Consulte *Para substituir o óleo do motor na página 49* para obter o óleo correto para temperaturas baixas.

²⁶ As emissões de ruído no meio ambiente são medidas como potência sonora (L_{WA}) em conformidade com a norma EC 2000/14/EC.

²⁷ Os dados informados para nível de pressão de ruído têm uma dispersão estatística típica (desvio padrão) de 1,2 dB (A).

²⁸ Os dados relatados de nível de vibração têm uma dispersão estatística típica (desvio padrão) de 0,2 m/s².

ÍNDICE

Introdução.....	54	Manutenção.....	60
Segurança.....	55	Resolução de problemas no motor.....	63
Montagem.....	58	Transporte, armazenamento e eliminação.....	64
Funcionamento.....	58	Especificações técnicas.....	64

Introdução

Descrição do produto

O produto é um corta-relva giratório de controlo apeado. A relva é apanhada num coletor de relva. Remova o coletor de relva para recolher a descarga traseira da relva.

Vista geral do produto

(Fig. 1)

1. Punho/barra de direção
2. Manípulo de direção (LC 140SP)
3. Punho do cabo de arranque
4. Coletor de relva
5. Depósito de combustível
6. Filtro de ar
7. Vela de ignição
8. Cobertura de corte
9. Silenciador
10. Tampa do depósito de óleo
11. Alavanca da altura de corte
12. Cobertura traseira
13. Manípulo de travão do motor
14. Símbolos
15. Conjunto da barra inferior
16. Barra inferior
17. Manual do utilizador
18. Funil para óleo

Símbolos no produto

- (Fig. 2) AVISO! Seja cuidadoso e utilize o produto corretamente. Este produto pode provocar ferimentos graves ou a morte do utilizador ou terceiros.
- (Fig. 3) Leia o manual do utilizador com atenção e certifique-se de que compreende as instruções antes de utilizar o produto.
- (Fig. 4) Tenha cuidado com objetos projetados e ricochetes.
- (Fig. 5) Mantenha as pessoas e os animais a uma distância de segurança da área de trabalho.

Finalidade

Utilize o produto para cortar a relva. Não utilize o produto para outras tarefas.

- (Fig. 6) Aviso: Mantenha as mãos e os pés afastados da lâmina rotativa.
- (Fig. 7) Aviso: Mantenha as mãos e os pés afastados das peças rotativas.
- (Fig. 8) Desligue o motor e retire o cabo de ignição antes de realizar tarefas de reparação ou manutenção.
- (Fig. 9) Este produto está em conformidade com as diretivas aplicáveis da CE.
- (Fig. 10) Emissões de ruído para o meio ambiente conforme diretiva da Comunidade Europeia. As emissões do produto são indicadas no capítulo de Especificações técnicas e na etiqueta.
- (Fig. 11) Risco de incêndio.
- (Fig. 12) Não respire os gases de escape. Os gases de escape do motor contêm monóxido de carbono, um gás inodoro, tóxico e altamente perigoso. Não ligue o motor em zonas interiores ou em espaços fechados.
- (Fig. 13) Superfície quente.
- (Fig. 14) Encha o motor com óleo antes de ligar o produto.

Nota: Os restantes símbolos/autocolantes existentes no produto dizem respeito a requisitos para homologação em algumas áreas comerciais.

Emissões Euro V



ATENÇÃO: A adulteração do motor anula a aprovação deste produto pela UE.

Responsabilidade pelo produto

Como referido nas leis de responsabilidade pelo produto, não somos responsáveis por danos causados pelo nosso produto se:

- o produto tiver sido incorretamente reparado.
- o produto tiver sido reparado com peças que não sejam do fabricante ou que não sejam aprovadas pelo fabricante.
- o produto tiver um acessório que não seja do fabricante ou que não seja aprovado pelo fabricante.
- o produto não tiver sido reparado por um centro de assistência autorizado ou por uma autoridade aprovada.

Segurança

Definições de segurança

Os avisos, as precauções e as notas são utilizados para indicar partes especialmente importantes do manual.



ATENÇÃO: Utilizado no caso de existir risco de ferimento ou morte para o utilizador ou transeuntes, se não forem respeitadas as instruções do manual.



CAUIDADO: Utilizado se existir risco de danos para o produto, para outros materiais ou para a área adjacente, se não forem respeitadas as instruções do manual.

Nota: Utilizado para disponibilizar informações adicionais necessárias numa determinada situação.

Instruções de segurança gerais



ATENÇÃO: Leia as instruções de aviso que se seguem antes de utilizar o produto.

- Este produto é perigoso se for utilizado de forma incorreta ou se não o utilizador for cuidadoso. Podem ocorrer ferimentos graves ou mesmo morte se as instruções de segurança não forem respeitadas.
- Este produto produz um campo eletromagnético durante o funcionamento. Em determinadas circunstâncias, este campo pode interferir com o funcionamento de implantes médicos ativos ou passivos. Para diminuir o risco de ferimentos graves ou mortais, recomendamos que os portadores de implantes médicos consultem o seu médico e o fabricante do implante antes de utilizar este produto.
- Seja sempre cuidadoso e use o seu senso comum. Se não tiver a certeza sobre como utilizar o produto numa situação especial, pare e fale com o seu revendedor Husqvarna antes de continuar.
- Tenha em atenção que o utilizador é responsável pelos acidentes que incluem outras pessoas ou a respetiva propriedade.

- Mantenha o produto limpo. Certifique-se de que pode ler claramente os sinais e os autocolantes.
- O produto só pode ser utilizado por pessoas que lerem e compreenderem o conteúdo do manual do operador.
- Não deixe uma criança utilizar o produto.
- Mantenha as crianças afastadas da área de trabalho. Tem de estar sempre presente um adulto responsável.
- Não deixe que o produto seja utilizado por uma pessoa que não conhece as instruções.
- Monitorize sempre a utilização do produto por pessoas com diminuição da capacidade física ou mental. Tem de estar sempre presente um adulto responsável.
- Não utilize o produto se estiver cansado, doente ou sob a influência de álcool, drogas ou medicamentos. Estes têm um efeito negativo na sua visão, atenção, capacidade de discernimento ou controlo físico.
- Não utilize o produto se este apresentar algum defeito.
- Não altere este produto e não o utilize se houver a possibilidade de ter sido alterado por outros.
- Não altere o ajuste do controlo da velocidade do motor.

Segurança no local de trabalho



ATENÇÃO: Leia as instruções de aviso que se seguem antes de utilizar o produto.

- Retire objetos como ramos, galhos e pedras da área de trabalho antes de utilizar o produto.
- Os objetos que embatem no equipamento de corte podem ser projetados e causar danos a pessoas e objetos. Mantenha terceiros e animais a uma distância de segurança do produto.
- Nunca utilize o produto em más condições meteorológicas, como nevoeiro, chuva, ventos fortes, frio intenso e risco de trovoadas. A utilização do produto em más condições meteorológicas ou em localizações molhadas ou com humidade é cansativa. As más condições meteorológicas podem

causar condições perigosas, como superfícies escorregadias.

- Observe se há pessoas, objetos e situações que possam impedir o funcionamento seguro do produto.
- Observe se há obstáculos como raízes, pedras, ramos, buracos e valas. A relva longa pode ocultar obstáculos.
- Cortar relva em declives pode ser perigoso. Não utilize o produto em terrenos com um declive superior a 15°.
- Utilize o produto ao longo da face dos declives. Não se desloque para cima e para baixo.
- Tenha cuidado ao aproximar-se de esquinas com pouca visibilidade e de objetos que possam impedir uma boa visibilidade.

Segurança do trabalho



ATENÇÃO: Leia as instruções de aviso que se seguem antes de utilizar o produto.

- Utilize este produto apenas para cortar relva. Não é permitido utilizá-lo para outras tarefas.
- Use equipamento de proteção pessoal. Consulte *Equipamento de proteção pessoal na página 56*.
- Certifique-se de que sabe como desligar o motor rapidamente em caso de emergência.
- Nunca ligue o motor num espaço fechado ou perto de material inflamável. Os gases de escape do motor são quentes e podem conter faíscas causadoras de incêndios.
- Não utilize o produto, a menos que a lâmina e todas as coberturas estejam corretamente montadas. Uma lâmina montada incorretamente pode soltar-se e causar ferimentos pessoais.
- Certifique-se de que a lâmina não atinge objetos como pedras e raízes. Isto pode causar danos à lâmina e dobrar o eixo do motor. Um eixo dobrado provoca fortes vibrações e um elevado risco de a lâmina se soltar.
- Se a lâmina atingir um objeto ou ocorrerem vibrações, pare o produto imediatamente. Desligue o cabo de ignição da vela de ignição. Examine se o produto apresenta sinais de danos. Repare os danos ou solicite a reparação numa oficina autorizada.
- Nunca ligue o manípulo de travão do motor de modo permanente ao punho durante o arranque do motor.
- Coloque o produto numa superfície estável e plana e ligue-o. Certifique-se de que a lâmina não atinge o solo ou outros objetos.
- Mantenha-se sempre por trás do produto quando o operar.
- Mantenha todas as rodas no chão e as duas mãos sobre o punho quando utilizar o produto. Mantenha as mãos e os pés afastados das lâminas rotativas.
- Não incline o produto quanto ligar o motor.
- Tenha cuidado quando puxar o produto para trás.

- Nunca levante o produto quando ligar o motor. Se tiver de levantar o produto, desligue primeiro o motor e o cabo de ignição da vela de ignição.
- Não caminhe para trás quando operar o produto.
- Desligue o motor quando se deslocar em zonas sem relva, por exemplo caminhos de gravilha, pedra e asfalto.
- Não corra com o produto quando o motor está ligado. Caminhe sempre que operar o produto.
- Pare o motor antes de mudar a altura de corte. Nunca efetue ajustes com o motor ligado.
- Nunca deixe o produto fora de vista com o motor ligado. Pare o motor e certifique-se de que o equipamento de corte não roda.

Instruções de segurança para funcionamento

Equipamento de proteção pessoal



ATENÇÃO: Leia as instruções de aviso que se seguem antes de utilizar o produto.

- O equipamento de proteção pessoal não previne totalmente os ferimentos mas diminui a respetiva gravidade em caso de acidente. Obtenha ajuda junto do seu concessionário para selecionar o equipamento certo.
- Utilize protetores acústicos se o nível de ruído for superior a 85 dB.
- Use botas ou sapatos antiderrapantes resistentes. Não use calçado aberto nem ande com os pés descalços.
- Use calças compridas e resistentes.
- Use luvas de proteção sempre que necessário, por exemplo, ao fixar, examinar ou limpar o equipamento de corte.

Dispositivos de segurança no produto



ATENÇÃO: Leia as instruções de aviso que se seguem antes de utilizar o produto.

- Não utilize o produto com dispositivos de segurança defeituosos.
- Verifique regularmente os dispositivos de segurança. Se os dispositivos de segurança estiverem defeituosos, fale com a sua oficina Husqvarna autorizada.

Verificar a cobertura de corte

A cobertura de corte reduz as vibrações no produto e o risco de ferimentos causados pela lâmina.

- Examine a cobertura de corte para se certificar de que não existem danos, como fissuras.

Verificar o punho do travão do motor

O manípulo de travão do motor para o motor. Quando o manípulo de travão do motor é libertado, o motor para.

- Ligue o motor e depois solte o punho do travão do motor. Se o motor não parar em 3 segundos, solicite o ajuste do travão do motor numa oficina Husqvarna autorizada. (Fig. 15)

Silenciador

O silenciador mantém o mais baixo nível de ruído possível e afasta os gases de escape do utilizador.

Não utilize o produto se o silenciador estiver defeituoso ou estiver em falta. Um silenciador defeituoso aumenta o nível de ruído e o risco de incêndio.



ATENÇÃO: O silenciador fica muito quente durante e após a utilização e quando o motor funciona ao ralenti. Tenha cuidado junto de materiais inflamáveis e/ou vapores para evitar incêndios.

Segurança no manuseamento do combustível



ATENÇÃO: Leia as instruções de aviso que se seguem antes de utilizar o produto.

- Não ligue o produto se houver combustível ou óleo do motor sobre o produto. Remova o combustível/óleo indesejado e deixe o produto secar.
- Se derramar combustível na sua roupa, troque de roupa imediatamente.
- Não deixe que o combustível entre em contacto com o seu corpo, pois pode causar ferimentos. Se o combustível entrar em contacto com o seu corpo, use sabão e água para o remover.
- Não ligue o produto se o motor tiver uma fuga. Examine regularmente o motor quanto a fugas.
- Tenha cuidado com o combustível. O combustível é inflamável e os gases são explosivos e podem causar ferimentos ou morte.
- Não respire os gases do combustível, podem causar ferimentos. Certifique-se de que existe um fluxo de ar suficiente.
- Não fume perto de combustível ou do motor.
- Não coloque objetos quentes perto do combustível ou do motor.
- Não acrescente combustível com o motor em funcionamento.
- Certifique-se de que o motor está frio antes de reabastecer.

- Antes de reabastecer, abra lentamente a tampa do depósito de combustível e liberte a pressão com cuidado.
- Não adicione combustível ao motor numa área interior. O fluxo de ar insuficiente pode causar ferimentos ou morte devido a asfíxia ou monóxido de carbono.
- Aperte completamente a tampa de depósito de combustível. Se a tampa de depósito de combustível não estiver apertada, existe um risco de incêndio.
- Desloque o produto a uma distância mínima de 3 m (10 pés) da posição onde abasteceu o depósito antes de começar.
- Não encha totalmente o depósito de combustível. O calor provoca a expansão do combustível. Mantenha um espaço na parte superior do depósito de combustível.

Instruções de segurança para manutenção



ATENÇÃO: Leia as instruções de aviso que se seguem antes de utilizar o produto.

- Os gases de escape do motor contêm monóxido de carbono, um gás inodoro, tóxico e altamente perigoso. Não ligue o motor em zonas interiores ou em espaços fechados.
- Antes de proceder à manutenção do produto, desligue o motor e retire o cabo de ignição da vela de ignição.
- Use luvas de proteção quando realizar a manutenção do equipamento de corte. A lâmina é muito afiada e pode facilmente provocar cortes.
- A utilização de acessórios e a realização de alterações no produto que não sejam aprovadas pelo fabricante podem causar ferimentos graves ou morte. Não altere o produto. Utilize sempre acessórios que sejam aprovados pelo fabricante.
- Se a manutenção não for realizada de forma correta e regular, o risco de ferimentos e danos no produto aumenta.
- Realize apenas tarefas de manutenção indicadas neste manual do proprietário. Todas as outras operações de manutenção devem ser realizadas por uma oficina Husqvarna autorizada.
- Leve o produto regularmente a uma oficina Husqvarna autorizada para realizar a manutenção.
- Substitua as peças danificadas, gastas ou partidas.

Montagem

Montar a barra

1. Empurre o parafuso (A) através do punho (B), da anilha de plástico (C) e do suporte do punho (D). (Fig. 16)
2. Aperte totalmente a porca (E).
3. Empurre o parafuso (F) através da anilha (G) e do suporte do punho.
4. Aperte totalmente o botão (H).
5. Alinhe os orifícios da barra de direção com os orifícios da barra inferior e fixe os parafusos, as arruelas e os botões. Aperte os botões totalmente. (Fig. 17)
6. Fixe os cabos ao punho com os suportes de cabos. (Fig. 18)

Nota: Certifique-se de que a tensão nos cabos não é demasiado elevada. Uma tensão demasiado elevada pode provocar danos no cabo se o punho estiver dobrado na posição de transporte.

7. Coloque os cabos em redor do gancho na parte inferior do punho. (Fig. 19)

Ajustar a altura da barra

1. Desaperte os manípulos inferiores. (Fig. 20)
2. Retire o botão, a arruela e o parafuso do lado esquerdo e direito.
3. A barra pode ser definida em 2 alturas diferentes. Coloque o parafuso num dos 2 orifícios do lado esquerdo e direito. (Fig. 21)
4. Fixe os parafusos, as arruelas e os botões.
5. Desloque os botões para cima em direção ao punho, até pararem e ouvir um clique. Aperte os botões totalmente. (Fig. 22)

Colocar o produto na posição de transporte

1. Retire o coletor de relva.
2. Desaperte os manípulos do punho superior e dobre-o para baixo. (Fig. 23)
3. Desaperte os manípulos inferiores.
4. Desloque os botões para a extremidade inferior das ranhuras, dos lados esquerdo e direito do produto. (Fig. 24)
5. Dobre a barra do guiador para a frente. (Fig. 25)

Para colocar o produto na posição de funcionamento

1. Levante a barra de direção até que o punho inferior bloqueie na posição de funcionamento. (Fig. 26)
2. Desloque os botões para cima em direção ao punho, até pararem e ouvir um clique.
3. Aperte os botões totalmente. (Fig. 27)
4. Levante a parte superior da barra de direção.
5. Aperte os botões totalmente. (Fig. 28)

Montar o coletor de relva

1. Coloque a parte superior do coletor de relva na parte inferior do mesmo. (Fig. 29)
2. Fixe a estrutura do coletor de relva com grampos. (Fig. 30)
3. Levante a cobertura traseira.
4. Prenda os ganchos do coletor de relva à extremidade superior do chassi. (Fig. 31)
5. Coloque a parte inferior do coletor de relva no canal de descarga da relva.

Funcionamento

Introdução



ATENÇÃO: Antes de utilizar o produto, tem ler e compreender o capítulo sobre segurança.

Husqvarna Connect

A Husqvarna Connect é uma aplicação gratuita para o seu dispositivo móvel. A aplicação Husqvarna Connect disponibiliza funções alargadas para o seu produto Husqvarna:

- Informações alargadas sobre o produto.
- Informações sobre, e ajuda relacionada com peças e manutenção do produto.

Começar a utilizar Husqvarna Connect

1. Transfira a aplicação Husqvarna Connect para o seu dispositivo móvel.
2. Registe-se na aplicação Husqvarna Connect.
3. Siga os passos das instruções na aplicação Husqvarna Connect para ligar e registar o produto.

Antes de utilizar o produto

1. Leia o manual do utilizador com atenção e certifique-se de que compreende as instruções.
2. Examine o equipamento de corte para se certificar de que está corretamente montado e ajustado. Consulte o capítulo *Para examinar o equipamento de corte na página 61*.

3. Encha o depósito de combustível. Consulte o capítulo *Encher o depósito de combustível na página 59*.
4. Encha o depósito de combustível e verifique o nível do óleo. Consulte o capítulo *Para verificar o nível do óleo na página 61*.

Encher o depósito de combustível

Se disponível, utilize gasolina com base em alquilatos/ecológica. Se não estiver disponível gasolina com base em alquilatos/ecológica, utilize gasolina sem chumbo de boa qualidade ou gasolina com chumbo com um índice de octanas de pelo menos 91.



CUIDADO: Não utilize gasolina com um índice de octanas inferior a 91 RON. Caso contrário, pode causar danos ao produto.



CUIDADO: Substitua o filtro de combustível anualmente ou com maior frequência se necessário. Está disponível um novo filtro de combustível no seu revendedor Husqvarna.



CUIDADO: Pare sempre o motor antes de abastecer com combustível.



CUIDADO: Não utilize líquidos de arranque pressurizados.

1. Abra a tampa do depósito de combustível devagar para libertar a pressão.
2. Encha lentamente com um recipiente de combustível. Se derramar combustível, retire-o com um pano e deixe o combustível restante secar. (Fig. 32)
3. Limpe bem à volta da tampa do depósito de combustível.
4. Aperte completamente a tampa de depósito de combustível. Se a tampa de depósito de combustível não estiver apertada, existe um risco de incêndio.
5. Desloque o produto a uma distância mínima de 3 m (10 pés) da posição onde abasteceu o depósito antes de começar.

Para definir a altura de corte

1. Mova a alavanca da altura de corte para trás para aumentar a altura de corte.
2. Mova a alavanca da altura de corte para a frente para diminuir a altura de corte. (Fig. 33)



CUIDADO: Não regule a altura de corte demasiado baixa. As lâminas podem entrar em contacto com o solo se a superfície do relvado não estiver nivelada.

Para ligar o produto

1. Certifique-se de que o cabo de ignição está ligado à vela de ignição.
2. Mantenha-se atrás do produto.
3. Segure o manípulo de travão do motor contra a barra de direção. (Fig. 34)
4. Segure o punho do cabo de arranque com a mão direita.
5. Puxe lentamente o cabo de arranque até sentir alguma resistência.
6. Puxe com força para fazer arrancar o motor.



ATENÇÃO: Não enrole o cabo de arranque na mão.

Utilizar a transmissão das rodas

- Empurre o manípulo de direção no sentido da barra de direção. (Fig. 35)
- Solte o manípulo de direção para desengatar a transmissão, por exemplo quando se aproximar de um obstáculo.
- Antes de puxar o produto para trás, desengate a transmissão e empurre o produto para a frente aproximadamente 10 cm.

Para desligar o produto

- Para parar apenas a transmissão, solte o manípulo de direção.
- Para parar o motor solte o manípulo de travão do motor.

Para obter bons resultados

- Utilize sempre uma lâmina bem afiada. Uma lâmina romba produz um resultado irregular e a superfície de corte da relva fica amarela. Uma lâmina afiada também gasta menos energia que uma lâmina romba.
- Não corte mais do que $\frac{1}{3}$ do comprimento da relva. Corte primeiro com a altura de corte alta. Examine o resultado e reduza a altura de corte para um nível aplicável. Caso a relva esteja muito comprida, avance lentamente e corte duas vezes, se necessário.
- Corte em diferentes direções de cada vez, para evitar a formação de linhas no relvado.

Manutenção

Introdução



ATENÇÃO: Antes de efetuar a manutenção, tem de ler e compreender o capítulo sobre segurança.

É necessária formação especial para realizar qualquer tarefa de manutenção ou reparação. Garantimos a disponibilidade de reparações e manutenção profissionais. Se o seu revendedor não for uma oficina autorizada, pergunte-lhes onde se situa a oficina autorizada mais próxima.

Esquema de manutenção



CUIDADO: Quando inclina o produto, certifique-se de que o filtro de ar está virado para cima e não contra o solo. Risco de danos no motor.

Manutenção	Diariamente	Mensalmente	A cada estação
Efetuar uma inspeção geral	X		
Examinar o nível do óleo	X		
Substituir o óleo (pela primeira vez após 5 horas de utilização e, posteriormente, após cada 50 horas de utilização) ²⁹			X
Limpar o produto	X		
Examinar o equipamento de corte	X		
Examinar a cobertura de corte*	X		
Examinar o punho do travão do motor *	X		
Examinar o silenciador *		X	
Examine a vela de ignição. Se for necessário, limpe ou substitua a vela de ignição			X
Examinar o filtro de ar	X		
Limpe o filtro de ar ³⁰		X	
Substitua o filtro de ar			X
Examinar o sistema de combustível			X
Limpe as aletas de arrefecimento do cilindro		X	
Examine e ajuste o cabo da embraiagem (LC 140SP)			X

²⁹ Se o produto for utilizado com carga pesada ou em temperaturas ambiente elevadas, substitua o óleo de motor a cada 25 horas.

³⁰ Limpe com mais frequência em ambientes poeirentos ou quando existirem resíduos aéreos. Substitua o filtro de ar, se estiver muito sujo.

Para efetuar uma inspeção geral

- Certifique-se de que todas as porcas e os parafusos do produto estão apertados corretamente.

Para limpar o produto externamente

- Utilize uma escova para remover folhas, relva e sujidade.
- Certifique-se de que a entrada de ar na parte superior do motor não está bloqueada.
- Não utilize uma máquina de lavar à pressão para limpar o produto.
- Se utilizar água para limpar o produto, não verta água diretamente sobre o motor.

Para limpar a superfície interior da cobertura de corte

1. Esvazie o depósito de combustível.
2. Incline o produto. Certifique-se de que a vela de ignição aponta para cima.



CUIDADO: Se o produto for colocado com o filtro de ar para baixo, o motor pode sofrer danos.

3. Utilize uma mangueira para enxaguar a superfície interna da cobertura de corte com água.

Para examinar o equipamento de corte



ATENÇÃO: Para evitar o arranque acidental retire o cabo de ignição da vela de ignição.



ATENÇÃO: Use luvas de proteção quando realizar a manutenção do equipamento de corte. A lâmina é muito afiada e pode facilmente provocar cortes.

1. Examine se o equipamento de corte está danificado ou se apresenta fissuras. Substitua sempre um equipamento de corte danificado.
2. Olhe para a lâmina para verificar se está danificada ou romba.

Nota: É necessário estabilizar a lâmina depois de ser afiada. Afie, substitua e estabilize a lâmina numa oficina especializada. Se atingir um obstáculo que faça o produto parar, substitua a lâmina danificada. Um centro de assistência deve avaliar se a lâmina pode ser afiada ou se tem de ser substituída.

Para substituir a lâmina

1. Bloqueie a lâmina com um bloco de madeira. (Fig. 36)
2. Remova o parafuso da lâmina.
3. Retire a lâmina.

4. Examine o suporte e o parafuso da lâmina para verificar se existem danos.
5. Examine o eixo do motor para se certificar de que não se encontra dobrado.
6. Quando colocar a lâmina nova, aponte as extremidades inclinadas da lâmina na direção da cobertura de corte. (Fig. 37)
7. Certifique-se de que a lâmina está alinhada com a parte central do eixo do motor.
8. Bloqueie a lâmina com um bloco de madeira. Prenda a arruela de pressão e aperte o parafuso e a arruela com um binário de 45–60 Nm. (Fig. 38)
9. Faça rodar a lâmina com a mão de modo a assegurar-se de que roda livremente.



ATENÇÃO: Use luvas resistentes. A lâmina é muito afiada e pode facilmente provocar cortes.

10. Ligue o produto para testar a lâmina. Se a lâmina não estiver corretamente ligada, o produto vibra ou o resultado de corte não é satisfatório.

Para verificar o nível do óleo



CUIDADO: Um nível de óleo demasiado baixo causa danos no motor. Verifique o nível do óleo antes de ligar o produto.

1. Coloque o produto num piso nivelado.
2. Remova a tampa do depósito de óleo juntamente com a vareta de nível.
3. Limpe o óleo da vareta de nível.
4. Coloque a vareta de nível completamente dentro do depósito de óleo para obter uma imagem correta do nível do óleo.
5. Remova a vareta de nível.
6. Examine o nível do óleo na vareta de nível.
7. Se o nível do óleo estiver baixo, encha com óleo de motor e verifique novamente o nível do óleo.

Nota: Utilize um funil para evitar derrames.

Substituir o óleo de motor



ATENÇÃO: O óleo de motor está muito quente imediatamente após desligar o motor. Deixe o motor arrefecer antes de drenar o óleo de motor. Se derramar óleo de motor na pele, limpe com água e sabão.

(Fig. 39)

Nota: Utilize óleo para motores de 4 tempos. Certifique-se de que utiliza a viscosidade correta para a temperatura ambiente.

1. Utilize o produto até esvaziar o depósito de combustível.
2. Remova o cabo de ignição da vela de ignição.
3. Retire a tampa do depósito de óleo.
4. Drene o óleo de motor do depósito de óleo com uma bomba de óleo (acessório).
5. Encha com óleo de motor novo do tipo recomendado em *Especificações técnicas na página 64*.
6. Verifique o nível do óleo. Consulte *Para verificar o nível do óleo na página 61*.

Para limpar o filtro de espuma plástica

1. Retire a cobertura do filtro de ar e o filtro de espuma plástica.
2. Limpe o filtro de espuma plástica com água e sabão.
3. Lave o filtro de espuma plástica com água limpa.
4. Aperte a água do filtro de espuma plástica e deixe secar.



CUIDADO: Não utilize ar comprimido. Pode causar danos ao filtro de espuma plástica.

5. Lubrifique o filtro de espuma plástica com óleo de motor.
6. Prima um pano limpo contra o filtro de espuma plástica para remover óleo indesejado.
7. Volte a colocar o filtro de ar. Certifique-se de que o filtro de ar está completamente encostado ao suporte do filtro de ar.
8. Volte a colocar a cobertura do filtro de ar.

Examinar a vela de ignição



CUIDADO: utilize sempre o tipo de vela de ignição recomendado. Um tipo de vela de ignição incorreto pode provocar danos no produto.

- Examine a vela de ignição para verificar se o motor apresenta uma potência reduzida ou dificuldades de arranque, ou se não funciona corretamente ao ralenti.
- Para diminuir o risco de materiais indesejados nos eletrodos da vela de ignição, siga estas instruções:

- a) Assegure-se de que a rotação em vazio está corretamente regulada.
 - b) Certifique-se de que a mistura de combustível está correta.
 - c) Certifique-se de que o filtro de ar está limpo.
- Se a vela de ignição estiver suja, limpe-a e certifique-se de que a distância entre os eletrodos está correta; consulte *Especificações técnicas na página 64*. (Fig. 40)
 - Se for necessário, substitua a vela de ignição.

Para examinar o sistema de combustível

- Examine a tampa do depósito de combustível e o vedante da tampa do depósito de combustível para se certificar de que não existem danos.
- Examine a mangueira de combustível para se certificar de que não existem fugas. Se a mangueira de combustível estiver danificada, deverá ser substituída por uma oficina autorizada.

Ajustar o cabo da embraiagem (LC 140SP)

Nas situações que se seguem, é necessário diminuir o comprimento do cabo da embraiagem:

- A transmissão das rodas não é acionada quando puxa o manípulo de direção ou a alavanca de controlo da velocidade.
- O produto desloca-se lentamente quando a transmissão das rodas é acionada.

Nas situações que se seguem, é necessário aumentar o comprimento do cabo da embraiagem:

- O produto desloca-se quando a transmissão das rodas não é acionada.
- Ajuste o cabo da embraiagem.
 - a) Para diminuir o comprimento do cabo da embraiagem, rode o parafuso de ajuste para a esquerda.
 - b) Para aumentar o comprimento do cabo da embraiagem, rode o parafuso de ajuste para a direita. (Fig. 41)

Se continuar insatisfeito com a condução do produto depois do ajuste, contacte o seu revendedor com assistência técnica.

Resolução de problemas no motor

Problema	Causa possível	Solução
O motor não arranca.	O cabo de ignição não está ligado corretamente.	Ligue o cabo de ignição à vela de ignição.
	O depósito de combustível está vazio.	Encha o depósito de combustível com o tipo de combustível correto.
	O combustível é antigo.	Drene o depósito de combustível e o carburador. Reabasteça com gasolina nova.
	Existe sujidade no carburador ou na linha de combustível.	Limpe o carburador e/ou o tubo de combustível.
	A vela de ignição está defeituosa.	Ajuste a distância entre os elétrodos, limpe ou substitua a vela de ignição.
	Existe combustível na vela de ignição.	Limpe a vela de ignição.
O motor não para.	O mecanismo de paragem está avariado.	Desligue o cabo de ignição da vela de ignição. Solicite a reparação do produto numa oficina autorizada.
O motor não funciona corretamente.	O cabo de ignição não está ligado corretamente.	Ligue o cabo de ignição à vela de ignição.
	Existe sujidade no tubo de combustível ou o período de utilização do combustível expirou.	Limpe a linha de combustível. Encha o depósito de combustível com combustível novo do tipo correto.
	Existe obstrução na tampa do depósito de combustível.	Limpe a tampa do depósito de combustível.
	Existe água ou sujidade no sistema de combustível.	Drene o depósito de combustível. Encha o depósito de combustível com combustível novo do tipo correto.
	O filtro de ar está sujo.	Limpe o filtro de ar.
	O carburador tem de ser ajustado.	Solicite o ajuste do carburador num revendedor de assistência técnica autorizado.
O motor fica demasiado quente.	O nível de óleo do motor é demasiado baixo.	Abasteça o óleo de motor.
	O fluxo de ar não é suficiente.	Limpe o filtro de ar e o alojamento do filtro de ar.
	O carburador tem de ser ajustado.	Solicite o ajuste do carburador num revendedor de assistência técnica autorizado.
Existe uma falha de ignição no motor quando este funciona a alta velocidade.	A distância entre os elétrodos na vela de ignição é demasiado pequena.	Ajuste a distância entre os elétrodos.

Problema	Causa possível	Solução
Ruídos invulgares do motor com carga normal.	Tipo incorreto de gasolina.	Drene o depósito de combustível e o carburador. Reabasteça com gasolina nova. Consulte <i>Encher o depósito de combustível na página 59</i> . Se o problema persistir, contacte o seu revendedor de assistência local.
O motor não funciona corretamente ao ralenti.	A vela de ignição está suja, apresenta defeito ou a distância entre os eletrodos é demasiado grande.	Ajuste a distância entre os eletrodos ou substitua a vela de ignição.
	O carburador tem de ser ajustado.	Ajuste o carburador.
	O filtro de ar está sujo.	Limpe o filtro de ar.

Transporte, armazenamento e eliminação

Transporte e armazenamento

- Para o transporte e armazenamento do produto e do combustível, certifique-se de que não existem fugas ou fumos. Faíscas ou chamas abertas, por exemplo de dispositivos elétricos ou mesmo caldeiras, podem causar um incêndio.
- Utilize recipientes aprovados para o transporte e armazenamento de combustível.
- Esvazie o depósito de combustível antes de armazenar o produto durante um longo período de tempo. Elimine o combustível numa localização de eliminação aplicável
- Fixe o produto de forma segura durante o transporte para evitar danos e acidentes.

- Mantenha o produto numa área trancada para impedir o acesso a crianças ou pessoas que não disponham de aprovação.
- Mantenha o produto num local seco e sem gelo.

Eliminação

- Respeite os requisitos de reciclagem locais e os regulamentos aplicáveis.
- Elimine todos os produtos químicos, como óleo de motor ou combustível, num centro de assistência ou numa localização de eliminação aplicável.
- Quando o produto deixar de ser utilizado, envie-o para um revendedor Husqvarna ou elimine-o numa localização de reciclagem.

Especificações técnicas

Especificações técnicas

	LC 140P	LC 140SP
Motor		
Marca	Husqvarna	Husqvarna
Nome do modelo do motor	HS 123A	HS 123A
Tipo de motor	Monocilíndrico, 4 tempos, refrigeração a ar forçado, OHV	Monocilíndrico, 4 tempos, refrigeração a ar forçado, OHV
Deslocamento, cm ³	123	123
Velocidade, rpm	3000	3000

	LC 140P	LC 140SP
Potência nominal do motor, kW ³¹	1,95	1,95
Sistema de ignição		
Vela de ignição	Husqvarna HQT-7	Husqvarna HQT-7
Distância entre os eletrodos, mm	0,7-0,8	0,7-0,8
Sistema de lubrificação e combustível		
Tipo de lubrificação do motor	Salpico	Salpico
Capacidade do depósito de combustível, litros	0,9	0,9
Volume do depósito de óleo, litros	0,5	0,5
Óleo do motor ³²	Husqvarna SAE 30	Husqvarna SAE 30
Peso		
Com depósitos vazios, kg	25,2	26,8
Emissões de ruído³³		
Nível de potência sonora, medido, dB(A)	93	93
Nível de potência sonora, garantido L _{WA} dB (A)	95	95
Níveis acústicos³⁴		
Nível de pressão sonora ao nível do ouvido do operador, dB(A)	81	81
Níveis de vibração³⁵		
Vibrações na barra de direção, m/s ²	5,6	7,6
Equipamento de corte		
Altura de corte, mm	25-75	25-75
Largura de corte, mm	400	400
Sistema de corte	Recolha/descarga traseira	Recolha/descarga traseira
Lâminas – padrão	Recolha 5873863-10	Recolha 5873863-10
Capacidade do coletor de relva, litros	50	50
Conduzir		

³¹ A potência nominal indicada para o motor é a potência líquida média (a um valor de rpm especificado) de um motor de produção típico do modelo de motor avaliado de acordo com a norma J1349/ISO1585 da SAE. Motores produzidos em série poderão divergir deste valor. A potência real do motor instalado no produto final dependerá da velocidade de operação, das condições ambientais e de outros parâmetros.

³² Se o óleo SAE-30 for utilizado a temperaturas inferiores a +5 ° C, existe o risco de não lubrificar suficientemente o motor. Isto pode provocar danos no motor. Consulte a secção *Substituir o óleo de motor na página 67* para saber qual o óleo correto para temperaturas baixas.

³³ Emissões de ruído para as imediações, medidas sob forma de potência sonora (L_{WA}) em conformidade com a diretiva da CE 2000/14/CE.

³⁴ Os dados comunicados relativamente ao nível de pressão de ruído têm uma dispersão estatística típica (desvio padrão) de 1,2 dB (A).

³⁵ Os dados comunicados relativamente ao nível de vibração têm uma dispersão estatística típica (desvio padrão) de 0,2 m/s².

	LC 140P	LC 140SP
Velocidade de autodeslocação, km/h	-	4

Original instructions
Instructions d'origine
Instrucciones originales

Instruções originais
Instruções originais

1142538-30



2020-10-28