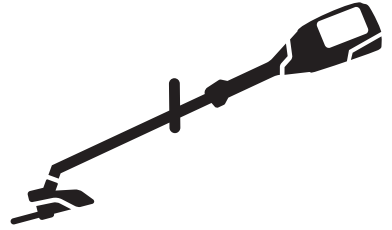




# Husqvarna®



220iL

EN	Operator's manual	2-20
ES-MX	Manual del usuario	21-40
FR-CA	Manuel d'utilisation	41-60

# Contents

Introduction.....	2	Troubleshooting.....	17
Safety.....	4	Transportation, storage and disposal.....	18
Assembly.....	11	Technical data.....	19
Operation.....	12	Accessories.....	20
Maintenance.....	15		

## Introduction

### Product description

Husqvarna 220iL is a battery grass trimmer with an electrical motor.

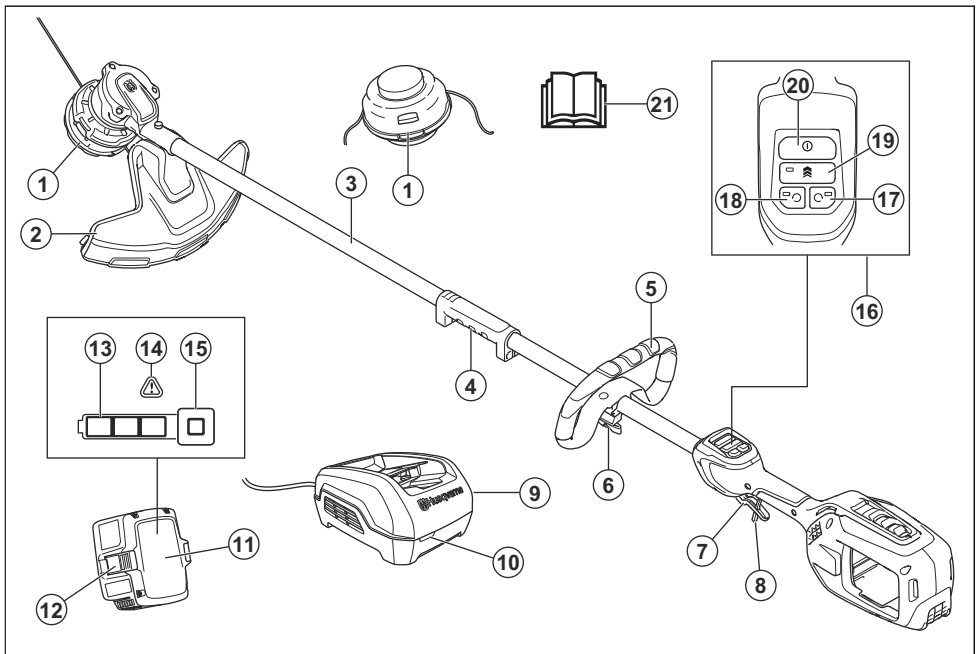
Work is constantly in progress to increase your safety and efficiency during operation. Speak to your servicing dealer for more information.

### Intended use

The product is used with a trimmer head to cut grass. Do not use the product for other tasks than grass trimming and grass clearing.

**Note:** National regulations can set limit to the operation of the product.

### Product overview



- |                             |  |
|-----------------------------|--|
| 1. Trimmer head             | 6. Handle adjustment                           |
| 2. Cutting attachment guard | 7. Battery charger                             |
| 3. Shaft                    | 8. Power trigger                               |
| 4. Shaft coupling           | 9. Power trigger lockout                       |
| 5. Loop handle              | 10. Power on and warning indicator (error LED) |

11. Battery
12. Battery release buttons
13. Battery status
14. Warning indicator (error LED)
15. Battery indicator button
16. Keypad
17. Direction of rotation button, clockwise
18. Direction of rotation button, counterclockwise
19. Power boost button
20. Power button
21. Operator's manual

## Symbols on the product



**WARNING!** Risk of serious injury or death to the operator or others. Be careful and use the product correctly. Read the operator's manual carefully and understand the instructions before operation of the product.



Use approved eye protection.



Maximum speed of the output shaft.



Keep a minimum distance of 15 m to persons and animals during operation of the product.



Use approved protective boots and gloves. Wear long sleeves and pants.



Keep hair above shoulders.



The product can cause objects to eject, which can cause injury.



Only use an approved trimmer head, spool and recommended trimmer line. Do not use blades.



The arrows show the limit for the handle position.



Keep the product away from water and rain.



Direct current.



The product or package of the product is not domestic waste. Recycle it at a recycling station for electrical and electronic equipment.

yyyywwxxxx

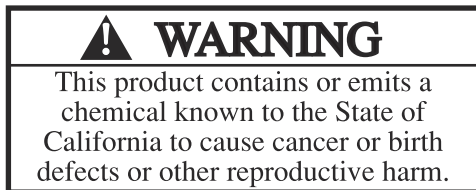
The rating plate shows the serial number. **yyyy** is the production year, **ww** is the production week and **xxxx** is the sequential number.

## Symbol on the battery charger



Use and keep the battery charger indoors only.

## California Proposition 65



## Manufacturer

Husqvarna AB

## Product liability

As referred to in the product liability laws, we are not liable for damages that our product causes if:

- the product is incorrectly repaired.
- the product is repaired with parts that are not from the manufacturer or not approved by the manufacturer.
- the product has an accessory that is not from the manufacturer or not approved by the manufacturer.
- the product is not repaired at an approved service center or by an approved authority.

---

# Safety

---

## Safety definitions

Warnings, cautions and notes are used to point out specially important parts of the manual.



**WARNING:** Used if there is a risk of injury or death for the operator or bystanders if the instructions in the manual are not obeyed.



**CAUTION:** Used if there is a risk of damage to the product, other materials or the adjacent area if the instructions in the manual are not obeyed.

**Note:** Used to give more information that is necessary in a given situation.

---

# IMPORTANT SAFETY INSTRUCTIONS



**WARNING:** Read all safety warnings and all instructions. Failure to follow the warnings and instructions may result in electric shock, fire and/or serious injury.

---

## Read all instructions



**WARNING:** When using electric gardening appliances, basic safety precautions should always be followed to reduce the risk of fire, electric shock, and personal injury, including the following:

---

## General power tool safety warnings



**WARNING:** Read all safety warnings and all instructions. Failure to follow the warnings and instructions may result in electric shock, fire and/or serious injury.

**Note: Save all warnings and instructions for future reference.** The term "power tool" in the warnings refers to your mains-operated (corded) power tool or battery-operated (cordless) power tool.

- Dress properly. Do not wear loose clothing or jewelry. They can be caught in moving parts. Wear protective clothing. The use of work gloves, long pants, a long sleeved shirt and safety footwear is recommended when working outdoors. Wear protective hair covering to contain long hair.
- Use safety glasses. Always use a face or dust mask if the area in which you are working is dusty.
- Use the right appliance. Do not use the appliance for any job except that for which it is intended.
- Do not force the appliance. It will do the job better and with less likelihood of a risk of injury at the rate for which it was designed.
- Do not overreach. Keep proper footing and balance at all times.
- Stay alert. Use common sense. Do not operate the appliance when you are tired or under the influence of drugs, alcohol or medication.
- Store an idle appliance indoors. When not in use, the appliance should be stored indoors in a dry place out of reach of children.
- Maintain the appliance with care. Follow instructions for lubricating and changing accessories. Keep the handles dry, clean, and free from oil and grease.
- Check for damaged parts. Before using the appliance, make sure the safety guards are intact. Never use a tool without its safety guard. Check the alignment of the moving parts, and check for binding of the moving parts.
- Check for broken or defective parts that can affect the safe operation of your tool. A guard or other part that is damaged should be properly repaired or replaced by an authorized service center unless indicated elsewhere in the manual.
- Prevent unintentional starting. Ensure the switch is in the off position before connecting to battery pack, picking up or carrying the appliance. Carrying the appliance with your finger on the switch or energizing an appliance that has the switch on invites accidents.
- Disconnect the battery pack from the appliance before making any adjustments, changing accessories, or storing the appliance. Such preventive safety measures reduce the risk of starting the appliance accidentally.
- Recharge only with the charger specified by the manufacturer. A charger that is suitable for one type of battery pack may create a risk of fire when used with another battery pack.
- Use the appliance only with specifically designated battery packs. Use of any other battery packs may create a risk of injury and fire.
- When the battery pack is not in use, keep it away from other metal objects, like paper clips, coins, keys, nails, screws or other small metal objects, that can make a connection from one terminal to another.

Shorting the battery terminals together may cause burns or a fire.

- Under abusive conditions, liquid may be ejected from the battery. Avoid contact. If contact accidentally occurs, flush with water. If liquid contacts eyes, additionally seek medical help. Liquid ejected from the battery may cause irritation or burns.
- Do not use a battery pack or appliance that is damaged or modified. Damaged or modified batteries may exhibit unpredictable behavior resulting in fire, explosion or risk of injury.
- Do not expose a battery pack or appliance to fire or excessive temperature. Exposure to fire or temperature above 266 °F (130 °C) may cause explosion.
- Follow all charging instructions and do not charge the battery pack or appliance outside of the temperature range specified in the instructions. Charging improperly or at temperatures outside of the specified range may damage the battery and increase the risk of fire.
- Have servicing performed by a qualified repair person using only identical replacement parts. This will ensure that the safety of the product is maintained.
- Do not modify or attempt to repair the appliance or the battery pack (as applicable) except as indicated in the instructions for use and care.

## Check before starting

- Always remove the battery to prevent the product being started by accident. Always remove the battery before any maintenance on the product.
- Before using the product and after any impact, check for signs of wear or damage and repair as necessary.
- Inspect the working area. Remove all loose objects, such as stones, broken glass, nails, steel wire, string etc. that could be thrown out or become wrapped around the cutter or cutter guard.
- Check the motor for dirt and cracks. Clean off grass and leaves from the engine using a brush. Gloves should be worn when necessary.
- Check that the trimmer head is completely attached to the trimmer.
- Check that the product is in perfect working order. Check that all nuts and screws are tight.
- Check that the trimmer head and trimmer guard are not damaged or cracked. Replace the trimmer head or trimmer guard if they have been exposed to impact or are cracked. Always use the recommended guard for the cutting attachment you are using. See chapter on Technical data.
- The product operator must ensure that no people or animals come closer than 15 metres while working. When several operators are working in the same area the safety distance should be at least 15 metres.

- Carry out an overall inspection of the product before use. See the maintenance schedule.
- National or local regulations may regulate the use. Comply to given regulations.

## Personal safety

- The cutting tool does not stop immediately after the product is turned off.
- The product is only designed for trimming and edging.
- Keep bystanders away.
- **Stay alert, watch what you are doing and use common sense when operating a power tool. Do not use a power tool while you are tired or under the influence of drugs, alcohol or medication.** A moment of inattention while operating power tools may result in serious personal injury.
- This appliance is not intended for use by person (including children) with reduced physical, sensory or mental capabilities, or lack of experience and knowledge, unless they have been given supervision or instruction concerning use of the appliance by a person responsible for their safety. Children should be supervised to ensure that they do not play with the appliance.
- Never allow children or other persons not trained in the use of the product and/or the battery to use or service it. Local laws may regulate the age of the user.
- Store the equipment in a lockable area so that it is out of reach of children and unauthorized persons.
- Keep hands and feet away from the cutting area at all times and especially when switching on the motor.
- **Dress properly. Do not wear loose clothing or jewelry. Keep your hair, clothing and gloves away from moving parts.** Loose clothes, jewelry or long hair can be caught in moving parts.
- Wear personal protective equipment. See instructions under the "Personal protective equipment" heading.
- Always use face or dust mask if operation is dusty.
- Turn off the product when it has to be moved. Always remove the battery when passing the machine to another person.
- Keep in mind that it is you, the operator that is responsible for not exposing people or their property to accidents or hazards.
- The transport guard must always be used for storage and transport.

## Power tool use and care

- The only accessories you can operate with this product are the cutting attachments we recommend in the technical data chapter.
- Never use a product that has been modified in any way from its original specification. Never use the product near explosive or flammable materials.

- Never use a product that is faulty. Carry out the safety checks, maintenance and service instructions described in this manual. Some maintenance and service measures must be carried out by trained and qualified specialists. See instructions under the Maintenance heading.
- Only use original spare parts.
- Always ensure that ventilation openings are kept clear of debris.
- Keep handles dry, clean and free from oil and grease.
- All covers, guards and handles must be fitted before starting.
- Only use the machine in daylight or in other well-lit conditions.
- Do not overreach. Keep proper footing and balance at all times.
- Don't force the product. It will do the job better and with less likelihood of injury at the rate for which it was designed.
- Working in bad weather is tiring and often brings added risk. It is not recommended to use the product in very bad weather, for instance, in dense fog, in heavy rain, strong winds, intense cold, risk of lightning.
- If the product starts vibrating abnormally, stop the product and remove the battery.
- Avoid Unintentional Starting – Don't carry appliance with finger on switch.
- Store Idle Appliances Indoors – When not in use, appliances should be stored indoors
- Walk, never run.
- This product is a dangerous tool if you are not careful or if you use the product incorrectly. This product can cause serious injury or death to the operator or others.
- Do not use the product if it is changed from its initial specification. Do not change a part of the product without approval from the manufacturer. Only use parts that are approved by the manufacturer. Injury or death is a possible result of incorrect maintenance.
- Do a check of the product before use. See, *Safety devices on the product on page 8* and *Maintenance on page 15*. Do not use a defective product. Do the safety checks, maintenance and service instructions described in this manual.
- Children should be supervised to ensure that they do not play with the product. Never allow children or other persons not trained in the use of the product and/or the battery to use or service it. Local laws may regulate the age of the user.
- Keep the product in a locked area to prevent access for children or persons that are not approved.
- Store the product out of reach of children.
- Your warranty may not cover damage or liability caused by the use of non-authorized accessories or replacement parts.
- Under no circumstances may the design of the product be modified without the permission of the manufacturer. Always use original accessories. Non-authorized modifications and/or accessories can result in serious personal injury or the death of the operator and others.

---

**Note:** National or Local laws can regulate the use. Comply to given regulations.

---

## Safety instructions for operation

---



**WARNING:** Read the warning instructions that follow before you use the product.

---

- If you encounter a situation where you are uncertain how to proceed you should ask an expert. Contact your dealer or your service workshop. Avoid all usage which you consider to be beyond your capability.
- Never use the product if you are fatigued, while under the influence of alcohol or drugs, medication or anything that could affect your vision, alertness, coordination or judgment.
- Faulty cutting attachment can increase the risk of accidents.
- Do not allow children to use or be in the vicinity of the product. Since the product is easy to start, children may be able to start it if they are not kept under full surveillance. This can mean a risk of serious personal injury. Disconnect the battery when the product is not under close supervision.

## Always use common sense

It is not possible to cover every conceivable situation you can face. Always exercise care and use your common sense. Avoid all situations which you consider to be beyond your capability. If you still feel uncertain about operating procedures after reading these instructions, you should consult an expert before continuing.



**WARNING:** Never allow children to use or be in the vicinity of the machine. Since the machine is easy to start, children may be able to start it if they are not kept under full surveillance. This can mean a risk of serious personal injury. Therefore disconnect the battery when the machine is not under close supervision.

---

## General safety instructions

---



**WARNING:** Read the warning instructions that follow before you use the product.

---

- Remove the battery to prevent the product from being started by accident.

- Ensure that no people or animals come closer than 15 metres while you work. When several operators are working in the same area the safety distance should be at least 15 metres. Otherwise there is a risk of serious personal injury. Stop the product immediately if anyone approaches. Never swing the product around without first checking behind you to make sure that no one is within the safety zone.
- Ensure that people, animals or other things can not affect your control of the product or that they do not come in contact with the cutting attachment or loose objects that are thrown out by the cutting attachment. However, do not use the product unless you are able to call for help in the event of an accident.
- Always inspect the working area. Remove all loose objects such as stones, broken glass, nails, steel wire, string, etc., that could be thrown out or become wrapped around the cutting attachment.
- Make sure that you can move and stand safely. Check the area around you for possible obstacles (roots, rocks, branches, ditches, etcetera) in case you have to move suddenly. Take great care when you work on sloping ground.
- Keep a good balance and a firm foothold at all times. Do not overreach.
- Deactivate the product before you move to another area.
- Never put the product down unless you have deactivated it and removed the battery. Do not leave the product unsupervised when it is switched on.
- Remove the battery before you pass the product to another person.
- Make sure that no clothes or parts of the body come in contact with the cutting attachment when the product is activated. Keep the product below waist level.
- If anything jams in the cutting attachment while you operate the product, stop and deactivate the product. Make sure that the cutting attachment stops completely. Remove the battery before you clean, inspect or repair the product and/or the cutting equipment. There is a risk of burns as the gear housing can become very hot. Use gloves when working with the trimmer head.
- Keep your hands and feet away from the cutting attachment until it has stopped completely when the product is deactivated.
- Watch out for stumps of branches that can be thrown out when you cut. Do not cut too close to the ground where stones and other objects can be thrown out.
- Watch out for thrown objects. Always wear approved eye protection. Never lean over the cutting attachment guard. Stones, rubbish, etc., can be thrown up into the eyes which can cause blindness or serious injury.
- Listen out for warning signals or shouts when you wear hearing protection. Always remove your hearing protection as soon as the product stops.
- Never work from a ladder, stool or any other raised position that is not fully secured.
- If any unwanted vibrations occur, tap out new line to give the line the correct length to stop the vibrations.
- Overexposure to vibration can lead to circulatory damage or nerve damage in persons who have poor circulation. Speak to your physician if you experience symptoms of overexposure to vibration. Such symptoms include numbness, loss of feeling, tingling, pricking, pain, loss of strength, changes in skin colour or condition. These symptoms usually show in the fingers, hands or wrists.
- Always hold the product with both hands. Hold the product on the right side of your body.
- Do not remove the cut material, or let other persons remove cut material, while the product is on or the cutting equipment rotates, as this can result in serious injury.
- Always stop the product, remove the battery and make sure that the cutting equipment does not rotate before you remove material that is wound around the blade shaft or caught between the guard and the cutting attachment.
- This product produces an electromagnetic field during operation. This field may under some circumstances interfere with active or passive medical implants. To reduce the risk of serious or fatal injury, we recommend persons with medical implants to consult their physician and the medical implant manufacturer before operating this machine.
- Release the power trigger after each working operation to save battery power.
- Don't force the product. It will do the job better and with less likelihood of a risk of injury at the rate for which it was designed.
- If any foreign object is hit or if vibrations occur stop the product immediately. Remove the battery from the product and check that the product is not damaged.

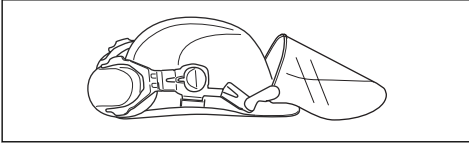
## Personal protective equipment



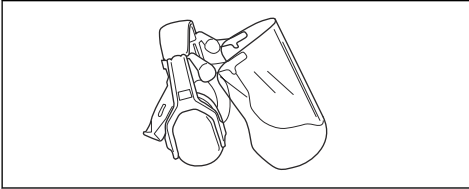
**WARNING:** Read the warning instructions that follow before you use the product.

- Always use approved personal protective equipment when you use the product. Personal protective equipment cannot fully prevent injury but it decreases the degree of injury if an accident does occur. Let your dealer help you select the right equipment.

- Use a protective helmet where there is a risk of falling objects.

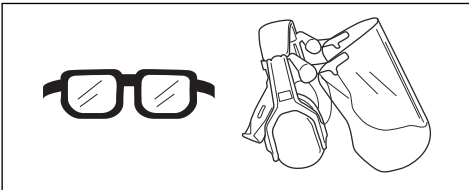


- Long term exposure to noise can result in damaged hearing. In general, battery powered products are relatively quiet but damage can result from a combination of noise level and long usage. recommends that operators use hearing protectors when using products for a longer coherent time of a day. Continual and regular users should have their hearing checked regularly.

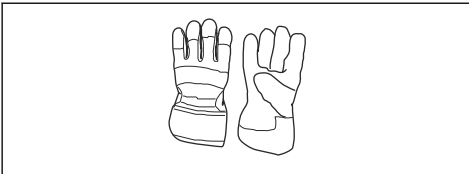


**WARNING:** Hearing protectors limit the ability to hear sounds and warning signals.

- Use approved eye protection. If you use a visor, you must also use approved protective goggles. Approved protective goggles must comply with the ANSI Z87.1 standard in the USAs or EN 166 in EU countries.



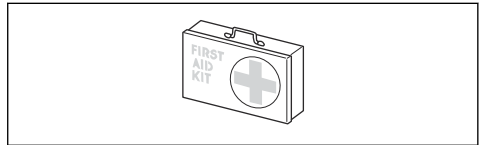
- Use gloves when necessary, for example when you attach, examine or clean the cutting equipment.



- Use sturdy non-slip boots.



- Use clothing made of a strong fabric. Always use heavy, long pants and long sleeves. Do not use loose clothing that can catch on twigs and branches. Do not wear jewelry, short pants, sandals or go with bare feet. Put your hair up safely above shoulder level.
- Keep first aid equipment close at hand.



### Cutting attachment



**WARNING:** Remove the battery and make sure the cutting attachment stops completely before you work on any part of the cutting attachment.



**WARNING:** Only use the cutting attachment with the guards we recommend, see *Accessories on page 20*.

### Trimmer head

- Always use the correct trimmer head, cutting attachments and always use the recommended trimmer line. Refer to *Accessories on page 20* and the assembly in the end of the Manual.
- Make sure that the cutter on the trimmer guard is not damaged.
- Make sure that the trimmer line is wound tightly and equally around the drum to prevent unusual vibrations from the product. Different cord lengths can result in vibrations that are not necessary. Tap the trimmer head to get correct length on the cord.

### Safety devices on the product



**WARNING:** Read the warning instructions that follow before you use the product.

In this section the product's safety features, its purpose and how checks and maintenance should be carried out to ensure that it operates correctly. See instructions



under the heading *Product overview on page 2* to find where these parts are located on your product.

The life span of the product can be reduced and the risk of accidents can increase if product maintenance is not carried out correctly and if service and/or repairs are not carried out professionally. If you need further information please contact your nearest servicing dealer.



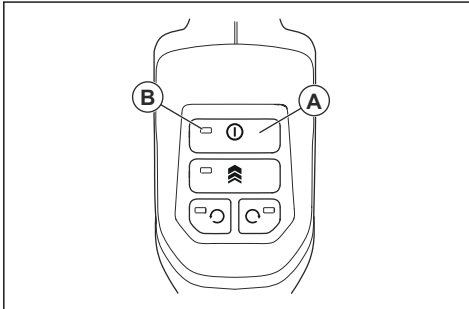
**WARNING:** Never use a product with defective safety components. The product's safety equipment must be inspected and maintained as described in this section. If your product fails any of these checks, contact your service agent to get it repaired.



**CAUTION:** All servicing and repair work on the machine requires special training. This is especially true of the machine's safety equipment. If your machine fails any of the checks described below you must contact your service agent. When you buy any of our products we guarantee the availability of professional repairs and service. If the retailer who sells your machine is not a servicing dealer, ask him for the address of your nearest service agent.

#### To do a check of the keypad

- Push and hold the power button (A).

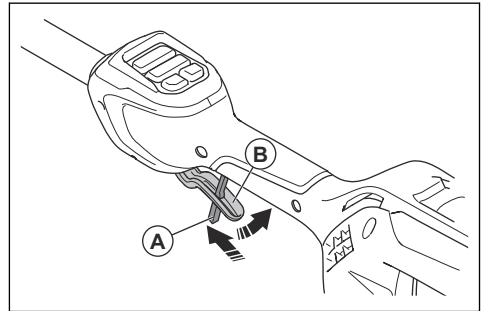


- a) The product is on when the LED (B) is on.
- b) The product is off when the LED (B) is off.

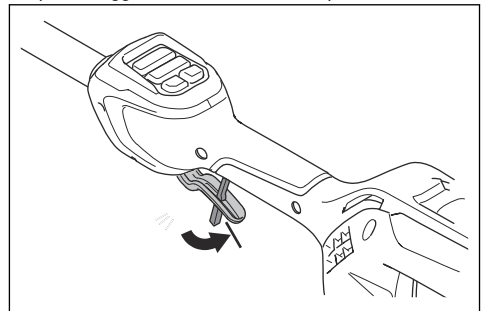
#### To do a check of the power trigger lockout

The power trigger lockout prevents accidental start. When you push the power trigger lockout (A) forward, it releases the power trigger (B). When you release the

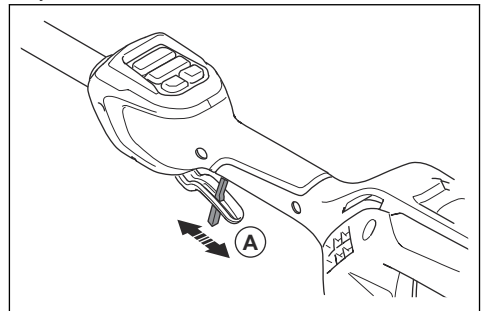
handle, the power trigger and the power trigger lockout move back to their initial positions.



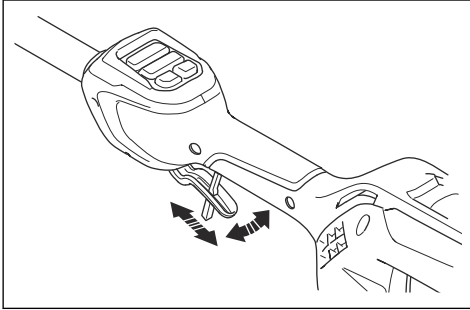
1. Make sure that the power trigger is locked when the power trigger lockout is in its initial position.



2. Push the power trigger lockout (A) forward. Make sure that it moves back to its initial position when you release it.



3. Make sure that the power trigger and the power trigger lockout moves freely and that the return spring works correctly.



4. Start the product. Refer to *To start the product on page 13*.
5. Apply full power.
6. Release the power trigger lockout and make sure that the cutting attachment stops fully.

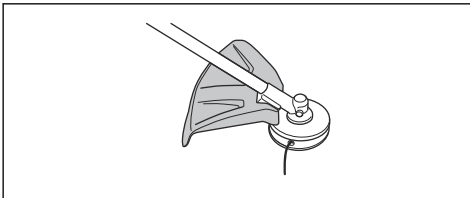
#### To do a check of the cutting attachment guard



**WARNING:** Do not use a cutting attachment without an approved and correctly attached cutting attachment guard. Always use the recommended cutting attachment guard for the cutting attachment that you use, see *Accessories on page 20*. If an incorrect or faulty cutting attachment guard is attached this can cause serious personal injury.

The cutting attachment guard stops objects that ejects in the direction of the operator. It also prevents injuries that occur if you touch the cutting attachment.

1. Stop the motor.
2. Do a visual check for damages, for example cracks.



3. Replace the cutting attachment guard if it is damaged.

#### Battery safety



**WARNING:** Read the warning instructions that follow before you use the product.

- Only use the BLi22 battery. Refer to *Technical data on page 19*. The battery is software encrypted.

- Use the BLi22 battery that is rechargeable as a power supply for the related Husqvarna products only. To prevent injury, do not use the battery as a power supply for other devices.
- Risk of electrical shock. Do not connect the battery terminals to keys, coins, screws or other metal. This can cause a short circuit of the battery.
- Do not use non-rechargeable batteries.
- Do not put objects into the air slots of the battery.
- Keep the battery away from sunlight, heat or open flame. The battery can cause burns and/or chemical burns.
- Keep the battery away from microwaves and high pressure.
- Do not try to disassemble or break the battery.
- If the battery leaks, do not let the liquid touch your body or eyes. If you have touched the liquid, clean the area with a large quantity of water and soap, and get medical aid. If you get liquid in your eyes, do not rub but flush with water for a minimum of 15 minutes and get medical aid.
- Use the battery in temperatures between -10 °C (14 °F) and 40 °C (114 °F).
- Do not clean the battery or the battery charger with water. Refer to *To clean the product, the battery and the battery charger on page 16*.
- Do not use a defective or damaged battery.
- Keep batteries in storage away from metal objects such as nails, screws or jewelry.
- Keep the battery away from children.

#### Battery charger safety



**WARNING:** Read the warning instructions that follow before you use the product.

- Risk of electrical shock or short circuit if the safety instructions are not obeyed.
- Use an approved grounded mains socket that is not damaged.
- Only use Husqvarna branded chargers.
- Do not try to disassemble the battery charger.
- Do not use a defective or damaged battery charger.
- Do not lift the battery charger by the power cord. To disconnect the battery charger from a mains socket, pull out the plug. Do not pull the power cord.
- Keep all cables and extension leads away from water, oil and sharp edges. Make sure that the cable is not caught between objects, for example, doors, fences or equivalent.
- Do not use the battery charger near flammable materials or materials that can cause corrosion. Make sure that the battery charger is not covered. Pull out the plug to the battery charger if there is smoke or fire.
- Only charge the battery indoors in a location with good airflow and away from sunlight. Do not charge

the battery outdoors. Do not charge the battery in wet conditions.

- Only use the battery charger where the temperature is between 5 °C (41 °F) and 40 °C (104 °F). Use the charger in an environment which has a good airflow, dry and free from dust.
- Do not put objects into the cooling slots of the battery charger.
- Do not connect the battery charger terminals to metal objects as this can short circuit the battery charger.
- Use approved mains sockets that are not damaged. Make sure that the cord of the battery charger is not damaged. If extension cables are used, make sure that the extension cables are not damaged.
- Use a residual-current device (RCD) for increased security. A residual-current device is fitted to protect operators in case an electrical fault should occur.
- **When operating a power tool outdoors, use an extension cord suitable for outdoor use.** Use of a cord suitable for outdoor use reduces the risk of electric shock.
- Use only three-wire outdoor extension cords that have three-prong grounding plugs and grounding receptacles that accept the appliance's plug.

## Safety instructions for maintenance



**WARNING:** Read the warning instructions that follow before you do maintenance on the product.

- Remove the battery before you do maintenance, other checks or assemble the product.
- The operator must only do the maintenance and servicing shown in this operator's manual. Turn to your servicing dealer for maintenance and servicing of a larger extension.
- Do not clean the battery or the battery charger with water. Strong detergent can cause damage to the plastic.
- If you do not do maintenance, it decreases the life cycle of the product and increases the risk of accidents.
- Special training is necessary for all servicing and repair work, especially for the safety devices on the product. If not all checks in this operator's manual are approved after you have done maintenance, turn to your servicing dealer. We guarantee that there are professional repairs and servicing available for your product.
- Only use original spare parts.
- Maintenance, replacement, or repair of the emission control devices and system may be performed by any nonroad engine repair establishment or individual.

# SAVE THESE INSTRUCTIONS

## Assembly

### Introduction

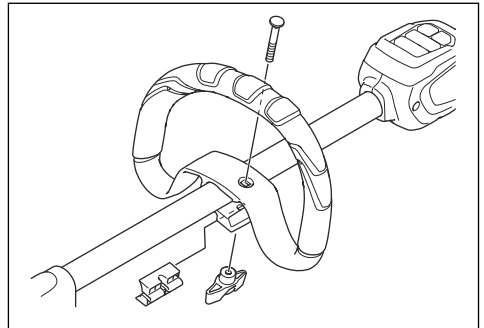
This section describes how to assemble and adjust the product.



**WARNING:** Before you assemble the product, read the safety chapter and the assembly instructions.

### To assemble the loop handle

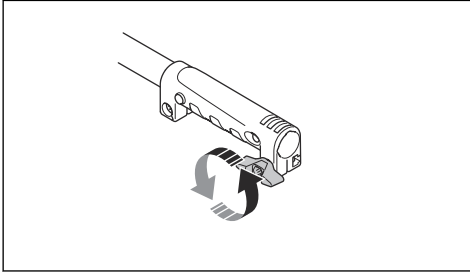
1. Attach the loop handle onto the shaft between the arrows.



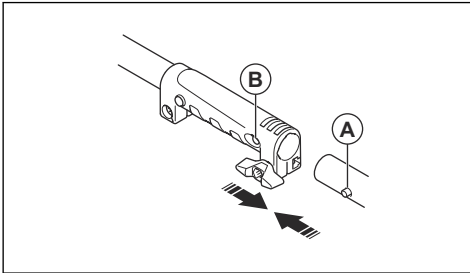
2. Move the spacer into the slot of the loop handle.
3. Install the screw and the knob. Do not tighten too much.
4. Adjust the loop handle to an applicable position.
5. Tighten the knob.

## To assemble the two-piece shaft

1. Turn the knob to loosen the shaft coupling.

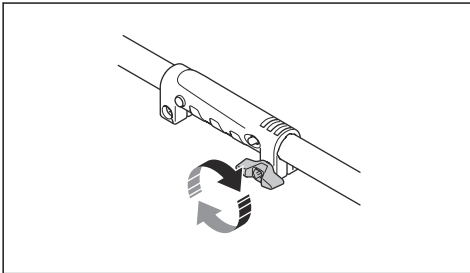


2. Push in the lock button (A) and push the shaft into the shaft coupling until the lock button sets in the hole (B).



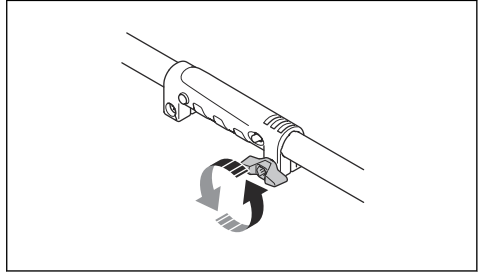
**Note:** If you cannot push the shaft fully into the shaft coupling, turn shaft to make the internal drive shafts connect.

3. Tighten the knob fully, before you operate the product.

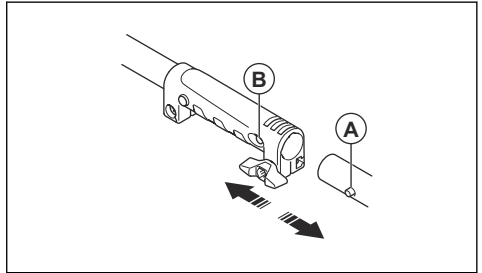


## To disassemble the two-piece shaft

1. Turn the knob to loosen the shaft coupling.

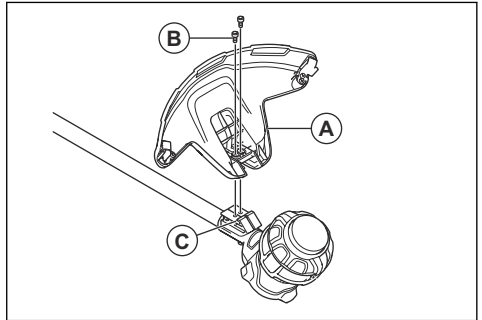


2. Push and hold the lock button (A). Pull the shafts apart.



## To attach the cutting attachment guard

- Attach the cutting attachment guard (A) to the shaft (C) with the screws (B).



## Operation

### Introduction



**WARNING:** Read and understand the safety chapter before you use the product.

### Before you operate the product

- Examine the work area to make sure that you know the type of terrain. Examine the slope of the ground and if there are obstacles such as stones, branches and ditches.
- Do an overhaul of the product.
- Do the safety inspections, maintenance and servicing that are given in this manual.

- Examine the motor for dirt or cracks. Use a brush to clean the motor from grass and leaves. Use gloves when it is necessary.
- Examine the trimmer head and cutting attachment guard for damages or cracks. Replace the trimmer head and cutting attachment guard if they are hit or if they have cracks.
- Make sure that all nuts and screws are tight.
- Make sure that all covers, guards, handles and the cutting equipment are correctly attached and not damaged before you start the product.

### To connect the battery charger

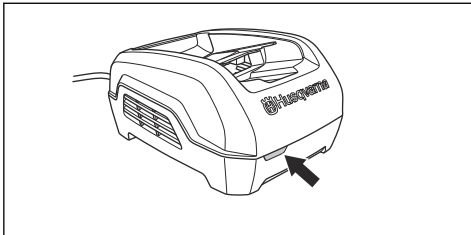
1. Connect the battery charger to the voltage and frequency that is specified on the rating plate.
2. Put the plug in a grounded socket outlet. The LED on the battery charger flashes green one time.

**Note:** The battery does not charge if the battery temperature is more than 50 °C/122 °F. If the temperature is more than 50 °C/122 °F, the battery charger makes the battery become cool before the battery charges.

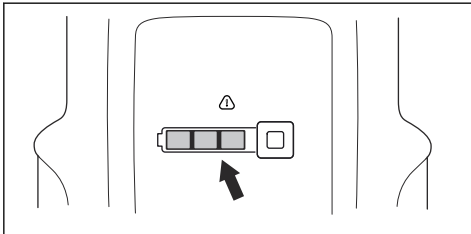
### To charge the battery

**Note:** Charge the battery if it is the first time that you use it. A new battery is only 30% charged.

1. Make sure that the battery is dry.
2. Put the battery in the battery charger.
3. Make sure that the green charging light on the battery charger comes on. That means that the battery is connected correctly to the battery charger.



4. When all LEDs on the battery come on, the battery is fully charged.



5. To disconnect the battery charger from the mains socket, pull the plug. Do not pull the cable.

6. Remove the battery from the battery charger.

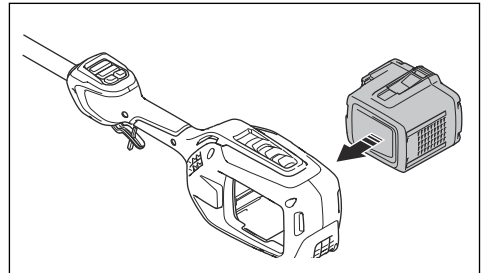
**Note:** Refer to the battery and battery charger manuals for more information.

### To connect the battery to the product



**WARNING:** Only use Husqvarna original batteries with the product.

1. Make sure that the battery is fully charged.
2. Push the battery into the battery holder of the product. The battery locks into position when you hear a click.



**CAUTION:** If the battery does not move easily into the battery holder, the battery is not installed correctly. This can cause damage to the product.

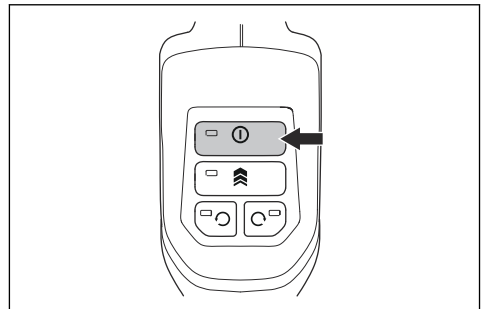
3. Make sure that the battery is installed correctly.

### Battery information

Refer to the operator's manual of the battery for information about how to use the battery.

### To start the product

1. Push and hold the power button until the green LED comes on.

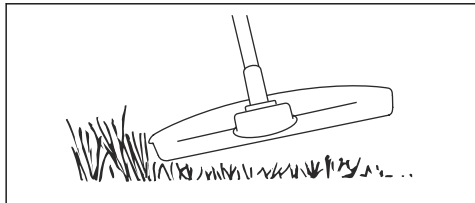


2. Use the power trigger to control the speed.

## To operate the product

### To trim the grass

- Hold the trimmer head immediately above the ground at an angle. Do not push the trimmer line into the grass.



### To clear grass

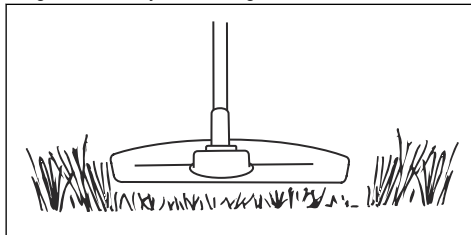
1. Keep the trimmer head above the ground.
2. Tilt the trimmer head.
3. Cut with the end of the trimmer line around objects in the work area.



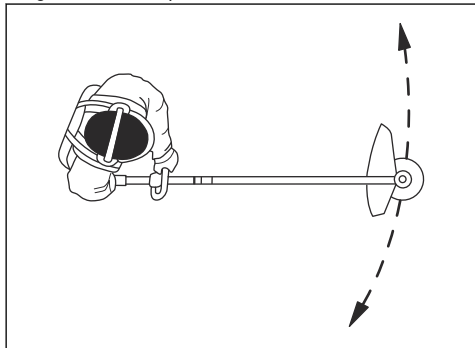
**CAUTION:** Cut grass. Other objects that are hit by the trimmer line, increases the wear on the trimmer line.

### To cut the grass

1. Make sure that the trimmer line is parallel to the ground when you cut the grass.



2. Do not push the trimmer head to the ground. This can cause damage to the product.
3. Move the product from side to side when you cut grass. Use full speed.



### To sweep the grass

The airflow from the rotating trimmer line can be used to remove cut grass from an area.

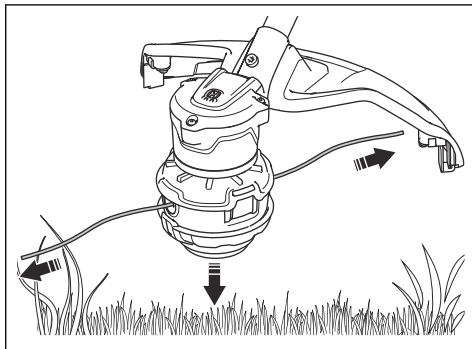
1. Hold the trimmer head and the trimmer line parallel to the ground and above the ground.
2. Apply full throttle.
3. Move the trimmer head from side to side and sweep the grass.



**WARNING:** Clean the trimmer head cover each time you assemble new trimmer line to prevent unbalance and vibrations in the handles. Also do a check of the other parts of the trimmer head and clean it if necessary.

### To extend the trimmer line

- When the trimmer line becomes short during operation, tap the trimmer head on a hard, flat surface to extend more trimmer line out. You must operate the product at full speed to get the best result.



### Power boost function

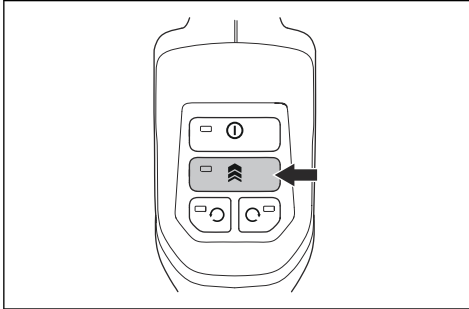
You can use the standard mode or the power boost function.

- Standard mode: The product is set to standard mode when started. Standard mode saves energy and gives maximum operation time. Standard mode is applicable for most tasks.
- Power boost function: The power boost function lets the product operate at high speed. The power boost function can for example be used in areas with thicker grass growth than usual.

### To start and stop the power boost function

You can start or stop the power boost function while the product is in operation.

- Push power boost button. The power boost function is on when the LED is on.



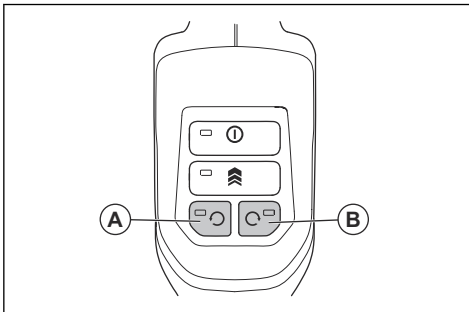
- Push power boost button. The power boost function is off when the LED is off.

**Note:** If the power trigger is released during operation, the product starts in the last set function. If the product automatically stops, or if the operator pushes the power button, the product is set to the standard function again when started.

### To change the direction of rotation of the trimmer head

You can change the direction of rotation at full speed or at stop position. At start, the trimmer head is set to turn clockwise.

- Push the left button (A) to set the direction of rotation to counterclockwise.



- Push the right button (B) to set the direction of rotation to clockwise. The green LED shows the direction of rotation that is used.

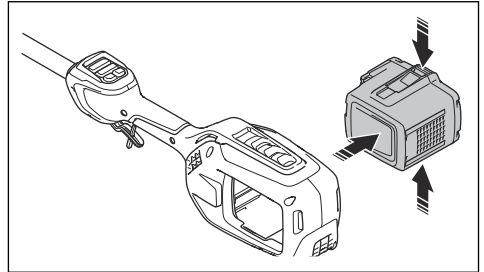
**Note:** It is easier to tap out the trimmer line to make it longer when the trimmer head turns clockwise.

### Automatic shutdown function

The product has an automatic shutdown function that stops the product if the product is not used. The green LED for start/stop indication goes off and the product stops after 120 seconds.

### To stop the product

1. Release the power trigger or the power trigger lockout.
2. Push the power button until the green LED is off.
3. Push the release buttons on the battery and pull the battery out.



## Maintenance

### Introduction



**WARNING:** Read and understand the safety chapter before you do maintenance on the product.



**WARNING:** Remove the battery before you do maintenance.

The following is a list of the maintenance steps that you must do on the product. See *Introduction on page 15* for more information.

Maintenance	Daily	Weekly	Monthly
Clean the external parts of the product with a dry cloth. Do not use water.	X		
Examine that the power button works correctly and is not damaged.	X		
Make sure that the power trigger and the power trigger lockout function correctly from a safety point of view.	X		
Make sure that all controls work and are not damaged.	X		
Keep the handles dry, clean and free from oil and grease.	X		
Make sure that the cutting attachment is not damaged. Replace the cutting attachment if it is damaged.	X		
Make sure that the cutting attachment guard is not damaged. Replace the cutting attachment guard if it is damaged.	X		
Make sure that the screws and nuts are tight.	X		
Make sure that the battery release buttons on the battery works and locks the battery in the product.	X		
Examine that the battery charger is not damaged and function correctly.	X		
Make sure that the battery is not damaged.	X		
Make sure that the battery is charged.	X		
Make sure that the battery charger is not damaged.	X		
Examine all couplings and connections. Make sure they are not damaged and free from dirt.		X	
Do a check of the connections between the battery and the product. Do a check of the connection between the battery and the battery charger.			X

### To examine the battery and the battery charger

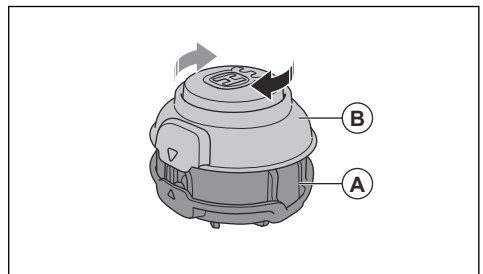
1. Examine the battery for damages, for example cracks.
2. Examine the battery charger for damages, for example cracks.
3. Make sure that the connection cord of the battery charger is not damaged and that there are no cracks in it.

### To clean the product, the battery and the battery charger

1. Clean the product with a dry cloth after use.
2. Clean the battery and battery charger with a dry cloth. Keep the battery guide tracks clean.
3. Make sure that the terminals on the battery and the battery charger are clean before the battery is put in the battery charger or the product.

### To replace the trimmer line

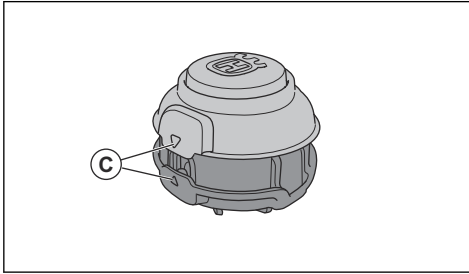
1. Hold the lower half (A) of the trimmer head stable with one hand.



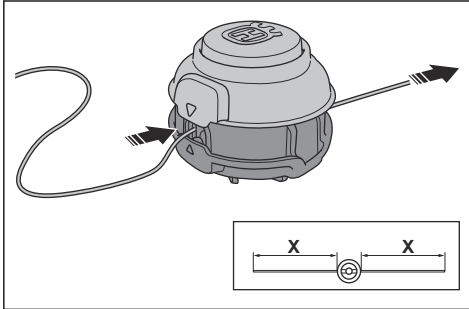
2. Use your opposite hand to turn the top half (B) of the trimmer head clockwise.



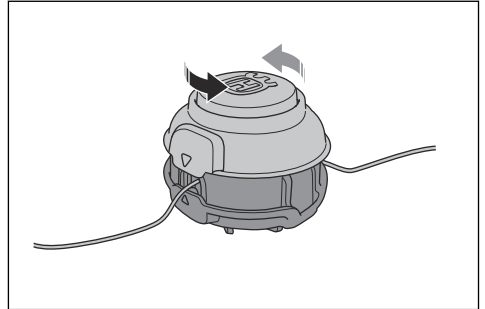
- Continue to turn the top half of the trimmer head until the triangles (C) align.



- Remove and discard the remaining trimmer line, if there is.
- Cut approximately 5.5 m/18 ft of new trimmer line.
- Put one end of the trimmer line into one of the holes.
- Push the trimmer line through the trimmer head and through the opposite hole.



- Pull the trimmer line through the trimmer head until there is an equal length of trimmer line on each side.
- Hold the trimmer head lower half stable with one hand.
- Use your opposite hand to turn the top half counterclockwise.



- Continue to turn the knob until approximately 127 mm/5 in of trimmer line is extended from each hole.

## Troubleshooting

### Keypad

LED display	Possible faults	Possible action
Green LED flashing	Low battery power.	Charge the battery.

### Battery

Condition	Possible faults	Possible procedure
The battery warning LED flashes.	Temperature deviation, the battery is too cold or too hot to use.	Let the battery cool down or move it indoors to warm it up. When the battery has the correct temperature, it can be used again. Use the battery in ambient temperatures between -10 °C (14 °F) and 40 °C (104 °F).
	The battery is empty.	Charge the battery.

Condition	Possible faults	Possible procedure
The battery warning LED comes on.	Permanent battery error.	Speak to your dealer.

## Battery charger

Condition	Possible faults	Possible procedure
The charging LED is red.	Permanent battery charger error.	Speak to your dealer.
The charging LED flashes red.	Temperature deviation, the battery is too cold or too hot to use or charge.	Let the battery cool down or warm it up. When the battery has the correct temperature, it can be used or charged again. Use the battery charger in ambient temperatures between 5 °C (41 °F) and 40 °C (104 °F).
The charging LED flashes green.		
The charging LED flashes red.	Faulty battery	Speak to your dealer

---

## Transportation, storage and disposal

---

### Transportation and storage

- The supplied Li-ion batteries obey the Dangerous Goods Legislation requirements.
- Obey the special requirement on package and labels for commercial transportation, including by third parties and forwarding agents.
- Speak to a person with special training in dangerous material before you send the product. Obey all applicable national regulations.
- Use tape on open contacts when you put the battery in a package. Put the battery in the package tightly to prevent movement.
- Remove the battery for storage or transportation.
- Put the battery and the battery charger in a space that is dry and free from moisture and frost.
- Do not keep the battery in an area where static electricity can occur. Do not keep the battery in a metal box.
- Put the battery in storage where the temperature is between 5°C/41°F and 25°C/77°F and away from open sunlight.
- Put the battery charger in storage where the temperature is between 5 °C/41 °F and 45°C/113°F and away from open sunlight.
- Use the battery charger only when the surrounding temperature is between 5°C/41°F and 40°C/104°F.
- Charge the battery 30% to 50% before you put it in storage for long periods.
- Put the battery charger in storage in a space that is closed and dry.
- Keep the battery away from the battery charger during storage. Do not let children and other not approved persons to touch the equipment. Keep the equipment in a space that you can lock.
- Clean the product and do a full servicing before you put the product in storage for a long time.
- Use the transportation guard on the product to prevent injuries or damage on the product during transportation and storage.
- Attach the product safely during transportation.

---

## Technical data

---

### Technical data

	220iL
<b>Motor</b>	
Motor type	BLDC (brushless) 40 V
Speed of output shaft, rpm	7000
Cutting width, in./mm	16/406
<b>Weight</b>	
Weight without battery, lb/kg	6.6/3.0
Weight with BLi22, lb/kg	9.5/4.3
<b>Water protection level</b>	
All weather use	No

### Approved batteries for the product

Battery	BLi22
Type	Lithium-ion
Battery capacity, Ah	4.2
Nominal voltage, V	36
Weight, lb/kg	2.9/1.3

### Approved battery chargers

Battery charger	QC250
Input voltage, V	100-240
Frequency, Hz	50-60
Power, W	250

---

## Accessories

---

### Approved accessories

Approved accessory	Type
Trimmer head	Trimmer line (Ø 2.0 mm / 0.080 in)

# Contenido

Introducción.....	21	Solución de problemas.....	37
Seguridad.....	23	Transporte, almacenamiento y eliminación de residuos.....	38
Montaje.....	31	Datos técnicos.....	39
Funcionamiento.....	32	Accesorios.....	40
Mantenimiento.....	36		

## Introducción

### Descripción de la máquina

Husqvarna 220iL es una recortadora de césped con batería y un motor eléctrico.

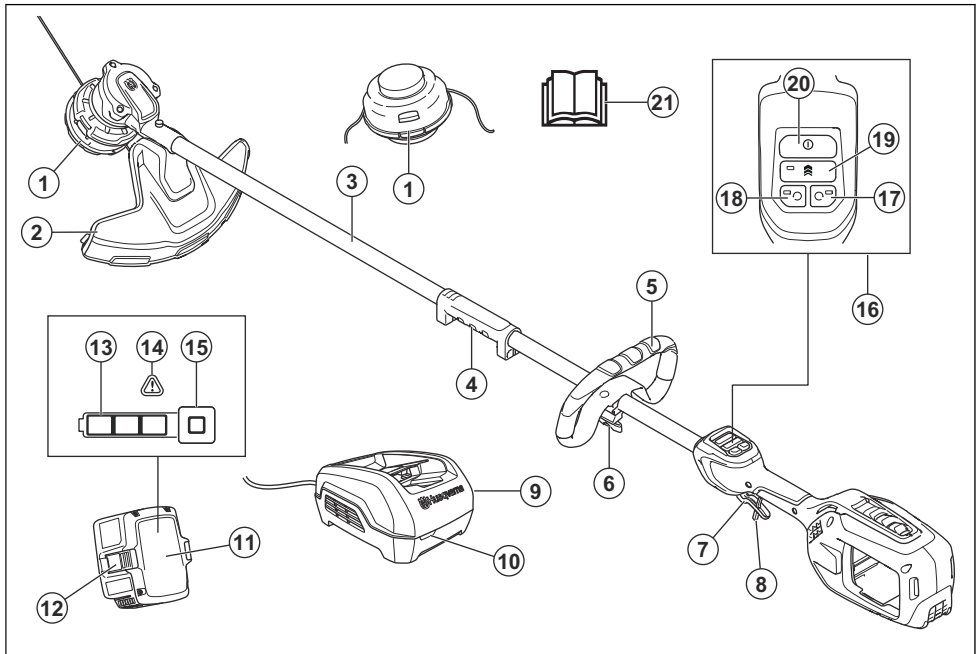
Se realiza un trabajo constante para aumentar su seguridad y la eficiencia durante la operación. Póngase en contacto con su taller de servicio para obtener más información.

### Uso específico

El producto se utiliza con un cabezal de corte para cortar césped. No utilice el producto para otras tareas que no sean cortar y desbrozar césped.

**Tenga en cuenta:** Las normativas nacionales pueden establecer un límite para el funcionamiento del producto.

### Descripción general del producto



1. Cabezal de corte
2. Protección del equipo de corte
3. Eje
4. Acoplamiento de eje
5. Mango cerrado
6. Ajuste del mango
7. Cargador de batería
8. Gatillo de alimentación
9. Bloqueo del gatillo de alimentación

10. Indicador de encendido y de advertencia (LED de error)
11. Batería
12. Botones de liberación de la batería
13. Estado de la batería
14. Indicador de advertencia (LED de error)
15. Botón del indicador de batería
16. Teclado
17. Botón de sentido de rotación, derecha
18. Botón de sentido de rotación, izquierda
19. Botón de refuerzo de potencia
20. Botón de encendido.
21. Manual del usuario



Mantenga el producto alejado del agua y de la lluvia.



Corriente continua.



El producto o paquete del producto no es residuo doméstico. Recíclolo en una planta de reciclaje para equipo eléctrico y electrónico.

aaaassxxxx

En la placa de características, se muestra el número de serie. **aaaa** es el año de producción, **ss** es la semana de producción y **xxxx** es el número de secuencia.

## Símbolos en el producto



**ADVERTENCIA:** Este producto puede causar daños graves o la muerte al operador o a otras personas. Tenga cuidado y utilice el producto correctamente. Lea el manual de instrucciones cuidadosamente y asegúrese de entender las instrucciones antes de operar el producto.



Use protección ocular homologada.



Régimen máximo del eje de salida.



Manténgase a un mínimo de 15 m de distancia de las personas y de los animales mientras funcione el producto.



Utilice guantes y botas de protección aprobados. Utilice mangas largas y pantalones.



Mantenga el cabello por encima de los hombros.



El producto puede provocar que los objetos salgan expulsados, lo que puede causar lesiones.



Utilice solo un cabezal de corte y un carrete aprobados, así como un hilo de recortadora recomendado. No utilice cuchillas.



Las flechas muestran el límite de la posición del mango.

## Símbolo en el cargador de la batería



Use y mantenga el cargador de batería únicamente en interiores.

## Propuesta 65 de California



## Fabricante

Husqvarna AB

## Responsabilidad del fabricante

Como se menciona en las leyes de responsabilidad del fabricante, no nos hacemos responsables de los daños que cause nuestro producto si:

- el producto se repara incorrectamente
- el producto se repara con piezas que no son del fabricante o que este no autoriza
- el producto tiene un accesorio que no es del fabricante o que este no autoriza
- el producto no se repara en un centro de servicio autorizado o por una autoridad aprobada.

---

# Seguridad

---

## Definiciones de seguridad

Las advertencias, precauciones y notas se utilizan para señalar las piezas particularmente importantes del manual.



**ADVERTENCIA:** Se utilizan para señalar el riesgo de lesiones graves o mortales para el operador o para aquellos que se encuentren cerca si no se siguen las instrucciones del manual.



**AVISO:** Se utilizan para señalar el riesgo de dañar la máquina, otros materiales o el área adyacente si no se siguen las instrucciones del manual.

**Tenga en cuenta:** Se utilizan para entregar más información necesaria en situaciones particulares.

---

## INSTRUCCIONES DE SEGURIDAD IMPORTANTES



**ADVERTENCIA:** Lea todas las advertencias de seguridad y todas las instrucciones. En caso de no seguir las advertencias ni las instrucciones se pueden producir sacudidas eléctricas, incendios o daños graves.

---

### Lea todas las instrucciones



**ADVERTENCIA:** Cuando utilice aparatos eléctricos para jardines, siga siempre las precauciones de seguridad básicas para reducir el riesgo de incendio, sacudida eléctrica y daños personales, como los siguientes:

---

### Advertencias de seguridad generales de la herramienta eléctrica



**ADVERTENCIA:** Lea todas las advertencias de seguridad y todas las instrucciones. En caso de no seguir las advertencias ni las instrucciones se pueden producir sacudidas eléctricas, incendios o daños graves.

**Tenga en cuenta:** Guarde todas las advertencias e instrucciones para futuras referencias. El término "herramienta eléctrica" que se indica en las advertencias

hace referencia a la herramienta eléctrica (con cable) operada con corriente o a la herramienta eléctrica operada con baterías (inalámbrica).

- Evite entornos peligrosos. No utilice el aparato en lugares húmedos o mojados.
- No utilizar cuando llueve.
- Mantenga a los niños alejados. Todas las personas y mascotas deben mantenerse a una distancia segura del área de trabajo.
- Vístase adecuadamente. No use ropa suelta ni joyas. Pueden quedarse atrapadas en las piezas móviles. Use ropa de protección. Se recomienda el uso de guantes de trabajo, pantalones largos, camisa de manga larga y calzado de seguridad cuando se trabaje al aire libre. Use un gorro protector para contener el pelo largo.
- Utilice gafas de seguridad. Utilice siempre una mascarilla común o una máscara contra polvo si el área en la que está trabajando tiene polvo.
- Utilice el aparato adecuado. Utilice el aparato únicamente para realizar el trabajo para el que está destinado.
- No fuerce el aparato. Obtendrá mejores resultados y se reducirá el riesgo de lesiones si lo utiliza a la velocidad para la cual fue diseñado.
- No se estire demasiado. Mantenga una posición y un equilibrio adecuados en todo momento.
- Manténgase alerta. Actúe con sentido común. No utilice el aparato si está cansado o bajo la influencia de drogas, alcohol o medicamentos.
- Si el aparato no está en uso, guárdelo en interiores. Cuando no esté en uso, el aparato se debe almacenar en un lugar bajo techo, seco y fuera del alcance de los niños.
- Realice el mantenimiento del producto con cuidado. Siga las instrucciones de lubricación y cambio de accesorios. Mantenga los mangos secos, limpios y sin grasa ni aceite.
- Compruebe si hay piezas dañadas. Antes de utilizar el aparato, asegúrese de que los protectores de seguridad estén intactos. No utilice nunca una herramienta sin su protector de seguridad. Compruebe la alineación de las piezas móviles y compruebe si existe atascamiento.
- Compruebe si hay piezas rotas o defectuosas que puedan tener un efecto en el funcionamiento seguro de la herramienta. Un centro de servicio autorizado debe reparar adecuadamente o reemplazar una protección u otra pieza que presente daños, a menos que en el manual se indique otro lugar.
- Evite el arranque accidental. Asegúrese de que el interruptor esté en la posición de apagado antes de conectar la batería, recoger o transportar el aparato. Cuando transporta el aparato con el dedo en el interruptor o se le suministra corriente a un aparato

con el interruptor en la posición de encendido, se pueden provocar accidentes.

- Desconecte la batería del aparato antes de realizar cualquier ajuste, cambiar accesorios o guardar el aparato. Tales medidas de seguridad preventivas reducen el riesgo de arranque accidental del aparato.
- Recargue únicamente con el cargador especificado por el fabricante. Un cargador apto para un tipo de unidad de batería puede implicar riesgo de incendio si se usa con otra unidad de batería distinta.
- Utilice el aparato únicamente con las baterías diseñadas específicamente para este. El uso de otras baterías puede implicar riesgo de lesiones e incendio.
- Cuando la batería no esté en uso, manténgala alejada de otros objetos metálicos, como sujetapapeles, monedas, llaves, clavos, tornillos u otros objetos metálicos pequeños que puedan provocar una conexión entre los terminales. Si hace un puente entre los terminales de la batería, puede causar quemaduras o un incendio.
- En condiciones extremas, la batería puede expulsar líquido. Evite el contacto. Si se produjera un contacto accidentalmente, enjuáguese con agua. Si el líquido entra en contacto con los ojos, además, acuda a un médico. El líquido expulsado de la batería puede causar irritaciones o quemaduras.
- No utilice una batería ni un aparato dañado o modificado. Las baterías dañadas o modificadas pueden presentar un comportamiento impredecible que puede ocasionar incendios, explosiones o riesgo de lesiones.
- No exponga una batería ni un aparato al fuego o a una temperatura excesiva. La exposición al fuego o una temperatura superior a 266 °F (130 °C) puede causar una explosión.
- Siga todas las instrucciones de carga y no cargue la batería ni el aparato en condiciones que superen el rango de temperatura especificado en las instrucciones. La carga inadecuada o a temperaturas fuera del rango especificado puede dañar la batería y aumentar el riesgo de incendio.
- Solicite el mantenimiento del producto a un técnico calificado que utilice solo repuestos idénticos. Esto garantizará que se mantenga la seguridad del producto.
- No modifique ni intente reparar el aparato ni la batería (según corresponda), excepto como se indica en las instrucciones de uso y cuidado.

### Para comprobar antes de poner en marcha

- Siempre retire la batería para evitar que el producto se encienda por accidente. Siempre retire la batería antes de realizar cualquier mantenimiento al producto.
- Antes de utilizar el producto y después de cualquier impacto, revíselo en busca de desgaste o daños y repare los componentes según sea necesario.

- Inspeccione la zona de trabajo. Quite todos los objetos sueltos, como piedras, vidrios rotos, clavos, alambres de acero, cuerdas, etc., que puedan salir disparados o se puedan enredar en la cortadora o la protección de la cortadora.
- Revise el motor en busca de suciedad y grietas. Limpie los restos de césped y de hojas que se encuentren en el motor con un cepillo. Se deben utilizar guantes cuando sea necesario.
- Compruebe que el cabezal de corte esté completamente conectado a la recortadora.
- Verifique que el producto se encuentra en perfectas condiciones de funcionamiento. Verifique que todas las tuercas y tornillos estén firmes.
- Compruebe que el cabezal de corte y la protección de la recortadora no estén agrietados o dañados. Reemplace el cabezal de corte o la protección de la recortadora si se han expuesto a algún golpe o tienen alguna grieta. Siempre utilice la protección recomendada para el equipo de corte correspondiente. Consulte el capítulo sobre datos técnicos.
- El operador del producto se debe asegurar de que ninguna persona o animal se acerque a menos de 15 metros mientras trabaja. Cuando haya varios usuarios trabajando en el mismo lugar, la distancia de seguridad debe ser de al menos 15 metros.
- Realice una inspección general del producto antes de utilizar. Consulte el programa de mantenimiento.
- El uso puede estar regulado por reglamentos nacionales o locales. Cumpla con las normas indicadas.

### Seguridad personal

- La herramienta de corte no se detiene inmediatamente después de que el producto se apaga.
- El producto está diseñado únicamente para tareas de corte y bordeado.
- Manténgase alejado de los transeúntes.
- **Permanezca alerta, vea lo que está haciendo y use el sentido común cuando opere una herramienta eléctrica. No utilice una herramienta eléctrica si está cansado o bajo la influencia de drogas, alcohol o medicamentos.** Un momento de distracción a la hora de operar una herramienta eléctrica puede generar daños personales graves.
- Este aparato no está diseñado para ser utilizado por personas (incluidos niños) con capacidades físicas, sensoriales o cognitivas reducidas, o que carezcan de la experiencia y los conocimientos necesarios, a menos que sean supervisados o hayan recibido instrucciones sobre el uso del aparato por parte de una persona responsable de su seguridad. A los niños se los debe supervisar para asegurar que no jueguen con el aparato.
- Nunca permita que los niños u otras personas no capacitadas para el uso del producto o la batería



usen o revisen la máquina. Las leyes locales pueden controlar la edad del usuario.

- Almacene el equipo en un área bloqueable para que esté fuera del alcance de los niños y personas no autorizadas.
- Mantenga siempre las manos y los pies alejados del área de corte en todo momento y, especialmente, cuando encienda el motor.
- **Vístase adecuadamente. No use ropa suelta ni joyas. Mantenga su cabello, su ropa y sus guantes alejados de las piezas en movimiento.** La ropa suelta, las joyas o el cabello largo pueden enredarse en las piezas en movimiento.
- Use equipo de protección personal. Consulte las instrucciones bajo el título "Equipo de protección personal".
- Utilice siempre protección facial o máscara contra polvo si la operación genera polvo.
- Apague el producto cuando deba cambiarlo de lugar. Siempre retire la batería cuando otra persona deba operar la máquina.
- Tenga en cuenta que usted, el operador, es responsable de no exponer a las personas o su propiedad a accidentes o peligros.
- La protección para transportes siempre debe utilizarse durante el almacenamiento y transporte.

## Uso y cuidado de la herramienta eléctrica

- Los únicos accesorios que se pueden utilizar con este producto son los equipos de corte que recomendamos en el capítulo de datos técnicos.
- Nunca utilice un producto que se haya modificado de cualquier modo con respecto a la especificación original. Nunca utilice el producto cerca de materiales explosivos o inflamables.
- Nunca utilice un producto que esté defectuoso. Realice las comprobaciones de seguridad, el mantenimiento y las instrucciones de servicio descritas en este manual. Especialistas capacitados y calificados deben llevar a cabo algunas medidas de mantenimiento y servicio. Consulte las instrucciones bajo el título Mantenimiento.
- Solo utilice piezas de repuesto originales.
- Asegúrese de que las aberturas de ventilación estén despejadas y no tengan suciedad.
- Mantenga los mangos secos, limpios y sin grasa ni aceite.
- Todas las cubiertas, blindajes y manillas se deben montar antes del uso.
- Solo utilice la máquina con luz de día o en condiciones de buena iluminación.
- No se estire demasiado. Mantenga una posición y un equilibrio adecuados en todo momento.
- No fuerce el producto. Obtendrá mejores resultados y menos probabilidades de lesiones si lo utiliza a la velocidad para la cual fue diseñado.
- Trabajar en condiciones meteorológicas adversas resulta agotador y generalmente presenta más

riesgos. No se recomienda utilizar el producto en condiciones meteorológicas muy adversas, como niebla densa, lluvia copiosa, vientos fuertes, frío intenso o con posibilidades de relámpagos.

- Si el producto comienza a vibrar anormalmente, detenga su funcionamiento y retire la batería.
- Evite los encendidos accidentales: No transporte el aparato con el dedo sobre el interruptor.
- Almacene los aparatos inactivos en espacios cerrados: Cuando no se utilicen, los aparatos se deben almacenar en espacios cerrados.
- Camine, nunca corra.

## Utilice siempre el sentido común

No es posible abordar todas las situaciones posibles que puede afrontar. Siempre tenga cuidado y use su sentido común. Evite todas las situaciones que considere que están más allá de su capacidad. Si todavía se siente inseguro acerca de los procedimientos operativos después de leer estas instrucciones, debería consultar a un experto antes de continuar.



**ADVERTENCIA:** Nunca permita que los niños utilicen la máquina o que estén cerca de esta. Ya que la máquina es fácil de encender, los niños podrían hacerlo si no se les vigila por completo. Esto puede significar riesgo de daños personales graves. Por lo tanto, desconecte la batería cuando la máquina no cuente con la supervisión adecuada.

## Instrucciones generales de seguridad



**ADVERTENCIA:** Lea atentamente las instrucciones de advertencia siguientes antes de usar el producto.

- Retire la batería para evitar que el producto se encienda por accidente.
- Este producto puede ser una herramienta peligrosa si no se maneja con cuidado o si utiliza el producto de forma incorrecta. Este producto puede causar daños graves o fatales al operador o a otras personas.
- No utilice el producto si cambia su especificación inicial. No cambie una parte del producto sin la aprobación del fabricante. Utilice solamente las piezas que están aprobadas por el fabricante. Las lesiones graves o fatales son un posible resultado de un mantenimiento incorrecto.
- Revise el producto antes de utilizarlo. Consulte *Dispositivos de seguridad en el producto en la página 28* y *Mantenimiento en la página 36*. No use un producto defectuoso. Realice los controles de seguridad, el mantenimiento y las instrucciones de servicio descritos en este manual.
- Se debe supervisar a los niños para asegurarse de que no jueguen con el aparato. Nunca permita que

los niños u otras personas no capacitadas para el uso del producto o la batería usen o revisen la máquina. Las leyes locales pueden controlar la edad del usuario.

- Mantenga el producto en un área cerrada para evitar que los niños u otras personas sin autorización puedan acceder a él.
- Almacene el producto fuera del alcance de los niños.
- Es posible que su garantía no cubra daños o responsabilidades causadas por el uso de accesorios o piezas de repuesto no autorizados.
- Bajo ninguna circunstancia se puede modificar el diseño del producto sin autorización del fabricante. Siempre utilice accesorios originales. Las modificaciones o los accesorios no autorizados pueden provocar daños personales graves o fatales para el operador u otras personas.

---

**Tenga en cuenta:** El uso puede estar regulado por legislaciones nacionales o locales. Cumpla con las normas indicadas.

---

## Instrucciones de seguridad para el funcionamiento

---



**ADVERTENCIA:** Lea atentamente las instrucciones de advertencia siguientes antes de usar el producto.

---

- Si se encuentra en una situación en la que no está seguro de cómo proceder, debe preguntarle a un experto. Póngase en contacto con el distribuidor o el taller de servicio. Evite todos los usos que considere que están más allá de su capacidad.
- Nunca utilice el producto si está cansado, bajo la influencia del alcohol o las drogas, medicamentos o cualquier cosa que pudiera afectar su visión, atención, coordinación o criterio.
- Un equipo de corte defectuoso puede aumentar el riesgo de accidentes.
- No permita que los niños utilicen o se acerquen al producto. Ya que el producto es fácil de encender, los niños podrían hacerlo si no se les vigila lo suficiente. Esto puede significar riesgo de daños personales graves. Desconecte la batería cuando el producto no cuente con la supervisión adecuada.
- Asegúrese de que ninguna persona o animal se acerque a menos de 15 metros mientras trabaja. Cuando haya varios usuarios trabajando en el mismo lugar, la distancia de seguridad debe ser de al menos 15 metros. De lo contrario, existe el riesgo de daños personales graves. Detenga el producto de inmediato si alguien se acerca. Nunca balancee el producto sin mirar primero hacia atrás para asegurarse de que nadie se encuentre dentro de la zona de seguridad.
- Asegúrese de que ni personas, ni animales ni ningún objeto o elemento puedan influir en su control del producto o que no entren en contacto con

el equipo de corte u objetos flojos que son lanzados por el equipo de corte. No obstante, no utilice el producto a menos que pueda pedir ayuda en caso de accidente.

- Siempre inspeccione la zona de trabajo. Quite todos los objetos sueltos como piedras, cristales rotos, clavos, alambres de acero, cuerdas, etc., que podrían salir eyectados o enredarse en el equipo de corte.
- Cerciórese de que puede caminar y mantenerse de pie con seguridad. Revise el área a su alrededor para detectar posibles obstáculos (raíces, piedras, ramas, zanjas, etc.) en caso de que tenga que moverse repentinamente. Tenga sumo cuidado al trabajar en terreno inclinado.
- Mantenga un buen equilibrio en todo momento. No se estire demasiado.
- Apague el producto antes de pasar a otra área.
- Nunca ponga el producto hacia abajo, a menos que se encuentre desactivado y sin batería. No deje el producto sin supervisión cuando se encuentre activado.
- Retire la batería antes de pasar el producto a otra persona.
- Asegúrese de que ninguna prenda de vestir o parte del cuerpo entre en contacto con el equipo de corte cuando el producto se encuentre activado. Ajuste el producto para que se mantenga debajo de la cintura.
- Si algo se atasca en el equipo de corte durante la operación, detenga el trabajo y desactive el producto. Asegúrese de que el equipo de corte se detenga por completo. Retire la batería antes de limpiar, inspeccionar o reparar el producto o el equipo de corte. Existe riesgo de que se produzcan quemaduras, debido al calentamiento de la caja de engranajes. Utilice guantes para trabajar con el cabezal de corte.
- Mantenga las manos y los pies alejados del equipo de corte hasta que se haya detenido por completo cuando se desactive el producto.
- Tenga cuidado con los trozos de rama que puedan salir despedidos durante el corte. No corte demasiado cerca del suelo, donde piedras y otros objetos puedan ser lanzados.
- Esté atento a que no salgan objetos despedidos. Use siempre protección ocular homologada. No se apoye nunca sobre la protección del equipo de corte. Es posible que piedras, residuos, etc., salgan disparados en dirección a los ojos lo que puede provocar ceguera o lesiones graves.
- Preste atención a las señales de advertencia o gritos cuando utilice protectores auriculares. Siempre retire sus protectores auriculares apenas se detenga el producto.
- No trabaje nunca desde una escalera, taburete u otra posición elevada que no esté completamente asegurada.

- Si se genera alguna vibración inesperada, saque más hilo con la longitud correcta para detener las vibraciones.
- La sobreexposición a las vibraciones puede producir trastornos vasculares o daños al sistema nervioso en personas que padecen de problemas de circulación. Comuníquese con su médico si experimenta síntomas de sobreexposición a las vibraciones. Estos síntomas son entumecimiento, pérdida de sensibilidad, hormigueo, ardor, dolor, pérdida de fuerza, cambios en el color o el estado de la piel. Normalmente, estos síntomas se presentan en los dedos, las manos o las muñecas.
- Siempre sujete el producto con ambas manos. Mantenga el producto al lado derecho de su cuerpo.
- No retire el material de corte, ni deje que otras personas lo hagan, mientras el producto se encuentre encendido o el equipo de corte siga girando, ya que puede provocar lesiones graves.
- Siempre detenga el producto, retire la batería y asegúrese de que el equipo de corte no gire antes de retirar el material enrollado en el eje de la hoja o atrapado entre la protección y el equipo de corte.
- En este producto se genera un campo electromagnético durante su funcionamiento. Este campo puede, en determinadas circunstancias, interferir con implantes médicos activos o pasivos. Para reducir el riesgo de lesiones graves o mortales, recomendamos a las personas con implantes médicos consultar a su médico y al fabricante del implante médico antes de usar esta máquina.
- Suelte el gatillo de alimentación después de cada tarea para no consumir la energía de la batería innecesariamente.
- No fuerce el producto. Obtendrá mejores resultados y menos probabilidades de sufrir lesiones si lo utiliza a la velocidad para la cual fue diseñado.
- Si se golpea algún objeto extraño o si se producen vibraciones, detenga la máquina de inmediato. Retire la batería del producto y compruebe que no esté dañado.

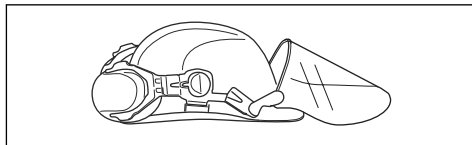
## Equipo de protección personal



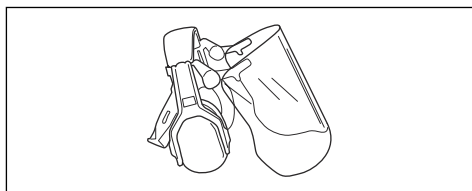
**ADVERTENCIA:** Lea atentamente las instrucciones de advertencia siguientes antes de usar el producto.

- Utilice siempre el equipo de protección personal adecuado cuando use el producto. El equipo de protección personal no puede impedir el riesgo de lesiones, pero disminuirá el grado de lesión si ocurre un accidente. Permita que su distribuidor le ayude seleccionar el equipo adecuado.

- Utilice un casco protector cuando exista el riesgo de caída de objetos.

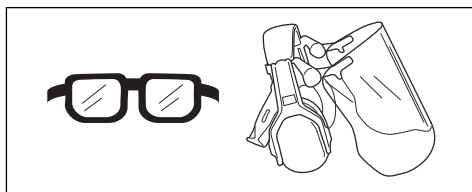


- La exposición prolongada al ruido puede causar la pérdida de la audición. En general, los productos con alimentación mediante batería son relativamente silenciosos, pero pueden producir daños por medio de una combinación entre el nivel de ruido y el uso prolongado. recomienda que los operadores utilicen protectores auriculares cuando utilicen productos durante días enteros. Los usuarios recurrentes y habituales deben procurar acudir a exámenes auditivos con regularidad.

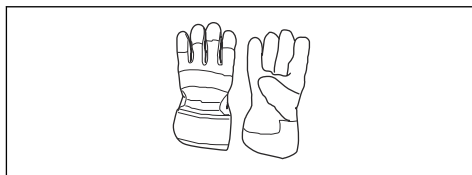


**ADVERTENCIA:** Los protectores auriculares limitan la capacidad de escuchar sonidos y señales de advertencia.

- Use protección ocular homologada. Si utiliza un visor, también debe usar gafas protectoras homologadas. Las gafas protectoras homologadas deben cumplir con la norma ANSI Z87.1 de EE. UU. o EN 166 para países de la UE.



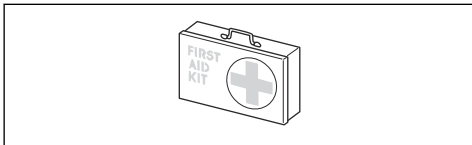
- Utilice guantes cuando sea necesario, por ejemplo, cuando conecte, examine o limpie el equipo de corte.



- Utilice botas resistentes antideslizantes.



- Utilice ropa de material resistente. Use siempre pantalones largos y gruesos, y mangas largas. Evite usar ropas holgadas que se puedan enganchar con ramas. No trabaje con joyas, pantalones cortos, sandalias ni con los pies descalzos. Asegure su cabello por encima del nivel de los hombros.
- Mantenga un equipo de primeros auxilios a mano.



### Equipo de corte



**ADVERTENCIA:** Retire la batería y asegúrese de que el equipo de corte se detenga completamente antes de trabajar en cualquier parte del equipo de corte.



**ADVERTENCIA:** Solo utilice el equipo de corte con las protecciones que recomendamos. Para obtener más información, consulte *Accesorios en la página 40*.

### Cabezal de corte

- Utilice siempre el cabezal y el equipo de corte correctos, además del hilo de recortadora recomendado. Consulte *Accesorios en la página 40* y el montaje al final del manual.
- Asegúrese de que la cortadora en la protección de la recortadora no esté dañada.
- Asegúrese de que el hilo de la recortadora esté enrollado firme y uniformemente alrededor del tambor para evitar vibraciones inusuales del producto. Distintas longitudes de hilo puede provocar vibraciones que no son necesarias. Golpee el cabezal de corte para conseguir la longitud correcta del hilo.

### Dispositivos de seguridad en el producto



**ADVERTENCIA:** Lea atentamente las instrucciones de advertencia siguientes antes de usar el producto.

En esta sección se describen las características de seguridad del producto y su propósito, y cómo deben llevarse a cabo las comprobaciones y el mantenimiento para asegurarse de que funciona correctamente. Consulte las instrucciones bajo el título *Descripción general del producto en la página 21* para ver dónde están situados estos componentes en el producto.

La vida útil del producto se puede reducir y el riesgo de accidentes puede aumentar si el mantenimiento del producto no se realiza correctamente y si el servicio o las reparaciones no se llevan a cabo de forma profesional. Si necesita más información, comuníquese con su taller de servicio más cercano.



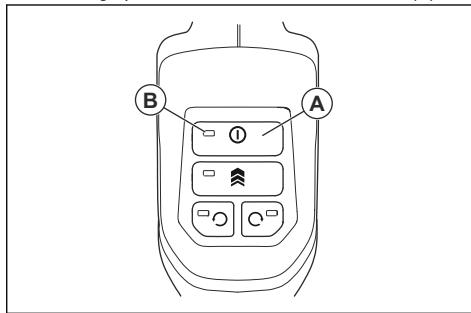
**ADVERTENCIA:** No utilice nunca un producto con componentes de seguridad defectuosos. El equipo de seguridad del producto se debe inspeccionar y mantener tal como se describe en esta sección. Si el producto no pasa exitosamente alguna de estas comprobaciones, póngase en contacto con el taller de servicio para que lo reparen.



**AVISO:** Todos los trabajos de servicio y reparación de la máquina requieren una formación especial. Esto aplica especialmente al equipo de seguridad. Si la máquina no pasa exitosamente alguna de las comprobaciones indicadas a continuación, póngase en contacto con el taller de servicio. La compra de alguno de nuestros productos le garantiza la disponibilidad de mantenimiento y servicio profesionales. Si el comerciante que vende la máquina no es un concesionario de servicio, pídale la dirección del taller de servicio más cercano.

### Para comprobar el teclado

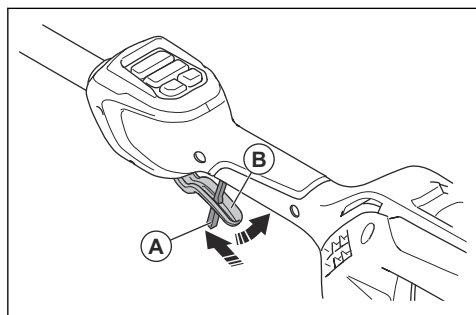
- Mantenga presionado el botón de encendido (A).



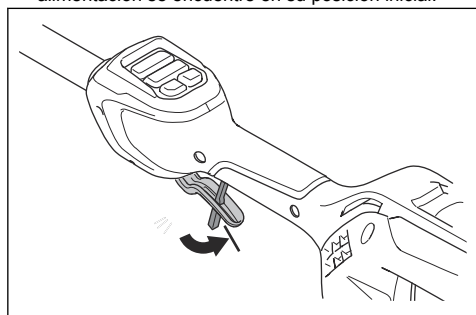
- El producto se enciende cuando la luz LED (B) se enciende.
- El producto se apaga cuando la luz LED (B) se apaga.

### Comprobación del bloqueo del gatillo de alimentación

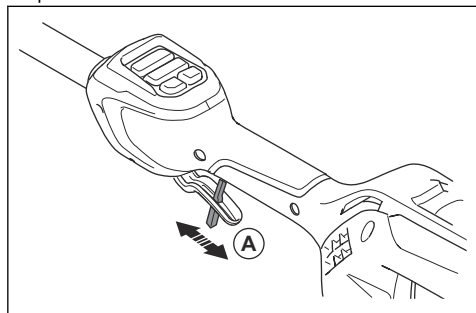
El bloqueo del gatillo de alimentación previene que el producto se encienda accidentalmente. Cuando presiona el bloqueo del gatillo de alimentación (A) hacia delante, se libera el gatillo de alimentación (B). Cuando suelte el mango, el gatillo de alimentación y el bloqueo del gatillo de alimentación volverán a su posición inicial.



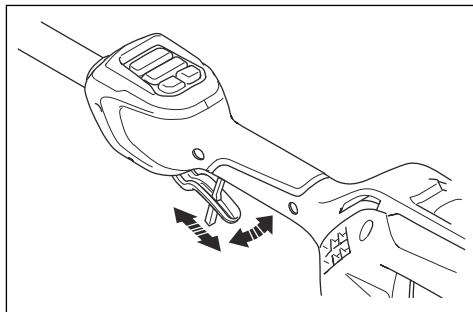
1. Asegúrese de que el gatillo de alimentación esté bloqueado cuando el bloqueo del gatillo de alimentación se encuentre en su posición inicial.



2. Presione el bloqueo del gatillo de alimentación (A) hacia delante. Asegúrese de que vuelva a su posición inicial cuando lo suelte.



3. Asegúrese de que el gatillo de alimentación y el bloqueo del gatillo de alimentación se muevan con facilidad, y que el resorte de retorno funcione correctamente.



4. Encienda el producto. Consulte *Para poner en marcha el producto en la página 33*.
5. Aplique la potencia máxima.
6. Suelte el bloqueo del gatillo de alimentación y asegúrese de que el equipo de corte se detenga por completo.

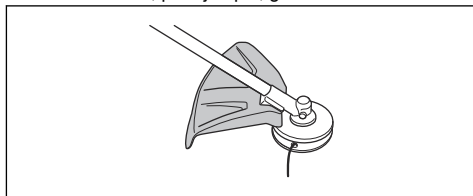
### Comprobación de la protección del equipo de corte



**ADVERTENCIA:** No utilice un equipo de corte sin una protección para equipo de corte aprobada y correctamente acoplada. Utilice siempre la protección recomendada para el equipo de corte correspondiente. Para obtener más información, consulte *Accesorios en la página 40*. Un montaje incorrecto o defectuoso de la protección del equipo de corte puede provocar lesiones personales graves.

La protección del equipo de corte evita que un objeto salga disparado en dirección al operador. También evita lesiones que se producen si toca el equipo de corte.

1. Detenga el motor.
2. Realice una comprobación visual para determinar si existen daños, por ejemplo, grietas.



3. Reemplace la protección del equipo de corte si está dañada.

## Seguridad de la batería



**ADVERTENCIA:** Lea atentamente las instrucciones de advertencia siguientes antes de usar el producto.

- Solo utilice la batería BLi22. Consulte *Datos técnicos en la página 39*. La batería cuenta con un software cifrado.
- Utilice una batería BLi22 que sea recargable como fuente de alimentación solo para los productos Husqvarna relacionados. Para evitar daños, no utilice la batería como fuente de alimentación en otros dispositivos.
- Riesgo de sacudida eléctrica. No conecte los terminales de la batería a llaves, monedas, tornillos u otros objetos metálicos. Esto puede provocar un cortocircuito de la batería.
- No utilice baterías no recargables.
- No introduzca objetos en las ranuras de aire de la batería.
- Mantenga la batería alejada de la luz solar, del calor o de llamas. La batería puede causar quemaduras o quemaduras químicas.
- Mantenga la batería alejada de microondas y de alta presión.
- No intente desarmar o romper la batería.
- Si se produce una filtración en la batería, no permita que el líquido entre en contacto con la piel o los ojos. Si toca el líquido, limpie el área con agua y jabón abundante y solicite asistencia médica. Si el líquido se introduce en los ojos, no los frote, enjuáguese con agua durante un mínimo de 15 minutos y solicite asistencia médica.
- Utilice la batería en niveles de temperatura entre -10 °C (14 °F) y 40 °C (114 °F).
- No limpie con agua la batería o el cargador de batería. Consulte *Para limpiar el producto, la batería y el cargador de batería en la página 37*.
- No utilice una batería dañada o defectuosa.
- Almacene las baterías en compartimientos alejados de objetos metálicos, como clavos, tornillos o joyas.
- Mantenga las baterías alejadas de los niños.

## Seguridad del cargador de batería



**ADVERTENCIA:** Lea atentamente las instrucciones de advertencia siguientes antes de usar el producto.

- Existe riesgo de sacudidas eléctricas o cortocircuitos si no se siguen las instrucciones de seguridad.
- Utilice una toma de corriente con conexión a tierra que no presente daños.
- Solo utilice cargadores Husqvarna.
- No intente desarmar el cargador de batería.
- No utilice un cargador de batería dañado o defectuoso.

- No levante el cargador de batería tirando del cable de alimentación. Para desconectar el cargador de batería de la toma de corriente, tire del enchufe. No tire del cable de alimentación.
- Mantenga todos los cables y extensiones alejados del agua, aceite y bordes afilados. Asegúrese de que el cable no quede atrapado entre objetos, por ejemplo, puertas, vallas o elementos similares.
- No utilice el cargador de batería cerca de materiales inflamables o materiales que puedan causar corrosión. Asegúrese de que el cargador de la batería no esté cubierto. Desconecte el cargador de batería del enchufe en caso de incendio o humo.
- Cargue la batería solo en un lugar bajo techo con buena ventilación y lejos de la luz solar. No cargue la batería al aire libre. No cargue la batería en condiciones húmedas.
- Solo utilice el cargador de la batería cuando la temperatura esté entre 5 °C (41 °F) y 40 °C (104 °F). Utilice el cargador en un entorno que cuente con un buen flujo de aire, seco y sin polvo.
- No introduzca objetos en las ranuras de enfriamiento del cargador de la batería.
- No conecte los terminales del cargador de la batería a objetos metálicos, ya que esto puede causar cortocircuitos en el cargador de la batería.
- Utilice tomas de corriente aprobadas que no presenten daños. Asegúrese de que el cable del cargador de la batería no presente daños. Si utiliza cables de extensión, asegúrese de que no presenten daños.
- Utilice un interruptor diferencial (RCD, por su sigla en inglés) para una mayor seguridad. Los interruptores diferenciales están equipados para proteger a los operadores en caso de que ocurra alguna falla eléctrica.
- **Al operar una herramienta eléctrica en exteriores, utilice un cable de extensión apto para su uso al aire libre.** La utilización de un cable apto para el uso al aire libre reduce el riesgo de sacudida eléctrica.
- Utilice únicamente cables de extensión para exteriores que tengan enchufe de conexión a tierra de tres espigas y receptáculos a tierra aptos para el enchufe del dispositivo.

## Instrucciones de seguridad para el mantenimiento



**ADVERTENCIA:** Lea atentamente las instrucciones de advertencia antes de realizar mantenimiento al producto.

- Retire la batería antes de hacer el mantenimiento, otras revisiones o el armado del producto.
- El operador solo debe hacer el mantenimiento y el servicio que se indica en el manual del usuario. Acuda a su concesionario de servicio cuando deba realizar mantenimiento y servicio a mayor escala.

- No limpie con agua la batería o el cargador de batería. Los detergentes fuertes pueden dañar el plástico.
- Si no realiza el mantenimiento, disminuye la vida útil del producto y aumenta el riesgo de accidentes.
- Se necesita capacitación especial para todos los trabajos de servicio y reparación, especialmente de los dispositivos de seguridad del producto. Si no se aprueban todas las comprobaciones establecidas en este manual del usuario después de realizar el mantenimiento, acuda al concesionario de servicio. Garantizamos que existen reparaciones y servicios profesionales disponibles para su producto.

- Solo utilice piezas de repuesto originales.
- El mantenimiento, reemplazo o reparación de los dispositivos y sistemas de control de emisiones sistema puede ser realizado por cualquier establecimiento o persona de reparaciones de motores para uso fuera de carretera.

# GUARDE ESTAS INSTRUCCIONES

## Montaje

### Introducción

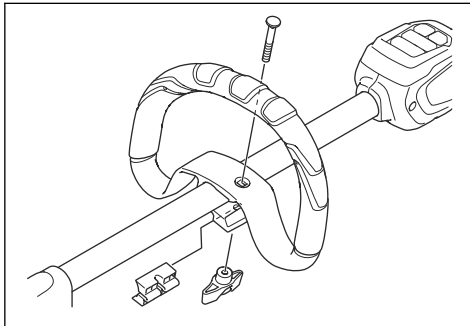
En este capítulo se describe cómo montar y ajustar el producto.



**ADVERTENCIA:** Antes de montar el producto, lea el capítulo sobre seguridad y las instrucciones de montaje.

### Conexión del mango cerrado

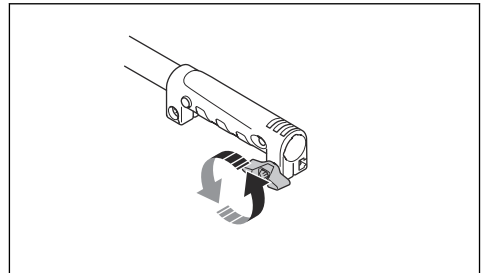
1. Fije el mango cerrado sobre el eje entre las flechas.



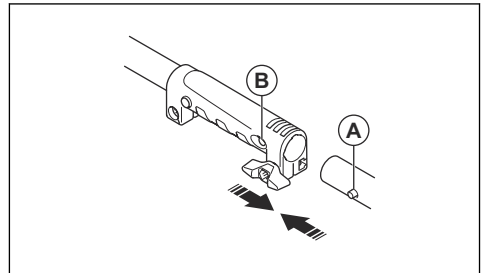
2. Mueva el separador en la ranura del mango cerrado.
3. Instale el tornillo y la perilla. No apriete en exceso.
4. Ajuste el mango cerrado a una posición adecuada.
5. Apriete la perilla.

### Para montar el eje de dos piezas

1. Gire la perilla para aflojar el acoplamiento del eje.

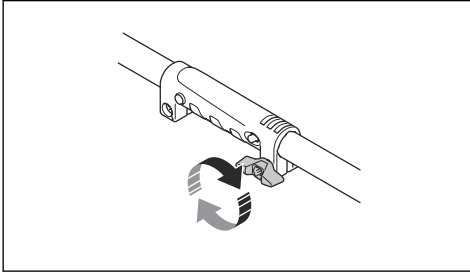


2. Presione el botón de bloqueo (A) y presione el eje en el acoplamiento del eje hasta que el botón de bloqueo se ajuste en el orificio (B).



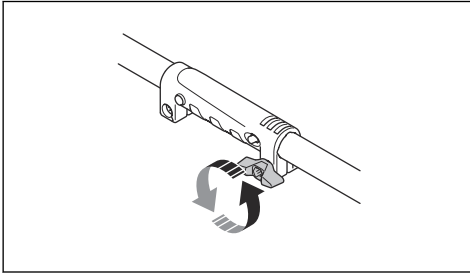
**Tenga en cuenta:** Si no puede empujar el eje por completo en el acoplamiento del eje, gire el eje para conectar el eje propulsor interno.

3. Apriete la perilla por completo antes de utilizar el producto.

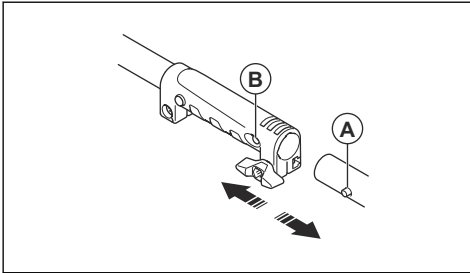


### Para desmontar el eje de dos piezas

1. Gire la perilla para aflojar el acoplamiento del eje.

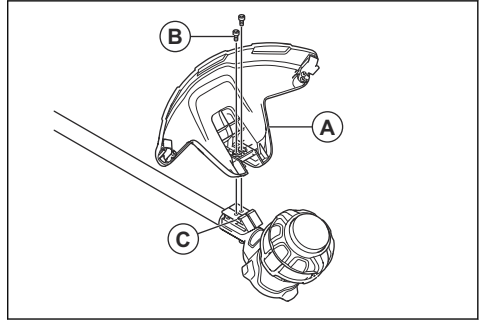


2. Mantenga presionado el botón de bloqueo (A)  
Aparte los ejes.



### Para fijar la protección del equipo de corte

- Fije la protección del equipo de corte (A) en el eje (C) con los tornillos (B).



## Funcionamiento

### Introducción



**ADVERTENCIA:** Asegúrese de leer y comprender el capítulo de seguridad antes de utilizar el producto.

### Antes de usar el producto

- Examine la zona de trabajo para asegurarse de conocer el tipo de terreno. Examine la pendiente de la tierra y observe si hay obstáculos como piedras, ramas y zanjas.
- Realice una inspección del producto.
- Haga las inspecciones de seguridad, mantenimiento y servicio que figuran en este manual.
- Inspeccione el motor en busca de suciedad y grietas. Utilice un cepillo para limpiar el césped y las hojas del motor. Utilice guantes protectores cuando sea necesario.
- Inspeccione el cabezal de corte y la protección del equipo de corte para determinar si presentan daños o grietas. Reemplace el cabezal de corte y la protección del equipo de corte si recibieron golpes o si presentan grietas.
- Asegúrese de que todas las tuercas y todos los tornillos estén apretados.



- Asegúrese de que todas las cubiertas, las protecciones, los mangos y el equipo de corte estén fijados correctamente y que no presenten daños antes de arrancar el producto.

## Para conectar el cargador de la batería

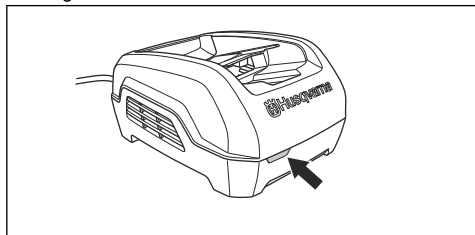
1. Conecte el cargador de la batería según el voltaje y la frecuencia especificados en la placa de características.
2. Enchufe el producto en una toma de corriente con conexión a tierra. La luz LED del cargador de batería parpadea en verde una vez.

**Tenga en cuenta:** La batería no se cargará si su temperatura es superior a 50 °C/122 °F. Si la temperatura es superior a 50 °C/122 °F, el cargador de la batería se encargará de enfriarla.

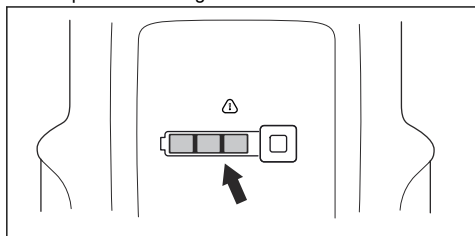
## Para cargar la batería

**Tenga en cuenta:** Cargue la batería si es la primera vez que la utiliza. Una batería nueva solo está cargada en un 30 %.

1. Asegúrese de que la batería esté seca.
2. Coloque la batería en el cargador.
3. Asegúrese de que la luz verde de carga en el cargador de la batería se encienda. Esto significa que la batería está conectada correctamente al cargador.



4. Cuando todas las luces LED de la batería se encienden, se indica que la batería está completamente cargada.



5. Para desconectar el cargador de batería de la toma de corriente, tire del enchufe. No tire del cable.
6. Quite la batería del cargador de la batería.

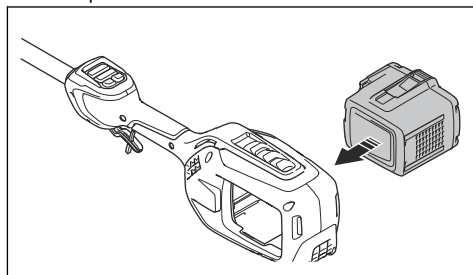
**Tenga en cuenta:** Consulte los manuales de la batería y del cargador de la batería para obtener más información.

## Para conectar la batería al producto



**ADVERTENCIA:** Utilice solo baterías originales Husqvarna en el producto.

1. Asegúrese de que la batería esté totalmente cargada.
2. Presione la batería en el compartimiento de batería del producto. Cuando escuche un clic, significará que la batería se encuentra fija en su posición correspondiente.



**AVISO:** Si la batería no se mueve con facilidad, la instalación de la batería no se realizó correctamente. Esto puede provocar daños al producto.

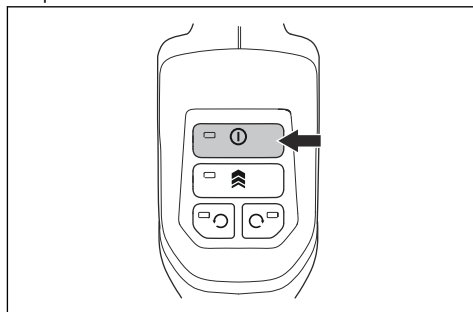
3. Asegúrese de que la batería esté correctamente instalada.

## Información de la batería

Consulte el manual de usuario de la batería para obtener información sobre cómo utilizar la batería.

## Para poner en marcha el producto

1. Mantenga presionado el botón de encendido hasta que la luz LED verde se encienda.

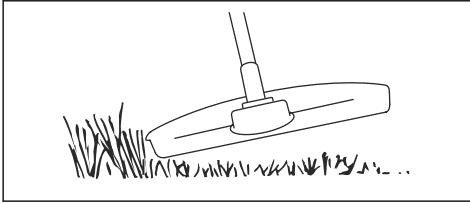


2. Utilice el gatillo de alimentación para controlar la velocidad.

## Para hacer funcionar el producto

### Para recortar el césped

- Sostenga el cabezal de corte inmediatamente sobre el nivel del suelo en un ángulo. No presione el hilo de la recortadora de césped contra este último.



### Para eliminar césped

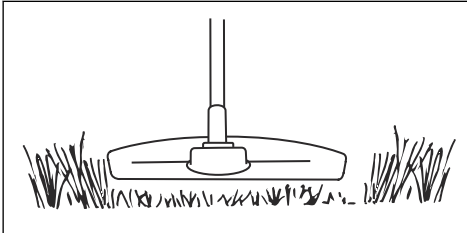
1. Mantenga el cabezal de corte sobre el suelo.
2. Incline el cabezal de corte.
3. Corte con el extremo del hilo de la recortadora alrededor de los objetos en la zona de trabajo.



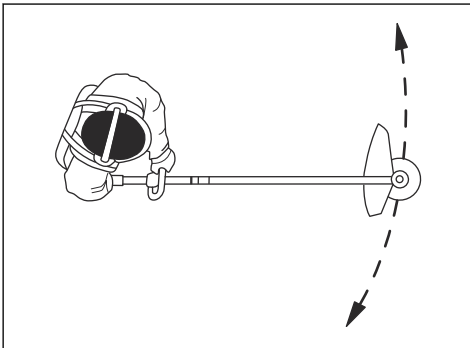
**AVISO:** Corte el césped. Otros objetos que reciban golpes del hilo de la recortadora aumentan su desgaste.

### Para cortar el césped

1. Asegúrese de que el hilo de la recortadora de césped esté paralelo al suelo cuando corte.



2. No presione el cabezal de corte contra el suelo. Esto puede provocar daños al producto.
3. Mueva el producto de un lado a otro cuando corte. Utilice la máxima velocidad.



## Para barrer el césped

El flujo de aire del hilo giratorio de la recortadora puede usarse para eliminar el césped cortado de una zona.

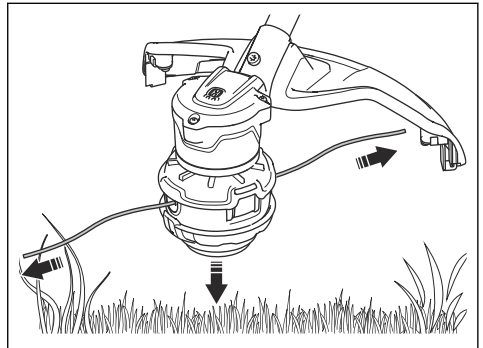
1. Mantenga el cabezal de corte y el hilo de la recortadora paralelos al suelo y por sobre él.
2. Acelere al máximo.
3. Mueva el cabezal de corte de lado a lado y barra la hierba.



**ADVERTENCIA:** Limpie la cubierta del cabezal de corte cada vez que monte el nuevo hilo de la recortadora para evitar desestabilizaciones y vibraciones en los manillares. También realice una comprobación de las demás piezas del cabezal de corte y límpielo si es necesario.

## Para extender el hilo de la recortadora

- Si el hilo de la cortadora se queda corto durante el funcionamiento, toque el cabezal de corte en una superficie sólida y plana para extender más el hilo. Debe operar el producto a máxima velocidad para obtener el mejor resultado.



## Botón de refuerzo de potencia

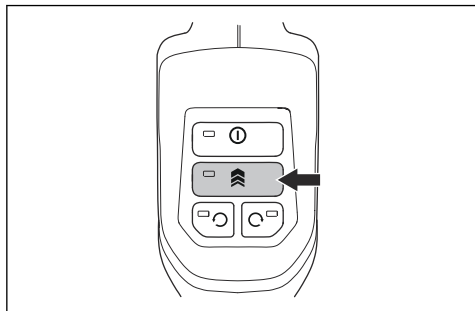
Puede utilizar el modo estándar o la función de refuerzo de potencia.

- Modo estándar: el producto se encuentra configurado en el modo estándar cuando arranca. El modo estándar ahorra energía y proporciona el tiempo máximo de funcionamiento. El modo estándar es válido para la mayoría de las tareas.
- Función de refuerzo de potencia: la función de refuerzo de potencia permite que el producto funcione a máxima velocidad. La función de refuerzo de potencia se puede utilizar, por ejemplo, en áreas con un crecimiento de césped más grueso de lo habitual.

### Para arrancar y detener la función de refuerzo de potencia

Puede arrancar o detener la función de refuerzo de potencia mientras el producto está en funcionamiento.

- Presione el botón de refuerzo de potencia La función de refuerzo de potencia está encendida cuando la luz LED se enciende.



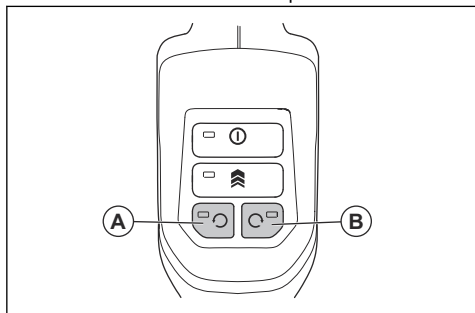
- Presione el botón de refuerzo de potencia La función de refuerzo de potencia se encuentra apagada cuando la luz LED se apaga.

**Tenga en cuenta:** Si se suelta el gatillo de alimentación durante el funcionamiento, el producto se inicia en la última función establecida. Si el producto se detiene automáticamente, o si el operador presiona el botón de encendido, el producto regresa a la función estándar cuando se pone en funcionamiento.

### Para cambiar el sentido de rotación del cabezal de corte

Se puede cambiar el sentido de rotación tanto a máxima velocidad como en la posición de detención. Cuando se pone en funcionamiento, el giro del cabezal de corte se encuentra establecido hacia la derecha.

- Presione el botón izquierdo (A) para establecer el sentido de rotación hacia la izquierda.



- Presione el botón derecho (B) para establecer el sentido de rotación hacia la derecha. El indicador LED de color verde indica el sentido de rotación que se utiliza.

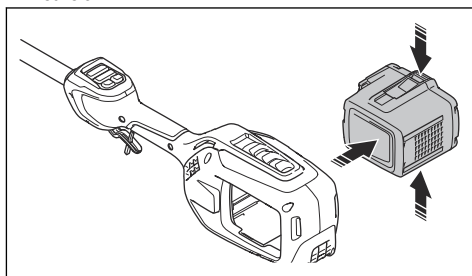
**Tenga en cuenta:** Es más fácil sacar el hilo de la recortadora para que sea más largo cuando el cabezal de corte gire hacia la derecha.

### Función de apagado automático

El producto cuenta con una función de apagado automático que lo detiene si no se está utilizando. La luz LED verde que indica arranque/detención se apaga y el producto se apaga en 120 segundos.

### Para detener la máquina

1. Suelte el gatillo de alimentación o el bloqueo del gatillo de alimentación.
2. Presione el botón de encendido hasta que se apague el LED verde.
3. Presione los botones de liberación de la batería y retírela.



# Mantenimiento

## Introducción



**ADVERTENCIA:** Lea detenidamente el capítulo de seguridad antes de realizar mantenimiento en el producto.

La siguiente es una lista de pasos de mantenimiento que se deben realizar en el producto. Consulte *Introducción en la página 36* para obtener más información.

## Programa de mantenimiento



**ADVERTENCIA:** Retire la batería antes de realizar mantenimiento.

Mantenimiento	Diario	Una vez por semana	Una vez al mes
Limpie las piezas externas del producto con un paño seco. No utilice agua.	X		
Asegúrese de que el botón de encendido funcione correctamente y que no presente daños.	X		
Asegúrese de que el gatillo de alimentación y el bloqueo del gatillo de alimentación funcionen correctamente en términos de seguridad.	X		
Asegúrese de que todos los controles funcionen y no estén dañados.	X		
Mantenga los mangos secos, limpios y sin grasa ni aceite.	X		
Asegúrese de que el equipo de corte no esté dañado. Reemplace el equipo de corte si está dañado.	X		
Asegúrese de que la protección del equipo de corte no esté dañada. Reemplace la protección del equipo de corte si está dañada.	X		
Asegúrese de que las tuercas y los tornillos estén apretados.	X		
Asegúrese de que los botones de liberación de la batería funcionen y que fijen la batería al producto.	X		
Asegúrese de que el cargador de la batería no esté dañado y funcione correctamente.	X		
Asegúrese de que la batería no esté dañada.	X		
Asegúrese de que la batería esté cargada.	X		
Asegúrese de que el cargador de la batería no esté dañado.	X		
Examine todos los acoplamientos y las conexiones. Asegúrese de que no estén dañados y que no tengan indicios de suciedad.		X	
Realice una comprobación de las conexiones entre la batería y el producto. Examine también la conexión entre la batería y el cargador de batería.			X

## Para examinar la batería y el cargador de la batería

1. Examine la batería en busca de daños, tales como grietas.

2. Examine el cargador de la batería en busca de daños, tales como grietas.

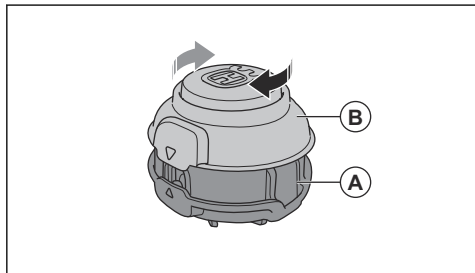
3. Asegúrese de que el cable de conexión del cargador de batería no presente daños ni grietas.

## Para limpiar el producto, la batería y el cargador de batería

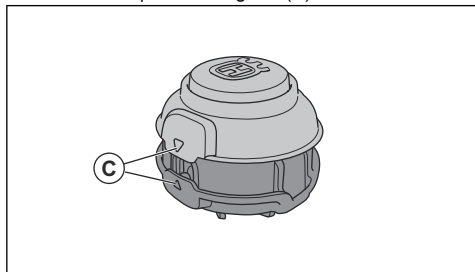
1. Limpie el producto con un paño seco después del uso.
2. Limpie la batería y el cargador de la batería con un paño seco. Mantenga limpios los rieles de guía de la batería.
3. Asegúrese de que las terminales en la batería y en el cargador de la batería estén secos antes de que la batería se coloque en el cargador de la batería o en el producto.

## Para sustituir el hilo de la recortadora

1. Sujete la mitad inferior (A) del cabezal de corte de manera estable con una sola mano.

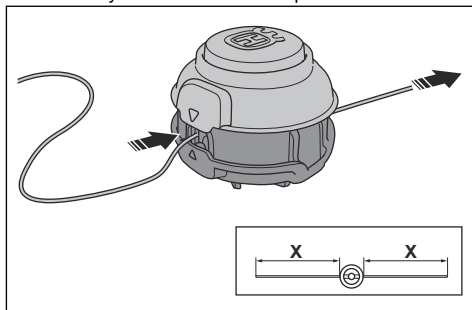


2. Utilice la mano contraria para girar la mitad superior (B) del cabezal hacia la derecha.
3. Continúe girando la mitad superior del cabezal de corte hasta que los triángulos (C) se alineen.

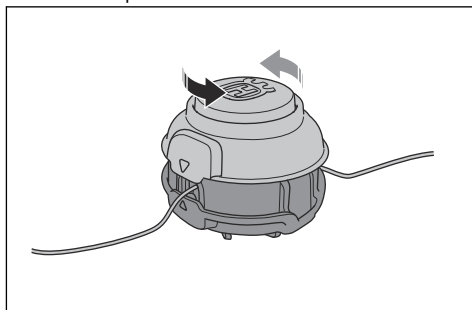


4. Retire y deseche el hilo restante de la recortadora, si hay.

5. Corte aproximadamente 5,5 m (18 pies) del nuevo hilo de la recortadora.
6. Coloque un extremo del hilo de la recortadora en uno de los orificios.
7. Inserte el hilo de la recortadora a través del cabezal de corte y a través del orificio opuesto.



8. Tire el hilo de la recortadora a través del cabezal de corte hasta que haya una longitud igual de hilo de la recortadora en cada lado.
9. Sostenga la mitad inferior del cabezal de manera estable con una sola mano.
10. Utilice la mano contraria para girar la mitad superior hacia la izquierda.



11. Continúe girando la perilla hasta que se hayan extendido aproximadamente 127 mm (5 pulgadas) de hilo de la recortadora desde cada orificio.

## Solución de problemas

### Teclado

Pantalla LED	Posibles fallas	Posible medida
Parpadeo de la luz LED de color verde	Batería baja.	Cargue la batería.

## Batería

Estado	Posibles fallas	Procedimiento posible
El LED de advertencia de la batería parpadea.	Desviación de temperatura, la batería está demasiado fría o demasiado caliente para su uso.	Deje que la batería se enfríe o muévela al interior para calentarla. Cuando la batería tenga la temperatura correcta, se puede volver a utilizar. Utilice la batería a temperaturas ambiente de entre -10 °C (14 °F) y 40 °C (104 °F).
	La batería está vacía.	Cargue la batería.
El LED de advertencia de la batería se enciende.	Error permanente de la batería.	Consulte a su concesionario.

## Cargador de batería

Estado	Posibles fallas	Procedimiento posible
El LED de carga es de color rojo.	Error permanente del cargador de baterías.	Consulte a su concesionario.
El LED de carga parpadea en color rojo.	Desviación de temperatura, la batería está demasiado fría o demasiado caliente para utilizarla o cargarla.	Deje que la batería se enfríe o se caliente. Cuando la batería tenga la temperatura correcta, se puede utilizar o cargar nuevamente. Utilice el cargador de la batería en niveles de temperatura ambiente de entre 5 °C (41 °F) y 40 °C (104 °F).
El LED de carga parpadea en color verde.		
El LED de carga parpadea en color rojo.	Batería defectuosa	Comuníquese con su concesionario

---

## Transporte, almacenamiento y eliminación de residuos

---

### Transporte y almacenamiento

- Las baterías de iones de litio proporcionadas siguen los requisitos de la Legislación de productos peligrosos.
- Siga los requisitos especiales sobre el embalaje y las etiquetas para transportes comerciales, incluidos los de terceros y transportistas.
- Comuníquese con una persona con capacitación especial sobre materiales peligrosos antes de enviar el producto. Siga todas las normas nacionales aplicables.
- Utilice cinta sobre los contactos abiertos cuando coloque la batería en un paquete. Coloque firmemente la batería en el paquete para evitar el movimiento.
- Retire la batería para almacenarla o transportarla.
- Coloque la batería y el cargador de la batería en un lugar seco, donde no haya humedad ni heladas.
- No mantenga la batería en un área donde pueda generarse electricidad estática. No mantenga la batería en una caja metálica.
- Guarde la batería en un lugar donde la temperatura oscile entre los 5 °C/41 °F y los 25 °C/77 °F, lejos de la luz solar directa.
- Guarde el cargador de la batería en un lugar donde la temperatura oscile entre los 5 °C/41 °F y los 45 °C/113 °F, lejos de la luz solar directa.
- Utilice el cargador de la batería solamente cuando la temperatura ambiente oscile entre los 5 °C/41 °F y los 40 °C/104 °F.
- Cargue la batería de un 30 % a un 50 % antes de almacenarla durante períodos prolongados.
- Almacene el cargador de la batería en un espacio cerrado y seco.
- Mantenga la batería lejos del cargador de la batería durante el almacenamiento. No permita que niños u otras personas sin autorización toquen el equipo. Mantenga el equipo en un espacio que pueda cerrar.

- Limpie el producto y realice un mantenimiento total antes de almacenarlo durante un período prolongado.
- Utilice protección para transportes en el producto para evitar lesiones o daños en el producto durante su transporte y almacenamiento.
- Fije el producto de manera segura durante el transporte.

---

## Datos técnicos

---

### Datos técnicos

<b>220iL</b>	
<b>Motor</b>	
Tipo de motor	BLDC (sin escobillas), 40 V
Velocidad de eje de salida, rpm	7000
Ancho de corte en mm/pulg	406/16
<b>Peso</b>	
Peso sin la batería, kg/lb	3,0/6,6
Peso con batería BLi22, kg/lb	4,3/9,5
<b>Nivel de protección contra el agua</b>	
Disponible para todo tipo de clima	No

### Baterías homologadas para el producto

<b>Batería</b>	<b>BLi22</b>
Tipo	Iones de litio
Capacidad de la batería, Ah	4,2
Voltaje nominal, V	36
Peso, kg/lb	1,3/2,9

### Cargadores de batería aprobados

<b>Cargador de batería</b>	<b>QC250</b>
Voltaje de entrada, V	100-240
Frecuencia, Hz	50-60
Potencia, W	250

---

## Accesorios

---

### Accesorios aprobados

Accesorios homologados	Tipo
Cabezal de corte	Hilo de la recortadora (Ø 2,0 mm/0,080 pulgadas)



# Table des matières

Introduction.....	41	Dépannage.....	57
Sécurité.....	43	Transport, entreposage et mise au rebut.....	58
Montage.....	51	Données techniques.....	59
Fonctionnement.....	52	Accessoires.....	60
Entretien.....	55		

## Introduction

### Description de l'outil

L'outil Husqvarna 220iL est une débroussailleuse à batterie avec moteur électrique.

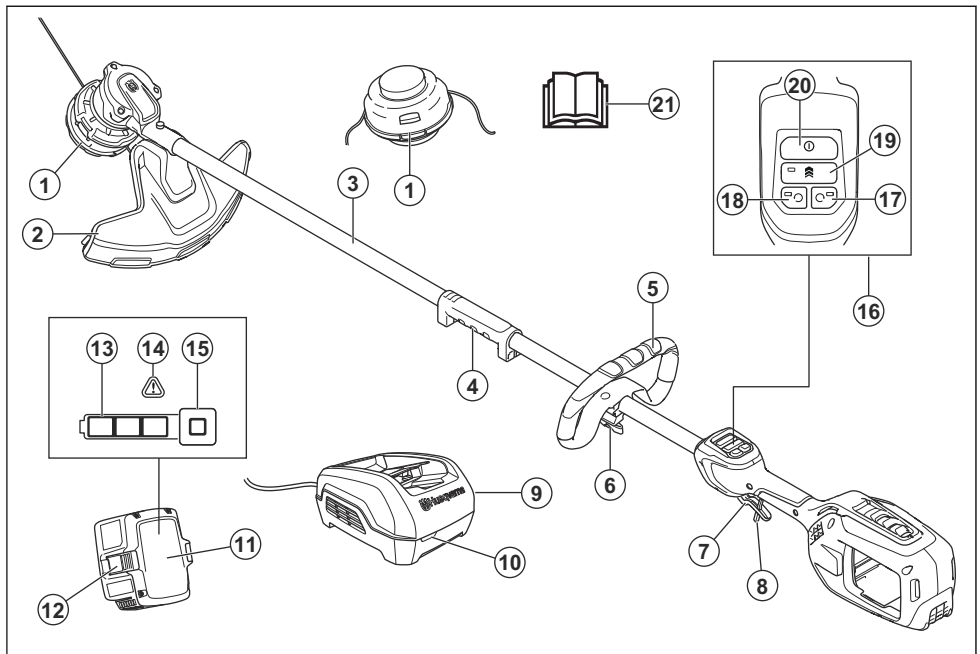
Le travail est constamment en cours pour augmenter votre sécurité et l'efficacité pendant l'utilisation. Pour obtenir de plus amples renseignements, communiquer avec votre centre de services.

### Utilisation prévue

Le produit est utilisé avec une tête de coupe pour couper l'herbe. Ne pas utiliser le produit pour des tâches autres que la coupe d'herbe.

**Remarque :** Les réglementations nationales peuvent limiter l'utilisation du produit.

### Présentation de l'appareil



- |   |   |
|---|---|
| 1. Tête de désherbage                           | 6. Ajustement du guidon                     |
| 2. Dispositif de protection de l'outil de coupe | 7. Chargeur de batterie                     |
| 3. Arbre  | 8. Gâchette                                 |
| 4. Raccord de l'arbre                           | 9. Mécanisme de verrouillage de la gâchette |
| 5. Poignée en boucle                            |   |

10. Témoin de marche et d'avertissement (témoin d'erreur)
11. Batterie
12. Boutons de déverrouillage de la batterie
13. État de la batterie
14. Indicateur d'avertissement (témoin d'erreur)
15. Bouton indicateur de la batterie
16. Clavier
17. Bouton de sens de rotation, dans le sens horaire
18. Bouton de sens de rotation, dans le sens antihoraire
19. Bouton de surcroît de puissance
20. Bouton d'alimentation
21. Manuel d'utilisation



Garder le produit à l'écart de l'eau et de la pluie.



Courant continu.



Le produit ou l'emballage du produit n'est pas un déchet domestique. Recycler dans un centre de recyclage pour équipements électriques et électroniques.

yyyywwxxxx

La plaque signalétique indique le numéro de série où **yyyy** représente l'année de production, **ww** la semaine de production et **xxxx** le numéro séquentiel.

## Symboles figurant sur le produit



**AVERTISSEMENT!** Risque de blessure grave ou de décès de l'utilisateur ou d'autres personnes. Faire attention et utiliser le produit correctement. Lire attentivement le manuel d'utilisation et bien comprendre les directives avant d'utiliser le produit.



Utiliser un dispositif de protection homologué pour les yeux.



Vitesse de rotation maximale de l'arbre de sortie.



Tenir les personnes et les animaux à une distance minimale de 15 m pendant l'utilisation du produit.



Porter des bottes et des gants de protection homologués. Porter des manches longues et des pantalons longs.



Garder les cheveux au-dessus des épaules.



L'appareil peut projeter des objets, ce qui peut causer des blessures.



Utiliser uniquement une tête de désherbage, une bobine et du fil coupe-herbe recommandés. Ne pas utiliser de lames.



Les flèches indiquent la limite de position du guidon.

## Symbole sur le chargeur de batterie



Utiliser et garder le chargeur de batterie seulement dans un endroit clos.

## Proposition 65 de la Californie

**! ATTENTION!**

Ce produit contient ou émet un produit chimique qui, d'après l'État de Californie, peuvent causer le cancer, des malformations congénitales ou autre danger pour la reproduction.

## Fabricant

Husqvarna AB

## Responsabilité concernant le produit

Comme indiqué dans les lois en vigueur sur la responsabilité concernant les produits, nous ne serons pas tenus responsables des dommages que notre produit causerait dans les situations suivantes :

- Le produit n'est pas réparé de façon adéquate.
- Le produit est réparé avec des pièces qui ne sont pas fournies ou homologuées par le fabricant.
- Le produit comprend un accessoire qui n'est pas fourni ou homologué par le fabricant.
- Le produit n'est pas réparé par un centre de service après-vente agréé ou par une autorité homologuée.

## Définitions relatives à la sécurité

Les avertissements, recommandations et remarques soulignent des points du manuel qui revêtent une importance particulière.



**AVERTISSEMENT:** Indique la présence d'un risque de blessure ou de décès de l'utilisateur ou de personnes à proximité si les instructions du manuel ne sont pas suivies.



**MISE EN GARDE :** Indique la présence d'un risque de dommages au produit, à d'autres appareils ou à la zone adjacente si les instructions du manuel ne sont pas suivies.

**Remarque :** Utilisé pour donner des renseignements plus détaillés qui sont nécessaires dans une situation donnée.

---

## IMPORTANTES CONSIGNES DE SÉCURITÉ



**AVERTISSEMENT:** Lire toutes les instructions et consignes de sécurité. Le non-respect de ces instructions et consignes peut provoquer une électrocution, un incendie et des blessures graves.

---

### Lire toutes les instructions



**AVERTISSEMENT:** Lors de l'utilisation d'appareils de jardinage électriques, toujours respecter les règles de sécurité de base afin de réduire les risques d'incendie, d'électrocution et de blessure, dont les règles suivantes :

---

### Consignes générales de sécurité relatives aux outils électriques



**AVERTISSEMENT:** Lire toutes les instructions et consignes de sécurité. Le non-respect de ces instructions et consignes peut provoquer une électrocution, un incendie et des blessures graves.

**Remarque :** Conserver ces instructions et consignes pour consultation ultérieure. Dans les avertissements, le

terme « outil électrique » fait référence à votre appareil électrique branché sur le secteur ou alimenté par batterie (sans fil).

- Éviter les environnements dangereux. Ne pas utiliser l'appareil dans des endroits humides ou mouillés.
- Ne pas utiliser sous la pluie.
- Tenir les enfants à distance. Toute les personnes et les animaux doivent rester à une distance suffisante de la zone de travail.
- S'habiller de façon appropriée. Ne jamais porter des vêtements amples ou des bijoux. Ils peuvent se coincer dans les pièces mobiles. Porter des vêtements de protection. On recommande d'utiliser des gants de travail, des pantalons longs, une chemise à manches longues et des chaussures de sécurité lorsque vous travaillez à l'extérieur. Le cas échéant, portez un couvre-chef pour couvrir les cheveux longs.
- Utiliser des lunettes de sécurité. Toujours utiliser un masque facial ou un masque antipoussières si la zone de travail est poussiéreuse.
- Utiliser le bon appareil. Ne pas utiliser cet appareil pour des tâches autres que celle pour laquelle il est conçu.
- Ne pas forcer l'appareil. Il offre de meilleurs résultats et le travail est effectué de façon plus sécuritaire s'il tourne au régime pour lequel il a été conçu.
- Ne pas trop se pencher vers l'avant. Toujours se tenir bien campé et en équilibre.
- Rester vigilant. Faire preuve de bon sens Ne pas utiliser l'appareil si vous êtes fatigué ou sous l'effet de drogues, de l'alcool ou de médicaments.
- Remiser l'appareil à l'intérieur. Lorsqu'il n'est pas utilisé, l'appareil doit être remis dans un endroit clos sec et verrouillé, hors de portée des enfants.
- Entretenir l'appareil avec soin. Respecter les instructions concernant la lubrification et le changement des accessoires. Garder les poignées sèches, propres et exemptes d'huile et de graisse.
- Vérifier si aucune pièce n'est endommagée. Avant d'utiliser l'appareil, s'assurer que les dispositifs de protection sont intacts. Ne jamais utiliser un outil sans dispositif de protection. Vérifier si les pièces mobiles sont alignées et libres de tout blocage.
- Vérifier si aucune pièce n'est cassée ou défectueuse, ce qui pourrait nuire à l'utilisation sécuritaire de votre outil. Une protection ou toute autre pièce endommagée doit être réparée ou remplacée adéquatement par un centre d'entretien autorisé, sauf indication contraire dans ce manuel.
- Prévenir les démarrages accidentels. Vérifier que l'interrupteur se trouve à la position d'arrêt avant de brancher l'appareil dans le bloc d'alimentation, de le saisir ou de le transporter. Transporter l'appareil avec le doigt sur l'interrupteur d'alimentation ou le

brancher alors que l'interrupteur est à la position de marche expose à des accidents.

- Retirer la batterie de l'appareil avant d'effectuer des réglages, de changer des accessoires ou de le remettre. Ces mesures de sécurité réduisent le risque de mise sous tension accidentelle.
- Ne recharger qu'avec le chargeur indiqué par le fabricant. Un chargeur convenant à un type de bloc de batteries particulier peut entraîner un risque d'incendie s'il est utilisé avec un autre bloc de batteries.
- N'utiliser l'appareil qu'avec la batterie spécifiquement indiquée. L'utilisation d'autres groupes de batteries peut entraîner un risque de blessure et d'incendie.
- Lorsque la batterie n'est pas utilisée, la ranger à l'écart des objets métalliques, tels que les trombones, pièces de monnaie, clés, clous, vis ou autres petits objets en métal, qui peuvent établir une connexion d'une borne à l'autre. La mise en court-circuit des bornes de la batterie peut provoquer des brûlures ou un incendie.
- Une utilisation abusive peut entraîner une fuite du liquide de batterie. Éviter tout contact. En cas de contact accidentel, rincer abondamment à l'eau. Si du liquide entre en contact avec les yeux, consulter en outre un médecin immédiatement. Le liquide échappé de la batterie peut provoquer des irritations ou des brûlures.
- Ne pas utiliser un bloc de batteries ou un appareil défectueux ou modifié. Les batteries endommagées ou modifier peuvent se comporter de manière inattendue et provoquer un incendie, une explosion ou des blessures potentielles.
- Ne pas exposer un bloc de batteries ou l'appareil au feu ou à une température excessive. Une exposition au feu ou à une température supérieure à 266 °F (130 °C) peut provoquer une explosion.
- Suivre toutes les instructions de charge et ne pas charger la batterie ou l'appareil en dehors de la plage de températures spécifiée dans les instructions. Une recharge mal effectuée ou effectuée à des températures en dehors de la plage spécifiée peut endommager la batterie et augmenter les risques d'incendie.
- Faire réparer l'appareil par un technicien qualifié et n'utiliser que des pièces de rechange identiques. Ceci permettra d'assurer la sécurité continue du produit.
- Ne pas modifier ni tenter de réparer l'appareil ou la batterie (le cas échéant), sauf de la manière indiquée dans le mode d'emploi et d'entretien.

### Vérification avant l'utilisation

- Toujours retirer la batterie afin d'éviter le démarrage accidentel de l'appareil. Toujours retirer la batterie avant toute opération d'entretien de l'appareil.
- Avant d'utiliser l'appareil ou après tout impact, vérifier s'il y a des signes éventuels d'usure ou de dommages et procéder aux réparations nécessaires.

- Inspecter l'aire de travail. Retirer tous les objets mobiles tels que les pierres, le verre cassé, les clous, les fils de fer, les cordes, etc., qui pourraient être projetés ou s'enrouler autour de l'outil de coupe ou de son dispositif de protection.
- Inspecter le moteur à la recherche de saletés et de fissures. Nettoyer les herbes et les feuilles présentes sur le moteur à l'aide d'une brosse. Au besoin, porter des gants.
- S'assurer que la tête de coupe est correctement fixée.
- Vérifier que l'appareil est en parfait état de marche. Vérifier le serrage de l'ensemble des écrous et des vis.
- Inspecter la tête de coupe et le dispositif de protection à la recherche de dommages et de fissures. Remplacer la tête de coupe ou le dispositif de protection si l'un ou l'autre a reçu des coups ou est fissuré. Toujours utiliser le dispositif de protection recommandé pour l'outil de coupe utilisé. Se reporter aux caractéristiques techniques.
- L'utilisateur de l'appareil doit s'assurer qu'aucune personne ou aucun animal ne s'approche à moins de quinze mètres pendant le fonctionnement. Lorsque plusieurs opérateurs travaillent dans la même zone, la distance de sécurité doit être d'au moins quinze mètres.
- Effectuer une inspection générale de l'appareil avant de l'utiliser. Consulter le calendrier d'entretien.
- L'utilisation de l'appareil peut être soumise à des réglementations nationales ou locales. Respecter les réglementations en vigueur.

### Sécurité personnelle

- L'outil de coupe ne s'immobilise pas immédiatement quand le moteur est coupé.
- L'appareil est conçu uniquement pour la taille et la coupe des bordures.
- Tenir toute personne à distance.
- **Lors de l'utilisation d'un outil électrique, toujours demeurer attentif et faire preuve de bon sens. Ne pas utiliser l'outil électrique si vous êtes fatigué ou sous l'emprise de drogues, de l'alcool ou de médicaments.** Tout moment d'inattention pendant l'utilisation d'un outil électrique peut causer de graves blessures.
- Cet appareil n'est pas destiné à être utilisé par des personnes (notamment des enfants) aux capacités physiques, sensorielles ou mentales limitées, ou manquant d'expérience et de connaissances, sauf si elles sont sous la supervision d'une personne responsable de leur sécurité ou si elles ont reçu une formation concernant l'utilisation de l'appareil. Les enfants doivent être supervisés afin de s'assurer qu'ils ne jouent pas avec les appareils.
- Ne jamais laisser des enfants ni des personnes n'ayant pas été formées à l'utilisation de l'appareil ou de sa batterie utiliser ou entretenir l'appareil. La

réglementation locale peut fixer l'âge minimal de l'utilisateur.

- Remiser l'appareil dans une zone verrouillable, de façon à le mettre hors de portée des enfants et des personnes non autorisées.
- Tenir les mains et les pieds éloignés en tout temps de la zone de coupe, et plus particulièrement lors du démarrage du moteur.
- **S'habiller de façon appropriée. Ne jamais porter des vêtements amples ou des bijoux. Garder les cheveux, les vêtements et les gants loin des pièces mobiles.** Les vêtements amples, bijoux et cheveux longs peuvent se prendre dans les pièces en mouvement.
- Porter un équipement de protection personnelle. Consulter les instructions fournies sous la rubrique « Équipement de protection personnelle ».
- Toujours porter un masque antipoussière en cas d'utilisation de l'appareil en milieu poussiéreux.
- Couper le moteur quand l'appareil doit être déplacé. Toujours retirer la batterie avant de passer l'appareil à une autre personne.
- Garder en tête que c'est vous, l'utilisateur, qui êtes responsable de protéger les personnes et leurs biens de tout accident ou danger.
- La protection de transport doit toujours être utilisée pendant l'entreposage et le transport.

## Utilisation et entretien des outils électriques

- Les seuls accessoires qui peuvent être utilisés avec cet appareil sont les outils de coupe recommandés dans les données techniques.
- Ne jamais utiliser un appareil qui a été modifié de quelque manière que ce soit par rapport aux spécifications d'origine. Ne jamais utiliser l'appareil près de matériaux explosifs ou inflammables.
- Ne jamais utiliser un appareil défectueux. Effectuer les vérifications de sécurité, de maintenance et d'entretien conformément aux instructions fournies dans ce manuel. Certaines mesures de maintenance et d'entretien doivent être effectuées par des spécialistes formés et qualifiés. Voir les instructions à la section Entretien.
- Utiliser des pièces de rechange d'origine.
- Toujours s'assurer de l'absence de débris dans les orifices de ventilation.
- Garder les poignées sèches, propres et exemptes d'huile et de graisse.
- Tous les couvercles, dispositifs de protection et poignées doivent être montés avant le démarrage.
- Utiliser l'appareil quand il fait jour ou sous un éclairage suffisant.
- Ne pas trop se pencher vers l'avant. Toujours se tenir bien campé et en équilibre.
- Ne pas soumettre l'appareil à une contrainte. L'appareil produit de meilleurs résultats et le travail est effectué de façon plus sécuritaire s'il tourne au régime pour lequel il a été conçu.

- Le fait de travailler par mauvais temps est éprouvant et augmente les risques. Il n'est pas recommandé d'utiliser le produit par très mauvais temps, par exemple en cas de brouillard épais, pluie diluvienne, vent violent, froid intense, risque d'éclair.
- Si l'appareil commence à vibrer de manière anormale, l'arrêter et retirer la batterie.
- Prévenir les démarrages accidentels. Ne pas laisser le doigt sur la gâchette lors du transport de l'appareil.
- Ranger l'appareil à l'intérieur quand il n'est pas utilisé.
- Toujours marcher, ne jamais courir.

## Toujours faire preuve de bon sens.

Il n'est pas possible de couvrir toutes les situations imaginables qui pourraient se produire. Toujours faire preuve d'attention et de bon sens. Éviter toutes les situations qui vous semblent difficiles. En cas d'incertitude au sujet des procédures d'utilisation après avoir lu ces instructions, consulter un expert avant de continuer.



**AVERTISSEMENT:** Ne jamais laisser des enfants utiliser l'appareil ou se tenir à proximité de celui-ci. L'appareil étant facile à démarrer, les enfants peuvent le faire démarrer s'ils sont laissés sans surveillance. Cela peut entraîner un risque de blessure grave. Par conséquent, débrancher la batterie lorsque l'appareil n'est pas sous surveillance.

## Consignes générales de sécurité



**AVERTISSEMENT:** Lire les messages d'avertissement qui suivent avant d'utiliser l'outil.

- Retirer la batterie afin d'éviter le démarrage accidentel de l'appareil.
- Ce produit est un outil dangereux s'il est utilisé de façon insouciante ou inappropriée. Cet outil peut causer des blessures graves, ou même mortelles, à l'utilisateur et à d'autres personnes.
- Ne pas utiliser l'outil si des modifications contraires à ses caractéristiques initiales y ont été apportées. Ne pas modifier une partie de l'outil sans l'approbation du fabricant. Utiliser seulement des pièces homologuées par le fabricant. Des blessures graves ou mortelles peuvent résulter d'un entretien non adéquat.
- Vérifier le produit avant son utilisation. Voir *Dispositifs de sécurité sur l'outil à la page 48 et Entretien à la page 55*. Ne pas utiliser l'outil s'il est défectueux. Effectuer les vérifications de sécurité, de maintenance et d'entretien conformément aux instructions fournies dans ce manuel.

- Les enfants doivent être supervisés afin de s'assurer qu'ils ne jouent pas avec l'outil. Ne jamais laisser des enfants ni des personnes n'ayant pas été formées à l'utilisation de l'appareil ou de sa batterie utiliser ou entretenir l'appareil. La réglementation locale peut fixer l'âge minimal de l'utilisateur.
- Garder le produit dans un endroit verrouillé hors de portée des enfants et des personnes non autorisées.
- Entreposer le produit hors de portée des enfants.
- Votre garantie ne couvre pas les dommages ou la responsabilité causés par l'utilisation d'accessoires ou de pièces de rechange non autorisés.
- La conception du produit ne peut en aucun cas être modifiée sans l'autorisation du fabricant. Toujours utiliser des accessoires d'origine. Les modifications et les accessoires non autorisés peuvent entraîner des blessures graves ou la mort de l'opérateur et d'autres personnes.

**Remarque :** Des lois nationales ou locales peuvent réglementer l'utilisation. Respecter les réglementations en vigueur.

## Consignes de sécurité pour l'utilisation



**AVERTISSEMENT:** Lire les messages d'avertissement qui suivent avant d'utiliser l'appareil.

- Il est recommandé de consulter un expert en cas de doute. Communiquer avec votre concessionnaire ou votre atelier d'entretien. Éviter toutes les utilisations qui vous semblent difficiles.
- Ne jamais utiliser l'appareil si vous êtes fatigué ou sous l'emprise de drogues, de l'alcool, de médicaments ou de toute substance qui pourrait affecter la vision, l'attention, la coordination des gestes ou le jugement.
- Un outil de coupe inadéquat peut accroître le risque d'accident.
- Ne pas laisser des enfants utiliser l'appareil ou se tenir à proximité de celui-ci. L'appareil étant facile à démarrer, les enfants peuvent le faire démarrer s'ils sont laissés sans surveillance. Cela peut entraîner un risque de blessure grave. Débrancher la batterie lorsque l'appareil n'est pas sous surveillance.
- S'assurer qu'aucune personne ni aucun animal ne s'approche à moins de quinze mètres pendant le travail. Lorsque plusieurs opérateurs travaillent dans la même zone, la distance de sécurité doit être d'au moins quinze mètres. Le non-respect de cette directive peut entraîner de graves blessures. Arrêter l'appareil immédiatement si une personne s'approche. Ne jamais entamer un mouvement de balancement avec l'appareil sans d'abord jeter un coup d'œil derrière pour s'assurer que personne ne se trouve dans la zone de sécurité.
- S'assurer qu'aucune personne ni aucun animal ou objet ne gêne le contrôle de l'appareil ou n'entre en contact avec l'outil de coupe ou des objets projetés par l'outil de coupe. Ne pas utiliser l'appareil s'il est impossible d'appeler de l'aide en cas d'accident.
- Toujours inspecter l'aire de travail. Retirer tous les objets mobiles tels que les pierres, le verre cassé, les clous, les fils de fer, les cordes, etc. qui pourraient être projetés ou s'enrouler autour de l'outil de coupe.
- S'assurer qu'il est possible de se déplacer et de se tenir debout en toute sécurité. Repérer les obstacles éventuels (racines, roches, branches, fossés, etc.) en cas de déplacement imprévu. Faire très attention lors du travail sur une pente.
- Se tenir bien campé et en parfait équilibre. Ne pas trop se pencher vers l'avant.
- Mettre l'appareil hors tension avant de passer à une autre zone.
- Ne jamais déposer l'appareil sans le mettre hors tension et retirer la batterie. Ne pas laisser l'appareil sans surveillance quand il est sous tension.
- Retirer la batterie avant de passer l'appareil à une autre personne.
- S'assurer qu'aucun vêtement ni aucune partie du corps n'entre en contact avec l'outil de coupe lorsque l'appareil est sous tension. Tenir l'appareil sous le niveau de la taille.
- Si un objet se bloque dans l'outil de coupe alors que l'appareil est utilisé, arrêter l'appareil et le mettre hors tension. Vérifier que l'outil de coupe s'est immobilisé. Retirer la batterie avant de nettoyer, inspecter ou réparer l'appareil ou l'outil de coupe. Il existe un risque de brûlure sur le carter qui peut devenir très chaud. Porter des gants lors du travail avec la tête de désherbage.
- Lors de la mise hors tension de l'appareil, garder les mains et les pieds à l'écart de l'outil de coupe jusqu'à l'immobilisation de celui-ci.
- Prendre garde aux éclats de bois qui peuvent être projetés lors de la coupe. Ne pas couper trop près du sol; des pierres ou d'autres objets pourraient d'être projetés.
- Faire preuve de prudence à l'égard des projections d'objets. Toujours porter des lunettes de protection homologuées. Ne jamais se pencher au-dessus du dispositif de protection de l'outil de coupe. Des pierres, des débris, etc. peuvent être projetés dans vos yeux, ce qui peut causer la cécité ou des blessures graves.
- Quand un dispositif de protection pour les oreilles est utilisé, rester attentif aux appels ou cris d'avertissement. Toujours retirer le dispositif de protection pour les oreilles dès que l'appareil s'arrête.
- Ne jamais travailler debout sur une échelle, un tabouret ou un autre dispositif surélevé qui n'est pas solidement fixé.
- Si une vibration inhabituelle survient, dérouler le fil pour qu'il soit à la bonne longueur et que la vibration cesse.

- Une surexposition aux vibrations peut entraîner des problèmes circulatoires ou des troubles nerveux, en particulier chez les personnes ayant des troubles circulatoires. Parler à un médecin en cas de symptômes liés à une surexposition aux vibrations. Voici certains de ces symptômes : engourdissement, perte de sensibilité, fourmillement, picotement, douleur, faiblesse musculaire, décoloration ou modification de l'épiderme. Ces symptômes apparaissent habituellement aux doigts, aux mains et aux poignets.
- Toujours tenir l'appareil des deux mains. Tenir l'appareil sur le côté droit du corps.
- Ne pas retirer l'herbe coupée ou laisser d'autres personnes retirer l'herbe coupée lorsque le moteur est en marche ou que l'outil de coupe tourne, car il peut en résulter des blessures graves.
- Toujours arrêter le moteur, retirer la batterie et s'assurer que l'outil de coupe ne tourne pas avant de retirer l'herbe enroulée autour de l'arbre ou coincée entre le dispositif de protection et l'outil de coupe.
- Ce produit produit un champ électromagnétique pendant le fonctionnement. Ce champ magnétique peut, dans certains cas, nuire aux implants médicaux actifs ou passifs. Pour réduire le risque de blessures graves ou mortelles, nous recommandons aux personnes ayant des implants médicaux de consulter leur médecin et le fabricant de l'implant médical avant d'utiliser la machine.
- Relâcher la gâchette de puissance après chaque opération de travail afin de préserver la charge de la batterie.
- Ne pas forcer le produit. Il offre de meilleurs résultats et le travail est effectué de façon plus sécuritaire s'il tourne au régime pour lequel il a été conçu.
- Si le produit touche un objet étranger quelconque ou produit des vibrations, l'arrêter immédiatement. Retirer la batterie du produit et vérifier que le produit n'est pas endommagé.

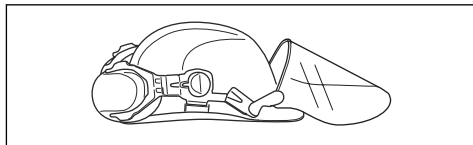
## Équipement de protection personnelle



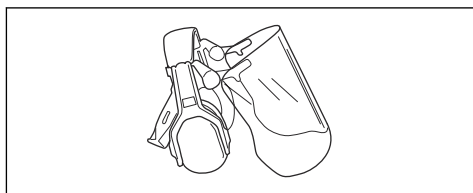
**AVERTISSEMENT:** Lire les messages d'avertissement qui suivent avant d'utiliser l'appareil.

- Toujours utiliser un équipement de protection personnelle homologué lors de l'utilisation de l'appareil. Cet équipement de protection personnelle n'élimine pas complètement les risques de blessures, mais il peut en réduire la gravité en cas d'accident. Laisser le concessionnaire vous aider à sélectionner l'équipement adéquat.

- Porter un casque de protection en cas de risque de chute d'objets.

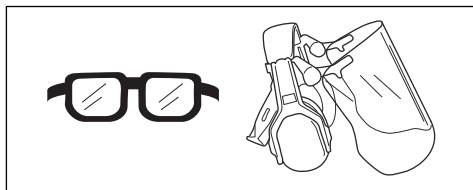


- L'exposition prolongée au bruit peut causer des lésions auditives. En règle générale, les outils alimentés par batterie sont relativement silencieux, mais peuvent tout de même causer des lésions auditives en raison d'une combinaison de niveau sonore et d'un usage prolongé. recommande aux opérateurs d'utiliser des protecteurs d'oreille lors de l'utilisation des produits pendant des périodes prolongées dans une journée. Les utilisateurs permanents et réguliers doivent faire vérifier régulièrement leur ouïe.

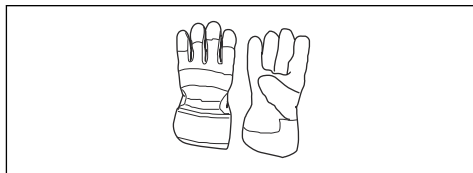


**AVERTISSEMENT:** Les protecteurs d'oreille limitent la capacité d'entendre les sons et les signaux d'avertissement.

- Utiliser un dispositif de protection homologué pour les yeux. Porter également des lunettes de protection homologuées en cas d'utilisation d'une visière. Les lunettes de protection homologuées doivent être conformes à la norme ANSI Z87.1 aux États-Unis ou à la norme EN 166 dans les pays de l'Union européenne.



- Utiliser des gants au besoin, par exemple lors de la fixation, de l'examen ou du nettoyage de l'outil de coupe.



- Porter des bottes antidérapantes robustes.



- Utiliser des vêtements faits de tissus résistants. Toujours utiliser des pantalons longs et lourds et des manches longues. Ne pas porter des vêtements amples qui peuvent se prendre dans les broussailles et les branches. Ne pas porter des bijoux, des pantalons courts, des sandales et ne pas marcher pieds nus. Garder les cheveux au-dessus des épaules.
- Garder une trousse de premiers soins à portée de main.



## Outil de coupe



**AVERTISSEMENT:** Retirer la batterie et vérifier que l'outil de coupe est immobilisé avant de travailler sur toute partie de l'outil de coupe.



**AVERTISSEMENT:** Utiliser l'outil de coupe uniquement si tous les dispositifs de protection sont en place.

## Tête de coupe

- Utilisez toujours la tête de désherbage et l'équipement de coupe appropriés ainsi que le fil de coupe recommandé. Se reporter à *Accessoires à la page 60* et son ensemble à la fin du manuel.
- Vérifier que le couteau monté sur le carter de protection n'est pas endommagé.
- Vérifier que le fil de coupe est enroulé serré et de manière égale autour du tambour afin de prévenir les vibrations inhabituelles. Les longueurs de fil différentes peuvent engendrer des vibrations non nécessaires. Appuyez sur la tête de désherbage pour obtenir la bonne longueur de fil.

## Dispositifs de sécurité sur l'outil



**AVERTISSEMENT:** Lire les messages d'avertissement qui suivent avant d'utiliser l'outil.

Cette section décrit l'équipement de sécurité du produit, son but et la façon d'en effectuer les inspections et l'entretien afin de s'assurer qu'il fonctionne correctement. Voir les instructions à la section *Présentation de l'appareil à la page 41* pour savoir où se trouvent ces pièces sur votre produit.

La durée de vie du produit peut être réduite et le risque d'accident peut augmenter si l'entretien de la machine n'est pas effectué correctement et si l'entretien ou les réparations ne sont pas effectués de façon professionnelle. Pour obtenir de plus amples informations, veuillez communiquer avec votre concessionnaire le plus proche.



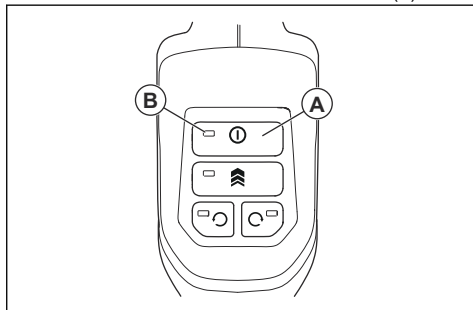
**AVERTISSEMENT:** N'utilisez jamais un produit dont les composants de sécurité sont défectueux. L'équipement de sécurité du produit doit être inspecté et entretenu selon les directives de la présente section. Si une inspection de la machine détecte une panne, communiquez avec un atelier spécialisé pour réparation.



**MISE EN GARDE :** Tous les travaux de réparation nécessitent une formation spéciale. Ceci concerne particulièrement l'équipement de sécurité de la machine. Si les contrôles suivants ne donnent pas un résultat positif, vous devez communiquer avec un atelier spécialisé. L'achat de l'un de nos produits offre à l'acheteur la garantie d'un service et de réparations qualifiés. Si le détaillant qui vous a vendu la machine n'est pas un centre de service agréé, demandez-lui l'adresse de l'atelier spécialisé le plus proche.

## Vérification du clavier

- Maintenir enfoncé le bouton d'alimentation (A).

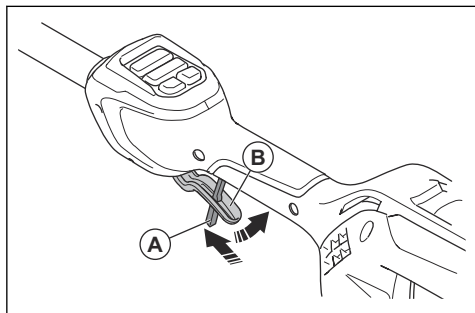


- Quand le produit est sous tension, le témoin à DEL (B) s'allume.
- Quand le produit est hors tension, le témoin à DEL (B) s'éteint.

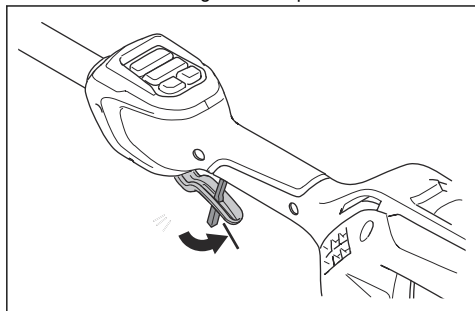


## Vérification du verrouillage de la gâchette

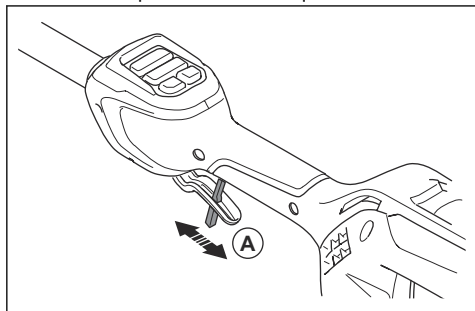
Le mécanisme de verrouillage de la gâchette empêche toute mise en marche accidentelle. Pousser vers l'avant le mécanisme de verrouillage (A) libère la gâchette (B). Quand la poignée est relâchée, la gâchette de puissance et son mécanisme de verrouillage retournent à leur position initiale.



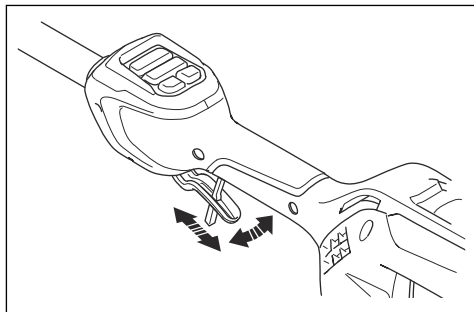
1. Vérifier que la gâchette est verrouillée quand le bouton de verrouillage est à sa position initiale.



2. Pousser le mécanisme de verrouillage de la gâchette (A) vers l'avant. S'assurer que le tout revient à sa position initiale lorsque relâché.



3. Vérifier que la gâchette de puissance et le mécanisme de verrouillage de la gâchette bougent librement et que le ressort de rappel fonctionne correctement.



4. Démarrer l'outil. Se reporter à la section *Mise sous tension de l'appareil* à la page 53.
5. Faire tourner le moteur à plein régime.
6. Relâcher la gâchette de puissance et s'assurer que l'outil de coupe s'arrête complètement.

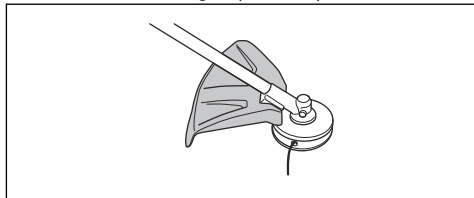
## Vérification du dispositif de protection de l'outil de coupe



**AVERTISSEMENT:** Ne pas utiliser un outil de coupe dépourvu du dispositif de protection homologué correctement fixé. Toujours utiliser le dispositif de protection recommandé pour l'outil de coupe utilisé. Voir *Accessoires* à la page 60. L'utilisation d'un dispositif de protection défectueux ou inapproprié peut causer des blessures graves.

Le dispositif de protection de l'outil de coupe arrête les objets projetés en direction de l'opérateur. Il empêche également de subir des blessures en cas de contact avec l'outil de coupe.

1. Couper le moteur.
2. Effectuer une inspection visuelle pour détecter d'éventuels dommages, par exemple des fissures.



3. Remplacer le dispositif de protection de l'outil de coupe s'il est endommagé.

## Sécurité en matière de batteries



**AVERTISSEMENT:** Lire les messages d'avertissement qui suivent avant d'utiliser l'outil.

- N'utiliser que la batterie BLi22. Se reporter-vous à *Données techniques à la page 59*. La batterie est un logiciel crypté.
- Utiliser la batterie BLi22 qui est rechargeable en tant que source d'alimentation pour les produits Husqvarna connexes seulement. Pour éviter les blessures, ne pas utiliser la batterie en tant que source d'alimentation pour d'autres appareils.
- Risque de décharge électrique. Ne pas raccorder les bornes de la batterie à des clés, des pièces de monnaie, des vis ou tout autre élément métallique. Cela peut provoquer un court-circuit de la batterie.
- Ne pas utiliser des batteries non rechargeables.
- Ne pas placer d'objet dans les fentes de ventilation de la batterie.
- Maintenir la batterie à l'écart de la lumière du soleil, de la chaleur et des flammes nues. La batterie peut causer des brûlures et/ou des brûlures chimiques.
- Garder la batterie à l'écart des micro-ondes et des pressions élevées.
- Ne pas essayer de démonter ou de briser la batterie.
- S'il y a une fuite au niveau de la batterie, ne pas laisser le liquide toucher la peau ou les yeux. Si on touche le liquide, nettoyer la zone avec une grande quantité d'eau et de savon et consulter un médecin. Si le liquide entre en contact avec les yeux, ne pas les frotter; mais les rincer avec de l'eau pendant au moins 15 minutes et consulter un médecin.
- Utiliser la batterie dans une température comprise entre -10 °C (14 °F) et 40 °C (114 °F).
- Ne pas nettoyer la batterie ou le chargeur de batterie avec de l'eau. Se reporter-vous à *Pour nettoyer le produit, la batterie et le chargeur de batterie. à la page 56*.
- Ne pas utiliser une batterie défectueuse ou endommagée.
- Garder les piles dans le local de rangement, à l'écart des objets métalliques tels que les clous, les vis ou les bijoux.
- Maintenir la batterie à l'écart des enfants.
- Tenir les câbles et les rallonges à l'abri de l'eau, de l'huile et des arêtes coupantes. S'assurer que le câble n'est pas coincé entre des objets, par exemple les portes, les barrières ou quoique ce soit de semblable.
- Ne pas utiliser le chargeur de batterie à proximité de matériaux inflammables ou de matériaux qui peuvent engendrer une corrosion. S'assurer que le chargeur de batterie n'est pas couvert. Débrancher la prise du chargeur de batterie en cas de fumée ou d'incendie.
- Recharger la batterie seulement dans un endroit clos avec une bonne ventilation et à l'écart de la lumière. Ne pas charger la batterie à l'extérieur. Ne pas charger la batterie dans des conditions humides.
- Utiliser le chargeur de batterie seulement lorsque la température est comprise entre 5 °C (41 °F) et 40 °C (104 °F). Utiliser le chargeur dans un environnement bien ventilé, sec et exempt de poussières.
- Ne pas placer d'objet dans les fentes de refroidissement du chargeur de batterie.
- Ne pas raccorder les bornes du chargeur de batterie aux objets métalliques, car cela peut court-circuiter le chargeur de batterie.
- Utiliser des prises murales approuvées qui ne sont pas endommagées. Vérifier que le cordon du chargeur de batterie n'est pas endommagé. Si les câbles de rallonge sont utilisés, s'assurer qu'ils sont en bon état.
- Utiliser un dispositif de protection contre les courants résiduels (RCD) pour accroître la sécurité. Un dispositif de protection contre les courants résiduels est prévu pour protéger les utilisateurs en cas de panne électrique.
- **Pour le travail à l'extérieur, utiliser une rallonge adaptée à l'usage extérieur.** L'utilisation d'une telle rallonge réduit le risque d'électrocution.
- Utiliser uniquement des rallonges à trois fils destinées à un usage extérieur dotées de fiches de mise à la terre à trois broches et de prises de mise à la terre adaptées à la fiche de l'appareil.

## Sécurité du chargeur de batteries



**AVERTISSEMENT:** Lire les messages d'avertissement qui suivent avant d'utiliser l'outil.

- Risque de choc électrique et de court-circuit si les consignes de sécurité ne sont pas suivies.
- Utiliser une prise secteur mise à la terre approuvée qui n'est pas endommagée.
- N'utiliser que des chargeurs de marque Husqvarna.
- Ne pas essayer de démonter le chargeur de batterie.
- Ne pas utiliser un chargeur de batterie défectueux ou endommagé.
- Ne pas soulever le chargeur de batterie au moyen du cordon d'alimentation. Pour débrancher le chargeur de batteries de la prise murale, tirer la fiche. Ne pas tirer le cordon d'alimentation.



**AVERTISSEMENT:** Lire les messages d'avertissement qui suivent avant de procéder à l'entretien du produit.

- Retirer la batterie avant d'effectuer l'entretien, de procéder à d'autres contrôles ou d'assembler le produit.
- L'opérateur ne doit effectuer que les travaux de réparation et d'entretien décrits dans ce manuel d'utilisation. Se rendre dans le centre de service agréé pour les travaux de réparation ou d'entretien plus importants.
- Ne pas nettoyer la batterie ou le chargeur de batterie avec de l'eau. Les détergents puissants peuvent endommager le plastique.

- En absence d'entretien, cela réduit la durée de vie du produit et augmente le risque d'accidents.
- Une formation spécifique est nécessaire pour tous les travaux d'entretien et de réparation, en particulier pour les dispositifs de sécurité sur le produit. Si toutes les vérifications indiquées dans ce manuel d'utilisation ne sont pas homologuées une fois l'entretien effectué, se rendre dans le centre de service. La disponibilité des réparations et des entretiens effectués de façon professionnelle est garantie pour votre produit.

- Utiliser des pièces de rechange d'origine.
- N'importe quel établissement ou agent de réparation de moteur non routier peut effectuer l'entretien, le remplacement et la réparation des dispositifs et du système de contrôle des émissions.

# CONSERVER CES INSTRUCTIONS

## Montage

### Introduction

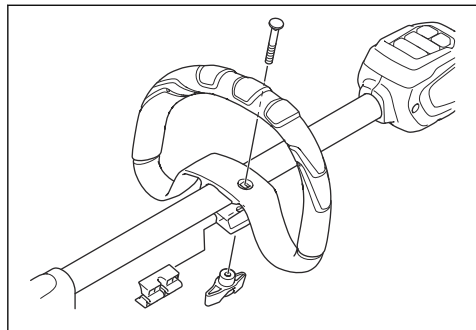
Cette section décrit la procédure à suivre pour monter et régler le produit.



**AVERTISSEMENT:** Avant de procéder au montage du produit, veuillez lire le chapitre sur la sécurité et les instructions de montage.

### Pour monter la poignée en boucle

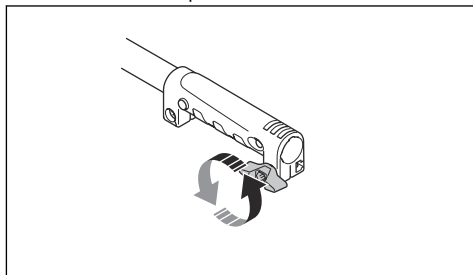
1. Fixer le guidon en boucle sur l'arbre entre les flèches.



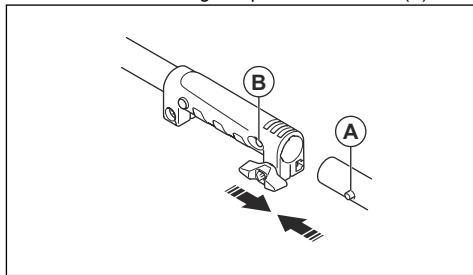
2. Déplacer l'entretoise dans la fente du guidon en boucle.
3. Installer la vis et le bouton. Ne pas trop serrer.
4. Régler la poignée en boucle à une position adéquate.
5. Serrer le bouton.

### Assemblage de l'arbre démontable

1. Tourner le bouton pour desserrer le raccord du tube.

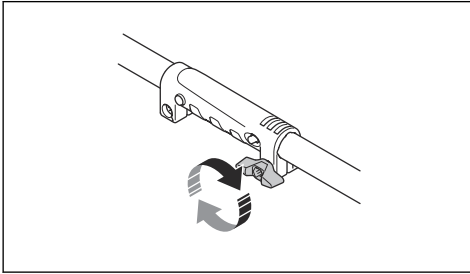


2. Enfoncer le bouton de verrouillage (A) et pousser l'arbre dans le raccord d'arbre jusqu'à ce que le bouton de verrouillage se place dans le trou (B).



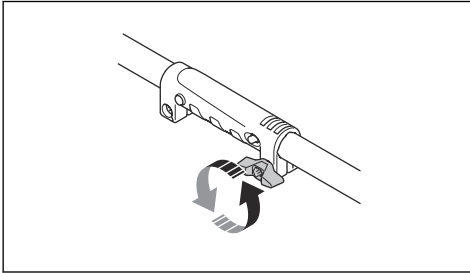
**Remarque :** S'il n'est pas possible d'enfoncer complètement l'arbre dans le raccord de l'arbre, faire tourner l'arbre pour connecter les arbres d'entraînement internes.

- Serrer complètement le bouton avant d'utiliser le produit.

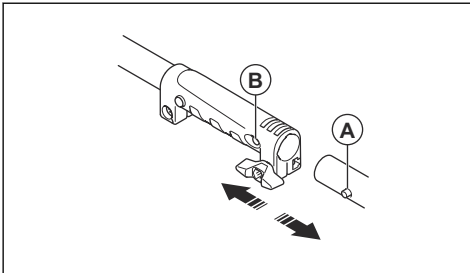


### Pour démonter l'arbre en deux pièces

- Tourner le bouton pour desserrer le raccord du tube.

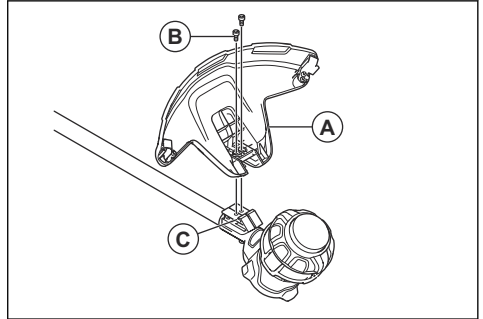


- Maintenir enfoncé le bouton de verrouillage (A). Tirer sur les arbres pour les séparer.



### Pour fixer la protection de l'outil de coupe

- Fixer le dispositif de protection (A) de l'outil de coupe (B) sur l'arbre au moyen des vis (C).



## Fonctionnement

### Introduction



**AVERTISSEMENT:** Lire et comprendre le chapitre sur la sécurité avant d'utiliser le produit.

### Avant d'utiliser le produit

- Examiner la zone de travail pour s'assurer de connaître le type de terrain. Examiner l'inclinaison du sol et s'il y a des obstacles tels que des pierres, des branches et des fossés.
- Effectuer une inspection du produit.

- Effectuer les inspections de sécurité, les réparations et l'entretien indiqués dans ce manuel.
- Vérifier le moteur pour y déceler de la saleté ou des fissures. À l'aide d'une brosse, retirer l'herbe et les feuilles du moteur. Porter des gants lorsque c'est nécessaire.
- Examiner la tête de coupe et le dispositif de protection de l'outil de coupe pour détecter d'éventuels dommages ou fissures. Remplacer la tête de désherbage et le dispositif de protection de l'équipement de coupe s'ils ont subi des chocs ou s'ils présentent des fissures.

- S'assurer que l'ensemble des vis et des écrous sont bien serrés.
- S'assurer que l'ensemble des couvercles, des protections, des poignées et des équipements de coupe sont correctement fixés et en bon état avant de démarrer le produit.

### Pour brancher le chargeur de batterie

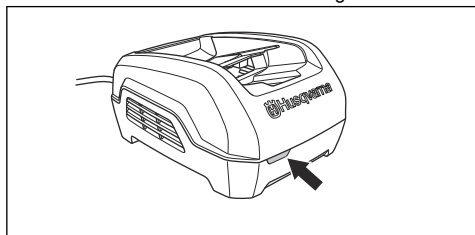
1. Brancher le chargeur de batterie à la tension et la fréquence indiquées sur la plaque signalétique.
2. Placer la fiche dans une prise mise à la terre. La DEL du chargeur de batterie clignote en vert une fois.

**Remarque :** La batterie ne se charge pas si sa température est supérieure à 50 °C (122 °F). Si la température est supérieure à 50 °C (122 °F), le chargeur de batterie refroidit la batterie.

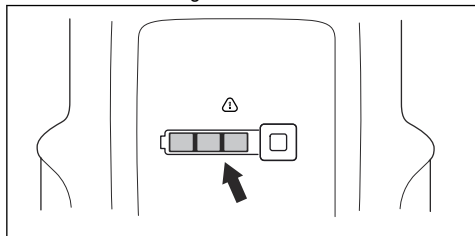
### Pour charger la batterie

**Remarque :** Charger la batterie avant de l'utiliser pour la première fois. Les batteries neuves sont chargées à 30 % seulement.

1. S'assurer que la batterie est sèche.
2. Insérer la batterie dans le chargeur de batterie.
3. Vérifier que le témoin vert de mise en charge sur le chargeur s'allume. Cela signifie que la batterie est correctement branchée dans le chargeur.



4. Quand tous les témoins de la batterie sont allumés, la batterie est chargée à bloc.



5. Pour débrancher le chargeur de la prise murale, tirer la fiche. Ne pas tirer le cordon d'alimentation.
6. Retirer la batterie du chargeur.

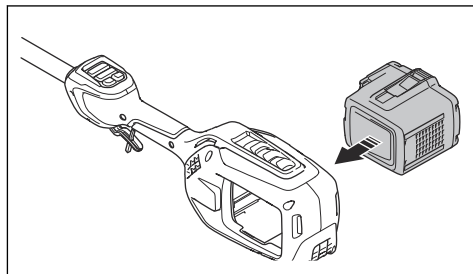
**Remarque :** Pour plus de renseignements, se reporter aux manuels de la batterie et du chargeur.

### Branchement de la batterie



**AVERTISSEMENT:** Utiliser uniquement des batteries d'origine Husqvarna avec le produit.

1. Vérifier que la batterie est chargée à bloc.
2. Pousser la batterie dans le porte-batterie de l'appareil. Quand la batterie se bloque en position, un déclic se fait entendre.



**MISE EN GARDE :** Si la batterie ne s'insère pas facilement dans le porte-batterie, elle n'est pas bien installée. Cela pourrait endommager le produit.

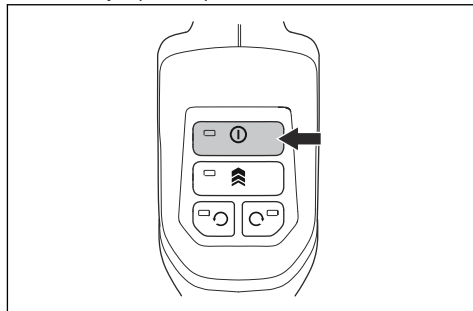
3. Vérifier que le protège-main est bien installé.

### Renseignements sur la batterie

Se reporter au manuel d'utilisation de la batterie pour obtenir des renseignements sur la manière d'utiliser la batterie.

### Mise sous tension de l'appareil

1. Appuyer sur le bouton d'alimentation et le maintenir enfoncé jusqu'à ce que la DEL verte s'allume.

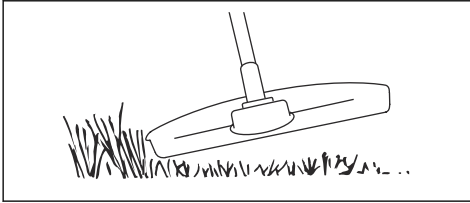


2. Utiliser le commutateur d'activation pour commander la vitesse.

## Utilisation de la machine

### Tonte du gazon

- Tenir la tête de désherbage tout juste au-dessus du sol, en l'inclinant. Ne pas appuyer le fil de coupe dans l'herbe.



### Pour dégager l'herbe

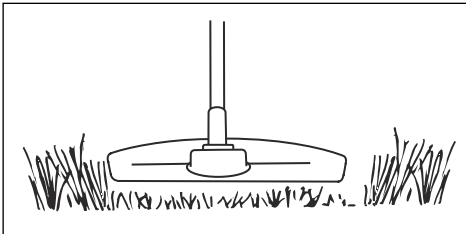
1. Maintenir la tête de désherbage au-dessus du sol.
2. Incliner la tête de désherbage.
3. Couper avec l'extrémité du fil de coupe autour des objets dans la zone de travail.



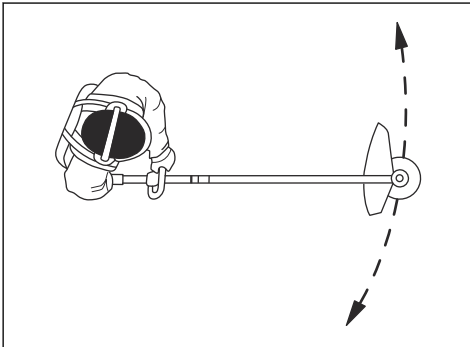
**MISE EN GARDE :** Couper l'herbe. Les autres objets qui sont touchés par le fil de coupe augmentent l'usure de celui-ci.

### Pour couper l'herbe

1. Pour effectuer une coupe, vérifier que le fil de coupe est parallèle au sol.



2. Ne pas appuyer la tête de coupe sur le sol. Cela pourrait endommager le produit.
3. Déplacer le produit d'un côté à l'autre pendant la coupe. Faire tourner le moteur à plein régime.



### Pour balayer l'herbe

Le débit d'air du fil de coupe en rotation peut être utilisé pour souffler l'herbe coupée d'une zone.

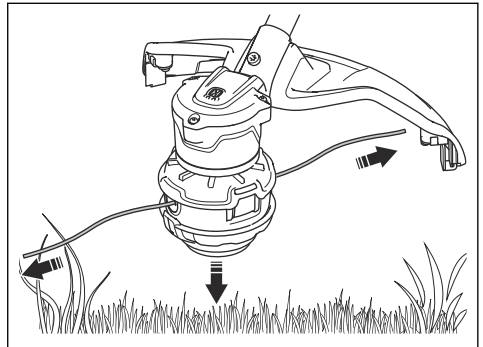
1. Maintenir la tête de désherbage et le fil surélevés et parallèles au sol.
2. Faire tourner le moteur à plein régime.
3. Déplacer la tête de coupe d'un côté à l'autre et balayer l'herbe.



**AVERTISSEMENT:** Nettoyer le couvercle de la tête de désherbage à chaque remplacement du fil de coupe afin d'éviter un déséquilibre et des vibrations dans les poignées. En outre, vérifier les autres parties de la tête de coupe et les nettoyer au besoin.

### Pour allonger le fil coupe-herbe

- Lorsque le fil de coupe-herbe devient court pendant le fonctionnement, tapoter la tête de coupe sur une surface dure et plane pour allonger le fil de coupe. Le produit doit fonctionner à pleine vitesse pour obtenir le meilleur résultat possible.



### Fonction de surcroît de puissance

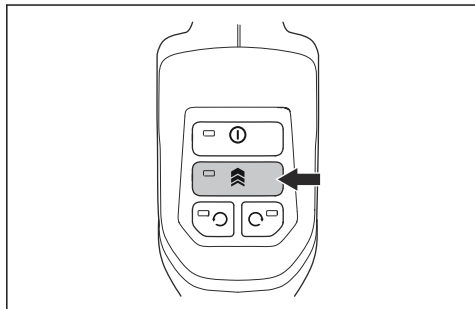
Vous pouvez utiliser le mode standard et la fonction de surcroît de puissance.

- Mode standard : Le produit est configuré en mode standard lors du démarrage. Le mode standard permet d'économiser de l'énergie et d'optimiser le temps de fonctionnement. Le mode standard est approprié pour réaliser la plupart des tâches.
- Fonction de surcroît de puissance : La fonction de surcroît de puissance permet au produit de fonctionner à grande vitesse. La fonction de surcroît de puissance peut par exemple être utilisée dans les zones où l'herbe est plus épaisse que d'habitude.

### Pour démarrer et arrêter la fonction de surcroît de puissance

La fonction de surcroît de puissance peut être démarré et arrêté lorsque le produit est en fonctionnement.

- Appuyer sur le bouton de surcroît de puissance  
Quand la fonction de surcroît de puissance est activée, le témoin à DEL s'allume.



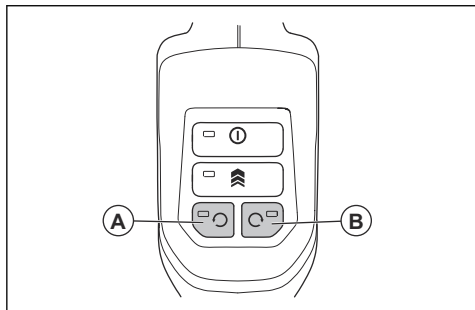
- Appuyer sur le bouton de surcroît de puissance  
Quand la fonction de surcroît de puissance est désactivée, le témoin à DEL s'éteint.

**Remarque :** Lorsque la gâchette de puissance est relâchée pendant le fonctionnement, le produit démarre avec la dernière fonction réglée. Si le produit s'arrête automatiquement ou si l'opérateur appuie sur le bouton d'alimentation, le produit est à nouveau réglé sur la fonction standard au démarrage.

### Changement du sens de rotation de la tête de désherbage

Le sens de rotation peut être modifié à pleine vitesse ou en position d'arrêt. Au démarrage, la tête de désherbage est configurée pour tourner dans le sens horaire.

- Appuyer sur le bouton gauche (A) pour régler le sens de rotation en sens antihoraire.



- Appuyer sur le bouton droit (B) pour régler le sens de rotation dans le sens anti-horaire. La DEL verte indique le sens de rotation utilisé.

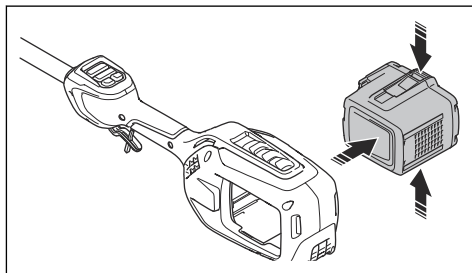
**Remarque :** Il est plus facile de dérouler le fil de coupe quand la tête de désherbage tourne en sens horaire.

### Fonction d'arrêt automatique

Le produit est doté d'une fonction d'arrêt automatique qui met l'outil hors fonction quand il n'est pas utilisé. La DEL verte de marche-arrêt s'éteint et le produit se met hors tension après 120 secondes.

### Mise hors tension de l'appareil

1. Relâcher la gâchette ou son mécanisme de verrouillage.
2. Appuyer sur le bouton d'alimentation jusqu'à ce que la DEL verte s'éteigne.
3. Appuyer sur les boutons de déverrouillage de la batterie et retirer la batterie.



## Entretien

### Introduction



**AVERTISSEMENT:** Lire et comprendre le chapitre sur la sécurité avant de faire l'entretien du produit.



### Calendrier d'entretien

**AVERTISSEMENT:** Retirer la batterie avant de procéder à l'entretien.

Voici les mesures d'entretien à effectuer sur l'appareil.  
 Pour plus d'information, se reporter à *Introduction à la page 55*.

Entretien	Quotidien	Hebdomadaire	Mensuel
Nettoyer les pièces externes de l'appareil avec un chiffon sec. Ne pas utiliser d'eau.	X		
Vérifier que le bouton d'alimentation fonctionne correctement et n'est pas endommagé.	X		
Vérifier que la gâchette et son mécanisme de verrouillage fonctionnent correctement et de façon sécuritaire.	X		
Vérifier que toutes les commandes fonctionnent et qu'elles ne sont pas endommagées.	X		
Garder les poignées sèches, propres et exemptes d'huile et de graisse.	X		
Vérifier que l'outil de coupe n'est pas endommagé. Remplacer l'outil de coupe s'il est endommagé.	X		
Vérifier que le dispositif de protection de l'outil de coupe n'est pas endommagé. Remplacer le dispositif de protection s'il est endommagé.	X		
Vérifier que les vis et les écrous sont bien serrés.	X		
Vérifier que les boutons de déverrouillage de la batterie fonctionnent et gardent la batterie bien fixée à l'appareil.	X		
Vérifier que le chargeur de batterie n'est pas endommagé et qu'il fonctionne correctement.	X		
Vérifier que la batterie n'est pas endommagée.	X		
Vérifier que la batterie est chargée.	X		
Vérifier que le chargeur de batterie n'est pas endommagé.	X		
Vérifier tous les raccords et les connexions. S'assurer qu'ils sont en bon état et exempts de saletés.		X	
Vérifier les points de connexion entre la batterie et l'appareil. Examiner également le point de connexion entre la batterie et le chargeur.			X

## Pour examiner la batterie et le chargeur de batterie

1. Examiner la batterie pour détecter des dommages éventuels, par exemple des fissures.
  2. Examiner le chargeur de batterie pour détecter des dommages éventuels, par exemple des fissures.
  3. S'assurer que le cordon de raccordement du chargeur de batterie est intact et qu'il ne présente pas de fissure.
2. Nettoyer la batterie et chargeur de batterie à l'aide d'un chiffon sec. Garder les chemins de guidage de la batterie propres.
  3. S'assurer que les bornes de la batterie et le chargeur de batterie sont propres avant de placer la batterie dans le chargeur de batterie ou sur le produit.

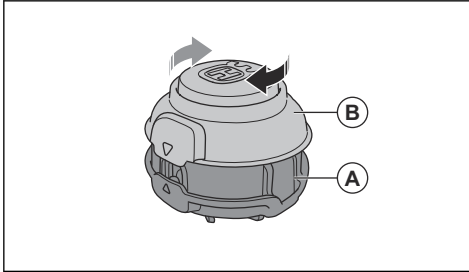
## Pour nettoyer le produit, la batterie et le chargeur de batterie.

1. Nettoyer le produit à l'aide d'un chiffon sec après utilisation.

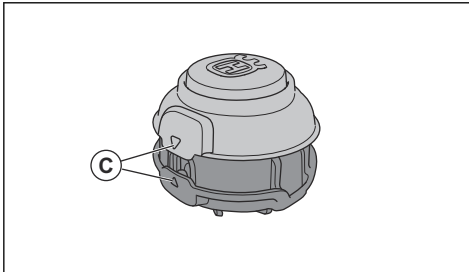


## Remplacement du fil coupe-herbe

1. Maintenir la moitié inférieure (A) de la tête de désherbage stable d'une main.

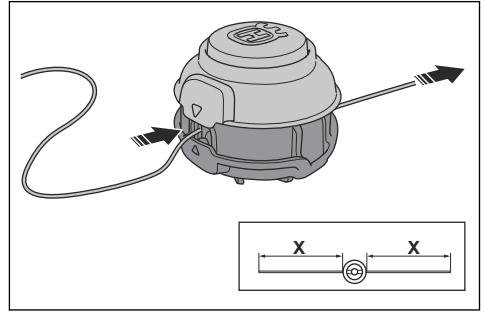


2. Tourner la moitié supérieure (B) de la tête de désherbage dans le sens horaire de l'autre main.
3. Continuer à tourner la moitié supérieure de la tête de désherbage jusqu'à ce que les triangles (C) soient alignés.

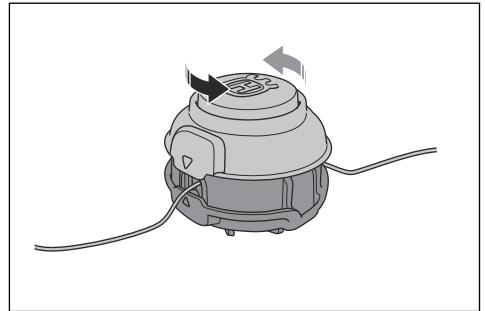


4. Retirer et mettre au rebut le fil de coupe restant, le cas échéant.
5. Couper environ 5,5 m (18 pi) du nouveau fil de coupe.
6. Placer une extrémité du fil de coupe dans l'un des trous.

7. Pousser le fil de coupe à travers la tête de désherbage, puis à travers le trou opposé.



8. Tirer le fil de coupe à travers la tête de désherbage jusqu'à ce qu'il y ait une longueur égale de fil de coupe de chaque côté.
9. Maintenir la tête de désherbage inférieure à moitié stable d'une main.
10. A l'aide de l'autre main, tourner la moitié supérieure dans le sens anti-horaire.



11. Continuer à tourner le bouton jusqu'à ce qu'il y ait environ 127 mm (5 po) de fil de coupe sortant de chaque trou.

## Dépannage

### Clavier

Affichage à DEL	Anomalies potentielles	Action possible
Le voyant DEL vert clignote	Niveau de batterie faible	Charger la batterie.

## Batterie

État	Anomalies potentielles	Procédure possible
La DEL d'avertissement de la batterie clignote.	Écart de température, la batterie est trop froide ou trop chaude pour être utilisée.	Laisser la batterie se refroidir ou la placer à l'intérieur afin de lui permettre de se réchauffer. Lorsque la température de la batterie est adéquate, il sera possible de l'utiliser. Utiliser la batterie dans une température comprise entre -10 °C (14 °F) et 40 °C (104 °F).
	La batterie est à plat.	Charger la batterie.
La DEL d'avertissement de la batterie s'allume.	Erreur de batterie permanente.	Communiquer avec votre centre de services.

## Chargeur de batterie

État	Anomalies potentielles	Procédure possible
Le voyant DEL du système de charge est rouge.	Erreur permanente du chargeur de batterie	Communiquer avec votre centre de services.
Le voyant DEL du système de charge clignote en rouge.	Écart de température, la batterie est trop froide ou trop chaude pour être utilisée ou chargée.	Laisser la batterie se refroidir ou se réchauffer. Lorsque la température de la batterie est adéquate, il sera possible de l'utiliser ou de la recharger. Utiliser le chargeur de batterie dans une zone de températures entre 5 °C (41 °F) et 40 °C (104 °F).
Le voyant DEL du système de charge clignote en vert.		
Le voyant DEL du système de charge clignote en rouge.	Batterie défectueuse.	Communiquer avec votre centre de services.

---

## Transport, entreposage et mise au rebut

---

### Transport et entreposage

- Les batteries au lithium-ion fournies respectent les exigences de la loi sur les produits dangereux.
- Respecter l'exigence spéciale relative à l'emballage et aux étiquettes pour le transport commercial, y compris par des tiers et des transitaires.
- Communiquer avec une personne ayant une formation spéciale en matière de composés dangereux avant d'envoyer le produit. Respecter tous les règlements nationaux applicables.
- Utiliser du ruban adhésif sur des contacts ouverts lorsque vous emballez la batterie. Placer la batterie dans un emballage hermétique pour éviter tout mouvement.
- Déposer la batterie à des fins de remisage ou de transport.
- Placer la batterie et le chargeur de batterie dans un espace sec et exempt d'humidité et de gel.
- Ne pas maintenir la batterie dans une zone où l'électricité statique peut se développer. Ne pas entreposer la batterie dans une boîte métallique.
- Entreposer la batterie dans un endroit où la température est comprise entre 5 °C (41 °F) et 25 °C (77 °F) et à l'écart des rayons directs du soleil.
- Entreposer le chargeur de batterie dans un endroit où la température est comprise entre 5 °C (41 °F) et 45 °C (113 °F) et à l'écart des rayons directs du soleil.
- Utiliser le chargeur de batterie seulement lorsque la température ambiante est comprise entre 5 °C (41 °F) et 40 °C (104 °F).
- Charger la batterie entre 30 % et 50 % avant de la remettre pour une longue période.
- Entreposer le chargeur de batterie dans un endroit clos et sec.
- Tenir la batterie à l'écart du chargeur de batterie pendant la période d'entreposage. Ne pas laisser des enfants et d'autres personnes non autorisées

- Nettoyer le produit et effectuer un entretien complet avant de l'entreposer dans le local de rangement pendant une longue période.
- Utiliser le fourreau de transport sur le produit afin d'éviter des blessures ou des dommages au produit pendant le transport et le remisage.
- Fixer le produit de façon sécuritaire pendant le transport.

## Données techniques

### Caractéristiques techniques

		<b>220iL</b>
<b>Moteur</b>		
Type de moteur	BLDC (sans balais) 40 V	
Régime de l'arbre sortant, tr/min	7000	
Largeur de coupe, po/mm	16/406	
<b>Poids</b>		
Poids sans batterie, lb/kg	6,6 /3,0	
Poids avec BLi22, lb/kg	9,5 /4,3	
<b>Niveau de protection contre l'eau</b>		
Fonctionne en toutes saisons	Non	

### Batteries homologuées pour le produit

<b>Batterie</b>	<b>BLi22</b>
Type	Lithium-ion
Capacité de la batterie, Ah	4,2
Tension nominale, V	36
Poids, lb/kg	2,9 /1,3

### Chargeurs de batteries approuvés

<b>Chargeur de batterie</b>	<b>QC250</b>
Tension d'entrée, V	100 à 240
Fréquence, Hz	50 à 60
Puissance, W	250

---

## Accessoires

---

### Accessoires homologués

Accessoire homologué	Type
Tête de désherbage	Diamètre de fil coupe-herbe de 2,0 mm (0,080 po).









[www.husqvarna.com](http://www.husqvarna.com)

Original instructions  
Instrucciones originales  
Instructions d'origine

1142409-49



2020-11-06