

**Repair Parts Manual**  
**Manual De Repuestos**  
**TS138L / 96041043900**

Please read the operator's manual carefully and make sure you understand the instructions before using the machine.

Por favor lea cuidadosamente y comprenda estas instrucciones antes de usar esta maquina.



**English/Spanish**

**114 14 70-49 Rev. 3**



# HOW TO USE THIS MANUAL

This manual is designed to provide the customer with a means to identify the parts on his/her tractor when ordering repair parts. The illustrations may or may not represent the actual assemblies; therefore, it is not recommended to use this manual as a guide to assemble or disassemble the tractor. Some hardware and parts are drawn larger in order to more readily identify them.

Each tractor has its own model number. The model number for your tractor can be found on the fender under the seat.

## Support / Help

If you require assistance or have questions concerning the application, operation, maintenance or parts for your product:

- Visit our website: [www.husqvarna.com](http://www.husqvarna.com)
- Call Us Toll Free: 1-800-487-5951

When ordering parts, always give the following information:

- Product - "TRACTOR"
- MODEL NUMBER - "TS138L" (96041043900)"
- Part Number
- Part Description

## TABLE OF CONTENTS

<b>SCHEMATIC</b> .....	<b>3</b>
<b>ELECTRICAL</b> .....	<b>4-5</b>
<b>CHASSIS</b> .....	<b>6-7</b>
<b>DRIVE</b> .....	<b>8-9</b>
<b>ENGINE</b> .....	<b>10-11</b>
<b>STEERING</b> .....	<b>12-13</b>
<b>MOWER DECK</b> .....	<b>14-15</b>
<b>MOWER LIFT</b> .....	<b>16</b>
<b>SEAT</b> .....	<b>17</b>
<b>DECALS</b> .....	<b>18</b>

## COMO UTILIZAR ESTE MANUAL

Este manual está diseñado para brindarle al comprador un medio para identificar las piezas del tractor para cuando necesite hacer el pedido de un repuesto. Las ilustraciones pueden o no representar los ensambles reales; por lo tanto, no se recomienda utilizar este manual como una guía para ensamblar o desarmar el tractor. Algunos accesorios y piezas están dibujados en tamaños más grandes para identificarlos con mayor facilidad.

Cada tractor tiene su propio número de modelo. El número de modelo del tractor se encuentra en el guardabarros debajo del asiento.

## Soporte / Ayuda

Si necesita asistencia o tiene alguna pregunta acerca de la aplicación, operación, mantenimiento o piezas de su producto:

- Visite nuestro sitio web: [www.husqvarna.com](http://www.husqvarna.com)
- Llámenos de manera gratuita al: 1-800-487-5951

Cuando haga el pedido de una pieza, siempre brinde la siguiente información:

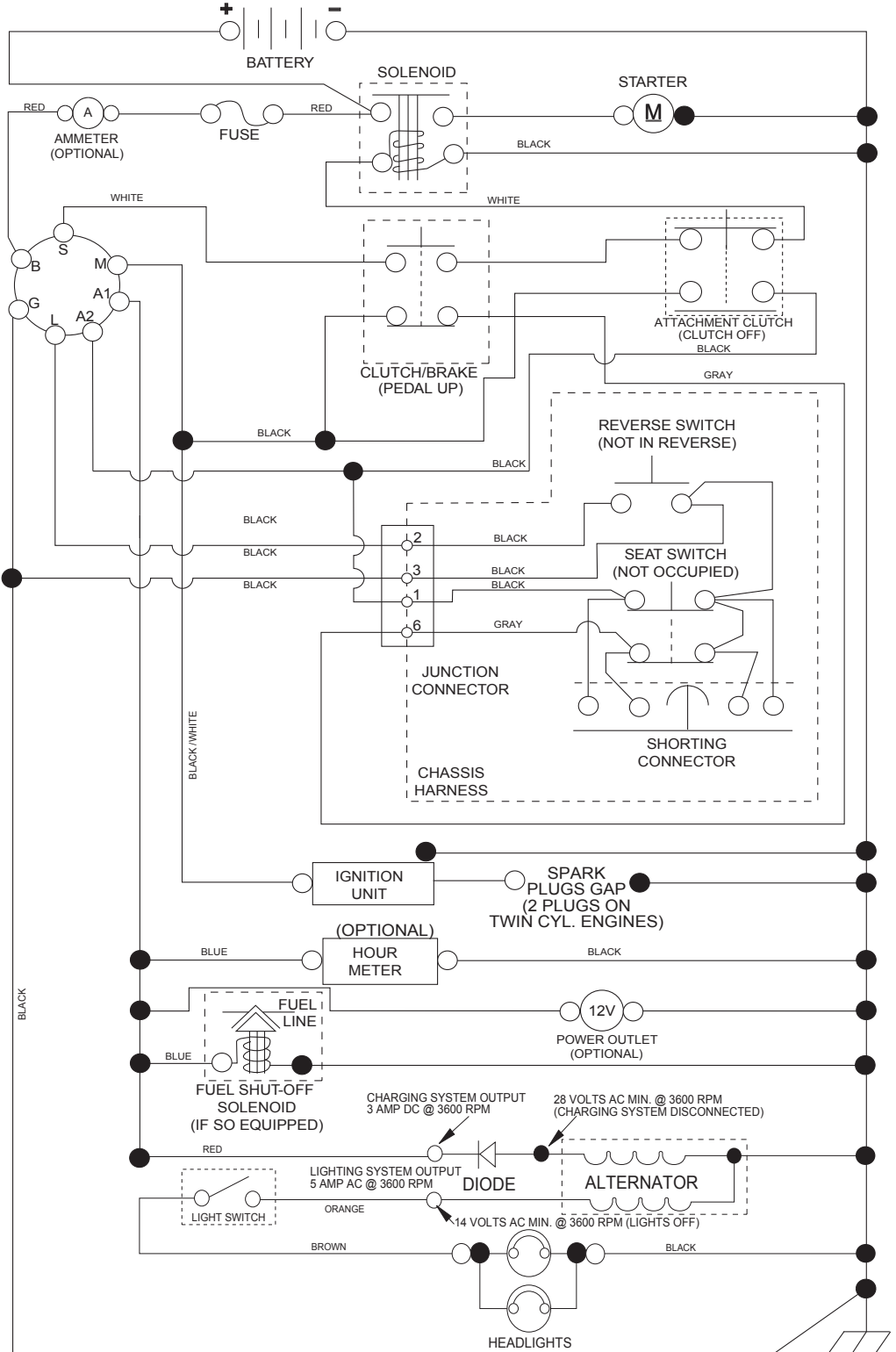
- Producto: "TRACTOR"
- NÚMERO DE MODELO: "TS138L" (96041043900)"
- Número de pieza
- Descripción de la pieza

## ÍNDICE

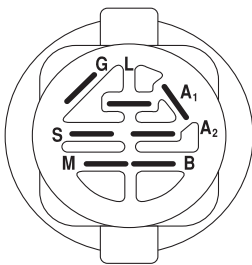
<b>DIAGRAMA</b> .....	<b>19</b>
<b>DIAGRAMA ELÉCTRICO</b> .....	<b>20-21</b>
<b>CHASIS</b> .....	<b>22-23</b>
<b>TRANSMISIÓN</b> .....	<b>24-25</b>
<b>MOTOR</b> .....	<b>26-27</b>
<b>DIRECCIÓN</b> .....	<b>28-29</b>
<b>PLATAFORMA DE LA CORTADORA DE CÉSPED</b> .....	<b>30-31</b>
<b>ELEVACIÓN DE LA CORTADORA DE CÉSPED</b> .....	<b>32</b>
<b>ASIENTO</b> .....	<b>33</b>
<b>CALCOMANÍAS</b> .....	<b>34</b>

# TRACTOR - MODEL NO. TS 138L (96041043900), PRODUCT NO. 960 41 04-39 SCHEMATIC

SCH11

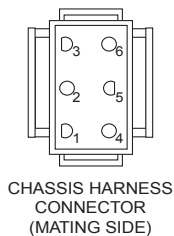


**NOTE**  
YOUR TRACTOR IS EQUIPPED WITH A SPECIAL ALTERNATOR SYSTEM. THE LIGHTS ARE NOT CONNECTED TO THE BATTERY, BUT HAVE THEIR OWN ELECTRICAL SOURCE. BECAUSE OF THIS, THE BRIGHTNESS OF THE LIGHTS WILL CHANGE WITH ENGINE SPEED. AT IDLE THE LIGHTS WILL DIM. AS THE ENGINE IS SPEEDED UP, THE LIGHTS WILL BECOME THEIR BRIGHTEST.



IGNITION SWITCH

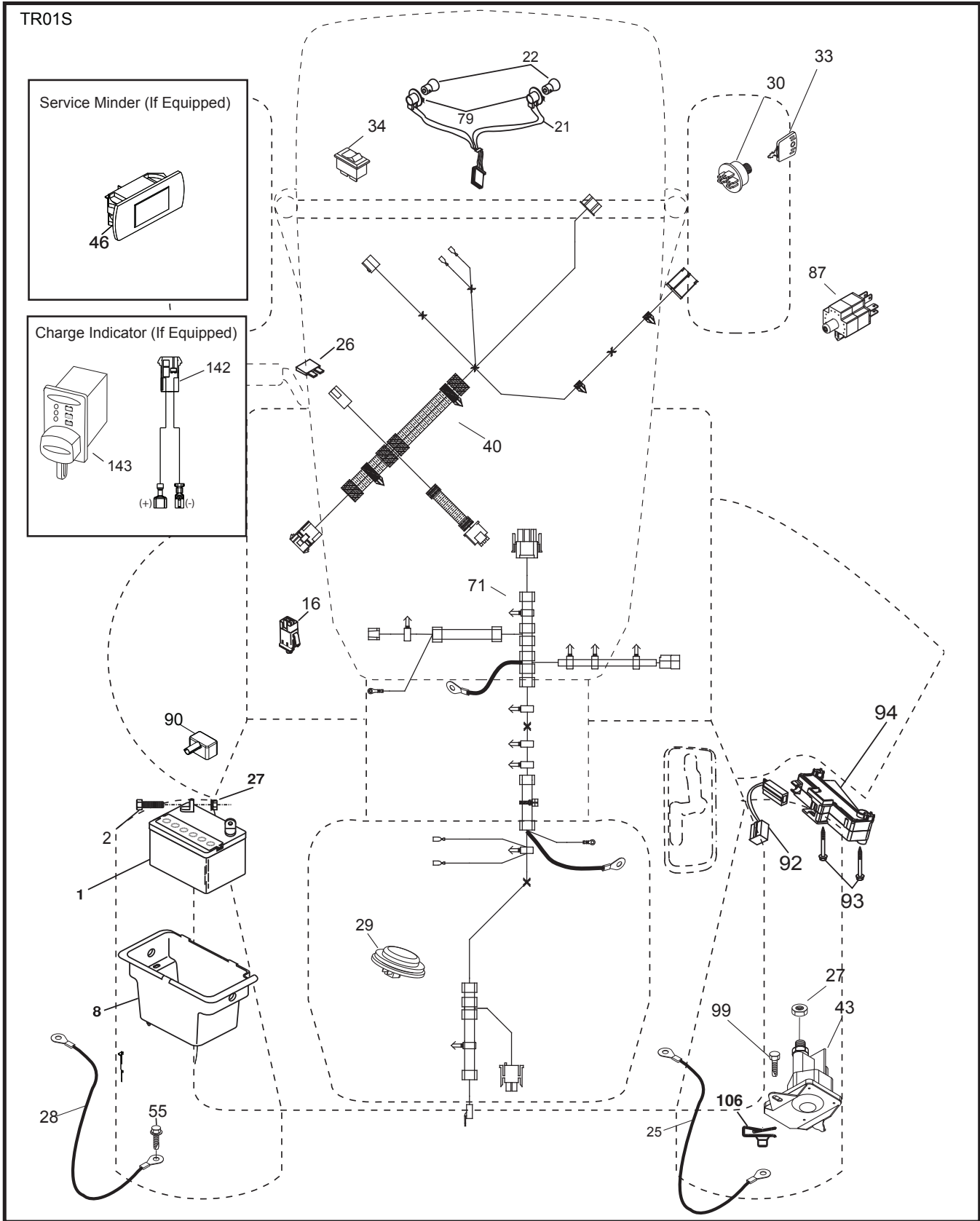
POSITION	CIRCUIT	"MAKE"
OFF	M+G+A1	
RUN/OVERRIDE	B+A1	
RUN	B+A1	L+A2
START	B+S+A1	



WIRING INSULATED CLIPS  
NOTE: IF WIRING INSULATED CLIPS WERE REMOVED FOR SERVICING OF UNIT, THEY SHOULD BE RE-INSTALLED TO PROPERLY SECURE YOUR WIRING.



TRACTOR - MODEL NO. TS 138L (96041043900), PRODUCT NO. 960 41 04-39  
ELECTRICAL

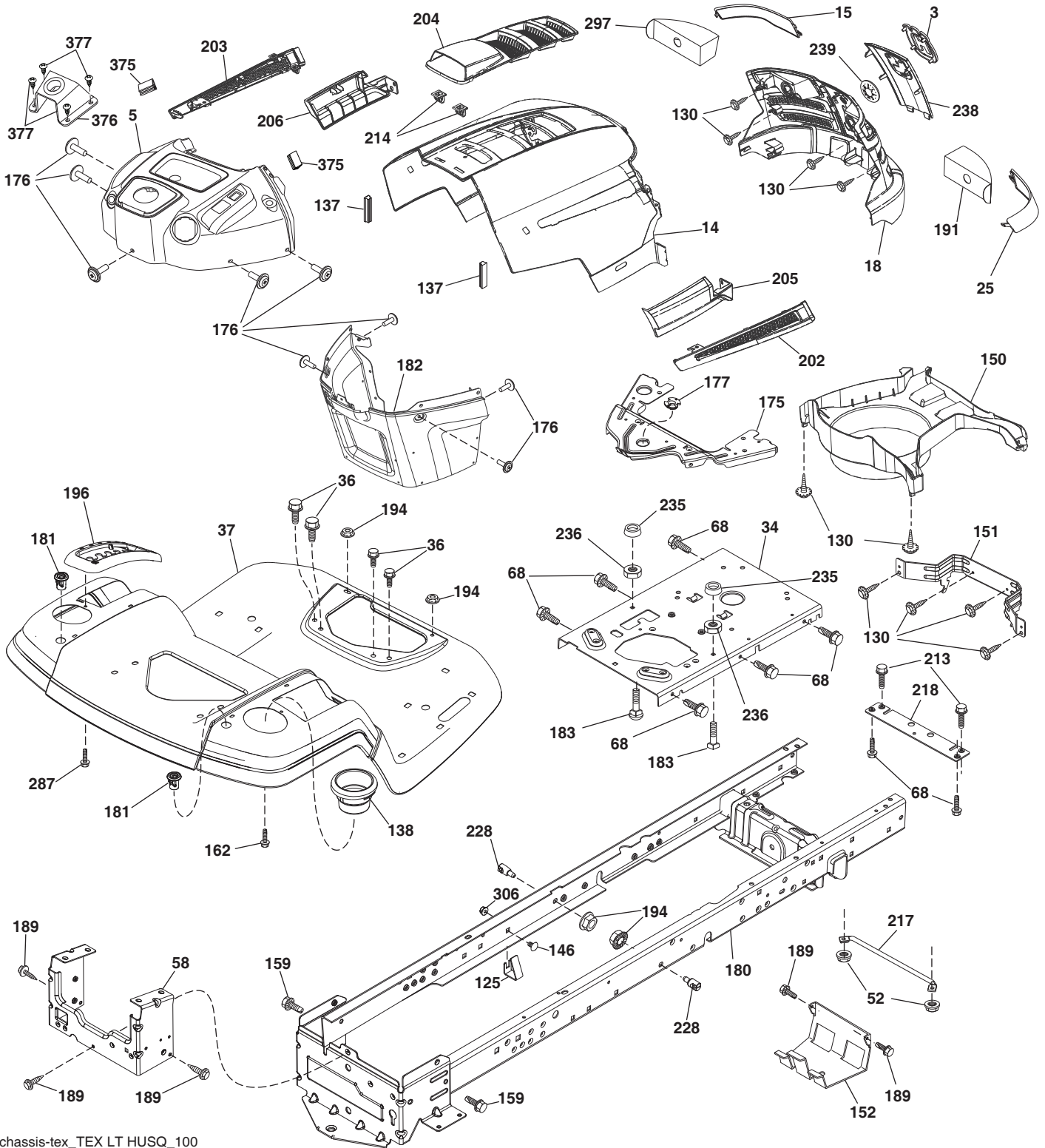


**TRACTOR - MODEL NO. TS 138L (96041043900), PRODUCT NO. 960 41 04-39  
ELECTRICAL**

<b>KEY NO.</b>	<b>PART NO.</b>	<b>DESCRIPTION</b>
1	532 16 34-65	Battery
2	874 76 04-12	Bolt Hex Head 1/4-20 x 3/4
8	532 19 32-28	Box Battery
16	532 17 61-38	Switch Interlock Push-In
21	532 40 02-52	Harness Socket Light w/4152J
22	532 00 41-52	Bulb Light
25	581 49 80-01	Cable Starter
26	532 17 51-58	Fuse
27	596 13 36-01	Locknut, Keps. 1/4-20
28	532 42 16-86	Cable, Ground
29	532 40 15-45	Switch, Seat
30	532 19 33-50	Switch, Ign.
33	532 41 19-35	Key/Chain
34	532 11 07-12	Switch Light/Reset
40	581 02 31-01	Harness Ign. Dash
43	582 04 28-02	Solenoid
46	594 91 91-01	Hourmeter, SRV. Minder
55	817 06 05-12	Screw Thdrol. 5/16-18 x 3/4 TYTT
71	501 13 37-01	Harness Chassis
79	532 17 52-42	Socket Asm. Bulb Twistlock
87	532 19 78-02	Switch Interlock Clutch Cable
90	532 43 53-95	Cover Terminal
92	532 19 66-15	Harness Pigtail Reverse Switch
93	596 03 96-01	Bolt, Hex, 10-14 x 2-1/8
94	532 19 18-34	Module Reverse ROS
99	817 67 04-12	Screw 1/4-20 x 3/4
106	532 17 48-14	Palnut 1/4 Lugs

**NOTE:** All component dimensions given in U.S. inches  
1 inch = 25.4 mm

# TRACTOR - MODEL NO. TS 138L (96041043900), PRODUCT NO. 960 41 04-39 CHASSIS



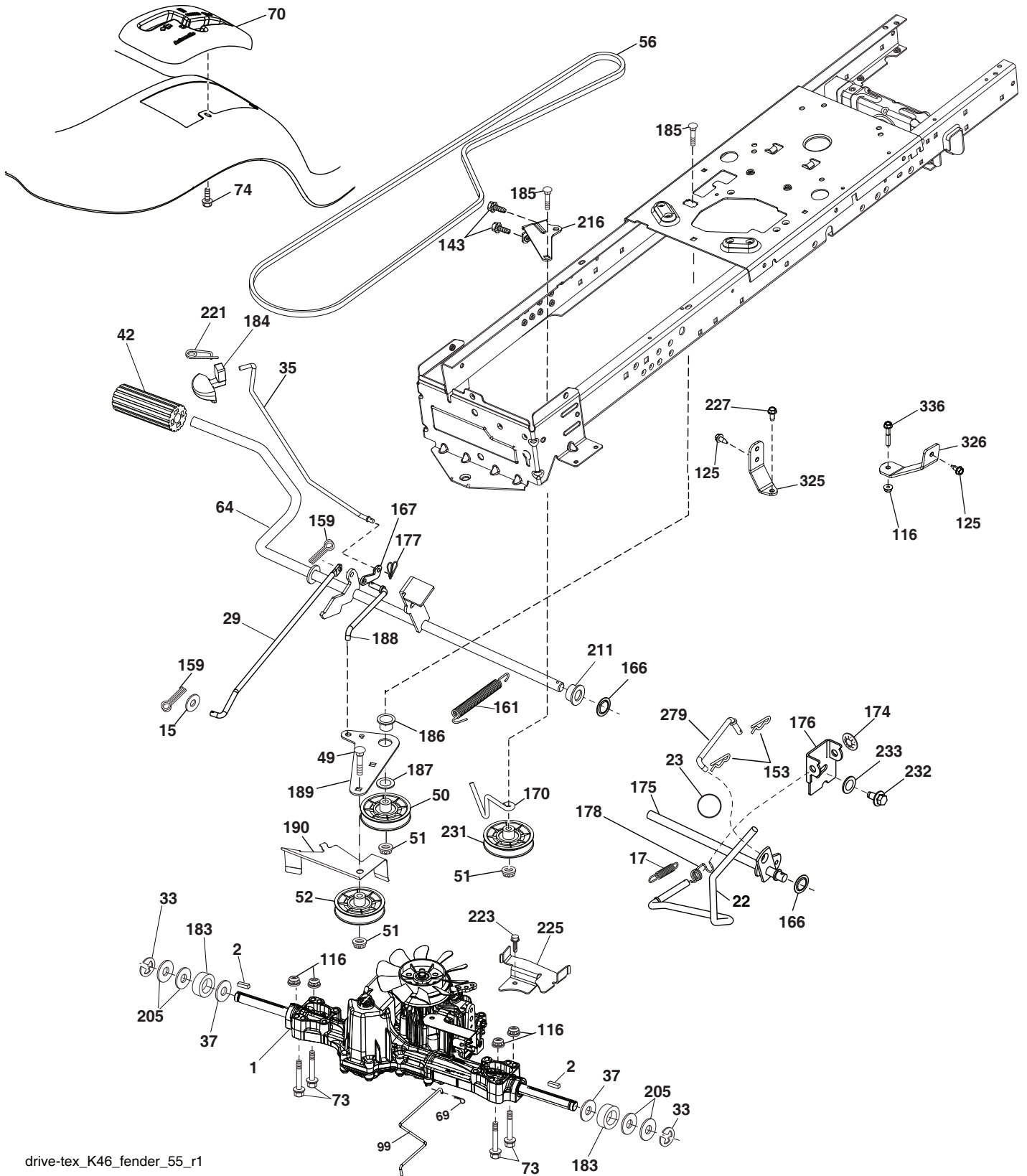
chassis-tex\_TEX LT HUSQ\_100

**TRACTOR - MODEL NO. TS 138L (96041043900), PRODUCT NO. 960 41 04-39  
CHASSIS**

<b>KEY NO.</b>	<b>PART NO.</b>	<b>DESCRIPTION</b>	<b>KEY NO.</b>	<b>PART NO.</b>	<b>DESCRIPTION</b>
3	581 05 63-01	Logo	191	532 41 65-01	Insert Reflective RH
5	532 43 89-64	Dash	194	596 13 57-01	Nutlock, Prvl, Torq. 5/16-18 x .68
14	532 44 12-67	Hood	196	532 43 96-47	Console Deck Lift
15	532 44 14-28	Lens LH	202	532 44 13-42	Vent Side Hood RH
18	532 43 94-21	Grille, Asm.	203	532 44 13-43	Vent Side Hood LH
25	532 44 14-27	Lens RH	204	532 44 13-75	Vent Top Hood
34	580 91 08-01	Plate Engine	205	532 44 13-44	Skirt Side RH
36	817 06 05-12	Screw 5/16-18 x 3/4	206	532 44 13-45	Skirt Side LH
37	532 44 12-66	Fender	213	596 03 05-01	Bolt, Hex. Hd. 5/16-18 unc x 3/4
52	596 04 05-01	Nutlock, Hex. Prvl. 5/16-18	214	532 19 91-45	Clip Retainer
58	532 41 22-80	Drawbar Upper	217	532 40 91-67	Rod Pivot Hood
68	596 03 07-01	Screw, Hexagon, 5/16-18 x 1/2	218	532 19 63-95	X-Piece Hood Stop
125	581 68 48-01	Clip Fuel Line	228	593 82 40-01	Stud, W/"D" Anti-rotation
130	596 32 17-01	Screw, #10 x 0.750 BOS Thread	235	596 56 42-01	Spacer, Fender, Clr. Zn
137	532 40 75-90	Bumper Dash	236	873 93 05-00	Nut Lock 5/16-18 unc
138	532 43 97-47	Cupholder	238	532 44 13-74	Trim
146	581 85 79-01	Bolt	239	532 40 48-83	Clip Tinnerman
150	532 40 66-62	Air Duct	287	817 60 04-06	Screw Hex WASHEAD 1/4-20 x 3/8
151	532 40 78-07	Bracket Pivot	297	532 40 66-65	Insert Reflective LH
152	532 19 95-35	Shield Browning	306	873 90 06-00	Nut Lock FLG 3/8-16 unc
159	817 00 06-12	Screw 3/8 - 16 x 3/4	375	586 90 82-01	Dash Clip-On Bumper
162	596 13 41-01	Screw, Hex. Tap. 1/4-15 x 1/2	376	589 45 87-01	Upper Steeing Mount
175	532 19 94-72	Crossmember	377	589 45 53-01	Screw 10 x 1/2
176	532 40 07-76	Screw 10-24 x 5/8			
177	532 19 52-28	Bushing Steering			
180	532 41 50-63	Chassis			
181	532 43 97-46	Bushing			
182	532 40 71-76	Dash Lower			
183	595 30 57-01	Screw, Hexagon, 5/16-18 x 1-1/4			
189	817 00 05-12	Screw 5/16-18 x 3/4			

**NOTE:** All component dimensions given in U.S. inches  
1 inch = 25.4 mm

TRACTOR - MODEL NO. TS 138L (96041043900), PRODUCT NO. 960 41 04-39  
DRIVE



drive-tex\_K46\_fender\_55\_r1

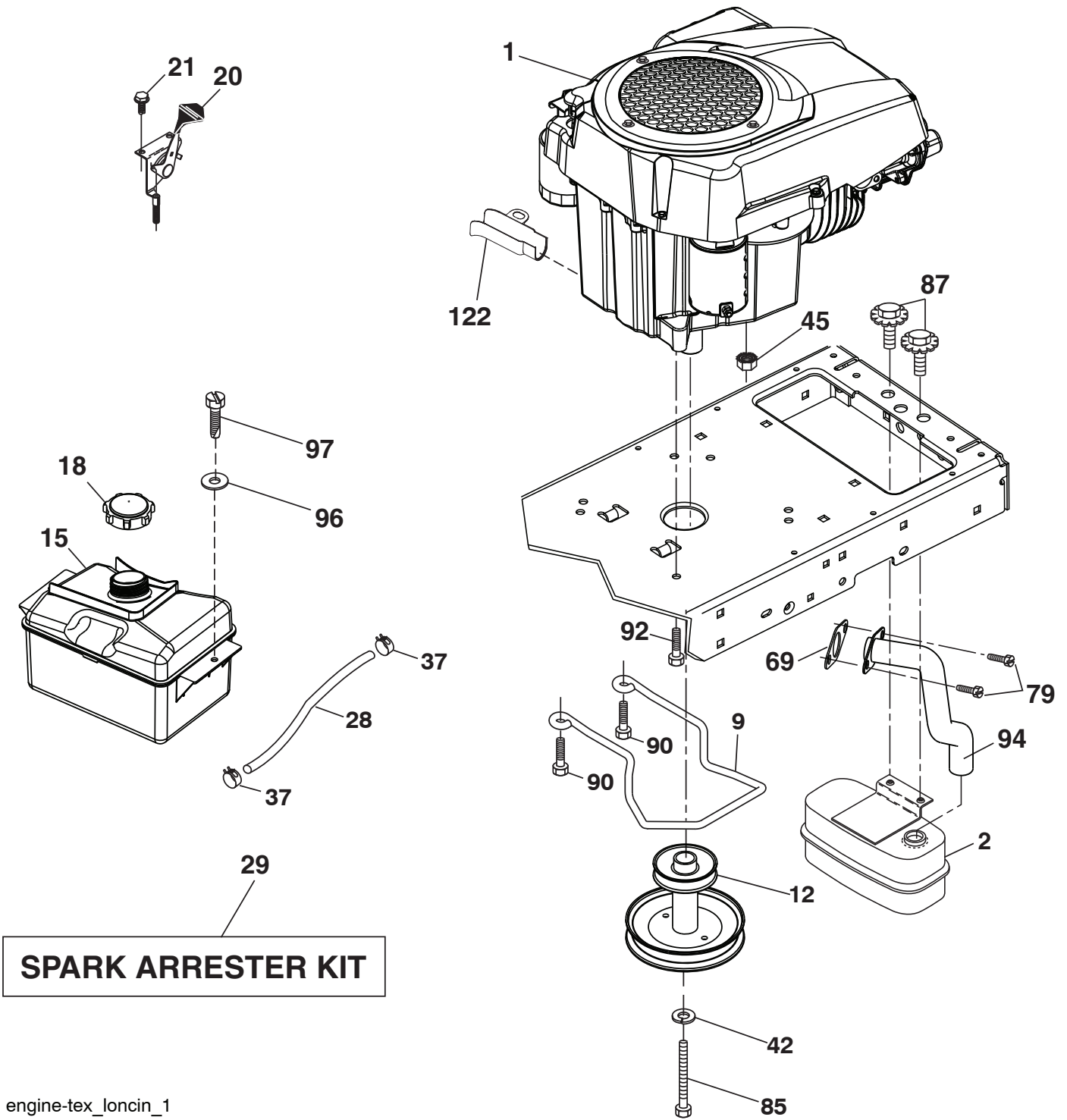


# TRACTOR - MODEL NO. TS 138L (96041043900), PRODUCT NO. 960 41 04-39 DRIVE

KEY NO.	PART NO.	DESCRIPTION	KEY NO.	PART NO.	DESCRIPTION
1	---	Transaxle, Tufftorq K46BA (448348) (Order parts from transaxle manufacturer.)	174	532 19 72-89	Nut Push
2	532 12 35-83	Key Square	175	532 40 85-39	Shaft Asm Shift
15	819 13 13-16	Washer 13/32 x 13/16 x 16 Ga.	176	532 19 62-14	Arm Clevis Rod Shift
17	532 41 36-78	Spring, Brake	177	587 22 53-01	Pin, Cotter, Locking, Bowtie, 1 In.
22	532 19 76-60	Rod Shift	178	532 19 74-56	Spring Shift
23	532 14 08-45	Knob, Shift	183	532 13 70-57	Spacer Axle
29	532 40 38-06	Rod, Brake	184	532 41 14-84	Handle Parking Brake
33	812 00 00-01	Ring E	185	872 11 06-22	Bolt
35	596 87 48-01	Rod, Control, Park, Txlt. Clr. Zinc	186	532 19 43-21	Spacer Retainer
37	532 18 89-67	Washer Harden .793 x 1.637 x 060	187	596 13 55-01	Washer, 13/32 x 2 Clear, Zinc
42	532 00 88-83	Cover, Foot Pedal	188	582 21 70-01	Link Clutch Ground Drive, Long
49	596 13 62-01	Bolt, Cup Head, 3/8-16 x 3/4	189	532 19 43-17	Bellcrank Ground Drive
50	532 19 43-27	Pulley Idler Flat	190	532 19 43-18	Keeper Bellcrank Ground Drive
51	873 90 06-00	Lock Nut 3/8-16	205	532 12 17-48	Washer 25/32 x 1-5/8 x 16 Ga.
52	532 19 43-26	Idler V-Groove Offset	211	532 19 62-12	Bushing Shaft
56	592 85 52-01	V-Belt, Drive	216	532 19 61-31	Bracket Pulley Idler
64	532 19 62-00	Shaft Asm. Pedal Brake Control	221	532 40 31-87	Retainer Spring Clip Handle
69	532 42 33-03	Hairpin .059 x 1.125	223	598 66 26-01	Bolt, T45. 5/16-18 x .75 Hexhd Blk
70	532 43 99-71	Console	225	532 40 33-19	Keeper Belt
73	596 13 65-01	Bolt, Hex. Head, 5/16-18 x 1-1/2	227	596 13 59-01	Bolt, Hex. 5/16-18 x 3/4 Clr. Znc.
74	596 13 41-01	Screw, Hex. Tap 1/4-15 x 1/2	231	532 40 72-87	Idler V-Groove
99	582 40 45-01	Rod Bypass	232	596 23 86-01	Bolt, Hex. 7/16-14 x 1 Clr. Znc.
116	596 13 57-01	Nutlock, Prvl. Torq. 5/16-18 x .68	233	596 13 52-01	Washer, Lock, 9/32 x 7/8 Clr. Zn.
125	817 00 05-12	Screw 5/16-18 x 3/4	279	596 91 66-01	Link, 18 in. Tire, Clr. Znc
143	596 03 07-01	Screw, Hexagon, 5/16-18 x 1/2	325	586 43 12-02	Torque Strap LH
153	532 00 44-97	Retainer Spring 1"	326	586 00 11-02	Bracket Torque Strap RH
159	596 02 95-01	Pin, Cotter, 1/8 Dia. x 3/4	336	587 25 96-02	Bolt 5/16-18 x 1-3/4
161	532 10 57-09	Spring, Return, Clutch			
166	532 42 91-64	Nut Push .625			
167	532 40 52-57	Latch Brake Parking			
170	532 41 34-30	Keeper Belt Centerspan			

**NOTE:** All component dimensions given in U.S. inches  
1 inch = 25.4 mm

**TRACTOR - MODEL NO. TS 138L (96041043900), PRODUCT NO. 960 41 04-39  
ENGINE**

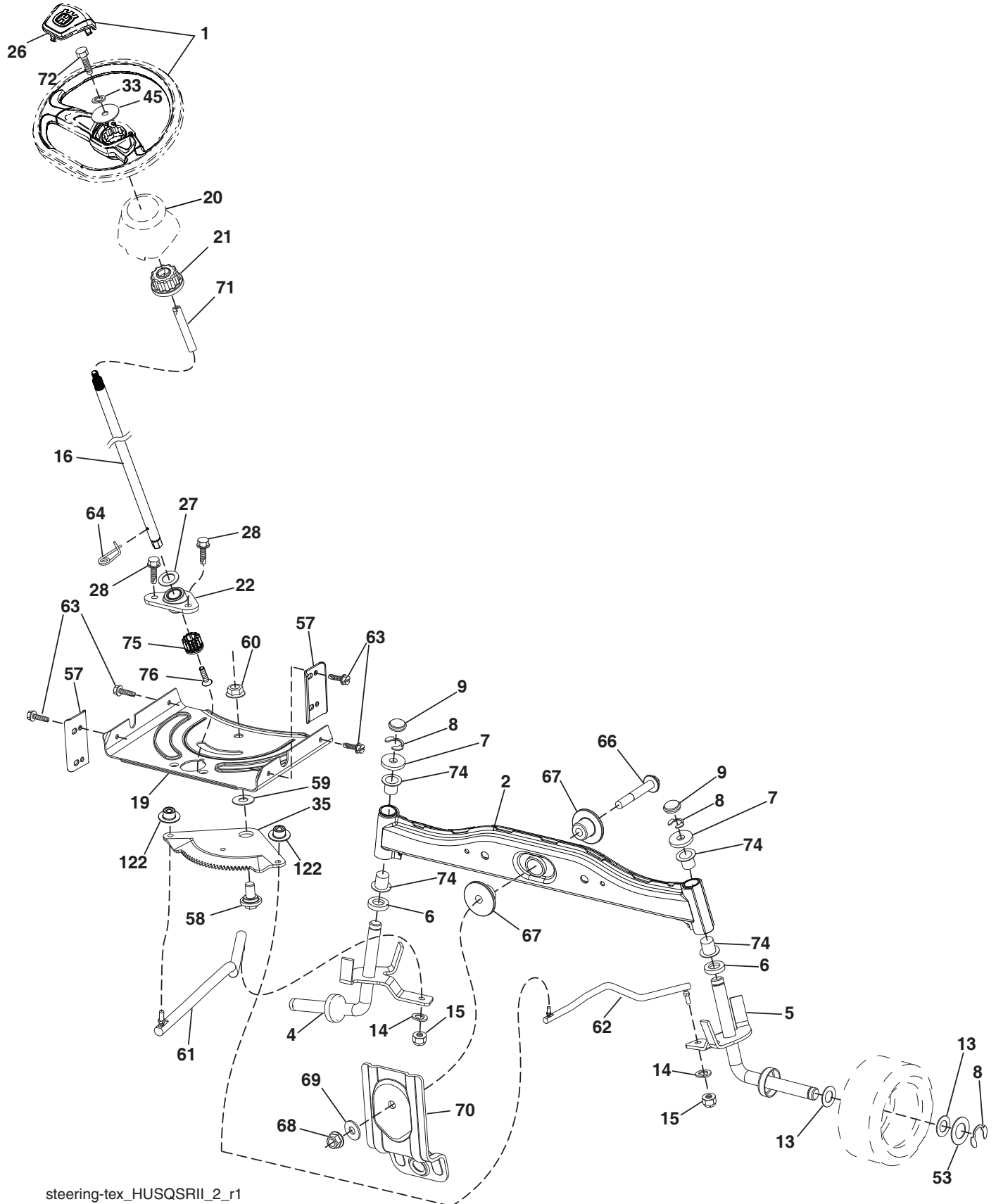


**TRACTOR - MODEL NO. TS 138L (96041043900), PRODUCT NO. 960 41 04-39  
ENGINE**

<b>KEY NO.</b>	<b>PART NO.</b>	<b>DESCRIPTION</b>
1	593 23 04-01	Engine Husqvarna Model No. HS 452cc Engine IPL Available Separately.
2	590 64 53-01	Muffler
9	596 50 15-02	Keeper Belt Engine
12	586 47 85-01	Pulley Engine
15	581 28 99-01	Tank Fuel
18	532 43 02-20	Cap Asm
20	532 18 38-97	Control Throttle
21	596 32 17-01	Screw, #10 x 0.750 BOS Thread
28	532 13 70-40	Fuel Line
29	532 13 71-80	Spark Arrester Kit
37	532 12 34-87	Clamp Hose
42	596 23 89-01	Washer, 7/16 in. Clr. Zn
45	593 35 64-01	Nut Hexagon Flanged Serrated
69	590 86 35-01	Gasket
79	596 13 42-02	Screw, Hex. Socket, 5/16-18 x 3/4
85	501 60 65-01	Bolt Hex 7/16-20 x 4 Gr. 5-1.5 Blue
87	532 17 18-77	Bolt 5/16-18 unc x 3/4
90	817 00 06-16	Screw 3/8-16 x 1
92	817 12 06-16	Screw 3/8-16 x 1
94	590 86 47-01	Tube Exhaust
96	596 13 53-01	Washer, Plain, 9/32 x 7/8 Clr. Zn
97	817 67 04-12	Screw 1/4-20 x 3/4
122	532 42 19-22	Extension Drain Oil

**NOTE:** All component dimensions given in U.S. inches  
1 inch = 25.4 mm

**TRACTOR - MODEL NO. TS 138L (96041043900), PRODUCT NO. 960 41 04-39**  
**STEERING ASSEMBLY**



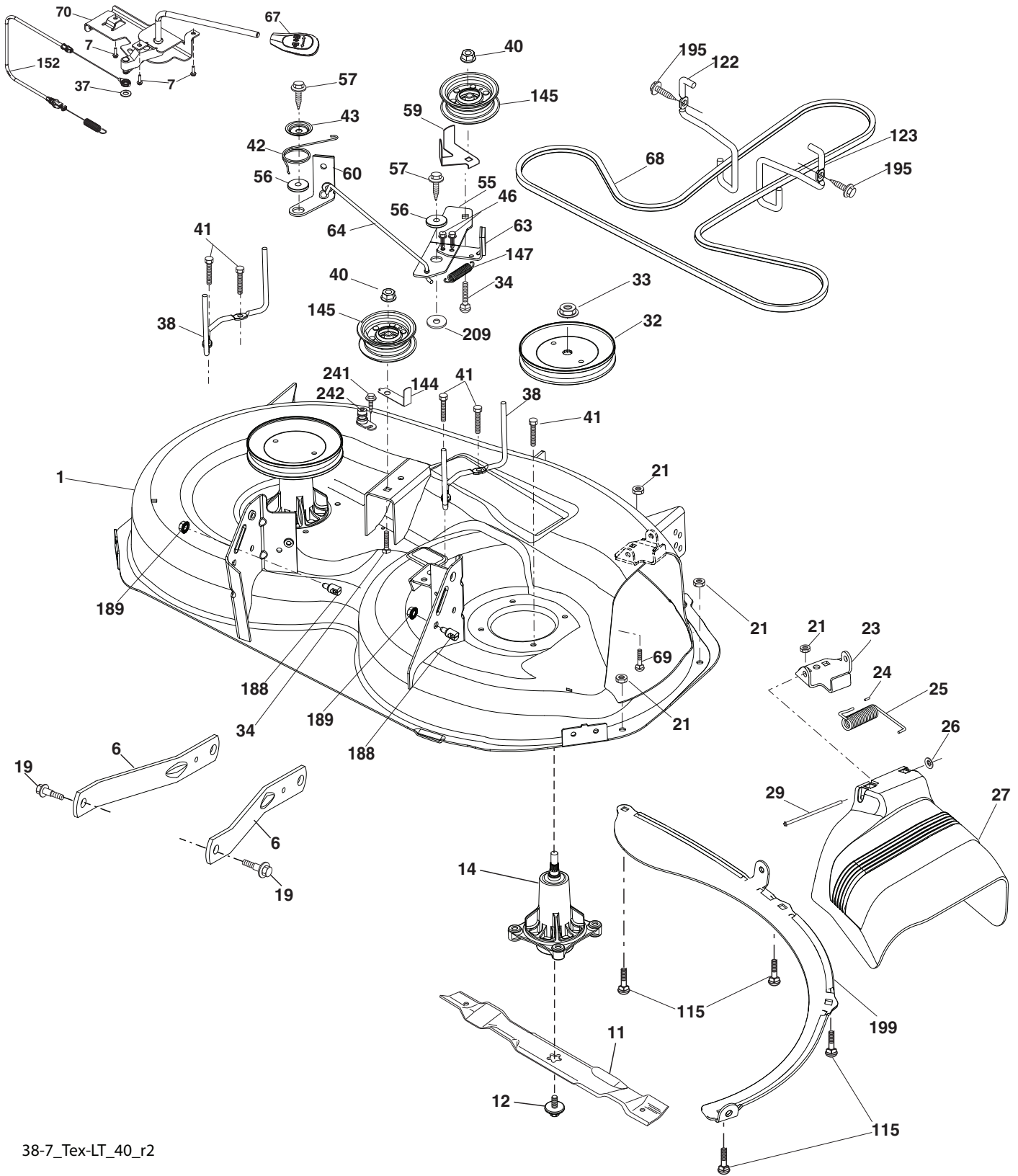
steering-tex\_HUSQSR11\_2\_r1

**TRACTOR - MODEL NO. TS 138L (96041043900), PRODUCT NO. 960 41 04-39  
STEERING ASSEMBLY**

<b>KEY NO.</b>	<b>PART NO.</b>	<b>DESCRIPTION</b>
1	597 86 61-01	Kit, Steering Wheel (includes cap)
2	532 41 81-68	Axle Asm., Front
4	532 40 30-87	Spindle Asm., LH
5	532 40 30-88	Spindle Asm., RH
6	532 00 62-66	Washer, Thrust .75 x 1.230
7	532 12 17-48	Washer 25/32 x 1-5/8 x 16 Ga.
8	812 00 00-29	Ring, Clip #T5304-75
9	532 12 12-32	Cap, Spindle
13	532 12 17-49	Washer 25/32 x 1-1/4 x 16 Ga.
14	596 23 87-01	Washer, Spring, Lock, .381 ID x .680
15	873 54 06-00	Nut, Crown Lock 3/8-24 unf
16	585 86 92-02	Steering Shaft
19	532 19 47-29	Plate Steering
20	532 44 14-25	Boot, Steering
21	532 18 67-37	Adapter, Wheel Steering
22	585 02 98-02	Bearing
26	594 94 91-01	Wheel Steering Husq Cap
27	596 93 34-01	Washer, Plain
28	817 00 06-12	Screw 3/8-16 x 3/4
33	596 23 88-01	Washer, Lock, 5/16 Sqr. End. ZN
35	532 19 47-32	Gear, Sector Plate
45	596 04 00-01	Washer, 11/32 x 2-3/8 Clr. Zn
53	532 18 89-67	Washer Hardened .793 x 1.637 x .060
57	532 40 74-65	Bracket Upstop
58	532 19 47-47	Bolt Shoulder Sector Pivot CFM
59	532 19 47-48	Washer Thrust Sector Steering
60	873 97 10-00	Nut Flange Lock 5/8-11
61	532 19 47-40	Draglink, LH
62	532 19 47-41	Draglink, RH
63	817 00 05-12	Screw 5/16-18 x 3/4
64	532 19 98-49	Retainer Clip Spring Steering
66	871 02 07-48	Bolt Hex Fghd. 7/16-14 x 3 Serr.
67	532 19 47-37	Bushing PM Front Axle
68	873 90 07-00	Nut Lock Flange 7/16-14 Gr. 5
69	532 19 91-62	Washer 1.5 x .505 x .118
70	585 33 88-01	Bracket Deck Susp. Front
72	596 03 97-01	Bolt, Hex Head, 5/16-18 unc x 4" Gr. 5
71	532 19 07-52	Shaft Extension Steering
74	532 00 33-66	Bearing Col. STRG
75	580 68 37-01	Pinion
76	580 68 36-01	Screw Head Sock
122	532 44 49-62	Cap Gear Sector

**NOTE:** All component dimensions given in U.S. inches  
1 inch = 25.4 mm

TRACTOR - MODEL NO. TS 138L (96041043900), PRODUCT NO. 960 41 04-39  
MOWER DECK



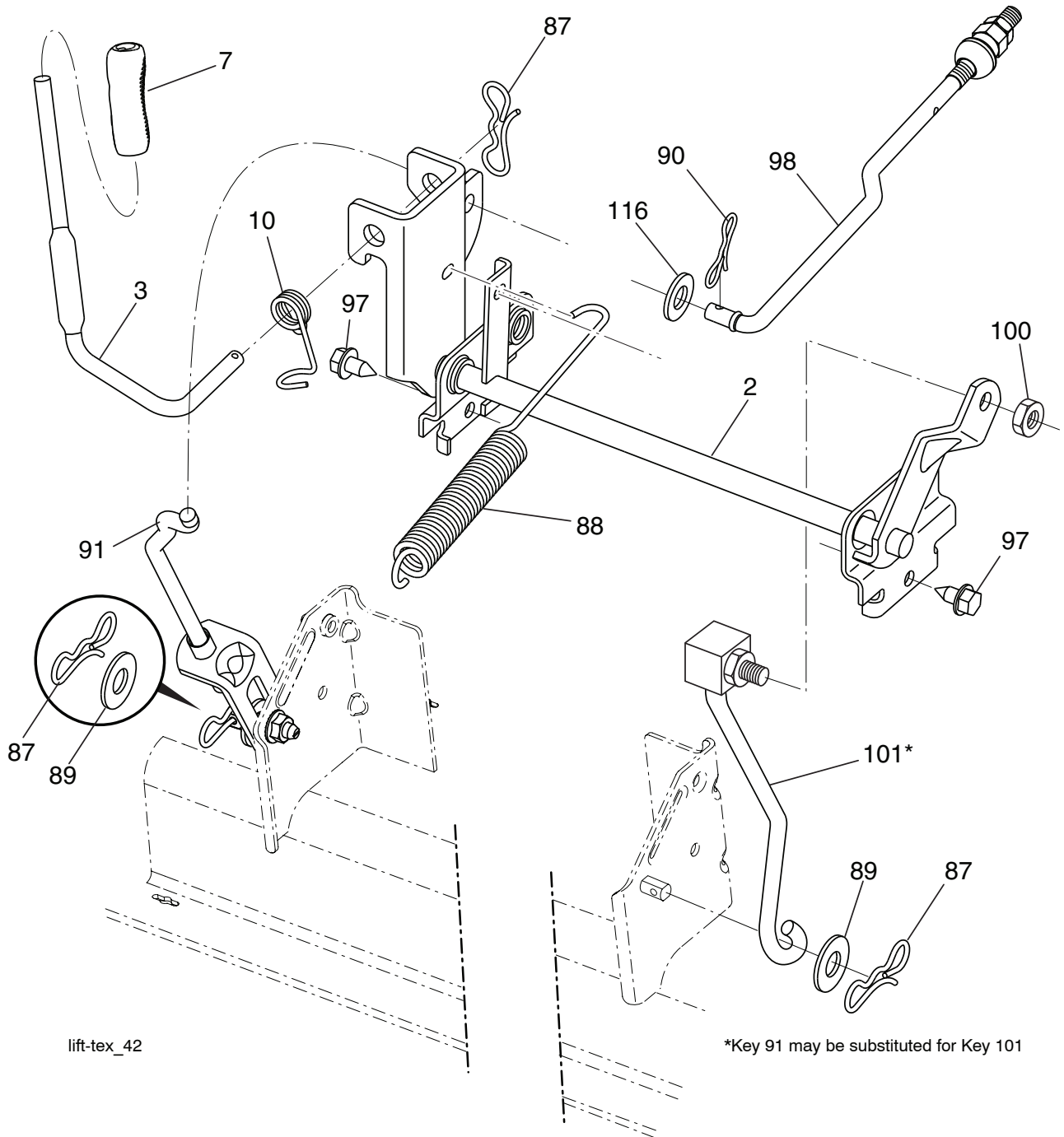
38-7\_Tex-LT\_40\_r2

**TRACTOR - MODEL NO. TS 138L (96041043900), PRODUCT NO. 960 41 04-39  
MOWER DECK**

KEY NO.	PART NO.	DESCRIPTION	KEY NO.	PART NO.	DESCRIPTION
1	532 43 44-63	Kit, SVC Weldment	63	532 19 94-70	Arm Brake Mower
6	532 19 51-86	Arm Suspension	64	532 19 97-90	Link Brake
7	596 32 17-01	Screw, #10 x 0.750 BOS Thread	67	532 40 30-12	Handle Clutch Cable
11	581 11 63-02	Blade 38"	68	532 40 83-81	V-Belt
12	584 30 93-01	Screw Sems 7/16-20 x 1	69	596 13 64-01	Bolt, Cup Head, 5/16-18 x 5/8
14	587 81 97-01	Kit, Mandrel, Nongrease, Tall	70	532 40 12-46	Clutch Asm. Manual
19	532 19 65-39	Bolt, Shoulder	115	872 11 05-05	Bolt Carr. 5/16-18x5 18 Short
21	596 04 05-01	Nutlock, Hex. Prvl. 5/16-18	122	532 19 72-58	Keeper Belt Engine LH
23	532 19 25-57	Bracket, Deflector	123	532 19 72-59	Keeper Belt Engine RH
24	532 10 53-04	Cap, Sleeve	144	532 19 34-14	Keeper Belt
25	532 19 70-26	Spring, Torsion, Deflector	145	532 19 31-97	Pulley, Idler, Flat
26	532 11 04-52	Nut, Push	147	532 40 18-72	Spring Return
27	532 19 39-68	Shield, Deflector	152	532 43 51-11	Manual Clutch Cable
29	595 29 70-01	Rod, Hinge	188	593 82 40-01	Stud, W/"D" Anti-rotation
32	532 19 97-89	Pulley, Mandrel	189	596 13 57-01	Nutlock, Prvl. Torq. 5/16-18 x .68
33	596 13 48-01	Nut, Hex. 9/16-18 x 1.010	195	817 00 06-12	Screw 3/8-16 x 3/4
34	596 13 61-01	Bolt, Cup Head, 3/8-16 x 1-1/2	199	532 40 00-95	Baffle Vortex
37	596 56 53-01	Washer 3/8 x 0.08 In. St. Clr. Zinc	209	596 13 55-01	Washer, 13/32 x 2 Clear, Zinc
38	532 19 95-41	Keeper Belt LH Mandrel	241	532 15 29-27	Screw TT #10-32.5 3/8 Flange
40	873 90 06-00	Nut, Lock Flg. 3/8-16 unc	242	532 41 55-98	Port Washout
41	584 95 39-01	Bolt Hex	--	532 43 44-67	Replacement Mower, Complete
42	532 19 84-10	Spring Torsion Brake			
43	532 19 72-56	Spring Torsion Retainer			
46	532 13 77-29	Screw 1/4-20 x 5/8			
55	532 19 72-49	Arm, Idler			
56	532 19 90-92	Spacer, Retainer			
57	817 00 06-16	Screw 3/8-16 x 1			
59	532 14 10-43	Guard, Tuv. Idler			
60	532 19 94-71	Arm Brake Mower			

**NOTE:** All component dimensions given in U.S. inches  
1 inch = 25.4 mm

**TRACTOR - MODEL NO. TS 138L (96041043900), PRODUCT NO. 960 41 04-39  
MOWER LIFT**



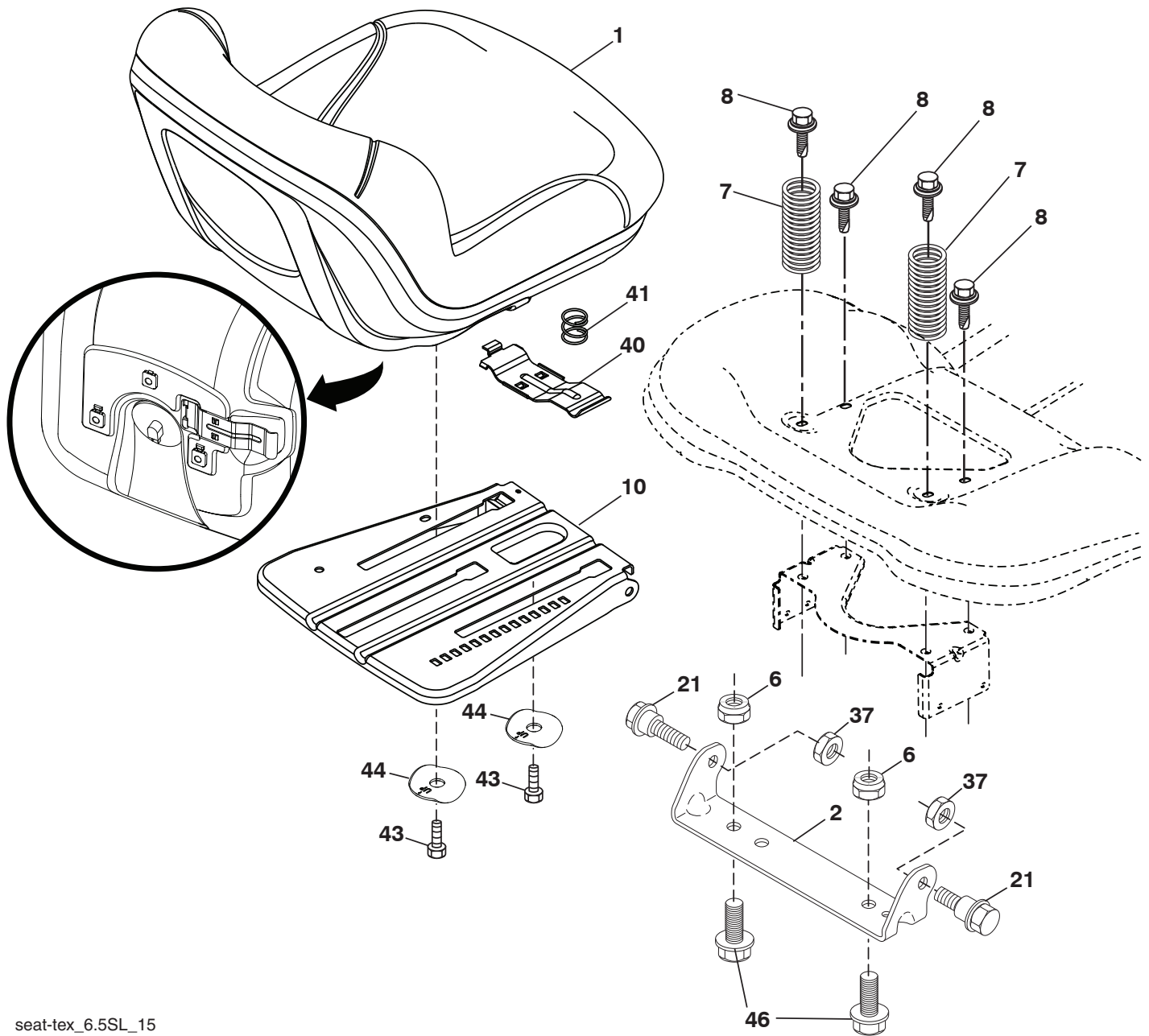
KEY NO.	PART NO.	DESCRIPTION
2	532 42 20-27	Shaft Asm., Lift
3	594 01 80-01	Lever, Lift, Handle, Clear, Zinc
7	580 96 23-01	Grip, Lever
10	532 19 63-14	Spring Torsion
87	532 19 42-09	Pin Cotter 7/16 Bow Tie Lock
88	532 41-07-10	Spring Lift Assist
89	819 19 19-12	Washer Clear Zinc
90	532 19 42-08	Pin Cotter 5/16 Bow Tie Lock
91	589 46 48-03	Link, Assy. Lift, Rear

KEY NO.	PART NO.	DESCRIPTION
97	817 00 06-12	Screw 3/8-16 x .75 Smgml. Tap/R.Z
98	581 50 69-03	Link, Assy. Mwr. Front, Suspension
100	595 30 59-01	Nut, Hex. Locknut, 3/8-16
101	532 40 70-03	Link Asm. Lift FXD
116	594 97 65-01	Washer 15/32 x 15/16 x .065

**NOTE:** All component dimensions given in U.S. inches  
1 inch = 25.4 mm



**TRACTOR - MODEL NO. TS 138L (96041043900), PRODUCT NO. 960 41 04-39  
SEAT ASSEMBLY**



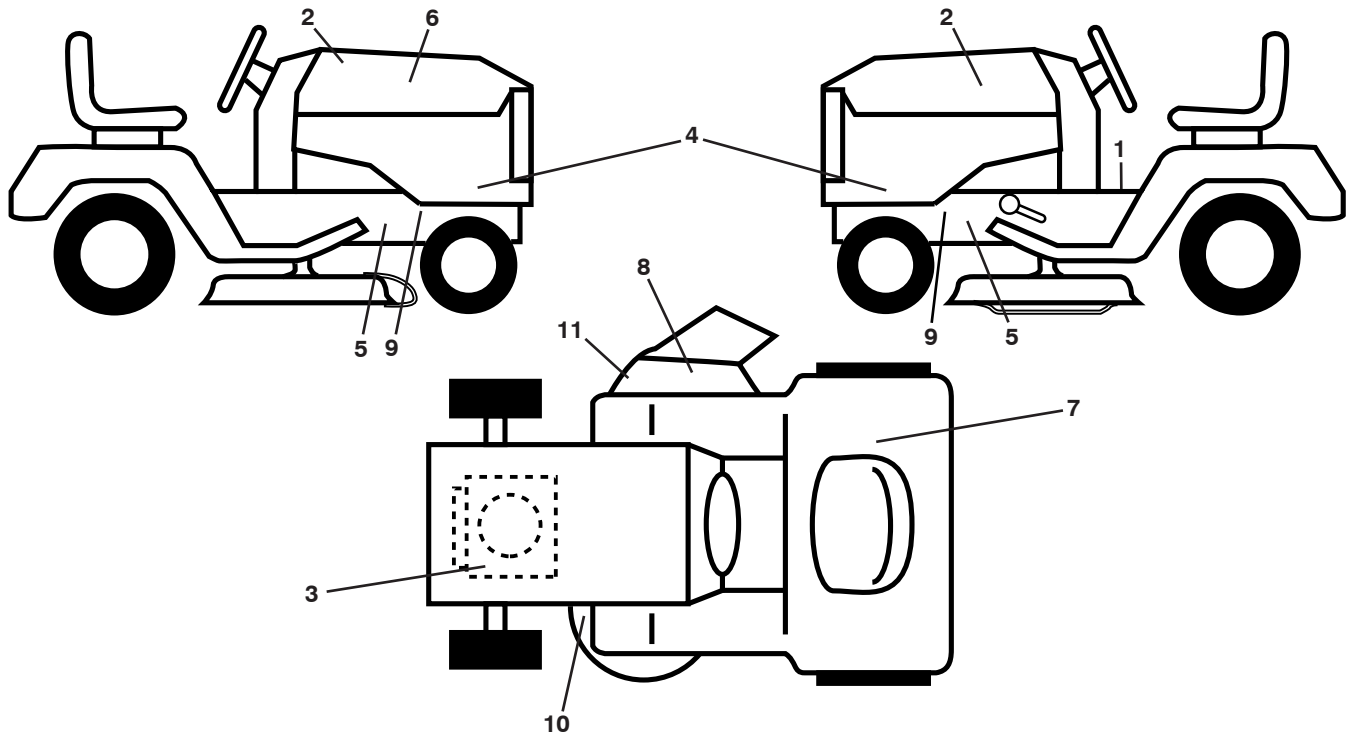
seat-tex\_6.5SL\_15

KEY NO.	PART NO.	DESCRIPTION
1	532 43 97-09	Seat
2	532 18 01-66	Bracket Pivot Fender
6	873 80 06-00	Nut, Lock w/Ins. 3/8-16 unc
7	589 48 35-01	Spring, Seat Cprsn.
8	532 17 18-77	Bolt 5/16-18 unc x 3/4 w/Sems.
10	596 65 74-02	Plate, Seat
21	587 90 78-01	Bolt 5/16-18 x 5/8
37	596 58 37-02	Nut, W/Nonmetal, Ins. Blk. Zinc

KEY NO.	PART NO.	DESCRIPTION
40	595 08 81-02	Handle, Seat, Slide, E-Dip, x 431
41	532 19 82-00	Spring
43	874 76 06-12	Bolt 3/8-16 unc x 3/4
44	501 05 18-01	Washer Winged 3/8 ID 1.5 OD
46	588 09 04-01	Bolt 3/8-18 x 1

**NOTE:** All component dimensions given in U.S. inches  
1 inch = 25.4 mm

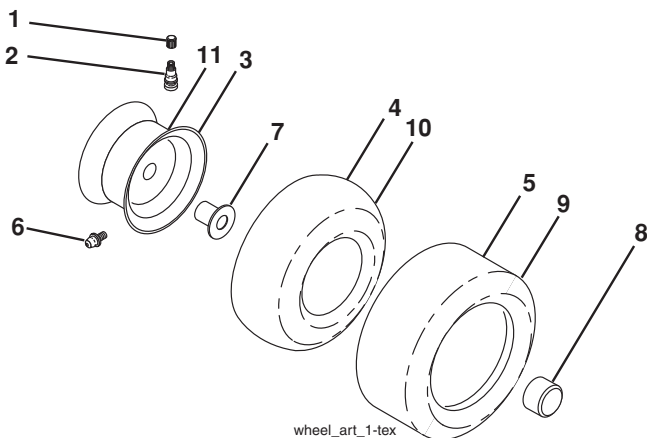
**TRACTOR - MODEL NO. TS 138L (96041043900), PRODUCT NO. 960 41 04-39  
DECALS**



KEY NO.	PART NO.	DESCRIPTION
1	586 04 73-02	Decal, Saddle
2	501 13 14-01	Decal, Hood Emblem
3	581 57 97-01	Decal, Warning Eng. Symbols
4	598 49 14-01	Decal, Side Panel
5	581 57 96-01	Decal, Chassis Hot Muffler
6	597 57 08-01	Decal, RPL
7	597 85 31-01	Decal, Consump
8	584 90 46-01	Decal, Deflect. Warning
9	581 57 98-01	Decal, Warning-Service/Fire

KEY NO.	PART NO.	DESCRIPTION
10	581 58 00-03	Decal, Mower V-Belt Schematic
11	581 57 92-01	Decal, Warning
--	581 72 48-01	Decal, Bypass Fender
--	581 72 46-01	Decal, Drawbar Load Limit
--	532 43 96-81	Pad, Footrest, LH
--	532 43 99-66	Pad, Footrest, RH
--	114 14 69-49	Manual Oper. English/Spanish
--	114 14 71-70	Manual Oper. Portuguese/French
--	114 14 70-49	Manual Parts English/Spanish
--	114 14 72-70	Manual Parts Portuguese/French

**WHEELS AND TIRES**

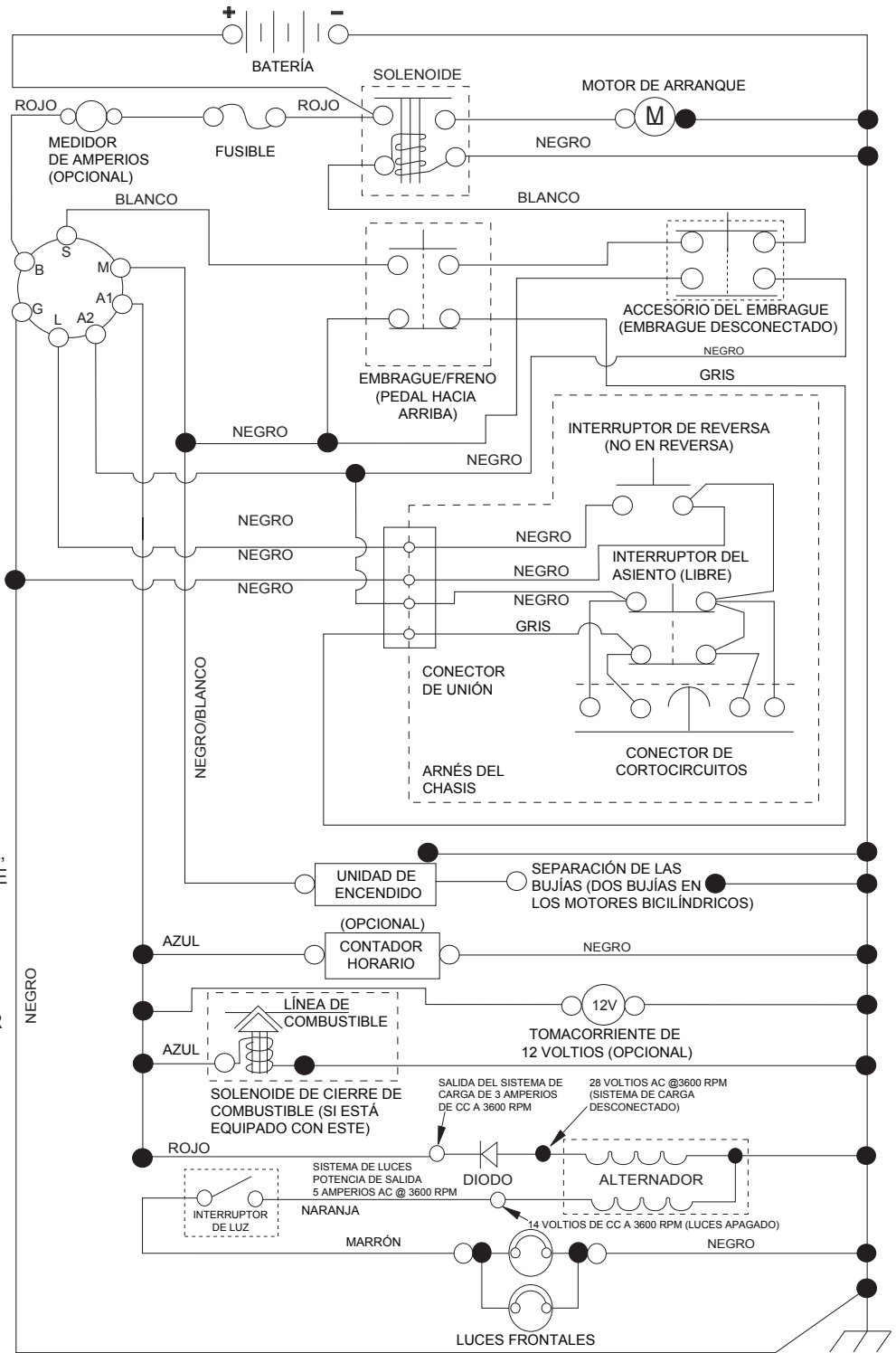


KEY NO.	PART NO.	DESCRIPTION
1	532 05 91-92	Cap Valve Tire
2	532 06 51-39	Stem Valve
3	532 13 83-36	Rim Asm. 6" Front
4	532 05 99-04	Tube Front (Service Item Only)
5	532 10 62-22	Tire Front 15 x 6-6
6	532 00 02-78	Fitting Grease (Front Wheel Only)
7	532 00 90-40	Bearing Flange (Front Wheel Only)
8	532 17 50-39	Cap Axle Blk. 1 50 x 1 00
9	532 12 46-35	Tire Rear 18 x 8.5-8
10	532 00 71-52	Tube Rear (Service Item Only)
11	532 13 83-37	Rim Asm. 8" Rear
--	532 14 43-34	Sealant, Tire (10 oz. Tube)

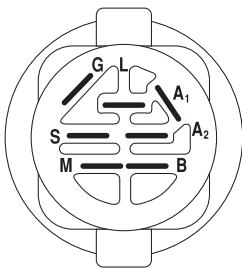
**NOTE:** All component dimensions given in U.S. inches  
1 inch = 25.4 mm

# TRACTOR - MODELO NO. TS 138L (96041043900), PRODUCTO NO. 960 41 04-39 DIAGRAMA

SCH11-s

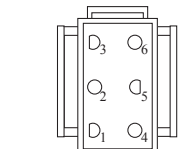


**NOTAS:**  
QUE SU TRACTOR ES EQUIPADO CON UN SISTEMA ESPECIAL DE ALTERNADOR. LAS LUCES NO SON CONECTADAS A LA BATERIA, PERO TIENEN SU PROPIA FUENTE ELECTRICA. A CAUSA DE ESTO, EL BRILLO DE LAS LUCES CAMBIARA CON LA VELOCIDAD DE MOTOR. EN LENTO, LAS LUCES NO SON COMO BRILLANTES. CUANDO EL MOTOR ES ACELERADO, LA LUZ CONSEGUIRÁ MÁS BRILLANTE.

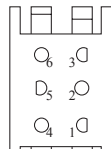


INTERRUPTOR DE ENCENDIDO

POSICIÓN	CIRCUITO «MARCA»
APAGADO	M+G+A1
PONER EN FUNCIONAMIENTO/ANULAR	B+A1
PONER EN FUNCIONAMIENTO	B+A1 L+A2
ARRANCAR	B + S + A1



CONEXIÓN DEL ARNÉS DEL CHASIS (LATERAL QUE COINCIDA)



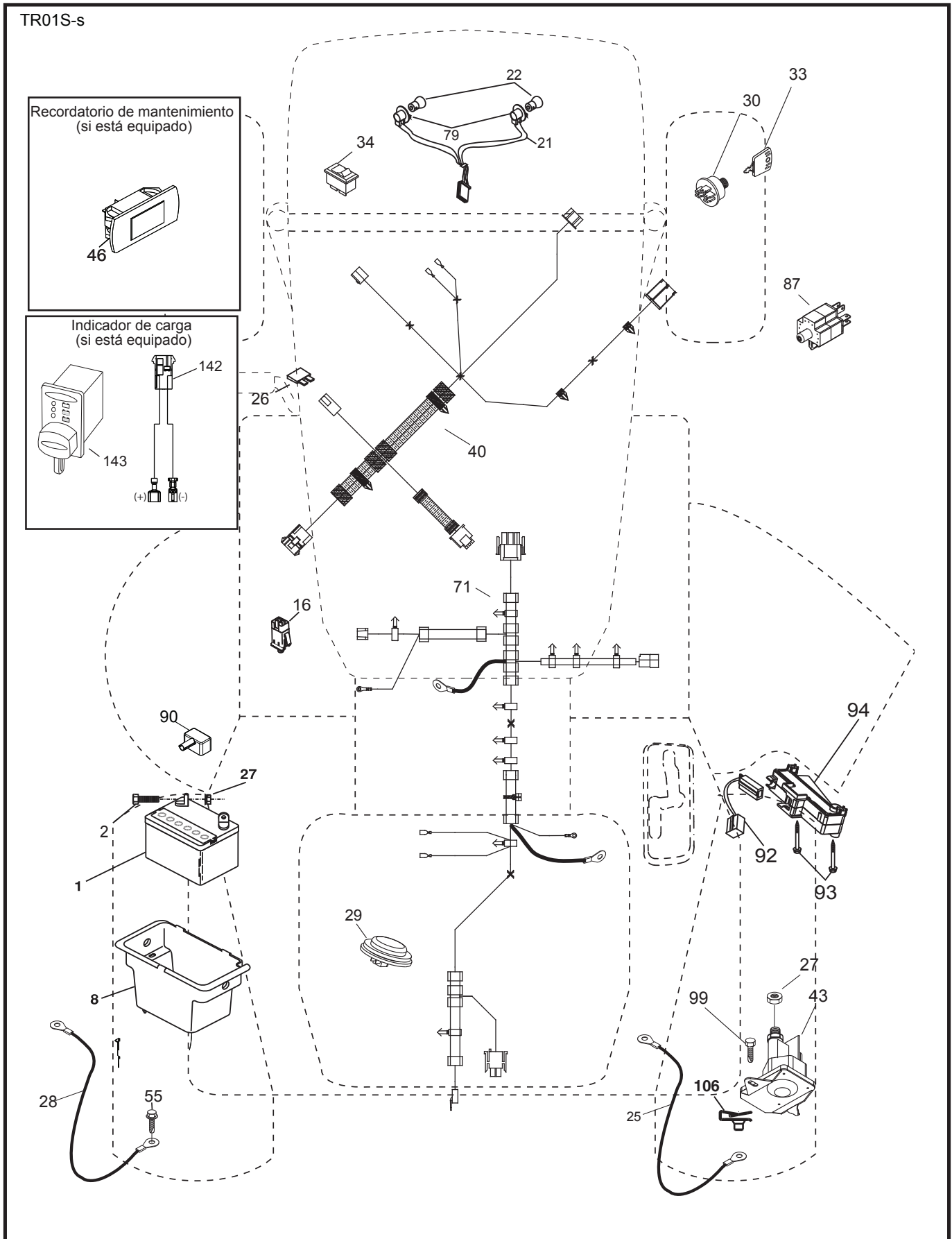
CONEXIÓN PARA EL ARNÉS DEL TABLERO (LATERAL QUE COINCIDA)

NOTA SOBRE LAS ABRAZADERAS DE AISLAMIENTO DEL CABLEADO: SI SE QUITAN LAS ABRAZADERAS DE AISLAMIENTO DEL CABLEADO PARA HACER EL MANTENIMIENTO DE LA UNIDAD, SE LAS DEBERÁ INSTALAR NUEVAMENTE PARA PROTEGER EL CABLEADO ADECUADAMENTE.

● CONEXIONES NO DESMONTABLES

○ CONEXIONES DESMONTABLES

**TRACTOR - MODELO NO. TS 138L (96041043900), PRODUCTO NO. 960 41 04-39**  
**DIAGRAMA ELÉCTRICO**

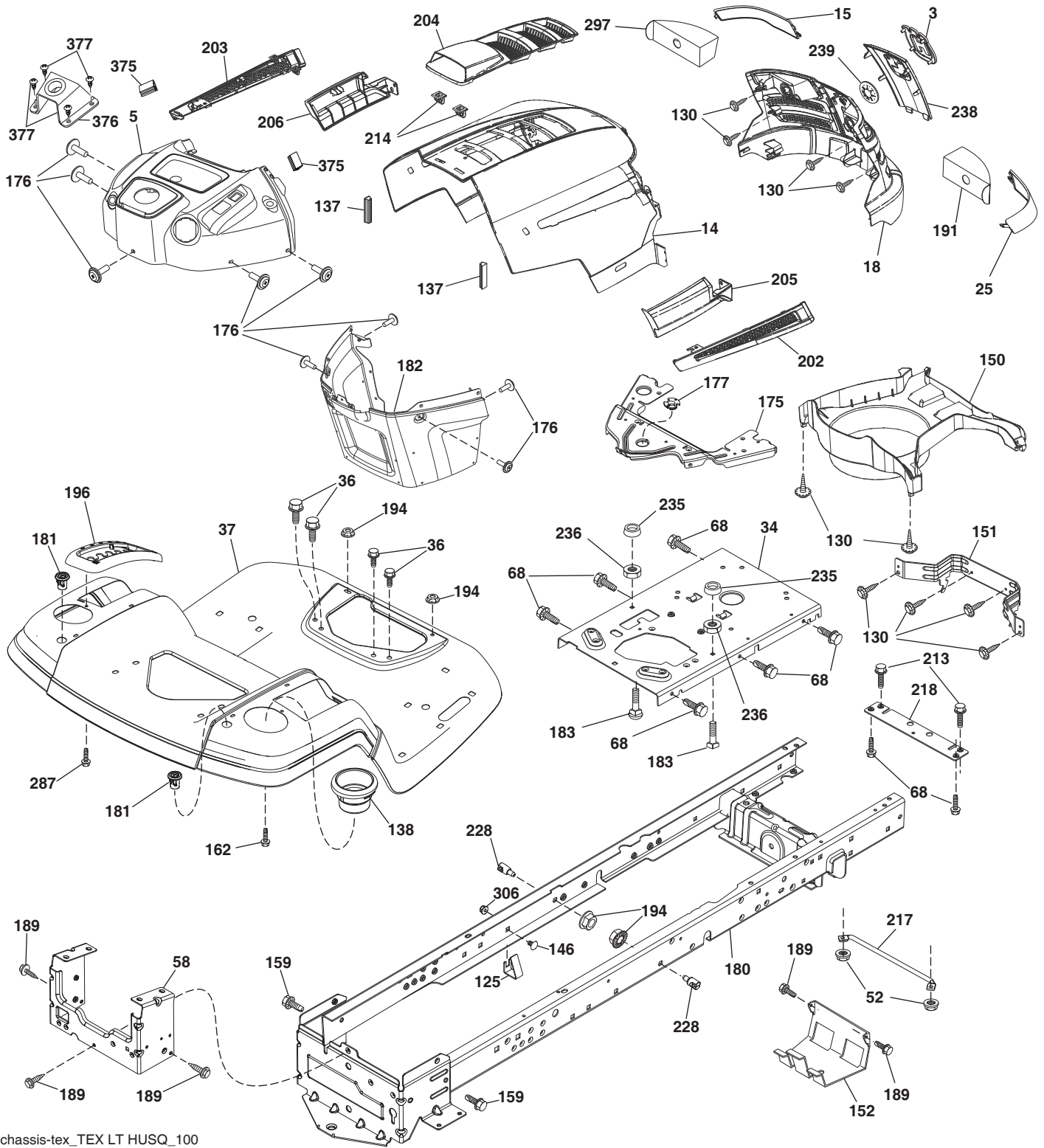


**TRACTOR - MODELO NO. TS 138L (96041043900), PRODUCTO NO. 960 41 04-39**  
**DIAGRAMA ELÉCTRICO**

<b>CÓDIGO No.</b>	<b>PIEZA No.</b>	<b>DESCRIPCIÓN</b>
1	532 16 34-65	Batería
2	874 76 04-12	Perno, cabeza hexagonal 1/4 - 20 x 3/4
8	532 19 32-28	Batería de la caja
16	532 17 61-38	Interruptor de enclavamiento a presión
21	532 40 02-52	Arnés de los conectores de las luces con 4152J
22	532 00 41-52	Bombillas de las luces
25	581 49 80-01	Cable del arrancador
26	532 17 51-58	Fusible
27	596 13 36-01	Tuerca de presión de 1/4-20
28	532 42 16-86	Cable, conexión a tierra
29	532 40 15-45	Interruptor, asiento
30	532 19 33-50	Interruptor, encendido
33	532 41 19-35	Llave/Cadena
34	532 11 07-12	Interruptor de luz/Restablecimiento
40	581 02 31-01	Arnés, encendido Tablero
43	582 04 28-02	Solenoide
46	594 91 91-01	Horómetro, recordatorio de SRV
55	817 06 05-12	Tornillo autorroscante 5/16 - 18 x 3/4 TYTT
71	501 13 37-01	Arnés del chasis
79	532 17 52-42	Bloqueo de las bombillas del conjunto del portalámparas
87	532 19 78-02	Interruptor de enclavamiento del cable del embrague
90	532 43 53-95	Cubierta del terminal
92	532 19 66-15	Interruptor de marcha atrás del cable flexible de conexión del arnés
93	596 03 96-01	Perno de 10-14 x 2-1/8
94	532 19 18-34	Módulo del ROS
99	817 67 04-12	Tornillo 1/4-20 x 3/4
106	532 17 48-14	Argollas de amarre Palnut 1/4

**NOTA:** Las dimensiones de todos los componentes están expresadas en pulgadas americanas. 1 pulgada = 25,4 mm

**TRACTOR - MODELO NO. TS 138L (96041043900), PRODUCTO NO. 960 41 04-39**  
**CHASIS**



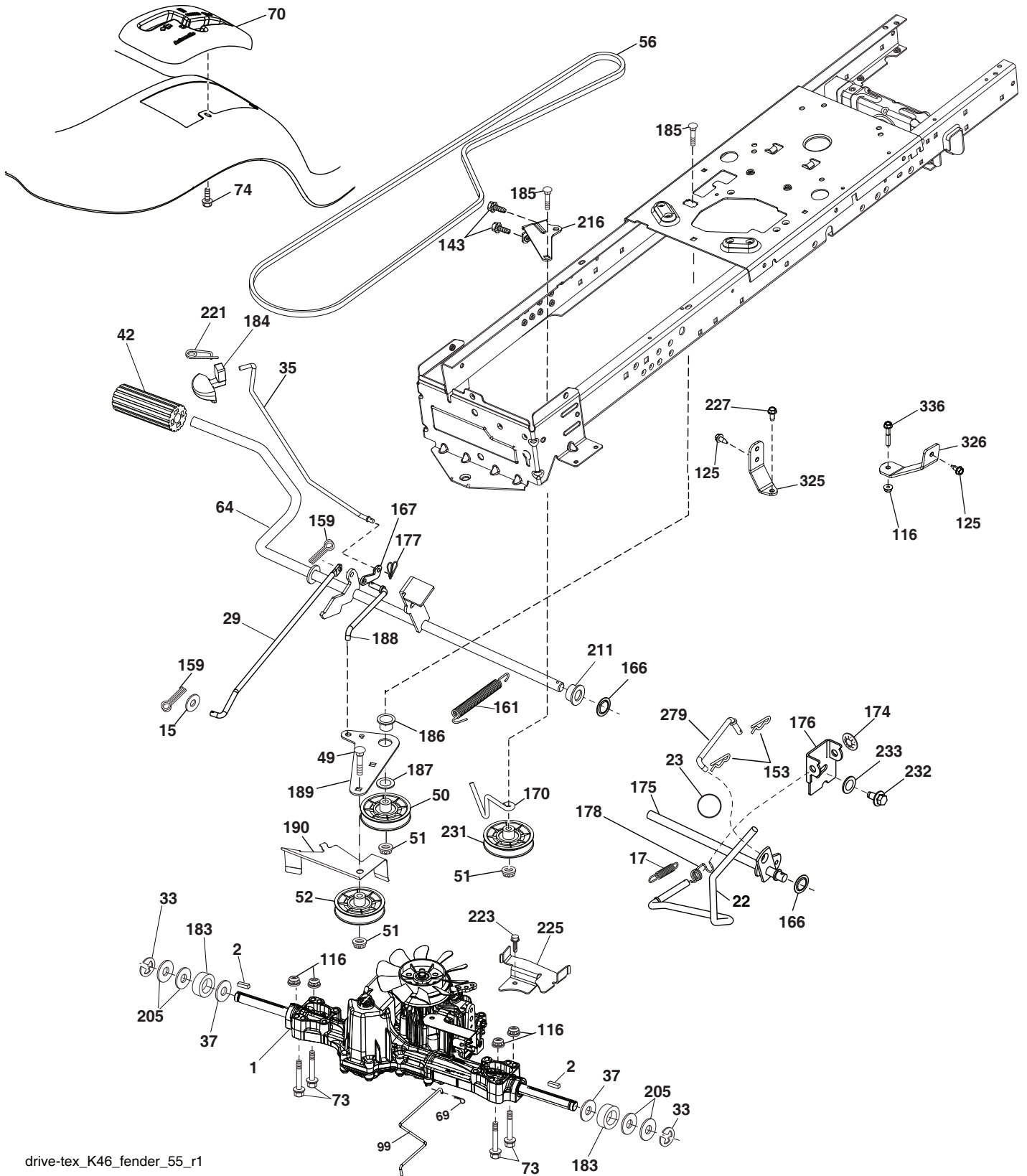
chassis-tex\_TEX LT HUSQ\_100

**TRACTOR - MODELO NO. TS 138L (96041043900), PRODUCTO NO. 960 41 04-39  
CHASIS**

CÓDIGO PIEZA			CÓDIGO PIEZA		
No.	No.	DESCRIPCIÓN	No.	No.	DESCRIPCIÓN
3	581 05 63-01	Logotipo	196	532 43 96-47	Elevación del equipo de la consola
5	532 43 89-64	Tablero	202	532 44 13-42	Ventilación del costado de la cubierta, derecha
14	532 44 12-67	Cubierta	203	532 44 13-43	Ventilación del costado de la cubierta, izquierda
15	532 44 14-28	Lente izquierdo	204	532 44 13-75	Ventilación de la parte superior de la cubierta
18	532 43 94-21	Rejilla	205	532 44 13-44	Faldón lateral derecho
25	532 44 14-27	Lente derecho	206	532 44 13-45	Faldón lateral izquierdo
34	580 91 08-01	Placa del motor	213	596 03 05-01	Perno de 5/16-18 unc x 3/4
36	817 06 05-12	Tornillo 5/16 - 18 x 3/4	214	532 19 91-45	Sujetador, retenedor
37	532 44 12-66	Defensa	217	532 40 91-67	Pivote de barra de la cubierta
52	596 04 05-01	Tuerca de presión de 5/16-18 x .18	218	532 19 63-95	Tope de la cubierta, pieza X
58	532 41 22-80	Barra de tracción superior	228	593 82 40-01	Perno prisionero con anti rotación
68	596 03 07-01	Tornillo de 5/16-18 x 1/2	235	596 56 42-01	Separador del guardabarros
125	581 68 48-01	Sujetador del tubo de combustible	236	873 93 05-00	Tuerca de seguridad 5/16-18 UNC
130	596 32 17-01	Tornillo de #10 x 0.750	238	532 44 13-74	Guarnición
137	532 40 75-90	Tablero del parachoques	239	532 40 48-83	Sujetador Tinnerman
138	532 43 97-47	Posavasos	287	817 60 04-06	Tornillo hexagonal con cabeza de arandela 1/4 - 20 x 3/8
146	581 85 79-01	Perno	297	532 40 66-65	Inserto reflectante izquierdo
150	532 40 66-62	Conducto de aire	306	873 90 06-00	Tuerca de seguridad, brida 3/8 - 16 UNC
151	532 40 78-07	Pivote de soporte	375	586 90 82-01	Parachoques contablero acoplable
152	532 19 95-35	Oscurecimiento de la protección	376	589 45 87-01	Montaje superior de la dirección
159	817 00 06-12	Tornillo 3/8 - 16 x 3/4	377	589 45 53-01	Tornillo 10 x 1/2
162	596 13 41-01	Tornillo de 1/4-15 x 1/2			
175	532 19 94-72	Travesaño			
176	532 40 07-76	Tornillo 10 - 24 x 5/8			
177	532 19 52-28	Buje de la dirección			
180	532 41 50-63	Chasis			
181	532 43 97-46	Buje			
182	532 40 71-76	Tablero inferior			
183	595 30 57-01	Tornillo de 5/16-18 x 1-1/4			
189	817 00 05-12	Tornillo 5/16 - 18 x 3/4			
191	532 41 65-01	Inserto reflectante derecho			
194	596 13 57-01	Tuerca de presión de 5/16-18 x .68			

**NOTA:** Las dimensiones de todos los componentes están expresadas en pulgadas americanas. 1 pulgada = 25,4 mm

**TRACTOR - MODELO NO. TS 138L (96041043900), PRODUCTO NO. 960 41 04-39**  
**TRANSMISIÓN**



drive-tex\_K46\_fender\_55\_r1



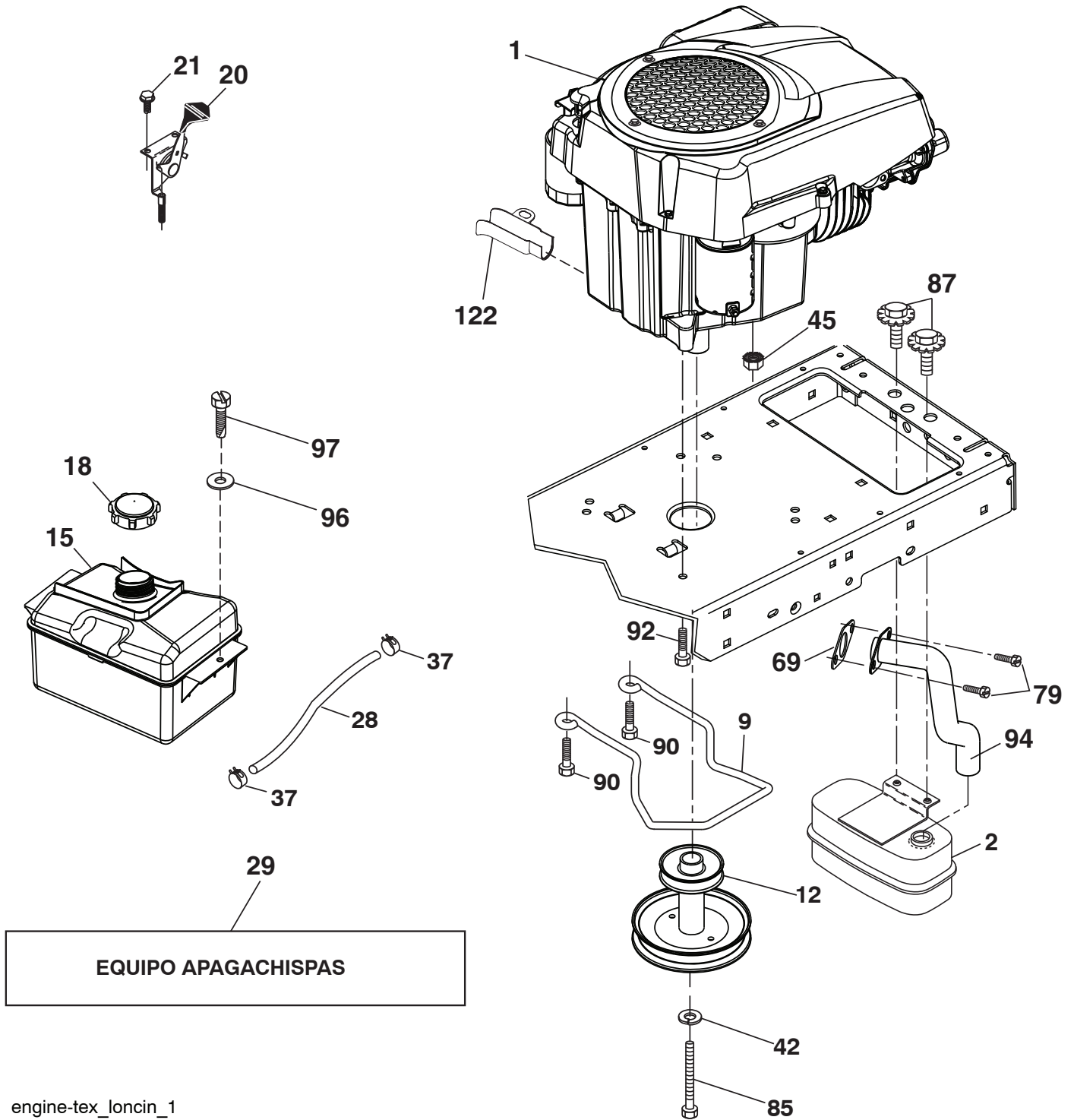
# TRACTOR - MODELO NO. TS 138L (96041043900), PRODUCTO NO. 960 41 04-39

## TRANSMISIÓN

CÓDIGO No.	PIEZA No.	DESCRIPCIÓN	CÓDIGO No.	PIEZA No.	DESCRIPCIÓN
1	---	Transeje, Tufftorq K46BA (448348) (solicite las piezas del fabricante del transeje).	176	532 19 62-14	Chaveta del brazo de la varilla de cambios
2	532 12 35-83	Llave, cuadrada	177	587 22 53-01	Abrazadera de retención 1 In.
15	819 13 13-16	Arandela 13/32 x 13/16 x 16 Cal.	178	532 19 74-56	Resorte de cambios
17	532 41 36-78	Muelle, freno	183	532 13 70-57	Separador del eje
22	532 19 76-60	Varilla de cambios	184	532 41 14-84	Manija del freno de estacionamiento
23	532 14 08-45	Palanca, cambios	185	872 11 06-22	Perno
29	532 40 38-06	Varilla, freno	186	532 19 43-21	Retenedor del separador
33	812 00 00-01	Anillo E	187	596 13 55-01	Arandela de 13/32 x 2
35	596 87 48-01	Varilla del freno de mano	188	582 21 70-01	Mecanismo de desplazamiento de la articulación del embrague, largo
37	532 18 89-67	Arandela endurecida 0,793 x 1,637 x 060	189	532 19 43-17	Mecanismo de desplazamiento de la palanca acodada
42	532 00 88-83	Cubierta, pedal	190	532 19 43-18	Fijador del mecanismo de desplazamiento de la palanca acodada
49	596 13 62-01	Perno de 3/8-16 x 3/4	205	532 12 17-48	Arandela 25/32 x 1-5/8 x 16 cal.
50	532 19 43-27	Guía de la polea plana	211	532 19 62-12	Buje del eje
51	873 90 06-00	Contratuercas 3/8 - 16	216	532 19 61-31	Soporte de la guía de la polea
52	532 19 43-26	Compensación de la ranura en V de la guía	221	532 40 31-87	Manija del sujetador del muelle retenedor
56	592 85 52-01	Correa en V, transmisión	223	598 66 26-01	Perno de T45. 5/16-18 x .75
64	532 19 62-00	Control del freno del pedal del conjunto de eje	225	532 40 33-19	Fijador de la correa
69	532 42 33-03	Horquilla 0,059 x 1,125	227	596 13 59-01	Perno de 5/16-18 x 3/4
70	532 43 99-71	Consola	231	532 40 72-87	Ranura en V de la guía
73	596 13 65-01	Perno de 5/16-18 x 1-1/2	232	596 23 86-01	Perno de 7/16-14 x 1
74	596 13 41-01	Tornillo de 1/4-15 x 1/2	233	596 13 52-01	Arandela de 9/32 x 7/8
99	582 40 45-01	Varilla, derivación	279	596 91 66-01	Enlace 18 in. de neumático
116	596 13 57-01	Tuerca de 5/16-18 x .68	325	586 43 12-02	Correa de par izquierda
125	817 00 05-12	Tornillo 5/16 - 18 x 3/4	326	586 00 11-02	Soporte de la correa de par izquierda
143	596 03 07-01	Tornillo de 5/16-18 x 1/2	336	587 25 96-02	Perno 5/16 - 18 x 1-3/4
153	532 00 44-97	Muelle retenedor 1"			
159	596 02 95-01	Pasador de chaveta de 1/8 x 3/4			
161	532 10 57-09	Resorte, retorno, embrague			
166	532 42 91-64	Tuerca, presión 0,625			
167	532 40 52-57	Seguro del freno de estacionamiento			
170	532 41 34-30	Fijador del tramo central de la correa			
174	532 19 72-89	Tuerca, presión			
175	532 40 85-39	Eje del conjunto de cambios			

**NOTA:** Las dimensiones de todos los componentes están expresadas en pulgadas americanas. 1 pulgada = 25,4 mm

TRACTOR - MODELO NO. TS 138L (96041043900), PRODUCTO NO. 960 41 04-39  
MOTOR

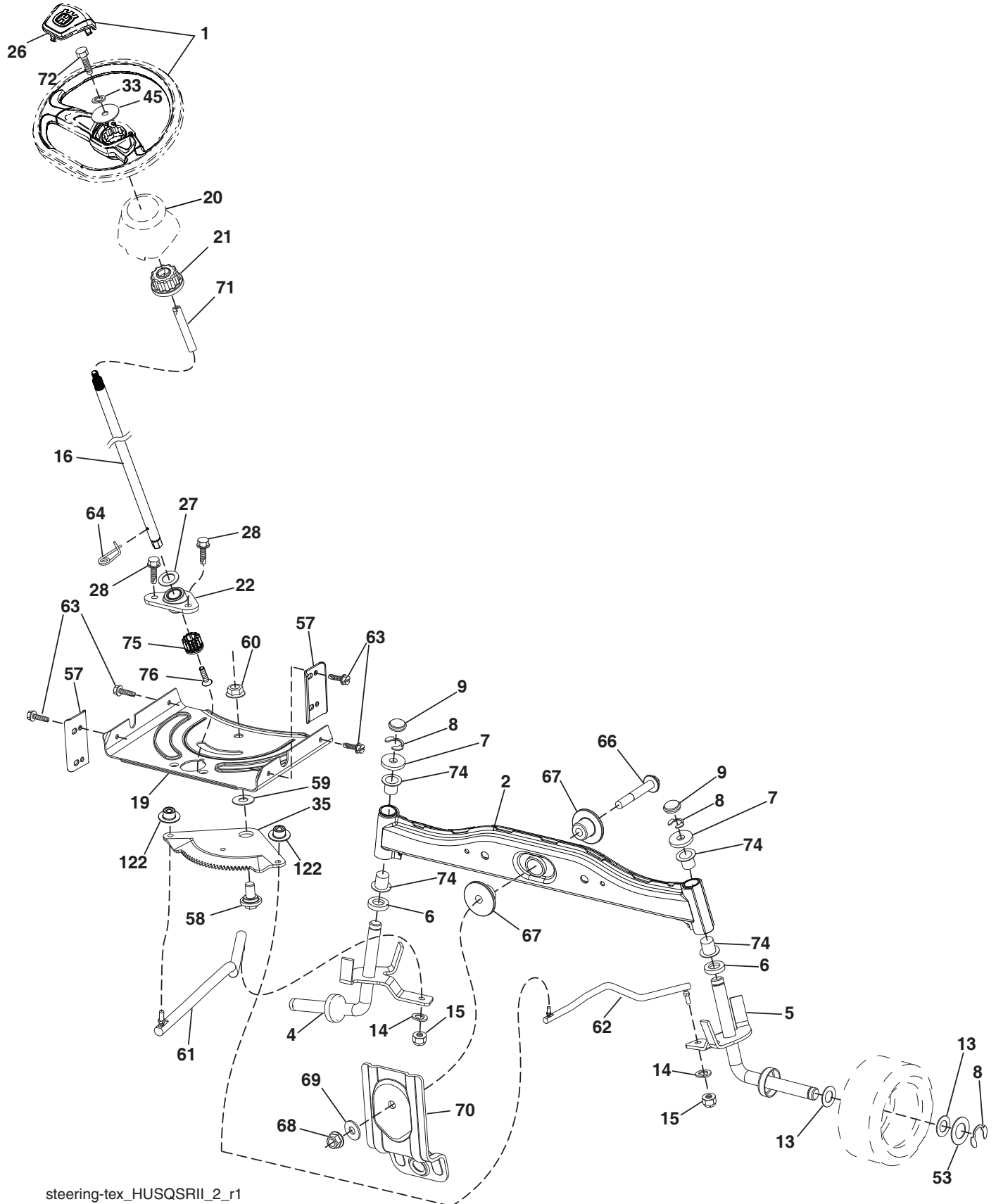


**TRACTOR - MODELO NO. TS 138L (96041043900), PRODUCTO NO. 960 41 04-39  
MOTOR**

<b>CÓDIGO No.</b>	<b>PIEZA No.</b>	<b>DESCRIPCIÓN</b>
1	593 23 04-01	Motor Husqvarna n.º HS 452cc IPL del motor disponible por separado.
2	590 64 53-01	Silenciador
9	596 50 15-02	Sujetador correa motor
12	586 47 85-01	Motor de la polea
15	581 28 99-01	Depósito de combustible
18	532 43 02-20	Conjunto de la tapa
20	532 18 38-97	Acelerador de control
21	596 32 17-01	Tornillo de #10 x 0.750
28	532 13 70-40	Tubo de combustible
29	532 13 71-80	Kit apagachispas
37	532 12 34-87	Abrazadera de la manguera
42	596 23 89-01	Arandela de 7/16"
45	593 35 64-01	Tuerca hexagonal con brida dentada
69	590 86 35-01	Junta
79	596 13 42-02	Tornillo de 5/16-18 x 3/4
85	501 60 65-01	Perno hexagonal 7/16 - 20 x grado 4 5 - 1,5 azul
87	532 17 18-77	Perno de 5/16-18 unc x 3/4
90	817 00 06-16	Tornillo de 3/8-16 x 1
92	817 12 06-16	Tornillo de 3/8-16 x 1
94	590 86 47-01	Tubo de escape
96	596 13 53-01	Arandela de 9/32 x 7/8
97	817 67 04-12	Tornillo 1/4-20 x 3/4
122	532 42 19-22	Extensión para el drenaje de aceite

**NOTA:** Las dimensiones de todos los componentes están expresadas en pulgadas americanas. 1 pulgada = 25,4 mm

TRACTOR - MODELO NO. TS 138L (96041043900), PRODUCTO NO. 960 41 04-39  
ENSAMBLE DE LA DIRECCIÓN



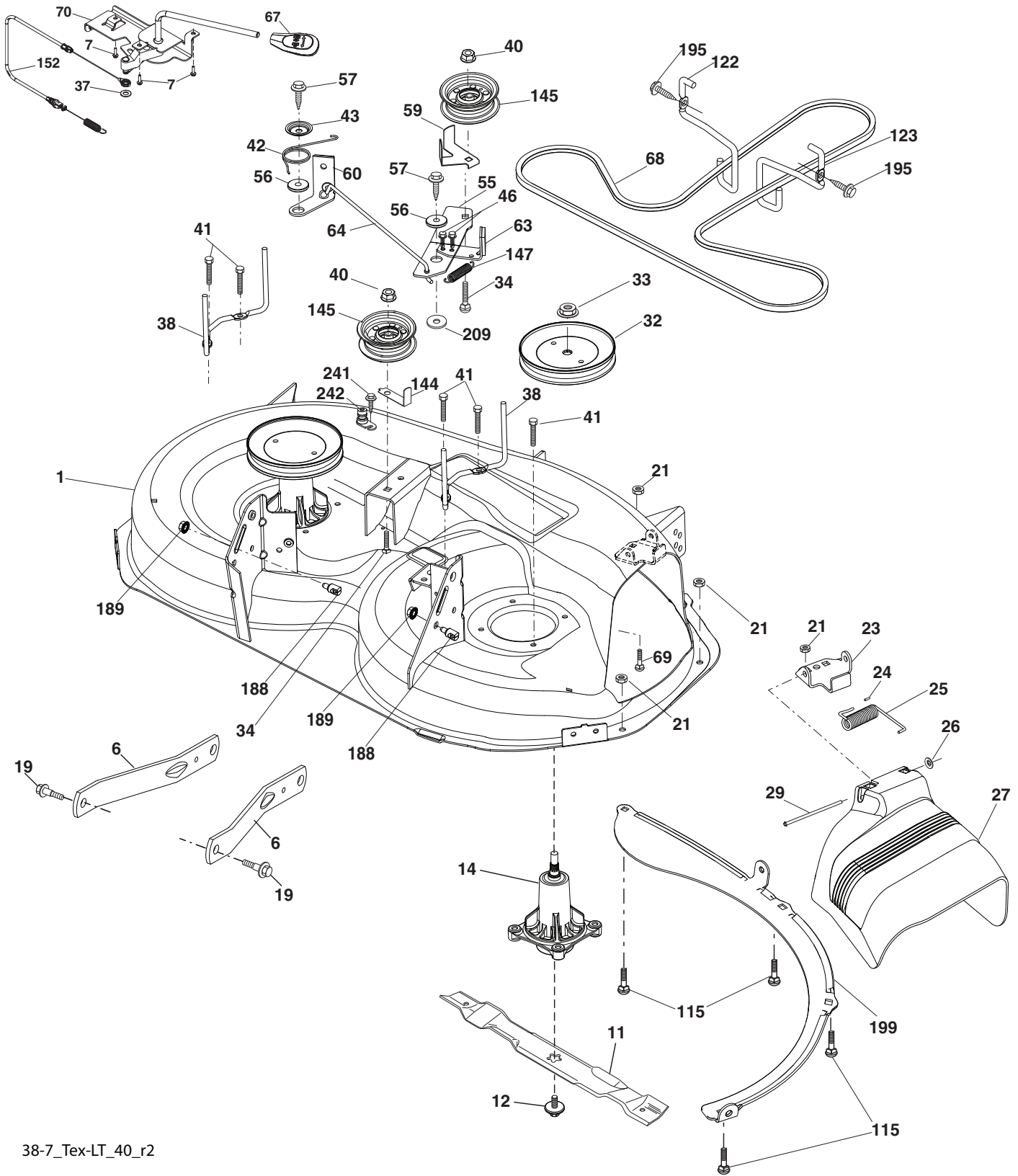
steering-tex\_HUSQSR11\_2\_r1

**TRACTOR - MODELO NO. TS 138L (96041043900), PRODUCTO NO. 960 41 04-39  
ENSAMBLE DE LA DIRECCIÓN**

<b>CÓDIGO No.</b>	<b>PIEZA No.</b>	<b>DESCRIPCIÓN</b>
1	597 86 61-01	Kit de volante (incluye de tapa)
2	532 41 81-68	Conjunto del eje, delantero
4	532 40 30-87	Conjunto de eje, izquierdo
5	532 40 30-88	Conjunto de eje, derecho
6	532 00 62-66	Arandela, empuje 0,75 x 1,230
7	532 12 17-48	Arandela 25/32 x 1-5/8 x 16 cal.
8	812 00 00-29	Anillo, sujetador n.º T5304-75
9	532 12 12-32	Tapa, eje
13	532 12 17-49	Arandela 25/32 x 1-1/4 x 16 cal.
14	596 23 87-01	Arandela de .381 x .680
15	873 54 06-00	Tuerca, cierre de corona 3/8-24 UNF
16	585 86 92-02	Eje de dirección
19	532 19 47-29	Placa de la dirección
20	532 44 14-25	Funda, dirección
21	532 18 67-37	Adaptador, volante
22	585 02 98-02	Cojinete
26	594 94 91-01	Tapa Husq del volante
27	596 93 34-01	Arandela
28	817 00 06-12	Tornillo 3/8-16 x 3/4
33	596 23 88-01	Arandela de 5/16
35	532 19 47-32	Engranaje, placa de sector
45	596 04 00-01	Arandela de 11/32 x 2-3/8"
53	532 18 89-67	Arandela endurecida 0,793 x 1,637 x 0,060
57	532 40 74-65	Tope superior del soporte
58	532 19 47-47	Perno del resalto del pivote de sector CFM
59	532 19 47-48	Arandela de empuje del sector de la dirección
60	873 97 10-00	Tuerca de seguridad con brida 5/8 - 11
61	532 19 47-40	Articulación de arrastre, izquierda
62	532 19 47-41	Articulación de arrastre, derecha
63	817 00 05-12	Tornillo 5/16 - 18 x 3/4
64	532 19 98-49	Sujetador de retención del fuelle de la dirección
66	871 02 07-48	Perno hexagonal Fghd. 7/16 - 14 x 3 dentado
67	532 19 47-37	Buje PM del eje delantero
68	873 90 07-00	Tuerca de seguridad con brida 7/grado 16 - 14 5
69	532 19 91-62	Arandela 1,5 x 0,505 x 0,118
70	585 33 88-01	Suspensión de la plataforma del soporte Frente
71	532 19 07-52	Extensión del eje de la dirección
72	596 03 97-01	Perno de 5/16-18 x 4" Calibre 5
74	532 00 33-66	Cojinete de la columna de la dirección
75	580 68 37-01	Piñón
76	580 68 36-01	Tornillo de cabeza hueca
122	532 44 49-62	Tapa del engranaje de sector

**NOTA:** Las dimensiones de todos los componentes están expresadas en pulgadas americanas. 1 pulgada = 25,4 mm

**TRACTOR - MODELO NO. TS 138L (96041043900), PRODUCTO NO. 960 41 04-39**  
**PLATAFORMA DE LA CORTADORA DE CÉSPED**



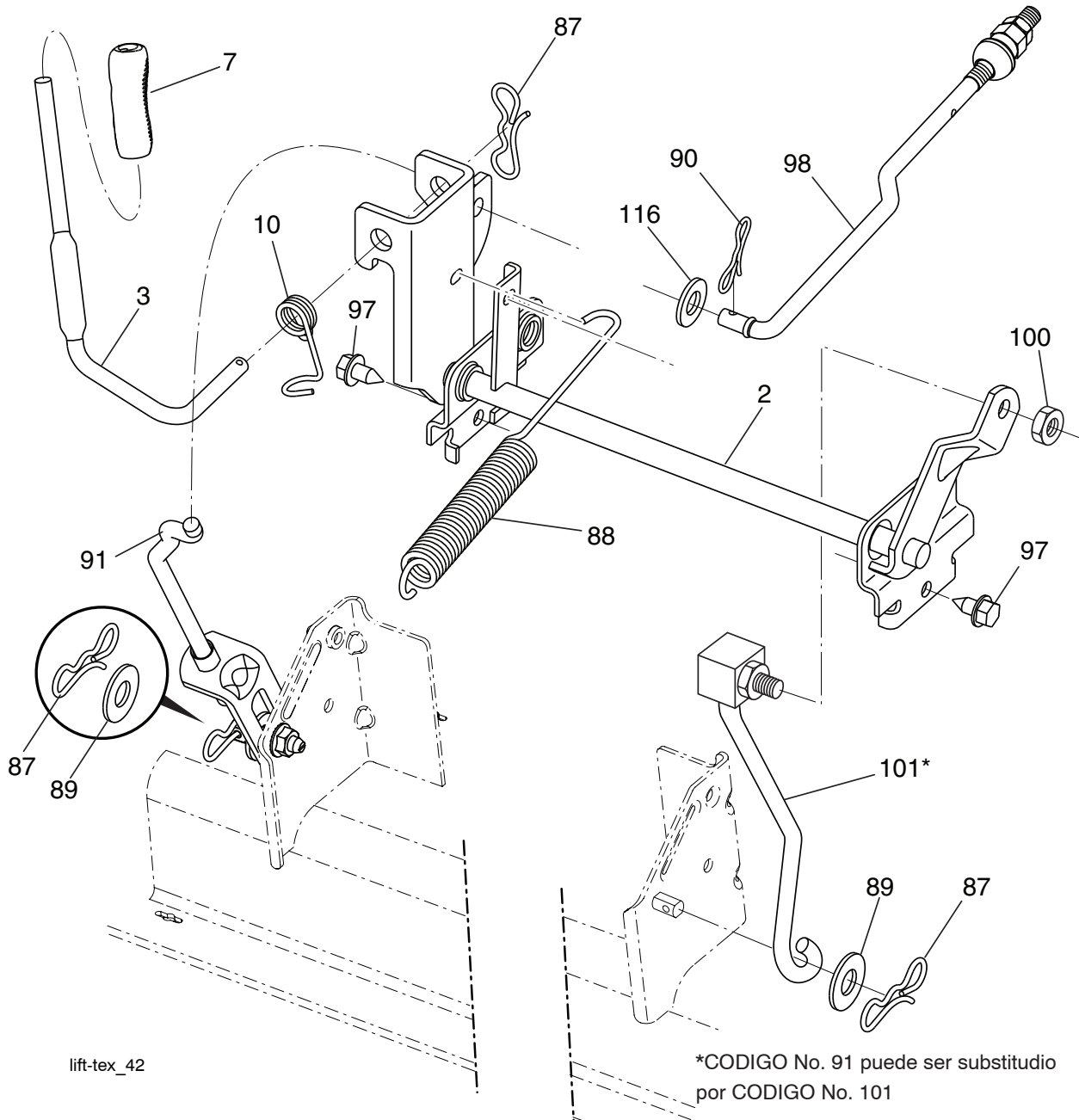
38-7\_Tex-LT\_40\_r2

**TRACTOR - MODELO NO. TS 138L (96041043900), PRODUCTO NO. 960 41 04-39  
PLATAFORMA DE LA CORTADORA DE CÉSPED**

CÓDIGO PIEZA		DESCRIPCIÓN	CÓDIGO PIEZA		DESCRIPCIÓN
No.	No.		No.	No.	
1	532 43 44-63	Kit, soldadura de servicio	63	532 19 94-70	Brazo del freno del cortacésped
6	532 19 51-86	Brazo de suspensión	64	532 19 97-90	Articulación del freno
7	596 32 17-01	Tornillo de #10 x 0.750	67	532 40 30-12	Manija, cable del embrague
11	581 11 63-02	Hoja de 38"	68	532 40 83-81	Correa en V
12	584 30 93-01	Tornillo SEMS 7/16 - 20 x 1	69	596 13 64-01	Perno de 5/16-18 x 5/8
13	587 25 65-01	Conjunto del eje, mandril	70	532 40 12-46	Conjunto del embrague Manual
14	587 81 97-01	Conjunto del mandril	115	872 11 05-05	Perno guía 5/16 - 18 x 5 18 corto
15	585 32 39-01	Cojinete, mandril	122	532 19 72-58	Sujetador de correa izquierdo del motor
19	532 19 65-39	Perno, resalto	123	532 19 72-59	Sujetador de correa derecho del motor
21	596 04 05-01	Tuerca de presión de 5/16-18	144	532 19 34-14	Fijador de la correa
23	532 19 25-57	Soporte, deflector	145	532 19 31-97	Polea, guía, plana
24	532 10 53-04	Tapa, manguito	147	532 40 18-72	Retorno por muelles
25	532 19 70-26	Resorte, torsión, deflector	152	532 43 51-11	Cable de embrague manual
26	532 11 04-52	Tuerca, presión	188	593 82 40-01	Perno prisionero con anti rotación
27	532 19 39-68	Protección, deflector	189	596 13 57-01	Tuerca de presión de 5/16-18 x .68
29	595 29 70-01	Varilla de la bisagra	195	817 00 06-12	Tornillo 3/8-16 x 3/4
32	532 19 97-89	Polea, mandril	199	532 40 00-95	Vértice del deflector
33	596 13 48-01	Tuerca de 9/16-18 x 1.010	209	596 13 55-01	Arandela de 13/32 x 2
34	596 13 61-01	Perno de 3/8-16 x 1-1/2	241	532 15 29-27	Tornillo TT n.º 10 - 32,5 3/8 con brida
37	596 56 53-01	Arandela 3/8 x 0.08 in. St. Clr. Zn	242	532 41 55-98	Puerto, lavado
38	532 19 95-41	Mandril del fijador de la correa izquierdo	- -	532 43 44-67	Cortacésped de repuesto, completo
40	873 90 06-00	Tuerca, de seguridad con bridas 3/8 - 16 UNC			
41	584 95 39-01	Perno hexagonal			
42	532 19 84-10	Muelle de torsión, freno			
43	532 19 72-56	Muelle de torsión, retenedor			
46	532 13 77-29	Tornillo 1/4-20 x 5/8			
55	532 19 72-49	Brazo, guía			
56	532 19 90-92	Separador, retenedor			
57	817 00 06-16	Tornillo de 3/8-16 x 1			
59	532 14 10-43	Protector de rodillo			
60	532 19 94-71	Brazo del freno del cortacésped			

**NOTA:** Las dimensiones de todos los componentes están expresadas en pulgadas americanas. 1 pulgada = 25,4 mm

**TRACTOR - MODELO NO. TS 138L (96041043900), PRODUCTO NO. 960 41 04-39**  
**ELEVACIÓN DE LA CORTADORA DE CÉSPED**



lift-tex\_42

\*CODIGO No. 91 puede ser substituido por CODIGO No. 101

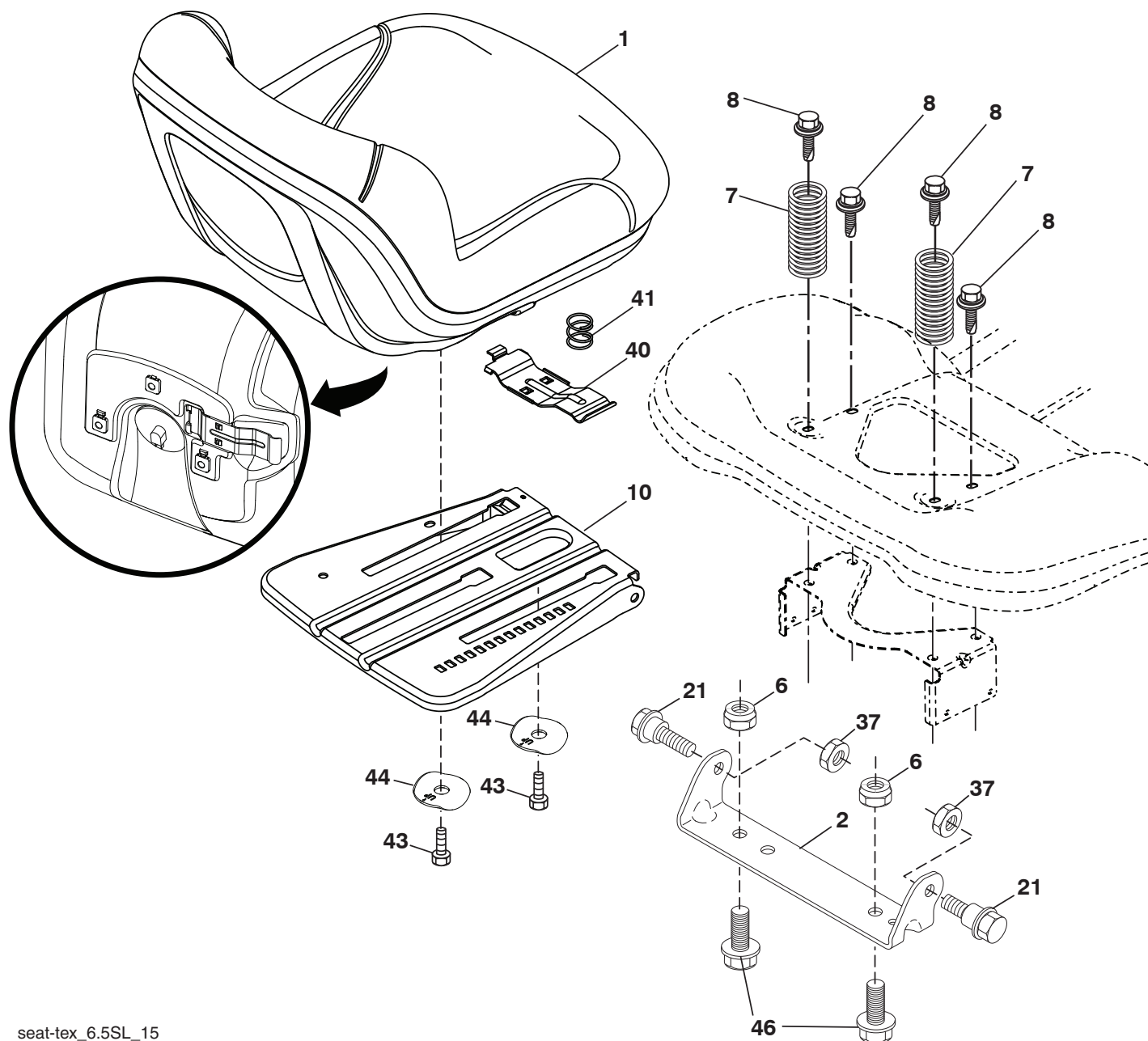
CÓDIGO No.	PIEZA No.	DESCRIPCIÓN
2	532 42 20-27	Conjunto de eje, elevación
3	594 01 80-01	Ensamble de la palanca de elevación
7	580 96 23-01	Mango, palanca
10	532 19 63-14	Torsión del muelle
87	532 19 42-09	Chaveta hendida de 7/16 de bloqueo de pajarita
88	532 41-07-10	Asistencia de elevación por resorte
89	819 19 19-12	Arandela de zinc transparente
90	532 19 42-08	Chaveta hendida de 5/16 de bloqueo de pajarita
91	589 46 48-03	Ensamble del acoplamiento Elevación trasera

CÓDIGO No.	PIEZA No.	DESCRIPCIÓN
97	817 00 06-12	Tornillo 3/8-16 x 0,75 Smgml. macho de roscar/R.Z
98	581 50 69-03	Ensamble del acoplamiento Elevación Frente
100	595 30 59-01	Tuerca 3/8-16
101	532 40 70-03	Conjunto de la articulación de elevación fija
116	594 97 65-01	Arandela 15/32 x 15/16 x 16 Cal.

**NOTA:** Las dimensiones de todos los componentes están expresadas en pulgadas americanas. 1 pulgada = 25,4 mm



**TRACTOR - MODELO NO. TS 138L (96041043900), PRODUCTO NO. 960 41 04-39  
ENSAMBLE DEL ASIENTO**



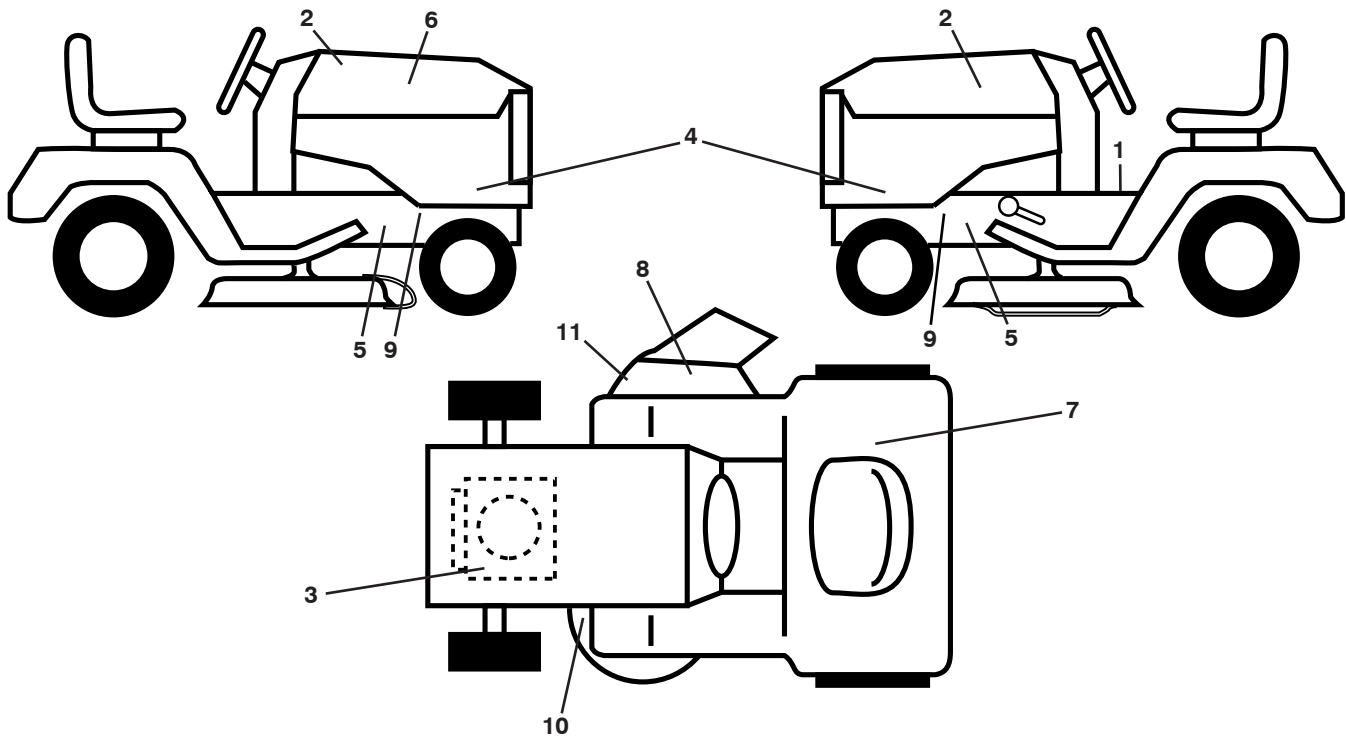
seat-tex\_6.5SL\_15

CÓDIGO PIEZA		DESCRIPCIÓN
No.	No.	
1	532 43 97-09	Asiento
2	532 18 01-66	Pivote del soporte del guardabarros
6	873 80 06-00	Tuerca de seguridad con ins. 3/8 - 16 UNC
7	589 48 35-01	Muelle, compresión del asiento
8	532 17 18-77	Perno 5/16 - 18 UNC x 3/4 con SEMS.
10	596 65 74-02	Placa, asiento
21	587 90 78-01	Perno 5/16 - 18 x 5/8
37	596 58 37-02	Tuerca
40	595 08 81-02	Manija para deslizar el asiento x 431

CÓDIGO PIEZA		DESCRIPCIÓN
No.	No.	
41	532 19 82-00	Resorte
43	874 76 06-12	Perno de 3/8-16 unc x 3/4
44	501 05 18-01	Arandela con aletas 3/8 diám. int. 1,5 diám. ext.
46	588 09 04-01	Perno 3/8 - 18 x 1

**NOTA:** Las dimensiones de todos los componentes están expresadas en pulgadas americanas. 1 pulgada = 25,4 mm

**TRACTOR - MODELO NO. TS 138L (96041043900), PRODUCTO NO. 960 41 04-39  
CALCOMANÍAS**



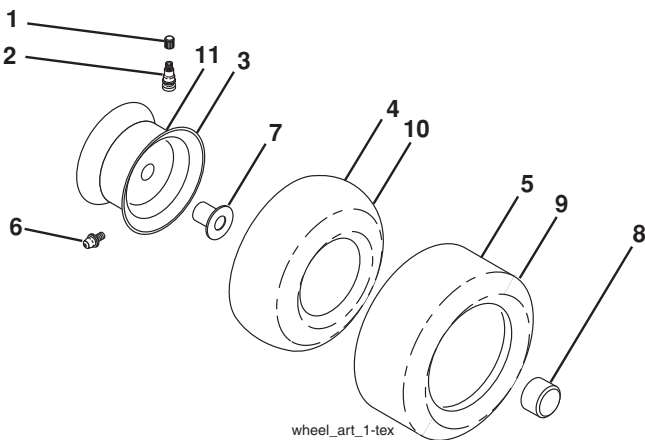
**CÓDIGO PIEZA  
No. No.**

CÓDIGO No.	PIEZA No.	DESCRIPCIÓN
1	586 04 73-02	Etiqueta, soporte
2	501 13 14-01	Etiqueta, emblema de la cubierta
3	581 57 97-01	Etiqueta, advertencia, símbolos del motor
4	598 49 14-01	Etiqueta, panel lateral
5	581 57 96-01	Etiqueta, silenciador caliente del chasis
6	597 57 08-01	Etiqueta, Reemplazo
7	597 85 31-01	Etiqueta,
8	584 90 46-01	Etiqueta, deflector Advertencia
9	581 57 98-01	Etiqueta, advertencia de servicio/incendio
10	581 58 00-03	Etiqueta, cortacésped, esquema de la correa en V

**CÓDIGO PIEZA  
No. No.**

CÓDIGO No.	PIEZA No.	DESCRIPCIÓN
11	581 57 92-01	Etiqueta, advertencia
--	581 72 48-01	Etiqueta, guardabarros de derivación
--	581 72 46-01	Etiqueta, límite de carga de la barra de tracción
--	532 43 96-81	Almohadilla, reposapiés, izquierda
--	532 43 99-66	Almohadilla, reposapiés, derecha
--	114 14 69-49	Manual de operación inglés/español
--	114 14 71-70	Manual de operación portugués/francés
--	114 14 70-49	Manual de piezas inglés/español
--	114 14 72-70	Manual de piezas portugués/francés

**WHEELS AND TIRES**



wheel\_art\_1-tex

**CÓDIGO PIEZA  
No. No.**

CÓDIGO No.	PIEZA No.	DESCRIPCIÓN
1	532 05 91-92	Tapa de la válvula del neumático
2	532 06 51-39	Válvula de vástago
3	532 13 83-36	Conjunto de la llanta 6" delantero
4	532 05 99-04	Parte delantera del tubo (solo artículo de servicio)
5	532 10 62-22	Parte delantera del neumático 15 x 6 - 6
6	532 00 02-78	Grasa de montaje (solo rueda delantera)
7	532 00 90-40	Brida del cojinete (solo rueda delantera)
8	532 17 50-39	Tapa negra de eje 1 50 x 1 00
9	532 12 46-35	Parte trasera del neumático 18 x 8,5 - 8
10	532 00 71-52	Parte trasera del tubo (solo artículo de servicio)
11	532 13 83-37	Conjunto de la llanta 8" trasero
--	532 14 43-34	Sellador, neumático (tubo de 10 oz)

**NOTA:** Las dimensiones de todos los componentes están expresadas en pulgadas americanas. 1 pulgada = 25,4 mm

---

# NOTES/AVISO

---



[www.husqvarna.com](http://www.husqvarna.com)