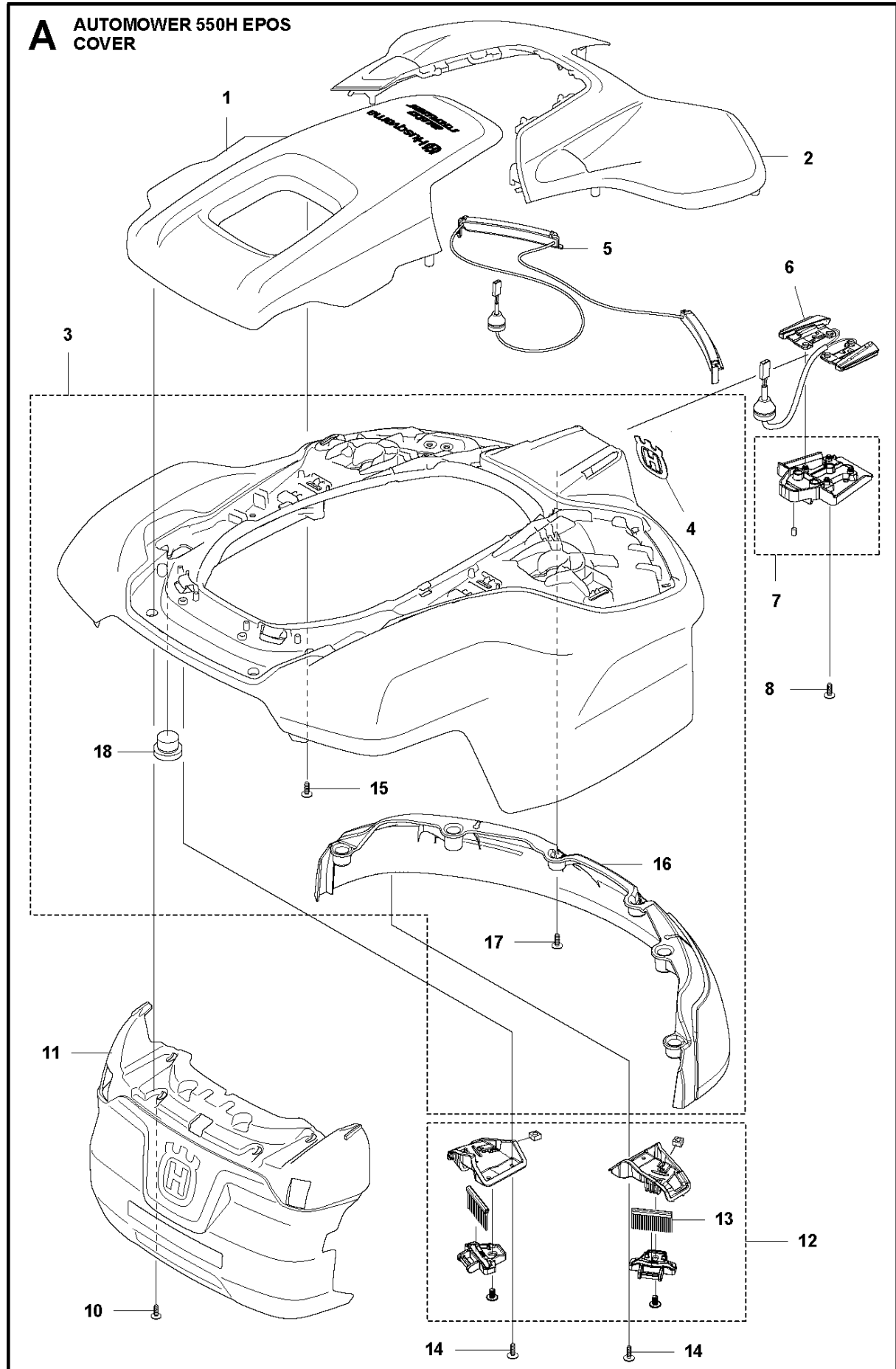




# SPARE PARTS LIST

ROBOTIC LAWN MOWERS

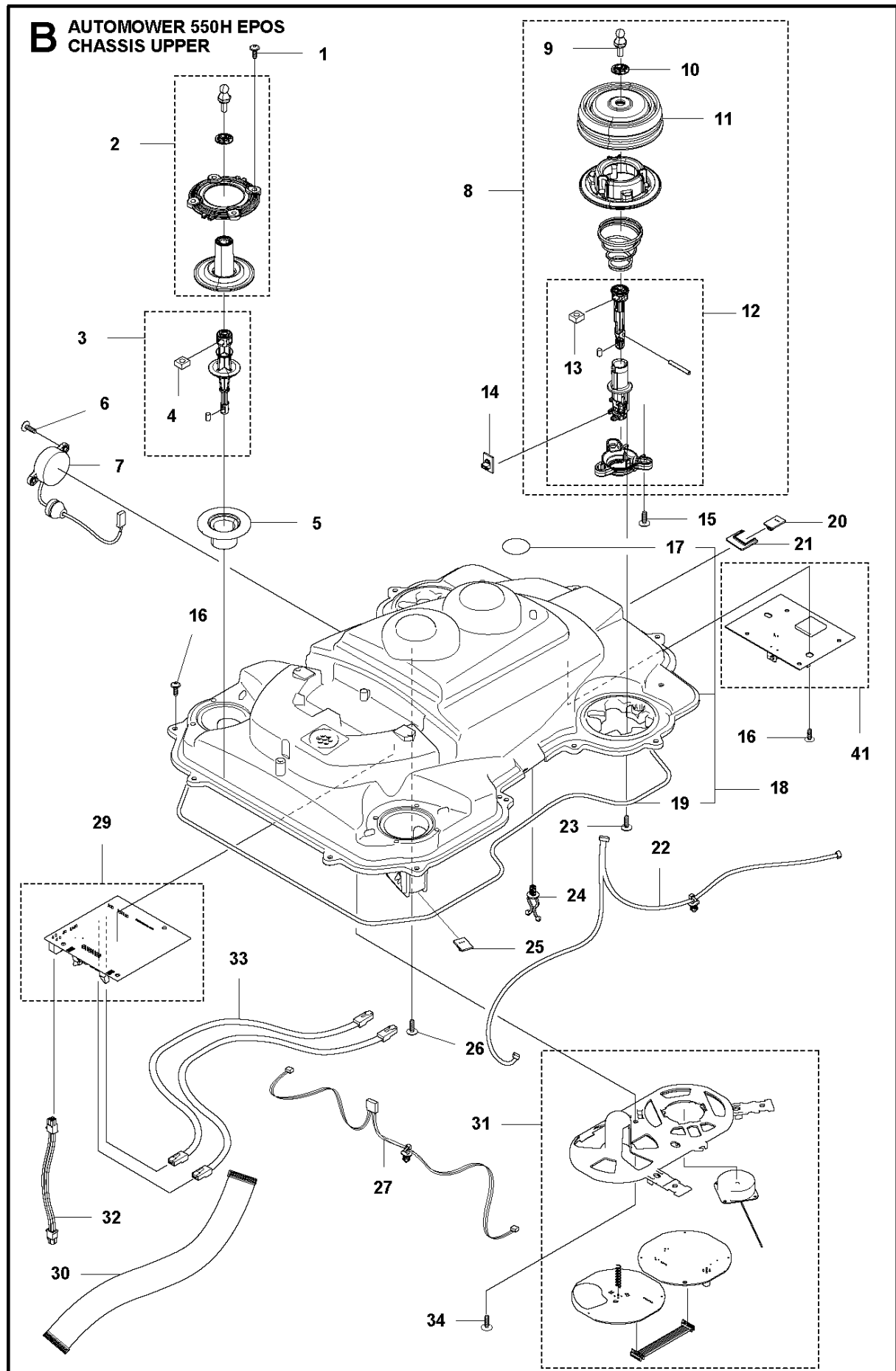
AUTOMOWER 550H EPOS



## COVER

## AUTOMOWER 550H EPOS

Ref	Part No	Description	Remark	QTY	KIT
1	598 90 53-02	REAR COVER	Cover Top Grey, 550H EPOS	1	
2	598 90 52-01	FRONT COVER	Cover Top Orange	1	
3	596 48 54-01	BODY ASSY	High-Cut	1	
4	587 42 35-01	DECAL	Decal Crown	1	3
5	595 31 22-02	WIRING ASSY	Led Lights Orange	1	
6	585 53 92-04	CABLE ASSY	Charging Plate Wiring	1	
7	596 48 99-01	HOLDER ASSY	Holder Assy	1	
8	575 54 33-14	SCREW	Screw	1	
10	574 45 01-01	SCREW ITPANT	Screw	10	
11	596 48 97-01	BUMPER ASSY	Bumper Rear	1	
12	581 90 31-02	BRUSH KIT	Brush KIT (brackets and brushes, 6 pcs)	1	
13	581 98 20-02	BRUSH KIT	Brush, 6 pcs	1	12
14	575 54 33-14	SCREW	Screw	2	
15	574 45 01-01	SCREW ITPANT	Screw	8	3
16	593 11 74-01	BUMPER	High-Cut	1	3
17	574 45 01-01	SCREW ITPANT	Screw	6	3
18	580 52 68-01	CAP	Snaploc	1	3

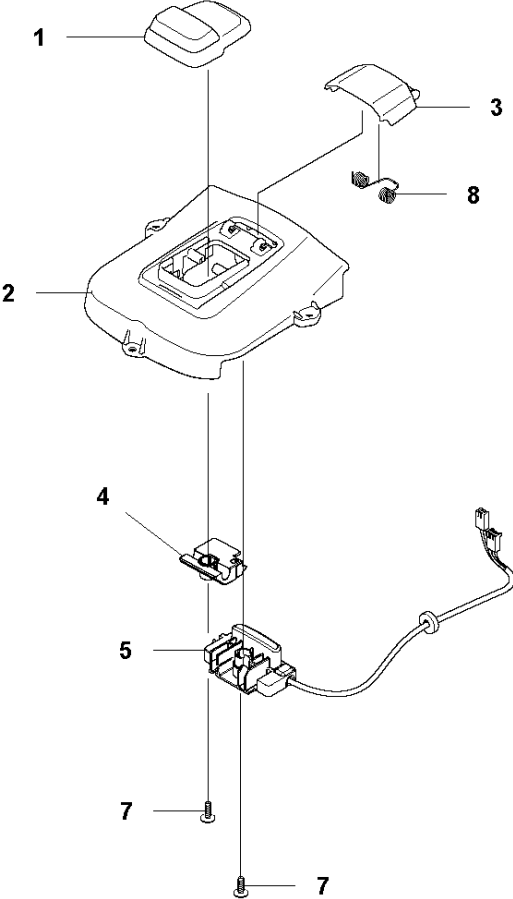


## CHASSIS UPPER

## AUTOMOWER 550H EPOS

Ref	Part No	Description	Remark	QTY	KIT
1	574 45 01-01	SCREW ITXPANT	Screw	8	
2	501 06 13-01	JOYSTICK KIT	Joystick KIT Rear	2	
3	501 12 26-02	JOYSTICK KIT	Joystick Column KIT	2	
4	503 22 66-01	SQUARE NUT	Square Nut	2	3
5	535 14 32-01	DEFLECTION LIMITER	Deflection Limiter	2	
6	575 54 33-14	SCREW	Screw	2	
7	579 70 63-02	BUZZER	Buzzer	1	
8	581 62 09-03	JOYSTICK KIT	Joystick KIT Front	2	
9	580 52 67-01	STUD	Stud	2	8
10	579 52 57-01	WASHER	Washer	2	8
11	579 47 46-01	BELLOWS	Bellows	2	8
12	587 44 88-02	JOYSTICK KIT	Joystick KIT	2	8
13	503 22 66-01	SQUARE NUT	Square Nut	2	8, 12
14	592 85 23-01	PRINTED CIRCUIT ASSY	PCBA Lift sensor	2	
15	575 54 33-14	SCREW	Screw	6	
16	574 45 01-01	SCREW ITXPANT	Screw	14	
17	577 75 37-01	AIR FILTER	Air Filter 10 pcs	1	18
18	529 56 42-01	CHASSIS KIT	Chassis KIT	1	
19	574 87 47-05	SEALING STRIP	Sealing Strip (1 pcs, Ø5 mm)	1	18
20	592 85 24-01	PRINTED CIRCUIT ASSY	PCBA Collision Sensor	1	
21	587 83 49-01	CLIP	Clip	1	
22	579 70 59-02	WIRING ASSY	Wiring Assy Lift Sensor	1	
23	574 45 01-01	SCREW ITXPANT	Screw	6	
24	580 68 29-01	HOLDER	Holder Twist Lock	2	
25	592 85 24-01	PRINTED CIRCUIT ASSY	PCBA Collision Sensor	1	
26	574 45 01-01	SCREW ITXPANT	Screw	4	
27	581 66 09-01	WIRING ASSY	Wiring ASSY Collision Sensor	1	
29	597 97 74-01	PRINTED CIRCUIT ASSY	PCB Application Board	1	
30	579 70 62-01	CABLE ASSY	Wiring	1	
31	599 30 86-02	HOLDER ASSY	Holder Assy Antenna Module 915Mhz	1	
32	591 20 31-02	WIRING ASSY	HMI Cable 4P	1	
33	589 35 08-05	WIRING ASSY	Modular Cable	2	
34	575 54 33-14	SCREW	Screw	9	
41	586 66 23-11	GPS MODULE	AM Connect, KIT US/CA	1	

**C** AUTOMOWER 550H EPOS  
CENTER CONSOL

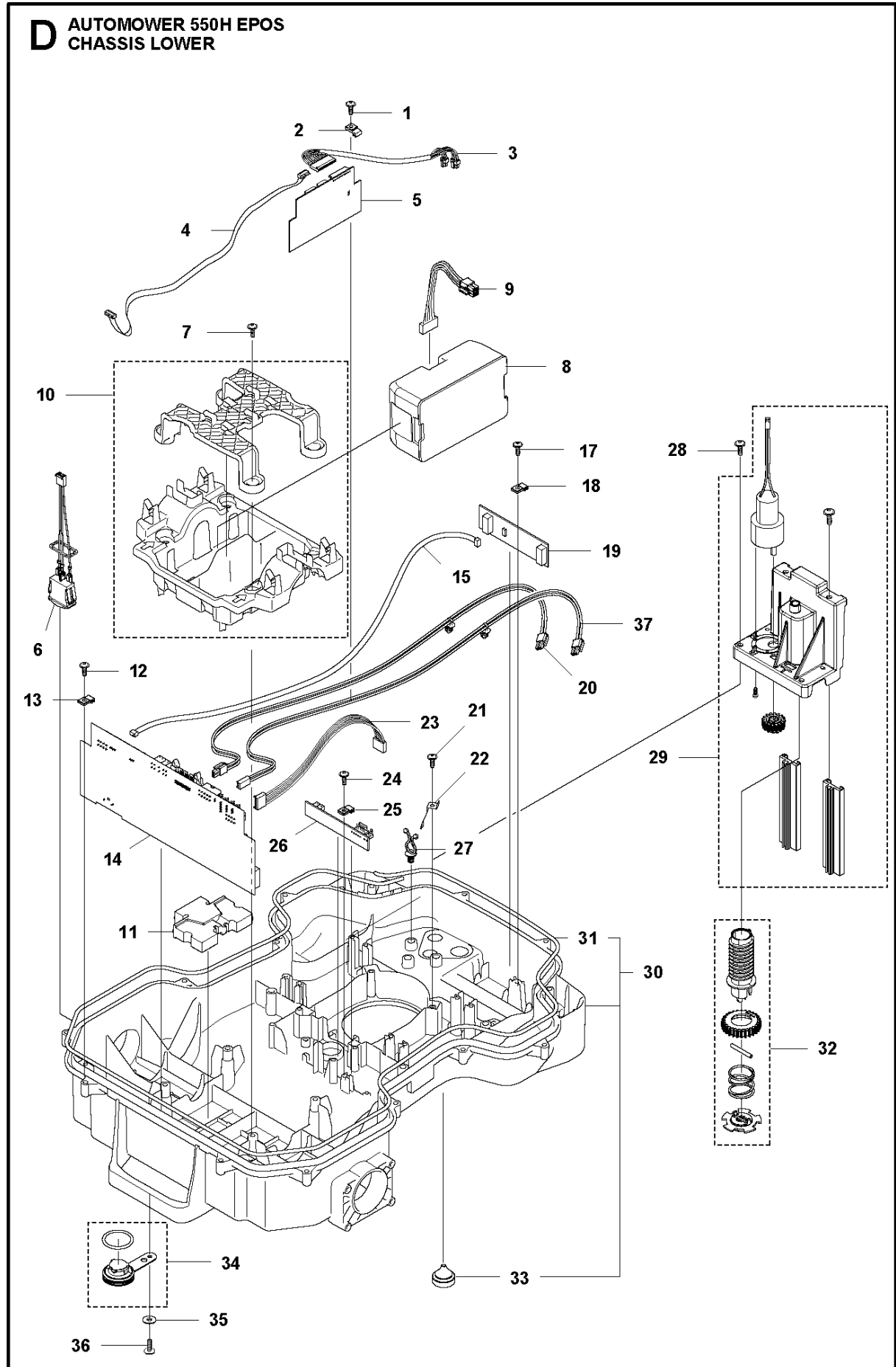


## CENTER CONSOL

## AUTOMOWER 550H EPOS

Ref	Part No	Description	Remark	QTY KIT
1	599 47 72-01	BUTTON	Button Start/Stop	1
2	599 47 70-01	CONSOLE	Console Rear	1
3	599 47 74-01	LID	Lid Stop/Start button	1
4	589 33 62-01	SUPPORT	Support	1
5	599 21 27-01	HOUSING ASSY	Stop Button LED Assy	1
7	575 54 33-14	SCREW	Screw	2
8	599 62 88-01	SPRING	Spring Lid	1

**D** AUTOMOWER 550H EPOS  
CHASSIS LOWER



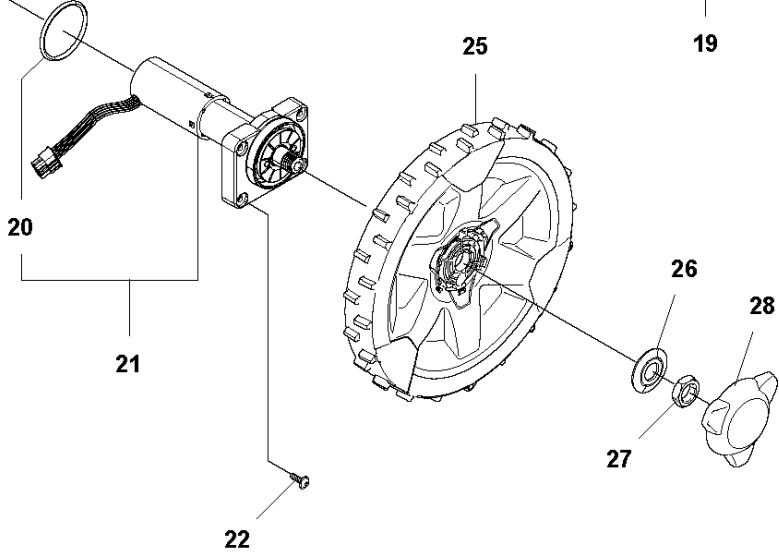
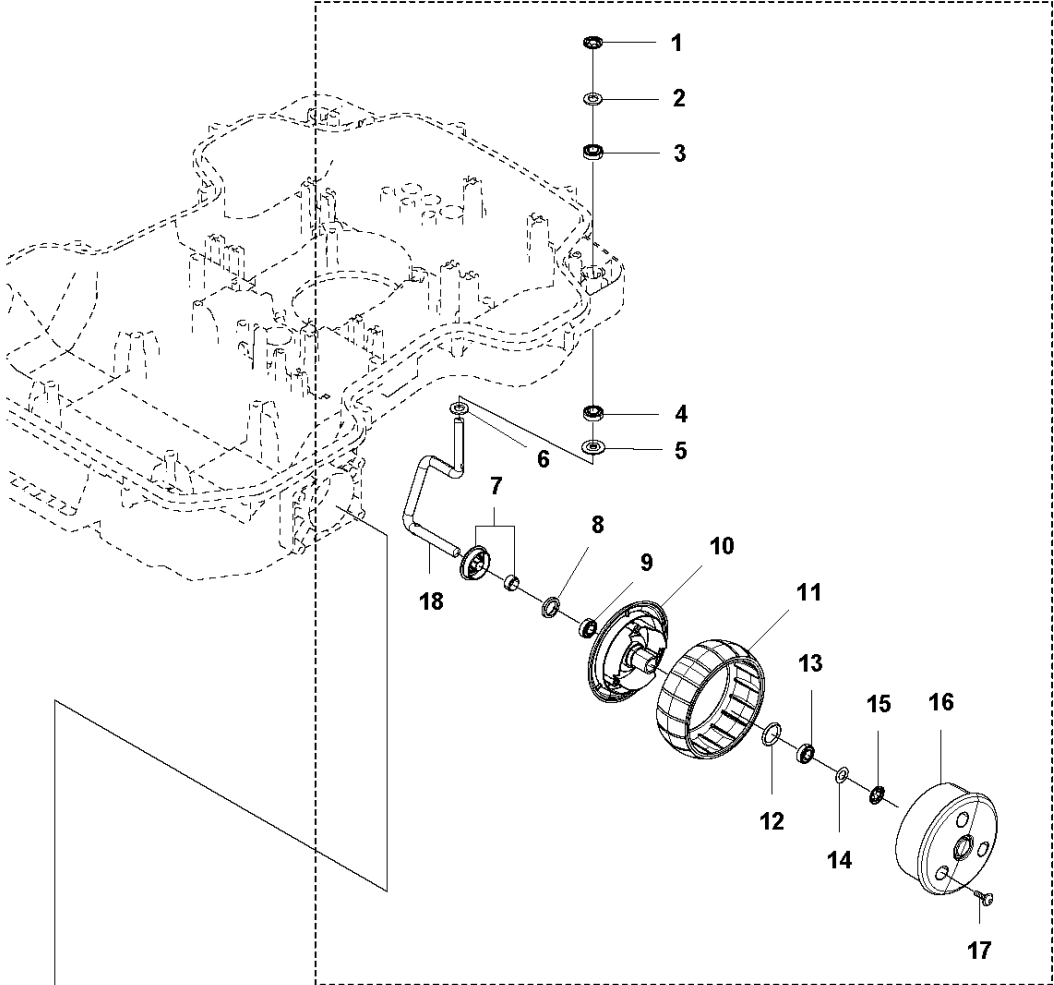


## CHASSIS LOWER

## AUTOMOWER 550H EPOS

Ref	Part No	Description	Remark	QTY	KIT
1	575 54 33-14	SCREW	Screw	2	
2	579 52 94-01	CLAMP	Clamp	2	
3	580 61 44-02	WIRING ASSY	US-Extension Wiring	1	
4	579 70 86-01	WIRING ASSY		1	
5	578 28 57-01	PRINTED CIRCUIT ASSY	Printed Circuit Ultrasonic	1	
6	579 70 87-01	WIRING ASSY	Switch On-Off	1	
7	574 45 01-01	SCREW ITXPANT	Screw	5	
8	593 24 74-01	BATTERY	Battery	2	
9	591 20 36-01	WIRING ASSY	Battery	1	
10	596 49 47-01	HOLDER KIT	Holder Kit	1	
11	589 36 62-01	WEIGHT	Weight 470g	2	
12	575 54 33-14	SCREW	Screw	2	
13	579 52 94-01	CLAMP	Clamp	2	
14	593 83 06-01	PRINTED CIRCUIT ASSY	Main board	1	
15	579 70 82-01	WIRING ASSY	Sensor Cable	1	
17	575 54 33-14	SCREW	Screw	2	
18	579 52 94-01	CLAMP	Clamp	2	
19	592 85 27-01	PRINTED CIRCUIT ASSY	Printed Circuit Loop Sensor	1	
20	580 37 07-02	WIRING ASSY	Charging table	1	
21	575 54 33-14	SCREW	Screw	2	
22	581 55 61-01	SPRING	Spring	2	
23	579 70 80-01	WIRING ASSY	Height Adjustment Wiring	1	
24	575 54 33-14	SCREW	Screw	1	
25	579 52 94-01	CLAMP	Clamp	1	
26	579 72 85-02	PRINTED CIRCUIT ASSY	Printed Circuit Height Adjustment	1	
27	580 68 29-01	HOLDER	Holder Twist Lock	3	
28	575 54 33-14	SCREW	Screw	4	
29	501 06 83-01	MOTOR ASSY	Motor KIT	1	
30	596 50 31-01	CHASSIS KIT	Chassis Kit	1	
31	574 87 47-05	SEALING STRIP	Sealing Strip (1 pcs, Ø5 mm)	1	30
32	581 62 16-01	SCREW KIT	Gear KIT	1	
33	584 89 75-01	GROMMET	Grommet	1	30
34	581 62 12-02	PLUG KIT	Plug KIT	1	
35	734 11 37-41	WASHER	Washer	1	
36	574 45 01-01	SCREW ITXPANT	Screw	1	
37	588 81 84-02	WIRING ASSY	LED-Extension Wiring	1	

**E** AUTOMOWER 550H EPOS  
WHEELS & TIRES

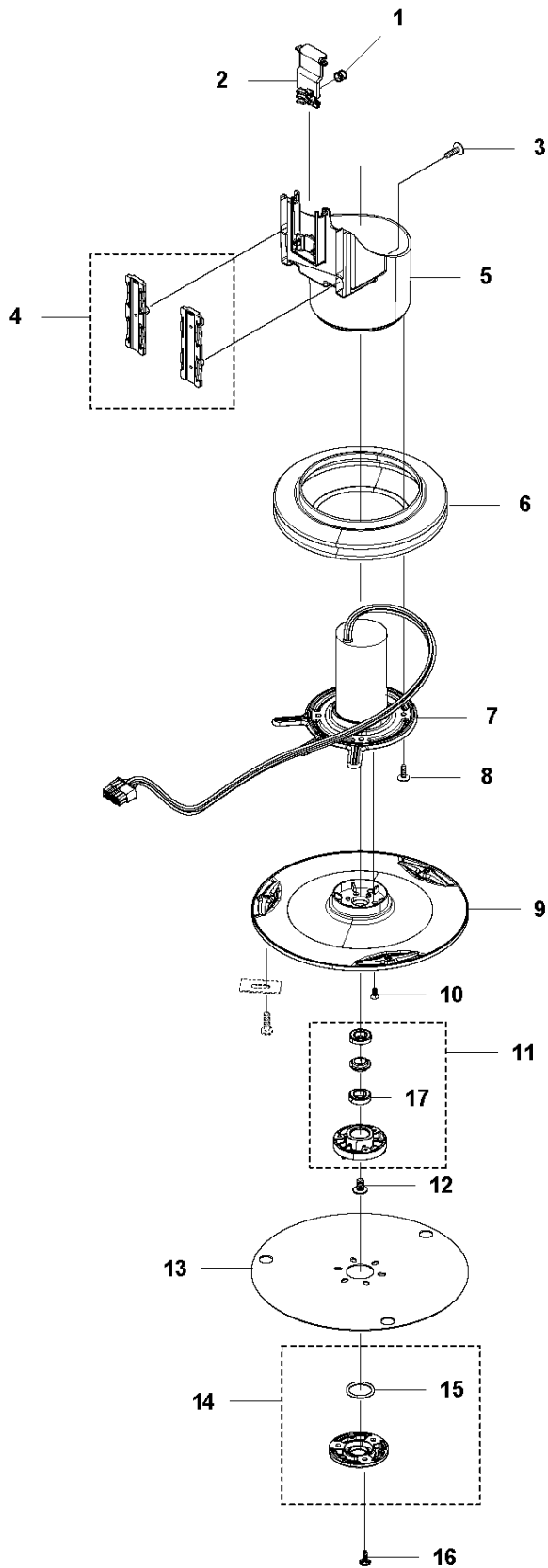


## WHEELS &amp; TIRES

## AUTOMOWER 550H EPOS

Ref	Part No	Description	Remark	QTY	KIT
1	576 01 93-02	LOCKWASHER	Lock Washer	2	19
2	580 76 46-01	WASHER	Washer	2	19
3	597 79 56-01	BALL BEARING	Tube 50 pcs	1	19
3	580 60 51-01	BALL BEARING	Ball Bearing	2	19
4	597 79 56-01	BALL BEARING	Tube 50 pcs	1	19
4	580 60 51-01	BALL BEARING	Ball Bearing	2	19
5	535 08 78-03	WASHER	Washer	2	19
6	580 76 46-01	WASHER	Washer	2	19
7	581 62 15-01	SHIELD KIT	Shield KIT	2	19
8	580 48 71-01	SEALING	Sealing	2	19
9	597 79 56-01	BALL BEARING	Tube 50 pcs	1	19
9	580 60 51-01	BALL BEARING	Ball Bearing	2	19
10	579 45 71-01	WHEEL	Wheel Inside	2	19
11	574 44 98-01	WHEEL	Tire	2	19
12	580 44 51-01	O-RING	O-Ring	2	19
13	597 79 56-01	BALL BEARING	Tube 50 pcs	1	19
13	580 60 51-01	BALL BEARING	Ball Bearing	2	19
14	580 76 46-01	WASHER	Washer	2	19
15	576 01 93-02	LOCKWASHER	Lock Washer	2	19
16	579 45 72-01	WHEEL	Wheel Outside	2	19
17	575 54 33-14	SCREW	Screw	6	19
18	580 33 61-01	SPINDLE	Spindle	2	19
19	581 62 14-02	WHEEL KIT	Front Wheel KIT	2	
20	580 44 39-02	O-RING	O-Ring	2	
21	581 62 13-06	MOTOR KIT	Wheel Motor ASSY	2	
22	574 45 01-01	SCREW ITXPANT	Screw	8	
25	582 28 02-01	WHEEL ASSY	Rear Wheel	2	
26	586 21 06-01	WASHER	Washer	2	
27	731 43 24-01	HEXAGON THIN NUT	Thin Nut	2	
28	579 50 55-02	HUB CAP	Hub Cap	2	

**F** AUTOMOWER 550H EPOS  
BLADE MOTOR & CUTTING EQUIPMENT

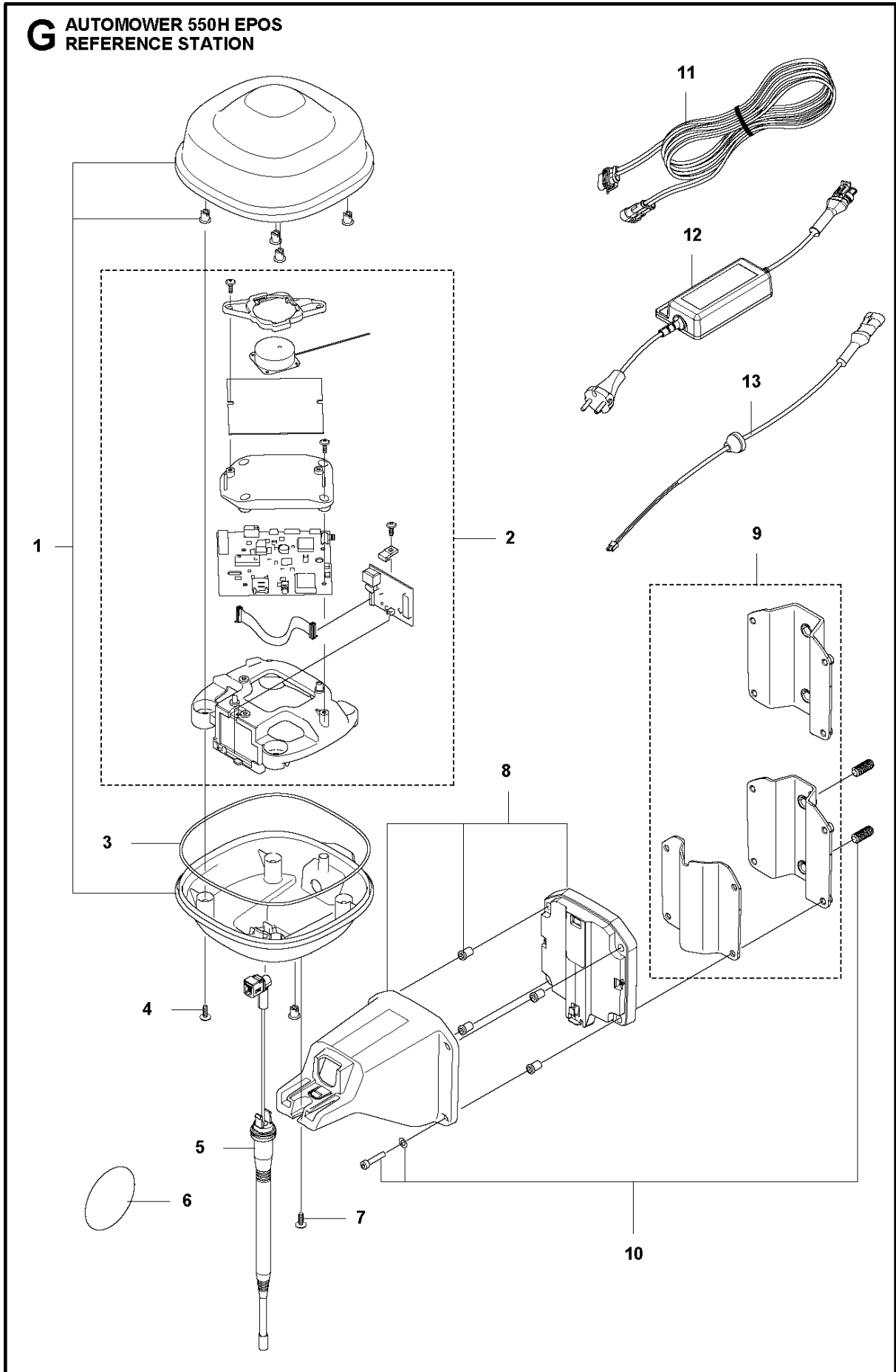


## BLADE MOTOR &amp; CUTTING EQUIPMENT

## AUTOMOWER 550H EPOS

Ref	Part No	Description	Remark	QTY KIT	
1	580 62 44-01	SPRING	Spring	1	
2	579 56 46-01	LINK	Link	1	
3	575 54 33-14	SCREW	Screw	3	
4	581 62 18-01	BEARING KIT	Bearing KIT	1	
5	579 56 45-01	HOUSING	Housing	1	
6	579 66 64-03	BELLOWS	Bellows	1	
7	587 38 14-01	MOTOR ASSY	Cutting Motor ASSY	1	
8	575 54 33-14	SCREW	Screw	4	
9	598 81 44-01	CUTTING DISC	Cutting Disc	1	
10	590 50 87-01	SCREW	Screw	3	
11	588 42 17-02	BEARING HOUSING ASSY	Bearing Housing KIT	1	
12	535 07 60-01	SCREW	Screw	1	
13	597 44 98-01	SKID PLATE	Skid Plate	1	
14	587 44 96-01	COVER KIT	Bearing Cover KIT	1	
15	585 29 75-01	O-RING	O-Ring	1	
16	575 54 33-14	SCREW	Screw	3	
17	535 07 57-03	BALL BEARING	Ball Bearing	1	11
17	593 08 08-01	BALL BEARING	Ball Bearing Tube 50 pcs	1	11

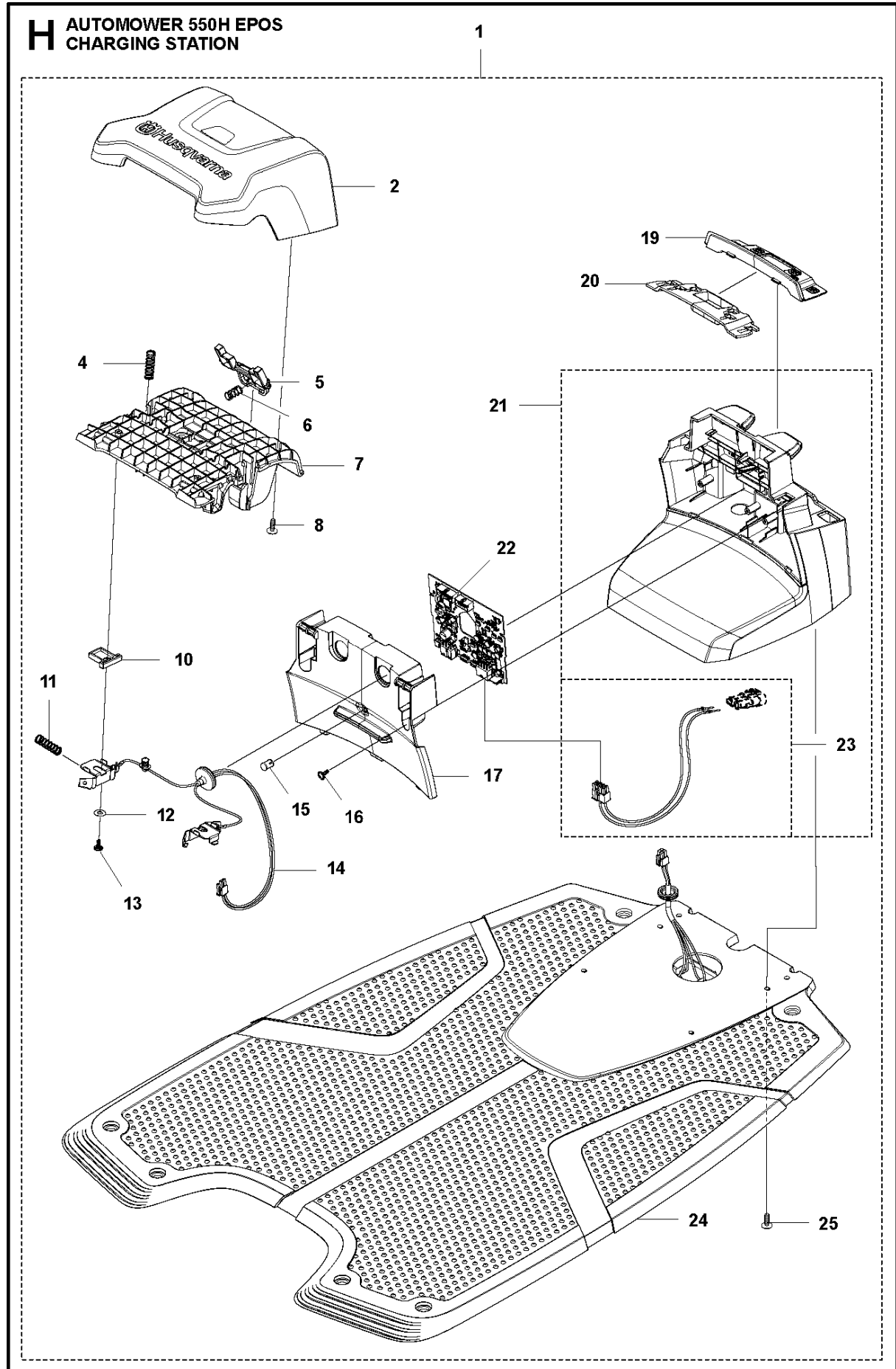
**G** AUTOMOWER 550H EPOS  
REFERENCE STATION



## REFERENCE STATION

## AUTOMOWER 550H EPOS

Ref	Part No	Description	Remark	QTY KIT
1	529 44 01-01	HOUSING ASSY	Enclosure KIT	1
2	599 13 98-02	PRINTED CIRCUIT ASSY	RTK Sub Assy US	1
3	599 91 18-01	SEAL	EPDM Seal	1
4	599 63 19-01	SCREW ITPANM	Screw	4
5	598 96 05-02	ANTENNA	Antenna	1
6	577 75 37-02	AIR FILTER	Air Filter, Goretext 14mm 10 pcs	1
7	588 22 22-01	SCREW ITPANM	Screw	1
8	529 41 32-01	ARM	Link Arm kit	1
9	529 65 07-01	BRACKET	Post Bracker Kit	1
10	599 66 15-01	PACKING ASSY	Fixing Kit	1
11	579 82 51-01	CABLE ASSY	Low Voltage Cable, 20 m	1
11	579 82 51-02	CABLE ASSY	Low Voltage Cable, 10 m	1
11	579 82 51-03	CABLE ASSY	Low Voltage Cable, 3 m	1
11	579 82 51-04	CABLE ASSY	Low Voltage Cable, 5 m	11
12	590 44 22-04	POWER UNIT	Power Supply Unit US	1
13	598 93 65-01	WIRING ASSY	Power Cable	1



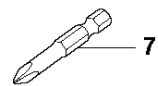
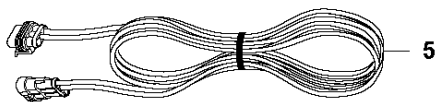
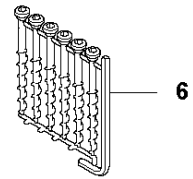
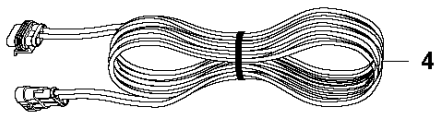
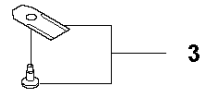
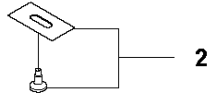
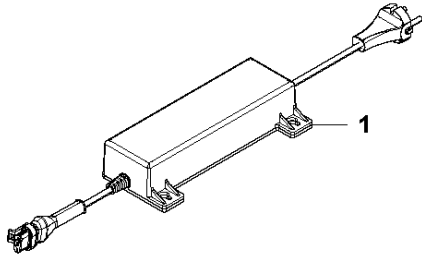


## CHARGING STATION

## AUTOMOWER 550H EPOS

Ref	Part No	Description	Remark	QTY	KIT
1	598 91 42-02	CHARGING STATION	High-Cut	1	
2	579 44 82-03	CAP	Cap	1	1
4	580 51 14-01	SPRING	Spring	2	1
5	579 46 24-02	BUTTON	Button □ Release	1	1
6	574 48 70-01	SPRING	Spring	1	1
7	579 45 80-04	FRAME	Frame	1	1
8	575 54 33-14	SCREW	Screw	4	1
10	579 46 05-02	SPACER	Distance	2	1
11	580 51 14-01	SPRING	Spring	2	1
12	734 11 37-41	WASHER	Washer	2	1
13	575 54 33-14	SCREW	Screw	2	1
14	585 53 95-02	CABLE ASSY	Loom Charging Contact	1	1
15	590 21 72-01	LENS	Lens	1	1
16	575 54 33-14	SCREW	Screw	2	1
17	579 45 97-04	LID	Lid	1	1
19	579 45 98-05	PANEL	Panel	1	1
20	579 45 99-01	HOLDER	Holder	1	1
21	531 03 22-01	HOUSING	Housing KIT High-Cut	1	1
22	596 32 80-06	PRINTED CIRCUIT ASSY	Printed Circuit PCBA Charging station	1	1
23	588 47 89-02	CABLE KIT	Cable KIT	1	1, 21
24	590 09 40-01	BASE ASSY	Charging Plate	1	1
25	575 54 33-14	SCREW	Screw	4	1

**AUTOMOWER 550H EPOS  
INSTALLATION ACCESSORIES**

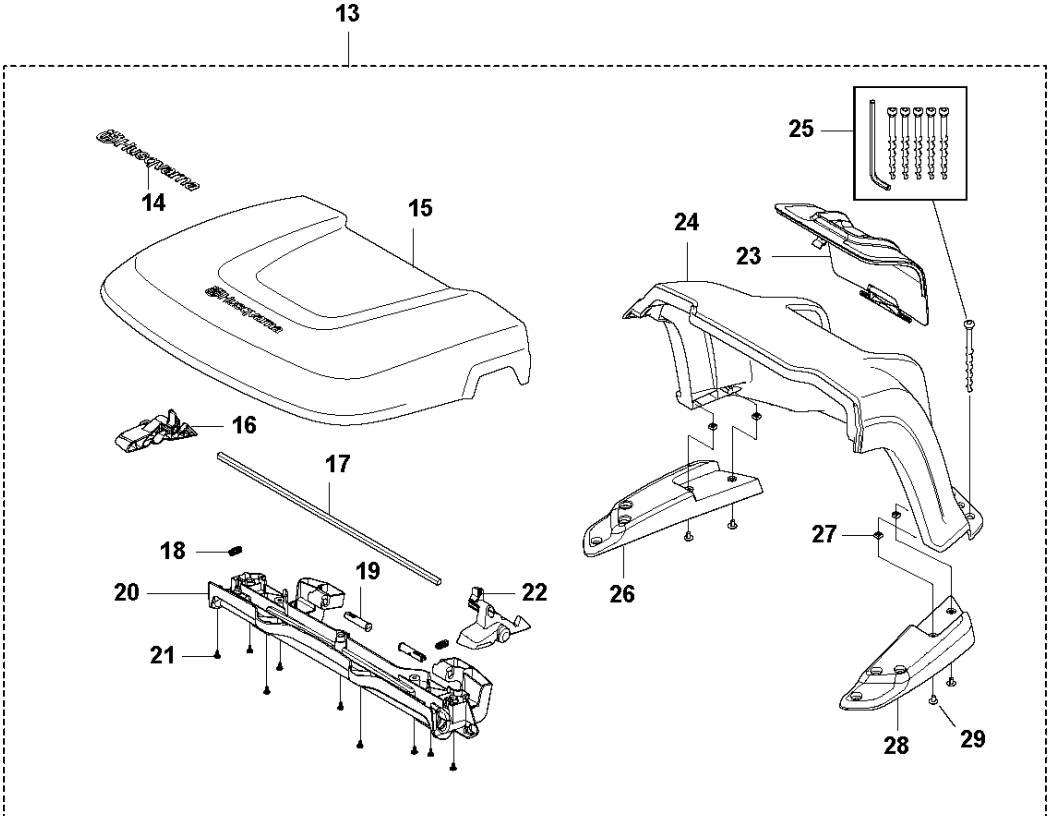
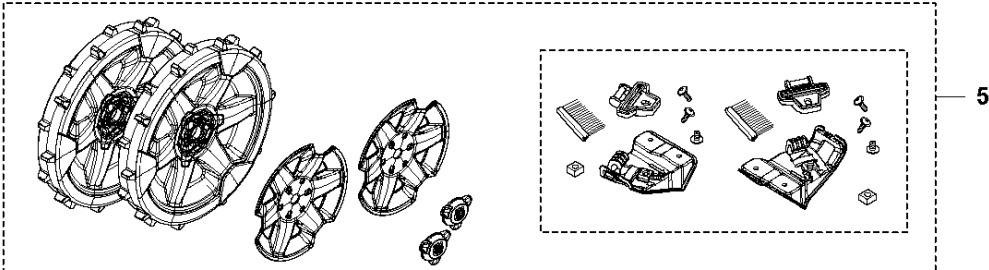
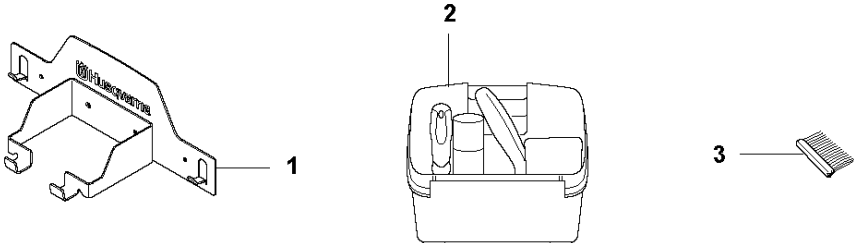


## INSTALLATION ACCESSORIES

## AUTOMOWER 550H EPOS

Ref	Part No	Description	Remark	QTY KIT
1	590 44 25-04	POWER UNIT	Power Supply Unit US	1
2	595 08 44-11	BLADE SET	Endurance Blades, 6 pcs incl. Screws	1
2	595 08 44-12	BLADE SET	Endurance Blades, 45 pcs incl. Screws	1
2	595 08 44-13	BLADE SET	Endurance Blades, 300 pcs incl. Screws	1
2	599 80 52-11	BLADE SET	Endurance HSS Blades, 6 pcs incl. Screws	1
2	599 80 52-12	BLADE SET	Endurance HSS Blades, 45 pcs incl. Screws	1
2	599 80 52-13	BLADE SET	Endurance HSS Blades, 300 pcs incl. Screws	1
3	596 28 72-01	BLADE SET	Blades 6 pcs incl. Screws	1
3	596 28 73-01	BLADE SET	Blades 45 pcs incl. Screws	1
3	596 28 73-02	BLADE SET	Blades 300 pcs incl. Screws	1
4	588 76 50-04	CABLE	Low Voltage Cable, 20 m	1
4	588 76 50-05	CABLE	Low Voltage Cable, 10 m	1
5	588 76 50-06	CABLE	Low Voltage Cable, 3 m	1
6	597 43 58-01	ANCHOR	6 pcs+Key	1
7	596 33 98-01	TOOL	Bit for Automower blades MOQ 5 pcs	1

**J** AUTOMOWER 550H EPOS  
ACCESSORIES



## ACCESSORIES

## AUTOMOWER 550H EPOS

Ref	Part No	Description	Remark	QTY	KIT
1	598 41 11-01	WALL HANGER	Wall Hanger	1	
2	590 85 51-02	KIT	Maintenance and Cleaning KIT	1	
3	581 98 20-11	BRUSH KIT	Brush, 6pcs	1	
5	581 88 97-11	WHEEL KIT	Rear Wheel Kit incl Brush Kit	1	
13	597 63 52-01	HOUSING	House KIT	1	
14	577 06 20-01	DECAL	Decal	1	13
16	585 32 40-02	HANDLE	Handle Left	1	13
17	585 32 41-01	ROD	Rod	1	13
18	580 51 14-01	SPRING	Spring	2	13
19	585 34 15-01	HINGE PIN	Hinge Pin	2	13
20	585 34 16-01	BEAM	Beam	1	13
21	575 54 33-14	SCREW	Screw	9	13
22	585 32 40-01	HANDLE	Handle Right	1	13
23	585 32 36-01	HATCH	Hatch	1	13
24	597 63 57-01	HOUSING	Cover Base	1	13
25	597 43 58-01	ANCHOR	6 pcs+Key	1	13
26	585 32 38-02	SUPPORT	Support Base Left	1	13
27	503 22 66-01	SQUARE NUT	Square Nut	4	13
28	585 32 38-01	SUPPORT	Support Base Right	1	13
29	535 12 93-03	SCREW IHPANM	Screw	4	13