

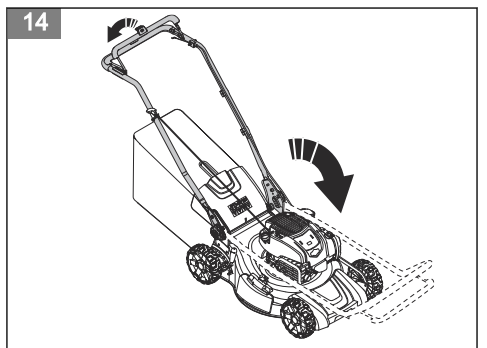
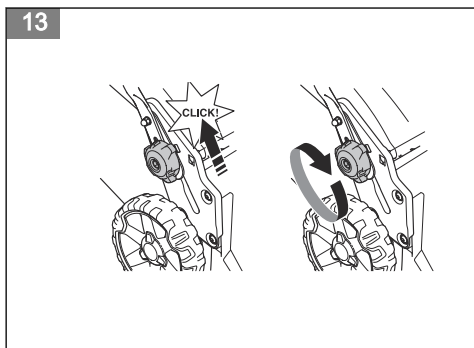
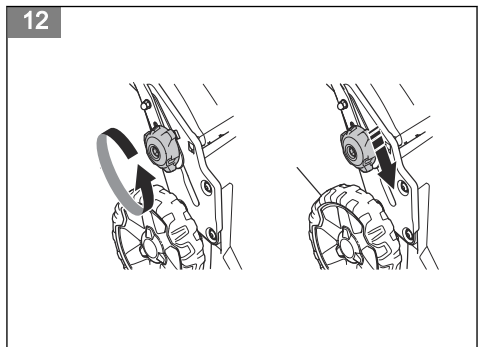
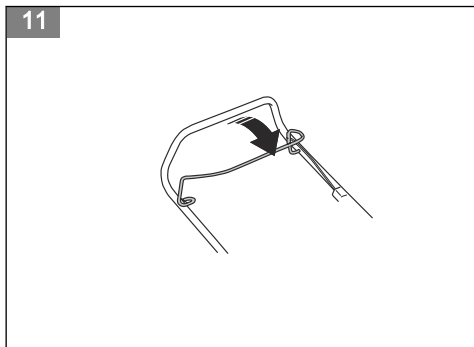
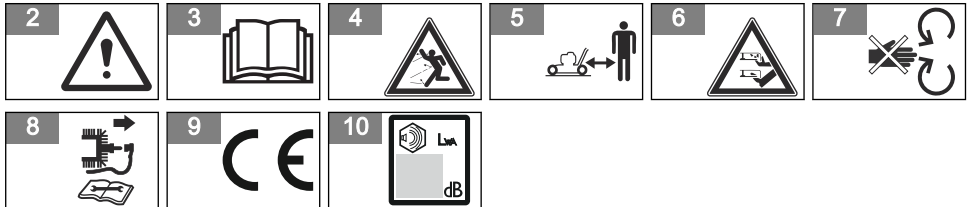
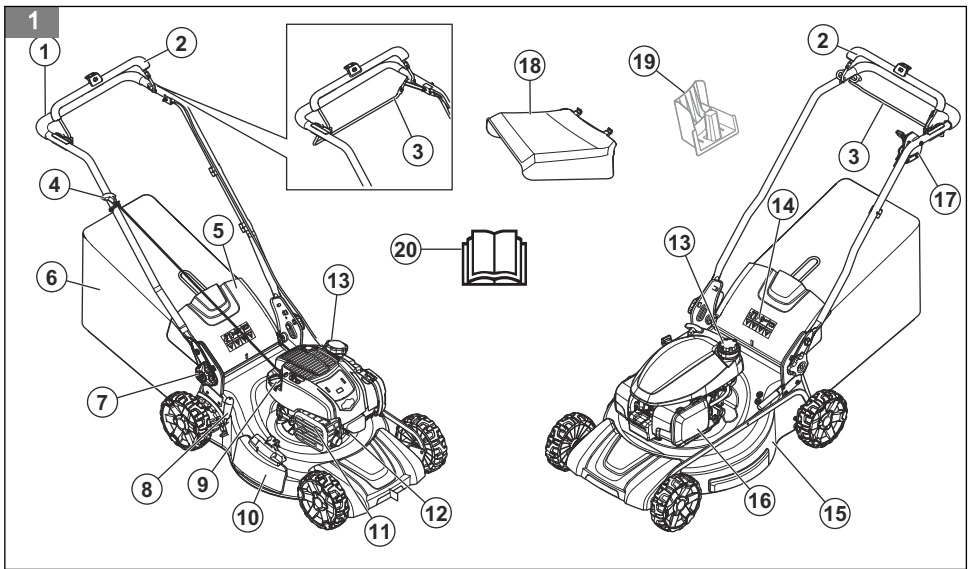


# Husqvarna®

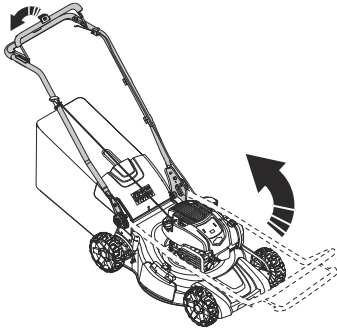


LC 356VP, LB 256S, LC 153S, LC 153P

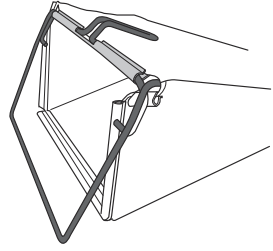
EN	Operator's manual	6-17
ES	Manual de usuario	18-30
FR	Manuel d'utilisation	31-43
PT-BR	Manual do operador	44-56



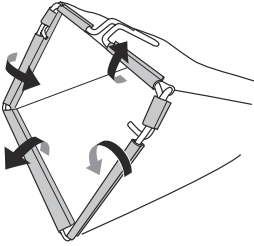
15



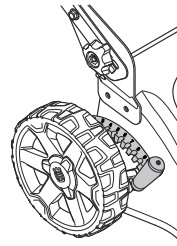
16



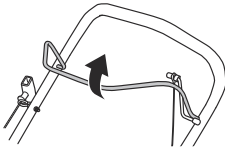
17



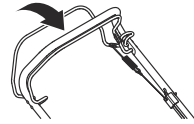
18



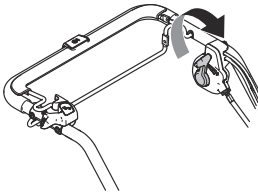
19



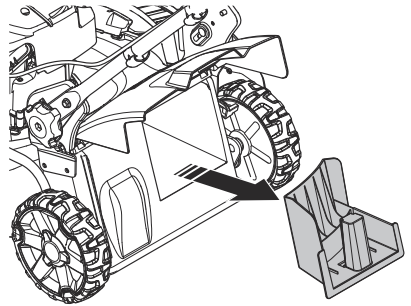
20



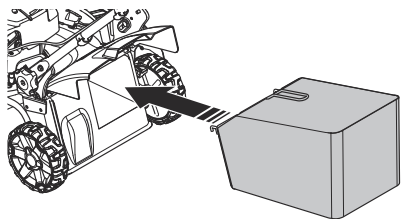
21



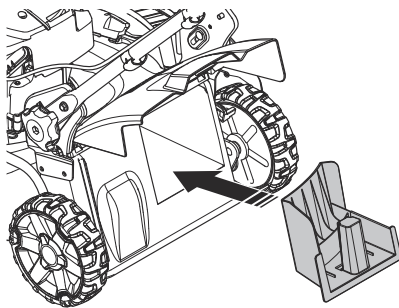
22



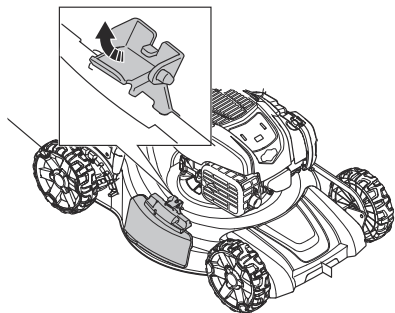
23



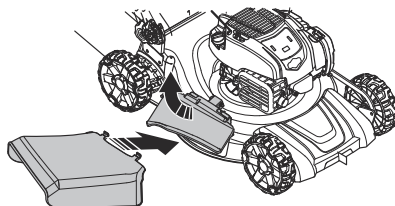
24



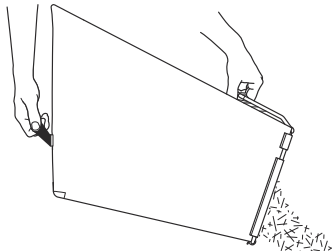
25



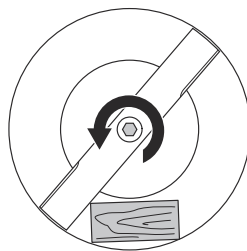
26



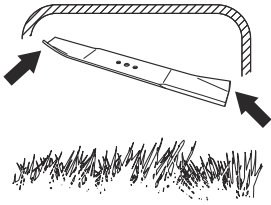
27



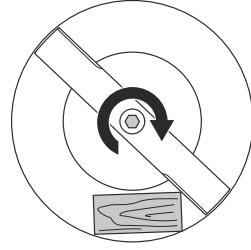
28



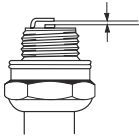
29



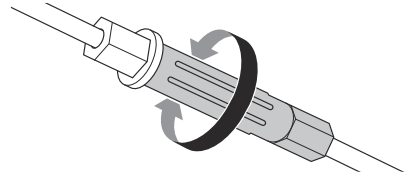
30



31



32



---

# Contents

---

Introduction.....	6	Maintenance.....	11
Safety.....	7	Transportation, storage and disposal.....	14
Assembly.....	9	Technical data.....	15
Operation.....	10	EC Declaration of Conformity.....	17

---

## Introduction

---

### Product description

The product is a pedestrian-controlled rotary lawn mower. Attach the grass catcher to collect the grass. Attach the side discharge deflector for side discharge of the grass. For LC 153P, LC 153S and LC 356VP, remove the grass catcher and the side discharge deflector to cut the grass into mulch.

### Product overview

(Fig. 1)

1. Handlebar
2. Engine brake handle
3. Drive bail (LC 153S, LB 256S and LC 356VP)
4. Starter rope handle
5. Rear cover (LC 153P, LC 153S and LC 356VP)
6. Grass catcher (LC 153P, LC 153S and LC 356VP)
7. Handle height knobs
8. Cutting height lever
9. Oil cap
10. Side discharge cover
11. Muffler
12. Spark plug
13. Fuel tank cap
14. Symbols
15. Cutting cover
16. Air filter
17. Speed control lever (LC 356VP)
18. Side deflector
19. Mulch plug (accessory for LC 153P, LC 153S and LC 356VP)
20. Operator's manual

### Symbols on the product

- (Fig. 2)      **WARNING!** Be careful and use the product correctly. This product can cause serious injury or death to the operator or others.
- (Fig. 3)      Please read the operator's manual carefully and make sure that you understand the instructions before use.
- (Fig. 4)      Look out for thrown objects and ricochets.

### Intended use

Use the product to cut grass in private gardens. Do not use the product for other tasks.

- (Fig. 5)      Keep persons and animals at a safe distance from the work area.
- (Fig. 6)      **Warning:** Keep hands and feet away from the rotating blade.
- (Fig. 7)      **Warning:** Keep hands and feet away from rotating parts.
- (Fig. 8)      Stop the engine and remove the ignition cable before repairs or maintenance.
- (Fig. 9)      This product is in accordance with applicable EC directives.
- (Fig. 10)     Noise emission to the environment according to the European Community's Directive. The product's emission is specified in the Technical data chapter and on the label.

---

**Note:** Other symbols/decals on the product refer to certification requirements for some commercial areas.

---

### Product liability

As referred to in the product liability laws, we are not liable for damages that our product causes if:

- the product is incorrectly repaired.
- the product is repaired with parts that are not from the manufacturer or not approved by the manufacturer.
- the product has an accessory that is not from the manufacturer or not approved by the manufacturer.
- the product is not repaired at an approved service center or by an approved authority.

## Euro V Emissions

---



**WARNING:** Tampering with the engine voids the EU type-approval of this product.

---

## Safety

---

### Safety definitions

Warnings, cautions and notes are used to point out specially important parts of the manual.

---



**WARNING:** Used if there is a risk of injury or death for the operator or bystanders if the instructions in the manual are not obeyed.

---



**CAUTION:** Used if there is a risk of damage to the product, other materials or the adjacent area if the instructions in the manual are not obeyed.

---

**Note:** Used to give more information that is necessary in a given situation.

---

### General safety instructions

---



**WARNING:** Read the warning instructions that follow before you use the product.

---

- This product is dangerous if used incorrectly or if you are not careful. Injury or death can occur if you do not obey the safety instructions.
- This product produces an electromagnetic field during operation. This field may under some circumstances interfere with active or passive medical implants. To reduce the risk of serious or fatal injury we recommend persons with medical implants to consult their physician and the medical implant manufacturer before operating this product.
- Always be careful and use your common sense. If you are not sure how to operate the product in a special situation, stop and speak to your Husqvarna dealer before you continue.
- Keep in mind that the operator will be held responsible for accidents that involve other persons or their property.
- Keep the product clean. Make sure that you can clearly read signs and decals.
- Do not let a person use the product unless you make sure that they read and understand the contents of the operator's manual.
- Do not let a child operate the product.
- Keep children away from the work area. A responsible adult must be there at all times.

- Do not let a person, without knowledge of the instructions, operate the product.
- Always monitor a person, with decreased physical capacity or mental capacity, that uses the product. A responsible adult must be there at all times.
- Do not use the product if you are tired, ill, or under the influence of alcohol, drugs or medicine. This has a negative effect on your vision, alertness, coordination and judgment.
- Do not use the product if it is defective.
- Do not change this product or use it if it is possible that it has been changed by others.

### Work area safety

---



**WARNING:** Read the warning instructions that follow before you use the product.

---

- Remove objects such as branches, twigs and stones from the work area before you use the product.
- Objects that hit against the cutting equipment can eject and cause damage to persons and objects. Keep bystanders and animals at a safe distance from the product.
- Never use the product in bad weather such as fog, rain, strong winds, intense cold and risk of lightning. To use the product in bad weather or in moist or wet locations is tiring. Bad weather can cause dangerous conditions, such as slippery surfaces.
- Look out for persons, objects and situations that can prevent safe operation of the product.
- Look out for obstacles, such as roots, stones, twigs, pits and ditches. Long grass can hide obstacles.
- To cut grass on slopes can be dangerous. Do not use the product on ground that slopes more than 15°.
- Operate the product across the face of slopes. Do not move up and down.
- Be careful when you go near hidden corners and objects that prevent a clear view.

### Work safety

---



**WARNING:** Read the warning instructions that follow before you use the product.

---

- Use this product to cut grass lawns only. It is not permitted to use it for other tasks.

- Use personal protective equipment. Refer to *Personal protective equipment on page 8*.
- Make sure that you know how to stop the engine quickly in an emergency.
- Never start the engine in a closed space or near flammable material. The exhaust fumes from the engine are hot and can contain sparks which can start a fire.
- Do not operate the product unless the blade and all covers are attached correctly. An incorrectly attached blade can come loose and cause personal injury.
- Make sure that the blade does not hit objects such as stones and roots. This can do damage to the blade and bend the engine shaft. A bent axle causes heavy vibration and a very high risk that the blade becomes loose.
- If the blade hits an object or if vibrations occur, stop the product immediately. Disconnect the ignition cable from the spark plug. Examine the product for damages. Repair damages or let an authorised service agent do the repair.
- Never attach the engine brake handle permanently to the handle when the engine is started.
- Put the product on a stable, flat surface and start it. Make sure that the blade does not hit the ground or other objects.
- Always stay behind the product when you operate it.
- Let all the wheels stay on the ground and keep 2 hands on the handle when you operate the product. Keep your hands and feet away from the rotating blades.
- Do not tilt the product when the engine is started.
- Be careful when you pull the product rearward.
- Never lift up the product when the engine is started. If you must lift the product, first stop the engine and disconnect the ignition cable from the spark plug.
- Do not walk rearward when you operate the product.
- Stop the engine when you move across areas without grass, for example paths made of gravel, stone and asphalt.
- Do not run with the product when the engine is started. Always walk when you operate the product.
- Stop the engine before you change the cutting height. Never make adjustments with the engine started.
- Never let the product stay out of view with the engine started. Stop the engine and make sure that the cutting equipment does not rotate.

- Personal protective equipment cannot fully prevent injury but it decreases the degree of injury if an accident does occur. Let your dealer help you select the right equipment.
- Use hearing protection if the noise level is higher than 85 dB.
- Use heavy-duty slip-resistant boots or shoes. Do not use open shoes or go with bare feet.
- Use heavy, long pants.
- Use protective gloves when necessary, for example when you attach, examine or clean the cutting equipment.

## Safety devices on the product

---



**WARNING:** Read the warning instructions that follow before you use the product.

---

- Do not use a product with defective safety devices.
- Do a check of the safety devices regularly. If the safety devices are defective, speak to your Husqvarna service agent.

### To do a check of the cutting cover

The cutting cover decreases vibrations in the product and decreases the risk of injury from the blade.

- Examine the cutting cover to make sure that there are no damages such as cracks.

### To do a check of the engine brake handle

The engine brake handle stops the engine. When the engine brake handle is released, the engine stops.

- Start the engine and then release the engine brake handle. If the engine does not stop in 3 seconds, let an approved Husqvarna service agent adjust the engine brake. (Fig. 11)

### To do a check of the rear cover

The rear deflector decreases the risk that objects eject in the direction of the operator.

- Make sure that the rear cover is not damaged.
- Make sure that the springs that close the rear cover are not damaged.
- Replace damaged springs and damaged parts.
- Make sure that the rear cover can move smoothly on the hinges.

### Muffler

The muffler keeps the noise levels to a minimum and sends the exhaust fumes away from the operator.

Do not use the product if the muffler is missing or defective. A defective muffler increases the noise level and the risk of fire.

## Safety instructions for operation

### Personal protective equipment

---



**WARNING:** Read the warning instructions that follow before you use the product.

---





**WARNING:** The muffler becomes very hot during and after use and when the engine operates at idle speed. Be careful near flammable materials and/or fumes to prevent fire.

#### To do a check of the muffler

- Examine the muffler regularly to make sure that it is attached correctly and not damaged.

#### Fuel safety



**WARNING:** Read the warning instructions that follow before you use the product.

- Do not start the product if there is fuel or engine oil on the product. Remove the unwanted fuel/oil and let the product dry.
- If you spill fuel on your clothing, change clothing immediately.
- Do not get fuel on your body, it can cause injury. If you get fuel on your body, use soap and water to remove the fuel.
- Do not start the product if the engine has a leak. Examine the engine for leaks regularly.
- Be careful with fuel. Fuel is flammable and the fumes are explosive and can cause injuries or death.
- Do not breathe in the fuel fumes, it can cause injury. Make sure that there is a sufficient airflow.
- Do not smoke near the fuel or the engine.
- Do not put warm objects near the fuel or the engine.
- Do not add the fuel when the engine is on.
- Make sure that the engine is cool before you refuel.
- Before you refuel, open the fuel tank cap slowly and release the pressure carefully.
- Do not add fuel to the engine in an indoor area. Not sufficient airflow can cause injury or death because of asphyxiation or carbon monoxide.

- Tighten the fuel tank cap fully. If the fuel tank cap is not tightened, there is a risk of fire.
- Move the product a minimum of 3 m / 10 ft from the position where you filled the tank before a start.
- Do not fill the fuel tank fully. Heat causes the fuel to expand. Keep a space at the top of the fuel tank.

#### Safety instructions for maintenance



**WARNING:** Read the warning instructions that follow before you use the product.

- The exhaust fumes from the engine contain carbon monoxide, an odourless, poisonous and very dangerous gas. Do not start the engine indoors or in closed spaces.
- Before you do the maintenance on the product, stop the engine and remove the ignition cable from the spark plug.
- Use protective gloves when you do maintenance on the cutting equipment. The blade is very sharp and cuts can easily occur.
- Accessories and changes to the product that are not approved by the manufacturer, can cause serious injury or death. Do not change the product. Always use accessories that are approved by the manufacturer.
- If the maintenance is not done correctly and regularly, the risk of injury and damage to the product increases.
- Only do the maintenance as given in this owner's manual. All other servicing must be done by an approved Husqvarna service agent.
- Let an approved Husqvarna service agent do servicing on the product regularly.
- Replace damaged, worn or broken parts.

## Assembly

#### Introduction



**WARNING:** Before you assemble the product, you must read and understand the safety chapter.



**WARNING:** Remove the spark plug cable from the spark plug before you assemble the product.

#### To assemble the handle

1. Loosen the lower knobs.
2. Move the knobs to the lower end of the grooves on the left and the right side of the product. (Fig. 12)

3. Set the handle height in one of the 2 available positions.
4. Move the knobs up in the direction of the handle until they stop and you hear a click. (Fig. 13)
5. Tighten the knobs fully.

#### To set the product in transport position

1. For LC 153S: Remove the battery.
2. Loosen the lower knobs.
3. Move the knobs to the lower end of the grooves on the left and the right side of the product. (Fig. 12)
4. Fold the handle forward. (Fig. 14)

## To set the product in operation position

1. Fold the handle to upright position. (Fig. 15)
2. Move the knobs up in the direction of the handle until they stop and you hear a click. (Fig. 13)
3. Tighten the knobs fully.
4. Attach the battery to the engine (LC 153S).

## To assemble the grass catcher (LC 153P, LB 256S, LC 356VP)

1. Attach the grass catcher frame to the grass bag with the rigid part of the bag on the bottom. Keep the handle of the frame out of the top of the bag. (Fig. 16)
2. Attach the grass bag to the frame with the clips. (Fig. 17)

---

## Operation

---

### Introduction



**WARNING:** Before you operate the product, you must read and understand the safety chapter.

### Husqvarna Connect

Husqvarna Connect is a free app for your mobile device. The Husqvarna Connect app gives extended functions for your Husqvarna product:

- Extended product information.
- Information about, and help with, product parts and servicing.

### To start to use Husqvarna Connect

1. Download the Husqvarna Connect app on your mobile device.
2. Register in the Husqvarna Connect app.
3. Do the instruction steps in the Husqvarna Connect app to connect and register the product.

### Before you operate the product

1. Read the operator's manual carefully and make sure that you understand the instructions.
2. Examine the cutting equipment to make sure that it is correctly attached and adjusted. See *To examine the cutting equipment on page 12*.
3. Fill the fuel tank. See *To fill fuel on page 10*.
4. Fill the oil tank and do a check of the oil level. See *To do a check of the oil level on page 13*.

### To fill fuel

If available, use low-emission/alkylate gasoline. If low-emission/alkylate gasoline is not available, use good quality unleaded gasoline or leaded gasoline with octane number not less than 90.



**CAUTION:** Do not use gasoline with an octane number less than 90 RON (87 AKI). This can cause damage to the product.

1. Open the fuel tank cap slowly to release the pressure.

2. Fill slowly with a fuel can. If you spill fuel, remove it with a cloth and let remaining fuel dry off.
3. Clean the area around the fuel tank cap.
4. Tighten the fuel tank cap fully. If the fuel tank cap is not tightened, there is a risk of fire.
5. Move the product a minimum of 3 m (10 ft) from the position where you filled the tank before a start.

### To set the cutting height

1. Move the cutting height lever rearward to increase the cutting height.
2. Move the cutting height lever forward to decrease the cutting height. (Fig. 18)



**CAUTION:** Do not set the cutting height too low. The blades can hit the ground if the surface of the lawn is not level.

### To start the product

1. Make sure that the ignition cable is connected to the spark plug.
2. Stay behind the product.
3. Hold the engine brake handle against the handlebar. (Fig. 19)
4. Hold the starter rope handle with your right hand.
5. Slowly pull out the starter rope until you feel some resistance.
6. Pull with force to start the engine.



**WARNING:** Do not twist the starter rope around your hand.

### To use the drive on the wheels (LC 153S, LB 256S, LC 356VP)

- For LB 256S and LC 153S: Push the drive bail in the direction of the handlebar. (Fig. 20)
- For LC 356VP: Start the drive on the wheels with the speed control lever on the left side of the handle. Move the speed control lever forward to increase the speed and rearward to decrease the speed. (Fig. 21)

- Before you pull the product rearward, disengage the drive and push the product forward approximately 10 cm.
- Release the drive bail to disengage the drive, for example when you go near an obstacle.

## To stop the product

- To stop the drive only, release the drive bail.
- To stop the engine, release the engine brake handle.

## To use the product with the grass catcher (LC 153P, LC 153S, LC 356VP)



**WARNING:** Do not operate the product without a grass catcher installed or without the rear cover closed. Objects can eject and cause injury to the operator.

1. Lift the rear cover and remove the mulch plug if it is installed. (Fig. 22)
2. Assemble the grass catcher, refer to *To assemble the grass catcher (LC 153P, LB 256S, LC 356VP)* on page 10.
3. Put the grass catcher on the bracket.
4. Release the rear cover and put it on top of the grass bag frame. (Fig. 23)

## To change the product to mulch mode (LC 153P, LC 153S, LC 356VP)

Make sure the engine is off before you change the product to mulch mode.

1. Lift the rear cover and remove the grass catcher, if it is installed.
2. Put the mulch plug into the discharge channel. (Fig. 24)
3. Close the rear cover and make sure that it is tightly closed against the mulch plug.
4. Replace the blade with the mulch blade that is supplied in the mulch kit. Refer to *To replace the blade on page 12*.

## To change the product to side discharge mode

1. Lift the rear cover and remove the grass bag, if it is installed.

2. Close the rear cover and make sure that it is tightly closed against the product.
3. Lift the discharge lock. (Fig. 25)
4. Open the side discharge guard and install the side discharge deflector onto the support pins. (Fig. 26)
5. Let the side discharge guard close against the side discharge deflector. Make sure that the side discharge deflector is tightly in position before you operate the product.

## To empty the grass catcher



**CAUTION:** Do not drag the bag when you empty the grass catcher to prevent wear.

1. Lift the grass catcher with the frame handle. (Fig. 27)
2. Remove grass clippings from the grass catcher from below the handle.
3. Empty grass clippings from the bag with the frame handle and the bag handle.

## To get a good result

- Always use a sharp blade. A blunt blade gives an irregular result and the cut surface of the grass becomes yellow. A sharp blade also uses less energy than a blunt blade.
- Do not cut more than  $\frac{1}{3}$  of the length of the grass. Use the highest cutting height when you start to cut the grass. Examine the result and lower the cutting height to an applicable level. If the grass is very long, operate slowly and cut 2 times if it is necessary.
- Cut in different directions each time to prevent stripes in the lawn.
- Lift the rear cover and remove the grass catcher.
- If a mulch plug and a mulch blade are attached, remove them.
- Close the rear cover before you operate the product. When you operate the product, the cut grass discharges below the rear cover.

# Maintenance

## Introduction



**WARNING:** Before you do maintenance, you must read and understand the safety chapter.

For all servicing and repair work on the product, special training is necessary. We guarantee the availability of professional repairs and servicing. If your dealer is not a service agent, speak to them for information about the nearest service agent.

## Maintenance schedule



**CAUTION:** Make sure that the air filter is up and not against the ground when you tilt the product. Risk of engine damage.

The maintenance intervals are calculated from daily use of the product. The intervals change if the product is not used daily.

For maintenance identified with \* refer to instructions in *Safety devices on the product on page 8.*

Maintenance	Daily	Weekly	Monthly
Do a general inspection	X		
Examine the oil level	X		
Clean the product	X		
Examine the cutting equipment	X		
Examine the cutting cover *	X		
Examine the engine brake handle *	X		
Examine the blade brake control *	X		
Examine the muffler *		X	
Examine the spark plug		X	
Replace the oil (the first time after 5 h of use, then after each 50 h of use)			X
Clean or replace the air filter			X
Examine the fuel system			X

### To do a general inspection

- Make sure that all nuts and screws on the product are tightened correctly.

### To clean the product externally

- Use a brush to remove leaves, grass and dirt.
- Make sure that the air intake on the top of the engine is not blocked.
- Do not use a high pressure washer to clean the product.
- If you use water to clean the product, do not flush water directly on the engine.

### To clean the inner surface of the cutting cover

1. Empty the fuel tank.
2. Put the product on its side with the muffler down.



**CAUTION:** If the product is put with the air filter down, the engine can become damaged.

3. Hose down the inner surface of the cutting cover with water.

### To examine the cutting equipment



**WARNING:** To prevent accidental start remove the ignition cable from the spark plug.



**WARNING:** Use protective gloves when you do maintenance on the cutting equipment. The blade is very sharp and cuts can easily occur.

1. Examine the cutting equipment for damage or cracks. Always replace a damaged cutting equipment.
2. Look at the blade to see if it is damaged or blunt.

**Note:** It is necessary to balance the blade after it is sharpened. Let a service center sharpen, replace and balance the blade. If you hit an obstacle that causes the product to stop, replace the damaged blade. Let the service center estimate if the blade can be sharpened or must be replaced.

### To replace the blade

1. Lock the blade with a block of wood. (Fig. 28)
2. Remove the blade bolt.
3. Remove the blade.

4. Examine the blade support and blade bolt to see if there are damages.
5. Examine the engine shaft to make sure that it is not bent.
6. When you attach the new blade, point the angled ends of the blade in the direction of the cutting cover. (Fig. 29)
7. Make sure that the blade is aligned with the center of the engine shaft.
8. Lock the blade with a block of wood. Attach the spring washer and tighten the bolt and washer with a torque of 43 – 47 Nm. (Fig. 30)
9. Pull the blade around by hand and make sure that it turns freely.



**WARNING:** Use heavy duty gloves. The blade is very sharp and cuts can easily occur.

10. Start the product to do a test of the blade. If the blade is not correctly attached, there is vibration in the product or the cutting result is unsatisfactory.

## To do a check of the oil level



**CAUTION:** A too low oil level can do damage to the engine. Do a check of the oil level before you start the product.

1. Put the product on level ground.
2. Remove the oil tank cap with the attached dipstick.
3. Clean the oil from the dipstick.
4. Put the dipstick fully into the oil tank to give a correct picture of the oil level.
5. Remove the dipstick.
6. Examine the oil level on the dipstick.
7. If the oil level is low, fill with engine oil and do a check of the oil level again.

## To replace the engine oil



**WARNING:** Engine oil is very hot directly after the engine is stopped. Let the engine become cool before you drain the engine oil. If you spill engine oil on your skin, clean with soap and water.

1. Operate the product until the fuel tank is empty.
2. Remove the ignition cable from the spark plug.
3. Remove the oil tank cap.
4. Put a container below the product to collect the engine oil in.
5. Tilt the product to drain the engine oil from the oil tank.
6. Fill with new engine oil of the type recommended in *Technical data on page 15*.

7. Do a check of the oil level. Refer to *To do a check of the oil level on page 13*.

## To examine the spark plug



**CAUTION:** Always use the recommended spark plug type. Incorrect spark plug type can cause damage to the product.

- Examine the spark plug if the engine is low on power, is not easy to start or does not operate correctly at idle speed.
- To decrease the risk of unwanted material on the spark plug electrodes, obey these instructions:
  - a) Make sure that the idle speed is correctly adjusted.
  - b) Make sure that the fuel mixture is correct.
  - c) Make sure that the air filter is clean.
- If the spark plug is dirty, clean it and make sure that the electrode gap is correct, refer to *Technical data on page 15*. (Fig. 31)
- Replace the spark plug if it is necessary.

## To clean the air filter

A dirty air filter can cause the engine to be damaged or not operate correctly. Do maintenance on the air cleaner more frequently in dusty conditions.

See *Maintenance schedule on page 12* for information about when to replace the air filter.

1. Remove the air filter cover and remove the filter.
2. Clean the filter by hitting it against a flat surface. Do not use solvent with petroleum, kerosene or compressed air to clean the filter.

**Note:** Air filters in operation for a long time cannot be cleaned fully. Replace the air filter at regular intervals. Damaged air filters must always be replaced.

3. When you assemble the air filter, make sure that it fully seals against the filter holder.

## To do a check of the side discharge deflector

The side discharge deflector is attached to the side discharge opening of the product. It decreases the risk of objects to eject in the direction of the mow position of the operator.

1. Make sure that the side discharge deflector is not damaged.
2. Examine the side discharge deflector. Make sure that you do not see defects, such as cracks or broken springs that push the door to close.
3. Replace the side discharge deflector or the springs if they are damaged.

## To examine the fuel system

- Examine the fuel tank cap and the seal for the fuel tank cap to make sure that there are no damages.
- Examine the fuel hose to make sure that there are no leaks. If the fuel hose is damaged, let a service agent replace it.

## To adjust the clutch wire (LC 153S, LB 256S, LC 356VP)

For the situations that follow, it is necessary to decrease the length of the clutch wire:

- The drive of the wheels does not engage when you pull the drive bail or the speed control lever.

- The product moves slowly when the drive of the wheels is engaged.

For the situations that follow, it is necessary to extend the length of clutch wire:

- The product moves when the drive of the wheels is not engaged.
- Adjust the clutch wire.
  - a) To decrease the length of clutch wire, turn the adjuster screw counterclockwise.
  - b) To extend the length of the clutch wire, turn the adjustment screw clockwise. (Fig. 32)

If the product continues to drive unsatisfactory after the adjustment, speak to your servicing dealer

---

# Transportation, storage and disposal

---

## Transportation and storage

- For storage and transportation of the product and fuel, make sure that there are no leaks or fumes. Sparks or open flames, for example from electrical devices or boilers, can start a fire.
- Always use approved containers for storage and transportation of fuel.
- Empty the fuel tank before you put the product in storage for a long period of time. Discard the fuel at an applicable disposal location
- Safely attach the product during transportation to prevent damage and accidents.
- Keep the product in a locked area to prevent access for children or persons that are not approved.
- Keep the product in a dry and frost free area.

## Disposal

- Obey the local recycling requirements and applicable regulations.
- Discard all chemicals, such as engine oil or fuel, at a service center or at an applicable disposal location.
- When the product is no longer in use, send it to a Husqvarna dealer or discard it at a recycling location.

## Technical data

### Technical data

	LC 153P	LC 153S	LB 256S	LC 356VP
<b>Engine</b>				
Brand	Briggs & Stratton	Briggs & Stratton	Briggs & Stratton	Honda
Engine model name	650EXI	650EXI	650EXI	GCVx170
Displacement, cm <sup>3</sup>	163	163	163	166
Speed, rpm	2800	2800	2800	2800
Nominal engine output, kW <sup>1</sup>	2.4	2.4	2.4	3.1
<b>Ignition system</b>				
Spark plug	CHAMPION XC92YC	CHAMPION XC92YC	CHAMPION XC92YC	NGK BPR5ES
Electrode gap, mm	0.7	0.7	0.7	0.75
<b>Fuel and lubrication system</b>				
Fuel, unleaded, minimum octane number	90	90	90	90
Fuel tank capacity, liter	1.0	1.0	1.0	0.9
Oil tank capacity, liter	0.5	0.5	0.5	0.4
Engine oil	SAE 30	SAE 30	SAE 30	SAE 30
<b>Weight</b>				
With empty tanks, kg	29.5	31	32.2	35.1
<b>Noise emissions<sup>2</sup></b>				
Sound power level, measured dB (A)	94	94	96	96
Sound power level, guaranteed L <sub>WA</sub> dB (A)	96	96	98	98
<b>Sound levels<sup>3</sup></b>				
Sound pressure level at the operator's ear, dB (A)	84	84	84	87
<b>Vibration levels<sup>4</sup></b>				
Handle, m/s <sup>2</sup>	6.5	6.5	6.5	5.9

<sup>1</sup> The power rating of the engine indicated is the average net output (at specified rpm) of a typical production engine for the engine model measured to SAE standard J1349/ISO1585. Mass production engines may differ from this value. Actual power output for the engine installed on the final product will depend on the operating speed, environmental conditions and other values.

<sup>2</sup> Noise emissions in the environment measured as sound power (L<sub>WA</sub>) in conformity with EC directive 2000/14/EC.

<sup>3</sup> Reported data for noise pressure level has a typical statistical dispersion (standard deviation) of 1.2 dB (A).

<sup>4</sup> Reported data for vibration level has a typical statistical dispersion (standard deviation) of 0.2 m/s<sup>2</sup>.

	LC 153P	LC 153S	LB 256S	LC 356VP
<b>Cutting equipment</b>				
Cutting height, mm	25–75	25–75	25–75	25–75
Cutting width, mm	510	510	560	560
Cutting system	Collection / Bio-Clip® / Side discharge	Collection / Bio-Clip® / Side discharge	BioClip® / Side discharge	Collection / Bio-Clip® / Side discharge
Blade - standard	Collection 598562601	Collection 598562601	Mulch 598563601	Collection 598562701
Blade - Accessory	Mulch 597683901	Mulch 597683901	-	Mulch 598563601
<b>Drive</b>				
Speed, km/h	-	3.6	3.6	3.0 - 4.5



---

# EC Declaration of Conformity

---

## EC Declaration of Conformity

**Husqvarna AB**, SE-561 82 Huskvarna, Sweden, tel: +46-36-146500, declares that the **lawn mower Husqvarna LC 356VP, LB 256S, LC 153S, LC 153P** from the year 2019 and onwards, complies with the requirements of the COUNCIL'S DIRECTIVE:

- of June 8, 2011 on the "restriction of use of certain hazardous substances" **2011/65/EU**
- of May 17, 2006 "relating to machinery" **2006/42/EC**
- of February 26, 2014 "relating to electromagnetic compatibility" **2014/30/EU**
- of May 8, 2000 "relating to the noise emissions in the environment" **2000/14/EC**

Information relating to noise emissions, see Technical data.

The following standards have been applied:

**EN ISO 5395-1:2013/A1:2018, EN ISO 5395-2:2013/A2:2017, EN ISO 14982:2009**

If not otherwise stated, the above listed standards are the latest published versions.

Notified body: **0036, TÜV SÜD Industrie Service GmbH, Westendstrasse 199, 80686 München, Germany** has performed conformity assessment according to Annex VI of directive 2000/14/EC and issued a certificate with the number: EN ISO 5395-1:2013/A1:2018, EN ISO 5395-2:2013/ A2:2017, EN ISO 14982:2009

Huskvarna, 2019-09-30



Claes Losdal, Development Manager/Garden Products  
(Authorized representative for Husqvarna AB and responsible for technical documentation)

---

# Contenido

---

Introducción.....	18	Mantenimiento.....	24
Seguridad.....	19	Transporte, almacenamiento y eliminación.....	27
Montaje.....	22	Datos técnicos.....	28
Funcionamiento.....	22	Declaración de conformidad CE.....	30

---

## Introducción

---

### Descripción del producto

El producto es un cortacésped giratorio conducido a pie. Acople el recogedor de césped para recoger la hierba. Monte el deflector de descarga lateral para realizar una descarga lateral de la hierba. En el LC 153P, el LC 153S y el LC 356VP, si desea triturar la hierba cortada,

retire el recogedor de césped y el deflector de descarga lateral.

### Uso previsto

Utilice el producto para cortar la hierba en jardines privados. No utilice el producto para otras tareas.

### Descripción del producto

(Fig. 1)

1. Manillar
2. Maneta del freno del motor
3. Mango de transmisión (LC 153S, LB 256S y LC 356VP)
4. Empuñadura de la cuerda de arranque
5. Cubierta trasera (LC 153P, LC 153S y LC 356VP)
6. Recogedor de césped (LC 153P, LC 153S y LC 356VP)
7. Mariposas de ajuste de la altura del manillar
8. Palanca de la altura de corte
9. Tapón del depósito de aceite
10. Cubierta de descarga lateral
11. Silenciador
12. Bujía
13. Tapón del depósito de combustible
14. Símbolos
15. Cubierta del equipo de corte
16. Filtro de aire
17. Palanca de ajuste del régimen (LC 356VP)
18. Deflector lateral
19. Tapón del triturador (accesorio para LC 153P, LC 153S y LC 356VP)
20. Manual de usuario

(Fig. 4) Tenga cuidado con los objetos lanzados o rebotados.

(Fig. 5) Mantenga a las personas y animales a una distancia de seguridad respecto a la zona de trabajo.

(Fig. 6) Advertencia: Mantenga alejados las manos y los pies de la cuchilla giratoria.

(Fig. 7) Advertencia: Mantenga alejados las manos y los pies de las piezas giratorias.

(Fig. 8) Detenga el motor y quite el cable de encendido antes de realizar tareas de mantenimiento o reparación.

(Fig. 9) Este producto cumple con las directivas CE vigentes.

(Fig. 10) Las emisiones sonoras en el entorno según la directiva de la Comunidad Europea. Las emisiones del producto se indican en el capítulo «Datos técnicos» y en la etiqueta.

---

**Nota:** Los demás símbolos/etiquetas que aparecen en el producto corresponden a requisitos de homologación específicos de algunas zonas comerciales.

---

### Símbolos que aparecen en el producto

(Fig. 2) **ADVERTENCIA:** Tenga cuidado y utilice el producto correctamente. Este producto puede ocasionar lesiones graves o mortales tanto al operador como a cualquier otra persona.

(Fig. 3) Lea detenidamente el manual de usuario y asegúrese de que entiende las instrucciones antes de usar la máquina.

### Responsabilidad sobre el producto

Como se estipula en las leyes de responsabilidad del producto, no nos hacemos responsables de los daños y perjuicios causados por nuestro producto si:

- El producto se ha reparado incorrectamente.
- El producto se ha reparado con piezas que no eran del fabricante o no autorizadas por el fabricante.
- El producto tiene un accesorio que no es del fabricante o no está autorizado por este.

- El producto no se ha reparado en un centro de servicio autorizado o por un organismo homologado.

## Emisiones Euro V



**ADVERTENCIA:** La manipulación del motor anula la homologación de la UE de este producto.

## Seguridad

### Definiciones de seguridad

Las advertencias, precauciones y notas se utilizan para destacar información especialmente importante del manual.



**ADVERTENCIA:** Indica un riesgo de lesiones o incluso de muerte del usuario o de las personas cercanas si no se respetan las instrucciones del manual.



**PRECAUCIÓN:** Indica un riesgo de daños en el producto, otros materiales o el área adyacente si no se respetan las instrucciones del manual.

**Nota:** Se usa para proporcionar más información necesaria en una situación determinada.

### Instrucciones generales de seguridad



**ADVERTENCIA:** Lea las siguientes instrucciones de advertencia antes de utilizar el producto.

- Este producto es una herramienta peligrosa si se usa incorrectamente o si no se tiene cuidado. Puede causar lesiones graves o incluso la muerte si no siguen las instrucciones de seguridad.
- Este producto genera un campo electromagnético durante el funcionamiento. Este campo magnético puede, en determinadas circunstancias, interferir con implantes médicos activos o pasivos. Para reducir el riesgo de que se den condiciones que provocarían lesiones graves o letales, las personas que utilizan implantes médicos deben consultar con su médico y con el fabricante del implante antes de poner en marcha este producto.
- Proceda siempre con cuidado y utilice siempre el sentido común. Si no está seguro de cómo manejar el producto en una situación especial, pare y consulte con su distribuidor Husqvarna antes de continuar.
- Debe tenerse en cuenta que el operador será responsable de los accidentes que involucren a otras personas o a su propiedad.
- Mantenga el producto limpio. Asegúrese de que puede leer claramente las etiquetas.

- No permita que nadie utilice el producto a menos que se asegure de que haya leído y comprendido el contenido del manual de usuario.
- No deje que un niño maneje el producto.
- Mantenga a los niños alejados de la zona de trabajo. Debe haber presente en todo momento una persona mayor de edad responsable.
- No permita que nadie maneje el producto sin conocer las instrucciones.
- Si una persona con discapacidad física o mental usa el producto, asegúrese de supervisarla en todo momento. Debe haber presente en todo momento una persona mayor de edad responsable.
- No utilice el producto si está cansado, enfermo o si se encuentra bajo los efectos de alcohol, drogas o medicamentos. Esto tiene un efecto negativo en su visión, vigilancia, coordinación y capacidad de decisión.
- No utilice el producto si está defectuoso.
- No modifique este producto ni lo utilice si puede haber sido modificado por otras personas.

### Seguridad en el área de trabajo



**ADVERTENCIA:** Lea las siguientes instrucciones de advertencia antes de utilizar el producto.

- Retire objetos tales como ramas, palos y piedras de la zona de trabajo antes de usar el producto.
- Los objetos que chocan contra el equipo de corte pueden salir despedidos y causar daños a personas y objetos. Mantenga a las personas y los animales a una distancia de seguridad respecto al producto.
- No utilice el producto en condiciones climáticas desfavorables, como niebla, lluvia, viento fuerte, frío intenso y riesgo de relámpagos. El uso del producto en condiciones climáticas desfavorables o en entornos húmedos o mojados produce mucho cansancio. El mal tiempo puede causar condiciones peligrosas, como superficies resbaladizas.
- Preste atención a las personas, objetos y situaciones que puedan impedir el funcionamiento seguro del producto.
- Tenga cuidado con los posibles obstáculos, como raíces, piedras, ramas, hoyos y zanjas. El césped crecido puede esconder obstáculos.
- Cortar el césped en pendientes puede resultar peligroso. No utilice el producto en pendientes de más de 15°.

- Utilice el producto a lo largo de las laderas de las pendientes. No se desplace hacia arriba y hacia abajo.
- Tenga cuidado cuando se acerque a esquinas y objetos escondidos que puedan bloquear su campo de visión.

## Seguridad en el trabajo



**ADVERTENCIA:** Lea las siguientes instrucciones de advertencia antes de utilizar el producto.

- Utilice este producto para cortar solamente césped. No está permitido utilizar el producto para otras tareas.
- Utilice el equipo de protección personal. Consulte la sección *Equipo de protección personal en la página 20*.
- Asegúrese de que saber cómo detener el motor rápidamente en caso de emergencia.
- Nunca arranque el motor en un espacio cerrado ni cerca de materiales inflamables. Los gases de escape del motor están calientes y pueden contener chispas que pueden provocar un incendio.
- No utilice el producto a menos que la cuchilla y todas las cubiertas estén fijadas correctamente. Una cuchilla fijada incorrectamente puede soltarse y provocar daños personales.
- Asegúrese de que la cuchilla no golpee ningún objeto, como piedras y raíces. Esto puede causar daños a la cuchilla y doblar el eje del motor. Un eje doblado causa vibraciones excesivas y un riesgo muy alto de que la cuchilla se suelte.
- Si la cuchilla choca con algún objeto o si se producen vibraciones, pare el producto inmediatamente. Desconecte el cable de encendido de la bujía. Examine el producto para comprobar si presenta daños. Repare los daños o lleve el producto a un taller de servicio autorizado para realizar la reparación.
- No acople la maneta del freno del motor permanentemente al mango cuando el motor esté encendido.
- Ponga el producto en una superficie plana y estable, y arránquelo. Asegúrese de que la cuchilla no entre en contacto con el suelo u otros objetos.
- Manténgase siempre detrás del producto durante su uso.
- Mientras utilice el producto, mantenga todas las ruedas apoyadas en el suelo y las dos manos en el manillar. Mantenga alejados las manos y los pies de las cuchillas giratorias.
- No incline el producto con el motor en marcha.
- Tenga cuidado cuando tire del producto hacia atrás.
- Nunca levante el producto con el motor en marcha. Si tiene que levantar el producto, primero apague el motor y desconecte el cable de encendido de la bujía.

- No camine hacia atrás mientras utiliza el producto.
- Detenga el motor cuando se desplace por áreas sin hierba, por ejemplo, caminos de grava, piedra y asfalto.
- No corra con el producto con el motor en marcha. Camine siempre mientras utiliza el producto.
- Detenga el motor antes de cambiar la altura de corte. Nunca realice ajustes con el motor en marcha.
- No deje el producto desatendido con el motor en marcha. Pare el motor y asegúrese de que el equipo de corte no gire.

## Instrucciones de seguridad para el funcionamiento

### Equipo de protección personal



**ADVERTENCIA:** Lea las siguientes instrucciones de advertencia antes de utilizar el producto.

- El equipo de protección personal no elimina completamente el riesgo de lesiones, pero reduce la gravedad de las lesiones en caso de accidente. Deje que el distribuidor le ayude a seleccionar el equipo adecuado.
- Utilice protectores auriculares si el nivel de ruido es superior a 85 dB.
- Utilice botas o zapatos de trabajo antideslizantes. No utilice calzado abierto ni vaya descalzo.
- Utilice pantalones largos gruesos.
- Utilice guantes protectores cuando sea necesario, por ejemplo, para el montaje, inspección o limpieza del equipo de corte.

### Dispositivos de seguridad en el producto



**ADVERTENCIA:** Lea las siguientes instrucciones de advertencia antes de utilizar el producto.

- No utilice un producto que tenga dispositivos de seguridad defectuosos.
- Realice una comprobación de los dispositivos de seguridad con frecuencia. Si los dispositivos de seguridad están defectuosos, hable con su taller de servicio Husqvarna.

### Comprobación de la cubierta del equipo de corte

La cubierta del equipo de corte disminuye las vibraciones en el producto y el riesgo de lesiones provocadas por la cuchilla.

- Examine la cubierta de corte para asegurarse de que no haya daños como, por ejemplo, grietas.

## Comprobación de la maneta de freno del motor

La maneta del freno del motor detiene el motor. Cuando se suelta la maneta del freno del motor, el motor se para.

- Arranque el motor y, a continuación, suelte la maneta de freno. Si el motor no se detiene en 3 segundos, lleve el producto a un taller de servicio Husqvarna autorizado para realizar el ajuste del freno del motor. (Fig. 11)

## Comprobación de la cubierta trasera

La cubierta trasera reduce el riesgo de que salgan despedidos objetos hacia el usuario.

- Asegúrese de que la cubierta trasera no esté dañada.
- Asegúrese de que los muelles que cierran la cubierta trasera no estén rotos.
- Sustituya los muelles y piezas dañados.
- Asegúrese de que la cubierta trasera se mueve sin dificultad en las bisagras.

## Silenciador

El silenciador mantiene al mínimo los niveles de ruido y aparta los gases de escape del operador.

No utilice el producto si el silenciador no está instalado o está defectuoso. Un silenciador defectuoso aumenta el nivel de ruido y el riesgo de incendio.



**ADVERTENCIA:** El silenciador se calienta mucho durante y después de su uso, y cuando el motor funciona a ralentí. Tenga cuidado cerca de materiales inflamables o gases para evitar incendios.

## Comprobación del silenciador

- Examine el silenciador con frecuencia para asegurarse de que está montado correctamente y que no está dañado.

## Seguridad en el uso del combustible



**ADVERTENCIA:** Lea las siguientes instrucciones de advertencia antes de utilizar el producto.

- No arranque el producto si está manchado con combustible o aceite del motor. Retire el combustible/aceite no deseado y deje secar el producto.
- Si derrama combustible sobre la ropa, cámbiese inmediatamente.
- Evite el contacto con el combustible; puede provocarle lesiones. Si entra en contacto con el combustible, utilice agua y jabón para eliminar el combustible.
- No arranque el motor si el producto tiene una fuga. Examine frecuentemente si hay fugas en el motor.

- Tenga cuidado con el combustible. El combustible es inflamable, sus vapores son explosivos y puede provocar lesiones o la muerte.
- No inhale los vapores de combustible, ya que pueden causar lesiones. Asegúrese de que hay ventilación suficiente.
- No fume cerca del combustible o el motor.
- No coloque objetos calientes cerca del combustible o el motor.
- No agregue el combustible con el motor encendido.
- Asegúrese de que el motor esté frío antes repostar.
- Antes de repostar, abra la tapa del depósito de combustible lentamente y deje salir el exceso de presión con cuidado.
- No añada combustible al motor en interiores. Una circulación de aire insuficiente puede causar lesiones o la muerte por asfixia o inhalación de monóxido de carbono.
- Apriete el tapón del depósito de combustible completamente. Si el tapón del depósito de combustible no se aprieta, existe riesgo de incendio.
- Antes de arrancar el producto, llévalo a 3 m (10 pies) de distancia como mínimo del punto en el que llenó el depósito.
- No llene el depósito de combustible por completo. El calor hace que el combustible se expanda. Deje espacio en la parte superior del depósito de combustible.

## Instrucciones de seguridad para el mantenimiento



**ADVERTENCIA:** Lea las siguientes instrucciones de advertencia antes de utilizar el producto.

- Los gases de escape del motor contienen monóxido de carbono, que es un gas inodoro, tóxico y muy peligroso. No arranque el motor en interiores ni en espacios cerrados.
- Antes de realizar el mantenimiento del producto, detenga el motor y desconecte el cable de encendido de la bujía.
- Utilice guantes protectores cuando realice el mantenimiento del equipo de corte. La cuchilla está muy afilada y se pueden producir cortes con mucha facilidad.
- Los accesorios y modificaciones en el producto que no estén aprobados por el fabricante pueden causar daños graves o la muerte. No modifique el producto. Utilice siempre accesorios autorizados por el fabricante.
- Si el mantenimiento no se realiza correctamente y de forma regular, aumenta el riesgo de lesiones y daños en el producto.
- Realice únicamente las tareas de mantenimiento que se indican en este manual del propietario. Todos los demás trabajos de mantenimiento deben

llevarse a cabo en un taller de servicio Husqvarna autorizado.

- Lleve el producto a un taller de servicio Husqvarna autorizado para realizar el mantenimiento de forma regular.

- Cambie las piezas dañadas, desgastadas o rotas.

---

## Montaje

---

### Introducción



**ADVERTENCIA:** Antes de montar el producto, debe leer y entender el capítulo sobre seguridad.



**ADVERTENCIA:** Retire el cable de la bujía antes de montar el producto.

### Montaje del manillar

1. Afloje las ruedecillas inferiores.
2. Mueva los mandos hacia el extremo inferior de las ranuras en el lado izquierdo y derecho del producto. (Fig. 12)
3. Ajuste la altura del manillar en una de las 2 posiciones disponibles.
4. Mueva los mandos hacia arriba, en dirección al manillar, hasta que finalice su recorrido y escuche un clic. (Fig. 13)
5. Apriete las ruedecillas a fondo.

### Para ajustar el producto en la posición de transporte

1. Para LC 153S: Desmonte la batería.

2. Afloje las ruedecillas inferiores.
3. Mueva las ruedecillas hacia el extremo inferior de las ranuras en el lado izquierdo y derecho del producto. (Fig. 12)
4. Doble el mango hacia delante. (Fig. 14)

### Ajuste del producto en la posición de trabajo

1. Coloque el manillar en posición vertical. (Fig. 15)
2. Mueva las ruedecillas hacia arriba, en dirección al manillar, hasta que finalice su recorrido y escuche un clic. (Fig. 13)
3. Apriete las ruedecillas por completo.
4. Conecte la batería al motor (LC 153S).

### Para montar el recogedor de césped (LC 153P, LB 256S, LC 356VP)

1. Coloque el bastidor del recogedor de césped en la bolsa de hierba con la parte rígida de la bolsa en la parte inferior. Mantenga el mango del bastidor separado de la parte superior de la bolsa. (Fig. 16)
2. Fije la bolsa de hierba al bastidor con los clips. (Fig. 17)

---

## Funcionamiento

---

### Introducción



**ADVERTENCIA:** Antes de utilizar el producto, debe leer y entender el capítulo sobre seguridad.

### Husqvarna Connect

Husqvarna Connect es una aplicación gratuita para su dispositivo móvil. La aplicación Husqvarna Connect proporciona más funciones para su producto Husqvarna:

- Información ampliada sobre el producto.
- Información y asistencia sobre piezas y mantenimiento de productos.

### Para empezar a utilizar Husqvarna Connect

1. Descargue la aplicación Husqvarna Connect en su dispositivo móvil.
2. Registre una cuenta en la aplicación Husqvarna Connect.
3. Siga las instrucciones de la aplicación Husqvarna Connect para conectarse y registrar el producto.

### Antes de utilizar el producto

1. Lea detenidamente el manual de usuario y asegúrese de que entiende las instrucciones.
2. Examine el equipo de corte para asegurarse de que está conectado y ajustado correctamente. Consulte *Para inspeccionar el equipo de corte en la página 25*.
3. Llene el depósito de combustible. Consulte *Repostaje de combustible en la página 23*.

4. Llene el depósito de aceite y realice una comprobación del nivel de aceite. Consulte *Para realizar una comprobación del nivel de aceite en la página 26.*

## Repostaje de combustible

Si es posible, utilice de gasolina de bajas emisiones/alquilatos. Si no puede utilizar gasolina de bajas emisiones/alquilatos, utilice una gasolina sin plomo o gasolina con plomo de buena calidad con un octanaje no inferior a 90.



**PRECAUCIÓN:** No utilice gasolina con un octanaje inferior a 90 octanos RON (87 AKI). Esto puede provocar daños en el producto.

1. Abra el tapón del depósito de combustible lentamente para liberar la presión.
2. Llene lentamente con una lata de combustible. Si derrama combustible, límpielo con un paño y deje que el combustible restante se seque.
3. Limpie la zona de alrededor del tapón del depósito de combustible.
4. Apriete el tapón del depósito de combustible completamente. Si el tapón del depósito de combustible no se aprieta, existe riesgo de incendio.
5. Antes de arrancarlo, lleve el producto a 3 m (10 pies) de distancia como mínimo del punto en el que llenó el depósito.

## Para ajustar la altura de corte

1. Mueva la palanca de altura de corte hacia atrás para aumentar la altura de corte.
2. Mueva la palanca de altura de corte hacia delante para reducir la altura de corte. (Fig. 18)



**PRECAUCIÓN:** No ajuste la altura de corte demasiado baja. Las cuchillas pueden golpear el suelo si la superficie del césped no está nivelada.

## Para arrancar el producto

1. Asegúrese de que el cable de encendido está conectado a la bujía.
2. Manténgase detrás del producto.
3. Sujete la maneta del freno del motor contra el manillar. (Fig. 19)
4. Sostenga la empuñadura de arranque con la mano derecha.
5. Tire lentamente de la cuerda de arranque hasta sentir cierta resistencia.
6. Tire con fuerza para arrancar el motor.



**ADVERTENCIA:** No se enrolle la cuerda de arranque alrededor de la mano.

## Uso de la transmisión de las ruedas (LC 153S, LB 256S, LC 356VP)

- Para LB 256S y LC 153S: Empuje el mango de transmisión hacia el manillar. (Fig. 20)
- Para LC 356VP: Activar la tracción de las ruedas con la palanca de control de velocidad situada al lado izquierdo del manillar. Mueva la palanca de control de velocidad hacia delante para aumentar el régimen del motor y hacia atrás para reducirlo. (Fig. 21)
- Antes de tirar del producto hacia atrás, desacople la transmisión y empuje el producto hacia adelante aproximadamente 10 cm.
- Suelte el mango de transmisión para desacoplar la transmisión, por ejemplo, cuando se acerque a un obstáculo.

## Para detener el producto

- Para detener solo la transmisión, basta con soltar el mango de transmisión.
- Para detener el motor, suelte la maneta del freno del motor.

## Uso del producto con el recogedor de césped (LC 153P, LC 153S, LC 356VP)



**ADVERTENCIA:** No utilice el producto sin el recogedor de césped colocado o sin la cubierta trasera cerrada. Pueden salir despedidos objetos y lesionar al usuario.

1. Levante la cubierta trasera y retire el tapón del triturador, si estuviera instalado. (Fig. 22)
2. Monte el recogedor de césped; consulte *Para montar el recogedor de césped (LC 153P, LB 256S, LC 356VP) en la página 22.*
3. Coloque el recogedor de césped en el soporte.
4. Suelte la cubierta trasera y colóquela sobre el bastidor de la bolsa para césped. (Fig. 23)

## Cambio del producto al modo de trituración (LC 153P, LC 153S, LC 356VP)

Asegúrese de que el motor está apagado antes de cambiar el producto al modo de trituración.

1. Levante la cubierta trasera y retire el recogedor de césped, si estuviera instalado.
2. Coloque el accesorio triturador en el canal de descarga. (Fig. 24)

3. Cierre la cubierta trasera y asegúrese de que está bien cerrada contra el tapón de trituración.
4. Sustituya la cuchilla por una cuchilla trituradora que se suministra en el kit de trituración. Consulte la sección *Para sustituir la cuchilla en la página 25*.

## Cambio del producto al modo de descarga lateral

1. Levante la cubierta trasera y retire la bolsa para césped, si estuviera instalada.
2. Cierre la cubierta trasera y asegúrese de que está bien cerrada contra el producto.
3. Levante el bloqueo de descarga. (Fig. 25)
4. Abra la protección de descarga lateral e instale el deflector de descarga lateral en los pasadores de soporte. (Fig. 26)
5. Deje que la protección de descarga lateral se cierre contra el deflector de descarga lateral. Asegúrese de que el deflector de descarga lateral está firmemente fijado en su posición antes de utilizar el producto.

## Para vaciar el recogedor de césped



**PRECAUCIÓN:** No arrastre la bolsa al vaciar el recogedor de césped para evitar el desgaste.

1. Levante el recogedor de césped con el mango del bastidor. (Fig. 27)

2. Retire los recortes del recogedor de césped de debajo del mango.
3. Vacíe los recortes de césped de la bolsa con el mango del bastidor y el mago de la bolsa.

## Para obtener un buen resultado

- Use siempre una cuchilla afilada. Un cuchilla roma proporciona un resultado irregular y la superficie de corte de la hierba adquiere un tono amarillo. Una cuchilla afilada también utiliza menos energía que una cuchilla roma.
- No corte más de  $\frac{1}{3}$  de la longitud del césped. Cuando empiece a cortar la hierba, utilice la altura de corte más alta. Examine el resultado y baje la altura de corte al nivel que corresponda. Si la hierba está muy larga, vaya despacio y realice dos pasadas si es necesario.
- Corte en direcciones distintas cada vez para evitar crear rayas en el césped.
- Levante la cubierta trasera y extraiga el recogedor de césped.
- Si hay un triturador y una cuchilla trituradora instalados, retírelos.
- Cierre la cubierta trasera antes de utilizar el producto. Cuando se utiliza el producto, la hierba cortada se expulsa por debajo de la cubierta trasera.

# Mantenimiento

## Introducción



**ADVERTENCIA:** Antes de realizar cualquier trabajo de mantenimiento, debe leer y entender el capítulo sobre seguridad.

Para todos los trabajos de mantenimiento y reparación del producto, es necesario realizar una formación especial. Nosotros garantizamos que los trabajos de mantenimiento y reparación sean realizados por profesionales. Si su distribuidor no es un taller de servicio, pídale información sobre el taller de servicio más cercano.

## Programa de mantenimiento



**PRECAUCIÓN:** Asegúrese de que el filtro de aire esté hacia arriba y no contra el suelo cuando incline el producto. Podría dañar el motor.

Los intervalos de mantenimiento se calculan a partir del uso diario del producto. Los intervalos cambian si el producto no se utiliza a diario.

Para las tareas de mantenimiento identificadas con un \*, consulte las instrucciones de *Dispositivos de seguridad en el producto en la página 20*.

Mantenimiento	Diario	Semanal	Mensual
Inspección general	X		
Compruebe el nivel de aceite	X		
Limpie el producto	X		
Inspeccione el equipo de corte	X		
Examine la cubierta de corte *	X		



Mantenimiento	Diario	Semanal	Mensual
Examine la maneta del freno del motor*	X		
Examine el control del freno de la cuchilla*	X		
Inspeccione el silenciador*		X	
Inspeccione la bujía		X	
Cambie el aceite (la primera vez a las 5 horas de uso; después, cada 50 h de uso)			X
Limpie o sustituya el filtro de aire			X
Inspeccione el sistema de combustible			X

## Para realizar una inspección general

- Asegúrese de que todas las tuercas y los tornillos del producto estén apretados correctamente.

## Para limpiar el producto externamente

- Use un cepillo para retirar las hojas, la hierba y la suciedad.
- Asegúrese de que la toma de aire de la parte superior del motor no esté obstruida.
- No utilice un equipo de limpieza a alta presión para limpiar el producto.
- Si utiliza agua para limpiar el producto, no dirija el chorro directamente sobre el motor.

## Para limpiar la superficie interior de la cubierta de corte

1. Vacíe el depósito de combustible.
2. Apoye el producto sobre su costado con el silenciador hacia abajo.



**PRECAUCIÓN:** Si el producto se pone con el filtro de aire hacia abajo, el motor puede dañarse.

3. Limpie la superficie interior de la cubierta de corte con una manguera de agua.

## Para inspeccionar el equipo de corte



**ADVERTENCIA:** Para evitar el arranque accidental, desconecte el cable de encendido de la bujía.



**ADVERTENCIA:** Utilice guantes protectores cuando realice el mantenimiento del equipo de corte. La cuchilla está muy afilada y se pueden producir cortes con mucha facilidad.

1. Inspeccione el equipo de corte para comprobar si presenta daños o grietas. Sustituya siempre un equipo de corte dañado.

2. Inspeccione la cuchilla para comprobar si está dañada o roma.

**Nota:** Después de afilar la cuchilla, es necesario equilibrarla. El afilado, la sustitución y el equilibrado de la cuchilla deben realizarse en un centro de servicio. Si choca con un obstáculo que haga que el producto se pare, sustituya la cuchilla dañada. Lleve el producto a un centro de servicio, donde estimarán si la cuchilla puede afilarse o debe sustituirse.

## Para sustituir la cuchilla

1. Bloquee la cuchilla con un bloque de madera. (Fig. 28)
2. Extraiga el tornillo de la cuchilla.
3. Desmonte la cuchilla.
4. Inspeccione el soporte de la cuchilla y el tornillo de la cuchilla para comprobar si presentan daños.
5. Inspeccione el eje del motor para asegurarse de que no está doblado.
6. Cuando instale la nueva cuchilla, colóquela con los extremos en ángulo en dirección a la cubierta de corte. (Fig. 29)
7. Asegúrese de que la cuchilla quede alineada con el centro del eje del motor.
8. Bloquee la cuchilla con un bloque de madera. Coloque la arandela elástica, y apriete el perno y la arandela con un par de 43 – 47 Nm. (Fig. 30)
9. Mueva la cuchilla en distintas direcciones manualmente y compruebe que gira libremente.



**ADVERTENCIA:** Use guantes resistentes. La cuchilla está muy afilada y se pueden producir cortes con mucha facilidad.

10. Arranque el producto para hacer una prueba de la cuchilla. Si la cuchilla no está correctamente fijada, se produce una vibración en el producto o el resultado de corte no es satisfactorio.

## Para realizar una comprobación del nivel de aceite



**PRECAUCIÓN:** Un nivel de aceite demasiado bajo puede causar daños en el motor. Compruebe el nivel de aceite antes de arrancar el producto.

1. Coloque el producto sobre una superficie nivelada.
2. Retire el tapón del depósito de aceite con la varilla de nivel acoplada.
3. Limpie el aceite de la varilla de nivel de aceite.
4. Introduzca la varilla de nivel totalmente en el depósito de aceite para obtener un resultado correcto del nivel de aceite.
5. Quite la varilla de nivel.
6. Compruebe el nivel de aceite que indica la varilla de nivel.
7. Si el nivel de aceite es bajo, llene con aceite de motor y vuelva a comprobar el nivel de aceite.

## Sustitución del aceite del motor



**ADVERTENCIA:** El aceite del motor está muy caliente inmediatamente después de apagar el motor. Deje que el motor se enfríe antes de vaciar el aceite del motor. Si derrama aceite del motor y entra en contacto con la piel, lávese con agua y jabón.

1. Ponga el producto en funcionamiento hasta que el depósito de combustible se vacíe.
2. Quite el cable de encendido de la bujía.
3. Retire el tapón del depósito de aceite.
4. Coloque un recipiente debajo del producto para recoger el aceite del motor.
5. Inclíne el producto para drenar el aceite de motor del depósito de aceite.
6. Llene el depósito con aceite de motor nuevo del tipo recomendado en *Datos técnicos en la página 28*.
7. Compruebe el nivel de aceite. Consulte la sección *Para realizar una comprobación del nivel de aceite en la página 26*.

## Para examinar la bujía



**PRECAUCIÓN:** Utilice siempre el tipo de bujía recomendado. El uso de un tipo de bujía incorrecto puede causar averías en el producto.

- Examine la bujía si el motor tiene baja potencia, no es fácil de arrancar o no funciona correctamente al régimen de ralentí.

- Para reducir el riesgo de material no deseado en los electrodos de la bujía, siga estas instrucciones:
  - a) Asegúrese de que el régimen de ralentí está bien ajustado.
  - b) Asegúrese de que la mezcla de combustible sea correcta.
  - c) Asegúrese de que el filtro de aire esté limpio.
- Si la bujía está sucia, límpiela y asegúrese de que la distancia entre los electrodos sea la correcta, consulte *Datos técnicos en la página 28*. (Fig. 31)
- Sustituya la bujía si fuese necesario.

## Para limpiar el filtro de aire

Un filtro de aire sucio puede provocar daños en el motor o que este no funcione correctamente. En condiciones de trabajo con mucho polvo, realice el mantenimiento del filtro de aire con más frecuencia.

Consulte *Programa de mantenimiento en la página 24* para obtener información sobre cuándo cambiar el filtro de aire.

1. Saque la cubierta del filtro de aire y extraiga el filtro.
2. Limpie el filtro golpeándolo suavemente contra una superficie plana. Para limpiar el filtro, no utilice nunca disolventes con petróleo, como el queroseno, ni aire comprimido.

**Nota:** Los filtros de aire utilizados durante mucho tiempo no se pueden limpiar por completo. Sustituya el filtro de aire con regularidad. Un filtro de aire dañado debe cambiarse siempre.

3. Cuando monte el filtro de aire, asegúrese de que quede totalmente sellado en su soporte.

## Comprobación del deflector de descarga lateral

El deflector de descarga lateral está sujeto a la abertura de descarga lateral del producto. Reduce el riesgo de expulsión de objetos en dirección al usuario.

1. Asegúrese de que el deflector de descarga lateral no esté dañado.
2. Examine el deflector de descarga lateral. Asegúrese de que no ve defectos, como alguna grieta o que alguno de los muelles que empujan la puerta para cerrarla esté roto.
3. Sustituya el deflector de descarga lateral o los muelles en caso de estar dañados.

## Para inspeccionar el sistema de combustible

- Examine el tapón del depósito de combustible y la junta del tapón para comprobar que no presenten daños.
- Examine la manguera de combustible para asegurarse de que no haya fugas. Si la manguera

de combustible está dañada, lleve el producto a un taller de servicio para sustituirla.

## Ajuste del cable del embrague (LC 153S, LB 256S, LC 356VP)

En las situaciones siguientes, es necesario reducir la longitud del cable del embrague:

- La transmisión de las ruedas no engrana cuando se tira del mango de transmisión o de la palanca de control de régimen.
- El producto se mueve lentamente con la transmisión de las ruedas engranada.

En las situaciones siguientes, es necesario alargar la longitud del cable del embrague:

- El producto se mueve sin que la transmisión de las ruedas esté engranada.
- Ajuste del cable del embrague:
  - a) Para reducir la longitud del cable del embrague, gire el tornillo de ajuste hacia la izquierda.
  - b) Para alargar la longitud del cable del embrague, gire el tornillo de ajuste hacia la derecha. (Fig. 32)

Si el producto continúa sin funcionar de manera satisfactoria después del ajuste, póngase en contacto con el distribuidor.

---

## Transporte, almacenamiento y eliminación

---

### Transporte y almacenamiento

- Para el transporte y almacenamiento del producto y del combustible, asegúrese de que no haya fugas ni humos. Las chispas o llamas abiertas, por ejemplo, de dispositivos eléctricos o calderas, pueden producir un incendio.
- Use siempre recipientes homologados para el transporte y almacenamiento de combustible.
- Vacíe el depósito de combustible antes de poner el producto en almacenamiento durante un largo periodo de tiempo. Deseche el combustible en una ubicación adecuada para su eliminación.
- Asegure el producto durante el transporte para evitar daños y accidentes.
- Mantenga el producto en un área cerrada para impedir el acceso a niños o personas no autorizadas.
- Mantenga el producto en un lugar seco y al abrigo de las heladas.

### Eliminación

- Respete los requisitos de reciclaje locales y las normas aplicables.
- Deseche todos los productos químicos, como el aceite de motor o el combustible, en un centro de servicio o una ubicación adecuada para su eliminación.
- Cuando ya no use el producto, envíelo a un distribuidor Husqvarna o deséchelo en un punto de reciclaje.

## Datos técnicos

### Datos técnicos

	LC 153P	LC 153S	LB 256S	LC 356VP
<b>Motor</b>				
Marca	Briggs & Stratton	Briggs & Stratton	Briggs & Stratton	Honda
Nombre del modelo del motor	650EXI	650EXI	650EXI	GCVx170
Cilindrada, cm <sup>3</sup>	163	163	163	166
Velocidad, rpm	2800	2800	2800	2800
Potencia nominal del motor, kW <sup>5</sup>	2,4	2,4	2,4	3,1
<b>Sistema de encendido</b>				
Bujía	CHAMPION XC92YC	CHAMPION XC92YC	CHAMPION XC92YC	NGK BPR5ES
Distancia entre electrodos, mm	0,7	0,7	0,7	0,75
<b>Sistema de combustible y lubricación</b>				
Combustible sin plomo, octanaje mínimo	90	90	90	90
Capacidad del depósito de combustible, litros	1,0	1,0	1,0	0,9
Capacidad del depósito de aceite, litros	0,5	0,5	0,5	0,4
Aceite del motor	SAE 30	SAE 30	SAE 30	SAE 30
<b>Peso</b>				
Con los depósitos vacíos, kg	29,5	31	32,2	35,1
<b>Emisiones de ruido<sup>6</sup></b>				
Nivel de potencia acústica medida, dB(A)	94	94	96	96
Nivel de potencia acústica garantizado L <sub>WA</sub> dB(A)	96	96	98	98
<b>Niveles acústicos<sup>7</sup></b>				
Nivel de presión sonora en el oído del operario, dB (A)	84	84	84	87

<sup>5</sup> La potencia de salida del motor indicada es la potencia neta media (a la velocidad especificada) de un motor de producción típico para el modelo de motor conforme a la norma SAE J1349/ISO1585. Los motores fabricados en serie podrían presentar valores diferentes. La potencia de salida real del motor instalado en el producto final dependerá de la velocidad de funcionamiento, las condiciones medioambientales y otros valores.

<sup>6</sup> Emisiones sonoras en el entorno medidas como potencia acústica (L<sub>WA</sub>) según la directiva CE 2000/14/CE.

<sup>7</sup> Los datos referidos del nivel de presión sonora tienen una dispersión estadística habitual (desviación típica) de 1,2 dB (A).

	LC 153P	LC 153S	LB 256S	LC 356VP
<b>Niveles de vibraciones<sup>8</sup></b>				
Manillar, m/s <sup>2</sup>	6,5	6,5	6,5	5,9
<b>Equipo de corte</b>				
Altura de corte, mm	25-75	25-75	25-75	25-75
Anchura de corte, mm	510	510	560	560
Sistema de corte	Recogedor/Bio-Clip®/descarga lateral	Recogedor/Bio-Clip®/descarga lateral	BioClip®/descarga lateral	Recogedor/Bio-Clip®/descarga lateral
Cuchilla estándar	Recogedor 598562601	Recogedor 598562601	Triturador 598563601	Recogedor 598562701
Cuchilla auxiliar	Triturador 597683901	Triturador 597683901		Triturador 598563601
<b>Transmisión</b>				
Velocidad, km/h		3,6	3,6	3,0 - 4,5

<sup>8</sup> Los datos referidos del nivel de vibración poseen una dispersión estadística habitual (desviación típica) de 0,2 m/s<sup>2</sup>.

---

# Declaración de conformidad CE

---

## Declaración CE de conformidad

**Husqvarna AB**, SE-561 82 Huskvarna (Suecia), tel.: +46-36-146500, declara que el **cortacésped Husqvarna LC 356VP, LB 256S, LC 153S, LC 153P** del año 2019 y siguientes cumple los requisitos expuestos en la DIRECTIVA DEL CONSEJO:

- del 8 junio de 2011 sobre la "restricción de utilización de determinadas sustancias peligrosas" **2011/65/UE**.
- de 17 de mayo de 2006 "relativa a máquinas", **2006/42/CE**.
- de 26 de febrero de 2014 "relativa a compatibilidad electromagnética", **2014/30/UE**.
- de 8 de mayo de 2000 "relativa a emisiones sonoras en el entorno", **2000/14/CE**.

Para obtener información respecto a las emisiones sonoras, consulte la sección sobre datos técnicos.

Se han aplicado las normas siguientes:

**EN ISO 5395-1:2013/A1:2018, EN ISO 5395-2:2013/A2:2017, EN ISO 14982:2009**

Si no se indica lo contrario, las normas anteriormente indicadas constituyen las últimas versiones publicadas.

Organismo notificado: **0036, TÜV SÜD Industrie Service GmbH, Westendstrasse 199, 80686 München, Germany** ha efectuado la evaluación de conformidad con el Anexo VI de la Directiva 2000/14/CE y ha emitido un certificado con el número: EN ISO 5395-1:2013/A1:2018, EN ISO 5395-2:2013/A2:2017, EN ISO 14982:2009

Huskvarna, 2019-09-30



Claes Losdal, Director de desarrollo/productos para el jardín (representante autorizado de Husqvarna AB y responsable de la documentación técnica).

---

# Sommaire

---

Introduction.....	31	Entretien.....	37
Sécurité.....	32	Transport, entreposage et mise au rebut.....	40
Montage.....	35	Caractéristiques techniques.....	41
Utilisation.....	35	Déclaration de conformité CE.....	43

---

## Introduction

---

### Description du produit

Le produit est une tondeuse rotative à pousser. Fixez le collecteur d'herbe pour recueillir de l'herbe. Fixez le déflecteur d'éjection latérale pour l'éjection latérale de l'herbe. Pour les modèles LC 153P, LC 153S et LC 356VP, déposez le collecteur d'herbe et le déflecteur d'éjection latérale pour broyer l'herbe.

### Aperçu du produit

(Fig. 1)

1. Guidon
2. Poignée de frein moteur
3. Manette de commande (LC 153S, LB 256S et LC 356VP)
4. Poignée du câble du démarreur
5. Capot arrière (LC 153P, LC 153S et LC 356VP)
6. Collecteur d'herbe (LC 153P, LC 153S et LC 356VP)
7. Boutons de hauteur de la poignée
8. Levier de hauteur de coupe
9. Bouchon d'huile
10. Couvercle latéral d'éjection
11. Silencieux
12. Bougie
13. Bouchon du réservoir d'essence
14. Symboles
15. Capot de coupe
16. Filtre à air
17. Levier de commande de vitesse (LC 356VP)
18. Déflecteur latéral
19. Obturateur de broyeur (accessoire pour LC 153P, LC 153S et LC 356VP)
20. Manuel de l'opérateur

### Symboles concernant le produit

(Fig. 2) **AVERTISSEMENT !** Soyez prudent et utilisez le produit correctement. Ce produit peut causer des blessures graves, voire mortelles, à l'opérateur ou à d'autres personnes.

(Fig. 3) Veuillez lire attentivement le manuel d'utilisation et assurez-vous de bien comprendre les instructions avant utilisation.

### Utilisation prévue

Utilisez le produit pour couper l'herbe dans des jardins privés. N'utilisez pas ce produit pour d'autres travaux.

(Fig. 4) Attention : projections et ricochets.

(Fig. 5) Maintenez les personnes et les animaux à une distance suffisante de la zone de travail.

(Fig. 6) Avertissement : Maintenez les mains et les pieds à distance de la lame en rotation.

(Fig. 7) Avertissement : Maintenez les pieds et les mains à distance des pièces en mouvement.

(Fig. 8) Coupez le moteur et retirez le câble d'allumage avant toute réparation ou opération d'entretien.

(Fig. 9) Ce produit est conforme aux directives CE en vigueur.

(Fig. 10) Émissions sonores dans l'environnement selon la directive de la Communauté européenne. Les émissions du produit sont indiquées au chapitre Caractéristiques techniques et sur les autocollants.

---

**Remarque:** Les autres symboles/autocollants présents sur le produit concernent des exigences de certification spécifiques à certaines zones commerciales.

---

### Responsabilité

Conformément à la loi sur la responsabilité du fait des produits, nous déclinons toute responsabilité pour tout dommage causé par notre produit si :

- le produit n'est pas correctement réparé ;
- le produit est réparé avec des pièces qui ne proviennent pas du fabricant ou qui ne sont pas homologuées par le fabricant ;

- le produit est équipé d'un accessoire qui ne provient pas du fabricant ou qui n'est pas homologué par le fabricant ;
- le produit n'est pas réparé par un centre d'entretien agréé ou par une autorité homologuée.

## Émissions Euro V



**AVERTISSEMENT:** toute altération du moteur a pour effet d'annuler l'homologation de type UE de ce produit.

## Sécurité

### Définitions de sécurité

Des avertissements, des recommandations et des remarques sont utilisés pour souligner des parties spécialement importantes du manuel.



**AVERTISSEMENT:** Symbole utilisé en cas de risque de blessures ou de mort pour l'opérateur ou les personnes à proximité si les instructions du manuel ne sont pas respectées.



**REMARQUE:** Symbole utilisé en cas de risque de dommages pour le produit, d'autres matériaux ou les environs si les instructions du manuel ne sont pas respectées.

**Remarque:** Symbole utilisé pour donner des informations supplémentaires pour une situation donnée.

### Instructions générales de sécurité



**AVERTISSEMENT:** Lisez les instructions qui suivent avant d'utiliser le produit.

- Ce produit est dangereux s'il est utilisé de manière incorrecte ou imprudente. Des blessures graves ou mortelles peuvent se produire si vous ne respectez pas les instructions de sécurité.
- Ce produit génère un champ électromagnétique durant son fonctionnement. Ce champ peut dans certaines circonstances perturber le fonctionnement d'implants médicaux actifs ou passifs. Pour réduire le risque de blessures graves ou mortelles, les personnes portant des implants médicaux doivent consulter leur médecin et le fabricant de leur implant avant d'utiliser ce produit.
- Soyez toujours prudent et utilisez votre bon sens. Si vous ne savez pas comment faire fonctionner le produit dans une situation particulière, ne l'utilisez pas et contactez votre Husqvarna revendeur avant de poursuivre.
- N'oubliez pas que l'opérateur sera tenu responsable des accidents occasionnés à des tiers et à leurs biens.

### Sécurité dans l'espace de travail



**AVERTISSEMENT:** Lisez les instructions qui suivent avant d'utiliser le produit.

- Retirez les objets tels que les branches, les brindilles et les pierres de la zone de travail avant d'utiliser le produit.
- Les objets heurtant l'équipement de coupe peuvent être éjectés et causer des blessures ou des dégâts matériels. Maintenez les personnes aux alentours et les animaux à une distance suffisante du produit.
- N'utilisez jamais le produit par mauvais temps, par exemple en cas de brouillard, de pluie, de vent violent, de froid intense et de risque d'éclair. Utiliser le produit par mauvais temps ou dans des environnements humides est fatigant. Le mauvais temps peut rendre les conditions de travail dangereuses : des surfaces peuvent par exemple devenir glissantes.
- Identifiez les éventuels personnes, objets et situations susceptibles de nuire à la sécurité du fonctionnement du produit.



- Soyez attentif aux obstacles tels que les racines, les pierres, les brindilles, les fosses et les fossés. L'herbe haute peut cacher des obstacles.
- Il peut être dangereux de couper l'herbe sur des terrains en pente. N'utilisez pas le produit sur un sol dont la pente est supérieure à 15°.
- Faites fonctionner le produit en travers de la courbe de la pente, jamais de haut en bas.
- Soyez prudent lorsque vous vous approchez de coins cachés et d'objets qui empêchent d'avoir une vue dégagée.
- N'inclinez pas le produit quand le moteur est mis en marche.
- Soyez prudent lorsque vous tirez le produit vers l'avant.
- Ne soulevez jamais le produit quand le moteur est mis en marche. Si vous devez soulever le produit, coupez d'abord le moteur et débranchez le câble d'allumage de la bougie.
- Ne marchez pas vers l'arrière lorsque vous utilisez le produit.
- Arrêtez le moteur lorsque vous vous déplacez à travers des zones exemptes d'herbe, par exemple des chemins de gravier, de pierre ou d'asphalte.
- Ne courez pas lorsque vous utilisez le produit et que le moteur est mis en marche. Vous devez toujours marcher lorsque vous utilisez le produit.
- Arrêtez le moteur avant de modifier la hauteur de coupe. N'effectuez jamais de réglages pendant que le moteur tourne.
- Ne quittez jamais le produit des yeux pendant que le moteur tourne. Arrêtez le moteur et assurez-vous que l'équipement de coupe ne tourne pas.

## Sécurité du travail



**AVERTISSEMENT:** Lisez les instructions qui suivent avant d'utiliser le produit.

- Utilisez le produit uniquement pour couper les pelouses. Il est interdit d'utiliser le produit pour d'autres travaux.
- Utilisez un équipement de protection personnelle. Reportez-vous à la section *Équipement de protection individuelle* à la page 33.
- Assurez-vous que vous savez arrêter le moteur rapidement en cas d'urgence.
- Ne démarrez jamais le moteur dans un espace clos ou à proximité matériaux inflammables. Les gaz d'échappement du moteur sont très chauds et peuvent contenir des étincelles pouvant provoquer un incendie.
- Faites fonctionner le produit uniquement si la lame et tous les couvercles sont fixés correctement. Une lame fixée de manière inadéquate risque de se détacher et de causer des blessures personnelles.
- Assurez-vous que la lame ne touche pas des objets tels que des pierres et des racines. Cela peut ne pas endommager la lame et tordre l'arbre du moteur. Un arbre tordu génère de fortes vibrations, il y a alors un risque important que la lame se détache.
- Arrêtez immédiatement le produit s'il vibre ou bute sur un objet. Débranchez le câble d'allumage de la bougie. Vérifiez que le produit n'est pas endommagé. Réparez les éventuels dommages ou demandez à un atelier spécialisé agréé procéder aux réparations.
- N'attachez jamais la poignée de frein moteur en permanence à la poignée de commande quand le moteur est mis en marche.
- Placez le produit sur une surface stable et plane, puis lancez-le. Vérifiez que la lame ne touche pas le sol ou tout autre objet.
- Restez toujours derrière le produit lorsque vous l'utilisez.
- Faites reposer toutes les roues sur le sol et conservez vos deux mains sur la poignée lorsque vous faites fonctionner le produit. Maintenez les mains et les pieds à distance des lames en rotation.

## Consignes de sécurité pour le fonctionnement

### Équipement de protection individuelle



**AVERTISSEMENT:** Lisez les instructions qui suivent avant d'utiliser le produit.

- L'équipement de protection individuel ne protège pas complètement des blessures, mais il diminue la gravité des blessures en cas d'accident. Faites appel à votre revendeur pour vous aider à sélectionner l'équipement adéquat.
- Utilisez des protège-oreilles si le niveau sonore est supérieur à 85 dB.
- Portez des bottes ou chaussures antidérapantes à usage intensif. Ne portez pas de chaussures ouvertes et ne soyez pas pieds nus lorsque vous utilisez le produit.
- Utilisez des pantalons longs et épais.
- Portez des gants de protection en cas de besoin, par exemple lorsque vous fixez, examinez ou nettoyez l'équipement de coupe.

### Dispositifs de sécurité sur le produit



**AVERTISSEMENT:** Lisez les instructions qui suivent avant d'utiliser le produit.

- N'utilisez pas un produit avec des dispositifs de sécurité défectueux.
- Contrôlez les dispositifs de sécurité régulièrement. Si les dispositifs de sécurité sont défectueux, parlez-en à votre agent d'entretien Husqvarna.

### Pour contrôler le capot de coupe

Le capot de coupe réduit les vibrations dans le produit et réduit le risque de blessures provoquées par la lame.

- Examinez le capot de coupe pour vous assurer qu'il ne présente pas de dommages tels que des fissures.

### Pour contrôler la poignée de frein moteur

La poignée de freinage du moteur arrête le moteur. Lorsque la poignée de frein moteur est relâchée, le moteur s'arrête.

- Démarrez le moteur, puis relâchez la poignée de frein moteur. Si le moteur ne s'arrête pas au bout de 3 secondes, demandez à un Husqvarna atelier spécialisé agréé de régler le frein moteur. (Fig. 11)

### Pour contrôler le capot arrière

Le déflecteur arrière diminue le risque d'éjection d'objets en direction de l'opérateur.

- Assurez-vous que le capot arrière n'est pas endommagé.
- Assurez-vous que les ressorts qui ferment le capot arrière ne sont pas endommagés.
- Remplacez les ressorts endommagés et les pièces endommagées.
- Assurez-vous que le capot arrière peut se déplacer correctement sur les charnières.

### Silencieux

Le silencieux est conçu pour réduire au maximum le niveau sonore et rejeter les gaz d'échappement loin de l'utilisateur.

N'utilisez pas la machine si le silencieux est manquant ou défectueux. Un silencieux en mauvais état augmente le niveau sonore et le risque d'incendie.



**AVERTISSEMENT:** Le silencieux devient très chaud pendant et après utilisation et lorsque le moteur fonctionne au régime de ralenti. Soyez vigilant à proximité des matériaux inflammables et/ou des fumées pour prévenir tout risque d'incendie.

### Pour contrôler le silencieux

- Examinez le silencieux régulièrement pour s'assurer qu'il est correctement fixé et qu'il n'est pas endommagé.

### Sécurité carburant



**AVERTISSEMENT:** Lisez les instructions qui suivent avant d'utiliser le produit.

- Ne démarrez pas le produit si du carburant ou de l'huile moteur a été renversé(e) sur le produit.

Essuyez le carburant/l'huile et attendez que le produit sèche.

- Si vous avez renversé du carburant sur vos vêtements, changez de vêtements immédiatement.
- Évitez tout contact de la peau avec le carburant. Le carburant peut causer des blessures. Si votre peau entre en contact avec le carburant, lavez les parties qui ont été en contact avec de l'eau et du savon.
- Ne démarrez pas le produit s'il y a une fuite de moteur. Vérifiez régulièrement s'il y a des fuites de moteur.
- Faites attention avec le carburant. Le carburant est inflammable et ses vapeurs sont explosives. Il peut causer des blessures graves, voire mortelles.
- Ne respirez pas les vapeurs de carburant, elles peuvent causer des blessures. Assurez-vous que la ventilation est suffisante.
- Ne fumez pas à proximité du carburant ou du moteur.
- Ne mettez pas d'objets chauds à proximité du carburant ou du moteur.
- N'ajoutez pas de carburant lorsque le moteur est allumé.
- Assurez-vous que le moteur est froid avant de faire le plein de carburant.
- Avant de faire le plein, ouvrez le bouchon du réservoir de carburant lentement et relâchez la pression avec précaution.
- N'ajoutez pas de carburant au moteur dans un espace intérieur. Un débit d'air insuffisant peut causer des blessures graves, voire mortelles dues à une asphyxie ou au monoxyde de carbone.
- Serrez complètement le bouchon du réservoir de carburant. Si le bouchon du réservoir de carburant n'est pas serré, il y a un risque d'incendie.
- Déplacez le produit à un minimum de 3 m/10 ft de l'endroit où a été fait le plein de carburant avant de démarrer le produit.
- Ne remplissez pas entièrement le réservoir de carburant. La chaleur entraîne la dilatation du carburant. Laissez un espace en haut du réservoir de carburant.

### Consignes de sécurité pour l'entretien



**AVERTISSEMENT:** Lisez les instructions qui suivent avant d'utiliser le produit.

- Les gaz d'échappement du moteur contiennent du monoxyde de carbone, un gaz inodore, toxique et très dangereux. Ne démarrez pas le moteur en intérieur ou dans des espaces fermés.
- Avant de procéder à l'entretien du produit, arrêtez le moteur et débranchez le câble d'allumage de la bougie.
- Utilisez des gants de protection lorsque vous procédez à l'entretien de l'équipement de coupe. La

lame est très tranchante et des coupures peuvent survenir facilement.

- Les accessoires et les modifications apportées au produit qui ne sont pas approuvés par le fabricant peuvent causer des blessures très graves, voire mortelles. Ne modifiez pas le produit. Utilisez toujours des accessoires qui sont approuvés par le fabricant.
- Si l'entretien n'est pas effectué correctement et régulièrement, le risque de blessures et d'endommagement du produit augmente.
- Effectuez uniquement les tâches d'entretien décrites dans le présent manuel d'utilisation. Toutes les autres tâches d'entretien doivent être effectuées par un Husqvarna atelier spécialisé agréé.
- Demandez à un Husqvarna atelier spécialisé d'effectuer régulièrement l'entretien du produit.
- Remplacez les pièces endommagées, usées ou cassées.

---

## Montage

---

### Introduction



**AVERTISSEMENT:** Avant de monter le produit, vous devez lire et comprendre le chapitre sur la sécurité.



**AVERTISSEMENT:** Débranchez le câble d'allumage de la bougie avant de monter le produit.

### Pour monter la poignée

1. Desserrez les boutons inférieurs.
2. Faites glisser les boutons jusqu'aux extrémités inférieures des rainures sur le côté gauche et le côté droit de la machine. (Fig. 12)
3. Réglez la hauteur de la poignée selon l'une des deux positions disponibles.
4. Déplacez les boutons vers le haut, en direction de la poignée, jusqu'à ce qu'ils s'arrêtent et qu'un clic se fasse entendre. (Fig. 13)
5. Serrez fermement les boutons.

### Pour régler le produit en position de transport

1. Pour LC 153S : Retirez la batterie.

2. Desserrez les boutons inférieurs.
3. Faites glisser les boutons jusqu'aux extrémités inférieures des rainures sur le côté gauche et le côté droit de la machine. (Fig. 12)
4. Pliez la poignée vers l'avant. (Fig. 14)

### Pour régler le produit en position de fonctionnement

1. Mettez la poignée en position verticale. (Fig. 15)
2. Déplacez les boutons vers le haut, en direction de la poignée, jusqu'à ce qu'ils s'arrêtent et qu'un clic se fasse entendre. (Fig. 13)
3. Serrez fermement les boutons.
4. Fixez la batterie au moteur (LC 153S).

### Pour monter le collecteur d'herbe (LC 153P, LB 256S, LC 356VP)

1. Fixez le châssis du collecteur d'herbe au sac à herbe, la partie rigide du sac étant sur la partie inférieure. Maintenez la poignée du châssis à l'extérieur de la partie supérieure du sac. (Fig. 16)
2. Fixez le sac à herbe sur le châssis à l'aide des clips. (Fig. 17)

---

## Utilisation

---

### Introduction



**AVERTISSEMENT:** Avant d'utiliser le produit, vous devez lire et comprendre le chapitre sur la sécurité.

### Husqvarna Connect

Husqvarna Connect est une application gratuite pour votre appareil mobile. L'application Husqvarna Connect offre des fonctions étendues à votre produit Husqvarna :

- Informations produit détaillées.

- Informations et aide sur les pièces et l'entretien du produit.

### Pour commencer à utiliser Husqvarna Connect

1. Téléchargez l'application Husqvarna Connect sur votre appareil mobile.
2. Enregistrez-vous sur l'application Husqvarna Connect.
3. Suivez les instructions de l'application Husqvarna Connect pour vous connecter et enregistrer le produit.

## Avant d'utiliser le produit

1. Lisez attentivement le manuel d'utilisation et assurez-vous de bien comprendre les instructions.
2. Examinez l'équipement de coupe pour vous assurer qu'il est bien fixé et réglé. Consultez la section *Pour inspecter l'équipement de coupe à la page 38*.
3. Remplissez le réservoir de carburant. Consultez la section *Pour remplir le réservoir de carburant à la page 36*.
4. Remplissez le réservoir d'huile et contrôlez le niveau d'huile. Consultez la section *Pour contrôler le niveau d'huile à la page 39*.

## Pour remplir le réservoir de carburant

Si cela est possible, utilisez de l'essence d'alkylate/écologique. Si vous ne pouvez pas vous procurer de l'essence d'alkylate/écologique, utilisez l'essence sans plomb de bonne qualité ou d'essence dont le taux d'octane n'est pas inférieur à 90.



**REMARQUE:** N'utilisez pas d'essence avec un indice d'octane inférieur à 90 RON (87 AKI). Cela peut endommager le produit.

1. Ouvrez lentement le couvercle du réservoir de carburant pour relâcher la pression.
2. Remplissez lentement le réservoir à l'aide d'un bidon de carburant. Si vous renversez du carburant, essuyez-le à l'aide d'un chiffon et laissez le carburant restant sécher.
3. Essayez le pourtour du bouchon du réservoir de carburant.
4. Serrez complètement le bouchon du réservoir de carburant. Si le bouchon du réservoir de carburant n'est pas serré, il y a un risque d'incendie.
5. Déplacez le produit à un minimum de 3 m (10 ft) de l'endroit où a été fait le plein de carburant avant de démarrer le produit.

## Pour régler la hauteur de coupe

1. Déplacez le levier de hauteur de coupe vers l'arrière pour augmenter la hauteur de coupe.
2. Déplacez le levier de hauteur de coupe vers l'avant pour diminuer la hauteur de coupe. (Fig. 18)



**REMARQUE:** La hauteur de coupe ne doit pas être réglée trop bas. Les lames peuvent toucher le sol si la surface de la pelouse n'est pas plane.

## Pour démarrer le produit

1. Assurez-vous que le câble d'allumage est branché sur la bougie.
2. Restez derrière le produit.

3. Tenez la poignée de freinage du moteur contre le guidon. (Fig. 19)
4. Tenez la poignée du câble du démarreur de votre main droite.
5. Tirez lentement sur le câble du démarreur jusqu'à ce que vous sentiez une certaine résistance.
6. Tirez avec force pour démarrer le moteur.



**AVERTISSEMENT:** N'enroulez pas le câble du démarreur autour de votre main.

## Pour appliquer l'entraînement aux roues (LC 153S, LB 256S, LC 356VP)

- Pour LB 256S et LC 153S : Poussez la manette de commande en direction du guidon. (Fig. 20)
- Pour LC 356VP : Actionnez l'entraînement aux roues à l'aide du levier de commande de vitesse sur le côté gauche de la poignée. Déplacez le levier de commande de vitesse vers l'avant pour augmenter le régime et vers l'arrière pour réduire le régime. (Fig. 21)
- Avant de tirer le produit vers l'arrière, désengagez l'entraînement et poussez le produit d'environ 10 cm vers l'avant.
- Relâchez la manette de commande pour désengager l'entraînement, lorsque vous vous rendez à proximité d'un obstacle par exemple.

## Pour arrêter le produit

- Pour arrêter uniquement l'entraînement, relâchez la manette de commande.
- Pour arrêter le moteur, relâchez la poignée de freinage du moteur.

## Pour utiliser le produit avec le collecteur d'herbe (LC 153P, LC 153S, LC 356VP)



**AVERTISSEMENT:** N'utilisez pas le produit sans qu'un collecteur d'herbe soit installé ou sans que le capot arrière soit fermé. Les objets peuvent s'éjecter et blesser l'opérateur.

1. Soulevez le capot arrière et retirez l'obturateur du broyeur, s'il est installé. (Fig. 22)
2. Montez le collecteur d'herbe, reportez-vous à la section *Pour monter le collecteur d'herbe (LC 153P, LB 256S, LC 356VP) à la page 35*.
3. Placez le collecteur d'herbe sur le support.
4. Relâchez le capot arrière et placez-le sur le dessus du châssis du collecteur d'herbe. (Fig. 23)

## Pour passer le produit en mode broyage (LC 153P, LC 153S, LC 356VP)

Assurez-vous que le moteur est coupé avant de passer le produit en mode broyage.

1. Soulevez le capot arrière et retirez le collecteur d'herbe, s'il est installé.
2. Placez l'obturateur du broyeur dans le canal d'éjection. (Fig. 24)
3. Fermez le capot arrière et assurez-vous qu'il est bien fermé contre l'obturateur du broyeur.
4. Remplacez la lame par la lame de broyeur fournie dans le kit de mulching. Reportez-vous à la section *Pour remplacer la lame à la page 38.*

## Pour passer le produit en mode éjection latérale

1. Soulevez le capot arrière et retirez le sac à herbe, s'il est installé.
2. Fermez le capot arrière et assurez-vous qu'il est bien fermé contre le produit.
3. Soulevez le verrou d'éjection. (Fig. 25)
4. Ouvrez la protection d'éjection latérale et posez le déflecteur d'éjection latérale sur les goupilles de support. (Fig. 26)
5. Laissez la protection d'éjection latérale se fermer contre le déflecteur d'éjection latérale. Assurez-vous que le déflecteur d'éjection latérale est bien en place avant d'utiliser le produit.

## Pour vider le collecteur d'herbe



**REMARQUE:** Ne faites pas glisser le sac lorsque vous videz le collecteur d'herbe pour empêcher l'usure.

1. Soulevez le collecteur d'herbe à l'aide de la poignée du châssis. (Fig. 27)
2. Retirez l'herbe coupée du collecteur d'herbe par la partie située sous la poignée.
3. Videz l'herbe coupée du sac à l'aide des poignées du châssis et du sac.

## Obtenir de bons résultats

- Utilisez toujours une lame correctement affûtée. Une lame émoussée produit un résultat irrégulier et l'herbe jaunira à la surface de la coupe. De plus, une lame affûtée consomme moins d'énergie qu'une lame émoussée.
- Ne coupez pas plus d'un tiers de la longueur de l'herbe. Utilisez la hauteur de coupe la plus élevée lorsque vous commencez à couper l'herbe. Examinez le résultat et abaissez la hauteur de coupe à un niveau convenable. Si l'herbe est très longue, tondez lentement, et deux fois si nécessaire.
- Tondez toujours dans différentes directions afin d'éviter de faire des lignes dans la pelouse.
- Relevez le capot arrière et retirez le collecteur d'herbe.
- Si un obturateur et une lame de broyeur sont montés, déposez-les.
- Fermez le couvercle arrière avant d'utiliser le produit. Lorsque vous faites fonctionner le produit, l'herbe coupée est évacuée sous le couvercle arrière.

## Entretien

### Introduction



**AVERTISSEMENT:** Avant d'effectuer des travaux d'entretien, vous devez lire et comprendre le chapitre sur la sécurité.

Une formation spécifique est nécessaire pour effectuer tous les travaux d'entretien et de réparation du produit. Nous garantissons qu'il vous est possible d'obtenir des services de réparation et d'entretien effectués par des professionnels. Si votre concessionnaire n'est pas un atelier spécialisé, demandez-lui des informations à propos de l'atelier spécialisé le plus proche.

### Calendrier d'entretien



**REMARQUE:** Assurez-vous que le filtre à air est orienté vers le haut et qu'il n'est pas contre le sol lorsque vous inclinez le produit. Risque de détérioration du moteur.

Les intervalles d'entretien sont calculés selon une utilisation quotidienne du produit. Les intervalles sont différents si le produit n'est pas utilisé tous les jours.

Pour les travaux d'entretien suivis d'un astérisque (\*), reportez-vous aux instructions dans la section *Dispositifs de sécurité sur le produit à la page 33.*

Entretien	Au quotidien	Toutes les semaines	Une fois par mois
Faites une inspection générale	X		
Inspectez le niveau d'huile	X		
Nettoyez le produit	X		
Inspectez l'équipement de coupe	X		
Inspectez le capot de coupe *	X		
Inspectez la poignée de frein moteur *	X		
Inspectez la commande de frein de la lame *	X		
Inspectez le silencieux *		X	
Inspectez la bougie		X	
Changez l'huile (la première fois après 5 h d'utilisation, puis toutes les 50 h d'utilisation)			X
Nettoyez ou remplacez le filtre à air.			X
Inspectez le système de carburant			X

## Pour faire une inspection générale

- Assurez-vous que l'ensemble des vis et des écrous du produit sont correctement serrés.

## Pour nettoyer la partie extérieure du produit

- Utilisez une brosse pour enlever les feuilles, l'herbe et la saleté.
- Assurez-vous que la prise d'air sur le dessus du moteur n'est pas obstruée.
- N'utilisez pas de nettoyeur haute pression pour le nettoyage du produit.
- Si vous utilisez de l'eau pour nettoyer le produit, ne projetez jamais d'eau directement sur le moteur.

## Pour nettoyer la surface interne du capot de coupe

- Videz le réservoir de carburant.
- Placez le produit sur le côté, silencieux vers le bas.



**REMARQUE:** Si le produit est posé avec le filtre à air vers le bas, le moteur peut être endommagé.

- Lavez au jet la surface intérieure du capot de coupe.

## Pour inspecter l'équipement de coupe



**AVERTISSEMENT:** Afin d'éviter tout démarrage accidentel, débranchez le câble d'allumage de la bougie.



**AVERTISSEMENT:** Utilisez des gants de protection lorsque vous procédez à l'entretien de l'équipement de coupe. La lame est très tranchante et des coupures peuvent survenir facilement.

- Inspectez l'équipement de coupe afin de détecter d'éventuels dommages ou fissures. Remplacez toujours un équipement de coupe endommagé.
- Inspectez la lame pour voir si elle est endommagée ou émoussée.

**Remarque:** Il est nécessaire d'équilibrer la lame après l'avoir affûtée. Demandez à un centre d'entretien d'affûter, de remplacer et d'équilibrer la lame. Si vous heurtez un obstacle qui entraîne l'arrêt du produit, remplacez la lame endommagée. Demandez au centre d'entretien d'évaluer si la lame peut être affûtée ou si elle doit être remplacée.

## Pour remplacer la lame

- Bloquez la lame avec un bloc en bois. (Fig. 28)
- Retirez le boulon de lame.
- Retirez la lame.
- Examinez le support de lame et le boulon de lame pour voir s'ils sont endommagés.
- Examinez l'arbre du moteur pour vous assurer qu'il n'est pas tordu.
- Lorsque vous fixez la nouvelle lame, orientez le tranchant en direction du capot de coupe. (Fig. 29)

- Assurez-vous que la lame est alignée par rapport au centre de l'arbre du moteur.
- Bloquez la lame avec un bloc en bois. Fixez la rondelle ressort, puis serrez le boulon et la rondelle à un couple de 43 – 47 Nm. (Fig. 30)
- Déplacez la lame à la main et vérifiez qu'elle tourne librement.



**AVERTISSEMENT:** Utilisez des gants de travail épais. La lame est très tranchante et des coupures peuvent survenir facilement.

- Démarez le produit pour tester la lame. Si la lame n'est pas correctement fixée, le produit vibre ou le résultat de coupe n'est pas satisfaisant.

## Pour contrôler le niveau d'huile



**REMARQUE:** Un niveau d'huile trop bas peut endommager le moteur. Contrôlez le niveau d'huile avant de démarrer le produit.

- Placez le produit sur un sol plat.
- Retirez le bouchon du réservoir d'huile et la jauge qui y est attachée.
- Nettoyez l'huile sur la jauge.
- Insérez entièrement la jauge dans le réservoir d'huile pour connaître le véritable niveau d'huile.
- Enlevez la jauge.
- Inspectez le niveau d'huile sur la jauge.
- Si le niveau d'huile est bas, faites l'appoint d'huile moteur et contrôlez à nouveau le niveau d'huile.

## Pour remplacer l'huile moteur



**AVERTISSEMENT:** L'huile moteur est très chaude juste après l'arrêt du moteur. Laissez le moteur refroidir avant de vidanger l'huile moteur. Si vous renversez de l'huile moteur sur votre peau, nettoyez avec de l'eau et du savon.

- Faites fonctionner le produit jusqu'à ce que le réservoir de carburant soit vide.
- Débranchez le câble d'allumage de la bougie.
- Retirez le bouchon du réservoir d'huile.
- Placez un récipient sous le produit pour recueillir l'huile moteur.
- Inclinez le produit pour vidanger l'huile moteur dans le réservoir d'huile.
- Faites le plein avec de la nouvelle huile moteur du type recommandé dans *Caractéristiques techniques à la page 41*.
- Contrôlez le niveau d'huile. Reportez-vous à la section *Pour contrôler le niveau d'huile à la page 39*.

## Pour vérifier la bougie



**REMARQUE:** Utilisez toujours le type de bougie recommandé. Un type de bougie inadéquat peut endommager le produit.

- Inspectez la bougie si le moteur manque de puissance, n'est pas facile à démarrer ou ne fonctionne pas correctement lorsqu'il tourne au régime de ralenti.
- Afin de réduire le risque de matériaux indésirables présents sur les électrodes de la bougie, procédez comme suit :
  - Assurez-vous que le régime de ralenti est correctement réglé.
  - Assurez-vous que le mélange de carburant est correct.
  - Assurez-vous que le filtre à air est propre.
- Si la bougie est encrassée, nettoyez-la et vérifiez que l'écartement des électrodes est correct ; reportez-vous à la section *Caractéristiques techniques à la page 41*. (Fig. 31)
- Remplacez la bougie si nécessaire.

## Pour nettoyer le filtre à air

Un filtre à air sale peut endommager le moteur ou provoquer son dysfonctionnement. Effectuez l'entretien du filtre à air plus fréquemment en cas d'utilisation en conditions poussiéreuses.

Reportez-vous à la section *Calendrier d'entretien à la page 37* pour plus d'informations sur le remplacement du filtre à air.

- Retirez le couvercle du filtre à air et le filtre.
- Nettoyez le filtre en le frappant contre une surface plane. N'utilisez pas de diluant avec de l'essence, du kérosène, ou de l'air comprimé pour nettoyer le filtre.

**Remarque:** Les filtres à air en fonctionnement pendant une longue période ne peuvent pas être nettoyés complètement. Remplacez le filtre à air à intervalles réguliers. Les filtres à air endommagés doivent toujours être remplacés.

- Lors de l'assemblage du filtre à air, veillez à assurer une bonne étanchéité entre celui-ci et le support du filtre.

## Pour contrôler le déflecteur d'éjection latérale

Le déflecteur d'éjection latérale est fixé à l'ouverture d'éjection latérale du produit. Il réduit les risques de projection d'objets vers la position de tonte de l'utilisateur.

- Assurez-vous que le déflecteur d'éjection latérale n'est pas endommagé.
- Examinez le déflecteur d'éjection latérale. Assurez-vous qu'aucun défaut n'est présent, tels que des

fissures ou des ressorts cassés qui entraînent une fermeture forcée du capot.

3. Remplacez le déflecteur d'éjection latérale ou les ressorts s'ils sont endommagés.

## Pour examiner le système de carburant

- Examinez le couvercle du réservoir de carburant et le joint du couvercle du réservoir de carburant pour vous assurer qu'ils ne sont pas endommagés.
- Examinez le tuyau à carburant pour vous assurer qu'il n'y a pas de fuite. Si le tuyau à carburant est endommagé, demandez à un atelier spécialisé de le remplacer.

## Pour régler le câble d'embrayage (LC 153S, LB 256S, LC 356VP)

Pour les situations suivantes, il est nécessaire de réduire la longueur du câble d'embrayage :

- L'entraînement des roues ne s'engage pas lorsque vous tirez la manette de commande ou le levier de commande de vitesse.
- Le produit se déplace lentement lorsque l'entraînement des roues est engagé.

Pour les situations suivantes, il est nécessaire d'augmenter la longueur du câble d'embrayage :

- Le produit se déplace lorsque l'entraînement des roues n'est pas engagé.
- Réglez le câble d'embrayage.
  - a) Pour réduire la longueur du câble d'embrayage, tournez la vis de réglage dans le sens contraire des aiguilles d'une montre.
  - b) Pour augmenter la longueur du câble d'embrayage, tournez la vis de réglage dans le sens des aiguilles d'une montre. (Fig. 32)

Si le produit continue à ne pas fonctionner correctement après le réglage, contactez votre atelier d'entretien

---

# Transport, entreposage et mise au rebut

---

## Transport et stockage

- Pour le stocker et transporter le produit et le carburant, assurez-vous qu'il n'y a pas de fuite ou de vapeurs. Les étincelles ou les flammes nues produites par exemple par des appareils électriques ou chaudières peuvent provoquer un incendie.
- Utilisez uniquement des récipients homologués pour le transport et le stockage de carburant.
- Videz le réservoir de carburant avant de remiser le produit pendant une longue période. Mettez le carburant au rebut dans une déchetterie appropriée
- Sécurisez le produit lors de son transport pour éviter tout dommage ou accident.
- Conservez le produit dans un endroit verrouillé afin que des enfants ou personnes qui ne sont pas autorisées à l'utiliser ne puissent pas y avoir accès.
- Conservez le produit dans un endroit sec et à l'abri du gel.

## Mise au rebut

- Respectez les consignes locales de recyclage et la réglementation en vigueur.
- Mettez au rebut tous les produits chimiques tels que l'huile moteur ou le carburant à un centre d'entretien ou à une déchetterie appropriée.
- Lorsque vous n'utilisez plus le produit, renvoyez-le à un Husqvarna concessionnaire ou mettez-le au rebut dans une déchetterie.



## Caractéristiques techniques

### Caractéristiques techniques

	LC 153P	LC 153S	LB 256S	LC 356VP
<b>Moteur</b>				
Marque	Briggs & Stratton	Briggs & Stratton	Briggs & Stratton	Honda
Nom de modèle du moteur	650EXI	650EXI	650EXI	GCVx170
Cylindrée, cm <sup>3</sup>	163	163	163	166
Vitesse, tr/min.	2 800	2 800	2 800	2 800
Puissance nominale du moteur, kW <sup>9</sup>	2,4	2,4	2,4	3,1
<b>Système d'allumage</b>				
Bougie	CHAMPION XC92YC	CHAMPION XC92YC	CHAMPION XC92YC	NGK BPR5ES
Écartement des électrodes, mm	0,7	0,7	0,7	0,75
<b>Carburant et dispositif de lubrification</b>				
Carburant, sans plomb, indice d'octane minimum	90	90	90	90
Capacité du réservoir de carburant, en litres	1,0	1,0	1,0	0,9
Capacité du réservoir d'huile, en litres	0,5	0,5	0,5	0,4
Huile moteur	SAE 30	SAE 30	SAE 30	SAE 30
<b>Poids</b>				
Réservoirs vides, en kg	29,5	31	32,2	35,1
<b>Émissions sonores<sup>10</sup></b>				
Niveau de puissance sonore mesuré dB(A)	94	94	96	96
Niveau de puissance acoustique, garanti L <sub>WA</sub> dB(A)	96	96	98	98
<b>Niveaux sonores<sup>11</sup></b>				

<sup>9</sup> La puissance nominale du moteur indiquée est la puissance nette moyenne (à un régime en tr/min spécifié) d'un moteur de production typique pour le modèle de moteur mesurée selon la norme SAE J1349/ISO1585. Les moteurs produits à grande échelle peuvent s'écarter de cette valeur. La puissance effective du moteur installé sur le produit fini dépend de la vitesse de fonctionnement, des conditions environnementales et d'autres valeurs.

<sup>10</sup> émissions sonores dans l'environnement mesurées comme puissance sonore (L<sub>WA</sub>) selon la directive européenne CE 2000/14/CE.

<sup>11</sup> Les données reportées pour le niveau de pression sonore montrent une dispersion statistique typique (déviation standard) de 1,2 dB(A).

	LC 153P	LC 153S	LB 256S	LC 356VP
Niveau de pression sonore à l'oreille de l'utilisateur, dB (A)	84	84	84	87
<b>Niveaux de vibrations<sup>12</sup></b>				
Poignée, m/s <sup>2</sup>	6,5	6,5	6,5	5,9
<b>Équipement de coupe</b>				
Hauteur de coupe, en mm	25-75	25-75	25-75	25-75
Profondeur de coupe, en mm	510	510	560	560
Système de coupe	Collecte / Bio-Clip® / éjection latérale	Collecte / Bio-Clip® / éjection latérale	BioClip® / éjection latérale	Collecte / Bio-Clip® / éjection latérale
Lame - standard	Collecte 598562601	Collecte 598562601	Broyage 598563601	Collecte 598562701
Lame - accessoire	Broyage 597683901	Broyage 597683901	-	Broyage 598563601
<b>Entraînement</b>				
Vitesse, en km/h	-	3,6	3,6	3,0 - 4,5

<sup>12</sup> Les données reportées pour le niveau de vibrations montrent une dispersion statistique typique (déviation standard) de 0,2 m/s<sup>2</sup>.

---

# Déclaration de conformité CE

---

## Déclaration de conformité CE

Nous, **Husqvarna AB**, SE-561 82 Huskvarna, Suède, tél. : +46-36-146500, déclarons que la **tondeuse Husqvarna LC 356VP, LB 256S, LC 153S, LC 153P** à partir de l'année 2019 et au-delà est conforme aux dispositions des DIRECTIVES DU CONSEIL :

- du 8 juin 2011 « relative à la limitation de l'utilisation de certaines substances dangereuses » **2011/65/UE**
- du 17 mai 2006 « relative aux machines » **2006/42/CE**
- du 26 février 2014 « relative à la compatibilité électromagnétique » **2014/30/UE**
- du 8 mai 2000 « relative aux émissions sonores dans l'environnement » **2000/14/CE**

Pour toute information relative aux émissions sonores, veuillez consulter les caractéristiques techniques.

Les normes harmonisées suivantes ont été appliquées :

**EN ISO 5395-1:2013/A1:2018, EN ISO 5395-2:2013/A2:2017, EN ISO 14982:2009**

Sauf mention contraire, les normes listées ci-dessus sont les dernières versions publiées.

L'organisme notifié : **0036, TÜV SÜD Industrie Service GmbH, Westendstrasse 199, 80686 München, Germany** a effectué une évaluation de conformité selon l'annexe VI de la directive 2000/14/CE et délivré un certificat portant le numéro :EN ISO 5395-1:2013/A1:2018, EN ISO 5395-2:2013/ A2:2017, EN ISO 14982:2009

Huskvarna, 2019-09-30



Claes Losdal, Directeur du développement/Articles de jardinage (Représentant autorisé d'Husqvarna AB et responsable de la documentation technique)

---

# Conteúdo

---

Introdução.....	44	Manutenção.....	50
Segurança.....	45	Transporte, armazenamento e descarte.....	53
Montagem.....	48	Dados técnicos.....	54
OPERAÇÃO.....	48	DECLARAÇÃO DE CONFORMIDADE DA CE.....	56

---

## Introdução

---

### Descrição do produto

O produto é um cortador de grama giratório operado por pessoas comuns. Prenda o coletor para coletar a grama. Prenda o defletor de descarga lateral para descarga lateral da grama. Para LC 153P, LC 153S e LC 356VP, remova o coletor de grama e o defletor de descarga lateral para cortar a grama em folhagem.

### Visão geral do produto

(Fig. 1)

1. Barra de direção
2. Alça do freio do motor
3. Braço de acionamento (LC 153S, LB 256S e LC 356VP)
4. Alça da corda de arranque
5. Tampa traseira (LC 153P, LC 153S e LC 356VP)
6. Coletor de grama (LC 153P, LC 153S e LC 356VP)
7. Botões de altura da alça
8. Alavanca da altura de corte
9. Tampa de óleo
10. Tampa de descarga lateral
11. Silencioso
12. Vela de ignição
13. Tampa do tanque de combustível
14. Símbolos
15. Tampa de corte
16. Filtro de ar
17. Alavanca do controlador de rotação (LC 356VP)
18. Defletor lateral
19. Plugue de folhagem (acessório para LC 153P, LC 153S e LC 356VP)
20. Manual do operador

### Símbolos no produto

- (Fig. 2) AVISO! Seja cuidadoso e use o produto corretamente. Este produto pode causar ferimentos graves ou morte do operador ou de outras pessoas.
- (Fig. 3) Leia atentamente o manual do operador e certifique-se de que tenha entendido as instruções antes de usar.

### Uso previsto

Utilize o produto para cortar grama em jardins particulares. Não use o produto para outras tarefas.

- (Fig. 4) Cuidado com objetos arremessados e ricochetes.
- (Fig. 5) Mantenha pessoas e animais a uma distância segura da área de trabalho.
- (Fig. 6) Aviso: Mantenha mãos e pés afastados da lâmina giratória.
- (Fig. 7) Aviso: Mantenha mãos e pés afastados de peças giratórias.
- (Fig. 8) Antes de realizar reparos ou manutenção, desligue o motor e retire o cabo de ignição.
- (Fig. 9) Este produto está de acordo com as diretivas vigentes da CE.
- (Fig. 10) Emissão de ruídos para o ambiente de acordo com a Diretiva da Comunidade Europeia. As emissões do produto estão especificadas no capítulo de dados técnicos e na etiqueta.

---

**Observação:** Outros símbolos/decalques no produto referem-se aos requisitos de certificação para outras áreas comerciais.

---

### Responsabilidade legal do produto

Como mencionado na legislação de responsabilidade do produto, não somos responsáveis por danos causados pelo nosso produto caso:

- o produto seja reparado incorretamente.
- o produto seja reparado com peças que não sejam da marca do fabricante ou aprovadas pelo fabricante.

- o produto tenha um acessório que não seja da marca do fabricante ou não seja aprovado pelo fabricante.
- o produto não seja reparado em um centro de atendimento aprovado ou por uma autoridade aprovada.

## Emissões Euro V



**AVISO:** Interferências no motor anulam a aprovação tipo EU deste produto.

## Segurança

### Definições de segurança

Avisos, cuidados e observações são utilizados para chamar a atenção para partes especialmente importantes do manual.



**AVISO:** Utilizado se existir um risco de ferimentos ou morte para o operador ou a terceiros se as instruções no manual não forem respeitadas.



**CUIDADO:** Utilizado se existir um risco de danos para o produto, outros materiais ou para a área adjacente, se as instruções no manual não forem respeitadas.

**Observação:** Utilizados para conferir mais informações necessárias em uma determinada situação.

### Instruções gerais de segurança



**AVISO:** Antes de usar o produto, leia as instruções de aviso que seguem.

- Este produto é perigoso se utilizado de forma incorreta ou se você não tiver cuidado. Ferimentos ou morte podem acontecer, caso você não siga as instruções de segurança.
- Este produto produz um campo eletromagnético durante a operação. Sob certas circunstâncias esse campo poderá interferir com implantes médicos de natureza ativa ou passiva. Para reduzir o risco de lesões graves ou fatais, recomendamos que as pessoas que tenham implantes médicos consultem seu médico e o fabricante do implante antes de operar este produto.
- Sempre tome cuidado e use o bom senso. Se não souber como operar o produto em uma situação específica, pare e fale com seu Husqvarna revendedor antes de continuar.
- Tenha em atenção que o operador será responsável por acidentes que envolvam terceiros ou a sua propriedade.
- Mantenha o produto limpo. Cerifique-se de que consegue ler claramente sinais e decalques.
- Não deixe outra pessoa usar o produto, a menos que você se certifique que ela leia e compreenda o conteúdo do manual do operador.

- Não permita que o produto seja operado por crianças.
- Mantenha crianças afastadas da área de trabalho. Um adulto responsável deve estar presente em todos os momentos.
- Não permita que o produto seja operado por uma pessoa sem conhecimento das instruções.
- Pessoas com capacidade física ou mental reduzida devem ser sempre monitoradas caso usem o produto. Um adulto responsável deve estar presente em todos os momentos.
- Não utilize o produto se estiver cansado doente ou sob a influência de álcool, drogas ou remédios. Isso possui um efeito negativo na sua visão, consciência, coordenação e no seu julgamento.
- Não utilize o produto se estiver com defeito.
- Não altere este produto, nem o utilize caso haja a possibilidade de ter sido modificado por outras pessoas.

### Segurança da área de trabalho



**AVISO:** Antes de usar o produto, leia as instruções de aviso que seguem.

- Antes de usar o produto, retire todos os objetos, como ramos, galhos ou pedras da área de trabalho.
- Objetos que batam contra o equipamento de corte podem ejetar e causar danos a pessoas ou objetos. Mantenha terceiros ou animais a uma distância segura do produto.
- Nunca utilize o produto em condições climáticas ruins, como neblina, chuva, ventos fortes, frio intenso e risco de raios. Utilizar o produto em condições climática ruins ou em locais úmidos ou molhados é exaustivo. Condições climáticas ruins podem levar a condições perigosas, como superfícies escorregadias.
- Veja se há pessoas, objetos e situações que podem impedir a operação segura do produto.
- Veja se há obstáculos, como raízes, pedras, galhos, buracos e valas. Gramas altas podem ocultar obstáculos.
- Cortar a grama em declives pode ser perigoso. Não utilize o produto em terrenos com inclinações superiores a 15°.
- Opere o produto paralelamente à face da inclinação. Não movimente para cima e para baixo.

- Tenha cuidado ao se aproximar de cantos e objetos ocultos que podem impedir que você tenha uma visão clara.

## Segurança no trabalho



**AVISO:** Antes de usar o produto, leia as instruções de aviso que seguem.

- Utilize este produto somente para cortar gramados. Seu uso não é permitido para outras tarefas.
- Use sempre equipamentos de proteção individual. Consulte *Equipamento de Proteção Individual na página 46*.
- Certifique-se de saber como parar o motor rapidamente em caso de emergência.
- Nunca dê a partida no motor em um espaço fechado ou próximo de materiais inflamáveis. Os gases de escape do motor são quentes e podem conter faíscas capazes de iniciar um incêndio.
- Não opere o produto, a menos que o disco e todas as tampas estejam fixados corretamente. Um disco fixado incorretamente pode se soltar e causar ferimentos.
- Certifique-se de que o disco não atinja objetos, como pedras e raízes. Isso pode danificar o disco e dobrar o eixo do motor. Um eixo dobrado causa fortes vibrações e um risco elevado de que o disco se solte.
- Se o disco atingir um objeto ou se ocorrer vibrações, desligue o produto imediatamente. Desconecte o cabo de ignição da vela de ignição. Examine o produto à procura de danos. Repare os danos ou leve a uma oficina autorizada para fazer os reparos.
- Nunca fixe a alça do freio do motor permanentemente à alça, quando o motor estiver ligado.
- Coloque o produto em uma superfície firme e plana e ligue-o. Certifique-se de que o disco não atinja o chão ou outros objetos.
- Fique sempre atrás do produto ao operá-lo.
- Deixe que todas as rodas fiquem sobre o chão e mantenha 2 dedos na alça ao operar o produto. Mantenha mãos e pés afastados dos discos giratórios.
- Não incline o produto com o motor ligado.
- Tenha cuidado ao puxar o produto para trás.
- Nunca levante o produto quando o motor estiver ligado. Se você precisar levantar o produto, primeiro, desligue o motor e desconecte o cabo de ignição da vela de ignição.
- Não ande para trás ao operar o produto.
- Desligue o motor ao se locomover em áreas sem grama, por exemplo, caminhos feitos de cascalho, pedra e asfalto.
- Não corra com o produto quando o motor estiver ligado. Sempre ande ao operar o produto.

- Desligue o motor antes de mudar a altura de corte. Nunca faça ajustes com o motor ligado.
- Nunca deixe o produto sem vigilância com o motor ligado. Desligue o motor e certifique-se de que o equipamento de corte não gira.

## Instruções de segurança para operação

### Equipamento de Proteção Individual



**AVISO:** Antes de usar o produto, leia as instruções de aviso que seguem.

- O equipamento de proteção individual não evita totalmente ferimentos, mas diminui o grau do ferimento em caso de acidente. Deixe seu revendedor ajudar você a escolher o equipamento certo.
- Caso o nível de ruído seja superior a 85 dB, use proteção auditiva.
- Use botas ou calçados antiderrapantes para trabalhos pesados. Não utilize calçados abertos e não fique descalço.
- Use calças compridas de tecido grosso.
- Use luvas de proteção quando necessário, por exemplo, ao ligar, examinar ou limpar o equipamento de corte.

### Dispositivos de segurança no produto



**AVISO:** Antes de usar o produto, leia as instruções de aviso que seguem.

- Não use o produto com dispositivos de segurança com defeito.
- Verifique os dispositivos de segurança regularmente. Se os dispositivos de segurança estiverem com defeito, entre em contato sua Husqvarna oficina autorizada.

#### Para fazer uma verificação da tampa de corte

A tampa de corte diminui vibrações no produto e reduz o risco de ferimentos do disco.

- Examine a tampa de corte para se certificar de que não há danos, como rachaduras.

#### Para fazer uma verificação da alça de freio do motor

A alça do freio do motor desliga o motor. Quando a alça do freio do motor é solta, o motor desliga.

- Dê partida no motor e, em seguida, solte a alça de freio do motor. Se o motor não desligar em 3 segundos, leve a uma Husqvarna oficina autorizada para fazer o ajuste do freio do motor. (Fig. 11)

### Para fazer uma verificação da tampa traseira

O defletor traseiro diminui o risco de objetos serem lançados na direção do operador.

- Certifique-se de que a tampa traseira não esteja danificada.
- Certifique-se de que as molas que fecham a tampa traseira não estejam danificadas.
- Substitua molas e peças danificadas.
- Certifique-se de que a tampa traseira possa se mover livremente nas dobradiças.

### Silencioso

O silencioso mantém os níveis de ruído em um nível mínimo e desvia os gases de escape para longe do operador.

Não utilize o produto se o silenciador estiver ausente ou com defeito. Um silenciador com defeito aumenta o nível de ruído e o risco de incêndio.



**AVISO:** O silenciador fica muito quente durante e após a utilização e quando o motor funciona em marcha lenta. Tenha cuidado ao se aproximar de materiais inflamáveis e/ou gases de escape para evitar incêndios.

### Para fazer uma verificação do silenciador

- Examine o silenciador regularmente, para garantir que está fixado corretamente e não está danificado.

### Segurança do combustível



**AVISO:** Antes de usar o produto, leia as instruções de aviso que seguem.

- Não ligue o produto se houver combustível ou óleo de motor sobre ele. Remova o combustível/óleo indesejado e deixe o produto secar.
- Se você derramar combustível em sua roupa, troque as roupas imediatamente.
- Não deixe combustível cair no seu corpo, ele pode causar lesões. Se você derramar combustível no seu corpo, use sabão e água para removê-lo.
- Não ligue o produto se o motor tiver um vazamento. Examine o motor à procura de vazamentos regularmente.
- Tome cuidado com o combustível. Combustível é inflamável e os vapores são explosivos e podem causar lesões ou morte.
- Não inspire os vapores de combustível, eles podem causar lesões. Certifique-se de que haja fluxo de ar suficiente.
- Não fume nas proximidades do combustível ou do motor.

- Não coloque objetos quentes nas proximidades do combustível ou do motor.
- Não adicione combustível quando o motor estiver ligado.
- Certifique-se de que o motor esteja frio antes de reabastecer.
- Antes de reabastecer, abra a tampa do tanque de combustível lentamente e libere a pressão cuidadosamente.
- Não adicione combustível ao motor em uma área coberta. Um fluxo de ar insuficiente pode causar ferimentos ou morte por asfixia ou monóxido de carbono.
- Aperte a tampa do tanque de combustível. Se a tampa do tanque de combustível não estiver apertada, há um risco de incêndio.
- Mova o produto para um mínimo de 3 m (10 pés) da posição na qual você abasteceu o tanque antes de ligar o motor.
- Não encha o tanque de combustível completamente. Calor faz com que o combustível para expandir. Mantenha um espaço na parte superior do depósito de combustível.

### Instruções de segurança para manutenção



**AVISO:** Antes de usar o produto, leia as instruções de aviso que seguem.

- Os gases de escape do motor contém monóxido de carbono, um gás inodoro, tóxico e muito perigoso. Não ligue o motor em ambientes internos ou fechados.
- Antes de fazer a manutenção do produto, desligue o motor e remova o cabo de ignição da vela de ignição.
- Use luvas de proteção ao fazer a manutenção no equipamento de corte. O disco é muito afiado e pode cortar facilmente.
- Acessórios e alterações no produto não aprovados pelo fabricante podem causar ferimentos graves ou morte. Não modifique o produto. Use somente os acessórios aprovados pelo fabricante.
- Se a manutenção não for feita correta e regularmente, o risco de ferimentos e danos ao produto aumenta.
- Faça a manutenção somente como indicado no manual do proprietário. Todas as outras operações de manutenção devem ser realizadas por uma Husqvarna oficina autorizada.
- Leve o produto regularmente a uma Husqvarna oficina autorizada.
- Substitua peças danificadas, desgastadas ou quebradas.

---

# Montagem

---

## Introdução



**AVISO:** Antes de montar o produto, você deve ler e entender o capítulo sobre segurança.



**AVISO:** Retire o cabo da vela de ignição antes de montar o produto.

## Para montar a alça

1. Solte os botões inferiores.
2. Mova os botões para a extremidade inferior dos sulcos nos lados esquerdo e direito do produto. (Fig. 12)
3. Ajuste a altura da alça em uma das 2 posições disponíveis.
4. Mova os botões para cima na direção da alça, até que eles parem e você ouça o som de clique. (Fig. 13)
5. Aperte os botões totalmente.

## Para colocar o produto na posição de transporte

1. Para LC 153S: Remova a bateria.

2. Solte os botões inferiores.
3. Mova os botões para a extremidade inferior dos sulcos nos lados esquerdo e direito do produto. (Fig. 12)
4. Dobre a alça para frente. (Fig. 14)

## Para colocar o produto na posição de operação

1. Dobre a alça para a posição vertical. (Fig. 15)
2. Mova os botões para cima na direção da alça, até que eles parem e você ouça o som de clique. (Fig. 13)
3. Aperte os botões totalmente.
4. Conecte a bateria ao motor (LC 153S).

## Para montar o coletor de grama (LC 153P, LB 256S, LC 356VP)

1. Prenda a estrutura do coletor de grama na bolsa de grama com a parte rígida da bolsa na parte inferior. Mantenha a alça da estrutura fora da parte superior da bolsa. (Fig. 16)
2. Prenda a bolsa de grama à estrutura com os grampos. (Fig. 17)

---

# OPERAÇÃO

---

## Introdução



**AVISO:** Antes de operar o produto, você deve ler e entender o capítulo sobre segurança.

## Husqvarna Connect

Husqvarna Connect é um aplicativo gratuito para seu dispositivo móvel. O aplicativo Husqvarna Connect oferece funções estendidas para o seu produto Husqvarna:

- Informações estendidas sobre o produto.
- Informações e ajuda com peças do produto e manutenção.

## Para começar a usar o Husqvarna Connect

1. Baixe o aplicativo Husqvarna Connect em seu dispositivo móvel.
2. Inscreva-se no aplicativo Husqvarna Connect.
3. Siga as instruções no aplicativo Husqvarna Connect para conectar e registrar o produto.

## Antes de operar o produto

1. Leia atentamente o manual do operador e certifique-se de que tenha entendido as instruções.
2. Examine o equipamento de corte para se certificar de que esteja preso e ajustado corretamente. Consulte *Para examinar o equipamento de corte na página 51*.
3. Abasteça o tanque de combustível. Consulte *Para abastecer com combustível na página 48*.
4. Encha o tanque de óleo e verifique o nível do óleo. Consulte *Para fazer uma verificação do nível do óleo na página 51*.

## Para abastecer com combustível

Se disponível, utilize gasolina de baixa emissão/alquilato. Se uma gasolina com baixa emissão/alquilato não estiver disponível, use gasolina sem chumbo de boa qualidade ou gasolina com chumbo com octanagem de 90.





**CUIDADO:** Não use gasolina com octanagem menor que 90 RON (87 AKI). Isso pode causar danos ao produto.

1. Abra a tampa do tanque de combustível devagar, para liberar a pressão.
2. Encha o tanque lentamente com o galão de combustível. Se derramar combustível, remova-o com um pano e deixe o restante secar.
3. Limpe a área ao redor da tampa do tanque de combustível.
4. Aperte a tampa do tanque de combustível. Se a tampa do tanque de combustível não estiver apertada, há um risco de incêndio.
5. Mova o produto para um mínimo de 3 m (10 pés) da posição na qual você abasteceu o tanque antes de ligar o motor.

### Para ajustar a altura de corte

1. Mova a alavanca da altura de corte para trás, para elevar a altura de corte.
2. Mova a alavanca da altura de corte para frente para diminuir a altura de corte. (Fig. 18)



**CUIDADO:** Não deixe a altura de corte muito baixa. Os discos podem atingir o chão, caso a superfície da grama não esteja nivelada.

### Para iniciar o produto

1. Certifique-se de que o cabo de ignição esteja conectado à vela de ignição.
2. Fique atrás do produto.
3. Segure a alça do freio do motor contra a barra de direção. (Fig. 19)
4. Segura a alça da corda de arranque com sua mão direita.
5. Puxe a corda de arranque devagar, até sentir um pouco de resistência.
6. Puxe com força para dar partida no motor.



**AVISO:** Não enrole a corda de arranque ao redor de sua mão.

### Para utilizar a tração nas rodas (LC 153S, LB 256S, LC 356VP)

- Para LB 256S e LC 153S: Empurre o braço de acionamento em direção à barra de direção. (Fig. 20)
- Para LC 356VP: Inicie a tração nas rodas com a alavanca de controle de rotação no lado esquerdo da alça. Mova a alavanca de controle de velocidade

para frente para aumentar a velocidade e para trás para diminuir a velocidade. (Fig. 21)

- Antes de puxar o produto para trás, desengate a transmissão e empurre o produto para frente por aproximadamente 10 cm.
- Solte o braço de acionamento para desengatar, por exemplo, quando você chegar próximo a um obstáculo.

### Para parar o produto

- Para parar somente o acionamento, solte o braço de acionamento.
- Para desligar o motor, solte a alça do freio do motor.

### Para usar o produto com o coletor de grama (LC 153P, LC 153S, LC 356VP)



**AVISO:** Não opere o produto sem um coletor de grama instalado nem sem que a tampa traseira esteja fechada. Objetos podem ser lançados e causar ferimentos ao operador.

1. Levante a tampa traseira e remova o plugue de folhagem, caso esteja instalado. (Fig. 22)
2. Monte o coletor de grama, consulte *Para montar o coletor de grama (LC 153P, LB 256S, LC 356VP)* na página 48.
3. Coloque o coletor de grama no suporte.
4. Solte a tampa traseira e coloque-a na parte superior da estrutura da bolsa de grama. (Fig. 23)

### Para colocar o produto no modo de folhagem (LC 153P, LC 153S, LC 356VP)

Certifique-se de que o motor esteja desligado antes de colocar o produto no modo de folhagem.

1. Levante a tampa traseira e remova o coletor de grama, caso esteja instalado.
2. Coloque o plugue de folhagem no canal de descarga. (Fig. 24)
3. Feche a tampa traseira e certifique-se de que ela esteja bem fechada contra o plugue de folhagem.
4. Substitua a lâmina pela lâmina de folhagem fornecida no kit de folhagem. Consulte *Para substituir o discona* página 51.

### Para colocar o produto no modo de descarga lateral

1. Levante a tampa traseira e remova a bolsa de grama, caso esta esteja instalada.
2. Feche a tampa traseira e certifique-se de que ela esteja bem fechada contra o produto.
3. Levante a trava de descarga. (Fig. 25)

- Abra a proteção de descarga lateral e instale o defletor de descarga lateral nos pinos de suporte. (Fig. 26)
- Deixe a proteção de descarga lateral fechar contra o defletor de descarga lateral. Certifique-se de que o defletor de descarga lateral esteja firmemente posicionado antes de operar o produto.

## Para esvaziar o coletor de grama



**CUIDADO:** Não arraste a bolsa ao esvaziar o coletor de grama para evitar desgaste.

- Levante o coletor de grama com a alça da estrutura. (Fig. 27)
- Remova a grama aparada do coletor de grama de debaixo da alça.
- Esvazie a grama aparada da bolsa com a alça da estrutura e a alça da bolsa.

## Para obter um bom resultado

- Use sempre um disco afiado. Um disco cego proporciona um resultado irregular e a superfície de

corte da grama fica amarela. Um disco afiado também gasta menos energia do que um disco cego.

- Não corte mais do que  $\frac{1}{3}$  do comprimento da grama. Use a altura de corte mais alta quando começar a cortar a grama. Examine o resultado e diminua a altura de corte para um nível apropriado. Se a grama estiver muito alta, opere devagar e corte 2 vezes, se necessário.
- Cada vez que cortar a grama, faça em diferentes direções para evitar listras no gramado.
- Levante a tampa traseira e remova o coletor de grama.
- Caso um plugue de folhagem e uma lâmina de folhagem estejam instalados, remova-os.
- Feche a tampa traseira antes de operar o produto. Ao operar o produto, a grama cortada será descarregada sob a tampa traseira.

# Manutenção

## Introdução



**AVISO:** Antes de fazer a manutenção, você deve ler e entender o capítulo sobre segurança.

Para todos os serviços de manutenção e reparos no produto é necessário treinamento especial. Garantimos a disponibilidade de reparos e manutenção profissionais. Se o seu revendedor não for uma oficina autorizada, peça informações para saber qual é a oficina autorizada mais próxima.

## Cronograma de manutenção



**CUIDADO:** Certifique-se de que o filtro de ar esteja para cima e não contra o solo ao inclinar o produto. Risco de danos ao motor.

Os intervalos de manutenção são calculados com base no uso diário do produto. Os intervalos mudam se o produto não for usado diariamente.

Para manutenção identificada com \*, consulte as instruções em *Dispositivos de segurança no produtora página46*.

Manutenção	Diariamente	Semanalmente	Mensalmente
Fazer uma inspeção geral	X		
Examinar o nível de óleo	X		
Limpar o produto	X		
Examinar o equipamento de corte	X		
Examinar a tampa de corte *	X		
Examinar a alça do freio do motor *	X		
Examinar o controle do freio da lâmina *	X		
Examinar o silenciador *		X	
Examinar a vela de ignição		X	

Manutenção	Diariamente	Semanalmente	Mensalmente
Trocar o óleo (na primeira vez, após 5 horas de uso; depois, a cada 50 horas de uso)			X
Limpar ou substituir o filtro de ar			X
Examinar o sistema de combustível			X

## Para fazer uma inspeção geral

- Certifique-se de que todas as porcas e parafusos do produto estejam apertados corretamente.

## Para limpar o produto externamente

- Utilize um pincel para remover folhas, grama e sujeira.
- Certifique-se de que a entrada de ar na parte superior do motor não esteja bloqueada.
- Não use lavadora de alta pressão para limpar o produto.
- Se utilizar água para limpar o produto, não jogue-a diretamente no motor.

## Para limpar a superfície interna da tampa de corte

1. Esvazie o reservatório de combustível.
2. Coloque o produto de lado com o silenciador virado para baixo.



**CUIDADO:** Se produto for colocado com o filtro de ar para baixo, pode danificar o motor.

3. Lave a superfície interna da tampa de corte com água.

## Para examinar o equipamento de corte



**AVISO:** Para evitar que o produto ligue acidentalmente, remova o cabo de ignição da vela de ignição.



**AVISO:** Use luvas de proteção ao fazer a manutenção no equipamento de corte. O disco é muito afiado e pode cortar facilmente.

1. Verifique o equipamento de corte quanto a danos ou rachaduras. Sempre substitua um equipamento de corte danificado.
2. Examine o disco para verificar se está danificado ou cego.

**Observação:** É necessário equilibrar o disco após ser afiado. Leve a um centro de atendimento para afiar, substituir e equilibrar o disco. Se você atingir um obstáculo que causar a parada do produto, substitua o

disco danificado. Leve o produto a um centro de atendimento para avaliar se o disco pode ser afiado ou deve ser substituído.

## Para substituir o disco

1. Bloqueie o disco com um bloco de madeira. (Fig. 28)
2. Remova o parafuso do disco.
3. Remova o disco.
4. Examine o suporte e o parafuso do disco para verificar se há danos.
5. Examine o eixo do motor para se certificar de que não está dobrado.
6. Ao colocar um novo disco, aponte as extremidades em ângulo do disco na direção da tampa de corte. (Fig. 29)
7. Certifique-se de que o disco esteja alinhado com o centro do eixo do motor.
8. Bloqueie o disco com um bloco de madeira. Prenda a arruela da mola e aperte o parafuso e a arruela com torque de 43 – 47 Nm. (Fig. 30)
9. Puxe o disco, girando-o, e certifique-se de que ele se movimenta livremente.



**AVISO:** Use luvas resistentes. O disco é muito afiado e pode cortar facilmente.

10. Ligue o produto para fazer um teste do disco. Se o disco não estiver preso corretamente, o produto vibrará ou o resultado do corte não será satisfatório.

## Para fazer uma verificação do nível do óleo



**CUIDADO:** O nível muito baixo do óleo pode danificar o motor. Antes de ligar o produto, faça uma verificação do nível do óleo.

1. Coloque o produto em uma superfície nivelada.
2. Remova a tampa do tanque de óleo com a vareta fornecida.
3. Limpe o óleo da vareta.
4. Coloque a vareta totalmente dentro do tanque de óleo para ter uma noção correta do nível do óleo.
5. Remova a vareta.
6. Examine o nível de óleo na vareta.

7. Se o nível de óleo estiver baixo, encha com óleo de motor e faça uma verificação do nível do óleo novamente.

## Para substituir o óleo do motor



**AVISO:** O óleo do motor fica muito quente após o motor ser desligado. Deixe o motor esfriar antes de drenar o óleo do motor. Se derramar óleo de motor na sua pele, limpe com água e sabão.

1. Opere o produto até esvaziar o tanque de combustível.
2. Remova o cabo de alta tensão da vela de ignição.
3. Remova a tampa do tanque de óleo.
4. Coloque um recipiente embaixo do produto para recolher o óleo do motor.
5. Incline o produto para drenar o óleo do motor do tanque de óleo.
6. Encha com o novo tipo de óleo de motor, recomendado em *Dados técnicos na página 54*.
7. Faça uma verificação do nível do óleo. Consulte *Para fazer uma verificação do nível do óleo na página 51*.

## Para examinar a vela de ignição



**CUIDADO:** Use sempre o tipo de vela de ignição recomendado. O tipo errado de vela de ignição pode causar danos ao produto.

- Se o motor apresentar baixa potência, não iniciar com facilidade ou não operar corretamente em marcha lenta, examine a vela de ignição.
- Para diminuir o risco de presença de material indesejado nos eletrodos da vela de ignição, siga as seguintes instruções:
  - a) Certifique-se de que a marcha lenta esteja ajustada corretamente.
  - b) Certifique-se de que a mistura de combustível esteja correta.
  - c) Certifique-se de que o filtro de ar esteja limpo.
- Se a vela de ignição estiver suja, limpe-a e verifique se a folga do eletrodo está correta, consulte *Dados técnicos na página 54*. (Fig. 31)
- Substitua a vela de ignição, se for necessário.

## Para limpar o filtro de ar

Um filtro de ar sujo pode fazer com que o motor seja danificado ou não opere corretamente. Faça a manutenção no filtro de ar com maior frequência em condições de poeira.

Consulte *Cronograma de manutenção na página 50* para obter informações sobre o momento de substituir o filtro de ar.

1. Remova a tampa do filtro de ar e remova o filtro.

2. Limpe o filtro batendo-o contra uma superfície plana. Não use solvente com petróleo, querosene ou ar comprimido para limpar o filtro.

**Observação:** Filtros de ar em operação há muito tempo não podem ser limpos completamente. Substitua o filtro de ar regularmente. Filtros de ar danificados deve ser sempre substituídos.

3. Ao montar o filtro de ar, certifique-se de que ele esteja completamente vedado contra o suporte do filtro.

## Para fazer uma verificação do defletor de descarga lateral

O defletor de descarga lateral é fixado à abertura de descarga lateral do produto. Ele diminui o risco de objetos serem lançados na direção da posição de corte de grama do operador.

1. Certifique-se de que o defletor de descarga lateral não esteja danificado.
2. Examine o defletor de descarga lateral. Certifique-se de não observar danos, como rachaduras ou molas quebradas empurrando a porta para fechar.
3. Substitua o defletor de descarga lateral ou as molas em caso de danos.

## Para examinar o sistema de combustível

- Examine a tampa do tanque de combustível e a vedação da tampa do tanque de combustível, para se certificar de que não há danos.
- Examine a mangueira de combustível, para se certificar de que não há vazamentos. Se a mangueira de combustível estiver danificada, vá a uma oficina autorizada para substituí-la.

## Para ajustar o cabo da embreagem (LC 153S, LB 256S, LC 356VP)

Para as situações a seguir, é necessário diminuir o comprimento do cabo da embreagem:

- A tração das rodas não engata ao puxar o braço de acionamento ou a alavanca de controle de rotação.
- O produto se move lentamente quando a tração das rodas é engatada.

Para as situações a seguir, é necessário aumentar o comprimento do cabo da embreagem:

- O produto se move quando a tração das rodas não é engatada.
- Ajuste o cabo da embreagem.
  - a) Para diminuir o comprimento do cabo da embreagem, gire o parafuso de ajuste no sentido anti-horário.
  - b) Para aumentar o comprimento do cabo da embreagem, gire o parafuso de ajuste no sentido horário. (Fig. 32)

Caso a tração do produto continue insatisfatória após o ajuste, fale com seu revendedor

---

## Transporte, armazenamento e descarte

---

### Transporte e armazenamento

- Para transporte e armazenamento do produto e combustível, certifique-se de que não haja vazamentos ou gases de escape. Faíscas ou chamas abertas, por exemplo, de dispositivos elétricos ou caldeiras, podem iniciar um incêndio.
- Sempre utilize recipientes aprovados para armazenamento e transporte de combustível.
- Esvazie o tanque de combustível antes de armazenar o produto por um longo período de tempo. Descarte o combustível em um local apropriado
- Fixe o produto de forma segura durante o transporte, para evitar danos e acidentes.
- Mantenha o produto em um local bloqueado para evitar o acesso de crianças ou de pessoas não autorizadas.
- Mantenha o produto em um local seco e livre de congelamento.

### Descarte

- Respeite os requisitos locais de reciclagem e as regulamentações aplicáveis.
- Descarte todos os produtos químicos, como óleo de motor ou combustível, em um centro de serviço ou em um local apropriado para o descarte.
- Quando o produto não for mais utilizado, envie-o para um Husqvarna revendedor ou descarte-o em um local para reciclagem.

## Dados técnicos

### Dados técnicos

	LC 153P	LC 153S	LB 256S	LC 356VP
<b>Motor</b>				
Marca	Briggs & Stratton	Briggs & Stratton	Briggs & Stratton	Honda
Nome do modelo do motor	650EXI	650EXI	650EXI	GCVx170
Cilindrada, cm <sup>3</sup>	163	163	163	166
Rotação, rpm	2800	2800	2800	2800
Potência nominal do motor, kW <sup>13</sup>	2,4	2,4	2,4	3,1
<b>Sistema de ignição</b>				
Vela de ignição	CHAMPION XC92YC	CHAMPION XC92YC	CHAMPION XC92YC	NGK BPR5ES
Folga do eletrodo	0,7	0,7	0,7	0,75
<b>Sistema de combustível e lubrificação</b>				
Combustível, sem chumbo, octanagem mínima	90	90	90	90
Capacidade do tanque de combustível, litros	1,0	1,0	1,0	0,9
Capacidade do reservatório de óleo, litros	0,5	0,5	0,5	0,4
Óleo do motor	SAE 30	SAE 30	SAE 30	SAE 30
<b>Peso</b>				
Com tanques vazios, kg	29,5	31	32,2	35,1
<b>Emissões de ruído<sup>14</sup></b>				
Nível da potência sonora, dB medido (A)	94	94	96	96
Nível da potência sonora, L <sub>WA</sub> dB (A) garantido	96	96	98	98
<b>Níveis sonoros<sup>15</sup></b>				
Nível de pressão sonora no ouvido do operador, dB (A)	84	84	84	87

<sup>13</sup> A potência nominal do motor indicada é a potência média líquida (em rpm especificado) de um típico motor de produção para o modelo do motor medido no padrão SAE J1349/ISO1585. Os motores de produção em massa podem apresentar diferenças nesse valor. A potência real para o motor instalado no produto final vai depender da velocidade de operação, das condições ambientais e de outros valores.

<sup>14</sup> As emissões de ruído no meio ambiente são medidas como potência sonora (L<sub>WA</sub>) em conformidade com a norma EC 2000/14/EC.

<sup>15</sup> Os dados informados para nível de pressão de ruído têm uma dispersão estatística típica (desvio padrão) de 1,2 dB (A).

	LC 153P	LC 153S	LB 256S	LC 356VP
<b>Níveis de vibração<sup>16</sup></b>				
Alça, m/s <sup>2</sup>	6,5	6,5	6,5	5,9
<b>Equipamento de corte</b>				
Altura de corte, mm	25-75	25-75	25-75	25-75
Largura de corte, mm	510	510	560	560
Sistema de corte	Coleta / Bio-Clip® / descarga lateral	Coleta / Bio-Clip® / descarga lateral	BioClip® / descarga lateral	Coleta / Bio-Clip® / descarga lateral
Lâmina - padrão	Collection 598562601	Collection 598562601	Mulch 598563601	Collection 598562701
Lâmina - acessório	Mulch 597683901	Mulch 597683901	-	Mulch 598563601
<b>Transmissão</b>				
Velocidade, km/h	-	3,6	3,6	3,0 - 4,5

<sup>16</sup> Os dados relatados de nível de vibração têm uma dispersão estatística típica (desvio padrão) de 0,2 m/s<sup>2</sup>.

---

# DECLARAÇÃO DE CONFORMIDADE DA CE

---

## DECLARAÇÃO DE CONFORMIDADE DA CE

A **Husqvarna AB**, SE-561 82 Huskvarna, Suécia, tel: +46-36-146500, declara que o **cortador de grama Husqvarna LC 356VP, LB 256S, LC 153S, LC 153P** do ano 2019 em diante, está em conformidade com os requisitos da DIRETIVA DO CONSELHO:

- de 8 de junho de 2011, referente a "restrição de uso de determinadas substâncias perigosas" **2011/65/EU**
- de 17 de maio de 2006 "referente às máquinas" **2006/42/CE**
- de 26 de fevereiro de 2014 "referente à compatibilidade eletromagnética" **2014/30/CE**
- de 8 de maio de 2000 "referente às emissões de ruído no meio ambiente" **2000/14/CE**

Informações referentes às emissões de ruído, consulte os dados técnicos.

As normas a seguir foram aplicadas:

**EN ISO 5395-1:2013/A1:2018, EN ISO 5395-2:2013/A2:2017, EN ISO 14982:2009**

Se não indicado o contrário, os padrões listados acima são as mais recentes versões mais publicadas.

Entidade competente: **0036, TÜV SÜD Industrie Service GmbH, Westendstrasse 199, 80686 München, Germany** realizou a avaliação de conformidade de acordo com o Anexo VI da diretiva 2000/14/EC e emitiu um certificado com o número: EN ISO 5395-1:2013/A1:2018, EN ISO 5395-2:2013/ A2:2017, EN ISO 14982:2009

Huskvarna, 2019-09-30



Claes Losdal, Gerente de Desenvolvimento/Produtos para Jardins (representante autorizado para a Husqvarna AB e responsável pela documentação técnica)





[www.husqvarna.com](http://www.husqvarna.com)

Original instructions  
Instrucciones originales  
Instructions d'origine  
Instruções originais

1141742-30



2019-10-21