

Illustrated Parts List - IPL Update



Product Name(s)

545 Mark II & 545G Mark II

Description of change

1. We have made some improvement on the Driver regarding the guiding against starter housing center pin.
As a result of the changes on the Driver, Starter Pulley has also been changed.
This change is NOT fully exchangeable.
2. We have added a new Kit 599 28 92-01. Contains: 582 50 31-02 new Driver, 582 50 32-02 new Starter Pulley and 582 64 49-01 old Torsion Spring.
3. We have added a Starter assy, Std as an alternative. New page Starter M2 added.

Comments

Kit 599 28 92-01 and Starter assy 596 23 03-01 is fully exchangeable.

Introduced from

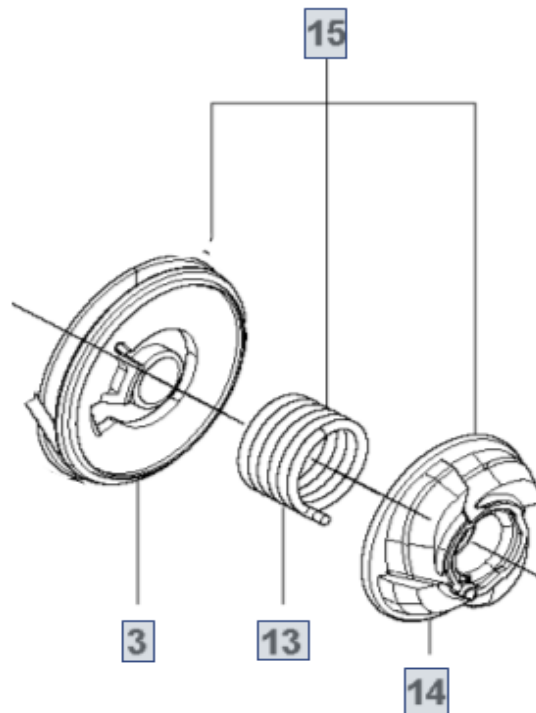
Serial number / Date	Remark
s/n 20200300011	Valid for Driver 582 50 31-02 and Starter Pulley 582 50 32-02.

IPL updates

Page Title	Ref. no	New part no	Name	Excl. part no.	Remark
Starter M1	3	582 50 32-02	Starter pulley		New spare part
	14	582 50 31-02	Driver		New spare part
	15	599 28 92-01	Starter pulley kit	582 50 31-01 582 50 32-01	
Starter M2		596 23 03-01	Starter assy, Std		Page M2 added

Illustrated Parts List - IPL Update

3. New Starter Pulley Kit.



4. New Starter Assy, Std. Page M2.

